

# BLS ZZ -70°

## Low Temperature Bearings



6000 SERIE

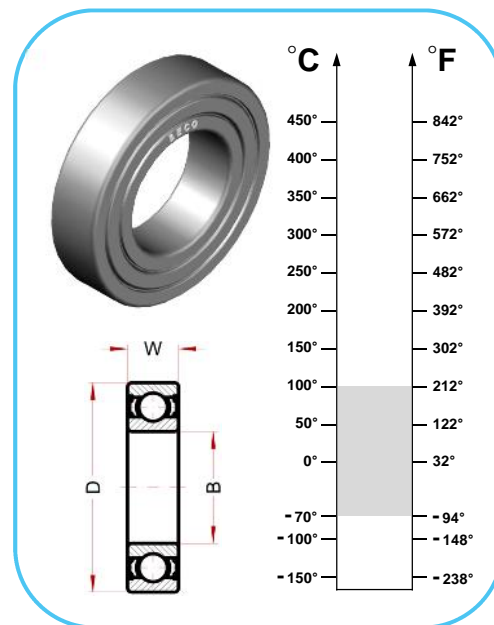
Designation	Bore (B)	Diam (D)	Width (W)	Speed, RPM	Static Load, kN at -70°C	Static Load, kN at 20°C
6000 BLS ZZ -70°	10	26	8	6000	1,57	1,96
6001 BLS ZZ -70°	12	28	8	5800	1,89	2,36
6002 BLS ZZ -70°	15	32	9	5600	2,28	2,85
6003 BLS ZZ -70°	17	35	10	5400	2,60	3,25
6004 BLS ZZ -70°	20	42	12	5200	4,00	5,00
6005 BLS ZZ -70°	25	47	12	4800	4,68	5,85
6006 BLS ZZ -70°	30	55	13	4400	6,40	8,00
6007 BLS ZZ -70°	35	62	14	4000	8,32	10,4
6008 BLS ZZ -70°	40	68	15	3600	9,44	11,8
6009 BLS ZZ -70°	45	75	16	3200	11,44	14,3
6010 BLS ZZ -70°	50	80	16	2800	12,48	15,6
6011 BLS ZZ -70°	55	90	18	2400	16,96	21,2
6012 BLS ZZ -70°	60	95	18	2000	18,56	23,2
6013 BLS ZZ -70°	65	100	18	1800	20,00	25,0
6014 BLS ZZ -70°	70	110	20	1600	25,20	31,5
6015 BLS ZZ -70°	75	115	20	1400	27,20	34,0
6016 BLS ZZ -70°	80	125	22	1200	32,00	40,0
6017 BLS ZZ -70°	85	130	22	1000	34,32	42,9
6018 BLS ZZ -70°	90	140	24	900	39,92	49,9
6019 BLS ZZ -70°	95	145	24	800	43,16	53,9
6020 BLS ZZ -70°	100	150	24	700	43,16	53,9

6200 SERIE

Designation	Bore (B)	Diam (D)	Width (W)	Speed, RPM	Static Load, kN at -70°C	Static Load, kN at 20°C
6200 BLS ZZ -70°	10	30	9	5800	2,08	2,60
6201 BLS ZZ -70°	12	32	10	5600	2,48	3,10
6202 BLS ZZ -70°	15	35	11	5400	3,00	3,75
6203 BLS ZZ -70°	17	40	12	5200	3,80	4,75
6204 BLS ZZ -70°	20	47	14	4800	5,24	6,55
6205 BLS ZZ -70°	25	52	15	4400	6,40	8,00
6206 BLS ZZ -70°	30	62	16	4000	8,96	11,2
6207 BLS ZZ -70°	35	72	17	3600	12,2	15,3
6208 BLS ZZ -70°	40	80	18	3200	14,4	18,0
6209 BLS ZZ -70°	45	85	19	2800	16,3	20,4
6210 BLS ZZ -70°	50	90	20	2400	19,2	24,0
6211 BLS ZZ -70°	55	100	21	2000	23,2	29,0
6212 BLS ZZ -70°	60	110	22	1800	28,8	36,0
6213 BLS ZZ -70°	65	120	23	1600	33,2	41,5
6214 BLS ZZ -70°	70	125	24	1400	35,2	44,0
6215 BLS ZZ -70°	75	130	25	1200	39,2	49,0
6216 BLS ZZ -70°	80	140	26	1000	44,0	55,0
6217 BLS ZZ -70°	85	150	28	900	51,2	64,0
6218 BLS ZZ -70°	90	160	30	800	58,8	73,5
6219 BLS ZZ -70°	95	170	32	700	65,2	81,5
6220 BLS ZZ -70°	100	180	34	600	74,4	93,0

6300 SERIE

Designation	Bore (B)	Diam (D)	Width (W)	Speed, RPM	Static Load, kN at -70°C	Static Load, kN at 20°C
6300 BLS ZZ -70°	10	35	11	5600	2,48	3,10
6301 BLS ZZ -70°	12	37	12	5400	2,96	3,70
6302 BLS ZZ -70°	15	42	13	5200	3,84	4,80
6303 BLS ZZ -70°	17	47	14	4800	4,64	5,80
6304 BLS ZZ -70°	20	52	15	4400	6,08	7,60
6305 BLS ZZ -70°	25	62	17	4000	8,16	10,2
6306 BLS ZZ -70°	30	72	19	3600	11,68	14,6
6307 BLS ZZ -70°	35	80	21	3200	13,68	17,1
6308 BLS ZZ -70°	40	90	23	2800	18,00	22,5
6309 BLS ZZ -70°	45	100	25	2400	23,04	28,8
6310 BLS ZZ -70°	50	110	27	2000	27,36	34,2
6311 BLS ZZ -70°	55	120	29	1800	34,16	42,7
6312 BLS ZZ -70°	60	130	31	1600	37,44	46,8
6313 BLS ZZ -70°	65	140	33	1400	43,20	54,0
6314 BLS ZZ -70°	70	150	35	1200	48,96	61,2
6315 BLS ZZ -70°	75	160	37	1000	55,04	68,8
6316 BLS ZZ -70°	80	170	39	900	62,24	77,8
6317 BLS ZZ -70°	85	180	41	800	69,44	86,8
6318 BLS ZZ -70°	90	190	43	700	77,76	97,2
6319 BLS ZZ -70°	95	200	45	600	84,96	106,2
6320 BLS ZZ -70°	100	215	47	500	100,8	126,0



### Technical characteristics:

- Bearing material: steel AISI 52100 (Chrome) stabilized to the application
- Radial Clearance C4
- Shields type ZZ
- Lubricated for life with grease for temperatures down to -70°C
- Do not need additional lubrication

### Fields of application:

- Installations for the production of gas
- Equipment for refrigeration rooms
- Facilities for ski resorts
- Special vehicles for arctic use

# BECCO

12100 Cuneo - Italy

phone: 0039 0171 66883

fax: 0039 0171 648913

www.becoitalia.it