

# BHTS ZZ 350°

BECO PLUS

NEW  
2015

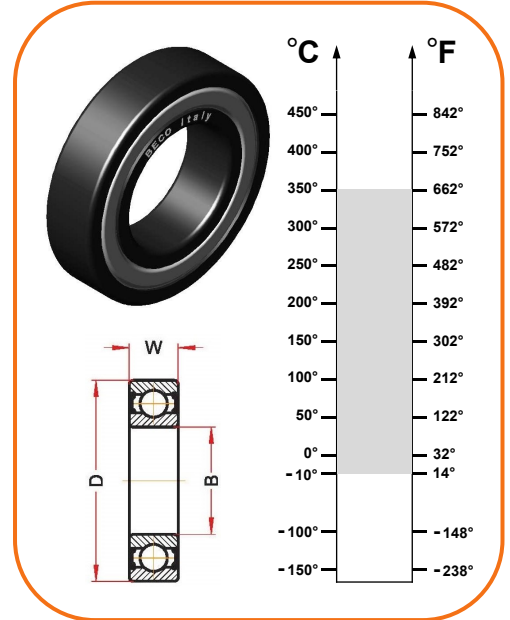


## Extreme Temperature

## Maintenance Free + High Speed Bearings

6000 SERIE

Designation	Bore (B)	Diam (D)	Width (W)	Speed RPM/min	Static Load, kN at 350°	Static Load, kN at 20°
6000 BHTS ZZ 350° BECO PLUS	10	26	8	564	1,35	1,96
6001 BHTS ZZ 350° BECO PLUS	12	28	8	524	1,63	2,36
6002 BHTS ZZ 350° BECO PLUS	15	32	9	484	1,97	2,85
6003 BHTS ZZ 350° BECO PLUS	17	35	10	444	2,24	3,25
6004 BHTS ZZ 350° BECO PLUS	20	42	12	400	3,45	5
6005 BHTS ZZ 350° BECO PLUS	25	47	12	340	4,04	5,85
6006 BHTS ZZ 350° BECO PLUS	30	55	13	260	5,52	8
6007 BHTS ZZ 350° BECO PLUS	35	62	14	220	7,17	10,4
6008 BHTS ZZ 350° BECO PLUS	40	68	15	200	8,14	11,8
6009 BHTS ZZ 350° BECO PLUS	45	75	16	180	9,86	14,3
6010 BHTS ZZ 350° BECO PLUS	50	80	16	170	10,76	15,6
6011 BHTS ZZ 350° BECO PLUS	55	90	18	150	14,62	21,2
6012 BHTS ZZ 350° BECO PLUS	60	95	18	140	16	23,2
6013 BHTS ZZ 350° BECO PLUS	65	100	18	126	17,24	25
6014 BHTS ZZ 350° BECO PLUS	70	110	20	120	21,72	31,5
6015 BHTS ZZ 350° BECO PLUS	75	115	20	100	23,45	34
6016 BHTS ZZ 350° BECO PLUS	80	125	22	100	27,58	40
6017 BHTS ZZ 350° BECO PLUS	85	130	22	100	29,59	42,9
6018 BHTS ZZ 350° BECO PLUS	90	140	24	100	34,41	49,9
6019 BHTS ZZ 350° BECO PLUS	95	145	24	100	37,21	53,95
6020 BHTS ZZ 350° BECO PLUS	100	150	24	100	37,21	53,95



6200 SERIE

Designation	Bore (B)	Diam (D)	Width (W)	Speed RPM/min	Static Load, kN at 350°	Static Load, kN at 20°
6200 BHTS ZZ 350° BECO PLUS	10	30	9	524	1,79	2,6
6201 BHTS ZZ 350° BECO PLUS	12	32	10	484	2,14	3,1
6202 BHTS ZZ 350° BECO PLUS	15	35	11	360	2,59	3,75
6203 BHTS ZZ 350° BECO PLUS	17	40	12	350	3,28	4,75
6204 BHTS ZZ 350° BECO PLUS	20	47	14	300	4,52	6,55
6205 BHTS ZZ 350° BECO PLUS	25	52	15	280	5,52	8
6206 BHTS ZZ 350° BECO PLUS	30	62	16	220	7,72	11,2
6207 BHTS ZZ 350° BECO PLUS	35	72	17	200	10,55	15,3
6208 BHTS ZZ 350° BECO PLUS	40	80	18	170	12,41	18
6209 BHTS ZZ 350° BECO PLUS	45	85	19	160	14,06	20,4
6210 BHTS ZZ 350° BECO PLUS	50	90	20	150	16,55	24
6211 BHTS ZZ 350° BECO PLUS	55	100	21	134	20	29
6212 BHTS ZZ 350° BECO PLUS	60	110	22	120	24,83	36
6213 BHTS ZZ 350° BECO PLUS	65	120	23	106	28,62	41,5
6214 BHTS ZZ 350° BECO PLUS	70	125	24	100	30,35	44
6215 BHTS ZZ 350° BECO PLUS	75	130	25	100	33,79	49
6216 BHTS ZZ 350° BECO PLUS	80	140	26	100	37,93	55
6217 BHTS ZZ 350° BECO PLUS	85	150	28	100	44,14	64
6218 BHTS ZZ 350° BECO PLUS	90	160	30	100	50,69	73,5
6219 BHTS ZZ 350° BECO PLUS	95	170	32	100	56,21	81,5
6220 BHTS ZZ 350° BECO PLUS	100	180	34	100	64,14	93

### Technical characteristics:

- Material steel AISI 52100 (Chrome) stabilized to the application
- Treatment of manganese phosphate coating on all steel parts
- Radial Clearance 4x C5
- Shields type ZZ
- Greasing with exclusive BECO developed comp. grease for 370°C

### Fields of application:

- Paint Ovens
- Steel industry
- Furnaces for Ceramic Industry
- Trolley Industry, Brick Kilns

### Advantages:

- The Most Performant Bearing on the market
- Up to 3 times more speed than any other competitors

6300 SERIE

Designation	Bore (B)	Diam (D)	Width (W)	Speed RPM/min	Static Load, kN at 350°	Static Load, kN at 20°
6300 BHTS ZZ 350° BECO PLUS	10	35	11	440	2,38	3,45
6301 BHTS ZZ 350° BECO PLUS	12	37	12	400	2,86	4,15
6302 BHTS ZZ 350° BECO PLUS	15	42	13	360	3,72	5,4
6303 BHTS ZZ 350° BECO PLUS	17	47	14	320	4,52	6,55
6304 BHTS ZZ 350° BECO PLUS	20	52	15	280	5,86	8,5
6305 BHTS ZZ 350° BECO PLUS	25	62	17	220	7,86	11,4
6306 BHTS ZZ 350° BECO PLUS	30	72	19	190	11,24	16,3
6307 BHTS ZZ 350° BECO PLUS	35	80	21	170	13,10	19
6308 BHTS ZZ 350° BECO PLUS	40	90	23	150	17,24	25
6309 BHTS ZZ 350° BECO PLUS	45	100	25	134	22,06	32
6310 BHTS ZZ 350° BECO PLUS	50	110	27	120	26,21	38
6311 BHTS ZZ 350° BECO PLUS	55	120	29	106	32,76	47,5
6312 BHTS ZZ 350° BECO PLUS	60	130	31	100	35,86	52
6313 BHTS ZZ 350° BECO PLUS	65	140	33	100	41,38	60
6314 BHTS ZZ 350° BECO PLUS	70	150	35	100	46,90	68
6315 BHTS ZZ 350° BECO PLUS	75	160	37	100	52,76	76,5
6316 BHTS ZZ 350° BECO PLUS	80	170	39	100	59,66	86,5
6317 BHTS ZZ 350° BECO PLUS	85	180	41	100	66,55	96,5
6318 BHTS ZZ 350° BECO PLUS	90	190	43	100	74,48	108
6319 BHTS ZZ 350° BECO PLUS	95	200	45	100	81,38	118
6320 BHTS ZZ 350° BECO PLUS	100	215	47	100	96,55	140

# BECO

12100 Cuneo - Italy

Via Volta, 7

phone: 0039 0171 66883

fax: 0039 0171 648913

www.becoitalia.it