

# SKF Speedi-Sleeve new generation

and wear sleeves for heavy industrial applications





# Contents

<b>The new generation concept and characteristics</b> .....	<b>5</b>
Enhanced sealing system solution .....	5
Features .....	5
Removable flange .....	6
SKF Speedi-Sleeve Gold .....	6
Size range .....	6
Selecting the sleeve size .....	6
Test results .....	7
<b>Installing SKF Speedi-Sleeve</b> .....	<b>8</b>
A new seal counterface in a few minutes .....	8
Installation procedure .....	9
Removal .....	9
<b>Product tables</b> .....	<b>10</b>
Metric dimensions .....	10
Inch dimensions .....	22
<b>Wear sleeves for heavy industrial applications</b> .....	<b>34</b>
<b>Product tables</b> .....	<b>36</b>
Metric dimensions .....	36
Inch dimensions .....	38



# The new generation concept and characteristics

## Enhanced sealing system solution

To seal effectively, radial shaft seals must run against a smooth, round counterface. If the counterface becomes worn, the seal will no longer be able to fulfil its function, which is to retain lubricant and to exclude contaminants.

Typically, the counterface becomes scored when a contaminant particle is caught under the sealing lip and abrades a track as the shaft rotates. As this continues, the seal will enable more particles to pass or get stuck eventually leading to malfunction of the component that the sealing system is meant to protect. A simple seal replacement will not be sufficient and to repair the shaft, it is usually necessary to disassemble the machine to be able to grind down the counterface until it

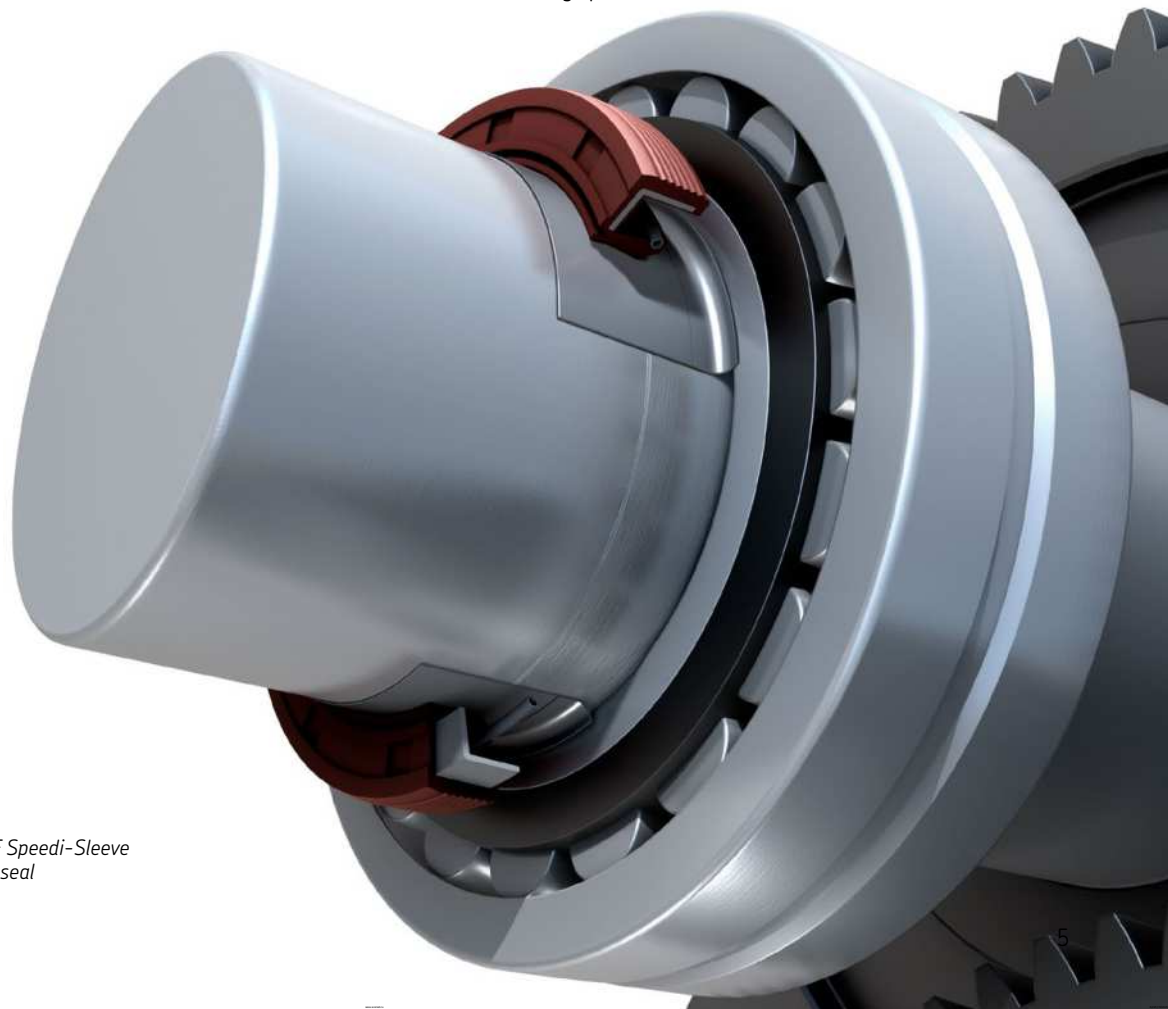
is within specification again. Otherwise, the sealing system will not function properly.

SKF Speedi-Sleeve is a well-proven solution to overcome problems with worn shafts, without having to disassemble the shaft or specifying a new size of the replacement seal, while offering an excellent sealing surface. Now, SKF has developed a patent pending new generation SKF Speedi-Sleeve with features providing an even further enhanced sealing system performance.

The proprietary material provides increased strength and excellent ductility properties of the sleeve. Imperceptible lubricant pockets enable the lubricant to reside on the sleeve and thereby prevent dry running of the sealing lip that otherwise can create excessive wear. The sleeves are thin-walled (0,28 mm (0.011 in.)) and the contact surface is wear resistant and manufactured to minimize directionality ( $0^\circ \pm 0,05$ ) with a finish of  $R_a$  0,25 to 0,5  $\mu\text{m}$  (10 to 20  $\mu\text{in.}$ ). This is, in fact, a better counterface than can often be achieved on a shaft.

## Features

The new generation of SKF Speedi-Sleeve combines a proprietary stainless steel material and manufacturing process, resulting in an optimized seal counterface surface that minimizes wear on both the sleeve and sealing lip.



*The optimized sealing system: SKF Speedi-Sleeve new generation + SKF radial shaft seal*

## Removable flange

SKF Speedi-Sleeve has a removable flange to simplify installation (→ fig. 1). The flange can most often be left intact, but in applications where the flange will interfere with other system components, it should be removed so it does not cause friction heat and wear debris. The flange should also be removed in applications where it may reduce the supply of lubricant to the seal. This would cause a reduced cooling effect of the lubricant, resulting in elevated underlip temperature and premature ageing of the seal material.

If the flange is to be removed, it should be cut from the outside diameter into the radius in one location prior to installation. The flange can then be twisted and raised up after installation and grasped with a pair of pliers and twisted into a coil.

## SKF Speedi-Sleeve Gold

The new generation of SKF Speedi-Sleeve is also available in the Gold version, designed for highly abrasive applications. A thin, metallic coating applied to the base stainless steel imparts a gold colour and significantly increases durability. SKF Speedi-Sleeve Gold is particularly effective in environments where there are abrasive contaminants, especially when combined with a seal manufactured from the SKF fluoro rubber material SKF Duralife<sup>1</sup>). This sealing system solution lasted 2 500 hours in a contamination test.

The installation procedure is common to both SKF Speedi-Sleeve designs and the original seal size can still be used.

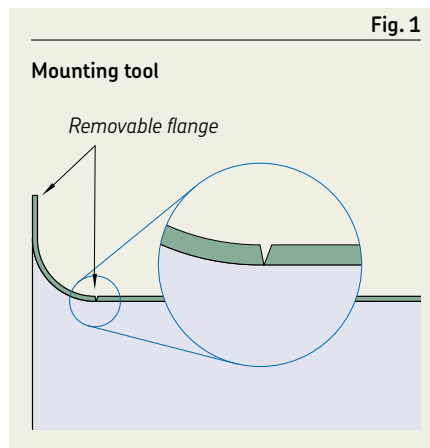
All sleeves listed in the product tables starting on **page 12** can be manufactured as SKF Speedi-Sleeve Gold.

## Size range

The standard size range covers sleeves for shaft diameters from 11,99 to 203,33 mm (0.472 to 8 in.). Depending on production quantities, non-standard sizes can be manufactured. For additional information, contact SKF. Each sleeve is designed to fit a specific shaft range, usually above and below the nominal shaft diameter. This permits some flexibility to accommodate variations in the actual shaft diameter.

## Selecting the sleeve size

To determine the appropriate sleeve size, it is first necessary to clean the shaft carefully. The diameter of an undamaged section of the seal counterface should then be measured on at least three different planes. The arithmetical mean of these measurements determines the size of SKF Speedi-Sleeve. If the value lies within the permissible range listed in the product table for the shaft diameter  $d_1$ , the selected SKF Speedi-Sleeve will have an adequate tight fit on the shaft and will not require an adhesive.



SKF Speedi-Sleeve removable flange



SKF Speedi-Sleeve new generation, Gold version



*The standard size range covers sleeves for shaft diameters from 11,99 to 203,33 mm (0.472 to 8 in.).*

<sup>1</sup>) Previously named Longlife

# Test results

The previous and new generation of SKF Speedi-Sleeve products were tested for abrasion resistance under both coarse and fine dust conditions. A 500 hour contamination test (→ **diagram 1**) showed that when compared to the previous generation sleeve, the new generation SKF Speedi-Sleeve reduced abrasion by a factor of 1,5 and was still operating efficiently.

To test sealing system effectiveness, a 2 000 hour life test was performed (→ **diagram 2**) using SKF Speedi-Sleeve new and previous generation products and SKF Wave seals made from the SKF fluoro rubber material SKF Duralife. The test results showed that SKF Speedi-Sleeve new generation reduced the sealing lip wear and the variation in the wear rate by approximately 30% compared to the previous generation sleeve and outperformed a chromium-plated surface by a factor of 2. This reduction improves the sealing system reliability as well as the predictability of the system service life.

Both tests were carried out under the same operating conditions:

- temperatures up to 110 °C (225 °F)
- linear shaft speeds of up to 8,6 m/s (1 700 ft/min)

In other tests, it was found that continuous salt spray at 35 °C (95 °F) produced no trace of corrosion even after 600 hours. This optimized performance is made possible through the use of the new generation of SKF Speedi-Sleeve.

Diagram 1

**SKF Speedi-Sleeve wear test**  
Abrasive media, test stopped at 500 hours

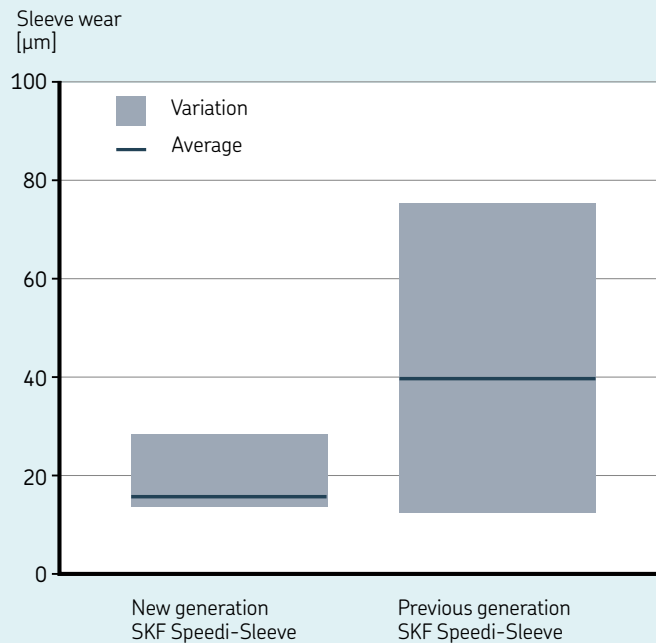
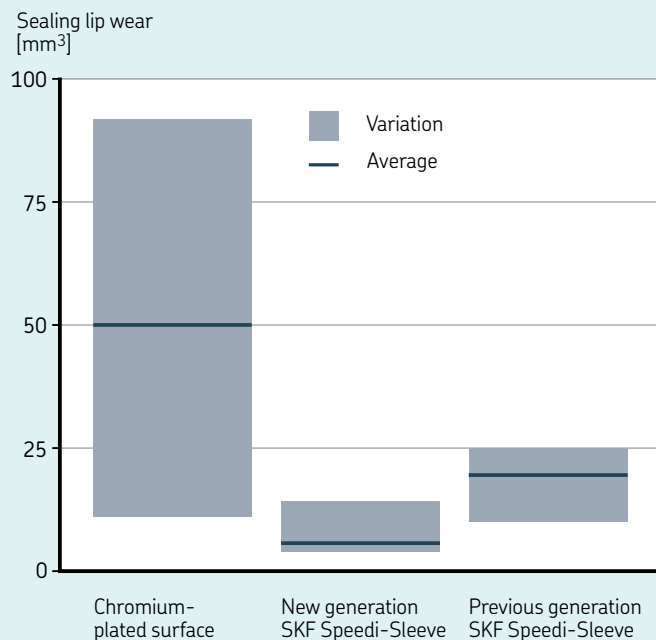


Diagram 2

**Sealing lip wear test**  
Seals made from fluoro rubber, test stopped at 2 000 hours



# Installing SKF Speedi-Sleeve

## A new seal counterface in a few minutes

Although installation is simple, it should be done carefully to achieve the best results. As the thin-walled sleeve has an interference fit, any disturbances on the shaft surface may create a similar pattern on the sleeve surface and cause the seal to leak. Therefore, the seal counterface surface of the shaft should be carefully cleaned and any burrs or rough spots filed down prior to installation. Deep wear grooves, scratches or very rough surfaces should be treated with a suitable powdered metal epoxy-type filler.

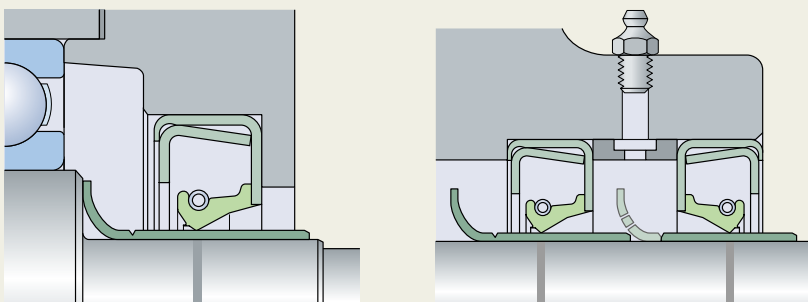
The sleeve must be positioned on the shaft before the filler has hardened.

SKF Speedi-Sleeve must not be installed over keyways, cross holes, splines or threads since this will result in deformation of the sleeve, making it difficult for the seal to follow its new counterface surface as it rotates.

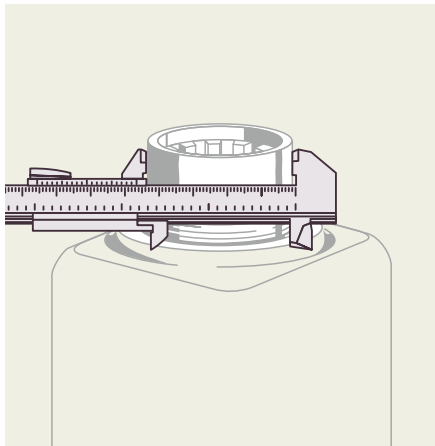
SKF Speedi-Sleeve should never be heated prior to installation. Using heat will cause the sleeve to expand, but when it cools, it may not contract back to its original size, resulting in a loose fit on the shaft. See **fig. 2** for different SKF Speedi-Sleeve installations.

Fig. 2

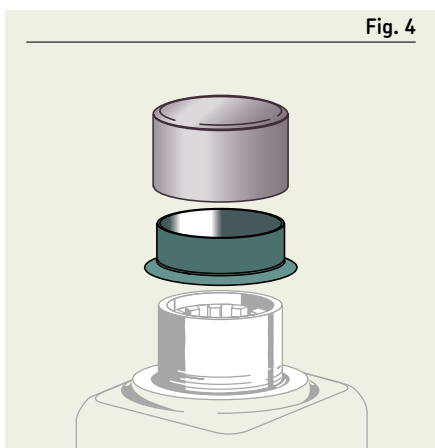
SKF Speedi-Sleeve installations



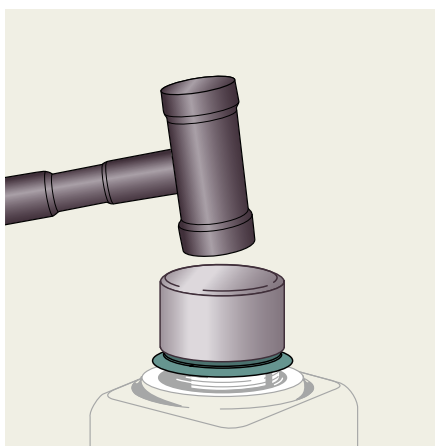




Clean and measure the diameter of the worn shaft and mark the area where the sleeve will cover the scored portion of the shaft.



Place SKF Speedi-Sleeve on the shaft and then place the special installation tool over the sleeve.



Tap the installation tool with a mallet until the sleeve is seated on the shaft over the marked area. Remove the installation tool.

## Installation procedure

- 1 Clean the seal counterface surface on the shaft. File down any burrs or rough spots and make sure that the sleeve will not be installed over keyways, cross holes, splines or similar.
- 2 Measure the diameter on an unworn portion of the shaft where the sleeve will be positioned (→ fig. 3). Measure in three positions and average the readings to make sure the shaft is within recommended specifications. If the average diameter is within the range for a given sleeve size, there is sufficient press fit built into the sleeve to prevent it from sliding or spinning without using an adhesive.
- 3 Determine where the sleeve must be positioned to cover the worn area. Measure to the exact point, or mark directly on the surface. The sleeve must be placed over the worn area, not just bottomed or left flush with the end of the shaft.
- 4 Shallow wear grooves do not require filling. Optionally, a light layer of a non-hardening sealant can be applied to the inside diameter surface of the sleeve. Clean away sealant that migrates to the shaft or sleeve outside diameter surface.
- 5 If the shaft is deeply scored, fill the groove with a powdered metal epoxy-type filler. Install the sleeve before the filler hardens, enabling the sleeve to wipe off any excess filler. Clean away any remaining filler from the sleeve outside diameter surface.
- 6 It should be repeated that heat should never be used to install SKF Speedi-Sleeve.
- 7 If the flange should be removed after installation, cut it from the outside diameter into the radius in one location. The flange end of the sleeve goes on the shaft first. Then, place the installation tool over the sleeve (→ fig. 4).
- 8 Gently tap the centre of the installation tool until the sleeve covers the worn shaft surface (→ fig. 5). If the installation tool is too short, a length of pipe or tubing with a squared-off, burr-free end can be used. Be sure that the inside diameter of the pipe is the same as that of the installation tool. Use care not to scratch the precision ground sleeve's outside diameter.

- 9 SKF Speedi-Sleeve should always be installed so that the outside edge of the sleeve is seated on the full shaft diameter. It must not rest in or outside the chamfer area since the sharp edge will likely cut the sealing lip during seal installation.
- 10 If the flange was cut for removal, use a pair of long-nosed pliers to grasp the flange away from the sleeve and twist it into a coil, being careful not to lift the end of the sleeve off the shaft or it will leave a jagged edge. Flange removal must be done with care to avoid damage to the outside diameter of the sleeve.
- 11 After the sleeve is installed, check again for burrs that could damage the seal.
- 12 Lubricate the sleeve with the system medium before installing the seal.
- 13 Proceed with seal installation.

## Removal

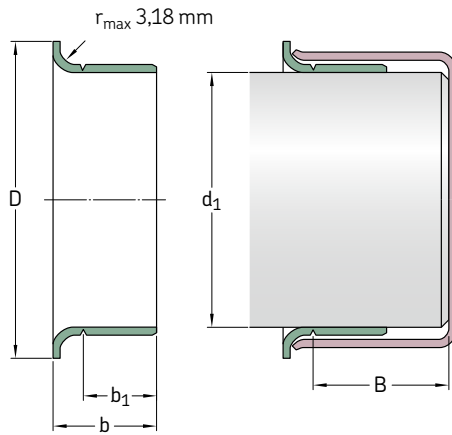
SKF Speedi-Sleeve can be removed by applying heat to the sleeve with an electric heat blower, which will expand it enough to let it slide off the shaft without causing any damage to the shaft. Alternatively, the sleeve can be removed in any of the following ways, always using care not to damage the shaft surface:

- by relieving the press-fit tension using a small hammer to peen across the full width of the sleeve
- by using a cold chisel to cut through the sleeve
- by using a pair of wire cutters starting at or near the flange and applying a twisting motion

Please note that SKF Speedi-Sleeve cannot be reused.

**SKF Speedi-Sleeve – metric dimensions (converted from inch dimensions)**

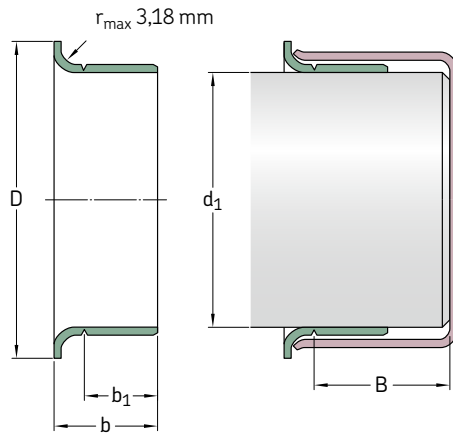
$d_1$  11,99–34,01 mm



Shaft diameter range		Nominal dimensions					Designations
$d_1$ min	max	$d_1$	D $\pm 1,6$	$b_1$ $\pm 0,8$	b $\pm 0,8$	B <sup>1)</sup>	
mm							–
<b>11,99</b>	<b>12,07</b>	11,99	15,49	5,99	8,41	47,63	<b>99049</b>
<b>12,65</b>	<b>12,75</b>	12,70	15,49	6,35	8,74	50,80	<b>99050</b>
<b>13,89</b>	<b>14,00</b>	14,00	19,05	6,35	9,93	46,51	<b>99055</b>
<b>14,22</b>	<b>14,38</b>	14,30	19,05	6,35	9,93	46,51	<b>99056</b>
<b>14,96</b>	<b>15,06</b>	15,01	19,05	5,00	8,99	47,29	<b>99059</b>
<b>15,82</b>	<b>15,93</b>	15,88 15,88	19,05 19,05	7,95 7,95	10,31 10,31	50,80 50,80	<b>99810<sup>2)</sup></b> <b>99062</b>
<b>15,90</b>	<b>16,00</b>	16,00	18,24	7,95	11,13	50,80	<b>99058</b>
<b>16,94</b>	<b>17,04</b>	16,99	22,23	8,00	11,00	50,80	<b>99068</b>
<b>17,32</b>	<b>17,42</b>	17,37	22,86	7,95	11,13	50,80	<b>99060</b>
<b>17,88</b>	<b>18,01</b>	18,01	24,43	8,00	11,00	46,00	<b>99082</b>
<b>19,00</b>	<b>19,10</b>	19,05 19,05	24,00 24,00	7,95 7,95	11,13 11,13	50,80 50,80	<b>99811<sup>2)</sup></b> <b>99076</b>
<b>19,28</b>	<b>19,33</b>	19,30	23,83	7,95	11,13	50,80	<b>99081</b>
<b>19,81</b>	<b>19,91</b>	19,84	23,75	7,95	11,13	50,80	<b>99080</b>
<b>19,94</b>	<b>20,04</b>	19,99	23,62	8,00	11,00	50,80	<b>99078</b>
<b>20,62</b>	<b>20,70</b>	20,65	30,18	9,53	14,30	76,20	<b>99083</b>
<b>21,77</b>	<b>21,87</b>	21,82	29,34	6,35	9,53	50,80	<b>99086</b>
<b>21,87</b>	<b>22,00</b>	22,00 22,00	30,18 30,18	6,58 8,00	9,12 11,99	47,14 46,02	<b>99084</b> <b>99085</b>
<b>22,17</b>	<b>22,28</b>	22,23 22,23	27,79 27,79	7,95 7,95	11,13 11,13	50,80 50,80	<b>99812<sup>2)</sup></b> <b>99087</b>
<b>23,06</b>	<b>23,16</b>	23,11 23,11	30,94 30,94	7,95 7,95	11,13 11,13	46,91 46,91	<b>99860<sup>2)</sup></b> <b>99091</b>
<b>23,88</b>	<b>24,00</b>	24,00	28,70	7,95	11,13	50,80	<b>99092</b>
<b>24,54</b>	<b>24,64</b>	24,61 24,61	28,70 28,70	7,95 15,88	11,13 18,26	50,80 50,80	<b>99094</b> <b>99096</b>

<sup>1)</sup> Possible max. distance of the rear groove from the shaft end when the installation tool supplied with the sleeve is used

<sup>2)</sup> SKF Speedi-Sleeve Gold



Shaft diameter range		Nominal dimensions					Designations
$d_1$ min	max	$d_1$	$D$ $\pm 1,6$	$b_1$ $\pm 0,8$	$b$ $\pm 0,8$	$B^1)$	
mm							–
24,94	25,04	24,99	33,02	7,95	11,00	50,80	99813 <sup>2)</sup>
		24,99	33,02	7,95	11,00	50,80	99098
25,35	25,45	25,40	30,96	7,95	11,13	50,80	99814 <sup>2)</sup>
		28,58	38,10	7,95	11,13	17,48	99112
		25,40	30,96	7,95	11,13	50,80	99868 <sup>3)</sup>
25,88	26,01	26,01	33,35	8,00	11,99	46,05	99103
26,92	27,03	27,00	33,53	7,95	11,13	46,81	99815 <sup>2)</sup>
		27,00	33,53	7,95	11,13	46,81	99106
27,61	27,71	27,66	35,71	7,95	11,13	15,88	99108
27,94	28,04	27,99	34,93	9,53	12,70	46,81	99866 <sup>2)</sup>
		27,99	34,93	9,53	12,70	46,81	99111
28,52	28,63	28,58	38,10	7,95	11,13	17,48	99816 <sup>2)</sup>
		28,58	38,10	7,95	11,13	17,48	99112
		28,58	38,10	9,53	12,70	17,48	99116
29,31	29,41	29,36	34,29	9,53	12,70	17,48	99865 <sup>2)</sup>
		29,36	34,29	9,53	12,70	17,48	99120
29,79	29,92	29,85	35,56	7,95	11,13	17,48	99122
29,95	30,07	30,00	35,56	8,00	11,00	17,48	99114
30,10	30,23	30,18	35,56	7,95	11,13	17,48	99118
30,89	31,04	30,96	39,70	7,95	11,00	15,88	99123
31,42	31,57	31,50	39,12	8,00	11,13	17,48	99141
31,67	31,83	31,75	38,10	7,95	11,13	17,48	99817 <sup>2)</sup>
		31,75	38,10	7,95	11,13	17,48	99125
31,93	32,08	32,00	38,10	8,00	11,13	17,48	99128
32,94	33,05	32,99	40,49	15,01	18,01	25,40	99121
33,22	33,38	33,35	40,64	6,35	9,53	20,65	99129
33,27	33,43	33,35	40,49	12,70	15,88	20,65	99818 <sup>2)</sup>
		33,35	40,49	12,70	15,88	20,65	99131
33,86	34,01	34,01	41,28	12,70	15,88	20,65	99134

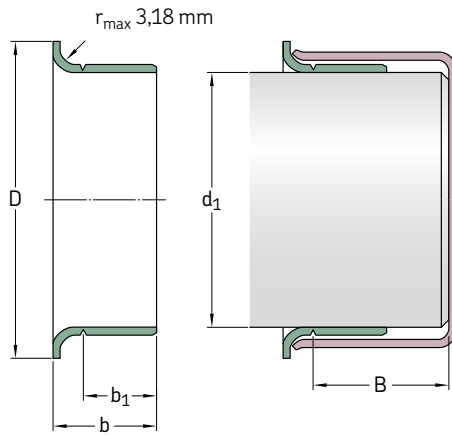
<sup>1)</sup> Possible max. distance of the rear groove from the shaft end when the installation tool supplied with the sleeve is used

<sup>2)</sup> SKF Speedi-Sleeve Gold

<sup>3)</sup> Previously 99100

**SKF Speedi-Sleeve – metric dimensions (converted from inch dimensions)**

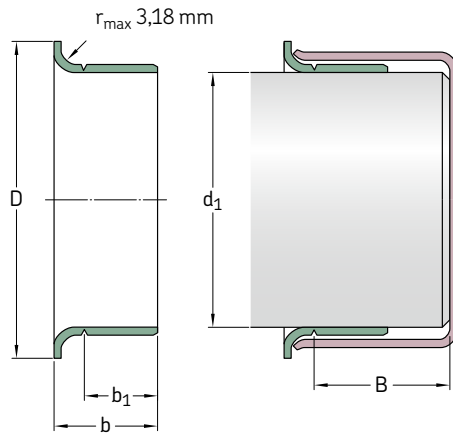
$d_1$  34,82–49,28 mm



Shaft diameter range		Nominal dimensions					Designations
$d_1$ min	max	$d_1$	D $\pm 1,6$	$b_1$ $\pm 0,8$	b $\pm 0,8$	B <sup>1)</sup>	
mm							–
34,82	34,98	34,93	41,61	7,95	11,13	20,65	99133
		34,93	41,61	12,70	15,88	20,65	99819 <sup>2)</sup>
		34,93	41,61	12,70	15,88	20,65	99138
34,93	35,08	34,93	41,61	13,00	16,00	20,65	99820 <sup>2)</sup>
		34,93	41,61	13,00	16,00	20,65	99139
35,84	35,99	35,99	45,24	13,00	16,99	24,99	99146
36,37	40,84 36,53	40,77	49,23	12,70	16,28	25,40	99160
		36,53	45,24	14,30	17,48	25,81	99821 <sup>2)</sup>
		36,53	45,24	14,30	17,48	25,81	99143
36,45	36,60	36,53	45,24	9,53	12,70	25,81	99144
37,85	38,00	38,00	45,24	13,00	16,99	24,99	99147
38,02	38,18	38,10	45,24	9,53	12,70	25,81	99823 <sup>2)</sup>
		38,10	45,24	9,53	12,70	25,81	99150
		38,10	45,24	14,30	17,48	25,81	99822 <sup>2)</sup>
		38,10	45,24	14,30	17,48	25,81	99149
38,61	38,76	38,68	47,22	11,13	14,30	25,81	99152
39,34	39,50	39,42	47,22	11,13	14,30	25,81	99155
39,60	39,75	39,67	47,22	14,30	17,48	25,81	99824 <sup>2)</sup>
		39,67	47,22	14,30	17,48	25,81	99156
39,78	39,93	39,85	47,22	15,88	19,05	25,81	99159
39,85	40,01	40,01	46,99	9,91	12,93	25,40	99153
39,93	40,08	40,08	46,99	13,00	16,00	25,98	99825 <sup>2)</sup>
		40,08	46,99	13,00	16,00	25,98	99157
40,69	40,84	40,77	49,23	12,70	16,28	25,40	99160
40,84	41,00	41,00	49,23	12,70	15,88	25,81	99163
41,20	41,35	41,28	47,63	7,95	11,13	25,81	99161
		41,28	47,63	14,30	17,48	20,65	99826 <sup>2)</sup>
		41,28	47,63	14,30	17,48	20,65	99162
41,83	42,01	41,91	53,01	11,30	14,50	21,49	99166
		41,91	53,01	14,30	17,50	21,01	99169
		42,01	53,01	14,30	17,50	21,01	99873 <sup>2)</sup>

<sup>1)</sup> Possible max. distance of the rear groove from the shaft end when the installation tool supplied with the sleeve is used

<sup>2)</sup> SKF Speedi-Sleeve Gold



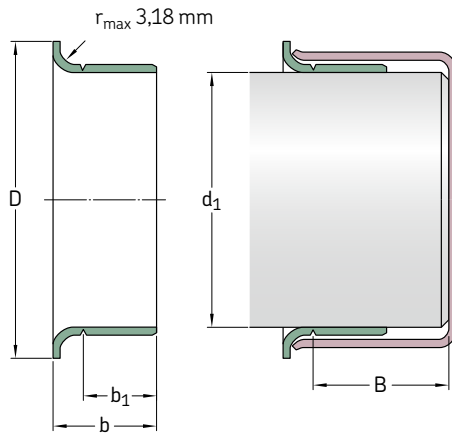
Shaft diameter range		Nominal dimensions					Designations
$d_1$ min	max	$d_1$	$D$ $\pm 1,6$	$b_1$ $\pm 0,8$	$b$ $\pm 0,8$	$B^1)$	
mm							–
<b>41,99</b>	<b>42,14</b>	42,06	53,01	13,97	17,50	21,01	<b>99165</b>
<b>42,77</b>	<b>42,93</b>	42,88	48,41	14,30	17,48	22,23	<b>99168</b>
<b>42,80</b>	<b>42,95</b>	42,88	48,41	7,95	11,13	22,23	<b>99167</b>
<b>42,85</b>	<b>43,00</b>	43,00	48,41	12,70	15,88	21,44	<b>99182</b>
<b>43,56</b>	<b>43,71</b>	43,66	51,59	14,30	17,48	20,65	<b>99171</b>
<b>44,09</b>	<b>44,25</b>	44,17	52,40	9,53	12,70	20,65	<b>99170</b>
<b>44,37</b>	<b>44,53</b>	44,45	52,20	9,53	12,70	20,65	<b>99172</b>
		44,45	52,40	13,49	15,88	22,30	<b>99180</b>
		44,45	52,40	14,30	17,48	20,65	<b>99827<sup>2)</sup></b>
		44,45	52,40	14,30	17,48	20,65	<b>99174</b>
		44,45	52,40	19,05	22,23	20,65	<b>99828<sup>2)</sup></b>
		44,45	52,40	19,05	22,23	20,65	<b>99175</b>
<b>44,73</b>	<b>44,88</b>	44,86	52,40	14,30	17,48	20,65	<b>99829<sup>2)</sup></b>
		44,86	52,40	14,30	17,48	20,65	<b>99176</b>
<b>44,93</b>	<b>45,09</b>	45,01	53,01	14,00	16,99	20,62	<b>99830<sup>2)</sup></b>
		45,01	53,01	14,00	16,99	20,62	<b>99177</b>
<b>45,16</b>	<b>45,31</b>	45,24	53,98	16,94	20,32	26,97	<b>99179</b>
<b>45,95</b>	<b>46,10</b>	46,05	53,09	14,30	17,48	25,40	<b>99831<sup>2)</sup></b>
		46,05	53,09	14,30	17,48	25,40	<b>99181</b>
<b>47,17</b>	<b>47,32</b>	47,22	54,76	14,30	17,48	25,40	<b>99185</b>
<b>47,40</b>	<b>47,55</b>	47,45	55,58	22,58	26,04	25,40	<b>99186</b>
<b>47,55</b>	<b>47,70</b>	47,63	55,96	4,45	7,49	18,90	<b>99190</b>
		47,63	55,96	7,49	10,54	18,90	<b>99188</b>
		47,63	55,96	9,53	13,11	26,67	<b>99184</b>
		47,63	55,96	14,30	17,48	25,40	<b>99832<sup>2)</sup></b>
		47,63	55,96	14,30	17,48	25,40	<b>99187</b>
<b>47,93</b>	<b>48,08</b>	48,03	56,01	14,00	16,97	24,99	<b>99189</b>
<b>48,49</b>	<b>48,64</b>	48,56	56,36	9,53	12,70	25,40	<b>99192</b>
<b>49,12</b>	<b>49,28</b>	49,23	56,36	14,30	17,48	25,40	<b>99833<sup>2)</sup></b>
		49,23	56,36	14,30	17,48	25,40	<b>99193</b>

<sup>1)</sup> Possible max. distance of the rear groove from the shaft end when the installation tool supplied with the sleeve is used

<sup>2)</sup> SKF Speedi-Sleeve Gold

SKF Speedi-Sleeve – metric dimensions (converted from inch dimensions)

d<sub>1</sub> 49,91–69,42 mm

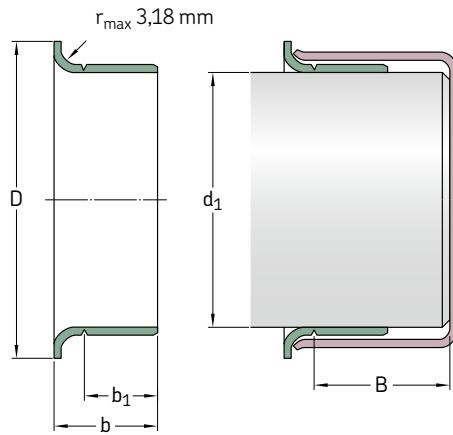


Shaft diameter range		Nominal dimensions					Designations
d <sub>1</sub> min	max	d <sub>1</sub>	D ±1,6	b <sub>1</sub> ±0,8	b ±0,8	B <sup>1)</sup>	
mm							–
49,91	50,06	50,01	56,49	14,00	16,97	34,29	99052
		50,01	57,00	14,00	16,97	24,99	99196
50,22	50,37	50,29	58,75	14,30	17,88	26,67	99198
50,72	50,88	50,80	61,11	14,30	17,48	25,55	99834 <sup>2)</sup>
		50,80	61,11	14,30	17,48	25,40	99199
		50,80	61,11	22,23	25,40	25,40	99835 <sup>2)</sup>
		50,80	61,11	22,23	25,40	25,40	99200
51,82	51,99	51,99	62,71	12,70	15,88	34,52	99878 <sup>3)</sup>
52,25	52,40	52,40	62,71	19,84	23,83	34,93	99205
53,92	54,05	53,98	61,52	12,70	19,05	32,54	99210
53,95	54,10	53,98	61,52	19,84	23,83	34,93	99836 <sup>2)</sup>
		53,98	61,52	19,84	23,83	34,93	99212
		63,50	71,63	19,84	23,83	34,93	99840 <sup>2)</sup>
54,91	55,07	54,99	62,00	19,99	22,99	31,75	99863 <sup>2)</sup>
		54,99	62,00	19,99	22,99	31,75	99215
55,52	55,68	55,58	63,50	19,84	23,83	33,35	99218
55,83	56,01	56,01	64,29	12,70	15,88	33,35	99220
		56,01	64,29	19,79	23,77	80,01	99224
56,57	56,72	56,64	64,29	12,70	15,88	33,35	99861 <sup>2)</sup>
		56,64	64,29	12,70	15,88	33,35	99229
		56,64	64,29	19,84	23,01	31,75	99230
56,82	56,97	56,90	65,10	19,41	22,86	31,75	99226
57,12	57,28	57,15	64,29	7,95	11,13	33,35	99838 <sup>2)</sup>
		57,15	64,29	7,95	11,13	33,35	99227
		57,15	64,29	19,84	23,83	33,35	99837 <sup>2)</sup>
		57,15	64,29	19,84	23,83	33,35	99225
57,91	58,06	57,99	65,99	19,99	23,83	34,93	99219
58,65	58,80	58,75	68,28	19,84	23,83	34,93	99231
59,11	59,26	59,13	69,85	19,05	22,23	38,10	99233

1) Possible max. distance of the rear groove from the shaft end when the installation tool supplied with the sleeve is used

2) SKF Speedi-Sleeve Gold

3) Previously 99204



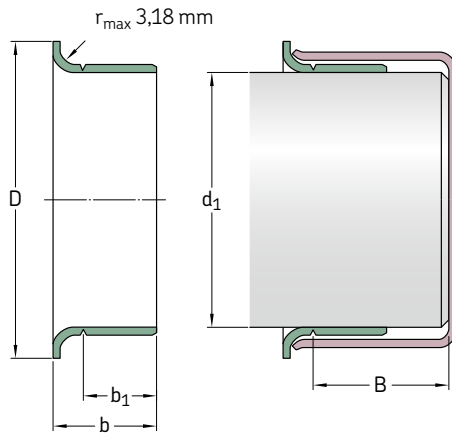
Shaft diameter range		Nominal dimensions					Designations
$d_1$ min	max	$d_1$	D $\pm 1,6$	$b_1$ $\pm 0,8$	b $\pm 0,8$	B <sup>1)</sup>	
mm							–
59,92	60,07	59,99	70,74	9,40	11,43	37,36	99241
		59,99	70,74	19,99	22,99	34,93	99869 <sup>2)</sup>
		59,99	70,74	19,99	22,99	34,93	99235
60,25	60,40	60,33	69,85	15,09	19,05	34,93	99238
60,30	60,45	60,33	69,85	13,36	17,35	34,93	99240
		60,33	69,85	19,84	23,83	34,93	99839 <sup>2)</sup>
		60,33	69,85	19,84	23,83	34,93	99237
61,82	62,00	61,93	71,83	19,84	23,83	35,38	99243
		62,00	71,83	12,70	15,88	36,20	99244
61,85	62,00	61,93	71,83	12,70	15,88	36,20	99242
63,22	63,37	63,30	73,03	19,84	23,83	35,38	99249
63,42	63,58	63,50	71,63	14,10	16,51	22,61	99253
63,50	63,65	63,50	71,83	12,70	16,66	35,38	99248
		63,50	71,63	19,84	23,83	34,93	99840 <sup>2)</sup>
		63,50	71,63	19,84	23,83	34,93	99250
63,75	63,91	63,91	71,83	19,84	23,01	36,53	99251
64,92	65,07	65,00	72,39	19,99	22,99	34,93	99841 <sup>2)</sup>
		76,02	85,32	14,30	17,48	34,93	99298
		65,00	72,39	19,99	22,99	34,93	99254
65,02	65,18	65,10	73,43	19,84	23,83	34,93	99256
65,91	66,07	65,99	75,95	19,84	23,83	31,75	99259
66,50	66,65	66,57	77,39	19,84	23,83	34,93	99261
66,57	66,73	66,68	77,39	19,84	23,01	34,93	99264
66,60	66,75	66,68	77,39	12,70	15,88	34,93	99260
66,68	66,83	66,68	77,39	19,84	23,83	34,93	99842 <sup>2)</sup>
		66,68	77,39	19,84	23,83	34,93	99262
67,82	68,00	68,00	79,38	19,05	22,23	42,88	99266
69,27	69,42	69,34	79,38	19,84	23,01	33,35	99268

<sup>1)</sup> Possible max. distance of the rear groove from the shaft end when the installation tool supplied with the sleeve is used

<sup>2)</sup> SKF Speedi-Sleeve Gold

**SKF Speedi-Sleeve – metric dimensions (converted from inch dimensions)**

$d_1$  69,60–89,05 mm



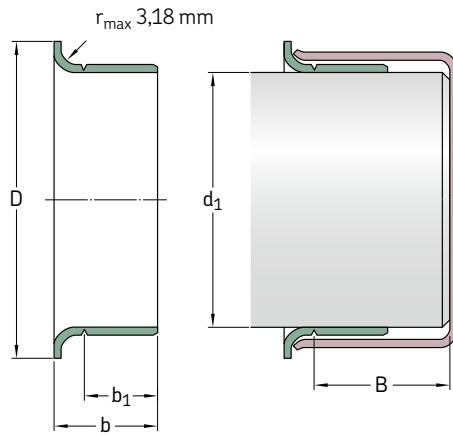
Shaft diameter range		Nominal dimensions					Designations
$d_1$ min	max	$d_1$	D $\pm 1,6$	$b_1$ $\pm 0,8$	b $\pm 0,8$	B <sup>1)</sup>	
mm							–
<b>69,60</b>	<b>69,75</b>	69,67	77,85	19,84	23,83	31,75	<b>99273</b>
<b>69,72</b>	<b>69,88</b>	69,85 69,85	79,38 79,38	19,84 19,84	23,83 23,83	31,75 31,75	<b>99843<sup>2)</sup></b> <b>99274</b>
<b>69,77</b>	<b>69,93</b>	69,85	78,11	36,53	41,28	41,28	<b>99267</b>
<b>69,85</b>	<b>70,00</b>	69,85 69,85 69,85 69,85	79,38 79,38 79,38 79,38	10,31 19,84 19,84 28,58	14,30 23,83 23,83 31,75	31,75 31,75 31,75 33,32	<b>99272</b> <b>99844<sup>2)</sup></b> <b>99275</b> <b>99269</b>
<b>69,93</b>	<b>70,08</b>	70,00	79,38	19,99	24,00	31,75	<b>99276</b>
<b>71,35</b>	<b>71,50</b>	71,45	80,98	15,09	17,48	31,75	<b>99281</b>
<b>71,83</b>	<b>72,01</b>	72,01 72,01	81,92 81,92	19,05 19,05	22,23 22,23	34,11 34,11	<b>99870<sup>2)</sup></b> <b>99284</b>
<b>72,09</b>	<b>72,24</b>	72,09 72,09	81,92 81,92	12,70 12,70	16,66 16,66	31,75 31,75	<b>99845<sup>2)</sup></b> <b>99282</b>
<b>72,80</b>	<b>72,95</b>	72,87	80,98	19,84	23,83	31,75	<b>99286</b>
<b>72,97</b>	<b>73,13</b>	73,03 73,03	81,76 81,76	19,84 19,84	23,83 23,83	31,75 31,75	<b>99846<sup>2)</sup></b> <b>99287</b>
<b>74,60</b>	<b>74,75</b>	74,63 74,63 74,68	84,94 84,94 84,94	12,70 19,84 19,84	16,28 23,83 23,83	33,81 33,35 33,35	<b>99290</b> <b>99847<sup>2)</sup></b> <b>99293</b>
<b>74,93</b>	<b>75,08</b>	75,01 75,01	83,13 83,95	15,09 22,00	17,53 26,01	27,51 33,35	<b>99289</b> <b>99875<sup>2)</sup></b>
	<b>90,07</b>	89,99 75,01	101,60 83,95	11,13 22,00	13,67 26,01	46,05 33,35	<b>99352</b> <b>99294</b>
<b>75,49</b>	<b>75,59</b>	75,54	82,17	20,65	25,40	31,75	<b>99292</b>
<b>75,95</b>	<b>76,10</b>	76,02 76,02 76,02	85,32 85,32 85,09	12,29 14,30 20,65	15,88 17,48 25,40	33,81 34,93 32,54	<b>99291</b> <b>99298</b> <b>99299</b>
<b>76,12</b>	<b>76,28</b>	76,20	82,30	20,65	23,83	34,93	<b>99296</b>
<b>76,20</b>	<b>76,35</b>	76,20 76,20 76,20	84,96 82,17 82,17	15,88 20,65 20,65	20,65 25,40 25,40	32,51 32,54 32,54	<b>99048<sup>3)</sup></b> <b>99848<sup>2)</sup></b> <b>99300</b>

<sup>1)</sup> Possible max. distance of the rear groove from the shaft end when the installation tool supplied with the sleeve is used

<sup>2)</sup> SKF Speedi-Sleeve Gold

<sup>3)</sup> Previously 99303





Shaft diameter range		Nominal dimensions					Designations
d <sub>1</sub> min	max	d <sub>1</sub>	D ±1,6	b <sub>1</sub> ±0,8	b ±0,8	B <sup>1)</sup>	
mm							–
76,40	76,56	76,48	85,22	12,70	15,88	50,80	99301
77,83	78,00	78,00	88,09	19,05	22,23	52,22	99306
79,25	79,40	79,38	89,69	17,48	20,65	50,80	99311
		79,38	89,69	20,65	25,40	50,80	99849 <sup>2)</sup>
		79,38	89,69	20,65	25,40	50,80	99312
79,35	79,55	79,38	89,54	14,00	18,01	51,59	99053 <sup>3)</sup>
79,81	80,01	80,01	89,92	19,05	22,50	34,93	99313
79,91	80,09	80,01	89,99	11,00	15,01	34,93	99317
		80,01	89,99	21,01	24,00	34,93	99315
81,92	82,07	81,99	91,06	16,76	21,54	44,45	99328
82,47	82,63	82,55	91,29	20,65	25,40	34,93	99322
82,55	82,70	82,55	90,81	15,11	18,26	34,93	99850 <sup>2)</sup>
		82,55	90,81	15,11	18,26	34,93	99324
		82,55	91,06	17,48	22,23	31,75	99326
		82,55	91,06	20,65	25,40	34,93	99851 <sup>2)</sup>
		82,55	91,06	20,65	25,40	34,93	99325
84,00	84,15	84,07	93,68	20,65	25,40	34,93	99331
84,76	85,01	84,89	93,98	16,99	21,01	35,00	99332
		84,89	93,98	21,01	24,99	35,00	99872 <sup>2)</sup>
		84,89	93,98	21,01	24,99	35,00	99333
84,79	85,01	85,01	90,93	10,13	12,67	36,35	99334
85,67	85,83	85,73	93,68	9,53	12,70	35,81	99338
		85,73	93,85	20,65	25,40	34,93	99337
87,25	87,40	87,33	97,64	19,84	23,01	35,71	99339
87,80	88,00	88,00	95,28	29,21	34,27	42,50	99481
88,32	88,47	88,39	97,41	19,84	23,01	35,71	99340
88,82	88,98	88,90	97,64	15,88	20,65	34,21	99346
88,90	89,05	88,90	97,16	7,95	12,70	34,21	99347
		88,90	97,64	20,65	25,40	34,21	99852 <sup>2)</sup>
		88,90	97,64	20,65	25,40	34,21	99350

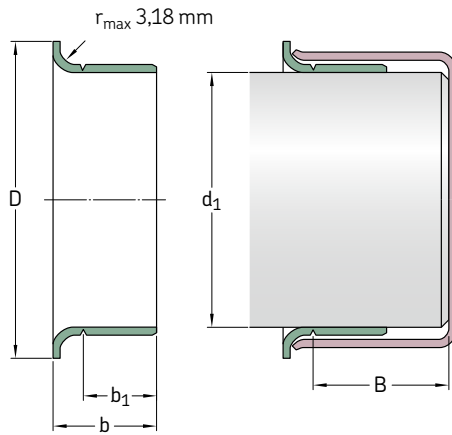
<sup>1)</sup> Possible max. distance of the rear groove from the shaft end when the installation tool supplied with the sleeve is used

<sup>2)</sup> SKF Speedi-Sleeve Gold

<sup>3)</sup> Previously 99307

SKF Speedi-Sleeve – metric dimensions (converted from inch dimensions)

d<sub>1</sub> 88,93–125,10 mm

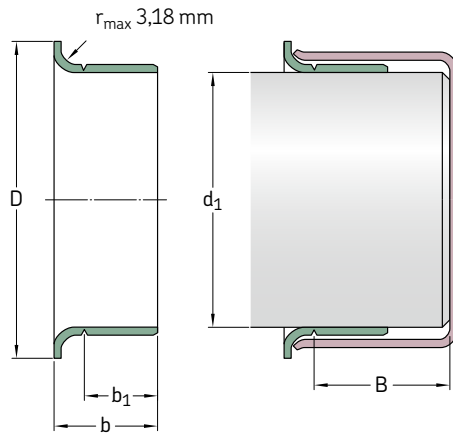


Shaft diameter range		Nominal dimensions					Designations
d <sub>1</sub> min	max	d <sub>1</sub>	D ±1,6	b <sub>1</sub> ±0,8	b ±0,8	B <sup>1)</sup>	
mm							–
<b>88,93</b>	<b>89,08</b>	89,00	97,64	15,88	20,65	34,24	<b>99349</b>
<b>89,92</b>	<b>90,07</b>	89,99	101,60	11,13	13,67	46,05	<b>99352</b>
		89,99	101,60	13,36	16,94	44,45	<b>99353</b>
		89,99	101,60	18,03	23,01	46,05	<b>99351</b>
		89,99	101,60	23,01	27,99	44,45	<b>99354</b>
<b>90,42</b>	<b>90,58</b>	90,50	99,06	20,65	25,40	44,45	<b>99356</b>
<b>91,90</b>	<b>92,05</b>	91,97	102,39	20,65	25,40	44,45	<b>99360</b>
<b>92,02</b>	<b>92,18</b>	92,08	102,24	12,70	15,88	44,45	<b>99363</b>
		92,08	102,39	20,65	25,40	44,45	<b>99362</b>
<b>93,57</b>	<b>93,73</b>	93,68	102,39	7,95	11,13	22,23	<b>99368</b>
<b>93,60</b>	<b>93,75</b>	93,68	102,24	20,65	23,83	45,72	<b>99365</b>
<b>94,67</b>	<b>94,82</b>	94,74	102,01	11,91	15,09	45,72	<b>99359</b>
		94,74	102,24	19,84	23,01	45,72	<b>99366</b>
<b>94,92</b>	<b>95,07</b>	95,00	102,24	21,01	24,00	45,72	<b>99369</b>
<b>95,00</b>	<b>95,15</b>	95,07	102,39	8,74	12,70	45,72	<b>99374</b>
		95,07	102,49	11,91	15,09	45,72	<b>99364</b>
<b>95,15</b>	<b>95,30</b>	95,22	102,24	14,30	17,48	45,72	<b>99376</b>
<b>95,25</b>	<b>95,40</b>	95,25	102,11	17,48	22,23	45,72	<b>99853<sup>2)3)</sup></b>
		95,33	102,24	8,74	12,70	45,72	<b>99367</b>
		95,33	102,11	17,48	22,23	45,72	<b>99372</b>
<b>98,25</b>	<b>98,40</b>	98,32	106,30	20,65	25,40	47,63	<b>99386</b>
<b>98,37</b>	<b>98,53</b>	98,43	107,16	20,65	25,40	47,63	<b>99387</b>
<b>99,95</b>	<b>100,10</b>	100,03	109,55	20,65	25,40	52,07	<b>99854<sup>2)</sup></b>
		100,03	109,55	20,65	25,40	52,07	<b>99393</b>
<b>101,55</b>	<b>101,75</b>	101,60	111,13	12,70	15,88	52,48	<b>99401</b>
		101,60	111,13	15,24	18,42	52,07	<b>99395</b>
		101,60	111,13	16,51	19,69	34,93	<b>99400</b>
	<b>150,01</b>	149,99	159,00	26,01	30,00	32,51	<b>99595</b>
		101,60	111,13	20,65	25,40	52,07	<b>99855<sup>2)</sup></b>
		101,60	111,13	20,65	25,40	52,07	<b>99399</b>

<sup>1)</sup> Possible max. distance of the rear groove from the shaft end when the installation tool supplied with the sleeve is used

<sup>2)</sup> SKF Speedi-Sleeve Gold

<sup>3)</sup> Previously 99372



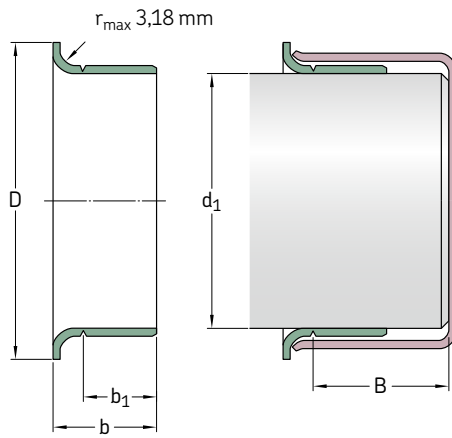
Shaft diameter range		Nominal dimensions					Designations
$d_1$ min	max	$d_1$	D $\pm 1,6$	$b_1$ $\pm 0,8$	b $\pm 0,8$	B <sup>1)</sup>	
mm							–
103,89	104,09	103,99	112,73	19,99	24,00	35,99	99409
104,70	104,90	104,78	113,54	20,65	25,40	34,93	99412
104,90	105,11	105,00	113,54	19,99	23,19	35,00	99413
106,25	106,45	106,38	114,30	20,65	25,40	34,93	99418
107,34	107,54	107,54	117,09	19,84	23,01	36,53	99423
107,90	108,10	107,95	117,09	20,65	25,40	36,53	99424
109,78	110,01	110,01	124,99	11,38	14,96	32,94	99434
109,91	110,11	109,93	124,99	12,93	16,51	31,75	99435
111,00	111,20	111,13	120,65	20,65	25,40	41,91	99437
111,79	111,99	111,99	120,65	19,05	22,50	33,02	99438
112,62	112,83	112,73	122,25	25,40	29,01	33,35	99439
114,20	114,40	114,30 114,30	123,19 124,46	20,65 20,65	25,40 25,40	31,75 31,75	99856 <sup>2)</sup> 99450
114,88	115,09	115,01	127,00	20,65	23,83	31,75	99452
117,37	117,58	117,48 117,48	127,00 128,60	11,13 25,40	15,88 31,75	34,93 34,93	99465 99463
119,00	119,20	119,08	128,60	20,65	25,40	34,93	99468
119,89	120,09	119,99 119,99	129,79 129,79	8,00 19,99	11,00 24,99	33,60 32,00	99471 99473
120,55	120,75	120,65	127,00	12,70	19,05	38,10	99475
121,89	122,10	122,00	131,50	19,99	24,00	32,00	99472
122,91	123,11	123,01	132,82	19,99	24,99	31,60	99484
123,72	123,93	123,83	133,35	15,88	19,05	36,53	99487
124,89	125,10	124,99 124,99	137,16 137,16	10,01 26,01	14,00 32,00	36,53 36,53	99490 99492

<sup>1)</sup> Possible max. distance of the rear groove from the shaft end when the installation tool supplied with the sleeve is used

<sup>2)</sup> SKF Speedi-Sleeve Gold

SKF Speedi-Sleeve – metric dimensions (converted from inch dimensions)

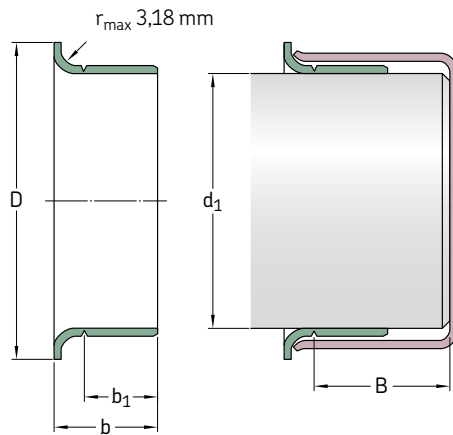
d<sub>1</sub> 126,95–203,33 mm



Shaft diameter range		Nominal dimensions					Designations
d <sub>1</sub> min	max	d <sub>1</sub>	D ±1,6	b <sub>1</sub> ±0,8	b ±0,8	B <sup>1)</sup>	
mm							–
<b>126,95</b>	<b>127,15</b>	127,00	137,16	13,72	17,30	36,53	<b>99501</b>
		127,00	137,16	17,48	22,23	36,53	<b>99857<sup>2)</sup></b>
		127,00	137,16	17,48	22,23	36,53	<b>99498</b>
		127,00	136,91	20,65	25,40	36,53	<b>99858<sup>2)</sup></b>
		127,00	136,91	20,65	25,40	36,53	<b>99499</b>
<b>127,80</b>	<b>128,00</b>	128,00	135,26	29,21	34,27	40,30	<b>99482</b>
<b>129,79</b>	<b>130,00</b>	129,90	139,52	19,05	23,83	30,00	<b>99494</b>
<b>129,97</b>	<b>130,18</b>	130,00	139,52	22,00	25,30	32,51	<b>99874<sup>2)</sup></b>
		130,18	139,52	22,00	25,30	32,51	<b>99491</b>
<b>130,05</b>	<b>130,25</b>	130,18	139,70	20,65	25,40	31,75	<b>99513</b>
<b>133,25</b>	<b>133,45</b>	133,35	141,22	20,65	25,40	31,75	<b>99525</b>
<b>134,80</b>	<b>135,00</b>	134,90	145,67	20,50	25,40	31,75	<b>99533</b>
<b>136,42</b>	<b>136,63</b>	136,53	149,23	20,65	25,40	31,75	<b>99537</b>
<b>138,02</b>	<b>138,23</b>	138,13	146,05	38,10	42,88	47,63	<b>99548</b>
<b>138,99</b>	<b>139,19</b>	139,09	149,86	14,30	19,05	31,34	<b>99547</b>
<b>139,65</b>	<b>139,85</b>	139,70	150,83	13,16	17,91	31,75	<b>99550</b>
		139,70	150,83	20,65	25,40	31,75	<b>99859<sup>2)</sup></b>
		139,70	150,83	20,65	25,40	31,75	<b>99549</b>
<b>139,90</b>	<b>140,11</b>	140,00	151,00	20,50	25,40	31,75	<b>99552</b>
<b>142,77</b>	<b>142,98</b>	142,88	157,18	22,23	25,40	46,02	<b>99560</b>
<b>144,75</b>	<b>145,01</b>	145,01	154,94	19,05	22,23	46,02	<b>99571</b>
<b>145,44</b>	<b>145,64</b>	145,64	154,94	14,30	19,05	49,23	<b>99562</b>
<b>145,95</b>	<b>146,15</b>	146,05	156,97	20,65	25,40	44,45	<b>99575</b>
<b>149,12</b>	<b>149,33</b>	149,23	157,18	25,40	31,75	33,35	<b>99862<sup>2)</sup></b>
		149,23	157,18	25,40	31,75	33,35	<b>99587</b>
<b>149,76</b>	<b>150,01</b>	149,99	159,00	26,01	30,00	32,51	<b>99595</b>
<b>150,72</b>	<b>150,93</b>	150,83	161,93	25,40	28,58	47,63	<b>99596</b>

<sup>1)</sup> Possible max. distance of the rear groove from the shaft end when the installation tool supplied with the sleeve is used

<sup>2)</sup> SKF Speedi-Sleeve Gold



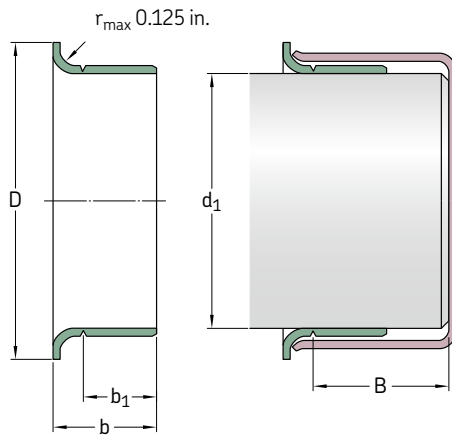
Shaft diameter range		Nominal dimensions					Designations
$d_1$ min	max	$d_1$	D $\pm 1,6$	$b_1$ $\pm 0,8$	b $\pm 0,8$	B <sup>1)</sup>	
mm							–
<b>152,27</b>	<b>152,48</b>	152,40 152,40	161,54 161,93	12,70 25,40	19,05 31,75	44,45 44,45	<b>99601</b> <b>99599</b>
<b>153,87</b>	<b>154,13</b>	154,00	161,93	26,01	30,00	32,99	<b>99605</b>
<b>154,74</b>	<b>154,99</b>	154,86	167,01	26,01	30,00	32,99	<b>99606</b>
<b>157,43</b>	<b>157,68</b>	157,56	168,28	20,65	27,00	44,45	<b>99620</b>
<b>158,62</b>	<b>158,88</b>	158,75	168,28	26,19	31,75	44,45	<b>99625</b>
<b>159,74</b>	<b>159,99</b>	159,99	171,45	25,40	31,75	34,93	<b>99630</b>
<b>164,97</b>	<b>165,23</b>	165,10	177,80	25,40	31,75	34,93	<b>99650</b>
<b>169,75</b>	<b>170,00</b>	169,88	182,58	31,75	38,00	44,45	<b>99640</b>
<b>171,32</b>	<b>171,58</b>	171,45	180,98	20,65	27,00	44,45	<b>99675</b>
<b>174,75</b>	<b>175,01</b>	175,01	186,99	27,99	32,00	35,00	<b>99687</b>
<b>177,67</b>	<b>177,93</b>	177,80 177,80	189,87 189,87	25,40 25,40	31,75 31,75	42,88 42,88	<b>99864<sup>2)</sup></b> <b>99700</b>
<b>179,76</b>	<b>180,01</b>	180,01	190,50	32,99	38,00	44,50	<b>99721</b>
<b>184,00</b>	<b>184,25</b>	184,15	197,10	31,75	38,10	55,25	<b>99725</b>
<b>184,73</b>	<b>184,99</b>	184,86	197,10	32,00	38,00	54,99	<b>99726</b>
<b>189,08</b>	<b>189,33</b>	189,31	199,64	20,65	25,40	31,75	<b>99745</b>
<b>190,37</b>	<b>190,63</b>	190,50	200,03	20,65	25,40	31,75	<b>99750</b>
<b>196,72</b>	<b>196,98</b>	196,85	210,06	25,40	33,35	47,63	<b>99775</b>
<b>199,87</b>	<b>200,13</b>	200,03	212,73	34,52	38,10	44,45	<b>99787</b>
<b>201,50</b>	<b>201,75</b>	201,63	212,73	25,40	31,75	44,45	<b>99799</b>
<b>203,07</b>	<b>203,33</b>	203,20	212,73	25,40	31,75	44,45	<b>99800</b>

<sup>1)</sup> Possible max. distance of the rear groove from the shaft end when the installation tool supplied with the sleeve is used

<sup>2)</sup> SKF Speedi-Sleeve Gold

SKF Speedi-Sleeve – inch dimensions

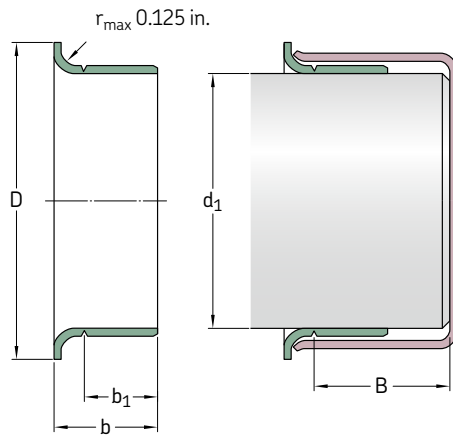
d<sub>1</sub> 0.472–1.339 in.



Shaft diameter range		Nominal dimensions					Designations
d <sub>1</sub> min	max	d <sub>1</sub>	D ±0.063	b <sub>1</sub> ±0.031	b ±0.031	B <sup>1)</sup>	
in.							–
<b>0.472</b>	<b>0.475</b>	0.472	0.610	0.236	0.331	1.875	<b>99049</b>
<b>0.498</b>	<b>0.502</b>	0.500	0.610	0.250	0.344	2.000	<b>99050</b>
<b>0.547</b>	<b>0.551</b>	0.551	0.750	0.250	0.391	1.831	<b>99055</b>
<b>0.560</b>	<b>0.566</b>	0.563	0.750	0.250	0.391	1.831	<b>99056</b>
<b>0.589</b>	<b>0.593</b>	0.591	0.750	0.197	0.354	1.862	<b>99059</b>
<b>0.623</b>	<b>0.627</b>	0.625	0.750	0.313	0.406	2.000	<b>99810<sup>2)</sup></b>
		0.625	0.750	0.313	0.406	2.000	<b>99062</b>
<b>0.626</b>	<b>0.630</b>	0.630	0.718	0.313	0.438	2.000	<b>99058</b>
<b>0.667</b>	<b>0.671</b>	0.669	0.875	0.315	0.433	2.000	<b>99068</b>
<b>0.682</b>	<b>0.686</b>	0.684	0.900	0.313	0.438	2.000	<b>99060</b>
<b>0.704</b>	<b>0.709</b>	0.709	0.962	0.315	0.433	1.811	<b>99082</b>
<b>0.748</b>	<b>0.752</b>	0.750	0.945	0.313	0.438	2.000	<b>99811<sup>2)</sup></b>
		0.750	0.945	0.313	0.438	2.000	<b>99076</b>
<b>0.759</b>	<b>0.761</b>	0.760	0.938	0.313	0.438	2.000	<b>99081</b>
<b>0.780</b>	<b>0.784</b>	0.781	0.935	0.313	0.438	2.000	<b>99080</b>
<b>0.785</b>	<b>0.789</b>	0.787	0.930	0.315	0.433	2.000	<b>99078</b>
<b>0.812</b>	<b>0.815</b>	0.813	1.188	0.375	0.563	3.000	<b>99083</b>
<b>0.857</b>	<b>0.861</b>	0.859	1.155	0.250	0.375	2.000	<b>99086</b>
<b>0.861</b>	<b>0.866</b>	0.866	1.188	0.259	0.359	1.856	<b>99084</b>
		0.866	1.188	0.315	0.472	1.812	<b>99085</b>
<b>0.873</b>	<b>0.877</b>	0.875	1.094	0.313	0.438	2.000	<b>99812<sup>2)</sup></b>
		0.875	1.094	0.313	0.438	2.000	<b>99087</b>
<b>0.908</b>	<b>0.912</b>	0.910	1.218	0.313	0.438	1.847	<b>99860<sup>2)</sup></b>
		0.910	1.218	0.313	0.438	1.847	<b>99091</b>
<b>0.940</b>	<b>0.945</b>	0.945	1.130	0.313	0.438	2.000	<b>99092</b>
<b>0.966</b>	<b>0.970</b>	0.969	1.130	0.313	0.438	2.000	<b>99094</b>
		0.969	1.130	0.625	0.719	2.000	<b>99096</b>

<sup>1)</sup> Possible max. distance of the rear groove from the shaft end when the installation tool supplied with the sleeve is used

<sup>2)</sup> SKF Speedi-Sleeve Gold



Shaft diameter range		Nominal dimensions					Designations
$d_1$ min	max	$d_1$	D $\pm 0.063$	$b_1$ $\pm 0.031$	b $\pm 0.031$	B <sup>1)</sup>	
in.							–
<b>0.982</b>	<b>0.986</b>	0.984 0.984	1.300 1.300	0.313 0.313	0.433 0.433	2.000 2.000	<b>99813<sup>2)</sup></b> <b>99098</b>
<b>0.998</b>	<b>1.002</b>	1.000 1.000	1.219 1.219	0.313 0.313	0.438 0.438	2.000 2.000	<b>99814<sup>2)</sup></b> <b>99868<sup>3)</sup></b>
	<b>1.11,20</b>	1.11,13	120,65	20,65	25,40	41,91	<b>99437</b>
<b>1.019</b>	<b>1.024</b>	1.024	1.313	0.315	0.472	1.813	<b>99103</b>
<b>1.060</b>	<b>1.064</b>	1.063 1.063	1.320 1.320	0.313 0.313	0.438 0.438	1.843 1.843	<b>99815<sup>2)</sup></b> <b>99106</b>
<b>1.087</b>	<b>1.091</b>	1.089	1.406	0.313	0.438	0.625	<b>99108</b>
<b>1.100</b>	<b>1.104</b>	1.102 1.102	1.375 1.375	0.375 0.375	0.500 0.500	1.843 1.843	<b>99866<sup>2)</sup></b> <b>99111</b>
<b>1.123</b>	<b>1.127</b>	1.125 1.125 1.125	1.500 1.500 1.500	0.313 0.313 0.375	0.438 0.438 0.500	0.688 0.688 0.688	<b>99816<sup>2)</sup></b> <b>99112</b> <b>99116</b>
<b>1.154</b>	<b>1.158</b>	1.156 1.156	1.350 1.350	0.375 0.375	0.500 0.500	0.688 0.688	<b>99865<sup>2)</sup></b> <b>99120</b>
<b>1.173</b>	<b>1.178</b>	1.175	1.400	0.313	0.438	0.688	<b>99122</b>
<b>1.179</b>	<b>1.184</b>	1.181	1.400	0.315	0.433	0.688	<b>99114</b>
<b>1.185</b>	<b>1.190</b>	1.188	1.400	0.313	0.438	0.688	<b>99118</b>
<b>1.216</b>	<b>1.222</b>	1.219	1.563	0.313	0.433	0.625	<b>99123</b>
<b>1.237</b>	<b>1.243</b>	1.240	1.540	0.315	0.438	0.688	<b>99141</b>
<b>1.247</b>	<b>1.253</b>	1.250 1.250	1.500 1.500	0.313 0.313	0.438 0.438	0.688 0.688	<b>99817<sup>2)</sup></b> <b>99125</b>
<b>1.257</b>	<b>1.263</b>	1.260	1.500	0.315	0.438	0.688	<b>99128</b>
<b>1.297</b>	<b>1.301</b>	1.299	1.594	0.591	0.709	1.000	<b>99121</b>
<b>1.308</b>	<b>1.314</b>	1.313	1.600	0.250	0.375	0.813	<b>99129</b>
<b>1.310</b>	<b>1.316</b>	1.313 1.313	1.594 1.594	0.500 0.500	0.625 0.625	0.813 0.813	<b>99818<sup>2)</sup></b> <b>99131</b>
<b>1.333</b>	<b>1.339</b>	1.339	1.625	0.500	0.625	0.813	<b>99134</b>

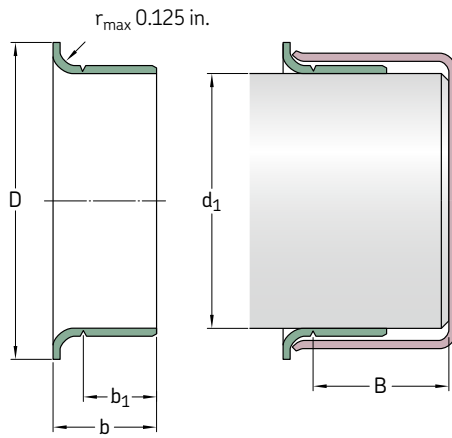
<sup>1)</sup> Possible max. distance of the rear groove from the shaft end when the installation tool supplied with the sleeve is used

<sup>2)</sup> SKF Speedi-Sleeve Gold

<sup>3)</sup> Previously 99100

SKF Speedi-Sleeve – inch dimensions

d<sub>1</sub> 1.371–1.940 in.

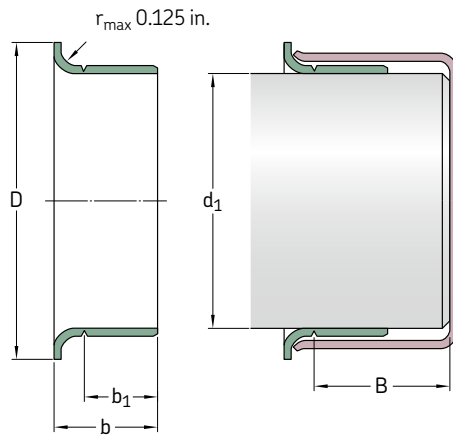


Shaft diameter range		Nominal dimensions					Designations
d <sub>1</sub> min	max	d <sub>1</sub>	D ±0.063	b <sub>1</sub> ±0.031	b ±0.031	B <sup>1)</sup>	
in.							
<b>1.371</b>	<b>1.377</b>	1.375	1.638	0.313	0.438	0.813	<b>99133</b>
		1.375	1.638	0.500	0.625	0.813	<b>99819<sup>2)</sup></b>
		1.375	1.638	0.500	0.625	0.813	<b>99138</b>
<b>1.375</b>	<b>1.381</b>	1.375	1.638	0.512	0.630	0.813	<b>99820<sup>2)</sup></b>
		1.375	1.638	0.512	0.630	0.813	<b>99139</b>
<b>1.411</b>	<b>1.417</b>	1.417	1.781	0.512	0.669	0.984	<b>99146</b>
<b>1.432</b>	<b>1.438</b>	1.438	1.781	0.563	0.688	1.016	<b>99821<sup>2)</sup></b>
		1.438	1.781	0.563	0.688	1.016	<b>99143</b>
<b>1.435</b>	<b>1.441</b>	1.438	1.781	0.375	0.500	1.016	<b>99144</b>
<b>1.490</b>	<b>1.496</b>	1.496	1.781	0.512	0.669	0.984	<b>99147</b>
<b>1.497</b>	<b>1.503</b>	1.500	1.781	0.375	0.500	1.016	<b>99823<sup>2)</sup></b>
		1.500	1.781	0.375	0.500	1.016	<b>99150</b>
		1.500	1.781	0.563	0.688	1.016	<b>99822<sup>2)</sup></b>
		1.500	1.781	0.563	0.688	1.016	<b>99149</b>
<b>1.520</b>	<b>1.526</b>	1.523	1.859	0.438	0.563	1.016	<b>99152</b>
<b>1.549</b>	<b>1.555</b>	1.552	1.859	0.438	0.563	1.016	<b>99155</b>
<b>1.559</b>	<b>1.565</b>	1.562	1.859	0.563	0.688	1.016	<b>99824<sup>2)</sup></b>
		1.562	1.859	0.563	0.688	1.016	<b>99156</b>
<b>1.566</b>	<b>1.572</b>	1.569	1.859	0.625	0.750	1.016	<b>99159</b>
<b>1.569</b>	<b>1.575</b>	1.575	1.850	0.390	0.509	1.000	<b>99153</b>
<b>1.572</b>	<b>1.578</b>	1.578	1.850	0.512	0.630	1.023	<b>99825<sup>2)</sup></b>
		1.578	1.850	0.512	0.630	1.023	<b>99157</b>
<b>1.602</b>	<b>1.608</b>	1.605	1.938	0.500	0.641	1.000	<b>99160</b>
<b>1.608</b>	<b>1.614</b>	1.614	1.938	0.500	0.625	1.016	<b>99163</b>
<b>1.622</b>	<b>1.628</b>	1.625	1.875	0.313	0.438	1.016	<b>99161</b>
		1.625	1.875	0.563	0.688	0.813	<b>99826<sup>2)</sup></b>
		1.625	1.875	0.563	0.688	0.813	<b>99162</b>
<b>1.647</b>	<b>1.654</b>	1.650	2.087	0.445	0.571	0.846	<b>99166</b>
		1.650	2.087	0.563	0.689	0.827	<b>99169</b>
		1.654	2.087	0.563	0.689	0.827	<b>99873<sup>2)</sup></b>

<sup>1)</sup> Possible max. distance of the rear groove from the shaft end when the installation tool supplied with the sleeve is used

<sup>2)</sup> SKF Speedi-Sleeve Gold



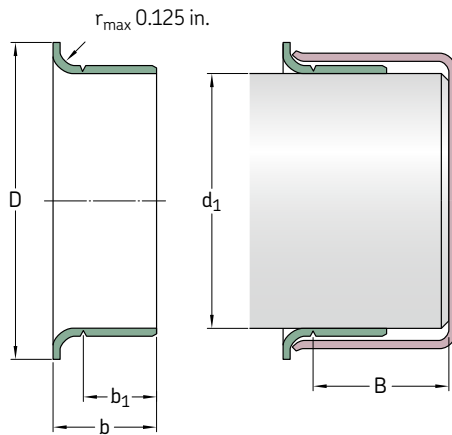


Shaft diameter range		Nominal dimensions					Designations
$d_1$ min	max	$d_1$	D $\pm 0.063$	$b_1$ $\pm 0.031$	b $\pm 0.031$	B <sup>1)</sup>	
in.							–
<b>1.653</b>	<b>1.659</b>	1.656	2.087	0.550	0.689	0.827	<b>99165</b>
<b>1.684</b>	<b>1.690</b>	1.688	1.906	0.563	0.688	0.875	<b>99168</b>
<b>1.685</b>	<b>1.691</b>	1.688	1.906	0.313	0.438	0.875	<b>99167</b>
<b>1.687</b>	<b>1.693</b>	1.693	1.906	0.500	0.625	0.844	<b>99182</b>
<b>1.715</b>	<b>1.721</b>	1.719	2.031	0.563	0.688	0.813	<b>99171</b>
<b>1.736</b>	<b>1.742</b>	1.739	2.063	0.375	0.500	0.813	<b>99170</b>
<b>1.747</b>	<b>1.753</b>	1.750	2.055	0.375	0.500	0.813	<b>99172</b>
		1.750	2.063	0.531	0.625	0.878	<b>99180</b>
		1.750	2.063	0.563	0.688	0.813	<b>99827<sup>2)</sup></b>
		1.750	2.063	0.563	0.688	0.813	<b>99174</b>
		1.750	2.063	0.750	0.875	0.813	<b>99828<sup>2)</sup></b>
		1.750	2.063	0.750	0.875	0.813	<b>99175</b>
<b>1.761</b>	<b>1.767</b>	1.766	2.063	0.563	0.688	0.813	<b>99829<sup>2)</sup></b>
		1.766	2.063	0.563	0.688	0.813	<b>99176</b>
<b>1.769</b>	<b>1.775</b>	1.772	2.087	0.551	0.669	0.812	<b>99830<sup>2)</sup></b>
		1.772	2.087	0.551	0.669	0.812	<b>99177</b>
<b>1.778</b>	<b>1.784</b>	1.781	2.125	0.667	0.800	1.062	<b>99179</b>
<b>1.809</b>	<b>1.815</b>	1.813	2.090	0.563	0.688	1.000	<b>99831<sup>2)</sup></b>
		1.813	2.090	0.563	0.688	1.000	<b>99181</b>
<b>1.857</b>	<b>1.863</b>	1.859	2.156	0.563	0.688	1.000	<b>99185</b>
<b>1.866</b>	<b>1.872</b>	1.868	2.188	0.889	1.025	1.000	<b>99186</b>
<b>1.872</b>	<b>1.878</b>	1.875	2.203	0.175	0.295	0.744	<b>99190</b>
		1.875	2.203	0.295	0.415	0.744	<b>99188</b>
		1.875	2.203	0.375	0.516	1.050	<b>99184</b>
		1.875	2.203	0.563	0.688	1.000	<b>99832<sup>2)</sup></b>
		1.875	2.203	0.563	0.688	1.000	<b>99187</b>
<b>1.887</b>	<b>1.893</b>	1.891	2.205	0.551	0.668	0.984	<b>99189</b>
<b>1.909</b>	<b>1.915</b>	1.912	2.219	0.375	0.500	1.000	<b>99192</b>
<b>1.934</b>	<b>1.940</b>	1.938	2.219	0.563	0.688	1.000	<b>99833<sup>2)</sup></b>
		1.938	2.219	0.563	0.688	1.000	<b>99193</b>

<sup>1)</sup> Possible max. distance of the rear groove from the shaft end when the installation tool supplied with the sleeve is used  
<sup>2)</sup> SKF Speedi-Sleeve Gold

SKF Speedi-Sleeve – inch dimensions

d<sub>1</sub> 1.965–2.746 in.

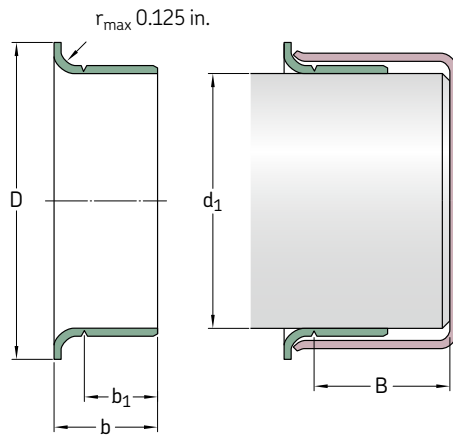


Shaft diameter range		Nominal dimensions					Designations
d <sub>1</sub> min	max	d <sub>1</sub>	D ±0.063	b <sub>1</sub> ±0.031	b ±0.031	B <sup>1)</sup>	
in.							–
<b>1.965</b>	<b>1.971</b>	1.969	2.244	0.551	0.668	1.350	<b>99052</b>
		1.969	2.244	0.551	0.668	0.984	<b>99196</b>
<b>1.977</b>	<b>1.983</b>	1.980	2.313	0.563	0.704	1.050	<b>99198</b>
<b>1.997</b>	<b>2.003</b>	2.000	2.406	0.563	0.688	1.006	<b>99834<sup>2)</sup></b>
		2.000	2.406	0.563	0.688	1.000	<b>99199</b>
		2.000	2.406	0.875	1.000	1.000	<b>99835<sup>2)</sup></b>
		2.000	2.406	0.875	1.000	1.000	<b>99200</b>
<b>2.040</b>	<b>2.047</b>	2.047	2.469	0.500	0.625	1.359	<b>99878<sup>3)</sup></b>
<b>2.057</b>	<b>2.063</b>	2.063	2.469	0.781	0.938	1.375	<b>99205</b>
<b>2.123</b>	<b>2.128</b>	2.125	2.422	0.500	0.750	1.281	<b>99210</b>
<b>2.124</b>	<b>2.130</b>	2.125	2.422	0.781	0.938	1.375	<b>99836<sup>2)</sup></b>
		2.125	2.422	0.781	0.938	1.375	<b>99212</b>
<b>2.162</b>	<b>2.168</b>	2.165	2.441	0.787	0.905	1.250	<b>99863<sup>2)</sup></b>
		2.165	2.441	0.787	0.905	1.250	<b>99215</b>
<b>2.186</b>	<b>2.192</b>	2.188	2.500	0.781	0.938	1.313	<b>99218</b>
		2.205	2.531	0.500	0.625	1.313	<b>99220</b>
<b>2.198</b>	<b>2.205</b>	2.205	2.531	0.779	0.936	3.150	<b>99224</b>
		2.230	2.531	0.500	0.625	1.313	<b>99861<sup>2)</sup></b>
<b>2.227</b>	<b>2.233</b>	2.230	2.531	0.500	0.625	1.313	<b>99229</b>
		2.230	2.531	0.781	0.906	1.250	<b>99230</b>
		2.240	2.563	0.764	0.900	1.250	<b>99226</b>
<b>2.249</b>	<b>2.255</b>	2.250	2.531	0.313	0.438	1.313	<b>99838<sup>2)</sup></b>
		2.250	2.531	0.313	0.438	1.313	<b>99227</b>
		2.250	2.531	0.781	0.938	1.313	<b>99837<sup>2)</sup></b>
		2.250	2.531	0.781	0.938	1.313	<b>99225</b>
<b>2.280</b>	<b>2.286</b>	2.283	2.598	0.787	0.938	1.375	<b>99219</b>
<b>2.309</b>	<b>2.315</b>	2.313	2.688	0.781	0.938	1.375	<b>99231</b>
<b>2.327</b>	<b>2.333</b>	2.328	2.750	0.750	0.875	1.500	<b>99233</b>

<sup>1)</sup> Possible max. distance of the rear groove from the shaft end when the installation tool supplied with the sleeve is used

<sup>2)</sup> SKF Speedi-Sleeve Gold

<sup>3)</sup> Previously 99204



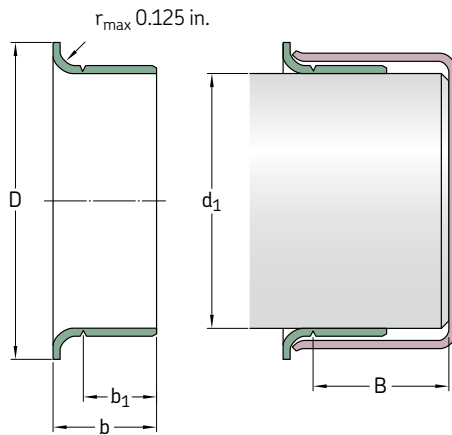
Shaft diameter range		Nominal dimensions					Designations
$d_1$ min	max	$d_1$	D $\pm 0.063$	$b_1$ $\pm 0.031$	b $\pm 0.031$	B <sup>1)</sup>	
in.							–
2.359	2.365	2.362	2.785	0.370	0.450	1.471	99241
		2.362	2.785	0.787	0.905	1.375	99869 <sup>2)</sup>
		2.362	2.785	0.787	0.905	1.375	99235
2.372	2.378	2.375	2.750	0.594	0.750	1.375	99238
2.374	2.380	2.375	2.750	0.526	0.683	1.375	99240
		2.375	2.750	0.781	0.938	1.375	99839 <sup>2)</sup>
		2.375	2.750	0.781	0.938	1.375	99237
2.434	2.441	2.438	2.828	0.781	0.938	1.393	99243
		2.441	2.828	0.500	0.625	1.425	99244
2.435	2.441	2.438	2.828	0.500	0.625	1.425	99242
2.489	2.495	2.492	2.875	0.781	0.938	1.393	99249
2.497	2.503	2.500	2.820	0.555	0.650	0.890	99253
2.500	2.506	2.500	2.828	0.500	0.656	1.393	99248
		2.500	2.820	0.781	0.938	1.375	99840 <sup>2)</sup>
		2.500	2.820	0.781	0.938	1.375	99250
2.510	2.516	2.516	2.828	0.781	0.906	1.438	99251
2.556	2.562	2.559	2.850	0.787	0.905	1.375	99841 <sup>2)</sup>
		2.559	2.850	0.787	0.905	1.375	99254
2.560	2.566	2.563	2.891	0.781	0.938	1.375	99256
2.595	2.601	2.598	2.990	0.781	0.938	1.250	99259
2.618	2.624	2.621	3.047	0.781	0.938	1.375	99261
2.621	2.627	2.625	3.047	0.781	0.906	1.375	99264
2.622	2.628	2.625	3.047	0.500	0.625	1.375	99260
		2.625	3.047	0.781	0.938	1.375	99842 <sup>2)</sup>
2.625	2.631	2.625	3.047	0.781	0.938	1.375	99262
2.670	2.677	2.677	3.125	0.750	0.875	1.688	99266
2.727	2.733	2.730	3.125	0.781	0.906	1.313	99268
2.740	2.746	2.743	3.065	0.781	0.938	1.250	99273

<sup>1)</sup> Possible max. distance of the rear groove from the shaft end when the installation tool supplied with the sleeve is used

<sup>2)</sup> SKF Speedi-Sleeve Gold

SKF Speedi-Sleeve – inch dimensions

d<sub>1</sub> 2.745–3.506 in.

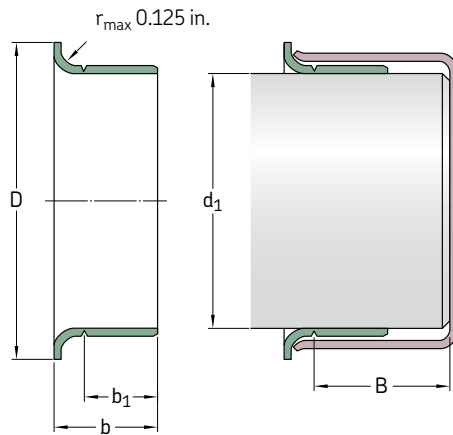


Shaft diameter range		Nominal dimensions					Designations	
d <sub>1</sub> min	max	d <sub>1</sub>	D ±0.063	b <sub>1</sub> ±0.031	b ±0.031	B <sup>1)</sup>		
in.								–
2.745	2.751	2.750	3.125	0.781	0.938	1.250	99843 <sup>2)</sup>	
		2.750	3.125	0.781	0.938	1.250	99274	
2.747	2.753	2.750	3.075	1.438	1.625	1.625	99267	
2.750	2.756	2.750	3.125	0.406	0.563	1.250	99272	
		2.750	3.125	0.781	0.938	1.250	99844 <sup>2)</sup>	
		2.750	3.125	0.781	0.938	1.250	99275	
		2.750	3.125	1.125	1.250	1.312	99269	
2.753	2.759	2.756	3.125	0.787	0.945	1.250	99276	
2.809	2.815	2.813	3.188	0.594	0.688	1.250	99281	
2.828	2.835	2.835	3.225	0.750	0.875	1.343	99870 <sup>2)</sup>	
		2.835	3.225	0.750	0.875	1.343	99284	
2.838	2.844	2.838	3.225	0.500	0.656	1.250	99845 <sup>2)</sup>	
		2.838	3.225	0.500	0.656	1.250	99282	
2.866	2.872	2.869	3.188	0.781	0.938	1.250	99286	
2.873	2.879	2.875	3.219	0.781	0.938	1.250	99846 <sup>2)</sup>	
		2.875	3.219	0.781	0.938	1.250	99287	
2.937	2.943	2.938	3.344	0.500	0.641	1.331	99290	
		2.938	3.344	0.781	0.938	1.313	99847 <sup>2)</sup>	
		2.940	3.344	0.781	0.938	1.313	99293	
2.950	2.956	2.953	3.273	0.594	0.690	1.083	99289	
		2.953	3.305	0.866	1.024	1.313	99875 <sup>2)</sup>	
		2.953	3.305	0.866	1.024	1.313	99294	
2.972	2.976	2.974	3.235	0.813	1.000	1.250	99292	
2.990	2.996	2.993	3.359	0.484	0.625	1.331	99291	
		2.993	3.359	0.563	0.688	1.375	99298	
		2.993	3.350	0.813	1.000	1.281	99299	
2.997	3.003	3.000	3.240	0.813	0.938	1.375	99296	
3.000	3.006	3.000	3.345	0.625	0.813	1.280	99048 <sup>3)</sup>	
		3.000	3.235	0.813	1.000	1.281	99848 <sup>2)</sup>	
		3.000	3.235	0.813	1.000	1.281	99300	
3.008	3.014	3.011	3.355	0.500	0.625	2.000	99301	

<sup>1)</sup> Possible max. distance of the rear groove from the shaft end when the installation tool supplied with the sleeve is used

<sup>2)</sup> SKF Speedi-Sleeve Gold

<sup>3)</sup> Previously 99303

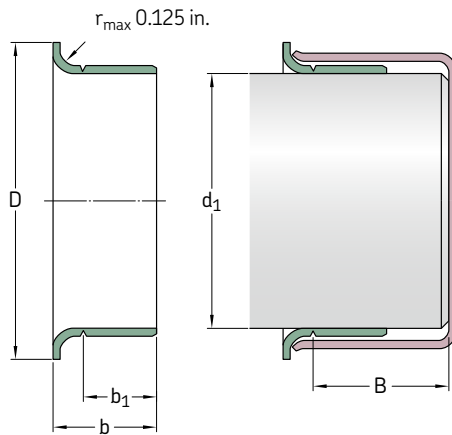


Shaft diameter range		Nominal dimensions					Designations
d <sub>1</sub> min	max	d <sub>1</sub>	D ±0.063	b <sub>1</sub> ±0.031	b ±0.031	B <sup>1)</sup>	
in.							–
3.064	3.071	3.071	3.468	0.750	0.875	2.056	99306
3.120	3.126	3.125	3.531	0.688	0.813	2.000	99311
		3.125	3.531	0.813	1.000	2.000	99849 <sup>2)</sup>
		3.125	3.531	0.813	1.000	2.000	99312
3.124	3.132	3.125	3.525	0.551	0.709	2.031	99053 <sup>3)</sup>
3.142	3.150	3.150	3.540	0.750	0.886	1.375	99313
3.146	3.153	3.150	3.543	0.433	0.591	1.375	99317
		3.150	3.543	0.827	0.945	1.375	99315
3.225	3.231	3.228	3.585	0.660	0.848	1.750	99328
3.247	3.253	3.250	3.594	0.813	1.000	1.375	99322
3.250	3.256	3.250	3.575	0.595	0.719	1.375	99850 <sup>2)</sup>
		3.250	3.575	0.595	0.719	1.375	99324
		3.250	3.585	0.688	0.875	1.250	99326
		3.250	3.585	0.813	1.000	1.375	99851 <sup>2)</sup>
		3.250	3.585	0.813	1.000	1.375	99325
3.307	3.313	3.310	3.688	0.813	1.000	1.375	99331
3.337	3.347	3.342	3.700	0.669	0.827	1.378	99332
		3.342	3.700	0.827	0.984	1.378	99872 <sup>2)</sup>
		3.342	3.700	0.827	0.984	1.378	99333
3.338	3.347	3.347	3.580	0.399	0.499	1.431	99334
3.373	3.379	3.375	3.688	0.375	0.500	1.410	99338
		3.375	3.695	0.813	1.000	1.375	99337
3.435	3.441	3.438	3.844	0.781	0.906	1.406	99339
3.457	3.465	3.465	3.751	1.150	1.349	1.673	99481
3.477	3.483	3.480	3.835	0.781	0.906	1.406	99340
3.497	3.503	3.500	3.844	0.625	0.813	1.347	99346
3.500	3.506	3.500	3.825	0.313	0.500	1.347	99347
		3.500	3.844	0.813	1.000	1.347	99852 <sup>2)</sup>
		3.500	3.844	0.813	1.000	1.347	99350

1) Possible max. distance of the rear groove from the shaft end when the installation tool supplied with the sleeve is used  
2) SKF Speedi-Sleeve Gold  
3) Previously 99307

SKF Speedi-Sleeve – inch dimensions

d<sub>1</sub> 3.501–4.925 in.

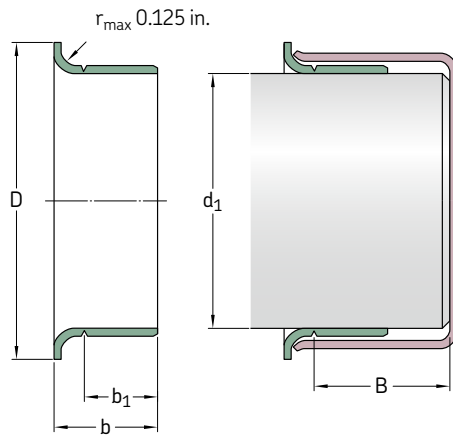


Shaft diameter range		Nominal dimensions					Designations
d <sub>1</sub> min	max	d <sub>1</sub>	D ±0.063	b <sub>1</sub> ±0.031	b ±0.031	B <sup>1)</sup>	
in.							–
<b>3.501</b>	<b>3.507</b>	3.504	3.844	0.625	0.813	1.348	<b>99349</b>
<b>3.540</b>	<b>3.546</b>	3.543	4.000	0.438	0.538	1.813	<b>99352</b>
		3.543	4.000	0.526	0.667	1.750	<b>99353</b>
		3.543	4.000	0.710	0.906	1.813	<b>99351</b>
		3.543	4.000	0.906	1.102	1.750	<b>99354</b>
<b>3.560</b>	<b>3.566</b>	3.563	3.900	0.813	1.000	1.750	<b>99356</b>
<b>3.618</b>	<b>3.624</b>	3.621	4.031	0.813	1.000	1.750	<b>99360</b>
<b>3.623</b>	<b>3.629</b>	3.625	4.025	0.500	0.625	1.750	<b>99363</b>
		3.625	4.031	0.813	1.000	1.750	<b>99362</b>
<b>3.684</b>	<b>3.690</b>	3.688	4.031	0.313	0.438	0.875	<b>99368</b>
<b>3.685</b>	<b>3.691</b>	3.688	4.025	0.813	0.938	1.800	<b>99365</b>
<b>3.727</b>	<b>3.733</b>	3.730	4.016	0.469	0.594	1.800	<b>99359</b>
		3.730	4.025	0.781	0.906	1.800	<b>99366</b>
<b>3.737</b>	<b>3.743</b>	3.740	4.025	0.827	0.945	1.800	<b>99369</b>
<b>3.740</b>	<b>3.746</b>	3.743	4.031	0.344	0.500	1.800	<b>99374</b>
		3.743	4.035	0.469	0.594	1.800	<b>99364</b>
<b>3.746</b>	<b>3.752</b>	3.749	4.025	0.563	0.688	1.800	<b>99376</b>
<b>3.750</b>	<b>3.756</b>	3.750	4.020	0.688	0.875	1.800	<b>99853<sup>2)3)</sup></b>
		3.753	4.025	0.344	0.500	1.800	<b>99367</b>
		3.753	4.020	0.688	0.875	1.800	<b>99372</b>
<b>3.868</b>	<b>3.874</b>	3.871	4.185	0.813	1.000	1.875	<b>99386</b>
<b>3.873</b>	<b>3.879</b>	3.875	4.219	0.813	1.000	1.875	<b>99387</b>
<b>3.935</b>	<b>3.941</b>	3.938	4.313	0.813	1.000	2.050	<b>99854<sup>2)</sup></b>
		3.938	4.313	0.813	1.000	2.050	<b>99393</b>
<b>3.998</b>	<b>4.006</b>	4.000	4.375	0.500	0.625	2.066	<b>99401</b>
		4.000	4.375	0.600	0.725	2.050	<b>99395</b>
		4.000	4.375	0.650	0.775	1.375	<b>99400</b>
		4.000	4.375	0.813	1.000	2.050	<b>99855<sup>2)</sup></b>
		4.000	4.375	0.813	1.000	2.050	<b>99399</b>
<b>4.090</b>	<b>4.098</b>	4.094	4.438	0.787	0.945	1.417	<b>99409</b>

<sup>1)</sup> Possible max. distance of the rear groove from the shaft end when the installation tool supplied with the sleeve is used

<sup>2)</sup> SKF Speedi-Sleeve Gold

<sup>3)</sup> Previously 99372



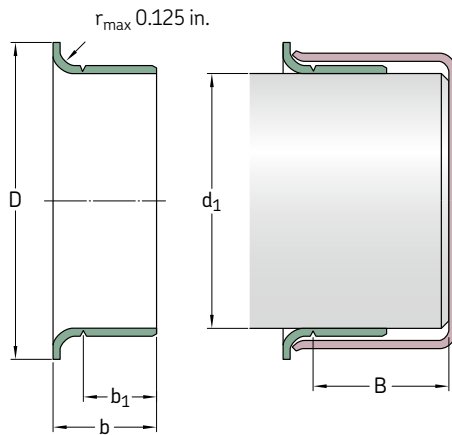
Shaft diameter range		Nominal dimensions					Designations
$d_1$ min	max	$d_1$	D $\pm 0.063$	$b_1$ $\pm 0.031$	b $\pm 0.031$	B <sup>1)</sup>	
in.							–
4.122	4.130	4.125	4.470	0.813	1.000	1.375	99412
4.130	4.138	4.134	4.470	0.787	0.913	1.378	99413
4.183	4.191	4.188	4.500	0.813	1.000	1.375	99418
4.226	4.234	4.234	4.610	0.781	0.906	1.438	99423
4.248	4.256	4.250	4.610	0.813	1.000	1.438	99424
4.322	4.331	4.331	4.921	0.448	0.589	1.297	99434
4.327	4.335	4.328	4.921	0.509	0.650	1.250	99435
4.370	4.378	4.375	4.750	0.813	1.000	1.650	99437
4.401	4.409	4.409	4.750	0.750	0.886	1.300	99438
4.434	4.442	4.438	4.813	1.000	1.142	1.313	99439
4.496	4.504	4.500	4.850	0.813	1.000	1.250	99856 <sup>2)</sup>
		4.500	4.900	0.813	1.000	1.250	99450
4.523	4.531	4.528	5.000	0.813	0.938	1.250	99452
4.621	4.629	4.625	5.000	0.438	0.625	1.375	99465
		4.625	5.063	1.000	1.250	1.375	99463
4.685	4.693	4.688	5.063	0.813	1.000	1.375	99468
4.720	4.728	4.724	5.110	0.315	0.433	1.323	99471
		4.724	5.110	0.787	0.984	1.260	99473
4.746	4.754	4.750	5.000	0.500	0.750	1.500	99475
4.799	4.807	4.803	5.177	0.787	0.945	1.260	99472
4.839	4.847	4.843	5.229	0.787	0.984	1.244	99484
4.871	4.879	4.875	5.250	0.625	0.750	1.438	99487
4.917	4.925	4.921	5.400	0.394	0.551	1.438	99490
		4.921	5.400	1.024	1.260	1.438	99492

<sup>1)</sup> Possible max. distance of the rear groove from the shaft end when the installation tool supplied with the sleeve is used

<sup>2)</sup> SKF Speedi-Sleeve Gold

SKF Speedi-Sleeve – inch dimensions

d<sub>1</sub> 4.998–8.005 in.

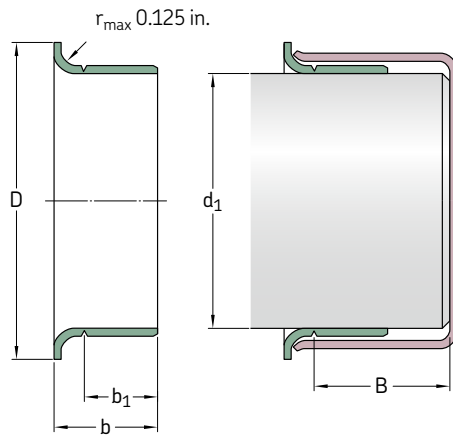


Shaft diameter range		Nominal dimensions					Designations
d <sub>1</sub> min	max	d <sub>1</sub>	D ±0.063	b <sub>1</sub> ±0.031	b ±0.031	B <sup>1)</sup>	
in.							–
4.998	5.006	5.000	5.400	0.540	0.681	1.438	99501
		5.000	5.400	0.688	0.875	1.438	99857 <sup>2)</sup>
		5.000	5.400	0.688	0.875	1.438	99498
		5.000	5.390	0.813	1.000	1.438	99858 <sup>2)</sup>
		5.000	5.390	0.813	1.000	1.438	99499
5.032	5.039	5.039	5.325	1.150	1.349	1.587	99482
5.110	5.118	5.114	5.493	0.750	0.938	1.181	99494
5.117	5.125	5.118	5.493	0.866	0.996	1.280	99874 <sup>2)</sup>
		5.125	5.493	0.866	0.996	1.280	99491
5.120	5.128	5.125	5.500	0.813	1.000	1.250	99513
5.246	5.254	5.250	5.560	0.813	1.000	1.250	99525
5.307	5.315	5.311	5.735	0.807	1.000	1.250	99533
5.371	5.379	5.375	5.875	0.813	1.000	1.250	99537
5.434	5.442	5.438	5.750	1.500	1.688	1.875	99548
5.472	5.480	5.476	5.900	0.563	0.750	1.234	99547
5.498	5.506	5.500	5.938	0.518	0.705	1.250	99550
		5.500	5.938	0.813	1.000	1.250	99859 <sup>2)</sup>
		5.500	5.938	0.813	1.000	1.250	99549
5.508	5.516	5.512	5.945	0.807	1.000	1.250	99552
5.621	5.629	5.625	6.188	0.875	1.000	1.812	99560
5.699	5.709	5.709	6.100	0.750	0.875	1.812	99571
5.726	5.734	5.734	6.100	0.563	0.750	1.938	99562
5.746	5.754	5.750	6.180	0.813	1.000	1.750	99575
5.871	5.879	5.875	6.188	1.000	1.250	1.313	99862 <sup>2)</sup>
		5.875	6.188	1.000	1.250	1.313	99587
5.896	5.906	5.905	6.260	1.024	1.181	1.280	99595
5.934	5.942	5.938	6.375	1.000	1.125	1.875	99596

<sup>1)</sup> Possible max. distance of the rear groove from the shaft end when the installation tool supplied with the sleeve is used

<sup>2)</sup> SKF Speedi-Sleeve Gold





Shaft diameter range		Nominal dimensions					Designations
$d_1$ min	max	$d_1$	D $\pm 0.063$	$b_1$ $\pm 0.031$	b $\pm 0.031$	B <sup>1)</sup>	
in.							–
<b>5.995</b>	<b>6.003</b>	6.000 6.000	6.360 6.375	0.500 1.000	0.750 1.250	1.750 1.750	<b>99601</b> <b>99599</b>
<b>6.058</b>	<b>6.068</b>	6.063	6.375	1.024	1.181	1.299	<b>99605</b>
<b>6.092</b>	<b>6.102</b>	6.097	6.575	1.024	1.181	1.299	<b>99606</b>
<b>6.198</b>	<b>6.208</b>	6.203	6.625	0.813	1.063	1.750	<b>99620</b>
<b>6.245</b>	<b>6.255</b>	6.250	6.625	1.031	1.250	1.750	<b>99625</b>
<b>6.289</b>	<b>6.299</b>	6.299	6.750	1.000	1.250	1.375	<b>99630</b>
<b>6.495</b>	<b>6.505</b>	6.500	7.000	1.000	1.250	1.375	<b>99650</b>
<b>6.683</b>	<b>6.693</b>	6.688	7.188	1.250	1.496	1.750	<b>99640</b>
<b>6.745</b>	<b>6.755</b>	6.750	7.125	0.813	1.063	1.750	<b>99675</b>
<b>6.880</b>	<b>6.890</b>	6.890	7.362	1.102	1.260	1.378	<b>99687</b>
<b>6.995</b>	<b>7.005</b>	7.000 7.000	7.475 7.475	1.000 1.000	1.250 1.250	1.688 1.688	<b>99864<sup>2)</sup></b> <b>99700</b>
<b>7.077</b>	<b>7.087</b>	7.087	7.500	1.299	1.496	1.752	<b>99721</b>
<b>7.244</b>	<b>7.254</b>	7.250	7.760	1.250	1.500	2.175	<b>99725</b>
<b>7.273</b>	<b>7.283</b>	7.278	7.760	1.260	1.496	2.165	<b>99726</b>
<b>7.444</b>	<b>7.454</b>	7.453	7.860	0.813	1.000	1.250	<b>99745</b>
<b>7.495</b>	<b>7.505</b>	7.500	7.875	0.813	1.000	1.250	<b>99750</b>
<b>7.745</b>	<b>7.755</b>	7.750	8.270	1.000	1.313	1.875	<b>99775</b>
<b>7.869</b>	<b>7.879</b>	7.875	8.375	1.359	1.500	1.750	<b>99787</b>
<b>7.933</b>	<b>7.943</b>	7.938	8.375	1.000	1.250	1.750	<b>99799</b>
<b>7.995</b>	<b>8.005</b>	8.000	8.375	1.000	1.250	1.750	<b>99800</b>

<sup>1)</sup> Possible max. distance of the rear groove from the shaft end when the installation tool supplied with the sleeve is used  
<sup>2)</sup> SKF Speedi-Sleeve Gold

# Wear sleeves for heavy industrial applications

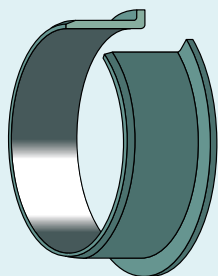
Outside contamination particles and polishing friction between a rotating shaft and a seal can, over time, result in severe shaft damage. Instead of repairing or replacing the damaged shaft, SKF recommends the use of wear sleeves for heavy industrial applications (LDSL3), primarily in applications where no SKF Speedi-Sleeve is available, i.e. for shaft diameters ranging from 211,15 to 1 143 mm (8.313 to 45 in.). The sleeves are made to order to fit shaft diameters within the primary ranges listed in **tables 1** and **2**. A selection of sizes is listed in the product tables starting on **page 38**.

The LDSLV designs are recommended for applications where the operating conditions for the seals are difficult, particularly where solid contaminants can reach the seals, like in rolling mills, primary metal plants and in chemical and mineral plants.

In applications where seal wear and shaft damage can be expected, SKF recommends that the wear sleeves be installed into the application from the outset. It will then not be necessary to rework the shaft before installing a replacement sleeve and the original size can be used for the replacement seal.

Table 5

## Primary dimension range of LDSLV3



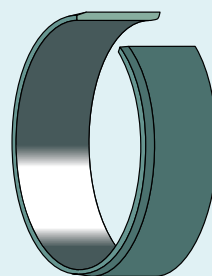
Shaft range over	incl.	Width <sup>1)</sup>	
		min	max
mm/in.			
211,15 8.313	736,60 29.000	17,48 0.688	63,50 2.500
736,60 29.000	1 143,00 45.000	25,40 1.000	63,50 2.500

1) Total width (b), 38,10 to 50,80 mm (1.5 to 2 in.) at 1 143,00 mm (45 in.) shaft diameter

Contact SKF for LDSLV3 designs outside the primary range.

Table 6

## Primary dimension range of LDSLV4



Shaft range over	incl.	Width <sup>1)</sup>	
		min	max
mm/in.			
211,15 8.313	736,60 29.000	17,48 0.500	63,50 2.500
736,60 29.000	1 143,00 45.000	19,05 0.750	63,50 2.500

1) Total width (b), 38,10 to 50,80 mm (1.5 to 2 in.) at 1 143,00 mm (45 in.) shaft diameter

Contact SKF for LDSLV4 designs outside the primary range.

## Designs and features

There are two designs of SKF wear sleeves for heavy industrial applications; LDSLV3 with a flange (→ fig. 1) and LDSLV4 without a flange (→ fig. 2). Both designs are made of SAE 1008 chromium-plated carbon steel to enhance wear and corrosion resistance. Other sleeve materials can be provided to meet the demands of a specific application. The sleeve outside diameter is specially ground to provide a precision counterface surface for the seal. The wall thickness of the standard sleeves is 2,39 mm (0.094 in.). LDSLV3 is designed with a flange to simplify final positioning of the sleeve. The width of the counterface for the seal is 6,35 mm (0.25 in.) narrower than the total width of the sleeve. The flange adds a nominal 25,4 mm (1 in.) over the shaft diameter. The flange height is 12,7 mm (0.5 in.) for all sizes. Note that force should never be applied directly to the flange when installing an LDSLV3.

LDSLV4 has the same features as LDSLV3 but has no flange. LDSLV4 is intended for applications where a flange could interfere with other components during installation, or where a wider contact surface for the seal is required.

## Using LDSLV designs

There are two alternative ways of using SKF wear sleeves for heavy industrial applications (→ fig. 3);

- 1 The sleeve is positioned on the shaft until it covers the damaged part and a new seal, designed for a 4,78 mm (0.188 in.) larger shaft diameter is used.
- 2 The shaft is machined down by 4,78 mm (0.188 in.) in diameter, the sleeve is installed and the original seal size is used.

The reworked shaft surface for the sleeve should have a surface roughness of between  $R_a$  2,5 and 3,2  $\mu\text{m}$  (100 to 125  $\mu\text{in.}$ )

**NOTE:** The shaft tolerances for LDSLV designs, due to their heated slip-fit installation, are different from those for radial shaft seals. Contact SKF for assistance if the sleeves are to be used in systems with sustained temperatures higher than 75 °C (165 °F) and surface speeds in excess of 20 m/s (3 900 ft/min).

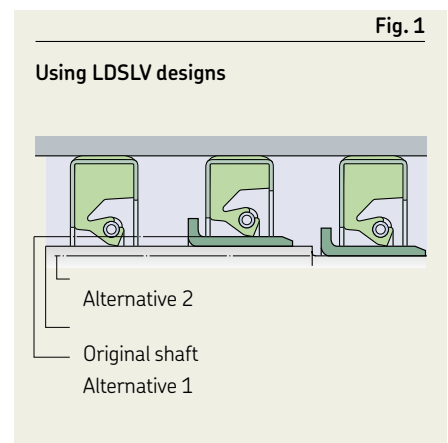
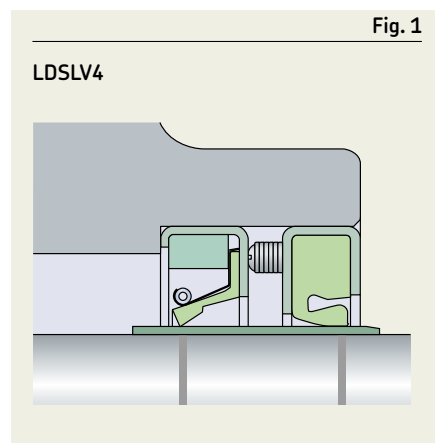
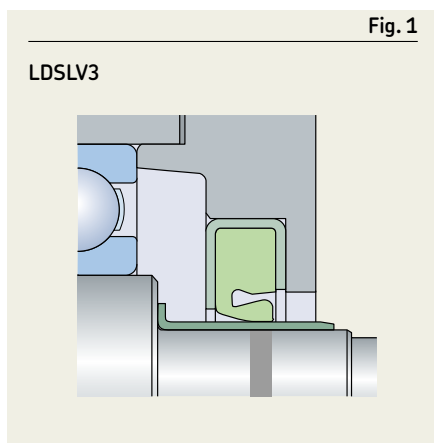
## Installation

SKF wear sleeves for heavy industrial applications are designed for a heated slip-fit installation and must therefore be uniformly heated prior to installation on the shaft. The sleeve temperature should be approximately 180 °C (355 °F). Under no circumstances should the sleeve be heated to above 200 °C (390 °F). Any of the heating techniques normally used for bearings is suitable, e.g. induction heaters or heating cabinets.

The sleeves should be installed immediately after heating since they cool rapidly and could seize on the shaft before the correct position is achieved. If repositioning is necessary, use a soft faced hammer and a wooden block. After the sleeve is in the desired position, check the lead-in chamfer for any damage during installation.

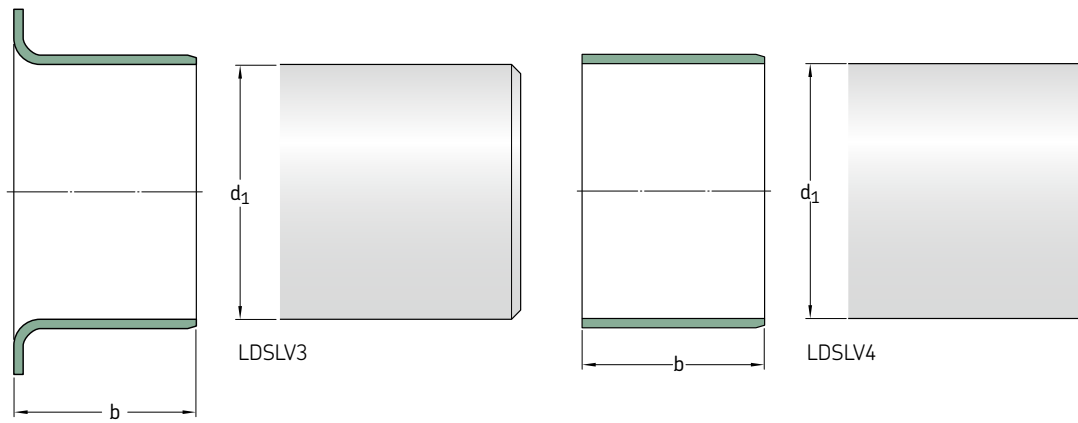
## Removal

Wear sleeves for heavy industrial applications can be removed either by heating them or expanding them by light hammer blows. Prior to removal, the flange of the LDSLV3 should first be cut through at one point, using care not to damage the shaft surface.



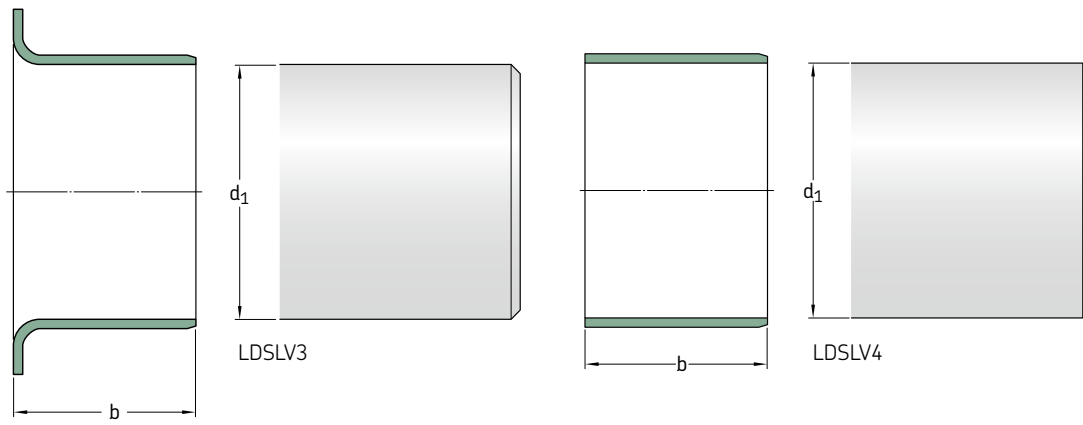
Wear sleeves for heavy industrial applications – LDSLV3 and LDSLV4 – metric dimensions

d<sub>1</sub> 215,00–1 100,23 mm



Shaft diameter	Sleeve width	Reference sleeve installed outside diameter	Design	Designations
d <sub>1</sub>	b			
mm			–	
215,00	25,40	220	LDSLV3	90 179
215,20	35	220	LDSLV3	87 831
220,00	25	225	LDSLV3	90 806
	40	225	LDSLV3	87 914
	50,80	225	LDSLV3	87 915
235,23	18	240	LDSLV4	90 952
240,00	17,50	250	LDSLV3	90 156
240,21	44	245	LDSLV4	87 911
245,20	63,50	250	LDSLV3	90 766
275,00	22	280	LDSLV4	90 546
280,00	45	285	LDSLV4	90 437
285,22	63,50	290	LDSLV4	90 238
295,20	32	300	LDSLV3	90 114
315,19	63,50	320	LDSLV4	90 155
320,00	63,50	325	LDSLV4	90 198
325,22	63,50	330	LDSLV4	90 239
335,22	39	340	LDSLV4	90 777
	50	340	LDSLV4	90 792
340,00	18	340	LDSLV4	87 901
	50	340	LDSLV4	90 801
	50	345	LDSLV3	90 113
355,20	25,40	360	LDSLV4	90 778
	50	360	LDSLV4	90 785
360,00	44	365	LDSLV4	87 500
360,22	45	365	LDSLV4	90 788
365,20	20	370	LDSLV4	87 531
395,22	63,50	400	LDSLV4	87 461

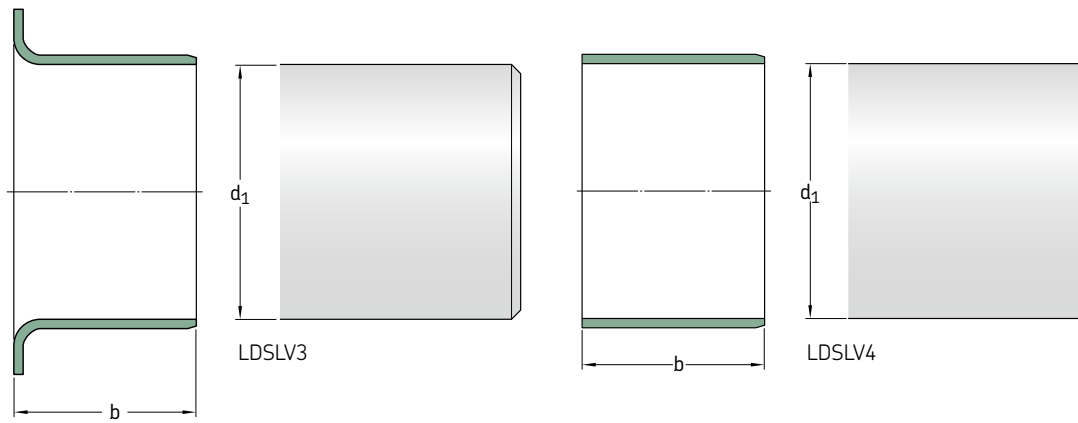
Shaft diameter	Sleeve width	Reference sleeve installed outside diameter	Design	Designations
d <sub>1</sub>	b			
mm			–	
405,23	50	410	LDSLV4	90 042
419,99	63,50	425	LDSLV3	97 064
435,20	63,50	440	LDSLV4	87 916
455,00	30	460	LDSLV4	90 347
455,20	50	460	LDSLV4	87 504
475,18	20	480	LDSLV4	87 921
494,44	24	500	LDSLV4	90 259
495,20	30	500	LDSLV4	87 503
503,25	24	508	LDSLV4	90 149
530,00	20	535	LDSLV4	87 783
535,23	63	540	LDSLV4	90 802
555,20	63,50	560	LDSLV4	90 075
575,23	63,50	580	LDSLV4	90 951
585,22	55	590	LDSLV4	90 292
595,20	58,20	600	LDSLV3	90 120
	63,50	600	LDSLV4	89 997
595,22	50	600	LDSLV3	90 241
645,20	64	650	LDSLV4	90 004
645,24	63,50	650	LDSLV3	87 817
665,20	45	670	LDSLV4	90 799
685,22	63,50	690	LDSLV4	90 953
714,81	50	720	LDSLV4	87 820
735,23	63	740	LDSLV4	89 949
755,19	63,50	760	LDSLV3	87 981



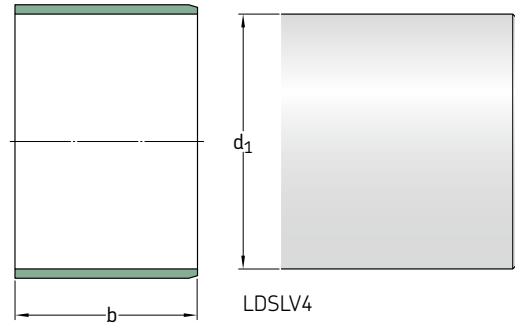
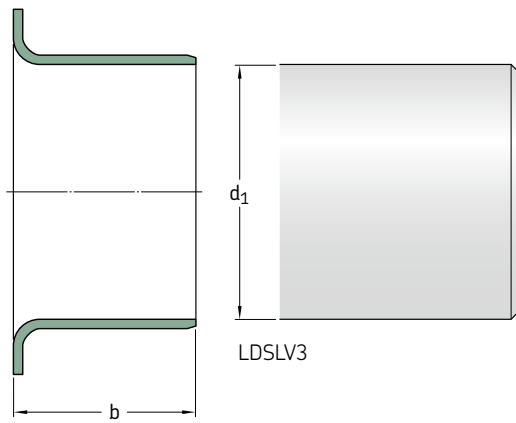
Shaft diameter	Sleeve width	Reference sleeve installed outside diameter	Design	Designations
$d_1$	$b$			
mm			-	
<b>865,23</b>	63,50	870	LDSLV4	90 221
<b>875,18</b>	63,50	880	LDSLV4	90 103
<b>1 015,20</b>	25	1 020	LDSLV4	90 786
<b>1 049,33</b>	60	1 054	LDSLV4	89 947
<b>1 100,23</b>	63	1 105	LDSLV4	89 946

Wear sleeves for heavy industrial applications – LDSLV3 and LDSLV4 – inch dimensions

d<sub>1</sub> 8.313–11.969 in.



Shaft diameter	Sleeve width	Reference sleeve installed outside diameter	Design	Designations	Shaft diameter	Sleeve width	Reference sleeve installed outside diameter	Design	Designations
d <sub>1</sub>	b				d <sub>1</sub>	b			
in./mm					in./mm				
<b>8.313</b> 211,15	1.250 31,75	8.501 215,93	LDSLV4	<b>85 885</b>	<b>9.125</b> 231,78	1.000 25,40	9.313 236,55	LDSLV4	<b>86 547</b>
<b>8.353</b> 212,17	1.500 38,10	8.541 216,94	LDSLV4	<b>86 907</b>		1.500 38,10	9.313 236,55	LDSLV4	<b>90 130</b>
<b>8.500</b> 215,90	1.000 25,40	8.688 220,68	LDSLV3	<b>85 158</b>	<b>9.250</b> 234,95	0.875 22,23	9.438 239,73	LDSLV4	<b>84 643</b>
<b>8.625</b> 219,08	2.750 69,85	8.813 223,85	LDSLV3	<b>85 643</b>	<b>9.260</b> 235,20	1.102 27,99	9.448 239,98	LDSLV4	<b>87 789</b>
<b>8.661</b> 220,00	1.000 25,40	8.849 224,76	LDSLV4	<b>87 319</b>	<b>9.313</b> 236,55	1.500 38,10	9.501 241,33	LDSLV3	<b>85 377</b>
<b>8.687</b> 220,65	2.250 57,15	8.875 225,43	LDSLV3	<b>86 543</b>	<b>9.449</b> 240,00	1.181 30,00	9.637 244,78	LDSLV4	<b>87 144</b>
<b>8.750</b> 222,25	1.500 38,10	8.938 227,03	LDSLV3	<b>87 196</b>	<b>9.500</b> 241,30	2.500 63,50	9.688 246,08	LDSLV4	<b>86 562</b>
<b>8.812</b> 223,82	2.000 50,80	9.000 228,60	LDSLV4	<b>86 551</b>		1.000 25,40	9.688 246,08	LDSLV3	<b>86 633</b>
<b>8.813</b> 223,85	1.000 25,40	9.001 228,63	LDSLV3	<b>85 688</b>	<b>9.563</b> 242,90	2.000 50,80	9.751 247,68	LDSLV4	<b>85 073</b>
<b>8.866</b> 225,20	2.500 63,50	9.054 229,97	LDSLV4	<b>87 166</b>		2.000 50,80	9.751 247,68	LDSLV4	<b>85 397</b>
<b>8.867</b> 225,22	1.000 25,40	9.055 230,00	LDSLV4	<b>87 462</b>	<b>9.750</b> 247,65	1.438 36,53	9.938 252,43	LDSLV4	<b>84 965</b>
<b>8.875</b> 225,43	1.250 31,75	9.063 230,20	LDSLV3	<b>85 973</b>		2.250 57,15	9.938 252,43	LDSLV4	<b>85 045</b>
	1.250 31,75	9.063 230,20	LDSLV4	<b>87 526</b>	<b>9.813</b> 249,25	1.125 28,58	10.001 254,03	LDSLV4	<b>86 413</b>
<b>8.938</b> 227,03	2.500 63,50	9.126 231,80	LDSLV4	<b>86 546</b>		2.000 50,80	10.001 254,03	LDSLV3	<b>84 156</b>
<b>9.000</b> 228,60	1.000 25,40	9.188 233,38	LDSLV3	<b>87 555</b>	<b>9.835</b> 249,81	1.575 40,01	10.023 254,58	LDSLV4	<b>90 773</b>
<b>9.055</b> 230,00	1.000 25,40	9.243 234,77	LDSLV3	<b>89 943</b>	<b>10.000</b> 254,00	1.000 25,40	10.188 258,78	LDSLV3	<b>90 070</b>
<b>9.063</b> 230,20	1.500 38,10	9.251 234,98	LDSLV4	<b>85 931</b>	<b>10.063</b> 255,60	2.250 57,15	10.251 260,38	LDSLV4	<b>86 000</b>
					<b>10.188</b> 258,78	1.125 28,58	10.376 263,55	LDSLV4	<b>84 962</b>

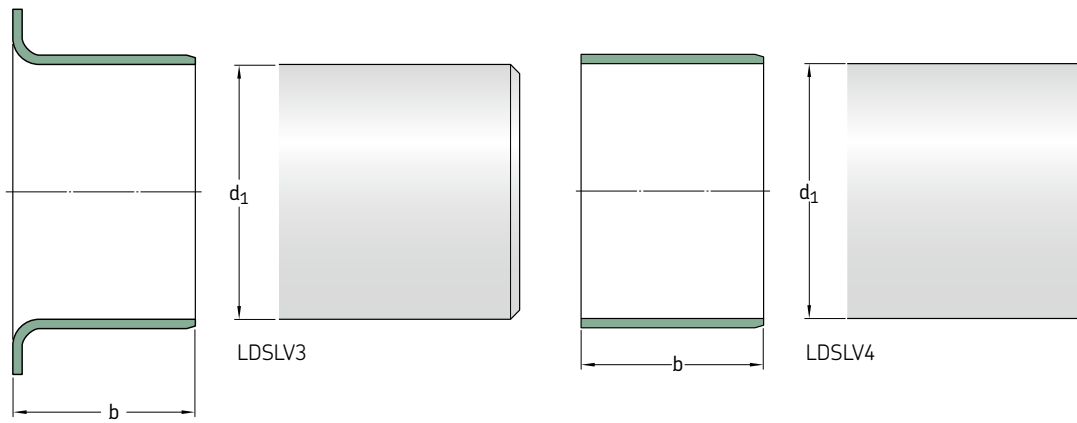


Shaft diameter	Sleeve width	Reference sleeve installed outside diameter	Design	Designations
$d_1$	$b$			
in./mm				
<b>10.240</b> 260,00	1.970 50,00	10.424 264,77	LDSLV3	<b>87 738</b>
<b>10.313</b> 261,95	2.000 50,80	10.501 266,73	LDSLV4	<b>85 629</b>
	2.250 57,15	10.501 266,73	LDSLV3	<b>85 191</b>
<b>10.441</b> 265,20	2.165 54,99	10.629 269,98	LDSLV4	<b>86 798</b>
<b>10.500</b> 266,70	2.750 69,85	10.688 271,48	LDSLV4	<b>86 013</b>
<b>10.557</b> 268,15	2.250 57,15	10.745 272,92	LDSLV4	<b>85 491</b>
<b>10.562</b> 268,27	0.984 24,99	10.750 273,05	LDSLV4	<b>90 800</b>
	1.750 44,45	10.750 273,05	LDSLV4	<b>86 468</b>
	1.813 46,05	10.750 273,05	LDSLV4	<b>86 544</b>
	1.500 38,10	10.751 273,08	LDSLV4	<b>87 768</b>
<b>10.563</b> 268,30	1.500 38,10	10.751 273,08	LDSLV4	<b>87 768</b>
<b>10.750</b> 273,05	2.500 63,50	10.938 277,83	LDSLV4	<b>86 435</b>
<b>10.813</b> 274,65	1.000 25,40	11.001 279,43	LDSLV3	<b>81 389</b>
	2.000 50,80	11.001 279,43	LDSLV4	<b>85 033</b>
<b>10.846</b> 275,49	0.709 18,01	11.034 280,26	LDSLV4	<b>86 601</b>
<b>10.875</b> 276,23	2.000 50,80	11.063 281,00	LDSLV4	<b>84 510</b>
<b>11.000</b> 279,40	1.500 38,10	11.188 284,18	LDSLV4	<b>86 486</b>
	2.500 63,50	11.188 284,18	LDSLV4	<b>86 454</b>
<b>11.024</b> 280,00	1.181 30,00	11.212 284,78	LDSLV4	<b>87 142</b>

Shaft diameter	Sleeve width	Reference sleeve installed outside diameter	Design	Designations
$d_1$	$b$			
mm in./mm				
<b>11.031</b> 280,19	1.260 32,00	11.219 284,96	LDSLV4	<b>87 525</b>
<b>11.062</b> 280,97	1.750 44,45	11.250 285,75	LDSLV4	<b>85 469</b>
	1.250 31,75	11.375 288,93	LDSLV4	<b>86 269</b>
<b>11.187</b> 284,15	2.250 57,15	11.376 288,95	LDSLV4	<b>85 212</b>
<b>11.188</b> 284,18	2.250 57,15	11.378 289,00	LDSLV4	<b>87 566</b>
<b>11.190</b> 284,23	2.250 57,15	11.378 289,00	LDSLV4	<b>87 566</b>
<b>11.313</b> 287,35	1.500 38,10	11.501 292,13	LDSLV4	<b>84 094</b>
	2.250 57,15	11.563 293,70	LDSLV4	<b>86 145</b>
<b>11.375</b> 288,93	1.750 44,45	11.605 294,77	LDSLV4	<b>86 441</b>
<b>11.417</b> 290,00	0.750 19,05	11.688 296,88	LDSLV4	<b>90 761</b>
<b>11.500</b> 292,10	1.000 25,40	11.750 298,45	LDSLV4	<b>90 333</b>
<b>11.562</b> 293,67	1.417 35,99	11.811 300,00	LDSLV3	<b>87 875</b>
<b>11.623</b> 295,22	2.375 60,33	11.938 303,23	LDSLV3	<b>87 872</b>
	1.125 28,58	12.000 304,80	LDSLV4	<b>86 687</b>
<b>11.750</b> 298,45	1.500 38,10	12.001 304,83	LDSLV4	<b>85 979</b>
<b>11.812</b> 300,02	2.250 57,15	12.001 304,83	LDSLV3	<b>84 819</b>
	2.750 69,85	12.001 304,83	LDSLV4	<b>85 844</b>
<b>11.813</b> 300,05	0.709 18,00	12.157 308,79	LDSLV4	<b>86 600</b>
<b>11.969</b> 304,00	1.125 28,58	12.000 304,80	LDSLV4	<b>86 687</b>
<b>11.813</b> 300,05	1.500 38,10	12.001 304,83	LDSLV4	<b>85 979</b>
<b>11.813</b> 300,05	2.250 57,15	12.001 304,83	LDSLV3	<b>84 819</b>
	2.750 69,85	12.001 304,83	LDSLV4	<b>85 844</b>
<b>11.969</b> 304,00	0.709 18,00	12.157 308,79	LDSLV4	<b>86 600</b>

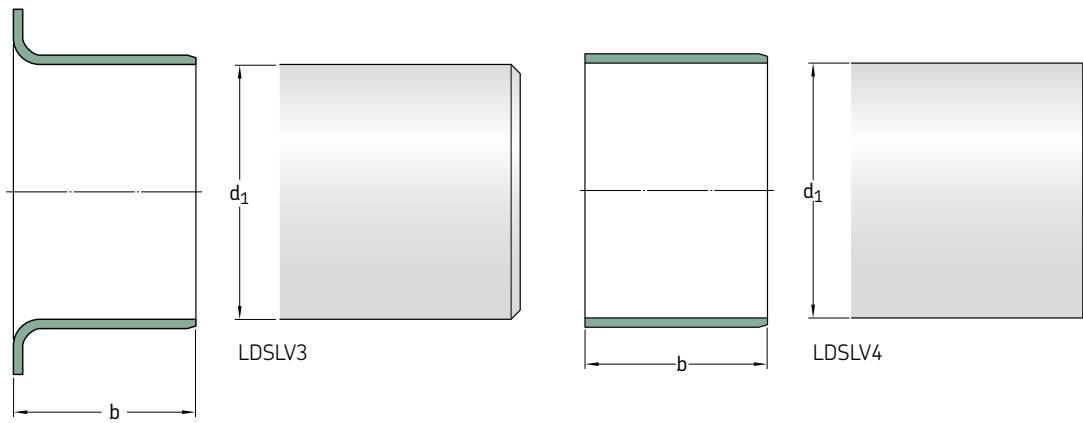
Wear sleeves for heavy industrial applications – LDSLV3 and LDSLV4 – inch dimensions

d<sub>1</sub> 12.000–20.813 in.



Shaft diameter d <sub>1</sub>	Sleeve width b	Reference sleeve installed outside diameter	Design	Designations	Shaft diameter d <sub>1</sub>	Sleeve width b	Reference sleeve installed outside diameter	Design	Designations
in./mm					in./mm				
<b>12.000</b> 304,80	2.250 57,15	12.188 309,58	LDSLV4	<b>85 577</b>	<b>13.813</b> 350,85	1.500 38,10	14.001 355,63	LDSLV3	<b>81 390</b>
	2.250 57,15	12.188 309,58	LDSLV3	<b>87 406</b>		2.000 50,80	14.001 355,63	LDSLV4	<b>85 179</b>
<b>12.063</b> 306,40	0.625 15,88	12.251 311,18	LDSLV4	<b>85 418</b>	<b>14.000</b> 355,60	1.375 34,93	14.188 360,38	LDSLV3	<b>89 951</b>
	2.500 63,50	12.251 311,18	LDSLV3	<b>86 404</b>		1.500 38,10	14.188 360,38	LDSLV3	<b>81 352</b>
<b>12.312</b> 312,72	1.500 38,10	12.500 317,50	LDSLV4	<b>90 174</b>	<b>14.173</b> 359,99	1.000 25,40	14.361 364,77	LDSLV4	<b>87 445</b>
<b>12.313</b> 312,75	0.750 19,05	12.501 317,53	LDSLV4	<b>83 760</b>	<b>14.313</b> 363,55	1.500 38,10	14.501 368,33	LDSLV4	<b>86 429</b>
<b>12.500</b> 317,50	2.125 53,98	12.688 322,28	LDSLV3	<b>86 169</b>	<b>14.438</b> 366,73	2.500 63,50	14.626 371,50	LDSLV3	<b>86 403</b>
<b>12.598</b> 320,00	0.984 25,00	12.786 324,76	LDSLV3	<b>87 434</b>	<b>14.500</b> 368,30	1.000 25,40	14.688 373,08	LDSLV4	<b>85 914</b>
<b>12.750</b> 323,85	0.688 17,48	12.938 328,63	LDSLV4	<b>87 513</b>	<b>14.813</b> 376,25	1.500 38,10	15.001 381,03	LDSLV4	<b>87 723</b>
	1.125 28,58	12.938 328,63	LDSLV3	<b>82 099</b>		2.125 53,98	15.001 381,03	LDSLV3	<b>81 391</b>
	1.500 38,10	12.938 328,63	LDSLV3	<b>90 143</b>	<b>15.000</b> 381,00	1.000 25,40	15.188 385,78	LDSLV4	<b>87 247</b>
<b>12.813</b> 325,45	1.000 25,40	13.001 330,23	LDSLV4	<b>86 258</b>	<b>15.062</b> 382,57	0.750 19,05	15.250 387,35	LDSLV4	<b>90 272</b>
	1.375 34,93	13.001 330,23	LDSLV4	<b>84 263</b>		1.000 25,40	15.254 387,45	LDSLV3	<b>87 871</b>
	2.000 50,80	13.001 330,23	LDSLV3	<b>84 390</b>	<b>15.066</b> 382,68	2.500 63,50	15.376 390,55	LDSLV4	<b>87 569</b>
	2.500 63,50	13.001 330,23	LDSLV4	<b>86 722</b>	<b>15.188</b> 385,78	0.750 19,05	15.438 392,13	LDSLV3	<b>84 964</b>
<b>13.000</b> 330,20	1.750 44,45	13.188 334,98	LDSLV4	<b>85 535</b>	<b>15.250</b> 387,35	0.906 23,01	15.748 400,00	LDSLV4	<b>85 582</b>
<b>13.063</b> 331,80	1.125 28,58	13.251 336,53	LDSLV4	<b>84 963</b>	<b>15.560</b> 395,22	2.500 63,50	16.000 406,40	LDSLV3	<b>87 634</b>
<b>13.313</b> 338,15	0.813 20,65	13.501 342,93	LDSLV4	<b>86 688</b>	<b>15.812</b> 401,62				
	1.500 38,10	13.501 342,93	LDSLV4	<b>87 463</b>					
	2.000 50,80	13.501 342,93	LDSLV3	<b>85 852</b>					

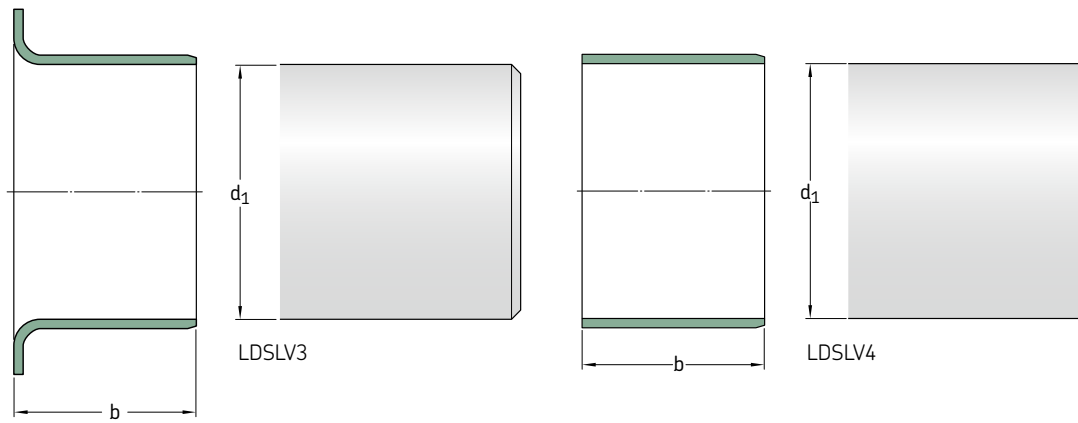




Shaft diameter	Sleeve width	Reference sleeve installed outside diameter	Design	Designations	Shaft diameter	Sleeve width	Reference sleeve installed outside diameter	Design	Designations
$d_1$	$b$				$d_1$	$b$			
in./mm					mm in./mm				
<b>15.813</b>	2.000	16.001	LDSL4	<b>85 181</b>	<b>17.543</b>	2.362	17.731	LDSL4	<b>86 799</b>
401,65	50,80	406,43			445,59	59,99	450,37		
	2.000	16.001	LDSL3	<b>87 446</b>	<b>17.750</b>	1.250	17.938	LDSL4	<b>90 774</b>
	50,80	406,43			450,85	31,75	455,63		
	2.500	16.001	LDSL4	<b>86 407</b>		2.500	17.938	LDSL3	<b>86 631</b>
	63,50	406,43				63,50	455,63		
<b>15.998</b>	2.250	16.186	LDSL3	<b>85 908</b>	<b>17.812</b>	2.125	18.000	LDSL4	<b>87 271</b>
406,35	57,15	411,12			452,42	53,98	457,20		
<b>16.000</b>	2.000	16.188	LDSL3	<b>81 354</b>	<b>17.813</b>	2.500	18.001	LDSL3	<b>86 405</b>
406,40	50,80	411,18			452,45	63,50	457,23		
<b>16.063</b>	0.500	16.251	LDSL4	<b>87 613</b>	<b>18.163</b>	2.000	18.351	LDSL4	<b>86 343</b>
408,00	12,70	412,78			461,34	50,80	466,12		
	1.250	16.251	LDSL4	<b>86 175</b>					
	31,75	412,78			<b>18.312</b>	1.191	18.500	LDSL4	<b>90 790</b>
	1.300	16.251	LDSL4	<b>86 426</b>	465,12	30,25	469,90		
	33,02	412,78							
	2.000	16.251	LDSL4	<b>86 575</b>	<b>18.813</b>	1.750	19.001	LDSL4	<b>86 563</b>
	50,80	412,78			477,85	44,45	482,63	LDSL4	<b>87 015</b>
<b>16.313</b>	2.000	16.501	LDSL4	<b>84 697</b>		2.250	19.001	LDSL4	<b>86 716</b>
414,35	50,80	419,13				57,15	482,63	LDSL4	
<b>16.750</b>	1.500	16.938	LDSL4	<b>87 585</b>	<b>19.496</b>	2.362	19.684	LDSL4	<b>87 631</b>
425,45	38,10	430,23			495,20	59,99	499,97		
<b>16.812</b>	1.000	17.000	LDSL4	<b>86 737</b>	<b>19.497</b>	1.575	19.685	LDSL4	<b>87 785</b>
427,02	25,40	431,80			495,22	40,01	500,00		
<b>16.813</b>	2.250	17.001	LDSL4	<b>84 616</b>	<b>19.500</b>	1.250	19.688	LDSL4	<b>90 769</b>
427,05	57,15	431,83			495,30	31,75	500,08		
<b>17.250</b>	1.000	17.438	LDSL4	<b>90 779</b>	<b>19.563</b>	2.750	19.751	LDSL4	<b>85 654</b>
438,15	25,40	442,93			496,90	69,85	501,68		
	2.000	17.438	LDSL4	<b>84 576</b>					
	50,80	442,93			<b>19.813</b>	1.250	20.001	LDSL4	<b>84 781</b>
<b>17.313</b>	1.500	17.501	LDSL4	<b>86 430</b>	503,25	31,75	508,03		
439,75	38,10	444,53			<b>20.312</b>	1.000	20.500	LDSL4	<b>86 739</b>
<b>17.449</b>	2.000	17.637	LDSL4	<b>85 762</b>	515,92	25,40	520,70		
443,20	50,80	447,98			<b>20.813</b>	1.250	21.001	LDSL3	<b>85 800</b>
<b>17.500</b>	1.250	17.688	LDSL4	<b>90 770</b>	528,65	31,75	533,43	LDSL4	<b>85 367</b>
444,50	31,75	449,28				2.125	21.001	LDSL4	<b>85 367</b>
						53,98	533,43		
						2.500	21.001	LDSL4	<b>87 298</b>
						63,50	533,43		

Wear sleeves for heavy industrial applications – LDSLV3 and LDSLV4 – inch dimensions

d<sub>1</sub> 20.865–42.500 in.

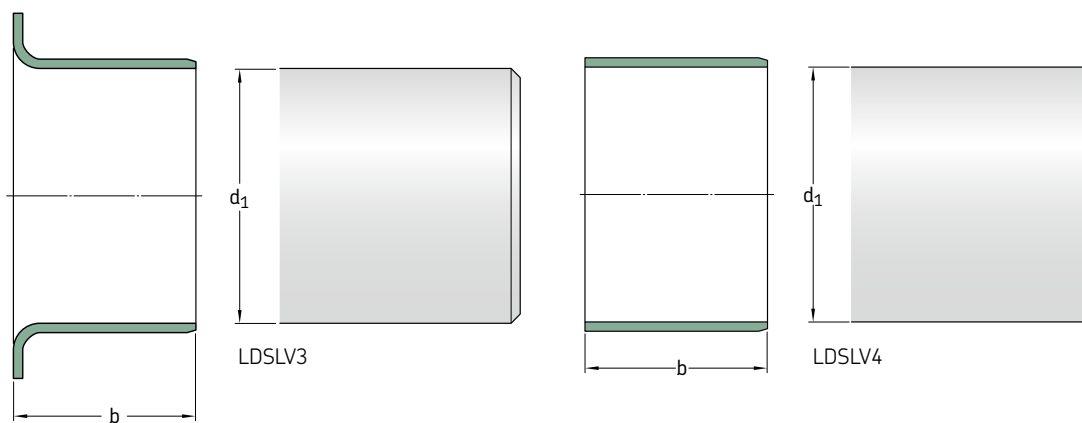


Shaft diameter	Sleeve width	Reference sleeve installed outside diameter	Design	Designations
d <sub>1</sub>	b			
in./mm				

20.865 529,97	2.250 57,15	21.053 534,75	LDSLV4	90 805
20.990 533,15	2.250 57,15	21.178 537,92	LDSLV3	84 579
21.000 533,40	2.250 57,15	21.188 538,18	LDSLV4	87 090
21.803 553,80	2.362 59,99	21.991 558,57	LDSLV4	87 069
21.813 554,05	2.250 57,15	22.001 558,83	LDSLV4	84 590
22.250 565,15	1.000 25,40	22.438 569,93	LDSLV3	85 691
22.303 566,50	2.362 59,99	22.491 571,27	LDSLV4	87 070
22.313 566,75	1.250 31,75	22.501 571,53	LDSLV4	85 907
22.812 579,42	2.000 50,80	23.000 584,20	LDSLV4	90 163
23.000 584,20	2.000 50,80	23.188 588,98	LDSLV4	90 146
23.434 595,22	0.984 24,99	23.622 600,00	LDSLV4	87 777
23.687 601,65	1.950 49,53	23.875 606,43	LDSLV4	87 907
23.812 604,82	0.750 19,05	24.000 609,60	LDSLV4	87 922
	2.500 63,50	24.000 609,60	LDSLV4	87 960
25.000 635,00	2.500 63,50	25.188 639,78	LDSLV4	86 567
25.312 642,92	2.000 50,80	25.500 647,70	LDSLV4	86 091
25.313 642,95	2.500 63,50	25.501 647,73	LDSLV4	87 802

Shaft diameter	Sleeve width	Reference sleeve installed outside diameter	Design	Designations
d <sub>1</sub>	b			
in./mm				

26.000 660,40	2.250 57,15	26.188 665,18	LDSLV3	86 640
26.312 668,32	1.375 34,93	26.500 673,10	LDSLV4	90 809
26.813 681,05	1.250 31,75	27.001 685,83	LDSLV4	85 384
	2.250 57,15	27.001 685,83	LDSLV4	85 531
27.000 685,80	2.000 50,80	27.188 690,58	LDSLV4	86 841
27.063 687,40	2.250 57,15	27.251 692,18	LDSLV4	84 764
27.313 693,75	2.250 57,15	27.501 698,53	LDSLV4	91 311
27.500 698,50	2.250 57,15	27.688 703,28	LDSLV4	84 711
27.812 706,42	2.500 63,50	28.000 711,20	LDSLV4	87 421
28.312 719,12	2.313 58,75	28.500 723,90	LDSLV3	87 623
28.813 731,85	2.250 57,15	29.001 736,63	LDSLV4	84 641
29.813 757,25	2.250 57,15	30.001 762,03	LDSLV4	84 642
30.000 762,00	2.500 63,50	30.188 766,78	LDSLV3	86 641
30.309 769,85	1.375 34,93	30.497 774,62	LDSLV4	87 530
30.312 769,92	2.500 63,50	30.500 774,70	LDSLV3	87 842
30.813 782,65	2.000 50,80	31.001 787,43	LDSLV4	85 039



Shaft diameter	Sleeve width	Reference sleeve installed outside diameter	Design	Designations
$d_1$	$b$			
in./mm			-	

<b>31.812</b> 808,02	2.500 63,50	32.000 812,80	LDSL4	<b>90 810</b>
<b>32.313</b> 820,75	2.000 50,80	32.501 825,53	LDSL4	<b>86 090</b>
<b>32.812</b> 833,42	2.220 56,39	33.000 838,20	LDSL4	<b>87 850</b>
<b>33.313</b> 846,15	2.625 66,68	33.501 850,93	LDSL4	<b>84 730</b>
<b>34.312</b> 871,52	1.750 44,45	34.500 876,30	LDSL4	<b>87 529</b>
<b>35.313</b> 896,95	2.500 63,50	35.501 901,73	LDSL4	<b>85 814</b>
<b>35.812</b> 909,62	1.500 38,10	36.000 914,40	LDSL4	<b>90 332</b>
<b>36.375</b> 923,93	2.500 63,50	36.563 928,70	LDSL4	<b>86 111</b>
<b>36.813</b> 935,05	2.500 63,50	37.001 939,83	LDSL4	<b>86 458</b>
<b>37.813</b> <b>960,45</b>	1.500 38,10	38.001 965,23	LDSL4	<b>86 973</b>
<b>38.000</b> 965,20	1.500 38,10	38.188 969,98	LDSL4	<b>86 840</b>
<b>38.500</b> 977,90	1.500 38,10	38.688 982,68	LDSL4	<b>81 753</b>
<b>38.813</b> 985,85	2.125 53,98	39.001 990,63	LDSL4	<b>85 123</b>
<b>39.813</b> 1 011,25	2.125 53,98	40.001 1 016,03	LDSL4	<b>81 826</b>
<b>41.312</b> 1 049,32	1.968 49,99	41.500 1 054,10	LDSL4	<b>89 948</b>
<b>42.063</b> 1 068,40	2.125 53,98	42.251 1 073,18	LDSL4	<b>85 038</b>

Shaft diameter	Sleeve width	Reference sleeve installed outside diameter	Design	Designations
$d_1$	$b$			
mm in./mm			-	

<b>42.125</b> 1 069,98	2.125 53,98	42.313 1 074,75	LDSL4	<b>87 054</b>
<b>42.312</b> 1 074,72	1.250 31,75	42.500 1 079,50	LDSL4	<b>87 379</b>
<b>42.500</b> 1 079,50	1.250 31,75	42.688 1 084,28	LDSL4	<b>87 392</b>

[skf.com](https://www.skf.com)

® DURALIFE, SKF, SPEEDI-SLEEVE and WAVE are registered trademarks of the SKF Group.

© SKF Group 2021

The contents of this publication are the copyright of the publisher and may not be reproduced (even extracts) unless prior written permission is granted. Every care has been taken to ensure the accuracy of the information contained in this publication but no liability can be accepted for any loss or damage whether direct, indirect or consequential arising out of the use of the information contained herein.

PUB SE/P1 11337/3 EN • November 2021