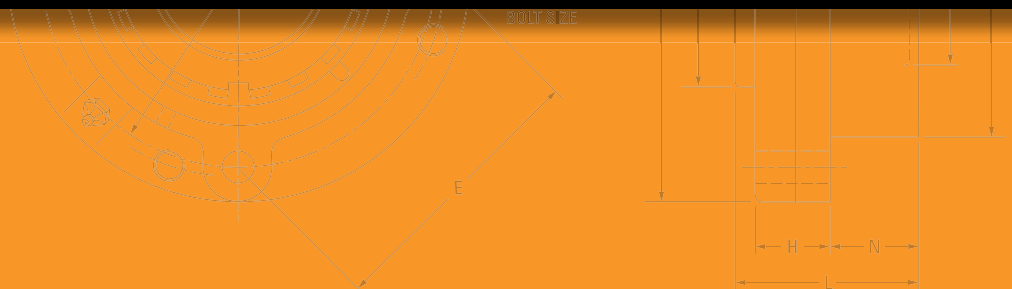




# TIMKEN



## TIMKEN® BALL BEARING HOUSED UNIT CATALOG







## **TIMKEN® HOUSED UNIT CATALOG INDEX**

OVERVIEW.....	2
INTRODUCTION.....	4
SHELF LIFE.....	10
Ball Bearing Housed Units.....	A-1
Tapered Roller Bearing Type E Housed Units.....	B-1
Spherical Roller Bearing Solid-Block Housed Units.....	C-1
Timken® SAF Split-Block Housed Units.....	D-1
Timken® SNT Plummer Blocks.....	E-1



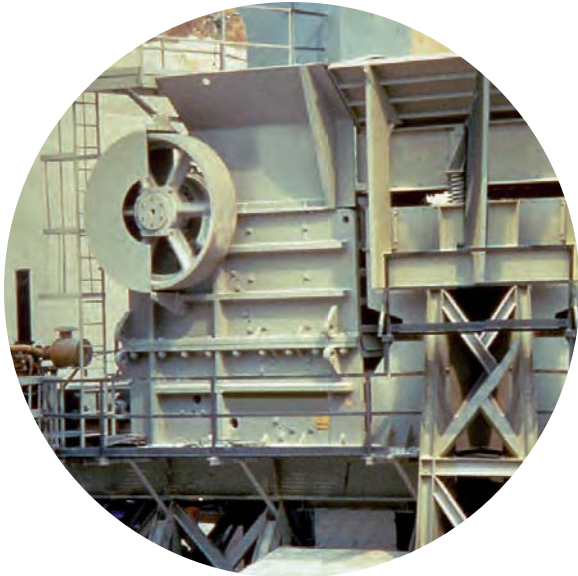
## ***GROW STRONGER WITH TIMKEN***

Every day, people around the world count on the strength of Timken. Our expertise in metallurgy, friction management and mechanical power transmission helps them accelerate improvements in productivity and uptime.

We supply products and services that can help keep your operations moving forward, whether you need drive train kits for commercial vehicles, durable housings for bearings in dirty environments, couplings that avoid metal-to-metal contact between motors and gearboxes, repair services for rail bearings, steel for an aircraft engine shaft, or other products and services for your applications.

When you choose Timken, you receive more than high-quality products and services: You gain a worldwide team of highly trained and experienced Timken people committed to working collaboratively with you to improve your business.

Globally, our 20,000 people provide reliable answers for a wide range of operations in manufacturing, mining, medical equipment, aerospace, transportation, oil and gas – and other diverse industries.







## ***INCREASE YOUR EQUIPMENT UPTIME***

In addition to high-quality bearings, engineered steel and mechanical power transmission components, we provide valuable integrated products and services. For example, we offer repair services and equipment monitoring equipment that can alert you to problems before they impact your uptime.

Additionally, we offer a broad selection of seals, premium lubricants, lubricators, couplings and chain to keep your operations moving smoothly.

Our 10 technology centers in the United States, Europe and Asia help pioneer tomorrow's innovations with extensive basic and applied scientific research programs. Through internal development and strategic acquisition of innovative companies, we continue to expand our portfolio of highly engineered bearings, steel and components.





### ***RUGGED TIMKEN® HOUSED UNITS HELP PROTECT YOUR BEARINGS***

When you choose sturdy Timken housings, your bearings can keep rolling smoothly, even in harsh environments impacted by dirt, debris, water and other contaminants. Timken engineers designed special housings to withstand tough challenges on the job.

Protected inside durable cast iron or steel, our highly engineered Timken® ball and roller bearings work hard to help you manufacture and transport materials, without excessive maintenance due to contaminants.

Choose from our selection of housed units designed with ball, tapered and spherical bearings. Select enhancements like Timken® seals, lubricants and housing covers best suited for each task. Our engineers help you choose the right combination of bearings and accessories to extend bearing life, increase uptime and reduce maintenance costs.

Of course, you can interchange existing products with Timken housed units because our bolt holes and shaft centerline dimensions are designed to conform to industry standards.

Timken® housed units reflect our strengths in metallurgy, engineering and manufacturing. We produce all our bearings in adherence with the Timken Quality Management System for consistency in all our facilities around the world.





## TIMKEN® BALL HOUSED UNITS OFFER EASY INSTALLATION, FLEXIBLE OPTIONS

Timken® ball housed units, available in a variety of sizes and types, feature wide-inner-ring ball bearings that provide additional shaft support and locking options. The Timken® wide-inner-ring ball bearing is designed for straight shafts and can be positioned without shoulders, locknuts or adapters.

For easy installation, our ball housed units can be ordered pre-assembled with bearings, housings, seals and locking systems. Choose from pillow blocks, flanged cartridges, take-up units and cylindrical cartridges. Our cast-iron, pressed-steel and other optional materials give you durable choices for the exterior covers. Timken® locking options include set screws, self-locking collars and concentric collars.

Timken® Shaft Guarding Technology™ deters set-screw damage to shafts by placing a hardened band in the groove along the inner ring of the bearing. The set screws press against the band to transfer gripping pressure onto the shaft, preventing nicks, as well as raised-metal or permanent shaft damage. The stainless-steel band resists corrosion on the shaft. This system is particularly helpful for applications where it would be expensive and time-consuming to replace shafts.

## TYPICAL INDUSTRIES AND APPLICATIONS

Use Timken ball bearing housed units in agricultural applications, fans, blowers, food processing devices and conveyors.





### TIMKEN® TYPE E HOUSED UNITS REPEL CONTAMINANTS, ENHANCE PERFORMANCE

Timken® Type E tapered roller bearing housed units feature double-lip seals and locking collars that protect against water and other contaminants. This double-lip seal design blocks debris and retains grease better than single-lip or triple-lip seals, according to Timken 2012 laboratory tests.

Its cast-iron exterior includes a corrosion-resistant electro-coat finish for the housing and collar, a more durable shield than industry-standard powder coating or black oxide. Set screws with nylon patches reduce back-out, even in rigorous applications.

Premium Timken® tapered roller bearings inside Type E housings are manufactured with advanced technology that results in longer predicted useful bearing life than other housed units with standard bearings. Designed with optimized bearing profiles and improved surface finishes, Timken tapered roller bearings operate efficiently within the housing.

### TYPICAL INDUSTRIES AND APPLICATIONS

Use Timken Type E housings for pulp and paper, power generation, mining, cement and aggregate industries. Our Type E housed units also are widely used in equipment for air-handling and treatment of water and waste water. Other common machine applications include mixers, washers, shredders, mills and oven/furnace roller beds.







## TIMKEN® SPHERICAL ROLLER BEARING SOLID-BLOCK HOUSED UNITS WITHSTAND HARSH CONDITIONS

Timken® spherical roller bearing solid-block housed units stand up to rugged conditions. Composed of solid steel, they withstand most falling debris and handle up to  $\pm 1.5$  degrees of misalignment. The steel used in these products is up to two times stronger than cast iron, which may break or pound out in tough applications.

Timken spherical roller bearing solid-block housed units come in five locking configurations: single and double set screws, eccentric locks for reversing applications, tapered-adaptor locks and double-tapered locks.

Choose from three sealing options: labyrinth seals (for high-speed, high-temperature applications) and triple-lip seals made of either nitrile or urethane. Timken® steel auxiliary covers provide an extra layer of protection, and they can be filled with Timken lubricants.

### TYPICAL INDUSTRIES AND APPLICATIONS

Use Timken spherical roller bearing solid-block housed units in metals mills, aggregate and cement, mining, power generation, agriculture, pulp, paper, sawmills and other forest industries.





### TIMKEN® SAF SPLIT-BLOCK HOUSED UNITS BEAR HEAVY LOADS

Timken® SAF split-block housed units are available in rugged cast iron, ductile iron or cast steel to match a range of industrial environments. Our Timken SAF housed units have separate, matched caps and bases. In larger sizes where housed units are heavier, this split-block design eases installation. Remove the cap using a pry-tool slot for bearing inspection, service and replacement.

Available in a variety of shaft sizes, Timken SAF units offer the choice of tapered-bore design for easy mounting or a straight-bore design for better axial location. The block can be converted from fixed to float by removing the stabilizing ring. Several sealing options protect against contamination, including a standard seal, which is a precision aluminum triple-ring labyrinth seal.

### TYPICAL INDUSTRIES AND APPLICATIONS

Use Timken SAF housed bearings in power generation, coal, mining, aggregate, cement, metals, pulp, paper and other forestry operations, water treatment and food processing industries. Applications include warehousing, conveyors, movable bridges/heavy structures, industrial fans and blowers.







## TIMKEN® SNT SPLIT PLUMMER BLOCKS CARRY HEAVY LOADS

Timken® SNT split plummer blocks are available in metric sizes. Their rugged cast iron, ductile iron or cast steel designs stand up to a range of industrial environments. Our Timken SNT plummer blocks have separate, matched caps and bases. In larger sizes where plummer blocks are heavier, this split-block design eases installation. Remove the cap using a pry-tool slot for bearing inspection, service and replacement.

Available in a variety of metric shaft sizes, Timken SNT plummer block units offer the choice of tapered-bore design for easy mounting or straight-bore design for better axial location. The block can be converted from fixed to float by adding or removing the locating rings. A variety of sealing options help protect against contamination including all-purpose elastomer seals, deflection-type V-ring seals, precision labyrinth seals and heavy-duty taconite seals for highly contaminated environments.

### TYPICAL INDUSTRIES AND APPLICATIONS

Use Timken SNT plummer blocks in power generation (coal), mining, aggregate, cement, metals, pulp, paper and other forestry operations, water treatment and food processing industries. Applications include warehousing, conveyors, bulk material handling and industrial fans and blowers.





## HOW TO USE THIS CATALOG

We designed this catalog to help you find the Timken housed units best suited to your specifications.

Timken offers an extensive range of bearings and accessories in both imperial and metric sizes. For your convenience, size ranges are indicated in millimeters and inches. Contact your Timken engineer to learn more about our complete line for the special needs of your application.

This publication contains dimensions, tolerances and load ratings, as well as engineering sections describing fitting practices for shafts and housings, internal clearances, materials and other bearing features. It provides valuable assistance in the initial consideration of the type and characteristics of the bearings that may best suit your particular needs.

ISO and ANSI/ABMA, as used in this publication, refer to the International Organization for Standardization and the American National Standards Institute/American Bearing Manufacturers Association.

**Updates are made periodically to this catalog. Visit [www.timken.com](http://www.timken.com) for the most recent version of the Timken® Housed Unit Catalog.**

### DISCLAIMER

*This catalog is provided solely to give you analysis tools and data to assist you in your product selection. Product performance is affected by many factors beyond the control of Timken. Therefore, you must validate the suitability and feasibility of all product selections for your applications.*

*Timken products are sold subject to Timken terms and conditions of sale, which include our limited warranty and remedy. You can find these at <http://www.timken.com/en-us/purchase/Pages/TermsandConditionsofSale.aspx>.*

*Please consult with your Timken engineer for more information and assistance.*

*Every reasonable effort has been made to ensure the accuracy of the information in this writing, but no liability is accepted for errors, omissions or for any other reason.*

## ***SHELF LIFE AND STORAGE OF GREASE-LUBRICATED BEARINGS AND COMPONENTS***

To help you get the most value from our products, Timken provides guidelines for the shelf life of grease-lubricated ball and roller bearings, components and assemblies. Shelf life information is based on Timken and industry test data and experience.

### **SHELF LIFE**

Shelf life should be distinguished from lubricated bearing/component design life as follows:

- Shelf life of the grease-lubricated bearing/component represents the period of time prior to use or installation.
- The shelf life is a portion of the anticipated aggregate design life. It is impossible to accurately predict design life due to variations in lubricant bleed rates, oil migration, operating conditions, installation conditions, temperature, humidity and extended storage.
- Shelf life values, available from Timken, represent a maximum limit and assume adherence to the storage and handling guidelines suggested in this catalog or by a Timken associate. Deviations from the Timken storage and handling guidelines may reduce shelf life. Any specification or operating practice that defines a shorter shelf life should be used.

Timken cannot anticipate the performance of the grease lubricant after the bearing or component is installed or placed in service.

**TIMKEN IS NOT RESPONSIBLE FOR THE SHELF LIFE OF ANY BEARING/COMPONENT LUBRICATED BY ANOTHER PARTY.**

### **European REACH Compliance**

Timken lubricants, greases and similar products sold in standalone containers or delivery systems are subject to the European REACH (**R**egistration, **E**valuation, **A**uthorization and **R**estriction of **C**hemicals) directive. For import into the European Union, Timken can sell and provide only those lubricants and greases that are registered with ECHA (**E**uropean **C**hemical **A**gency). For further information, please contact your Timken engineer.





## STORAGE

Timken suggests the following storage guidelines for our finished products (bearings, components and assemblies, referred to as “products”):

- Unless directed otherwise by Timken, products should be kept in their original packaging until they are ready to be placed into service.
- Do not remove or alter any labels or stencil markings on the packaging.
- Products should be stored in such a way that the packaging is not pierced, crushed or otherwise damaged.
- After a product is removed from its packaging, it should be placed into service as soon as possible.
- When removing a product that is not individually packaged from a bulk pack container, the container should be resealed immediately after the product is removed.





- Do not use product that has exceeded its shelf life as defined in the Timken shelf life guidelines statement.
- The storage area temperature should be maintained between 0° C (32° F) and 40° C (104° F); temperature fluctuations should be minimized.
- The relative humidity should be maintained below 60 percent and the surfaces should be dry.
- The storage area should be kept free from airborne contaminants such as, but not limited to, dust, dirt, harmful vapors, etc.
- The storage area should be isolated from undue vibration.
- Extreme conditions of any kind should be avoided.



Due to the fact that Timken is not familiar with your particular storage conditions, we strongly suggest following these guidelines. However, you may be required by circumstances or applicable government requirements to adhere to stricter storage requirements.

Most bearing components typically ship protected with a corrosion-preventive compound that is not a lubricant. These components may be used in oil-lubricated applications without removal of the corrosion-preventive compound. When using some specialized grease lubrications, we advise you to remove the corrosion-preventive compound before packing the bearing components with suitable grease.

We pre-pack most housed unit types in this catalog with general-purpose grease suitable for their normal applications. It may be necessary for you to frequently replenish the grease for optimum performance.

Be careful in selecting lubrication, however, since different lubricants are often incompatible. You may order housed units pre-lubricated with a specified lubrication.

When you receive a bearing or housed unit shipment, do not remove products from their packaging until they are ready for mounting so they do not become corroded or contaminated.

Store bearings and housed units in an appropriate atmosphere so they remain protected for the intended period.



**WARNING**

***Failure to observe the following warnings could create a risk of death or serious injury.***

Proper maintenance and handling practices are critical. Failure to follow selection recommendations and installation instructions and to maintain proper lubrication can result in equipment failure.

Overheated bearings can ignite explosive atmospheres. Special care must be taken to properly select, install, maintain, and lubricate housed unit bearings that are used in or near atmospheres that may contain explosive levels of combustible gases or accumulations of dust such from grain, coal, or other combustible materials. Consult your equipment designer or supplier for installation and maintenance instructions.



**CAUTION**

***Failure to follow these cautions could create a risk of injury.***

Do not use damaged housed units. The use of a damaged housed unit can result in equipment damage and/or injury.

**CAUTION**

***Failure to follow these cautions may result in property damage.***

If hammer and bar are used for installation or removal of a part, use a mild steel bar (e.g., 1010 or 1020 grade). Mild steel bars are less likely to cause release of high-speed fragments from the hammer, bar or the part being removed.

**NOTE**

*Do not use excessive force when mounting or dismounting the unit.*

*Follow all tolerance, fit, and torque recommendations.*

*Always follow the Original Equipment Manufacturer's installation and maintenance guidelines.*

*Ensure proper alignment.*

*Never weld housed units.*

*Do not heat components with an open flame.*

*Do not operate at bearing temperatures above 121° C (250° F).*

**Warnings for this product line are in this catalog and posted on [www.timken.com/en-us/products/warnings/Pages/TimkenHousedUnitWarnings.aspx](http://www.timken.com/en-us/products/warnings/Pages/TimkenHousedUnitWarnings.aspx).**





**BALL BEARING HOUSED UNITS**

Timken® ball bearing housed units feature a wide-inner-ring ball bearing for additional shaft support. Designed for mounting on straight shafts with a slip fit, these housed units are available in an extensive array of types and sizes to accommodate many industrial applications.

When set screws are used, Timken suggests using Shaft Guarding Technology™, a stainless-steel, hardened band that is inserted in a groove on the inner ring. When the set screws are tightened, they press against the band, tightening the grip on the shaft. Unlike traditional set screws, which can dig into the shaft, there are no nicks, raised metal or permanent shaft damage. The stainless band resists the formation of corrosion on the shaft.

Updates are made periodically to this catalog. Visit [www.timken.com](http://www.timken.com) for the most recent version of the Timken® Housed Unit Catalog.

**TYPICAL INDUSTRIES AND APPLICATIONS**

Common industries and applications include agriculture, food processing, fans, blowers, and conveyors.

Engineering ..... A-3  
 Wide-Inner-Ring Ball Bearings ..... A-25  
 Ball Bearing Housed Units ..... A-62





# BALL BEARING HOUSED UNITS

ENGINEERING



## ***ENGINEERING***

Antifriction bearings possess capabilities involving broad ranges of speed and many combinations of radial and thrust loads. Other important environmental conditions, such as low and high temperatures, dust and dirt, moisture and unusual conditions, affect bearing operation.

This engineering section is not intended to be comprehensive, but it does serve as a useful guide in bearing selection. Where more complex bearing applications are involved, contact your Timken engineer.

To view the complete engineering catalog, please visit [www.timken.com](http://www.timken.com). To order the catalog, please contact your Timken engineer and request a copy of the Timken Engineering Manual, order number 10424.

The following topics are covered within this section:

Materials .....	A-4
Internal Clearances .....	A-6
Cages .....	A-7
Lubrication .....	A-8
Load Ratings and Life Calculations .....	A-11
Frequency Coefficients .....	A-13
Mounting .....	A-14
Installation .....	A-22
Selection Guide for Applications .....	A-24



## MATERIALS

### TEMPERATURE RANGES, RESISTANCE TO CORROSION AND OTHER OPERATING ENVIRONMENTS

To accommodate the needs of the rapidly expanding industrial world, the capability of bearings in various extreme environments becomes vitally important. No general recommendations can be made to cover all such applications. Each installation must be studied to determine peak and average operating temperatures, length of time at these temperatures, load, oscillation or rotation, and any other factors affecting bearing operation.

### RINGS, BALLS AND ROLLERS

Suggested materials for use in rings, balls and rollers at various operating temperatures together with data on chemical composition, hardness and dimensional stability are listed in table A-1 on page A-5. A temperature of 427° C (800° F) is generally the upper limit for successful bearing operating steels. Above 427° C (800° F), or below where lubricant is not permitted, cast or wrought-cobalt alloys are generally used. Although chosen primarily for their good retention of physical properties, they also possess good oxidation resistance at elevated temperatures.

### CAGES, SHIELDS AND SEALS

Recommended materials for cages, shields and seals with their temperature capabilities are in table A-3 on page A-7.

### DIMENSIONAL STABILITY

Dimensional stability of rings and balls is achieved by tempering the hardened steel until any further growth by transformation of austenite to martensite is balanced by shrinkage from tempering martensite. This balance is never perfect, and some size change will always occur. The amount depends upon the operating time and temperature of the bearings and the composition of and heat-treatment of the steel. The American Bearings Manufacturers Association (ABMA) definition for stabilized rings and balls permits a change of less than 0.0001 inch per inch after exposure to a temperature of 149° C (300° F) for 2500 hours. Rings and balls used at elevated temperatures are defined as stable by ABMA where there is a size change of less than 0.00015 inch per inch after 1500 hours of exposure at temperatures of 232° C, 316° C and 427° C (450° F, 600° F and 800° F).

### CORROSION RESISTANCE

Timken developed a premium coating named TDC™ (thin-dense chrome), which has excellent corrosion resistance, as well as other properties leading to improved bearing life. TDC-coated bearings are intended for use in applications where unprotected bearings do not survive. This proprietary coating, emanating from years of research and testing, is a real problem-solver.

Besides its corrosion resistance feature, this coating has a high hardness (HRC 70-72), reduced coefficient of friction and a dense modular texture.

TDC is resistant to most organic and inorganic compounds. The normal thin coating of less than 0.003 mm (0.0001 in.) will outlast 440C stainless steel. The very high hardness, lower coefficient of friction and surface texture provide extra resistance to wear under less-than-ideal lubrication and thus longer bearing life.

Under normal lubrication conditions, TDC-coated races can provide fatigue life that's two times longer than the life of standard bearings.

To order wide-inner-ring ball bearings with TDC-coated races, stainless-steel balls and nylon retainers, specify suffix TDC or TDCF, which includes food safe grease (i.e., G1100KRRB + COL TDCF). This coating also can be readily applied to various types of tapered, cylindrical and spherical roller bearings.

To ensure proper application of TDC, contact your Timken engineer.

In addition to the bearings mentioned above, Timken is able to supply specially coated housing for applications involving particularly harsh environments where Food and Drug Administration (FDA) and United States Department of Agriculture (USDA) regulations apply. These housings, named Survivor® are available as electroless nickel-plated or polymer depending on the situation. The electroless nickel units are required for food processing, medical and other applications and may be ordered by adding an -NT suffix to the part number. The polymer units are similar to the NT units but offer superior protection against corrosion. Add the suffix -PT to the part when ordering.

Both coatings offer excellent protection to a broad variety of corrosive environments and are vulnerable only to a very few aggressive materials.

A complete review of operating conditions is essential before specifying corrosion-resistance housed units and/or thin-dense chrome (TDC) coated bearings. Consult your Timken engineer for comprehensive recommendations.

## OTHER CONSIDERATIONS

Installations that operate at high temperatures for extended periods may lose the quality of shaft and housing fits. Carefully machined and heat-treated shafts and housings will minimize trouble from this source.

In some applications, the internal clearance of bearings may be partially absorbed. For example, during the first few seconds of rotation, a massive housing may keep the outer race cooler than the inner race and balls, even if the housing is already at some elevated temperature. Also, during heat soakback, when rotation stops, heat may flow back to the bearing along the shaft. If, while stationary, the effects of heat soakback nullify

the radial internal clearance, radial brinelling of the races may occur and the bearing will be rough during subsequent rotation. Bearings with greater internal looseness may be required to compensate for these conditions. Consult your Timken engineer for recommendations.

This table provides standard operating temperatures for common bearing component materials. It should be used for reference purposes only. Other bearing component materials are available on request.

Contact your Timken engineer for further information.

**TABLE A-1. OPERATING TEMPERATURES FOR BEARING COMPONENT MATERIALS – RINGS, BALLS AND ROLLERS**

Material	Approximate Chemical Analysis %	Temp. °C, (°F)	Hardness HRC	-73° C	-54° C	-17° C	38° C	93° C	121° C	149° C	204° C	260° C	316° C	371° C	427° C
				-100° F	-65° F	0° F	100° F	200° F	250° F	300° F	400° F	500° F	600° F	700° F	800° F
Low-alloy carbon-chromium bearing steels. 52100 and others per ASTM A295	1C 0.5 – 1.5Cr 0.35Mn	21 (70)	60	STANDARD DIMENSIONAL STABILIZATION <0.0001 in./in dimensional change in 2500 hours at 100° C (212° F). Good oxidation resistance.											
Low-alloy carbon-chromium bearing steels. 52100 and others per ASTM A295	1C 0.5 – 1.5Cr 0.35Mn	21 (70) 177 (350) 232 (450)	58 56 54	Heat stabilized per FS136. When given a stabilizing heat treatment, A295 steel is suitable for many applications in the 177°–232° C (350°–450° F) range; however, it is not as stable dimensionally as it is at temperatures below 177° C (350° F). If utmost stability is required, use materials in the 316° C (600° F) group below.											
Deep-hardening steels for heavy sections per ASTM A485	1C 1 – 1.8Cr 1 – 1.5Mn .06Si	21 (70) 232 (450) 316 (600)	58 55 52	After heat-treated and tempered, it is stabilized.											
Carburizing steels per ASTM A534 a) low alloy 4118, 8X19, 5019, 8620 (Ni-Moly grades) b) high nickel 3310	Ni-Moly: 0.2C, 0.4-2.0Mn, 0.3-0.8Cr, 0-2.0Ni, 0-0.3Mo .01C, 1.5Cr, 0.4Mn, 3.5Ni	21 (70)	58	Nickel-Moly grades of steel frequently used to achieve extra ductility in inner rings for locking device bearings. 3311 and others used for extra-thick-section rings.											
Corrosion-resistant 440C stainless steel per ASTM A756	1C 18Cr	21 (70)	58	Excellent corrosion resistance.											
Corrosion-resistant 440C stainless steel per ASTM A756	1C 18Cr	21 (70) 232 (450) 316 (600)	58 55 52	Heat stabilized for maximum hardness at high temperatures (FS238). Good oxidation resistance at higher temperatures. Note load capacity drops off more rapidly at higher temperatures than M50 shown below, which should be considered if loads are high.											
M-50 medium high speed	4Cr 4Mo 1V 0.8C	21 (70) 232 (450) 316 (600)	60 59 57	Suggested where stable high hardness at elevated temperature is required.											

NOTE: Bearings have been made of special material for operation at temperatures above 427° C (800° F). Consult your Timken engineer regarding the application. ASTM A295 bearing steels are suitable for many applications up to 212° C (413° F) but are not as dimensionally stable as they are at the temperatures below 100° C (212° F).

# INTERNAL CLEARANCE

## RADIAL INTERNAL CLEARANCE

The radial internal clearance of radial contact ball bearings can be defined as the average outer ring raceway diameter minus the average inner ring raceway diameter minus twice the ball diameter.

## RADIAL BALL BEARINGS

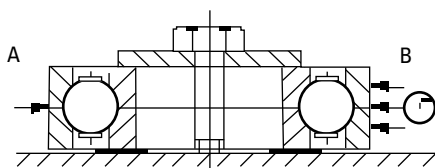
While manufacturing ball bearings, it is standard practice to assemble rings and balls with a specified internal clearance (table A-2). This characteristic is necessary to absorb the effect of press fitting the bearing rings at mounting.

Internal clearance is sometimes utilized to compensate for thermal expansion of bearings, shafts and housings, or to provide a contact angle in the bearing after mounting.

Internal clearance can be measured by gaging either radially or axially.

Radial measurement is accepted as the more significant characteristic because it is more directly related to shaft and housing fits. It also is the method prescribed by the American Bearing Manufacturers Association (ABMA).

Radial internal clearance can be measured mechanically by moving the outer ring horizontally, as shown in fig. A-1. The total movement of the outer ring when the balls are properly seated in the raceways determines the radial internal clearance. Several readings should be taken using different circumferential orientations of the rings to get a comprehensive average reading.



**Fig. A-1. Radial internal clearance. A and B are applied forces.**

**TABLE A-2. LIMITS FOR RADIAL INTERNAL CLEARANCE OF SINGLE-ROW RADIAL CONTACT BALL BEARINGS UNDER NO LOAD (APPLIES TO BEARINGS OF ABEC1 AND ABEC3 TOLERANCES)**

All tolerances in micrometers (µm) and ten-thousandths inches (0.0001 in.)

Timken Prefix (ABMA designation)		H (C2) Acceptance Limits		R (C0) Acceptance Limits <sup>(1)</sup>		P (C3) Acceptance Limits <sup>(1)</sup>		J (C4) Acceptance Limits		JJ (C5) Acceptance Limits	
Basic Bore Dia.											
Over	Incl.	Low	High	Low	High	Low	High	Low	High	Low	High
mm	mm	µm in.	µm in.	µm in.	µm in.	µm in.	µm in.	µm in.	µm in.	µm in.	µm in.
2.5	10	0	7	2	13	8	23	14	29	20	37
		0	3	1	5	3	9	6	11	8	15
10	18	0	9	3	18	11	25	18	33	25	45
		0	3.5	1	7	4	10	7	13	10	18
18	24	0	10	5	20	13	28	20	36	28	48
		0	4	2	8	5	11	8	14	11	19
24	30	1	11	5	20	13	28	23	41	30	53
		0.5	4.5	2	8	5	11	9	16	12	21
30	40	1	11	6	20	15	33	28	46	40	64
		0.5	4.5	2	8	6	13	11	18	16	25
40	50	1	11	6	23	18	36	30	51	45	73
		0.5	4.5	2.5	9	7	14	12	20	18	29
50	65	1	15	8	28	23	43	38	61	55	90
		0.5	6	3.5	11	9	17	15	24	22	35
65	80	1	15	10	30	25	51	46	71	65	105
		0.5	6	4	12	10	20	18	28	26	41
80	100	1	18	12	36	30	58	53	84	75	120
		0.5	7	4.5	14	12	23	21	33	30	47
100	120	2	20	15	41	36	66	61	97	90	140
		1	8	6	16	14	26	24	38	35	55
120	140	2	23	18	48	41	81	71	114	105	160
		1	9	7	19	16	32	28	45	41	63
140	160	2	23	18	53	46	91	81	130	120	180
		1	9	7	21	18	36	32	51	47	71
160	180	2	25	20	61	53	102	91	147	135	200
		1	10	8	24	21	40	36	58	53	79
180	200	2	30	25	71	63	117	107	163	150	230
		1	12	10	28	25	46	42	64	59	91
200	240	3	36	30	81	74	137	127	193	183	267
		1	14	12	32	29	54	50	76	72	105
240	280	3	41	33	97	86	157	147	224	213	310
		1	16	13	38	34	62	58	88	84	122
280	320	5	48	41	114	104	180	170	257	246	353
		2	19	16	45	41	71	67	101	97	139
320	370	5	53	46	127	117	208	198	295	284	409
		2	21	18	50	46	82	78	116	112	161
370	430	8	64	56	147	137	241	231	340	330	475
		3	25	22	58	54	95	91	134	130	187
430	500	10	74	66	170	160	279	269	396	386	551
		4	29	26	67	63	110	106	156	152	217
500	570	10	81	74	193	183	318	307	450	439	630
		4	32	29	76	72	125	121	177	173	248
570	640	13	91	85	216	206	356	345	505	495	706
		5	36	33	85	81	140	136	199	195	278
640	710	20	114	107	239	229	394	384	564	554	780
		8	45	42	94	90	155	151	222	218	307
710	800	20	140	130	269	259	445	434	630	620	879
		8	55	51	106	102	175	171	248	244	346
800	1060	28	211	201	353	345	587	577	833	823	1148
		11	83	79	139	136	231	227	328	324	452

<sup>(1)</sup>Standard fits for Timken® radial ball bearings. P(C3) for bearing O.D. greater than 52 mm (greater than 25 mm bore).



## CAGES

Cages (also referred to as rolling-element retainers) serve several purposes in the proper operation of a rolling-element bearing. Cages separate the rolling elements and prevent rolling-element-on-rolling-element contact and wear. Cages serve to maintain rolling-element spacing in the races of the inner and outer rings of the bearings as the rolling elements pass into and out of the load zones. For handling purposes, cages also can retain the rolling elements on the inner ring assembly to allow for bearing installation.

To meet the needs of the various service requirements of customers, Timken offers two reliable cage types for wide-inner-ring ball bearings – pressed-steel welded cages and molded-nylon finger-type cages.

### PRESSED-STEEL WELDED CAGES

This cage type consists of two formed cage halves welded together (fig. A-2). This type of cage is standard for most radial non-filling-slot ball bearings, providing high strength and rigidity, as well as good uniformity of ball-to-pocket clearance. It is suitable for very high-temperature applications, but does not accommodate application misalignment.



Fig. A-2. Pressed-steel welded cage.

### MOLDED-NYLON FINGER-TYPE CAGES

This type of cage consists of a one-piece molded design (fig. A-3). Rolling elements simply snap into place. Used in the majority of wide-inner-ring ball bearings, these cages are molded of nylon 6/6 that is heat-stabilized and moisture-conditioned. The polymer can withstand continuous operating temperatures up to 120° C (250° F) with spikes up to 150° C (300° F) and provides a non-corrosive, self-lubricating material with good resistance to abrasion, wear, most solvents, oils and greases. This cage type can accommodate application misalignment.



Fig. A-3. Molded-nylon cage.

Care needs to be exercised when using aggressive lubricants with extreme-pressure (EP) additives in combination with elevated temperatures greater than 107° C (225° F).

TABLE A-3. OPERATING TEMPERATURES FOR BEARING COMPONENT MATERIALS – CAGES, SHIELDS AND SEALS

	-54° C -65° F	-17° C 0° F	38° C 100° F	93° C 200° F	149° C 300° F	204° C 400° F	260° C 500° F	316° C 600° F	371° C 700° F	427° C 800° F
<b>CAGES</b>										
Molded 6/6 nylon (PRB)										
Molded 6/6 fiberglass reinforced nylon (PRC)										
Phenolic resin laminate										
Low-carbon pressed steel										
Pressed stainless steel										
Machined bronze										
Machined iron-silicon bronze										
Machined steel										
<b>SHIELDS</b>										
Low-carbon steel										
Stainless steel										
Nylon										
<b>SEALS</b>										
Buna N										
Polyacrylic										
Fluoroelastomer										
Stabilized TFE fluorocarbon <sup>(1)</sup>										
TFE fluorocarbon <sup>(1)</sup> (with glass fabric)										

<sup>(1)</sup>Limited life above these temperatures.

## LUBRICATION SPEED CAPABILITY

There is no precise method for determining the maximum speed at which a ball bearing may operate. Bearing characteristics and features of surrounding parts, shafts, housings and other components, as well as basic service conditions, are all variables that are dependent upon each other for continued satisfactory high-speed performance.

The safe operating speed of a ball bearing is often limited by the temperature within the bearing, which, in turn, is dependent upon the temperature surrounding the application, bearing seals, shaft and housing tolerances, auxiliary parts, etc., and the type and amount of lubricant.

Although the speed values shown in the table A-4 are based on many years of research and accumulated data, numerous bearing applications successfully operate with speed ratings in excess of those tabulated. Such applications should be reviewed by your Timken engineer.

The values in the following table may be used as a general guide for determining the safe maximum speed of standard types of wide-inner-ring ball bearings. To obtain the speed rating for any bearing size with inner ring rotation, multiply the bore in millimeters of the basic size bearing by the speed in revolutions per minute.

**TABLE A-4. MAXIMUM OPERATING SPEED RECOMMENDATIONS**

Timken Series	Maximum dN Values
Industrial Duty	
R series	175000
Y series	175000
Medium Y series	175000
Special Duty	
R-NT series	175000
SAL and SAOL series	275000
RAKH and RAKHL series	175000
Severe Duty	
R-PT series	175000
Y-PT series	175000
L series	250000
T series	500 RPM maximum <sup>(1)</sup>
Standard Duty	
V series	140000
S series	140000

<sup>(1)</sup>Please contact your Timken engineer for applications where speeds may exceed 500 RPM.

### Example:

Find the maximum operating speed for an LAK1 pillow block.

1. Find the maximum dN value for an LAK1 from the above table.  
250000
2. Find the bore of an LAK1 in millimeter.  
1 in. = 25.4 mm

3. Apply the dN equation.

$$dN \text{ max.} = \text{bearing bore (in.mm)} \times \text{max. operating speed}$$

$$250000 = 25.4 \times \text{maximum operating speed}$$

$$\text{Max. operating speed} = 250000/25.4 = 9840 \text{ RPM}$$

Thus, the maximum operating speed for an LAK1 is 9840 RPM.

## LUBRICANT SELECTION

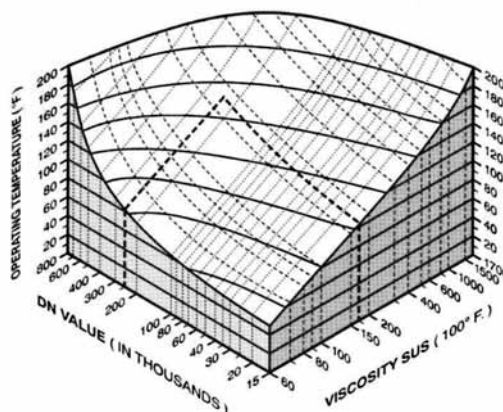
The successful application of lubricating fluids on bearings depends on the physical and chemical properties of the lubricant as they pertain to the bearing, its application, installation and general environmental factors.

## VISCOSITY

Generally, the most important single property of a lubricating fluid is its viscosity. Viscosity is the measure of the relative resistance of a fluid to flow and is a function of speed and temperature (fig. A-4).

The measurement of viscosity can be made by several different instruments called viscosimeters. A common unit of measure is the Saybolt Universal Second (SUS). This is the time, in seconds, required for 60 cc of a fluid to flow through a standardized orifice under a standard head, at a given temperature. The common temperatures for reporting viscosity are 37.78° C to 98.89° C (100° F to 210° F). The higher the viscosity number, the greater the resistance to flow.

Experience indicates that a lubricating fluid with a viscosity of at least 100 SUS at the operating temperature of the application will be adequate for normal bearing lubrication.



**Fig. A-4. Lubrication selection as a function of bearing dN and operating speed.**

## VISCOSITY INDEX

The ideal oil (as far as viscosity is concerned) would be the same viscosity at all temperatures. All oils become less viscous (thin-out) when heated and more viscous (thickened) when cooled.

However, oils do not vary in viscosity to the same extent. Some thicken or thin more rapidly than others.

The term viscosity index, or VI, is used to rate oils according to their temperature-viscosity behavior.

Oils with the highest viscosity index are more resistant to changes in viscosity with changes in temperature than lower viscosity index oils. Obviously, high viscosity-index lubricants are most suitable for bearing applications experiencing wide temperature variations.

The National Lubricating Grease Institute (NLGI) classification of grease consistency is shown below (table A-5):

**TABLE A-5. NLGI CLASSIFICATIONS**

NLGI Grease Grades	Penetration No.
0	355-385
1	310-340
2	265-295
3	220-250
4	175-205
5	130-160
6	85-115

## POUR POINT

The pour point is the lowest temperature at which a fluid will flow or can be poured. It is important in applications exposed to low temperatures that the lubricating fluid selected has a pour point lower than the minimum ambient temperature.



**WARNING**

*Failure to observe the following warnings could create a risk of death or serious injury.*

Proper maintenance and handling practices are critical. Always follow installation instructions and maintain proper lubrication.

## TYPES OF LUBRICATION

Timken understands the importance of friction management. Our line of application- and environment-specific lubricants has been developed by leveraging our knowledge of tribology and antifriction bearings, as well as how these two elements affect overall system performance.

Timken® lubricants help bearings and related components operate effectively in demanding industrial operations. High-temperature, anti-wear and water-resistant additives offer superior protection in challenging environments.

Similar to our bearings, all Timken lubricants are backed by highly trained customer service and technical support associates. Industrial customers turn to Timken for comprehensive friction management solutions. We help customers analyze performance and suggest options that make sense for their unique operating conditions and maintenance intervals.

**TABLE A-6. STANDARD BALL-BEARING LUBRICATION**

Bearing Type	Grease Type	Grease Temperature Range
Radial bearings (double shielded, and single and double shielded)	Polyurea thickener Petroleum oil	-34.44° C to +135° C (-40° to +275° F)
Wide-inner-ring ball bearings (contact seal types)	Polyurea thickener Petroleum oil	-34.44° C to +135° C (-40° to +275° F)
Wide-inner-ring ball bearings (labyrinth seal types)	Synthetic thickener Synthetic hydrocarbon fluid	-53.89° F to +162.75° C (-65° F to +350° F)

NOTE: Open-type bearings and single-shielded types are not prelubricated. They have a rust-preventative coating only and must be lubricated by the customer or end-user before operation.

Bearings that have been factory pre-lubricated use a high-quality grease. Bearings with contacting lip seals and shields contain No. 2 polyurea base grease. Bearings with non-contacting labyrinth seals (suffix KLL in bearing part number) contain a No. 2 modified clay base grease. For normal conditions of service, these bearings require no further lubrication.

Normal service is considered as operating in a clean, dry environment at temperatures between -34° C to +82° C (-30° F to +180° F) and at dN values (bore in millimeter multiplied by speed in RPM) less than 175000.

If service is considered abnormal due to speed, temperature or exposure to moisture, dirt or corrosive chemicals, periodic relubrication may be advisable. Excessive relubrication may cause high operating temperatures due to grease churning. General guidelines for relubrication are provided in table A-7.

### TIMKEN BALL-BEARING PILLOW-BLOCK GREASE

Timken ball-bearing pillow-block grease is an NLGI No. 2 polyurea-thickened grease. It provides outstanding long life and moderately high-temperature lubrication to ball bearings. This grease maintains its mechanical shear stability and provides corrosion resistance, even in the presence of salt water. Timken ball-bearing pillow-block grease features low-noise characteristics and excellent pumpability. This grease does not contain extreme-pressure additives but inhibits rust and oxidation. Operating temperatures range from -40° C to 163° C (-40° F to 400° F). This grease is typically used in lightly loaded ball bearings in pillow blocks and conveyors that operate in high-temperature environments, including kiln and glasswork applications, electric motors, chemical manufacturing and noise-sensitive environments.

### SAL/SAOL LUBRICATION

SAL/SAOL housed units are intended for use with oil lubrication and are equipped with a filler cup located on top of the pillow block. Each housing assembly also has an overflow cup and a pipe plug located at the base. These can be interchanged as required to properly locate the overflow cup with respect to shaft rotation. The overflow cup should be placed on the downward side of the shaft rotation. Incorrect placement will cause oil to leak from the overflow cup during operation. Oil should be supplied through the filler cup until overflow is full. Please note to inspect and refill only when the shaft is stationary to avoid overfilling.

Inspection is necessary to determine the frequency of refilling, which is based on a number of factors, including speed, temperature and oil type. To avoid inadequate lubrication, maintain the oil level to the top of the overflow cup.

In general, a high-quality automotive or turbine oil with oxidation inhibitors is recommended. For normal operating conditions, an SAE 30 weight oil or equivalent is adequate. Contact your Timken engineer for abnormal service lubrication recommendations.

### SURVIVOR® PT, NT AND PS LUBRICATION

These housed units are specifically designed for use in conditions of corrosion and contamination. The premium bearing insert is factory-prelubricated with aluminum-complex, high-quality, type H1, food-grade grease. This grease is acceptable in applications with incidental food contact.

### GENERAL RELUBRICATION SUGGESTIONS

Periodic relubrication is advisable due to the nature of food-grade grease and the corrosive environments for which these units are designed. Consult your equipment manufacturer's operating manual for the relubrication cycle. General guidelines are found in table A-7.

**TABLE A-7. GENERAL RELUBRICATION RECOMMENDATIONS FOR GREASED BEARINGS<sup>(1)</sup>**

Condition	Relubrication Interval
Indoor service	Not required
Outdoor service	Two/three times per year
Severe outdoor exposure	Once a month
High contamination/washdown	Once a week

<sup>(1)</sup>As a guideline, relubricate until the first indication of grease is observed purging from either seal lip.

### SINGLE-POINT AND CENTRALIZED MULTI-POINT LUBRICATORS

Proper lubrication is critical to bearing and machine performance. To help prevent damage, Timken G-Power and M-Power single-point lubricators deliver periodic grease to bearings, chains, guideways and other industrial equipment components (fig. A-5). You can choose from gas-powered or electromechanical varieties to meet your operating specifications. C-Power multi-point lubricators are a centralized lubrication system capable of delivering grease to up to six lubrication points (fig. A-6). Oil is not an option for this unit.

G-Power, M-Power and C-Power canisters can be filled with Timken-formulated lubricants or many other types of commercial lubricants. A full line of accessories – including brackets, clamps, brushes, fittings and hose extensions – ease installation and offer a host of mounting options for hard-to-reach locations.



**Fig. A-5. G-Power and M-Power lubrication units with activators.**



**Fig. A-6. C-Power.**

## LOAD RATINGS AND LIFE CALCULATIONS

### RADIAL BALL-BEARING LOAD RATINGS

The load ratings published in this catalog are based on ABMA Standard Section 9, but they are increased to reflect improvements in materials and processing. These ratings are referred to as extended basic dynamic load ratings ( $C_E$ ). Care must be taken that the extended basic dynamic load ratings only be used in equations containing  $C_E$ .

### NOTATIONS USED IN THIS SECTION

- $C_N$  = Radial load rating of bearings at operating speed  $N$  – pounds or newtons =  $(N_f \times C_E)$
- $C_E$  = Extended basic dynamic load rating – radial ball bearings pounds or newtons
- $C_o$  = Basic static load rating – radial ball bearing pounds or newtons<sup>(1)</sup>
- $K_T$  = Relative thrust-load factor – ball bearings
- $L_f$  = Life factor
- $L_r$  = Fatigue life for reliability level  $r$  – hours
- $N$  = Operating speed – revolutions per minute (RPM)
- $N_f$  = Speed factor
- $R$  = Applied radial load on bearing pounds or newtons
- $P$  = Equivalent radial load on bearing pounds or newtons
- $T$  = Applied thrust load on bearing pounds or newtons
- $Y$  = Thrust-load factor
- $a_1$  = Life-adjustment factor for reliability<sup>(2)</sup>
- $a_2$  = Life-adjustment factor for bearing material<sup>(3)</sup>
- $a_3$  = Life-adjustment factor for application conditions<sup>(4)</sup>
- $f_B$  = Dynamic load rating adjustment factor for number of adjacently mounted bearings<sup>(5)</sup>
- $i_B$  = Number of adjacently mounted bearings
- $r$  = Percent reliability of survival life
- $\mu$  = Operating viscosity – centistokes
- $\mu_R$  = Reference viscosity – centistokes

<sup>(1)</sup> $C_E$  does **not** represent the maximum permissible radial load, which, in general, is equal to  $C_o$ , the static radial load ratings.

<sup>(2)</sup> $L_{10}$  rating life is based upon 90 percent survival of a group of bearings at the specified load and speed. The  $a_1$  value is 1.0 for  $L_{10}$  life calculations.

<sup>(3)</sup>The  $a_2$  value is 1.0 when using typical Timken® bearing steel. Bearings with thin-dense chrome-plated races may use an  $a_2$  factor of 3.0 for calculating life.

<sup>(4)</sup>The  $a_3$  factor of 1.0 may be acceptable to most users, but the factor can be made up of multiple application factors such as adequate lubrication, alignment, temperature or mounting conditions. ABMA standard suggests and  $a_3$  of 0.456 for insert ball bearings slip fitted to the shaft as a result of possible mounting variation.

<sup>(5)</sup> $f_B = 1.0$  for wide-inner-ring ball bearings.

### FATIGUE LIFE

Because of the dispersion in the life of identical bearings operating under identical conditions, a statistical result will be obtained for bearing fatigue life. For most calculations, life is expressed as the number of hours that 90 percent of a group of identical bearings will exceed under a given set of conditions, and is referred to as the  $L_{10}$  life.

The basic equation for radial ball bearings is:

$$L_r = 16667 \times \frac{a_1 \times a_2 \times a_3}{N} \left[ \frac{f_B \times C_E}{P} \right]^3 \quad \text{(Hours)} \quad \text{Formula 1}$$

In life calculations, the first step is to ascertain the equivalent radial load ( $P$ ) applied to the bearing from the following equations:

$$R_e = R \text{ or } P = 0.56R + YT \quad \text{use greater value of } P, \quad \text{Formula 2 3}$$

Values of  $Y$  are selected from table A-8 for the appropriate  $K_T$ . For more intermediate values of  $K_T$ ,  $Y$  may be estimated by linear interpolation.

**TABLE A-8. REQUIRED Y FACTORS FOR BALL BEARING DYNAMIC EQUIVALENT RADIAL LOADS**

$K_T$	$Y$
0.015	2.30
0.020	2.22
0.025	2.10
0.030	2.00
0.040	1.86
0.050	1.76
0.060	1.68
0.080	1.57
0.100	1.48
0.120	1.42
0.150	1.34
0.200	1.25
0.250	1.18
0.300	1.13
0.400	1.05
0.500	1.00
0.600	–
0.800	–
1.000	–
1.200	–

For single-row bearings and tandem mountings:

$$K_T = \frac{T}{i_B C_o}$$

For double-row and preloaded pair mountings:

$$K_T = \frac{T}{C_o}$$

### RADIAL BALL BEARING LIFE

The  $L_{10}$  (expected minimum life for 90 percent of the bearings of a given size and type in a given population) is calculated by the following formula, which is a condensed version of formula 1.

$$L_{10} = \frac{16700}{N} \left( \frac{C_E}{P} \right)^3 \quad \text{(Hours)} \quad \text{Formula 4}$$

The calculation of bearing life also can be performed by using logarithmic factors for rotational speed ( $N_f$ ) and life ( $L_f$ ) based on the formula.

$$L_{10} = 500 \left( \frac{C_N}{P} \right)^3 \quad \text{(Hours)} \quad \text{Formula 5}$$

In cases where the rating at a specific speed is not listed, determine  $C_N$  by  $C_N = N_f \times C_E$ ; thereby:

$$L_{10} = 500 \left( \frac{N_f C_E}{P} \right)^3 \quad \text{Formula 6}$$

where:

$$N_f = \left( \frac{1}{0.03N} \right)^{3/10} \quad \text{Formula 7}$$

The speed factor ( $N_f$ ) can be read directly from scale 1 (fig. A-7).

Scale 2 provides life factors ( $L_f$ ) for practical life requirements, where:

$$L_f = \frac{C_N}{1.44P} \quad \text{or} \quad L_f = \frac{N_f(C_E)}{1.44P}$$

Frequently it is necessary to determine the minimum bearing capacity that will meet a specific application requirement. For this purpose, formula 4 is rewritten:

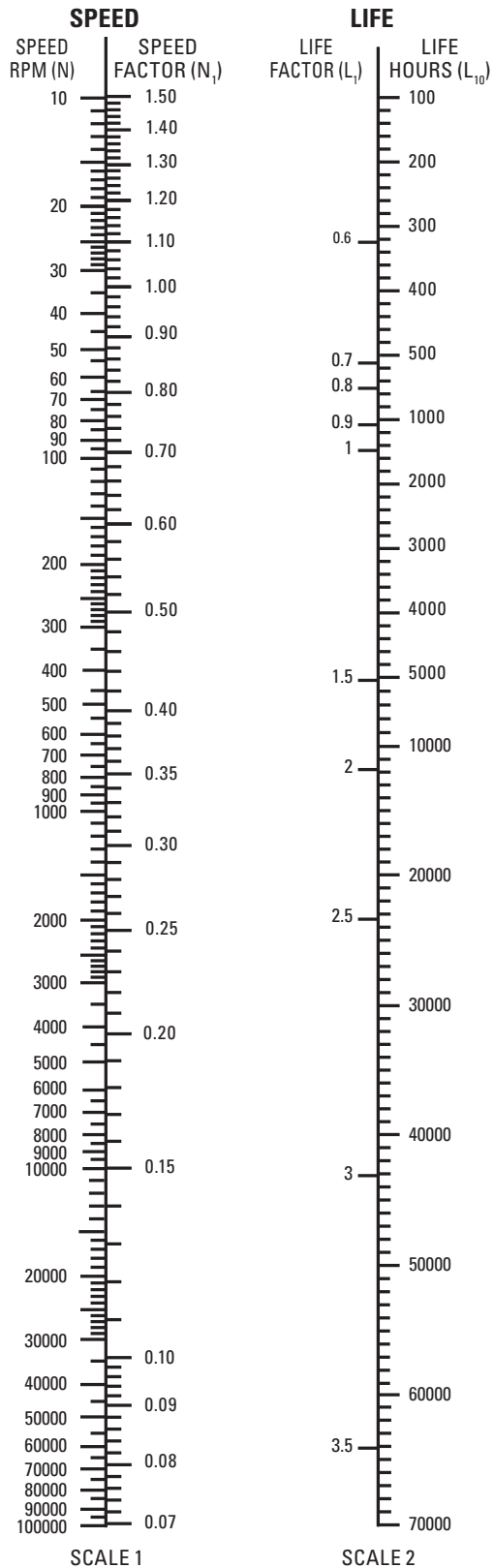
$$C_E = P \left( \frac{N \times L_{10}}{16700} \right)^{1/3} \quad \text{Formula 8}$$

### BEARING LIFE UNDER VARYING LOADS AND SPEEDS

In many applications, bearings are required to run at a number of different loads and speeds. If the different loads and speeds and the portions of time that are in effect are known, the life can be found from the following relation:

$$L_r = \frac{1}{\frac{p_1}{L_{n_1}} + \frac{p_2}{L_{n_2}} + \frac{p_3}{L_{n_3}} + \dots + \frac{p_n}{L_{n_n}}}$$

Note:  $p_1 + p_2 + p_3 + \dots + p_n = 1.0$



**Fig. A-7. Wide-inner-ring ball bearing's speed and life factors.**



## **FREQUENCY COEFFICIENTS**

Predictive application maintenance requires knowledge of the frequencies that a bearing can emit, which are based on its specific design. The table below (table A-9) provides the most commonly used coefficients for this purpose. The frequencies are expressed as Orders. To obtain bearing defect frequencies in Hz, multiply the bearing coefficient by the rotating speed in revolutions per second.

**Example:**

9104-series bearing retainer frequency shaft running at 1200 RPM:

$$1200 \text{ RPM} \times 1 \text{ min}/60 \text{ seconds} \times 0.398 = 7.96 \text{ Hz.}$$

## **WIDE-INNER-RING BALL BEARINGS**

**FTF** **Fundamental Train Frequency:** The frequency at which the retainer will operate with inner ring rotation.

**BSF** **Ball Spin Frequency:** The frequency at which a single defect on a rolling element will be detected.

**BPFO** **Ball Pass Frequency Outer:** The frequency at which a single defect in the outer race will be detected.

**BPFI** **Ball Pass Frequency Inner:** The frequency at which a single defect in the inner race will be detected.

**OR ROT** **Fundamental Train Frequency:** The frequency at which the retainer will operate with outer-ring rotation. Also know as Outer-Ring ROTation.

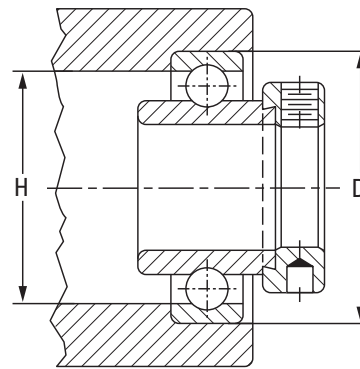
**TABLE A-9. FREQUENCY COEFFICIENTS OF WIDE-INNER-RING BALL BEARINGS**

Basic Outer-Ring Size	FTF	BSF	BPFO	BPFI	OR ROT FTF	Basic Outer-Ring Size	FTF	BSF	BPFO	BPFI	OR ROT FTF
9104	0.398	2.339	3.578	5.422	0.602	303K	0.364	1.696	2.545	4.455	0.636
9105	0.397	2.328	3.574	5.426	0.603	304K	0.368	1.757	2.574	4.426	0.632
9106	0.417	2.933	4.588	6.412	0.583	305K	0.367	2.328	3.574	5.426	0.603
202K	0.391	2.175	3.125	4.875	0.609	306K	0.368	1.757	2.574	4.426	0.632
203K	0.382	1.994	3.053	4.947	0.618	307K	0.376	1.888	3.006	4.994	0.624
204K	0.382	1.992	3.052	4.948	0.618	308K	0.378	1.925	3.023	4.977	0.622
205K	0.397	2.328	3.574	5.426	0.603	309K	0.380	1.955	3.037	4.963	0.620
206K	0.396	2.311	3.568	5.432	0.604	310K	0.381	1.981	3.047	4.953	0.619
207K	0.396	2.303	3.565	5.435	0.604	311K	0.382	2.002	3.057	4.943	0.618
208K	0.394	2.256	3.547	5.453	0.606	312K	0.383	2.020	3.064	4.936	0.617
209K	0.402	2.461	3.621	5.379	0.598	314K	0.385	2.050	3.076	4.924	0.615
210K	0.409	2.665	4.093	5.907	0.591	315K	0.385	2.062	3.081	4.919	0.615
211K	0.408	2.620	4.078	5.922	0.592	316K	0.386	2.073	3.086	4.914	0.614
212K	0.407	2.584	4.066	5.934	0.593	318K	0.387	2.091	3.093	4.907	0.613
213K	0.410	2.685	4.099	5.901	0.590	318W	0.381	1.982	4.572	7.428	0.619
214K	0.410	2.702	4.104	5.896	0.590	319W	0.382	1.993	4.198	6.802	0.618
215K	0.415	2.850	4.148	5.852	0.585	320K	0.384	2.041	3.073	4.927	0.616
216K	0.417	2.923	4.585	6.415	0.583	320W	0.379	1.946	4.549	7.451	0.621
217K	0.412	2.759	4.122	5.878	0.588	321W	0.380	1.958	4.557	7.443	0.620
219W	0.410	2.692	6.562	9.438	0.590	322W	0.382	2.002	4.203	6.797	0.618
220W	0.409	2.665	6.549	9.451	0.591	326W	0.384	2.036	4.222	6.778	0.616

### MOUNTING

#### STANDARD SERIES MOUNTING DATA

When shafts are selected for use with wide-inner-ring ball bearings, a minimum slip fit is desirable for the most satisfactory mounting. Special shaft limits are required in certain cases and a variety of standard fits can be used, including a press fit. The recommended figures are noted in table A-10. In some applications, it may be permissible to use increased shaft tolerances. In such cases, applications should be forwarded to your Timken engineer for complete recommendations.



#### Bearing bore tolerances:

- ½ in. – 2 3/16 in., nominal to +0.013 mm, +0.0005 in.;
- 2 ¼ in. – 3 3/16 in., nominal to +0.015 mm, +0.0006 in.;

#### Recommended shaft tolerances:

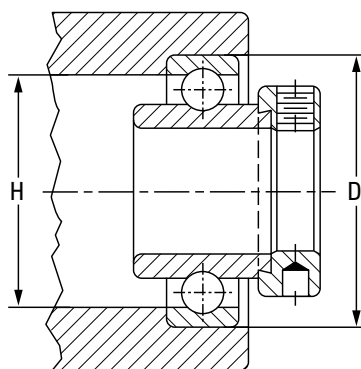
- ½ in. – 1 15/16 in., nominal to -0.013 mm, -0.0005 in.;
- 2 in. – 2 15/16 in., nominal to -0.025 mm, -0.0010 in.

**TABLE A-10. HOUSING, SHOULDER AND SHAFT DIAMETERS**

Bearing No.					Shaft Dia.	Basic Outer-Ring Size	Stationary Housing <sup>(1)</sup>			Shoulder Dia.	
KRR Type	G-KRR Type	RA-RR Type	GRA-RR Type	GYA-RR Type			Housing Bore D		Mean Fit	H	
							Max.	Min.		Loose	Max.
					in.		mm	mm	mm	mm	
					mm		in.	in.	in.	in.	
1008KRR	–	RA008RR	GRA08RR	GYA008RR	½	203	40.015 1.5754	40.000 1.5748	0.013 0.0005	34.8 1.37	34.0 1.34
–	–	RA009RR	GRA009RR	GYA009RR	9/16						
101KRR(KR)	G1010KRR	RA010RR	GRA010RR	GYA010RR	5/8						
1011KRR	G1011KRR	–	–	–	1 1/16						
E17KRR	GE17KRR	RAE17RR	GRAE17RR	GYAE17RR	17	204	47.015 1.8510	47.000 1.8504	0.013 0.0005	40.9 1.61	40.6 1.60
1012KRR(KR)	G1012KRR	RA012RR	GRA012RR	GYA012RR	¾						
E20KRR	GE20KRR	RAE20RR	GRAE20RR	GYAE20RR	20						
1013KRR	–	RA013RR	GRA013RR	GYA013RR	1 3/16						
1014KRR	G1014KRR	RA014RR	GRA014RR	GYA014RR	7/8	205	52.017 2.0479	51.999 2.0472	0.015 0.0006	46.0 1.81	45.7 1.80
1015KRR(KR)	G1015KRR	RA015RR	GRA015RR	GYA015RR	15/16						
1100KRR(KR)	G1100KRR	RA100RR	GRA100RR	GYA100RR	1						
E25KRR	GE25KRR	RAE25RR	GRAE25RR	GYAE25RR	25						
–	G1101KRR	RA101RR	GRA101RR	GYA101RR	1 1/16	206	62.017 2.4416	61.999 2.4409	0.015 0.0006	56.1 2.21	54.9 2.16
1102KRR(KR)	G1102KRR	RA102RR	GRA102RR	GYA102RR	1 1/8						
1103KRR(KR)	G1103KRR	RA103RR	GRA103RR	GYA103RR	1 3/16						
–	–	–	–	GYA103RR2	1 ¼						
E30KRR	GE30KRR	RAE30RR	GRAE30RR	GYAE30RR	30	207	72.017 2.8353	71.999 2.8346	0.015 0.0006	65.0 2.56	54.9 2.47
1104KRR(KR)	G1104KRR	RA104RR	GRA104RR	GYA104RR	1 ¼						
1105KRR	–	RA105RR	GRA105RR	GYA105RR	1 5/16						
1106KRR	G1106KRR	RA106RR	GRA106RR	GYA106RR	1 3/8						
1107KRR(KR)	G1107KRR	RA107RR	GRA107RR	GYA107RR	1 7/16						
E35KRR	GE35KRR	RAE35RR	GRAE35RR	GYAE35RR	35						

<sup>(1)</sup>When the housing revolves in relation to the shaft, the housing bore dimensions shown on page 131 of the Timken Engineering Manual (order no. 10424) should be used. Outer ring tolerances and housing fillet radii correspond to equivalent 200-series single-row radial bearings.

Continued on next page.



Continued from previous page.

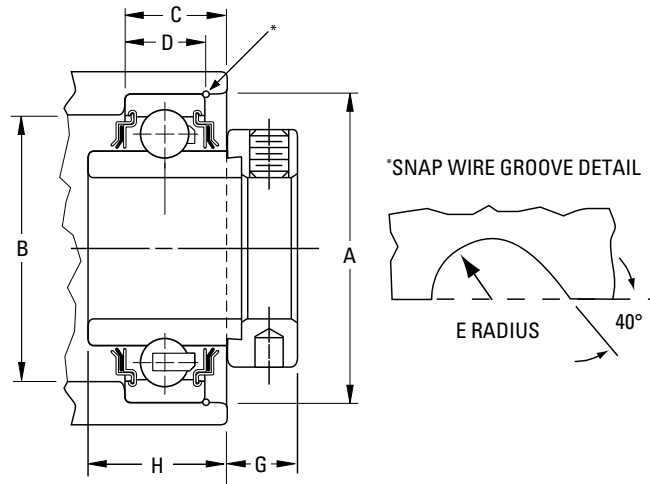
Bearing No.					Shaft Dia.	Basic Outer-Ring Size	Stationary Housing <sup>(1)</sup>			Shoulder Dia.	
KRR Type	G-KRR Type	RA-RR Type	GRA-RR Type	GYA-RR Type			Housing Bore D		Mean Fit	H	
							Max.	Min.		Loose	Max.
					in. mm	mm in.	mm in.	mm in.	mm in.		
1108KRR(KR)	G1108KRR	RA108RR	GRA108RR	GYA108RR	1 1/2	208	80.018 3.1503	80.000 3.1496	0.015 0.0006	72.9 2.87	70.6 2.78
-	-	RA109RR	GRA109RR	GYA109RR	1 9/16						
-	-	-	GRAE40RR	GYAE40RR	40						
1110KRR	G1110KRR	RA110RR	GRA110RR	GYA110RR	1 5/8	209	85.024 3.3474	85.001 3.3465	0.020 0.0008	78.0 3.07	75.4 2.97
1111KRR(KR)	G1111KRR	RA111RR	GRA111RR	GYA111RR	1 11/16						
1112KRR(KR)	G1112KRR	RA112RR	GRA112RR	GYA112RR	1 3/4						
E45KRR	-	-	GRAE45RR	GYAE45RR	45	210	90.023 3.5442	90.000 3.5433	0.020 0.0008	83.1 3.27	81.0 3.19
-	-	RA113RR	GRA113RR	GYA113RR	1 13/16						
1114KRR	-	RA114RR	GRA114RR	GYA114RR	1 7/8						
1115KRR(KR)	G1115KRR	RA115RR	GRA115RR	GYA115RR	1 15/16	211	100.023 3.9379	100.000 3.9370	0.020 0.0008	90.9 3.58	90.4 3.56
-	-	-	GRA115RR2	-	2						
E50KRR	GE50KRR	RAE50RR	GRAE50RR	GYAE50RR	50						
1200KRR(KR)	G1200KRR	RA200RR	GRA200RR	GYA200RR	2	212	110.023 4.3316	110.000 4.3307	0.020 0.0008	101.1 3.98	98.3 3.87
-	-	RA201RR	GRA201RR	GYA201RR	2 1/16						
1202KRR	-	RA202RR	GRA202RR	GYA202RR	2 1/8						
1203KRR(KR)	G1203KRR	RA203RR	GRA203RR	GYA203RR	2 3/16	215	130.025 5.1191	130.000 5.1181	0.023 0.0009	120.9 4.76	116.6 4.59
E55KRR	GE55KRR	RAE55RR	GRAE55RR	GYAE55RR	55						
1204KRR	-	-	-	-	2 1/4						
1207KRR(KR)	G1207KRR	-	-	-	2 7/16	215	130.025 5.1191	130.000 5.1181	0.023 0.0009	120.9 4.76	116.6 4.59
E60KRR	GE60KRR	-	-	-	60						
1215KRR	-	-	-	-	2 15/16						
E75KRR	-	-	-	-	75						

<sup>(1)</sup>When the housing revolves in relation to the shaft, the housing bore dimensions shown on page 131 of the Timken Engineering Manual (order no. 10424) should be used. Outer ring tolerances and housing fillet radii correspond to equivalent 200-series single-row radial bearings.

### SNAP WIRE MOUNTING

#### KR-KRR SERIES

When shafts are selected for use with wide-inner-ring ball bearings, a minimum slip fit is desirable for the most satisfactory mounting. Special shaft limits are required in certain cases and a variety of standard fits can be used, including a press fit. The recommended figures are noted in table A-11. For requirements, contact your Timken engineer.

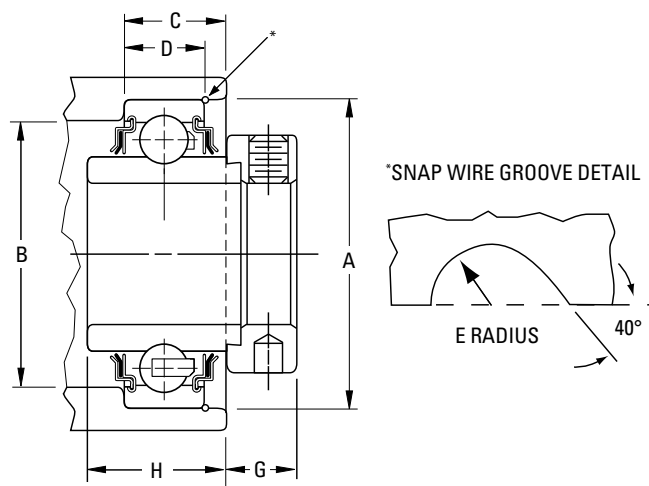


**TABLE A-11. R-SEAL STANDARD KR, KRR SERIES**

Bearing No.	Shaft Dia.	Basic Outer-Ring Size	Housing Bore		Shoulder Dia.		C	D	Radius		
			Stationary Housing A <sup>(1)</sup>		B				E	G	H
			Max.	Min.	Max.	Min.					
	in. mm		mm in.	mm in.	mm in.	mm in.	mm in.	mm in.	mm in.	mm in.	
1008KRR	1/2	203	40.015 1.5754	40.000 1.5748	36.6 1.44	35.8 1.41	17.5 11/16	9.1 23/64	1.2 3/64	11.9 15/32	25.4 1
—	9/16										
1010KRR(KR)	5/8										
1011KRR	11/16										
E17KRR	<b>17</b>										
1012KRR(KR)	3/4	204	47.015 1.8510	47.000 1.8504	43.7 1.72	41.1 1.62	19.0 3/4	15.1 19/32	1.2 3/64	14.7 37/64	29.0 1 9/64
E20KRR	<b>20</b>										
1013KRR(KR)	13/16	205	52.017 2.0479	51.999 2.0472	48.5 1.91	46.7 1.84	20.6 13/16	15.9 5/8	1.2 3/64	13.9 35/64	30.6 1 13/64
1014KRR	7/8										
1015KRR(KR)	15/16										
1100KRR(KR)	1										
E25KR	<b>25</b>										
—	1 1/16	206	62.017 2.4416	61.999 2.4409	57.9 2.28	56.4 2.22	21.4 27/32	17.1 43/64	1.2 3/64	16.7 21/32	31.8 1 1/4
1102KRR(KR)	1 1/8										
1103KRR(KR)	1 3/16										
1103KRR3	1 1/4										
E30KRR	<b>30</b>										
1104KRR(KR)	1 1/4	207	72.017 2.8353	71.999 2.8346	67.6 2.66	64.3 2.53	23.0 29/32	18.3 23/32	1.6 1/16	17.9 45/64	33.3 1 15/16
1105KRR	1 5/16										
1106KRR	1 3/8										
1107KRR(KR)	1 7/16										
E35KRR	<b>35</b>										

<sup>(1)</sup>When the housing revolves in relation to the shaft, the housing bore dimensions shown on page 131 of the Timken Engineering Manual (order no. 10424) should be used. Outer ring tolerances and housing fillet radii correspond to equivalent 200-series single-row radial bearings.

Continued on next page.



Continued from previous page.

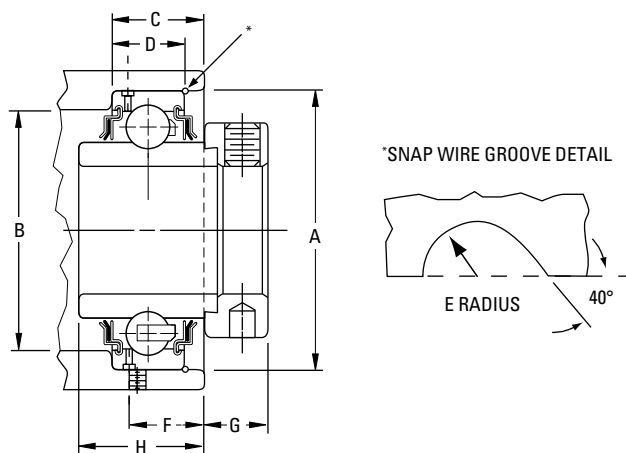
Bearing No.	Shaft Dia.	Basic Outer-Ring Size	Housing Bore		Shoulder Dia.		C	D	Radius	G	H
			Stationary Housing A <sup>(1)</sup>		B				E		
			Max.	Min.	Max.	Min.					
	in.	mm	in.	mm	in.	mm	in.	mm	in.	mm	in.
1108KRR(KR)	1 1/2	208	<b>80.078</b>	<b>80.000</b>	<b>75.4</b>	<b>71.4</b>	<b>24.6</b>	<b>19.4</b>	<b>1.6</b>	<b>19.4</b>	<b>36.9</b>
1109KRR	1 9/16		3.1503	3.1496	2.97	2.81	31/32	49/64	1/16	49/64	1 29/64
E40KRR	<b>40</b>										
1110KRR	1 5/8	209	<b>85.024</b>	<b>85.001</b>	<b>80.3</b>	<b>77.0</b>	<b>25.4</b>	<b>20.2</b>	<b>1.6</b>	<b>19.0</b>	<b>37.3</b>
1111KRR(KR)	1 11/16		3.3474	3.3465	3.16	3.03	1	51/64	1/16	3/4	1 15/32
1112KRR(KR)	1 3/4										
E45KRR	<b>45</b>										
1114KRR	1 7/8	210	<b>90.023</b>	<b>90.000</b>	<b>83.1</b>	<b>82.3</b>	<b>26.2</b>	<b>21.4</b>	<b>1.6</b>	<b>21.8</b>	<b>40.9</b>
1115KRR(KR)	1 15/16		3.5442	3.5433	3.27	3.24	1 1/32	37/32	1/6	55/64	1 39/64
E50KRR	<b>50</b>										
1200KRR(KR)	2	211	<b>100.023</b>	<b>100.000</b>	<b>93.7</b>	<b>90.4</b>	<b>26.2</b>	<b>22.2</b>	<b>1.6</b>	<b>26.2</b>	<b>45.2</b>
1202KRR	2 1/8		3.9379	3.9370	3.69	3.56	1 1/32	7/8	1/16	1 1/32	1 25/32
1203KRR(KR)	2 3/16										
E55KRR	<b>55</b>										
1204KRR	2 1/4	212	<b>110.023</b>	<b>110.000</b>	<b>101.1</b>	<b>99.6</b>	<b>28.6</b>	<b>23.0</b>	<b>1.6</b>	<b>29.4</b>	<b>48.4</b>
1207KRR(KR)	2 7/16		4.3316	4.3307	3.98	3.92	1 1/8	29/32	1/16	1 5/32	1 29/32
E60KRR	<b>60</b>										

<sup>(1)</sup>When the housing revolves in relation to the shaft, the housing bore dimensions shown on page 131 of the Timken Engineering Manual (order no. 10424) should be used. Outer ring tolerances and housing fillet radii correspond to equivalent 200-series single-row radial bearings.



### G-KRR SERIES

When shafts are selected for use with wide-inner-ring ball bearings, a minimum slip fit is desirable for the most satisfactory mounting. Special shaft limits are required in certain cases and a variety of standard fits can be used, including a press fit. The recommended values are in table A-12. For special requirements, contact your Timken engineer.



**TABLE A-12. R-SEAL STANDARD G-KRR SERIES**

Bearing No.	Shaft Dia.	Basic Outer-Ring Size	Housing Bore		Shoulder Dia.		C	D	Radius E	F	G	H
			Stationary Housing A <sup>(1)</sup>		B							
			Max.	Min.	Max.	Min.						
	<b>in.</b>		<b>mm</b>	<b>mm</b>	<b>mm</b>	<b>mm</b>	<b>mm</b>	<b>mm</b>	<b>mm</b>	<b>mm</b>	<b>mm</b>	<b>mm</b>
	<b>mm</b>		<b>in.</b>	<b>in.</b>	<b>in.</b>	<b>in.</b>	<b>in.</b>	<b>in.</b>	<b>in.</b>	<b>in.</b>	<b>in.</b>	<b>in.</b>
G1010KRR	9/8	203	<b>40.015</b>	<b>40.000</b>	<b>36.6</b>	<b>35.8</b>	<b>17.5</b>	<b>13.1</b>	<b>1.2</b>	<b>14.7</b>	<b>11.9</b>	<b>25.4</b>
G1011KRR	11/16		1.5754	1.5748	1.44	1.41	11/16	33/64	3/64	37/64	15/32	1
GE17KRR	<b>17</b>											
G1012KRR	3/4	204	<b>47.015</b>	<b>47.000</b>	<b>43.7</b>	<b>41.1</b>	<b>19.0</b>	<b>15.1</b>	<b>1.2</b>	<b>15.9</b>	<b>14.7</b>	<b>29.0</b>
GE20KRR	<b>20</b>		1.8510	1.8504	1.72	1.62	3/4	19/32	3/64	5/8	37/64	1 9/64
G1014KRR	7/8	205	<b>52.017</b>	<b>51.999</b>	<b>48.5</b>	<b>46.7</b>	<b>20.6</b>	<b>15.9</b>	<b>1.2</b>	<b>16.7</b>	<b>13.9</b>	<b>30.6</b>
G1015KRR	15/16		2.0479	2.0472	1.91	1.84	13/16	5/8	3/64	21/32	35/64	1 13/64
G1100KRR	1											
GE25KRR	<b>25</b>											
G1101KRR	1 1/16	206	<b>62.017</b>	<b>61.999</b>	<b>57.9</b>	<b>56.4</b>	<b>23.8</b>	<b>19.0</b>	<b>1.2</b>	<b>19.8</b>	<b>15.5</b>	<b>32.9</b>
G1102KRR	1 1/8		2.4416	2.4409	2.28	2.22	15/16	3/4	3/64	25/32	39/64	1 19/64
G1103KRR	1 3/16											
GE30KRR	<b>30</b>											
G1104KRR	1 1/4	207	<b>72.017</b>	<b>71.999</b>	<b>67.6</b>	<b>64.3</b>	<b>25.4</b>	<b>20.2</b>	<b>1.6</b>	<b>21.4</b>	<b>16.7</b>	<b>34.5</b>
G1106KRR	1 3/8		2.8353	2.8346	2.66	2.53	1	51/64	1/16	27/32	21/32	1 23/64
G1107KRR	1 7/16											
GE35KRR	<b>35</b>											
G1108KRR	1 1/2	208	<b>80.018</b>	<b>80.000</b>	<b>75.4</b>	<b>71.4</b>	<b>27.8</b>	<b>22.2</b>	<b>1.6</b>	<b>23.8</b>	<b>17.5</b>	<b>38.9</b>
G1109KRR	1 9/16		3.1503	3.1496	2.97	2.81	1 3/32	7/8	1/16	15/16	11/16	1 17/32
GE40KRR	<b>40</b>											
G1110KRR	1 5/8											
G1111KRR	1 11/16	209	<b>85.024</b>	<b>85.001</b>	<b>80.3</b>	<b>77.0</b>	<b>28.6</b>	<b>23.4</b>	<b>1.6</b>	<b>24.2</b>	<b>17.5</b>	<b>38.9</b>
G1112KRR	1 3/4		3.3474	3.3465	3.16	3.03	1 1/8	59/64	1/16	31/32	11/16	1 17/32
GE45KRR	<b>45</b>											
G1115KRR	1 15/16	210	<b>90.023</b>	<b>90.000</b>	<b>83.1</b>	<b>82.3</b>	<b>29.4</b>	<b>24.2</b>	<b>1.6</b>	<b>24.6</b>	<b>20.2</b>	<b>42.5</b>
GE50KRR	<b>50</b>		3.5442	3.5433	3.27	3.24	1 5/32	61/64	1/16	31/32	51/64	1 43/64
G1200KRR	2											
G1203KRR	2 3/16	211	<b>100.023</b>	<b>100.000</b>	<b>93.7</b>	<b>90.4</b>	<b>31.8</b>	<b>26.2</b>	<b>1.6</b>	<b>26.6</b>	<b>24.2</b>	<b>47.2</b>
GE55KRR	<b>55</b>		3.9379	3.9370	3.69	3.56	1 1/4	1 1/32	1/16	1 3/64	61/64	1 55/64

<sup>(1)</sup>When the housing revolves in relation to the shaft, the housing bore dimensions shown on page 131 of the Timken Engineering Manual (order no. 10424) should be used. Outer ring tolerances and housing fillet radii correspond to equivalent 200-series single-row radial bearings.

### RA-RR SERIES

When shafts are selected for use with wide-inner-ring ball bearings, a minimum slip fit is desirable for the most satisfactory mounting. Special shaft limits are required in certain cases and a variety of standard fits can be used, including even a press fit. The recommended values are in table A-13. For special requirements, contact your Timken engineer.

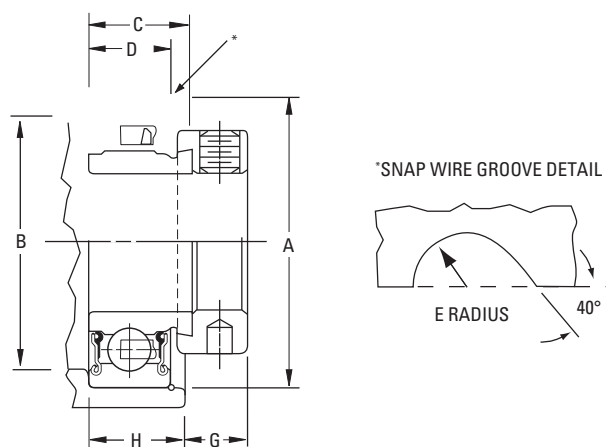


TABLE A-13. RA-RR SERIES, NON-RELUBRICATABLE

Bearing No.	Shaft Dia.	Basic Outer-Ring Size	Housing Bore		Mean Fit Loose	Shoulder Dia.		C	D	H	Radius	
			Stationary Housing A <sup>(1)</sup>			B	Min.				E	G
			Max.	Min.								
	in. mm		mm in.	mm in.		mm in.	mm in.	mm in.	mm in.	mm in.	mm in.	
RA008RR	1/2	203	40.015 1.5754	40.000 1.5748	0.013 0.0005	35.1 1.34	34.3 1.31	19.0 3/4	14.3 9/16	16.67 21/32	1.2 3/64	9.5 3/8
RA009RR	9/16											
RA010RR	5/8											
RAE17RR	17	204	47.015 1.8510	47.000 1.8504	0.013 0.0005	40.9 1.61	40.6 1.58	20.6 13/16	15.9 5/8	17.07 43/64	1.2 3/64	10.3 13/32
RA012RR	3/4											
RAE20RR	20											
RA013RR	13/16	205	52.017 2.0479	51.999 2.0472	0.015 0.0006	46.0 1.81	45.7 1.78	20.6 13/16	15.9 5/8	17.07 43/64	1.2 3/64	10.3 13/32
RA014RR	7/8											
RA015RR	15/16											
RA100RR	1	206	62.017 2.4416	61.999 2.4409	0.015 0.0006	56.1 2.21	54.9 2.16	23.8 15/16	19.0 3/4	20.24 51/64	1.2 3/64	11.9 15/32
RAE25RR	25											
RA101RR	1 1/16											
RA102RR	1 1/8	207	72.017 2.8353	71.999 2.8346	0.015 0.0006	65.0 2.56	62.7 2.47	25.4 1	20.6 13/16	22.22 7/8	1.6 1/16	13.5 17/32
RA103RR	1 3/16											
RA103RR2	1 1/4											
RAE30RR	30	208	80.018 3.1503	80.000 3.1496	0.015 0.0006	72.9 2.87	70.6 2.78	28.6 1 1/8	23.0 29/32	26.19 1 1/32	1.6 1/16	15.1 19/32
RA104RR	1 1/4											
RA105RR	1 5/16											
RA106RR	1 3/8	209	85.024 3.3474	85.001 3.3465	0.020 0.0008	78.0 3.07	75.4 2.97	28.6 1 1/8	23.0 29/32	26.19 1 1/32	1.6 1/16	15.1 19/32
RA107RR	1 7/16											
RAE35RR	35											
RA108RR	1 1/2	209	85.024 3.3474	85.001 3.3465	0.020 0.0008	78.0 3.07	75.4 2.97	28.6 1 1/8	23.0 29/32	26.19 1 1/32	1.6 1/16	15.1 19/32
RA109RR	1 9/16											
RAE40RR	40											
RA110RR	1 5/8	209	85.024 3.3474	85.001 3.3465	0.020 0.0008	78.0 3.07	75.4 2.97	28.6 1 1/8	23.0 29/32	26.19 1 1/32	1.6 1/16	15.1 19/32
RA111RR	1 11/16											
RA112RR	1 3/4											
RAE45RR	45											

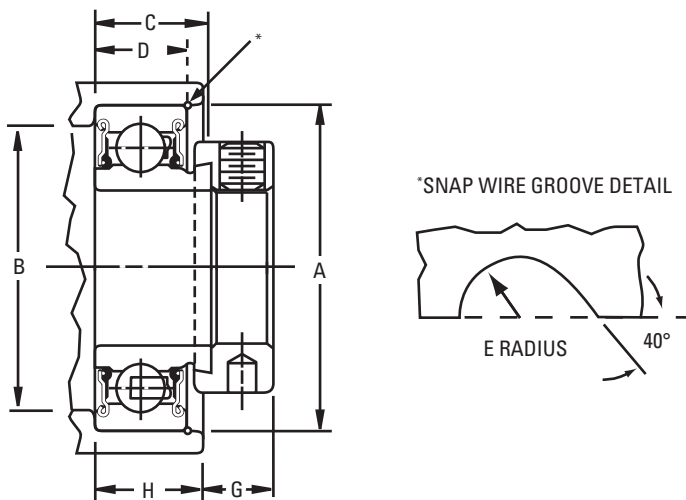
<sup>(1)</sup>When the housing revolves in relation to the shaft, the housing bore dimensions shown on page 131 of the Timken Engineering Manual (order no. 10424) should be used. Outer ring tolerances and housing fillet radii correspond to equivalent 200-series single-row radial bearings.

Continued on next page.



# BALL BEARING HOUSED UNITS

## ENGINEERING • MOUNTING



Continued from previous page.

Bearing No.	Shaft Dia. in. mm	Basic Outer-Ring Size	Housing Bore		Mean Fit Loose	Shoulder Dia.		C	D	H	Radius	
			Stationary Housing A <sup>(1)</sup>			B					E	G
			Max.	Min.		Max.	Min.					
RA113RR	1 13/16	210	90.023	90.000	0.020	83.1	80.5	28.6	23.0	26.19	1.6	15.1
RA114RR	1 7/8		3.5442	3.5433	0.0008	3.27	3.17	1 1/8	29/32	1 1/32	1/16	19/32
RA115RR	1 15/16											
RAE50RR	50											
RA200RR	2	211	100.023	100.000	0.020	93.5	90.4	31.0	25.4	28.18	1.6	17.5
RA201RR	2 1/16		3.9379	3.9370	0.0008	3.68	3.56	1 7/32	1	1 7/64	1/16	1 1/16
RA202RR	2 1/8											
RA203RR	2 3/16											
RAE55RR	55											

<sup>(1)</sup>When the housing revolves in relation to the shaft, the housing bore dimensions shown on page 131 of the Timken Engineering Manual (order no. 10424) should be used. Outer ring tolerances and housing fillet radii correspond to equivalent 200-series single-row radial bearings.

### GRA-RR SERIES

When shafts are selected for use with wide-inner-ring ball bearings, a minimum slip fit is desirable for the most satisfactory mounting. Special shaft limits are required in certain cases and a variety of standard fits can be used, including even a press fit. The recommended values are in table A-14. For special requirements, contact your Timken engineer.

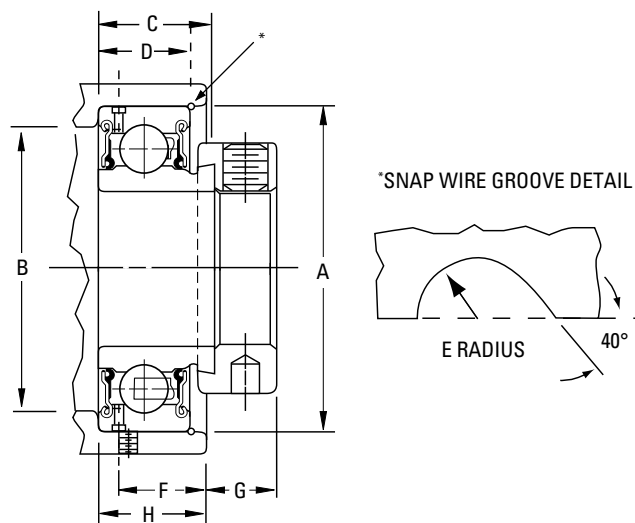


TABLE A-14. GRA-RR SERIES, RELUBRICATABLE

Bearing No.	Shaft Dia.	Basic Outer-Ring Size	Housing Bore		Shoulder Dia.		C	D	H	Radius		
			Stationary Housing		A <sup>(1)</sup>					E	F	G
			Max.	Min.								
	in. mm		mm in.	mm in.	mm in.	mm in.	mm in.	mm in.	mm in.	mm in.	mm in.	
GRA008RR	1/2	203	40.015	40.000	35.1	34.3	19.0	14.3	16.67	1.2	22.32	9.5
GRAE17RR	17		1.5754	1.5748	1.38	1.35	3/4	9/16	21/32	3/64	0.879	3/8
GRA012RR	3/4	204	47.015	47.000	40.9	40.6	20.6	15.9	17.07	1.2	25.6	10.3
GRAE20RR	20		1.8510	1.8504	1.61	1.60	13/16	5/8	43/64	3/64	1.008	13/32
GRA014RR	7/8	205	52.017	51.999	46.0	45.7	20.6	15.9	17.07	1.2	30.61	10.3
GRAE25RR	25		2.0479	2.0472	1.81	1.80	13/16	5/8	43/64	3/64	1.205	13/32
GRA101RR	1 1/16	206	62.017	61.999	56.1	54.9	23.8	19.0	20.24	1.2	37.29	11.9
GRAE30RR	30		2.4416	2.4409	2.21	2.16	15/16	3/4	51/64	3/64	1.468	15/32
GRA104RR	1 1/4	207	72.017	71.999	65.0	62.7	25.4	20.6	22.22	1.6	43.08	13.5
GRAE35RR	35		2.8353	2.8346	2.56	2.47	1	13/16	7/8	1/16	1.696	17/32

<sup>(1)</sup>When the housing revolves in relation to the shaft, the housing bore dimensions shown on page 131 of the Timken Engineering Manual (order no. 10424) should be used. Outer ring tolerances and housing fillet radii correspond to equivalent 200-series single-row radial bearings.

### INSTALLATION

Ball bearing housed units are available in a wide variety of types and sizes to accommodate a complete range of operating conditions.

These units generally have cast-iron housings and are designed for mounting on straight shafts with a slip fit. The self-locking collar and the set screw inner bearing design provides ease in mounting.

1. Ensure that the shaft is clean, free from burrs, straight and of proper diameter. The bearing should not be mounted on a worn section of the shaft. Using shafts with hardness greater than HRC 45 will reduce effectiveness of locking devices. See table A-15 on page A-23 for recommended shaft tolerances.
2. Align the bearing in its housing and slide the unit into position on the shaft.
3. Bolt housing tightly to its mounting supports using an appropriately sized fastener (table A-17 on page A-23). Flat washers should be used when installing any kind of housed unit. Washers should be properly sized to bolt diameter and should not be an SAE grade, which is smaller.

### BALL HOUSED UNITS MAY BE LOCKED INTO POSITION ON SHAFTS USING EITHER OF THE FOLLOWING METHODS

4. **Eccentric locking-collar bearings:** Slide collar over cammed end of inner ring. Rotate collar to engage cams and lock by lightly tapping with drift pin in the direction of shaft rotation. Tighten set screw to recommended torque levels as shown in table A-16 on page A-23.

In cases where the units are mounted vertically or where they are to assume considerable thrust loading, the unit should be placed so that the collar is forced against the inner ring by the thrust rather than away from it. In these cases, it may be advisable to spot the shaft under the set screw.

To disassemble, loosen set screw and lightly tap collar in direction opposite shaft rotation.

5. **Set screw locking bearings:** Lock bearing to the shaft by tightening each inner ring set screw incrementally to recommended torque levels as shown in table A-16 on page A-23. For concentric collar units, tighten each collar set screw to recommended torque levels in tables. To disassemble, loosen set screw.

### INSTALLATION PROCEDURE FOR HIGH-SPEED OR HIGH-TEMPERATURE SAL/SAOL BEARINGS

- 6a. Remove housing cover gasket, bearing, spacer ring, endplates and packings. Use care when handling gasket and packings. Slide housing and one endplate along shaft. Ensure that the overflow cup, located at the base of the pillow block, is placed on the downward side of shaft rotation. Slide bearing onto shaft and into housing, with cam side outward (facing open end of housing).

**Fixed mounting:** Position bearing against housing shoulder and place spacer ring between bearing aligning ring face and housing cover shoulder face.

**Float mounting:** Position bearing in center of its floating space between housing and housing cover shoulder faces. Do not use spacer ring.

In general, it is preferable for the fixed bearing to be closest to the drive position.

- b. Follow step 4 or 5 on this page to secure bearing to shaft.
- c. Replace gasket and housing cover.
- d. Install packings and endplates. Tighten screws holding endplates to force packings into contact with shaft. This creates an effective seal.
- e. To disassemble, reverse the above operations to remove bearing from the shaft.

#### NOTE

*Do not overtighten packings. If considerable heat develops during operation, loosen packings by loosening the screws holding endplate.*



#### WARNING

**Failure to observe the following warnings could create a risk of death or serious injury.**

Proper maintenance and handling practices are critical. Always follow installation instructions and maintain proper lubrication.



## TECHNICAL DATA

This section provides useful installation details related to shaft tolerance and torque for set screws and bolts.

**TABLE A-15. SUGGESTED SHAFT TOLERANCE<sup>(1)</sup>**

Shaft Size		Tolerance
in.	mm	
1/2 - 1 15/16	<b>12.7 - 49.2</b>	nominal to -0.0005 in., -0.013 mm
2 - 3 15/16	<b>50.8 - 100.0</b>	nominal to -0.0010 in., -0.025 mm
above 4	<b>101.6</b>	nominal to -0.0015 in., -0.038 mm

<sup>(1)</sup>These are for normal service; for heavy loads, high speeds or vertical shaft applications, reduce the suggested shaft tolerance by half.

**TABLE A-16. SUGGESTED SET SCREW TIGHTENING TORQUE**

Set Screw Size	Standard Steel	Stainless Steel (TDCF inserts)
in.	in. - lbs.	in. - lbs.
#10	35	23
1/4	80	60
5/16	155	122
3/8	275	213
7/16	425	340
mm	Nm	Nm
<b>M5</b>	<b>4.0</b>	<b>3.1</b>
<b>M6</b>	<b>6.6</b>	<b>4.9</b>
<b>M8</b>	<b>15.3</b>	<b>11.5</b>
<b>M10</b>	<b>30.0</b>	<b>22</b>
<b>M12</b>	<b>49.0</b>	<b>37</b>

**TABLE A-17. SUGGESTED BOLT MOUNTING TORQUE**

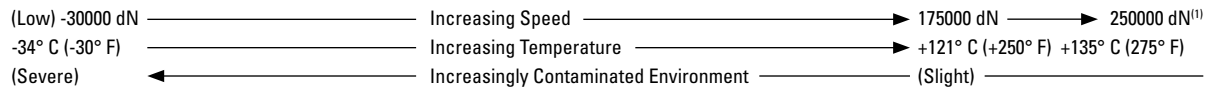
Bolt Size	Torque
in.	ft. - lbs.
3/8	27
1/2	65
5/8	130
3/4	230
7/8	573
1	858
1 1/8	1059
mm	Nm
<b>M10</b>	<b>44</b>
<b>M12</b>	<b>77</b>
<b>M16</b>	<b>192</b>
<b>M20</b>	<b>372</b>

# SELECTION GUIDE FOR APPLICATIONS

## BALL-BEARING HOUSED UNITS

This is a general guide. For operating conditions outside the ranges identified in table A-18, consult your Timken engineer.

**TABLE A-18. APPLICATION FACTOR**



<sup>(1)</sup>Bearing bore (mm) x RPM.

Table A-19 is an application selection guide for ball-bearing housed units.

**TABLE A-19. BALL-BEARING HOUSED-UNIT SELECTION GUIDE FOR APPLICATIONS**

Load	Bearing Types																		
	Wide Inner Ring Ball Bearing with Tri-ply Seals Self-Locking Collar		Wide-Inner-Ring Ball Bearing With Contact Seals Self-Locking Collar				Extended Inner Ring Bearing with Contact Seals Self-Locking Collar				Wide-Inner-Ring Ball Bearing with Contact Seals Set Screw Lock			Narrow Width Bearing with Contact Seals Set Screw Lock			Wide-Inner-Ring Ball Bearing with Labyrinth or Special Seals Self-Locking Collar		
	Housing Type		Housing Type				Housing Type				Housing Type			Housing Type			Housing Type		
	Pillow Block	Flange Unit	Pillow Block	Flange Unit	Take-Up Unit	Cartridge	Pillow Block	Flange Unit	Take-Up Unit	Cartridge	Pillow Block	Flange Unit	Take-Up Unit	Pillow Block	Flange Unit	Take-Up Unit	Pillow Block	Flange Unit	Take-Up Unit
Light Duty							PB <sup>(1)</sup>	LFST <sup>(1)</sup>	MSTU <sup>(1)</sup>	RCSM <sup>(1)</sup>									
							PBS <sup>(1)</sup>	VFMST <sup>(1)</sup>		RCR <sup>(1)</sup>									
							RBG(U)	RBGF		LCR <sup>(1)</sup>									
							RPB <sup>(1)</sup>	RA, RAT <sup>(1)</sup>		RABR <sup>(1)</sup>									
								RATR <sup>(1)</sup>											
								GRA											
Normal Duty	TAK	TCJ	RAK	RCJ		RC	VAK	VCJ	VTU		YAS	YCJ	YTU	SAS	SCJ	STU	LAK	LCJ	LTU
	TAS	TCJT	RAS	RCJT			VAS	VCJT	VNTU		YAK	YCJT		SAK	SCJT		LAS	LCJT	
			RAKH			RTU	VTB				RASC	RCJC		STB			LSA		
			RAKHL <sup>(2)</sup>	GFRTD(R)		TU		FLCT <sup>(1)</sup>				RCJTC					SAL <sup>(3)</sup>		
			DRNR	RFTD(R) <sup>(1)</sup>				GVFTD(R)				RF					LAKHL		
				GRFD(R)				VFTD(R) <sup>(1)</sup>											
				RFD(R) <sup>(1)</sup>				GVFD(R)				YCJTM							
								VFD(R) <sup>(1)</sup>			YASM	YCJM							
Heavy Duty			RAO	RCJO													LAO	LCJO	
			RSAO														LSAO		
																	SAOL <sup>(3)</sup>		

<sup>(1)</sup>Non-relubricatable.

<sup>(2)</sup>Float unit, grease lubrication.

<sup>(3)</sup>Fixed and floating. Oil lubrication, SAL and SAOL units, with adjustable seal packages also can be considered for adverse environments.

NOTE: All bearings or units are double sealed and prelubricated with grease except where noted.

## **WIDE-INNER-RING BALL BEARINGS**

Wide-inner-ring ball bearings consist of a single-row ball bearing and an extended inner ring. They carry radial, axial and combination loads. The extended inner ring slips onto the shaft and secures with a locking mechanism.

- **Sizes:** Standard series: 15 mm – 75 mm shaft (1/2 – 2 15/16 in.). Medium and heavy-duty series are available in larger sizes.
- **Industries and applications:** Agriculture, food processing, fans, blowers, and conveyors.
- **Features:** Available with a variety of shaft locking systems: eccentric locking collars, set screws and concentric locking collars.
- **Benefits:** Designed for ease of mounting and maximum shaft support.

Nomenclature.....A-26  
Introduction.....A-27

### **INDUSTRIAL SERIES**

KR, KRR, KRRB Non-Relubricatable Types .....A-32  
G-KRR, G-KRRB Relubricatable Types .....A-34  
KL, KLB, KLL, KLLB Special Series,  
Non-Relubricatable Types .....A-36  
G-KLL, G-KLLB Special Series, Relubricatable Types .....A-37  
KLLG Special Series with Wireloc® .....A-38  
Tri-Ply Industrial Series,  
Non-Relubricatable and Relubricatable Types.....A-39  
GC-KRRB Industrial-Series Concentric Collar,  
Relubricatable Type.....A-40  
SM Industrial Series A and B Types/MUA-B Inserts.....A-41  
SM-S Industrial Series .....A-43  
GY-KRRB Set Screw Industrial Series .....A-44  
ER Industrial Series, Relubricatable Types .....A-46

### **STANDARD SERIES**

RA-RR, RA-RRB Non-Relubricatable Types.....A-48  
GRA-RR, GRA-RRB Relubricatable Types .....A-50  
RA-DD, Non-Relubricatable Types .....A-52  
YA-RR, YA-RRB Non-Relubricatable Types .....A-53  
GYA-RR, GYA-RRB Relubricatable Types .....A-54

### **LIGHT SERIES**

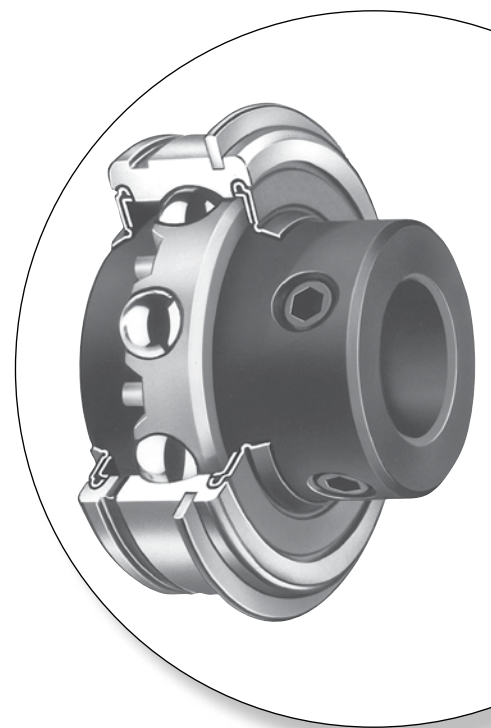
RAL-NPPB Non-Relubricatable Types.....A-55

### **MEDIUM SERIES**

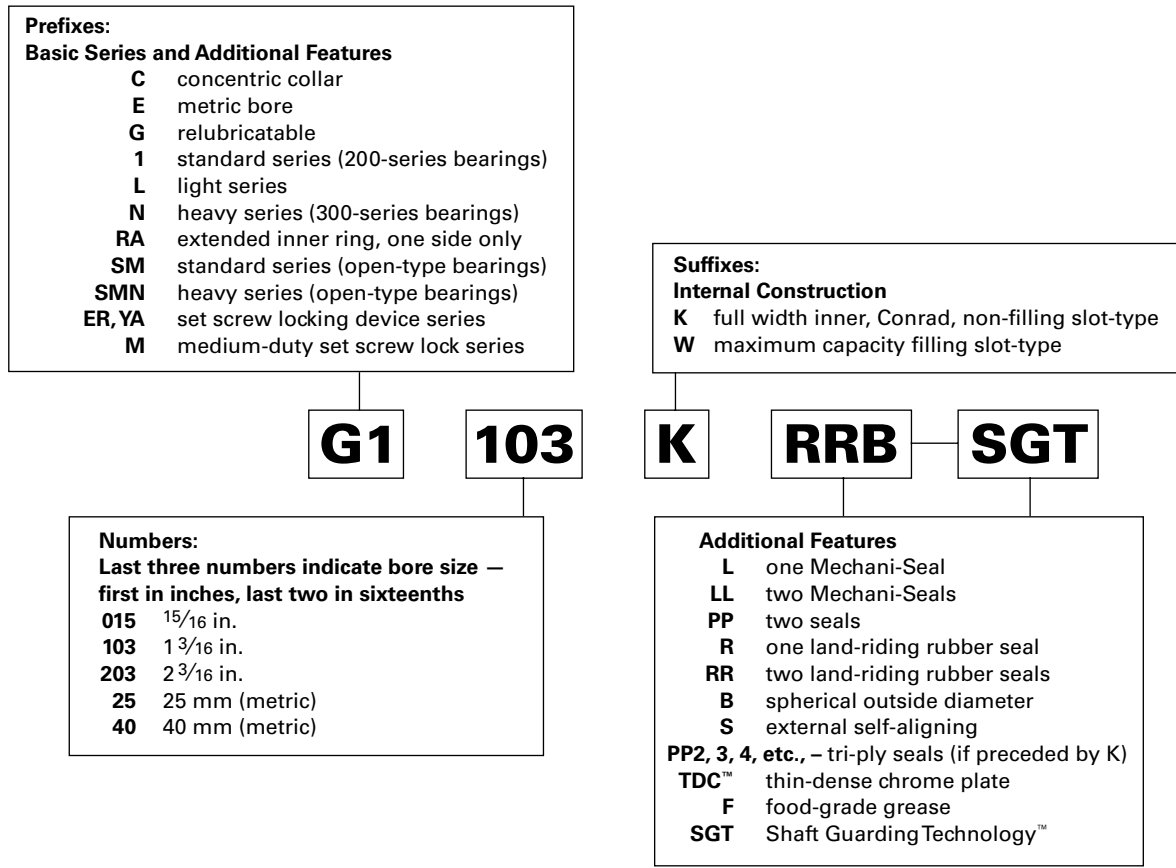
GYM-KRRB Inserts Set Screw Lock.....A-56

### **HEAVY SERIES**

GN-KRRB Relubricatable Types .....A-57  
GN-KLLB Special Duty .....A-59  
SMN A and B Types/MUOA-B Inserts .....A-60  
SMN-S Series.....A-62



**NOMENCLATURE**



**Fig. A-8. Wide-inner-ring ball bearing nomenclature.**

**WARNING**  
**Failure to observe the following warnings could create a risk of death or serious injury.**

Proper maintenance and handling practices are critical. Always follow installation instructions and maintain proper lubrication.

Tensile stresses can be very high in tightly fitted bearing components. Attempting to remove such components by cutting the cone (inner race) may result in a sudden shattering of the component causing fragments of metal to be forcefully expelled. Always use properly guarded presses or bearing pullers to remove bearings from shafts, and always use suitable personal protective equipment, including safety glasses.

**CAUTION**  
**Failure to follow this caution could create a risk of injury.**

**SHAFT GUARDING TECHNOLOGY™**  
 Do not remove band from bore groove. Removal may cause it to release suddenly.

**NOTE**

*The products catalogued are application specific. Any use in applications other than those intended could lead to equipment failure or to reduced equipment life.*

*Use of improper bearing fits may cause damage to equipment.*

*Do not use damaged bearings. The use of a damaged bearing can result in equipment damage.*

## INTRODUCTION

### WIDE-INNER-RING BALL BEARING DESIGN FOR BALL BEARINGS THAT ARE EASILY MOUNTED ON STRAIGHT SHAFTS AND POSITIONED WITHOUT SHOULDERS, LOCKNUTS OR ADAPTERS

The internal bearing construction is basically the same as the deep race, single-row radial type with the ability to carry radial, thrust and combined loads, while providing low-friction qualities. The inner ring is generally extended on both sides of the race to provide additional shaft support, and is locked to the shaft by specially designed set screws, an eccentric self-locking collar or a concentric collar. The wide-inner-ring ball bearings also are available with cylindrical or spherical outside diameters (O.D.). The cylindrical or straight O.D. type is used for mounting in straight-bored housings. The spherical O.D. type must be mounted in a corresponding spherical seat and is used to compensate for shaft or housing misalignments.

### WIDE-INNER-RING BALL BEARINGS WITH ECCENTRIC LOCKING COLLARS

The following series are available with the eccentric cam (self-locking) collar. See installation instructions in table A-20 on page A-29.

#### RR SERIES

These bearings feature the flareout, contact-type R-seal which encloses a synthetic rubber-impregnated washer between two metal caps (fig. A-9). Most sizes incorporate the shroud-seal design. R-seal wide-inner-ring ball bearings are available in the following non-relubricatable variations: KR (one seal, cylindrical O.D.), KRR (two seals, cylindrical O.D.) and KRRB (two seals, spherical O.D.). Relubricatable versions are: G-KRR, G-KRRB and GN-KRRB (heavy-duty).



Fig. A-9. RR series.

#### RA-RR SERIES

The RA-RR series features an extended inner ring and self-locking collar for simple and effective shaft retention in a standard-series bearing (fig. A-10). The positive contact, land-riding R-seal provides improved protection against the heavy contamination encountered in many applications. All sizes have a heat-stabilized, moisture-conditioned 6/6 nylon retainer, which has proven effective under conditions of misalignment. RA-RR extended inner-ring bearings are available as RA-RR (two-seals, straight O.D.) and RA-RRB (two seals, spherical O.D.). Relubricatable versions are GRA-RR and GRA-RRB.



Fig. A-10. RA-RR series.

#### LL SERIES

These bearings are dimensionally interchangeable with the RR series, but have non-contact labyrinth seals and steel cages for low torque, high speed and higher temperature service (up to 177° C [350° F]).



### TRI-PLY SEAL SERIES

Tri-ply seal bearings are designed for environments where severe conditions and moisture are present (fig. A-11). The one-piece tri-ply seals incorporate a highly effective seal design molded to an exterior shroud cap. The shroud cap protects the seal lips from fiber wrap and abrasion while enhancing the overall sealing effectiveness of the unit. All units incorporate the self-locking collar and have a nylon retainer. Tri-ply seal bearings are available in both a non-relubricatable (KPPB) and relubricatable version (G-KPPB).



**Fig. A-11. Tri-ply seal series.**

### EXTERNAL SELF-ALIGNING SERIES

The construction of this series permits the inner assembly, which contains an open-type ball bearing with spherical O.D. to align in the seat of the mating outer ring (fig. A-12). The seat of this outer ring is matched with the spherical O.D. of the ball bearing outer ring providing unrestricted self-alignment and allowing the inner assembly to become square and true with the shaft. Self-aligning units are available in both standard SM-S or heavy SMN-S series.



**Fig. A-12. External self-aligning series.**

### RA-DD-SERIES BEARINGS

The RA-DD-series bearings are extended inner-ring types with cam locking collars (fig. A-13). They incorporate two close-fitting, non-contact grease shields to effectively retain lubricant and provide protection against harmful contaminants. The non-contact metallic shields provide improved high-speed and low-torque performance required for high-speed applications such as printing presses and tissue manufacturing.

The 6/6 molded nylon retainer has proven effective under conditions of misalignment. These bearings are dimensionally interchangeable and have the same load capacities as the RA-RR series. Available in 15.88 mm – 38.10 mm (5/8 in. – 1 1/2 in.) shaft sizes.



**Fig. A-13. RA-DD series.**

## WIDE-INNER-RING BALL BEARINGS WITH CONCENTRIC COLLARS

### GC SERIES

The GC series wide-inner-ring ball bearings are relubricatable with spherical outside diameters, nylon retainers and shroud seals (fig. A-14). The metal shroud maintains tight seal contact against the inner ring and shields the rubber seals from damage due to dirt or fiber wrap. The concentric collar is locked to the shaft by two set screws, located 120 degrees apart, mated with threaded holes in the collar and drilled holes in the bearing inner ring.



**Fig. A-14. GC series.**

### YM MEDIUM-DUTY SERIES

The Timken medium-duty series offers reliable performance and extended life for applications that carry heavier loads (fig. A-15). This series has been designed with a combination of premium features – superfinished raceways and a nylon-patch set screw locking device, designed for demanding conditions. These bearing inserts will operate with reduced levels of noise, vibration and friction and are the choice antifriction component for saw and paper mill applications, fan and blower assemblies, food and grain handling, and conveyor systems.



**Fig. A-15. YM series.**


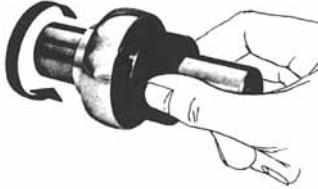

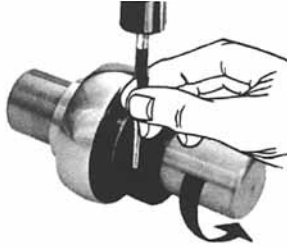
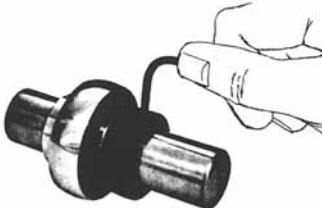
## **CAM (SELF-LOCKING) COLLAR INSTALLATION INSTRUCTIONS**

The self-locking collar eliminates the need for locknuts, washers, shoulders, sleeves and adapters. With various seal and inner width variations for many agricultural and industrial applications, self-locking collars are the easiest housed units to install.

The locking collar has a counterbored recess made purposely eccentric to the collar bore. When assembled on the shaft, this eccentric recess engages or mates with an eccentric cam end of a bearing's inner ring. The collar is engaged on the inner cam of the bearing.

This assembly grips the shaft tightly with a positive binding action that increases with use. No adjustments of any kind are necessary. The collar set screw provides supplementary locking.

**TABLE A-20. CAM COLLAR INSTALLATION**

	<p>1. Observe cam design of the wide inner ring and self-locking collar.</p>
	<p>2. Mate the cam of the collar with the cam of the wide inner ring.</p>
	<p>3. Press the locking collar against the wide inner ring and turn in the direction of shaft rotation until tightly engaged.</p>
	<p>4. With drift pin in collar hole, tap lightly in direction of shaft rotation to lock.  For stationary shafts and outer ring rotation, turn the collar in opposite direction of rotation.</p>
	<p>5. Tighten set screw in collar.</p>



### WIDE-INNER-RING BALL BEARINGS WITH SET SCREW LOCKING DEVICE

The following series are available with the set screw locking device with special set screws that are resistant to loosening during operation.

#### Y SERIES

Full-width, inner-ring Y-series bearings increase shaft support in heating, ventilation and air conditioning (HVAC) systems, conveyors and other industrial applications (fig. A-16). They feature superfinished raceways, grade-10 balls and anti-backout nylon-patch set screws. Flexible 6/6 nylon retainers and land-riding shroud seals ensure excellent performance. They are factory-prelubricated. Relubricatable set screw mounting feature is ideal for reversing applications. To protect the shaft with Shaft Guarding Technology™ (page A-31), add suffix SGT to the part number when ordering.



Fig. A-16. Y series.

#### YA SERIES

The YA-series relubricatable and non-relubricatable bearings are an extended inner-ring type with specially designed set screws (fig. A-17). Positive-contact, land-riding R-seals provide protection against harmful contaminants and retain lubricant.

Set screw series bearings are available in both non-relubricatable version YA and relubricatable version GYA-RRB. Both types have nylon retainers.



Fig. A-17. YA series.

#### ER SERIES

This series offers industry-standard mounting dimensions and standard nomenclature for a large variety of sizes of relubricatable, extended inner-ring bearings for through-bored housings (fig. A-18). All bearings in this series have nylon retainers and are equipped with snap rings, eliminating the need for machining housing shoulders. ER bearings are designed with a unique set screw locking device that locks the bearing to the shaft and is resistant to loosening during operation. Positive-contact, land-riding R-seals provide protection against harmful contaminants and retain lubricant. All ER bearings are black-oxide-coated for corrosion resistance. Ideal for low-starting and running-torque applications. To protect the shaft with Shaft Guarding Technology (page A-31), add suffix SGT to the part number when ordering.



Fig. A-18. ER series.

## SHAFT GUARDING TECHNOLOGY™ FOR SET SCREW LOCKING DEVICES

Housed units with Timken Shaft Guarding Technology use a stainless-steel, hardened band to transfer gripping pressure on the shaft. Unlike traditional set screws, which can dig into the shaft, there are no nicks, raised metal or permanent shaft damage when using Shaft Guarding Technology. The stainless band won't corrode on the shaft.

Timken Shaft Guarding Technology is designed to exceed gripping application requirements, maintain dimensional integrity and reduce fretting corrosion. This is a preferred solution when shaft replacement is costly.

### Housed units with Shaft Guarding Technology™:

- Are faster and easier to install and remove.
- Reduce the number of shaft replacements.
- Decrease overall system costs.

### Tight grip offers protection.

- Two set screws and a nylon patch at a 90-degree separation provide strong holding capability with minimal distortion.
- Groove running beneath the set screws in the inner ring bore keeps the band in place.
- Hardened stainless-steel band helps protect the shaft from damage.
- Longer inner ring along the shaft (ABMA compliant) improves shaft support and reduces bearing misalignment.
- Timken thin-dense chrome (TDC™) optional.
- Seal options include three-piece R-seal for normal-to-high contamination environments and L-seal for higher speeds and temperatures.
- Choice of housing configurations.

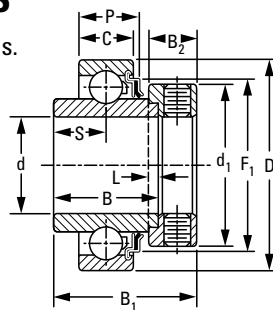
### Industries and applications:

- Rubber and plastic.
- Agriculture (combines and implements).
- Forest products (paper, tissue, newsprint, fine paper).
- Industrial machinery.
  - Fans and blowers.
  - Canning and bottling.
  - Conveyors.
  - Food processing.
  - Printing presses.
  - Packaging.
  - Textiles.

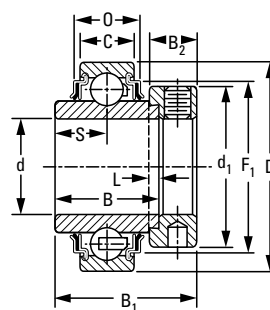
### INDUSTRIAL SERIES

#### KR, KRR, KRRB NON-RELUBRICATABLE TYPES

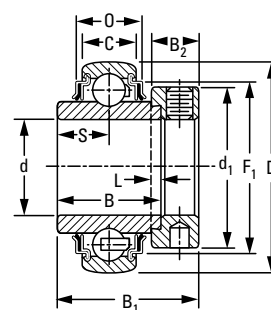
- Designed for extremely dirty or wet conditions.
- Feature R-seals with flared lips that firmly contact the ground O.D. of the inner ring.
- R-seals provide a positive seal against dirt and other contaminants, while effectively retaining the lubricant.
- Equipped with shroud-seals, providing extra effectiveness and protection.
- Extra-wide design provides additional shaft support and extra-large grease capacity.



**KR One Seal  
Cylindrical O.D.**



**KRR Two Seals  
Cylindrical O.D.**



**KRRB Two Seals  
Spherical O.D.**

#### Suggested shaft tolerances:

1/2 in. – 1 15/16 in., nominal to -0.013 mm, -0.0005 in.;

2 in. – 2 15/16 in., nominal to -0.025 mm, -0.0010 in.

#### To order, specify bearing number followed by "+ COL".

Example: 1103KRRB + COL.

Bearing No.		Collar No.	Basic Outer-Ring Size	Shaft Dia.	O.D.	Ring Widths										Brg. and Collar Wt.	Static Load Rating	Extended Dynamic Load Rating	
Cylindrical O.D.	Spherical O.D.					Inner	Outer	S	L	d <sub>1</sub>	B <sub>2</sub>	B <sub>1</sub>	F <sub>1</sub>	O	P				C <sub>0</sub>
				d	D	B	C	S	L	d <sub>1</sub>	B <sub>2</sub>	B <sub>1</sub>	F <sub>1</sub>	O	P	kg	lbs.	N	N
				in.	mm	mm	mm	mm	mm	mm	mm	mm	mm	mm	mm			lbs.	lbs.
-	1008KRR (KRRB)	S1008K		1/2												0.154	0.34		
1010KR	1010KRR (KRRB)	S1010K	203	5/8	40	27.78	12	13.90	4.0	28.6	13.5	37.3	34.01	16.56	14.27	0.145	0.32	4700	10700
-	1011KRR (KRRB)	S1011K		11/16	1.5748	1 3/32	0.472	35/64	5/32	11/8	17/32	1 15/32	1.339	0.652	0.562	0.122	0.27	1060	2400
-	E17KRR (KRRB)	SE17K		17												0.122	0.27		
1012KR	1012KRR (KRRB)	S1012K	204	3/4	47	34.13	14	17.10	4.0	33.3	13.5	43.7	38.91	16.56	15.29	0.204	0.45	6200	14300
-	E20KRR (KRRB)	SE20K		20	1.8504	1 11/32	0.551	43/64	5/32	1 5/16	17/32	1 23/32	1.532	0.652	0.602	0.204	0.45	1400	3200
-	1013KRR (KRRB)	S1013K		13/16												0.286	0.63		
-	1014KRR (KRRB)	S1014K		7/8												0.272	0.60		
1015KR	1015KRR (KRRB)	S1015K	205	15/16	52	34.92	15	17.50	4.0	38.1	13.5	44.1	45.19	16.66	15.82	0.254	0.56	7700	15800
1100KR	1100KRR (KRRB)	S1100K		1	2.0472	1 3/8	0.591	11/16	5/32	1 1/2	17/32	1 47/64	1.779	0.656	0.623	0.231	0.51	1730	3550
-	E25KRR (KRRB)	SE25K		25												0.231	0.51		
-	1101 (KRRB)	S1101K		1 1/16												0.413	0.91		
1102KR	1102KRR (KRRB)	S1102K		1 1/8												0.404	0.89		
1103KR	1103KRR (KRRB)	S1103K	206	1 3/16	62	36.51	16	18.30	4.0	44.4	15.9	48.4	52.53	19.56	17.78	0.376	0.83	11100	21200
-	1103KRR3 (KRRB3)	S1103K3		1 1/4	2.4409	1 7/16	0.630 <sup>(1)</sup>	23/32	5/32	1 3/4	5/8	1 29/32	2.068	0.770	0.700	0.349	0.77	2500	4900
-	E30KRR (KRRB)	SE30K		30												0.376	0.83		
1104KR	1104KRR (KRRB)	S1104K		1 1/4												0.653	1.44		
-	1105KRR (KRRB)	S1105K		1 5/16												0.603	1.33		
-	1106KRR (KRRB)	S1106K	207	1 3/8	72	37.70	17	18.85	4.0	54.0	17.1	51.2	60.55	19.69	18.34	0.572	1.26	15100	28500
1107KR	1107KRR (KRRB)	S1107K		1 7/16	2.8346	1 31/64	0.669 <sup>(2)</sup>	0.742	5/32	2 1/8	43/64	2 1/64	2.384	0.775	0.722	0.544	1.20	3400	6400
-	E35KRR (KRRB)	SE35K		35												0.572	1.26		

<sup>(1)</sup>Spherical O.D. outer-ring width is 18 mm (0.709 in.).

<sup>(2)</sup>Spherical O.D. outer-ring width is 19 mm (0.748 in.).

<sup>(3)</sup>Spherical O.D. outer-ring width is 21 mm (0.827 in.).

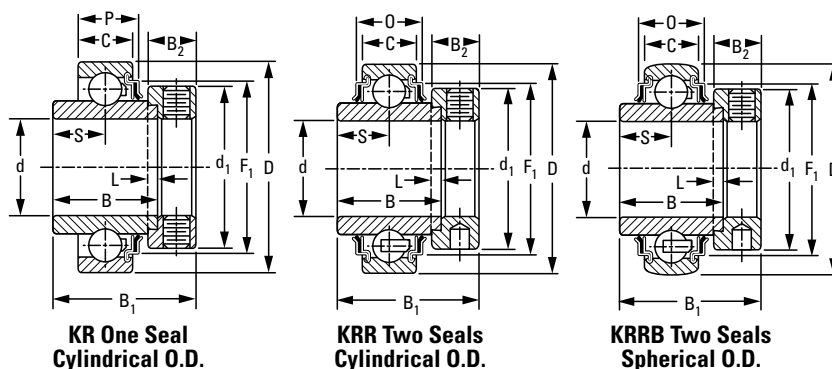
<sup>(4)</sup>Available with spherical O.D. To order, add suffix B. Example 1115KRRB.

<sup>(5)</sup>Spherical O.D. outer-ring width is 22 mm (0.866 in.).

NOTE: Bore tolerances: 1/2 in. – 2 3/16 in. nominal to +0.013 mm, +0.0005;  
2 1/4 in. – 2 15/16 in. nominal to +0.015 mm, +0.0006 in.

Continued on next page.





Continued from previous page.

Bearing No.		Collar No.	Basic Outer-Ring Size	Shaft Dia.	O.D.	Ring Widths										Brg. and Collar Wt.	Static Load Rating	Extended Dynamic Load Rating	
Cylindrical O.D.	Spherical O.D.					Inner	Outer	S	L	d <sub>1</sub>	B <sub>2</sub>	B <sub>1</sub>	F <sub>1</sub>	O	P				C <sub>0</sub>
				d	D	B	C	S	L	d <sub>1</sub>	B <sub>2</sub>	B <sub>1</sub>	F <sub>1</sub>	O	P	kg	lbs.	N	N
				in.	mm	mm	mm	mm	mm	mm	mm	mm	mm	mm	mm			lbs.	lbs.
1108KR	1108KRR (KRRB)	S1108KT		1 1/2	80	42.86	18	21.40	4.8	60.3	18.3	56.4	67.79	20.45	19.28	0.789	1.74	19600	36000
-	1109KRR (KRRB)	S1109KT	208	1 9/16	3.1496	1 11/16	0.709 <sup>(2)</sup>	27/32	3/16	2 3/8	23/32	2 7/32	2.669	0.805	0.757	0.739	1.63	4400	8150
-	E40KRR (KRRB)	SE40K		40												0.739	1.63		
-	1110KRR (KRRB)	S1110K		1 5/8												0.898	1.98		
1111KR	1111KRR (KRRB)	S1111K	209	1 11/16	85	42.86	19	21.40	4.8	63.5	18.3	56.4	73.86	24.18	21.59	0.848	1.87	20000	36000
1112KR	1112KRR (KRRB)	S1112K		1 3/4	3.3465	1 11/16	0.748	27/32	3/16	2 1/2	23/32	2 7/32	2.908	0.952	0.850	0.825	1.82	4500	8150
-	E45KRR (KRRB)	SE45K		45												0.825	1.82		
-	1114KRR (KRRB)	S1114K		1 7/8												1.057	2.33		
1115KR <sup>(4)</sup>	1115KRR (KRRB)	S1115K	210	1 15/16	90	49.21	20	24.60	4.8	69.9	18.3	62.7	77.7	24.51	22.25	1.000	2.18	22709	39000
-	E50KRR (KRRB)	SE50K		50	3.5433	1 15/16	0.787 <sup>(5)</sup>	31/32	3/16	2 3/4	23/32	2 15/32	3.059	0.965	0.876	1.000	2.18	5100	8800
1200KR	1200KRR (KRRB)	S1200K		2												1.520	3.35		
-	1202KRR (KRRB)	S1202K	211	2 1/8	100	55.56	21	27.80	4.8	76.2	20.6	71.4	87.17	27.41	24.21	1.356	2.99	28500	48000
1203KR	1203KRR (KRRB)	S1203K		2 3/16	3.9370	2 3/16	0.827	1 3/32	3/16	3	13/16	2 13/16	3.432	1.079	0.953	1.306	2.88	6400	10800
-	E55KRR (KRRB)	SE55K		55												1.306	2.88		
-	1204KRR (KRRB)	S1204K		2 1/4												1.715	3.78		
1207KR	1207KRR (KRRB)	S1207K	212	2 7/16	110	61.91	22	31.00	6.4	84.1	22.2	77.8	94.89	30.02	26.01	1.565	3.45	35600	58500
-	E60KRR (KRRB)	SE60K		60	4.3307	2 7/16	0.866	1 7/32	1/4	3 5/16	7/8	3 1/16	3.736	1.182	1.024	1.615	3.56	8000	13200
-	1215KRR (KRRB)	S1215K	215	2 15/16	130	74.61	25	37.30	6.4	101.6	23.8	91.2	113.13	34.03	-	2.640	5.82	43600	69500
-	E75KRR (KRRB)	SE75K		75	5.1181	2 15/16	0.984	1 15/32	1/4	4	15/16	3 5/8	4.454	1.340	-	2.640	5.82	9800	15600

<sup>(1)</sup>Spherical O.D. outer-ring width is 18 mm (0.709 in.).

<sup>(2)</sup>Spherical O.D. outer-ring width is 19 mm (0.748 in.).

<sup>(3)</sup>Spherical O.D. outer-ring width is 21 mm (0.827 in.).

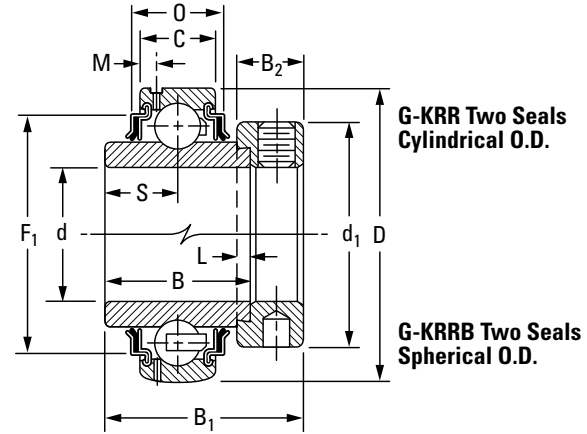
<sup>(4)</sup>Available with spherical O.D. To order, add suffix B. Example 1115KRRB.

<sup>(5)</sup>Spherical O.D. outer-ring width is 22 mm (0.866 in.).

NOTE: Bore tolerances: 1/2 in. - 2 3/16 in. nominal to +0.013 mm, +0.0005;  
2 1/4 in. - 2 15/16 in. nominal to +0.015 mm, +0.0006 in.

### G-KRR, G-KRRB RELUBRICATABLE TYPES

- The G-KRR-series wide-inner-ring ball bearings are the same as the RR series and have a provision for relubrication.
- These bearings are designed for extremely dirty or wet conditions.
- The bearing includes R-seals with flared lips that firmly contact the ground O.D. of the inner ring. The inner ring provides a positive seal against dust, dirt and other contaminants, and effectively retains the lubricant.
- G-KRR-series bearings are equipped with shroud-seals, providing extra effectiveness and protection.
- The extra-wide design provides additional shaft support and extra-large grease capacity.



#### Suggested shaft tolerances:

1/2 in. – 1 15/16 in., nominal to -0.013 mm, -0.0005 in.;

2 in. – 2 15/16 in., nominal to -0.025 mm, -0.0010 in.

#### To order, specify bearing number followed by "+ COL".

Example: G1010KRRB + COL.

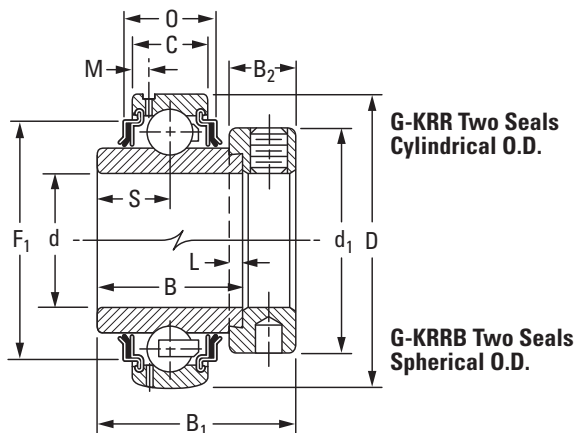
Bearing No.		Collar No.	Basic Outer-Ring Size	Shaft Dia.	O.D.	Ring Widths										Brg. and Collar Wt.	Static Load Rating	Extended Dynamic Load Rating	
Cylindrical O.D.	Spherical O.D.					Inner	Outer	S	L	d <sub>1</sub>	B <sub>2</sub>	M	B <sub>1</sub>	F <sub>1</sub>	O				C <sub>0</sub>
				d	D	B	C	S	L	d <sub>1</sub>	B <sub>2</sub>	M	B <sub>1</sub>	F <sub>1</sub>	O	kg	lbs.	N	N
				in.	mm	mm	mm	mm	mm	mm	mm	mm	mm	mm	mm			lbs.	lbs.
-	G1008KRRB	S1008K		1/2												0.154	0.34		
-	G1009KRRB	S1009K		9/16												0.141	0.31		
G1010KRR	G1010KRRB	S1010K	203	5/8	40	27.78	12	13.90	4.0	28.6	13.5	2.72	37.3	34.01	16.56	0.141	0.31	4700	10700
G1011KRR	G1011KRRB	S1011K		11/16	1.5748	1 3/32	0.472	35/64	5/32	1 1/8	17/32	0.107	1 15/32	1.339	0.652	0.118	0.26	1060	2400
GE17KRR	GE17KRRB	SE17K		17												0.118	0.26		
G1012KRR	G1012KRRB	S1012K	204	3/4	47	34.13	14	17.10	4.0	33.3	13.5	3.43	43.7	38.91	17.30	0.204	0.45	6200	14300
GE20KRR	GE20KRRB	SE20K		20	1.8504	1 11/32	0.551	43/64	5/32	1 5/16	17/32	0.135	1 23/32	1.532	0.681	0.204	0.45	1400	3200
-	G1013KRRB	S1013K		13/16												0.286	0.63		
G1014KRR	G1014KRRB	S1014K		7/8												0.263	0.58		
G1015KRR	G1015KRRB	S1015K	205	15/16	52	34.92	15	17.50	4.0	38.1	13.5	3.86	44.4	45.19	16.66	0.240	0.53	7700	15800
G1100KRR	G1100KRRB	S1100K		1	2.0472	1 3/8	0.591	11/16	5/32	1 1/2	17/32	0.152	1 3/4	1.779	0.656	0.227	0.50	1730	3550
GE25KRR	GE25KRRB	SE25K		25												0.227	0.50		
G1101KRR	G1101KRRB	S1101K		1 1/16												0.417	0.92		
G1102KRR	G1102KRRB	S1102K		1 1/8												0.404	0.89		
G1103KRR	G1103KRRB	S1103K	206	1 3/16	62	36.51	18	18.30	4.0	44.1	15.9	3.96	48.4	52.53	21.56	0.376	0.83	11100	21800
-	G1103KRRB3	S1103K3		1 1/4	2.4409	1 7/16	0.709	23/32	5/32	1 47/64	5/8	0.156	1 29/32	2.068	0.849	0.349	0.77	2500	4900
GE30KRR	GE30KRRB	SE30K		30												0.376	0.83		
G1104KRR	G1104KRRB	S1104K		1 1/4												0.653	1.44		
-	G1105KRRB	S1105K		1 5/16												0.617	1.36		
G1106KRR	G1106KRRB	S1106K	207	1 3/8	72	37.70	19	18.85	4.0	54.0	17.1	3.68	51.2	60.55	21.74	0.585	1.29	15100	28500
G1107KRR	G1107KRRB	S1107K		1 7/16	2.8346	1 31/64	0.748	0.742	5/32	2 1/8	43/64	0.145	2 1/64	2.384	0.856	0.562	1.24	3400	6400
GE35KRR	GE35KRRB	SE35K		35												0.585	1.29		
G1108KRR	G1108KRRB	S1108KT		1 1/2												0.812	1.79		
-	G1109KRRB	S1109KT	208	1 9/16	80	42.86	21	21.40	4.8	60.3	18.3	4.06	56.4	67.79	23.44	0.771	1.70	19600	36000
GE40KRR	GE40KRRB	SE40K		40	3.1496	1 11/16	0.827	27/32	3/16	2 3/8	23/32	0.160	2 7/32	2.669	0.923	0.771	1.70	4400	8150

<sup>(1)</sup>Spherical O.D. outer-ring width is 22 mm, 0.866 in. 2 1/4 in. – 2 15/16 in., nominal to 0.015 mm, +0.0006 in.

<sup>(2)</sup>Spherical O.D. outer-ring width is 24 mm (0.945 in.).

NOTE: Bore tolerances: 1/2 in. – 2 3/16 in., nominal to +0.013 mm, +0.0005 in.

Continued on next page.



Continued from previous page.

Bearing No.		Collar No.	Basic Outer-Ring Size	Shaft Dia.	O.D.	Ring Widths										Brg. and Collar Wt.	Static Load Rating	Extended Dynamic Load Rating																	
Cylindrical O.D.	Spherical O.D.					Inner	Outer	S	L	d <sub>1</sub>	B <sub>2</sub>	M	B <sub>1</sub>	F <sub>1</sub>	O				C <sub>0</sub>	C <sub>E</sub>															
				d	D	B	C	S	L	d <sub>1</sub>	B <sub>2</sub>	M	B <sub>1</sub>	F <sub>1</sub>	O																				
				in.	mm	mm	mm	mm	mm	mm	mm	mm	mm	mm	mm	kg	lbs.	N	N																
				mm	in.	in.	in.	in.	in.	in.	in.	in.	in.	in.	in.			lbs.	lbs.																
G1110KRR	G1110KRRB	S1110K	209	1 5/8	85	42.86	22	21.40	4.8	63.5	18.3	4.55	56.4	73.86	27.18	0.925	2.04	20500	36300																
G1111KRR	G1111KRRB	S1111K		1 11/16																3.3465	1 11/16	0.866	27/32	3/16	2 1/2	23/32	0.179	2 7/32	2.908	1.07	0.880	1.94	4600	8160	
G1112KRR	G1112KRRB	S1112K		1 3/4																												0.835	1.84		
GE45KRR	GE45KRRB	SE45K		45																												0.835	1.84		
-	G1113KRR	S1113K	210	1 13/16	90	49.21	23	24.60	4.8	69.9	18.3	4.70	62.7	77.70	27.51	1.116	2.46	22700	39200																
-	G1114KRRB	S1114K		1 7/8																3.5433	1 15/16	0.903 <sup>(1)</sup>	31/32	3/16	2 3/4	23/32	0.185	2 15/32	3.059	1.083	1.034	2.28	5100	8800	
G1115KRR	G1115KRRB	S1115K		1 15/16																												1.016	2.24		
GE50KRR	GE50KRRB	SE50K		50																												1.016	2.24		
G1200KRR	G1200KRRB	S1200K	211	2	100	55.56	25	27.80	4.8	76.2	20.6	5.00	71.4	87.17	29.01	1.583	3.49	28500	48000																
-	G1201KRRB	S1201K		2 1/16																3.9370	2 3/16	0.983 <sup>(2)</sup>	1 3/32	3/16	3	13/16	0.197	2 13/16	3.432	1.142	1.470	3.24	6400	10800	
-	G1202KRRB	S1202K		2 1/8																												1.406	3.10		
G1203KRR	G1203KRRB	S1203K		2 3/16																												1.365	3.01		
GE55KRR	GE55KRRB	SE55K	55													1.365	3.01																		
-	G1204KRRB	S1204K	212	2 1/4	110	61.91	27	31.00	6.4	84.1	22.2	5.13	77.8	94.89	35.03	2.041	4.50	35600	58800																
-	G1205KRRB	S1205K		2 5/16																4.3307	2 7/16	1.063	1 7/32	1/4	3 5/16	7/8	0.202	3 1/16	3.736	1.379	1.923	4.24	8000	13200	
-	G1206KRRB	S1206K		2 3/8																												1.846	4.07		
G1207KRR	G1207KRRB	S1207K		2 7/16																												1.778	3.92		
GE60KRR	GE60KRRB	SE60K	60													1.846	4.07																		
-	G1210KRRB	S1210K	214	2 5/8	125	68.26	28	34.10	6.4	96.8	23.8	5.08	79.4	109.17	35.94	2.681	5.91	43000	69500																
-	G1211KRRB	S1211K		2 11/16																4.9213	2 11/16	1.102	1 11/32	1/4	3 13/16	15/16	0.200	3 1/8	4.298	1.415	2.585	5.70	9650	15600	
-	GE70KRRB	SE70K		70																												2.585	5.70		
-	G1212KRRB	S1212K		2 3/4																												3.084	6.80		
-	G1213KRRB	S1213K	215	2 13/16	130	74.61	29	37.30	6.4	101.6	23.8	5.56	92.1	113.13	38.03	2.976	6.56	43600	69500																
-	G1214KRRB	S1214K		2 7/8																5.1181	2 15/16	1.142	1 15/32	1/4	4	15/16	0.219	3 5/8	4.454	1.497	2.867	6.32	9800	15600	
-	G1215KRRB	S1215K		2 15/16																												2.753	6.07		
-	GE75KRRB	SE75K		75																												2.753	6.07		

<sup>(1)</sup>Spherical O.D. outer-ring width is 22 mm, 0.866 in. 2 1/4 in. - 2 15/16 in., nominal to 0.015 mm, +0.0006 in.

<sup>(2)</sup>Spherical O.D. outer-ring width is 24 mm (0.945 in.).

NOTE: Bore tolerances: 1/2 in. - 2 3/16 in., nominal to +0.013 mm, +0.0005 in.

### KL, KLB, KLL, KLLB SPECIAL SERIES, NON-RELUBRICATABLE TYPES

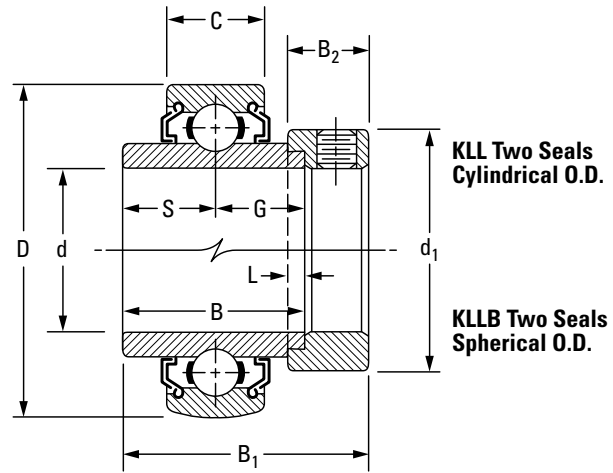
- These wide-inner-ring ball bearings have either one or two Mechani-Seals.
- Types KLB and KLLB have spherical outside diameters permitting self-alignment when mounted in a housing with a corresponding spherical seat.
- All four types are prelubricated at the factory and require no further lubrication.
- These bearings are suitable for higher-speed and/or higher-temperature applications.
- Because they incorporate non-contact seals, these bearings have very low rotational torque.

#### Suggested shaft tolerances:

- 1/2 in. – 1 15/16 in., nominal to -0.013 mm, -0.0005 in.;
- 2 in. – 2 15/16 in., nominal to -0.025 mm, -0.0010 in.

#### To order, specify bearing number followed by "+ COL".

Example: 1100KLL + COL.



Bearing No.		Collar No.	Basic Outer-Ring Size	Shaft Dia.	O.D.	Ring Widths		S(G)	L	d <sub>1</sub>	B <sub>2</sub>	B <sub>1</sub>	Brg. and Collar Wt.		Static Load Rating	Extended Dynamic Load Rating										
Cylindrical O.D.	Spherical O.D.					Inner	Outer						kg	lbs.			C <sub>0</sub>	C <sub>E</sub>								
				d	D	B	C	mm	mm	mm	mm	mm			N	N										
				in.	mm	mm	mm	in.	in.	in.	in.	in.			lbs.	lbs.										
1008KL	1008KLL (KLLB)	S1008K	203	1/2	40	27.78	12	13.89	3.97	28.58	13.49	37.31	0.168	0.37	4700	10700										
-	1009KLL	S1009K		9/16									1.5748	1 3/32			0.4724	39/64	5/32	1 1/8	17/32	1 15/32	0.163	0.36	1060	2400
1010KL	1010KLL (KLLB)	S1010K		5/8									47	34.13			14	17.06	3.97	33.34	13.50	43.70	0.141	0.31	6200	14300
1011KL	1011KLL (KLLB)	S1011K		11/16																			1.8504	1 11/32		
1012KL	1012KLL (KLLB)	S1012K	205	3/4	52	34.92	15	17.46	3.97	38.10	13.49	44.45	0.209	0.46	7700	15800										
-	-	S1013K		13/16									2.0472	1 1/8			0.5906	11/16	5/32	1 1/2	17/32	1 47/64	0.277	0.61	1730	3550
1014KL	1014KLL (KLLB)	S1014K		7/8																			1	36.51		
1015KL	1015KLL (KLLB)	S1015K		15/16									2.0472	1 3/8			0.5906	11/16	5/32	1 1/2	17/32	1 47/64			0.250	0.55
1100KL (KLB)	1100KLL (KLLB)	S1100K	206	1	62	36.51	16	18.26	3.97	44.10	15.88	48.42	0.250	0.55	11100	21800										
1101KL	-	S1101K		1 1/16									2.4409	1 7/16			0.6299 <sup>(1)</sup>	23/32	5/32	1 3/4	5/8	1 29/32	0.417	0.92	2500	4900
1102KL	1102KLL (KLLB)	S1102K		1 1/8																			72	37.70		
1103KL (KLB)	1103KLL (KLLB)	S1103K		1 3/16									2.4409	1 7/16			0.6299 <sup>(1)</sup>	23/32	5/32	1 3/4	5/8	1 29/32			0.358	0.79
1103KL3	1103KLL3 (KLLB3)	S1103K3	1 1/4	207	72	37.70	17	18.85	3.97	54.00	17.46	51.20	0.649	1.43	15100	28500										
1104KL	1104KLL (KLLB)	S1104K	1 1/4										2.8346	1 31/64			0.6693 <sup>(2)</sup>	0.742	5/32	2 1/8	43/64	2 1/64	0.617	1.36	3400	6400
-	1105KLL (KLLB)	S1105K	1 5/16																				80	42.86		
1106KL	1106KLL (KLLB)	S1106K	1 3/8										2.8346	1 31/64			0.6693 <sup>(2)</sup>	0.742	5/32	2 1/8	43/64	2 1/64			0.541	1.20
1107KL (KLB)	1107KLL (KLLB)	S1107K	1 7/16	208	80	42.86	18	21.43	4.76	60.32	18.26	56.36	0.821	1.81	17600	36200										
1108KL (KLB)	1108KLL (KLLB)	S1108K	1 1/2										3.1496	1 11/16			0.7087 <sup>(3)</sup>	27/32	3/16	2 3/8	23/32	2 7/32	0.767	1.69	4000	8130
-	1109KLL (KLLB)	S1109K	1 9/16																				85	42.86		
1110KL	1110KLL (KLLB)	S1110K	1 5/8										3.1496	1 11/16			0.7480	27/32	3/16	2 1/2	23/32	2 7/32			0.890	1.96
1111KL	1111KLL (KLLB)	S1111K	1 11/16	210	90	49.21	20	24.61	4.76	69.90	18.26	62.71	0.844	1.86	22700	39000										
1112KL (KLB)	1112KLL (KLLB)	S1112K	1 3/4										3.5433	1 15/16			0.7874	31/32	3/16	2 3/4	23/32	2 15/32	1.021	2.25	5100	8800
1114KL	1114KLL (KLLB)	S1114K	1 7/8																				100	55.56		
1115KL (KLB)	1115KLL (KLLB)	S1115K	1 15/16										3.5433	1 15/16			0.7874	31/32	3/16	2 3/4	23/32	2 15/32			1.406	3.10
1200KL (KLB)	1200KLL (KLLB)	S1200K	2	211	100	55.56	21	27.98	4.76	76.20	20.64	71.44	1.540	3.40	28500	48000										
-	1202KLL (KLLB)	S1202K	2 1/8										3.9370	61.91			22	30.96	6.35	84.14	22.22	77.79	1.406	3.10	6400	10800
1203KL	1203KLL (KLLB)	S1203K	2 3/16																				3.9370	61.91		
1207KL	-	S1207K	2 7/16										3.9370	61.91			22	30.96	6.35	84.14	22.22	77.79	1.347	2.97	8000	13200
-	1215KLL (KLLB)	S1215K	2 15/16	215	130	74.61	25	37.31	6.35	101.6	23.81	91.08	2.268	5.00	43600	69500										
1207KL	-	S1207K	2 7/16										4.3307	74.61			25	37.31	6.35	101.6	23.81	91.08	1.660	3.66	9800	15600
-	1215KLL (KLLB)	S1215K	2 15/16	4.3307	74.61	25	37.31	6.35	101.6	23.81	91.08	1.660	3.66	9800	15600											

<sup>(1)</sup>Spherical O.D. outer-ring width is 18 mm (0.7087 in.).

<sup>(2)</sup>Spherical O.D. outer-ring width is 19 mm (0.7480 in.).

<sup>(3)</sup>Spherical O.D. outer-ring width is 21 mm (0.8268 in.).

NOTE: Bore tolerance: 1/2 in. – 2 3/16 in., nominal to +0.013 mm, +0.0005 in.  
2 7/16 in. – 2 15/16 in., nominal to +0.015 mm, +0.0006 in.

### G-KLL, G-KLLB SPECIAL SERIES, RELUBRICATABLE TYPES

- These wide-inner-ring ball bearings have two Mechani-Seals and a provision for relubrication.
- Type G-KLL has a cylindrical outside diameter.
- Type G-KLLB has a spherical outside diameter.
- Both are generally suitable for higher-speed and/or higher-temperature applications.
- Because they incorporate non-contact seals, these bearings have very low rotational torque.
- Consult your Timken engineer for suggestions.

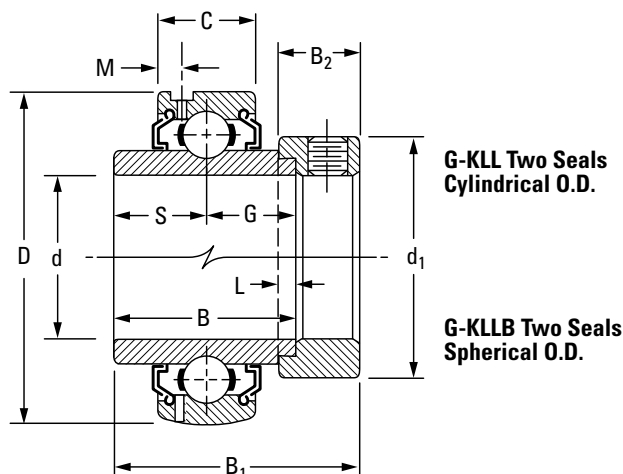
**Suggested shaft tolerances:**

1/2 in. – 1 15/16 in., nominal to -0.013 mm, -0.0005 in.;

2 in. – 2 15/16 in., nominal to -0.025 mm, -0.0010 in.

**To order, specify bearing number followed by "+ COL".**

Example: G1015KLL + COL.



Bearing No.		Collar No.	Basic Outer-Ring Size	Shaft Dia.	O.D.	Ring Widths		S(G)	L	d <sub>1</sub>	B <sub>2</sub>	M	B <sub>1</sub>	Brg. and Collar Wt.	Static Load Rating	Extended Dynamic Load Rating
Cylindrical O.D.	Spherical O.D.					Inner	Outer									
				d	D	B	C	mm in.	mm in.	mm in.	mm in.	mm in.	mm in.	kg lbs.	N lbs.	N lbs.
-	G1008KLLB	S1008K		1/2										0.150	0.33	
-	G1009KLLB	S1009K		9/16	40	27.78	12							0.136	0.30	4700
G1010KLL	G1010KLLB	S1010K	203	5/8	1.5748	1 3/32	0.4724	35/64	5/32	1 1/8	17/32	0.107	1 15/32	0.141	0.31	1060
G1011KLL	G1011KLLB	S1011K		11/16										0.118	0.26	2400
G1012KLL	G1012KLLB	S1012K	204	3/4	47	34.13	14	17.10	4.0	33.3	13.50	3.430	43.70	0.200	0.44	6200
					1.8504	1 11/32	0.5512	43/64	5/32	1 5/16	17/32	0.135	1 23/32	0.286	0.63	1400
-	G1013KLLB	S1013K		13/16										0.286	0.63	
G1014KLL	G1014KLLB	S1014K	205	7/8	52	34.92	15	17.50	4.0	38.1	13.50	3.860	44.45	0.263	0.58	7700
G1015KLL	G1015KLLB	S1015K		15/16	2.0472	1 3/8	0.5906	11/16	5/32	1 1/2	17/32	0.152	1 3/4	0.245	0.54	1730
G1100KLL	G1100KLLB	S1100K		1										0.222	0.49	3550
G1101KLL	-	S1101K		1 1/16										0.422	0.93	
G1102KLL	G1102KLLB	S1102K	206	1 1/8	62	36.51	18	18.30	4.0	44.4	15.90	3.960	48.40	0.413	0.91	11100
G1103KLL	G1103KLLB	S1103K		1 3/16	2.4409	1 7/16	0.7087	23/32	5/32	1 3/4	5/8	0.156	1 29/32	0.395	0.87	2500
-	G1103KLLB3	S1103K3		1 1/4										0.340	0.75	4900
G1104KLL	G1104KLLB	S1104K		1 1/4										0.649	1.43	
-	G1105KLLB	S1105K	207	1 5/16	72	37.70	19	18.85	4.0	54.0	17.46	3.430	51.20	0.622	1.37	15100
G1106KLL	G1106KLLB	S1106K		1 3/8	2.8346	1 31/64	0.7480	0.742	5/32	2 1/8	11/16	0.135	2 1/64	0.590	1.30	3400
G1107KLL	G1107KLLB	S1107K		1 7/16										0.549	1.21	6400
G1108KLL	G1108KLLB	S1108KT	208	1 1/2	80	42.86	21	21.40	4.8	60.3	18.30	4.060	56.40	0.826	1.82	17600
G1109KLL	G1109KLLB	S1109KT		1 9/16	3.1496	1 11/16	0.8268	27/32	3/16	2 3/8	23/32	0.160	2 7/32	0.785	1.73	36200
G1110KLL	G1110KLLB	S1110K		1 5/8										0.949	2.09	8130
G1111KLL	G1111KLLB	S1111K	209	1 11/16	85	42.86	22	21.40	4.8	63.5	18.30	4.550	56.40	0.899	1.98	20000
G1112KLL	G1112KLLB	S1112K		1 3/4	3.3465	1 11/16	0.8661	27/32	3/16	2 1/2	23/32	0.179	2 7/32	0.853	1.88	4500
-	G1113KLLB	S1113K		1 13/16										1.148	2.53	
G1114KLL	G1114KLLB	S1114K	210	1 7/8	90	49.21	23	24.60	4.8	69.9	18.30	4.700	62.70	1.148	2.53	22700
G1115KLL	G1115KLLB	S1115K		1 15/16	3.5433	1 15/16	0.9055	31/32	3/16	2 3/4	23/32	0.185	2 15/32	1.090	2.40	39000
G1200KLL	G1200KLLB	S1200K		2										1.031	2.27	8800
-	G1200KLLB	S1200K		2										1.593	3.51	
-	G1201KLLB	S1201K	211	2 1/16	100	55.56	24	27.80	4.8	76.2	20.60	5.000	71.40	1.512	3.33	28500
-	G1202KLLB	S1202K		2 1/8	3.9370	2 3/16	0.9450	1 3/32	3/16	3	13/16	0.197	2 13/16	1.416	3.12	48000
G1203KLL	G1203KLLB	S1203K		2 3/16										1.285	2.83	10800
G1204KLL	G1204KLLB	S1204K		2 1/4										2.030	4.47	
-	G1205KLLB	S1205K	212	2 5/16	110	61.91	27	31.00	6.4	84.1	22.20	5.130	77.80	1.938	4.27	35600
-	G1206KLLB	S1206K		2 3/8	4.3307	2 7/16	1.0630	1 7/32	1/4	3 5/16	7/8	0.202	3 1/16	1.852	4.08	8000
-	G1207KLLB	S1207K		2 7/16										1.789	3.94	13200
-	G1215KLLB	S1215K	215	2 15/16	130	74.61	25	37.30	6.4	101.6	23.80	5.560	91.20	2.837	6.25	43600
					5.1181	2 15/16	0.9843	1 15/32	1/4	4	15/16	0.219	3 5/8	9800	15600	

NOTE: Bore tolerance: 1/2 in. – 2 3/16 in., nominal to +0.013 mm, +0.0005 in.  
 2 1/4 in. – 2 15/16 in., nominal to +0.015 mm, +0.0006 in.

### KLLG SPECIAL SERIES WITH WIRELOC®

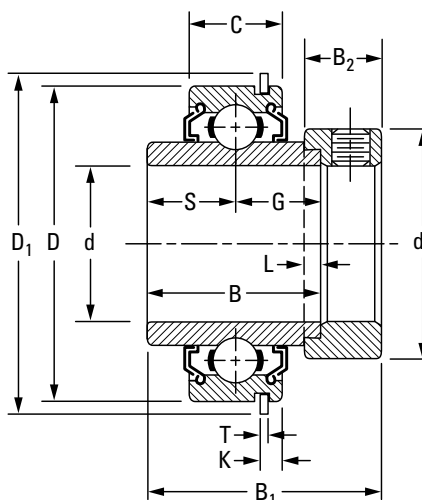
- KLLG wide-inner-ring ball bearings are the same as the KLL type, except for a snap ring, or Wireloc®, in the outer ring.
- The Wireloc mounting provides a convenient method of positively locating a bearing axially.

#### Suggested shaft tolerances:

- 1/2 in. – 1 15/16 in., nominal to -0.013 mm, -0.0005 in.;
- 2 in. – 2 7/16 in., nominal to -0.025 mm, -0.0010 in.

#### To order, specify bearing number followed by "+ COL".

Example: 1008KLLG + COL.



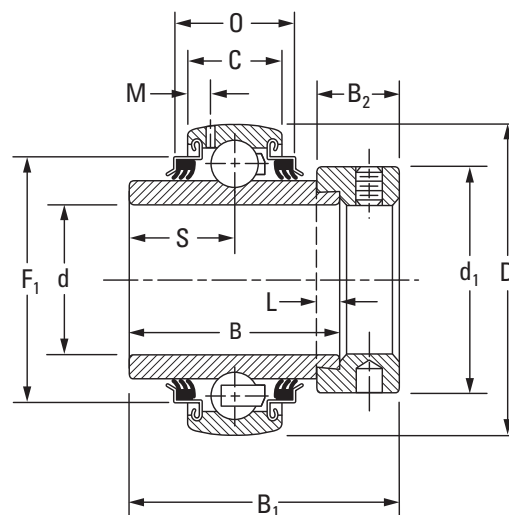
Bearing No.	Collar No.	Basic Outer-Ring Size	Shaft Dia. d	O.D. D	Ring Widths		S(G)	L	d <sub>1</sub>	B <sub>2</sub>	B <sub>1</sub>	Snap Ring Dimensions			Brg. and Collar Wt.		Static Load Rating C <sub>0</sub>	Extended Dynamic Load Rating C <sub>E</sub>			
					Inner B	Outer C						D <sub>1</sub>	T	K	kg	lbs.			N	N	
				in.	mm in.	mm in.	mm in.	mm in.	mm in.	mm in.	mm in.	mm in.	mm in.	mm in.	kg	lbs.	N	N			
1008KLLG	S1008K	203	1/2	40	27.78	12	13.90	4.0	28.6	13.5	37.3	44.45	1.07	3.05	0.173	0.38	4700	10700			
1009KLLG	S1009K		9/16	1.5748	1 3/32	0.4724	35/64	5/32	1 1/8	17/32	115/32	1 3/4	0.042	0.120	0.154	0.34			1060	2400	
1010KLLG	S1010K		5/8													0.141			0.31		
1011KLLG	S1011K		11/16													0.132			0.29		
1012KLLG	S1012K	204	3/4	47	34.13	14	17.10	4.0	33.3	13.5	43.7	52.39	1.07	3.45	0.204	0.45	6200	14300			
1013KLLG	S1013K		13/16	1.8504	1 11/32	0.5512	43/64	5/32	1 5/16	17/32	1 23/32	2 1/16	0.042	0.136	0.272	0.60			1400	3200	
1014KLLG	S1014K		7/8													0.263			0.58		
1015KLLG	S1015K	15/16													0.245	0.54					
1100KLLG	S1100K	1													0.227	0.50					
1101KLLG	S1101K	206	1 1/16	62	36.51	16	18.30	4.0	44.4	15.9	48.4	67.47	1.65	4.83	0.427	0.94	11100	21800			
1102KLLG	S1102K		1 1/8	2.4409	1 7/16	0.6299	23/32	5/32	1 3/4	5/8	1 29/32	2 21/32	0.065	0.190	0.386	0.85			2500	4900	
1103KLLG	S1103K		1 3/16													0.386			0.85		
1104KLLG	S1104K	1 1/4													0.645	1.42					
1105KLLG	S1105K	1 5/16													0.604	1.33					
1106KLLG	S1106K	1 3/8													0.577	1.27					
1107KLLG	S1107K	1 7/16													0.540	1.19					
1108KLLG	S1108KT	208	1 1/2	80	42.86	18	21.40	4.8	60.3	18.3	56.4	86.52	1.65	4.83	0.826	1.82	17600	36200			
1109KLLG	S1109KT		1 9/16	3.1496	1 11/16	0.7087	27/32	3/16	2 3/8	23/32	2 7/32	3 13/32	0.065	0.190	0.785	1.73			4000	8130	
1110KLLG	S1110K	1 5/8													0.922	2.03					
1111KLLG	S1111K	1 11/16													0.881	1.94					
1112KLLG	S1112K	1 3/4													0.844	1.86					
1113KLLG	S1113K	1 13/16													1.035	2.28					
1114KLLG	S1114K	1 7/8													1.003	2.21					
1115KLLG	S1115K	1 15/16													0.971	2.14					
1200KLLG	S1200K	2													1.475	3.25					
1201KLLG	S1201K	211	2 1/16	100	55.56	21	27.80	4.8	76.2	20.6	71.4	106.36	2.41	5.59	1.444	3.18	28500	48000			
1202KLLG	S1202K		2 1/8	3.9370	2 3/16	0.8268	1 3/32	3/16	3	13/16	2 13/16	4 3/16	0.095	0.220	1.380	3.08			6400	10800	
1203KLLG	S1203K		2 3/16													1.353			2.98		
1204KLLG	S1204K	2 1/4													1.793	3.95					
1205KLLG	S1205K	2 5/16													1.743	3.84					
1206KLLG	S1206K	2 3/8													1.711	3.77					
1207KLLG	S1207K	2 7/16													1.684	3.71					

NOTE: Bore tolerance: 1/2 in. – 2 3/16 in., nominal to +0.013 mm, +0.0005 in.  
2 1/4 in. – 2 7/16 in., nominal to +0.015 mm, +0.0006 in.



### TRI-PLY SEAL INDUSTRIAL SERIES, NON-RELUBRICATABLE AND RELUBRICATABLE TYPES

- Tri-ply seal bearings are dimensionally interchangeable with KRRB bearings and can be used with standard housings.
- One-piece tri-ply seals incorporate a highly effective seal design molded to an exterior shroud cap. The shroud cap protects the seal lip from fiber wrap and abrasion.
- Supplied with a self-locking collar, the bearings are most effective in environments with severe contamination and moisture.
- Relubricatable tri-ply seal bearings are dimensionally interchangeable with G-KRRB bearings.
- This design can be used with standard housings.



**Suggested shaft tolerances:**

- Heavy loads – nominal to -0.025 mm, -0.001 in.;
- Light loads – nominal to -0.050 mm, -0.002 in.

To order, specify bearing number followed by "+ COL".

Example: G1115KPPB3 + COL.

Bearing No.		Basic Outer-Ring Size	Shaft Dia. d	O.D. D	Ring Widths										Brg. and Collar Wt.		Static Load Rating C <sub>0</sub>	Extended Dynamic Load Rating C <sub>E</sub>																
Spherical O.D.					Inner B	Outer C	L	d <sub>1</sub>	B <sub>2</sub>	S	B <sub>1</sub>	M <sup>(1)</sup>	F <sub>1</sub>	O	kg	lbs.			N	N														
Relubricatable Type	Non-Relubricatable Type		in. mm	mm in.	mm in.	mm in.	mm in.	mm in.	mm in.	mm in.	mm in.	mm in.	mm in.	mm in.	mm in.	mm in.	kg	lbs.	N	N														
G1013KPPB3	1013KPPB3	205	13/16	52 2.0472	34.92 1 3/8	15 0.591	3.9 5/32	38.1 1 1/2	13.5 17/32	17.50 1 1/16	44.4 1 3/4	3.61 0.142	45.19 1.779	16.66 0.656			0.286	0.63	7700 1730	15800 3550														
G1014KPPB3	1014KPPB3		7/8																													0.272	0.60	
G1015KPPB3	1015KPPB3		15/16																														0.254	0.56
G1100KPPB3	1100KPPB3		1																														0.231	0.51
GE25KPPB3	E25KPPB3		25														0.231	0.51																
G1101KPPB3	1101KPPB3	206	1 1/16	62 2.4409	36.51 1 7/16	18 0.709	3.9 5/32	44.4 1 3/4	15.9 5/8	18.30 23/32	48.4 1 29/32	4.19 0.156	52.53 2.068	21.56 0.849			0.413	0.91	11100 2500	21800 4900														
G1102KPPB3	1102KPPB3		1 1/8																													0.404	0.89	
G1103KPPB3	1103KPPB3		1 3/16																														0.376	0.83
G1103KPPB4	1103KPPB4		1 1/4																														0.349	0.77
GE30KPPB3	E30KPPB3		30														0.376	0.83																
G1104KPPB2	1104KPPB2	207	1 1/4	72 2.8346	37.70 1 31/64	19 0.748	3.9 5/32	54.0 2 1/8	17.1 43/64	18.85 0.742	51.2 2 1/64	3.68 0.145	60.35 2.376	25.40 1.000			0.653	1.44	15100 3400	28500 6400														
G1105KPPB2	1105KPPB2		1 5/16																													0.603	1.33	
G1106KPPB2	1106KPPB2		1 3/8																														0.572	1.26
G1107KPPB2	1107KPPB2		1 7/16																														0.544	1.20
GE35KPPB2	E35KPPB2		35														0.572	1.26																
G1108KPPB3	1108KPPB3	208	1 1/2	80 3.1496	42.86 1 11/16	21 0.827	4.8 3/16	60.3 2 3/8	18.3 23/32	21.40 27/32	56.4 27/32	5.66 0.223	67.79 2.669	23.44 0.923			0.789	1.74	19800 4460	20500 4600														
G1109KPPB3	1109KPPB3		1 9/16																													0.739	1.63	
GE40KPPB3	E40KPPB3		40																														0.739	1.63
G1110KPPB4	1110KPPB4		1 5/8																														0.898	1.98
G1111KPPB4	1111KPPB4	209	1 11/16	85 3.3465	42.86 1 11/16	22 0.866	4.8 3/16	63.5 2 1/2	18.3 23/32	21.40 27/32	56.4 27/32	4.55 0.179	72.44 2.852	27.48 1.082			0.848	1.87	20500 4600	36300 8160														
G1112KPPB4	1112KPPB4		1 3/4																													0.826	1.82	
GE45KPPB4	E45KPPB4		45																														0.826	1.82
G1113KPPB3	1113KPPB3		1 13/16																														1.116	2.46
G1114KPPB3	1114KPPB3	210	1 7/8	90 3.5433	49.21 1 15/16	23 0.906	4.8 3/16	69.9 2 3/4	18.3 23/32	24.60 31/32	62.7 2 15/32	4.70 0.185	77.70 3.059	27.51 1.083			1.034	2.28	22700 5100	39200 8800														
G1115KPPB3	1115KPPB3		1 15/16																													1.016	2.24	
GE50KPPB3	E50KPPB3		50																														1.016	2.24
G1200KPPB4	1200KPPB4		2																														1.583	3.49
G1201KPPB4	1201KPPB4	211	2 1/16	100 3.9370	55.56 2 3/16	24 0.945	4.8 3/16	76.2 3	20.6 13/16	27.80 1 3/32	71.4 2 13/16	5.41 0.213	87.17 3.432	29.01 1.142			1.470	3.24	28500 6400	48100 10800														
G1202KPPB4	1202KPPB4		2 1/8																													1.406	3.10	
G1203KPPB4	1203KPPB4		2 3/16																														1.365	3.01
GE55KPPB4	E55KPPB4		55																														1.365	3.01

<sup>(1)</sup>Applies to relubricatable type only.  
NOTE: Suggested max speed – 500 RPM.  
NOTE: Bore tolerance: 19/16 in. – 23/16 in., nominal to +0.013 mm, +0.0005 in.

### GC-KRRB INDUSTRIAL-SERIES CONCENTRIC COLLAR, RELUBRICATABLE TYPES

- These bearing are relubricatable with spherical outside diameters and shroud seals.
- The metal shroud maintains tight seal contact against the inner ring and shields the rubber seals from damage because of dirt or fiber wrap.
- The concentric collar is locked to the shaft by two set screws located 120 degrees apart, mated with threaded holes in the collar and drilled holes in the bearing inner ring.
- The extra-wide design provides additional shaft support and extra-large grease capacity.

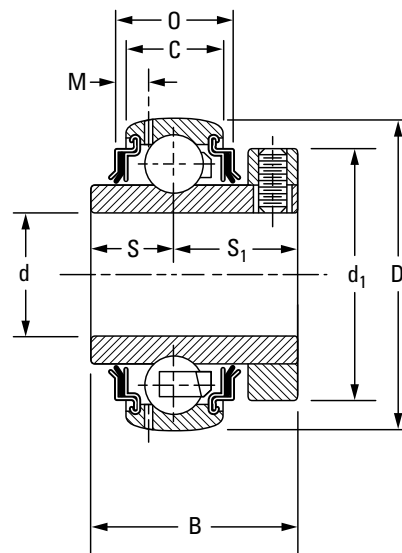
#### Suggested shaft tolerances:

1/2 in. – 1 15/16 in., nominal to -0.013 mm, -0.0005 in.;

2 in. – 2 15/16 in., nominal to -0.025 mm, -0.0010 in.

#### To order, specify bearing number.

Example: GC1103KRRB + COL.



Bearing No.	Collar No.	Basic Outer-Ring Size	Shaft Dia.	O.D.	Ring Widths		S	S <sub>1</sub>	d <sub>1</sub>	M	O	Set Screw Size	Brg. and Collar Wt.	Static Load Rating	Extended Dynamic Load Rating															
					Inner	Outer																								
Spherical O.D.			d	D	B	C								C <sub>0</sub>	C <sub>E</sub>															
			in.	mm	mm	mm	mm	mm	mm	mm	mm	mm	kg	N	N															
			mm	in.	in.	in.	in.	in.	in.	in.	in.	in.	lbs.	lbs.	lbs.															
GC1008KRRB	C203	203	1/2	40	26.59	12	11.1	15.5	34.1	2.72	14.71	M5x0.8	0.154	0.34	4700	10600														
GC1010KRRB			5/8														1.5748	1 3/64	0.4720	7/16	39/64	1 1/32	0.107	0.579	10-32	0.145	0.32	1060	2360	
GC1011KRRB			1 1/16														17	1.5748	1 3/64	0.4720	7/16	39/64	1 1/32	0.107	0.579	10-32	0.122	0.27	1060	2360
GCE17KRRB			17																											
GC1012KRRB	C204	204	3/4	47	30.96	14	12.3	18.7	38.1	3.43	20.68	M5x0.8	0.204	0.45	6200	14300														
GCE20KRRB			20														1.8504	1 7/32	0.5510	3 1/64	47/64	1 1/2	0.135	0.814	10-32	0.204	0.45	1400	3200	
GC1014KRRB	C205	205	7/8	52	34.13	15	13.9	20.2	44.4	3.61	19.74	M6x1	0.272	0.60	7700	15800														
GC1015KRRB			15/16														2.0472	1 11/32	0.5905	35/64	51/64	1 3/4	0.142	0.777	1/4-28	0.254	0.56	1730	3550	
GC1100KRRB			1														25	2.0472	1 11/32	0.5905	35/64	51/64	1 3/4	0.142	0.777	1/4-28	0.231	0.51	1730	3550
GCE25KRRB			25																											
GC1102KRRB	C206	206	1 1/8	62	37.31	18	14.7	22.6	52.4	4.19	24.51	M6x1	0.404	0.89	11100	21800														
GC1103KRRB			1 3/16														2.4409	1 15/32	0.7090	37/64	57/64	2 1/16	0.156	0.965	1/4-28	0.376	0.83	2500	4900	
GC1103KRRB3			1 1/4														30	2.4409	1 15/32	0.7090	37/64	57/64	2 1/16	0.156	0.965	1/4-28	0.349	0.77	2500	4900
GCE30KRRB			30																											
GC1104KRRB	C207	207	1 1/4	72	41.28	19	15.9	25.4	59.5	3.68	25.86	M6x1	0.653	1.44	15100	28500														
GC1106KRRB			1 3/8														2.8346	1 5/8	0.7481	5/8	1	2 11/32	0.145	1.018	1/4-28	0.572	1.26	3400	6400	
GC1107KRRB			1 7/16														35	2.8346	1 5/8	0.7481	5/8	1	2 11/32	0.145	1.018	1/4-28	0.544	1.20	3400	6400
GCE35KRRB			35																											
GC1108KRRB	C208	208	1 1/2	80	44.05	21	16.7	27.4	68.3	5.66	28.42	M8x1.25	0.789	1.74	19800	20500														
GCE40KRRB			40														3.1496	1 47/64	0.8270	2 1/32	1 5/64	2 11/16	0.223	1.119	5/16-24	0.739	1.63	4460	4600	
GC1110KRRB	C209-2	209	1 5/8	85	46.83	22	17.5	29.4	73.0	4.55	32.21	M8x1.25	0.898	1.98	36200	36300														
GC1111KRRB			1 11/16														3.3465	1 27/32	0.8660	1 11/16	1 5/32	2 7/8	0.179	1.268	5/16-24	0.848	1.87	8130	8160	
GC1112KRRB	C209	209	1 3/4	85	46.83	22	17.5	29.4	73.0	4.55	32.21	M8x1.25	0.826	1.82	8130	8160														
GCE45KRRB			45																											
GC1115KRRB	C210	210	1 15/16	90	48.42	23	18.3	30.2	79.4	4.70	32.23	M8x1.25	0.990	2.18	22700	39200														
GCE50KRRB			50														3.5433	1 29/32	0.9060	23/32	1 3/16	3 1/8	0.185	1.269	5/16-24	0.990	2.18	5100	8800	
GC1200KRRB	C211	211	2	100	53.97	24	20.6	33.3	88.9	5.41	33.73	M10x1.5	1.520	3.35	28500	48000														
GC1203KRRB			2 3/16														3.9370	2 1/8	0.9450	13/16	1 5/16	3 1/2	0.213	1.328	3/8-24	1.306	2.88	6400	10800	
GCE55KRRB			55														60	4.3307	2 3/8	1.0630	29/32	1 15/32	3 3/4	0.202	1.379	3/8-24	1.565	3.45	8000	13200
GC1207KRRB			2 7/16																											
GCE60KRRB	60																													
GC1215KRRB	C215	215	2 15/16	130	70.64	29	27.0	43.7	114.3	5.59	38.25	M10x1.5	2.640	5.82	43600	69500														
GCE75KRRB			75														5.1181	2 25/32	1.1420	1 1/16	1 23/32	4 1/2	0.219	1.506	3/8-20	9800	15600			

NOTE: Bore tolerances: 1 3/16 in. – 2 3/16 in., nominal to +0.013 mm, +0.0005 in.  
2 1/4 in. – 3 3/16 in., nominal to +0.015 mm, +0.0006 in.

### SM INDUSTRIAL SERIES A AND B TYPES/MUA-B INSERTS<sup>(1)</sup>

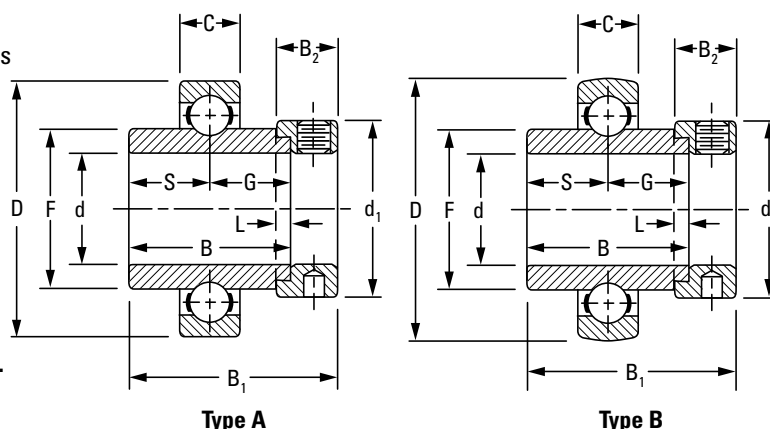
- Standard SM series A and B have the same ring tolerances and corner radii as equivalent 200-series single-row radial ball bearings.
- Type A has cylindrical outside diameters; type B has spherical outside diameters. The letter B appears on the outer ring only.
- The bearings are not prelubricated.

**Suggested shaft tolerances:**

1/2 in. – 1 15/16 in., nominal to -0.013 mm, -0.0005 in.;  
 2 in. – 3 15/16 in., nominal to -0.025 mm, -0.0010 in.

**To order, specify bearing number followed by "+ COL".**

Example: SM1207KB + COL.



Bearing No.		Collar No.	Basic Outer-Ring Size	Shaft Dia. d	O.D. D	Ring Widths		S(G)	F	L	d <sub>1</sub>	B <sub>1</sub>	B <sub>2</sub>	Brg. and Collar Wt.		Static Load Rating C <sub>0</sub>	Extended Dynamic Load Rating C <sub>E</sub>													
A Type <sup>(2)</sup>	B Type					Inner B	Outer C							kg	lbs.			N	N											
				in.	mm in.	mm in.	mm in.	mm in.	mm in.	mm in.	mm in.	mm in.	mm in.	kg	lbs.	N	N													
SM1008K	SM1008KB	S1008K	203	1/2	40	27.78	12	13.90	22.86	4.0	28.60	37.30	13.50	0.145	0.32	4700	10600													
SM1009K	SM1009KB	S1009K		9/16														1.5748	1 3/32	0.4724	35/64	0.900	5/32	1 1/8	1 15/32	17/32	0.131	0.29	1600	2360
SM1010K	SM1010KB	S1010K		5/8														47	34.13	14	17.10	27.56	4.0	33.30	48.66	13.50	0.136	0.30	6200	14300
SM1011K	SM1011KB	S1011K		11/16																										
SM1012K	SM1012KB	S1012K	3/4	52	34.93	15	17.50	33.83	4.0	38.10	44.45	13.50	0.195	0.43	6200	1400														
SM1013K	SM1013KB	S1013K	13/16														47	34.13	14	17.10	27.56	4.0	33.30	48.66	13.50	0.276	0.61	6950	15600	
SM1014K	SM1014KB	S1014K	7/8																											2.0472
SM1015K	SM1015KB	S1015K	15/16														62	36.51	16	18.30	40.31	4.0	44.40	48.40	15.90	0.236	0.52	11100	21600	
SM1100K	SM1100KB	S1100K	1	2.4409	1 7/16	0.6299 <sup>(3)</sup>	23/32	1.587	5/32	1 3/4	1 29/32	5/8	0.217	0.48	2500	4800														
SM1101K	SM1101KB	S1101K	206	1 1/16	72	37.70	17	18.85	46.13	4.0	54.00	51.20	17.46	0.399	0.88	11100	21600													
SM1102K	SM1102KB	S1102K		1 1/8														2.8346	1 31/64	0.6693 <sup>(4)</sup>	0.742	1.816	5/32	2 1/8	2 1/64	11/16	0.367	0.81	2500	4800
SM1103K	SM1103KB	S1103K		1 3/16														80	42.86	18	21.40	52.27	4.8	60.30	56.40	18.30	0.331	0.73	11100	21600
SM1104K	SM1104KB	S1104K		1 1/4																										
SM1105K	SM1105KB	S1105K	207	1 5/16	85	42.86	19	21.40	57.92	4.8	63.50	56.40	18.30	0.589	1.30	15100	28500													
SM1106K	SM1106KB	S1106K		1 3/8														3.3465	1 11/16	0.7480	27/32	2.280	3/16	2 1/2	27/32	23/32	0.562	1.24	3400	6400
SM1107K	SM1107KB	S1107K		1 7/16														80	42.86	18	21.40	52.27	4.8	60.30	56.40	18.30	0.539	1.19	11100	21600
SM1108KT	SM1108KB	S1108KT		1 1/2																										
SM1109KT	-	S1109KT	1 9/16	208	80	42.86	18	21.40	52.27	4.8	60.30	56.40	18.30	0.716	1.58	4400	8150													
SM1110K	SM1110KB	S1110K	1 5/8															85	42.86	19	21.40	57.92	4.8	63.50	56.40	18.30	0.875	1.93	20000	36000
SM1111K	SM1111KB	S1111K	1 11/16																											
SM1112K	SM1112KB	S1112K	1 3/4															80	42.86	18	21.40	52.27	4.8	60.30	56.40	18.30	0.803	1.77	19600	36000

<sup>(1)</sup> See page A-159.

<sup>(2)</sup> Order as MUA assembly suggested.

<sup>(3)</sup> Spherical O.D. outer-ring width is 18 mm (0.7087 in.).

<sup>(4)</sup> Spherical O.D. outer-ring width is 19 mm (0.7480 in.).

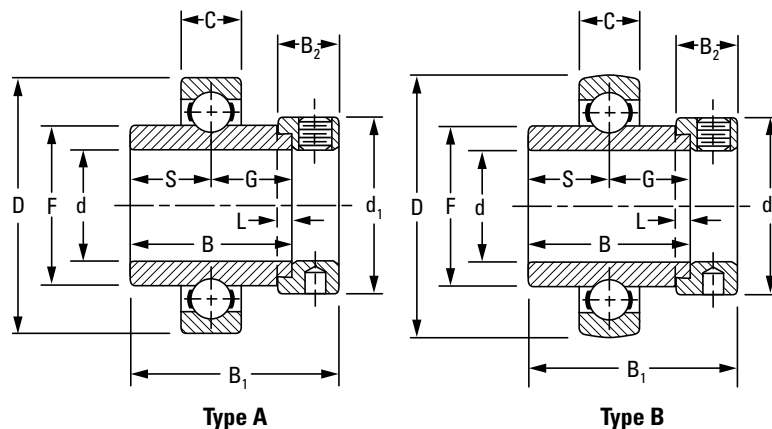
<sup>(5)</sup> Spherical O.D. outer-ring width is 21 mm (0.8268 in.).

<sup>(6)</sup> For applications where thrust load exceeds 60 percent of radial load, consult your Timken engineer.

NOTE: Bore tolerance: 1/2 in. – 2 3/16 in., nominal to +0.013 mm, +0.0005 in.  
 2 1/4 in. – 3 3/16 in., nominal to +0.015 mm, +0.0006 in.  
 3 1/4 in. – 3 15/16 in., nominal to +0.018 mm, +0.0007 in.

Continued on next page.

### SM INDUSTRIAL SERIES A AND B TYPES/MUA-B INSERTS<sup>(1)</sup> – continued



Continued from previous page.

Bearing No.		Collar No.	Basic Outer-Ring Size	Shaft Dia. d	O.D. D	Ring Widths		S(G)	F	L	d <sub>1</sub>	B <sub>1</sub>	B <sub>2</sub>	Brg. and Collar Wt.	Static Load Rating C <sub>0</sub>	Extended Dynamic Load Rating C <sub>E</sub>	
A Type <sup>(2)</sup>	B Type					Inner B	Outer C										
				in.	mm in.	mm in.	mm in.	mm in.	mm in.	mm in.	mm in.	mm in.	mm in.	kg lbs.	N lbs.	N lbs.	
SM1113K	SM1113KB	S1113K	210	1 13/16	90 3.5433	49.21 1 15/16	20 0.7874	24.60 31/32	62.84 2.474	4.8 3/16	69.90 2 3/4	62.70 2 15/32	18.30 23/32	1.075	2.37	22700 5100	39000 8800
SM1114K	SM1114KB	S1114K		1 7/8													
SM1115K	SM1115KB	S1115K		1 15/16													
SM1200K	SM1200KB	S1200K	211	2	100 3.9370	55.56 2 9/16	21 0.8268	27.80 1 3/32	69.77 2.747	4.8 3/16	76.20 3	71.40 2 13/16	20.60 13/16	1.51	3.33	28500 6400	48000 10800
SM1201K	SM1201KB	S1201K		2 1/16													
SM1202K	SM1202KB	S1202K		2 1/8													
SM1203K	SM1203KB	S1203K	212	2 3/16	110 4.3307	61.91 2 7/16	22 0.8661	30.96 1 7/32	76.48 3.011	6.4 1/4	84.14 3 5/16	77.80 3 1/16	22.33 7/8	1.256	2.77	35600 8000	58500 13200
SM1204K	SM1204KB	S1204K		2 1/4													
SM1205K	SM1205KB	S1205K		2 5/16													
SM1206K	SM1206KB	S1206K	213	2 3/8	120 4.7244	68.26 2 11/16	23 0.9055	34.13 1 11/32	84.58 3.330	6.4 1/4	96.84 3 13/16	85.73 3 3/8	23.81 15/16	1.787	3.94	39200 8800	63000 14300
SM1207K	SM1207KB	S1207K		2 7/16													
SM1208K	SM1208KB	S1208K		2 1/2													
SM1211KT	SM1211KTB	S1211KT	214	2 11/16	125 4.9213	68.26 2 11/16	24 0.9449	34.13 1 11/32	86.92 3.422	6.4 1/4	96.84 3 13/16	85.73 3 3/8	23.81 15/16	2.472	5.45	43000 9650	69500 15600
SM1213K	SM1213KB	S1213K		2 13/16													
SM1215K	SM1215KB	S1215K		2 15/16													
SM1303K	SM1303KB	S1303K	215	3	140 5.5118	80.96 3 3/16	26 1.0236	40.48 1 19/32	98.40 3.874	6.4 1/4	111.13 4 3/8	100.01 3 15/16	25.40 1	2.858	6.30	43600 9800	68000 15300
SM1307K	SM1307KB	S1307K		3 3/16													
SM1311W-BR	SM1311WB-BR <sup>(6)</sup>	S1311K		3 11/16													
SM1307K	SM1307KB	S1307K	216	3 3/16	150 5.9055	87.31 3 7/16	28 1.1024	43.66 1 23/32	104.83 4.127	6.4 1/4	112.71 4 7/16	106.36 4 3/16	25.40 1	3.452	7.61	53400 12000	80000 18000
SM1315W-BR	SM1315WB-BR <sup>(6)</sup>	S1315		3 15/16													
SM1315W-BR	SM1315WB-BR <sup>(6)</sup>	S1315		3 15/16													
SM1315W-BR	SM1315WB-BR <sup>(6)</sup>	S1315	217	3 7/16	170 6.6929	93.66 3 11/16	32 1.2598	46.83 1 27/32	118.34 4.659	6.4 1/4	127.00 5	114.30 4 1/2	26.99 1 1/16	3.901	8.60	61000 13700	93000 20800
SM1315W-BR	SM1315WB-BR <sup>(6)</sup>	S1315		3 15/16													
SM1315W-BR	SM1315WB-BR <sup>(6)</sup>	S1315		3 15/16													
SM1315W-BR	SM1315WB-BR <sup>(6)</sup>	S1315	219	3 11/16	180 7.0866	100.01 3 15/16	34 1.3386	50.00 1 31/32	123.85 4.876	6.4 1/4	139.70 5 1/2	125.41 4 15/16	31.75 1 1/4	6.078	13.40	113600 25500	150000 34000
SM1315W-BR	SM1315WB-BR <sup>(6)</sup>	S1315		3 15/16													
SM1315W-BR	SM1315WB-BR <sup>(6)</sup>	S1315		3 15/16													
SM1315W-BR	SM1315WB-BR <sup>(6)</sup>	S1315	220	3 15/16	180 7.0866	100.01 3 15/16	34 1.3386	50.00 1 31/32	123.85 4.876	6.4 1/4	139.70 5 1/2	125.41 4 15/16	31.75 1 1/4	7.335	16.17	126900 28500	170000 38000
SM1315W-BR	SM1315WB-BR <sup>(6)</sup>	S1315		3 15/16													
SM1315W-BR	SM1315WB-BR <sup>(6)</sup>	S1315		3 15/16													

<sup>(1)</sup>See page A-159.

<sup>(2)</sup>Order as MUA assembly suggested.

<sup>(3)</sup>Spherical O.D. outer-ring width is 18 mm (0.7087 in.).

<sup>(4)</sup>Spherical O.D. outer-ring width is 19 mm (0.7480 in.).

<sup>(5)</sup>Spherical O.D. outer-ring width is 21 mm (0.8268 in.).

<sup>(6)</sup>For applications where thrust load exceeds 60 percent of radial load, consult your Timken engineer.

NOTE: Bore tolerance: 1/2 in. – 2 3/16 in., nominal to +0.013 mm, +0.0005 in.

2 1/4 in. – 3 3/16 in., nominal to +0.015 mm, +0.0006 in.

3 1/4 in. – 3 15/16 in., nominal to +0.018 mm, +0.0007 in.

## SM-S INDUSTRIAL SERIES

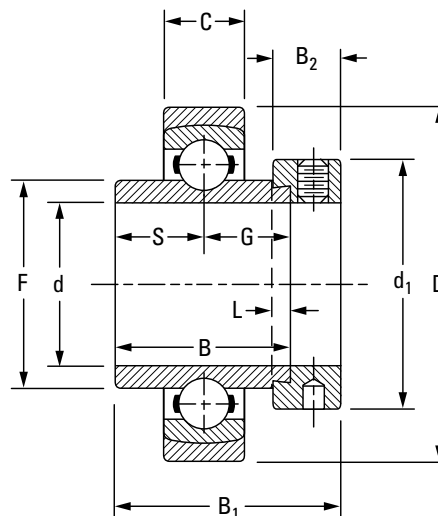
- Standard SM-S series permits the inner assembly to swivel in the outer aligning ring.
- The unrestricted self-alignment is achieved by allowing the inner ring to become square and true with the shaft and assembly.
- The external S-ring is uniquely ground and closely matched to its respective outer-bearing ring. The S-ring of one bearing will not fit the outer ring of another bearing.
- The bearings are not prelubricated.

### Suggested shaft tolerances:

- 1 in. – 1 15/16 in., nominal to -0.013 mm, -0.0005 in.;
- 2 in. – 3 15/16 in., nominal to -0.025 mm, -0.0010 in.

### To order, specify bearing number followed by "+ COL".

Example: SM1100KS + COL.



Bearing No.	Collar No.	Basic Outer-Ring Size	Shaft Dia. d	O.D. D	Ring Widths		S(G)	F	L	d <sub>1</sub>	B <sub>2</sub>	B <sub>1</sub>	Brg. and Collar Wt.		Static Load Rating C <sub>0</sub>	Extended Dynamic Load Rating C <sub>E</sub>
					Inner B	Outer C							kg	lbs.		
SM1100KS	S1100K	205	1	57 2.2441	34.93 1 3/8	15 0.5910	17.46 1 1/16	33.83 1.332	4.0 5/32	38.10 1 1/2	13.50 17/32	44.10 1 47/64	0.263 0.58	0.58	7700 1730	15600 3450
SM1103KS	S1103K	206	1 3/16	68 2.6772	36.51 1 7/16	16 0.6300	18.30 23/32	39.12 1.540	4.0 5/32	44.40 1 3/4	15.90 5/8	48.40 1 29/32	0.418 0.92	0.92	11100 2500	21600 4800
SM1104KS	S1104K	207	1 1/4	79	37.70	17	18.85	46.13	4.0	54.40	17.46	51.20	0.726	1.60	11500	28500
SM1107KS	S1107K		1 7/16	3.1102	1 31/64	0.6690	0.742	1.816	5/32	2 1/8	11/16	2 1/64	0.658	1.45	3400	6400
SM1108KS	S1108KT	208	1 1/2	88 3.4646	42.86 1 11/16	18 0.7090	21.40 27/32	52.27 2.058	4.8 3/16	60.30 2 3/8	18.30 23/32	56.40 27/32	0.903 1.99	1.99	19600 4400	36000 8150
SM1115KS	S1115K	210	1 15/16	100 3.9370	49.21 1 15/16	20 0.7874	24.60 31/32	62.84 2.474	4.8 3/16	69.90 2 3/4	18.30 23/32	62.70 2 15/32	1.185 2.61	2.61	22700 5100	39000 8800
SM1203KS	S1203K	211	2 3/16	110 4.3307	55.56 2 3/16	21 0.8268	27.80 1 3/32	69.77 2.747	4.8 3/16	76.20 3	20.60 13/16	71.40 2 13/16	1.748 3.85	3.85	28500 6400	48000 10800
SM1207KS	S1207K	212	2 7/16	120 4.7244	61.91 2 7/16	22 0.8661	30.96 1 7/32	76.48 3.011	6.4 1/4	84.14 3 5/16	22.20 7/8	77.80 3 1/16	1.907 4.20	4.20	35600 8000	58500 13200
SM1211KS	S1211KT	214	2 11/16	140 5.5118	68.26 2 11/16	24 0.9449	34.13 1 11/32	86.92 3.422	6.4 1/4	96.84 3 13/16	23.81 15/16	79.40 3 3/8	2.974 6.55	6.55	43000 9650	69500 15600
SM1215KS	S1215K	215	2 15/16	145 5.7087	74.61 2 15/16	25 0.9843	37.30 1 15/32	91.92 3.619	6.4 1/4	101.60 4	23.81 15/16	92.08 3 5/8	3.541 7.80	7.80	43600 9800	68000 15300
SM1303KS	S1303K	216	3 3/16	155 6.1024	80.96 3 3/16	26 1.0236	40.48 1 19/32	98.40 3.874	6.4 1/4	111.13 4 3/8	25.40 1	100.01 3 15/16	4.150 9.14	9.14	53400 12000	80000 18000
SM1307KS	S1307K	217	3 7/16	165 6.4961	87.31 3 7/16	28 1.1024	43.66 1 23/32	104.83 4.127	6.4 1/4	112.71 4 7/16	25.40 1	106.36 4 3/16	4.690 10.33	10.33	61000 13700	93000 20800
SM1315WS <sup>(1)</sup>	S1315K	220	3 15/16	200 7.8740	100.01 3 15/16	34 1.3386	50.00 1 31/32	123.85 4.876	6.4 1/4	139.70 5 1/2	31.75 1 1/4	125.41 4 15/16	8.939 19.69	19.69	126900 28500	170000 38000

<sup>(1)</sup>For applications where thrust load exceeds 60 percent of radial load, consult your Timken engineer.

NOTE: Bore tolerance: 1 in. – 2 3/16 in., nominal to +0.013 mm, +0.0005 in.  
 2 1/4 in. – 3 3/16 in., nominal to +0.015 mm, +0.0006 in.  
 3 1/4 in. – 3 15/16 in., nominal to +0.018 mm, +0.0007 in.

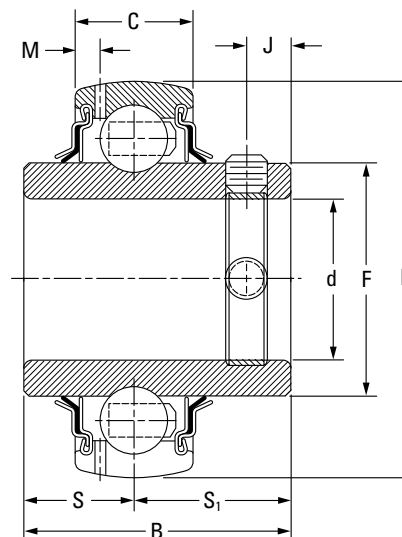
### GY-KRRB SET SCREW INDUSTRIAL SERIES

- Incorporates Shaft Guarding Technology, which reduces replacement time, provides shaft protection and prolongs the life of the shaft.
- The Y-series set screw bearing has increased shaft support for HVAC and other industrial applications.
- The Y series features superfinished raceways, grade-10 balls and anti-back-out nylon-patch set screws; they are factory-prelubricated and relubricatable.
- The set screw mounting feature is ideal for reversing load applications.

#### Suggested shaft tolerances:

1/2 in. – 1 15/16 in., nominal to -0.013 mm, -0.0005 in.;

2 in. – 2 15/16 in., nominal to -0.025 mm, -0.0010 in.

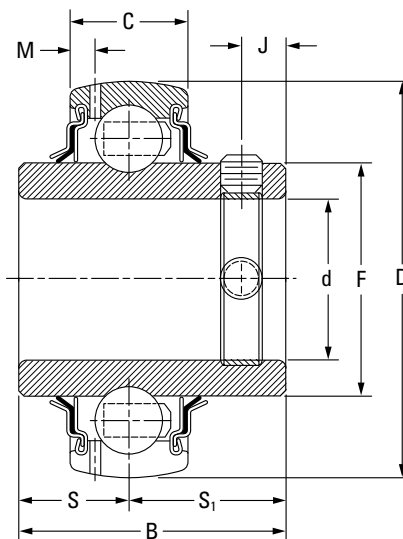


Bearing No.	Basic Outer-Ring Size	Shaft Dia. d	O.D. D	Ring Widths		S	S <sub>1</sub>	F	M	J	Set Screw Size	Static Load Rating C <sub>0</sub>	Extended Dynamic Load Rating C <sub>E</sub>
				Inner B	Outer C								
		in. mm	mm in.	mm in.	mm in.	mm in.	mm in.	mm in.	mm in.	mm in.	mm in.	N lbs.	N lbs.
GY1008KRRB	203	1/2	40	27.38	12	11.50	15.88	22.86	2.72	4.55	M5X.8	4400	10600
GY1009KRRB		9/16											
GY1010KRRB		5/8											
GY1011KRRB		11/16											
GYE15KRRB		15											
GYE17KRRB		17											
GY1012KRRB SGT	204	3/4	47	31.80	14	12.70	19.10	27.56	3.43	5.87	M5X.8	6200	14300
GYE20KRRB SGT		20											
GY1013KRRB	205	13/16	52	34.85	15	14.27	20.56	33.83	3.86	6.80	M6X1	7700	15800
GY1014KRRB SGT		7/8											
GY1015KRRB SGT		15/16											
GY1100KRRB SGT		1											
GYE25KRRB SGT		25											
GY1101KRRB		1 1/16											
GY1102KRRB SGT	1 1/8	62	39.10	18	15.88	23.24	40.31	3.96	8.63	M6X1	11000	21600	
GY1103KRRB SGT	1 3/16												
GY1103KRRB3	1 1/4												
GYE30KRRB SGT	30												
GY1104KRRB SGT	1 1/4												
GY1105KRRB	1 5/16												
GY1106KRRB SGT	1 3/8	72	45.41	19	17.48	27.94	46.18	3.68	10.36	M8X1.25	15100	28500	
GY1107KRRB SGT	1 7/16												
GYE35KRRB SGT	35												
GY1108KRRB SGT	1 1/2												
GY1109KRRB	1 9/16	80	49.22	21	19.05	30.17	52.27	4.06	8.00	M8X1.25	19600	36000	
GYE40KRRB SGT	40												
GYE40KRRB SGT	40												

NOTE: Bore tolerances: 1/2 in. – 2 3/16 in., nominal to +0.013 mm, +0.0005 in.  
2 1/4 in. – 3 15/16 in., nominal to +0.015 mm, +0.0006 in.

Continued on next page.





Continued from previous page.

Bearing No.	Basic Outer-Ring Size	Shaft Dia. d	O.D. D	Ring Widths		S	S <sub>1</sub>	F	M	J	Set Screw Size	Static Load Rating C <sub>0</sub>	Extended Dynamic Load Rating C <sub>E</sub>
				Inner B	Outer C								
		in. mm	mm in.	mm in.	mm in.	mm in.	mm in.	mm in.	mm in.	mm in.	mm in.	N lbs.	N lbs.
GY1110KRRB SGT	209	1 5/8	85 3.3465	50.37 1.9830	22 0.8661	19.05 0.750	31.32 1.2330	57.92 2.280	4.55 0.179	9.14 0.360	M8X1.25 5/16 – 24	20000 4500	36000 8150
GY1111KRRB SGT													
GY1112KRRB SGT													
GYE45KRRB SGT													
GY1113KRRB	210	1 13/16	90 3.5433	51.59 2.0310	22 0.8661	19.05 0.750	32.54 1.2810	62.84 2.474	4.70 0.185	10.00 0.394	M10X1.5 3/8 – 24	22700 5100	39000 8800
GY1114KRRB													
GY1115KRRB SGT													
GY1115KRRB3													
GYE50KRRB SGT	211	2	100 3.9370	55.55 2.1870	24 0.9450	22.22 0.875	33.32 1.3120	69.77 2.747	5.00 0.197	10.00 0.394	M10X1.5 3/8 – 24	28500 6400	48000 10800
GY1200KRRB SGT													
GY1201KRRB													
GY1202KRRB													
GY1203KRRB SGT	212	2 3/16	110 4.3307	65.07 2.5620	27 1.0630	25.40 1.000	39.67 1.5620	76.48 3.011	5.13 0.202	10.00 0.394	M10X1.5 3/8 – 24	35600 8000	58500 13200
GYE55KRRB SGT													
GY1204KRRB SGT													
GY1205KRRB													
GY1206KRRB	214	2 5/16	125 4.9213	69.85 2.7500	28 1.1020	26.97 1.062	42.84 1.6870	86.92 3.422	5.08 0.200	12.00 0.472	M12X1.75 7/16 – 20	37500 8500	69500 15600
GY1207KRRB SGT													
GYE70KRRB													
GY1210KRRB													
GY1211KRRB	215	2 1/4	130 5.1181	77.80 3.0630	29 1.1420	33.32 1.312	44.45 1.7500	91.92 3.619	5.56 0.219	12 0.472	M12X1.75 7/16 – 20	43600 9800	69500 15600
GY1212KRRB													
GY1214KRRB													
GYE75KRRB													

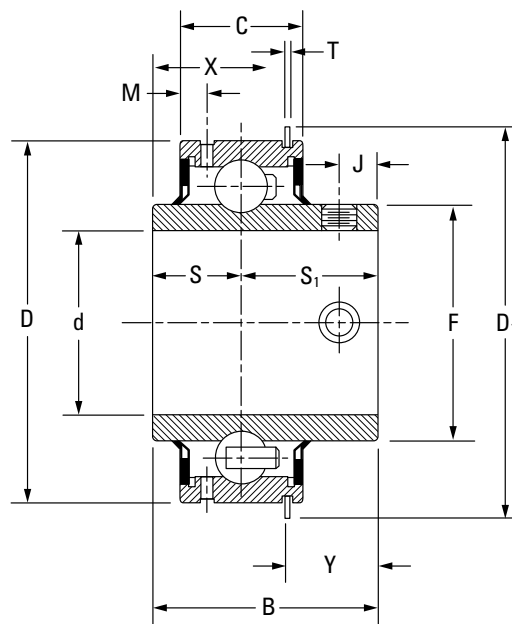
NOTE: Bore tolerances: 1/2 in. – 2 3/16 in., nominal to +0.013 mm, +0.0005 in.  
2 1/4 in. – 3 15/16 in., nominal to +0.015 mm, +0.0006 in.

### ER INDUSTRIAL SERIES, RELUBRICATABLE TYPES

- Incorporates (optional) Shaft Guarding Technology, which reduces replacement time, provides shaft protection and prolongs shaft life.
- This bearing is designed for use in applications where low-starting torque and low-running torque are necessary.
- The ER-DD series is for applications where extremely low torque is required.
- Test results indicate an average of 95 percent reduction in start-up torque when using ER-DD instead of the standard ER bearing. Running torque is reduced up to 85–90 percent.

#### Suggested shaft tolerances:

- 1/2 in. – 1 15/16 in., nominal to -0.013 mm, -0.0005 in.;
- 2 in. – 3 7/16 in., nominal to -0.025 mm, -0.0010 in.



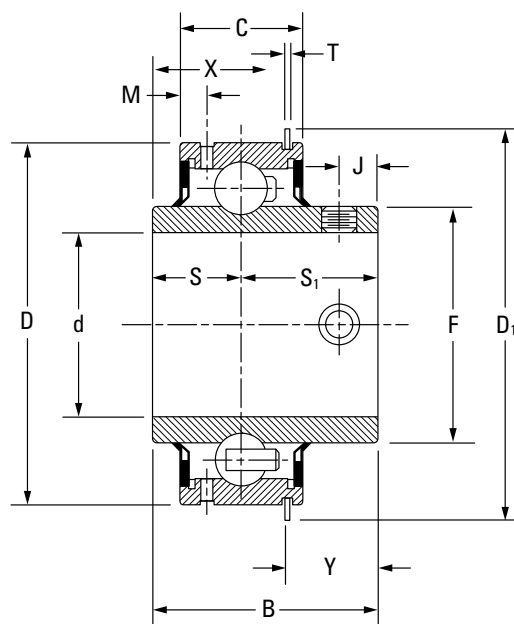
Bearing No.	Basic Outer-Ring Size	Shaft Dia. d	O.D. D	Ring Widths		S	S <sub>1</sub>	F	J	D <sub>1</sub>	Y	T	M	X	Set Screw Size	Brg. Wt.		Static Load Rating C <sub>0</sub>	Extended Dynamic Load Rating C <sub>E</sub>
				Inner B	Outer C											kg	lbs.		
		in.	mm in.	mm in.	mm in.	mm in.	mm in.	mm in.	mm in.	mm in.	mm in.	mm in.	mm in.	mm in.	mm in.	kg	lbs.	N lbs.	N lbs.
ER08 <sup>(1)</sup>	204	1/2	47 1.850	30.963 1 7/32	15.817 5/8	12.700 1/2	18.263 64/89	27.546 1 5/64	5.131 13/64	52.400 2 6/95	16.612 1/16	1.067 3/64	3.861 5/32	14.351 9/16	M5X.8 10 - 32	0.190	0.42	6571.2 1480	14163.6 3190
ER10 <sup>(1)</sup>		5/8														0.167	0.37		
ER12 <sup>(1)(2)</sup>		3/4														0.141	0.31		
ER14 <sup>(1)(2)</sup>	205	7/8	52 2.047	34.841 1 3/8	18.992 3/4	14.275 50/89	20.566 13/16	33.820 1 21/64	6.774 17/64	57.531 2 17/64	17.341 1/16	1.067 3/64	3.404 9/64	17.501 11/16	M6X1 1/4 - 28	0.218	0.480	7814.4 1760	15495.6 3490
ER15 <sup>(2)</sup>		15/16														0.195	0.43		
ER16 <sup>(1)(2)</sup>		1														0.181	0.40		
ER18 <sup>(2)</sup>	206	1 1/8	62 2.441	39.116 1 35/64	22.167 7/8	15.875 5/8	23.241 59/64	40.297 1 37/64	8.636 11/32	67.285 2 41/64	18.948 3/4	1.651 1/16	5.563 7/32	20.168 51/64	M6X1 1/4 - 28	0.340	0.75	11233.2 2530	21534 4850
ER19 <sup>(2)</sup>		1 3/16														0.313	0.69		
ER20 <sup>(1)(2)</sup>	207	1 1/4	72 2.834	45.415 1 25/32	23.754 15/16	17.475 11/16	27.940 1 7/64	46.825 1 27/32	10.363 13/32	78.105 3 5/64	22.301 7/8	1.651 1/16	5.563 7/32	23.114 29/32	M8X1.25 5/16 - 24	0.567	1.25	15273.6 3440	28416 6400
ER22 <sup>(1)(2)</sup>		1 3/8														0.499	1.10		
ER23 <sup>(1)(2)</sup>		1 7/16														0.476	1.05		
ER24 <sup>(1)(2)</sup>	208	1 1/2	80 3.149	49.225 1 15/16	27.722 1 3/32	19.050 3/4	30.175 1 3/16	52.261 2 3/64	8.001 5/16	86.106 3 25/64	21.158 53/64	1.651 1/16	6.350 1/4	28.067 1 7/64	M8X1.25 5/16 - 24	0.671	1.48	19802.4 4460	36097.2 8130
ER27 <sup>(2)</sup>		1 11/16														0.735	1.62		
ER28 <sup>(1)(2)</sup>	209	1 3/4	85 3.346	50.368 1 63/64	27.724 1 3/32	19.050 3/4	31.318 1 15/64	57.899 2 15/64	9.144 23/64	91.110 3 37/64	22.250 7/8	1.651 1/16	6.325 1/4	28.118 1 7/64	M8X1.25 5/16 - 24	0.690	1.52	20424 4600	36230.4 8160
ER30		1 7/8														0.853	1.88		
ER31 <sup>(2)</sup>	210	1 15/16	90 3.543	51.587 2 1/32	28.517 1 1/8	19.050 3/4	32.537 1 9/32	62.827 2 15/32	10.008 29/64	96.088 3 25/32	24.282 31/32	2.413 3/32	7.061 9/32	27.305 1 5/64	M10X1.5 3/8 - 24	0.834	1.84	23132.4 5210	38805.6 8740
ER31 <sup>(2)</sup>		1 15/16														0.834	1.84		

<sup>(1)</sup>DD low-drag/low-torque version is available.

<sup>(2)</sup>Available with Shaft Guarding Technology modification.

NOTE: Bore tolerances: 1.1874 in. – 2.1874 in. nominal to +0.013 mm, +0.0005 in.  
2.2500 in. – 3.1874 in. nominal to +0.015 mm, +0.0006 in.

Continued on next page.



Continued from previous page.

Bearing No.	Basic Outer-Ring Size	Shaft Dia. d	O.D. D	Ring Widths		S	S <sub>1</sub>	F	J	D <sub>1</sub>	Y	T	M	X	Set Screw Size	Brg. Wt. kg lbs.	Static Load Rating C <sub>0</sub> N lbs.	Extended Dynamic Load Rating C <sub>E</sub> N lbs.	
				Inner B	Outer C														
ER32 <sup>(1)(2)</sup>	211	2 3/16	100	55.56	30.16	22.22	33.34	69.85	9.92	106.4	24.28	2.4	7.14	31.27	M10X1.5	1.300	2.87	29170.8	47952
ER35 <sup>(2)</sup>			3.9370	2 3/16	1 3/16	7/8	1 5/16	2 3/4	25/64	4 3/16	61/64	3/32	9/32	1 15/64	3/8 - 24	1.084	2.39	6570	10800
ER39 <sup>(1)(2)</sup>	212	2 7/16	110	65.09	31.75	25.4	39.69	76.60	9.92	116.3	28.24	2.4	6.75	36.83	M10X1.5	1.450	3.20	35875.2	58164
			4.331	2 9/16	1 1/4	1	1 9/16	3 1/64	25/64	4 37/64	1.11	3/32	1 7/64	1 29/64	3/8 - 24	1.450	3.20	8080	13100
ER47	215	2 15/16	130	77.79	38.1	33.33	44.45	91.68	11.91	139.7	33.02	2.8	6.35	44.78	M12X1.75	2.210	4.88	44844	68820
			5.1180	3 1/16	1 1/2	1 5/16	1 3/4	3 39/64	15/32	5 1/2	1.30	7/64	1/4	1 49/64	7/16 - 20	2.210	4.88	10100	15500
ER51	216	3 3/16	140	77.79	42.86	28.58	49.21	98.43	13.49	149.6	35.32	2.8	11.11	42.47	M12X1.75	3.450	7.61	54168	79476
			5.5110	3 1/16	1 11/16	1 1/8	1 15/16	3 7/8	17/32	5 57/64	1.39	7/64	7/16	1 43/64	7/16 - 20	3.450	7.61	12200	17900
ER55	217	3 7/16	150	85.72	49.21	34.16	51.57	104.84	11.91	159.5	34.53	2.8	11.02	51.21	M12X1.75	—	—	61716	92796
			5.905	3 3/8	1 15/16	1 11/32	2 1/32	4 1/8	7/16	6 1/4	1.36	7/64	7/16	2 1/64	7/16 - 20	—	—	13900	20900

<sup>(1)</sup>DD low-drag/low-torque version is available.

<sup>(2)</sup>Available with Shaft Guarding Technology modification.

NOTE: Bore tolerances: 1.1874 in. – 2.1874 in. nominal to +0.013 mm, +0.0005 in.  
2.2500 in. – 3.1874 in. nominal to +0.015 mm, +0.0006 in.

### STANDARD SERIES

#### RA-RR, RA-RRB NON-RELUBRICATABLE TYPES

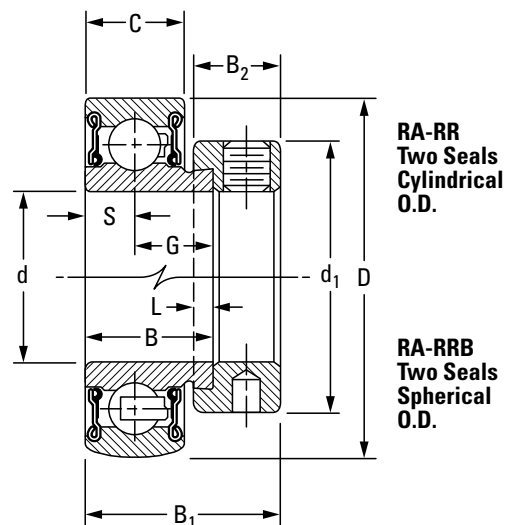
- These bearings are an extended inner-ring type with a self-locking collar.
- Due to the positive contact, the land-riding R-seal provides improved protection against harmful contaminants and retains lubricant under severe operating conditions.
- RA-RR series are factory-prelubricated and have cylindrical outside diameters.
- RA-RRB series have spherical outside diameters for use in housings with corresponding spherical inside surfaces to provide unrestricted initial alignment.

#### Suggested shaft tolerances:

- 1/2 in. – 1 15/16 in., nominal to -0.013 mm, -0.0005 in.;
- 2 in. – 2 3/16 in., nominal to -0.025 mm, -0.0010 in.

#### To order, specify bearing number followed by "+ COL".

Example: RA100RRB + COL.



Bearing No.		Collar No.	Basic Outer-Ring Size	Shaft Dia. d	O.D. D	Ring Widths		S	G	L	d <sub>1</sub>	B <sub>2</sub>	B <sub>1</sub>	Brg. and Collar Wt.	Static Load Rating C <sub>0</sub>	Extended Dynamic Load Rating C <sub>E</sub>														
Cylindrical O.D.	Spherical O.D.					Inner	Outer																							
				in.	mm	mm	mm	mm	mm	mm	mm	mm	mm	kg	lbs.	N	N													
				mm	in.	in.	in.	in.	in.	in.	in.	in.	in.	lbs.	lbs.	lbs.	lbs.													
RA008RR	RA008RRB	S1008K	203	1/2	40	19.05	13	6.50	12.55	4.0	28.60	13.5	28.6	0.154	0.34	4700	10600													
RA009RR	RA009RRB	S1009K		9/16														1.5748	0.750	0.512 <sup>(1)</sup>	0.256	0.494	5/32	1 1/8	17/32	1 1/8	0.145	0.32	1060	2360
RA010RR	RA010RRB	S1010K		5/8														17	0.127	0.28	0.127	0.28								
RAE17RR	RAE17RRB	SE17K		17														0.127	0.28											
RA012RR	RA012RRB	S1012K	204	3/4	47	21.44	15	7.49	13.92	4.0	33.30	13.5	31.0	0.132	0.29	6200	14300													
RAE20RR	RAE20RRB	SE20K		20														1.8504	0.844	0.591 <sup>(2)</sup>	0.295	0.548	5/32	1 5/16	17/32	1 7/32	0.132	0.29	1400	3200
RA013RR	RA013RRB	S1013K	205	13/16	52	21.44	15	7.49	13.92	4.0	38.10	13.5	31.0	0.231	0.51	7700	15800													
RA014RR	RA014RRB	S1014K		7/8														0.213	0.47											
RA015RR	RA015RRB	S1015K		15/16														2.0472	0.844	0.591	0.295	0.548	5/32	1 1/2	17/32	1 7/32	0.200	0.44	1730	3550
RA100RR	RA100RRB	S1100K		1														0.186	0.41											
RAE25RR	RAE25RRB	SE25K	25	0.186	0.41																									
RA101RR	RA101RRB	S1101K	206	1 1/16	62	23.82	18	8.99	14.81	4.0	44.10	15.9	35.7	0.349	0.77	11100	21800													
RA102RR	RA102RRB	S1102K		1 1/8														0.327	0.72											
RA103RR	RA103RRB	S1103K		1 3/16														2.4409	0.938	0.709	0.354	0.583	5/32	1 47/64	5/8	1 13/32	0.318	0.70	2500	4900
RA103RR2	RA103RRB2	S1103K3		1 1/4														0.295	0.65											
RAE30RR	RAE30RRB	SE30K	30	0.318	0.70																									
RA104RR	RA104RRB	S1104K	207	1 1/4	72	25.40	19	9.50	15.90	4.0	54.40	17.1	38.9	0.562	1.24	15100	28500													
RA105RR	RA105RRB	S1105K		1 5/16														0.540	1.19											
RA106RR	RA106RRB	S1106K		1 3/8														2.8346	1.000	0.748	0.374	0.626	5/32	2 1/8	43/64	1 17/32	0.513	1.13	3400	6400
RA107RR	RA107RRB	S1107K		1 7/16														0.476	1.05											
RAE35RR	RAE35RRB	SE35K	35	0.513	1.13																									

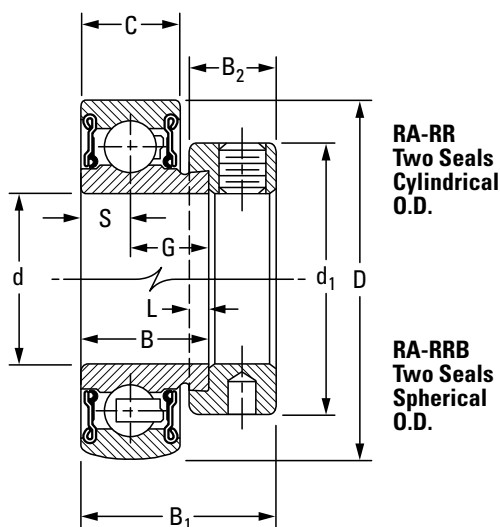
<sup>(1)</sup>Spherical O.D. outer-ring width is 12 mm (0.472 in.).

<sup>(2)</sup>Spherical O.D. outer-ring width is 14 mm (0.551 in.).

<sup>(3)</sup>Spherical O.D. outer-ring width is 21 mm (0.827 in.).

NOTE: Bore tolerance is nominal to +0.013 mm, +0.0005 in.

Continued on next page.



Continued from previous page.

Bearing No.		Collar No.	Basic Outer-Ring Size	Shaft Dia.	O.D.	Ring Widths		S	G	L	d <sub>1</sub>	B <sub>2</sub>	B <sub>1</sub>	Brg. and Collar Wt.	Static Load Rating	Extended Dynamic Load Rating	
Cylindrical O.D.	Spherical O.D.					Inner	Outer										C <sub>o</sub>
				d	D	B	C							kg	lbs.	N	N
				in.	mm	mm	mm	mm	mm	mm	mm	mm	mm			lbs.	lbs.
RA108RR	RA108RRB	S1108K	208	1 1/2	80 3.1496	30.18	22	11.00	19.18	4.8	60.30	18.3	43.7	0.694	1.53	19600	36000
RA109RR	RA109RRB	S1109K		1 9/16													
RAE40RR	RAE40RRB	SE40K		40													
RA110RR	RA110RRB	S1110K	209	1 5/8	85 3.3465	30.18	22	11.00	19.18	4.8	63.50	18.3	43.7	0.780	1.72	20000	36000
RA111RR	RA111RRB	S1111K		1 11/16													
RA112RR	RA112RRB	S1112K		1 3/4													
RAE45RR	RAE45RRB	SE45K		45													
RA113RR	RA113RRB	S1113K	210	1 13/16	90 3.5433	30.18	22	11.00	19.18	4.8	69.90	18.3	43.7	0.880	1.94	22700	39200
RA114RR	RA114RRB	S1114K		1 7/8													
RA115RR	RA115RRB	S1115K		1 15/16													
RA115RR2	RA115RRB2	S1115K2		2													
RAE50RR	RAE50RRB	SE50K		50													
RA200RR	RA200RRB	S1200K		2													
RA201RR	RA201RRB	S1201K	211	2 1/16	100 3.9370	32.54	24	11.99	20.55	4.8	76.20	20.6	48.4	0.962	2.12	28500	48000
RA202RR	RA202RRB	S1202K		2 1/8													
RA203RR	RA203RRB	S1203K		2 3/16													
RAE55RR	RAE55RRB	SE55K		55													

<sup>(1)</sup>Spherical O.D. outer-ring width is 12 mm (0.472 in.).

<sup>(2)</sup>Spherical O.D. outer-ring width is 14 mm (0.551 in.).

<sup>(3)</sup>Spherical O.D. outer-ring width is 21 mm (0.827 in.).

NOTE: Bore tolerance is nominal to +0.013 mm, +0.0005 in.

### GRA-RR, GRA-RRB RELUBRICATABLE TYPES

- GRA-RR-series bearings are the same as the RA-RR series and have a provision for relubrication.
- GRA-RR series have cylindrical outside diameters.
- GRA-RRB have spherical outside diameters

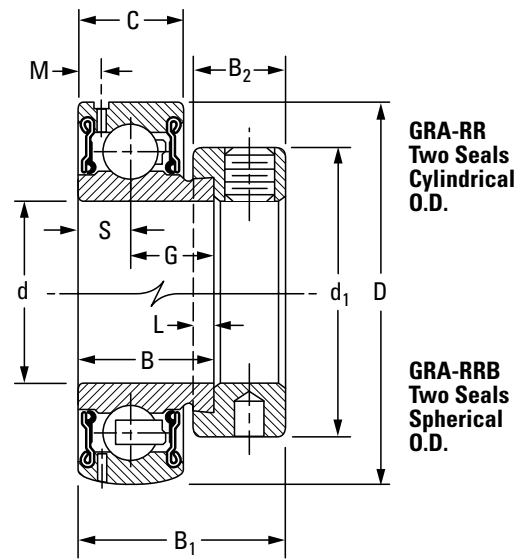
#### Suggested shaft tolerances:

1/2 in. – 1 15/16 in., nominal to -0.13 mm, -0.0005 in.;

2 in. – 2 3/16 in., nominal to -0.025 mm, -0.0010 in.

To order, specify bearing number followed by "+ COL".

Example: GRA100RRB + COL.



Bearing No.		Collar No.	Basic Outer-Ring Size	Shaft Dia. d	O.D. D	Ring Widths		S	G	L	d <sub>1</sub>	B <sub>2</sub>	M	B <sub>1</sub>	Brg. and Collar Wt. kg lbs.	Static Load Rating C <sub>0</sub> N lbs.	Extended Dynamic Load Rating C <sub>E</sub> N lbs.											
Cylindrical O.D.	Spherical O.D.					Inner B	Outer C																					
GRA008RR	GRA008RRB	S1008K	203	1/2	40 1.5748	19.05 0.750	13 0.512 <sup>(1)</sup>	6.50 0.256	12.55 0.494	4.0 5/32	28.6 1 1/8	13.5 17/32	2.72 0.107	28.6 1 1/8	0.154	0.34	4700 1060	10600 2360										
–	GRA009RRB	S1009K		9/16											40	19.05			13	6.50	12.55	4.0	28.6	13.5	2.72	28.6	0.145	0.32
GRA010RR	GRA010RRB	S1010K		5/8											1.5748	0.750			0.512 <sup>(1)</sup>	0.256	0.494	5/32	1 1/8	17/32	0.107	1 1/8	0.127	0.28
GRAE17RR	GRAE17RRB	SE17K		17																							0.127	0.28
GRA012RR	GRA012RRB	S1012K	204	3/4	47 1.8504	21.44 0.844	15 0.591 <sup>(2)</sup>	7.49 0.295	13.92 0.548	4.0 5/32	33.3 1 5/16	13.5 17/32	3.05 0.120	31.0 1 7/32	0.132	0.29	6200 1400	14300 3200										
GRAE20RR	GRAE20RRB	SE20K		20																							0.132	0.29
–	GRA013RRB	S1013K	205	13/16	52 2.0472	21.44 0.844	15 0.591	7.49 0.295	13.92 0.548	4.0 5/32	38.1 1 1/2	13.5 17/32	3.61 0.142	31.0 1 7/32	0.231	0.51	7700 1730	15800 3550										
GRA014RR	GRA014RRB	S1014K		7/8											52	21.44			15	7.49	13.92	4.0	38.1	13.5	3.61	31.0	0.213	0.47
–	GRA015RRB	S1015K		15/16											2.0472	0.844			0.591	0.295	0.548	5/32	1 1/2	17/32	0.142	1 7/32	0.200	0.44
GRA100RR	GRA100RRB	S1100K		1																							0.186	0.41
GRAE25RR	GRAE25RRB	SE25K	25											0.186	0.41													
GRA101RR	GRA101RRB	S1101K	206	1 1/16	62 2.4409	23.83 0.938	18 0.709	8.99 0.354	14.81 0.583	4.0 5/32	44.1 1 47/64	15.9 5/8	4.17 0.164	35.7 1 13/32	0.349	0.77	11100 2500	21800 4900										
GRA102RR	GRA102RRB	S1102K		1 1/8											62	23.83			18	8.99	14.81	4.0	44.1	15.9	4.17	35.7	0.327	0.72
GRA103RR	GRA103RRB	S1103K		1 3/16											2.4409	0.938			0.709	0.354	0.583	5/32	1 47/64	5/8	0.164	1 13/32	0.318	0.70
GRA103RR2	GRA103RRB2	S1103K3		1 1/4																							0.295	0.65
GRAE30RR	GRAE30RRB	SE30K		30																							0.318	0.70
GRA104RR	GRA104RRB	S1104K	207	1 1/4	72 2.8346	25.40 1.000	19 0.748	9.50 0.374	15.90 0.626	4.0 5/32	54.0 2 1/8	17.1 43/64	3.68 0.145	38.9 1 17/32	0.562	1.24	15100 3400	28500 6400										
–	GRA105RRB	S1105K		1 5/16											72	25.40			19	9.50	15.90	4.0	54.0	17.1	3.68	38.9	0.540	1.19
–	GRA106RRB	S1106K		1 3/8											2.8346	1.000			0.748	0.374	0.626	5/32	2 1/8	43/64	0.145	1 17/32	0.513	1.13
–	GRA107RRB	S1107K		1 7/16																							0.476	1.05
GRAE35RR	GRAE35RRB	SE35K	35											0.513	1.13													

<sup>(1)</sup>Spherical O.D. outer-ring width is 12 mm (0.472 in.).

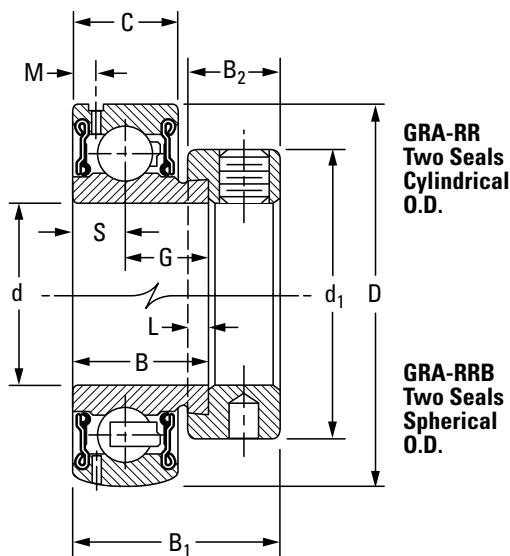
<sup>(2)</sup>Spherical O.D. outer-ring width is 14 mm (0.551 in.).

<sup>(3)</sup>Spherical O.D. outer-ring width is 21 mm (0.827 in.).

NOTE: Bore tolerance is nominal to +0.013 mm, +0.0005 in.

Continued on next page.





Continued from previous page.

Bearing No.		Collar No.	Basic Outer-Ring Size	Shaft Dia. d	O.D. D	Ring Widths		S	G	L	d <sub>1</sub>	B <sub>2</sub>	M	B <sub>1</sub>	Brg. and Collar Wt. kg lbs.	Static Load Rating C <sub>0</sub> N lbs.	Extended Dynamic Load Rating C <sub>E</sub> N lbs.											
Cylindrical O.D.	Spherical O.D.					Inner B	Outer C																					
GRA108RR	GRA108RRB	S1108K	208	1 1/2	80 3.1496	30.18 1.188	22 0.866 <sup>(3)</sup>	11.00 0.433	19.18 0.755	4.8 3/16	60.3 2 3/8	18.3 23/32	4.17 0.164	43.7 1 23/32	0.694	1.53	19600 4400	36000 8150										
—	GRA109RRB	S1109K		1 9/16											80	30.18			22	11.00	19.18	4.8	60.3	18.3	4.17	43.7	0.649	1.43
GRAE40RR	GRAE40RRB	SE40K		40											3.1496	1.188			0.866 <sup>(3)</sup>	0.433	0.755	3/16	2 3/8	23/32	0.164	1 23/32	0.649	1.43
—	GRA110RRB	S1110K	209	1 5/8	85 3.3465	30.18 1.188	22 0.866	11.00 0.433	19.18 0.755	4.8 3/16	63.5 2 1/2	18.3 23/32	4.55 0.179	43.7 1 23/32	0.780	1.72	20500 4600	36300 8160										
—	GRA111RRB	S1111K		1 11/16											85	30.18			22	11.00	19.18	4.8	63.5	18.3	4.55	43.7	0.735	1.62
—	GRA112RRB	S1112K		1 3/4											3.3465	1.188			0.866	0.433	0.755	3/16	2 1/2	23/32	0.179	1 23/32	0.680	1.50
—	GRAE45RRB	SE45K		45											3.3465	1.188			0.866	0.433	0.755	3/16	2 1/2	23/32	0.179	1 23/32	0.680	1.50
—	GRA113RRB	S1113K	210	1 13/16	90 3.5433	30.18 1.188	22 0.866	11.00 0.433	19.18 0.755	4.8 3/16	69.9 2 3/4	18.3 23/32	4.44 0.175	43.7 1 23/32	0.880	1.94	22700 5100	39200 8800										
—	GRA114RRB	S1114K		1 7/8											90	30.18			22	11.00	19.18	4.8	69.9	18.3	4.44	43.7	0.830	1.83
—	GRA115RRB	S1115K		1 15/16											3.5433	1.188			0.866	0.433	0.755	3/16	2 3/4	23/32	0.175	1 23/32	0.771	1.79
—	GRA115RRB2	S1115K2		2											3.5433	1.188			0.866	0.433	0.755	3/16	2 3/4	23/32	0.175	1 23/32	0.717	1.58
—	GRAE50RRB	SE50K		50											3.5433	1.188			0.866	0.433	0.755	3/16	2 3/4	23/32	0.175	1 23/32	0.771	1.79
—	GRA200RRB	S1200K	211	2	100 3.9370	32.54 1.281	24 0.945	11.99 0.472	20.55 0.809	4.8 3/16	76.2 3	20.6 13/16	4.90 0.193	48.4 1 29/32	0.962	2.12	28500 6400	48000 10800										
—	GRA201RRB	S1201K		2 1/16											100	32.54			24	11.99	20.55	4.8	76.2	20.6	4.90	48.4	0.898	1.98
—	GRA202RRB	S1202K		2 1/8											3.9370	1.281			0.945	0.472	0.809	3/16	3	13/16	0.193	1 29/32	0.857	1.89
—	GRA203RRB	S1203K		2 3/16											3.9370	1.281			0.945	0.472	0.809	3/16	3	13/16	0.193	1 29/32	0.807	1.78
—	GRAE55RRB	SE55K		55											3.9370	1.281			0.945	0.472	0.809	3/16	3	13/16	0.193	1 29/32	0.807	1.78

<sup>(1)</sup>Spherical O.D. outer-ring width is 12 mm (0.472 in.).

<sup>(2)</sup>Spherical O.D. outer-ring width is 14 mm (0.551 in.).

<sup>(3)</sup>Spherical O.D. outer-ring width is 21 mm (0.827 in.).

NOTE: Bore tolerance is nominal to +0.013 mm, +0.0005 in.

### RA-DD NON-RELUBRICATABLE TYPES

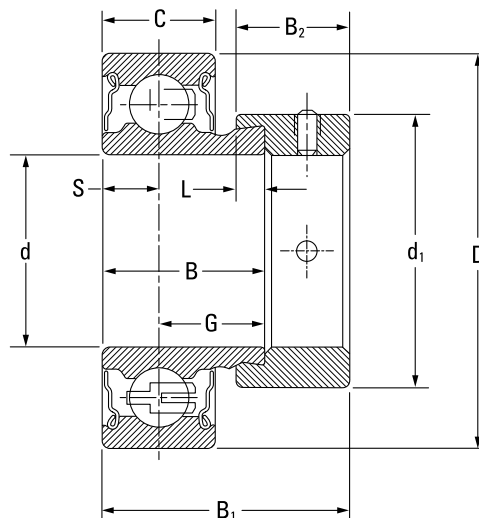
- These bearings are an extended inner-ring type with a self-locking collar.
- The two non-contact grease shields retain lubricant, provide protection against harmful contaminants and offer improved high-speed, low-torque performance.
- RA-DD series are factory-prelubricated and have cylindrical outside diameters.

#### Suggested shaft tolerances:

- 1/2 in. – 1 15/16 in., nominal to -0.013 mm, -0.0005 in.;
- 2 in. – 2 3/16 in., nominal to -0.025 mm, -0.0010 in.

#### To order, specify bearing number followed by "+ COL".

Example: RA100DD + COL.



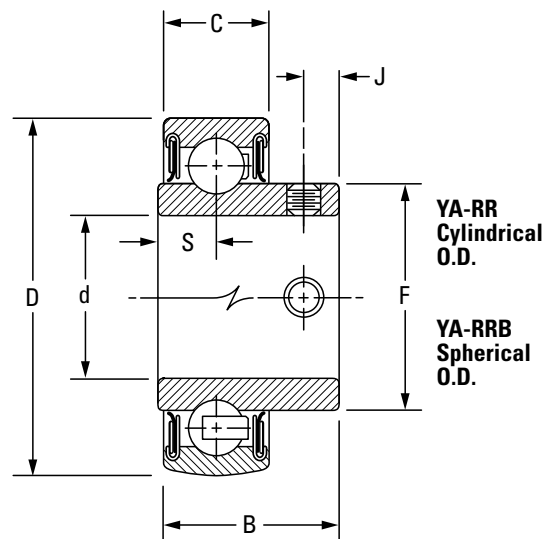
Bearing No.	Collar No.	Basic Outer-Ring Size	Shaft Dia. d	O.D. D	Ring Widths		S	G	L	d <sub>1</sub>	B <sub>2</sub>	B <sub>1</sub>	Static Load Rating C <sub>0</sub>	Extended Dynamic Load Rating C <sub>E</sub>											
					Inner B	Outer C																			
			in. mm	mm in.	mm in.	mm in.	mm in.	mm in.	mm in.	mm in.	mm in.	mm in.	N lbs.	N lbs.											
RA008DD	S1008K	203	1/2	40.00	19.05	13.00	6.50	12.55	3.97	28.58	13.49	28.58	4400	10600											
RA009DD	S1009K		9/16												1.575	0.750	0.512	0.256	0.494	5/32	1 1/8	17/32	1 1/8	1000	2360
RA010DD <sup>(1)</sup>	S1010K		5/8												17										
RA012DD	S1012K	204	3/4	47.00	21.44	15.01	7.49	13.92	3.97	33.34	13.49	30.96	6200	14300											
RAE20DD	SE20K		20												1.850	0.844	0.591	0.295	0.548	5/32	1 5/16	17/32	1 7/32	1400	3200
RA013DD	S1013K	205	13/16	52.00	21.44	15.01	7.49	13.92	3.97	38.10	13.49	30.96	6950	15600											
RA014DD <sup>(1)</sup>	S1014K		7/8												2.047	0.844	0.591	0.295	0.548	5/32	1 1/2	17/32	1 7/32	1560	3450
RA015DD	S1015K		15/16												1										
RA100DD	S1100K		1												25										
RAE25DD	SE25K		25																						
RA101DD	S1101K	206	1 1/16	62.00	23.83	18.01	8.99	14.81	3.97	44.45	15.88	35.72	10000	21600											
RA102DD	S1102K		1 1/8												2.441	0.938	0.709	0.354	0.583	5/32	1 3/4	5/8	1 13/32	2280	4800
RA103DD <sup>(1)</sup>	S1103K		1 3/16																						
RA103DD2	S1103K3		1 1/4S												30										
RAE30DD	SE30K		30																						
RA104DD	S1104K	207	1 1/4	72.00	25.40	19.00	9.50	15.90	3.97	53.98	17.07	38.89	13700	28500											
RA105DD	S1105K		1 5/16												2.835	1.000	0.748	0.374	0.626	5/32	2 1/8	43/64	1 17/32	3050	6400
RA106DD	S1106K		1 3/8																						
RA107DD <sup>(1)</sup>	S1107K		1 7/16												35										
RAE35DD	SE35K		35																						
RA108DD <sup>(1)</sup>	S1108K	208	1 1/2	80.00	30.18	22.00	11.00	19.18	4.76	60.33	18.26	43.66	17600	36000											
RA109DD	S1109K		1 9/16												3.150	1.188	0.866	0.433	0.755	3/16	2 3/8	23/32	1 23/32	4000	8150
RAE40DD	SE40K		40																						

<sup>(1)</sup>Popular sizes.

NOTE: Bore tolerance is nominal to +0.013 mm, +0.0005 in.

## YA-RR, YA-RRB NON-RELUBRICATABLE TYPES

- These bearings are an extended inner-ring type and have specially designed set screws with unique thread form.
- The thread form in both series locks the bearing to the shaft so they are resistant to loosening during operation.
- A positive contact, land-riding R-seal provides improved protection against harmful contaminants in both series and retains lubricant under severe operating conditions.
- A 6/6 molded nylon retainer has proved effective under conditions of misalignment.
- YA-RR series has cylindrical outside diameters.
- YA-RRB series has spherical outside diameters for use in housings with corresponding spherical inside surfaces. This provides unrestricted initial self-alignment.



### Suggested shaft tolerances:

- 1/2 in. – 1 15/16 in., nominal to -0.013 mm, -0.0005 in.;
- 2 in. – 2 3/16 in., nominal to -0.025 mm, -0.0010 in.

Bearing No.		Basic Outer-Ring Size	Shaft Dia. d	O.D. D	Ring Widths		S	F	J	Set Screw Size	Brg. Wt.	Static Load Rating C <sub>0</sub>	Extended Dynamic Load Rating C <sub>E</sub>
Cylindrical O.D.	Spherical O.D.				Inner B	Outer C							
			in. mm	mm in.	mm in.	mm in.	mm in.	mm in.	mm in.	kg lbs.	N lbs.	N lbs.	
YA008RR	YA008RRB	203	1/2	40 1.5748	23.8 0.938	13 0.5120 <sup>(1)</sup>	7.95 0.313	24.6 31/32	4.75 0.187	M5X.8 10 – 32	0.09 0.19	4700 1060	10600 2360
YA010RR	YA010RRB		5/8										
YAE17RR	YAE17RRB		17										
YA012RR	YA012RRB	204	3/4	47 1.8504	27.0 1.063	15 0.5910 <sup>(2)</sup>	8.86 0.349	29.0 1 1/64	6.02 0.237	M6X1 1/4 – 28	0.14 0.30	6200 1400	14300 3200
YAE20RR	YAE20RRB		20										
YA014RR	YA014RRB	205	7/8	52 2.0472	28.2 1.109	15 0.5910	8.84 0.348	33.7 1 21/64	6.35 0.250	M6X1 1/4 – 28	0.17 0.38	7700 1730	15800 3550
YA015RR	YA015RRB		15/16										
YA100RR	YA100RRB		1										
YAE25RR	YAE25RRB		25										
YA102RR	YA102RRB	206	1 1/8	62 2.4409	32.5 1.281	18 0.7090	9.65 0.380	40.1 1 37/64	7.87 0.310	M8X1.25 5/16 – 24 <sup>(3)</sup>	0.26 0.58	11100 2500	21800 4900
YA103RR	YA103RRB		1 3/16										
YA103RR2	YA103RRB2		1 1/4										
YAE30RR	YAE30RRB		30										
YA104RR	YA104RRB	207	1 1/4	72 2.8346	36.5 1.444	19 0.7480	10.85 0.427	46.8 1 27/32	7.87 0.310	M8X1.25 5/16 – 24	0.42 0.93	15100 3400	28500 6400
YA106RR	YA106RRB		1 3/8										
YA107RR	YA107RRB		1 7/16										
YAE35RR	YAE35RRB		35										
YA108RR	YA108RRB	208	1 1/2	80 3.1496	39.3 1.538	22 0.8661 <sup>(4)</sup>	11.63 0.458	52.4 2 1/16	7.87 0.310	M8X1.25 5/16 – 24	0.56 1.24	17600 4000	36000 8150
YAE40RR	YAE40RRB		40										
YA110RR	YA110RRB	209	1 5/8	85 3.3465	42.0 1.655	22 0.8861	13.46 0.530	57.9 2 9/32	7.87 0.310	M8X1.25 5/16 – 24	0.54 1.18	20500 4500	36300 8160
YA111RR	YA111RRB		1 11/16										
YA112RR	YA112RRB		1 3/4										
YAE45RR	YAE45RRB		45										
YA115RR	YA115RRB	210	1 15/16	90 3.5433	44.3 1.746	22 0.8661	13.46 0.530	62.7 2 15/32	9.02 0.355	M10X1.5 3/8 – 24	0.57 1.25	22700 5100	39200 8800
YA115RR2	YA115RRB2		2										
YAE50RR	YAE50RRB		50										
YA200RR	YA200RRB	211	2	100 3.9370	46.6 1.833	24 0.9449	14.60 0.575	69.8 2 3/4	9.02 0.355	M10X1.5 3/8 – 24	0.58 1.27	28500 6400	48000 10800
YA203RR	YA203RRB		2 3/16										
YAE55RR	YAE55RRB		55										

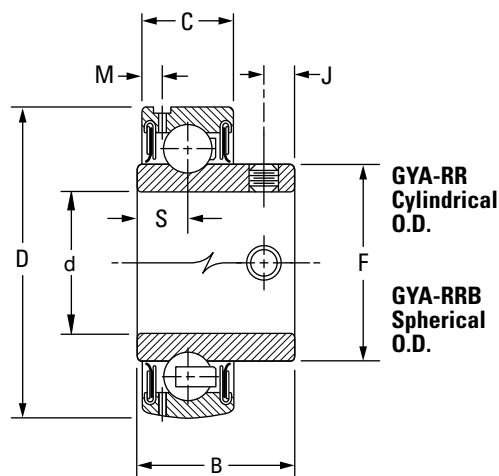
<sup>(1)</sup>Spherical O.D. outer-ring width is 12 mm (0.4724 in.).  
<sup>(2)</sup>Spherical O.D. outer-ring width is 14 mm (0.5512 in.).  
<sup>(3)</sup>YA103RR2 and YA103RRB2 use 1/4 – 28 in. set screw.  
<sup>(4)</sup>Spherical O.D. outer-ring width is 21 mm (0.8268 in.).  
 NOTE: Bore tolerance is nominal to +0.013 mm, +0.0005 in.

### GYA-RR, GYA-RRB RELUBRICATABLE TYPES

- GYA-RR-series bearings are dimensionally interchangeable with the YA-RR series.
- Both series have cylindrical outside diameters and can be used in standard cylindrical housings.
- GYA-RRB series have spherical outside diameters, providing unrestricted initial alignment. This series is used in housings with corresponding spherical inside surfaces.

#### Suggested shaft tolerances:

1/2 in. - 1 15/16 in., nominal to -0.013 mm, -0.0005 in.;  
 2 in. - 2 3/16 in., nominal to -0.025 mm, -0.0010 in.



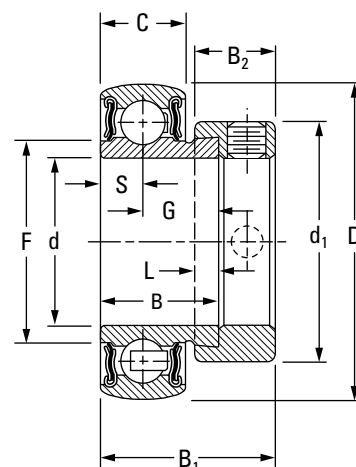
Bearing No.		Basic Outer-Ring Size	Shaft Dia. d	O.D. D	Ring Widths		S	F	M	J	Set Screw Size	Brg. Wt.	Static Load Rating C <sub>0</sub>	Extended Dynamic Load Rating C <sub>E</sub>
Cylindrical O.D.	Spherical O.D.				Inner B	Outer C								
			in. mm	mm in.	mm in.	mm in.	mm in.	mm in.	mm in.	mm in.	kg lbs.	N lbs.	N lbs.	
GYA008RR	GYA008RRB	203	1/2	40 1.5748	23.8 0.938	12 0.4720	7.95 0.313	24.6 31/32	2.72 0.107	4.75 0.187	M5X.8 10 - 32	0.09 0.19	4700 1060	10600 2360
GYA010RR	GYA010RRB		5/8											
GYAE17RR	GYAE17RRB		17											
GYA012RR	GYA012RRB	204	3/4	47 1.8504	27.0 1.063	14 0.5510	8.86 0.349	29.0 1 9/64	3.05 0.120	6.02 0.237	M6X1 1/4 - 28	0.14 0.30	6200 1400	14300 3200
GYAE20RR	GYAE20RRB		20											
GYA014RR	GYA014RRB	205	7/8	52 2.0472	28.2 1.109	15 0.5910	8.84 0.348	33.7 1 21/64	3.61 0.142	6.35 0.250	M6X1 1/4 - 28	0.17 0.38	7700 1730	15800 3550
GYA015RR	GYA015RRB		15/16											
GYA100RR	GYA100RRB		1											
GYAE25RR	GYAE25RRB		25											
GYA102RR	GYA102RRB	206	1 1/8	62 2.4409	32.5 1.281	18 0.7090	9.65 0.380	40.1 1 37/64	4.17 0.164	7.87 0.310	M8X1.25 5/16 - 24 <sup>(1)</sup>	0.26 0.58	11100 2500	21800 4900
GYA103RR	GYA103RRB		1 3/16											
GYA103RR2	GYA103RRB2		1 1/4											
GYAE30RR	GYAE30RRB		30											
GYA104RR	GYA104RRB	207	1 1/4	72 2.8346	36.5 1.444	19 0.7480	10.85 0.427	46.8 1 27/32	3.68 0.145	7.87 0.310	M8X1.25 5/16 - 24	0.42 0.93	15100 3400	28500 6400
GYA106RR	GYA106RRB		1 3/8											
GYA107RR	GYA107RRB		1 7/16											
GYAE35RR	GYAE35RRB		35											
GYA108RR	GYA108RRB	208	1 1/2	80 3.1496	39.3 1.538	22 0.8661	11.63 0.458	52.4 2 1/16	4.17 0.164	7.87 0.310	M8X1.25 5/16 - 24	0.56 1.24	17600 4000	36000 8150
GYAE40RR	GYAE40RRB		40											
GYA110RR	GYA110RRB	209	1 5/8	85 3.3465	42 1.655	22 0.8661	13.46 0.530	57.9 2 9/32	4.54 0.179	7.87 0.310	M8X1.25 5/16 - 24	0.54 1.18	20000 4500	36000 8150
GYA111RR	GYA111RRB		1 11/16											
GYA112RR	GYA112RRB		1 3/4											
GYAE45RR	GYAE45RRB		45											
GYA115RR	GYA115RRB	210	1 15/16	90 3.5433	44.3 1.746	22 0.8661	13.46 0.530	62.7 2 19/32	4.44 0.175	9.02 0.355	M10X1.5 3/8 - 24	0.57 1.25	22700 5100	39200 8800
GYA115RR2	GYA115RRB2		2											
GYAE50RR	GYAE50RRB		50											
GYA200RR	GYA200RRB	211	2	100 3.9370	46.6 1.833	24 0.9449	14.60 0.575	69.8 2 3/4	4.90 0.193	9.02 0.355	M10X1.5 3/8 - 24	0.58 1.27	28500 6400	48000 10800
GYA203RR	GYA203RRB		2 3/16											
GYAE55RR	GYAE55RRB		55											

<sup>(1)</sup>GYA103RR2 and GYA103RRB2 use 1/4 - 28 in. set screw.  
 NOTE: Bore tolerance is nominal to +0.013 mm, +0.0005 in.

**LIGHT SERIES**

**RAL-NPPB NON-RELUBRICATABLE TYPES**

- RAL series are high-quality, compact, low-cost bearings and are intended for use in lightly loaded applications.
- RAL series are on extended inner-ring type with self-locking collars.
- Prelubricated RAL series incorporate the positive contact, land-riding R-seal. The seal has proved effective in the retention of lubricants and exclusion of foreign matter under extreme service conditions.
- RAL-NPPD-series bearings have spherical outside diameters providing unrestricted initial alignment.
- This bearing is used in housings with corresponding spherical inside surfaces.



**Suggested shaft tolerances:**

1/2 in. – 1 1/4 in., nominal to -0.013 mm, -0.0005 in.

**To order, specify bearing number followed by "+ COL".**

Example: RAL100NPPB + COL.

Bearing No.	Collar No.	Basic Outer-Ring Size	Shaft Dia. d	O.D. D	Ring Widths		S	G	F	L	d <sub>1</sub>	B <sub>2</sub>	B <sub>1</sub>	Brg. and Collar Wt.		Static Load Rating C <sub>0</sub>	Extended Dynamic Load Rating C <sub>E</sub>
					Inner B	Outer C								kg	lbs.		
RAL008NPPB <sup>(1)</sup>	LS008K	202	1/2	35 1.3780	15.88 5/8	11 0.433	5.502 0.2116	10.373 0.4084	20.07 0.790	4.0 5/32	25.4 1	11.1 7/16	23.8 15/16	—	—	3000 680	7500 1700
RAL009NPPB	LS009K		9/16											0.06	0.13		
RAL010NPPB <sup>(1)</sup>	LS010K		5/8											0.06	0.13		
RAL012NPPB <sup>(1)</sup>	LS012K	9104	3/4	42 1.6535	16.67 21/32	12 0.472	6.000 0.2362	10.663 0.4198	25.15 0.990	3.2 1/8	29.8 1 11/64	11.1 7/16	24.6 31/32	0.09	0.20	4400 1000	10400 2320
RAL013NPPB	LS013K	9105	13/16	47 1.8504	17.46 11/16	12 0.472	6.000 0.2362	11.476 0.4518	29.67 1.168	4.0 5/32	36.1 1 27/64	11.9 15/32	25.4 1	—	—	4900 1120	11000 2500
RAL014NPPB	LS014K		7/8											0.11	0.24		
RAL015NPPB	LS015K		15/16											—	—		
RAL100NPPB <sup>(1)</sup>	LS100K		1											0.10	0.22		
RAL101NPPB	LS101K	9106	1 1/16	55 2.1654	18.27 23/32	13 0.512	6.500 0.2559	11.755 0.4628	36.32 1.430	4.0 5/32	42.5 1 43/64	11.9 15/32	26.2 1 1/32	—	—	6950 1560	14600 3350
RAL102NPPB	LS102K		1 1/8											0.13	0.29		
RAL103NPPB	LS103K		1 3/16											0.13	0.29		
RAL103NPPB2 <sup>(1)</sup>	LS103K2		1 1/4											0.13	0.29		

<sup>(1)</sup>Also available with cylindrical O.D. Delete suffix B.  
NOTE: Bore tolerance is nominal to +0.013 mm, +0.0005 in.

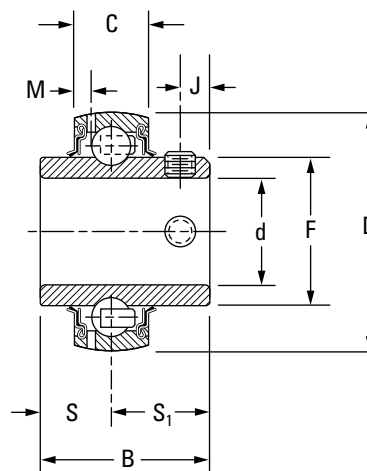
### MEDIUM SERIES

### GYM-KRRB INSERTS SET SCREW LOCK

- This series is designed to offer extended bearing life despite demanding industrial environments.
- The insert features a full-width inner ring, providing extra support along the shaft.
- The extra support feature, coupled with a flexible nylon retainer, allows the inserts to operate for extended periods with undersized shafts or in misalignment conditions.
- The inserts are equipped with a three-piece seal, protecting against corrosion, contamination and fiber wrap.
- The inserts also include nylon-patch set screws, resisting set screw back-out and providing superior holding power in applications with severe vibration.

#### Suggested shaft tolerances:

- 1 in. – 1 15/16 in., nominal to -0.013 mm, -0.0005 in.;
- 2 in. – 3 in., nominal to -0.025 mm, -0.0010 in.



Bearing No.	Basic Outer-Ring Size	Shaft Dia.	O.D.	Ring Widths		S	S <sub>1</sub>	F	M	J	Set Screw Size	Brg. Wt.	Static Load Rating	Extended Dynamic Load Rating
				Inner	Outer									
Spherical O.D.		d	D	B	C								C <sub>0</sub>	C <sub>E</sub>
		in.	mm in.	mm in.	mm in.	mm in.	mm in.	mm in.	mm in.	mm in.	mm in.	kg lbs.	N lbs.	N lbs.
GYM1100KRRB	206	1	62 2.4409	38.10 1.500	18 0.709	15.88 0.625	22.22 0.875	40.31 1.587	3.96 0.156	7.62 0.300	M6 x 1 1/4 – 28	0.427 0.94	11100 2500	21800 4900
GYM1103KRRB	207	1 3/16	72 2.8346	42.87 1.688	19 0.748	17.48 0.688	25.40 1.000	46.18 1.816	3.68 0.145	7.82 0.308	M8 x 1.25 5/16 – 24	0.704 1.55	15100 3400	28500 6400
GYM1107KRRB	208	1 7/16	80 3.1496	49.22 1.938	21 0.827	19.05 0.750	30.17 1.188	52.27 2.058	4.06 0.160	8.00 0.315	M8 x 1.25 5/16 – 24	0.817 1.80	19600 4400	36300 8150
GYM1108KRRB	209	1 1/2	85 3.3465	49.22 1.938	22 0.866	19.05 0.750	30.17 1.188	52.27 2.280	4.55 0.179	8.00 0.315	M8 x 1.25 5/16 – 24	0.885 1.95	20000 4500	36300 8150
GYM1111KRRB	210	1 11/16	90 3.5433	51.59 2.031	22 0.866	19.05 0.750	32.54 1.281	62.84 2.474	4.70 0.185	10.00 0.394	M10 x 1.5 3/8 – 24	1.271 2.80	22700 5100	39200 8800
GYM1112KRRB		1 3/4										1.203 2.65		
GYM1115KRRB	211	1 15/16	100 3.9370	55.55 2.187	24 0.945	22.22 0.875	33.32 1.312	69.77 2.747	5.00 0.197	10.00 0.394	M10 x 1.5 3/8 – 24	1.634 3.60	28500 6400	48100 10800
GY1200KRRB		2										1.498 3.30		
GYM1203KRRB	212	2 3/16	110 4.3307	65.07 2.562	27 1.063	25.40 1.000	39.67 1.562	76.48 3.011	5.13 0.202	10.00 0.394	M10 x 1.5 3/8 – 24	2.225 4.90	35600 8000	58800 13200
GY1204KRRB		2 1/4										1.952 4.30		
GYM1207KRRB	214	2 7/16	125 4.9213	69.85 2.750	28 1.102	26.97 1.062	42.84 1.687	76.48 3.422	5.08 0.200	12.00 0.472	M12 x 1.75 7/16 – 20	2.996 6.60	43000 9650	69500 15600
GYM1208KRRB		2 1/2										2.860 6.30		
GYM1211KRRB	215	2 11/16	130 5.1181	77.80 3.063	29 1.142	33.32 1.312	44.45 1.750	91.92 3.619	5.56 0.219	12.00 0.472	M12 x 1.75 7/16 – 20	3.042 6.70	43600 9800	69500 15600
GYM1215KRRB GYM1300KRRB	216	2 15/16 3	140 5.5118	77.80 3.063	29 1.142	33.32 1.312	44.45 1.750	91.92 3.619	5.56 0.219	12.00 0.472	M12 x 1.75 7/16 – 20	3.087 6.80	53400 12000	80200 18000

NOTE: Bore tolerance: 1/2 in. – 2 3/16 in., nominal to +0.013 mm, +0.0005 in.  
2 1/4 in. – 3 in., nominal to +0.015 mm, +0.0006 in.



## HEAVY SERIES

### GN-KRRB RELUBRICATABLE TYPES

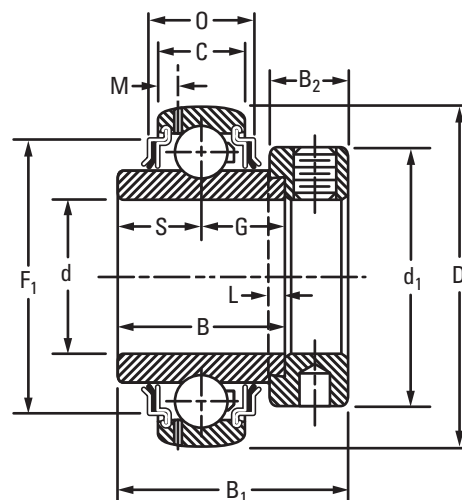
- The heavy series R-seal bearings are similar to the standard series and designed to withstand continuous, heavy or shock loads.
- This series has heavier-section 300-series bearings. They include a considerably thicker sealing member in the contact-type diaphragm seal.
- The design of the series ensures complete retention of the lubricant and positive exclusion of all contaminants.

**Suggested shaft tolerances:**

- 1 3/16 in. – 1 15/16 in., nominal to -0.013 mm, -0.0005 in.;
- 2 in. – 3 15/16 in., nominal to -0.025 mm, -0.0010 in.

**To order, specify bearing number followed by "+ COL".**

Example: GN303KRRB + COL.

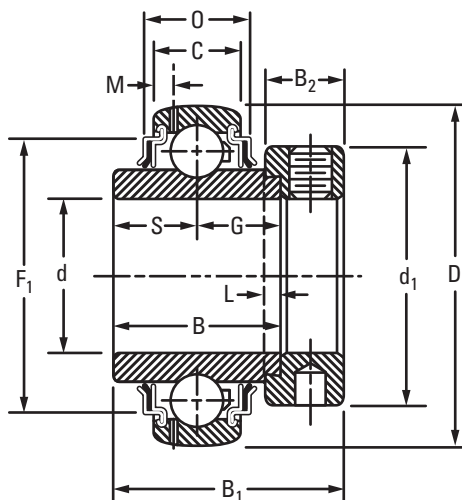


Bearing No.	Collar No.	Basic Outer-Ring Size	Shaft Dia. d	O.D. D	Ring Widths		S	G	L	d <sub>1</sub>	B <sub>2</sub>	M	B <sub>1</sub>	F <sub>1</sub>	O	Brg. and Collar Wt.		Static Load Rating C <sub>0</sub>	Extended Dynamic Load Rating C <sub>E</sub>
					Inner B	Outer C										kg	lbs.		
GN103KRRB	SN103K	306	1 3/16	72 2.8346	36.51 1 7/16	20 0.787	17.5 11/16	19.1 3/4	4.0 5/32	49.2 1 15/16	17.5 11/16	3.61 0.142	50.0 1 31/32	60.17 2.369	23.50 0.925	0.553	1.22	15800 3560	33100 7440
GN104KRRB	SN104K	307	1 1/4	80 3.1496	38.10 1 1/2	22 0.866	18.3 23/32	19.8 25/32	4.0 5/32	55.6 2 3/16	17.5 11/16	3.96 0.156	51.6 2 1/32	67.01 2.638	27.00 1.063	0.762	1.68	18300 4120	37100 8340
GN105KRRB	SN105K		1 5/16													0.744	1.64		
GN106KRRB	SN106K		1 3/8													0.726	1.60		
GN107KRRB	SN107K		1 7/16													0.708	1.56		
GN108KRRB <sup>(1)</sup>	SN108K	308	1 1/2	90 3.5433	41.28 1 5/8	25 0.984	19.8 25/32	21.4 27/32	4.8 3/16	63.5 2 1/2	20.6 13/16	4.62 0.182	57.2 2 1/4	75.06 2.955	26.67 1.05	1.152	2.54	26000 5850	49400 11100
GN110KRRB	SN110K	309	1 5/8	100 3.9370	42.86 1 11/16	27 1.063	19.8 25/32	23.0 29/32	4.8 3/16	69.9 2 3/4	20.6 13/16	5.00 0.197	58.7 2 5/16	82.58 3.251	28.52 1.123	1.656	3.65	31700 7120	58700 13200
GN111KRRB	SN111K		1 11/16													1.456	3.21		
GN112KRRB <sup>(1)</sup>	SN112K		1 3/4													1.388	2.95		
GN114KRRB	SN114K	310	1 7/8	110 4.3307	49.21 1 15/16	29 1.142	24.6 31/32	24.6 31/32	4.8 3/16	75.8 2 63/64	22.2 7/8	5.36 0.211	66.7 2 5/8	82.87 3.654	30.86 1.215	1.973	4.35	37900 8510	68500 15400
GN115KRRB <sup>(1)</sup>	SN115K		1 15/16													1.905	4.20		
GN200KRRB	SN200K	311	2	120 4.7244	55.56 2 3/16	31 1.220	27.8 1 3/32	27.8 1 3/32	4.8 3/16	82.6 3 1/4	22.2 7/8	5.49 0.216	73.0 2 7/8	101.78 4.007	37.47 1.475	2.132	4.70	44500 10000	79200 17800
GN203KRRB	SN203K		2 3/16													2.368	5.22		

<sup>(1)</sup>Also available with cylindrical O.D. Delete suffix B. Example: GN108KRR.  
 NOTE: Bore tolerances: 1 3/16 in. – 2 3/16 in., nominal to +0.013 mm, +0.0005 in.;  
 2 1/4 in. – 3 3/16 in., nominal to +0.015 mm, +0.0006 in.

Continued on next page.

### GN-KRRB RELUBRICATABLE TYPES – continued



Continued from previous page.

Bearing No.	Collar No.	Basic Outer-Ring Size	Shaft Dia. d	O.D. D	Ring Widths		S	G	L	d <sub>1</sub>	B <sub>2</sub>	M	B <sub>1</sub>	F <sub>1</sub>	O	Brg. and Collar Wt. kg lbs.	Static Load Rating N lbs.	Extended Dynamic Load Rating N lbs.
					Inner B	Outer C												
GN207KRRB	SN207K	312	2 7/16 in.	130 5.1181 mm in.	61.91 2 7/16 mm in.	33 1.299 mm in.	31.0 1 7/32 mm in.	31.0 1 7/32 mm in.	6.4 1/4 mm in.	88.9 3 1/2 mm in.	23.8 15/16 mm in.	5.84 0.230 mm in.	79.4 3 1/8 mm in.	108.52 4.312 mm in.	38.99 1.535 mm in.	2.839 6.26 kg lbs.	52000 11700 N lbs.	90700 20400 N lbs.
GN211KRRB	SO211K	314	2 11/16 in.	150 5.9055 mm in.	68.26 2 11/16 mm in.	37 1.457 mm in.	34.1 1 11/32 mm in.	34.1 1 11/32 mm in.	6.4 1/4 mm in.	101.6 4 mm in.	27.0 1 1/16 mm in.	6.73 0.265 mm in.	88.9 3 1/2 mm in.	126.31 4.973 mm in.	44.96 1.770 mm in.	4.509 9.94 kg lbs.	68100 15300 N lbs.	115700 26000 N lbs.
GN215KRRB	SN215K	315	2 15/16 in.	160 6.2992 mm in.	74.61 2 15/16 mm in.	39 1.535 mm in.	37.3 1 15/32 mm in.	37.3 1 15/32 mm in.	6.4 1/4 mm in.	112.7 4 7/16 mm in.	31.8 1 1/4 mm in.	6.48 0.255 mm in.	100.0 3 15/16 mm in.	133.02 5.273 mm in.	51.13 2.013 mm in.	5.634 12.42 kg lbs.	77000 17300 N lbs.	125900 28300 N lbs.
GN303KRRB	SN303K	316	3 3/16 in.	170 6.6929 mm in.	80.96 3 3/16 mm in.	41 1.614 mm in.	40.5 1 19/32 mm in.	40.5 1 19/32 mm in.	6.4 1/4 mm in.	119.1 4 11/16 mm in.	31.8 1 1/4 mm in.	7.26 0.286 mm in.	106.4 4 3/16 mm in.	142.82 5.623 mm in.	51.05 2.010 mm in.	7.126 15.71 kg lbs.	86300 19400 N lbs.	136600 30700 N lbs.
GN307KRRB	SN307K	318	3 7/16 in.	190 7.4803 mm in.	87.31 3 7/16 mm in.	45 1.772 mm in.	42.1 1 21/32 mm in.	42.1 1 21/32 mm in.	7.9 9/16 mm in.	133.4 5 1/4 mm in.	36.5 1 7/16 mm in.	8.18 0.322 mm in.	115.9 4 9/16 mm in.	161.37 6.353 mm in.	52.63 2.072 mm in.	9.190 20.26 kg lbs.	107200 24100 N lbs.	158400 35600 N lbs.
GN315KRRB	SN315K	320	3 15/16 in.	215 8.4646 mm in.	100.01 3 15/16 mm in.	49 1.929 mm in.	50.0 1 31/32 mm in.	50.0 1 31/32 mm in.	7.9 9/16 mm in.	146.1 5 3/4 mm in.	36.5 1 7/16 mm in.	7.82 0.308 mm in.	129.6 5 1/16 mm in.	182.85 7.199 mm in.	59.36 2.337 mm in.	12.233 26.97 kg lbs.	140600 31600 N lbs.	191700 43100 N lbs.

<sup>(1)</sup>Also available with cylindrical O.D. Delete suffix B. Example: GN108KRR.

NOTE: Bore tolerances: 1 3/16 in. – 2 3/16 in., nominal to +0.013 mm, +0.0005 in.;  
2 1/4 in. – 3 3/16 in., nominal to +0.015 mm, +0.0006 in.

### GN-KLLB SPECIAL DUTY

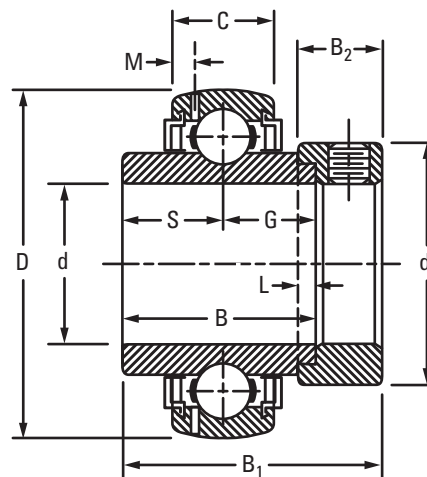
- The GN-KLLB-series ball bearings are heavy and are similar in design to the standard LL (Mechani-Seal) wide-inner-ring ball bearings.
- The GN-KLLB series have heavier-section 300-series bearings.
- Unlike standard series, the seal in this heavy series is a three-piece construction and includes two fixed inner members and an external rotation slinger.

**Suggested shaft tolerances:**

1/8 in. – 1 15/16 in., nominal to -0.013 mm, -0.0005 in.;  
 2 in. – 2 15/16 in., nominal to -0.025 mm, -0.0010 in.

**To order, specify bearing number followed by "+ COL".**

Example: GN104KLLB + COL.



Bearing No.	Collar No.	Basic Outer-Ring Size	Shaft Dia. d	O.D. D	Ring Widths			S	G	L	d <sub>1</sub>	B <sub>2</sub>	M	B <sub>1</sub>	Brg. and Collar Wt.	Static Load Rating C <sub>0</sub>	Extended Dynamic Load Rating C <sub>E</sub>	
					Inner B	Outer C												
					N-KLL	GN-KLLB												
					mm in.	mm in.	mm in.	mm in.	mm in.	mm in.	mm in.	mm in.	mm in.	mm in.	kg lbs.	N lbs.	N lbs.	
GN102KLLB	SN102K	306	1 1/8	72	36.51	19	20	17.46	19.05	3.9	49.21	17.46	3.61	1.97	0.554	1.22	15800	33100
GN103KLLB	SN103K		1 3/16	2.8346	1 7/16	0.7480	0.7874	1 1/16	3/4	5/32	1 15/16	1 1/16	0.142	1 31/32	0.604	1.33	3560	7440
GN104KLLB	SN104K	307	1 1/4	80	38.10	21	22	18.30	19.84	3.9	55.60	17.46	3.96	51.59	0.649	1.43	18300	37100
GN106KLLB	SN106K		1 3/8	3.1496	1 1/2	0.8268	0.8661	23/32	25/32	5/32	2 3/16	1 1/16	0.156	2 1/32	0.699	1.54	4120	8340
GN107KLLB	SN107K		1 7/16												0.731	1.61		
GN108KLLB	SN108K	308	1 1/2	90	41.28	23	25	19.84	21.43	4.8	63.50	20.64	4.62	57.15	1.153	2.54	26000	49400
			3.5433	1 5/8	0.9055	0.9843	25/32	27/32	3/16	2 1/2	13/16	0.182	2 1/4			5850	11100	
GN111KLLB	SN111K	309	1 11/16	100	42.86	25	27	19.84	23.02	4.8	69.85	20.64	4.80	58.74	1.457	3.21	31700	58700
GN112KLLB	SN112K		1 3/4	3.9370	1 11/16	0.9843	1.0630	25/32	29/32	3/16	2 3/4	13/16	0.189	2 5/16	1.657	3.65	7120	13200
GN115KLLB	SN115K	310	1 15/16	110	50.00	27	29	24.60	24.60	4.8	76.20	22.23	5.16	66.68	1.907	4.20	37900	68500
			4.3307	1 31/32	1.0630	1.1417	31/32	31/32	3/16	3	7/8	0.203	2 5/8			8510	15400	
GN203KLLB	SN203K	311	2 3/16	120	55.56	29	31	27.80	29.37	4.8	82.55	22.23	5.49	73.02	2.370	5.22	44500	79200
			4.7244	2 3/16	1.1417	1.2205	1 3/32	1 5/32	3/16	3 1/4	7/8	0.216	2 7/8			10000	17800	
GN207KLLB	SN207K	312	2 7/16	130	61.91	31	33	30.96	30.96	6.4	88.90	23.80	5.84	79.38	2.841	6.26	52000	90700
			5.1181	2 7/16	1.2205	1.2992	1 7/32	1 7/32	1/4	3 1/2	15/16	0.230	3 1/8			11700	20400	
GN211KLLB	SN211K	314	2 11/16	150	68.26	35	37	34.13	34.13	6.4	101.60	26.99	6.73	88.90	4.512	9.94	68100	115700
			5.9055	2 11/16	1.3780	1.4567	1 11/32	1 11/32	1/4	4	1 1/16	0.265	3 1/2			15300	26000	
GN215KLLB	SN215K	315	2 15/16	160	74.61	39	39	37.30	37.30	6.4	112.71	31.75	6.48	100.01	5.638	12.42	77000	125900
			6.2992	2 15/16	1.5354	1.5354	1 15/32	1 15/32	1/4	4 7/16	1 1/4	0.255	3 15/16			17300	28300	

NOTE: Bore tolerance: 1/2 in. – 2 3/16 in., nominal to +0.013 mm, +0.0005 in.  
 2 7/16 in. – 2 15/16 in., nominal to +0.015 mm, +0.0006 in.

### SMN A AND B TYPES/MUOA-B INSERTS<sup>(1)</sup>

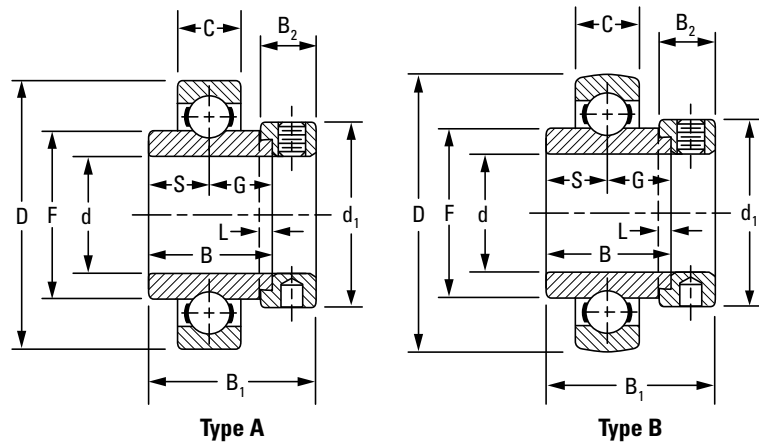
- SMN series types A and B have the same ring tolerances and corner radii as equivalent 300-series single-row radial ball bearings.
- Type A has cylindrical outside diameters; type B has spherical outside diameters. The letter B appears on the outer ring only.
- The bearings are not prelubricated.

#### Suggested shaft tolerances:

5/8 in. – 1 15/16 in., nominal to -0.013 mm, -0.0005 in.;  
 2 3/16 in. – 3 15/16 in., nominal to -0.025 mm, -0.0010 in.  
 For larger sizes, contact your Timken engineer.

#### To order, specify bearing number followed by "+ COL".

Example: SMN102K + COL.



Bearing No.		Collar No.	Basic Outer-Ring Size	Shaft Dia. d	O.D. D	Ring Widths		S	G	F	L	d <sub>1</sub>	B <sub>2</sub>	B <sub>1</sub>	Brg. and Collar Wt.		Static Load Rating C <sub>0</sub>	Extended Dynamic Load Rating C <sub>e</sub>												
A Type <sup>(2)</sup>	B Type					Inner B	Outer C								kg	lbs.			N	N										
				in.	mm in.	mm in.	mm in.	mm in.	mm in.	mm in.	mm in.	mm in.	mm in.	mm in.	kg	lbs.	N	N												
SMN010K	SMN010KB	SN010K	303	5/8	47	34.13	14	17.07	17.07	25.93	4.00	34.93	15.88	46.05	0.240	0.53	6550	15000												
SMN011K	SMN011KB	SN011K		1 1/16	1.8504	1 11/32	0.5512	43/64	43/64	1.021	5/32	1 3/8	5/8	1 13/16	0.218	0.48	1460	3350												
SMN012K	SMN012KB	SN012K	304	3/4	52	34.93	15	15.90	19.05	29.24	4.00	36.51	15.88	46.83	0.227	0.50	7800	17600												
				2.0472	1 3/8	0.5906	5/8	3/4	1.151	5/32	1 7/16	5/8	1 27/32	0.404	0.86	1760	4000													
SMN013K	SMN013KB	SN013K	305	13/16	62	34.93	17	16.67	18.26	36.50	4.00	42.86	15.88	46.83	0.445	0.98	12200	26000												
SMN014K	SMN014KB	SN014K		7/8											2.4409	1 3/8			0.6693	21/32	23/32	1.437	5/32	1 11/16	5/8	1 27/32	0.431	0.95	2750	5850
SMN015K	SMN015KB	SN015K		15/16																							0.413	0.91		
SMN100K	SMN100KB	SN100K		1																							0.404	0.86		
SMN101K	SMN101KB	SN101K	306	1 1/16	72	36.51	19	17.46	19.05	43.23	4.00	49.21	17.46	50.00	0.608	1.34	15600	33500												
SMN102K	SMN102KB	SN102K		1 1/8											2.8346	1 7/16			0.7480	11/16	3/4	1.702	5/32	1 15/16	1 1/16	1 31/32	0.585	1.29	3550	7500
SMN103K	SMN103KB	SN103K		1 3/8																							0.567	1.25		
SMN104K	SMN104KB	SN104K	307	1 1/4	80	38.10	21	18.26	19.84	48.95	4.00	55.60	17.46	51.59	0.803	1.77	21200	40500												
SMN105K	SMN105KB	SN105K		1 5/8											3.1496	1 1/2			0.8268	23/32	25/32	1.927	5/32	2 3/16	1 1/16	2 1/32	0.757	1.67	4750	9150
SMN106K	SMN106KB	SN106K		1 3/8																							0.726	1.60		
SMN107K	SMN107KB	SN107K		1 7/16																							0.721	1.56		
SMN108K	SMN108KB	SN108K	308	1 1/2	90	41.28	23	19.84	21.43	55.50	4.80	63.50	20.64	57.15	1.089	2.40	26100	49000												
SMN109K	SMN109KB	SN109K		1 9/16											3.5433	1 5/8			0.9055	25/32	27/32	2.185	3/16	2 1/2	13/16	2 1/4	1.025	2.26	5850	11000
SMN110K	SMN110KB	SN110K	309	1 5/8	100	42.86	25	19.84	23.02	62.05	4.80	69.90	20.64	58.74	1.433	3.16	31600	58500												
SMN111K	SMN111KB	SN111K		1 11/16											3.9370	1 11/16			0.9843	25/32	29/32	2.443	3/16	2 3/4	13/16	25/16	1.361	3.00	7100	13200
SMN112K	SMN112KB	SN112K		1 3/4																							1.361	3.00		
SMN113K	SMN113KB	SN113K		1 13/16																							1.896	4.18		
SMN114K	SMN114KB	SN114K	310	1 7/8	110	49.21	27	24.61	24.61	68.78	4.80	76.20	22.20	66.68	1.805	3.98	37900	68000												
SMN115K	SMN115KB	SN115K		1 5/8											4.3307	1 15/16			1.0630	31/32	31/32	2.708	3/16	3	7/8	2 5/8	1.737	3.83	8500	15300

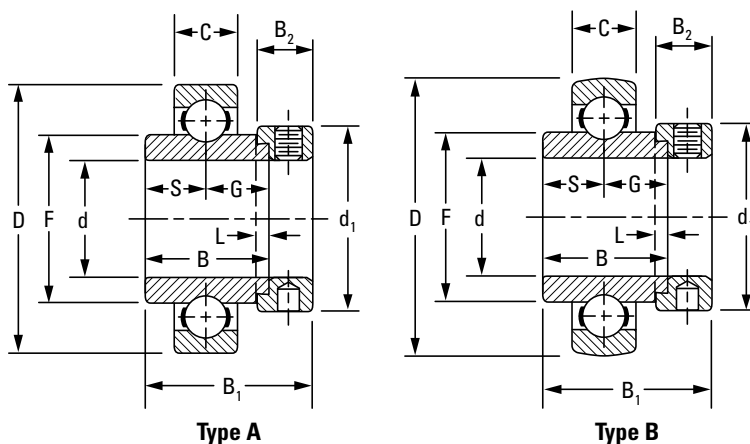
<sup>(1)</sup>See page A-159.

<sup>(2)</sup>Order as MUOA assembly suggested.

<sup>(3)</sup>For applications where thrust load exceeds 60 percent of radial load, consult your Timken engineer.

NOTE: Bore tolerance: 5/8 in. – 2 3/16 in., nominal to +0.013 mm, +0.0005 in.  
 3 1/4 in. – 4 3/16 in., nominal to +0.018 mm, +0.0007 in.  
 4 7/16 in. – 4 15/16 in., nominal to +0.020 mm, +0.0008 in.

Continued on next page.



Continued from previous page.

Bearing No.		Collar No.	Basic Outer-Ring Size	Shaft Dia.	O.D.	Ring Widths		S	G	F	L	d <sub>1</sub>	B <sub>2</sub>	B <sub>1</sub>	Brg. and Collar Wt.		Static Load Rating	Extended Dynamic Load Rating
A Type <sup>(2)</sup>	B Type					Inner	Outer								kg	lbs.		
				d	D	B	C											
				in.	mm in.	mm in.	mm in.	mm in.	mm in.	mm in.	mm in.	mm in.	mm in.	mm in.	kg	lbs.	N lbs.	N lbs.
SMN200K	SMN200KB	SN200K	311	2											2.413	5.32		
SMN201K	SMN201KB	SN201K		2 1/16	120	55.56	29	27.78	27.78	75.01	4.80	82.55	22.20	73.03	2.395	5.28	43600	80000
SMN202K	SMN202KB	SN202K		2 1/8	4.7244	2 3/16	1.1417	1 3/32	1 3/32	2.953	3/16	3 1/4	7/8	2 7/8	2.331	5.14	9800	18000
SMN203K	SMN203KB	SN203K		2 3/16											2.209	4.87		
SMN204K	SMN204KB	SN204K	312W	2 1/4											3.084	6.80		
SMN205K	SMN205KB	SN205K		2 5/16	130	61.91	31	31.00	31.00	81.53	6.40	88.90	23.81	79.38	3.012	6.64	51480	89800
SMN206K	SMN206KB	SN206K		2 3/8	5.1181	2 7/16	1.2205	1 7/32	1 7/32	3.210	1/4	3 1/2	15/16	3 1/8	2.908	6.41	11700	20400
SMN207K	SMN207KB	SN207K		2 7/16											2.812	6.20		
SMN211K	SMN211KB	SO211K		314	2 11/16	150	2.69	35	34.13	34.13	94.78	6.40	101.60	26.99	92.08	4.205	9.27	66800
				5.9055	2 11/16	1.3780	1 11/32	1 11/32	3.731	1/4	4	1 1/16	3 5/8			15000	26000	
SMN215K	SMN215KB	SN215K	315	2 15/16	160	74.61	37	37.31	37.31	100.38	6.40	112.71	31.75	100.01	5.856	12.91	75700	125000
				6.2992	2 15/16	1.4567	1 15/32	1 15/32	3.952	1/4	4 7/16	1 1/4	3 15/16			17000	28500	
SMN303K	SMN303KB	SN303K	316	3 3/16	170	80.96	39	40.48	40.48	106.91	6.40	119.06	31.75	106.36	6.704	14.78	86000	137000
				6.6929	3 3/16	1.5354	1 19/32	1 19/32	4.209	1/4	4 11/16	1 1/4	4 3/16			19300	30500	
SMN307K	SMN307KB	SN307K	318	3 7/16	190	87.31	43	43.66	43.66	120.12	7.94	133.35	36.51	115.89	9.984	22.01	106900	156000
				7.4803	3 7/16	1.6929	1 23/32	1 23/32	4.729	5/16	5 1/4	1 7/16	4 9/16			24000	35500	
SM0311W-BR <sup>(3)</sup>	SM0311WB-BR <sup>(3)</sup>	SO311K	319	3 11/16	200	93.66	45	38.89	54.77	126.67	7.94	139.70	36.51	122.24	11.090	24.45	173700	224000
				7.8740	3 11/16	1.7717	1 17/32	2 5/32	4.987	5/16	5 1/2	1 7/16	4 13/16			39000	50000	
SMN315K	SMN315KB	SN315K	320	3 15/16	215	100.01	47	50.00	50.00	134.77	7.94	146.05	36.51	128.59	13.068	28.81	140300	193000
				8.4646	3 15/16	1.8504	1 31/32	1 31/32	5.306	5/16	5 3/4	1 7/16	5 1/16			31500	43000	
SMN403W-BR <sup>(3)</sup>	SMN403WB-BR	SN403K	321	4 3/16	225	104.78	49	48.42	56.36	141.22	7.94	157.16	42.86	139.70	15.508	34.19	202700	250000
				8.8583	4 1/8	1.9291	1 29/32	2 7/32	5.560	5/16	6 3/16	1 11/16	5 1/2			45500	56000	
SMN407W-BR <sup>(3)</sup>	SMN407WB-BR <sup>(3)</sup>	SN407K	322	4 7/16	240	106.36	50	49.21	57.15	142.75	7.94	165.10	42.86	141.29	19.051	42.00	245000	285100
				9.4488	4 3/16	1.9685	1 15/16	2 1/4	5.920	5/16	6 1/2	1 11/16	5 9/16			55000	64000	
SMN415W-BR <sup>(3)</sup>	SMN415WB-BR <sup>(3)</sup>	SN415K	326	4 15/16	280	106.36	59	53.98	61.91	176.56	7.94	206.38	42.86	150.81	29.660	65.39	327400	347400
				11.0236	4 3/16	2.3228	2 1/8	2 7/16	6.951	5/16	8 1/8	1 11/16	5 15/16			73500	78000	

<sup>(1)</sup>See page A-159.

<sup>(2)</sup>Order as MUOA assembly suggested.

<sup>(3)</sup>For applications where thrust load exceeds 60 percent of radial load, consult your Timken engineer.

NOTE: Bore tolerance: 5/8 in. – 2 3/16 in., nominal to +0.013 mm, +0.0005 in.

3 1/4 in. – 4 3/16 in., nominal to +0.018 mm, +0.0007 in.

4 7/16 in. – 4 15/16 in., nominal to +0.020 mm, +0.0008 in.

### SMN-S SERIES

- The SMN-S heavy-series construction permits its inner assembly to swivel in the outer aligning ring.
- Unrestricted self-alignment is achieved, allowing the inner ring to become square and true with the shaft and assembly.
- The external S-ring is uniquely ground and closely matched to its respective outer-bearing ring so that the S-ring of one bearing will not fit the outer ring of another bearing.
- This bearing has the basic 300-series load capacities.
- The bearings are not prelubricated.

#### Suggested shaft tolerances:

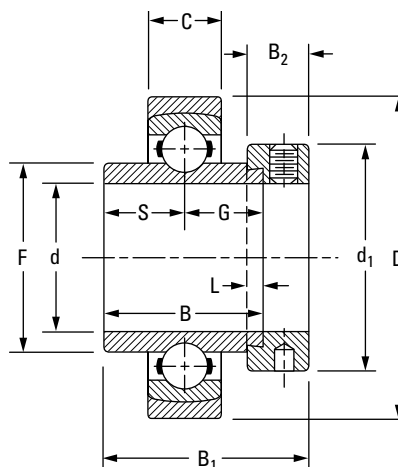
1 3/16 in. – 1 15/16 in., nominal to -0.013 mm, -0.0005 in.;

2 in. – 3 15/16 in., nominal to -0.025 mm, -0.0010 in.

Greater than 3 15/16 in., consult your Timken engineer.

#### To order, specify bearing number followed by "+ COL".

Example: SMN103KS + COL.



Bearing No.	Collar No.	Basic Outer-Ring Size	Shaft Dia. d	O.D. D	Ring Widths		S	G	F	L	d <sub>1</sub>	B <sub>2</sub>	B <sub>1</sub>	Brg. and Collar Wt.		Static Load Rating C <sub>0</sub>	Extended Dynamic Load Rating C <sub>E</sub>
					Inner B	Outer C								kg	lbs.		
SMN103KS	SN103K	306	1 3/16	80 3.1496	36.51 1 7/16	19 0.7480	17.50 11/16	19.10 3/4	43.23 1.702	4.0 5/32	49.20 1 15/16	17.50 1 1/16	50.00 1 31/32	0.654	1.44	15600 3550	33500 7550
SMN107KS	SN107K	307	1 7/16	88 3.4646	38.10 1 1/2	21 0.8268	18.30 23/32	19.80 25/32	48.95 1.927	4.0 5/32	55.60 2 3/16	17.50 1 1/16	51.60 2 1/32	0.849	1.87	21200 4750	40500 9150
SMN108KS	SN108KT	308	1 1/2	100 3.9370	41.28 1 5/8	23 0.9055	19.80 25/32	21.40 27/32	55.50 2.185	4.8 3/16	63.50 2 1/2	20.60 13/16	57.20 2 1/4	1.344	2.96	26100 5850	49000 11000
SMN111KS	SN111K	309	1 11/16	110 4.3307	42.86 1 11/16	25 0.9843	19.80 25/32	23.00 29/32	62.05 2.443	4.8 3/16	69.90 2 3/4	20.60 13/16	58.70 2 5/16	1.693	3.73	31600 7100	58500 13200
SMN115KS	SN115K	310	1 15/16	120 4.7244	49.21 1 15/16	27 1.0630	24.60 31/32	24.60 31/32	68.78 2.708	4.8 3/16	76.20 3	22.20 7/8	66.70 2 5/8	2.147	4.73	37900 8500	68000 15300
SMN203KS	SN203K	311	2 3/16	130 5.1181	55.56 2 3/16	29 1.1417	27.80 1 1/32	27.80 1 3/32	75.01 2.953	4.8 3/16	82.60 3 1/4	22.20 7/8	73.00 2 7/8	2.769	6.10	43600 9800	80000 18000
SMN207KS	SN207K	312	2 7/16	145 5.7087	61.91 2 7/16	31 1.2205	31.00 1 7/32	31.00 1 7/32	81.53 3.210	6.4 1/4	88.90 3 1/2	23.80 15/16	79.40 3 1/8	3.405	7.50	51700 11600	90000 20400
SMN211KS	SO211K	314	2 11/16	165 6.4961	68.26 2 11/16	35 1.3780	34.10 1 11/32	34.10 1 11/32	94.70 3.731	6.4 1/4	101.60 4	27.00 1 1/16	92.10 3 5/8	5.185	11.42	66800 15000	116000 26000
SMN215KS	SN215K	315	2 15/16	175 6.8898	74.61 2 15/16	37 1.4567	37.30 1 15/32	37.30 1 15/32	100.38 3.952	6.4 1/4	112.70 4 7/16	31.80 1 1/4	100.00 3 15/16	6.456	14.22	75700 17000	125000 28500
SMN303KS	SN303K	316	3 3/16	190 7.4803	80.96 3 3/16	39 1.5354	40.50 1 19/32	40.50 1 19/32	106.91 4.209	6.4 1/4	119.10 4 11/16	31.80 1 1/4	106.40 4 3/16	8.040	17.71	86000 19300	137000 30500
SMN307KS	SN307K	318	3 7/16	210 8.2677	87.31 3 7/16	43 1.6929	43.70 1 23/32	43.70 1 23/32	120.12 4.729	7.9 5/16	133.40 5 1/4	36.50 1 7/16	115.90 4 9/16	1.790	25.97	106900 24000	156000 35500
SMO311WS-BR	SO311K	319	3 11/16	220 8.6608	93.66 3 11/16	45 1.7680	38.89 1 17/32	54.77 2 5/32	126.53 4.982	7.9 5/16	139.70 5 1/2	36.51 1 7/16	122.24 4 13/16	16.300	33.00	166000 37500	224000 50000
SMN315KS	SN315K	320	3 15/16	235 9.2520	100.01 3 15/16	47 1.8504	50.00 1 31/32	50.00 1 31/32	134.77 5.306	7.9 5/16	146.00 5 3/4	36.50 1 7/16	128.60 5 1/16	15.822	34.85	140300 31500	193000 43000
SMN407WS-BR <sup>(1)</sup>	SN407K	322	4 7/16	265 10.4331	106.36 4 3/16	50 1.9685	49.20 1 19/16	57.20 2 1/4	150.37 5.920	7.9 5/16	168.30 6 1/2	42.90 1 11/16	141.30 5 9/16	21.465	47.28	245000 55000	280000 63000
SMN415WS-BR <sup>(1)</sup>	SN415K	326	4 15/16	300 11.8110	115.89 4 9/16	59 2.3228	54.00 2 1/8	61.90 2 7/16	176.56 6.951	7.9 5/16	206.40 8 1/8	42.90 1 11/16	150.80 5 15/16	33.773	74.39	327400 73500	345000 78000

<sup>(1)</sup>For applications where thrust load exceeds 60 percent of radial load, consult your Timken engineer.

NOTE: Bore tolerance: 1 5/16 in. – 2 3/16 in., nominal to +0.013 mm, +0.0005 in.

2 1/4 in. – 3 3/16 in., nominal to +0.015 mm, +0.0006 in.

3 1/4 in. – 4 3/16 in., nominal to +0.018 mm, +0.0007 in.

4 7/16 in. – 4 15/16 in., nominal to +0.020 mm, +0.0008 in.



## **BALL BEARING HOUSED UNITS**

Timken® housed units are available in a wide variety of types and sizes to accommodate a complete range of operating conditions.

- **Sizes:** 12.7 mm – 125.4 mm (1/2 in. – 4 15/16 in.). Size range is dependent upon duty series.
- **Industries and applications:** Agriculture, food processing, conveyors, fans and blowers.
- **Features:** Most popular design features cast-iron housing. Other material options include malleable iron, polymer, pressed-steel or rubber.
- **Benefits:** Combines bearing, housing, seal and locking system into one device for easy installation. Operates even when the shaft is not perfectly aligned with the mounting surface.

Nomenclature . . . . . A-65  
 Introduction . . . . . A-66

### **CAST-IRON HOUSED UNITS**

RAK, TAK, LAK Industrial Series . . . . . A-69  
 YAK Industrial-Series Set Screw Units . . . . . A-71  
 VAK Standard Series . . . . . A-72  
 SAK Standard Series . . . . . A-73  
 RAS, TAS, LAS Industrial Series . . . . . A-74  
 RASC Industrial-Series Concentric Collar . . . . . A-76  
 YAS Industrial-Series Set Screw Units . . . . . A-77  
 VAS Standard Series . . . . . A-78  
 SAS Standard Series . . . . . A-79  
 RAKH Industrial Series . . . . . A-80  
 RAKHL Expansion Series . . . . . A-81  
 YASM Medium-Duty Series Set Screw Lock . . . . . A-82  
 STB Series . . . . . A-83  
 VTB Series . . . . . A-84  
 RAO, LAO Heavy Series . . . . . A-85  
 RSA, LSA Industrial Series . . . . . A-86  
 RSAO, LSAO Heavy Series . . . . . A-88  
 SAL Industrial Series, Fixed and Floating Types . . . . . A-89  
 SAOL Heavy Series, Fixed and Floating Types . . . . . A-90  
 DRNR Industrial Series . . . . . A-92

### **CAST-IRON FLANGED UNITS**

RCJ, TCJ, LCJ Industrial Series . . . . . A-93  
 RCJC Industrial-Series Concentric Collar . . . . . A-95

YCJ Industrial Set Screw Series . . . . . A-96  
 VCJ Standard Series . . . . . A-98  
 SCJ Standard Series . . . . . A-99  
 RCJO, LCJO Heavy Series . . . . . A-100  
 YCJM Medium-Duty Series Set Screw Lock . . . . . A-101  
 YCJTM Medium-Duty Series Set Screw Lock . . . . . A-102  
 RCJT, TCJT, LCJT Industrial Series . . . . . A-103  
 RCJTC Industrial-Series Concentric Collar . . . . . A-104  
 VCJT Standard Series . . . . . A-105  
 YCJT Industrial Set Screw Series . . . . . A-106  
 SCJT Standard Series . . . . . A-107  
 FLCT Standard Series . . . . . A-108  
 RFC Industrial Piloted-Series Concentric Collar . . . . . A-109  
 RC Series . . . . . A-110

### **MALLEABLE-IRON FLANGED UNITS**

GVFD, GVFDR Relubricatable Series –  
 VFD, VFDR Non-Relubricatable Series . . . . . A-111  
 GRFD, GRFDR Relubricatable Series –  
 RFD, RFDR Non-Relubricatable Series . . . . . A-112





### MALLEABLE-IRON FLANGED UNITS – *continued*

GVFTD, GVFTDR Relubricatable Series –	
VFTD, VFTDR Non-Relubricatable Series	A-113
GRFTD, GRFTDR Relubricatable Series –	
RFTD, RFTDR Non-Relubricatable Series	A-114

### PRESSED-STEEL HOUSED UNITS

PBS Series	A-115
PB Series – RPB Series	A-116

### PRESSED-STEEL FLANGED UNITS

VFMST Series	A-118
LFST Series	A-119

### PRESSED-STEEL FLANGETTE UNITS

RR Flangette Unit	A-120
RA Flangette Unit	A-122
RAT, RRT Two-Bolt Flangette Units	A-124
RATR, RRTR Triangle Flangette Units	A-126
GRA, GRR Relubricatable Flangette Units	A-128

### RUBBER CARTRIDGES

RCSM, RCR, CR Series	A-130
RABR HVAC Special Series	A-131

### TAKE-UP UNITS

NLTU Series Side-Mounted, Pressed-Steel	A-132
TU Series Top-Mounted, Cast-Iron	A-133
RTU Industrial Series	A-134
YTU Industrial Series	A-135
VTU Standard Series	A-136
TTU Industrial Series	A-137

### TIMKEN® SURVIVOR® PS SERIES . . . . . A-138

KAK/S Series	A-139
KJC Series	A-140
KCJT and KTB Series	A-141

### TIMKEN® SURVIVOR® PT SERIES . . . . . A-142

YAK/S Series	A-143
YJC Series	A-144
YJCT Series	A-145
YTB and YFB Series	A-146
RAK/S Series	A-147
RCJ Series	A-148
RCJT and RTB Series	A-149

### TIMKEN® SURVIVOR® NT SERIES . . . . . A-150

YJC and YJCT Series	A-151
RAK/S Series	A-152
RCJ Series	A-153
RCJT Series	A-154
RTU Series	A-155

### MISCELLANEOUS HOUSED UNITS

Idler Pulley Units	A-156
Roller Chain Idler Sprockets	A-158

### REPLACEMENT BEARINGS

Housed Unit Replacement Chart	A-159
-------------------------------	-------

### MACHINE UNITS . . . . . A-161

### TIMKEN® BALL BEARING HOUSED UNIT SAFETY END CAPS MAKE WORKPLACE PROTECTION A SNAP . . . . . A-162

# NOMENCLATURE

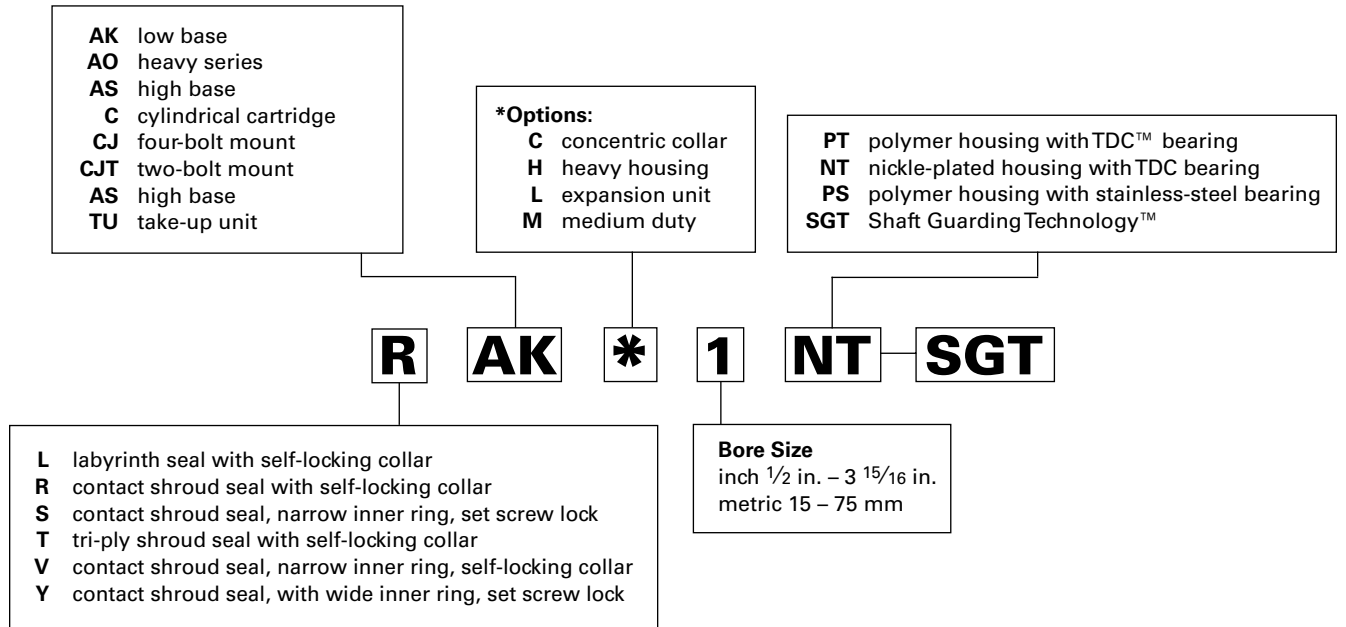


Fig. A-19. Wide-inner-ring ball bearing housed unit nomenclature.

### INTRODUCTION

Ball bearing housed units are available in a wide variety of types and sizes to accommodate a complete range of operating conditions.

These units generally have cast-iron housings and mount on straight shafts with a slip fit. The self-locking collar and the set screw inner-bearing designs make mounting easier. Many of the set screw units include Shaft Guarding Technology™ (see page A-31). Bolt holes in housings take standard bolts to attach units to machinery frames. Several series are available with the concentric locking collar. Most units have a self-aligning feature.

Units incorporating prelubricated wide-inner-ring ball bearings may be furnished without grease fittings.

Several basic types of housed units are available:

- Pillow blocks also known as housed units.
- Flanged cartridges.
- Flangette units.
- Cylindrical cartridges.
- Take-up units.

The choice is determined by application and mounting requirements. Within the basic type selected, variations are available for specific load factors, shaft sizes, mounting surface dimensions, base-to-shaft centerline heights and lubrication requirements.

### PILLOW BLOCKS

Pillow blocks, the most commonly used type of mounted units, provide shaft support where the mounting surface is parallel to the shaft axis (fig. A-20). The bolt holes are usually slotted for easy adjustment during mounting.

Pillow blocks come in a variety of configurations.

- Narrow series (V and S) are lightweight, yet structurally designed to support bearing load.
- Premium width series (R and Y) are three times stronger for rougher environments. They're available in two styles that fit typical applications.
- Pressed steel and rubber pillow blocks are available for light-duty applications.



Fig. A-20. Pillow block.

### FLANGED CARTRIDGES

Flanged cartridges are used where a shaft passes through the machine frame at a right angle (fig. A-21). A four-bolt mounting is the most common; however, where the mounting area is restricted, three- and two-bolt versions are available. A piloted flanged cartridge provides additional mounting accuracy and support.



Fig. A-21. Flanged cartridge.

Flanged cartridges are supplied in both standard and heavy-duty series. Iron- and rubber-flanged cartridges also are available.

A complete line of flangette units or pressed-steel flanged cartridges provides an economical solution for light-duty applications. Two-, three- and four-bolt mountings are available along with a relubricatable version.

### CYLINDRICAL CARTRIDGES

Cylindrical cartridges, like flanged cartridges, provide shaft support where the shaft axis is perpendicular to and passing through a machined housing that is generally very thick (fig. A-22). The outside diameter of the cylindrical cartridges permits mounting with a press fit into a straight, through-bored housing.

Cylindrical cartridges have a machined spherical bearing seat to provide initial shaft alignment in standard-duty applications. Synthetic, conductive rubber cylindrical cartridges are available for applications where low-cost, light-duty, low-noise operation is essential.



Fig. A-22. Cylindrical cartridge.



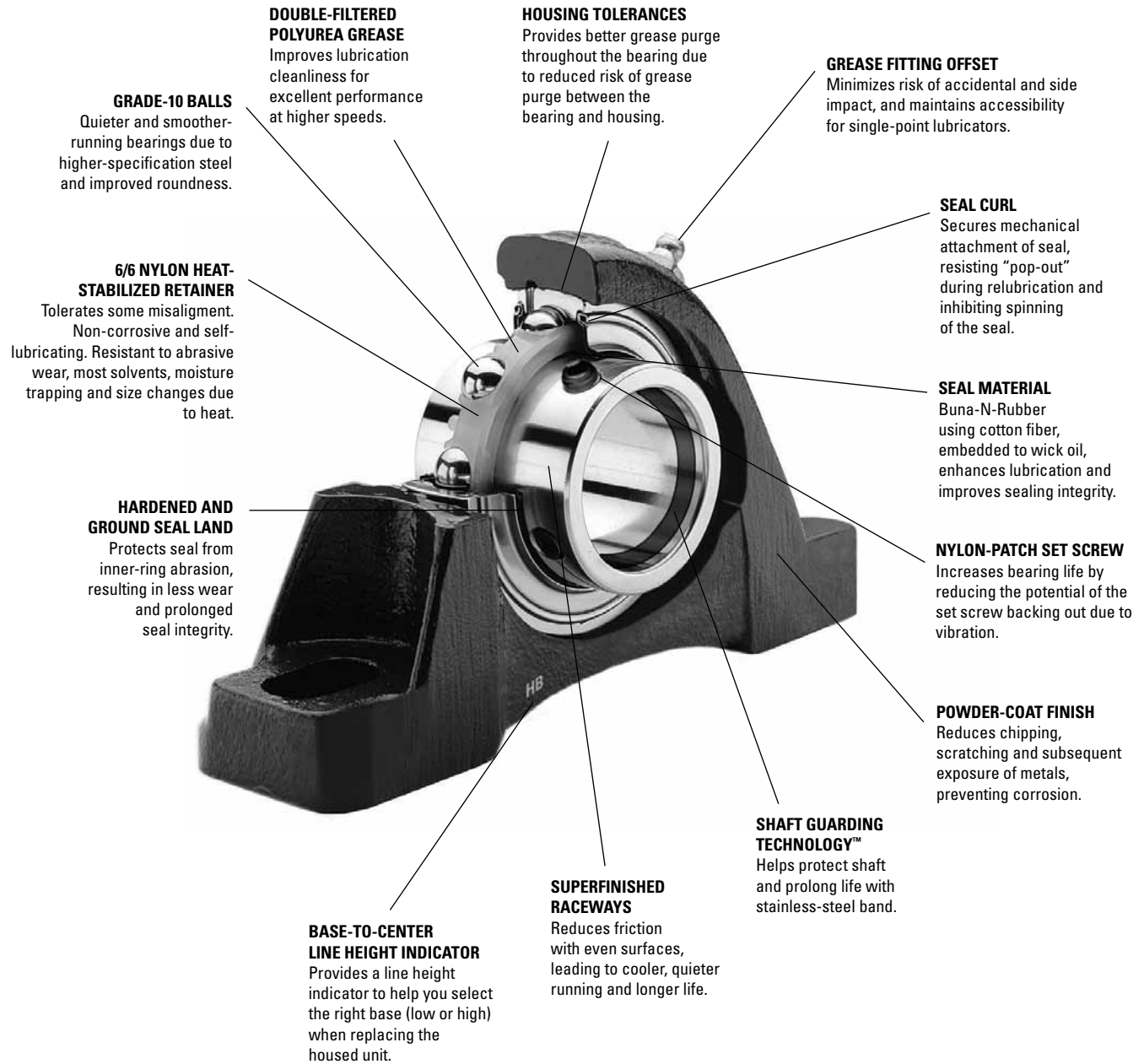
Fig. 23. Take-up unit.

### TAKE-UP UNITS

Take-up units are used where shaft adjustment and belt-tightening devices are required, such as conveyor applications (fig. A-23). Frames for take-up units provide for either side or top mounting.

Take-up units are available in cast-iron for standard-duty applications and pressed steel for economical, light-duty applications.

**FEATURES AND BENEFITS OF TIMKEN® BALL BEARING HOUSED UNITS**



**NOTE**

*Failure to follow the mounting/dismounting instructions of your equipment supplier can cause damage to the shaft, leading to premature failure of the equipment.*

[www.timken.com/warning/WIR](http://www.timken.com/warning/WIR)

### TIMKEN SELF-LOCKING COLLAR INSTALLATION

Most Timken housed units come equipped with the self-locking collar to facilitate the mounting of wide-inner-ring ball bearings. This self-locking collar eliminates the need for locknuts, washers, shoulders, sleeves and adapters.

The locking collar has a counterbored recess made purposely eccentric to the bore. The collar recess and the end of the bearing inner ring with which it engages are both machined so that they act as mating cams when on the shaft.

When the collar is engaged to the inner ring, it grips the shaft tightly with a positive binding action that increases with use. No adjustments of any kind are necessary.

### CONCENTRIC COLLAR

For simplified installation of Timken housed units equipped with concentric-collar bearings, the collar is normally assembled to the wide inner ring for shipment. Slip the complete unit on the shaft following steps 1 and 2 (table A-22) described for the self-locking collar procedure, and tighten both set screws.

### TIMKEN SET SCREW LOCKING BEARING

Steps 1 and 2 (table A-22) can be repeated from the self-locking collar installation above. To lock the set screw bearing, simply tighten each inner ring set screw to the suggested torque listed by shaft size. See table A-21.

**TABLE A-21. SET SCREW LOCKING GUIDE.**

Shaft Size		SUGGESTED
in.	mm	Torque in. - lbs.
1/2 – 11/16	17	35
3/4 – 1	20 – 25	80
1 1/16 – 1 3/4	30 – 45	155
1 13/16 – 2 3/16	50 – 55	275

It may be necessary to rotate the shaft to provide an easy access of the set screw wrench to the set screws. To disassemble, loosen the set screws.

**TABLE A-22. SELF-LOCKING COLLAR INSTALLATION**



1. Slip the shaft through the pillow block or other Timken® housed unit incorporating the wide-inner-ring ball bearing. Be certain the bearing is aligned in position along the shaft to eliminate any possibility of cramping loads.



2. Fasten the unit securely to the base using the proper bolt size.



3. Place the self-locking collar on the shaft with its cam adjacent to the cam on the end of the bearing's inner ring. The eccentric recessed cam will slide over and engage the corresponding cam on the bearing inner ring. Turn the collar in the direction of shaft rotation.



4. Using a lightweight hammer and a drift pin inserted in the drift-pin hole, tap lightly in the direction of shaft rotation to positively engage the collar. The wide inner ring is now locked to the shaft.



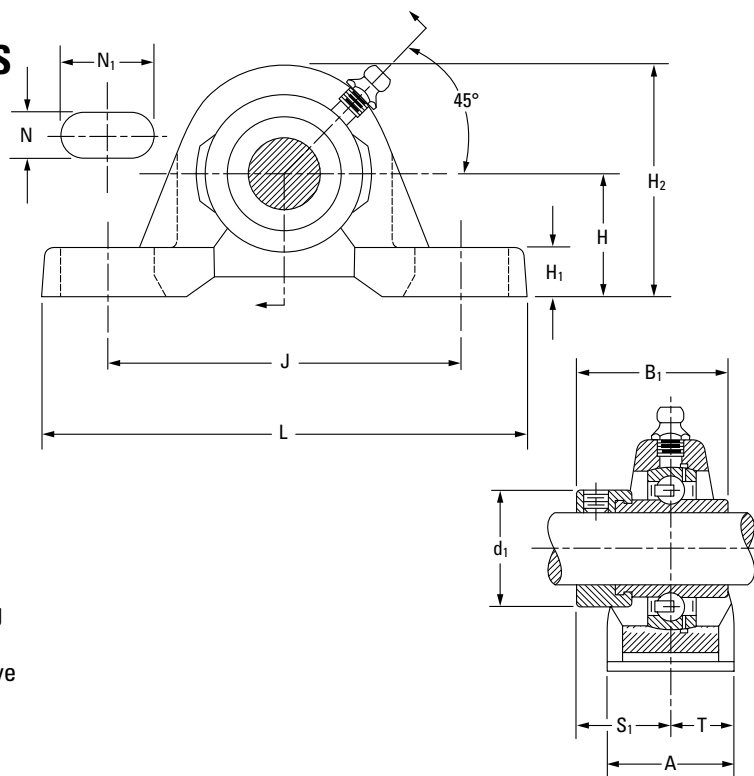
5. As a final step, fully tighten the set screw. It exerts a wedging action to hold the collar always in the engaged position, even under shock load. This design will operate effectively after the cams are tightly locked and in most cases, with no set screws at all.



## CAST-IRON HOUSED UNITS RAK, TAK, LAK INDUSTRIAL SERIES

RAK, TAK and LAK pillow blocks are suggested for industrial applications where normal loads are encountered.

- Heavier than our standard block with solid, flat feet for increased strength.
- Compact, one-piece housing can be mounted in any position.
- Pillow blocks self-align at mounting with the spherical outside diameter of the bearing fitting into the corresponding spherical housing seat.
- Pre-lubricated and ready for immediate installation.
- Grease fitting for relubrication.
- Self-locking collars supplied with all units.
- RAK pillow block is equipped with G-KRRB (R-seal) wide-inner-ring ball bearings, the TAK with G-KPPB (tri-ply seal) wide-inner-ring ball bearings and the LAK with the G-KLLB (Mechani-seal) wide-inner-ring ball bearings.
- Contact a Timken engineer to discuss highly corrosive applications (food processing, chemical exposure) where Timken thin-dense chrome-coated bearings can be utilized.



### Suggested shaft tolerances:

- 1/2 in. – 1 15/16 in., nominal to -0.013 mm, -0.0005 in.;
- 2 in. – 2 15/16 in., nominal to -0.025 mm, -0.0010 in.

### To order, specify UNIT and SHAFT DIAMETER.

Example: RAK 1 7/16 in.

### BEARING DATA

Unit	Bearing No.	Dimensions and Load Ratings
RAK	G-KRRB	Page A-34
TAK	G-KPPB	Page A-39
LAK	G-KLLB	Page A-37

Unit	Shaft Dia.	H	H <sub>2</sub>	B <sub>1</sub>	J	L	A	H <sub>1</sub>	N	N <sub>1</sub>	d <sub>1</sub>	S <sub>1</sub>	T	Bolt Size	Bearing No. <sup>(1)</sup>	Collar No.	Housing No.	Unit Wt.	
	in.	mm	mm	mm	mm	mm	mm	mm	mm	mm	mm	mm	mm	mm	RAK	(TAK/LAK)		New (Old)	kg lbs.
RAK, LAK	1/2													10	G1008KRRB (KLLB)	S1008K			
RAK, LAK	5/8	26.99	53.20	37.3	92.1	123.8	30.2	8.7	11.1	22.2	28.6	23.4	15.1	10	G1010KRRB (KLLB)	S1010K	T-40238	0.454	
RAK	11/16	1 1/16	2 3/32	1 15/32	3 5/8	4 7/8	1 3/16	1 1/32	7/16	7/8	1 1/8	59/64	19/32	3/8	G1011KRRB (KLLB)	S1011K	(T-30595)	1.00	
RAK	17														GE17KRRB	SE17K			
RAK, LAK	3/4	31.75	64.30	43.7	96.0	127.0	33.3	13.5	11.1	20.2	33.3	26.6	16.7	10	G1012KRRB (KLLB)	S1012K		0.730	
RAK	20	1 1/4	2 17/32	1 23/32	3 25/32	5	1 5/16	1 7/32	7/16	51/64	1 5/16	1 3/64	21/32	3/8	GE20KRRB	SE20K	M96830	1.61	
RAK, TAK	7/8														G1014KRRB (KPPB3)	S1014K			
RAK, TAK, LAK	15/16	33.34	69.80	44.4	104.8	139.7	37.3	11.9	11.1	20.6	38.1	27.0	18.7	10	G1015KRRB (KPPB3/KLLB)	S1015K		0.950	
RAK, TAK, LAK	1	1 5/16	2 3/4	1 3/4	4 1/8	5 1/2	1 15/32	1 5/32	7/16	13/16	1 1/2	1 1/16	47/64	3/8	G1100KRRB (KPPB3/KLLB)	S1100K	M96833	2.10	
RAK, TAK	25														GE25KRRB (KPPB3)	SE25K			
RAK, TAK	1 1/16														G1101KRRB (KPPB3)	S1101K			
RAK, TAK, LAK	1 1/8	36.68	81.70	48.4	117.5	157.2	42.9	13.5	14.3	23.8	44.1	30.1	21.4	12	G1102KRRB (KPPB3/KLLB)	S1102K		1.420	
RAK, TAK, LAK	1 3/16	1 9/16	3 7/32	1 29/32	4 5/8	6 3/16	1 11/16	1 7/32	9/16	15/16	1 47/64	1 3/16	27/32	1/2	G1103KRRB (KPPB3/KLLB)	S1103K	M96836	3.14	
RAK, TAK	30														GE30KRRB (KPPB3)	SE30K			
RAK, TAK, LAK	1 1/4														G1104KRRB (KPPB2/KLLB)	S1104K			
RAK, TAK	1 5/16	46.04	93.70	51.2	130.2	166.7	46.8	16.7	14.3	24.6	53.4	32.5	23.4	12	G1105KRRB (KPPB2)	S1105K		1.890	
RAK, TAK	1 3/8	1 13/16	3 11/16	2 1/64	5 1/8	6 9/16	1 27/32	2 1/32	9/16	31/32	2 1/8	1 9/32	59/64	1/2	G1106KRRB (KPPB2)	S1106K	M96839	4.18	
RAK, TAK, LAK	1 7/16														G1107KRRB (KPPB2/KLLB)	S1107K			
RAK, TAK	35														GE35KRRB (KPPB2)	SE35K			

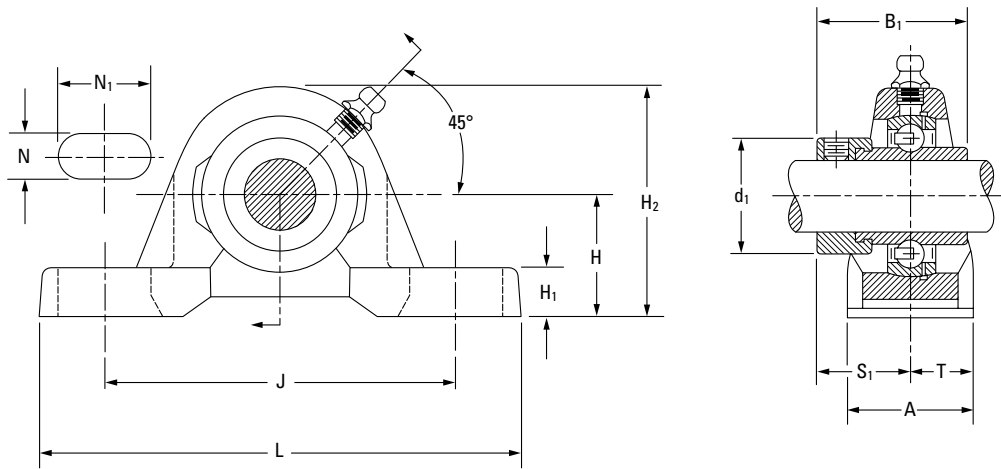
<sup>(1)</sup>Bearing number for RAK is G-KRRB. TAK uses G-KPPB. LAK uses G-KLLB.

NOTE: All units have 1/8 pipe-thread grease fitting except 1/2 – 1 1/16 and 3/4 units, which have 1/4-28 fitting.

Continued on next page.



### RAK, TAK, LAK INDUSTRIAL SERIES – continued



Continued from previous page.

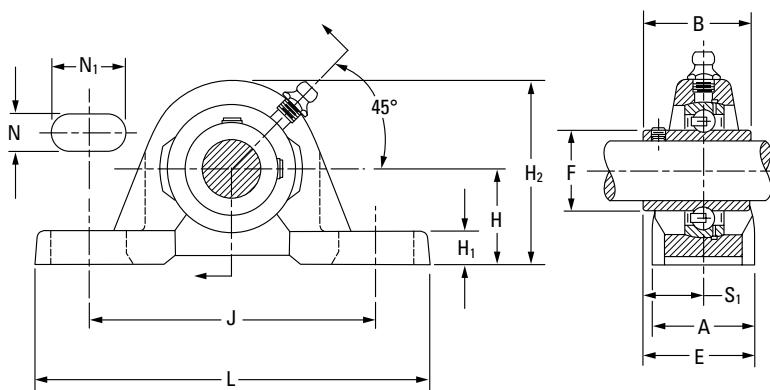
Unit	Shaft Dia.	H	H <sub>2</sub>	B <sub>1</sub>	J	L	A	H <sub>1</sub>	N	N <sub>1</sub>	d <sub>1</sub>	S <sub>1</sub>	T	Bolt Size	Bearing No. <sup>(1)</sup>	Collar No.	Housing No.	Unit Wt.	
	in. mm	mm in.	mm in.	mm in.	mm in.	mm in.	mm in.	mm in.	mm in.	mm in.	mm in.	mm in.	mm in.	mm in.	RAK	(TAK/LAK)		New (Old)	kg lbs.
RAK, TAK, LAK	1 1/2	49.21	101.60	56.4	136.5	179.4	51.6	19.1	14.3	26.2	60.3	34.9	25.8	12	G1108KRRB (KPPB3/KLLB)	S1108KT			2.490
RAK, TAK	1 9/16	1 15/16	4	2 7/32	5 3/8	7 1/16	2 1/32	3/4	9/16	1 1/32	2 3/8	1 3/8	1 1/64	1/2	G1109KRRB (KPPB3)	S1109KT	M96842		5.50
RAK, TAK	40														GE40KRRB (KPPB3)	SE40K			
RAK, TAK	1 5/8														G1110KRRB (KPPB4)	S1110K			
RAK, TAK, LAK	1 11/16	52.39	104.80	56.4	98.4	191.3	52.4	17.5	14.3	28.6	63.5	34.9	26.2	12	G1111KRRB (KPPB4/KLLB)	S1111K	M96844		3.200
RAK, TAK, LAK	1 3/4	2 1/16	4 1/8	2 7/32	5 7/8	7 17/32	2 1/16	1 1/16	9/16	1 1/8	2 1/2	1 3/8	1 1/32	1/2	G1112KRRB (KPPB4/KLLB)	S1112K			7.06
RAK, TAK	45														GE45KRRB (KPPB4)	SE45K			
RAK, TAK	1 7/8														G1114KRRB (KPPB3)	S1114K			
RAK, TAK, LAK	1 15/16	55.56	112.70	62.7	158.0	200.0	57.9	17.7	18.3	25.4	69.9	38.1	29.0	16	G1115KRRB (KPPB3/KLLB)	S1115K	M96847		4.010
RAK, TAK	50	2 3/16	4 7/16	1 5/32	6 7/32	7 7/8	2 9/32	1 1/16	2 3/32	1	2 3/4	1 1/2	1 9/64	5/8	GE50KRRB (KPPB3)	SE50K			8.86
RAK, TAK	2														G1200KRRB (KPPB4)	S1200K			
RAK, TAK	2 1/8	61.91	126.20	71.4	176.2	222.3	60.3	19.0	18.3	29.4	76.2	43.7	30.2	16	G1202KRRB (KPPB4)	S1202K	T-40246		3.901
RAK, TAK, LAK	2 3/16	2 7/16	4 31/32	2 13/16	6 15/16	8 3/4	2 3/8	3/4	2 3/32	1 5/32	3	1 23/32	1 3/16	5/8	G1203KRRB (KPPB4/KLLB)	S1203K	(M96850)		8.60
RAK, TAK	55														GE55KRRB (KPPB4)	SE55K			
RAK	2 1/4														G1204KRRB	S1204K			
RAK	2 3/8	68.26	137.30	77.8	188.1	239.7	60.3	22.2	18.3	29.4	84.1	46.8	30.2	16	G1206KRRB	S1206K	T-40247		5.511
RAK, LAK	2 7/16	2 11/16	5 13/32	3 1/16	7 13/32	9 7/16	2 3/8	7/8	2 3/32	1 5/32	3 5/16	1 27/32	1 3/16	5/8	G1207KRRB (KLLB)	S1207K	(M99647)		12.15
RAK	60														GE60KRRB	SE60K			
RAK	2 11/16	76.20	154.00	85.7	203.2	266.7	73.0	33.3	20.6	34.9	96.8	45.2	36.5	20	G1211KRRB	S1211KT			7.920
RAK	70	3	6 1/8	3 3/8	8	10 1/2	2 7/8	1 5/16	1 3/16	1 3/8	3 13/16	1 25/32	1 7/16	3/4	GE70KRRB	SE70K	T-22503		17.46
RAK	2 15/16	84.14	163.50	92.1	241.3	304.8	82.6	38.1	22.2	31.8	101.6	54.8	41.3	20	G1215KRRB	S1215K			9.026
RAK	75	3 5/16	6 7/16	3 5/8	9 1/2	12	3 1/4	1 1/2	7/8	1 1/4	4	2 5/32	1 5/8	3/4	GE75KRRB	SE75K	T-20134		19.90

<sup>(1)</sup>Bearing number for RAK is G-KRRB. TAK uses G-KPPB. LAK uses G-KLLB.

NOTE: All units have 1/8 pipe-thread grease fitting except 1/2 – 1 1/16 and 3/4 units, which have 1/4-28 fitting.

## YAK INDUSTRIAL-SERIES SET SCREW UNITS

- Incorporates Shaft Guarding Technology, which reduces replacement time, provides shaft protection and prolongs the life of the shaft.
- Heavier than our standard block with solid, flat feet for increased strength.
- Timken series low-base set screw pillow blocks feature the GY-KRRB bearing.
- Well-suited for industrial applications with normal loads due to its full-width inner-ring set screw.
- Contact a Timken engineer to discuss highly corrosive applications (food processing, chemical exposure) where Timken thin-dense chrome-coated bearings can be utilized.



### Suggested shaft tolerances:

- 1/2 in. – 1 15/16 in., nominal to -0.013 mm, -0.0005 in.;
- 2 in. – 2 15/16 in., nominal to -0.025 mm, -0.0010 in.

### To order, specify UNIT and SHAFT DIAMETER.

Example: YAK 1 7/16 in.

### BEARING DATA

Unit	Bearing No.	Dimensions and Load Ratings
YAK	GY-KRRB	Page A-44

Unit	Shaft Dia.	H	H <sub>2</sub>	B	J	L	A	H <sub>1</sub>	N	N <sub>1</sub>	F	S <sub>1</sub>	E	Bolt Size	Bearing No.	Housing No.	Unit Wt.
		in.	mm	mm	mm	mm	mm	mm	mm	mm	mm	mm	mm				
YAK	1/2	26.99	53.2	27.4	92.1	123.8	30.2	8.7	11.1	22.2	22.9	15.9	31.0	10	GY1008KRRB		0.4536
YAK	5/8	1 1/16	2 3/32	1 5/64	3 5/8	4 7/8	1 3/16	1 1/32	7/16	7/8	0.900	5/8	1 7/32	3/8	GY1010KRRB GYE17KRRB	T40238	1.0000
YAK	17																
YAK	3/4 SGT	31.75	64.3	31.8	96.4	127.0	33.3	13.5	11.1	20.2	27.6	19.1	35.7	10	GY1012KRRB SGT		0.6775
YAK	20 SGT	1 1/4	2 17/32	1 1/4	3 51/64	5	1 5/16	1 7/32	7/16	5 1/64	1.085	3/4	1 13/32	3/8	GYE20KRRB SGT	M96830	1.4937
YAK	7/8 SGT																
YAK	15/16 SGT	33.34	70.0	34.9	104.8	139.7	37.3	11.9	11.1	20.6	33.8	20.6	39.3	10	GY1014KRRB SGT		0.8924
YAK	1 SGT	1 5/16	2 3/4	1 3/8	4 1/8	5 1/2	1 19/32	1 5/32	7/16	1 3/16	1.332	1 3/16	1 35/64	3/8	GY1015KRRB SGT	M96833	1.9673
YAK	25 SGT														GY1100KRRB SGT		
YAK	1 1/8 SGT														GYE25KRRB SGT		
YAK	1 3/16 SGT	39.69	81.8	39.3	117.5	157.2	42.9	13.5	14.3	23.8	40.3	23.4	44.8	12	GY1102KRRB SGT		1.3541
YAK	1 1/4 S	1 9/16	3 7/32	1 35/64	4 5/8	6 3/16	1 11/16	1 7/32	9/16	1 5/16	1.587	5 9/64	1 4 9/64	1/2	GY1103KRRB SGT	M96836	2.9853
YAK	30 SGT														GY1103KRRB3 SGT		
YAK	1 1/4 SGT														GYE30KRRB SGT		
YAK	1 3/8 SGT	46.04	93.7	45.2	130.2	166.7	46.8	16.7	14.3	24.6	46.8	28.2	51.6	12	GY1104KRRB SGT		1.8434
YAK	1 7/16 SGT	1 13/16	3 11/16	1 25/32	5 1/8	6 9/16	1 27/32	2 1/32	9/16	3 1/32	1.844	1 7/64	2 1/32	1/2	GY1106KRRB SGT	M96839	4.0639
YAK	35 SGT														GY1107KRRB SGT		
YAK	1 1/2 SGT														GYE35KRRB SGT		
YAK	40 SGT	49.21	101.6	49.2	136.5	179.4	51.6	19.1	14.3	26.2	52.3	30.2	56.0	12	GY1108KRRB SGT		2.4763
YAK		1 15/16	4	1 15/16	5 3/8	7 1/16	2 1/32	3/4	9/16	1 1/32	2.058	1 3/16	2 13/34	1/2	GYE40KRRB SGT	M96842	5.4592
YAK	1 5/8 SGT														GY1110KRRB SGT		
YAK	1 11/16 SGT	52.39	104.8	50.4	149.2	191.3	52.4	17.5	14.3	28.6	57.9	31.4	57.5	12	GY1111KRRB SGT		2.6311
YAK	1 3/4 SGT	2 1/16	4 1/8	1 63/64	5 7/8	7 17/32	2 1/16	1 1/16	9/16	1 1/8	2.280	1 15/64	2 17/64	1/2	GY1112KRRB SGT	M96844	5.8005
YAK	45 SGT														GYE45KRRB SGT		
YAK	1 15/16 SGT														GY1115KRRB SGT		
YAK	2 S	55.56	112.7	51.6	158.0	200.2	57.9	17.5	18.3	25.4	62.8	32.5	61.5	16	GY1115KRRB2 SGT		3.2579
YAK	50 SGT	2 3/16	4 7/16	2 1/32	6 7/32	7 7/8	2 9/32	1 1/16	23/32	1	2.474	1 9/32	2 27/64	5/8	GYE50KRRB SGT	M96847	7.1824
YAK	2 SGT														GY1200KRRB SGT		
YAK	2 3/16 SGT	61.91	126.2	55.6	176.2	222.3	60.3	19.1	18.3	29.4	69.8	33.3	61.9	16	GY1203KRRB SGT		3.9009
YAK	55 SGT	2 7/16	4 31/32	2 3/16	6 15/16	8 3/4	2 3/8	3/4	23/32	1 5/32	2.747	1 5/16	2 7/16	5/8	GYE55KRRB SGT	M96850	8.6000
YAK	2 1/4 SGT														GY1204KRRB SGT		
YAK	2 7/16 SGT	68.26	137.3	65.1	188.1	239.7	60.3	22.2	18.3	29.4	76.5	39.7	69.9	16	GY1207KRRB SGT	M99647	4.7718
YAK	60 SGT	2 11/16	5 13/32	2 9/16	7 13/32	9 7/16	2 3/8	7/8	23/32	1 5/32	3.011	1 9/16	2 3/4	5/8	GYE60KRRB SGT		10.5200
YAK	2 1 1/16	76.20	154.0	69.9	203.2	266.7	73.0	33.3	20.6	34.9	86.9	42.9	79.4	20	GY1211KRRB		7.1259
YAK	70	3	6 1/16	2 3/4	8	10 1/2	2 7/8	1 5/16	13/16	1 3/8	3.422	1 11/16	3 1/8	3/4	GYE70KRRB	T22503	15.7100
YAK	2 15/16	84.14	163.5	77.8	241.3	304.8	82.6	38.1	22.2	31.8	91.9	44.5	85.7	20	GY1215KRRB		8.5185
YAK	75	3 5/16	6 7/16	1 1/16	9 1/2	12	3 1/4	1 1/2	7/8	1 1/4	3.619	1 3/4	3 3/8	3/4	GY75KRRB	T20134	18.7800

NOTE: Shaft diameter with an S = smaller housing.

## VAK STANDARD SERIES

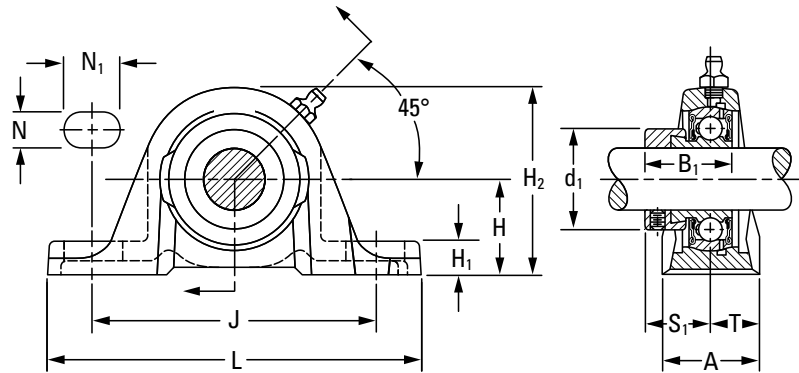
- The streamlined and rugged VAK pillow block unit combines an engineered housing and an RA-RR extended inner ring bearing.
- RA-RR bearing employs a positive-contact, land-riding seal and a Timken self-locking collar. Collar ensures positive shaft retention.
- The pillow block can be mounted to operate in any position.
- Bearing housed units are factory-prelubricated, but a grease fitting is provided to allow for relubrication if required.

### Suggested shaft tolerances:

- 1/2 in. – 1 15/16 in., nominal to -0.013 mm, -0.0005 in.;
- 2 in. – 2 3/16 in., nominal to -0.025 mm, -0.0010 in.

### To order, specify UNIT and SHAFT DIAMETER.

Example: VAK 1 7/16 in.



### BEARING DATA

Unit	Bearing No.	Dimensions and Load Ratings
VAK	GRA-RRB	Page A-50

Unit	Shaft Dia.	H	H <sub>2</sub>	B <sub>1</sub>	J	L	A	H <sub>1</sub>	N	N <sub>1</sub>	d <sub>1</sub>	S <sub>1</sub>	T	Bolt Size	Bearing No.	Collar No.	Housing No.	Unit Wt.
		in.	mm	mm	mm	mm	mm	mm	mm	mm	mm	mm	mm					
VAK	1/2	26.99	53.2	28.6	92.1	123.8	30.2	8.7	11.1	22.2	28.6	22.2	15.1	10	GRA008RRB	S1008K	T-40238	0.454
VAK	5/8	1 1/16	2 3/32	1 1/8	3 5/8	4 7/8	1 3/16	1 1/32	7/16	7/8	1 1/8	7/8	1 9/32	3/8	GRA010RRB GRAE17RRB	S1010K SE17K	(T-30595)	1.00
VAK	3/4	31.75	62.7	31.0	96.0	127.0	31.8	11.9	11.1	19.8	33.3	23.4	15.9	10	GRA012RRB	S1012K	T-40239	0.563
VAK	20	1 1/4	2 15/32	1 7/32	3 25/32	5	1 1/4	1 5/32	7/16	2 5/32	1 5/16	5 9/64	5/8	3/8	GRAE20RRB	SE20K	(T-30555)	1.24
VAK	7/8	33.34	68.3	31.0	104.8	139.7	35.7	11.9	11.1	20.6	38.1	23.4	17.9	10	GRA014RRB	S1014K	T-30365	0.758
VAK	1 5/16	1 5/16	2 11/16	1 7/32	4 1/8	5 1/2	1 13/32	1 5/32	7/16	1 3/16	1 1/2	5 9/64	4 5/64	3/8	GRA015RRB GRA100RRB GRAE25RRB	S1015K S1100K SE25K		1.67
VAK	1 1/8	39.69	80.2	35.7	117.5	157.2	39.7	13.5	14.3	23.8	44.1	27.0	19.9	12	GRA102RRB	S1102K	T-40241	1.235
VAK	1 3/16	1 9/16	3 3/32	1 13/32	4 5/8	6 3/16	1 9/16	1 7/32	9/16	1 5/16	1 47/64	1 1/16	2 5/32	1/2	GRA103RRB GRA103RRB2 GRAE30RRB	S1103K S1103K3 SE30K	(T-30300)	2.72
VAK	1 1/4	46.04	92.1	38.9	130.2	166.7	45.2	16.7	14.3	24.6	54.0	29.4	22.7	12	GRA104RRB	S1104K	T-40242	1.594
VAK	1 3/8	1 13/16	3 3/8	1 17/32	5 1/8	6 9/16	1 25/32	2 1/32	9/16	3 1/32	2 1/8	1 5/32	5 7/64	1/2	GRA106RRB GRA107RRB GRAE35RRB	S1106K S1107K SE35K	(T-30410)	3.51
VAK	1 1/2	49.21	100.0	43.7	136.5	179.4	47.6	19.0	14.3	26.2	60.3	32.5	23.8	12	GRA108RRB	S1108KT	T-40243	2.034
VAK	1 9/16	1 15/16	3 15/16	1 23/32	5 3/8	7 1/16	1 7/8	3/4	9/16	1 1/32	2 3/8	1 9/32	1 5/16	1/2	GRA109RRB GRAE40RRB	S1109KT SE40K	(T-30484)	4.48
VAK	1 5/8	52.39	104.8	43.7	149.2	191.3	50.8	17.5	14.3	28.6	63.5	32.5	25.4	12	GRA110RRB	S1110K	T-40244	2.261
VAK	1 11/16	2 1/16	4 1/8	1 23/32	5 7/8	7 17/32	2	1 1/16	9/16	1 1/8	2 1/2	1 9/32	1	1/2	GRA111RRB GRA112RRB GRAE45RRB	S1111K S1112K SE45K	(T-30682)	4.98
VAK	1 3/4	55.56	112.7	43.7	158.0	200.0	55.6	17.5	17.5	23.8	69.8	32.5	27.8	16	GRA114RRB	S1114K	T-40245	2.774
VAK	1 7/8	2 3/16	4 7/16	1 23/32	6 1/32	7 7/8	2 3/16	1 1/16	1 1/16	1 5/16	2 3/4	1 9/32	1 3/32	5/8	GRA115RRB GRA115RRB2 GRAE50RRB	S1115K S1115K2 SE50K	(T-30706)	6.11
VAK	2	61.91	124.6	48.4	176.2	222.3	58.7	19.0	18.3	29.4	76.2	36.5	29.4	16	GRA200RRB	S1200K	T-40246	3.328
VAK	2 3/16	2 7/16	4 29/32	1 29/32	6 15/16	8 3/4	2 5/16	3/4	2 3/32	1 5/32	3	1 7/16	1 5/32	5/8	GRA203RRB GRAE55RRB	S1203K SE55K	(T-30738)	7.33

NOTE: All units have 1/8 pipe-thread grease fitting except 1/2 – 1 1/16 and 3/4 units, which have 1/4-28 fitting.  
NOTE: Shaft diameter with an S = smaller housing.

**SAK STANDARD SERIES**

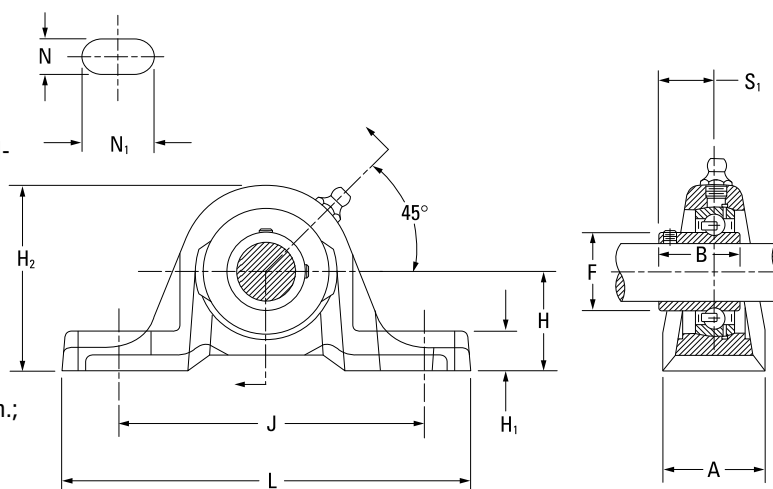
- The streamlined, rugged, one-piece pillow block combines an RAK housing and GYA-RRB set screw bearing.
- GYA-RRB bearing employs a positive-contact, land-riding seal and specially designed set screws.
- This pillow block can be mounted to operate in any position.
- Bearing housed units are factory-prelubricated, but a grease fitting is provided to allow for relubrication if required.

**Suggested shaft tolerances:**

1/2 in. – 1 15/16 in., nominal to -0.013 mm, -0.0005 in.;  
 2 in. – 2 3/16 in., nominal -0.025 mm, -0.0010 in.

**To order, specify UNIT and SHAFT DIAMETER.**

Example: SAK 1 in.



**BEARING DATA**

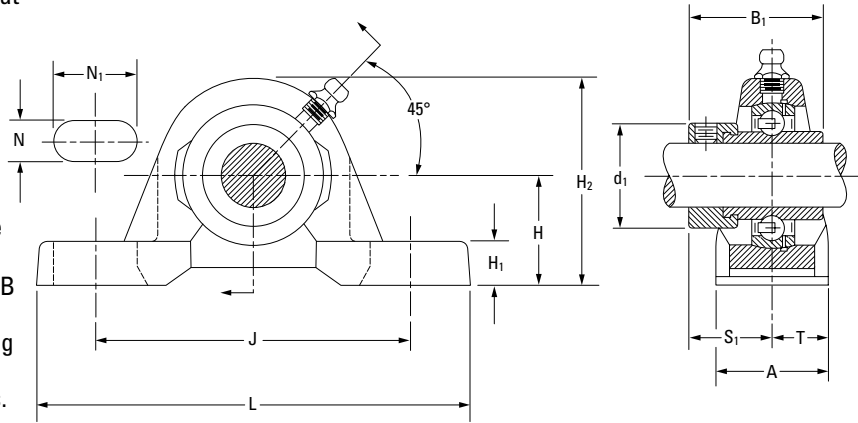
Unit	Bearing No.	Dimensions and Load Ratings
SAK	GYA-RRB	Page A-54

Unit	Shaft Dia.	Basic Bearing No.	H	H <sub>2</sub>	S <sub>1</sub>	J	L	A	H <sub>1</sub>	N	N <sub>1</sub>	F	B	Bolt Size	Bearing No.	Housing No.	Unit Wt.
	in.	mm	mm	mm	mm	mm	mm	mm	mm	mm	mm	mm	mm			New (Old)	kg (lbs.)
SAK 1/2		203	26.99	53.2	15.9	92.1	123.8	30.2	8.7	11.1	22.2	24.6	23.8	10 3/8	GYA008RRB	T40238 (T30595)	0.42
SAK 5/8			1 1/16	2 3/32	5/8	3 5/8	4 7/8	1 3/16	1 1/32	7/16	7/8	3 1/32	15/16				
SAK 17																	
SAK 3/4		204	31.75	62.7	18.3	96.0	127	31.8	11.9	11.1	19.8	29.0	31.8	10 3/8	GYA012RRB	T40239 (T30555)	0.57
SAK 20			1 1/4	2 15/32	23/32	3 25/32	5	1 1/4	15/32	7/16	25/32	1 9/64	1 1/16				
SAK 7/8																	
SAK 15/16		205	33.34	68	19.4	104.8	139.7	35.7	11.9	11.1	20.6	33.7	34.9	10 3/8	GYA014RRB	T30365	0.76
SAK 1			1 5/16	2 11/16	49/64	4 1/8	5 1/2	1 13/32	15/32	7/16	13/16	1 21/64	1 7/64				
SAK 25																	
SAK 1 1/8																	
SAK 1 3/16		206	39.69	80.2	23.0	117.5	157.2	39.7	13.5	14.3	23.8	40.1	32.5	12 1/2	GYA102RRB	T40241 (T30300)	1.14
SAK 1 1/4 S			1 9/16	3 9/32	29/32	4 5/8	6 3/16	1 9/16	1 1/32	9/16	15/16	1 37/64	1 9/32				
SAK 30																	
SAK 1 1/4																	
SAK 1 3/8		207	46.04	92.1	25.8	130.2	166.7	45.2	16.7	14.3	24.6	46.8	36.5	12 1/2	GYA104RRB	T40242 (T30410)	1.52
SAK 1 7/16			1 13/16	3 5/8	1 1/64	5 1/8	6 9/16	1 25/32	2 1/32	9/16	3 1/32	1 70/63	1 7/16				
SAK 35																	
SAK 1 1/2																	
SAK 40		208	49.21	100.0	27.8	136.5	179.4	47.6	19.1	14.3	26.2	52.4	39.3	12 1/2	GYA108RRB	T40243 (T30484)	1.85
SAK 1 5/8			1 15/16	3 15/16	1 3/32	5 3/8	7 1/16	1 7/8	3/4	9/16	1 1/32	2 1/16	1 35/64				
SAK 1 11/16																	
SAK 1 3/4		209	52.39	104.8	28.6	149.2	191.3	50.8	17.5	14.3	28.6	57.9	42.1	12 1/2	GYA110RRB	T40244 (T30682)	2.06
SAK 45			2 1/16	4 1/8	1 1/8	5 7/8	7 11/32	2	1 1/16	9/16	1 1/8	2 9/32	1 21/32				
SAK 1 15/16																	
SAK 2S																	
SAK 50		210	55.56	112.7	31.0	158.0	200.2	55.6	17.5	17.5	23.8	62.7	44.5	16 5/8	GYA115RRB	T40245 (T30706)	2.54
SAK 2			2 3/16	4 7/16	1 7/32	6 7/32	7 7/8	2 3/16	1 1/16	1 1/16	15/16	2 15/32	1 3/4				
SAK 55																	
SAK 2 3/16		211	61.91	124.6	31.8	176.2	222.3	58.7	19.1	18.3	29.4	69.9	46.4	16 5/8	GYA200RRB	T40246 (T30738)	3.02
SAK 2			2 7/16	4 29/32	1 1/4	6 15/16	8 3/4	2 5/16	3/4	23/32	1 9/32	2 3/4	1 53/64				
SAK 55																	

NOTE: All units have a 1/8 pipe-thread grease fitting except 1/2 – 1 1/16 and 3/4 units which have 1/4-28 fitting.

## RAS, TAS, LAS INDUSTRIAL SERIES

- Heavier than our standard block with solid, flat feet for increased strength.
- Timken RAS, TAS and LAS pillow blocks are similar in design and equal in load-carrying capacity to the RAK, TAK and LAK types.
- RAS, TAS and LAS types have a slightly higher base-to-center height dimension than the RAK, TAK and LAK types, making them interchangeable with other competitive designs.
- The RAS pillow block is equipped with G-KRRB (R-seal) wide-inner-ring ball bearings, the TAS with G-KPPB (tri-ply seal) wide-inner-ring ball bearings, and the LAS with the G-KLLB (Mechani-seal) wide-inner-ring ball bearings.
- Contact your Timken engineer to discuss highly corrosive applications (food processing, chemical exposure) where Timken thin-dense chrome-coated bearings can be utilized.



### Suggested shaft tolerances:

1/2 in. – 1 15/16 in., nominal to -0.013 mm, -0.0005 in.;

2 in. – 2 15/16 in., nominal to -0.025 mm, -0.0010 in.

### To order, specify UNIT and SHAFT DIAMETER.

Example: RAS 1 3/16 in.

### BEARING DATA

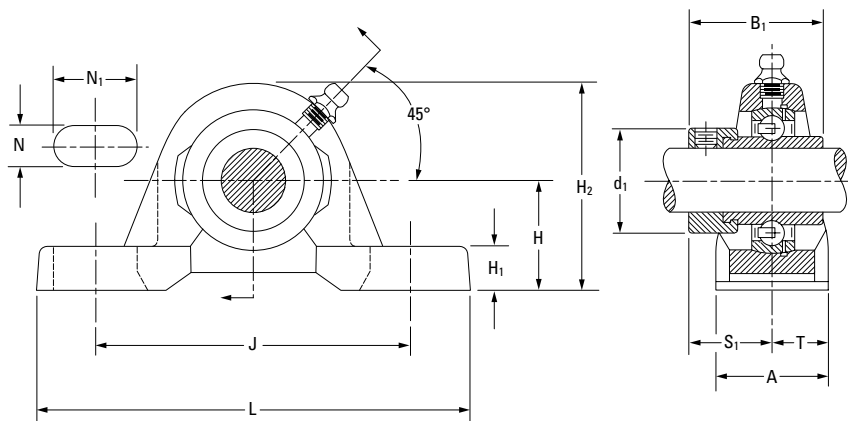
Unit	Bearing No.	Dimensions and Load Ratings
RAS	G-KRRB	Page A-34
TAS	G-KPPB	Page A-39
LAS	G-KLLB	Page A-37

Unit	Shaft Dia.	H	H <sub>2</sub>	B <sub>1</sub>	J	L	A	H <sub>1</sub>	N	N <sub>1</sub>	d <sub>1</sub>	S <sub>1</sub>	T	Bolt Size	Bearing No. <sup>(1)</sup>	Collar No.	Housing No.	Unit Wt.	
	in.	mm	mm	mm	mm	mm	mm	mm	mm	mm	mm	mm	mm	mm	RAS	(TAS)	New (Old)	kg lbs.	
RAS	1/2													10	G1008KRRB	S1008K			
RAS	5/8	30.16	56.4	37.3	92.1	123.8	30.2	11.9	11.1	22.2	28.6	23.4	15.1	3/8	G1010KRRB	S1010K	T-40238	0.454	
RAS	11/16	1 3/16	2 7/32	1 15/32	3 5/8	4 7/8	1 3/16	1 5/32	7/16	7/8	1 1/8	5 9/64	1 9/32		G1011KRRB	S1011K	(T-30595)	1.00	
RAS	17														GE17KRRB	SE17K			
RAS	3/4	33.34	65.9	43.7	96.4	127.0	33.3	15.1	11.1	20.2	33.3	26.6	16.7	10	G1012KRRB	S1012K			
RAS	20	1 5/16	2 19/32	1 23/32	3 5 1/64	5	1 5/16	1 9/32	7/16	5 1/64	1 5/16	1 3/64	2 1/32	3/8	GE20KRRB	SE20K	M96830	0.730	
RAS,TAS	7/8														G1014KRRB	(KPPB3)	S1014K		
RAS,TAS	1 5/16	36.51	73.0	44.4	104.8	139.7	37.3	15.1	11.1	20.6	38.1	27.0	18.7	10	G1015KRRB	(KPPB3)	S1015K	1.610	
RAS,TAS,LAS	1	1 7/16	2 7/8	1 3/4	4 1/8	5 1/2	1 15/32	1 9/32	7/16	1 3/16	1 1/2	1 1/16	4 7/64	3/8	G1100KRRB	(KPPB3)	S1100K	M96833	0.95
RAS,TAS	25														GE25KRRB	(KPPB3)	SE25K	2.10	
RAS,TAS	1 1/16														G1101KRRB	(KPPB3)	S1101K		
RAS,TAS	1 1/8	42.86	84.9	48.4	117.5	157.2	42.9	16.7	14.3	23.8	44.1	30.1	21.4	12	G1102KRRB	(KPPB3)	S1102K	1.420	
RAS,TAS,LAS	1 3/16	1 11/16	3 11/32	1 29/32	4 5/8	6 3/16	1 11/16	2 1/32	9/16	1 5/16	1 47/64	1 3/16	2 7/32	1/2	G1103KRRB	(KPPB3)	S1103K	M96836	3.14
RAS,TAS	30														GE30KRRB	(KPPB3)	SE30K		
RAS,TAS	1 1/4														G1104KRRB	(KPPB2)	S1104K		
RAS,TAS	1 5/16	47.63	95.3	51.2	130.2	166.7	46.8	18.3	14.3	24.6	54.0	32.5	23.4	12	G1105KRRB	(KPPB2)	S1105K	1.890	
RAS,TAS	1 3/8	1 7/8	3 3/4	2 1/64	5 1/8	6 9/16	1 27/32	2 3/32	9/16	3 1/32	2 1/8	1 9/32	5 9/64	1/2	G1106KRRB	(KPPB2)	S1106K	M96839	4.18
RAS,TAS,LAS	1 7/16														G1107KRRB	(KPPB2)	S1107K		
RAS,TAS	35														GE35KRRB	(KPPB2)	SE35K		
RAS,TAS	1 1/2	49.21	101.6	56.4	136.5	179.4	51.6	19.1	14.3	26.2	60.3	34.9	25.8	12	G1108KRRB	(KPPB3)	S1108KT	2.490	
RAS,TAS	1 9/16	1 15/16	4	2 7/32	5 3/8	7 1/16	2 1/32	3/4	9/16	1 1/32	3/8	1 3/8	1 1/64	1/2	G1109KRRB	(KPPB3)	S1109KT	M96842	5.50
RAS,TAS	40														GE40KRRB	(KPPB3)	SE40K		

<sup>(1)</sup>Bearing number for RAS is G-KRRB. TAS uses G-KPPB. LAS uses G-KLLB.

NOTE: All units have 1/8 pipe-thread grease fitting except 1/2 – 1 1/16 and 3/4 units, which have 1/4-28 fitting.

Continued on next page.



Continued from previous page.

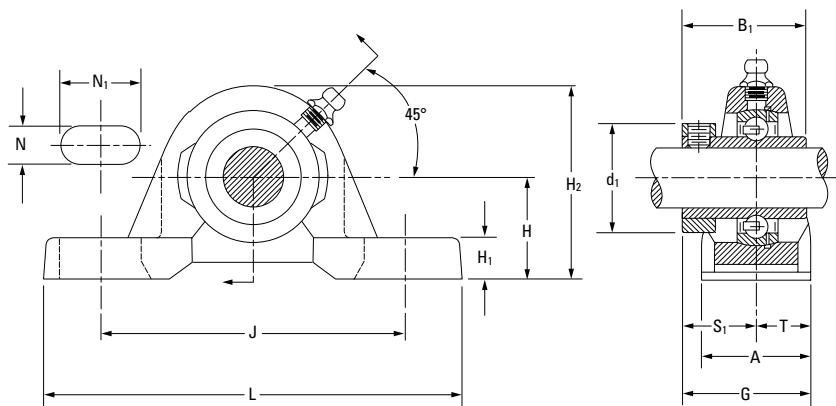
Unit	Shaft Dia.	H	H <sub>2</sub>	B <sub>1</sub>	J	L	A	H <sub>1</sub>	N	N <sub>1</sub>	d <sub>1</sub>	S <sub>1</sub>	T	Bolt Size	Bearing No. <sup>(1)</sup>		Collar No.	Housing No.	Unit Wt.
															RAS	(TAS)			
RAS,TAS	1 5/8														G1110KRRB	(KPPB4)	S1110K		
RAS,TAS	1 11/16	<b>53.98</b>	<b>106.4</b>	<b>56.4</b>	<b>149.2</b>	<b>191.3</b>	<b>52.4</b>	<b>19.1</b>	<b>14.3</b>	<b>28.6</b>	<b>63.5</b>	<b>34.9</b>	<b>26.2</b>	<b>12</b>	G1111KRRB	(KPPB4)	S1111K	M96844	<b>3.200</b>
RAS,TAS	1 3/4	2 1/8	4 3/16	2 7/32	5 7/8	7 17/32	2 1/16	3/4	9/16	1 1/8	2 1/2	1 3/8	1 1/32	1/2	G1112KRRB	(KPPB4)	S1112K		
RAS,TAS	<b>45</b>														GE45KRRB	(KPPB4)	SE45K		
RAS,TAS	1 7/8														G1114KRRB	(KPPB3)	S1114K	M96847	<b>4.010</b>
RAS,TAS,LAS	1 15/16	<b>57.15</b>	<b>114.3</b>	<b>62.7</b>	<b>158.0</b>	<b>200.0</b>	<b>57.9</b>	<b>19.1</b>	<b>18.3</b>	<b>25.4</b>	<b>69.9</b>	<b>38.1</b>	<b>29.0</b>	<b>16</b>	G1115KRRB	(KPPB3)	S1115K		
RAS,TAS	<b>50</b>	2 1/4	4 1/2	2 15/32	6 7/32	7 7/8	2 9/32	3/4	23/32	1	2 3/4	1 1/2	1 9/64	5/8	GE50KRRB	(KPPB3)	SE50K		
RAS,TAS	2														G1200KRRB	(KPPB4)	S1200K	M96850	<b>3.901</b>
RAS,TAS	2 1/8	<b>63.50</b>	<b>127.8</b>	<b>71.4</b>	<b>176.2</b>	<b>222.3</b>	<b>60.3</b>	<b>20.6</b>	<b>18.3</b>	<b>29.4</b>	<b>76.2</b>	<b>43.7</b>	<b>30.2</b>	<b>16</b>	G1202KRRB	(KPPB4)	S1202K		
RAS,TAS	2 3/16	2 1/2	5 1/32	2 13/16	6 15/16	8 3/4	2 3/8	13/16	23/32	1 5/32	3	1 23/32	1 3/16	5/8	G1203KRRB	(KPPB4)	S1203K		
RAS,TAS	<b>55</b>														GE55KRRB	(KPPB4)	SE55K		
RAS	2 1/4														G1204KRRB		S1204K	M99647	<b>5.511</b>
RAS	2 3/8	<b>69.85</b>	<b>138.9</b>	<b>77.8</b>	<b>188.1</b>	<b>239.7</b>	<b>60.3</b>	<b>23.8</b>	<b>18.3</b>	<b>29.4</b>	<b>84.1</b>	<b>46.8</b>	<b>30.2</b>	<b>16</b>	G1206KRRB		S1206K		
RAS,LAS	2 7/16	2 3/4	5 15/32	3 1/16	7 13/32	9 7/16	2 3/8	15/16	23/32	1 5/32	3 5/16	1 27/32	1 3/16	5/8	G1207KRRB		S1207K		
RAS	<b>60</b>														GE60KRRB		SE60K		
RAS	2 15/16														G1215KRRB		S1215K	T-23423	<b>9.026</b>
RAS	<b>75</b>	3 1/4	6 15/32	3 5/8	8 1/2	10 5/8	2 3/4	1	7/8	1 1/4	4	2 5/32	1 3/8	3/4	GE75KRRB		SE75K		

<sup>(1)</sup>Bearing number for RAS is G-KRRB. TAS uses G-KPPB. LAS uses G-KLLB.

NOTE: All units have 1/8 pipe-thread grease fitting except 1/2 - 1 1/16 and 3/4 units, which have 1/4-28 fitting.

### RASC INDUSTRIAL-SERIES CONCENTRIC COLLAR

- Heavier than our standard block with solid, flat feet for increased strength.
- All RASC pillow blocks are equipped with GC-KRRB (R-seal) wide-inner-ring ball bearings with concentric collars.
- Pillow blocks self-align at mounting with the spherical outside diameter of the bearing fitting into a corresponding spherical housing seat.
- Units are prelubricated and ready for immediate installation.
- Grease fitting provides for relubrication if required.
- Concentric collars are supplied with all units.



#### Suggested shaft tolerances:

- 1/2 in. – 1 15/16 in., nominal to -0.013 mm, -0.0005 in.;
- 2 in. – 2 15/16 in., nominal to -0.025 mm, -0.0010 in.

#### To order, specify UNIT and SHAFT DIAMETER.

Example: RASC 1 in.

#### BEARING DATA

Unit	Bearing No.	Dimensions and Load Ratings
RASC	GC-KRRB	Page A-40

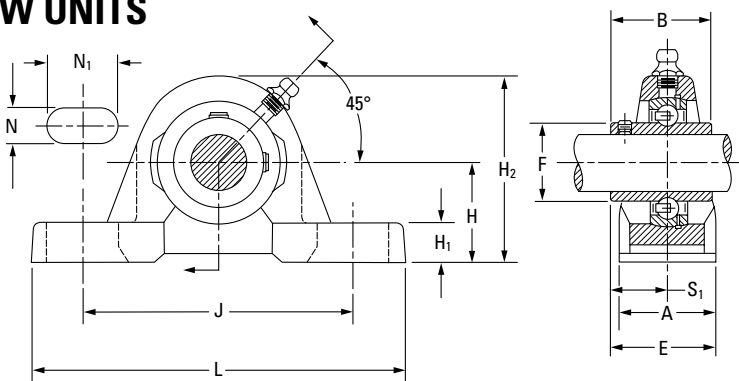
Unit	Shaft Dia.	H	H <sub>2</sub>	B <sub>1</sub>	J	L	A	H <sub>1</sub>	N	N <sub>1</sub>	d <sub>1</sub>	S <sub>1</sub>	T	G	Bolt Size	Bearing No.	Collar No.	Housing No.	Unit Wt.
	in.	mm	mm	mm	mm	mm	mm	mm	mm	mm	mm	mm	mm	mm	mm			New (Old)	kg lbs.
RASC	5/8	30.16 1 3/16	56.4 2 1/32	26.6 1 3/64	92.1 3 5/8	123.8 4 7/8	30.2 1 3/16	11.9 15/32	11.1 7/16	22.2 7/8	34.1 1 11/32	15.5 39/64	15.08 19/32	30.53 1 19/64	10 3/8	GC1010KRRB	C203	T-40238 (T-30595)	0.454 1.00
RASC	3/4	33.34 1 5/16	65.9 2 19/32	31.0 1 7/32	96.0 25/32	127.0 5	33.3 5/16	15.1 19/32	11.1 7/16	19.8 25/32	38.1 1 1/2	18.7 47/64	16.70 21/32	35.32 1 25/64	10 3/8	GC1012KRRB	C204	M96830	0.635 1.40
RASC	1	36.51 1 7/16	73.0 2 7/8	34.1 1 11/32	104.8 4 1/8	139.7 5 1/2	37.3 1 15/32	15.1 19/32	11.1 7/16	20.2 13/16	44.4 1 3/4	20.2 51/64	18.70 47/64	38.89 1 17/32	10 3/8	GC1100KRRB	C205	M96833	0.803 1.77
RASC	1 1/8	42.86 1 11/16	84.9 3 11/32	37.3 1 15/32	117.5 4 5/8	157.2 6 3/16	42.9 1 11/16	16.7 21/32	14.3 9/16	23.8 15/16	52.4 2 1/16	22.6 57/64	21.40 27/32	44.05 1 47/64	12 1/2	GC1102KRRB GC1103KRRB GC1103KRRB3	C206	M96836	1.297 2.86
RASC	1 1/4	47.62 1 7/8	95.3 3 3/4	41.3 1 5/8	130.2 5 1/8	166.7 6 9/16	46.8 1 27/32	18.3 23/32	14.3 9/16	24.6 31/32	59.5 2 11/32	25.4 1	23.40 59/64	48.81 1 59/64	12 1/2	GC1104KRRB GC1106KRRB GC1107KRRB	C207	M96839	1.674 3.69
RASC	1 1/2	49.21 1 15/16	101.6 4	44.1 1 47/64	136.5 5 3/8	179.4 7 1/16	51.6 2 1/32	19.1 3/4	14.3 9/16	26.2 1 1/32	68.3 2 11/16	27.4 1 5/64	25.80 1 1/64	53.16 2 15/16	12 1/2	GC1108KRRB	C208	M96842	2.150 4.74
RASC	1 11/16	53.98 2 1/8	106.4 4 3/16	46.8 1 27/32	149.2 5 7/8	191.3 7 17/32	52.4 2 1/16	19.1 3/4	14.3 9/16	23.0 29/32	73.0 2 7/8	29.4 1 5/32	26.20 1 1/32	55.55 2 3/16	12 1/2	GC1111KRRB GC1112KRRB	C209	M96844	2.409 5.31
RASC	1 15/16	57.15 2 1/4	114.3 4 1/2	48.4 1 29/32	158.0 6 7/32	200.0 7 7/8	57.9 2 9/32	19.1 3/4	17.5 11/16	23.8 15/16	79.4 3 1/8	30.2 1 3/16	29.00 1 9/64	59.13 2 21/64	16 5/8	GC1115KRRB	C210	M96847	3.003 6.62
RASC	2	63.50 2 1/2	127.8 5 1/32	54.0 2 1/8	176.2 6 15/16	222.3 8 3/4	60.3 2 3/8	20.6 13/16	18.3 23/32	29.4 1 5/32	88.9 3 1/2	33.3 1 5/16	30.20 1 3/16	62.70 2 15/32	16 5/8	GC1200KRRB GC1203KRRG	C211	M96850	3.901 8.60
RASC	2 7/16	69.85 2 3/4	138.9 5 15/32	60.3 2 3/8	188.1 7 13/32	239.7 9 7/16	60.3 2 3/8	23.8 15/16	18.3 23/32	29.4 1 5/32	95.2 3 3/4	37.3 1 15/32	30.20 1 3/16	67.46 2 21/32	16 5/8	GC1207KRRB	C212	M99647	5.511 12.15
RASC	2 15/16	82.55 3 1/4	164.3 6 15/32	70.6 2 25/32	215.9 8 1/2	269.9 10 5/8	69.9 2 3/4	25.4 1	22.2 7/8	31.8 1 1/4	114.3 4 1/2	43.7 1 23/32	34.90 1 3/8	78.60 3 3/32	20 3/4	GC1215KRRB	C215	T 23423	9.060 19.91

NOTE: All units have 1/8 pipe-thread grease fitting except RASC 1/2 – 1 15/16 and 3/4 units, which have 1/4-28 fitting.



### YAS INDUSTRIAL-SERIES SET SCREW UNITS

- Incorporates Shaft Guarding Technology, which reduces replacement time, provides shaft protection and prolongs the life of the shaft.
- Heavier than our standard block with solid, flat feet for increased strength.
- Timken YAS-series high-base, set screw pillow blocks feature the GY-KRRB bearing.
- This full-width inner ring set screw is well-suited for industrial applications involving wet or dirty environments.
- Housing is designed for two-bolt mounting in any position.
- Contact your Timken engineer to discuss highly corrosive applications (food processing, chemical exposure) where Timken thin-dense chrome-coated bearings can be utilized.



**Suggested shaft tolerances:**

1/2 in. – 1 15/16 in., nominal to -0.013 mm, -0.0005 in.;  
 2 in. – 2 15/16 in., nominal to -0.025 mm, -0.0010 in.

**To order, specify UNIT and SHAFT DIAMETER.**

Example: YAS 1 7/16 in.

**BEARING DATA**

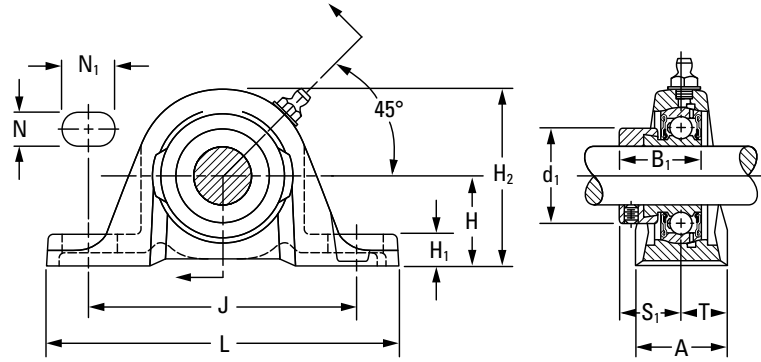
Unit	Bearing No.	Dimensions and Load Ratings
YAS	GY-KRRB	Page A-44

Unit	Shaft Dia.	Dimensions and Load Ratings													Bolt Size	Bearing No.	Housing No.	Unit Wt.
		H	H <sub>2</sub>	B	L	J	A	H <sub>1</sub>	N	N <sub>1</sub>	F	S <sub>1</sub>	E					
	in. mm	mm in.	mm in.	mm in.	mm in.	mm in.	mm in.	mm in.	mm in.	mm in.	mm in.	mm in.	mm in.	mm in.			kg lbs.	
YAS	1/2	30.16	56.4	27.4	123.8	92.1	30.2	11.9	11.1	22.2	22.9	15.9	31.0	10	GY1008KRRB	T40238	0.4536 1.0000	
YAS	5/8	1 3/16	2 7/32	1 5/64	4 7/8	3 5/8	1 3/16	1 5/32	7/16	7/8	0.900	5/8	1 7/32	3/8	GY1010KRRB			
YAS	17														GYE17KRRB			
YAS	3/4 SGT	33.34	65.9	31.8	127.0	96.4	33.3	15.1	11.1	20.2	27.6	19.1	35.7	10	GY1012KRRB SGT	M96830	0.7027 1.5491	
YAS	20 SGT	1 5/16	2 19/32	1 1/4	5	3 51/64	1 5/16	1 9/32	7/16	51/64	1.085	3/4	1 13/32	3/8	GYE20KRRB SGT			
YAS	7/8 SGT														GY1014KRRB SGT			
YAS	1 5/16 SGT	36.51	73.0	34.9	139.7	104.8	37.3	15.1	11.1	20.6	33.8	20.6	39.3	10	GY1015KRRB SGT	M96833	0.9535 2.1022	
YAS	1 SGT	1 7/16	2 7/8	1 3/8	5 1/2	4 1/8	1 15/32	1 9/32	7/16	13/16	1.332	1 3/16	1 35/64	3/8	GY1100KRRB SGT			
YAS	25 SGT														GYE25KRRB SGT			
YAS	1 1/8 SGT	42.86	84.9	39.3	157.2	117.5	42.9	16.7	14.3	23.8	40.3	23.4	44.8	12	GY1102KRRB SGT	M96836	1.4275 3.1472	
YAS	1 3/16 SGT	1 11/16	3 11/32	1 35/64	6 3/16	4 5/8	1 11/16	21/32	9/16	15/16	1.587	59/64	1 49/64	1/2	GY1103KRRB SGT			
YAS	1 1/4 S														GY1103KRRB3 SGT			
YAS	30 SGT														GYE30KRRB SGT			
YAS	1 1/4 SGT	47.63	95.3	45.2	166.7	130.2	46.8	18.3	14.3	24.6	46.8	28.2	51.6	12	GY1104KRRB SGT	M96839	1.8981 4.1847	
YAS	1 3/8 SGT	1 7/8	3 3/4	1 25/32	6 9/16	5 1/8	1 27/32	23/32	9/16	31/32	1.844	1 7/64	2 1/32	1/2	GY1106KRRB SGT			
YAS	1 7/16 SGT														GY1107KRRB SGT			
YAS	35 SGT														GYE35KRRB SGT			
YAS	1 1/2 SGT	49.21	101.6	49.2	179.4	136.5	51.6	19.1	14.3	26.2	52.3	30.2	56.0	12	GY1108KRRB SGT	M96842	2.4763 5.4592	
YAS	40 SGT	1 15/16	4	1 15/16	7 1/16	5 3/8	2 1/32	3/4	9/16	1 1/32	2.058	1 3/16	2 13/34	1/2	GYE40KRRB SGT			
YAS	1 5/8 SGT														GY1110KRRB SGT			
YAS	1 11/16 SGT	53.98	106.4	50.4	191.3	149.2	52.4	19.1	14.3	28.6	57.9	31.4	57.5	12	GY1111KRRB SGT	M96844	2.681 5.9107	
YAS	1 3/4 SGT	2 1/8	4 3/16	1 63/64	7 17/32	5 7/8	2 1/16	3/4	9/16	1 1/8	2.280	1 15/64	2 17/64	1/2	GY1112KRRB SGT			
YAS	45 SGT														GYE45KRRB SGT			
YAS	1 15/16 SGT	57.15	114.3	51.6	200.2	158.0	57.9	19.1	18.3	25.4	62.8	32.5	61.5	16	GY1115KRRB SGT	M96847	3.3136 7.3053	
YAS	2S	2 1/4	4 1/2	2 1/32	7 7/8	6 7/32	2 9/32	3/4	23/32	1	2.474	1 9/32	2 27/64	5/8	GY1115KRRB2			
YAS	50 SGT														GYE50KRRB SGT			
YAS	2 SGT	63.50	127.8	55.6	222.3	176.2	60.3	20.6	18.3	29.4	69.8	33.3	61.9	16	GY1200KRRB SGT	M96850	3.9009 8.6000	
YAS	2 3/16 SGT	2 1/2	5 1/32	2 3/16	8 3/4	6 15/16	2 3/8	1 13/16	23/32	1 5/32	2.747	1 5/16	2 7/16	5/8	GY1203KRRB SGT			
YAS	55 SGT														GYE55KRRB SGT			
YAS	2 1/4 SGT	69.85	138.9	65.1	239.7	188.1	60.3	23.8	18.3	29.4	76.5	39.7	69.9	16	GY1204KRRB SGT	M99647	4.7718 10.5200	
YAS	2 7/16 SGT	2 3/4	5 15/32	2 9/16	9 7/16	7 13/32	2 3/8	1 5/16	23/32	1 5/32	3.011	1 9/16	2 3/4	5/8	GY1207KRRB SGT			
YAS	60 SGT														GYE60KRRB SGT			
YAS	2 15/16	82.55	164.3	69.9	269.9	215.9	69.4	25.4	14.3	34.9	91.9	30.2	79.4	20	GY1215KRRB	T23423	7.9197 17.4600	
YAS	75	3 1/4	6 15/32	2 3/4	10 5/8	8 1/2	2 3/4	1	7/8	1 3/8	3.618	1 3/4	3 1/8	3/4	GYE75KRRB			
YAS	2 15/16 H	88.40	177.8	77.8	330.2	241.3	88.9	31.8	23.8	31.8	91.9	30.2	88.9	20	GY1215KRRB			T22305

NOTE: Shaft diameter with an S = Smaller housing; Shaft diameter with an H = heavier housing.

## VAS STANDARD SERIES

- Timken VAS pillow blocks are similar in design and features, and equal in load-carrying capacity, to the VAK series.
- The slightly different base-to-center height dimension makes them interchangeable with certain other competitive designs.
- The units are prelubricated and ready for immediate installation.
- A grease fitting is provided for relubrication if required.



### Suggested shaft tolerances:

- 1/2 in. – 1 15/16 in., nominal to -0.013 mm, -0.0005 in.;
- 2 in. – 2 3/16 in., nominal to -0.025 mm, -0.0010 in.

### To order, specify UNIT and SHAFT DIAMETER.

Example: VAS 1 3/16 in.

### BEARING DATA

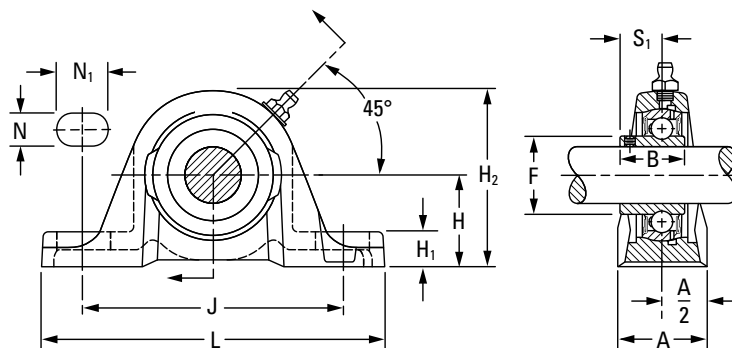
Unit	Bearing No.	Dimensions and Load Ratings
VAS	GRA-RRB	Page A-50

Unit	Shaft Dia.	H	H <sub>2</sub>	B <sub>1</sub>	J	L	A	H <sub>1</sub>	N	N <sub>1</sub>	d <sub>1</sub>	S <sub>1</sub>	T	Bolt Size	Bearing No.	Collar No.	Housing No.	Unit Wt.	
		in.	mm	in.	mm	in.	mm	in.	mm	in.	mm	in.	mm						in.
VAS	1/2														GRA008RRB	S1008K			
VAS	5/8	30.16	56.4	28.6	92.1	123.8	30.2	11.9	11.1	22.2	28.6	22.2	15.1	10	GRA010RRB	S1010K	T-40238	0.454	
VAS	17	1 3/16	2 7/32	1 1/8	3 9/8	4 7/8	1 3/16	1 5/32	7/16	7/8	1 1/8	7/8	1 9/32	3/8	GRAE17RRB	SE17K	(T-30595)	1.00	
VAS	3/4	33.34	64.3	31.0	96.0	127.0	31.8	13.5	11.1	19.8	33.3	23.4	15.9	10	GRA012RRB	S1012K	T-40239	0.563	
VAS	20	1 5/16	2 17/32	1 7/32	3 25/32	5	1 1/4	1 7/32	7/16	25/32	1 5/16	59/64	5/8	3/8	GRAE20RRB	SE20K	(T-30555)	1.24	
VAS	7/8														GRA014RRB	S1014K			
VAS	1 5/16	36.51	71.4	31.0	104.8	139.7	35.7	15.1	11.1	20.6	38.1	23.4	17.9	10	GRA015RRB	S1015K	T-30365	0.758	
VAS	1	1 7/16	2 13/16	1 7/32	4 1/8	5 1/2	1 13/32	1 9/32	7/16	13/16	1 1/2	59/64	45/64	3/8	GRA100RRB	S1100K		1.67	
VAS	25														GRAE25RRB	SE25K			
VAS	1 1/8														GRA102RRB	S1102K			
VAS	1 3/16	42.86	83.3	35.7	117.5	157.2	39.7	16.7	14.3	23.8	44.1	27.0	19.9	12	GRA103RRB	S1103K	T-40241	1.235	
VAS	1 1/4 S	1 11/16	3 3/32	1 13/32	4 5/8	6 3/16	1 9/16	2 1/32	9/16	15/16	1 47/64	1 1/16	25/32	1/2	GRA103RRB2	S1103K3	(T-30300)	2.72	
VAS	30														GRAE30RRB	SE30K			
VAS	1 1/4														GRA104RRB	S1104K			
VAS	1 3/8	47.62	93.7	38.9	130.2	166.7	45.2	18.3	14.3	24.6	54.0	29.4	22.7	12	GRA106RRB	S1106K	T-40242	1.594	
VAS	1 7/16	1 7/8	3 11/16	1 17/32	5 1/8	6 9/16	1 25/32	2 3/32	9/16	3 1/32	2 1/8	1 5/32	57/64	1/2	GRA107RRB	S1107K	(T-30410)	3.51	
VAS	35														GRAE35RRB	SE35K			
VAS	1 1/2														GRA108RRB	S1108KT	T-40243	2.034	
VAS	40	1 15/16	3 15/16	1 23/32	5 3/8	7 1/16	1 7/8	3/4	9/16	1 1/32	2 3/8	1 9/32	15/16	1/2	GRAE40RRB	SE40K	(T-30484)	4.48	
VAS	1 5/8														GRA110RRB	S1110K			
VAS	1 11/16	53.98	106.4	43.7	149.2	191.3	50.8	19.0	14.3	28.6	63.5	32.5	25.4	12	GRA111RRB	S1111K	T-40244	2.261	
VAS	1 3/4	2 1/8	4 3/16	1 23/32	5 7/8	7 17/32	2	3/4	9/16	1 1/8	1/2	1 9/32	1	1/2	GRA112RRB	S1112K	(T-30682)	4.98	
VAS	45														GRAE45RRB	SE45K			
VAS	1 7/8														GRA114RRB	S1114K			
VAS	1 15/16	57.15	114.3	43.7	158.0	200.0	55.6	19.0	18.3	29.4	69.8	32.5	27.8	16	GRA115RRB	S1115K	T-40245	2.774	
VAS	2 S	2 1/4	4 1/2	1 23/32	6 7/32	7 7/8	2 3/16	3/4	23/32	1 5/32	2 3/4	1 9/32	1 3/32	5/8	GRA115RRB2	S1115K2	(T-30706)	6.11	
VAS	50														GRAE50RRB	SE50K			
VAS	2														GRA200RRB	S1200K			
VAS	2 3/16	63.50	126.2	48.4	176.2	222.3	58.7	20.6	18.3	29.4	76.2	36.5	29.4	16	GRA203RRB	S1203K	T-40246	3.328	
VAS	55	2 1/2	4 31/32	1 29/32	6 15/16	8 3/4	2 5/16	1 3/16	23/32	1 5/32	3	1 7/16	1 5/32	5/8	GRAE55RRB	SE55K	(T-30738)	7.33	

NOTE: All units have 1/8 pipe-thread grease fitting except 1/2 – 1 1/16 and 3/4 units, which have 1/4-28 fitting.

**SAS STANDARD SERIES**

- The SAS is a streamlined and rugged one-piece pillow block unit that combines the Timken engineered housing and a GYA-RRB set screw bearing.
- GYA-RRB bearing employs a positive-contact, land-riding seal and specially designed set screws.
- SAS pillow block can be mounted in any position.
- Bearing housed units are factory-prelubricated, but a grease fitting is provided to allow for relubrication if required.



**Suggested shaft tolerances:**

- 1/2 in. – 1 15/16 in., nominal to -0.013 mm, -0.0005 in.;
- 2 in. – 2 3/16 in., nominal to -0.025 mm, -0.0010 in.

**To order, specify UNIT and SHAFT DIAMETER.**

Example: SAS 1 in.

**BEARING DATA**

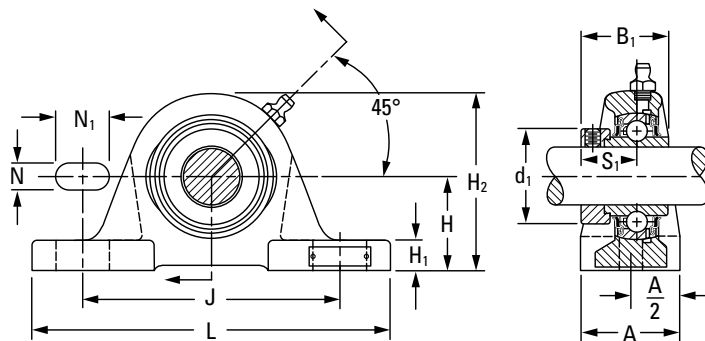
Unit	Bearing No.	Dimensions and Load Ratings
SAS	GYA-RRB	Page A-54

Unit	Shaft Dia.	H	H <sub>2</sub>	S <sub>1</sub>	J	L	A	H <sub>1</sub>	N	N <sub>1</sub>	F	B	Bolt Size	Bearing No.	Housing No.	Unit Wt.
		in.	mm	mm	mm	mm	mm	mm	mm	mm	mm	mm				
SAS	1/2	30.16	56.4	15.9	92.1	123.8	30.2	11.9	11.1	22.2	24.6	23.8	10	GYA008RRB	T-40238	0.42
SAS	5/8	33.16	64.3	18.3	96.0	127.0	31.8	13.5	11.1	19.8	29.0	27.0	10	GYA010RRB	T-40239	0.57
SAS	17	1 3/16	2 7/32	5/8	3 5/8	4 7/8	1 3/16	15/32	7/16	7/8	3 1/32	15/16	3/8	GYAE17RRB	(T-30595)	0.92
SAS	3/4	33.34	64.3	18.3	96.0	127.0	31.8	13.5	11.1	19.8	29.0	27.0	10	GYA012RRB	T-40239	0.57
SAS	20	1 5/16	2 17/32	23/32	3 25/32	5	1 1/4	17/32	7/16	25/32	1 9/64	1 1/16	3/8	GYAE20RRB	(T-30555)	1.25
SAS	7/8	36.51	71.4	19.4	104.8	139.7	35.7	15.1	11.1	20.6	33.7	28.2	10	GYA014RRB	T-30365	0.75
SAS	15/16	1 7/16	2 13/16	49/64	4 1/8	5 1/2	1 13/32	19/32	7/16	13/16	1 21/64	1 7/64	3/8	GYA015RRB		1.67
SAS	1	42.86	83.3	23.0	117.5	157.2	39.7	16.7	14.3	23.8	40.1	32.5	12	GYA100RRB	T-40241	1.14
SAS	1 3/16	1 11/16	3 9/32	29/32	4 5/8	6 3/16	1 9/16	2 1/32	9/16	15/16	1 37/64	1 9/32	1/2	GYA102RRB	(T-30300)	2.52
SAS	1 1/4 S	47.62	93.6	25.8	130.2	166.7	45.2	18.3	14.3	24.6	46.8	36.5	12	GYA103RRB	T-40242	1.52
SAS	1 1/4	1 7/8	3 11/16	1 1/64	5 1/8	6 9/16	1 25/32	23/32	9/16	3 1/32	1 27/32	1 7/16	1/2	GYA103RRB2	(T-30410)	3.35
SAS	30	47.62	93.6	25.8	130.2	166.7	45.2	18.3	14.3	24.6	46.8	36.5	12	GYAE30RRB		
SAS	1 1/4	49.21	100.0	27.8	136.5	179.4	47.6	19.0	14.3	26.2	52.4	39.3	12	GYA104RRB	T-40242	1.52
SAS	1 3/8	1 15/16	3 15/16	1 3/32	5 3/8	7 1/16	1 7/8	3/4	9/16	1 1/32	2 1/16	1 35/64	1/2	GYA106RRB	(T-30484)	4.08
SAS	1 7/16	53.90	100.0	27.8	136.5	179.4	47.6	19.0	14.3	26.2	52.4	39.3	12	GYA107RRB	T-39528	1.85
SAS	35	2 1/8	3 15/16	1 3/32	5 3/8	7 1/16	1 7/8	3/4	9/16	1 1/32	2 1/16	1 35/64	1/2	GYAE35RRB		4.08
SAS	1 1/2	49.21	100.0	27.8	136.5	179.4	47.6	19.0	14.3	26.2	52.4	39.3	12	GYA108RRB	T-40243	1.85
SAS	40	1 15/16	3 15/16	1 3/32	5 3/8	7 1/16	1 7/8	3/4	9/16	1 1/32	2 1/16	1 35/64	1/2	GYAE40RRB	(T-30484)	4.08
SAS	1 1/2 H	53.90	100.0	27.8	136.5	179.4	47.6	19.0	14.3	26.2	52.4	39.3	12	GYA108RRB	T-39528	1.85
SAS	2 1/8	2 1/8	3 15/16	1 3/32	5 3/8	7 1/16	1 7/8	3/4	9/16	1 1/32	2 1/16	1 35/64	1/2	GYA110RRB		4.08
SAS	1 5/8	53.90	106.3	28.6	149.2	191.3	51.0	19.0	14.3	28.6	57.9	42.1	12	GYA111RRB	T-40244	2.06
SAS	1 11/16	2 1/8	4 3/16	1 1/8	5 7/8	7 17/32	2	3/4	9/16	1 1/8	2 9/32	1 21/32	1/2	GYA112RRB	(T-30682)	4.55
SAS	1 3/4	57.20	114.3	30.9	158.0	200.0	55.6	19.0	17.5	23.8	62.7	44.4	16	GYAE45RRB		
SAS	45	2 1/4	4 1/2	1 7/32	6 7/32	7 7/8	2 3/16	3/4	11/16	15/16	2 15/32	1 3/4	5/8	GYA115RRB	T-40245	2.54
SAS	1 15/16	57.20	114.3	30.9	158.0	200.0	55.6	19.0	17.5	23.8	62.7	44.4	16	GYA115RRB2	(T-30706)	5.60
SAS	2 S	63.50	126.2	31.7	176.2	222.3	58.7	20.6	18.3	29.4	69.8	46.4	16	GYAE50RRB		
SAS	50	2 1/2	4 31/32	1 1/4	6 15/16	8 3/4	2 5/16	13/16	23/32	1 5/32	2 3/4	1 53/64	5/8	GYA200RRB	T-40246	3.02
SAS	2	63.50	126.2	31.7	176.2	222.3	58.7	20.6	18.3	29.4	69.8	46.4	16	GYA203RRB	(T-30738)	6.66
SAS	2 3/16	2 1/2	4 31/32	1 1/4	6 15/16	8 3/4	2 5/16	13/16	23/32	1 5/32	2 3/4	1 53/64	5/8	GYAE55RRB		
SAS	55	2 1/2	4 31/32	1 1/4	6 15/16	8 3/4	2 5/16	13/16	23/32	1 5/32	2 3/4	1 53/64	5/8	GYAE55RRB		

NOTE: All units have 1/8 pipe-thread grease fitting except 1/2 – 1 11/16 and 3/4 units, which have 1/4-28 fitting.  
NOTE: Shaft diameter with an S = smaller housing; Shaft diameter with an H = heavier housing.

## RAKH INDUSTRIAL SERIES

- Timken pillow blocks are similar in design to other standard series, but have slightly different dimensions to allow interchangeability with competitive designs.
- These pillow blocks may be used independently or in connection with the RAKHL expansion unit shown at right. Used in this capacity, the RAKH pillow blocks provide fixed shaft location while the RAKHL expansion units allow for axial movement. Maximum operating temperature for the RAKH units is 121° C (250° F).
- The units are supplied with self-locking collars.
- Contact your Timken engineer to discuss highly corrosive applications (food processing, chemical exposure) where Timken thin-dense chrome-coated bearings can be utilized.



### Suggested shaft tolerances:

- 1 3/16 in. – 1 15/16 in., nominal to -0.013 mm, -0.0005 in.;
- 2 in. – 2 15/16 in., nominal to -0.025 mm, -0.0010 in.

### To order, specify UNIT and SHAFT DIAMETER.

Example: RAKH 1 7/16 in.

### BEARING DATA

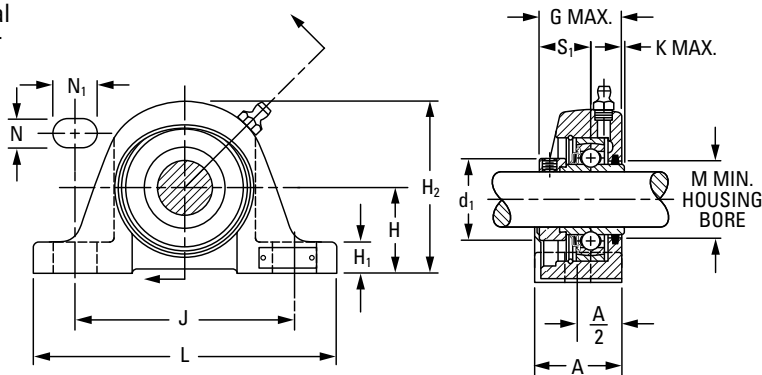
Unit	Bearing No.	Dimensions and Load Ratings
RAKH	G-KRRB	Page A-34

Unit <sup>(1)</sup>	Shaft Dia.	H	H <sub>2</sub>	B <sub>1</sub>	J	L	A	H <sub>1</sub>	N	N <sub>1</sub>	d <sub>1</sub>	S <sub>1</sub>	Bolt Size	Bearing No.	Collar No.	Housing No.	Unit Wt.
	in. mm	mm in.	mm in.	mm in.	mm in.	mm in.	mm in.	mm in.	mm in.	mm in.	mm in.	mm in.	mm in.			New	kg lbs.
RAKH	1	44.45 1 3/4	82.6 3 1/4	44.4 1 3/4	119.1 4 11/16	158.8 6 1/4	50.8 2	15.9 5/8	14.3 9/16	25.4 1	38.1 1 1/2	27.0 1 1/16	12 1/2	G1100KRRB	S1100K	T-22295	1.689 3.720
RAKH	1 3/16	47.63 1 7/8	90.5 3 9/16	48.4 2 9/32	127.0 5	174.6 6 7/8	57.2 2 1/4	17.5 11/16	14.3 9/16	25.4 1	44.1 1 47/64	30.2 1 3/16	12 1/2	G1103KRRB	S1103K	T-22216	2.184 4.810
RAKH	1 1/4	53.98	101.6	51.2	144.5	203.2	57.2	19.0	14.3	30.2	54.0	32.5	12	G1104KRRB	S1104K	T-22212	2.915
RAKH	1 7/16	2 1/8	4	2 1/64	5 11/16	8	2 1/4	3/4	9/16	1 3/16	2 1/8	9/32	1/2	G1107KRRB	S1107K	T-22212	6.420
RAKH	1 1/2	58.74 2 5/16	111.1 4 3/8	56.4 2 7/32	155.6 6 1/8	222.2 8 3/4	66.7 2 5/8	20.6 13/16	17.5 1 1/16	31.8 1 1/4	60.3 2 3/8	34.9 1 3/8	16 5/8	G1108KRRB	S1108KT	T-22291	4.004 8.820
RAKH	1 11/16	58.74	114.3	56.4	155.6	222.2	66.7	20.6	17.5	33.3	63.5	34.9	16	G1111KRRB	S1111K	T-22293	4.032
RAKH	1 3/4	2 5/16	4 1/2	2 7/32	6 1/8	8 3/4	2 5/8	13/16	1 1/16	1 5/16	2 1/2	1 3/8	5/8	G1112KRRB	S1112K	T-22293	8.880
RAKH	1 15/16	63.50 2 1/2	122.2 4 13/16	62.7 2 15/32	171.4 6 3/4	241.3 9 1/2	73.0 2 7/8	22.2 7/8	17.5 1 1/16	36.5 1 7/16	69.8 2 3/4	38.1 1 1/2	16 5/8	G1115KRRB	S1115K	T-22214	5.098 11.230
RAKH	2 3/16	69.85	136.5	71.4	184.2	260.4	79.4	27.0	20.6	36.5	76.2	43.7	16	G1203KRRB	S1203K	T-22297	6.728
RAKH	55	2 3/4	5 3/8	2 13/16	7 1/4	10 1/4	3 1/8	1 1/16	13/16	1 7/16	3	1 23/32	5/8	GE55KRRB	SE55K	T-22297	14.820
RAKH	2 7/16	76.20 3	150.8 5 15/16	77.8 3 1/16	203.2 8	285.8 11 1/4	82.6 3 1/4	27.0 1 1/16	20.6 13/16	41.3 1 5/8	84.1 3 5/16	46.8 1 27/32	16 5/8	G1207KRRB	S1207K	T-22299	8.2170 18.115
RAKH	2 11/16	88.90 3 1/2	171.4 6 3/4	85.7 3 3/8	228.6 9	330.2 13	88.9 3 1/2	28.6 1 1/8	23.8 15/16	50.8 2	96.8 3 13/16	45.2 1 25/32	20 3/4	G1211KRRB	S1211K	T-22303	11.495 25.320
RAKH	2 15/16	88.90 3 1/2	177.8 7	92.1 3 5/8	228.6 9	330.2 13	88.9 3 1/2	31.8 1 1/4	23.8 15/16	50.8 2	101.6 4	54.8 2 5/32	20 3/4	G1215KRRB	S1215K	T-22305	11.795 25.980

<sup>(1)</sup>When used with the expansion unit, specify both units, shaft diameter and suffix.

### RAKHL EXPANSION SERIES

- The RAKH expansion series is designed to allow axial shaft expansion caused by elevated temperatures or other conditions that lead to shaft movement.
- The RAKH expansion-series bearings are designed for use with the RAKH pillow blocks.
- RAKH units provide axial shaft location and the RAKHL allows shaft floatation.
- Due to limitations of the lubricant and seal material, the maximum operating temperature for the RAKHL units is 121° C (250° F).
- Units are supplied with self-locking collars.
- Steel S-ring ensures axial expansion.



**Suggested shaft tolerances:**

13/16 in. – 1 15/16 in., nominal to -0.013 mm, -0.0005 in.;  
 2 in. – 2 15/16 in., nominal to -0.025 mm, -0.0010 in.

**To order, specify UNIT and SHAFT DIAMETER.**

Example: RAKHL 2 7/16 in.

**BEARING DATA**

Unit	Bearing No.	Dimensions and Load Ratings
RAKHL	KRS	Page A-43

Unit	Shaft Dia.	Total Float	H	H <sub>2</sub>	G	J	L	A	H <sub>1</sub>	N	N <sub>1</sub>	K	d <sub>1</sub>	S <sub>1</sub>	M	Bolt Size	Bearing No.	Collar No.	Housing No.	Unit Wt.
	in.	mm in.	mm in.	mm in.	mm in.	mm in.	mm in.	mm in.	mm in.	mm in.	mm in.	mm in.	mm in.	mm in.	mm in.	mm in.			New	kg lbs.
RAKHL	1 3/16	3.2 1/8	47.63 1 7/8	96.8 3 13/16	49.2 1 15/16	127.0 5	174.6 6 7/8	50.8 2	17.5 11/16	14.3 9/16	25.4 1	2.4 3/32	44.5 1 3/4	30.2 1 3/16	41.70 1 41/64	12 1/2	1103KRS	S1103K	A11414	2.182 4.81
RAKHL	1 3/8	4.8 3/16	53.98 2 1/8	106.4 4 3/16	55.2 2 11/64	144.5 5 11/16	201.6 7 15/16	51.6 2 1/32	19.0 3/4	14.3 9/16	30.2 1 3/16	3.2 1/8	54.0 2 1/8	32.5 1 9/32	48.02 1 57/64	12 1/2	1106KRS 1107KRS	S1106K S1107K	A11199	2.912 6.42
RAKHL	1 15/16	6.4 1/4	63.50 2 1/2	129.4 5 3/32	65.1 2 9/16	171.4 6 3/4	241.3 9 1/2	63.5 2 1/2	22.2 7/8	17.5 11/16	36.5 1 7/16	4.0 5/32	69.8 2 3/4	38.1 1 1/2	63.90 2 33/64	16 5/8	1115KRS	S1115K	A11357	5.094 11.23
RAKHL	2 3/16	6.4 1/4	69.85 2 3/4	142.9 5 5/8	73.4 2 57/64	184.2 7 1/4	260.4 10 1/4	76.2 3	27.0 1 1/16	20.6 13/16	36.5 1 7/16	4.4 11/64	76.2 3	43.7 1 23/32	71.00 2 51/64	16 5/8	1203KRS	S1203K	A11358	6.722 14.82
RAKHL <sup>(1)</sup>	2 7/16	6.4 1/4	76.20 3	158.8 6 1/4	78.6 3 3/32	203.2 8	285.8 11 1/4	82.6 3 1/4	27.0 1 1/16	20.6 13/16	41.3 1 5/8	4.8 3/16	84.1 3 5/16	46.8 1 27/32	78.20 3 5/64	16 5/8	1207KRS	S1207K	-	8.210 18.10
RAKHL	2 15/16	6.4 1/4	88.90 3 1/2	181.0 7 1/4	113.5 3 15/32	228.6 9	330.2 13	88.9 3 1/2	31.8 1 1/4	23.8 1 5/16	50.8 2	8.7 1 1/32	101.6 4	54.8 2 5/32	118.70 3 43/64	20 3/4	1215KRS	S1215K	T-28261	11.785 25.98

<sup>(1)</sup>Special order.

## YASM MEDIUM-DUTY SERIES SET SCREW LOCK

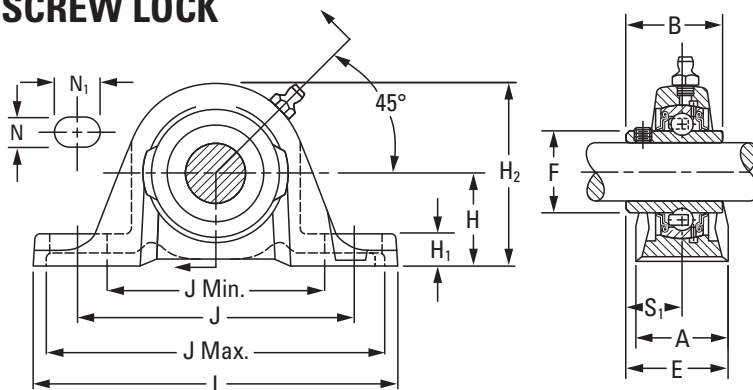
- Timken YASM medium-duty pillow blocks feature the GYM-KRRB bearing inserts.
- Timken YASM medium-duty pillow blocks are ideal for conveyor, fan and blower, sawmill, and feed and grain handling applications.
- The cast-iron housings are durable, powder-coated and maintain an excellent finish, while resisting corrosion, chemicals and weather exposure.
- These pillow blocks incorporate premium features designed to extend bearing life.

### Suggested shaft tolerances:

- 1 in. – 1 15/16 in., nominal to -0.013 mm, -0.0005 in.;
- 2 in. – 3 in., nominal to -0.025 mm, -0.0010 in.

### To order, specify UNIT and SHAFT DIAMETER.

Example: YASM 1 7/16 in.



### BEARING DATA

Unit	Bearing No.	Dimensions and Load Ratings
YASM	GYM-KRRB	Page A-56

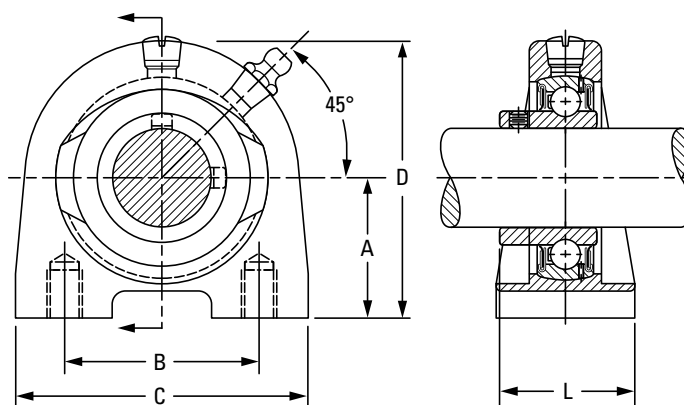
Unit	Shaft Dia.	H	H <sub>2</sub>	B	L	J	J min.	J max.	A	H <sub>1</sub>	F	N	N <sub>1</sub>	S <sub>1</sub>	E	Bolt Size	Bearing No.
	in.	mm in.	mm in.	mm in.	mm in.	mm in.	mm in.	mm in.	mm in.	mm in.	mm in.	mm in.	mm in.	mm in.	mm in.	mm in.	
YASM	1	42.86 1 11/16	83.30 3 9/32	38.10 1 1/2	157.2 6 3/16	117.5 4 5/8	93.70 3 11/16	141.30 5 9/16	39.70 1 9/16	16.70 2 1/32	40.31 1.587	14.22 9/16	23.88 1 5/16	22.20 7/8	42.070 1 21/32	12 1/2	GYM1100KRRB
YASM	1 3/16	47.62 1 7/8	93.60 3 11/16	42.90 1 11/16	166.7 6 9/16	130.2 5 1/8	105.60 4 5/32	154.80 6 3/32	45.20 1 25/32	18.30 23/32	48.84 1.844	14.22 9/16	24.64 31/32	25.40 1	48.020 1 57/64	12 1/2	GYM1103KRRB
YASM	1 7/16	53.98 2 1/8	104.80 4 1/8	49.20 1 15/16	179.4 7 1/16	136.5 5 3/8	110.30 4 11/32	162.70 6 13/16	47.60 1 7/8	23.00 29/32	52.27 2.058	14.22 9/16	26.16 1 1/32	30.20 1 3/16	53.980 2 1/8	12 1/2	GYM1107KRRB
YASM	1 1/2	53.98 2 1/8	106.30 4 3/16	49.20 1 15/16	191.3 7 17/32	149.2 5 7/8	120.70 4 3/4	177.80 7	50.80 2	19.10 3/4	57.92 2.280	14.22 9/16	28.45 1 1/8	30.20 1 3/16	55.560 2 3/16	12 1/2	GYM1108KRRB
YASM	1 11/16	57.15 2 1/4	114.30 4 1/2	51.60 2 1/32	200.0 7 7/8	157.9 6 7/32	134.10 5 9/32	183.40 7 5/32	55.60 2 3/16	19.10 3/4	62.84 2.474	17.53 1 1/16	23.88 1 5/16	32.50 1 9/32	60.330 2 3/8	16 5/8	GYM1111KRRB GYM1112KRRB
YASM	1 15/16	63.50 2 1/2	126.20 4 31/32	55.60 2 3/16	222.3 8 3/4	176.2 6 15/16	146.90 5 25/32	205.60 8 3/32	54.80 2 9/32	20.60 13/16	69.77 2.747	18.26 23/32	29.46 1 9/32	33.30 1 5/16	61.910 2 7/16	16 5/8	GYM1115KRRB GYM1200KRRB
YASM	2 3/16	69.85 2 3/4	138.90 5 15/32	65.10 2 9/16	239.7 9 7/16	188.1 7 13/32	158.80 6 1/4	217.50 8 9/16	60.30 2 3/8	23.80 15/16	76.48 3.011	18.26 23/32	29.46 1 5/32	39.10 1 9/16	69.850 2 3/4	16 5/8	GYM1203KRRB GYM1204KRRB
YASM	2 7/16	76.20 3	153.99 6 1/16	77.78 3 1/16	266.7 10 1/2	203.2 8	168.28 6 5/8	238.13 9 3/8	73.02 2 7/8	33.34 1 5/16	86.92 3.422	20.57 13/16	35.05 1 3/8	42.86 1 11/16	79.375 3 1/8	20 3/4	GYM1207KRRB GYM1208KRRB
YASM	2 11/16	88.90 3 1/2	177.80 7	93.66 3 11/16	330.2 13	228.6 9	177.80 7	279.40 11	88.90 3 1/2	31.75 1 1/4	91.90 3.618	23.88 15/16	50.08 2	44.45 1 3/4	93.660 3 11/16	20 3/4	GYM1211KRRB
YASM	2 15/16	88.90 3 1/2	177.80 7	93.66 3 11/16	330.2 13	228.6 9	177.80 7	279.40 11	88.90 3 1/2	31.75 1 1/4	98.37 3.873	23.88 15/16	50.08 2	49.21 1 15/16	93.660 3 11/16	20 3/4	GYM1215KRRB GYM1300KRRB
YASM	3 7/16	101.60 4	209.55 8 1/4	96.04 3 25/32	381.0 15	282.58 11 1/8	222.25 8 3/4	342.90 13 1/2	111.10 4 3/8	33.34 1 15/16	111.92 4 13/32	23.81 15/16	60.33 2 3/8	56.36 2 7/32	111.919 4 13/32	20 3/4	GYM1307KRRB
YASM	3 15/16	127.00 5	254.00 10	117.48 4 5/8	431.8 17	336.55 13 1/4	276.23 10 7/8	396.90 15 5/8	114.30 4 1/2	33.34 1 15/16	131.37 5 11/64	28.58 1 1/8	63.50 2 1/2	68.26 2 11/16	125.413 4 15/16	24 1	GYM1315KRRB

## STB SERIES

- STB two-bolt housed units come assembled and ready for mounting.
- These housed units are ideal for applications where space is limited, bolt screws are accessed from the bottom of the unit, loads are not severe and reversing moments do not occur.
- The units are assembled with GYA-RRB bearings with positive-contact, land-riding seals and set screw locking.
- The units are factory-prelubricated, but a grease fitting is provided for relubrication if required.

**To order, specify UNIT and SHAFT DIAMETER.**

Example: STB 1 in.



### BEARING DATA

Unit	Bearing No.	Dimensions and Load Ratings
STB	GYA-RRB	Page A-54

Unit	Shaft Dia.	Dimensions								Bearing No.	Housing No.
		A	B	C	D	F	H	N	L		
	in. mm	mm in.	mm in.	mm in.	mm in.	mm in.	mm in.	mm in.	mm in.		
STB	3/4	<b>32.3</b>	<b>50.80</b>	<b>73.03</b>	<b>71.12</b>	<b>18.30</b>	<b>36.50</b>		<b>36.50</b>	GYA012RRB	T-90001
STB	<b>20</b>	1 5/16	2	2 7/8	2 13/32	23/32	1 7/16	3/8-16	1 7/16	GYAE20RRB	
STB	7/8									GYA014RRB	T-39343
STB	1 5/16	<b>36.5</b>	<b>50.80</b>	<b>76.20</b>	<b>71.44</b>	<b>18.30</b>	<b>36.50</b>		<b>37.70</b>	GYA015RRB	
STB	<b>1</b>	1 7/16	2	3	2 13/16	23/32	1 7/16	3/8-16	1 31/64	GYA100RRB	
STB	<b>25</b>									GYAE25RRB	
STB	1 1/8									GYA102RRB	T-90003
STB	1 3/16	<b>42.9</b>	<b>76.20</b>	<b>101.60</b>	<b>82.60</b>	<b>19.05</b>	<b>38.10</b>		<b>42.07</b>	GYA103RRB	
STB	1 1/4 S	1 11/16	3	4	3 1/4	3/4	1 1/2	7/16-14	1 21/32	GYA103RRB2	
STB	<b>30</b>									GYAE30RRB	
STB	1 1/4									GYA104RRB	T-40256
STB	1 3/8	<b>47.6</b>	<b>82.60</b>	<b>107.95</b>	<b>93.66</b>	<b>22.23</b>	<b>44.45</b>		<b>48.02</b>	GYA106RRB	
STB	1 7/16	1 7/8	3 1/4	4 1/4	3 11/16	7/8	1 3/4	1/2-13	1 57/64	GYA107RRB3	
STB	<b>35</b>									GYAE35RRB	
STB	1 1/2	<b>49.2</b>	<b>88.90</b>	<b>117.48</b>	<b>100.01</b>	<b>23.81</b>	<b>47.63</b>		<b>51.20</b>	GYA108RRB	T-90005
STB	<b>40</b>	1 15/16	3 1/2	4 5/8	3 15/16	15/16	1 7/8	1/2-13	2 1/64	GYAE40RRB	
STB	1 5/8									GYA110RRB	T-90008
STB	1 11/16	<b>54.0</b>	<b>95.25</b>	<b>127.00</b>	<b>107.95</b>	<b>25.40</b>	<b>50.80</b>		<b>53.98</b>	GYA111RRB	
STB	1 3/4	2 1/8	3 3/4	5	4 1/4	1	2	1/2-13	2 1/8	GYA112RRB	
STB	<b>45</b>									GYAE45RRB	
STB	1 15/16									GYA115RRB	T-90010
STB	<b>2</b>	<b>57.2</b>	<b>101.60</b>	<b>139.70</b>	<b>114.30</b>	<b>25.40</b>	<b>50.80</b>		<b>56.36</b>	GYA200RRB	
STB	<b>50</b>	2 1/4	4	5 1/2	4 1/2	1	2	5/8-11	2 7/32	GYAE50RRB	

NOTE: Shaft diameter with an S = smaller housing.

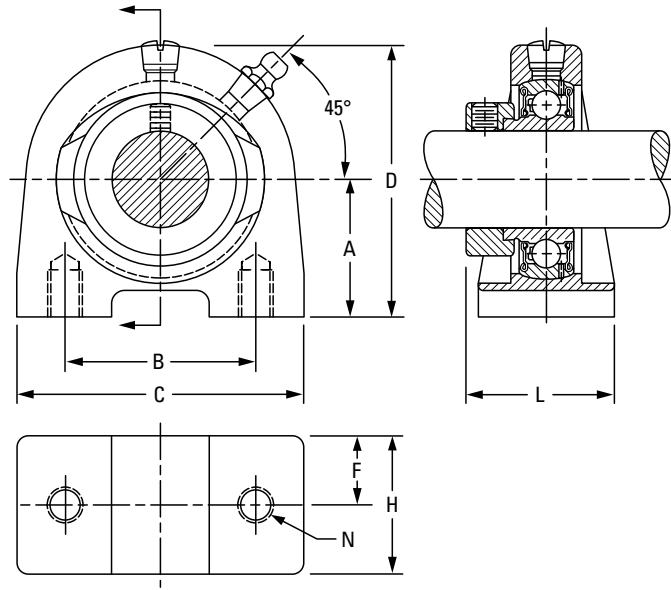


### VTB SERIES

- VTB two-bolt housed units are nearly identical to the STB unit, except they are assembled with the GRA-RRB bearings and positive-contact R-seals and locking collar.

To order, specify **UNIT** and **SHAFT DIAMETER**.

Example: VTB 1 in.



#### BEARING DATA

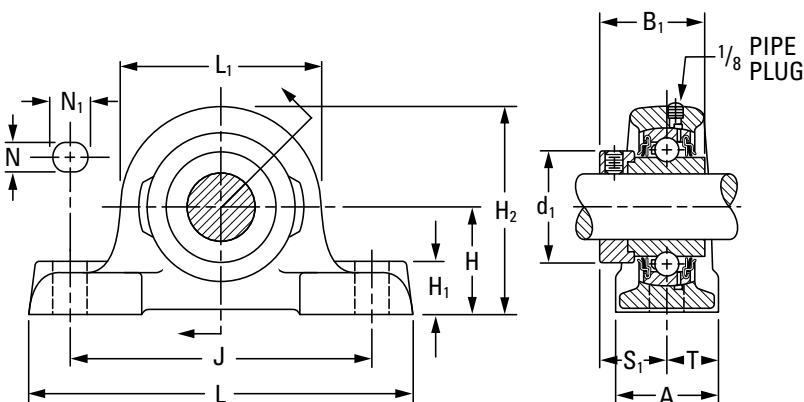
Unit	Bearing No.	Dimensions and Load Ratings
VTB	GRA-RRB	Page A-50

Unit	Shaft Dia.	A	B	C	D	F	H	N	L	Bearing No.	Collar No.	Housing No.
	in. mm	mm in.	mm in.	mm in.	mm in.	mm in.	mm in.	mm in.	mm in.			
VTB	3/4	32.3	50.80	73.03	71.12	18.30	36.50	3/8-16	41.67	GRA012RRB	S1012K	T-90001
VTB	20	1 5/16	2	2 7/8	2 13/32	23/32	1 7/16		1 41/64	GRAE20RRB	SE20K	
VTB	7/8	36.5	50.80	76.20	71.44	18.30	36.50	3/8-16	41.67	GRA014RRB	S1014K	T-39343
VTB	15/16	1 7/16	2	3	2 13/16	23/32	1 7/16		1 41/64	GRA015RRB	S1015K	
VTB	1	1 7/16	2	3	2 13/16	23/32	1 7/16		1 41/64	GRA100RRB	S1100K C2	
VTB	25	1 7/16	2	3	2 13/16	23/32	1 7/16		1 41/64	GRAE25RRB	SE25K	
VTB	1 1/8	42.9	76.20	101.60	82.60	19.05	38.10	7/16-14	45.64	GRA102RRB	S1102K	T-90003
VTB	1 3/16	1 11/16	3	4	3 1/4	3/4	1 1/2		1 51/64	GRA103RRB	S1103K	
VTB	1 1/4 S	1 11/16	3	4	3 1/4	3/4	1 1/2	7/16-14	1 51/64	GRA103RRB2	S1103K3	
VTB	30	1 11/16	3	4	3 1/4	3/4	1 1/2		1 51/64	GRAE30RRB	SE30K	
VTB	1 1/4	47.6	82.60	107.95	93.66	22.23	44.45	1/2-13	51.60	GRA104RRB	S1104K C1	T-40256
VTB	13/8	1 7/8	3 1/4	4 1/4	3 11/16	7/8	1 3/4		2 1/32	GRA106RRB	S1106K C1	
VTB	1 7/16	1 7/8	3 1/4	4 1/4	3 11/16	7/8	1 3/4	1/2-13	2 1/32	GRA107RRB3	S1107K C1	
VTB	35	1 7/8	3 1/4	4 1/4	3 11/16	7/8	1 3/4		2 1/32	GRAE35RRB	SE35K	
VTB	1 1/2	49.2	88.90	117.48	100.01	23.81	47.63	1/2-13	56.36	GRA108RRB	S1108KT	T-90005
VTB	40	1 15/16	3 1/2	4 5/8	3 15/16	15/16	1 7/8		2 7/32	GRAE40RRB	SE40K	
VTB	1 5/8	54.0	95.25	127.00	107.95	25.40	50.80	1/2-13	57.94	GRA110RRB	S1110K	T-90008
VTB	1 11/16	2 1/8	3 3/4	5	4 1/4	1	2		2 9/32	GRA111RRB	S1111K	
VTB	1 3/4	2 1/8	3 3/4	5	4 1/4	1	2	1/2-13	2 9/32	GRA112RRB	S1112K	
VTB	45	2 1/8	3 3/4	5	4 1/4	1	2		2 9/32	GRAE45RRB	SE45K	
VTB	1 15/16	57.2	101.60	139.70	114.30	25.40	50.80	5/8-11	57.94	GRA115RRB	S1115K	T-90010
VTB	2 S	2 1/4	4	5 1/2	4 1/2	1	2		2 9/32	GRA200RRB	S1115K2	
VTB	50	2 1/4	4	5 1/2	4 1/2	1	2	5/8-11	2 9/32	GRAE50RRB	SE50K	

NOTE: Shaft diameter with an S = smaller housing.

### RAO, LAO HEAVY SERIES

- This is a compact, economic, heavy-duty ball bearing housed unit.
- This series incorporates the tested and proven features of the Timken standard RAK-series pillow block.
- RAO-series bearings are equipped to handle heavy capacity.
- LAO-series bearings are equipped with heavy-series GN-KLLB wide-inner-ring ball bearings.
- The units are supplied with a self-locking collar that eliminates shaft shoulders, machining adapters and sleeves, and locknuts that provide easy mounting.



**Suggested shaft tolerances:**

1 3/16 in. – 1 15/16 in., nominal to -0.013 mm, -0.0005 in.;  
 2 in. – 2 15/16 in., nominal to -0.025 mm, -0.0010 in.

**To order, specify UNIT and SHAFT DIAMETER.**

Example: RAO 1 7/16 in.

**BEARING DATA**

Unit	Bearing No.	Dimensions and Load Ratings
RAO	GN-KRRB	Page A-57
LAO	GN-KLLB	Page A-59

Unit <sup>(1)</sup>	Shaft Dia.	H	H <sub>2</sub>	B <sub>1</sub>	L <sub>1</sub>	J	L	A	H <sub>1</sub>	N	N <sub>1</sub>	d <sub>1</sub>	S <sub>1</sub>	T	Bolt Size	Bearing No.	Collar No.	Housing No.	Unit Wt.
	in.	mm in.	mm in.	mm in.	mm in.	mm in.	mm in.	mm in.	mm in.	mm in.	mm in.	mm in.	mm in.	mm in.	mm in.			New	kg lbs.
RAO	1 3/16	47.63 1 7/8	93.7 3 11/16	50.0 1 31/32	90.5 3 9/16	136.5 5 3/8	173.0 6 13/16	49.2 1 15/16	22.2 7/8	15.9 5/8	19.0 3/4	49.2 1 15/16	32.5 1 9/32	24.6 31/32	12 1/2	GN103KRRB	SN103K	T-18798	1.898 4.18
RAO	1 7/16	53.98 2 1/8	104.0 4 3/32	51.6 2 1/32	101.6 4	152.4 6	192.1 7 9/16	54.0 2 1/8	23.8 15/16	15.9 5/8	19.0 3/4	55.6 2 3/16	33.3 1 5/16	27.0 1 1/16	12 1/2	GN107KRRB	SN107K	T-18626	2.406 5.30
RAO	1 1/2	60.33 2 3/8	117.5 4 5/8	57.2 2 1/4	114.3 4 1/2	171.4 6 3/4	215.9 8 1/2	60.3 2 3/8	27.0 1 1/16	19.0 3/4	25.4 1	63.5 2 1/2	37.3 1 15/32	30.2 1 3/16	16 5/8	GN108KRRB	SN108K	T-18800	3.755 8.27
RAO	1 11/16	66.68 2 5/8	130.2 5 1/8	58.7 2 9/16	127.0 5	190.5 7 1/2	239.7 9 7/16	66.7 2 9/8	30.2 1 3/16	19.0 3/4	25.4 1	69.8 2 3/4	38.9 1 17/32	33.3 1 5/16	16 5/8	GN111KRRB	SN111K	T-18802	5.030 11.08
RAO	1 15/16	71.44 2 13/16	141.3 5 9/16	66.7 2 5/8	138.1 5 7/16	209.6 8 1/4	265.1 10 7/16	73.0 2 7/8	33.3 1 5/16	19.0 3/4	25.4 1	76.2 3	42.1 1 21/32	36.5 1 7/16	16 5/8	GN115KRRB	SN115K	T-18804	6.265 13.80
RAO	2 3/16	77.79 3 1/16	153.2 6 1/32	73.0 2 7/8	150.8 5 15/16	228.6 9	287.3 11 5/16	79.4 1 1/8	36.5 1 7/16	22.2 7/8	28.6 1 1/8	82.6 3 1/4	45.2 1 25/32	39.7 1 9/16	20 3/4	GN203KRRB	SN203K	T-18806	7.940 17.49
RAO	2 7/16	84.14 3 5/16	165.9 6 17/32	79.4 3 1/8	163.5 6 7/16	247.6 9 3/4	312.7 12 5/16	84.1 3 9/16	38.1 1 1/2	22.2 7/8	28.6 1 1/8	88.9 3 1/2	48.4 1 29/32	42.1 1 21/32	20 3/4	GN207KRRB	SN207K	T-18808	9.761 21.50
RAO	2 11/16	96.84 3 13/16	192.1 7 9/16	88.9 3 1/2	188.9 7 7/16	285.8 11 1/4	360.4 14 3/16	96.0 3 13/16	44.4 1 3/4	25.4 1	33.3 1 5/16	101.6 4	54.8 2 5/32	48.4 1 29/32	22 7/8	GN211KRRB	SO211K	T-18810	15.322 33.75
RAO	2 15/16	104.78 4 1/8	204.8 8 1/16	100.0 3 15/16	201.6 7 15/16	304.8 12	384.2 15 1/8	103.2 4 1/16	47.6 1 7/8	25.4 1	33.3 1 5/16	112.7 4 7/16	62.7 2 19/32	51.6 2 1/32	22 7/8	GN215KRRB	SN215K	T-18601	18.205 40.10

<sup>(1)</sup>LAO assembled with GN-KLLB bearing.

## RSA, LSA INDUSTRIAL SERIES

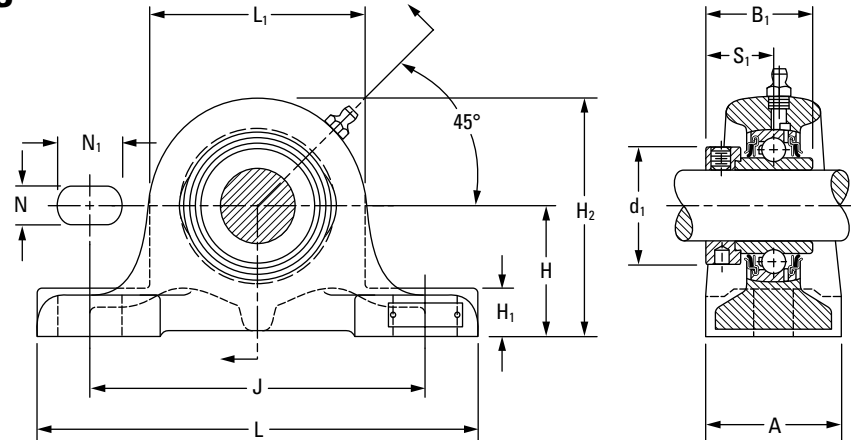
- RSA series is equipped with G-KRRB wide inner ring ball bearings.
- LSA series is equipped with G-KLLB wide inner ring bearings.
- Pillow blocks are prelubricated and ready for immediate use.
- A grease fitting is provided for relubrication if required.
- All units are supplied with a self-locking collar.

### Suggested shaft tolerances:

- 1/2 in. – 1 15/16 in.,  
nominal to -0.013 mm, -0.0005 in.;
- 2 in. – 3 15/16 in.,  
nominal to -0.025 mm, -0.0010 in.

### To order, specify UNIT and SHAFT DIAMETER.

Example: RSA 1 7/16 in.

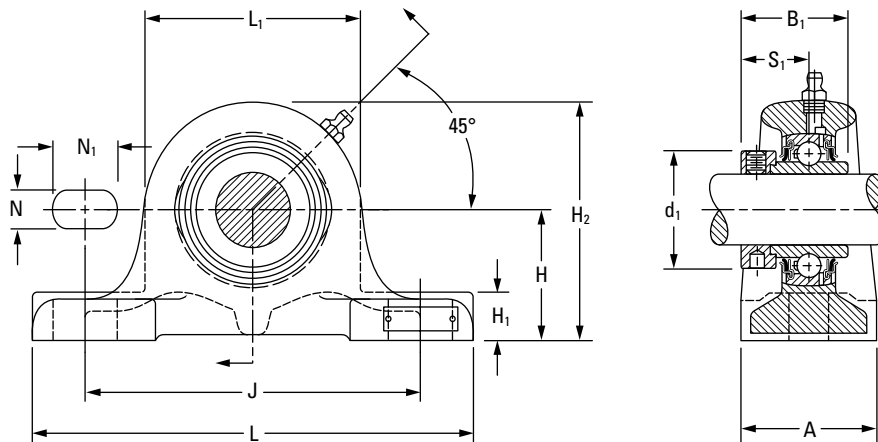


### BEARING DATA

Unit	Bearing No.	Dimensions and Load Ratings
RSA	G-KRRB	Page A-34
LSA	G-KLLB	Page A-37

Unit	Shaft Dia.	H	H <sub>2</sub>	B <sub>1</sub>	L <sub>1</sub>	J	L	A	H <sub>1</sub>	N	N <sub>1</sub>	d <sub>1</sub>	S <sub>1</sub>	Bolt Size	Bearing No.	Collar No.	Housing No.	Unit Wt.
	in. mm	mm in.	mm in.	mm in.	mm in.	mm in.	mm in.	mm in.	mm in.	mm in.	mm in.	mm in.	mm in.	mm in.			New	kg lbs.
RSA	1/2														G1008KRRB	S1008K		
RSA	5/8	31.75	58.7	37.3	54.0	96.8	122.2	31.8	12.7	11.1	14.3	30.2	23.4	10	G1010KRRB	S1010K	T-22784	0.681
RSA	11/16	1 1/4	2 5/16	1 15/32	2 1/8	3 13/16	4 13/16	1 1/4	1/2	7/16	9/16	1 3/16	59/64	3/8	G1011KRRB	S1011K		1.50
RSA	17														GE17KRRB	SE17K		
RSA	3/4	44.45	76.2	43.7	63.5	127.0	165.1	50.8	14.3	14.3	19.0	33.3	26.6	12	G1012KRRB	S1012K	T-22741	1.226
RSA	20	1 3/4	3	1 23/32	2 1/2	5	6 1/2	2	9/16	9/16	3/4	1 5/16	1 3/64	1/2	GE20KRRB	SE20K		2.70
RSA	7/8														G1014KRRB	S1014K		
RSA	15/16	50.80	85.7	44.4	69.8	139.7	177.8	54.0	15.9	14.3	19.0	38.1	27.0	12	G1015KRRB	S1015K	T-22716	1.521
RSA	1	2	3 3/8	1 3/4	2 3/4	5 1/2	7	2 1/8	5/8	9/16	3/4	1 1/2	1 1/16	1/2	G1100KRRB	S1100K		3.35
RSA	25														GE25KRRB	SE25K		
RSA	1 1/16														G1101KRRB	S1101K		
RSA	1 1/8	50.80	91.3	48.4	81.0	139.7	177.8	54.0	17.5	15.9	20.6	44.1	30.2	12	G1102KRRB	S1102K	T-22725	1.789
RSA, LSA	1 3/16	2	3 13/32	1 29/32	3 3/16	5 1/2	7	2 1/8	11/16	5/8	13/16	1 47/64	1 3/16	1/2	G1103KRRB	S1103K		3.94
RSA	30														GE30KRRB	SE30K		
RSA, LSA	1 1/4														G1104KRRB	S1104K		
RSA	1 5/16	60.33	111.1	51.2	101.6	158.8	209.6	66.7	22.2	19.0	31.8	54.0	32.5	16	G1105KRRB	S1105K	T-22382	3.260
RSA	1 3/8	2 3/8	4 3/8	2 1/64	4	6 1/4	8 1/4	2 5/8	7/8	3/4	1 1/4	2 1/8	1 9/32	5/8	G1106KRRB	S1106K		7.18
RSA, LSA	1 7/16														G1107KRRB	S1107K		
RSA	35														GE35KRRB	SE35K		
RSA	1 1/2	60.33	111.1	56.4	101.6	168.3	209.6	60.3	19.0	19.0	22.2	60.3	34.9	16	G1108KRRB	S1108KT	T-22752	2.928
RSA	1 9/16	2 3/8	4 3/8	2 7/32	4	6 5/8	8 1/4	2 3/8	3/4	3/4	7/8	2 3/8	1 3/8	5/8	G1109KRRB	S1109KT		6.45
RSA	40														GE40KRRB	SE40K		

Continued on next page.

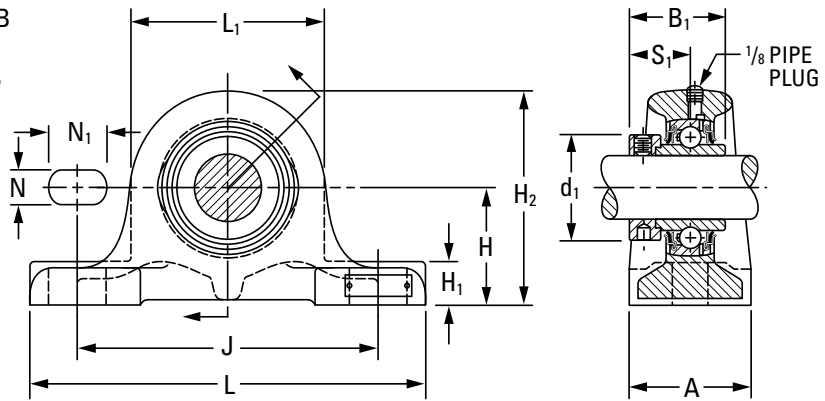


Continued from previous page.

Unit	Shaft Dia.	H	H <sub>2</sub>	B <sub>1</sub>	L <sub>1</sub>	J	L	A	H <sub>1</sub>	N	N <sub>1</sub>	d <sub>1</sub>	S <sub>1</sub>	Bolt Size	Bearing No.	Collar No.	Housing No.	Unit Wt.
	in. mm	mm in.	mm in.	mm in.	mm in.	mm in.	mm in.	mm in.	mm in.	mm in.	mm in.	mm in.	mm in.	mm in.			New	kg lbs.
RSA	1 5/8														G1110KRRB	S1110K		
RSA, LSA	1 11/16	60.33	114.3	56.4	108.0	168.3	209.6	60.3	20.6	19.0	23.8	63.5	34.9	16	G1111KRRB	S1111K	T-22701	3.064
RSA	1 3/4	2 3/8	4 1/2	2 7/32	4 1/4	6 5/8	8 1/4	2 3/8	1 3/16	3/4	1 5/16	2 1/2	1 3/8	5/8	G1112KRRB	S1112K		6.75
RSA	45														GE45KRRB	SE45K		
RSA	1 7/8	69.85	130.2	62.7	120.6	209.6	269.9	69.8	26.2	19.0	34.9	69.8	38.1	16	G1114KRRB	S1114K		4.885
RSA, LSA	1 15/16	2 3/4	5 1/8	2 15/32	4 3/4	8 1/4	10 5/8	2 3/4	1 1/32	3/4	1 3/8	2 3/4	1 1/2	5/8	G1115KRRB	S1115K	T-22384	10.76
RSA	50														GE50KRRB	SE50K		
RSA	2	79.38	142.1	71.4	125.4	228.6	288.9	79.4	25.4	19.0	33.3	76.2	43.7	16	G1200KRRB	S1200K		6.022
RSA	2 1/8	3 1/8	5 19/32	2 13/16	4 15/16	9	11 3/8	3 1/8	1	3/4	1 5/16	3	1 23/32	5/8	G1202KRRB	S1202K	T-22696	13.22
RSA, LSA	2 3/16														G1203KRRB	S1203K		
RSA	55														GE55KRRB	SE55K		
RSA	2 1/4	79.38	149.2	77.8	139.7	228.6	288.9	79.4	28.6	22.2	28.6	84.1	46.8	20	G1204KRRB	S1204K		6.901
RSA	2 3/8	3 1/8	5 7/8	3 1/16	5 1/2	9	11 3/8	3 1/8	1 1/8	7/8	1 1/8	3 5/16	1 27/32	3/4	G1206KRRB	S1206K	T-22743	15.20
RSA, LSA	2 7/16														G1207KRRB	S1207K		
RSA	60														GE60KRRB	SE60K		
RSA	2 11/16	95.25	173.0	82.6	155.6	260.4	320.7	88.9	33.3	22.2	34.9	96.8	45.2	20	G1211KRRB	S1211KT	T-22748	9.997
RSA	70	3 3/4	6 13/16	3 1/4	6 1/8	10 1/4	12 5/8	3 1/2	1 5/16	7/8	1 3/8	3 13/16	1 25/32	3/4	GE70KRRB	SE70K		22.02
RSA	2 15/16	95.25	177.8	92.1	196.1	206.4	320.7	88.9	38.1	22.2	31.8	101.6	54.8	20	G1215KRRB	S1215K	T-22386	10.683
RSA	75	3 3/4	7	3 5/8	7 23/32	10 1/4	12 5/8	3 1/2	1 1/2	7/8	1 1/4	4	2 5/32	3/4	GE75KRRB	SE75K		23.53

## RSAO, LSAO HEAVY SERIES

- RSAO pillow blocks are equipped with GN-KRRB wide-inner-ring ball bearings.
- LSAO pillow blocks are equipped with GN-KLLB wide-inner-ring ball bearings.
- All units are suited for installations where the load is heavy in proportion to the shaft diameter or where considerable shock loads exist.
- All units are for use in wet or extremely dirty conditions.
- These units are prelubricated and ready for immediate use. A grease fitting is also provided for relubrication if required.
- All units are supplied with a self-locking collar.



### Suggested shaft tolerances:

- 1 1/16 in., nominal to -0.013 mm, -0.0005 in.;
- 2 in. – 3 15/16 in., nominal to -0.025 mm, -0.0010 in.

### To order, specify UNIT and SHAFT DIAMETER.

Example: RSAO 1 7/16 in.

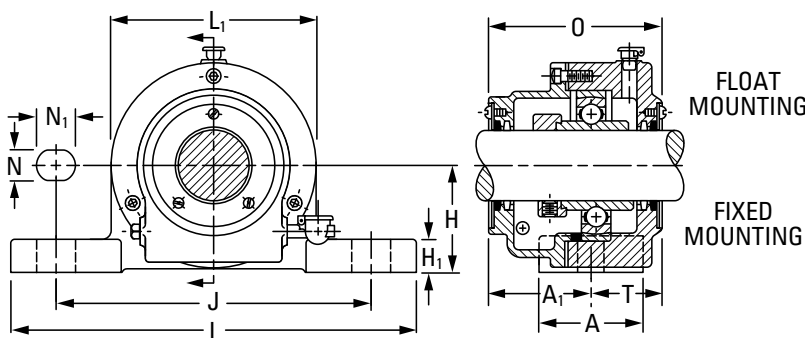
### BEARING DATA

Unit	Bearing No.	Dimensions and Load Ratings
RSAO	GN-KRRB	Page A-57
LSAO	GN-KLLB	Page A-59

Unit	Shaft Dia.	H		H <sub>2</sub>		B <sub>1</sub>		L <sub>1</sub>		J		L		A		H <sub>1</sub>		N		N <sub>1</sub>		d <sub>1</sub>		S <sub>1</sub>		Bolt Size	Bearing No.		Collar No.	Housing No.	Unit Wt.
		in.	mm	in.	mm	in.	mm	in.	mm	in.	mm	in.	mm	in.	mm	in.	mm	in.	mm	in.	mm	in.	mm	in.	mm		in.	mm			
RSAO, LSAO	1 3/16	60.33	108.0	50.0	95.2	168.3	209.6	60.3	22.2	15.9	25.4	48.7	32.5	12	GN103KRRB (KLLB)	SN103K	T-22678	2.937	6.47												
RSAO, LSAO	1 7/16	69.85	122.2	51.6	104.8	209.6	269.9	69.8	23.8	19.0	28.6	55.1	33.3	16	GN107KRRB (KLLB)	SN107K	T-22496	4.154	9.15												
RSAO, LSAO	1 1/2	79.38	136.6	57.2	114.3	228.6	288.9	79.4	27.0	19.0	28.6	63.0	37.3	16	GN108KRRB (KLLB)	SN108K	T-22672	5.857	12.90												
RSAO, LSAO	1 11/16	79.38	142.9	58.7	127.0	228.6	288.9	79.4	30.2	19.0	28.6	69.3	38.9	16	GN111KRRB (KLLB)	SN111K	T-22498	6.560	14.45												
RSAO	1 3/4	79.38	148.4	66.7	138.1	228.6	288.9	79.4	33.3	19.0	28.6	75.7	42.1	16	GN112KRRB	SN112K	-	-	-												
RSAO, LSAO	1 15/16	79.38	148.4	66.7	138.1	228.6	288.9	79.4	33.3	19.0	28.6	75.7	42.1	16	GN115KRRB (KLLB)	SN115K	T-22502	7.246	15.96												
RSAO	2	95.25	170.7	73.0	150.8	260.4	320.7	88.9	36.5	22.2	34.9	82.0	45.2	20	GN200KRRB	SN200K	T-22500	10.192	22.45												
RSAO, LSAO	2 3/16	95.25	170.7	73.0	150.8	260.4	320.7	88.9	36.5	22.2	34.9	82.0	45.2	20	GN203KRRB (KLLB)	SN203K	-	-	-												
RSAO, LSAO	2 7/16	104.78	186.5	79.4	163.5	285.8	349.2	101.6	38.1	22.2	34.9	88.4	48.4	20	GN207KRRB (KLLB)	SN207K	T-22494	16.144	35.56												
RSAO, LSAO	2 11/16	115.89	210.3	88.9	188.9	304.8	390.5	111.1	44.4	25.4	34.9	101.1	54.8	22	GN211KRRB (KLLB)	SO211K	T-22492	19.295	42.50												
RSAO, LSAO	2 15/16	115.89	217.5	100.0	203.2	314.3	390.5	111.1	47.6	25.4	34.9	112.2	62.7	22	GN215KRRB (KLLB)	SN215K	T-22490	20.090	44.25												
RSAO	3 3/16	115.89	223.0	106.4	214.3	314.3	390.5	111.1	49.2	25.4	44.4	119.1	65.9	22	GN303KRRB	SN303K	T-22444	22.814	50.25												
RSAO	3 7/16	130.18	250.8	115.9	241.3	339.7	409.6	120.6	57.2	28.6	54.0	133.4	73.8	24	GN307KRRB	SN307K	T-22446	30.986	68.25												
RSAO	3 15/16	144.46	281.0	128.6	273.0	374.6	439.7	130.2	65.1	28.6	44.4	146.0	78.6	24	GN315KRRB	SN315K	T-22448	40.633	89.50												

### SAL INDUSTRIAL SERIES, FIXED AND FLOATING TYPES

- These types are designed for applications where normal to high temperatures are encountered and applications where one or more floating bearing units are required.
- The floating unit allows the bearing to move axially as the shaft expands from rising temperatures. The fixed unit maintains shaft location.
- The bearings have a loose internal fit.
- The SAL unit is equipped with a self-aligning SM wide-inner-ring bearing and a self-locking collar.
- The external aligning ring is fitted to the spherical surface of the outer ring.
- These types are equipped with oil-tight seals. They're normally fitted for oil lubrication, but they can be equipped for grease lubrication when specified.
- Before installation, lubricate with high-grade automotive oil, turbine oil or ball-bearing grease.
- The units are assembled with a spacer ring (fixed type). By removing the spacer ring, the assembly becomes a floating unit.



**Suggested shaft tolerances:**

1 3/16 in. – 1 15/16 in., nominal to -0.013 mm, -0.0005 in.;  
 2 in. – 3 7/16 in., nominal to -0.025 mm, -0.0010 in.

**To order, specify UNIT and SHAFT DIAMETER and whether fixed or floating.**

Example: SAL 1 7/16 in. (one fixed, one floating).

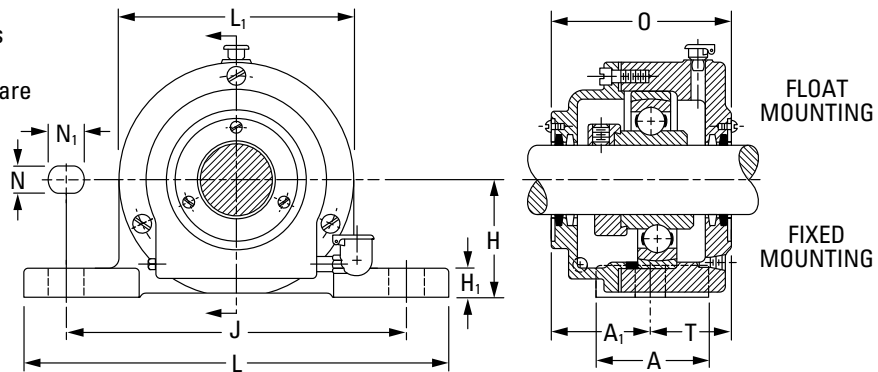
**BEARING DATA**

Unit	Bearing No.	Dimensions and Load Ratings
SAL	SM-KS	Page A-43

Unit	Shaft Dia.	Total Float	H	O	L <sub>1</sub>	A	J	L	N	N <sub>1</sub>	H <sub>1</sub>	A <sub>1</sub>	T	Bolt Size	Bearing No.	Collar No.	Housing No.	Unit Wt.
	in.	mm	mm	mm	mm	mm	mm	mm	mm	mm	mm	mm	mm	mm			New	kg
		in.	in.	in.	in.	in.	in.	in.	in.	in.	in.	in.	in.	in.				lbs.
SAL	1 3/16	6.4 1/4	50.80 2	97.6 3 27/32	96.8 3 13/16	54.0 2 1/8	139.7 5 1/2	177.8 7	15.9 5/8	19.0 3/4	17.5 11/16	56.4 2 7/32	41.3 1 5/8	12 1/2	SM1103KS	S1103K	T-12127	3.768 8.30
SAL	1 1/4	6.4 1/4	60.33 2 3/8	104.8 4 1/8	108.0 4 1/4	60.3 2 3/8	158.8 6 1/4	210.0 8 1/4	19.0 3/4	25.4 1	19.0 3/4	62.7 2 15/32	42.1 1 21/32	16 5/8	SM1104KS	S1104K	T-13108	5.239 11.54
SAL	1 7/16	6.4 1/4	60.33 2 3/8	104.8 4 1/8	108.0 4 1/4	60.3 2 3/8	158.8 6 1/4	210.0 8 1/4	19.0 3/4	25.4 1	19.0 3/4	62.7 2 15/32	42.1 1 21/32	16 5/8	SM1107KS	S1107K	T-13108	5.239 11.54
SAL	1 1/2	7.9 5/16	60.33 2 3/8	108.0 4 1/4	120.6 4 3/4	60.3 2 3/8	168.3 6 5/8	210.0 8 1/4	19.0 3/4	25.4 1	19.0 3/4	63.5 2 1/2	44.4 1 3/4	16 5/8	SM1108KTS	S1108KT	T-12121	6.143 13.53
SAL	1 11/16	7.9 5/16	60.33 2 3/8	110.3 4 11/32	120.6 4 3/4	60.3 2 3/8	168.3 6 5/8	210.0 8 1/4	19.0 3/4	25.4 1	19.0 3/4	65.9 2 19/32	44.4 1 3/4	16 5/8	SM1111KS	S1111K	T-12121	5.866 12.92
SAL	1 15/16	7.9 5/16	69.85 2 3/4	116.7 4 19/32	133.4 5 1/4	69.8 2 3/4	210.0 8 1/4	269.9 10 5/8	19.0 3/4	25.4 1	22.2 7/8	69.1 2 23/32	47.6 1 7/8	16 5/8	SM1115KS	S1115K	T-12313	8.113 17.87
SAL	2 3/16	7.9 5/16	79.38 3 1/8	137.3 5 13/32	146.0 5 3/4	79.4 3 1/8	228.6 9	288.9 11 3/8	19.0 3/4	25.4 1	22.2 7/8	79.4 3	57.9 2 9/32	16 5/8	SM1203KS	S1203K	A-5845	10.978 24.18
SAL	2 7/16	9.5 3/8	79.38 3 1/8	150.0 5 29/32	158.8 6 1/4	79.4 3 1/8	228.6 9	288.9 11 3/8	19.0 3/4	25.4 1	22.2 7/8	88.9 3 1/2	61.1 2 13/32	16 5/8	SM1207KS	S1207K	A-5083	12.894 28.40
SAL	2 11/16	7.1 9/32	95.25 3 3/4	156.4 6 5/32	171.4 6 3/4	88.9 3 1/2	259.7 10 1/4	320.7 12 5/8	22.2 7/8	28.6 1 1/8	27.0 1 1/16	92.1 3 5/8	64.3 2 17/32	20 3/4	SM1211KTS	S1211K	T-18940	15.889 35.02
SAL	2 15/16	9.9 25/64	95.25 3 3/4	173.8 6 27/32	190.5 7 1/2	88.9 3 1/2	259.7 10 1/4	320.7 12 5/8	22.2 7/8	28.6 1 1/8	27.0 1 1/16	100.8 3 31/32	73.0 2 7/8	20 3/4	SM1215KS	S1215K	A-5088	20.203 44.50
SAL	3 7/16	9.5 3/8	115.89 4 9/16	186.5 7 11/32	212.7 8 3/8	111.1 4 3/8	314.3 12 3/8	390.6 15 3/8	25.4 1	31.8 1 1/4	31.8 1 1/4	107.2 4 7/32	79.4 3 1/8	22 7/8	SM1307KS	S1307K	A-5206	33.482 73.75

## SAOL HEAVY SERIES, FIXED AND FLOATING TYPES

- These types are designed for applications with higher- than-usual temperatures or where one or more floating bearing units are required.
- The floating unit allows the bearing to move axially as the shaft expands from rising temperatures. The fixed unit maintains shaft location.
- The bearings have a loose internal fit.
- The SAOL unit is equipped with a self-aligning SMN wide-inner-ring ball bearing and a self-locking collar.
- The external aligning ring is fitted to the spherical surface of the outer ring.
- These types are equipped with oil-type seals. They're normally fitted for oil lubrication, but they can be equipped for grease lubrication when specified.
- Before installation, lubricate with high-grade automotive oil, turbine oil or ball-bearing grease.
- The units are assembled with a spacer ring (fixed type). By removing the spacer ring, the assembly becomes a floating unit.



### Suggested shaft tolerances:

- 1 3/16 in. – 1 15/16 in., nominal to -0.013 mm, -0.0005 in.;
  - 2 in. – 3 15/16 in., nominal to -0.025 mm, -0.0010 in.
- Larger sizes, consult your Timken engineer.

To order, specify **UNIT** and **SHAFT DIAMETER** and whether **fixed or floating**.

Example: SAOL 1 7/16 in. (one fixed, one floating).

### BEARING DATA

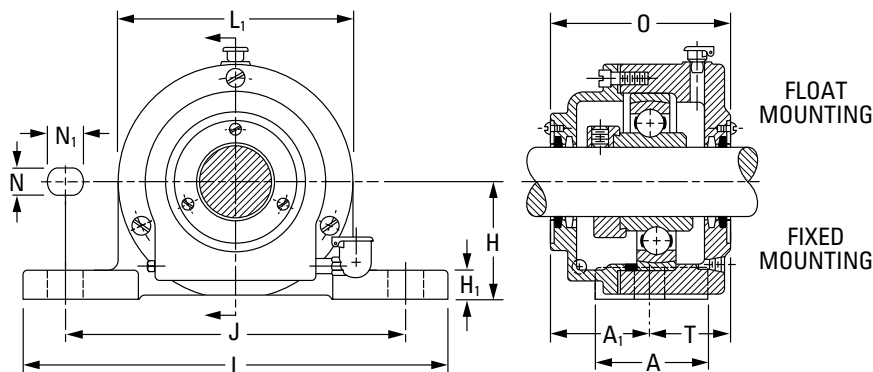
Unit	Bearing No.	Dimensions and Load Ratings
SAOL	SMN-KS	Page A-62

Unit	Shaft Dia.	Total Float	H	O	L <sub>1</sub>	A	J	L	N	N <sub>1</sub>	H <sub>1</sub>	A <sub>1</sub>	T	J <sub>1</sub> <sup>(1)</sup>	Bolt		Bearing No.	Collar No.	Housing No.	Unit Wt.
															No.	Size				
SAOL	1 3/16	7.9 5/16	60.33 2 3/8	103.2 4 1/16	111.1 4 3/8	60.3 2 3/8	168.3 6 5/8	210.0 8 1/4	15.9 5/8	22.2 7/8	17.5 11/16	60.3 2 3/8	42.9 1 11/16	-	2	12 1/2	SMN103KS	SN103K	T-12389	5.521 12.16
SAOL	1 7/16	9.1 23/64	69.80 2 3/4	111.1 4 3/8	120.6 4 3/4	69.8 2 3/4	209.6 8 1/4	269.9 10 5/8	19.0 3/4	25.4 1	20.6 13/16	69.1 2 29/32	42.1 1 21/32	-	2	16 5/8	SMN107KS	SN107K	A-4779	7.037 15.50
SAOL	1 1/2	9.5 3/8	79.40 3 1/8	123.8 4 7/8	146.0 5 3/4	79.4 3 1/8	228.6 9	288.9 11 3/8	19.0 3/4	25.4 1	20.6 13/16	74.6 2 15/16	49.2 1 15/16	-	2	16 5/8	SMN108KS	SN108K	A-4778A	11.350 25.00
SAOL	1 11/16	9.5 3/8	79.40 3 1/8	123.8 4 7/8	146.0 5 3/4	79.4 3 1/8	228.6 9	288.9 11 3/8	19.0 3/4	25.4 1	20.6 13/16	74.6 2 15/16	49.2 1 15/16	-	2	16 5/8	SMN111KS	SN111K	A-4778	11.150 24.56
SAOL	1 15/16	9.5 3/8	79.40 3 1/8	122.2 4 13/16	158.8 6 1/4	79.4 3 1/8	228.6 9	288.9 11 3/8	19.0 3/4	25.4 1	20.6 13/16	73.8 2 29/32	48.4 1 29/32	-	2	16 5/8	SMN115KS	SN115K	A-3818	12.462 27.45
SAOL	2 3/16	9.1 23/64	95.25 3 3/4	139.7 5 1/2	171.4 6 3/4	88.9 3 1/2	259.7 10 1/4	320.7 12 5/8	22.2 7/8	31.8 1 1/4	27.0 1 1/16	82.6 3 1/4	57.2 2 1/4	-	2	20 3/4	SMN203KS	SN203K	A-4755	15.409 33.94
SAOL	2 7/16	8.7 11/32	104.80 4 1/8	150.0 5 29/32	190.5 7 1/2	101.6 4	285.8 11 1/4	349.2 13 3/4	22.2 7/8	31.8 1 1/4	27.0 1 1/16	91.3 3 19/32	58.7 2 5/16	-	2	20 3/4	SMN207KS	SN207K	A-3819	18.841 41.50
SAOL	2 11/16	9.5 3/8	115.89 4 9/16	174.6 6 7/8	215.9 8 1/2	111.1 4 3/8	304.8 12	390.6 15 3/8	25.4 1	31.8 1 1/4	31.8 1 1/4	109.5 4 5/16	65.1 2 9/16	-	2	22 7/8	SMN211KS	SO211K	A-4709	26.332 58.00
SAOL	2 15/16	12.7 1/2	115.89 4 9/16	177.8 7	225.4 8 7/8	111.1 4 3/8	314.3 12 3/8	390.6 15 3/8	25.4 1	31.8 1 1/4	31.8 1 1/4	104.8 4 1/8	73.0 2 7/8	-	2	22 7/8	SMN215KS	SN215K	A-4798	33.823 74.50

<sup>(1)</sup>When four bolts are used, dimension J<sub>1</sub> is the distance between centers, and A<sub>1</sub> and T are measured from the center of the base.

Continued on next page.





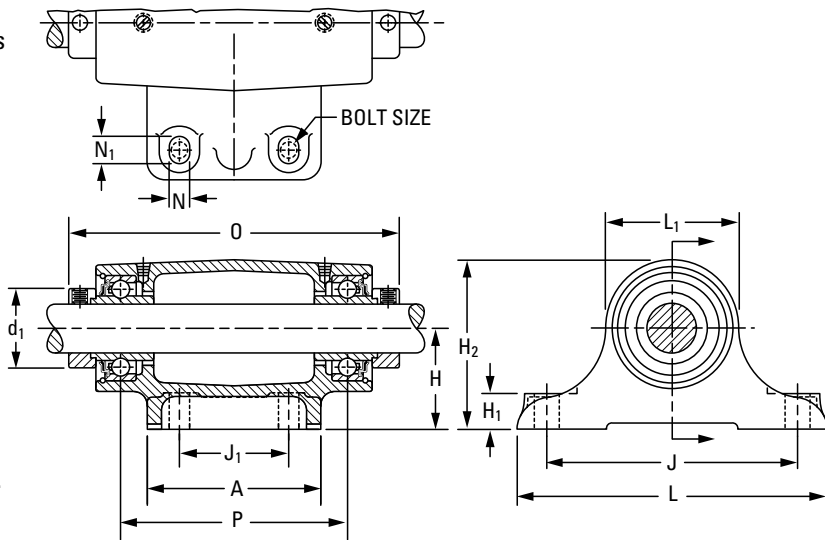
Continued from previous page.

Unit	Shaft Dia.	Total Float	H	O	L <sub>1</sub>	A	J	L	N	N <sub>1</sub>	H <sub>1</sub>	A <sub>1</sub>	T	J <sub>1</sub> <sup>(1)</sup>	Bolt		Bearing No.	Collar No.	Housing No.	Unit Wt.
															No.	Size				
SAOL	3 <sup>3</sup> / <sub>16</sub>	13.1 33/64	115.89 4 <sup>9</sup> / <sub>16</sub>	184.2 7 <sup>1</sup> / <sub>4</sub>	241.3 9 <sup>1</sup> / <sub>2</sub>	111.1 4 <sup>3</sup> / <sub>8</sub>	314.3 12 <sup>3</sup> / <sub>8</sub>	390.6 15 <sup>3</sup> / <sub>8</sub>	25.4 1	31.8 1 <sup>1</sup> / <sub>4</sub>	31.8 1 <sup>1</sup> / <sub>4</sub>	108.0 4 <sup>1</sup> / <sub>4</sub>	76.2 3	57.2 2 <sup>1</sup> / <sub>4</sub>	4	22 7/8	SMN303KS	SN303K	A-4780	35.298 77.75
SAOL	3 <sup>7</sup> / <sub>16</sub>	13.5 17/32	130.2 5 <sup>1</sup> / <sub>8</sub>	190.5 7 <sup>1</sup> / <sub>2</sub>	260.4 10 <sup>1</sup> / <sub>4</sub>	120.6 4 <sup>3</sup> / <sub>4</sub>	339.7 13 <sup>3</sup> / <sub>8</sub>	409.6 16 <sup>1</sup> / <sub>8</sub>	25.4 1	31.8 1 <sup>1</sup> / <sub>4</sub>	31.8 1 <sup>1</sup> / <sub>4</sub>	111.1 4 <sup>3</sup> / <sub>8</sub>	79.4 3 <sup>1</sup> / <sub>8</sub>	76.2 3	4	22 7/8	SMN307KS	SN307K	A-4155	48.805 107.5
SAOL	3 <sup>11</sup> / <sub>16</sub>	12.7 1/2	144.5 5 <sup>11</sup> / <sub>16</sub>	213.5 8 <sup>13</sup> / <sub>32</sub>	279.4 11	125.4 4 <sup>15</sup> / <sub>16</sub>	374.6 14 <sup>3</sup> / <sub>4</sub>	439.7 17 <sup>5</sup> / <sub>16</sub>	28.6 1 <sup>1</sup> / <sub>8</sub>	38.1 1 <sup>1</sup> / <sub>2</sub>	31.8 1 <sup>1</sup> / <sub>4</sub>	133.4 5 <sup>1</sup> / <sub>4</sub>	80.2 3 <sup>5</sup> / <sub>32</sub>	-	2	24 1	SMD311WS	SO311K	A-4156	54.48 120.0
SAOL	3 <sup>15</sup> / <sub>16</sub>	17.5 11/16	152.4 6	219.9 8 <sup>21</sup> / <sub>32</sub>	298.4 11 <sup>3</sup> / <sub>4</sub>	133.4 5 <sup>1</sup> / <sub>4</sub>	393.1 15 <sup>1</sup> / <sub>2</sub>	469.9 18 <sup>1</sup> / <sub>2</sub>	28.6 1 <sup>1</sup> / <sub>8</sub>	38.1 1 <sup>1</sup> / <sub>2</sub>	34.9 1 <sup>3</sup> / <sub>8</sub>	127.0 5	92.9 3 <sup>21</sup> / <sub>32</sub>	82.6 3 <sup>1</sup> / <sub>4</sub>	4	24 1	SMN315KS	SN315K	A-4795	70.824 156.0
SAOL	4 <sup>3</sup> / <sub>16</sub>	15.9 5/8	165.1 6 <sup>1</sup> / <sub>2</sub>	225.4 8 <sup>7</sup> / <sub>8</sub>	317.5 12 <sup>1</sup> / <sub>2</sub>	158.8 6 <sup>1</sup> / <sub>4</sub>	449.3 17 <sup>11</sup> / <sub>16</sub>	539.8 21 <sup>1</sup> / <sub>4</sub>	28.6 1 <sup>1</sup> / <sub>8</sub>	38.1 1 <sup>1</sup> / <sub>2</sub>	38.1 1 <sup>1</sup> / <sub>2</sub>	134.1 5 <sup>9</sup> / <sub>32</sub>	91.3 3 <sup>19</sup> / <sub>32</sub>	101.6 4	4	24 1	SMN403WS	SN403K	T-14342	88.076 194.0
SAOL	4 <sup>7</sup> / <sub>16</sub>	14.3 9/16	177.8 7	228.6 9	327.0 12 <sup>7</sup> / <sub>8</sub>	171.4 6 <sup>3</sup> / <sub>4</sub>	449.3 17 <sup>11</sup> / <sub>16</sub>	539.8 21 <sup>1</sup> / <sub>4</sub>	31.8 1 <sup>1</sup> / <sub>4</sub>	44.4 1 <sup>3</sup> / <sub>4</sub>	44.4 1 <sup>3</sup> / <sub>4</sub>	134.9 5 <sup>5</sup> / <sub>16</sub>	93.6 3 <sup>11</sup> / <sub>16</sub>	108.0 4 <sup>1</sup> / <sub>4</sub>	4	27 1 <sup>1</sup> / <sub>8</sub>	SMN407WS	SN407K	T-11469	95.34 210.0
SAOL	4 <sup>15</sup> / <sub>16</sub>	31.4 1 <sup>5</sup> / <sub>64</sub>	209.6 8 <sup>1</sup> / <sub>4</sub>	261.9 10 <sup>5</sup> / <sub>16</sub>	381.0 15	184.2 7 <sup>1</sup> / <sub>4</sub>	514.4 20 <sup>1</sup> / <sub>4</sub>	630.2 24 <sup>13</sup> / <sub>16</sub>	31.8 1 <sup>1</sup> / <sub>4</sub>	44.4 1 <sup>3</sup> / <sub>4</sub>	50.8 2	152.4 6	109.5 4 <sup>5</sup> / <sub>16</sub>	120.6 4 <sup>3</sup> / <sub>4</sub>	4	27 1 <sup>1</sup> / <sub>8</sub>	SMN415WS	SN415K	T-11783	160.262 353.0

<sup>(1)</sup>When four bolts are used, dimension J<sub>1</sub> is the distance between centers, and A<sub>1</sub> and T are measured from the center of the base.

## DRNR INDUSTRIAL SERIES

- This rigid double pillow block is designed to provide a sturdy two-bearing mounting for fans and blowers, bench grinders, buffers, vertical shafts and similar heavy-duty applications.
- The compact, one-piece housing is equipped with two wide-inner-ring ball bearings with integral R-seals and a self-locking collar.
- Individual grease chambers are provided for both bearings.
- The close clearance baffles allow excess grease to work into the center chamber of the housing.
- The grease fittings that take the place of standard pipe plugs provide the means of relubrication.
- This pillow block can be mounted in any position, with ample radial and thrust capacity.



### Suggested shaft tolerances:

- 1<sup>5</sup>/<sub>16</sub> in. – 1<sup>15</sup>/<sub>16</sub> in., nominal to -0.013 mm, -0.0005 in.;
- 2 in. – 2<sup>3</sup>/<sub>16</sub> in., nominal to -0.025 mm, -0.0010 in.

### To order, specify UNIT and SHAFT DIAMETER.

Example: DRNR 1<sup>7</sup>/<sub>16</sub> in.

### BEARING DATA

Unit	Bearing No.	Dimensions and Load Ratings
DRNR	KR	Page A-32

Unit	Shaft Dia.	Dimensions													Bolt (4 req'd)	Bearing No. (2 req'd)	Collar No.	Housing No.	Unit Wt.
		H	H <sub>2</sub>	O	L <sub>1</sub>	J	L	A	H <sub>1</sub>	N	N <sub>1</sub>	J <sub>1</sub>	d <sub>1</sub>	P					
	in.	mm in.	mm in.	mm in.	mm in.	mm in.	mm in.	mm in.	mm in.	mm in.	mm in.	mm in.	mm in.	mm in.	mm in.			New	kg lbs.
DRNR	1 <sup>5</sup> / <sub>16</sub>	63.5 2 1/2	99.2 3 29/32	200.0 7 7/8	71.4 2 13/16	158.8 6 1/4	196.8 7 3/4	108.0 4 1/4	19.0 3/4	12.7 1/2	15.9 5/8	69.8 2 3/4	38.1 1 1/2	146.0 5 3/4	10 3/8	1015KR	S1015K	T-19189	4.812 10.60
DRNR	1 3/16	63.5 2 1/2	105.6 4 5/32	203.2 8	84.1 3 5/16	158.8 6 1/4	196.8 7 3/4	108.0 4 1/4	22.2 7/8	12.7 1/2	15.9 5/8	69.8 2 3/4	44.1 1 47/64	142.9 5 5/8	10 3/8	1103KR	S1103K	T-19191	5.167 11.38
DRNR	1 7/16	76.2 3	123.8 4 7/8	276.2 10 7/8	95.2 3 3/4	203.2 8	254.0 10	139.7 5 1/2	25.4 1	15.9 5/8	22.2 7/8	88.9 3 1/2	54.0 2 1/8	211.5 8 21/64	12 1/2	1107KR	S1107K	T-19193	9.625 21.20
DRNR	1 11/16	76.2 3	133.4 5 1/4	279.4 11	114.3 4 1/2	203.2 8	254.0 10	139.7 5 1/2	25.4 1	15.9 5/8	22.2 7/8	88.9 3 1/2	63.5 2 1/2	209.6 8 1/4	12 1/2	1111KR	S1111K	T-19197	11.690 25.75
DRNR	1 15/16	88.9 3 1/2	150.8 5 5/16	352.4 13 3/8	123.8 4 7/8	241.3 9 1/2	304.8 12	177.8 7	28.5 1 1/8	17.5 11/16	28.5 1 1/8	114.3 4 1/2	69.8 2 3/4	276.2 10 7/8	16 5/8	1115KR	S1115K	T-19195	18.841 41.50
DRNR	2 3/16	88.9 3 1/2	158.8 6 1/4	355.6 14	133.4 5 1/4	241.3 9 1/2	304.8 12	177.8 7	31.8 1 1/4	17.5 11/16	28.5 1 1/8	114.3 4 1/2	76.2 3	268.3 10 9/16	16 5/8	1203KR	S1203K	A-9598	23.608 52.00

## CAST-IRON FLANGED UNITS

### RCJ, TCJ, LCJ INDUSTRIAL SERIES

- Timken cartridges are used in applications where a minimum amount of machining is to be done.
- Each unit comes assembled and ready for mounting, with bolts through the flange.
- These are wide-inner-ring ball bearings, self-aligning B-types, which compensate for shaft misalignment.
- The RCJ flange cartridge is equipped with G-KRRB (R-seal) wide-inner-ring ball bearings. The TCJ is equipped with G-KPPB (tri-ply seal) wide-inner-ring ball bearings. The LCJ is equipped with the G-KLLB (Mechani-seal) wide-inner-ring ball bearings.
- The TCJ flange cartridges are identical to RCJ units, except they use the tri-ply seal bearing. Tri-ply units offer the best protection in dirty environments.
- The units are factory-prelubricated, but a grease fitting is provided for relubrication if required. The units are supplied with self-locking collars.

- Contact a Timken engineer to discuss highly corrosive applications (food processing, chemical exposure) where Timken thin-dense chrome-coated bearings can be used.
- Safety end caps are available for selected sizes.

#### Suggested shaft tolerances:

1 13/16 in. – 1 15/16 in., nominal to -0.013 mm, -0.0005 in.;  
 2 in. – 2 15/16 in., nominal to -0.025 mm, -0.0010 in.

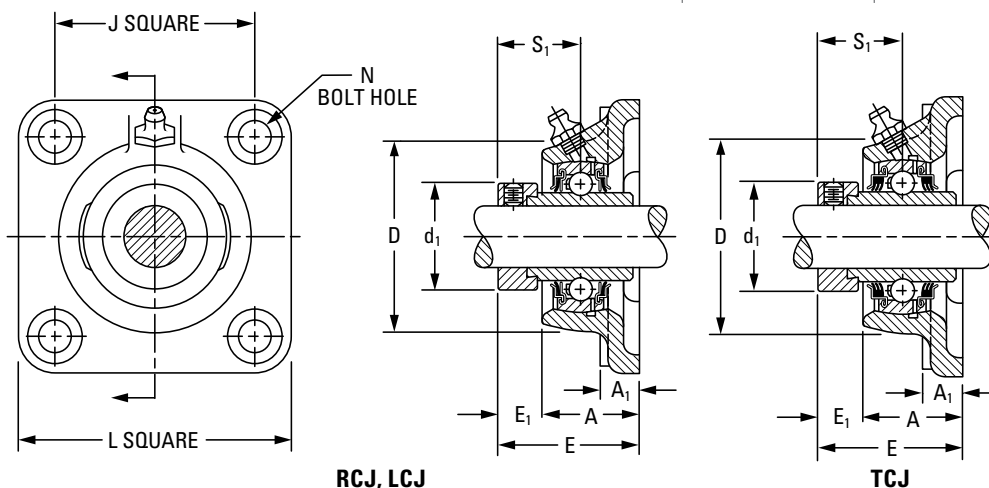
For larger sizes, consult your Timken engineer.

#### To order, specify UNIT and SHAFT DIAMETER.

Example: RCJ 1 3/16 in.

#### BEARING DATA

Unit	Bearing No.	Dimensions and Load Ratings
RCJ	G-KRRB	Page A-34
TCJ	G-KPPB	Page A-39
LCJ	G-KLLB	Page A-37



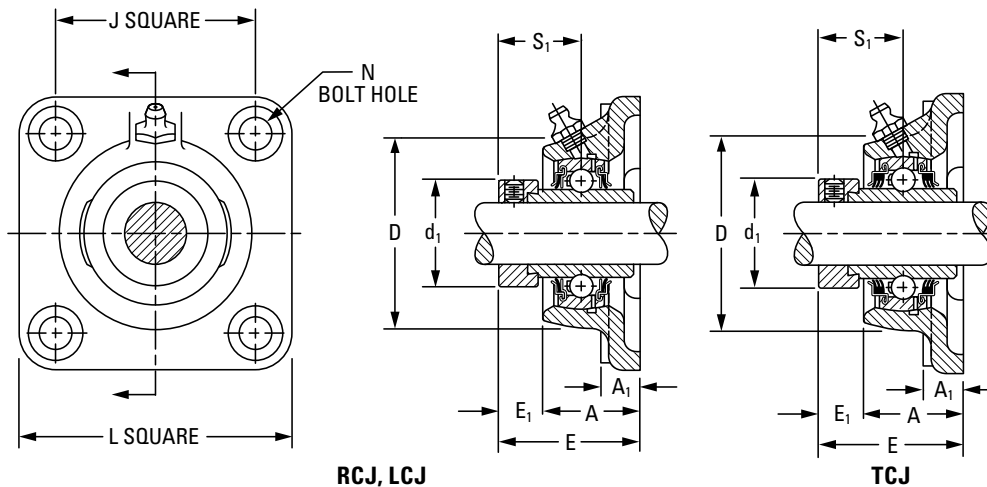
Unit <sup>(1)</sup>	Shaft Dia. in. mm	L mm in.	J mm in.	A <sub>1</sub> mm in.	A mm in.	E mm in.	N mm in.	E <sub>1</sub> mm in.	S <sub>1</sub> mm in.	D mm in.	d <sub>1</sub> mm in.	Bolt Size mm in.	Bearing No. <sup>(2)</sup>		Collar No.	Housing No.	Unit Wt. New (Old) kg (lbs.)
													RCJ	(TCJ)			
RCJ	1/2												G1008KRRB		S1008K		
RCJ	5/8	76.2	54.0	9.5	23.6	40.6	10.7	13.9	23.4	52.4	28.1	10	G1010KRRB		S1010K	T-40278	0.526
RCJ	1 1/16	3	2 1/8	13/32	0.929	1.599	27/64	35/64	59/64	2 1/16	1.105	3/8	G1011KRRB	-	S1011K	(T-16659)	1.16
RCJ	17												GE17KRRB		SE17K		
RCJ	3/4	85.7	63.5	11.1	27.8	46.4	10.7	16.3	26.6	60.3	32.8	10	G1012KRRB		S1012K	T-40267	0.726
RCJ	20	3 3/8	2 1/2	7/16	1.094	1.828	27/64	41/64	1 3/4	2 3/8	1.292	3/8	GE20KRRB	-	SE20K	(T-16661)	1.60
RCJ, TCJ	7/8												G1014KRRB	(KPPB3)	S1014K		
RCJ, TCJ	1 5/16	95.2	69.8	12.7	27.9	46.6	11.5	15.9	27.0	65.1	37.6	10	G1015KRRB	(KPPB3)	S1015K	T-40262	0.939
RCJ, TCJ	1	3 3/4	2 3/4	1/2	1.100	1.834	29/64	5/8	1 1/16	2 9/16	1.480	3/8	G1100KRRB	(KPPB3)	S1100K	(T-16663)	2.07
RCJ, TCJ	25												GE25KRRB	(KPPB3)	SE25K		
RCJ, TCJ	1 1/16												G1101KRRB	(KPPB3)	S1101K		
RCJ, TCJ	1 1/8	107.9	82.6	13.5	29.9	50.5	11.5	17.5	30.2	76.2	43.9	10	G1102KRRB	(KPPB3)	S1102K	T-40266	1.302
RCJ, TCJ	1 3/16	4 1/4	3 1/4	17/32	1.178	1.990	29/64	11/16	1 3/16	3	1.730	3/8	G1103KRRB	(KPPB3)	S1103K	(T-16664)	2.87
RCJ, TCJ	30												GE30KRRB	(KPPB3)	SE30K		

<sup>(1)</sup>Type LCJ uses G-KLLB.

<sup>(2)</sup>Bearing number for RCJ is G-KRRB. TCJ uses G-KPPB.

Continued on next page.

### RCJ, TCJ, LCJ INDUSTRIAL SERIES – continued



Continued from previous page.

Unit <sup>(1)</sup>	Shaft Dia.	L	J	A <sub>1</sub>	A	E	N	E <sub>1</sub>	S <sub>1</sub>	D	d <sub>1</sub>	Bolt Size	Bearing No. <sup>(2)</sup>		Collar No.	Housing No.	Unit Wt.
													RCJ	(TCJ)			
RCJ, TCJ	1 1/4												G1104KRRB	(KPPB2)	S1104K		
RCJ, TCJ	1 5/16												G1105KRRB	(KPPB2)	S1105K		
RCJ, TCJ	1 3/8	117.5	92.1	13.5	31.8	53.5	13.1	19.0	32.5	88.9	53.6	12	G1106KRRB	(KPPB2)	S1106K	T-40253	1.787
RCJ, TCJ	1 7/16	4 5/8	3 5/8	17/32	1.254	2.106	33/64	3/4	1 9/32	3 1/2	2.112	1/2	G1107KRRB	(KPPB2)	S1107K	(T-16617)	3.94
RCJ, TCJ	35												GE35KRRB	(KPPB2)	SE35K		
RCJ, TCJ	1 1/2	130.2	101.6	14.3	38.1	59.3	13.1	20.6	34.9	98.4	58.2	12	G1108KRRB	(KPPB3)	S1108KT		
RCJ, TCJ	1 9/16	5 1/8	4	9/16	1.500	2.334	33/64	13/16	1 3/8	3 7/8	2.292	1/2	G1109KRRB	(KPPB3)	S1109KT	T-40263	2.291
RCJ, TCJ	40												GE40KRRB	(KPPB3)	SE40K	(T-16666)	5.05
RCJ, TCJ	1 5/8												G1110KRRB	(KPPB4)	S1110K		
RCJ, TCJ	1 11/16	136.5	104.8	14.3	38.9	59.3	13.1	19.8	34.9	104.8	63.0	12	G1111KRRB	(KPPB4)	S1111K	T-40264	2.585
RCJ, TCJ	1 3/4	5 3/8	4 1/8	9/16	1.531	2.334	33/64	25/32	1 3/8	4 1/8	2.480	1/2	G1112KRRB	(KPPB4)	S1112K	(T-16667)	5.70
RCJ, TCJ	45												GE45KRRB	(KPPB4)	SE45K		
RCJ, TCJ	1 7/8	142.9	111.1	14.3	42.9	66.4	17.1	23.0	38.1	112.7	69.3	16	G1114KRRB	(KPPB3)	S1114K		
RCJ, TCJ	1 15/16	5 5/8	4 3/8	9/16	1.688	2.615	43/64	29/32	1 1/2	4 7/16	2.730	5/8	G1115KRRB	(KPPB3)	S1115K	T-40265	3.016
RCJ, TCJ	50												GE50KRRB	(KPPB3)	SE50K	(T-16668)	6.65
RCJ, TCJ	2												G1200KRRB	(KPPB4)	S1200K		
RCJ, TCJ	2 1/8	161.9	130.2	16.7	46.8	75.1	17.1	27.8	43.7	120.6	75.7	16	G1202KRRB	(KPPB4)	S1202K	T-40268	3.842
RCJ, TCJ	2 3/16	6 3/8	5 1/8	21/32	1.844	2.958	43/64	1 3/32	1 23/32	4 3/4	2.980	5/8	G1203KRRB	(KPPB4)	S1203K	(T-16683)	8.47
RCJ, TCJ	55												GE55KRRB	(KPPB4)	SE55K		
RCJ	2 1/4												G1204KRRB		S1204K		
RCJ	2 3/8	174.6	142.9	17.5	49.2	81.6	17.1	31.8	46.8	136.5	83.6	16	G1206KRRB		S1206K	T-40269	5.048
RCJ	2 7/16	6 7/8	5 5/8	11/16	1.937	3.214	43/64	1 1/4	1 27/32	5 3/8	3.292	5/8	G1207KRRB		S1207K	(T-17648)	11.13
RCJ	60												GE60KRRB		SE60K		
RCJ	2 11/16	187.3	149.2	19.1	63.5	90.3	16.3	25.4	45.2	152.4	96.3	16	G1211KRRB		S1211K	T-22530	6.885
RCJ	70	7 3/8	5 7/8	3/4	2.500	3.557	41/64	1	1 25/32	6	3.792	5/8	GE70KRRB		SE70K	(T-22270)	15.18
RCJ	2 15/16	196.8	152.4	22.2	66.7	96.7	19.8	26.2	54.8	161.9	101.1	16	G1215KRRB		S1215K	T-21620	8.210
RCJ	75	7 3/4	6	7/8	2.625	3.807	25/32	1 1/32	2 3/32	6 3/8	3.980	5/8	GE75KRRB		SE75K	(T-21620)	18.100

<sup>(1)</sup>Type LCJ uses G-KLLB.

<sup>(2)</sup>Bearing number for RCJ is G-KRRB. TCJ uses G-KPPB.

## RCJC INDUSTRIAL-SERIES CONCENTRIC COLLAR

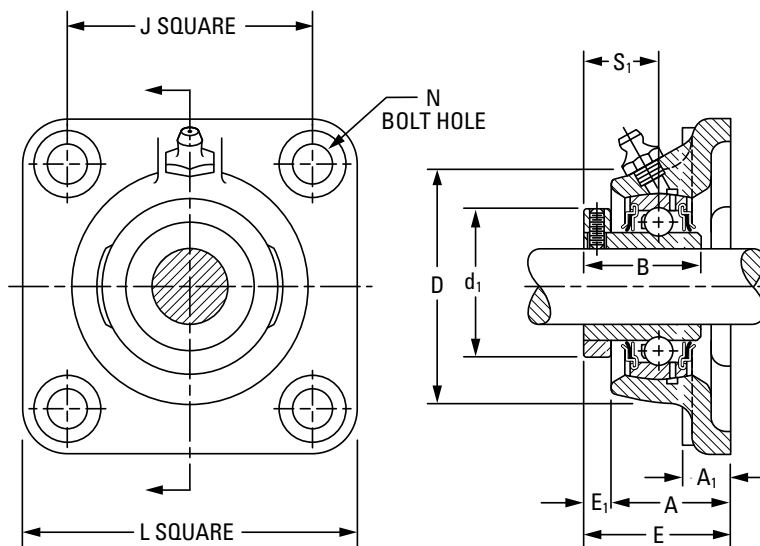
- These units have the same basic design as the RCJ series, except a concentric collar is used as the shaft-locking device instead of a self-locking cam collar.
- All RCJC units are equipped with GC-KRRB wide inner ring, concentric-collar bearings.
- The spherical outside diameter of the bearings is mounted in corresponding machined housing seats to provide the initial self-alignment.
- The bolt-hole spacing dimensions are interchangeable with the RCJ series and most competitive units.
- The units are factory-prelubricated, but a grease fitting is provided for relubrication if required.
- Concentric collars are supplied with all units.
- Safety end caps are available for selected sizes.

### Suggested shaft tolerances:

- 1/2 in. – 1 15/16 in., nominal to -0.013 mm, -0.0005 in.;
- 2 in. – 2 15/16 in., nominal to -0.025 mm, -0.0010 in.

### To order, specify UNIT and SHAFT DIAMETER.

Example: RCJC 1 3/16 in.



### BEARING DATA

Unit	Bearing No.	Dimensions and Load Ratings
RCJC	GC-KRRB	Page A-40

Unit	Shaft Dia.	L	J	A <sub>1</sub>	A	E	N	E <sub>1</sub>	B	D	d <sub>1</sub>	S <sub>1</sub>	Bolt Size	Bearing No.	Collar No.	Housing No.	Unit Wt.
	in.	mm in.	mm in.	mm in.	mm in.	mm in.	mm in.	mm in.	mm in.	mm in.	mm in.	mm in.					kg lbs.
RCJC	5/8	76.2 3	53.98 2 1/8	11.1 7/16	22.2 7/8	30.2 1 3/16	9.9 25/64	7.9 5/16	26.6 1 3/64	52.4 2 1/16	34.1 1 11/32	15.5 39/64	10 3/8	GC1010KRRB	C203	T-27113	0.486 1.07
RCJC	3/4	85.7 3 3/8	63.5 2 1/2	11.1 7/16	25.8 1 1/64	32.5 1 9/32	9.9 25/64	6.7 17/64	31.0 1 7/32	60.3 2 3/8	38.1 1 1/2	18.7 47/64	10 3/8	GC1012KRRB	C204	T-26605	0.645 1.42
RCJC	1	95.2 3 3/4	69.85 2 3/4	11.1 7/16	28.6 1 1/8	36.1 1 27/64	11.5 29/64	7.5 19/64	34.1 1 11/32	65.1 2 9/16	44.4 1 3/4	20.2 51/64	10 3/8	GC1100KRRB	C205	T-26614	0.781 1.72
RCJC	1 1/8	107.9 4 1/4	82.55 3 1/4	12.7 1/2	30.2 1 3/16	39.3 1 39/64	11.5 29/64	9.1 23/64	37.3 1 15/32	76.2 3	52.4 2 1/16	22.6 57/64	10 3/8	GC1102KRRB	C206	T-26630	1.135 2.50
RCJC	1 3/16													GC1103KRRB			
RCJC	1 1/4 S													GC1103KRRB3			
RCJC	1 1/4	117.5 4 5/8	92.08 3 5/8	14.3 9/16	34.1 1 11/32	44.4 1 3/4	13.1 33/64	10.3 13/32	41.3 1 5/8	88.9 3 1/2	59.5 2 11/32	25.4 1	12 1/2	GC1104KRRB	C207	T-26665	1.707 3.76
RCJC	1 3/8													GC1106KRRB			
RCJC	1 7/16													GC1107KRRB			
RCJC	1 1/2	130.2 5 1/8	101.60 4	17.5 1 1/16	40.5 1 19/32	51.2 2 1/64	13.1 33/64	10.7 27/64	44.1 1 47/64	98.4 3 7/8	68.3 2 11/16	27.4 1 5/64	12 1/2	GC1108KRRB	C208	T-16666A	2.238 4.93
RCJC	1 11/16	136.5 5 3/8	104.78 4 1/8	17.5 1 1/16	41.3 1 5/8	53.2 2 3/32	13.1 33/64	11.9 15/32	46.8 1 27/32	104.8 4 1/8	73.0 2 7/8	29.4 1 5/32	12 1/2	GC1111KRRB	C209	T-16667A	2.538 5.59
RCJC	1 3/4													GC1112KRRB			
RCJC	1 15/16	142.9 5 5/8	111.12 4 3/8	15.9 5/8	42.1 1 21/32	54.8 2 5/32	17.1 43/64	12.7 1/2	48.4 1 29/32	112.7 4 7/16	79.4 3 1/8	30.2 1 3/16	16 5/8	GC1115KRRB	C210	T-26700	2.797 6.16
RCJC	2	161.9 6 3/8	130.18 5 1/8	19.0 3/4	44.4 1 3/4	58.7 2 5/16	17.1 43/64	14.3 9/16	54.0 2 1/8	120.6 4 3/4	88.9 3 1/2	33.33 1 5/16	16 5/8	GC1200KRRB	C211	T-26712	4.036 8.89
RCJC	2 3/16													GC1203KRRB			
RCJC	2 7/16	174.6 6 7/8	142.88 5 5/8	19.0 3/4	47.6 1 7/8	65.9 2 19/32	16.3 41/64	18.3 23/32	60.3 2 3/8	136.5 5 3/8	95.2 3 3/4	37.3 1 15/32	16 5/8	GC1207KRRB	C212	T-26726	4.926 10.85
RCJC	2 15/16	196.8 7 3/4	152.40 6	22.2 7/8	54.0 2 1/8	75.4 2 31/32	19.8 29/32	21.4 27/32	70.6 2 25/32	161.9 6 3/8	114.3 4 1/2	43.7 1 23/32	16 5/8	GC1215KRRB	C215	T-27128	7.473 16.46

NOTE: Shaft diameter with an S = smaller housing.

### YCJ INDUSTRIAL SET SCREW SERIES

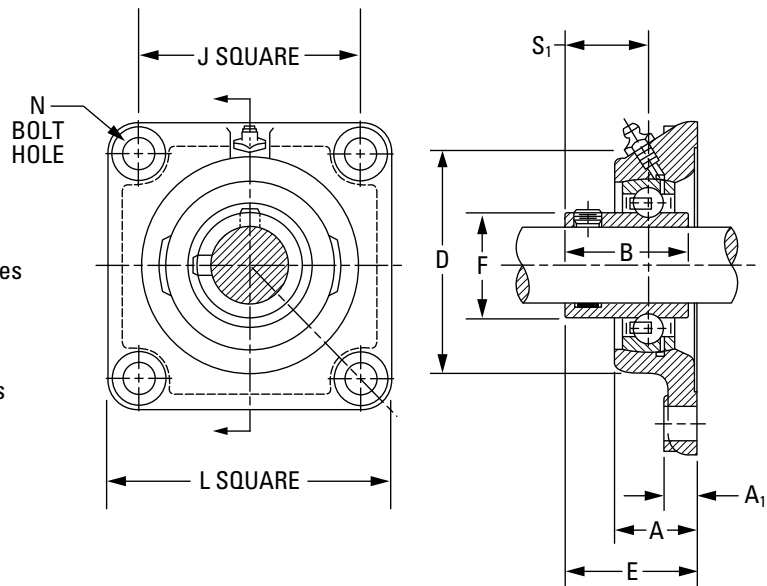
- Incorporates Shaft Guarding Technology, which reduces replacement time, provides shaft protection and prolongs the life of the shaft.
- The same basic design as the RCJ series, except specially designed set screws are used as the locking device instead of an eccentric collar.
- All units are equipped with GY-KRRB wide-inner-ring set screw bearings.
- Spherical outside diameter of the bearings mounted in the corresponding machined housing seats provides the initial self-alignment.
- Bolt-hole spacing dimensions are interchangeable with the RCJ series and most competitive units.
- Units are factory-prelubricated, but a grease fitting is provided for relubrication if required.
- Safety end caps are available for selected sizes.

#### Suggested shaft tolerances:

- 1/2 in. – 1 15/16 in., nominal to -0.013 mm, -0.0005 in.;
- 2 in. – 2 15/16 in., nominal to -0.025 mm, -0.0010 in.

#### To order, specify UNIT and SHAFT DIAMETER.

Example: YCJ 1 7/16 in.



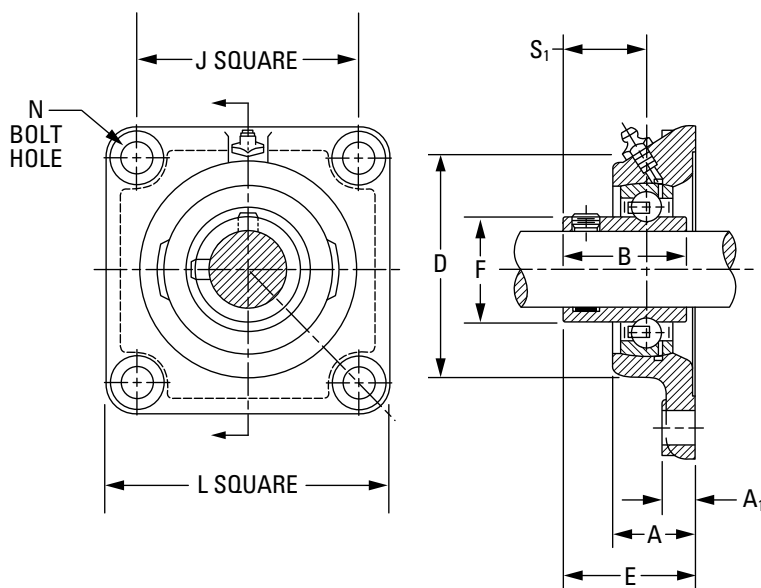
#### BEARING DATA

Unit	Bearing No.	Dimensions and Load Ratings
YCJ	GY-KRRB	Page A-44

Unit	Shaft Dia.	L	J	A <sub>1</sub>	A	E	N	B	D	F	S <sub>1</sub>	Bolt Size	Bearing No.
	in. mm	mm in.	mm in.	mm in.	mm in.	mm in.	mm in.	mm in.	mm in.	mm in.	mm in.	mm in.	
YCJ	1/2	76.2	54.0	10.3	23.6	32.50	10.72	27.40	52.4	23.90	15.9	10	GY1008KRRB
YCJ	5/8	3	2 1/8	13/32	0.929	1.296	27/64	1 5/64	2 1/16	0.941	5/8	10	GY1010KRRB
YCJ	17												GYE17KRRB
YCJ SGT	3/4	85.7	63.5	11.1	27.8	38.40	10.72	31.80	60.3	27.56	19.1	10	GY1012KRRB SGT
YCJ SGT	20	3 3/8	2 1/2	7/16	1.094	1.513	27/64	1 1/4	2 3/8	1.085	3/4	10	GYE20KRRB SGT
YCJ SGT	7/8												GY1014KRRB SGT
YCJ SGT	15/16	95.2	69.8	12.7	27.9	40.00	11.51	34.90	65.1	33.88	20.6	10	GY1015KRRB SGT
YCJ SGT	1	3 3/4	2 49/64	1/2	1.100	1.575	29/64	1 3/8	2 9/16	1.331	13/16	10	GY1100KRRB SGT
YCJ SGT	25												GYE25KRRB SGT
YCJ SGT	1 1/8												GY1102KRRB SGT
YCJ SGT	1 3/16	107.9	82.6	13.5	29.9	43.46	11.51	39.29	76.2	40.31	23.4	10	GY1103KRRB SGT
YCJ	1 1/4 S	4 1/4	3 1/4	17/32	1.178	1.711	29/64	1 35/64	3	1.587	59/64	10	GY1103KRRB3
YCJ SGT	30												GYE30KRRB SGT
YCJ SGT	1 1/4												GY1104KRRB SGT
YCJ SGT	1 3/8	117.5	92.1	13.5	31.8	48.95	13.10	45.20	88.9	46.81	28.2	12	GY1106KRRB SGT
YCJ SGT	1 7/16	4 5/8	3 5/8	17/32	1.254	1.927	33/64	1 25/32	3 1/2	1.843	1 7/16	12	GY1107KRRB SGT
YCJ SGT	35												GYE35KRRB SGT
YCJ SGT	1 1/2	130.2	101.6	14.3	38.1	54.40	13.10	49.20	98.4	52.27	30.2	12	GY1108KRRB SGT
YCJ SGT	40	5 1/8	4	9/16	1.500	2.141	33/64	1 15/16	3 7/8	2.057	1 3/16	12	GYE40KRRB SGT

NOTE: Shaft diameter with an S = smaller housing.

Continued on next page.



Continued from previous page.

Unit	Shaft Dia.	L	J	A <sub>1</sub>	A	E	N	B	D	F	S <sub>1</sub>	Bolt Size	Bearing No.
	in. mm	mm in.	mm in.	mm in.	mm in.	mm in.	mm in.	mm in.	mm in.	mm in.	mm in.	mm in.	
YCJ SGT	1 5/8												
YCJ SGT	1 11/16	<b>136.5</b>	<b>104.8</b>	<b>14.3</b>	<b>38.9</b>	<b>55.52</b>	<b>13.10</b>	<b>50.40</b>	<b>104.8</b>	<b>57.92</b>	<b>31.4</b>	<b>12</b>	GY1110KRRB SGT GY1111KRRB SGT
YCJ SGT	1 3/4	5 3/8	4 1/8	9/16	1.531	2.186	33/64	1 63/64	4 1/8	2.279	1 15/16	1/2	GY1112KRRB SGT GYE45KRRB SGT
YCJ SGT	<b>45</b>												
YCJ SGT	1 15/16	<b>142.9</b>	<b>111.1</b>	<b>14.3</b>	<b>42.9</b>	<b>60.70</b>	<b>17.07</b>	<b>51.60</b>	<b>112.7</b>	<b>62.84</b>	<b>32.5</b>	<b>16</b>	GY1115KRRB SGT GY1115KRRB3
YCJ	2 S	5 5/8	4 3/8	9/16	1.688	2.390	43/64	2 1/32	4 7/16	2.473	1 9/32	5/8	GYE50KRRB SGT
YCJ SGT	<b>50</b>												
YCJ SGT	2	<b>161.9</b>	<b>130.2</b>	<b>16.7</b>	<b>46.8</b>	<b>64.70</b>	<b>17.07</b>	<b>55.60</b>	<b>120.7</b>	<b>69.77</b>	<b>33.3</b>	<b>16</b>	GY1200KRRB SGT GY1203KRRB SGT
YCJ SGT	2 3/16	6 3/8	5 1/8	21/32	1.844	2.546	43/64	2 3/16	4 3/4	2.747	1 5/16	5/8	GYE55KRRB SGT
YCJ SGT	<b>55</b>												
YCJ SGT	2 7/16	<b>174.6</b>	<b>142.9</b>	<b>17.5</b>	<b>49.2</b>	<b>74.20</b>	<b>17.07</b>	<b>65.10</b>	<b>136.5</b>	<b>76.48</b>	<b>39.1</b>	<b>16</b>	GY1207KRRB SGT GYE60KRRB SGT
YCJ SGT	<b>60</b>	6 7/8	5 5/8	1 1/16	1.937	2.921	43/64	2 9/16	5 3/8	3.011	1 9/16	5/8	
YCJ	2 11/16	<b>187.3</b>	<b>149.2</b>	<b>19.0</b>	<b>63.5</b>	<b>81.40</b>	<b>16.27</b>	<b>69.90</b>	<b>152.4</b>	<b>86.92</b>	<b>42.9</b>	<b>16</b>	GY1211KRRB GYE70KRRB
YCJ	<b>70</b>	7 3/8	5 7/8	3/4	2.500	3.204	41/64	2 3/4	6	3.422	1 11/16	5/8	
YCJ	2 15/16	<b>196.8</b>	<b>152.4</b>	<b>23.8</b>	<b>66.7</b>	<b>86.20</b>	<b>19.84</b>	<b>77.80</b>	<b>161.9</b>	<b>91.92</b>	<b>44.4</b>	<b>20</b>	GY1215KRRB GYE75KRRB
YCJ	<b>75</b>	7 3/4	6	15/16	2.625	3.392	25/32	3 1/16	6 3/8	3.619	1 3/4	3/4	

NOTE: Shaft diameter with an S = smaller housing.



### VCJ STANDARD SERIES

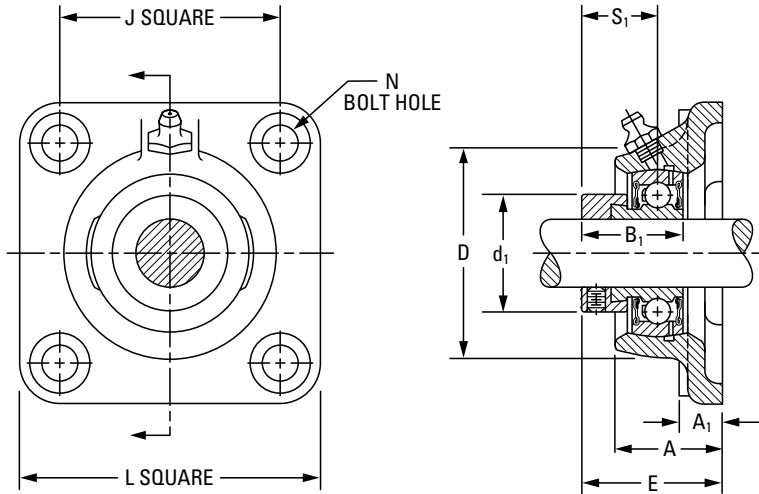
- The flange cartridges come assembled and ready for mounting by using four bolts through the flange.
- The VCJ-series flange cartridges require minimal machining.
- The units are assembled with GRA-RRB bearings with positive-contact, land-riding seals and self-locking collars.
- The units are factory-prelubricated, but a grease fitting is provided for relubrication if required.
- Safety end caps are available for selected sizes.

#### Suggested shaft tolerances:

1/2 in. – 1 15/16 in., nominal to -0.013 mm, -0.0005 in.;  
 2 in. – 2 3/16 in., nominal to -0.025 mm, -0.0010 in.

#### To order, specify UNIT and SHAFT DIAMETER.

Example: VCJ 1 in.



### BEARING DATA

Unit	Bearing No.	Dimensions and Load Ratings
VCJ	GRA-RRB	Page A-50

Unit	Shaft Dia.	L	J	A <sub>1</sub>	A	E	N	B <sub>1</sub>	D	d <sub>1</sub>	S <sub>1</sub>	Bolt Size	Bearing No.	Collar No.	Housing No.	Unit Wt.	
																	in.
VCJ	1/2												GRA008RRB	S1008K			
VCJ	5/8	<b>76.2</b>	<b>53.98</b>	<b>10.3</b>	<b>23.6</b>	<b>39.3</b>	<b>10.7</b>	<b>28.6</b>	<b>52.4</b>	<b>28.1</b>	<b>22.2</b>	<b>10</b>	GRA010RRB	S1010K	T-40278	<b>0.527</b>	
VCJ	<b>17</b>	3	2 1/8	13/32	0.929	1.548	27/64	1 1/8	2 1/16	1.105	7/8	3/8	GRAE17RRB	SE17K	(T-16659)	1.16	
VCJ	3/4	<b>85.7</b>	<b>63.50</b>	<b>11.1</b>	<b>27.8</b>	<b>43.3</b>	<b>10.7</b>	<b>31.0</b>	<b>60.3</b>	<b>32.8</b>	<b>23.4</b>	<b>10</b>	GRA012RRB	S1012K	T-40267	<b>0.654</b>	
VCJ	<b>20</b>	3 3/8	2 1/2	7/16	1.094	1.706	27/64	1 7/32	2 3/8	1.292	59/64	3/8	GRAE20RRB	SE20K	(T-16661A)	1.44	
VCJ	7/8												GRA014RRB	S1014K			
VCJ	15/16	<b>95.2</b>	<b>69.85</b>	<b>12.7</b>	<b>27.9</b>	<b>43.1</b>	<b>11.5</b>	<b>31.0</b>	<b>65.1</b>	<b>37.6</b>	<b>23.4</b>	<b>10</b>	GRA015RRB	S1015K	T-40262	<b>0.894</b>	
VCJ	<b>1</b>	3 3/4	2 3/4	1/2	1.100	1.696	29/64	1 7/32	2 9/16	1.480	59/64	3/8	GRA100RRB	S1100K	(T-16663A)	1.97	
VCJ	<b>25</b>												GRAE25RRB	SE25K			
VCJ	1 1/8												GRA102RRB	S1102K			
VCJ	1 3/16	<b>107.9</b>	<b>82.55</b>	<b>13.5</b>	<b>29.9</b>	<b>47.1</b>	<b>11.5</b>	<b>35.7</b>	<b>76.2</b>	<b>43.9</b>	<b>27.0</b>	<b>10</b>	GRA103RRB	S1103K	T-40266	<b>1.239</b>	
VCJ	1 1/4 S	4 1/4	3 1/4	17/32	1.178	1.856	29/64	1 13/32	3	1.730	1 1/16	3/8	GRA103RRB2	S1103K3	(T-16664A)	2.73	
VCJ	<b>30</b>												GRAE30RRB	SE30K			
VCJ	1 1/4												GRA104RRB	S1104K			
VCJ	1 3/8	<b>117.5</b>	<b>92.08</b>	<b>13.5</b>	<b>31.8</b>	<b>50.5</b>	<b>13.1</b>	<b>38.9</b>	<b>88.9</b>	<b>53.6</b>	<b>29.4</b>	<b>12</b>	GRA106RRB	S1106K	T-40253	<b>1.707</b>	
VCJ	1 7/16	4 5/8	3 5/8	17/32	1.254	1.989	33/64	1 17/32	3 1/2	2.112	1 5/32	1/2	GRA107RRB	S1107	(T-16617A)	3.76	
VCJ	<b>35</b>												GRAE35RRB	SE35K			
VCJ	1 1/2	<b>130.2</b>	<b>101.60</b>	<b>14.3</b>	<b>38.1</b>	<b>58.3</b>	<b>13.1</b>	<b>43.7</b>	<b>98.4</b>	<b>58.2</b>	<b>32.5</b>	<b>12</b>	GRA108RRB	S1108KT	T-40263	<b>2.175</b>	
VCJ	<b>40</b>	5 1/8	4	9/16	1.500	2.297	33/64	1 23/32	3 7/8	2.292	1 9/32	1/2	GRAE40RRB	SE40K	(T-16666A)	4.79	
VCJ	1 5/8												GRA110RRB	S1110K			
VCJ	1 11/16	<b>136.5</b>	<b>104.78</b>	<b>14.3</b>	<b>38.9</b>	<b>57.0</b>	<b>13.1</b>	<b>43.7</b>	<b>104.8</b>	<b>63.0</b>	<b>32.5</b>	<b>12</b>	GRA111RRB	S1111K	T-40264	<b>2.438</b>	
VCJ	1 3/4	5 3/8	4 1/8	9/16	1.531	2.244	33/64	1 23/32	4 1/8	2.480	1 9/32	1/2	GRA112RRB	S1112K	(T-16667A)	5.37	
VCJ	<b>45</b>												GRAE45RRB	SE45K			
VCJ	1 7/8												GRA114RRB	S1114K			
VCJ	1 15/16	<b>142.9</b>	<b>111.12</b>	<b>14.3</b>	<b>42.9</b>	<b>61.0</b>	<b>17.1</b>	<b>43.7</b>	<b>112.7</b>	<b>69.3</b>	<b>32.5</b>	<b>16</b>	GRA115RRB	S1115K	T-40265	<b>2.788</b>	
VCJ	2 S	5 5/8	4 3/8	9/16	1.688	2.400	43/64	1 23/32	4 7/16	2.730	1 9/32	5/8	GRA115RRB2	S1115K2	(T-16668A)	6.14	
VCJ	<b>50</b>												GRAE50RRB	SE50K			
VCJ	2	<b>161.9</b>	<b>130.18</b>	<b>16.7</b>	<b>46.8</b>	<b>67.9</b>	<b>17.1</b>	<b>48.4</b>	<b>120.6</b>	<b>75.7</b>	<b>36.5</b>	<b>16</b>	GRA200RRB	S1200K			
VCJ	2 3/16	6 3/8	5 1/8	21/32	1.844	2.672	43/64	1 29/32	4 3/4	2.980	1 7/16	5/8	GRA203RRB	S1203K	T-40236	<b>3.269</b>	
VCJ	<b>55</b>												GRAE55RRB	SE55K	(T-16683A)	7.20	

NOTE: Shaft diameter with an S = smaller housing.

### SCJ STANDARD SERIES

- The flange cartridges come assembled and ready for mounting by using four bolts through the flange.
- The units are ideal for applications where minimum shaft length is required.
- The units are assembled with GYA-RRB bearings with positive-contact, land-riding seals and set screw locking.
- The units are factory-prelubricated, but a grease fitting is provided for relubrication if required.
- Safety end caps are available for selected sizes.

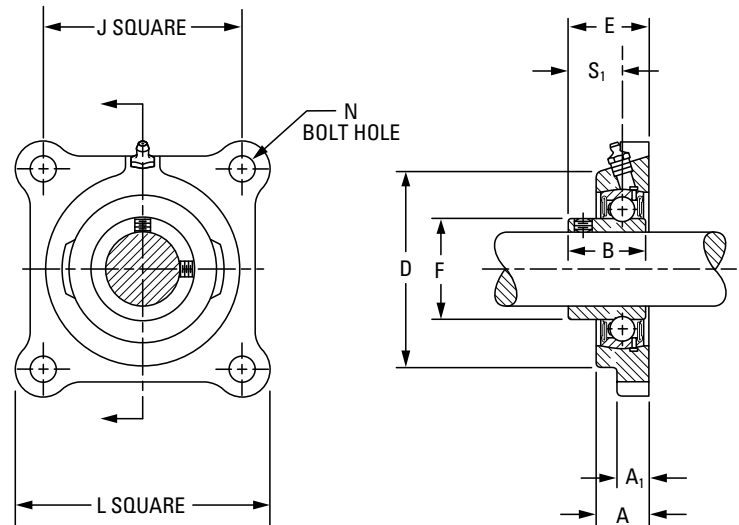
**Suggested shaft tolerances:**

1/2 in. – 1 15/16 in.,  
 nominal to -0.013 mm, -0.0005 in.;

2 in. – 2 3/16 in., nominal to -0.025 mm, -0.0010 in.

**To order, specify UNIT and SHAFT DIAMETER.**

Example: SCJ 1 in.



**BEARING DATA**

Unit	Bearing No.	Dimensions and Load Ratings
SCJ	GYA-RRB	Page A-54

Unit	Shaft Dia.	L	J	A <sub>1</sub>	A	E	N	B	D	F	S <sub>1</sub>	Bolt Size	Bearing No.	Housing No.	Unit Wt.	
															kg	lbs.
	in. mm	mm in.	mm in.	mm in.	mm in.	mm in.	mm in.	mm in.	mm in.	mm in.	mm in.	mm in.				
SCJ	1/2	76.2	53.98	11.1	17.9	25.4	10.7	23.8	52.4	24.6	15.9	10	GYA008RRB	T-40124	0.47	1.03
SCJ	5/8	3	2 1/8	7/16	45/64	1	27/64	15/16	2 1/16	31/32	5/8	3/8	GYA010RRB			
SCJ	17												GYAE17RRB			
SCJ	3/4	85.7	63.50	11.1	19.0	28.6	10.7	27.0	60.3	29.0	18.3	10	GYA012RRB	T-40126	0.52	1.14
SCJ	20	3 3/8	2 1/2	7/16	3/4	1 1/8	27/64	1 1/16	2 3/8	1 9/64	23/32	3/8	GYAE20RRB			
SCJ	7/8	95.2	69.85	13.5	19.8	29.8	11.5	28.2	65.1	33.7	19.4	10	GYA014RRB	T-40128	0.68	1.50
SCJ	15/16	3 3/4	2 3/4	17/32	25/32	1 11/64	29/64	1 7/64	2 9/16	1 21/64	49/64	3/8	GYA015RRB			
SCJ	1												GYA100RRB			
SCJ	25												GYAE25RRB			
SCJ	1 1/8	107.9	82.55	14.3	21.4	34.1	11.5	32.5	76.2	40.1	23.0	10	GYA102RRB	T-40130	1.19	2.62
SCJ	1 3/16	4 1/4	3 1/4	9/16	27/32	1 11/32	29/64	1 9/32	3	1 37/64	29/32	3/8	GYA103RRB			
SCJ	1 1/4 S												GYA103RRB2			
SCJ	30												GYAE30RRB			
SCJ	1 1/4	117.5	92.08	15.1	24.6	38.1	13.1	36.5	88.9	46.8	25.8	12	GYA104RRB	T-40132	1.35	2.98
SCJ	1 3/8	4 5/8	3 5/8	19/32	31/32	1 1/2	33/64	1 7/16	3 1/2	1 27/32	1 1/64	1/2	GYA106RRB			
SCJ	1 7/16												GYA107RRB			
SCJ	35												GYAE35RRB			
SCJ	1 1/2	130.2	101.60	15.9	26.2	40.9	13.1	39.3	98.4	52.4	27.8	12	GYA108RRB	T-40134	2.10	4.63
SCJ	40	5 1/8	4	5/8	1 1/32	1 39/64	33/64	1 39/64	3 7/8	2 1/16	1 3/32	1/2	GYAE40RRB			
SCJ	1 5/8	136.5	104.78	15.9	28.6	43.6	13.1	42.1	104.8	57.9	28.6	12	GYA110RRB	T-40164	2.24	4.94
SCJ	1 11/16	5 3/8	4 1/8	5/8	1 1/8	1 23/32	33/64	1 21/32	4 1/8	2 9/32	1 1/8	1/2	GYA111RRB			
SCJ	1 3/4												GYA112RRB			
SCJ	45												GYAE45RRB			
SCJ	1 15/16	142.9	111.12	16.7	28.6	46.0	17.1	44.4	112.7	62.6	30.9	16	GYA115RRB	T-40166	2.55	5.63
SCJ	2 S	5 5/8	4 3/8	21/32	1 1/8	1 13/16	43/64	1 3/4	4 7/16	2 15/32	1 7/32	5/8	GYA115RRB2			
SCJ	50												GYAE50RRB			
SCJ	2	161.9	130.18	18.2	30.9	48.0	17.1	46.4	120.6	69.8	31.7	16	GYA200RRB	T-40168	2.96	6.53
SCJ	2 3/16	6 3/8	5 1/8	23/32	1 7/32	1 57/64	43/64	1 53/64	4 3/4	2 3/4	1 1/4	5/8	GYA203RRB			
SCJ	55												GYAE55RRB			

NOTE: Shaft diameter with an S = smaller housing.

### RCJO, LCJO HEAVY SERIES

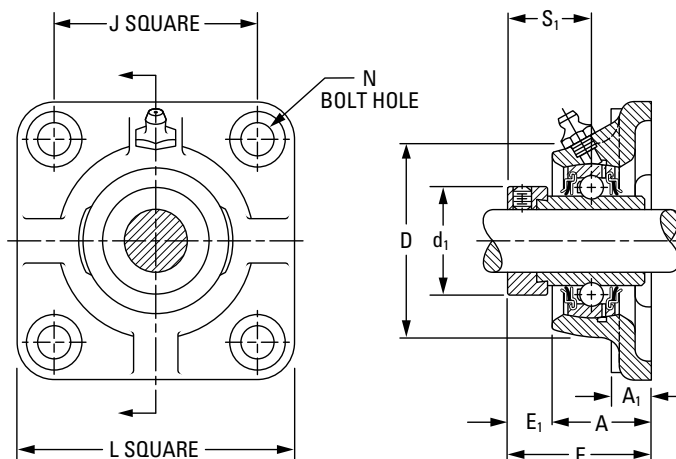
- The flange cartridges are similar in design to the standard series.
- The units are ideal for applications where minimum machining is to be done.
- The units come assembled and ready for mounting by using four bolts through the flange.
- The RCJO units are assembled with GN-KRRB (R-seal) wide-inner-ring bearings. LCJO units are equipped with GN-KLLB (L-seal) wide-inner-ring ball bearings.
- The units are factory-prelubricated, but a grease fitting is provided for relubrication if required.
- The units are supplied with self-locking collars and are dimensionally interchangeable.

#### Suggested shaft tolerances:

1 3/16 in. – 1 15/16 in., nominal to -0.013 mm, -0.0005 in.;  
 2 in. – 3 15/16 in., nominal to -0.025 mm, -0.0010 in.

#### To order, specify UNIT and SHAFT DIAMETER.

Example: RCJO 1 7/16 in., LCJO 1 11/16 in.



#### BEARING DATA

Unit	Bearing No.	Dimensions and Load Ratings
RCJO	GN-KRRB	Page A-57
LCJO	GN-KLLB	Page A-59

Unit	Shaft Dia. in.	L	J	A <sub>1</sub>	A	E	N	E <sub>1</sub>	S <sub>1</sub>	D	d <sub>1</sub>	Bolt Size mm in.	Bearing No.		Collar No.	Housing No.	Unit Wt. kg lbs.
		mm in.	mm in.	mm in.	mm in.	mm in.	mm in.	mm in.	mm in.	mm in.	mm in.		RCJO	LCJO			
RCJO, LCJO	1 3/16	120.6 4 3/4	92.1 3 5/8	14.3 9/16	38.1 1.500	53.7 2.115	14.3 9/16	15.1 19/32	32.5 1 9/32	96.8 3 13/16	48.7 1.918	12 1/2	GN103KRRB (KLLB)	SN103K	T-19165	1.816 4.00	
RCJO, LCJO	1 7/16	130.2 5 1/8	101.6 4	15.9 5/8	40.5 1.594	55.3 2.177	14.3 9/16	14.3 9/16	33.3 1 5/16	104.8 4 1/8	55.1 2.168	12 1/2	GN107KRRB (KLLB)	SN107	T-19167	2.497 5.50	
RCJO, LCJO	1 1/2	136.5 5 3/8	104.8 4 1/8	15.9 5/8	44.4 1.750	60.8 2.396	15.9 5/8	15.9 5/8	37.3 1 15/32	114.3 4 1/2	63.0 2.480	14 9/16	GN108KRRB (KLLB)	SN108K	T-19169	3.133 6.90	
RCJO, LCJO	1 11/16	142.9 5 5/8	111.1 4 3/8	17.5 11/16	46.8 1.844	62.4 2.458	15.9 5/8	15.1 19/32	38.9 1 17/32	123.8 4 7/8	69.3 2.730	14 9/16	GN111KRRB (KLLB)	SN111K	T-19171	3.573 7.87	
RCJO	1 15/16	165.1 6 1/2	130.2 5 1/8	17.5 11/16	53.2 2.094	70.4 2.771	17.5 11/16	16.7 21/32	42.1 1 21/32	141.3 5 9/16	75.7 2.980	16 5/8	GN115KRRB	SN115K	T-19173	5.185 11.42	
RCJO	2 3/16	177.8 7	142.9 5 5/8	17.5 11/16	58.7 2.312	76.7 3.021	17.5 11/16	17.5 11/16	45.2 1 25/32	154.0 6 1/16	82.0 3.230	16 5/8	GN203KRRB	SN203K	T-19175	6.424 14.15	
RCJO	2 7/16	190.5 7 1/2	149.2 5 7/8	19.0 3/4	65.1 2.562	84.7 3.333	20.6 13/16	19.0 3/4	48.4 1 29/32	160.3 6 5/16	88.4 3.480	20 3/4	GN207KRRB	SN207K	T-19177	7.409 16.32	
RCJO	2 11/16	225.4 8 7/8	177.8 7	22.2 7/8	72.2 2.844	89.4 3.521	23.8 15/16	21.4 27/32	54.8 2 5/32	185.7 7 5/16	101.1 3.980	22 7/8	GN211KRRB	SO211K	T-19179	9.534 21.00	
RCJO	2 15/16	231.8 9 1/8	184.2 7 1/4	22.2 7/8	77.8 3.062	105.3 4.146	23.8 15/16	27.0 1 1/16	62.7 2 15/32	198.4 7 13/16	112.2 4.418	22 7/8	GN215KRRB	SN215K	T-19181	14.128 31.12	
RCJO	3 7/16	279.4 11	215.9 8 1/2	28.6 1 1/8	84.1 3.312	121.2 4.770	27.0 1 1/16	36.5 1 7/16	73.8 2 29/32	228.6 9	132.3 5.210	24 1	GN307KRRB	SN307K	T-24475	21.474 47.30	
RCJO	3 15/16	317.5 12 1/2	241.3 9 1/2	31.8 1 1/4	96.8 3.812	133.6 5.260	30.2 1 3/16	36.5 1 7/16	78.6 3 3/32	266.7 10 1/2	145.5 5.730	27 1 1/8	GN315KRRB	SN315K	T-24477	30.645 67.50	

## YCJM MEDIUM-DUTY SERIES SET SCREW LOCK

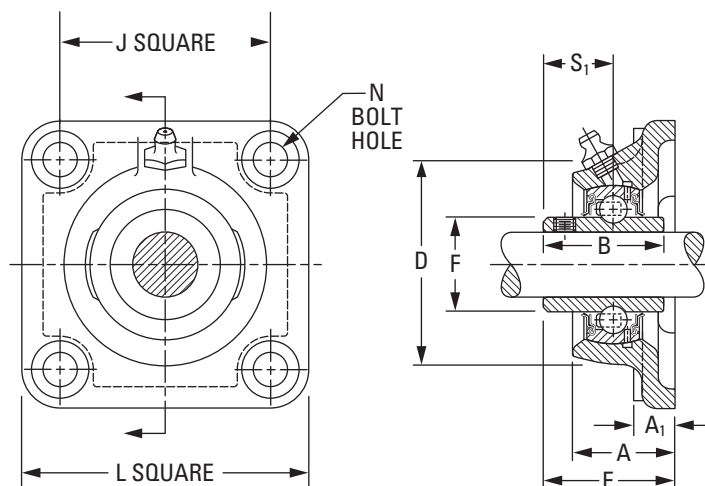
- This series includes four-bolt flanged cartridges featuring GYM-KRRB bearing inserts.
- This series is ideal for conveyor, fan and blower, sawmill, and feed and grain-handling applications.
- The durable cast-iron housings are powder-coated and maintain an excellent finish while resisting corrosion, chemicals and weather exposure.
- The industrial-duty flanged cartridges incorporate premium features designed to extend bearing life.

### Suggested shaft tolerances:

- 1 in. – 1 15/16 in., nominal to -0.013 mm, -0.0005 in.;
- 2 in. – 3 15/16 in., nominal to -0.025 mm, -0.0010 in.

### To order, specify UNIT and SHAFT DIAMETER.

Example: YCJM 1 7/16 in.



### BEARING DATA

Unit	Bearing No.	Dimensions and Load Ratings
YCJM	GYM-KRRB	Page A-56

Unit	Shaft Dia. in.	L	J	A <sub>1</sub>	A	E	N	B	D	F	S <sub>1</sub>	Bolt Size mm in.	Bearing No.
		mm in.	mm in.	mm in.	mm in.	mm in.	mm in.	mm in.	mm in.	mm in.	mm in.		
YCJM	1	107.9 4 1/4	82.6 3 1/4	13.5 17/32	29.9 1.178	42.4 1.671	11.51 29/64	38.10 1 1/2	76.2 3	40.31 1.587	22.2 7/8	10 3/8	GYM1100KRRB
YCJM	1 3/16	117.5 4 5/8	92.1 3 5/8	13.5 17/32	31.8 1.254	46.4 1.827	13.10 33/64	42.90 1 11/16	88.9 3 1/2	46.81 1.843	25.4 1	12 1/2	GYM1103KRRB
YCJM	1 7/16	130.2 5 1/8	101.6 4	14.8 9/16	38.1 1.500	54.4 2.141	13.10 33/64	49.20 1 15/16	98.4 3 7/8	52.27 2.058	30.2 1 3/16	12 1/2	GYM1107KRRB
YCJM	1 1/2	136.5 5 3/8	104.8 4 1/8	14.3 9/16	38.9 1.531	54.4 2.141	13.10 33/64	49.20 1 15/16	104.8 4 1/8	57.92 2.280	30.2 1 3/16	12 1/2	GYM1108KRRB
YCJM	1 11/16	142.9 5 5/8	111.1 4 3/8	14.3 9/16	42.9 1.688	60.7 2.390	17.07 43/64	51.60 2 1/32	112.7 4 7/16	62.84 2.474	32.5 1 9/32	16 5/8	GYM1111KRRB GYM1112KRRB
YCJM	1 15/16	161.9 6 3/8	130.2 5 1/8	16.7 2 1/32	46.8 1.844	64.7 2.546	17.07 43/64	55.60 2 3/16	120.7 4 3/4	69.77 2.747	33.3 1 15/16	16 5/8	GYM1115KRRB GY1200KRRB
YCJM	2 3/16	174.6 6 7/8	142.9 5 5/8	17.5 1 1/16	49.2 1.937	74.3 2.926	17.07 43/64	65.10 2 9/16	136.5 5 3/8	76.48 3.011	39.1 1 9/16	16 5/8	GYM1203KRRB GY1204KRRB
YCJM	2 7/16	187.3 7 3/8	149.2 5 7/8	19.0 3/4	63.5 2.500	81.5 3.208	17.07 43/64	69.90 2 3/4	152.4 6	86.92 3.422	42.9 1 11/16	16 5/8	GYM1207KRRB GYM1208KRRB
YCJM	2 11/16	196.8 7 3/4	152.4 6	22.2 7/8	66.7 2.625	86.2 3.396	19.84 25/32	77.80 3 1/16	161.9 6 3/8	91.92 3.619	44.4 1 3/4	20 3/4	GYM1211KRRB
YCJM	2 15/16	196.8 7 3/4	152.4 6	22.2 7/8	66.7 2.625	90.8 3.576	19.84 25/32	77.80 3 1/16	179.4 7 1/16	98.37 3.873	44.4 1 15/16	20 3/4	GYM1215KRRB GYM1300KRRB
YCJM	3	214.3 8 7/16	171.4 6 3/4	25.4 1	70.5 2.776	101.1 3.981	19.84 25/32	95.94 3 25/32	196.8 7 3/4	111.68 4.397	56.4 2 7/32	20 3/4	GYM1307KRRB
YCJM	3 15/16	268.3 10 9/16	211.1 8 5/16	31.8 1 1/4	95.4 3.755	127.3 5.014	26.19 1 1/32	117.35 4 5/8	235.0 9 1/4	131.30 5.171	68.3 2 11/16	24 1	GYM1315KRRB

### YCJTM MEDIUM-DUTY SERIES SET SCREW LOCK

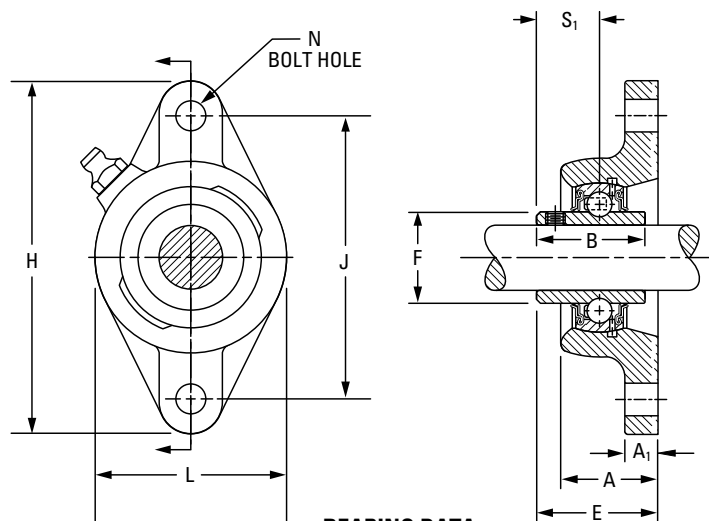
- The medium-duty, two-bolt flanged cartridges feature GYM-KRRB bearing inserts.
- This series is ideal for conveyor, fan and blower, sawmill, and feed and grain-handling applications.
- The durable cast-iron housings are powder-coated and maintain an excellent finish while resisting corrosion, chemicals and weather exposure.
- The industrial-duty flanged cartridge units incorporate premium features designed to extend bearing life. They can replace competitive designs.

#### Suggested shaft tolerances:

- 1 – 1 15/16 in., nominal to -0.013 mm, -0.0005 in.;
- 2 in., nominal to -0.025 mm, -0.0010 in.

#### To order, specify UNIT and SHAFT DIAMETER.

Example: YCJTM 1 7/16 in.



**BEARING DATA**

Unit	Bearing No.	Dimensions and Load Ratings
YCJTM	GYM-KRRB	Page A-56

Unit	Shaft Dia.	H	J	L	A	E	N	B	A <sub>1</sub>	F	S <sub>1</sub>	Bolt Size	Bearing No.
	in.	mm in.	mm in.	mm in.	mm in.	mm in.	mm in.	mm in.	mm in.	mm in.	mm in.	mm in.	
YCJTM	1	141.3 5 9/16	116.7 4 19/32	79.5 3 1/8	29.9 1.178	42.4 1.671	11.51 29/64	38.1 1 1/2	13.5 17/32	40.31 1.587	22.2 7/8	10 3/8	GYM1100KRRB
YCJTM	1 3/16	155.6 6 1/8	130.2 5 1/8	92.1 3 5/8	31.8 1.254	46.4 1.827	13.10 33/64	42.9 1 11/16	11.9 15/32	46.79 1.843	25.4 1	12 1/2	GYM1103KRRB
YCJTM	1 7/16	171.5 6 3/4	143.7 5 21/32	104.8 4 1/8	38.1 1.500	54.4 2.141	13.10 33/64	49.2 1 15/16	12.7 1/2	52.27 2.058	30.2 1 3/16	12 1/2	GYM1107KRRB
YCJTM	1 1/2	179.4 7 1/16	148.4 5 27/32	111.1 4 3/8	38.9 1.531	54.4 2.141	13.10 33/64	49.2 1 15/16	12.7 1/2	57.92 2.280	30.2 1 3/16	12 1/2	GYM1108KRRB
YCJTM	1 11/16	188.9	157.2	115.9	42.9	60.7	17.07	51.6	12.7	62.81	32.5	16	GYM1111KRRB
YCJTM	1 3/4	188.9	157.2	115.9	42.9	60.7	17.07	51.6	12.7	62.81	32.5	16	GYM1112KRRB
YCJTM	1 15/16	215.9	184.2	127.0	46.8	64.7	17.07	55.6	16.7	69.77	33.3	16	GYM1115KRRB
YCJTM	2	215.9	184.2	127.0	46.8	64.7	17.07	55.6	16.7	69.77	33.3	16	GY1200KRRB

### RCJT, TCJT, LCJT INDUSTRIAL SERIES

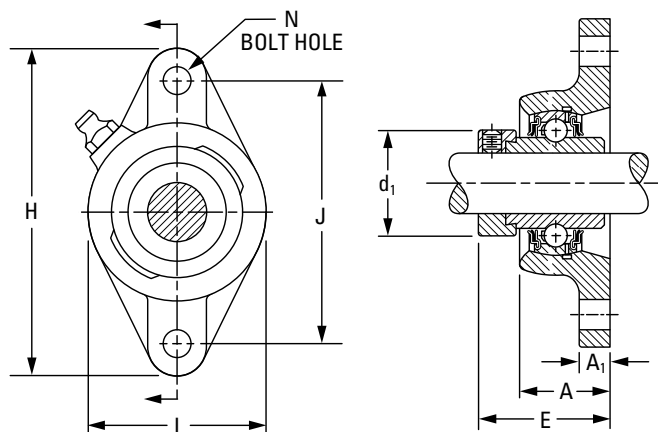
- The cartridges are the same basic design as RCJ, TCJ, and LCJ types, except they have two bolt holes instead of four.
- This series is primarily designed for applications where the mounting area is restricted.
- The RCJT cartridge is equipped with G-KRRB (R-seal) wide-inner-ring ball bearings. The TCJT is equipped with G-KPPB (tri-ply seal) wide-inner-ring ball bearings. The LCJT is equipped with the G-KLLB (Mechani-seal) wide-inner-ring ball bearings.
- The units are factory-prelubricated, but a grease fitting is provided for relubrication.
- Safety end caps are available for selected sizes.

**Suggested shaft tolerances:**

1/2 in. – 1 15/16 in., nominal to -0.013 mm, -0.0005 in.;  
 2 in. – 2 3/16 in., nominal to -0.025 mm, -0.0010 in.

**To order, specify UNIT and SHAFT DIAMETER.**

Example: RCJT 1 3/16 in., TCJT 1 3/16 in.



**BEARING DATA**

Unit	Bearing No.	Dimensions and Load Ratings
RCJT	G-KRRB	Page A-34
TCJT	G-KPPB	Page A-39
LCJT	G-KLLB	Page A-37

Unit	Shaft Dia.	Dimensions								Bolt Size	Bearing No.			Collar No.	Housing No.	Unit Wt.
		H	J	L	A	N	E	A <sub>1</sub>	d <sub>1</sub>		RCJT	TCJT	LCJT			
	in. mm	mm in.	mm in.	mm in.	mm in.	mm in.	mm in.	mm in.	mm in.	mm in.					New (Old)	kg lbs.
RCJT	1/2										G1008KRRB			S1008K		
RCJT	5/8	98.4	76.2	54.0	23.6	10.7	40.6	10.3	28.1	10	G1010KRRB			S1010K	T-40219	0.590
RCJT	1 1/16	3 7/8	3	2 1/8	0.929	27/64	1.599	13/32	1.105	3/8	G1011KRRB			S1011K		1.30
RCJT	17										GE17KRRB			SE17K		
RCJT	3/4	111.9	89.7	60.5	27.8	10.7	46.4	11.1	32.8	10	G1012KRRB			S1012K	T-40220	0.590
RCJT	20	4 13/32	3 17/32	2 3/8	1.094	27/64	1.828	7/16	1.292	3/8	GE20KRRB			SE20K		1.30
RCJT, TCJT, LCJT	13/16										G1013KRRB	G1013KPPB3	G1013KLLB	S1013K		
RCJT, TCJT, LCJT	7/8	123.8	99.2	69.8	27.9	11.5	46.7	11.1	23.9	10	G1014KRRB	G1014KPPB3	G1014KLLB	S1014K	T-40221	0.785
RCJT, TCJT, LCJT	15/16	4 7/8	3 29/32	2 3/4	1.100	29/64	1.839	7/16	1.480	3/8	G1015KRRB	G1015KPPB3	G1015KLLB	S1015K	(T-21412P)	1.73
RCJT, TCJT, LCJT	1										G1100KRRB	G1100KPPB3	G1100KLLB	S1100K		
RCJT, TCJT, LCJT	25										GE25KRRB	GE25KPPB3	GE25KLLB	SE25K		
RCJT, TCJT, LCJT	1 1/16										G1101KRRB	G1101KPPB3	G1101KLLB	S1101K		
RCJT, TCJT, LCJT	1 1/8	141.3	116.7	79.4	29.9	11.5	50.5	11.9	43.7	10	G1102KRRB	G1102KPPB3	G1102KLLB	S1102K	T-40222	1.090
RCJT, TCJT, LCJT	1 3/16	5 9/16	4 19/32	3 1/8	1.178	29/64	1.990	15/32	1.730	3/8	G1103KRRB	G1103KPPB3	G1103KLLB	S1103K	(T-21548P)	2.40
RCJT, TCJT, LCJT	1 1/4 S										G1103KRRB3	G1103KPPB4	G1103KLLB3	S1103K3		
RCJT, TCJT, LCJT	30										GE30KRRB	GE30KPPB3	GE30KLLB	SE30K		
RCJT, TCJT, LCJT	1 1/4										G1104KRRB	G1104KPPB2	G1104KLLB	S1104K <sup>(1)</sup>		
RCJT, TCJT, LCJT	1 5/16	155.6	130.2	92.1	31.8	13.1	53.5	11.9	53.6	12	G1105KRRB	G1105KPPB2	G1105KLLB	S1105K <sup>(1)</sup>	T-40223	1.444
RCJT, TCJT, LCJT	1 3/8	6 1/8	5 1/8	3 5/8	1.254	33/64	2.106	15/32	2.112	1/2	G1106KRRB	G1106KPPB2	G1106KLLB	S1106K <sup>(1)</sup>	(T-21414)	3.18
RCJT, TCJT, LCJT	1 7/16										G1107KRRB	G1107KPPB2	G1107KLLB	S1107K <sup>(1)</sup>		
RCJT, TCJT, LCJT	35										GE35KRRB	GE35KPPB2	GE35KLLB	SE35K		
RCJT, TCJT, LCJT	1 1/2	171.4	143.6	104.7	38.1	13.1	59.3	12.7	58.2	12	G1108KRRB	G1108KPPB3	G1108KLLB	S1108KT	T-40224	2.193
RCJT, TCJT, LCJT	1 9/16	6 3/4	5 21/32	4 1/8	1.500	33/64	2.334	1/2	2.292	1/2	G1109KRRB	G1109KPPB3	G1109KLLB	S1109KT	(T-22529)	4.83
RCJT, TCJT, LCJT	40										GE40KRRB	GE40KPPB3	GE40KLLB	SE40K		
RCJT, TCJT, LCJT	1 5/8										G1110KRRB	G1110KPPB4	G1110KLLB	S1110K		
RCJT, TCJT, LCJT	1 11/16	179.4	148.0	111.1	38.9	13.1	59.3	12.7	63.0	12	G1111KRRB	G1111KPPB4	G1111KLLB	S1111K	T-40225	2.379
RCJT, TCJT, LCJT	1 3/4	7 1/16	5 27/32	4 3/8	1.531	33/64	2.334	1/2	2.480	1/2	G1112KRRB	G1112KPPB4	G1112KLLB	S1112K	(T-21416)	5.24
RCJT, TCJT, LCJT	45										GE45KRRB	GE45KPPB4	GE45KLLB	SE45K		
RCJT, TCJT, LCJT	1 7/8	188.9	157.2	115.9	42.9	17.1	66.4	12.7	69.3	16	G1114KRRB	G1114KPPB3	G1114KLLB	S1114K	T-40226	2.724
RCJT, TCJT, LCJT	1 15/16	7 7/16	6 3/16	4 9/16	1.688	43/64	2.615	1/2	2.730	5/8	G1115KRRB	G1115KPPB3	G1115KLLB	S1115K	(T-21418)	6.00
RCJT, TCJT, LCJT	50										GE50KRRB	GE50KPPB3	GE50KLLB	SE50K		
RCJT, TCJT, LCJT	2										G1200KRRB	G1200KPPB4	G1200KLLB	S1200K		
RCJT, TCJT, LCJT	2 1/8	215.9	184.1	127.0	46.8	17.1	75.1	16.7	75.7	16	G1202KRRB	G1202KPPB4	G1202KLLB	S1202K	T-40227	3.668
RCJT, TCJT, LCJT	2 3/16	8 1/2	7 1/4	5	1.844	43/64	2.958	21/32	2.980	5/8	G1203KRRB	G1203KPPB4	G1203KLLB	S1203K	(T-23788)	8.08
RCJT, TCJT, LCJT	55										GE55KRRB	GE55KPPB4	GE55KLLB	SE55K		

<sup>(1)</sup>Add C1 suffix to collar numbers for G-KPPB2 bearings (TCJT).  
 NOTE: Shaft diameter with an S = smaller housing.

### RCJTC INDUSTRIAL-SERIES CONCENTRIC COLLAR

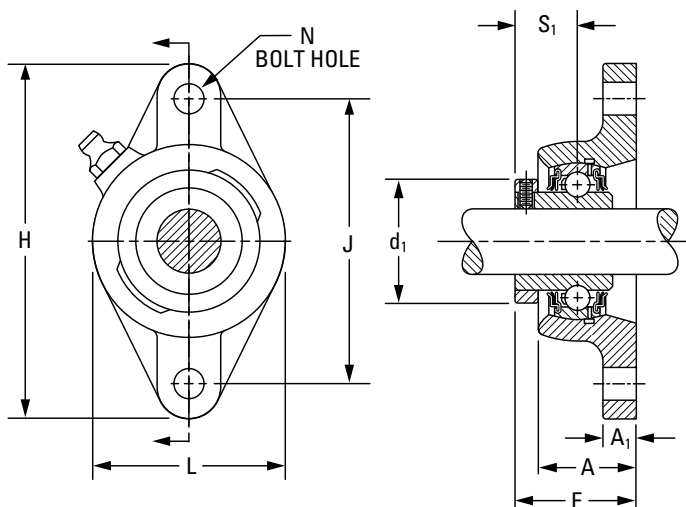
- This series has the same basic design as RCJT, except it uses the concentric collar rather than the self-locking eccentric collar as the shaft-locking device.
- All units are equipped with GC-KRRB wide inner ring concentric collars.
- The spherical outside diameter mounted in the corresponding machined housing seats provides the initial self-alignment.
- The bolt-hole spacing dimensions are interchangeable with the RCJT series and most competitive units.
- The units are factory-prelubricated. A grease fitting is provided for relubrication.
- Safety end caps are available for selected sizes.

#### Suggested shaft tolerances:

1/2 in. – 1 15/16 in., nominal to -0.013 mm, -0.0005 in.;

#### To order, specify UNIT and SHAFT DIAMETER.

Example: RCJTC 1 3/16 in.



#### BEARING DATA

Unit	Bearing No.	Dimensions and Load Ratings
RCJTC	GC-KRRB	Page A-40

Unit	Shaft Dia.	H	J	L	A	E	N	A <sub>1</sub>	d <sub>1</sub>	S <sub>1</sub>	Bolt Size	Bearing No.	Collar No.	Housing No.	Unit Wt.
		mm	mm	mm	mm	mm	mm	mm	mm	mm				mm	
RCJTC	5/8	98.4 3 7/8	76.20 3	60.3 2 3/8	23.6 0.929	32.7 1.287	9.9 25/64	8.3 21/64	33.8 1.329	15.5 39/64	10 3/8	GC1010KRRB	C203	T-40270 (T-27181)	0.368 0.81
RCJTC	3/4	111.9 4 13/32	89.70 3 17/32	60.3 2 3/8	27.8 1.094	38.2 1.502	9.9 25/64	11.1 7/16	37.7 1.485	18.7 47/64	10 3/8	GC1012KRRB	C204	T-40271 (T-27183)	0.545 1.20
RCJTC	1	123.8 4 7/8	98.81 3 57/64	69.8 2 3/4	27.9 1.100	39.8 1.569	11.9 15/32	13.5 17/32	44.1 1.735	20.2 51/64	10 3/8	GC1100KRRB	C205	T-40272 (T-27200)	0.717 1.58
RCJTC	1 1/8	141.3 5 9/16	116.70 4 19/32	81.0 3 3/16	29.9 1.178	43.0 1.693	11.5 29/64	13.5 17/32	52.3 2.058	22.6 57/64	10 3/8	GC1102KRRB	C206	T-401273 (T-27197)	1.035 2.28
RCJTC	1 3/16											GC1103KRRB			
RCJTC	1 1/4 S											GC1103KRRB3			
RCJTC	1 1/4	155.6 6 1/8	130.20 5 1/8	92.1 3 5/8	31.8 1.254	46.6 1.834	13.1 33/64	14.3 9/16	58.2 2.292	25.4 1	12 1/2	GC1104KRRB	C207	T-40252	1.498 3.30
RCJTC	1 3/8											GC1106KRRB			
RCJTC	1 7/16											GC1107KRRB			
RCJTC	1 11/16	179.4 7 1/16	148.40 5 27/32	111.1 4 3/8	38.9 1.531	53.7 2.116	13.1 33/64	14.3 9/16	72.9 2.871	29.4 1 9/32	12 1/2	GC1111KRRB	C209	T-40275	2.097 4.62
RCJTC	1 15/16	188.9 7 7/16	157.20 6 3/16	115.9 4 9/16	42.9 1.688	58.5 2.303	17.1 43/64	14.3 9/16	79.3 3.121	30.2 1 3/16	16 5/8	GC1115KRRB	C210	T-40276	2.497 5.50

NOTE: Shaft diameter with an S = smaller housing.



### VCJT STANDARD SERIES

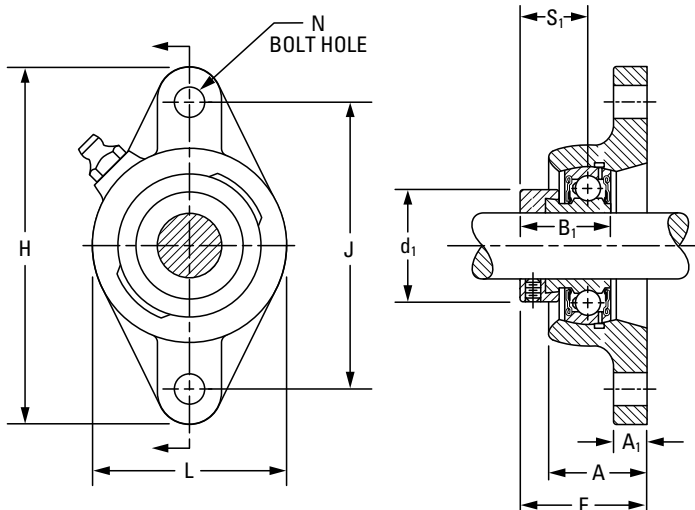
- This series has the same design and features as the VCJ type, but has two bolt holes instead of four. This allows mounting in restricted areas.
- This series is assembled with GRA-RRB bearings with positive-contact, land-riding seals and self-locking collars.
- The units are factory-prelubricated. A grease fitting is provided for relubrication.
- Safety end caps are available for selected sizes.

**Suggested shaft tolerances:**

1/2 in. – 1 15/16 in., nominal to -0.013 mm, -0.0005 in. ;  
 2 in. – 2 3/16 in., nominal to -0.025 mm, -0.0010 in.

**To order, specify UNIT and SHAFT DIAMETER.**

Example: VCJT 1 in.



**BEARING DATA**

Unit	Bearing No.	Dimensions and Load Ratings
VCJT	GRA-RRB	Page A-50

Unit	Shaft Dia.	H	J	L	A	E	N	B <sub>1</sub>	A <sub>1</sub>	d <sub>1</sub>	S <sub>1</sub>	Bolt Size	Bearing No.	Collar No.	Housing No.	Unit Wt.
	in. mm	mm in.	mm in.	mm in.	mm in.	mm in.	mm in.	mm in.	mm in.	mm in.	mm in.	mm in.			New (Old)	kg lbs.
VCJT	1/2												GRA008RRB	S1008K		
VCJT	5/8	98.4	76.2	53.9	23.6	39.3	10.7	28.6	10.3	28.1	22.2	10	GRA010RRB	S1010K	T-40219 (T-22244P)	0.590
VCJT	17	3 7/8	3	2 1/8	0.929	1.548	27/64	1 1/8	13/32	1.105	7/8	3/8	GRAE17RRB	SE17K		1.30
VCJT	3/4	111.9	89.7	60.3	27.8	43.3	9.9	31.0	11.1	32.8	23.4	10	GRA012RRB	S1012K	T-40220 (T-21409P)	0.518
VCJT	20	4 13/32	3 17/32	2 3/8	1.094	1.706	25/64	1 7/32	7/16	1.292	59/64	3/8	GRAE20RRB	SE20K		1.44
VCJT	7/8												GRA014RRB	S1014K		
VCJT	15/16	123.8	99.2	69.8	27.9	43.2	11.5	31.0	11.1	23.9	23.4	10	GRA015RRB	S1015K	T-40221 (T-21412P)	0.740
VCJT	1	4 7/8	3 29/32	2 3/4	1.100	1.701	29/64	1 7/32	7/16	1.480	59/64	3/8	GRA100RRB	S1100K		1.63
VCJT	25												GRAE25RRB	SE25K		
VCJT	1 1/8												GRA102RRB	S1102K		
VCJT	1 3/16	141.3	116.7	79.4	29.9	47.1	11.5	35.7	11.9	43.7	27.0	10	GRA103RRB	S1103K	T-40222 (T-21548P)	1.026
VCJT	1 1/4 S	5 9/16	4 19/32	3 1/8	1.178	1.856	29/64	1 13/32	15/32	1.730	1 1/16	3/8	GRA103RRB2	S1103K3		2.26
VCJT	30												GRAE30RRB	SE30K		
VCJT	1 1/4												GRA104RRB	S1104K		
VCJT	1 3/8	155.6	130.2	92.1	31.8	50.5	13.1	38.9	11.9	53.6	29.4	12	GRA106RRB	S1106K	T-40223 (T-21414)	1.362
VCJT	1 7/16	6 1/8	5 1/8	3 5/8	1.254	1.989	33/64	1 17/32	15/32	2.112	1 5/32	1/2	GRA107RRB	S1107K		3.00
VCJT	35												GRAE35RRB	SE35K		
VCJT	1 1/2	171.4	143.6	104.7	38.1	56.9	13.1	43.7	12.7	58.2	32.5	12	GRA108RRB	S1108KT	T-40224 (T-22529)	2.075
VCJT	40	6 3/4	5 21/32	4 1/8	1.500	2.243	33/64	1 23/32	1/2	2.292	1 9/32	1/2	GRAE40RRB	SE40K		4.57
VCJT	1 5/8												GRA110RRB	S1110K		
VCJT	1 11/16	179.4	148.0	111.1	38.9	57.0	13.1	43.7	12.7	63.0	32.5	12	GRA111RRB	S1111K	T-40225 (T-21416)	2.229
VCJT	1 3/4	7 1/16	5 27/32	4 3/8	1.531	2.244	33/64	1 23/32	1/2	2.480	1 9/32	1/2	GRA112RRB	S1112K		4.91
VCJT	45												GRAE45RRB	SE45K		
VCJT	1 7/8												GRA114RRB	S1114K		
VCJT	1 15/16	188.9	157.2	115.8	42.9	61.0	17.1	43.7	12.7	69.3	32.5	16	GRA115RRB	S1115K	T-40226 (T-21418)	2.492
VCJT	2 S	7 7/16	6 3/16	4 9/16	1.688	2.400	43/64	1 23/32	1/2	2.730	1 9/32	5/8	GRA115RRB2	S1115K2		5.49
VCJT	50												GRAE50RRB	SE50K		
VCJT	2	215.9	184.1	127.0	46.8	67.9	17.1	48.4	16.7	75.7	36.5	16	GRA200RRB	S1200K	T-40227 (T-23788)	3.092
VCJT	2 3/16	8 1/2	7 1/4	5	1.844	2.672	43/64	1 29/32	21/32	2.980	27/16	5/8	GRA203RRB	S1203K		6.81
VCJT	55												GRAE55RRB	SE55K		

NOTE: Shaft diameter with an S = smaller housing.

### YCJT INDUSTRIAL SET SCREW SERIES

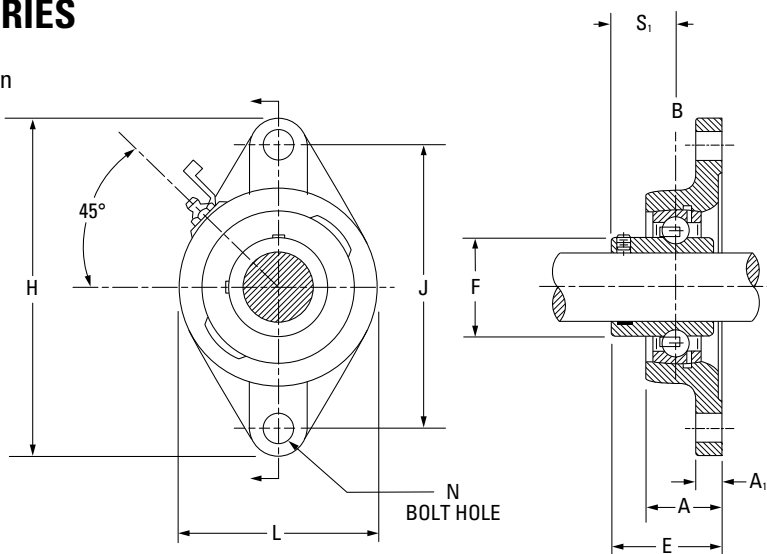
- Incorporates Shaft Guarding Technology, which reduces replacement time, provides shaft protection and prolongs the life of the shaft.
- This series has the same design as the YCJ series, but is mounted with two bolts instead of four.
- All units are equipped with GY-KRRB wide inner ring, set screw bearings.
- The spherical outside diameter mounted in the corresponding machined housings seats provides the initial self-alignment.
- The units are factory-prelubricated. A grease fitting is provided for relubrication.
- Safety end caps are available for selected sizes.

#### Suggested shaft tolerances:

- 1/2 in. – 1 15/16 in., nominal to -0.013 mm, -0.0005 in.;
- 2 in. – 2 3/16 in., nominal to -0.025 mm, -0.0010 in.

#### To order, specify UNIT and SHAFT DIAMETER.

Example: YCJT 1 7/16 in.



#### BEARING DATA

Unit	Bearing No.	Dimensions and Load Ratings
YCJT	GY-KRRB	Page A-44

Unit	Shaft Dia.	H	J	L	A	E	B	A <sub>1</sub>	F	N	S <sub>1</sub>	Bolt Size	Bearing No.
	in. mm	mm in.	mm in.	mm in.	mm in.	mm in.	mm in.	mm in.	mm in.	mm in.	mm in.	mm in.	
YCJT	1/2	98.4	76.2	54.00	23.6	32.90	27.40	11.1	23.9	10.0	15.9	10	GY1008KRRB
YCJT	5/8	3 7/8	3	2 1/8	0.929	1.296	1 5/64	7/16	0.941	27/64	5/8	3/8	GY1010KRRB
YCJT	17												GYE17KRRB
YCJT SGT	3/4	111.9	89.7	60.30	27.8	38.40	31.80	11.1	27.6	10.0	19.1	10	GY1012KRRB SGT
YCJT SGT	20	4 13/32	3 17/32	2 3/8	1.094	1.513	1 1/4	7/16	1.085	27/64	3/4	3/8	GYE20KRRB SGT
YCJT SGT	7/8												GY1014KRRB SGT
YCJT SGT	15/16	123.8	99.2	69.90	27.9	40.00	34.90	12.7	33.8	11.5	20.6	12	GY1015KRRB SGT
YCJT SGT	1	4 7/8	3 29/32	2 3/4	1.100	1.575	1 3/8	1/2	1.331	29/64	13/16	1/2	GY1100KRRB SGT
YCJT SGT	25												GYE25KRRB SGT
YCJT SGT	1 1/8												GY1102KRRB SGT
YCJT SGT	1 3/16	141.3	116.7	79.45	29.9	43.46	39.29	13.5	40.3	11.5	23.4	12	GY1103KRRB SGT
YCJT	1 1/4 S	5 9/16	4 19/32	3 1/8	1.178	1.711	1 35/64	17/32	1.587	29/64	59/64	1/2	GY1103KRRB3
YCJT SGT	30												GYE30KRRB SGT
YCJT SGT	1 1/4												GY1104KRRB SGT
YCJT SGT	1 3/8	155.6	130.2	92.10	31.8	48.95	45.20	13.5	46.8	13.0	27.9	12	GY1106KRRB SGT
YCJT SGT	1 7/16	6 1/8	5 1/8	3 5/8	1.254	1.927	1 25/32	17/32	1.843	33/64	1 1/10	1/2	GY1107KRRB SGT
YCJT SGT	35												GYE35KRRB SGT
YCJT SGT	1 1/2	171.5	143.7	104.80	38.1	54.40	49.20	14.3	52.2	13.0	30.2	12	GY1108KRRB SGT
YCJT SGT	40	6 3/4	5 21/32	4 1/8	1.500	2.141	1 15/16	9/16	2.057	33/64	1 3/16	1/2	GYE40KRRB SGT
YCJT SGT	1 5/8												GY1110KRRB SGT
YCJT SGT	1 11/16	179.4	148.4	111.10	38.9	55.52	50.40	14.3	57.9	13.0	31.4	12	GY1111KRRB SGT
YCJT SGT	1 3/4	7 1/16	5 27/32	4 3/8	1.531	2.186	1 63/64	9/16	2.279	33/64	1 15/64	1/2	GY1112KRRB SGT
YCJT SGT	45												GYE45KRRB SGT
YCJT SGT	1 15/16												GY1115KRRB SGT
YCJT	2 S	188.9	157.2	115.90	42.9	60.70	51.60	14.3	62.8	17.0	32.5	12	GY1115KRRB3
YCJT SGT	50	7 7/16	6 3/16	4 9/16	1.688	2.390	2 1/32	9/16	2.473	43/64	1 9/32	1/2	GYE50KRRB SGT
YCJT SGT	2												GY1200KRRB SGT
YCJT SGT	2 3/16	215.9	184.2	127.00	46.8	64.70	55.60	16.7	69.7	17.0	33.3	16	GY1203KRRB SGT
YCJT SGT	55	8 1/2	7 1/4	5	1.844	2.547	2 3/16	21/32	2.745	43/64	1 9/16	5/8	GYE55KRRB SGT

NOTE: Shaft diameter with an S = smaller housing.

### SCJT STANDARD SERIES

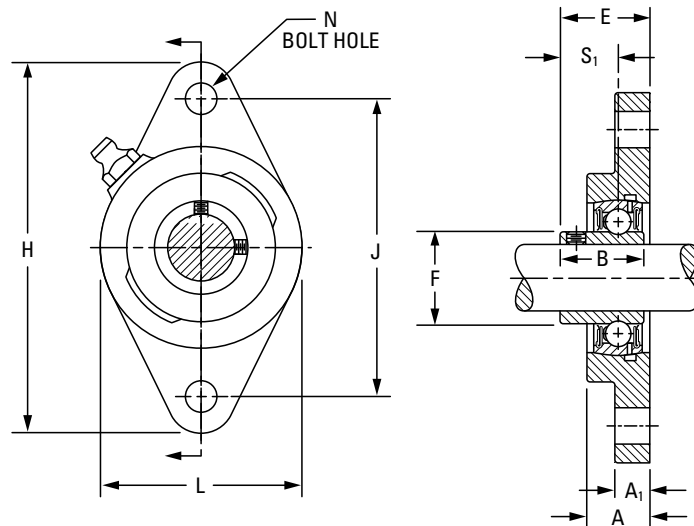
- This series has the same construction and design as SCJ type, but is mounted with two bolts instead of four.
- This series is assembled with GYA-RRB bearings with positive-contact, land-riding seals and set screw locking.
- The units are factory-prelubricated. A grease fitting is provided for relubrication.

**Suggested shaft tolerances:**

1/2 in. – 1 15/16 in., nominal to -0.013 mm, -0.0005 in.;  
 2 in. – 2 3/16 in., nominal to -0.025 mm, -0.0010 in.

**To order, specify UNIT and SHAFT DIAMETER.**

Example: SCJT 1 in.



**BEARING DATA**

Unit	Bearing No.	Dimensions and Load Ratings
SCJT	GYA-RRB	Page A-54

Unit	Shaft Dia.	H	J	L	A	E	N	B	A <sub>1</sub>	F	S <sub>1</sub>	Bolt Size	Bearing No.	Housing No.	Unit Wt.		
		in.	mm	mm	mm	mm	mm	mm	mm	mm	mm					mm	in.
SCJT	1/2	98.4	76.20	60.3	17.9	25.4	9.9	23.8	11.1	24.6	15.9	10	GYA008RRB	T-40136	0.34		
SCJT	5/8	3 7/8	3	2 3/8	45/64	1	25/64	15/16	7/16	31/32	5/8	3/8	GYA010RRB			0.75	
SCJT	17												GYAE17RRB				
SCJT	3/4	111.9	89.69	65.1	19.0	28.6	9.9	27.0	11.1	29.0	18.3	10	GYA012RRB	T-40138	0.43		
SCJT	20	4 13/32	3 17/32	2 9/16	3/4	1 1/8	25/64	1 1/16	7/16	1 9/64	23/32	3/8	GYAE20RRB			0.94	
SCJT	7/8	123.8	98.82	69.9	19.8	29.8	11.9	28.2	11.1	33.7	19.4	10	GYA014RRB	T-40140	0.48		
SCJT	15/16	4 7/8	3 57/64	2 3/4	25/32	1 11/64	15/32	1 7/64	7/16	1 21/64	49/64	3/8	GYA015RRB			1.07	
SCJT	1												GYA100RRB				0.72
SCJT	25												GYAE25RRB				
SCJT	1 1/8	141.3	116.68	79.4	21.4	34.1	11.5	32.5	13.5	40.1	23.0	10	GYA102RRB	T-40142	0.72		
SCJT	1 3/16	5 9/16	4 19/32	3 1/8	27/32	1 11/32	29/64	1 9/32	17/32	1 37/64	29/32	3/8	GYA103RRB			1.58	
SCJT	1 1/4 S												GYA103RRB3				0.72
SCJT	30												GYAE30RRB				
SCJT	1 1/4	155.6	130.18	92.1	24.6	38.1	13.1	36.5	14.3	46.8	25.8	12	GYA104RRB	T-40144	1.08		
SCJT	1 3/8	6 1/8	5 1/8	3 5/8	31/32	1 1/2	33/64	1 7/16	9/16	1 27/32	1 1/64	1/2	GYA106RRB			2.37	
SCJT	1 7/16												GYA107RRB				1.08
SCJT	35												GYAE35RRB				
SCJT	1 1/2	171.5	143.67	104.8	26.2	40.9	13.1	39.3	14.3	52.4	27.8	12	GYA108RRB	T-40146	1.97		
SCJT	40	6 3/4	5 21/32	4 1/8	1 1/32	1 39/64	33/64	1 35/64	9/16	2 1/16	1 3/32	1/2	GYAE40RRB			4.34	
SCJT	1 5/8	179.4	148.00	111.1	28.6	43.6	13.1	42.1	15.8	57.9	28.6	12	GYA110RRB	T-40170	2.03		
SCJT	1 11/16	7 1/16	5 27/32	4 3/8	1 1/8	1 23/32	33/64	1 21/32	5/8	2 5/32	1 7/8	1/2	GYA111RRB			4.48	
SCJT	1 3/4												GYA112RRB				2.03
SCJT	45												GYAE45RRB				
SCJT	1 15/16	189.9	157.16	115.8	28.6	46.0	17.1	44.4	16.6	62.7	30.9	16	GYA115RRB	T-40172	2.26		
SCJT	2 S	7 7/16	6 3/16	4 9/16	1 1/8	1 13/16	43/64	1 3/4	21/32	2 15/32	1 7/32	5/8	GYA115RRB2			4.98	
SCJT	50												GYAE50RRB				4.98
SCJT	2	215.9	184.15	127.0	30.9	48.0	17.1	46.4	18.2	69.8	31.7	16	GYA200RRB	T-40174	2.79		
SCJT	2 3/16	8 1/2	7 1/4	5	1 7/32	1 57/64	43/64	1 53/64	23/32	2 3/4	1 1/4	5/8	GYA203RRB			6.14	
SCJT	55												GYAE55RRB				6.14

NOTE: Shaft diameter with an S = smaller housing.

### FLCT STANDARD SERIES

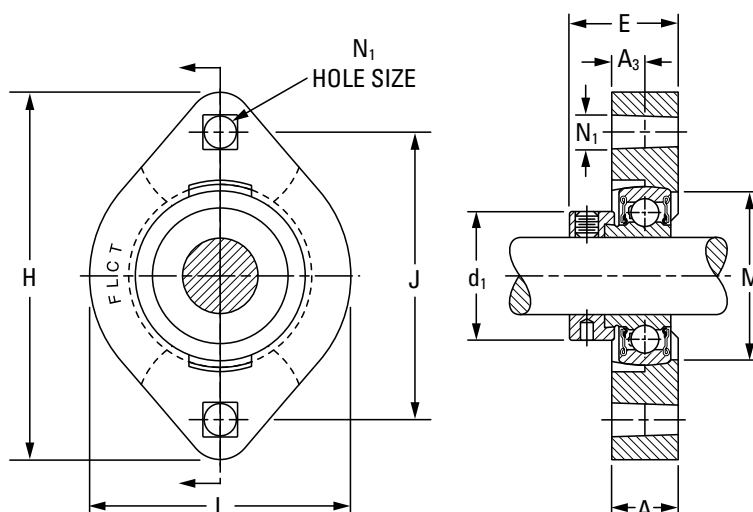
- These versatile power-transmission units are designed to provide sturdy shaft support in minimum space at minimum cost.
- The space-saving, two-bolt unit mounts flush against the frame.
- The bolt-hole spacing and size is the same as the pressed-steel flangette unit.
- The series is equipped with RA-RRB extended inner ring ball bearings with positive-contact, land-riding seals.
- The series is permanently prelubricated.

#### Suggested shaft tolerances:

1/2 in. – 1 7/16 in., nominal to -0.013 mm, -0.0005 in.;

#### To order, specify UNIT and SHAFT DIAMETER.

Example: FLCT 1 3/16 in.



#### BEARING DATA

Unit	Bearing No.	Dimensions and Load Ratings
FLCT	RA-RRB	Page A-48

Unit	Shaft Dia.	H	J	L	E	A	A <sub>3</sub>	N <sub>1</sub> Sq.	d <sub>1</sub>	M	Bolt Size	Bearing No.	Collar No.	Housing No.	Unit Wt.
	in. mm	mm in.	mm in.	mm in.	mm in.	mm in.	mm in.	mm in.	mm in.	mm in.	mm in.				kg lbs.
FLCT	1/2	81.0	63.5	58.7	30.2	14.7	7.1	7.1	28.6	38.1	6	RA008RRB	S1008K		0.322
FLCT	5/8	3 3/16	2 1/2	2 5/16	1 3/16	37/64	9/32	9/32	1 1/8	1 1/2	1/4	RA010RRB	S1010K	T-34124	0.71
FLCT	17											RAE17RRB	SE17K		
FLCT	3/4	90.5	71.4	66.7	32.9	17.1	8.7	8.7	33.3	45.2	8	RA012RRB	S1012K		0.445
FLCT	20	3 9/16	2 13/16	2 5/8	1 19/64	43/64	11/32	11/32	1 5/16	1 25/32	5/16	RAE20RRB	SE20K	T-34122	0.98
FLCT	7/8											RA014RRB	S1014K		
FLCT	15/16	95.2	76.2	71.0	34.5	17.5	8.7	8.7	38.1	50.4	8	RA015RRB	S1015K		0.499
FLCT	1	3 3/4	3	2 5/16	1 23/64	11/16	11/32	11/32	1 1/2	1 63/64	5/16	RA100RRB	S1100K	T-33753	1.10
FLCT	25											RAE25RRB	SE25K		
FLCT	1 1/8											RA102RRB	S1102K		
FLCT	1 3/16	112.7	90.5	84.1	38.5	20.6	10.3	10.3	44.4	59.5	10	RA103RRB	S1103K		0.835
FLCT	1 1/4 S	4 7/16	3 9/16	3 5/16	1 33/64	13/16	13/32	13/32	1 3/4	2 11/32	3/8	RA103RRB2	S1103K3	T-34120	1.84
FLCT	30											RAE30RRB	SE30K		
FLCT	1 1/4											RA104RRB	S1104K		
FLCT	1 3/8	125.4	100.0	93.7	41.1	22.2	11.1	10.3	54.0	69.5	10	RA106RRB	S1106K		1.075
FLCT	1 7/16	4 15/16	3 15/16	3 11/16	1 21/32	7/8	7/16	13/32	2 1/8	2 47/64	3/8	RA107RRB	S1107K	T-34118	2.37
FLCT	35											RAE35RRB	SE35K		

NOTE: Shaft diameter with an S = smaller housing.

### RFC INDUSTRIAL PILOTED-SERIES CONCENTRIC COLLAR

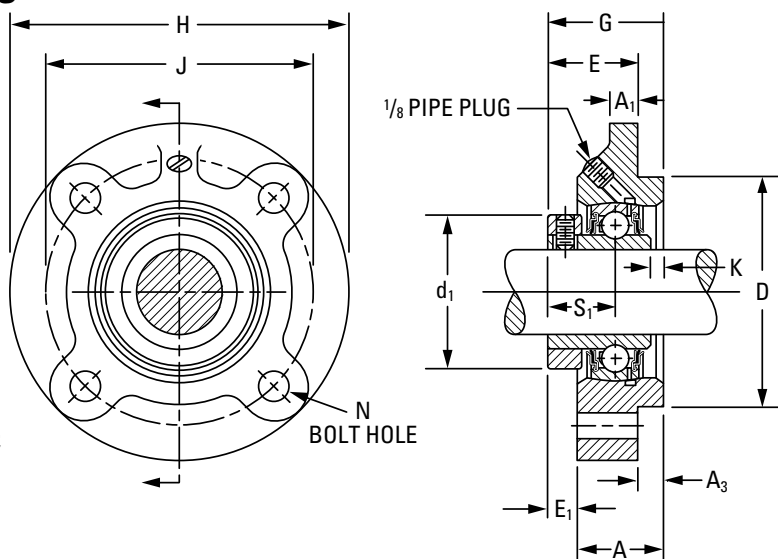
- The piloted flange cartridges ensure accurate mounting fits and provide better support for heavy loads.
- The cast-iron units are suited for applications such as material handling, industrial conveyor equipment, and farm and construction equipment.
- This series is assembled with R-seal (GC-KRRB) bearings with a concentric-locking collar.
- The units are factory-prelubricated. A grease fitting is provided for relubrication if required.

**Suggested shaft tolerances:**

1/2 in. – 1 15/16 in., nominal to -0.013 mm, -0.0005 in.;  
 2 in. – 2 3/16 in., nominal to -0.025 mm, -0.0010 in.

**To order, specify UNIT and SHAFT DIAMETER.**

Example: RFC 1 7/16 in.



**BEARING DATA**

Unit	Bearing No.	Dimensions and Load Ratings
RFC	GC-KRRB	Page A-40

Unit	Shaft Dia.	D	J	H	S <sub>1</sub>	K	N	G	A	E <sub>1</sub>	A <sub>3</sub>	E	A <sub>1</sub>	d <sub>1</sub>	Bolt Size	Bearing No.	Collar No.	Housing No.	Unit Wt.
	in.	mm in.	mm in.	mm in.	mm in.	mm in.	mm in.	mm in.	mm in.	mm in.	mm in.	mm in.	mm in.	mm in.	mm in.				kg lbs.
RFC	1	76.20 3.000	92.1 3 5/8	111.1 4 3/8	20.2 51/64	3.6 9/64	10.3 13/32	37.7 1 31/64	28.2 1 7/64	9.5 3/8	6.4 1/4	31.4 1 15/64	9.5 3/8	44.4 1 3/4	10 3/8	GC1100KRRB	C205	T-27031	1.152 2.54
RFC	1 1/8	85.72	104.8	127.0	22.6	3.6	11.9	40.9	30.6	10.3	10.7	30.2	9.5	52.4	10	GC1102KRRB	C206	T-27021	1.742 3.84
RFC	1 3/16	3.375	4 1/8	5	57/64	9/64	15/32	1 39/64	1 13/64	13/32	27/64	1 3/16	3/8	2 1/16	3/8	GC1103KRRB			
RFC	1 1/4 S															GC1103KRRB3			
RFC	1 1/4	92.08	111.1	133.4	25.4	3.2	11.9	44.4	34.1	10.3	11.9	32.5	12.7	59.5	10	GC1104KRRB	C207	T-26730	1.864 4.11
RFC	1 3/8	3.625	4 3/8	5 1/4	1	1/8	15/32	1 3/4	1 11/32	13/32	15/32	1 9/32	1/2	2 11/32	3/8	GC1106KRRB			
RFC	1 7/16															GC1107KRRB			
RFC	1 1/2	92.08	111.1	133.4	27.4	4.8	11.9	48.8	38.1	10.7	11.9	36.9	12.7	68.3	10	GC1108KRRB	C208	T-26587	2.141 4.72
RFC	1 11/16	107.95	130.2	155.6	29.4	-	13.5	46.8	34.1	12.7	11.9	34.9	11.5	73.0	12	GC1111KRRB	C209	T-27276	2.817 6.21
RFC	1 3/4	4.250	5 1/8	6 1/8	1 5/32		17/32	1 27/32	1 11/32	1/2	15/32	1 3/8	29/64	2 7/8	1/2	GC1112KRRB			
RFC	1 15/16	114.30	136.5	161.9	30.2	6.4	13.5	54.8	42.9	11.9	15.9	38.9	12.7	79.4	12	GC1115KRRB	C210	T-26743	3.211 7.08
RFC	2	127.00	152.4	181.0	33.3	7.1	15.1	61.1	44.4	16.7	22.2	38.9	12.7	88.9	12	GC1200KRRB	C211	T-28287	4.082 9.00
RFC	2 3/16	5.000	6	7 1/8	1 5/16	9/32	19/32	2 13/32	1 3/4	2 1/32	7/8	1 17/32	1/2	3 1/2	1/2	GC1203KRRB			

NOTE: Shaft diameter with an S = smaller housing.

### RC SERIES

- The RC series is convenient for mounting in straight-bore housings.
- The bearing features a self-locking collar and spherical outside diameter fitted to a corresponding spherical seat in the cartridge that provides self-alignment.
- The unit is equipped with a G-KRRB (R-seal) bearing.

#### Suggested housing bore:

Shaft Rotating: nominal +.025 mm to +.076 mm, +.001 in. to +.003 in.

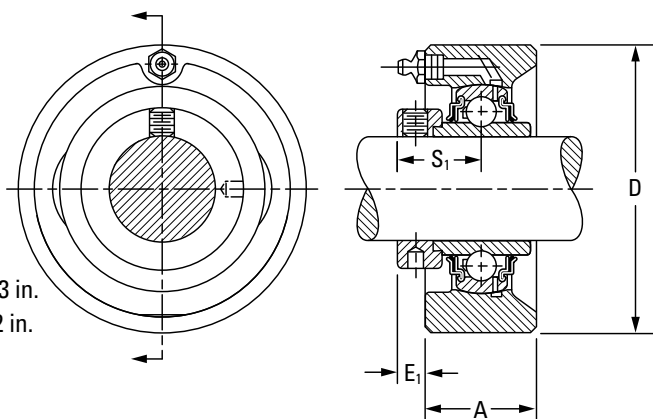
Shaft Stationary: nominal +.00 mm to -.050 mm, +.000 in. to -.002 in.

Avoid excessive tightening of anchor bolts.

#### Suggested shaft tolerances:

1/2 in. – 1 15/16 in., nominal to -0.013 mm, -0.0005 in.;

2 in. – 2 7/16 in., nominal to -0.025 mm, -0.0010 in.



#### BEARING DATA

Unit	Bearing No.	Dimensions and Load Ratings
RC	G-KRRB	Page A-34

#### To order, specify UNIT and SHAFT DIAMETER.

Example: RC 1 3/16 in.

Unit <sup>(1)</sup>	Shaft Dia.	D		A		E <sub>1</sub>		S <sub>1</sub>		Bearing No.	Collar No.	Housing No.	Unit Wt.
		mm	in.	mm	in.	mm	in.	mm	in.				
RC	1/2									G1008KRRB	S1008K		
RC	5/8	<b>68.27</b>		<b>30.2</b>		<b>8.3</b>		<b>23.4</b>		G1010KRRB	S1010K	T-16793	<b>0.549</b>
RC	1 1/16	2 11/16		1 3/16		2 1/64		59/64		G1011KRRB	S1011K		1.21
RC	<b>17</b>									GE17KRRB	SE17K		
RC	3/4	<b>74.61</b>		<b>36.5</b>		<b>8.3</b>		<b>26.6</b>		G1012KRRB	S1012K	T-16795	<b>0.804</b>
RC	<b>20</b>	2 15/16		1 7/16		2 1/64		1 3/64		GE20KRRB	SE20K		1.77
RC	7/8									G1014KRRB	S1014K	T-16797	
RC	1 5/16	<b>79.38</b>		<b>38.1</b>		<b>7.9</b>		<b>27.0</b>		G1015KRRB	S1015K		<b>0.876</b>
RC	<b>1</b>	3 1/8		1 1/2		5/16		1 1/16		G1100KRRB	S1100K		1.93
RC	<b>25</b>									GE25KRRB	SE25K		
RC	1 1/16									G1101KRRB	S1101K	T-16798	
RC	1 1/8	<b>88.90</b>		<b>38.1</b>		<b>11.1</b>		<b>30.2</b>		G1102KRRB	S1102K		<b>1.171</b>
RC	1 3/16	3 1/2		1 1/2		7/16		1 3/16		G1103KRRB	S1103K		2.58
RC	<b>30</b>									GE30KRRB	SE30K		
RC	1 1/4									G1104KRRB	S1104K	T-16686	
RC	1 5/16	<b>98.43</b>		<b>39.7</b>		<b>12.7</b>		<b>32.5</b>		G1105KRRB	S1105K		<b>1.448</b>
RC	1 3/8	3 7/8		1 9/16		1/2		1 9/32		G1106KRRB	S1106K		3.19
RC	1 7/16									G1107KRRB	S1107K		
RC	<b>35</b>									GE35KRRB	SE35K		
RC	1 1/2	<b>106.36</b>		<b>44.4</b>		<b>12.7</b>		<b>34.9</b>		G1108KRRB	S1108KT	T-16800	<b>1.870</b>
RC	1 9/16	4 3/16		1 3/4		1/2		1 3/8		G1109KRRB	S1109KT		4.12
RC	<b>40</b>									GE40KRRB	SE40K		
RC	1 5/8									G1110KRRB	S1110K	T-16687	
RC	1 11/16	<b>111.13</b>		<b>44.4</b>		<b>12.7</b>		<b>34.9</b>		G1111KRRB	S1111K		<b>1.970</b>
RC	1 3/4	4 3/8		1 3/4		1/2		1 3/8		G1112KRRB	S1112K		4.34
RC	<b>45</b>									GE45KRRB	SE45K		
RC	1 7/8									G1114KRRB	S1114K	T-16802	
RC	1 15/16	<b>115.89</b>		<b>52.4</b>		<b>11.9</b>		<b>38.1</b>		G1115KRRB	S1115K		<b>2.452</b>
RC	2	4 9/16		2 1/16		15/32		1 1/2		GE50KRRB	SE50K		5.40
RC	<b>50</b>												
RC	2									G1200KRRB	S1200K	T-16804	
RC	2 1/8	<b>125.41</b>		<b>58.7</b>		<b>14.3</b>		<b>43.7</b>		G1202KRRB	S1202K		<b>3.164</b>
RC	2 3/16	4 15/16		2 5/16		9/16		1 23/32		G1203KRRB	S1203K		6.97
RC	<b>55</b>									GE55KRRB	SE55K		
RC	2 7/16	<b>149.23</b>		<b>65.1</b>		<b>14.3</b>		<b>46.8</b>		G1207KRRB	S1207K		<b>5.130</b>
RC	<b>60</b>	5 7/8		2 9/16		9/16		1 27/32		GE60KRRB	SE60K	11.30	

<sup>(1)</sup>All units have 1/4-28 grease fittings.

## MALLEABLE-IRON FLANGED UNITS

### GVFD, GVFDR RELUBRICATABLE SERIES – VFD, VFDR NON-RELUBRICATABLE SERIES

- The malleable-iron flange cartridges provide self-alignment and rigid support for medium-duty applications.
- The mounting bolt holes are interchangeable with pressed-steel flangette units of corresponding size.

**Suggested shaft tolerances:** nominal to -0.013 mm, -0.0005 in.

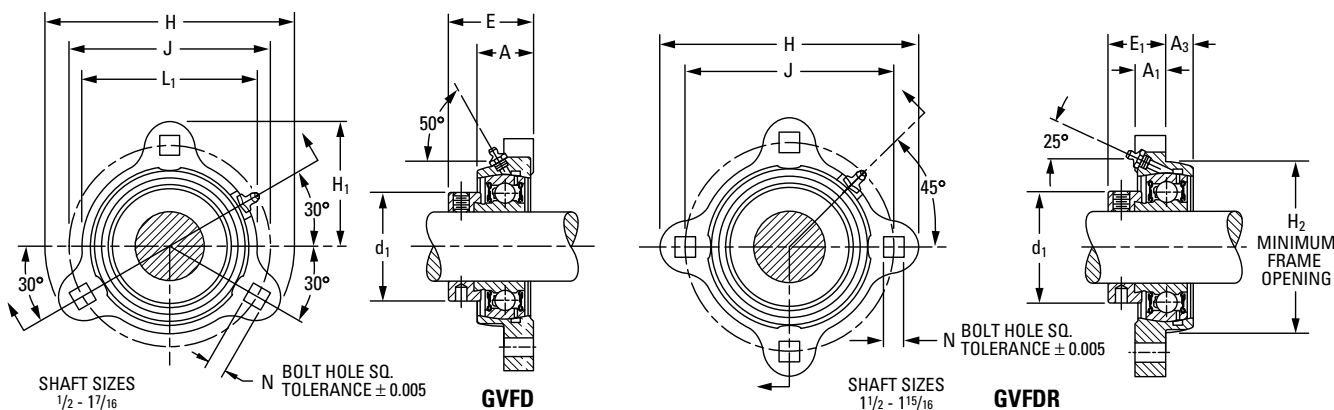
**To order, specify UNIT and SHAFT DIAMETER.**

**For the non-relubricatable series, omit the G prefix on the unit and bearing number.**

Example: VFD 1 3/16 in. or VFDR 1 3/16 in.; GVFD 1 3/16 in. or GVFDR 1 3/16 in.

#### BEARING DATA

Unit	Bearing No.	Dimensions and Load Ratings
VFD, VFDR	RA-RRB	Page A-48
GVFD, GVFDR	GRA-RRB	Page A-50



Unit		Shaft Dia.	H <sub>1</sub>	L <sub>1</sub>	H	J	N	H <sub>2</sub>	E	A	E <sub>1</sub>	A <sub>3</sub>	A <sub>1</sub>	d <sub>1</sub>	Bearing No.	Collar No.	Unit Wt.
Face Mounted	Reverse Mounted	in. mm	mm in.	mm in.	mm in.	mm in.	mm in.	mm in.	mm in.	mm in.	mm in.	mm in.	mm in.	mm in.			kg lbs.
RELUBRICATABLE SERIES <sup>(1)</sup>																	
GVFD <sup>(2)</sup>	GVFDR <sup>(2)</sup>	1/2	40.5	53.2	81.0	63.5	7.1	47.6	31.8	17.5	22.2	7.9	9.5	28.6	GRA008RRB	S1008K	2.63
GVFD <sup>(2)</sup>	GVFDR <sup>(2)</sup>	5/8	1 19/32	2 3/32	3 3/16	2 1/2	9/32	1 7/8	1 1/4	1 1/16	7/8	5/16	3/8	1 1/8	GRA010RRB	S1010K	0.58
GVFD <sup>(2)</sup>	GVFDR <sup>(2)</sup>	17													GRAE17RRB	SE17K	
GVFD <sup>(2)</sup>	GVFDR	3/4	45.2	60.3	90.5	71.4	8.7	54.8	34.1	19.8	23.4	9.1	10.7	33.3	GRA012RRB	S1012K	0.336
GVFD <sup>(2)</sup>	GVFDR	20	1 25/32	2 3/8	3 9/16	2 13/16	1 1/32	2 5/32	1 11/32	2 5/32	5 9/64	2 3/64	2 7/64	1 5/16	GRAE20RRB	SE20K	0.74
GVFD	GVFDR	7/8													GRA014RRB	S1014K	
GVFD	GVFDR	1 5/16	47.6	66.7	95.2	76.2	8.7	60.3	34.1	19.8	23.4	9.1	10.7	38.1	GRA015RRB	S1015K	0.386
GVFD	GVFDR	1	1 7/8	2 5/8	3 3/4	3	1 1/32	2 3/8	1 11/32	2 5/32	5 9/64	2 3/64	2 7/64	1 1/2	GRA100RRB	S1100K	0.85
GVFD	GVFDR	25													GRAE25RRB	SE25K	
GVFD	GVFDR	1 1/8													GRA102RRB	S1102K	
GVFD	GVFDR	1 3/16	56.4	78.6	112.7	90.5	10.3	71.4	38.9	22.2	26.6	10.7	11.9	44.5	GRA103RRB	S1103K	0.608
GVFD	GVFDR	1 1/4 S	2 7/32	3 3/32	4 7/16	3 9/16	1 3/32	2 13/16	1 17/32	7/8	1 3/64	2 7/64	1 5/32	1 3/4	GRA103RRB2	S1103K3	1.34
GVFD	GVFDR	30													GRAE30RRB	SE30K	
GVFD	GVFDR	1 1/4													GRA104RRB	S1104K	
GVFD	GVFDR	1 3/8	61.1	88.9	122.2	100.0	10.3	81.8	42.1	23.8	29.4	11.1	12.7	54.0	GRA106RRB	S1106K	0.821
GVFD	GVFDR	1 7/16	2 13/32	3 1/2	4 13/16	3 15/16	1 3/32	3 7/32	1 21/32	1 5/16	1 5/32	7/16	1/2	2 1/8	GRA107RRB	S1107	1.81
GVFD	GVFDR	35													GRAE35RRB	SE35K	
GVFD	GVFDR	1 1/2	73.8	98.4	147.6	119.1	13.5	89.7	48.4	28.6	32.5	12.7	15.9	60.3	GRA108RRB	S1108KT	1.334
GVFD	GVFDR	40	2 29/32	3 7/8	5 13/16	4 11/16	1 7/32	3 17/32	1 29/32	1 1/8	1 9/32	1/2	5/8	2 3/8	GRAE40RRB	SE40K	2.94
GVFD	GVFDR	1 5/8													GRA110RRB	S1110K	
GVFD	GVFDR	1 11/16	74.6	107.2	149.2	120.6	13.5	96.0	48.4	28.6	32.5	12.7	15.9	63.5	GRA111RRB	S1111K	1.361
GVFD	GVFDR	1 3/4	2 15/16	4 7/32	5 7/8	4 3/4	1 7/32	3 25/32	1 29/32	1 1/8	1 9/32	1/2	5/8	2 1/2	GRA112RRB	S1112K	3.00
GVFD	GVFDR	45													GRAE45RRB	SE45K	
GVFD	GVFDR	1 7/8													GRA114RRB	S1114K	
GVFD	GVFDR	1 15/16	77.8	113.5	155.6	127.0	13.5	100.8	48.4	28.6	32.5	12.7	15.9	69.8	GRA115RRB	S1115K	1.451
GVFD	GVFDR	50	3 1/16	4 15/32	6 1/8	5	1 7/32	3 31/32	1 29/32	1 1/8	1 9/32	1/2	5/8	2 3/4	GRAE50RRB	SE50K	3.20

<sup>(1)</sup>All units have a 1/4-28 grease fitting, except as noted.

<sup>(2)</sup>10-32 grease fitting.

NOTE: Shaft diameter with an S = smaller housing.



## GRFD, GRFDR RELUBRICATABLE SERIES – RFD, RFDR NON-RELUBRICATABLE SERIES

- The malleable-iron flange cartridges provide self-alignment and rigid support for medium-duty applications.

**Suggested shaft tolerances:** nominal to -0.013 mm, -0.0005 in.

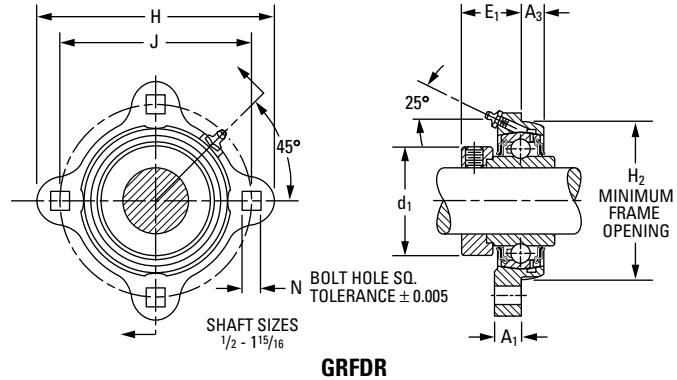
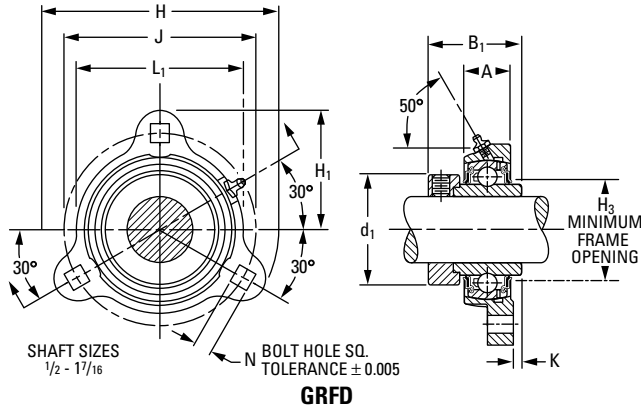
**To order, specify UNIT and SHAFT DIAMETER.**

**For the non-relubricatable series, omit G prefix on unit and bearing number.**

Example: GRFD 1 3/16 in. or GRFDR 1 3/16 in.; RFD 1 3/16 in. or RFDR 1 3/16 in.

### BEARING DATA

Unit	Bearing No.	Dimensions and Load Ratings
RFD, RFDR	-KRRB	Page A-32
GRFD, GRFDR	G-KRRB	Page A-34



Unit		Shaft Dia.	H <sub>1</sub>	L <sub>1</sub>	H	J	N	H <sub>2</sub>	B <sub>1</sub>	A	E <sub>1</sub>	A <sub>3</sub>	A <sub>1</sub>	d <sub>1</sub>	H <sub>3</sub>	K	Bearing No.	Collar No.	Unit Wt.
Face Mounted	Reverse Mounted	in. mm	mm in.	mm in.	mm in.	mm in.	mm in.	mm in.	mm in.	mm in.	mm in.	mm in.	mm in.	mm in.	mm in.	mm in.			kg lbs.
RELUBRICATABLE SERIES <sup>(1)</sup>																			
GRFD <sup>(2)</sup>	GRFDR <sup>(2)</sup>	1/2															G1008KRRB	S1008K	
GRFD <sup>(2)</sup>	GRFDR <sup>(2)</sup>	5/8	40.5	53.2	81.0	63.5	7.1	47.6	37.3	17.5	23.4	7.9	9.5	28.6	29.4	4.4	G1010KRRB	S1010K	0.259
GRFD <sup>(2)</sup>	GRFDR <sup>(2)</sup>	11/16	1 19/32	2 3/32	3 3/16	2 1/2	9/32	1 7/8	1 15/32	1 1/16	59/64	5/16	3/8	1 1/8	1 1/32	1 1/64	G1011KRRB	S1011K	0.57
GRFD <sup>(2)</sup>	GRFDR <sup>(2)</sup>	17															GE17KRRB	SE17K	
GRFD <sup>(2)</sup>	GRFDR <sup>(2)</sup>	3/4	45.2	60.3	90.5	71.4	8.7	54.8	43.7	19.8	26.6	9.1	10.7	33.3	34.1	6.4	G1012KRRB	S1012K	0.395
GRFD <sup>(2)</sup>	GRFDR <sup>(2)</sup>	20	1 25/32	2 3/8	3 9/16	2 13/16	11/32	2 5/32	1 23/32	25/32	1 3/64	23/64	27/64	1 5/16	1 11/32	1/4	GE20KRRB	SE20K	0.87
GRFD	GRFDR	7/8															G1014KRRB	S1014K	
GRFD	GRFDR	15/16	47.6	66.7	95.2	76.2	8.7	60.3	44.4	19.8	27.0	9.1	10.7	38.1	38.9	6.7	G1015KRRB	S1015K	0.463
GRFD	GRFDR	1	1 7/8	2 5/8	3 3/4	3	11/32	2 3/8	1 3/4	25/32	1 1/16	23/64	27/64	1 1/2	1 11/32	17/64	G1100KRRB	S1100K	1.02
GRFD	GRFDR	25															GE25KRRB	SE25K	
GRFD	GRFDR	1 1/16															G1101KRRB	S1101K	
GRFD	GRFDR	1 1/8	56.4	78.6	112.7	90.5	10.3	71.4	48.4	22.2	30.2	10.7	11.9	44.5	46.0	6.4	G1102KRRB	S1102K	6.260
GRFD	GRFDR	1 3/16	2 1/32	3 3/32	4 7/16	3 9/16	13/32	2 13/16	1 29/32	7/8	1 3/16	27/64	15/32	1 3/4	1 13/16	1/4	G1103KRRB	S1103K	1.38
GRFD	GRFDR	1 1/4 S															G1103KRRB3	S1103K3	
GRFD	GRFDR	30															GE30KRRB	SE30K	
GRFD	GRFDR	1 1/4															G1104KRRB	S1104K	
GRFD	GRFDR	1 5/16															G1105KRRB	S1105K	
GRFD	GRFDR	1 3/8	61.1	88.9	122.2	100.0	10.3	81.8	51.2	23.8	32.5	11.1	12.7	54.0	53.2	6.4	G1106KRRB	S1106K	0.857
GRFD	GRFDR	1 7/16	2 13/32	3 1/2	4 13/16	3 15/16	13/32	3 7/32	2 1/64	15/16	19/32	7/16	1/2	1 1/8	2 3/32	1/4	G1107KRRB	S1107K	1.89
GRFD	GRFDR	35															GE35KRRB	SE35K	
GRFD	GRFDR	1 1/2															G1108KRRB	S1108KT	
GRFD	GRFDR	19/16	73.8	98.4	147.6	119.1	13.5	89.7	56.4	28.6	34.9	12.7	15.9	60.3	59.5	5.6	G1109KRRB	S1109KT	1.138
GRFD	GRFDR	40	2 29/32	3 7/8	5 13/16	4 11/16	17/32	3 17/32	2 7/32	1 1/8	1 3/8	1/2	5/8	2 3/8	2 11/32	7/32	GE40KRRB	SE40K	2.50
GRFD	GRFDR	1 5/8															G1110KRRB	S1110K	
GRFD	GRFDR	1 11/16	74.6	107.2	149.2	120.6	13.5	96.0	56.4	28.6	34.9	12.7	15.9	63.5	65.1	5.6	G1111KRRB	S1111K	1.488
GRFD	GRFDR	1 3/4	2 15/16	4 7/32	5 7/8	4 3/4	17/32	3 25/32	2 7/32	1 1/8	1 3/8	1/2	5/8	2 1/2	2 9/16	7/32	G1112KRRB	S1112K	3.28
GRFD	GRFDR	45															GE45KRRB	SE45K	
GRFD	GRFDR	1 7/8															G1114KRRB	S1114K	
GRFD	GRFDR	1 15/16	77.8	113.5	155.6	127.0	13.5	100.8	62.7	28.6	38.1	12.7	15.9	69.8	69.8	8.7	G1115KRRB	S1115K	1.692
GRFD	GRFDR	50	3 1/16	4 15/32	6 1/8	5	17/32	3 31/32	2 15/32	1 1/8	1 1/2	1/2	5/8	3/4	2 3/4	11/32	GE50KRRB	SE50K	3.73

<sup>(1)</sup>All units have a 1/4-28 grease fitting, except as noted.

<sup>(2)</sup>10-32 grease fitting.

NOTE: Shaft diameter with an S = smaller housing.

# GVFTD, GVFTDR RELUBRICATABLE SERIES – VFTD, VFTDR NON-RELUBRICATABLE SERIES

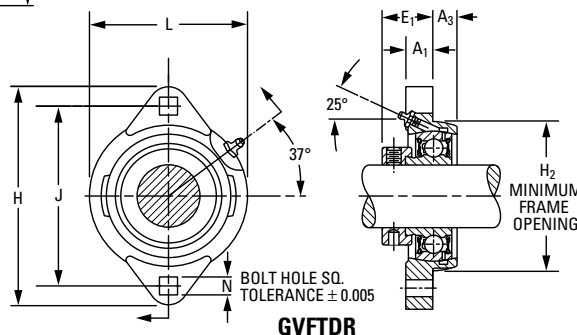
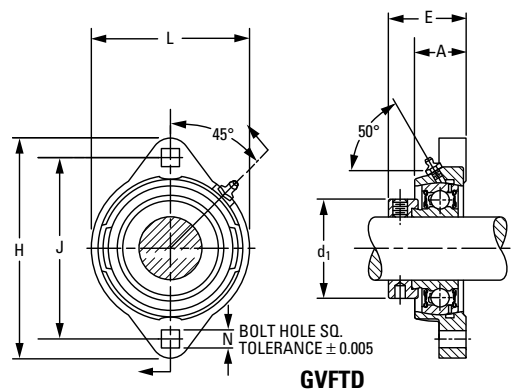
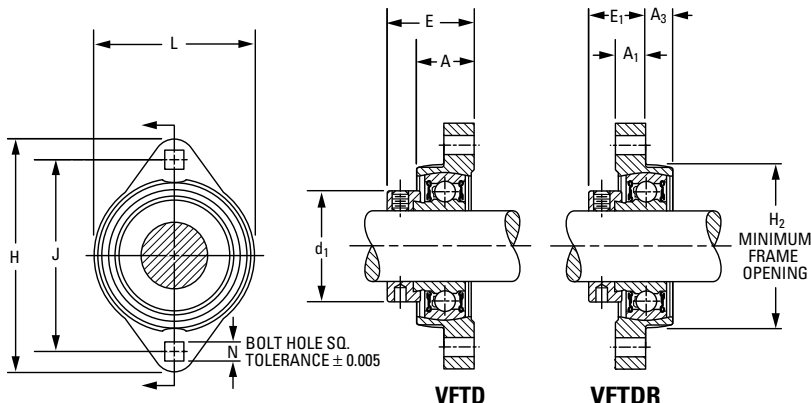
- The malleable-iron flange cartridges provide self-alignment and rigid support for medium-duty applications.

**Suggested shaft tolerances:** nominal to -0.013 mm, -0.0005 in.

**To order, specify UNIT and SHAFT DIAMETER.**

**For the non-relubricatable series, omit G prefix on unit and bearing number.**

Example: VFTD 1 3/16 in. or VFTDR 1 3/16 in.; GVFTD 1 3/16 in. or GVFTDR 1 3/16 in.



### BEARING DATA

Unit	Bearing No.	Dimensions and Load Ratings
VFTD, VFTDR	RA-RRB	Page A-48
GVFTD, GVFTDR	GRA-RRB	Page A-50

Unit		Shaft Dia.	H	J	L	N	H <sub>2</sub>	E	A	E <sub>1</sub>	A <sub>3</sub>	A <sub>1</sub>	d <sub>1</sub>	Bearing No.	Collar No.	Unit Wt.
Face Mounted	Reverse Mounted	in. mm	mm in.	mm in.	mm in.	mm in.	mm in.	mm in.	mm in.	mm in.	mm in.	mm in.	mm in.			kg lbs.
RELUBRICATABLE SERIES <sup>(1)</sup>																
GVFTD	GVFTDR	1/2	81.0	63.5	53.2	7.1	47.6	31.8	17.5	22.2	7.9	9.5	28.6	GRA008RRB	S1008K	0.245
GVFTD	GVFTDR	5/8	3 3/16	2 1/2	2 3/32	9/32	1 7/8	1 1/4	1 1/16	7/8	5/16	3/8	1 1/8	GRA010RRB	S1010K	0.54
GVFTD	GVFTDR	17												GRAE17RRB	SE17K	
GVFTD	GVFTDR	3/4	90.5	71.4	60.3	8.7	54.8	34.1	19.8	23.4	9.1	10.7	33.3	GRA012RRB	S1012K	0.331
GVFTD	GVFTDR	20	3 9/16	2 13/16	2 3/8	1 1/32	2 5/32	1 11/32	2 5/32	5 9/64	2 3/64	2 7/64	1 5/16	GRAE20RRB	SE20K	0.73
GVFTD	GVFTDR	7/8												GRA014RRB	S1014K	
GVFTD	GVFTDR	15/16	95.2	76.2	66.7	8.7	60.3	34.1	19.8	23.4	9.1	10.7	38.1	GRA015RRB	S1015K	0.363
GVFTD	GVFTDR	1	3 3/4	3	2 5/8	1 1/32	2 3/8	1 11/32	2 5/32	5 9/64	2 3/64	2 7/64	1 1/2	GRA100RRB	S1100K	0.80
GVFTD	GVFTDR	25												GRAE25RRB	SE25K	
GVFTD	GVFTDR	1 1/8												GRA102RRB	S1102K	
GVFTD	GVFTDR	1 3/16	112.7	90.5	78.6	10.3	71.4	38.9	22.2	26.6	10.7	11.9	44.5	GRA103RRB	S1103K	0.608
GVFTD	GVFTDR	1 1/4 S	4 7/16	3 9/16	3 3/32	1 3/32	2 13/16	1 17/32	7/8	1 3/64	2 7/64	1 5/32	1 3/4	GRA103RRB2	S1103K3	1.34
GVFTD	GVFTDR	30												GRAE30RRB	SE30K	
GVFTD	GVFTDR	1 1/4												GRA104RRB	S1104K	
GVFTD	GVFTDR	1 3/8	122.2	100.0	88.9	10.3	81.8	42.1	23.8	29.4	11.1	12.7	54.0	GRA106RRB	S1106K	0.862
GVFTD	GVFTDR	1 7/16	4 13/16	3 15/16	3 1/2	1 3/32	3 7/32	1 21/32	1 5/16	1 5/32	7/16	1/2	2 1/8	GRA107RRB	S1107K	1.90
GVFTD	GVFTDR	35												GRAE35RRB	SE35K	

<sup>(1)</sup>All units have a 1/4-28 grease fitting.  
NOTE: Shaft diameter with an S = smaller housing.

## GRFTD, GRFTDR RELUBRICATABLE SERIES – RFTD, RFTDR NON-RELUBRICATABLE SERIES

- The malleable-iron flange cartridges provide self-alignment and rigid support for medium-duty applications.

**Suggested shaft tolerances:** nominal to -0.013 mm, -0.0005 in.

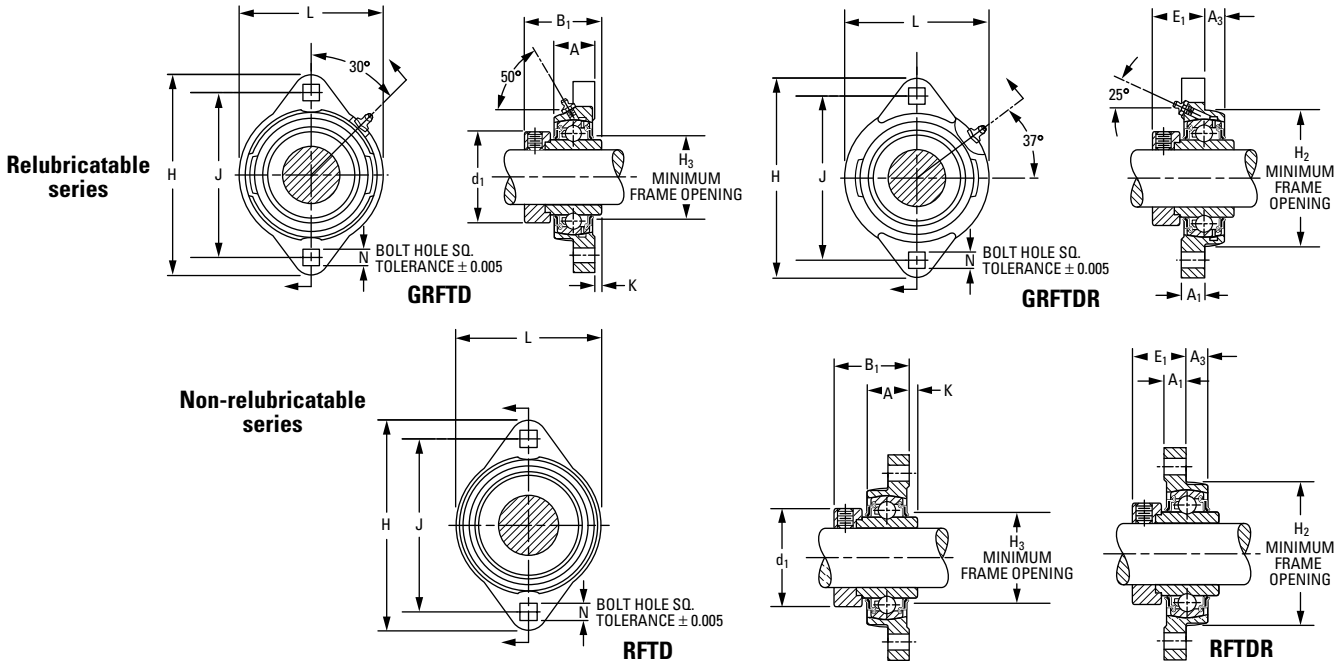
**To order, specify UNIT and SHAFT DIAMETER.**

**For the non-relubricatable series, omit G prefix on unit and bearing number.**

Example: RFTD 1 3/16 in. or RFTDR 1 3/16 in.; GRFTD 1 3/16 in. or GRFTDR 1 3/16 in.

### BEARING DATA

Unit	Bearing No.	Dimensions and Load Ratings
RFTD, RFTDR	-KRRB	Page A-32
GRFTD, GRFTDR	G-KRRB	Page A-34



Unit		Shaft Dia.	H	J	L	N	H <sub>2</sub>	B <sub>1</sub>	A	E <sub>1</sub>	A <sub>3</sub>	A <sub>1</sub>	d <sub>1</sub>	H <sub>3</sub>	K	Bearing No.	Collar No.	Unit Wt.
Face Mounted	Reverse Mounted	in. mm	mm in.	mm in.	mm in.	mm in.	mm in.	mm in.	mm in.	mm in.	mm in.	mm in.	mm in.	mm in.	mm in.			kg lbs.
RELUBRICATABLE SERIES <sup>(1)</sup>																		
GRFTD	GRFTDR	1/2														G1008KRRB	S1008K	
GRFTD	GRFTDR	5/8	81.0	63.5	53.2	7.1	47.6	37.3	15.9	23.4	7.9	9.5	28.6	29.4	4.4	G1010KRRB	S1010K	0.254
GRFTD	GRFTDR	11/16	3 3/16	2 1/2	2 3/32	9/32	1 7/8	1 15/32	5/8	59/64	5/16	3/8	1 1/8	1 5/32	1 1/64	G1011KRRB	S1011K	0.56
GRFTD	GRFTDR	17														GE17KRRB	SE17K	
GRFTD	GRFTDR	3/4	90.5	71.4	60.3	8.7	54.8	43.7	19.8	26.6	9.1	10.7	33.3	34.1	6.4	G1012KRRB	S1012K	0.386
GRFTD	GRFTDR	20	3 9/16	2 13/16	2 3/8	1 1/32	2 5/32	1 23/32	25/32	1 3/64	23/64	27/64	1 5/16	1 11/32	1/4	GE20KRRB	SE20K	0.85
GRFTD	GRFTDR	7/8														G1014KRRB	S1014K	
GRFTD	GRFTDR	15/16	95.2	76.2	66.7	8.7	60.3	44.4	19.8	27.0	9.1	10.7	38.1	38.9	6.7	G1015KRRB	S1015K	0.386
GRFTD	GRFTDR	1	3 3/4	3	2 5/8	1 1/32	2 3/8	1 3/4	25/32	1 1/16	23/64	27/64	1 1/2	1 17/32	17/64	G1100KRRB	S1100K	0.85
GRFTD	GRFTDR	25														GE25KRRB	SE25K	
GRFTD	GRFTDR	1 1/16														G1101KRRB	S1101K	
GRFTD	GRFTDR	1 1/8	112.7	90.5	78.6	10.3	71.4	48.4	22.2	30.2	10.7	11.9	44.5	46.0	6.4	G1102KRRB	S1102K	0.712
GRFTD	GRFTDR	1 3/16	4 7/16	3 9/16	3 3/32	13/32	2 13/16	1 29/32	7/8	1 3/16	27/64	15/32	1 3/4	1 13/16	1/4	G1103KRRB	S1103K	1.57
GRFTD	GRFTDR	1 1/4 S														G1103KRRB3	S1103K3	
GRFTD	GRFTDR	30														GE30KRRB	SE30K	
GRFTD	GRFTDR	1 1/4														G1104KRRB	S1104K	
GRFTD	GRFTDR	1 5/16	122.2	100.0	88.9	10.3	81.8	51.2	23.8	32.5	11.1	12.7	54.0	53.2	6.4	G1105KRRB	S1105K	0.962
GRFTD	GRFTDR	1 3/8	4 13/16	3 15/16	3 1/2	13/32	3 1/32	2 1/64	15/16	1 9/32	7/16	1/2	2 1/8	2 3/32	1/4	G1106KRRB	S1106K	2.12
GRFTD	GRFTDR	1 7/16														G1107KRRB	S1107K	
GRFTD	GRFTDR	35														GE35KRRB	SE35K	

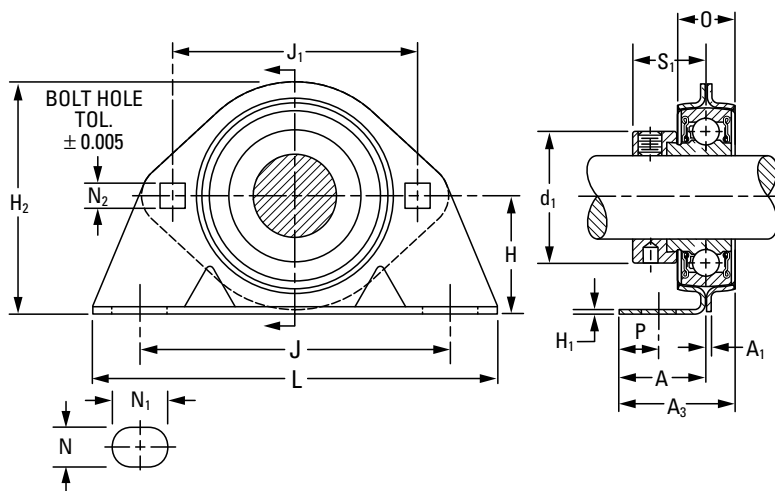
<sup>(1)</sup>All units have a 1/4-28 grease fitting.

NOTE: Shaft diameter with an S = smaller housing.

## PRESSED-STEEL HOUSED UNITS

### PBS SERIES

- The PBS series has an economical transmission unit for light-duty, moderate-speed requirements.
- The housing includes two heavy-gage, zinc-plated steel stampings. One is a standard stamping used in the MST two-bolt flangette unit.
- The RA-RRB (extended inner-ring) bearings are regularly furnished with this bearing. RR wide inner rings also can be used.
- The Timken self-locking collar completes the assembly.
- This series is made with a precision bearing seat and dimensions are held to close tolerances. This provides an accurate bearing-to-housing fit and ensures proper alignment of parts.
- The RA-RRB bearing used in the PBS pillow block has positive-contact land-riding seals. It includes a shroud cap design and is permanently prelubricated.
- The base-to-center height and bolt spacing are interchangeable with many other pillow blocks on the market.



**Suggested shaft tolerances:** nominal to -0.013 mm, -0.0005 in.

**To order, specify UNIT and SHAFT DIAMETER.**

Example: PBS 1 7/16 in.

#### BEARING DATA

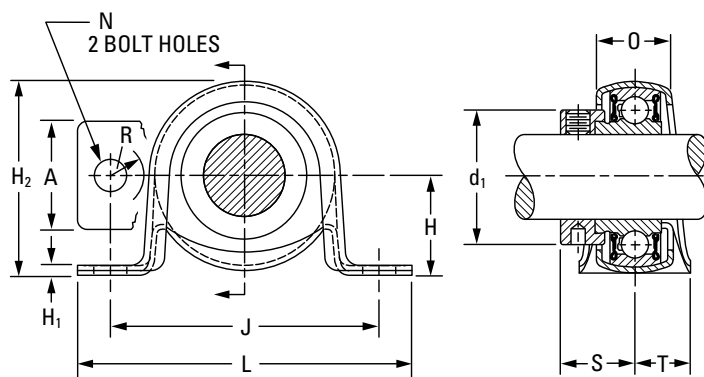
Unit	Bearing No.	Dimensions and Load Ratings
PBS	RA-RRB	Page A-48

Unit	Shaft Dia.	Dimensions																Bearing No.	Flangette No.	Stamping Radial Load Rating <sup>(1)</sup>	Unit Wt.
		H	J	N <sub>1</sub>	L	H <sub>2</sub>	J <sub>1</sub>	d <sub>1</sub>	S <sub>1</sub>	O	A	H <sub>1</sub>	A <sub>1</sub>	A <sub>3</sub>	N <sub>2</sub>	P	N				
	in. mm	mm in.	mm in.	mm in.	mm in.	mm in.	mm in.	mm in.	mm in.	mm in.	mm in.	mm in.	mm in.	mm in.	mm in.	mm in.	mm in.			N lbs.	kg lbs.
PBS	1/2	30.2	92.1	15.9	123.8	59.5	63.5	28.6	22.2	14.3	25.4	2.64	1.90	32.5	7.1	10.3	10.3	RA008RRB	40 MST-(ZP)	2650 600	0.340 0.75
PBS	5/8	1 3/16	3 5/8	5/8	4 7/8	2 11/32	2 1/2	1 1/8	7/8	9/16	1	0.104	0.075	1 9/32	9/32	1 3/32	1 3/32	RA010RRB			
PBS	17																	RAE17RRB			
PBS	3/4	33.3	96.8	15.9	127.0	68.3	71.4	33.3	23.4	15.9	25.4	3.02	2.11	33.3	8.7	10.3	10.3	RA012RRB	47 MST-(ZP)	3100 700	0.440 0.97
PBS	20	1 5/16	3 13/16	5/8	5	2 11/16	2 13/16	1 5/16	59/64	5/8	1	0.119	0.083	1 5/16	1 1/32	1 3/32	1 3/32	RAE20RRB			
PBS	7/8	36.5	95.2	20.6	133.4	72.2	76.2	38.1	23.4	17.5	25.4	3.40	2.11	34.1	8.7	11.1	11.1	RA014RRB	52 MST-(ZP)	3550 800	0.544 1.20
PBS	15/16	1 7/16	3 3/4	1 3/16	5 1/4	2 27/32	3	1 1/2	59/64	1 1/16	1	0.134	0.083	1 11/32	1 1/32	7/16	7/16	RA015RRB			
PBS	1																	RA100RRB			
PBS	25																	RAE25RRB			
PBS	1 1/8	42.9	119.1	22.2	158.8	84.9	90.5	44.4	26.6	17.5	30.2	3.40	2.64	37.3	10.3	14.3	14.3	RA102RRB	62 MST-(ZP)	3550 800	0.744 1.64
PBS	1 3/16	1 11/16	4 11/16	7/8	6 1/4	3 11/32	3 9/16	1 3/4	1 3/64	1 1/16	1 3/16	0.134	0.104	1 19/32	1 3/32	9/16	9/16	RA103RRB			
PBS	1 1/4 S																	RA103RRB2			
PBS	30																	RAE30RRB			
PBS	1 1/4	47.6	127.0	22.2	165.1	94.5	100.0	54.0	29.4	22.2	34.9	3.78	2.64	46.0	10.3	14.3	14.3	RA104RRB	72 MST-(ZP)	4000 900	1.089 2.40
PBS	1 3/8	1 7/8	5	7/8	6 1/2	3 23/32	3 15/16	2 1/8	1 5/32	7/8	1 3/8	0.149	0.104	1 13/16	1 3/32	9/16	9/16	RA106RRB			
PBS	1 7/16																	RA107RRB			
PBS	35																	RAE35RRB			

<sup>(1)</sup>Stamping thrust rating is 1/5 of stamping radial load rating.  
NOTE: Shaft diameter with an S = smaller housing.

### PB SERIES – RPB SERIES

- The PB series provides the advantages of ball bearings at an economical price.
- They are used for light-duty applications.
- The PB series consists of a two-piece separable zinc-plated steel housing with a spherical bearing seat. This allows the spherically ground bearing to have initial self-alignment in all directions.
- The ball bearing is an RA-RRB extended inner-ring-type with positive-contact, land-riding seals and a self-locking collar.
- The series incorporates an improved shroud-cap design and comes permanently prelubricated.
- RPB has the same construction as the PB-type, but with a thick, electrically conductive rubber inner liner.
- The bearings in the RPB unit are designated as RA-RRB FS450 and have a special ball and race finish for quiet operation.
- The RABR unit consists of the bearing with the rubber interliner.



**PB Series**

#### BEARING DATA

Unit	Bearing No.	Dimensions and Load Ratings
PB	RA-RRB	Page A-48
RPB	RA-RRB	Page A-48

**Suggested shaft tolerances:** nominal to -0.013 mm, -0.0005 in.

**To order, specify UNIT and SHAFT DIAMETER.**

Example: PB 1 3/16 in. or RPB 1 3/16 in.

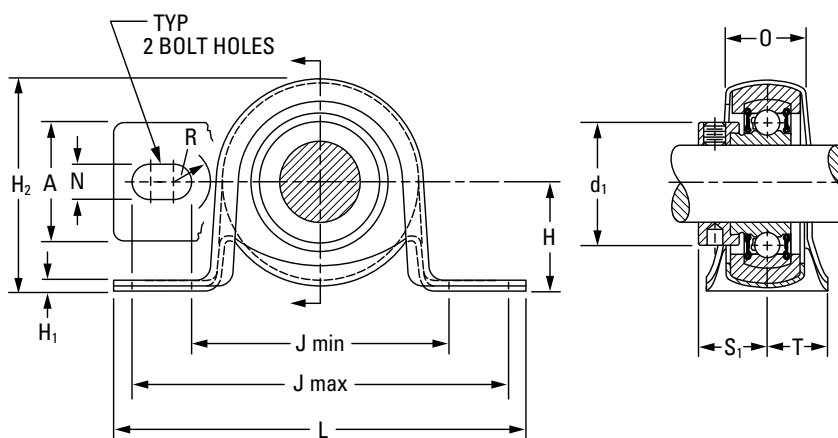
Unit	Shaft Dia.	H	H <sub>2</sub>	J	J	L	A	H <sub>1</sub>	N	R	d <sub>1</sub>	O	S <sub>1</sub>	T	Bearing No.	Collar No.	Stamping Radial Load Rating <sup>(1)</sup>	Unit Wt.
		mm	mm	mm	mm	mm	mm	mm	mm	mm	mm	mm	mm	mm				
PB	1/2	22.2	44.4	81.0	55.6	92.1	25.4	2.54	8.7	8.7	28.6	18.24	22.07	12.7	RA008RRB	S1008K		
PB	5/8	7/8	1 3/4	3 3/16	2 3/16	3 5/8	1	0.100	1 1/32	1 1/32	1 1/8	0.718	0.869	1/2	RA010RRB	S1010K	1340	0.200
PB	17														RAE17RRB	SE17K	300	0.44
PB	3/4	25.4	52.4	88.9	63.5	104.8	25.4	2.54	10.3	10.3	33.3	21.82	23.44	15.9	RA012RRB	S1012K	1560	0.259
PB	20	1	2 1/16	3 1/2	2 1/2	4 1/8	1	0.100	1 3/32	1 3/32	1 5/16	0.859	0.923	5/8	RAE20RRB	SE20K	350	0.57
PB	7/8														RA014RRB	S1014K		
PB	1 5/16	28.6	56.4	100.0	71.4	114.0	28.6	5.28	10.3	10.3	38.1	25.40	23.44	14.3	RA015RRB	S1015K	1760	0.295
PB	1	1 1/8	2 7/32	3 15/16	2 13/16	4 1/2	1 1/8	0.208	1 3/32	1 3/32	1 1/2	1.000	0.923	9/16	RA100RRB	S1100K	400	0.65
PB	25														RAE25RRB	SE25K		
PB	1 1/8														RA102RRB	S1102K		
PB	1 3/16	33.3	66.7	104.8	76.2	123.8	31.8	3.68	10.3	10.3	44.5	25.40	26.72	19.0	RA103RRB	S1103K	2650	0.476
PB	1 1/4 S	1 5/16	2 5/8	4 1/8	3	4 7/8	1 1/4	0.145	1 3/32	1 3/32	1 3/4	1.000	1.052	3/4	RA103RRB2	S1103K3	600	1.05
PB	30														RAE30RRB	SE30K		

<sup>(1)</sup>Housing thrust rating is 1/3 of housing radial load rating. Maximum suggested speed is 2400 RPM.

NOTE: Shaft diameter with an S = smaller housing.

NOTE: Load ratings are upright mounted capacities with load direction toward base.

NOTE: These units should not be mounted vertically or upside down.



**RPB Series**

Unit	Shaft Dia.														Bearing No. <sup>(1)</sup>	Collar No.	Stamping Radial Load Rating <sup>(2)</sup>	Unit Wt.
		H	H <sub>2</sub>	J max.	J min.	L	A	H <sub>1</sub>	N	R	d <sub>1</sub>	O	S <sub>1</sub>	T				
	in. mm	mm in.	mm in.	mm in.	mm in.	mm in.	mm in.	mm in.	mm in.	mm in.	mm in.	mm in.	mm in.	mm in.			N lbs.	kg lbs.
RPB	1/2																	
RPB	5/8	25.40	52.4	88.9	63.5	104.8	25.4	2.54	10.3	10.3	28.6	21.59	22.07	15.9	RA008RRB	S1008K	880	0.200
RPB	17	1	2 1/16	3 1/2	2 1/2	4 1/8	1	0.100	13/32	13/32	1 1/8	0.85	0.869	5/8	RA010RRB	S1010K	200	0.44
RPB															RAE17RRB	SE17K		
RPB	3/4	28.58	56.4	100.0	71.4	114.0	28.6	5.28	10.3	10.3	33.3	25.40	23.44	14.3	RA012RRB	S1012K	1120	0.259
RPB	20	1 1/8	2 7/32	3 5/16	2 13/16	4 1/2	1 1/8	0.208	13/32	13/32	1 5/16	1.00	0.923	9/16	RAE20RRB	SE20K	250	0.57
RPB	7/8														RA014RRB	S1014K		
RPB	15/16	33.34	66.7	104.8	76.2	123.8	31.8	3.68	10.3	10.3	38.1	25.40	23.44	19.0	RA015RRB	S1015K	1340	0.295
RPB	1	1 5/16	2 5/8	4 1/8	3	4 7/8	1 1/4	0.145	13/32	13/32	1 1/2	1.00	0.923	3/4	RA100RRB	S1100K	300	0.65
RPB	25														RAE25RRB	SE25K		
LRPB	1 3/16	33.34	66.7	104.8	76.2	123.8	31.8	3.68	10.3	10.3	44.4	25.40	28.30	19.0	RAL103NPPB	LS103K	1340	0.476
		1 5/16	2 5/8	4 1/8	3	4 7/8	1 1/4	0.145	13/32	13/32	1 3/4	1.00	1.114	3/4			300	1.05

<sup>(1)</sup>Bearing suffix number FS450.

<sup>(2)</sup>Housing thrust rating is 1/3 of housing radial load rating. Maximum suggested speed is 2400 RPM.

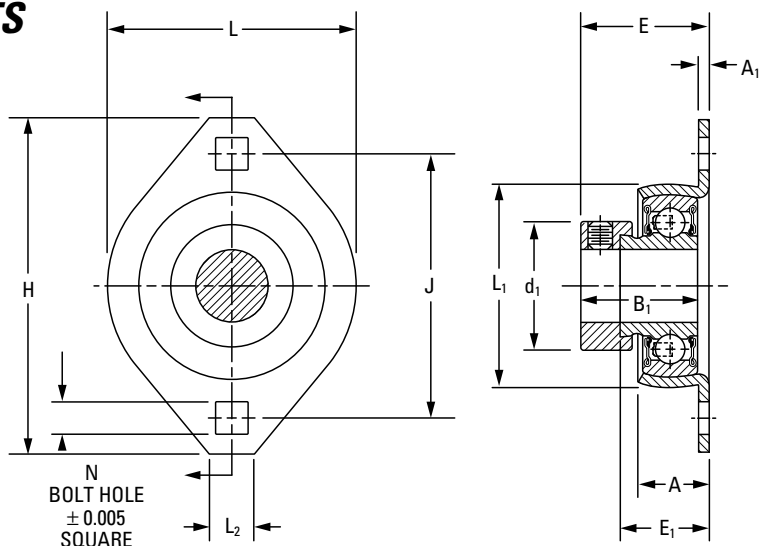
### PRESSED-STEEL FLANGED UNITS

#### VFMST SERIES

- The zinc-plated, pressed-metal flange unit is assembled with an RA-RR prelubricated extended inner-ring-type bearing.
- The unit is ideal for light-duty applications.
- The unit features flush-mounting.
- The unit has additional contamination protection.
- The VFMST series is self-aligning.

#### Suggested shaft tolerances:

nominal to -0.013 mm, -0.0005 in.



#### BEARING DATA

Unit	Bearing No.	Dimensions and Load Ratings
VFMST	RA-RRB	Page A-48

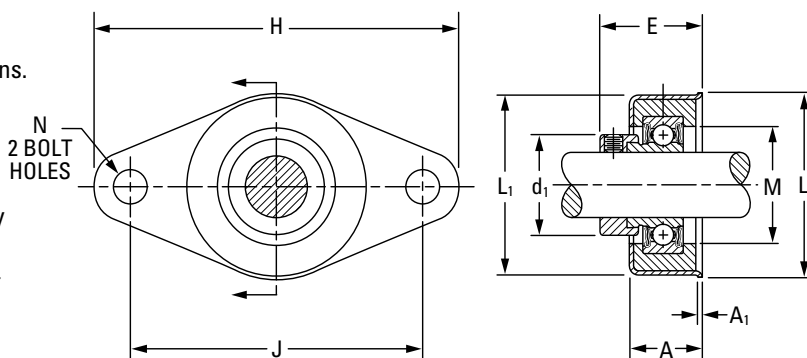
Unit	Shaft Dia.												Bearing No.	Collar No.	Stamping		
		H	J	L	E	A	N	L <sub>1</sub>	E <sub>1</sub>	L <sub>2</sub>	B <sub>1</sub>	d <sub>1</sub>			A <sub>1</sub>	Size	Radial Load Rating <sup>(1)</sup>
	in. mm	mm in.	mm in.	mm in.	mm in.	mm in.	mm in.	mm in.	mm in.	mm in.	mm in.	mm in.	mm in.				N lbs.
VFMST	3/4	90.5	71.4	66.7	33.3	16.7	8.7	50.8	23.0	12.7	31.0	33.3	2.64	RA012RRB	S1012K	47FMST	2240 500
VFMST	20	3 9/16	2 13/16	2 5/8	1 5/16	2 1/32	1 1/32	2	29/32	1/2	1 7/32	1 5/16	0.104	RAE20RRB	SE20K		
VFMST	7/8	95.2	76.2	71.0	33.3	18.3	8.7	55.6	23.8	12.7	31.0	38.1	2.64	RA014RRB	S1014K	52FMST	2650 600
VFMST	15/16													RA015RRB	S1015K		
VFMST	1													RA100RRB	S1100K		
VFMST	25													RAE25RRB	SE25K		
VFMST	1 1/8	112.7	90.5	84.1	38.9	23.0	10.3	66.7	27.8	15.9	35.7	44.4	3.40	RA102RRB	S1102K	62FMST	3550 800
VFMST	1 3/16													RA103RRB	S1103K		
VFMST	1 1/4 S													RA103RRB2	S1103K3		
VFMST	30													RAE30RRB	SE30K		

<sup>(1)</sup>Housing thrust rating is 1/3 of housing radial load rating.  
NOTE: Shaft diameter with an S = smaller housing.



**LFST SERIES**

- This unit is zinc-plated, pressed-steel and flush-mounted.
- This unit simplifies bearing flange-unit installations.
- The conductive rubber interliner reduces noise and vibration. This allows for alignment while the pressed-steel flange assures rigid bearing support.
- The bolt-hole spacing permits interchangeability with competitive mountings.
- The unit offers compact, economical, corrosion-resistant housing and balanced design.
- The unit features Timken RAL light-series ball bearings. The RAL provides precision in an extended inner-ring bearing with superior shroud seal protection and self-locking collar.
- The bearings are prelubricated.



**Suggested shaft tolerances:**

nominal to -0.013 mm, -0.0005 in.

**To order, specify UNIT and SHAFT DIAMETER.**

Example: LFST 1 in.

**BEARING DATA**

Unit	Bearing No.	Dimensions and Load Ratings
LFST	RAL-NPP	Page A-55

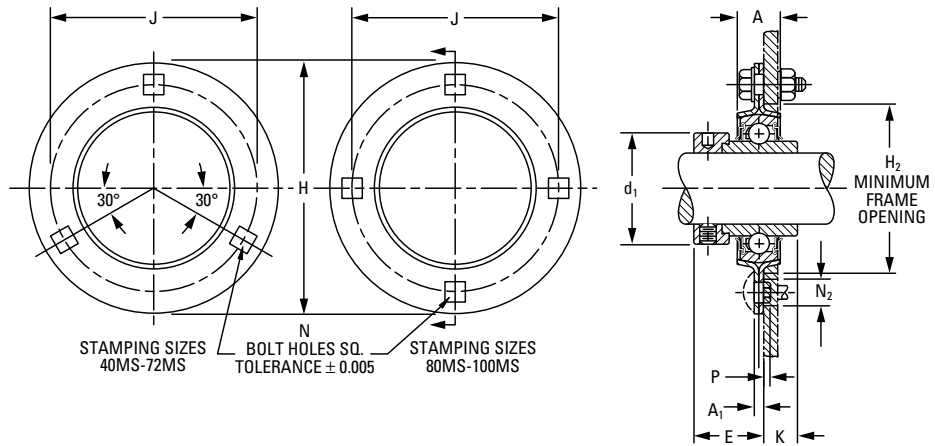
Unit	Shaft Dia. in.	H	J	L	L <sub>1</sub>	E	N	A	A <sub>1</sub>	d <sub>1</sub>	M	Bearing No.	Collar No.	Housing Radial Load Rating <sup>(1)</sup> N lbs.
		mm in.	mm in.	mm in.	mm in.	mm in.	mm in.	mm in.	mm in.	mm in.	mm in.			
LFST	1/2	<b>114.3</b> 4 1/2	<b>92.1</b> 3 5/8	<b>57.2</b> 2 1/4	<b>55.6</b> 2 3/16	<b>31</b> 1 7/32	<b>9.5</b> 3/8	<b>23</b> 29/32	<b>1.52</b> 0.06	<b>25.4</b> 1	<b>29.4</b> 1 5/32	RAL008NPP	LS008K	<b>880</b> 200
LFST	5/8											RAL010NPP	LS010K	
LFST	3/4	<b>114.3</b> 4 1/2	<b>92.1</b> 3 5/8	<b>57.2</b> 2 1/4	<b>55.6</b> 2 3/16	<b>31</b> 1 7/32	<b>9.5</b> 3/8	<b>23</b> 29/32	<b>1.52</b> 0.06	<b>29.8</b> 1 11/64	<b>34.9</b> 1 3/8	RAL012NPP	LS012K	<b>1120</b> 250
LFST	15/16	<b>114.3</b> 4 1/2	<b>92.1</b> 3 5/8	<b>57.2</b> 2 1/4	<b>55.6</b> 2 3/16	<b>31</b> 1 7/32	<b>9.5</b> 3/8	<b>23</b> 29/32	<b>1.52</b> 0.06	<b>36.1</b> 1 27/64	<b>39.7</b> 1 9/16	RAL015NPP	LS015K	<b>1340</b> 300
LFST	1											RAL100NPP	LS100K	

<sup>(1)</sup>Housing thrust rating is 1/3 of housing radial load rating. Maximum suggested speed is 2400 RPM.

**PRESSED-STEEL FLANGETTE UNITS**

**RR FLANGETTE UNIT**

- The unit consists of two interchangeable, pressed-steel, zinc-plated flanges housing a standard bearing with a self-locking collar.
- The spherical inside surfaces of each pair of flanges mate with the spherical outside surface of the bearing's outer ring. This provides initial self-alignment.
- The flangette is equipped with the KRRB (R-seal) wide-inner-ring ball bearing.
- All units are non-relubricatable.



**Suggested shaft tolerances:**

- 1/2 in. – 1 15/16 in., nominal to -0.013 mm, -0.0005 in.;
- 2 in. – 2 15/16 in., nominal to -0.025 mm, -0.0010 in.

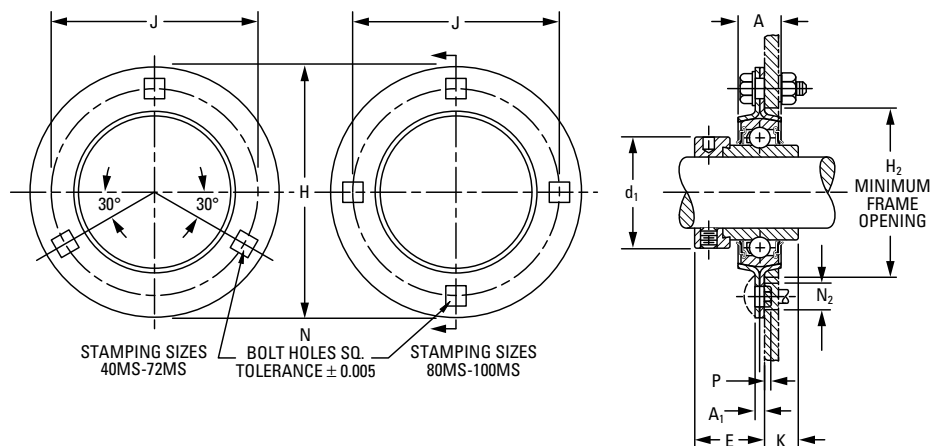
**BEARING DATA**

Unit	Bearing No.	Dimensions and Load Ratings
RR	KRRB	Page A-32

Unit	Shaft Dia.										Bolt Size	Short Shank	Long Shank	Flange Hole Diam. to Clear Sq. Shank	Bearing No.	Collar No.	Stamping <sup>(1)</sup>		Unit Wt.
		H	A	J	N	H <sub>2</sub>	A <sub>1</sub>	E	K	d <sub>1</sub>							P	N <sub>2</sub>	
	in. mm	mm in.	mm in.	mm in.	mm in.	mm in.	mm in.	mm in.	mm in.	mm in.	mm in.	mm in.	mm in.	mm in.			N lbs.	kg lbs.	
RR	1/2														1008KRRB	S1008K			
RR	5/8	81.0	14.2	63.5	7.1	49.2	3.80	25.4	11.9	28.6	6.4	0.15	2.54	10.3	1010KRRB	S1010K	40MS	2650	0.295
RR	17	3 3/16	9/16	2 1/2	9/32	1 15/16	0.150	1	15/32	1 1/8	1/4	0.006	0.100	13/32	E17KRRB	SE17K		600	0.65
RR	3/4	90.5	15.8	71.4	8.7	55.6	4.22	28.6	15.1	33.3	7.9	0.53	2.92	12.7	1012KRRB	S1012K	47MS	3100	0.404
RR	20	3 9/16	5/8	2 13/16	11/32	2 3/16	0.166	1 1/8	19/32	1 5/16	5/16	0.021	0.115	1/2	E20KRRB	SE20K		700	0.89
RR	7/8	95.2	17.4	76.2	8.7	60.3	4.22	28.6	15.1	38.1	7.9	0.53	2.92	12.7	1014KRRB	S1014K	52MS	3550	0.490
RR	15/16	3 3/4	1 1/16	3	11/32	2 3/8	0.166	1 1/8	19/32	1 1/2	5/16	0.021	0.115	1/2	1015KRRB	S1015K		800	1.08
RR	1														1100KRRB	S1100K			
RR	25														E25KRRB	SE25K			
RR	1 1/8														1102KRRB	S1102K			
RR	1 3/16	112.7	17.4	90.5	10.3	71.4	5.28	32.5	15.9	44.5	9.5	0.28	2.64	15.1	1103KRRB	S1103K	62MS	4900	0.753
RR	1 1/4 S	4 7/16	1 1/16	3 9/16	13/32	2 13/16	0.208	1 9/32	5/8	1 3/4	3/8	0.011	0.104	19/32	1103KRRB3	S1103K3		1100	1.66
RR	30														E30KRRB	SE30K			
RR	1 1/4														1104KRRB	S1104K			
RR	1 5/16	122.2	19.0	100.0	10.3	81.0	5.28	34.9	15.9	54.0	9.5	0.28	2.64	15.1	1105KRRB	S1105K	72MS	6220	0.962
RR	1 3/8	4 13/16	3/4	3 15/16	13/32	3 3/16	0.208	1 3/8	5/8	2 1/8	3/8	0.011	0.104	19/32	1106KRRB	S1106K		1400	2.12
RR	1 7/16														1107KRRB	S1107K			
RR	35														E35KRRB	SE35K			

<sup>(1)</sup>Stampings must be ordered in pairs to assemble bearing.  
<sup>(2)</sup>Thrust ratings for stamping are 50 percent of radial ratings.  
 NOTE: Shaft diameter with an S = smaller housing.

Continued on next page.



Continued from previous page.

Unit	Shaft Dia.										Bolt Size	Short Shank	Long Shank	Flange Hole Diam. to Clear Sq. Shank	Bearing No.	Collar No.	Stamping <sup>(1)</sup>		Unit Wt.		
		H	A	J	N	H <sub>2</sub>	A <sub>1</sub>	E	K	d <sub>1</sub>		P					N <sub>2</sub>	Size		Radial Load Rating <sup>(2)</sup>	
	in. mm	mm in.	mm in.	mm in.	mm in.	mm in.	mm in.	mm in.	mm in.	mm in.	mm in.	mm in.	mm in.	mm in.			N lbs.	kg lbs.			
RR	1 1/2																				
RR	1 9/16	147.6	20.6	119.1	13.5	90.5	6.80	38.1	18.3	60.3	12.7	0.33	2.72	19.4	1108KRRB	S1108KT	80MS	7500 1700	1.143 2.52		
RR	40	5 13/16	13/16	4 11/16	17/32	3 9/16	0.268	1 1/2	23/32	2 3/8	1/2	0.013	0.107	49/64	E40KRRB	SE40K					
RR	1 5/8																				
RR	1 11/16	149.2	22.2	120.6	13.5	96.8	7.63	38.1	18.3	63.5	12.7	0.33	2.72	19.4	1110KRRB	S1110K	85MS	7500 1700	1.651 3.64		
RR	45	5 7/8	7/8	4 3/4	17/32	13/16	0.268	1 1/2	23/32	2 1/2	1/2	0.013	0.107	49/64	E45KRRB	SE45K					
RR	1 7/8																				
RR	1 15/16	155.6	22.2	127.0	13.5	101.6	7.56	42.1	20.6	69.8	12.7	0	1.96	19.4	1114KRRB	S1114K	90MS	8500 1900	1.878 4.14		
RR	50	6 1/8	7/8	5	17/32	4	0.298	1 21/32	13/16	2 3/4	1/2	0	0.077	49/64	E50KRRB	SE50K					
RR	2																				
RR	2 1/8	166.7	23.8	138.1	13.5	112.7	7.56	47.6	23.8	76.2	12.7	0	1.96	19.4	1200KRRB	S1200K	100MS	10200 2300	2.268 5.00		
RR	2 3/16	6 9/16	15/16	5 7/16	17/32	4 7/16	0.298	1 7/8	15/16	3	1/2	0	0.077	49/64	E55KRRB	SE55K					
RR	2 1/2																				
RR	55																				

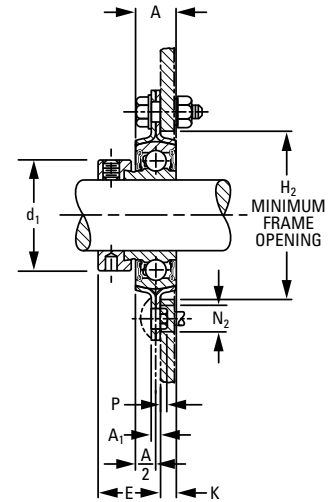
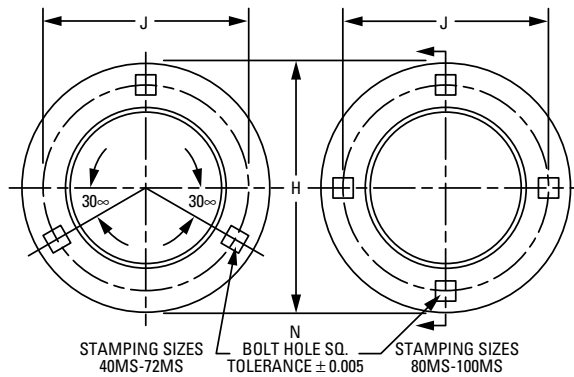
<sup>(1)</sup>Thrust ratings for stamping are 50 percent of radial ratings.

<sup>(2)</sup>Stampings must be ordered in pairs to assemble bearing.

NOTE: Shaft diameter with an S = smaller housing.

### RA FLANGETTE UNIT

- The RA flangette unit is similar to Timken RR flangette unit.
- The unit consists of two interchangeable, pressed-steel, zinc-plated flanges that house a standard ball bearing.
- The unit incorporates an extended inner-ring bearing with a self-locking collar and spherical seat in the cartridge, providing initial self-alignment.
- The unit is equipped with an RA-RRB extended inner ring ball bearing.
- The units are non-relubricatable.



#### Suggested shaft tolerances:

- 1/2 in. – 1 15/16 in., nominal to -0.013 mm, -0.0005 in.;
- 2 in. – 2 3/16 in., nominal to -0.025 mm, -0.0010 in.

#### To order, specify UNIT and SHAFT DIAMETER.

Example: RA 1 in. flangette.

#### BEARING DATA

Unit	Bearing No.	Dimensions and Load Ratings
RA	RA-RRB	Page A-48

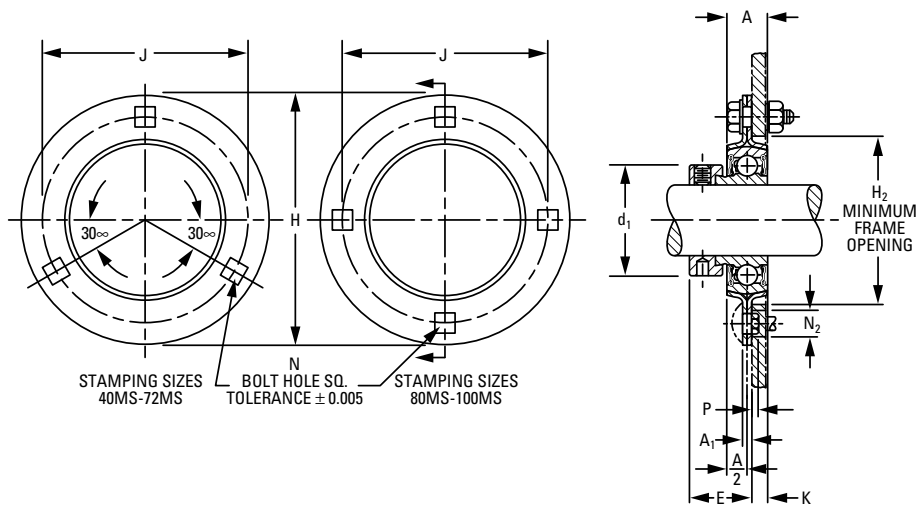
Unit	Shaft Dia.										Bolt Size	Short Shank	Long Shank	Flange Hole Diam. to Clear Sq. Shank	Bearing No.	Collar No.	Stamping <sup>(1)</sup>		Unit Wt.
		H	A	J	N	H <sub>2</sub>	A <sub>1</sub>	E	K	d <sub>1</sub>							P	N <sub>2</sub>	
	in. mm	mm in.	mm in.	mm in.	mm in.	mm in.	mm in.	mm in.	mm in.	mm in.	mm in.	mm in.	mm in.	mm in.			N lbs.	kg lbs.	
RA	1/2														RA008RRB	S1008K			
RA	9/16	81.0	14.2	63.5	7.1	49.2	3.81	23.8	5.6	28.6	6.4	0.15	2.54	10.3	RA009RRB	S1009K	40MS	2650	0.277
	5/8	3 3/16	9/16	2 1/2	9/32	1 15/16	0.150	1 5/16	7/32	1 1/8	1/4	0.006	0.100	13/32	RA010RRB	S1010K			
RA	17														RAE17RRB	SE17K			
RA	3/4	90.5	15.8	71.4	8.7	55.6	4.22	25.0	6.4	33.3	7.9	0.53	2.92	12.7	RA012RRB	S1012K	47MS	3100	0.363
RA	20	3 9/16	5/8	2 13/16	1 1/32	2 3/16	0.166	6 3/4	1/4	1 5/16	5/16	0.021	0.115	1/2	RAE20RRB	SE20K			
RA	13/16	95.2	17.4	76.2	8.7	60.3	4.22	25.0	7.1	38.1	7.9	0.53	2.92	12.7	RA013RRB	S1013K	52MS	3550	0.408
RA	7/8														RA014RRB	S1014K			
RA	15/16	3 3/4	1 1/16	3	1 1/32	2 3/8	0.166	6 3/4	9/32	1 1/2	5/16	0.021	0.115	1/2	RA015RRB	S1015K			
RA	1														RA100RRB	S1100K			
RA	25														RAE25RRB	SE25K			
RA	1 1/16	112.7	17.4	90.5	10.3	71.4	5.28	29.0	6.7	44.5	9.5	0.28	2.64	15.1	RA101RRB	S11013K	62MS	4900	0.667
RA	1 1/8														RA102RRB	S1102K			
RA	1 3/16	4 7/16	1 1/16	3 9/16	1 3/32	2 13/16	0.208	1 9/64	1 7/64	1 3/4	3/8	0.011	0.104	1 9/32	RA103RRB	S1103K			
RA	1 1/4 S														RA103RRB3	S1103K3			
RA	30														RAE30RRB	SE30K			
RA	1 1/4	122.2	19.0	100.0	10.3	81.0	5.28	31.8	7.5	54	9.5	0.28	2.64	15.1	RA104RRB	S1104K	72MS	6220	0.889
RA	1 5/16														RA105RRB	S1105K			
RA	1 3/8	4 13/16	3/4	3 15/16	1 3/32	3 3/16	0.208	1 1/4	1 9/64	2 1/8	3/8	0.011	0.104	1 9/32	RA106RRB	S1106K			
RA	1 7/16														RA107RRB	S1107K			
RA	35														RAE35RRB	SE35K			

<sup>(1)</sup>Stampings must be ordered in pairs to assemble bearing.

<sup>(2)</sup>Thrust ratings for stamping are 50 percent of radial ratings.

NOTE: Shaft diameter with an S = smaller housing.

Continued on next page.



Continued from previous page.

Unit	Shaft Dia.										Bolt Size	Short Shank	Long Shank	Flange Hole Diam. to Clear Sq. Shank	Bearing No.	Collar No.	Stamping <sup>(1)</sup>		Unit Wt.
		H	A	J	N	H <sub>2</sub>	A <sub>1</sub>	E	K	d <sub>1</sub>							P	N <sub>2</sub>	
	in. mm	mm in.	mm in.	mm in.	mm in.	mm in.	mm in.	mm in.	mm in.	mm in.	mm in.	mm in.	mm in.	mm in.			N lbs.	kg lbs.	
RA	1 1/2	147.6	20.6	119.1	13.5	90.5	6.80	36.1	7.5	60.3	12.7	0.33	2.72	19.4	RA108RRB	S1108KT	80MS	7500 1700	1.447 3.19
RA	1 9/16	5 13/16	13/16	4 11/16	17/32	3 9/16	0.268	1 27/64	19/64	2 3/8	1/2	0.013	0.107	49/64	RA109RRB	S1109KT			
RA	40														RAE40RRB	SE40K			
RA	1 5/8	149.2	22.2	120.6	13.5	96.8	6.80	36.1	7.5	63.5	12.7	0.33	2.72	19.4	RA110RRB	S1110K	85MS	7500 1700	1.479 3.26
RA	1 11/16	5 7/8	7/8	4 3/4	17/32	3 13/16	0.268	1 27/64	19/64	2 1/2	1/2	0.013	0.107	49/64	RA111RRB	S1111K			
RA	1 3/4														RA112RRB	S1112K			
RA	45														RAE45RRB	SE45K			
RA	1 13/16	155.6	22.2	127.0	13.5	101.6	7.56	36.5	7.1	69.8	12.7	0	1.96	19.4	RA113RRB	S1113K	90MS	8500 1900	1.669 3.68
RA	1 7/8	6 1/8	7/8	5	17/32	4	0.300	1 7/16	9/32	2 3/4	1/2	0	0.077	49/64	RA114RRB	S1114K			
RA	1 15/16														RA115RRB	S1115K			
RA	50														RAE50RRB	SE50K			
RA	2	166.7	23.8	138.1	13.5	112.7	7.56	40.5	8.3	76.2	12.7	0	1.96	19.4	RA200RRB	S1200K	100MS	10200 2300	2.000 4.41
RA	2 1/16	6 9/16	15/16	5 7/16	17/32	4 7/16	0.300	1 19/32	29/64	3	1/2	0	0.077	49/64	RA201RRB	S1201K			
RA	2 1/8														RA202RRB	S1202K			
RA	2 3/16														RA203RRB	S1203K			
RA	55														RAE55RRB	SE55K			

<sup>(1)</sup>Stampings must be ordered in pairs to assemble bearing.

<sup>(2)</sup>Thrust ratings for stamping are 50 percent of radial ratings.

NOTE: Shaft diameter with an S = smaller housing.

### RAT, RRT TWO-BOLT FLANGETTE UNITS

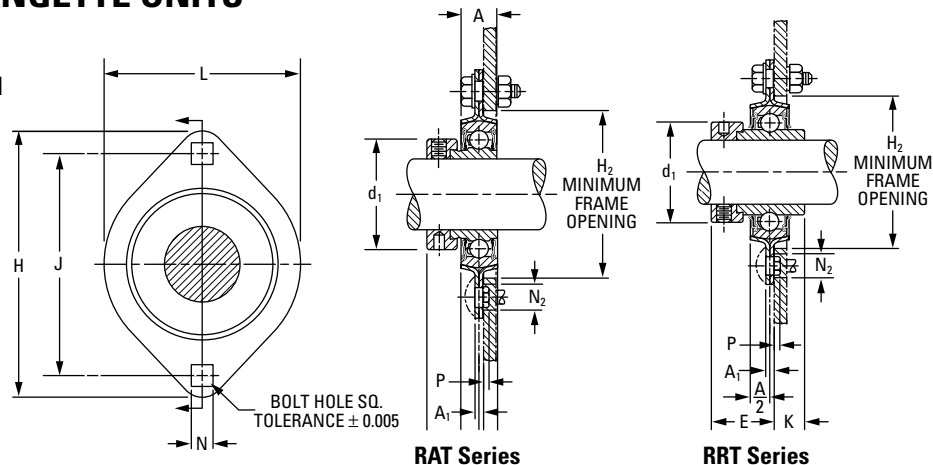
- These units are designed for installations where the standard three-bolt flangettes cannot be used due to space limitations.
- Like standard three-bolt flangettes, they are available with RA-RRB extended inner ring ball bearings and the KRRB wide-inner-ring ball bearings (RRT) with self-locking collars.
- All units are non-relubricatable.

#### Suggested shaft tolerances:

1/2 in. – 1 7/16 in.,  
nominal to -0.013 mm, -0.0005 in.;

#### To order, specify UNIT and SHAFT DIAMETER.

Example: RAT 1 in. flangette or RRT 1 in. flangette.



#### BEARING DATA

Unit	Bearing No.	Dimensions and Load Ratings
RAT	RA-RRB	Page A-48
RRT	-KRRB	Page A-32

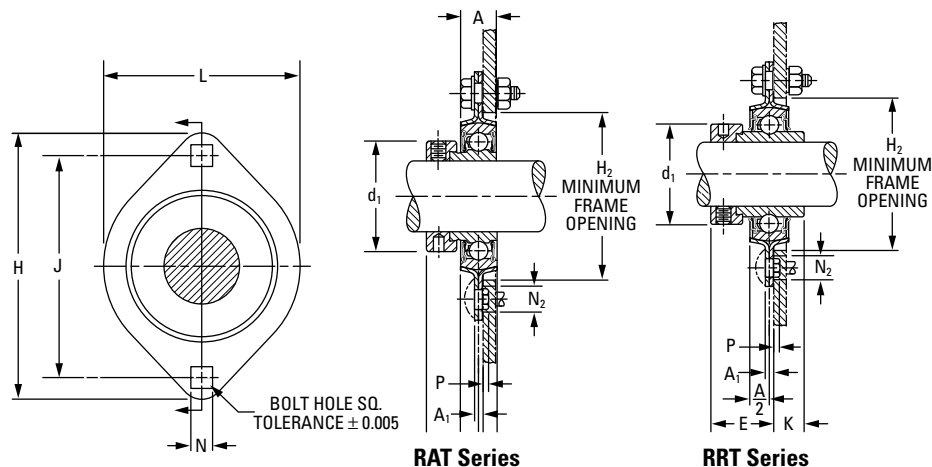
Unit	Shaft Dia.	L	H	A	J	N	H <sub>2</sub>	A <sub>1</sub>	E	K	d <sub>1</sub>	Bolt Size	Short Shank	Long Shank	Flange Hole Diam. to Clear Sq. Shank	Bearing No.	Collar No.	Stamping <sup>(1)</sup>		Unit Wt.			
													P					N <sub>2</sub>	Size		Radial Load Rating <sup>(2)</sup>		
	in. mm	mm in.	mm in.	mm in.	mm in.	mm in.	mm in.	mm in.	mm in.	mm in.	mm in.	mm in.	mm in.	mm in.	mm in.				N lbs.	kg lbs.			
RAT	1/2	58.7	81.0	14.2	63.5	7.1	49.2	3.81	23.8	5.6	28.6	6.4	0.15	2.54	10.3	RA008RRB	S1008K	40MST	2650 600	0.213 0.47			
RAT	5/8	2 5/16	3 3/16	9/16	2 1/2	9/32	1 15/16	0.150	1 5/16	7/32	1 1/8	1/4	0.006	0.100	13/32	RA010RRB	S1010K						
RAT	17															RAE17RRB	SE17K						
RAT	3/4	66.7	90.5	15.8	71.4	8.7	55.6	4.22	25.0	6.4	33.3	7.9	0.53	2.92	12.7	RA012RRB	S1012K	47MST	3100 700	0.299 0.66			
RAT	20	2 5/8	3 9/16	5/8	2 13/16	11/32	2 3/16	0.166	6 3/4	1/4	1 5/16	5/16	0.021	0.115	1/2	RAE20RRB	SE20K						
RAT	7/8															RA014RRB	S1014K	52MST	3550 800	0.331 0.73			
RAT	1 5/16	71.0	95.2	17.4	76.2	8.7	60.3	4.22	25.0	7.1	38.1	7.9	0.53	2.92	12.7	RA015RRB	S1015K						
RAT	1	2 5 1/64	3 3/4	1 1/16	3	1 1/32	2 3/8	0.166	6 3/4	9/32	1 1/2	5/16	0.021	0.115	1/2	RA100RRB	S1100K						
RAT	25															RAE25RRB	SE25K						
RAT	1 1/16															RA101RRB	S1103K	62MST	4900 1100	0.531 1.17			
RAT	1 1/8															RA102RRB	S1102K						
RAT	1 3/16	84.1	112.7	17.4	90.5	10.3	71.4	5.28	29.0	6.7	44.5	9.5	0.28	2.64	15.1	RA103RRB	S1103K						
RAT	1 3/16	3 5/16	4 7/16	1 1/16	3 9/16	1 3/32	2 13/16	0.208	1 9/64	1 7/64	1 3/4	3/8	0.011	0.104	1 9/32	RA103RRB2	S1103K3						
RAT	1 1/4 S															RAE30RRB	SE30K						
RAT	30																						
RAT	1 1/4															RA104RRB	S1104K	72MST	6220 1400	0.476 1.05			
RAT	1 5/16															RA105RRB	S1105K						
RAT	1 3/8	93.7	125.4	22.2	100.0	10.3	81.0	5.28	32.1	6.7	54.0	9.5	0.28	2.64	15.1	RA106RRB	S1106K						
RAT	1 3/8	3 1 1/16	4 1 5/16	7/8	3 1 5/16	1 3/32	3 3/16	0.208	1 1 7/64	1 7/64	2 1/8	3/8	0.011	0.104	1 9/32	RA107RRB	S1107K						
RAT	1 7/16															RAE35RRB	SE35K						
RAT	35																						

<sup>(1)</sup>Stampings must be ordered in pairs to assemble bearing.

<sup>(2)</sup>Thrust ratings for stamping are 50 percent of radial ratings.

NOTE: Shaft diameter with an S = smaller housing.

Continued on next page.



Continued from previous page.

Unit	Shaft Dia.											Bolt Size	Short Shank	Long Shank	Flange Hole Diam. to Clear Sq. Shank	Bearing No.	Collar No.	Stamping <sup>(1)</sup>		Unit Wt.
		L	H	A	J	N	H <sub>2</sub>	A <sub>1</sub>	E	K	d <sub>1</sub>							P	N <sub>2</sub>	
	in. mm	mm in.	mm in.	mm in.	mm in.	mm in.	mm in.	mm in.	mm in.	mm in.	mm in.	mm in.	mm in.	mm in.	mm in.			N lbs.	kg lbs.	
RRT	1/2	58.7	81.0	14.2	63.5	7.1	49.2	3.81	23.8	5.6	28.6	6.4	0.15	2.54	10.3	1008KRBB	S1008K	40MST	2650 600	0.213 0.47
RRT	5/8	2 5/16	3 3/16	9/16	2 1/2	9/32	1 15/16	0.150	15/16	7/32	1 1/8	1/4	0.006	0.100	13/32	1010KRBB	S1010K			
RRT	17															E17KRBB	SE17K			
RRT	3/4	66.7	90.5	15.8	71.4	8.7	55.6	4.22	25.0	6.4	33.3	7.9	0.53	2.92	12.7	1012KRBB	S1012K	47MST	3100 700	0.299 0.66
RRT	20	2 5/8	3 9/16	5/8	2 13/16	11/32	2 3/16	0.166	63/64	1/4	1 5/16	5/16	0.021	0.115	1/2	E20KRBB	SE20K			
RRT	7/8															1014KRBB	S1014K	52MST	3550 800	0.331 0.73
RRT	15/16	71.0	95.2	17.4	76.2	8.7	60.3	4.22	25.0	7.1	38.1	7.9	0.53	2.92	12.7	1015KRBB	S1015K			
RRT	1	2 51/64	3 3/4	1 1/16	3	11/32	2 3/8	0.166	63/64	9/32	1 1/2	5/16	0.021	0.115	1/2	1100KRBB	S1100K			
RRT	25															E25KRBB	SE25K			
RRT	1 1/16															1101KRBB	S1103K	62MST	4900 1100	0.531 1.17
RRT	1 1/8															1102KRBB	S1102K			
RRT	1 3/16	84.1	112.7	17.4	90.5	10.3	71.4	5.28	29.0	6.7	44.5	9.5	0.28	2.64	15.1	1103KRBB	S1103K			
RRT	1 1/4 S	3 5/16	4 7/16	1 1/16	3 9/16	13/32	2 13/16	0.208	1 9/64	17/64	1 3/4	3/8	0.011	0.104	19/32	1103KRBB3	S1103K3			
RRT	30															E30KRBB	SE30K			
RRT	1 1/4															1104KRBB	S1104K	72MST	6220 1400	0.476 1.05
RRT	1 5/16	93.7	125.4	22.2	100.0	10.3	81.0	5.28	32.1	6.7	54.0	9.5	0.28	2.64	15.1	1105KRBB	S1105K			
RRT	1 3/8	3 11/16	4 15/16	7/8	3 15/16	13/32	3 3/16	0.208	1 17/64	17/64	2 1/8	3/8	0.011	0.104	19/32	1106KRBB	S1106K			
RRT	1 7/16															1107KRBB	S1107K			
RRT	35															E35KRBB	SE35K			

<sup>(1)</sup>Stampings must be ordered in pairs to assemble bearing.

<sup>(2)</sup>Thrust ratings for stamping are 50 percent of radial ratings.

NOTE: Shaft diameter with an S = smaller housing.



## RATR, RRTR TRIANGLE FLANGETTE UNITS

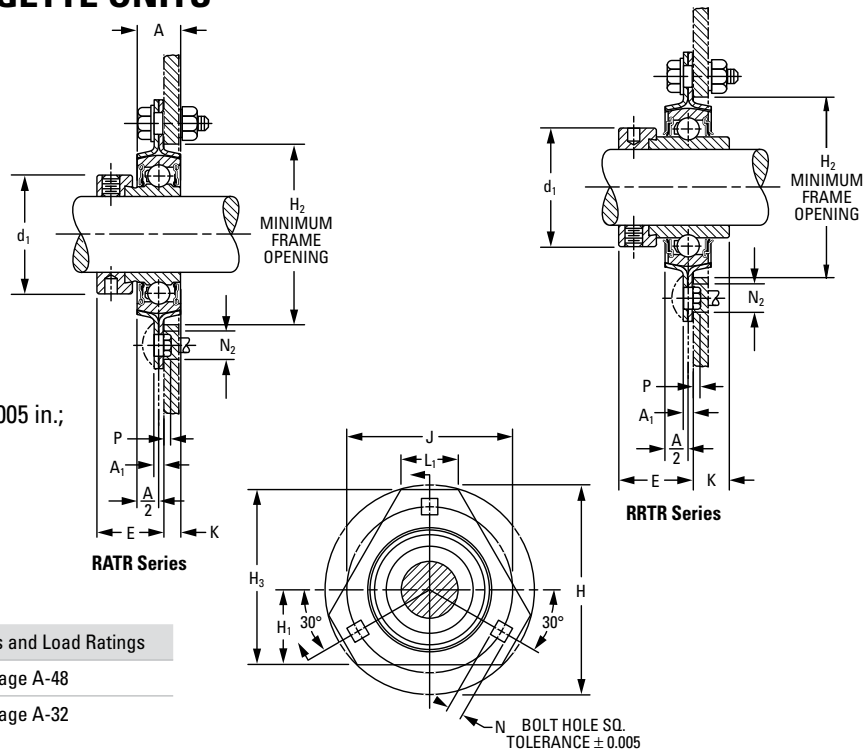
- These units are similar to standard 47MS, 52MS, 62MS and 72MS, except the stamping is triangular instead of round.
- These units are used where space is limited or where it is necessary to cut off one or more sides of the standard flangette stamping.
- The RA-RRB and KRRB may be used with this stamping, as with other types of flangettes.
- All units are non-relubricatable.

### Suggested shaft tolerances:

1/2 in. – 1 7/16 in., nominal to -0.013 mm, -0.0005 in.;

### To order, specify UNIT and SHAFT DIAMETER.

Example: RATR 1 in. flangette or RRTR 1 in. flangette.



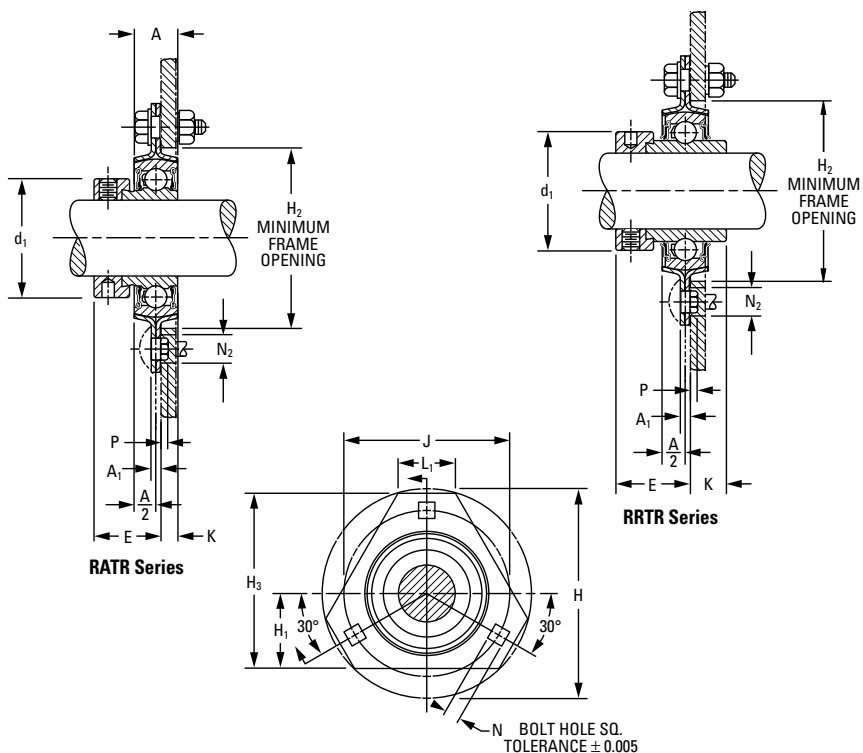
### BEARING DATA

Unit	Bearing No.	Dimensions and Load Ratings
RATR	RA-RRB	Page A-48
RRTR	-KRRB	Page A-32

Unit	Shaft Dia.	Dimensions and Load Ratings											Bolt Size	Short Shank	Long Shank	Flange Hole Diam. to Clear Sq. Shank	Bearing No.	Collar No.	Stamping <sup>(1)</sup>		Unit Wt.	
		H <sub>3</sub>	H	A	J	N	H <sub>2</sub>	A <sub>1</sub>	E	K	d <sub>1</sub>	H <sub>1</sub>							L <sub>1</sub>	P		N <sub>2</sub>
	in. mm	mm in.	mm in.	mm in.	mm in.	mm in.	mm in.	mm in.	mm in.	mm in.	mm in.	mm in.	mm in.	mm in.	mm in.	mm in.	mm in.				N lbs.	kg lbs.
RATR	3/4	76.2	90.5	15.8	71.4	8.7	55.6	4.22	25.0	6.4	33.3	33.3	27.0	7.9	0.15	2.54	12.7	RA012RRB	S1012K	47MSTR	3100	0.313
RATR	20	3	3 9/16	5/8	2 13/16	1 1/32	2 3/16	0.166	63/64	1/4	1 5/16	1 5/16	1 1/16	5/16	0.006	0.100	1/2	RAE20RRB	SE20K			
RATR	7/8	79.4	95.2	17.4	76.2	8.7	60.3	4.22	25.0	7.1	38.1	34.9	27.8	7.9	0.53	2.92	12.7	RA014RRB	S1014K	52MSTR	3550	0.354
RATR	15/16																	RA015RRB	S1015K			
RATR	1	3 1/8	3 3/4	1 1/16	3	1 1/32	2 3/8	0.166	63/64	9/32	1 1/2	1 3/8	1 3/32	5/16	0.021	0.115	1/2	RA100RRB	S1100K	62MSTR	4900	1.16
RATR	25	RAE25RRB	SE25K	1100	1.16																	
RATR	1 1/16	93.7	112.7	17.4	90.5	10.3	71.4	5.28	29.0	6.7	44.5	38.1	25.4	9.5	0.28	2.64	15.1	RA101RRB	S1103K	72MSTR	6300	1.55
RATR	1 1/8																	RA102RRB	S1102K			
RATR	1 3/16	3 11/16	4 7/16	1 1/16	3 9/16	1 3/32	2 13/16	0.208	1 9/64	1 7/64	1 3/4	1 1/2	1	3/8	0.011	0.104	1 9/32	RA103RRB	S1103K	72MSTR	6300	1.55
RATR	1 1/4 S	RA103RRB2	S1103K3	1400	1.55																	
RATR	30	RAE30RRB	SE30K	1400	1.55																	
RATR	1 1/4	105.6	127.0	19.0	100.0	10.3	81.0	5.28	32.1	6.7	54.0	44.4	32.1	9.5	0.028	2.64	15.1	RA104RRB	S1104K	72MSTR	6300	1.55
RATR	1 5/16																	RA105RRB	S1105K			
RATR	1 3/8	4 5/32	5	3/4	3 15/16	1 3/32	3 3/16	0.208	1 17/64	1 7/64	2 1/8	1 3/4	1 17/64	3/8	0.011	0.104	1 9/32	RA106RRB	S1106K	72MSTR	6300	1.55
RATR	1 7/16	RA107RRB	S1107K	1400	1.55																	
RATR	35	RAE35RRB	SE35K	1400	1.55																	

<sup>(1)</sup>Stampings must be ordered in pairs to assemble bearing.  
<sup>(2)</sup>Thrust ratings for stamping are 50 percent of radial ratings.  
 NOTE: Shaft diameter with an S = smaller housing.

Continued on next page.



Continued from previous page.

Unit	Shaft Dia.												Bolt Size	Short Shank	Long Shank	Flange Hole Diam. to Clear Sq. Shank	Bearing No.	Collar No.	Stamping <sup>(1)</sup>		Unit Wt.	
		H <sub>3</sub>	H	A	J	N	H <sub>2</sub>	A <sub>1</sub>	E	K	d <sub>1</sub>	H <sub>1</sub>							L <sub>1</sub>	P		N <sub>2</sub>
	in. mm	mm in.	mm in.	mm in.	mm in.	mm in.	mm in.	mm in.	mm in.	mm in.	mm in.	mm in.	mm in.	mm in.	mm in.	mm in.			N lbs.	kg lbs.		
RRTR	3/4	76.2	90.5	15.8	71.4	8.7	55.6	4.22	28.6	15.1	33.3	33.3	2.07	7.9	0.15	2.54	12.7	1012KRRB	S1012K	47MSTR	3100 700	0.313 0.69
RRTR	20	3	3 9/16	5/8	2 13/16	11/32	2 3/16	0.166	1 1/8	1 9/32	1 5/16	1 5/16	1 1/16	5/16	0.006	0.100	1/2	E20KRRB	SE20K			
RRTR	7/8	79.4	95.2	17.4	76.2	8.7	60.3	4.22	28.6	15.1	38.1	34.9	27.8	7.9	0.53	2.92	12.7	1014KRRB	S1014K	52MSTR	3550 800	0.354 0.78
RRTR	15/16																	1015KRRB	S1015K			
RRTR	1																	1100KRRB	S1100K			
RRTR	25																	E25KRRB	SE25K			
RRTR	1 1/16	93.7	112.7	17.4	90.5	10.3	71.4	5.28	32.5	15.9	44.5	38.1	25.4	9.5	0.28	2.64	15.1	1101KRRB	S1103K	62MSTR	4900 1100	0.526 1.16
RRTR	1 1/8																	1102KRRB	S1102K			
RRTR	1 3/16																	1103KRRB	S1103K			
RRTR	1 1/4 S																	1103KRRB3	S1103K3			
RRTR	30																	E30KRRB	SE30K			
RRTR	1 1/4	105.6	127.0	19.0	100.0	10.3	81.0	5.28	34.9	16.3	54.0	44.4	32.1	9.5	.028	2.64	15.1	1104KRRB	S1104K	72MSTR	6300 1400	0.703 1.55
RRTR	1 5/16																	1105KRRB	S1105K			
RRTR	1 3/8																	1106KRRB	S1106K			
RRTR	1 7/16																	1107KRRB	S1107K			
RRTR	35																	E35KRRB	SE35K			

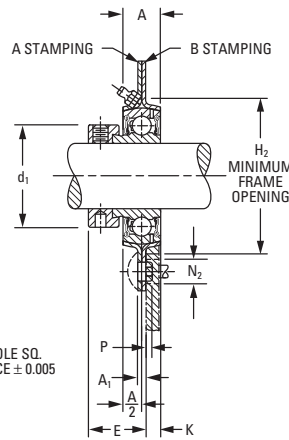
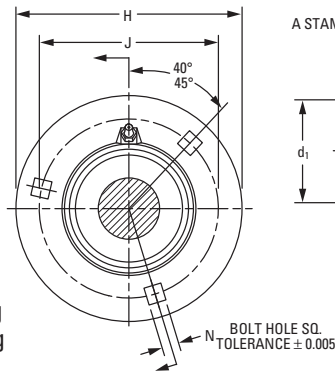
<sup>(1)</sup>Stampings must be ordered in pairs to assemble bearing.

<sup>(2)</sup>Thrust ratings for stamping are 50 percent of radial ratings.

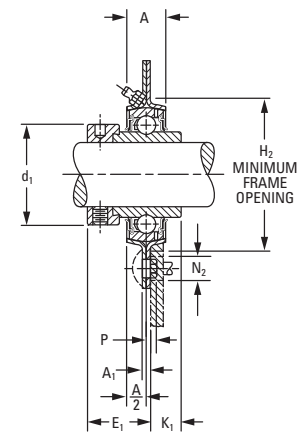
NOTE: Shaft diameter with an S = smaller housing.

### GRA, GRR RELUBRICATABLE FLANGETTE UNITS

- These units are supplements to the standard non-relubricatable type.
- These units are zinc-plated and designed for relubrication in applications where excessive moisture and severe contamination are present.
- The relubricatable flangettes are dimensionally interchangeable with the non-relubricated types. Load ratings also are the same.
- The relubricatable units incorporate G-KRRB bearings and GRA-RRB inner-ring bearings with positive-contact, land-riding seals and self-locking collars.
- The two stampings are needed to make a complete relubricatable flangette. Stamping A contains the boss for the grease fitting and a grease groove to allow grease to enter holes in the outer ring of the bearing. Stamping B contains a similar groove for the same purpose. With the grease groove in both stampings, the bearing can be reversed in the housing and still be relubricated.



GRA Series



GRR Series

#### Suggested shaft tolerances:

- 1/2 in. – 1 15/16 in., nominal to -0.013 mm, -0.0005 in.;
- 2 in. – 2 3/16 in., nominal to -0.025 mm, -0.0010 in.

#### To order, specify UNIT and SHAFT DIAMETER.

Example: GRA 1 in. flangette.

#### BEARING DATA

Unit	Bearing No.	Dimensions and Load Ratings
GRA	GRA-RRB	Page A-50
GRR	G-KRRB	Page A-34

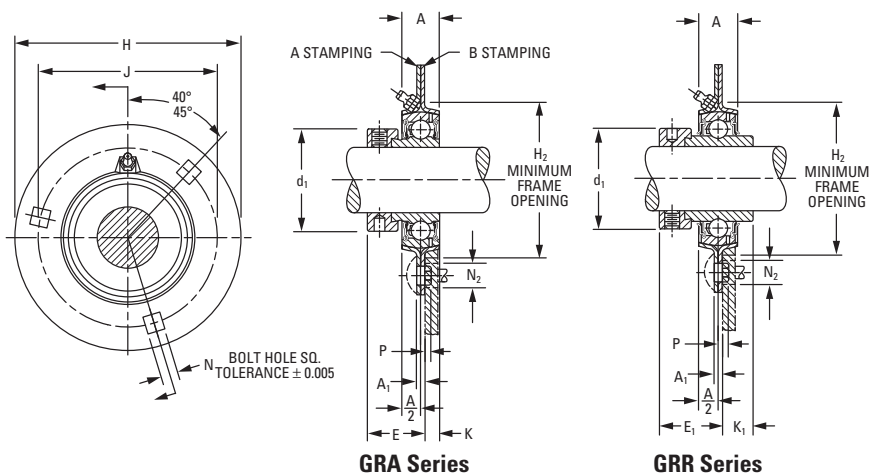
Unit	Shaft Dia.	Dimensions											Flange Hole Diam. to Clear Sq. Shank		Bearing No.	Collar No.	Stamping Radial Load Rating <sup>(1)</sup>			
		H	A	J	N	H <sub>2</sub>	A <sub>1</sub>	E	E <sub>1</sub>	K	K <sub>1</sub>	d <sub>1</sub>	Short Shank	Long Shank				N <sub>2</sub>		
	in. mm	mm in.	mm in.	mm in.	mm in.	mm in.	mm in.	mm in.	mm in.	mm in.	mm in.	mm in.	mm in.	mm in.	mm in.	mm in.	(GRA)	(GRR)		N lbs.
G52MSA & G52MSB	13/16																GRA013RRB	G1013KRRB	S1013K	7700 1730
	7/8	95.2	17.40	76.2	8.7	60.3	4.22	25.4	29.0	6.7	13.5	38.1	0.53	2.92	12.7	GRA014RRB	G1014KRRB	S1014K		
	15/16	33/4	11/16	3	11/32	23/8	0.166	1	19/64	17/64	17/32	1 1/2	0.021	0.115	1/2	GRA015RRB	G1015KRRB	S1015K		
	1																GRA100RRB	G1100KRRB	S1100K	
	25																GRAE25RRB	GE25KRRB	SE25K	
G62MSA & G62MSB	1 1/16																GRA101RRB	G1101KRRB	S1103K	11100 2500
	1 1/8	112.7	19.05	90.5	10.3	71.4	5.28	29.4	32.9	6.7	15.5	44.1	0.28	2.64	15.1	GRA102RRB	G1102KRRB	S1102K		
	1 3/16	47/16	3/4	39/16	13/32	2 13/16	0.208	1 5/32	1 19/64	17/64	39/64	1 47/64	0.011	0.104	19/32	GRA103RRB	G1103KRRB	S1103K		
	1 1/4 S																GRA103RRB2	G1103KRRB3	S1103K3	
	30																GRAE30RRB	GE30KRRB	SE30K	
G72MSA & G72MSB	1 1/4																GRA104RRB	G1104KRRB	S1104K	15100 3400
	1 5/16	122.2	22.20	100.0	10.3	81.0	6.80	32.9	35.7	7.9	15.5	54.0	0.28	2.64	15.1	GRA105RRB	G1105KRRB	S1105K		
	1 3/8	4 13/16	7/8	3 15/16	13/32	3 3/16	0.268	1 19/64	1 13/32	5/16	39/64	2 1/8	0.011	0.104	19/32	GRA106RRB	G1106KRRB	S1106K		
	1 7/16																GRA107RRB	G1107KRRB	S1107K	
	35																GRAE35RRB	GE35KRRB	SE35K	

<sup>(1)</sup>Thrust ratings for stampings are 50 percent of radial ratings.

<sup>(2)</sup>Four bolt holes.

NOTE: Shaft diameter with an S = smaller housing.

Continued on next page.



Continued from previous page.

Unit	Shaft Dia.												Short Shank	Long Shank	Flange Hole Diam. to Clear Sq. Shank	Bearing No.		Collar No.	Stamping Radial Load Rating <sup>(1)</sup>	
		H	A	J	N	H <sub>2</sub>	A <sub>1</sub>	E	E <sub>1</sub>	K	K <sub>1</sub>	d <sub>1</sub>				P	N <sub>2</sub>			(GRA)
	in. mm	mm in.	mm in.	mm in.	mm in.	mm in.	mm in.	mm in.	mm in.	mm in.	mm in.	mm in.	mm in.	mm in.	mm in.	mm in.				N lbs.
G80MSA <sup>(2)</sup> & G80MSB <sup>(2)</sup>	1 1/2	<b>147.6</b>	<b>31.80</b>	<b>119.1</b>	<b>13.5</b>	<b>90.4</b>	<b>7.56</b>	<b>36.5</b>	<b>38.9</b>	<b>12.3</b>	<b>17.9</b>	<b>60.3</b>	<b>0.33</b>	<b>2.72</b>	<b>19.4</b>	GRA108RRB	G1108KRRB	S1108KT	<b>19600</b> 4400	
	1 9/16															GRA109RRB	G1109KRRB	S1109KT		
	<b>40</b>															GRAE40RRB	GE40KRRB	SE40K		
G85MSA <sup>(2)</sup> & G85MSB <sup>(2)</sup>	1 5/8	<b>149.2</b>	<b>31.8</b>	<b>120.6</b>	<b>13.5</b>	<b>96.8</b>	<b>7.56</b>	<b>36.5</b>	<b>38.9</b>	<b>11.9</b>	<b>17.9</b>	<b>63.5</b>	<b>0.33</b>	<b>2.72</b>	<b>19.4</b>	GRA110RRB	G1110KRRB	S1110K	<b>20500</b> 4600	
	1 11/16															GRA111RRB	G1111KRRB	S1111K		
	1 3/4															GRA112RRB	G1112KRRB	S1112K		
	<b>45</b>															GRAE45RRB	GE45KRRB	SE45K		
G90MSA <sup>(2)</sup> & G90MSB <sup>(2)</sup>	1 13/16	<b>155.6</b>	<b>25.4</b>	<b>127.0</b>	<b>13.5</b>	<b>101.6</b>	<b>8.34</b>	<b>36.9</b>	<b>42.5</b>	<b>8.3</b>	<b>20.6</b>	<b>69.8</b>	-	<b>1.96</b>	<b>19.4</b>	GRA113RRB	G1113KRRB	S1113K	<b>22700</b> 5100	
	1 7/8															GRA114RRB	G1114KRRB	S1114K		
	1 15/16															GRA115RRB	G1115KRRB	S1115K		
	<b>50</b>															GRAE50RRB	GE50KRRB	SE50K		
G100MSA & G100MSB	2	<b>166.7</b>	<b>31.8</b>	<b>138.1</b>	<b>13.5</b>	<b>112.7</b>	<b>8.34</b>	<b>40.5</b>	<b>47.6</b>	<b>11.9</b>	<b>23.8</b>	<b>76.2</b>	-	<b>1.96</b>	<b>19.4</b>	GRA200RRB	G1200KRRB	S1200K	<b>28500</b> 6400	
	2 1/16															GRA201RRB	G1201KRRB	S1201K		
	2 1/8															GRA202RRB	G1202KRRB	S1202K		
	2 3/16															GRA203RRB	G1203KRRB	S1203K		
<b>55</b>	GRAE55RRB	GE55KRRB	SE55K																	

<sup>(1)</sup>Thrust ratings for stampings are 50 percent of radial ratings.

<sup>(2)</sup>Four bolt holes.

NOTE: Shaft diameter with an S = smaller housing.

### RUBBER CARTRIDGES

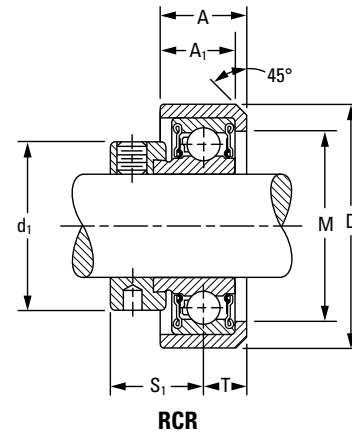
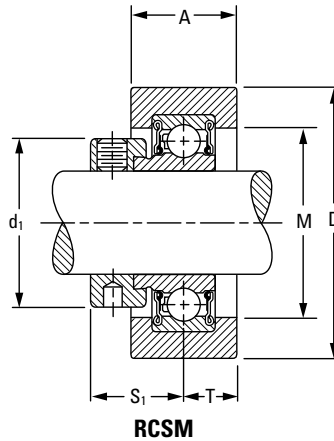
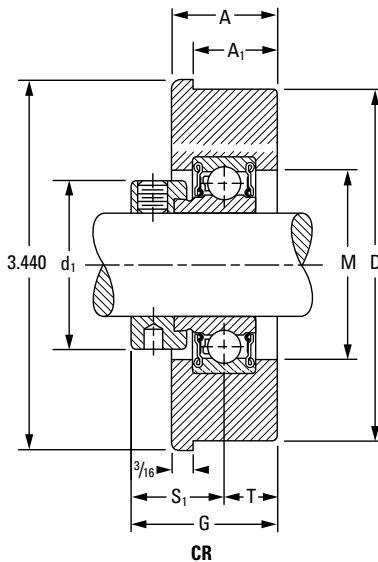
#### RCSM, RCR, CR SERIES

- RCSM and RCR are quiet, synthetic, conductive-rubber cylindrical cartridges designed for domestic heating, air-conditioning, ventilating equipment and other applications that require noise-free operation.
- All units are available with the RA-RRB extended inner-ring bearings with positive-contact, land-riding seals and a self-locking collar.

- An initial supply of grease is provided in the one-piece, non-relubricatable cartridges.
- The Timken-patented CR unit was designed to accommodate the wide tolerances of hot or cold rolled #10-gage (0.134 in.), 3/2 in. O.D., electric-resistance welded mechanical tubing, similar to what is found in post office conveyor systems.

To order, specify **UNIT** and **SHAFT DIAMETER**.

Example: RCSM 3/4 in. or RCR 3/4 in. or CR 3/4 in.



#### BEARING DATA

Unit	Bearing No.	Dimensions and Load Ratings
RCSM, RCR, CR	RA-RR	Page A-48

Unit	Shaft Dia.	D	A	A <sub>1</sub>	G	M	d <sub>1</sub>	S <sub>1</sub>	T	Bearing No. <sup>(1)</sup>	Collar No.	Housing Radial Load Rating <sup>(2)</sup>	Unit Wt.
	in. mm	mm in.	mm in.	mm in.	mm in.	mm in.	mm in.	mm in.	mm in.			N lbs.	kg lbs.
RCSM SERIES – Suggested Housing Diameter = Nominal D ± 0.013 mm ± 0.005 in.													
RCSM	1/2	64.30	25.4	–	–	34.9	28.6	22.2	12.7	RA008RR	S1008K	880	0.395
RCSM	5/8	2 17/32	1	–	–	1 3/8	1 1/8	7/8	1/2	RA010RR	S1010K	200	0.87
RCSM	17									RAE17RR	SE17K		
RCSM	3/4	64.30	25.4	–	–	39.7	33.3	23.4	12.7	RA012RR	S1012K	1120	0.472
RCSM	20	2 17/32	1	–	–	1 9/16	1 9/16	59/64	1/2	–	SE20K	250	1.04
RCSM	15/16	64.30	25.4	–	–	45.2	38.1	23.4	12.7	RA015RR	S1015K	1340	0.527
RCSM	1	2 17/32	1	–	–	1 25/32	1 1/2	59/64	1/2	RA100RR	S1100K	300	1.16
RCSM	25									RAE25RR	SE25K		
LRCSM	1 3/16	64.30	25.4	–	–	47.6	42.1	19.8	12.7	RAL103NPP	LS103K	1340	0.627
		2 17/32	1	–	–	1 7/8	1 21/32	25/32	1/2			300	1.38
RCSM SERIES – Suggested Housing Diameter = Nominal D -0.13 mm to -0.038 mm, -0.005 in. to -0.0015 in.													
LRCR	3/4	46.00	18.3	15.9	–	34.9	30.2	18.7	9.9	RAL012NPP	LS012K	880	0.272
		1 13/16	23/32	5/8	–	1 3/8	1 3/16	47/64	25/64			200	0.60
RCR	1	57.20	19.8	17.5	–	44.4	38.1	23.4	9.9	RA100RR	S1100K	1340	0.409
RCR	25	2 1/4	25/32	11/16	–	1 3/4	1 1/2	59/64	25/64	RAE25RR	SE25K	300	0.90
RCSM SERIES – Suggested Housing Diameter 82.73 mm to 81.76 mm, 3.257 in. to 3.219 in.													
CR	3/4	83.57	25.4	22.2	36.1	39.7	33.3	23.4	12.7	RA012RR	S1012K	670	0.318
CR	20	3.29	1	7/8	1 27/64	1 9/16	1 9/16	59/64	1/2	RAE20RR	SE20K	150	0.70
CR	1	83.57	25.4	22.2	36.1	45.2	38.1	23.4	12.7	RA100RR	S1100K	880	0.340
CR	25	3.29	1	7/8	1 27/64	1 25/32	1 1/2	59/64	1/2	RAE25RR	SE25K	200	0.75
LCR	1	83.57	25.4	20.6	33.3	39.7	36.1	19.8	14.3	RAL100NPP	S1100K	880	0.309
LCR	25	3.29	1	13/16	1 9/16	1 9/16	1 27/64	25/32	9/16	RALE25NPP	SE25K	200	0.68

<sup>(1)</sup>Suffix for RA bearing is FS450 (RCSM and RCR series).

<sup>(2)</sup>Steady loads only. Thrust load is 1/3 radial load rating. Maximum suggested speed is 2400 RPM.

### RABR HVAC SPECIAL SERIES

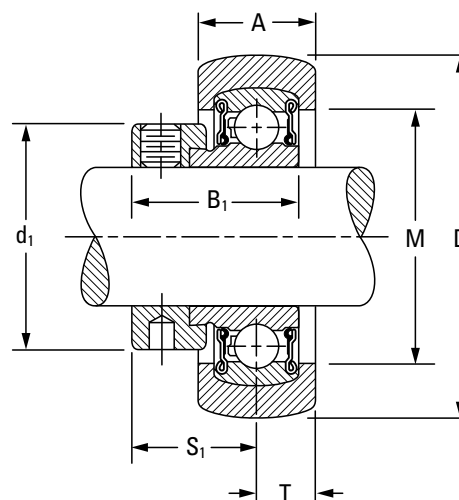
- This unit features a conductive rubber interliner to dissipate static charges.
- The quiet RA-RRB extended inner-ring bearings are prelubricated and have positive-contact, land-riding seals with self-locking collars.
- RABR units can be mounted in tri-arm brackets or pressed-steel stampings.
- Maximum suggested speed is 2400 RPM.

**Suggested housing diameter =**

Nominal (D) -0.130 mm – 0.380 mm; -0.005 in. – 0.015 in.

**To order, specify UNIT and SHAFT DIAMETER.**

Example: RABR 1 in.



**BEARING DATA**

Unit	Bearing No.	Dimensions and Load Ratings
RABR	RA-RRB	Page A-48

Unit	Shaft Dia.	Dimensions							Bearing No. <sup>(1)</sup>	Collar No.	Housing Radial Load Rating <sup>(2)</sup>
		D	B <sub>1</sub>	A	M	d <sub>1</sub>	S <sub>1</sub>	T			
	in. mm	mm in.	mm in.	mm in.	mm in.	mm in.	mm in.	mm in.			N lbs.
RABR	1/2								RA008RRB	S1008K	
RABR	5/8	47.37 1.865	28.6 1 1/8	17.5 11/16	34.9 1 3/8	28.6 1 1/8	22.2 7/8	8.7 11/32	RA010RRB	S1010K	880 200
RABR	17								RAE17RRB	SE17K	
RABR	3/4	52.37 2.062	31.0 1 7/32	17.5 11/16	41.3 1 5/8	33.3 1 5/16	23.4 59/64	8.7 11/32	RA012RRB	S1012K	1120 250
RABR	20								RAE20RRB	SE20K	
RABR	15/16								RA015RRB	S1015K	
RABR	1	62.38 2.456	31.0 1 7/32	20.6 13/16	46.8 1 27/32	38.1 1 1/2	23.4 59/64	10.3 13/32	RA100RRB	S1100K	1340 300
RABR	25								RAE25RRB	SE25K	
RABR	1 3/16	62.38 2.456	35.7 1 13/32	20.6 13/16	46.8 1 27/32	44.4 1 3/4	28.6 1 1/8	10.3 13/32	RAL103PP	LS103K	1340 300
RABR	30								RAE30PP3	SE30K	

<sup>(1)</sup>For replacement of bearings, specify suffix FS450.

<sup>(2)</sup>Thrust load is 1/3 radial load rating.

NOTE: Maximum suggested speed is 2400 RPM.

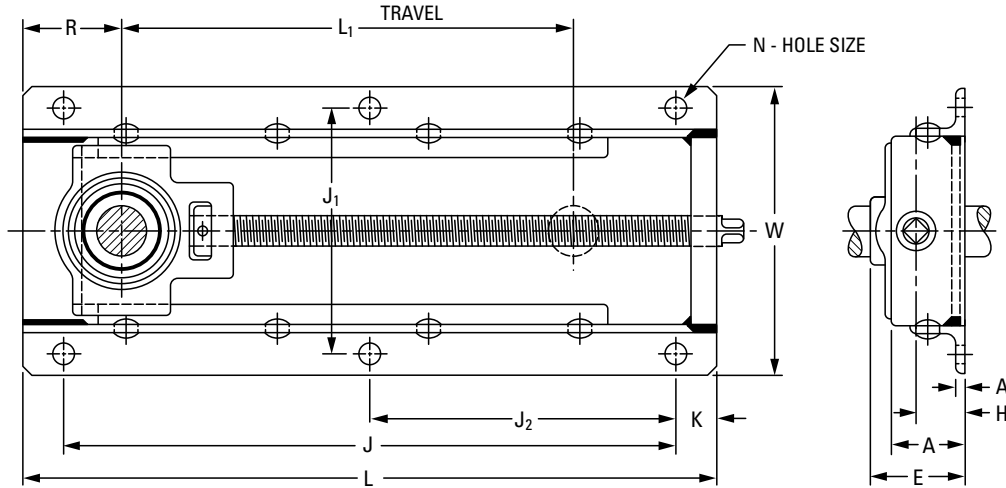
### TAKE-UP UNITS

### NLTU SERIES SIDE-MOUNTED, PRESSED-STEEL

- The take-up frame incorporates RTU take-up units as shown on the following pages.
- The frame is designed for side mounting and made of welded steel.

To order a complete assembly, specify **NLTU FRAME** and **RTU TAKE-UP UNIT**.

Example: NLTU5 frame and RTU 1 11/16 in. If frame only is required, order by frame number. Example: NLTU3.



NLTU Frame No.	Shaft Dia.	L <sub>1</sub>	R	J	L	A <sub>1</sub>	H <sub>1</sub>	E	J <sub>1</sub>	W	A	J <sub>2</sub>	K	N	Bolts 6 req'd.	Unit Wt.
	in.	mm in.	mm in.	mm in.	mm in.	mm in.	mm in.	mm in.	mm in.	mm in.	mm in.	mm in.	mm in.	mm in.	in.	kg lbs.
1	5/16, 3/4, 13/16, 7/8, 15/16, 1	231.8	62.70	327.0	377.8	4.8	27.0	54.0	141.3	166.7	44.4	163.5	25.4	12.7	7/16	3.691
		9 1/8	2 15/32	12 7/8	14 7/8	3/16	1 1/16	2 1/8	5 9/16	6 9/16	1 3/4	6 7/16	1	1/2		8.13
3	1 1/16, 1 1/8, 1 3/16, 1 1/4, 1 5/16, 1 3/8, 1 7/16	290.5	64.23	392.1	432.2	4.8	31.8	61.9	154.0	179.4	50.8	196.1	25.4	12.7	7/16	5.003
		11 7/16	2 17/32	15 7/16	17 7/16	3/16	1 1/4	2 7/16	6 1/16	7 1/16	2	7 23/32	1	1/2		11.02
		290.5	61.90	392.1	432.2	4.8	31.8	64.3	154	179.4	50.8	196.1	25.4	12.7	7/16	
		11 7/16	2 7/16	15 7/16	17 7/16	3/16	1 1/4	2 17/32	6 1/16	7 1/16	2	7 23/32	1	1/2		
5	1 1/2, 1 9/16, 1 5/8, 1 11/16, 1 3/4, 1 13/16, 1 7/8, 1 15/16	298.4	92.90	444.5	501.6	4.8	36.5	71.4	185.7	223.8	57.2	222.5	28.6	14.3	1/2	8.217
		11 3/4	3 21/32	17 1/2	19 3/4	3/16	1 7/16	2 13/16	7 5/16	8 13/16	2 1/4	8 3/4	1 1/8	9/16		18.10
7	2, 2 1/16, 2 1/8, 2 3/16, 2 1/4, 2 5/16, 2 3/8, 2 7/16	362.0	92.90	546.1	603.2	4.8	38.1	81.8	219.1	265.1	63.5	273.0	28.6	15.9	9/16	12.312
		14 1/4	3 21/32	21 1/2	23 3/4	3/16	1 1/2	3 7/32	8 5/8	10 7/16	2 1/2	10 3/4	1 1/8	5/8		27.12
		362.0	92.90	546.1	603.2	4.8	38.1	84.9	219.1	265.1	63.5	273.0	28.6	15.9	9/16	
		14 1/4	3 21/32	21 1/2	23 3/4	3/16	1 1/2	3 11/32	8 5/8	10 7/16	2 1/2	10 3/4	1 1/8	5/8		

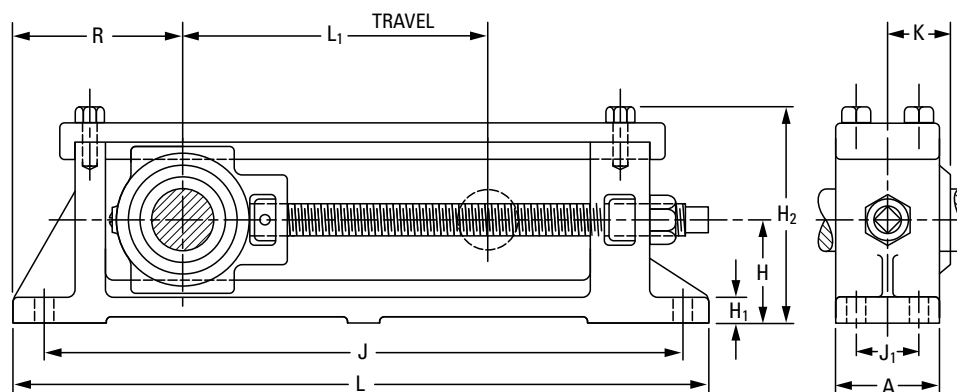


## TU SERIES TOP-MOUNTED, CAST-IRON

- The take-up frame incorporates RTU take-up units as shown on the following pages.
- The frame is designed for top mounting and is made of cast-iron.

To order a complete assembly, specify **TU FRAME** and **RTU** or **TU TAKE-UP UNIT**.

Example: TU5 frame and RTU 1 11/16 in.

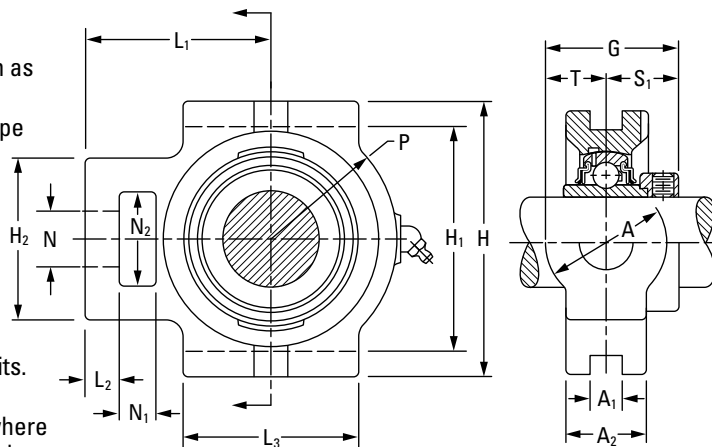


TU Frame No.	Shaft Dia.	L <sub>1</sub>	R	J	L	H <sub>1</sub>	H	H <sub>2</sub>	J <sub>1</sub>	A	K	Bolts 4 req'd.	Unit Wt.
	in.	mm in.	mm in.	mm in.	mm in.	mm in.	mm in.	mm in.	mm in.	mm in.	mm in.	in.	kg lbs.
1	3/4, 13/16, 7/8, 15/16, 1	203.2 8	114.3 4 1/2	419.2 16 1/2	469.9 18 1/2	14.3 9/16	63.5 2 1/2	131.0 5 5/32	34.9 1 3/8	54.0 2 1/8	—	3/8	7.491 16.50
3	1 1/16, 1 1/8, 1 3/16, 1 1/4, 1 5/16, 1 3/8, 1 7/16	254.0 10	127.0 5	492.1 19 3/8	542.9 21 3/8	15.9 5/8	71.4 2 13/16	149.2 5 7/8	38.1 1 1/2	65.1 2 9/16	—	7/16	11.464 25.25
5	1 1/2, 1 9/16, 1 5/8, 1 11/16, 1 3/4, 1 13/16, 1 7/8, 1 15/16	254.0 10	139.7 5 1/2	530.2 20 7/8	581.0 22 7/8	19.0 3/4	82.6 3 1/4	171.4 6 3/4	50.8 2	88.9 3 1/2	—	1/2	20.203 44.50
7	2, 2 1/16, 2 1/8, 2 3/16, 2 1/4, 2 5/16, 2 3/8, 2 7/16	304.8 12	168.3 6 5/8	644.5 25 3/8	708.0 27 7/8	22.2 7/8	101.6 4	211.9 8 11/32	63.5 2 1/2	101.6 4	—	5/8	36.320 80.00
9	2 11/16, 2 15/16 <sup>(1)</sup>	304.8 12	193.7 7 5/8	695.3 27 3/8	771.5 30 3/8	25.4 1	117.5 4 5/8	243.7 9 19/32	82.6 3 1/4	120.6 4 3/4	65.1 2 9/16	5/8	52.778 116.25

<sup>(1)</sup>Dimension K is 69.1 mm (2 23/32 in.) for 2 15/16 in. shaft diameters.

### RTU INDUSTRIAL SERIES

- These ball bearing take-up units are used where shaft adjustment and belt-tightening devices are required, such as in conveyor applications.
- Both types of take-up units incorporate self-aligning, B-type wide-inner-ring ball bearings with self-locking collars.
- These units use a G-KRRB, R-seal type wide inner ring ball bearing.
- These units provide compact, efficient supports for adjustable shafts and conveyor take-up pulleys.
- The units are factory-prelubricated. A grease fitting is provided for relubrication if required.
- See the preceding page for take-up frames to fit these units.
- Contact your Timken engineer to discuss highly corrosive applications (e.g., food processing, chemical exposure) where Timken thin-dense chrome-coated bearings can be utilized.



#### Suggested shaft tolerances:

- 3/4 in. – 1 15/16 in., nominal to -0.013 mm, -0.0005 in.;
- 2 in. – 2 7/16 in., nominal to -0.025 mm, -0.0010 in.

#### To order, specify UNIT and SHAFT DIAMETER.

Example: RTU 3/4 in. or RTU 2 11/16 in.

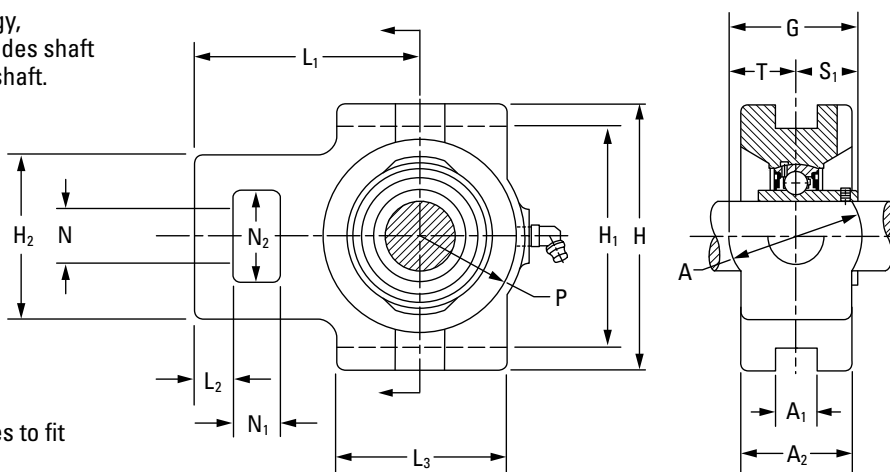
#### BEARING DATA

Unit	Bearing No.	Dimensions and Load Ratings
RTU	G-KRRB	Page A-34

Unit	Shaft Dia.	Dimensions																Bearing No.	Collar No.	Housing No.	Unit Wt.
		G	T	S <sub>1</sub>	A <sub>2</sub>	A <sub>1</sub>	A	L <sub>1</sub>	H <sub>2</sub>	N	N <sub>2</sub>	L <sub>2</sub>	N <sub>1</sub>	P	L <sub>3</sub>	H <sub>1</sub>	H				
	in. mm	mm in.	mm in.	mm in.	mm in.	mm in.	mm in.	mm in.	mm in.	mm in.	mm in.	mm in.	mm in.	mm in.	mm in.	mm in.	mm in.				kg lbs.
RTU	3/4	47.6	20.6	27.0	34.1	13.5	41.3	67.5	57.2	19.0	31.8	12.7	15.9	49.2	57.2	76.2	92.1	G1012KRRB	S1012K	T-18832	1.444
RTU	20	1 7/8	13/16	1 1/16	1 11/32	17/32	15/8	2 21/32	2 1/4	3/4	1 1/4	1/2	5/8	1 15/16	2 1/4	3	3 5/8	GE20KRRB	SE20K		3.18
RTU	7/8	42.9	22.2	27.0	37.3	13.5	44.4	67.5	57.2	19.0	31.8	12.7	15.9	34.9	57.2	76.2	92.1	G1014KRRB	S1014K	T-18696	1.498
RTU	15/16																	G1015KRRB	S1015K		3.30
RTU	1																	G1100KRRB	S1100K		3.30
RTU	25																	GE25KRRB	SE25K		3.30
RTU	1 1/16	55.6	25.4	30.2	38.1	13.5	50.8	72.2	61.9	22.2	36.5	12.7	15.9	41.3	63.5	88.9	104.8	G1101KRRB	S1101K	T-18694	1.920
RTU	1 1/8																	G1102KRRB	S1102K		4.23
RTU	1 3/16																	G1103KRRB	S1103K		4.23
RTU	30																	GE30KRRB	SE30K		4.23
RTU	1 1/4	54.8	22.2	32.5	36.5	13.5	44.5	74.6	63.5	22.2	36.5	12.7	15.9	49.2	69.8	88.9	104.8	G1104KRRB	S1104K	T-18692	2.025
RTU	1 5/16																	G1105KRRB	S1105K		4.46
RTU	1 3/8																	G1106KRRB	S1106K		4.46
RTU	1 7/16																	G1107KRRB	S1107K		4.46
RTU	35	GE35KRRB	SE35K	4.46																	
RTU	1 1/2	67.5	32.5	34.9	44.4	17.5	65.1	88.1	82.6	28.6	49.2	15.9	19.0	53.3	82.6	100.8	120.6	G1108KRRB	S1108KT	T-18834	3.314
RTU	1 9/16																	G1109KRRB	S1109K		7.30
RTU	40																	GE40KRRB	SE40K		7.30
RTU	1 5/8																	G1110KRRB	S1110K		7.30
RTU	1 11/16	67.5	32.5	34.9	44.4	17.5	65.1	88.1	82.6	28.6	49.2	15.9	19.0	53.3	82.6	100.8	120.6	G1111KRRB	S1111K	T-18762	3.164
RTU	1 3/4																	G1112KRRB	S1112K		6.97
RTU	45																	GE45KRRB	SE45K		6.97
RTU	1 7/8																	G1114KRRB	S1114K		7.90
RTU	1 15/16	70.6	32.5	38.1	49.2	17.5	65.1	91.3	82.6	28.6	49.2	15.9	19.0	59.5	85.7	100.8	120.6	G1115KRRB	S1115K	T-18690	3.587
RTU	50																	GE50KRRB	SE50K		7.90
RTU	2																	G1200KRRB	S1201K		13.95
RTU	2 1/8																	G1202KRRB	S1202K		13.95
RTU	2 3/16	77.0	34.9	43.7	55.6	27.0	69.8	119.9	101.6	34.9	63.5	19.0	31.8	69.1	101.6	129.4	149.2	G1203KRRB	S1203K	T-18828	6.333
RTU	55																	GE55KRRB	SE55K		13.95
RTU	2 1/4																	G1204KRRB	S1204K		13.95
RTU	2 3/8																	G1206KRRB	S1206K		13.95
RTU	2 7/16	81.8	34.9	46.8	52.4	27.0	69.8	119.9	101.6	34.9	63.5	19.0	31.8	69.1	101.6	129.4	149.2	G1207KRRB	S1207K	T-18830	5.993
RTU	60																	GE60KRRB	SE60K		13.20
RTU	2 3/4																	G1208KRRB	S1208K		13.20
RTU	2 1/2																	G1209KRRB	S1209K		13.20

**YTU INDUSTRIAL SERIES**

- Incorporates Shaft Guarding Technology, which reduces replacement time, provides shaft protection and prolongs the life of the shaft.
- Used where shaft adjustment and belt-tightening devices are required, such as conveyer applications.
- Incorporates self-aligning, B-type extra wide-inner-ring ball bearings with set screw lock.
- Provides compact, efficient supports for adjustable shafts and conveyor take-up pulleys.
- Factory-prelubricated. A grease fitting is provided for relubrication if required.
- See preceding pages for take-up frames to fit these units.
- Safety end caps are available for selected sizes.
- Contact your Timken engineer to discuss highly corrosive applications (e.g., food processing, chemical exposure) where Timken thin-dense chrome-coated bearings can be utilized.



**Suggested shaft tolerances:**

- 1/2 in. – 1 15/16 in., nominal to -0.013 mm, -0.0005 in.;
- 2 in. – 2 7/16 in., nominal to -0.025 mm, -0.0010 in.

**To order, specify UNIT and SHAFT DIAMETER.**

Example: YTU 3/4 in.

**BEARING DATA**

Unit	Bearing No.	Dimensions and Load Ratings
YTU	GY-KRRB	Page A-44

Unit	Shaft Dia.	Dimensions																Bearing No.	Housing No.
		G	T	S <sub>1</sub>	A <sub>2</sub>	A <sub>1</sub>	A	L <sub>1</sub>	H <sub>2</sub>	N	N <sub>2</sub>	L <sub>2</sub>	N <sub>1</sub>	P	L <sub>3</sub>	H <sub>1</sub>	H		
	in. mm	mm in.	mm in.	mm in.	mm in.	mm in.	mm in.	mm in.	mm in.	mm in.	mm in.	mm in.	mm in.	mm in.	mm in.	mm in.	mm in.		
YTU SGT	3/4	39.7	20.6	19.00	34.1	13.5	41.3	67.5	57.2	19.0	31.8	12.7	15.9	33.3	57.2	76.2	92.1	GY1012KRRB SGT	T-18832
YTU SGT	20	1 9/16	19/16	0.748	1 11/32	17/32	1 5/8	2 21/32	2 1/4	3/4	1 1/4	1/2	5/8	1 9/16	2 1/4	3	3 5/8	GYE20KRRB SGT	
YTU SGT	7/8	42.9	22.2	20.60	37.3	13.5	44.4	67.5	57.2	19.0	31.8	12.7	15.9	34.9	57.2	76.2	92.1	GY1014KRRB SGT	T-18696
YTU SGT	15/16	1 11/16	7/8	0.81	1 15/32	17/32	1 3/4	2 21/32	2 1/4	3/4	1 1/4	1/2	5/8	1 3/8	2 1/4	3	3 5/8	GY1015KRRB SGT	
YTU SGT	1	1 11/16	7/8	0.81	1 15/32	17/32	1 3/4	2 21/32	2 1/4	3/4	1 1/4	1/2	5/8	1 3/8	2 1/4	3	3 5/8	GY1100KRRB SGT	
YTU SGT	25	1 11/16	7/8	0.81	1 15/32	17/32	1 3/4	2 21/32	2 1/4	3/4	1 1/4	1/2	5/8	1 3/8	2 1/4	3	3 5/8	GYE25KRRB SGT	
YTU SGT	1 1/8	48.8	25.4	23.24	38.1	13.5	50.8	72.2	61.9	22.2	36.5	12.7	15.9	41.3	63.5	88.9	104.8	GY1102KRRB SGT	T-18694
YTU SGT	1 3/16	1 59/64	1	0.915	1 1/2	17/32	2	2 27/32	2 1/16	7/8	1 7/16	1/2	5/8	1 5/8	2 1/2	3 1/2	4 1/8	GY1103KRRB SGT	
YTU SGT	30	1 59/64	1	0.915	1 1/2	17/32	2	2 27/32	2 1/16	7/8	1 7/16	1/2	5/8	1 5/8	2 1/2	3 1/2	4 1/8	GYE30KRRB SGT	
YTU SGT	1 1/4	50.4	22.2	27.90	36.5	13.5	44.5	74.6	63.5	22.2	36.5	12.7	15.9	49.2	69.8	88.9	104.8	GY1104KRRB SGT	T-18692
YTU SGT	1 3/8	1 63/64	7/8	1.1	1 7/16	17/32	1 3/4	2 15/16	2 1/2	7/8	1 7/16	1/2	5/8	1 15/16	2 3/4	3 1/2	4 1/8	GY1106KRRB SGT	
YTU SGT	1 7/16	1 63/64	7/8	1.1	1 7/16	17/32	1 3/4	2 15/16	2 1/2	7/8	1 7/16	1/2	5/8	1 15/16	2 3/4	3 1/2	4 1/8	GY1107KRRB SGT	
YTU SGT	35	1 63/64	7/8	1.1	1 7/16	17/32	1 3/4	2 15/16	2 1/2	7/8	1 7/16	1/2	5/8	1 15/16	2 3/4	3 1/2	4 1/8	GYE35KRRB SGT	
YTU SGT	1 1/2	62.7	32.5	30.20	44.4	17.5	65.1	88.1	82.6	28.6	49.2	15.9	19.0	53.3	82.6	100.8	120.6	GY1108KRRB SGT	T-18834
YTU SGT	40	2 15/32	1 9/32	1.188	1 3/4	1 1/16	2 9/16	3 19/32	3 1/4	1 1/8	1 15/16	5/8	3/4	2 3/32	3 1/4	3 31/32	4 3/4	GYE40KRRB SGT	
YTU SGT	1 5/8	64.0	32.5	31.30	44.4	17.5	65.1	88.1	82.6	28.6	49.2	15.9	19.0	53.3	82.6	100.8	120.6	GY1110KRRB SGT	T-18762
YTU SGT	1 11/16	2 33/64	1 9/32	1.233	1 3/4	1 1/16	2 9/16	3 19/32	3 1/4	1 1/8	1 15/16	5/8	3/4	2 3/32	3 1/4	3 31/32	4 3/4	GY1111KRRB SGT	
YTU SGT	1 3/4	2 33/64	1 9/32	1.233	1 3/4	1 1/16	2 9/16	3 19/32	3 1/4	1 1/8	1 15/16	5/8	3/4	2 3/32	3 1/4	3 31/32	4 3/4	GY1112KRRB SGT	
YTU SGT	45	2 33/64	1 9/32	1.233	1 3/4	1 1/16	2 9/16	3 19/32	3 1/4	1 1/8	1 15/16	5/8	3/4	2 3/32	3 1/4	3 31/32	4 3/4	GYE45KRRB SGT	
YTU SGT	1 15/16	65.0	32.5	32.50	49.2	17.5	65.1	91.3	82.6	28.6	49.2	15.9	19.0	59.5	85.7	100.8	120.6	GY1115KRRB SGT	T-18690
YTU SGT	50	2 9/16	1 9/32	1.281	1 15/16	1 1/16	2 9/16	3 19/32	3 1/4	1 1/8	1 15/16	5/8	3/4	2 11/32	3 3/8	3 31/32	4 3/4	GYE50KRRB SGT	
YTU SGT	2	68.3	34.9	33.30	55.6	27.0	69.8	119.9	101.6	34.9	63.5	19.0	31.8	69.1	101.6	129.4	149.2	GY1200KRRB SGT	T-18828
YTU SGT	2 3/16	2 11/16	1 3/8	1.312	2 3/16	1 1/16	2 3/4	4 23/32	4	1 3/8	2 1/2	3/4	1 1/4	2 23/32	4	5 3/32	5 7/8	GY1203KRRB SGT	
YTU SGT	55	2 11/16	1 3/8	1.312	2 3/16	1 1/16	2 3/4	4 23/32	4	1 3/8	2 1/2	3/4	1 1/4	2 23/32	4	5 3/32	5 7/8	GYE55KRRB SGT	
YTU SGT	2 1/4	74.6	34.9	39.70	52.4	27.0	69.8	119.9	101.6	34.9	63.5	19.0	31.8	69.1	101.6	129.4	149.2	GY1204KRRB SGT	T-18830
YTU SGT	2 7/16	2 15/16	1 3/8	1.562	2 1/16	1 1/16	2 3/4	4 23/32	4	1 3/8	2 1/2	3/4	1/4	2 23/32	4	5 3/32	5 7/8	GY1207KRRB SGT	
YTU SGT	60	2 15/16	1 3/8	1.562	2 1/16	1 1/16	2 3/4	4 23/32	4	1 3/8	2 1/2	3/4	1/4	2 23/32	4	5 3/32	5 7/8	GYE60KRRB SGT	

### VTU STANDARD SERIES

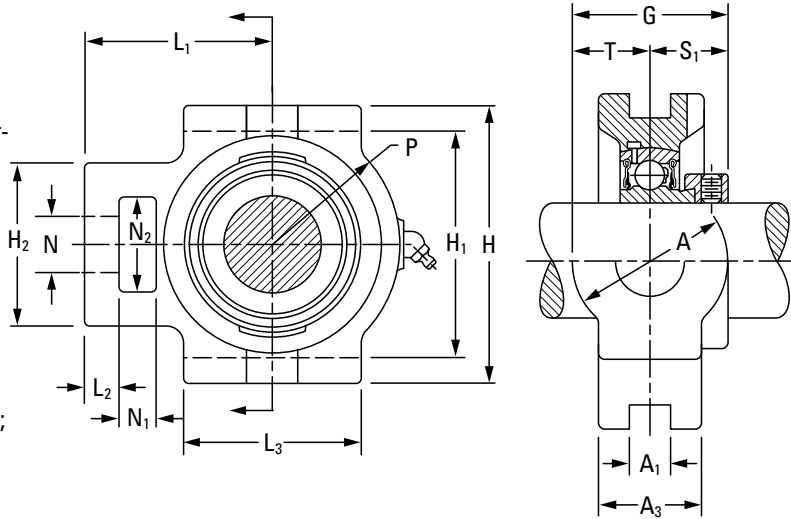
- These units are used where shaft adjustment and belt-tightening devices are required (e.g., conveyor belt applications).
- This unit provides self-aligning, B-type wide-inner-ring ball bearings with self-locking collars.
- Provides compact, efficient supports for adjustable shafts and conveyor take-up pulleys.
- The units are factory-prelubricated. A grease fitting is provided for relubrication if required.
- See the preceding pages for take-up frames to fit these units.

#### Suggested shaft tolerances:

- 3/4 in. – 1 15/16 in., nominal to -0.013 mm, -0.0005 in.;
- 2 in. – 2 3/16 in., nominal to -0.025 mm, -0.0010 in.

#### To order, specify UNIT and SHAFT DIAMETER.

Example: VTU 3/4 in. or VTU 2 11/16 in.



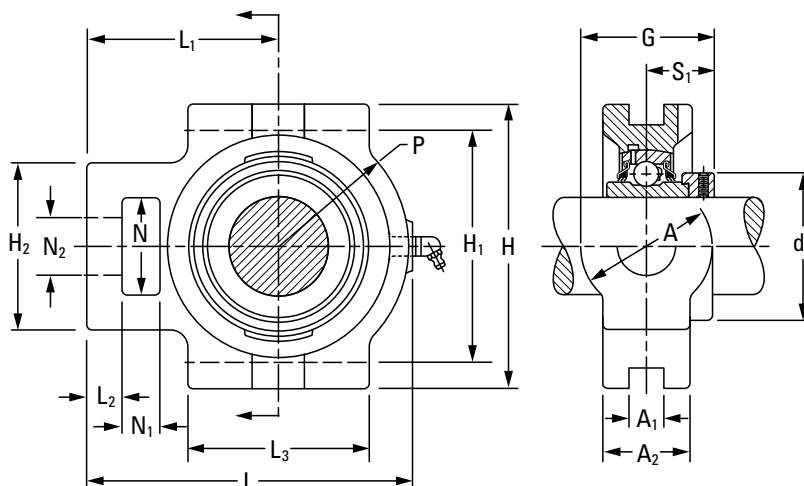
#### BEARING DATA

Unit	Bearing No.	Dimensions and Load Ratings
VTU	GRA-RRB	Page A-50

Unit	Shaft Dia.	G	T	S <sub>1</sub>	A <sub>3</sub>	A <sub>1</sub>	A	L <sub>1</sub>	H <sub>2</sub>	N	N <sub>2</sub>	L <sub>2</sub>	N <sub>1</sub>	P	L <sub>3</sub>	H <sub>1</sub>	H	Bearing No.	Collar No.	Housing No.	Unit Wt.	
	in.	mm	mm	mm	mm	mm	mm	mm	mm	mm	mm	mm	mm	mm	mm	mm	mm				kg	
	mm	in.	in.	in.	in.	in.	in.	in.	in.	in.	in.	in.	in.	in.	in.	in.	in.				lbs.	
VTU	3/4	44.1	20.6	23.4	34.1	13.5	41.3	67.5	57.2	19.0	31.8	12.7	15.9	33.3	57.2	2	76.2	92.1	GRA012RRB	S1012K	T-18832	1.372
VTU	20	147/64	13/16	59/64	111/32	17/32	15/8	221/32	2 1/4	3/4	1 1/4	1/2	5/8	1 5/16	1/4	3	3 5/8	GRAE20RRB	SE20K		3.02	
VTU	7/8	45.2	22.2	23.0	37.3	13.5	44.4	67.5	57.2	19.0	31.8	12.7	15.9	34.9	1	57.2	76.2	92.1	GRA014RRB	S1014K		
VTU	1 5/16	45.2	22.2	23.0	37.3	13.5	44.4	67.5	57.2	19.0	31.8	12.7	15.9	34.9	1	57.2	76.2	92.1	GRA015RRB	S1015K	T-18696	1.458
VTU	1	125/32	7/8	29/32	115/32	17/32	1 3/4	221/32	2 1/4	3/4	1 1/4	1/2	5/8	3/8	2 1/4	3	3 5/8		GRA100RRB	S1100K		3.21
VTU	25																		GRAE25RRB	SE25K		
VTU	1 1/8	52.0	25.4	27.0	38.1	13.5	50.8	72.2	61.9	22.2	36.5	12.7	15.9	41.3	63.5	88.9	104.8	GRA102RRB	S1102K			
VTU	1 3/16	52.0	25.4	27.0	38.1	13.5	50.8	72.2	61.9	22.2	36.5	12.7	15.9	41.3	63.5	88.9	104.8	GRA103RRB	S1103K3	T-18694	1.862	
VTU	30	21/16	1	1 1/16	1 1/2	17/32	2	227/32	2 1/16	7/8	1 7/16	1/2	5/8	1 5/8	2 1/2	3 1/2	4 1/8		GRAE30RRB	SE30K		4.10
VTU	1 1/4	51.6	22.2	29.4	36.5	13.5	44.5	74.6	63.5	22.2	36.5	12.7	15.9	49.2	69.8	2	88.9	104.8	GRA104RRB	S1104K		
VTU	1 3/8	51.6	22.2	29.4	36.5	13.5	44.5	74.6	63.5	22.2	36.5	12.7	15.9	49.2	69.8	2	88.9	104.8	GRA106RRB	S1106K	T-18692	1.953
VTU	1 7/16	2 1/32	7/8	1 5/32	1 7/16	17/32	1 3/4	2 15/16	2 1/2	7/8	1 7/16	1/2	5/8	1 15/16	3/4	3 1/2	4 1/8		GRA107RRB	S1107K		4.30
VTU	35																		GRAE35RRB	SE35K		
VTU	1 1/2	65.0	32.5	32.5	44.4	17.5	65.1	88.1	82.6	28.6	49.2	15.9	19.0	53.3	82.6	100.8	120.6	GRA108RRB	S1108KT			
VTU	40	2 9/16	1 9/32	1 9/32	1 3/4	1 1/16	2 9/16	3 15/32	3 1/4	1 1/8	1 15/16	5/8	3/4	2 3/32	3 1/4	3 31/32	4 3/4		GRAE40RRB	SE40K	T-18834	3.192
VTU	1 5/8																					7.03
VTU	1 11/16	65.0	32.5	32.5	44.4	17.5	65.1	88.1	82.6	28.6	49.2	15.9	19.0	53.3	82.6	100.8	120.6	GRA110RRB	S1110K			
VTU	1 13/16	65.0	32.5	32.5	44.4	17.5	65.1	88.1	82.6	28.6	49.2	15.9	19.0	53.3	82.6	100.8	120.6	GRA111RRB	S1111K	T-18762	3.009	
VTU	1 3/4	2 9/16	1 9/32	1 9/32	1 3/4	1 1/16	2 9/16	3 15/32	3 1/4	1 1/8	1 15/16	5/8	3/4	2 3/32	3 1/4	3 31/32	4 3/4		GRA112RRB	S1112K		6.63
VTU	45																		GRAE45RRB	SE45K		
VTU	1 7/8	65.0	32.5	32.5	49.2	17.5	65.1	91.3	82.6	28.6	49.2	15.9	19.0	59.5	85.7	100.8	120.6	GRA114RRB	S1114K			
VTU	1 15/16	65.0	32.5	32.5	49.2	17.5	65.1	91.3	82.6	28.6	49.2	15.9	19.0	59.5	85.7	100.8	120.6	GRA115RRB	S1115K	T-18690	3.342	
VTU	50	2 9/16	1 9/32	1 9/32	1 15/16	1 1/16	2 9/16	3 19/32	3 1/4	1 1/8	1 15/16	5/8	3/4	2 11/32	3 3/8	3 31/32	4 3/4		GRAE50RRB	SE50K		7.36
VTU	2	71.4	34.9	36.5	55.6	27.0	69.8	119.9	101.6	34.9	63.5	2	19.0	31.8	69.1	101.6	129.4	149.2	GRA200RRB	S1200K		
VTU	2 3/16	71.4	34.9	36.5	55.6	27.0	69.8	119.9	101.6	34.9	63.5	2	19.0	31.8	69.1	101.6	129.4	149.2	GRA203RRB	S1203K	T-18828	5.784
VTU	55	2 13/16	1 3/8	1 7/16	2 3/16	1 1/16	2 3/4	4 23/32	4	1 3/8	1/2	3/4	1 1/4	2 23/32	4	5 3/32	5 7/8		GRAE55RRB	SE55K		12.73

**TTU INDUSTRIAL SERIES**

- These units are used where shaft adjustment and belt-tightening devices are required (e.g., in conveyor belt applications).
- The unit incorporates self-aligning, B-type, extra wide-inner-ring ball bearings with self-locking collars.
- The unit uses a G-KPPB (tri-ply) type wide inner ring ball bearing.
- The unit provides compact, efficient supports for adjustable shafts and conveyor take-up pulleys.
- The units are factory-prelubricated. A grease fitting is provided for relubrication if required.
- Contact your Timken engineer to discuss highly corrosive applications (e.g., food processing, chemical exposure) where Timken thin-dense chrome-coated bearings can be utilized.



**Suggested shaft tolerances:**

2 in. – 2 3/16 in., nominal to -0.025 mm, -0.0010 in.

**To order, specify UNIT and SHAFT DIAMETER.**

Example: TTU 3/4 in.

**BEARING DATA**

Unit	Bearing No.	Dimensions and Load Ratings
TTU	G-KPPB	Page A-39

Unit	Shaft Dia.	G	L	S <sub>1</sub>	d <sub>1</sub>	A <sub>2</sub>	A <sub>1</sub>	A	L <sub>1</sub>	H <sub>2</sub>	N	N <sub>2</sub>	L <sub>2</sub>	N <sub>1</sub>	P	L <sub>3</sub>	H <sub>1</sub>	H	Bearing No.	Housing No.
	in. mm	mm in.	mm in.	mm in.	mm in.	mm in.	mm in.	mm in.	mm in.	mm in.	mm in.	mm in.	mm in.	mm in.	mm in.	mm in.	mm in.	mm in.		
TTU	1 1/4																		G1104KPPB2	T18692
	1 5/16	54.38	125.41	32.31	53.98	36.51	13.49	44.45	74.61	63.50	36.51	22.23	12.70	15.88	49.21	69.85	88.90	104.78	G1105KPPB2	
	1 3/8	2.141	4 15/16	1.272	2.125	1 7/16	1 7/32	1 3/4	2 15/16	2 1/2	1 7/16	0.875	1/2	5/8	1 15/16	2 3/4	3 1/2	4 1/8	G1106KPPB2	
	1 7/16																		G1107KPPB2	
TTU	1 15/16	70.64	152.80	38.07	69.34	49.21	17.46	65.09	91.28	82.55	49.21	28.58	15.88	19.05	59.53	85.73	100.81	120.65	G1115KPPB3	T18690
		2.781	6 1/64	1.499	2.73	1 15/16	1 1/16	2 9/16	3 19/32	3 1/4	1 15/16	1.125	5/8	3/4	2 11/32	3 3/8	3 31/32	4 3/4		
TTU	2																		G1200KPPB4	T-18828
	2 1/16	79	190.5	43.6	75.7	55.6	27	69.8	119.9	101.6	63.5	34.7	19	31.8	69.1	101.6	129.4	149.2	G1201KPPB4	
	2 1/8	3.109	7 1/2	1.716	2.980	2 3/16	1 1/16	2 3/4	4 23/32	4	2 1/2	1.365	3/4	1 1/4	2 23/32	4	5 3/32	5 7/8	G1202KPPB4	
	2 3/16																		G1203KPPB4	
	55																		GE55KPPB4	

## TIMKEN® SURVIVOR® PS SERIES

Timken® Survivor® PS series housed units have polymer housings and a 300-series stainless-steel insert to provide the highest possible corrosion resistance in the industry (fig. A-24). The engineered polymer housing unit is FDA/USDA compliant. It is specifically designed for light loads and low speeds with stainless-steel set screws.

The durable corrosion-proof polymer housing features stainless-steel crush bushings in mounting holes with stainless-steel grease fittings with a nylon cap (table A-23). It resists a broad range of acids and alkalis, as well as steam and continuous temperature up to 121° C (250° F) and brief exposure up to 160° C (320° F).

Additionally, the polymer strength exceeds the static capacity of the bearing, and the housing retains proper bearing fit and resists shock loads. The flush base has no voids where bacteria could collect. Optional end covers further protect the insert bearing from direct contact with wash-down solutions and cover rotating components.

Survivor PS series units are available as:

- High-base and low-base pillow blocks.
- Two-bolt and four-bolt flanged cartridges for popular shaft sizes.



**Fig. A-24. PS series.**

**TABLE A-23.**

<b>PS SERIES</b>	
Component	Material
Balls	Stainless steel
Ball retainer	Nylon
Set screws	Stainless steel
Crush bushing	Stainless steel
Grease	FDA approved
<b>Housing</b>	<b>Polymer</b>
Grease fitting	Stainless steel
Grease-fitting cover	Nylon
<b>Rings</b>	<b>Stainless steel</b>
Seals	Synthetic rubber

## ORDERING INFORMATION

To order complete Survivor polymer assemblies, simply replace the (current cast-iron housed-unit designations) prefix with K and add the PS suffix.

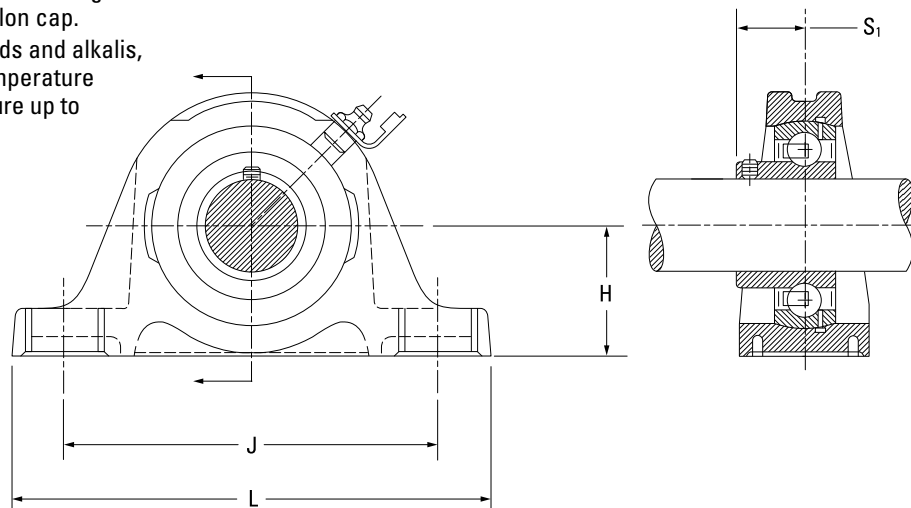
Example: **KCJT 1 PS** or **KAK 3/4 PS**

PS Survivor inserts can be ordered using the part numbers shown in the following tables.

Example: **KCJT1PS100RRB** or **KAK3/4PS012RRB**

**PS  
KAK/S SERIES**

- The 300-series stainless-steel insert provides the highest resistance to corrosion in the industry.
- This unit is used for the ready-to-eat portion of the process. Loads are lighter and corrosion protection is the primary concern.
- Specifically designed for light loads and low speeds, and has stainless-steel set screws.
- The durable, corrosion-proof polymer housing has stainless-steel crush bushings in the mounting holes and a stainless-steel grease fitting with nylon cap.
- Polymer resists a broad range of acids and alkalis, as well as steam and continuous temperature up to 121° C (250° F) and brief exposure up to 160° C (320° F).
- The polymer strength exceeds static capacity of bearing; housing retains proper bearing fit and resists shock loads.
- The flush base contains no voids where bacteria can collect.
- The optional end covers further protect insert bearing from direct contact with washdown solutions and cover rotating components.



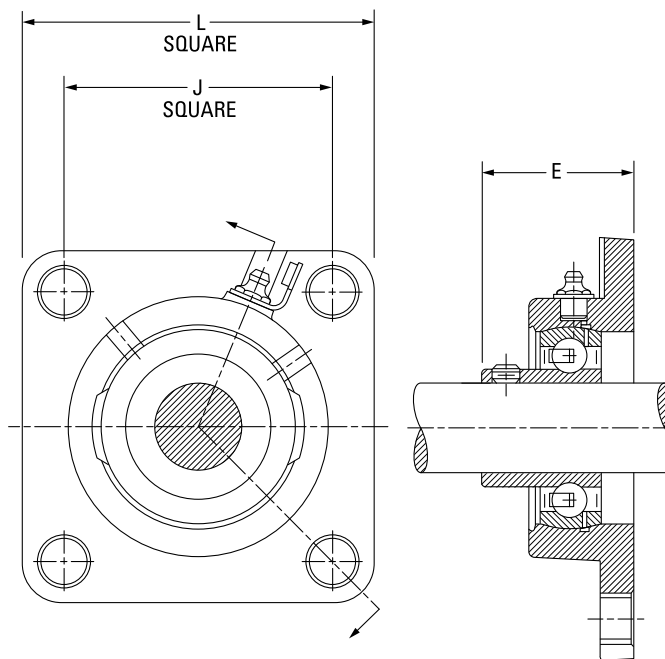
Unit <sup>(1)</sup>	Shaft Dia.	Type						Static Load Rating	Limiting Speed	Bearing No.
			KAK H	KAS H	J	L	S <sub>1</sub>			
	in. mm		mm in.	mm in.	mm in.	mm in.	mm in.	N lbs.	RPM	
KAK/S	3/4 20	PS	31.75 1 1/4	33.34 1 15/16	96.04 3 25/32	127.00 5	18.26 23/32	900 200	500	GKY012RRB GKYE20RRB
KAK/S	1 25	PS	33.34 1 5/16	36.51 1 7/16	104.78 4 1/8	139.70 5 1/2	20.64 13/16	1100 240	425	GKY100RRB GKYE25RRB
KAK/S	1 3/16 1 1/4 S 30	PS	39.69 1 9/16	42.86 1 11/16	117.48 4 5/8	157.16 6 3/16	22.23 7/8	1600 350	375	GKY103RRB GKY103RRB2 GKYE30RRB
KAK/S	1 1/4 1 7/16 35	PS	46.04 1 13/16	47.63 1 7/8	130.18 5 1/8	166.69 6 9/16	27.38 1 5/64	2100 475	300	GKY104RRB GKY107RRB GKYE35RRB

<sup>(1)</sup>Option of low-base KAK or high-base KAS.



### KCJ SERIES

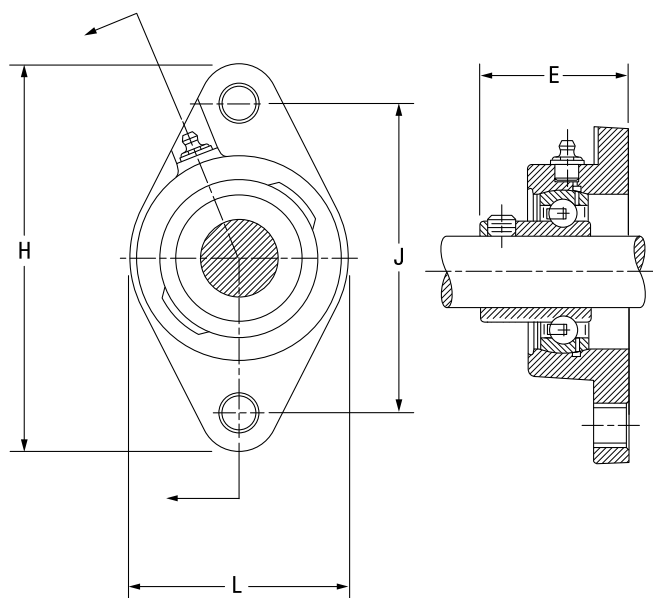
- The 300-series stainless-steel insert provides the highest resistance to corrosion in the industry.
- This unit is used for the ready-to-eat portion of the process. Loads are lighter and corrosion protection is the primary concern.
- Specifically designed for light loads and low speeds, and has stainless-steel set screws.
- The durable, corrosion-proof polymer housing has stainless-steel crush bushings in the mounting holes and a stainless-steel grease fitting with nylon cap.
- Polymer resists a broad range of acids and alkalis, as well as steam and continuous temperature up to 121° C (250° F) and brief exposure up to 160° C (320° F).
- The polymer strength exceeds static capacity of bearing; housing retains proper bearing fit and resists shock loads.
- The flush base contains no voids where bacteria can collect.
- The optional end covers further protect insert bearing from direct contact with washdown solutions and cover rotating components.



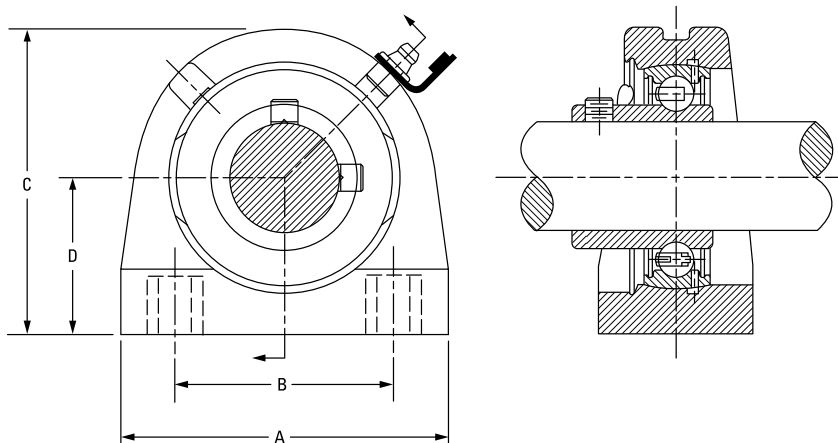
Unit	Shaft Dia.	Type	Dimensions			Static Load Rating	Limiting Speed	Bearing No.
			L	J	E			
	in. mm		mm in.	mm in.	mm in.	N lbs.	RPM	
KCJ	3/4	PS	<b>85.33</b>	<b>63.50</b>	<b>37.31</b>	<b>900</b> 200	500	GKY012RRB GKYE20RRB
	<b>20</b>		3 23/64	2 1/2	1 15/32			
KCJ	1	PS	<b>94.85</b>	<b>69.85</b>	<b>39.69</b>	<b>1100</b> 240	425	GKY100RRB GKYE25RRB
	<b>25</b>		3 47/64	2 3/4	1 9/16			
KCJ	1 3/16	PS	<b>107.95</b>	<b>82.55</b>	<b>41.28</b>	<b>1600</b> 350	375	GKY103RRB GKY103RRB2 GKYE30RRB
	1 1/4 S <b>30</b>		4 1/4	3 1/4	1 5/8			
KCJ	1 1/4	PS	<b>117.48</b>	<b>92.08</b>	<b>46.04</b>	<b>2100</b> 475	300	GKY104RRB GKY107RRB GKYE35RRB
	1 7/16 <b>35</b>		4 5/8	3 5/8	1 13/16			

**KCJT AND KTB SERIES**

- The 300-series stainless-steel insert provides the highest resistance to corrosion in the industry.
- This unit is used for the ready-to-eat portion of the process. Loads are lighter and corrosion protection is the primary concern.
- Specifically designed for light loads and low speeds, and has stainless-steel set screws.
- The durable, corrosion-proof polymer housing has stainless-steel crush bushings in the mounting holes and a stainless-steel grease fitting with nylon cap.
- Polymer resists a broad range of acids and alkalis, as well as steam and continuous temperature up to 121° C (250° F) and brief exposure up to 160° C (320° F).
- The polymer strength exceeds static capacity of bearing; housing retains proper bearing fit and resists shock loads.
- The flush base contains no voids where bacteria can collect.
- The optional end covers further protect insert bearing from direct contact with washdown solutions and cover rotating components.



Unit	Shaft Dia.	Type	H	J	L	E	Static Load Rating	Limiting Speed	Bearing No.
	in. mm		mm in.	mm in.	mm in.	mm in.	N lbs.	RPM	
KCJT	3/4 20	PS	111.92 4 13/32	89.69 3 17/32	60.33 2 3/8	37.31 1 15/32	900 200	500	GKY012RRB GKYE20RRB
KCJT	1 25	PS	124.22 4 57/64	98.82 3 57/64	65.48 2 37/64	39.69 1 9/16	1100 240	425	GKY100RRB GKYE25RRB
KCJT	1 3/16 1 1/4 S 30	PS	140.89 5 35/64	116.68 4 19/32	76.20 3	41.28 1 5/8	1600 350	375	GKY103RRB GKY103RRB2 GKYE30RRB
KCJT	1 1/4 1 7/16 35	PS	155.58 6 1/8	130.18 5 1/8	92.08 3 5/8	49.21 1 15/16	2100 475	300	GKY104RRB GKY107RRB GKYE35RRB



Unit	Shaft Dia.	Type	A	B	C	D	Static Load Rating	Limiting Speed	Bearing No.
	in. mm		mm in.	mm in.	mm in.	mm in.	N lbs.	RPM	
KTB	1	PS	76.20 3	50.80 2	71.44 2 13/16	36.51 1 7/16	1100 240	425	GKY100RRB

### TIMKEN® SURVIVOR® PT SERIES

Timken® Survivor® PT series housed units are designed to meet stringent food-handling requirements while standing up to highly corrosive environments (fig. A-25). All materials used in Survivor assemblies, including grease, are approved for USDA- and FDA-compliant industries (table A-24).

The Survivor series also provides extraordinary corrosion resistance for materials handling operations, dairy and refrigeration applications, as well as heating, ventilation and air conditioning (HVAC), chemical, maritime and other highly corrosive environments.

Patented Survivor PT polymer housed units withstand a wide range of chemicals. These units are dimensionally stable under load and able to operate in continuous temperatures up to 120° C (250° F) and brief exposures up to 177° C (350° F).

Our bearing inserts are coated in proprietary Timken thin-dense chrome that will not crack or peel. Inserts are available with a self-locking collar or a set screw locking device. Also available is Timken Shaft Guarding Technology (page A-31), which uses a stainless-steel, hardened band to transfer gripping pressure on the shaft. Unlike traditional set screws, which can dig into the shaft, there are no nicks, raised metal or permanent shaft damage.

The stainless band won't corrode on the shaft. Housed units with Shaft Guarding Technology also reduce change-out time.

Survivor PT series units are available as:

- High-base and low-base pillow blocks.
- Two-bolt and four-bolt flanged cartridges for popular shaft sizes of ½ in. through 2 15/16 in. (and selected metric diameters).
- Take-up unit in the Survivor PT series in limited shaft sizes (RTU-NT). The bearing inserts are available with self-locking collars.

Timken also produces a take-up unit in the Survivor NT series in limited shaft sizes (RTU-NT). The bearing inserts are available with self-locking collars.

Survivor PT assemblies are dimensionally interchangeable with the current line of Timken cast-iron housed units.

The polymer housing and TDC coating resist premature failure under corrosive conditions. These properties extend the life of the housed unit and bearing. Longer periods between replacements save costs and reduce downtime.



Fig. A-25. Popular styles.

TABLE A-24.

PT SERIES	
Component	Material
Balls	Stainless steel
Ball retainer	Nylon
Collar	Stainless steel
Crush bushing	Stainless steel
Grease	FDA approved
<b>Housing</b>	<b>Polymer</b>
Grease fitting	Stainless steel
Grease fitting cover	Nylon
<b>Rings</b>	<b>TDC plated</b>
Seals	Synthetic rubber
Seal caps	Stainless steel
Set screw	Stainless steel

### ORDERING INFORMATION

To order complete Survivor polymer assemblies, simply add the PT suffix to the current cast-iron housed-unit designations.

Example: YCJT 1 **PT** SGT or RAK ¾ **PT** SGT

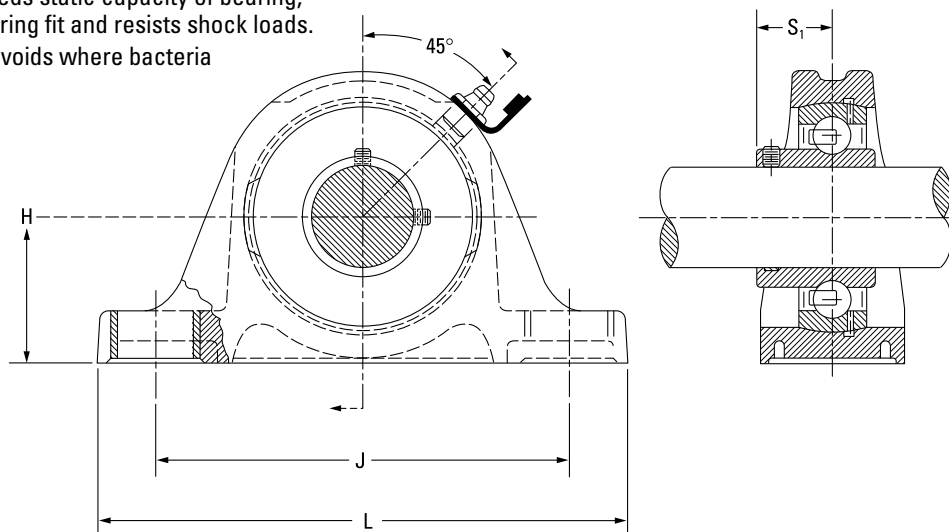
Survivor inserts can be ordered using Timken's standard part number for wide-inner-ring ball bearings with a TDCF suffix.

Example: GY1100KRRB **TDCF** SGT or G1100KRRB + COL **TDCF** SGT

**PT  
YAK/S SERIES**

- This unit is used for the main portion of the process where loads are lighter and corrosion protection is important.
- Durable corrosion-proof polymer housing with stainless-steel crush bushings in mounting holes and a stainless-steel grease fitting with a nylon cap.
- Polymer resists a broad range of acids and alkalis, as well as steam and continuous temperature up to 121° C (250° F), and brief exposure up to 160° C (320° F).
- The polymer strength exceeds static capacity of bearing; housing retains proper bearing fit and resists shock loads.
- The flush base contains no voids where bacteria can collect.

- Corrosion-resistant insert bearing with stainless-steel balls and a nylon retainer. The PT series also features industrial-duty contact seals with stainless-steel shroud caps.
- This unit has stainless-steel set screws with Shaft Guarding Technology.
- This unit is factory lubricated with FDA/USDA-approved grease (class H1 lubricant) for incidental food contact.

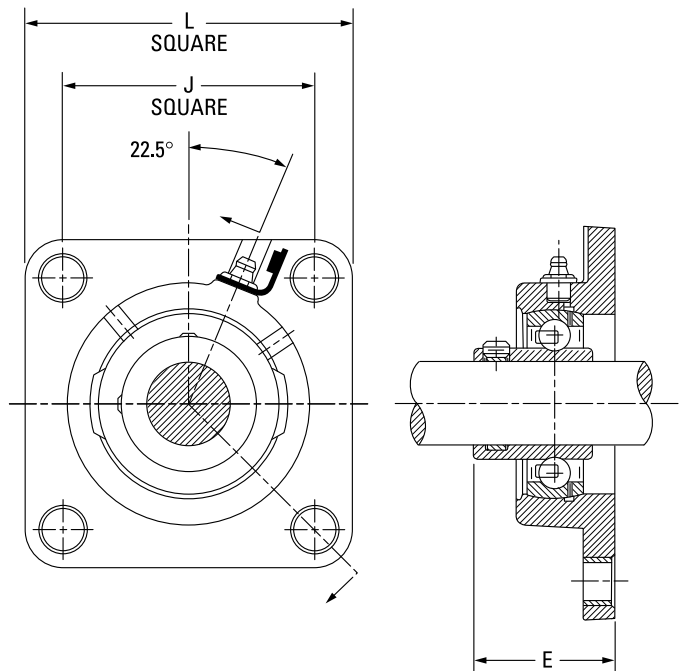


Unit <sup>(1)</sup>	Shaft Dia.	Type	Dimensions					Static Load Rating	Dynamic Load Rating	Speed Rating	Bearing No.	
			YAK H	YAS H	J	L	S <sub>1</sub>					
	in. mm		mm in.	mm in.	mm in.	mm in.	mm in.	N lbs.	N lbs.	RPM		
YAK/S	3/4	PT SGT	<b>31.75</b>	<b>33.34</b>	<b>96.04</b>	<b>127.00</b>	<b>19.05</b>	<b>6500</b>	<b>14500</b>	9200 8800	GY1012KRRB GYE20KRRB	TDCF SGT TDCF SGT
	<b>20</b>		1 1/4	1 5/16	3 25/32	5	3/4	1460	3250			
YAK/S	1	PT SGT	<b>33.34</b>	<b>36.51</b>	<b>104.78</b>	<b>139.70</b>	<b>20.64</b>	<b>7700</b>	<b>15800</b>	6900 7000	GY1100KRRB GYE25KRRB	TDCF SGT TDCF SGT
	<b>25</b>		1 5/16	1 7/16	4 1/8	5 1/2	1 3/16	1730	3550			
YAK/S	1 1/4	PT SGT	<b>39.69</b>	<b>42.86</b>	<b>117.48</b>	<b>157.16</b>	<b>23.4</b>	<b>11100</b>	<b>21800</b>	5500 5800	GY1103KRRB3 GYE30KRRB	TDCF TDCF SGT
	<b>30</b>		1 9/16	1 11/16	4 5/8	6 3/16	59/64	2500	4900			
YAK/S	1 3/8	PT SGT	<b>46.04</b>	<b>47.63</b>	<b>130.18</b>	<b>166.69</b>	<b>28.18</b>	<b>15100</b>	<b>28500</b>	5000 4800 5000	GY1106KRRB GY1107KRRB GYE35KRRB	TDCF SGT TDCF SGT TDCF SGT
	1 7/16		<b>1 13/16</b>	<b>1 7/8</b>	<b>5 1/8</b>	<b>6 9/16</b>	<b>1 7/64</b>	3400	6400			
YAK/S	1 1/2	PT SGT	<b>49.21</b>	<b>49.21</b>	<b>136.53</b>	<b>179.39</b>	<b>30.16</b>	<b>19600</b>	<b>36300</b>	4600 4400	GY1108KRRB GYE40KRRB	TDCF SGT TDCF SGT
	<b>40</b>		1 15/16	1 15/16	5 3/8	7 1/16	1 3/16	4400	8150			

<sup>(1)</sup>Option of low-base RAK or high-base RAS.

### YCJ SERIES

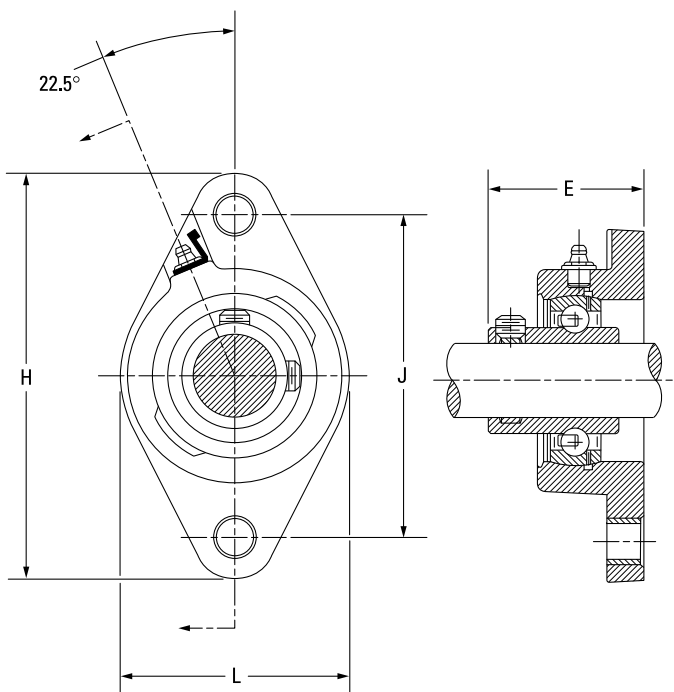
- This unit is used for the main portion of the process where loads are lighter and corrosion protection is important.
- Durable corrosion-proof polymer housing with stainless-steel crush bushings in mounting holes and a stainless-steel grease fitting with a nylon cap.
- Polymer resists a broad range of acids and alkalis, as well as steam and continuous temperature up to 121° C (250° F), and brief exposure up to 160° C (320° F).
- The polymer strength exceeds static capacity of bearing; housing retains proper bearing fit and resists shock loads.
- The flush base contains no voids where bacteria can collect.
- Corrosion-resistant insert bearing with stainless-steel balls and a nylon retainer. The PT series also features industrial-duty contact seals with stainless-steel shroud caps.
- This unit has stainless-steel set screws with Shaft Guarding Technology.
- This unit is factory lubricated with FDA/USDA-approved grease (class H1 lubricant) for incidental food contact.



Unit	Shaft Dia.	Type	Dimensions			Static Load Rating	Dynamic Load Rating	Speed Rating	Bearing No.	
			L	J	E					
	in. mm		mm in.	mm in.	mm in.	N lbs.	N lbs.	RPM		
YCJ	3/4 20	PT SGT	85.73	63.50	38.10	6500	14500	9200	GY1012KRRB	TDCF SGT
			3 3/8	2 1/2	1 1/2	1460	3250	8800	GYE20KRRB	TDCF SGT
YCJ	1 25	PT SGT	95.25	69.85	39.69	7700	15800	6900	GY1100KRRB	TDCF SGT
			3 3/4	2 49/64	1 9/16	1730	3550	7000	GYE25KRRB	TDCF SGT
YCJ	1 3/16 1 1/4S 30	PT SGT	107.95	82.55	42.07	11100	21800	5800	GY1103KRRB	TDCF SGT
		PT						5500	GY1103KRRB3	TDCF
		PT SGT						5800	GYE30KRRB	TDCF SGT
YCJ	1 1/4 1 3/8 1 7/16 35	PT SGT	117.48	92.08	48.42	15100	28500	5500	GY1104KRRB	TDCF SGT
								5000	GY1106KRRB	TDCF SGT
								4800	GY1107KRRB	TDCF SGT
								5000	GYE35KRRB	TDCF SGT
YCJ	1 1/2 40	PT SGT	130.18	101.60	53.98	19600	36300	4600	GY1108KRRB	TDCF SGT
								4400	GYE40KRRB	TDCF SGT

**YCJT SERIES**

- This unit is used for the main portion of the process where loads are lighter and corrosion protection is important.
- Durable corrosion-proof polymer housing with stainless-steel crush bushings in mounting holes and a stainless-steel grease fitting with a nylon cap.
- Polymer resists a broad range of acids and alkalis, as well as steam and continuous temperature up to 121° C (250° F), and brief exposure up to 160° C (320° F).
- The polymer strength exceeds static capacity of bearing; housing retains proper bearing fit and resists shock loads.
- The flush base contains no voids where bacteria can collect.
- Corrosion-resistant insert bearing with stainless-steel balls and a nylon retainer. The PT series also features industrial-duty contact seals with stainless-steel shroud caps.
- This unit has stainless-steel set screws with Shaft Guarding Technology.
- This unit is factory lubricated with FDA/USDA-approved grease (class H1 lubricant) for incidental food contact.

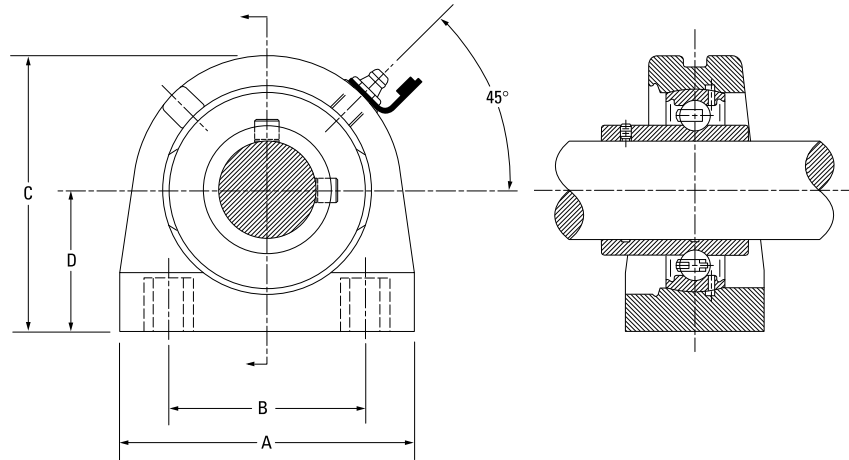


Unit	Shaft Dia.	Type	Dimensions				Static Load Rating	Dynamic Load Rating	Speed Rating	Bearing No.	
			H	J	L	E					
	in. mm		mm in.	mm in.	mm in.	mm in.	N lbs.	N lbs.	RPM		
YCJT	3/4 20	PT SGT	111.92	89.69	60.33	38.10	6500	14500	9200	GY1012KRRB	TDCF SGT
			4 13/32	3 17/32	2 3/8	1 1/2	1460	3250	8800	GYE20KRRB	TDCF SGT
YCJT	1 25	PT SGT	123.83	99.22	69.85	39.69	7700	15800	6900	GY1100KRRB	TDCF SGT
			4 7/8	3 29/32	2 3/4	1 9/16	1730	3550	7000	GYE25KRRB	TDCF SGT
YCJT	1 3/16 1 1/4S 30	PT SGT	141.29	116.68	79.38	42.07	11100	21800	5800	GY1103KRRB	TDCF SGT
		PT							5900	GY1103KRRB3	TDCF
		PT SGT							5800	GYE30KRRB	TDCF SGT
YCJT	1 1/4 1 3/8 1 7/16 35	PT SGT	155.58	130.18	92.08	48.42	15100	28500	5500	GY1104KRRB	TDCF SGT
									5000	GY1106KRRB	TDCF SGT
									4800	GY1107KRRB	TDCF SGT
									5000	GYE35KRRB	TDCF SGT
YCJT	1 1/2 40	PT SGT	171.45	143.67	104.78	53.98	19600	36300	4600	GY1108KRRB	TDCF SGT
									4400	GYE40KRRB	TDCF SGT

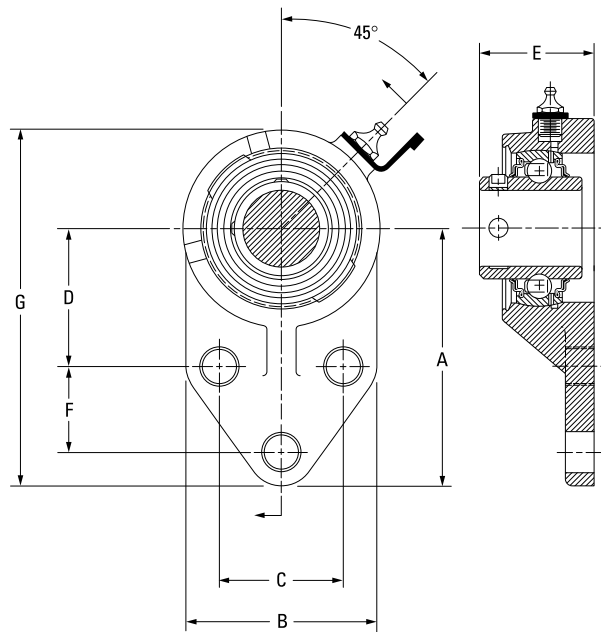
### YTB AND YFB SERIES

- This unit is used for the main portion of the process where loads are lighter and corrosion protection is important.
- Durable corrosion-proof polymer housing with stainless-steel crush bushings in mounting holes and a stainless-steel grease fitting with a nylon cap.
- Polymer resists a broad range of acids and alkalis, as well as steam and continuous temperature up to 121° C (250° F), and brief exposure up to 160° C (320° F).
- The polymer strength exceeds static capacity of bearing; housing retains proper bearing fit and resists shock loads.
- The flush base contains no voids where bacteria can collect.
- Corrosion-resistant insert bearing with stainless-steel balls and a nylon retainer. The PT series also features industrial-duty contact seals with stainless-steel shroud caps.

- This unit has stainless-steel set screws with Shaft Guarding Technology.
- This unit is factory lubricated with FDA/USDA-approved grease (class H1 lubricant) for incidental food contact.



Unit	Shaft Dia.	Type	A	B	C	D	Static Load Rating	Dynamic Load Rating	Speed Rating	Bearing No.	
	in. mm		mm in.	mm in.	mm in.	mm in.	N lbs.	N lbs.	RPM		
YTB	1	PT SGT	76.20	50.80	71.44	36.51	7700	15800	6900	GY1100KRRB	TDCF SGT
	25		3	2	2 13/16	1 7/16	1730	3550	7000	GYE25KRRB	TDCF SGT

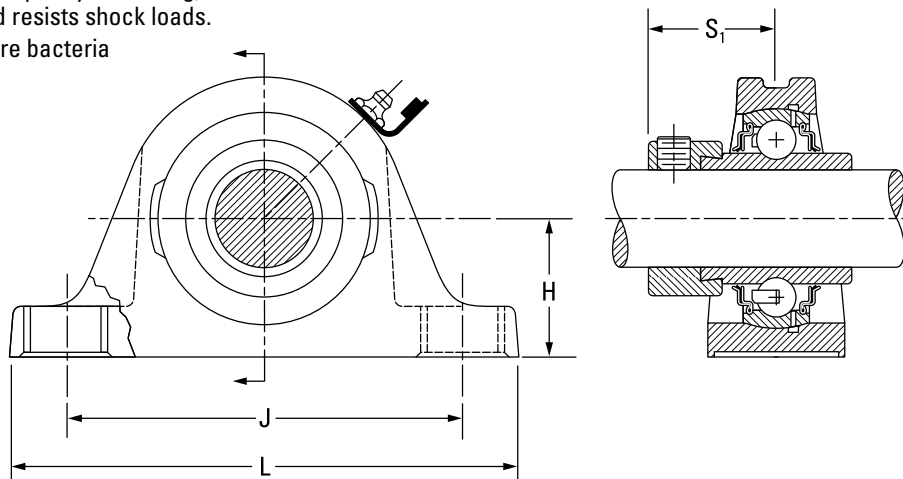


Unit	Shaft Dia.	Type	A	B	C	D	E	F	G	Static Load Rating	Dynamic Load Rating	Speed Rating	Bearing No.	
	in. mm		mm in.	mm in.	mm in.	mm in.	mm in.	mm in.	mm in.	N lbs.	N lbs.	RPM		
YFB	1	PT SGT	85.73	63.50	41.28	46.04	38.10	28.58	118.66	6900	15300	6900	GY1100KRRB	TDCF SGT
	25		3 3/8	2 1/2	1 5/8	1 13/16	1 1/2	1 1/8	4 43/64	1560	3450	7000	GYE25KRRB	TDCF SGT



## RAK/S SERIES

- This unit is used for the main portion of the process where loads are lighter and corrosion protection is important.
- Durable corrosion-proof polymer housing with stainless-steel crush bushings in mounting holes and a stainless-steel grease fitting with a nylon cap.
- Polymer resists a broad range of acids and alkalis, as well as steam and continuous temperature up to 121° C (250° F), and brief exposure up to 160° C (320° F).
- The polymer strength exceeds static capacity of bearing; housing retains proper bearing fit and resists shock loads.
- The flush base contains no voids where bacteria can collect.
- Corrosion-resistant insert bearing with stainless-steel balls and a nylon retainer. The PT series also features industrial-duty contact seals with stainless-steel shroud caps.
- This unit has a stainless-steel lock collar.
- This unit is factory lubricated with FDA/USDA-approved grease (class H1 lubricant) for incidental food contact.

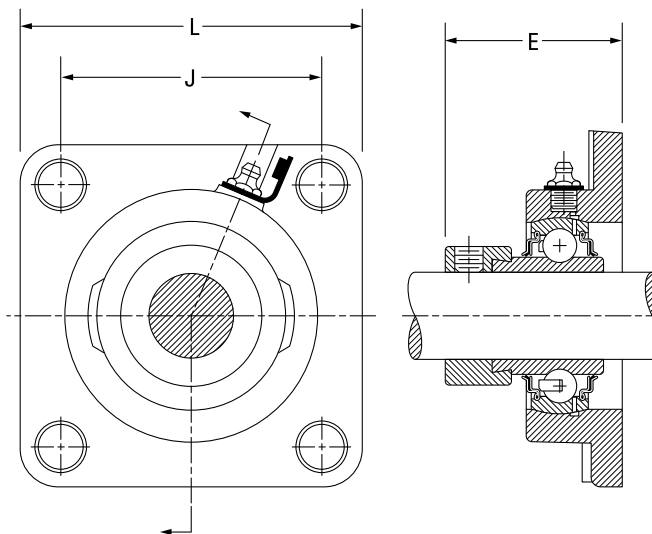


Unit <sup>(1)</sup>	Shaft Dia.	Type	Dimensions					Static Load Rating	Dynamic Load Rating	Speed Rating	Bearing No.		Collar No.
			RAK H	RAS H	J	L	S <sub>1</sub>						
	in. mm		mm in.	mm in.	mm in.	mm in.	mm in.	N lbs.	N lbs.	RPM			
RAK/S	3/4	PT	31.75 1 1/4	33.34 1 5/16	96.04 3 25/32	127.00 5	26.59 1 3/64	6500 1460	14500 3250	9200	G1012KRRB	TDCF	S1012K SS
RAK/S	1 25	PT	33.34 1 5/16	36.51 1 7/16	104.78 4 1/8	139.70 5 1/2	26.99 1 1/16	7700 1730	15800 3550	6900 7000	G1100KRRB GE25KRRB	TDCF TDCF	S1100K SS SE25K SS
RAK/S	1 3/16 1 1/4 30	PT	39.69 1 9/16	42.86 1 11/16	117.48 4 5/8	157.16 6 3/16	30.16 1 3/16	11100 2500	21800 4900	5800 5500 5800	G1103KRRB G1103KRRB3 GE30KRRB	TDCF TDCF TDCF	S1103K SS S1103K3 SS SE30K SS
RAK/S	1 1/4 1 3/8 1 7/16	PT	46.04 1 13/16	47.63 1 7/8	130.18 5 1/8	166.69 6 9/16	32.54 1 9/32	15100 3400	28500 6400	5500 5000 4800	G1104KRRB G1106KRRB G1107KRRB	TDCF TDCF TDCF	S1104K SS S1106K SS S1107K SS
RAK/S	1 1/2 40	PT	49.21 1 15/16	49.21 1 15/16	136.53 5 3/8	179.39 7 1/16	34.93 1 3/8	19600 4400	36300 8150	4600 4400	G1108KRRB GE40KRRB	TDCF TDCF	S1108KT SS SE40K SS

<sup>(1)</sup>Option of low-base RAK or high-base RAS.

### RCJ SERIES

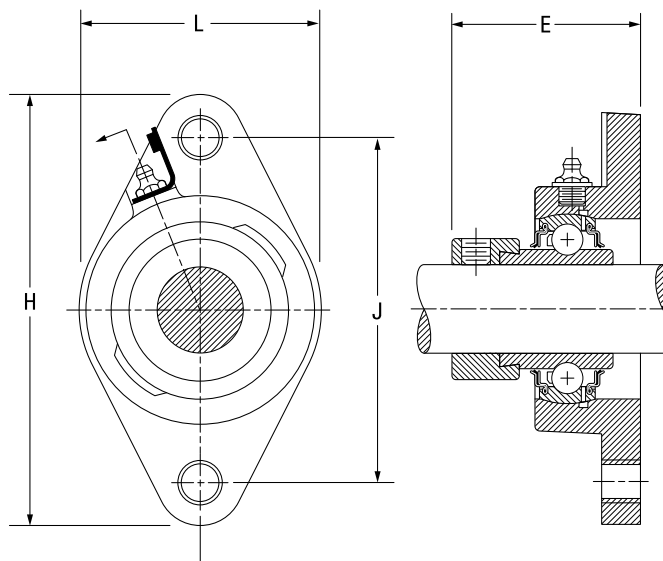
- This unit is used for the main portion of the process where loads are lighter and corrosion protection is important.
- Durable corrosion-proof polymer housing with stainless-steel crush bushings in mounting holes and a stainless-steel grease fitting with a nylon cap.
- Polymer resists a broad range of acids and alkalis, as well as steam and continuous temperature up to 121° C (250° F), and brief exposure up to 160° C (320° F).
- The polymer strength exceeds static capacity of bearing; housing retains proper bearing fit and resists shock loads.
- The flush base contains no voids where bacteria can collect.
- Corrosion-resistant insert bearing with stainless-steel balls and a nylon retainer. The PT series also features industrial-duty contact seals with stainless-steel shroud caps.
- This unit has a stainless-steel lock collar.
- This unit is factory lubricated with FDA/USDA-approved grease (class H1 lubricant) for incidental food contact.



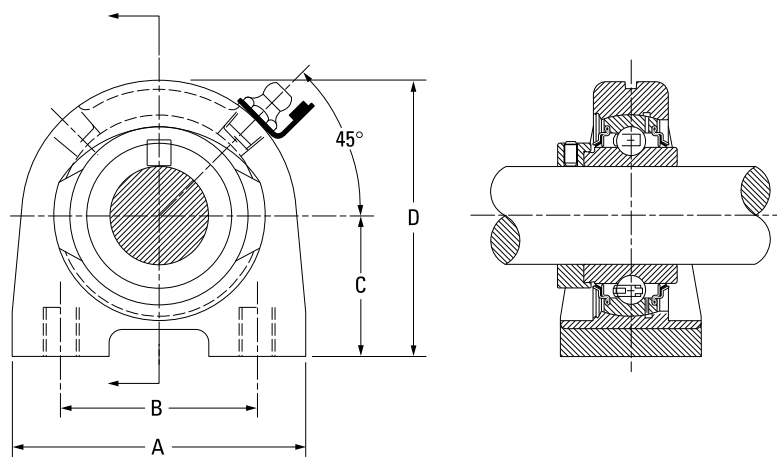
Unit	Shaft Dia.	Type	Dimensions			Static Load Rating	Dynamic Load Rating	Speed Rating	Bearing No.		Collar No.
			L	J	E						
	in. mm		mm in.	mm in.	mm in.	N lbs.	N lbs.	RPM			
RCJ	3/4	PT	85.73 3 3/8	63.50 2 1/2	43.26 1 45/64	6500 1460	14500 3250	9200	G1012KRRB	TDCF	S1012K SS
RCJ	1 25	PT	95.25 3 3/4	69.85 2 3/4	46.04 1 13/16	7700 1730	15800 3550	6900	G1100KRRB	TDCF	S1100K SS
								7000	GE25KRRB	TDCF	SE25K SS
RCJ	1 3/16 1 1/4S 30	PT	107.95 4 1/4	82.55 3 1/4	49.21 1 15/16	11100 2500	21800 4900	5800	G1103KRRB	TDCF	S1103K SS
								5500	G1103KRRB3	TDCF	S1103K3 SS
RCJ	1 1/4 1 3/8 1 7/16	PT	117.48 4 5/8	92.08 3 5/8	52.78 2 5/64	15100 3400	28500 6400	5500	G1104KRRB	TDCF	S1104K SS
								5000	G1106KRRB	TDCF	S1106K SS
								4800	G1107KRRB	TDCF	S1107K SS
RCJ	1 1/2 40	PT	130.18 5 1/8	101.60 4	58.74 2 5/16	19600 4400	36300 8150	4600	G1108KRRB	TDCF	S1108KT SS
								4400	GE40KRRB	TDCF	SE40K SS

**RCJT AND RTB SERIES**

- This unit is used for the main portion of the process where loads are lighter and corrosion protection is important.
- Durable corrosion-proof polymer housing with stainless steel crush bushings in mounting holes and a stainless-steel grease fitting with a nylon cap.
- Polymer resists a broad range of acids and alkalis, as well as steam and continuous temperature up to 121° C (250° F), and brief exposure up to 160° C (320° F).
- The polymer strength exceeds static capacity of bearing; housing retains proper bearing fit and resists shock loads.
- The flush base contains no voids where bacteria can collect.
- Corrosion-resistant insert bearing with stainless-steel balls and a nylon retainer. The PT series also features industrial-duty contact seals with stainless-steel shroud caps.
- This unit has a stainless-steel lock collar.
- This unit is factory lubricated with FDA/USDA-approved grease (class H1 lubricant) for incidental food contact.



Unit	Shaft Dia.	Type	H	J	L	E	Static Load Rating	Dynamic Load Rating	Speed Rating	Bearing No.	Collar No.
	in. mm		mm in.	mm in.	mm in.	mm in.	N lbs.	N lbs.	RPM		
RCJT	3/4	PT	111.92 4 13/32	89.69 3 17/32	60.5 2 3/8	45.24 1 25/32	6500 1460	14500 3250	9200	G1012KRRB TDCF	S1012K SS
RCJT	1 25	PT	123.83 4 7/8	99.22 3 29/32	69.85 2 3/4	46.04 1 13/16	7700 1730	15800 3550	6900 7000	G1100KRRB TDCF GE25KRRB TDCF	S1100K SS SE25K SS
RCJT	1 3/16 1 1/4S 30	PT	141.29 5 9/16	116.68 4 19/32	79.38 3 1/8	49.21 1 15/16	11100 2500	21800 4900	5800 5500 5800	G1103KRRB TDCF G1103KRRB3 TDCF GE30KRRB TDCF	S1103K SS S1103K3 SS SE30K SS
RCJT	1 1/4 1 3/8 1 7/16	PT	155.58 6 1/8	130.18 5 1/8	92.08 3 5/8	52.78 2 5/64	15100 3400	28500 6400	5000 4800 5500	G1104KRRB TDCF G1106KRRB TDCF G1107KRRB TDCF	S1104K SS S1106K SS S1107K SS
RCJT	1 1/2 40	PT	171.45 6 3/4	143.67 5 21/32	104.78 4 1/8	58.74 2 5/16	19600 4400	36300 8150	4600 4400	G1108KRRB TDCF GE40KRRB TDCF	S1108KT SS SE40K SS



Unit	Shaft Dia.	Type	A	B	C	D	Static Load Rating	Dynamic Load Rating	Limiting Speed	Bearing No.	Collar No.
	in.		mm in.	mm in.	mm in.	mm in.	N lbs.	N lbs.	RPM		
RTB	1	PT	76.20 3	50.80 2	36.51 1 7/16	71.44 2 13/16	7700 1730	15300 3450	6900	G1100KRRB TDCF	S1100K SS

## TIMKEN® SURVIVOR® NT SERIES

Timken® Survivor® NT series housed units offer superior corrosion resistance and durability for food and beverage industries, materials-handling operations, dairy and refrigeration applications, as well as HVAC, chemical, maritime and other highly corrosive environments (fig. A-26). All materials used in the Survivor assemblies, including the grease, are approved for USDA- and FDA-compliant industries (table A-25). The solid base is designed so food particles easily wash out.

Bearing inserts are coated in proprietary Timken thin-dense chrome that will not crack or peel. Combined with stainless-steel locking collars, these offer superior corrosion protection. The robust block option features an electroless nickel-plated housing.

Survivor NT series units are available as:

- High-base and low-base pillow blocks.
- Two-bolt and four-bolt flanged cartridges for popular shaft sizes of ½ in. through 2 15/16 in. (and select metric diameters).

- Take-up unit in the Survivor NT series in limited shaft sizes (RTU-NT). The bearing inserts are available with self-locking collars.

The Survivor NT series is dimensionally interchangeable with the current line of Timken cast-iron housed units.

Our bearing inserts are coated in proprietary Timken thin-dense chrome that will not crack or peel. Inserts are available with a self-locking collar or a set screw locking device. Also available is Timken Shaft Guarding Technology (page A-31), which uses a stainless-steel hardened band to transfer gripping pressure on the shaft. Unlike traditional set screws, which can dig into the shaft, there are no nicks, raised metal or permanent shaft damage. The stainless band won't corrode on the shaft. Housed units with Shaft Guarding Technology also reduce change-out time.



**Fig. A-26. Popular styles.**

**TABLE A-25.**

NT SERIES	
Component	Material
Balls	Stainless steel
Ball retainer	Nylon
Collar	Stainless steel
Rings	TDC plated
Grease	FDA approved
<b>Housing finish</b>	<b>Nickel plating</b>
Grease fitting	Stainless steel
Grease-fitting cover	Nylon
Seals	Synthetic rubber
Seal caps	Stainless steel
Set screw <sup>(1)</sup>	Stainless steel

<sup>(1)</sup>Standard Survivor® NT units are only available in the R-series self-locking collar types. Set screw lock series (Y) units are available for minimum quantity orders.

## ORDERING INFORMATION

To order complete Survivor nickel-plated assemblies, simply add the NT suffix to the cast-iron housed-unit designations.

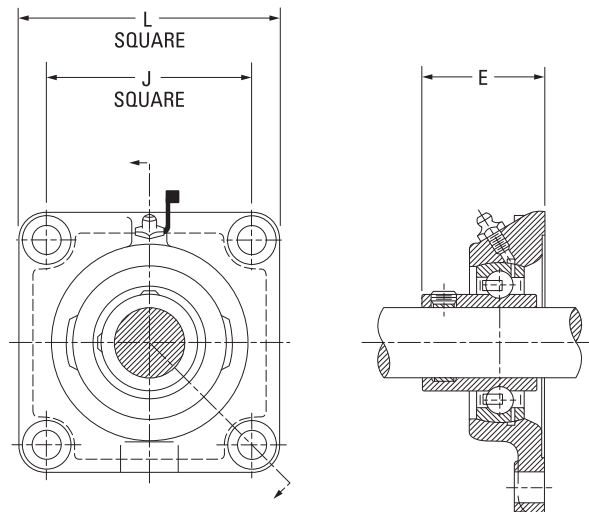
Example: RCJT 1 NT or RAK ¾ NT

Survivor inserts can be ordered using Timken's standard part number for wide-inner-ring ball bearings with a TDCF suffix.

Example: G1100KRRB + COL TDCF

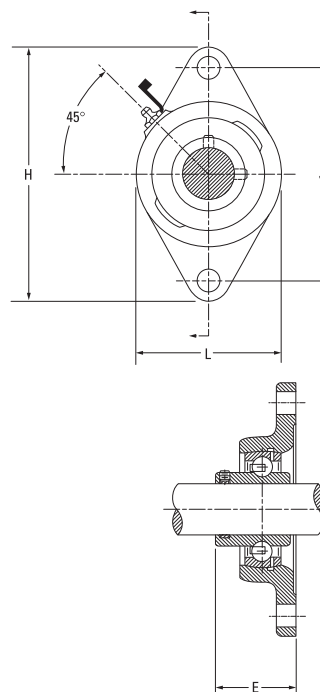
**NT  
YCJ AND YCJT SERIES**

- This unit has the largest variety of configurations and shaft sizes and is used for the heaviest loads at the beginning of processing.
- Corrosion-resistant housing that is electroless nickel-plated and has a stainless-steel grease fitting. The protective cap withstands corrosion and prevents contamination.
- The corrosion-resistant insert bearing has stainless-steel balls with a nylon retainer. It also has industrial-duty contact seals with stainless-steel shroud caps.
- This unit has stainless-steel set screws with Shaft Guarding Technology.
- The unit is factory lubricated with FDA/USDA-approved grease (class H1 lubricant) for incidental food contact.



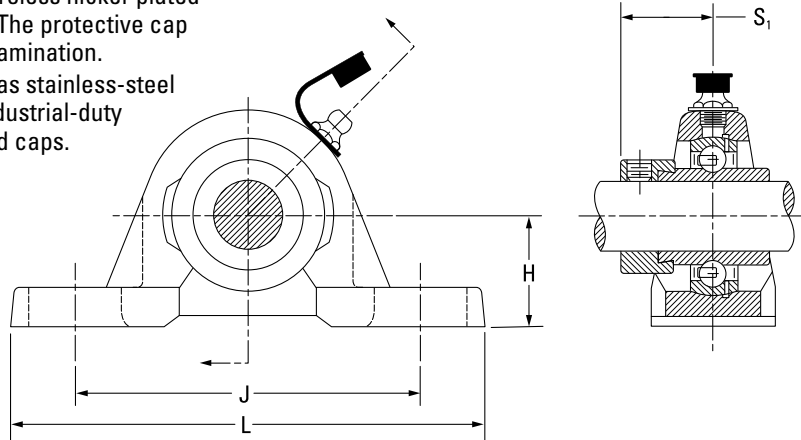
Unit	Shaft Dia.	Type	Dimensions			Static Load Rating	Dynamic Load Rating	Speed Rating	Bearing No.	
			L	J	E					
	in. mm		mm in.	mm in.	mm in.	N lbs.	N lbs.	RPM		
YCJ	1 25	NT SGT	95.25	70.25	40.08	7700	15800	6900	GY1100KRRB	TDCF SGT
			3 3/4	2 49/64	1 37/64	1730	3550	7000	GYE25KRRB	TDCF SGT
YCJ	1 1/4S 30	NT SGT	107.95	82.55	42.46	11100	21800	5500	GY1103KRRB3	TDCF
			4 1/4	3 1/4	1 43/64	2500	4900	5800	GYE30KRRB	TDCF SGT
YCJ	1 1/4 1 3/8 1 7/16 35	NT SGT	117.48	92.08	49.21	15100	28500	5500	GY1104KRRB	TDCF SGT
								5000	GY1106KRRB	TDCF SGT
								4800	GY1107KRRB	TDCF SGT
								4800	GYE35KRRB	TDCF SGT
YCJ	1 15/16	NT SGT	142.88	111.13	60.72	22700	39100	3600	GY1115KRRB	TDCF SGT
			5 5/8	4 3/8	2 25/64	5100	8800			
YCJ	2	NT SGT	161.93	130.18	64.69	28500	48000	3400	GY1200KRRB	TDCF SGT
			6 3/8	5 1/8	2 35/64	6400	10800			
YCJ	2 7/16	NT SGT	174.63	142.88	74.22	35600	58700	2800	GY1207KRRB	TDCF SGT
			6 7/8	5 5/8	2 59/64	8000	13200			

Unit	Shaft Dia.	Type	Dimensions				Static Load Rating	Dynamic Load Rating	Speed Rating	Bearing No.	
			H	J	L	E					
	in. mm		mm in.	mm in.	mm in.	mm in.	N lbs.	N lbs.	RPM		
YCJT	3/4	NT SGT	111.92	89.69	60.33	38.50	6500	14500	9200	G1012KRRB	TDCF SGT
			4 13/32	3 17/32	2 3/8	1 39/64	1460	3250			
YCJT	1 25	NT SGT	123.83	99.22	69.85	40.08	7700	15800	6900	G1100KRRB	TDCF SGT
			4 7/8	3 29/32	2 3/4	1 37/64	1730	3550	7000	GE25KRRB	TDCF SGT
YCJT	1 3/16 1 1/4S 30	NT SGT	141.29	116.68	79.38	43.66	11100	21800	5800	G1103KRRB	TDCF SGT
			5 9/16	4 19/32	3 1/8	1 23/32	2500	4900	5500	G1103KRRB3	TDCF
YCJT	1 1/4 1 3/8 1 7/16 35	NT SGT	155.58	130.18	92.08	49.21	15100	28500	5500	G1104KRRB	TDCF SGT
									5000	G1106KRRB	TDCF SGT
									4800	G1107KRRB	TDCF SGT
									4800	GE35KRRB	TDCF SGT
YCJT	1 1/2 40	NT SGT	171.45	143.67	104.78	54.37	19600	36300	4600	G1108KRRB	TDCF SGT
			6 3/4	5 21/32	4 1/8	2 9/64	4400	8150	4400	GE40KRRB	TDCF SGT
YCJT	1 11/16 1 3/4	NT SGT	179.39	148.03	111.13	55.56	20000	36300	4100	G1111KRRB	TDCF SGT
			7 1/16	5 53/64	4 3/8	2 3/16	4500	8150	3900	G1112KRRB	TDCF SGT
YCJT	1 15/16	NT SGT	188.91	157.16	115.89	60.72	22700	39100	3600	G1115KRRB	TDCF SGT
			7 7/16	6 3/16	4 9/16	2 25/64	5100	8800			
YCJT	2 3/16	NT SGT	215.90	184.15	127.00	64.69	28500	48000	3100	G1203KRRB	TDCF SGT
			8 1/2	7 1/4	5	2 35/64	6400	10800			



### RAK/S SERIES

- This unit has the largest variety of configurations and shaft sizes and is used for the heaviest loads at the beginning of processing.
- Corrosion-resistant housing that is electroless nickel-plated and has a stainless-steel grease fitting. The protective cap withstands corrosion and prevents contamination.
- The corrosion-resistant insert bearing has stainless-steel balls with a nylon retainer. It also has industrial-duty contact seals with stainless-steel shroud caps.
- This unit has a stainless-steel lock collar.
- The unit is factory lubricated with FDA/USDA-approved grease (class H1 lubricant) for incidental food contact.

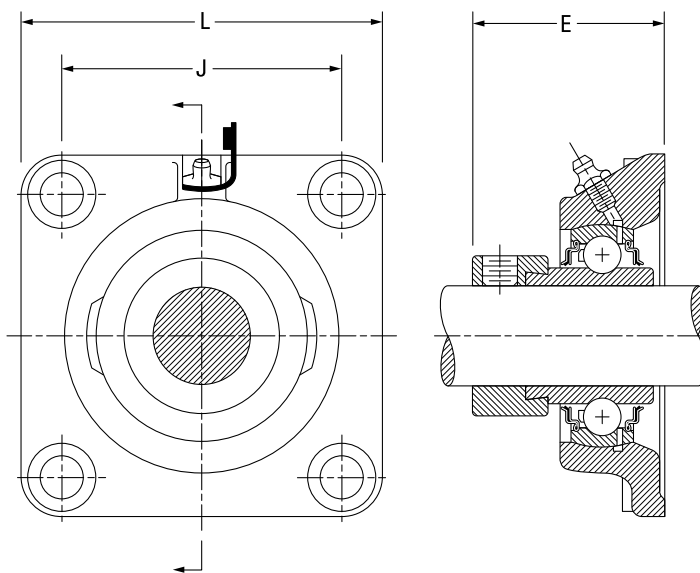


Unit <sup>(1)</sup>	Shaft Dia.	Type	Dimensions					Static Load Rating	Dynamic Load Rating	Speed Rating	Bearing No.	Collar No.	
			RAK H	RAS H	J	L	S <sub>1</sub>						
	in. mm		mm in.	mm in.	mm in.	mm in.	mm in.	N lbs.	N lbs.	RPM			
RAK/S	1/2 5/8	NT	<b>26.99</b>	<b>30.16</b>	<b>92.08</b>	<b>123.83</b>	<b>23.42</b>	<b>4700</b> 1060	<b>10700</b> 2400	13800 11000	G1008KRRB G1010KRRB	TDCF TDCF	S1008K SS S1010K SS
			1 1/8	1 3/16	3 5/8	4 7/8	59/64						
RAK/S	3/4	NT	<b>31.75</b> 1 1/4	<b>33.34</b> 1 5/16	<b>96.04</b> 3 25/32	<b>127.00</b> 5	<b>26.59</b> 1 3/64	<b>6500</b> 1460	<b>14500</b> 3250	9200	G1012KRRB	TDCF	S1012K SS
RAK/S	1 25	NT	<b>33.34</b>	<b>36.51</b>	<b>104.78</b>	<b>139.70</b>	<b>26.99</b>	<b>7700</b> 1730	<b>15800</b> 3550	6900 7000	G1100KRRB GE25KRRB	TDCF TDCF	S1100K SS SE25K SS
			1 5/16	1 7/16	4 1/8	5 1/2	1 1/6						
RAK/S	1 3/16 1 1/4 S 30	NT	<b>39.69</b>	<b>42.86</b>	<b>117.48</b>	<b>157.16</b>	<b>30.16</b>	<b>11100</b> 2500	<b>21800</b> 4900	5800	G1103KRRB	TDCF	S1103K SS
			1 9/16	1 11/16	4 5/8	6 3/16	1 3/16			5500	G1103KRRB3	TDCF	S1103K3 SS
			5800	GE30KRRB	TDCF	SE30K SS							
RAK/S	1 1/4 1 3/8 1 7/16	NT	<b>46.04</b>	<b>47.63</b>	<b>130.18</b>	<b>166.69</b>	<b>32.54</b>	<b>15100</b> 3400	<b>28500</b> 6400	5500	G1104KRRB	TDCF	S1104K SS
			1 13/16	1 7/8	5 1/8	6 9/16	1 9/32			5000	G1106KRRB	TDCF	S1106K SS
			4800	G1107KRRB	TDCF	S1107K SS							
RAK/S	1 1/2 40	NT	<b>49.21</b> 1 15/16	<b>49.21</b> 1 15/16	<b>136.53</b> 5 3/8	<b>179.39</b> 7 1/16	<b>34.93</b> 1 3/8	<b>19600</b> 4400	<b>36300</b> 8150	4600 4400	G1108KRRB GE40KRRB	TDCF TDCF	S1108KT SS SE40K SS
RAK/S	1 11/16 1 3/4	NT	<b>52.39</b> 2 1/16	<b>53.98</b> 2 1/8	<b>149.23</b> 5 7/8	<b>191.29</b> 7 11/32	<b>34.93</b> 1 3/8	<b>20000</b> 4500	<b>36300</b> 8150	4100 3900	G1111KRRB G1112KRRB	TDCF TDCF	S1111K SS S1112K SS
RAK/S	1 15/16	NT	<b>55.56</b> 2 3/16	<b>57.15</b> 2 1/4	<b>157.96</b> 6 7/32	<b>200.03</b> 7 7/8	<b>38.10</b> 1 1/2	<b>22700</b> 5100	<b>39100</b> 8800	3600	G1115KRRB	TDCF	S1115K SS
RAK/S	2 2 3/16	NT	<b>61.91</b>	<b>63.50</b>	<b>176.21</b>	<b>222.25</b>	<b>43.66</b>	<b>28500</b> 6400	<b>48000</b> 10800	3400 3100	G1200KRRB G1203KRRB	TDCF TDCF	S1200K SS S1203K SS
			2 7/16	2 1/2	6 15/16	8 3/4	1 23/32						
RAK/S	2 7/16	NT	<b>68.26</b> 2 11/16	<b>69.85</b> 2 3/4	<b>188.12</b> 7 13/32	<b>239.71</b> 9 1/16	<b>46.83</b> 1 27/32	<b>35600</b> 8000	<b>58700</b> 13200	2800	G1207KRRB	TDCF	S1207K SS
RAK/S	2 11/16	NT	<b>76.20</b> 3	—	<b>203.20</b> 8	<b>266.70</b> 10 1/2	<b>51.59</b> 2 1/32	<b>42900</b> 9650	<b>69400</b> 15600	2600	G1211KRRB	TDCF	S1211K SS
RAK/S	2 15/16	NT	<b>84.14</b> 3 5/16	<b>82.55</b> 3 1/4	<b>241.30</b> 9 1/2	<b>304.80</b> 12	<b>54.77</b> 2 5/32	<b>43600</b> 9800	<b>69400</b> 15600	2300	G1215KRRB	TDCF	S1215K SS

<sup>(1)</sup>Option of low-base RAK or high-base RAS.

**RCJ SERIES**

- This unit has the largest variety of configurations and shaft sizes and is used for the heaviest loads at the beginning of processing.
- Corrosion-resistant housing that is electroless nickel-plated and has a stainless-steel grease fitting. The protective cap withstands corrosion and prevents contamination.
- The corrosion-resistant insert bearing has stainless-steel balls with a nylon retainer. It also has industrial-duty contact seals with stainless-steel shroud caps.
- This unit has a stainless-steel lock collar.
- The unit is factory lubricated with FDA/USDA-approved grease (class H1 lubricant) for incidental food contact.

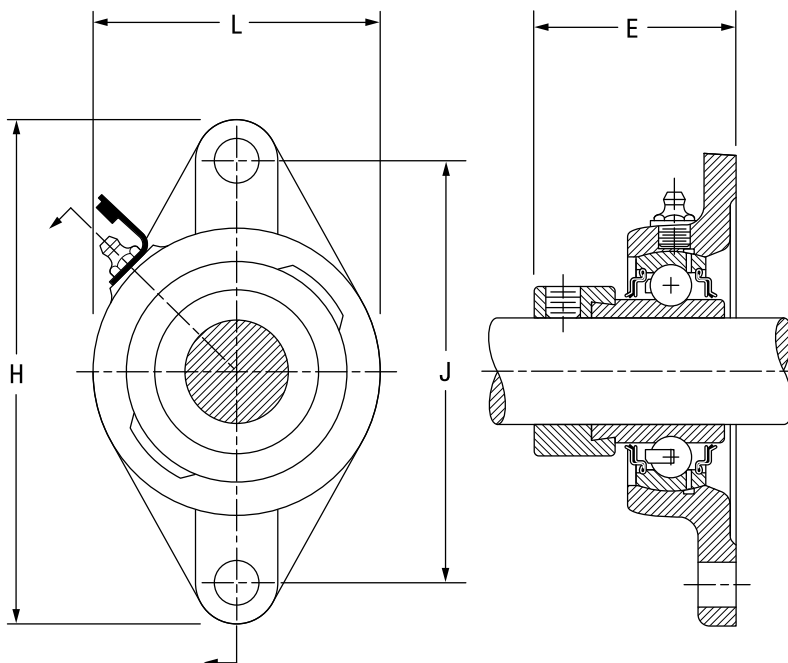


Unit	Shaft Dia.	Type	Dimensions			Static Load Rating	Dynamic Load Rating	Speed Rating	Bearing No.		Collar No.
			L	J	E						
	in. mm		mm in.	mm in.	mm in.	N lbs.	N lbs.	RPM			
RCJ	1/2 5/8	NT	<b>76.20</b>	<b>53.98</b>	<b>40.10</b>	<b>4700</b>	<b>10700</b>	13800	G1008KRRB	TDCF	S1008K SS
			3	2 1/8	1 19/32	1060	2400	11000	G1010KRRB	TDCF	S1010K SS
RCJ	3/4	NT	<b>85.73</b>	<b>63.50</b>	<b>46.43</b>	<b>6500</b>	<b>14500</b>	9200	G1012KRRB	TDCF	S1012K SS
			3 3/8	2 1/2	1 59/64	1460	3250				
RCJ	1 25	NT	<b>95.25</b>	<b>69.85</b>	<b>46.80</b>	<b>7700</b>	<b>15800</b>	6900	G1100KRRB	TDCF	S1100K SS
			3 3/4	2 3/4	1 27/32	1730	3550	7000	GE25KRRB	TDCF	SE25K SS
RCJ	1 3/16 1 1/4S 30	NT	<b>107.95</b>	<b>82.55</b>	<b>50.80</b>	<b>11100</b>	<b>21800</b>	5800	G1103KRRB	TDCF	S1103K SS
			4 1/4	3 1/4	2	2500	4900	5500	G1103KRRB3	TDCF	S1103K3 SS
								5800	GE30KRRB	TDCF	SE30K SS
RCJ	1 1/4 1 3/8 1 7/16	NT	<b>117.48</b>	<b>92.08</b>	<b>53.58</b>	<b>15100</b>	<b>28500</b>	5500	G1104KRRB	TDCF	S1104K SS
			4 5/8	3 5/8	2 7/64	3400	6400	5000	G1106KRRB	TDCF	S1106K SS
								4800	G1107KRRB	TDCF	S1107K SS
RCJ	1 1/2 40	NT	<b>130.18</b>	<b>101.60</b>	<b>59.13</b>	<b>19600</b>	<b>36300</b>	4600	G1108KRRB	TDCF	S1108KT SS
			5 1/8	4	2 21/64	4400	8150	4400	GE40KRRB	TDCF	SE40K SS
RCJ	1 11/16 1 3/4	NT	<b>136.53</b>	<b>104.78</b>	<b>59.13</b>	<b>20000</b>	<b>36300</b>	4100	G1111KRRB	TDCF	S1111K SS
			5 3/8	4 1/8	2 21/64	4500	8150	3900	G1112KRRB	TDCF	S1112K SS
RCJ	1 15/16	NT	<b>142.88</b>	<b>111.13</b>	<b>66.68</b>	<b>22700</b>	<b>39100</b>	3600	G1115KRRB	TDCF	S1115K SS
			5 5/8	4 3/8	2 5/8	5100	8800				
RCJ	2 2 3/16	NT	<b>161.93</b>	<b>130.18</b>	<b>75.41</b>	<b>28500</b>	<b>48000</b>	3400	G1200KRRB	TDCF	S1200K SS
			6 3/8	5 1/8	2 31/32	6400	10800	3100	G1203KRRB	TDCF	S1203K SS
RCJ	2 7/16	NT	<b>174.63</b>	<b>142.88</b>	<b>81.76</b>	<b>35600</b>	<b>58700</b>	2800	G1207KRRB	TDCF	S1207K SS
			6 7/8	5 5/8	3 7/32	8000	13200				
RCJ	2 11/16	NT	<b>187.33</b>	<b>149.23</b>	<b>90.49</b>	<b>42900</b>	<b>69400</b>	2600	G1211KRRB	TDCF	S1211K SS
			7 3/8	5 7/8	3 9/16	9650	15600				
RCJ	2 15/16	NT	<b>196.85</b>	<b>152.40</b>	<b>96.84</b>	<b>43600</b>	<b>69400</b>	2300	G1215KRRB	TDCF	S1215K SS
			7 3/4	6	3 13/16	9800	15600				



### RCJT SERIES

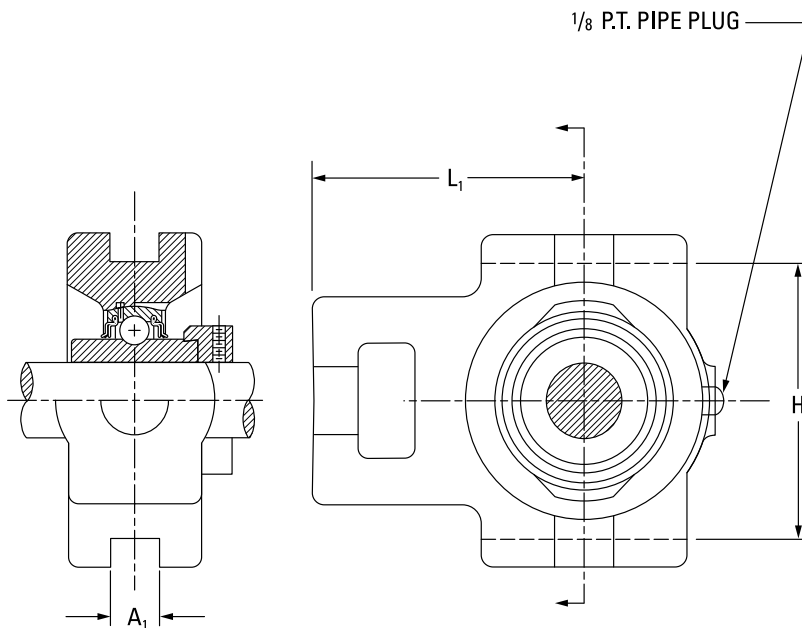
- This unit has the largest variety of configurations and shaft sizes and is used for the heaviest loads at the beginning of processing.
- Corrosion-resistant housing that is electroless nickel-plated and has a stainless-steel grease fitting. The protective cap withstands corrosion and prevents contamination.
- The corrosion-resistant insert bearing has stainless-steel balls with a nylon retainer. It also has industrial-duty contact seals with stainless-steel shroud caps.
- This unit has a stainless-steel lock collar.
- The unit is factory lubricated with FDA/USDA-approved grease (class H1 lubricant) for incidental food contact.



Unit	Shaft Dia.	Type	Dimensions				Static Load Rating	Dynamic Load Rating	Speed Rating	Bearing No.	Collar No.	
			H	J	L	E						
	in. mm		mm in.	mm in.	mm in.	mm in.	N lbs.	N lbs.	RPM			
RCJT	1/2 5/8	NT	<b>98.43</b>	<b>76.20</b>	<b>54.0</b>	<b>40.61</b>	<b>4700</b>	<b>10700</b>	13800	G1008KRRB	TDCF	S1008K SS
			3 7/8	3	2 1/8	1 39/64	1060	2400	11000	G1010KRRB	TDCF	S1010K SS
RCJT	3/4	NT	<b>111.92</b>	<b>89.69</b>	<b>60.5</b>	<b>46.43</b>	<b>6500</b>	<b>14500</b>	9200	G1012KRRB	TDCF	S1012K SS
			4 13/32	3 17/32	2 3/8	1 53/64	1460	3250				
RCJT	1 25	NT	<b>123.83</b>	<b>99.22</b>	<b>69.85</b>	<b>46.83</b>	<b>7700</b>	<b>15800</b>	6900	G1100KRRB	TDCF	S1100K SS
			4 7/8	3 29/32	2 3/4	1 27/32	1730	3550	7000	GE25KRRB	TDCF	SE25K SS
RCJT	1 3/16 1 1/4S 30	NT	<b>141.29</b>	<b>116.68</b>	<b>79.38</b>	<b>50.80</b>	<b>11100</b>	<b>21800</b>	5800	G1103KRRB	TDCF	S1103K SS
			5 9/16	4 19/32	3 1/8	2	2500	4900	5500	G1103KRRB3	TDCF	S1103K3 SS
									5800	GE30KRRB	TDCF	SE30K SS
RCJT	1 1/4 1 3/8 1 7/16	NT	<b>155.58</b>	<b>130.18</b>	<b>92.08</b>	<b>53.58</b>	<b>15100</b>	<b>28500</b>	5500	G1104KRRB	TDCF	S1104K SS
			6 1/8	5 1/8	3 5/8	2 7/64	3400	6400	5000	G1106KRRB	TDCF	S1106K SS
									4800	G1107KRRB	TDCF	S1107K SS
RCJT	1 1/2 40	NT	<b>171.45</b>	<b>143.67</b>	<b>104.78</b>	<b>59.13</b>	<b>19600</b>	<b>36300</b>	4600	G1108KRRB	TDCF	S1108KT SS
			6 3/4	5 21/32	4 1/8	2 21/64	4400	8150	4400	GE40KRRB	TDCF	SE40K SS
RCJT	1 11/16 1 3/4	NT	<b>179.39</b>	<b>148.03</b>	<b>111.13</b>	<b>59.13</b>	<b>20000</b>	<b>36300</b>	4100	G1111KRRB	TDCF	S1111K SS
			7 1/16	5 27/32	4 3/8	2 21/64	4500	8150	3900	G1112KRRB	TDCF	S1112K SS
RCJT	1 15/16	NT	<b>188.91</b>	<b>157.16</b>	<b>115.89</b>	<b>66.68</b>	<b>22700</b>	<b>39100</b>	3600	G1115KRRB	TDCF	S1115K SS
			7 7/16	6 3/16	4 9/16	2 5/8	5100	8800				
RCJT	2 2 3/16	NT	<b>215.90</b>	<b>184.15</b>	<b>127.00</b>	<b>75.41</b>	<b>28500</b>	<b>48000</b>	3400	G1200KRRB	TDCF	S1200K SS
			8 1/2	7 1/4	5	2 31/32	6400	10800	3100	G1203KRRB	TDCF	S1203K SS

**RTU SERIES**

- This unit has the largest variety of configurations and shaft sizes and is used for the heaviest loads at the beginning of processing.
- Corrosion-resistant housing that is electroless nickel-plated and has a stainless-steel grease fitting. The protective cap withstands corrosion and prevents contamination.
- The corrosion-resistant insert bearing has stainless-steel balls with a nylon retainer. It also has industrial-duty contact seals with stainless-steel shroud caps.
- This unit has a stainless-steel lock collar.
- The unit is factory lubricated with FDA/USDA-approved grease (class H1 lubricant) for incidental food contact.



Unit	Shaft Dia.	Type				Static Load Rating	Dynamic Load Rating	Speed Rating	Bearing No.		Collar No.
			A <sub>1</sub>	H <sub>1</sub>	L <sub>1</sub>						
	in. mm		mm in.	mm in.	mm in.	N lbs.	N lbs.	RPM			
RTU	1	NT	<b>13.49</b>	<b>76.20</b>	<b>67.47</b>	<b>7700</b>	<b>15300</b>	6900	G1100KRRB	TDCF	S1100K SS
	25		17/32	3	2 21/32	1730	3450	7000	GE25KRRB	TDCF	SE25K SS
RTU	1 3/16	NT	<b>13.49</b>	<b>88.90</b>	<b>72.23</b>	<b>11100</b>	<b>21800</b>	5800	G1103KRRB	TDCF	S1103K SS
	30		17/32	3 1/2	2 27/32	2500	4900	5800	GE30KRRB	TDCF	SE30K SS
RTU	1 1/4	NT	<b>13.49</b>	<b>88.90</b>	<b>74.61</b>	<b>15100</b>	<b>28500</b>	5500	G1104KRRB	TDCF	S1104K SS
	1 7/16		17/32	3 1/2	2 15/16	3400	6400	4800	G1107KRRB	TDCF	S1107K SS
RTU	1 1/2	NT	<b>17.46</b>	<b>100.81</b>	<b>88.11</b>	<b>19600</b>	<b>36300</b>	4600	G1108KRRB	TDCF	S1108KT SS
	40		11/16	3 31/32	3 15/32	4400	8150	4400	GE40KRRB	TDCF	SE40K SS
RTU	1 11/16	NT	<b>17.46</b>	<b>100.81</b>	<b>88.11</b>	<b>20000</b>	<b>36300</b>	4100	G1111KRRB	TDCF	S1111K SS
	1 3/4		11/16	3 31/32	3 15/32	4500	8150	3900	G1112KRRB	TDCF	S1112K SS
RTU	1 15/16	NT	<b>17.46</b>	<b>100.81</b>	<b>91.28</b>	<b>22700</b>	<b>39100</b>	3600	G1115KRRB	TDCF	S1115K SS
RTU	2	NT	<b>26.99</b>	<b>129.38</b>	<b>119.86</b>	<b>28500</b>	<b>48000</b>	3400	G1200KRRB	TDCF	S1200K SS
	2 3/16		1 1/16	5 3/32	4 23/32	6400	10800	3100	G1203KRRB	TDCF	S1203K SS
RTU	2 7/16	NT	<b>26.99</b>	<b>129.38</b>	<b>119.86</b>	<b>35600</b>	<b>58700</b>	2800	G1207KRRB	TDCF	S1207K SS
			1 1/16	5 3/32	4 23/32	8000	13200				

### MISCELLANEOUS HOUSED UNITS IDLER PULLEY UNITS

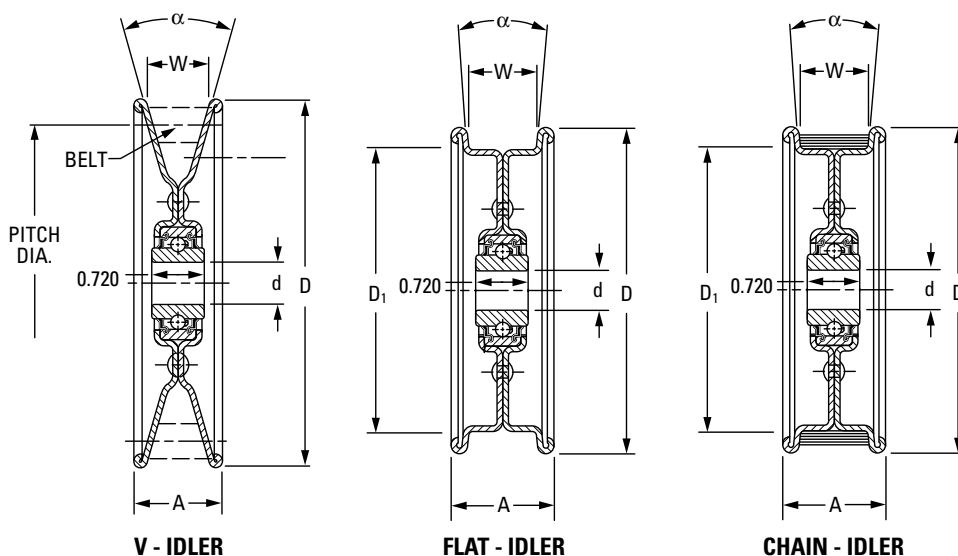
- A pressed-steel pulley and a Timken® precision ball bearing with rubber seals are combined to make a self-contained unit.
- Two pulley designs are available. One for V-belts and another for the backs of V-belts. Both are made for A, B, C and D section belts.
- A chain idler, identical in construction to the flat idler, is available, with the addition of an assembled rubber tire (part number A-10927). The rubber tire cushions the chain, preventing undue wear on the pulley surface or chain.
- Idler pulley units feature a Timken® single-row radial ball bearing with an inner ring extended on both sides. This

provides clearance for abutting parts and greater support on the shaft.

- Contact-type rubber seals help ensure positive retention for lubricant and full protection against dirt, dust and foreign matter.
- All units are non-relubricatable. Special features include smoothly rolled-over edges, eliminating belt chafing and scuffing. The weep holes on the rivet circle allow water drainage when the pulley is mounted in a horizontal position.

**To order, specify PULLEY NUMBER.**

Example: 008-10853 Idler Pulley.

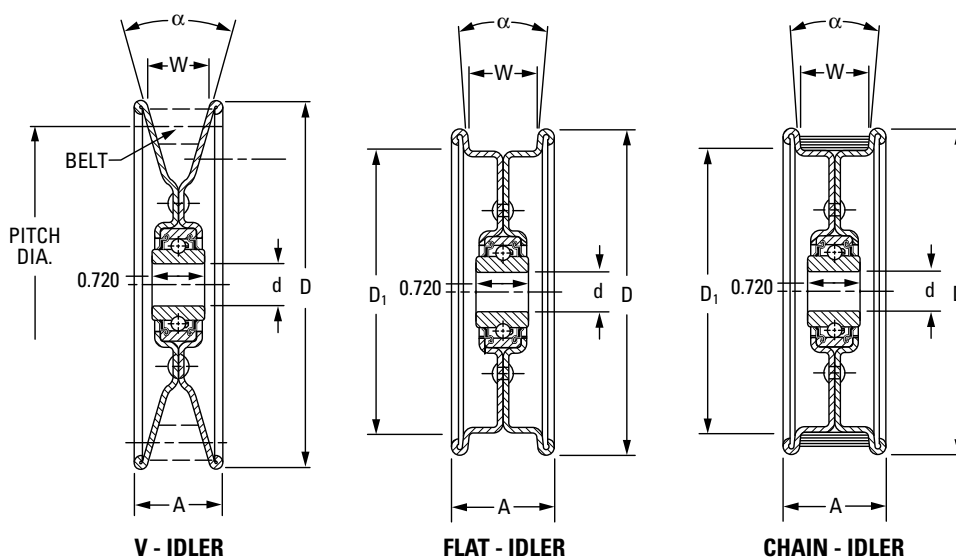


Pulley No.	α Included Angle Degrees	Bearing No.	Bore		D	A	D <sub>1</sub>	W	Wt.
			d	D					
			mm	in.	mm	in.	mm	in.	kg
			in.	in.	in.	in.	in.	in.	lbs.
<b>V IDLERS</b>									
006-11520A <sup>(1)</sup>	32	WS3NPP3	<b>10.010/9.780</b> 0.3940/0.3850	<b>76.2</b> 3	<b>19.0</b> ¾	—	<b>12.45</b> 0.049	0.145 0.32	
10874 <sup>(2)</sup>	34	203NPP	<b>17.000/16.993</b> 0.6693/0.6690	<b>101.6</b> 4	<b>22.2</b> ⅞	—	<b>12.70</b> 0.500	0.417 0.92	
010-10874	34	203KRR2	<b>16.130/16.260</b> 0.6350/0.6400	<b>101.6</b> 4	<b>22.2</b> 7.8	—	<b>12.70</b> 0.500	0.435 0.96	
008-10482	32	203KRR5	<b>13.080/12.950</b> 0.5150/0.5100	<b>128.6</b> 5 1/16	<b>31.8</b> 1 ¼	—	<b>22.15</b> 0.872	<b>0.572</b> 1.26	
010-10482	32	203KRR2	<b>16.130/16.260</b> 0.6350/0.6400	<b>128.6</b> 5 1/16	<b>31.8</b> 1 ¼	—	<b>22.15</b> 0.872	<b>0.558</b> 1.23	
008-10853	32	203KRR5	<b>13.080/12.950</b> 0.5150/0.5100	<b>185.7</b> 7 5/16	<b>31.8</b> 1 ¼	—	<b>22.15</b> 0.872	<b>1.134</b> 2.50	
010-10853	32	203KRR2	<b>16.13/16.260</b> 0.6350/0.6400	<b>185.7</b> 7 5/16	<b>31.8</b> 1 ¼	—	<b>22.15</b> 0.872	<b>1.120</b> 2.47	

<sup>(1)</sup>Inner ring width 13.891 mm – 13.764 mm; (0.5469 in. – 0.5419 in.)

<sup>(2)</sup>12 mm (0.4724 in.) inner ring width 11.999 mm – 11.872 mm (0.4724 in. – 0.4674 in.).

Continued on next page.



Continued from previous page.

Pulley No.	α Included Angle Degrees	Bearing No.	Bore		A	D <sub>1</sub>	W	Wt.
			d	D				
			mm in.	mm in.	mm in.	mm in.	mm in.	kg lbs.
<b>FLAT IDLERS</b>								
006-11581A <sup>(1)</sup>	10	WS3NPP3	<b>10.01/9.78</b> 0.394/0.385	<b>92.1</b> 3 5/8	<b>30.6</b> 1 7/32	<b>76.2</b> 3	<b>22.2</b> 7/8	<b>0.259</b> 0.57
008-10601	10	203KRR5	<b>13.08/12.95</b> 0.515/0.510	<b>117.5</b> 4 5/8	<b>36.5</b> 1 7/16	<b>101.6</b> 4	<b>25.4</b> 1	<b>0.503</b> 1.11
010-10601	10	203KRR2	<b>16.13/16.26</b> 0.635/0.640	<b>117.5</b> 4 5/8	<b>36.5</b> 1 7/16	<b>101.6</b> 4	<b>25.4</b> 1	<b>0.490</b> 1.08
<b>FLAT IDLERS</b>								
008-10483	10	203KRR5	<b>13.08/12.95</b> 0.515/0.510	<b>158.8</b> 6 1/4	<b>36.5</b> 1 7/16	<b>139.7</b> 5 1/2	<b>25.4</b> 1	<b>0.803</b> 1.77
010-10483	10	203KRR2	<b>16.13/16.26</b> 0.635/0.640	<b>158.8</b> 6 1/4	<b>36.5</b> 1 7/16	<b>139.7</b> 5 1/2	<b>25.4</b> 1	<b>0.789</b> 1.74
008-10650	50	203KRR5	<b>13.08/12.95</b> 0.515/0.510	<b>158.8</b> 6 1/4	<b>36.5</b> 1 7/16	<b>139.7</b> 5 1/2	<b>25.4</b> 1	<b>0.785</b> 1.73
010-10650	50	203KRR2	<b>16.13/16.26</b> 0.635/0.640	<b>158.8</b> 6 1/4	<b>41.3</b> 1 7/16	<b>139.7</b> 5 1/2	<b>25.4</b> 1	<b>0.771</b> 1.70
008-11515	10	203KRR5	<b>13.08/12.95</b> 0.515/0.510	<b>222.2</b> 8 3/4	<b>35.7</b> 1 13/32	<b>203.2</b> 8	<b>25.4</b> 1	<b>1.238</b> 2.73
010-11515	10	203KRR2	<b>16.13/16.26</b> 0.635/0.640	<b>222.2</b> 8 3/4	<b>35.7</b> 1 13/32	<b>203.2</b> 8	<b>25.4</b> 1	<b>1.225</b> 2.70
008-10731	10	203KRR5	<b>13.08/12.95</b> 0.515/0.510	<b>222.2</b> 8 3/4	<b>48.4</b> 1 29/32	<b>203.2</b> 8	<b>38.1</b> 1 1/2	<b>1.488</b> 3.38
010-10731	10	203KRR2	<b>16.13/16.26</b> 0.635/0.640	<b>222.2</b> 8 3/4	<b>48.4</b> 1 29/32	<b>203.2</b> 8	<b>38.1</b> 1 1/2	<b>1.474</b> 3.25
<b>CHAIN IDLERS</b>								
008-10927	10	203KRR5	<b>13.08/12.95</b> 0.515/0.510	<b>117.5</b> 4 5/8	<b>36.5</b> 1 7/16	<b>111.1</b> 4 3/8	<b>25.4</b> 1	<b>0.576</b> 1.27
010-10927	10	203KRR2	<b>16.13/16.26</b> 0.635/0.640	<b>117.5</b> 4 5/8	<b>36.5</b> 1 7/16	<b>111.1</b> 4 3/8	<b>25.4</b> 1	<b>0.562</b> 1.24

<sup>(1)</sup>Inner ring width 13.891 mm – 13.764 mm; (0.5469 in. – 0.5419 in.)

<sup>(2)</sup>12 mm (0.4724 in.) inner ring width 11.999 mm – 11.872 mm (0.4724 in. – 0.4674 in.).

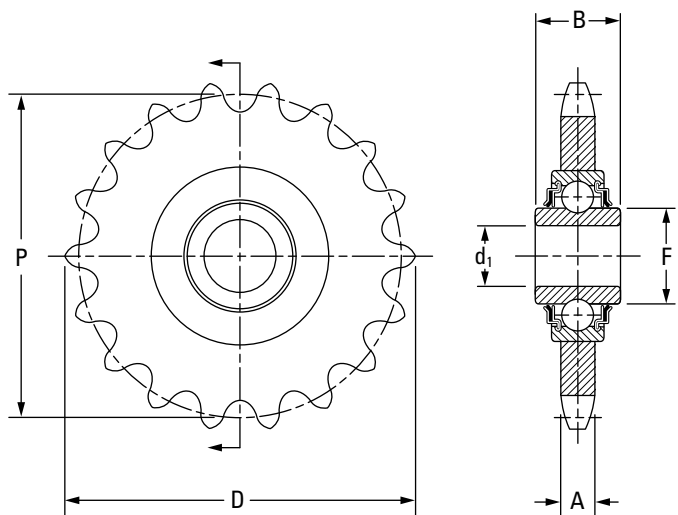
### ROLLER CHAIN IDLER SPROCKETS

- The sintered-steel sprockets are hardened and perform well at an economical cost.
- The roller chain idler sprocket replaces the hardened-plate steel sprockets on most applications.
- All units are non-relubricatable.

To order, specify **SPROCKET NUMBER**.

Example: 010-5017S Idler Sprocket.

Order all bearings with E8728 specification.



Sprocket No.	Bearing No.	Bore $d_1$	A.S.A. Chain No.	No. of Teeth	Pitch						Bearing Radial Load Rating @500 RPM	Wt.
						P	D	A	F	B		
		mm in.			mm in.	mm in.	mm in.	mm in.	mm in.	mm in.	N lbs.	kg lbs.
008-4018-S	203KRR5	13.08/12.95 0.5150/0.5000	40	18	12.7 1/2	73.13 2.879	79.88 3.145	7.21 0.284	24.43 0.962	18.29 0.72	3550 800	0.200 0.44
008-5017-S	203KRR5	13.08/12.95 0.5150/0.5000	50	17	15.9 5/8	86.36 3.400	94.72 3.729	8.71 0.343	24.43 0.962	18.29 0.72	3550 800	0.299 0.66
008-6015-S	203KRR5	13.08/12.95 0.5150/0.5000	60	15	19.0 3/4	91.62 3.607	101.32 3.989	11.66 0.459	24.43 0.962	18.29 0.72	3550 800	0.417 0.92
010-4018-S	203KRR2	16.26/16.13 0.6400/0.6350	40	18	12.7 1/2	73.13 2.879	79.88 3.145	7.21 0.284	24.43 0.962	18.29 0.72	3550 800	0.200 0.44
010-5017-S	203KRR2	16.26/16.13 0.6400/0.6350	50	17	15.9 5/8	86.36 3.400	94.72 3.729	8.71 0.343	24.43 0.962	18.29 0.72	3550 800	0.299 0.66
010-6015-S	203KRR2	16.26/16.13 0.6400/0.6350	60	15	19.0 3/4	91.62 3.607	101.32 3.989	11.66 0.459	24.43 0.962	18.29 0.72	3550 800	0.417 0.92
011H-5017-S	204KRR2	17.65/17.52 HEX 0.6950/0.6900	50	17	15.9 5/8	86.36 3.400	94.72 3.729	8.71 0.343	28.73 1.131	18.29 0.72	3550 800	0.299 0.66
011H-6015-S	204RR2	17.65/17.52 HEX 0.6950/0.6900	60	15	19.0 3/4	91.62 3.607	101.32 3.989	11.66 0.459	24.43 0.962	18.29 0.72	3550 800	0.417 0.92
012-8012-S	204RR6	19.18/19.05 0.7500/0.7505	80	12	25.4 1	98.15 3.864	110.41 4.347	14.60 0.575	26.62 1.048	15.49 0.61	4800 1080	0.676 1.49

# REPLACEMENT BEARINGS

**TABLE A-26. HOUSED UNIT REPLACEMENT BEARINGS**

Housed Units	Replacement Bearing Assembly	Features	Part No.
C	MUB replaced by 1000KRB & Col.	Standard series (SM) wide inner ring (B-type), collar, caps and wire	Example: 2 11/16 in. (uses MUB 2 11/16 in.)
DRNR	1000KR & Col. (Two)	Single R-seal (A-type), complete bearing number marked on seal	Example: DRNR 1 3/16 in. (uses two 1103KR & Col.)
FLCT	RA000RRB & Col.	Non-relubricatable; B-spherical outer ring; RR-double R-seal	Bearing identification marked on seal.
GRFD, GRFDR, GRFTD, GRFTDR	G1000KRRB & Col.	G-relubricatable; B-spherical outer ring; RR-double R-seal	Complete bearing number marked on seal. Example: GRFD 1 3/16 in. (uses G1103KRRB & Col.)
GRKD, GRSD	G1000KRRB & Col.	G-relubricatable; B-spherical outer ring; RR-double R-seal	Complete bearing number marked on seal. Example: GRKD 1 3/16 in. (uses G1103KRRB & Col.)
GVFD, GVFDR, GVFTD, GVFTDR	GRA000RRB & Col.	G-relubricatable; B-spherical outer ring; RR-double R-seal	Bearing identification marked on seal.
GVKD, GVSD	GRA000RRB & Col.	G-relubricatable; B-spherical outer ring; RR-double R-seal	Bearing identification marked on seal.
LAK, LAS	G1000KLLB & Col.	G-relubricatable; B-spherical outer ring; LL-double Mechani-seal	Complete bearing number marked on seal. Example: LAK 1 3/16 in. (uses G1103KLLB & Col.)
LAKHL	1000KLS & Col.	L-single Mechani-seal; S-external self-aligning	Complete bearing number marked on seal. Example: LAKHL 1 3/16 in. (uses 1103KLS & Col.)
LAO, LSAO	GN000KLLB & Col.	G-relubricatable; B-spherical outer ring; LL-double Mechani-seal	Complete bearing number marked on seal. Example: LAO 1 3/16 in. (uses GN103KLLB & Col.)
LCJ, LCJT	G1000KLLB & Col.	G-relubricatable; B-spherical outer ring; LL-double Mechani-seal	Complete bearing number marked on seal. Example: LCJ 1 3/16 in. (uses G1103KLLB & Col.)
LCJO	GN000KLLB	G-relubricatable; N-Heavy series; B-spherical outer ring; LL-double Mechani-seal	Complete bearing number marked on seal. Example: LCJO 1 3/16 in. (uses GN103KLLB & Col.)
PB, PBS, VKD, VSD	RA000RRB & Col.	Non-relubricatable; B-spherical outer ring; RR-double R-seal	Bearing identification marked on seal.
RA Flangette, RAT Flangette	RA000RRB & Col.	Non-relubricatable; B-spherical outer ring; RR-double R-seal	Bearing identification marked on seal.
RA Relubricatable Flangette	GRA000RRB & Col.	G-relubricatable; B-spherical outer ring; RR-double R-seal	To order, specify bearings and markings. Example: 1-GRA103RRB & Col., 1-G62MSA marking, 1-G62MSB marking
RAK, RAS, RAKH, RSA	G1000KRRB & Col.	G-relubricatable; B-spherical outer ring; RR-double R-seal	Complete bearing number marked on seal. Example: RAK 1 3/16 in. (uses G1103KRRB & Col.)
RAKHL	1000KRS & Col	R-Single R-seal; S-external self-aligning	Complete bearing number marked on seal. Example: RAKHL 1 3/16 in. (uses 1103KRS & Col.)
RAKN, RASN	1000KRRB & Col.	Non-relubricatable; B-spherical outer ring; RR-double R-seal	Complete bearing number marked on seal. Example: RAKN 1 3/16 in. (uses 1103KRRB & Col.)
RAO, RSAO	GN000KRRB & Col.	G-relubricatable; B-spherical outer ring; RR-double R-seal	Complete bearing number marked on seal. Example: RSAO 3 3/16 in. (uses GN303KRRB & Col.)
RASC	GC1000KRRB & Col.	G-relubricatable; C-concentric collar; B-spherical outer ring; RR-double R-seal	Complete bearing number marked on seal. Example: RASC 1 3/16 in. (uses GC1103KRRB & Col.)
RCJ, RCJT, RC	G1000KRRB & Col.	G-relubricatable; B-spherical outer ring; RR-double R-seal	Complete bearing number marked on seal. Example: RCJ 1 3/16 in. (uses G1103KRRB & Col.)
RCJN, RR Flangette, RRT Flangette	1000KRRB & Col.	Non-relubricatable; B-spherical outer ring; RR-double R-seal	Complete bearing number marked on seal. Example: RCJN 1 3/16 in. (uses 1103KRRB & Col.)
RFC, RCJC, RCJTC	GC1000KRRB & Col.	G-relubricatable; C-concentric collar; B-spherical outer ring; RR-double R-seal	Complete bearing number marked on seal. Example: 1 3/16 in. (uses GC1103KRRB & Col.)
RFD, RFDR, RFTD, RFTDR	1000KRRB & Col.	Non-relubricatable; B-spherical outer ring; RR-double R-seal	Complete bearing number marked on seal. Example: RFD: 1 3/16 in. (uses 1103KRRB & Col.)

*Continued on next page.*



# BALL BEARING HOUSED UNITS

## BALL BEARING HOUSED UNITS • REPLACEMENT BEARINGS

Continued from previous page.

Housed Units	Replacement Bearing Assembly	Features	Part No.
RKD, RSD	1000KRRB & Col.	Non-relubricatable; B-spherical outer ring; RR-double R-seal	Complete bearing number marked on seal. Example: RKD 1 3/16 in. (uses 1103KRRB & Col.)
RPB	RABR (shaft size)	Non-relubricatable; B-spherical outer ring; RR-double R-seal	RA000RRB FS-450 Bearing and Col. mounted in rubber interliner. Example: RPB 1 3/16 in. (uses an RABR 1 3/16 in.)
RR Relubricatable Flangette	G1000KRRB & Col.	G-relubricatable; B-spherical outer ring; RR-double R-seal	To order, specify bearing and markings. Example: 1-G1100KRRB & Col., 1-G52MSA marking, 1-G52MSB marking
SA	MUB replaced by 1000KRB & Col.	Standard series (SM) wide-inner-ring ball bearing (B-type), collar, caps and wire	Example: SA 1 3/16 in. (uses MUB 1 3/16 in.)
SAD	MUBD replaced by 1000KRB & Col.	Standard series (SM) wide-inner-ring ball bearing (B-type), dust seal, collar, caps and wire	Example: SA 1 3/16 in. (uses MUB 1 3/16 in.)
SADD	MUBD replaced by N000KRB & Col.	Rear dust seal, otherwise same as SAD	
SAL	SM1000KS & Col.	S-external self-aligning ring	Example: SAL 1 3/16 in. (uses SM1103KS & Col.)
SAO	MUOB replaced by 100KRB & Col.	Heavy series (SMN) wide-inner-ring ball bearing (B-type), collar, caps and wire	Example: SAO 1 3/16 in. (uses MUOB 1 3/16 in.)
SAOD	MUOBD (shaft size)	Heavy series (SMN) wide-inner-ring ball bearing (B-type), dust seal, collar, caps and wire	Example: SAOD 1 3/16 in. (uses MUOBD 1 3/16 in.)
SAODD	MUOBD (shaft size)	Rear dust seal, otherwise same as SAOD	
SAOL	SMN000KS & Col.	S-external self-aligning ring heavy series	Example: SAOL 1 3/16 in. (uses SMN103KS & Col.)
SAS, SAK	GYA000RRB	G-relubricatable; B-spherical outer ring; RR-double R-seal	Bearing identification marked on seal.
SCJ, SCJT	GYA000RRB	G-relubricatable; B-spherical outer ring; RR-double R-seal	Bearing identification marked on seal.
TAK, TAS	G1000KPPB & Col.	G-relubricatable; B-spherical outer ring; PP-Double tri-ply seal	Complete bearing number marked on seal. Example: TAK 1 3/16 in. (uses G1103KPPB3 & Col.)
TCJ, TCJT	G1000KPPB & Col.	G-relubricatable; B-spherical outer ring; PP-Double tri-ply seal	Complete bearing number marked on seal. Example: TCJ 1 3/16 in. (uses G1103KPPB3 & Col.)
VAK, VAS	GRA000RRB & Col.	G-relubricatable; B-spherical outer ring; RR-double R-seal	Bearing identification marked on seal.
VCJ, VCJT	GRA000RRB & Col.	G-relubricatable; B-spherical outer ring; RR-double R-seal	Bearing identification marked on seal.
VFD, VFDR, VFTD, VFTDR	RA000RRB & Col.	Non-relubricatable; B-spherical outer ring; RR-double R-seal	Bearing identification marked on seal.
YAS, YAK, YASM, YCJ, YCJT, YTU	GY-KRRB	G-relubricatable; B-spherical outer ring; RR-double R-seal, Y-series wide inner ring	Bearing identification marked on seal.
<b>OTHER TYPES</b>			
LTU Take-Up	G1000KLLB & Col.	G-relubricatable; B-spherical outer ring; LL-double Mechani-seal	Complete bearing number marked on seal. Example: LTU 1 3/16 in. (uses G1103KLLB & Col.)
RHC, RHCM Hanger	GC1000KRRB & Col.	G-relubricatable; C-concentric collar; B-spherical outer ring; RR-double R-seal	Complete bearing number marked on seal. Example: RCH 1 1/2 in. (uses GC1108KRRB & Col.)
RTU Take-Up	G1000KRRB & Col.	G-relubricatable; B-spherical outer ring; RR-double R-seal	Complete bearing number marked on seal. Example: RTU 1 3/16 in. (uses G1103KRRB & Col.)
STU Take-Up	GYA-RRB	G-relubricatable; B-spherical outer ring; RR-double R-seal	Complete bearing number marked on seal. Example: STU 1 3/16 in. (uses GYA103RRB)
TU Take-Up	MUB replaced by 1000KRB & Col.	Standard series (SM) wide-inner-ring ball bearing (B-type), collar, caps and wire	Example: TU 2 11/16 in. (uses MUB 2 11/16 & Col.)
YTU Take-Up	GY-KRRB	G-relubricatable; B-spherical outer ring; RR-double R-seal; Y-series wide inner ring with set screw lock	Complete bearing number marked on seal. Example: YTU 1 3/16 in. (uses GY1103KRRB)



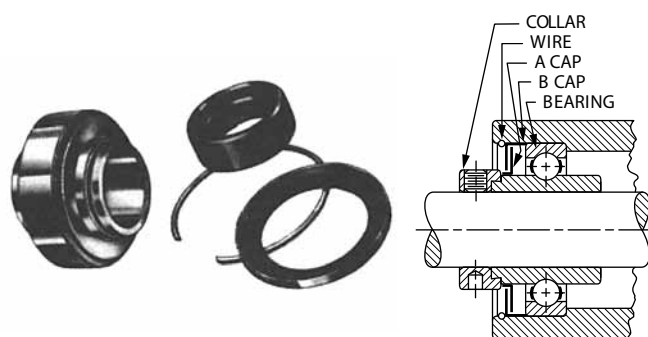
## MACHINE UNITS

A complete machine unit consists of either a standard (SM) or heavy (SMN) series wide-inner-ring ball bearing, an inner and outer sealing cap, a retaining wire and self-locking collar, or an integrally sealed bearing and collar. These units are available as bearing replacements for Timken power transmission units such as the SA, SAO, DSA and DSAO pillow blocks, and C and Co cylindrical cartridges or special housings.

These are available in two types, A and B, as described below.

### A-TYPE

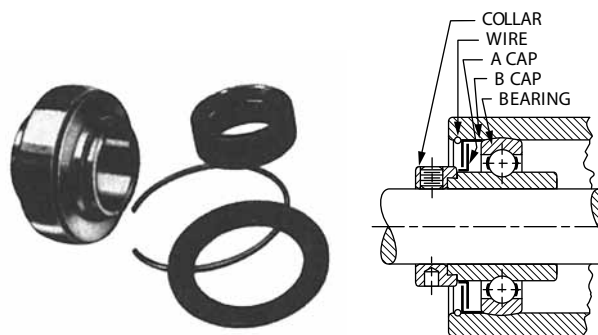
Fig. A-27 shows a machine unit with an A-type bearing carrying the designation MUA (standard series) and MUOA (heavy series). It consists of a wide inner ring, open type or one-piece R-seal bearing, collar, caps and wire. The “caps” are two steel members which comprise a non-integral frictionless labyrinth seal. The inner member is pressed on the inner ring and rotates with it. The outer member is pressed in the housing against the face of the outer ring and is held in place by the round retaining wire.



**Fig. A-27. MUA, MUOA.**

### B-TYPE

Fig. A-28 is the same as fig. A-27, except that the bearing is B-type and the seal on the collar side is either a labyrinth seal (as shown) or a one-piece R-seal. In the latter case no wire is supplied. The designation of the machine unit is MUB (standard series) or MUOB (heavy series). The B-type bearing is mounted in the spherical housing seat by means of two slots milled diametrically opposite each other in the housing. The bearing can be inserted at right angles and swiveled into position. No additional shoulders or snap rings are required to locate this type.



**Fig. A-28. MUB, MUOB.**

## **TIMKEN® BALL BEARING HOUSED UNIT SAFETY END CAPS MAKE WORKPLACE PROTECTION A SNAP**

Easy-to-install Timken® safety end caps protect exposed rotating shafts, reducing hazards around many types of equipment.

The Timken safety product line consists of a mounting ring and snap-on cover, both molded in durable, bright-yellow polymer. The end cap snaps into the adhesive-backed ring that adheres to the outboard face of most flanged bearing housings. The secure 360-degree fit makes for a rugged unit that also provides basic protection and washdown.

Factory retrofits are a snap with everything provided in a handy kit. The cost-effective end covers are simple-to-install on Timken and most other flanged units. Current sizes range from 20 mm to 50 mm (3/4 in. to 1 15/16 in.) shaft sizes for two or four-bolt flanged cast-iron, malleable iron and other selected housing styles and sizes.



**Fig. A-29. Safety end caps protect against rotating stub shafts.**

### **KIT CONTENTS**

Timken safety end caps come in a convenient kit that contains everything required for a safe and durable mounting:

- Polymer end cap.
- Adhesive-backed polymer mounting ring.
- Scuffing pad.
- Cleaning cloth.

### **INSTALLATION**

Steps in the simple mounting procedure include:

1. Use the scuffing pad on housing's mating surface where the mounting ring will be placed.
2. Clean off the mounting area.
3. Attach the adhesive-backed mounting ring.
4. Hold the mounting ring in place with pressure for 60 seconds.
5. Allow the adhesive to set for a minimum of one hour.
6. Snap the end cap into place.

### **ORDERING INFORMATION**

**TABLE A-27. ORDERING INFORMATION**

Kit <sup>(1)</sup>	Shaft Sizes
204 ECY Kit	<b>20 mm, 3/4</b>
205 ECY Kit	<b>25 mm, 7/8, 15/16, 1</b>
206 ECY Kit	<b>30 mm, 1 1/16, 1 1/8, 1 3/16, 1 1/4 S</b>
207 ECY Kit	<b>35 mm, 1 1/4, 1 5/16, 1 3/8, 1 7/16,</b>
208 ECY Kit	<b>40 mm, 1 1/2</b>
209 ECY Kit	<b>45 mm, 1 5/8, 1 11/16, 1 3/4</b>
210 ECY Kit	<b>50 mm, 1 15/16, 2 S</b>

<sup>(1)</sup>Kits are designed to fit the following housed units –  
 Four-bolt: YCJ, RCJ, RCJC, TCJ, LCJ, SCJ, VCJ  
 Two-bolt: YCJT, RCJT, RCJTC, TCJT, LCJT, SCJT, VCJT

# INDEX

## BALL BEARING HOUSED UNITS

Ball Bearing Housed Units	A-1	RCJ Series	A-148
Ball Housed Unit Introduction	A-63	RCJ Series	A-153
DRNR Industrial Series	A-92	RCJ, TCJ, LCJ Industrial Series	A-93
Engineering	A-3	RCJC Industrial-Series Concentric Collar	A-95
ER Industrial Series, Relubricatable Types	A-46	RCJO, LCJO Heavy Series	A-100
FLCT Standard Series	A-108	RCJT and RTB Series	A-149
GC-KRRB Industrial-Series Concentric Collar, Relubricatable Types	A-40	RCJT Series	A-154
G-KLL, G-KLLB Special Series, Relubricatable Types	A-37	RCJT, TCJT, LCJT Industrial Series	A-103
G-KRR, G-KRRB Relubricatable Types	A-34	RCJTC Industrial-Series Concentric Collar	A-104
GN-KLLB Special Duty	A-59	RCSM, RCR, CR Series	A-130
GN-KRRB Relubricatable Types	A-57	Replacement Bearings	A-159
GRA, GRR Relubricatable Flangette Units	A-128	RFC Industrial Piloted-Series Concentric Collar	A-109
GRA-RR, GRA-RRB Relubricatable Types	A-50	Roller Chain Idler Sprockets	A-158
GRFD, GRFDR Relubricatable Series – RFD, RFD, RFD Non-Relubricatable Series	A-112	RR Flangette Unit	A-120
GRFTD, GRFTDR Relubricatable Series – RFTD, RFTDR Non-Relubricatable Series	A-114	RSA, LSA Industrial Series	A-86
GVFD, GVFDR Relubricatable Series – VFD, VFD Non-Relubricatable Series	A-111	RSAO, LSAO Heavy Series	A-88
GVFTD, GVFTDR Relubricatable Series – VFTD, VFTDR Non-Relubricatable Series	A-113	RTU Industrial Series	A-134
GYA-RR, GYA-RRB Relubricatable Types	A-54	RTU Series	A-155
GY-KRRB Set Screw Industrial Series	A-44	SAK Standard Series	A-73
GYM-KRRB Inserts Set Screw Lock	A-56	SAL Industrial Series, Fixed and Floating Types	A-89
Idler Pulley Units	A-156	SAOL Heavy Series, Fixed and Floating Types	A-90
KAK/S Series	A-139	SAS Standard Series	A-79
KCJ Series	A-140	SCJ Standard Series	A-99
KCJT and KTB Series	A-141	SCJT Standard Series	A-107
KL, KLB, KLL, KLLB Special Series, Non-Relubricatable Types	A-36	SM Industrial Series A and B Types/MUA-B Inserts	A-41
KLLG Special Series With Wireloc®	A-38	SMN A and B Types/MUOA-B Inserts	A-60
KR, KRR, KRRB Non-Relubricatable Types	A-32	SMN-S Series	A-62
LFST Series	A-119	SM-S Industrial Series	A-43
Machine Units	A-161	STB Series	A-83
NLTU Series Side-Mounted, Pressed-Steel	A-132	Timken® Ball Bearing Housed Unit Safety End Caps	
PB Series – RPB Series	A-116	Make Workplace Protection a Snap	A-162
PBS Series	A-115	Tri-ply Seal Industrial Series, Non-Relubricatable and Relubricatable Types	A-39
Pressed-Steel Flanged Units	A-118	TTU Industrial Series	A-137
Pressed-Steel Flangette Units	A-120	TU Series Top-Mounted Cast-Iron	A-133
Pressed-Steel Housed Units	A-115	VAK Standard Series	A-72
RA Flangette Unit	A-122	VAS Standard Series	A-78
RABR HVAC Special Series	A-131	VCJ Standard Series	A-98
RA-DD Non-Relubricatable Types	A-52	VCJT Standard Series	A-105
RAK, TAK, LAK Industrial Series	A-69	VFMST Series	A-118
RAK/S Series	A-147	VTB Series	A-84
RAK/S Series	A-152	VTU Standard Series	A-136
RAKH Industrial Series	A-80	Wide-Inner-Ring Ball Bearing Introduction	A-25
RAKHL Expansion Series	A-81	YAK Industrial-Series Set Screw Units	A-71
RAL-NPPB Non-Relubricatable Types	A-55	YAK/S Series	A-143
RAO, LAO Heavy Series	A-85	YA-RR, YA-RRB Non-Relubricatable Types	A-53
RA-RR, RA-RRB Non-Relubricatable Types	A-48	YAS Industrial-Series Set Screw Units	A-77
RAS, TAS, LAS Industrial Series	A-74	YASM Medium-Duty Series Set Screw Lock	A-82
RASC Industrial-Series Concentric Collar	A-76	YCJ and YCJT Series	A-151
RAT, RRT Two-Bolt Flangette Units	A-124	YCJ Industrial Set Screw Series	A-96
RATR, RRTR Triangle Flangette Units	A-126	YCJ Series	A-144
RC Series	A-110	YCJM Medium-Duty Series Set Screw Lock	A-101
		YCJT Industrial Set Screw Series	A-106
		YCJT Series	A-145
		YCJTM Medium-Duty Series Set Screw Lock	A-102
		YTB and YFB Series	A-146
		YTU Industrial Series	A-135



# TIMKEN

The Timken team applies their know-how to improve the reliability and performance of machinery in diverse markets worldwide. The company designs, makes and markets high-performance steel as well as mechanical components, including bearings, gears, chain and related mechanical power transmission products and services.

[www.timken.com](http://www.timken.com)



Stronger. Commitment. Stronger. Value. Stronger. Worldwide. Stronger. Together. | Stronger. By Design.

Price: USD \$75