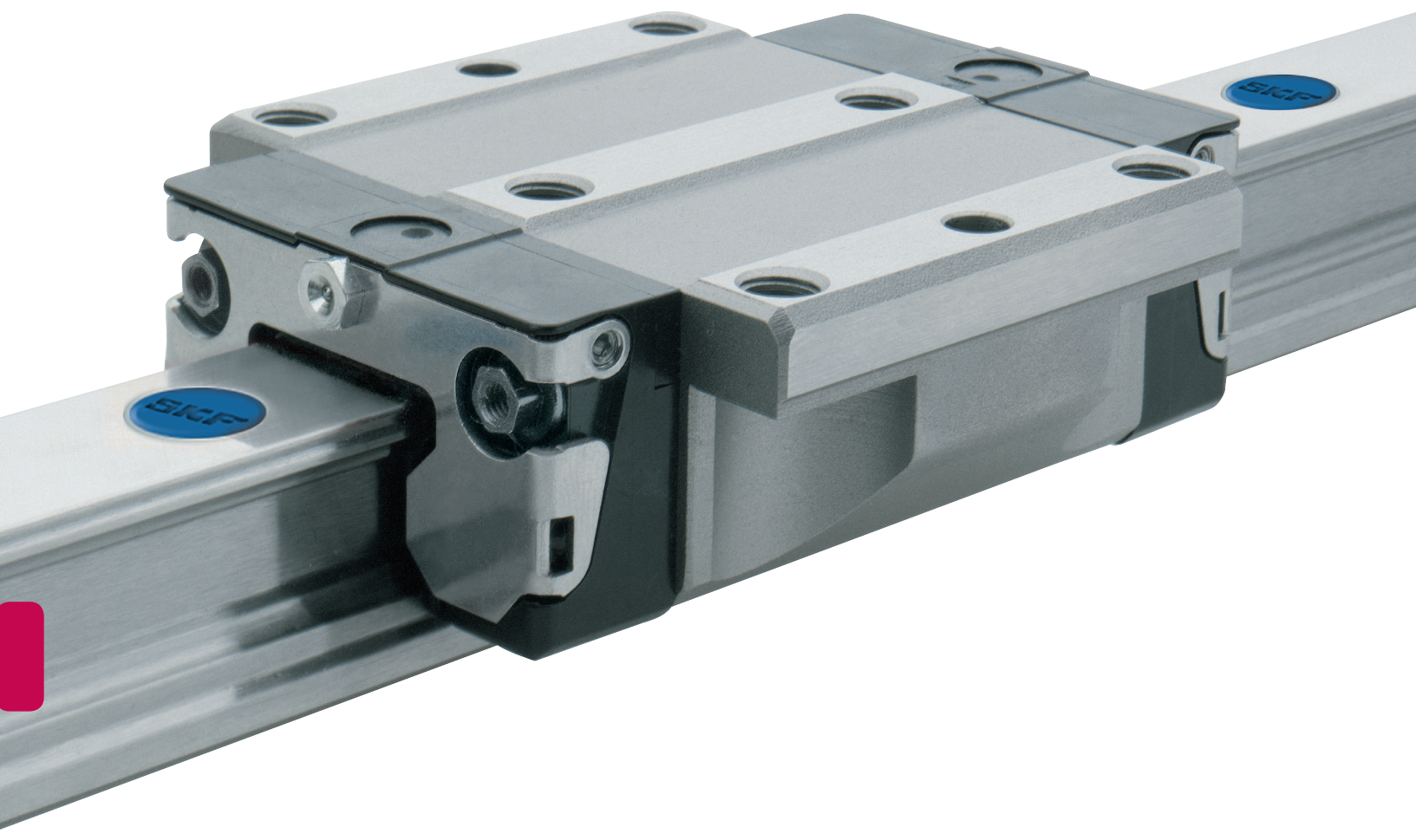


# Profile rail guides LLR





The SKF® brand now stands for more than ever before, and means more to you as a valued customer.

While SKF maintains its leadership as the hallmark of quality bearings throughout the world, new dimensions in technical advances, product support and services have evolved SKF into a truly solutions-oriented supplier, creating greater value for customers.

These solutions encompass ways to bring greater productivity to customers, not only with breakthrough application-specific products, but also through leading-edge design simulation tools and consultancy services, plant asset efficiency maintenance programmes, and the industry's most advanced supply management techniques.

The SKF brand still stands for the very best in rolling bearings, but it now stands for much more.

SKF – the knowledge engineering company

# Content

## General information

- 3 Introduction
- 4 Product overview
- 6 Technical data
- 6 Preload classes
- 6 Speed
- 6 Acceleration
- 6 Temperature
- 7 Friction
- 7 Seals
- 7 Scraper plates
- 8 Load rating
- 8 Definition of the basic dynamic load rating
- 8 Definition of the basic static load rating
- 8 Definition and calculation of the basic rating life
- 8 Dynamic equivalent bearing load for calculation of the service life
- 9 Dynamic equivalent bearing load
- 9 Static equivalent bearing load

## Accuracy

- 10 Accuracy classes
- 11 Selection criteria for combination of accuracy classes
- 12 Preloading and stiffness

## Carriages

- 14 Load ratings - Quick selection
- 18 Accuracy classes, dimensions and designations

## Standard rails

- 35 Product overview
- 36 Accuracy classes, dimensions and designations

## Ordering key

- 40 Ordering key

## Accessories

- 43 Product overview
- 44 Standard carriages
- 44 Scraper plates
- 45 Seals
- 46 Lubrication
- 48 Bellows
- 50 Cover strip

## Mounting instructions

- 54 General mounting instructions

## Maintenance and lubrications

- 62 Maintenance and lubrications

## Introduction

As the world's leading manufacturer of rolling bearings, SKF supplies practically every type of rolling bearing for rotary and linear movements. The standard profile rail guides produced by SKF are brought together in this catalogue. SKF profile rail guides are accuracy rolling bearings for linear movements and are therefore suitable for use in most types of machinery. With these profile rail guides it is possible for SKF to offer a guide system which achieves a good price/performance ratio.

Profile rail guides from SKF are available in many designs and sizes, and thanks to their unlimited stroke they can be adapted to any linear movement. They consist of a rail guide with ground raceways on which one or several guide carriages can

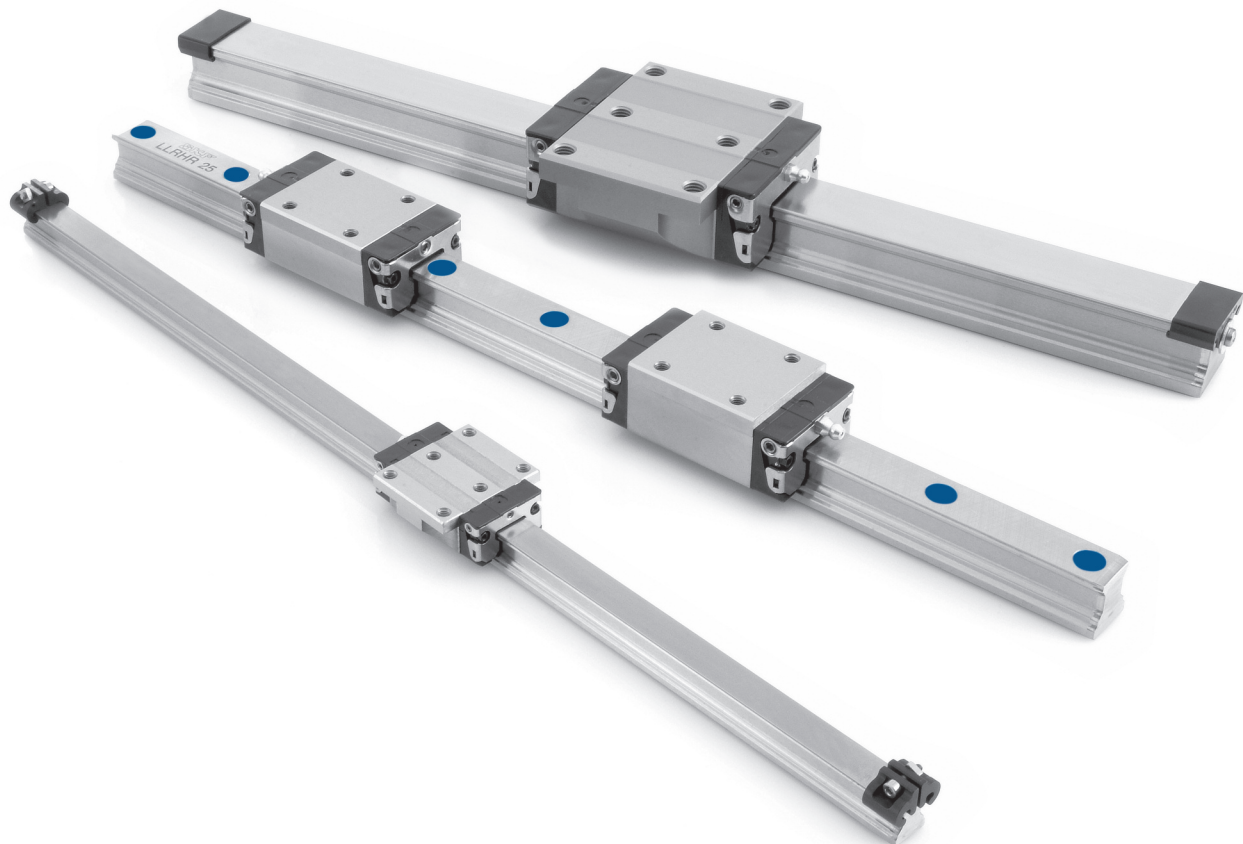
be moved with an unlimited stroke. The guide carriages are made of tempered bearing steel into which the hardened raceways of the ball circuits are inserted. Fixing holes in the attachment surfaces enable machine parts to be directly mounted onto the carriages. Fundamentally, profile rail guides constitute a coupled angular ball bearing in back-to-back arrangement and, depending on the application, are available in different preload classes. The raceways of the profile rail and of the carriage are arranged at an angle of  $45^\circ$ . As a result, the system has the same load capacity in the four main load directions as well as a high moment load capacity.

Depending on the load conditions and the required service life, a

selection can also be made between two design versions. In addition to the standard carriage length, a series with extended carriages is available which exhibits higher load rating. To meet the requirements of operating practice, a range of different guide systems is offered. Their main features are load capacity, screw connections to provide the fastening points on the carriage and the sectional height.

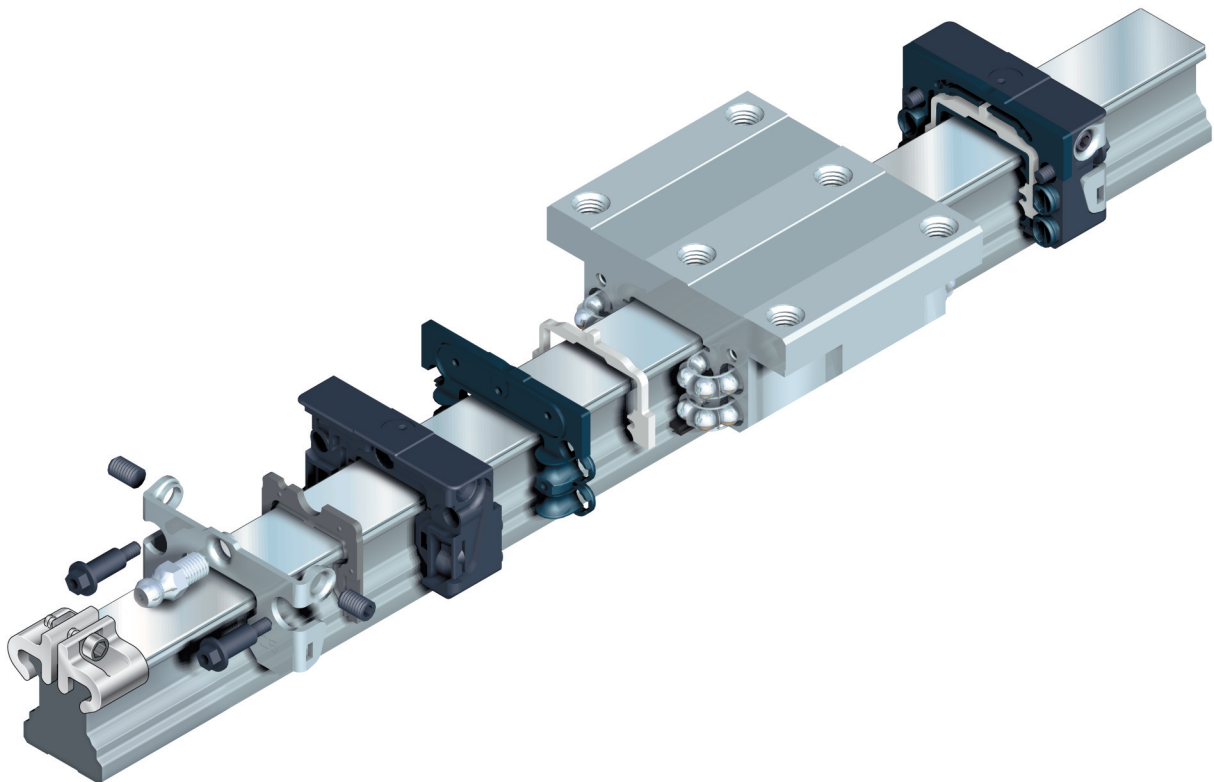
Thanks to the modular design of the systems, subsequent changes are not a problem. This catalogue brings together all the data which we feel is relevant.

If you require additional information please get in touch with one of our sales companies.

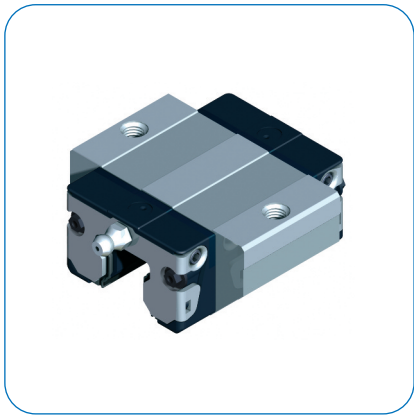


# Product overview

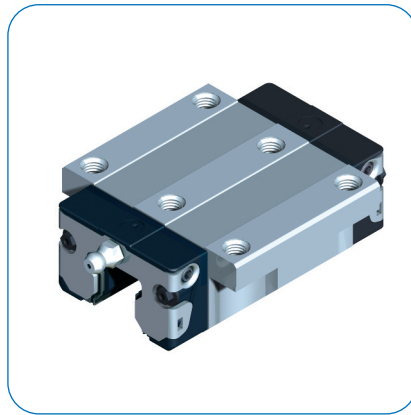
- Carriages with and without ball chain
- High load capacities in all main directions and high moment load capacities
- High dynamic performances:  
 $v = 5 \text{ m/s}$ ;  $a_{\text{max}} = 500 \text{ m/s}^2$
- Low noise and smooth, light running due to optimised ball recirculation and ideal ball chain geometry
- Long term lubrication system
- Lube ports with metal threads on all sides.
- Full interchangeability due to standardised rail, with or without rail seal cover strip, for all carriage versions
- Various accuracy and preload classes
- Carriages can be screwed from above or below, depending on type.
- Improved stiffness under lift off and side loading conditions when additional mounting screws are used for the holes in the centre of the carriage
- Integrated all-round sealing through front and longitudinal seals
- Wide range of accessories
- Both grease and oil lubrication possible despite initial grease application
- Wide range of accessories
- Worldwide SKF service network
- Both sides of the guide rail can be used as reference edges



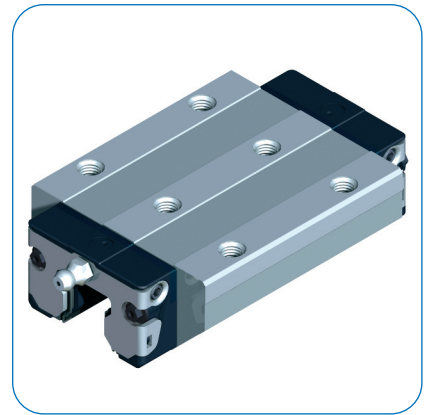




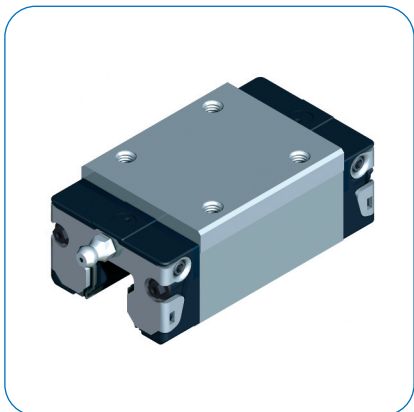
LLRHC xx SA  
Flange short. Standard height.



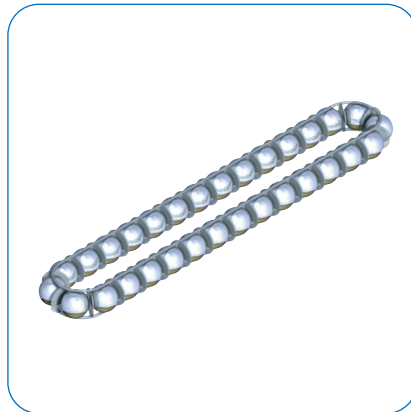
LLRHC xx A  
Flange normal. Standard height.



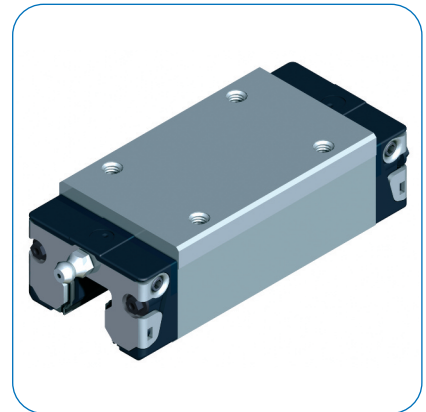
LLRHC xx LA  
Flange long. Standard height.



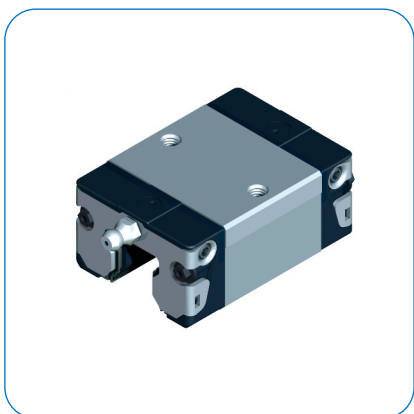
LLRHC xx R  
Slim line normal. High.



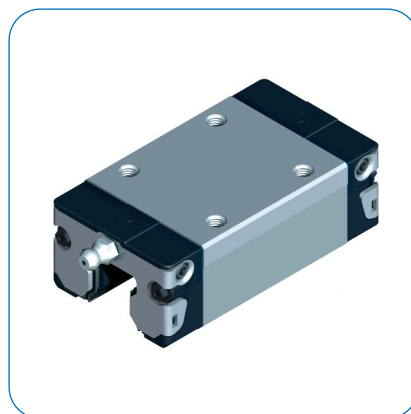
Ball chain  
Optimises noise level and running behaviour



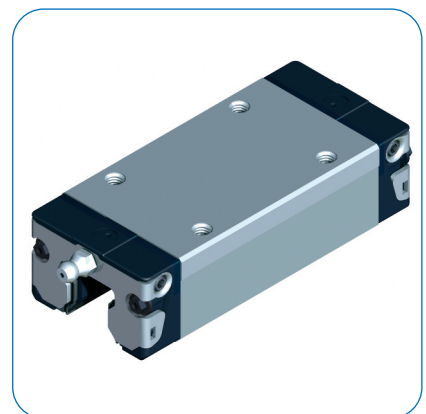
LLRHC xx LR  
Slim line long. High.



LLRHC xx SU  
Slim line short. Standard height.



LLRHC xx U  
Slim line normal. Standard height.



LLRHC xx LU  
Slim line long. Standard height.

# Technical data

## General information

The general technical data applies to all rail guides (all carriages and rails).

Special technical data is listed separately for the individual designs.

## Preload classes

In view of the different user requirements, the ball rail guides can be supplied in four different preload classes.

So as not to reduce the service life, the preload should not amount to more than 1/3 of the bearing load F.

In general, the stiffness of the carriage increases according to the preload increase.

## Guide systems with parallel rails

- In connection with the selected preload class the permissible deviation in parallelism of the rails must also be taken into account (see tables for the various designs).
- For the installation of rail guides in the accuracy class P5 we recommend the version with clearance T0 or the preload class T1 in order to avoid stresses owing to the tolerances.

## Speed

$v_{max}$ : 5 m/s

## Acceleration

$a_{max}$ : 500 m/s<sup>2</sup>

Only in the case of preloaded systems.

In the case of non-preloaded systems:  $a_{max} = 50 \text{ m/s}^2$

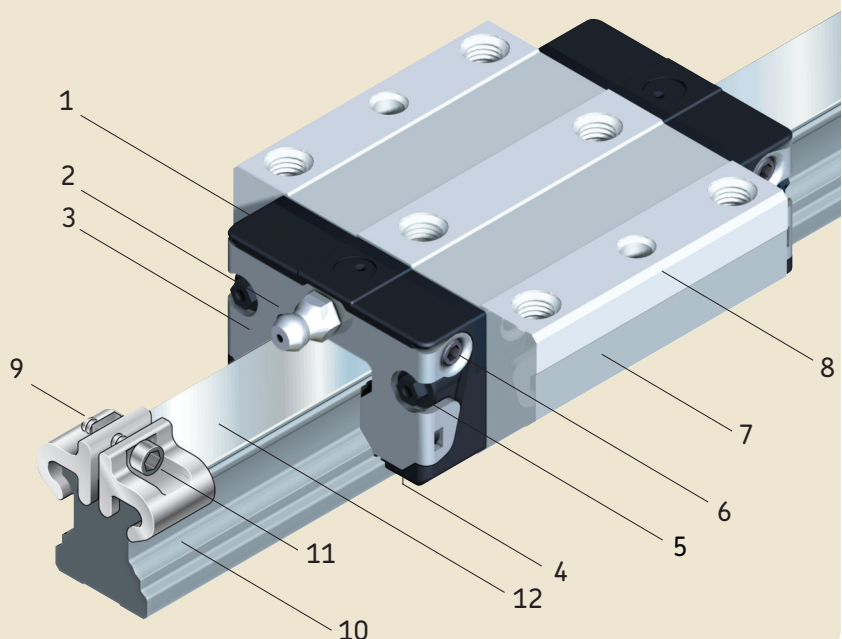
## Temperature resistance

$t_{max}$ : 100 °C

This is a maximum value which is only permissible for a short time. In continuous operation a maximum temperature of 80 °C must not be exceeded.

## Material specifications

- |   |                                     |    |  |
|---|-------------------------------------|----|--|
| 1 | Recirculation parts:<br>POM (PA6.6) | 6  | Thread pins: 1.4301                        |
| 2 | Lubrication nipple:<br>carbon steel | 7  | Balls: bearing steel                       |
| 3 | Metal front plates:<br>1.4301       | 8  | Housing: tempered steel                    |
| 4 | Seals: TEE-E                        | 9  | Cover strip retaining<br>clamps: aluminium |
| 5 | Flange screws:<br>carbon steel      | 10 | Clamping screw and nut:<br>1.4301          |
|   |                                     | 11 | Rail: tempered steel                       |
|   |                                     | 12 | Cover strip: 1.4301                        |

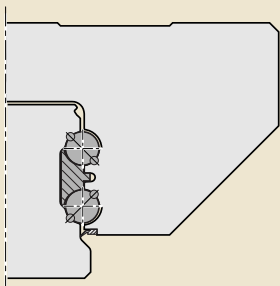


## Friction

The friction coefficient  $\mu$  of the ball rail guide is approx. 0,002 to 0,003 (not including the friction of the seal).

As a result of the design with 4 ball rows a 2-point contact exists for all load directions. This reduces friction to a minimum (Fig. 1).

Fig. 1



## Seals

Seals should prevent the penetration of dirt and chips into the interior of the carriage in order to avoid premature failure.

### Universal seal

Universal seals are installed as standard in SKF carriages.

They have a constant sealing effect on rails with and without cover strip.

In addition to efficient sealing, the design also provides for low friction.

For applications where low friction is required light-contact seals are available on request.

### Front seal

Front seals can be ordered as accessories and are attached by the customer.

They are suitable for use in environments with fine dust or metal particles, as well as coolants or cutting fluids.

### Note!

For extreme duty in environments with coarse dirt or metal particles, or where there is massive use of coolants or cutting fluids, Viton seals are available on request.

Viton seals have to be attached by the customer.

## Scraper plates

Scraper plates can be ordered as accessories (have to be attached by the customer).

They are suitable for use in most environments where coarse dirt or chips are encountered.

# Load rating

## Definition of the basic dynamic load rating C

The radial load, constant in magnitude and direction, which a linear rolling bearing can in theory accommodate for a basic rating life represented by a travelled distance of  $10^5$  m (to DIN 636 Part 1).

The basic dynamic load ratings in the tables are generally 30 % higher than the values to DIN. They have been verified in tests.

## Definition of the basic static load rating C<sub>0</sub>

The static load in the direction of loading which corresponds to a calculated load in the centre of the most highly loaded contact point between the rolling element and both raceways (rail) at an osculation of  $\leq 0,52, 4\ 200$  MPa.

### Note:

At this load on the contact point a permanent total deformation of the rolling element and raceway occurs which corresponds to about 0,0001 times the rolling element diameter (to DIN 636 Part 2).

## Definition and calculation of the basic rating life

The calculated life achievable with 90 % reliability for a single rolling bearing or a group of evidently identical rolling bearings running under identical conditions given the material generally used today of normal manufacturer's quality and usual operating conditions (to DIN 636 Part 1).

### Basic rating life at constant speed

The basic rating life  $L$  or  $L_h$  can be calculated applying the formula (1), (2) or (3):

$$(1) L_{10} = \left(\frac{C}{P}\right)^3 \cdot 10^5$$

$$(2) L_{10h} = \frac{L_{10}}{2 \times s \times n \times 60}$$

### Basic rating life at changing speed

$$(3) L_{10h} = \frac{L_{10}}{60 \times v_m}$$

$$(4) v_m = \frac{t_1 \times v_1 + t_2 \times v_2 + \dots + t_n \times v_n}{100}$$

$L_{10}$  = basic rating life (m)

$L_{10h}$  = basic rating life (h)

$C$  = basic dynamic load rating (N)

$P$  = equivalent load (N)

$s$  = stroke length (m)

$n$  = stroke frequency (double strokes/min)

$v_m$  = mean speed (m/min)

$v_1, v_2, \dots, v_n$  = travel speeds (m/min)

$t_1, t_2, \dots, t_n$  = time proportions for  $v_1, v_2, \dots, v_n$  (%)

The formulae for calculating the service life of profile rail guides apply to a stroke length of  $S \geq 2$  times the carriage length. At lower values the load rating is reduced. Please consult SKF.

## Dynamic equivalent bearing load for calculation of the service life

For a fluctuating bearing load the dynamic equivalent loading  $F$  is calculated according to formula (5):

$$(5) F_m = \sqrt[3]{\frac{F_1^3 \times s_1 + F_2^3 \times s_2 + \dots + F_n^3 \times s_n}{s}}$$

$F_m$  = constant mean load (N)

$F_1, F_2, \dots, F_n$  = constant loads during stroke lengths  $s_1, s_2, \dots, s_n$  (N)

$s$  = total stroke length ( $s = s_1 + s_2 + \dots + s_n$ ), during which loads  $F_1, F_2, \dots, F_n$  have an effect (mm)

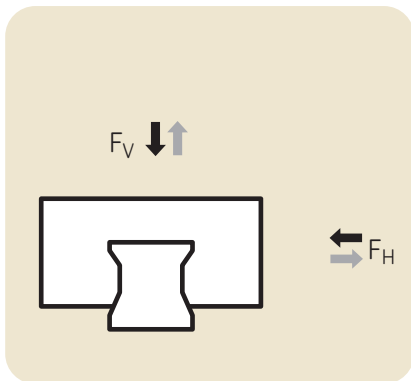
- given a combined bearing load

## Note on dynamic load capacities and moments

Determination of dynamic load capacities and moments is based on a travel life of 100 000 m. However, frequently this is determined on the basis of only 50 000 m. In this case for comparison: multiply values  $C$ ,  $M_c$  and  $M_A$  by 1.26 in accordance with SKF tables.

For carriages with ball chain the permissible moments are reduced in accordance with the load ratings.





### Dynamic equivalent bearing load

For a combined external load – vertical and horizontal – the dynamic equivalent load  $F$  is calculated by means of formula (6):

$$(6) F = |F_V| + |F_H|$$

dynamic equivalent load (N)

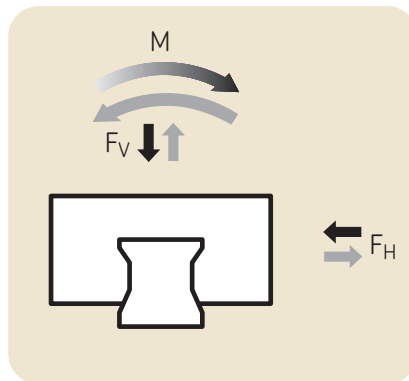
$F_V$  = dynamic external load, vertical (N)

$F_H$  = dynamic external load, horizontal (N)

**Note:** The design of the ball rail guide permits this simplified calculation.

#### Note:

If different load stages exist for  $F_V$  and  $F_H$ ,  $F_V$  and  $F_H$  must be calculated individually using formula (5). An external load applied at any angle to the carriage must be divided into the proportions  $F_V$  and  $F_H$ . The amounts are then used in formula (6)



### Dynamic equivalent bearing load

For a combined external load – vertical and horizontal – in combination with a torsional moment the dynamic equivalent load  $F$  can be calculated using formula (7):

$$(7) F = |F_V| + |F_H| + C \times \frac{|M|}{M_t}$$

$F$  = dynamic equivalent load (N)

$F_V, F_H$  = dynamic external loads (N)

$M$  = dynamic torsional moment (Nm)

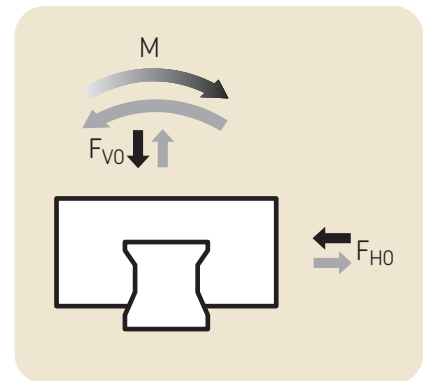
$C$  = basic dynamic load rating (N)

$M_t$  = dynamic permissible moment (Nm)

Formula (7) only applies if a single rail is used.

#### Note:

If different load stages exist for  $F_V$  and  $F_H$ ,  $F_V$  and  $F_H$  must be calculated individually using formula (5). An external load applied at any angle to the carriage must be divided into the proportions  $F_V$  and  $F_H$ . The amounts are then used in formula (7).



### Static equivalent bearing load

For a combined external static load – vertical and horizontal – in connection with a static torsional moment the static equivalent load  $F_0$  can be calculated using formula (8).

The static equivalent load  $F_0$  must not exceed the static load rating  $C_0$ .

Formula (8) only applies if a single rail is used.

$$(8) F_0 = |F_{V0}| + |F_{H0}| + C_0 \times \frac{|M_0|}{M_{t0}}$$

$F_0$  = static equivalent load (N)

$F_{V0}, F_{H0}$  = static external loads (N)

$M_0$  = static torsional moment (Nm)

$C_0$  = basic static load rating (N)

$M_{t0}$  = static permissible moment (Nm)

#### Note:

An external load applied at any angle to the carriage must be divided into the proportions  $F_{V0}$  and  $F_{H0}$ . The amounts are then used in formula (8).

## Accuracy classes

### Accuracy classes and their tolerances

SKF profile rail guides are available in five accuracy classes. As shown in the adjacent illustration, the tolerances are defined for each accuracy class. The stated accuracy classes are available for almost all types of profile rail guides. For the designs which can be supplied please refer to the respective table on page 11.

#### Dimensional tolerance in height “H”

The dimensional tolerance in height “H” is the maximum deviation of the height “H” for the carriages on a profile rail (Fig. 2).

#### Dimensional tolerance in width “N”

The dimensional tolerance in width “N” is the maximum deviation of the “N” dimension for the carriages on a profile rail (Fig. 2).

- The “N” dimension designates the distance of the mounting surface of the profile rail from the ground side surface of the carriage.
- The accuracies stated are mean values and relate to the centre of the carriage.
- The tolerances should be checked again after the profile rail guide has been mounted on the machine bed.

### Problem-free interchangeability through precision manufacture

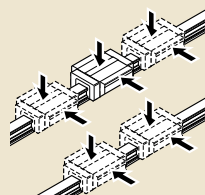
The rail and carriage are produced so precisely by SKF, especially in the ball raceway area, that each individual element can be exchanged at any time.

For example, a carriage can be used without any problems on different rails of the same size.

Conversely, various carriages can be used on one rail.

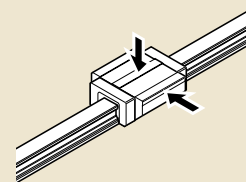
Fig. 1

Accuracy class	Tolerance		Max. differences in dimension H and N on one rail	
	H (µm)	N (µm)	Δ H (µm)	Δ N (µm)
P5	± 100	± 40	30	30
P3	±40	±20	15	15
P1	±20	±10	7	7
P01	±10	±7	5	5
P001	±5	±5	3	3



Measured in the centre of the carriage:

For any combination of carriages and rails over the entire rail length



For different carriages at the same rail position

\* Tolerances for the combination of different accuracy classes in respect of carriage and rail can be referred to on page 11.

Fig. 2

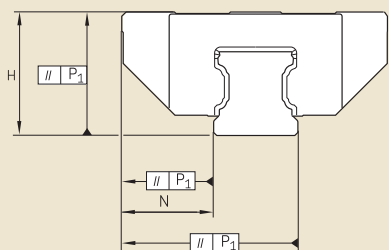
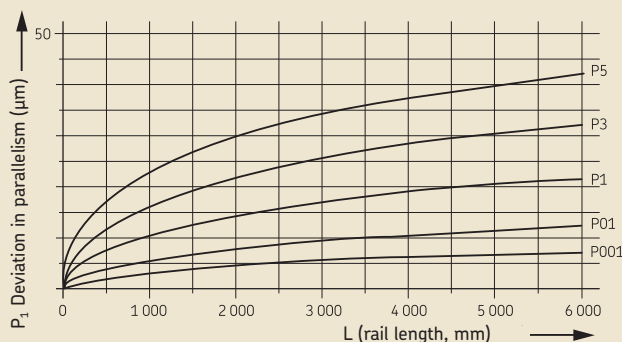


Fig. 3



# Selection criteria for combination of accuracy classes

Carriages	Rails	P5 μm	P3 μm	P1 μm	P01 μm	P001 μm
P5	Tolerance dimension H (μm)	± 100	± 48	± 32	± 23	± 19
	Tolerance dimension N (μm)	± 40	± 28	± 22	± 20	± 19
	Max. difference of dimensions H and N on a rail (μm)	30	30	30	30	30
P3	Tolerance dimension H (μm)	± 88	± 40	± 23	± 23	± 19
	Tolerance dimension N (μm)	± 33	± 20	± 14	± 20	± 19
	Max. difference of dimensions H and N on a rail (μm)	15	15	15	15	15
P1	Tolerance dimension H (μm)	± 84	± 34	± 21	± 11	± 7
	Tolerance dimension N (μm)	± 28	± 16	± 10	± 8	± 7
	Max. difference of dimensions H and N on a rail (μm)	7	7	7	7	7
P01	Tolerance dimension H (μm)	± 83	± 33	± 19	± 10	± 6
	Tolerance dimension N (μm)	± 27	± 15	± 9	± 7	± 6
	Max. difference of dimensions H and N on a rail (μm)	5	5	5	5	5
P001	Tolerance dimension H (μm)	± 82	± 32	± 18	± 9	± 5
	Tolerance dimension N (μm)	± 26	± 14	± 8	± 6	± 5
	Max. difference of dimensions H and N on a rail (μm)	3	3	3	3	3

## Recommendations for the combination of accuracy classes

Recommended for short strokes and small distances between the carriages:

Carriage in higher accuracy class than guide rail.

Recommended for long strokes and larger distances between the carriages:

Guide rail in higher accuracy class than carriage.

## Running accuracy as selection criterion

By means of perfected ball entry and exit zones in the carriages of accuracy classes P1 and P001, a hitherto unattained running accuracy accompanied by extremely low pulsation is achieved.

This is particularly suitable for ultra-fine metal cutting operations, metrology, high-precision scanners, erosion techniques etc.

# Preloading and stiffness

For perfect operating behaviour under various operating conditions in an extremely wide range of applications it is necessary to establish the suitable preload. In general, a slight to medium preload is enough for the majority of applications. For special applications in which high shock loads and vibration can occur it is advisable to use a higher preloading. The preload classes offered by SKF are categorised in Table 4.

## Selection of the preload class

In the designs with clearance no preloading is achieved. Instead, there is clearance of between 1 and 10 µm between the carriage and rail. If two rails and more than one carriage per rail are used this clearance is in most cases equalised by parallelism tolerances.

Preload force referred to the basic dynamic load rating  $C_{dyn}$  of the respective carriage.

### Example:

Carriage LLRHC 35 A

$C = 41\,900\text{ N}$

Preload  $0,02 \times C = 838\text{ N}$

This carriage is preloaded with a basic load of approx. 838N.

Table 4

## Versions and area of applications

### T0 – Clearance

---

For particularly smooth-running guide systems with low friction and low external influences. Designs with clearance are only available in the accuracy classes P5 and P3.

### T1 - Preload 0,02 C

---

For precise guide systems with low external load and high requirements in respect of overall stiffness.

### T2 - Preload 0,08 C

---

For precise guide systems with high external load and high requirements in respect of overall stiffness; also recommended for single-rail systems. Above-average moment loads are absorbed without any significant elastic deformation. At only medium moment loads the overall stiffness is further improved.

### T3 - Preload 0,13 C

---

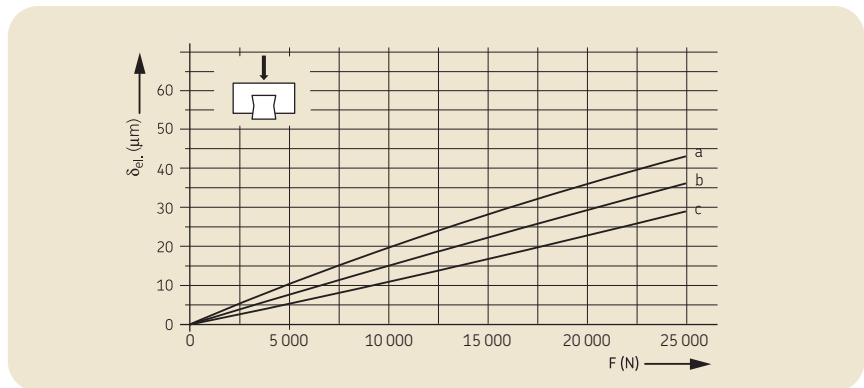
For highly rigid guide systems such as precision machine tools or injection mould clamping units. Above-average loads and moments are absorbed with lowest-possible elastic deformation. Version with preload T3 only available in accuracy classes P1, P01 and P001.



Deflection as a function of preload class and carriage

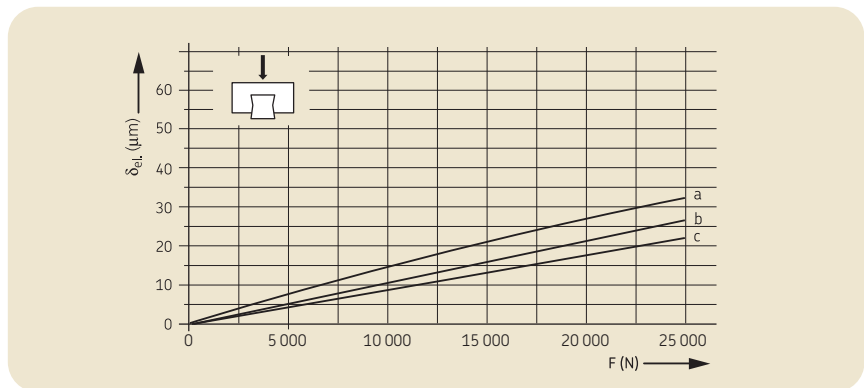
Example:

- Carriage LLRHC 35 A,  
 a) Preload 0,02 C (T1)  
 b) Preload 0,08 C (T2)  
 c) Preload 0,13 C (T3)



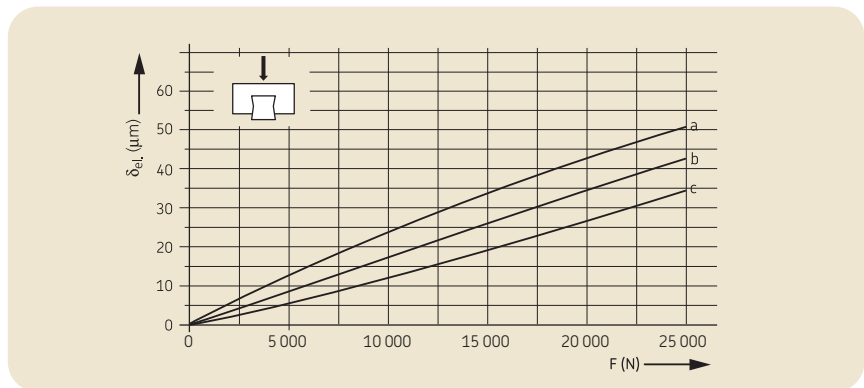
Example:

- Carriage LLRHC 35 LA,  
 a) Preload 0,02 C (T1)  
 b) Preload 0,08 C (T2)  
 c) Preload 0,13 C (T3)



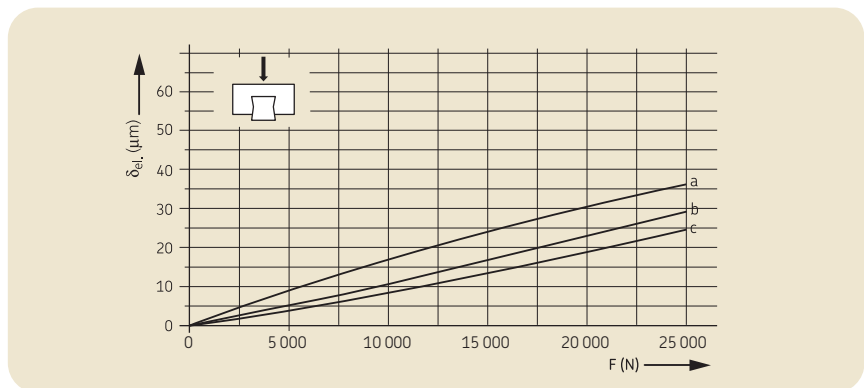
Example:

- Carriage LLRHC 35 U,  
 a) Preload 0,02 C (T1)  
 b) Preload 0,08 C (T2)  
 c) Preload 0,13 C (T3)



Example:

- Carriage LLRHC 35 LU,  
 a) Preload 0,02 C (T1)  
 b) Preload 0,08 C (T2)  
 c) Preload 0,13 C (T3)

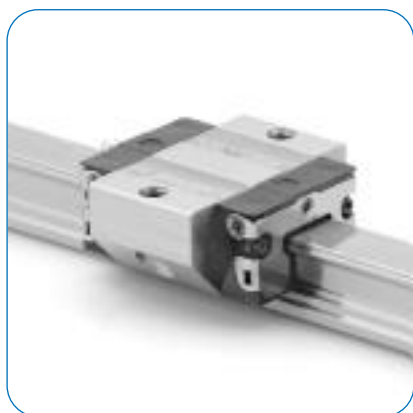


Legend

δ<sub>el</sub> = elastic deformation  
 F = load

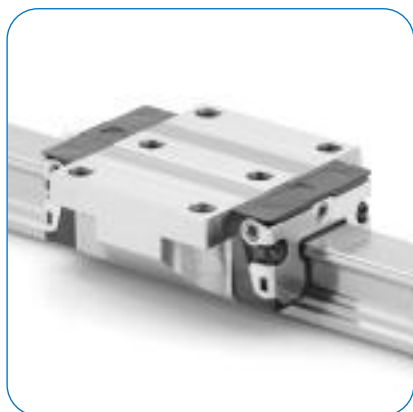
# Carriages

## Load ratings



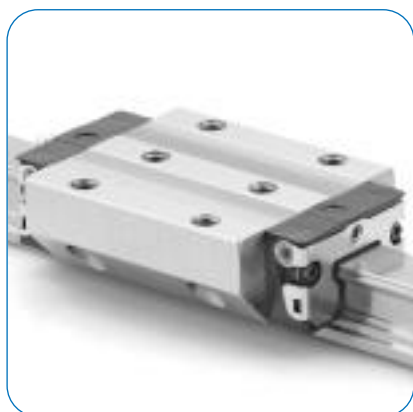
LLRHC xx SA (Flange short. Standard height.)

Size		15	20	25	30	35	45
Design							
ball chain	C (N)	5 900	12 400	14 000	22 100	29 300	–
no ball chain	C (N)	6 800	12 400	15 800	22 100	29 300	–
ball chain	C <sub>0</sub> (N)	6 700	13 600	15 200	24 800	32 400	–
no ball chain	C <sub>0</sub> (N)	8 100	13 600	18 200	24 800	32 400	–



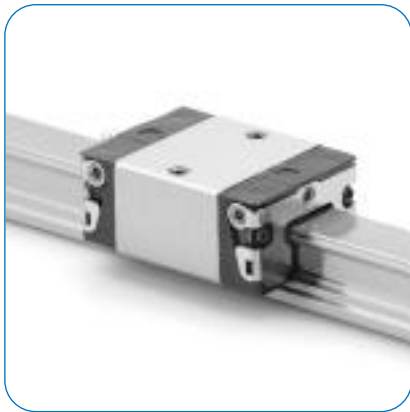
LLRHC xx A (Flange normal. Standard height.)

Size		15	20	25	30	35	45
Design							
ball chain	C (N)	7 280	17 400	21 300	29 300	41 900	63 300
no ball chain	C (N)	7 800	18 800	22 800	31 700	41 900	68 100
ball chain	C <sub>0</sub> (N)	12 100	21 700	27 300	37 200	54 000	77 100
no ball chain	C <sub>0</sub> (N)	13 500	24 400	30 400	41 300	54 000	85 700



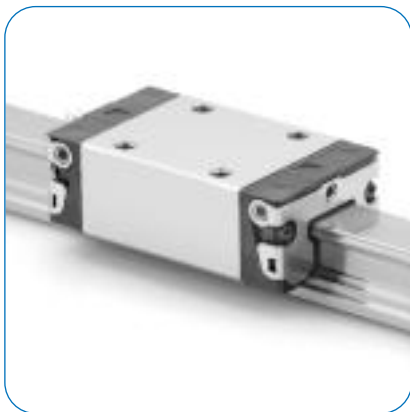
LLRHC xx LA (Flange long. Standard height.)

Size		15	20	25	30	35	45
Design							
ball chain	C (N)	9 000	23 100	27 500	38 000	53 000	81 900
no ball chain	C (N)	10 000	24 400	30 400	40 000	55 600	90 400
ball chain	C <sub>0</sub> (N)	17 500	32 500	39 500	53 700	75 600	111 400
no ball chain	C <sub>0</sub> (N)	20 200	35 200	45 500	57 800	81 000	128 500



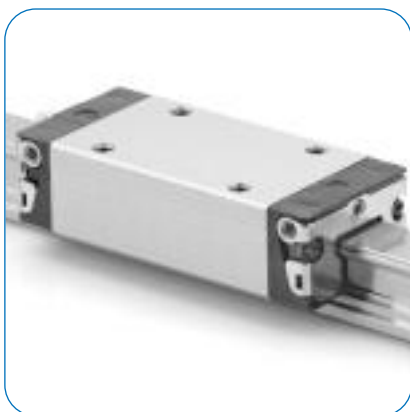
LLRHC xx SU (Slim line short. Standard height.)

Size		15	20	25	30	35	45
Design							
ball chain	C (N)	5 900	12 400	14 000	22 100	29 300	–
no ball chain	C (N)	6 800	12 400	15 800	22 100	29 300	–
ball chain	C <sub>0</sub> (N)	6 700	13 600	15 200	24 800	32 400	–
no ball chain	C <sub>0</sub> (N)	8 100	13 600	18 200	24 800	32 400	–



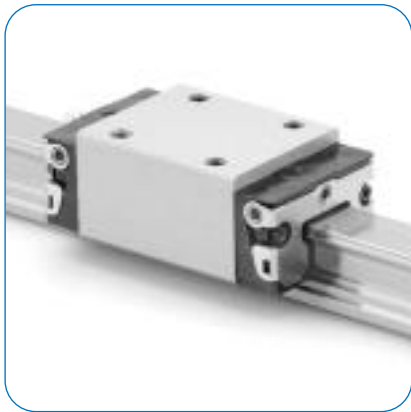
LLRHC xx U (Slim line normal. Standard height.)

Size		15	20	25	30	35	45
Design							
ball chain	C (N)	7 280	17 400	21 300	29 300	41 900	63 300
no ball chain	C (N)	7 800	18 800	22 800	31 700	41 900	68 100
ball chain	C <sub>0</sub> (N)	12 100	21 700	27 300	37 200	54 000	77 100
no ball chain	C <sub>0</sub> (N)	13 500	24 400	30 400	41 300	54 000	85 700



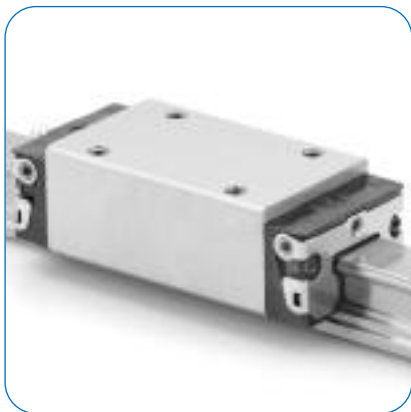
LLRHC xx LU (Slim line long. Standard height.)

Size		15	20	25	30	35	45
Design							
ball chain	C (N)	9 000	23 100	27 500	38 000	53 000	81 900
no ball chain	C (N)	10 000	24 400	30 400	40 000	55 600	90 400
ball chain	C <sub>0</sub> (N)	17 500	32 500	39 500	53 700	75 600	111 400
no ball chain	C <sub>0</sub> (N)	20 200	35 200	45 500	57 800	81 000	128 500



LLRHC xx R (Slim line normal. High.)

Size Design		15	25	30	35	45
ball chain	C (N)	7 280	21 300	29 300	41 900	63 300
no ball chain	C (N)	7 800	22 800	31 700	41 900	68 100
ball chain	C <sub>0</sub> (N)	12 100	27 300	37 200	54 000	77 100
no ball chain	C <sub>0</sub> (N)	13 500	30 400	41 300	54 000	85 700



LLRHC xx LR (Slim line long. High.)

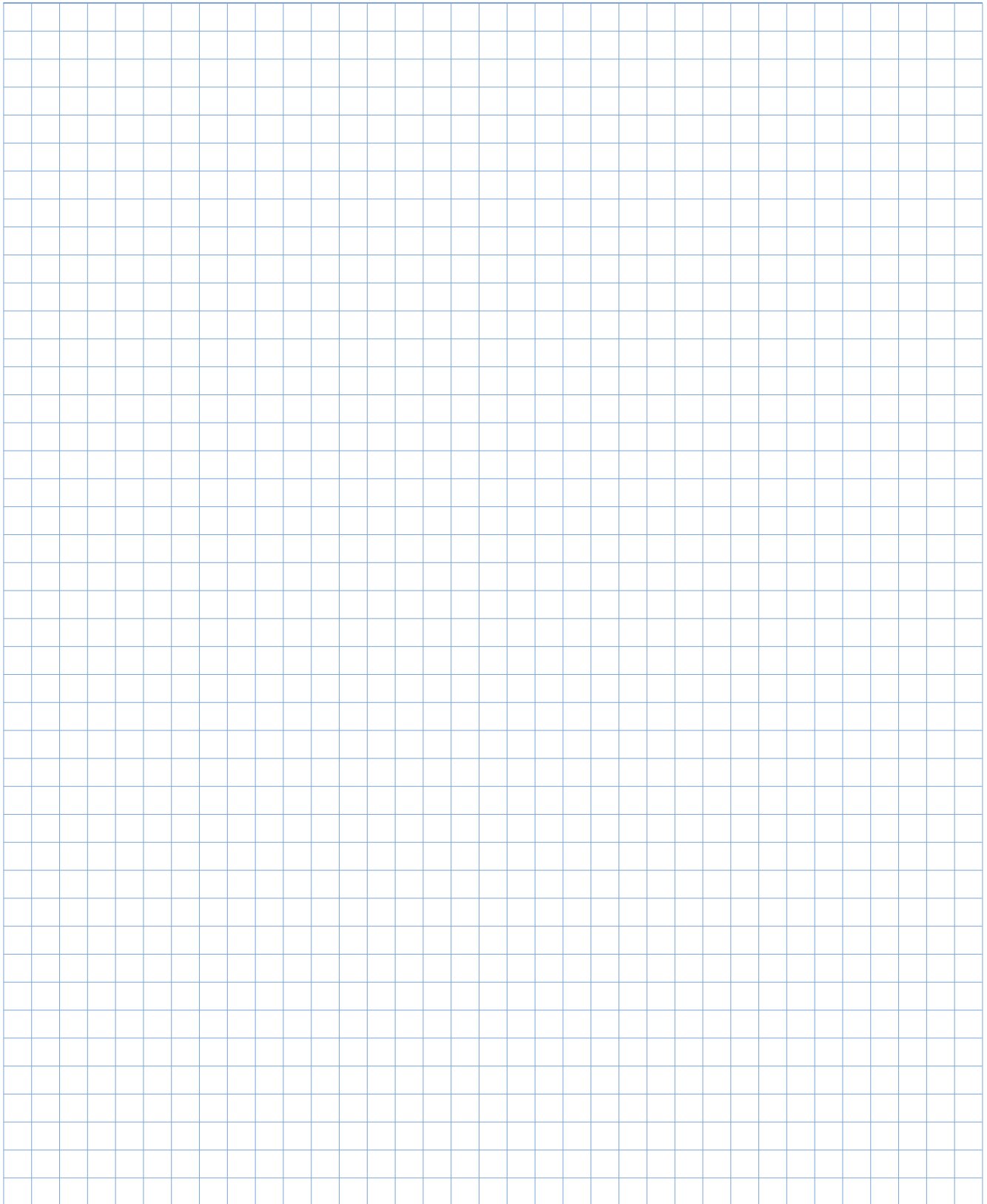
Size Design		25	30	35	45
ball chain	C (N)	27 500	38 000	53 000	81 900
no ball chain	C (N)	30 400	40 000	55 600	90 400
ball chain	C <sub>0</sub> (N)	39 500	53 700	75 600	111 400
no ball chain	C <sub>0</sub> (N)	45 500	57 800	81 000	128 500

#### Note on dynamic load capacities and moments

Determination of dynamic load capacities and moments is based on a travel life of 100 000 m. However, frequently this is determined on the basis of only 50 000 m. In this case for comparison: multiply values C, M<sub>C</sub> and M<sub>A</sub> by 1.26 in accordance with SKF tables.

For carriages with ball chain the permissible moments are reduced in accordance with the load ratings.



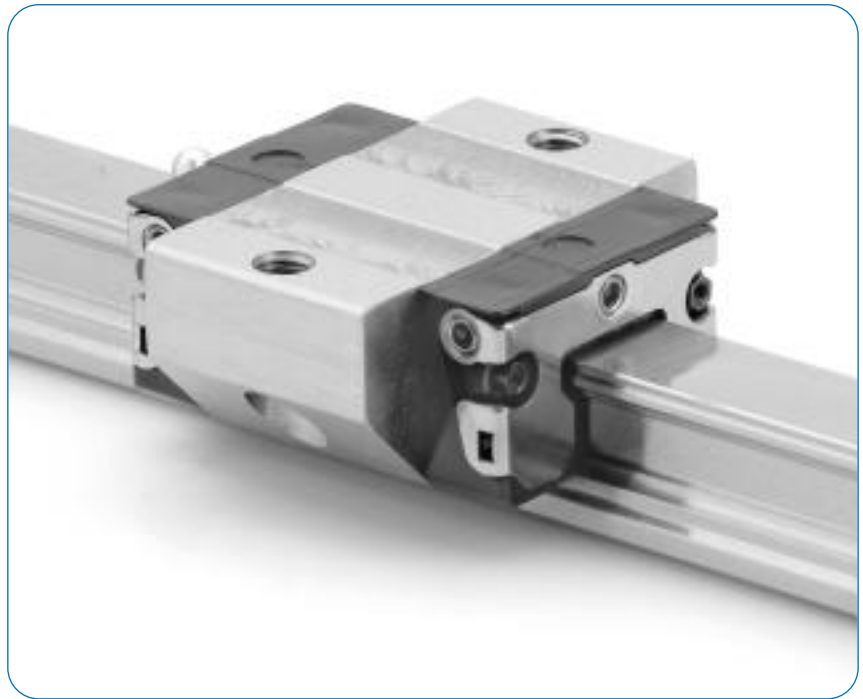


# Accuracy classes, dimensions and designations

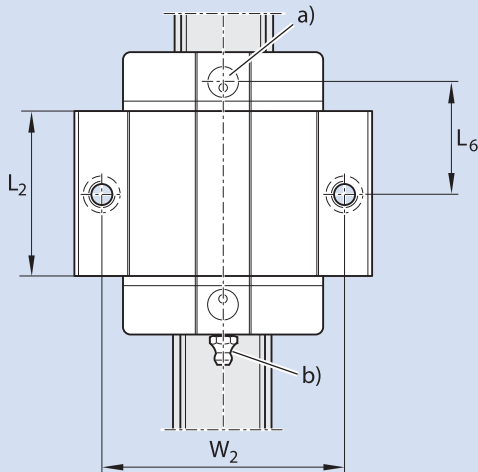
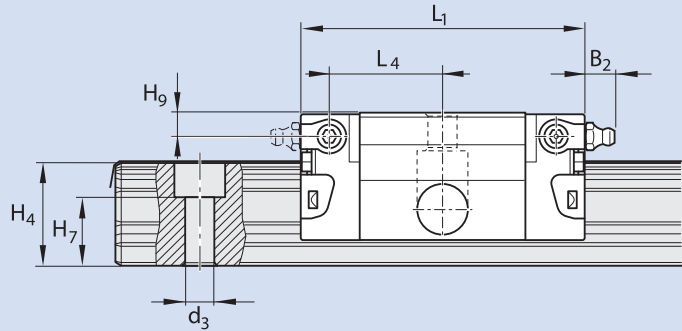
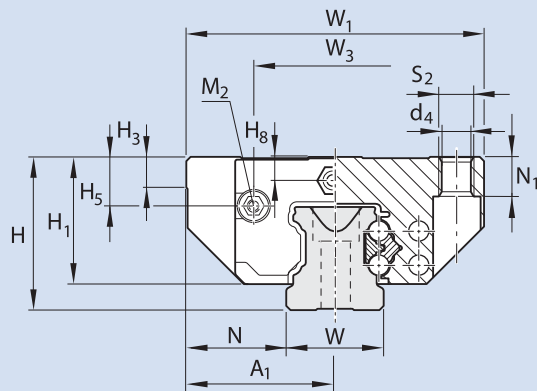
Carriage LLRHC xx SA  
 Flange short. Standard height.

For type designation see  
 designation system

Dynamic values  
 Speed  $v_{max} = 5 \text{ m/s}$   
 Acceleration  $a_{max} = 500 \text{ m/s}^2$



Size	Accuracy class	Type designation incl. preload class	
		T0	T1
15	P5	LLRHC 15 SA T0 P5	LLRHC 15 SA T1 P5
	P3	LLRHC 15 SA T0 P3	LLRHC 15 SA T1 P3
20	P5	LLRHC 20 SA T0 P5	LLRHC 20 SA T1 P5
	P3	LLRHC 20 SA T0 P3	LLRHC 20 SA T1 P3
25	P5	LLRHC 25 SA T0 P5	LLRHC 25 SA T1 P5
	P3	LLRHC 25 SA T0 P3	LLRHC 25 SA T1 P3
30	P5	LLRHC 30 SA T0 P5	LLRHC 30 SA T1 P5
	P3	LLRHC 30 SA T0 P3	LLRHC 30 SA T1 P3
35	P5	LLRHC 35 SA T0 P5	LLRHC 35 SA T1 P5
	P3	LLRHC 35 SA T0 P3	LLRHC 35 SA T1 P3



- a) For O-ring  
 Size 15:  $\varnothing 4 \times 1,0$  (mm)  
 Size 20-35:  $\varnothing 5 \times 1,0$  (mm)  
 Open lubrication hole as required.  
 See additional elements:  
 Mounting of lubrication adapter.
- b) Lubrication nipple size 15 and 20: Funnel-type nipple  
 Type A – Thread size M3 x 5, DIN 3405  
 B2 = 1,6 mm  
 When using other nipples, the max. permissible screw depth of 5 mm must be observed!  
 Size 25 to 35: M6 x 8, DIN 71412  
 B2 = 9,5 mm  
 When using other nipples, the max. permissible screw depth of 8 mm must be observed!  
 Lubrication nipple supplied along with the rail guide (unmounted).  
 Connection possible at all sides.  
 If pin holes are needed, please refer to section "Mounting instructions".

Size	Dimensions (mm)																		
	W <sub>1</sub>	A <sub>1</sub>	W	N	L <sub>1</sub>	L <sub>2</sub>	H	H <sub>1</sub>	H <sub>4</sub> <sup>1)</sup>	H <sub>4</sub> <sup>2)</sup>	H <sub>3</sub>	W <sub>2</sub>	W <sub>3</sub>	H <sub>5</sub>	L <sub>6</sub>	L <sub>4</sub>	H <sub>8</sub>	H <sub>9</sub>	
15	47	23,5	15	16,0	44,7	25,7	24	19,90	16,30	16,20	5,0	38	24,55	6,70	16,25	17,85	3,20	3,20	
20	63	31,5	20	21,5	57,3	31,9	30	25,35	20,75	20,55	6,0	53	32,50	7,30	22,95	22,95	3,35	3,35	
25	70	35,0	23	23,5	67,0	38,6	36	29,90	24,45	24,25	7,5	57	38,30	11,50	25,35	26,50	5,50	5,50	
30	90	45,0	28	31,0	75,3	45,0	42	35,35	28,55	28,35	7,0	72	48,40	14,60	28,80	30,50	6,05	6,05	
35	100	50,0	34	33,0	84,9	51,4	48	40,40	32,15	31,85	8,0	82	58,00	17,35	32,70	34,20	6,90	6,90 <sup>1)</sup>	

<sup>1)</sup> Dimension H<sub>4</sub> with cover strip.

<sup>2)</sup> Dimension H<sub>4</sub> without cover strip

Size	Dimensions (mm)						Weight (kg)	Load ratings (N)		Moments (N <sub>m</sub> )			
	N <sub>1</sub>	H <sub>7</sub> <sup>±0,5</sup>	d <sub>4</sub>	S <sub>2</sub>	d <sub>3</sub>	M <sub>2</sub>		C dyn.	C <sub>0</sub> stat.	M <sub>C</sub> dyn.	M <sub>C0</sub> stat.	M <sub>A</sub> dyn.	M <sub>B</sub> stat.
15	5,2	10,3	4,3	M5	4,4	M2,5-3,5 depth	0,15	5 400	8 100	52	80	19	28
20	7,7	13,2	5,3	M6	6,0	M3-5 depth	0,30	12 400	13 600	150	170	52	58
25	9,3	15,2	6,7	M8	7,0	M3-5 depth	0,50	15 900	18 200	230	260	82	94
30	11,0	17,0	8,5	M10	9,0	M3-5 depth	0,80	22 100	24 800	380	430	133	150
35	12,0	20,5	8,5	M10	9,0	M3-5 depth	1,20	29 300	32 400	640	700	200	220

### Carriage LLRHC xx A

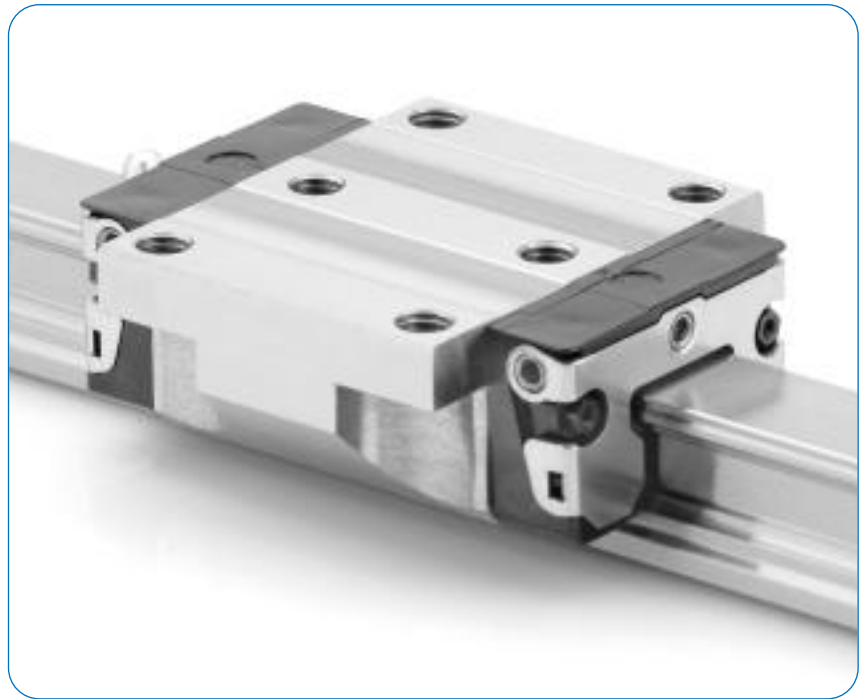
Flange normal. Standard height.

For type designation see designation system

#### Dynamic values

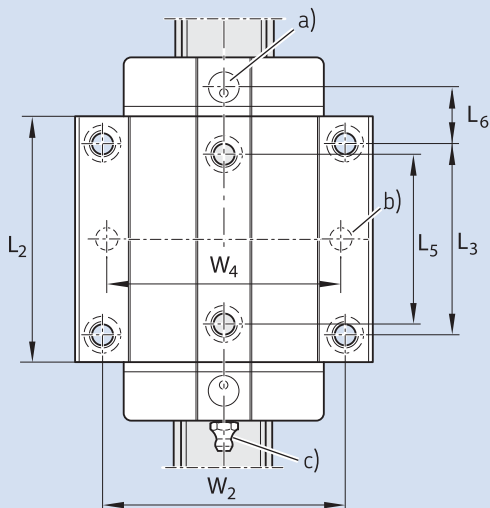
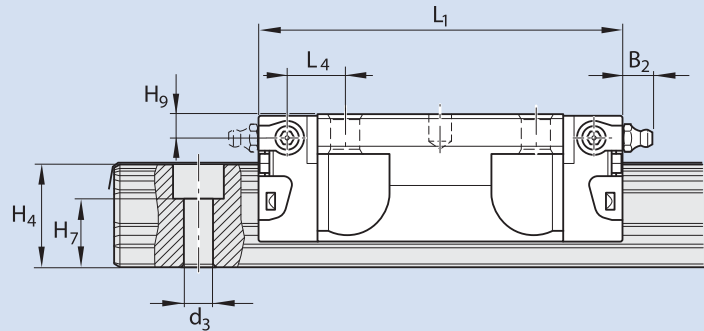
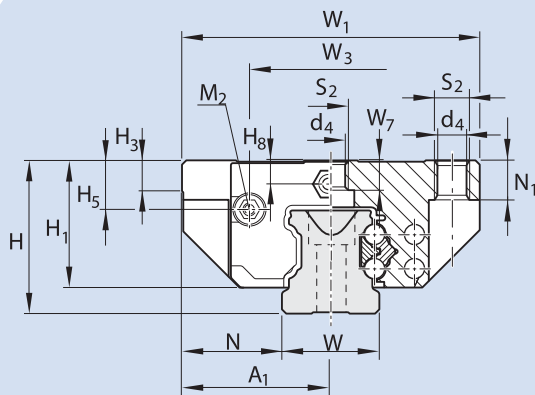
Speed  $v_{max} = 5 \text{ m/s}$

Acceleration  $a_{max} = 500 \text{ m/s}^2$



Size	Accuracy class	Type designation incl. preload class			
		T0	T1	T2	T3
15	P5	<b>LLRHC 15 A T0 P5</b>	<b>LLRHC 15 A T1 P5</b>	<b>LLRHC 15 A T2 P5</b>	
	P3	<b>LLRHC 15 A T0 P3</b>	<b>LLRHC 15 A T1 P3</b>	<b>LLRHC 15 A T2 P3</b>	
	P1		LLRHC 15 A T1 P1	LLRHC 15 A T2 P1	LLRHC 15 A T3 P1
	P01		LLRHC 15 A T1 P01	LLRHC 15 A T2 P01	LLRHC 15 A T3 P01
	P001		LLRHC 15 A T1 P001	LLRHC 15 A T2 P001	LLRHC 15 A T3 P001
20	P5	<b>LLRHC 20 A T0 P5</b>	<b>LLRHC 20 A T1 P5</b>	<b>LLRHC 20 A T2 P5</b>	
	P3	<b>LLRHC 20 A T0 P3</b>	<b>LLRHC 20 A T1 P3</b>	<b>LLRHC 20 A T2 P3</b>	
	P1		LLRHC 20 A T1 P1	LLRHC 20 A T2 P1	LLRHC 20 A T3 P1
	P01		LLRHC 20 A T1 P01	LLRHC 20 A T2 P01	LLRHC 20 A T3 P01
	P001		LLRHC 20 A T1 P001	LLRHC 20 A T2 P001	LLRHC 20 A T3 P001
25	P5	<b>LLRHC 25 A T0 P5</b>	<b>LLRHC 25 A T1 P5</b>	<b>LLRHC 25 A T2 P5</b>	
	P3	<b>LLRHC 25 A T0 P3</b>	<b>LLRHC 25 A T1 P3</b>	<b>LLRHC 25 A T2 P3</b>	
	P1		LLRHC 25 A T1 P1	LLRHC 25 A T2 P1	LLRHC 25 A T3 P1
	P01		LLRHC 25 A T1 P01	LLRHC 25 A T2 P01	LLRHC 25 A T3 P01
	P001		LLRHC 25 A T1 P001	LLRHC 25 A T2 P001	LLRHC 25 A T3 P001
30	P5	<b>LLRHC 30 A T0 P5</b>	<b>LLRHC 30 A T1 P5</b>	<b>LLRHC 30 A T2 P5</b>	
	P3	<b>LLRHC 30 A T0 P3</b>	<b>LLRHC 30 A T1 P3</b>	<b>LLRHC 30 A T2 P3</b>	
	P1		LLRHC 30 A T1 P1	LLRHC 30 A T2 P1	LLRHC 30 A T3 P1
	P01		LLRHC 30 A T1 P01	LLRHC 30 A T2 P01	LLRHC 30 A T3 P01
	P001		LLRHC 30 A T1 P001	LLRHC 30 A T2 P001	LLRHC 30 A T3 P001
35	P5	<b>LLRHC 35 A T0 P5</b>	<b>LLRHC 35 A T1 P5</b>	<b>LLRHC 35 A T2 P5</b>	
	P3	<b>LLRHC 35 A T0 P3</b>	<b>LLRHC 35 A T1 P3</b>	<b>LLRHC 35 A T2 P3</b>	
	P1		LLRHC 35 A T1 P1	LLRHC 35 A T2 P1	LLRHC 35 A T3 P1
	P01		LLRHC 35 A T1 P01	LLRHC 35 A T2 P01	LLRHC 35 A T3 P01
	P001		LLRHC 35 A T1 P001	LLRHC 35 A T2 P001	LLRHC 35 A T3 P001
45	P5	<b>LLRHC 45 A T0 P5</b>	<b>LLRHC 45 A T1 P5</b>	<b>LLRHC 45 A T2 P5</b>	
	P3	<b>LLRHC 45 A T0 P3</b>	<b>LLRHC 45 A T1 P3</b>	<b>LLRHC 45 A T2 P3</b>	
	P1		LLRHC 45 A T1 P1	LLRHC 45 A T2 P1	LLRHC 45 A T3 P1
	P01		LLRHC 45 A T1 P01	LLRHC 45 A T2 P01	LLRHC 45 A T3 P01
	P001		LLRHC 45 A T1 P001	LLRHC 45 A T2 P001	LLRHC 45 A T3 P001

bold text = standard range



- a) For O-ring  
Size 15:  $\varnothing 4 \times 1,0$  (mm)  
Size 20-45:  $\varnothing 5 \times 1,0$  (mm)  
Open lubrication hole as required.  
See additional elements: Mounting of lubrication adapter.
- b) Recommended position for pin holes (dimensions  $W_4$ , see "Mounting instructions")  
NB: For production-related reasons there may be pilot drill holes in the middle of the carriage. They are suitable for drilling..
- c) Lubrication nipple size 15 and 20: Funnel-type nipple  
Type A – Thread size M3 x 5, DIN 3405  
B2 = 1,6 mm  
When using other nipples, the max. permissible screw depth of 5 mm must be observed!  
  
Size 25 to 45: M6 x 8, DIN 71412  
B2 = 9,5 mm  
When using other lubrication nipples, the max. permissible screw depth of 8 mm must be observed!  
Lubrication nipple supplied with the rail guide (unmounted).  
Connection possible at all sides.

Size	Dimensions (mm)																			
	$W_1$	$A_1$	W	N	$L_1$	$L_2$	H	$H_1$	$H_4^{1)}$	$H_4^{2)}$	$H_3$	$W_2$	$L_3$	$L_5$	$W_3$	$H_5$	$L_6$	$L_4$	$H_8$	$H_9$
15	47	23,5	15	16,0	58,2	39,2	24	19,90	16,30	16,20	5,0	38	30	26	24,55	6,70	8,00	9,6	3,20	3,20
20	63	31,5	20	21,5	75,0	49,6	30	25,35	20,75	20,55	6,0	53	40	35	32,50	7,30	11,80	11,8	3,35	3,35
25	70	35,0	23	23,5	86,2	57,8	36	29,90	24,45	24,25	7,5	57	45	40	38,30	11,50	12,45	13,6	5,50	5,50
30	90	45,0	28	31,0	97,7	67,4	42	35,35	28,55	28,35	7,0	72	52	44	48,40	14,60	14,00	15,7	6,05	6,05
35	100	50,0	34	33,0	110,5	77,0	48	40,40	32,15	31,85	8,0	82	62	52	58,00	17,35	14,50	16,0	6,90	6,90
45	120	60	45	37,5	137,6	97,0	60	50,30	40,15	39,85	10,0	100	80	60	69,80	20,90	17,30	19,3	8,20	8,20

<sup>1)</sup> Dimension  $H_4$  with cover strip.

<sup>2)</sup> Dimension  $H_4$  without cover strip

Size	Dimensions (mm)							Weight (kg)	Load ratings (N)		Moments ( $N_m$ )		Moments ( $N_m$ )	
	$N_1$	$W_7^{+0,5}$	$H_7^{+0,5}$	$d_4$	$S_2$	$d_3$	$M_2$		C dyn.	$C_0$ stat.	$M_C$ dyn.	$M_{C0}$ stat.	$M_A$ dyn.	$M_B$ stat.
15	5,2	4,4	10,3	4,3	M5	4,4	M2,5-3,5 depth	0,20	7 800	13 500	74	130	40	71
20	7,7	5,2	13,2	5,3	M6	6,0	M3-5 depth	0,45	18 800	24 400	240	310	130	165
25	9,3	7,0	15,2	6,7	M8	7,0	M3-5 depth	0,65	22 800	30 400	320	430	180	240
30	11,0	7,9	17,0	8,5	M10	9,0	M3-5 depth	1,10	31 700	41 300	540	720	290	380
35	12,0	10,2	20,5	8,5	M10	9,0	M3-5 depth	1,60	41 900	54 000	890	1 160	440	565
45	15,0	14,4	23,5	10,4	M12	14,0	M4-7 depth	3,00	68 100	85 700	1 830	2 310	890	1 130 <sup>3)</sup>

### Carriage LLRHC xx LA

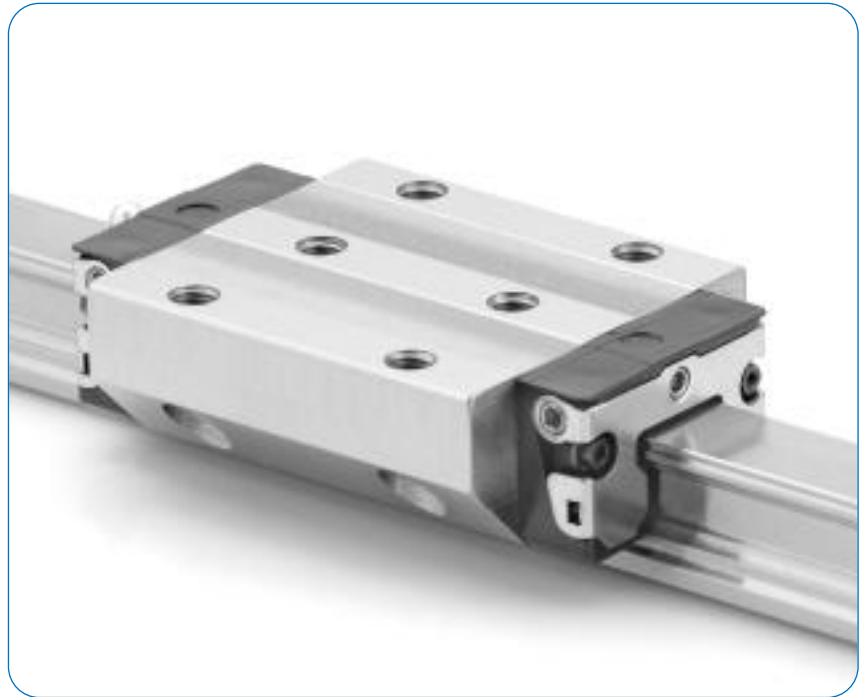
Flange long. Standard height.

For type designation see designation system

Dynamic values

Speed  $v_{max} = 5 \text{ m/s}$

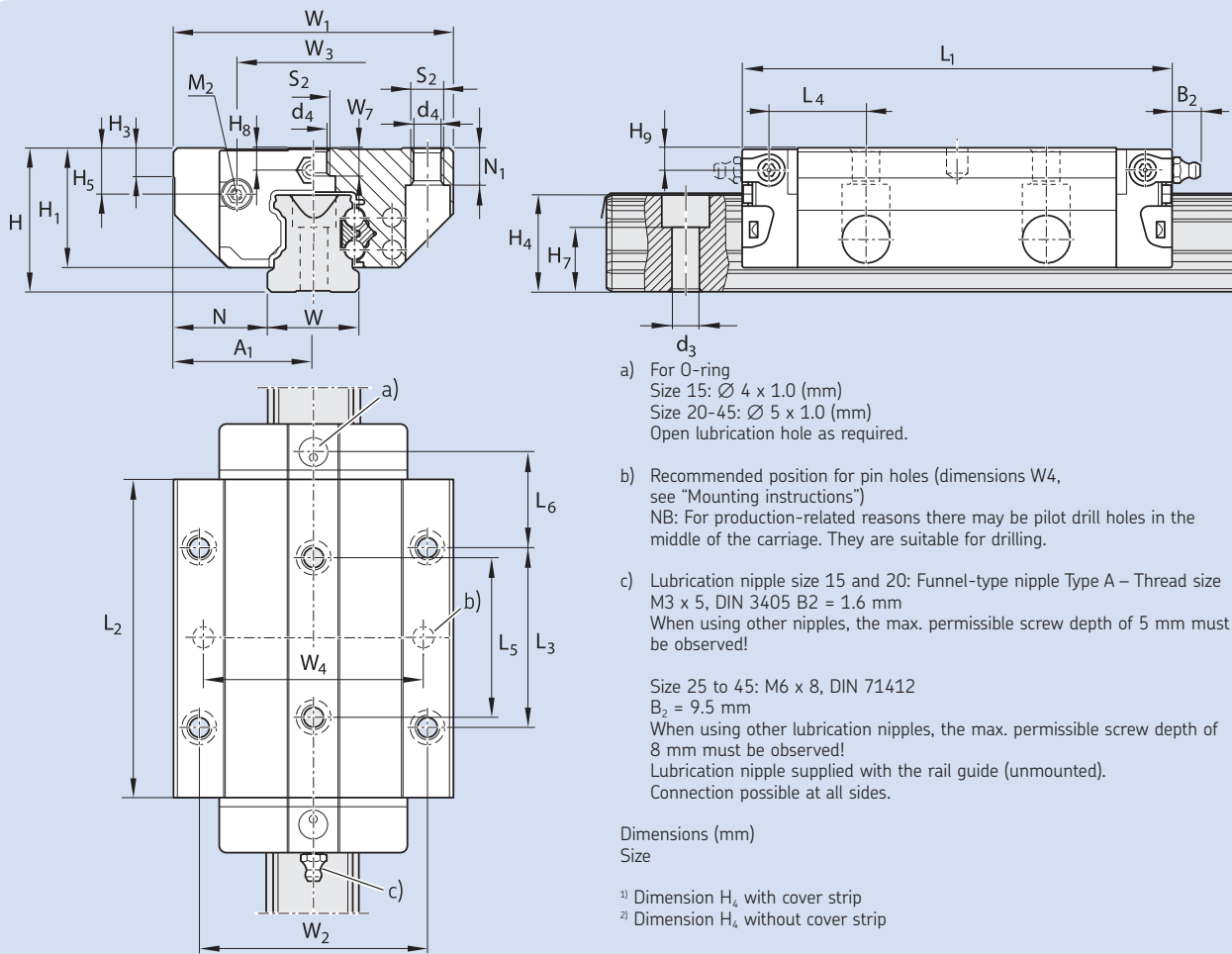
Acceleration  $a_{max} = 500 \text{ m/s}^2$



Size	Accuracy class	Type designation incl. preload class				
		T0	T1	T2	T3	
15	P5	<b>LLRHC 15 LA T0 P5</b>	<b>LLRHC 15 LA T1 P5</b>	<b>LLRHC 15 LA T2 P5</b>		
	P3	<b>LLRHC 15 LA T0 P3</b>	<b>LLRHC 15 LA T1 P3</b>	<b>LLRHC 15 LA T2 P3</b>		
	P1		LLRHC 15 LA T1 P1	LLRHC 15 LA T2 P1	LLRHC 15 LA T3 P1	
	P01		LLRHC 15 LA T1 P01	LLRHC 15 LA T2 P01	LLRHC 15 LA T3 P01	
	P001		LLRHC 15 LA T1 P001	LLRHC 15 LA T2 P001	LLRHC 15 LA T3 P001	
20	P5	<b>LLRHC 20 LA T0 P5</b>	<b>LLRHC 20 LA T1 P5</b>	<b>LLRHC 20 LA T2 P5</b>		
	P3	<b>LLRHC 20 LA T0 P3</b>	<b>LLRHC 20 LA T1 P3</b>	<b>LLRHC 20 LA T2 P3</b>		
	P1		LLRHC 20 LA T1 P1	LLRHC 20 LA T2 P1	LLRHC 20 LA T3 P1	
	P01		LLRHC 20 LA T1 P01	LLRHC 20 LA T2 P01	LLRHC 20 LA T3 P01	
	P001		LLRHC 20 LA T1 P001	LLRHC 20 LA T2 P001	LLRHC 20 LA T3 P001	
25	P5	<b>LLRHC 25 LA T0 P5</b>	<b>LLRHC 25 LA T1 P5</b>	<b>LLRHC 25 LA T2 P5</b>		
	P3	<b>LLRHC 25 LA T0 P3</b>	<b>LLRHC 25 LA T1 P3</b>	<b>LLRHC 25 LA T2 P3</b>		
	P1		LLRHC 25 LA T1 P1	LLRHC 25 LA T2 P1	LLRHC 25 LA T3 P1	
	P01		LLRHC 25 LA T1 P01	LLRHC 25 LA T2 P01	LLRHC 25 LA T3 P01	
	P001		LLRHC 25 LA T1 P001	LLRHC 25 LA T2 P001	LLRHC 25 LA T3 P001	
30	P5	<b>LLRHC 30 LA T0 P5</b>	<b>LLRHC 30 LA T1 P5</b>	<b>LLRHC 30 LA T2 P5</b>		
	P3	<b>LLRHC 30 LA T0 P3</b>	<b>LLRHC 30 LA T1 P3</b>	<b>LLRHC 30 LA T2 P3</b>		
	P1		LLRHC 30 LA T1 P1	LLRHC 30 LA T2 P1	LLRHC 30 LA T3 P1	
	P01		LLRHC 30 LA T1 P01	LLRHC 30 LA T2 P01	LLRHC 30 LA T3 P01	
	P001		LLRHC 30 LA T1 P001	LLRHC 30 LA T2 P001	LLRHC 30 LA T3 P001	
35	P5	<b>LLRHC 35 LA T0 P5</b>	<b>LLRHC 35 LA T1 P5</b>	<b>LLRHC 35 LA T2 P5</b>		
	P3	<b>LLRHC 35 LA T0 P3</b>	<b>LLRHC 35 LA T1 P3</b>	<b>LLRHC 35 LA T2 P3</b>		
	P1		LLRHC 35 LA T1 P1	LLRHC 35 LLA T2 P1	LLRHC 35 LA T3 P1	
	P01		LLRHC 35 LA T1 P01	LLRHC 35 LA T2 P01	LLRHC 35 LA T3 P01	
	P001		LLRHC 35 LA T1 P001	LLRHC 35 LA T2 P001	LLRHC 35 LA T3 P001	
45	P5	<b>LLRHC 45 LA T0 P5</b>	<b>LLRHC 45 LA T1 P5</b>	<b>LLRHC 45 LA T2 P5</b>		
	P3	<b>LLRHC 45 LA T0 P3</b>	<b>LLRHC 45 LA T1 P3</b>	<b>LLRHC 45 LA T2 P3</b>		
	P1		LLRHC 45 LA T1 P1	LLRHC 45 LA T2 P1	LLRHC 45 LA T3 P1	
	P01		LLRHC 45 LA T1 P01	LLRHC 45 LA T2 P01	LLRHC 45 LA T3 P01	
	P001		LLRHC 45 LA T1 P001	LLRHC 45 LA T2 P001	LLRHC 45 LA T3 P001	

bold text = standard range





Size	Dimensions (mm)																			
	$W_1$	$A_1$	W	N	$L_1$	$L_2$	H	$H_1$	$H_4^{1)}$	$H_4^{2)}$	$H_3$	$W_2$	$L_3$	$L_5$	$W_3$	$H_5$	$L_6$	$L_4$	$H_8$	$H_9$
15	47	23,5	15	16,0	72,6	53,6	24	19,90	16,30	16,20	5,0	38	30	26	24,55	6,70	15,20	16,80	3,20	3,20
20	63	31,5	20	21,5	91,0	65,6	30	25,35	20,75	20,55	6,0	53	40	35	32,50	7,30	19,80	19,80	3,35	3,35
25	70	35,0	23	23,5	107,9	79,5	36	29,90	24,45	24,25	7,5	57	45	40	38,30	11,50	23,30	24,45	5,50	5,50
30	90	45,0	28	31,0	119,7	89,4	42	35,35	28,55	28,35	7,0	72	52	44	48,40	14,60	25,00	26,70	6,05	6,05
35	100	50,0	34	33,0	139,0	105,5	48	40,40	32,15	31,85	8,0	82	62	52	58,00	17,35	28,75	30,25	6,90	6,90
45	120	60,0	45	37,5	174,1	133,5	60	50,30	40,15	39,85	10,0	100	80	60	69,80	20,90	35,50	37,50	8,20	8,20

<sup>1)</sup> Dimension  $H_4$  with cover strip.

<sup>2)</sup> Dimension  $H_4$  without cover strip

Size	Dimensions (mm)					Weight (kg)	Load ratings (N)		Moments ( $N_m$ )					
	$N_1$	$W_7^{+0,5}$	$H_7^{+0,5}$	$d_4$	$S_2$		C dyn.	$C_0$ stat.	$M_C$ dyn.	$M_{C0}$ stat.	$M_A$ dyn.	$M_B$ stat.		
15	5,2	4,4	10,3	4,3	M5	4,4	M2,5-3,5 depth	0,30	10 000	20 200	130	190	98	150
20	7,7	5,2	13,2	5,3	M6	6,0	M3-5 depth	0,55	24 400	35 200	310	450	225	330
25	9,3	7,0	15,2	6,7	M8	7,0	M3-5 depth	0,90	30 400	45 500	430	650	345	510
30	11,0	7,9	17,0	8,5	M10	9,0	M3-5 depth	1,50	40 000	57 800	690	1 000	495	715
35	12,0	10,2	20,5	8,5	M10	9,0	M3-5 depth	2,25	55 600	81 000	1 200	1 740	830	1 215
45	15,0	12,4	23,5	10,4	M12	14,0	M4-7 depth	4,30	90 400	128 500	2 440	3 470	1 700	2 425

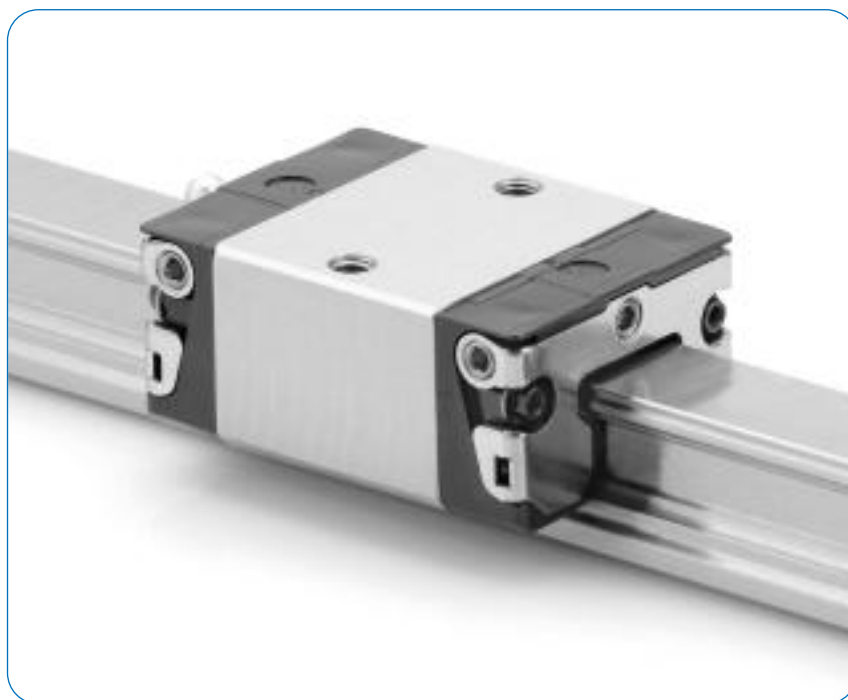
Carriage LLRHC xx SU  
Slim line short. Standard height.

For type designation see  
designation system

**Dynamic values**

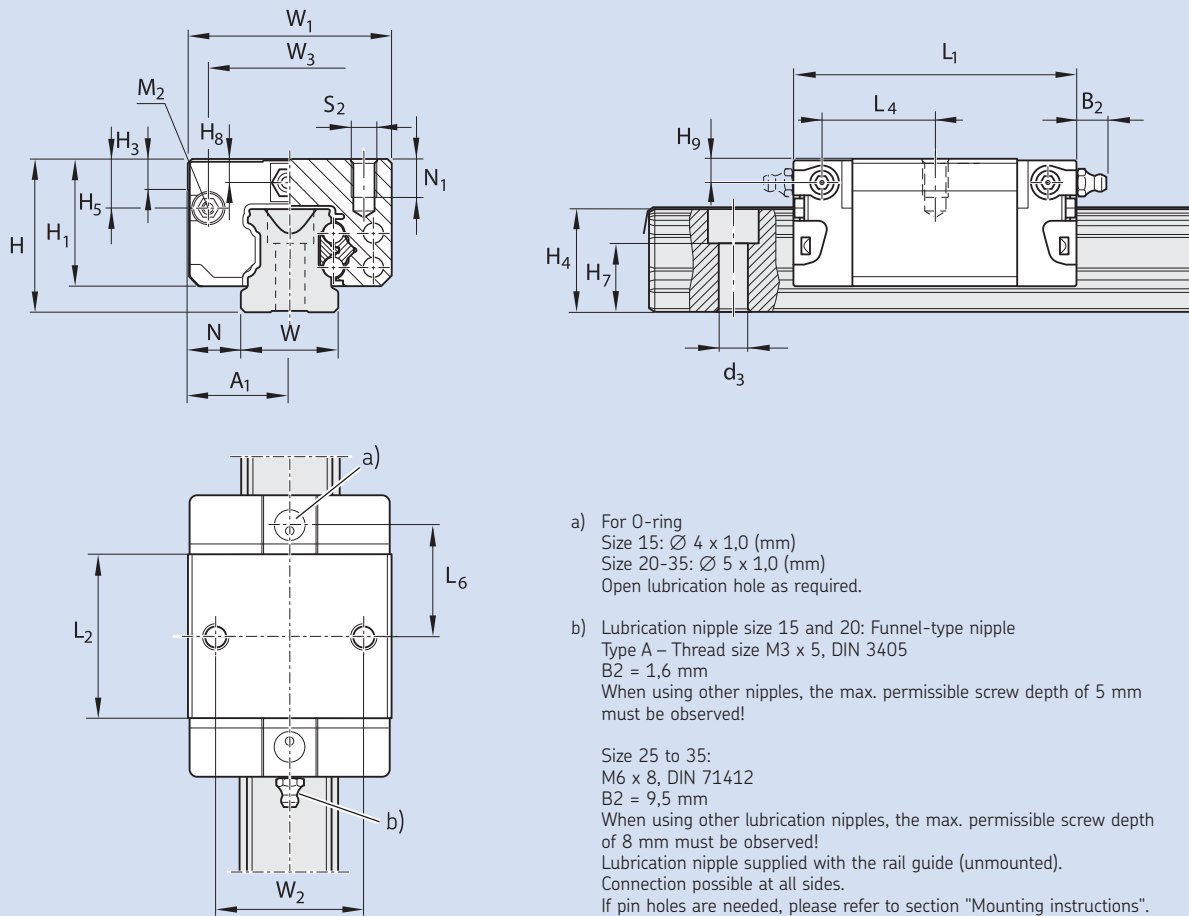
Speed  $v_{\max} = 5 \text{ m/s}$

Acceleration  $a_{\max} = 500 \text{ m/s}^2$



Size	Accuracy class	Type designation incl. preload class	
		T0	T1
15	P5	LLRHC 15 SU T0 P5	LLRHC 15 SU T1 P5
	P3	LLRHC 15 SU T0 P3	LLRHC 15 SU T1 P3
	P1	LLRHC 15 SU T0 P1	LLRHC 15 SU T1 P1
20	P5	LLRHC 20 SU T0 P5	LLRHC 20 SU T1 P5
	P3	LLRHC 20 SU T0 P3	LLRHC 20 SU T1 P3
	P1	LLRHC 20 SU T0 P1	LLRHC 20 SU T1 P1
25	P5	LLRHC 25 SU T0 P5	LLRHC 25 SU T1 P5
	P3	LLRHC 25 SU T0 P3	LLRHC 25 SU T1 P3
	P1	LLRHC 25 SU T0 P1	LLRHC 25 SU T1 P1
30	P5	LLRHC 30 SU T0 P5	LLRHC 30 SU T1 P5
	P3	LLRHC 30 SU T0 P3	LLRHC 30 SU T1 P3
	P1	LLRHC 30 SU T0 P1	LLRHC 30 SU T1 P1
35	P5	LLRHC 35 SU T0 P5	LLRHC 35 SU T1 P5
	P3	LLRHC 35 SU T0 P3	LLRHC 35 SU T1 P3
	P1	LLRHC 35 SU T0 P1	LLRHC 35 SU T1 P1

bold text = standard range



Size	Dimensions (mm)																		
	$W_1$	$A_1$	$W$	$N$	$L_1$	$L_2$	$H$	$H_1$	$H_4^{1)}$	$H_4^{2)}$	$H_3$	$W_2$	$W_3$	$H_5$	$L_6$	$L_4$	$H_8$	$H_9$	
15	34	17	15	9,5	44,7	25,7	24	19,90	16,30	16,20	5,0	26	24,55	6,70	16,25	17,85	3,20	3,20	
20	44	22	20	12,0	57,3	31,9	30	25,35	20,75	20,55	6,0	32	32,50	7,30	22,95	22,95	3,35	3,35	
25	48	24	23	12,5	67,0	38,6	36	29,90	24,45	24,25	7,5	35	38,30	11,50	25,35	26,50	5,50	5,50	
30	60	30	28	16,0	75,3	45,0	42	35,35	28,55	28,35	7,0	40	48,40	14,60	28,80	30,50	6,05	6,05	
35	70	35	34	18,0	84,9	51,4	48	40,40	32,15	31,85	8,0	50	58,00	17,35	32,70	34,20	6,90	6,90 <sup>1)</sup>	

<sup>1)</sup> Dimension  $H_4$  with cover strip.

<sup>2)</sup> Dimension  $H_4$  without cover strip

Size	Dimensions (mm)						Weight (kg)	Load ratings (N)		Moments ( $N_m$ )		Moments ( $N_m$ )	
	$N_1$	$H_7^{+0,5}$	$S_2$	$d_3$	$M_2$	C dyn.		$C_0$ stat.	$M_C$ dyn.	$M_{C0}$ stat.	$M_A$ dyn.	$M_B$ stat.	
15	6,0	10,3	M4	4,4	M2,5-3,5 depth	0,10	5 400	8 100	52	80	19	28	
20	7,5	13,2	M5	6,0	M3-5 depth	0,25	12 400	13 600	150	170	52	58	
25	9,0	15,2	M6	7,0	M3-5 depth	0,35	15 900	18 200	230	260	82	94	
30	12,0	17,0	M8	9,0	M3-5 depth	0,60	22 100	24 800	380	430	133	150	
35	13,0	20,5	M8	9,0	M3-5 depth	0,90	29 300	32 400	640	700	200	220	

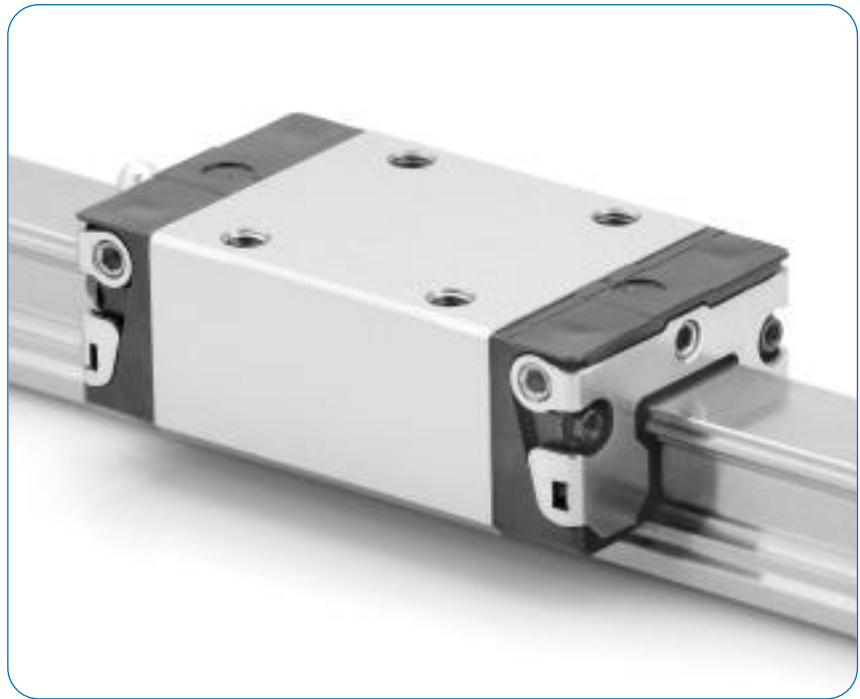
Carriage LLRHC xx U  
Slim line normal. Standard height.

For type designation see  
designation system

**Dynamic values**

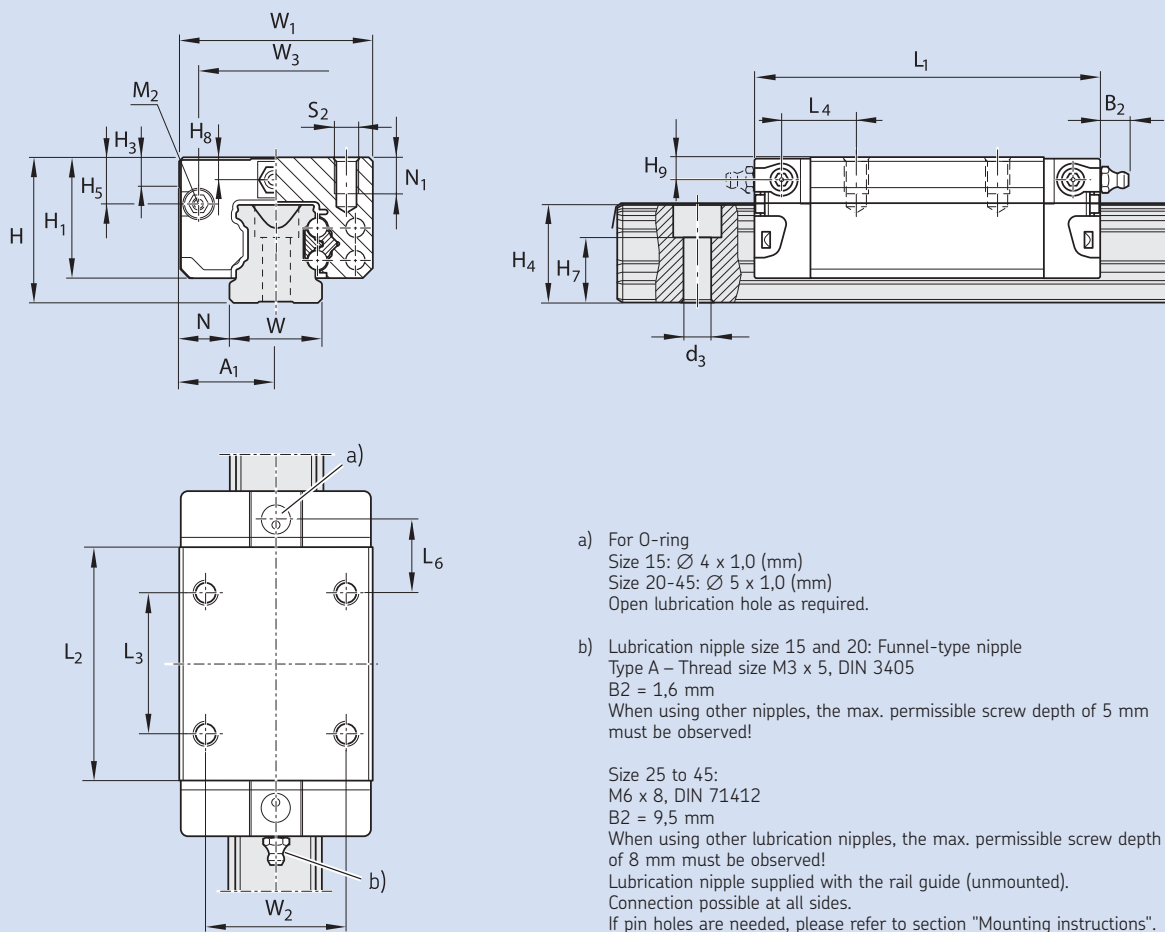
Speed  $v_{\max} = 5 \text{ m/s}$

Acceleration  $a_{\max} = 500 \text{ m/s}^2$



Size	Accuracy class	Type designation incl. preload class		
		T0	T1	T2
15	P5	LLRHC 15 U T0 P5	LLRHC 15 U T1 P5	LLRHC 15 U T2 P5
	P3	LLRHC 15 U T0 P3	LLRHC 15 U T1 P3	LLRHC 15 U T2 P3
	P1	LLRHC 15 U T0 P1	LLRHC 15 U T1 P1	LLRHC 15 U T2 P1
20	P5	LLRHC 20 U T0 P5	LLRHC 20 U T1 P5	LLRHC 20 U T2 P5
	P3	LLRHC 20 U T0 P3	LLRHC 20 U T1 P3	LLRHC 20 U T2 P3
	P1	LLRHC 20 U T0 P1	LLRHC 20 U T1 P1	LLRHC 20 U T2 P1
25	P5	LLRHC 25 U T0 P5	LLRHC 25 U T1 P5	LLRHC 25 U T2 P5
	P3	LLRHC 25 U T0 P3	LLRHC 25 U T1 P3	LLRHC 25 U T2 P3
	P1	LLRHC 25 U T0 P1	LLRHC 25 U T1 P1	LLRHC 25 U T2 P1
30	P5	LLRHC 30 U T0 P5	LLRHC 30 U T1 P5	LLRHC 30 U T2 P5
	P3	LLRHC 30 U T0 P3	LLRHC 30 U T1 P3	LLRHC 30 U T2 P3
	P1	LLRHC 30 U T0 P1	LLRHC 30 U T1 P1	LLRHC 30 U T2 P1
35	P5	LLRHC 35 U T0 P5	LLRHC 35 U T1 P5	LLRHC 35 U T2 P5
	P3	LLRHC 35 U T0 P3	LLRHC 35 U T1 P3	LLRHC 35 U T2 P3
	P1	LLRHC 35 U T0 P1	LLRHC 35 U T1 P1	LLRHC 35 U T2 P1
45	P5	LLRHC 45 U T0 P5	LLRHC 45 U T1 P5	LLRHC 45 U T2 P5
	P3	LLRHC 45 U T0 P3	LLRHC 45 U T1 P3	LLRHC 45 U T2 P3
	P1	LLRHC 45 U T0 P1	LLRHC 45 U T1 P1	LLRHC 45 U T2 P1

bold text = standard range



Size	Dimensions (mm)																		
	W <sub>1</sub>	A <sub>1</sub>	W	N	L <sub>1</sub>	L <sub>2</sub>	H	H <sub>1</sub>	H <sub>4</sub> <sup>1)</sup>	H <sub>4</sub> <sup>2)</sup>	H <sub>3</sub>	W <sub>2</sub>	L <sub>3</sub>	W <sub>3</sub>	H <sub>5</sub>	L <sub>6</sub>	L <sub>4</sub>	H <sub>8</sub>	H <sub>9</sub>
15	34	17	15	9,5	58,2	39,2	24	19,90	16,30	16,20	5,0	26	26	24,55	6,70	10,00	11,60	3,20	3,20
20	44	22	20	12,0	75,0	49,6	30	25,35	20,75	20,55	6,0	32	36	32,50	7,30	13,80	13,80	3,35	3,35
25	48	24	23	12,5	86,2	57,8	36	29,90	24,45	24,25	7,5	35	35	38,30	11,50	17,45	18,60	5,50	5,50
30	60	30	28	16,0	97,7	67,4	42	35,35	28,55	28,35	7,0	40	40	48,40	14,60	20,00	21,70	6,05	6,05
35	70	35	34	18,0	110,5	77,0	48	40,40	32,15	31,85	8,0	50	50	58,00	17,35	20,50	22,00	6,90	6,90
45	86	43	45	20,5	137,6	97,0	60	50,30	40,15	39,85	10,0	60	60	69,80	20,90	27,30	29,30	8,20	8,20

<sup>1)</sup> Dimension H<sub>4</sub> with cover strip.

<sup>2)</sup> Dimension H<sub>4</sub> without cover strip

Size	Dimensions (mm)						Weight (kg)	Load ratings (N)		Moments (N <sub>m</sub> )		Moments (N <sub>m</sub> )	
	N <sub>1</sub>	H <sub>7</sub> <sup>+0,5</sup>	S <sub>2</sub>	d <sub>3</sub>	M <sub>2</sub>	C dyn.		C <sub>0</sub> stat.	M <sub>C</sub> dyn.	M <sub>C0</sub> stat.	M <sub>A</sub> dyn.	M <sub>B</sub> stat.	
15	6,0	10,3	M4	4,4	M2,5-3,5 depth	0,15	7 800	13 500	74	130	40	71	
20	7,5	13,2	M5	6,0	M3-5 depth	0,35	18 800	24 400	240	310	130	165	
25	9,0	15,2	M6	7,0	M3-5 depth	0,50	22 800	30 400	320	430	180	240	
30	12,0	17,0	M8	9,0	M3-5 depth	0,85	31 700	41 300	540	720	290	380	
35	13,0	20,5	M8	9,0	M3-5 depth	1,25	41 900	54 000	890	1 160	440	565	
45	18,0	23,5	M10	14,0	M4-7 depth	2,40	68 100	85 700	1 830	2 310	890	1 130	

### Carriage LLRHC xx LU

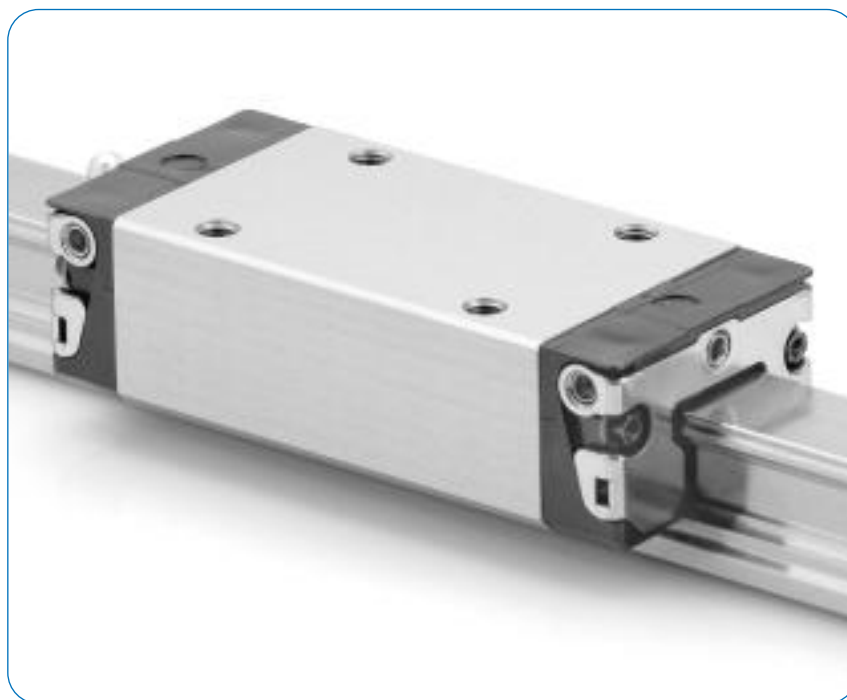
Slim line normal. Standard height.

For type designation see designation system

### Dynamic values

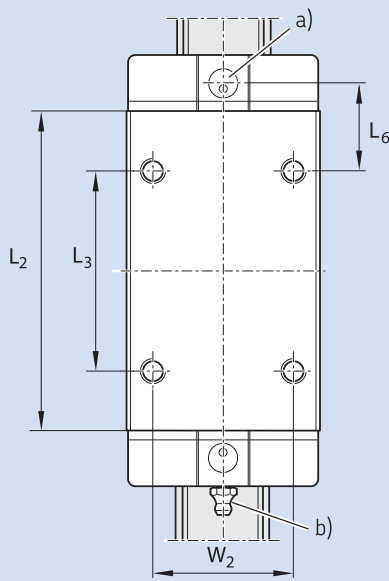
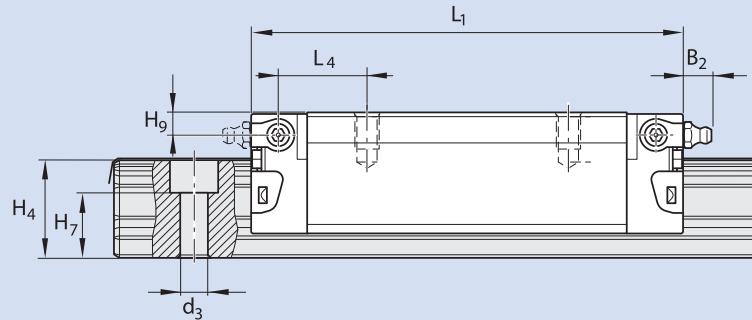
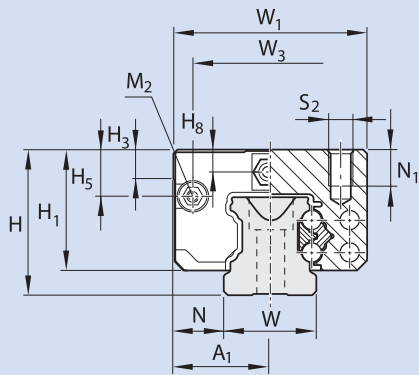
Speed  $v_{\max} = 5 \text{ m/s}$

Acceleration  $a_{\max} = 500 \text{ m/s}^2$



Size	Accuracy class	Type designation incl. preload class		
		T0	T1	T2
15	P5	LLRHC 15 LU T0 P5	LLRHC 15 LU T1 P5	LLRHC 15 LU T2 P5
	P3	LLRHC 15 LU T0 P3	LLRHC 15 LU T1 P3	LLRHC 15 LU T2 P3
	P1		LLRHC 15 LU T1 P1	LLRHC 15 LU T2 P1
20	P5	LLRHC 20 LU T0 P5	LLRHC 20 LU T1 P5	LLRHC 20 LU T2 P5
	P3	LLRHC 20 LU T0 P3	LLRHC 20 LU T1 P3	LLRHC 20 LU T2 P3
	P1		LLRHC 20 LU T1 P1	LLRHC 20 LU T2 P1
25	P5	LLRHC 25 LU T0 P5	LLRHC 25 LU T1 P5	LLRHC 25 LU T2 P5
	P3	LLRHC 25 LU T0 P3	LLRHC 25 LU T1 P3	LLRHC 25 LU T2 P3
	P1		LLRHC 25 LU T1 P1	LLRHC 25 LU T2 P1
30	P5	LLRHC 30 LU T0 P5	LLRHC 30 LU T1 P5	LLRHC 30 LU T2 P5
	P3	LLRHC 30 LU T0 P3	LLRHC 30 LU T1 P3	LLRHC 30 LU T2 P3
	P1		LLRHC 30 LU T1 P1	LLRHC 30 LU T2 P1
35	P5	LLRHC 35 LU T0 P5	LLRHC 35 LU T1 P5	LLRHC 35 LU T2 P5
	P3	LLRHC 35 LU T0 P3	LLRHC 35 LU T1 P3	LLRHC 35 LU T2 P3
	P1		LLRHC 35 LU T1 P1	LLRHC 35 LU T2 P1
45	P5	LLRHC 45 LU T0 P5	LLRHC 45 LU T1 P5	LLRHC 45 LU T2 P5
	P3	LLRHC 45 LU T0 P3	LLRHC 45 LU T1 P3	LLRHC 45 LU T2 P3
	P1		LLRHC 45 LU T1 P1	LLRHC 45 LU T2 P1

bold text = Standard range



- a) For O-ring  
 Size 15:  $\varnothing 4 \times 1,0$  (mm)  
 Size 20-45:  $\varnothing 5 \times 1,0$  (mm)  
 Open lubrication hole as required.
- b) Lubrication nipple size 15 and 20: Funnel-type nipple  
 Type A – Thread size M3 x 5, DIN 3405  
 B2 = 1,6 mm  
 When using other nipples, the max. permissible screw depth of 5 mm must be observed!
- Size 25 to 45:  
 M6 x 8, DIN 71412  
 B2 = 9,5 mm  
 When using other lubrication nipples, the max. permissible screw depth of 8 mm must be observed!  
 Lubrication nipple supplied with the rail guide (unmounted).  
 Connection possible at all sides.  
 If pin holes are needed, please refer to section "Mounting instructions".

Size	Dimensions (mm)																		
	W <sub>1</sub>	A <sub>1</sub>	W	N	L <sub>1</sub>	L <sub>2</sub>	H	H <sub>1</sub>	H <sub>4</sub> <sup>1)</sup>	H <sub>4</sub> <sup>2)</sup>	H <sub>3</sub>	W <sub>2</sub>	L <sub>3</sub>	W <sub>3</sub>	H <sub>5</sub>	L <sub>6</sub>	L <sub>4</sub>	H <sub>8</sub>	H <sub>9</sub>
15	34	17	15	9,5	72,6	53,6	24	19,90	16,30	16,20	5,0	26	26	24,55	6,70	17,20	18,80	3,20	3,20
20	44	22	20	12,0	91,0	65,6	30	25,35	20,75	20,55	6,0	32	50	32,50	7,30	14,80	14,80	3,35	3,35
25	48	24	23	12,5	107,9	79,5	36	29,90	24,45	24,25	7,5	35	50	38,30	11,50	20,80	21,95	5,50	5,50
30	60	30	28	16,0	119,7	89,4	42	35,35	28,55	28,35	7,0	40	60	48,40	14,60	21,00	22,70	6,05	6,05
35	70	35	34	18,0	139,0	105,5	48	40,40	32,15	31,85	8,0	50	72	58,00	17,35	23,75	25,25	6,90	6,90
45	86	43	45	20,5	174,1	133,5	60	50,30	40,15	39,85	10,0	60	80	69,80	20,90	35,50	37,50	8,20	8,20

<sup>1)</sup> Dimension H<sub>4</sub> with cover strip.

<sup>2)</sup> Dimension H<sub>4</sub> without cover strip

Size	Dimensions (mm)				Weight (kg)	Load ratings (N)		Moments (N <sub>m</sub> )			
	N <sub>1</sub>	H <sub>7</sub> <sup>+0,5</sup>	S <sub>2</sub>	d <sub>3</sub>		C dyn.	C <sub>0</sub> stat.	M <sub>C</sub> dyn.	M <sub>C0</sub> stat.	M <sub>A</sub> dyn.	M <sub>B</sub> stat.
15	6,0	10,3	M4	4,4	0,20	10 000	20 200	130	190	98	150
20	7,5	13,2	M5	6,0	0,45	24 400	35 200	310	450	225	330
25	9,0	15,2	M6	7,0	0,65	30 400	45 500	430	650	345	510
30	12,0	17,0	M8	9,0	1,10	40 000	57 800	690	1 000	495	715
35	13,0	20,5	M8	9,0	1,70	55 600	81 000	1 200	1 740	830	1 215
45	18,0	23,5	M10	14,0	3,20	90 400	128 500	2 440	3 470	1 700	2 425



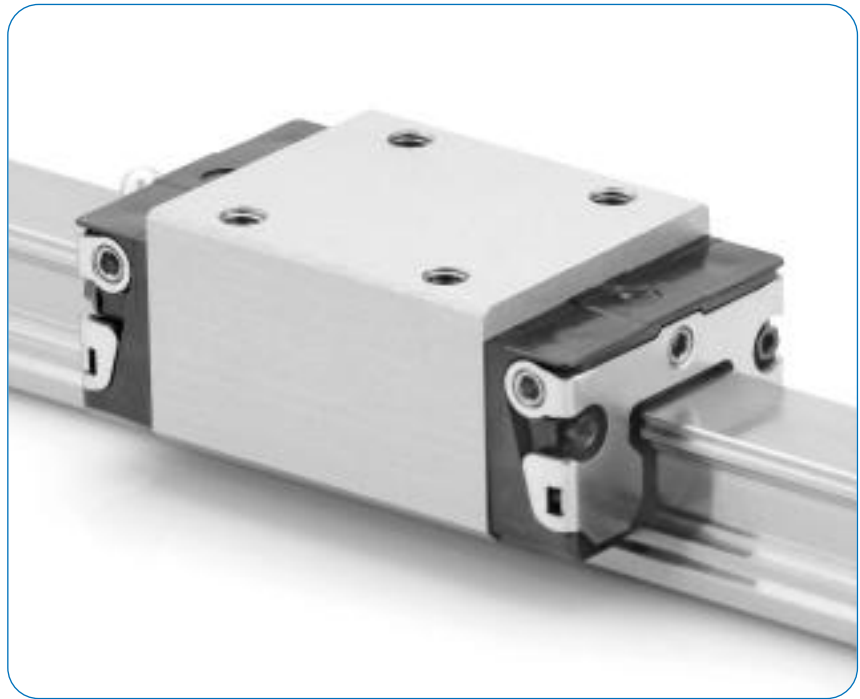
Carriage LLRHC xx R  
Slim line normal. High.

For type designation see  
designation system

**Dynamic values**

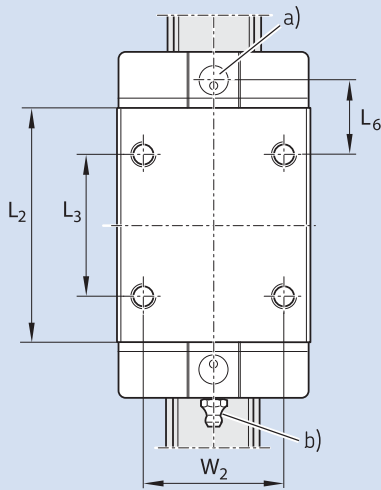
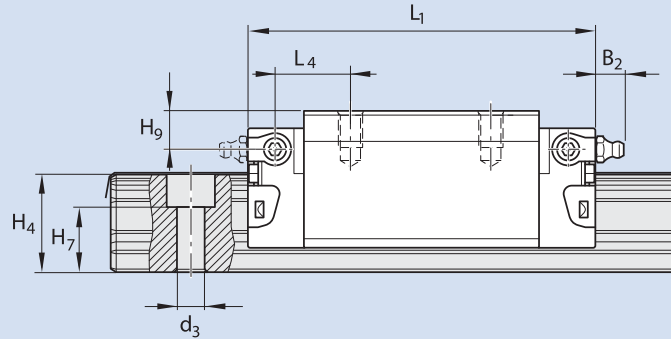
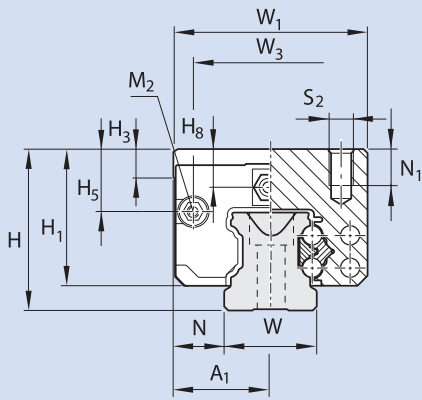
Speed  $v_{\max} = 5 \text{ m/s}$

Acceleration  $a_{\max} = 500 \text{ m/s}^2$



Size	Accuracy class	Type designation incl. preload class		
		T0	T1	T2
15	P5	<b>LLRHC 15 R T0 P5</b>	<b>LLRHC 15 R T1 P5</b>	<b>LLRHC 15 R T2 P5</b>
	P3	<b>LLRHC 15 R T0 P3</b>	<b>LLRHC 15 R T1 P3</b>	<b>LLRHC 15 R T2 P3</b>
	P1		LLRHC 15 R T1 P1	LLRHC 15 R T2 P1
25	P5	<b>LLRHC 25 R T0 P5</b>	<b>LLRHC 25 R T1 P5</b>	<b>LLRHC 25 R T2 P5</b>
	P3	<b>LLRHC 25 R T0 P3</b>	<b>LLRHC 25 R T1 P3</b>	<b>LLRHC 25 R T2 P3</b>
	P1		LLRHC 25 R T1 P1	LLRHC 25 R T2 P1
30	P5	<b>LLRHC 30 R T0 P5</b>	<b>LLRHC 30 R T1 P5</b>	<b>LLRHC 30 R T2 P5</b>
	P3	<b>LLRHC 30 R T0 P3</b>	<b>LLRHC 30 R T1 P3</b>	<b>LLRHC 30 R T2 P3</b>
	P1		LLRHC 30 R T1 P1	LLRHC 30 R T2 P1
35	P5	<b>LLRHC 35 R T0 P5</b>	<b>LLRHC 35 R T1 P5</b>	<b>LLRHC 35 R T2 P5</b>
	P3	<b>LLRHC 35 R T0 P3</b>	<b>LLRHC 35 R T1 P3</b>	<b>LLRHC 35 R T2 P3</b>
	P1		LLRHC 35 R T1 P1	LLRHC 35 R T2 P1
45	P5	<b>LLRHC 45 R T0 P5</b>	<b>LLRHC 45 R T1 P5</b>	<b>LLRHC 45 R T2 P5</b>
	P3	<b>LLRHC 45 R T0 P3</b>	<b>LLRHC 45 R T1 P3</b>	<b>LLRHC 45 R T2 P3</b>
	P1		LLRHC 45 R T1 P1	LLRHC 45 R T2 P1

bold text = Standard range



- a) For O-ring  
 Size 15:  $\varnothing 4 \times 1,0$  (mm)  
 Size 20-45:  $\varnothing 5 \times 1,0$  (mm)  
 Open lubrication hole as required.
- b) Lubrication nipple size 15 and 20: Funnel-type nipple  
 Type A – Thread size M3 x 5, DIN 3405  
 B2 = 1,6 mm  
 When using other nipples, the max. permissible screw depth of 5 mm must be observed!
- Size 25 to 45:  
 M6 x 8, DIN 71412  
 B2 = 9,5 mm  
 When using other lubrication nipples, the max. permissible screw depth of 8 mm must be observed!  
 Lubrication nipple supplied with the rail guide (unmounted).  
 Connection possible at all sides.  
 If pin holes are needed, please refer to section "Mounting instructions".

Size	Dimensions (mm)																		
	W <sub>1</sub>	A <sub>1</sub>	W	N	L <sub>1</sub>	L <sub>2</sub>	H	H <sub>1</sub>	H <sub>4</sub> <sup>1)</sup>	H <sub>4</sub> <sup>2)</sup>	H <sub>3</sub>	W <sub>2</sub>	L <sub>3</sub>	W <sub>3</sub>	H <sub>5</sub>	L <sub>6</sub>	L <sub>4</sub>	H <sub>8</sub>	H <sub>9</sub>
15	34	17	15	9,5	58,2	39,2	28	23,90	16,30	16,20	5,0	26	26	24,55	10,70	10,00	11,60	7,20	7,20
25	48	24	23	12,5	86,2	57,8	40	33,90	24,45	24,25	7,5	35	35	38,30	15,50	17,45	18,60	9,50	9,50
30	60	30	28	16,0	97,7	67,4	45	38,35	28,55	28,35	7,0	40	40	48,40	17,60	20,00	21,70	9,05	9,05
35	70	35	34	18,0	110,5	77,0	55	47,40	32,15	31,85	8,0	50	50	58,00	24,35	20,50	22,00	13,90	13,90
45	86	43	45	20,5	137,6	97,0	70	60,30	40,15	39,85	10,0	60	60	69,80	30,90	27,30	29,30	18,20	18,20

<sup>1)</sup> Dimension H<sub>4</sub> with cover strip.

<sup>2)</sup> Dimension H<sub>4</sub> without cover strip

Size	Dimensions (mm)				Weight (kg)	Load ratings (N)		Moments (N <sub>m</sub> )		Mounting	
	N <sub>1</sub>	H <sub>7</sub> <sup>+0,5</sup>	S <sub>2</sub>	d <sub>3</sub>		C <sub>dyn.</sub>	C <sub>0 stat.</sub>	M <sub>C dyn.</sub>	M <sub>C0 stat.</sub>	M <sub>A dyn.</sub>	M <sub>B stat.</sub>
15	6,0	10,3	M4	4,4	0,20	7 800	13 500	74	130	40	71
25	9,0	15,2	M6	7,0	0,60	22 800	30 400	320	430	180	240
30	12,0	17,0	M8	9,0	0,95	31 700	41 300	540	720	290	380
35	13,0	20,5	M8	9,0	1,55	41 900	54 000	890	1 160	440	565
45	18,0	23,5	M10	14,0	3,00	68 100	85 700	1 830	2 310	890	1130

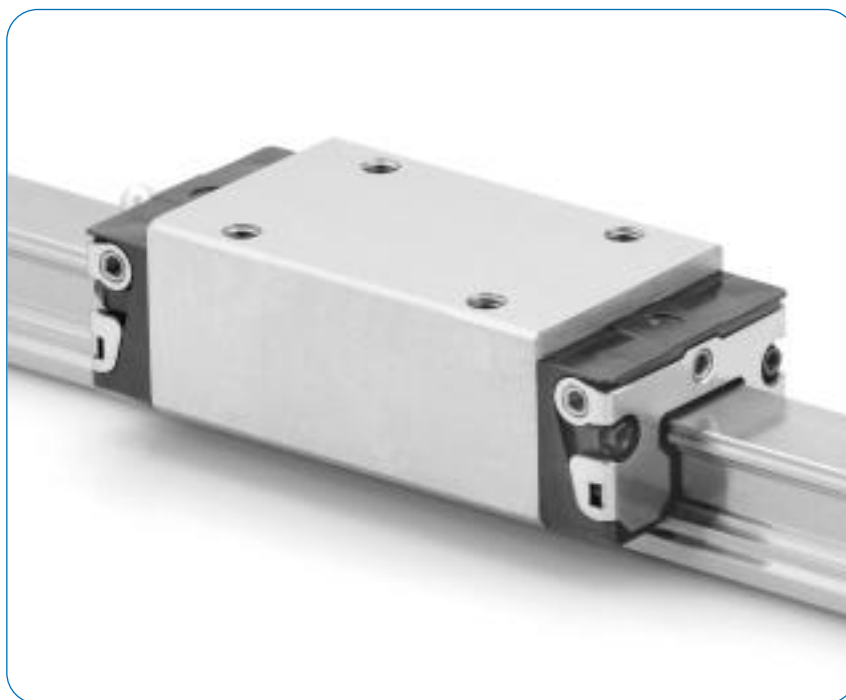
Carriage LLRHC xx LR  
Slim line long. High.

For type designation see  
designation system

**Dynamic values**

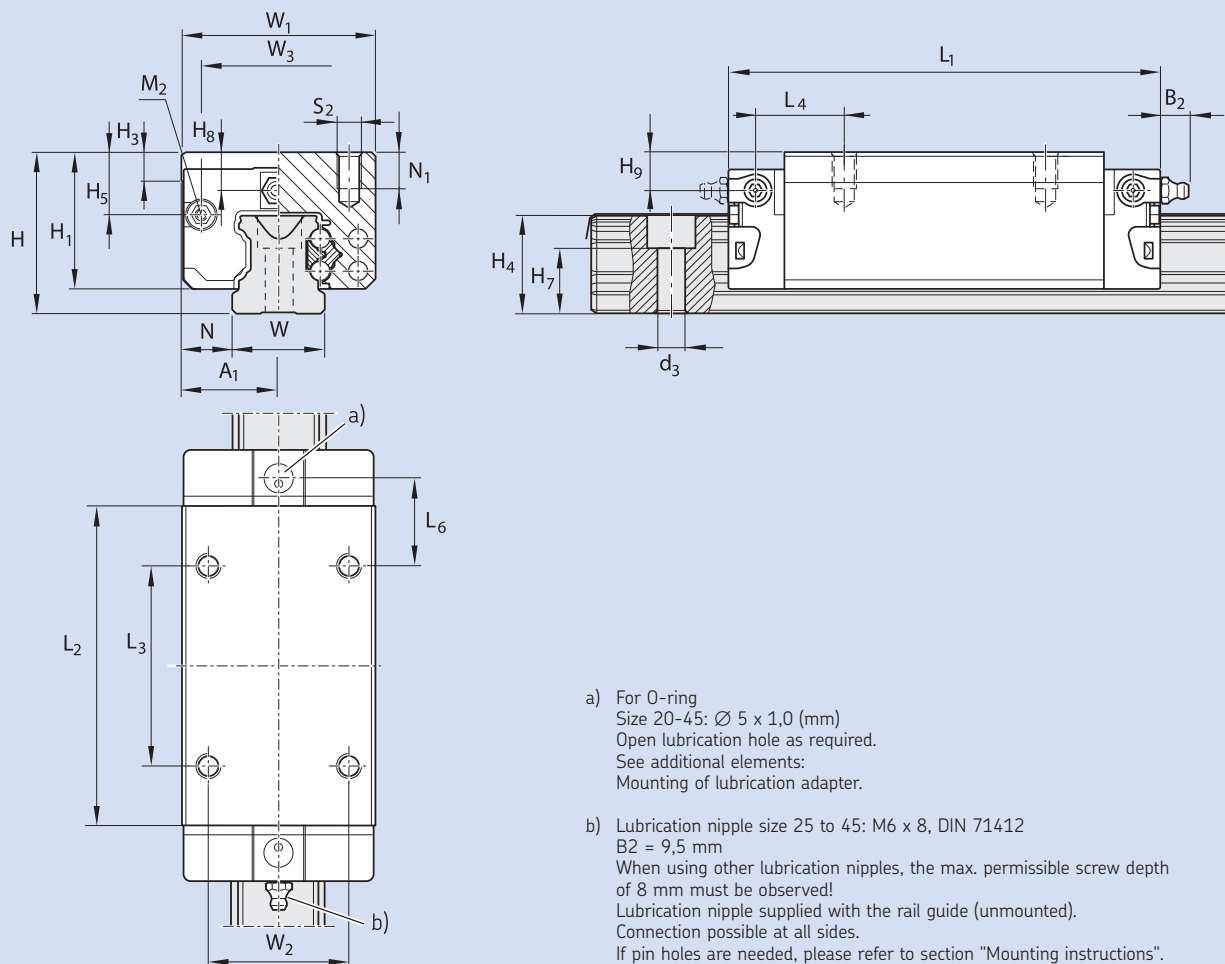
Speed  $v_{\max} = 5 \text{ m/s}$

Acceleration  $a_{\max} = 500 \text{ m/s}^2$



Size	Accuracy class	Type designation incl. preload class		
		T0	T1	T2
25	P5	LLRHC 25 LR T0 P5	LLRHC 25 LR T1 P5	LLRHC 25 LR T2 P5
	P3	LLRHC 25 LR T0 P3	LLRHC 25 LR T1 P3	LLRHC 25 LR T2 P3
	P1		LLRHC 25 LR T1 P1	LLRHC 25 LR T2 P1
30	P5	LLRHC 30 LR T0 P5	LLRHC 30 LR T1 P5	LLRHC 30 LR T2 P5
	P3	LLRHC 30 LR T0 P3	LLRHC 30 LR T1 P3	LLRHC 30 LR T2 P3
	P1		LLRHC 30 LR T1 P1	LLRHC 30 LR T2 P1
35	P5	LLRHC 35 LR T0 P5	LLRHC 35 LR T1 P5	LLRHC 35 LR T2 P5
	P3	LLRHC 35 LR T0 P3	LLRHC 35 LR T1 P3	LLRHC 35 LR T2 P3
	P1		LLRHC 35 LR T1 P1	LLRHC 35 LR T2 P1
45	P5	LLRHC 45 LR T0 P5	LLRHC 45 LR T1 P5	LLRHC 45 LR T2 P5
	P3	LLRHC 45 LR T0 P3	LLRHC 45 LR T1 P3	LLRHC 45 LR T2 P3
	P1		LLRHC 45 LR T1 P1	LLRHC 45 LR T2 P1

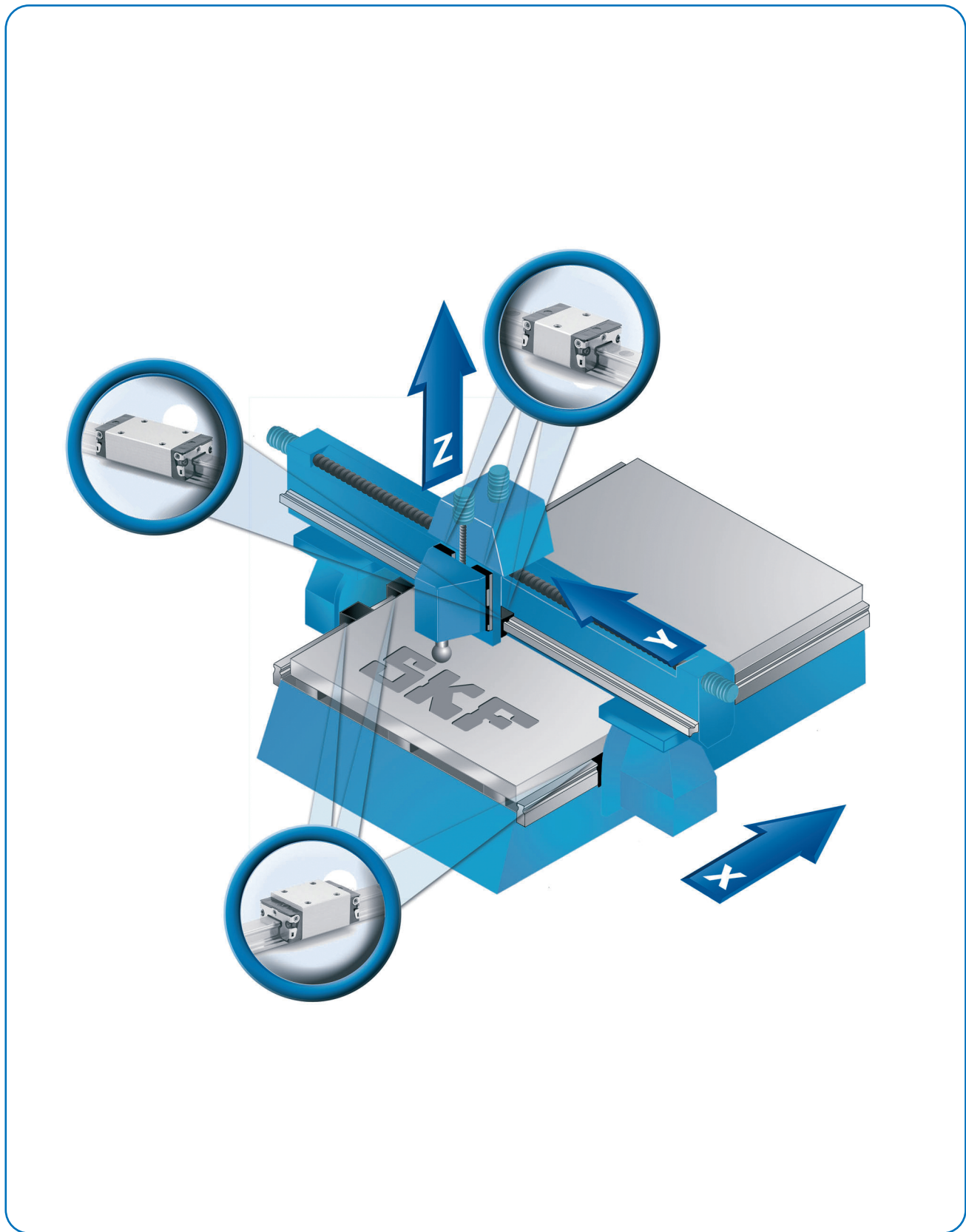
bold text = Standard range



Size	Dimensions (mm)																		
	W <sub>1</sub>	A <sub>1</sub>	W	N	L <sub>1</sub>	L <sub>2</sub>	H	H <sub>1</sub>	H <sub>4</sub> <sup>1)</sup>	H <sub>4</sub> <sup>2)</sup>	H <sub>3</sub>	W <sub>2</sub>	L <sub>3</sub>	W <sub>3</sub>	H <sub>5</sub>	L <sub>6</sub>	L <sub>4</sub>	H <sub>8</sub>	H <sub>9</sub>
25	48	24	23	12,5	107,9	79,5	40	33,90	24,45	24,25	7,5	35	50	38,30	15,50	20,80	21,95	9,50	9,50
30	60	30	28	16,0	119,7	89,4	45	38,35	28,55	28,35	7,0	40	60	48,40	17,60	21,00	22,70	9,05	9,05
35	70	35	34	18,0	139,0	105,5	55	47,40	32,15	31,85	8,0	50	72	58,00	24,35	23,75	25,25	13,90	13,90
45	86	43	45	20,5	174,1	133,5	70	60,30	40,15	39,85	10,0	60	80	69,80	30,90	35,50	37,50	18,20	18,20

<sup>1)</sup> Dimension H<sub>4</sub> with cover strip.      <sup>2)</sup> Dimension H<sub>4</sub> without cover strip

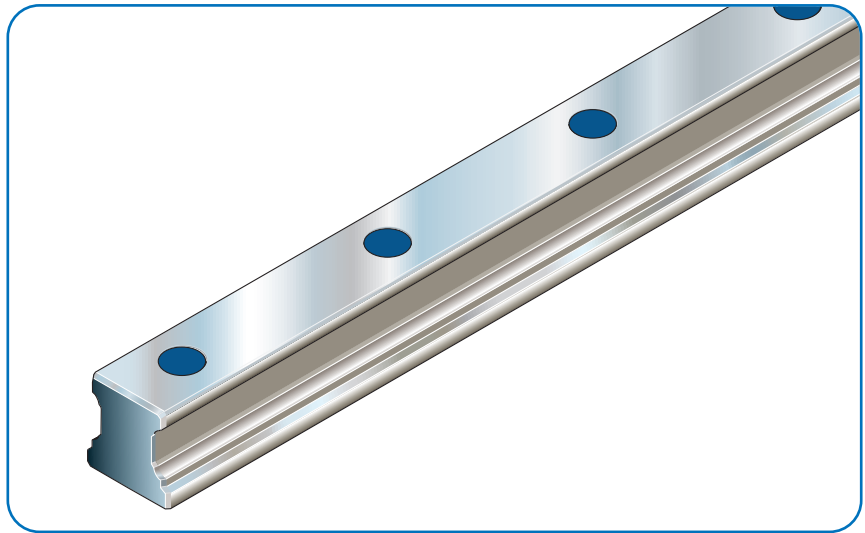
Size	Dimensions (mm)				Weight (kg)	Load ratings (N)		Moments (N <sub>m</sub> )				
	N <sub>1</sub>	H <sub>7</sub> <sup>+0,5</sup>	S <sub>2</sub>	d <sub>3</sub>		M <sub>2</sub>	C dyn.	C <sub>0</sub> stat.	M <sub>C</sub> dyn.	M <sub>C0</sub> stat.	M <sub>A</sub> dyn.	M <sub>B</sub> stat.
25	9,0	15,2	M6	7,0	M3-5 depth	0,80	30 400	45 500	430	650	345	510
30	12,0	17,0	M8	9,0	M3-5 depth	1,20	40 000	57 800	690	1 000	495	715
35	13,0	20,5	M8	9,0	M3-5 depth	2,10	55 600	81 000	1 200	1 740	830	1 215
45	18,0	23,5	M10	14,0	M4-7 depth	4,10	90 400	128 500	2 440	3 470	1 700	2 425 <sup>3)</sup>



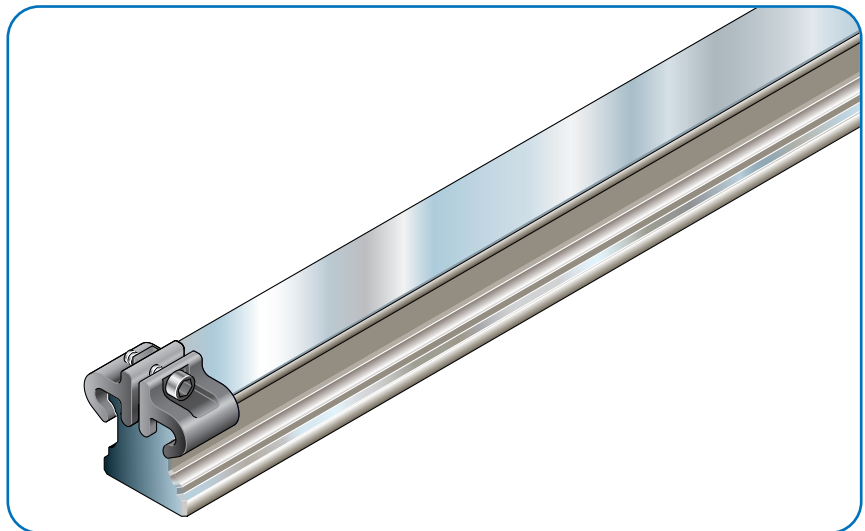
## Standard rails

### Product overview

Rails with protective caps made of plastics



Rails with cover strip and cover strip retaining clamps made of aluminium  
- without end face threaded holes  
(not required)



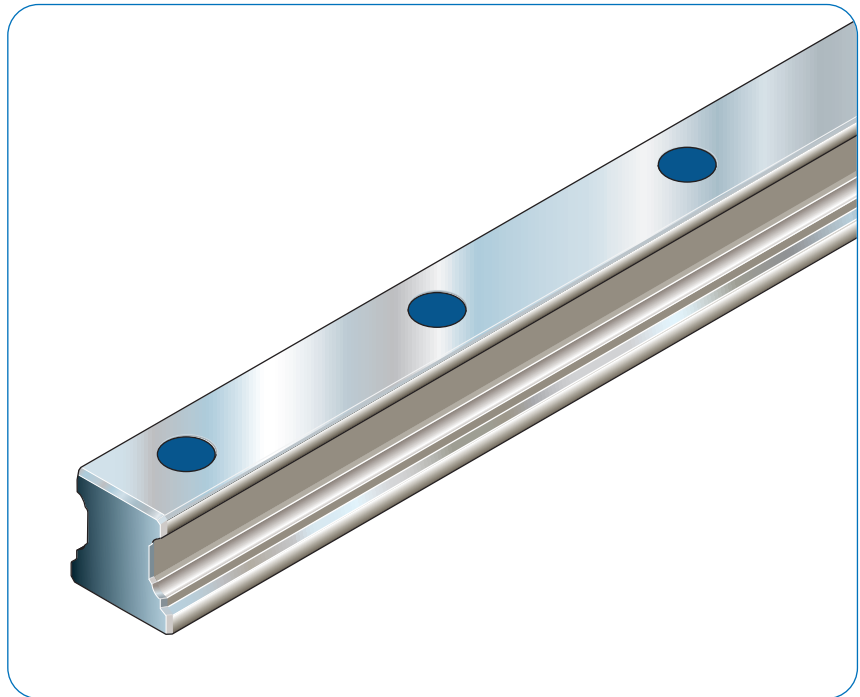
# Accuracy classes, dimensions and designations

## LLRHR rails

For mounting from above with plastic mounting caps (supplied).

### Note

The rails can also be supplied in several parts.



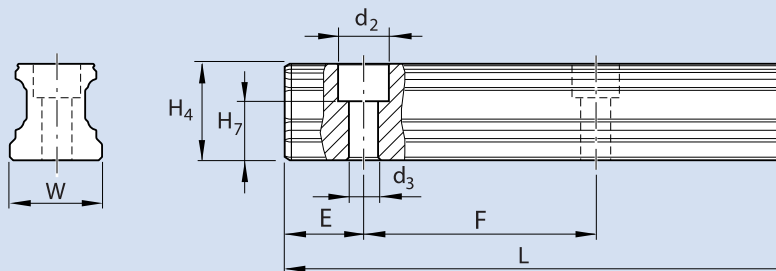
## Type designation and rail lengths

Standard rail		Rail one-piece	Rail multi-piece	Pitch T [mm]
Size	Accuracy	Designation	Designation	
15	<b>P5</b>	<b>LLRHR 15 - xxxx P5</b>	<b>LLRHR 15 - xxxx P5 A</b>	60
	P3	LLRHR 15 - xxxx P3	LLRHR 15 - xxxx P3 A	
	P1	LLRHR 15 - xxxx P1	LLRHR 15 - xxxx P1 A	
	P01	LLRHR 15 - xxxx P01	LLRHR 15 - xxxx P01 A	
	P001	LLRHR 15 - xxxx P001	LLRHR 15 - xxxx P001 A	
20	<b>P5</b>	<b>LLRHR 20 - xxxx P5</b>	<b>LLRHR 20 - xxxx P5 A</b>	60
	P3	LLRHR 20 - xxxx P3	LLRHR 20 - xxxx P3 A	
	P1	LLRHR 20 - xxxx P1	LLRHR 20 - xxxx P1 A	
	P01	LLRHR 20 - xxxx P01	LLRHR 20 - xxxx P01 A	
	P001	LLRHR 20 - xxxx P001	LLRHR 20 - xxxx P001 A	
25	<b>P5</b>	<b>LLRHR 25 - xxxx P5</b>	<b>LLRHR 25 - xxxx P5 A</b>	60
	P3	LLRHR 25 - xxxx P3	LLRHR 25 - xxxx P3 A	
	P1	LLRHR 25 - xxxx P1	LLRHR 25 - xxxx P1 A	
	P01	LLRHR 25 - xxxx P01	LLRHR 25 - xxxx P01 A	
	P001	LLRHR 25 - xxxx P001	LLRHR 25 - xxxx P001 A	
30	<b>P5</b>	<b>LLRHR 30 - xxxx P5</b>	<b>LLRHR 30 - xxxx P5 A</b>	80
	P3	LLRHR 30 - xxxx P3	LLRHR 30 - xxxx P3 A	
	P1	LLRHR 30 - xxxx P1	LLRHR 30 - xxxx P1 A	
	P01	LLRHR 30 - xxxx P01	LLRHR 30 - xxxx P01 A	
	P001	LLRHR 30 - xxxx P001	LLRHR 30 - xxxx P001 A	
35	<b>P5</b>	<b>LLRHR 35 - xxxx P5</b>	<b>LLRHR 35 - xxxx P5 A</b>	80
	P3	LLRHR 35 - xxxx P3	LLRHR 35 - xxxx P3 A	
	P1	LLRHR 35 - xxxx P1	LLRHR 35 - xxxx P1 A	
	P01	LLRHR 35 - xxxx P01	LLRHR 35 - xxxx P01 A	
	P001	LLRHR 35 - xxxx P001	LLRHR 35 - xxxx P001 A	
45	<b>P5</b>	<b>LLRHR 45 - xxxx P5</b>	<b>LLRHR 45 - xxxx P5 A</b>	105
	P3	LLRHR 45 - xxxx P3	LLRHR 45 - xxxx P3 A	
	P1	LLRHR 45 - xxxx P1	LLRHR 45 - xxxx P1 A	
	P01	LLRHR 45 - xxxx P01	LLRHR 45 - xxxx P01 A	
	P001	LLRHR 45 - xxxx P001	LLRHR 45 - xxxx P001 A	

bold text = standard range

xxxx = rail length





Size	Dimensions (mm)			$H_7^{+0.5}$	$d_2$	$d_3$	$E_{1 \text{ min}}$	F	$L_{\text{max}}$	Weight kg/m
	W	$H_4$	$H_7$							
15	15	16,20	10,3	7,4	4,4	10	60	4 000	1,4	
20	20	20,55	13,2	9,4	6,0	10	60	4 000	2,4	
25	23	24,25	15,2	11,0	7,0	10	60	4 000	3,2	
30	28	28,35	17,0	15,0	9,0	12	80	4 000	5,0	
35	34	31,85	20,5	15,0	9,0	12	80	4 000	6,8	
45	45	39,85	23,5	20,0	14,0	16	105	4 000	10,5	

The “E” dimension designates the distance from the rail end to the centre of the first attachment hole. If no customer-specific “E” dimension is provided with the order, the rails are produced according to the following formula:

$$E = \frac{L - (z - 1) \times F}{2}$$

E = Rail end dimension

F = Distance of attachment holes

L = Rail length

z = Number of attachment holes

The distance of the first and last attachment holes is mediated.

If several possibilities arise, the shorter “E” dimension will be produced!

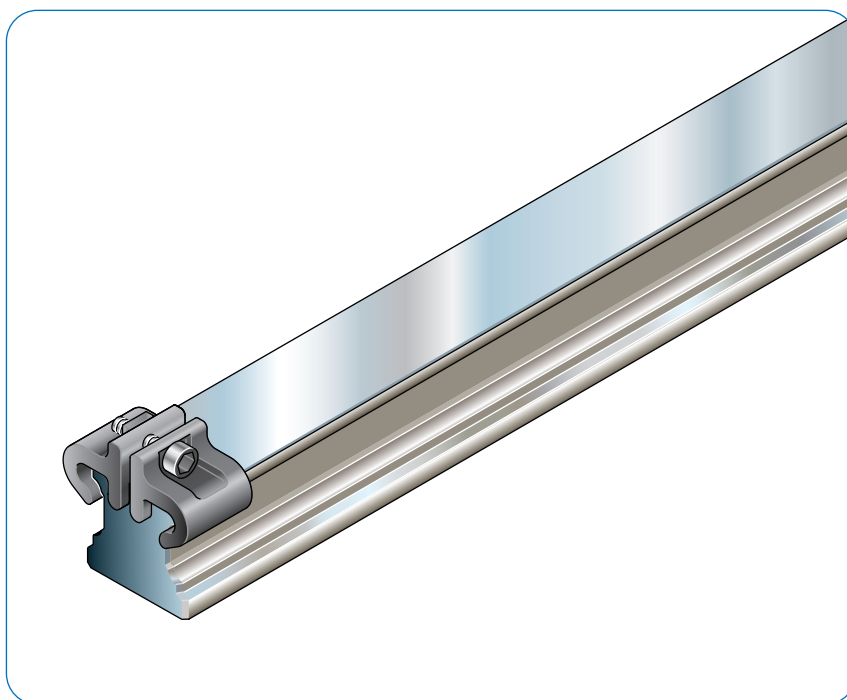
### LLRHR D2 rails

For mounting from above with cover strip and strip retaining clamps.

- Robust cover strip retaining clamps made of aluminium
- Rail without end face threaded holes (not required for cover strip retaining clamps)

### Note

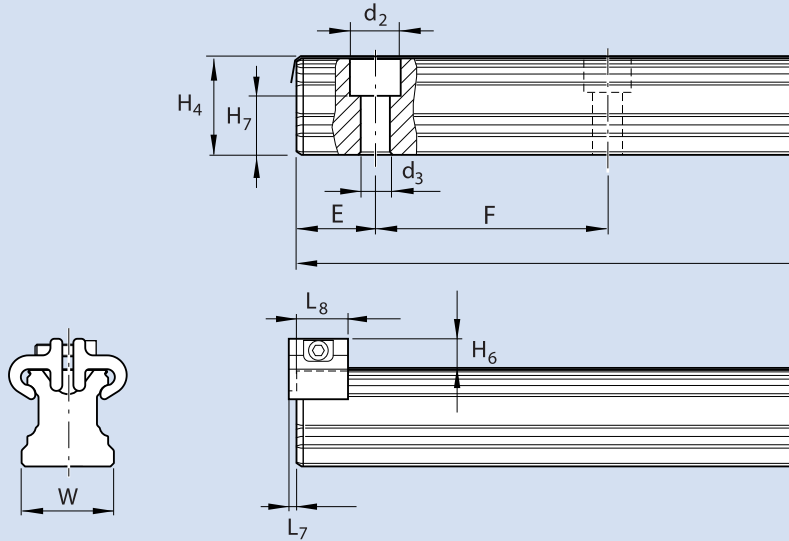
The rails can also be supplied in several parts.



### Type designation and rail lengths

Standard rail		Rail one-piece Designation	Rail multi-piece Designation	Pitch T [mm]
15	<b>P5 D2</b>	<b>LLRHR 15 - xxxx P5 D2</b>	<b>LLRHR 15 - xxxx P5 A D2</b>	60
	P3 D2	LLRHR 15 - xxxx P3 D2	LLRHR 15 - xxxx P3 A D2	
	P1 D2	LLRHR 15 - xxxx P1 D2	LLRHR 15 - xxxx P1 A D2	
	P01 D2	LLRHR 15 - xxxx P01 D2	LLRHR 15 - xxxx P01 A D2	
	P001 D2	LLRHR 15 - xxxx P001 D2	LLRHR 15 - xxxx P001 A D2	
20	<b>P5 D2</b>	<b>LLRHR 20 - xxxx P5 D2</b>	<b>LLRHR 20 - xxxx P5 A D2</b>	60
	P3 D2	LLRHR 20 - xxxx P3 D2	LLRHR 20 - xxxx P3 A D2	
	P1 D2	LLRHR 20 - xxxx P1 D2	LLRHR 20 - xxxx P1 A D2	
	P01 D2	LLRHR 20 - xxxx P01 D2	LLRHR 20 - xxxx P01 A D2	
	P001 D2	LLRHR 20 - xxxx P001 D2	LLRHR 20 - xxxx P001 A D2	
25	<b>P5 D2</b>	<b>LLRHR 25 - xxxx P5 D2</b>	<b>LLRHR 25 - xxxx P5 A D2</b>	60
	P3 D2	LLRHR 25 - xxxx P3 D2	LLRHR 25 - xxxx P3 A D2	
	P1 D2	LLRHR 25 - xxxx P1 D2	LLRHR 25 - xxxx P1 A D2	
	P01 D2	LLRHR 25 - xxxx P01 D2	LLRHR 25 - xxxx P01 A D2	
	P001	LLRHR 25 - xxxx P001 D2	LLRHR 25 - xxxx P001 A D2	
30	<b>P5 D2</b>	<b>LLRHR 30 - xxxx P5 D2</b>	<b>LLRHR 30 - xxxx P5 A D2</b>	80
	P3 D2	LLRHR 30 - xxxx P3 D2	LLRHR 30 - xxxx P3 A D2	
	P1 D2	LLRHR 30 - xxxx P1 D2	LLRHR 30 - xxxx P1 A D2	
	P01 D2	LLRHR 30 - xxxx P01 D2	LLRHR 30 - xxxx P01 A D2	
	P001 D2	LLRHR 30 - xxxx P001 D2	LLRHR 30 - xxxx P001 A D2	
35	<b>P5 D2</b>	<b>LLRHR 35 - xxxx P5 D2</b>	<b>LLRHR 35 - xxxx P5 A D2</b>	80
	P3 D2	LLRHR 35 - xxxx P3 D2	LLRHR 35 - xxxx P3 A D2	
	P1 D2	LLRHR 35 - xxxx P1 D2	LLRHR 35 - xxxx P1 A D2	
	P01 D2	LLRHR 35 - xxxx P01 D2	LLRHR 35 - xxxx P01 A D2	
	P001 D2	LLRHR 35 - xxxx P001 D2	LLRHR 35 - xxxx P001 A D2	
45	<b>P5 D2</b>	<b>LLRHR 45 - xxxx P5 D2</b>	<b>LLRHR 45 - xxxx P5 A D2</b>	105
	P3 D2	LLRHR 45 - xxxx P3 D2	LLRHR 45 - xxxx P3 A D2	
	P1 D2	LLRHR 45 - xxxx P1 D2	LLRHR 45 - xxxx P1 A D2	
	P01 D2	LLRHR 45 - xxxx P01 D2	LLRHR 45 - xxxx P01 A D2	
	P001 D2	LLRHR 45 - xxxx P001 D2	LLRHR 45 - xxxx P001 A D2	

bold text = standard range  
xxxx = rail length



Size	Dimensions (mm)										Weight kg/m	
	W	H <sub>4</sub>	H <sub>7</sub>	H <sub>6</sub>	L <sub>8</sub>	L <sub>7</sub>	d <sub>2</sub>	d <sub>3</sub>	E <sub>1 min</sub>	F		L <sub>max</sub>
15	15	16,3	10,3	7,3	12,0	2,0	7,4	4,4	10	60	3 000	1,4
20	20	20,75	13,2	7,1	12,0	2,0	9,4	6,0	10	60	4 000	2,4
25	23	24,45	15,2	8,2	13,0	2,0	11,0	7,0	10	60	4 000	3,2
30	28	28,5	17,0	8,7	13,0	2,0	15,0	9,0	12	80	4 000	5,0
35	34	32,15	20,5	11,7	16,0	2,2	15,0	9,0	12	80	4 000	6,8
45	45	40,15	23,5	12,5	18,0	2,2	20,0	14,0	16	105	4 000	10,5

The “E” dimension designates the distance from the rail end to the centre of the first attachment hole. If no customer-specific “E” dimension is provided with the order, the rails are produced according to the following formula:

$$E = \frac{L - (z - 1) \times F}{2}$$

E = Rail end dimension

F = Distance of attachment holes

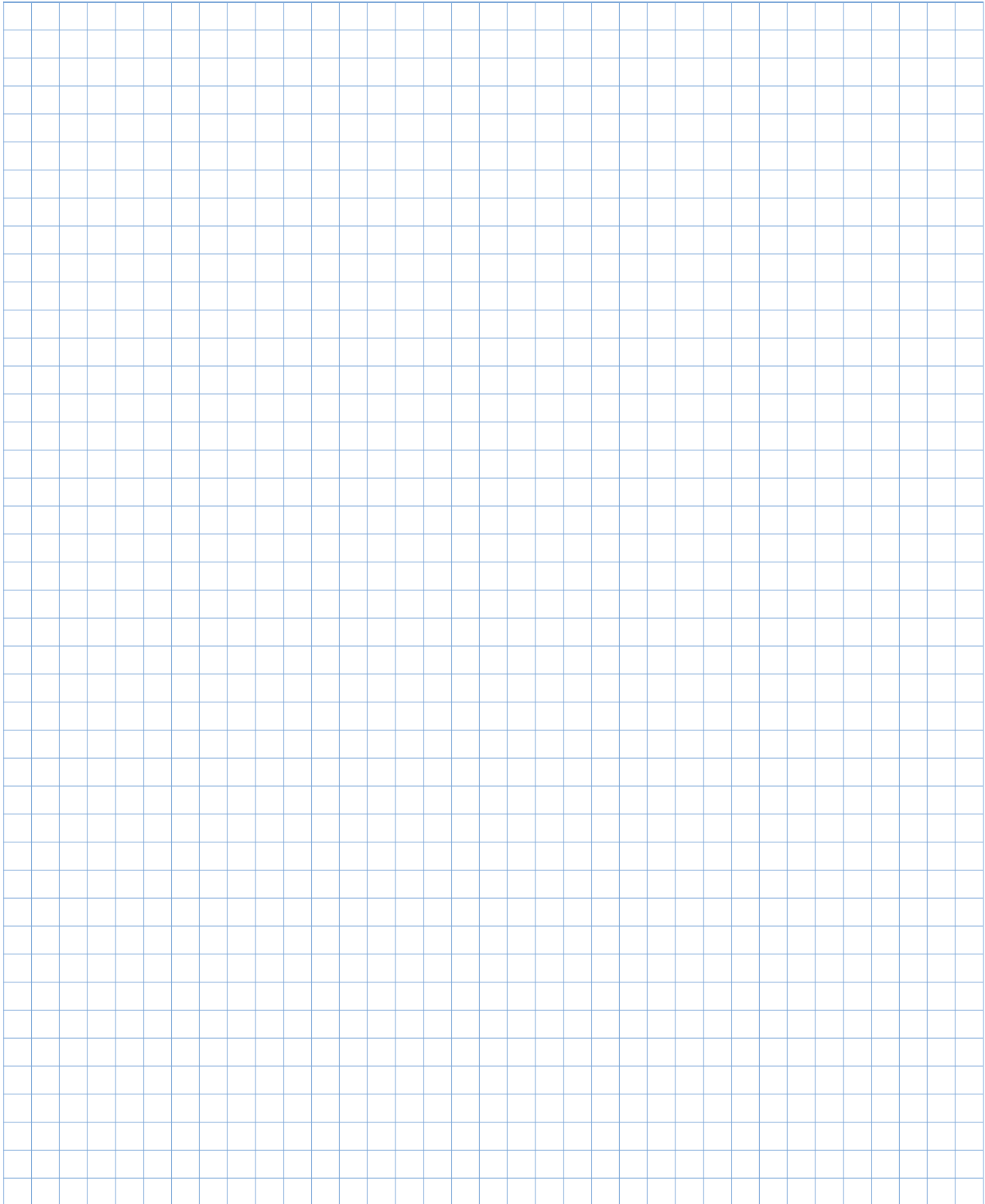
L = Rail length

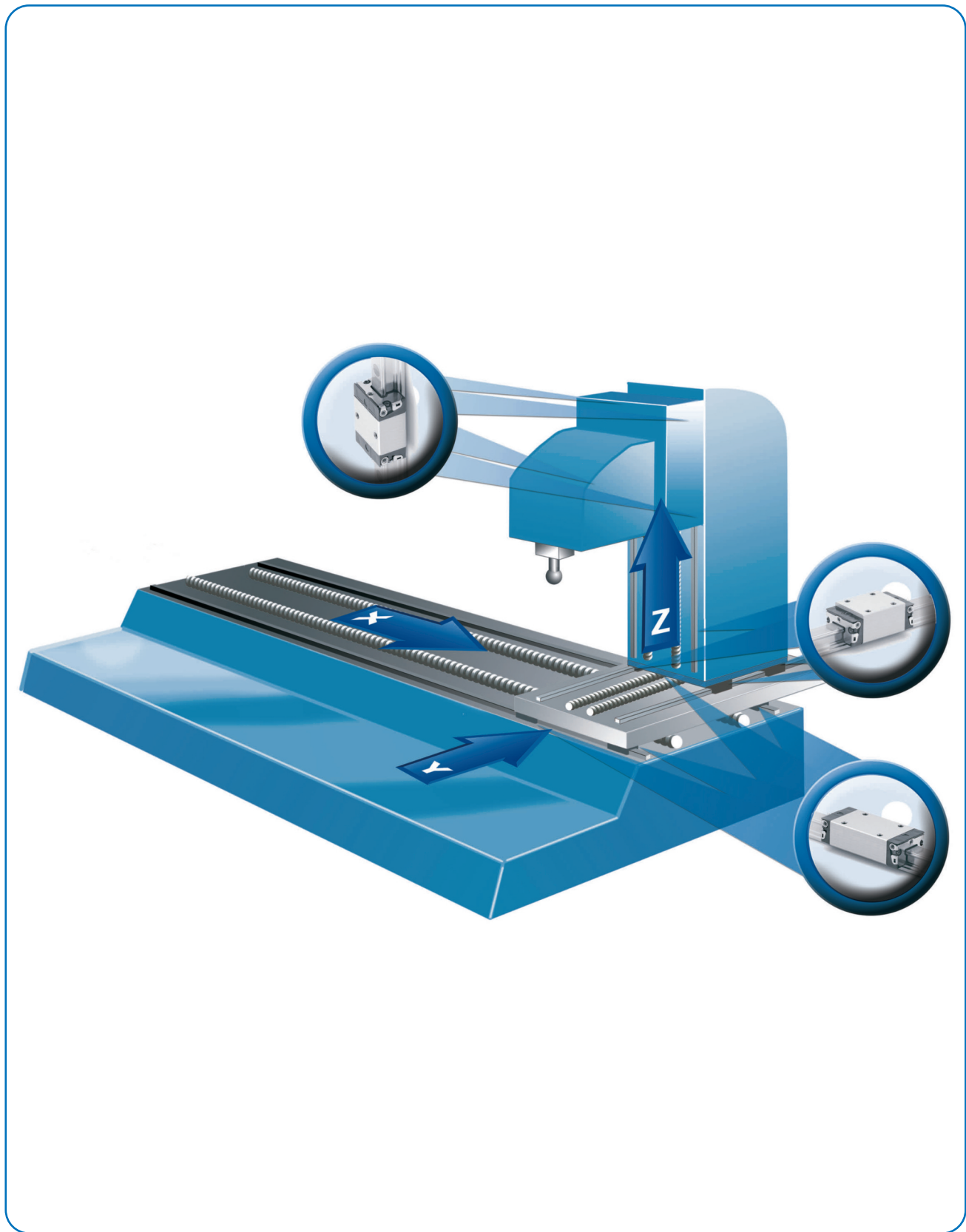
z = Number of attachment holes

The distance of the first and last attachment holes is mediated.

If several possibilities arise, the shorter “E” dimension will be produced!



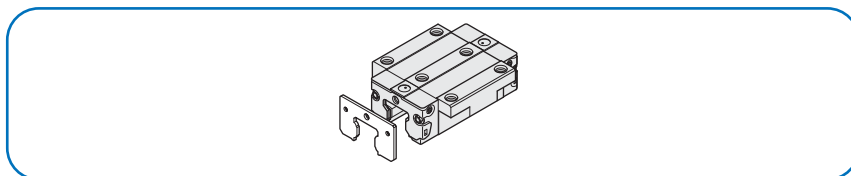




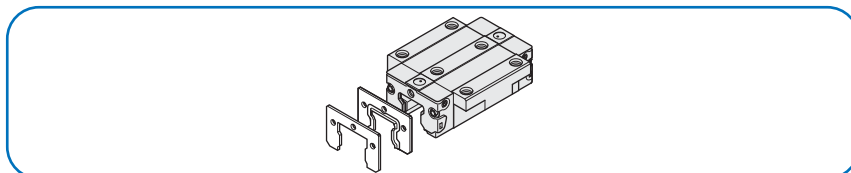
# Accessories

## Product overview

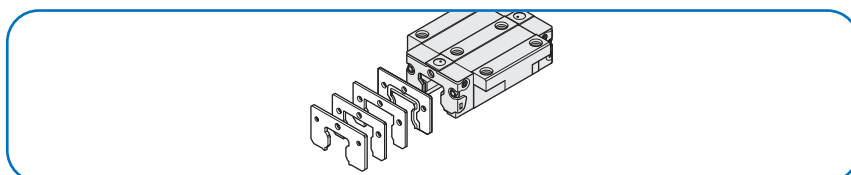
Scraper plate



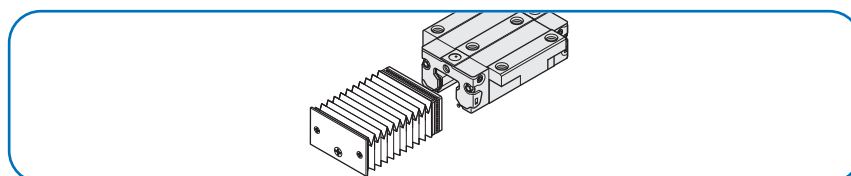
Two-piece front seal



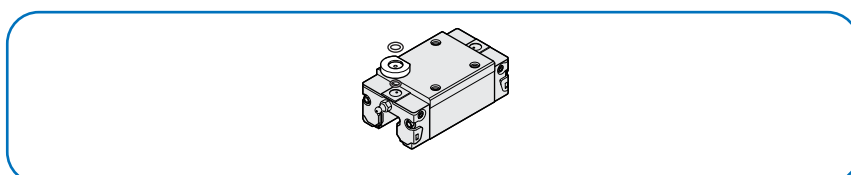
Sealing kit



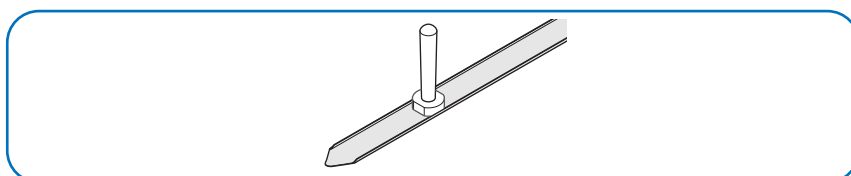
Bellows



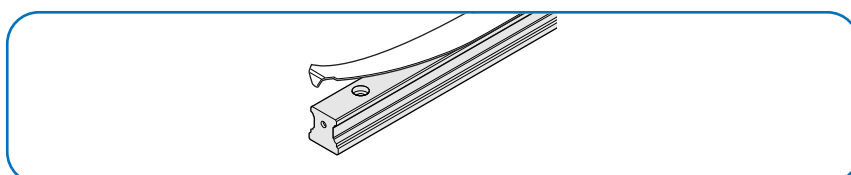
Lubrication adapter



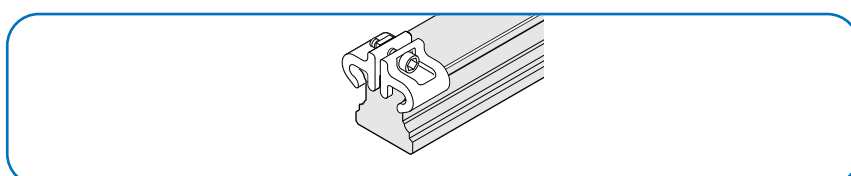
Expanding mandrel



Loose cover strip



Cover strip retaining clamps made of aluminium





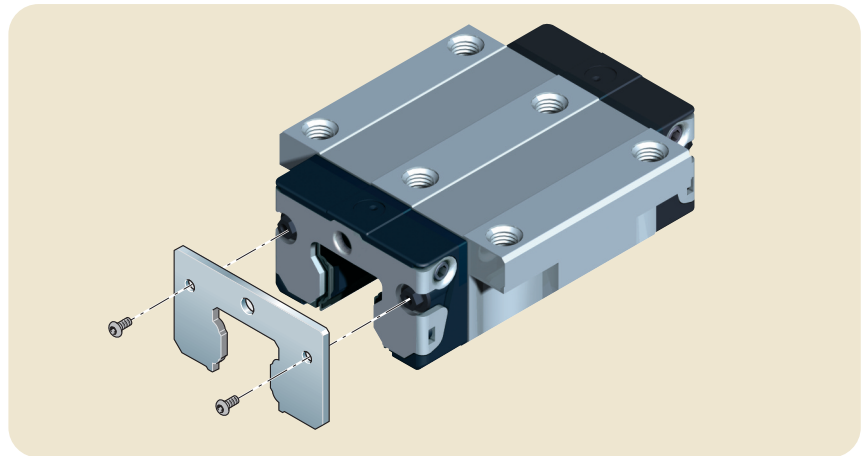
# Standard carriages

## Scraper plate

- Material: stainless spring steel to DIN EN 10088
- Condition: bright
- Precision design with 0,2 to 0,3 mm maximum gap measurement

### Mounting:

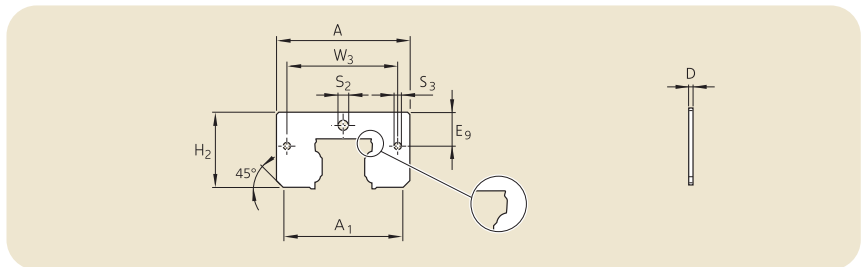
Fastening screws are supplied. During mounting please ensure an even gap between the rail and scraper plate.



## Scraper plate for rails with and without cover strip

### Note:

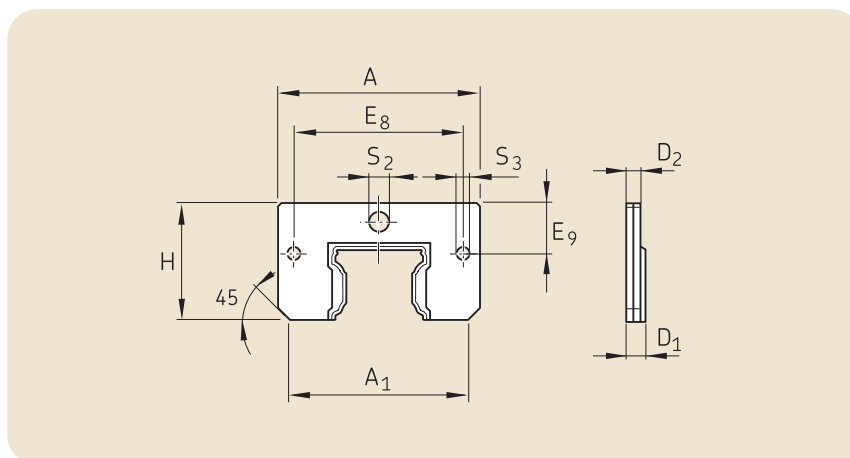
Use in combination with two-piece front seal kit LLRHZxxS3.



Size	Part numbers	Dimensions (mm)								Weight (g)
		A	A <sub>1</sub>	H <sub>2</sub>	W <sub>3</sub>	E <sub>9</sub>	S <sub>2</sub>	S <sub>3</sub>	D	
15	LLRHZ 15 S1	33	26,4	19,2	24,55	6,3	4,6	3,5	1,0	4
20	LLRHZ 20 S1	42	40,0	24,8	32,4	6,8	5,1	4	1,0	6
25	LLRHZ 25 S1	47	41,6	29,5	38,3	11,0	7	4	1,0	8
30	LLRHZ 30 S1	59	52,8	34,7	48,4	14,1	7	4	1,0	12
35	LLRHZ 35 S1	69	60,9	40,1	58,0	17,0	7	4	1,0	16
35*	LLRHZ 35 S1 CS	69	60,9	40,1	58,0	17,0	7	4	1,0	16
45	LLRHZ 45 S1	85	76,7	50,0	69,8	20,5	7	5	2,0	50
45*	LLRHZ 45 S1 CS	85	76,7	50,0	69,8	20,5	7	5	2,0	50

\* Scraper plates in combination with cover strip

## Two-piece front seal

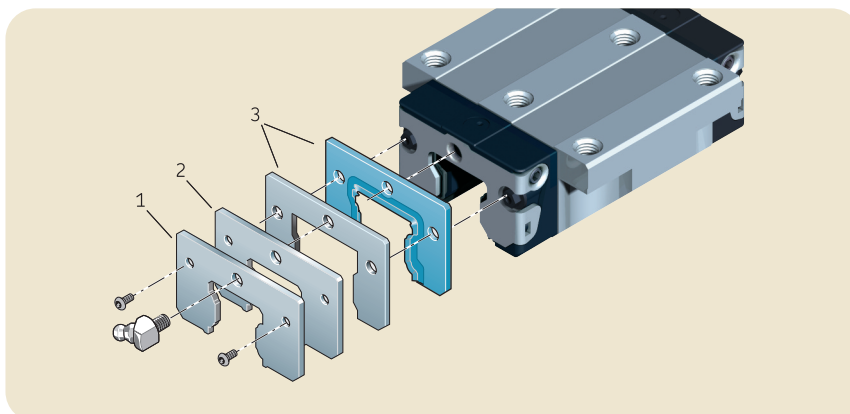


Size	Part numbers	Dimensions (mm)									Weight (g)
		A	A <sub>1</sub>	H <sub>2</sub>	W <sub>3</sub>	E <sub>9</sub>	S <sub>2</sub>	S <sub>3</sub>	D <sub>1</sub>	D <sub>2</sub>	
15	LLRHZ 15 S2	32	27	19,0	24,55	6,3	3,5	3,5	3,0	2,2	6
20	LLRHZ 20 S2	42	39	24,3	32,4	6,8	5,1	4	3,3	2,5	8
25	LLRHZ 25 S2	47	42	29,0	38,3	11,0	7	4	3,3	2,5	10
30	LLRHZ 30 S2	59	53	34,5	48,4	14,1	7	4	4,5	3,3	18
35	LLRHZ 35 S2	69	61	39,5	58,0	17,0	7	4	4,5	3,3	25
45	LLRHZ 45 S2	85	77	49,5	69,8	20,5	7	5	5,5	4,0	55

## Seal kit

The seal kit consists of the following components:

- 1 Scraper plate
- 2 Support plate
- 3 Two-piece front seal



Size	Seal kit Designation
15	LLRHZ 15 S3
20	LLRHZ 20 S3
25	LLRHZ 25 S3
30	LLRHZ 30 S3
35	LLRHZ 35 S3
35 CS*	LLRHZ 35 S3 CS
45	LLRHZ 45 S3
45 CS*	LLRHZ 45 S3 CS

\*Seal kit in combination with cover strip

### Lubrication adapter

For high carriages:

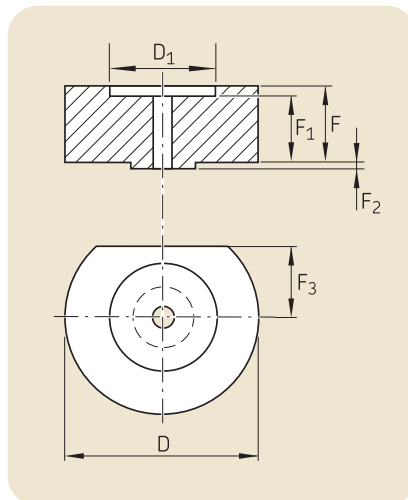
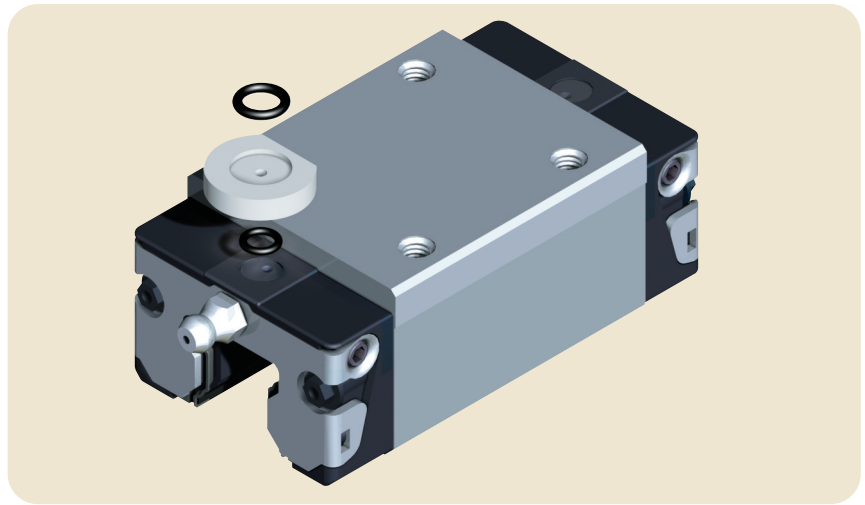
LLRHC\_R

LLRHC\_LR

- Material: plastic
- Contents: 1 piece

### Mounting:

O-rings are supplied.



### Type designations and dimensions

Size	Part numbers	Dimensions (mm)						
		D	D <sub>1</sub>	D <sub>2</sub>	F	F <sub>1</sub>	F <sub>2</sub>	F <sub>3</sub>
15	LLRHZ 15 0	12	6,2	3,4	3,70	3,10	0,50	3,20
25	LLRHZ 25 0	15	7,2	4,4	3,80	3,20	0,50	5,85
30	LLRHZ 30 0	16	7,2	4,4	2,80	2,20	0,50	6,10
35	LLRHZ 35 0	18	7,2	4,4	6,80	6,20	0,50	6,80
45	LLRHZ 45 0	20	7,2	4,4	9,80	9,20	0,50	8,30

### Mounting of lubrication adapter

A lubrication adapter is necessary on high carriages if lubrication is to take place from the table part.

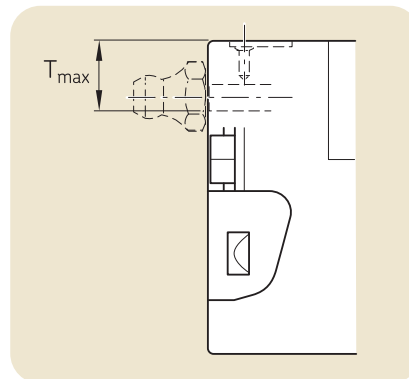
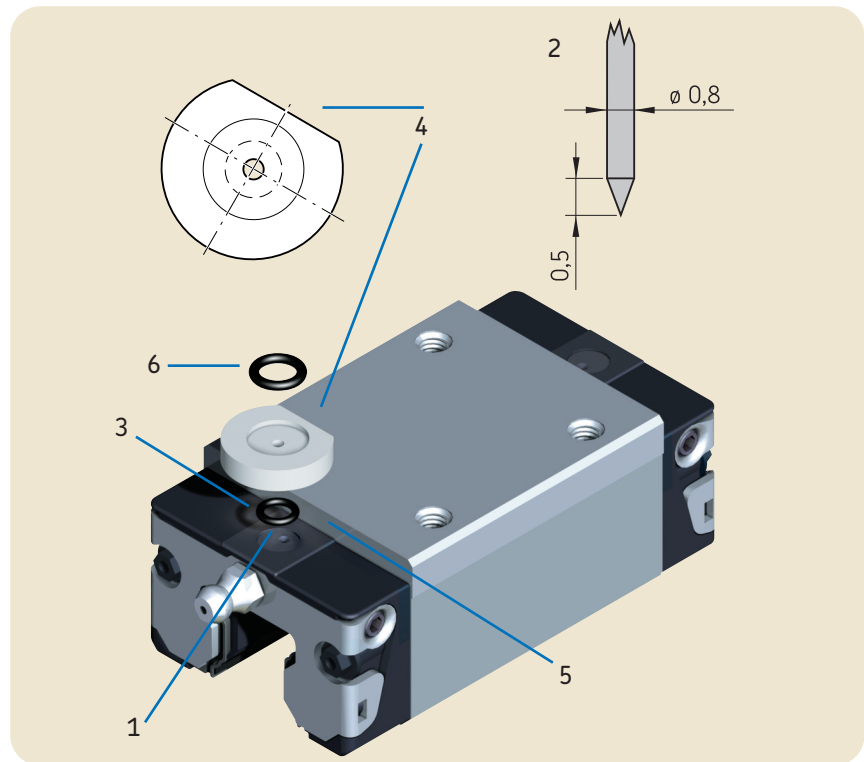
**⚠** In the recess for the O-ring seal a further small recess (1) has been preformed. Do not drill this open. Risk of dirt incursion!

- Heat up metal tip (2) with a diameter of 0,8 mm.
- Carefully open the recess (1) with the metal tip and push through.  
Observe maximum permissible depth  $T_{max}$  stated in the table!
- Insert O-ring seal (3) in the recess.
- Insert lubrication adapter at an angle in the recess and press the flattened side (4) onto the steel part (5). Use grease for fixing.
- Insert O-ring seal (6) in the lubrication adapter.

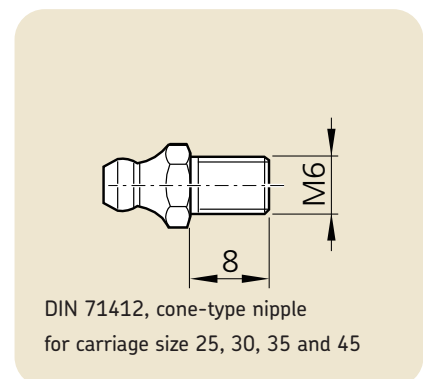
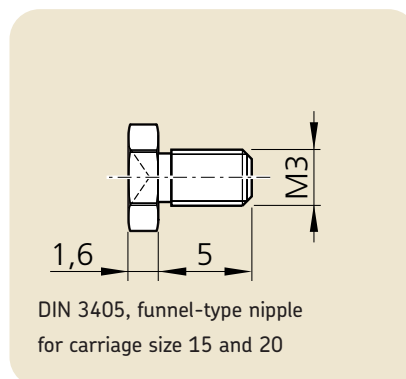
### Size

Top lubrication opening: maximum permissible depth for penetration  $T_{max}$  (mm)

Size	Top lubrication opening: maximum permissible depth for penetration $T_{max}$ (mm)
15	3,6
20	3,9
25	3,3
30	6,6
35	7,5
45	8,8



Lubrication nipple dimensions

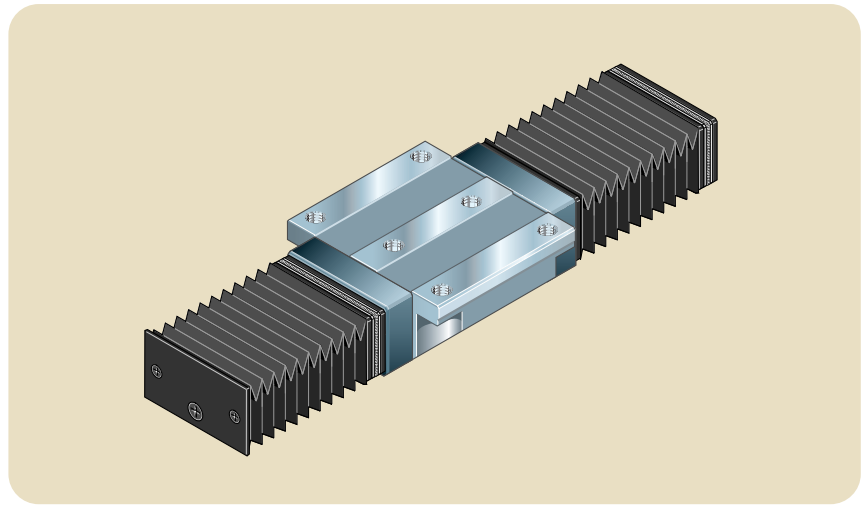





## Bellows

Material:

Bellows are made out of polyester fabric with polyurethane coating  
 Adapter plates are made out of aluminium.

The lubrication nipple on the carriage can be used.



Size	 <b>Type 2</b> with fastening plate for the carriage and end plate for the rail	 <b>Type 4</b> with two fastening plates for the carriages	 <b>Type 9</b> loose bellows (spare part)
15	LLRHB 15 B2 xx	LLRHB 15 B4 xx	LLRHB 15 xx
20	LLRHB 20 B2 xx	LLRHB 20 B4 xx	LLRHB 20 xx
25	LLRHB 25 B2 xx	LLRHB 25 B4 xx	LLRHB 25 xx
30	LLRHB 30 B2 xx	LLRHB 30 B4 xx	LLRHB 30 xx
35	LLRHB 35 B2 xx	LLRHB 35 B4 xx	LLRHB 35 xx
45	LLRHB 45 B2 xx	LLRHB 45 B4 xx	LLRHB 45 xx

xx = Number of folds

## Mounting

The bellows are pre-mounted.  
The fixing screws are supplied.

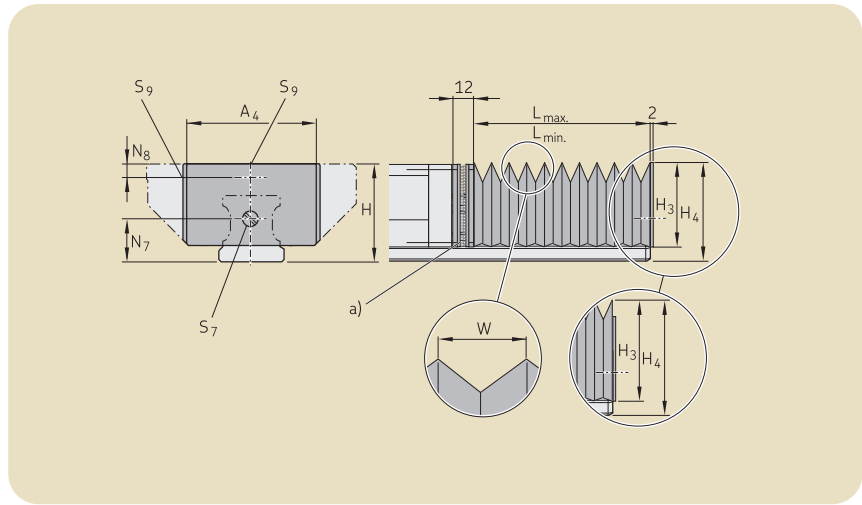
On type 2 in each case one thread M4-10 deep, 2 x 45° countersunk, must be inserted in the end face of the rail.

Size 25 - 45:

The lubrication nipple on the carriage can be used.

Size 15 and 20:

A drive-type lubrication nipple is supplied.



## Calculation of the bellows

$$L_{\min} = L_{\max} - \text{Stroke}$$

$$L_{\max} = (\text{Stroke} + 30) \cdot U$$

$$\text{Number of folds} = \frac{L_{\max}}{W} + 2$$

$L_A$  = Carriage length  $L_1$  plus 2x12 mm for the fastening plates.

$L_{\max}$  = Bellows stretched

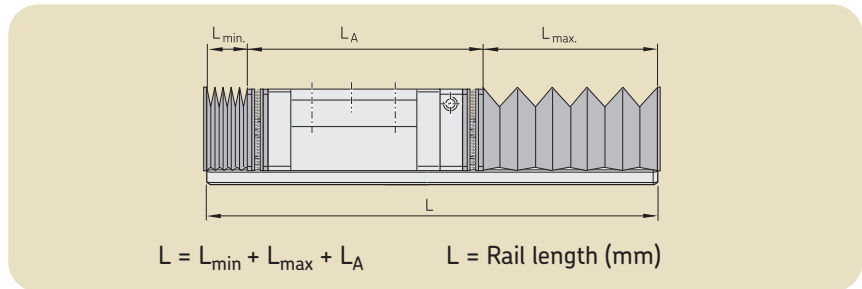
$L_{\min}$  = Bellows pushed together

Stroke = Stroke (mm)

U = Calculation factor

W = Maximum extension of folds

## Calculation of the rail length



## Dimensions of the bellows

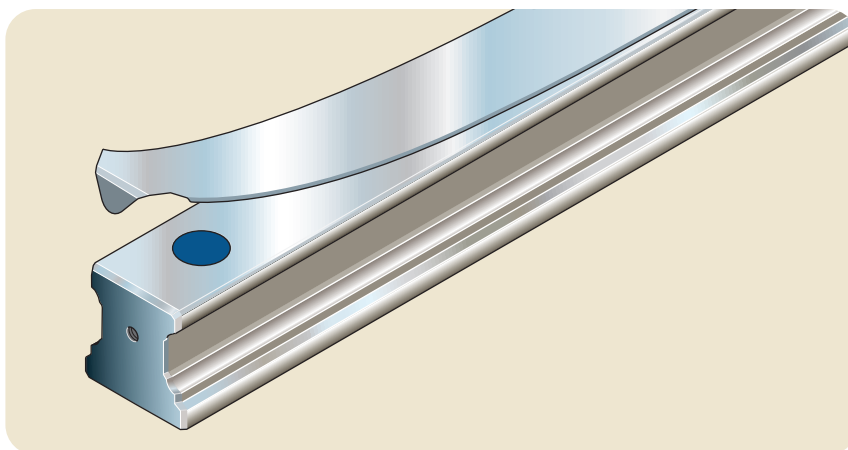
Size	Dimensions (mm)						$N_7$	$N_8$	$S_7$	$S_8$	$S_9$	W	Factor U
	$A_4$	$B_3$	H	$H_3$	$H_4$								
15	45	11	24	26,5	31,5	11	3,4	M4	ø3	M3	19,9	1,18	
20	42	12	30	24,0	29,2	13	3,5	M4	ø3	M3	10,3	1,33	
25	45	12	36	28,5	35,0	15	6,0	M4	M6	M3	12,9	1,32	
30	55	12	42	34,0	41,0	18	8,0	M4	M6	M6	15,4	1,25	
35	64	12	48	39,0	47,0	22	8,0	M4	M6	M6	19,9	1,18	
45	83	12	60	49,0	59,0	30	8,0	M4	M6	M6	26,9	1,13	

# Cover strip

## Advantages of the cover strip

The cover strip can be simply clipped on and pulled off.

- This considerably simplifies and quickens mounting:
  - It is not necessary to close every single drill hole
  - It is not necessary to wait for the adhesive to set on adhesive strips.
- Multiple mounting and removal is possible (up to 4 times)



## Designs/Functions

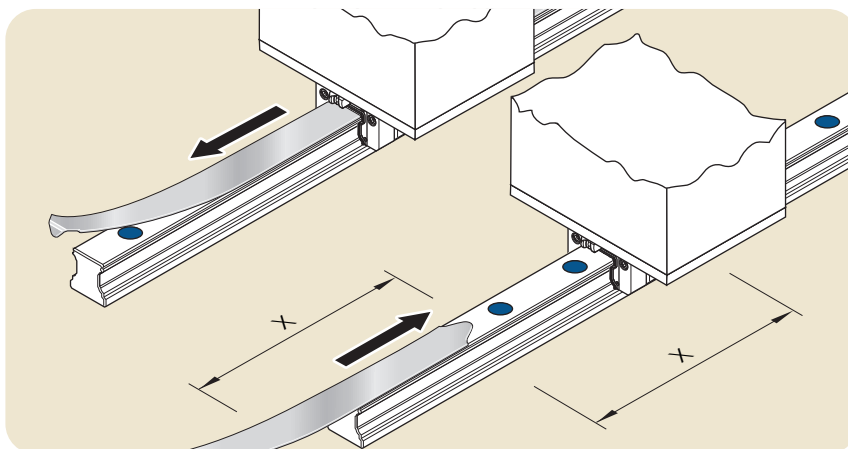
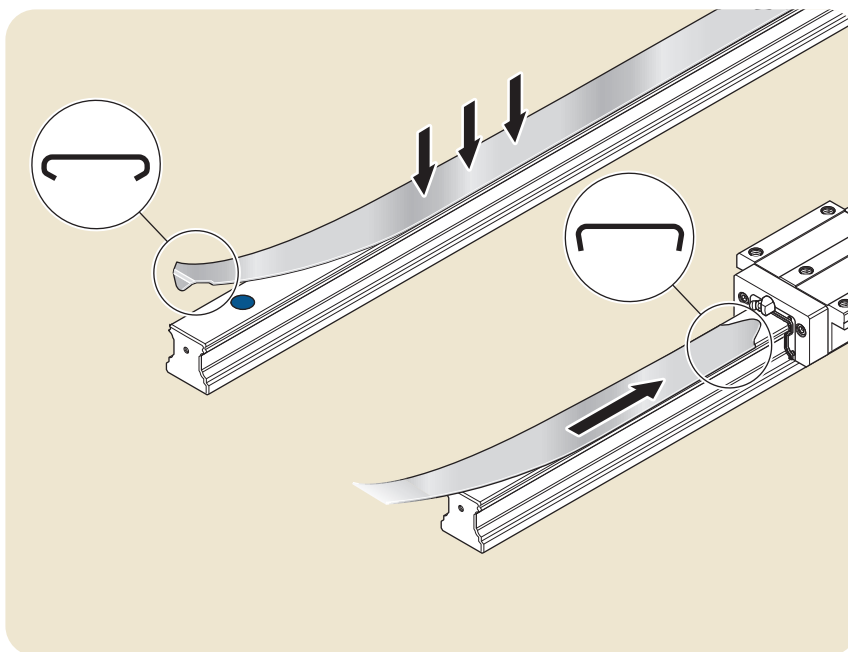
### Cover strip with fixed seat (standard)

- The cover strip is clipped on before the carriages are mounted and stays firmly in place.

With an optionally available expanding mandrel for 0,15 mm cover strips or a special expanding tool for 0,3 mm cover strips a slide can also be retroactively created in order to remove a cover strip.

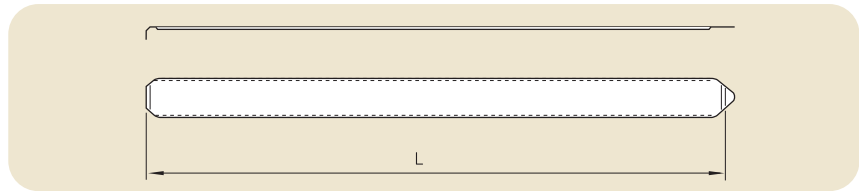
In particular, however, the slide length X can be optimally adapted to the specific application.

Please observe the precise mounting instructions!



**Cover strip for initial mounting/  
stock/replacement**

For each guide rail length a matching cover strip with fixed seat can be supplied.



**Ordering a standard cover strip  
with fixed seat**

**Example:**

Rail Size 35,

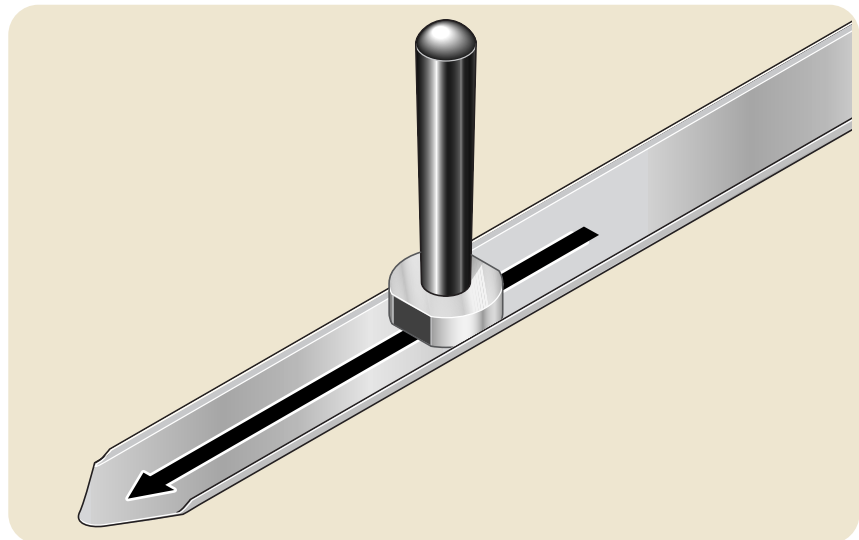
Rail length L = 2 696 mm

**LLRHZ 15 – 2 969 CS**

(For order designation see  
product table)

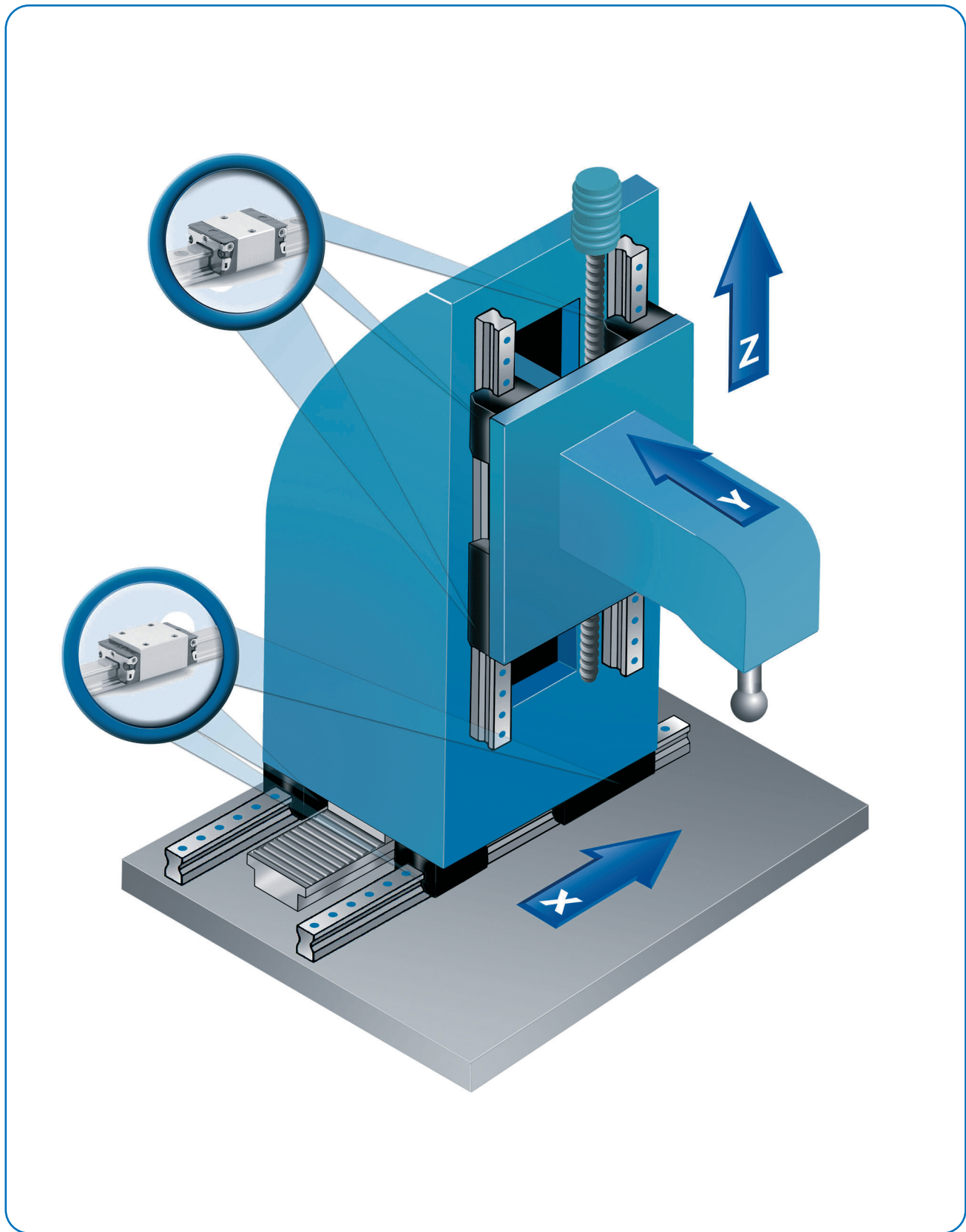
Size	Standard cover strips Order designation, length (mm)
15	LLRHZ 15 - xxx CS
20	LLRHZ 20 - xxx CS
25	LLRHZ 25 - xxx CS
30	LLRHZ 30 - xxx CS
35	LLRHZ 35 - xxx CS
45	LLRHZ 45 - xxx CS

**Expanding mandrel to create a slide  
on the cover strip**



Size	Expanding mandrel Order designation
15	LLRHZ 15 W
20	LLRHZ 20 W
25	LLRHZ 25 W
30	LLRHZ 30 W
35	LLRHZ 35 W
45	LLRHZ 45 W





### Cover strip retaining clamps

For guide rails without end-face threaded holes.

SKF recommends the use of cover strip retaining clamps.

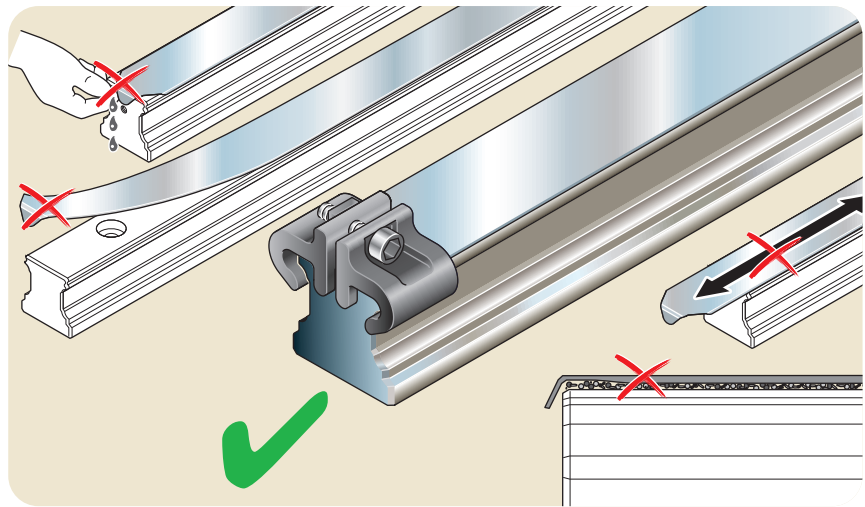
These can:

- prevent unintentional removal of the strip and incursion of dirt
- fix the cover strip in place

Materials:

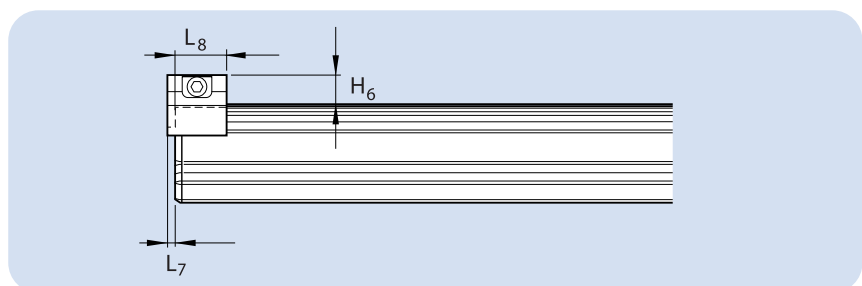
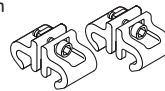
Retaining clamps made of aluminium, black anodised.

Clamping screw and nut made of corrosion-resistant steel.

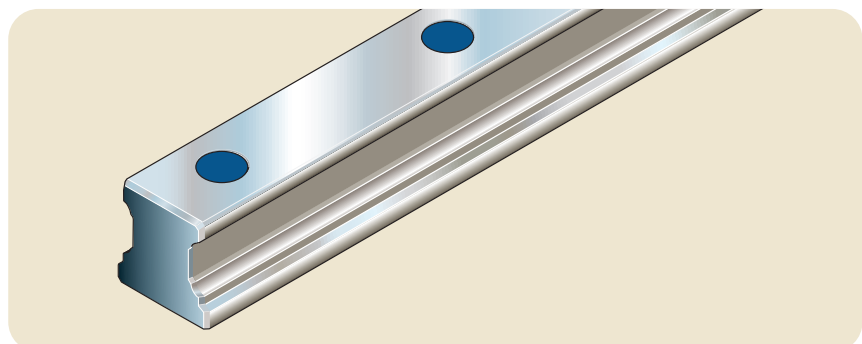


### Order designations for cover strip retaining clamps

Size	Retaining clamps (2 pieces per unit) Order designation	Dimensions (mm)		
		H <sub>6</sub>	L <sub>7</sub>	L <sub>8</sub>
15	LLR 15 CSG	7,3	2,0	12
20	LLR 20 CSG	7,1	2,0	12
25	LLR 25 CSG	8,2	2,0	13
30	LLR 30 CSG	8,7	2,0	13
35	LLR 35 CSG	11,7	2,2	16
45	LLR 45 CSG	12,5	2,2	18



Plastic caps are supplied as standard if a cover strip has not been ordered.





Stop edges, corner radii, screw sizes and tightening torques

Carriages made of steel, type A, LA

- Standard width

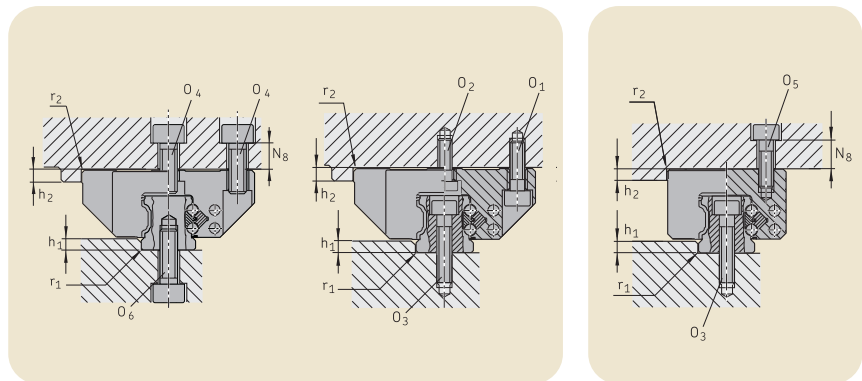
Rails

- Can be screwed from above

Carriages made of steel, type U, LU, R, LR

Rails

- Can be screwed from above



The combinations shown are examples. In principle all carriages can be combined with all rails.

Size	h <sub>1</sub>		r <sub>1</sub>	h <sub>2</sub>	r <sub>2</sub>	O <sub>1</sub>	O <sub>2</sub> <sup>2)</sup>	O <sub>4</sub> <sup>2)2)</sup>	O <sub>5</sub>	O <sub>3</sub>	O <sub>6</sub>	N <sub>8</sub>
	min.	max.	max.	(mm)	(mm)	DIN 912	DIN 6912	DIN 912	DIN 912	DIN 912	DIN 912	(mm)
15	2,5	3,5	0,4	4	0,6	M4x12	M4x10	M5x12	M4x12	M4x20	M5x12	6
20	2,5	4,0	0,6	5	0,6	M5x16	M5x12	M6x16	M5x16	M5x25	M6x16	9
25	3,0	5,0	0,8	5	0,8	M6x20	M6x16	M8x20	M6x18	M6x30	M6x20	10
30	3,0	5,0	0,8	6	0,8	M8x25	M8x16	M10x20	M8x20	M8x30	M8x20	10
35	3,5	6,0	0,8	6	0,8	M8x25	M8x20	M10x25	M8x25	M8x35	M8x25	13
45	4,5	8,0	0,8	8	0,8	M10x30	M10x25	M12x30	M10x30	M12x45	M12x30	14

Dimensions and guide values for permissible lateral force without additional lateral fixing

	Screw strength class	Carriages		Rails			
Carriages A, U, R	8.8	0,11 C	0,15 C <sup>3)</sup>	0,23 C	0,11 C	0,06 C	0,06 C
	12.9	0,18 C	0,22 C <sup>3)</sup>	0,35 C	0,18 C	0,10 C	0,10 C
Carriages LA, LU, LR	8.8	0,08 C	0,13 C <sup>3)</sup>	0,18 C	0,08 C	0,04 C	0,04 C
	12.9	0,14 C	0,18 C <sup>3)</sup>	0,26 C	0,14 C	0,07 C	0,07 C

<sup>1)</sup> If the carriage is fastened from above with only four O<sub>4</sub> screws:



- permissible lateral force 1/3 lower
- lower stiffness

<sup>2)</sup> If the carriage is fastened with 6 screws:

Tighten the middle screws with a tightening torque for strength class 8.8

<sup>3)</sup> If fastened with two O<sub>2</sub> screws and four O<sub>1</sub> screws

Tightening torques of the fixing screws in Nm

	M4	M5	M6	M8	M10	M12	M14	M16
	8.8	2,7	5,5	9,5	23	46	80	125
	12.9	4,6	9,5	16	39	77	135	215

### Pinning

If the guide values for the permissible lateral force are exceeded (see table) the carriage must be additionally fixed by means of pinning or stop edges.

The recommended dimensions for the pin holes can be obtained from the drawings and table.

#### Usable pins:

- tapered pin (hardened) or
- straight pin DIN ISO 8734

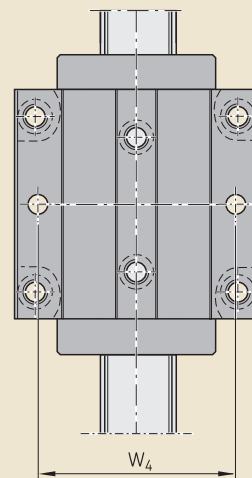
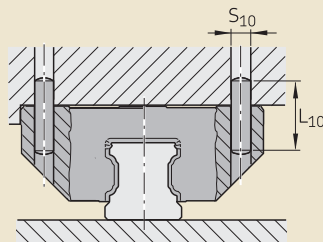
#### Instructions

For production-related reasons there may be pilot drill holes in the middle of the carriage at the recommended positions for pin holes ( $\varnothing < S_{10}$ ). They are suitable for drilling.

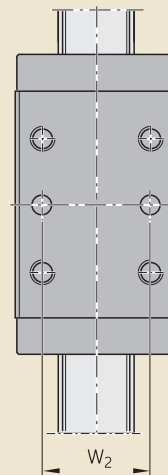
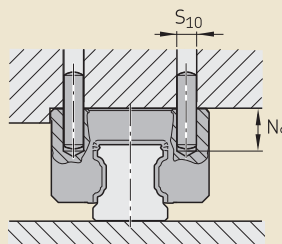
If necessary, the pinning must be carried out in a different position (e.g. middle lube port), but must not exceed the dimension  $L_3$  in longitudinal direction ( $L_3$  can be obtained from the dimension tables for the individual versions).

Keep to dimensions  $W_2$  and  $W_4$ !

Do not complete the pin holes until after mounting (see also general mounting instructions - available through your normal SKF contact).



Standard width A, LA



Slim line U, LU  
Slim line high R, LR

Size	Dimensions (mm)				
	$S_{10}$	$L_{10}$	$W_2$	$W_4$	$N_9$ (max)
15	4	18	26	38	6,0
20	5	24	32	53	7,5
25	6	32	35	55	9,0
30	8	36	40	70	12,0
35	8	40	50	80	13,0
45	10	50	60	98	18,0

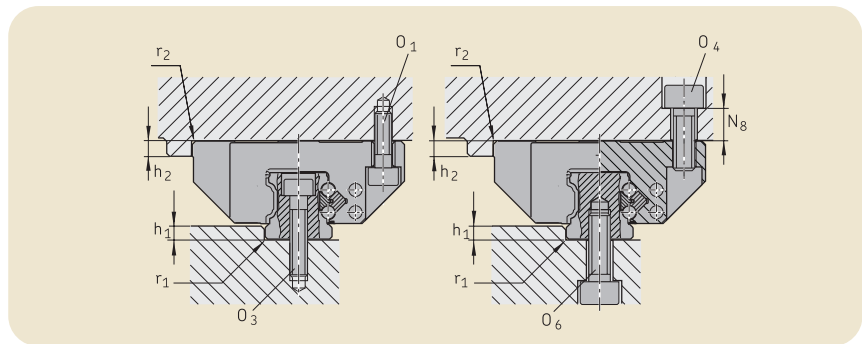
Stop edges, corner radii, screw sizes and tightening torques

**Carriages SA**

- Standard width, short

**Rails**

- Can be screwed from above

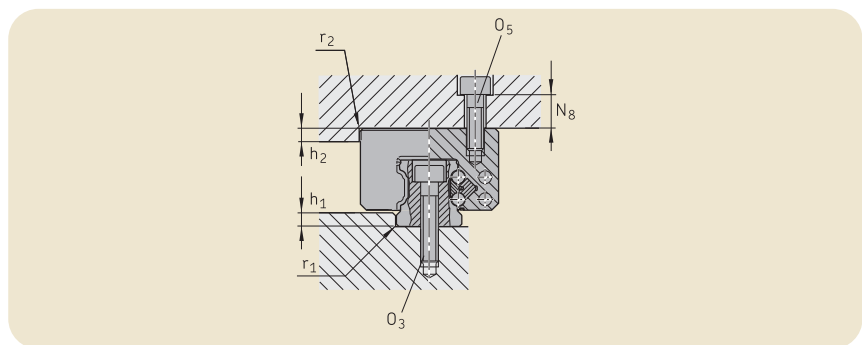


**Carriages SU**

- Slim line short

**Rails**

- Can be screwed from above



**Note**

The combinations shown are examples. In principle all carriages can be combined with all rails.

The screw connection for the carriages using 2 screws is completely adequate to withstand the maximum load. (See maximum load ability and moment loadability for the individual versions.)

**Dimensions and guide values for permissible lateral force without additional lateral fixing**

Size	h <sub>1</sub>		r <sub>1</sub>	h <sub>2</sub>	r <sub>2</sub>	O <sub>1</sub>	O <sub>4</sub>	O <sub>5</sub>	O <sub>3</sub>	O <sub>6</sub>	N <sub>8</sub>
	min. (mm)	max. (mm)	max. (mm)		max. (mm)	DIN 912	DIN 912	DIN 912	DIN 912	DIN 912	
15	2,5	3,5	0,4	4	0,6	M4x12 2 Pieces	M5x12 2 Pieces	M4x12 2 Pieces	M4x20 (Rail)	M5x12 (Rail)	6
20	2,5	4,0	0,6	5	0,6	M5x16	M6x16	M5x16	M5x25	M6x16	9
25	3,0	5,0	0,8	5	0,8	M6x20	M8x20	M6x18	M6x30	M6x20	10
30	3,0	5,0	0,8	6	0,8	M8x25	M10x20	M8x20	M8x30	M8x20	10
35	3,5	6,0	0,8	6	0,8	M8x25	M10x25	M8x25	M8x35	M8x25	13

Screw strength class	Carriages			Rails		
8.8	0,08 C	0,12 C	0,08 C	0,09 C	0,09 C	
12.9	0,13 C	0,21 C	0,13 C	0,15 C	0,15 C	

**Tightening torques of the fixing screws in Nm**

Screw	M4	M5	M6	M8	M10	M12	M14	M16
	8.8	2,7	5,5	9,5	23	46	80	125
12.9	4,6	9,5	16	39	77	135	215	340

### Pinning

If the guide values for the permissible lateral force are exceeded (see table) the carriage must be additionally fixed by means of pinning or stop edges.

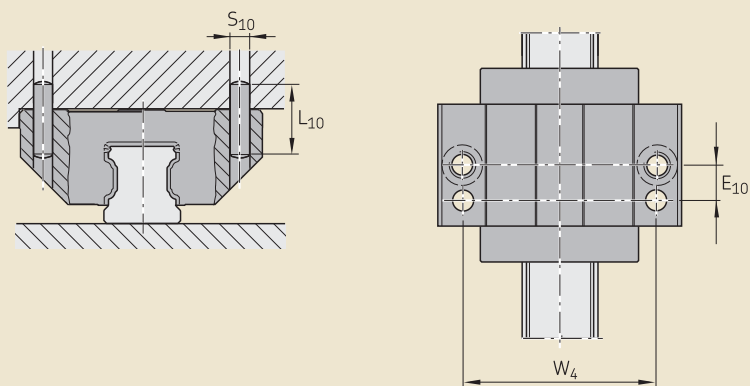
The recommended dimensions for the pin holes can be obtained from the drawings and table.

#### Usable pins:

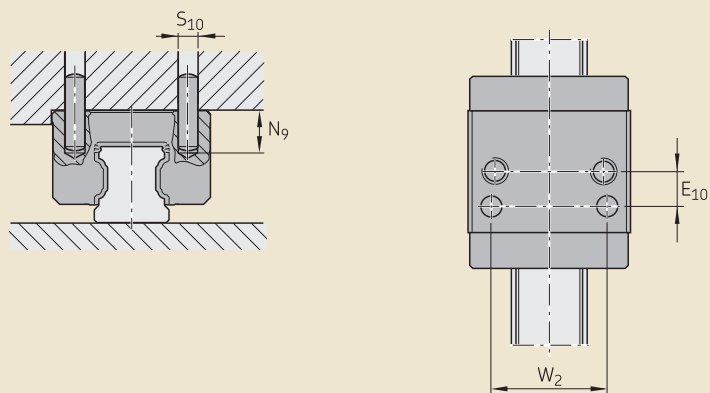
- tapered pin (hardened) or
- straight pin DIN ISO 8734

#### Instructions

For production-related reasons there may be pilot drill holes in the middle of the carriage at the recommended positions for pin holes ( $\varnothing < S_{10}$ ). They are suitable for drilling.



Flange short, SA



Slim line, SU

Size	Dimensions (mm)		$W_4$	$W_2$	$E_{10}$	$N_9$ (max)
	$S_{10}$	$L_{10}$				
15	4	18	38	26	9	3,0
20	5	24	53	32	10	3,5
25	6	32	55	35	11	7,0
30	8	36	70	40	14	10,0
35	8	40	80	50	15	12,0

Tapered pin (hardened), straight pin (DIN 6325)

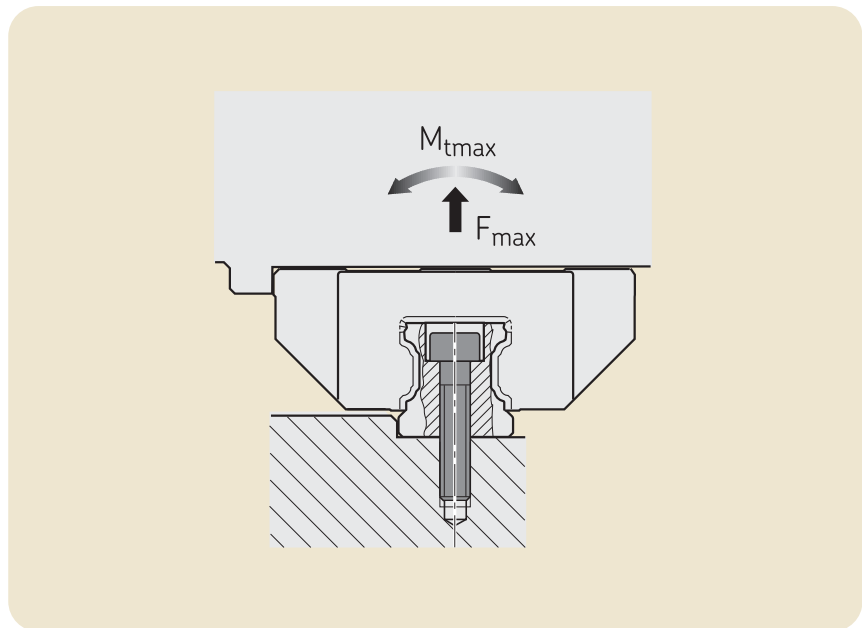
### Loading of the screw connections between rail and substructure

The screw connections specified in the DIN 645-1 standard can become excessively loaded owing to the high performance capacity of the profile rail guides.

The screw connection between the guide rail and the substructure is critical. If the lift-off loads ( $F$ ) or moments ( $M_t$ ) are higher than the respective load values in the table, the screw connection must be recalculated separately.

The figures apply to the following conditions:

- Grade 12.9 fixings screws
- Screws tightened using a torque wrench
- Slightly oiled screws (for grade 8.8 screws approximately a reduction factor of 0,6 can be applied)



Lift-off loads and moment  
Rail screwed from above

Carriage	LLRH--SA, LLRH--SU		LLRH--A, LLRH--U, LLRH--R		LLRH--LA, LLRH--LU, LLRH--LR	
	$F_{max.}$ (N)	$M_{t max.}$ (Nm)	$F_{max.}$ (N)	$M_{t max.}$ (Nm)	$F_{max.}$ (N)	$M_{t max.}$ (Nm)
Size						
15	6 040	41	7 050	47	8 060	54
20	10 000	90	11 700	106	13 400	121
25	14 600	154	17 100	180	19 500	205
30	-	360	32 400	420	37 100	480
35	27 500	440	32 100	510	36 700	580
45	-	-	78 100	1 680	89 300	1 920

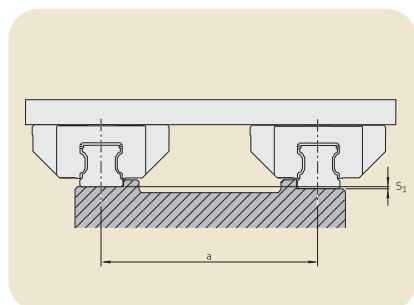


### Height deviation

The values for height deviation apply to all carriages.

Approximately 20 % higher values are permissible for the SA (standard width short) and SU (slim line short) carriages.

Given adherence to the permissible height deviation  $S_1$  and  $S_2$ , the influence on the service life is generally negligible.



### Permissible height deviation in lateral direction

In the permissible height deviation  $S_1$ , the tolerance for dimension H according to the table is already taken into account in "Technical Data".

$$S_1 = a \times Y$$

$S_1$  = Permissible height deviation (mm)

$a$  = Distance between the rails (mm)

$Y$  = Calculation factor

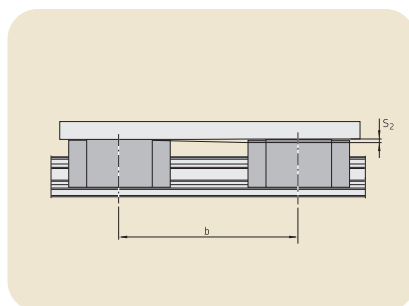
### Permissible height deviation in longitudinal direction

#### For carriages

In the permissible height deviation  $S_2$  the tolerance "maximum difference of dimension H on a rail" according to the table is already taken into account in "Technical Data".

Approximately 40 % higher values are permissible for SA and SU carriages.

On A-type carriages (standard width long), LU and LR approx. 30 % lower values are permissible.



### Permissible height deviation $S_2$ on carriages

$$S_2 = b \times 4,3 \times 10^{-5}$$

$S_2$  = Permissible height deviation (mm)

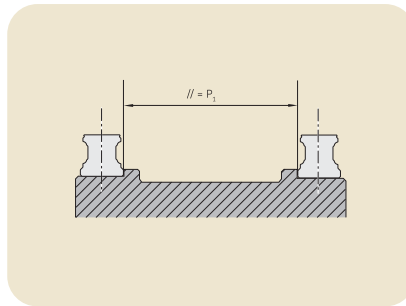
$b$  = Distance between the carriages (mm)

### Calculation factor Y for carriages

Calculation factor	Preload class			
	T0 up to approx. 10 µm clearance	T1 Preload 0,02 C	T2 Preload 0,08 C	T3 Preload 0,13 C
Y	$4,3 \times 10^{-4}$	$2,8 \times 10^{-4}$	$1,7 \times 10^{-4}$	$1,2 \times 10^{-4}$

**Parallelism of mounted rails measured on the rails and the carriages**  
 The values for the deviation in parallelism  $P_1$  apply to all carriages.

Approximately 20 % higher values are permissible for the SA and SU carriages.



### Deviation in parallelism $P_1$ for carriages

Through the deviation in parallelism  $P_1$  the preload is increased somewhat on one side.

If the table values are adhered to, the influence on the service life is generally negligible.

The values shown in the following table apply to applications in which highest precision is required.

For all other uses and for general mechanical engineering doubled values can be applied.

Size	Deviation in parallelism $P_1$ (mm) for high precision demands			
	T0 up to approx. 10 $\mu\text{m}$ clearance	T1 Preload 0,02 C	T2 Preload 0,08 C	T3 Preload 0,13 C
15	0,015	0,009	0,005	0,004
20	0,018	0,011	0,006	0,004
25	0,019	0,012	0,007	0,005
30	0,021	0,014	0,009	0,006
35	0,023	0,015	0,010	0,007
45	0,028	0,019	0,012	0,009

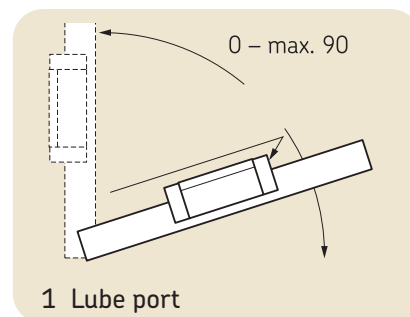
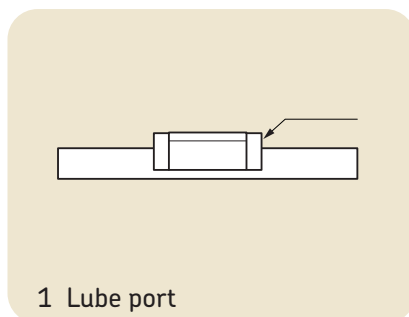
## Maintenance and lubrication

As a function of the stroke length

**Stroke > 2 × length of the carriage**

- 1 lube port needs to be provided per carriage.
- Oil lubrication in accordance with ISO VG 220.

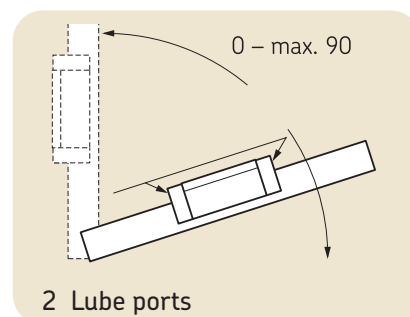
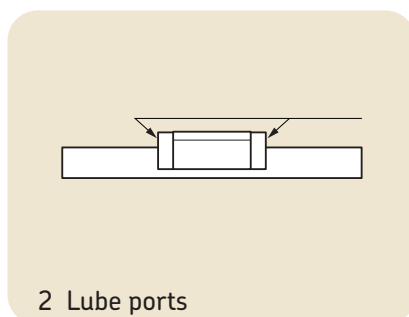
For lubrication quantities please refer to the next page.



**Stroke < 2 × length of the carriage**

- 2 lube ports need to be provided per carriage.
- Apply the prescribed lubricant quantity per lube port.
- Oil lubrication in accordance with ISO VG 220.

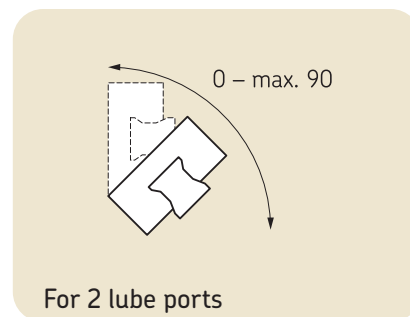
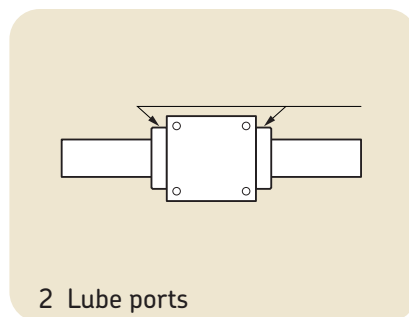
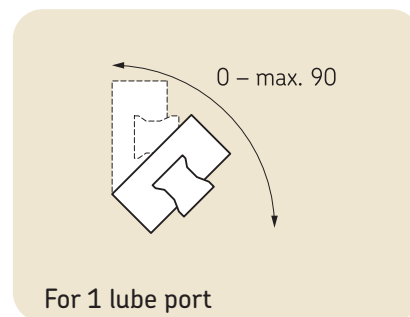
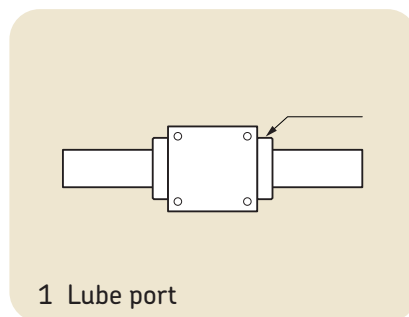
For lubrication quantities please refer to the next page.



**Installation in inclined or side position (wall mounting)**

**Stroke > 2 × length of the carriage**

- 1 lube port needs to be provided per carriage.
- Apply the lubricant quantity stated in the table with an impulse.
- If the lubricant quantity cannot be applied with an impulse, please consult SKF.



## Maintenance

Dirt can drop and settle on exposed rails in particular. To maintain the function of seals and cover strips, such dirt must be regularly removed. For this purpose a “cleaning stroke” should be carried out over the entire length of travel at least twice a day, and at the latest after eight hours. Carry out a cleaning stroke each time before switching off the machine.

## Lubrication

### Grease lubrication

#### Initial lubrication of the carriage (basic lubrication)

No initial lubrication is required if the carriage has been greased at the factory.

The initial lubrication takes place with three times the part quantity stated in Table 1:

1. Grease the carriage with the first part quantity stated in table 1.
2. Move the carriage backwards and forwards with three double strokes along at least three times the carriage length.
3. Repeat step 1 and 2 twice.
4. Check whether a lubricating film is visible on the rail.

Ball rail guides are supplied in protected form. With basic greasing at the factory, both grease and oil lubrication is possible.

For lubrication we recommend lubricating grease to DIN 51825: – KP2K-20, consistency class NLGI 2 to DIN 51818. This can be obtained from SKF, see recommendation for lubricating greases.

Never start to use carriages without basic lubrication.

Observe the manufacturer’s instructions, in particular instructions concerning incompatibilities.

**⚠ Greases with a proportion of solid lubricant (such as graphite) should not be used!**

### Re-lubricating the carriage

When the re-lubrication interval according to Table 2 has been reached, the carriage must be lubricated with the lubricant quantity as stated in Table 1. Where such environmental influences as dirt, the use of coolants, vibration, shock loads etc. are encountered, we recommend that the re-lubrication intervals be shortened accordingly.

Longer re-lubrication intervals apply in the case of smaller loads.

## Short stroke

### Stroke < 2 × carriage length

- 2 lube ports need to be provided per carriage and lubricated in each case!

### Stroke < 0,5 × carriage length

- 2 lube ports need to be provided per carriage and lubricated in each case!
- For each lubrication cycle move the carriage 2 × the carriage length. If this is not possible, please consult SKF.

Lubricant quantities as stated in Table 1 (re-lubrication). Apply the stated quantity for each lube port.

\* NLGI 00 greases reduce the re-lubrication intervals to 75 % of the values stated in Table 2.

Table 1

Size	Grease lubrication	
	Initial lubrication by customer	Part quantity (cm <sup>3</sup> )
15	0,4 (x 3)	0,4 (x 2)
20	0,7 (x 3)	0,7 (x 2)
25	1,4 (x 3)	1,4 (x 2)
30	2,2 (x 3)	2,2 (x 2)
35	2,2 (x 3)	2,2 (x 2)
45	4,7 (x 3)	4,7 (x 2)

Table 2

Size	Grease lubrication	
	Relubrication intervals under normal operating conditions, v ≤ 1 m/s	
	Travel (km)	
	under load ≤ 0,15 C	≤ 0,3 C
15	5 000	1 200
20	5 000	1 200
25	10 000	2 400
30	10 000	2 400
35	10 000	2 400

## Oil lubrication

### Oil quantities for initial lubrication and re-lubrication

**⚠** Apply the entire quantity of oil with a single lubrication impulse!

Carriages initially greased at the factory can also be re-lubricated with oil.

In the case of carriages which have not been initially greased at the factory, carry out the initial lubrication in accordance with Table 3.

If environmental influences such as dirt, use of coolants, vibration, shock loads etc. are encountered, we recommend that the re-lubrication intervals be shortened accordingly. Refer to Table 4.

### Central oil lubrication

### Oil quantities and lubrication impulses for central oil lubrication

#### Note:

Recommended waiting time between the impulses:  
10 seconds.

For example size 45:  
4 impulses with in each case 0,6 cm<sup>3</sup> in 30 seconds.  
Refer to Table 5.

Table 3

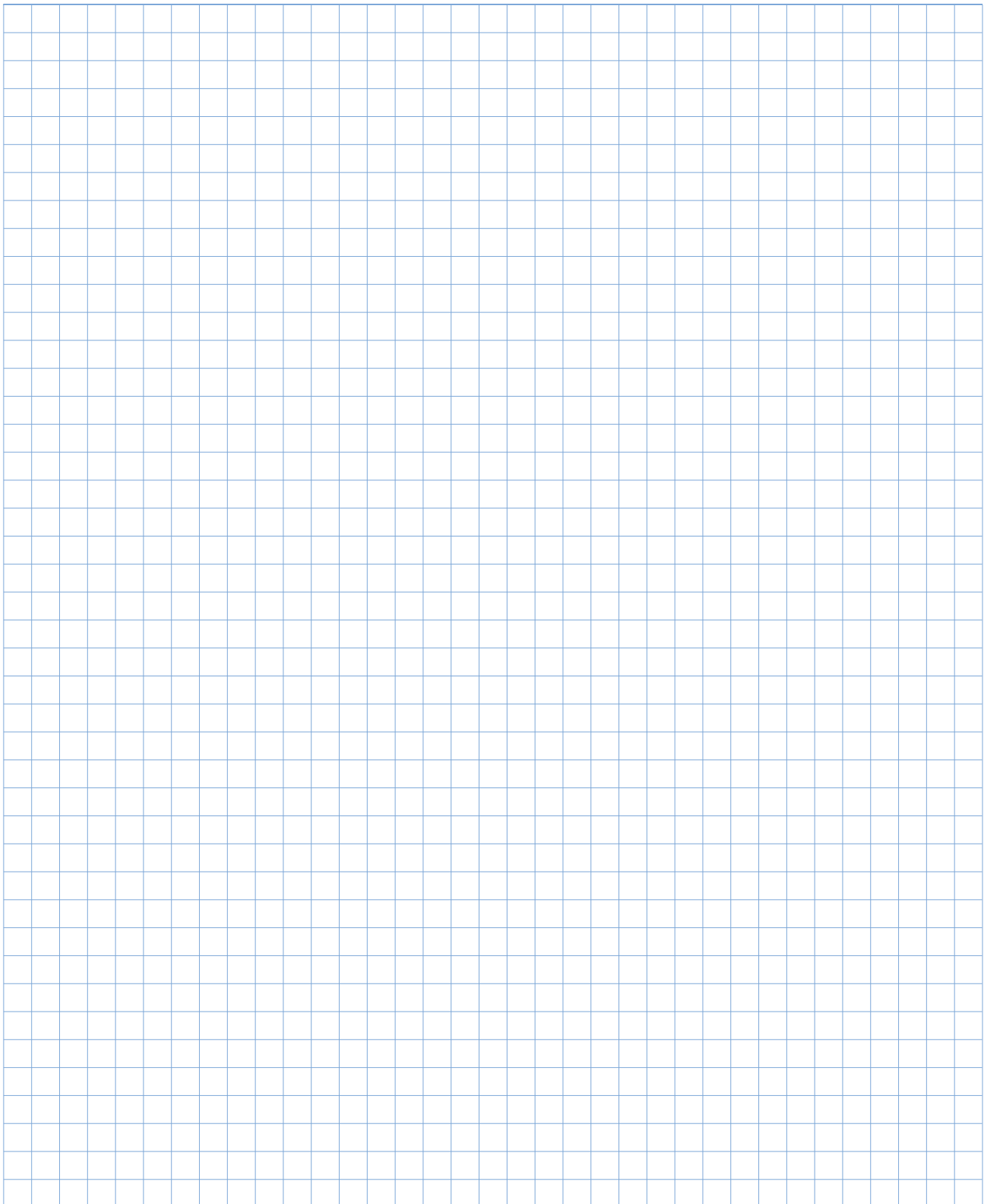
Size	Oil lubrication Initial lubrication by customer Part quantity (cm <sup>3</sup> )	Re-lubrication Part quantity (cm <sup>3</sup> )
15	0,4 (x 2)	0,4
20	0,7 (x 2)	0,7
25	1,0 (x 2)	1,0
30	1,1 (x 2)	1,1
35	1,2 (x 2)	1,2
45	2,2 (x 2)	2,2

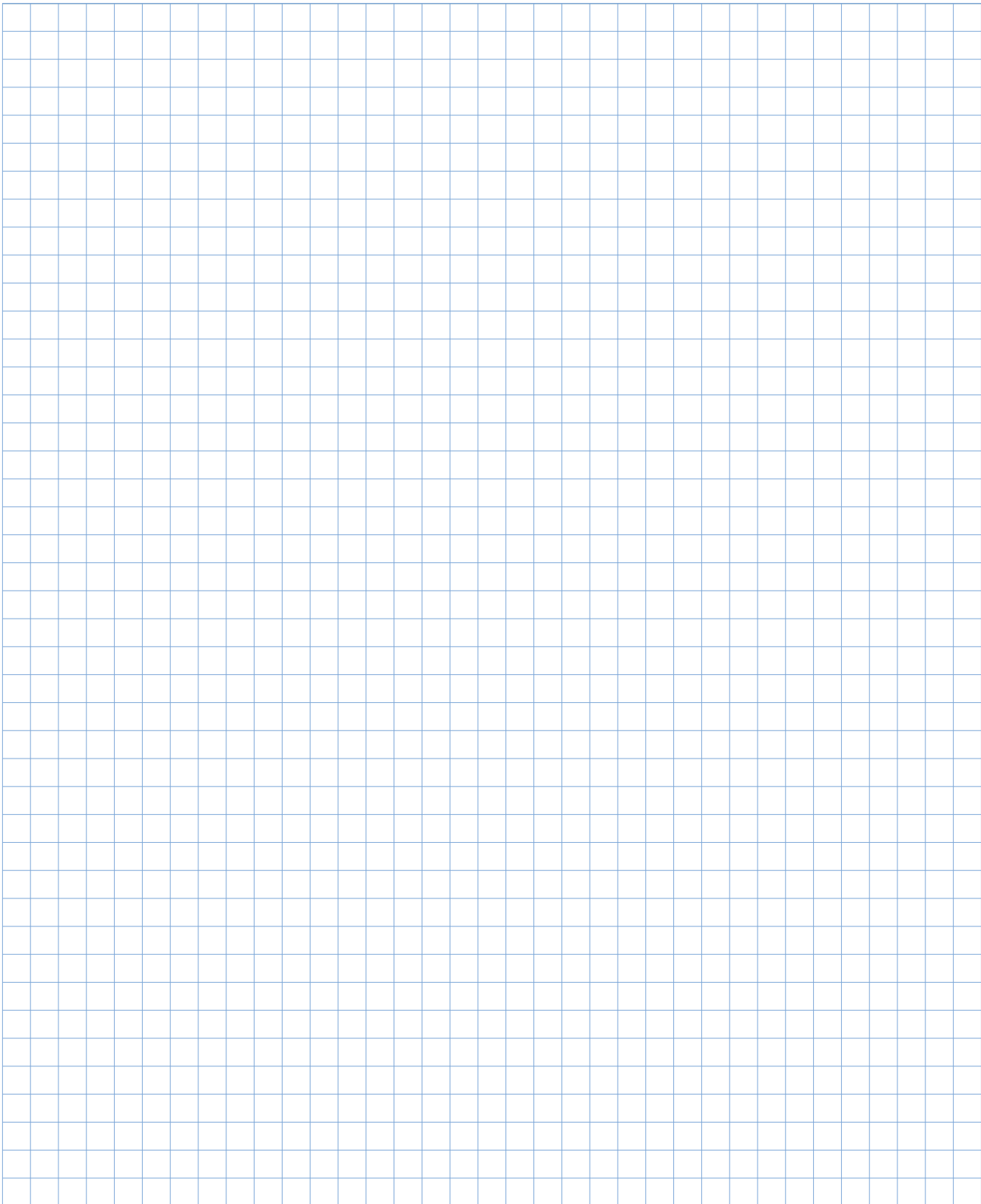
Table 4

Size	Oil lubrication Re-lubrication intervals under normal operating conditions, $v \leq 1$ m/s	
	Travel (km)	
	under load $\leq 0,15$ C	$\leq 0,3$ C
15	2 500	600
20	2 500	600
25	5 000	1 200
30	5 000	1 200
35	5 000	1 200

Table 5

Size	Central oil lubrication Oil quantities Impulse (cm <sup>3</sup> )	Impulses per lubrication cycle Number of impulses
	15	0,6
20	0,6	1
25	0,6	2
30	0,6	2
35	0,6	2
45	0,6	4











©SKF is a registered trademark of the SKF Group.

©SKF Group 2011

The contents of this publication are the copyright of the publisher and may not be reproduced (even extracts) unless prior written permission is granted. Every care has been taken to ensure the accuracy of the information contained in this publication but no liability can be accepted for any loss or damage whether direct, indirect or consequential arising out of the use of the information contained herein.

PUB 6229/1 EN - April 2011

This publication supersedes publication 6229EN - 0602A

Printed in Sweden on environmentally friendly paper.