



Browning
Helical Speed
Reducers & Gearmotors



SEALMASTER
Mounted Ball Bearings



Morse
Clutches



Browning
Shaft Mount Reducers



SEALMASTER
Mounted Roller Bearings



ROLLWAY
Roller Bearings



Browning
V-Belt Drives



Morse
Chain



KOP-FLEX
Couplings



Browning
Right Angle
Bevel Gearboxes



Morse
Worm Gearing



McGILL
Precision Bearings

Emerson Power Transmission
Customer Service
Telephone 1-800-626-2120
Fax 1-800-262-3292

Browning **MORSE** **McGILL** **SEALMASTER** Corrosion Resistant Products

Catalog CRES
Form#9027 • MCC08011 • Printed in U.S.

APPLICATION CONSIDERATIONS

The proper selection and application of power transmission products and components, including the related area of product safety, is the responsibility of the customer. Operating and performance requirements and potential associated issues will vary appreciably depending upon the use and application of such products and components. The scope of the technical and application information included in this publication is necessarily limited. Unusual operating environments and conditions, lubrication requirements, loading supports, and other factors can materially affect the application and operating results of the products and components and the customer should carefully review its requirements. Any technical advice or review furnished by Emerson Power Transmission Corporation and its divisions with respect to the use of products and components is given in good faith and without charge, and Emerson assumes no obligation or liability for the advice given, or results obtained, all such advice and review being given and accepted at customer's risk.

For a copy of our Standard Terms and Conditions of Sale, Disclaimers of Warranty, Limitation of Liability and Remedy, please contact Emerson Power Transmission Customer Service at 1-800-626-2120. These terms and conditions of sale, disclaimers and limitations of liability apply to any person who may buy, acquire or use an Emerson Power Transmission Corporation product referred to herein, including any person who buys from a licensed distributor of these branded products.

www.emerson-ept.com

CRES



Browning
MORSE
McGILL
SEALMASTER

**Corrosion
Resistant
Products**



EMERSON
Industrial Automation

EMERSON. CONSIDER IT SOLVED.

Tough Environments, Durable Solutions

In an environment of increased operational requirements and tough regulatory guidelines, today's bearings and power transmission products are exposed to a host of demanding conditions. Such conditions may include corrosive cleaning agents, high pressure washdown and a wide array of environmental factors that can negatively impact performance. Overall, a balance of material strength and corrosion resistance, sealing and lubrication.

CRES — Corrosion Resistant Engineered Solutions

Introducing CRES from Emerson Power Transmission – a comprehensive line of corrosion resistant power transmission products. CRES products are engineered to perform in corrosive and contaminated environments.



Bearing Products

Technical Overview and Selection.....	8-13
McGill® CRES Cam Followers	14-19
Sealmaster® CRES Mounted Roller Bearings	20-29
Browning® and Sealmaster CRES Mounted Ball Bearings	30-99

Gearing Products

Morse® Stainless Steel Raider® Plus Worm Gear Reducers.....	90-119
Expanded, Corrosion-Resistant Coatings For Browning Helical Reducers and Gearmotors Corro-Duty Gray and Corro-Duty White	110-111

Component Products

CRES Components.....	112-120
Morse CRES Roller Chain	114-115
Morse CRES Conveying Components.....	116-117
Morse Gripper Chain.....	118-119
Browning Torque Overload Device.....	120
Morse Clutch	120

EMERSON POWER TRANSMISSION

Corrosion Resistant Engineered Solutions



Topveyor® is a registered trademark of Emerson Power Transmission Manufacturing, L.P.
 *The trade names, trademarks and/or registered trademarks of others used herein for comparison purposes, are NOT owned or controlled by Emerson Power Transmission Corporation and are believed to be owned by the following companies: Matveyor: Regina-Emerson, Ultop: UCC Corp.
 The Emerson logo is a trademark and a service mark of Emerson Electric Co.
 © Emerson Power Transmission Manufacturing, L.P. or affiliates 2007. All rights reserved.

Tough Environments, Durable Solutions

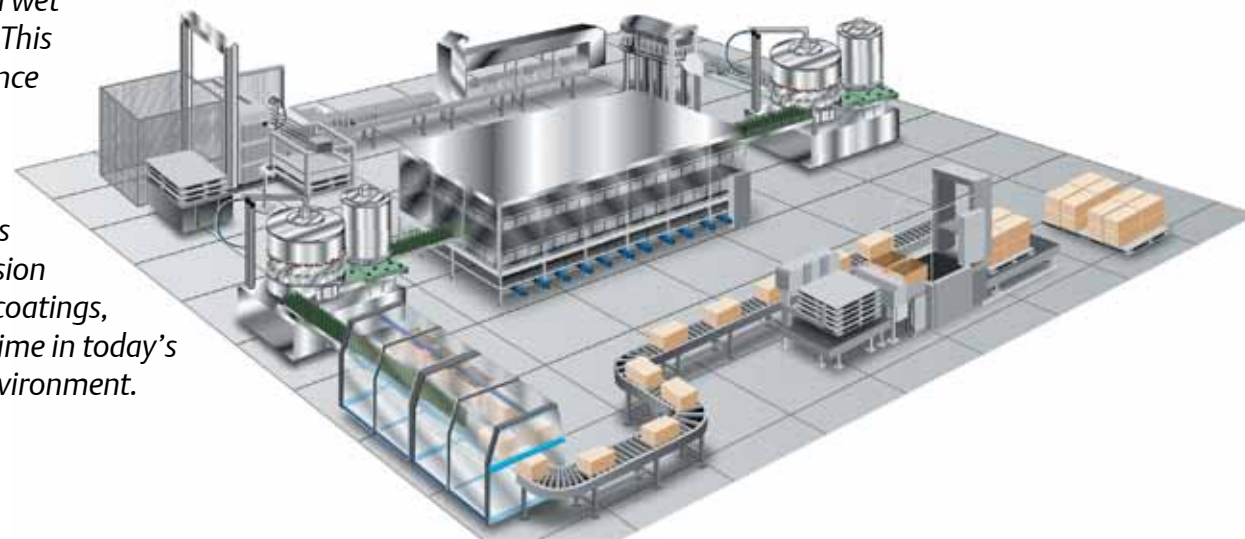
Focus Industries

- Meat and Poultry
- Bakeries and Snack Foods
- Bottling and Canning
- Pharmaceuticals
- Car Washes
- Pulp and Paper
- Marine



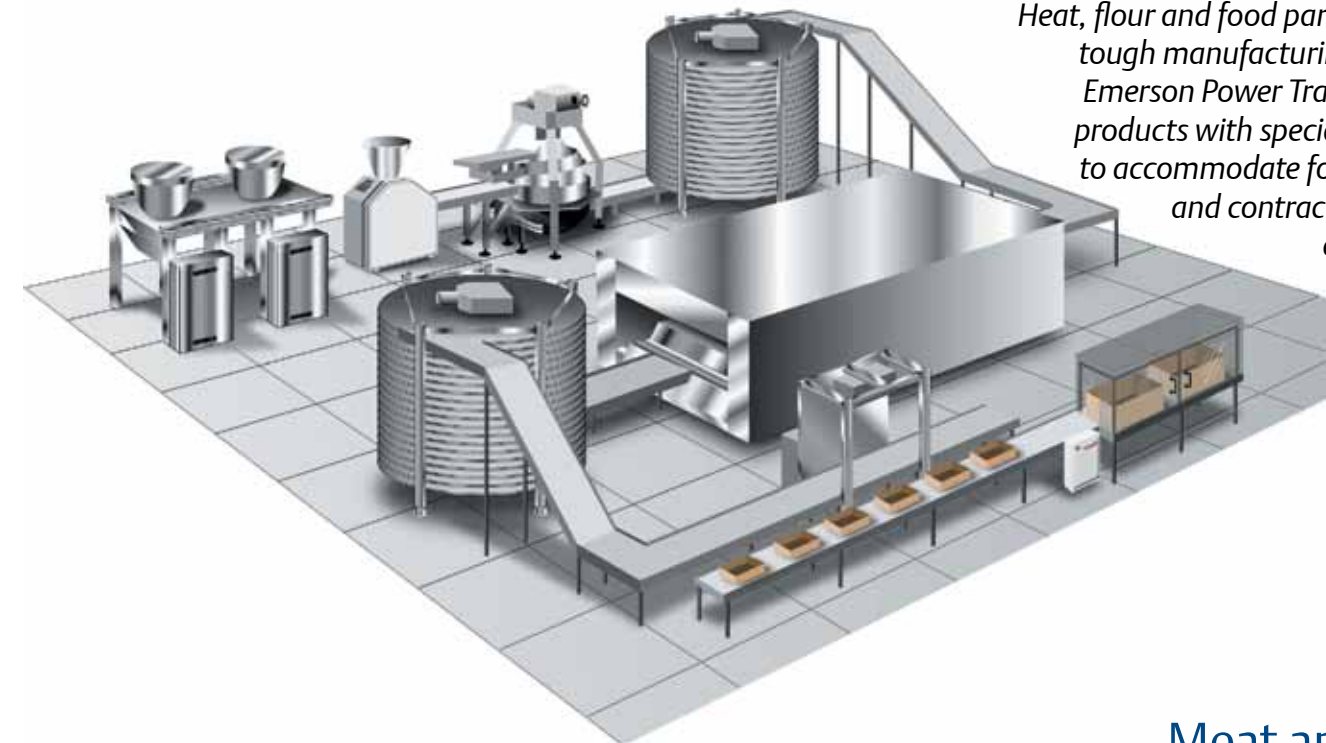
Bottling and Canning

In an efficient, high speed filling process, product failure can cost thousands of dollars in downtime. Emerson Power Transmission offers solutions that perform in wet environments. This high performance platform, combined with specialized sealing, greases and anti-corrosion materials and coatings, reduces downtime in today's competitive environment.



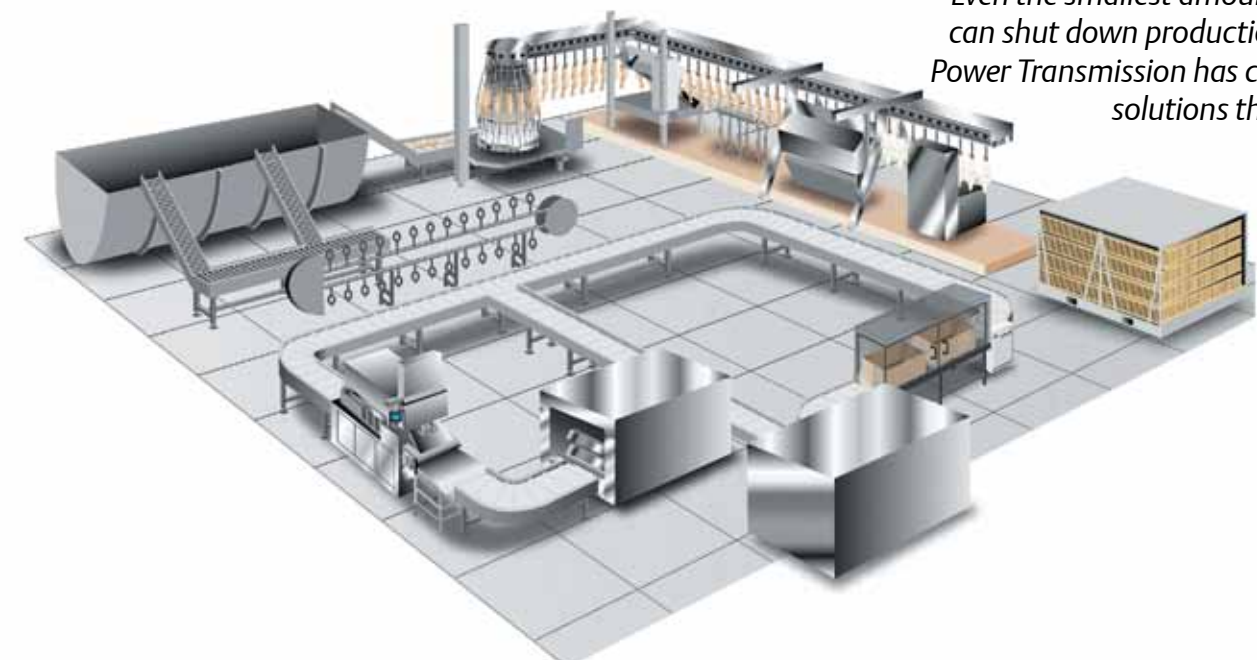
Bakeries and Snack Foods

Heat, flour and food particles make for a tough manufacturing environment. Emerson Power Transmission offers products with specialized tolerances to accommodate for the expansion and contraction of materials common to high temperature food processing.



Meat and Poultry

Even the smallest amount of corrosion can shut down production so Emerson Power Transmission has created specific solutions that are HACCP-friendly.



EMERSON POWER TRANSMISSION

Corrosion Resistant Engineered Solutions



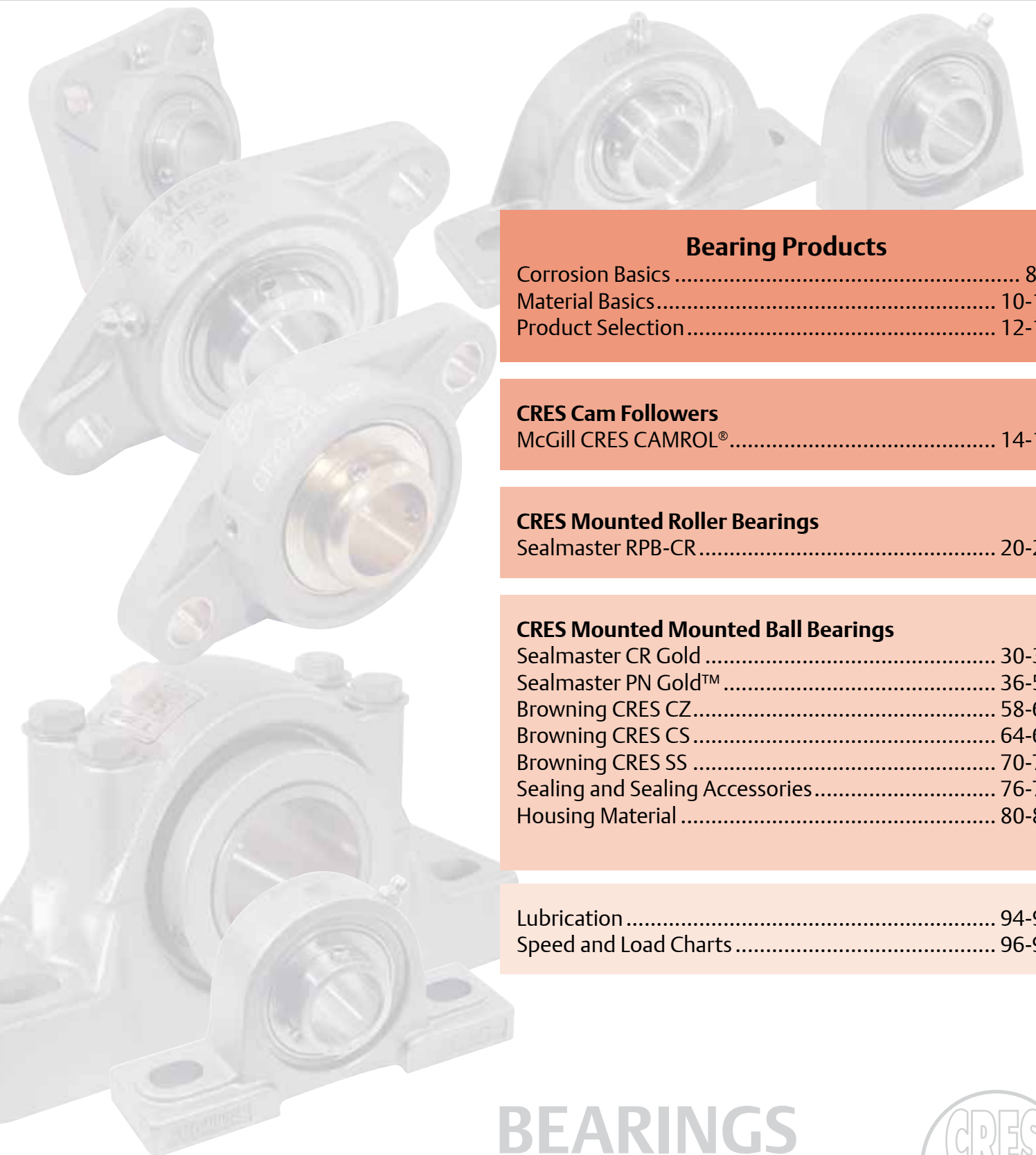
CRES Bearings

The Emerson Power Transmission CRES bearing offering addresses various industries and applications by providing multiple solutions utilizing a variety of materials and sealing elements. CRES bearings assist customers in meeting HACCP (Hazardous Analysis and Critical Control Point) procedures and stringent plant cleaning requirements including both CIP (Clean in Place) and SIP (Steam in Place).

CRES — Flexibility of Choice

As environmental and performance requirements change from application to application a single bearing design may not be the most economical choice. Emerson Power Transmission’s family of CRES bearing products can help you align the optimal solution to specific requirements. This flexibility of choice will assist in meeting food safety industry requirements and reduce your total operating cost.

The Sealmaster, Browning and McGill family of CRES bearing products is your answer to your corrosion resistance problems.



Bearing Products

Corrosion Basics 8-9
 Material Basics 10-11
 Product Selection 12-13

CRES Cam Followers

McGill CRES CAMROL® 14-19

CRES Mounted Roller Bearings

Sealmaster RPB-CR 20-29

CRES Mounted Mounted Ball Bearings

Sealmaster CR Gold 30-35
 Sealmaster PN Gold™ 36-57
 Browning CRES CZ 58-63
 Browning CRES CS 64-69
 Browning CRES SS 70-75
 Sealing and Sealing Accessories 76-79
 Housing Material 80-82

Lubrication 94-95
 Speed and Load Charts 96-98

BEARINGS

Corrosion Resistant Engineered Solutions



Why Does Corrosion Occur?

Corrosion is the deterioration of a materials properties due to a chemical or electrochemical reaction with it's environment. Corrosion is a leading cause of bearing problems.

Bearing replacement due to corrosion can be based on visual or performance factors.

- Visual factors relate to the aesthetics of the bearing and potential for corrosion runoff onto the product being processed. In certain applications this is unacceptable due to health or cleanliness standards.
- Performance factors relate to how excessive corrosion may prevent the bearing from rotating properly. The corrosion that occurs can lead to seal degradation, contamination ingress or internal component wear leading to bearing seizure.

The rate of corrosion depends on application conditions and material.

Chemicals

Both the chemical composition and/or pH levels can impact the rate of corrosion. Consideration must be given to both process and cleaning materials that come in contact with the bearing.

Contact Method

The type of contact a material has with the chemical can have a significant impact on the rate of corrosion. Whether a material is exposed to high-pressure spray, light flow or a fog condition, the corrosion rate can vary greatly.

Environment and Atmosphere

Increased levels of humidity, oxygen content and temperature can accelerate corrosion rates. In addition, cycles of equipment operation can impact overall bearing performance.

Standard Chemical pH

The chart below offers general guidelines on the pH level of common foods, beverages and chemicals to help you choose an appropriate bearing material.

Strong Acid 0-3 pH	Mild Acid 4-6 pH	Neutral 7 pH	Mild Base 8-10 pH	Strong Base 11-14 pH
Hydrochloric Acid	Tomatoes	Distilled Water	Seawater	Ammonia
Hydrofluoric Acid	Boric Acid	Shrimp	Calcium Chloride	Sodium Silicate
Battery Acid	Hydrogen Sulfide	Corn Oil	Soaps, Shampoo	Sodium Cyanide
Sulfuric Acid	Beer	Sugar	Sodium Acetate	Sodium Carbonate
Nitric Acid	Ammonium Chloride	Trichloroethylene	Sodium Bicarbonate	Sodium Phosphate
Phosphoric Acid	Rain Water	Acetone	Baking Soda	Chlorine
Vinegar	Coffee	Blood	Detergents	Bleach
Hydrogen Peroxide	Meat, Pork, Poultry		Sodium Sulphate	Sodium Hypochlorite
Acetic Acid	Dairy Products		Sodium Sulfite	Caustic Soda
Soft Drinks	Sodium Chloride, Salt		Magnesium Hydroxide	Sodium Hydroxide, Lye
Citric Acid	Seafood			Drain Cleaner
Fruit Juices	Fertilizer			Potassium Hydroxide
Pickle Brine	Vegetables			
Lactic Acid	Bread			
Wine				
Sport Drinks				
Benzoic Acid				

Material Basics

CRES bearing products utilize a variety of materials and coatings. Each material offers various levels of load capacity and resistance to wear and corrosion. To better understand visual performance characteristics, EPT engineers have tested these materials in various conditions. Shown below are the materials in an untested state and after exposure to an acid and basic chemical.

Materials were exposed for 8 hours to the test chemical followed by a dry period of 16 hours. This test was repeated six times for acid condition and twice for basic condition.

Acid test condition: citric acid, pH 2, 48 hours chemical exposure.

Basic test condition: chlorine bleach, 6% concentration, pH 12, 16 hours chemical exposure.

	Material	Acid Test	Basic Test
<p>52100 Bearing Steel</p> <ul style="list-style-type: none"> • Common bearing material • Good load capacity and wear resistance • Minimal corrosion resistance 			
<p>Black Oxide</p> <ul style="list-style-type: none"> • Common bearing steel with oxidized surface • Marginal improvement to corrosion resistance compared to 52100 bearing steel • Minimal corrosion resistance compared to coatings or stainless steel 			
<p>Zinc Dichromate Coating</p> <ul style="list-style-type: none"> • 52100 bearing steel coated with zinc dichromate • If scratched or damaged, the coating will sacrificially corrode to protect the base material • Zinc coatings are more prone to deteriorate than barrier coatings 			
<p>Thin Dense Chrome (TDC)</p> <ul style="list-style-type: none"> • 52100 bearing steel with a thin barrier coating • Good wear and abrasion resistance • May not hold up as well as thicker coatings over time 			

	Material	Acid Test	Basic Test
<p>Nickel with TEFLON® (PTFE)</p> <ul style="list-style-type: none"> • 52100 bearing steel with a thin barrier coating of nickel with thick PTFE overcoat • Holds up better than thinner coatings over time • If scratched, barrier coating may not protect base material 			
<p>Phosphorus Nickel</p> <ul style="list-style-type: none"> • 52100 bearing steel with a thick barrier coating of high phosphorus electroless nickel • Holds up better than thinner coatings over time • If scratched, barrier coatings may not protect base material 			
<p>400 Series Stainless Steel</p> <ul style="list-style-type: none"> • Martensitic stainless steel • Hardens for good load capacity and wear resistance • Not as durable as 52100 bearing steel or as corrosion resistant as 300 Series stainless steel 			
<p>300 Series Stainless Steel</p> <ul style="list-style-type: none"> • Austenitic stainless steel • Excellent corrosion resistance • Cannot be hardened for improved load capacity or wear resistance 			

*TEFLON is a registered trademark of the DuPont Company.

Cam Follower



Product	Material		Overall Corrosion Resistance*		
	Inner and Outer Material	Rolling Element Material	Low pH	Neutral pH	High pH
CAMROL Standard	Black Oxide 52100 Steel	52100 Steel	✓	✓	✓
CRES CAMROL	440C Stainless Steel	440C Stainless Steel	✓✓✓✓	✓✓✓✓	✓✓✓✓

Mounted Roller Bearing



Product	Material			Overall Corrosion Resistance *		
	Inner and Outer Material (a)	Rolling Element Material	Housing Material	Low pH	Neutral pH	High pH
RPB Series (Tapered Roller)	Black Oxide 52100 Steel	Alloy Steel	Painted Cast Iron	✓	✓	✓
SPB1000 Series (Spherical Roller)	Alloy Steel	Alloy Steel	Painted Cast Iron	✓	✓	✓
RPB-CR Series (Tapered Roller)	Black Oxide 52100 Steel	Alloy Steel	Fluoropolymer Coated Cast Iron	✓✓	✓✓	✓✓

(a) RPB Inner Ring 52100 steel.

Mounted Ball Bearing



Product	Material			Overall Corrosion Resistance *		
	Inner and Outer Material (a)	Rolling Element Material	Housing Material	Low pH	Neutral pH	High pH
CRES CZ	Zinc Dichromate Coated 52100 Steel	52100 Steel	High Strength Composite	✓✓	✓✓	✓✓
CRES CS	440C Stainless Steel	440C Stainless Steel	High Strength Composite	✓✓✓✓	✓✓✓✓	✓✓✓✓
CRES SS	440C Stainless Steel	440C Stainless Steel	304 Stainless Steel	✓✓✓✓	✓✓✓✓	✓✓✓✓
CR GOLD	Black Oxide 52100 Steel	52100 Steel	316 Stainless Steel	✓	✓	✓
PN GOLD (Stainless Housing)	Phosphorus Nickel Coated 52100 Steel	440C Stainless Steel	316 Stainless Steel	✓✓✓✓	✓✓✓	✓✓✓
PN GOLD (Composite Housing)	Phosphorus Nickel Coated 52100 Steel	440C Stainless Steel	High Strength Composite	✓✓✓✓	✓✓✓	✓✓✓

Legend: ✓ = Worst
✓✓✓✓ = Best

Values listed in the mounted ball, mounted roller and cam follower charts are general guidelines to assist in bearing selection, as compared against the other products listed in the range. They are not comparable across product lines. User testing and evaluation is strongly suggested to determine which product will best meet specific conditions and requirements.

*The overall corrosion resistance values listed are general guideline on material performance based on our laboratory testing. Material performance can vary based on the specific chemicals used, contact method and environmental factors and cannot be reliably predicted for every condition combination. For more information please refer to EPT Bearing Application Engineering at 219-465-2211.

For load and speed limitations refer to pages 17 and 19 for cam followers and pages 96-98 for mounted bearings.

Sealing Effectiveness		Unit Performance Factors		Page Number
High Pressure Spray	Particle Contaminate Resistance	Relative Load Ratings **	Speed Capability	
✓✓	✓✓✓	✓✓✓✓✓	✓✓✓	None
✓✓✓✓	✓✓✓✓	✓✓✓	✓✓✓	Pages 14-19

Sealing Effectiveness (b)		Unit Performance Factors			Page Number
High Pressure Spray	Particle Contaminate Resistance	Relative Load Ratings **	Housing Strength	Speed Capability	
✓✓	✓✓	✓✓✓✓	✓✓✓	✓✓✓	None
✓	✓	✓✓	✓✓✓	✓✓✓✓	None
✓✓	✓✓	✓✓✓✓	✓✓✓	✓✓✓	Pages 20-29

b) Industry standard offers a labyrinth seal design.

Sealing Effectiveness		Unit Performance Factors			Page Numbers
High Pressure Spray	Particle Contaminate Resistance	Relative Load Ratings **	Housing Strength	Speed Capability	
✓✓✓	✓✓	✓✓✓✓✓	✓✓✓	✓✓✓	Pages 70-75
✓✓	✓	✓✓✓	✓✓✓	✓✓	Pages 76-81
✓✓	✓	✓✓✓	✓✓✓✓✓	✓✓	Pages 82-87
✓	✓✓✓	✓✓✓✓✓	✓✓✓✓✓	✓✓✓✓	Pages 30-35
✓✓✓✓✓	✓✓✓✓✓	✓✓✓✓	✓✓✓✓✓	✓✓	Pages 42-49
✓✓✓✓✓	✓✓✓✓✓	✓✓✓✓	✓✓✓	✓✓	Pages 50-57

Legend: ✓ = Worst
✓✓✓✓ = Best

**Relative load rating for mounted ball and cam followers takes into consideration life adjustments (derate factors) for bearing raceways and rolling element materials. ABMA recommends a material derate factor for 440C stainless steel. For more information on life adjustment factors refer to page 178 of Sealmaster catalog BP-97. Roller bearing relative load rating compares basic dynamic ratings at the same number of theoretical cycles.

CRES CAMROL Stainless Steel Cam Follower

In addition to the standard McGill cam follower features, CRES CAMROL bearings utilize stainless steel materials. LUBRI-DISC® + seals and H1 food grade grease. This design incorporates aerospace technology to help prolong bearing life in a variety of corrosive environments.



Nomenclature:

CFE - 1 1/2 - SB - CR

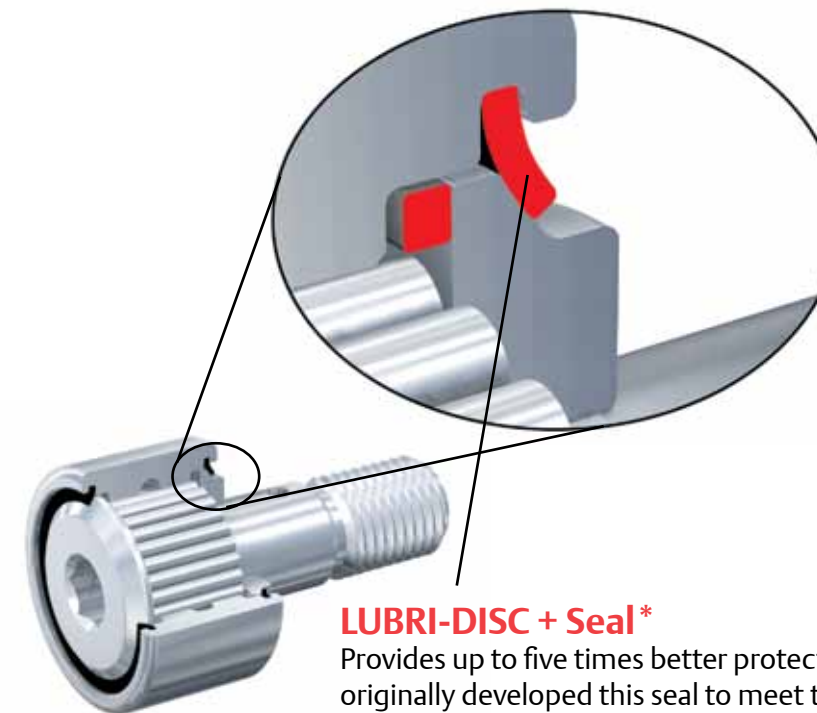
- CFE - Basic Type, Construction
- 1 1/2 - Size
Inch Series: O.D. In Inches
- SB - Suffix
S - LUBRI-DISC + Seal*
B - Broach (hex hole)
- CR - Corrosion Resistant

Components Material

Bearing Races:	400 Series Stainless Steel
Needles:	400 Series Stainless Steel
Seal:	LUBRI-DISC + Seal*
Grease:	H1 Food Grade Grease

Features and Benefits

440C Stainless Steel:	More corrosion resistant than common bearing steel.
Zone Hardened Raceway:	Provides a hardened raceway for load capacity and stem ductility for absorbing shock loads.
LUBRI-DISC + Seal:	Improved contamination resistance and lubrication retention.
H1 Food Grade Grease:	Non-toxic grease with good corrosion resistance and wash out properties.

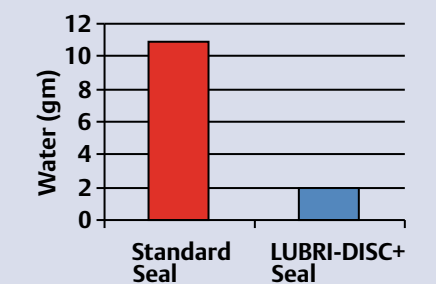


LUBRI-DISC + Seal*

Provides up to five times better protection against washdown than standard seals. McGill originally developed this seal to meet the tough demands of aerospace applications.

* LUBRI-DISC + Seal is used on bearings with a 1 inch O.D. and larger. Smaller sizes use standard LUBRI-DISC Seals.

Water Entry Comparison



1500 PSI water at 2.25 GMP sprayed at bearing face.

* LUBRI-DISC + Seal is used on bearings with a 1 inch O.D. and larger. Smaller sizes use standard LUBRI-DISC Seals.

BEARINGS

Corrosion Resistant Engineered Solutions

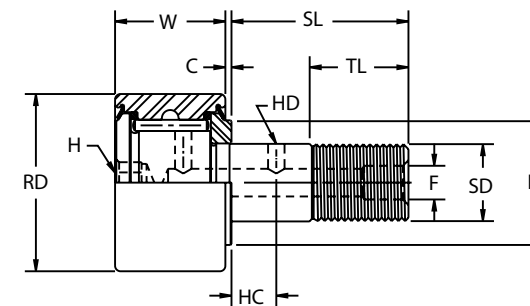




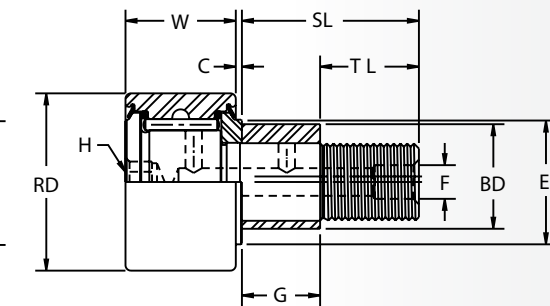
Standard Stud



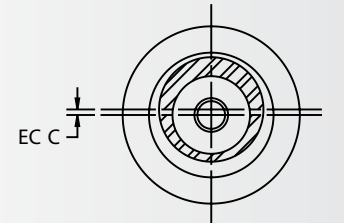
Eccentric Stud



CF-2-SB-CR
CF-2-SB-CR Shown*



CFE-2-SB-CR
CFE-2-SB-CR Shown*



CF-SB-CR, CFE-SB-CR

Description	RD	W	SD	SL	C	TL	Thread Type	HC	HD	F
	Roller Diameter +.0000 -.0010	Roller Width +.000 -.005	Stud Diameter +.001 -.000	Stud Length (Ref.)	Endplate Extension (Ref.)	Minimum Thread Length		Radial Lub. Hole Center	Radial Lub. Hole Diameter	Lub. Hole Dia./Lub. Fitting
CF-1/2-SB-CR	.5000	.375	.190	5/8	1/32	1/4	10-32	-	-	-
CF-9/16-SB-CR	.5625		.190	5/8		-	-	-		
CF-5/8-SB-CR	.6250		.250	3/4		-	-	-		
CF-11/16-SB-CR	.6875		.250	3/4		-	-	-		
CF-3/4-SB-CR	.7500	.500	.375	7/8	1/32	3/8	3/8-24	1/4	3/32	3/16
CF-7/8-SB-CR	.8750		.375	7/8		3/8	3/8-24			
CF-1-SB-CR	1.0000	.625	.438	1	1/32	1/2	7/16-20	3/8	3/32	3/16
CF-1 1/8-SB-CR	1.1250		.438	1		1/2	7/16-20			
CF-1 1/4-SB-CR	1.2500	.750	.500	1 1/4	1/32	5/8	1/2-20	5/16	3/32	3/16
CF-1 3/8-SB-CR	1.3750		.500	1 1/4		5/8	1/2-20			
CF-1 1/2-SB-CR	1.5000	.875	.625	1 1/2	1/32	3/4	5/8-18	3/8	3/32	3/16
CF-1 5/8-SB-CR	1.6250		.625	1 1/2		3/4	5/8-18			
CF-1 3/4-SB-CR	1.7500	1.000	.750	1 3/4	1/32	7/8	3/4-16	7/16	3/32	3/16
CF-1 7/8-SB-CR	1.8750		.750	1 3/4		7/8	3/4-16			
CF-2-SB-CR	2.0000	1.250	.875	2	1/32	1	7/8-14	1/2	1/8	

Note: For Eccentric stud add an "E". Example: CFE-1/2-SB-CR

CF-SB-CR, CFE-SB-CR

Mounting Dimensions								Load Ratings			Description
E	H	Hous- ing Bore Diameter +.0002 -.0003	Eccentric Bushing Only		Clamping Torque (Lbs.-In.) (1)	Limiting Speed with Grease (RPM) (2)	Track Roller Dynamic Rating (Lbs.) (3)	Track Roller Static Rating (Lbs.) (4)			
Min. Clamping Diameter (Ref.)	Hex Wrench Size		BD Diameter +/- .001	G Length +.0000 - .0010					ECC.	Hous- ing Bore Diameter +/- .001	
19/64	1/8	.1903	.250	.375	8	11500	610	300	CF-1/2-SB-CR		
23/64			.2503	.437					.010	.253	10000
1/2	3/16	.3753	.500	.500	18	9200	860	600	CF-5/8-SB-CR		
41/64			.4378	.625					.015	.378	8300
49/64	1/4	.5003	.687	.625	48	6400	1490	1500	C F-3/4-SB-CR		
57/64			.5003	.687					.030	.690	5400
1 3/64	5/16	.6253	.875	.750	125	4800	2000	1800	CF-1-SB-CR		
1 13/64			.7503	1.000					.030	.878	3400
1 1/4	7/16	.8753	1.187	1.000	175	3100	3530	2300	CF-1 1/4-SB-CR		
1 5/8			.8753	1.187					.030	1.003	2800
1 3/4	1	1.1253	1.562	1.500	325	2500	4350	4000	CF-1 1/2-SB-CR		
1 7/8			1.1253	1.500					.030	1.190	2350
2	1 1/2	1.5003	2.000	2.000	625	2200	5730	6000	CF-1 3/4-SB-CR		
2 1/4			1.5003	2.000					.030	2.000	2000
2 1/2	1 3/4	1.8753	2.500	2.500	750	1400	7270	8200	CF-2-SB-CR		

*LUBRI-DISC + Seal is used on bearings with 1 inch O.D. and larger. Smaller sizes use standard LUBRI-DISC Seals.

Note: For Eccentric stud add an "E". Example: CFE-1/2-SB-CR

(1) Clamping torque is based on lubricated threads. If threads are dry, double the value listed.

(2) Since load, lubrication method, temperature and other factors affect the maximum operating speed, it is impossible to determine precise limiting speeds. The listed limiting speeds are based on lightly loaded bearings having adequate lubrication and are listed only as a design guide. More frequent relubrication is required when operating at higher speeds. Actual bearing testing in the specific application should be conducted if the operating speed approaches the listed limiting speed.

(3) Use track roller dynamic load rating for life calculations. Maximum dynamic load should not exceed 50% of track roller dynamic load rating. If radial load and/or root mean load exceed 50% of track roller dynamic load rating, life calculations must be reviewed by McGill Engineering. If dynamic loads exceed 25% of basic dynamic rating, consideration should be given to use of CYR CRES series CAMROL bearing. For more information please contact EPT bearing engineering at McGill.Engineering@emerson-ept.com.

(4) The track roller static load rating is based on stud strength. Exceeding the static load rating may impair subsequent dynamic operation.

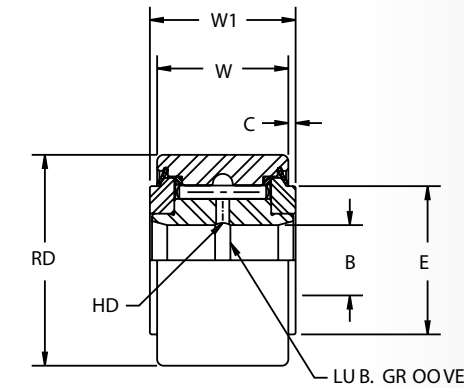
BEARINGS

Corrosion Resistant Engineered Solutions





Cam Yoke Roller



CYR-2-S-CR
CYR-2-S-CR Shown*

CYR-S-CR

Description	RD	W	B	C	W1	HD
	Roller Diameter +.0000 -.0010	Roller Width +.000 .005	Bore +.0002 -.0004	Endplate Extension (Ref.)	Overall Width +.0050 -.0100	Radial Lub. Hole Diameter
CYR-3/4-S-CR	.7500	.500	.2500	1/32	.5625	3/32
CYR-7/8-S-CR	.8750					
CYR-1-S-CR	1.0000	.625	.3125			
CYR-1 1/8-S-CR	1.1250					
CYR-1 1/4-S-CR	1.2500	.750	.3750			
CYR-1 3/8-S-CR	1.3750					
CYR-1 1/2-S-CR	1.5000	.875	.4375			
CYR-1 5/8-S-CR	1.6250					
CYR-1 3/4-S-CR	1.7500	1.000	.5000			
CYR-1 7/8-S-CR	1.8750					
CYR-2-S-CR	2.0000	1.250	.6250		1.3125	

CYR-S-CR

E	Mounting Dimensions			Limiting Speed with Grease (RPM) (1)	Load Ratings		Description
	Shaft Diameter				Track Roller Dynamic Rating (Lbs.) (2)	Track Roller Static Rating (Lbs.)	
	Push Fit	Drive Fit	Press Fit				
Min. Clamping Diameter (Ref.)	Nominal +/- .0002	Nominal +/- .0002	Nominal +/- .0002				
1/2	.2495	.2501	.2503	6400 5400	1490	2100	CYR-3/4-S-CR CYR-7/8-S-CR
41/64	.3120	.3126	.3128	4800 3400	2000	5400	CYR-1-S-CR CYR-1 1/8-S-CR
49/64	.3745	.3751	.3753	3100 2800	3530	7700	CYR-1 1/4-S-CR CYR-1 3/8-S-CR
57/64	.4370	.4376	.4378	2500 2350	4350	11200	CYR-1 1/2-S-CR CYR-1 5/8-S-CR
1 3/64	.4995	.5001	.5005	2200 2000	5730	14800	CYR-1 3/4-S-CR CYR-1 7/8-S-CR
1 13/64	.6245	.6251	.6251	1400	7270	17600	CYR-2-S-CR

*LUBRI-DISC + Seal is used on bearings with 1 inch O.D. and larger. Smaller sizes use standard LUBRI-DISC Seals.

(1) Since load, lubrication method, temperature and other factors affect the maximum operating speed, it is impossible to determine precise limiting speeds. The listed limiting speeds are based on lightly loaded bearings having adequate lubrication and are listed only as a design guide. More frequent relubrication is required when operating at higher speeds. Actual bearing testing in the specific application should be conducted if the operating speed approaches the listed limiting speed.

(2) Use track roller dynamic load rating for life calculations. Maximum dynamic load should not exceed 50% of track roller dynamic load rating. If radial load and/or root mean load exceed 50% of track roller dynamic load rating, life calculations must be reviewed by McGill Engineering.

BEARINGS

Corrosion Resistant Engineered Solutions



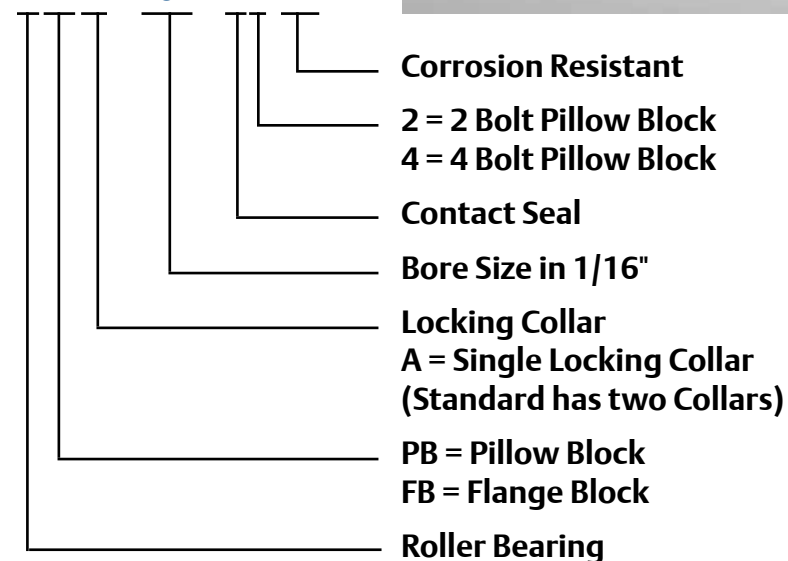
CRES
RPB-CR *Mounted Roller Bearings*

In addition to the Sealmaster standard platform features, RPB-CR bearings offer a fluoropolymer coating cast iron housing, single lip contact seal and H1 food grade grease.



Nomenclature:

RPBA - 103 - C2 CR



Components Material

Housing:	Fluoropolymer Coated Cast Iron
Outer Race:	Black Oxide 52100 Steel
Inner Race:	52100 Steel
Retainer:	Low Carbon Steel
Seal:	Single Lip Rubber Contact Seal
Washer:	300 Series Stainless Steel
Housing Bolts:	Fluoropolymer Coated
Grease Fitting:	300 Series Stainless Steel
Set Screws:	Black Oxide Steel Diamond Faceted Cup Point
Lock Collars:	Fluoropolymer Coated
Grease:	Sealmaster [®] GoldPlex [™] -FG

Features and Benefits

Insert

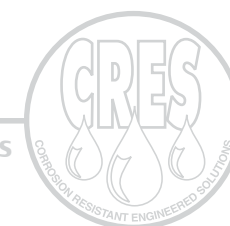
Tapered Roller Bearing Design:	Offers good capacity for radial or combined loading conditions.
Replaceable Cartridge Insert:	Ease of replacement, provides proper roller contact with the races and accommodates +/- 3° static misalignment.
Fluoropolymer Coated Locking Collars:	Improved corrosion resistance.
Single Lip Rubber Contact Seal:	Race mounted design for improved resistance to contamination and lubrication retention.
Alignment Pin:	Prevents outer race rotation of the cartridge insert.
Positive Lubrication System:	Allows direct lubrication into the bearing.
H1 Food Grade Grease:	Non-toxic grease with superior corrosion resistance and excellent wash out properties.

Housing

Fluoropolymer Coated Housing:	Non-stick coating offers resistance to chemicals and performs better than painted or nickel coated housings in our testing.
Cast Iron Split Housing Construction:	Allows for replacement of bearing insert.
Fluoropolymer Coated Cap Bolts:	Improved corrosion resistance.
Aluminum Nameplate:	Brand and nomenclature marking.

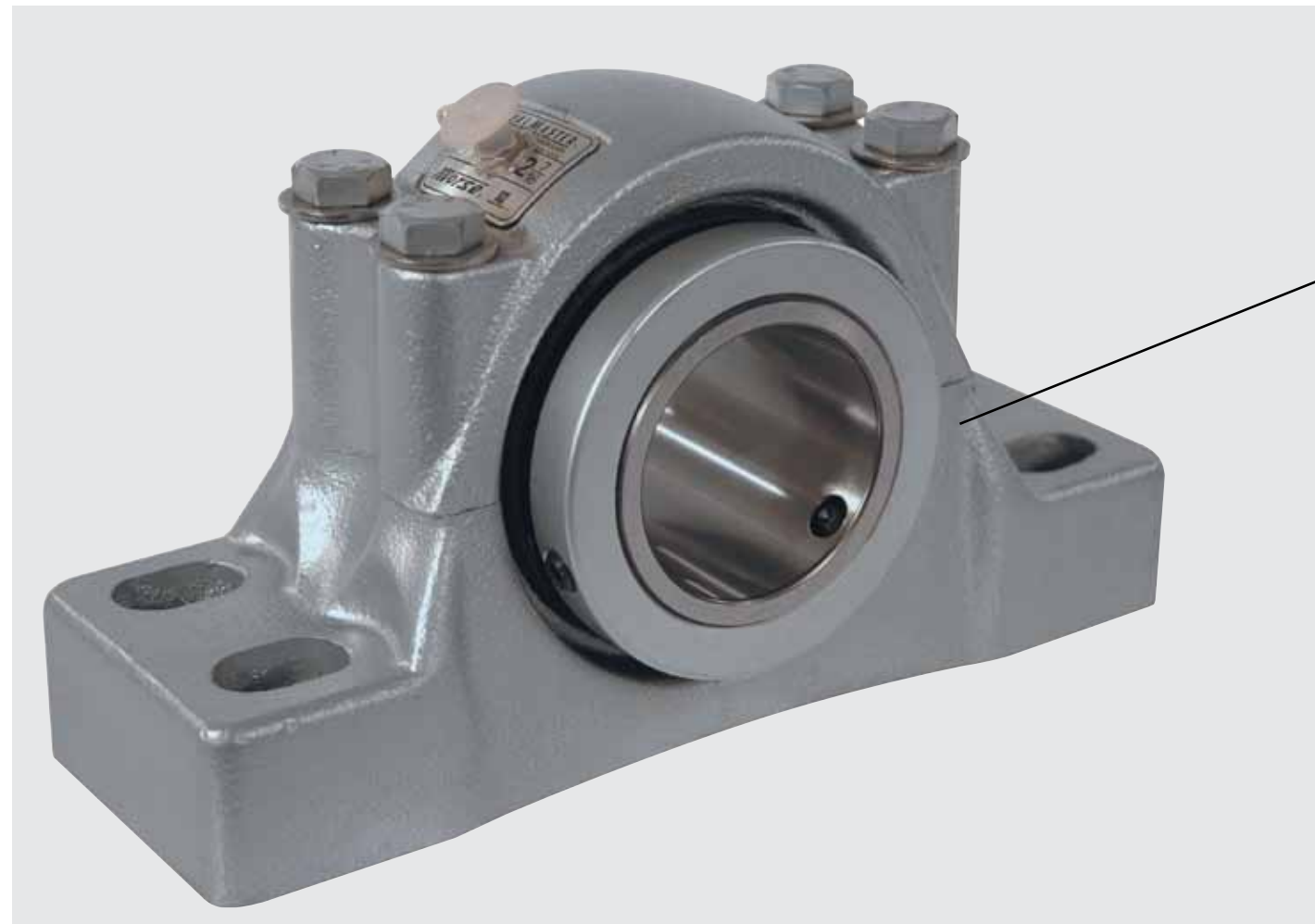
BEARINGS

Corrosion Resistant Engineered Solutions

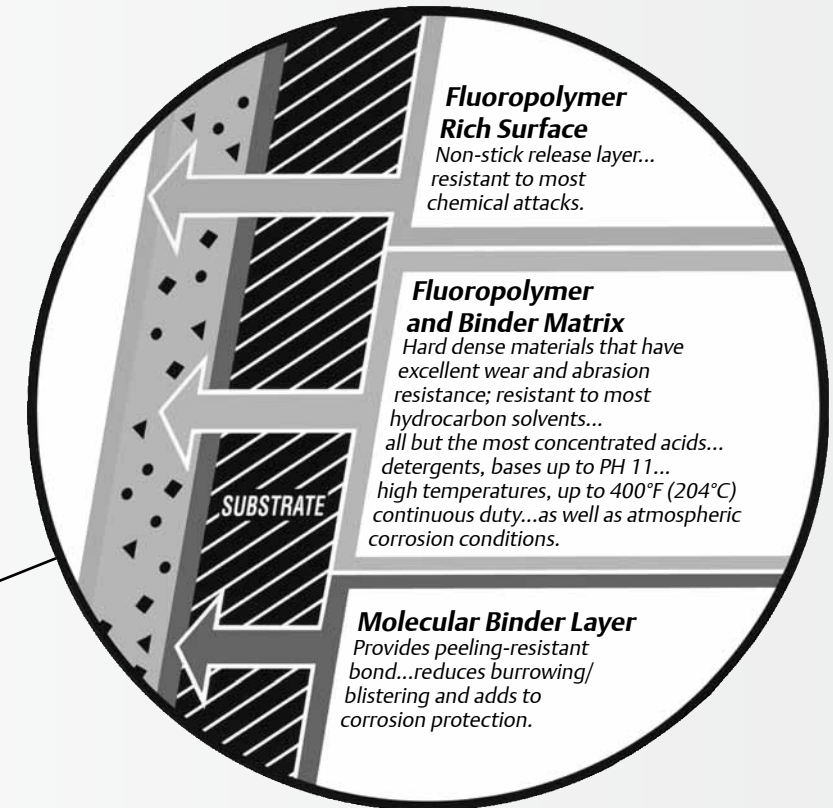


We begin with the best... and then improve the design to the most demanding specific services.

The RPB series bearings are used in applications where they may be subjected to moisture, corrosive and abrasive environments.



Fluoropolymer Housing



The chart to the right demonstrates the effectiveness of this corrosion-resistant polymer coating for a variety of atmospheric conditions and other physical qualities, against other popular materials. It is also important to note that **SEALMASTER CR Duty Bearings** have the housing bores coated

HOUSING COATING PERFORMANCE CHART						
CORROSION CHARACTERISTICS	SEALMASTER CORROSION DUTY	PAINT	ELECTRO-LESS NICKEL	CU/NI/CR	NYLON	TEFLON*
ACID	✓✓✓✓	✓	✓✓✓	✓✓	✓✓✓	✓✓✓✓
BASE	✓✓✓✓	✓	✓✓	✓✓	✓✓✓	✓✓✓✓
WASHDOWN	✓✓✓✓	✓	✓✓	✓✓	✓✓✓	✓**
ATMOSPHERIC EXPOSURE	✓✓✓✓	✓✓	✓✓	✓✓	✓✓	✓✓✓✓
NON-STICK	✓✓✓✓	-	-	-	✓	✓✓✓✓
ADHESION TO CASTING	✓✓✓✓	✓✓✓	✓✓✓	✓✓✓	✓✓✓	✓
HARDNESS	✓✓✓	✓✓	✓✓✓✓	✓✓✓✓	✓✓✓	✓
COLOR	✓✓✓✓	✓	✓✓	✓✓✓✓	✓✓	✓✓
EXCELLENT	✓✓✓✓	FAIR	✓✓	UNACCEPTABLE	-	* Teflon is a registered trademark of the Du Pont Company.
GOOD	✓✓✓	POOR	✓	** SHOULD NOT BE USED WITH HIGH PRESSURE SPRAYWASH		

Contact EPT Customer Service at 1-800-626-2120 for availability on additional configurations such as: RFB, RPBXT and all expansion bearings.

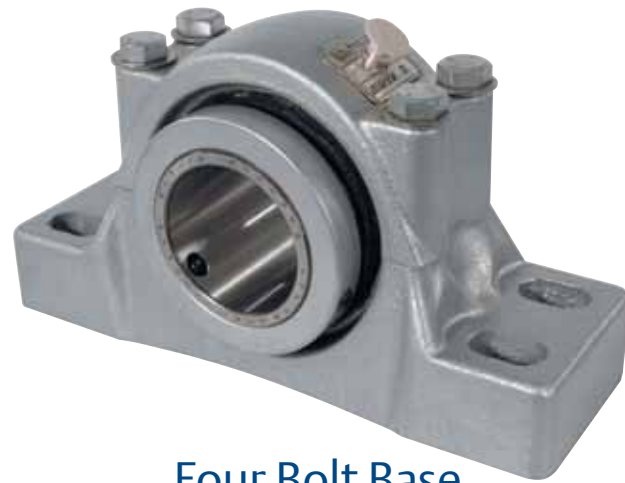
BEARINGS

Corrosion Resistant Engineered Solutions

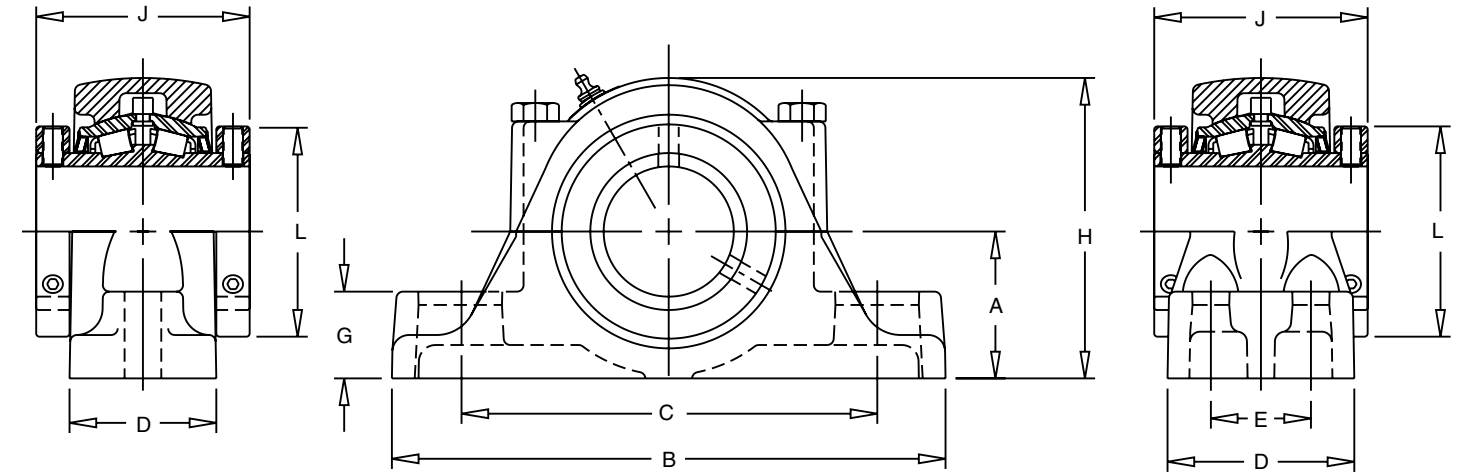




Two Bolt Base



Four Bolt Base



TWO BOLT BASE

FOUR BOLT BASE

RPB-CR Series Pillow Blocks... Two Bolt Base

Part Description	Shaft Dia. In.	Dimensions in Inches										Base Bolts	
		A	B	C		D	E	G	H	J	L	No.	Size
				Min.	Max.								
RPB-103-C2 CR	1 3/16	1 1/2	6 17/64	4 9/16	4 15/16	1 7/8	-	7/8	3 1/8	2 3/4	2 1/4	2	1/2
RPB-104-C2-CR	1 1/4			4 9/16	4 15/16								
RPB-106-C2 CR	1 3/8	1 7/8	7/14	5 5/16	5 15/16	2 1/16	-	1 1/8	3 13/16	3	2 5/8	2	1/2
RPB-107-C2 CR	1 7/16			5 5/16	5 15/16								
RPB-108-C2 CR	1 1/2	2 1/8	7 3/4	5 9/16	6 7/16	2 5/16	-	1 1/4	4 3/8	3 3/8	2 7/8	2	1/2
RPB-110-C2 CR	1 5/8			5 9/16	6 7/16								
RPB-111-C2 CR	1 11/16	2 1/4	8 7/8	6 5/16	7 3/16	2 7/16	-	1 1/4	4 5/8	3 1/2	3 1/4	2	5/8
RPB-112-C2 CR	1 3/4			6 5/16	7 3/16								
RPB-115-C2 CR	1 15/16	2	9 5/8	6 11/16	7 15/16	2 9/16	-	1 7/16	5 1/8	3 3/4	3 5/8	2	5/8
RPB-200-C2 CR	2			6 11/16	7 15/16								
RPB-203-C2 CR	2 3/16	2 3/4	10 3/8	6 15/16	8 11/16	2 3/4	-	1 5/8	5 5/8	4	3 15/16	2	5/8
RPB-204-C2 CR	2 1/4			6 15/16	8 11/16								
RPB-207-C2 CR	2 7/16	2 1/2	11 3/4	8 1/16	9 11/16	3	-	1 3/4	6 3/8	4 33/64	4 45/64	2	3/4
RPB-208-C2 CR	2 1/2			8 1/16	9 11/16								
RPB-211-C2 CR	2 11/16	3 1/8	11 3/4	8 1/16	9 11/16	3	-	1 3/4	6 3/8	4 33/64	4 45/64	2	3/4
RPB-212-C2 CR	2 3/4			8 1/16	9 11/16								
RPB-215-C2 CR	2 15/16	3 3/4	13 3/4	10 1/8	11 1/4	4 1/8	-	2 1/16	7 3/4	5 1/64	5 7/18	2	7/8
RPB-300-C2 CR	3			10 1/8	11 1/4								
RPB-303-C2 CR	3 3/16	3 3/4	13 3/4	10 1/8	11 1/4	4 1/8	-	2 1/16	7 3/4	5 1/64	5 7/18	2	7/8
RPB-307-C2 CR	3 7/16			10 1/8	11 1/4								
RPB-308-C2 CR	3 1/2	3 3/4	13 3/4	10 1/8	11 1/4	4 1/8	-	2 1/16	7 3/4	5 1/64	5 7/18	2	7/8
RPB-308-C2 CR	3 1/2			10 1/8	11 1/4								

RPB-CR Series Pillow Blocks... Four Bolt Base

Part Description	Shaft Dia. In.	Dimensions in Inches										Base Bolts	
		A	B	C		D	E	G	H	J	L	No.	Size
				Min.	Max.								
RPB-204-C4 CR	2 1/4	2 3/4	10 3/8	7 3/4	8 3/4	3 1/2	1 7/8	1 5/8	5 5/8	4	3 15/16	4	5/8
RPB-207-C4 CR	2 7/16			7 3/4	8 3/4								
RPB-208-C4 CR	2 1/2	3 1/8	11 3/4	8 3/4	10	3 3/4	2 1/8	1 3/4	6 3/8	4 33/64	4 45/64	4	5/8
RPB-211-C4 CR	2 11/16			8 3/4	10								
RPB-212-C4 CR	2 3/4	3 3/4	13 3/4	10 9/16	11 1/2	4 1/2	2 3/8	2 1/16	7 3/4	5 1/64	5 7/16	4	5/8
RPB-215-C4 CR	2 15/16			10 9/16	11 1/2								
RPB-300-C4 CR	3	4 1/4	15 1/4	11	13	4 1/2	2 1/4	2 7/16	8 5/8	6 1/4	5 15/16	4	3/4
RPB-303-C4 CR	3 3/16			11	13								
RPB-307-C4 CR	3 7/16	4 3/4	16 1/2	11 3/4	13 7/8	4 5/8	2 1/2	2 3/4	9 5/8	6 3/4	6 1/2	4	3/4
RPB-308-C4 CR	3 1/2			11 3/4	13 7/8								
RPB-315-C4 CR	3 15/16	5 1/2	18 1/2	13 1/2	15 7/8	5 1/8	2 3/4	3 1/8	11	7 1/4	7 5/16	4	7/8
RPB-400-C4 CR	4			13 1/2	15 7/8								
RPB-407-C4 CR	4 7/16	4 3/4	16 1/2	11 3/4	13 7/8	4 5/8	2 1/2	2 3/4	9 5/8	6 3/4	6 1/2	4	3/4
RPB-408-C4 CR	4 1/2			11 3/4	13 7/8								
RPB-415-C4 CR	4 15/16	5 1/2	18 1/2	13 1/2	15 7/8	5 1/8	2 3/4	3 1/8	11	7 1/4	7 5/16	4	7/8
RPB-500-C4 CR	5			13 1/2	15 7/8								

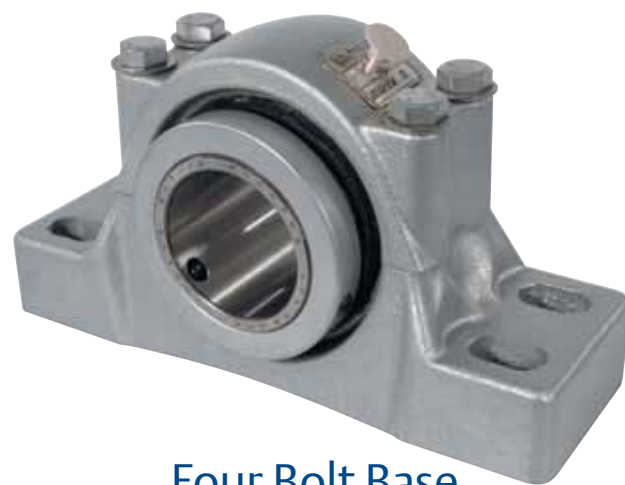
BEARINGS

Corrosion Resistant Engineered Solutions

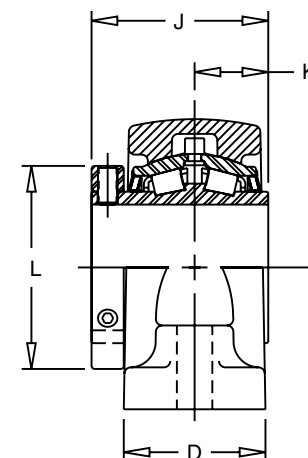




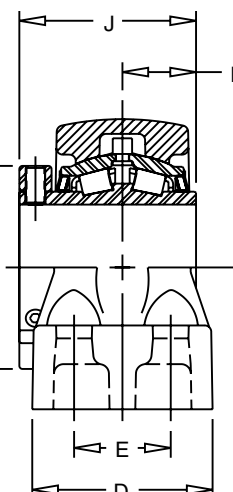
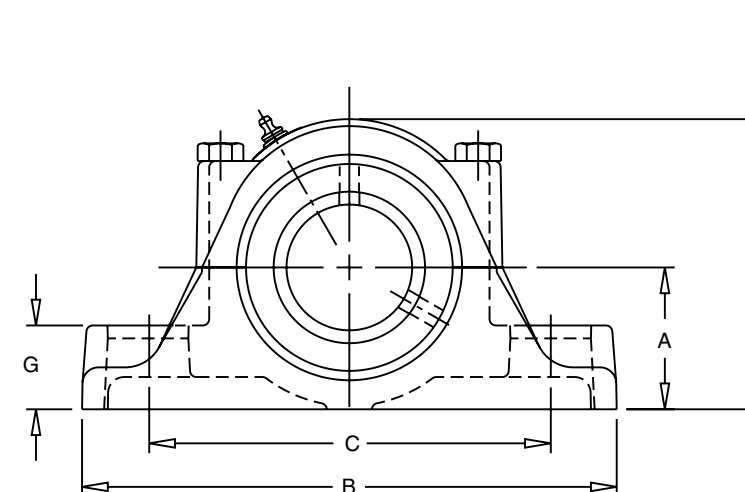
Two Bolt Base



Four Bolt Base



TWO BOLT BASE



FOUR BOLT BASE

RPBA-CR Series Pillow Blocks... Two Bolt Base

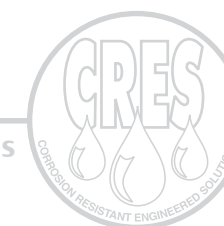
Part Description	Shaft Dia. In.	Dimensions in Inches										Base Bolts		
		A	B	C		D	E	G	H	J	K	L	No.	Size
				Min.	Max.									
RPBA-103-C2 CR	1 3/16	1 1/2	6 17/64	4 9/16	4 15/16	1 7/8	-	7/8	3 1/8	2 3/8	1	2 1/4	2	1/2
RPBA-104-C2 CR	1 1/4			4 15/16	4 15/16									
RPBA-106-C2 CR	1 3/8	1 7/8	7 1/4	5 5/16	5 15/16	2 1/16	-	1 1/8	3 13/16	2 17/32	1 1/32	2 5/8	2	1/2
RPBA-107-C2 CR	1 7/16			5 15/16	5 15/16									
RPBA-108-C2 CR	1 1/2	2 1/8	7 3/4	5 9/16	6 7/16	2 5/16	-	1 1/4	4 3/8	2 27/32	1 5/32	2 7/8	2	1/2
RPBA-110-C2 CR	1 5/8			6 7/16	6 7/16									
RPBA-111-C2 CR	1 11/16	2 1/4	8 7/8	6 5/16	7 3/16	2 7/16	-	1 1/4	4 5/8	2 61/64	1 13/64	3 1/4	2	5/8
RPBA-112-C2 CR	1 3/4			7 3/16	7 3/16									
RPBA-115-C2 CR	1 15/16	2	2 1/4	8 7/8	9 1/8	2 9/16	-	1 7/16	5 1/8	3 1/8	1 1/4	3 5/8	2	5/8
RPBA-200-C2 CR	2			9 1/8	9 1/8									
RPBA-203-C2 CR	2 3/16	2 3/4	10 3/8	6 15/16	8 11/16	2 3/4	-	1 5/8	5 5/8	3 5/16	1 5/16	3 15/16	2	5/8
RPBA-204-C2 CR	2 1/4			8 11/16	8 11/16									
RPBA-207-C2 CR	2 7/16	2 1/2	2 1/2	6 15/16	8 11/16	3	-	1 3/4	6 3/8	3 11/16	1 7/16	4 45/64	2	3/4
RPBA-208-C2 CR	2 1/2			8 11/16	8 11/16									
RPBA-211-C2 CR	2 11/16	3 1/8	11 3/4	8 1/16	9 11/16	3	-	1 3/4	6 3/8	3 11/16	1 7/16	4 45/64	2	3/4
RPBA-212-C2 CR	2 3/4			9 11/16	9 11/16									
RPBA-215-C2 CR	2 15/16	3 3/4	13 3/4	10 1/8	11 1/4	4 1/8	-	2 1/16	7 3/4	4 3/16	1 11/16	5 7/16	2	7/8
RPBA-300-C2 CR	3			11 1/4	11 1/4									
RPBA-303-C2 CR	3 3/16	3 3/4	13 3/4	10 1/8	11 1/4	4 1/8	-	2 1/16	7 3/4	4 3/16	1 11/16	5 7/16	2	7/8
RPBA-307-C2 CR	3 7/16			11 1/4	11 1/4									
RPBA-308-C2 CR	3 1/2	3 3/4	13 3/4	10 1/8	11 1/4	4 1/8	-	2 1/16	7 3/4	4 3/16	1 11/16	5 7/16	2	7/8
RPBA-407-C4 CR	4 7/16			11 1/4	11 1/4									

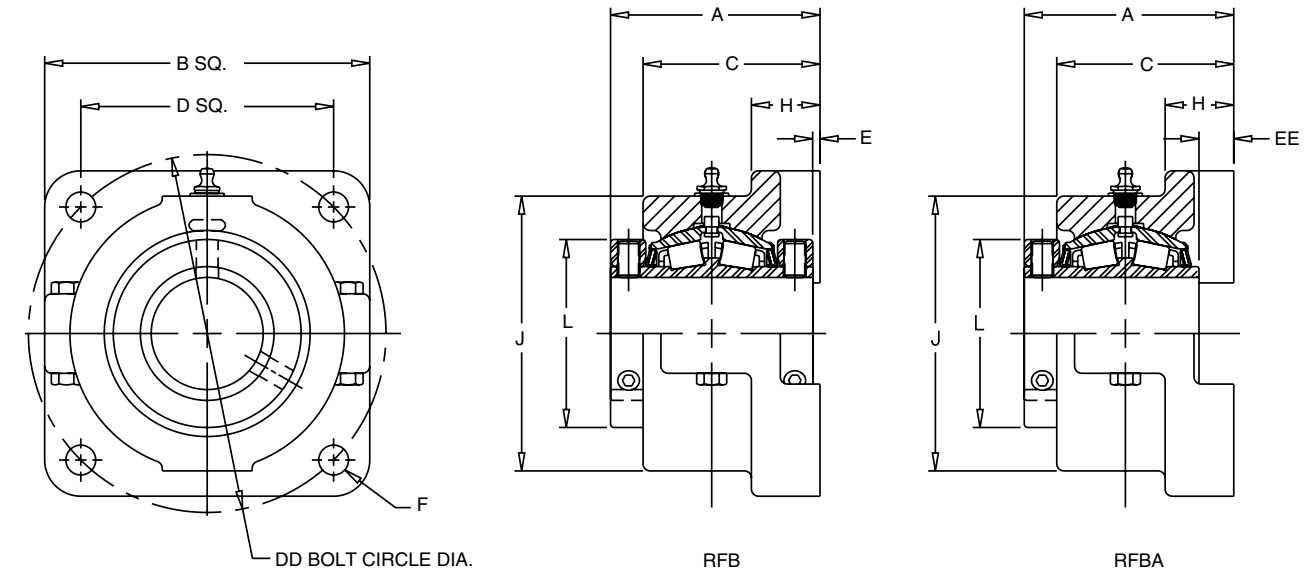
RPBA-CR Series Pillow Blocks... Four Bolt Base

Part Description	Shaft Dia. In.	Dimensions in Inches										Base Bolts		
		A	B	C		D	E	G	H	J	K	L	No.	Size
				Min.	Max.									
RPBA-204-C4 CR	2 1/4	2 3/4	10 3/8	7 3/4	8 3/4	3 1/2	1 7/8	1 5/8	5 5/8	3 5/16	1 5/16	3 15/16	4	5/8
RPBA-207-C4 CR	2 7/16			8 3/4	8 3/4									
RPBA-208-C4 CR	2 1/2	3 1/8	11 3/4	8 3/4	10	3 3/4	2 1/8	1 3/4	6 3/8	3 11/16	1 7/16	4 45/64	4	5/8
RPBA-211-C4 CR	2 11/16			10	10									
RPBA-212-C4 CR	2 3/4	3 1/8	11 3/4	8 3/4	10	3 3/4	2 1/8	1 3/4	6 3/8	3 11/16	1 7/16	4 45/64	4	5/8
RPBA-215-C4 CR	2 15/16			10	10									
RPBA-300-C4 CR	3	3 3/4	13 3/4	10 9/16	11 1/2	4 1/2	2 3/8	2 1/16	7 3/4	4 3/16	1 11/16	5 7/16	4	5/8
RPBA-303-C4 CR	3 3/16			11 1/2	11 1/2									
RPBA-307-C4 CR	3 7/16	3 3/4	13 3/4	10 9/16	11 1/2	4 1/2	2 3/8	2 1/16	7 3/4	4 3/16	1 11/16	5 7/16	4	5/8
RPBA-308-C4 CR	3 1/2			11 1/2	11 1/2									
RPBA-315-C4 CR	3 15/16	4 1/4	15 1/4	11	13	4 1/2	2 1/4	2 7/16	8 5/8	5 1/4	2 1/8	5 15/16	4	3/4
RPBA-400-C4 CR	4			13	13									
RPBA-407-C4 CR	4 7/16	4 3/4	16 1/2	11 3/4	13 7/8	4 5/8	2 1/2	2 3/4	9 5/8	5 1/2	2 1/4	6 1/2	4	3/4
RPBA-408-C4 CR	4 1/2			13 7/8	13 7/8									
RPBA-415-C4 CR	4 15/16	5 1/2	18 1/2	13 1/2	15 7/8	5 1/8	2 3/4	3 1/8	11	6 13/64	2 19/32	7 5/16	4	7/8
RPBA-500-C4 CR	5			15 7/8	15 7/8									

BEARINGS

Corrosion Resistant Engineered Solutions





RFB-CR Series Flange Units

Part Description	Shaft Dia. In.	Dimensions in Inches									
		A	B	C	D	DD	E	F BOLT	H	J	L
RFB-103-C CR	1 3/16										
RFB-104-C CR	1 1/4	2 13/16	4	2 5/16	2 7/8	4 1/16	1/16	3/8	1	3 1/4	2 1/4
RFB-106-C CR	1 3/8										
RFB-107-C CR	1 7/16	3 1/16	4 5/8	2 9/16	3 1/2	4 15/16	1/16	1/2	1	3 3/4	2 5/8
RFB-108-C CR	1 1/2										
RFB-110-C CR	1 5/8	3 1/2	5 3/8	2 15/16	4 1/8	5 13/16	1/8	1/2	1 3/16	4 1/2	2 7/8
RFB-111-C CR	1 11/16										
RFB-112-C CR	1 3/4										
RFB-115-C CR	1 15/16	3 5/8	5 5/8	3 1/16	4 3/8	6 3/16	1/8	1/2	1 3/16	4 3/4	3 1/4
RFB-200-C CR	2										
RFB-203-C CR	2 3/16	3 7/8	6 1/4	3 1/4	4 7/8	6 29/32	1/8	5/8	1 3/8	5 1/4	3 5/8
RFB-204-C CR	2 1/4										
RFB-207-C CR	2 7/16	4 3/16	6 7/8	3 9/16	5 3/8	7 39/64	3/16	5/8	1 1/2	5 3/4	3 15/16
RFB-208-C CR	2 1/2										
RFB-211-C CR	2 11/16										
RFB-212-C CR	2 3/4										
RFB-215-C CR	2 15/16	4 11/16	7 3/4	3 15/16	6	8 31/64	3/16	3/4	1 5/8	6 1/2	4 23/32
RFB-300-C CR	3										
RFB-303-C CR	3 3/16										
RFB-307-C CR	3 7/16	5 1/4	9 1/4	4 1/2	7	9 29/32	15/64	3/4	1 7/8	8	5 7/16
RFB-308-C CR	3 1/2										
RFB-315-C CR	3 15/16										
RFB-400-C CR	4	6 1/2	10 1/4	5 5/8	7 3/4	10 61/64	1/4	7/8	2 1/8	8 7/8	5 15/16

RFBA-CR Series Flange Units

Part Description	Shaft Dia. In.	Dimensions in Inches									
		A	B	C	D	DD	EE	F BOLT	H	J	L
RFBA-103-C CR	1 3/16										
RFBA-104-C CR	1 1/4	2 13/16	4	2 5/16	2 7/8	4 1/16	7/16	3/8	1	3 1/4	2 1/4
RFBA-106-C CR	1 3/8										
RFBA-107-C CR	1 7/16	3 1/16	4 5/8	2 9/16	3 1/2	4 15/16	17/32	1/2	1	3 3/4	2 5/8
RFBA-108-C CR	1 1/2										
RFBA-110-C CR	1 5/8	3 1/2	5 3/8	2 15/16	4 1/8	5 13/16	21/32	1/2	1 3/16	4 1/2	2 7/8
RFBA-111-C CR	1 11/16										
RFBA-112-C CR	1 3/4										
RFBA-115-C CR	1 15/16	3 5/8	5 5/8	3 1/16	4 3/8	6 3/16	43/64	1/2	1 3/16	4 3/4	3 1/4
RFBA-200-C CR	2										
RFBA-203-C CR	2 3/16	3 7/8	6 1/4	3 1/4	4 7/8	6 29/32	3/4	5/8	1 3/8	5 1/4	3 5/8
RFBA-204-C CR	2 1/4										
RFBA-207-C CR	2 7/16	4 3/16	6 7/8	3 9/16	5 3/8	7 39/64	7/8	5/8	1 1/2	5 3/4	3 15/16
RFBA-208-C CR	2 1/2										
RFBA-211-C CR	2 11/16										
RFBA-212-C CR	2 3/4										
RFBA-215-C CR	2 15/16	4 11/16	7 3/4	3 15/16	6	8 31/64	1	3/4	1 5/8	6 1/2	4 23/32
RFBA-300-C CR	3										
RFBA-303-C CR	3 3/16										
RFBA-307-C CR	3 7/16	5 1/4	9 1/4	4 1/2	7	9 29/32	1 1/16	3/4	1 7/8	8	5 7/16
RFBA-308-C CR	3 1/2										
RFBA-315-C CR	3 15/16										
RFBA-400-C CR	4	6 1/2	10 1/4	5 5/8	7 3/4	10 61/64	1 1/4	7/8	2 1/8	8 7/8	5 15/16

BEARINGS

Corrosion Resistant Engineered Solutions



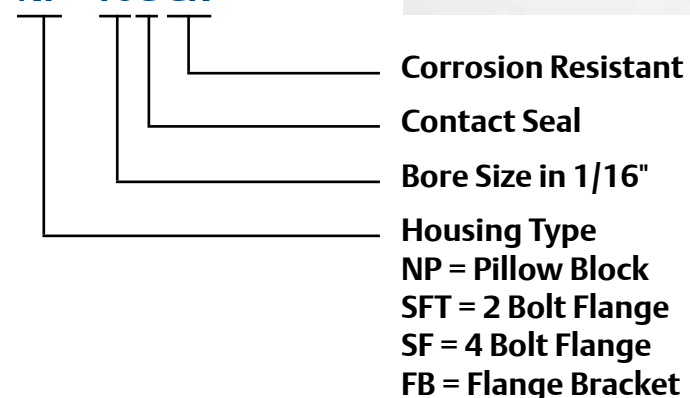
CRES
CR Gold *Mounted Ball Bearings*

In addition to the Sealmaster standard platform features, CR Gold bearings offer a stainless steel housing, black oxide insert, single lip contact seal and H1 food grade grease.



Nomenclature:

NP - 16C CR



Components Material

Housing:	316 Passivated Stainless Steel
Bearing Races:	Black Oxide 52100 Steel
Balls:	52100 Steel
Retainer:	Unique Metal Land Riding Retainer
Seal:	Single Lip Rubber Contact Seal
Set Screws:	Black Oxided Steel Diamond Faceted Cup Point
Grease Fitting:	303 Stainless Steel
Grease:	Sealmaster GoldPlex-FG

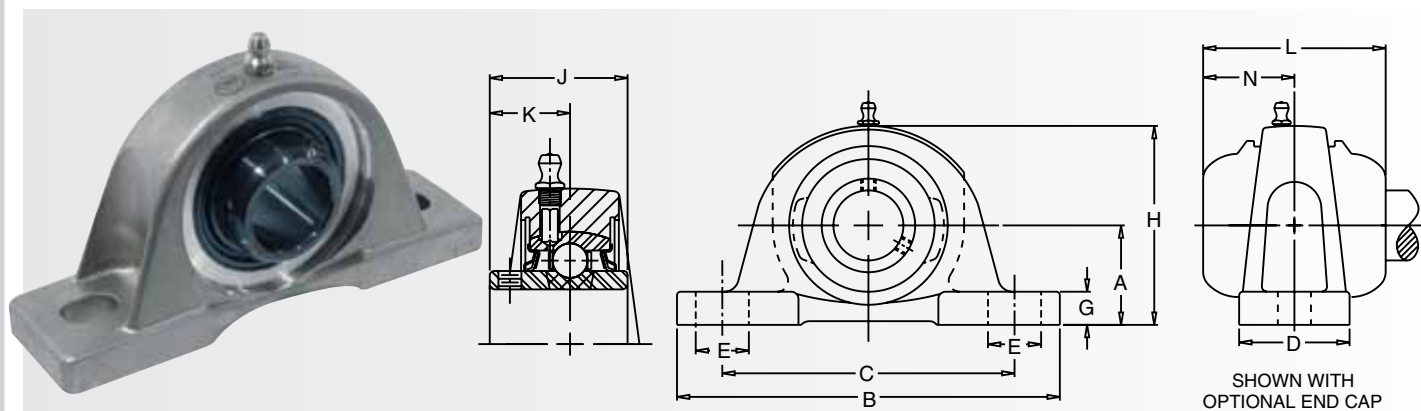
Features and Benefits

Insert

Black Oxided Races:	Marginal improvement to corrosion resistance compared to 52100 steel.
Single Lip Rubber Contact Seal:	Contamination avoidance and lubrication retention.
Wide Outer Race Design:	Extra grease capacity.
Zone Hardened Inner Race:	Improved locking reliability.
Unique Metal Land Riding Retainer:	Corrosion resistant, improves lubrication circulation.
Lock Pin and Dimple System:	Provides direct lubrication path and +/-2° static misalignment and prevents outer race rotation.
H1 Food Grade Grease:	Non-toxic grease with superior corrosion resistance and excellent wash out properties.

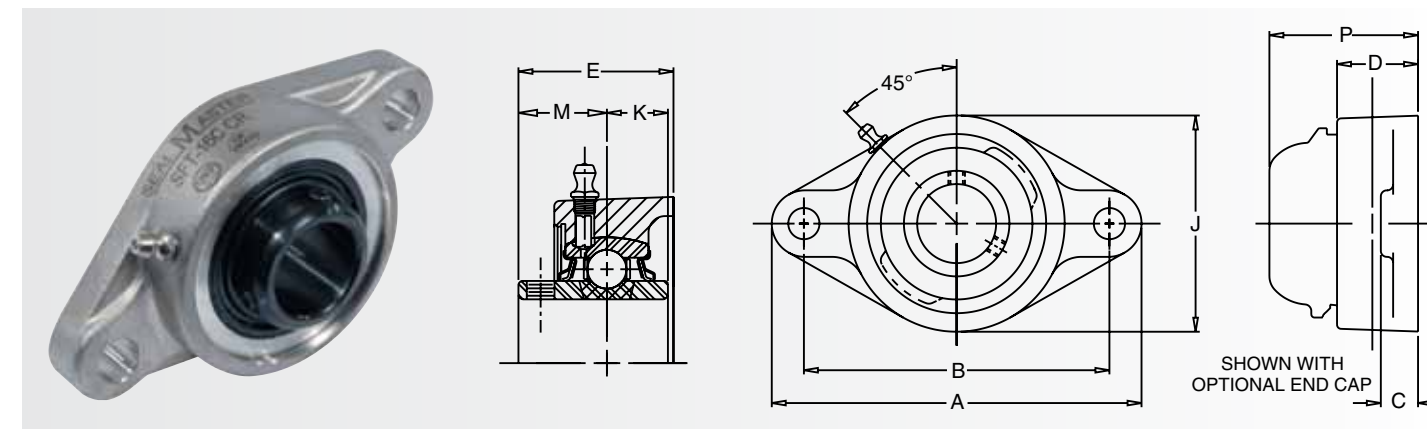
Housing

316 Passivated Stainless Steel:	Highest amount of corrosion resistance currently available for stainless steel bearing housings.
Advanced Casting Technology:	Investment cast process yields a smooth, easy to clean surface.
Solid Construction – Machined Base:	Minimal gaps, no fillings, smooth easy to clean surface.
Specialized Laser Identification:	Permanent brand and nomenclature marking.



NP-C CR Series Pillow Blocks

CR Gold Description	Shaft Size	A	B	C Max.	C. Min.	D	E	G	H	J	K	L	N	Bolt Size	Open Cap	Closed Cap	Backside Shield
NP-12C CR	3/4	1 5/16	5	4 1/8	3 3/8	1 1/2	3/4	1/2	2 9/16	1 7/32	23/32	3 9/32	1 41/64	3/8	ECO-12	ECC-12	N/A
NP-16C CR	1	1 7/16	5 1/2	4 1/2	3 3/4	1 1/2	3/4	1/2	2 13/16	1 3/8	13/16	3 15/32	1 47/64	3/8	ECO-16	ECC-16	N/A
NP-19C CR	1 3/16	1 11/16	6 1/2	5 1/16	4 7/16	1 7/8	13/16	9/16	3 3/8	1 1/2	7/8	3 19/32	1 51/64	1/2	ECO-19	ECC-19	N/A
NP-20RC CR	1 1/4	1 11/16	6 1/2	5 1/16	4 7/16	1 7/8	13/16	9/16	3 3/8	1 1/2	7/8	3 19/32	1 51/64	1/2	ECO-20R	ECC-19	N/A
NP-20C CR	1 1/4	1 7/8	6 9/16	5 5/16	4 11/16	1 7/8	13/16	5/8	3 3/4	1 11/16	1	3 27/32	1 59/64	1/2	ECO-20	ECC-23	N/A
NP-23C CR	1 7/16	1 7/8	6 9/16	5 5/16	4 11/16	1 7/8	13/16	5/8	3 3/4	1 11/16	1	3 27/32	1 59/64	1/2	ECO-23	ECC-23	N/A
NP-24C CR	1 1/2	1 15/16	7 1/4	5 7/8	4 7/8	2 1/8	1	11/16	3 15/16	1 15/16	1 3/16	4 7/32	2 7/64	1/2	ECO-24	ECC-24	N/A
NP-27C CR	1 11/16	2 1/8	7 1/2	6 1/16	5 7/16	2 1/8	13/16	11/16	4 1/4	1 15/16	1 3/16	4 7/32	2 1/8	1/2	ECO-27	ECC-27	N/A
NP-31C CR	1 15/16	2 1/4	8 1/8	6 1/2	6	2 3/8	7/8	3/4	4 9/16	2 1/32	1 9/32	4 13/32	2 13/64	5/8	ECO-31	ECC-31	N/A
NP-32C CR	2	2 1/2	8 5/8	7	6 1/2	2 3/8	7/8	3/4	5	2 3/16	1 5/16	4 43/64	2 21/64	5/8	ECO-32	ECC-235	N/A
NP-35C CR	2 3/16	2 1/2	8 5/8	7	6 1/2	2 3/8	7/8	3/4	5	2 3/16	1 5/16	4 43/64	2 21/64	5/8	ECO-35	ECC-35	N/A
NP-39C CR	2 7/16	2 3/4	9 1/2	7 5/8	6 7/8	2 3/4	1	7/8	5 9/16	2 9/16	1 9/16	5 11/64	2 37/64	5/8	ECO-39	ECC-239	N/A

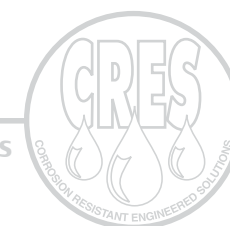


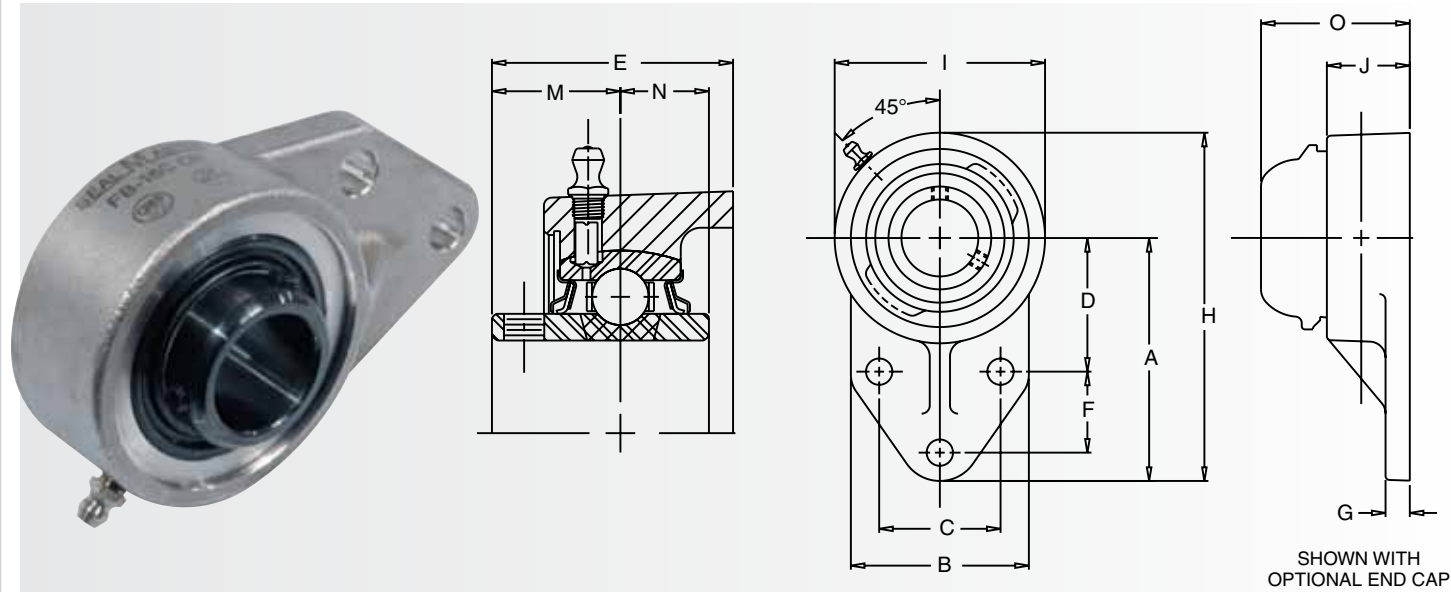
SFT-C CR Series 2 Bolt Flange

CR Gold Description	Shaft Size	A	B	C	D	E	J	K	M	P	Bolt Size	Open Cap	Closed Cap	Backside Shield
SFT-12C CR	3/4	4 13/32	3 17/32	7/16	31/32	1 9/32	2 1/2	1/2	23/32	2 13/64	3/8	ECO-12	ECC-12	2BSS-12
SFT-16C CR	1	4 7/8	3 57/64	17/32	1 5/64	1 7/16	2 3/4	9/16	13/16	2 23/64	7/16	ECO-16	ECC-16	2BSS-16
SFT-19C CR	1 3/16	5 9/16	4 19/32	17/32	1 7/32	1 9/16	3 1/4	5/8	7/8	2 31/64	7/16	ECO-19	ECC-19	2BSS-19
SFT-20RC CR	1 1/4	5 9/16	4 19/32	17/32	1 7/32	1 9/16	3 1/4	5/8	7/8	2 31/64	7/16	ECO-20R	ECC-19	2BSS-20R
SFT-20C CR	1 1/4	6 1/8	5 1/8	9/16	1 11/32	1 3/4	3 3/4	11/16	1	2 43/64	1/2	ECO-20	ECC-23	2BSS-20
SFT-23C CR	1 7/16	6 1/8	5 1/8	9/16	1 11/32	1 3/4	3 3/4	11/16	1	2 43/64	1/2	ECO-23	ECC-23	2BSS-23
SFT-24C CR	1 1/2	6 3/4	5 21/32	9/16	1 1/2	2 1/64	4 1/8	3/4	1 3/16	2 15/16	1/2	ECO-24	ECC-24	2BSS-24
SFT-27C CR	1 11/16	7 1/16	5 27/32	9/16	1 9/16	2 3/64	4 3/8	3/4	1 3/16	2 31/32	9/16	ECO-27	EC-27	2BSS-27
SFT-31C CR	1 15/16	7 7/16	6 3/16	9/16	1 9/16	2 5/32	4 9/16	3/4	1 9/32	3 5/64	9/16	ECO-31	ECC-31	2BSS-31
SFT-32C CR	2	8 1/2	7 1/4	13/16	1 3/4	2 5/16	5 1/4	7/8	1 5/16	3 21/64	5/8	ECO-32	ECC-35	N/A
SFT-35C CR	2 3/16	8 1/2	7 1/4	13/16	1 3/4	2 5/16	5 1/4	7/8	1 5/16	3 21/64	5/8	ECO-35	ECC-35	2BSS-35

BEARINGS

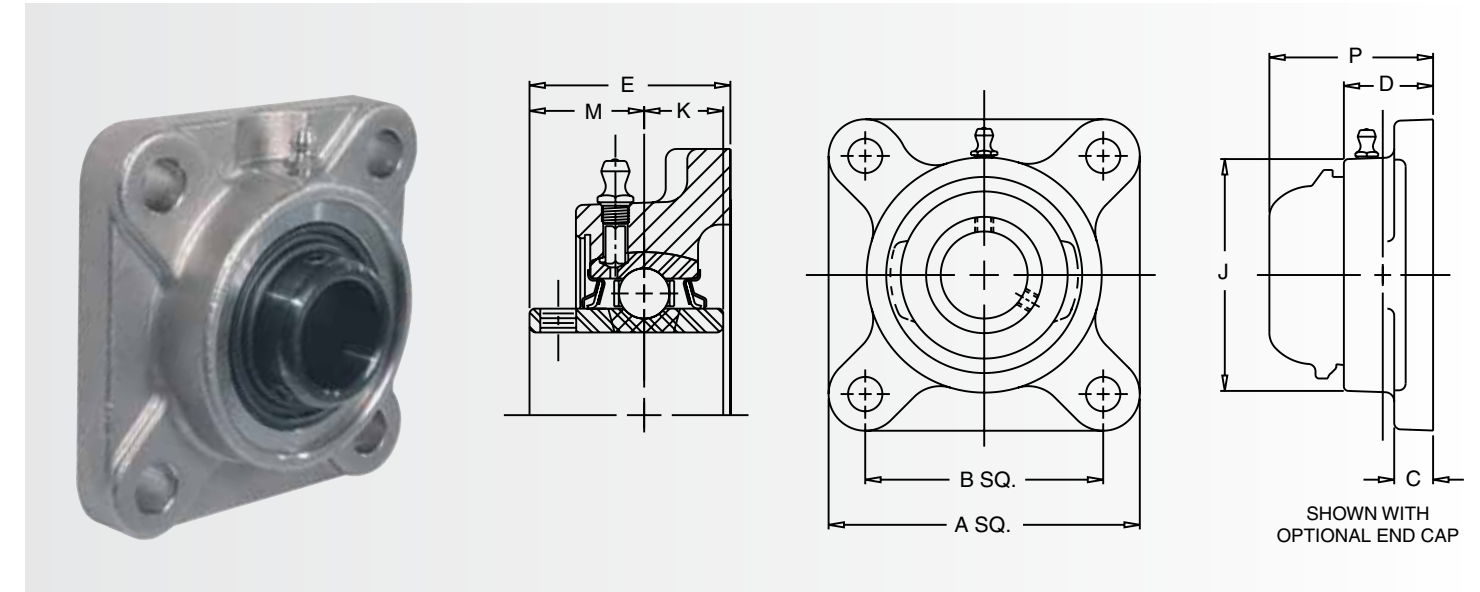
Corrosion Resistant Engineered Solutions





FB-C CR Series Flange Bracket

CR Gold Description	Shaft Size	A	B	C	D	E	F	G	H	I	J	M	N	O	Bolt Size	Open Cap	Closed Cap	Backside Shield
FB-12C CR	3/4	3	2 3/8	1 1/2	1 11/16	1 11/32	7/8	5/16	4 1/4	2 1/2	1 1/32	23/32	1/2	2 17/64	3/8	ECO-12	ECC-12	N/A
FB-16C CR	1	3 3/8	2 1/2	1 5/8	1 13/16	1 1/2	1 1/8	3/8	4 3/4	2 3/4	1 9/64	13/16	9/16	2 13/32	3/8	ECO-16	ECC-16	N/A
FB-19C CR	1 3/16	3 3/4	2 3/4	1 7/8	2 1/16	1 5/8	1 1/4	3/8	5 3/8	3 1/4	1 9/32	7/8	5/8	2 35/64	3/8	ECO-19	ECC-19	N/A
FB-20RC CR	1 1/4	3 3/4	2 3/4	1 7/8	2 1/16	1 5/8	1 1/4	3/8	5 3/8	3 1/4	1 9/32	7/8	5/8	2 35/64	3/8	ECO-20R	ECC-19	N/A
FB-20C CR	1 1/4	4 1/4	3 1/4	2	2 3/8	1 7/8	1 1/4	1/2	6 1/8	3 3/4	1 15/32	1	11/16	2 51/64	1/2	ECO-20	ECC-23	N/A
FB-23C CR	1 7/16	4 1/4	3 1/4	2	2 3/8	1 7/8	1 1/4	1/2	6 1/8	3 3/4	1 15/32	1	11/16	2 51/64	1/2	ECO-23	ECC-23	N/A



SF-C CR Series 4 Bolt Flange

CR Gold Description	Shaft Size	A	B	C	D	E	J	K	M	P	Bolt Size	Open Cap	Closed Cap	Backside Shield
SF-12C CR	3/4	3 3/8	2 1/2	7/16	31/32	1 9/32	2 1/2	1/2	23/32	2 13/64	3/8	ECO-12	ECC-12	4BSS-12
SF-16C CR	1	3 3/4	2 3/4	17/32	1 5/64	1 7/16	2 45/64	9/16	13/16	2 23/64	7/16	ECO-16	ECC-16	4BSS-16
SF-19C CR	1 3/16	4 1/4	3 1/4	17/32	1 7/32	1 9/16	3 13/64	5/8	7/8	2 31/64	7/16	ECO-19	ECC-19	4BSS-19
SF-20RC CR	1 1/4	4 1/4	3 1/4	17/32	1 7/32	1 9/16	3 13/64	5/8	7/8	2 31/64	7/16	ECO-20R	ECC-19	4BSS-20R
SF-20C CR	1 1/4	4 5/8	3 5/8	9/16	1 11/32	1 3/4	3 3/4	11/16	1	2 43/64	1/2	ECO-20	ECC-23	4BSS-20
SF-23C CR	1 7/16	4 5/8	3 5/8	9/16	1 11/32	1 3/4	3 3/4	11/16	1	2 43/64	1/2	ECO-23	ECC-23	4BSS-23
SF-24C CR	1 1/2	5 1/8	4	9/16	1 1/2	2 1/64	4 5/64	3/4	1 3/16	2 15/16	1/2	ECO-24	ECC-24	4BSS-24
SF-27C CR	1 11/16	5 3/8	4 1/8	9/16	1 9/16	2 3/64	4 21/64	3/4	1 3/16	2 31/32	9/16	ECO-27	ECC-27	4BSS-27
SF-31C CR	1 5/16	5 5/8	4 3/8	9/16	1 9/16	2 5/32	4 35/64	3/4	1 9/32	3 5/64	9/16	ECO-31	ECC-31	4BSS-31
SF-32C CR	2	6 3/8	5 1/8	13/16	1 3/4	2 5/16	5 3/16	7/8	1 5/16	3 21/64	5/8	ECO-32	ECC-35	4BSS-32
SF-35C CR	2 3/16	6 3/8	5 1/8	13/16	1 3/4	2 5/16	5 3/16	7/8	1 5/16	3 21/64	5/8	ECO-35	ECC-35	4BSS-35
SF-39C CR	2 7/16	6 7/8	5 5/8	13/16	1 15/16	2 25/32	5 7/16	1	1 9/16	3 45/64	5/8	ECO-39	ECC-39	4BSS-39

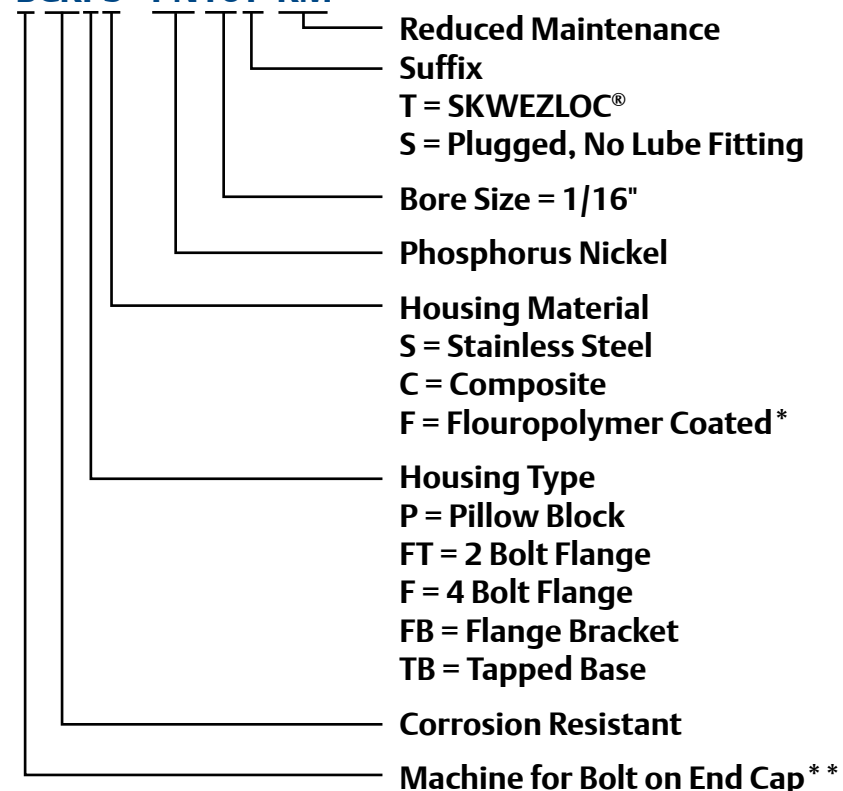
CRES
PN Gold *Mounted Ball Bearings*

PN Gold bearings feature a high phosphorus, electroless nickel coated steel insert and a patented, multiple lip high performance seal. Specially engineered for industries with corrosive wash down environments such as food and beverage, pharmaceuticals and chemical processing. The PN Gold mounted ball bearings provide outstanding performance in demanding corrosive environments.



Nomenclature:

BCRPS - PN16T RM



* Not available on all products. Please see page 23 for more information on flouropolymer coating.

** Not available on all products, includes backside shield.

Components Material

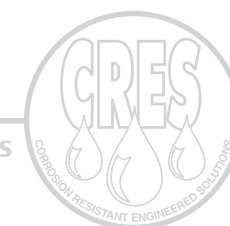
Housing:	316 Passivated Stainless Steel or High Strength Composite
Bearing Races:	High Phosphorus Electroless Nickel Plated 52100 Steel
Balls:	440C Stainless Steel
Retainer:	Unique Metal Land Riding Retainer
Seal:	High Performance Seal (HPS)
Set Screws:	300 Stainless Steel
Grease Fitting:	303 Stainless Steel
Grease:	Sealmaster GoldPlex-FG

Features and Benefits

<i>Insert</i>	
High Phosphorus Electroless Nickel Plating:	Provides exceptional corrosion resistance.
High Performance Seal (HPS):	Multi-directional sealing with excellent chemical resistance.
Wide Outer Race:	Provides extra grease capacity.
Zone Hardened Inner Race:	Provides longer life and quieter operation, improved locking reliability.
Unique Metal Land Riding Retainer:	Corrosion resistant, improves lubrication circulation.
Lock Pin and Dimple System:	Provides direct lubrication path and +/- 2° static misalignment and prevents outer race rotation.
H1 Food Grade Grease:	Non-toxic grease with superior corrosion resistance and excellent wash out properties.

BEARINGS

Corrosion Resistant Engineered Solutions



Features and Benefits

Stainless Steel Housing

316 Passivated Stainless Steel:	Highest amount of corrosion resistance currently available for stainless steel bearing housings.
Advanced Casting Technology:	Investment cast process yields a smooth, easy to clean surface.
Solid Construction – Machined Base:	Minimal gaps, no fillings, smooth easy to clean surface.
Specialized Laser Identification:	Permanent brand and nomenclature marking.

Composite Housing

High Strength Composite:	High load capacity.
Solid Construction – Machined Base:	Minimal gaps, no filling, smooth easy to clean surface.
Reinforced Stainless Steel Bolt Ferrules:	Increased strength around bolt holes.
Specialized Unit Identification:	Permanent brand and nomenclature marking.

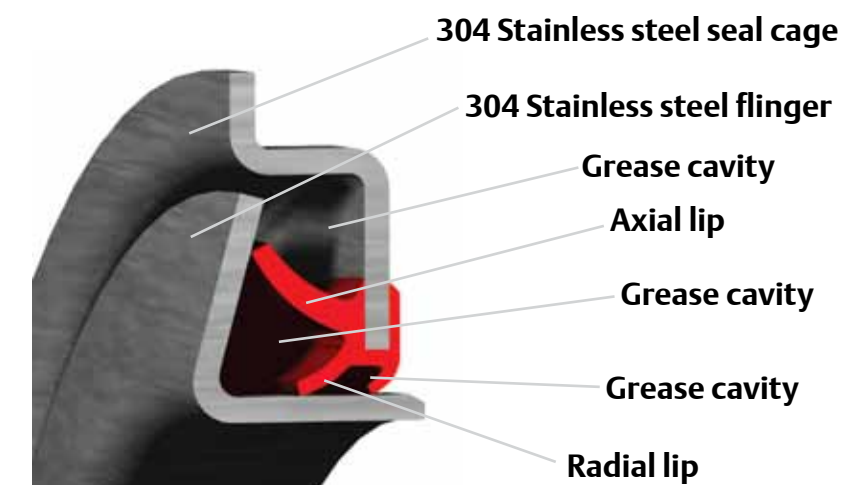
Stainless Steel Housing



Composite Housing

Sealmaster Patented HPS Seal for Superior Protection

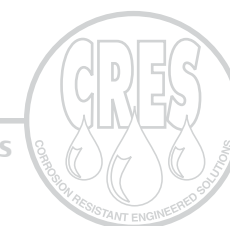
- Triple lip contact seal design provides multi-directional sealing to minimize contamination ingress and retain lubrication
- Highly durable, FKM seal lip material provides good chemical resistance and can withstand high temperatures
- 304 stainless steel shell protects bearing components from incoming contaminants
- 304 stainless steel rotating flinger provides a corrosion resistant wear surface for all three lips and shields seal from contamination and washdown
- Grease cavities in seal assembly are factory filled with lubricant prior to shipment for additional contaminant avoidance



Sealmaster HPS Seal
(U.S. Patent Number 6,817,769)

BEARINGS

Corrosion Resistant Engineered Solutions



CRES
PN Gold with SKWEZLOC
Shaft Locking Mechanism

The key to overall locking performance. The patented SKWEZLOC locking collar puts it a world apart from ordinary shaft locking devices. Six equally-spaced centering surfaces (inner race fingers or extension tabs) grip the shaft and hold it tight, locating it in near-perfect concentricity with the race. Fretting corrosion is reduced. Balancing of the assembly is easier and locking reliability is maintained.



SKWEZLOC Locking Collar Centers the Shaft in the Bearing Bore...
 Secures the Shaft with Near-Perfect Concentricity

- Quieter smoother operation at higher speeds
- Quickly, easily installed, removed and/or repositioned
- Shaft protected from scoring or burring
- Reduced out-of-balance vibrational forces and fretting corrosion



“Putting the Collar” on Vibration...

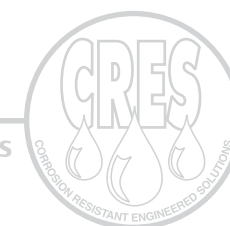
The design of the unique SKWEZLOC collar and the near-perfect shaft centering greatly reduces out-of-balance vibrational forces that tend to shorten bearing life. Fretting corrosion is also minimized.

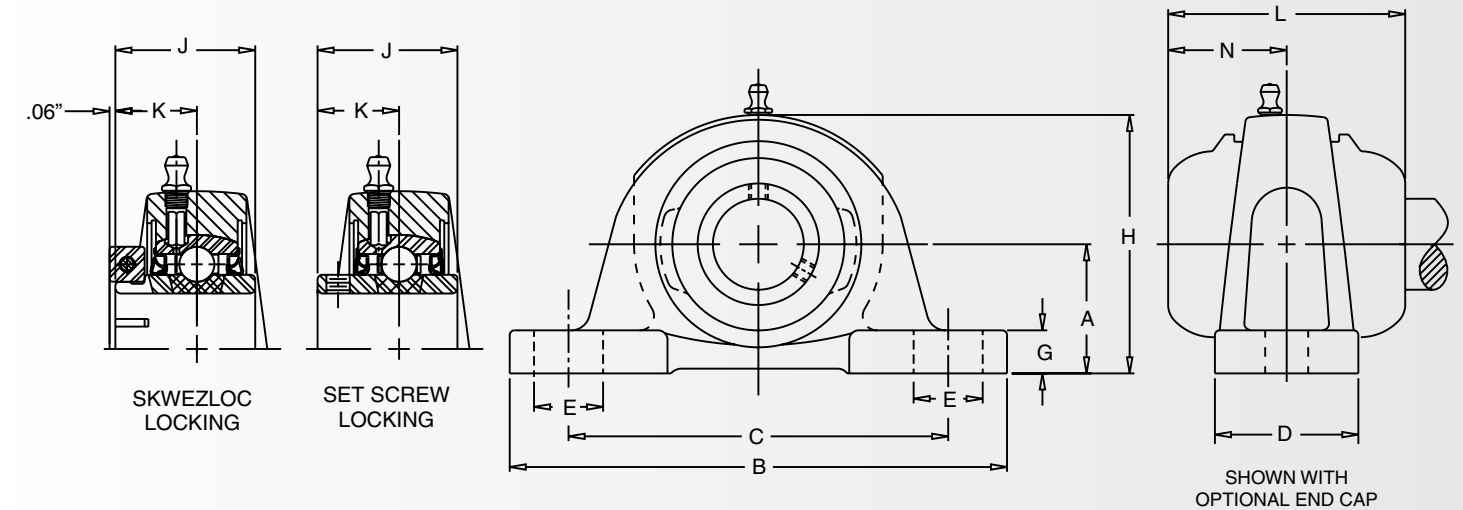
“Rings True” – Every Time...

Because the SKWEZLOC collar centers the shaft concentricity in the bore of the bearing, the shaft runs truer and you save on bearing maintenance and replacement costs. Because there is no set screw, shaft marring is avoided. Ballpath roundness is maintained.

BEARINGS

Corrosion Resistant Engineered Solutions





CRPS-PN, CRPS-PN T Series Pillow Blocks / Stainless Steel Housings

Setscrew Description	SKWEZLOC Description	Shaft Size	A	B	C Max.	C Min.	D	E	G
CRPS-PN12	CRPS-PN12T	3/4	1 5/16	5	4 1/8	3 3/8	1 1/2	3/4	1/2
CRPS-PN16	CRPS-PN16T	1	1 7/16	5 1/2	4 1/2	3 3/4	1 1/2	3/4	1/2
CRPS-PN19	CRPS-PN19T	1 3/16	1 11/16	6 1/2	5 1/16	4 7/16	1 7/8	13/16	9/16
CRPS-PN20R	CRPS-PN20RT	1 1/4	1 11/16	6 1/2	5 1/16	4 7/16	1 7/8	13/16	9/16
CRPS-PN20	CRPS-PN20T	1 1/4	1 7/8	6 9/16	5 5/16	4 11/16	1 7/8	13/16	5/8
CRPS-PN23	CRPS-PN23T	1 7/16	1 7/8	6 9/16	5 5/16	4 11/16	1 7/8	13/16	5/8
CRPS-PN24	CRPS-PN24T	1 1/2	1 15/16	7 1/4	5 7/8	4 7/8	2 1/8	1	11/16
CRPS-PN27	CRPS-PN27T	1 11/16	2 1/8	7 1/2	6 1/16	5 7/16	2 1/8	13/16	11/16
CRPS-PN31	CRPS-PN31T	1 15/16	2 1/4	8 1/8	6 1/2	6	2 3/8	7/8	3/4
CRPS-PN32	CRPS-PN32T	2	2 1/2	8 5/8	7	6 1/2	2 3/8	7/8	3/4
CRPS-PN35	CRPS-PN35T	2 3/16	2 1/2	8 5/8	7	6 1/2	2 3/8	7/8	3/4
CRPS-PN39	CRPS-PN39T	2 7/16	2 3/4	9 1/2	7 5/8	6 7/8	2 3/4	1	7/8

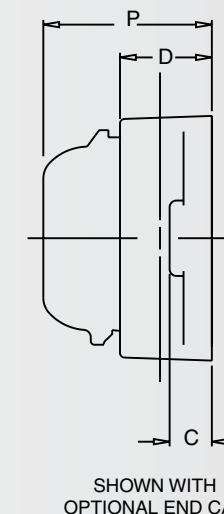
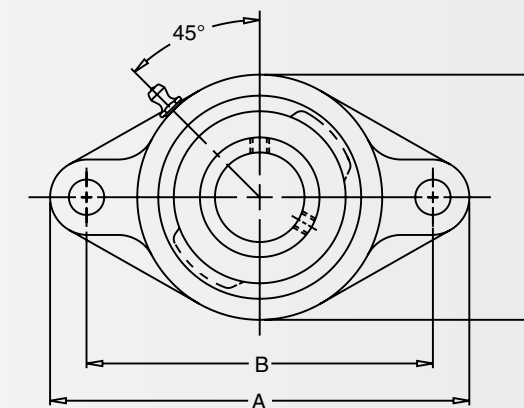
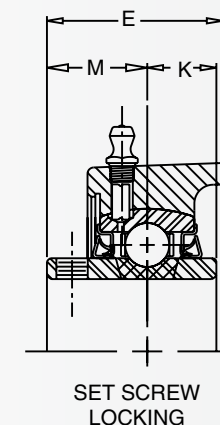
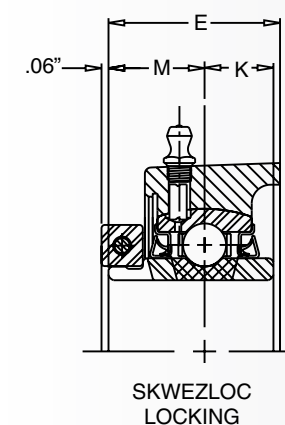
CRPS-PN, CRPS-PN T Series Pillow Blocks / Stainless Steel Housings

H	J	K	L	N	Bolt Size	Open Cap	Closed Cap	Backside Shield	Setscrew Description	SKWEZLOC Description
2 9/16	1 7/32	23/32	3 9/32	1 41/64	3/8	ECO-12	ECC-12	N/A	CRPS-PN12	CRPS-PN12T
2 3/16	1 3/8	13/16	3 15/32	1 47/64	3/8	ECO-16	ECC-16	N/A	CRPS-PN16	CRPS-PN16T
3 3/8	1 1/2	7/8	3 19/32	1 51/64	1/2	ECO-19	ECC-19	N/A	CRPS-PN19	CRPS-PN19T
3 3/8	1 1/2	7/8	3 19/32	1 51/64	1/2	ECO-20R	ECC-19	N/A	CRPS-PN20R	CRPS-PN20RT
3 3/4	1 11/16	1	3 27/32	1 59/64	1/2	ECO-20	ECC-23	N/A	CRPS-PN20	CRPS-PN20T
3 3/4	1 11/16	1	3 27/32	1 59/64	1/2	ECO-23	ECC-23	N/A	CRPS-PN23	CRPS-PN23T
3 15/16	1 15/16	1 3/16	4 7/32	2 7/64	1/2	ECO-24	ECC-24	N/A	CRPS-PN24	CRPS-PN24T
4 1/4	1 15/16	1 3/16	4 7/32	2 1/8	1/2	ECO-27	ECC-27	N/A	CRPS-PN27	CRPS-PN27T
4 9/16	2 1/32	1 9/32	4 13/32	2 13/64	5/8	ECO-31	ECC-31	N/A	CRPS-PN31	CRPS-PN31T
5	2 3/16	1 5/16	4 43/64	2 21/64	5/8	ECO-32	ECC-35	N/A	CRPS-PN32	CRPS-PN32T
5	2 3/16	1 5/16	4 43/64	2 21/64	5/8	ECO-35	ECC-35	N/A	CRPS-PN35	CRPS-PN35T
5 9/16	2 9/16	1 9/16	5 11/64	2 37/64	5/8	ECO-39	ECC-39	N/A	CRPS-PN39	CRPS-PN39T

BEARINGS

Corrosion Resistant Engineered Solutions





CRFTS-PN, CRFTS-PN T Series 2 Bolt Flange / Stainless Steel Housings

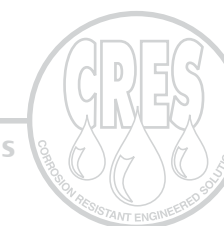
Setscrew Description	SKWEZLOC Description	Shaft Size	A	B	C	D	E	J
CRFTS-PN12	CRFTS-PN12T	3/4	4 13/32	3 17/32	7/16	31/32	1 9/32	2 1/2
CRFTS-PN16	CRFTS-PN16T	1	4 7/8	3 57/64	17/32	1 5/64	1 7/16	2 3/4
CRFTS-PN19	CRFTS-PN19T	1 3/16	5 9/16	4 19/32	17/32	1 7/32	1 9/16	3 1/4
CRFTS-PN20R	CRFTS-PN20RT	1 1/4	5 9/16	4 19/32	17/32	1 7/32	1 9/16	3 1/4
CRFTS-PN20	CRFTS-PN20T	1 1/4	6 1/8	5 1/8	9/16	1 11/32	1 3/4	3 3/4
CRFTS-PN23	CRFTS-PN23T	1 7/16	6 1/8	5 1/8	9/16	1 11/32	1 3/4	3 3/4
CRFTS-PN24	CRFTS-PN24T	1 1/2	6 3/4	5 21/32	9/16	1 1/2	2 1/64	4 1/8
CRFTS-PN27	CRFTS-PN27T	1 11/16	7 1/16	5 27/32	9/16	1 9/16	2 3/64	4 3/8
CRFTS-PN31	CRFTS-PN31T	1 15/16	7 7/16	6 3/16	9/16	1 9/16	2 5/32	4 9/16
CRFTS-PN32	CRFTS-PN32T	2	8 1/2	7 1/4	13/16	1 3/4	2 5/16	5 1/4
CRFTS-PN35	CRFTS-PN35T	2 3/16	8 1/2	7 1/4	13/16	1 3/4	2 5/16	5 1/4

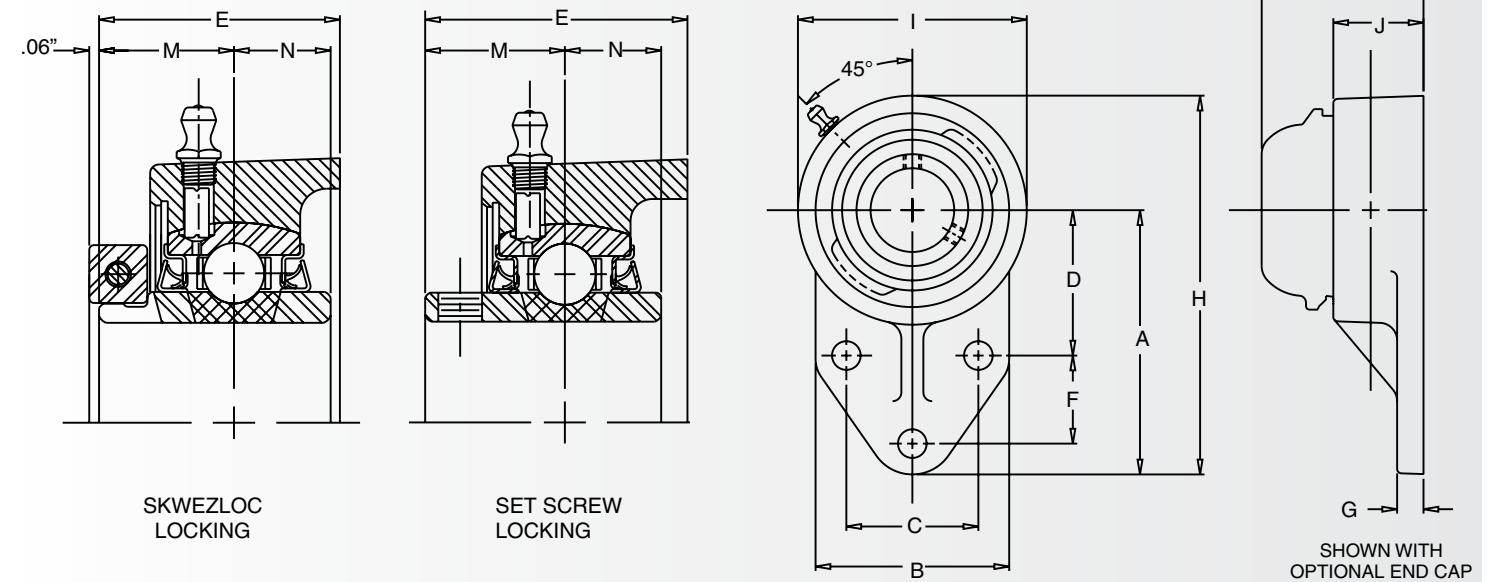
CRFTS-PN, CRFTS-PN T Series 2 Bolt Flange / Stainless Steel Housings

K	M	P	Bolt Size	Open End Cap	Closed Cap	Backside Shield	Setscrew Description	SKWEZLOC Description
1/2	23/32	2 13/64	3/8	ECO-12	ECC-12	2BSS-12	CRFTS-PN12	CRFTS-PN12T
9/16	13/16	2 23/64	7/16	ECO-16	ECC-16	2BSS-16	CRFTS-PN16	CRFTS-PN16T
5/8	7/8	2 31/64	7/16	ECO-19	ECC-19	2BSS-19	CRFTS-PN19	CRFTS-PN19T
5/8	7/8	2 31/64	7/16	ECO-20R	ECC-19	2BSS-20R	CRFTS-PN20R	CRFTS-PN20RT
11/16	1	2 43/64	1/2	ECO-20	ECC-23	2BSS-20	CRFTS-PN20	CRFTS-PN20T
11/16	1	2 43/64	1/2	ECO-23	ECC-23	2BSS-23	CRFTS-PN23	CRFTS-PN23T
3/4	1 3/16	2 15/16	1/2	ECO-24	ECC-24	2BSS-24	CRFTS-PN24	CRFTS-PN24T
3/4	1 3/16	2 31/32	9/16	ECO-27	ECC-27	2BSS-27	CRFTS-PN27	CRFTS-PN27T
3/4	1 9/32	3 5/64	9/16	ECO-31	ECC-31	2BSS-31	CRFTS-PN31	CRFTS-PN31T
7/8	1 5/16	3 21/64	5/8	ECO-32	ECC-35	N/A	CRFTS-PN32	CRFTS-PN32T
7/8	1 5/16	3 21/64	5/8	ECO-35	ECC-35	2BSS-35	CRFTS-PN35	CRFTS-PN35T

BEARINGS

Corrosion Resistant Engineered Solutions





CRFBS-PN, CRFBS-PN T Series Flange Bracket / Stainless Steel Housings

Setscrew Description	SKWEZLOC Description	Shaft Size	A	B	C	D	E	F	G	H
CRFBS-PN12	CRFBS-PN12T	3/4	3	2 3/8	1 1/2	1 11/16	1 11/32	7/8	5/16	4 1/4
CRFBS-PN16	CRFBS-PN16T	1	3 3/8	2 1/2	1 5/8	1 13/16	1 1/2	1 1/8	3/8	4 3/4
CRFBS-PN19	CRFBS-PN19T	1 3/16	3 3/4	2 3/4	1 7/8	2 1/16	1 5/8	1 1/4	3/8	5 3/8
CRFBS-PN20R	CRFBS-PN20RT	1 1/4	3 3/4	2 3/4	1 7/8	2 1/16	1 5/8	1 1/4	3/8	5 3/8
CRFBS-PN20	CRFBS-PN20T	1 1/4	4 1/4	3 1/4	2	2 3/8	1 7/8	1 1/4	1/2	6 1/8
CRFBS-PN23	CRFBS-PN23T	1 7/16	4 1/4	3 1/4	2	2 3/8	1 7/8	1 1/4	1/2	6 1/8

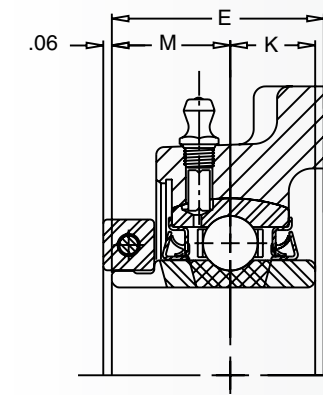
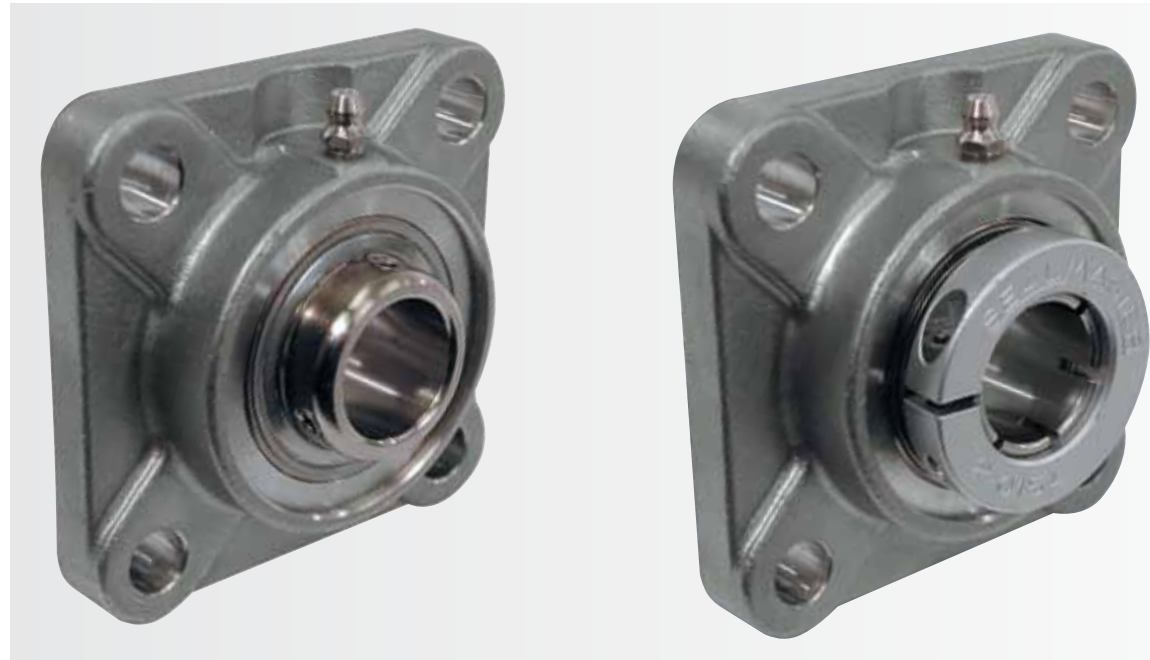
CRFBS-PN, CRFBS-PN T Series Flange Bracket / Stainless Steel Housings

I	J	M	N	O	Bolt Size	Open Cap	Closed Cap	Backside Shield	Setscrew Description	SKWEZLOC Description
2 1/2	1 1/32	23/32	1/2	2 17/64	3/8	ECO-12	ECC-12	N/A	CRFBS-PN12	CRFBS-PN12T
2 3/4	1 9/64	13/16	9/16	2 13/32	3/8	ECO-16	ECC-16	N/A	CRFBS-PN16	CRFBS-PN16T
3 1/4	1 9/32	7/8	5/8	2 35/64	3/8	ECO-19	ECC-19	N/A	CRFBS-PN19	CRFBS-PN19T
3 1/4	1 9/32	7/8	5/8	2 35/64	3/8	ECO-20R	ECC-19	N/A	CRFBS-PN20R	CRFBS-PN20RT
3 3/4	1 15/32	1	11/16	2 51/64	1/2	ECO-20	ECC-23	N/A	CRFBS-PN20	CRFBS-PN20T
3 3/4	1 15/32	1	11/16	2 51/64	1/2	ECO-23	ECC-23	N/A	CRFBS-PN23	CRFBS-PN23T

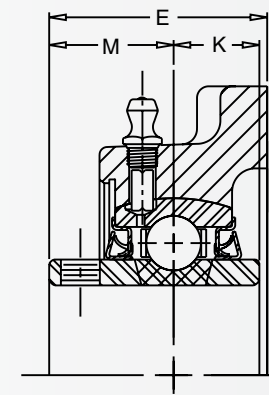
BEARINGS

Corrosion Resistant Engineered Solutions

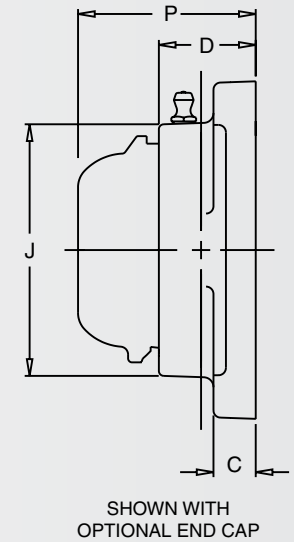
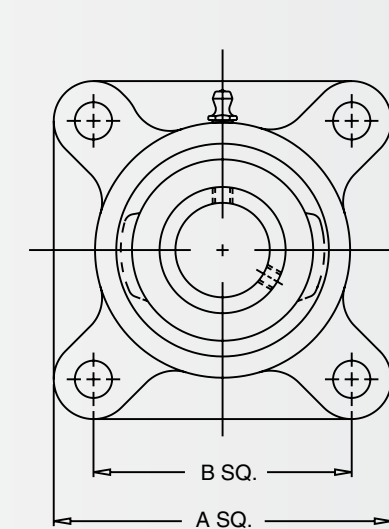




SKWEZLOC
LOCKING



SET SCREW
LOCKING



CRFS-PN, CRFS-PN T Series 4 Bolt Flange Bracket / Stainless Steel Housings

Setscrew Description	SKWEZLOC Description	Shaft Size	A	B	C	D	E	J
CRFS-PN12	CRFS-PN12T	3/4	3 3/8	2 1/2	7/16	31/32	1 9/32	2 1/2
CRFS-PN16	CRFS-PN16T	1	3 3/4	2 3/4	17/32	1 5/64	1 7/16	2 45/64
CRFS-PN19	CRFS-PN19T	1 3/16	4 1/4	3 1/4	17/32	1 7/32	1 9/16	3 13/64
CRFS-PN20R	CRFS-PN20R	1 1/4	4 1/4	3 1/4	17/32	1 7/32	1 9/16	3 13/64
CRFS-PN20	CRFS-PN20T	1 1/4	4 5/8	3 5/8	9/16	1 11/32	1 3/4	3 3/4
CRFS-PN23	CRFS-PN23T	1 7/16	4 5/8	3 5/8	9/16	1 11/32	1 3/4	3 3/4
CRFS-PN24	CRFS-PN24T	1 1/2	5 1/8	4	9/16	1 1/2	2 1/64	4 5/64
CRFS-PN27	CRFS-PN27T	1 11/16	5 3/8	4 1/8	9/16	1 9/16	2 3/64	4 21/64
CRFS-PN31	CRFS-PN31T	1 15/16	5 5/8	4 3/8	9/16	1 9/16	2 5/32	4 35/64
CRFS-PN32	CRFS-PN32T	2	6 3/8	5 1/8	13/16	1 3/4	2 5/16	5 3/16
CRFS-PN35	CRFS-PN35T	2 3/16	6 3/8	5 1/8	13/16	1 3/4	2 5/16	5 3/16
CRFS-PN39	CRFS-PN39T	2 7/16	6 7/8	5 5/8	13/16	1 15/16	2 25/32	5 7/16

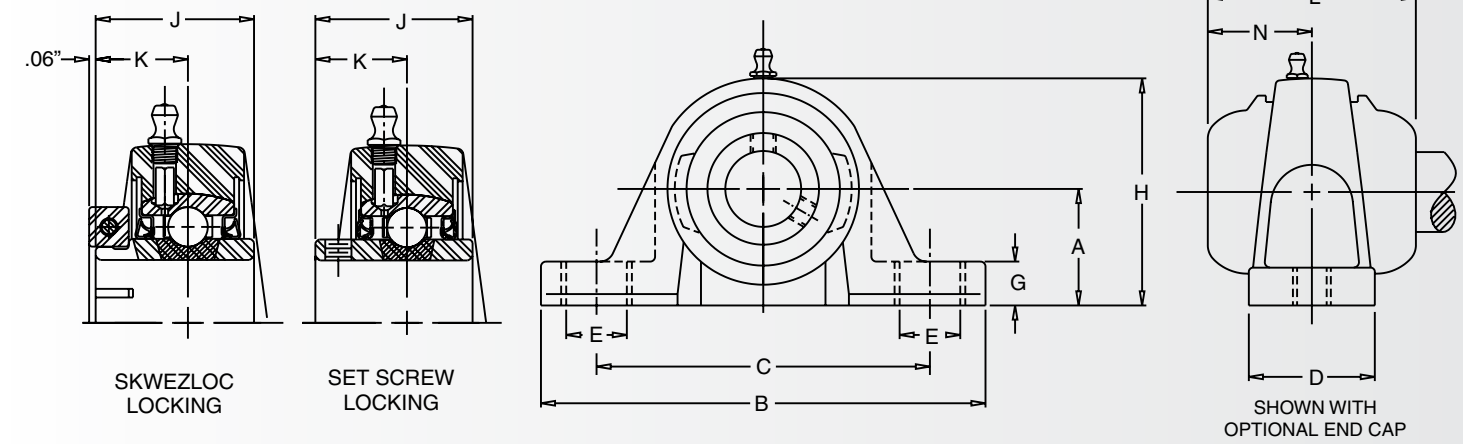
CRFS-PN, CRFS-PN T Series 4 Bolt Flange Bracket / Stainless Steel Housings

K	M	P	Bolt Size	Open Cap	Closed Cap	Backside Shield	Setscrew Description	SKWEZLOC Description
1/2	23/32	2 13/64	3/8	ECO-12	ECC-12	4BSS-12	CRFS-PN12	CRFS-PN12T
9/16	13/16	2 23/64	7/16	ECO-16	ECC-16	4BSS-16	CRFS-PN16	CRFS-PN16T
5/8	7/8	2 31/64	7/16	ECO-19	ECC-19	4BSS-19	CRFS-PN19	CRFS-PN19T
5/8	7/8	2 31/64	7/16	ECO-20R	ECC-19	4BSS-20R	CRFS-PN20R	CRFS-PN20RT
11/16	1	2 43/64	1/2	ECO-20	ECC-23	4BSS-20	CRFS-PN20	CRFS-PN20T
11/16	1	2 43/64	1/2	ECO-23	ECC-23	4BSS-23	CRFS-PN23	CRFS-PN23T
3/4	1 3/16	2 15/16	1/2	ECO-24	ECC-24	4BSS-24	CRFS-PN24	CRFS-PN24T
3/4	1 3/16	2 31/32	9/16	ECO-27	ECC-27	4BSS-27	CRFS-PN27	CRFS-PN27T
3/4	1 9/32	3 5/64	9/16	ECO-31	ECC-31	4BSS-31	CRFS-PN31	CRFS-PN31T
7/8	1 5/16	3 21/64	5/8	ECO-32	ECC-35	4BSS-32	CRFS-PN32	CRFS-PN32T
7/8	1 5/16	3 21/64	5/8	ECO-35	ECC-35	4BSS-35	CRFS-PN35	CRFS-PN35T
1	1 9/16	3 45/64	5/8	ECO-39	ECC-39	4BSS-39	CRFS-PN39	CRFS-PN39T

BEARINGS

Corrosion Resistant Engineered Solutions





CRPC-PN, CRPC-PN T Series Pillow Blocks / Composite Housings

Setscrew Description	SKWEZLOC Description	Shaft Size	A	B	C Max.	C Min.	D	E	G	H
CRPC-PN12	CRPC-PN12T	3/4	1 5/16	5	4 1/8	3 3/8	1 1/2	3/4	9/16	2 35/64
CRPC-PN16	CRPC-PN16T	1	1 7/16	5 1/2	4 1/2	3 3/4	1 1/2	3/4	9/16	2 13/16
CRPC-PN19	CRPC-PN19T	1 3/16	1 11/16	6 1/2	5 1/16	4 7/16	1 7/8	13/16	11/16	3 21/64
CRPC-PN20R	CRPC-PN20RT	1 1/4	1 11/16	6 1/2	5 1/16	4 7/16	1 7/8	13/16	11/16	3 21/64
CRPC-PN20	CRPC-PN20T	1 1/4	1 7/8	6 9/16	5 5/16	4 11/16	1 7/8	13/16	11/16	3 3/4
CRPC-PN23	CRPC-PN23T	1 7/16	1 7/8	6 9/16	5 5/16	4 11/16	1 7/8	13/16	11/16	3 3/4
CRPC-PN24	CRPC-PN24T	1 1/2	1 15/16	7 1/4	5 11/16	5 1/16	2 1/8	13/16	11/16	4 1/64

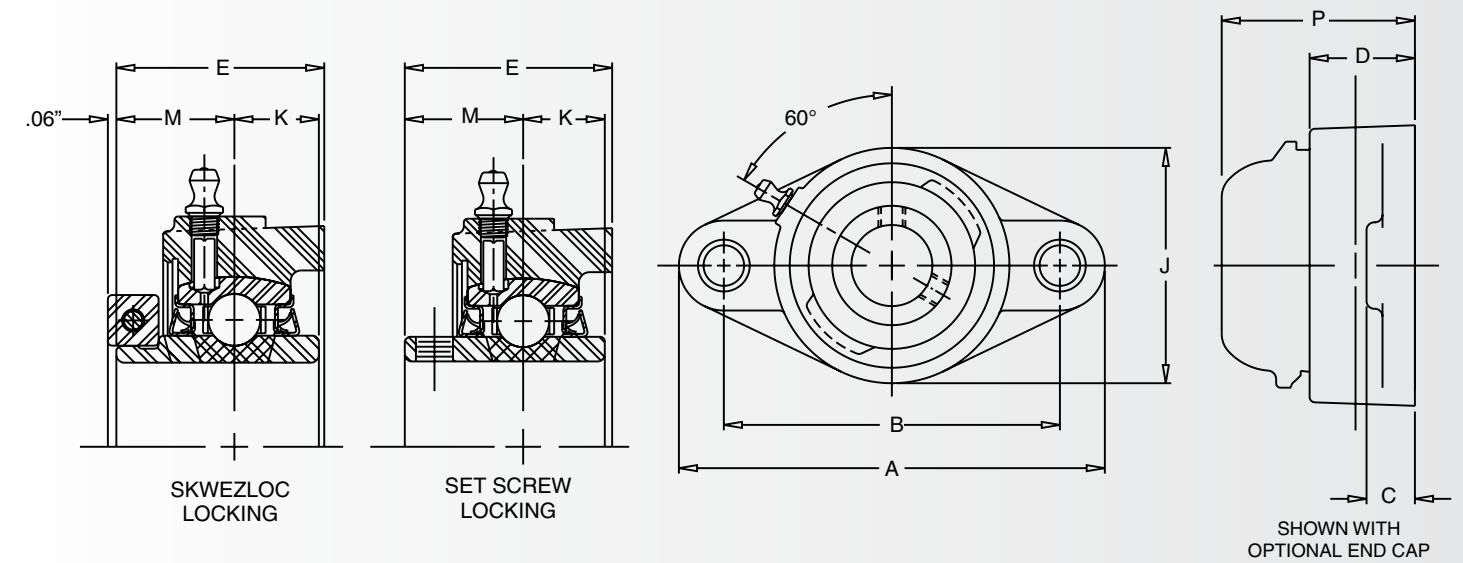
CRPC-PN, CRPC-PN T Series Pillow Blocks / Composite Housings

J	K	L	N	Bolt Size	Open Cap	Closed Cap	Backside Shield	Setscrew Description	SKWEZLOC Description
1 7/32	23/32	3 9/32	1 41/64	3/8	ECO-12	ECC-12	N/A	CRPC-PN12	CRPC-PN12T
1 3/8	13/16	3 15/32	1 47/64	3/8	ECO-16	ECC-16	N/A	CRPC-PN16	CRPC-PN16T
1 1/2	7/8	3 19/32	1 51/64	1/2	ECO-19	ECC-19	N/A	CRPC-PN19	CRPC-PN19T
1 1/2	7/8	3 19/32	1 51/64	1/2	ECO-20R	ECC-19	N/A	CRPC-PN20R	CRPC-PN20RT
1 11/16	1	3 27/32	1 59/64	1/2	ECO-20	ECC-23	N/A	CRPC-PN20	CRPC-PN20T
1 11/16	1	3 27/32	1 59/64	1/2	ECO-23	ECC-23	N/A	CRPC-PN23	CRPC-PN23T
1 15/16	1 3/16	4 7/32	2 7/64	1/2	ECO-24	ECC-24	N/A	CRPC-PN24	CRPC-PN24T

BEARINGS

Corrosion Resistant Engineered Solutions





CRFTC-PN, CRFTC-PN T Series 2 Bolt Flange / Composite Housing

Setscrew Description	SKWEZLOC Description	Shaft Size	A	B	C	D	E	J
CRFTC-PN12	CRFTC-PN12T	3/4	4 15/32	3 17/32	7/16	31/32	1 9/32	2 7/16
CRFTC-PN16	CRFTC-PN16T	1	4 15/16	3 57/64	17/32	1 5/64	1 7/16	2 23/32
CRFTC-PN19	CRFTC-PN19T	1 3/16	5 11/16	4 19/32	17/32	1 7/32	1 9/16	3 1/4
CRFTC-PN20R	CRFTC-PN20RT	1 1/4	5 11/16	4 19/32	17/32	1 7/32	1 9/16	3 1/4
CRFTC-PN20	CRFTC-PN20T	1 1/4	6 21/64	5 1/8	9/16	1 11/32	1 3/4	3 45/64
CRFTC-PN23	CRFTC-PN23T	1 7/16	6 21/64	5 1/8	9/16	1 11/32	1 3/4	3 45/64
CRFTC-PN24	CRFTC-PN24T	1 1/2	6 29/32	5 21/32	9/16	1 1/2	2 1/64	4 7/64

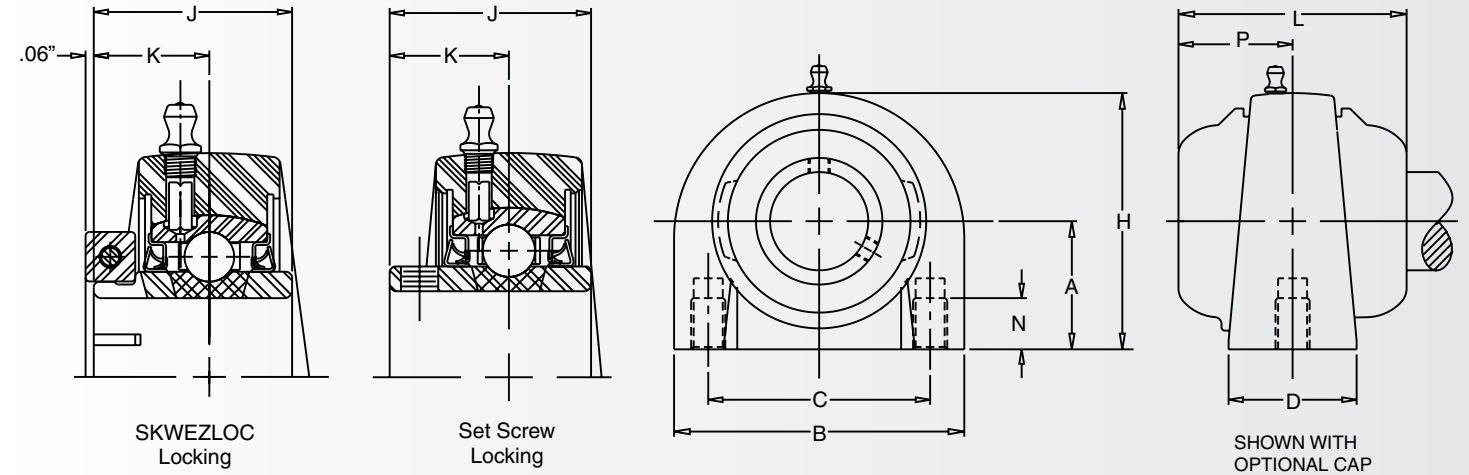
CRFTC-PN, CRFTC-PN T Series 2 Bolt Flange / Composite Housing

K	M	P	Bolt Size	Open Cap	Closed Cap	Backside Shield	Setscrew Description	SKWEZLOC Description
1/2	23/32	2 13/64	3/8	ECO-12	ECC-12	2BSS-12	CRFTC-PN12	CRFTC-PN12T
9/16	13/16	2 23/64	7/16	ECO-16	ECC-16	2BSS-16	CRFTC-PN16	CRFTC-PN16T
5/8	7/8	2 31/64	7/16	ECO-19	ECC-19	2BSS-19	CRFTC-PN19	CRFTC-PN19T
5/8	7/8	2 31/64	7/16	ECO-20R	ECC-19	2BSS-20R	CRFTC-PN20R	CRFTC-PN20RT
11/16	1	2 43/64	1/2	ECO-20	ECC-23	2BSS-20	CRFTC-PN20	CRFTC-PN20T
11/16	1	2 43/64	1/2	ECO-23	ECC-23	2BSS-23	CRFTC-PN23	CRFTC-PN23T
3/4	1 3/16	2 15/16	1/2	ECO-24	ECC-24	2BSS-24	CRFTC-PN24	CRFTC-PN24T

BEARINGS

Corrosion Resistant Engineered Solutions





CRTBC-PN, CRTBC-PN T Series Tapped Base / Composite Housings

Setscrew Description	SKWEZLOC Description	Shaft Size	A	B	C	D	H	J	K
CRTBC-PN12	CRTBC-PN12T	3/4	1 5/16	3 1/8	2	1 1/2	2 9/16	1 7/32	23/32
CRTBC-PN16	CRTBC-PN16T	1	1 7/16	3	2	1 1/2	2 13/16	1 3/8	13/16
CRTBC-PN19	CRTBC-PN19T	1 3/16	1 11/16	4	3	1 1/2	3 3/8	1 1/2	7/8
CRTBC-PN20R	CRTBC-PN20RT	1 1/4	1 11/16	4	3	1 1/2	3 3/8	1 1/2	7/8
CRTBC-PN20	CRTBC-PN20T	1 1/4	1 7/8	4 1/4	3 1/4	1 7/8	3 3/4	1 11/16	1
CRTBC-PN23	CRTBC-PN23T	1 7/16	1 7/8	4 1/4	3 1/4	1 7/8	3 3/4	1 11/16	1
CRTBC-PN24	CRTBC-PN24T	1 1/2	1 15/16	4 5/8	3 1/2	1 7/8	3 15/16	1 15/16	1 3/16

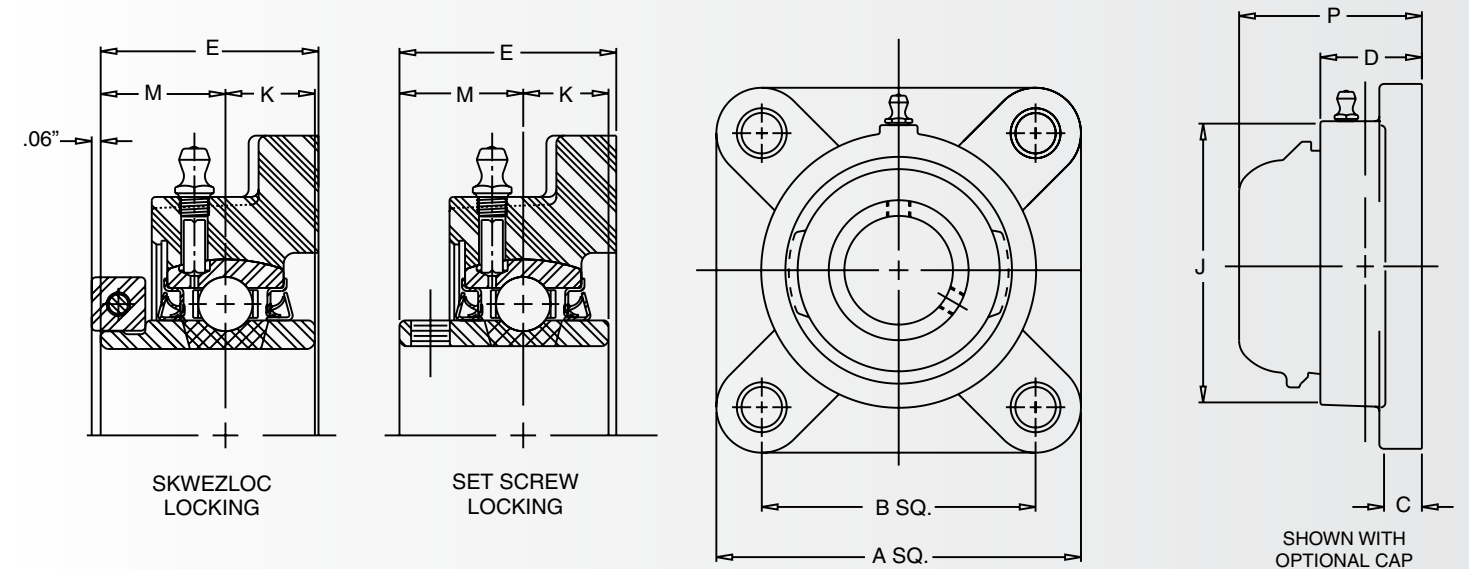
CRTBC-PN, CRTBC-PN T Series Tapped Base / Composite Housings

L	N	P	Bolt Size	Open Cap	Closed Cap	Backside Shield	Set Screw Description	SKWEZLOC Description
3 9/32	1/2	1 41/64	3/8-16	ECO-12	ECC-12	N/A	CRTBC-PN12	CRTBC-PN12T
3 15/32	1/2	1 47/64	3/8-16	ECO-16	ECC-16	N/A	CRTBC-PN16	CRTBC-PN16T
3 19/32	5/8	1 51/64	7/16-14	ECO-19	ECC-19	N/A	CRTBC-PN19	CRTBC-PN19T
3 19/32	5/8	1 51/64	7/16-14	ECO-20R	ECC-19	N/A	CRTBC-PN20R	CRTBC-PN20RT
3 27/32	3/4	1 59/64	1/2-13	ECO-20	ECC-23	N/A	CRTBC-PN20	CRTBC-PN20T
3 27/32	3/4	1 59/64	1/2-13	ECO-23	ECC-23	N/A	CRTBC-PN23	CRTBC-PN23T
4 7/32	3/4	2 7/64	1/2-13	ECO-24	ECC-24	N/A	CRTBC-PN24	CRTBC-PN24T

BEARINGS

Corrosion Resistant Engineered Solutions





CRFC-PN, CRFC-PN T Series 4 Bolt Flange / Composite Housings

Set Screw Description	SKWEZLOC Description	Shaft Size	A	B	C	D	E	J
CRFC-PN12	CRFC-PN12T	3/4	3 7/16	2 1/2	7/16	61/64	1 9/32	2 3/8
CRFC-PN16	CRFC-PN16T	1	3 51/64	2 3/4	17/32	1 5/64	1 7/16	2 21/32
CRFC-PN19	CRFC-PN19T	1 3/16	4 11/32	3 1/4	17/32	1 13/64	1 9/16	3 3/16
CRFC-PN20R	CRFC-PN20RT	1 1/4	4 11/32	3 1/4	17/32	1 13/64	1 9/16	3 3/16
CRFC-PN20	CRFC-PN20T	1 1/4	4 53/64	3 5/8	9/16	1 11/32	1 3/4	3 21/32
CRFC-PN23	CRFC-PN23T	1 7/16	4 53/64	3 5/8	9/16	1 11/32	1 3/4	3 21/32
CRFC-PN24	CRFC-PN24T	1 1/2	5 1/4	4	9/16	1 1/2	2 1/64	4 1/64

CRFC-PN, CRFC-PN T Series 4 Bolt Flange / Composite Housings

K	M	P	Bolt Size	Open Cap	Closed Cap	Backside Shield	Set Screw Description	SKWEZLOC Description
1/2	23/32	2 13/64	3/8	ECO-12	ECC-12	4BSS-12	CRFC-PN12	CRFC-PN12T
9/16	13/16	2 23/64	7/16	ECO-16	ECC-16	4BSS-16	CRFC-PN16	CRFC-PN16T
5/8	7/8	2 15/32	7/16	ECO-19	ECC-19	4BSS-19	CRFC-PN19	CRFC-PN19T
5/8	7/8	2 15/32	7/16	ECO-20R	ECC-19	4BSS-20R	CRFC-PN20R	CRFC-PN20RT
11/16	1	2 43/64	1/2	ECO-20	ECC-23	4BSS-20	CRFC-PN20	CRFC-PN20T
11/16	1	2 43/64	1/2	ECO-23	ECC-23	4BSS-23	CRFC-PN23	CRFC-PN23T
3/4	1 3/16	2 15/16	1/2	ECO-24	ECC-24	4BSS-24	CRFC-PN24	CRFC-PN24T

BEARINGS

Corrosion Resistant Engineered Solutions



CRES CZ Mounted Ball Bearings

CRES CZ bearings offer a composite housing, zinc dichromate coated insert, contact seal with zinc dichromate coated flinger and H1 food grade grease.



Nomenclature:

CPS - Z 216

- Bore Size in 1/16"
- 200 Series Insert
- Zinc Dichromate Coated Insert
- Set Screw
- Housing Type
 - P = Pillow Block
 - F2 = 2 Bolt Flange
 - F4 = 4 Bolt Flange
 - TB = Tapped Base
- Composite Housing Material

Components Material

Housing:	High Strength Composite
Bearing Races:	Zinc Dichromate Coated 52100 Steel
Balls:	52100 Steel
Retainer:	Nylon Ball Riding
Seal:	Single Lip Rubber Contact Seal
Flinger:	Zinc Dichromate Coated Stainless Steel
Set Screws:	300 Series Stainless Steel
Grease Fitting:	303 Stainless Steel
Grease:	H1 Food Grade Grease

Features and Benefits

Insert

Zinc Dichromate Coated Outer and Inner:	Cost effective, reliable performance.
Wide Inner Race:	Greater continuous shaft contact.
Honed Ball Paths:	Quiet operation with less vibration.
Outer Race Anti-Rotation Device:	Prevents outer race slippage in housing.
Molded Nitrile Rubber Contact Seal:	Contamination resistance and lubrication retention.
Zinc Dichromate Coated Flinger:	Additional barrier against contamination and washdown.
H1 Food Grade Grease:	Non-toxic grease with superior corrosion resistance and excellent wash out properties.

Housing

High Strength Composite:	High load capacity.
Solid Construction – Machined Base:	Minimal gaps, no fillings, smooth easy to clean surface.
Reinforced Stainless Steel Bolt Ferrules:	Increased strength around bolt holes.
Specialized Unit Identification:	Permanent brand and nomenclature marking.

Interchange

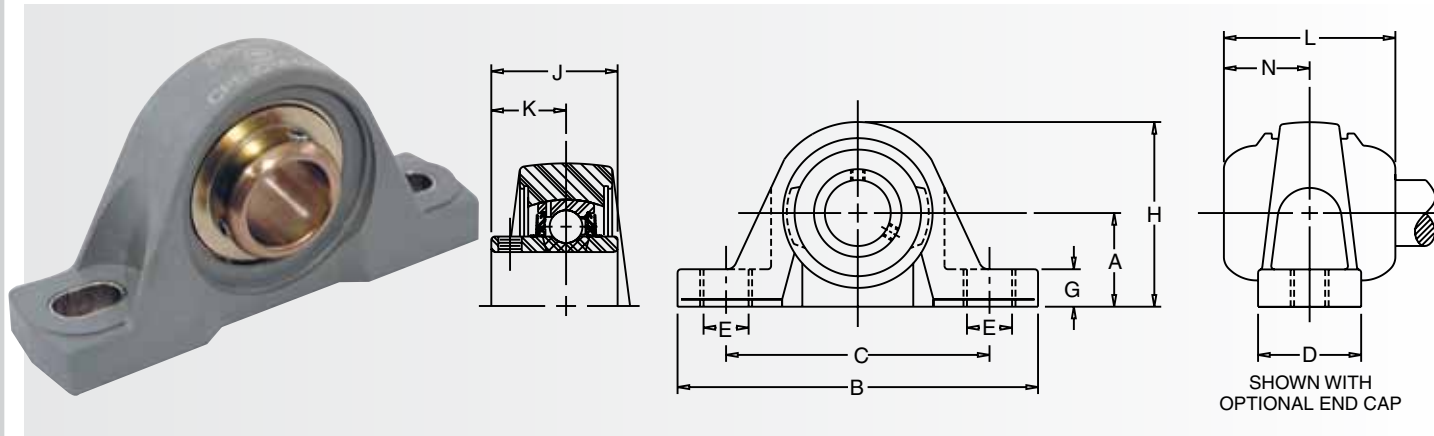
Housing Style	Browning	AMI®	MRC®	Peer®
Pillow Block	CPS-Z200	UCPPL200-MZ2	CPB100-ZM	ZUCP200-PBT
4 Bolt Flange	CF4S-Z200	UCFPL200-MZ2	C4F100-ZM	ZUCF200-PBT
2 Bolt Flange	CF2S-Z200	UCNFL200-MZ2	C2F100-ZM	ZUCFT200-PBT
Tapped Base	CTBS-Z200	UCTBL200-MZ2	CTB100-ZM	ZUCPA200-PBT

The following trade names, trademarks and/or registered trademarks are used in this material by Emerson Power Transmission Corporation for comparison purposes only, are NOT owned by Emerson Power Transmission Corporation and are believed to be owned by the following parties: AMI is a registered trademark of ASAHI Tec Corp. of Japan; MRC is a registered trademark of SKF USA Inc.; Peer is a registered trademark of Peer Bearing Company.

BEARINGS

Corrosion Resistant Engineered Solutions

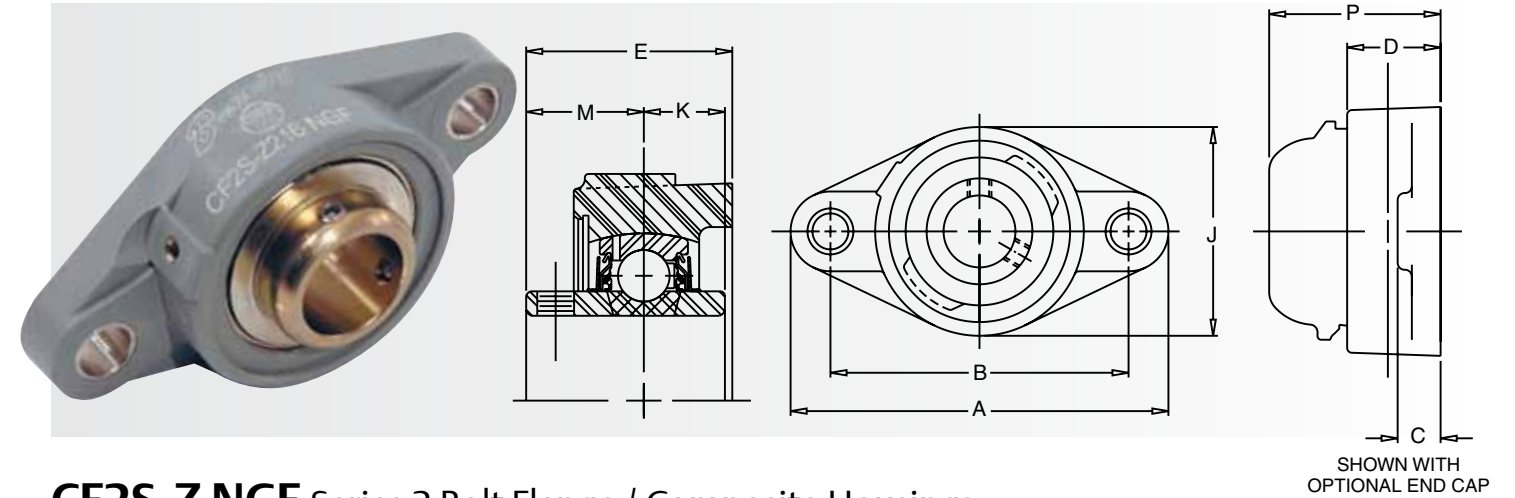




CPS-Z NGF Series Pillow Blocks / Composite Housing

CRES CZ Description	Shaft Size	A	B	C Max.	C Min.	D	E	G	H	J	K	L	N	Bolt Size	Open Cap	Closed Cap	Backside Shield
CPS-Z212 NGF	3/4	1 5/16	5	4 1/8	3 3/8	1 1/2	3/4	9/16	2 35/64	1 7/32	23/32	3 9/32	1 41/64	3/8	ECO-12	ECC-12	N/A
CPS-Z216 NGF	1	1 7/16	5 1/2	4 1/2	3 3/4	1 1/2	3/4	9/16	2 51/64	1 3/8	13/16	3 15/32	1 47/64	3/8	ECO-16	ECC-16	N/A
CPS-Z219-NGF	1 3/16	1 11/16	6 1/2	5 1/16	4 7/16	1 7/8	13/16	11/16	3 21/64	1 1/2	7/8	3 19/32	1 51/64	1/2	ECO-19	ECC-19	N/A
CPS-Z220S NGF	1 1/4	1 11/16	6 1/2	5 1/16	4 7/16	1 7/8	13/16	11/16	3 21/64	1 1/2	7/8	3 19/32	1 51/64	1/2	ECO-20R	ECC-19	N/A
CPS-Z220 NGF	1 1/4	1 7/8	6 9/16	5 5/16	4 11/16	1 7/8	13/16	11/16	3 3/4	1 11/16	1	3 27/32	1 59/64	12	ECO-20	ECC-23	N/A
CPS-Z223-NGF	1 7/16	1 7/8	6 9/16	5 5/16	4 11/16	1 7/8	13/16	11/16	3 3/4	1 11/16	1	3 27/32	1 59/64	1/2	ECO-23	ECC-23	N/A
CPS-Z224 NGF	1 1/2	1 15/16	7 1/4	5 11/16	5 1/16	2 1/8	13/16	11/16	4 1/64	1 15/16	1 3/16	4 7/32	2 7/64	1/2	ECO-24	ECC-24	N/A

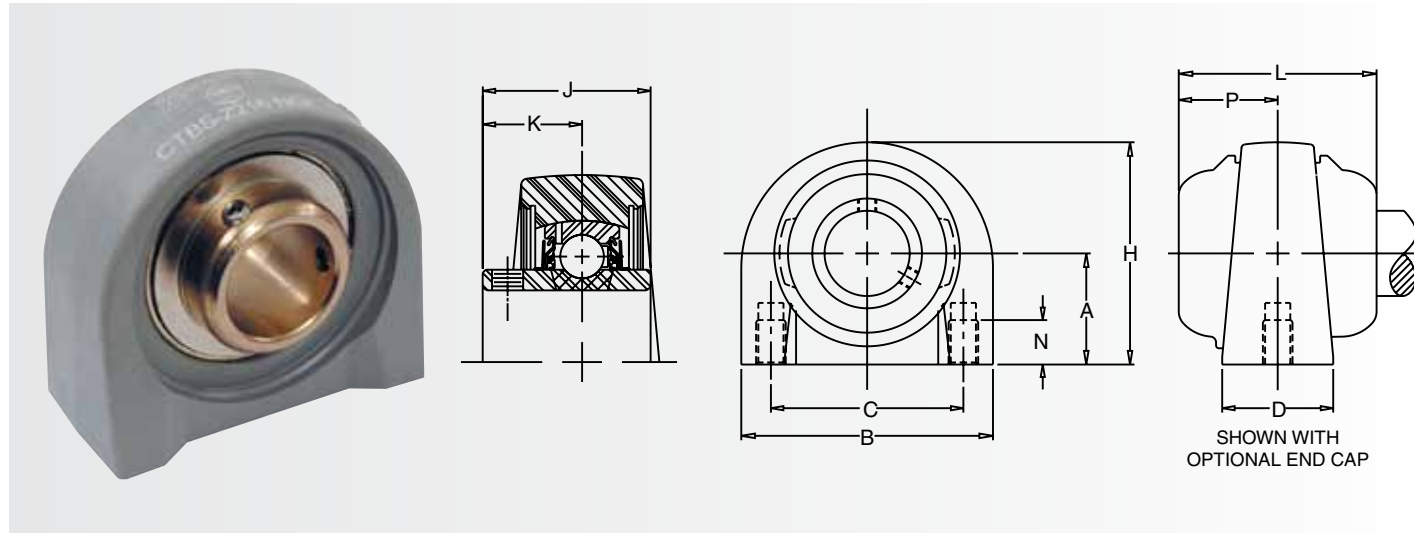
CRES CZ regreaseable options are available by removing the NGF suffix.



CF2S-Z NGF Series 2 Bolt Flange / Composite Housing

CRES CZ Description	Shaft Size	A	B	C	D	E	J	K	M	P	Bolt Size	Open Cap	Closed Cap	Backside Shield
CF2S-Z212 NGF	3/4	4 15/32	3 17/32	7/16	31/32	1 9/32	2 7/16	1/2	23/32	2 13/64	3/8	ECO-12	ECC-12	2BSS-12
CF2S-Z216 NGF	1	4 15/16	3 57/64	17/32	1 5/64	1 7/16	2 23/32	9/16	13/16	2 23/64	7/16	ECO-16	ECC-16	2BSS-16
CF2S-Z219 NGF	1 3/16	5 11/16	4 19/32	17/32	1 7/32	1 9/16	3 1/4	5/8	7/8	2 31/64	7/16	ECO-19	ECC-19	2BSS-19
CF2S-Z220S NGF	1 1/4	5 11/16	4 19/32	17/32	1 7/32	1 9/16	3 1/4	5/8	7/8	2 31/64	7/16	ECO-20R	ECC-19	2BSS-20R
CF2S-Z220 NGF	1 1/4	6 21/64	5 1/8	9/16	1 11/32	1 3/4	3 45/64	11/16	1	2 43/64	1/2	ECO-20	ECC-23	2BSS-20
CF2S-Z223 NGF	1 7/16	6 21/64	5 1/8	9/16	1 11/32	1 3/4	3 45/64	11/16	1	2 43/64	1/2	ECO-23	ECC-23	2BSS-23
CF2S-Z224 NGF	1 1/2	6 29/32	5 21/32	9/16	1 1/2	2 1/64	4 7/64	3/4	1 3/16	2 15/16	1/2	ECO-24	ECC-24	2BSS-24

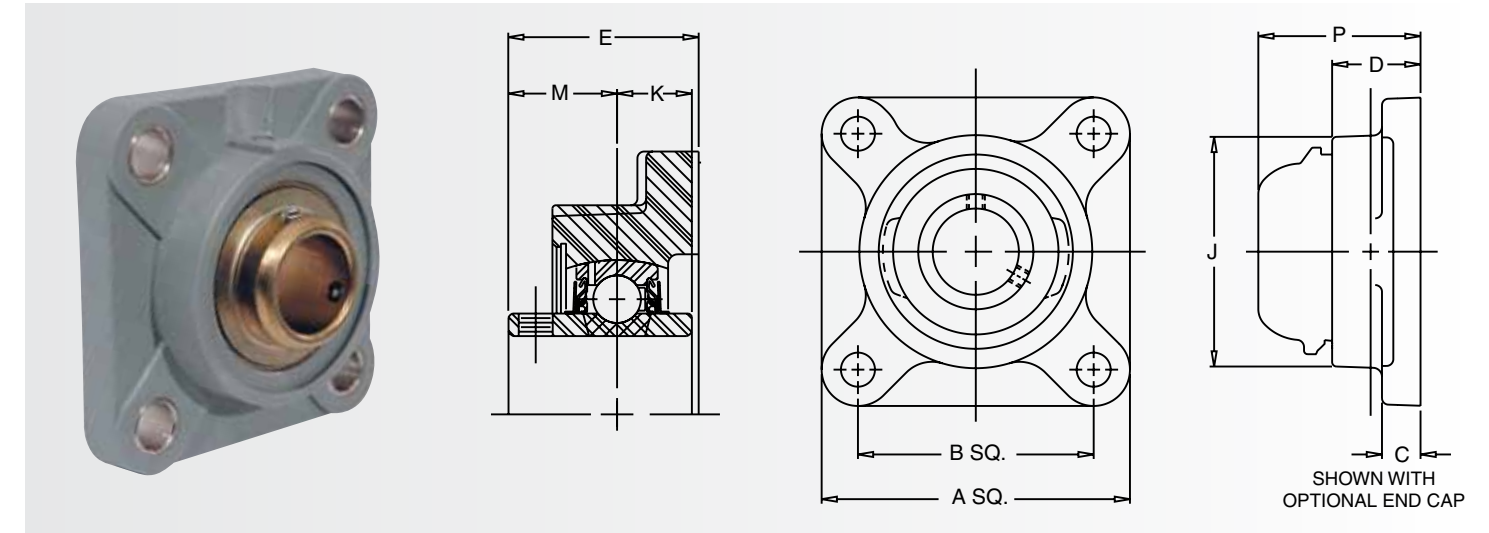
CRES CZ regreaseable options are available by removing the NGF suffix.



CTBS-Z NGF Series Tapped Base / Composite Housings

CRES CZ Description	Shaft Size	A	B	C	D	H	J	K	L	N	P	Bolt Size	Open Cap	Closed Cap	Backside Shield
CTBS-Z212 NGF	3/4	1 5/16	3 1/8	2	1 1/2	2 9/16	1 7/32	23/32	3 9/32	1/2	1 41/64	3/8-16	ECO-12	ECC-12	N/A
CTBS-Z216 NGF	1	1 7/16	3	2	1 1/2	2 13/16	1 3/8	13/16	3 15/32	1/2	1 47/64	3/8-16	ECO-16	ECC-16	N/A
CTBS-Z219 NGF	1 3/16	1 11/16	4	3	1 1/2	3 3/8	1 1/2	7/8	3 19/32	5/8	1 51/64	7/16-14	ECO-19	ECC-19	N/A
CTBS-Z220S NGF	1 1/4	1 11/16	4	3	1 1/2	3 3/8	1 1/2	7/8	3 19/32	5/8	1 51/64	7/16-14	ECO-20R	ECC-19	N/A
CTBS-Z220 NGF	1 1/4	1 7/8	4 1/4	3 1/4	1 7/8	3 3/4	1 11/16	1	3 27/32	3/4	1 59/64	1/2-13	ECO-20	ECC-23	N/A
CTBS-Z223 NGF	1 7/16	1 7/8	4 1/4	3 1/4	1 7/8	3 3/4	1 11/16	1	3 27/32	3/4	1 59/64	1/2-13	ECO-23	ECC-23	N/A
CTBS-Z224 NGF	1 1/2	1 15/16	4 5/8	3 1/2	1 7/8	3 15/16	1 15/16	1 3/16	4 7/32	3/4	2 7/64	1/2-13	ECO-24	ECC-24	N/A

CRES CZ regreaseable options are available by removing the NGF suffix.



CF4S-Z NGF Series 4 Bolt Flange / Composite Housings

CRES CZ Description	Shaft Size	A	B	C	D	E	J	K	M	P	Bolt Size	Open Cap	Closed Cap	Backside Shield
CF4S-Z212 NGF	3/4	3 7/16	2 1/2	7/16	61/64	1 9/32	2 3/8	1/2	23/32	2 13/64	3/8	ECO-12	ECC-12	4BSS-12
CF4S-Z216 NGF	1	3 51/64	2 3/4	17/32	1 5/64	1 7/16	2 21/32	9/16	13/16	2 23/64	7/16	ECO-16	ECC-16	4BSS-16
CF4S-Z219 NGF	1 3/16	4 11/32	3 1/4	17/32	1 13/64	1 9/16	3 3/16	5/8	7/8	2 15/32	7/16	ECO-19	ECC-19	4BSS-19
CF4S-Z220S NGF	1 1/4	4 11/32	3 1/4	17/32	1 13/64	1 9/16	3 3/16	5/8	7/8	2 15/32	7/16	ECO-20R	ECC-19	4BSS-20R
CF4S-Z220 NGF	1 1/4	4 53/64	3 5/8	9/16	1 11/32	1 3/4	3 21/32	11/16	1	2 43/64	1/2	ECO-20	ECC-23	4BSS-20
CF4S-Z223 NGF	1 7/16	4 53/64	3 5/8	9/16	1 11/32	1 3/4	3 21/32	11/16	1	2 43/64	1/2	ECO-23	ECC-23	4BSS-23
CF4S-Z224 NGF	1 1/2	5 1/4	4	9/16	1 1/2	2 1/64	4 1/64	3/4	1 3/16	2 15/16	1/2	ECO-24	ECC-24	4BSS-24

CRES CZ regreaseable options are available by removing the NGF suffix.

BEARINGS

Corrosion Resistant Engineered Solutions



CRES CS Mounted Ball Bearings

CRES CS bearings offer a composite housing, stainless steel insert, contact seal with stainless steel flinger and H1 food grade grease.



Nomenclature:

CPS - S 216

- Bore Size in 1/16"
- 200 Series Insert
- Stainless Steel Insert
- Set Screw
- Housing Type
 - P = Pillow Block
 - F2 = 2 Bolt Flange
 - F4 = 4 Bolt Flange
 - TB = Tapped Base
- Composite Housing Material

Components Material

Housing:	High Strength Composite
Bearing Races:	440C Stainless Steel
Balls:	440C Stainless Steel
Retainer:	Nylon Ball Riding
Seal:	Single Lip Rubber Contact Seal
Flinger:	302 Stainless Steel
Set Screws:	300 Series Stainless Steel
Grease Fitting:	303 Stainless Steel
Grease:	H1 Food Grade Grease

Features and Benefits

Insert

440C Stainless Steel:	More corrosion resistant steel than common bearing steel.
Outer Race Anti-Rotation Device:	Prevents outer race slippage in housing.
Molded Silicone Rubber Contact Seal:	Contamination resistance and lubrication retention.
300 Series Stainless Steel Flinger:	Additional barrier against contamination and washdown.
H1 Food Grade Grease:	Non-toxic grease with good corrosion resistance and wash out properties.

Housing

High Strength Composite:	High load capacity.
Solid Construction – Machined Base:	Minimal gaps, no fillings, smooth easy to clean surface.
Reinforced Stainless Steel Bolt Ferrules:	Increased strength around bolt holes.
Specialized Unit Identification:	Permanent brand and nomenclature marking.

Interchange

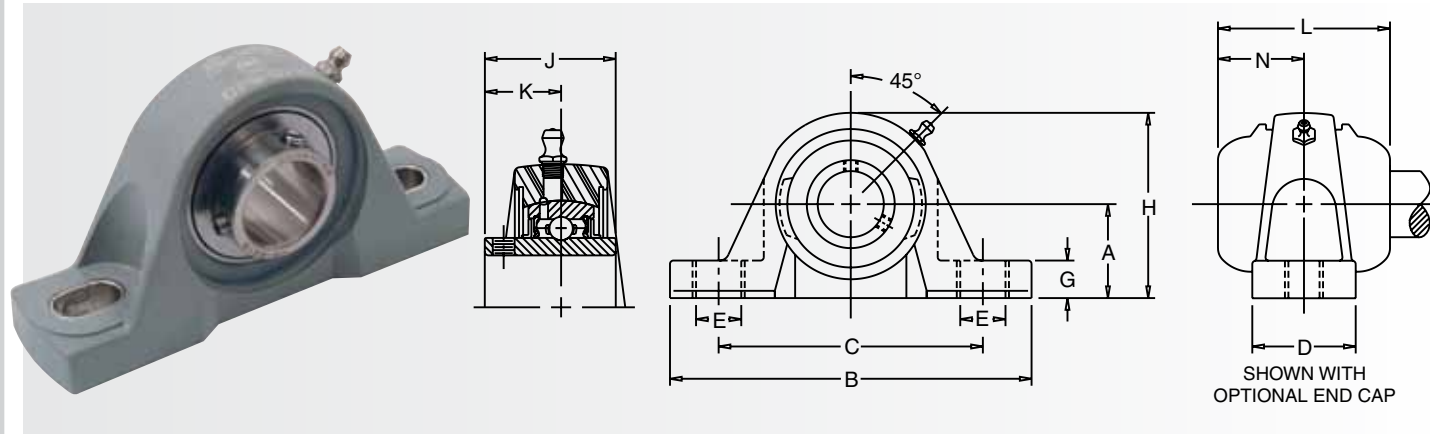
Housing Style	Browning	AMI	MRC	FYH®	IPTCI®
Pillow Block	CPS-S200	MUCPPL200	CPB100-SS	UCP200-S6 PL	SUCTP200
4 Bolt Flange	CF4S-S200	MUCFPL200	C4F100-SS	UCF200-S6 PL	SUCTF200
2 Bolt Flange	CF2S-S200	MUCNFL200	C2F100-2S	UCFL200-S6 PL	SUCTFL200
Tapped Base	CTBS-S200	MUCTBL200	CTB100-SS	UCPAN200-S6 PL	SUCTPA200

The following trade names, trademarks and/or registered trademarks are used in this material by Emerson Power Transmission Corporation for comparison purposes only, are NOT owned by Emerson Power Transmission Corporation and are believed to be owned by the following parties: AMI is a registered trademark of ASAHI Tec Corp. of Japan; MRC is a registered trademark of SKF USA Inc.; FYH is a registered trademark of Nippon Pillow Block Sales Co. LTD of Japan; IPTCI is a registered trademark of A Paul E. Robey Company.

BEARINGS

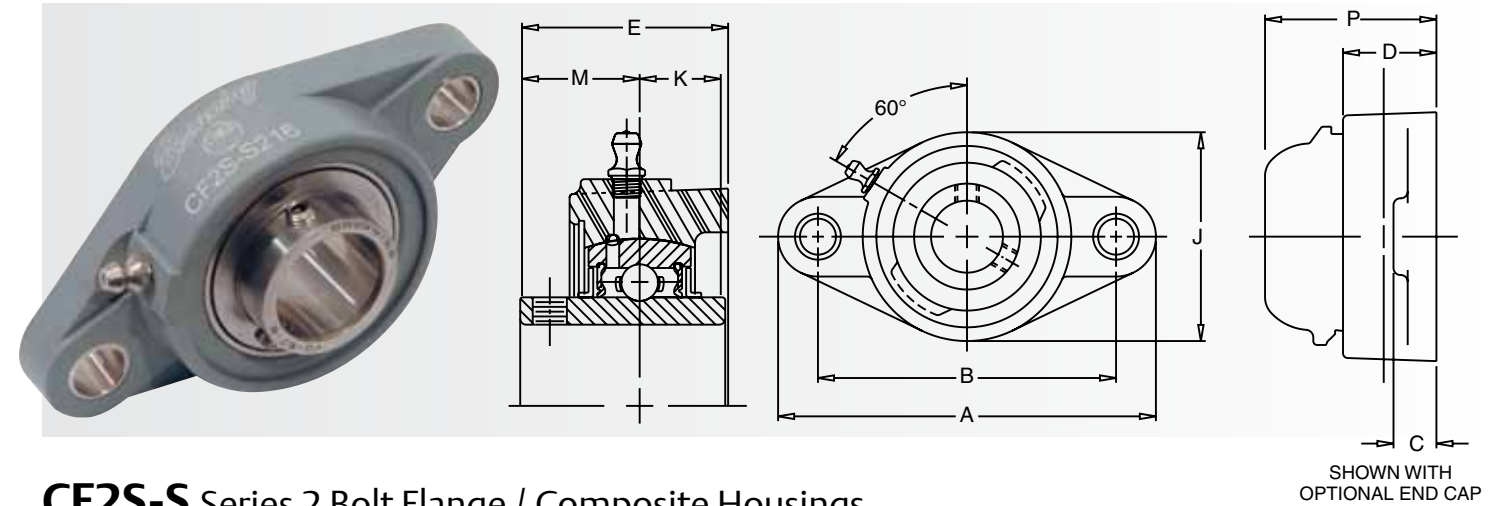
Corrosion Resistant Engineered Solutions





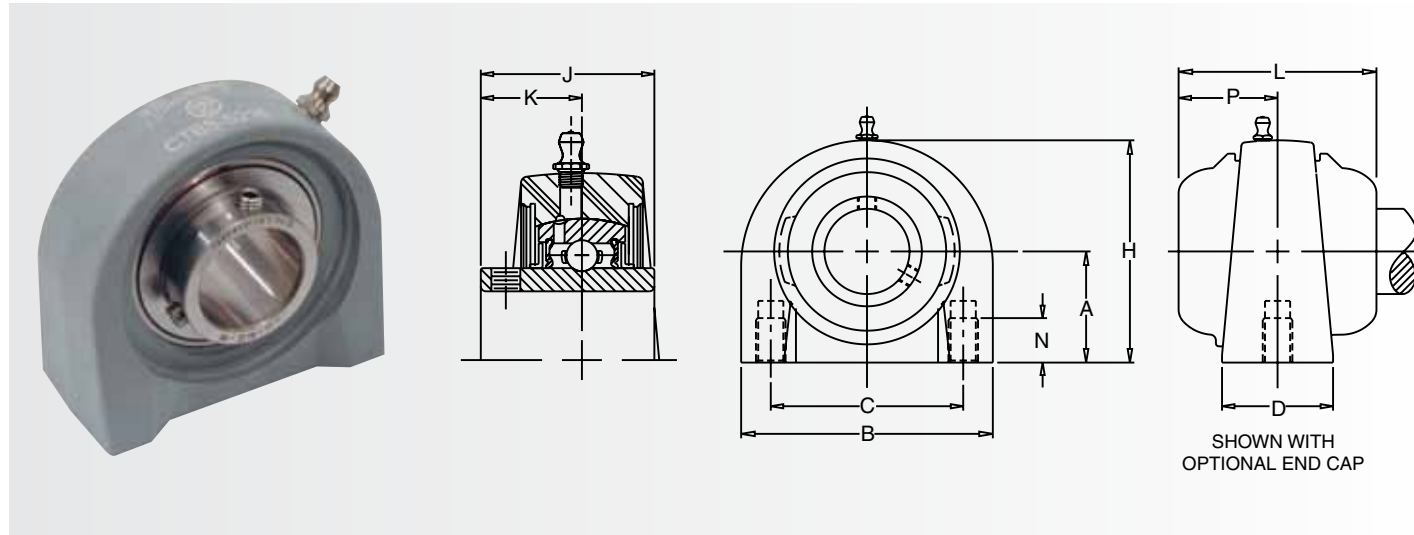
CPS-S Series Pillow Blocks / Composite Housing

CRES CS Description	Shaft Size	A	B	C Max.	C Min.	D	E	G	H	J	K	L	N	Bolt Size	Open Cap	Closed Cap	Backside Shield
CPS-S212	3/4	1 5/16	5	4 1/8	3 3/8	1 1/2	3/4	9/16	2 35/64	1 7/32	23/32	3 9/32	1 41/64	3/8	ECO-12	ECC-12	N/A
CPS-S216	1	1 7/16	5 1/2	4 1/2	3 3/4	1 1/2	3/4	9/16	2 51/64	1 11/32	25/32	3 15/32	1 47/64	3/8	ECO-16	ECC-16	N/A
CPS-S219	1 3/16	1 11/16	6 1/2	5 1/16	4 7/16	1 7/8	13/16	11/16	3 21/64	1 1/2	7/8	3 19/32	1 51/64	1/2	ECO-19	ECC-19	N/A
CPS-S220S	1 1/4	1 11/16	6 1/2	5 1/16	4 7/16	1 7/8	13/16	11/16	3 21/64	1 1/2	7/8	3 19/32	1 51/64	1/2	ECO-20R	ECC-19	N/A
CPS-S220	1 1/4	1 7/8	6 9/16	5 5/16	4 11/16	1 7/8	13/16	11/16	3 3/4	1 11/16	1	3 27/32	1 59/64	1/2	ECO-20	ECC-23	N/A
CPS-S223	1 7/16	1 7/8	6 9/16	5 5/16	4 11/16	1 7/8	13/16	11/16	3 3/4	1 11/16	1	3 27/32	1 59/64	1/2	ECO-23	ECC-23	N/A
CPS-S224	1 1/2	1 15/16	7 1/4	5 11/16	5 1/16	2 1/8	13/16	11/16	4 1/64	1 15/16	1 3/16	4 7/32	2 7/64	1/2	ECO-24	ECC-24	N/A



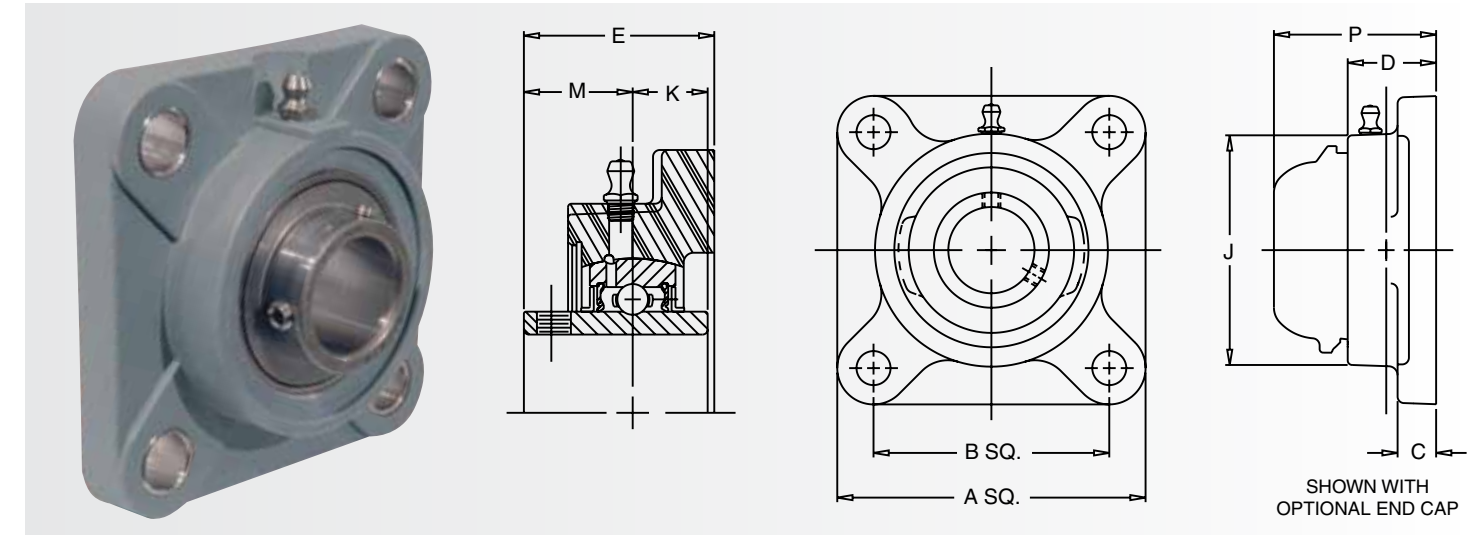
CF2S-S Series 2 Bolt Flange / Composite Housing

CRES CS Description	Shaft Size	A	B	C	D	E	J	K	M	P	Bolt Size	Open Cap	Closed Cap	Backside Shield
CF2S-S212	3/4	4 15/32	3 17/32	7/16	31/32	1 9/32	2 7/16	1/2	23/32	2 13/64	3/8	ECO-12	ECC-12	2BSS-12
CF2S-S216	1	4 15/16	3 57/64	17/32	1 5/64	1 7/16	2 23/32	9/16	25/32	2 23/64	7/16	ECO-16	ECC-16	2BSS-16
CF2S-S219	1 3/16	5 11/16	4 19/32	17/32	1 7/32	1 9/16	3 1/4	5/8	7/8	2 31/64	7/16	ECO-19	ECC-19	2BSS-19
CF2S-S220S	1 1/4	5 11/16	4 19/32	17/32	1 7/32	1 9/16	3 1/4	5/8	7/8	2 31/64	7/16	ECO-20R	ECC-19	2BSS-20R
CF2S-S220	1 1/4	6 21/64	5 1/8	9/16	1 11/32	1 3/4	3 45/64	11/16	1	2 43/64	1/2	ECO-20	ECC-23	2BSS-20
CF2S-S223	1 7/16	6 21/64	5 1/8	9/16	1 11/32	1 3/4	3 45/64	11/16	1	2 43/64	1/2	ECO-23	ECC-23	2BSS-23
CF2S-S224	1 1/2	6 29/32	5 21/32	9/16	1 1/2	2 1/64	4 7/64	3/4	1 3/16	2 15/16	1/2	ECO-24	ECC-24	2BSS-24



CTBS-S Series Tapped Base / Composite Housings

CRES CS Description	Shaft Size	A	B	C	D	H	J	K	L	N	P	Bolt Size	Open Cap	Closed Cap	Backside Shield
CTBS-S212	3/4	1 5/16	3 1/8	2	1 1/2	2 9/16	1 7/32	23/32	3 9/32	1/2	1 41/64	3/8-16	ECO-12	ECC-12	N/A
CTBS-S216	1	1 7/16	3	2	1 1/2	2 13/16	1 11/32	25/32	3 15/32	1/2	1 47/64	3/8-16	ECO-16	ECC-16	N/A
CTBS-S219	1 3/16	1 11/16	4	3	1 1/2	3 3/8	1 1/2	7/8	3 19/32	5/8	1 51/64	7/16-14	ECO-19	ECC-19	N/A
CTBS-S220S	1 1/4	1 11/16	4	3	1 1/2	3 3/8	1 1/2	7/8	3 19/32	5/8	1 51/64	7/16-14	ECO-20R	ECC-19	N/A
CTBS-S220	1 1/4	1 7/8	4 1/4	3 1/4	1 7/8	3 3/4	1 11/16	1	3 27/32	3/4	1 59/64	1/2-13	ECO-20	ECC-23	N/A
CTBS-S223	1 7/16	1 7/8	4 1/4	3 1/4	1 7/8	3 3/4	1 11/16	1	3 27/32	3/4	1 59/64	1/2-13	ECO-23	ECC-23	N/A
CTBS-S224	1 1/2	1 15/16	4 5/8	3 1/2	1 7/8	3 15/16	1 15/16	1 3/16	4 7/32	3/4	2 7/64	1/2-13	ECO-24	ECC-24	N/A



CF4S-S Series 4 Bolt Flange / Composite Housings

CRES CS Description	Shaft Size	A	B	C	D	E	J	K	M	P	Bolt Size	Open Cap	Closed Cap	Backside Shield
CF4S-S212	3/4	3 7/16	2 1/2	7/16	61/64	1 9/32	2 3/8	1/2	23/32	2 13/64	3/8	ECO-12	ECC-12	4BSS-12
CF4S-S216	1	3 51/64	2 3/4	17/32	1 5/64	1 7/16	2 21/32	9/16	25/32	2 23/64	7/16	ECO-16	ECC-16	4BSS-16
CF4S-S219	1 3/16	4 11/32	3 1/4	17/32	1 13/64	1 9/16	3 3/16	5/8	7/8	2 15/32	7/16	ECO-19	ECC-19	4BSS-19
CF4S-S220S	1 1/4	4 11/32	3 1/4	17/32	1 13/64	1 9/16	3 3/16	5/8	7/8	2 15/32	7/16	ECO-20R	ECC-19	4BSS-20R
CF4S-S220	1 1/4	4 53/64	3 5/8	9/16	1 11/32	1 3/4	3 21/32	11/16	1	2 43/64	1/2	ECO-20	ECC-23	4BSS-20
CF4S-S223	1 7/16	4 53/64	3 5/8	9/16	1 11/32	1 3/4	3 21/32	11/16	1	2 43/64	1/2	ECO-23	ECC-23	4BSS-23
CF4S-S224	1 1/2	5 1/4	4	9/16	1 1/2	2 1/64	4 1/64	3/4	1 3/16	2 15/16	1/2	ECO-24	ECC-24	4BSS-24

BEARINGS

Corrosion Resistant Engineered Solutions



CRES SS Mounted Ball Bearings

CRES SS bearings offer a stainless steel housing and insert, contact seal with stainless steel flinger and H1 food grade grease.



Nomenclature:

SPS - S 216

- Bore Size in 1/16"
- 200 Series Insert
- Stainless Steel Insert
- Set Screw
- Housing Type
 - P = Pillow Block
 - F2 = 2 Bolt Flange
 - F4 = 4 Bolt Flange
 - TB = Tapped Base
- Stainless Steel Housing Material

Components Material

Housing:	304 Stainless Steel
Bearing Races:	440C Stainless Steel
Balls:	440C Stainless Steel
Retainer:	302 Stainless Steel Ball Riding
Seal:	Single Lip Rubber Contact Seal
Flinger:	302 Stainless Steel
Set Screws:	300 Series Stainless Steel
Grease Fitting:	303 Stainless Steel
Grease:	H1 Food Grade Grease

Features and Benefits

Insert

440C Stainless Steel:	More corrosion resistant steel than common bearing steel.
Outer Race Anti-Rotation Device:	Prevents outer race slippage in housing.
Molded Silicone Rubber Contact Seal:	Contamination resistance and lubrication retention.
300 Series Stainless Steel Flinger:	Additional barrier against contamination and washdown.
H1 Food Grade Grease:	Non-toxic grease with good corrosion resistance and wash out properties.

Housing

304 Passivated Stainless Steel:	Good corrosion resistance.
Advanced Casting Technology:	Investment cast process yields a smooth, easy to clean surface.
Solid Construction – Machined Base:	Minimal entrapment points with no fillings.
Specialized Laser Identification:	Permanent brand and nomenclature marking.

Interchange

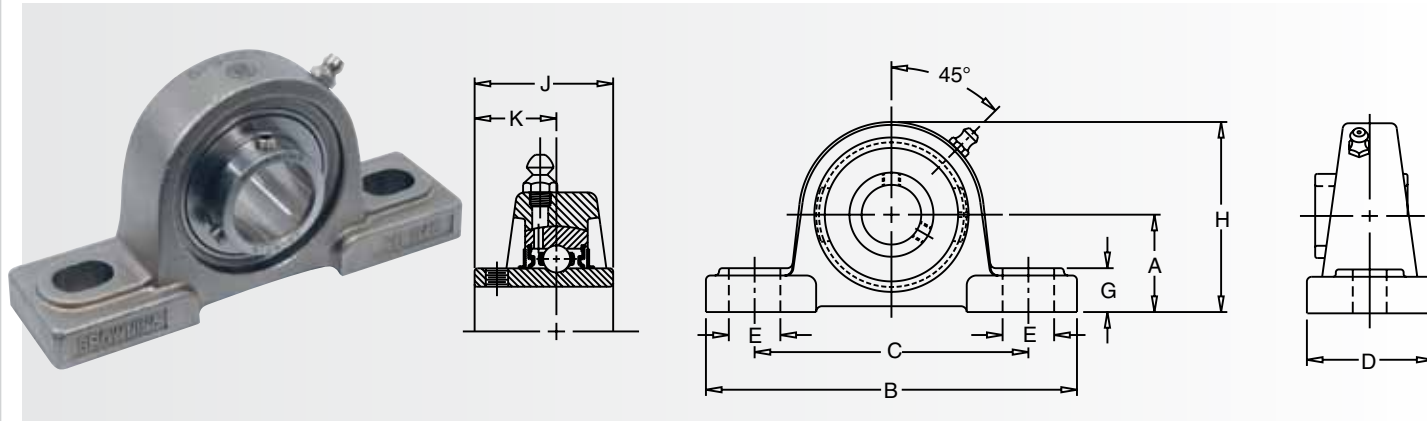
Housing Style	Browning	AMI	MRC	FYH®	IPTCI	PEER
Pillow Block	SPS-S200	MUCP200	SPB100SS	UCSP200-S6 PL	SUCSP200	SSUCP200
4 Bolt Flange	SF4S-S200	MUCF200	S4F100SS	UCSF200-S6 PL	SUCSF200	SSUCF200
2 Bolt Flange	SF2S-S200	MUCFL200	S2F100SS	UCSFL200-S6 PL	SUCSFL200	SSUCFT200
Tapped Base	STBS-S200	MUCTB200	STB100SS	N/A	SUCSPA200	SSUCPA200

The following trade names, trademarks and/or registered trademarks are used in this material by Emerson Power Transmission Corporation for comparison purposes only, are NOT owned by Emerson Power Transmission Corporation and are believed to be owned by the following parties: AMI is a registered trademark of ASAHI Tec Corp. of Japan; MRC is a registered trademark of SKF USA Inc.; FYH is a registered trademark of Nippon Pillow Block Sales Co. LTD of Japan; IPTCI is a registered trademark of A Paul E. Robey Company; Peer is a registered trademark of Peer Bearing Company.

BEARINGS

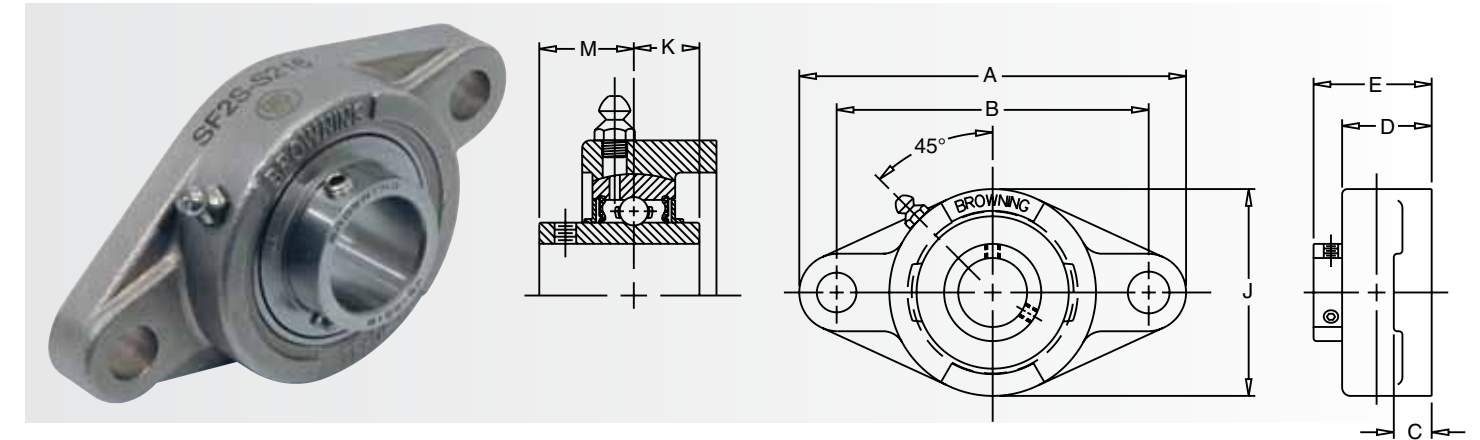
Corrosion Resistant Engineered Solutions





SPS-S Series Pillow Blocks / Stainless Steel Housings

CRES SS Description	Shaft Size	A	B	C MAX.	C MIN.	D	E	G	H	J	K	Bolt Size
SPS-S212	3/4	1 5/16	5	4 3/32	3 7/16	1 1/2	45/64	19/32	2 9/16	1 7/32	23/32	3/8
SPS-S216	1	1 7/16	5 1/2	4 15/32	3 51/64	1 1/2	53/64	5/8	2 51/64	1 11/32	25/32	3/8
SPS-S219	1 3/16	1 11/16	6 1/2	5 3/32	4 7/16	1 7/8	53/64	23/32	3 17/64	1 1/2	7/8	1/2
SPS-S220S	1 1/4	1 11/16	6 1/2	5 3/32	4 7/16	1 7/8	53/64	23/32	3 17/64	1 1/2	7/8	1/2
SPS-S220	1 1/4	1 7/8	6 9/16	5 3/8	4 5/8	1 7/8	7/8	3/4	3 45/64	1 11/16	1	1/2
SPS-S223	1 7/16	1 7/8	6 9/16	5 3/8	4 5/8	1 7/8	7/8	3/4	3 45/64	1 11/16	1	1/2
SPS-S224	1 1/2	1 15/16	7 15/64	5 51/64	5	2 1/8	29/32	3/4	3 15/16	1 15/16	1 3/16	1/2



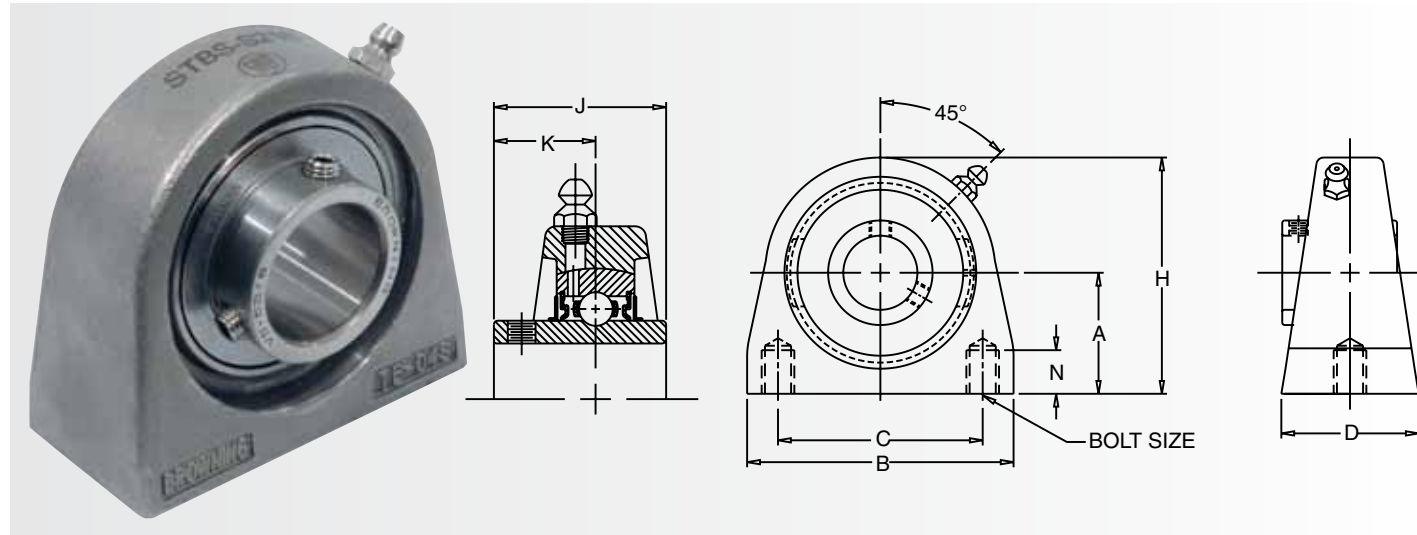
SF2S-S Series 2 Bolt Flange / Stainless Steel Housings

CRES SS Description	Shaft Size	A	B	C	D	E	J	K	M	Bolt Size
SF2S-S212	3/4	4 13/32	3 17/32	7/16	63/64	1 5/16	2 7/16	1/2	23/32	3/8
SF2S-S216	1	4 7/8	3 57/64	33/64	1 3/64	1 13/32	2 11/16	9/16	25/32	3/8
SF2S-S219	1 3/16	5 5/8	4 19/32	33/64	1 3/16	1 37/64	3 9/64	5/8	7/8	1/2
SF2S-S220S	1 1/4	5 5/8	4 19/32	33/64	1 3/16	1 37/64	3 9/64	5/8	7/8	1/2
SF2S-S220	1 1/4	6 5/32	5 1/8	35/64	1 19/64	1 3/4	3 35/64	11/16	1	1/2
SF2S-S223	1 7/16	6 5/32	5 1/8	35/64	1 19/64	1 3/4	3 35/64	11/16	1	1/2
SF2S-S224	1 1/2	6 3/4	5 21/32	35/64	1 27/64	2 1/64	3 15/16	3/4	1 3/16	1/2

BEARINGS

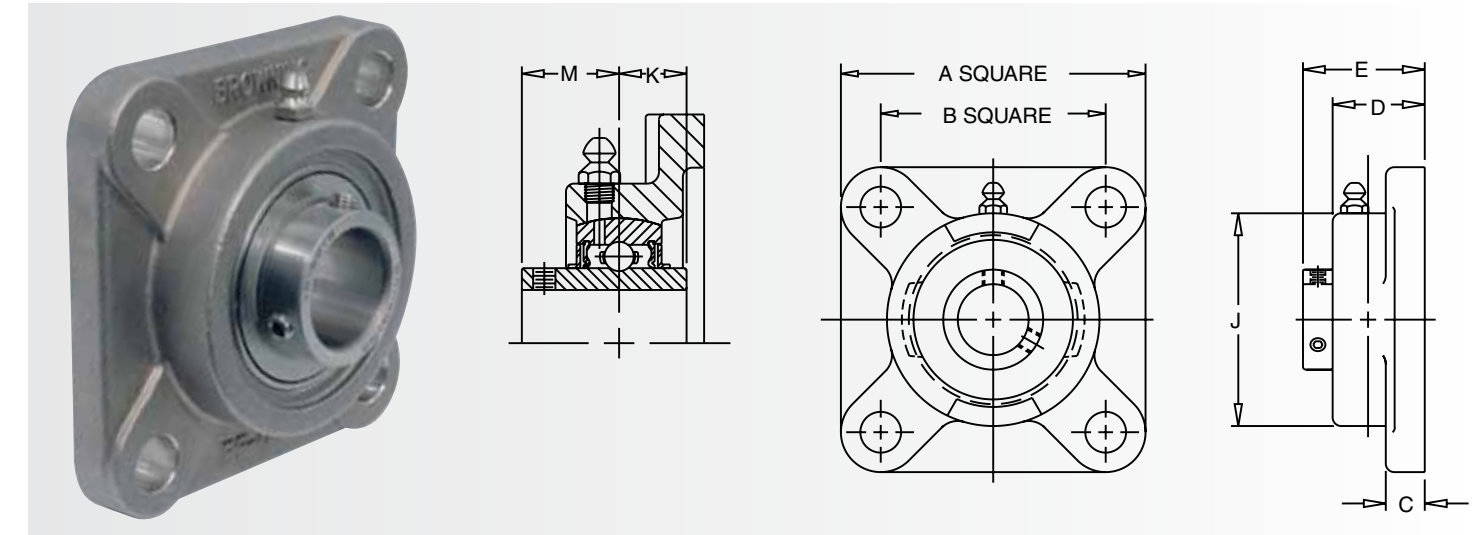
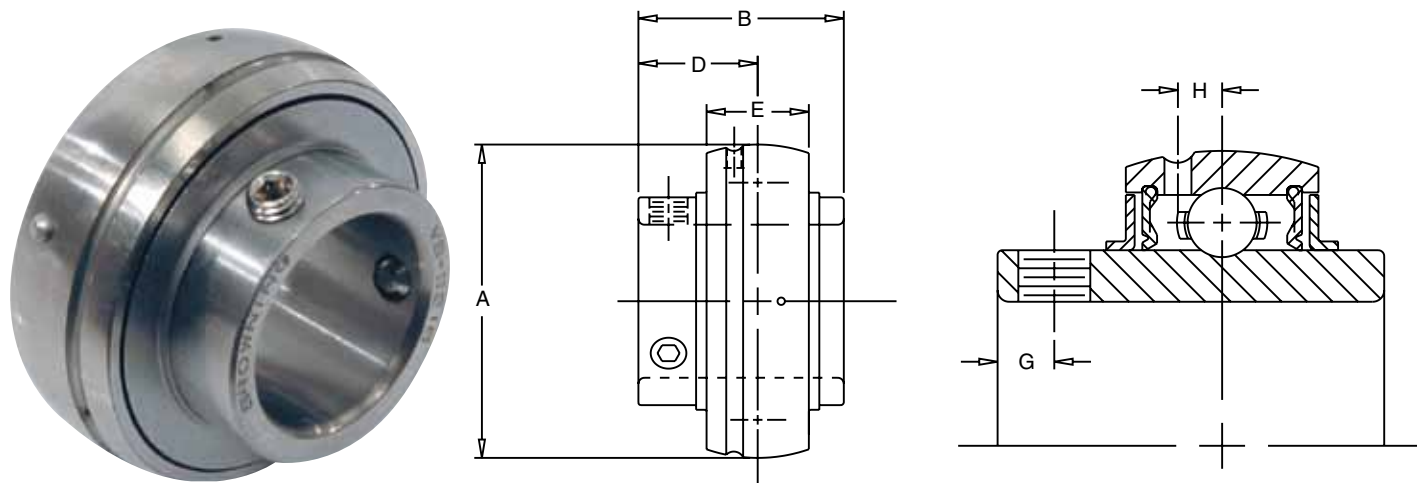
Corrosion Resistant Engineered Solutions





STBS-S Series Tapped Base / Stainless Steel Housings

CRES SS Description	Shaft Size	A	B	C	D	H	J	K	N	Bolt Size
STBS-S212	3/4	1 5/16	2 7/8	2	1 1/2	2 9/16	1 7/32	23/32	1/2	3/8-16
STBS-S216	1	1 7/16	3	2	1 1/2	2 3/16	1 11/32	25/32	1/2	3/8-16
STBS-S219	1 3/16	1 11/16	4	3	1 1/2	3 3/8	1 1/2	7/8	5/8	7/16-14
STBS-S220S	1 1/4	1 11/16	4	3	1 1/2	3 3/8	1 1/2	7/8	5/8	7/16-14
STBS-S220	1 1/4	1 7/8	4 1/4	3 1/4	1 7/8	3 3/4	1 11/16	1	3/4	1/2-13
STBS-S223	1 7/16	1 7/8	4 1/4	3 1/4	1 7/8	3 3/4	1 11/16	1	3/4	1/2-13
STBS-S224	1 1/2	1 15/16	4 5/8	3 1/2	1 7/8	3 15/16	1 15/16	1 3/16	3/4	1/2-13



SF4S-S Series 4 Bolt Flange / Stainless Steel Housings

CRES SS Description	Shaft Size	A	B	C	D	E	J	K	M	Bolt Size
SF4S-S212	3/4	3 3/8	2 1/2	7/16	63/64	1 5/16	2 31/64	1/2	23/32	3/8
SF4S-S216	1	3 3/4	2 3/4	33/64	1 3/64	1 13/32	2 43/64	9/16	25/32	3/8
SF4S-S219	1 3/16	4 1/4	3 1/4	33/64	1 3/16	1 37/64	3 5/32	5/8	7/8	1/2
SF4S-S220S	1 1/4	4 1/4	3 1/4	33/64	1 3/16	1 37/64	3 5/32	5/8	7/8	1/2
SF4S-S220	1 1/4	4 5/8	3 5/8	35/64	1 19/64	1 3/4	3 35/64	11/16	1	1/2
SF4S-S223	1 7/16	4 5/8	3 5/8	35/64	1 19/64	1 3/4	3 35/64	11/16	1	1/2
SF4S-S224	1 1/2	5 1/8	4	35/64	1 13/32	2 1/64	3 15/16	3/4	1 3/16	1/2

VS-S Insert

Description	Shaft Size	A	B	D	E	G	H	Interchange	
								AMI	FYH
VS-S212	3/4	1.8504	1 7/32	23/32	5/8	13/64	5/32	MUC 204-12	UC 204-12S6
VS-S216	1	2.0472	1 11/32	25/32	43/64	7/32	5/32	MUC 205-16	UC-205-16S6
VS-S219	1 3/16	2.4409	1 1/2	7/8	3/4	7/32	13/64	MUC 206-19	UC-206-19S6
VS-S220S	1 1/4	2.4409	1 1/2	7/8	3/4	7/32	13/64	MUC 206-20	UC-206-20S6
VS-S220	1 1/4	2.8346	1 11/16	1	25/32	9/32	7/32	MUC-207-20	UC-207-20S6
VS-S223	1 7/16	2.8346	1 11/16	1	25/32	9/32	7/32	MUC-207-23	UC-207-23S6
VS-S224	1 1/2	3.1496	1 15/16	1 3/16	53/64	5/16	15/64	MUC-208-24	UC-208-24S6

The following trade names, trademarks and/or registered trademarks are used in this material by Emerson Power Transmission Corporation for comparison purposes only, are NOT owned by Emerson Power Transmission Corporation and are believed to be owned by the following parties: AMI is a registered trademark of ASAHI Tec Corp. of Japan; FYH is a registered trademark of Nippon Pillow Block Sales Co. LTD of Japan.

BEARINGS

Corrosion Resistant Engineered Solutions



Sealing

With contamination ingress being a leading cause of bearing failure, seals and seal elements are an integral component to the overall performance of a bearing. Over the past seventy years, Sealmaster has stood as the benchmark of sealing design and development. In addition to proven single lip contact seal designs, the new patented High Performance Seal (HPS) offers improved contamination resistance for demanding application conditions.



Sealmaster Single Lip

Sealmaster CR Gold
Sealmaster RPB-CR

Single lip nitrile rubber fabric washer provides good balance of bearing drag, sealing protection and wear resistance.



Sealmaster HPS Triple Lip

Sealmaster PN Gold

Triple lip FKM rubber contact seal design provides multi-direction sealing to minimize contamination ingress and retains lubrication. Stainless steel flinger provides a good surface finish and is corrosion resistance to provide an excellent seal contact surface to minimize lip wear. Flinger directs contamination away from bearing, protects rubber lips from direct high-pressure washdown. Grease cavities in seal assembly are factory filled with lubricant for additional contaminant avoidance.



Browning Single Lip (Nitrile)

Browning CRES CZ

Single lip nitrile rubber provides good balance of bearing drag and sealing protection. Zinc coated stamping and flinger help guard against contamination and washdown.



Browning Single Lip (Silicone)

Browning CRES CS
Browning CRES SS

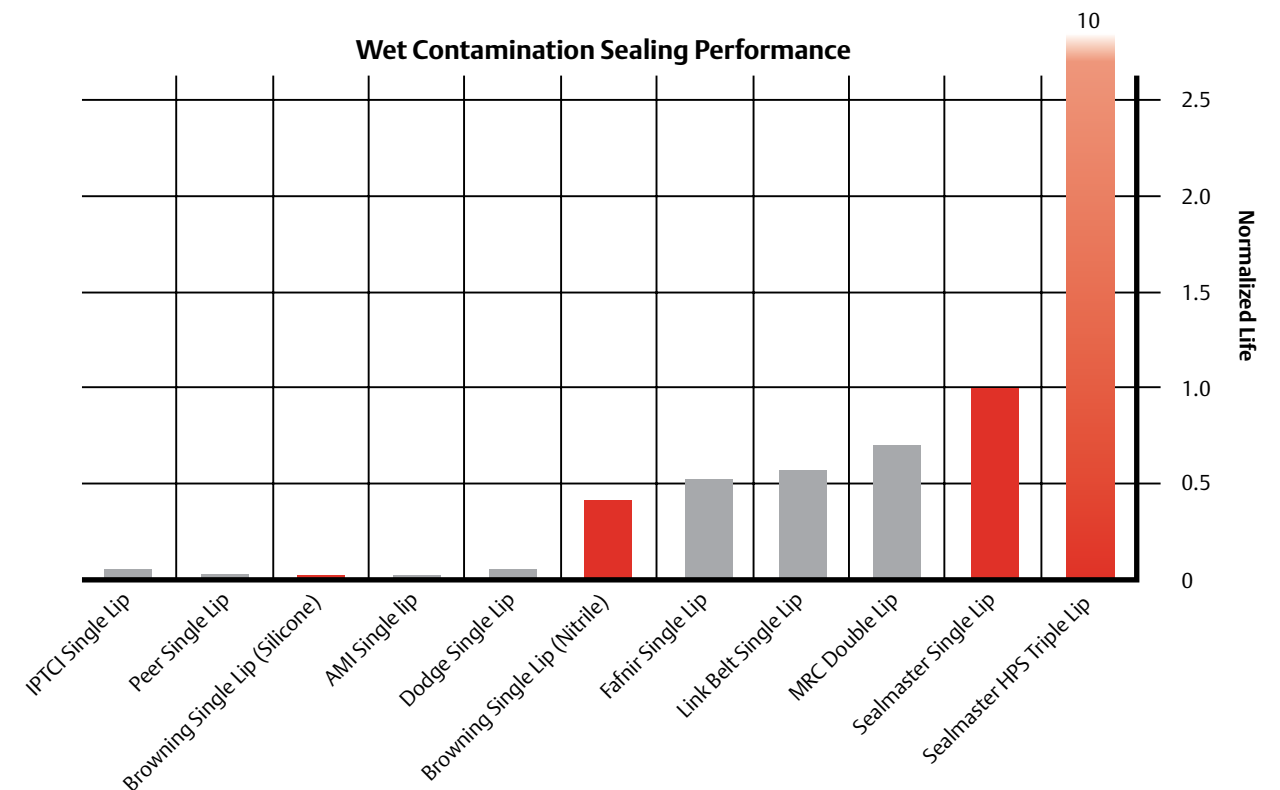
Single lip silicone rubber provides good balance of bearing drag, sealing protection and chemical resistance. Stainless steel stamping and flinger offer additional barriers against contamination and washdown.

Wet Contamination Performance

Test method: This graphic illustrates the relative performance of rubber contact seals in a slurry contamination test. The bearing is submerged halfway into a sand, salt and water mixture. The bearing rotates while a separate motor stirs the mixture. The test is stopped when the slurry mixture leaks past the seal.



Simulation of Slurry Contamination Test



The following trade names, trademarks and/or registered trademarks are used in this material by Emerson Power Transmission Corporation for comparison purposes only, are NOT owned by Emerson Power Transmission Corporation and are believed to be owned by the following parties: AMI is a registered trademark of ASAHI Tec Corp. of Japan; MRC is a registered trademark of SKF USA Inc.; IPTCI is a registered trademark of A Pual E. Robey Company; Peer is a registered trademark of Peer Bearing Company; Fafnir is a trademark of the Torrington Company; Link Belt is a trademark of Rexnord Corp; Dodge is a trademark of Reliance Electric Company.

BEARINGS

Corrosion Resistant Engineered Solutions



Sealing and Accessories — Mounted Ball Bearings

Additional sealing accessories are available for enhanced bearing protection. End caps offer better protection against high-pressure wash down and can be used to reduce bearing moisture contact. Backside shield gaskets are mounted between the bearing and the equipment frame to reduce moisture runoff. Backside shields are available for two and four bolt flange mounted ball bearings.

End Caps

Cap Availability

Product Line	Polymer Snap On	Stainless Bolt On
CRES CS	Y	N/A
CRES CZ	Y	N/A
CRES SS	N/A	N/A
CR Gold	Y	N/A
PN Gold Stainless	Y	Y*
PN Gold Composite	Y	N/A
Fluoropolymer Coated Housings	N/A	N/A

*Note:

This applies to PN Gold mounted ball bearings only. Stainless steel open and closed bolt on end caps available on select 2 bolt and 4 bolt stainless steel housed units – specify B for bolt on cap in nomenclature selection – consult EPT Customer Service for availability.

Example:

1" Shaft Size

- 2 Bolt Flange = CRBFTS-PN16
- 4 Bolt Flange = CRBFS-PN16

Note: Also available in open end design.



Polymer End Caps

- Polypropylene Material: Resistant to corrosion
- Hand Snaps Into Housing: Easy installation
- Shielded Drain Hole: Reduces moisture buildup



Stainless Steel End Caps

- 304 Stainless Steel: Resistant to corrosion and chemical attack
- Bolts onto Housing: Excellent holding power
- Drain Hole: Reduces moisture buildup

Note: Shields are 0.092" total thickness. Backside shield not available for Browning CRES SS.

BEARINGS

Corrosion Resistant Engineered Solutions



End Cap Part Identification

Shaft Size	Polymer Snap On		Bolt On 2 Bolt		Bolt On 4 Bolt
	Closed	Open	Closed	Open	Closed
3/4	ECC-12	ECO-12	Not Applicable		Not Applicable
1	ECC-16	ECO-16	TEC-16	TEO-16	FEC-16
1 3/16	ECC-19	ECO-19	TEC-19	TEO-19	FEC-19
1 1/4R	ECC-19	ECO-20R	TEC-19	TEO-20R	FEC-19
1 1/4	ECC-23	ECO-20	TEC-23	TEO-20	FEC-23
1 7/16	ECC-23	ECO-23	TEC-23	TEO-23	FEC-23
1 1/2	ECC-24	ECO-24	TEC-24	TEO-24	FEC-24
1 11/16	ECC-27	ECO-27	TEC-27	TEO-27	FEC-27
1 15/16	ECC-31	ECO-31	TEC-31	TEO-31	FEC-31
2R					
2	ECC-35	ECO-35	TEC-35	TEO-35	FEC-35
2 3/16					
2 3/16	ECC-35	ECO-35	TEC-35	TEO-35	FEC-35
2 7/16	ECC-39	ECO-39	Not Applicable		Not Applicable

* Available on PN Gold mounted ball bearings only. Stainless steel open and closed bolt on end caps available on select 2 bolt and 4 bolt stainless steel housed units - specify B for bolt on cap in nomenclature selection - consult EPT Customer Service for availability.

Example:

- 2 Bolt Flange = CRBFTS-PN16
- 4 Bolt Flange = CRBFS-PN16

Backside Shield

- Nitrile Rubber Gaskets: Reduces bearing moisture contact
- 304 Stainless Plate: Improves assembly strength
- Drain Slot: Reduces moisture buildup



Backside Shield Part Identification

Shaft Size	2 Bolt Flange	4 Bolt Flange
3/4	2BSS-12	4BSS-12
1	2BSS-16	4BSS-16
1 3/16	2BSS-19	4BSS-19
1 1/4R	2BSS-20R	4BSS-20R
1 1/4	2BSS-20	4BSS-20
1 7/16	2BSS-23	4BSS-23
1 1/2	2BSS-24	4BSS-24
1 11/16	2BSS-27	4BSS-27
1 15/16	2BSS-31	4BSS-31
2	N/A	4BSS-32
2 3/16	2BSS-35	4BSS-35
2 7/16	N/A	4BSS-39

BEARINGS

Corrosion Resistant Engineered Solutions



* Available on PN Gold mounted ball bearings only. Stainless steel open and closed bolt on end caps available on select 2 bolt and 4 bolt stainless steel housed units - specify B for bolt on cap in nomenclature selection - consult EPT Customer Service for availability.

Stainless Steel Housing Technical Information

Sealmaster Stainless Steel

316 Passivated Stainless Steel:	Highest amount of corrosion resistance currently available for stainless steel bearing housings.
Advanced Casting Technology:	Investment cast process yields a smooth, easy to clean surface.
Solid Construction – Machined Base:	Minimal gaps, no fillings, smooth easy to clean surface.
Specialized Laser Identification:	Permanent brand and nomenclature marking.

Browning Stainless Steel

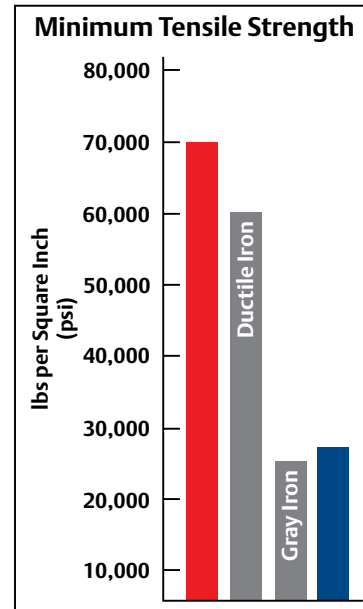
304 Passivated Stainless Steel:	Good corrosion resistance.
Advanced Casting Technology:	Investment cast process yields a smooth, easy to clean surface.
Solid Construction – Machined Base:	Minimal gaps, no fillings, smooth easy to clean surface.
Specialized Laser Identification:	Permanent brand and nomenclature marking.

Construction and Casting Technology

Sealmaster and Browning housings offer a machined solid base to reduce entrapment points. The investment cast design minimizes excessive pitting and roughness leaving a smooth easy to clean surface. The Sealmaster 316 material offers improved resistance to pitting corrosion. The housings are passivated to enhance the material surface corrosion resistance.



Surface finish of sand-cast vs investment



■ Stainless Steel - Sealmaster / Browning
■ Composite - Sealmaster / Browning

Stainless Steel Material Advantage

Stainless steel castings offer higher tensile strength compared to composite housings. The steel material advantage should be considered in application where shock loading, vibration or cycle temperature may be present.



Competitor Unit



CRES Unit

Composite Housing Technical Information

Composite

Nylon 6/6 Fiber Reinforced Composite:	High load capacity
Reinforced Stainless Steel Ferrules:	Increased strength around bolt holes
Solid Construction:	Minimal gaps, no fillings, smooth easy to clean surface
Laser Engraved Identification:	Permanent brand and nomenclature marking

Construction and Material

The high strength composite material has a higher tensile strength than some cast iron housings and offers acceptable load capacity for most applications. The housing does not have any dyes or fillers that would reduce the housing strength. Testing has shown that the Emerson Power Transmission offers the highest strength injection molded composite housing in the market today. Housing offers a machined base and solid stainless steel bolt ferrules allowing fewer places for bacteria to grow.



Competitor Unit



CRES Unit



Competitor Unit



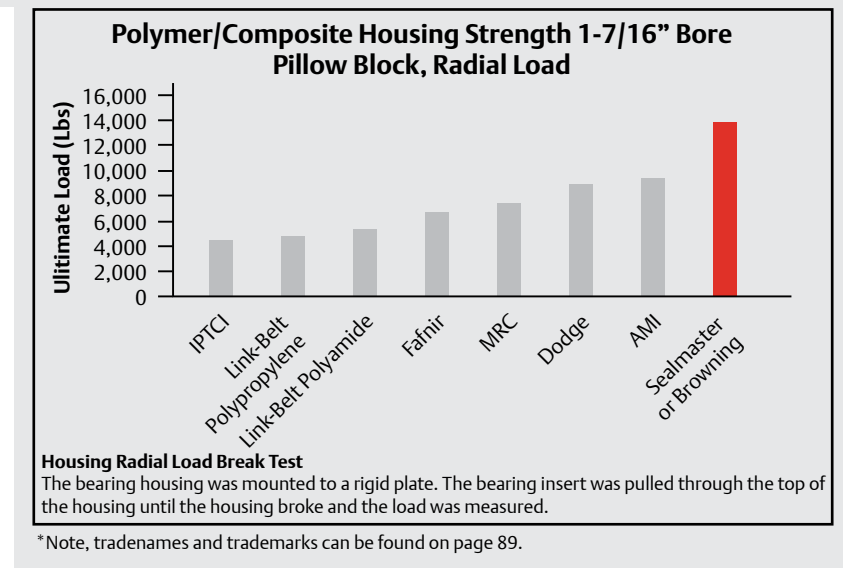
CRES Unit

Laser Engraving (Unit Identification System)

When you buy a product that works, identification is important. Emerson Power Transmission has developed a unique permanent surface marking process and incorporated it on CRES bearing products. No paper or plastic “fly away” stickers. No “disappearing” ink. The brand and part description will be there when it comes time to reorder.



CRES Units



Housing Radial Load Break Test
The bearing housing was mounted to a rigid plate. The bearing insert was pulled through the top of the housing until the housing broke and the load was measured.
*Note, tradenames and trademarks can be found on page 89.

BEARINGS

Corrosion Resistant Engineered Solutions



Sealmaster GoldPlex-FG

GoldPlex food grade grease is suitable for mounted bearing lubrication where incidental contact with food products may occur in any application where clean, routine lubrication is required. The performance advantages include:

- USDA H1 category approved
- Superior corrosion resistance (ASTM D 1743)
- Excellent water washout properties (ASTM D 1264)
- Compatible with major thickeners
- Superior dropping point 572° F (300° C)
- Nonstaining and nontoxic.



Product Specifications/GoldPlex-FG

Thickener Type	Calcium Sulfonate
Texture	Smooth
Color	White
60-Stroke Penetration, ASTM D 217, 77F	265-295
Dropping Point, ASTM D 2265, F (C)	572 (300)
Oxidation Stability, ASTM D 942 Psi Drop/100	1
Rust and Corrosion Protection, ASTM D 1743	Pass
Modified with 5% Synthetic Seawater	Pass
Water Washout, ASTM D 1264, 175F, %	2.75
Timken* OK Load, ASTM D 2509	65
4-Ball EP, ASTM D 2596 Weld Pt. Kg	620
4-Ball Wear, ASTM D 2266, Scar Dia. Mm, 40 Kg	0.45
Oil Separation, ASTM D 1742, Mass %	0.2
Base Oil Viscosity SUS @ 100F	523
Base Oil Viscosity cSt @ 100C	10.5
Base Oil Viscosity cSt @ 40C	100
NLGI #	2
Operating Temperature Range	-40F to 350F

Sealmaster GoldPlex – SPL High Performance Lubricators

Single point lubricators are designed to automatically lubricate your bearings, which in turn can reduce your overall maintenance costs.



GoldPlex-SPL (V) is used in single bearing direct or remote applications for automatic bearing relubrication. Performance advantages include:

- Variable control pad is easy to use for adjusting lubricant dispensing amounts. There is no need to use and stock a series of activator keys or rubber control rings.
- The 250cc grease capacity allows for extended replacement intervals.
- Purge function can be used when back pressure exists or when the lube is clogged.
- Factory filled with Sealmaster GoldPlex-HP grease (available with food grade Sealmaster GoldPlex-FG grease).

GoldPlex-SPL (EM) is used with a single bearing or up to eight bearings when utilizing a distribution block. Service kits are available which include a grease pouch and new batteries. Performance advantages include:

- Variable control pad is easy to use for adjusting lubricant dispensing amounts. There is no need to use and stock a series of activator keys or rubber control rings.
- 125cc or 250cc grease capacity sized to match your specific lubrication needs.
- Purge function can be used when back pressure exists or when the lube is clogged.
- Clear plastic cover protects the variable control pad from corrosion.
- Factory filled with Sealmaster GoldPlex-HP grease (available with food grade Sealmaster GoldPlex-FG grease).



For more information please refer to Sealmaster brochure PPP-04 or call 1-800-626-2120

BEARINGS

Corrosion Resistant Engineered Solutions



CRES Gearing

Emerson Power Transmission CRES line of gearing products are designed for use in demanding conditions found in washdown environments. Emerson Power Transmission's enclosed gear offerings include: Morse stainless steel worm gear reducers and a comprehensive line of helical reducer configurations available with two washdown protective coatings.



Gearing Products

Morse Stainless Steel Raider® Plus

Worm Gear Reducers..... 92-109

Features and Benefits 92-93

Ordering and Part Number Configuration..... 94-95

Selection Procedures..... 96-97

AGMA Application Classification 97-98

Dimensional Data 99-103

Accessories..... 104-105

Engineering..... 106-109

Expanded, Corrosion-Resistant Coatings

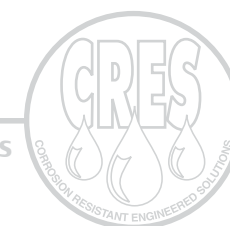
For Browning Helical Reducers and Gearmotors

Corro-Duty Gray and Corro-Duty White 110-111



GEARING

Corrosion Resistant Engineered Solutions



CRES RAIDER Plus Stainless Steel Worm Gear Reducers

Designed for use in washdown environments, Morse stainless steel Raider Plus worm gear reducers include state-of-the-art features built into every gear reducer. A non-metallic quill liner, an auxiliary v-ring seal on the output and food grade oil helps this gear reducer operate in a variety of corrosive applications.



Components Material

Housing

- Stainless Steel

Stainless Steel Accessories

- Torque Arm Kit
- Adjustable Torque Arm Kit
- Bushings
- Solid Base Kit

Features and Benefits

Premium 316 Stainless Steel Housing:

316 stainless is more resistant than 304 to pitting caused by bleach washdown.

Stainless Steel Shaft Hardware and Accessories:

Provide the ultimate in corrosion resistance – stainless hollow and solid output shafts available.

Non-Metallic Quill Liner:

Eliminates fretting and allows for easier motor removal.

Bearing Supported Quill Input:

Eliminates shaft wobble and increases seal life.

Dual Encapsulated Seals:

Helps keep contaminants out and lubricant in.

Stainless Steel Normally Closed Breather:

Minimizes pressure build-up and excludes contaminants.

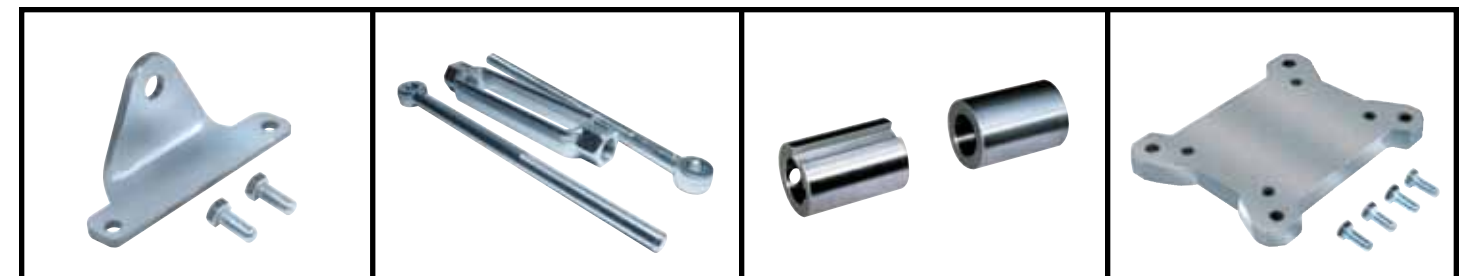
Auxiliary V-Ring Seal on Output:

Provides added protection from impurities entering the reducer.

USDA/FDA Compliant Food Grade Oil:

Provides lubrication satisfactory for food processing applications.

Stainless Steel Accessories



Torque Arm Kit

Adjustable Torque Arm Kit

Bushings

Solid Base Kit

Motors and accessories sold separately.

GEARING

Corrosion Resistant Engineered Solutions



How to Order

The Morse Worm Gear Speed Reducer can easily be sized and ordered by following these instructions.

Basic Unit and Components

This method of ordering is used when versatility and modularity are desired. It is especially convenient for distributors and customers that want to stock the various basic units and components, so that an almost unlimited number of configurations can be put together. When ordering by this method, the basic unit and components will not be assembled, but will be shipped in separate cartons.

Ordering Steps:

1. Find the desired style to be ordered on pages 110 through 113 in this catalog.
2. Go to the dimension table for the specific style desired and find the "Components" section. The basic unit and component part numbers are shaded for easy reference.
3. Complete the basic unit part number by following the foot note instructions.
4. Order the complete basic unit part number along with the indicated component part numbers that will make up the desired SS Raider Plus style.

Example:

A QT Style, 145TC NEMA frame, 30: Ratio, 2.62" C.D., with left output shaft. A standard base kit is also required.

Steps:

1. Go to pages 110 and 111 where style QT will be found.
2. Style Q on page 111 shows basic unit numbers and dimensions. Style QT shows components and dimensions for C-Face Quilled Worm Top.
3. Find the unit size needed which is 262Q140, then complete the Basic Unit part number by adding shaft assembly and ratio symbol to unit size – SS262Q140L30.
4. Basic unit part number and component part numbers required are:

Reducer: **SS262Q140L30**
 Base Kit: **SS262S-BK**

Part Description Configuration

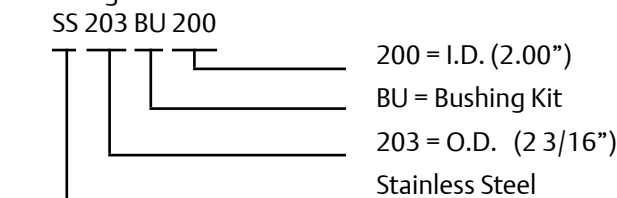
Stainless Steel	Center Distance	Type of Input	Output Shaft Arrangement	Ratio
SS	175	Q	LR	30
	1.75"=175 2.06"=206 2.62"=262	Q = C Face Quilled	L = Left Output R = Right Output LR = Left & Right Output H = Hollow Output	5:1 10:1 15:1 20:1 25:1 30:1 40:1 50:1 60:1

It is recommended to use the above chart to arrive at the Stainless Steel Raider Plus reducer part description. The above sample part description is SS175Q56LR30. This description does NOT include feet or other available mounting accessories that are available for the SS Raider Plus product. These accessories are sold separately using the part descriptions for the appropriate product. Not all ratios are available in each configuration.

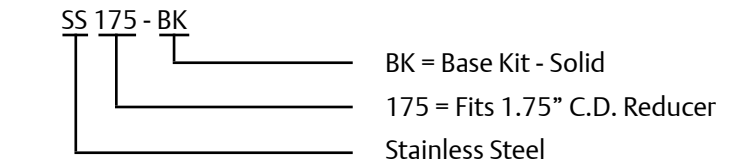
Raider units ordered with Hollow Outputs have a stock bore for each C.D. (Bushing kits are available to help reducers fit on shafts that are smaller than the stock bore.)

Accessory Descriptions

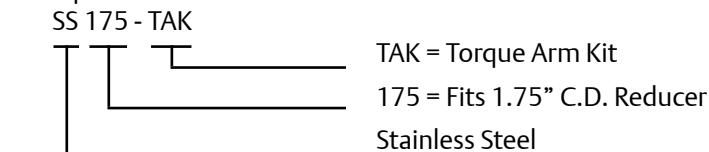
Bushing Kits



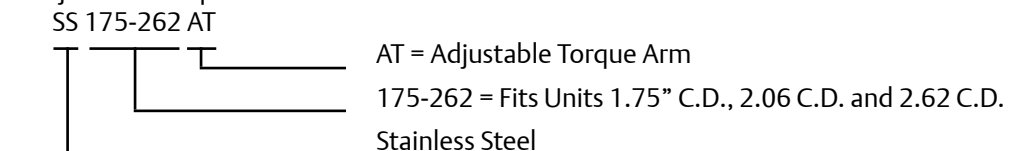
Solid Base Kit



Torque Arm Kit



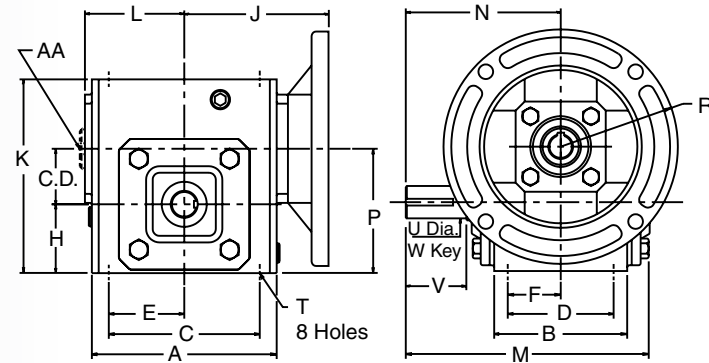
Adjustable Torque Arm Kit



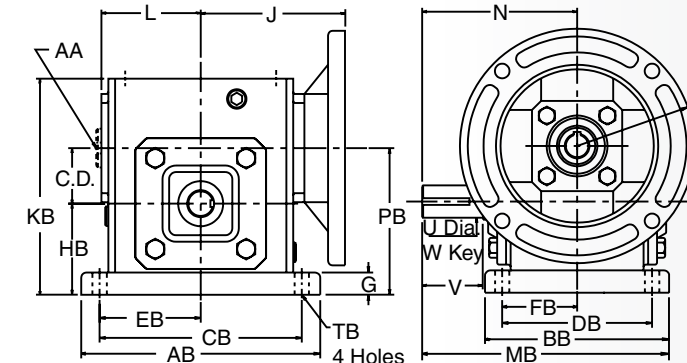
GEARING

Corrosion Resistant Engineered Solutions

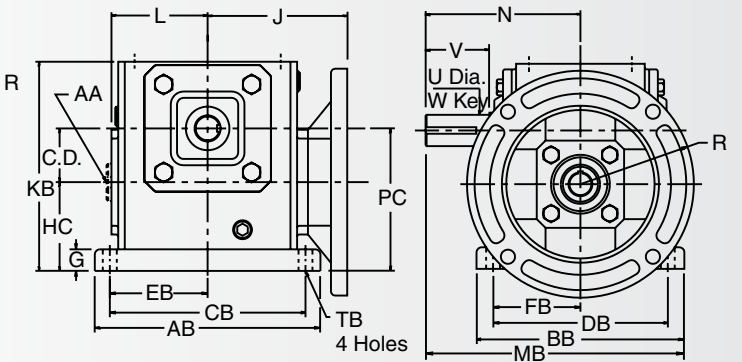




Style Q
C-Face Quilled – Basic Unit



Style QT
Worm Top



Style QB
Worm Bottom

Style Q C-Face Quilled Worm Gear Reducers

Part Number★	C.D.	NEMA FRAME	A	B	C	D	E	F	H	J	K	L	M	N	P	R
SS175Q56	1.75	56C	4.81	3.38	4.19	2.75	2.09	1.38	2.06	4.38	5.75	2.75	6.72	4.31	3.81	3.25
SS175Q140	1.75	143/145TC	4.81	3.38	4.19	2.75	2.09	1.38	2.06	4.38	5.75	2.75	6.72	4.31	3.81	3.25
SS206Q56	2.06	56C	5.50	3.75	5.00	2.88	2.50	1.44	2.28	4.75	6.38	3.00	7.29	4.69	4.34	3.25
SS206Q140	2.06	143/145TC	5.50	3.75	5.00	2.88	2.50	1.44	2.28	4.75	6.38	3.00	7.29	4.69	4.34	3.25
SS262Q56	2.62	56C	7.12	4.44	6.38	3.38	3.19	1.69	2.94	5.69	8.00	3.69	8.71	5.62	5.57	3.25
SS262Q140	2.62	143/145TC	7.12	4.44	6.38	3.38	3.19	1.69	2.94	5.69	8.00	3.69	8.71	5.62	5.57	3.25

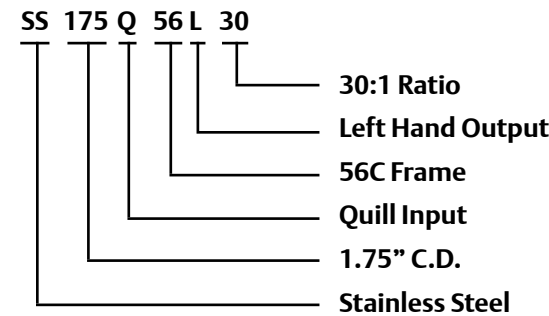
Style Q C-Face Quilled Worm Gear Reducers

N.E.M.A FRAME	T		INPUT		OUTPUT SHAFT				STOCK RATIOS MARKED "X"								WT. LBS.	Part Number★		
	SIZE	DEEP	BORE	KEYWAY	U +0.000 -0.001	V	W KEY		5	10	15	20	25	30	40	50			60	
56C	5/16-18	.61	.625	3/16 X 3/32	.875	1.88	.188	1.38	X	X	X	X	X	X	X	X	X	X	27.0	SS175Q56
143/145TC	5/16-18	.61	.875	3/16 X 3/32	.875	1.88	.188	1.38	X	X	X	X	X	X	X	X	X	X	27.0	SS175Q140
56C	3/8-16	.61	.625	3/16 X 3/32	1.000	2.00	.250	1.75	-	X	X	X	X	X	X	X	X	X	32.0	SS206Q56
143/145TC	3/8-16	.61	.875	3/16 X 3/32	1.000	2.00	.250	1.75	X	X	X	X	-	-	-	-	-	-	32.0	SS206Q140
56C	3/8-16	.58	.625	3/16 X 3/32	1.125	2.50	.250	2.00	-	X	X	X	X	X	X	X	X	X	50.0	SS262Q56
143/145TC	3/8-16	.58	.875	3/16 X 3/32	1.125	2.50	.250	2.00	-	X	X	X	X	X	X	X	X	X	50.0	SS262Q140

Assembly Drawing and Sample of Components



PART NUMBER EXPLANATION



Style QT C-Face Quilled Worm Top, Style QB C-Face Quilled Worm Bottom

PART NUMBER	BASE KIT♦	AB	BB	CB	DB	EB	FB	G	HB	HC	KB	MB	PB	PC	TB	WT. LBS.
SS175Q	SS175-BK	7.00	5.56	5.75	4.50	2.88	2.25	.69	2.75	2.63	6.44	7.09	4.50	4.38	.44	28.0
SS206Q	SS206-BK	7.69	5.76	6.38	4.69	3.19	2.34	.72	3.00	2.75	7.10	7.57	5.06	4.81	.50	33.5
SS262Q	SS262-BK	9.25	6.50	8.00	5.25	4.00	2.63	.75	3.69	3.19	8.75	8.87	6.31	5.81	.56	52.0

★ To complete Part No. add shaft assembly (L, R, LR) and ratio symbol to size – for example SS175Q56LR10.
♦ Components needed to make assembled reducer must be ordered separately.

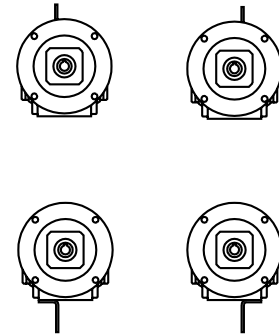
GEARING

Corrosion Resistant Engineered Solutions

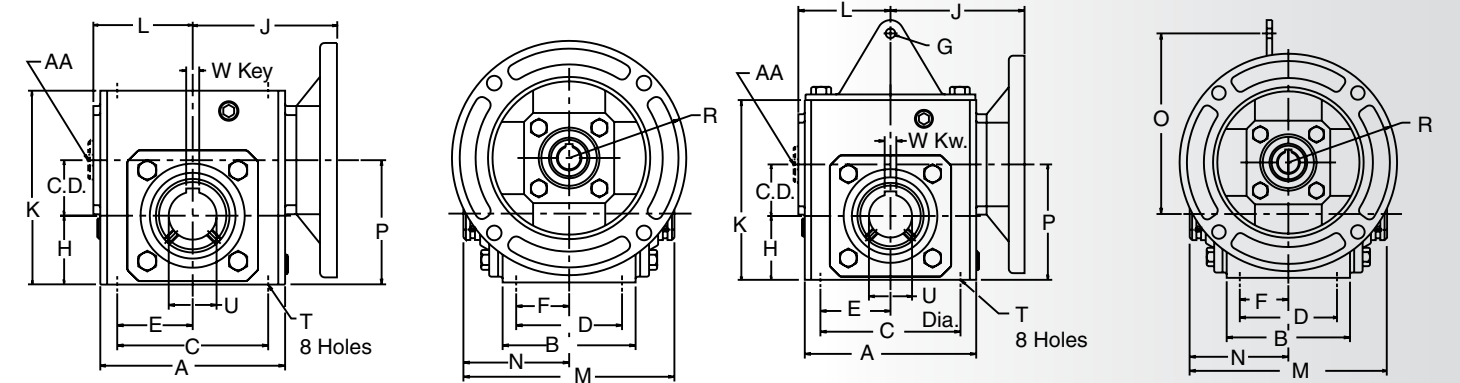




Assembly Drawing and Sample of Components



SS175Q56H10
SS175-TAK



Style QH
C-Face Quilled – Hollow

Style QHT
Torque Arm

Style QH C-Face Quilled – Hollow Style QHT Torque Arm Worm Gear Reducers

Dimensions (Inches) Style QH																
Basic Unit ★	C.D.	N.E.M.A Frame	A	B	C	D	E	F	H	J	K	L	M	N	P	R
SS175Q56H	1.75	56C	4.81	3.38	4.19	2.75	2.09	1.38	2.06	4.38	5.75	2.75	5.70	2.85	3.81	3.25
SS175Q140H	1.75	143/145TC	4.81	3.38	4.19	2.75	2.09	1.38	2.06	4.38	5.75	2.75	5.70	2.85	3.81	3.25
SS206Q56H	2.06	56C	5.50	3.75	5.00	2.88	2.50	1.44	2.28	4.75	6.38	3.00	6.44	3.22	4.34	3.25
SS206Q140H	2.06	143/145TC	5.50	3.75	5.00	2.88	2.50	1.44	2.28	4.75	6.38	3.00	6.44	3.22	4.34	3.25
SS262Q56H	2.62	56C	7.12	4.44	6.38	3.38	3.19	1.69	2.94	5.69	8.00	3.69	6.88	3.44	5.57	3.25
SS262Q140H	2.62	143/145TC	7.12	4.44	6.38	3.38	3.19	1.69	2.94	5.69	8.00	3.69	6.88	3.44	5.57	3.25

- ★ To complete Part No. add shaft assembly (L, R, LR) and ratio symbol to size – for example SS175Q56LR10.
- ◆ Components needed to make assembled reducer must be ordered separately.
- ✦ For adapting reducers to shafts smaller than output bore, use Bushing Kits shown on page 114.
- Consult Emerson Power Transmission Technical Services for ratios not shown as standard.

Style QH C-Face Quilled – Hollow Style QHT Torque Arm Worm Gear Reducers

Dimensions (Inches) Style QH													Dimensions (Inches) Style QHT							
T		Input		Output Bore +		Stock Ratios Marked "x"						Wt. Lbs.	Components ◆		G	O	Wt Lbs.			
Size	Deep	Bore	Keyway	U +.0015 -.0000	W Key- way	5	10	15	20	25	30		40	50				60	Ref No.	Torque Arm Kit
5/16-18	.61	.625	3/16 x 3/32	1.0000	1/4 x 1/8	x	x	x	x	x	x	x	x	x	25.0	SS175QH	SS175SH-TAK	.53	5.06	25.9
5/16-18	.61	.875	3/16 x 3/32	1.0000	1/4 x 1/8	x	x	x	-	-	-	-	-	-	25.0					
3/8-16	.61	.625	3/16 x 3/32	1.4375	3/8 x 1/8	-	x	x	x	x	x	x	x	x	33.0	SS206QH	SS206H-TAK	.53	6.07	34.0
3/8-16	.61	.875	3/16 x 3/32	1.4375	3/8 x 1/8	x	x	x	x	x	-	-	-	-	33.0					
3/8-16	.58	.625	3/16 x 3/32	1.9375	1/2 x 1/8	-	x	x	x	x	x	x	x	x	57.0	SS262QH	SS262H-TAK	.53	77.44	58.4
3/8-16	.58	.875	3/16 x 3/32	1.938	1/2 x 1/8	-	x	x	x	x	x	x	x	x	57.0					

GEARING

Corrosion Resistant Engineered Solutions



SS Raider Plus Stainless Accessories



Table 1 Bushings for SS Raider Plus Hollow Shaft Reducers

Reducer C.D.	Shaft Dia.	Shaft Keyseat	Bushing Kit No.	Wt. Lbs.
1.75	3/4	3/16 x 3/32 x 1 1/8	SS100BU012	.3
	7/8	3/16 x 3/32 x 1 1/8	SS100BU014	.1
	15/16	1/4 x 1/8 x 1 1/8	SS100BU015	.1
2.06	3/4	3/16 x 3/32 x 2	SS107BU012	1.4
	7/8	3/16 x 3/32 x 2	SS107BU014	1.2
	15/16	1/4 x 1/8 x 2	SS107BU015	1.1
	1	1/4 x 1/8 x 2	SS107BU100	1.0
	1 11/16	1/4 x 1/8 x 2	SS107BU101	.9
	1 1/8	1/4 x 1/8 x 2	SS107BU102	.8
	1 3/16	1/4 x 1/8 x 2	SS107BU103	.6
	1 1/4	1/4 x 1/8 x 2	SS107BU104	.5
	1 5/16	5/16 x 5/32 x 2	SS107BU105	.4
2.62	15/16	1/4 x 1/8 x 2 1/2	SS115BU015	3.2
	1	1/4 x 1/8 x 2 1/2	SS115BU100	3.1
	1 1/6	1/4 x 1/8 x 2 1/2	SS115BU101	3.0
	1 1/8	1/4 x 1/8 x 2 1/2	SS115BU102	2.8
	1 3/16	1/4 x 1/8 x 2 1/2	SS115BU103	2.7
	1 1/4	1/4 x 1/8 x 2 1/2	SS115BU104	2.5
	1 5/16	5/16 x 5/32 x 2 1/2	SS115BU105	2.3
	1 3/8	5/16 x 5/32 x 2 1/2	SS115BU106	2.1
	1 7/16	3/8 x 3/16 x 2 1/2	SS115BU107	1.9
	1 1/2	3/8 x 3/16 x 2 1/2	SS115BU108	1.7
	1 5/8	3/8 x 3/16 x 2 1/2	SS115BU110	1.3
	1 11/16	3/8 x 3/16 x 2 1/2	SS115BU111	1.1
1 3/4	3/8 x 3/16 x 2 1/2	SS115BU112	.8	

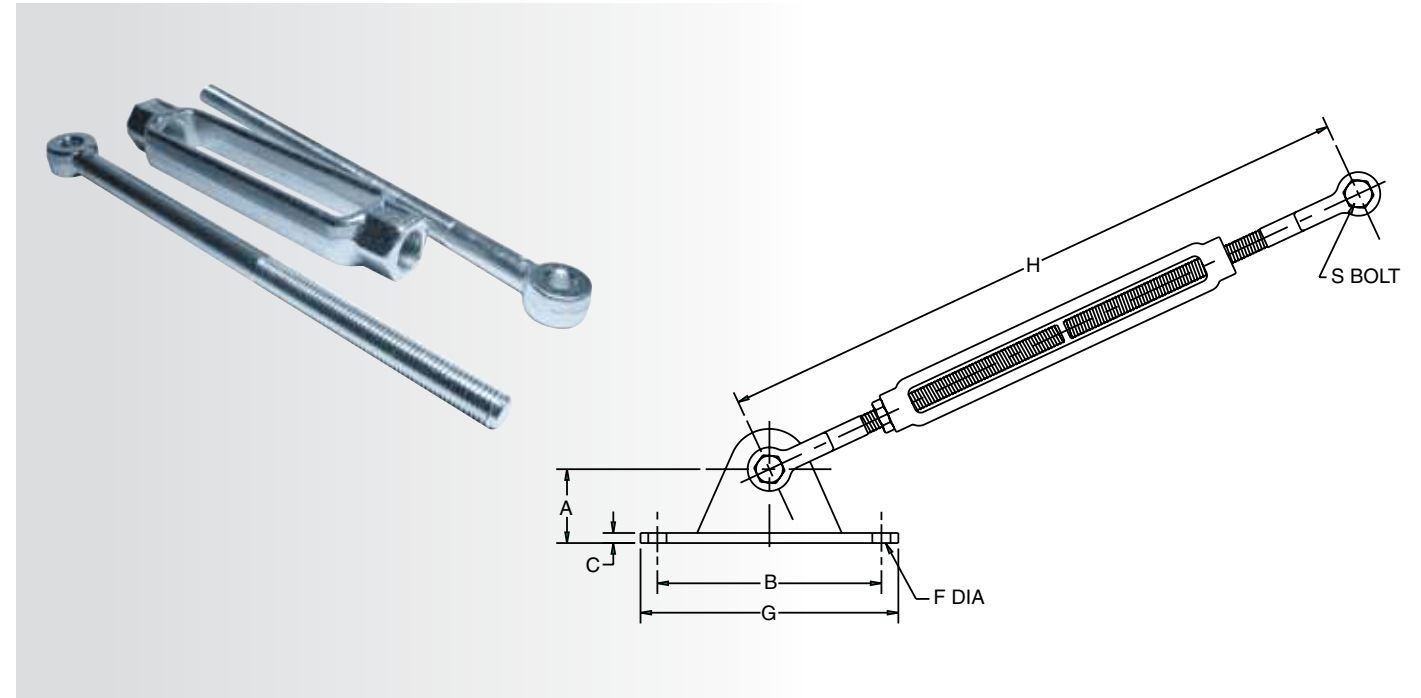


Table 3 Dimensions for Adjustable Torque Arm Kit

Part No.	A	B	C	F	G	H	S	Wt./Lbs.
SS175-262ATAK	1.38	4.187	.187	.34	4.81	12.00 - 17.50	5/16	2.0

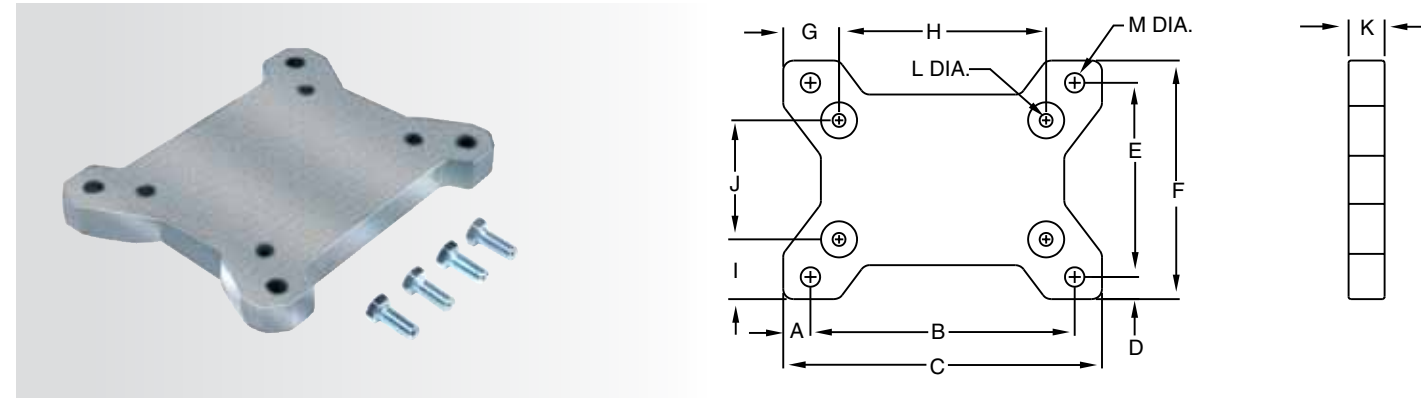


Table 4 Dimensions for Solid Horizontal One Piece Base

Part No.	A	B	C	D	E	F	G	H	I	J	K	L Dia.	M Dia.
SS175-BK	.62	5.75	7.00	.53	4.50	5.56	1.41	4.19	1.40	2.75	.69	3.8	.44
SS206-BK	.66	6.38	7.69	.53	4.69	5.76	1.35	5.00	1.44	2.88	.72	.44	.50
SS262-BK	.63	8.00	9.25	.62	5.25	6.50	1.44	6.38	1.56	3.38	.75	.44	.56

Table 2 Dimensions for Torque Arm Kit

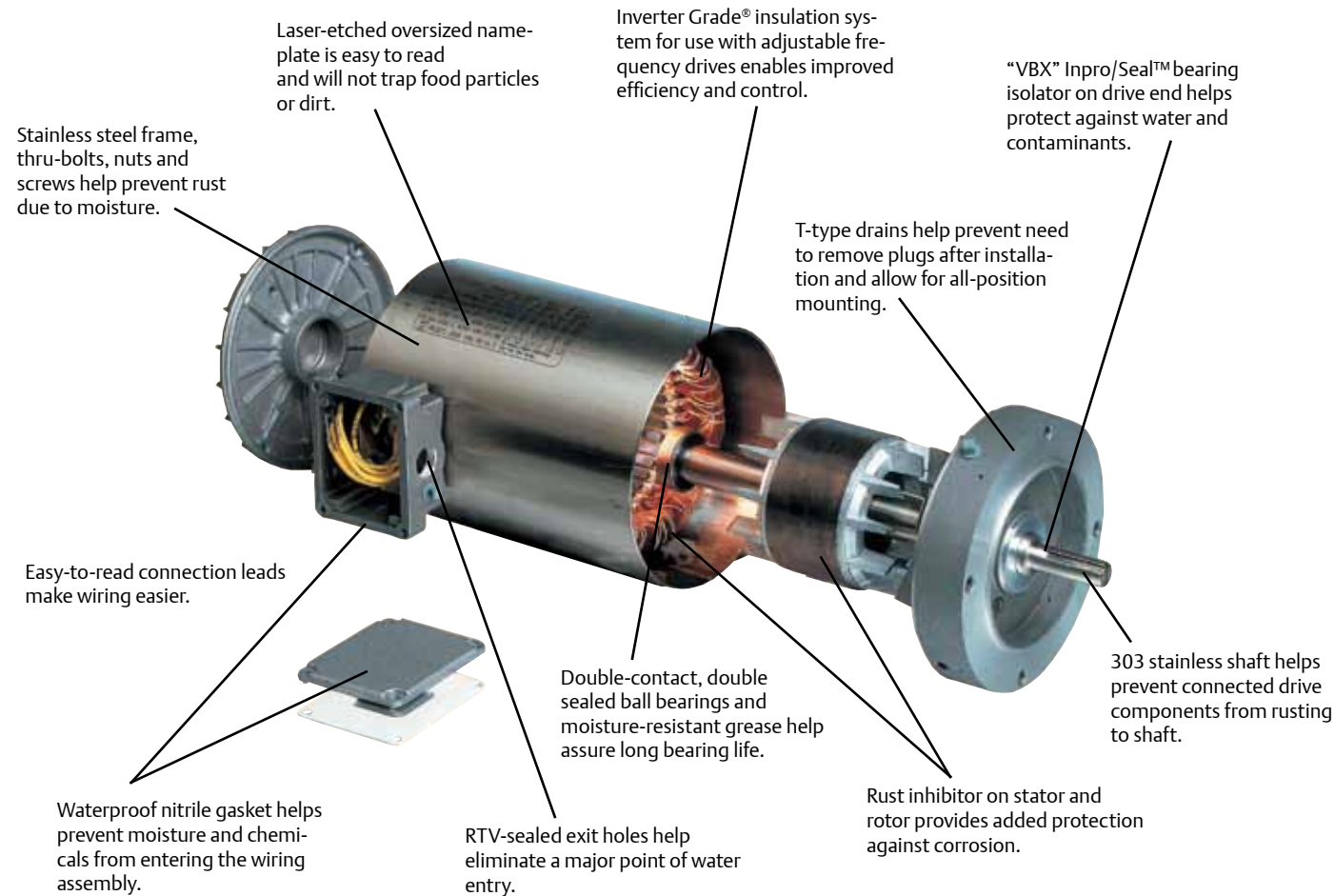
Part No.	A	B	C	D	E	F	Wt./Lbs.
SS175-TAK	4.19	2.09	.95	1.38	.53	.344	.9
SS206-TAK	5.00	2.50	1.28	1.97	.53	.406	1.0
SS262-TAK	6.38	3.19	1.131	2.38	.53	.406	1.4

GEARING

Corrosion Resistant Engineered Solutions



State-of-the-Art Features Built into Every Paint Free Washdown Motor



Inverter Grade is a registered trademark of Emerson Electric Co.

C-Face without Base – 1725 RPM

CATALOG NUMBER	HP	VOLTS	NEMA FRAME	SF	AMPS	OVERALL LENGTH INCLUDING SHAFT	SHAFT DIA.	SHAFT LENGTH	SHIP WGT
WDP12S2ACR	1/2	208-230/460	56C	1.15	2.0-1.9/0.9	12.2	.625	2.06	36
WDP34S2ACR	3/4	208-230/460	56C	1.15	2.8-2.7/1.3	12.2	.625	2.06	37
WDP1S2AFCR	1	208-230/460	56C	1.15	3.5-3.4/1.7	13.7	.625	2.06	38
WDP1S2ACR	1	208-230/460	145TC	1.15	3.5-3.4/1.7	13.8	.875	2.13	38
WDP32S2AFCR	1 1/2	208-230/460	56C	1.00	4.9-4.8/2.4	13.7	.625	2.06	39
WDP32S2ACR	1 1/2	208-230/460	145TC	1.00	4.9-4.8/2.4	13.8	.875	2.13	39
WDP2S2AFCR	2	208-230/460	56C	1.15	7.0-7.0/3.5	14.00	.625	1.90	44
WDP2S2ACR	2	208-230/460	145TC	1.15	7.0-7.0/3.5	14.10	.875	1.90	44

Input Horsepower, Output Torque, Overhung Loads and Thrust Loads for C-Flange Single Reduction Worm Gear Reducers and A.C. Motors

1.00 SF

REDUCER PART NUMBER	MOTOR HP	MOTOR PART NUMBER	OUTPUT TORQUE IN.-LBS.	OUTPUT SHAFT	
				MAX. OVERHUNG LOAD - LBS.	MAX. THRUST LOAD - LBS.
1750 R.P.M. Driver - 5:1 Ratio - 350 R.P.M. Output					
SS175Q56	1/2	WDP12S2ACR	83	663	868
SS175Q56	3/4	WDP34S2ACR	124	663	868
SS175Q56	1	WDP1S2AFCR	165	663	868
SS175Q140	1	WDP1S2ACR	165	663	868
SS175Q56	1 1/2	WDP32S2AFCR	248	663	868
SS175Q140	1 1/2	WDP32S2ACR	248	663	868
SS206Q56	2	WDP2S2AFCR	335	913	1265
SS206Q140	2	WDP2S2ACR	335	913	1265
1750 R.P.M. Driver - 10:1 Ratio - 175 R.P.M. Output					
SS175Q56	1/2	WDP12S2ACR	162	740	1098
SS206Q56	1/2	WDP12S2ACR	162	1078	1580
SS175Q56	3/4	WDP34S2ACR	244	740	1098
SS206Q56	3/4	WDP34S2ACR	244	1078	1580
SS175Q56	1	WDP1S2AFCR	325	740	1098
SS175Q140	1	WDP1S2ACR	325	740	1098
SS206Q56	1 1/2	WDP32S2AFCR	489	1078	1580
SS206Q140	1 1/2	WDP32S2ACR	489	1078	1580
SS262Q56	2	WDP2S2AFCR	657	1295	1976
SS262Q140	2	WDP2S2ACR	657	1295	1976
1750 R.P.M. Driver - 15:1 Ratio - 116.6 R.P.M. Output					
SS175Q56	1/2	WDP12S2ACR	233	740	1253
SS206Q56	1/2	WDP12S2ACR	238	1078	1820
SS175Q56	3/4	WDP34S2ACR	350	740	1253
SS206Q56	3/4	WDP34S2ACR	357	1078	1820
SS206Q56	1	WDP1S2AFCR	475	1078	1820
SS206Q140	1	WDP1S2ACR	475	1078	1820
SS262Q56	1 1/2	WDP32S2AFCR	719	1295	2296
SS262Q140	1 1/2	WDP32S2ACR	719	1295	2296
SS262Q56	2	WDP2S2AFCR	959	1295	2296
SS262Q140	2	WDP2S2ACR	959	1295	2296
1750 R.P.M. Driver - 20:1 Ratio - 87.5 R.P.M. Output					
SS175Q56	1/2	WDP12S2ACR	303	740	1358
SS206Q56	1/2	WDP12S2ACR	303	1078	1980
SS175Q56	3/4	WDP34S2ACR	455	740	1358
SS206Q56	3/4	WDP34S2ACR	455	1078	1980
SS206Q56	1	WDP1S2AFCR	609	1078	1980
SS206Q140	1	WDP1S2ACR	609	1078	1980
SS262Q56	1 1/2	WDP32S2AFCR	930	1295	2536
SS262Q140	1 1/2	WDP32S2ACR	930	1295	2536
1750 R.P.M. Driver - 25:1 Ratio - 70 R.P.M. Output					
SS175Q56	1/2	WDP12S2ACR	357	740	1380
SS206Q56	1/2	WDP12S2ACR	357	1078	2143
SS206Q56	3/4	WDP34S2ACR	535	1078	2143
SS262Q56	3/4	WDP34S2ACR	548	1295	2748
SS262Q56	1	WDP1S2AFCR	730	1295	2748
SS262Q140	1	WDP1S2ACR	730	1295	2748
SS262Q56	1 1/2	WDP32S2AFCR	1095	1295	2748
SS262Q140	1 1/2	WDP32S2ACR	1095	1295	2748
1750 R.P.M. Driver - 30:1 Ratio - 58.3 R.P.M. Output					
SS175Q56	1/2	WDP12S2ACR	429	740	1399
SS206Q56	1/2	WDP12S2ACR	429	1078	2300
SS206Q56	3/4	WDP34S2ACR	647	1078	2300
SS262Q56	3/4	WDP34S2ACR	660	1295	2956
SS262Q56	1	WDP1S2AFCR	880	1295	2956
SS262Q140	1	WDP1S2ACR	880	1295	2956
1750 R.P.M. Driver - 40:1 Ratio - 43.7 R.P.M. Output					
SS206Q56	1/2	WDP12S2ACR	534	1078	2305
SS262Q56	1/2	WDP12S2ACR	544	1295	3096
SS262Q56	3/4	WDP34S2ACR	816	1295	3096
SS262Q56	1	WDP1S2AFCR	1088	1295	3096
SS262Q140	1	WDP1S2ACR	1088	1295	3096
1750 R.P.M. Driver - 50:1 Ratio - 35 R.P.M. Output					
SS206Q56	1/2	WDP12S2ACR	628	1078	2305
SS262Q56	1/2	WDP12S2ACR	651	1295	3336
SS262Q56	3/4	WDP34S2ACR	976	1295	3336
1750 R.P.M. Driver - 60:1 Ratio - 29.1 R.P.M. Output					
SS262Q56	1/2	WDP12S2ACR	748	1295	3410

GEARING

Corrosion Resistant Engineered Solutions



Input Horsepower, Output Torque, Overhung Loads and Thrust Loads for C-Flange Single Reduction Worm Gear Reducers and A.C. Motors

1.50 SF

REDUCER PART NUMBER	MOTOR HP	MOTOR PART NUMBER	OUTPUT TORQUE IN.-LBS.	OUTPUT SHAFT	
				MAX. OVERHUNG LOAD - LBS.	MAX. THRUST LOAD - LBS.
1750 R.P.M. Driver - 5:1 Ratio - 350 R.P.M. Output					
SS175Q56	1/2	WDP12S2ACR	83	663	868
SS175Q56	3/4	WDP34S2ACR	124	663	868
SS175Q56	1	WDP1S2AFCR	165	663	868
SS175Q140	1	WDP1S2ACR	165	663	868
SS206Q140	1 1/2	WDP32S2ACR	251	913	1265
SS206Q140	2	WDP2S2ACR	335	913	1265
1750 R.P.M. Driver - 10:1 Ratio - 175 R.P.M. Output					
SS175Q56	1/2	WDP12S2ACR	162	740	1098
SS206Q56	1/2	WDP12S2ACR	162	1078	1580
SS175Q56	3/4	WDP34S2ACR	244	740	1098
SS206Q56	3/4	WDP34S2ACR	244	1078	1580
SS206Q56	1	WDP1S2AFCR	326	1078	1580
SS206Q140	1	WDP1S2ACR	326	1295	1976
SS262Q56	1 1/2	WDP32S2AFCR	493	1295	1976
SS262Q140	1 1/2	WDP32S2ACR	493	1295	1976
SS262Q56	2	WDP2S2AFCR	657	1295	1976
SS262Q140	2	WDP2S2ACR	657	1295	1976
1750 R.P.M. Driver - 15:1 Ratio - 116.6 R.P.M. Output					
SS175Q56	1/2	WDP12S2ACR	233	740	1253
SS206Q56	1/2	WDP12S2ACR	237	1078	1820
SS206Q56	3/4	WDP34S2ACR	357	1078	1820
SS262Q56	3/4	WDP34S2ACR	360	1295	2296
SS262Q56	1	WDP1S2AFCR	480	1295	2296
SS262Q140	1	WDP1S2ACR	480	1295	2296
SS262Q56	1 1/2	WDP32S2AFCR	719	1295	2296
SS262Q140	1 1/2	WDP32S2ACR	719	1295	2296
1750 R.P.M. Driver - 20:1 Ratio - 87.5 R.P.M. Output					
SS175Q56	1/2	WDP12S2ACR	303	740	1358
SS206Q56	1/2	WDP12S2ACR	304	1078	1980
SS206Q56	3/4	WDP34S2ACR	456	1078	1980
SS262Q56	3/4	WDP34S2ACR	465	1295	2536
SS262Q56	1	WDP1S2AFCR	620	1295	2536
SS262Q140	1	WDP1S2ACR	620	1295	2536
1750 R.P.M. Driver - 25:1 Ratio - 70 R.P.M. Output					
SS206Q56	1/2	WDP12S2ACR	356	1078	2143
SS262Q56	1/2	WDP12S2ACR	365	1295	2748
SS262Q56	3/4	WDP34S2ACR	548	1295	2748
SS262Q56	1	WDP1S2AFCR	730	1295	2748
SS262Q140	1	WDP1S2ACR	730	1295	2748
1750 R.P.M. Driver - 30:1 Ratio - 58.3 R.P.M. Output					
SS206Q56	1/2	WDP12S2ACR	431	1078	2300
SS262Q56	1/2	WDP12S2ACR	440	1295	2956
SS262Q56	3/4	WDP34S2ACR	660	1295	2956
1750 R.P.M. Driver - 40:1 Ratio - 43.7 R.P.M. Output					
SS262Q56	1/2	WDP12S2ACR	544	1295	3096
SS262Q56	3/4	WDP34S2ACR	816	1295	3096
1750 R.P.M. Driver - 50:1 Ratio - 35 R.P.M. Output					
SS262Q56	1/2	WDP12S2ACR	651	1295	3336
1750 R.P.M. Driver - 60:1 Ratio - 29.1 R.P.M. Output					
SS262Q56	1/2	WDP12S2ACR	748	1295	3410

Input Horsepower, Output Torque, Overhung Loads and Thrust Loads for C-Flange Single Reduction Worm Gear Reducers and A.C. Motors

2.0 SF

REDUCER PART NUMBER	MOTOR HP	MOTOR PART NUMBER	OUTPUT TORQUE IN.-LBS.	OUTPUT SHAFT	
				MAX. OVERHUNG LOAD - LBS.	MAX. THRUST LOAD - LBS.
1750 R.P.M. Driver - 5:1 Ratio - 350 R.P.M. Output					
SS175Q56	1/2	WDP12S2ACR	83	663	868
SS175Q56	3/4	WDP34S2ACR	124	663	868
SS175Q56	1	WDP1S2AFCR	165	663	868
SS175Q140	1	WDP1S2ACR	165	663	868
SS206Q140	1 1/2	WDP32S2ACR	252	913	1265
SS262Q56	2	WDP2S2AFCR	338	1295	1596
1750 R.P.M. Driver - 10:1 Ratio - 175 R.P.M. Output					
SS175Q56	1/2	WDP12S2ACR	162	740	1098
SS206Q56	1/2	WDP12S2ACR	162	1078	1580
SS206Q56	3/4	WDP34S2ACR	244	1078	1580
SS262Q56	1	WDP1S2AFCR	328	1295	1976
SS262Q140	1	WDP1S2ACR	328	1295	1976
SS262Q56	1 1/2	WDP32S2AFCR	493	1295	1976
SS262Q140	1 1/2	WDP32S2ACR	493	1295	1976
1750 R.P.M. Driver - 15:1 Ratio - 116.6 R.P.M. Output					
SS206Q56	1/2	WDP12S2ACR	238	1078	1820
SS262Q56	1/2	WDP12S2ACR	238	1295	2296
SS262Q56	3/4	WDP34S2ACR	360	1295	2296
SS262Q56	1	WDP1S2AFCR	480	1295	2296
SS262Q140	1	WDP1S2ACR	480	1295	2296
1750 R.P.M. Driver - 20:1 Ratio - 87.5 R.P.M. Output					
SS206Q56	1/2	WDP12S2ACR	304	1078	1980
SS262Q56	1/2	WDP12S2ACR	304	1295	2536
SS262Q56	3/4	WDP34S2ACR	465	1295	2536
SS262Q56	1	WDP1S2AFCR	620	1295	2536
SS262Q140	1	WDP1S2ACR	620	1295	2536
1750 R.P.M. Driver - 25:1 Ratio - 58.3 R.P.M. Output					
SS262Q56	1/2	WDP12S2ACR	365	1295	2748
SS262Q56	3/4	WDP34S2ACR	548	1295	2748
1750 R.P.M. Driver - 30:1 Ratio - 70 R.P.M. Output					
SS262Q56	1/2	WDP12S2ACR	440	1295	2956
1750 R.P.M. Driver - 40:1 Ratio - 43.7 R.P.M. Output					
SS262Q56	1/2	WDP12S2ACR	544	1295	3096

For 1.25 and 1.75 SF contact Emerson Power Transmission Services at 1-800-626-2093.

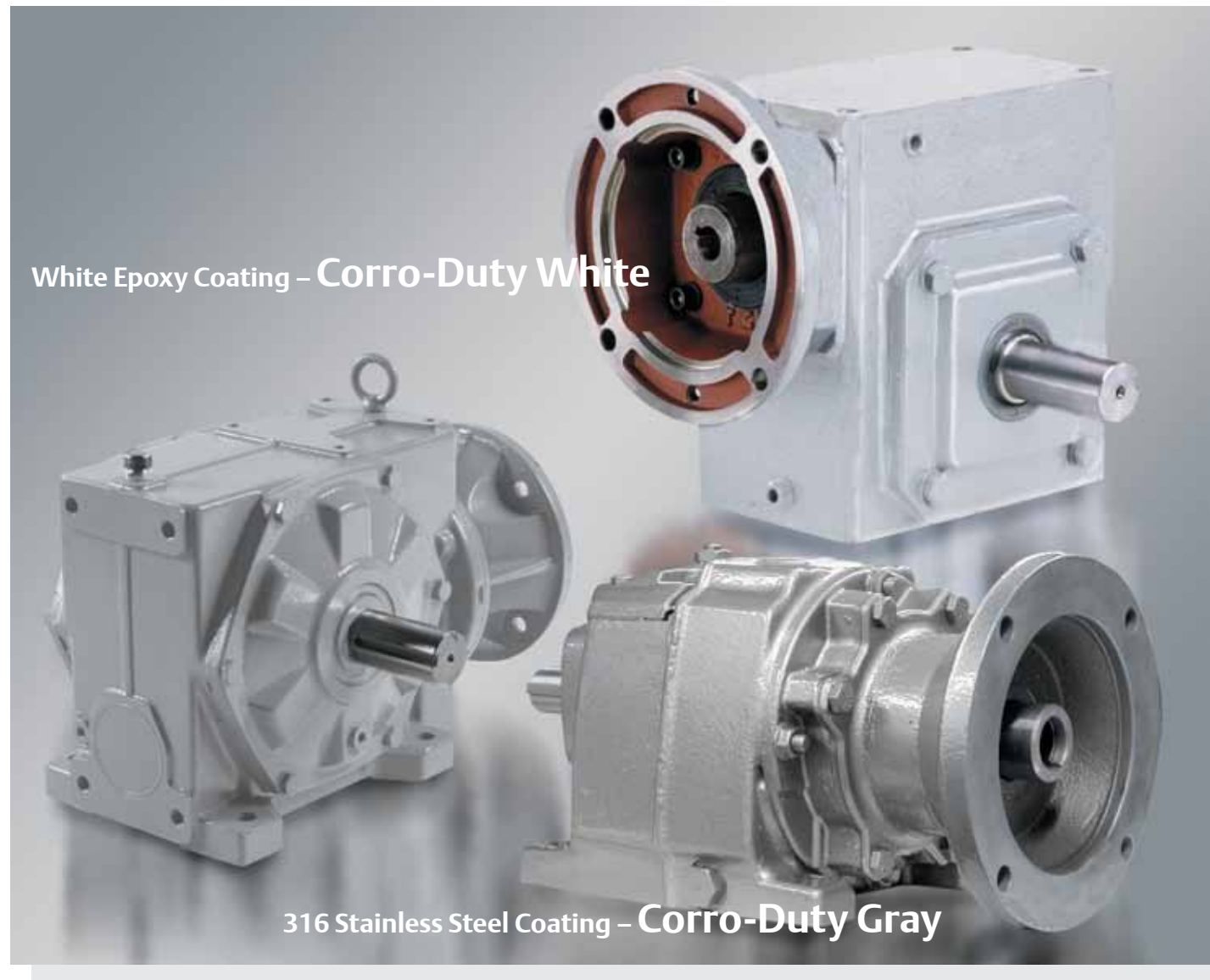
GEARING

Corrosion Resistant Engineered Solutions



CRES Coatings *USDA and FDA Accepted*

These corrosion-resistant coating options are available today in all sizes for the complete line of Browning and Morse speed reducers and gearmotors. They complement our premium corrosion-resistant engineered solutions, including all the stainless steel Morse Raider Plus offerings for the ultimate in corrosion resistance.



White Epoxy Coating – Corro-Duty White

316 Stainless Steel Coating – Corro-Duty Gray

316 Stainless Steel Coating – Corro-Duty Gray

A rugged, three-step process produces a superb corrosion duty coating that works well in wet, corrosion environments. The metallic gray coating is USDA and FDA accepted with a 316 stainless steel pigment.

White Epoxy Coating – Corro-Duty White

This two-step coatings is the traditional food-grade white epoxy often used in demanding, corrosive food and beverage applications and is also USDA and FDA accepted.

Expanded, Corrosion-Resistant Coatings

- Do your applications include food, chemical, or poultry processing?
- Is your equipment outdoors and exposed to the elements?
- Are your gearing products subjected to extreme humidity, washdown, steam, caustic detergents or mild acids?

Call Emerson Power Transmission
for your Corrosion-Resistant Gearing Solutions.
1-800-626-2120

Please specify **Corro-Duty Gray** or **Corro-Duty White** when ordering.

Available on:

- Worm Gear Reducers and Gearmotors
- Helical In-Line and Right Angle Speed Reducers and Gearmotors

GEARING

Corrosion Resistant Engineered Solutions



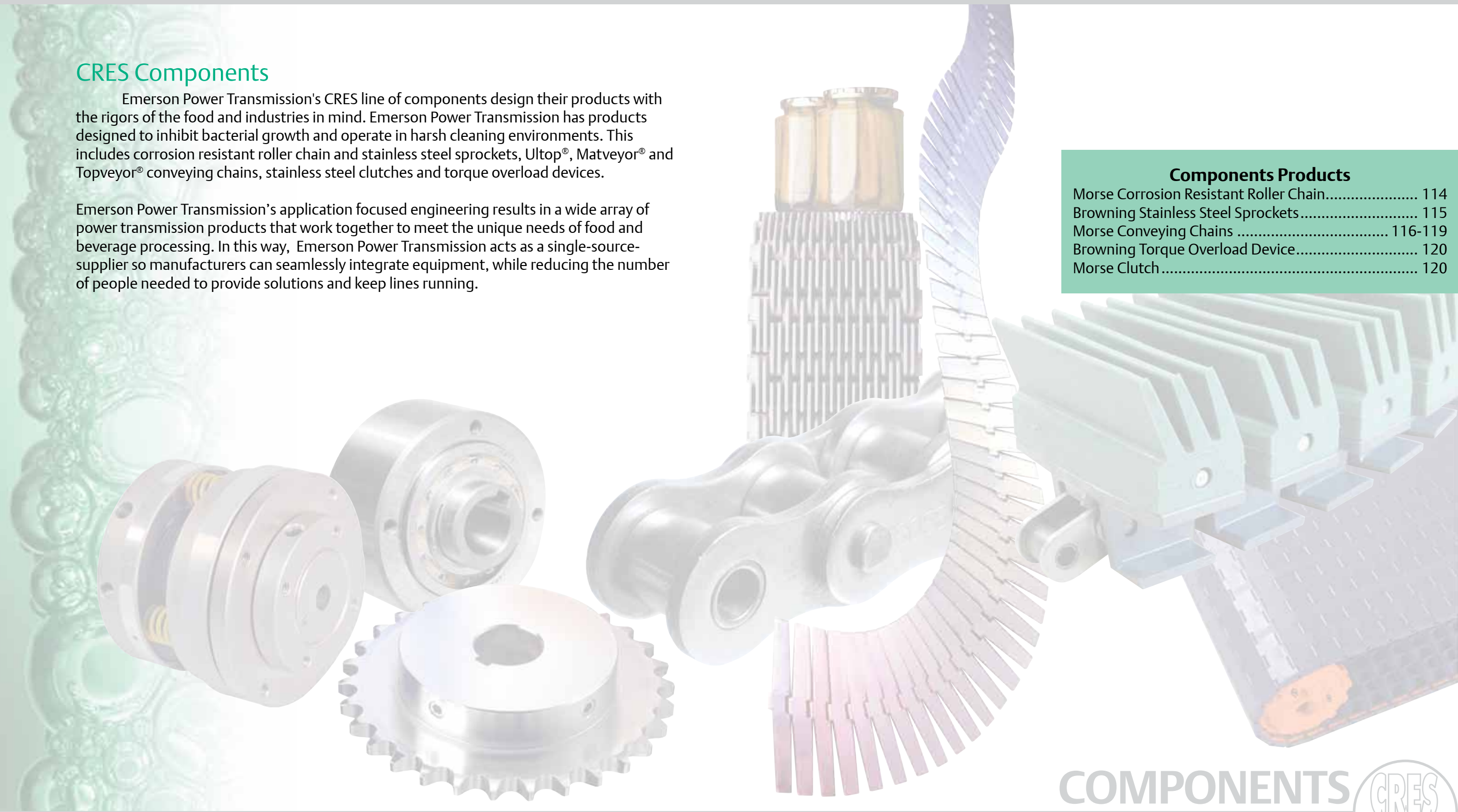
CRES Components

Emerson Power Transmission's CRES line of components design their products with the rigors of the food and industries in mind. Emerson Power Transmission has products designed to inhibit bacterial growth and operate in harsh cleaning environments. This includes corrosion resistant roller chain and stainless steel sprockets, Ultop[®], Matveyor[®] and Topveyor[®] conveying chains, stainless steel clutches and torque overload devices.

Emerson Power Transmission's application focused engineering results in a wide array of power transmission products that work together to meet the unique needs of food and beverage processing. In this way, Emerson Power Transmission acts as a single-source-supplier so manufacturers can seamlessly integrate equipment, while reducing the number of people needed to provide solutions and keep lines running.

Components Products

Morse Corrosion Resistant Roller Chain.....	114
Browning Stainless Steel Sprockets.....	115
Morse Conveying Chains	116-119
Browning Torque Overload Device.....	120
Morse Clutch	120



COMPONENTS

Corrosion Resistant Engineered Solutions



CRES MORSE Roller Chain

Morse provides a wide range of high quality roller chain solutions to meet application needs for many different industries. With 100 years of experience in manufacturing domestic chain products that meet or exceed industry standard; Morse delivers exceptional customer value.

Morse offers several corrosion resistant roller chain solutions to help customers with challenging applications in harsh environments.



Chain Types

Morse provides corrosion resistant materials for most chain styles.

Moisture Guard® Chain

- Corrosion protection with high strength and wear resistance
- Plated before assembly for through corrosion protection
- Custom Moisture Guard chain available for design according to your application needs for materials, platings, coatings and lubricants
- Stocked in 35 through 80 pitch in 10 ft. packages or cut-to-length

How to Order:

Simply add an MG after the pitch size. For example, order 60MG R for 60 pitch riveted Moisture Guard Chain.

Nickel Plated Roller Chain

- High quality nickel plating applied to chain parts prior to assembly
- Outstanding appearance and corrosion resistance
- Many sizes available from stock, with or without attachments – other sizes and special attachments available upon request

Stainless Steel Roller Chain

- 300 Series stainless steel for the most corrosive environments
- Stocked in 25 through 120, including popular attachments – other sizes and special attachments also available

Corrosion Resistant Attachment Chain

- Available in standard carbon steel, nickel plated, Moisture Guard, stainless steel and custom designs on a made-to-order basis

Stainless Steel Sprockets

- Provides a complete, corrosion resistant chain drive with stainless steel sprockets
- Available in 35 through 80 pitch in A-plate and B-plate styles
- Popular sizes stocked
- Custom sprockets also available to meet the most challenging applications

For customer service, contact the Specialty Chain Center at 1-888-378-7223

For customized chain solutions, contact Application Engineering at 1-800-626-2093 or by email at tech-service@emerson-ept.com to solve your chain corrosion problems

ASTMB-117 • 500 Hour Salt Spray Test



Competitor "Water Proof" Chain



Morse Moisture Guard® Chain

COMPONENTS

Corrosion Resistant Engineered Solutions



CRES MORSE Conveying Chains

Morse offers three lines of fully-integrated conveying chains. These high quality, high performance systems handle a multiplicity of tough container handling tasks and offers optimum versatility, variety and value.

1. Utop Family of Conveyor Chain
2. Matveyor Modular Plastic Chain
3. Topveyor Conveying Chain



Utop Chain



Matveyor Chain



Topveyor Chain

Utop Chain

The ultimate in container handling! Built for speed and smooth performance. To Address today's *Hot Issues* in beverage plants.

- Increased speed of production lines
- Improved product stability, even with light weight products
- Dry running, eliminate soap lubricants
- Reduced downtime and maintenance
- Active Transfer Modules for smooth, continuous product transfer at 90 degree corners

Matveyor Chain

Brickable width plastic belting with performance materials to match challenging conveying applications.

- **Series 1010** Light duty 1" pitch products ideally suited to a wide variety of general package and container handling applications
- **Series 3000** Heavy duty 2" pitch belts applicable for larger warmers, coolers, mass accumulation, and general conveying
- **Series 5000** Modularity in a turn-style belt ideal for many food production and processing applications

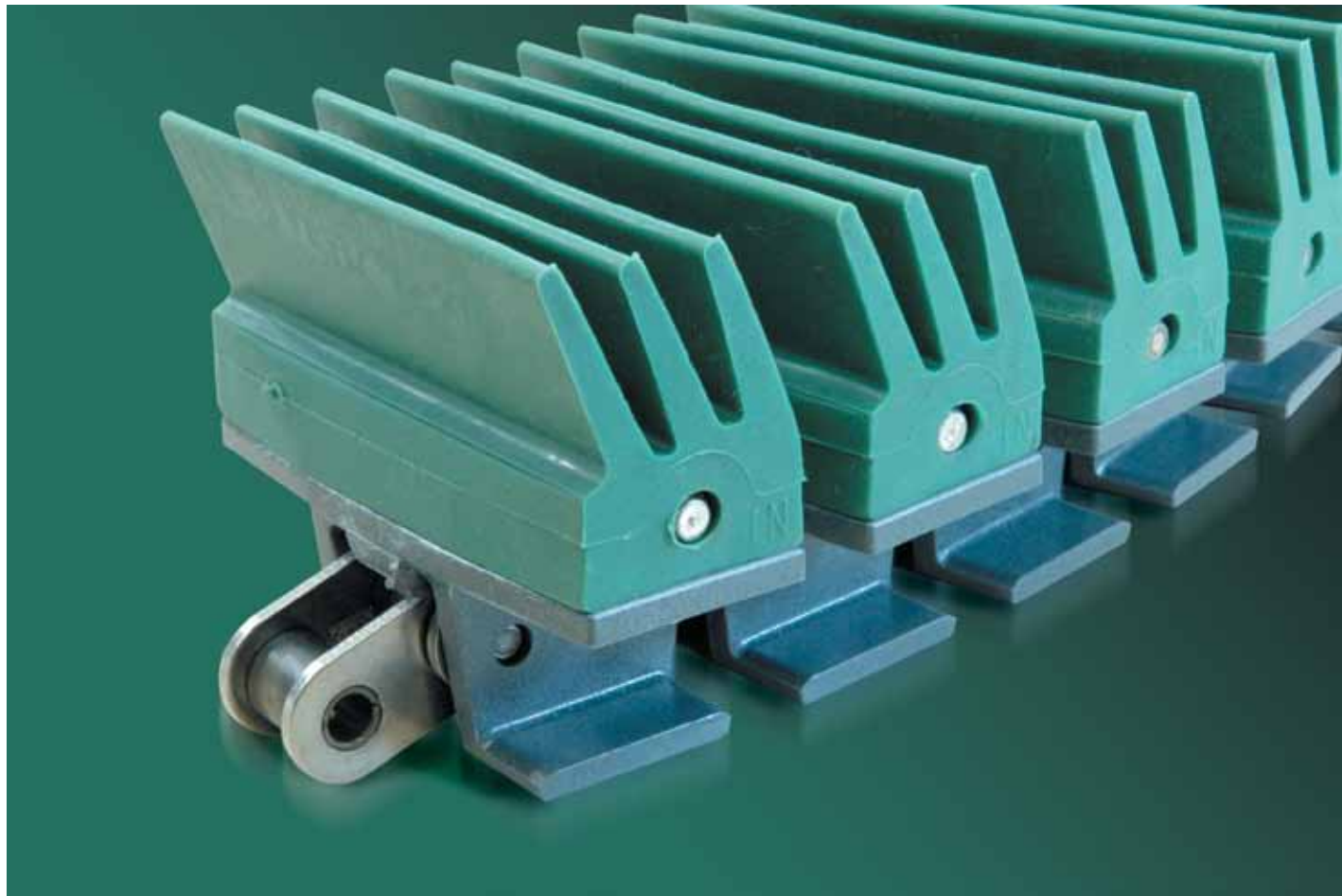
Topveyor Chain

The TOP choice for problem-solving. Tops in interchangeability and specialty chain choices.

- Carbon and stainless steel chains
- Advanced thermoplastic materials
- Straight running, side flexing and multi-flex
- Split and solid sprockets

CRES MORSE *Gripper Chain*

For your bottle handling applications consider Morse gripper chain. Flexible, rubber grippers maintain their original shape and elasticity and are specifically designed to exert the appropriate amount of force onto containers. The proprietary flight material also decreases forces on chain flights, reducing chain pull and dramatically increasing base chain life. Additionally, stainless steel pins hold grippers to flights, and keep them from coming off during machine jams.



Thermoplastic, Rubber Chain

- Flexible, thermoplastic, rubber retains memory so grippers return to their original shape and consistency
- Grippers available with shorter fingers that exert a higher force on conveyed products — particularly suitable for heavier containers and packaged products
- Fingers flex without increasing force on the product and the conveyor — making it suitable for conveying glass containers
- Some models offers a flat, more continuous contact surface between the rubber and the conveyed product

Base Roller Chain

- 3/4" pitch
- Carbon steel for mechanical strength and resistance to elongation
- Stainless steel for mechanical strength and corrosion resistance

Benefit Summary

- Gripper chain exerts the right amount of force so container deformation is not an issue
- Pliable rubber grippers retain shape and consistency
- Grippers securely fastened to flight by a stainless steel pin that helps eliminate pop-offs and provides smooth, rapid movement
- Fingers cover a larger area of containers — providing better handling abilities
- Stainless and carbon steel base chain options for mechanical strength and corrosion resistance
- DK flights provide excellent wear resistance, help reduce elongation of stainless steel base chain and result in less dusting



Solutions for Harsh Environments

Torq/Pro® X Torque Overload Device



Features

- Patent pending, innovative ball and wedge mechanism, helps prevent backlash
- Ball and pocket are uniquely designed to fit together in only one position
- Adjust trip torque by simply turning the adjustment nut
- Torque setting can be easily verified by checking the torque scale and indicator

Bore range..... 0.28" - 2.75"
 Output range 1.25" - 578 lb-ft.
 Precision tripping torque ±3%

For more Torque Overload and Clutch Product Solutions

visit www.emerson-ept.com



MZEU Series Cam Clutch

Features

- Full complement of cams
- Two bearings incorporated for concentricity control
- Symmetric, building block components
- Close tolerance outer diameter to mount sheave, gears, sprockets and torque arms

Bore range..... 0.472" - 5.0"
 Torque range..... 44 - 25,000 lb-ft.



All sales are made on our STANDARD TERMS AND CONDITIONS OF SALE in effect at the time a customer's order is accepted. The current Terms and Conditions are set forth below:

STANDARD TERMS AND CONDITIONS OF SALE (August 15, 2001)

These Terms and Conditions, the attendant quotation or acknowledgment and all documents incorporated by specific reference therein, will be the complete and exclusive statement of the terms of the agreement governing the sale of goods ("Goods") by Emerson Power Transmission Corporation and its divisions and subsidiaries ("Seller") to Customer ("Buyer"). Buyer's acceptance of the Goods will manifest Buyer's assent to these Terms and Conditions. If these Terms and Conditions differ in any way from the terms and conditions of Buyer's order, or other documentation, this document will be construed as a counteroffer and will not be deemed an acceptance of Buyer's terms and conditions which conflict herewith.

1. **PRICES:** Unless otherwise specified in writing by Seller, Seller's price for the goods shall remain in effect for thirty (30) days after the date of Seller's quotation or acknowledgment of Buyer's order for the Goods, whichever occurs first, provided an unconditional, complete authorization for the immediate shipment of the Goods is received and accepted by Seller within such time period. If such authorization is not received by Seller within such thirty (30) day period, Seller shall have the right to change the price for the Good to Seller's price for the Goods at the time of shipment.

2. **TAXES:** Any tax or governmental charge or increase in same hereafter becoming effective increasing the cost to Seller of producing, selling or delivering the Goods or of procuring material used therein, and any tax now in effect or increase in same payable by the Seller because of the manufacture, sale or delivery of the Goods, may at Seller's option, be added to the price.

3. **TERMS OF PAYMENT:** Subject to the approval of Seller's Credit Department, terms are net thirty (30) days from date of Seller's invoice in U.S. currency. If any payment owed to Seller is not paid when due, it shall bear interest, at a rate to be determined by Seller, which shall not exceed the maximum rate permitted by law, from the date on which it is due until it is paid. Seller shall have the right, among other remedies, either to terminate the Agreement or to suspend further performance under this and/or other agreements with Buyer in the event Buyer fails to make any payment when due. Buyer shall be liable for all expenses, including attorneys' fees, relating to the collection of past due amounts.

4. **SHIPMENT AND DELIVERY:** Shipments are made F.O.B. Seller's shipping point. Any claims for shortages or damages suffered in transit shall be submitted by the Buyer directly to the carrier. While Seller will use all reasonable commercial efforts to maintain the delivery date acknowledged or quoted by Seller, all shipping dates are approximate. Seller reserves the right to make partial shipments and to segregate "specials" and made-to-order Goods from normal stock Goods. Seller shall not be bound to tender delivery of any Goods for which Buyer has not provided shipping instructions.

5. **QUANTITY:** Buyer agrees to accept overruns of up to ten percent (10%) of the order on "made-to-order" Goods, including parts. Any such additional items shall be priced at the price per item charged for the specific quantity ordered.

6. **LIMITED WARRANTY:** Subject to the limitations of Section 7, Seller warrants that the Goods will be free from defects in material and workmanship under normal use, service and maintenance for a period of one year (unless otherwise specified by Seller in writing) from the date of shipment of the Goods by Seller. **THIS IS THE SOLE AND EXCLUSIVE WARRANTY GIVEN BY SELLER WITH RESPECT TO THE GOODS AND IS IN LIEU OF AND EXCLUDES ALL OTHER WARRANTIES, EXPRESS OR IMPLIED, ARISING BY OPERATION OF LAW OR OTHERWISE, INCLUDING WITHOUT LIMITATION, MERCHANTABILITY OR FITNESS FOR A PARTICULAR PURPOSE WHETHER OR NOT THE PURPOSE OR USE HAS BEEN DISCLOSED TO SELLER IN SPECIFICATIONS, DRAWINGS OR OTHERWISE, AND WHETHER OR NOT SELLER'S PRODUCTS ARE SPECIFICALLY DESIGNED AND/OR MANUFACTURED BY SELLER FOR BUYER'S USE OR PURPOSE.**

This warranty does not extend to any losses or damages due to misuse, accident, abuse, neglect, normal wear and tear, unauthorized modification or alteration, use beyond rated capacity, or improper installation, maintenance or application. To the extent that Buyer or its agents has supplied specifications, information, representation of operating conditions or other data to Seller in the selection or design of the Goods and the preparation of Seller's quotation, and in the event that actual operating conditions or other conditions differ from those represented by Buyer, any warranties or other provisions contained herein which are affected by such conditions shall be null and void. If within thirty (30) days after Buyer's discovery of any warranty defects within the warranty period, Buyer notifies Seller thereof in writing, Seller shall, at its option, repair or replace F.O.B. point of manufacture, or refund the purchase price for, that portion of the goods found by Seller to be defective. Failure by Buyer to give such written notice within the applicable time period shall be deemed an absolute and unconditional waiver of Buyer's claim for such defects. Goods repaired or replaced during the warranty period shall be covered by the foregoing warranty for the remainder of the original warranty period or ninety (90) days, whichever is longer. Buyer assumes all other responsibility for any loss, damage, or injury to persons or property arising out of, connected with, or resulting from the use of Goods, either alone or in combination with other products/components.

SECTIONS 6 AND 7 APPLY TO ANY ENTITY OR PERSON WHO MAY BUY, ACQUIRE OR USE SELLER'S GOODS, INCLUDING ANY ENTITY OR PERSON WHO BUYS THE GOODS FROM SELLER'S DISTRIBUTOR AND SUCH ENTITY OR PERSON SHALL BE BOUND BY THE LIMITATIONS THEREIN.

7. **LIMITATION OF REMEDY AND LIABILITY: THE SOLE AND EXCLUSIVE REMEDY FOR BREACH OF ANY WARRANTY HEREUNDER (OTHER THAN THE WARRANTY PROVIDED UNDER SECTION 13) SHALL BE LIMITED TO REPAIR, REPLACEMENT OR REFUND OF THE PURCHASE PRICE UNDER SECTION 6. SELLER SHALL NOT BE LIABLE FOR DAMAGES CAUSED BY DELAY IN PERFORMANCE AND IN NO EVENT, REGARDLESS OF THE FORM OF THE CLAIM OR CAUSE OF ACTION (WHETHER BASED IN CONTRACT, INFRINGEMENT, NEGLIGENCE, STRICT LIABILITY, OTHER TORT OR OTHERWISE), SHALL SELLER'S LIABILITY TO BUYER AND/OR ITS CUSTOMERS EXCEED THE PRICE TO BUYER OF THE SPECIFIC GOODS PROVIDED BY SELLER GIVING RISE TO THE CLAIM OR CAUSE OF ACTION. BUYER AGREES THAT IN NO EVENT SHALL SELLER'S LIABILITY TO BUYER AND/OR ITS CUSTOMERS EXTEND TO INCLUDE INCIDENTAL, CONSEQUENTIAL OR PUNITIVE DAMAGES. THE TERM "CONSEQUENTIAL DAMAGES" SHALL INCLUDE, BUT NOT BE LIMITED TO, LOSS OF**

ANTICIPATED PROFITS, LOSS OF USE, LOSS OF REVENUE, COST OF CAPITAL AND DAMAGE OR LOSS OF OTHER PROPERTY OR EQUIPMENT.

It is expressly understood that any technical advice furnished by Seller with respect to the use of the Goods is given without charge, and Seller assumes no obligation or liability for the advice given, or results obtained, all such advice being given and accepted at Buyer's risk.

GOODS AND/OR SERVICES SOLD HEREUNDER ARE NOT FOR USE IN ANY NUCLEAR AND RELATED APPLICATIONS. Buyer accepts goods and/or services with the foregoing understanding, agrees to communicate the same in writing to any subsequent purchaser or users and to defend, indemnify and hold harmless Seller from any claims, losses, suits, judgments and damages, including incidental and consequential damages, arising from such use, whether the cause of action be based in tort, contract or otherwise, including allegations that the Seller's liability is based on negligence or strict liability.

8. **EXCUSE OF PERFORMANCE:** Seller shall not be liable for delays in performance or for non-performance due to acts of God, acts of Buyer, war, riot, fire, flood, other severe weather, sabotage, or epidemics; strikes or labor disturbances; governmental requests, restrictions, laws, regulations, orders or actions; unavailability of or delays in transportation; default of suppliers; or unforeseen circumstances or any events or causes beyond Seller's reasonable control. Deliveries may be suspended for an appropriate period of time as a result of the foregoing. If Seller determines that its ability to supply the total demand for the Goods, or to obtain material used directly or indirectly in the manufacture of the Goods, is hindered, limited or made impracticable due to causes addressed in this Section 8, Seller may allocate its available supply of the Goods or such material (without obligation to acquire other supplies of any such Goods or material) among itself and its purchasers on such basis as Seller determines to be equitable without liability for any failure of performance which may result therefrom. Deliveries suspended or not made by reason of this section may be canceled by Seller upon notice to Buyer without liability, but the balance of the agreement shall otherwise remain unaffected.

9. **CANCELLATION:** The Buyer may cancel orders only upon written notice and upon payment to Seller of cancellation charges which include, among other things, all costs and expenses incurred and commitments made by the Seller and a reasonable profit thereon.

10. **CHANGES:** Buyer may request changes or additions to the Goods consistent with Seller's specifications and criteria. In the event such changes or additions are accepted by Seller, Seller may revise the price and delivery schedule. Seller reserves the right to change designs and specifications for the Goods without prior notice to Buyer, except with respect to Goods being made-to-order for Buyer.

11. **TOOLING:** Tool, die, and pattern charges, if any, are in addition to the price of the Goods and are due and payable upon completion of the tooling. All such tools, dies and patterns shall be and remain the property of Seller. Charges for tools, dies, and patterns do not convey to Buyer, title, ownership interests in, or rights to possession or removal, nor prevent their use by Seller for other purchasers, except as otherwise expressly provided by Seller and Buyer in writing with reference to this provision.

12. **ASSIGNMENT:** Buyer shall not assign its rights or delegate its duties hereunder or any interest therein or any rights hereunder without the prior written consent of the Seller, and any such assignment, without such consent, shall be void.

13. **PATENTS AND COPYRIGHTS:** Subject to Section 7, Seller warrants that the Goods sold, except as are made specifically for Buyer according to Buyer's specifications, do not infringe any valid U.S. patent or copyright in existence as of the date of delivery. This warranty is given upon the condition that Buyer promptly notify Seller of any claim or suit involving Buyer in which such infringement is alleged, and, that Buyer cooperate fully with Seller and permit Seller to control completely the defense or compromise of any such allegation of infringement. Seller's warranty as to use only applies to infringements arising solely out of the inherent operation (i) of such Goods, or (ii) of any combination of Goods in a system designed by Seller. In the event such Goods, singularly or in combination, are held to infringe a U.S. patent or copyright in such suit, and the use of such Goods is enjoined, or in the case of a compromise by Seller, Seller shall have the right, at its option and expense, to procure for Buyer the right to continue using such Goods, or replace them with non-infringing Goods; or modify same to become non-infringing; or grant Buyer a credit for the depreciated value of such Goods and accept return of them.

14. **MISCELLANEOUS:** These terms and conditions set forth the entire understanding and agreement between Seller and Buyer, and supersede all other communications, negotiations and prior oral or written statements regarding the subject matter of these terms and conditions. No change, modification, rescission, discharge, abandonment, or waiver of these terms and conditions of Sale shall be binding upon the Seller unless made in writing and signed on its behalf by an officer of the Seller. No conditions, usage or trade, course of dealing or performance, understanding or agreement purporting to modify, vary, explain, or supplement these Terms and Conditions shall be binding unless hereafter made in writing and signed by the party to be bound, and no modification shall be affected by the acceptance of purchase orders or shipping instruction forms containing terms at variance with or in addition to those set forth herein. Any such modifications or additional terms are specifically rejected by Seller. No waiver by Seller with respect to any breach or default or any right or remedy and no course of dealing, shall be deemed to constitute a continuing waiver of any other breach or default or of any other right or remedy, unless such waiver be expressed in writing and signed by the party to be bound. Seller is not responsible for typographical or clerical errors made in any quotation, orders or publications. All such errors are subject to correction. The validity, performance, and all other matters relating to the interpretation and effect of this contract shall be governed by the law of the state of New York. The United Nations Convention on the International Sale of Goods shall not apply to any transaction hereunder.