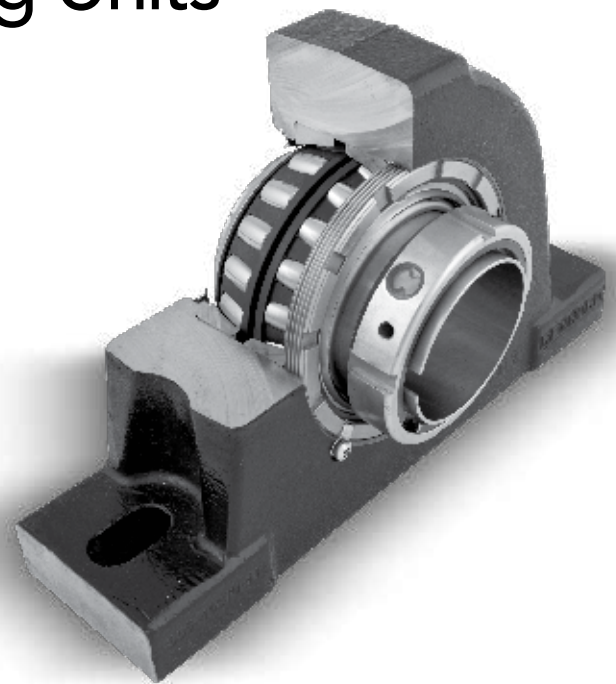




Rex and Link-Belt Spherical Roller Bearing Units



Rex[®]

Link-Belt[®]

Section Index

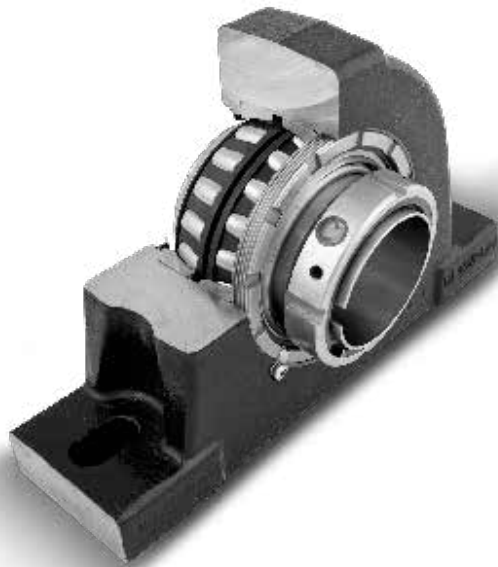
Description	Page
1 Rex® Spherical Roller Bearing Units	1
Features & Benefits	2
Shaft Mounting Styles	4
Seal Ratings & Speed Limits	6
Nomenclature	7
Engineering / Selection Guide	8
Pillow Blocks	17
Flange Blocks	41
Cartridge Blocks	59
Take-up Blocks	69
Take-up Assemblies	75
Duplex Units	89
Unmounted Replacement Bearings	91
Replacement Kits	97
SHURLOK® Installation Tools	98
2 Link-Belt™ Spherical Roller Bearing Units	99
Features & Benefits	100
Seal Ratings & Speed Limits	102
Nomenclature	103
Engineering / Selection Guide	104
Pillow Blocks	109
Flange Blocks	127
Cartridge Blocks	139
Take-up Blocks	145
Take-up Assemblies	147
Take-up Frames	149
Unmounted Replacement Bearings	151
Replacement Kits / Accessories	155



Industries Served

Mining
Forest Products
Aggregates
Steel
Air Handling
Construction
Package Handling

Rex Spherical Roller Bearings



Easy Bearing Clearance Adjustment

Can be field adjusted to meet application needs.

Replaceable Bearing

Available in single set collar, double set collar, eccentric lock and adapter mounting to suit load and installation requirements.

Shaft Ready

Pre-lubricated with our standard grease for normal operation; other lubricants available for special conditions.

Super-finished Raceways

Super-finished raceways provide a cool running, quiet, high speed and high load capacity bearing.

Rugged Housing

Standard material — cast iron. Steel or ductile iron available on request.

Multiple Housing Styles

Providing mounting features to match the operational and structural requirements.

Interchangeable Seals – Seal Types

“Z” Seal Clearance



Denoted with a “Z” prefix in the model number. The standard seal used in the majority of applications.

- No frictional drag — generates no heat
- No speed limitations
- All metal — no temperature limitations

“K” Seal Light Contact



Substitute prefix “K” for “Z” in model number. Molded nitrile rubber lip seals out contaminants.

- Protects against contaminants
- Handles high speeds
- Less drag and heat generation than heavy contact seals

“M” Seal Heavy Contact



Substitute prefix “M” for “Z” in model number. Premium elastomer, spring loaded contact lip.

- Protects against liquids and grit
- Spring loaded lip assures constant contact, even during misalignment
- Molded-in garter spring retains seal in housing
- Seals in lubricant on horizontal and vertical shafts
- Available in Viton® material

Auxiliary Cap Seals

Closed End Shield



Use “C” Suffix in model number

- Protects from rotating shaft exposure
- Protects from foreign material penetration

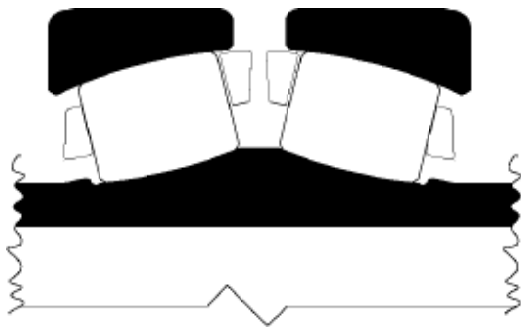
Auxiliary Cap Seals



Recommended for severe environments — they provide supplemental protection for the primary seal.

- Seals against liquids and gritty contaminants. Particularly effective against water washdown, taconite, cement, sand or caking build-up
- Provides safety, encloses rotating mounting hardware
- Protects primary seal from physical damage
- May be filled with grease to provide purging action
- Available as open or closed end cap

Self-Alignment



Integral Self-Alignment

Rex® Roller Bearings represent the continuation of 80 years of bearing technology and experience. This design allows the inner race to misalign freely in any direction up to 4° of total misalignment.

By design, Rex Bearings accept both radial and thrust loads under static, oscillatory, or dynamic conditions. The load is taken on the roller raceways, not the roller ends. This means that when thrust is loaded up to their allowable limit, **Rex Bearings do not exhibit roller end wear.**

Featuring Rex's NEW SHURLOK® Adapter Mounts – Taking the Mystery Out of Mounting

Auxiliary end caps & three field interchangeable seal options ensure long bearing life through a full range of applications

Super-finished raceways provide a cool running, quiet, high-speed and high-load capacity bearing

Roller elements are precision ground and super-finished to provide longer bearing life



Self-aligning spherical roller bearing provides a total of 4° static and dynamic misalignment

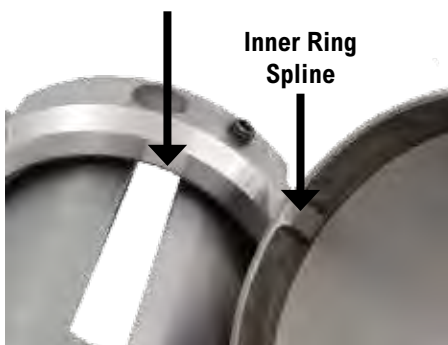
Adapter sleeve assembly allows easy installation/removal, plus enables use of commercial grade shafts

Positive Locking System allows minimal vibration during operation, therefore not requiring scheduled inspections for snugness of mountings

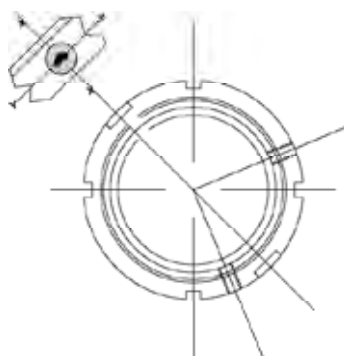
Spyglass™ Optical Strain Sensor (OSS) technology reduces installation errors by changing color when tight

Adapter Sleeve Slot

Inner Ring Spline



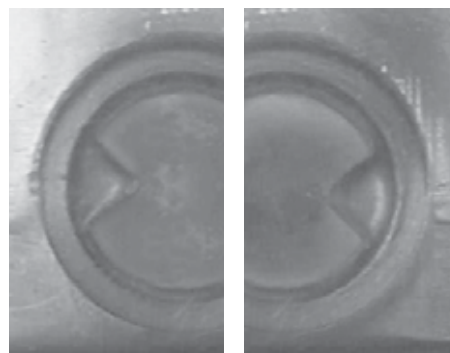
Positive Locking System



Mounting lockout utilizing Spyglass OSS

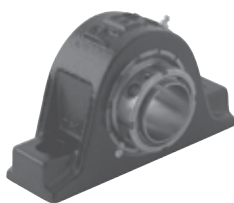
Not Installed

Installed



Easy Installation: Simply tighten the locknut until the Spyglass shows proper indication

Rex 6000 Series SHURLOK Roller Bearings are Also Available with These Housings



Pillow Block



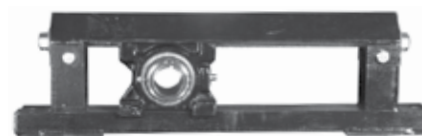
Flanged Units



Flanged Cartridge

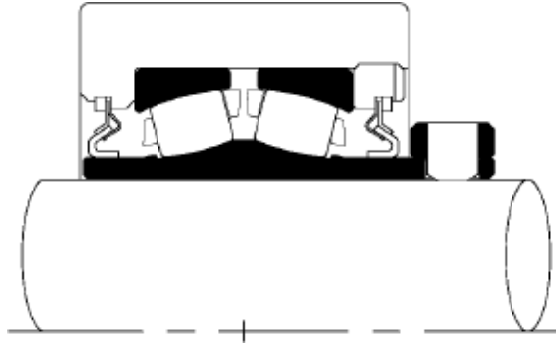


Take-up Units



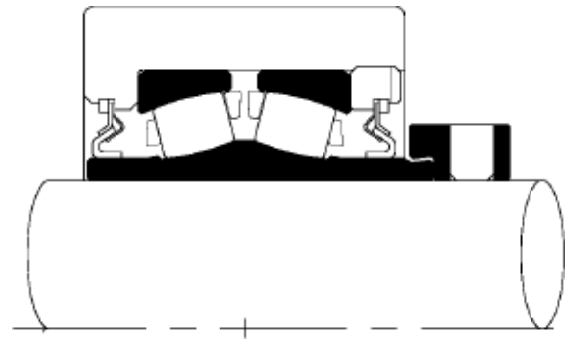
Take-up Assemblies

Shaft Mounting Styles



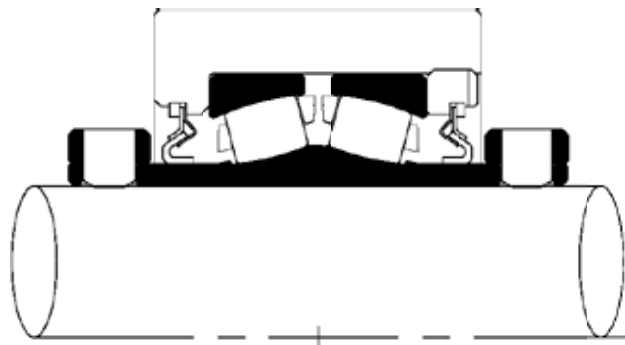
2000 Series
Single Set Collar

Normal Duty
Simplest installation
Most economical



3000 Series Twist Lock™
Eccentric Locking Collar

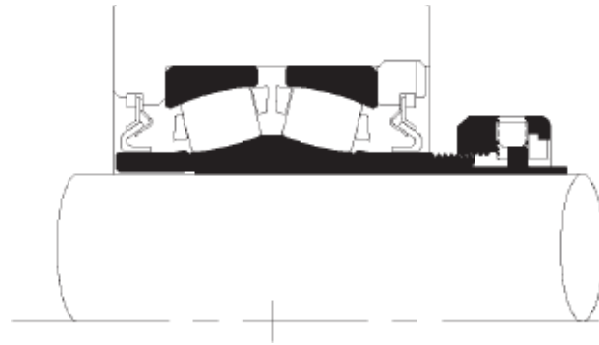
Medium Duty
Additional shaft holding power
Accommodates undersized shafting
Economical



5000 Series
Double Set Collar

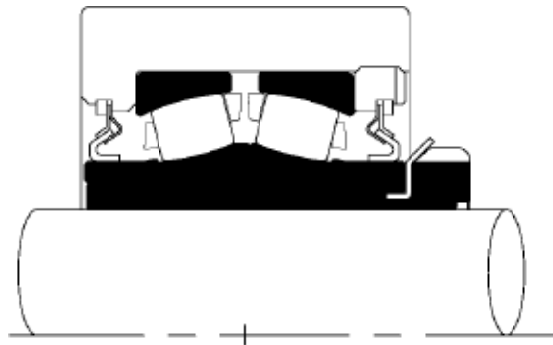
Heavy Duty
Increased shaft holding power and stability
Moderate cost

All three of these mounting styles are available in any Rex housing style.



6000 Series
SHURLOK Adapter Mount

Heavy Duty
Spyglass™ Optical Strain Sensor (OSS) Technology
Full bore contact for maximum shaft
holding power, concentricity
and running accuracy
Accommodates undersized shafting



9000 Series
Adapter Mount

Extra Heavy Duty
Full bore contact for maximum shaft
holding power, concentricity
and running accuracy
Accommodates undersized shafting

Both of these mounting styles are available in any Rex housing style.

Seal Rating Guide

Application Conditions	Seal Ratings					
	Clearance	Light Contact	Heavy Contact	Viton	Triple Lip	Auxiliary Cap Consideration
	Z	K	M	M	G	
Shaft position						
Horizontal Shaft	4	4	4	4	4	
Vertical Shaft	1	3	4	4	4	
Operating Temperature						
Below -40°F	4	1	1	2	1	
-40°F to 0°F	4	3	3	4	3	
0°F to +250°F	4	4	4	4	4	
+250°F to +400°F	4	0	0	4	0	
Over 400°F	4	0	0	0	0	
Speed						
Equal to / Less than limit below	4	4	4	4	4	
More than limit below	4	1	1	1	1	
Vibration/Shock						
Occasional - Mild	3	4	4	4	4	
Occasional - Severe	2	4	4	4	4	
Continuous - Mild	1	4	3	3	3	
Continuous - Severe	0	4	3	3	3	
Abrasive Material						
Coarse - Over #10 Mesh	4	4	4	4	4	X
Small - #10 to #50 Mesh	3	4	4	4	4	X
Fine - #50 to #200 Mesh	1	3	4	4	4	X
Very fine - Under #200 Mesh	0	3	4	4	4	X
"Caking or buildup" (cement, etc.)	2	4	4	4	4	X
Moisture						
Splash	2	3	4	4	4	X
Rain	2	3	4	4	4	X
Saturated Atmosphere	1	3	4	4	4	X
Flooding	0	1	3	3	4	X
Pressure Wash	0	1	4	4	4	X
Fibrous Material						
Short Fibers (lint, etc.)	1	3	4	4	4	X
Long Fibers (grass, etc.)	1	3	4	4	4	X
Chemical						
Acid Fumes and Liquids	1	1	1	4	1	X
Alkaline Fumes and Liquids	1	1	1	4	1	X

To extend life in tough applications, our application experience indicates that special consideration should be given to the addition of Auxiliary Cap Seals in the areas shaded with and "X" on the chart.

Rating Code

- 4 - Excellent - Best seal for conditions listed.
- 3 - Good - Sealability is above average.
- 2 - Fair - Seal performs under intermittent conditions.
- 1 - Limited - Actual conditions must be known to evaluate sealability. Contact Rexnord for special assistance in the realm of materials and designs.
- 0 - Not acceptable - Will not effectively perform seal functions. Contact Rexnord for special assistance in the realm of materials and designs.

Seal Selection Guide

The choice of the seal for a mounted bearing is often the key to successful bearing operation and long service life. The SEAL SELECTION GUIDE incorporates years of Rexnord's experience against the wide variety of conditions encountered on actual applications. Following the simple selection procedure outlined can translate the benefits of that broad experience to the individual applications through the choice of the most effective seal.

How to Use the Selection Guide

- The appropriate seal for a given application may be selected by comparing the job application conditions against those listed in the Seal Rating Guide on this page.
- When more than one application condition is present, the most appropriate seal may be selected based on prime sealing for the most detrimental condition, and secondary consideration given to the other application conditions.
- Addition of auxiliary caps will enhance the primary seal performance shown in the chart.

Considerations in Addition to Seal Selection

Under certain adverse conditions, other changes should be considered to achieve maximum bearing life:

- A. High temperature lubricants where housing or ambient temperatures exceed +200°F,
- B. Special greases for additional bearing protection where excessive water, solvents or chemicals are present.
- C. EP (extreme pressure) greases where high load, high shock load, or continuous vibration is present.
- D. Readjustment of internal operating clearance of bearing where extreme high or low temperature conditions exist.

Seal Speed Limit Table*

Size Code		2	3	4	5	6	7	8	9	10	11	12	13	14	15	16
Bearing Number	2000	2012 2012 2100	2102 2103 2104	2107 2112	2111 2112	2115 2200	2203 2204	2206 2207 2208	2211 2212 2215 2300	2303 2307 2308	2311 2315 2400					
	3000			3107	3111	3115	3203	3207 3208	3211 3215	3307 3308	3315					
	5000			5107	5108 5111	5115	5200 5203	5207	5208 5211 5215	5303 5307	5311 5315 5400	5403Y 5407Y	5415 5500	5507	5515 5600	5607 5700
	6000					6115	6203	6206 6207	6211 6212 6215	6303 6307	6311 6315	6403Y 6407Y	6415	6507	6515	6607 6615
	9000						9115 9200	9203	9207 9208	9211 9215 9300	9303 9307	9311Y 9315Y 9400Y	9403 9407	9415 9500	9503 9507	9515 9600 9607
(RPM)	Z	6500	5750	5250	4450	4050	3650	3300	2800	2400	2050	1850	1600	1000	900	800
	K	4500	4000	3600	3100	2800	2500	2300	1900	1700	1400	N/A	N/A	N/A	N/A	N/A
	M	4400	3700	3300	2800	2500	2200	2000	1700	1400	1200	1100	1000	900	800	700
	G	N/A	2375	2175	1850	1675	1500	1350	1150	1000	850	775	650	N/A	N/A	N/A
Size Code		2	3	4	5	6	7	8	9	10	11	12	13	14	15	16

Refer to Seal Rating Guide shown above for speeds in excess of those listed in this table.

*Actual bearing speed limits are largely based upon the applied load and can be found on the Load Rating Table.

Nomenclature

Symbol

Description

Symbol	Description	A	Z	A - 2	207	F
A	Two open auxiliary end caps					
B	Two auxiliary end caps (open on housing side, closed on threaded cover side)					
X	Designates "SPECIAL UNITS", contact Rexnord Industries					
Z	Clearance seal					
K	Light contact seal					
M	Heavy contact seal					
G	Triple Lip Seal					
A	Pillow block, fixed					
AS	Pillow block, floating					
AF	Pillow block, fixed SAF interchange					
AFS	Pillow block, floating SAF interchange					
LF	Split pillow block, fixed SAF interchange					
LFS	Split pillow block, floating SAF interchange					
P	Pillow block, fixed					
PS	Pillow block, floating					
EP	Pillow block, fixed Type E interchange					
EPS	Pillow block, floating Type E interchange					
B	Flanged block, fixed 4-bolt					
BS	Flanged block, floating 4-bolt					
EF	Flanged block, fixed 4-bolt Type E interchange					
F	Flanged block, fixed 4 or 6-bolt					
FS	Flanged block, floating 4 or 6-bolt					
BR	Flanged cartridge block, fixed 4-bolt round					
CS	Cartridge block, steel housing					
MC	Cartridge block, cast iron housing					
D	Duplex unit					
N	Take-up block for protected screw frame					
T	Take-up block for center pull frame					
AT	Center pull take-up assembly					
NT	Protected screw take-up assembly					
HT	Center pull take-up assembly					
FT	Elevator boot end take-up assembly					
GT	Elevator head end take-up assembly					
ST	Center pull spring loaded take-up assembly					
11	Size code – only for take-up blocks & assemblies					
2	2000 Series, single set collar					
3	3000 Series, eccentric locking collar					
5	5000 Series, double set collar					
6	6000 Series, SHURLOK® tapered adapter sleeve					
9	9000 Series, tapered adapter sleeve					
207	2 7/16" – last two digits in 16 th of an inch					
100MM	100 millimeters					
24	Inches of take-up adjustment – only for take-up assemblies					
A	One open auxiliary end cap (threaded cover side)					
B	One closed auxiliary end cap (threaded cover side)					
C	Closed end cap					
F	4-bolt housing (pillow blocks only)					
G	Face locked threaded cover					
H	Reverse assembly					
PL	Precision bore diameter and bore roundness					
S	Machined pilot on face of flanged units					
V	Viton seal material (when M seal suffix is used)					
Y	Redesigned shaft size – not interchangeable					
04	C5 internal clearance (high temperature)					
05	C4 internal clearance (high speed)					
06	C0 internal clearance					
07	C2 internal clearance					
40	Preservative only, no lubrication in unit					
42	Grease designation for Chevron SRI #2					
43	Grease designation for Mobilith SHC460					
63	Grease designation for Mobilith SHC100					
66	Housing drilled both sides for aux caps					
72	Steel housing					
78	Steel retainers					
82	Inner race with Rexlon lined bore - teflon material					

Rex Spherical Roller Bearings

To select a bearing, determine the applied radial load, the applied thrust load, the desired Rating Life, and applicable operating conditions. The procedure shown here will aid in selecting a bearing to meet an L_{10} design life. The formulas for calculating life expectancy should be used to determine the Rating Life L_{10} for the bearing selected.

The selection procedures and rating formulas shown here are in agreement with The American Bearing Manufacturers Association Standards and ANSI/ABMA STD 9-1990. Ratings are based on fatigue life. The Rating Life L_{10} or fatigue life at 90% reliability is the usual basis for bearing selection.

To assure a satisfactory bearing application, fitting practice, mounting, lubrication, sealing, static rating, housing strength, operating conditions and maintenance must be considered.

Selection

Step 1

Determine an appropriate L_{10} design life.

Type of service	Operating time, hours per year	Design life, years	L_{10} design life, hours
Light seasonal usage	500 to 750	3-5	3,000
Heavy seasonal usage	1,400 to 1,600	4-6	8,000
Industrial—8 hour shift	2,000	10	20,000
Industrial—16 hour shift	4,000	10	40,000
Industrial—continuous	8,700	10	80,000 to 100,000

Step 2

Determine a required $\left(\frac{C}{P}\right)$ from Table 1.

Step 3

Calculate the required C and select a roller bearing.

a For radial load only:

$$P = F_r$$

$$\text{required } C = \left(\frac{C}{P}\right)P \text{ using } \left(\frac{C}{P}\right) \text{ from Step 2}$$

Select a roller bearing from Table 2 with a basic load rating C equal to or greater than the required C.

Step 3 (continued)

b For combined radial and thrust loads:

Select a trial roller bearing of the desired shaft size from Table 2.

Calculate the ratio of thrust load F_a to the radial load F_r .

$$\frac{F_a}{F_r}$$

Calculate the equivalent radial load P

$$P = X F_r + Y F_a$$

If $\frac{F_a}{F_r}$ is equal to or less than e, then $P = X1 F_r + Y1 F_a$

If $\frac{F_a}{F_r}$ is greater than e, then $P = X2 F_r + Y2 F_a$

For values of e, X1, Y1, X2, and Y2, see Table 2.

Calculate the required C

required $C = \left(\frac{C}{P}\right)P$ using $\left(\frac{C}{P}\right)$ from Step 2.

Consult Table 2, basic load rating. If a smaller bearing meets, or nearly meets, the required C, its life expectancy can be calculated.

Note: If the load P is greater than .25C, consult Rexnord Bearing Division.

Selection

Symbols for formulas:

- C = basic load rating, pounds (or newtons)
 Co = static load rating, pounds (or newtons)
 e = a reference value
 Fa = thrust load, pounds (or newtons)
 Fr = radial load, pounds (or newtons)
- L₁₀ = rating life, hours
 n = speed, revolutions per minute
 P = equivalent radial load, pounds (or newtons)
 X = radial factor
 Y = thrust factor

Table 1 • Relation of L₁₀ life and speed to $\left(\frac{C}{P}\right)$

Bearing Life Hours L ₁₀	Speed, n								
	50	100	200	300	400	500	600	700	800
3000	1.93	2.38	2.93	3.31	3.61	3.86	4.07	4.27	4.44
4000	2.11	2.59	3.19	3.61	3.93	4.20	4.44	4.65	4.84
5000	2.25	2.77	3.42	3.86	4.20	4.50	4.75	4.97	5.18
6000	2.38	2.93	3.61	4.07	4.44	4.75	5.02	5.25	5.47
8000	2.59	3.19	3.93	4.44	4.84	5.18	5.47	5.73	5.96
10000	2.77	3.42	4.20	4.75	5.18	5.54	5.85	6.12	6.37
12000	2.93	3.61	4.44	5.02	5.47	5.85	6.18	6.47	6.73
14000	3.07	3.78	4.65	5.25	5.73	6.12	6.47	6.77	7.05
16000	3.19	3.93	4.84	5.47	5.96	6.37	6.73	7.05	7.34
18000	3.31	4.07	5.02	5.66	6.18	6.60	6.97	7.30	7.60
20000	3.42	4.20	5.18	5.85	6.37	6.81	7.20	7.54	7.85
25000	3.65	4.50	5.54	6.25	6.81	7.29	7.70	8.06	8.39
30000	3.86	4.75	5.85	6.60	7.20	7.70	8.13	8.51	8.86
35000	4.04	4.97	6.12	6.92	7.54	8.06	8.51	8.92	9.28
40000	4.20	5.18	6.37	7.20	7.85	8.39	8.86	9.28	9.66
45000	4.36	5.36	6.60	7.46	8.13	8.69	9.18	9.61	10.00
50000	4.50	5.54	6.81	7.70	8.39	8.97	9.48	9.92	10.30
60000	4.75	5.85	7.20	8.13	8.86	9.48	10.00	10.50	10.90
70000	4.97	6.12	7.54	8.51	9.28	9.92	10.50	11.00	11.40
80000	5.18	6.37	7.85	8.86	9.66	10.30	10.90	11.40	11.90
90000	5.36	6.60	8.13	9.18	10.00	10.70	11.30	11.80	12.30
100000	5.54	6.81	8.39	9.48	10.30	11.00	11.70	12.20	12.70
150000	6.25	7.70	9.48	10.70	11.70	12.50	13.20	13.80	14.40
200000	6.81	8.39	10.30	11.70	12.70	13.60	14.40	15.00	15.70

	Speed, n								
	900	1000	1200	1500	1800	2400	3000	3600	6000
3000	4.60	4.75	5.02	5.36	5.66	6.18	6.60	6.97	8.13
4000	5.02	5.18	5.47	5.85	6.18	6.73	7.20	7.60	8.86
5000	5.36	5.54	5.85	6.25	6.60	7.20	7.70	8.13	9.48
6000	5.66	5.85	6.18	6.60	6.97	7.60	8.13	8.59	10.00
8000	6.18	6.37	6.73	7.20	7.60	8.29	8.86	9.36	10.90
10000	6.60	6.81	7.20	7.70	8.13	8.86	9.48	10.00	11.70
12000	6.97	7.20	7.60	8.13	8.59	9.36	10.00	10.60	12.30
14000	7.30	7.54	7.96	8.51	8.99	9.80	10.50	11.10	12.90
16000	7.60	7.85	8.29	8.86	9.36	10.20	10.90	11.50	13.40
18000	7.88	8.13	8.59	9.18	9.70	10.60	11.30	11.90	13.90
20000	8.13	8.39	8.86	9.48	10.00	10.90	11.70	12.30	14.40
25000	8.69	8.97	9.48	10.10	10.70	11.70	12.50	13.20	15.40
30000	9.18	9.48	10.00	10.70	11.30	12.30	13.20	13.90	16.20
35000	9.61	9.92	10.50	11.20	11.80	12.90	13.80	14.60	17.00
40000	10.00	10.30	10.90	11.70	12.30	13.40	14.40	15.20	17.70
45000	10.40	10.70	11.30	12.10	12.80	13.90	14.90	15.70	18.30
50000	10.70	11.00	11.70	12.50	13.20	14.40	15.40	16.20	18.90
60000	11.30	11.70	12.30	13.20	13.90	15.20	16.20	17.10	20.00
70000	11.80	12.20	12.90	13.80	14.60	15.90	17.00	17.90	20.90
80000	12.30	12.70	13.40	14.40	15.20	16.50	17.70	18.70	21.80
90000	12.80	13.20	13.90	14.90	15.70	17.10	18.30	19.40	22.60
100000	13.20	13.60	14.40	15.40	16.20	17.70	18.90	20.00	23.30
150000	14.90	15.40	16.20	17.30	18.30	20.00	21.40	22.60	26.30
200000	16.20	16.70	17.70	18.90	20.00	21.80	23.30	24.60	28.70

Basic Formula

$$\left(\frac{C}{P}\right) = \left(\frac{L_{10} \times n \times 60}{1,000,000}\right)^{3/10}$$

$$L_{10} = \frac{\left(\frac{C}{P}\right)^{10/3} \times 1,000,000}{n \times 60}$$

Life Expectancy

To calculate the Rating Life L₁₀ of any selected or trial bearing:

Step 1

Determine the equivalent radial load P.

a For radial load only:

$$P = F_r$$

b For combined radial and thrust load:

$$P = X F_r + Y F_a$$

if $\frac{F_a}{F_r}$ is equal to or less than e, then

$$P = X_1 F_r + Y_1 F_a$$

if $\frac{F_a}{F_r}$ is greater than e, then

$$P = X_2 F_r + Y_2 F_a$$

For values of e, X₁, Y₁, X₂, and Y₂, consult the appropriate bearing rating Table 2.

Step 2

Calculate the ratio of the basic load rating C to the equivalent radial load.

$$\left(\frac{C}{P}\right)$$

Step 3

Approximate the bearing life from Table 1.

Life Adjustment

The Rating Life, L₁₀, may be modified for some applications in accordance with the formula

$$L_n = a_1 a_2 a_3 L_{10}$$

where L_n = Adjusted life for (100-n) % reliability,

a₁ = Life adjustment factor for reliability

a₂ = Life adjustment factor

for material and processing

a₃ = Life adjustment factor for operating conditions.

For most normal applications, all factors will be taken as 1, and the Rating Life used as the selection basis or life estimate. In addition, as long as standard catalog bearings are used, a₂ will be normally set equal to one.

The factor a₃ covers such things as lubrication, misalignment, and temperature. Some conditions that could yield a₃ significantly different than unity include speeds less than 20000 DN or greater than 200000 DN, temperatures below -40°F (-40°C) or above 275°F (135°C). For other possible conditions, as well as additional information on life adjustment factors, consult Rexnord Bearing Division.

Table 2 • Load Ratings and Speed Limits

Size Code	Co Static load rating		C Basic load rating*		Approximate speed limit RPM				e	$\frac{F_a}{F_r} \leq e$		$\frac{F_a}{F_r} > e$	
	newtons	pounds	newtons	pounds	Z seal	K seal	M seal	G seal		X1	Y1	X2	Y2
2	66279	14900	68147	15,320	6500	4500	4400	-	0.51	1.00	1.32	0.67	1.96
3	81402	18300	83849	18,850	5750	4000	3700	2375	0.48	1.00	1.40	0.67	2.09
4	92968	20900	88342	19,860	5250	3600	3300	2175	0.44	1.00	1.54	0.67	2.29
5	127664	28700	123750	27,820	4450	3100	2800	1850	0.45	1.00	1.51	0.67	2.24
6	147681	33200	128509	28,890	4050	2800	2500	1675	0.40	1.00	1.68	0.67	2.50
7	197501	44400	161782	36,370	3650	2500	2200	1500	0.40	1.00	1.68	0.67	2.50
8	237980	53500	192341	43,240	3300	2300	2000	1350	0.38	1.00	1.80	0.67	2.68
9	318048	71500	256885	57,750	2800	1900	1700	1150	0.38	1.00	1.79	0.67	2.66
10	403454	90700	375119	84,330	2400	1700	1400	1000	0.38	1.00	1.77	0.67	2.63
11	609406	137000	582584	130,970	2050	1400	1200	850	0.36	1.00	1.88	0.67	2.80
12	708602	159300	665009	149,500	1850	-	1100	775	0.33	1.00	2.02	0.67	3.00
13	1076025	241900	850055	191,100	1600	-	1000	650	0.37	1.00	1.81	0.67	2.70
14	1219258	274100	1021401	229,620	1000	-	900	-	0.38	1.00	1.78	0.67	2.66
15	1354928	304600	1104049	248,200	900	-	800	-	0.35	1.00	1.93	0.67	2.87
16	1759272	395500	1378326	309,860	800	-	700	-	0.33	1.00	2.07	0.67	3.09

*Values in table represent the 9000 and 6000 series bearings. When commercial grade shafting and clearance mounting are used, the table values should be reduced up to 5% for the 5000 series, 10% reduction for 3000 and reduced up to 15% for the 2000 series.

Adjustment Table

Size Code	Shaft Size (Inches)			Standard Factory Adjustment (Average Speed And Temperature)			Recommended Adjustment High Speeds				Clearance Adjustment Inches Per 15 Degrees	
	2000 Series	3000 Series	5000 Series	Standard Degrees Adjust	Standard Radial Clearance	Standard Axial Clearance	Speed Over	High Speed Degrees Adjust.	High Speed Radial Clearance	High Speed Axial Clearance	Radial	Axial
2	3/4 - 1	-	-	45	.0022-.0028	.0068-.0086	2000	55	.0028-.0034	.0086-.0105	0.001	0.003
3	1 1/8-1 1/4	-	-	50	.0024-.0030	.0078-.0098	2000	60	.0030-.0036	.0098-.0117	0.001	0.003
4	1 7/16-1 1/2	1 7/16	-	55	.0025-.0031	.0088-.0109	2000	65	.0031-.0037	.0110-.0130	0.001	0.003
5	1 11/16-1 3/4	1 11/16	1 1/2- 1 11/16	60	.0029-.0037	.0101-.0128	1500	70	.0037-.0045	.0128-.0156	0.001	0.003
6	1 15/16-2	1 15/16	1 15/16	85	.0033-.0041	.0127-.0157	1500	105	.0041-.0049	.0157-.0188	0.001	0.003
7	2 3/16-2 1/4	2 3/16	2-2 3/16	60	.0031-.0039	.0119-.0149	1250	75	.0039-.0047	.0150-.0180	0.001	0.003
8	2 3/8-2 1/2	2 7/16	2 7/16	65	.0032-.0040	.0131-.0163	1250	80	.0040-.0048	.0163-.0196	0.001	0.003
9	2 11/16-3	2 11/16-2 15/16	2 1/2-2 15/16	80	.0040-.0052	.0163-.0211	1250	100	.0052-.0064	.0211-.0259	0.001	0.004
10	3 3/16-3 1/2	3 7/16-3 1/2	3 3/16-3 7/16	100	.0050-.0064	.0201-.0257	1000	125	.0064-.0076	.0257-.0304	0.001	0.003
11	3 11/16-4	3 15/16	3 11/16-4	120	.0056-.0072	.0239-.0306	1000	150	.0072-.0088	.0306-.0373	0.001	0.003
12	-	-	4 3/16-4 1/2	80	.0059-.0075	.0241-.0306	750	100	.0075-.0091	.0306-.0371	0.001	0.005
13	-	-	4 15/16-5	90	.0069-.0087	.0288-.0362	750	115	.0087-.0105	.0362-.0436	0.001	0.005
14	-	-	5 7/16	90	.0075-.0094	.0305-.0381	500	120	.0094-.0113	.0381-.0457	0.001	0.006
15	-	-	5 15/16-6	120	.0087-.0110	.0380-.0479	500	150	.0110-.0133	.0480-.0578	0.001	0.005
16	-	-	6 7/16-7	150	.0094-.0122	.0439-.0568	500	180	.0122-.0150	.0569-.0697	0.001	0.005

Size Code	Shaft Size (Inches)	Standard Factory Adjustment (Average Speed And Temperature)					Recommended Adjustment High Speeds						Clearance Adjustment Inches Per 15 Degrees	
		6000 Series	Standard factory degrees adjustment	Unmounted radial clearance	*Mounted standard radial clearance	Unmounted standard axial clearance	*Mounted standard axial clearance	Speed over	High Speed Deg. Adj.	Unmounted high speed radial clearance	*Mounted high speed radial clearance	Unmounted high speed axial clearance	*Mounted high speed axial clearance	Radial
6	1 15/16	105	.0041-.0049	.0036-.0043	.0157-.0188	.0135-.0161	1500	115	.0049-.0057	.0045-.0052	.0188-.0218	.0169-.0195	0.001	0.003
7	2 3/16	75	.0039-.0047	.0033-.0042	.0150-.0180	.0122-.0156	1250	85	.0047-.0055	.0042-.0051	.0180-.0210	.0156-.0191	0.001	0.004
8	2 3/8 - 2 7/16	80	.0040-.0048	.0033-.0042	.0163-.0196	.0133-.0168	1250	95	.0048-.0056	.0042-.0051	.0196-.0228	.0168-.0203	0.001	0.004
9	2 11/16 - 2 15/16	100	.0052-.0064	.0042-.0051	.0211-.0259	.0168-.0203	1250	120	.0064-.0076	.0054-.0063	.0260-.0307	.0214-.0249	0.001	0.004
10	3 3/16 - 3 7/16	125	.0064-.0076	.0055-.0063	.0257-.0304	.0214-.0249	1000	140	.0076-.0088	.0069-.0078	.0304-.0352	.0272-.0307	0.001	0.004
11	3 11/16 - 3 15/16	150	.0072-.0088	.0062-.0071	.0306-.0373	.0260-.0295	1000	170	.0084-.0100	.0079-.0087	.0357-.0423	.0330-.0365	0.001	0.004
12	4 3/16 - 4 7/16	100	.0075-.0091	.0056-.0068	.0306-.0371	.0252-.0304	750	115	.0091-.0107	.0072-.0083	.0371-.0435	.0321-.0373	0.001	0.005
13	4 15/16	115	.0087-.0105	.0071-.0084	.0362-.0436	.0286-.0339	750	135	.0105-.0123	.0093-.0106	.0436-.0510	.0373-.0425	0.001	0.005
14	5 7/16	120	.0094-.0113	.0072-.0085	.0381-.0457	.0286-.0339	500	145	.0113-.0132	.0099-.0112	.0457-.0533	.0391-.0443	0.001	0.005
15	5 15/16	150	.0110-.0133	.0091-.0103	.0480-.0578	.0391-.0443	500	180	.0133-.0156	.0115-.0128	.0579-.0677	.0495-.0547	0.001	0.005
16	6 7/16 - 6 15/16	180	.0122-.0150	.0107-.0119	.0569-.0697	.0495-.0547	500	220	.0150-.0178	.0130-.0141	.0697-.0825	.0599-.0651	0.001	0.005

Size Code	Shaft Size (Inches)	Standard Factory Adjustment (Average Speed And Temperature)					Recommended Adjustment High Speeds						Clearance Adjustment Inches Per 15 Degrees	
		9000 Series	Standard factory degrees adjustment	Unmounted radial clearance	*Mounted standard radial clearance	Unmounted standard axial clearance	*Mounted standard axial clearance	Speed over	High Speed Deg. Adj.	Unmounted high speed radial clearance	*Mounted high speed radial clearance	Unmounted high speed axial clearance	*Mounted high speed axial clearance	Radial
7	1 15/16 - 2	75	.0039-.0047	.0031-.0039	.0150-.0180	.0119-.0149	1250	85	.0047-.0055	.0039-.0047	.0180-.0210	.0150-.0180	0.001	0.003
8	2 3/16	80	.0040-.0048	.0032-.0040	.0163-.0196	.0131-.0163	1250	95	.0048-.0056	.0040-.0048	.0196-.0228	.0163-.0196	0.001	0.003
9	2 7/16 - 2 1/2	100	.0052-.0064	.0040-.0052	.0211-.0259	.0163-.0211	1250	120	.0064-.0076	.0052-.0064	.0260-.0307	.0211-.0259	0.001	0.004
10	2 11/16 - 2 15/16	125	.0064-.0076	.0050-.0064	.0257-.0304	.0201-.0257	1000	140	.0076-.0088	.0064-.0076	.0304-.0352	.0257-.0304	0.001	0.003
11	3 3/16 - 3 7/16	150	.0072-.0088	.0056-.0072	.0306-.0373	.0239-.0306	1000	170	.0084-.0100	.0072-.0088	.0357-.0423	.0306-.0373	0.001	0.003
12	3 11/16 - 4	100	.0075-.0091	.0059-.0075	.0306-.0371	.0241-.0306	750	115	.0091-.0107	.0075-.0091	.0371-.0435	.0306-.0371	0.001	0.005
13	4 3/16 - 4 7/16	115	.0087-.0105	.0069-.0087	.0362-.0436	.0288-.0362	750	135	.0105-.0123	.0087-.0105	.0436-.0510	.0362-.0436	0.001	0.005
14	4 15/16 - 5	120	.0094-.0113	.0075-.0094	.0381-.0457	.0305-.0381	500	145	.0113-.0132	.0094-.0113	.0457-.0533	.0381-.0457	0.001	0.006
15	5 3/16 - 5 7/16	150	.0110-.0133	.0087-.0110	.0480-.0578	.0380-.0479	500	180	.0133-.0156	.0110-.0133	.0579-.0677	.0480-.0578	0.001	0.005
16	5 15/16 - 6 7/16	180	.0122-.0150	.0094-.0122	.0569-.0697	.0439-.0568	500	220	.0150-.0178	.0122-.0150	.0697-.0825	.0569-.0697	0.001	0.005
16	6 7/16 - 6 15/16	180	.0122-.0150	.0107-.0119	.0569-.0697	.0495-.0547	500	220	.0150-.0178	.0130-.0141	.0697-.0825	.0599-.0651	0.001	0.005

*Mounted clearance result of tightening tapered adapter

Table 3 • Rex Size Code Interchange Table

Shaft Size	REX 2000 Single Set Collar Bearing Number	REX 3000 Twist Lock Eccentric Lock Bearing Number	REX 5000 Double Set Collar Bearing Number	REX 6000 ShurLok Tapered Adapter Bearing Number	REX 9000 Tapered Adapter Bearing Number	Size Code	Approx Outer Race Dia.
3/4 15/16 25mm 1	2012 2015 2025MM 2100					2	2.370
1-1/8 30mm 1-3/16 1-1/4	2102 2030MM 2103 2104					3	2.630
35mm 1-7/16 1-1/2	2035MM 2107 2108	3107	5107			4	2.830
1-1/2 40mm 1-11/16 1-3/4 45mm	2040MM 2111 2112 2045MM	3111	5108 5040MM 5111			5	3.340
1-15/16 50mm 2	2115 2050MM 2200	3115	5115 5050MM	6115 6045MM		6	3.540
50mm 1-15/16 2 55mm 2-3/16 2-1/4	2055MM 2203 2204	3203	5200 5055MM 5203	6055MM 6203	9050MM 9115 9200	7	3.940
55mm 2-3-16 60mm 2-3/8 2-7/16 2-1/2 65mm	2060MM 2206 2207 2208 2065MM	3207 3208	5060MM 5207 5065MM	6060MM 6206 6207	9055MM 9203	8	4.320
2-7/16 2-1/2 2-11/16 2/3/4 70mm 2-15/16 75mm 3	2211 2212 2070MM 2215 2075MM 2300	3211	5208 5211 5070MM 5215 5075MM	6211 6212 6070MM 6215 6075MM	9207 9208	9	5.120
2-11/16 2-15/16 75mm 80mm 3-3/16 85mm 3-7/16 3-1/2 90mm	2080MM 2303 2085MM 2307 2308 2090MM	3307 3308	5080MM 5303 5085MM 5307 5090MM	6080MM 6303 6085MM 6307	9211 9215 9075MM	10	5.900
80mm 3-3/16 3-7/16 3-11/16 100mm 3-15/16 4	2311 2100MM 2315 2400	3315	5311 5100MM 5315 5400	6311 6100MM 6315	9080MM 9303 9307	11	7.090
3-11/16 100mm 3-15/16 4 4-3-16 110mm 4-7/16 4-1/2 115mm			5403Y 5110MM 5407Y 5408Y 5115MM	6403Y 6110MM 6407Y	9311Y 9100MM 9315Y 9400Y	12	7.680
4-3/16 4-7/16 125mm 4-15/16 5 130mm			5125MM 5415 5500 5130MM	6125MM 6415	9403 9407	13	9.050
4-15/16 5 5-7/16 140mm			5507 5140MM	6507	9415 9500	14	10.630
5-3-16 5-7/16 150mm 5-15/16 6 160mm			5150MM 5515 5600 5160MM	6515	9503 9507	15	11.420
5-15/16 6 6-7/16 6-15/16 7 180mm			5607 5615 5700 5180MM	6607 6615	9515 9600 9607	16	12.600

Table 4 • Radial Load Ratings in Pounds at Various RPM for Appropriate L₁₀ Life Hours

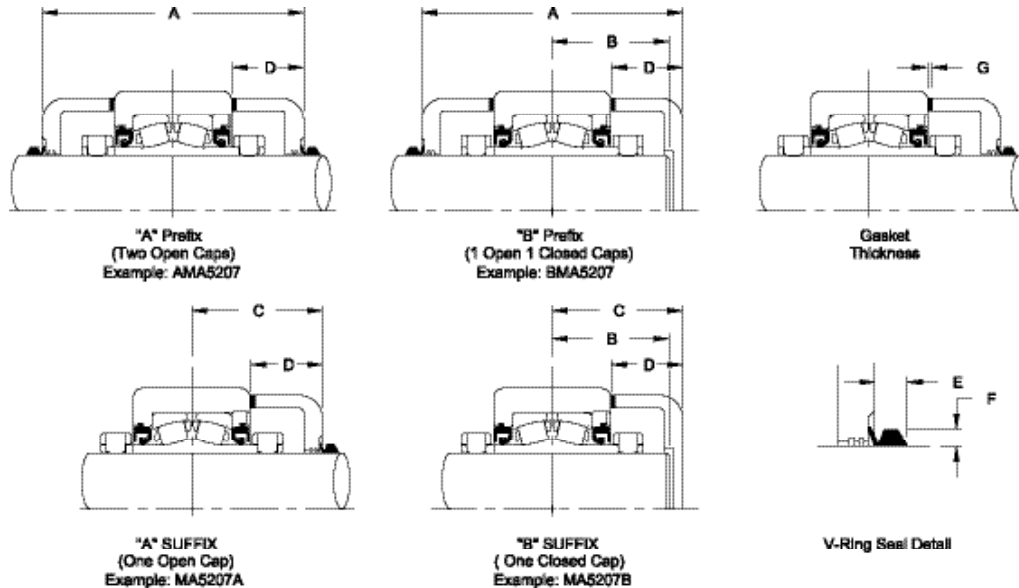
Size Code	L10 Minimum Life Hours	Speed, RPM																	
		50	100	200	300	400	500	600	700	800	900	1000	1200	1500	1800	2000	2500	3000	3500
2	8000	*	*	*	3449	3164	2959	2802	2675	2570	2481	2404	2276	2128	2015	1952	1826	1729	1651
	20000	*	3643	2959	2620	2404	2248	2128	2032	1952	1885	1826	1729	1617	1531	1483	1387	1313	1254
	40000	3643	2959	2404	2128	1952	1826	1729	1651	1586	1531	1483	1404	1313	1243	1205	1127	1067	1018
	100000	2768	2248	1826	1617	1483	1387	1313	1254	1205	1163	1127	1067	998	945	915	856	810	774
3	8000	*	*	*	4243	3893	3640	3447	3291	3162	3052	2957	2800	2618	2479	2402	2246	2127	2031
	20000	*	4482	3640	3224	2957	2766	2618	2500	2402	2318	2246	2127	1989	1883	1825	1706	1616	1543
	40000	4482	3640	2957	2618	2402	2246	2127	2031	1951	1883	1825	1727	1616	1530	1482	1386	1312	1253
	100000	3405	2766	2246	1989	1825	1706	1616	1543	1482	1431	1386	1312	1227	1162	1126	1053	997	952
4	8000	*	*	*	4471	4101	3836	3631	3467	3331	3215	3115	2950	2759	2612	2531	2367	2241	2139
	20000	*	4722	3836	3396	3115	2914	2759	2634	2531	2443	2367	2241	2096	1984	1922	1798	1702	1625
	40000	4722	3836	3115	2759	2531	2367	2241	2139	2055	1984	1922	1820	1702	1612	1561	1460	1383	1320
	100000	3587	2914	2367	2096	1922	1798	1702	1625	1561	1507	1460	1383	1293	1224	1186	1109	1050	1003
5	8000	*	*	*	6263	5745	5373	5087	4857	4666	4504	4364	4132	3864	3659	3545	3315	3139	2997
	20000	*	6615	5373	4757	4364	4081	3864	3690	3545	3422	3315	3139	2935	2779	2693	2518	2384	2277
	40000	6615	5373	4364	3864	3545	3315	3139	2997	2879	2779	2693	2549	2384	2257	2187	2046	1937	1849
	100000	5025	4081	3315	2935	2693	2518	2384	2277	2187	2111	2046	1937	1811	1715	1662	1554	1471	1405
6	8000	*	*	*	6504	5966	5580	5283	5044	4846	4678	4532	4291	4013	3800	3681	3443	3260	3112
	20000	*	6870	5580	4941	4532	4239	4013	3832	3681	3554	3443	3260	3049	2886	2797	2615	2476	2364
	40000	6870	5580	4532	4013	3681	3443	3260	3112	2990	2886	2797	2648	2476	2344	2272	2124	2011	1920
	100000	5219	4239	3443	3049	2797	2615	2476	2364	2272	2193	2124	2011	1881	1781	1726	1614	1528	1459
7	8000	*	*	*	8189	7512	7026	6652	6351	6102	5890	5707	5403	5053	4784	4635	4335	4104	3919
	20000	*	8649	7026	6221	5707	5337	5053	4825	4635	4474	4335	4104	3839	3634	3521	3293	3118	2977
	40000	8649	7026	5707	5053	4635	4335	4104	3919	3765	3634	3521	3334	3118	2952	2860	2675	2532	2418
	100000	6571	5337	4335	3839	3521	3293	3118	2977	2860	2761	2675	2532	2368	2242	2173	2032	1924	1837
8	8000	*	*	*	9735	8930	8352	7907	7550	7254	7002	6784	6423	6007	5687	5510	5153	4879	4679
	20000	*	10283	8352	7395	6784	6345	6007	5736	5510	5319	5153	4879	4563	4320	4186	3915	3707	3511
	40000	10283	8352	6784	6007	5510	5153	4879	4659	4476	4320	4186	3963	3707	3509	3400	3180	3011	2887
	100000	7811	6345	5153	4563	4186	3915	3707	3539	3400	3282	3180	3011	2816	2666	2583	2416	2287	2227
9	8000	*	*	*	13003	11927	11155	10561	10084	9688	9352	9061	8578	8023	7596	7360	6883	6459	6083
	20000	*	13734	11155	9877	9061	8474	8023	7660	7360	7104	6883	6517	6095	5770	5591	5229	4911	4629
	40000	13734	11155	9061	8023	7360	6883	6517	6222	5978	5770	5591	5293	4950	4687	4541	4247	4000	3784
	100000	10433	8474	6883	6095	5591	5229	4950	4727	4541	4383	4247	4021	3761	3560	3450	3226	3020	2844
10	8000	*	*	*	18987	17417	16289	15422	14725	14147	13656	13231	12526	11715	11092	10747	10051	9516	9000
	20000	*	20054	16289	14423	13231	12374	11715	11186	10747	10374	10051	9516	8900	8426	8164	7635	7229	6844
	40000	20054	16289	13231	11715	10747	10051	9516	9086	8729	8426	8164	7729	7229	6844	6631	6202	5844	5520
	100000	15234	12374	10051	8900	8164	7635	7229	6902	6631	6401	6202	5872	5491	5199	5037	4711	4411	4144
11	8000	*	*	*	29487	27049	25298	23951	22869	21971	21208	20548	19454	18195	17226	16690	15829	15069	14379
	20000	*	31145	25298	22400	20548	19217	18195	17372	16690	16111	15609	14779	13822	13086	12679	12004	11227	10629
	40000	31145	25298	20548	18195	16690	15609	14779	14111	13557	13086	12679	12004	11227	10629	10298	9729	9199	8723
	100000	23660	19217	15609	13822	12679	11858	11227	10719	10298	9941	9632	9119	8528	8074	7823	7411	7029	6683
12	8000	*	*	*	33661	30877	28878	27341	26105	25080	24209	23456	22208	20770	19664	18938	18213	17599	17086
	20000	*	35553	28878	25570	23456	21937	20770	19831	19052	18391	17819	16870	15778	14938	14388	13844	13304	12874
	40000	35553	28878	23456	20770	19052	17819	16870	16108	15475	14938	14473	13703	12816	12133	11603	11086	10584	10104
	100000	27008	21937	17819	15778	14473	13536	12816	12236	11756	11348	10995	10409	9735	9217	8864	8424	8004	7604
13	8000	*	*	*	43026	39469	36913	34948	33369	32058	30945	29983	28387	26549	25168	24168	23268	22468	21768
	20000	*	45445	36913	32685	29983	28041	26549	25349	24353	23508	22777	21564	20168	18938	17938	17038	16238	15538
	40000	45445	36913	29983	26549	24353	22777	21564	20590	19781	19094	18500	17516	16381	15438	14638	13838	13138	12538
	100000	34523	28041	22777	20168	18500	17302	16381	15641	15027	14505	14054	13306	12444	11744	11044	10444	9944	9444
14	8000	*	*	*	51700	47425	44355	41994	40096	38521	37184	36027	34527	32768	31268	30008	28868	27868	26968
	20000	*	54607	44355	39275	36027	33694	31901	30459	29263	28247	27368	26268	25268	24368	23468	22568	21768	21068
	40000	54607	44355	36027	31901	29263	27368	25912	24741	23769	22944	22230	21520	20810	20100	19400	18700	18000	17300
	100000	41483	33694	27368	24234	22230	20791	19684	18794	18056	17429	16887	16345	15803	15261	14719	14177	13635	13093
15	8000	*	*	*	55885	51264	47944	45392	43341	41639	40194	38943	37368	35943	34568	33243	31968	30743	29568
	20000	*	59027	47944	42453	38943	36421	34483	32924	31632	30533	29583	28733	27983	27233	26483	25733	25033	24333
	40000	59027	47944	38943	34483	31632	29583	28009	26743	25693	24801	24029	23259	22489	21719	20949	20179	19409	18639
	100000	44840	36421	29583	26195	24029	22473	21277	20315	19518	18840	18254	17668	17082	16496	15910	15324	14738	14152
16	8000	*	*	*	69766	63998	59854	56668	54107	51982	50057	48132	46207	44282	42357	40432	38507	36582	34657
	20000	*	73689	59854	52998	48616	45468	43048	41103	39489	38074	36659	35244	33829	32414	30999	29584	28169	26754
	40000	73689	59854	48616	43048	39489	36932	34966	33386	32075	30860	29645	28430	27215	26000	24785	23570	22355	21140
	100000	55978	45468	36932	32702	29998	28055	26562	25362	24366	23370	22374	21378	20382	19386	18390	17394	16398	15402

*Load exceeds 25% of the C rating, consult Rexnord Bearing Division.

Shaded areas may require additional axial clearance and/or high speed temperature lubricant due to higher operating temperatures.

Auxiliary Cap Seals for 2000, 3000, 5000, 9000 Series Kit Nomenclature

Symbol	Description	A	S	9	-	215
A	open cap					
B	closed cap					
S	floating type					
*	leave blank for fixed type					
4-16	bearing size code from dimension page					
215	2 15/16" last two digits in 16th of an inch					
*	not required for closed style caps					



Cast Iron Auxiliary Cap

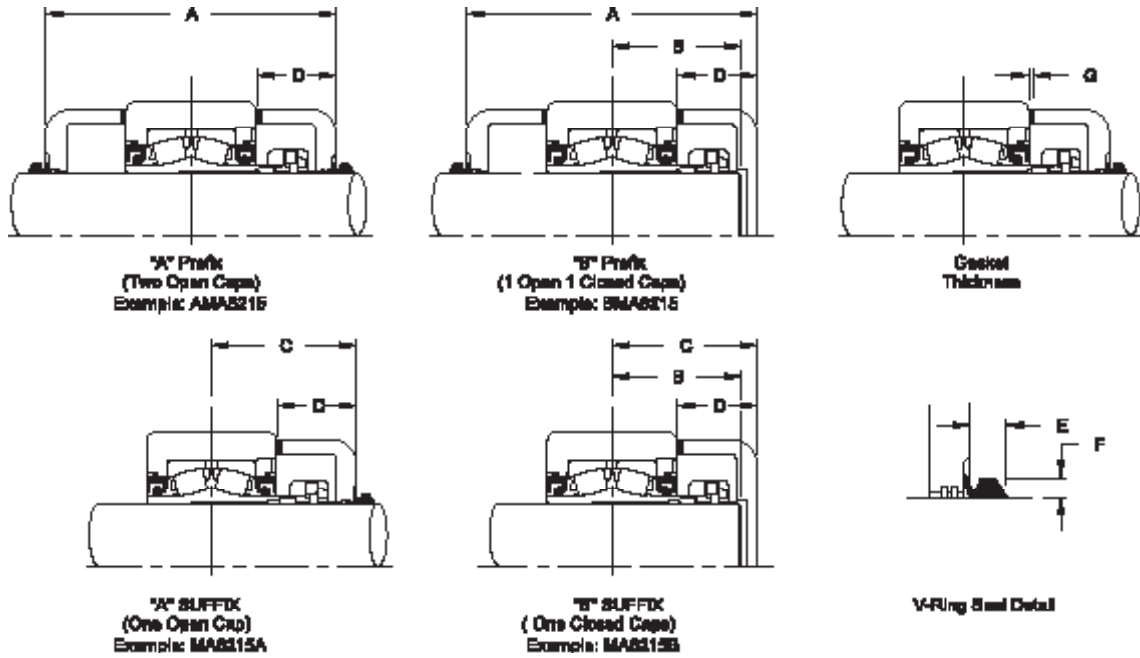
Size Code	Fixed Bearings Only				Floating (Expansion) Bearings Only				V-Ring Seal		Gasket G
	A	B	C	D*	A	B	C	D*	E	F	
4	5 5/16	2 5/16	2 11/16	1 9/16	5 1/2	2 3/8	2 3/4	1 17/32	5/16	3/16	
5	5 1/2	2 7/16	2 3/4	1 17/32	5 3/4	2 1/2	2 7/8	1 15/32	3/8	3/16	
6	5 9/16	2 7/16	2 13/16	1 9/16	5 3/4	2 1/2	2 7/8	1 17/32			
7	5 3/4	2 1/2	2 7/8	1 19/32	6 1/16	2 5/8	3 1/16	1 21/32			
8	6 1/16	2 3/4	3 1/16	1 23/32	6 5/16	2 3/4	3 3/16	1 23/32	7/16	1/4	
9	7	3 1/8	3 1/2	1 15/16	6 15/16	3 1/16	3 1/2	1 25/32			
10	6 15/16	3 1/16	3 1/2	1 13/16	7 3/8	3 5/8	3 11/16	1 29/32			
11	8 5/16	3 5/8	4 3/16	2 5/32	8 9/16	3 3/4	4 5/16	2 5/32	9/16	5/16	
12	8 1/2	3 3/4	4 1/4	2 3/16	9 3/8	4 5/16	4 11/16	2 1/2			
13	10 1/8	4 1/2	5 1/16	2 9/32	10 9/16	4 3/4	5 5/16	2 9/32			
14	10 1/8	4 1/2	5 1/16	2 9/32	11 1/16	5	5 9/16	2 5/8			
15	11 1/16	4 15/16	5 9/16	2 5/8	11 1/2	4 15/16	5 3/4	2 3/4	5/8	3/8	
16	11 3/16	5	5 5/8	2 1/2	11 5/8	5 1/4	5 13/16	2 5/8			

Adapter Auxiliary End Cap Dimensions for 6000 Series Size Codes 6-13

Kit Nomenclature

Symbol	Description
A	open cap
B	closed cap
S	floating type
*	leave blank for fixed type
6-13	bearing size code from dimension page
6	Type "A" open caps
6000	type "B" closed caps
215	2 15/16" last two digits in 16th of an inch
*	not required for closed style caps

A S 9 6 2 1 5

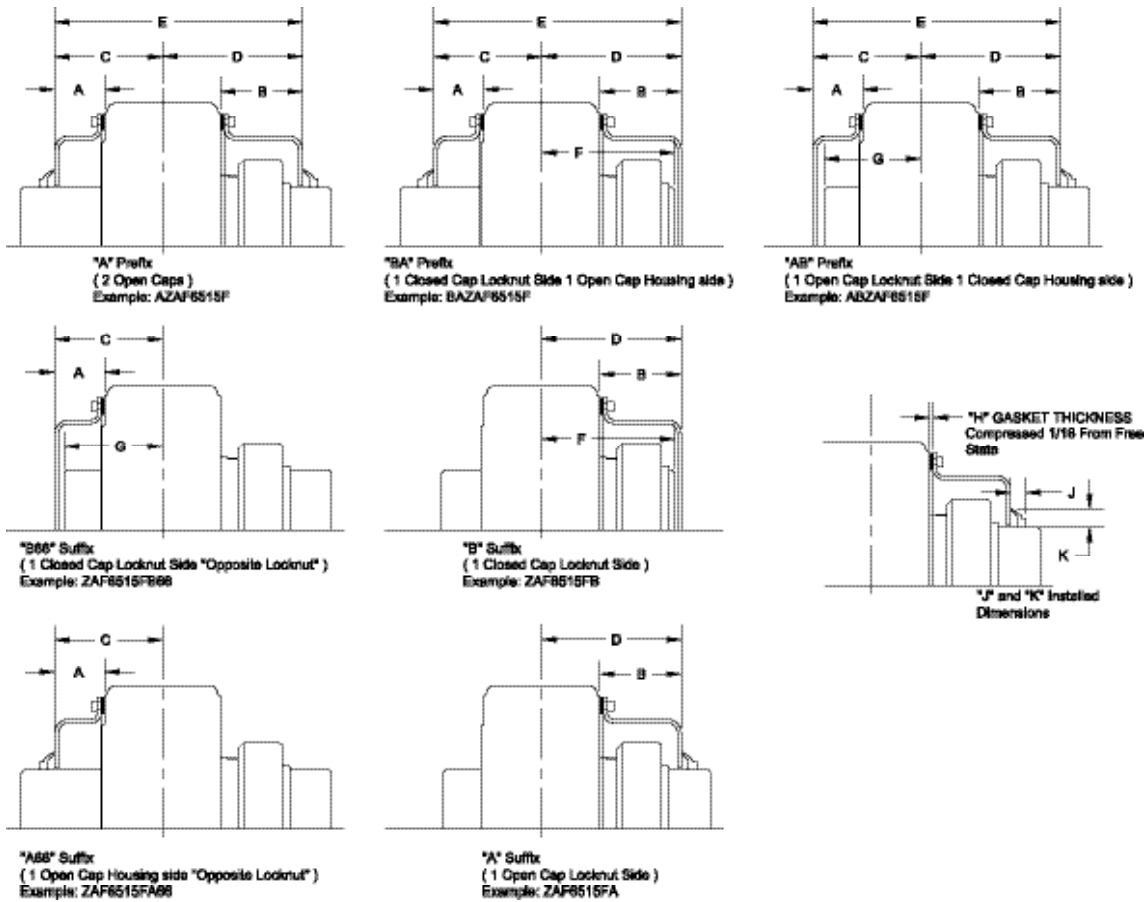


6000 Series Adapter Mount Auxiliary Cap Dimensions

Cast Iron Auxiliary Caps																
Bearing Number	Size Code	Fixed Bearings Only				Floating (Expansion) ZAFS Bearings Only				Floating (Expansion) ZPS, ZFS Bearings Only				V-Ring Seal		Gasket
		A	B	C	D	A	B	C	D	A	B	C	D	E	F	
6115	6	5 7/8	2 9/16	2 15/16	1 23/32	6 1/4	2 11/16	3 1/8	1 29/32	6 1/2	2 13/16	3 1/4	1 29/32	3/8	3/16	3/16
6203	7	6 1/16	2 5/8	3 1/32	1 3/4	6 7/16	2 25/32	3 7/32	1 15/16	6 5/8	2 7/8	3 5/16	1 15/16			
6206	8	6 11/16	3 1/32	3 11/32	2 1/32	7 3/16	3 5/32	3 19/32	2 9/32	7 7/16	3 9/32	3 23/32	2 9/32			
6207																
6211	9	7 1/4	3 1/16	3 5/8	2 1/16	7 3/4	3 7/16	3 7/8	2 5/16	8	3 9/16	4	2 5/16			
6212																
6215																
6303	10	7 15/16	3 17/32	3 31/32	2 1/4	8 7/16	3 25/32	4 7/32	2 1/2	8 11/16	3 29/32	4 11/32	2 1/2	7/16	1/4	
6307																
6311	11	9	3 15/16	4 1/2	2 7/16	9 1/2	4 3/16	4 3/4	2 11/16	9 3/4	4 5/16	4 7/8	2 11/16			
6315																
6403Y	12	9 7/16	4 5/32	4 23/32	2 19/32	10 3/16	4 21/32	5 3/32	2 31/32	10 7/16	4 31/32	5 7/32	2 31/32	9/16	5/16	
6407Y																
6415	13	11 5/8	5 1/4	5 13/16	3 1/32	12 3/8	5 5/8	6 3/16	3 13/32	12 13/16	5 27/32	6 13/32	3 13/32			

Adapter Auxiliary End Cap Dimensions for 6000 Series Size Codes 14-16 Kit Nomenclature

Symbol	Description	A	S	14	6	507	
A	open cap	-----					
B	closed cap	-----					
S	floating type	-----					
*	leave blank for fixed type	-----					
14-16	bearing size code from dimension page	-----					
6	Type "A" open caps	-----					
6000	type "B" closed caps	-----					
215	2 15/16" last two digits in 16th of an inch	-----					
*	not required for closed style caps	-----					



6000 Series Adapter Mount Auxiliary Cap Dimensions (Size codes 14-16)

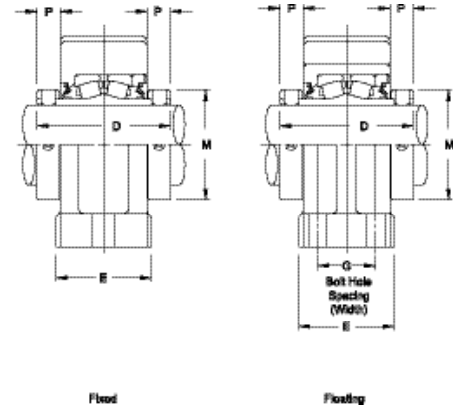
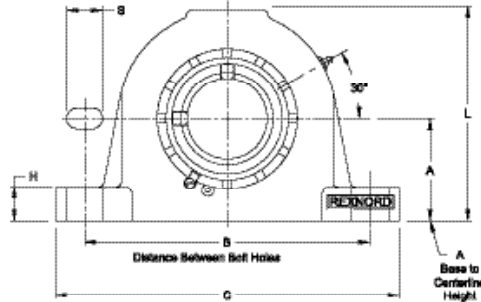
		Steel Auxiliary Caps																	
Bearing Number	Size Code	Fixed Bearings Only (No ZLF)									Floating (Expansion) ZPS, ZAFS Bearings Only							V-Ring Seal	
		A	B	C	D	E	F	G	*H	A	B	C	D	E	F	G	**H	J	K
6507	14	2 5/32	3 11/16	4 29/32	6 1/2	11 13/32	6 1/8	4 3/16	3/16	2 11/16	3 31/32	5 19/32	6 7/8	12 15/32	4 1/2	6 1/8	3/8	5/8	7 3/32
6515	15	2 1/2	4 1/16	5 3/8	6 63/64	12 23/64	6 5/8	4 11/16	3/16	2 9/16	4 3/8	5 9/16	7 3/8	12 15/16	6 5/8	4 3/8	3/8	45/64	7 13/16
6607	16	2 3/8	4 5/16	5 7/16	7 13/32	12 27/32	7	4 3/4	3/16	2 11/16	4 5/8	5 7/8	7 13/16	13 11/16	7	4 3/4	3/8	45/64	8 5/16
6615																		45/64	8 13/16
Bearing Number	Size Code	ZLF-ZLFS Split Housed Bearings Only								V-Ring Seal									
		A	B	C	D	E	F	G	*H	J	K								
6507	14	2 1/2	3 25/32	5 7/8	7 5/32	13 1/32	6	5 3/16	3/16	5/8	7 3/32								
6515	15	2 3/8	4 3/16	5 7/8	7 11/16	13 9/16	6 1/2	5 3/16	3/16	45/64	7 13/16								
6607	16	2 1/2	4 7/16	6 3/16	8 1/8	14 5/16	6 7/8	5 1/2	3/16	45/64	8 5/16								
6615										45/64	8 13/16								

*H-compressed thickness. Free state is 1/4"
**H-compressed thickness. Free state 1/4. 2 gaskets required



Product Features

- SAF Interchange
- Precision milled ends
- Corrosion resistant powder coating
- Cast iron housing
- Misalignment capabilities - Total of 4°
- Broad range of sealing options
- Factory set clearance & lubrication
- Precision ground & superfinished raceways
- See Features & Benefits section for additional info.



Bearing Dimensions

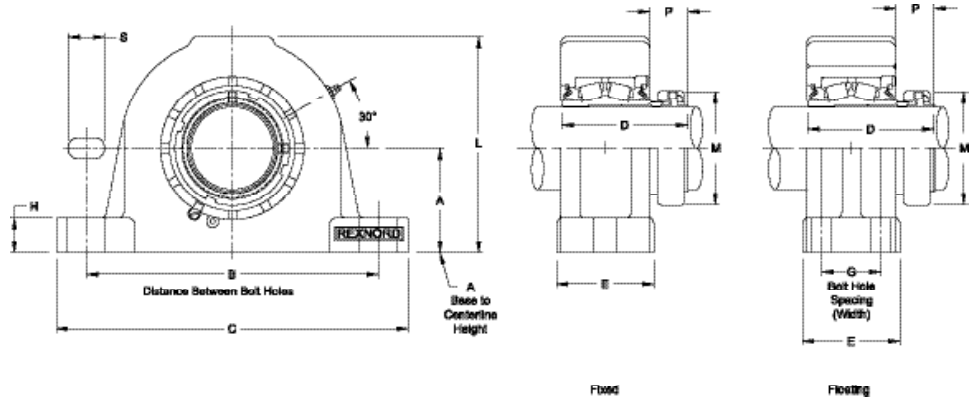
Size Code	Shaft Diameter	Expansion			Fixed			A Base to Centerline Height	B Distance Between Bolt Holes		C	D	E	F Bolts	G Bolt Hole Spacing (Width)	H	M	S			
		Part Number	L	P	Approx. Weight	Part Number	L		P	Approx. Weight									Min.	Max.	
Two-Bolt Pillow Block																					
6	1 15/16	ZAFS5115	5 5/16	11/16	20.00	ZAF5115	5 5/16	11/16	16.50	2 3/4	7 3/8	7 7/8	9 5/8	3	13 1/8	2 3/4	5/8	-	1	2 15/16	15/16
7	2 3/16	ZAFS5203	5 31/32	13/16	25.50	ZAF5203	5 31/32	13/16	21.00	3	8 1/8	9 1/2	11	4 1/8	3 1/8	5/8	-	-	1	3 1/4	1 3/8
8	2 7/16	ZAFS5207	6 25/32	7/8	32.50	ZAF5207	6 25/32	7/8	32.50	3 1/4	8 5/8	9 5/8	11 1/8	4 3/8	3 1/8	5/8	-	-	1 1/4	3 9/16	1 3/16
9	2 11/16	ZAFS5211	7 1/2	7/8	45.50	ZAF5211	7 1/2	7/8	45.50	3 1/2	9 7/8	11	12.59	4 7/8	3 1/2	3/4	-	-	1	4 1/16	1 3/8
	2 3/4	ZAFS5212	7 1/2	7/8	45.50	ZAF5212	7 1/2	7/8	45.50	3 1/2	9 7/8	11	12.59	4 7/8	3 1/2	3/4	-	-	1	4 1/16	1 3/8
10	2 15/16	ZAFS5215	7 3/4	7/8	45.00	ZAF5215	7 3/4	7/8	45.00	3 3/4	9 7/8	11	12.59	4 7/8	3 1/2	3/4	-	-	1 1/4	4 1/16	1 3/8
	3 3/16	ZAFS5303	8 1/4	15/16	60.00	ZAF5303	8 1/4	15/16	53.00	4	10 3/8	11 5/8	13 3/4	5 5/16	3 7/8	3/4	-	-	1 5/8	4 15/16	1 7/16
	3 7/16	ZAFS5307	9 9/32	15/16	76.50	ZAF5307	9 9/32	15/16	76.50	4 1/2	11 5/8	13 1/8	15 3/8	5 5/16	4 11/32	7/8	-	-	1 21/32	4 15/16	1 11/16
Four-Bolt Pillow Block																					
8	2 7/16	ZAFS5207F	6 25/32	7/8	31.50	ZAF5207F	6 25/32	7/8	31.00	3 1/4	8 5/8	9 5/8	11 1/8	4 3/8	3 1/8	1/2	1 7/8	1 1/4	3 9/16	1 1/16	
9	2 11/16	ZAFS5211F	7 1/2	7/8	45.50	ZAF5211F	7 1/2	7/8	45.00	3 1/2	9 7/8	11	12.59	4 7/8	3 1/2	5/8	2 1/8	1	4 1/16	1 1/4	
	2 3/4	ZAFS5212F	7 1/2	7/8	45.50	ZAF5212F	7 1/2	7/8	45.00	3 1/2	9 7/8	11	12.59	4 7/8	3 1/2	5/8	2 1/8	1	4 1/16	1 1/4	
10	2 15/16	ZAFS5215F	7 3/4	7/8	44.50	ZAF5215F	7 3/4	7/8	44.50	3 3/4	9 7/8	11	12.59	4 7/8	3 1/2	5/8	2 1/8	1 1/4	4 1/16	1 1/4	
	3 3/16	ZAFS5303F	8 1/4	15/16	60.00	ZAF5303F	8 1/4	15/16	53.00	4	10 3/8	11 5/8	13 3/4	5 5/16	3 7/8	5/8	2 1/8	1 5/8	4 15/16	1 5/16	
	3 7/16	ZAFS5307F	9 9/32	15/16	75.50	ZAF5307F	9 9/32	15/16	75.00	4 1/2	11 5/8	13 1/8	15 3/8	5 5/16	4 11/32	3/4	2 3/8	1 21/32	4 15/16	1 9/16	
11	3 15/16	ZAFS5315F	10 5/16	1 1/16	104.00	ZAF5315F	10 5/16	1 1/16	102.00	4 15/16	12 19/32	14 1/2	16 1/2	6 1/4	4 3/4	3/4	2 3/4	1 25/32	5 5/8	1 53/64	
12	4 7/16	ZAFS5407YF	11 7/8	1	144.00	ZAF5407YF	11 7/8	1	143.00	6	14 1/2	16	18 3/8	6 1/4	5 1/8	7/8	3 1/4	2 1/16	6 3/16	1 3/4	
13	4 15/16	ZAFS5415F	12 9/16	1 5/32	209.00	ZAF5415F	12 9/16	1 5/32	207.00	6	15 5/8	17 3/8	19.70	7 7/8	5 7/8	1	3 3/8	2 1/16	7 1/16	1 15/16	
14	5 7/16	ZAFS5507F	13 11/16	1 3/32	248.00	ZAF5507F	13 7/16	1 7/32	233.00	6 11/16	17 3/8	19 1/4	22	8	6 1/4	1	3 3/4	2 5/8	8 3/16	2	
15	5 15/16	ZAFS5515F	14 9/16	1 1/16	295.00	ZAF5515F	14 1/4	1 5/32	274.00	7 1/16	19 3/8	21 5/8	24 3/4	8 1/8	6 3/4	1	4 1/4	2 3/4	8 11/16	2 3/16	
	6	ZAFS5600F	14 9/16	1 1/16	290.00	ZAF5600F	14 1/4	1 5/32	269.00	7 1/16	19 3/8	21 5/8	24 3/4	8 1/8	6 3/4	1	4 1/4	2 3/4	8 11/16	2 3/16	
16	6 7/16	ZAFS5607F	15 3/4	1 3/16	355.00	ZAF5607F	15 5/16	1 9/32	337.00	7 1/2	20 7/8	23 5/8	26 3/4	8 3/4	7 1/8	1	4 5/8	3	9 3/4	2 7/16	
	6 1/2	ZAFS5608F	15 3/4	1 3/16	353.00	ZAF5608F	15 5/16	1 9/32	335.00	7 1/2	20 7/8	23 5/8	26 3/4	8 3/4	7 1/8	1	4 5/8	3	9 3/4	2 7/16	
	6 15/16	ZAFS5615F	16 1/8	1 3/16	376.00	ZAF5615F	15 11/16	1 9/32	347.00	7 7/8	21 5/8	24 3/8	28	8 3/4	7 1/2	1 1/4	4 1/2	3 1/8	9 3/4	2 11/16	
	7	ZAFS5700F	16 1/8	1 3/16	372.00	ZAF5700F	15 11/16	1 9/32	345.00	7 7/8	21 5/8	24 3/8	28	8 3/4	7 1/2	1 1/4	4 1/2	3 1/8	9 3/4	2 11/16	

Additional Notes

- Please call 1-866-REXNORD for availability
- Metric bore sizes available, see Rexnord Interchangeability guide
- Lubrication fitting tap size: for size code 8 thru 11, 1/8" PT; for all other size codes, 1/4" PT
- Base to centerline tolerance, +/- .005"
- Bore size = nominal shaft size + .001"/-.000"
- Expansion - size code 8 is 3/8", size code 9 thru 11 is 1/2" & size code 12 thru 13 is 3/4"

- Seals - To specify K or M seal, replace "Z" in part number with "K" or "M"
- "K" seals only available in size codes 6 thru 11
- Auxiliary end caps - available in all sizes
- Pad length tolerance, +/- .0075 for size codes 8 thru 13, +/- .015 for size codes 14 thru 16
- Selection Guide, see Rexnord Spherical Roller Bearings Selection Guide section
- Load Ratings & Speed Limits, see Rexnord Spherical Roller Bearings Load Ratings & Speed Limits section
- Note: Dimensions subject to change. Certified dimensions of ordered material furnished on request.

ZAF6000, ZAFS6000



Product Features

- Optical Strain Sensor Technology
- Positive locking system
- Tapered adapter sleeve
- SAF Interchange
- Precision milled ends
- Corrosion resistant powder coating
- Cast iron housing
- Misalignment capabilities - Total of 4°
- Broad range of sealing options
- See Features & Benefits for additional info.

Bearing Dimensions

Size Code	Shaft Diameter	Expansion				Fixed				A Base to Centerline Height	B Distance Between Bolt Holes		C	D	E	F Bolts	G Bolt Hole Spacing (Width)	H	M	S
		Part Number	L	P	Approx. Weight	Part Number	L	P	Approx. Weight		Min.	Max.								
Two-Bolt Pillow Block																				
6	1 15/16	ZAFS6115	5 5/16	1 1/8	20.00	ZAF6115	5 5/16	1 1/8	16.50	2 3/4	7 3/8	7 7/8	9 5/8	3 41/64	2 3/4	5/8	-	1	2 55/64	15/16
7	2 3/16	ZAFS6203	5 31/32	1 5/32	25.50	ZAF6203	5 31/32	1 5/32	21.00	3	8 1/8	9 1/2	11 3 49/64	3 1/8	5/8	-	1	3 15/64	1 3/8	
8	2 3/8	ZAFS6206	6 25/32	1 27/64	32.50	ZAF6206	6 25/32	1 27/64	32.50	3 1/4	8 5/8	9 5/8	11 1/8	4 5/32	3 1/8	5/8	-	1 1/4	3 19/32	1 3/16
	2 7/16	ZAFS6207	6 25/32	1 27/64	32.50	ZAF6207	6 25/32	1 27/64	32.50	3 1/4	8 5/8	9 5/8	11 1/8	4 5/32	3 1/8	5/8	-	1 1/4	3 19/32	1 3/16
9	2 11/16	ZAFS6211	7 1/2	1 25/64	45.00	ZAF6211	7 1/2	1 25/64	45.00	3 1/2	9 7/8	11	12.59	4 17/32	3 1/2	3/4	-	1	4 3/32	1 3/8
	2 3/4	ZAFS6212	7 1/2	1 25/64	45.00	ZAF6212	7 1/2	1 25/64	45.00	3 1/2	9 7/8	11	12.59	4 17/32	3 1/2	3/4	-	1	4 3/32	1 3/8
10	2 15/16	ZAFS6215	7 3/4	1 25/64	45.00	ZAF6215	7 3/4	1 25/64	45.00	3 3/4	9 7/8	11	12.59	4 17/32	3 1/2	3/4	-	1 1/4	4 3/32	1 3/8
	3 3/16	ZAFS6303	8 1/4	1 19/32	59.00	ZAF6303	8 1/4	1 19/32	52.00	4	10 3/8	11 5/8	13 3/4	5 9/64	3 7/8	3/4	-	1 5/8	4 61/64	1 7/16
	3 7/16	ZAFS6307	9 9/32	1 19/32	76.50	ZAF6307	9 9/32	1 19/32	76.50	4 1/2	11 5/8	13 1/8	15 3/8	5 9/64	4 11/32	7/8	-	1 21/32	4 61/64	1 11/16
Four-Bolt Pillow Block																				
8	2 3/8	ZAFS6206F	6 25/32	1 27/64	31.00	ZAF6206F	6 25/32	1 27/64	31.00	3 1/4	8 5/8	9 5/8	11 1/8	4 5/32	3 1/8	1/2	1 7/8	1 1/4	3 19/32	1 1/16
	2 7/16	ZAFS6207F	6 25/32	1 27/64	31.00	ZAF6207F	6 25/32	1 27/64	31.00	3 1/4	8 5/8	9 5/8	11 1/8	4 5/32	3 1/8	1/2	1 7/8	1 1/4	3 19/32	1 1/16
9	2 11/16	ZAFS6211F	7 1/2	1 25/64	44.50	ZAF6211F	7 1/2	1 25/64	44.50	3 1/2	9 7/8	11	12.59	4 17/32	3 1/2	5/8	2 1/8	1	4 3/32	1 1/4
	2 3/4	ZAFS6212F	7 1/2	1 25/64	44.50	ZAF6212F	7 1/2	1 25/64	44.50	3 1/2	9 7/8	11	12.59	4 17/32	3 1/2	5/8	2 1/8	1	4 3/32	1 1/4
10	2 15/16	ZAFS6215F	7 3/4	1 25/64	44.50	ZAF6215F	7 3/4	1 25/64	44.50	3 3/4	9 7/8	11	12.59	4 17/32	3 1/2	5/8	2 1/8	1 1/4	4 3/32	1 1/4
	3 3/16	ZAFS6303F	8 1/4	1 19/32	59.00	ZAF6303F	8 1/4	1 19/32	52.00	4	10 3/8	11 5/8	13 3/4	5 9/64	3 7/8	5/8	2 1/8	1 5/8	4 61/64	1 5/16
	3 7/16	ZAFS6307F	9 9/32	1 19/32	75.00	ZAF6307F	9 9/32	1 19/32	75.00	4 1/2	11 5/8	13 1/8	15 3/8	5 9/64	4 11/32	3/4	2 3/8	1 21/32	4 61/64	1 9/16
11	3 15/16	ZAFS6315F	10 5/16	1 47/64	103.00	ZAF6315F	10 5/16	1 47/64	103.00	4 15/16	12 19/32	14 1/2	16 1/2	5 31/32	4 3/4	3/4	2 3/4	1 25/32	5 43/64	1 53/64
12	4 7/16	ZAFS6407YF	11 7/8	1 7/8	144.00	ZAF6407YF	11 7/8	1 7/8	144.00	6	14 1/2	16	18 3/8	6 1/4	5 1/8	7/8	3 1/4	2 1/16	6 1/16	1 3/4
13	4 15/16	ZAFS6415F	12 9/16	2 1/4	208.00	ZAF6415F	12 9/16	2 1/4	208.00	6	15 5/8	17 3/8	19.70	7 15/16	5 7/8	1	3 3/8	2 1/16	6 61/64	1 15/16
14	5 7/16	ZAFS6507F	13 11/16	2 15/16	248.00	ZAF6507F	13 7/16	3 3/64	233.00	6 11/16	17 3/8	19 1/4	22 8 49/64	6 1/4	1	3 3/4	2 5/8	8 1/64	2	
15	5 15/16	ZAFS6515F	14 9/16	3 23/64	295.00	ZAF6515F	14 1/4	3 7/16	274.00	7 1/16	19 3/8	21 5/8	24 3/4	9 19/64	6 3/4	1	4 1/4	2 3/4	8 21/32	2 3/16
16	6 7/16	ZAFS6607F	15 3/4	3 37/64	355.00	ZAF6607F	15 5/16	3 43/64	337.00	7 1/2	20 7/8	23 5/8	26 3/4	10 7 1/8	1	4 5/8	3	9 3/4	2 7/16	
	6 15/16	ZAFS6615F	16 1/8	3 37/64	376.00	ZAF6615F	15 11/16	3 43/64	347.00	7 7/8	21 5/8	24 3/8	26 3/4	10 7 1/2	1 1/4	4 1/2	3 1/8	9 3/4	2 11/16	

Additional Notes

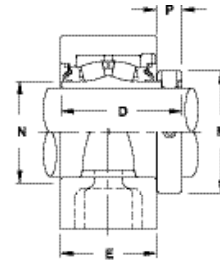
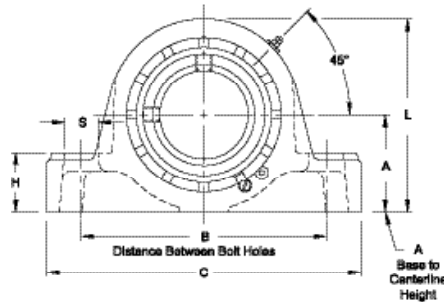
- Please call 1-866-REXNORD for availability
- Base to centerline tolerance, +/- .005"
- Bore size = nominal shaft size +.001"/-.000"
- Seals - To specify K or M seal, replace "Z" in part number with "K" or "M"
- "K" seals only available in size codes 6 thru 11
- Auxiliary end caps - available in all sizes
- Selection Guide, see Rexnord Spherical Roller Bearings Selection Guide section

Load Ratings & Speed Limits, see Rexnord Spherical Roller Bearings Load Ratings & Speed Limits section
 Note: Dimensions subject to change. Certified dimensions of ordered material furnished on request.

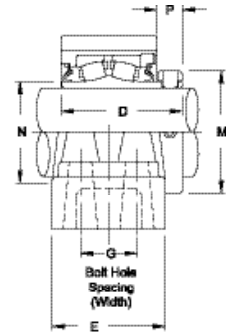


Product Features

- Corrosion resistant powder coating
- Cast iron housing
- Misalignment capabilities - Total of 4°
- Broad range of sealing options
- Factory set clearance & lubrication
- Precision ground & superfinished raceways
- Hardened spring locking collar
- Field interchangeable seals
- Fixed or Expansion - Total of 3/8" expansion
- See Features & Benefits section for additional info.



Fixed Block



Floating Block

Bearing Dimensions

Size Code	Shaft Diameter	Expansion					Fixed					A Base to Centerline Height	B Distance Between Bolt Holes	D	F Bolts	G Bolt Hole Spacing (Width)	M	N	P	Approx. Weight		
		Part Number	C	E	H	L	S	Part Number	C	E	H										L	S
Two-Bolt Pillow Block																						
2	3/4	-	-	-	-	-	ZA2012	5 7/8	2	3/4	3 1/16	7/8	1 9/16	4 3/8	2 9/16	1/2	-	1 3/4	1 5/16	9/16	4.40	
	15/16	-	-	-	-	-	ZA2015	5 7/8	2	3/4	3 1/16	7/8	1 9/16	4 3/8	2 9/16	1/2	-	1 3/4	1 5/16	9/16	4.30	
	1	-	-	-	-	-	ZA2100	5 7/8	2	3/4	3 1/16	7/8	1 9/16	4 3/8	2 9/16	1/2	-	1 3/4	1 5/16	9/16	4.20	
3	1 1/8	-	-	-	-	-	ZA2102	6 5/16	2 1/8	7/8	3 7/16	7/8	1 3/4	4 3/4	2 11/16	1/2	-	2	1 17/32	9/16	5.50	
	1 3/16	-	-	-	-	-	ZA2103	6 5/16	2 1/8	7/8	3 7/16	7/8	1 3/4	4 3/4	2 11/16	1/2	-	2	1 17/32	9/16	5.40	
	1 1/4	-	-	-	-	-	ZA2104	6 5/16	2 1/8	7/8	3 7/16	7/8	1 3/4	4 3/4	2 11/16	1/2	-	2	1 17/32	9/16	5.40	
4	1 7/16	ZAS2107	6 9/16	2 3/16	1	3 7/8	7/8	ZA2107	6 9/16	2 1/4	1 3/16	3 11/16	13/16	1 7/8	5	2 7/8	1/2	-	2 5/16	1 3/4	11/16	7.00
	1 1/2	ZAS2108	6 9/16	2 3/16	1	3 7/8	7/8	ZA2108	6 9/16	2 1/4	1 3/16	3 11/16	13/16	1 7/8	5	2 7/8	1/2	-	2 5/16	1 3/4	11/16	6.90
5	1 11/16	ZAS2111	7 1/8	2 7/16	1 1/8	4 3/8	7/8	ZA2111	7 1/8	2 1/2	1 5/16	4 1/4	13/16	2 1/8	5 1/2	3 1/8	1/2	-	2 5/8	2 1/32	11/16	9.50
	1 3/4	ZAS2112	7 1/8	2 7/16	1 1/8	4 3/8	7/8	ZA2112	7 1/8	2 1/2	1 5/16	4 1/4	13/16	2 1/8	5 1/2	3 1/8	1/2	-	2 5/8	2 1/32	11/16	9.40
6	1 15/16	ZAS2115	8 3/8	2 1/2	1 3/8	4 9/16	15/16	ZA2115	8 1/8	2 1/2	1 3/8	4 9/16	15/16	2 1/4	6 1/4	3 1/8	5/8	-	2 15/16	2 5/16	11/16	10.90
	2	ZAS2200	8 3/8	2 1/2	1 3/8	4 9/16	15/16	ZA2200	8 1/8	2 1/2	1 3/8	4 9/16	15/16	2 1/4	6 1/4	3 1/8	5/8	-	2 15/16	2 5/16	11/16	10.70
7	2 3/16	ZAS2203	8 7/8	2 9/16	1 5/8	5	15/16	ZA2203	8 5/8	2 9/16	1 5/8	5	15/16	2 1/2	6 3/4	3 5/16	5/8	-	3 1/4	2 5/8	25/32	13.50
	2 1/4	ZAS2204	8 7/8	2 9/16	1 5/8	5	15/16	ZA2204	8 5/8	2 9/16	1 5/8	5	15/16	2 1/2	6 3/4	3 5/16	5/8	-	3 1/4	2 5/8	25/32	13.30
8	2 3/8	ZAS2206	9 1/4	2 11/16	1 5/8	5 1/2	15/16	ZA2206	9 1/8	2 11/16	1 5/8	5 1/2	15/16	2 3/4	7 1/8	3 1/2	5/8	-	3 9/16	2 29/32	7/8	16.10
	2 7/16	ZAS2207	9 1/4	2 11/16	1 5/8	5 1/2	15/16	ZA2207	9 1/8	2 11/16	1 5/8	5 1/2	15/16	2 3/4	7 1/8	3 1/2	5/8	-	3 9/16	2 29/32	7/8	16.30
	2 1/2	ZAS2208	9 1/4	2 11/16	1 5/8	5 1/2	15/16	ZA2208	9 1/8	2 11/16	1 5/8	5 1/2	15/16	2 3/4	7 1/8	3 1/2	5/8	-	3 9/16	2 29/32	7/8	16.60
	2 11/16	ZAS2211	10 7/16	3 3/16	2	6 7/16	1 1/16	ZA2211	10 7/16	3 3/16	2	6 7/16	1 1/16	3 1/4	8 1/8	4	3/4	-	4 1/16	3 3/8	13/16	27.30
9	2 3/4	ZAS2212	10 7/16	3 3/16	2	6 7/16	1 1/16	ZA2212	10 7/16	3 3/16	2	6 7/16	1 1/16	3 1/4	8 1/8	4	3/4	-	4 1/16	3 3/8	13/16	26.90
	2 15/16	ZAS2215	10 7/16	3 3/16	2	6 7/16	1 1/16	ZA2215	10 7/16	3 3/16	2	6 7/16	1 1/16	3 1/4	8 1/8	4	3/4	-	4 1/16	3 3/8	13/16	26.00
	3	ZAS2300	10 7/16	3 3/16	2	6 7/16	1 1/16	ZA2300	10 7/16	3 3/16	2	6 7/16	1 1/16	3 1/4	8 1/8	4	3/4	-	4 1/16	3 3/8	13/16	25.60
	3 3/16	ZAS2303	13	3 7/16	2 1/4	7 1/2	1 5/8	ZA2303	13	3 7/16	2 1/4	7 1/2	1 5/8	3 3/4	10	4 3/8	7/8	-	4 15/16	3 31/32	15/16	41.80
10	3 7/16	ZAS2307	13	3 7/16	2 1/4	7 1/2	1 5/8	ZA2307	13	3 7/16	2 1/4	7 1/2	1 5/8	3 3/4	10	4 3/8	7/8	-	4 15/16	3 31/32	15/16	40.30
	3 1/2	ZAS2308	13	3 7/16	2 1/4	7 1/2	1 5/8	ZA2308	13	3 7/16	2 1/4	7 1/2	1 5/8	3 3/4	10	4 3/8	7/8	-	4 15/16	3 31/32	15/16	39.80
	3 11/16	ZAS2311	14 1/4	4 1/8	2 1/8	8 1/2	1 3/4	ZA2311	14 1/4	4 1/8	2 1/8	8 1/2	1 3/4	4 1/8	10 7/8	5 1/16	1	-	5 5/8	4 9/16	1 1/16	58.00
11	3 15/16	ZAS2315	14 1/4	4 1/8	2 1/8	8 1/2	1 3/4	ZA2315	14 1/4	4 1/8	2 1/8	8 1/2	1 3/4	4 1/8	10 7/8	5 1/16	1	-	5 5/8	4 9/16	1 1/16	56.00
	4	ZAS2400	14 1/4	4 1/8	2 1/8	8 1/2	1 3/4	ZA2400	14 1/4	4 1/8	2 1/8	8 1/2	1 3/4	4 1/8	10 7/8	5 1/16	1	-	5 5/8	4 9/16	1 1/16	55.00

Continued...

Continued...

Bearing Dimensions

Size Code	Shaft Diameter	Expansion						Fixed						A Base to Centerline Height	B Distance Between Bolt Holes	D	F Bolts	G Bolt Hole Spacing (Width)	M	N	P	Approx. Weight
		Part Number	C	E	H	L	S	Part Number	C	E	H	L	S									
Four-Bolt Pillow Block																						
6	1 15/16	ZAS2115F	8 3/8	3 3/16	1 3/8	4 9/16	13/16	ZA2115F	8 3/8	3 3/16	1 3/8	4 9/16	13/16	2 1/4	6 1/4	3 1/8	1/2	1 19/32	2 15/16	2 5/16	11/16	13.20
	2	ZAS2200F	8 3/8	3 3/16	1 3/8	4 9/16	13/16	ZA2200F	8 3/8	3 3/16	1 3/8	4 9/16	13/16	2 1/4	6 1/4	3 1/8	1/2	1 19/32	2 15/16	2 5/16	11/16	13.10
7	2 3/16	ZAS2203F	8 7/8	3 1/4	1 5/8	5	13/16	ZA2203F	8 7/8	3 1/4	1 5/8	5	13/16	2 1/2	6 3/4	3 5/16	1/2	1 11/16	3 1/4	2 5/8	25/32	15.30
	2 1/4	ZAS2204F	8 7/8	3 1/4	1 5/8	5	13/16	ZA2204F	8 7/8	3 1/4	1 5/8	5	13/16	2 1/2	6 3/4	3 5/16	1/2	1 11/16	3 1/4	2 5/8	25/32	15.10
8	2 3/8	ZAS2206F	9 1/4	3 3/8	1 3/4	5 1/2	13/16	ZA2206F	9 1/4	3 3/8	1 3/4	5 1/2	13/16	2 3/4	7 1/8	3 1/2	1/2	1 3/4	3 9/16	2 29/32	7/8	16.90
	2 7/16	ZAS2207F	9 1/4	3 3/8	1 3/4	5 1/2	13/16	ZA2207F	9 1/4	3 3/8	1 3/4	5 1/2	13/16	2 3/4	7 1/8	3 1/2	1/2	1 3/4	3 9/16	2 29/32	7/8	16.60
	2 1/2	ZAS2208F	9 1/4	3 3/8	1 3/4	5 1/2	13/16	ZA2208F	9 1/4	3 3/8	1 3/4	5 1/2	13/16	2 3/4	7 1/8	3 1/2	1/2	1 3/4	3 9/16	2 29/32	7/8	16.40
9	2 11/16	ZAS2211F	10 7/16	3 3/4	2 1/4	6 7/16	15/16	ZA2211F	10 7/16	3 3/4	2 1/4	6 7/16	15/16	3 1/4	8 1/8	4	5/8	1 7/8	4 1/16	3 3/8	13/16	28.00
	2 3/4	ZAS2212F	10 7/16	3 3/4	2 1/4	6 7/16	15/16	ZA2212F	10 7/16	3 3/4	2 1/4	6 7/16	15/16	3 1/4	8 1/8	4	5/8	1 7/8	4 1/16	3 3/8	13/16	27.80
	2 15/16	ZAS2215F	10 7/16	3 3/4	2 1/4	6 7/16	15/16	ZA2215F	10 7/16	3 3/4	2 1/4	6 7/16	15/16	3 1/4	8 1/8	4	5/8	1 7/8	4 1/16	3 3/8	13/16	26.80
	3	ZAS2300F	10 7/16	3 3/4	2 1/4	6 7/16	15/16	ZA2300F	10 7/16	3 3/4	2 1/4	6 7/16	15/16	3 1/4	8 1/8	4	5/8	1 7/8	4 1/16	3 3/8	13/16	26.50
10	3 3/16	ZAS2303F	13	4 1/8	2 1/4	7 1/2	1 1/2	ZA2303F	13	4 1/8	2 1/4	7 1/2	1 1/2	3 3/4	10	4 3/8	3/4	2	4 15/16	3 31/32	15/16	42.10
	3 7/16	ZAS2307F	13	4 1/8	2 1/4	7 1/2	1 1/2	ZA2307F	13	4 1/8	2 1/4	7 1/2	1 1/2	3 3/4	10	4 3/8	3/4	2	4 15/16	3 31/32	15/16	40.60
	3 1/2	ZAS2308F	13	4 1/8	2 1/4	7 1/2	1 1/2	ZA2308F	13	4 1/8	2 1/4	7 1/2	1 1/2	3 3/4	10	4 3/8	3/4	2	4 15/16	3 31/32	15/16	40.10
11	3 11/16	ZAS2311F	15 1/4	4 1/2	2 5/8	8 5/8	1 1/4	ZA2311F	15 1/4	4 1/2	2 5/8	8 1/2	1 1/4	4 1/4	12 1/2	5 1/16	3/4	2 1/4	5 5/8	4 9/16	1 1/16	63.00
	3 15/16	ZAS2315F	15 1/4	4 1/2	2 5/8	8 5/8	1 1/4	ZA2315F	15 1/4	4 1/2	2 5/8	8 1/2	1 1/4	4 1/4	12 1/2	5 1/16	3/4	2 1/4	5 5/8	4 9/16	1 1/16	61.00
	4	ZAS2400F	15 1/4	4 1/2	2 5/8	8 5/8	1 1/4	ZA2400F	15 1/4	4 1/2	2 5/8	8 1/2	1 1/4	4 1/4	12 1/2	5 1/16	3/4	2 1/4	5 5/8	4 9/16	1 1/16	60.00

Additional Notes

Please call 1-866-REXNORD for availability
 Metric bore sizes available, see Rexnord Interchangeability guide
 Lubrication fitting tap size: for fixed units, 1/8" PT; for expansion units, 1/4"-28 UNF
 Base to centerline tolerance, +/- .005"
 Bore size = nominal shaft size +.001"/-.000"
 Expansion - is 3/8" for all size codes
 Seals - To specify K or M seal, replace "Z" in part number with "K" or "M"

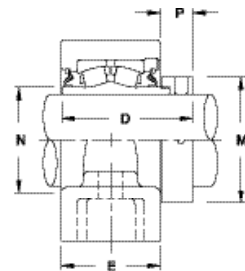
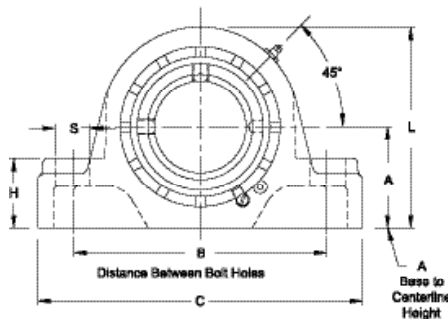
Auxiliary end caps - available in all size codes except for ZAS series
 Selection Guide, see Rexnord Spherical Roller Bearings Selection Guide section
 Load Ratings & Speed Limits, see Rexnord Spherical Roller Bearings Load Ratings & Speed Limits section
 Note: Dimensions subject to change. Certified dimensions of ordered material furnished on request.

ZA3000, ZAS3000

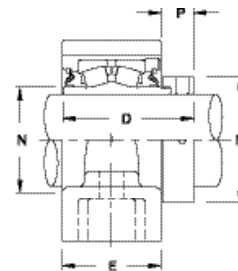


Product Features

- Corrosion resistant powder coating
- Cast iron housing
- Misalignment capabilities - Total of 4°
- Broad range of sealing options
- Factory set clearance & lubrication
- Precision ground & superfinished raceways
- Hardened eccentric locking collar
- Field interchangeable seals
- Fixed or Expansion - Total of 3/8" expansion
- See Features & Benefits section for additional info.



Fixed Block



Floating Block

Bearing Dimensions

Size Code	Shaft Diameter	Expansion					Fixed					A Base to Centerline Height	B Distance Between Bolt Holes	D	F Bolts	G Bolt Hole Spacing (Width)	M	N	P	Approx. Weight		
		Part Number	C	E	H	L	S	Part Number	C	E	H										L	S
Two-Bolt Pillow Block																						
4	1 7/16	ZAS3107	6 9/16	2 3/16	1	3 7/8	7/8	ZA3107	6 9/16	2 1/4	1 3/16	3 11/16	13/16	1 7/8	5	2 59/64	1/2	-	2 5/16	1 3/4	25/32	7.20
5	1 11/16	ZAS3111	7 1/8	2 7/16	1 1/8	4 3/8	7/8	ZA3111	7 1/8	2 1/2	1 5/16	4 1/4	13/16	2 1/8	5 1/2	3 3/16	1/2	-	2 5/8	2 1/32	3/4	9.70
6	1 15/16	ZAS3115	8 3/8	2 1/2	1 3/8	4 9/16	15/16	ZA3115	8 1/8	2 1/2	1 3/8	4 9/16	15/16	2 1/4	6 1/4	3 9/32	5/8	-	2 3/4	2 5/16	27/32	11.10
7	2 3/16	ZAS3203	8 7/8	2 9/16	1 5/8	5	15/16	ZA3203	8 5/8	2 9/16	1 5/8	5	15/16	2 1/2	6 3/4	3 1/2	5/8	-	3 1/4	2 5/8	31/32	13.80
8	2 7/16	ZAS3207	9 1/4	2 11/16	1 5/8	5 1/2	15/16	ZA3207	9 1/8	2 11/16	1 5/8	5 1/2	15/16	2 3/4	7 1/8	3 21/32	5/8	-	3 9/16	2 29/32	1 1/64	16.50
	2 1/2	ZAS3208	9 1/4	2 11/16	1 5/8	5 1/2	15/16	ZA3208	9 1/8	2 11/16	1 5/8	5 1/2	15/16	2 3/4	7 1/8	3 21/32	5/8	-	3 9/16	2 29/32	1 1/64	16.50
9	2 11/16	ZAS3211	10 7/16	3 3/16	2	6 7/16	1 1/16	ZA3211	10 7/16	3 3/16	2	6 7/16	1 1/16	3 1/4	8 1/8	4 13/64	3/4	-	4 1/16	3 3/8	1 1/64	27.70
	2 15/16	ZAS3215	10 7/16	3 3/16	2	6 7/16	1 1/16	ZA3215	10 7/16	3 3/16	2	6 7/16	1 1/16	3 1/4	8 1/8	4 13/64	3/4	-	4 1/16	3 3/8	1 1/64	26.40
10	3 7/16	ZAS3307	13	3 7/16	2 1/4	7 1/2	1 5/8	ZA3307	13	3 7/16	2 1/4	7 1/2	1 5/8	3 3/4	10	4 37/64	7/8	-	4 15/16	3 31/32	1 9/64	40.90
	3 1/2	ZAS3308	13	3 7/16	2 1/4	7 1/2	1 5/8	ZA3308	13	3 7/16	2 1/4	7 1/2	1 5/8	3 3/4	10	4 37/64	7/8	-	4 15/16	3 31/32	1 9/64	40.40
11	3 15/16	ZAS3315	14 1/4	4 1/8	2 1/8	8 1/2	1 3/4	ZA3315	14 1/4	4 1/8	2 1/8	8 1/2	1 3/4	4 1/8	10 7/8	5 3/16	1	-	5 5/8	4 9/16	1 1/16	56.00
Four-Bolt Pillow Block																						
6	1 15/16	ZAS3115F	8 3/8	3 3/16	1 3/8	4 9/16	13/16	ZA3115F	8 3/8	3 3/16	1 3/8	4 9/16	13/16	2 1/4	6 1/4	3 9/32	1/2	1 19/32	2 3/4	2 5/16	27/32	13.40
7	2 3/16	ZAS3203F	8 7/8	3 1/4	1 5/8	5	13/16	ZA3203F	8 7/8	3 1/4	1 5/8	5	13/16	2 1/2	6 3/4	3 1/2	1/2	1 11/16	3 1/4	2 5/8	31/32	15.60
8	2 7/16	ZAS3207F	9 1/4	3 3/8	1 3/4	5 1/2	13/16	ZA3207F	9 1/4	3 3/8	1 3/4	5 1/2	13/16	2 3/4	7 1/8	3 21/32	1/2	1 3/4	3 9/16	2 29/32	1 1/64	16.80
	2 1/2	ZAS3208F	9 1/4	3 3/8	1 3/4	5 1/2	13/16	ZA3208F	9 1/4	3 3/8	1 3/4	5 1/2	13/16	2 3/4	7 1/8	3 21/32	1/2	1 3/4	3 9/16	2 29/32	1 1/64	16.80
9	2 11/16	ZAS3211F	10 7/16	3 3/4	2 1/4	6 7/16	15/16	ZA3211F	10 7/16	3 3/4	2 1/4	6 7/16	15/16	3 1/4	8 1/8	4 13/64	5/8	1 7/8	4 1/16	3 3/8	1 1/64	28.40
	2 15/16	ZAS3215F	10 7/16	3 3/4	2 1/4	6 7/16	15/16	ZA3215F	10 7/16	3 3/4	2 1/4	6 7/16	15/16	3 1/4	8 1/8	4 13/64	5/8	1 7/8	4 1/16	3 3/8	1 1/64	27.20
10	3 7/16	ZAS3307F	13	4 1/8	2 1/4	7 1/2	1 1/2	ZA3307F	13	4 1/8	2 1/4	7 1/2	1 1/2	3 3/4	10	4 37/64	3/4	2	4 15/16	3 31/32	1 9/64	41.20
	3 1/2	ZAS3308F	13	4 1/8	2 1/4	7 1/2	1 1/2	ZA3308F	13	4 1/8	2 1/4	7 1/2	1 1/2	3 3/4	10	4 37/64	3/4	2	4 15/16	3 31/32	1 9/64	40.70
11	3 15/16	ZAS3315F	15 1/4	4 1/2	2 5/8	8 5/8	1 1/4	ZA3315F	15 1/4	4 1/2	2 5/8	8 1/2	1 1/4	4 1/4	12 1/2	5 3/16	3/4	2 1/4	5 5/8	4 9/16	1 1/16	61.00

Additional Notes

- Please call 1-866-REXNORD for availability
- Lubrication fitting tap size: for fixed units, 1/8" PT; for expansion units, 1/4"-28 UNF
- Base to centerline tolerance, +/- .005"
- Bore size = nominal shaft size + .001"/-.000"
- Expansion - is 3/8" for all size codes
- Seals - To specify K or M seal, replace "Z" in part number with "K" or "M"

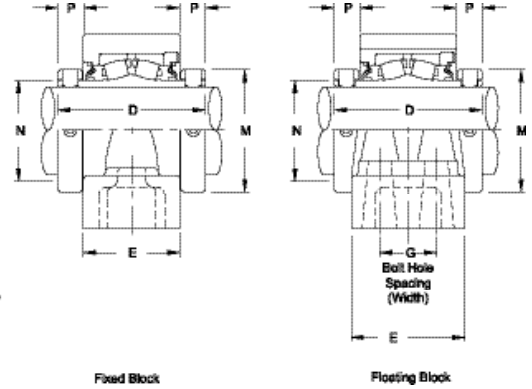
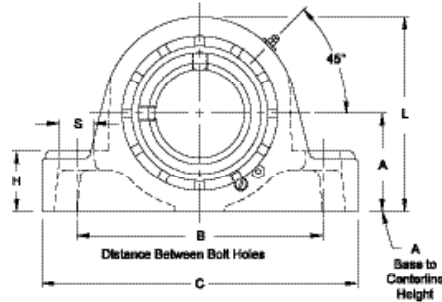
- Auxiliary end caps - available in all size codes except ZAS series
- Selection Guide, see Rexnord Spherical Roller Bearings Selection Guide section
- Load Ratings & Speed Limits, see Rexnord Spherical Roller Bearings Load Ratings & Speed Limits section
- Note: Dimensions subject to change. Certified dimensions of ordered material furnished on request.

ZA5000, ZAS5000



Product Features

- Corrosion resistant powder coating
- Cast iron housing
- Misalignment capabilities - Total of 4°
- Broad range of sealing options
- Factory set clearance & lubrication
- Precision ground & superfinished raceways
- Two hardened spring locking collars
- Field interchangeable seals
- Fixed or Expansion - Total of 3/8" expansion
- See Features & Benefits section for additional info.



Bearing Dimensions

Size Code	Shaft Diameter	Expansion					Fixed					A Base to Centerline Height	B Distance Between Bolt Holes	D	F Bolts	G Bolt Hole Spacing (Width)	M	N	P	Approx. Weight		
		Part Number	C	E	H	L	S	Part Number	C	E	H										L	S
Two-Bolt Pillow Block																						
4	1 7/16	ZAS5107	6 9/16	2 3/16	1	3 7/8	7/8	ZA5107	6 9/16	2 1/4	1 3/16	3 11/16	13/16	1 7/8	5	3 9/16	1/2	-	2 5/16	1 3/4	11/16	7.50
5	1 1/2	ZAS5108	7 1/8	2 7/16	1 1/8	4 3/8	7/8	ZA5108	7 1/8	2 1/2	1 5/16	4 1/4	13/16	2 1/8	5 1/2	3 13/16	1/2	-	2 5/8	2 1/32	11/16	10.50
	1 11/16	ZAS5111	7 1/8	2 7/16	1 1/8	4 3/8	7/8	ZA5111	7 1/8	2 1/2	1 5/16	4 1/4	13/16	2 1/8	5 1/2	3 13/16	1/2	-	2 5/8	2 1/32	11/16	10.10
6	1 15/16	ZAS5115	8 3/8	2 1/2	1 3/8	4 9/16	15/16	ZA5115	8 1/8	2 1/2	1 3/8	4 9/16	15/16	2 1/4	6 1/4	3 13/16	5/8	-	2 15/16	2 5/16	11/16	11.50
	2	ZAS5200	8 7/8	2 9/16	1 5/8	5	15/16	ZA5200	8 5/8	2 9/16	1 5/8	5	15/16	2 1/2	6 3/4	4 1/8	5/8	-	3 1/4	2 5/8	25/32	15.20
7	2 3/16	ZAS5203	8 7/8	2 9/16	1 5/8	5	15/16	ZA5203	8 5/8	2 9/16	1 5/8	5	15/16	2 1/2	6 3/4	4 1/8	5/8	-	3 1/4	2 5/8	25/32	15.80
	2 7/16	ZAS5207	9 1/4	2 11/16	1 5/8	5 1/2	15/16	ZA5207	9 1/8	2 11/16	1 5/8	5 1/2	15/16	2 3/4	7 1/8	4 3/8	5/8	-	3 9/16	2 29/32	7/8	17.10
8	2 1/2	ZAS5208	10 7/16	3 3/16	2	6 7/16	1 1/16	ZA5208	10 7/16	3 3/16	2	6 7/16	1 1/16	3 1/4	8 1/8	4 7/8	3/4	-	4 1/16	3 3/8	13/16	30.00
	2 11/16	ZAS5211	10 7/16	3 3/16	2	6 7/16	1 1/16	ZA5211	10 7/16	3 3/16	2	6 7/16	1 1/16	3 1/4	8 1/8	4 7/8	3/4	-	4 1/16	3 3/8	13/16	29.00
9	2 15/16	ZAS5215	10 7/16	3 3/16	2	6 7/16	1 1/16	ZA5215	10 7/16	3 3/16	2	6 7/16	1 1/16	3 1/4	8 1/8	4 7/8	3/4	-	4 1/16	3 3/8	13/16	28.50
	3 3/16	ZAS5303	13	3 7/16	2 1/4	7 1/2	1 5/8	ZA5303	13	3 7/16	2 1/4	7 1/2	1 5/8	3 3/4	10	5 5/16	7/8	-	4 15/16	3 31/32	15/16	44.40
10	3 7/16	ZAS5307	13	3 7/16	2 1/4	7 1/2	1 5/8	ZA5307	13	3 7/16	2 1/4	7 1/2	1 5/8	3 3/4	10	5 5/16	7/8	-	4 15/16	3 31/32	15/16	42.50
	3 11/16	ZAS5311	14 1/4	4 1/8	2 1/8	8 1/2	1 3/4	ZA5311	14 1/4	4 1/8	2 1/8	8 1/2	1 3/4	4 1/8	10 7/8	6 1/4	1	-	5 5/8	4 9/16	1 1/16	60.50
11	3 15/16	ZAS5315	14 1/4	4 1/8	2 1/8	8 1/2	1 3/4	ZA5315	14 1/4	4 1/8	2 1/8	8 1/2	1 3/4	4 1/8	10 7/8	6 1/4	1	-	5 5/8	4 9/16	1 1/16	59.50
	4	ZAS5400	14 1/4	4 1/8	2 1/8	8 1/2	1 3/4	ZA5400	14 1/4	4 1/8	2 1/8	8 1/2	1 3/4	4 1/8	10 7/8	6 1/4	1	-	5 5/8	4 9/16	1 1/16	58.50
Four-Bolt Pillow Block																						
6	1 15/16	ZAS5115F	8 3/8	3 3/16	1 3/8	4 9/16	13/16	ZA5115F	8 3/8	3 3/16	1 3/8	4 9/16	13/16	2 1/4	6 1/4	3 13/16	1/2	1 19/32	2 15/16	2 5/16	11/16	13.80
7	2	ZAS5200F	8 7/8	3 1/4	1 5/8	5	13/16	ZA5200F	8 7/8	3 1/4	1 5/8	5	13/16	2 1/2	6 3/4	4 1/8	1/2	1 11/16	3 1/4	2 5/8	25/32	17.00
	2 3/16	ZAS5203F	8 7/8	3 1/4	1 5/8	5	13/16	ZA5203F	8 7/8	3 1/4	1 5/8	5	13/16	2 1/2	6 3/4	4 1/8	1/2	1 11/16	3 1/4	2 5/8	25/32	17.60
8	2 7/16	ZAS5207F	9 1/4	3 3/8	1 3/4	5 1/2	13/16	ZA5207F	9 1/4	3 3/8	1 3/4	5 1/2	13/16	2 3/4	7 1/8	4 3/8	1/2	1 3/4	3 9/16	2 29/32	7/8	17.90
	2 1/2	ZAS5208F	10 7/16	3 3/4	2 1/4	6 7/16	15/16	ZA5208F	10 7/16	3 3/4	2 1/4	6 7/16	15/16	3 1/4	8 1/8	4 7/8	5/8	1 7/8	4 1/16	3 3/8	13/16	30.70
9	2 11/16	ZAS5211F	10 7/16	3 3/4	2 1/4	6 7/16	15/16	ZA5211F	10 7/16	3 3/4	2 1/4	6 7/16	15/16	3 1/4	8 1/8	4 7/8	5/8	1 7/8	4 1/16	3 3/8	13/16	29.70
	2 15/16	ZAS5215F	10 7/16	3 3/4	2 1/4	6 7/16	15/16	ZA5215F	10 7/16	3 3/4	2 1/4	6 7/16	15/16	3 1/4	8 1/8	4 7/8	5/8	1 7/8	4 1/16	3 3/8	13/16	29.20
10	3 3/16	ZAS5303F	13	4 1/8	2 1/4	7 1/2	1 1/2	ZA5303F	13	4 1/8	2 1/4	7 1/2	1 1/2	3 3/4	10	5 5/16	3/4	2	4 15/16	3 31/32	15/16	44.70
	3 7/16	ZAS5307F	13	4 1/8	2 1/4	7 1/2	1 1/2	ZA5307F	13	4 1/8	2 1/4	7 1/2	1 1/2	3 3/4	10	5 5/16	3/4	2	4 15/16	3 31/32	15/16	42.80
11	3 11/16	ZAS5311F	15 1/4	4 1/2	2 5/8	8 5/8	1 1/4	ZA5311F	15 1/4	4 1/2	2 5/8	8 1/2	1 1/4	4 1/4	12 1/2	6 1/4	3/4	2 1/4	5 5/8	4 9/16	1 1/16	65.50
	3 15/16	ZAS5315F	15 1/4	4 1/2	2 5/8	8 5/8	1 1/4	ZA5315F	15 1/4	4 1/2	2 5/8	8 1/2	1 1/4	4 1/4	12 1/2	6 1/4	3/4	2 1/4	5 5/8	4 9/16	1 1/16	64.50
4	ZAS5400F	15 1/4	4 1/2	2 5/8	8 5/8	1 1/4	ZA5400F	15 1/4	4 1/2	2 5/8	8 1/2	1 1/4	4 1/4	12 1/2	6 1/4	3/4	2 1/4	5 5/8	4 9/16	1 1/16	63.50	

Additional Notes

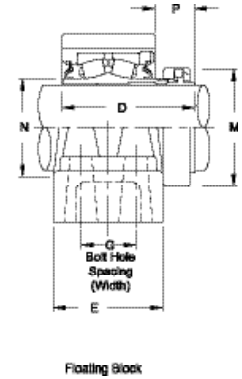
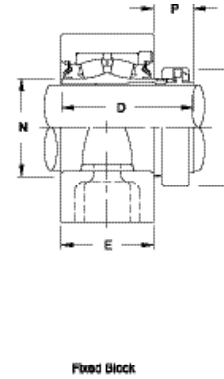
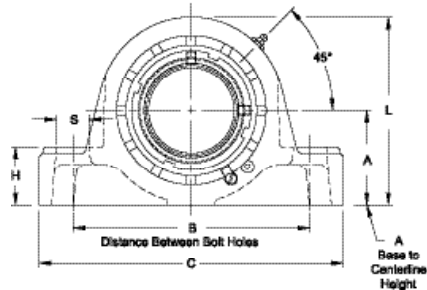
- Please call 1-866-REXNORD for availability
- Metric bore sizes available, see Rexnord Interchangeability guide
- Lubrication fitting tap size: for fixed units, 1/8" PT; for expansion units, 1/4"-28 UNF
- Base to centerline tolerance, +/- .005"
- Bore size = nominal shaft size +.001"/-.000"
- Expansion - is 3/8" for all size codes
- Seals - To specify K or M seal, replace "Z" in part number with "K" or "M"

- Auxiliary end caps - available in all size codes except ZAS series
- Selection Guide, see Rexnord Spherical Roller Bearings Selection Guide section
- Load Ratings & Speed Limits, see Rexnord Spherical Roller Bearings Load Ratings & Speed Limits section
- Note: Dimensions subject to change. Certified dimensions of ordered material [furnished on request.



Product Features

- Optical Strain Sensor Technology
- Positive locking system
- Tapered adapter sleeve
- Corrosion resistant powder coating
- Cast iron housing
- Misalignment capabilities - Total of 4°
- Broad range of sealing options
- Factory set clearance & lubrication
- Precision ground & superfinished raceways
- See Features & Benefits section for additional info.



Bearing Dimensions

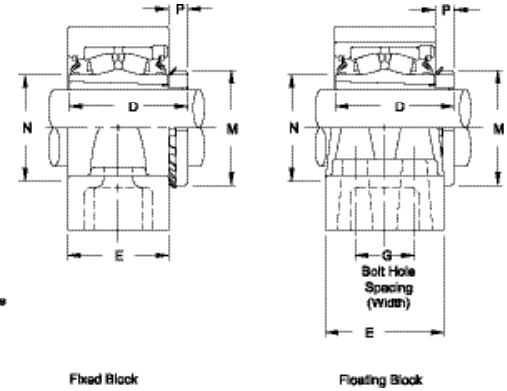
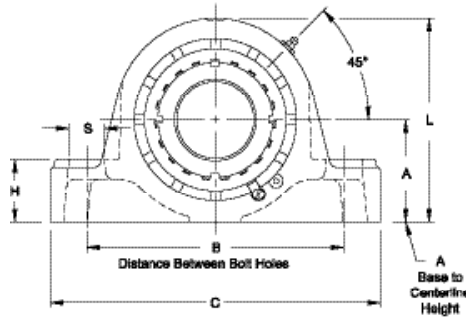
Size Code	Shaft Diameter	Expansion			Fixed			A Base to Centerline Height	B Distance Between Bolt Holes	D	E	F Bolts	G Bolt Hole Spacing (Width)	H	M	N	P	S	Approx. Weight
		Part Number	C	L	Part Number	C	L												
Two-Bolt Pillow Block																			
6	1 15/16	ZAS6115	8 3/8	4 9/16	ZA6115	8 1/8	4 9/16	2 1/4	6 1/4	3 41/64	2 1/2	5/8	-	1 3/8	2 55/64	2 5/16	1 1/8	15/16	10.90
7	2 3/16	ZAS6203	8 7/8	5	ZA6203	8 5/8	5	2 1/2	6 3/4	3 49/64	2 9/16	5/8	-	1 5/8	3 15/64	2 5/8	1 5/32	15/16	12.90
8	2 3/8	ZAS6206	9 1/4	5 1/2	ZA6206	9 1/8	5 1/2	2 3/4	7 1/8	4 5/32	2 11/16	5/8	-	1 5/8	3 19/32	2 29/32	1 27/64	15/16	16.10
	2 7/16	ZAS6207	9 1/4	5 1/2	ZA6207	9 1/8	5 1/2	2 3/4	7 1/8	4 5/32	2 11/16	5/8	-	1 5/8	3 19/32	2 29/32	1 27/64	15/16	16.30
9	2 11/16	ZAS6211	10 7/16	6 7/16	ZA6211	10 7/16	6 7/16	3 1/4	8 1/8	4 17/32	3 3/16	3/4	-	2	4 3/32	3 3/8	1 25/64	1 1/16	27.30
	2 3/4	ZAS6212	10 7/16	6 7/16	ZA6212	10 7/16	6 7/16	3 1/4	8 1/8	4 17/32	3 3/16	3/4	-	2	4 3/32	3 3/8	1 25/64	1 1/16	26.90
	2 15/16	ZAS6215	10 7/16	6 7/16	ZA6215	10 7/16	6 7/16	3 1/4	8 1/8	4 17/32	3 3/16	3/4	-	2	4 3/32	3 3/8	1 25/64	1 1/16	26.00
10	3 3/16	ZAS6303	13	7 1/2	ZA6303	13	7 1/2	3 3/4	10	5 9/64	3 7/16	7/8	-	2 1/4	4 61/64	3 31/32	1 19/32	1 5/8	41.80
	3 7/16	ZAS6307	13	7 1/2	ZA6307	13	7 1/2	3 3/4	10	5 9/64	3 7/16	7/8	-	2 1/4	4 61/64	3 31/32	1 19/32	1 5/8	40.30
11	3 11/16	ZAS6311	14 1/4	8 1/2	ZA6311	14 1/4	8 1/2	4 1/8	10 7/8	5 31/32	4 1/8	1	-	2 1/8	5 43/64	4 9/16	1 47/64	1 3/4	58.00
	3 15/16	ZAS6315	14 1/4	8 1/2	ZA6315	14 1/4	8 1/2	4 1/8	10 7/8	5 31/32	4 1/8	1	-	2 1/8	5 43/64	4 9/16	1 47/64	1 3/4	56.00
Four-Bolt Pillow Block																			
6	1 15/16	ZAS6115F	8 3/8	4 9/16	ZA6115F	8 3/8	4 9/16	2 1/4	6 1/4	3 41/64	3 3/16	1/2	1 19/32	1 3/8	2 55/64	2 5/16	1 1/8	13/16	11.70
7	2 3/16	ZAS6203F	8 7/8	5	ZA6203F	8 7/8	5	2 1/2	6 3/4	3 49/64	3 1/4	1/2	1 11/16	1 5/8	3 15/64	2 5/8	1 5/32	13/16	15.30
8	2 3/8	ZAS6206F	9 1/4	5 1/2	ZA6206F	9 1/4	5 1/2	2 3/4	7 1/8	4 5/32	3 3/8	1/2	1 3/4	1 3/4	3 19/32	2 29/32	1 27/64	13/16	16.90
	2 7/16	ZAS6207F	9 1/4	5 1/2	ZA6207F	9 1/4	5 1/2	2 3/4	7 1/8	4 5/32	3 3/8	1/2	1 3/4	1 3/4	3 19/32	2 29/32	1 27/64	13/16	16.60
9	2 11/16	ZAS6211F	10 7/16	6 7/16	ZA6211F	10 7/16	6 7/16	3 1/4	8 1/8	4 17/32	3 3/4	5/8	1 7/8	2 1/4	4 3/32	3 3/8	1 25/64	15/16	28.00
	2 3/4	ZAS6212F	10 7/16	6 7/16	ZA6212F	10 7/16	6 7/16	3 1/4	8 1/8	4 17/32	3 3/4	5/8	1 7/8	2 1/4	4 3/32	3 3/8	1 25/64	15/16	26.80
	2 15/16	ZAS6215F	10 7/16	6 7/16	ZA6215F	10 7/16	6 7/16	3 1/4	8 1/8	4 17/32	3 3/4	5/8	1 7/8	2 1/4	4 3/32	3 3/8	1 25/64	15/16	26.80
10	3 3/16	ZAS6303F	13	7 1/2	ZA6303F	13	7 1/2	3 3/4	10	5 9/64	4 1/8	3/4	2	2 1/4	4 61/64	3 31/32	1 19/32	1 1/2	42.10
	3 7/16	ZAS6307F	13	7 1/2	ZA6307F	13	7 1/2	3 3/4	10	5 9/64	4 1/8	3/4	2	2 1/4	4 61/64	3 31/32	1 19/32	1 1/2	40.60
11	3 11/16	ZAS6311F	15 1/4	8 5/8	ZA6311F	15 1/4	8 1/2	4 1/4	12 1/2	5 31/32	4 1/2	3/4	2 1/4	2 5/8	5 43/64	4 9/16	1 47/64	1 1/4	63.00
	3 15/16	ZAS6315F	15 1/4	8 5/8	ZA6315F	15 1/4	8 1/2	4 1/4	12 1/2	5 31/32	4 1/2	3/4	2 1/4	2 5/8	5 43/64	4 9/16	1 47/64	1 1/4	61.00

Additional Notes

- Please call 1-866-REXNORD for availability
- Lubrication fitting tap size: for fixed units, 1/8" PT; for expansion units, 1/4"-28 UNF
- Base to centerline tolerance, +/- .005"
- Expansion - is 3/8" for all size codes
- Seals - To specify K or M seal, replace "Z" in part number with "K" or "M"
- Auxiliary end caps - available in all size codes except ZAS series

- Selection Guide, see Rexnord Spherical Roller Bearings Selection Guide section
- Load Ratings & Speed Limits, see Rexnord Spherical Roller Bearings Load Ratings & Speed Limits section
- Note: Dimensions subject to change. Certified dimensions of ordered material furnished on request.

ZA9000, ZAS9000



Product Features

- Corrosion resistant powder coating
- Cast iron housing
- Misalignment capabilities - Total of 4°
- Broad range of sealing options
- Factory set clearance & lubrication
- Precision ground & superfinished raceways
- Enhanced life mounting style
- Field interchangeable seals
- Fixed or Expansion - Total of 3/8" expansion
- See Features & Benefits section for additional info.

Bearing Dimensions

Size Code	Shaft Diameter	Expansion			Fixed			A Base to Centerline Height	B Distance Between Bolt Holes	D	E	F Bolts	G Bolt Hole Spacing (Width)	H	M	N	P	S	Approx. Weight
		Part Number	C	L	Part Number	C	L												
Two-Bolt Pillow Block																			
7	1 15/16	ZAS9115	8 7/8	5	ZA9115	8 5/8	5	2 1/2	6 3/4	3 5/32	2 9/16	5/8	-	1 5/8	2 31/32	2 5/8	19/32	15/16	13.70
	2	ZAS9200	8 7/8	5	ZA9200	8 5/8	5	2 1/2	6 3/4	3 5/32	2 9/16	5/8	-	1 5/8	2 31/32	2 5/8	19/32	15/16	13.60
8	2 3/16	ZAS9203	9 1/4	5 1/2	ZA9203	9 1/8	5 1/2	2 3/4	7 1/8	3 11/32	2 11/16	5/8	-	1 5/8	3 3/8	2 29/32	23/32	15/16	16.40
9	2 7/16	ZAS9207	10 7/16	6 7/16	ZA9207	10 7/16	6 7/16	3 1/4	8 1/8	3 3/4	3 3/16	3/4	-	2	3 5/8	3 3/8	23/32	1 1/16	26.60
	2 1/2	ZAS9208	10 7/16	6 7/16	ZA9208	10 7/16	6 7/16	3 1/4	8 1/8	3 3/4	3 3/16	3/4	-	2	3 5/8	3 3/8	23/32	1 1/16	26.20
10	2 11/16	ZAS9211	13	7 1/2	ZA9211	13	7 1/2	3 3/4	10	4 1/4	3 7/16	7/8	-	2 1/4	4 13/32	3 31/32	13/16	1 5/8	43.00
	2 15/16	ZAS9215	13	7 1/2	ZA9215	13	7 1/2	3 3/4	10	4 1/4	3 7/16	7/8	-	2 1/4	4 13/32	3 31/32	13/16	1 5/8	41.80
11	3 3/16	ZAS9303	14 1/4	8 1/2	ZA9303	14 1/4	8 1/2	4 1/8	10 7/8	5 1/16	4 1/8	1	-	2 1/8	5 3/16	4 9/16	15/16	1 3/4	61.00
	3 7/16	ZAS9307	14 1/4	8 1/2	ZA9307	14 1/4	8 1/2	4 1/8	10 7/8	5 1/16	4 1/8	1	-	2 1/8	5 3/16	4 9/16	15/16	1 3/4	59.00
Four-Bolt Pillow Block																			
7	1 15/16	ZAS9115F	8 7/8	5	ZA9115F	8 7/8	5	2 1/2	6 3/4	3 5/32	3 1/4	1/2	1 11/16	1 5/8	2 31/32	2 5/8	19/32	13/16	15.50
	2	ZAS9200F	8 7/8	5	ZA9200F	8 7/8	5	2 1/2	6 3/4	3 5/32	3 1/4	1/2	1 11/16	1 5/8	2 31/32	2 5/8	19/32	13/16	15.40
8	2 3/16	ZAS9203F	9 1/4	5 1/2	ZA9203F	9 1/4	5 1/2	2 3/4	7 1/8	3 11/32	3 3/8	1/2	1 3/4	1 3/4	3 3/8	2 29/32	23/32	13/16	17.20
9	2 7/16	ZAS9207F	10 7/16	6 7/16	ZA9207F	10 7/16	6 7/16	3 1/4	8 1/8	3 3/4	3 3/4	5/8	1 7/8	2 1/4	3 5/8	3 3/8	23/32	15/16	27.30
	2 1/2	ZAS9208F	10 7/16	6 7/16	ZA9208F	10 7/16	6 7/16	3 1/4	8 1/8	3 3/4	3 3/4	5/8	1 7/8	2 1/4	3 5/8	3 3/8	23/32	15/16	29.30
10	2 11/16	ZAS9211F	13	7 1/2	ZA9211F	13	7 1/2	3 3/4	10	4 1/4	4 1/8	3/4	2	2 1/4	4 13/32	3 31/32	13/16	1 1/2	43.30
	2 15/16	ZAS9215F	13	7 1/2	ZA9215F	13	7 1/2	3 3/4	10	4 1/4	4 1/8	3/4	2	2 1/4	4 13/32	3 31/32	13/16	1 1/2	42.10
11	3 3/16	ZAS9303F	15 1/4	8 5/8	ZA9303F	15 1/4	8 1/2	4 1/4	12 1/2	5 1/16	4 1/2	3/4	2 1/4	2 5/8	5 3/16	4 9/16	15/16	1 1/4	66.00
	3 7/16	ZAS9307F	15 1/4	8 5/8	ZA9307F	15 1/4	8 1/2	4 1/4	12 1/2	5 1/16	4 1/2	3/4	2 1/4	2 5/8	5 3/16	4 9/16	15/16	1 1/4	64.00

Additional Notes

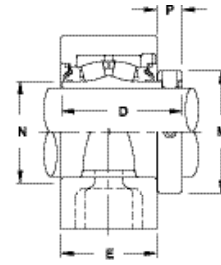
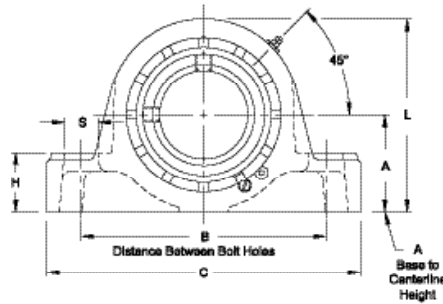
- Please call 1-866-REXNORD for availability
- Lubrication fitting tap size: for fixed units, 1/8" PT; for expansion units, 1/4"-28 UNF
- Base to centerline tolerance, +/- .005"
- Expansion - is 3/8" for all size codes
- Seals - To specify K or M seal, replace "Z" in part number with "K" or "M"
- Auxiliary end caps - available in all size codes except ZAS series

Selection Guide, see Rexnord Spherical Roller Bearings Selection Guide section Load Ratings & Speed Limits, see Rexnord Spherical Roller Bearings Load Ratings & Speed Limits section
 Note: Dimensions subject to change. Certified dimensions of ordered material furnished on request.

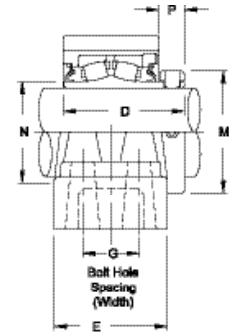


Product Features

- Corrosion resistant powder coating
- Cast steel housing
- Misalignment capabilities - Total of 4°
- Broad range of sealing options
- Factory set clearance & lubrication
- Precision ground & superfinished raceways
- Hardened spring locking collar
- Field interchangeable seals
- Fixed or Expansion - Total of 3/8" expansion
- See Features & Benefits section for additional info.



Fixed Block



Floating Block

Bearing Dimensions

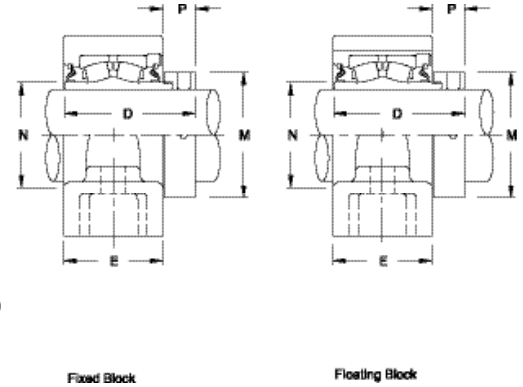
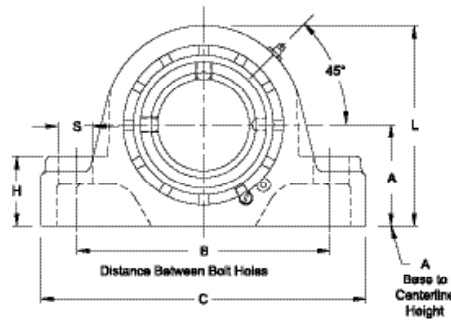
Size Code	Shaft Diameter	Expansion		Fixed		A Base to Centerline Height	B Distance Between Bolt Holes	C	D	E	F Bolts	H	M	N	P	S	Approx. Weight
		Part Number	L	Part Number	L												
Two-Bolt Pillow Block																	
4	1 7/16	ZAS210772	3 7/8	ZA210772	3 11/16	1 7/8	5	6 7/8	2 7/8	2 1/4	1/2	1 3/16	2 5/16	1 3/4	11/16	13/16	7.50
	1 1/2	ZAS210872	3 7/8	ZA210872	3 11/16	1 7/8	5	6 7/8	2 7/8	2 1/4	1/2	1 3/16	2 5/16	1 3/4	11/16	13/16	7.50
5	1 11/16	ZAS211172	4 3/8	ZA211172	4 1/4	2 1/8	5 1/2	7 3/8	3 1/8	2 1/2	1/2	1 5/16	2 5/8	2 1/32	11/16	13/16	10.50
	1 3/4	ZAS211272	4 3/8	ZA211272	4 1/4	2 1/8	5 1/2	7 3/8	3 1/8	2 1/2	1/2	1 5/16	2 5/8	2 1/32	11/16	13/16	10.50
6	1 15/16	ZAS211572	4 9/16	ZA211572	4 9/16	2 1/4	6 1/4	8 3/8	3 1/8	2 1/2	5/8	1 3/8	2 15/16	2 5/16	11/16	15/16	11.70
	2	ZAS220072	4 9/16	ZA220072	4 9/16	2 1/4	6 1/4	8 3/8	3 1/8	2 1/2	5/8	1 3/8	2 15/16	2 5/16	11/16	15/16	11.70
7	2 3/16	ZAS220372	5	ZA220372	5	2 1/2	6 3/4	8 7/8	3 5/16	2 9/16	5/8	1 5/8	3 1/4	2 5/8	13/16	15/16	14.50
	2 1/4	ZAS220472	5	ZA220472	5	2 1/2	6 3/4	8 7/8	3 5/16	2 9/16	5/8	1 5/8	3 1/4	2 5/8	13/16	15/16	14.50
8	2 3/8	ZAS220672	5 1/2	ZA220672	5 1/2	2 3/4	7 1/8	9 1/4	3 1/2	2 11/16	5/8	1 3/4	3 9/16	2 29/32	7/8	15/16	18.00
	2 7/16	ZAS220772	5 1/2	ZA220772	5 1/2	2 3/4	7 1/8	9 1/4	3 1/2	2 11/16	5/8	1 3/4	3 9/16	2 29/32	7/8	15/16	18.00
	2 1/2	ZAS220872	5 1/2	ZA220872	5 1/2	2 3/4	7 1/8	9 1/4	3 1/2	2 11/16	5/8	1 3/4	3 9/16	2 29/32	7/8	15/16	18.00
9	2 11/16	ZAS221172	6 7/16	ZA221172	6 7/16	3 1/4	8 1/8	10 7/16	4	3 3/16	3/4	2 1/4	4 1/16	3 3/8	7/8	1 1/16	25.50
	2 3/4	ZAS221272	6 7/16	ZA221272	6 7/16	3 1/4	8 1/8	10 7/16	4	3 3/16	3/4	2 1/4	4 1/16	3 3/8	7/8	1 1/16	25.50
	2 15/16	ZAS221572	6 7/16	ZA221572	6 7/16	3 1/4	8 1/8	10 7/16	4	3 3/16	3/4	2 1/4	4 1/16	3 3/8	7/8	1 1/16	25.50
	3	ZAS230072	6 7/16	ZA230072	6 7/16	3 1/4	8 1/8	10 7/16	4	3 3/16	3/4	2 1/4	4 1/16	3 3/8	7/8	1 1/16	25.50
10	3 3/16	ZAS230372	7 1/2	ZA230372	7 1/2	3 3/4	10	13	4 3/8	3 7/16	7/8	2 1/4	4 15/16	3 31/32	15/16	1 5/8	42.50
	3 7/16	ZAS230772	7 1/2	ZA230772	7 1/2	3 3/4	10	13	4 3/8	3 7/16	7/8	2 1/4	4 15/16	3 31/32	15/16	1 5/8	42.50
	3 1/2	ZAS230872	7 1/2	ZA230872	7 1/2	3 3/4	10	13	4 3/8	3 7/16	7/8	2 1/4	4 15/16	3 31/32	15/16	1 5/8	42.50
11	3 11/16	ZAS231172	8 1/2	ZA231172	8 1/2	4 1/8	11 3/4	15 1/4	5 1/16	4	1	2 5/8	5 5/8	4 9/16	1 1/16	2 1/4	52.50
	3 15/16	ZAS231572	8 1/2	ZA231572	8 1/2	4 1/8	11 3/4	15 1/4	5 1/16	4	1	2 5/8	5 5/8	4 9/16	1 1/16	2 1/4	52.50
	4	ZAS240072	8 1/2	ZA240072	8 1/2	4 1/8	11 3/4	15 1/4	5 1/16	4	1	2 5/8	5 5/8	4 9/16	1 1/16	2 1/4	52.50

Additional Notes

- Please call 1-866-REXNORD for availability
- Metric bore sizes available, see Rexnord Interchangeability guide
- Lubrication fitting tap size: for fixed units, 1/8" PT; for expansion units, 1/4"-28 UNF
- Base to centerline tolerance, +/- .005"
- Bore size = nominal shaft size +.001"/-.000"
- Expansion - is 3/8" for all size codes
- Seals - To specify K or M seal, replace "Z" in part number with "K" or "M"

- Auxiliary end caps - available in all size codes except for ZAS series
- Selection Guide, see Rexnord Spherical Roller Bearings Selection Guide section
- Load Ratings & Speed Limits, see Rexnord Spherical Roller Bearings Load Ratings & Speed Limits section
- Note: Dimensions subject to change. Certified dimensions of ordered material furnished on request.

ZA3000-72, ZAS3000-72



Product Features

- Corrosion resistant powder coating
- Cast steel housing
- Misalignment capabilities - Total of 4°
- Broad range of sealing options
- Factory set clearance & lubrication
- Precision ground & superfinished raceways
- Hardened eccentric locking collar
- Field interchangeable seals
- Fixed or Expansion - Total of 3/8" expansion
- See Features & Benefits section for additional info.

Bearing Dimensions

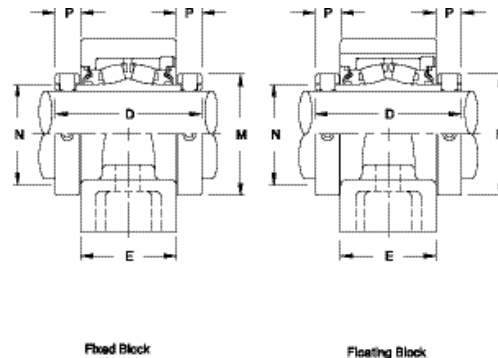
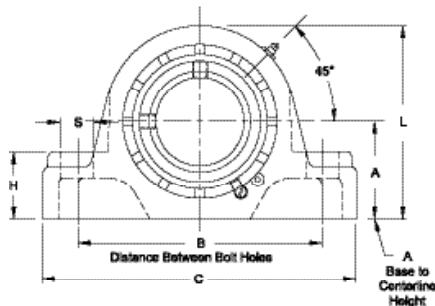
Size Code	Shaft Diameter	Expansion		Fixed		A Base to Centerline Height	B Distance Between Bolt Holes	C	D	E	F Bolts	H	M	N	P	S	Approx. Weight
		Part Number	L	Part Number	L												
Two-Bolt Pillow Block																	
4	1 7/16	ZAS310772	3 7/8	ZA310772	3 11/16	1 7/8	5	6 7/8	2 59/64	2 1/4	1/2	1 3/16	2 5/16	1 3/4	25/32	13/16	8.00
5	1 11/16	ZAS311172	4 3/8	ZA311172	4 1/4	2 1/8	5 1/2	7 3/8	3 3/16	2 1/2	1/2	1 5/16	2 5/8	2 1/32	3/4	13/16	10.50
6	1 15/16	ZAS311572	4 9/16	ZA311572	4 9/16	2 1/4	6 1/4	8 3/8	3 9/32	2 1/2	5/8	1 3/8	2 3/4	2 5/16	27/32	15/16	12.00
7	2 3/16	ZAS320372	5	ZA320372	5	2 1/2	6 3/4	8 7/8	3 1/2	2 9/16	5/8	1 5/8	3 1/4	2 5/8	31/32	15/16	15.00
8	2 7/16	ZAS320772	5 1/2	ZA320772	5 1/2	2 3/4	7 1/8	9 1/4	3 21/32	2 11/16	5/8	1 3/4	3 9/16	2 29/32	1 1/64	15/16	18.00
	2 1/2	ZAS320872	5 1/2	ZA320872	5 1/2	2 3/4	7 1/8	9 1/4	3 21/32	2 11/16	5/8	1 3/4	3 9/16	2 29/32	1 1/64	15/16	18.00
9	2 11/16	ZAS321172	6 7/16	ZA321172	6 7/16	3 1/4	8 1/8	10 7/16	4 13/64	3 3/16	3/4	2 1/4	4 1/16	3 3/8	1 1/64	1 1/16	26.80
	2 15/16	ZAS321572	6 7/16	ZA321572	6 7/16	3 1/4	8 1/8	10 7/16	4 13/64	3 3/16	3/4	2 1/4	4 1/16	3 3/8	1 1/64	1 1/16	26.80
10	3 7/16	ZAS330772	7 1/2	ZA330772	7 1/2	3 3/4	10	13	4 37/64	3 7/16	7/8	2 1/4	4 15/16	3 31/32	1 9/64	1 5/8	42.50
	3 1/2	ZAS330872	7 1/2	ZA330872	7 1/2	3 3/4	10	13	4 37/64	3 7/16	7/8	2 1/4	4 15/16	3 31/32	1 9/64	1 5/8	42.50
11	3 15/16	ZAS331572	8 1/2	ZA331572	8 1/2	4 1/8	11 3/4	15 1/4	5 3/16	4	1	2 5/8	5 5/8	4 9/16	1 1/16	2 1/4	52.00

Additional Notes

- Please call 1-866-REXNORD for availability
- Lubrication fitting tap size: for fixed units, 1/8" PT; for expansion units, 1/4"-28 UNF
- Base to centerline tolerance, +/- .005"
- Bore size = nominal shaft size +.001"/-.000"
- Expansion - is 3/8" for all size codes
- Seals - To specify K or M seal, replace "Z" in part number with "K" or "M"

- Auxiliary end caps - available in all size codes except ZAS series
- Selection Guide, see Rexnord Spherical Roller Bearings Selection Guide section
- Load Ratings & Speed Limits, see Rexnord Spherical Roller Bearings Load Ratings & Speed Limits section
- Note: Dimensions subject to change. Certified dimensions of ordered material furnished on request.

ZA5000-72, ZAS5000-72



Product Features

- Corrosion resistant powder coating
- Cast steel housing
- Misalignment capabilities - Total of 4°
- Broad range of sealing options
- Factory set clearance & lubrication
- Precision ground & superfinished raceways
- Two hardened spring locking collars
- Field interchangeable seals
- Fixed or Expansion - Total of 3/8" expansion
- See Features & Benefits section for additional info.

Bearing Dimensions

Size Code	Shaft Diameter	Expansion			Fixed			A Base to Centerline Height	B Distance Between Bolt Holes	C	D	E	F Bolts	H	M	N	P	S
		Part Number	L	Approx. Weight	Part Number	L	Approx. Weight											
Two-Bolt Pillow Block																		
4	1 7/16	ZAS510772	3 7/8	8.50	ZA510772	3 11/16	7.30	1 7/8	5	6 7/8	3 9/16	2 1/4	1/2	1 3/16	2 5/16	1 3/4	11/16	13/16
	1 1/2	ZAS510872	4 3/8	12.10	ZA510872	4 1/4	10.70	2 1/8	5 1/2	7 3/8	3 13/16	2 1/2	1/2	1 5/16	2 5/8	2 1/32	11/16	13/16
5	1 11/16	ZAS511172	4 3/8	11.70	ZA511172	4 1/4	10.30	2 1/8	5 1/2	7 3/8	3 13/16	2 1/2	1/2	1 5/16	2 5/8	2 1/32	11/16	13/16
	1 15/16	ZAS511572	4 9/16	12.80	ZA511572	4 9/16	11.90	2 1/4	6 1/4	8 3/8	3 13/16	2 1/2	5/8	1 3/8	2 15/16	2 5/16	11/16	15/16
6	2	ZAS520072	5	16.50	ZA520072	5	16.00	2 1/2	6 3/4	8 7/8	4 1/8	2 9/16	5/8	1 5/8	3 1/4	2 5/8	13/16	15/16
	2 3/16	ZAS520372	5	15.20	ZA520372	5	15.40	2 1/2	6 3/4	8 7/8	4 1/8	2 9/16	5/8	1 5/8	3 1/4	2 5/8	13/16	15/16
7	2 7/16	ZAS520772	5 1/2	19.40	ZA520772	5 1/2	18.60	2 3/4	7 1/8	9 1/4	4 3/8	2 11/16	5/8	1 3/4	3 9/16	2 29/32	7/8	15/16
	2 1/2	ZAS520872	6 7/16	29.70	ZA520872	6 7/16	28.90	3 1/4	8 1/8	10 7/16	4 7/8	3 3/16	3/4	2 1/4	4 1/16	3 3/8	7/8	1 1/16
8	2 11/16	ZAS521172	6 7/16	28.70	ZA521172	6 7/16	27.90	3 1/4	8 1/8	10 7/16	4 7/8	3 3/16	3/4	2 1/4	4 1/16	3 3/8	7/8	1 1/16
	2 15/16	ZAS521572	6 7/16	28.20	ZA521572	6 7/16	27.40	3 1/4	8 1/8	10 7/16	4 7/8	3 3/16	3/4	2 1/4	4 1/16	3 3/8	7/8	1 1/16
9	3 3/16	ZAS530372	7 1/2	46.60	ZA530372	7 1/2	42.10	3 3/4	10	13	5 5/16	3 7/16	7/8	2 1/4	4 15/16	3 31/32	15/16	1 5/8
	3 7/16	ZAS530772	7 1/2	44.70	ZA530772	7 1/2	40.20	3 3/4	10	13	5 5/16	3 7/16	7/8	2 1/4	4 15/16	3 31/32	15/16	1 5/8
10	3 11/16	ZAS531172	8 1/2	59.50	ZA531172	8 1/2	50.80	4 1/8	11 3/4	15 1/4	6 1/4	4	1	2 5/8	5 5/8	4 9/16	1 1/16	2 1/4
	3 15/16	ZAS531572	8 1/2	58.50	ZA531572	8 1/2	49.80	4 1/8	11 3/4	15 1/4	6 1/4	4	1	2 5/8	5 5/8	4 9/16	1 1/16	2 1/4
11	4	ZAS540072	8 1/2	57.50	ZA540072	8 1/2	48.80	4 1/8	11 3/4	15 1/4	6 1/4	4	1	2 5/8	5 5/8	4 9/16	1 1/16	2 1/4

Additional Notes

- Please call 1-866-REXNORD for availability
- Metric bore sizes available, see Rexnord Interchangeability guide
- Lubrication fitting tap size: for fixed units, 1/8" PT; for expansion units, 1/4"-28 UNF
- Base to centerline tolerance, +/- .005"
- Bore size = nominal shaft size +.001"/-.000"
- Expansion - is 3/8" for all size codes
- Seals - To specify K or M seal, replace "Z" in part number with "K" or "M"

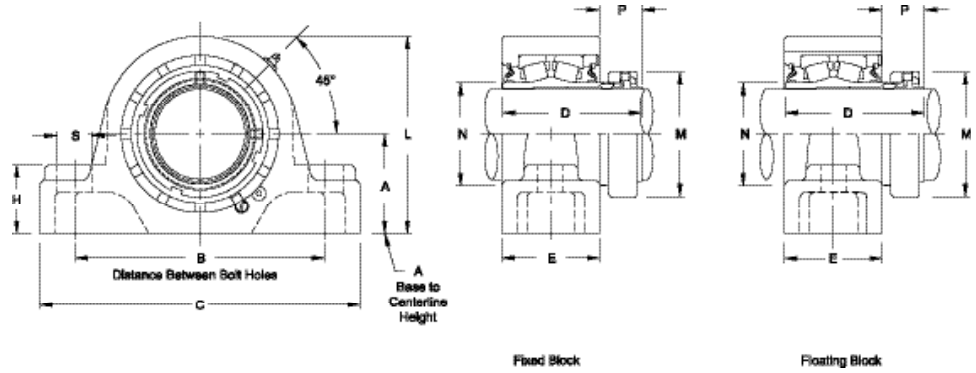
- Auxiliary end caps - available in all size codes except ZAS series
- Selection Guide, see Rexnord Spherical Roller Bearings Selection Guide section
- Load Ratings & Speed Limits, see Rexnord Spherical Roller Bearings Load Ratings & Speed Limits section
- Note: Dimensions subject to change. Certified dimensions of ordered material furnished on request.

ZA6000-72, ZAS6000-72



Product Features

- Optical Strain Sensor Technology
- Positive locking system
- Tapered adapter sleeve
- Corrosion resistant powder coating
- Cast steel housing
- Misalignment capabilities - Total of 4°
- Broad range of sealing options
- Factory set clearance & lubrication
- Precision ground & superfinished raceways
- See Features & Benefits section for additional info.



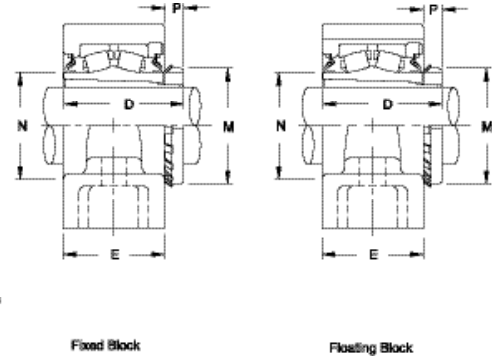
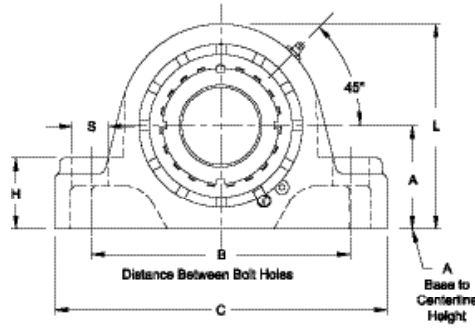
Bearing Dimensions

Size Code	Shaft Diameter	Expansion		Fixed		A Base to Centerline Height	B Distance Between Bolt Holes	C	D	E	F Bolts	H	L	M	N	P	S
		Part Number	Approx. Weight	Part Number	Approx. Weight												
Two-Bolt Pillow Block																	
6	1 15/16	ZAS611572	12.20	ZA611572	11.30	2 1/4	6 1/4	8 3/8	3 41/64	2 1/2	5/8	1 3/8	4 9/16	2 55/64	2 5/16	1 1/8	15/16
7	2 3/16	ZAS620372	14.80	ZA620372	14.30	2 1/2	6 3/4	8 7/8	3 49/64	2 9/16	5/8	1 5/8	5	3 15/64	2 5/8	1 5/32	15/16
8	2 3/8	ZAS620672	18.50	ZA620672	17.70	2 3/4	7 1/8	9 1/4	4 5/32	2 11/16	5/8	1 3/4	5 1/2	3 19/32	2 29/32	1 27/64	15/16
	2 7/16	ZAS620772	18.40	ZA620772	17.60	2 3/4	7 1/8	9 1/4	4 5/32	2 11/16	5/8	1 3/4	5 1/2	3 19/32	2 29/32	1 27/64	15/16
9	2 11/16	ZAS621172	27.00	ZA621172	26.20	3 1/4	8 1/8	10 7/16	4 17/32	3 3/16	3/4	2 1/4	6 7/16	4 3/32	3 3/8	1 25/64	1 1/16
	2 3/4	ZAS621272	26.60	ZA621272	25.80	3 1/4	8 1/8	10 7/16	4 17/32	3 3/16	3/4	2 1/4	6 7/16	4 3/32	3 3/8	1 25/64	1 1/16
10	2 15/16	ZAS621572	25.50	ZA621572	24.70	3 1/4	8 1/8	10 7/16	4 17/32	3 3/16	3/4	2 1/4	6 7/16	4 3/32	3 3/8	1 25/64	1 1/16
	3 3/16	ZAS630372	44.00	ZA630372	39.50	3 3/4	10	13	5 9/64	3 7/16	7/8	2 1/4	7 1/2	4 61/64	3 31/32	1 19/32	1 5/8
11	3 7/16	ZAS630772	42.50	ZA630772	41.50	3 3/4	10	13	5 9/64	3 7/16	7/8	2 1/4	7 1/2	4 61/64	3 31/32	1 19/32	1 5/8
	3 11/16	ZAS631172	57.00	ZA631172	48.30	4 1/8	11 3/4	15 1/4	5 31/32	4	1	2 5/8	8 1/2	5 43/64	4 9/16	1 47/64	2 1/4
	3 15/16	ZAS631572	55.00	ZA631572	46.30	4 1/8	11 3/4	15 1/4	5 31/32	4	1	2 5/8	8 1/2	5 43/64	4 9/16	1 47/64	2 1/4

Additional Notes

- Please call 1-866-REXNORD for availability
- Lubrication fitting tap size: for fixed units, 1/8" PT; for expansion units, 1/4"-28 UNF
- Base to centerline tolerance, +/- .005"
- Expansion - is 3/8" for all size codes
- Seals - To specify K or M seal, replace "Z" in part number with "K" or "M"
- Auxiliary end caps - available in all size codes except ZAS series

Selection Guide, see Rexnord Spherical Roller Bearings Selection Guide section Load Ratings & Speed Limits, see Rexnord Spherical Roller Bearings Load Ratings & Speed Limits section
 Note: Dimensions subject to change. Certified dimensions of ordered material furnished on request.



Product Features

- Corrosion resistant powder coating
- Cast steel housing
- Misalignment capabilities - Total of 4°
- Broad range of sealing options
- Factory set clearance & lubrication
- Precision ground & superfinished raceways
- Enhanced life mounting style
- Field interchangeable seals
- Fixed or Expansion - Total of 3/8" expansion
- See Features & Benefits section for additional info.

Bearing Dimensions

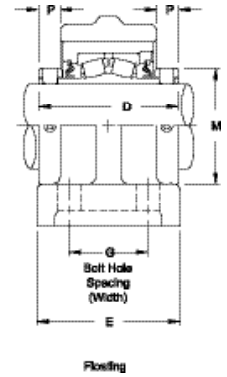
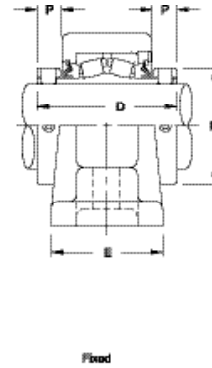
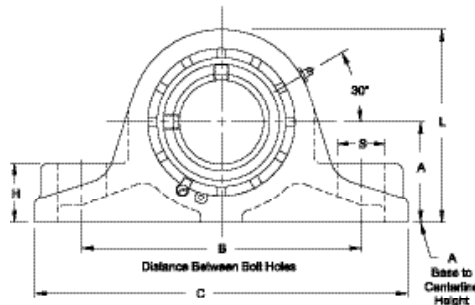
Size Code	Shaft Diameter	Expansion		Fixed		A Base to Centerline Height	B Distance Between Bolt Holes	C	D	E	F Bolts	H	L	M	N	P	S
		Part Number	Approx. Weight	Part Number	Approx. Weight												
Two-Bolt Pillow Block																	
7	1 15/16	ZAS911572	15.00	ZA911572	14.50	2 1/2	6 3/4	8 7/8	3 5/32	2 9/16	5/8	1 5/8	5	2 31/32	2 5/8	19/32	15/16
	2	ZAS920072	14.90	ZA920072	14.40	2 1/2	6 3/4	8 7/8	3 5/32	2 9/16	5/8	1 5/8	5	2 31/32	2 5/8	19/32	15/16
8	2 3/16	ZAS920372	18.70	ZA920372	17.90	2 3/4	7 1/8	9 1/4	3 11/32	2 11/16	5/8	1 3/4	5 1/2	3 3/8	2 29/32	23/32	15/16
	2 7/16	ZAS920772	26.30	ZA920772	25.50	3 1/4	8 1/8	10 7/16	3 3/4	3 3/16	3/4	2 1/4	6 7/16	3 5/8	3 3/8	23/32	1 1/16
9	2 1/2	ZAS920872	25.90	ZA920872	25.10	3 1/4	8 1/8	10 7/16	3 3/4	3 3/16	3/4	2 1/4	6 7/16	3 5/8	3 3/8	23/32	1 1/16
	2 11/16	ZAS921172	45.20	ZA921172	40.70	3 3/4	10	13	4 1/4	3 7/16	7/8	2 1/4	7 1/2	4 13/32	3 31/32	13/16	1 5/8
10	2 15/16	ZAS921572	44.00	ZA921572	39.50	3 3/4	10	13	4 1/4	3 7/16	7/8	2 1/4	7 1/2	4 13/32	3 31/32	13/16	1 5/8
	3 3/16	ZAS930372	60.00	ZA930372	51.30	4 1/8	11 3/4	15 1/4	5 1/16	4	1	2 5/8	8 1/2	5 3/16	4 9/16	15/16	2 1/4
11	3 7/16	ZAS930772	57.00	ZA930772	49.30	4 1/8	11 3/4	15 1/4	5 1/16	4	1	2 5/8	8 1/2	5 3/16	4 9/16	15/16	2 1/4

Additional Notes

- Please call 1-866-REXNORD for availability
- Lubrication fitting tap size: for fixed units, 1/8" PT; for expansion units, 1/4"-28 UNF
- Base to centerline tolerance, +/- .005"
- Expansion - is 3/8" for all size codes
- Seals - To specify K or M seal, replace "Z" in part number with "K" or "M"
- Auxiliary end caps - available in all size codes except ZAS series

- Selection Guide, see Rexnord Spherical Roller Bearings Selection Guide section
- Load Ratings & Speed Limits, see Rexnord Spherical Roller Bearings Load Ratings & Speed Limits section
- Note: Dimensions subject to change. Certified dimensions of ordered material furnished on request.

ZP5000, ZPS5000



Product Features

- Corrosion resistant powder coating
- Cast iron housing
- Misalignment capabilities - Total of 4°
- Broad range of sealing options
- Factory set clearance & lubrication
- Precision ground & superfinished raceways
- Two hardened spring locking collars
- Field interchangeable seals
- Fixed or Expansion - Up to 3/4" expansion
- See Features & Benefits section for additional info.

Bearing Dimensions

Size Code	Shaft Diameter	Expansion				Fixed				A Base to Centerline Height	B Distance Between Bolt Holes	C	D	E	F Bolts	G Bolt Hole Spacing (Width)	H	M	S
		Part Number	L	P	Approx. Weight	Part Number	L	P	Approx. Weight										
Two-Bolt Pillow Block																			
4	1 7/16	ZPS5107	4 11/32	9/16	10.70	ZP5107	3 31/32	11/16	8.10	2 1/8	5 7/8	8 1/8	3 9/16	2 7/16	1/2	-	1 1/8	2 5/16	1 1/8
5	1 1/2	ZPS5108	4 13/16	1/2	15.70	ZP5108	4 7/16	11/16	11.90	2 5/16	6 1/2	9	3 13/16	2 13/16	1/2	-	1 5/16	2 5/8	1 1/4
	1 11/16	ZPS5111	4 13/16	1/2	15.10	ZP5111	4 7/16	11/16	11.60	2 5/16	6 1/2	9	3 13/16	2 13/16	1/2	-	1 5/16	2 5/8	1 1/4
6	1 15/16	ZPS5115	4 15/16	9/16	16.10	ZP5115	4 3/4	11/16	13.40	2 1/2	7	9 3/4	3 13/16	2 7/8	5/8	-	1 7/16	2 15/16	1 1/4
7	2	ZPS5200	5 23/32	11/16	21.80	ZP5200	5 1/4	13/16	17.50	2 3/4	7 1/2	10 1/4	4 1/8	3 1/8	5/8	-	1 5/8	3 1/4	1 1/4
	2 3/16	ZPS5203	5 23/32	11/16	21.60	ZP5203	5 1/4	13/16	16.90	2 3/4	7 1/2	10 1/4	4 1/8	3 1/8	5/8	-	1 5/8	3 1/4	1 1/4
8	2 7/16	ZPS5207	6 3/16	3/4	25.90	ZP5207	5 3/4	7/8	21.20	3	8 1/4	11 1/4	4 3/8	3 3/8	3/4	-	1 3/4	3 9/16	1 3/8
9	2 1/2	ZPS5208	7 3/16	3/4	43.40	ZP5208	6 23/32	7/8	35.20	3 1/2	9 3/4	13	4 7/8	3 7/8	7/8	-	2 1/16	4 1/16	1 5/8
	2 11/16	ZPS5211	7 3/16	3/4	42.50	ZP5211	6 23/32	7/8	33.90	3 1/2	9 3/4	13	4 7/8	3 7/8	7/8	-	2 1/16	4 1/16	1 5/8
	2 15/16	ZPS5215	7 3/16	3/4	40.40	ZP5215	6 23/32	7/8	32.60	3 1/2	9 3/4	13	4 7/8	3 7/8	7/8	-	2 1/16	4 1/16	1 5/8
Four-Bolt Pillow Block																			
6	1 15/16	ZPS5115F	5 5/32	9/16	17.70	ZP5115F	5	11/16	15.80	2 1/2	7	9 3/4	3 13/16	4	5/8	2 1/4	1	2 15/16	1 1/4
7	2	ZPS5200F	5 23/32	11/16	22.10	ZP5200F	5 1/2	13/16	19.60	2 3/4	7 1/2	10 1/4	4 1/8	4 1/8	5/8	2 1/4	1	3 1/4	1 1/4
	2 3/16	ZPS5203F	5 23/32	11/16	21.70	ZP5203F	5 1/2	13/16	18.80	2 3/4	7 1/2	10 1/4	4 1/8	4 1/8	5/8	2 1/4	1	3 1/4	1 1/4
8	2 7/16	ZPS5207F	6 7/32	3/4	27.40	ZP5207F	6	7/8	24.40	3	8 1/4	11 1/4	4 3/8	4 1/2	5/8	2 5/8	1 1/8	3 9/16	1 15/16
9	2 1/2	ZPS5208F	7 5/16	3/4	44.20	ZP5208F	7 1/16	7/8	38.20	3 1/2	9 3/4	13	4 7/8	5	3/4	2 3/4	1 3/8	4 1/16	1 1/2
	2 11/16	ZPS5211F	7 5/16	3/4	43.40	ZP5211F	7 1/16	7/8	37.20	3 1/2	9 3/4	13	4 7/8	5	3/4	2 3/4	1 3/8	4 1/16	1 1/2
	2 15/16	ZPS5215F	7 5/16	3/4	41.80	ZP5215F	7 1/16	7/8	35.10	3 1/2	9 3/4	13	4 7/8	5	3/4	2 3/4	1 3/8	4 1/16	1 1/2
10	3 3/16	ZPS5303F	8 3/8	13/16	59.00	ZP5303F	8 1/8	15/16	52.00	4	11 1/2	15	5 5/16	5	3/4	3	1 1/2	4 15/16	1 1/2
	3 7/16	ZPS5307F	8 3/8	13/16	57.00	ZP5307F	8 1/8	15/16	51.00	4	11 1/2	15	5 5/16	5	3/4	3	1 1/2	4 15/16	1 1/2
11	3 11/16	ZPS5311F	10 1/4	15/16	98.00	ZP5311F	9 7/8	1 1/16	86.00	5	13 1/4	16 3/4	6 1/4	6	7/8	3 1/2	1 1/2	5 5/8	1 1/2
	3 15/16	ZPS5315F	10 1/4	15/16	96.00	ZP5315F	9 7/8	1 1/16	84.00	5	13 1/4	16 3/4	6 1/4	6	7/8	3 1/2	1 1/2	5 5/8	1 1/2
	4	ZPS5400F	10 1/4	15/16	95.00	ZP5400F	9 7/8	1 1/16	83.00	5	13 1/4	16 3/4	6 1/4	6	7/8	3 1/2	1 1/2	5 5/8	1 1/2
12	4 3/16	ZPS5403YF	11 5/8	7/8	122.00	ZP5403YF	11 1/4	1	110.00	5 3/4	14 3/4	18 1/2	6 1/4	6 3/4	1	4	1 3/4	6 3/16	1 13/16
	4 7/16	ZPS5407YF	11 5/8	7/8	119.00	ZP5407YF	11 1/4	1	108.00	5 3/4	14 3/4	18 1/2	6 1/4	6 3/4	1	4	1 3/4	6 3/16	1 13/16
	4 1/2	ZPS5408YF	11 5/8	7/8	118.00	ZP5408YF	11 1/4	1	107.00	5 3/4	14 3/4	18 1/2	6 1/4	6 3/4	1	4	1 3/4	6 3/16	1 13/16
13	4 15/16	ZPS5415F	13 1/8	15/16	206.00	ZP5415F	12 1/2	1 5/32	171.00	6 1/8	16	20 1/4	7 7/8	7 1/2	1 1/8	4 1/4	1 7/8	7 1/16	2
	5	ZPS5500F	13 1/8	15/16	203.00	ZP5500F	12 1/2	1 5/32	168.00	6 1/8	16	20 1/4	7 7/8	7 1/2	1 1/8	4 1/4	1 7/8	7 1/16	2

Continued...

Continued...

Bearing Dimensions

Size Code	Shaft Diameter	Expansion				Fixed				A Base to Centerline Height	B Distance Between Bolt Holes	C	D	E	F Bolts	G Bolt Hole Spacing (Width)	H	M	S
		Part Number	L	P	Approx. Weight	Part Number	L	P	Approx. Weight										
Four-Bolt Pillow Block(continued)																			
14	5 ⁷ / ₁₆	ZPS5507F	14 ³ / ₈	1 ³ / ₃₂	226.00	ZP5507F	14	1 ⁷ / ₃₂	211.00	6 ¹¹ / ₁₆	18 ⁵ / ₁₆	22	8	6 ¹ / ₄	1 ¹ / ₈	3 ¹¹ / ₁₆	2	8 ³ / ₁₆	2 ¹ / ₁₆
15	5 ¹⁵ / ₁₆	ZPS5515F	15 ³ / ₃₂	1 ¹ / ₁₆	274.00	ZP5515F	14 ³ / ₄	1 ⁵ / ₃₂	255.00	7 ¹ / ₁₆	20 ¹ / ₂	24 ³ / ₄	8 ¹ / ₈	6 ³ / ₄	1 ¹ / ₈	4 ³ / ₁₆	2 ¹ / ₈	8 ¹¹ / ₁₆	2 ¹ / ₄
	6	ZPS5600F	15 ³ / ₃₂	1 ¹ / ₁₆	273.00	ZP5600F	14 ³ / ₄	1 ⁵ / ₃₂	254.00	7 ¹ / ₁₆	20 ¹ / ₂	24 ³ / ₄	8 ¹ / ₈	6 ³ / ₄	1 ¹ / ₈	4 ³ / ₁₆	2 ¹ / ₈	8 ¹¹ / ₁₆	2 ¹ / ₄
16	6 ⁷ / ₁₆	ZPS5607F	16 ³ / ₄	1 ³ / ₁₆	366.00	ZP5607F	16 ⁵ / ₁₆	1 ⁹ / ₃₂	339.00	7 ⁷ / ₈	23	28	8 ³ / ₄	7 ¹ / ₂	1 ¹ / ₄	4 ⁷ / ₁₆	2 ³ / ₈	9 ³ / ₄	2 ⁵ / ₁₆
	6 ¹⁵ / ₁₆	ZPS5615F	16 ³ / ₄	1 ³ / ₁₆	352.00	ZP5615F	16 ⁵ / ₁₆	1 ⁹ / ₃₂	328.00	7 ⁷ / ₈	23	28	8 ³ / ₄	7 ¹ / ₂	1 ¹ / ₄	4 ⁷ / ₁₆	2 ³ / ₈	9 ³ / ₄	2 ⁵ / ₁₆
	7	ZPS5700F	16 ³ / ₄	1 ³ / ₁₆	348.00	ZP5700F	16 ⁵ / ₁₆	1 ⁹ / ₃₂	326.00	7 ⁷ / ₈	23	28	8 ³ / ₄	7 ¹ / ₂	1 ¹ / ₄	4 ⁷ / ₁₆	2 ³ / ₈	9 ³ / ₄	2 ⁵ / ₁₆

Additional Notes

Please call 1-866-REXNORD for availability
 Metric bore sizes available, see Rexnord Interchangeability guide
 Lubrication fitting tap size: for size code 4 thru 11, 1/8" PT: for all other size codes, 1/4" PT
 Base to centerline tolerance, +/- .005"
 Bore size = nominal shaft size +.001"/-.000"
 Expansion - size code 4 thru 8 is 3/8", size code 9 thru 11 is 1/2" & size code 12 thru 16 is 3/4"

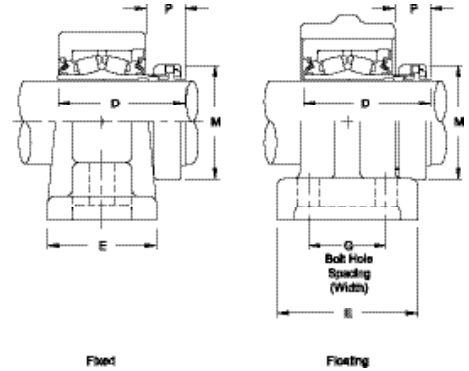
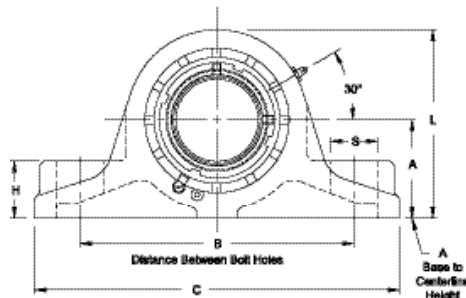
Seals - To specify K or M seal, replace "Z" in part number with "K" or "M"
 "K" seals only available in size codes 4 thru 11
 Auxiliary end caps - available in all sizes
 Selection Guide, see Rexnord Spherical Roller Bearings Selection Guide section
 Load Ratings & Speed Limits, see Rexnord Spherical Roller Bearings Load Ratings & Speed Limits section
 Note: Dimensions subject to change. Certified dimensions of ordered material furnished on request.

ZP6000, ZPS6000



Product Features

- Optical Strain Sensor Technology
- Positive locking system
- Tapered adapter sleeve
- Corrosion resistant powder coating
- Cast iron housing
- Misalignment capabilities - Total of 4°
- Broad range of sealing options
- Factory set clearance & lubrication
- Precision ground & superfinished raceways
- See Features & Benefits section for additional info.



Bearing Dimensions

Size Code	Shaft Diameter	Expansion				Fixed				A Base to Centerline Height	B Distance Between Bolt Holes	C	D	E	F Bolts	G Bolt Hole Spacing (Width)	H	M	S
		Part Number	L	P	Approx. Weight	Part Number	L	P	Approx. Weight										
Two-Bolt Pillow Block																			
6	1 15/16	ZPS6115	4 15/16	1	16.10	ZP6115	4 3/4	1 1/8	13.40	2 1/2	7	9 3/4	3 41/64	2 7/8	5/8	-	1 7/16	2 55/64	1 1/4
7	2 3/16	ZPS6203	5 23/32	1 1/32	21.80	ZP6203	5 1/4	1 5/32	17.50	2 3/4	7 1/2	10 1/4	3 49/64	3 1/8	5/8	-	1 5/8	3 15/64	1 1/4
8	2 3/8	ZPS6206	6 3/16	1 19/64	25.90	ZP6206	5 3/4	1 27/64	22.20	3	8 1/4	11 1/4	4 5/32	3 3/8	3/4	-	1 3/4	3 19/32	1 3/8
	2 7/16	ZPS6207	6 3/16	1 19/64	24.90	ZP6207	5 3/4	1 27/64	21.20	3	8 1/4	11 1/4	4 5/32	3 3/8	3/4	-	1 3/4	3 19/32	1 3/8
9	2 11/16	ZPS6211	7 3/16	1 17/64	43.40	ZP6211	6 23/32	1 25/64	35.20	3 1/2	9 3/4	13	4 17/32	3 7/8	7/8	-	2 1/16	4 3/32	1 5/8
	2 3/4	ZPS6212	7 3/16	1 17/64	42.40	ZP6212	6 23/32	1 25/64	34.20	3 1/2	9 3/4	13	4 17/32	3 7/8	7/8	-	2 1/16	4 3/32	1 5/8
	2 15/16	ZPS6215	7 3/16	1 17/64	42.50	ZP6215	6 23/32	1 25/64	33.90	3 1/2	9 3/4	13	4 17/32	3 7/8	7/8	-	2 1/16	4 3/32	1 5/8
Four-Bolt Pillow Block																			
6	1 15/16	ZPS6115F	5 5/32	1	17.70	ZP6115F	5	1 1/8	15.80	2 1/2	7	9 3/4	3 41/64	4	5/8	2 1/4	1	2 55/64	1 1/4
7	2 3/16	ZPS6203F	5 23/32	1 1/32	22.10	ZP6203F	5 1/2	1 5/32	19.60	2 3/4	7 1/2	10 1/4	3 49/64	4 1/8	5/8	2 1/4	1	3 15/64	1 1/4
8	2 3/8	ZPS6206F	6 7/32	1 19/64	28.40	ZP6206F	6	1 27/64	25.40	3	8 1/4	11 1/4	4 5/32	4 1/2	5/8	2 5/8	1 1/8	3 19/32	1 15/16
	2 7/16	ZPS6207F	6 7/32	1 19/64	27.40	ZP6207F	6	1 27/64	24.40	3	8 1/4	11 1/4	4 5/32	4 1/2	5/8	2 5/8	1 1/8	3 19/32	1 15/16
9	2 11/16	ZPS6211F	7 5/16	1 17/64	44.20	ZP6211F	7 1/16	1 25/64	38.20	3 1/2	9 3/4	13	4 17/32	5	3/4	2 3/4	1 3/8	4 3/32	1 1/2
	2 3/4	ZPS6212F	7 5/16	1 17/64	42.50	ZP6212F	7 1/16	1 25/64	36.50	3 1/2	9 3/4	13	4 17/32	5	3/4	2 3/4	1 3/8	4 3/32	1 1/2
	2 15/16	ZPS6215F	7 5/16	1 17/64	43.40	ZP6215F	7 1/16	1 25/64	37.20	3 1/2	9 3/4	13	4 17/32	5	3/4	2 3/4	1 3/8	4 3/32	1 1/2
10	3 3/16	ZPS6303F	8 3/8	1 15/32	59.00	ZP6303F	8 1/8	1 19/32	52.00	4	11 1/2	15	5 9/64	5	3/4	3	1 1/2	4 61/64	1 1/2
	3 7/16	ZPS6307F	8 3/8	1 15/32	57.00	ZP6307F	8 1/8	1 19/32	51.00	4	11 1/2	15	5 9/64	5	3/4	3	1 1/2	4 61/64	1 1/2
11	3 11/16	ZPS6311F	10 1/4	1 39/64	98.00	ZP6311F	9 7/8	1 47/64	86.00	5	13 1/4	16 3/4	5 31/32	6	7/8	3 1/2	1 1/2	5 43/64	1 1/2
	3 15/16	ZPS6315F	10 1/4	1 39/64	96.00	ZP6315F	9 7/8	1 47/64	84.00	5	13 1/4	16 3/4	5 31/32	6	7/8	3 1/2	1 1/2	5 43/64	1 1/2
12	4 3/16	ZPS6403YF	11 5/8	1 3/4	122.00	ZP6403YF	11 1/4	1 7/8	110.00	5 3/4	14 3/4	18 1/2	6 1/4	6 3/4	1	4	1 3/4	6 1/16	1 13/16
	4 7/16	ZPS6407YF	11 5/8	1 3/4	119.00	ZP6407YF	11 1/4	1 7/8	118.00	5 3/4	14 3/4	18 1/2	6 1/4	6 3/4	1	4	1 3/4	6 1/16	1 13/16
13	4 15/16	ZPS6415F	13 1/8	2 1/64	206.00	ZP6415F	12 1/2	2 1/4	171.00	6 1/8	16	20 1/4	7 15/16	7 1/2	1 1/8	4 1/4	1 7/8	6 61/64	2
14	5 7/16	ZPS6507F	14 3/8	2 59/64	226.00	ZP6507F	14	3 3/64	211.00	6 11/16	18 5/16	-	8 49/64	6 1/4	1 1/8	3 11/16	2	8 1/64	2 1/16
15	5 15/16	ZPS6515F	15 5/32	3 11/32	274.00	ZP6515F	14 3/4	3 7/16	255.00	7 1/16	20 1/2	-	9 19/64	6 3/4	1 1/8	4 3/16	2 1/8	8 21/32	2 1/4
16	6 7/16	ZPS6607F	16 3/4	3 37/64	366.00	ZP6607F	16 5/16	3 43/64	339.00	7 7/8	23	-	10	7 1/2	1 1/4	4 7/16	2 3/8	9 3/4	2 5/16
	6 15/16	ZPS6615F	16 3/4	3 37/64	352.00	ZP6615F	16 5/16	3 43/64	328.00	7 7/8	23	-	10	7 1/2	1 1/4	4 7/16	2 3/8	9 3/4	2 5/16

Additional Notes

- Please call 1-866-REXNORD for availability
- Base to centerline tolerance, +/- .005"
- Bore size = nominal shaft size +.001"/-.000"
- Expansion - size code 6 thru 8 is 3/8", size code 9 thru 11 is 1/2" & size code 12 thru 13 is 3/4"
- Seals - To specify K or M seal, replace "Z" in part number with "K" or "M"
- "K" seals only available in size codes 6 thru 11

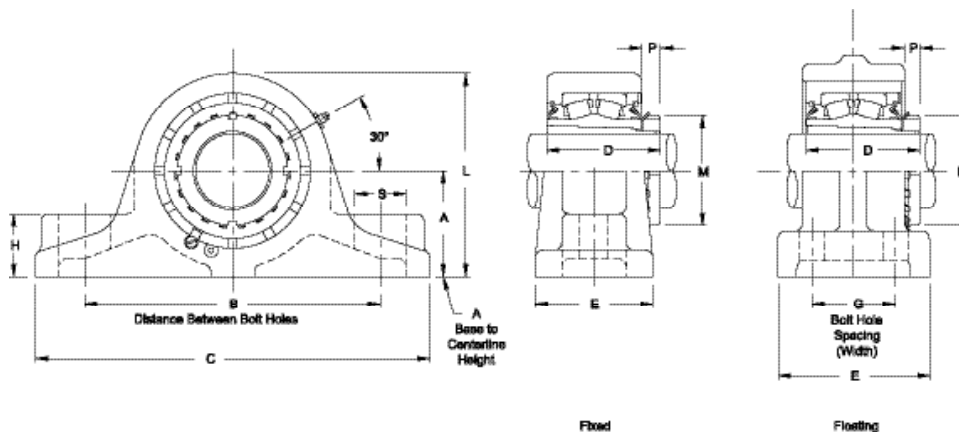
- Auxiliary end caps - available in all sizes
- Selection Guide, see Rexnord Spherical Roller Bearings Selection Guide section
- Load Ratings & Speed Limits, see Rexnord Spherical Roller Bearings Load Ratings & Speed Limits section
- Note: Dimensions subject to change. Certified dimensions of ordered material furnished on request.

ZP9000, ZPS9000



Product Features

- Corrosion resistant powder coating
- Cast iron housing
- Misalignment capabilities - Total of 4°
- Broad range of sealing options
- Factory set clearance & lubrication
- Precision ground & superfinished raceways
- Enhanced life mounting style
- Field interchangeable seals
- Fixed or Expansion - Up to 3/4" expansion
- See Features & Benefits section for additional info.



Bearing Dimensions

Size Code	Shaft Diameter	Expansion					Fixed					A Base to Centerline Height	B Distance Between Bolt Holes	C	E	F Bolts	G Bolt Hole Spacing (Width)	H	M	S
		Part Number	D	L	P	Approx. Weight	Part Number	D	L	P	Approx. Weight									
Two-Bolt Pillow Block																				
7	1 15/16	ZPS9115	3 5/32	5 23/32	1/2	20.50	ZP9115	3 5/32	5 1/4	19/32	16.00	2 3/4	7 1/2	10 1/4	3 1/8	5/8	-	1 5/8	2 31/32	1 1/4
	2	ZPS9200	3 5/32	5 23/32	1/2	20.30	ZP9200	3 5/32	5 1/4	19/32	15.90	2 3/4	7 1/2	10 1/4	3 1/8	5/8	-	1 5/8	2 31/32	1 1/4
8	2 3/16	ZPS9203	3 11/32	6 3/16	19/32	24.80	ZP9203	3 11/32	5 3/4	23/32	20.10	3	8 1/4	11 1/4	3 3/8	3/4	-	1 3/4	3 3/8	1 3/8
9	2 7/16	ZPS9207	3 3/4	7 3/16	19/32	40.60	ZP9207	3 27/32	6 23/32	23/32	32.20	3 1/2	9 3/4	13	3 7/8	7/8	-	2 1/16	3 5/8	1 5/8
	2 1/2	ZPS9208	3 3/4	7 3/16	19/32	40.50	ZP9208	3 27/32	6 23/32	23/32	31.90	3 1/2	9 3/4	13	3 7/8	7/8	-	2 1/16	3 5/8	1 5/8
Four-Bolt Pillow Block																				
7	1 15/16	ZPS9115F	3 5/32	5 23/32	1/2	20.50	ZP9115F	3 5/32	5 1/2	19/32	18.10	2 3/4	7 1/2	10 1/4	4 1/8	5/8	2 1/4	1	2 31/32	1 1/4
	2	ZPS9200F	3 5/32	5 23/32	1/2	20.30	ZP9200F	3 5/32	5 1/2	19/32	17.90	2 3/4	7 1/2	10 1/4	4 1/8	5/8	2 1/4	1	2 31/32	1 1/4
8	2 3/16	ZPS9203F	3 11/32	6 7/32	19/32	26.70	ZP9203F	3 11/32	6	23/32	22.80	3	8 1/4	11 1/4	4 1/2	5/8	2 5/8	1 1/8	3 3/8	1 1/4
9	2 7/16	ZPS9207F	3 3/4	7 5/16	19/32	41.80	ZP9207F	3 27/32	7 1/16	23/32	35.40	3 1/2	9 3/4	13	5	3/4	2 3/4	1 3/8	3 5/8	1 1/2
	2 1/2	ZPS9208F	3 3/4	7 5/16	19/32	41.70	ZP9208F	3 27/32	7 1/16	23/32	34.60	3 1/2	9 3/4	13	5	3/4	2 3/4	1 3/8	3 5/8	1 1/2
10	2 11/16	ZPS9211F	4 1/4	8 3/8	11/16	56.00	ZP9211F	4 1/4	8 1/8	13/16	51.20	4	11 1/2	15	5	3/4	3	1 1/2	4 13/32	1 1/2
	2 5/16	ZPS9215F	4 1/4	8 3/8	11/16	55.00	ZP9215F	4 1/4	8 1/8	13/16	50.00	4	11 1/2	15	5	3/4	3	1 1/2	4 13/32	1 1/2
11	3 3/16	ZPS9303F	5 1/16	10 1/4	13/16	95.00	ZP9303F	5 1/16	9 7/8	15/16	83.00	5	13 1/4	16 3/4	6	7/8	3 1/2	1 1/2	5 3/16	1 1/2
	3 7/16	ZPS9307F	5 1/16	10 1/4	13/16	93.00	ZP9307F	5 1/16	9 7/8	15/16	81.00	5	13 1/4	16 3/4	6	7/8	3 1/2	1 1/2	5 3/16	1 1/2
12	3 11/16	ZPS9311YF	5 13/32	11 5/8	29/32	121.00	ZP9311YF	5 9/32	11 1/4	1 1/32	110.00	5 3/4	14 3/4	18 1/2	6 3/4	1	4	1 3/4	5 23/32	1 7/8
	3 15/16	ZPS9315YF	5 13/32	11 5/8	29/32	119.00	ZP9315YF	5 9/32	11 1/4	1 1/32	108.00	5 3/4	14 3/4	18 1/2	6 3/4	1	4	1 3/4	5 23/32	1 7/8
	4	ZPS9400YF	5 13/32	11 5/8	29/32	118.00	ZP9400YF	5 9/32	11 1/4	1 1/32	107.00	5 3/4	14 3/4	18 1/2	6 3/4	1	4	1 3/4	5 23/32	1 7/8
13	4 3/16	ZPS9403F	6 3/4	13 1/8	29/32	204.00	ZP9403F	6 13/16	12 1/2	1 1/8	174.00	6 1/8	16	20 1/4	7 1/2	1 1/8	4 1/4	1 7/8	6 1/8	2
	4 7/16	ZPS9407F	6 3/4	13 1/8	29/32	202.00	ZP9407F	6 13/16	12 1/2	1 1/8	168.00	6 1/8	16	20 1/4	7 1/2	1 1/8	4 1/4	1 7/8	6 1/8	2
14	4 15/16	ZPS9415F	7 7/16	14 3/8	1 5/32	222.00	ZP9415F	7	14	1 1/8	202.00	6 11/16	18 5/16	22	6 1/4	1 1/8	3 11/16	2	7 3/32	2 1/16
	5	ZPS9500F	7 3/16	14 3/8	1 5/32	220.00	ZP9500F	7	14	1 1/8	201.00	6 11/16	18 5/16	22	6 1/4	1 1/8	3 11/16	2	7 3/32	2 1/16
15	5 3/16	ZPS9503F	7 3/16	15 3/32	1 3/8	273.00	ZP9503F	7 7/16	14 3/4	1 5/16	254.00	7 1/16	20 1/2	24 3/4	6 3/4	1 1/8	4 3/16	2 1/8	8 1/16	2 1/16
	5 7/16	ZPS9507F	7 3/16	15 3/32	1 3/8	269.00	ZP9507F	7 7/16	14 3/4	1 5/16	250.00	7 1/16	20 1/2	24 3/4	6 3/4	1 1/8	4 3/16	2 1/8	8 1/16	2 1/16
16	5 15/16	ZPS9515F	7 3/4	16 3/4	1 3/4	350.00	ZP9515F	7 3/4	16 5/16	1 11/16	328.00	7 7/8	23	28	7 1/2	1 1/4	4 7/16	2 3/8	9 1/16	2 5/16
	6	ZPS9600F	7 3/4	16 3/4	1 3/4	349.00	ZP9600F	7 3/4	16 5/16	1 11/16	327.00	7 7/8	23	28	7 1/2	1 1/4	4 7/16	2 3/8	9 1/16	2 5/16
	6 7/16	ZPS9607F	7 3/4	16 3/4	1 3/4	342.00	ZP9607F	7 3/4	16 5/16	1 11/16	320.00	7 7/8	23	28	7 1/2	1 1/4	4 7/16	2 3/8	9 1/16	2 5/16

Additional Notes

- Please call 1-866-REXNORD for availability
- Lubrication fitting tap size: for size code 7 thru 11, 1/8" PT; for all other size codes, 1/4" PT
- Base to centerline tolerance, +/- .005"
- Expansion - size code 7 thru 8 is 3/8", size code 9 thru 11 is 1/2" & size code 12 thru 16 is 3/4"
- Seals - To specify K or M seal, replace "Z" in part number with "K" or "M"
- "K" seals only available in size codes 7 thru 11

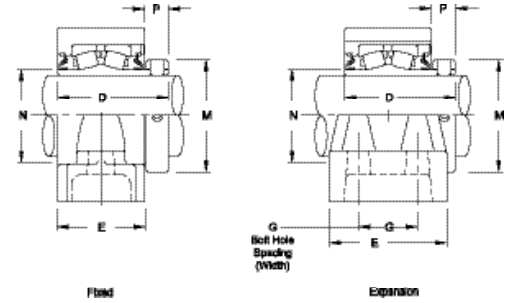
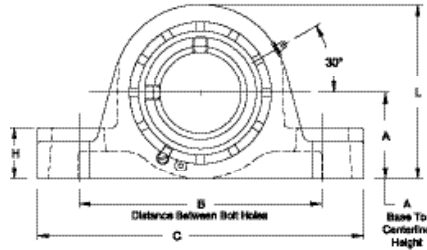
- Auxiliary end caps - available in all sizes
- Selection Guide, see Rexnord Spherical Roller Bearings Selection Guide section
- Load Ratings & Speed Limits, see Rexnord Spherical Roller Bearings Load Ratings & Speed Limits section
- Note: Dimensions subject to change. Certified dimensions of ordered material furnished on request.

ZEP2000, ZEPS2000



Product Features

- Corrosion resistant powder coating
- Cast iron housing
- Misalignment capabilities - Total of 4°
- Broad range of sealing options
- Factory set clearance & lubrication
- Precision ground & superfinished raceways
- Hardened spring locking collar
- Field interchangeable seals
- See Features & Benefits section for additional info.



Bearing Dimensions

Size Code	Shaft Diameter	Expansion		Fixed Part Number	A Base to Centerline Height	B Distance Between Bolt Holes		C	D	E	F Bolts	G Bolt Hole Spacing (Width)	H	L	M	N	P	Approx. Weight	
		Part Number	Part Number			Min.	Max.												
Two-Bolt Pillow Block																			
3	1 1/8	-	ZEP2102	1 1/2	4 7/16	5	6 3/8	2 11/16	2 1/8	1/2	-	7/8	3 1/4	2	1 17/32	9/16	5.80		
	1 3/16	-	ZEP2103	1 1/2	4 7/16	5	6 3/8	2 11/16	2 1/8	1/2	-	7/8	3 1/4	2	1 17/32	9/16	5.80		
	1 1/4	-	ZEP2104	1 1/2	4 7/16	5	6 3/8	2 11/16	2 1/8	1/2	-	7/8	3 1/4	2	1 17/32	9/16	5.70		
4	1 7/16	ZEPS2107	ZEP2107	1 7/8	4 3/4	6	7 3/8	2 7/8	2 1/4	1/2	-	1 1/8	3 7/8	2 5/16	1 3/4	1 11/16	6.90		
	1 1/2	-	ZEP2108	2 1/8	5 1/4	6 1/2	7 7/8	2 7/8	2 1/4	1/2	-	1 1/4	4 3/8	2 5/16	1 3/4	1 11/16	9.50		
5	1 11/16	ZEPS2111	ZEP2111	2 1/8	5 1/4	6 1/2	7 7/8	3 1/8	2 1/2	1/2	-	1 1/4	4 3/8	2 5/8	2 1/32	1 11/16	9.90		
	1 3/4	-	ZEP2112	2 1/4	6 1/16	7 1/4	8 7/8	3 1/8	2 1/2	5/8	-	1 5/16	4 9/16	2 5/8	2 1/32	1 11/16	11.80		
6	1 15/16	ZEPS2115	ZEP2115	2 1/4	6 1/16	7 1/4	8 7/8	3 1/8	2 1/2	5/8	-	1 5/16	4 9/16	2 5/16	2 5/16	1 11/16	11.50		
	2	ZEPS2200	ZEP2200	2 1/4	6 1/16	7 1/4	8 7/8	3 1/8	2 1/2	5/8	-	1 5/16	4 9/16	2 5/16	2 5/16	1 11/16	11.40		
7	2 3/16	ZEPS2203	ZEP2203	2 1/2	6 9/16	8	9 5/8	3 5/16	2 9/16	5/8	-	1 1/2	5	3 1/4	2 5/8	25/32	14.80		
	2 1/4	-	ZEP2204	2 3/4	6 15/16	8 3/4	10 1/2	3 5/16	2 9/16	5/8	-	1 5/8	5 7/16	3 1/4	2 5/8	3/4	18.60		
8	2 3/8	ZEPS2206	ZEP2206	2 3/4	6 15/16	8 3/4	10 1/2	3 1/2	2 11/16	5/8	-	1 5/8	5 1/2	3 9/16	2 29/32	7/8	18.30		
	2 7/16	ZEPS2207	ZEP2207	2 3/4	6 15/16	8 3/4	10 1/2	3 1/2	2 11/16	5/8	-	1 5/8	5 1/2	3 9/16	2 29/32	7/8	18.20		
	2 1/2	ZEPS2208	ZEP2208	2 3/4	6 15/16	8 3/4	10 1/2	3 1/2	2 11/16	5/8	-	1 5/8	5 1/2	3 9/16	2 29/32	7/8	17.90		
9	2 11/16	ZEPS2211	ZEP2211	3 1/8	7 13/16	9 3/4	11 13/16	4	3 3/16	3/4	-	1 7/8	6 5/16	4 1/16	3 3/8	13/16	29.30		
	2 3/4	ZEPS2212	ZEP2212	3 1/8	7 13/16	9 3/4	11 13/16	4	3 3/16	3/4	-	1 7/8	6 5/16	4 1/16	3 3/8	13/16	28.80		
	2 15/16	ZEPS2215	ZEP2215	3 1/8	7 13/16	9 3/4	11 13/16	4	3 3/16	3/4	-	1 7/8	6 5/16	4 1/16	3 3/8	13/16	27.70		
10	3	ZEPS2300	ZEP2300	3 1/8	7 13/16	9 3/4	11 13/16	4	3 3/16	3/4	-	1 7/8	6 5/16	4 1/16	3 3/8	13/16	27.50		
	3 3/16	ZEPS2303	ZEP2303	3 3/4	9 5/16	11 5/16	13 13/16	4 3/8	3 1/2	7/8	-	2 1/4	7 1/2	4 15/16	3 31/32	15/16	44.50		
	3 7/16	ZEPS2307	ZEP2307	3 3/4	9 5/16	11 5/16	13 13/16	4 3/8	3 1/2	7/8	-	2 1/4	7 1/2	4 15/16	3 31/32	15/16	42.50		
3 1/2	ZEPS2308	ZEP2308	3 3/4	9 5/16	11 5/16	13 13/16	4 3/8	3 1/2	7/8	-	2 1/4	7 1/2	4 15/16	3 31/32	15/16	42.00			
Four-Bolt Pillow Block																			
8	2 3/8	ZEPS2206F	ZEP2206F	2 3/4	6 15/16	8 3/4	10 1/2	3 1/2	3 5/8	5/8	1 7/8	1 5/8	5 1/2	3 9/16	2 29/32	7/8	18.40		
	2 7/16	ZEPS2207F	ZEP2207F	2 3/4	6 15/16	8 3/4	10 1/2	3 1/2	3 5/8	5/8	1 7/8	1 5/8	5 1/2	3 9/16	2 29/32	7/8	18.30		
	2 1/2	ZEPS2208F	ZEP2208F	2 3/4	6 15/16	8 3/4	10 1/2	3 1/2	3 5/8	5/8	1 7/8	1 5/8	5 1/2	3 9/16	2 29/32	7/8	18.00		
9	2 11/16	ZEPS2211F	ZEP2211F	3 1/8	7 13/16	9 7/8	11 13/16	4	4 1/4	5/8	2 1/8	1 7/8	6 5/16	4 1/16	3 3/8	13/16	28.50		
	2 3/4	ZEPS2212F	ZEP2212F	3 1/8	7 13/16	9 7/8	11 13/16	4	4 1/4	5/8	2 1/8	1 7/8	6 5/16	4 1/16	3 3/8	13/16	28.30		
	2 15/16	ZEPS2215F	ZEP2215F	3 1/8	7 13/16	9 7/8	11 13/16	4	4 1/4	5/8	2 1/8	1 7/8	6 5/16	4 1/16	3 3/8	13/16	27.30		

Continued...

Continued...

Bearing Dimensions

Size Code	Shaft Diameter	Expansion Part Number	Fixed Part Number	A Base to Centerline Height	B Distance Between Bolt Holes		C	D	E	F Bolts	G Bolt Hole Spacing (Width)	H	L	M	N	P	Approx. Weight
					Min.	Max.											
Four-Bolt Pillow Block(continued)																	
9	3	ZEPS2300F	ZEP2300F	3 1/8	7 13/16	9 7/8	11 13/16	4	4 1/4	5/8	2 1/8	1 7/8	6 5/16	4 1/16	3 3/8	13/16	27.00
10	3 3/16	ZEPS2303F	ZEP2303F	3 3/4	9 5/16	11 5/16	13 13/16	4 3/8	4 3/4	3/4	2 3/8	2 1/4	7 1/2	4 15/16	3 31/32	15/16	45.00
	3 7/16	ZEPS2307F	ZEP2307F	3 3/4	9 5/16	11 5/16	13 13/16	4 3/8	4 3/4	3/4	2 3/8	2 1/4	7 1/2	4 15/16	3 31/32	15/16	43.00
	3 1/2	ZEPS2308F	ZEP2308F	3 3/4	9 5/16	11 5/16	13 13/16	4 3/8	4 3/4	3/4	2 3/8	2 1/4	7 1/2	4 15/16	3 31/32	15/16	42.50
11	3 11/16	ZEPS2311F	ZEP2311F	4 1/4	12	13	15 1/4	5 1/16	4 1/2	3/4	2 1/4	2 5/8	8 5/8	5 5/8	4 9/16	1 1/16	63.00
	3 15/16	ZEPS2315F	ZEP2315F	4 1/4	12	13	15 1/4	5 1/16	4 1/2	3/4	2 1/4	2 5/8	8 5/8	5 5/8	4 9/16	1 1/16	61.00
	4	ZEPS2400F	ZEP2400F	4 1/4	12	13	15 1/4	5 1/16	4 1/2	3/4	2 1/4	2 5/8	8 5/8	5 5/8	4 9/16	1 1/16	60.00

Additional Notes

Please call 1-866-REXNORD for availability
 Metric bore sizes available, see Rexnord Interchangeability guide
 Lubrication fitting tap size, 1/8" PT
 Base to centerline tolerance, +/- .005"
 Bore size = nominal shaft size +.001"/-.000"
 Seals - To specify K or M seal, replace "Z" in part number with "K" or "M"

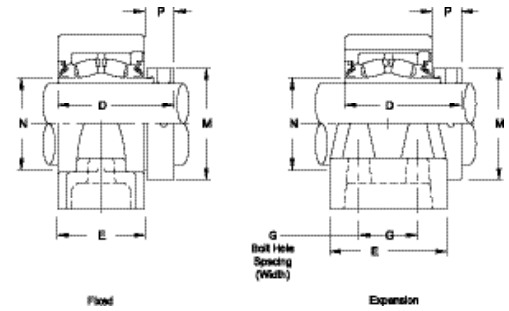
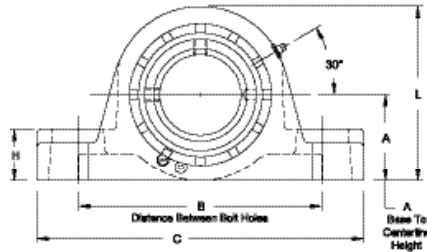
Auxiliary end caps - available in all size codes except for size code 3
 Selection Guide, see Rexnord Spherical Roller Bearings Selection Guide section
 Load Ratings & Speed Limits, see Rexnord Spherical Roller Bearings Load Ratings & Speed Limits section
 Note: Dimensions subject to change. Certified dimensions of ordered material furnished on request.

ZEP3000, ZEPS3000



Product Features

- Corrosion resistant powder coating
- Cast iron housing
- Misalignment capabilities - Total of 4°
- Broad range of sealing options
- Factory set clearance & lubrication
- Precision ground & superfinished raceways
- Hardened eccentric locking collar
- Field interchangeable seals
- See Features & Benefits section for additional info.



Bearing Dimensions

Size Code	Shaft Diameter	Expansion Part Number	Fixed Part Number	A Base to Centerline Height	B Distance Between Bolt Holes		C	D	E	F Bolts	G Bolt Hole Spacing (Width)	H	L	M	N	P	Approx. Weight
					Min.	Max.											
Two-Bolt Pillow Block																	
4	1 7/16	ZEPS3107	ZEP3107	1 7/8	4 3/4	6	7 3/8	2 59/64	2 1/4	1/2	-	1 1/8	3 7/8	2 5/16	1 3/4	25/32	7.10
5	1 11/16	ZEPS3111	ZEP3111	2 1/8	5 1/4	6 1/2	7 7/8	3 3/16	2 1/2	1/2	-	1 1/4	4 3/8	2 5/8	2 1/32	3/4	10.10
6	1 15/16	ZEPS3115	ZEP3115	2 1/4	6 1/16	7 1/4	8 7/8	3 9/32	2 1/2	5/8	-	1 5/16	4 9/16	2 3/4	2 5/16	27/32	11.70
7	2 3/16	ZEPS3203	ZEP3203	2 1/2	6 9/16	8	9 5/8	3 1/2	2 9/16	5/8	-	1 1/2	5	3 1/4	2 5/8	31/32	15.10
8	2 7/16	ZEPS3207	ZEP3207	2 3/4	6 15/16	8 3/4	10 1/2	3 21/32	2 11/16	5/8	-	1 5/8	5 1/2	3 9/16	2 29/32	1 1/64	18.40
	2 1/2	ZEPS3208	ZEP3208	2 3/4	6 15/16	8 3/4	10 1/2	3 21/32	2 11/16	5/8	-	1 5/8	5 1/2	3 9/16	2 29/32	1 1/64	18.10
9	2 11/16	ZEPS3211	ZEP3211	3 1/8	7 13/16	9 3/4	11 13/16	4 13/64	3 3/16	3/4	-	1 7/8	6 5/16	4 1/16	3 3/8	1 1/64	29.50
	2 15/16	ZEPS3215	ZEP3215	3 1/8	7 13/16	9 3/4	11 13/16	4 13/64	3 3/16	3/4	-	1 7/8	6 5/16	4 1/16	3 3/8	1 1/64	28.10
10	3 7/16	ZEPS3307	ZEP3307	3 3/4	9 5/16	11 5/16	13 13/16	4 37/64	3 1/2	7/8	-	2 1/4	7 1/2	4 15/16	3 31/32	1 9/64	43.10
	3 1/2	ZEPS3308	ZEP3308	3 3/4	9 5/16	11 5/16	13 13/16	4 37/64	3 1/2	7/8	-	2 1/4	7 1/2	4 15/16	3 31/32	1 9/64	42.20
Four-Bolt Pillow Block																	
8	2 7/16	ZEPS3207F	ZEP3207F	2 3/4	6 15/16	8 3/4	10 1/2	3 21/32	3 5/8	5/8	1 7/8	1 5/8	5 1/2	3 9/16	2 29/32	1 1/64	18.50
	2 1/2	ZEPS3208F	ZEP3208F	2 3/4	6 15/16	8 3/4	10 1/2	3 21/32	3 5/8	5/8	1 7/8	1 5/8	5 1/2	3 9/16	2 29/32	1 1/64	18.20
9	2 11/16	ZEPS3211F	ZEP3211F	3 1/8	7 13/16	9 7/8	11 13/16	4 13/64	4 1/4	5/8	2 1/8	1 7/8	6 5/16	4 1/16	3 3/8	1 1/64	28.70
	2 15/16	ZEPS3215F	ZEP3215F	3 1/8	7 13/16	9 7/8	11 13/16	4 13/64	4 1/4	5/8	2 1/8	1 7/8	6 5/16	4 1/16	3 3/8	1 1/64	27.70
10	3 7/16	ZEPS3307F	ZEP3307F	3 3/4	9 5/16	11 5/16	13 13/16	4 37/64	4 3/4	3/4	2 3/8	2 1/4	7 1/2	4 15/16	3 31/32	1 9/64	43.60
	3 1/2	ZEPS3308F	ZEP3308F	3 3/4	9 5/16	11 5/16	13 13/16	4 37/64	4 3/4	3/4	2 3/8	2 1/4	7 1/2	4 15/16	3 31/32	1 9/64	42.70
11	3 15/16	ZEPS3315F	ZEP3315F	4 1/4	12	13	15 1/4	5 9/16	4 1/2	3/4	2 1/4	2 5/8	8 5/8	5 5/8	4 9/16	1 1/16	61.00

Additional Notes

- Please call 1-866-REXNORD for availability
- Lubrication fitting tap size, 1/8" PT
- Base to centerline tolerance, +/- .005"
- Bore size = nominal shaft size +.001"/-.000"
- Seals - To specify K or M seal, replace "Z" in part number with "K" or "M"
- Auxiliary end caps - available in all size codes

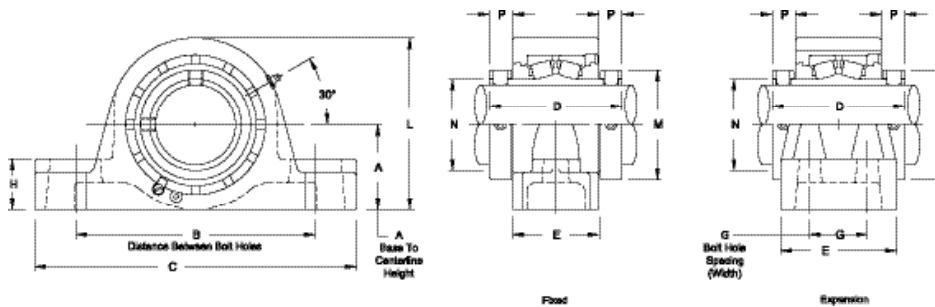
- Selection Guide, see Rexnord Spherical Roller Bearings Selection Guide section
- Load Ratings & Speed Limits, see Rexnord Spherical Roller Bearings Load Ratings & Speed Limits section
- Note: Dimensions subject to change. Certified dimensions of ordered material furnished on request.
- Lubrication fitting tap size, 1/8" PT

ZEP5000, ZEPSS5000



Product Features

- Corrosion resistant powder coating
- Cast iron housing
- Misalignment capabilities - Total of 4°
- Broad range of sealing options
- Factory set clearance & lubrication
- Precision ground & superfinished raceways
- Two hardened spring locking collars
- Field interchangeable seals
- See Features & Benefits section for additional info.



Bearing Dimensions

Size Code	Shaft Diameter	Expansion Part Number	Fixed Part Number	A Base to Centerline Height	B Distance Between Bolt Holes		C	D	E	F Bolts	G Bolt Hole Spacing (Width)	H	L	M	N	P	Approx. Weight
					Min.	Max.											
Two-Bolt Pillow Block																	
4	1 7/16	ZEPS5107	ZEP5107	1 7/8	4 3/4	6	7 3/8	3 9/16	2 1/4	1/2	-	1 1/8	3 7/8	2 5/16	1 3/4	11/16	7.40
5	1 1/2	ZEPS5108	ZEP5108	2 1/8	5 1/4	6 1/2	7 7/8	3 13/16	2 1/2	1/2	-	1 1/4	4 3/8	2 5/8	2 1/32	11/16	10.90
	1 11/16	ZEPS5111	ZEP5111	2 1/8	5 1/4	6 1/2	7 7/8	3 13/16	2 1/2	1/2	-	1 1/4	4 3/8	2 5/8	2 1/32	11/16	10.50
6	1 15/16	ZEPS5115	ZEP5115	2 1/4	6 1/16	7 1/4	8 7/8	3 13/16	2 1/2	5/8	-	1 5/16	4 9/16	2 15/16	2 5/16	11/16	12.10
7	2	ZEPS8200	ZEP8200	2 1/2	6 9/16	8	9 5/8	4 1/8	2 9/16	5/8	-	1 1/2	5	3 1/4	2 5/8	25/32	16.50
	2 3/16	ZEPS5203	ZEP5203	2 1/2	6 9/16	8	9 5/8	4 1/8	2 9/16	5/8	-	1 1/2	5	3 1/4	2 5/8	25/32	15.90
8	2 7/16	ZEPS5207	ZEP5207	2 3/4	6 15/16	8 3/4	10 1/2	4 3/8	2 11/16	5/8	-	1 5/8	5 1/2	3 9/16	2 29/32	7/8	19.30
	2 1/2	ZEPS5208	ZEP5208	3 1/8	7 13/16	9 3/4	11 13/16	4 7/8	3 3/16	3/4	-	1 7/8	6 5/16	4 1/16	3 3/8	13/16	31.50
9	2 11/16	ZEPS5211	ZEP5211	3 1/8	7 13/16	9 3/4	11 13/16	4 7/8	3 3/16	3/4	-	1 7/8	6 5/16	4 1/16	3 3/8	13/16	30.50
	2 3/4	ZEPS5212	ZEP5212	3 1/8	7 13/16	9 3/4	11 13/16	4 7/8	3 3/16	3/4	-	1 7/8	6 5/16	4 1/16	3 3/8	13/16	30.20
	2 15/16	ZEPS5215	ZEP5215	3 1/8	7 13/16	9 3/4	11 13/16	4 7/8	3 3/16	3/4	-	1 7/8	6 5/16	4 1/16	3 3/8	13/16	30.10
	3	ZEPS8300	ZEP8300	3 1/8	7 13/16	9 3/4	11 13/16	4 7/8	3 3/16	3/4	-	1 7/8	6 5/16	4 1/16	3 3/8	13/16	30.00
10	3 3/16	ZEPS5303	ZEP5303	3 3/4	9 5/16	11 5/16	13 13/16	5 5/16	3 1/2	7/8	-	2 1/4	7 1/2	4 15/16	3 31/32	15/16	47.10
	3 7/16	ZEPS5307	ZEP5307	3 3/4	9 5/16	11 5/16	13 13/16	5 5/16	3 1/2	7/8	-	2 1/4	7 1/2	4 15/16	3 31/32	15/16	44.70
	3 1/2	ZEPS8308	ZEP8308	3 3/4	9 5/16	11 5/16	13 13/16	5 5/16	3 1/2	7/8	-	2 1/4	7 1/2	4 15/16	3 31/32	15/16	44.00
Four-Bolt Pillow Block																	
9	2 3/4	-	ZEP5212F	3 1/8	7 13/16	9 7/8	11 13/16	4 7/8	4 1/4	5/8	2 1/8	1 7/8	6 5/16	4 1/16	3 3/8	13/16	29.80
10	3 1/2	-	ZEP8308F	3 3/4	9 5/16	11 5/16	13 13/16	5 5/16	4 3/4	3/4	2 3/8	2 1/4	7 1/2	4 15/16	3 31/32	15/16	45.00

Additional Notes

- Please call 1-866-REXNORD for availability
- Metric bore sizes available, see Rexnord Interchangeability guide
- Lubrication fitting tap size: for size code 4 thru 11, 1/8" PT; for all other size codes, 1/4" PT
- Base to centerline tolerance, +/- .005"
- Bore size = nominal shaft size + .001"/-.000"
- Seals - To specify K or M seal, replace "Z" in part number with "K" or "M"

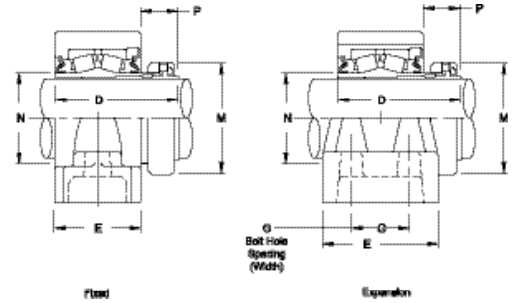
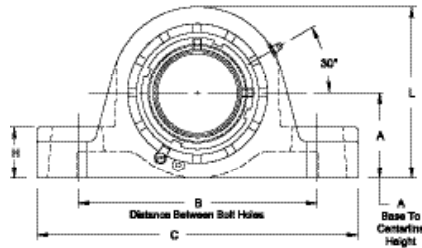
- "K" seals only available in size codes 4 thru 11
- Auxiliary end caps - available in all size codes
- Selection Guide, see Rexnord Spherical Roller Bearings Selection Guide section
- Load Ratings & Speed Limits, see Rexnord Spherical Roller Bearings Load Ratings & Speed Limits section
- Note: Dimensions subject to change. Certified dimensions of ordered material furnished on request.

ZEP6000, ZEPS6000



Product Features

- Optical Strain Sensor Technology
- Positive locking system
- Tapered adapter sleeve
- Corrosion resistant powder coating
- Cast iron housing
- Misalignment capabilities - Total of 4°
- Broad range of sealing options
- Factory set clearance & lubrication
- Precision ground & superfinished raceways
- See Features & Benefits section for additional info.



Bearing Dimensions

Size Code	Shaft Diameter	Part Number	A Base to Centerline Height	B Distance Between Bolt Holes		C	D	E	F Bolts	G Bolt Hole Spacing (Width)	H	L	M	N	P	Approx. Weight	
				Min.	Max.												
Two-Bolt Pillow Block																	
6	1 15/16	ZEP6115	2 1/4	6 1/16	7 1/4	8 7/8	3 41/64	2 1/2	5/8	-	1 5/16	4 9/16	2 55/64	2 5/16	1 1/8	12.10	
		1 15/16															ZEPS6115
7	2 3/16	ZEP6203	2 1/2	6 9/16	8	9 5/8	3 49/64	2 9/16	5/8	-	1 1/2	5	3 15/64	2 5/8	1 5/32	16.50	
		2 3/16															ZEPS6203
8	2 3/8	ZEP6206	2 3/4	6 15/16	8 3/4	10 1/2	4 5/32	2 11/16	5/8	-	1 5/8	5 1/2	3 19/32	2 29/32	1 27/64	19.30	
		2 3/8															ZEPS6206
		2 7/16															ZEP6207
		2 7/16															ZEPS6207
9	2 11/16	ZEP6211	3 1/8	7 13/16	9 3/4	11 13/16	4 17/32	3 3/16	3/4	-	1 7/8	6 5/16	4 3/32	3 3/8	1 25/64	31.50	
		2 11/16															ZEPS6211
		2 3/4															ZEP6212
		2 3/4															ZEPS6212
		2 15/16															ZEP6215
	2 15/16	ZEPS6215															
10	3 3/16	ZEP6303	3 3/4	9 5/16	11 5/16	13 13/16	5 9/64	3 1/2	7/8	-	2 1/4	7 1/2	4 61/64	3 31/32	1 19/32	47.10	
		3 3/16															ZEPS6303
		3 7/16															ZEP6307
		3 7/16															ZEPS6307
Four-Bolt Pillow Block																	
8	2 3/8	ZEP6206F	2 3/4	6 15/16	8 3/4	10 1/2	4 5/32	3 5/8	5/8	1 7/8	1 5/8	5 1/2	3 19/32	2 29/32	1 27/64	19.40	
		2 3/8															ZEPS6206F
		2 7/16															ZEP6207F
		2 7/16															ZEPS6207F
9	2 11/16	ZEP6211F	3 1/8	7 13/16	9 7/8	11 13/16	4 17/32	4 1/4	5/8	2 1/8	1 7/8	6 5/16	4 3/32	3 3/8	1 25/64	31.00	
		2 11/16															ZEPS6211F
		2 3/4															ZEP6212F
		2 3/4															ZEPS6212F
		2 15/16															ZEP6215F
	2 15/16	ZEPS6215F															

Continued...

Continued...

Bearing Dimensions

Size Code	Shaft Diameter	Part Number	A Base to Centerline Height	B Distance Between Bolt Holes		C	D	E	F Bolts	G Bolt Hole Spacing (Width)	H	L	M	N	P	Approx. Weight
				Min.	Max.											
Four-Bolt Pillow Block(continued)																
9	2 ¹⁵ / ₁₆	ZEPS6215F	3 ¹ / ₈	7 ¹³ / ₁₆	9 ⁷ / ₈	11 ¹³ / ₁₆	4 ¹⁷ / ₃₂	4 ¹ / ₄	⁵ / ₈	2 ¹ / ₈	1 ⁷ / ₈	6 ⁵ / ₁₆	4 ³ / ₃₂	3 ³ / ₈	1 ²⁵ / ₆₄	28.20
10	3 ³ / ₁₆	ZEP6303F	3 ³ / ₄	9 ⁵ / ₁₆	11 ⁵ / ₁₆	13 ¹³ / ₁₆	5 ⁹ / ₆₄	4 ³ / ₄	³ / ₄	2 ³ / ₈	2 ¹ / ₄	7 ¹ / ₂	4 ⁶¹ / ₆₄	3 ³¹ / ₃₂	1 ¹⁹ / ₃₂	47.60
	3 ³ / ₁₆	ZEPS6303F	3 ³ / ₄	9 ⁵ / ₁₆	11 ⁵ / ₁₆	13 ¹³ / ₁₆	5 ⁹ / ₆₄	4 ³ / ₄	³ / ₄	2 ³ / ₈	2 ¹ / ₄	7 ¹ / ₂	4 ⁶¹ / ₆₄	3 ³¹ / ₃₂	1 ¹⁹ / ₃₂	45.20
	3 ⁷ / ₁₆	ZEP6307F	3 ³ / ₄	9 ⁵ / ₁₆	11 ⁵ / ₁₆	13 ¹³ / ₁₆	5 ⁹ / ₆₄	4 ³ / ₄	³ / ₄	2 ³ / ₈	2 ¹ / ₄	7 ¹ / ₂	4 ⁶¹ / ₆₄	3 ³¹ / ₃₂	1 ¹⁹ / ₃₂	65.50
	3 ⁷ / ₁₆	ZEPS6307F	3 ³ / ₄	9 ⁵ / ₁₆	11 ⁵ / ₁₆	13 ¹³ / ₁₆	5 ⁹ / ₆₄	4 ³ / ₄	³ / ₄	2 ³ / ₈	2 ¹ / ₄	7 ¹ / ₂	4 ⁶¹ / ₆₄	3 ³¹ / ₃₂	1 ¹⁹ / ₃₂	64.80
11	3 ¹¹ / ₁₆	ZEP6311F	4 ¹ / ₄	12	13	15 ¹ / ₄	5 ³¹ / ₃₂	4 ¹ / ₂	³ / ₄	2 ¹ / ₄	2 ⁵ / ₈	8 ⁵ / ₈	5 ⁴³ / ₆₄	4 ⁹ / ₁₆	1 ⁴⁷ / ₆₄	65.50
	3 ¹¹ / ₁₆	ZEPS6311F	4 ¹ / ₄	12	13	15 ¹ / ₄	5 ³¹ / ₃₂	4 ¹ / ₂	³ / ₄	2 ¹ / ₄	2 ⁵ / ₈	8 ⁵ / ₈	5 ⁴³ / ₆₄	4 ⁹ / ₁₆	1 ⁴⁷ / ₆₄	64.80
	3 ¹⁵ / ₁₆	ZEP6315F	4 ¹ / ₄	12	13	15 ¹ / ₄	5 ³¹ / ₃₂	4 ¹ / ₂	³ / ₄	2 ¹ / ₄	2 ⁵ / ₈	8 ⁵ / ₈	5 ⁴³ / ₆₄	4 ⁹ / ₁₆	1 ⁴⁷ / ₆₄	81.00
	3 ¹⁵ / ₁₆	ZEPS6315F	4 ¹ / ₄	12	13	15 ¹ / ₄	5 ³¹ / ₃₂	4 ¹ / ₂	³ / ₄	2 ¹ / ₄	2 ⁵ / ₈	8 ⁵ / ₈	5 ⁴³ / ₆₄	4 ⁹ / ₁₆	1 ⁴⁷ / ₆₄	78.00
12	4 ³ / ₁₆	ZEP6403YF	4 ³ / ₄	12 ⁷ / ₈	14 ¹ / ₈	16 ¹ / ₂	6 ¹ / ₄	4 ⁵ / ₈	³ / ₄	2 ¹ / ₂	2 ³ / ₄	9 ³ / ₈	6 ¹ / ₁₆	5 ¹ / ₃₂	1 ⁷ / ₈	81.00
	4 ³ / ₁₆	ZEPS6403YF	4 ³ / ₄	12 ⁷ / ₈	14 ¹ / ₈	16 ¹ / ₂	6 ¹ / ₄	4 ⁵ / ₈	³ / ₄	2 ¹ / ₂	2 ³ / ₄	9 ³ / ₈	6 ¹ / ₁₆	5 ¹ / ₃₂	1 ⁷ / ₈	78.00
	4 ⁷ / ₁₆	ZEP6407YF	4 ³ / ₄	12 ⁷ / ₈	14 ¹ / ₈	16 ¹ / ₂	6 ¹ / ₄	4 ⁵ / ₈	³ / ₄	2 ¹ / ₂	2 ³ / ₄	9 ³ / ₈	6 ¹ / ₁₆	5 ¹ / ₃₂	1 ⁷ / ₈	150.00
	4 ⁷ / ₁₆	ZEPS6407YF	4 ³ / ₄	12 ⁷ / ₈	14 ¹ / ₈	16 ¹ / ₂	6 ¹ / ₄	4 ⁵ / ₈	³ / ₄	2 ¹ / ₂	2 ³ / ₄	9 ³ / ₈	6 ¹ / ₁₆	5 ¹ / ₃₂	1 ⁷ / ₈	150.00
13	4 ¹⁵ / ₁₆	ZEP6415F	5 ¹ / ₂	14 ⁷ / ₈	16 ¹ / ₈	18 ¹ / ₂	7 ¹⁵ / ₁₆	5 ⁹ / ₁₆	⁷ / ₈	2 ³ / ₄	3	11 ¹ / ₈	6 ⁶¹ / ₆₄	5 ³ / ₄	2 ¹ / ₄	150.00
	4 ¹⁵ / ₁₆	ZEPS6415F	5 ¹ / ₂	14 ⁷ / ₈	16 ¹ / ₈	18 ¹ / ₂	7 ¹⁵ / ₁₆	5 ⁹ / ₁₆	⁷ / ₈	2 ³ / ₄	3	11 ¹ / ₈	6 ⁶¹ / ₆₄	5 ³ / ₄	2 ¹ / ₄	150.00

Additional Notes

Please call 1-866-REXNORD for availability
Metric bore sizes available, see Rexnord Interchangeability guide
Lubrication fitting tap size: for size code 6 thru 11, 1/8" PT: for all other size codes, 1/4" PT
Base to centerline tolerance, +/- .005"
Seals - To specify K or M seal, replace "Z" in part number with "K" or "M"
"K" seals only available in size codes 6 thru 11

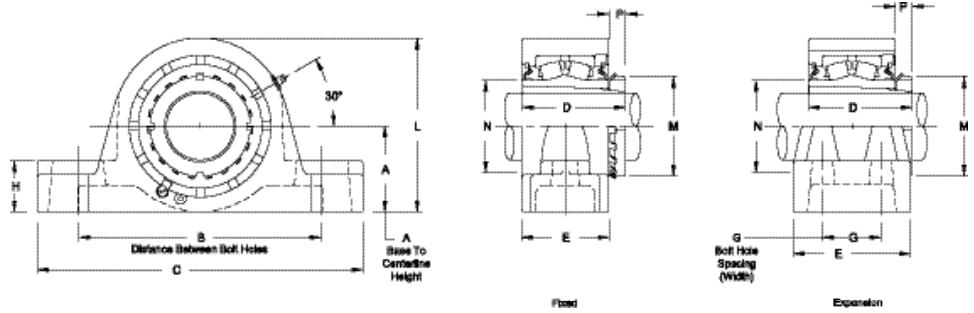
Auxiliary end caps - available in all size codes
Selection Guide, see Rexnord Spherical Roller Bearings Selection Guide section
Load Ratings & Speed Limits, see Rexnord Spherical Roller Bearings Load Ratings & Speed Limits section
Note: Dimensions subject to change. Certified dimensions of ordered material furnished on request.

ZEP9000, ZEPS9000



Product Features

- Corrosion resistant powder coating
- Cast iron housing
- Misalignment capabilities - Total of 4°
- Broad range of sealing options
- Factory set clearance & lubrication
- Precision ground & superfinished raceways
- Enhanced life mounting style
- Field interchangeable seals
- See Features & Benefits section for additional info.



Bearing Dimensions

Size Code	Shaft Diameter	Expansion Part Number	Fixed Part Number	A Base to Centerline Height	B Distance Between Bolt Holes		C	D	E	F Bolts	G Bolt Hole Spacing (Width)	H	L	M	P	Approx. Weight
					Min.	Max.										
Two-Bolt Pillow Block																
7	1 15/16	ZEPS9115	ZEP9115	2 1/2	6 9/16	8	9 5/8	3 5/32	2 9/16	5/8	-	1 1/2	5	2 31/32	19/32	15.00
	2	ZEPS9200	ZEP9200	2 1/2	6 9/16	8	9 5/8	3 5/32	2 9/16	5/8	-	1 1/2	5	2 31/32	19/32	14.90
8	2 3/16	ZEPS9203	ZEP9203	2 3/4	6 15/16	8 3/4	10 1/2	3 11/32	2 11/16	5/8	-	1 5/8	5 1/2	3 3/8	23/32	18.60
9	2 7/16	ZEPS9207	ZEP9207	3 1/8	7 13/16	9 3/4	11 13/16	3 3/4	3 3/16	3/4	-	1 7/8	6 5/16	3 5/8	23/32	28.10
	2 1/2	ZEPS9208	ZEP9208	3 1/8	7 13/16	9 3/4	11 13/16	3 3/4	3 3/16	3/4	-	1 7/8	6 5/16	3 5/8	23/32	27.70
10	2 11/16	ZEPS9211	ZEP9211	3 3/4	9 5/16	11 5/16	13 13/16	4 1/4	3 1/2	7/8	-	2 1/4	7 1/2	4 13/32	13/16	45.70
	2 15/16	ZEPS9215	ZEP9215	3 3/4	9 5/16	11 5/16	13 13/16	4 1/4	3 1/2	7/8	-	2 1/4	7 1/2	4 13/32	13/16	44.50
Four-Bolt Pillow Block																
8	2 3/16	ZEPS9203F	ZEP9203F	2 3/4	6 15/16	8 3/4	10 1/2	3 11/32	3 5/8	5/8	1 7/8	1 5/8	5 1/2	3 3/8	23/32	18.70
9	2 7/16	ZEPS9207F	ZEP9207F	3 1/8	7 13/16	9 7/8	11 13/16	3 3/4	4 1/4	5/8	2 1/8	1 7/8	6 5/16	3 5/8	23/32	27.60
	2 1/2	ZEPS9208F	ZEP9208F	3 1/8	7 13/16	9 7/8	11 13/16	3 3/4	4 1/4	5/8	2 1/8	1 7/8	6 5/16	3 5/8	23/32	27.20
10	2 11/16	ZEPS9211F	ZEP9211F	3 3/4	9 5/16	11 5/16	13 13/16	4 1/4	4 3/4	3/4	2 3/8	2 1/4	7 1/2	4 13/32	13/16	46.20
	2 15/16	ZEPS9215F	ZEP9215F	3 3/4	9 5/16	11 5/16	13 13/16	4 1/4	4 3/4	3/4	2 3/8	2 1/4	7 1/2	4 13/32	13/16	45.00
11	3 3/16	ZEPS9303F	ZEP9303F	4 1/4	12	13	15 1/4	5 1/16	4 1/2	3/4	2 1/4	2 5/8	8 5/8	5 3/16	15/16	70.00
	3 7/16	ZEPS9307F	ZEP9307F	4 1/4	12	13	15 1/4	5 1/16	4 1/2	3/4	2 1/4	2 5/8	8 5/8	5 3/16	15/16	68.00
12	3 11/16	ZEPS9311YF	ZEP9311YF	4 3/4	12 7/8	14 1/8	16 1/2	5 13/32	4 5/8	3/4	2 1/2	2 3/4	9 3/8	5 23/32	1 1/32	78.20
	3 15/16	ZEPS9315YF	ZEP9315YF	4 3/4	12 7/8	14 1/8	16 1/2	5 13/32	4 5/8	3/4	2 1/2	2 3/4	9 3/8	5 23/32	1 1/32	75.90
13	4	ZEPS9400YF	ZEP9400YF	4 3/4	12 7/8	14 1/8	16 1/2	5 13/32	4 5/8	3/4	2 1/2	2 3/4	9 3/8	5 23/32	1 1/32	75.40
	4 3/16	ZEPS9403F	ZEP9403F	5 1/2	14 7/8	16 1/8	18 1/2	6 3/4	5 9/16	7/8	2 3/4	3	11 1/8	6 1/8	1 1/8	150.00
	4 7/16	ZEPS9407F	ZEP9407F	5 1/2	14 7/8	16 1/8	18 1/2	6 3/4	5 9/16	7/8	2 3/4	3	11 1/8	6 1/8	1 1/8	148.00

Additional Notes

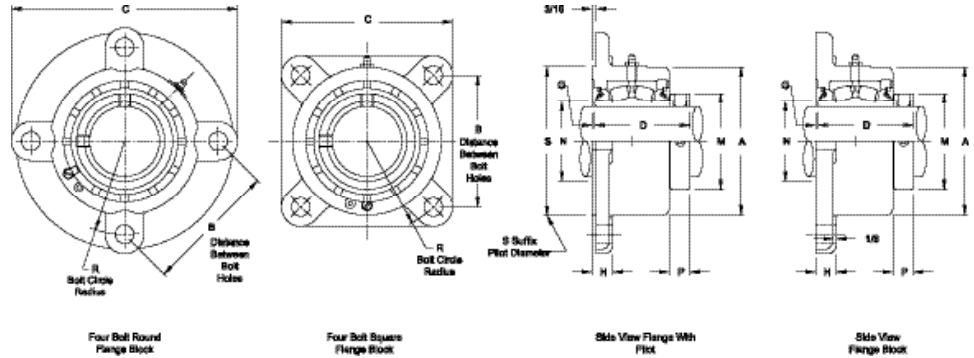
- Please call 1-866-REXNORD for availability
- Lubrication fitting tap size: for size code 7 thru 11, 1/8" PT; for all other size codes, 1/4" PT
- Base to centerline tolerance, +/- .005"
- Seals - To specify K or M seal, replace "Z" in part number with "K" or "M"
- "K" seals only available in size codes 7 thru 11

- Auxiliary end caps - available in all size codes
- Selection Guide, see Rexnord Spherical Roller Bearings Selection Guide section
- Load Ratings & Speed Limits, see Rexnord Spherical Roller Bearings Load Ratings & Speed Limits section
- Note: Dimensions subject to change. Certified dimensions of ordered material furnished on request.



Product Features

- Corrosion resistant powder coating
 - Cast iron housing
 - Misalignment capabilities - Total of 4°
 - Broad range of sealing options
 - Factory set clearance & lubrication
 - Precision ground & superfinished raceways
 - Hardened spring locking collar
 - Field interchangeable seals
- See Features & Benefits section for additional info.



Bearing Dimensions

Size Code	Shaft Diameter	Expansion			Fixed			B Distance Between Bolt Holes	C	D	F Bolts	G	M	N	P	R Bolt Circle Radius	S	Approx. Weight
		Part Number	A	H	Part Number	A	H											
3-Bolt																		
2	3/4	-	-	-	ZB2012	2 7/8	9/16	3 37/64	5 1/8	2 9/16	3/8	1/32	1 3/4	1 5/16	9/16	2 1/16	3	4.30
	15/16	-	-	-	ZB2015	2 7/8	9/16	3 37/64	5 1/8	2 9/16	3/8	1/32	1 3/4	1 5/16	9/16	2 1/16	3	4.20
	1	-	-	-	ZB2100	2 7/8	9/16	3 37/64	5 1/8	2 9/16	3/8	1/32	1 3/4	1 5/16	9/16	2 1/16	3	4.20
3	1 1/8	-	-	-	ZB2102	3 1/8	19/32	3 57/64	5 1/2	2 11/16	3/8	1/32	2	1 17/32	9/16	2 1/4	3 1/4	5.20
	1 3/16	-	-	-	ZB2103	3 1/8	19/32	3 57/64	5 1/2	2 11/16	3/8	1/32	2	1 17/32	9/16	2 1/4	3 1/4	5.10
	1 1/4	-	-	-	ZB2104	3 1/8	19/32	3 57/64	5 1/2	2 11/16	3/8	1/32	2	1 17/32	9/16	2 1/4	3 1/4	5.00
4	1 7/16	ZBS2107	3 3/4	5/8	ZB2107	3 7/16	5/8	4 21/64	6 1/4	2 7/8	1/2	1/32	2 5/16	1 3/4	11/16	2 1/2	-	6.80
	1 1/2	ZBS2108	3 3/4	5/8	ZB2108	3 7/16	5/8	4 21/64	6 1/4	2 7/8	1/2	1/32	2 5/16	1 3/4	11/16	2 1/2	-	6.70
4-Bolt																		
5	1 11/16	ZBS2111	4 1/4	5/8	ZB2111	3 15/16	5/8	3 57/64	6 3/4	3 1/8	1/2	1/32	2 5/8	2 1/32	11/16	2 3/4	-	8.60
	1 3/4	ZBS2112	4 1/4	5/8	ZB2112	3 15/16	5/8	3 57/64	6 3/4	3 1/8	1/2	1/32	2 5/8	2 1/32	11/16	2 3/4	-	8.40
6	1 15/16	ZBS2115	4 1/2	11/16	ZB2115	4 1/4	11/16	4 1/16	7	3 1/8	1/2	1/16	2 15/16	2 5/16	11/16	2 7/8	-	9.80
	2	ZBS2200	4 1/2	11/16	ZB2200	4 1/4	11/16	4 1/16	7	3 1/8	1/2	1/16	2 15/16	2 5/16	11/16	2 7/8	-	9.60
7	2 3/16	ZBS2203	4 7/8	11/16	ZB2203	4 7/8	11/16	4 1/2	7 3/4	3 5/16	5/8	3/32	3 1/4	2 5/8	13/16	3 3/16	-	13.30
	2 1/4	ZBS2204	4 7/8	11/16	ZB2204	4 7/8	11/16	4 1/2	7 3/4	3 5/16	5/8	3/32	3 1/4	2 5/8	13/16	3 3/16	-	13.10
8	2 3/8	ZBS2206	5 3/8	3/4	ZB2206	5 3/8	3/4	4 49/64	8 1/8	3 1/2	5/8	3/32	3 9/16	2 29/32	7/8	3 3/8	-	16.70
	2 7/16	ZBS2207	5 3/8	3/4	ZB2207	5 3/8	3/4	4 49/64	8 1/8	3 1/2	5/8	3/32	3 9/16	2 29/32	7/8	3 3/8	-	16.60
	2 1/2	ZBS2208	5 3/8	3/4	ZB2208	5 3/8	3/4	4 49/64	8 1/8	3 1/2	5/8	3/32	3 9/16	2 29/32	7/8	3 3/8	-	16.40
9	2 11/16	ZBS2211	6 1/4	7/8	ZB2211	6 1/4	7/8	5 9/16	9 1/2	4	3/4	3/32	4 1/16	3 3/8	7/8	3 15/16	-	26.50
	2 3/4	ZBS2212	6 1/4	7/8	ZB2212	6 1/4	7/8	5 9/16	9 1/2	4	3/4	3/32	4 1/16	3 3/8	7/8	3 15/16	-	26.10
	2 5/8	ZBS2215	6 1/4	7/8	ZB2215	6 1/4	7/8	5 9/16	9 1/2	4	3/4	3/32	4 1/16	3 3/8	7/8	3 15/16	-	25.60
	3	ZBS2300	6 1/4	7/8	ZB2300	6 1/4	7/8	5 9/16	9 1/2	4	3/4	3/32	4 1/16	3 3/8	7/8	3 15/16	-	25.10
10	3 3/16	ZBS2303	7 3/8	1 3/8	ZB2303	7 3/8	1	6 23/32	8 7/16	4 3/8	3/4	1/4	4 15/16	3 31/32	15/16	4 3/4	-	37.00
	3 7/16	ZBS2307	7 3/8	1 3/8	ZB2307	7 3/8	1	6 23/32	8 7/16	4 3/8	3/4	1/4	4 15/16	3 31/32	15/16	4 3/4	-	34.60
	3 1/2	ZBS2308	7 3/8	1 3/8	ZB2308	7 3/8	1	6 23/32	8 7/16	4 3/8	3/4	1/4	4 15/16	3 31/32	15/16	4 3/4	-	34.10
11	3 11/16	ZBS2311	8 3/8	1 1/8	ZB2311	8 1/2	1 1/8	7 19/32	9 3/4	5 1/16	7/8	1/4	5 5/8	4 9/16	1 1/16	5 3/8	-	59.00
	3 15/16	ZBS2315	8 3/8	1 1/8	ZB2315	8 1/2	1 1/8	7 19/32	9 3/4	5 1/16	7/8	1/4	5 5/8	4 9/16	1 1/16	5 3/8	-	56.00
	4	ZBS2400	8 3/8	1 1/8	ZB2400	8 1/2	1 1/8	7 19/32	9 3/4	5 1/16	7/8	1/4	5 5/8	4 9/16	1 1/16	5 3/8	-	56.00

Additional Notes

- Please call 1-866-REXNORD for availability
- Metric bore sizes available, see Rexnord Interchangeability guide
- Lubrication fitting tap size, 1/8" PT
- Bore size = nominal shaft size +.001"/-.000"
- Machined pilot available, add suffix S
- Seals - To specify K or M seal, replace "Z" in part number with "K" or "M"
- Auxiliary end caps - available in all size codes except for size codes 2 thru 6
- Also not available on size code 7 on flange side of non-piloted bearings and size code 7 thru 9 on flange side of piloted bearings

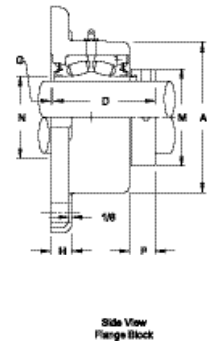
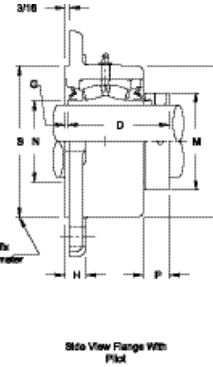
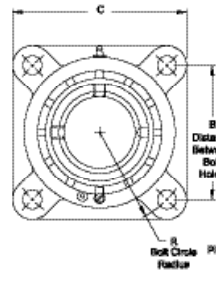
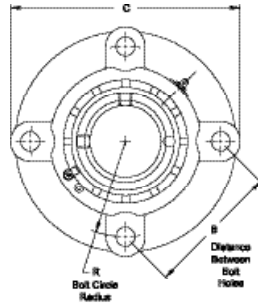
- Pilot Diameter tolerance, +.000"/-.003"
- Selection Guide, see Rexnord Spherical Roller Bearings Selection Guide section Load Ratings & Speed Limits, see Rexnord Spherical Roller Bearings Load Ratings & Speed Limits section
- Note: Dimensions subject to change. Certified dimensions of ordered material furnished on request.
- Lubrication fitting tap size, 1/8" PT

ZB3000, ZBS3000



Product Features

- Corrosion resistant powder coating
- Cast iron housing
- Misalignment capabilities - Total of 4°
- Broad range of sealing options
- Factory set clearance & lubrication
- Precision ground & superfinished raceways
- Hardened eccentric locking collar
- Field interchangeable seals
- See Features & Benefits section for additional info.



Bearing Dimensions

Size Code	Shaft Diameter	Expansion			Fixed			B Distance Between Bolt Holes	C	D	F Bolts	G	M	N	P	R	S	Approx. Weight
		Part Number	A	H	Part Number	A	H											
3-Bolt																		
4	1 7/16	ZBS3107	3 3/4	5/8	ZB3107	3 7/16	5/8	4 21/64	6 1/4	2 59/64	1/2	1/32	2 5/16	1 3/4	25/32	2 1/2	3 9/16	7.00
4-Bolt																		
5	1 11/16	ZBS3111	4 1/4	5/8	ZB3111	3 15/16	5/8	3 57/64	6 3/4	3 3/16	1/2	1/32	2 5/8	2 1/32	3/4	2 3/4	4 1/16	8.80
6	1 15/16	ZBS3115	4 1/2	11/16	ZB3115	4 1/4	11/16	4 1/16	7	3 9/32	1/2	1/16	2 3/4	2 5/16	27/32	2 7/8	4 3/8	10.00
7	2 3/16	ZBS3203	4 7/8	11/16	ZB3203	4 7/8	11/16	4 1/2	7 3/4	3 1/2	5/8	3/32	3 1/4	2 5/8	31/32	3 3/16	5	13.60
8	2 7/16	ZBS3207	5 3/8	3/4	ZB3207	5 3/8	3/4	4 49/64	8 1/8	3 21/32	5/8	3/32	3 9/16	2 29/32	1 1/64	3 3/8	5 7/16	16.80
	2 1/2	ZBS3208	5 3/8	3/4	ZB3208	5 3/8	3/4	4 49/64	8 1/8	3 21/32	5/8	3/32	3 9/16	2 29/32	1 1/64	3 3/8	5 7/16	16.60
9	2 11/16	ZBS3211	6 1/4	7/8	ZB3211	6 1/4	7/8	5 9/16	9 1/2	4 13/64	3/4	3/32	4 1/16	3 3/8	1 1/64	3 15/16	6 5/16	27.10
	2 15/16	ZBS3215	6 1/4	7/8	ZB3215	6 1/4	7/8	5 9/16	9 1/2	4 13/64	3/4	3/32	4 1/16	3 3/8	1 1/64	3 15/16	6 5/16	26.00
10	3 7/16	ZBS3307	7 3/8	1 3/8	ZB3307	7 3/8	1	6 23/32	8 7/16	4 37/64	3/4	1/4	4 15/16	3 31/32	1 9/64	4 3/4	7 3/8	35.70
	3 1/2	ZBS3308	7 3/8	1 3/8	ZB3308	7 3/8	1	6 23/32	8 7/16	4 37/64	3/4	1/4	4 15/16	3 31/32	1 9/64	4 3/4	7 3/8	35.20
11	3 15/16	ZBS3315	8 3/8	1	ZB3315	8 1/2	1	7 19/32	9 3/4	5 3/16	7/8	1/4	5 5/8	4 9/16	1 1/16	5 3/8	8 1/2	56.00

Additional Notes

- Please call 1-866-REXNORD for availability
- Metric bore sizes available, see Rexnord Interchangeability guide
- Lubrication fitting tap size, 1/8" PT
- Bore size = nominal shaft size +.001"/-.000"
- Machined pilot available, add suffix S
- Seals - To specify K or M seal, replace "Z" in part number with "K" or "M"
- Auxiliary end caps - available in all size codes except for size codes 4 thru 6

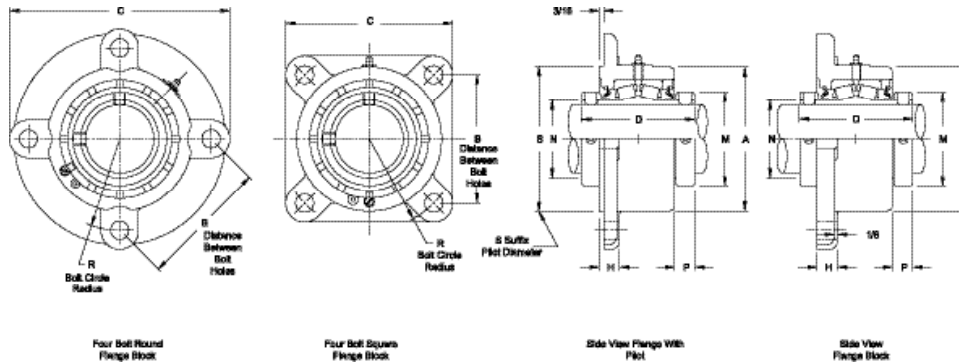
- Also not available on size code 7 on flange side of non-piloted bearings and size code 7 thru 9 on flange side of piloted bearings
- Pilot Diameter tolerance, +.000"/-.003"
- Selection Guide, see Rexnord Spherical Roller Bearings Selection Guide section Load Ratings & Speed Limits, see Rexnord Spherical Roller Bearings Load Ratings & Speed Limits section
- Note: Dimensions subject to change. Certified dimensions of ordered material furnished on request.

ZB5000, ZBS5000



Product Features

- Corrosion resistant powder coating
- Cast iron housing
- Misalignment capabilities - Total of 4°
- Broad range of sealing options
- Factory set clearance & lubrication
- Precision ground & superfinished raceways
- Two hardened spring locking collars
- Field interchangeable seals
- See Features & Benefits section for additional info.



Bearing Dimensions

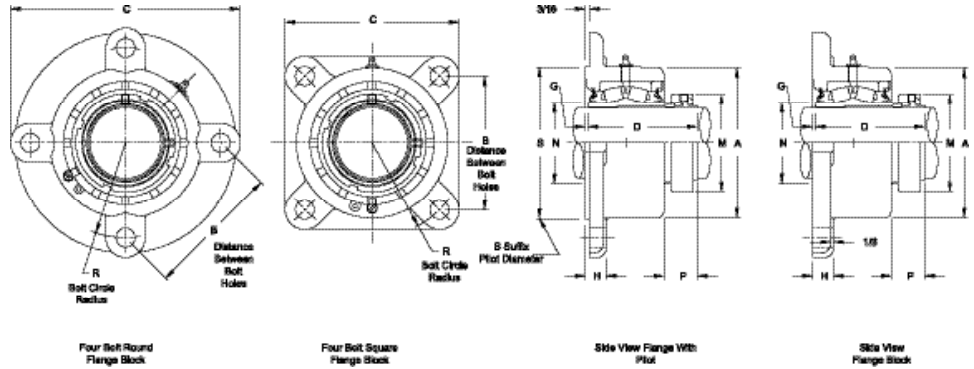
Size Code	Shaft Diameter	Expansion			Fixed			B Distance Between Bolt Holes	C	D	F Bolts	M	N	P	R Bolt Circle Radius	S	Approx. Weight
		Part Number	A	H	Part Number	A	H										
3-Bolt Round																	
4	1 7/16	ZBS5107	3 3/4	5/8	ZB5107	3 7/16	5/8	4 21/64	6 1/4	3 9/16	1/2	2 5/16	1 3/4	11/16	2 1/2	3 9/16	7.10
4-Bolt Round																	
5	1 1/2	ZBS5108	4 1/4	5/8	ZB5108	3 15/16	5/8	3 57/64	6 3/4	3 13/16	1/2	2 5/8	2 1/32	11/16	2 3/4	4 1/16	9.60
	1 11/16	ZBS5111	4 1/4	5/8	ZB5111	3 15/16	5/8	3 57/64	6 3/4	3 13/16	1/2	2 5/8	2 1/32	11/16	2 3/4	4 1/16	9.20
6	1 15/16	ZBS5115	4 1/2	11/16	ZB5115	4 1/4	11/16	4 1/16	7	3 13/16	1/2	2 15/16	2 5/16	11/16	2 7/8	4 3/8	10.40
7	2	ZBS5200	4 7/8	11/16	ZB5200	4 7/8	11/16	4 1/2	7 3/4	4 1/8	5/8	3 1/4	2 5/8	13/16	3 3/16	5	15.00
	2 3/16	ZBS5203	4 7/8	11/16	ZB5203	4 7/8	11/16	4 1/2	7 3/4	4 1/8	5/8	3 1/4	2 5/8	13/16	3 3/16	5	14.40
8	2 7/16	ZBS5207	5 3/8	3/4	ZB5207	5 3/8	3/4	4 49/64	8 1/8	4 3/8	5/8	3 9/16	2 29/32	7/8	3 3/8	5 7/16	17.70
9	2 1/2	ZBS5208	6 1/4	7/8	ZB5208	6 1/4	7/8	5 9/16	9 1/2	4 7/8	3/4	4 1/16	3 3/8	7/8	3 15/16	6 5/16	29.20
	2 11/16	ZBS5211	6 1/4	7/8	ZB5211	6 1/4	7/8	5 9/16	9 1/2	4 7/8	3/4	4 1/16	3 3/8	7/8	3 15/16	6 5/16	28.20
	2 15/16	ZBS5215	6 1/4	7/8	ZB5215	6 1/4	7/8	5 9/16	9 1/2	4 7/8	3/4	4 1/16	3 3/8	7/8	3 15/16	6 5/16	27.70
4-Bolt Square																	
10	3 3/16	ZBS5303	7 3/8	1 3/8	ZB5303	7 3/8	1	6 23/32	8 7/16	5 5/16	3/4	4 15/16	3 31/32	15/16	4 3/4	7 3/8	39.60
	3 7/16	ZBS5307	7 3/8	1 3/8	ZB5307	7 3/8	1	6 23/32	8 7/16	5 5/16	3/4	4 15/16	3 31/32	15/16	4 3/4	7 3/8	37.70
11	3 11/16	ZBS5311	8 3/8	1 1/8	ZB5311	8 1/2	1 1/8	7 19/32	9 3/4	6 1/4	7/8	5 5/8	4 9/16	1 1/16	5 3/8	8 1/2	61.50
	3 15/16	ZBS5315	8 3/8	1 1/8	ZB5315	8 1/2	1 1/8	7 19/32	9 3/4	6 1/4	7/8	5 5/8	4 9/16	1 1/16	5 3/8	8 1/2	60.50
	4	ZBS5400	8 3/8	1 1/8	ZB5400	8 1/2	1 1/8	7 19/32	9 3/4	6 1/4	7/8	5 5/8	4 9/16	1 1/16	5 3/8	8 1/2	59.50

Additional Notes

- Please call 1-866-REXNORD for availability
- Metric bore sizes available, see Rexnord Interchangeability guide
- Lubrication fitting tap size, 1/8" PT
- Bore size = nominal shaft size +.001"/-.000"
- Machined pilot available, add suffix S
- Seals - To specify K or M seal, replace "Z" in part number with "K" or "M"
- Auxiliary end caps - available in all size codes except for size codes 4 thru 6

- Also not available on size code 7 on flange side of non-piloted bearings and size code 7 thru 9 on flange side of piloted bearings
- Pilot Diameter tolerance, +.000"/-.003"
- Selection Guide, see Rexnord Spherical Roller Bearings Selection Guide section Load Ratings & Speed Limits, see Rexnord Spherical Roller Bearings Load Ratings & Speed Limits section
- Note: Dimensions subject to change. Certified dimensions of ordered material furnished on request.

ZB6000, ZBS6000



Product Features

- Optical Strain Sensor Technology
- Positive locking system
- Tapered adapter sleeve
- Corrosion resistant powder coating
- Cast iron housing
- Misalignment capabilities - Total of 4°
- Broad range of sealing options
- Factory set clearance & lubrication
- Precision ground & superfinished raceways
- See Features & Benefits section for additional info.

Bearing Dimensions

Size Code	Shaft Diameter	Expansion			Fixed			B Distance Between Bolt Holes	C	D	F Bolts	G	M	N	P	R Bolt Circle Radius	S	Approx. Weight
		Part Number	A	H	Part Number	A	H											
4-Bolt Round																		
6	1 ¹⁵ / ₁₆	ZBS6115	4 ¹ / ₂	1 ¹¹ / ₁₆	ZB6115	4 ¹ / ₄	1 ¹¹ / ₁₆	4 ¹ / ₁₆	7	3 ⁴¹ / ₆₄	1 ¹ / ₂	1 ¹ / ₁₆	2 ⁵⁵ / ₆₄	2 ⁵ / ₁₆	1 ¹ / ₈	2 ⁷ / ₈	4 ³ / ₈	9.80
7	2 ³ / ₁₆	ZBS6203	4 ⁷ / ₈	1 ¹¹ / ₁₆	ZB6203	4 ⁷ / ₈	1 ¹¹ / ₁₆	4 ¹ / ₂	7 ³ / ₄	3 ⁴⁹ / ₆₄	5 ⁵ / ₈	3 ³ / ₃₂	3 ¹⁵ / ₆₄	2 ⁵ / ₈	1 ⁵ / ₃₂	3 ³ / ₁₆	5	13.30
8	2 ³ / ₈	ZBS6206	5 ³ / ₈	3 ³ / ₄	ZB6206	5 ³ / ₈	3 ³ / ₄	4 ⁴⁹ / ₆₄	8 ¹ / ₈	4 ⁵ / ₃₂	5 ⁵ / ₈	3 ³ / ₃₂	3 ¹⁹ / ₃₂	2 ²⁹ / ₃₂	1 ²⁷ / ₆₄	3 ³ / ₈	5 ⁷ / ₁₆	16.70
	2 ⁷ / ₁₆	ZBS6207	5 ³ / ₈	3 ³ / ₄	ZB6207	5 ³ / ₈	3 ³ / ₄	4 ⁴⁹ / ₆₄	8 ¹ / ₈	4 ⁵ / ₃₂	5 ⁵ / ₈	3 ³ / ₃₂	3 ¹⁹ / ₃₂	2 ²⁹ / ₃₂	1 ²⁷ / ₆₄	3 ³ / ₈	5 ⁷ / ₁₆	16.60
9	2 ¹¹ / ₁₆	ZBS6211	6 ¹ / ₄	7 ⁷ / ₈	ZB6211	6 ¹ / ₄	7 ⁷ / ₈	5 ⁹ / ₁₆	9 ¹ / ₂	4 ¹⁷ / ₃₂	3 ³ / ₄	3 ³ / ₃₂	4 ³ / ₃₂	3 ³ / ₈	1 ²⁵ / ₆₄	3 ¹⁵ / ₁₆	6 ⁵ / ₁₆	26.50
	2 ³ / ₄	ZBS6212	6 ¹ / ₄	7 ⁷ / ₈	ZB6212	6 ¹ / ₄	7 ⁷ / ₈	5 ⁹ / ₁₆	9 ¹ / ₂	4 ¹⁷ / ₃₂	3 ³ / ₄	3 ³ / ₃₂	4 ³ / ₃₂	3 ³ / ₈	1 ²⁵ / ₆₄	3 ¹⁵ / ₁₆	6 ⁵ / ₁₆	26.10
	2 ¹⁵ / ₁₆	ZBS6215	6 ¹ / ₄	7 ⁷ / ₈	ZB6215	6 ¹ / ₄	7 ⁷ / ₈	5 ⁹ / ₁₆	9 ¹ / ₂	4 ¹⁷ / ₃₂	3 ³ / ₄	3 ³ / ₃₂	4 ³ / ₃₂	3 ³ / ₈	1 ²⁵ / ₆₄	3 ¹⁵ / ₁₆	6 ⁵ / ₁₆	25.60
4-Bolt Square																		
10	3 ³ / ₁₆	ZBS6303	7 ³ / ₈	1 ³ / ₈	ZB6303	7 ³ / ₈	1	6 ²³ / ₃₂	8 ⁷ / ₁₆	5 ⁹ / ₆₄	3 ³ / ₄	1 ¹ / ₄	4 ⁶¹ / ₆₄	3 ³¹ / ₃₂	1 ¹⁹ / ₃₂	4 ³ / ₄	7 ³ / ₈	37.00
	3 ⁷ / ₁₆	ZBS6307	7 ³ / ₈	1 ³ / ₈	ZB6307	7 ³ / ₈	1	6 ²³ / ₃₂	8 ⁷ / ₁₆	5 ⁹ / ₆₄	3 ³ / ₄	1 ¹ / ₄	4 ⁶¹ / ₆₄	3 ³¹ / ₃₂	1 ¹⁹ / ₃₂	4 ³ / ₄	7 ³ / ₈	34.60
11	3 ¹¹ / ₁₆	ZBS6311	8 ³ / ₈	1 ¹ / ₈	ZB6311	8 ¹ / ₂	1 ¹ / ₈	7 ¹⁹ / ₃₂	9 ³ / ₄	5 ³¹ / ₃₂	7 ⁷ / ₈	1 ¹ / ₄	5 ⁴³ / ₆₄	4 ⁹ / ₁₆	1 ⁴⁷ / ₆₄	5 ³ / ₈	8 ¹ / ₂	59.00
	3 ¹⁵ / ₁₆	ZBS6315	8 ³ / ₈	1 ¹ / ₈	ZB6315	8 ¹ / ₂	1 ¹ / ₈	7 ¹⁹ / ₃₂	9 ³ / ₄	5 ³¹ / ₃₂	7 ⁷ / ₈	1 ¹ / ₄	5 ⁴³ / ₆₄	4 ⁹ / ₁₆	1 ⁴⁷ / ₆₄	5 ³ / ₈	8 ¹ / ₂	56.00

Additional Notes

- Please call 1-866-REXNORD for availability
- Lubrication fitting tap size, 1/8" PT
- Machined pilot available, add suffix S
- Seals - To specify K or M seal, replace "Z" in part number with "K" or "M"
- Auxiliary end caps - available in all size codes except for size code 6
- Also not available on size code 7 on flange side of non-piloted bearings and size code 7 thru 9 on flange side of piloted bearings

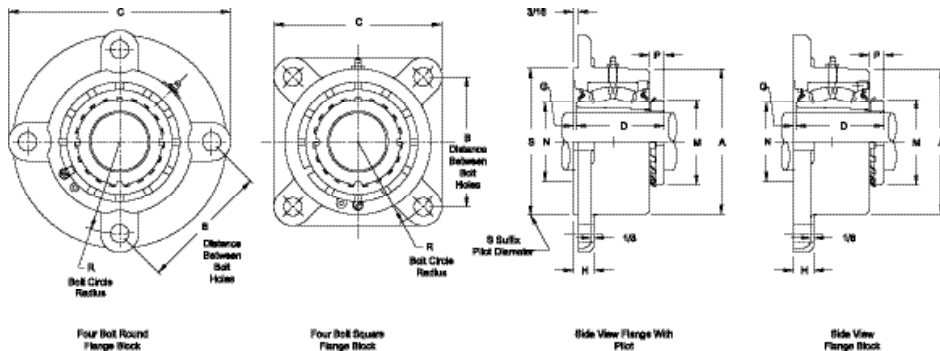
- Pilot Diameter tolerance, +.000"/-.003"
- Selection Guide, see Rexnord Spherical Roller Bearings Selection Guide section
- Load Ratings & Speed Limits, see Rexnord Spherical Roller Bearings Load Ratings & Speed Limits section
- Note: Dimensions subject to change. Certified dimensions of ordered material furnished on request.

ZB9000, ZBS9000



Product Features

- Corrosion resistant powder coating
- Cast iron housing
- Misalignment capabilities - Total of 4°
- Broad range of sealing options
- Factory set clearance & lubrication
- Precision ground & superfinished raceways
- Enhanced life mounting style
- Field interchangeable seals
- See Features & Benefits section for additional info.



Bearing Dimensions

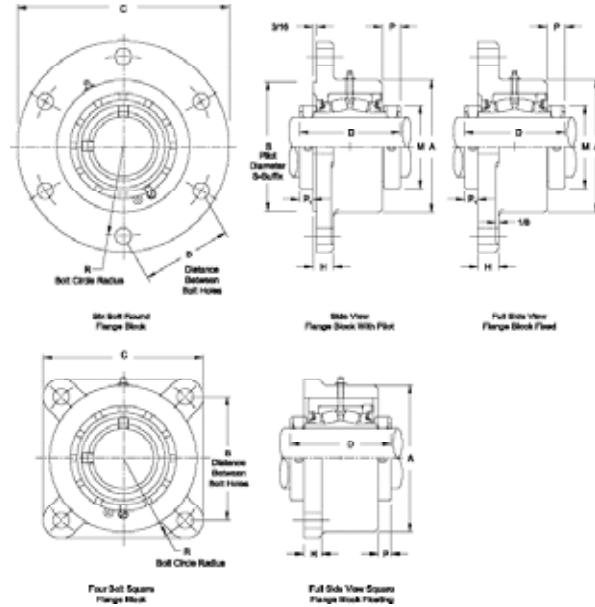
Size Code	Shaft Diameter	Expansion			Fixed			B Distance Between Bolt Holes	C	D	F Bolts	G	M	N	P	R Bolt Circle Radius	S	Approx. Weight
		Part Number	A	H	Part Number	A	H											
4-Bolt Round																		
7	1 15/16	ZBS9115	4 7/8	11/16	ZB9115	4 7/8	11/16	4 1/2	7 3/4	3 5/32	5/8	3/32	2 31/32	2 5/8	19/32	3 3/16	5	13.50
	2	ZBS9200	4 7/8	11/16	ZB9200	4 7/8	11/16	4 1/2	7 3/4	3 5/32	5/8	3/32	2 31/32	2 5/8	19/32	3 3/16	5	13.40
8	2 3/16	ZBS9203	5 3/8	3/4	ZB9203	5 3/8	3/4	4 49/64	8 1/8	3 11/32	5/8	3/32	3 3/8	2 29/32	23/32	3 3/8	5 7/16	17.00
9	2 7/16	ZBS9207	6 1/4	7/8	ZB9207	6 1/4	7/8	5 9/16	9 1/2	3 3/4	3/4	3/32	3 5/8	3 3/8	23/32	3 15/16	6 5/16	25.80
	2 1/2	ZBS9208	6 1/4	7/8	ZB9208	6 1/4	7/8	5 9/16	9 1/2	3 3/4	3/4	3/32	3 5/8	3 3/8	23/32	3 15/16	6 5/16	25.40
4-Bolt Square																		
10	2 11/16	ZBS9211	7 3/8	1 3/8	ZB9211	7 3/8	1	6 23/32	8 7/16	4 1/4	3/4	1/4	4 13/32	3 31/32	13/16	4 3/4	7 3/8	38.20
	2 15/16	ZBS9215	7 3/8	1 3/8	ZB9215	7 3/8	1	6 23/32	8 7/16	4 1/4	3/4	1/4	4 13/32	3 31/32	13/16	4 3/4	7 3/8	37.00
	3	ZBS9300	7 3/8	1 3/8	ZB9300	7 3/8	1	6 23/32	8 7/16	4 1/4	3/4	1/4	4 13/32	3 31/32	13/16	4 3/4	7 3/8	36.50
11	3 3/16	ZBS9303	8 3/8	1 1/8	ZB9303	8 1/2	1 1/8	7 19/32	9 3/4	5 1/16	7/8	1/4	5 3/16	4 9/16	15/16	5 3/8	8 1/2	62.00
	3 7/16	ZBS9307	8 3/8	1 1/8	ZB9307	8 1/2	1 1/8	7 19/32	9 3/4	5 1/16	7/8	1/4	5 3/16	4 9/16	15/16	5 3/8	8 1/2	60.00

Additional Notes

- Please call 1-866-REXNORD for availability
- Lubrication fitting tap size, 1/8" PT
- Machined pilot available, add suffix S
- Seals - To specify K or M seal, replace "Z" in part number with "K" or "M"
- Auxiliary end caps - available in all size codes except for size code 7 on flange side of non-piloted bearings and size code 7 thru 9 on flange side of piloted bearings

- Pilot Diameter tolerance, +.000"/-.003"
- Selection Guide, see Rexnord Spherical Roller Bearings Selection Guide section
- Load Ratings & Speed Limits, see Rexnord Spherical Roller Bearings Load Ratings & Speed Limits section
- Note: Dimensions subject to change. Certified dimensions of ordered material furnished on request.

ZF5000, ZFS5000



Product Features

- Corrosion resistant powder coating
- Cast iron housing
- Misalignment capabilities - Total of 4°
- Broad range of sealing options
- Factory set clearance & lubrication
- Precision ground & superfinished raceways
- Two hardened spring locking collars
- Field interchangeable seals
- Fixed or Expansion - Up to 3/4" expansion
- See Features & Benefits section for additional info.

Bearing Dimensions

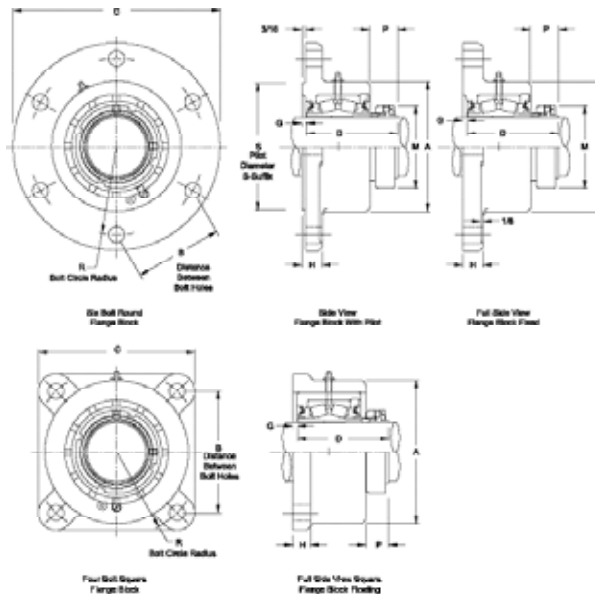
Size Code	Shaft Diameter	Expansion						Fixed						B Distance Between Bolt Holes	C	D	H	M	P1	R
		Part Number	A	F Bolts	P	S	Approx. Weight	Part Number	A	F Bolts	P	S	Approx. Weight							
4-Bolt																				
4	1 7/16	ZFS5107	4 7/16	1/2	15/32	4 7/16	9.60	ZF5107	3 11/16	1/2	11/16	3 9/16	7.60	3 23/32	4 15/16	3 9/16	5/8	2 5/16	1/2	2 5/8
5	1 1/2	ZFS5108	5	1/2	13/32	4 3/4	12.60	ZF5108	4 1/4	1/2	23/32	4 1/16	10.40	3 57/64	5 1/8	3 13/16	5/8	2 5/8	15/32	2 3/4
	1 11/16	ZFS5111	5	1/2	13/32	4 3/4	12.30	ZF5111	4 1/4	1/2	23/32	4 1/16	9.70	3 57/64	5 1/8	3 13/16	5/8	2 5/8	15/32	2 3/4
6	1 15/16	ZFS5115	5 1/8	1/2	13/32	5 1/8	12.80	ZF5115	4 1/2	1/2	11/16	4 3/8	10.40	4 1/16	5 5/16	3 13/16	5/8	2 15/16	15/32	2 7/8
7	2	ZFS5200	5 3/4	5/8	1/2	5 5/8	18.00	ZF5200	5	5/8	51/64	5	14.40	4 1/2	5 7/8	4 1/8	11/16	3 1/4	21/32	3 3/16
	2 3/16	ZFS5203	5 3/4	5/8	1/2	5 5/8	17.30	ZF5203	5	5/8	51/64	5	13.70	4 1/2	5 7/8	4 1/8	11/16	3 1/4	21/32	3 3/16
8	2 7/16	ZFS5207	6	5/8	9/16	6	20.30	ZF5207	5 1/2	5/8	7/8	5 7/16	17.50	5 1/32	6 7/16	4 3/8	3/4	3 9/16	5/8	3 9/16
9	2 1/2	ZFS5208	7 1/8	3/4	5/8	7 1/8	35.40	ZF5208	6 1/2	3/4	7/8	6 5/16	29.90	6 1/64	7 3/4	4 7/8	7/8	4 1/16	21/32	4 1/4
	2 11/16	ZFS5211	7 1/8	3/4	5/8	7 1/8	34.10	ZF5211	6 1/2	3/4	7/8	6 5/16	28.90	6 1/64	7 3/4	4 7/8	7/8	4 1/16	21/32	4 1/4
	2 15/16	ZFS5215	7 1/8	3/4	5/8	7 1/8	33.20	ZF5215	6 1/2	3/4	7/8	6 5/16	26.90	6 1/64	7 3/4	4 7/8	7/8	4 1/16	21/32	4 1/4
10	3 3/16	ZFS5303	8	3/4	9/16	8	47.00	ZF5303	7 3/8	3/4	15/16	7 3/8	40.00	6 23/32	8 7/16	5 5/16	1	4 15/16	11/16	4 3/4
	3 7/16	ZFS5307	8	3/4	9/16	8	45.50	ZF5307	7 3/8	3/4	15/16	7 3/8	38.00	6 23/32	8 7/16	5 5/16	1	4 15/16	11/16	4 3/4
11	3 11/16	ZFS5311	9 1/2	1	11/16	9 1/2	80.00	ZF5311	8 7/8	1	1 1/16	8 7/8	71.00	8 5/16	10 9/16	6 1/4	1 1/8	5 5/8	13/16	5 7/8
	3 15/16	ZFS5315	9 1/2	1	11/16	9 1/2	77.00	ZF5315	8 7/8	1	1 1/16	8 7/8	69.00	8 5/16	10 9/16	6 1/4	1 1/8	5 5/8	13/16	5 7/8
	4	ZFS5400	9 1/2	1	11/16	9 1/2	76.00	ZF5400	8 7/8	1	1 1/16	8 7/8	68.00	8 5/16	10 9/16	6 1/4	1 1/8	5 5/8	13/16	5 7/8
6-Bolt																				
12	4 3/16	ZFS5403Y	11 5/8	1	11/16	11 5/8	127.00	ZF5403Y	9 1/2	1	1	10 3/8	98.00	6 7/16	-	6 1/4	1 1/4	6 3/16	3/4	6 7/16
	4 7/16	ZFS5407Y	11 5/8	1	11/16	11 5/8	124.00	ZF5407Y	9 1/2	1	1	10 3/8	96.00	6 7/16	-	6 1/4	1 1/4	6 3/16	3/4	6 7/16
	4 1/2	ZFS5408Y	11 5/8	1	11/16	11 5/8	123.00	ZF5408Y	9 1/2	1	1	10 3/8	95.00	6 7/16	-	6 1/4	1 1/4	6 3/16	3/4	6 7/16
13	4 15/16	ZFS5415	12 9/16	1	23/32	12 9/16	184.00	ZF5415	11 3/16	1 1/8	1 3/16	11 3/16	159.00	7	-	7 7/8	1 1/2	7 1/16	3/4	7
	5	ZFS5500	12 9/16	1	23/32	12 9/16	183.00	ZF5500	11 3/16	1 1/8	1 3/16	11 3/16	156.00	7	-	7 7/8	1 1/2	7 1/16	3/4	7

Additional Notes

- Please call 1-866-REXNORD for availability
- Metric bore sizes available, see Rexnord Interchangeability guide
- Lubrication fitting tap size: for size code 4 thru 11, 1/8" PT; for all other size codes, 1/4" PT
- Bore size = nominal shaft size +.001"/-.000"
- Machined pilot available, add suffix S
- Expansion - size code 4 thru 8 is 3/8", size code 9 thru 11 is 1/2" & size code 12 thru 13 is 3/4"
- Seals - To specify K or M seal, replace "Z" in part number with "K" or "M"

- "K" seals only available in size codes 4 thru 11
- Auxiliary end caps - available in all size codes except for size codes 4 thru 6 on flange side of piloted bearings and size code 12 ZFS bearings
- Pilot Diameter tolerance, +.000"/-.003"
- Selection Guide, see Rexnord Spherical Roller Bearings Selection Guide section
- Load Ratings & Speed Limits, see Rexnord Spherical Roller Bearings Load Ratings & Speed Limits section
- Note: Dimensions subject to change. Certified dimensions of ordered material furnished on request.

ZF6000, ZFS6000



Product Features

- Optical Strain Sensor Technology
- Positive locking system
- Tapered adapter sleeve
- Corrosion resistant powder coating
- Cast iron housing
- Misalignment capabilities - Total of 4°
- Broad range of sealing options
- Factory set clearance & lubrication
- Precision ground & superfinished raceways
- See Features & Benefits section for additional info.

Bearing Dimensions

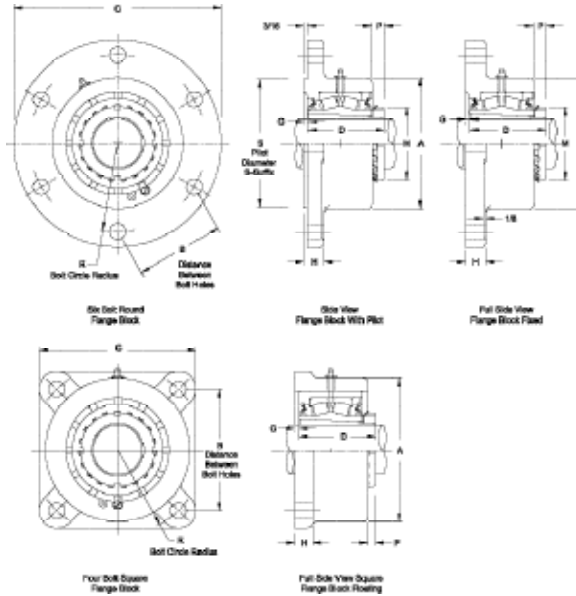
Size Code	Shaft Diameter	Expansion						Fixed						B Distance Between Bolt Holes	C	D	H	M	R Bolt Circle Radius
		Part Number	A	F Bolts	P	S	Approx. Weight	Part Number	A	F Bolts	P	S	Approx. Weight						
4-Bolt																			
6	1 15/16	ZFS6115	5 1/8	1/2	1	5 1/8	12.80	ZF6115	4 1/2	1/2	1 1/8	4 3/8	10.40	4 1/16	5 5/16	3 41/64	5/8	2 55/64	2 7/8
7	2 3/16	ZFS6203	5 3/4	5/8	1 1/16	5 5/8	18.00	ZF6203	5	5/8	1 5/32	5	14.40	4 1/2	5 7/8	3 49/64	11/16	3 15/64	3 3/16
8	2 3/8	ZFS6206	6	5/8	1 19/64	6	20.60	ZF6206	5 1/2	5/8	1 27/64	5 7/16	17.80	5 1/32	6 7/16	4 5/32	3/4	3 19/32	3 9/16
	2 7/16	ZFS6207	6	5/8	1 19/64	6	20.30	ZF6207	5 1/2	5/8	1 27/64	5 7/16	17.50	5 1/32	6 7/16	4 5/32	3/4	3 19/32	3 9/16
9	2 11/16	ZFS6211	7 1/8	3/4	1 17/64	7 1/8	35.40	ZF6211	6 1/2	3/4	1 25/64	6 5/16	29.90	6 1/64	7 3/4	4 17/32	7/8	4 3/32	4 1/4
	2 3/4	ZFS6212	7 1/8	3/4	1 17/64	7 1/8	34.70	ZF6212	6 1/2	3/4	1 25/64	6 5/16	29.20	6 1/64	7 3/4	4 17/32	7/8	4 3/32	4 1/4
	2 15/16	ZFS6215	7 1/8	3/4	1 17/64	7 1/8	34.10	ZF6215	6 1/2	3/4	1 25/64	6 5/16	28.90	6 1/64	7 3/4	4 17/32	7/8	4 3/32	4 1/4
10	3 3/16	ZFS6303	8	3/4	1 15/32	8	47.00	ZF6303	7 3/8	3/4	1 19/32	7 3/8	40.00	6 23/32	8 7/16	5 9/64	1	4 61/64	4 3/4
	3 7/16	ZFS6307	8	3/4	1 15/32	8	45.50	ZF6307	7 3/8	3/4	1 19/32	7 3/8	38.00	6 23/32	8 7/16	5 9/64	1	4 61/64	4 3/4
11	3 11/16	ZFS6311	9 1/2	1	1 39/64	9 1/2	80.00	ZF6311	8 7/8	1	1 47/64	8 7/8	71.00	8 5/16	10 9/16	5 31/32	1 1/8	5 43/64	5 7/8
	3 15/16	ZFS6315	9 1/2	1	1 39/64	9 1/2	77.00	ZF6315	8 7/8	1	1 47/64	8 7/8	69.00	8 5/16	10 9/16	5 31/32	1 1/8	5 43/64	5 7/8
6-Bolt																			
12	4 3/16	ZFS6403Y	11 5/8	1	1 3/4	11 5/8	127.00	ZF6403Y	9 1/2	1	1 7/8	10 3/8	98.00	6 7/16	15 1/8	6 1/4	1 1/4	6 1/16	6 7/16
	4 7/16	ZFS6407Y	11 5/8	1	1 3/4	11 5/8	124.00	ZF6407Y	9 1/2	1	1 7/8	10 3/8	96.00	6 7/16	15 1/8	6 1/4	1 1/4	6 1/16	6 7/16
13	4 15/16	ZFS6415	12 9/16	1	2 1/64	12 9/16	184.00	ZF6415	11 3/16	1 1/8	2 1/4	11 3/16	159.00	7	16 1/2	7 15/16	1 1/2	6 61/64	7

Additional Notes

- Please call 1-866-REXNORD for availability
- Lubrication fitting tap size: for size code 6 thru 11, 1/8" PT; for all other size codes, 1/4" PT
- Machined pilot available, add suffix S
- Expansion - size code 6 thru 8 is 3/8", size code 9 thru 11 is 1/2" & size code 12 thru 13 is 3/4"
- Seals - To specify K or M seal, replace "Z" in part number with "K" or "M"
- "K" seals only available in size codes 6 thru 11

- Auxiliary end caps - available in all size codes except for size code 6 on flange side of piloted bearings and size code 12 ZFS bearings
- Pilot Diameter tolerance, +.000"/-.003"
- Selection Guide, see Rexnord Spherical Roller Bearings Selection Guide section
- Load Ratings & Speed Limits, see Rexnord Spherical Roller Bearings Load Ratings & Speed Limits section
- Note: Dimensions subject to change. Certified dimensions of ordered material furnished on request.

ZF9000, ZFS9000



Product Features

- Corrosion resistant powder coating
- Cast iron housing
- Misalignment capabilities - Total of 4°
- Broad range of sealing options
- Factory set clearance & lubrication
- Precision ground & superfinished raceways
- Enhanced life mounting style
- Field interchangeable seals
- Fixed or Expansion - Up to 3/4" expansion
- See Features & Benefits section for additional info.

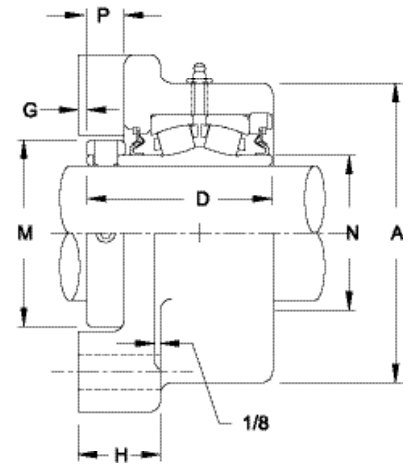
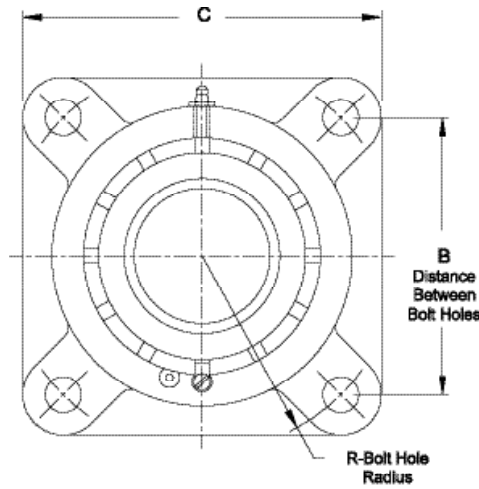
Bearing Dimensions

Size Code	Shaft Diameter	Expansion								Fixed								B Distance Between Bolt Holes	C	H	M	R Bolt Circle Radius														
		Part Number	A	D	F Bolts	G	P	S	Approx. Weight	Part Number	A	D	F Bolts	G	P	S	Approx. Weight																			
4-Bolt																																				
7	1 15/16	ZFS9115	5 3/4	3 7/16	5/8	5/16	5/16	5 5/8	16.00	ZF9115	5	3 1/4	5/8	11/64	9/16	5	12.90	4 1/2	5 7/8	11/16	2 31/32	3 3/16														
	2	ZFS9200	5 3/4	3 7/16	5/8	5/16	5/16	5 5/8	15.00	ZF9200	5	3 1/4	5/8	11/64	9/16	5	12.70	4 1/2	5 7/8	11/16	2 31/32	3 3/16														
8	2 3/16	ZFS9203	6	3 21/32	5/8	5/16	11/32	6	19.00	ZF9203	5 1/2	3 19/32	5/8	1/4	23/32	5 7/16	16.40	5 1/32	6 7/16	3/4	3 3/8	3 9/16														
	2 7/16	ZFS9207	7 1/8	4 3/32	3/4	1/4	15/32	7 1/8	31.00	ZF9207	6 1/2	4 3/32	3/4	15/64	23/32	6 5/16	26.60	6 1/64	7 3/4	7/8	3 5/8	4 1/4														
9	2 1/2	ZFS9208	7 1/8	4 3/32	3/4	1/4	15/32	7 1/8	31.00	ZF9208	6 1/2	4 3/32	3/4	15/64	23/32	6 5/16	26.40	6 1/64	7 3/4	7/8	3 5/8	4 1/4														
	2 11/16	ZFS9211	8	4 5/8	3/4	3/8	7/16	8	45.30	ZF9211	7 3/8	4 1/2	3/4	1/4	13/16	7 3/8	37.60	6 23/32	8 7/16	1	4 13/32	4 3/4														
10	2 15/16	ZFS9215	8	4 5/8	3/4	3/8	7/16	8	44.00	ZF9215	7 3/8	4 1/2	3/4	1/4	13/16	7 3/8	37.00	6 23/32	8 7/16	1	4 13/32	4 3/4														
	3	ZFS9300	8	4 5/8	3/4	3/8	7/16	8	43.00	ZF9300	7 3/8	4 1/2	3/4	1/4	13/16	7 3/8	36.60	6 23/32	8 7/16	1	4 13/32	4 3/4														
11	3 3/16	ZFS9303	9 1/2	5 7/16	1	3/8	9/16	9 1/2	79.00	ZF9303	8 7/8	5 5/16	1	1/4	15/16	8 7/8	66.00	8 5/16	10 9/16	1 1/8	5 3/16	5 7/8														
	3 7/16	ZFS9307	9 1/2	5 7/16	1	3/8	9/16	9 1/2	76.00	ZF9307	8 7/8	5 5/16	1	1/4	15/16	8 7/8	65.00	8 5/16	10 9/16	1 1/8	5 3/16	5 7/8														
6-Bolt																																				
12	3 11/16	ZFS9311Y	11 5/8	5 19/32	1	3/16	23/32	11 5/8	126.00	ZF9311Y	9 1/2	5 17/32	1	1/8	1 1/32	10 3/8	96.00	6 7/16	15 1/8	1 1/4	5 23/32	6 7/16														
	3 15/16	ZFS9315Y	11 5/8	5 19/32	1	3/16	23/32	11 5/8	124.00	ZF9315Y	9 1/2	5 17/32	1	1/8	1 1/32	10 3/8	94.00	6 7/16	15 1/8	1 1/4	5 23/32	6 7/16														
	4	ZFS9400Y	11 5/8	5 19/32	1	3/16	23/32	11 5/8	123.00	ZF9400Y	9 1/2	5 17/32	1	1/8	1 1/32	10 3/8	93.00	6 7/16	15 1/8	1 1/4	5 23/32	6 7/16														
13	4 3/16	ZFS9403	12 9/16	7 1/16	1	5/16	5/8	12 9/16	184.00	ZF9403	11 3/16	7 1/32	1 1/8	9/32	1 1/16	11 3/16	159.00	7	16 1/2	1 1/2	6 1/8	7														
	4 7/16	ZFS9407	12 9/16	7 1/16	1	5/16	5/8	12 9/16	182.00	ZF9407	11 3/16	7 1/32	1 1/8	9/32	1 1/16	11 3/16	157.00	7	16 1/2	1 1/2	6 1/8	7														

Additional Notes

- Please call 1-866-REXNORD for availability
- Lubrication fitting tap size: for size code 7 thru 11, 1/8" PT; for all other size codes, 1/4" PT
- Machined pilot available, add suffix S
- Expansion - size code 7 thru 8 is 3/8", size code 9 thru 11 is 1/2" & size code 12 thru 13 is 3/4"
- Seals - To specify K or M seal, replace "Z" in part number with "K" or "M"
- "K" seals only available in size codes 7 thru 11

- Auxiliary end caps - available in all size codes except size code 12 ZFS bearings
- Pilot Diameter tolerance, +.000"/-.003"
- Selection Guide, see Rexnord Spherical Roller Bearings Selection Guide section Load Ratings & Speed Limits, see Rexnord Spherical Roller Bearings Load Ratings & Speed Limits section
- Note: Dimensions subject to change. Certified dimensions of ordered material furnished on request.



Product Features

- Corrosion resistant powder coating
- Cast iron housing
- Misalignment capabilities - Total of 4°
- Broad range of sealing options
- Factory set clearance & lubrication
- Precision ground & superfinished raceways
- Hardened spring locking collar
- Field interchangeable seals
- See Features & Benefits section for additional info.

Bearing Dimensions

Size Code	Shaft Diameter	Part Number	A	B Distance Between Bolt Holes	C	D	F Bolts	G	H	M	N	R Bolt Circle Radius	Approx. Weight
4-Bolt													
	1 7/16	ZEF2107	3 11/16	3 1/2	4 5/8	2 7/8	1/2	1/16	1 3/8	2 5/16	1 3/4	2 15/32	7.20
	1 1/2	ZEF2108	4 1/4	4 1/8	5 3/8	2 7/8	1/2	1/8	1 7/16	2 5/16	1 3/4	2 59/64	10.00
	1 11/16	ZEF2111	4 1/4	4 1/8	5 3/8	3 1/8	1/2	1/8	1 7/16	2 5/8	2 1/32	2 59/64	10.00
	1 3/4	ZEF2112	4 1/2	4 3/8	5 5/8	3 1/8	1/2	1/8	1 1/2	2 5/8	2 1/32	3 3/32	11.20
	1 15/16	ZEF2115	4 1/2	4 3/8	5 5/8	3 1/8	1/2	1/8	1 1/2	2 15/16	2 5/16	3 3/32	11.00
	2	ZEF2200	4 1/2	4 3/8	5 5/8	3 1/8	1/2	1/8	1 1/2	2 15/16	2 5/16	3 3/32	10.80
	2 3/16	ZEF2203	5	4 7/8	6 1/4	3 5/16	5/8	1/8	1 1/2	3 1/4	2 5/8	3 29/64	14.10
	2 7/16	ZEF2207	5 1/2	5 3/8	6 7/8	3 1/2	5/8	3/16	1 11/16	3 9/16	2 29/32	3 51/64	17.30
	2 1/2	ZEF2208	5 1/2	5 3/8	6 7/8	3 1/2	5/8	3/16	1 11/16	3 9/16	2 29/32	3 51/64	17.10
	2 11/16	ZEF2211	6 1/2	6	7 3/4	4	3/4	3/16	1 13/16	4 1/16	3 3/8	4 1/4	28.40
	2 3/4	ZEF2212	6 1/2	6	7 3/4	4	3/4	3/16	1 13/16	4 1/16	3 3/8	4 1/4	28.20
	2 15/16	ZEF2215	6 1/2	6	7 3/4	4	3/4	3/16	1 13/16	4 1/16	3 3/8	4 1/4	27.20
	3	ZEF2300	6 1/2	6	7 3/4	4	3/4	3/16	1 13/16	4 1/16	3 3/8	4 1/4	26.90
	3 3/16	ZEF2303	7 3/8	7	9 1/4	4 3/8	3/4	1/4	1 15/16	4 15/16	3 31/32	4 61/64	42.00
	3 7/16	ZEF2307	7 3/8	7	9 1/4	4 3/8	3/4	1/4	1 15/16	4 15/16	3 31/32	4 61/64	40.50
	3 1/2	ZEF2308	7 3/8	7	9 1/4	4 3/8	3/4	1/4	1 15/16	4 15/16	3 31/32	4 61/64	40.00
	3 11/16	ZEF2311	8 7/8	7 3/4	10 1/4	5 1/16	7/8	1/4	2 3/16	5 5/8	4 9/16	5 31/64	64.00
	3 15/16	ZEF2315	8 7/8	7 3/4	10 1/4	5 1/16	7/8	1/4	2 3/16	5 5/8	4 9/16	5 31/64	69.00
	4	ZEF2400	8 7/8	7 3/4	10 1/4	5 1/16	7/8	1/4	2 3/16	5 5/8	4 9/16	5 31/64	68.00

Additional Notes

- Please call 1-866-REXNORD for availability
- Metric bore sizes available, see Rexnord Interchangeability guide
- Lubrication fitting tap size, 1/8" PT
- Bore size = nominal shaft size +.001"/-.000"
- Seals - To specify K or M seal, replace "Z" in part number with "K" or "M"
- Auxiliary end caps - available in all size codes

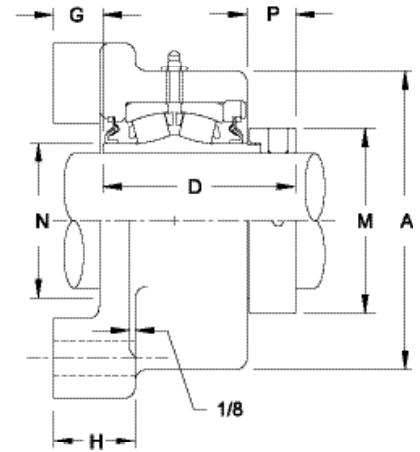
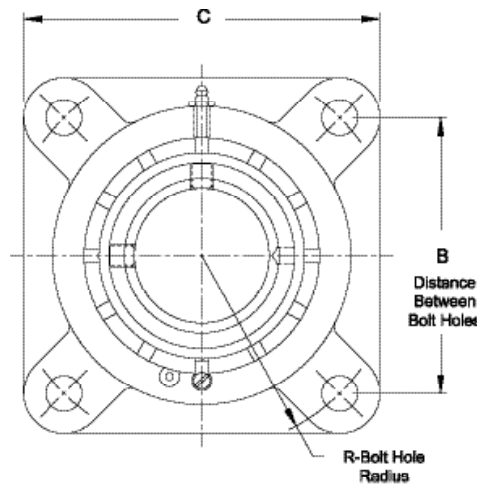
- Selection Guide, see Rexnord Spherical Roller Bearings Selection Guide section
- Load Ratings & Speed Limits, see Rexnord Spherical Roller Bearings Load Ratings & Speed Limits section
- Note: Dimensions subject to change. Certified dimensions of ordered material furnished on request.

ZEF3000



Product Features

- Corrosion resistant powder coating
- Cast iron housing
- Misalignment capabilities - Total of 4°
- Broad range of sealing options
- Factory set clearance & lubrication
- Precision ground & superfinished raceways
- Hardened eccentric locking collar
- Field interchangeable seals
- See Features & Benefits section for additional info.



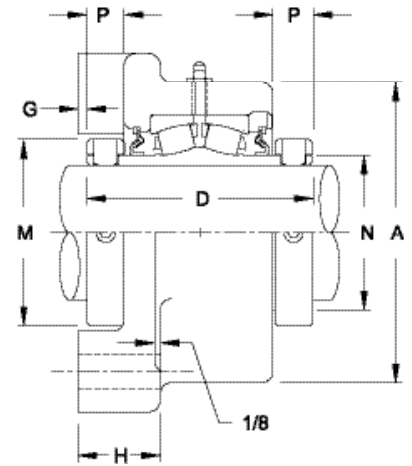
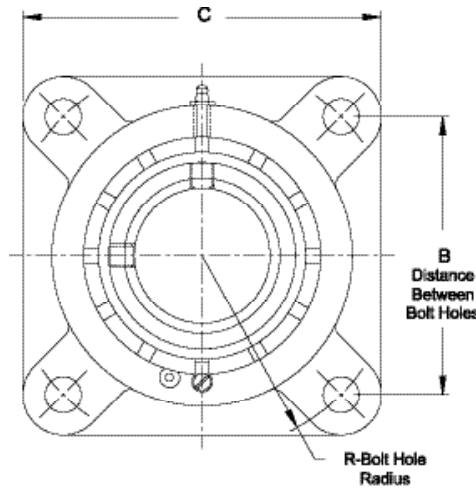
Bearing Dimensions

Size Code	Shaft Diameter	Part Number	A	B Distance Between Bolt Holes	C	D	F Bolts	G	H	M	N	P	R Bolt Circle Radius	Approx. Weight
4-Bolt														
4	1 7/16	ZEF3107	3 11/16	3 1/2	4 5/8	2 59/64	1/2	3/4	1 3/8	2 5/16	1 3/4	25/32	2 15/32	7.40
5	1 11/16	ZEF3111	4 1/4	4 1/8	5 3/8	3 3/16	1/2	13/16	1 7/16	2 5/8	2 1/32	3/4	2 59/64	10.30
6	1 15/16	ZEF3115	4 1/2	4 3/8	5 3/8	3 9/32	1/2	7/8	1 1/2	2 3/4	2 5/16	27/32	3 3/32	11.20
7	2 3/16	ZEF3203	5	4 7/8	6 1/4	3 1/2	5/8	15/16	1 1/2	3 1/4	2 5/8	31/32	3 29/64	11.00
8	2 7/16	ZEF3207	5 1/2	5 3/8	6 7/8	3 21/32	5/8	1 1/16	1 11/16	3 9/16	2 29/32	1 1/64	3 51/64	17.50
	2 1/2	ZEF3208	5 1/2	5 3/8	6 7/8	3 21/32	5/8	1 1/16	1 11/16	3 9/16	2 29/32	1 1/64	3 51/64	16.50
9	2 11/16	ZEF3211	6 1/2	6	7 3/4	4 13/64	3/4	1 1/16	1 13/16	4 1/16	3 3/8	1 1/64	4 1/4	28.60
	2 15/16	ZEF3215	6 1/2	6	7 3/4	4 13/64	3/4	1 1/16	1 13/16	4 1/16	3 3/8	1 1/64	4 1/4	27.60
10	3 7/16	ZEF3307	7 3/8	7	9 1/4	4 37/64	3/4	1 11/64	1 15/16	4 15/16	3 31/32	1 9/64	4 61/64	41.10
	3 1/2	ZEF3308	7 3/8	7	9 1/4	4 37/64	3/4	1 11/64	1 15/16	4 15/16	3 31/32	1 9/64	4 61/64	40.20
11	3 15/16	ZEF3315	8 7/8	7 3/4	10 1/4	5 3/16	7/8	1 5/16	2 3/16	5 5/8	4 9/16	1 1/16	5 31/64	62.70

Additional Notes

- Please call 1-866-REXNORD for availability
- Lubrication fitting tap size, 1/8" PT
- Bore size = nominal shaft size +.001"/-.000"
- Seals - To specify K or M seal, replace "Z" in part number with "K" or "M"
- Auxiliary end caps - available in all size codes

Selection Guide, see Rexnord Spherical Roller Bearings Selection Guide section
 Load Ratings & Speed Limits, see Rexnord Spherical Roller Bearings Load
 Ratings & Speed Limits section
 Note: Dimensions subject to change. Certified dimensions of ordered material
 furnished on request.



Product Features

- Corrosion resistant powder coating
- Cast iron housing
- Misalignment capabilities - Total of 4°
- Broad range of sealing options
- Factory set clearance & lubrication
- Precision ground & superfinished raceways
- Two hardened spring locking collars
- Field interchangeable seals
- See Features & Benefits section for additional info.

Bearing Dimensions

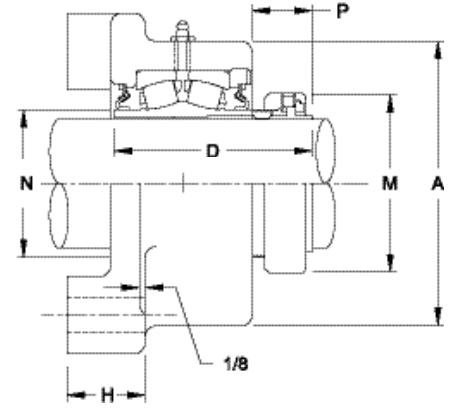
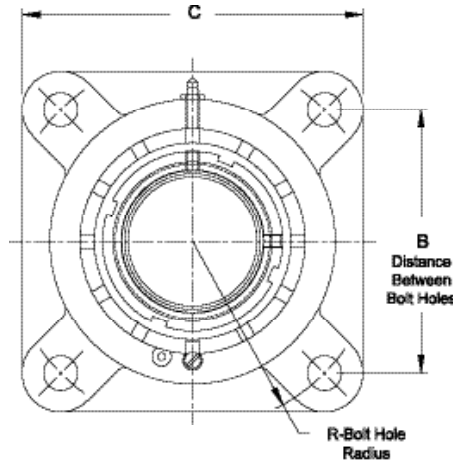
Size Code	Shaft Diameter	Part Number	A	B Distance Between Bolt Holes	C	D	F Bolts	G	H	M	N	P	R Bolt Circle Radius	Approx. Weight
4-Bolt														
4	1 7/16	ZEF5107	3 11/16	3 1/2	4 5/8	3 9/16	1/2	1/16	1 3/8	2 5/16	1 3/4	11/16	2 15/32	7.70
5	1 1/2	ZEF5108	4 1/4	4 1/8	5 3/8	3 13/16	1/2	1/8	1 7/16	2 5/8	2 1/32	11/16	2 59/64	11.00
	1 11/16	ZEF5111	4 1/4	4 1/8	5 3/8	3 13/16	1/2	1/8	1 7/16	2 5/8	2 1/32	11/16	2 59/64	10.60
6	1 15/16	ZEF5115	4 1/2	4 3/8	5 3/8	3 13/16	1/2	1/8	1 1/2	2 15/16	2 5/16	11/16	3 3/32	11.70
7	2	ZEF5200	5	4 7/8	6 1/4	4 1/8	5/8	1/8	1 1/2	3 1/4	2 5/8	13/16	3 29/64	15.70
	2 3/16	ZEF5203	5	4 7/8	6 1/4	4 1/8	5/8	1/8	1 1/2	3 1/4	2 5/8	13/16	3 29/64	15.10
8	2 7/16	ZEF5207	5 1/2	5 3/8	6 7/8	4 3/8	5/8	3/16	1 11/16	3 9/16	2 29/32	7/8	3 51/64	18.30
9	2 1/2	ZEF5208	6 1/2	6	7 3/4	4 7/8	3/4	3/16	1 13/16	4 1/16	3 3/8	7/8	4 1/4	31.10
	2 11/16	ZEF5211	6 1/2	6	7 3/4	4 7/8	3/4	3/16	1 13/16	4 1/16	3 3/8	7/8	4 1/4	30.10
	2 15/16	ZEF5215	6 1/2	6	7 3/4	4 7/8	3/4	3/16	1 13/16	4 1/16	3 3/8	7/8	4 1/4	29.60
10	3 3/16	ZEF5303	7 3/8	7	9 1/4	5 5/16	3/4	1/4	1 15/16	4 15/16	3 31/32	15/16	4 61/64	44.60
	3 7/16	ZEF5307	7 3/8	7	9 1/4	5 5/16	3/4	1/4	1 15/16	4 15/16	3 31/32	15/16	4 61/64	42.70
11	3 11/16	ZEF5311	8 7/8	7 3/4	10 1/4	6 1/4	7/8	1/4	2 3/16	5 5/8	4 9/16	1 1/16	5 31/64	66.50
	3 15/16	ZEF5315	8 7/8	7 3/4	10 1/4	6 1/4	7/8	1/4	2 3/16	5 5/8	4 9/16	1 1/16	5 31/64	65.50
	4	ZEF5400	8 7/8	7 3/4	10 1/4	6 1/4	7/8	1/4	2 3/16	5 5/8	4 9/16	1 1/16	5 31/64	64.50

Additional Notes

- Please call 1-866-REXNORD for availability
- Metric bore sizes available, see Rexnord Interchangeability guide
- Lubrication fitting tap size, 1/8" PT
- Bore size = nominal shaft size +.001"/-.000"
- Seals - To specify K or M seal, replace "Z" in part number with "K" or "M"
- Auxiliary end caps - available in all size codes

- Selection Guide, see Rexnord Spherical Roller Bearings Selection Guide section
- Load Ratings & Speed Limits, see Rexnord Spherical Roller Bearings Load Ratings & Speed Limits section
- Note: Dimensions subject to change. Certified dimensions of ordered material furnished on request.

ZEF6000



Product Features

- Optical Strain Sensor Technology
- Positive locking system
- Tapered adapter sleeve
- Corrosion resistant powder coating
- Cast iron housing
- Misalignment capabilities - Total of 4°
- Broad range of sealing options
- Factory set clearance & lubrication
- Precision ground & superfinished raceways
- See Features & Benefits section for additional info.

Bearing Dimensions

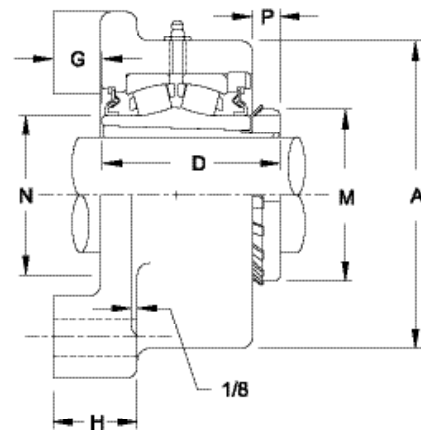
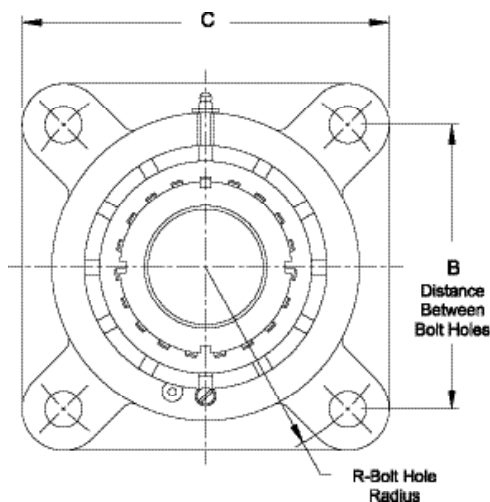
Size Code	Shaft Diameter	Part Number	A	B Distance Between Bolt Holes	C	D	F Bolts	H	M	N	P	R Bolt Circle Radius	Approx. Weight
4-Bolt													
6	1 ¹⁵ / ₁₆	ZEF6115	4 ¹ / ₂	4 ³ / ₈	5 ⁵ / ₈	3 ⁴¹ / ₆₄	1/2	1 ¹ / ₂	2 ⁵⁵ / ₆₄	2 ⁵ / ₁₆	1 ¹ / ₈	3 ³ / ₃₂	11.70
7	2 ³ / ₁₆	ZEF6203	5	4 ⁷ / ₈	6 ¹ / ₄	3 ⁴⁹ / ₆₄	5/8	1 ¹ / ₂	3 ¹⁵ / ₆₄	2 ⁵ / ₈	1 ⁵ / ₃₂	3 ²⁹ / ₆₄	15.70
8	2 ³ / ₈	ZEF6206	5 ¹ / ₂	5 ³ / ₈	6 ⁷ / ₈	4 ⁵ / ₃₂	5/8	1 ¹¹ / ₁₆	3 ¹⁹ / ₃₂	2 ²⁹ / ₃₂	1 ²⁷ / ₆₄	3 ⁵¹ / ₆₄	18.90
	2 ⁷ / ₁₆	ZEF6207	5 ¹ / ₂	5 ³ / ₈	6 ⁷ / ₈	4 ⁵ / ₃₂	5/8	1 ¹¹ / ₁₆	3 ¹⁹ / ₃₂	2 ²⁹ / ₃₂	1 ²⁷ / ₆₄	3 ⁵¹ / ₆₄	18.30
9	2 ¹¹ / ₁₆	ZEF6211	6 ¹ / ₂	6	7 ³ / ₄	4 ¹⁷ / ₃₂	3/4	1 ¹³ / ₁₆	4 ³ / ₃₂	3 ³ / ₈	1 ²⁵ / ₆₄	4 ¹ / ₄	31.10
	2 ³ / ₄	ZEF6212	6 ¹ / ₂	6	7 ³ / ₄	4 ¹⁷ / ₃₂	3/4	1 ¹³ / ₁₆	4 ³ / ₃₂	3 ³ / ₈	1 ²⁵ / ₆₄	4 ¹ / ₄	30.10
10	2 ¹⁵ / ₁₆	ZEF6215	6 ¹ / ₂	6	7 ³ / ₄	4 ¹⁷ / ₃₂	3/4	1 ¹³ / ₁₆	4 ³ / ₃₂	3 ³ / ₈	1 ²⁵ / ₆₄	4 ¹ / ₄	29.60
	3 ³ / ₁₆	ZEF6303	7 ³ / ₈	7	9 ¹ / ₄	5 ⁹ / ₆₄	3/4	1 ¹⁵ / ₁₆	4 ⁶¹ / ₆₄	3 ³¹ / ₃₂	1 ¹⁹ / ₃₂	4 ⁶¹ / ₆₄	44.60
	3 ⁷ / ₁₆	ZEF6307	7 ³ / ₈	7	9 ¹ / ₄	5 ⁹ / ₆₄	3/4	1 ¹⁵ / ₁₆	4 ⁶¹ / ₆₄	3 ³¹ / ₃₂	1 ¹⁹ / ₃₂	4 ⁶¹ / ₆₄	42.70
11	3 ¹¹ / ₁₆	ZEF6311	8 ⁷ / ₈	7 ³ / ₄	10 ¹ / ₄	5 ³¹ / ₃₂	7/8	2 ³ / ₁₆	5 ⁴³ / ₆₄	4 ⁹ / ₁₆	1 ⁴⁷ / ₆₄	5 ³¹ / ₆₄	66.50
	3 ¹⁵ / ₁₆	ZEF6315	8 ⁷ / ₈	7 ³ / ₄	10 ¹ / ₄	5 ³¹ / ₃₂	7/8	2 ³ / ₁₆	5 ⁴³ / ₆₄	4 ⁹ / ₁₆	1 ⁴⁷ / ₆₄	5 ³¹ / ₆₄	65.50

Additional Notes

- Please call 1-866-REXNORD for availability
- Lubrication fitting tap size, 1/8" PT
- Seals - To specify K or M seal, replace "Z" in part number with "K" or "M"
- Auxiliary end caps - available in all size codes
- Selection Guide, see Rexnord Spherical Roller Bearings Selection Guide section

Load Ratings & Speed Limits, see Rexnord Spherical Roller Bearings Load Ratings & Speed Limits section
 Note: Dimensions subject to change. Certified dimensions of ordered material furnished on request.

ZEF9000



Product Features

- Corrosion resistant powder coating
- Cast iron housing
- Misalignment capabilities - Total of 4°
- Broad range of sealing options
- Factory set clearance & lubrication
- Precision ground & superfinished raceways
- Enhanced life mounting style
- Field interchangeable seals
- See Features & Benefits section for additional info.

Bearing Dimensions

Size Code	Shaft Diameter	Part Number	A	B Distance Between Bolt Holes	C	D	F Bolts	G	H	M	N	P	R Bolt Circle Radius	Approx. Weight
4-Bolt														
7	1 15/16	ZEF9115	5	4 7/8	6 1/4	3 5/32	5/8	15/16	1 1/2	2 31/32	2 5/8	19/32	3 29/64	14.30
	2	ZEF9200	5	4 7/8	6 1/4	3 5/32	5/8	15/16	1 1/2	2 31/32	2 5/8	19/32	3 29/64	14.20
8	2 3/16	ZEF9203	5 1/2	5 3/8	6 7/8	3 11/32	5/8	1 1/16	1 11/16	3 3/8	2 29/32	23/32	3 51/64	17.60
9	2 7/16	ZEF9207	6 1/2	6	7 3/4	3 3/4	3/4	1 1/16	1 13/16	3 5/8	3 3/8	23/32	4 1/4	27.70
	2 1/2	ZEF9208	6 1/2	6	7 3/4	3 3/4	3/4	1 1/16	1 13/16	3 5/8	3 3/8	23/32	4 1/4	27.40
10	2 11/16	ZEF9211	7 3/8	7	9 1/4	4 1/4	3/4	1 11/64	1 15/16	4 13/32	3 31/32	13/16	4 61/64	42.30
	2 15/16	ZEF9215	7 3/8	7	9 1/4	4 1/4	3/4	1 11/64	1 15/16	4 13/32	3 31/32	13/16	4 61/64	41.10
11	3	ZEF9300	7 3/8	7	9 1/4	4 1/4	3/4	1 11/64	1 15/16	4 13/32	3 31/32	13/16	4 61/64	40.40
	3 3/16	ZEF9303	8 7/8	7 3/4	10 1/4	5 1/16	7/8	1 5/16	2 3/16	5 3/16	4 9/16	15/16	5 31/64	67.00
	3 7/16	ZEF9307	8 7/8	7 3/4	10 1/4	5 1/16	7/8	1 5/16	2 3/16	5 3/16	4 9/16	15/16	5 31/64	65.00

Additional Notes

- Please call 1-866-REXNORD for availability
- Lubrication fitting tap size, 1/8" PT
- Seals - To specify K or M seal, replace "Z" in part number with "K" or "M"
- Auxiliary end caps - available in all size codes
- Selection Guide, see Rexnord Spherical Roller Bearings Selection Guide section

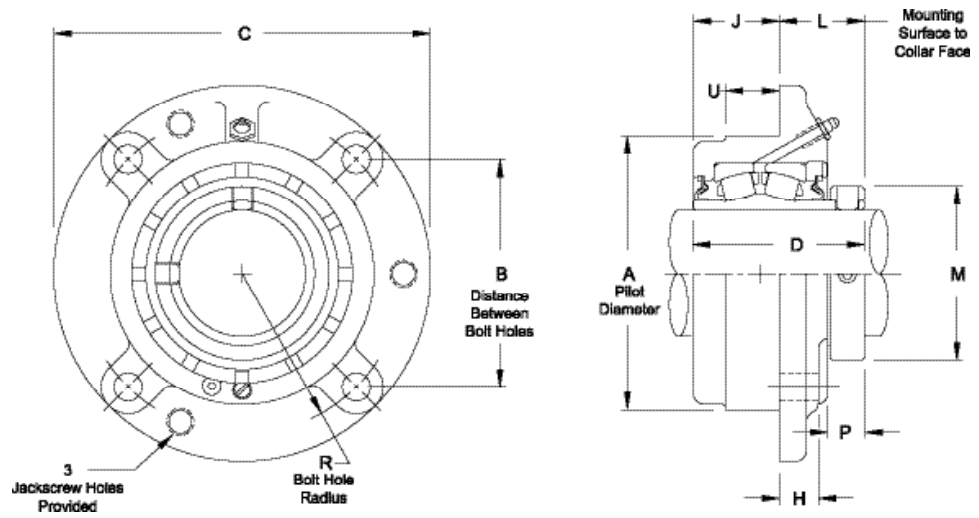
Load Ratings & Speed Limits, see Rexnord Spherical Roller Bearings Load Ratings & Speed Limits section
 Note: Dimensions subject to change. Certified dimensions of ordered material furnished on request.

ZBR2000



Product Features

- Corrosion resistant powder coating
- Cast iron housing
- Misalignment capabilities - Total of 4°
- Broad range of sealing options
- Factory set clearance & lubrication
- Precision ground & superfinished raceways
- Hardened spring locking collar
- Field interchangeable seals
- See Features & Benefits section for additional info.



Bearing Dimensions

Size Code	Shaft Diameter	Part Number	A Pilot Diameter	B Distance Between Bolt Holes	C	D	F Bolts	H	J	L	M	P	R	U	Approx. Weight
4-Bolt															
2	3/4	ZBR2012	3.000	2 9/16	4 3/8	2 9/16	5/16	7/16	1 1/4	1 5/16	1 3/4	9/16	1 13/16	5/8	3.70
	15/16	ZBR2015	3.000	2 9/16	4 3/8	2 9/16	5/16	7/16	1 1/4	1 5/16	1 3/4	9/16	1 13/16	5/8	3.60
	1	ZBR2100	3.000	2 9/16	4 3/8	2 9/16	5/16	7/16	1 1/4	1 5/16	1 3/4	9/16	1 13/16	5/8	3.50
3	1 1/8	ZBR2102	3.375	2 59/64	5	2 11/16	3/8	7/16	1 3/8	1 5/16	2	9/16	2 1/16	3/4	4.90
	1 3/16	ZBR2103	3.375	2 59/64	5	2 11/16	3/8	7/16	1 3/8	1 5/16	2	9/16	2 1/16	3/4	4.80
	1 1/4	ZBR2104	3.375	2 59/64	5	2 11/16	3/8	7/16	1 3/8	1 5/16	2	9/16	2 1/16	3/4	4.60
4	1 7/16	ZBR2107	3.625	3 3/32	5 1/4	2 7/8	3/8	1/2	1 3/8	1 1/2	2 5/16	11/16	2 3/16	3/4	5.40
	1 1/2	ZBR2108	3.625	3 3/32	5 1/4	2 7/8	3/8	1/2	1 3/8	1 1/2	2 5/16	11/16	2 3/16	3/4	5.20
5	1 11/16	ZBR2111	4.250	3 5/8	6 1/8	3 1/8	7/16	1/2	1 17/32	1 19/32	2 5/8	11/16	2 9/16	7/8	8.40
	1 3/4	ZBR2112	4.250	3 5/8	6 1/8	3 1/8	7/16	1/2	1 17/32	1 19/32	2 5/8	11/16	2 9/16	7/8	8.10
6	1 15/16	ZBR2115	4.500	3 51/64	6 3/8	3 1/8	7/16	9/16	1 9/16	1 9/16	2 15/16	11/16	2 11/16	7/8	8.80
	2	ZBR2200	4.500	3 51/64	6 3/8	3 1/8	7/16	9/16	1 9/16	1 9/16	2 15/16	11/16	2 11/16	7/8	8.70
7	2 3/16	ZBR2203	5.000	4 1/4	7 1/8	3 5/16	1/2	9/16	1 9/16	1 3/4	3 1/4	13/16	3	1	13.80
	2 1/4	ZBR2204	5.000	4 1/4	7 1/8	3 5/16	1/2	9/16	1 9/16	1 3/4	3 1/4	13/16	3	1	13.70
8	2 3/8	ZBR2206	5.500	4 19/32	7 5/8	3 1/2	1/2	5/8	1 11/16	1 13/16	3 9/16	7/8	3 1/4	1	14.90
	2 7/16	ZBR2207	5.500	4 19/32	7 5/8	3 1/2	1/2	5/8	1 11/16	1 13/16	3 9/16	7/8	3 1/4	1	14.80
	2 1/2	ZBR2208	5.500	4 19/32	7 5/8	3 1/2	1/2	5/8	1 11/16	1 13/16	3 9/16	7/8	3 1/4	1	14.40
9	2 11/16	ZBR2211	6.375	5 19/64	8 3/4	4	5/8	3/4	2	2	4 1/16	7/8	3 3/4	1 1/4	23.40
	2 3/4	ZBR2212	6.375	5 19/64	8 3/4	4	5/8	3/4	2	2	4 1/16	7/8	3 3/4	1 1/4	23.00
	2 15/16	ZBR2215	6.375	5 19/64	8 3/4	4	5/8	3/4	2	2	4 1/16	7/8	3 3/4	1 1/4	22.30
	3	ZBR2300	6.375	5 19/64	8 3/4	4	5/8	3/4	2	2	4 1/16	7/8	3 3/4	1 1/4	21.80
10	3 3/16	ZBR2303	7.375	6 3/32	10 1/4	4 3/8	3/4	15/16	2	2 3/8	4 15/16	15/16	4 5/16	1 1/4	35.50
	3 7/16	ZBR2307	7.375	6 3/32	10 1/4	4 3/8	3/4	15/16	2	2 3/8	4 15/16	15/16	4 5/16	1 1/4	34.00
	3 1/2	ZBR2308	7.375	6 3/32	10 1/4	4 3/8	3/4	15/16	2	2 3/8	4 15/16	15/16	4 5/16	1 1/4	33.50
11	3 11/16	ZBR2311	8.125	6 5/8	10 7/8	5 1/16	3/4	1 1/8	2 1/2	2 11/16	5 5/8	1 1/16	4 11/16	1 1/2	52.00
	3 15/16	ZBR2315	8.125	6 5/8	10 7/8	5 1/16	3/4	1 1/8	2 1/2	2 11/16	5 5/8	1 1/16	4 11/16	1 1/2	49.00
	4	ZBR2400	8.125	6 5/8	10 7/8	5 1/16	3/4	1 1/8	2 1/2	2 11/16	5 5/8	1 1/16	4 11/16	1 1/2	48.50

Additional Notes

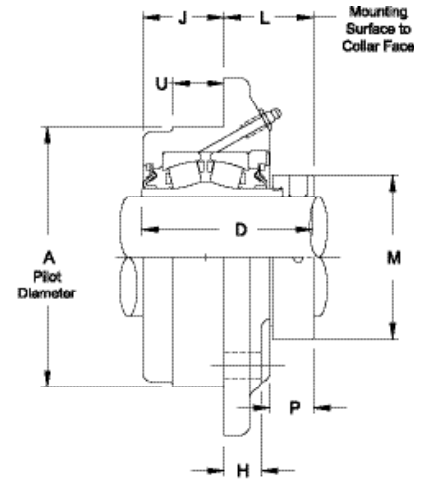
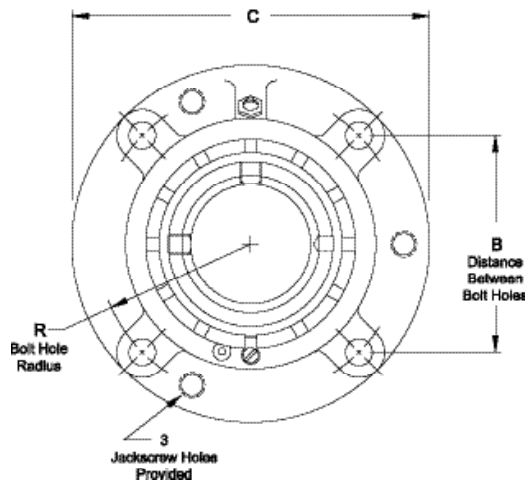
- Please call 1-866-REXNORD for availability
- Metric bore sizes available, see Rexnord Interchangeability guide
- Lubrication fitting tap size, 1/8" PT
- Bore size = nominal shaft size +.001"/-.000"
- Pilot Diameter tolerance, +.000"/-.002"
- Bore tolerance for mounting, +.002"/-.000"
- Seals - To specify K or M seal, replace "Z" in part number with "K" or "M"

- Auxiliary end caps - available in all size codes except for size codes 2 & 3
- Selection Guide, see Rexnord Spherical Roller Bearings Selection Guide section
- Load Ratings & Speed Limits, see Rexnord Spherical Roller Bearings Load Ratings & Speed Limits section
- Note: Dimensions subject to change. Certified dimensions of ordered material furnished on request.



Product Features

- Corrosion resistant powder coating
- Cast iron housing
- Misalignment capabilities - Total of 4°
- Broad range of sealing options
- Factory set clearance & lubrication
- Precision ground & superfinished raceways
- Hardened eccentric locking collar
- Field interchangeable seals
- See Features & Benefits section for additional info.



Bearing Dimensions

Size Code	Shaft Diameter	Part Number	A Pilot Diameter	B Distance Between Bolt Holes	C	D	F Bolts	H	J	L	M	P	R	U	Approx. Weight
4-Bolt															
4	1 7/16	ZBR3107	3.625	3 3/32	5 1/4	2 59/64	3/8	1/2	1 3/8	1 1/2	2 5/16	25/32	2 3/16	3/4	5.60
5	1 11/16	ZBR3111	4.250	3 5/8	6 1/8	3 3/16	7/16	1/2	1 17/32	1 19/32	2 5/8	3/4	2 9/16	7/8	8.60
6	1 15/16	ZBR3115	4.500	3 51/64	6 3/8	3 9/32	7/16	9/16	1 9/16	1 23/32	2 15/16	27/32	2 11/16	7/8	9.00
7	2 3/16	ZBR3203	5.000	4 1/4	7 1/8	3 1/2	1/2	9/16	1 9/16	1 15/16	3 1/4	31/32	3	1	14.10
8	2 7/16	ZBR3207	5.500	4 19/32	7 5/8	3 21/32	1/2	5/8	1 11/16	1 31/32	3 9/16	1 1/64	3 1/4	1	15.00
	2 1/2	ZBR3208	5.500	4 19/32	7 5/8	3 21/32	1/2	5/8	1 11/16	1 31/32	3 9/16	1 1/64	3 1/4	1	14.60
9	2 11/16	ZBR3211	6.375	5 19/64	8 3/4	4 13/64	5/8	3/4	2	2 13/64	4 1/16	1 1/64	3 3/4	1 1/4	23.80
	2 15/16	ZBR3215	6.375	5 19/64	8 3/4	4 13/64	5/8	3/4	2	2 13/64	4 1/16	1 1/64	3 3/4	1 1/4	22.70
10	3 7/16	ZBR3307	7.375	6 3/32	10 1/4	4 37/64	3/4	15/16	2	2 37/64	4 15/16	1 9/64	4 5/16	1 1/4	34.40
	3 1/2	ZBR3308	7.375	6 3/32	10 1/4	4 37/64	3/4	15/16	2	2 37/64	4 15/16	1 9/64	4 5/16	1 1/4	33.90
11	3 15/16	ZBR3315	8.125	6 5/8	10 7/8	5 3/16	3/4	1 1/8	2 1/2	2 11/16	5 5/8	1 1/16	4 11/16	1 1/2	49.00

Additional Notes

- Please call 1-866-REXNORD for availability
- Lubrication fitting tap size, 1/8" PT
- Bore size = nominal shaft size +.001"/-.000"
- Pilot Diameter tolerance, +.000"/-.002"
- Bore tolerance for mounting, +.002"/-.000"
- Seals - To specify K or M seal, replace "Z" in part number with "K" or "M"

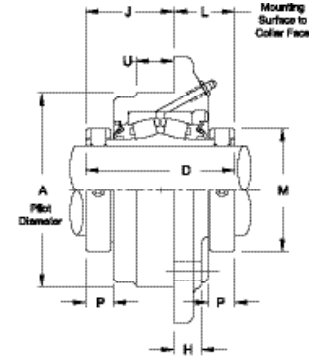
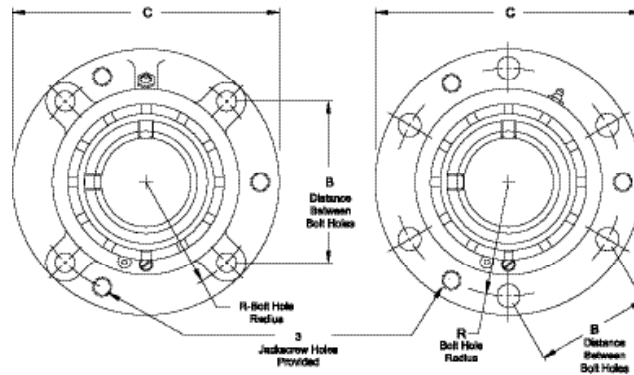
- Auxiliary end caps - available in all size codes
- Selection Guide, see Rexnord Spherical Roller Bearings Selection Guide section
- Load Ratings & Speed Limits, see Rexnord Spherical Roller Bearings Load Ratings & Speed Limits section
- Note: Dimensions subject to change. Certified dimensions of ordered material furnished on request.

ZBR5000



Product Features

- Corrosion resistant powder coating
- Cast iron housing
- Misalignment capabilities - Total of 4°
- Broad range of sealing options
- Factory set clearance & lubrication
- Precision ground & superfinished raceways
- Two hardened spring locking collars
- Field interchangeable seals
- See Features & Benefits section for additional info.



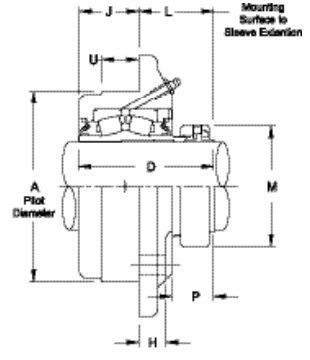
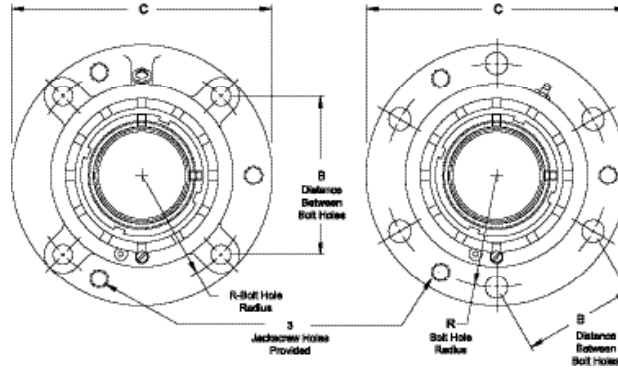
Bearing Dimensions

Size Code	Shaft Diameter	Part Number	A Pilot Diameter	B Distance Between Bolt Holes	C	D	F Bolts	H	J	L	M	P	R	U	Approx. Weight
4-Bolt															
4	1 7/16	ZBR5107	3.625	3 3/32	5 1/4	3 9/16	3/8	1/2	2 1/16	1 1/2	2 5/16	11/16	2 3/16	3/4	5.90
	1 1/2	ZBR5108	4.250	3 5/8	6 1/8	3 13/16	7/16	1/2	2 7/32	1 19/32	2 5/8	11/16	2 9/16	7/8	9.10
5	1 11/16	ZBR5111	4.250	3 5/8	6 1/8	3 13/16	7/16	1/2	2 7/32	1 19/32	2 5/8	11/16	2 9/16	7/8	8.70
	1 15/16	ZBR5115	4.500	3 51/64	6 3/8	3 13/16	7/16	9/16	2 1/4	1 9/16	2 15/16	11/16	2 11/16	7/8	9.60
6	2	ZBR5200	5.000	4 1/4	7 1/8	4 1/8	1/2	9/16	2 3/8	1 3/4	3 1/4	13/16	3	1	13.70
	2 3/16	ZBR5203	5.000	4 1/4	7 1/8	4 1/8	1/2	9/16	2 3/8	1 3/4	3 1/4	13/16	3	1	13.00
7	2 7/16	ZBR5207	5.500	4 19/32	7 5/8	4 3/8	1/2	5/8	2 9/16	1 13/16	3 9/16	7/8	3 1/4	1	15.90
	2 1/2	ZBR5208	6.375	5 19/64	8 3/4	4 7/8	5/8	3/4	2 7/8	2	4 1/16	7/8	3 3/4	1 1/4	26.10
8	2 11/16	ZBR5211	6.375	5 19/64	8 3/4	4 7/8	5/8	3/4	2 7/8	2	4 1/16	7/8	3 3/4	1 1/4	24.80
	2 15/16	ZBR5215	6.375	5 19/64	8 3/4	4 7/8	5/8	3/4	2 7/8	2	4 1/16	7/8	3 3/4	1 1/4	22.70
9	3 3/16	ZBR5303	7.375	6 3/32	10 1/4	5 5/16	3/4	15/16	2 15/16	2 3/8	4 15/16	15/16	4 5/16	1 1/4	38.00
	3 7/16	ZBR5307	7.375	6 3/32	10 1/4	5 5/16	3/4	15/16	2 15/16	2 3/8	4 15/16	15/16	4 5/16	1 1/4	36.50
10	3 11/16	ZBR5311	8.125	6 5/8	10 7/8	6 1/4	3/4	1 1/8	3 9/16	2 11/16	5 5/8	1 1/16	4 11/16	1 1/2	56.00
	3 15/16	ZBR5315	8.125	6 5/8	10 7/8	6 1/4	3/4	1 1/8	3 9/16	2 11/16	5 5/8	1 1/16	4 11/16	1 1/2	53.00
11	4	ZBR5400	8.125	6 5/8	10 7/8	6 1/4	3/4	1 1/8	3 9/16	2 11/16	5 5/8	1 1/16	4 11/16	1 1/2	52.00
6-Bolt															
12	4 7/16	ZBR5407Y	10.250	5 7/8	13 1/2	6 1/4	3/4	1	3 15/16	2 5/16	6 3/16	1	5 7/8	2	84.00
	4 1/2	ZBR5408Y	10.250	5 7/8	13 1/2	6 1/4	3/4	1	3 15/16	2 5/16	6 3/16	1	5 7/8	2	83.00
13	4 15/16	ZBR5415	11.000	6 3/8	14 3/4	7 7/8	7/8	1 1/4	4 29/32	2 31/32	7 1/16	1 5/32	6 3/8	2 1/4	128.00
	5	ZBR5500	11.000	6 3/8	14 3/4	7 7/8	7/8	1 1/4	4 29/32	2 31/32	7 1/16	1 5/32	6 3/8	2 1/4	125.00
14	5 7/16	ZBR5507	13.000	7 1/4	17	8	7/8	1 3/8	4 25/32	3 7/32	8 3/16	1 7/32	7 1/4	2	184.00
15	5 15/16	ZBR5515	14.000	8 1/4	19	8 1/8	7/8	1	5 1/16	3 1/16	8 11/16	1 5/32	8 1/4	1 3/8	214.00
	6	ZBR5600	14.000	8 1/4	19	8 1/8	7/8	1	5 1/16	3 1/16	8 11/16	1 5/32	8 1/4	1 3/8	213.00
16	6 7/16	ZBR5607	15.000	8 1/2	19	8 3/4	1	1	5 3/8	3 3/8	9 1/4	1 9/32	8 1/2	1 1/2	246.00
	6 15/16	ZBR5615	15.000	8 1/2	19	8 3/4	1	1	5 3/8	3 3/8	9 3/4	1 9/32	8 1/2	1 1/2	241.00
	7	ZBR5700	15.000	8 1/2	19	8 3/4	1	1	5 3/8	3 3/8	9 3/4	1 9/32	8 1/2	1 1/2	239.00

Additional Notes

- Please call 1-866-REXNORD for availability
- Metric bore sizes available, see Rexnord Interchangeability guide
- Lubrication fitting tap size: for size code 4 thru 11, 1/8" PT; for all other size codes, 1/4" PT
- Bore size = nominal shaft size +.001"/-.000"
- Pilot Diameter tolerance, +.000"/-.002" for size codes 4 thru 13
- Pilot Diameter tolerance, +.002"/-.005" for size codes 14 thru 16
- Bore tolerance for mounting, +.002"/-.000" for size codes 4 thru 13
- Bore tolerance for mounting, +.005"/-.000" for size codes 14 thru 16

- Seals - To specify K or M seal, replace "Z" in part number with "K" or "M"
- "K" seals only available in size codes 4 thru 11
- Auxiliary end caps - available in all size codes
- Selection Guide, see Rexnord Spherical Roller Bearings Selection Guide section
- Load Ratings & Speed Limits, see Rexnord Spherical Roller Bearings Load Ratings & Speed Limits section
- Note: Dimensions subject to change. Certified dimensions of ordered material furnished on request.



Product Features

- Optical Strain Sensor Technology
- Positive locking system
- Tapered adapter sleeve
- Corrosion resistant powder coating
- Cast iron housing
- Misalignment capabilities - Total of 4°
- Broad range of sealing options
- Factory set clearance & lubrication
- Precision ground & superfinished raceways
- See Features & Benefits section for additional info.

Bearing Dimensions

Size Code	Shaft Diameter	Part Number	A Pilot Diameter	B Distance Between Bolt Holes	C	D	F Bolts	H	J	L	M	P	R	U	Approx. Weight
4-Bolt															
6	1 15/16	ZBR6115	4.500	3 51/64	6 3/8	3 41/64	7/16	9/16	1 41/64	2	2 55/64	1 1/8	2 11/16	7/8	9.60
7	2 3/16	ZBR6203	5.000	4 1/4	7 1/8	3 49/64	1/2	9/16	1 21/32	2 7/64	3 15/64	1 5/32	3	1	13.70
8	2 3/8	ZBR6206	5.500	4 19/32	7 5/8	4 5/32	1/2	5/8	1 51/64	2 23/64	3 19/32	1 27/64	3 1/4	1	16.20
	2 7/16	ZBR6207	5.500	4 19/32	7 5/8	4 5/32	1/2	5/8	1 51/64	2 23/64	3 19/32	1 27/64	3 1/4	1	15.90
9	2 11/16	ZBR6211	6.375	5 19/64	8 3/4	4 17/32	5/8	3/4	2	2 17/32	4 3/32	1 25/64	3 3/4	1 1/4	26.10
	2 3/4	ZBR6212	6.375	5 19/64	8 3/4	4 17/32	5/8	3/4	2	2 17/32	4 3/32	1 25/64	3 3/4	1 1/4	24.80
10	2 15/16	ZBR6215	6.375	5 19/64	8 3/4	4 17/32	5/8	3/4	2	2 17/32	4 3/32	1 25/64	3 3/4	1 1/4	22.70
	3 3/16	ZBR6303	7.375	6 3/32	10 1/4	5 9/64	3/4	15/16	2 7/64	3 1/32	4 61/64	1 19/32	4 5/16	1 1/4	38.00
	3 7/16	ZBR6307	7.375	6 3/32	10 1/4	5 9/64	3/4	15/16	2 7/64	3 1/32	4 61/64	1 19/32	4 5/16	1 1/4	36.50
11	3 11/16	ZBR6311	8.125	6 5/8	10 7/8	5 31/32	3/4	1 1/8	2 39/64	3 23/64	5 43/64	1 47/64	4 11/16	1 1/2	56.00
	3 15/16	ZBR6315	8.125	6 5/8	10 7/8	5 31/32	3/4	1 1/8	2 39/64	3 23/64	5 43/64	1 47/64	4 11/16	1 1/2	53.00
6-Bolt															
12	4 3/16	ZBR6403Y	10.250	5 7/8	13 1/2	6 1/4	3/4	1	3 1/16	3 3/16	6 1/16	1 7/8	5 7/8	2	84.00
	4 7/16	ZBR6407Y	10.250	5 7/8	13 1/2	6 1/4	3/4	1	3 1/16	3 3/16	6 1/16	1 7/8	5 7/8	2	83.00
13	4 15/16	ZBR6415	11.000	6 3/8	14 3/4	7 15/16	7/8	1 1/4	3 7/8	4 1/16	6 61/64	2 1/4	6 3/8	2 1/4	128.00
14	5 7/16	ZBR6507	13.000	7 1/4	17	8 49/64	7/8	1 3/8	3 11/16	5 1/16	8 1/64	3 3/64	7 1/4	2	184.00
15	5 15/16	ZBR6515	14.000	8 1/4	19	9 19/64	7/8	1	4 1/32	5 23/64	8 21/32	3 7/16	8 1/4	1 3/8	214.00
16	6 7/16	ZBR6607	15.000	8 1/2	19	10	1	1	4 1/4	5 53/64	9 3/4	3 43/64	8 1/2	1 1/2	246.00
	6 15/16	ZBR6615	15.000	8 1/2	19	10	1	1	4 1/4	5 53/64	9 3/4	3 43/64	8 1/2	1 1/2	241.00

Additional Notes

- Please call 1-866-REXNORD for availability
- Bore size = nominal shaft size +.001"/-.000"
- Pilot Diameter tolerance, +.000"/-.002"
- Bore tolerance for mounting, +.002"/-.000"
- Seals - To specify K or M seal, replace "Z" in part number with "K" or "M"
- "K" seals only available in size codes 6 thru 11

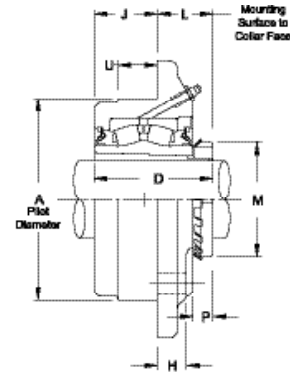
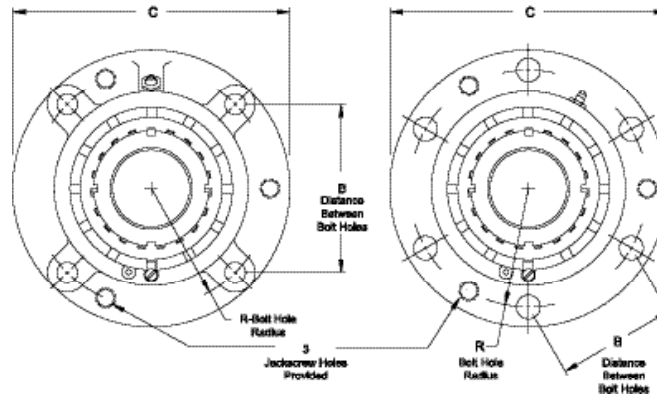
- Auxiliary end caps - available in all size codes
- Selection Guide, see Rexnord Spherical Roller Bearings Selection Guide section
- Load Ratings & Speed Limits, see Rexnord Spherical Roller Bearings Load Ratings & Speed Limits section
- Note: Dimensions subject to change. Certified dimensions of ordered material furnished on request.

ZBR9000



Product Features

- Corrosion resistant powder coating
- Cast iron housing
- Misalignment capabilities - Total of 4°
- Broad range of sealing options
- Factory set clearance & lubrication
- Precision ground & superfinished raceways
- Enhanced life mounting style
- Field interchangeable seals
- See Features & Benefits section for additional info.



Bearing Dimensions

Size Code	Shaft Diameter	Part Number	A Pilot Diameter	B Distance Between Bolt Holes	C	D	F Bolts	H	J	L	M	P	R	U	Approx. Weight
4-Bolt															
7	1 15/16	ZBR9115	5.000	4 1/4	7 1/8	3 5/32	1/2	9/16	1 9/16	1 19/32	2 31/32	19/32	3	1	12.20
	2	ZBR9200	5.000	4 1/4	7 1/8	3 5/32	1/2	9/16	1 9/16	1 19/32	2 31/32	19/32	3	1	12.10
8	2 3/16	ZBR9203	5.500	4 19/32	7 5/8	3 11/32	1/2	5/8	1 11/16	1 21/32	3 3/8	23/32	3 1/4	1	15.20
9	2 7/16	ZBR9207	6.375	5 19/64	8 3/4	3 3/4	5/8	3/4	2	1 3/4	3 5/8	23/32	3 3/4	1 1/4	22.70
	2 1/2	ZBR9208	6.375	5 19/64	8 3/4	3 3/4	5/8	3/4	2	1 3/4	3 5/8	23/32	3 3/4	1 1/4	22.30
10	2 11/16	ZBR9211	7.375	6 3/32	10 1/4	4 1/4	3/4	15/16	2	2 1/4	4 13/32	13/16	4 5/16	1 1/4	36.40
	2 15/16	ZBR9215	7.375	6 3/32	10 1/4	4 1/4	3/4	15/16	2	2 1/4	4 13/32	13/16	4 5/16	1 1/4	35.40
	3	ZBR9300	7.375	6 3/32	10 1/4	4 1/4	3/4	15/16	2	2 1/4	4 13/32	13/16	4 5/16	1 1/4	34.70
11	3 3/16	ZBR9303	8.125	6 5/8	10 7/8	5 1/16	3/4	1 1/8	2 1/2	2 9/16	5 3/16	15/16	4 11/16	1 1/2	55.50
	3 7/16	ZBR9307	8.125	6 5/8	10 7/8	5 1/16	3/4	1 1/8	2 1/2	2 9/16	5 3/16	15/16	4 11/16	1 1/2	53.50
6-Bolt															
12	3 11/16	ZBR9311Y	10.250	5 7/8	13 1/2	5 13/32	3/4	1	3 1/16	2 11/32	5 23/32	1 1/32	5 7/8	2	84.20
	3 15/16	ZBR9315Y	10.250	5 7/8	13 1/2	5 13/32	3/4	1	3 1/16	2 11/32	5 23/32	1 1/32	5 7/8	2	81.90
	4	ZBR9400Y	10.250	5 7/8	13 1/2	5 13/32	3/4	1	3 1/16	2 11/32	5 23/32	1 1/32	5 7/8	2	81.40
13	4 3/16	ZBR9403	11.000	6 3/8	14 3/4	6 3/4	7/8	1 1/4	3 7/8	2 7/8	6 1/8	1 1/8	6 3/8	2 1/4	128.00
	4 7/16	ZBR9407	11.000	6 3/8	14 3/4	6 3/4	7/8	1 1/4	3 7/8	2 7/8	6 1/8	1 1/8	6 3/8	2 1/4	126.00
14	4 15/16	ZBR9415	13.000	7 1/4	17	7 3/16	7/8	1 3/8	3 7/8	3 5/16	7 3/32	1 1/8	7 1/4	2	178.00
	5	ZBR9500	13.000	7 1/4	17	7 3/16	7/8	1 3/8	3 7/8	3 5/16	7 3/32	1 1/8	7 1/4	2	177.00
15	5 7/16	ZBR9507	14.000	8 1/4	19	7 9/16	7/8	1	4 3/16	3 3/8	8 1/16	1 5/16	8 1/4	1 3/8	209.00
16	5 15/16	ZBR9515	15.000	8 1/2	19	7 3/4	1	1	4 1/4	3 1/2	9 1/16	1 11/16	8 1/2	1 1/2	241.00
	6	ZBR9600	15.000	8 1/2	19	7 3/4	1	1	4 1/4	3 1/2	9 1/16	1 11/16	8 1/2	1 1/2	240.00
	6 7/16	ZBR9607	15.000	8 1/2	19	7 3/4	1	1	4 1/4	3 1/2	9 1/16	1 11/16	8 1/2	1 1/2	233.00

Additional Notes

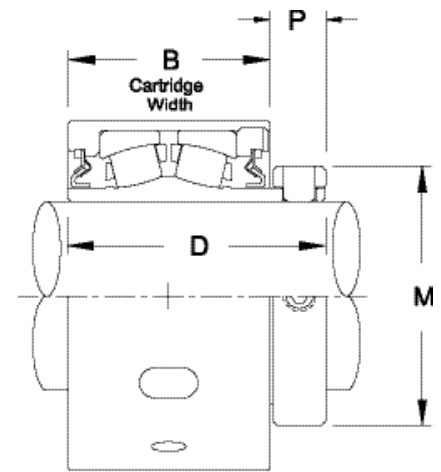
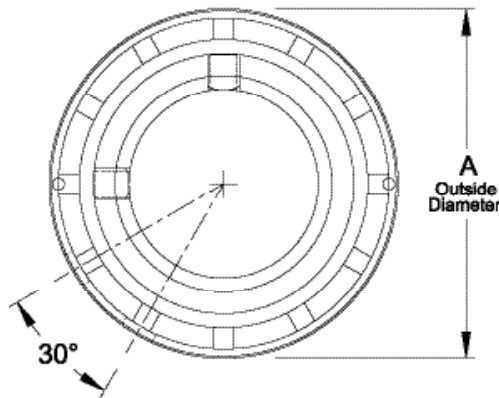
- Please call 1-866-REXNORD for availability
- Lubrication fitting tap size: for size code 7 thru 11, 1/8" PT; for all other size codes, 1/4" PT
- Pilot Diameter tolerance, +.000"/-.002" for size codes 7 thru 13
- Pilot Diameter tolerance, +.000"/-.005" for size codes 14 thru 16
- Bore tolerance for mounting, +.002"/-.000" for size codes 7 thru 13
- Bore tolerance for mounting, +.005"/-.000" for size codes 14 thru 16
- Seals - To specify K or M seal, replace "Z" in part number with "K" or "M"

- "K" seals only available in size codes 7 thru 11
- Auxiliary end caps - available in all size codes
- Selection Guide, see Rexnord Spherical Roller Bearings Selection Guide section
- Load Ratings & Speed Limits, see Rexnord Spherical Roller Bearings Load Ratings & Speed Limits section
- Note: Dimensions subject to change. Certified dimensions of ordered material furnished on request.



Product Features

- Steel housing
- Misalignment capabilities - Total of 4°
- Broad range of sealing options
- Factory set clearance & lubrication
- Precision ground & superfinished raceways
- Hardened spring locking collar
- Field interchangeable seals
- See Features & Benefits section for additional info.



Bearing Dimensions

Size Code	Shaft Diameter	Part Number	A Outside Diameter	B Cartridge Length	D	M	P	Approx. Weight
4	1 ⁷ / ₁₆	ZCS2107	3.1240	2.19	2 ⁷ / ₈	2 ⁵ / ₁₆	¹¹ / ₁₆	2.90
	1 ¹ / ₂	ZCS2108	3.1240	2.19	2 ⁷ / ₈	2 ⁵ / ₁₆	¹¹ / ₁₆	2.80
5	1 ¹¹ / ₁₆	ZCS2111	3.6360	2.44	3 ¹ / ₈	2 ⁵ / ₈	¹¹ / ₁₆	4.50
	1 ³ / ₄	ZCS2112	3.6360	2.44	3 ¹ / ₈	2 ⁵ / ₈	¹¹ / ₁₆	4.40
6	1 ¹⁵ / ₁₆	ZCS2115	3.8330	2.44	3 ¹ / ₈	2 ¹⁵ / ₁₆	¹¹ / ₁₆	5.00
	2	ZCS2200	3.8330	2.44	3 ¹ / ₈	2 ¹⁵ / ₁₆	¹¹ / ₁₆	4.80
7	2 ³ / ₁₆	ZCS2203	4.2270	2.56	3 ⁵ / ₁₆	3 ¹ / ₄	²⁵ / ₃₂	6.40
	2 ¹ / ₄	ZCS2204	4.2270	2.56	3 ⁵ / ₁₆	3 ¹ / ₄	²⁵ / ₃₂	6.30
8	2 ³ / ₈	ZCS2206	4.6210	2.63	3 ¹ / ₂	3 ⁹ / ₁₆	⁷ / ₈	7.60
	2 ⁷ / ₁₆	ZCS2207	4.6210	2.63	3 ¹ / ₂	3 ⁹ / ₁₆	⁷ / ₈	7.50
	2 ¹ / ₂	ZCS2208	4.6210	2.63	3 ¹ / ₂	3 ⁹ / ₁₆	⁷ / ₈	7.30
9	2 ¹¹ / ₁₆	ZCS2211	5.4070	3.13	4	4 ¹ / ₁₆	¹³ / ₁₆	12.30
	2 ³ / ₄	ZCS2212	5.4070	3.13	4	4 ¹ / ₁₆	¹³ / ₁₆	11.90
	2 ¹⁵ / ₁₆	ZCS2215	5.4070	3.13	4	4 ¹ / ₁₆	¹³ / ₁₆	10.80
	3	ZCS2300	5.4070	3.13	4	4 ¹ / ₁₆	¹³ / ₁₆	10.50
10	3 ³ / ₁₆	ZCS2303	6.1940	3.47	4 ³ / ₈	4 ¹⁵ / ₁₆	¹⁵ / ₁₆	17.90
	3 ⁷ / ₁₆	ZCS2307	6.1940	3.47	4 ³ / ₈	4 ¹⁵ / ₁₆	¹⁵ / ₁₆	16.40
	3 ¹ / ₂	ZCS2308	6.1940	3.47	4 ³ / ₈	4 ¹⁵ / ₁₆	¹⁵ / ₁₆	15.90
11	3 ¹¹ / ₁₆	ZCS2311	7.3750	4.00	5 ¹ / ₁₆	5 ⁵ / ₈	1 ¹ / ₁₆	31.10
	3 ¹⁵ / ₁₆	ZCS2315	7.3750	4.00	5 ¹ / ₁₆	5 ⁵ / ₈	1 ¹ / ₁₆	28.80
	4	ZCS2400	7.3750	4.00	5 ¹ / ₁₆	5 ⁵ / ₈	1 ¹ / ₁₆	28.10

Additional Notes

- Please call 1-866-REXNORD for availability
- Metric bore sizes available, see Rexnord Interchangeability guide
- Lubrication fitting tap size, 1/4-28 UNF
- Bore size = nominal shaft size +.001"/-.000"
- O.D. tolerance, +.000"/-.002"
- Locking plug thread size, 5/8"-18 UNF
- Locking plug & grease fitting supplied with bearing
- Recommended engagement of locking plug into cartridge slot is .125" +/- .015"

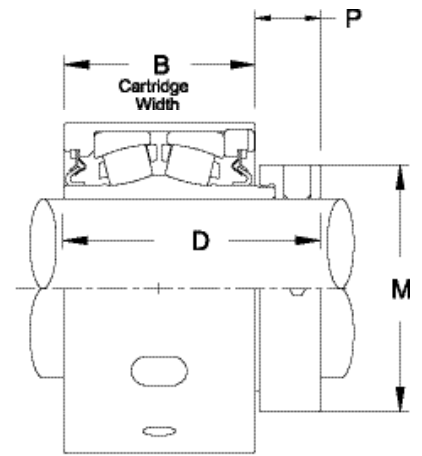
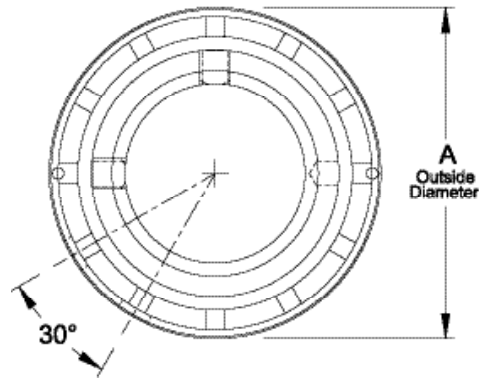
- Seals - To specify K or M seal, replace "Z" in part number with "K" or "M"
- Auxiliary end caps - not available
- Selection Guide, see Rexnord Spherical Roller Bearings Selection Guide section
- Load Ratings & Speed Limits, see Rexnord Spherical Roller Bearings Load Ratings & Speed Limits section
- Note: Dimensions subject to change. Certified dimensions of ordered material furnished on request.

ZCS3000



Product Features

- Steel housing
 - Misalignment capabilities - Total of 4°
 - Broad range of sealing options
 - Factory set clearance & lubrication
 - Precision ground & superfinished raceways
 - Hardened eccentric locking collar
 - Field interchangeable seals
- See Features & Benefits section for additional info.



Bearing Dimensions

Size Code	Shaft Diameter	Part Number	A Outside Diameter	B Cartridge Length	D	M	P	Approx. Weight
4	1 7/16	ZCS3107	3.1240	2.19	2 59/64	2 5/16	25/32	3.10
5	1 11/16	ZCS3111	3.6360	2.44	3 3/16	2 5/8	3/4	4.70
6	1 15/16	ZCS3115	3.8330	2.44	3 9/32	2 3/4	27/32	3.50
7	2 3/16	ZCS3203	4.2270	2.56	3 1/2	3 1/4	31/32	6.70
8	2 7/16	ZCS3207	4.6210	2 5/8	3 21/32	3 9/16	1 1/64	7.70
	2 1/2	ZCS3208	4.6210	2 5/8	3 21/32	3 9/16	1 1/64	7.60
9	2 11/16	ZCS3211	5.4070	3 1/8	4 13/64	4 1/16	1 1/64	12.50
	2 15/16	ZCS3215	5.4070	3 1/8	4 13/64	4 1/16	1 1/64	11.50
10	3 7/16	ZCS3307	6.1940	3.47	4 37/64	4 15/16	1 9/64	17.00
	3 1/2	ZCS3308	6.1940	3.47	4 37/64	4 15/16	1 9/64	16.10
11	3 15/16	ZCS3315	7.3750	4	5 3/16	5 5/8	1 1/16	28.80

Additional Notes

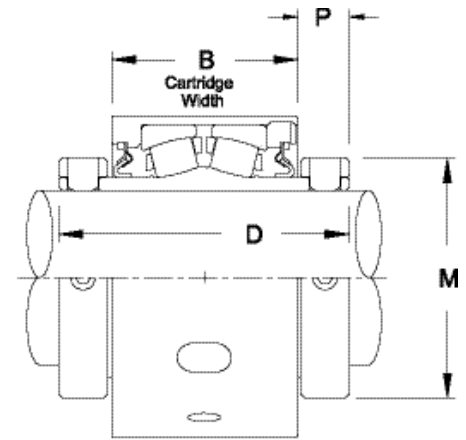
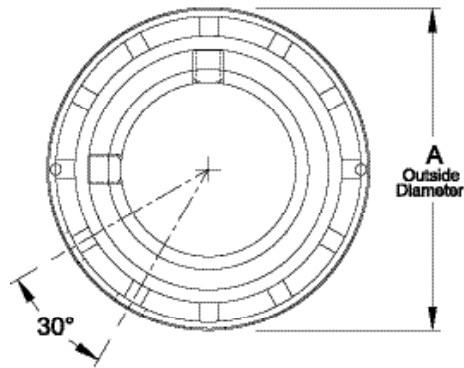
Please call 1-866-REXNORD for availability
 Lubrication fitting tap size, 1/4-28 UNF
 Bore size = nominal shaft size +.001"/- .000"
 O.D. tolerance, +.000"/- .002"
 Locking plug thread size, 5/8"-18 UNF
 Locking plug & grease fitting supplied with bearing
 Recommended engagement of locking plug into cartridge slot is .125" +/- .015"

Seals - To specify K or M seal, replace "Z" in part number with "K" or "M"
 Auxiliary end caps - not available
 Selection Guide, see Rexnord Spherical Roller Bearings Selection Guide section
 Load Ratings & Speed Limits, see Rexnord Spherical Roller Bearings Load Ratings & Speed Limits section
 Note: Dimensions subject to change. Certified dimensions of ordered material furnished on request.



Product Features

- Steel housing
- Misalignment capabilities - Total of 4°
- Broad range of sealing options
- Factory set clearance & lubrication
- Precision ground & superfinished raceways
- Two hardened spring locking collars
- Field interchangeable seals
- See Features & Benefits section for additional info.



Bearing Dimensions

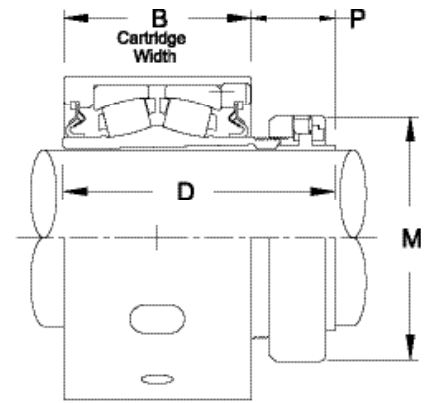
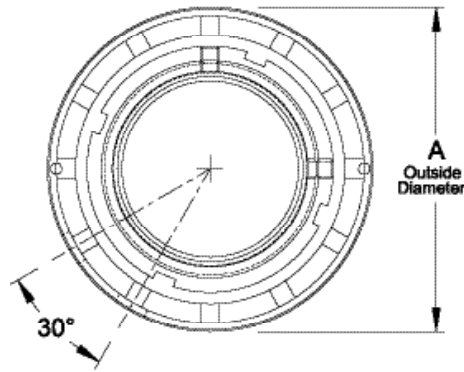
Size Code	Shaft Diameter	Part Number	A Outside Diameter	B Cartridge Length	D	M	P	Approx. Weight
4	1 ⁷ / ₁₆	ZCS5107	3.1240	2.19	3 ⁹ / ₁₆	2 ⁵ / ₁₆	¹¹ / ₁₆	3.30
5	1 ¹ / ₂	ZCS5108	3.6360	2.44	3 ¹³ / ₁₆	2 ⁵ / ₈	¹¹ / ₁₆	5.70
	1 ¹¹ / ₁₆	ZCS5111	3.6360	2.44	3 ¹³ / ₁₆	2 ⁵ / ₈	¹¹ / ₁₆	5.10
6	1 ¹⁵ / ₁₆	ZCS5115	3.8330	2.44	3 ¹³ / ₁₆	2 ¹⁵ / ₁₆	¹¹ / ₁₆	5.30
7	2	ZCS5200	4.2270	2.56	4 ¹ / ₈	3 ¹ / ₄	¹³ / ₁₆	8.10
	2 ³ / ₁₆	ZCS5203	4.2270	2.56	4 ¹ / ₈	3 ¹ / ₄	¹³ / ₁₆	7.50
8	2 ⁷ / ₁₆	ZCS5207	4.6210	2 ⁵ / ₈	4 ³ / ₈	3 ⁹ / ₁₆	⁷ / ₈	8.70
9	2 ¹ / ₂	ZCS5208	5.4070	3 ¹ / ₈	4 ⁷ / ₈	4 ¹ / ₁₆	⁷ / ₈	15.10
	2 ¹¹ / ₁₆	ZCS5211	5.4070	3 ¹ / ₈	4 ⁷ / ₈	4 ¹ / ₁₆	⁷ / ₈	14.10
	2 ¹⁵ / ₁₆	ZCS5215	5.4070	3 ¹ / ₈	4 ⁷ / ₈	4 ¹ / ₁₆	⁷ / ₈	12.10
10	3 ³ / ₁₆	ZCS5303	6.1940	3.47	5 ⁵ / ₁₆	4 ¹⁵ / ₁₆	¹⁵ / ₁₆	19.80
	3 ⁷ / ₁₆	ZCS5307	6.1940	3.47	5 ⁵ / ₁₆	4 ¹⁵ / ₁₆	¹⁵ / ₁₆	17.90
	3 ¹¹ / ₁₆	ZCS5311	7.3750	4	6 ¹ / ₄	5 ⁵ / ₈	1 ¹ / ₁₆	33.60
11	3 ¹⁵ / ₁₆	ZCS5315	7.3750	4	6 ¹ / ₄	5 ⁵ / ₈	1 ¹ / ₁₆	32.60
	4	ZCS5400	7.3750	4	6 ¹ / ₄	5 ⁵ / ₈	1 ¹ / ₁₆	31.60
	4 ³ / ₁₆	ZCS5403Y	7.9669	4 ¹ / ₄	6 ¹ / ₄	6 ³ / ₁₆	1	44.00
12	4 ⁷ / ₁₆	ZCS5407Y	7.9669	4 ¹ / ₄	6 ¹ / ₄	6 ³ / ₁₆	1	40.00
	4 ¹ / ₂	ZCS5408Y	7.9669	4 ¹ / ₄	6 ¹ / ₄	6 ³ / ₁₆	1	39.50
	4 ¹⁵ / ₁₆	ZCS5415	9.3425	5.56	7 ⁷ / ₈	7 ¹ / ₁₆	1 ⁵ / ₃₂	54.00
13	5	ZCS5500	9.3425	5.56	7 ⁷ / ₈	7 ¹ / ₁₆	1 ⁵ / ₃₂	53.50

Additional Notes

- Please call 1-866-REXNORD for availability
- Metric bore sizes available, see Rexnord Interchangeability guide
- Bore size = nominal shaft size +.001"/-.000"
- O.D. tolerance, +.000"/-.002"
- Locking plug thread size, 5/8"-18 UNF
- Locking plug & grease fitting supplied with bearing
- Recommended engagement of locking plug into cartridge slot is .125" +/- .015"

- Seals - To specify K or M seal, replace "Z" in part number with "K" or "M"
- Auxiliary end caps - not available
- Selection Guide, see Rexnord Spherical Roller Bearings Selection Guide section
- Load Ratings & Speed Limits, see Rexnord Spherical Roller Bearings Load Ratings & Speed Limits section
- Note: Dimensions subject to change. Certified dimensions of ordered material furnished on request.

ZCS6000



Product Features

- Optical Strain Sensor Technology
- Positive locking system
- Tapered adapter sleeve
- Steel housing
- Misalignment capabilities - Total of 4°
- Broad range of sealing options
- Factory set clearance & lubrication
- Precision ground & superfinished raceways
- Field interchangeable seals
- See Features & Benefits section for additional info.

Bearing Dimensions

Size Code	Shaft Diameter	Part Number	A Outside Diameter	B Cartridge Length	D	M	P	Approx. Weight
6	1 15/16	ZCS6115	3.8330	2.44	3 41/64	2 55/64	1 1/8	5.30
7	2 3/16	ZCS6203	4.2770	2.56	3 49/64	3 15/64	1 5/32	8.10
8	2 3/8	ZCS6206	4.6210	2 5/8	4 5/32	3 19/32	1 27/64	9.10
	2 7/16	ZCS6207	4.6210	2 5/8	4 5/32	3 19/32	1 27/64	8.70
9	2 11/16	ZCS6211	5.4070	3 1/8	4 17/32	4 3/32	1 25/64	15.10
	2 3/4	ZCS6212	5.4070	3 1/8	4 17/32	4 3/32	1 25/64	14.10
	2 15/16	ZCS6215	5.4070	3 1/8	4 17/32	4 3/32	1 25/64	12.10
10	3 3/16	ZCS6303	6.1940	3.47	5 9/64	4 61/64	1 19/32	19.80
	3 7/16	ZCS6307	6.1940	3.47	5 9/64	4 61/64	1 19/32	17.90
11	3 11/16	ZCS6311	7.3750	4	5 31/32	5 43/64	1 47/64	33.60
	3 15/16	ZCS6315	7.3750	4	5 31/32	5 43/64	1 47/64	32.60
12	4 3/16	ZCS6403Y	7.9669	4 1/4	6 1/4	6 1/16	1 7/8	40.00
	4 7/16	ZCS6407Y	7.9669	4 1/4	6 1/4	6 1/16	1 7/8	39.50
13	4 15/16	ZCS6415	9.3425	5.56	7 15/16	6 61/64	2 1/4	54.00

Additional Notes

Please call 1-866-REXNORD for availability
 Lubrication fitting tap size, 1/4-28 UNF
 Bore size = nominal shaft size +.001"/-.000"
 O.D. tolerance, +.000"/-.002"
 Locking plug thread size, 5/8"-18 UNF
 Locking plug & grease fitting supplied with bearing
 Recommended engagement of locking plug into cartridge slot is .125" +/- .015"

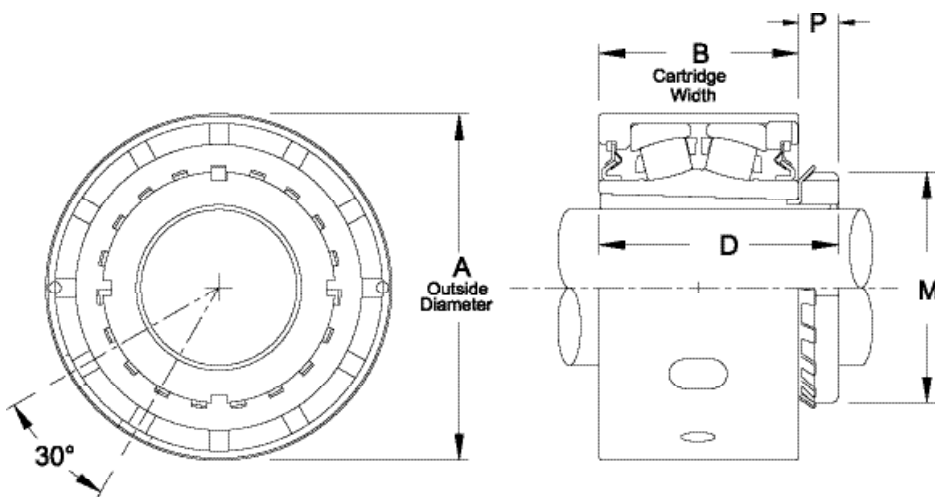
Seals - To specify K or M seal, replace "Z" in part number with "K" or "M"
 Auxiliary end caps - not available
 Selection Guide, see Rexnord Spherical Roller Bearings Selection Guide section
 Load Ratings & Speed Limits, see Rexnord Spherical Roller Bearings Load Ratings & Speed Limits section
 Note: Dimensions subject to change. Certified dimensions of ordered material furnished on request.

ZCS9000



Product Features

- Steel housing
 - Misalignment capabilities - Total of 4°
 - Broad range of sealing options
 - Factory set clearance & lubrication
 - Precision ground & superfinished raceways
 - Enhanced life mounting style
 - Field interchangeable seals
- See Features & Benefits section for additional info.



Bearing Dimensions

Size Code	Shaft Diameter	Part Number	A Outside Diameter	B Cartridge Length	D	M	P	Approx. Weight
7	1 15/16	ZCS9115	4.2270	2.56	3 5/32	2 31/32	19/32	6.60
	2	ZCS9200	4.2270	2.56	3 5/32	2 31/32	19/32	6.50
8	2 3/16	ZCS9203	4.6210	3 1/8	3 11/32	3 3/8	23/32	7.90
9	2 7/16	ZCS9207	5.4070	3 1/8	3 27/32	3 5/8	23/32	11.60
	2 1/2	ZCS9208	5.4070	3 1/8	3 27/32	3 5/8	23/32	11.20
10	2 11/16	ZCS9211	6.1940	3.47	4 1/4	4 13/32	13/16	19.10
	2 15/16	ZCS9215	6.1940	3.47	4 1/4	4 13/32	13/16	17.90
	3	ZCS9300	6.1940	3.47	4 1/4	4 13/32	13/16	17.20
11	3 3/16	ZCS9303	7.3750	4	5 3/32	5 3/16	15/16	34.30
	3 7/16	ZCS9307	7.3750	4	5 3/32	5 3/16	15/16	32.30
12	3 11/16	ZCS9311Y	7.9669	4 1/4	5 13/32	5 23/32	1 1/32	44.00
	3 15/16	ZCS9315Y	7.9669	4 1/4	5 13/32	5 23/32	1 1/32	40.00
	4	ZCS9400Y	7.9669	4 1/4	5 13/32	5 23/32	1 1/32	39.50
13	4 3/16	ZCS9403	9.3425	5.56	6 13/16	6 1/8	1 1/8	54.00
	4 7/16	ZCS9407	9.3425	5.56	6 13/16	6 1/8	1 1/8	53.50

Additional Notes

- Please call 1-866-REXNORD for availability
- Lubrication fitting tap size, 1/4-28 UNF
- Bore size = nominal shaft size +.001"/-.000"
- O.D. tolerance, +.000"/-.002"
- Locking plug thread size, 5/8"-18 UNF
- Locking plug & grease fitting supplied with bearing
- Recommended engagement of locking plug into cartridge slot is .125" +/- .015"

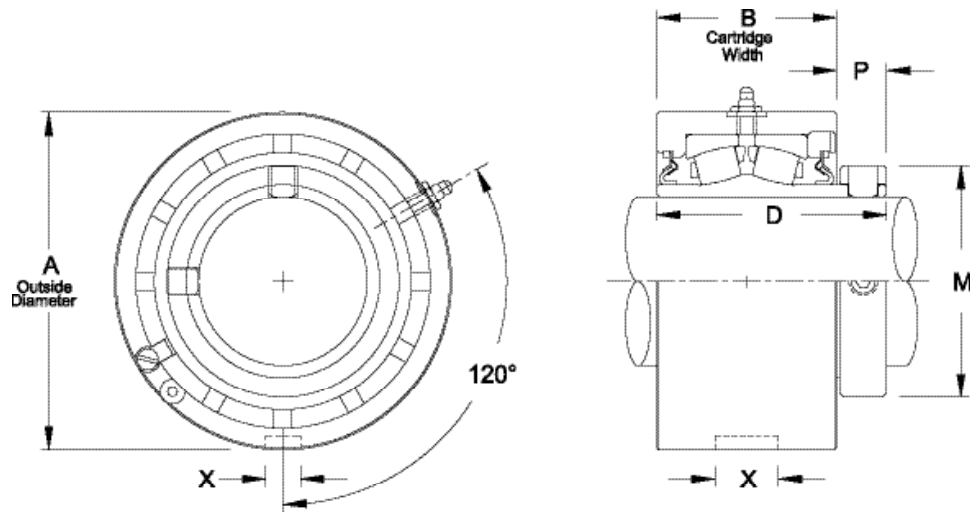
- Seals - To specify K or M seal, replace "Z" in part number with "K" or "M"
- Auxiliary end caps - not available
- Selection Guide, see Rexnord Spherical Roller Bearings Selection Guide section
- Load Ratings & Speed Limits, see Rexnord Spherical Roller Bearings Load Ratings & Speed Limits section
- Note: Dimensions subject to change. Certified dimensions of ordered material furnished on request.

ZMC2000



Product Features

- Cast iron housing
 - Misalignment capabilities - Total of 4°
 - Broad range of sealing options
 - Factory set clearance & lubrication
 - Precision ground & superfinished raceways
 - Hardened spring locking collar
 - Field interchangeable seals
- See Features & Benefits section for additional info.



Bearing Dimensions

Size Code	Shaft Diameter	Part Number	A Outside Diameter	B Cartridge Length	D	M	P	X Width	X Length	X Depth	Approx. Weight
2	3/4	ZMC2012	3.0000	2	2 9/16	1 3/4	9/16	-	-	-	3.10
	15/16	ZMC2015	3.0000	2	2 9/16	1 3/4	9/16	-	-	-	2.90
	1	ZMC2100	3.0000	2	2 9/16	1 3/4	9/16	-	-	-	2.90
3	1 1/8	ZMC2102	3.2190	2 1/8	2 11/16	2	9/16	-	-	-	3.50
	1 3/16	ZMC2103	3.2190	2 1/8	2 11/16	2	9/16	-	-	-	3.40
	1 1/4	ZMC2104	3.2190	2 1/8	2 11/16	2	9/16	-	-	-	3.30
4	1 7/16	ZMC2107	3.4370	2 3/16	2 7/8	2 5/16	11/16	0.53	29/32	3/16	3.90
	1 1/2	ZMC2108	3.4370	2 3/16	2 7/8	2 5/16	11/16	0.53	29/32	3/16	3.80
5	1 11/16	ZMC2111	3.9370	2 7/16	3 1/8	2 5/8	11/16	0.53	29/32	3/16	5.60
	1 3/4	ZMC2112	3.9370	2 7/16	3 1/8	2 5/8	11/16	0.53	29/32	3/16	5.40
6	1 15/16	ZMC2115	4.1250	2 7/16	3 1/8	2 15/16	11/16	0.53	29/32	3/16	5.80
	2	ZMC2200	4.1250	2 7/16	3 1/8	2 15/16	11/16	0.53	29/32	3/16	5.60
7	2 3/16	ZMC2203	4.5310	2 9/16	3 5/16	3 1/4	25/32	0.53	29/32	3/16	7.50
	2 1/4	ZMC2204	4.5310	2 9/16	3 5/16	3 1/4	25/32	0.53	29/32	3/16	7.30
8	2 3/8	ZMC2206	5.0000	2 5/8	3 1/2	3 9/16	7/8	0.53	29/32	3/16	9.50
	2 7/16	ZMC2207	5.0000	2 5/8	3 1/2	3 9/16	7/8	0.53	29/32	3/16	9.40
	2 1/2	ZMC2208	5.0000	2 5/8	3 1/2	3 9/16	7/8	0.53	29/32	3/16	9.20
	2 11/16	ZMC2211	5.8750	3 1/8	4	4 1/16	13/16	0.59	1 1/32	1/4	15.90
9	2 3/4	ZMC2212	5.8750	3 1/8	4	4 1/16	13/16	0.59	1 1/32	1/4	15.50
	2 15/16	ZMC2215	5.8750	3 1/8	4	4 1/16	13/16	0.59	1 1/32	1/4	14.40
	3	ZMC2300	5.8750	3 1/8	4	4 1/16	13/16	0.59	1 1/32	1/4	14.10
10	3 3/16	ZMC2303	6.7500	3 7/16	4 3/8	4 15/16	15/16	0.59	1 1/16	9/32	22.50
	3 7/16	ZMC2307	6.7500	3 7/16	4 3/8	4 15/16	15/16	0.59	1 1/16	9/32	20.50
	3 1/2	ZMC2308	6.7500	3 7/16	4 3/8	4 15/16	1 1/16	0.59	1 1/16	9/32	20.00
11	3 11/16	ZMC2311	8.1250	4 1/8	5 1/16	5 5/8	1 1/16	0.78	1 9/32	5/16	38.50
	3 15/16	ZMC2315	8.1250	4 1/8	5 1/16	5 5/8	1 1/16	0.78	1 9/32	5/16	36.50
	4	ZMC2400	8.1250	4 1/8	5 1/16	5 5/8	1 1/16	0.78	1 9/32	5/16	35.80

Additional Notes

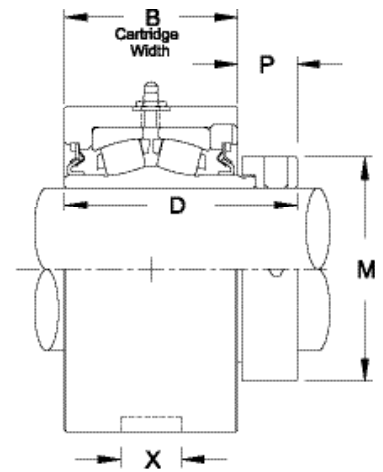
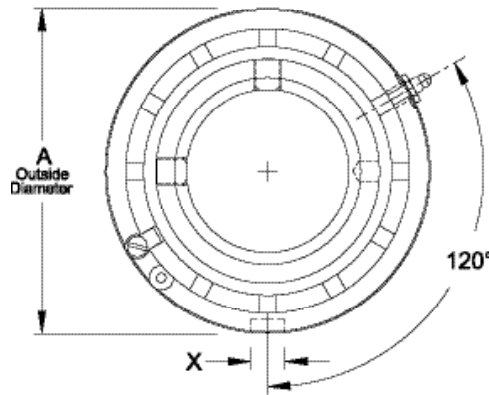
Please call 1-866-REXNORD for availability
 Metric bore sizes available, see Rexnord Interchangeability guide
 Lubrication fitting tap size, 1/8 PT
 Bore size = nominal shaft size +.001"/-.000"
 O.D. tolerance, +.000"/-.002"
 Seals - To specify K or M seal, replace "Z" in part number with "K" or "M"

Auxiliary end caps - not available
 Selection Guide, see Rexnord Spherical Roller Bearings Selection Guide section
 Load Ratings & Speed Limits, see Rexnord Spherical Roller Bearings Load Ratings & Speed Limits section
 Note: Dimensions subject to change. Certified dimensions of ordered material furnished on request.



Product Features

- Cast iron housing
- Misalignment capabilities - Total of 4°
- Broad range of sealing options
- Factory set clearance & lubrication
- Precision ground & superfinished raceways
- Hardened eccentric locking collar
- Field interchangeable seals
- See Features & Benefits section for additional info.



Bearing Dimensions

Size Code	Shaft Diameter	Part Number	A Outside Diameter	B Cartridge Length	D	M	P	X Width	X Length	X Depth	Approx. Weight
4	1 7/16	ZMC3107	3.4370	2 3/16	2 59/64	2 5/16	25/32	0.53	29/32	3/16	4.10
5	1 11/16	ZMC3111	3.9370	2 7/16	3 3/16	2 5/8	3/4	0.53	29/32	3/16	5.80
6	1 15/16	ZMC3115	4.1250	2 7/16	3 9/32	2 15/16	27/32	0.53	29/32	3/16	6.00
7	2 3/16	ZMC3203	4.5310	2 9/16	3 1/2	3 1/4	31/32	0.53	29/32	3/16	7.80
8	2 7/16	ZMC3207	5.0000	2 5/8	3 21/32	3 9/16	1 1/64	0.53	29/32	3/16	9.60
	2 1/2	ZMC3208	5.0000	2 5/8	3 21/32	3 9/16	1 1/64	0.53	29/32	3/16	9.50
9	2 11/16	ZMC3211	5.8750	3 1/8	4 13/64	4 1/16	1 1/64	0.59	1 1/32	1/4	16.10
	2 15/16	ZMC3215	5.8750	3 1/8	4 13/64	4 1/16	1 9/64	0.59	1 1/32	1/4	15.10
10	3 7/16	ZMC3307	6.7500	3 7/16	4 37/64	4 15/16	1 9/64	0.59	1 1/16	9/32	21.10
	3 1/2	ZMC3308	6.7500	3 7/16	4 37/64	4 15/16	1 9/64	0.59	1 1/16	9/32	20.20
11	3 15/16	ZMC3315	8.1250	4 1/8	5 3/16	5 5/8	1 1/16	0.78	1 9/32	5/16	36.50

Additional Notes

Please call 1-866-REXNORD for availability
 Lubrication fitting tap size, 1/8 PT
 Bore size = nominal shaft size +.001"/-.000"
 O.D. tolerance, +.000"/-.002"
 Seals - To specify K or M seal, replace "Z" in part number with "K" or "M"
 Auxiliary end caps - not available

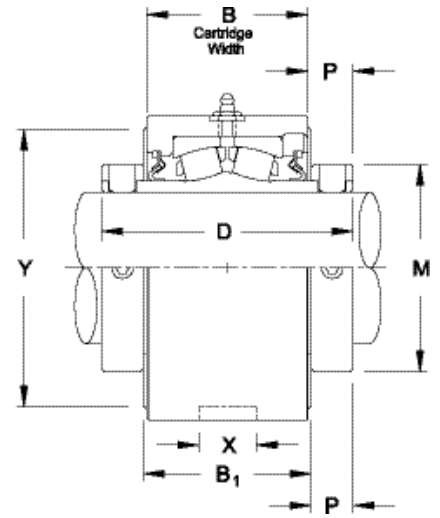
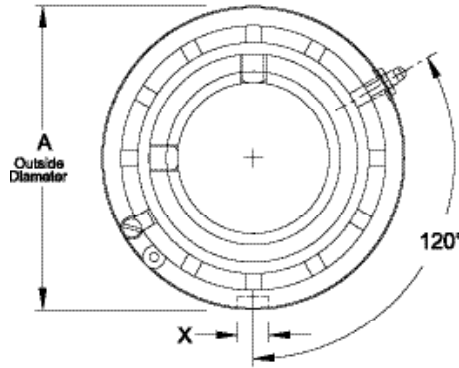
Selection Guide, see Rexnord Spherical Roller Bearings Selection Guide section
 Load Ratings & Speed Limits, see Rexnord Spherical Roller Bearings Load Ratings & Speed Limits section
 Note: Dimensions subject to change. Certified dimensions of ordered material furnished on request.

ZMC5000



Product Features

- Cast iron housing
- Misalignment capabilities - Total of 4°
- Broad range of sealing options
- Factory set clearance & lubrication
- Precision ground & superfinished raceways
- Two hardened spring locking collars
- Field interchangeable seals
- See Features & Benefits section for additional info.



Bearing Dimensions

Size Code	Shaft Diameter	Part Number	A Outside Diameter	B Cartridge Length	B1	D	M	P	X Width	X Length	X Depth	Y	Approx. Weight
4	1 7/16	ZMC5107	3.4370	2 3/16	-	3 9/16	2 5/16	11/16	0.53	29/32	3/16	-	4.30
5	1 1/2	ZMC5108	3.9370	2 7/16	-	3 13/16	2 5/8	11/16	0.53	29/32	3/16	-	6.50
	1 11/16	ZMC5111	3.9370	2 7/16	-	3 13/16	2 5/8	11/16	0.53	29/32	3/16	-	5.90
6	1 15/16	ZMC5115	4.1250	2 7/16	-	3 13/16	2 15/16	11/16	0.53	29/32	3/16	-	6.50
7	2	ZMC5200	4.5310	2 9/16	-	4 1/8	3 1/4	13/16	0.53	29/32	3/16	-	9.50
	2 3/16	ZMC5203	4.5310	2 9/16	-	4 1/8	3 1/4	13/16	0.53	29/32	3/16	-	8.80
8	2 7/16	ZMC5207	5.0000	2 5/8	-	4 3/8	3 9/16	7/8	0.53	29/32	3/16	-	10.60
9	2 1/2	ZMC5208	5.8750	3 1/8	-	4 7/8	4 1/16	7/8	0.59	1 1/32	1/4	-	18.70
	2 11/16	ZMC5211	5.8750	3 1/8	-	4 7/8	4 1/16	7/8	0.59	1 1/32	1/4	-	17.70
	2 15/16	ZMC5215	5.8750	3 1/8	-	4 7/8	4 1/16	7/8	0.59	1 1/32	1/4	-	15.70
10	3 3/16	ZMC5303	6.7500	3 7/16	-	5 5/16	4 15/16	15/16	0.59	1 1/16	9/32	-	24.70
	3 7/16	ZMC5307	6.7500	3 7/16	-	5 5/16	4 15/16	15/16	0.59	1 1/16	9/32	-	22.80
	3 11/16	ZMC5311	8.1250	4 1/8	-	6 1/4	5 5/8	1 1/16	0.78	1 9/32	5/16	-	44.00
11	3 15/16	ZMC5315	8.1250	4 1/8	-	6 1/4	5 5/8	1 1/16	0.78	1 9/32	5/16	-	41.50
	4	ZMC5400	8.1250	4 1/8	-	6 1/4	5 5/8	1 1/16	0.78	1 9/32	5/16	-	41.00
	4 3/16	ZMC5403Y	8.7500	4 1/4	-	6 1/4	6 3/16	1	0.78	1 1/2	5/16	-	50.00
12	4 7/16	ZMC5407Y	8.7500	4 1/4	-	6 1/4	6 3/16	1	0.78	1 1/2	5/16	-	47.00
	4 1/2	ZMC5408Y	8.7500	4 1/4	-	6 1/4	6 3/16	1	0.78	1 1/2	5/16	-	46.00
	4 15/16	ZMC5415	10.4370	5 9/16	6	7 7/8	7 1/16	1 5/32	0.78	1 1/2	5/16	7 25/32	95.00
13	5	ZMC5500	10.4370	5 9/16	6	7 7/8	7 1/16	1 5/32	0.78	1 1/2	5/16	7 25/32	92.00
	5 7/16	ZMC5507	11.5000	5 9/16	5 7/8	8	8 3/16	1 7/32	0.78	1 1/2	7/32	9 9/16	114.00
15	5 15/16	ZMC5515	12.2500	5 7/8	6 1/8	8 1/8	8 21/32	1 9/32	0.78	1 1/2	7/32	10 3/8	134.00
	6	ZMC5600	12.2500	5 7/8	6 1/8	8 1/8	8 21/32	1 5/32	0.78	1 1/2	7/32	10 3/8	133.00
16	6 7/16	ZMC5607	13.5630	6 3/16	6 1/2	8 3/4	9 23/32	1 9/32	0.78	1 1/2	7/32	11 3/8	180.00
	6 15/16	ZMC5615	13.5630	6 3/16	6 1/2	8 3/4	9 23/32	1 9/32	0.78	1 1/2	7/32	11 3/8	167.00
	7	ZMC5700	13.5630	6 3/16	6 1/2	8 3/4	9 23/32	1 9/32	0.78	1 1/2	7/32	11 3/8	166.00

Additional Notes

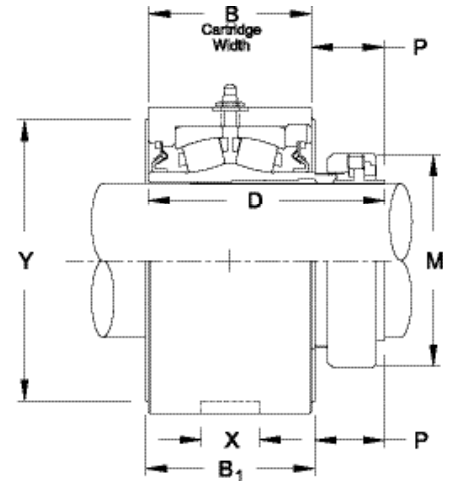
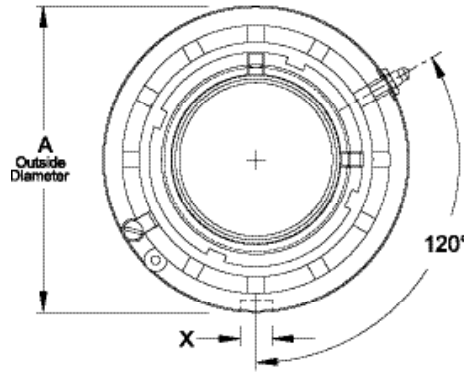
- Please call 1-866-REXNORD for availability
- Metric bore sizes available, see Rexnord Interchangeability guide
- Lubrication fitting tap size: for size code 4 thru 11, 1/8" PT; for all other size codes, 1/4" PT
- Bore size = nominal shaft size +.001"/-.000"
- O.D. tolerance, for size code 4 thru 11 +.000"/-.002"; for all other size codes, +.000"/-.003"
- Seals - To specify K or M seal, replace "Z" in part number with "K" or "M"

- "K" seals only available in size codes 4 thru 11
- Auxiliary end caps - not available
- Selection Guide, see Rexnord Spherical Roller Bearings Selection Guide section Load Ratings & Speed Limits, see Rexnord Spherical Roller Bearings Load Ratings & Speed Limits section
- Note: Dimensions subject to change. Certified dimensions of ordered material furnished on request.



Product Features

- Optical Strain Sensor Technology
- Positive locking system
- Tapered adapter sleeve
- Cast iron housing
- Misalignment capabilities - Total of 4°
- Broad range of sealing options
- Factory set clearance & lubrication
- Precision ground & superfinished raceways
- See Features & Benefits section for additional info.



Bearing Dimensions

Size Code	Shaft Diameter	Part Number	A Outside Diameter	B Cartridge Length	B1	D	M	P	X Width	X Length	X Depth	Y	Approx. Weight
6	1 15/16	ZMC6115	4.1250	2 7/16	-	3 41/64	2 55/64	1 1/8	0.53	29/32	3/16	-	6.50
7	2 3/16	ZMC6203	4.5310	2 9/16	-	3 49/64	3 15/64	1 5/32	0.53	29/32	3/16	-	9.50
8	2 3/8	ZMC6206	5.0000	2 5/8	-	4 5/32	3 19/32	1 27/64	0.53	29/32	3/16	-	10.90
	2 7/16	ZMC6207	5.0000	2 5/8	-	4 5/32	3 19/32	1 27/64	0.53	29/32	3/16	-	10.60
9	2 11/16	ZMC6211	5.8750	3 1/8	-	4 17/32	4 3/32	1 25/64	0.59	1 1/32	1/4	-	18.70
	2 3/4	ZMC6212	5.8750	3 1/8	-	4 17/32	4 3/32	1 25/64	0.59	1 1/32	1/4	-	17.70
	2 15/16	ZMC6215	5.8750	3 1/8	-	4 17/32	4 3/32	1 25/64	0.59	1 1/32	1/4	-	15.70
10	3 3/16	ZMC6303	6.7500	3 7/16	-	5 9/64	4 61/64	1 19/32	0.59	1 1/16	9/32	-	24.70
	3 7/16	ZMC6307	6.7500	3 7/16	-	5 9/64	4 61/64	1 19/32	0.59	1 1/16	9/32	-	22.80
11	3 11/16	ZMC6311	8.1250	4 1/8	-	5 31/32	5 43/64	1 47/64	0.78	1 9/32	5/16	-	44.00
	3 15/16	ZMC6315	8.1250	4 1/8	-	5 31/32	5 43/64	1 47/64	0.78	1 9/32	5/16	-	41.50
12	4 3/16	ZMC6403Y	8.7500	4 1/4	-	6 1/4	6 1/16	1 7/8	0.78	1 1/2	5/16	-	50.00
	4 7/16	ZMC6407Y	8.7500	4 1/4	-	6 1/4	6 1/16	1 7/8	0.78	1 1/2	5/16	-	47.00
13	4 15/16	ZMC6415	10.4370	5 9/16	6	7 15/16	6 61/64	2 1/4	0.78	1 1/2	5/16	7 25/32	95.00
14	5 7/16	ZMC6507	11.5000	5 9/16	5 7/8	8 49/64	8 1/64	3 3/64	0.78	1 1/2	7/32	9 9/16	114.00
15	5 15/16	ZMC6515	12.2500	5 7/8	6 1/8	9 19/64	8 21/32	3 7/16	0.78	1 1/2	7/32	10 3/8	134.00
16	6 7/16	ZMC6607	13.5630	6 3/16	6 1/2	10	9 3/4	3 43/64	0.78	1 1/2	7/32	11 3/8	180.00
	6 15/16	ZMC6615	13.5630	6 3/16	6 1/2	10	9 3/4	3 43/64	0.78	1 1/2	7/32	11 3/8	167.00

Additional Notes

- Please call 1-866-REXNORD for availability
- Lubrication fitting tap size: for size code 6 thru 11, 1/8" PT; for all other size codes, 1/4" PT
- Bore size = nominal shaft size +.001"/-.000"
- O.D. tolerance, for size code 6 thru 11 +.000"/-.002"; for all other size codes, +.000"/-.003"
- Seals - To specify K or M seal, replace "Z" in part number with "K" or "M"
- "K" seals only available in size codes 6 thru 11

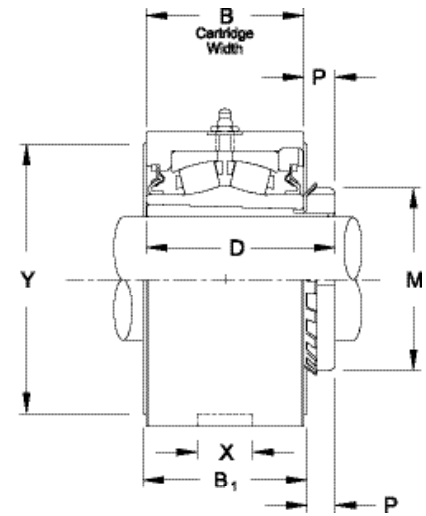
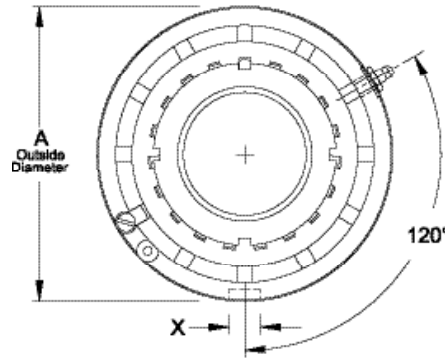
- Auxiliary end caps - not available
- Selection Guide, see Rexnord Spherical Roller Bearings Selection Guide section
- Load Ratings & Speed Limits, see Rexnord Spherical Roller Bearings Load Ratings & Speed Limits section
- Note: Dimensions subject to change. Certified dimensions of ordered material furnished on request.

ZMC9000



Product Features

- Cast iron housing
 - Misalignment capabilities - Total of 4°
 - Broad range of sealing options
 - Factory set clearance & lubrication
 - Precision ground & superfinished raceways
 - Enhanced life mounting style
 - Field interchangeable seals
- See Features & Benefits section for additional info.



Bearing Dimensions

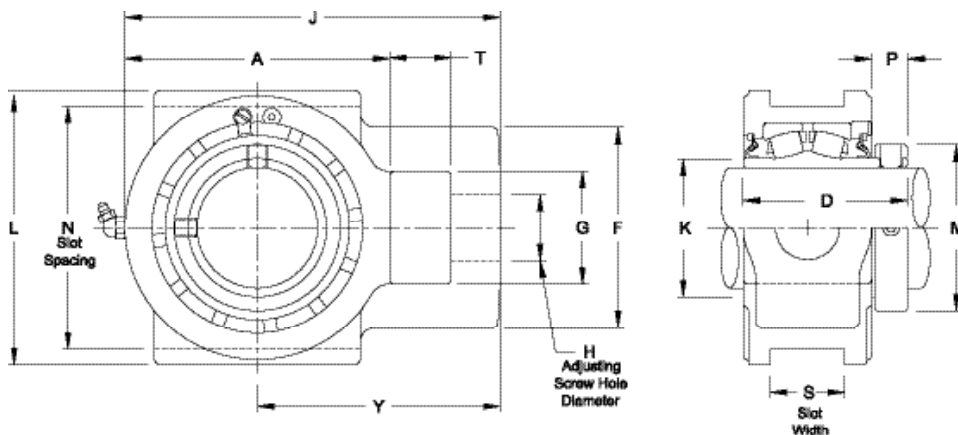
Size Code	Shaft Diameter	Part Number	A Outside Diameter	B Cartridge Length	B1	D	M	P	X Width	X Length	X Depth	Y	Approx. Weight
7	1 15/16	ZMC9115	4.5310	2 9/16	-	3 5/32	2 31/32	19/32	0.53	29/32	3/16	-	7.60
	2	ZMC9200	4.5310	2 9/16	-	3 5/32	2 31/32	19/32	0.53	29/32	3/16	-	7.40
8	2 3/16	ZMC9203	5.0000	2 5/8	-	3 11/8	3 3/8	23/32	0.53	29/32	3/16	-	9.60
9	2 7/16	ZMC9207	5.8750	3 1/8	-	3 27/32	3 5/8	23/32	0.59	1 1/32	1/4	-	15.60
	2 1/2	ZMC9208	5.8750	3 1/8	-	3 27/32	3 5/8	23/32	0.59	1 1/32	1/4	-	15.20
10	2 11/16	ZMC9211	6.7500	3 7/16	-	4 1/4	4 13/32	13/16	0.59	1 1/16	9/32	-	23.80
	2 15/16	ZMC9215	6.7500	3 7/16	-	4 1/4	4 13/32	13/16	0.59	1 1/16	9/32	-	22.50
	3	ZMC9300	6.7500	3 7/16	-	4 1/4	4 13/32	13/16	0.59	1 1/16	9/32	-	22.10
11	3 3/16	ZMC9303	8.1250	4 1/8	-	5 3/32	5 3/16	15/16	0.78	1 9/32	5/16	-	41.00
	3 7/16	ZMC9307	8.1250	4 1/8	-	5 3/32	5 3/16	15/16	0.78	1 9/32	5/16	-	39.40
12	3 11/16	ZMC9311Y	8.7500	4 1/4	-	5 13/32	5 23/32	1 1/32	0.78	1 1/2	5/16	-	48.50
	3 15/16	ZMC9315Y	8.7500	4 1/4	-	5 13/32	5 23/32	1 1/32	0.78	1 1/2	5/16	-	46.20
	4	ZMC9400Y	8.7500	4 1/4	-	5 13/32	5 23/32	1 1/32	0.78	1 1/2	5/16	-	45.70
13	4 3/16	ZMC9403	10.4370	5 9/16	6	6 13/16	6 1/8	1 1/8	0.78	1 1/2	5/16	7 25/32	92.00
	4 7/16	ZMC9407	10.4370	5 9/16	6	6 13/16	6 1/8	1 1/8	0.78	1 1/2	5/16	7 25/32	90.00
14	4 15/16	ZMC9415	11.5000	5 9/16	5 7/8	7 3/16	7 3/32	1 1/8	0.78	1 1/2	7/32	9 9/16	115.00
	5	ZMC9500	11.5000	5 9/16	5 7/8	7 3/16	7 3/32	1 1/8	0.78	1 1/2	7/32	9 9/16	108.00
15	5 7/16	ZMC9507	12.2500	5 7/8	6 1/8	7 7/16	8 1/16	1 5/16	0.78	1 1/2	7/32	10 3/8	130.00
16	5 15/16	ZMC9515	13.5630	6 3/16	6 1/2	7 3/4	9 1/16	1 11/16	0.78	1 1/2	7/32	11 3/8	178.00
	6	ZMC9600	13.5630	6 3/16	6 1/2	7 3/4	9 1/16	1 11/16	0.78	1 1/2	7/32	11 3/8	177.00
	6 7/16	ZMC9607	13.5630	6 3/16	6 1/2	7 3/4	9 1/16	1 11/16	0.78	1 1/2	7/32	11 3/8	170.00

Additional Notes

- Please call 1-866-REXNORD for availability
- Lubrication fitting tap size: for size code 7 thru 11, 1/8" PT; for all other size codes, 1/4" PT
- Bore size = nominal shaft size +.001"/-.000"
- O.D. tolerance, for size code 7 thru 11 +.000"/-.002": for all other size codes, +.000"/-.003"
- Seals - To specify K or M seal, replace "Z" in part number with "K" or "M"

- "K" seals only available in size codes 7 thru 11
- Auxiliary end caps - not available
- Selection Guide, see Rexnord Spherical Roller Bearings Selection Guide section
- Load Ratings & Speed Limits, see Rexnord Spherical Roller Bearings Load Ratings & Speed Limits section
- Note: Dimensions subject to change. Certified dimensions of ordered material furnished on request.

ZT2000



Product Features

- Corrosion resistant powder coating
- Cast iron housing
- Misalignment capabilities - Total of 4°
- Broad range of sealing options
- Factory set clearance & lubrication
- Precision ground & superfinished raceways
- Hardened spring locking collar
- Field interchangeable seals
- See Features & Benefits section for additional info.

Bearing Dimensions

Size Code	Shaft Diameter	Part Number	A	D	F	G	H	J	K	L	M	N	P	S	T	Y	Allowable Working Load	Approx. Weight
2	3/4	ZT22012	3	2 9/16	2	1 1/4	3/4	4 1/16	1 5/16	3 5/8	1 3/4	3	9/16	17/32	5/8	2 9/16	4,400.0	4.00
	15/16	ZT22015	3	2 9/16	2	1 1/4	3/4	4 1/16	1 5/16	3 5/8	1 3/4	3	9/16	17/32	5/8	2 9/16	4,400.0	4.00
	1	ZT22100	3	2 9/16	2	1 1/4	3/4	4 1/16	1 5/16	3 5/8	1 3/4	3	9/16	17/32	5/8	2 9/16	4,400.0	3.90
3	1 1/8	ZT32102	3 3/8	2 11/16	2 5/16	1 7/16	7/8	4 9/16	1 17/32	4 1/8	2	3 1/2	9/16	17/32	5/8	2 7/8	5,700.0	5.50
	1 3/16	ZT32103	3 3/8	2 11/16	2 5/16	1 7/16	7/8	4 9/16	1 17/32	4 1/8	2	3 1/2	9/16	17/32	5/8	2 7/8	5,700.0	5.40
	1 1/4	ZT32104	3 3/8	2 11/16	2 5/16	1 7/16	7/8	4 9/16	1 17/32	4 1/8	2	3 1/2	9/16	17/32	5/8	2 7/8	5,700.0	5.30
4	1 7/16	ZT42107	3 3/4	2 7/8	2 7/16	1 7/16	7/8	5 1/16	1 3/4	4 1/8	2 5/16	3 1/2	11/16	17/32	5/8	3 1/4	7,600.0	6.40
	1 1/2	ZT42108	3 3/4	2 7/8	2 7/16	1 7/16	7/8	5 1/16	1 3/4	4 1/8	2 5/16	3 1/2	11/16	17/32	5/8	3 1/4	7,600.0	6.30
5	1 11/16	ZT52111	4 1/4	3 1/8	3 5/16	1 3/4	1 1/8	5 15/16	2 1/32	4 3/4	2 5/8	4	11/16	11/16	15/16	3 13/16	12,300.0	9.80
	1 3/4	ZT52112	4 1/4	3 1/8	3 5/16	1 3/4	1 1/8	5 15/16	2 1/32	4 3/4	2 5/8	4	11/16	11/16	15/16	3 13/16	12,300.0	9.70
6	1 15/16	ZT62115	4 1/2	3 1/8	3 5/16	1 15/16	1 1/8	6 3/16	2 5/16	4 1/2	2 15/16	4	11/16	11/16	3/4	3 15/16	12,300.0	10.10
	2	ZT62200	4 1/2	3 1/8	3 5/16	1 15/16	1 1/8	6 3/16	2 5/16	4 1/2	2 15/16	4	11/16	11/16	3/4	3 15/16	12,300.0	9.90
7	2 3/16	ZT72203	5	3 5/16	3 7/8	2 1/4	1 3/8	7 1/8	2 5/8	5 1/4	3 1/4	4 1/2	13/16	13/16	1 1/4	4 5/8	13,500.0	13.60
	2 1/4	ZT72204	5	3 5/16	3 7/8	2 1/4	1 3/8	7 1/8	2 5/8	5 1/4	3 1/4	4 1/2	13/16	13/16	1 1/4	4 5/8	13,500.0	13.40
8	2 3/8	ZT82206	5 1/2	3 1/2	4 1/4	2 1/4	1 3/8	7 13/16	2 29/32	5 7/8	3 9/16	5 1/8	7/8	1 1/16	1 1/4	5 1/16	20,900.0	18.30
	2 7/16	ZT82207	5 1/2	3 1/2	4 1/4	2 1/4	1 3/8	7 13/16	2 29/32	5 7/8	3 9/16	5 1/8	7/8	1 1/16	1 1/4	5 1/16	20,900.0	18.20
	2 1/2	ZT82208	5 1/2	3 1/2	4 1/4	2 1/4	1 3/8	7 13/16	2 29/32	5 7/8	3 9/16	5 1/8	7/8	1 1/16	1 1/4	5 1/16	20,900.0	17.90
9	2 11/16	ZT92211	6 7/16	4	4 7/8	2 3/4	1 5/8	9 1/8	3 3/8	6 11/16	4 1/16	5 15/16	7/8	1 13/16	1 1/2	5 15/16	26,800.0	28.80
	2 3/4	ZT92212	6 7/16	4	4 7/8	2 3/4	1 5/8	9 1/8	3 3/8	6 11/16	4 1/16	5 15/16	7/8	1 13/16	1 1/2	5 15/16	26,800.0	28.40
	2 15/16	ZT92215	6 7/16	4	4 7/8	2 3/4	1 5/8	9 1/8	3 3/8	6 11/16	4 1/16	5 15/16	7/8	1 13/16	1 1/2	5 15/16	26,800.0	27.60
	3	ZT92300	6 7/16	4	4 7/8	2 3/4	1 5/8	9 1/8	3 3/8	6 11/16	4 1/16	5 15/16	7/8	1 13/16	1 1/2	5 15/16	26,800.0	27.00
10	3 3/16	ZT102303	7 3/8	4 3/8	5 3/8	2 7/8	1 7/8	10	3 31/32	7 13/16	4 15/16	6 13/16	15/16	1 13/16	1 5/8	6 5/16	27,300.0	42.50
	3 7/16	ZT102307	7 3/8	4 3/8	5 3/8	2 7/8	1 7/8	10	3 31/32	7 13/16	4 15/16	6 13/16	15/16	1 13/16	1 5/8	6 5/16	27,300.0	40.50
	3 1/2	ZT102308	7 3/8	4 3/8	5 3/8	2 7/8	1 7/8	10	3 31/32	7 13/16	4 15/16	6 13/16	15/16	1 13/16	1 5/8	6 5/16	27,300.0	40.00
11	3 11/16	ZT112311	8 7/8	5 1/16	5 3/8	3 3/8	2 1/8	12 1/8	4 9/16	9 7/16	5 5/8	8 5/8	1 1/16	2 1/16	2 1/4	7 11/16	45,400.0	71.00
	3 15/16	ZT112315	8 7/8	5 1/16	5 3/8	3 3/8	2 1/8	12 1/8	4 9/16	9 7/16	5 5/8	8 5/8	1 1/16	2 1/16	2 1/4	7 11/16	45,400.0	68.00
	4	ZT112400	8 7/8	5 1/16	5 3/8	3 3/8	2 1/8	12 1/8	4 9/16	9 7/16	5 5/8	8 5/8	1 1/16	2 1/16	2 1/4	7 11/16	45,400.0	67.00

Additional Notes

- Please call 1-866-REXNORD for availability
- Metric bore sizes available, see Rexnord Interchangeability guide
- Lubrication fitting tap size, 1/8 PT
- Bore size = nominal shaft size +.001"/-.000"
- Take-up slot spacing & width tolerance, +.005"/-.015"
- Seals - To specify K or M seal, replace "Z" in part number with "K" or "M"
- Auxiliary end caps - available in all size codes except for size codes 2 & 3

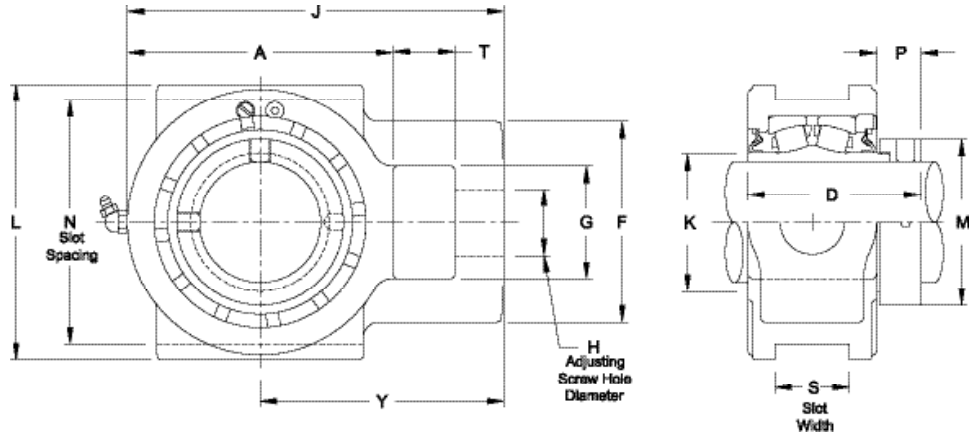
- Allowable working load is 2/3 yield strength
- Selection Guide, see Rexnord Spherical Roller Bearings Selection Guide section
- Load Ratings & Speed Limits, see Rexnord Spherical Roller Bearings Load Ratings & Speed Limits section
- Note: Dimensions subject to change. Certified dimensions of ordered material furnished on request.

ZT3000



Product Features

- Corrosion resistant powder coating
- Cast iron housing
- Misalignment capabilities - Total of 4°
- Broad range of sealing options
- Factory set clearance & lubrication
- Precision ground & superfinished raceways
- Hardened eccentric locking collar
- Field interchangeable seals
- See Features & Benefits section for additional info.



Bearing Dimensions

Size Code	Shaft Diameter	Part Number	A	D	F	G	H	J	K	L	M	N	P	S	T	Y	Allowable Working Load	Approx. Weight
4	1 7/16	ZT43107	3 3/4	2 59/64	2 7/16	1 7/16	7/8	5 1/16	1 3/4	4 1/8	2 5/16	3 1/2	25/32	17/32	5/8	3 1/4	7,600.0	6.60
5	1 11/16	ZT53111	4 1/4	3 3/16	3 5/16	1 3/4	1 1/8	5 15/16	2 1/32	4 3/4	2 5/8	4	3/4	11/16	15/16	3 13/16	12,300.0	10.00
6	1 15/16	ZT63115	4 1/2	3 9/32	3 5/16	1 15/16	1 1/8	6 3/16	2 5/16	4 1/2	2 3/4	4	27/32	11/16	3/4	3 15/16	12,300.0	13.50
7	2 3/16	ZT73203	5	3 1/2	3 7/8	2 1/4	1 3/8	7 1/8	2 5/8	5 1/4	3 1/4	4 1/2	31/32	13/16	1 1/4	4 5/8	13,500.0	13.90
8	2 7/16	ZT83207	5 1/2	3 21/32	4 1/4	2 1/4	1 3/8	7 13/16	2 29/32	5 7/8	3 9/16	5 1/8	1 1/64	1 1/16	1 1/4	5 1/16	20,900.0	18.40
	2 1/2	ZT83208	5 1/2	3 21/32	4 1/4	2 1/4	1 3/8	7 13/16	2 29/32	5 7/8	3 9/16	5 1/8	1 1/64	1 1/16	1 1/4	5 1/16	20,900.0	18.30
9	2 11/16	ZT93211	6 7/16	4 13/64	4 7/8	2 3/4	1 5/8	9 1/8	3 3/8	6 11/16	4 1/16	5 15/16	1 1/64	1 13/16	1 1/2	5 15/16	26,800.0	29.00
	2 15/16	ZT93215	6 7/16	4 13/64	4 7/8	2 3/4	1 5/8	9 1/8	3 3/8	6 11/16	4 1/16	5 15/16	1 1/64	1 13/16	1 1/2	5 15/16	26,800.0	28.00
10	3 7/16	ZT103307	7 3/8	4 37/64	5 3/8	2 7/8	1 7/8	10	3 31/32	7 13/16	4 15/16	6 13/16	1 9/64	1 13/16	1 5/8	6 5/16	27,300.0	41.10
	3 1/2	ZT103308	7 3/8	4 37/64	5 3/8	2 7/8	1 7/8	10	3 31/32	7 13/16	4 15/16	6 13/16	1 9/64	1 13/16	1 5/8	6 5/16	27,300.0	40.90
11	3 15/16	ZT113315	8 7/8	5 3/16	5 3/8	3 3/8	2 1/8	12 3/8	4 9/16	9 7/16	5 5/8	8 5/8	1 1/16	2 1/16	2 1/4	7 11/16	45,400.0	68.00

Additional Notes

Please call 1-866-REXNORD for availability
 Lubrication fitting tap size, 1/8 PT
 Bore size = nominal shaft size +.001"/-.000"
 Take-up slot spacing & width tolerance, +.005"/-.015"
 Seals - To specify K or M seal, replace "Z" in part number with "K" or "M"
 Auxiliary end caps - available in all size codes

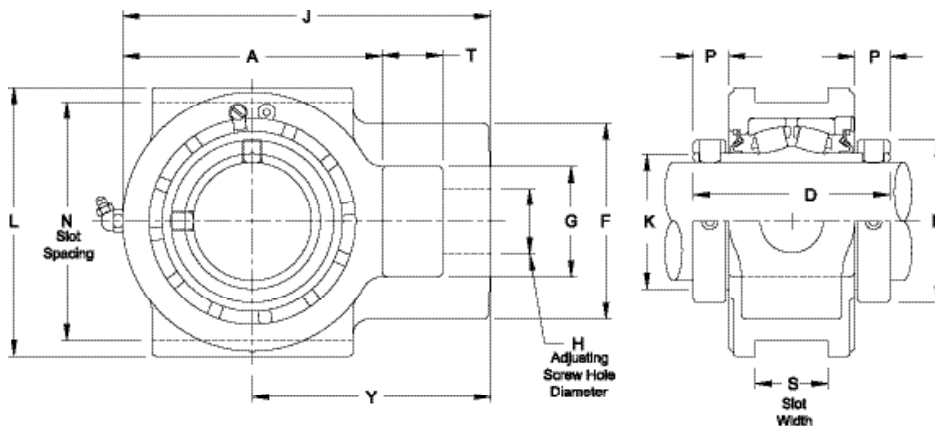
Allowable working load is 2/3 yield strength
 Selection Guide, see Rexnord Spherical Roller Bearings Selection Guide section
 Load Ratings & Speed Limits, see Rexnord Spherical Roller Bearings Load Ratings & Speed Limits section
 Note: Dimensions subject to change. Certified dimensions of ordered material furnished on request.

ZT5000



Product Features

- Corrosion resistant powder coating
- Cast iron housing
- Misalignment capabilities - Total of 4°
- Broad range of sealing options
- Factory set clearance & lubrication
- Precision ground & superfinished raceways
- Two hardened spring locking collars
- Field interchangeable seals
- See Features & Benefits section for additional info.



Bearing Dimensions

Size Code	Shaft Diameter	Part Number	A	D	F	G	H	J	K	L	M	N	P	S	T	Y	Allowable Working Load	Approx. Weight
4	1 7/16	ZT45107	3 3/4	3 9/16	2 7/16	1 7/16	7/8	5 1/16	1 3/4	4 1/8	2 5/16	3 1/2	1 1/16	17/32	5/8	3 1/4	7,600.0	6.80
	1 1/2	ZT55108	4 1/4	3 13/16	3 5/16	1 3/4	1 1/8	5 15/16	2 1/32	4 3/4	2 5/8	4	1 1/16	1 1/16	15/16	3 13/16	12,300.0	10.90
5	1 11/16	ZT55111	4 1/4	3 13/16	3 5/16	1 3/4	1 1/8	5 15/16	2 1/32	4 3/4	2 5/8	4	1 1/16	1 1/16	15/16	3 13/16	12,300.0	10.20
	1 15/16	ZT65115	4 1/2	3 13/16	3 5/16	1 15/16	1 1/8	6 3/16	2 9/16	4 1/2	2 15/16	4	1 1/16	1 1/16	3/4	3 15/16	12,300.0	10.80
6	2	ZT75200	5	4 1/8	3 7/8	2 1/4	1 3/8	7 1/8	2 5/8	5 1/4	3 1/4	4 1/2	13/16	13/16	1 1/4	4 5/8	13,500.0	15.20
	2 3/16	ZT75203	5	4 1/8	3 7/8	2 1/4	1 3/8	7 1/8	2 5/8	5 1/4	3 1/4	4 1/2	13/16	13/16	1 1/4	4 5/8	13,500.0	14.50
7	2 7/16	ZT85207	5 1/2	4 3/8	4 1/4	2 1/4	1 3/8	7 13/16	2 29/32	5 7/8	3 9/16	5 1/8	7/8	1 1/16	1 1/4	5 1/16	20,900.0	19.40
	2 1/2	ZT95208	6 7/16	4 7/8	4 7/8	2 3/4	1 5/8	9 1/8	3 3/8	6 11/16	4 1/16	5 15/16	7/8	1 13/16	1 1/2	5 15/16	26,800.0	31.50
8	2 11/16	ZT95211	6 7/16	4 7/8	4 7/8	2 3/4	1 5/8	9 1/8	3 3/8	6 11/16	4 1/16	5 15/16	7/8	1 13/16	1 1/2	5 15/16	26,800.0	30.10
	2 15/16	ZT95215	6 7/16	4 7/8	4 7/8	2 3/4	1 5/8	9 1/8	3 3/8	6 11/16	4 1/16	5 15/16	7/8	1 13/16	1 1/2	5 15/16	26,800.0	28.80
9	3 3/16	ZT105303	7 3/8	5 5/16	5 3/8	2 7/8	1 7/8	10	3 31/32	7 13/16	4 15/16	6 13/16	15/16	1 13/16	1 5/8	6 5/16	27,300.0	44.00
	3 7/16	ZT105307	7 3/8	5 5/16	5 3/8	2 7/8	1 7/8	10	3 31/32	7 13/16	4 15/16	6 13/16	15/16	1 13/16	1 5/8	6 5/16	27,300.0	42.00
10	3 11/16	ZT115311	8 7/8	6 1/4	5 3/8	3 3/8	2 1/8	12 1/8	4 9/16	9 7/16	5 5/8	8 5/8	1 1/16	2 1/16	2 1/4	7 11/16	45,400.0	75.00
	3 15/16	ZT115315	8 7/8	6 1/4	5 3/8	3 3/8	2 1/8	12 1/8	4 9/16	9 7/16	5 5/8	8 5/8	1 1/16	2 1/16	2 1/4	7 11/16	45,400.0	72.00
11	4	ZT115400	8 7/8	6 1/4	5 3/8	3 3/8	2 1/8	12 1/8	4 9/16	9 7/16	5 5/8	8 5/8	1 1/16	2 1/16	2 1/4	7 11/16	45,400.0	71.00
	4 3/16	ZT125403Y	9 13/16	6 1/4	6 3/8	3 3/8	2 1/8	13 7/16	5 1/32	10 3/8	6 3/16	9 1/2	1	2 1/16	2 1/8	8 11/16	53,700.0	94.00
12	4 7/16	ZT125407Y	9 13/16	6 1/4	6 3/8	3 3/8	2 1/8	13 7/16	5 1/32	10 3/8	6 3/16	9 1/2	1	2 1/16	2 1/8	8 11/16	53,700.0	91.00
	4 1/2	ZT125408Y	9 13/16	6 1/4	6 3/8	3 3/8	2 1/8	13 7/16	5 1/32	10 3/8	6 3/16	9 1/2	1	2 1/16	2 1/8	8 11/16	53,700.0	90.00
13	4 15/16	ZT135415	10 7/8	7 7/8	6 1/4	3 3/4	2 3/8	14 7/8	5 3/4	11 1/4	7 1/16	10 1/4	1 5/32	2 1/16	2 1/2	9 7/16	68,000.0	130.00
	5	ZT135500	10 7/8	7 7/8	6 1/4	3 3/4	2 3/8	14 7/8	5 3/4	11 1/4	7 1/16	10 1/4	1 5/32	2 1/16	2 1/2	9 7/16	68,000.0	127.00
14	5 7/16	ZT145507	15 3/8	8	8	5	3 1/8	20 5/8	6 1/2	16	8 3/16	14 1/8	1 1/32	2 9/16	3 1/2	12 7/16	140,900.0	417.00
	5 15/16	ZT155515	15 3/8	8 1/8	8	5	3 1/8	20 5/8	7 7/32	16	8 11/16	14 1/8	1 5/32	2 9/16	3 1/2	12 15/16	140,900.0	426.00
15	6	ZT155600	15 3/8	8 1/8	8	5	3 1/8	20 5/8	7 7/32	16	8 11/16	14 1/8	1 5/32	2 9/16	3 1/2	12 15/16	140,900.0	424.00
	6 7/16	ZT165607	15 3/8	8 3/4	8	5	3 1/8	20 5/8	8 1/16	16	9 3/4	14 1/8	1 9/32	2 9/16	3 1/2	12 15/16	165,300.0	433.00
16	6 15/16	ZT165615	15 3/8	8 3/4	8	5	3 1/8	20 5/8	8 1/16	16	9 3/4	14 1/8	1 9/32	2 9/16	3 1/2	12 15/16	165,300.0	428.00
	7	ZT165700	15 3/8	8 3/4	8	5	3 1/8	20 5/8	8 1/16	16	9 3/4	14 1/8	1 9/32	2 9/16	3 1/2	12 15/16	165,300.0	426.00

Additional Notes

- Please call 1-866-REXNORD for availability
- Metric bore sizes available, see Rexnord Interchangeability guide
- Lubrication fitting tap size: for size code 4 thru 11, 1/8" PT; for all other size codes, 1/4" PT
- Bore size = nominal shaft size +.001"/-.000"
- Take-up slot spacing & width tolerance, +.005"/-.015"
- Seals - To specify K or M seal, replace "Z" in part number with "K" or "M"
- "K" seals only available in size codes 4 thru 11

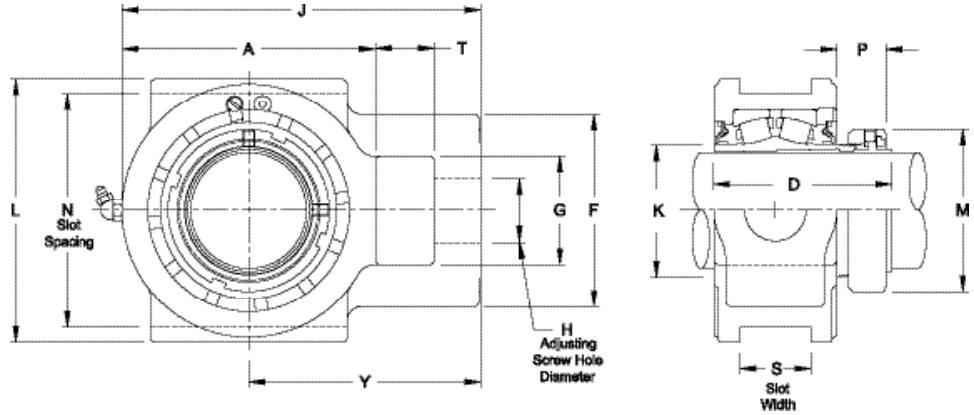
- Auxiliary end caps - available in all size codes
- Allowable working load is 2/3 yield strength
- Selection Guide, see Rexnord Spherical Roller Bearings Selection Guide section
- Load Ratings & Speed Limits, see Rexnord Spherical Roller Bearings Load Ratings & Speed Limits section
- Note: Dimensions subject to change. Certified dimensions of ordered material furnished on request.

ZT6000



Product Features

- Optical Strain Sensor Technology
- Positive locking system
- Tapered adapter sleeve
- Corrosion resistant powder coating
- Cast iron housing
- Misalignment capabilities - Total of 4°
- Broad range of sealing options
- Factory set clearance & lubrication
- Precision ground & superfinished raceways
- See Features & Benefits section for additional info.



Bearing Dimensions

Size Code	Shaft Diameter	Part Number	A	D	F	G	H	J	K	L	M	N	P	S	T	Y	Allowable Working Load	Approx. Weight
6	1 15/16	ZT66115	4 1/2	3 41/64	3 5/16	1 15/16	1 1/8	6 3/16	2 5/16	4 1/2	2 55/64	4	1 1/8	11/16	3/4	3 15/16	12,300.0	10.80
7	2 3/16	ZT76203	5	3 49/64	3 7/8	2 1/4	1 3/8	7 1/8	2 5/8	5 1/4	3 15/64	4 1/2	1 5/32	13/16	1 1/4	4 5/8	13,500.0	15.20
8	2 3/8	ZT86206	5 1/2	4 5/32	4 1/4	2 1/4	1 3/8	7 13/16	2 29/32	5 7/8	3 19/32	5 1/8	1 27/64	1 1/16	1 1/4	5 1/16	20,900.0	19.90
	2 7/16	ZT86207	5 1/2	4 5/32	4 1/4	2 1/4	1 3/8	7 13/16	2 29/32	5 7/8	3 19/32	5 1/8	1 27/64	1 1/16	1 1/4	5 1/16	20,900.0	19.40
9	2 11/16	ZT96211	6 7/16	4 17/32	4 7/8	2 3/4	1 5/8	9 1/8	3 3/8	6 11/16	4 3/32	5 15/16	1 25/64	1 13/16	1 1/2	5 15/16	26,800.0	31.50
	2 3/4	ZT96212	6 7/16	4 17/32	4 7/8	2 3/4	1 5/8	9 1/8	3 3/8	6 11/16	4 3/32	5 15/16	1 25/64	1 13/16	1 1/2	5 15/16	26,800.0	30.10
	2 15/16	ZT96215	6 7/16	4 17/32	4 7/8	2 3/4	1 5/8	9 1/8	3 3/8	6 11/16	4 3/32	5 15/16	1 25/64	1 13/16	1 1/2	5 15/16	26,800.0	28.80
10	3 3/16	ZT106303	7 3/8	5 9/64	5 3/8	2 7/8	1 7/8	10	3 31/32	7 13/16	4 61/64	6 13/16	1 19/32	1 13/16	1 5/8	6 5/16	27,300.0	44.00
	3 7/16	ZT106307	7 3/8	5 9/64	5 3/8	2 7/8	1 7/8	10	3 31/32	7 13/16	4 61/64	6 13/16	1 19/32	1 13/16	1 5/8	6 5/16	27,300.0	42.00
11	3 11/16	ZT116311	8 7/8	5 31/32	5 3/8	3 3/8	2 1/8	12 1/8	4 9/16	9 7/16	5 43/64	8 5/8	1 47/64	2 1/16	2 1/4	7 11/16	45,400.0	75.00
	3 15/16	ZT116315	8 7/8	5 31/32	5 3/8	3 3/8	2 1/8	12 1/8	4 9/16	9 7/16	5 43/64	8 5/8	1 47/64	2 1/16	2 1/4	7 11/16	45,400.0	72.00
12	4 3/16	ZT126403Y	9 13/16	6 1/4	6 3/8	3 3/8	2 1/8	13 7/16	5 1/32	10 3/8	6 1/16	9 1/2	1 7/8	2 1/16	2 1/8	8 11/16	53,700.0	94.00
	4 7/16	ZT126407Y	9 13/16	6 1/4	6 3/8	3 3/8	2 1/8	13 7/16	5 1/32	10 3/8	6 1/16	9 1/2	1 7/8	2 1/16	2 1/8	8 11/16	53,700.0	91.00
13	4 15/16	ZT136415	10 7/8	7 15/16	6 1/4	3 3/4	2 3/8	14 7/8	5 3/4	11 1/4	6 61/64	10 1/4	2 1/4	2 1/16	2 1/2	9 7/16	68,000.0	130.00
14	5 7/16	ZT146507	15 3/8	8 49/64	8	5	3 1/8	20 5/8	6 1/2	-	8 1/64	14 1/8	3 3/64	2 9/16	3 1/2	12 7/16	140,900.0	417.00
15	5 15/16	ZT156515	15 3/8	9 9/64	8	5	3 1/8	20 5/8	7 1/32	-	8 21/32	14 1/8	3 7/16	2 9/16	3 1/2	12 15/16	140,900.0	426.00
16	6 7/16	ZT166607	15 3/8	10	8	5	3 1/8	20 5/8	8 1/16	-	9 3/4	14 1/8	3 43/64	2 9/16	3 1/2	12 15/16	165,300.0	433.00
	6 15/16	ZT166615	15 3/8	10	8	5	3 1/8	20 5/8	8 1/16	-	9 3/4	14 1/8	3 43/64	2 9/16	3 1/2	12 15/16	165,300.0	428.00

Additional Notes

Please call 1-866-REXNORD for availability
 Lubrication fitting tap size: for size code 6 thru 11, 1/8" PT: for all other size codes, 1/4" PT
 Bore size = nominal shaft size +.001"/-.000"
 Take-up slot spacing & width tolerance, +.005"/-.015"
 Seals - To specify K or M seal, replace "Z" in part number with "K" or "M"
 "K" seals only available in size codes 6 thru 11

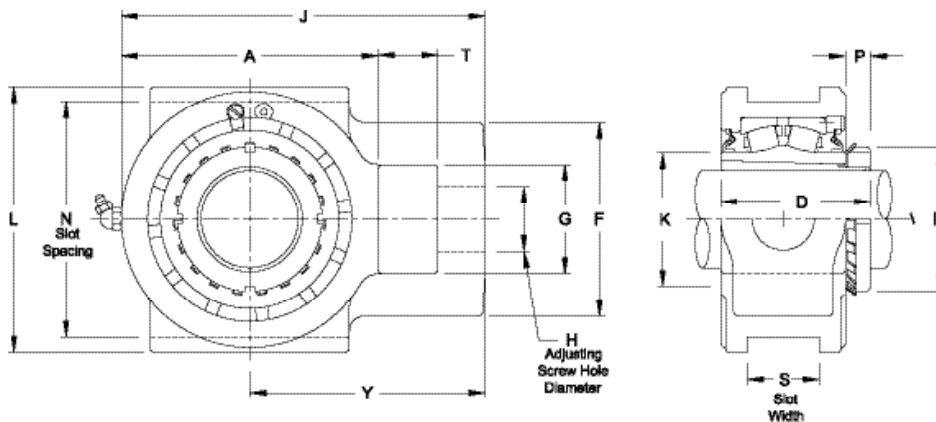
Auxiliary end caps - available in all size codes
 Allowable working load is 2/3 yield strength
 Selection Guide, see Rexnord Spherical Roller Bearings Selection Guide section
 Load Ratings & Speed Limits, see Rexnord Spherical Roller Bearings Load Ratings & Speed Limits section
 Note: Dimensions subject to change. Certified dimensions of ordered material furnished on request.

ZT9000



Product Features

- Corrosion resistant powder coating
- Cast iron housing
- Misalignment capabilities - Total of 4°
- Broad range of sealing options
- Factory set clearance & lubrication
- Precision ground & superfinished raceways
- Enhanced life mounting style
- Field interchangeable seals
- See Features & Benefits section for additional info.



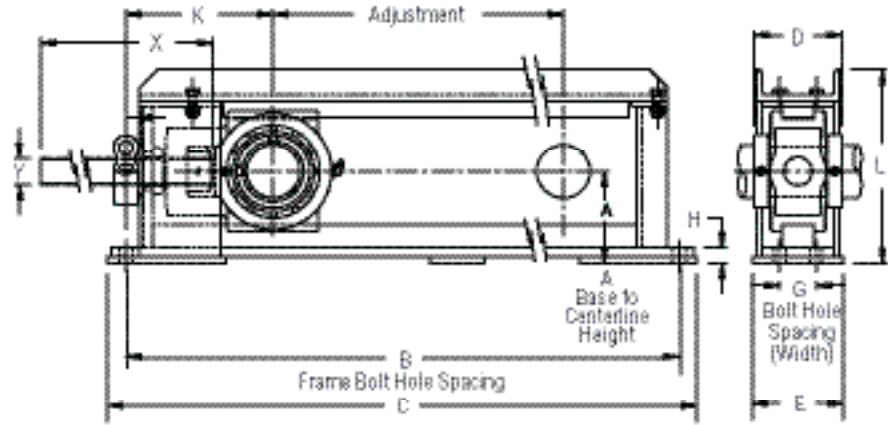
Bearing Dimensions

Size Code	Shaft Diameter	Part Number	A	D	F	G	H	J	K	L	M	N	P	S	T	Y	Allowable Working Load	Approx. Weight
7	1 15/16	ZT79115	5	3 5/32	3 7/8	2 1/4	1 3/8	7 1/8	2 5/8	5 1/4	2 31/32	4 1/2	19/32	13/16	1 1/4	4 5/8	13,500.0	13.70
	2	ZT79200	5	3 5/32	3 7/8	2 1/4	1 3/8	7 1/8	2 5/8	5 1/4	2 31/32	4 1/2	19/32	13/16	1 1/4	4 5/8	13,500.0	13.60
8	2 3/16	ZT89203	5 1/2	3 11/32	4 1/4	2 1/4	1 3/8	7 13/16	2 29/32	5 7/8	3 3/8	5 1/8	23/32	1 1/16	1 1/4	5 1/16	20,900.0	18.70
	2 7/16	ZT99207	6 7/16	3 27/32	4 7/8	2 3/4	1 5/8	9 1/8	3 3/8	6 11/16	3 5/8	5 15/16	23/32	1 13/16	1 1/2	5 15/16	26,800.0	29.10
9	2 1/2	ZT99208	6 7/16	3 27/32	4 7/8	2 3/4	1 5/8	9 1/8	3 3/8	6 11/16	3 5/8	5 15/16	23/32	1 13/16	1 1/2	5 15/16	26,800.0	28.70
	2 11/16	ZT109211	7 3/8	4 1/4	5 3/8	2 7/8	1 7/8	10	3 31/32	7 13/16	4 13/32	6 13/16	13/16	1 13/16	1 5/8	6 5/16	27,300.0	42.60
	2 15/16	ZT109215	7 3/8	4 1/4	5 3/8	2 7/8	1 7/8	10	3 31/32	7 13/16	4 13/32	6 13/16	13/16	1 13/16	1 5/8	6 5/16	27,300.0	41.40
10	3	ZT109300	7 3/8	4 1/4	5 3/8	2 7/8	1 7/8	10	3 31/32	7 13/16	4 13/32	6 13/16	13/16	1 13/16	1 5/8	6 5/16	27,300.0	40.70
	3 3/16	ZT119303	8 7/8	5 3/32	5 3/8	3 3/8	2 1/8	12 1/8	4 9/16	9 7/16	5 3/16	8 5/8	15/16	2 1/16	2 1/4	7 11/16	45,400.0	75.50
11	3 7/16	ZT119307	8 7/8	5 3/32	5 3/8	3 3/8	2 1/8	12 1/8	4 9/16	9 7/16	5 3/16	8 5/8	15/16	2 1/16	2 1/4	7 11/16	45,400.0	73.50
	3 11/16	ZT129311Y	9 13/16	5 13/32	6 3/8	3 3/8	2 1/8	13 7/16	5 1/32	10 3/8	5 23/32	9 1/2	1 1/32	2 1/16	2 1/8	8 11/16	53,700.0	91.20
	3 15/16	ZT129315Y	9 13/16	5 13/32	6 3/8	3 3/8	2 1/8	13 7/16	5 1/32	10 3/8	5 23/32	9 1/2	1 1/32	2 1/16	2 1/8	8 11/16	53,700.0	88.90
12	4	ZT129400Y	9 13/16	5 13/32	6 3/8	3 3/8	2 1/8	13 7/16	5 1/32	10 3/8	5 23/32	9 1/2	1 1/32	2 1/16	2 1/8	8 11/16	53,700.0	88.40
	4 3/16	ZT139403	10 7/8	6 13/16	6 1/4	3 3/4	2 3/8	14 7/8	5 3/4	11 1/4	6 1/8	10 1/4	1 1/8	2 1/16	2 1/2	9 7/16	68,000.0	130.00
13	4 7/16	ZT139407	10 7/8	6 13/16	6 1/4	3 3/4	2 3/8	14 7/8	5 3/4	11 1/4	6 1/8	10 1/4	1 1/8	2 1/16	2 1/2	9 7/16	68,000.0	128.00
	4 15/16	ZT149415	15 3/8	7 3/16	8	5	3 1/8	20 5/8	6 1/2	16	7 3/32	14 1/8	1 1/8	2 9/16	3 1/2	12 7/16	140,900.0	411.00
14	5	ZT149500	15 3/8	7 3/16	8	5	3 1/8	20 5/8	6 1/2	16	7 3/32	14 1/8	1 1/8	2 9/16	3 1/2	12 7/16	140,900.0	410.00
	5 7/16	ZT159507	15 3/8	7 7/16	8	5	3 1/8	20 5/8	7 7/32	16	8 1/16	14 1/8	1 5/16	2 9/16	3 1/2	12 15/16	140,900.0	421.00
15	5 15/16	ZT169515	15 3/8	7 3/4	8	5	3 1/8	20 5/8	8 1/16	16	9 1/16	14 1/8	1 11/16	2 9/16	3 1/2	12 15/16	165,300.0	428.00
	6	ZT169600	15 3/8	7 3/4	8	5	3 1/8	20 5/8	8 1/16	16	9 1/16	14 1/8	1 11/16	2 9/16	3 1/2	12 15/16	165,300.0	427.00
	6 7/16	ZT169607	15 3/8	7 3/4	8	5	3 1/8	20 5/8	8 1/16	16	9 1/16	14 1/8	1 11/16	2 9/16	3 1/2	12 15/16	165,300.0	420.00

Additional Notes

- Please call 1-866-REXNORD for availability
- Lubrication fitting tap size: for size code 7 thru 11, 1/8" PT; for all other size codes, 1/4" PT
- Take-up slot spacing & width tolerance, +.005"/-.015"
- Seals - To specify K or M seal, replace "Z" in part number with "K" or "M"
- "K" seals only available in size codes 7 thru 11
- Auxiliary end caps - available in all size codes

- Allowable working load is 2/3 yield strength
- Selection Guide, see Rexnord Spherical Roller Bearings Selection Guide section
- Load Ratings & Speed Limits, see Rexnord Spherical Roller Bearings Load Ratings & Speed Limits section
- Note: Dimensions subject to change. Certified dimensions of ordered material furnished on request.



Product Features

- Center pull type frame
- Corrosion resistant powder coating
- Cast iron housing
- Misalignment capabilities - Total of 4°
- Broad range of sealing options
- Factory set clearance & lubrication
- Precision ground & superfinished raceways
- Field interchangeable seals
- See Features & Benefits section for additional info.

Bearing Dimensions

Size Code	Shaft Diameter	Complete Take-up Assembly	Travel Length	A	B	C	D	E	F Bolts	G	H	K	L	X	Y	Adjust.	Allowable Working Load	Approx. Weight	
2-Bolt																			
5	1 1/2	ZHT55108	12 18 24	3 15/16	27 1/2 33 1/2 39 1/2	29 1/2 35 1/2 41 1/2	3 13/16	4	5/8	-	7/8	6 9/16	8 7/16	19 1/2 25 1/2 31 1/2	1-8NC	15 21 27	12,300.0	59 69 77	
	1 11/16	ZHT55111	30 36	3 15/16	45 1/2 51 1/2	47 1/2 53 1/2	3 13/16	4	5/8	-	7/8	6 9/16	8 7/16	37 1/2 43 1/2	1-8NC	33 39		86 95	
6	1 15/16	ZHT65115	12 18 24	3 15/16	27 1/2 33 1/2 39 1/2	29 1/2 35 1/2 41 1/2	3 13/16	4	5/8	-	7/8	6 9/16	8 7/16	19 1/2 25 1/2 31 1/2	1-8NC	15 21 27	12,300.0	59 69 77	
			30 36		45 1/2 51 1/2	47 1/2 53 1/2								37 1/2 43 1/2		33 39		86 95	
7	2	ZHT75200	12 18 24	4 7/16	27 1/2 33 1/2 39 1/2	29 1/2 35 1/2 41 1/2	4 1/8	4	5/8	-	1 3/16	6 13/16	9	20 26 32	1 1/4-7NC	15 21 27	13,000.0	108 70 81	
	2 3/16	ZHT75203	30 36	4 7/16	45 1/2 51 1/2	47 1/2 53 1/2	4 1/8	4	5/8	-	1 3/16	6 13/16	9	38 44	1 1/4-7NC	33 39		90 98	
8	2 7/16	ZHT85207	12 18 24	4 3/8	28 1/2 34 1/2 40 1/2	30 1/2 36 1/2 42 1/2	4 3/8	4	3/4	-	3/4	7 1/2	9 3/16	20 26 32	1 1/4-7NC	15 21 27	16,300.0	107 119 77	
			30 36		46 1/2 52 1/2	48 1/2 54 1/2								38 44		33 39		86 96	
4-Bolt																			
9	2 1/2	ZHT95208	12 18 24	5 1/8	30 1/2 36 1/2 42 1/2	32 1/2 38 1/2 44 1/2	4 7/8	5	5/8	2	7/8	8 1/8	10 3/4	21 3/4 27 3/4 33 3/4	1 1/2-6NC	16 22 28	26,800.0	128 142 159	
	2 11/16	ZHT95211	30		5 1/8	48 1/2 50 1/2	50 1/2 56 1/2	4 7/8	5	5/8	2	7/8	8 1/8	10 3/4	39 3/4	1 1/2-6NC		34	174
	2 15/16	ZHT95215	36		5 1/8	54 1/2	56 1/2	4 7/8	5	5/8	2	7/8	8 1/8	10 3/4	45 3/4	1 1/2-6NC		40	191
10	3 3/16	ZHT105303	12 18 24	5 5/8	32 38 44	34 1/4 40 1/4 46 1/4	5 5/16	5	3/4	2	7/8	8 3/4	11 13/16	22 28 34	1 3/4-5NC	16 1/4 22 1/4 28 1/4	27,300.0	152 177 186	
	3 7/16	ZHT105307	30 36		5 5/8	50 56	52 1/4 58 1/4	5 5/16	5	3/4	2	7/8	8 3/4	11 13/16	40 46	1 3/4-5NC		34 1/4 40 1/4	205 224
11	3 11/16	ZHT115311	12 18	7	36 42	38 1/2 44 1/2	6 1/4	6	3/4	2 1/2	7/8	10 5/8	14 3/16	26 32	2-4 1/2NC	17 1/2 23 1/2	38,400.0	241 270	
	3 15/16	ZHT115315	24 30		7	48 54	50 1/2 56 1/2	6 1/4	6	3/4	2 1/2	7/8	10 5/8	14 3/16	38 44	2-4 1/2NC		29 1/2 35 1/2	290 311
	4	ZHT115400	36		7	60	62 1/2	6 1/4	6	3/4	2 1/2	7/8	10 5/8	14 3/16	50	2-4 1/2NC		41 1/2	337

Continued...

Continued...

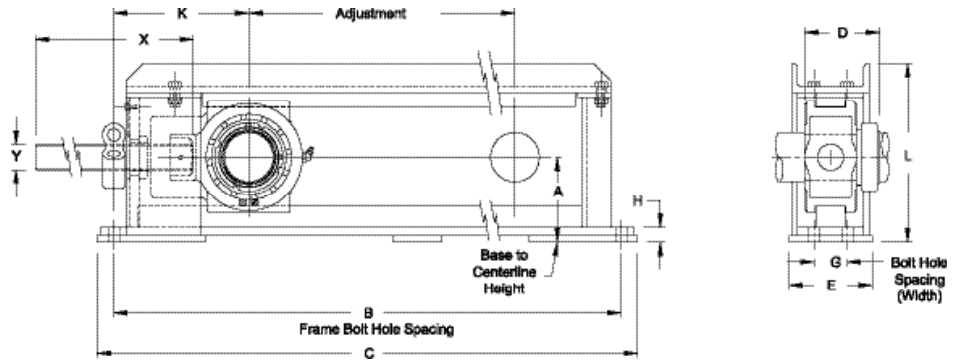
Bearing Dimensions

Size Code	Shaft Diameter	Complete Take-up Assembly	Travel Length	A	B	C	D	E	F Bolts	G	H	K	L	X	Y	Adjust.	Allowable Working Load	Approx. Weight
4-Bolt (continued)																		
12	4 ³ / ₁₆	ZHT125403Y	12	7 1/2	40 3/4	45 3/4	6 1/4	8 7/8	1 1/8	5	1	12 1/4	15 1/2	26	2-4 1/2 NC	19	53,300.0	331
			18		46 3/4	51 3/4								32		25		362
			24		52 3/4	57 3/4								38		31		391
	4 7/16	ZHT125407Y	30	58 3/4	63 3/4	44	37	410										
			36	64 3/4	69 3/4	50	43	433										
			42	70 3/4	75 3/4	56	49	461										
13	4 ¹⁵ / ₁₆	ZHT135415	12	8 1/8	44 1/2	49 1/2	7 7/8	9 7/8	1 1/8	5 1/2	1	13 1/2	16 3/4	29	2 1/4-4 1/2 NC	20 1/4	68,000.0	440
			18		50 1/2	55 1/2								35		26 1/4		460
			24		56 1/2	61 1/2								41		32 1/4		496
	5	ZHT135500	30	62 1/2	67 1/2	47	38 1/4	527										
			36	68 1/2	73 1/2	53	44 1/4	555										
			42	74 1/2	79 1/2	59	50 1/4	587										
14	5 7/16	ZHT145507	18	10 9/16	55	61	8	12	1 3/4	7	1 1/2	23 1/2	22 1/2	36	3-4 NC	18	136,700.0	1293
			30		67	73								48		30		1420
			42		79	85								60		42		1547
15	5 ¹⁵ / ₁₆	ZHT155515	18	10 9/16	55	61	8 1/8	12	1 3/4	7	1 1/2	23 1/2	22 1/2	36	3-4 NC	18	136,700.0	1300
			30		67	73								48		30		1427
	6	ZHT155600	42	79	85	60	42	136,700.0	1554									
			10 9/16	8 1/8	12	1 3/4	7	1 1/2	23 1/2	22 1/2	36	3-4 NC	18	136,700.0	1300			
16	6 7/16	ZHT165607	18	10 9/16	55	61	8 1/8	12	1 3/4	7	1 1/2	23 1/2	22 1/2	36	3-4 NC	18	136,700.0	1304
			30		67	73								48		30		136,700.0
	6 ¹⁵ / ₁₆	ZHT165615	42	79	85	60	42	136,700.0	1558									
			10 9/16	8 1/8	12	1 3/4	7	1 1/2	23 1/2	22 1/2	36	3-4 NC	18	136,700.0	1304			
7	ZHT165700	10 9/16	8 1/8	12	1 3/4	7	1 1/2	23 1/2	22 1/2	36	3-4 NC	18	136,700.0	1304				

Additional Notes

Please call 1-866-REXNORD for availability
 Metric bore sizes available, see Rexnord Interchangeability guide
 Lubrication fitting tap size: for size code 6 thru 11, 1/8" PT; for all other size codes, 1/4" PT
 Bore size = nominal shaft size +.001"/-.000"
 Seals - To specify K or M seal, replace "Z" in part number with "K" or "M"
 "K" seals only available in size codes 6 thru 11

Auxiliary end caps - available in all size codes
 Allowable working load is 2/3 yield strength
 Selection Guide, see Rexnord Spherical Roller Bearings Selection Guide section
 Load Ratings & Speed Limits, see Rexnord Spherical Roller Bearings Load Ratings & Speed Limits section
 Note: Dimensions subject to change. Certified dimensions of ordered material furnished on request.



Product Features

- Optical Strain Sensor Technology
- Positive locking system
- Tapered adapter sleeve
- Center pull type frame
- Corrosion resistant powder coating
- Cast iron housing
- Misalignment capabilities - Total of 4°
- Broad range of sealing options
- Factory set clearance & lubrication
- See Features & Benefits section for additional info.

Bearing Dimensions

Size Code	Shaft Diameter	Complete Take-up Assembly	Travel Length	A	B	C	D	E	F Bolts	G	H	K	L	X	Y	Adjust.	Approx. Weight
2-Bolt																	
6	1 15/16	ZHT66115	12.000	3 15/16	27 1/2	29 1/2	3 41/64	4	5/8	-	7/8	6 9/16	8 7/16	19 1/2	1-8 NC	15	59
			18.000		33 1/2	35 1/2								25 1/2		21	69
			24.000		39 1/2	41 1/2								31 1/2		27	77
			30.000		45 1/2	47 1/2								37 1/2		33	86
			36.000		51 1/2	53 1/2								43 1/2		39	95
7	2 3/16	ZHT76203	12.000	4 7/16	27 1/2	29 1/2	3 49/64	4	5/8	-	1 3/16	6 13/16	9	20	1 1/4-7 NC	15	108
			18.000		33 1/2	35 1/2								26		21	70
			24.000		39 1/2	41 1/2								32		27	81
			30.000		45 1/2	47 1/2								38		33	90
			36.000		51 1/2	53 1/2								44		39	98
8	2 3/8	ZHT86206	12.000	4 3/8	28 1/2	30 1/2	4 5/32	4	3/4	-	3/4	7 1/2	9 3/16	20	1 1/4-7 NC	15	107
			18.000		34 1/2	36 1/2								26		21	119
			24.000		40 1/2	42 1/2								32		27	77
	2 7/16	ZHT86207	30.000		46 1/2	48 1/2								38		33	86
			36.000		52 1/2	54 1/2								44		39	96
4-Bolt																	
9	2 11/16	ZHT96211	12.000	5 1/8	30 1/2	32 1/2	4 17/32	5	5/8	2	7/8	8 1/8	10 3/4	21 3/4	1 1/2-6 NC	16	128
			18.000		36 1/2	38 1/2								27 3/4		22	142
	2 3/4	ZHT96212	24.000		42 1/2	44 1/2								33 3/4		28	159
			30.000		48 1/2	50 1/2								39 3/4		34	174
2 15/16	ZHT96215	36.000	54 1/2	56 1/2	45 3/4	40	191										
		120.000															
10	3 3/16	ZHT106303	12.000	5 5/8	32	34 1/4	5 9/64	5	3/4	2	7/8	8 3/4	11 13/16	22	1 3/4-5 NC	16 1/4	152
			18.000		38	40 1/4								28		177	
			24.000		44	46 1/4								34		186	
	3 7/16	ZHT106307	30.000		50	52 1/4								40		205	
			36.000		56	58 1/4								46		224	
120.000																	

Continued...

Continued...

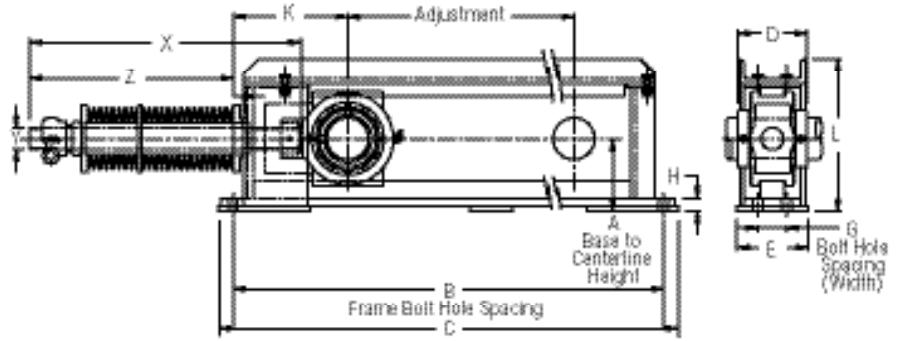
Bearing Dimensions

Size Code	Shaft Diameter	Complete Take-up Assembly	Travel Length	A	B	C	D	E	F Bolts	G	H	K	L	X	Y	Adjust.	Approx. Weight
4-Bolt (continued)																	
11	3 11/16	ZHT116311	12.000 18.000 24.000 30.000 36.000 120.000	7	36 42 48 54 60	38 1/2 44 1/2 50 1/2 56 1/2 62 1/2	5 31/32	6	3/4	2 1/2	7/8	10 5/8	14 3/16	26 32 38 44 50	2-4 1/2 NC	17 1/2 23 1/2 29 1/2 35 1/2 41 1/2	241 270 290 311 337
	3 15/16	ZHT116315															
12	4 3/16	ZHT126403Y	12.000 18.000 24.000 30.000 36.000 162.000	7 1/2	40 3/4 46 3/4 52 3/4 58 3/4 64 3/4 70 3/4	45 3/4 51 3/4 57 3/4 63 3/4 69 3/4 75 3/4	6 1/4	8 7/8	1 1/8	5	1	12 1/4	15 1/2	26 32 38 44 50 56	2-4 1/2 NC	19 25 31 37 43 49	331 362 391 410 433 461
	4 7/16	ZHT126407Y															
13	4 15/16	ZHT136415	12.000 18.000 24.000 30.000 36.000 42.000 162.000	8 1/8	44 1/2 50 1/2 56 1/2 62 1/2 68 1/2 74 1/2	49 1/2 55 1/2 61 1/2 67 1/2 73 1/2 79 1/2	7 15/16	9 7/8	1 1/8	5 1/2	1	13 1/2	16 3/4	29 35 41 47 53 59	2 1/4-4 1/2 NC	20 1/4 26 1/4 32 1/4 38 1/4 44 1/4 50 1/4	440 460 496 527 555 587
14	5 7/16	ZHT146507	90.000	10 9/16	55 67 79	61 73 85	8 49/64	12	1 3/4	7	1 1/2	23 1/2	22 1/2	36 48 60	3-4 NC	18 30 42	1293 1420 1547
15	5 15/16	ZHT156515	90.000	10 9/16	55 67 79	61 73 85	9 19/64	12	1 3/4	7	1 1/2	23 1/2	22 1/2	36 48 60	3-4 NC	18 30 42	1300 1427 1554
16	6 7/16	ZHT166607	90.000	10 9/16	55 67 79	61 73 85	10	12	1 3/4	7	1 1/2	23 1/2	22 1/2	36 48 60	3-4 NC	18 30 42	1304 1431 1558
	6 15/16	ZHT166615															

Additional Notes

Please call 1-866-REXNORD for availability
 Lubrication fitting tap size: for size code 6 thru 11, 1/8" PT; for all other size codes, 1/4" PT
 Bore size = nominal shaft size +.001"/-.000"
 Seals - To specify K or M seal, replace "Z" in part number with "K" or "M"
 "K" seals only available in size codes 6 thru 11
 Auxiliary end caps - available in all size codes

Allowable working load is 2/3 yield strength
 Selection Guide, see Rexnord Spherical Roller Bearings Selection Guide section
 Load Ratings & Speed Limits, see Rexnord Spherical Roller Bearings Load Ratings & Speed Limits section
 Note: Dimensions subject to change. Certified dimensions of ordered material furnished on request.



Product Features

- Center pull type spring loaded frame
- Corrosion resistant powder coating
- Cast iron housing
- Misalignment capabilities - Total of 4°
- Broad range of sealing options
- Factory set clearance & lubrication
- Precision ground & superfinished raceways
- Field interchangeable seals
- See Features & Benefits section for additional info.

Bearing Dimensions

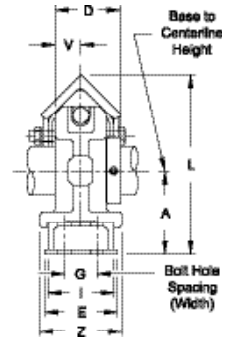
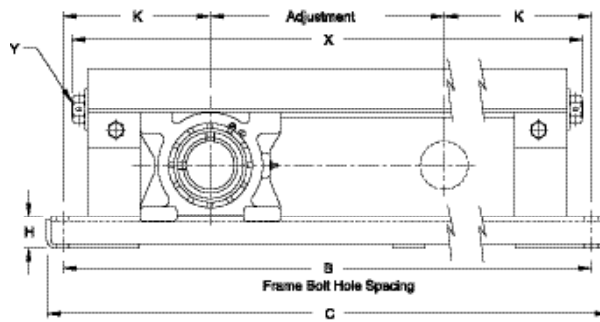
Size Code	Shaft Diameter	Part Number	A	B	C	D	E	F Bolts	G	H	K	L	X	Y	Z	Working Load - Inches of Spring Deflection			Allowable Working Load	Approx. Weight
																1	3	5		
2-Bolt																				
5	1 1/2	ZST5510818	3 15/16	33 1/2	35 1/2	3 13/16	4	5/8	-	7/8	6 9/16	8 7/16	43	1-8 NC	39	870	1,800	3,400	12,300.0	69.00
	1 11/16	ZST5511118	3 15/16	33 1/2	35 1/2	3 13/16	4	5/8	-	7/8	6 9/16	8 7/16	43	1-8 NC	39	870	1,800	3,400	12,300.0	69.00
6	1 15/16	ZST6511518	3 15/16	33 1/2	35 1/2	3 13/16	4	5/8	-	7/8	6 9/16	8 7/16	43	1-8 NC	39	870	1,800	3,400	12,300.0	69.00
7	2	ZST7520018	4 7/16	33 1/2	35 1/2	4 1/8	4	5/8	-	1 3/16	6 13/16	9	43	1 1/4 -7 NC	39	870	1,800	3,400	13,000.0	81.00
	2 3/16	ZST7520318	4 7/16	33 1/2	35 1/2	4 1/8	4	5/8	-	1 3/16	6 13/16	9	43	1 1/4 -7 NC	39	870	1,800	3,400	13,000.0	81.00
8	2 7/16	ZST8520718	4 3/8	34 1/2	36 1/2	4 3/8	4	3/4	-	3/4	7 1/2	9 3/16	43	1 1/4 -7 NC	39	870	1,800	3,400	16,300.0	86.00
4-Bolt																				
9	2 1/2	ZST9520818	5 1/8	36 1/2	38 1/2	4 7/8	5	5/8	2	7/8	8 1/8	10 3/4	45	1 1/2-6 NC	40 1/4	1,300	3,400	5,250	26,800.0	142.00
	2 11/16	ZST9521118	5 1/8	36 1/2	38 1/2	4 7/8	5	5/8	2	7/8	8 1/8	10 3/4	45	1 1/2-6 NC	40 1/4	1,300	3,400	5,250	26,800.0	142.00
	2 15/16	ZST9521518	5 1/8	36 1/2	38 1/2	4 7/8	5	5/8	2	7/8	8 1/8	10 3/4	45	1 1/2-6 NC	40 1/4	1,300	3,400	5,250	26,800.0	142.00
10	3 3/16	ZST10530318	5 5/8	38	40 1/4	5 5/16	5	3/4	2	7/8	8 3/4	11 13/16	45	1 3/4-5 NC	40 1/4	1,800	3,700	6,800	27,300.0	177.00
	3 7/16	ZST10530718	5 5/8	38	40 1/4	5 5/16	5	3/4	2	7/8	8 3/4	11 13/16	45	1 3/4-5 NC	40 1/4	1,800	3,700	6,800	27,300.0	177.00
11	3 11/16	ZST11531118	7	42	44 1/2	6 1/4	6	3/4	2 1/2	7/8	10 5/8	14 3/16	48 1/2	2-4 1/2 NC	41	2,600	5,200	9,400	38,400.0	270.00
	3 15/16	ZST11531518	7	42	44 1/2	6 1/4	6	3/4	2 1/2	7/8	10 5/8	14 3/16	48 1/2	2-4 1/2 NC	41	2,600	5,200	9,400	38,400.0	270.00
	4	ZST11540018	7	42	44 1/2	6 1/4	6	3/4	2 1/2	7/8	10 5/8	14 3/16	48 1/2	2-4 1/2 NC	41	2,600	5,200	9,400	38,400.0	270.00
12	4 3/16	ZST125403Y18	7 1/2	46 3/4	51 3/4	6 1/4	8 7/8	1 1/8	5	1	12 1/4	15 1/2	48 1/2	2-4 1/2 NC	41	2,600	5,200	9,400	53,300.0	362.00
	4 7/16	ZST125407Y18	7 1/2	46 3/4	51 3/4	6 1/4	8 7/8	1 1/8	5	1	12 1/4	15 1/2	48 1/2	2-4 1/2 NC	41	2,600	5,200	9,400	53,300.0	362.00
13	4 15/16	ZST13541518	8 1/8	50 1/2	55 1/2	7 7/8	9 7/8	1 1/8	5 1/2	1	13 1/2	16 3/4	52	2 1/4-4 1/2 NC	45 1/2	4,475	11,200	18,000	68,000.0	460.00
	5	ZST13550018	8 1/8	50 1/2	55 1/2	7 7/8	9 7/8	1 1/8	5 1/2	1	13 1/2	16 3/4	52	2 1/4-4 1/2 NC	45 1/2	4,475	11,200	18,000	68,000.0	460.00

Additional Notes

- Please call 1-866-REXNORD for availability
- Metric bore sizes available, see Rexnord Interchangeability guide
- Lubrication fitting tap size: for size code 6 thru 11, 1/8" PT; for all other size codes, 1/4" PT
- Bore size = nominal shaft size +.001"/-.000"
- Seals - To specify K or M seal, replace "Z" in part number with "K" or "M"
- "K" seals only available in size codes 6 thru 11

- Auxiliary end caps - available in all size codes
- Allowable frame load is 2/3 yield strength
- Selection Guide, see Rexnord Spherical Roller Bearings Selection Guide section Load Ratings & Speed Limits, see Rexnord Spherical Roller Bearings Load Ratings & Speed Limits section
- Note: Dimensions subject to change. Certified dimensions of ordered material furnished on request.

ZNT2000



Product Features

- Protected screw type frame
- Corrosion resistant powder coating
- Cast iron housing
- Misalignment capabilities - Total of 4°
- Broad range of sealing options
- Factory set clearance & lubrication
- Precision ground & superfinished raceways
- Field interchangeable seals
- See Features & Benefits section for additional info.

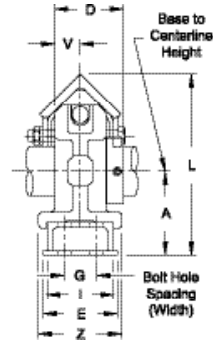
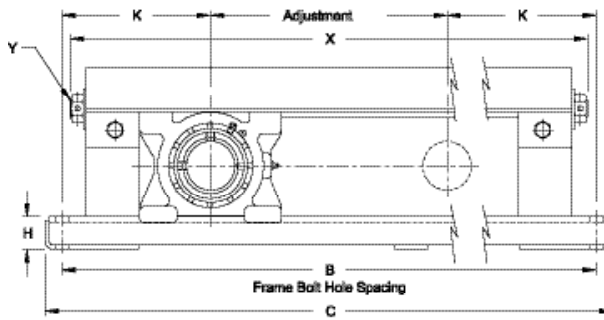
Bearing Dimensions

Size Code	Shaft Diameter	Complete Take-up Assembly	Travel Length	A Base to Centerline Height	B Frame Bolt Hole Spacing	C	D	E	F Bolts	G Bolt Hole Spacing (Width)	H	I	K	L	V	X	Y	Z	Adjust.	Allowable Working Load	Approx. Weight
2-Bolt																					
6	1 15/16	ZNT62115	12	3 15/16	26 1/2	28 1/2	3 1/8	3 1/2	5/8	-	1 3/4	3	7 1/4	8 1/4	1 7/32	25 3/8	3/4 -10NC	3 13/16	12	3,000.0	45
			18		32 1/2	34 1/2										31 3/8					
	2	ZNT62200	24	3 15/16	38 1/2	40 1/2	3 1/8	3 1/2	5/8	-	1 3/4	3	7 1/4	8 1/4	1 7/32	37 3/8	3/4 -10NC	3 13/16	24	3,000.0	56
			30		44 1/2	46 1/2										43 3/8					
			36		50 1/2	52 1/2									49 3/8			36		70	
7	2 3/16	ZNT72203	12	4 3/16	27 1/2	29 1/2	3 5/16	3 1/2	5/8	-	1 3/4	3	7 3/4	8 11/16	1 9/32	26 3/8	3/4 -10NC	3 13/16	12	3,600.0	49
			18		33 1/2	35 1/2										32 3/8					
	2 1/4	ZNT72204	24	4 3/16	39 1/2	41 1/2	3 5/16	3 1/2	5/8	-	1 3/4	3	7 3/4	8 11/16	1 9/32	38 3/8	3/4 -10NC	3 13/16	24	3,600.0	66
			30		45 1/2	47 1/2										44 3/8					
			36		51 1/2	53 1/2									50 3/8			36		78	
8	2 3/8	ZNT82206	12	4 3/8	28 1/2	30 1/2	3 1/2	3 1/2	3/4	-	1 3/4	3	8 1/4	9 1/8	1 5/16	27 3/4	7/8-9NC	3 15/16	12	4,400.0	59
			18		34 1/2	36 1/2										33 3/4					
	2 7/16	ZNT82207	24	4 3/8	40 1/2	42 1/2	3 1/2	3 1/2	3/4	-	1 3/4	3	8 1/4	9 1/8	1 5/16	39 3/4	7/8-9NC	3 15/16	24	4,400.0	74
			30		46 1/2	48 1/2										45 3/4					
			36		52 1/2	54 1/2									51 3/4			36		85	
4-Bolt																					
9	2 11/16	ZNT92211	12	5 1/8	30 1/2	32 1/2	4	4 1/2	3/4	2	2	4	9 1/4	10 5/8	1 9/16	30	1-8NC	5 1/16	12	6,800.0	113
			18		36 1/2	38 1/2										36					
	2 15/16	ZNT92215	24	5 1/8	42 1/2	44 1/2	4	4 1/2	3/4	2	2	4	9 1/4	10 5/8	1 9/16	42	1-8NC	5 1/16	24	6,800.0	128
			30		48 1/2	50 1/2										48					
			36		54 1/2	56 1/2									54			36		93	
10	3 3/16	ZNT102303	12	5 5/8	32	34 1/4	4 3/8	4 1/2	3/4	2	2	4	10	11 3/4	1 23/32	32	1 1/8-7NC	5 3/16	12	8,400.0	118
			18		38	40 1/4										38					
	3 7/16	ZNT102307	24	5 5/8	44	46 1/4	4 3/8	4 1/2	3/4	2	2	4	10	11 3/4	1 23/32	44	1 1/8-7NC	5 3/16	24	8,400.0	145
			30		50	52 1/4										50					
			36		58 1/4	58 1/4									56			36		166	
11	3 11/16	ZNT112311	12	7	36	38 1/2	5 1/16	5 1/2	3/4	2 1/2	2 1/4	5	12	14 1/2	2 1/16	36 5/16	1 1/4-7NC	6 3/8	12	15,600.0	209
			18		42	44 1/2										42 5/16					
	3 15/16	ZNT112315	24	7	48	50 1/2	5 1/16	5 1/2	3/4	2 1/2	2 1/4	5	12	14 1/2	2 1/16	48 5/16	1 1/4-7NC	6 3/8	24	15,600.0	249
			30		54	56 1/2										54 5/16					
			36		62 1/2	62 1/2									60 5/16			36		279	

Additional Notes

- Please call 1-866-REXNORD for availability
- Metric bore sizes available, see Rexnord Interchangeability guide
- Lubrication fitting tap size, 1/8 PT
- Bore size = nominal shaft size +.001"/-.000"
- Seals - To specify K or M seal, replace "Z" in part number with "K" or "M"
- Auxiliary end caps - available in all size codes

- Allowable working load is 2/3 yield strength
- Selection Guide, see Rexnord Spherical Roller Bearings Selection Guide section
- Load Ratings & Speed Limits, see Rexnord Spherical Roller Bearings Load Ratings & Speed Limits section
- Note: Dimensions subject to change. Certified dimensions of ordered material furnished on request.



Product Features

- Protected screw type frame
- Corrosion resistant powder coating
- Cast iron housing
- Misalignment capabilities - Total of 4°
- Broad range of sealing options
- Factory set clearance & lubrication
- Precision ground & superfinished raceways
- Field interchangeable seals
- See Features & Benefits section for additional info.

Bearing Dimensions

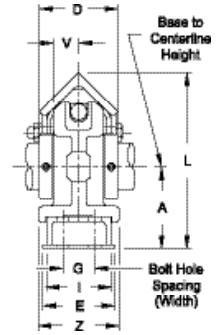
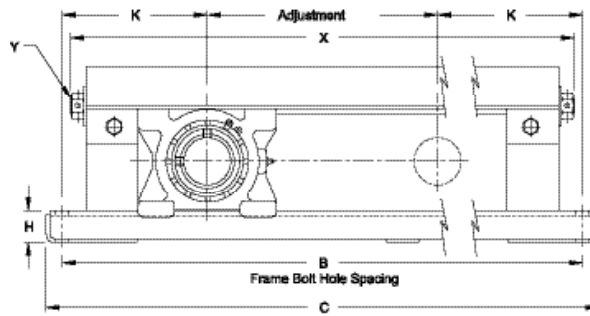
Size Code	Shaft Diameter	Complete Take-up Assembly	Travel Length	A Base to Centerline Height	B Bolt Hole Spacing	C	D	E	F Bolts	G Bolt Hole Spacing (Width)	H	I	K	L	V	X	Y	Z	Adjust.	Allowable Working Load	Approx. Weight
2-Bolt																					
6	1 15/16	ZNT63115	12	3 15/16	26 1/2	28 1/2										25 3/8	3/4-10 NC	3 13/16	12	3,000.0	45
			18		32 1/2	34 1/2								31 3/8	18	50					
			24		38 1/2	40 1/2	3 9/32	3 1/2	5/8	-	1 3/4	3	7 1/4	8 1/4	1 7/32	37 3/8			30		63
			30		44 1/2	46 1/2										43 3/8			36		70
			36		50 1/2	52 1/2										49 3/8			36		70
7	2 3/16	ZNT73203	12	4 3/16	27 1/2	29 1/2										26 3/8	3/4-10 NC	3 13/16	12	3,600.0	49
			18		33 1/2	35 1/2										32 3/8			18		54
			24		39 1/2	41 1/2	3 1/2	3 1/2	5/8	-	1 3/4	3	7 3/4	8 11/16	1 9/32	38 3/8			30		66
			30		45 1/2	47 1/2										44 3/8			36		73
			36		51 1/2	53 1/2										50 3/8			36		78
8	2 7/16	ZNT83207	12	4 3/8	28 1/2	30 1/2										27 3/4	7/8-9 NC	3 15/16	12	4,400.0	59
			18		34 1/2	36 1/2	3 21/32	3 1/2	3/4	-	1 3/4	3	8 1/4	9 1/8	1 5/16	33 3/4			18		63
			24		40 1/2	42 1/2										39 3/4			24		74
	2 1/2	ZNT83208	30	4 3/8	46 1/2	48 1/2	3 21/32	3 1/2	3/4	-	1 3/4	3	8 1/4	9 1/8	1 5/16	45 3/4	7/8-9 NC	3 15/16	30	4,400.0	79
			36		52 1/2	54 1/2										51 3/4			36		85
4-Bolt																					
9	2 11/16	ZNT93211	12	5 1/8	30 1/2	32 1/2										30	1-8 NC	5 1/16	12	6,800.0	113
			18		36 1/2	38 1/2	4 13/64	4 1/2	3/4	2	2	4	9 1/4	10 5/8	1 9/16	42			24		128
			24		42 1/2	44 1/2										48			30		85
	2 15/16	ZNT93215	30	5 1/8	48 1/2	50 1/2	4 13/64	4 1/2	3/4	2	2	4	9 1/4	10 5/8	1 9/16	54	1-8 NC	5 1/16	30	6,800.0	85
			36		54 1/2	56 1/2										54			36		93
10	3 7/16	ZNT103307	12	5 5/8	32	34 1/4										32	1 1/8-7 NC	5 3/16	12	8,400.0	118
			18		38	40 1/4	4 37/64	4 1/2	3/4	2	2	4	10	11 3/4	1 23/32	38			18		127
			24		44	46 1/4										44			24		145
	3 1/2	ZNT103308	30	5 5/8	50	52 1/4	4 37/64	4 1/2	3/4	2	2	4	10	11 3/4	1 23/32	50	1 1/8-7 NC	5 3/16	30	8,400.0	154
			36		56	58 1/4										56			36		166
11	3 15/16	ZNT113315	12	7	36	38 1/2										36 5/16	1 1/4-7 NC	6 3/8	12	15,600.0	209
			18		42	44 1/2										42 5/16			18		217
			24		48	50 1/2	5 3/16	5 1/2	3/4	2 1/2	2 1/4	5	12	14 1/2	2 1/16	48 5/16			24		249
			30		54	56 1/2										54 5/16			30		269
			36		60	62 1/2										60 5/16			36		279

Additional Notes

- Please call 1-866-REXNORD for availability
- Lubrication fitting tap size, 1/8 PT
- Bore size = nominal shaft size +.001"/-.000"
- Seals - To specify K or M seal, replace "Z" in part number with "K" or "M"
- Auxiliary end caps - available in all size codes
- Allowable working load is 2/3 yield strength

- Selection Guide, see Rexnord Spherical Roller Bearings Selection Guide section
- Load Ratings & Speed Limits, see Rexnord Spherical Roller Bearings Load Ratings & Speed Limits section
- Note: Dimensions subject to change. Certified dimensions of ordered material furnished on request.

ZNT5000



Product Features

- Protected screw type frame
- Corrosion resistant powder coating
- Cast iron housing
- Misalignment capabilities - Total of 4°
- Broad range of sealing options
- Factory set clearance & lubrication
- Precision ground & superfinished raceways
- Field interchangeable seals
- See Features & Benefits section for additional info.

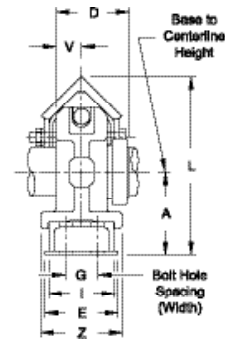
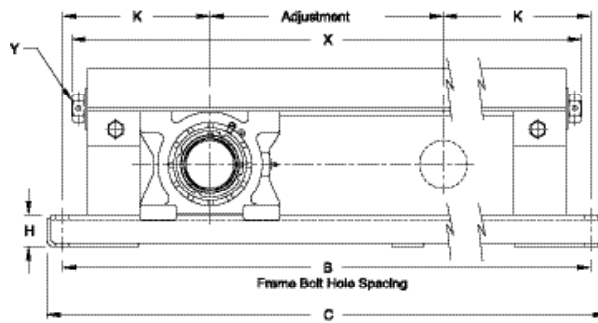
Bearing Dimensions

Size Code	Shaft Diameter	Complete Take-up Assembly	Travel Length	A Base to Centerline Height	B Frame Bolt Hole Spacing	C	D	E	F Bolts	G Bolt Hole Spacing (Width)	H	I	K	L	V	X	Y	Z	Adjust.	Allowable Working Load	Approx. Weight
2-Bolt																					
6	1 15/16	ZNT65115	12	3 15/16	26 1/2	28 1/2	3 13/16	3 1/2	5/8	-	1 3/4	3	7 1/4	8 1/4	1 7/32	25 3/8	3/4-10 NC	3 13/16	12	3,000.0	47
			18		32 1/2	34 1/2										31 3/8			18		52
			24		38 1/2	40 1/2										37 3/8			24		58
			30		44 1/2	46 1/2										43 3/8			30		65
			36		50 1/2	52 1/2										49 3/8			36		72
7	2	ZNT75200	12	4 3/16	27 1/2	29 1/2	4 1/8	3 1/2	5/8	-	1 3/4	3	7 3/4	8 11/16	1 9/32	26 3/8	3/4-10 NC	3 13/16	12	3,600.0	51
			18		33 1/2	35 1/2										32 3/8			18		56
	2 3/16	ZNT75203	24	4 3/16	39 1/2	41 1/2	4 1/8	3 1/2	5/8	-	1 3/4	3	7 3/4	8 11/16	1 9/32	38 3/8	3/4-10 NC	3 13/16	24	3,600.0	68
			30		45 1/2	47 1/2										44 3/8			30		75
36	51 1/2	53 1/2	50 3/8	36	80																
8	2 7/16	ZNT85207	12	4 3/8	28 1/2	30 1/2	4 3/8	3 1/2	3/4	-	1 3/4	3	8 1/4	9 1/8	1 5/16	27 3/4	7/8-9 NC	3 15/16	12	4,400.0	61
			18		34 1/2	36 1/2										33 3/4			18		65
			24		40 1/2	42 1/2										39 3/4			24		76
			30		46 1/2	48 1/2										45 3/4			30		81
			36		52 1/2	54 1/2										51 3/4			36		87
4-Bolt																					
9	2 1/2	ZNT95208	12	5 1/8	30 1/2	32 1/2	4 7/8	4 1/2	3/4	2	2	4	9 1/4	10 5/8	1 9/16	30	1-8 NC	5 1/16	12	6,800.0	115
	18	36 1/2	38 1/2		4 7/8	4 1/2	3/4	2	2	4	9 1/4	10 5/8	1 9/16	36	18	122					
	2 11/16	ZNT95211	24	5 1/8	42 1/2	44 1/2	4 7/8	4 1/2	3/4	2	2	4	9 1/4	10 5/8	1 9/16	42	1-8 NC	5 1/16	24	6,800.0	130
	30	48 1/2	50 1/2		4 7/8	4 1/2	3/4	2	2	4	9 1/4	10 5/8	1 9/16	48	30	87					
2 5/16	ZNT95215	36	5 1/8	54 1/2	56 1/2	4 7/8	4 1/2	3/4	2	2	4	9 1/4	10 5/8	1 9/16	54	1-8 NC	5 1/16	36	6,800.0	95	
10	3 3/16	ZNT105303	12	5 5/8	32	34 1/4	5 5/16	4 1/2	3/4	2	2	4	10	11 3/4	1 23/32	32	1 1/8-7 NC	5 3/16	12	8,400.0	120
			18		38	40 1/4										38			18		129
	24	44	46 1/4	44	24	147															
	3 7/16	ZNT105307	30	5 5/8	50	52 1/4	5 5/16	4 1/2	3/4	2	2	4	10	11 3/4	1 23/32	50	1 1/8-7 NC	5 3/16	30	8,400.0	156
36	56	58 1/4	56		36	168															
11	3 11/16	ZNT115311	12	7	36	38 1/2	6 1/4	5 1/2	3/4	2 1/2	2 1/4	5	12	14 1/2	2 1/16	36 5/16	1 1/4-7 NC	6 3/8	12	15,600.0	211
			18		42	44 1/2										42 5/16			18		219
	3 15/16	ZNT115315	24	7	48	50 1/2	6 1/4	5 1/2	3/4	2 1/2	2 1/4	5	12	14 1/2	2 1/16	48 5/16	1 1/4-7 NC	6 3/8	24	15,600.0	251
	30	54	56 1/2		54 5/16	30										271					
4	ZNT115400	36	7	60	62 1/2	6 1/4	5 1/2	3/4	2 1/2	2 1/4	5	12	14 1/2	2 1/16	60 5/16	1 1/4-7 NC	6 3/8	36	15,600.0	281	

Additional Notes

- Please call 1-866-REXNORD for availability
- Metric bore sizes available, see Rexnord Interchangeability guide
- Lubrication fitting tap size, 1/8 PT
- Bore size = nominal shaft size +.001"/-.000"
- Seals - To specify K or M seal, replace "Z" in part number with "K" or "M"
- Auxiliary end caps - available in all size codes

- Allowable working load is 2/3 yield strength
- Selection Guide, see Rexnord Spherical Roller Bearings Selection Guide section
- Load Ratings & Speed Limits, see Rexnord Spherical Roller Bearings Load Ratings & Speed Limits section
- Note: Dimensions subject to change. Certified dimensions of ordered material furnished on request.



Product Features

- Optical Strain Sensor Technology
- Positive locking system
- Tapered adapter sleeve
- Protected screw type frame
- Corrosion resistant powder coating
- Cast iron housing
- Misalignment capabilities - Total of 4°
- Broad range of sealing options
- Factory set clearance & lubrication
- See Features & Benefits section for additional info.

Bearing Dimensions

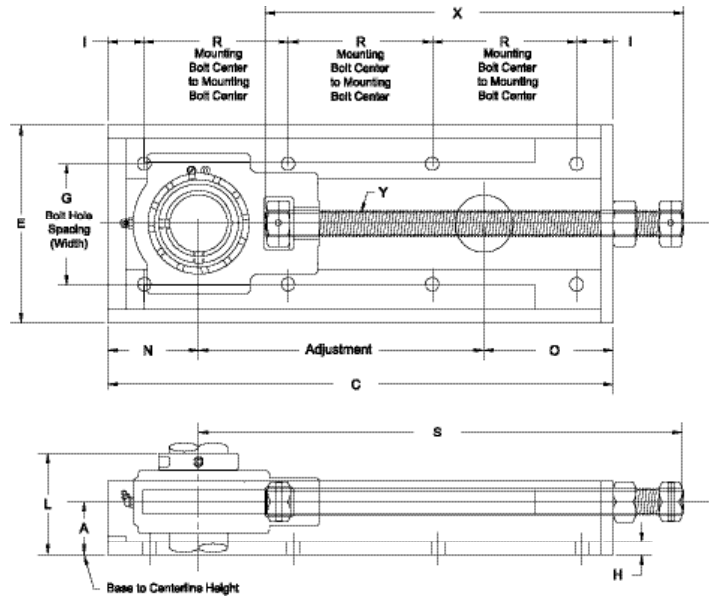
Size Code	Shaft Diameter	Complete Take-up Assembly	Travel Length	A Base to Centerline Height	B Frame Bolt Hole Spacing	C	D	E	F Bolts	G Bolt Hole Spacing (Width)	H	I	K	L	V	X	Y	Z	Adjust.	Allowable Working Load	Approx. Weight
2-Bolt																					
6	1 15/16	ZNT66115	12	3 15/16	26 1/2	28 1/2	3 41/64	3 1/2	5/8	-	1 3/4	3	7 1/4	8 1/4	1 7/32	25 3/8	3/4-10 NC	3 13/16	12	3,000.0	47
			18		32 1/2	34 1/2										18			52		
			24		38 1/2	40 1/2										24			58		
			30		44 1/2	46 1/2										30			65		
			36		50 1/2	52 1/2										36			72		
7	2 3/16	ZNT76203	12	4 3/16	27 1/2	29 1/2	3 49/64	3 1/2	5/8	-	1 3/4	3	7 3/4	8 11/16	1 9/32	26 3/8	3/4-10 NC	3 13/16	12	3,600.0	51
			18		33 1/2	35 1/2										18			56		
			24		39 1/2	41 1/2										24			68		
			30		45 1/2	47 1/2										30			75		
			36		51 1/2	53 1/2										36			80		
8	2 3/8	ZNT86206	12	4 3/8	28 1/2	30 1/2	4 5/32	3 1/2	3/4	-	1 3/4	3	8 1/4	9 1/8	1 5/16	27 3/4	7/8-9 NC	3 15/16	12	4,400.0	61
			18		34 1/2	36 1/2										18			65		
			24		40 1/2	42 1/2										24			76		
	2 7/16	ZNT86207	30	4 3/8	46 1/2	48 1/2	4 5/32	3 1/2	3/4	-	1 3/4	3	8 1/4	9 1/8	1 5/16	45 3/4	7/8-9 NC	3 15/16	30	4,400.0	81
			36		52 1/2	54 1/2										36			87		
4-Bolt																					
9	2 11/16	ZNT96211	12	5 1/8	30 1/2	32 1/2	4 17/32	4 1/2	3/4	2	2	4	9 1/4	10 5/8	1 9/16	30	1-8 NC	5 1/16	12	6,800.0	115
			18		36 1/2	38 1/2										18			122		
			24		42 1/2	44 1/2										24			130		
2 3/4	ZNT96212	30	5 1/8	48 1/2	50 1/2	4 17/32	4 1/2	3/4	2	2	4	9 1/4	10 5/8	1 9/16	42	1-8 NC	5 1/16	30	6,800.0	87	
		36		54 1/2	56 1/2										36			95			
2 15/16	ZNT96215	12	5 1/8	32	34 1/4	4 17/32	4 1/2	3/4	2	2	4	9 1/4	10 5/8	1 9/16	48	1-8 NC	5 1/16	36	6,800.0	95	
		18		38	40 1/4										18			120			
10	3 3/16	ZNT106303	24	5 5/8	44	46 1/4	5 9/64	4 1/2	3/4	2	2	4	10	11 3/4	1 29/32	44	1 1/8-7 NC	5 3/16	24	8,400.0	147
			30		50	52 1/4										30			156		
			36		56	58 1/4										36			168		
11	3 11/16	ZNT116311	12	7	36	38 1/2	5 31/32	5 1/2	3/4	2 1/2	2 1/4	5	12	14 1/2	2 1/16	36 5/16	1 1/4-7 NC	6 3/8	12	15,600.0	211
			18		42	44 1/2										18			219		
			24		48	50 1/2										24			251		
3 15/16	ZNT116315	30	7	54	56 1/2	5 31/32	5 1/2	3/4	2 1/2	2 1/4	5	12	14 1/2	2 1/16	54 5/16	1 1/4-7 NC	6 3/8	30	15,600.0	271	
		36		60	62 1/2										36			281			

Additional Notes

- Please call 1-866-REXNORD for availability
- Lubrication fitting tap size, 1/8 PT
- Bore size = nominal shaft size +.001"/-.000"
- Seals - To specify K or M seal, replace "Z" in part number with "K" or "M"
- Auxiliary end caps - available in all size codes
- Allowable working load is 2/3 yield strength

- Selection Guide, see Rexnord Spherical Roller Bearings Selection Guide section
- Load Ratings & Speed Limits, see Rexnord Spherical Roller Bearings Load Ratings & Speed Limits section
- Note: Dimensions subject to change. Certified dimensions of ordered material furnished on request.

ZAT2000



Product Features

- Center pull side mounted frame
- Corrosion resistant powder coating
- Cast iron housing
- Misalignment capabilities - Total of 4°
- Broad range of sealing options
- Factory set clearance & lubrication
- Precision ground & superfinished raceways
- Field interchangeable seals
- See Features & Benefits section for additional info.

Bearing Dimensions

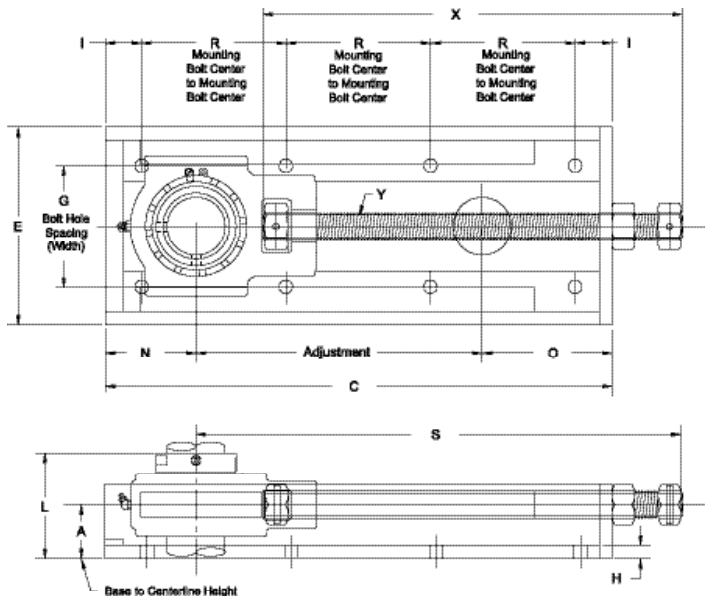
Size Code	Shaft Diameter	Part Number	Adjust.	A Base to Centerline Height	C	E	F Bolts	G Bolt Hole Spacing (Width)	H	I	L	N	O	R Mounting Bolt Center to Mounting Bolt Center	S	X	Y	Approx. Weight
6-Bolt																		
4	1 7/16	ZAT421079	9	1 7/8	15 7/8	5 3/16	1/2	3 9/16	3/16	1 1/2	3 5/8	3	3 7/8	6 7/16	15	13 1/8	3/4-10 NC	18.40
5	1 11/16	ZAT521119	9	2	17	5 13/16	1/2	4 1/16	1/4	1 1/2	3 7/8	3 1/4	4 3/4	7	16	13 1/2	7/8-9 NC	26.80
6	1 15/16	ZAT621159	9	2	17	5 13/16	1/2	4 1/16	1/4	1 1/2	3 7/8	3 1/4	4 3/4	7	16	13 1/2	7/8-9 NC	27.10
7	2 3/16	ZAT722039	9	2	18	6 9/16	1/2	4 13/16	1/4	1 1/2	4	3 9/16	5 7/16	7 1/2	16 15/16	14 5/16	1-8 NC	33.70
8-Bolt																		
8	2 7/16	ZAT8220712	12	2 1/4	21 11/16	7 5/16	1/2	5 1/16	5/16	1 3/4	4 7/16	3 13/16	5 7/8	6 1/16	20 3/4	18	1 1/8-7 NC	51.00
9	2 15/16	ZAT9221512	12	2 7/16	23	8 1/8	1/2	5 3/8	5/16	1 3/4	4 7/8	4 1/4	6 3/4	6 1/2	21 3/4	18 1/2	1 1/4-7 NC	75.00

Additional Notes

- Please call 1-866-REXNORD for availability
- Metric bore sizes available, see Rexnord Interchangeability guide
- Lubrication fitting tap size, 1/8 PT
- Bore size = nominal shaft size +.001"/-.000"
- Seals - To specify K or M seal, replace "Z" in part number with "K" or "M"
- Auxiliary end caps - available in all size codes on outboard side only

Selection Guide, see Rexnord Spherical Roller Bearings Selection Guide section Load Ratings & Speed Limits, see Rexnord Spherical Roller Bearings Load Ratings & Speed Limits section
 Note: Dimensions subject to change. Certified dimensions of ordered material furnished on request.

ZAT3000



Product Features

- Center pull side mounted frame
- Corrosion resistant powder coating
- Cast iron housing
- Misalignment capabilities - Total of 4°
- Broad range of sealing options
- Factory set clearance & lubrication
- Precision ground & superfinished raceways
- Field interchangeable seals
- See Features & Benefits section for additional info.

Bearing Dimensions

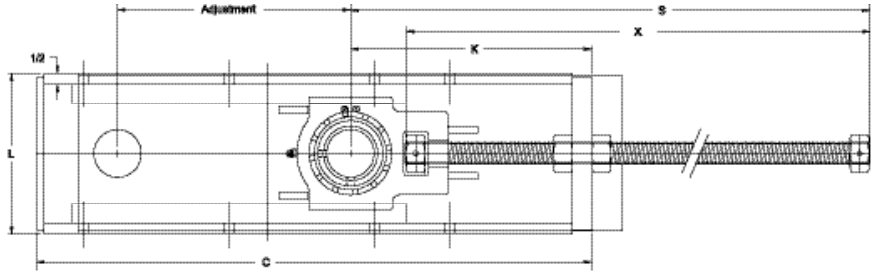
Size Code	Shaft Diameter	Part Number	Adjust.	A Base to Centerline Height	C	E	F Bolts	G Bolthole Spacing (Width)	H	I	L	N	O	R Mounting Bolt Center to Mounting Bolt Center	S	X	Y	Approx. Weight
6-Bolt																		
4	1 7/16	ZAT431079	9	1 7/8	15 7/8	5 3/16	1/2	3 9/16	3/16	1 1/2	3 5/8	3	3 7/8	6 7/16	15	13 1/8	3/4-10 NC	18.40
5	1 11/16	ZAT531119	9	2	17	5 13/16	1/2	4 1/16	1/4	1 1/2	3 7/8	3 1/4	4 3/4	7	16	13 1/2	7/8-9 NC	26.80
6	1 15/16	ZAT631159	9	2	17	5 13/16	1/2	4 1/16	1/4	1 1/2	3 7/8	3 1/4	4 3/4	7	16	13 1/2	7/8-9 NC	27.10
7	2 3/16	ZAT732039	9	2	18	6 9/16	1/2	4 13/16	1/4	1 1/2	4	3 9/16	5 7/16	7 1/2	16 15/16	14 5/16	1-8 NC	33.70
8-Bolt																		
8	2 7/16	ZAT8320712	12	2 1/4	21 11/16	7 9/16	1/2	5 1/16	9/16	1 3/4	4 7/16	3 13/16	5 7/8	6 1/16	20 3/4	18	1 1/8-7 NC	51.00
9	2 15/16	ZAT9321512	12	2 7/16	23	8 1/8	1/2	5 3/8	5/16	1 3/4	4 7/8	4 1/4	6 3/4	6 1/2	21 3/4	18 1/2	1 1/4-7 NC	75.00

Additional Notes

- Please call 1-866-REXNORD for availability
- Lubrication fitting tap size, 1/8 PT
- Bore size = nominal shaft size +.001"/-.000"
- Seals - To specify K or M seal, replace "Z" in part number with "K" or "M"
- Auxiliary end caps - available in all size codes on outboard side only

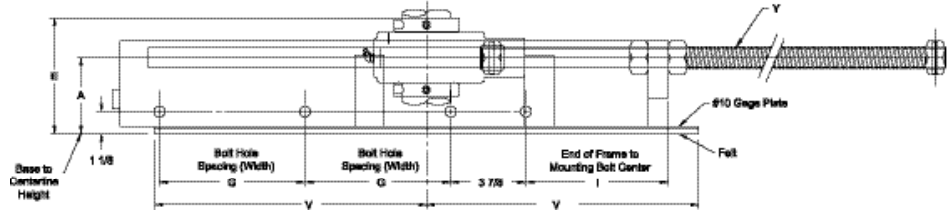
- Selection Guide, see Rexnord Spherical Roller Bearings Selection Guide section Load Ratings & Speed Limits, see Rexnord Spherical Roller Bearings Load Ratings & Speed Limits section
- Note: Dimensions subject to change. Certified dimensions of ordered material furnished on request.

ZFT5000



Product Features

- Center pull elevator boot frame
- Back plate makes casing dust tight
- Corrosion resistant powder coating
- Cast iron housing
- Misalignment capabilities - Total of 4°
- Broad range of sealing options
- Factory set clearance & lubrication
- Precision ground & superfinished raceways
- Field interchangeable seals
- See Features & Benefits section for additional info.



Bearing Dimensions

Size Code	Shaft Diameter	Part Number	A Base to Centerline Height	C	E	F Bolts	G Bolt Hole Spacing (Width)	I End of Frame at Rod End to Mounting Bolt Center	K	L	S	V	X	Y	Adjust.	Approx. Weight
6	1 15/16	ZFT651159	3 11/16	23 1/2	5 5/8	1/2	6	5 1/2	10 5/8	7 3/16	21 3/4	11	19 1/2	7/8-9 NC	9	63.00
8	2 7/16	ZFT8520712	3 15/16	28 5/8	6 1/8	1/2	7 1/2	7 5/16	12 7/16	8 5/16	27	14	24 1/4	1 1/8-7 NC	12	88.00
9	2 1/2	ZFT9520812	4 3/8	30 3/8	6 13/16	1/2	7 1/2	8 3/4	13 7/8	8 5/8	28 5/8	14	25 3/8	1 1/4-7 NC	12	117.00
	2 11/16	ZFT9521112	4 3/8	30 3/8	6 13/16	1/2	7 1/2	8 3/4	13 7/8	8 5/8	28 5/8	14	25 3/8	1 1/4-7 NC	12	115.00
	2 15/16	ZFT9521512	4 3/8	30 3/8	6 13/16	1/2	7 1/2	8 3/4	13 7/8	8 5/8	28 5/8	14	25 3/8	1 1/4-7 NC	12	114.00

Additional Notes

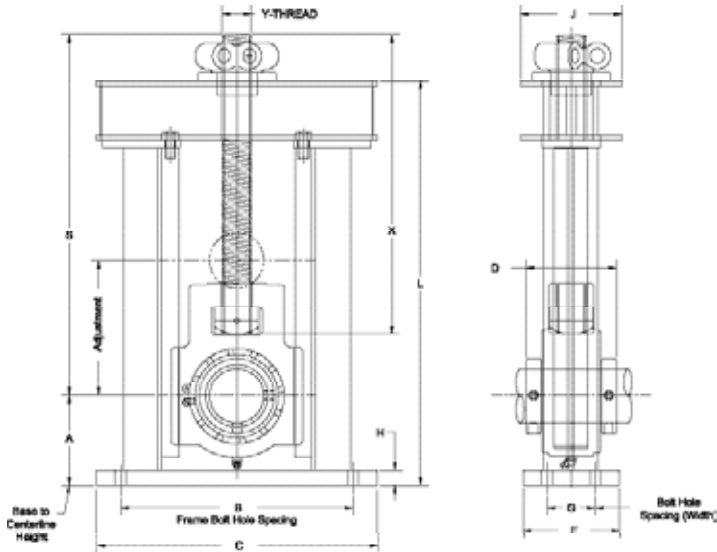
- Please call 1-866-REXNORD for availability
- Metric bore sizes available, see Rexnord Interchangeability guide
- Lubrication fitting tap size, 1/8 PT
- Bore size = nominal shaft size +.001"/-.000"
- Seals - To specify K or M seal, replace "Z" in part number with "K" or "M"
- Auxiliary end caps - available in all size codes

Selection Guide, see Rexnord Spherical Roller Bearings Selection Guide section
 Load Ratings & Speed Limits, see Rexnord Spherical Roller Bearings Load Ratings & Speed Limits section
 Note: Dimensions subject to change. Certified dimensions of ordered material furnished on request.



Product Features

- Center pull elevator head frame
- Corrosion resistant powder coating
- Cast iron housing
- Misalignment capabilities - Total of 4°
- Broad range of sealing options
- Factory set clearance & lubrication
- Precision ground & superfinished raceways
- Field interchangeable seals
- See Features & Benefits section for additional info.



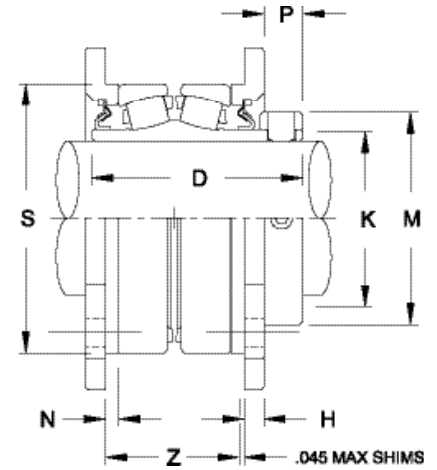
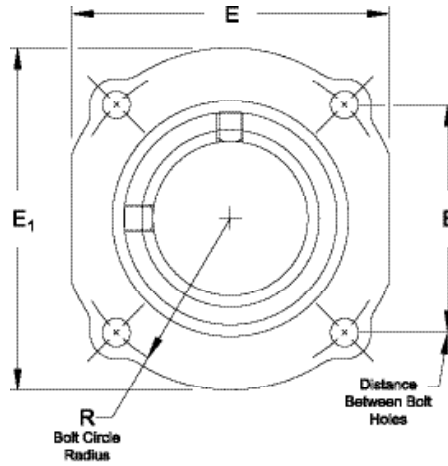
Bearing Dimensions

Size Code	Shaft Diameter	Part Number	A Base to Centerline Height	B Frame Bolt Hole Spacing	C	D	E	F Bolts	G Bolt Hole Spacing (Width)	H	J	L	S	X	Y	Adjust.	Allowable Working Load	Approx. Weight
6	1 15/16	ZGT651156	3 5/16	10	12	3 13/16	3 1/2	1/2	1 3/4	1/2	4 15/16	16 1/2	15 7/8	13 5/8	1-8 NC	6	12,300.0	50.00
8	2 7/16	ZGT852077	4 1/8	11	13 1/2	4 3/8	4	5/8	2	3/4	4 15/16	19 7/16	18 3/4	13 5/8	1 1/4-7 NC	7	20,900.0	74.00
9	2 1/2	ZGT952087	4 5/8	12	14 1/2	4 7/8	5	5/8	2 1/2	3/4	5 1/4	20 7/8	17 7/8	15 1/2	1 1/2-6 NC	7	26,800.0	103.00
	2 11/16	ZGT952117	4 5/8	12	14 1/2	4 7/8	5	5/8	2 1/2	3/4	5 1/4	20 7/8	17 7/8	15 1/2	1 1/2-6 NC	7	26,800.0	101.00
10	2 15/16	ZGT952157	4 5/8	12	14 1/2	4 7/8	5	5/8	2 1/2	3/4	5 1/4	20 7/8	17 7/8	15 1/2	1 1/2-6 NC	7	26,800.0	100.00
	3 3/16	ZGT10530310	5 1/8	13	16	5 5/16	5	3/4	3	3/4	6	25 1/16	23 3/16	19 1/2	1 3/4-5 NC	10	27,300.0	140.00
11	3 7/16	ZGT10530710	5 1/8	13	16	5 5/16	5	3/4	3	3/4	6	25 1/16	23 3/16	19 1/2	1 3/4-5 NC	10	27,300.0	138.00
	3 11/16	ZGT11531110	5 13/16	14	17	6 1/4	5	3/4	3	3/4	8 1/4	27 3/4	26 7/16	22	2-4 1/2 NC	10	45,400.0	214.00
	3 15/16	ZGT11531510	5 13/16	14	17	6 1/4	5	3/4	3	3/4	8 1/4	27 3/4	26 7/16	22	2-4 1/2 NC	10	45,400.0	211.00
12	4	ZGT11540010	5 13/16	14	17	6 1/4	5	3/4	3	3/4	8 1/4	27 3/4	26 7/16	22	2-4 1/2 NC	10	45,400.0	210.00
	4 7/16	ZGT125407Y10	6 13/16	17	20	6 1/4	6	7/8	3 1/2	3/4	9 1/4	32 1/4	29 1/2	24 1/2	2-4 1/2 NC	10 1/2	53,700.0	260.00
13	4 15/16	ZGT13541510	7 3/16	18	21	7 7/8	6	7/8	3 1/2	3/4	9 7/16	34 5/8	31 3/4	26 5/16	2 1/4-4 1/2 NC	10 1/2	68,000.0	329.00
	5	ZGT13550010	7 3/16	18	21	7 7/8	6	7/8	3 1/2	3/4	9 7/16	34 5/8	31 3/4	26 5/16	2 1/4-4 1/2 NC	10 1/2	68,000.0	326.00
14	5 7/16	ZGT14550710	9 11/16	23	31	8	10	1 1/8	7	1	10 1/2	44 7/8	42 1/4	35	3-4 NC	10 1/2	125,000.0	1,200.00
15	5 15/16	ZGT15551510	9 11/16	23	31	8 1/8	10	1 1/8	7	1	10 1/2	44 7/8	42 1/4	35	3-4 NC	10 1/2	125,000.0	1,200.00
	6	ZGT15560010	9 11/16	23	31	8 1/8	10	1 1/8	7	1	10 1/2	44 7/8	42 1/4	35	3-4 NC	10 1/2	125,000.0	1,200.00
16	6 7/16	ZGT16560710	9 11/16	23	31	8 3/4	10	1 1/8	7	1	10 1/2	44 7/8	42 1/4	35	3-4 NC	10 1/2	125,000.0	1,200.00
	6 15/16	ZGT16561510	9 11/16	23	31	8 3/4	10	1 1/8	7	1	10 1/2	44 7/8	42 1/4	35	3-4 NC	10 1/2	125,000.0	1,200.00
	7	ZGT16570010	9 11/16	23	31	8 3/4	10	1 1/8	7	1	10 1/2	44 7/8	42 1/4	35	3-4 NC	10 1/2	125,000.0	1,200.00

Additional Notes

- Please call 1-866-REXNORD for availability
- Metric bore sizes available, see Rexnord Interchangeability guide
- Lubrication fitting tap size, 1/8 PT
- Bore size = nominal shaft size +.001"/-.000"
- Seals - To specify K or M seal, replace "Z" in part number with "K" or "M"
- Auxiliary end caps - available in all size codes

- Allowable working load is 2/3 yield strength
- Selection Guide, see Rexnord Spherical Roller Bearings Selection Guide section
- Load Ratings & Speed Limits, see Rexnord Spherical Roller Bearings Load Ratings & Speed Limits section
- Note: Dimensions subject to change. Certified dimensions of ordered material furnished on request.



Product Features

- Corrosion resistant powder coating
- Cast iron housing
- Misalignment capabilities - Total of 4°
- Broad range of sealing options
- Factory set clearance & lubrication
- Precision ground & superfinished raceways
- Hardened spring locking collar
- Field interchangeable seals
- See Features & Benefits section for additional info.

Bearing Dimensions

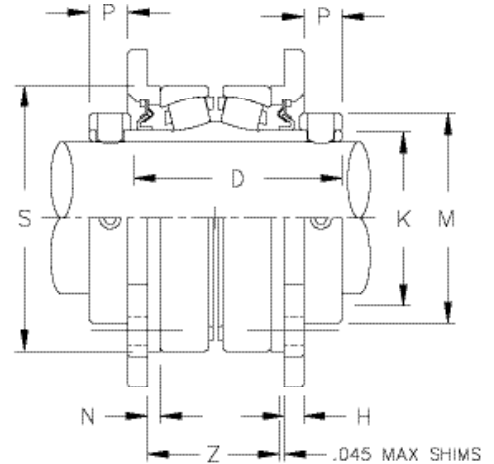
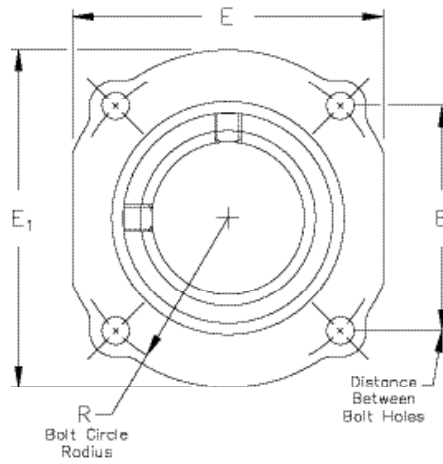
Size Code	Shaft Diameter	Part Number	B Distance Between Bolt Holes	D	E1	E	F	H	K	M	N	P	R Bolt Circle Radius	S	Z	Recommended Housing Bore Diameter	Approx. Weight
4	1 7/16	ZD2107	2 9/16	2 7/8	3 3/4	3 5/16	3/8	5/16	1 3/4	2 5/16	7/32	5/8	1 13/16	2.838	1.725	2.836	3.00
	1 1/2	ZD2108	2 9/16	2 7/8	3 3/4	3 5/16	3/8	5/16	1 3/4	2 5/16	7/32	5/8	1 13/16	2.838	1.725	2.836	2.90
5	1 11/16	ZD2111	2 7/8	3 1/8	4 1/4	3 3/4	3/8	5/16	2 1/32	2 5/8	3/16	5/8	2 1/32	3.350	1.930	3.348	4.20
	1 3/4	ZD2112	2 7/8	3 1/8	4 1/4	3 3/4	3/8	5/16	2 1/32	2 5/8	3/16	5/8	2 1/32	3.350	1.930	3.348	4.00
6	1 15/16	ZD2115	3	3 1/8	4 1/2	4	3/8	5/16	2 5/16	2 15/16	3/16	21/32	2 1/8	3.547	1 7/8	3.545	4.60
	2	ZD2200	3	3 1/8	4 1/2	4	3/8	5/16	2 5/16	2 15/16	3/16	21/32	2 1/8	3.547	1 7/8	3.545	4.50
7	2 3/16	ZD2203	3 13/32	3 5/16	5 1/8	4 9/16	7/16	5/16	2 5/8	3 1/4	1/8	11/16	2 13/32	3.940	1.880	3.939	6.20
	2 1/4	ZD2204	3 13/32	3 5/16	5 1/8	4 9/16	7/16	5/16	2 5/8	3 1/4	1/8	11/16	2 13/32	3.940	1.880	3.939	6.10
8	2 3/8	ZD2206	3 23/32	3 1/2	5 1/2	4 15/16	1/2	5/16	2 29/32	3 9/16	1/4	3/4	2 5/8	4.334	2.225	4.332	7.80
	2 7/16	ZD2207	3 23/32	3 1/2	5 1/2	4 15/16	1/2	5/16	2 29/32	3 9/16	1/4	3/4	2 5/8	4.334	2.225	4.332	7.70
	2 1/2	ZD2208	3 23/32	3 1/2	5 1/2	4 15/16	1/2	5/16	2 29/32	3 9/16	1/4	3/4	2 5/8	4.334	2.225	4.332	7.50
9	2 11/16	ZD2211	4 21/64	4	6 1/2	6	1/2	3/8	3 3/8	4 1/16	1/4	3/4	3 1/16	5.120	2.600	5.119	13.30
	2 3/4	ZD2212	4 21/64	4	6 1/2	6	1/2	3/8	3 3/8	4 1/16	1/4	3/4	3 1/16	5.120	2.600	5.119	13.10
	2 15/16	ZD2215	4 21/64	4	6 1/2	6	1/2	3/8	3 3/8	4 1/16	1/4	3/4	3 1/16	5.120	2.600	5.119	12.10
	3	ZD2300	4 21/64	4	6 1/2	6	1/2	3/8	3 3/8	4 1/16	1/4	3/4	3 1/16	5.120	2.600	5.119	11.60
10	3 3/16	ZD2303	4 61/64	4 3/8	7 3/8	6 13/16	5/8	7/16	3 31/32	4 15/16	3/16	7/8	3 1/2	5.908	2.664	5.906	18.70
	3 7/16	ZD2307	4 61/64	4 3/8	7 3/8	6 13/16	5/8	7/16	3 31/32	4 15/16	3/16	7/8	3 1/2	5.908	2.664	5.906	17.20
	3 1/2	ZD2308	4 61/64	4 3/8	7 3/8	6 13/16	5/8	7/16	3 31/32	4 15/16	3/16	7/8	3 1/2	5.908	2.664	5.906	16.80
11	3 11/16	ZD2311	6 3/16	5 1/16	9 1/8	8 5/8	5/8	17/32	4 9/16	5 5/8	15/64	1	4 3/8	7.089	3.190	7.088	35.50
	3 15/16	ZD2315	6 3/16	5 1/16	9 1/8	8 5/8	5/8	17/32	4 9/16	5 5/8	15/64	1	4 3/8	7.089	3.190	7.088	31.20
	4	ZD2400	6 3/16	5 1/16	9 1/8	8 5/8	5/8	17/32	4 9/16	5 5/8	15/64	1	4 3/8	7.089	3.190	7.088	30.50

Additional Notes

- Please call 1-866-REXNORD for availability
- Metric bore sizes available, see Rexnord Interchangeability guide
- Bore size = nominal shaft size +.001"/-.000"
- Outer race O.D. tolerance, +.000"/-.001"
- Recommended housing bore diameter tolerance, +.002"/-.000"
- Seals - To specify K or M seal, replace "Z" in part number with "K" or "M"

- Auxiliary end caps - not available
- Selection Guide, see Rexnord Spherical Roller Bearings Selection Guide section
- Load Ratings & Speed Limits, see Rexnord Spherical Roller Bearings Load Ratings & Speed Limits section
- Note: Dimensions subject to change. Certified dimensions of ordered material furnished on request.

ZD5000



Product Features

- Corrosion resistant powder coating
- Cast iron housing
- Misalignment capabilities - Total of 4°
- Broad range of sealing options
- Factory set clearance & lubrication
- Precision ground & superfinished raceways
- Two hardened spring locking collars
- Field interchangeable seals
- See Features & Benefits section for additional info.

Bearing Dimensions

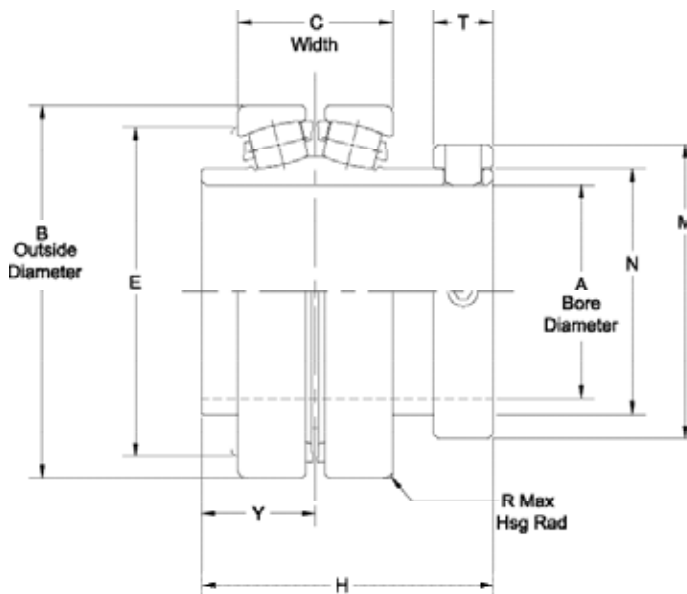
Size Code	Shaft Diameter	Part Number	B Distance Between Bolt Holes	D	E1	E	F	H	K	M	N	P	R Bolt Circle Radius	S	Z	Recommended Housing Bore Diameter	Approx. Weight
4	1 7/16	ZD5107	2 9/16	3 9/16	3 3/4	3 5/16	3/8	5/16	1 3/4	2 5/16	7/32	5/8	1 13/16	2.838	1.725	2.836	3.40
5	1 1/2	ZD5108	2 7/8	3 13/16	4 1/4	3 3/4	3/8	5/16	2 1/32	2 5/8	3/16	5/8	2 1/32	3.350	1.930	3.348	5.40
	1 11/16	ZD5111	2 7/8	3 13/16	4 1/4	3 3/4	3/8	5/16	2 1/32	2 5/8	3/16	5/8	2 1/32	3.350	1.930	3.348	4.80
6	1 15/16	ZD5115	3	3 13/16	4 1/2	4	3/8	5/16	2 5/16	2 15/16	3/16	21/32	2 1/8	3.547	1 7/8	3.545	5.20
7	2	ZD5200	3 13/32	4 1/8	5 1/8	4 9/16	7/16	5/16	2 5/8	3 1/4	1/8	11/16	2 13/32	3.940	1.880	3.939	7.90
	2 3/16	ZD5203	3 13/32	4 1/8	5 1/8	4 9/16	7/16	5/16	2 5/8	3 1/4	1/8	11/16	2 13/32	3.940	1.880	3.939	7.30
8	2 7/16	ZD5207	3 23/32	4 3/8	5 1/2	4 15/16	1/2	5/16	2 29/32	3 9/16	1/4	3/4	2 5/8	4.334	2.225	4.332	8.80
9	2 1/2	ZD5208	4 21/64	4 7/8	6 1/2	6	1/2	3/8	3 3/8	4 1/16	1/4	3/4	3 1/16	5.120	2.600	5.119	16.60
	2 11/16	ZD5211	4 21/64	4 7/8	6 1/2	6	1/2	3/8	3 3/8	4 1/16	1/4	3/4	3 1/16	5.120	2.600	5.119	15.30
	2 15/16	ZD5215	4 21/64	4 7/8	6 1/2	6	1/2	3/8	3 3/8	4 1/16	1/4	3/4	3 1/16	5.120	2.600	5.119	13.20
10	3 3/16	ZD5303	4 61/64	5 5/16	7 3/8	6 13/16	5/8	7/16	3 31/32	4 15/16	3/16	7/8	3 1/2	5.908	2.664	5.906	21.20
	3 7/16	ZD5307	4 61/64	5 5/16	7 3/8	6 13/16	5/8	7/16	3 31/32	4 15/16	3/16	7/8	3 1/2	5.908	2.664	5.906	19.40
	3 11/16	ZD5311	6 3/16	6 1/4	9 1/8	8 5/8	5/8	17/32	4 9/16	5 5/8	15/64	1	4 3/8	7.089	3.190	7.088	38.00
11	3 15/16	ZD5315	6 3/16	6 1/4	9 1/8	8 5/8	5/8	17/32	4 9/16	5 5/8	15/64	1	4 3/8	7.089	3.190	7.088	35.00
	4	ZD5400	6 3/16	6 1/4	9 1/8	8 5/8	5/8	17/32	4 9/16	5 5/8	15/64	1	4 3/8	7.089	3.190	7.088	34.00

Additional Notes

Please call 1-866-REXNORD for availability
 Metric bore sizes available, see Rexnord Interchangeability guide
 Bore size = nominal shaft size +.001"/-.000"
 Outer race O.D. tolerance, +.000"/-.001"
 Recommended housing bore diameter tolerance, +.002"/-.000"
 Seals - To specify K or M seal, replace "Z" in part number with "K" or "M"

Auxiliary end caps - not available
 Selection Guide, see Rexnord Spherical Roller Bearings Selection Guide section
 Load Ratings & Speed Limits, see Rexnord Spherical Roller Bearings Load Ratings & Speed Limits section
 Note: Dimensions subject to change. Certified dimensions of ordered material furnished on request.

2000U



Product Features

- Precision ground & superfinished raceways
- Hardened spring locking collar
- Self aligning
- See Features & Benefits section for additional info.

Bearing Dimensions

Size Code	Shaft Diameter	Part Number	A	B	C	E	H	M	N	R Housing Max	T	Y	Approx. Weight
2	3/4	2012U	0.7500	2.3775	1.19	2.00	2.57	1.74	1.31	0.04	1/2	1	1.30
	15/16	2015U	0.9375	2.3775	1.19	2.00	2.57	1.74	1.31	0.04	1/2	1	1.30
	1	2100U	1.0000	2.3775	1.19	2.00	2.57	1.74	1.31	0.04	1/2	1	1.30
3	1 1/8	2102U	1.1250	2.6275	1.31	2.31	2.69	1.96	1.53	0.05	1/2	1.06	1.80
	1 3/16	2103U	1.1875	2.6275	1.31	2.31	2.69	1.96	1.53	0.05	1/2	1.06	1.80
	1 1/4	2104U	1.2500	2.6275	1.31	2.31	2.69	1.96	1.53	0.05	1/2	1.06	1.80
4	1 7/16	2107U	1.4375	2.8370	1.31	2.50	2.88	2.30	1.75	0.05	0.63	1.09	2.20
	1 1/2	2108U	1.5000	2.8370	1.31	2.50	2.88	2.30	1.75	0.05	0.63	1.09	2.20
5	1 11/16	2111U	1.6875	3.3490	1.58	2.88	3.13	2.58	2.03	0.05	0.63	1.22	3.20
	1 3/4	2112U	1.7500	3.3490	1.58	2.88	3.13	2.58	2.03	0.05	0.63	1.22	3.20
6	1 15/16	2115U	1.9375	3.5460	1.53	3.19	3.13	2.88	2.31	0.05	0.63	1.22	3.30
	2	2200U	2.0000	3.5460	1.53	3.19	3.13	2.88	2.31	0.05	0.63	1.22	3.30
7	2 3/16	2203U	2.1875	3.9395	1.66	3.50	3.32	3.25	2.62	0.05	3/4	1 1/4	4.60
	2 1/4	2204U	2.2500	3.9395	1.66	3.50	3.32	3.25	2.62	0.05	3/4	1 1/4	4.60
8	2 3/8	2206U	2.3750	4.3332	1.75	3.88	3.51	3.55	2.90	0.05	0.81	1.31	5.80
	2 7/16	2207U	2.4375	4.3332	1.75	3.88	3.51	3.55	2.90	0.05	0.81	1.31	5.80
	2 1/2	2208U	2.5000	4.3332	1.75	3.88	3.51	3.55	2.90	0.05	0.81	1.31	5.80
9	2 11/16	2211U	2.6875	5.1197	2.13	4.53	4	4.04	3.37	0.05	0.81	1.56	9.50
	2 3/4	2212U	2.7500	5.1197	2.13	4.53	4	4.04	3.37	0.05	0.81	1.56	9.50
	2 15/16	2215U	2.9375	5.1197	2.13	4.53	4	4.04	3.37	0.05	0.81	1.56	9.50
	3	2300U	3.0000	5.1197	2.13	4.53	4	4.04	3.37	0.05	0.81	1.56	9.50
10	3 3/16	2303U	3.1875	5.9070	2.31	5.34	4.39	4.90	3.98	0.05	0.81	1.72	13.50
	3 7/16	2307U	3.4375	5.9070	2.31	5.34	4.39	4.90	3.98	0.05	0.81	1.72	13.50
	3 1/2	2308U	3.5000	5.9070	2.31	5.34	4.39	4.90	3.98	0.05	0.81	1.72	13.50
11	3 11/16	2311U	3.6875	7.0885	2.75	6.38	5.20	5.63	4.56	0.05	1	2	24.00
	3 15/16	2315U	3.9375	7.0885	2.75	6.38	5.20	5.63	4.56	0.05	1	2	24.00
	4	2400U	4.0000	7.0885	2.75	6.38	5.20	5.63	4.56	-	1	2	24.00

Additional Notes

Please call 1-866-REXNORD for availability
 Metric bore sizes available, see Rexnord Interchangeability guide
 Bearing O.D. tolerance, +.0000"/-.0010"
 Bore tolerance for all size codes, +.0010"/-.0000"
 Selection Guide, see Rexnord Spherical Roller Bearings Selection Guide section

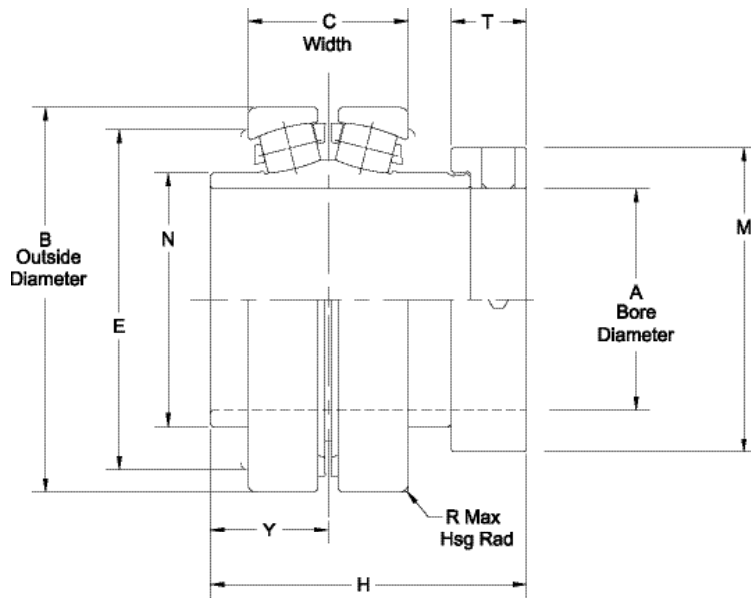
Load Ratings & Speed Limits, see Rexnord Spherical Roller Bearings Load Ratings & Speed Limits section
 Note: Dimensions subject to change. Certified dimensions of ordered material furnished on request.

3000U



Product Features

- Precision ground & superfinished raceways
- Hardened eccentric locking collar
- Self aligning
- See Features & Benefits section for additional info.



Bearing Dimensions

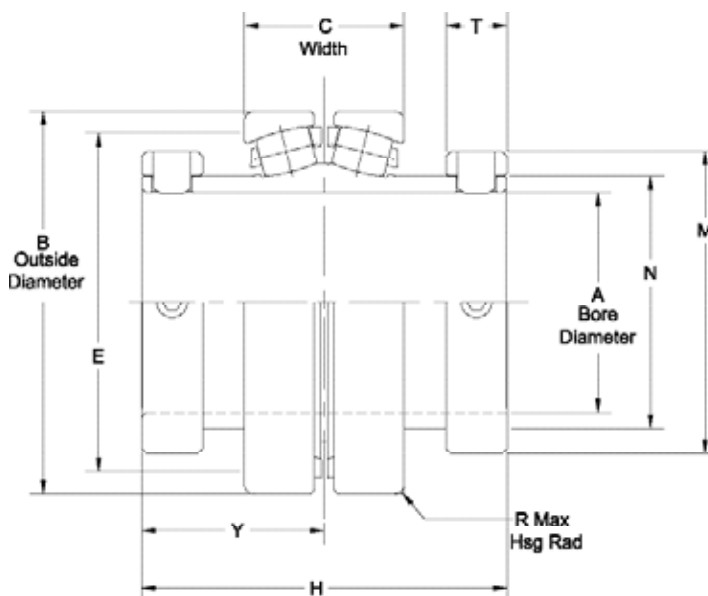
Size Code	Shaft Diameter	Part Number	A	B	C	E	H	M	N	R Housing Max	T	Y	Approx. Weight
4	1 7/16	3107U	1.4375	2.8370	1.31	2.50	2.92	2.30	1.75	0.05	0.66	1.09	2.40
5	1 11/16	3111U	1.6875	3.3490	1.58	2.88	3.18	2.58	2.03	0.05	0.68	1.22	3.40
6	1 15/16	3115U	1.9375	3.5460	1.53	3.19	3.28	2.75	2.31	0.05	0.72	1.22	3.50
7	2 3/16	3203U	2.1875	3.9395	1.66	3.50	3 1/2	3.25	2.62	0.05	0.92	1 1/4	4.90
8	2 7/16	3207U	2.4375	4.3332	1.75	3.88	3.65	3.55	2.90	0.05	0.94	1.31	6.00
	2 1/2	3208U	2.5000	4.3332	1.75	3.88	3.65	3.55	2.90	0.05	0.94	1.31	6.00
9	2 11/16	3211U	2.6875	5.1197	2.13	4.53	4.20	4.04	3.37	0.05	1	1.56	9.50
	2 15/16	3215U	2.9375	5.1197	2.13	4.53	4.20	4.04	3.37	0.05	1	1.56	9.50
10	3 7/16	3307U	3.4375	5.9070	2.31	5.34	4.57	4.90	3.98	0.05	1	1.72	13.00
	3 1/2	3308U	3.5000	5.9070	2.31	5.34	4.57	4.90	3.98	0.05	1	1.72	13.00
11	3 15/16	3315U	3.9375	7.0885	2.75	6.38	5.19	5.63	4.56	0.05	1	2	23.20

Additional Notes

Please call 1-866-REXNORD for availability
 Metric bore sizes available, see Rexnord Interchangeability guide
 Bearing O.D. tolerance, +.0000"/-.0010"
 Bore tolerance for all size codes, +.0010"/-.0000"
 Selection Guide, see Rexnord Spherical Roller Bearings Selection Guide section

Load Ratings & Speed Limits, see Rexnord Spherical Roller Bearings Load Ratings & Speed Limits section
 Note: Dimensions subject to change. Certified dimensions of ordered material furnished on request.

5000U



Product Features

- Precision ground & superfinished raceways
- Two hardened spring locking collars
- Self aligning
- See Features & Benefits section for additional info.

Bearing Dimensions

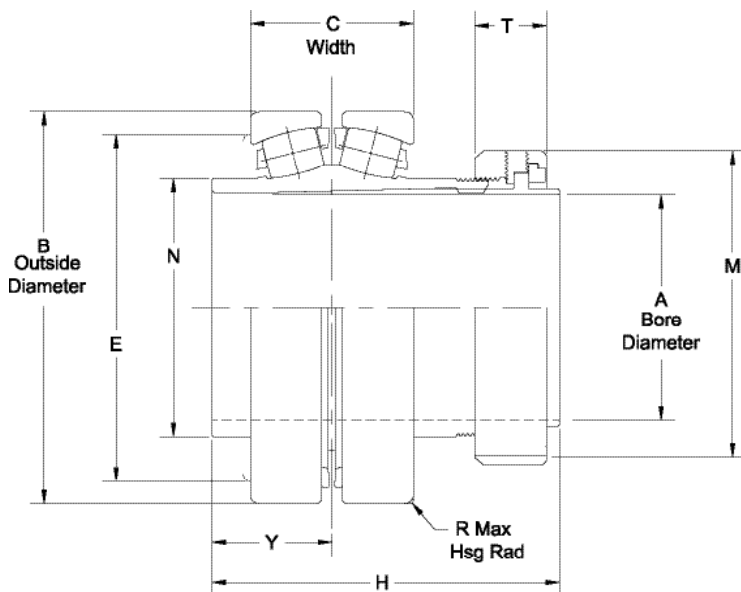
Size Code	Shaft Diameter	Part Number	A	B	C	E	H	M	N	R Housing Max	T	Y	Approx. Weight
4	1 7/16	5107U	1.4375	2.8370	1.31	2.50	3.56	2.30	1.75	0.05	0.63	1.78	2.70
5	1 1/2	5108U	1.5000	3.3490	1.58	2.88	3.81	2.58	2.03	0.05	0.63	1.91	4.00
	1 11/16	5111U	1.6875	3.3490	1.58	2.88	3.81	2.58	2.03	0.05	0.63	1.91	4.00
6	1 15/16	5115U	1.9375	3.5460	1.53	3.19	3.81	2.88	2.31	0.05	0.63	1.91	4.10
7	2	5200U	2.0000	3.9395	1.66	3.50	4.13	3.25	2.62	0.05	3/4	2.06	6.10
	2 3/16	5203U	2.1875	3.9395	1.66	3.50	4.13	3.25	2.62	0.05	3/4	2.06	6.10
8	2 7/16	5207U	2.4375	4.3332	1.75	3.88	4.37	3.55	2.90	0.05	0.81	2.19	6.80
9	2 1/2	5208U	2.5000	5.1197	2.13	4.53	4.87	4.04	3.37	0.05	0.81	2.44	11.50
	2 11/16	5211U	2.6875	5.1197	2.13	4.53	4.87	4.04	3.37	0.05	0.81	2.44	11.50
	2 3/4	5212U	2.7500	5.1197	2.13	4.53	-	4.04	3.37	0.05	0.81	2.44	11.50
	2 15/16	5215U	2.9375	5.1197	2.13	4.53	4.87	4.04	3.37	0.05	0.81	2.44	11.50
10	3 3/16	5303U	3.1875	5.9070	2.31	5.34	5.32	4.90	3.98	0.05	0.81	2.66	16.00
	3 7/16	5307U	3.4375	5.9070	2.31	5.34	5.32	4.90	3.98	0.05	0.81	2.66	16.00
11	3 11/16	5311U	3.6875	7.0885	2.75	6.38	6 1/4	5.63	4.56	0.05	1	3.06	26.00
	3 15/16	5315U	3.9375	7.0885	2.75	6.38	6 1/4	5.63	4.56	0.05	1	3.06	26.00
	4	5400U	4.0000	7.0885	2.75	6.38	6 1/4	5.63	4.56	0.05	1	3.06	26.00
12	4 3/16	5403YU	4.1875	7.6815	2.79	6.88	6 1/4	6.19	5.03	0.05	1	3.13	29.50
	4 7/16	5407YU	4.4375	7.6815	2.79	6.88	6 1/4	6.19	5.03	0.05	1	3.13	29.50
	4 1/2	5408YU	4.5000	7.6815	2.79	6.88	6 1/4	6.19	5.03	0.05	1	3.13	29.50
13	4 15/16	5415U	4.9375	9.0574	3.56	8.00	7.88	7.05	5.75	0.05	1.06	3.94	61.00
	5	5500U	5.0000	9.0574	3.56	8.00	7.88	7.05	5.75	0.05	1.06	3.94	61.00
14	5 7/16	5507U	5.4375	10.6322	3.98	9.25	8	8.19	6.50	0.05	1.19	4	79.00
15	5 15/16	5515U	5.9375	11.4196	4.01	10.13	8.13	8.64	7.20	0.05	1.13	4.07	95.00
	6	5600U	6.0000	11.4196	4.01	10.13	8.13	8.64	7.20	0.05	1.13	4.07	95.00
16	6 7/16	5607U	6.4375	12.6006	4.28	11.25	8 3/4	9.72	8.05	0.06	1.19	4.38	112.00
	6 15/16	5615U	6.9375	12.6006	4.28	11.25	8 3/4	9.72	8.05	0.06	1.19	4.38	112.00
	7	5700U	7.0000	12.6006	4.28	11.25	8 3/4	9.72	8.05	0.06	1.19	4.38	112.00

Additional Notes

Please call 1-866-REXNORD for availability
 Metric bore sizes available, see Rexnord Interchangeability guide
 Bearing O.D. tolerance for size codes 4 thru 13, +.0000"/-.0010": for all other size codes, +.0000"/-.0015"
 Bore tolerance for all size codes, +.0010"/-.0000"

Selection Guide, see Rexnord Spherical Roller Bearings Selection Guide section
 Load Ratings & Speed Limits, see Rexnord Spherical Roller Bearings Load Ratings & Speed Limits section
 Note: Dimensions subject to change. Certified dimensions of ordered material furnished on request.

6000U



Product Features

- Optical Strain Sensor Technology
- Positive locking system
- Tapered adapter sleeve
- Precision ground & superfinished raceways
- Self aligning
- See Features & Benefits section for additional info.

Bearing Dimensions

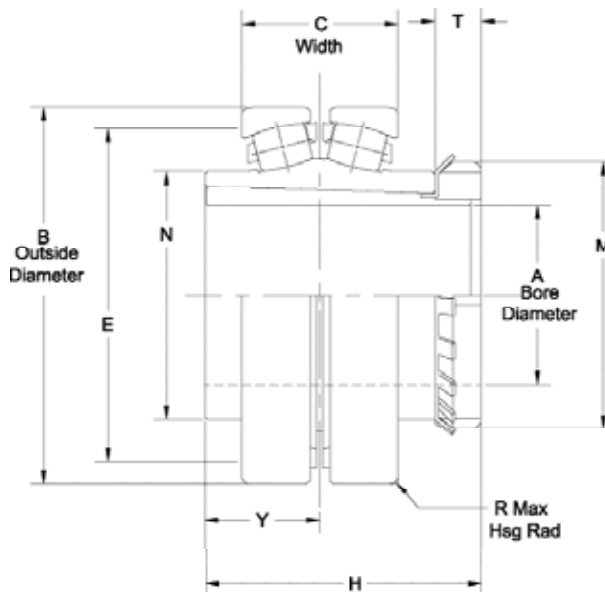
Size Code	Shaft Diameter	Part Number	A	B	C	E	H	M	N	R Housing Max	T	Y	Approx. Weight
6	1 ¹⁵ / ₁₆	6115U	1.9375	3.5460	1.53	3.19	3.64	2.86	2.31	0.05	0.77	1.29	3.30
7	2 ³ / ₁₆	6203U	2.1875	3.9395	1.66	3.50	3.77	3.24	2.62	0.05	0.82	1 ¹ / ₄	4.60
8	2 ³ / ₈	6206U	2.3750	4.3332	1.75	3.88	4.16	3.59	2.90	0.05	0.90	1.31	5.80
	2 ⁷ / ₁₆	6207U	2.4375	4.3332	1.75	3.88	4.16	3.59	2.90	0.05	0.90	1.31	5.80
9	2 ¹¹ / ₁₆	6211U	2.6875	5.1197	2.13	4.53	4.53	4.09	3.37	0.05	0.94	1.56	9.50
	2 ³ / ₄	6212U	2.7500	5.1197	2.13	4.53	4.53	4.09	3.37	0.05	0.94	1.56	9.50
	2 ¹⁵ / ₁₆	6215U	2.9375	5.1197	2.13	4.53	4.53	4.09	3.37	0.05	0.94	1.56	9.50
10	3 ³ / ₁₆	6303U	3.1875	5.9070	2.31	5.34	5.14	4.95	3.98	0.05	1.09	1.73	13.50
	3 ⁷ / ₁₆	6307U	3.4375	5.9070	2.31	5.34	5.14	4.95	3.98	0.05	1.09	1.73	13.50
11	3 ¹¹ / ₁₆	6311U	3.6875	7.0885	2.75	6.38	5.97	5.67	4.56	0.05	1.22	2	24.00
	3 ¹⁵ / ₁₆	6315U	3.9375	7.0885	2.75	6.38	5.97	5.67	4.56	0.05	1.22	2	24.00
12	4 ³ / ₁₆	6403YU	4.1875	7.6815	2.79	6.88	6 ¹ / ₄	6.06	5.03	0.05	1.30	2 ¹ / ₄	29.50
	4 ⁷ / ₁₆	6407YU	4.4375	7.6815	2.79	6.88	6 ¹ / ₄	6.06	5.03	0.05	1.30	2 ¹ / ₄	29.50
13	4 ¹⁵ / ₁₆	6415U	4.9375	9.0574	3.56	8.00	7.93	6.95	5.75	0.05	1.55	2.91	61.00
14	5 ⁷ / ₁₆	6507U	5.4375	10.6322	3.97	9.25	-	8.02	6.50	0.05	2.01	2.92	79.00
15	5 ¹⁵ / ₁₆	6515U	5.9375	11.4196	7.01	10.13	-	8.66	7.20	0.05	2.21	2.93	95.00
16	6 ⁷ / ₁₆	6607U	6.4375	12.6006	4.27	11.25	-	9 ³ / ₄	8.05	0.06	2.42	3 ¹ / ₄	112.00
	6 ¹⁵ / ₁₆	6615U	6.9375	12.6006	4.27	11.25	-	9 ³ / ₄	8.05	0.06	2.42	3 ¹ / ₄	112.00

Additional Notes

Please call 1-866-REXNORD for availability
 Bore tolerance for all size codes, +.0010"/-.0000"
 Selection Guide, see Rexnord Spherical Roller Bearings Selection Guide section
 Load Ratings & Speed Limits, see Rexnord Spherical Roller Bearings Load Ratings & Speed Limits section

Note: Dimensions subject to change. Certified dimensions of ordered material furnished on request.

9000U



Product Features

- Precision ground & superfinished raceways
- Enhanced life mounting style
- Self aligning
- See Features & Benefits section for additional info.

Bearing Dimensions

Size Code	Shaft Diameter	Part Number	A	B	C	E	H	M	N	R Housing Max	T	Y	Approx. Weight
7	1 ¹⁵ / ₁₆	9115U	1.9375	3.9395	1.66	3.50	3.14	2.97	2.62	0.05	0.55	1 1/4	4.20
	2	9200U	2.0000	3.9395	1.66	3.50	3.14	2.97	2.62	0.05	0.55	1 1/4	4.20
8	2 ³ / ₁₆	9203U	2.1875	4.3332	1.75	3.88	3.34	3.38	2.90	0.05	0.62	1.31	5.30
9	2 ⁷ / ₁₆	9207U	2.4375	5.1197	2.13	4.53	3.74	3.63	3.37	0.05	0.63	1.56	7.80
	2 1/2	9208U	2.5000	5.1197	2.13	4.53	3.74	3.63	3.37	0.05	0.63	1.56	7.80
10	2 ¹¹ / ₁₆	9211U	2.6875	5.9070	2.31	5.34	4 1/4	4.41	3.98	0.05	0.72	1.72	13.00
	2 ¹⁵ / ₁₆	9215U	2.9375	5.9070	2.31	5.34	4 1/4	4.41	3.98	0.05	0.72	1.72	13.00
	3	9300U	3.0000	5.9070	2.31	5.34	4 1/4	4.41	3.98	0.05	0.72	1.72	13.00
11	3 ³ / ₁₆	9303U	3.1875	7.0885	2.75	6.38	5.07	5.19	4.56	0.05	0.83	2	25.00
	3 ⁷ / ₁₆	9307U	3.4375	7.0885	2.75	6.38	5.07	5.19	4.56	0.05	0.83	2	25.00
12	3 ¹¹ / ₁₆	9311YU	3.6875	7.6815	2.79	6.88	5.41	5.72	5.03	0.05	0.89	2.38	25.00
	3 ¹⁵ / ₁₆	9315YU	3.9375	7.6815	2.79	6.88	5.41	5.72	5.03	0.05	0.89	2.38	25.00
	4	9400YU	4.0000	7.6815	2.79	6.88	5.41	5.72	5.03	0.05	0.89	2.38	25.00
13	4 ³ / ₁₆	9403U	4.1875	9.0574	3.56	8.00	6.76	6.13	5.75	0.05	0.93	2.91	57.00
	4 ⁷ / ₁₆	9407U	4.4375	9.0574	3.56	8.00	6.76	6.13	5.75	0.05	0.93	2.91	57.00
14	4 ¹⁵ / ₁₆	9415U	4.9375	10.6322	3.98	9.25	7.19	7.09	6.50	0.05	1.05	2.93	69.00
	5	9500U	5.0000	10.6322	3.98	9.25	7.19	7.09	6.50	0.05	1.05	2.93	69.00
15	5 ³ / ₁₆	9503U	5.1875	11.4196	4.01	10.13	7.57	8.06	7.20	0.05	1.18	2.94	85.00
	5 ⁷ / ₁₆	9507U	5.4375	11.4196	4.01	10.13	7.57	8.06	7.20	0.05	1.18	2.94	85.00
16	5 ¹⁵ / ₁₆	9515U	5.9375	12.6006	4.28	11.25	7 3/4	9.06	8.05	0.06	1.24	3 1/4	104.00
	6	9600U	6.0000	12.6006	4.28	11.25	7 3/4	9.06	8.05	0.06	1.24	3 1/4	104.00
	6 ⁷ / ₁₆	9607U	6.4375	12.6006	4.28	11.25	7 3/4	9.06	8.05	0.06	1.24	3 1/4	104.00

Additional Notes

Please call 1-866-REXNORD for availability
 Metric bore sizes available, see Rexnord Interchangeability guide
 Bearing O.D. tolerance for size codes 7 thru 13, +.0000"/-.0010": for all other size codes, +.0000"/-.0015"
 Bore tolerance for all size codes, +.0010"/-.0000"

Selection Guide, see Rexnord Spherical Roller Bearings Selection Guide section
 Load Ratings & Speed Limits, see Rexnord Spherical Roller Bearings Load Ratings & Speed Limits section
 Note: Dimensions subject to change. Certified dimensions of ordered material furnished on request.

Rex Replacement Kits



Set Collar Kit



Eccentric Locking Collar Kit



Threaded Cover Kit



Adapter Sleeve Kit



Z Seal Kit - Contains 2 Seal Assemblies



K Seal Kit - Contains 2 Seal Assemblies



M Seal Kit - Contains 2 Seal Assemblies



Microlock Assembly Kit

Part Numbers

Size Code	Z	K	M	Threaded Cover Kit	Set Collar Kit	Eccentric Locking Collar Kit	Microlock Assembly Kit	Adapter Assembly Kit
2	ZS2	KS2	MS2	TC2	SC2	-	ML2	-
3	ZS3	KS3	MS3	TC3	SC3	-	ML2	-
4	ZS4	KS4	MS4	TC4	SC4	SC3107	ML2	-
5	ZS5	KS5	MS5	TC5	SC5	SC3111	ML2	-
6	ZS6	KS6	MS6	TC6	SC6	SC3115	ML2	-
7	ZS7	KS7	MS7	TC7	SC7	SC3203	ML2	AK7115 AK7200
8	ZS8	KS8	MS8	TC8	SC8	SC3207 SC3208	ML3	AK8203
9	ZS9	KS9	MS9	TC9	SC9	SC3211 SC3215	ML3	AK9207 AK9208
10	ZS10	KS10	MS10	TC10	SC10	SC3307 SC3308	ML4*	AK10211 AK10215 AK10300
11	ZS11	KS11	MS11	TC11	SC11	SC3315	ML4	AK11303 AK11307 AK11308
12	ZS12Y	-	MS12Y	TC12Y	SC12Y	-	ML4	AK12311Y AK12315Y AK12400Y
13	ZS13	-	MS13	TC13	SC13	-	ML4	AK13403 AK13407
14	ZS14NEW	-	MS14	TC14NEW	SC14	-	ML4	AK14415 AK14500
15	ZS15NEW	-	MS15	TC15NEW	SC15	-	ML4	AK15503 AK15507
16	ZS16NEW	-	MS16	TC16NEW	SC16	-	ML4	AK16515 AK16600 AK16607

Additional Notes

*Floating units require ML-3

SHURLOK Installation Tools

Rex is pleased to offer a quick installation tool for the SHURLOK bearing. This tool is designed as a supplement to the spanner wrench or drift pin method. The installation tool can be attached to a 3/4" or 1/2" drive ratchet, torque wrench, or breaker bar which can be used as a lever arm. Simply fit the installation tool over the locknut by placing the tool's teeth into the locknut slots. The tool's unique shape allows it to be used from the side or the top of the bearing. To order, refer to the table below for the installation tool that fits your shaft size.

Part Number	Size Code	Shaft Sizes
105-90420-11	6	1-15/16"
105-90420-21	7	2-3/16"
105-90420-31	8	2-3/8", 2-7/16"
105-90420-41	9	2-11/16", 2-3/4", 2-15/16"
105-90420-51	10	3-3/16", 3-7/16"
105-90420-61	11	3-11/16", 3-15/16"
105-90420-71	12	4-3/16", 4-7/16"
105-90420-81	13	4-15/16"





Industries Served

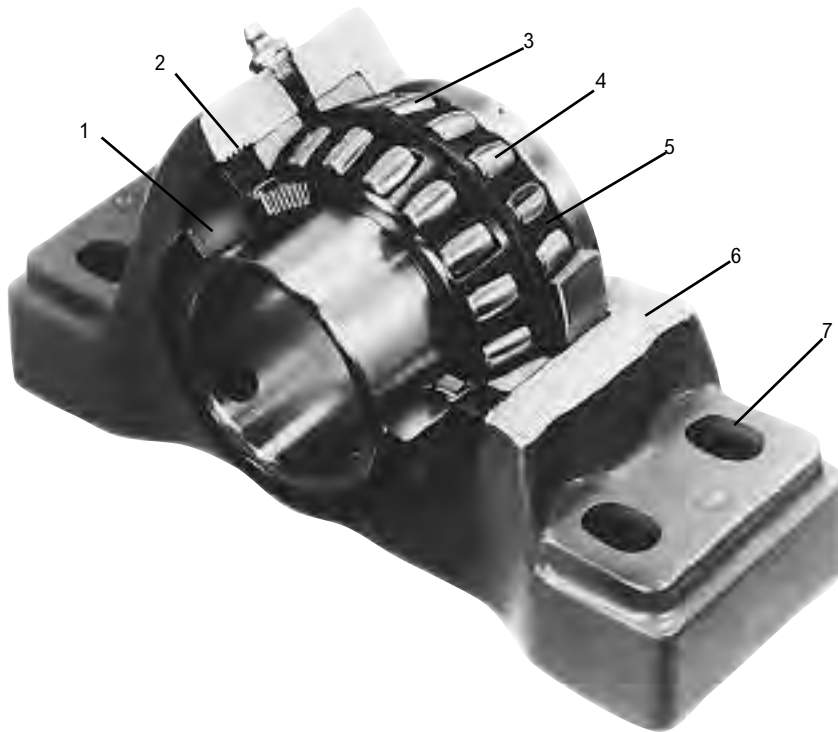
Mining
Forest Products
Aggregates
Steel
Air Handling
Construction
Package Handling

Series B22400, B22500 & B22600 Spherical Roller Bearing Units and Takeups – Features and Benefits

Series B22400 are single collar mounted spherical roller bearing units. Series B22500 are double collar mounted spherical roller bearing units. Series B22600 are adapter mounted spherical roller bearing units. These units provide economic

and versatile arrangements for supporting shafts carrying substantial radial or combination radial and thrust loads. These units are especially adaptable for conveyors, elevators, general industrial machinery, heavier duty fans and blowers, power transmission

applications, ditchers, trenchers, pavers and other such applications. These series of bearings are easy to mount, sealed, pre-lubricated and do not require bearing adjustment during mounting.



1. Mounting Feature

- B22400 Series – Spring locking collar locks inner ring securely to shaft.
- B22500 Series – Two spring locking collars lock inner ring securely to shaft.
- B22600 Series – Tapered adapter mounting system.

2. Choice of three seals, floating labyrinth Type H, spring-loaded lip Type E, and triple lip Type E7.

3. Long inner ring for high stability and load support.

4. Self-aligning double row spherical roller bearing adjusts $\pm 2^\circ$ to allow for alignment variations between shaft and supporting structure.

5. Double contoured retainer pockets assure accurate roller control.

6. Sturdy, compact one-piece cast iron or cast steel housing.

7. Slotted bolt holes in pillow block bases facilitate mounting; bottom of base is machined.

Spherical Roller Bearings

Self-aligning double row spherical roller bearings have high LDN values and are designed to distribute the load over the symmetrical rollers, assuring positive tracking and smooth operation. The large roller complement provides high capacity for radial or combined radial-thrust loads. Osculation clearance at the ends of the rollers compensates for shock loads and prevents destructive edge loading. These precision bearings with double contoured retainer pockets are designed to meet a broad range of application requirements.



Spring Locking Collar (s) - B22400 & B22500 Series

The spring locking collar(s) design provides a secure grip of the wide inner ring bearing to the shaft. The set screws extend through the inner ring of the bearing and lock firmly onto the shaft.

Installation is fast and simple. Correctly tightening the set screws produces elastic strain in the spring locking collar resulting in a continuous pressure on the set screw threads and providing a positive lock.

Adapter Mount – B22600 Series

The adapter mounting provides better concentricity and shaft control, increasing service life. Where Turned, Ground and Polished shafting is the norm on collar-mounted units, the maximized mounting power of the B22600 allows for Commercial Grade Shafting compatibility (a commonly used grade of shafting due to its price and availability). Shaft damage from set screws is eliminated with the B22600's improved mounting design. Shaft

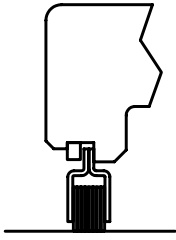
damage from the bearing inner ring fretting to the shaft (the result of a clearance or loose fit) is also eliminated. These improvements facilitate easier bearing removal, replacement bearing installation and longer shaft service life.



Interchangeable Seals-Seal Types

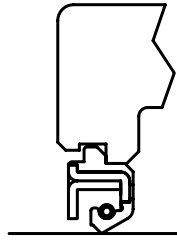
Three standard sealing systems are available each offering maximum protection for the bearing. These seals are interchangeable and are designed for grease lubrication.

Type H Seal



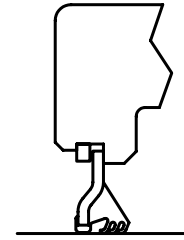
Type H floating labyrinth seals have multiple self-centering rings held securely in a steel carrier. Type H seals are normally furnished.

Type E Seal



Type E spring loaded lip seals utilize a spring to provide uniform pressure for keeping the sealing lip in contact with the inner ring. Type E seals are normally used for liquid splash environments.

Type E7 Seal



Type E7 triple lip seal with metal outboard guard is designed for the most severe of applications. The outboard metal guard protects the inner seal lips from abrasion and damage. The three molded, heavy contact lips provide excellent protection from abrasive media, dust and moisture.

One-Piece Cast Iron or Cast Steel Housings

Compact one-piece housings provide for strength and load support. Scientifically contoured housing design provides superior rigidity. Cast iron or cast steel pillow blocks have two or four slotted bolt holes with ample space provided for drilling dowel pin holes. Flanged and flanged cartridge units have drilled mounting

holes and machined mounting surfaces for maximum stability. Cartridge units have cast iron or steel housings and are finished to precision tolerances. Takeup units have machined slots for smooth, precise operation. Pillow blocks, flanged, and cartridge units are available for fixed or expansion operation.



Seal Rating Guide

Application Conditions	Seal Ratings		
	Clearance	Heavy Contact	Triple Lip
	H	E	E7
Shaft position			
Horizontal Shaft	4	4	4
Vertical Shaft	1	4	4
Operating Temperature			
Below -40°F	4	1	1
-40°F to 0°F	4	3	3
0°F to +250°F	4	4	4
+250°F to +400°F	4	0	0
Over 400°F	4	0	0
Speed			
Equal to / Less than limit below	4	4	4
More than limit below	4	1	1
Vibration/Shock			
Occasional - Mild	3	4	4
Occasional - Severe	2	4	4
Continuous - Mild	1	3	3
Continuous - Severe	0	3	3
Abrasive Material			
Coarse - Over #10 Mesh	4	4	4
Small - #10 to #50 Mesh	3	4	4
Fine - #50 to #200 Mesh	1	4	4
Very fine - Under #200 Mesh	0	4	4
Caking or buildup* (cement, etc.)	2	4	4
Moisture			
Splash	2	4	4
Rain	2	4	4
Saturated Atmosphere	1	4	4
Flooding	0	3	4
Pressure Wash	0	4	4
Fibrous Material			
Short Fibers (lint, etc.)	1	4	4
Long Fibers (grass, etc.)	1	4	4
Chemical			
Acid Fumes and Liquids	1	1	1
Alkaline Fumes and Liquids	1	1	1

Rating Code

- 4 - Excellent - Best seal for conditions listed.
- 3 - Good - Sealability is above average.
- 2 - Fair - Seal performs under intermittent conditions.
- 1 - Limited - Actual conditions must be known to evaluate sealability. Contact Rexnord for special assistance in the realm of materials and designs.
- 0 - Not acceptable - Will not effectively perform seal functions. Contact Rexnord for special assistance in the realm of materials and designs.

Seal Selection Guide

The choice of the seal for a mounted bearing is often the key to successful bearing operation and long service life. The SEAL SELECTION GUIDE incorporates years of Rexnord's experience against the wide variety of conditions encountered on actual applications. Following the simple selection procedure outlined can translate the benefits of that broad experience to the individual applications through the choice of the most effective seal.

How to Use the Selection Guide

1. The appropriate seal for a given application may be selected by comparing the job application conditions against those listed in the SEAL RATING GUIDE on this page.
2. When more than one application condition is present, the most appropriate seal may be selected based on prime sealing for the most detrimental condition, and secondary consideration given to the other application conditions.

Considerations in Addition to Seal Selection

Under certain adverse conditions, other changes should be considered to achieve maximum bearing life:

- A. High temperature lubricants where housing or ambient temperatures exceed +200°F,
- B. Special greases for additional bearing protection where excessive water, solvents or chemicals are present.
- C. EP (extreme pressure) greases where high load, high shock load, or continuous vibration is present.
- D. Readjustment of internal operating clearance of bearing where extreme high or low temperature conditions exist.

Seal Speed Limit Table*

Size Code	B416	B420	B424	B428	B432	B436	B440	B448	B456	B464	B572	B580	
Bearing Series	B22400	B22416	B22419 B22420	B22423 B22424	B224B24 B22426 B22427 B22428	B224B28 B22431 B22432	B22435 B22436	B224B36 B22439 B22440	B22443 B22444 B22447 B22448	B22451 B22455 B22456	B22459 B22463 B22464		
	B22500			B22523	B22527	B22531	B22532 B22535	B22539	B22543 B22547	B22555	B22563 B22564	B22567 B22571 B22572	B22579 B22580
	B22600			B22623	B22627	B22631	B22635	B22639	B22643 B22647	B22655	B22663		
(RPM)	H	4500	4000	3600	3100	2800	2500	2300	1950	1650	1400	1300	1200
	E	3500	3000	2750	2350	2150	1950	1750	1500	1250	1100	1000	900
	E7	N/A	2375	2175	1850	1675	1500	1350	1150	1000	850	775	650
Size Code	B416	B420	B424	B428	B432	B436	B440	B448	B456	B464	B572	B580	

Refer to Seal Rating Guide shown above for speeds in excess of those listed in this table.

*Actual bearing speed limits are largely based upon the applied load and can be found on the Load Rating Table.

Nomenclature

Symbol	Description	P	E - B22	4	39	F	H	C	18A
C	Cartridge unit								
CSE	Cartridge unit; steel housing								
EF	Flanged unit; 4-bolt square								
EP	Pillow block; cast iron								
F	Flanged unit; 3- and 4-bolt								
FB	Flanged bracket unit								
FC	Flanged cartridge unit; 4-bolt round								
P	Pillow block								
PK	Pillow block; cast steel housing								
T	Takeup unit, slotted guides								
DS	Takeup, conveyor, hinged top, welded steel frame								
DSH	Takeup, conveyor, extra strength, welded steel frame								
R	Collar opposite cover (B22400 only)								
E	Expansion unit (not used with CSE symbol)								
B22	Spherical roller bearing; extended inner ring separable outer rings								
4	400 series designation (one locking collar)								
5	500 series designation (two locking collars)								
6	600 series designation (adapter mounted)								
B	Inner ring bore equal to a bore of preceding smaller bearing group								
39	Shaft diameter in 16ths of an inch								
M55	Metric series, bore in mm								
F	Four bolt base pillow block								
H	Floating labyrinth seal								
E	Spring-loaded lip seal								
E7	Triple lip seal								
C	Closed end unit								
18	Takeup adjustment, inches								
K4	100% grease filled								
K5	No grease - preservative only								
K6	100% grease filled and housing plugged								
K93	Threaded cover held by doc point set screws								
K98	Threaded cover held by face lock set screws								
18A	SHC100 Grease								
18W	SHC460 Grease								
18Y	SHC220 Grease								
4A	Dow Corning DC44 Grease								
99A	Food Grade Grease								
2, 3, 4, 5	Clearances other than standard								

Series B22400, B22500 & B22600 Spherical Roller Bearing

To select a bearing, determine the applied radial load, the applied thrust load, the desired Rating Life, and applicable operating conditions. The procedure shown here will aid in selecting a bearing to meet an L10 design life. The formulas for calculating life expectancy should be used to determine the Rating Life L10 for the bearing selected.

The selection procedures and rating formulas shown here are in agreement with The American Bearing Manufacturers Association Standards and ANSI/ABMA Standards STD 11-1990. Ratings are based on fatigue life. The Rating Life L10 or fatigue life at 90% reliability is the usual basis for bearing selection. For radial load applications only, Table 4, can be used to select a bearing or to determine L10 life expectancy.

To assure a satisfactory bearing application, fitting practice, mounting, lubrication, sealing, static rating, housing strength, operating conditions and maintenance must be considered.

Selection

Step 1

Determine an appropriate L10 design life.

Type of service	Operating time, hours per year	Design life, years	L10 design life, hours
Light seasonal usage	500 to 750	3-5	3,000
Heavy seasonal usage	1,400 to 1,600	4-6	8,000
Industrial—8 hour shift	2,000	10	20,000
Industrial—16 hour shift	4,000	10	40,000
Industrial—continuous	8,700	10	80,000 to 100,000

Step 2

Determine a required $\left(\frac{C}{P}\right)$ from Table 1.

Step 3

Calculate the required C and select a roller bearing.

a For radial load only:

$$P = F_r$$

$$\text{required } C = \left(\frac{C}{P}\right)P \text{ using } \left(\frac{C}{P}\right) \text{ from Step 2}$$

Select a roller bearing from Table 2 with a basic load rating C equal to or greater than the required C.

Step 3 (continued)

b For combined radial and thrust loads:

Select a trial roller bearing of the desired shaft size from Table 2.

Calculate the ratio of thrust load F_a to the radial load F_r .

$$\frac{F_a}{F_r}$$

Calculate the equivalent radial load P

$$P = X F_r + Y F_a$$

If $\frac{F_a}{F_r}$ is equal to or less than e, then $P = X_1 F_r + Y_1 F_a$

If $\frac{F_a}{F_r}$ is greater than e, then $P = X_2 F_r + Y_2 F_a$

For values of e, X_1 , Y_1 , X_2 , and Y_2 , see Table 2.

Calculate the required C

required $C = \left(\frac{C}{P}\right)P$ using $\left(\frac{C}{P}\right)$ from Step 2.

Consult Table 2, basic load rating. If a smaller bearing meets, or nearly meets, the required C, its life expectancy can be calculated.

Note: If the load P is greater than .25C, consult Rexnord Bearing Division.

Selection

Symbols for formulas:

C = basic load rating, pounds (or newtons)	L ₁₀ = rating life, hours
Co = static load rating, pounds (or newtons)	n = speed, revolutions per minute
e = a reference value	P = equivalent radial load, pounds (or newtons)
Fa = thrust load, pounds (or newtons)	X = radial factor
Fr = radial load, pounds (or newtons)	Y = thrust factor

Table 1 • Relation of L₁₀ life and speed to

Bearing Life Hours L ₁₀	Speed, n									
	50	100	200	300	400	500	600	700	800	
3000	1.93	2.38	2.93	3.31	3.61	3.86	4.07	4.27	4.44	
4000	2.11	2.59	3.19	3.61	3.93	4.20	4.44	4.65	4.84	
5000	2.25	2.77	3.42	3.86	4.20	4.50	4.75	4.97	5.18	
6000	2.38	2.93	3.61	4.07	4.44	4.75	5.02	5.25	5.47	
8000	2.59	3.19	3.93	4.44	4.84	5.18	5.47	5.73	5.96	
10000	2.77	3.42	4.20	4.75	5.18	5.54	5.85	6.12	6.37	
12000	2.93	3.61	4.44	5.02	5.47	5.85	6.18	6.47	6.73	
14000	3.07	3.78	4.65	5.25	5.73	6.12	6.47	6.77	7.05	
16000	3.19	3.93	4.84	5.47	5.96	6.37	6.73	7.05	7.34	
18000	3.31	4.07	5.02	5.66	6.18	6.60	6.97	7.30	7.60	
20000	3.42	4.20	5.18	5.85	6.37	6.81	7.20	7.54	7.85	
25000	3.65	4.50	5.54	6.25	6.81	7.29	7.70	8.06	8.39	
30000	3.86	4.75	5.85	6.60	7.20	7.70	8.13	8.51	8.86	
35000	4.04	4.97	6.12	6.92	7.54	8.06	8.51	8.92	9.28	
40000	4.20	5.18	6.37	7.20	7.85	8.39	8.86	9.28	9.66	
45000	4.36	5.36	6.60	7.46	8.13	8.69	9.18	9.61	10.00	
50000	4.50	5.54	6.81	7.70	8.39	8.97	9.48	9.92	10.30	
60000	4.75	5.85	7.20	8.13	8.86	9.48	10.00	10.50	10.90	
70000	4.97	6.12	7.54	8.51	9.28	9.92	10.50	11.00	11.40	
80000	5.18	6.37	7.85	8.86	9.66	10.30	10.90	11.40	11.90	
90000	5.36	6.60	8.13	9.18	10.00	10.70	11.30	11.80	12.30	
100000	5.54	6.81	8.39	9.48	10.30	11.00	11.70	12.20	12.70	
150000	6.25	7.70	9.48	10.70	11.70	12.50	13.20	13.80	14.40	
200000	6.81	8.39	10.30	11.70	12.70	13.60	14.40	15.00	15.70	

	Speed, n									
	900	1000	1200	1500	1800	2400	3000	3600	6000	
3000	4.60	4.75	5.02	5.36	5.66	6.18	6.60	6.97	8.13	
4000	5.02	5.18	5.47	5.85	6.18	6.73	7.20	7.60	8.86	
5000	5.36	5.54	5.85	6.25	6.60	7.20	7.70	8.13	9.48	
6000	5.66	5.85	6.18	6.60	6.97	7.60	8.13	8.59	10.00	
8000	6.18	6.37	6.73	7.20	7.60	8.29	8.86	9.36	10.90	
10000	6.60	6.81	7.20	7.70	8.13	8.86	9.48	10.00	11.70	
12000	6.97	7.20	7.60	8.13	8.59	9.36	10.00	10.60	12.30	
14000	7.30	7.54	7.96	8.51	8.99	9.80	10.50	11.10	12.90	
16000	7.60	7.85	8.29	8.86	9.36	10.20	10.90	11.50	13.40	
18000	7.88	8.13	8.59	9.18	9.70	10.60	11.30	11.90	13.90	
20000	8.13	8.39	8.86	9.48	10.00	10.90	11.70	12.30	14.40	
25000	8.69	8.97	9.48	10.10	10.70	11.70	12.50	13.20	15.40	
30000	9.18	9.48	10.00	10.70	11.30	12.30	13.20	13.90	16.20	
35000	9.61	9.92	10.50	11.20	11.80	12.90	13.80	14.60	17.00	
40000	10.00	10.30	10.90	11.70	12.30	13.40	14.40	15.20	17.70	
45000	10.40	10.70	11.30	12.10	12.80	13.90	14.90	15.70	18.30	
50000	10.70	11.00	11.70	12.50	13.20	14.40	15.40	16.20	18.90	
60000	11.30	11.70	12.30	13.20	13.90	15.20	16.20	17.10	20.00	
70000	11.80	12.20	12.90	13.80	14.60	15.90	17.00	17.90	20.90	
80000	12.30	12.70	13.40	14.40	15.20	16.50	17.70	18.70	21.80	
90000	12.80	13.20	13.90	14.90	15.70	17.10	18.30	19.40	22.60	
100000	13.20	13.60	14.40	15.40	16.20	17.70	18.90	20.00	23.30	
150000	14.90	15.40	16.20	17.30	18.30	20.00	21.40	22.60	26.30	
200000	16.20	16.70	17.70	18.90	20.00	21.80	23.30	24.60	28.70	

Basic Formula

$$\left(\frac{C}{P}\right) = \left(\frac{L_{10} \times n \times 60}{1,000,000}\right)^{3/10}$$

$$L_{10} = \frac{\left(\frac{C}{P}\right)^{10/3} \times 1,000,000}{n \times 60}$$

Life Expectancy

To calculate the Rating Life L₁₀ of any selected or trial bearing:

Step 1

Determine the equivalent radial load P.

a For radial load only:

$$P = Fr$$

b For combined radial and thrust load:

$$P = XFr + YFa$$

if $\frac{Fa}{Fr}$ is equal to or less than e, then

$$P = X1Fr + Y1Fa$$

if $\frac{Fa}{Fr}$ is greater than e, then

$$P = X2Fr + Y2Fa$$

For values of e, X1, Y1, X2, and Y2, consult the appropriate bearing rating Table 2.

Step 2

Calculate the ratio of the basic load rating C to the equivalent radial load.

$$\left(\frac{C}{P}\right)$$

Step 3

Approximate the bearing life from Table 1.

Life Adjustment

The Rating Life, L₁₀, may be modified for some applications in accordance with the formula

$$Ln = a1a2a3L_{10}$$

where Ln = Adjusted life for (100-n) % reliability,

a1 = Life adjustment factor for reliability

a2 = Life adjustment factor

for material and processing

a3 = Life adjustment factor for operating conditions.

For most normal applications, all factors will be taken as 1, and the Rating Life used as the selection basis or life estimate. In addition, as long as standard catalog bearings are used, a2 will be normally set equal to one.

The factor a3 covers such things as lubrication, misalignment, and temperature. Some conditions that could yield a3 significantly different than unity include speeds less than 20000 DN or greater than 200000 DN, temperatures below -40°F (-40°C) or above 275°F (135°C). For other possible conditions, as well as additional information on life adjustment factors, consult Rexnord Bearing Division.

Table 2 • Load Ratings and Speed Limits

Size Code	Co Static load rating		C Basic load rating		Approximate speed limit RPM*			e	Fa/Fr ≤ e		Fa/Fr > e	
	newtons	pounds	newtons	pounds	H seal	E seal	E7 seal		X1	Y1	X2	Y2
B416	66279	14900	62720	14100	4500	3500	---	0.51	1.00	1.32	0.67	1.96
B420	81402	18300	75175	16900	4000	3000	1700	0.48	1.00	1.40	0.67	2.08
B424 B524 B624	92968	20900	79178	17800	3600	2750	1575	0.44	1.00	1.54	0.67	2.29
B428 B528	127664	28700	109871	24700	3100	2350	1325	0.45	1.00	1.51	0.67	2.25
B432 B531 B631	147681	33200	115209	25900	2800	2150	1225	0.40	1.00	1.68	0.67	2.50
B436 B536 B635	197501	44400	144567	32500	2500	1950	1075	0.40	1.00	1.68	0.67	2.50
B440 B540 B639	237980	53500	170367	38300	2300	1750	975	0.38	1.00	1.80	0.67	2.68
B448 B548 B647	318048	71500	227304	51100	1950	1500	850	0.38	1.00	1.79	0.67	2.67
B456 B556 B655	403454	90700	277124	62300	1650	1250	725	0.38	1.00	1.77	0.67	2.64
B464 B564 B663	609406	137000	429253	96500	1400	1100	625	0.36	1.00	1.88	0.67	2.79
B572 B671	708602	159300	486635	109400	1300	1000	550	0.38	1.00	1.80	0.67	2.68
B580 B679	1076025	241900	739294	166200	1200	900	525	0.37	1.00	1.83	0.67	2.72

If the load P is greater than .25C, consult Rexnord Bearing Division.

For vertical shift application, consult Rexnord Bearing Division.

* Based on grease lubrication and moderate load.

Table 3 • Size Code Interchange Table

Shaft Size	B22400 Series Single Set Collar	B22500 Series Double Set Collar	B22600 Series Tapered Adapter	Size Code
	Bearing Number	Bearing Number	Bearing Number	
1 25mm	B22416 B224M25			B416
1-3/16 1-1/4 30mm	B22419 B22420 B224M30			B420
1-7/16 1-1/2 35mm	B22423 B22424 B224M35	B22523	B22623	B424 B524 B624
1-1/2 1-5/8 1-11/16 1-3/4 40mm	B224B24 B22426 B22427 B22428 B224M40	B22527		B428 B528
1-3/4 1-15/16 2 45mm 50mm	B224B28 B22431 B22432 B224M45 B224M50	B22531	B22631	B432 B531 B631
2 2-3/16 2-1/4 55mm	B22435 B22436 B224M55	B22532 B22535	B22635	B436 B536 B635
2-1/4 2-7/16 2-1/2 60mm	B224B36 B22439 B22440 B224M60	B22539	B22639	B440 B540 B639
2-11/16 2-3/4 2-15/16 3 65mm 70mm 75mm	B22443 B22444 B22447 B22448 B224M65 B224M70 B224M75	B22543 B22547	B22643 B22647	B448 B548 B647
3-3/16 3-7/16 3-1/2 80mm 85mm	B22451 B22455 B22456 B224M80 B224M85	B22555	B22655	B456 B556 B655
3-11/16 3-15/16 4 90mm 100mm	B22459 B22463 B22464 B224M90 B224M100	B22563 B22564	B22663	B464 B564 B663
4-3/16 4-7/16 4-1/2 110mm 115mm		B22567 B22571 B22572 B225M110 B225M115	B22671	B572 B671
4-15/16 5 125mm		B22579 B22580 B225M125	B22679	B580 B679

Table 4 • Radial Load Ratings in pounds at Various RPM for Appropriate L₁₀ Life Hours

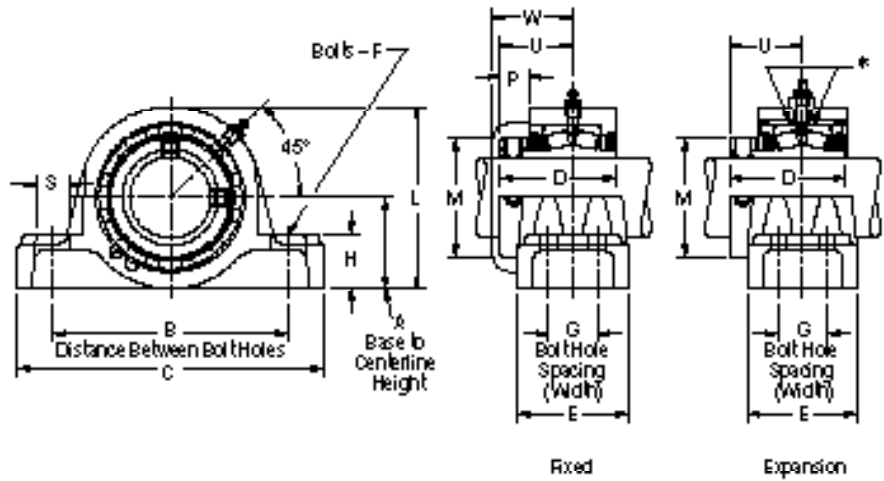
	Size Code	L ₁₀ Lifehours	50	100	200	300	400	500	600	700	800	900	1000	1200	1500	1800	2000	2500	3000	3500
14100	B416	8000	*	*	*	3175	2912	2724	2579	2462	2365	2283	2212	2095	1959	1855	1797	1681	1591	1519
		20000	*	3353	2724	2412	2212	2069	1959	1870	1797	1735	1681	1591	1488	1409	1365	1277	1209	1154
		40000	3353	2724	2212	1959	1797	1681	1591	1519	1460	1409	1365	1292	1209	1144	1109	1037	982	937
		100000	2547	2069	1681	1488	1365	1277	1209	1154	1109	1070	1037	982	918	869	842	788	746	712
16900	B420	8000	*	*	*	3805	3491	3265	3091	2951	2835	2737	2652	2510	2348	2223	2154	2014	1907	1821
		20000	*	4019	3265	2891	2652	2480	2348	2242	2154	2079	2014	1907	1784	1689	1636	1530	1449	1383
		40000	4019	3265	2652	2348	2154	2014	1907	1821	1749	1689	1636	1549	1449	1372	1329	1243	1177	1124
		100000	3053	2480	2014	1784	1636	1530	1449	1383	1329	1283	1243	1177	1101	1042	1010	944	894	854
17800	B424	8000	*	*	*	4008	3676	3438	3255	3108	2986	2883	2793	2644	2473	2341	2268	2122	2009	1918
	B524	20000	*	4233	3438	3045	2793	2612	2473	2361	2268	2190	2122	2009	1879	1779	1723	1612	1526	1457
	B624	40000	4233	3438	2793	2473	2268	2122	2009	1918	1843	1779	1723	1632	1526	1445	1400	1309	1239	1183
		100000	3216	2612	2122	1879	1723	1612	1526	1457	1400	1351	1309	1239	1159	1097	1063	994	942	899
24700	B428	8000	*	*	*	5561	5102	4771	4517	4313	4144	4000	3875	3669	3432	3249	3148	2944	2787	2661
	B528	20000	*	5874	4771	4225	3875	3625	3432	3277	3148	3039	2944	2787	2607	2468	2391	2236	2117	2022
		40000	5874	4771	3875	3432	3148	2944	2787	2661	2557	2468	2391	2264	2117	2005	1942	1817	1720	1642
		100000	4462	3625	2944	2607	2391	2236	2117	2022	1942	1875	1817	1720	1609	1523	1476	1380	1307	1247
25900	B432	8000	*	*	*	5832	5349	5003	4737	4523	4345	4194	4064	3847	3598	3407	3301	3087	2923	2791
	B531	20000	*	6159	5003	4430	4064	3801	3598	3436	3301	3186	3087	2923	2733	2588	2507	2345	2220	2120
	B631	40000	6159	5003	4064	3598	3301	3087	2923	2791	2681	2588	2507	2374	2220	2102	2037	1905	1803	1722
		100000	4679	3801	3087	2733	2507	2345	2220	2120	2037	1966	1905	1803	1687	1597	1547	1447	1370	1308
32500	B436	8000	*	*	*	7318	6713	6278	5944	5675	5452	5263	5099	4828	4515	4275	4142	3874	3668	3502
	B536	20000	*	7729	6278	5559	5099	4769	4515	4311	4142	3998	3874	3668	3430	3247	3146	2943	2786	2660
	B635	40000	7729	6278	5099	4515	4142	3874	3668	3502	3364	3247	3146	2979	2786	2638	2556	2390	2263	2161
		100000	5871	4769	3874	3430	3146	2943	2786	2660	2556	2467	2390	2263	2116	2004	1941	1816	1719	1641
38300	B440	8000	*	*	*	8624	7911	7398	7005	6688	6425	6202	6009	5689	5321	5038	4881	4565	4322	
	B540	20000	*	9108	7398	6551	6009	5620	5321	5081	4881	4712	4565	4322	4042	3827	3708	3468	3283	
	B639	40000	9108	7398	6009	5321	4881	4565	4322	4127	3965	3827	3708	3511	3283	3109	3012	2817	2667	
		100000	6919	5620	4565	4042	3708	3468	3283	3135	3012	2907	2817	2667	2494	2361	2288	2140	2026	
51100	B448	8000	*	*	*	11506	10554	9871	9346	8923	8573	8275	8018	7591	7099	6722	6512	6091		
	B548	20000	*	12153	9871	8740	8018	7499	7099	6779	6512	6286	6091	5766	5393	5106	4947	4627		
	B647	40000	12153	9871	8018	7099	6512	6091	5766	5506	5290	5106	4947	4684	4381	4147	4018	3758		
		100000	9232	7499	6091	5393	4947	4627	4381	4183	4018	3879	3758	3558	3328	3151	3053	2855		
62300	B456	8000	*	*	*	14027	12868	12034	11394	10879	10452	10089	9775	9255	8655	8195	7940	7426		
	B556	20000	*	14816	12034	10656	9775	9142	8655	8264	7940	7664	7426	7030	6575	6225	6031	5641		
	B655	40000	14816	12034	9775	8655	7940	7426	7030	6713	6449	6225	6031	5710	5341	5056	4899	4582		
		100000	11255	9142	7426	6575	6031	5641	5341	5099	4899	4729	4582	4338	4057	3841	3722	3481		
96500	B464	8000	*	*	*	21728	19931	18641	17649	16851	16189	15627	15141	14335	13407	12693	12298			
	B564	20000	*	22949	18641	16506	15141	14161	13407	12801	12298	11871	11502	10890	10185	9643	9343			
	B663	40000	22949	18641	15141	13407	12298	11502	10890	10398	9989	9643	9343	8845	8272	7832	7588			
		100000	17434	14161	11502	10185	9343	8738	8272	7899	7588	7325	7097	6719	6284	5950	5765			
190400	B572	8000	*	*	*	42870	39326	36779	34822	33248	31942	30833	29874	28284	26453	25045				
	B671	20000	*	45281	36779	32567	29874	27940	26453	25257	24265	23423	22694	21486	20095	19025				
		40000	45281	36779	29874	26453	24265	22694	21486	20515	19710	19025	18433	17452	16322	15453				
		100000	34398	27940	22694	20095	18433	17240	16322	15584	14973	14453	14003	13258	12399	11739				
166200	B580	8000	*	*	*	37422	34327	32105	30396	29022	27882	26914	26077	24689	23090					
	B679	20000	*	39525	32105	28428	26077	24389	23090	22047	21181	20446	19810	18755	17541					
		40000	39525	32105	26077	23090	21181	19810	18755	17908	17204	16607	16090	15234	14248					
		100000	30026	24389	19810	17541	16090	15049	14248	13604	13069	12616	12223	11573	10823					

* Load exceeds 25% of the C rating, consult Rexnord Bearing Division.



Product Features

- Corrosion resistant powder coating
- Cast iron housing
- Misalignment capabilities - Total of 4°
- Broad range of sealing options
- Factory set clearance & lubrication
- Hardened spring locking collar
- Field interchangeable seals
- Fixed or Expansion - Total of 3/8" expansion
- See Features & Benefits section for additional info.



Bearing Dimensions

Size Code	Shaft Diameter	Expansion			Fixed			A Base to Centerline Height	B Distance Between Bolt Holes	C	D	E	F Bolts	H	M	P	U	W	Approx. Weight
		Part Number	L	S	Part Number	L	S												
B416	1	PEB22416H	3 5/16	5/8	PB22416H	3 1/8	5/8	1 9/16	4 3/8	5 15/16	2 9/16	2 1/16	3/8	7/8	1 3/4	17/32	1 9/16	1 29/32	5.00
	25.00	PEB224M25H	84.10	15.90	PB224M25H	79.40	15.90	39.67	111.10	150.80	65.09	52.40	10.00	22.20	44.40	13.50	39.70	48.40	2.10
B420	1 3/16	PEB22419H	3 5/8	5/8	PB22419H	3 1/2	5/8	1 3/4	4 3/4	6 5/16	2 11/16	2 3/16	3/8	1 1/16	1 31/32	17/32	1 5/8	1 31/32	6.00
	30.00	PEB224M30H	92.10	15.90	PB224M30H	88.90	15.90	44.45	120.60	160.30	68.26	55.60	10.00	27.00	50.00	13.50	41.30	50.00	2.90
B424	1 7/16	PEB22423H	3 7/8	7/8	PB22423H	3 11/16	13/16	1 7/8	5	6 9/16	2 7/8	2 1/4	1/2	1 3/16	2 5/16	2 1/32	1 25/32	2 3/16	7.00
	35.00	PEB224M35H	98.40	22.22	PB224M35H	93.70	20.60	47.62	127.00	166.69	73.02	57.20	12.00	30.20	58.70	16.70	45.20	55.60	3.20
B428	1 5/8	PEB22426H	4 3/8	7/8	PB22426H	4 1/4	13/16	2 1/8	5 1/2	7 1/8	3 1/8	2 1/2	1/2	1 5/16	2 19/32	2 1/32	1 29/32	2 1/4	10.00
	40.00	PEB224M40H	111.10	22.22	PB224M40H	108.00	20.60	53.98	139.70	180.98	79.38	63.50	12.00	33.30	65.90	16.70	48.40	57.20	4.70
B432	1 15/16	PEB22431H	4 9/16	15/16	PB22431H	4 9/16	15/16	2 1/4	6 1/4	8 1/8	3 1/8	2 1/2	5/8	1 3/8	2 7/8	2 1/32	1 29/32	2 9/32	12.00
	45.00	PEB224M45H	115.90	23.80	PB224M45H	115.90	23.80	57.15	158.80	206.38	79.38	63.50	16.00	34.90	73.00	16.70	48.40	57.90	5.50
B436	2 3/16	PEB22435H	5	15/16	PB22435H	5	15/16	2 1/2	6 3/4	8 5/8	3 5/16	2 9/16	5/8	1 5/8	3 1/4	2 5/32	2 1/16	2 7/16	14.00
	55.00	PEB224M55H	127.00	23.80	PB224M55H	127.00	23.80	63.50	171.40	219.08	84.14	65.10	16.00	41.30	82.60	19.80	52.40	61.90	6.50
B440	2 7/16	PEB22439H	5 1/2	15/16	PB22439H	5 1/2	15/16	2 3/4	7 1/8	9 1/8	3 1/2	2 11/16	5/8	1 5/8	3 9/16	2 7/32	2 3/16	2 9/16	17.00
	60.00	PEB224M60H	139.70	23.80	PB224M60H	139.70	23.80	69.85	181.00	231.78	88.90	68.30	16.00	41.30	90.50	21.40	55.60	65.10	8.00
B448	2 11/16	PEB22443H	6 7/16	1 1/16	PB22443H	6 7/16	1 1/16	3 1/4	8 1/8	10 7/16	4	3 3/16	3/4	2	4 1/16	2 7/32	2 7/16	2 25/32	29.00
	65.00	PEB224M65H	163.50	27.00	PB224M65H	163.50	27.00	82.55	206.40	265.10	101.60	81.00	20.00	57.20	103.20	21.40	61.90	70.60	13.20

Continued...

Continued...

Bearing Dimensions

Size Code	Shaft Diameter	Expansion			Fixed			A Base to Centerline Height	B Distance Between Bolt Holes	C	D	E	F Bolts	H	M	P	U	W	Approx. Weight
		Part Number	L	S	Part Number	L	S												
B448	70.00	PEB224M70H	163.50	27.00	PB224M70H	163.50	27.00	82.55	206.40	265.10	101.60	81.00	20.00	57.20	103.20	21.40	61.90	70.60	13.00
	75.00	PEB224M75H	163.50	27.00	PB224M75H	163.50	27.00	82.55	206.40	265.10	101.60	81.00	20.00	57.20	103.20	21.40	61.90	70.60	12.50
B456	3 3/16	PEB22451H	7 1/2	1 5/8	PB22451H	7 1/2	1 5/8	3 3/4	10	13	4 3/8	3 7/16	7/8	2 1/4	4 29/32	15/16	2 21/32	3	43.00
	3 7/16	PEB22455H	7 1/2	1 5/8	PB22455H	7 1/2	1 5/8	3 3/4	10	13	4 3/8	3 7/16	7/8	2 1/4	4 29/32	15/16	2 21/32	3	42.00
	3 1/2	PEB22456H	7 1/2	1 5/8	PB22456H	7 1/2	1 5/8	3 3/4	10	13	4 3/8	3 7/16	7/8	2 1/4	4 29/32	15/16	2 21/32	3	41.00
	80.00	PEB224M80H	190.50	41.30	PB224M80H	190.50	41.30	95.25	254.00	330.20	111.12	87.30	24.00	57.20	124.60	23.80	67.50	76.20	19.60
	85.00	PEB224M85H	190.50	41.30	PB224M85H	190.50	41.30	95.25	254.00	330.20	111.12	87.30	24.00	57.20	124.60	23.80	67.50	76.20	19.10
B464	3 11/16	PEB22459H	8 1/2	2 1/4	PB22459H	8 1/2	2 1/4	4 1/4	11 3/4	15 1/4	5 1/16	4 3/16	1	2 5/8	5 5/8	1 1/16	3 1/16	3 7/16	61.00
	3 15/16	PEB22463H	8 1/2	2 1/4	PB22463H	8 1/2	2 1/4	4 1/4	11 3/4	15 1/4	5 1/16	4 3/16	1	2 5/8	5 5/8	1 1/16	3 1/16	3 7/16	59.00
	4	PEB22464H	8 1/2	2 1/4	PB22464H	8 1/2	2 1/4	4 1/4	11 3/4	15 1/4	5 1/16	4 3/16	1	2 5/8	5 5/8	1 1/16	3 1/16	3 7/16	59.00
	90.00	PEB224M90H	215.90	57.20	PB224M90H	215.90	57.20	107.95	298.40	387.40	128.59	106.40	24.00	66.70	142.90	27.00	77.80	87.30	28.70
	100.00	PEB224M100H	215.90	57.20	PB224M100H	215.90	57.20	107.95	298.40	387.40	128.59	106.40	24.00	66.70	142.90	27.00	77.80	87.30	26.90
B464L	3 15/16	-	-	-	PLB22463H	8 3/8	1 7/8	4 1/8	10 7/8	14 1/4	5 1/16	4 3/16	1	2 1/2	5 5/8	1 1/16	3 1/16	3 7/16	58.00
	4	-	-	-	PLB22464H	8 3/8	1 7/8	4 1/8	10 7/8	14 1/4	5 1/16	4 3/16	1	2 1/2	5 5/8	1 1/16	3 1/16	3 7/16	58.00

Additional Notes

Please call 1-866-REXNORD for availability
 Lubrication fitting tap size, 1/8" PT
 Base to centerline tolerance, +/- .005" (+/- 0.13mm)
 Expansion - is 3/8" for all size codes
 H labyrinth seals standard
 All size codes available with type E lip seals & E7 triple lip seals

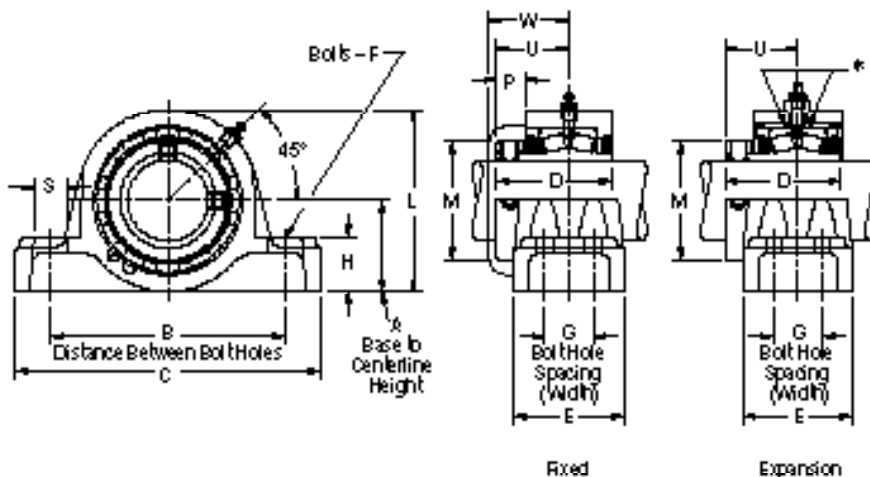
Selection Guide, see Link-Belt Spherical Roller Bearings Selection Guide section
 Load Ratings & Speed Limits, see Link-Belt Spherical Roller Bearings Load
 Ratings & Speed Limits section
 Note: Dimensions subject to change. Certified dimensions of ordered material
 furnished on request.

PB22400F, PEB22400F



Product Features

- Corrosion resistant powder coating
- Cast iron housing
- Misalignment capabilities - Total of 4°
- Broad range of sealing options
- Factory set clearance & lubrication
- Hardened spring locking collar
- Field interchangeable seals
- Fixed or Expansion - Total of 3/8" expansion
- See Features & Benefits section for additional info.



Bearing Dimensions

Size Code	Shaft Diameter	Expansion		Fixed		A Base to Centerline Height	B Distance Between Bolt Holes	C	D	E	F Bolts	G Bolt Hole Spacing (Width)	H	L	M	P	S	U	W	Approx. Weight
		Part Number	Part Number	Part Number	Part Number															
B432	1 15/16	PEB22431FH	PB22431FH	2 1/4	6 1/4	8 3/8	3 1/8	3 3/16	1/2	1 19/32	1 3/8	4 9/16	2 7/8	2 1/32	13/16	1 29/32	2 9/32			13.00
	2	PEB22432FH	PB22432FH	2 1/4	6 1/4	8 3/8	3 1/8	3 3/16	1/2	1 19/32	1 3/8	4 9/16	2 7/8	2 1/32	13/16	1 29/32	2 9/32			13.00
	45.00	PEB224M45FH	PB224M45FH	57.15	158.80	212.70	79.38	81.00	12.00	40.50	34.90	115.90	73.00	16.70	20.60	48.40	57.90			6.30
	50.00	PEB224M50FH	PB224M50FH	57.15	158.80	212.70	79.38	81.00	12.00	40.50	34.90	115.90	73.00	16.70	20.60	48.40	57.90			5.90
B436	2 3/16	PEB22435FH	PB22435FH	2 1/2	6 3/4	8 7/8	3 5/16	3 1/4	1/2	1 11/16	1 5/8	5	3 1/4	25/32	13/16	2 1/16	2 7/16			15.00
	2 1/4	PEB22436FH	PB22436FH	2 1/2	6 3/4	8 7/8	3 5/16	3 1/4	1/2	1 11/16	1 5/8	5	3 1/4	25/32	13/16	2 1/16	2 7/16			15.00
	55.00	PEB224M55FH	PB224M55FH	63.50	171.40	225.40	84.14	82.60	12.00	42.90	41.30	127.00	82.60	19.80	20.60	52.40	61.90			6.90
B440	2 7/16	PEB22439FH	PB22439FH	2 3/4	7 1/8	9 1/4	3 1/2	3 3/8	1/2	1 3/4	1 3/4	5 1/2	3 9/16	27/32	13/16	2 3/16	2 9/16			19.00
	2 1/2	PEB22440FH	PB22440FH	2 3/4	7 1/8	9 1/4	3 1/2	3 3/8	1/2	1 3/4	1 3/4	5 1/2	3 9/16	27/32	13/16	2 3/16	2 9/16			19.00
	60.00	PEB224M60FH	PB224M60FH	69.85	181.00	235.00	88.90	85.70	12.00	44.40	44.40	139.70	90.50	21.40	20.60	55.60	65.10			8.60
B448	2 11/16	PEB22443FH	PB22443FH	3 1/4	8 1/8	10 7/16	4	3 3/4	5/8	1 7/8	2 1/4	6 7/16	4 1/16	27/32	15/16	2 7/16	2 25/32			30.00
	2 3/4	PEB22444FH	PB22444FH	3 1/4	8 1/8	10 7/16	4	3 3/4	5/8	1 7/8	2 1/4	6 7/16	4 1/16	27/32	15/16	2 7/16	2 25/32			30.00
	2 15/16	PEB22447FH	PB22447FH	3 1/4	8 1/8	10 7/16	4	3 3/4	5/8	1 7/8	2 1/4	6 7/16	4 1/16	27/32	15/16	2 7/16	2 25/32			29.00
	3	PEB22448FH	PB22448FH	3 1/4	8 1/8	10 7/16	4	3 3/4	5/8	1 7/8	2 1/4	6 7/16	4 1/16	27/32	15/16	2 7/16	2 25/32			28.00
	65.00	PEB224M65FH	PB224M65FH	82.55	206.40	265.10	101.60	95.20	16.00	47.60	57.20	163.50	103.20	21.40	23.80	61.90	70.60			13.70
	70.00	PEB224M70FH	PB224M70FH	82.55	206.40	265.10	101.60	95.20	16.00	47.60	57.20	163.50	103.20	21.40	23.80	61.90	70.60			13.50
	75.00	PEB224M75FH	PB224M75FH	82.55	206.40	265.10	101.60	95.20	16.00	47.60	57.20	163.50	103.20	21.40	23.80	61.90	70.60			13.00
B456	3 3/16	PEB22451FH	PB22451FH	3 3/4	10	13	4 3/8	4 1/8	3/4	2	2 1/4	7 1/2	4 29/32	15/16	1 1/2	2 21/32	3			45.00
	3 7/16	PEB22455FH	PB22455FH	3 3/4	10	13	4 3/8	4 1/8	3/4	2	2 1/4	7 1/2	4 29/32	15/16	1 1/2	2 21/32	3			43.00
	3 1/2	PEB22456FH	PB22456FH	3 3/4	10	13	4 3/8	4 1/8	3/4	2	2 1/4	7 1/2	4 29/32	15/16	1 1/2	2 21/32	3			43.00
	80.00	PEB224M80FH	PB224M80FH	95.25	254.00	330.20	111.12	104.80	20.00	50.80	57.20	190.50	124.60	23.80	38.10	67.50	76.20			20.50
	85.00	PEB224M85FH	PB224M85FH	95.25	254.00	330.20	111.12	104.80	20.00	50.80	57.20	190.50	124.60	23.80	38.10	67.50	76.20			20.00
B464	3 11/16	PEB22459FH	PB22459FH	4 1/4	12 1/2	15 1/4	5 1/16	4 1/2	3/4	2 1/4	2 5/8	8 1/2	5 5/8	1 1/16	1 1/4	3 1/16	3 7/16			69.00
	3 15/16	PEB22463FH	PB22463FH	4 1/4	12 1/2	15 1/4	5 1/16	4 1/2	3/4	2 1/4	2 5/8	8 1/2	5 5/8	1 1/16	1 1/4	3 1/16	3 7/16			67.00
	4	PEB22464FH	PB22464FH	4 1/4	12 1/2	15 1/4	5 1/16	4 1/2	3/4	2 1/4	2 5/8	8 1/2	5 5/8	1 1/16	1 1/4	3 1/16	3 7/16			66.00
	90.00	PEB224M90FH	PB224M90FH	107.95	317.50	387.40	128.59	114.30	20.00	57.20	66.70	215.90	142.90	27.00	31.80	77.80	87.30			32.10
	100.00	PEB224M100FH	PB224M100FH	107.95	317.50	387.40	128.59	114.30	20.00	57.20	66.70	215.90	142.90	27.00	31.80	77.80	87.30			30.30

Additional Notes

- Please call 1-866-REXNORD for availability
- Lubrication fitting tap size, 1/8" PT
- Base to centerline tolerance, +/- .005" (+/- 0.13mm)
- Expansion - is 3/8" for all size codes
- H labyrinth seals standard
- All size codes available with type E lip seals & E7 triple lip seals

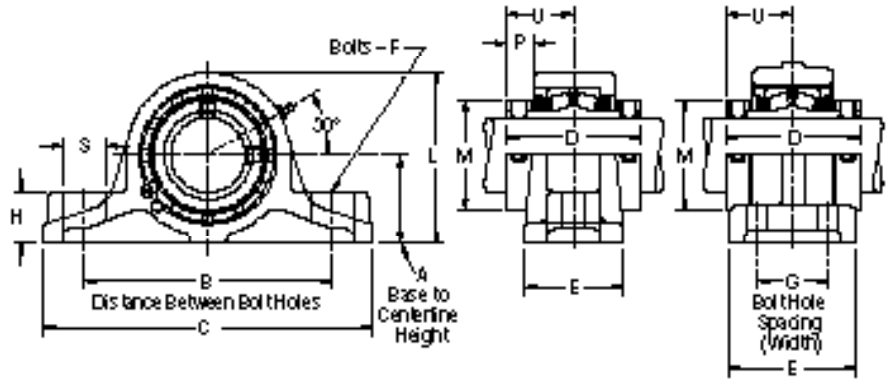
- Selection Guide, see Link-Belt Spherical Roller Bearings Selection Guide section
- Load Ratings & Speed Limits, see Link-Belt Spherical Roller Bearings Load Ratings & Speed Limits section
- Note: Dimensions subject to change. Certified dimensions of ordered material furnished on request.

PB22500, PEB22500, PB22500F, PEB22500F



Product Features

- Misalignment capabilities - Total of 4°
- Corrosion resistant powder coating
- Cast iron housing
- Broad range of sealing options
- Factory set clearance & lubrication
- Two hardened spring locking collars
- Field interchangeable seals
- Fixed or Expansion - Total of 3/8" expansion
- See Features & Benefits section for additional info.



Bearing Dimensions

Size Code	Shaft Diameter	Expansion		Fixed		A Base to Centerline Height	B Distance Between Bolt Holes	C	D	E	F Bolts	G Bolt Hole Spacing (Width)	H	M	P	S	U	Approx. Weight
		Part Number	L	Part Number	L													
Two-Bolt Pillow Block																		
B524	1 7/16	PEB22523H	4 11/32	PB22523H	3 31/32	2 1/8	5 7/8	8 1/8	3 9/16	2 7/16	1/2	-	1 1/8	2 5/16	11/16	1 1/8	1 25/32	10.00
B528	1 11/16	PEB22527H	4 13/16	PB22527H	4 7/16	2 5/16	6 1/2	9	3 13/16	2 13/16	1/2	-	1 5/16	2 19/32	23/32	1 1/4	1 29/32	12.00
B531	1 15/16	PEB22531H	4 15/16	PB22531H	4 3/4	2 1/2	7	9 3/4	3 13/16	2 7/8	5/8	-	1 7/16	2 7/8	23/32	1 1/4	1 29/32	14.00
B536	2	PEB22532H	5 23/32	PB22532H	5 1/4	2 3/4	7 1/2	10 1/4	4 1/8	3 1/8	5/8	-	1 5/8	3 1/4	25/32	1 1/4	2 1/16	21.00
	2 3/16	PEB22535H	5 23/32	PB22535H	5 1/4	2 3/4	7 1/2	10 1/4	4 1/8	3 1/8	5/8	-	1 5/8	3 1/4	25/32	1 1/4	2 1/16	20.00
B540	2 7/16	PEB22539H	6 3/16	PB22539H	5 3/4	3	8 1/4	11 1/4	4 3/8	3 3/8	3/4	-	1 3/4	3 9/16	13/16	1 3/8	2 3/16	24.00
B548	2 11/16	PEB22543H	7 3/16	PB22543H	6 23/32	3 1/2	9 3/4	13	4 7/8	3 7/8	7/8	-	2 1/16	4 1/16	29/32	1 5/8	2 7/16	39.00
	2 15/16	PEB22547H	7 3/16	PB22547H	6 23/32	3 1/2	9 3/4	13	4 7/8	3 7/8	7/8	-	2 1/16	4 1/16	29/32	1 5/8	2 7/16	37.00
Four-Bolt Pillow Block																		
B531	1 15/16	PEB22531FH	4 7/8	PB22531FH	4 7/8	2 1/2	7	9	3 13/16	3 13/16	1/2	2 1/4	1 11/16	2 7/8	23/32	7/8	1 29/32	16.00
B536	2	PEB22532FH	5 15/32	PB22532FH	5 15/32	2 3/4	7 1/2	9 15/16	4 1/8	4	1/2	2 1/4	2	3 1/4	25/32	1 1/8	2 1/16	22.00
	2 3/16	PEB22535FH	5 15/32	PB22535FH	5 15/32	2 3/4	7 1/2	9 15/16	4 1/8	4	1/2	2 1/4	2	3 1/4	25/32	1 1/8	2 1/16	22.00
B540	2 7/16	PEB22539FH	5 7/8	PB22539FH	5 7/8	3	8 5/8	10 5/8	4 3/8	4 3/8	1/2	2 5/8	2 1/8	3 9/16	13/16	1 1/2	2 3/16	26.00
B548	2 11/16	PEB22543FH	6 15/16	PB22543FH	6 15/16	3 1/2	9 3/4	12 5/8	4 7/8	4 3/4	5/8	2 3/4	2 5/16	4 1/16	29/32	1 1/2	2 7/16	38.00
	2 15/16	PEB22547FH	6 15/16	PB22547FH	6 15/16	3 1/2	9 3/4	12 5/8	4 7/8	4 3/4	5/8	2 3/4	2 5/16	4 1/16	29/32	1 1/2	2 7/16	36.00
B556	3 7/16	PEB22555FH	8	PB22555FH	8	4	11 1/2	14 1/4	5 5/16	5	3/4	3	2 1/2	4 29/32	15/16	1 1/2	2 21/32	56.00
B564	3 15/16	PEB22563FH	8 13/16	PB22563FH	8 13/16	4 7/16	12 1/4	15 5/8	6 1/8	5 5/8	7/8	3 3/8	2 7/8	5 5/8	1 1/16	1 13/16	3 1/16	76.00
	4	PEB22564FH	8 13/16	PB22564FH	8 13/16	4 7/16	12 1/4	15 5/8	6 1/8	5 5/8	7/8	3 3/8	2 7/8	5 5/8	1 1/16	1 13/16	3 1/16	76.00
B572	4 3/16	PEB22567YFH	9 3/8	PB22567YFH	9 3/8	4 3/4	13 1/2	16 1/2	6 1/4	4 5/8	3/4	2 1/2	2 3/4	6 3/16	1	1 3/8	3 1/8	92.00
	4 7/16	PEB22571YFH	9 3/8	PB22571YFH	9 3/8	4 3/4	13 1/2	16 1/2	6 1/4	4 5/8	3/4	2 1/2	2 3/4	6 3/16	1	1 3/8	3 1/8	88.00
	4 1/2	PEB22572YFH	9 3/8	PB22572YFH	9 3/8	4 3/4	13 1/2	16 1/2	6 1/4	4 5/8	3/4	2 1/2	2 3/4	6 3/16	1	1 3/8	3 1/8	87.00
	110.00	PEB225M110YFH	238.10	PB225M110YFH	238.10	120.65	342.90	419.10	158.75	117.48	20.00	63.50	69.80	157.16	25.40	34.90	79.38	40.70
115.00	PEB225M115YFH	238.10	PB225M115YFH	238.10	120.65	342.90	419.10	158.75	117.48	20.00	63.50	69.80	157.16	25.40	34.90	79.38	39.50	
B580	4 15/16	PEB22579YFH	11 1/8	PB22579YFH	11 1/8	5 1/2	15 1/2	18 1/2	7 7/8	5 9/16	7/8	2 3/4	3	7 1/16	1 5/32	1 1/2	3 15/16	130.00
	5	PEB22580YFH	11 1/8	PB22580YFH	11 1/8	5 1/2	15 1/2	18 1/2	7 7/8	5 9/16	7/8	2 3/4	3	7 1/16	1 5/32	1 1/2	3 15/16	129.00
	125.00	PEB225M125YFH	282.58	PB225M125YFH	282.58	139.70	393.70	469.90	200.03	141.29	24.00	69.80	76.20	179.39	29.37	38.10	100.01	59.10

Additional Notes

- Please call 1-866-REXNORD for availability
- Lubrication fitting tap size, 1/8" PT
- Base to centerline tolerance, +/- .005" (+/-0.13mm)
- Expansion - is 3/8" for all size codes
- H labyrinth seals standard
- All size codes available with type E lip seals & E7 triple lip seals

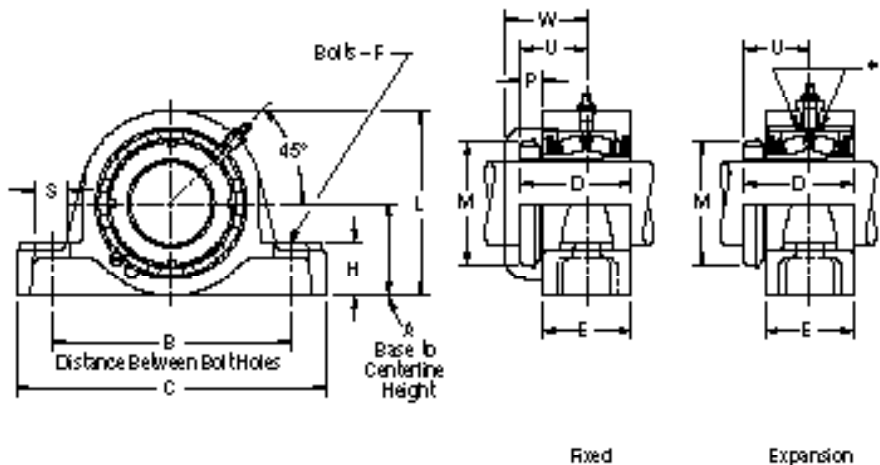
Selection Guide, see Link-Belt Spherical Roller Bearings Selection Guide section Load Ratings & Speed Limits, see Link-Belt Spherical Roller Bearings Load Ratings & Speed Limits section
 Note: Dimensions subject to change. Certified dimensions of ordered material furnished on request.

PB22600, PEB22600



Product Features

- Corrosion resistant powder coating
- Cast iron housing
- Misalignment capabilities - Total of 4°
- Broad range of sealing options
- Factory set clearance & lubrication
- Enhanced life mounting style
- Field interchangeable seals
- Fixed or Expansion - Total of 3/8" expansion
- See Features & Benefits section for additional info.



Bearing Dimensions

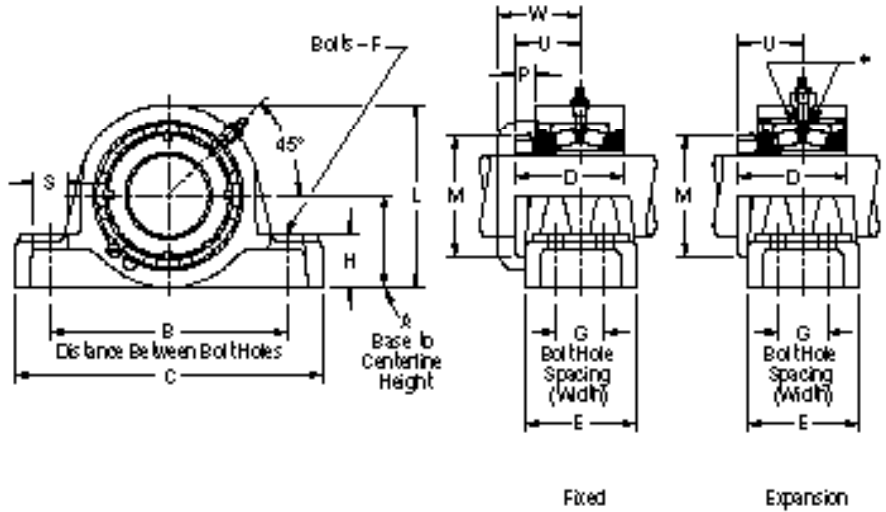
Size Code	Shaft Diameter	Expansion			Fixed			A Base to Centerline Height	B Distance Between Bolt Holes	C	D	E	F	H	M	P	U	W	Approx. Weight
		Part Number	L	S	Part Number	L	S												
Two-Bolt Pillow Block																			
B624	1 7/16	PEB22623H	3 7/8	7/8	PB22623H	3 11/16	13/16	1 7/8	5	6 9/16	2.71	2 1/4	1/2	1 3/16	2 1/4	1/2	1 39/64	2 3/16	7.00
B631	1 15/16	PEB22631H	4 9/16	15/16	PB22631H	4 9/16	15/16	2 1/4	6 1/4	8 1/8	3.08	2 1/2	5/8	1 3/8	2 31/32	39/64	1 56/64	2 9/32	12.00
B635	2 3/16	PEB22635H	5	15/16	PB22635H	5	15/16	2 1/2	6 3/4	8 5/8	3.16	2 9/16	5/8	1 5/8	3 5/32	5/8	1 29/32	2 7/16	14.00
B639	2 7/16	PEB22639H	5 1/2	15/16	PB22639H	5 1/2	15/16	2 3/4	7 1/8	9 1/8	3.28	2 11/16	5/8	1 5/8	3 5/8	5/8	1 31/32	2 9/16	17.00
B647	2 11/16	PEB22643H	6 7/16	1 1/16	PB22643H	6 7/16	1 1/16	3 1/4	8 1/8	10 7/16	3.86	3 3/16	3/4	2	4 5/32	45/64	2 19/64	2 25/32	29.00
	2 15/16	PEB22647H	6 7/16	1 1/16	PB22647H	6 7/16	1 1/16	3 1/4	8 1/8	10 7/16	3.86	3 3/16	3/4	2	4 5/32	45/64	2 19/64	2 25/32	27.00
B655	3 7/16	PEB22655H	7 1/2	1 5/8	PB22655H	7 1/2	1 5/8	3 3/4	10	13	4.29	3 7/16	7/8	2 1/4	4 15/16	55/64	2 37/64	3	42.00
B663	3 15/16	PEB22663H	8 1/2	2 1/4	PB22663H	8 1/2	2 1/4	4 1/4	11 3/4	15 1/4	4.94	4 3/16	1	2 5/8	5 7/16	15/16	2 15/16	3 7/16	59.00

Additional Notes

Please call 1-866-REXNORD for availability
 Lubrication fitting tap size, 1/8" PT
 Base to centerline tolerance, +/- .005" (+/- 0.13mm)
 Expansion - is 3/8" for all size codes
 Dimensions for "D", "P" & "U" based on unmounted condition
 H labyrinth seals standard

All size codes available with type E lip seals & E7 triple lip seals
 Selection Guide, see Link-Belt Spherical Roller Bearings Selection Guide section
 Load Ratings & Speed Limits, see Link-Belt Spherical Roller Bearings Load Ratings & Speed Limits section
 Note: Dimensions subject to change. Certified dimensions of ordered material furnished on request.

PB22600F, PEB22600F



Product Features

- Corrosion resistant powder coating
- Cast iron housing
- Misalignment capabilities - Total of 4°
- Broad range of sealing options
- Factory set clearance & lubrication
- Enhanced life mounting style
- Field interchangeable seals
- Fixed or Expansion - Total of 3/8" expansion
- See Features & Benefits section for additional info.

Bearing Dimensions

Size Code	Shaft Diameter	Expansion	Fixed	A Base to Centerline Height	B Distance Between Bolt Holes	C	D	E	F	G Bolt Hole Spacing (Width)	H	L	M	P	S	U	W	Approx. Weight
		Part Number	Part Number															
Four-Bolt Pillow Block																		
B631	1 15/16	PEB22631FH	PB22631FH	2 1/4	6 1/4	8 3/8	3.08	3 3/16	1/2	1 19/32	1 3/8	4 9/16	2 31/32	39/64	13/16	1 55/64	2 9/32	13.00
B635	2 3/16	PEB22635FH	PB22635FH	2 1/2	6 3/4	8 7/8	3.16	3 1/4	1/2	1 11/16	1 5/8	5	3 5/32	5/8	13/16	1 29/32	2 7/16	15.00
B639	2 7/16	PEB22639FH	PB22639FH	2 3/4	7 1/8	9 1/4	3.28	3 3/8	1/2	1 3/4	1 3/4	5 1/2	3 5/8	5/8	13/16	1 31/32	2 9/16	19.00
B647	2 11/16	PEB22643FH	PB22643FH	3 1/4	8 1/8	10 7/16	3.86	3 3/4	5/8	1 7/8	2 1/4	6 7/16	4 5/32	45/64	15/16	2 19/64	2 25/32	30.00
	2 15/16	PEB22647FH	PB22647FH	3 1/4	8 1/8	10 7/16	3.86	3 3/4	5/8	1 7/8	2 1/4	6 7/16	4 5/32	45/64	15/16	2 19/64	2 25/32	29.00
B655	3 7/16	PEB22655FH	PB22655FH	3 3/4	10	13	4.29	4 1/8	3/4	2	2 1/4	7 1/2	4 15/16	55/64	1 1/2	2 37/64	3	43.00
B663	3 15/16	PEB22663FH	PB22663FH	4 1/4	12 1/2	15 1/4	4.94	4 1/2	3/4	2 1/4	2 5/8	8 1/2	5 7/16	15/16	1 1/4	2 15/16	3 7/16	67.00

Additional Notes

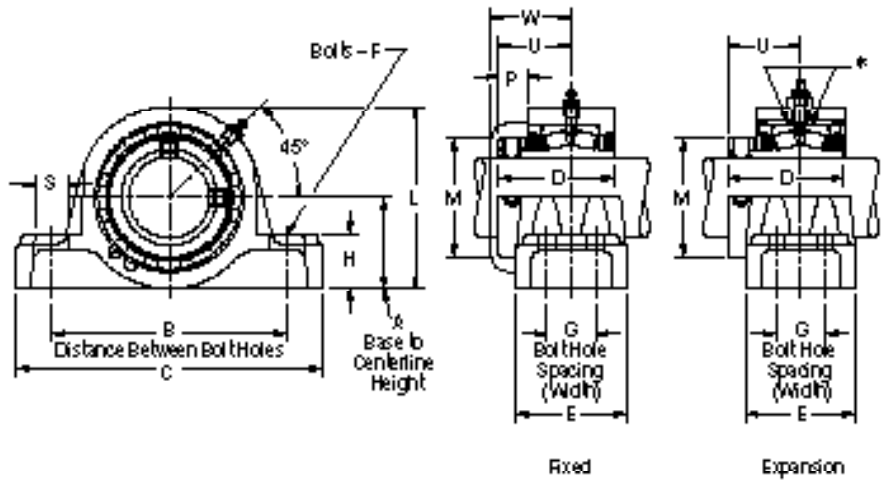
Please call 1-866-REXNORD for availability
 Lubrication fitting tap size, 1/8" PT
 Base to centerline tolerance, +/- .005" (+/- 0.13mm)
 Expansion - is 3/8" for all size codes
 Dimensions for "D", "P" & "U" based on unmounted condition
 H labyrinth seals standard

All size codes available with type E lip seals & E7 triple lip seals
 Selection Guide, see Link-Belt Spherical Roller Bearings Selection Guide section
 Load Ratings & Speed Limits, see Link-Belt Spherical Roller Bearings Load Ratings & Speed Limits section
 Note: Dimensions subject to change. Certified dimensions of ordered material furnished on request.



Product Features

- Corrosion resistant powder coating
- Cast steel housing
- Misalignment capabilities - Total of 4°
- Broad range of sealing options
- Factory set clearance & lubrication
- Hardened spring locking collar
- Field interchangeable seals
- Fixed or Expansion - Total of 3/8" expansion
- See Features & Benefits section for additional info.



Bearing Dimensions

Size Code	Shaft Diameter	Expansion		Fixed		A Base to Centerline Height	B Distance Between Bolt Holes	C	D	E	F Bolts	H	M	P	S	U	W	Approx. Weight
		Part Number	L	Part Number	L													
Two-Bolt Pillow Block																		
B420	1 3/16	-	-	PKB22419H	3 1/2	1 3/4	4 3/4	6 5/16	2 11/16	2 3/16	3/8	1 1/16	1 31/32	17/32	5/8	1 5/8	1 31/32	7.00
	1 1/4	-	-	PKB22420H	3 1/2	1 3/4	4 3/4	6 5/16	2 11/16	2 3/16	3/8	1 1/16	1 31/32	17/32	5/8	1 5/8	1 31/32	7.00
	30.00	-	-	PKB224M30H	88.90	44.45	120.60	160.30	68.26	55.60	10.00	27.00	50.00	13.50	15.90	41.30	50.00	3.20
B424	1 7/16	PKEB22423H	3 7/8	PKB22423H	3 11/16	1 7/8	5	6 7/8	2 7/8	2 1/4	1/2	1 3/16	2 5/16	21/32	13/16	1 25/32	2 3/16	7.00
	1 1/2	PKEB22424H	3 7/8	PKB22424H	3 11/16	1 7/8	5	6 7/8	2 7/8	2 1/4	1/2	1 3/16	2 5/16	21/32	13/16	1 25/32	2 3/16	7.00
	35.00	PKEB224M35H	98.40	PKB224M35H	93.70	47.62	127.00	174.60	73.02	57.20	12.00	30.20	58.70	16.70	20.60	45.20	55.60	3.40
B428	1 5/8	PKEB22426H	4 3/8	PKB22426H	4 1/4	2 1/8	5 1/2	7 3/8	3 1/8	2 1/2	1/2	1 5/16	2 19/32	21/32	13/16	1 29/32	2 1/4	10.00
	1 11/16	PKEB22427H	4 3/8	PKB22427H	4 1/4	2 1/8	5 1/2	7 3/8	3 1/8	2 1/2	1/2	1 5/16	2 19/32	21/32	13/16	1 29/32	2 1/4	10.00
	1 3/4	PKEB22428H	4 3/8	PKB22428H	4 1/4	2 1/8	5 1/2	7 3/8	3 1/8	2 1/2	1/2	1 5/16	2 19/32	21/32	13/16	1 29/32	2 1/4	10.00
	40.00	PKEB224M40H	111.10	PKB224M40H	108.00	53.98	139.70	187.30	79.38	63.50	12.00	33.30	65.90	16.70	20.60	48.40	57.20	4.80
B432	1 15/16	PKEB22431H	4 9/16	PKB22431H	4 9/16	2 1/4	6 1/4	8 3/8	3 1/8	2 1/2	5/8	1 3/8	2 7/8	21/32	15/16	1 29/32	2 9/32	12.00
	2	PKEB22432H	4 9/16	PKB22432H	4 9/16	2 1/4	6 1/4	8 3/8	3 1/8	2 1/2	5/8	1 3/8	2 7/8	21/32	15/16	1 29/32	2 9/32	12.00
	45.00	PKEB224M45H	115.90	PKB224M45H	115.90	57.15	158.80	212.70	79.38	63.50	16.00	34.90	73.00	16.70	23.80	48.40	57.90	5.80
	50.00	PKEB224M50H	115.90	PKB224M50H	115.90	57.15	158.80	212.70	79.38	63.50	16.00	34.90	73.00	16.70	23.80	48.40	57.90	5.50
B436	2 3/16	PKEB22435H	5	PKB22435H	5	2 1/2	6 3/4	8 7/8	3 5/16	2 9/16	5/8	1 5/8	3 1/4	25/32	15/16	2 1/16	2 7/16	16.00
	2 1/4	PKEB22436H	5	PKB22436H	5	2 1/2	6 3/4	8 7/8	3 5/16	2 9/16	5/8	1 5/8	3 1/4	25/32	15/16	2 1/16	2 7/16	16.00
	55.00	PKEB224M55H	127.00	PKB224M55H	127.00	63.50	171.40	225.40	84.14	65.10	16.00	41.30	82.60	19.80	23.80	52.40	61.90	7.10
B440	2 7/16	PKEB22439H	5 1/2	PKB22439H	5 1/2	2 3/4	7 1/8	9 1/4	3 1/2	2 11/16	5/8	1 3/4	3 9/16	27/32	15/16	2 3/16	2 9/16	19.00
	2 1/2	PKEB22440H	5 1/2	PKB22440H	5 1/2	2 3/4	7 1/8	9 1/4	3 1/2	2 11/16	5/8	1 3/4	3 9/16	27/32	15/16	2 3/16	2 9/16	18.00
	60.00	PKEB224M60H	139.70	PKB224M60H	139.70	69.85	181.00	235.00	88.90	68.30	16.00	44.40	90.50	21.40	23.80	55.60	65.10	8.60
B448	2 11/16	PKEB22443H	6 7/16	PKB22443H	6 7/16	3 1/4	8 1/8	10 7/16	4	3 3/16	3/4	2 1/4	4 1/16	27/32	1 1/16	2 7/16	2 25/32	30.00
	2 3/4	PKEB22444H	6 7/16	PKB22444H	6 7/16	3 1/4	8 1/8	10 7/16	4	3 3/16	3/4	2 1/4	4 1/16	27/32	1 1/16	2 7/16	2 25/32	30.00
	2 15/16	PKEB22447H	6 7/16	PKB22447H	6 7/16	3 1/4	8 1/8	10 7/16	4	3 3/16	3/4	2 1/4	4 1/16	27/32	1 1/16	2 7/16	2 25/32	29.00
	3	PKEB22448H	6 7/16	PKB22448H	6 7/16	3 1/4	8 1/8	10 7/16	4	3 3/16	3/4	2 1/4	4 1/16	27/32	1 1/16	2 7/16	2 25/32	28.00
	65.00	PKEB224M65H	163.50	PKB224M65H	163.50	82.55	206.40	265.10	101.60	81.00	20.00	57.20	103.20	21.40	27.00	61.90	70.60	13.70
	70.00	PKEB224M70H	163.50	PKB224M70H	163.50	82.55	206.40	265.10	101.60	81.00	20.00	57.20	103.20	21.40	27.00	61.90	70.60	13.50
	75.00	PKEB224M75H	163.50	PKB224M75H	163.50	82.55	206.40	265.10	101.60	81.00	20.00	57.20	103.20	21.40	27.00	61.90	70.60	13.00

Continued...

Continued...

Bearing Dimensions

Size Code	Shaft Diameter	Expansion		Fixed		A Base to Centerline Height	B Distance Between Bolt Holes	C	D	E	F Bolts	H	M	P	S	U	W	Approx. Weight
		Part Number	L	Part Number	L													
Two-Bolt Pillow Block (continued)																		
B456	3 ³ / ₁₆	PKEB22451H	7 1/2	PKB22451H	7 1/2	3 3/4	10	13	4 3/8	3 7/16	7/8	2 1/4	4 29/32	15/16	1 5/8	2 21/32	3	45.00
	3 7/16	PKEB22455H	7 1/2	PKB22455H	7 1/2	3 3/4	10	13	4 3/8	3 7/16	7/8	2 1/4	4 29/32	15/16	1 5/8	2 21/32	3	43.00
	3 1/2	PKEB22456H	7 1/2	PKB22456H	7 1/2	3 3/4	10	13	4 3/8	3 7/16	7/8	2 1/4	4 29/32	15/16	1 5/8	2 21/32	3	43.00
	80.00	<i>PKEB224M80H</i>	190.50	<i>PKB224M80H</i>	190.50	95.25	254.00	330.20	111.12	87.30	24.00	57.20	124.60	23.80	41.30	67.50	76.20	20.20
	85.00	<i>PKEB224M85H</i>	190.50	<i>PKB224M85H</i>	190.50	95.25	254.00	330.20	111.12	87.30	24.00	57.20	124.60	23.80	41.30	67.50	76.20	19.70
B464	3 11/16	PKEB22459H	8 1/2	PKB22459H	8 1/2	4 1/4	11 3/4	15 1/4	5 1/16	4	1	2 5/8	5 5/8	1 1/16	2 1/4	3 1/16	3 7/16	64.00
	3 15/16	PKEB22463H	8 1/2	PKB22463H	8 1/2	4 1/4	11 3/4	15 1/4	5 1/16	4	1	2 5/8	5 5/8	1 1/16	2 1/4	3 1/16	3 7/16	62.00
	4	PKEB22464H	8 1/2	PKB22464H	8 1/2	4 1/4	11 3/4	15 1/4	5 1/16	4	1	2 5/8	5 5/8	1 1/16	2 1/4	3 1/16	3 7/16	62.00
	90.00	<i>PKEB224M90H</i>	215.90	<i>PKB224M90H</i>	215.90	107.95	298.40	387.40	128.59	101.60	24.00	66.70	142.90	27.00	57.20	77.80	87.30	29.90
	100.00	<i>PKEB224M100H</i>	215.90	<i>PKB224M100H</i>	215.90	107.95	298.40	387.40	128.59	101.60	24.00	66.70	142.90	27.00	57.20	77.80	87.30	28.10

Additional Notes

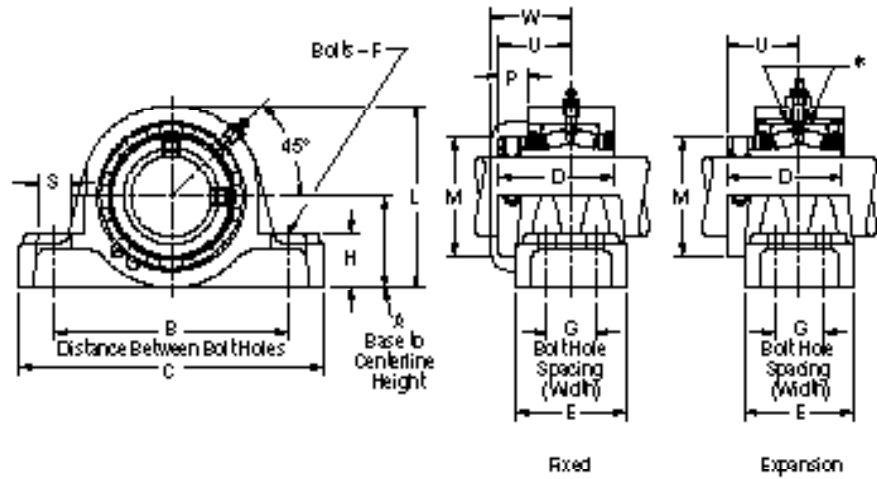
Please call 1-866-REXNORD for availability
 Lubrication fitting tap size, 1/8" PT
 Base to centerline tolerance, +/- .005" (+/- 0.13mm)
 Expansion - is 3/8" for all size codes
 H labyrinth seals standard
 All size codes available with type E lip seals & E7 triple lip seals

Selection Guide, see Link-Belt Spherical Roller Bearings Selection Guide section
 Load Ratings & Speed Limits, see Link-Belt Spherical Roller Bearings Load
 Ratings & Speed Limits section
 Note: Dimensions subject to change. Certified dimensions of ordered material
 furnished on request.



Product Features

- Corrosion resistant powder coating
- Cast steel housing
- Misalignment capabilities - Total of 4°
- Broad range of sealing options
- Factory set clearance & lubrication
- Hardened spring locking collar
- Field interchangeable seals
- Fixed or Expansion - Total of 3/8" expansion
- See Features & Benefits section for additional info.



Bearing Dimensions

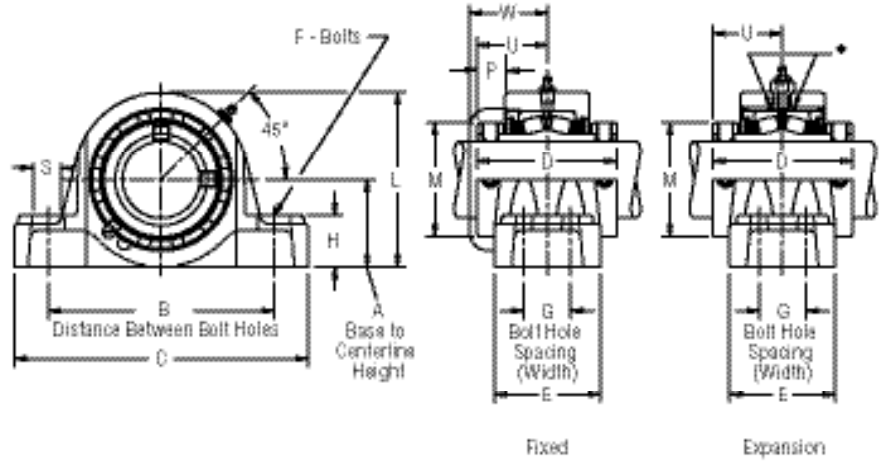
Size Code	Shaft Diameter	Expansion	Fixed	A Base to Centerline Height	B Distance Between Bolt Holes	C	D	E	F Bolts	G Bolt Hole Spacing (Width)	H	L	M	P	S	U	W	Approx. Weight
		Part Number	Part Number															
Four-Bolt Pillow Block																		
B432	1 15/16	PKEB22431FH	PKB22431FH	2 1/4	6 1/4	8 3/8	3 1/8	3 3/16	1/2	1 19/32	1 3/8	4 9/16	2 7/8	2 1/32	13/16	1 29/32	2 9/32	13.00
	2	PKEB22432FH	PKB22432FH	2 1/4	6 1/4	8 3/8	3 1/8	3 3/16	1/2	1 19/32	1 3/8	4 9/16	2 7/8	2 1/32	13/16	1 29/32	2 9/32	13.00
	45.00	PKEB224M45FH	PKB224M45FH	57.15	158.80	212.70	79.38	81.00	12.00	40.50	34.90	115.90	73.00	16.70	20.60	48.40	57.90	6.10
	50.00	PKEB224M50FH	PKB224M50FH	57.15	158.80	212.70	79.38	81.00	12.00	40.50	34.90	115.90	73.00	16.70	20.60	48.40	57.90	5.80
B436	2 3/16	PKEB22435FH	PKB22435FH	2 1/2	6 3/4	8 7/8	3 5/16	3 1/4	1/2	1 11/16	1 5/8	5	3 1/4	25/32	13/16	2 1/16	2 7/16	16.00
	2 1/4	PKEB22436FH	PKB22436FH	2 1/2	6 3/4	8 7/8	3 5/16	3 1/4	1/2	1 11/16	1 5/8	5	3 1/4	25/32	13/16	2 1/16	2 7/16	16.00
	55.00	PKEB224M55FH	PKB224M55FH	63.50	171.40	225.40	84.14	82.60	12.00	42.90	41.30	127.00	82.60	19.80	20.60	52.40	61.90	7.30
B440	2 7/16	PKEB22439FH	PKB22439FH	2 3/4	7 1/8	9 1/4	3 1/2	3 3/8	1/2	1 3/4	1 3/4	5 1/2	3 9/16	27/32	13/16	2 3/16	2 9/16	20.00
	2 1/2	PKEB22440FH	PKB22440FH	2 3/4	7 1/8	9 1/4	3 1/2	3 3/8	1/2	1 3/4	1 3/4	5 1/2	3 9/16	27/32	13/16	2 3/16	2 9/16	20.00
	60.00	PKEB224M60FH	PKB224M60FH	69.85	181.00	235.00	88.90	85.70	12.00	44.40	44.40	139.70	90.50	21.40	20.60	55.60	65.10	9.30
B448	2 11/16	PKEB22443FH	PKB22443FH	3 1/4	8 1/8	10 7/16	4	3 3/4	5/8	1 7/8	2 1/4	6 7/16	4 1/16	27/32	15/16	2 7/16	2 25/32	30.00
	2 3/4	PKEB22444FH	PKB22444FH	3 1/4	8 1/8	10 7/16	4	3 3/4	5/8	1 7/8	2 1/4	6 7/16	4 1/16	27/32	15/16	2 7/16	2 25/32	30.00
	2 15/16	PKEB22447FH	PKB22447FH	3 1/4	8 1/8	10 7/16	4	3 3/4	5/8	1 7/8	2 1/4	6 7/16	4 1/16	27/32	15/16	2 7/16	2 25/32	29.00
	3	PKEB22448FH	PKB22448FH	3 1/4	8 1/8	10 7/16	4	3 3/4	5/8	1 7/8	2 1/4	6 7/16	4 1/16	27/32	15/16	2 7/16	2 25/32	28.00
	65.00	PKEB224M65FH	PKB224M65FH	82.55	206.40	265.10	101.60	95.20	16.00	47.60	57.20	163.50	103.20	21.40	23.80	61.90	70.60	13.70
70.00	PKEB224M70FH	PKB224M70FH	82.55	206.40	265.10	101.60	95.20	16.00	47.60	57.20	163.50	103.20	21.40	23.80	61.90	70.60	13.50	
75.00	PKEB224M75FH	PKB224M75FH	82.55	206.40	265.10	101.60	95.20	16.00	47.60	57.20	163.50	103.20	21.40	23.80	61.90	70.60	13.00	
B456	3 3/16	PKEB22451FH	PKB22451FH	3 3/4	10	13	4 3/8	4 1/8	3/4	2	2 1/4	7 1/2	4 29/32	15/16	1 1/2	2 21/32	3	49.00
	3 7/16	PKEB22455FH	PKB22455FH	3 3/4	10	13	4 3/8	4 1/8	3/4	2	2 1/4	7 1/2	4 29/32	15/16	1 1/2	2 21/32	3	47.00
	3 1/2	PKEB22456FH	PKB22456FH	3 3/4	10	13	4 3/8	4 1/8	3/4	2	2 1/4	7 1/2	4 29/32	15/16	1 1/2	2 21/32	3	47.00
	80.00	PKEB224M80FH	PKB224M80FH	95.25	254.00	330.20	111.12	104.80	20.00	50.80	57.20	190.50	124.60	23.80	38.10	67.50	76.20	22.00
85.00	PKEB224M85FH	PKB224M85FH	95.25	254.00	330.20	111.12	104.80	20.00	50.80	57.20	190.50	124.60	23.80	38.10	67.50	76.20	21.50	
B464	3 11/16	PKEB22459FH	PKB22459FH	4 1/4	12 1/2	15 1/4	5 1/16	4 1/2	3/4	2 1/4	2 5/8	8 1/2	5 5/8	1 1/16	1 1/4	3 1/16	3 7/16	76.00
	3 15/16	PKEB22463FH	PKB22463FH	4 1/4	12 1/2	15 1/4	5 1/16	4 1/2	3/4	2 1/4	2 5/8	8 1/2	5 5/8	1 1/16	1 1/4	3 1/16	3 7/16	74.00
	4	PKEB22464FH	PKB22464FH	4 1/4	12 1/2	15 1/4	5 1/16	4 1/2	3/4	2 1/4	2 5/8	8 1/2	5 5/8	1 1/16	1 1/4	3 1/16	3 7/16	73.00
	90.00	PKEB224M90FH	PKB224M90FH	107.95	317.50	387.40	128.59	114.30	20.00	57.20	66.70	215.90	142.90	27.00	31.80	77.80	87.30	35.20
100.00	PKEB224M100FH	PKB224M100FH	107.95	317.50	387.40	128.59	114.30	20.00	57.20	66.70	215.90	142.90	27.00	31.80	77.80	87.30	33.50	

Additional Notes

- Please call 1-866-REXNORD for availability
- Lubrication fitting tap size, 1/8" PT
- Base to centerline tolerance, +/- .005" (+/- 0.13mm)
- Expansion - is 3/8" for all size codes
- H labyrinth seals standard
- All size codes available with type E lip seals & E7 triple lip seals

Selection Guide, see Link-Belt Spherical Roller Bearings Selection Guide section
 Load Ratings & Speed Limits, see Link-Belt Spherical Roller Bearings Load Ratings & Speed Limits section
 Note: Dimensions subject to change. Certified dimensions of ordered material furnished on request.

PKB22500F, PKEB22500F



Product Features

- Corrosion resistant powder coating
- Cast steel housing
- Misalignment capabilities - Total of 4°
- Broad range of sealing options
- Factory set clearance & lubrication
- Two hardened spring locking collars
- Field interchangeable seals
- Fixed or Expansion - Total of 3/8" expansion
- See Features & Benefits section for additional info.

Bearing Dimensions

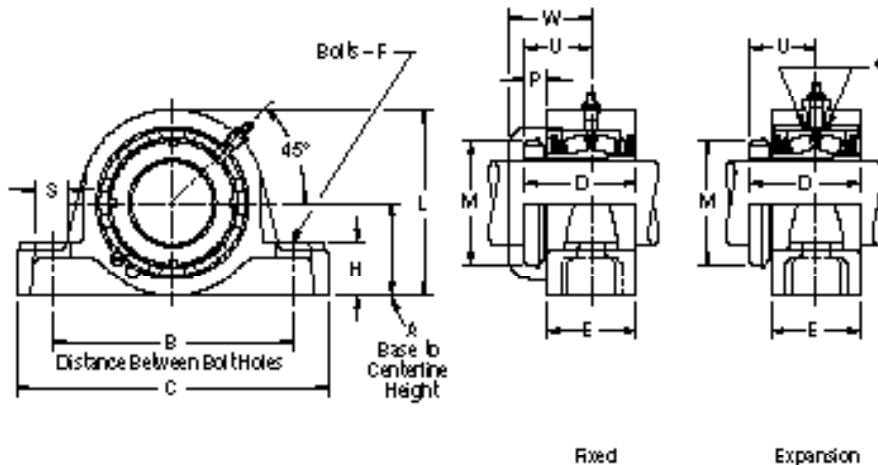
Size Code	Shaft Diameter	Expansion		Fixed		A Base to Centerline Height	B Distance Between Bolt Holes	C	D	E	F Bolts	G Bolt Hole Spacing (Width)	H	L	M	P	S	U	Approx. Weight
		Part Number	Part Number	Part Number	Part Number														
Four-Bolt Pillow Block																			
B572	4 3/16	PKEB22567YFH	PKB22567YFH	4 3/4	13 1/2	16 1/2	6 1/4	4 3/4	3/4	2 1/2	2 3/4	10	6 3/16	1	1 29/64	3 1/8			97.00
	4 7/16	PKEB22571YFH	PKB22571YFH	4 3/4	13 1/2	16 1/2	6 1/4	4 3/4	3/4	2 1/2	2 3/4	10	6 3/16	1	1 29/64	3 1/8			93.00
	4 1/2	PKEB22572YFH	PKB22572YFH	4 3/4	13 1/2	16 1/2	6 1/4	4 3/4	3/4	2 1/2	2 3/4	10	6 3/16	1	1 29/64	3 1/8			92.00
	110.00	PKEB225M110YFH	PKB225M110YFH	120.65	342.90	419.10	158.75	120.60	20.00	63.50	69.80	254.00	157.16	25.40	36.91	79.38			43.00
	115.00	PKEB225M115YFH	PKB225M115YFH	120.65	342.90	419.10	158.75	120.60	20.00	63.50	69.80	254.00	157.16	25.40	36.91	79.38			41.70
B580	4 15/16	PKEB22579YFH	PKB22579YFH	5 1/2	15 1/2	18 1/2	7 7/8	6 3/8	7/8	2 3/4	3	11 23/32	7 1/16	1 5/32	1 9/16	3 15/16			125.00
	5	PKEB22580YFH	PKB22580YFH	5 1/2	15 1/2	18 1/2	7 7/8	6 3/8	7/8	2 3/4	3	11 23/32	7 1/16	1 5/32	1 9/16	3 15/16			124.00
	125.00	PKEB225M125YFH	PKB225M125YFH	139.70	393.70	469.90	200.03	161.93	24.00	69.80	76.20	297.66	179.39	29.37	39.69	100.01			56.60

Additional Notes

- Please call 1-866-REXNORD for availability
- Lubrication fitting tap size, 1/8" PT
- Base to centerline tolerance, +/- .005" (+/- 0.13mm)
- Expansion - is 3/8" for all size codes
- H labyrinth seals standard
- All size codes available with type E lip seals & E7 triple lip seals

Selection Guide, see Link-Belt Spherical Roller Bearings Selection Guide section
 Load Ratings & Speed Limits, see Link-Belt Spherical Roller Bearings Load
 Ratings & Speed Limits section
 Note: Dimensions of ordered material
 furnished on request.

PKB22600, PKEB22600



Product Features

- Corrosion resistant powder coating
- Cast steel housing
- Misalignment capabilities - Total of 4°
- Broad range of sealing options
- Factory set clearance & lubrication
- Enhanced life mounting style
- Field interchangeable seals
- Fixed or Expansion - Total of 3/8" expansion
- See Features & Benefits section for additional info.

Bearing Dimensions

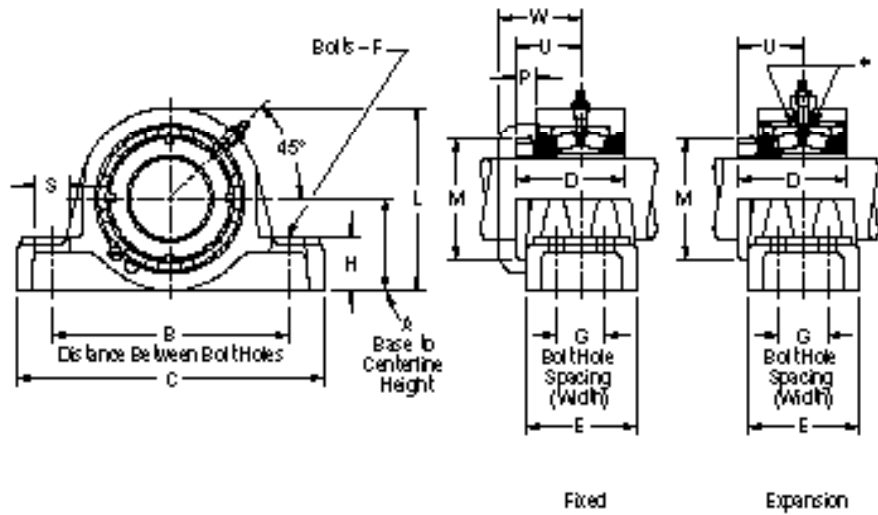
Size Code	Shaft Diameter	Expansion		Fixed		A Base to Centerline Height	B Distance Between Bolt Holes	C	D	E	F	H	M	P	S	U	W	Approx. Weight
		Part Number	L	Part Number	L													
Two-Bolt Pillow Block																		
B624	1 7/16	PKEB22623H	3 7/8	PKB22623H	3 11/16	1 7/8	5	6 7/8	2.71	2 1/4	1/2	1 3/16	2 1/4	1/2	13/16	1 39/64	2 3/16	7.00
B631	1 15/16	PKEB22631H	4 9/16	PKB22631H	4 9/16	2 1/4	6 1/4	8 3/8	3.08	2 1/2	5/8	1 3/8	2 31/32	39/64	15/16	1 55/64	2 9/32	12.00
B635	2 3/16	PKEB22635H	5	PKB22635H	5	2 1/2	6 3/4	8 7/8	3.16	2 9/16	5/8	1 5/8	3 5/32	5/8	15/16	1 29/32	2 7/16	16.00
B639	2 7/16	PKEB22639H	5 1/2	PKB22639H	5 1/2	2 3/4	7 1/8	9 1/4	3.28	2 11/16	5/8	1 3/4	3 5/8	45/64	15/16	1 31/32	2 9/16	18.00
B647	2 11/16	PKEB22643H	6 7/16	PKB22643H	6 7/16	3 1/4	8 1/8	10 7/16	3.86	3 3/16	3/4	2 1/4	4 5/32	55/64	1 1/16	2 19/64	2 25/32	30.00
	2 15/16	PKEB22647H	6 7/16	PKB22647H	6 7/16	3 1/4	8 1/8	10 7/16	3.86	3 3/16	3/4	2 1/4	4 5/32	55/64	1 1/16	2 19/64	2 25/32	29.00
B655	3 7/16	PKEB22655H	7 1/2	PKB22655H	7 1/2	3 3/4	10	13	4.29	3 7/16	7/8	2 1/4	4 15/16	7/8	1 5/8	2 37/64	3	43.00
B663	3 15/16	PKEB22663H	8 1/2	PKB22663H	8 1/2	4 1/4	11 3/4	15 1/4	4.94	4 3/16	1	2 5/8	5 7/16	1 5/16	2 1/4	2 15/16	3 7/16	62.00

Additional Notes

- Please call 1-866-REXNORD for availability
- Lubrication fitting tap size, 1/8" PT
- Base to centerline tolerance, +/- .005" (+/- 0.13mm)
- Expansion - is 3/8" for all size codes
- Dimensions for "D", "P" & "U" based on unmounted condition
- H labyrinth seals standard

- All size codes available with type E lip seals & E7 triple lip seals
- Selection Guide, see Link-Belt Spherical Roller Bearings Selection Guide section
- Load Ratings & Speed Limits, see Link-Belt Spherical Roller Bearings Load Ratings & Speed Limits section
- Note: Dimensions subject to change. Certified dimensions of ordered material furnished on request.

PKB22600F, PKEB22600F



Product Features

- Corrosion resistant powder coating
- Cast steel housing
- Misalignment capabilities - Total of 4°
- Broad range of sealing options
- Factory set clearance & lubrication
- Enhanced life mounting style
- Field interchangeable seals
- Fixed or Expansion - Total of 3/8" expansion
- See Features & Benefits section for additional info.

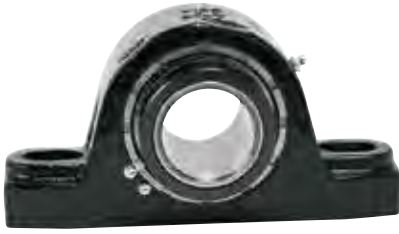
Bearing Dimensions

Size Code	Shaft Diameter	Expansion		Fixed		A Base to Centerline Height	B Distance Between Bolt Holes	C	D	E	F Bolts	G Bolt Hole Spacing (Width)	H	L	M	P	S	U	W	Approx. Weight	
		Part Number	Part Number																		
Four-Bolt Pillow Block																					
B631	1 15/16	PKEB22631FH	PKB22631FH	2 1/4	6 1/4	8 3/8	3.08	3 3/16	1/2	1 19/32	1 3/8	4 9/16	2 31/32	39/64	13/16	1 55/64	2 9/32				13.00
B635	2 3/16	PKEB22635FH	PKB22635FH	2 1/2	6 3/4	8 7/8	3.16	3 1/4	1/2	1 11/16	1 5/8	5	3 5/32	5/8	13/16	1 29/32	2 7/16				16.00
B639	2 7/16	PKEB22639FH	PKB22639FH	2 3/4	7 1/8	9 1/4	3.28	3 3/8	1/2	1 3/4	1 3/4	5 1/2	3 5/8	5/8	13/16	1 31/32	2 9/16				20.00
B647	2 11/16	PKEB22643FH	PKB22643FH	3 1/4	8 1/8	10 7/16	3.86	3 3/4	5/8	1 7/8	2 1/4	6 7/16	4 5/32	45/64	15/16	2 19/64	2 25/32				30.00
	2 15/16	PKEB22647FH	PKB22647FH	3 1/4	8 1/8	10 7/16	3.86	3 3/4	5/8	1 7/8	2 1/4	6 7/16	4 5/32	45/64	15/16	2 19/64	2 25/32				29.00
B655	3 7/16	PKEB22655FH	PKB22655FH	3 3/4	10	13	4.29	4 1/8	3/4	2	2 1/4	7 1/2	4 15/16	55/64	1 1/2	2 37/64	3				47.00
B663	3 15/16	PKEB22663FH	PKB22663FH	4 1/4	12 1/2	15 1/4	4.94	4 1/2	3/4	2 1/4	2 5/8	8 1/2	5 7/16	15/16	1 1/4	2 15/16	3 7/16				74.00

Additional Notes

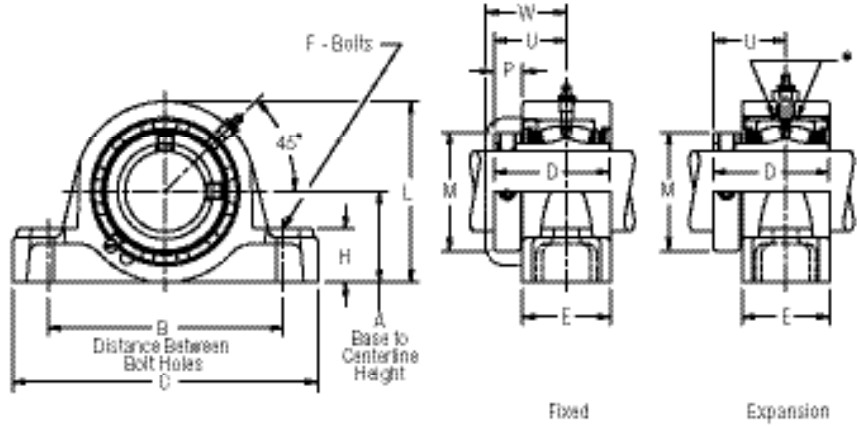
Please call 1-866-REXNORD for availability
 Lubrication fitting tap size, 1/8" PT
 Base to centerline tolerance, +/- .005" (+/- 0.13mm)
 Expansion - is 3/8" for all size codes
 Dimensions for "D", "P" & "U" based on unmounted condition
 H labyrinth seals standard

All size codes available with type E lip seals & E7 triple lip seals
 Selection Guide, see Link-Belt Spherical Roller Bearings Selection Guide section
 Load Ratings & Speed Limits, see Link-Belt Spherical Roller Bearings Load
 Ratings & Speed Limits section
 Note: Dimensions subject to change. Certified dimensions of ordered material
 furnished on request.



Product Features

- Corrosion resistant powder coating
- Cast iron housing
- Broad range of sealing options
- Factory set clearance & lubrication
- Hardened spring locking collar
- Field interchangeable seals
- Fixed or Expansion - Total of 3/8" expansion
- Misalignment capabilities - Total of 4°
- Self aligning type E interchange
- See Features & Benefits section for additional info.



Bearing Dimensions

Size Code	Shaft Diameter	Expansion / Fixed		A Base to Centerline Height	B Distance Between Bolt Holes		C	D	E	F Bolts	H	L	M	P	U	W	Approx. Weight
		Part Number	Part Number		Min.	Max.											
Two-Bolt Pillow Block																	
B424	1 7/16	EPEB22423H	EPB22423H	1 7/8	4 3/4	6	7 3/8	2 7/8	2 1/4	1/2	1 1/8	3 7/8	2 5/16	2 1/32	1 25/32	2 3/16	8.00
	35.00	<i>EPEB224M35H</i>	<i>EPB224M35H</i>	47.62	120.60	152.40	187.30	73.02	57.20	12.00	28.60	98.40	58.70	16.70	45.20	55.60	3.10
B428	1 1/2	EPEB22424H	EPB22424H	2 1/8	5 1/4	6 1/2	7 7/8	3 1/8	2 1/2	1/2	1 1/4	4 3/8	2 19/32	2 1/32	1 29/32	2 1/4	11.00
	40.00	<i>EPEB224M40H</i>	<i>EPB224M40H</i>	53.98	133.40	165.10	200.00	79.38	63.50	12.00	31.80	111.10	65.90	16.70	48.40	57.20	5.40
B432	1 5/8	EPEB22426H	EPB22426H	2 1/8	5 1/4	6 1/2	7 7/8	3 1/8	2 1/2	1/2	1 1/4	4 3/8	2 19/32	2 1/32	1 29/32	2 1/4	11.00
	45.00	<i>EPEB224M45H</i>	<i>EPB224M45H</i>	57.15	154.00	184.20	225.40	79.38	63.50	16.00	33.30	115.90	73.00	16.70	48.40	57.90	5.50
B436	1 11/16	EPEB22427H	EPB22427H	2 1/8	5 1/4	6 1/2	7 7/8	3 1/8	2 1/2	1/2	1 1/4	4 3/8	2 19/32	2 1/32	1 29/32	2 1/4	11.00
	50.00	<i>EPEB224M50H</i>	<i>EPB224M50H</i>	57.15	154.00	184.20	225.40	79.38	63.50	16.00	33.30	115.90	73.00	16.70	48.40	57.90	5.20
B440	1 3/4	EPEB22428H	EPB22428H	2 1/4	6 1/16	7 1/4	8 7/8	3 1/8	2 1/2	5/8	1 5/16	4 9/16	2 7/8	2 1/32	1 29/32	2 9/32	12.00
	45.00	<i>EPEB224M45H</i>	<i>EPB224M45H</i>	57.15	154.00	184.20	225.40	79.38	63.50	16.00	33.30	115.90	73.00	16.70	48.40	57.90	5.50
B444	1 15/16	EPEB22431H	EPB22431H	2 1/4	6 1/16	7 1/4	8 7/8	3 1/8	2 1/2	5/8	1 5/16	4 9/16	2 7/8	2 1/32	1 29/32	2 9/32	12.00
	55.00	<i>EPEB224M55H</i>	<i>EPB224M55H</i>	63.50	166.70	203.20	244.50	84.14	65.10	16.00	38.10	127.00	82.60	19.80	52.40	61.90	6.60
B448	2	EPEB22432H	EPB22432H	2 1/4	6 1/16	7 1/4	8 7/8	3 1/8	2 1/2	5/8	1 5/16	4 9/16	2 7/8	2 1/32	1 29/32	2 9/32	12.00
	60.00	<i>EPEB224M60H</i>	<i>EPB224M60H</i>	69.85	176.20	222.20	266.70	88.90	68.30	16.00	41.30	139.70	90.50	21.40	55.60	65.10	8.20
B456	2 1/2	EPEB22439H	EPB22439H	2 3/4	6 15/16	8 3/4	10 1/2	3 1/2	2 11/16	5/8	1 5/8	5 1/2	3 9/16	2 7/32	2 3/16	2 9/16	17.00
	65.00	<i>EPEB224M65H</i>	<i>EPB224M65H</i>	79.38	198.40	247.60	300.00	101.60	81.00	20.00	47.60	160.30	103.20	21.40	61.90	70.60	13.50
B456	2 1/2	EPEB22440H	EPB22440H	2 3/4	6 15/16	8 3/4	10 1/2	3 1/2	2 11/16	5/8	1 5/8	5 1/2	3 9/16	2 7/32	2 3/16	2 9/16	17.00
	70.00	<i>EPEB224M70H</i>	<i>EPB224M70H</i>	79.38	198.40	247.60	300.00	101.60	81.00	20.00	47.60	160.30	103.20	21.40	61.90	70.60	13.30
B448	2 11/16	EPEB22443H	EPB22443H	3 1/8	7 13/16	9 3/4	11 13/16	4	3 3/16	3/4	1 7/8	6 5/16	4 1/16	2 7/32	2 7/16	2 25/32	28.00
	75.00	<i>EPEB224M75H</i>	<i>EPB224M75H</i>	79.38	198.40	247.60	300.00	101.60	81.00	20.00	47.60	160.30	103.20	21.40	61.90	70.60	12.80
B456	2 3/4	EPEB22444H	EPB22444H	3 1/8	7 13/16	9 3/4	11 13/16	4	3 3/16	3/4	1 7/8	6 5/16	4 1/16	2 7/32	2 7/16	2 25/32	28.00
	80.00	<i>EPEB224M80H</i>	<i>EPB224M80H</i>	95.25	236.50	287.30	350.80	111.12	88.90	24.00	57.20	190.50	124.60	23.80	67.50	76.20	20.00
B448	2 15/16	EPEB22447H	EPB22447H	3 1/8	7 13/16	9 3/4	11 13/16	4	3 3/16	3/4	1 7/8	6 5/16	4 1/16	2 7/32	2 7/16	2 25/32	28.00
	85.00	<i>EPEB224M85H</i>	<i>EPB224M85H</i>	95.25	236.50	287.30	350.80	111.12	88.90	24.00	57.20	190.50	124.60	23.80	67.50	76.20	19.50
B456	3	EPEB22448H	EPB22448H	3 1/8	7 13/16	9 3/4	11 13/16	4	3 3/16	3/4	1 7/8	6 5/16	4 1/16	2 7/32	2 7/16	2 25/32	28.00
	80.00	<i>EPEB224M80H</i>	<i>EPB224M80H</i>	95.25	236.50	287.30	350.80	111.12	88.90	24.00	57.20	190.50	124.60	23.80	67.50	76.20	20.00
B456	3 3/16	EPEB22451H	EPB22451H	3 3/4	9 5/16	11 5/16	13 13/16	4 3/8	3 1/2	7/8	2 1/4	7 1/2	4 29/32	1 5/16	2 21/32	3	43.00
	85.00	<i>EPEB224M85H</i>	<i>EPB224M85H</i>	95.25	236.50	287.30	350.80	111.12	88.90	24.00	57.20	190.50	124.60	23.80	67.50	76.20	19.50

Additional Notes

- Please call 1-866-REXNORD for availability
- Lubrication fitting tap size, 1/8" PT
- Base to centerline tolerance, +/- .005" (+/- 0.13mm)
- Expansion - is 3/8" for all size codes
- H labyrinth seals standard
- All size codes available with type E lip seals & E7 triple lip seals

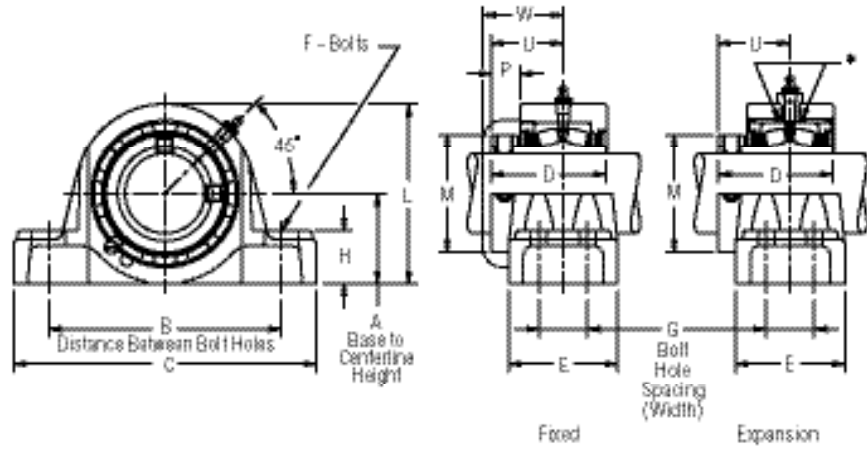
Selection Guide, see Link-Belt Spherical Roller Bearings Selection Guide section
 Load Ratings & Speed Limits, see Link-Belt Spherical Roller Bearings Load Ratings & Speed Limits section
 Note: Dimensions subject to change. Certified dimensions of ordered material furnished on request.

EPB22400F, EPEB22400F



Product Features

- Self aligning type E interchange
- Corrosion resistant powder coating
- Cast iron housing
- Misalignment capabilities - Total of 4°
- Broad range of sealing options
- Factory set clearance & lubrication
- Hardened spring locking collar
- Field interchangeable seals
- Fixed or Expansion - Total of 3/8" expansion
- See Features & Benefits for additional info.



Bearing Dimensions

Size Code	Shaft Diameter	Expansion		A Base to Centerline Height	B Distance Between Bolt Holes		C	D	E	F Bolts	G Bolt Hole Spacing (Width)	H	L	M	P	U	W	Approx. Weight
		Part Number	Part Number		Min.	Max.												
Four-Bolt Pillow Block																		
B440	2 1/4	EPEB224B36FH	EPB224B36FH	2 3/4	6 15/16	8 3/4	10 1/2	3 1/2	3 5/8	5/8	1 7/8	1 5/8	5 1/2	3 9/16	27/32	2 3/16	2 9/16	21.00
	2 7/16	EPEB22439FH	EPB22439FH	2 3/4	6 15/16	8 3/4	10 1/2	3 1/2	3 5/8	5/8	1 7/8	1 5/8	5 1/2	3 9/16	27/32	2 3/16	2 9/16	20.00
	2 1/2	EPEB22440FH	EPB22440FH	2 3/4	6 15/16	8 3/4	10 1/2	3 1/2	3 5/8	5/8	1 7/8	1 5/8	5 1/2	3 9/16	27/32	2 3/16	2 9/16	20.00
	60.00	<i>EPEB224M60FH</i>	<i>EPB224M60FH</i>	69.85	176.20	222.20	266.70	88.90	92.10	16.00	47.60	41.30	139.70	90.50	21.40	55.60	65.10	8.80
B448	2 11/16	EPEB22443FH	EPB22443FH	3 1/8	7 13/16	9 7/8	11 13/16	4	4 1/4	5/8	2 1/8	1 7/8	6 5/16	4 1/16	27/32	2 7/16	2 25/32	31.00
	2 3/4	EPEB22444FH	EPB22444FH	3 1/8	7 13/16	9 7/8	11 13/16	4	4 1/4	5/8	2 1/8	1 7/8	6 5/16	4 1/16	27/32	2 7/16	2 25/32	31.00
	2 15/16	EPEB22447FH	EPB22447FH	3 1/8	7 13/16	9 7/8	11 13/16	4	4 1/4	5/8	2 1/8	1 7/8	6 5/16	4 1/16	27/32	2 7/16	2 25/32	29.00
	3	EPEB22448FH	EPB22448FH	3 1/8	7 13/16	9 7/8	11 13/16	4	4 1/4	5/8	2 1/8	1 7/8	6 5/16	4 1/16	27/32	2 7/16	2 25/32	29.00
	65.00	<i>EPEB224M65FH</i>	<i>EPB224M65FH</i>	79.38	198.40	250.80	300.00	101.60	108.00	16.00	54.00	47.60	160.30	103.20	21.40	61.90	70.60	14.00
	70.00	<i>EPEB224M70FH</i>	<i>EPB224M70FH</i>	79.38	198.40	250.80	300.00	101.60	108.00	16.00	54.00	47.60	160.30	103.20	21.40	61.90	70.60	13.80
75.00	<i>EPEB224M75FH</i>	<i>EPB224M75FH</i>	79.38	198.40	250.80	300.00	101.60	108.00	16.00	54.00	47.60	160.30	103.20	21.40	61.90	70.60	13.30	
B456	3 3/16	EPEB22451FH	EPB22451FH	3 3/4	9 5/16	11 5/16	13 13/16	4 3/8	4 3/4	3/4	2 3/8	2 1/4	7 1/2	4 29/32	15/16	2 21/32	3	47.00
	3 7/16	EPEB22455FH	EPB22455FH	3 3/4	9 5/16	11 5/16	13 13/16	4 3/8	4 3/4	3/4	2 3/8	2 1/4	7 1/2	4 29/32	15/16	2 21/32	3	46.00
	3 1/2	EPEB22456FH	EPB22456FH	3 3/4	9 5/16	11 5/16	13 13/16	4 3/8	4 3/4	3/4	2 3/8	2 1/4	7 1/2	4 29/32	15/16	2 21/32	3	45.00
	80.00	<i>EPEB224M80FH</i>	<i>EPB224M80FH</i>	95.25	236.50	290.50	350.80	111.12	120.60	20.00	60.30	57.20	190.50	124.60	23.80	67.50	76.20	21.30
	85.00	<i>EPEB224M85FH</i>	<i>EPB224M85FH</i>	95.25	236.50	290.50	350.80	111.12	120.60	20.00	60.30	57.20	190.50	124.60	23.80	67.50	76.20	20.80
B464	3 11/16	EPEB22459FH	EPB22459FH	4 1/4	11 7/8	13	15 1/4	5 1/16	4 1/2	3/4	2 1/4	2 5/8	8 1/2	5 5/8	1 1/16	3 1/16	3 7/16	69.00
	3 15/16	EPEB22463FH	EPB22463FH	4 1/4	11 7/8	13	15 1/4	5 1/16	4 1/2	3/4	2 1/4	2 5/8	8 1/2	5 5/8	1 1/16	3 1/16	3 7/16	67.00
	4	EPEB22464FH	EPB22464FH	4 1/4	11 7/8	13	15 1/4	5 1/16	4 1/2	3/4	2 1/4	2 5/8	8 1/2	5 5/8	1 1/16	3 1/16	3 7/16	66.00
	90.00	<i>EPEB224M90FH</i>	<i>EPB224M90FH</i>	107.95	301.60	330.20	387.40	128.59	114.30	20.00	57.20	66.70	215.90	142.90	27.00	77.80	87.30	32.10
	100.00	<i>EPEB224M100FH</i>	<i>EPB224M100FH</i>	107.95	301.60	330.20	387.40	128.59	114.30	20.00	57.20	66.70	215.90	142.90	27.00	77.80	87.30	30.30

Additional Notes

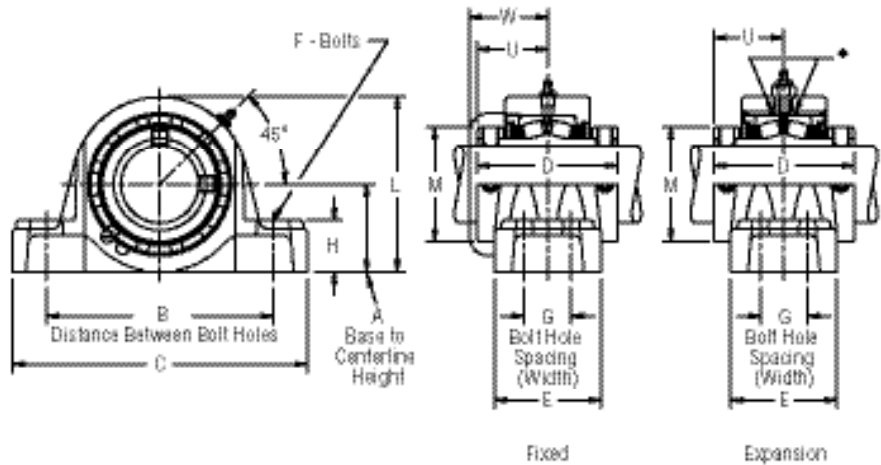
- Please call 1-866-REXNORD for availability
- Lubrication fitting tap size, 1/8" PT
- Base to centerline tolerance, +/- .005" (+/- 0.13mm)
- Expansion - is 3/8" for all size codes
- H labyrinth seals standard
- All size codes available with type E lip seals & E7 triple lip seals

Selection Guide, see Link-Belt Spherical Roller Bearings Selection Guide section Load Ratings & Speed Limits, see Link-Belt Spherical Roller Bearings Load Ratings & Speed Limits section
 Note: Dimensions subject to change. Certified dimensions of ordered material furnished on request.



Product Features

- Self aligning type E interchange
- Corrosion resistant powder coating
- Cast iron housing
- Misalignment capabilities - Total of 4°
- Broad range of sealing options
- Factory set clearance & lubrication
- Two hardened spring locking collars
- Field interchangeable seals
- Fixed or Expansion - Total of 3/8" expansion
- See Features & Benefits section for additional info.



Bearing Dimensions

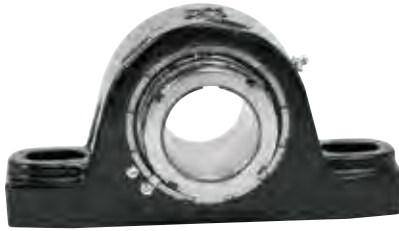
Size Code	Shaft Diameter	Expansion		Fixed		A Base to Centerline Height	B Distance Between Bolt Holes		C	D	E	F Bolts	G Bolt Hole Spacing (Width)	H	L	M	U	W	Approx. Weight
		Part Number	Part Number	Min.	Max.														
Two-Bolt Pillow Block																			
B524	1 7/16	EPEB22523H	EPB22523H	1 7/8	4 3/4	6	7 3/8	3 9/16	2 1/4	1/2	-	1 1/8	3 7/8	2 5/16	1 25/32	2 3/16			8.00
B528	1 11/16	EPEB22527H	EPB22527H	2 1/8	5 1/2	6 1/2	7 7/8	3 13/16	2 1/2	1/2	-	1 1/4	4 3/8	2 19/32	1 29/32	2 1/4			12.00
B531	1 15/16	EPEB22531H	EPB22531H	2 1/4	6 1/16	7 1/4	8 7/8	3 13/16	2 1/2	5/8	-	1 5/16	4 9/16	2 7/8	1 29/32	2 9/32			13.00
B536	2 3/16	EPEB22535H	EPB22535H	2 1/2	6 9/16	8	9 5/8	4 1/8	2 9/16	5/8	-	1 1/2	5	3 1/4	2 1/16	2 7/16			16.00
B540	2 7/16	EPEB22539H	EPB22539H	2 3/4	6 15/16	8 3/4	10 1/2	4 3/8	2 11/16	5/8	-	1 5/8	5 1/2	3 9/16	2 3/16	2 9/16			18.00
B548	2 11/16	EPEB22543H	EPB22543H	3 1/8	7 13/16	9 3/4	11 11/16	4 7/8	3 13/16	3/4	-	1 7/8	6 5/16	4 1/16	2 7/16	2 25/32			31.00
	2 15/16	EPEB22547H	EPB22547H	3 1/8	7 13/16	9 3/4	11 11/16	4 7/8	3 13/16	3/4	-	1 7/8	6 5/16	4 1/16	2 7/16	2 25/32			29.00
B556	3 7/16	EPEB22555H	EPB22555H	3 3/4	9 5/16	11 5/16	13 13/16	5 5/16	3 1/2	7/8	-	2 1/4	7 1/2	4 29/32	2 21/32	3			45.00
Four-Bolt Pillow Block																			
B540	2 7/16	EPEB22539FH	EPB22539FH	2 3/4	6 15/16	8 3/4	10 1/2	4 3/8	3 5/8	5/8	1 7/8	1 5/8	5 1/2	3 9/16	2 3/16	2 9/16			21.00
B548	2 11/16	EPEB22543FH	EPB22543FH	3 1/8	7 13/16	9 7/8	11 13/16	4 7/8	4 1/4	5/8	2 1/8	1 7/8	6 5/16	4 1/16	2 7/16	2 25/32			33.00
	2 15/16	EPEB22547FH	EPB22547FH	3 1/8	7 13/16	9 7/8	11 13/16	4 7/8	4 1/4	5/8	2 1/8	1 7/8	6 5/16	4 1/16	2 7/16	2 25/32			31.00
B556	3 7/16	EPEB22555FH	EPB22555FH	3 3/4	9 5/16	11 7/16	13 13/16	5 5/16	4 3/4	3/4	2 3/8	2 1/4	7 1/2	4 29/32	2 21/32	3			48.00
B564	3 15/16	EPEB22563FH	EPB22563FH	4 1/4	11 7/8	13	15 1/4	6 1/8	4 1/2	3/4	2 1/4	2 5/8	8 5/8	5 5/8	3 1/16	3 7/16			71.00
	4	EPEB22564FH	EPB22564FH	4 1/4	11 7/8	13	15 1/4	6 1/8	4 1/2	3/4	2 1/4	2 5/8	8 5/8	5 5/8	3 1/16	3 7/16			70.00
B572	4 3/16	EPEB22567YFH	EPB22567YFH	4 3/4	12 3/4	14 1/8	16 1/2	6 1/4	4 5/8	3/4	2 1/2	2 3/4	9 3/8	6 3/16	3 1/8	-			92.00
	4 7/16	EPEB22571YFH	EPB22571YFH	4 3/4	12 3/4	14 1/8	16 1/2	6 1/4	4 5/8	3/4	2 1/2	2 3/4	9 3/8	6 3/16	3 1/8	-			88.00
	4 1/2	EPEB22572YFH	EPB22572YFH	4 3/4	12 3/4	14 1/8	16 1/2	6 1/4	4 5/8	3/4	2 1/2	2 3/4	9 3/8	6 3/16	3 1/8	-			87.00
	110.00	EPEB225M110YFH	EPB225M110YFH	120.65	323.90	358.80	419.10	158.75	117.48	20.00	63.50	69.80	238.10	157.16	79.38	-			40.70
115.00	EPEB225M115YFH	EPB225M115YFH	120.65	323.90	358.80	419.10	158.75	117.48	20.00	63.50	69.80	238.10	157.16	79.38	-			39.50	
B580	4 15/16	EPEB22579YFH	EPB22579YFH	5 1/2	14 5/16	16 1/8	18 1/2	7 7/8	5 9/16	7/8	2 3/4	3	11 1/8	7 1/16	3 15/16	-			129.00
	5	EPEB22580YFH	EPB22580YFH	5 1/2	14 5/16	16 1/8	18 1/2	7 7/8	5 9/16	7/8	2 3/4	3	11 1/8	7 1/16	3 15/16	-			128.00
125.00	EPEB225M125YFH	EPB225M125YFH	139.70	363.60	409.60	469.90	200.03	141.29	24.00	69.80	76.20	282.58	179.39	100.01	-			58.10	

Additional Notes

- Please call 1-866-REXNORD for availability
- Lubrication fitting tap size, 1/8" PT
- Base to centerline tolerance, +/- .005" (+/- 0.13mm)
- Expansion - is 3/8" for all size codes
- H labyrinth seals standard
- All size codes available with type E lip seals & E7 triple lip seals

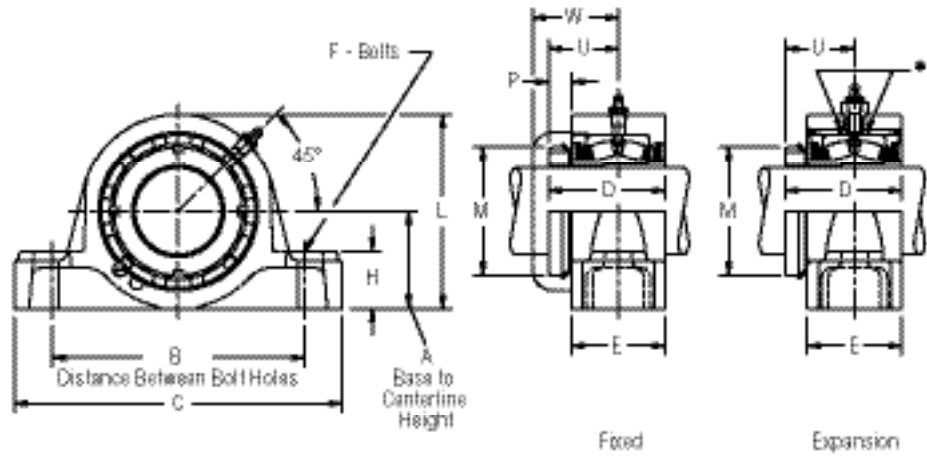
Selection Guide, see Link-Belt Spherical Roller Bearings Selection Guide section
 Load Ratings & Speed Limits, see Link-Belt Spherical Roller Bearings Load Ratings & Speed Limits section
 Note: Dimensions subject to change. Certified dimensions of ordered material furnished on request.

EPB22600, EPEB22600



Product Features

- Self aligning type E interchange
- Corrosion resistant powder coating
- Cast iron housing
- Broad range of sealing options
- Factory set clearance & lubrication
- Enhanced life mounting style
- Field interchangeable seals
- Fixed or Expansion - Total of 3/8" expansion
- See Features & Benefits for additional info.



Bearing Dimensions

Size Code	Shaft Diameter	Expansion	Fixed	A Base to Centerline Height	B Distance Between Bolt Holes		C	D	E	F	H	L	M	P	U	W	Approx. Weight
		Part Number	Part Number		Min.	Max.											
Two-Bolt Pillow Block																	
B624	1 7/16	EPEB22623H	EPB22623H	1 7/8	4 3/4	6	7 3/8	2.71	2 1/4	1/2	1 1/8	3 7/8	2 1/4	1/2	1 39/64	2 3/16	8.00
B631	1 15/16	EPEB22631H	EPB22631H	2 1/4	6 1/16	7 1/4	8 7/8	3.08	2 1/2	5/8	1 5/16	4 9/16	2 31/32	39/64	1 55/64	2 9/32	12.00
B635	2 3/16	EPEB22635H	EPB22635H	2 1/2	6 9/16	8	9 5/8	3.16	2 9/16	5/8	1 1/2	5	3 5/32	5/8	1 29/32	2 7/16	15.00
B639	2 7/16	EPEB22639H	EPB22639H	2 3/4	6 15/16	8 3/4	10 1/2	3.28	2 11/16	5/8	1 5/8	5 1/2	3 5/8	5/8	1 31/32	2 9/16	17.00
B647	2 11/16	EPEB22643H	EPB22643H	3 1/8	7 13/16	9 3/4	11 13/16	3.86	3 3/16	3/4	1 7/8	6 5/16	4 5/32	3/4	2 19/64	2 25/32	29.00
	2 15/16	EPEB22647H	EPB22647H	3 1/8	7 13/16	9 3/4	11 13/16	3.86	3 3/16	3/4	1 7/8	6 5/16	4 5/32	45/64	2 19/64	2 25/32	27.00
B655	3 7/16	EPEB22655H	EPB22655H	3 3/4	9 5/16	11 5/16	13 13/16	4.29	3 1/2	7/8	2 1/4	7 1/2	4 15/16	55/64	2 37/64	3	43.00

Additional Notes

Please call 1-866-REXNORD for availability
 Lubrication fitting tap size, 1/8" PT
 Base to centerline tolerance, +/- .005" (+/- 0.13mm)
 Expansion - is 3/8" for all size codes
 Dimensions for "D", "P" & "U" based on unmounted condition
 H labyrinth seals standard

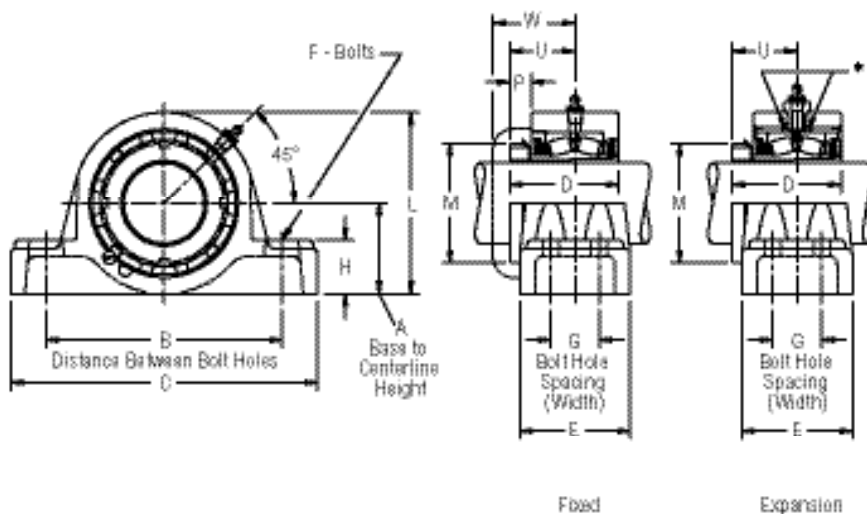
All size codes available with type E lip seals & E7 triple lip seals
 Selection Guide, see Link-Belt Spherical Roller Bearings Selection Guide section
 Load Ratings & Speed Limits, see Link-Belt Spherical Roller Bearings Load
 Ratings & Speed Limits section
 Note: Dimensions subject to change. Certified dimensions of ordered material
 furnished on request.

EPB22600F, EPEB22600F



Product Features

- Self aligning type E interchange
- Corrosion resistant powder coating
- Cast iron housing
- Misalignment capabilities - Total of 4°
- Broad range of sealing options
- Factory set clearance & lubrication
- Enhanced life mounting style
- Field interchangeable seals
- Fixed or Expansion - Total of 3/8" expansion
- See Features & Benefits section for additional info.



Bearing Dimensions

Size Code	Shaft Diameter	Expansion		Fixed	A Base to Centerline Height	B Distance Between Bolt Holes		C	D	E	F Bolts	G Bolt Hole Spacing (Width)	H	L	M	p	U	W	Approx. Weight
		Part Number	Part Number			Min.	Max.												
Four-Bolt Pillow Block																			
B639	2 7/16	EPEB22639FH	EPB22639FH	2 3/4	6 15/16	8 3/4	10 1/2	3.28	3 5/8	5/8	1 7/8	1 5/8	5 1/2	3 5/8	5/8	1 31/32	2 9/16	20.00	
B647	2 11/16	EPEB22643FH	EPB22643FH	3 1/8	7 13/16	9 7/8	11 13/16	3.86	4 1/4	5/8	2 1/8	1 7/8	6 5/16	4 5/32	3/4	2 19/64	2 25/32	31.00	
	2 15/16	EPEB22647FH	EPB22647FH	3 1/8	7 13/16	9 7/8	11 13/16	3.86	4 1/4	5/8	2 1/8	1 7/8	6 5/16	4 5/32	45/64	2 19/64	2 25/32	29.00	
B655	3 7/16	EPEB22655FH	EPB22655FH	3 3/4	9 5/16	11 5/16	13 13/16	4.29	4 3/4	3/4	2 3/8	2 1/4	7 1/2	4 15/16	55/64	2 37/64	3	46.00	

Additional Notes

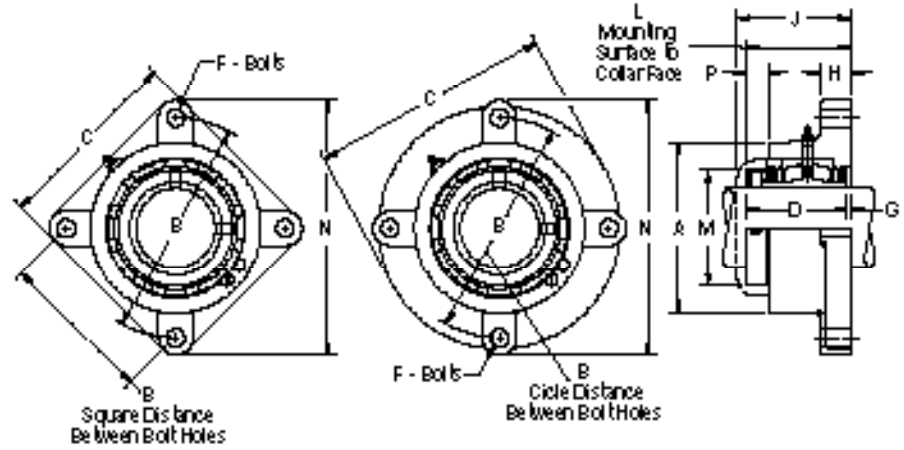
Please call 1-866-REXNORD for availability
 Lubrication fitting tap size, 1/8" PT
 Base to centerline tolerance, +/- .005" (+/- 0.13mm)
 Expansion - is 3/8" for all size codes
 Dimensions for "D", "P" & "U" based on unmounted condition
 H labyrinth seals standard

All size codes available with type E lip seals & E7 triple lip seals
 Selection Guide, see Link-Belt Spherical Roller Bearings Selection Guide section
 Load Ratings & Speed Limits, see Link-Belt Spherical Roller Bearings Load Ratings & Speed Limits section
 Note: Dimensions subject to change. Certified dimensions of ordered material furnished on request.



Product Features

- Corrosion resistant powder coating
- Cast iron housing
- Misalignment capabilities - Total of 4°
- Broad range of sealing options
- Factory set clearance & lubrication
- Hardened spring locking collar
- Field interchangeable seals
- Fixed or Expansion - Total of 3/8" expansion
- See Features & Benefits section for additional info.



Bearing Dimensions

Size Code	Shaft Diameter	Expansion		Fixed		B Square Distance Between Bolt Holes	B Circle Distance Between Bolt Holes	D	F Bolts	G	H	J	L Mounting Surface to Collar Face	M	N	P	Approx. Weight		
		Part Number	A	C	Part Number													A	C
3-Bolt; Round																			
B416	1	FEB22416H	3 1/4	4 3/4	FB22416H	2 7/8	4 3/4	-	4 1/8	2 9/16	3/8	1/32	9/16	2 15/16	2 19/32	1 3/4	5 1/8	17/32	3.00
	25.00	FEB224M25H	82.60	120.60	FB224M25H	73.00	120.60	-	104.78	65.09	10.00	0.80	14.30	74.60	65.90	44.40	130.20	13.50	1.30
B420	1 3/16	FEB22419H	3 1/2	5 1/8	FB22419H	3 1/8	5 1/8	-	4 1/2	2 11/16	3/8	1/32	19/32	3 1/16	2 23/32	1 31/32	5 1/2	17/32	6.00
	1 1/4	FEB22420H	3 1/2	5 1/8	FB22420H	3 1/8	5 1/8	-	4 1/2	2 11/16	3/8	1/32	19/32	3 1/16	2 23/32	1 31/32	5 1/2	17/32	6.00
B424	1 7/16	FEB22423H	3 3/4	5 7/8	FB22423H	3 7/16	5 7/8	-	5	2 7/8	1/2	1/32	5/8	3 5/16	2 29/32	2 5/16	6 1/4	21/32	7.00
	1 1/2	FEB22424H	3 3/4	5 7/8	FB22424H	3 7/16	5 7/8	-	5	2 7/8	1/2	1/32	5/8	3 5/16	2 29/32	2 5/16	6 1/4	21/32	7.00
	35.00	FEB224M35H	95.20	149.20	FB224M35H	87.30	149.20	-	127.00	73.02	12.00	0.80	15.90	84.10	73.80	58.70	158.80	16.70	3.20
4-Bolt; Round																			
B428	1 5/8	FEB22426H	4 1/4	6 3/8	FB22426H	3 15/16	6 3/8	3 57/64	5 1/2	3 1/8	1/2	1/32	5/8	3 1/2	3 5/32	2 19/32	6 3/4	21/32	9.00
	1 11/16	FEB22427H	4 1/4	6 3/8	FB22427H	3 15/16	6 3/8	3 57/64	5 1/2	3 1/8	1/2	1/32	5/8	3 1/2	3 5/32	2 19/32	6 3/4	21/32	9.00
	1 3/4	FEB22428H	4 1/4	6 3/8	FB22428H	3 15/16	6 3/8	3 57/64	5 1/2	3 1/8	1/2	1/32	5/8	3 1/2	3 5/32	2 19/32	6 3/4	21/32	9.00
	40.00	FEB224M40H	108.00	161.90	FB224M40H	100.00	161.90	98.83	139.70	79.38	12.00	0.80	15.90	88.90	80.20	65.90	171.40	16.70	4.30
B432	1 15/16	FEB22431H	4 1/2	6 11/16	FB22431H	4 1/4	6 11/16	4 1/16	5 3/4	3 1/8	1/2	1/16	11/16	3 9/16	3 3/16	2 7/8	7	21/32	10.00
	2	FEB22432H	4 1/2	6 11/16	FB22432H	4 1/4	6 11/16	4 1/16	5 3/4	3 1/8	1/2	1/16	11/16	3 9/16	3 3/16	2 7/8	7	21/32	10.00
	45.00	FEB224M45H	114.30	169.90	FB224M45H	108.00	169.90	103.17	146.05	79.38	12.00	1.60	17.50	90.50	81.00	73.00	177.80	16.70	5.00
	50.00	FEB224M50H	114.30	169.90	FB224M50H	108.00	169.90	103.17	146.05	79.38	12.00	1.60	17.50	90.50	81.00	73.00	177.80	16.70	4.70
B436	2 3/16	FEB22435H	4 7/8	7 3/8	FB22435H	4 7/8	7 3/8	4 1/2	6 3/8	3 5/16	5/8	3/32	11/16	3 25/32	3 13/32	3 1/4	7 3/4	25/32	14.00
	2 1/4	FEB22436H	4 7/8	7 3/8	FB22436H	4 7/8	7 3/8	4 1/2	6 3/8	3 5/16	5/8	3/32	11/16	3 25/32	3 13/32	3 1/4	7 3/4	25/32	14.00
	55.00	FEB224M55H	123.80	187.30	FB224M55H	123.80	187.30	114.30	161.92	84.14	16.00	2.40	17.50	96.00	86.50	82.60	196.80	19.80	6.50
B440	2 7/16	FEB22439H	5 3/8	7 3/4	FB22439H	5 3/8	7 3/4	4 49/64	6 3/4	3 1/2	5/8	3/32	3/4	3 31/32	3 19/32	3 9/16	8 1/8	27/32	17.00
	2 1/2	FEB22440H	5 3/8	7 3/4	FB22440H	5 3/8	7 3/4	4 49/64	6 3/4	3 1/2	5/8	3/32	3/4	3 31/32	3 19/32	3 9/16	8 1/8	27/32	17.00
	60.00	FEB224M60H	136.50	196.80	FB224M60H	136.50	196.80	121.06	171.45	88.90	16.00	2.40	19.00	100.80	91.30	90.50	206.40	21.40	7.90
B448	2 11/16	FEB22443H	6 1/4	9 1/8	FB22443H	6 1/4	9 1/8	5 9/16	7 7/8	4	3/4	3/32	7/8	4 7/16	4 3/32	4 1/16	9 1/2	27/32	28.00
	2 3/4	FEB22444H	6 1/4	9 1/8	FB22444H	6 1/4	9 1/8	5 9/16	7 7/8	4	3/4	3/32	7/8	4 7/16	4 3/32	4 1/16	9 1/2	27/32	27.00
	2 15/16	FEB22447H	6 1/4	9 1/8	FB22447H	6 1/4	9 1/8	5 9/16	7 7/8	4	3/4	3/32	7/8	4 7/16	4 3/32	4 1/16	9 1/2	27/32	26.00
	3	FEB22448H	6 1/4	9 1/8	FB22448H	6 1/4	9 1/8	5 9/16	7 7/8	4	3/4	3/32	7/8	4 7/16	4 3/32	4 1/16	9 1/2	27/32	26.00
	65.00	FEB224M65H	158.80	231.80	FB224M65H	158.80	231.80	141.27	200.02	101.60	20.00	2.40	22.20	112.70	104.00	103.20	241.30	21.40	12.70

Continued...

Continued...

Bearing Dimensions

Size Code	Shaft Diameter	Expansion			Fixed			B Square Distance Between Bolt Holes	B Circle Distance Between Bolt Holes	D	F Bolts	G	H	J	L Mounting Surface to Collar Face	M	N	P	Approx. Weight
		Part Number	A	C	Part Number	A	C												
4-Bolt; Round (continued)																			
B448	70.00	FEB224M70H	158.80	231.80	FB224M70H	158.80	231.80	141.27	200.02	101.60	20.00	2.40	22.20	112.70	104.00	103.20	241.30	21.40	12.50
	75.00	FEB224M75H	158.80	231.80	FB224M75H	158.80	231.80	141.27	200.02	101.60	20.00	2.40	22.20	112.70	104.00	103.20	241.30	21.40	12.00
4-Bolt; Square																			
B456	3 3/16	FEB22451H	7 3/8	8 7/16	FB22451H	7 3/8	8 7/16	6 23/32	9 1/2	4 3/8	3/4	1/4	1	4 29/32	4 9/16	4 29/32	11 7/16	15/16	41.00
	3 7/16	FEB22455H	7 3/8	8 7/16	FB22455H	7 3/8	8 7/16	6 23/32	9 1/2	4 3/8	3/4	1/4	1	4 29/32	4 9/16	4 29/32	11 7/16	15/16	39.00
	3 1/2	FEB22456H	7 3/8	8 7/16	FB22456H	7 3/8	8 7/16	6 23/32	9 1/2	4 3/8	3/4	1/4	1	4 29/32	4 9/16	4 29/32	11 7/16	15/16	39.00
	80.00	FEB224M80H	187.30	214.31	FB224M80H	187.30	214.31	170.64	241.30	111.12	20.00	6.40	25.40	124.60	115.90	124.60	290.50	23.80	18.60
85.00	FEB224M85H	187.30	214.31	FB224M85H	187.30	214.31	170.64	241.30	111.12	20.00	6.40	25.40	124.60	115.90	124.60	290.50	23.80	18.10	
B464	3 11/16	FEB22459H	8 3/8	9 3/4	FB22459H	8 1/2	9 3/4	7 19/32	10 3/4	5 1/16	7/8	1/4	1 1/8	5 5/8	5 7/32	5 5/8	12 29/32	1 1/32	59.00
	3 15/16	FEB22463H	8 3/8	9 3/4	FB22463H	8 1/2	9 3/4	7 19/32	10 3/4	5 1/16	7/8	1/4	1 1/8	5 5/8	5 7/32	5 5/8	12 29/32	1 1/32	57.00
	4	FEB22464H	8 3/8	9 3/4	FB22464H	8 1/2	9 3/4	7 19/32	10 3/4	5 1/16	7/8	1/4	1 1/8	5 5/8	5 7/32	5 5/8	12 29/32	1 1/32	57.00
	90.00	FEB224M90H	212.70	247.60	FB224M90H	215.90	247.60	192.88	273.05	128.59	24.00	6.40	28.60	142.90	132.60	142.90	327.80	26.20	27.70
100.00	FEB224M100H	212.70	247.60	FB224M100H	215.90	247.60	192.88	273.05	128.59	24.00	6.40	28.60	142.90	132.60	142.90	327.80	26.20	25.90	

Additional Notes

Please call 1-866-REXNORD for availability
 Lubrication fitting tap size, 1/8" PT
 Expansion - is 3/8" for all size codes
 For expansion units, dimensions "G", "L" & "P" are minimum values. For maximum values, add 3/8"
 H labyrinth seals standard

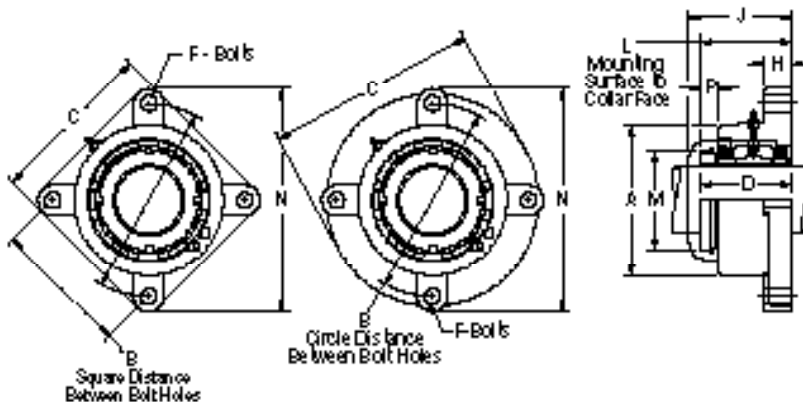
All size codes available with type E lip seals & E7 triple lip seals
 Selection Guide, see Link-Belt Spherical Roller Bearings Selection Guide section
 Load Ratings & Speed Limits, see Link-Belt Spherical Roller Bearings Load Ratings & Speed Limits section
 Note: Dimensions subject to change. Certified dimensions of ordered material furnished on request.

FB22600, FEB22600



Product Features

- Corrosion resistant powder coating
- Cast iron housing
- Misalignment capabilities - Total of 4°
- Broad range of sealing options
- Factory set clearance & lubrication
- Enhanced life mounting style
- Field interchangeable seals
- Fixed or Expansion - Total of 3/8" expansion
- See Features & Benefits section for additional info.



Bearing Dimensions

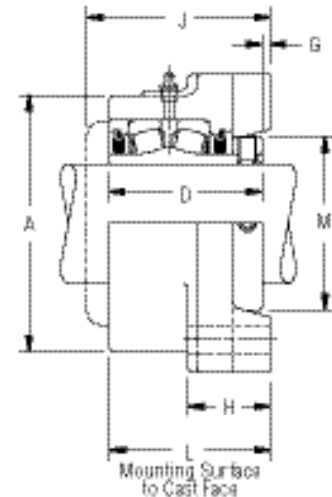
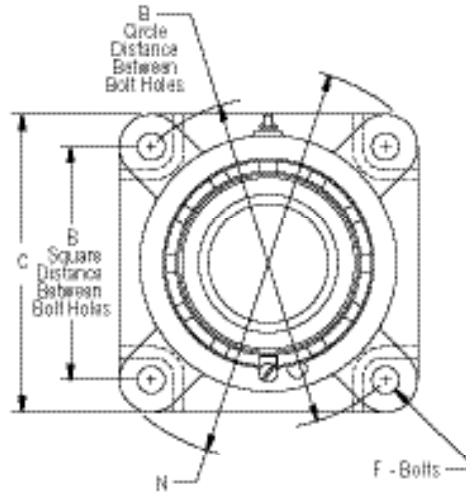
Size Code	Shaft Diameter	Expansion		Fixed		B Square Distance Between Bolt Holes	B Circle Distance Between Bolt Holes	C	D	F Bolts	H	J	L Mounting Surface to Collar Face	M	N	P	Approx. Weight
		Part Number	A	Part Number	A												
3-Bolt; Round																	
B624	1 7/16	FEB22623H	3 3/4	FB22623H	3 7/16	-	5	5 7/8	2.71	1/2	5/8	3 5/16	2 3/4	2 1/4	6 1/4	1/2	7.00
4-Bolt; Round																	
B631	1 15/16	FEB22631H	4 1/2	FB22631H	4 1/4	4 1/16	5 3/4	6 11/16	3.08	1/2	11/16	3 9/16	3 9/64	2 31/32	7	5/8	10.00
B635	2 3/16	FEB22635H	4 7/8	FB22635H	4 7/8	4 1/2	6 3/8	7 3/8	3.16	5/8	11/16	3 25/32	3 17/64	3 5/32	7 3/4	41/64	14.00
B639	2 7/16	FEB22639H	5 3/8	FB22639H	5 3/8	4 49/64	6 3/4	7 3/4	3.28	5/8	3/4	3 31/32	3 3/8	3 5/8	8 1/8	5/8	17.00
B647	2 11/16	FEB22643H	6 1/4	FB22643H	6 1/4	5 9/16	7 7/8	9 1/8	3.86	3/4	7/8	4 7/16	3 31/32	4 5/32	9 1/2	45/64	27.00
	2 15/16	FEB22647H	6 1/4	FB22647H	6 1/4	5 9/16	7 7/8	9 1/8	3.86	3/4	7/8	4 7/16	3 31/32	4 5/32	9 1/2	45/64	26.00
4-Bolt; Square																	
B655	3 7/16	FEB22655H	7 3/8	FB22655H	7 3/8	6 29/32	9 1/2	8 7/16	4.29	3/4	1	4 29/32	4 31/64	4 15/16	11 7/16	55/64	39.00
B663	3 15/16	FEB22663H	8 3/8	FB22663H	8 1/2	7 19/32	10 3/4	9 3/4	4.94	7/8	1 1/8	5 5/8	5 7/64	5 7/16	12 29/32	59/64	57.00

Additional Notes

Please call 1-866-REXNORD for availability
 Lubrication fitting tap size, 1/8" PT
 Expansion - is 3/8" for all size codes
 Dimensions for "D", "L" & "P" based on unmounted condition
 For expansion units, dimensions "G", "L" & "P" are minimum values. For maximum values, add 3/8"
 H labyrinth seals standard

All size codes available with type E lip seals & E7 triple lip seals
 Selection Guide, see Link-Belt Spherical Roller Bearings Selection Guide section
 Load Ratings & Speed Limits, see Link-Belt Spherical Roller Bearings Load Ratings & Speed Limits section
 Note: Dimensions subject to change. Certified dimensions of ordered material furnished on request.

EFRB22400



Product Features

- Self aligning type E interchange
- Corrosion resistant powder coating
- Cast iron housing
- Misalignment capabilities - Total of 4°
- Broad range of sealing options
- Factory set clearance & lubrication
- Hardened spring locking collar
- Field interchangeable seals
- See Features & Benefits section for additional info.

Bearing Dimensions

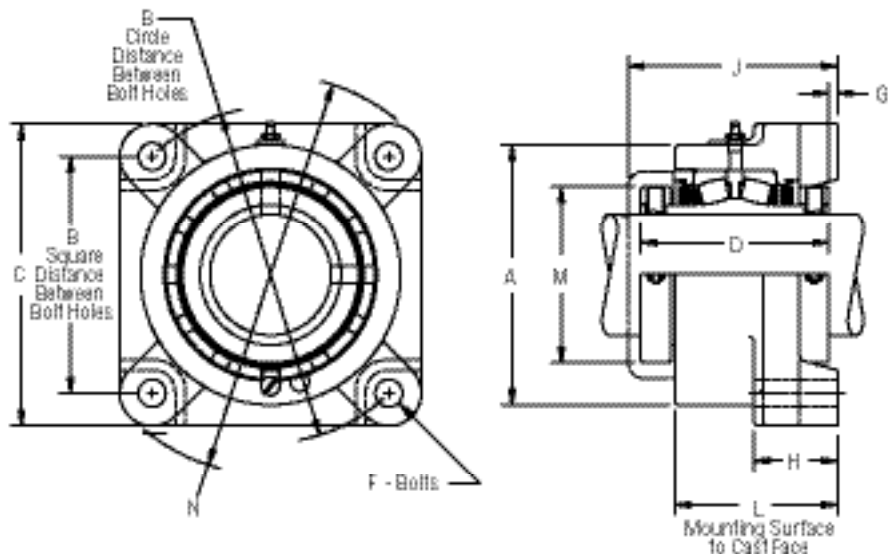
Size Code	Shaft Diameter	Part Number	A	B Square Distance Between Bolt Holes	B Circle Distance Between Bolt Holes	C	D	F Bolts	G	H	J	L Mounting Surface to Collar Face	M	N	Approx. Weight
B424	1 7/16	EFRB22423H	3 11/16	3 1/2	4 61/64	4 5/8	2 7/8	1/2	1/16	1 3/8	4 1/32	2 31/32	2 5/16	6 1/16	8.00
	35.00	EFRB224M35H	93.70	88.90	125.81	117.50	73.02	12.00	1.60	34.90	102.40	75.40	58.70	154.00	3.40
B428	1 1/2	EFRB224B24H	4 1/4	4 1/8	5 53/64	5 3/8	3 1/8	1/2	1/8	1 7/16	4 9/32	3 9/32	2 19/32	7 7/32	11.00
	1 5/8	EFRB22426H	4 1/4	4 1/8	5 53/64	5 3/8	3 1/8	1/2	1/8	1 7/16	4 9/32	3 9/32	2 19/32	7 7/32	11.00
	1 11/16	EFRB22427H	4 1/4	4 1/8	5 53/64	5 3/8	3 1/8	1/2	1/8	1 7/16	4 9/32	3 9/32	2 19/32	7 7/32	10.00
	40.00	EFRB224M40H	108.00	104.80	148.03	136.50	79.38	12.00	3.20	36.50	108.70	83.30	65.90	183.40	5.10
B432	1 3/4	EFRB224B28H	4 1/2	4 3/8	6 3/16	5 5/8	3 1/8	1/2	1/8	1 7/16	4 5/16	3 9/32	2 7/8	7 5/16	11.00
	1 15/16	EFRB22431H	4 1/2	4 3/8	6 3/16	5 5/8	3 1/8	1/2	1/8	1 7/16	4 5/16	3 9/32	2 7/8	7 5/16	11.00
	2	EFRB22432H	4 1/2	4 3/8	6 3/16	5 5/8	3 1/8	1/2	1/8	1 7/16	4 5/16	3 9/32	2 7/8	7 5/16	10.00
	45.00	EFRB224M45H	114.30	111.10	157.18	142.90	79.38	12.00	3.20	36.50	109.50	83.30	73.00	185.70	5.30
B436	50.00	EFRB224M50H	114.30	111.10	157.18	142.90	79.38	12.00	3.20	36.50	109.50	83.30	73.00	185.70	5.00
	2 3/16	EFRB22435H	5	4 7/8	6 57/64	6 1/4	3 5/8	5/8	1/8	1 9/16	4 5/8	3 1/2	3 1/4	8 9/32	15.00
	55.00	EFRB224M55H	127.00	123.80	175.03	158.80	84.14	16.00	3.20	39.70	117.50	88.90	82.60	210.30	7.10
B440	2 1/4	EFRB224B36H	5 1/2	5 3/8	7 19/32	6 7/8	3 1/2	5/8	3/16	1 23/32	4 15/16	3 23/32	3 9/16	8 31/32	18.00
	2 7/16	EFRB22439H	5 1/2	5 3/8	7 19/32	6 7/8	3 1/2	5/8	3/16	1 23/32	4 15/16	3 23/32	3 9/16	8 31/32	17.00
	2 1/2	EFRB22440H	5 1/2	5 3/8	7 19/32	6 7/8	3 1/2	5/8	3/16	1 23/32	4 15/16	3 23/32	3 9/16	8 31/32	17.00
	60.00	EFRB224M60H	139.70	136.50	192.89	174.60	88.90	16.00	4.80	43.70	125.40	94.50	90.50	227.80	7.90
B448	2 11/16	EFRB22443H	6 1/2	6	8 31/64	7 3/4	4	3/4	3/16	1 25/32	5 13/32	4 7/32	4 1/16	10 1/8	26.00
	2 3/4	EFRB22444H	6 1/2	6	8 31/64	7 3/4	4	3/4	3/16	1 25/32	5 13/32	4 7/32	4 1/16	10 1/8	25.00
	2 15/16	EFRB22447H	6 1/2	6	8 31/64	7 3/4	4	3/4	3/16	1 25/32	5 13/32	4 7/32	4 1/16	10 1/8	24.00
	3	EFRB22448H	6 1/2	6	8 31/64	7 3/4	4	3/4	3/16	1 25/32	5 13/32	4 7/32	4 1/16	10 1/8	24.00
	65.00	EFRB224M65H	165.10	152.40	215.49	196.90	101.60	20.00	4.80	45.20	137.30	107.20	103.20	257.20	11.70
	70.00	EFRB224M70H	165.10	152.40	215.49	196.90	101.60	20.00	4.80	45.20	137.30	107.20	103.20	257.20	11.50
B456	75.00	EFRB224M75H	165.10	152.40	215.49	196.90	101.60	20.00	4.80	45.20	137.30	107.20	103.20	257.20	11.00
	3 3/16	EFRB22451H	7 3/8	7	9 59/64	9 1/4	4 3/8	3/4	1/4	1 31/32	5 3/4	4 21/32	4 29/32	11 21/32	42.00
	3 7/16	EFRB22455H	7 3/8	7	9 59/64	9 1/4	4 3/8	3/4	1/4	1 31/32	5 3/4	4 21/32	4 29/32	11 21/32	41.00
B456	3 1/2	EFRB22456H	7 3/8	7	9 59/64	9 1/4	4 3/8	3/4	1/4	1 31/32	5 3/4	4 21/32	4 29/32	11 21/32	40.00
	80.00	EFRB224M80H	187.30	177.80	251.23	235.00	111.12	20.00	6.40	50.00	146.00	118.30	124.60	296.10	18.90
B464	85.00	EFRB224M85H	187.30	177.80	251.23	235.00	111.12	20.00	6.40	50.00	146.00	118.30	124.60	296.10	18.40
	3 11/16	EFRB22459H	8 7/8	7 3/4	10 61/64	9 3/4	5 1/16	7/8	1/4	2 7/32	6 5/8	5 15/32	5 5/8	12 31/32	58.00
	3 15/16	EFRB22463H	8 7/8	7 3/4	10 61/64	9 3/4	5 1/16	7/8	1/4	2 7/32	6 5/8	5 15/32	5 5/8	12 31/32	56.00
	4	EFRB22464H	8 7/8	7 3/4	10 61/64	9 3/4	5 1/16	7/8	1/4	2 7/32	6 5/8	5 15/32	5 5/8	12 31/32	56.00
B464	90.00	EFRB224M90H	225.40	196.80	278.21	247.65	128.59	24.00	6.40	56.40	168.30	138.90	142.90	329.40	27.20
	100.00	EFRB224M100H	225.40	196.80	278.21	247.65	128.59	24.00	6.40	56.40	168.30	138.90	142.90	329.40	25.40

Additional Notes

- Please call 1-866-REXNORD for availability
- Lubrication fitting tap size, 1/8" PT
- H labyrinth seals standard
- All size codes available with type E lip seals & E7 triple lip seals
- Selection Guide, see Link-Belt Spherical Roller Bearings Selection Guide section

- Load Ratings & Speed Limits, see Link-Belt Spherical Roller Bearings Load Ratings & Speed Limits section
- Note: Dimensions subject to change. Certified dimensions of ordered material furnished on request.

EFB22500



Product Features

- Self aligning type E interchange
- Corrosion resistant powder coating
- Cast iron housing
- Misalignment capabilities - Total of 4°
- Broad range of sealing options
- Factory set clearance & lubrication
- Two hardened spring locking collars
- Field interchangeable seals
- See Features & Benefits section for additional info.

Bearing Dimensions

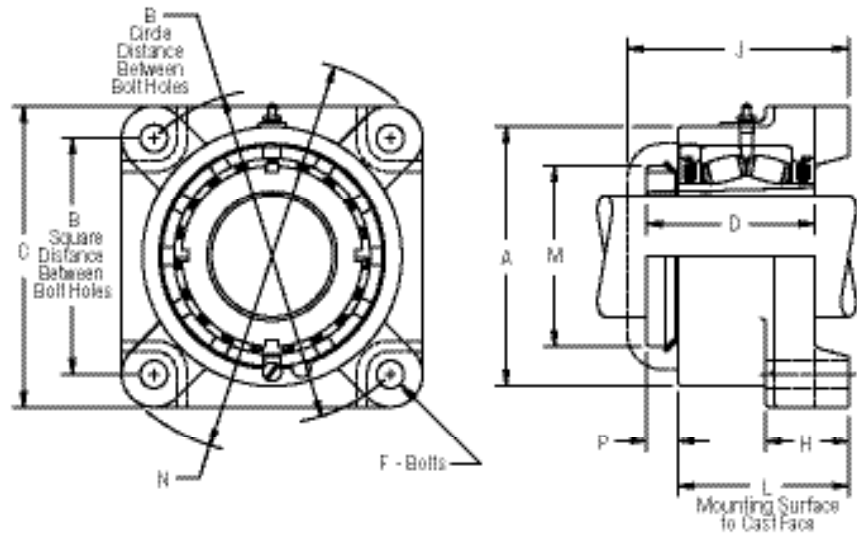
Size Code	Shaft Diameter	Part Number	A	B Square Distance Between Bolt Holes	B Circle Distance Between Bolt Holes	C	D	F Bolts	G	H	J	L Mounting Surface to Collar Face	M	N	Approx. Weight
B524	1 7/16	EFB22523H	3 11/16	3 1/2	4 61/64	4 5/8	3 9/16	1/2	1/16	1 3/8	4 1/32	3 5/8	2 5/16	6 1/16	8.00
B528	1 11/16	EFB22527H	4 1/4	4 1/8	5 53/64	5 3/8	3 13/16	1/2	1/8	1 7/16	4 9/32	3 15/16	2 19/32	7 7/32	11.00
B531	1 15/16	EFB22531H	4 1/2	4 3/8	6 3/16	5 5/8	3 13/16	1/2	1/8	1 7/16	4 5/16	3 15/16	2 7/8	7 5/16	12.00
B536	2 3/16	EFB22535H	5	4 7/8	6 57/64	6 1/4	4 1/8	5/8	1/8	1 9/16	4 5/8	4 1/4	3 1/4	8 9/32	16.00
B540	2 7/16	EFB22539H	5 1/2	5 3/8	7 19/32	6 7/8	4 3/8	5/8	3/16	1 23/32	4 15/16	4 9/16	3 9/16	8 31/32	18.00
B548	2 11/16	EFB22543H	6 1/2	6	8 31/64	7 3/4	4 7/8	3/4	3/16	1 25/32	5 13/16	5 1/16	4 1/16	10 1/8	28.00
	2 15/16	EFB22547H	6 1/2	6	8 31/64	7 3/4	4 7/8	3/4	3/16	1 25/32	5 13/16	5 1/16	4 1/16	10 1/8	26.00
B556	3 7/16	EFB22555H	7 3/8	7	9 59/64	9 1/4	5 5/16	3/4	1/4	1 31/32	5 3/4	5 13/32	4 29/32	11 21/32	44.00
B564	3 15/16	EFB22563H	8 7/8	7 3/4	10 61/64	9 3/4	6 1/8	7/8	1/4	2 7/32	6 5/8	6 7/32	5 5/8	12 31/32	60.00
	4	EFB22564H	8 7/8	7 3/4	10 61/64	9 3/4	6 1/8	7/8	1/4	2 7/32	6 5/8	6 7/32	5 5/8	12 31/32	59.00

Additional Notes

Please call 1-866-REXNORD for availability
 Lubrication fitting tap size, 1/8" PT
 H labyrinth seals standard
 All size codes available with type E lip seals & E7 triple lip seals
 Selection Guide, see Link-Belt Spherical Roller Bearings Selection Guide section

Load Ratings & Speed Limits, see Link-Belt Spherical Roller Bearings Load Ratings & Speed Limits section
 Note: Dimensions subject to change. Certified dimensions of ordered material furnished on request.

EFB22600



Product Features

- Self aligning type E interchange
- Corrosion resistant powder coating
- Cast iron housing
- Misalignment capabilities - Total of 4°
- Broad range of sealing options
- Factory set clearance & lubrication
- Enhanced life mounting style
- Field interchangeable seals
- See Features & Benefits section for additional info.

Bearing Dimensions

Size Code	Shaft Diameter	Part Number	A	B Square Distance Between Bolt Holes	B Circle Distance Between Bolt Holes	C	D	F Bolts	H	J	L Mounting Surface to Collar Face	M	N	P	Approx. Weight
B624	1 7/16	EFB22623H	3 11/16	3 1/2	4 61/64	4 5/8	2.71	1/2	1 3/8	4 1/32	3 29/64	2 1/4	6 1/16	31/64	8.00
B631	1 15/16	EFB22631H	4 1/2	4 3/8	6 3/16	5 5/8	3.08	1/2	1 7/16	4 5/16	3 57/64	2 31/32	7 5/16	39/64	11.00
B635	2 3/16	EFB22635H	5	4 7/8	6 57/64	6 1/4	3.16	5/8	1 9/16	4 5/8	4 3/32	3 5/32	8 9/32	5/8	15.00
B639	2 7/16	EFB22639H	5 1/2	5 3/8	7 19/32	6 7/8	3.28	5/8	1 23/32	4 15/16	4 11/32	3 5/8	8 31/32	5/8	17.00
B647	2 11/16	EFB22643H	6 1/2	6	8 31/64	7 3/4	3.86	3/4	1 25/32	5 13/32	4 59/64	4 5/32	10 1/8	45/64	25.00
	2 15/16	EFB22647H	6 1/2	6	8 31/64	7 3/4	3.86	3/4	1 25/32	5 13/32	4 59/64	4 5/32	10 1/8	45/64	24.00
B655	3 7/16	EFB22655H	7 3/8	7	9 59/64	9 1/4	4.29	3/4	1 31/32	5 3/4	5 21/64	4 15/16	11 21/32	55/64	41.00
B663	3 15/16	EFB22663H	8 7/8	7 3/4	10 61/64	9 3/4	4.94	7/8	2 7/32	6 5/8	6 7/64	5 7/16	12 31/32	59/64	56.00

Additional Notes

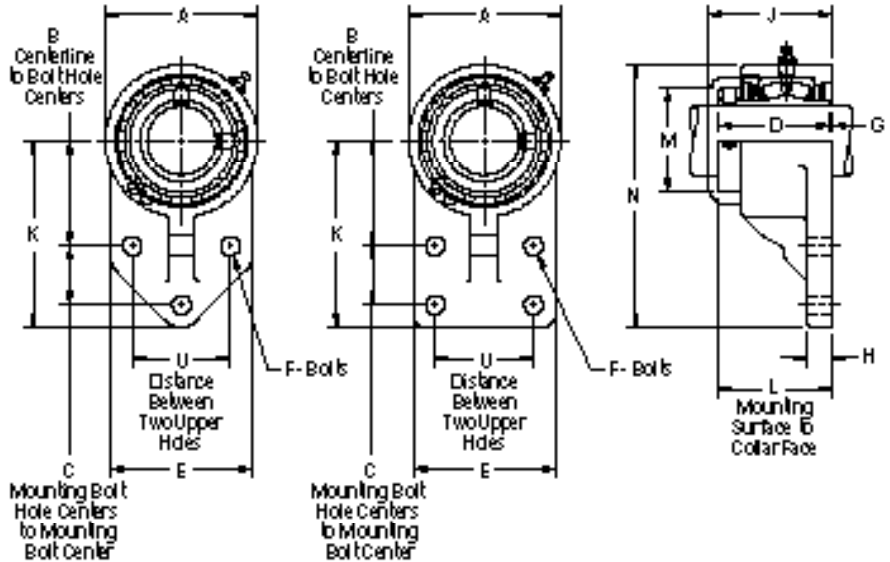
Please call 1-866-REXNORD for availability
 Lubrication fitting tap size, 1/8" PT
 Dimensions for "D", "L" & "P" based on unmounted condition
 H labyrinth seals standard
 All size codes available with type E lip seals & E7 triple lip seals

Selection Guide, see Link-Belt Spherical Roller Bearings Selection Guide section
 Load Ratings & Speed Limits, see Link-Belt Spherical Roller Bearings Load Ratings & Speed Limits section
 Note: Dimensions subject to change. Certified dimensions of ordered material furnished on request.



Product Features

- Corrosion resistant powder coating
- High test iron housing
- Misalignment capabilities - Total of 2°
- Broad range of sealing options
- Factory set clearance & lubrication
- Hardened spring locking collar
- Field interchangeable seals
- See Features & Benefits section for additional info.



Bearing Dimensions

Size Code	Shaft Diameter	Part Number	A	B Centerline to Bolt Hole Centers	C Mounting Bolt Hole Centers to Mounting Bolt Center	D	E	F Bolts	G	H	J	K	L Mounting Surface to Collar Face	M	N	U Distance Between Two Upper Holes	Approx. Weight
3-Bolt																	
B424	1 7/16	FBB22423H	3 7/16	2 3/8	1 1/4	2 7/8	3 1/4	1/2	1/32	5/8	3 5/16	4 1/4	2 29/32	2 5/16	5 31/32	2	6.40
	1 1/2	FBB22424H	3 7/16	2 3/8	1 1/4	2 7/8	3 1/4	1/2	1/32	5/8	3 5/16	4 1/4	2 29/32	2 5/16	5 31/32	2	6.40
	35.00	FBB224M35H	87.30	60.30	31.80	73.02	82.60	12.00	0.80	15.90	84.10	108.00	73.80	58.70	151.60	50.80	2.90
B432	1 15/16	FBB22431H	4 1/4	2 15/16	1 5/8	3 1/8	4	1/2	1/16	1 1/16	3 9/16	5 3/16	3 3/16	2 7/8	7 5/16	2 3/4	10.00
	2	FBB22432H	4 1/4	2 15/16	1 5/8	3 1/8	4	1/2	1/16	1 1/16	3 9/16	5 3/16	3 3/16	2 7/8	7 5/16	2 3/4	10.00
	45.00	FBB224M45H	108.00	74.60	41.30	79.38	101.60	12.00	1.60	17.50	90.50	131.80	81.00	73.00	185.70	69.80	4.40
	50.00	FBB224M50H	108.00	74.60	41.30	79.38	101.60	12.00	1.60	17.50	90.50	131.80	81.00	73.00	185.70	69.80	4.30
4-Bolt																	
B440	2 7/16	FBB22439H	5 3/8	3 3/4	1 3/4	3 1/2	4 7/8	5/8	3/32	3/4	3 31/32	6 1/4	3 19/32	3 9/16	8 15/16	3	17.50
	2 1/2	FBB22440H	5 3/8	3 3/4	1 3/4	3 1/2	4 7/8	5/8	3/32	3/4	3 31/32	6 1/4	3 19/32	3 9/16	8 15/16	3	17.50
	60.00	FBB224M60H	136.50	95.20	44.40	88.90	123.80	16.00	2.40	19.00	100.80	158.80	91.30	90.50	227.00	76.20	8.10
B448	2 11/16	FBB22443H	6 1/4	3 7/8	2 1/4	4	5 3/4	3/4	3/32	7/8	4 7/16	7	4 3/32	4 1/16	10 1/8	4	30.00
	2 3/4	FBB22444H	6 1/4	3 7/8	2 1/4	4	5 3/4	3/4	3/32	7/8	4 7/16	7	4 3/32	4 1/16	10 1/8	4	30.00
	2 15/16	FBB22447H	6 1/4	3 7/8	2 1/4	4	5 3/4	3/4	3/32	7/8	4 7/16	7	4 3/32	4 1/16	10 1/8	4	28.00
	3	FBB22448H	6 1/4	3 7/8	2 1/4	4	5 3/4	3/4	3/32	7/8	4 7/16	7	4 3/32	4 1/16	10 1/8	4	28.00
	65.00	FBB224M65H	158.80	98.40	57.20	101.60	146.00	20.00	2.40	22.20	112.70	177.80	104.00	103.20	257.20	101.60	13.70
	70.00	FBB224M70H	158.80	98.40	57.20	101.60	146.00	20.00	2.40	22.20	112.70	177.80	104.00	103.20	257.20	101.60	13.50
75.00	FBB224M75H	158.80	98.40	57.20	101.60	146.00	20.00	2.40	22.20	112.70	177.80	104.00	103.20	257.20	101.60	12.80	

Additional Notes

- Please call 1-866-REXNORD for availability
- Lubrication fitting tap size: for size code B424, 1/4"-28 UNF; for all other size codes, 1/8" PT
- H labyrinth seals standard
- All size codes available with type E lip seals & E7 triple lip seals

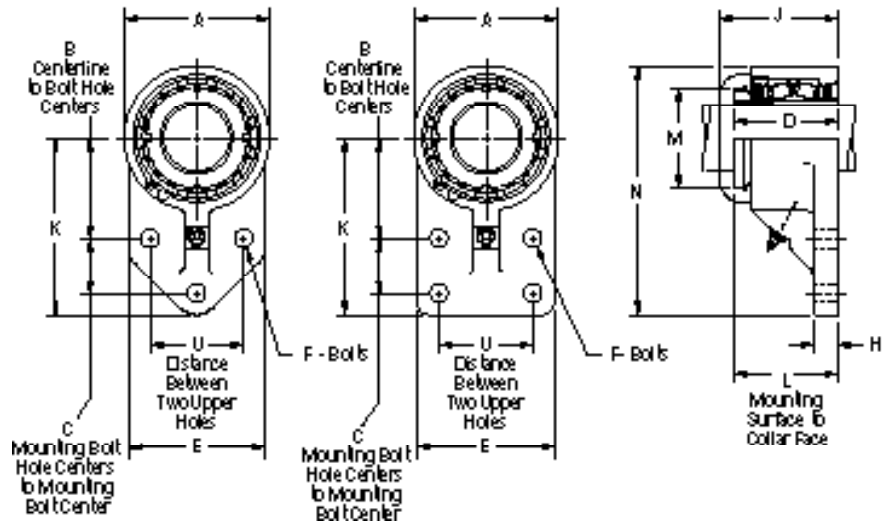
- Selection Guide, see Link-Belt Spherical Roller Bearings Selection Guide section
- Load Ratings & Speed Limits, see Link-Belt Spherical Roller Bearings Load Ratings & Speed Limits section
- Note: Dimensions subject to change. Certified dimensions of ordered material furnished on request.

FBB22600



Product Features

- Corrosion resistant powder coating
 - High test iron housing
 - Misalignment capabilities - Total of 4°
 - Broad range of sealing options
 - Factory set clearance & lubrication
 - Enhanced life mounting style
 - Field interchangeable seals
- See Features & Benefits section for additional info.



Bearing Dimensions

Size Code	Shaft Diameter	Part Number	A	B Centerline to Bolt Hole Centers	C Mounting Bolt Hole Centers to Mounting Bolt Center	D	E	F Bolts	H	J	K	L Mounting Surface to Collar Face	M	N	U Distance Between Two Upper Holes	Approx. Weight
3-Bolt																
B624	1 7/16	FBB22623H	3 7/16	2 3/8	1 1/4	2.71	3 1/4	1/2	5/8	3 5/16	4 1/4	2 3/4	2 1/4	5 31/32	2	6.40
B631	1 15/16	FBB22631H	4 1/4	2 15/16	1 5/8	3.08	4	1/2	11/16	3 9/16	5 3/16	3 9/64	2 31/32	7 5/16	2 3/4	10.00
4-Bolt																
B639	2 7/16	FBB22639H	5 3/8	3 3/4	1 3/4	3.16	4 7/8	5/8	3/4	3 31/32	6 1/4	3 3/8	3 5/32	8 15/16	3	17.50
B647	2 11/16	FBB22643H	6 1/4	3 7/8	2 1/4	3.28	5 3/4	3/4	7/8	4 7/16	7	3 61/64	-	10 1/8	4	30.00
	2 15/16	FBB22647H	6 1/4	3 7/8	2 1/4	3.28	5 3/4	3/4	7/8	4 7/16	7	3 61/64	3 5/8	10 1/8	4	28.00

Additional Notes

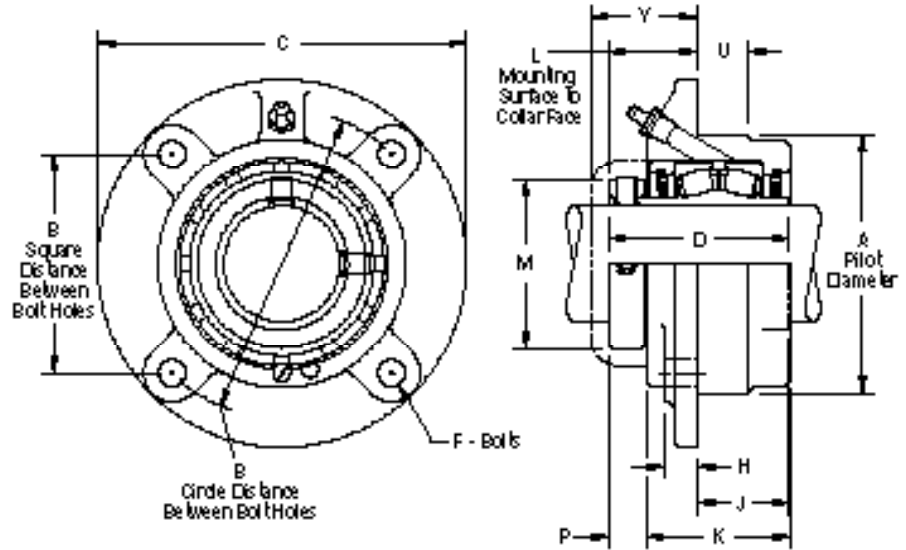
- Please call 1-866-REXNORD for availability
- Lubrication fitting tap size: for size code B624, 1/4"-28 UNF; for all other size codes, 1/8" PT
- Dimensions for "D" & "L" based on unmounted condition
- H labyrinth seals standard
- All size codes available with type E lip seals & E7 triple lip seals

Selection Guide, see Link-Belt Spherical Roller Bearings Selection Guide section Load Ratings & Speed Limits, see Link-Belt Spherical Roller Bearings Load Ratings & Speed Limits section
 Note: Dimensions subject to change. Certified dimensions of ordered material furnished on request.



Product Features

- Self aligning type E interchange
- Corrosion resistant powder coating
- Cast iron housing
- Misalignment capabilities - Total of 4°
- Broad range of sealing options
- Factory set clearance & lubrication
- Hardened spring locking collar
- Field interchangeable seals
- See Features & Benefits section for additional info.



Bearing Dimensions

Size Code	Shaft Diameter	Part Number	A Pilot Diameter	B Square Distance Between Bolt Holes	B Circle Distance Between Bolt Holes	C	D	F Bolts	H	J	K	L	M	P	U	Y	Approx. Weight
4-Bolt																	
B416	1	FCB22416H	3.000	2 ⁹ / ₁₆	3 ⁵ / ₈	4 ³ / ₈	2 ⁹ / ₁₆	5 ¹ / ₁₆	0.438	1 ¹ / ₄	2	1 ⁹ / ₃₂	1 ³ / ₄	17 ¹ / ₃₂	5 ⁵ / ₈	1 ⁵ / ₈	4.00
	25.00	FCB224M25H	76.200	65.10	92.08	111.10	65.09	8.00	11.100	31.80	50.80	32.50	44.40	13.50	15.90	41.30	1.60
B420	1 ³ / ₁₆	FCB22419H	3.375	2 ⁵⁹ / ₆₄	4 ¹ / ₈	5	2 ¹¹ / ₁₆	3 ³ / ₈	0.438	1 ³ / ₈	2 ¹ / ₄	1 ⁹ / ₃₂	1 ³¹ / ₃₂	17 ¹ / ₃₂	3 ³ / ₄	1 ⁵ / ₈	5.00
	1 ¹ / ₄	FCB22420H	3.375	2 ⁵⁹ / ₆₄	4 ¹ / ₈	5	2 ¹¹ / ₁₆	3 ³ / ₈	0.438	1 ³ / ₈	2 ¹ / ₄	1 ⁹ / ₃₂	1 ³¹ / ₃₂	17 ¹ / ₃₂	3 ³ / ₄	1 ⁵ / ₈	5.00
B424	30.00	FCB224M30H	85.720	74.20	104.78	127.00	68.26	10.00	11.100	34.90	57.20	32.50	50.00	13.50	19.00	41.30	2.20
	1 ⁷ / ₁₆	FCB22423H	3.625	3 ³ / ₃₂	4 ³ / ₈	5 ¹ / ₄	2 ⁷ / ₈	3 ³ / ₈	0.500	1 ³ / ₈	2 ³ / ₁₆	1 ¹⁵ / ₃₂	2 ⁵ / ₁₆	21 ¹ / ₃₂	3 ³ / ₄	1 ⁷ / ₈	6.00
	1 ¹ / ₂	FCB22424H	3.625	3 ³ / ₃₂	4 ³ / ₈	5 ¹ / ₄	2 ⁷ / ₈	3 ³ / ₈	0.500	1 ³ / ₈	2 ³ / ₁₆	1 ¹⁵ / ₃₂	2 ⁵ / ₁₆	21 ¹ / ₃₂	3 ³ / ₄	1 ⁷ / ₈	6.00
	35.00	FCB224M35H	92.080	78.60	111.12	133.40	73.02	10.00	12.700	34.90	55.60	37.30	58.70	16.70	19.00	47.60	2.60
B428	1 ⁵ / ₈	FCB22426H	4.250	3 ⁵ / ₈	5 ¹ / ₈	6 ¹ / ₈	3 ¹ / ₈	7 ¹ / ₁₆	0.500	1 ¹⁷ / ₃₂	2 ⁷ / ₁₆	1 ¹⁷ / ₃₂	2 ¹⁹ / ₃₂	21 ¹ / ₃₂	7 ⁷ / ₈	1 ⁷ / ₈	9.00
	1 ¹¹ / ₁₆	FCB22427H	4.250	3 ⁵ / ₈	5 ¹ / ₈	6 ¹ / ₈	3 ¹ / ₈	7 ¹ / ₁₆	0.500	1 ¹⁷ / ₃₂	2 ⁷ / ₁₆	1 ¹⁷ / ₃₂	2 ¹⁹ / ₃₂	21 ¹ / ₃₂	7 ⁷ / ₈	1 ⁷ / ₈	9.00
	1 ³ / ₄	FCB22428H	4.250	3 ⁵ / ₈	5 ¹ / ₈	6 ¹ / ₈	3 ¹ / ₈	7 ¹ / ₁₆	0.500	1 ¹⁷ / ₃₂	2 ⁷ / ₁₆	1 ¹⁷ / ₃₂	2 ¹⁹ / ₃₂	21 ¹ / ₃₂	7 ⁷ / ₈	1 ⁷ / ₈	9.00
	40.00	FCB224M40H	107.950	92.10	130.18	155.60	79.38	10.00	12.700	38.90	61.90	38.90	65.90	16.70	22.20	47.60	3.80
B432	1 ¹⁵ / ₁₆	FCB22431H	4.500	3 ⁵¹ / ₆₄	5 ³ / ₈	6 ³ / ₈	3 ¹ / ₈	7 ¹ / ₁₆	0.563	1 ⁹ / ₁₆	2 ⁷ / ₁₆	1 ¹⁷ / ₃₂	2 ⁷ / ₈	21 ¹ / ₃₂	7 ⁷ / ₈	1 ²⁹ / ₃₂	9.00
	2	FCB22432H	4.500	3 ⁵¹ / ₆₄	5 ³ / ₈	6 ³ / ₈	3 ¹ / ₈	7 ¹ / ₁₆	0.563	1 ⁹ / ₁₆	2 ⁷ / ₁₆	1 ¹⁷ / ₃₂	2 ⁷ / ₈	21 ¹ / ₃₂	7 ⁷ / ₈	1 ²⁹ / ₃₂	9.00
	45.00	FCB224M45H	114.300	96.40	136.52	161.90	79.38	10.00	14.300	39.70	61.90	38.90	73.00	16.70	22.20	48.40	4.00
B436	50.00	FCB224M50H	114.300	96.40	136.52	161.90	79.38	10.00	14.300	39.70	61.90	38.90	73.00	16.70	22.20	48.40	4.30
	2 ³ / ₁₆	FCB22435H	5.000	4 ¹ / ₄	6	7 ¹ / ₈	3 ⁵ / ₁₆	1 ¹ / ₂	0.563	1 ⁹ / ₁₆	2 ¹ / ₂	1 ²¹ / ₃₂	3 ¹ / ₄	25 ¹ / ₃₂	1	2 ¹ / ₃₂	12.00
	2 ¹ / ₄	FCB22436H	5.000	4 ¹ / ₄	6	7 ¹ / ₈	3 ⁵ / ₁₆	1 ¹ / ₂	0.563	1 ⁹ / ₁₆	2 ¹ / ₂	1 ²¹ / ₃₂	3 ¹ / ₄	25 ¹ / ₃₂	1	2 ¹ / ₃₂	12.00
B440	55.00	FCB224M55H	127.000	107.90	152.40	181.00	84.14	12.00	14.300	39.70	63.50	42.10	82.60	19.80	25.40	51.60	5.60
	2 ⁷ / ₁₆	FCB22439H	5.500	4 ¹⁹ / ₃₂	6 ¹ / ₂	7 ⁵ / ₈	3 ¹ / ₂	1 ¹ / ₂	0.625	1 ¹¹ / ₁₆	2 ⁵ / ₈	1 ¹³ / ₁₆	3 ⁹ / ₁₆	7 ⁷ / ₈	1	2 ⁵ / ₃₂	16.00
	2 ¹ / ₂	FCB22440H	5.500	4 ¹⁹ / ₃₂	6 ¹ / ₂	7 ⁵ / ₈	3 ¹ / ₂	1 ¹ / ₂	0.625	1 ¹¹ / ₁₆	2 ⁵ / ₈	1 ¹³ / ₁₆	3 ⁹ / ₁₆	7 ⁷ / ₈	1	2 ⁵ / ₃₂	16.00
	60.00	FCB224M60H	139.700	116.70	165.10	193.70	88.90	12.00	15.900	42.90	66.70	46.00	90.50	22.20	25.40	54.80	7.20
B448	2 ¹¹ / ₁₆	FCB22443H	6.375	5 ¹⁹ / ₆₄	7 ¹ / ₂	8 ³ / ₄	4	5 ⁵ / ₈	0.750	2	3 ¹ / ₈	1 ³¹ / ₃₂	4 ¹ / ₁₆	27 ¹ / ₃₂	1 ¹ / ₄	2 ⁵ / ₁₆	25.00
	2 ³ / ₄	FCB22444H	6.375	5 ¹⁹ / ₆₄	7 ¹ / ₂	8 ³ / ₄	4	5 ⁵ / ₈	0.750	2	3 ¹ / ₈	1 ³¹ / ₃₂	4 ¹ / ₁₆	27 ¹ / ₃₂	1 ¹ / ₄	2 ⁵ / ₁₆	25.00
	2 ¹⁵ / ₁₆	FCB22447H	6.375	5 ¹⁹ / ₆₄	7 ¹ / ₂	8 ³ / ₄	4	5 ⁵ / ₈	0.750	2	3 ¹ / ₈	1 ³¹ / ₃₂	4 ¹ / ₁₆	27 ¹ / ₃₂	1 ¹ / ₄	2 ⁵ / ₁₆	24.00
	3	FCB22448H	6.375	5 ¹⁹ / ₆₄	7 ¹ / ₂	8 ³ / ₄	4	5 ⁵ / ₈	0.750	2	3 ¹ / ₈	1 ³¹ / ₃₂	4 ¹ / ₁₆	27 ¹ / ₃₂	1 ¹ / ₄	2 ⁵ / ₁₆	24.00
65.00	FCB224M65H	161.920	134.50	190.50	222.20	101.60	16.00	19.000	50.80	79.40	50.00	103.20	21.40	31.80	58.70	11.60	

Continued...

Continued...

Bearing Dimensions

Size Code	Shaft Diameter	Part Number	A Pilot Diameter	B Square Distance Between Bolt Holes	B Circle Distance Between Bolt Holes	C	D	F Bolts	H	J	K	L	M	P	U	Y	Approx. Weight
4-Bolt (continued)																	
B448	70.00	FCB224M70H	161.920	134.50	190.50	222.20	101.60	16.00	19.000	50.80	79.40	50.00	103.20	21.40	31.80	58.70	11.40
	75.00	FCB224M75H	161.920	134.50	190.50	222.20	101.60	16.00	19.000	50.80	79.40	50.00	103.20	21.40	31.80	58.70	11.00
B456	3 ³ / ₁₆	FCB22451H	7.375	6 ³ / ₃₂	8 ⁵ / ₈	10 ¹ / ₄	4 ³ / ₈	³ / ₄	0.938	2	3 ⁷ / ₁₆	2 ⁷ / ₁₆	4 ²⁹ / ₃₂	¹⁵ / ₁₆	1 ¹ / ₄	2 ²⁵ / ₃₂	38.00
	3 ⁷ / ₁₆	FCB22455H	7.375	6 ³ / ₃₂	8 ⁵ / ₈	10 ¹ / ₄	4 ³ / ₈	³ / ₄	0.938	2	3 ⁷ / ₁₆	2 ⁷ / ₁₆	4 ²⁹ / ₃₂	¹⁵ / ₁₆	1 ¹ / ₄	2 ²⁵ / ₃₂	37.00
	3 ¹ / ₂	FCB22456H	7.375	6 ³ / ₃₂	8 ⁵ / ₈	10 ¹ / ₄	4 ³ / ₈	³ / ₄	0.938	2	3 ⁷ / ₁₆	2 ⁷ / ₁₆	4 ²⁹ / ₃₂	¹⁵ / ₁₆	1 ¹ / ₄	2 ²⁵ / ₃₂	36.00
	80.00	FCB224M80H	187.320	154.80	219.08	260.40	111.12	20.00	23.800	50.80	87.30	61.90	124.60	23.80	31.80	70.60	17.40
	85.00	FCB224M85H	187.320	154.80	219.08	260.40	111.12	20.00	23.800	50.80	87.30	61.90	124.60	23.80	31.80	70.60	16.90
B464	3 ¹¹ / ₁₆	FCB22459H	8.125	6 ⁵ / ₈	9 ³ / ₈	10 ⁷ / ₈	5 ³ / ₁₆	³ / ₄	1.125	2 ¹ / ₂	4 ¹ / ₈	2 ²¹ / ₃₂	5 ⁵ / ₈	1 ¹ / ₃₂	1 ¹ / ₂	3 ¹ / ₁₆	52.00
	3 ¹⁵ / ₁₆	FCB22463H	8.125	6 ⁵ / ₈	9 ³ / ₈	10 ⁷ / ₈	5 ³ / ₁₆	³ / ₄	1.125	2 ¹ / ₂	4 ¹ / ₈	2 ²¹ / ₃₂	5 ⁵ / ₈	1 ¹ / ₃₂	1 ¹ / ₂	3 ¹ / ₁₆	50.00
	4	FCB22464H	8.125	6 ⁵ / ₈	9 ³ / ₈	10 ⁷ / ₈	5 ³ / ₁₆	³ / ₄	1.125	2 ¹ / ₂	4 ¹ / ₈	2 ²¹ / ₃₂	5 ⁵ / ₈	1 ¹ / ₃₂	1 ¹ / ₂	3 ¹ / ₁₆	50.00
	90.00	FCB224M90H	206.380	168.30	238.12	276.20	131.76	20.00	28.600	63.50	104.80	67.50	142.90	26.20	38.10	77.80	24.60
	100.00	FCB224M100H	206.380	168.30	238.12	276.20	131.76	20.00	28.600	63.50	104.80	67.50	142.90	26.20	38.10	77.80	22.80

Additional Notes

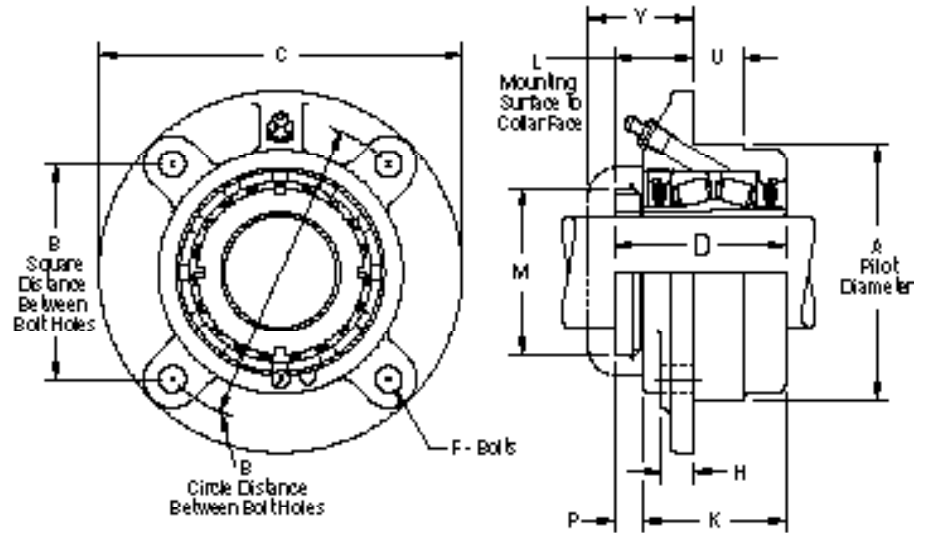
Please call 1-866-REXNORD for availability
 Lubrication fitting tap size: for size code B416, 1/4"-28 UNF; for all other size codes, 1/8" PT
 Pilot Diameter tolerance, +.000"/-.002" (+0.00mm/-0.05mm)
 Bore tolerance for mounting, +.002"/-.000" (+0.05mm/-0.00mm)
 H labyrinth seals standard

All size codes available with type E lip seals & E7 triple lip seals
 Selection Guide, see Link-Belt Spherical Roller Bearings Selection Guide section
 Load Ratings & Speed Limits, see Link-Belt Spherical Roller Bearings Load Ratings & Speed Limits section
 Note: Dimensions subject to change. Certified dimensions of ordered material furnished on request.



Product Features

- Self aligning type E interchange
- Corrosion resistant powder coating
- Cast iron housing
- Misalignment capabilities - Total of 4°
- Broad range of sealing options
- Factory set clearance & lubrication
- Enhanced life mounting style
- Field interchangeable seals
- See Features & Benefits section for additional info.



Bearing Dimensions

Size Code	Shaft Diameter	Part Number	A Pilot Diameter	B Square Distance Between Bolt Holes	B Circle Distance Between Bolt Holes	C	D	F Bolts	H	J	K	L	M	P	U	Y	Approx. Weight
4-Bolt																	
B624	1 7/16	FCB22623H	3 5/8	3 3/32	4 3/8	5 1/4	2.71	3/8	0.500	1 3/8	2 3/16	1 17/64	2 1/4	29/64	3/4	1 7/8	6.00
B631	1 15/16	FCB22631H	4 1/2	3 51/64	5 3/8	6 3/8	3.08	7/16	0.563	1 9/16	2 7/16	1 31/64	2 31/32	39/64	7/8	1 29/32	9.00
B635	2 3/16	FCB22635H	5	4 1/4	6	7 1/8	3.16	1/2	0.563	1 9/16	2 1/2	1 1/2	3 5/32	5/8	1	2 1/32	12.00
B639	2 7/16	FCB22639H	5 1/2	4 19/32	6 1/2	7 5/8	3.28	1/2	0.625	1 11/16	2 5/8	1 19/32	3 5/8	41/64	1	2 5/32	16.00
B647	2 11/16	FCB22643H	6 3/8	5 19/64	7 1/2	8 3/4	3.86	5/8	0.750	2	3 1/8	1 53/64	4 5/32	45/64	1 1/4	2 5/16	25.00
	2 15/16	FCB22647H	6 3/8	5 19/64	7 1/2	8 3/4	3.86	5/8	0.750	2	3 1/8	1 53/64	4 5/32	45/64	1 1/4	2 5/16	24.00
B655	3 7/16	FCB22655H	7 3/8	6 3/32	8 5/8	10 1/4	4.29	3/4	0.938	2	3 7/16	2 25/64	4 15/16	57/64	1 1/4	2 25/32	37.00
B663	3 15/16	FCB22663H	8 1/8	6 5/8	9 3/8	10 7/8	4.94	3/4	1.125	2 1/2	4 1/8	2 17/32	5 7/16	59/64	2	3 1/16	50.00

Additional Notes

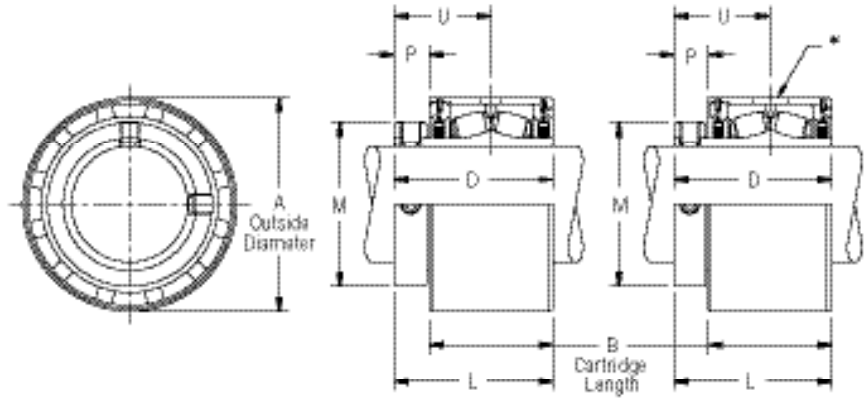
Please call 1-866-REXNORD for availability
 Lubrication fitting tap size, 1/8" PT
 Dimensions for "D", "L" & "P" based on unmounted condition
 Pilot Diameter tolerance, +.000"/-.002" (+0.00mm/-0.05mm)
 Bore tolerance for mounting, +.002"/-.000" (+0.05mm/-0.00mm)
 H labyrinth seals standard

All size codes available with type E lip seals & E7 triple lip seals
 Selection Guide, see Link-Belt Spherical Roller Bearings Selection Guide section
 Load Ratings & Speed Limits, see Link-Belt Spherical Roller Bearings Load
 Ratings & Speed Limits section
 Note: Dimensions subject to change. Certified dimensions of ordered material
 furnished on request.



Product Features

- Steel housing
- Misalignment capabilities - Total of 4°
- Broad range of sealing options
- Factory set clearance & lubrication
- Hardened spring locking collar
- Field interchangeable seals
- See Features & Benefits section for additional info.



Bearing Dimensions

Size Code	Shaft Diameter	Part Number	A Outside Diameter	B Cartridge Length	D	L	M	P	U	Approx. Weight
B416	1	CSEB22416H	2.6650	2	2 ⁹ / ₁₆	2 ⁹ / ₁₆	1 ³ / ₄	9 ⁹ / ₁₆	1 ⁹ / ₁₆	3.00
	25.00	CSEB224M25H	67.6900	50.80	65.09	65.10	44.40	14.30	39.70	1.30
B420	1 ³ / ₁₆	CSEB22419H	2.9150	2 ¹ / ₈	2 ¹¹ / ₁₆	2 ¹¹ / ₁₆	1 ³¹ / ₃₂	9 ⁹ / ₁₆	1 ⁵ / ₈	4.00
	1 ¹ / ₄	CSEB22420H	2.9150	2 ¹ / ₈	2 ¹¹ / ₁₆	2 ¹¹ / ₁₆	1 ³¹ / ₃₂	9 ⁹ / ₁₆	1 ⁵ / ₈	4.00
B424	1 ⁷ / ₁₆	CSEB22423H	3.1240	2 ³ / ₁₆	2 ⁷ / ₈	2 ⁷ / ₈	2 ⁵ / ₁₆	1 ¹ / ₁₆	1 ²⁵ / ₃₂	4.00
	1 ¹ / ₂	CSEB22424H	3.1240	2 ³ / ₁₆	2 ⁷ / ₈	2 ⁷ / ₈	2 ⁵ / ₁₆	1 ¹ / ₁₆	1 ²⁵ / ₃₂	4.00
B428	35.00	CSEB224M35H	79.3500	55.56	73.02	73.00	58.70	17.50	45.20	1.80
	1 ⁵ / ₈	CSEB22426H	3.6360	2 ⁷ / ₁₆	3 ¹ / ₈	3 ¹ / ₈	2 ¹⁹ / ₃₂	1 ¹ / ₁₆	1 ²⁹ / ₃₂	6.00
	1 ¹¹ / ₁₆	CSEB22427H	3.6360	2 ⁷ / ₁₆	3 ¹ / ₈	3 ¹ / ₈	2 ¹⁹ / ₃₂	1 ¹ / ₁₆	1 ²⁹ / ₃₂	5.00
	1 ³ / ₄	CSEB22428H	3.6360	2 ⁷ / ₁₆	3 ¹ / ₈	3 ¹ / ₈	2 ¹⁹ / ₃₂	1 ¹ / ₁₆	1 ²⁹ / ₃₂	5.00
B432	40.00	CSEB224M40H	92.3500	61.91	79.38	79.40	65.90	17.50	48.40	2.50
	1 ¹⁵ / ₁₆	CSEB22431H	3.8330	2 ²⁵ / ₆₄	3 ¹ / ₈	3 ¹ / ₈	2 ⁷ / ₈	2 ³ / ₃₂	1 ²⁹ / ₃₂	6.00
	2	CSEB22432H	3.8330	2 ²⁵ / ₆₄	3 ¹ / ₈	3 ¹ / ₈	2 ⁷ / ₈	2 ³ / ₃₂	1 ²⁹ / ₃₂	5.00
B436	45.00	CSEB224M45H	97.3600	60.72	79.38	79.40	73.00	18.30	48.40	2.60
	50.00	CSEB224M50H	97.3600	60.72	79.38	79.40	73.00	18.30	48.40	2.30
	2 ³ / ₁₆	CSEB22435H	4.2270	2 ¹ / ₂	3 ⁵ / ₁₆	3 ⁵ / ₁₆	3 ¹ / ₄	1 ³ / ₁₆	2 ¹ / ₁₆	7.00
B440	2 ¹ / ₄	CSEB22436H	4.2270	2 ¹ / ₂	3 ⁵ / ₁₆	3 ⁵ / ₁₆	3 ¹ / ₄	1 ³ / ₁₆	2 ¹ / ₁₆	7.00
	55.00	CSEB224M55H	107.3600	63.50	84.14	84.10	82.60	20.60	52.40	3.20
	2 ¹ / ₄	CSEB224B36H	4.6210	2 ⁵ / ₈	3 ¹ / ₂	3 ¹ / ₂	3 ⁹ / ₁₆	7 ⁷ / ₈	2 ³ / ₁₆	8.00
B448	2 ⁷ / ₁₆	CSEB22439H	4.6210	2 ⁵ / ₈	3 ¹ / ₂	3 ¹ / ₂	3 ⁹ / ₁₆	7 ⁷ / ₈	2 ³ / ₁₆	8.00
	2 ¹ / ₂	CSEB22440H	4.6210	2 ⁵ / ₈	3 ¹ / ₂	3 ¹ / ₂	3 ⁹ / ₁₆	7 ⁷ / ₈	2 ³ / ₁₆	8.00
	60.00	CSEB224M60H	117.3700	66.68	88.90	88.90	90.50	22.20	55.60	3.90
B448	2 ¹¹ / ₁₆	CSEB22443H	5.4040	3 ¹ / ₈	4	4	4 ¹ / ₁₆	7 ⁷ / ₈	2 ⁷ / ₁₆	14.00
	2 ³ / ₄	CSEB22444H	5.4040	3 ¹ / ₈	4	4	4 ¹ / ₁₆	7 ⁷ / ₈	2 ⁷ / ₁₆	14.00
	2 ¹⁵ / ₁₆	CSEB22447H	5.4040	3 ¹ / ₈	4	4	4 ¹ / ₁₆	7 ⁷ / ₈	2 ⁷ / ₁₆	13.00
	3	CSEB22448H	5.4040	3 ¹ / ₈	4	4	4 ¹ / ₁₆	7 ⁷ / ₈	2 ⁷ / ₁₆	13.00

Continued...

Continued...

Bearing Dimensions

Size Code	Shaft Diameter	Part Number	A Outside Diameter	B Cartridge Length	D	L	M	P	U	Approx. Weight
B448	65.00	CSEB224M65H	137.2616	79.38	101.60	101.60	103.20	22.20	61.90	6.60
	70.00	CSEB224M70H	137.2616	79.38	101.60	101.60	103.20	22.20	61.90	6.40
	75.00	CSEB224M75H	137.2616	79.38	101.60	101.60	103.20	22.20	61.90	5.90
B456	3 3/16	CSEB22451H	6.1940	3 7/16	4 3/8	4 3/8	4 29/32	15/16	2 21/32	20.00
	3 7/16	CSEB22455H	6.1940	3 7/16	4 3/8	4 3/8	4 29/32	15/16	2 21/32	18.00
	3 1/2	CSEB22456H	6.1940	3 7/16	4 3/8	4 3/8	4 29/32	15/16	2 21/32	18.00
	80.00	CSEB224M80H	157.3300	87.31	111.12	111.10	124.60	23.80	67.50	9.00
	85.00	CSEB224M85H	157.3300	87.31	111.12	111.10	124.60	23.80	67.50	8.60
B464	3 11/16	CSEB22459H	7.3750	4	5 1/16	5 1/16	5 5/8	1 1/16	3 1/16	33.00
	3 15/16	CSEB22463H	7.3750	4	5 1/16	5 1/16	5 5/8	1 1/16	3 1/16	31.00
	4	CSEB22464H	7.3750	4	5 1/16	5 1/16	5 5/8	1 1/16	3 1/16	31.00
	90.00	CSEB224M90H	187.3200	101.60	128.59	128.60	142.90	27.00	77.80	15.90
	100.00	CSEB224M100H	187.3200	101.60	128.59	128.60	142.90	27.00	77.80	14.10

Additional Notes

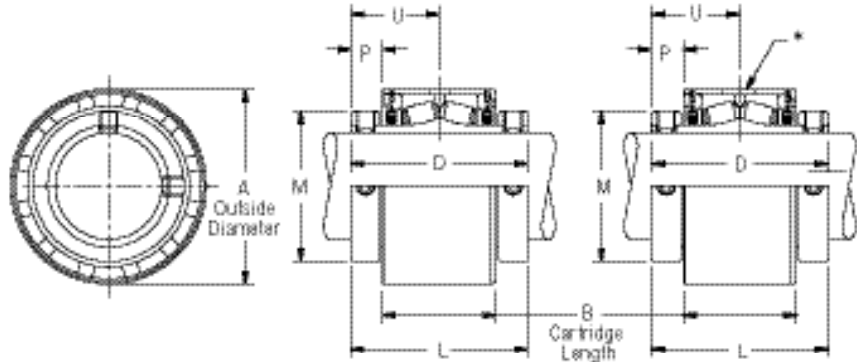
Please call 1-866-REXNORD for availability
 O.D. tolerance, +.000"/-.002" (+0.00mm/-0.05mm)
 Bore tolerance for mounting, +.002"/-.000" (+0.05mm/-0.00mm)
 Expansion - is 3/8" for all size codes
 *Expansion plug diameter .531" (13.49mm), engagement depth .125" +/- .015"
 (3.18mm +/- 0.38mm)
 Hole for fixed location & slot for expansion location in the same housing
 H labyrinth seals standard

All size codes available with type E lip seals & E7 triple lip seals
 Steel cartridge units can't be disassembled
 Selection Guide, see Link-Belt Spherical Roller Bearings Selection Guide section
 Load Ratings & Speed Limits, see Link-Belt Spherical Roller Bearings Load
 Ratings & Speed Limits section
 Note: Dimensions subject to change. Certified dimensions of ordered material
 furnished on request.



Product Features

- Steel housing
- Misalignment capabilities - Total of 4°
- Broad range of sealing options
- Factory set clearance & lubrication
- Two hardened spring locking collars
- Field interchangeable seals
- See Features & Benefits section for additional info.



Bearing Dimensions

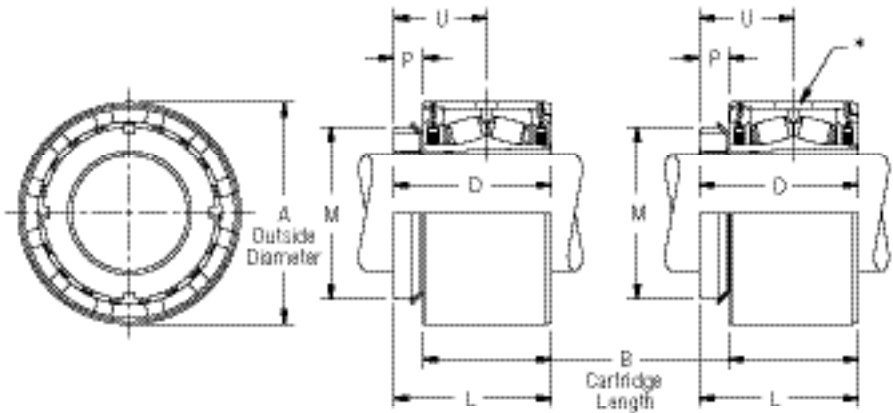
Size Code	Shaft Diameter	Part Number	A Outside Diameter	B Cartridge Length	D	L	M	P	U	Approx. Weight
B524	1 7/16	CSEB22523H	3.1240	2 3/16	3 9/16	3 9/16	2 5/16	11/16	1 25/32	4.20
B528	1 11/16	CSEB22527H	3.6360	2 7/16	3 13/16	3 13/16	2 19/32	11/16	1 29/32	5.60
B531	1 15/16	CSEB22531H	3.8330	2 25/64	3 13/16	3 13/16	2 7/8	11/16	1 29/32	6.10
B536	2	CSEB22532H	4.2270	2 1/2	4 1/8	4 1/8	3 1/4	13/16	2 1/16	9.00
	2 3/16	CSEB22535H	4.2270	2 1/2	4 1/8	4 1/8	3 1/4	13/16	2 1/16	9.00
B540	2 7/16	CSEB22539H	4.6210	2 5/8	4 3/8	4 3/8	3 9/16	7/8	2 3/16	10.10
B548	2 11/16	CSEB22543H	5.4070	3 1/8	4 7/8	4 7/8	4 1/16	7/8	2 7/16	16.40
	2 15/16	CSEB22547H	5.4070	3 1/8	4 7/8	4 7/8	4 1/16	7/8	2 7/16	15.30
B556	3 7/16	CSEB22555H	6.1940	3 7/16	5 5/16	5 5/16	4 29/32	15/16	2 21/32	21.10
B564	3 15/16	CSEB22563H	7.3750	4	6 1/8	6 1/8	5 5/8	1 1/16	3 1/16	36.10
	4	CSEB22564H	7.3750	4	6 1/8	6 1/8	5 5/8	1 1/16	3 1/16	35.60
B572	4 3/16	CSEB22567YH	7.9670	4 1/4	6 1/4	6 1/4	-	1	3 1/8	52.80
	4 7/16	CSEB22571YH	7.9670	4 1/4	6 1/4	6 1/4	-	1	3 1/8	50.60
	4 1/2	CSEB22572YH	7.9670	4 1/4	6 1/4	6 1/4	-	1	3 1/8	49.90
	110.00	CSEB225M110YH	202.3618	107.95	158.75	158.75	-	25.40	79.38	22.80
115.00	CSEB225M115YH	202.3618	107.95	158.75	158.75	-	25.40	79.38	22.50	
B580	4 15/16	CSEB22579YH	9.3427	5 9/16	7 7/8	7 7/8	-	1 5/32	3 15/16	55.30
	5	CSEB22580YH	9.3427	5 9/16	7 7/8	7 7/8	-	1 5/32	3 15/16	54.70
	125.00	CSEB225M125YH	237.3046	141.29	200.03	200.03	-	29.37	100.01	24.60

Additional Notes

Please call 1-866-REXNORD for availability
 O.D. tolerance, for size codes B564 and smaller +.000"/-.002" (+0.00mm/-0.05mm);
 for all other size codes +.000"/-.003" (+0.00mm/-0.08mm)
 Bore tolerance for mounting, +.002"/-.000" (+0.05mm/-0.00mm)
 Expansion - is 3/8" for all size codes
 *Expansion plug diameter .531" (13.49mm), engagement depth .125" +/- .015"
 (3.18mm +/- 0.38mm)
 Hole for fixed location & slot for expansion location in the same housing

H labyrinth seals standard
 All size codes available with type E lip seals & E7 triple lip seals
 Steel cartridge units can't be disassembled
 Selection Guide, see Link-Belt Spherical Roller Bearings Selection Guide section
 Load Ratings & Speed Limits, see Link-Belt Spherical Roller Bearings Load
 Ratings & Speed Limits section
 Note: Dimensions subject to change. Certified dimensions of ordered material
 furnished on request.

CSEB22600



Product Features

- Steel housing
- Misalignment capabilities - Total of 4°
- Broad range of sealing options
- Factory set clearance & lubrication
- See Features & Benefits section for additional info.
- Enhanced life mounting style
- Field interchangeable seals

Bearing Dimensions

Size Code	Shaft Diameter	Part Number	A Outside Diameter	B Cartridge Length	D	L	M	P	U	Approx. Weight
B624	1 7/16	CSEB22623H	3.1240	2 3/16	2.71	2 3/4	2 1/4	1/2	1 39/64	4.00
B631	1 15/16	CSEB22631H	3.8330	2 25/64	3.08	3 1/16	2 31/32	39/64	1 55/64	5.00
B635	2 3/16	CSEB22635H	4.2270	2 1/2	3.16	3 5/32	3 5/32	5/8	1 29/32	7.00
B639	2 7/16	CSEB22639H	4.6210	2 5/8	3.28	3 19/64	3 5/8	45/64	1 31/32	8.00
B647	2 11/16	CSEB22643H	5.4040	3 1/8	3.86	3 7/8	4 5/32	55/64	2 19/64	14.00
	2 15/16	CSEB22647H	5.4040	3 1/8	3.86	3 7/8	4 5/32	55/64	2 19/64	13.00
B655	3 7/16	CSEB22655H	6.1940	3 7/16	4.29	4 9/16	4 15/16	7/8	2 37/64	18.00
B663	3 15/16	CSEB22663H	7.3750	4	4.94	4 15/16	5 7/16	15/16	2 15/16	31.00

Additional Notes

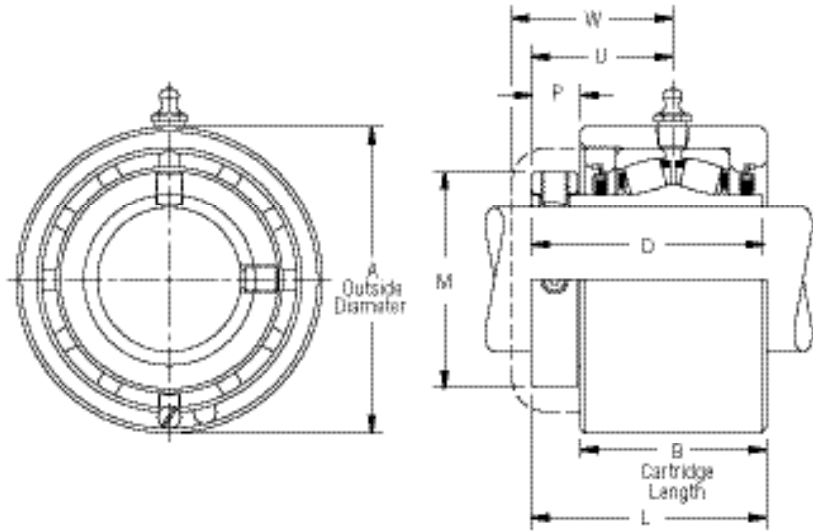
Please call 1-866-REXNORD for availability
 O.D. tolerance, +.000"/-.002" (+0.00mm/-0.05mm)
 Bore tolerance for mounting, +.002"/-.000" (+0.05mm/-0.00mm)
 Expansion - is 3/8" for all size codes
 *Expansion plug diameter .531" (13.49mm), engagement depth .125" +/- .015"
 (3.18mm +/- 0.38mm)
 Hole for fixed location & slot for expansion location in the same housing
 Dimensions for "D", "P" & "U" based on unmounted condition

H labyrinth seals standard
 All size codes available with type E lip seals & E7 triple lip seals
 Steel cartridge units can't be disassembled
 Selection Guide, see Link-Belt Spherical Roller Bearings Selection Guide section
 Load Ratings & Speed Limits, see Link-Belt Spherical Roller Bearings Load
 Ratings & Speed Limits section
 Note: Dimensions subject to change. Certified dimensions of ordered material
 furnished on request.



Product Features

- Cast iron housing
- Misalignment capabilities - Total of 4°
- Broad range of sealing options
- Factory set clearance & lubrication
- Hardened spring locking collar
- Field interchangeable seals
- See Features & Benefits section for additional info.



Bearing Dimensions

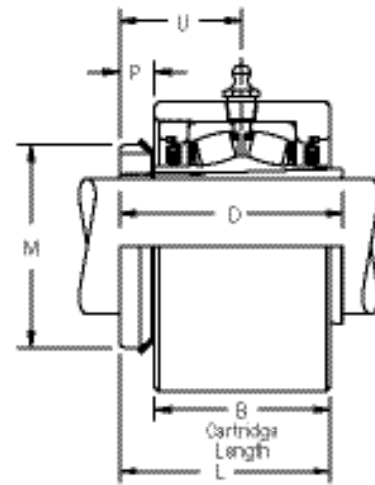
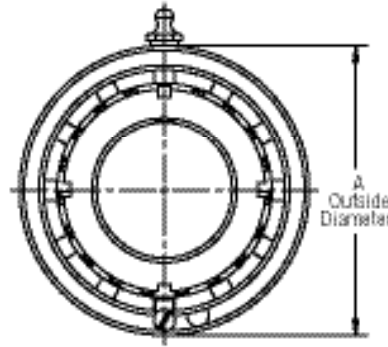
Size Code	Shaft Diameter	Part Number	A Outside Diameter	B Cartridge Length	D	L	M	P	U	W	Approx. Weight								
B416	1	CB22416H	3.0000	2	2 ⁹ / ₁₆	2 ¹⁹ / ₃₂	1 ³ / ₄	17/32	1 ⁹ / ₁₆	1 ²⁹ / ₃₂	3.00								
	25.00	CB224M25H	76.2000	50.80	65.09	65.90	44.40	13.50	39.700	48.40	1.40								
B420	1 ³ / ₁₆	CB22419H	3.2190	2 ¹ / ₈	2 ¹¹ / ₁₆	2 ²³ / ₃₂	1 ³¹ / ₃₂	17/32	1 ⁵ / ₈	1 ³¹ / ₃₂	4.00								
	1 ¹ / ₄	CB22420H																	
B424	30.00	CB224M30H	81.7600	53.98	68.26	69.00	50.00	13.50	41.300	50.00	1.70								
	1 ⁷ / ₁₆	CB22423H	3.4370	2 ³ / ₁₆	2 ⁷ / ₈	2 ²⁹ / ₃₂	2 ⁵ / ₁₆	21/32	1 ²⁹ / ₃₂	2 ³ / ₁₆	4.00								
	1 ¹ / ₂	CB22424H																	
B428	35.00	CB224M35H	87.3000	55.56	73.02	73.80	58.70	16.70	45.200	55.60	2.10								
	1 ⁵ / ₈	CB22426H	3.9370	2 ⁷ / ₁₆	3 ¹ / ₈	3 ⁵ / ₃₂	2 ¹⁹ / ₃₂	21/32	1 ²⁹ / ₃₂	2 ¹ / ₄	6.00								
	1 ¹¹ / ₁₆	CB22427H																	
1 ³ / ₄	CB22428H																		
B432	40.00	CB224M40H	100.0000	61.91	79.38	80.20	65.90	16.70	48.400	57.20	2.90								
	1 ¹⁵ / ₁₆	CB22431H	4.1250	2 ⁷ / ₁₆	3 ¹ / ₈	3 ⁵ / ₃₂	2 ⁷ / ₈	21/32	1 ²⁹ / ₃₂	2 ⁹ / ₃₂	6.00								
	2	CB22432H																	
	45.00	CB224M45H																	
50.00	CB224M50H																		
B436	104.7800		61.91	79.38	80.20	73.00	16.70	48.400	57.90	3.10									
	50.00	CB224M50H								3.00									
B436	2 ³ / ₁₆	CB22435H	4.5310	2 ⁹ / ₁₆	3 ⁵ / ₁₆	3 ¹¹ / ₃₂	3 ¹ / ₄	25/32	2 ¹ / ₁₆	2 ⁷ / ₁₆	8.00								
	2 ¹ / ₄	CB22436H																	
B440	55.00	CB224M55H	115.0900	65.09	84.14	84.90	82.60	19.80	52.400	61.90	3.80								
	2 ⁷ / ₁₆	CB22439H	5.0000	2 ⁵ / ₈	3 ¹ / ₂	3 ¹⁷ / ₃₂	3 ⁹ / ₁₆	27/32	2 ³ / ₁₆	2 ⁹ / ₁₆	10.00								
	2 ¹ / ₂	CB22440H																	
60.00	CB224M60H																		
B448	127.0000		66.68	88.90	89.70	90.50	21.40	55.600	65.10	4.80									
	2 ¹¹ / ₁₆	CB22443H	5.8750	3 ¹ / ₈	4	4 ¹ / ₃₂	4 ¹ / ₁₆	27/32	2 ⁷ / ₁₆	2 ²⁵ / ₃₂	18.00								
	2 ³ / ₄	CB22444H									17.00								
	2 ¹⁵ / ₁₆	CB22447H									16.00								
	3	CB22448H																	
	65.00	CB224M65H									149.2200	79.38	101.60	102.40	103.20	21.40	61.900	70.60	8.10
	70.00	CB224M70H									149.2200	79.38	101.60	102.40	103.20	21.40	61.900	70.60	8.00
	75.00	CB224M75H																	7.80
																		25.00	
B456	3 ³ / ₁₆	CB22451H	6.7500	3 ⁷ / ₁₆	4 ³ / ₈	4 ³ / ₈	4 ²⁹ / ₃₂	15/16	2 ²¹ / ₃₂	3	23.00								
	3 ⁷ / ₁₆	CB22455H																	
	3 ¹ / ₂	CB22456H																	
	80.00	CB224M80H									171.4500	87.31	111.12	111.10	124.60	23.80	67.500	76.20	11.20
85.00	CB224M85H									11.00									

Additional Notes

- Please call 1-866-REXNORD for availability
- Lubrication fitting tap size, 1/8" PT
- O.D. tolerance, +.000"/-.002" (+0.00mm/-0.05mm)
- Bore tolerance for mounting, +.002"/-.000" (+0.05mm/-0.00mm)
- H labyrinth seals standard
- All size codes available with type E lip seals & E7 triple lip seals

Selection Guide, see Link-Belt Spherical Roller Bearings Selection Guide section
 Load Ratings & Speed Limits, see Link-Belt Spherical Roller Bearings Load Ratings & Speed Limits section
 Note: Dimensions subject to change. Certified dimensions of ordered material furnished on request.

CB22600



Product Features

- Cast iron housing
- Misalignment capabilities - Total of 4°
- Broad range of sealing options
- Factory set clearance & lubrication
- Enhanced life mounting style
- Field interchangeable seals
- See Features & Benefits section for additional info.

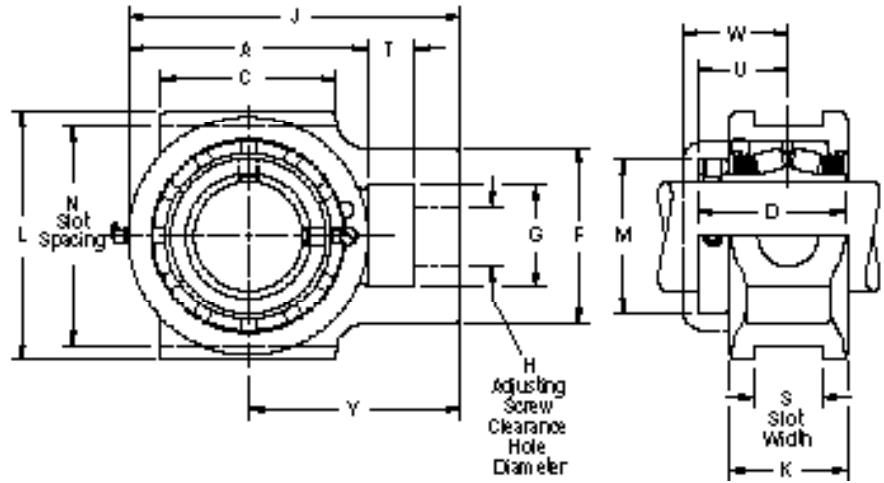
Bearing Dimensions

Size Code	Shaft Diameter	Part Number	A Outside Diameter	B Cartridge Length	D	L	M	P	U	Approx. Weight
B624	1 7/16	CB22623H	3.4370	2 3/16	2.71	2 13/16	2 1/4	9/16	1 43/64	4.00
B631	1 15/16	CB22631H	4.1250	2 7/16	3.08	3 11/64	2 31/32	43/64	1 55/64	6.00
B635	2 3/16	CB22635H	4.5310	2 9/16	3.16	3 7/32	3 5/32	21/32	1 29/32	8.00
B639	2 7/16	CB22639H	5.0000	2 5/8	3.28	3 25/64	3 5/8	43/64	2 3/64	10.00
B647	2 11/16	CB22643H	5.8750	3 1/8	3.86	4	4 5/32	3/4	2 19/64	18.00
	2 15/16	CB22647H								16.00
B655	3 7/16	CB22655H	6.7500	3 7/16	4.29	4 3/8	4 15/16	7/8	2 9/16	23.00

Additional Notes

Please call 1-866-REXNORD for availability
 Lubrication fitting tap size, 1/8" PT
 Dimensions for "D", "P" & "U" based on unmounted condition
 O.D. tolerance, +.000"/-.002" (+0.00mm/-0.05mm)
 Bore tolerance for mounting, +.002"/-.000" (+0.05mm/-0.00mm)
 H labyrinth seals standard

All size codes available with type E lip seals & E7 triple lip seals
 Selection Guide, see Link-Belt Spherical Roller Bearings Selection Guide section
 Load Ratings & Speed Limits, see Link-Belt Spherical Roller Bearings Load Ratings & Speed Limits section
 Note: Dimensions subject to change. Certified dimensions of ordered material furnished on request.



Product Features

- Corrosion resistant powder coating
- Cast iron housing
- Misalignment capabilities - Total of 4°
- Broad range of sealing options
- Factory set clearance & lubrication
- Hardened spring locking collar
- Field interchangeable seals
- See Features & Benefits section for additional info.

Bearing Dimensions

Size Code	Shaft Diameter	Part Number	A	C	D	F	G	H Adjusting Screw Hole Diameter	J	K	L	M	N Slot Spacing	S Slot Width	T	U	W	Y	Approx. Weight
B416	1	TB22416H	3	2 1/4	2 9/16	2	1 1/4	3/4	4 1/16	2	3 5/8	1 3/4	3.000	0.531	5/8	1 9/16	1 29/32	2 9/16	4.40
	25.00	TB224M25H	76.20	57.20	65.09	50.80	31.80	19.10	103.20	50.80	92.10	44.40	76.200	13.490	15.90	39.70	48.40	65.10	2.00
B420	1 3/16	TB22419H	3 3/8	2 1/2	2 11/16	2 5/16	1 7/16	7/8	4 9/16	2 1/8	4 1/8	1 31/32	3.500	0.531	5/8	1 5/8	1 31/32	2 7/8	5.70
	30.00	TB224M30H	85.73	63.50	68.26	58.70	36.50	22.20	115.90	53.90	104.80	50.00	88.900	13.490	15.90	41.30	50.00	73.00	2.60
B424	1 7/16	TB22423H	3 3/4	2 3/4	2 7/8	2 3/8	1 7/16	7/8	5 1/16	2 3/16	4 1/8	2 5/16	3.500	0.531	5/8	1 25/32	2 3/16	3 1/4	6.40
	35.00	TB224M35H	95.25	69.80	73.02	60.30	36.50	22.20	128.60	55.60	104.80	58.70	88.900	13.490	15.90	45.20	55.60	82.60	2.90
B428	1 11/16	TB22426H	4 1/4	3 1/4	3 1/8	3 3/16	1 15/16	1 1/8	5 15/16	2 7/16	4 3/4	2 19/32	4.000	0.687	3/4	1 29/32	2 1/4	3 13/16	9.70
	40.00	TB224M40H	107.95	82.60	79.38	81.00	49.20	28.60	150.80	61.90	120.60	65.90	101.600	17.460	19.00	48.40	57.20	96.80	4.50
B432	1 15/16	TB22431H	4 1/2	3 3/8	3 1/8	3 3/16	1 3/4	1 1/8	6 3/16	2 7/16	4 1/2	2 7/8	4.000	0.687	15/16	1 29/32	2 9/32	3 15/16	9.90
	45.00	TB224M45H	114.30	85.70	79.38	81.00	44.45	28.60	157.20	61.90	114.30	73.00	101.600	17.460	23.81	48.40	57.90	100.00	4.70
B436	2 3/16	TB22435H	5	3 3/4	3 5/16	3 3/4	2 1/4	1 3/8	7 1/8	2 1/2	5 1/4	3 1/4	4.500	0.813	1 1/4	2 1/16	2 7/16	4 5/8	14.10
	55.00	TB224M55H	127.00	95.20	84.14	95.20	57.20	34.90	181.00	63.50	133.40	82.60	114.300	20.640	31.80	52.40	61.90	117.50	6.80
B440	2 7/16	TB22439H	5 1/2	4	3 1/2	4 1/8	2 1/2	1 3/8	7 13/16	2 5/8	5 7/8	3 9/16	5.125	1.063	1 1/4	2 3/16	2 9/16	5 1/16	18.00
	60.00	TB224M60H	139.70	101.60	88.90	104.80	63.50	34.90	198.40	66.70	149.20	90.50	130.180	26.990	31.80	55.60	65.10	128.60	8.30
B448	2 11/16	TB22443H	6 7/16	4 3/4	4	4 3/4	2 3/4	1 5/8	9 1/8	3 1/8	6 11/16	4 1/16	5.937	1.812	1 1/2	2 7/16	2 25/32	5 15/16	23.60
	75.00	TB224M75H	163.50	120.60	101.60	120.60	69.80	41.30	231.80	79.40	169.90	103.20	150.810	46.020	38.10	61.90	70.60	150.80	10.20
B456	3 7/16	TB22455H	7 3/8	5 1/2	4 3/8	4 7/8	2 7/8	1 7/8	10	3 7/16	7 13/16	4 29/32	6.812	1.812	1 5/8	2 21/32	3	6 5/16	43.50
	85.00	TB224M85H	187.30	139.70	111.12	123.80	73.00	47.60	254.00	87.30	198.40	124.60	173.020	46.020	41.30	67.50	76.20	160.30	20.00
B464	3 15/16	TB22463H	8 7/8	7	5 1/16	5 1/4	3 3/8	2 1/8	12 1/8	4 1/8	9 7/16	5 5/8	8.625	2.062	2 1/4	3 1/16	3 7/16	7 11/16	77.00
	100.00	TB224M100H	225.40	177.80	128.59	133.40	85.72	53.98	308.00	104.80	239.70	142.90	219.080	52.370	57.15	77.80	87.30	195.30	34.90

Additional Notes

- Please call 1-866-REXNORD for availability
- Lubrication fitting tap size, 1/8" PT
- Take-up slot spacing & width tolerance, +.005"/-.015" (+0.13mm/-0.38mm)
- H labyrinth seals standard
- All size codes available with type E lip seals & E7 triple lip seals

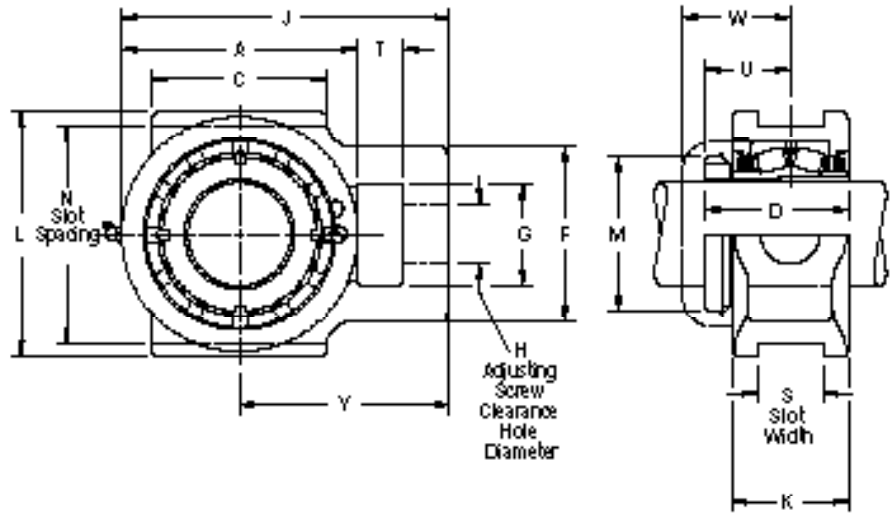
- Selection Guide, see Link-Belt Spherical Roller Bearings Selection Guide section
- Load Ratings & Speed Limits, see Link-Belt Spherical Roller Bearings Load Ratings & Speed Limits section
- Note: Dimensions subject to change. Certified dimensions of ordered material furnished on request.

TB22600



Product Features

- Corrosion resistant powder coating
 - Cast iron housing
 - Misalignment capabilities - Total of 4°
 - Broad range of sealing options
 - Factory set clearance & lubrication
 - Enhanced life mounting style
 - Field interchangeable seals
- See Features & Benefits section for additional info.



Bearing Dimensions

Size Code	Shaft Diameter	Part Number	A	C	D	F	G	H Adjusting Screw Hole Diameter	J	K	L	M	N Slot Spacing	S Slot Width	T	U	W	Y	Approx. Weight
B624	1 7/16	TB22623H	3 3/4	2 3/4	2.71	2 3/8	1 7/16	7/8	5 1/16	2 3/16	4 1/8	2 1/4	3.500	0.531	5/8	1 39/64	2 3/16	3 1/4	6.40
B631	1 15/16	TB22631H	4 1/2	3 3/8	3.08	3 3/16	1 3/4	1 1/8	6 3/16	2 7/16	4 1/2	2 31/32	4.000	0.687	15/16	1 55/64	2 9/32	3 15/16	9.70
B635	2 3/16	TB22635H	5	3 3/4	3.16	3 3/4	2 1/4	1 3/8	7 1/8	2 1/2	5 1/4	3 5/32	4.500	0.813	1 1/4	1 29/32	2 7/16	4 5/8	14.10
B639	2 7/16	TB22639H	5 1/2	4	3.28	4 1/8	2 1/2	1 3/8	7 13/16	2 5/8	5 7/8	3 5/8	5.125	1.063	1 1/4	1 31/32	2 9/16	5 1/16	17.80
B647	2 11/16	TB22643H	6 7/16	4 3/4	3.86	4 3/4	2 3/4	1 5/8	9 1/8	3 1/8	6 11/16	4 5/32	5.937	1.812	1 1/2	2 19/64	2 25/32	5 15/16	13.50
	2 15/16	TB22647H	6 7/16	4 3/4	3.86	4 3/4	2 3/4	1 5/8	9 1/8	3 1/8	6 11/16	4 5/32	5.937	1.812	1 1/2	2 19/64	2 25/32	5 15/16	13.00
B655	3 7/16	TB22655H	7 3/8	5 1/2	4.29	4 7/8	2 7/8	1 7/8	10	3 7/16	7 13/16	4 15/16	6.812	1.812	1 5/8	2 37/64	3	6 5/16	43.10
B663	3 15/16	TB22663H	8 7/8	7	4.94	5 1/4	3 3/8	2 1/8	12 1/8	4 1/8	9 7/16	5 7/16	8.625	2.062	2 1/4	2 15/16	3 7/16	7 11/16	76.00

Additional Notes

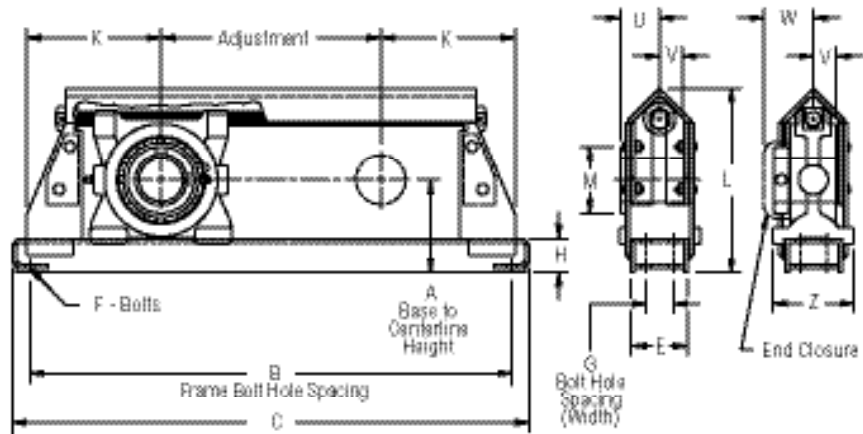
- Please call 1-866-REXNORD for availability
- Lubrication fitting tap size, 1/8" PT
- Dimensions for "D" & "U" based on unmounted condition
- Take-up slot spacing & width tolerance, +.005"/-.015" (+0.13mm/-0.38mm)
- H labyrinth seals standard
- All size codes available with type E lip seals & E7 triple lip seals

Selection Guide, see Link-Belt Spherical Roller Bearings Selection Guide section Load Ratings & Speed Limits, see Link-Belt Spherical Roller Bearings Load Ratings & Speed Limits section
 Note: Dimensions subject to change. Certified dimensions of ordered material furnished on request.



Product Features

- Protected screw type frame
- Corrosion resistant powder coating
- Cast iron housing
- Misalignment capabilities - Total of 4°
- Broad range of sealing options
- Factory set clearance & lubrication
- Field interchangeable seals
- See Features & Benefits section for additional info.



Bearing Dimensions

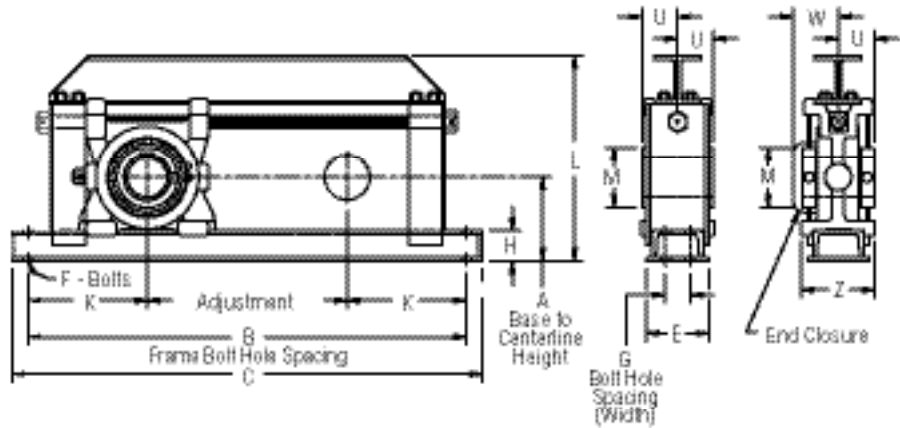
Size Code	Shaft Diameter	Complete Take-up Assembly	Travel Length	A Base to Centerline Height	B Bolt Hole Spacing	C	E	F Bolts	G Bolt Hole Spacing (Width)	H	K	L	M	U	V	W	Z	Adjust.	Approx. Weight
B432	1 15/16	DSB22431H	12	3 15/16	26 1/2	28 1/2	3	5/8	-	1 3/4	7 1/4	8 1/4	2 7/8	1 29/32	1 1/4	2 9/32	4 1/8	12	49
			18		32 1/2	34 1/2												18	54
			24		38 1/2	40 1/2												24	43
B436	2 3/16	DSB22435H	12	4 3/16	27 1/2	29 1/2	3	5/8	-	1 3/4	7 3/4	8 11/16	3 1/4	2 1/16	1 9/32	2 7/16	4 1/8	12	49
			18		33 1/2	35 1/2												18	55
			24		39 1/2	41 1/2												24	60
B440	2 7/16	DSB22439H	12	4 3/8	28 1/2	30 1/2	3	3/4	-	1 3/4	8 1/4	9 1/8	3 9/16	2 3/16	1 3/8	2 9/16	4 1/8	12	61
			18		34 1/2	36 1/2												18	66
			24		40 1/2	42 1/2												24	71
B448	2 15/16	DSB22447H	12	5 1/8	30 1/2	32 1/2	4	5/8	2	2	9 1/4	10 5/8	4 1/16	2 7/16	1 5/8	2 25/32	5 1/8	12	80
			18		36 1/2	38 1/2												18	105
			24		42 1/2	44 1/2												24	89
B456	3 7/16	DSB22455H	12	5 5/8	32	34 1/4	4	3/4	2	2	10	11 13/16	4 29/32	2 21/32	1 23/32	3	5 5/8	12	107
			18		38	40 1/4												18	116
			24		44	46 1/4												24	124
B464	3 15/16	DSB22463H	12	7	36	38 1/2	5	3/4	2 1/2	2 1/4	12	14 11/16	5 5/8	3 1/16	2	3 7/16	6 7/8	12	180
			18		42	44 1/2												18	192
			24		48	50 1/2												24	202
B464	90.00	DSB224M90H	12	177.80	914.4	977.9	127.00	20.00	63.50	57.20	304.80	373.10	142.90	77.80	50.80	87.30	174.60	304.8	81.6
			18		1066.8	1120.3												457.2	87.1
			24		1219.2	1282.7												609.6	91.6
B464	100.00	DSB224M100H	12	177.80	1371.6	1435.1	127.00	20.00	63.50	57.20	304.80	373.10	142.90	77.80	50.80	87.30	174.60	762.0	96.2
			18		1066.8	1120.3												457.2	87.1
			24		1219.2	1282.7												609.6	91.6

Additional Notes

- Please call 1-866-REXNORD for availability
- Lubrication fitting tap size, 1/8" PT
- For size code B464, frame has hinged top construction
- Frames with 18" (457.20mm) adjustment or more have center supporting pad welded to bottom of frame
- H labyrinth seals standard

- All size codes available with type E lip seals & E7 triple lip seals
- Selection Guide, see Link-Belt Spherical Roller Bearings Selection Guide section
- Load Ratings & Speed Limits, see Link-Belt Spherical Roller Bearings Load Ratings & Speed Limits section
- Note: Dimensions subject to change. Certified dimensions of ordered material furnished on request.

DSHB22500



Product Features

- Extra strength welded steel frame
 - Corrosion resistant powder coating
 - Cast iron housing
 - Misalignment capabilities - Total of 4°
 - Broad range of sealing options
 - Factory set clearance & lubrication
 - Field interchangeable seals
- See Features & Benefits section for additional info.

Bearing Dimensions

Size Code	Shaft Diameter	Complete Take-up Assembly	Travel Length	A Base to Centerline Height	B Frame Bolt Hole Spacing	C	E	F Bolts	G Bolt Hole Spacing (Width)	H	K	L	M	U	W	Z	Adjust.	Approx. Weight
B531	1 15/16	DSHB22531H	12	3 15/16	27 1/2	29 1/2	3 1/2	5/8	-	1 3/4	7 3/4	10 5/8	2 7/8	1 29/32	2 9/32	4 1/8	12	78
			18		33 1/2	35 1/2											18	98
			24		39 1/2	41 1/2											24	88
B536	2 3/16	DSHB22535H	12	4 7/16	27 1/2	29 1/2	4 1/2	5/8	-	2	7 3/4	11 1/4	3 1/4	2 1/16	2 7/16	5 1/4	12	93
			18		33 1/2	35 1/2											18	103
			24		39 1/2	41 1/2											24	83
B540	2 7/16	DSHB22539H	12	4 5/8	28 1/2	30 1/2	4 1/2	3/4	-	2	8 1/4	12 13/16	3 9/16	2 3/16	2 9/16	5 1/4	12	118
			18		34 1/2	36 1/2											18	105
			24		40 1/2	42 1/2											24	132
B548	2 15/16	DSHB22547H	12	5 1/8	30 1/2	32 1/2	4 1/2	5/8	2	2	9 1/4	13 15/16	4 1/16	2 7/16	2 25/32	5 1/4	12	125
			18		36 1/2	38 1/2											18	140
			24		42 1/2	44 1/2											24	155
			30		48 1/2	50 1/2											30	170
			36		54 1/2	56 1/2											36	185
B556	3 7/16	DSHB22555H	12	5 5/8	32	34 1/4	4 1/2	3/4	2	2	10	15 1/16	4 29/32	2 21/32	3	5 5/8	12	146
			18		38	40 1/4											18	162
			24		44	46 1/4											24	178
			30		50	52 1/4											30	194
			36		56	58 1/4											36	210
B564	3 15/16	DSHB22563H	12	7	36	38 1/2	5 1/2	3/4	2 1/2	2 1/4	12	17 1/16	5 5/8	3 1/16	3 7/16	6 7/8	12	260
			18		42	44 1/2											18	278
			24		48	50 1/2											24	296
			30		54	56 1/2											30	314
			36		60	62 1/2											36	332

Additional Notes

Please call 1-866-REXNORD for availability
 Lubrication fitting tap size, 1/8" PT
 H labyrinth seals standard
 All size codes available with type E lip seals & E7 triple lip seals
 Selection Guide, see Link-Belt Spherical Roller Bearings Selection Guide section

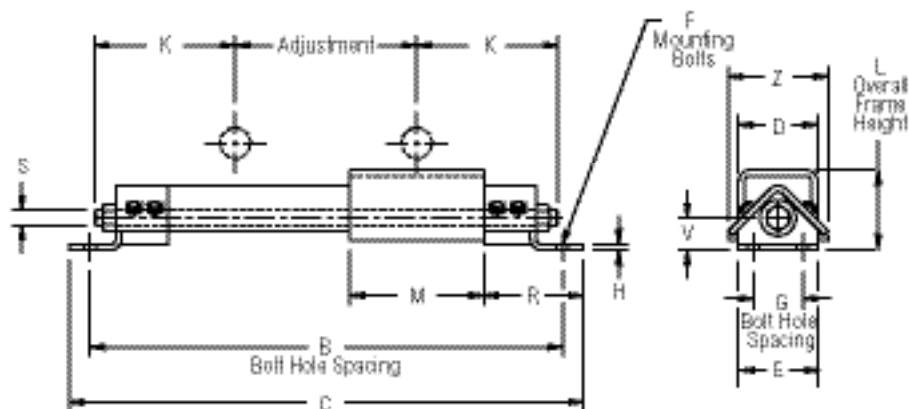
Load Ratings & Speed Limits, see Link-Belt Spherical Roller Bearings Load Ratings & Speed Limits section
 Note: Dimensions subject to change. Certified dimensions of ordered material furnished on request.

LHD_FRAME



Product Features

- Protected screw type frame
- Welded steel frame



Bearing Dimensions

Size Code	Available Shaft Sizes			Part Number	Adjustment Length	B Bolt Hole Spacing	C	D	E	F Bolts	G Bolt Hole Spacing in Width Direction	H	K	L Overall Frame Height	M	R	S	V	Z	Approx. Weight
	PB/PKB 22400/22600 Series	PB22500 Series	EPB22400/22500/22600 Series																	
LHD20	1 3/16-2 1/2	1 7/16-2 7/16	1 7/16-2 1/2	LHD2012	12	29	31	4	5	5/8	2 1/2	1/4	8 1/2	5 1/4	11	4	3/4	2	6 1/4	48.00
				LHD2018	18	35	37													52.00
				LHD2024	24	41	43													56.00
				LHD2030	30	47	49													65.00
				LHD2036	36	53	55													70.00
LHD25	2 11/16-3	2 11/16-2 15/16	2 11/16-3	LHD2048	48	65	67	5	5 1/2	5/8	3	3/8	10 3/8	6 1/4	13 1/4	5	1	2 9/16	7 1/8	81.00
				LHD2512	12	32 3/4	35 1/4													100.00
				LHD2518	18	38 3/4	41 1/4													110.00
				LHD2524	24	44 3/4	47 1/4													115.00
				LHD2530	30	50 3/4	53 1/4													120.00
LHD30	3 3/16-3 1/2	3 7/16	-	LHD2536	36	56 3/4	59 1/4	6	6 1/2	3/4	3	1/2	11 3/4	7	14 1/4	6	1	2 1/2	9	127.00
				LHD2548	48	68 3/4	71 1/4													158.00
				LHD3012	12	35 1/2	38 1/4													162.00
				LHD3018	18	41 1/2	44 1/4													166.00
				LHD3024	24	47 1/2	50 1/4													173.00
LHD35	3 11/16-4	3 15/16-4 1/2	3 3/16-3 1/2	LHD3030	30	53 1/2	56 1/4	7	6 1/2	3/4	3	1/2	12 5/8	7	16	6	1 1/4	2 1/2	9	183.00
				LHD3036	36	59 1/2	62 1/4													190.00
				LHD3048	48	71 1/2	74 1/4													195.00
				LHD3512	12	37 1/4	40													200.00
				LHD3518	18	43 1/4	46													210.00
LHD40	-	4 15/16-5	-	LHD3524	24	49 1/4	52	7	6 1/2	3/4	3	1/2	14 5/8	7	20	6	1 1/2	2 1/2	9 13/16	234.00
				LHD3530	30	55 1/4	58													175.00
				LHD3536	36	61 1/4	64													220.00
LHD40	-	4 15/16-5	-	LHD3548	48	73 1/4	76	7	6 1/2	3/4	3	1/2	14 5/8	7	20	6	1 1/2	2 1/2	9 13/16	265.00
				LHD4012	12	41 1/4	44													270.00
				LHD4018	18	47 1/4	50													290.00
LHD50	-	-	-	LHD4024	24	53 1/4	56	8 1/2	7	7/8	4	1/2	17 1/2	7 3/4	23 1/2	6 3/4	1 1/2	3 3/8	11 1/4	290.00
				LHD4030	30	59 1/4	62													300.00
				LHD4036	36	65 1/4	68													325.00
				LHD4048	48	77 1/4	80													330.00
				LHD5012	12	47	49 1/2													290.00
LHD50	-	-	-	LHD5018	18	53	55 1/2	8 1/2	7	7/8	4	1/2	17 1/2	7 3/4	23 1/2	6 3/4	1 1/2	3 3/8	11 1/4	300.00
				LHD5024	24	59	61 1/2													325.00
				LHD5030	30	65	67 1/2													350.00
				LHD5036	36	71	73 1/2													360.00
LHD5048	48	83	85 1/2																	

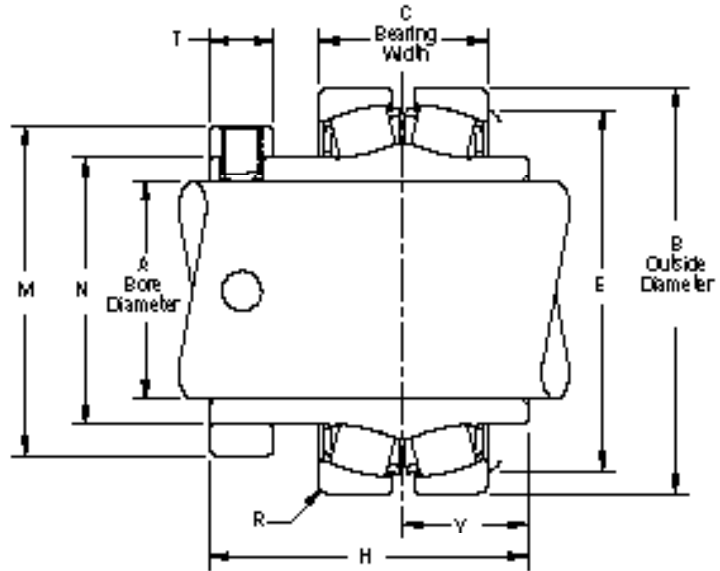
Additional Notes

Please call 1-866-REXNORD for availability
 Note: Dimensions subject to change. Certified dimensions of ordered material furnished on request.



Product Features

- Hardened spring locking collar
- Self aligning
- See Features & Benefits section for additional info.



Bearing Dimensions

Size Code	Shaft Diameter	Part Number	A Bore Diameter	B Outside Diameter	C Bearing Width	E	H	M	N	R	T	Y	Approx. Weight
B416	1	B416L	1.0000	2.3750	1.1880	2.000	2.563	1.750	1.307	0.046	0.500	1.000	1.30
	25.00	B4M25L	25.0000	60.3250	30.1800	50.800	65.090	44.400	33.200	1.170	12.700	25.400	0.60
B420	1 3/16	B419L	1.1875	2.6250	1.3120	2.313	2.688	1.969	1.532	0.062	0.500	1.063	1.80
	1 1/4	B420L	1.2500	2.6250	1.3120	2.313	2.688	1.969	1.532	0.062	0.500	1.063	1.80
B424	1 7/16	B423L	1.4375	2.8345	1.3100	2.500	2.875	2.313	1.745	0.062	0.625	1.094	2.20
	1 1/2	B424L	1.5000	2.8345	1.3100	2.500	2.875	2.313	1.745	0.062	0.625	1.094	2.20
B428	35.00	B4M35L	35.0000	72.0000	33.2700	63.500	73.020	58.700	44.320	1.570	15.900	27.780	1.00
	1 1/2	B4B24L	1.5000	3.3464	1.5780	2.875	3.125	2.594	2.027	0.062	0.625	1.219	3.20
	1 5/8	B426L	1.6250	3.3464	1.5780	2.875	3.125	2.594	2.027	0.062	0.625	1.219	3.20
	1 11/16	B427L	1.6875	3.3464	1.5780	2.875	3.125	2.594	2.027	0.062	0.625	1.219	3.20
	1 3/4	B428L	1.7500	3.3464	1.5780	2.875	3.125	2.594	2.027	0.062	0.625	1.219	3.20
B432	40.00	B4M40L	40.0000	85.0000	40.0800	73.000	79.380	65.900	51.480	1.570	15.900	30.960	1.40
	1 3/4	B4B28L	1.7500	3.5433	1.5260	3.188	3.125	2.875	2.307	0.078	0.625	1.219	3.30
	1 15/16	B431L	1.9375	3.5433	1.5260	3.188	3.125	2.875	2.307	0.078	0.625	1.219	3.30
	2	B432L	2.0000	3.5433	1.5260	3.188	3.125	2.875	2.307	0.078	0.625	1.219	3.30
B436	45.00	B4M45L	45.0000	90.0000	38.7600	81.000	79.380	73.000	58.590	1.980	15.900	30.960	1.50
	50.00	B4M50L	50.0000	90.0000	38.7600	81.000	79.380	73.000	58.590	1.980	15.900	30.960	1.50
	2 3/16	B435L	2.1875	3.9370	1.6560	3.500	3.313	3.250	2.620	0.062	0.750	1.250	4.60
B440	2 1/4	B436L	2.2500	3.9370	1.6560	3.500	3.313	3.250	2.620	0.062	0.750	1.250	4.60
	55.00	B4M55L	55.0000	100.0000	42.0600	88.900	84.140	82.600	66.550	1.570	19.000	31.750	2.10
B448	2 1/4	B4B36L	2.2500	4.3307	1.7500	3.875	3.500	3.563	2.901	0.078	0.813	1.313	5.80
	2 7/16	B439L	2.4375	4.3307	1.7500	3.875	3.500	3.563	2.901	0.078	0.813	1.313	5.80
	2 1/2	B440L	2.5000	4.3307	1.7500	3.875	3.500	3.563	2.901	0.078	0.813	1.313	5.80
	60.00	B4M60L	60.0000	110.0000	44.4500	98.400	88.900	90.500	73.690	1.980	20.600	33.340	2.60
B448	2 11/16	B443L	2.6875	5.1172	2.1250	4.531	4.000	4.063	3.370	0.078	0.813	1.563	9.50
	2 3/4	B444L	2.7500	5.1172	2.1250	4.531	4.000	4.063	3.370	0.078	0.813	1.563	9.50

Continued...

Continued...

Bearing Dimensions

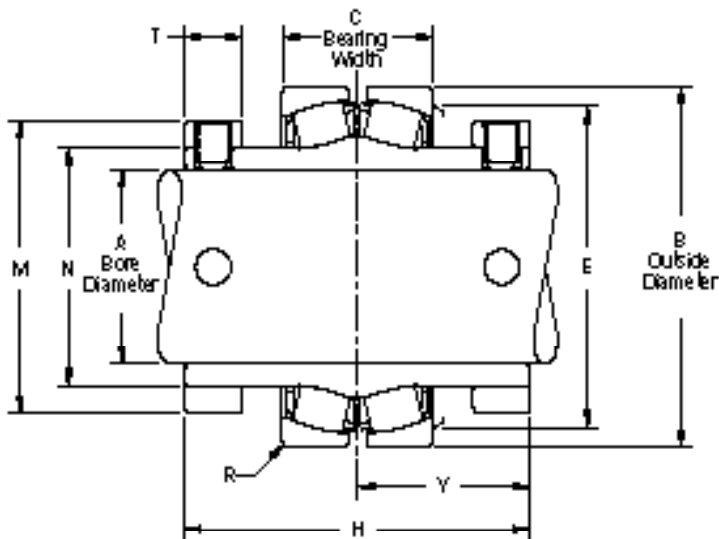
Size Code	Shaft Diameter	Part Number	A Bore Diameter	B Outside Diameter	C Bearing Width	E	H	M	N	R	T	Y	Approx. Weight
B448	2 ¹⁵ / ₁₆	B447L	2.9375	5.1172	2.1250	4.531	4.000	4.063	3.370	0.078	0.813	1.563	9.50
	3	B448L	3.0000	5.1172	2.1250	4.531	4.000	4.063	3.370	0.078	0.813	1.563	9.50
	65.00	B4M65L	65.0000	130.0000	53.9800	115.100	101.600	103.200	85.600	1.980	20.600	39.690	4.30
	70.00	B4M70L	70.0000	130.0000	53.9800	115.100	101.600	103.200	85.600	1.980	20.600	39.690	4.30
	75.00	B4M75L	75.0000	130.0000	53.9800	115.100	101.600	103.200	85.600	1.980	20.600	39.690	4.30
B456	3 ³ / ₁₆	B451L	3.1875	5.9045	2.3130	5.344	4.375	4.906	3.975	0.125	0.844	1.719	13.50
	3 ⁷ / ₁₆	B455L	3.4375	5.9045	2.3130	5.344	4.375	4.906	3.975	0.125	0.844	1.719	13.50
	3 1/2	B456L	3.5000	5.9045	2.3130	5.344	4.375	4.906	3.975	0.125	0.844	1.719	13.50
	80.00	B4M80L	80.0000	149.9740	58.7500	135.700	111.120	124.600	100.970	3.180	21.400	43.660	6.10
	85.00	B4M85L	85.0000	149.9740	58.7500	135.700	111.120	124.600	100.970	3.180	21.400	43.660	6.10
B464	3 ¹¹ / ₁₆	B459L	3.6875	7.0856	2.7500	6.375	5.063	5.625	4.561	0.125	0.969	2.000	24.00
	3 ¹⁵ / ₁₆	B463L	3.9375	7.0856	2.7500	6.375	5.063	5.625	4.561	0.125	0.969	2.000	24.00
	4	B464L	4.0000	7.0856	2.7500	6.375	5.063	5.625	4.561	0.125	0.969	2.000	24.00
	90.00	B4M90L	90.0000	179.9740	69.8500	161.900	128.590	142.900	115.850	3.180	24.600	50.800	10.80
	100.00	B4M100L	100.0000	179.9740	69.8500	161.900	128.590	142.900	115.850	3.180	24.600	50.800	10.80

Additional Notes

Please call 1-866-REXNORD for availability
 Bearing O.D. tolerance, +.001"/-.000" (+0.025mm/-0.000mm)
 Bore tolerance, +.0010"/-.0000" (+0.025mm/-0.000mm)
 Bearing width tolerance, +/--.025" (+/-0.64mm)
 Housing must allow clearance for this adjustment on dimension "C"

Selection Guide, see Link-Belt Spherical Roller Bearings Selection Guide section
 Load Ratings & Speed Limits, see Link-Belt Spherical Roller Bearings Load Ratings & Speed Limits section
 Note: Dimensions subject to change. Certified dimensions of ordered material furnished on request.

B500L



Product Features

Two hardened spring locking collars
 Self aligning
 See Features & Benefits section for additional info.

Bearing Dimensions

Size Code	Shaft Diameter	Part Number	A Bore Diameter	B Outside Diameter	C Bearing Width	E	H	M	N	R	T	Y	Approx. Weight
B524	1 7/16	B523L	1.4375	2.8345	1.3100	2.500	3.563	2.313	1.745	0.060	0.625	1.781	2.40
B528	1 11/16	B527L	1.6875	3.3464	1.5780	2.875	3.813	2.594	2.027	0.060	0.625	1.906	3.50
B531	1 15/16	B531L	1.9375	3.5433	1.5260	3.188	3.813	2.875	2.307	0.080	0.625	1.906	3.80
B536	2	B532L	2.0000	3.9370	1.6560	3.500	4.125	3.250	2.620	0.060	0.750	2.063	6.00
	2 3/16	B535L	2.1875	3.9370	1.6560	3.500	4.125	3.250	2.620	0.060	0.750	2.063	6.00
B540	2 7/16	B539L	2.4375	4.3307	1.7500	3.875	4.375	3.563	2.901	0.080	0.813	2.188	7.20
B548	2 11/16	B543L	2.6875	5.1172	2.1250	4.531	4.875	4.063	3.370	0.080	0.813	2.438	11.10
	2 15/16	B547L	2.9375	5.1172	2.1250	4.531	4.875	4.063	3.370	0.080	0.813	2.438	11.10
B556	3 7/16	B555L	3.4375	5.9045	2.3130	5.344	5.313	4.906	3.975	0.125	0.844	2.656	15.70
B564	3 15/16	B563L	3.9375	7.0856	2.7500	6.375	6.125	5.625	4.561	0.125	0.969	3.063	26.70
	4	B564L	4.0000	7.0856	2.7500	6.375	6.125	5.625	4.561	0.125	0.969	3.063	26.70
B572	4 3/16	B567YL	4.1875	7.6815	2.9740	6.625	6.250	6.188	5.032	0.145	1.000	3.125	37.00
	4 7/16	B571YL	4.4375	7.6815	2.9740	6.625	6.250	6.188	5.032	0.145	1.000	3.125	37.00
	4 1/2	B572YL	4.5000	7.6815	2.9740	6.625	6.250	6.188	5.032	0.145	1.000	3.125	37.00
	110.00	B5M110YL	110.0000	195.1101	75.5400	168.300	158.750	157.230	127.813	3.680	25.400	79.380	16.70
	115.00	B5M115YL	115.0000	195.1101	75.5400	168.300	158.750	157.230	127.813	3.680	25.400	79.380	16.70
B580	4 15/16	B579YL	4.9375	9.0574	3.4370	7.500	7.875	7.063	5.750	0.145	1.063	3.938	41.20
	5	B580YL	5.0000	9.0574	3.4370	7.500	7.875	7.063	5.750	0.145	1.063	3.938	41.20
	125.00	B5M125YL	125.0000	230.0580	87.3000	190.500	200.150	178.940	146.050	3.680	26.800	100.050	18.50

Additional Notes

Please call 1-866-REXNORD for availability
 Bearing O.D. tolerance, +.001"/-.000" (+0.025mm/-0.000mm)
 Bore tolerance, +.0010"/-.0000" (+0.025mm/-0.000mm)
 Bearing width tolerance, +/- .025" (+/- 0.64mm)
 Housing must allow clearance for this adjustment on dimension "C"

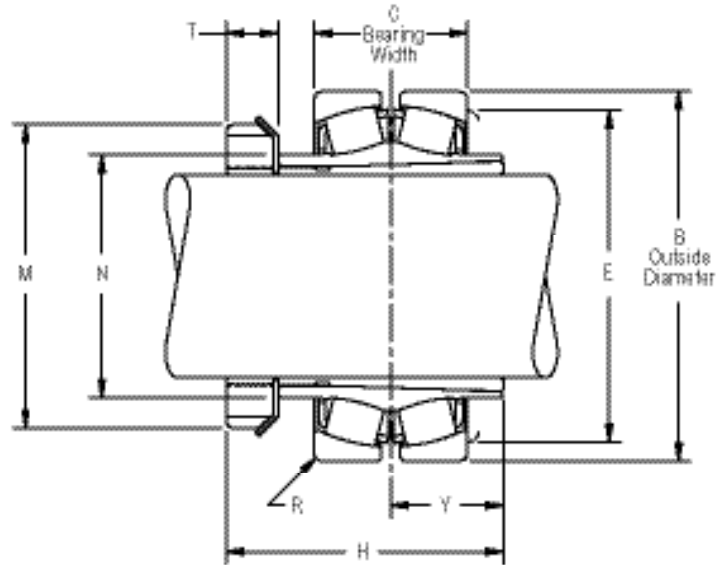
Selection Guide, see Link-Belt Spherical Roller Bearings Selection Guide section
 Load Ratings & Speed Limits, see Link-Belt Spherical Roller Bearings Load Ratings & Speed Limits section
 Note: Dimensions subject to change. Certified dimensions of ordered material furnished on request.

B600L



Product Features

- Enhanced life mounting style
- Self aligning
- See Features & Benefits section for additional info.



Bearing Dimensions

Size Code	Shaft Diameter	Part Number	B Outside Diameter	C Bearing Width	E	H	M	N	R	T	Y	Approx. Weight
B624	1 7/16	B623L	2.8345	1.3100	2.500	2.710	2.250	1.745	0.060	0.500	1.094	2.10
B631	1 15/16	B631L	3.5433	1.5260	3.188	3.080	2.969	2.307	0.080	0.563	1.219	3.30
B635	2 3/16	B635L	3.9370	1.6560	3.500	3.160	3.156	2.620	0.060	0.594	1.250	4.50
B639	2 7/16	B639L	4.3307	1.7500	3.875	3.360	3.625	2.901	0.080	0.625	1.313	5.90
B647	2 11/16	B643L	5.1172	2.1250	4.531	3.860	4.156	3.370	0.080	0.672	1.563	9.50
	2 15/16	B647L	5.1172	2.1250	4.531	3.860	4.156	3.370	0.080	0.672	1.563	9.50
B655	3 7/16	B655L	5.9045	2.3130	5.344	4.310	4.938	3.975	0.125	0.797	1.719	12.80
B663	3 15/16	B663L	7.0856	2.7500	6.375	4.940	5.438	4.561	0.125	0.859	2.000	23.20

Additional Notes

Please call 1-866-REXNORD for availability
 Bearing O.D. tolerance, +.001"/-.000" (+0.025mm/-0.000mm)
 Bore tolerance, +.0010"/-.0000" (+0.025mm/-0.000mm)
 Bearing width tolerance, +/--.025" (+/-0.64mm)
 Housing must allow clearance for this adjustment on dimension "C"

Selection Guide, see Link-Belt Spherical Roller Bearings Selection Guide section
 Load Ratings & Speed Limits, see Link-Belt Spherical Roller Bearings Load Ratings & Speed Limits section
 Note: Dimensions subject to change. Certified dimensions of ordered material furnished on request.



Bearing Dimensions

Size Code	H	E	E7	Threaded Cover Kit	Set Collar Kit	Microlock Assembly Kit	Adapter Assembly Kit
B416	B417HS	B417ES	-	B417TC	B417SC	B436MLK*	-
B420	B420HS	B420ES	B420E7S	B420TC	B420SC	B436MLK*	-
B424 B524 B624	B424HS	B424ES	B424E7S	B424TC	B424SC	B436MLK*	SNW623
B428 B528	B428HS	B428ES	B428E7S	B428TC	B428SC	B436MLK*	-
B432 B531 B631	B432HS	B432ES	B432E7S	B432TC	B432SC	B436MLK*	SNW631
B436 B536 B635	B436HS	B436ES	B436E7S	B436TC	B436SC	B436MLK*	SNW635
B440 B540 B639	B440HS	B440ES	B440E7S	B440TC	B440SC	B448MLK▶	SNW639
B448 B548 B647	B448HS	B448ES	B448E7S	B448TC	B448SC	B448MLK▶	SNW647
B456 B556 B655	B456HS	B456ES	B456E7S	B456TC	B456SC	B580MLK◇	SNW655
B464 B564 B663	B464HS	B464ES	B464E7S	B464TC	B464SC	B580MLK◇	SNW663
B572	B572YHS	B572YES	B572YE7S	B572YTC	B572YSC	B580MLK◇	-
B580	B580YHS	B580YES	B580YE7S	B580YTC	B580YSC	B580MLK◇	-

Additional Notes

- * CB cartridge blocks in these size codes require B436MLK1 Microlock Kit
- ▶ CB cartridge blocks in these size codes require B456MLK Microlock Kit
- ◇ CB cartridge blocks in these size codes require B572MLK Microlock Kit



866-REXNORD/866-739-6673 (Within the U.S.)
414-643-2366 (Outside the U.S.)
www.rexnord.com

Why Choose Rexnord?

When it comes to providing highly engineered products that improve productivity and efficiency for industrial applications worldwide, Rexnord is the most reliable in the industry. Commitment to customer satisfaction and superior value extend across every business function.

Delivering Lowest Total Cost of Ownership

The highest quality products are designed to help prevent equipment downtime and increase productivity and dependable operation.

Valuable Expertise

An extensive product offering is accompanied by global sales specialists, customer service and maintenance support teams, available anytime.

Solutions to Enhance Ease of Doing Business

Commitment to operational excellence ensures the right products at the right place at the right time.

REXNORD

Rexnord Company Overview

Rexnord is a growth-oriented, multi-platform industrial company with leading market shares and highly trusted brands that serve a diverse array of global end markets.

Process and Motion Control

The Rexnord Process & Motion Control platform designs, manufactures, markets and services specified, highly engineered mechanical components used within complex systems where our customers' reliability requirements and the cost of failure or downtime are extremely high.

Water Management

The Rexnord Water Management platform designs, procures, manufactures and markets products that provide and enhance water quality, safety, flow control and conservation.