

Ball bearings for high temperatures

BHT 2RS 150°

The BHT 2RS for 150° bearings are developed on the base of a standard structure but with special stabilization treatment, radial clearance, greases and special plates which make them suitable to operate from -30 to +150°.

Their application range is extremely wide and covers almost all the areas of application, in particular the BHT 2RS 150° bearing allows a wide range of safety in all applications where it can also occur temporarily and for reason not dependent on the will of the designer, occasional phenomenal of overheating.

The current trend of globalization of supply, often creates situations of application of products not predictable and not calculable; the BHT 2RS 150° bearing allows additional security at very low cost.

Technical characteristics:

Material Steel AISI 52100 (Chrome) stabilized for the application
C4 Radial clearance
Seals 2RS in steel with vulcanized rubber for 150°
Greasing with grease for temperature up to 200°

Fields of application:

Air Conveyors
Transmission chains
Industrial fans
Industrial heaters
Various oven components
Agricultural machinery

Ball bearings for high temperatures

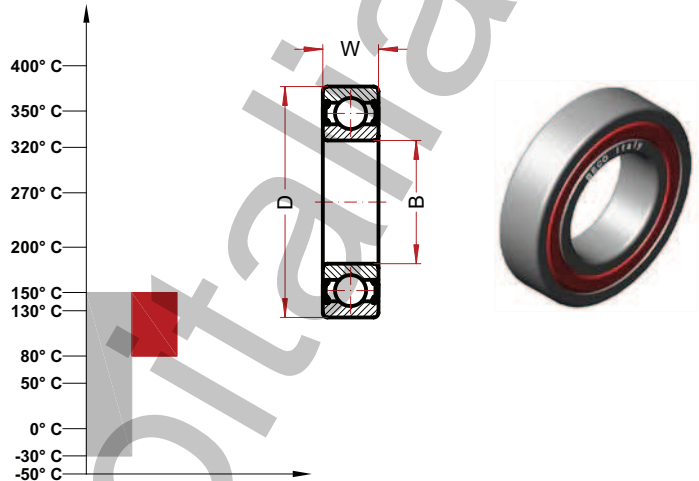
BHT 2RS 150° (61800 Serie)

MAX TEMP CELSIUS 150° C

MAX TEMP FAHRENHEIT 300° F

SUGGESTED RANGE 80-150° C

SUGGESTED RANGE 180-300° F



Designation	Bore (B)	Diam (D)	Width (W)	Weight g	Speed RPM/min (*)	Static Load kN
61800 BHT 2RS 150°	10	19	5	6	10000	0.53
61801 BHT 2RS 150°	12	21	5	7	10000	0.95
61802 BHT 2RS 150°	15	24	5	8	10000	1.25
61803 BHT 2RS 150°	17	26	5	9	10000	1.45
61804 BHT 2RS 150°	20	32	7	18	10000	2.24
61805 BHT 2RS 150°	25	37	7	24	9000	2.8
61806 BHT 2RS 150°	30	42	7	27	8000	3.35
61807 BHT 2RS 150°	35	47	7	32	7000	3.6
61808 BHT 2RS 150°	40	52	7	35	6000	4.25
61809 BHT 2RS 150°	45	58	7	42	5000	5.6
61810 BHT 2RS 150°	50	65	7	52	4500	6.3
61811 BHT 2RS 150°	55	72	9	81	4000	8.5
61812 BHT 2RS 150°	60	78	10	105	3500	11
61813 BHT 2RS 150°	65	85	10	124	3000	12
61814 BHT 2RS 150°	70	90	10	133	2500	12.5
61815 BHT 2RS 150°	75	95	10	143	2000	13.4

Static load and max speed are calculated for the maximum temperature of application we supply this technical information only for help customer in the choice. Due the extremely difference in the condition of application. We suggest to the customer to contact our engineering service and made practical test for check in the real condition the practical working.

Ball bearings for high temperatures

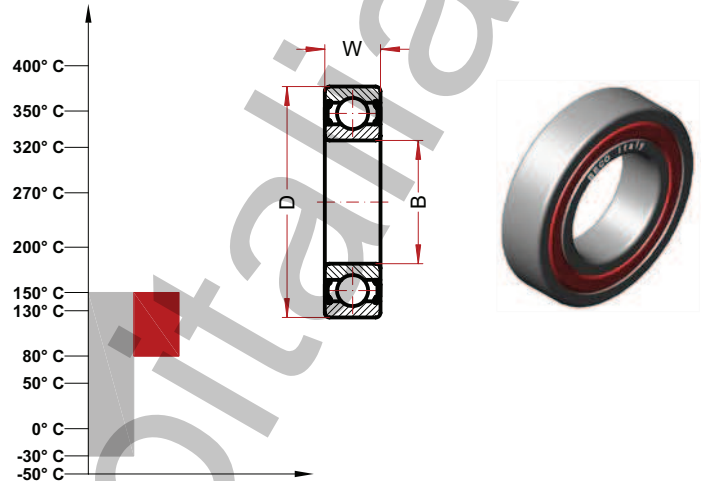
BHT 2RS 150° (6000 Serie)

MAX TEMP CELSIUS 150° C

MAX TEMP FAHRENHEIT 300° F

SUGGESTED RANGE 80-150° C

SUGGESTED RANGE 180-300° F



Designation	Bore (B)	Diam (D)	Width (W)	Weight g	Speed RPM/min (*)	Static Load kN
6000 BHT 2RS 150°	10	26	8	20	10000	1.96
6001 BHT 2RS 150°	12	28	8	25	10000	2.36
6002 BHT 2RS 150°	15	32	9	30	10000	2.85
6003 BHT 2RS 150°	17	35	10	40	9000	3.25
6004 BHT 2RS 150°	20	42	12	69	8000	5
6005 BHT 2RS 150°	25	47	12	80	7000	5.85
6006 BHT 2RS 150°	30	55	13	120	6000	8
6007 BHT 2RS 150°	35	62	14	160	5000	10.4
6008 BHT 2RS 150°	40	68	15	190	4500	11.8
6009 BHT 2RS 150°	45	75	16	250	4000	14.3
6010 BHT 2RS 150°	50	80	16	260	3500	15.6
6011 BHT 2RS 150°	55	90	18	390	3000	21.2
6012 BHT 2RS 150°	60	95	18	420	2500	23.2
6013 BHT 2RS 150°	65	100	18	440	2000	25
6014 BHT 2RS 150°	70	110	20	600	2000	31.5
6015 BHT 2RS 150°	75	115	20	640	2000	34

Static load and max speed are calculated for the maximum temperature of application we supply this technical information only for help customer in the choice. Due the extremely difference in the condition of application. We suggest to the customer to contact our engineering service and made practical test for check in the real condition the practical working.

Ball bearings for high temperatures

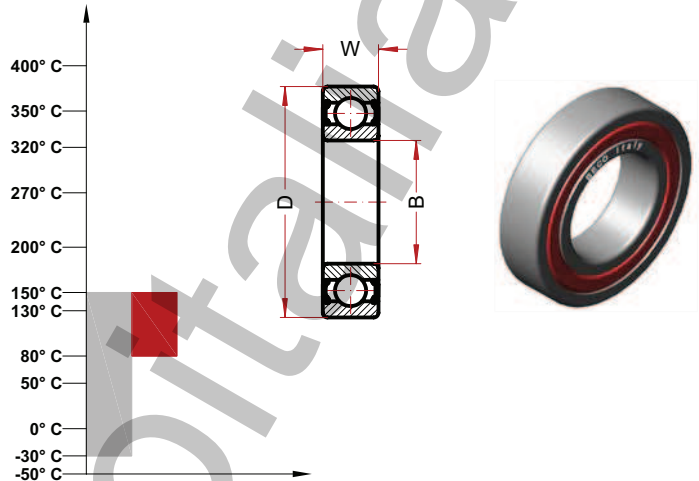
BHT 2RS 150° (6200 Serie)

MAX TEMP CELSIUS 150° C

MAX TEMP FAHRENHEIT 300° F

SUGGESTED RANGE 80-150° C

SUGGESTED RANGE 180-300° F



Designation	Bore (B)	Diam (D)	Width (W)	Weight g	Speed RPM/min (*)	Static Load kN
6200 BHT 2RS 150°	10	30	9	30	10000	2.6
6201 BHT 2RS 150°	12	32	10	37	10000	3.1
6202 BHT 2RS 150°	15	35	11	45	10000	3.75
6203 BHT 2RS 150°	17	40	12	65	9000	4.75
6204 BHT 2RS 150°	20	47	14	110	8000	6.55
6205 BHT 2RS 150°	25	52	15	130	7000	8
6206 BHT 2RS 150°	30	62	16	200	6000	11.2
6207 BHT 2RS 150°	35	72	17	290	5000	15.3
6208 BHT 2RS 150°	40	80	18	370	4000	18
6209 BHT 2RS 150°	45	85	19	410	3500	20.4
6210 BHT 2RS 150°	50	90	20	460	3000	24
6211 BHT 2RS 150°	55	100	21	610	2500	29
6212 BHT 2RS 150°	62	110	22	780	2000	36
6213 BHT 2RS 150°	65	120	23	990	2000	41.5
6214 BHT 2RS 150°	70	125	24	1040	2000	44
6215 BHT 2RS 150°	75	130	25	1210	1750	49
6216 BHT 2RS 150°	80	140	26	1400	1500	55
6217 BHT 2RS 150°	85	150	28	1800	1250	64
6218 BHT 2RS 150°	90	160	30	2150	1000	73.5
6219 BHT 2RS 150°	95	170	32	2600	1000	81.5
6220 BHT 2RS 150°	100	180	34	3150	1000	93

Static load and max speed are calculated for the maximum temperature of application we supply this technical information only for help customer in the choice. Due the extremely difference in the condition of application. We suggest to the customer to contact our engineering service and made practical test for check in the real condition the practical working.

Ball bearings for high temperatures

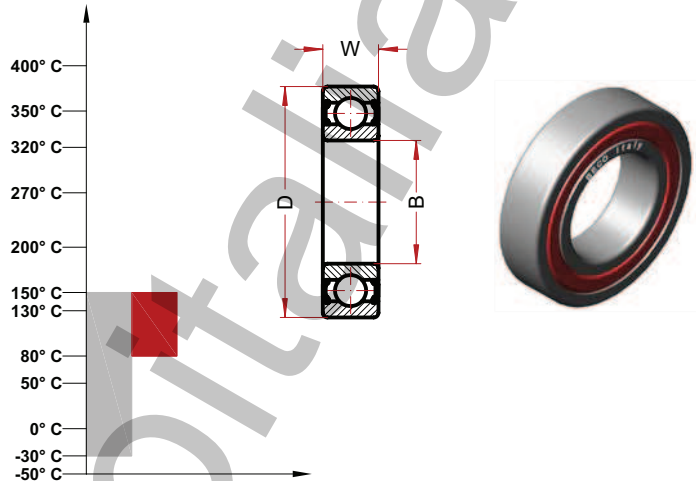
BHT 2RS 150° (6300 Serie)

MAX TEMP CELSIUS 150° C

MAX TEMP FAHRENHEIT 300° F

SUGGESTED RANGE 80-150° C

SUGGESTED RANGE 180-300° F



Designation	Bore (B)	Diam (D)	Widht (W)	Weight g	Speed RPM/min (*)	Static Load kN
6300 BHT 2RS 150°	10	35	11	52	10000	3.45
6301 BHT 2RS 150°	12	37	12	60	9500	4.15
6302 BHT 2RS 150°	15	42	13	80	9000	5.4
6303 BHT 2RS 150°	17	47	14	120	8000	6.55
6304 BHT 2RS 150°	20	52	15	140	7000	8.5
6305 BHT 2RS 150°	25	62	17	225	6000	11.4
6306 BHT 2RS 150°	30	72	19	350	5000	16.3
6307 BHT 2RS 150°	35	80	21	450	4000	19
6308 BHT 2RS 150°	40	90	23	620	3500	25
6309 BHT 2RS 150°	45	100	25	830	3000	32
6310 BHT 2RS 150°	50	110	27	1050	2500	38
6311 BHT 2RS 150°	55	120	29	1350	2000	47.5
6312 BHT 2RS 150°	60	130	31	1700	2000	52
6313 BHT 2RS 150°	65	140	33	2100	2000	60
6314 BHT 2RS 150°	70	150	35	2500	1750	68
6315 BHT 2RS 150°	75	160	37	3000	1500	76.5
6316 BHT 2RS 150°	80	170	39	3600	1250	86.5
6317 BHT 2RS 150°	85	180	41	4250	1000	96.5
6318 BHT 2RS 150°	90	190	43	4900	1000	108
6319 BHT 2RS 150°	95	200	45	5650	1000	118
6320 BHT 2RS 150°	100	215	47	7000	1000	140

Static load and max speed are calculated for the maximum temperature of application we supply this technical information only for help customer in the choice. Due the extremely difference in the condition of application. We suggest to the customer to contact our engineering service and made pratical test for check in the real condition the pratical working.