

NISTM



NISTM

BEARING UNITS CATALOGUE

BEARING UNITS CATALOGUE



NISTM

	Page
1.00 Pillow Block	6
2.00 Flanged Unit	66
3.00 Hanger Unit	174
4.00 Take-Up Unit	180
5.00 Cylindrical Unit	222
6.00 Pillow Block Pressed Steel Housing	240
7.00 Flanged Unit Pressed Steel Housing	250
8.00 Pillow Block Zinc Alloy Housing	268
9.00 Flanged Unit Zinc Alloy Housing	272
10.00 Ball Bearing Insert	276
11.00 Caps for Plastic Housing	318

Conversion factors for British and S.I.Units

Quantity	Conversions
Mass	1 lb = 0.4563 kg 1 kg = 2.205 lb
Force	1 lbf = 4.448 N 1 N = 0.22481 bf
Torque	1 lbf.ft = 1.3558 N.m 1 lbf.in = 0.1130 N.m 1 N.m = 0.73761 bf.ft 1 N.m = 8.8501 bf.in

Metric-inch conversion table

mm	inches	mm	inches	mm	inches
0.001	0.000039	0.01	0.00039	0.1	0.00394
0.002	0.000079	0.02	0.00079	0.2	0.00787
0.003	0.000118	0.03	0.00118	0.3	0.01181
0.004	0.000157	0.04	0.00157	0.4	0.01575
0.005	0.000197	0.05	0.00197	0.5	0.01969
0.006	0.000236	0.06	0.00236	0.6	0.02362
0.007	0.000276	0.07	0.00276	0.7	0.02756
0.008	0.000315	0.08	0.00315	0.8	0.03150
0.009	0.000354	0.09	0.00354	0.9	0.03543

Metric-inch conversion table

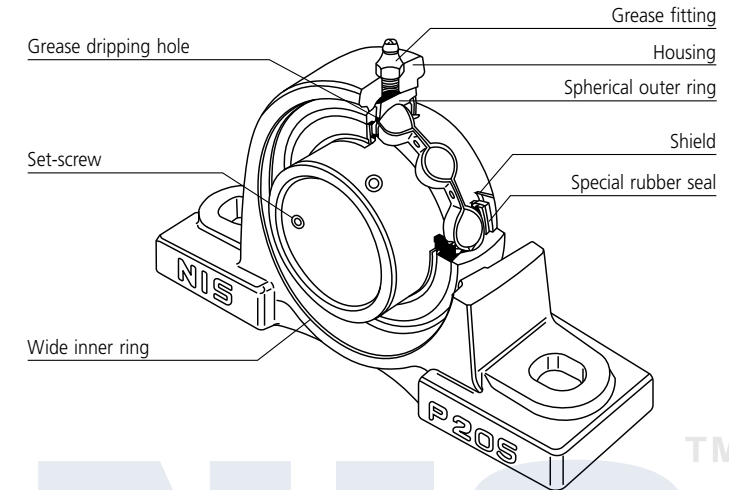
mm	0	10	20	30	40	50	60	70	80	90
0	inches	0.39370	0.78740	1.18110	1.57480	1.96850	2.36220	2.75591	3.14961	3.54331
1	0.03937	0.43307	0.82677	1.22047	1.61417	2.00787	2.40157	2.79528	3.18898	3.58268
2	0.07874	0.47244	0.86614	1.25984	1.65354	2.04724	2.44094	2.83465	3.22835	3.62205
3	0.11811	0.51181	0.90551	1.29921	1.69291	2.08661	2.48031	2.87402	3.26772	3.66142
4	0.15748	0.55118	0.94488	1.33858	1.73228	2.12598	2.51969	2.91339	3.30709	3.70079
5	0.19685	0.59055	0.98425	1.37795	1.77165	2.16535	2.55906	2.95276	3.34646	3.74016
6	0.23622	0.62992	1.02362	1.41732	1.81102	2.20472	2.59843	2.99213	3.38583	3.77953
7	0.27559	0.66929	1.06299	1.45669	1.85039	2.24409	2.63780	3.03150	3.42520	3.81890
8	0.31496	0.70866	1.10236	1.49606	1.88976	2.28346	2.67717	3.07087	3.46457	3.85827
9	0.35433	0.74803	1.14173	1.53543	1.92913	2.32283	2.71653	3.11024	3.50394	3.89764

Metric-inch conversion table

mm	0	100	200	300
0	inches	3.93701	7.87402	11.8110
5	0.19685	4.13386	8.07087	12.0079
10	0.39370	4.33071	8.26772	12.2047
15	0.59055	4.52756	8.46457	12.4016
20	0.78740	4.72441	8.66142	12.5984
25	0.98425	4.92126	8.85827	12.7953
30	1.18110	5.11811	9.05512	12.9921
35	1.37795	5.31496	9.25197	13.1890
40	1.57480	5.51181	9.44882	13.3858
45	1.77165	5.70866	9.64567	13.5827
50	1.96850	5.90551	9.84252	13.7795
55	2.16535	6.10236	10.0394	13.9764
60	2.36220	6.29921	10.2362	14.1732
65	2.55906	6.49606	10.4331	14.3701
70	2.75591	6.69291	10.6299	14.5669
75	2.95276	6.88976	10.8268	14.7638
80	3.14961	7.08661	11.0236	14.9606
85	3.34646	7.28346	11.2205	15.1575
90	3.54331	7.48031	11.4173	15.3543
95	3.74016	7.67716	11.6142	15.5512

A Bearing Units consists of double sealed, single row ball bearing and housing material includes on of the following:

- i) Cast Iron
- ii) Stainless Steel,
- iii) Pressed Steel
- iv) Plastic



Bearing Unit Structural Diagram

BEARING UNITS STRUCTURE

The outer ring of the self-contained ball bearing is ground to a sphere and the bore of housing is machined to a matching radius. This permits self-aligning between the two components. Above figure is a view of a Pillow Block which is the most popular type of Bearing Units with set screw locking. The bearing units have various types of perfect sealing devices and can operate satisfactorily under harsh environment; especially for machines operating in dusty or muddy surroundings. Thus, they are widely used in agricultural machinery, construction machinery, textile machinery, foodstuff machinery and conveying devices, etc.

NOTE : When the fit between bearing and housing is clearance fit, the bearing's outer ring has anti-rotation ball (pin). The two set-screws on the wide inner ring are 120 degrees apart. Usually, the outer ring of the insert has no grease groove, unless requested by customers.

THE FEATURES OF PRODUCT

● RATIONAL SELF-ALIGNMENT

The outside diameter of the bearing is shaped spherically to match the corresponding spherical shape of the inside diameter of the housing to provide self-aligning between these two components. This feature compensates the misalignments of the units resulting from errors in mounting and distorting of the foundation.

● LARGE LOAD CARRYING CAPACITY

The internal construction of the bearing inserts are designed to be the same as 6200 and 6300 series. The bearing units can sustain both radial and thrust loads and are low in noise during operation.

● **LONGER SERVICE LIFE**

Bearing units are often used in severe operating conditions where they are exposed to dust, moisture and high temperature. In such applications, the grease inside the inserts deteriorate in a short time. Hence it is necessary to relubricate at suitable intervals to replace deteriorating grease with fresh grease. Bearing units with cast iron housings are relubricable. It is equipped with grease fitting to secure full performance and longer service life of the units under any operating conditions.

● **EFFICIENT SEALING**

We can provide several types of sealing as follows:

1. **RS+SLINGER** type: The SLINGER is fixed to inner ring, rubber seal is fixed to outer ring. The rubber seal and inner ring can form standard torque contact sealing. This combination of two sealing elements can provide an effective barrier against the entrance of foreign matter, such as mud, dust, vapor and the leakage of grease to keep the bearing in good working condition. (Figure 1)
2. **Triple-lips** type: the metal shield with long triple rubber lips has considerable large torque and good sealing. This is suitable for agricultural machinery at bad surroundings. (Figure 2)
3. **RST** type: it covers the functions of both shield and seal. The rubber lip and inner ring form standard torque contact sealing, these can provide an effective barrier against the entrance of foreign matter such as mud, dust, vapor and leakage of grease. (Figure 3)

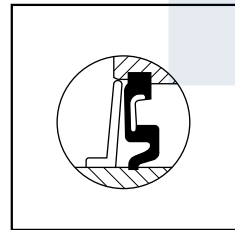


Figure 1

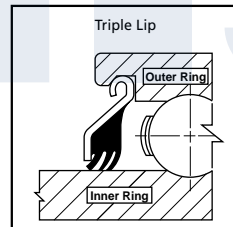


Figure 2

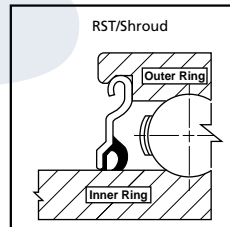


Figure 3

● **SOLID HOUSING**

The cast iron housing is made of solid one-piece construction to provide maximum rigidity against deformation during mounting and enables wear-resistance in any operating conditions.

● **BEARINGS CAN BE LOCKED ON THE SHAFT EASILY**

There are three methods of locking bearings to the shafts. Locking with two set-screws in the extended inner ring is the most common methods. Adapter sleeve locking or an eccentric locking collar is also available. All these locking methods can lock the bearings on the shaft easily.

● **SPECIAL HEAT-TREATMENT ON BEARING INNER RING**

The inner ring of the inserts is hardened in the race-way and surroundings. The areas of set-screw hole of the inner ring has been tempered by high temperature after hardening, this enables higher toughness and impact elasticity. This special heat-treatment ensures full bearing performance and the set screws to be tightened hard enough without causing damage to the inner ring set-screw hole.

● **COMPLETE INTERCHANGEABILITY BETWEEN BEARING AND HOUSING**

Skilled precision workmanship on insets and housings provides complete interchangeability between them and the insets can be easily replaced whenever required.

● **EASY INSTALLATION**

The inserts are pre-lubricated with an adequate quantity of high quality grease. Bearing units can be mounted on the shaft immediately. Therefore, the bearing chamber are free from harmful contaminants during mounting.

The desired installation method for set-screw inserts is as follows:

1. Install the housing at support base firmly
2. Tightening the two set-screws to the shaft.

The desired installation method for the eccentric collar inserts is as follows:

1. Install the housing at support base firmly
2. Rotate the eccentric locking collar by hand to lock the shaft in the direction of the rotation.
3. Tighten the set-screw to locate the eccentric collar to the shaft

PROPER TIGHTENING TORQUE OF SET SCREWS

BEARING NO.		SET SCREW	TIGHTENING TORQUE (N.m)(MAX)
UC204-UC206	UC305-UC306	M6 X 1	3.9
UC207-UC209	UC307	M8 X 1	7.8
UC210-UC212	UC308-UC309	M10 X 1.25	16.6
UC213-UC218	UC310-UC313	M12 X 1.5	29.4
	UC314-UC316	M14 X 1.5	34.3

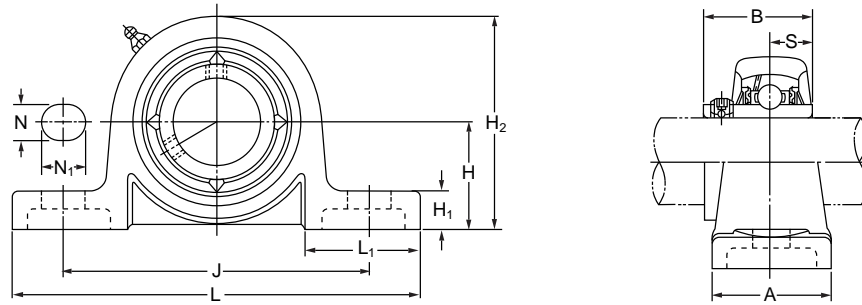


Note: All stainless steel housing can be supplied with solid base as an option.

Pillow Block

	Page
1.01 Set Screw Type - UCP 200 Series	07
1.02 Set Screw Type - UCPX Series	13
1.03 Set Screw Type - UCP 300 Series	17
1.04 Taper Bored with Adapter Sleeve - UKP 200 Series	23
1.05 Taper Bored with Adapter Sleeve - UKPX Series	27
1.06 Taper Bored with Adapter Sleeve - UKP 300 Series	31
1.07 Eccentric Locking Collar Type - UELP 200 Series	35
1.08 Eccentric Locking Collar Type - UELP 300 Series	39
1.09 Set Screw Type - UCPL Series (Low Center Height)	45
1.10 Set Screw Type - ASPL 200 Series (Low Center Height)	49
1.11 Eccentric Locking Collar Type - AELPL 200 Series (Low Center Height)	51
1.12 Set Screw Type - UCHP Series (High Center Height)	53
1.13 Eccentric Locking Collar Type - UELHP 200 Series (High Center Height)	57
1.14 Set Screw Type - UCPA Series	59
1.15 Eccentric Locking Collar Type - UELUP 200 Series	63

■ Set Screw Type - UCP 200 Series

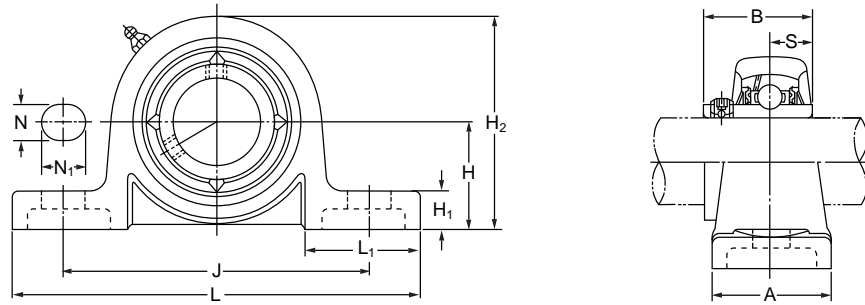


Shaft Dia.	* Unit Number	Basic Dimensions								
		H	L	J	A	N	N ₁	H ₁	H ₂	L ₁
mm inch		mm inch								
12 1/2	UCP201 UCP201-008	30 1 3/16	127 5	95 3 3/4	38 1 1/2	13 1/2	16 5/8	14 9/16	62 2 7/16	42 1 21/32
15 9/16 5/8	UCP202 UCP202-009 UCP202-010	30.2 1 3/16	127 5	95 3 3/4	38 1 1/2	13 1/2	16 5/8	14 9/16	62 2 7/16	42 1 21/32
17 11/16	UCP203 UCP203-011	30.2 1 3/16	127 5	95 3 3/4	38 1 1/2	13 1/2	16 5/8	14 9/16	62 2 7/16	42 1 21/32
20 3/4	UCP204 UCP204-012	33.3 1 5/16	127 5	95 3 3/4	38 1 1/2	13 1/2	16 5/8	14 9/16	65 2 9/16	42 1 21/32
25 13/16 7/8 15/16 1	UCP205 UCP205-013 UCP205-014 UCP205-015 UCP205-100	36.5 1 7/16	140 5 1/2	105 4 1/8	38 1 1/2	13 1/2	16 5/8	15 19/32	71 2 25/32	42 1 21/32
30 1 1/16 1 1/8 1 3/16 1 1/4	UCP206 UCP206-101 UCP206-102 UCP206-103 UCP206-104	42.9 1 11/16	160 6 1/2	121 4 3/4	44 1 7/8	17 21/32	20 25/32	17 21/32	83 3 9/32	54 2 1/8
35 1 1/4 1 5/16 1 3/8 1 7/16	UCP207 UCP207-104 UCP207-105 UCP207-106 UCP207-107	47.6 1 7/8	167 6 9/16	127 5	48 1 7/8	17 21/32	20 25/32	18 23/32	93 3 21/32	54 2 1/8
40 1 1/2 1 9/16	UCP208 UCP208-108 UCP208-109	49.2 1 15/16	184 7 1/4	137 5 13/32	54 2 1/8	17 21/32	20 25/32	18 23/32	98 3 27/32	52 2 1/16
45 1 5/8 1 11/16 1 3/4	UCP209 UCP209-110 UCP209-111 UCP209-112	54 2 1/8	190 7 15/32	146 5 3/4	54 2 1/8	17 21/32	20 25/32	20 25/32	106 4 3/16	60 2 3/8

* Denotation
 UCP : Cast Housing with chrome steel bearing inserts.
 MUCP : Stainless Steel Housing with stainless steel bearing inserts.
 MUCPPL...SB : Plastic Housing with stainless steel bearing inserts.

B	S	Bolt Size mm inch	Bearing Number	Housing Number	Mass (kg/lbs)		
					UCP	MUCP	MUCPPL...SB
31 1.2205	12.7 0.500	M10 3/8	UC201 UC201-008	P201	0.7 1.5	-	0.14 0.31
31 1.2205	12.7 0.500	M10 3/8	UC202 UC202-009 UC202-010	P202 P202	0.7 1.5	-	0.14 0.31
31 1.2205	12.7 0.500	M10 3/8	UC203 UC203-011	P203	0.7 1.5	-	0.14 0.31
31 1.2205	12.7 0.500	M10 3/8	UC204 UC204-012	P204	0.7 1.5	0.7 1.5	0.14 0.31
34.1 1.3425	14.3 0.563	M10 3/8	UC205 UC205-013 UC205-014 UC205-015 UC205-100	P205 P205 P205 P205	0.8 1.8	0.9 2.0	0.14 0.31
38.1 1.5000	15.9 0.626	M14 1/2	UC206 UC206-101 UC206-102 UC206-103 UC206-104	P206 P206 P206 P206	1.3 2.9	1.2 2.6	0.21 0.46
42.9 1.6890	17.5 0.689	M14 1/2	UC207 UC207-104 UC207-105 UC207-106 UC207-107	P207 P207 P207 P207	1.6 3.5	1.7 3.7	0.21 0.46
49.2 1.9370	19 0.748	M14 1/2	UC208 UC208-108 UC208-109	P208 P208	1.9 4.2	2.1 4.6	0.35 0.77
49.2 1.9370	19 0.748	M14 1/2	UC209 UC209-110 UC209-111 UC209-112	P209 P209 P209	2.2 4.9	2.4 5.3	-

■ Set Screw Type - UCP 200 Series

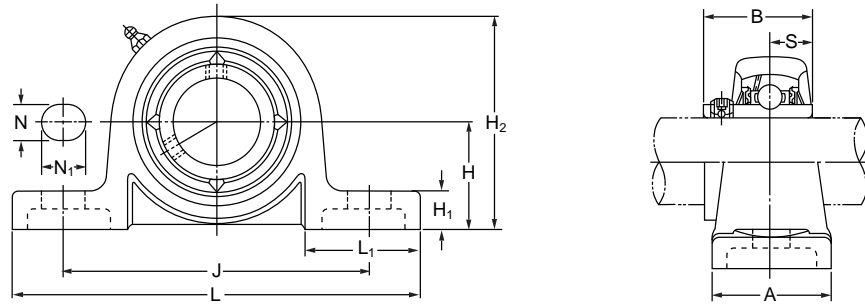


Shaft Dia. mm inch	* Unit Number	Basic Dimensions								
		H	L	J	A	N	N ₁	H ₁	H ₂	L ₁
50 1 13/16 1 7/8 1 15/16 2	UCP210 UCP210-113 UCP210-114 UCP210-115 UCP210-200	57.2 2 1/4	206 8 1/8	159 6 1/4	58 2 3/8	20 25/32	23 29/32	21 13/16	114 4 1/2	65 2 9/16
55 2 2 1/16 2 1/8 2 3/16	UCP211 UCP211-200 UCP211-201 UCP211-202 UCP211-203	63.5 2 1/2	219 8 5/8	171 6 23/32	58 2 3/8	20 25/32	23 29/32	23 29/32	126 4 31/32	65 2 9/16
60 2 1/4 2 5/16 2 3/8 2 7/16	UCP212 UCP212-204 UCP212-205 UCP212-206 UCP212-207	69.8 2 3/4	241 9 1/2	184 7 1/4	70 2 3/4	20 25/32	23 29/32	25 31/32	138 5 7/16	70 2 3/4
65 2 1/2 2 9/16	UCP213 UCP213-208 UCP213-209	76.2 3	263 10 7/16	203 8	70 2 3/4	25 31/32	28 1 3/32	27 1 1/16	151 5 15/16	77 3 1/32
70 2 5/8 2 11/16 2 3/4	UCP214 UCP214-210 UCP214-211 UCP214-212	79.4 3 1/8	266 10 15/32	210 8 9/32	71 2 27/32	25 31/32	28 1 3/32	27 1 1/16	157 6 3/16	77 3 1/32
75 2 13/16 2 7/8 2 15/16 3	UCP215 UCP215-213 UCP215-214 UCP215-215 UCP215-300	82.6 3 1/4	275 10 13/16	217 8 17/32	73 2 29/32	25 31/32	28 1 3/32	28 1 3/32	163 6 13/32	80 3 5/32
80 3 1/16 3 1/8 3 3/16	UCP216 UCP216-301 UCP216-302 UCP216-303	88.9 3 1/2	292 11 1/2	232 9 1/8	77 3 1/16	25 31/32	28 1 3/32	30 1 3/16	175 6 7/8	85 3 11/32

* Denotation
 UCP : Cast Housing with chrome steel bearing inserts.
 MUCP : Stainless Steel Housing with stainless steel bearing inserts.
 MUCPPL...SB : Plastic Housing with stainless steel bearing inserts.

B	S	Bolt Size mm inch	Bearing Number	Housing Number	Mass (kg/lbs)		
					UCP	MUCP	MUCPPL...SB
51.6 2.0315	19 0.748	M16 5/8	UC210 UC210-113 UC210-114 UC210-115 UC210-200	P210 P210 P210 P210	2.6 5.7	1.6 3.5	- -
55.6 2.1890	22.2 0.874	M16 5/8	UC211 UC211-200 UC211-201 UC211-202 UC211-203	P211 P211 P211 P211	3.3 7.3	1.9 4.2	- -
65.1 2.5630	25.4 1.000	M16 5/8	UC212 UC212-204 UC212-205 UC212-206 UC212-207	P212 P212 P212 P212	4.6 10	2.3 5.1	- -
65.1 2.5630	25.4 1.000	M20 3/4	UC213 UC213-208 UC213-209	P213 P213 P213	5.9 13	- -	- -
74.6 2.9370	30.2 1.189	M20 3/4	UC214 UC214-210 UCP214-211 UCP214-212	P214 P214 P214	6.6 15	- -	- -
77.8 3.0630	33.3 1.311	M20 3/4	UC215 UC215-213 UC215-214 UC215-215 UC215-300	P215 P215 P215 P215	7.4 16	- -	- -
82.6 3.2520	33.3 1.311	M20 3/4	UC216 UC216-301 UC216-302 UC216-303	P216 P216 P216	9.0 20	- -	- -

■ Set Screw Type - UCP 200 Series

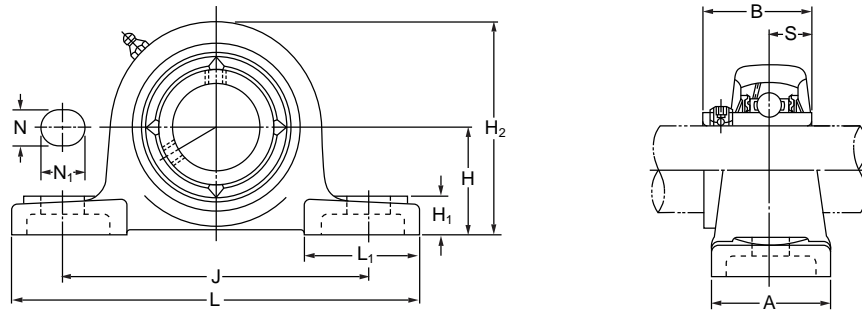


Shaft Dia.	* Unit Number	Basic Dimensions								
		mm inch								
mm inch		H	L	J	A	N	N ₁	H ₁	H ₂	L ₁
85	UCP217	95.2	310	247	83	25	28	32	187	85
3 1/4	UCP217-304									
3 5/16	UCP217-305	3 3/4	12 7/32	9 23/32	3 9/32	31/32	1 3/32	1 1/4	7 3/8	3 11/32
3 7/16	UCP217-307									
90	UCP218	101.6	327	262	87	27	30	33	200	90
3 1/2	UCP218-308	4	12 7/8	10 5/16	3 15/32	1 1/16	1 3/16	1 5/16	7 7/8	3 17/32

* Denotation
 UCP : Cast Housing with chrome steel bearing inserts.
 MUCP : Stainless Steel Housing with stainless steel bearing inserts.
 MUCPPL...SB : Plastic Housing with stainless steel bearing inserts.

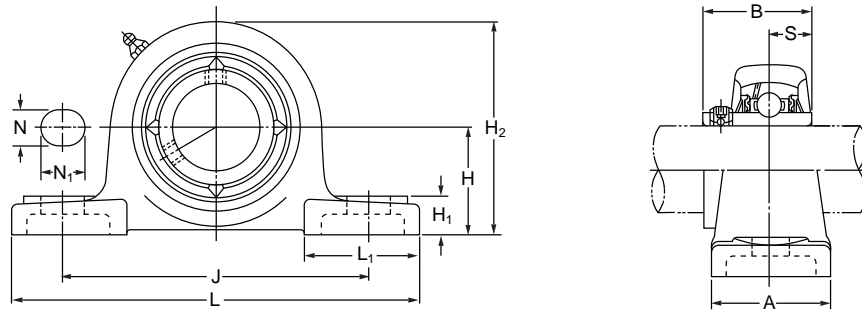
B	S	Bolt Size	Bearing Number	Housing Number	Mass (kg/lbs)		
					UCP	MUCP	MUCPPL...SB
mm inch	mm inch	mm inch					
85.7	34.1	M20	UC217	P217	11	-	-
			UC217-304	P217			
3.3740	1.343	3/4	UC217-305	P217	24	-	T-M
			UC217-307	P217			
96	39.7	M22	UC218	P218	13	-	-
3.7795	1.563	7/8	UC218-308	P218	29	-	-

■ Set Screw Type - UCPX Series



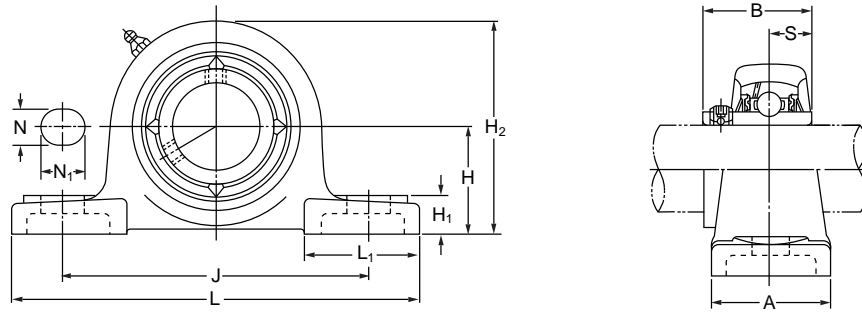
Shaft Dia.	Unit Number	Basic Dimensions								
		H	L	J	A	N	N ₁	H ₁	H ₂	L ₁
25	UCPX05	44	159	119	51	17	20	18	85	50
13/16	UCPX05-013									
7/8	UCPX05-014	1 3/4	6 1/4	4 11/16	2	21/32	25/32	23/32	3 11/32	1 31/32
15/16	UCPX05-015									
1	UCPX05-100									
30	UCPX06	47.6	175	127	57	17	20	20	93	54
1 1/16	UCPX06-101									
1 1/8	UCPX06-102	1 7/8	6 7/8	5	2 1/4	21/32	25/32	25/32	3 21/32	2 1/8
1 3/16	UCPX06-103									
1 1/4	UCPX06-104									
35	UCPX07	54	203	144	57	17	20	21	105	60
1 5/16	UCPX07-105									
1 3/8	UCPX07-106	2 1/8	8	5 21/32	2 1/4	21/32	25/32	13/16	4 1/8	2 3/8
1 7/16	UCPX07-107									
40	UCPX08	58.7	222	156	67	20	23	26	111	65
1 1/2	UCPX08-108									
1 9/16	UCPX08-109	2 5/16	8 3/4	6 5/32	2 5/8	25/32	29/32	1 1/32	4 3/8	2 9/16
45	UCPX09	58.7	222	156	67	20	23	26	116	65
1 5/8	UCPX09-110									
1 11/16	UCPX09-111	2 5/16	8 3/4	6 5/32	2 5/8	25/32	29/32	1 1/32	4 9/16	2 9/16
1 3/4	UCPX09-112									
1 13/16	UCPX09-113									
50	UCPX10	63.5	241	171	73	20	23	27	126	70
1 7/8	UCPX10-114									
1 15/16	UCPX10-115	2 1/2	9 1/2	6 23/32	2 7/8	25/32	29/32	1 1/16	4 31/32	2 3/4
2	UCPX10-200									
55	UCPX11	69.8	260	184	79	25	28	30	137	75
2 1/16	UCPX11-201									
2 1/8	UCPX11-202									
2 3/16	UCPX11-203	2 3/4	10 1/4	7 1/4	3 1/8	31/32	1 3/32	1 3/16	5 13/32	2 15/16
2 1/4	UCPX11-204									
2 5/16	UCPX11-205									

B	S	Bolt Size	Bearing Number	Housing Number	Mass
					kg/lbs
38.1	15.9	M14	UCX05	PX05	1.5
			UCX05-013	PX05	
			UCX05-014	PX05	
1.5000	0.626	1/2	UCX05-015	PX05	3.3
			UCX05-100	PX05	
42.9	17.5	M14	UCX06	PX06	2.0
			UCX06-101	PX06	
			UCX06-102	PX06	
1.6890	0.689	1/2	UCX06-103	PX06	4.4
			UCX06-104	PX06	
49.2	19	M14	UCX07	PX07	2.6
			UCX07-105	PX07	
			UCX07-106	PX07	
1.9370	0.748	1/2	UCX07-107	PX07	5.7
49.2	19	M16	UCX08	PX08	3.3
			UCX08-108	PX08	
			UCX08-109	PX08	
1.9370	0.748	5/8			7.3
51.6	19	M16	UCX09	PX09	3.3
			UCX09-110	PX09	
			UCX09-111	PX09	
2.0315	0.748	5/8	UCX09-112	PX09	7.3
			UCX09-113	PX09	
55.6	22.2	M16	UCX10	PX10	4.3
			UCX10-114	PX10	
			UCX10-115	PX10	
2.1890	0.874	5/8	UCX10-200	PX10	9.5
65.1	25.4	M20	UCX11	PX11	5.7
			UCX11-201	PX11	
			UCX11-202	PX11	
2.5630	1.000	3/4	UCX11-203	PX11	13
			UCX11-204	PX11	
			UCX11-205	PX11	



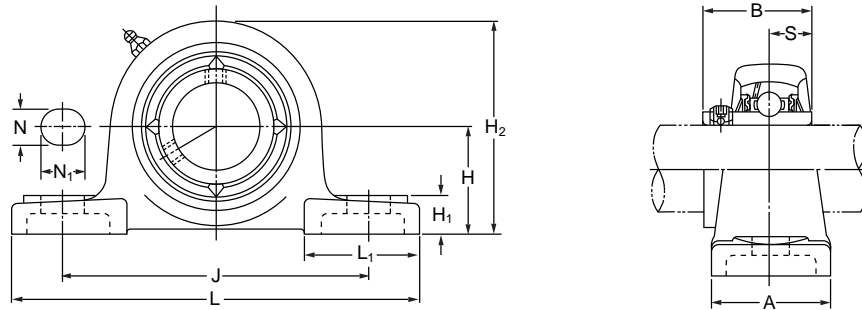
Shaft Dia. mm inch	Unit Number	Basic Dimensions								
		H	L	J	A	N	N ₁	H ₁	H ₂	L ₁
60 2 3/8 2 7/16	UCPX12 UCPX12-206 UCPX12-207	76.2 3	286 11 1/4	203 8	83 3 9/32	25 31/32	28 1 3/32	33 1 5/16	151 5 15/16	80 3 5/32
65 2 1/2 2 9/16	UCPX13 UCPX13-208 UCPX13-209	76.2 3	286 11 1/4	203 8	83 3 9/32	25 31/32	28 1 3/32	33 1 5/16	154 6 1/16	80 3 5/32
70 2 5/8 2 11/16 2 3/4	UCPX14 UCPX14-210 UCPX14-211 UCPX14-212	88.9 3 1/2	330 13	229 9 1/32	89 3 1/2	27 1 1/16	30 1 3/16	35 1 3/8	170 6 11/16	95 3 3/4
75 2 13/16 2 7/8 2 15/16 3	UCPX15 UCPX15-213 UCPX15-214 UCPX15-215 UCPX15-300	88.9 3 1/2	330 13	229 9 1/32	89 3 1/2	27 1 1/16	30 1 3/16	35 1 3/8	175 6 7/8	95 3 3/4
80 3 1/16 3 1/8 3 3/16 3 1/4	UCPX16 UCPX16-301 UCPX16-302 UCPX16-303 UCPX16-304	101.6 4	381 15	283 11 5/32	102 4 1/32	27 1 1/16	30 1 3/16	40 1 9/16	194 7 5/8	110 4 11/32
85 3 5/16 3 7/16	UCPX17 UCPX17-305 UCPX17-307	101.6 4	381 15	283 11 5/32	102 4 1/32	27 1 1/16	30 1 3/16	40 1 9/16	200 7 7/8	110 4 11/32
90 3 7/16 3 1/2	UCPX18 UCPX18-307 UCPX18-308	101.6 4	381 15	283 11 5/32	111 4 3/8	27 1 1/16	30 1 3/16	40 1 9/16	206 8 1/8	110 4 11/32
100 3 13/16 3 7/8 3 15/16 4	UCPX20 UCPX20-313 UCPX20-314 UCPX20-315 UCPX20-400	127 5	432 17	337 13 9/32	121 4 3/4	33 1 5/16	36 1 13/32	45 1 25/32	244 9 19/32	125 4 29/32

B mm inch	S mm inch	Bolt Size mm inch	Bearing Number	Housing Number	Mass
					kg/lbs
65.1 2.5630	25.4 1.000	M20 3/4	UCX12 UCX12-206 UCX12-207	PX12 PX12 PX12	7.3 16.0
74.6 2.9370	30.2 1.189	M20 3/4	UCX13 UCX13-208 UCX13-209	PX13 PX13 PX13	7.6 17
77.8 3.0630	33.3 1.311	M22 7/8	UCX14 UCX14-210 UCX14-211 UCX14-212	PX14 PX14 PX14 PX14	9.9 22
82.6 3.2520	33.3 1.311	M22 7/8	UCX15 UCX15-213 UCX15-214 UCX15-215 UCX15-300	PX15 PX15 PX15 PX15 PX15	11 24
85.7 3.3740	34.1 1.343	M22 7/8	UCX16 UCX16-301 UCX16-302 UCX16-303 UCX16-304	PX16 PX16 PX16 PX16 PX16	15 33
96 3.7795	39.7 1.563	M22 7/8	UCX17 UCX17-305 UCX17-307	PX17 PX17 PX17	16 35
104 4.0945	42.9 1.689	M22 7/8	UCX18 UCX18-307 UCX18-308	PX18 PX18 PX18	17 37
117.5 4.6260	49.2 1.937	M27 1	UCX20 UCX20-313 UCX20-314 UCX20-315 UCX20-400	PX20 PX20 PX20 PX20 PX20	30 66



Shaft Dia. mm inch	Unit Number	Basic Dimensions								
		H	L	J	A	N	N ₁	H ₁	H ₂	L ₁
25 13/16 7/8 15/16 1	UCP305 UCP305-013 UCP305-014 UCP305-015 UCP305-100	45 1 49/64	175 6 7/8	132 5 3/16	45 1 25/32	17 21/32	20 25/32	15 19/32	85 3 11/32	54 2 1/8
30 1 1/16 1 1/8 1 3/16	UCP306 UCP306-101 UCP306-102 UCP306-103	50 1 31/32	180 7 3/32	140 5 1/2	50 1 31/32	17 21/32	20 25/32	18 23/32	95 3 3/4	54 2 1/8
35 1 1/4 1 5/16 1 3/8 1 7/16	UCP307 UCP307-104 UCP307-105 UCP307-106 UCP307-107	56 2 13/64	210 8 9/32	160 6 5/16	56 2 7/32	17 21/32	25 31/32	20 25/32	106 4 3/16	60 2 3/8
40 1 1/2 1 9/16	UCP308 UCP308-108 UCP308-109	60 2 23/64	220 8 21/32	170 6 11/16	60 2 3/8	17 21/32	27 1 1/16	22 7/8	116 4 9/16	60 2 3/8
45 1 5/8 1 11/16 1 3/4	UCP309 UCP309-110 UCP309-111 UCP309-112	67 2 41/64	245 9 21/32	190 7 15/32	67 2 5/8	20 25/32	30 1 3/16	24 15/16	129 5 3/32	65 2 9/16
50 1 13/16 1 7/8 1 15/16	UCP310 UCP310-113 UCP310-114 UCP310-115	75 2 61/64	275 10 13/16	212 8 11/32	75 2 15/16	20 25/32	35 1 3/8	27 1 1/16	143 5 5/8	75 2 15/16
55 2 2 1/16 2 1/8 2 3/16	UCP311 UCP311-200 UCP311-201 UCP311-202 UCP311-203	80 3 5/32	310 12 7/32	236 9 9/32	80 3 5/32	20 25/32	38 1 1/2	30 1 3/16	154 6 1/16	85 3 11/32

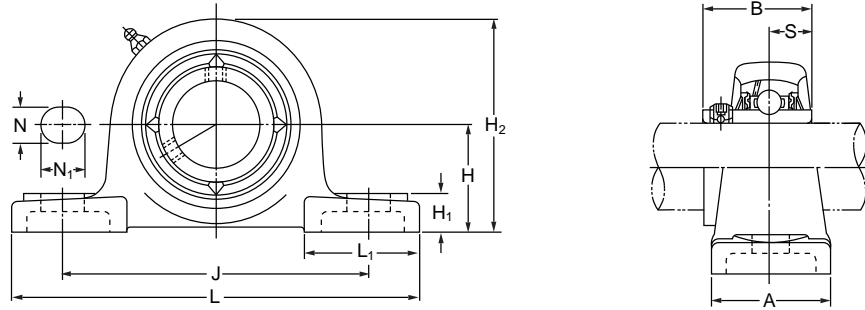
B	S	Bolt Size mm inch	Bearing Number	Housing Number	Mass
					UCP kg/lbs
38 1.4961	15 0.591	M14 1/2	UC305 UC305-013 UC305-014 UC305-015 UC305-100	P305 P305 P305 P305	1.4 3.1
43 1.6929	17 0.669	M14 1/2	UC306 UC306-101 UC306-102 UC306-103	P306 P306 P306 P306	1.8 4
48 1.8898	19 0.748	M14 1/2	UC307 UC307-104 UC307-105 UC307-106 UC307-107	P307 P307 P307 P307	2.8 6.2
52 2.0472	19 0.748	M14 1/2	UC308 UC308-108 UC308-109	P308 P308 P308	3.0 6.6
57 2.2441	22 0.866	M16 5/8	UC309 UC309-110 UC309-111 UC309-112	P309 P309 P309 P309	4.1 9.0
61 2.4016	22 0.866	M16 5/8	UC310 UC310-113 UC310-114 UC310-115	P310 P310 P310 P310	5.8 13
66 2.5984	25 0.984	M16 5/8	UC311 UC311-200 UC311-201 UC311-202 UC311-203	P311 P311 P311 P311	7.4 16



Shaft Dia.	Unit Number	Basic Dimensions								
		H	L	J	A	N	N ₁	H ₁	H ₂	L ₁
60	UCP312	85	330	250	85	25	38	32	165	95
2 1/4	UCP312-204									
2 5/16	UCP312-205	3 11/32	13	9 27/32	3 11/32	31/32	1 1/2	1 1/4	6 1/2	3 3/4
2 3/8	UCP312-206									
2 7/16	UCP312-207									
65	UCP313	90	340	260	90	25	38	33	176	105
2 1/2	UCP313-208									
2 9/16	UCP313-209	3 35/64	13 3/8	10 1/4	3 17/32	31/32	1 1/2	1 5/16	6 15/16	4 1/8
70	UCP314	95	360	280	90	27	40	35	187	105
2 5/8	UCP314-210									
2 11/16	UCP314-211	3 47/64	14 3/16	11 1/32	3 17/32	1 1/16	1 9/16	1 3/8	7 3/8	4 1/8
2 3/4	UCP314-212									
75	UCP315	100	380	290	100	27	40	35	198	110
2 13/16	UCP315-213									
2 7/8	UCP315-214	3 15/16	14 31/32	11 13/32	3 15/16	1 1/16	1 9/16	1 3/8	7 25/32	4 11/32
2 15/16	UCP315-215									
3	UCP315-300									
80	UCP316	106	400	300	110	27	40	40	210	110
3 1/16	UCP316-301									
3 1/8	UCP316-302	4 11/64	15 3/4	11 13/16	4 11/32	1 1/16	1 9/16	1 9/16	8 9/32	4 11/32
3 3/16	UCP316-303									
85	UCP317	112	420	320	110	33	45	40	220	120
3 1/4	UCP317-304									
3 5/16	UCP317-305	4 13/32	16 17/32	12 19/32	4 11/32	1 5/16	1 25/32	1 9/16	8 21/32	4 23/32
3 7/16	UCP317-307									
90	UCP318	118	430	330	110	33	45	45	235	120
3 7/16	UCP318-304									
3 1/2	UCP318-308	4 41/64	16 15/16	13	4 11/32	1 5/16	1 25/32	1 25/32	9 1/4	4 23/32
95	UCP319	125	470	360	120	36	50	45	250	125
3 5/8	UCP319-310									
3 11/16	UCP319-311	4 59/64	18 1/2	14 3/16	4 23/32	1 13/32	1 31/32	1 25/32	9 27/32	4 29/32
3 3/4	UCP319-312									

B	S	Bolt Size	Bearing Number	Housing Number	Mass
					UCP
71	26	M20	UC312	P312	9.4
			UC312-204	P312	
2.7953	1.024	3/4	UC312-205	P312	21
			UC312-206	P312	
			UC312-207	P312	
75	30	M20	UC313	P313	10
			UC313-208	P313	
2.9528	1.181	3/4	UC313-209	P313	22
78	33	M22	UC314	P314	12
			UC314-210	P314	
3.0709	1.299	7/8	UC314-211	P314	26
			UC314-212	P314	
82	32	M22	UC315	P315	14
			UC315-213	P315	
3.2283	1.260	7/8	UC315-214	P315	31
			UC315-215	P315	
			UC315-300	P315	
86	34	M22	UC316	P316	18
			UC316-301	P316	
3.3858	1.339	7/8	UC316-302	P316	40
			UC316-303	P316	
96	40	M27	UC317	P317	20
			UC317-304	P317	
3.7795	1.575	1	UC317-305	P317	44
			UC317-307	P317	
96	40	M27	UC318	P318	24
			UC318-307	P318	
3.7795	1.575	1	UC318-308	P318	53
103	41	M30	UC319	P319	29
			UC319-310	P319	
4.0551	1.614	1 1/8	UC319-311	P319	64
			UC319-312	P319	

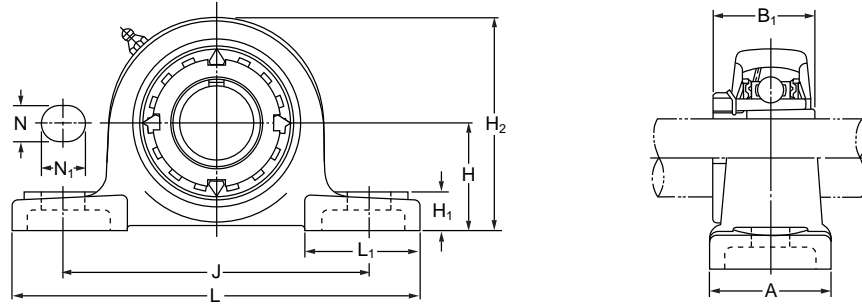
■ Set Screw Type - UCP 300 Series



Shaft Dia.	Unit Number	Basic Dimensions								
		H	L	J	A	N	N ₁	H ₁	H ₂	L ₁
100	UCP320	140	490	380	120	36	50	50	275	130
3 13/16	UCP320-313									
3 7/8	UCP320-314									
3 15/16	UCP320-315	5 33/64	19 9/32	14 31/32	4 23/32	1 13/32	1 31/32	1 31/32	10 13/16	5 1/8
4	UCP320-400									
105	UCP321	140	490	380	120	360	50	50	280	130
110	UCP322	150	520	400	140	40	55	55	300	135
120	UCP324	160	570	450	140	40	55	65	320	140
130	UCP326	180	600	480	140	40	55	75	355	140
140	UCP328	200	620	500	140	40	55	75	390	140

B	S	Bolt Size	Bearing Number	Housing Number	Mass
		mm inch			UCP kg/lbs
108	42	M30	UC320	P320	35
			UC320-313	P320	
			UC320-314	P320	
4.2520	1.654	1 1/8	UC320-315	P320	77
			UC320-400	P320	
112	44	M30	UC321	P321	35
117	46	M33	UC322	P322	45
126	51	M33	UC324	P324	55
135	54	M33	UC326	P326	72
145	59	M33	UC328	P328	89

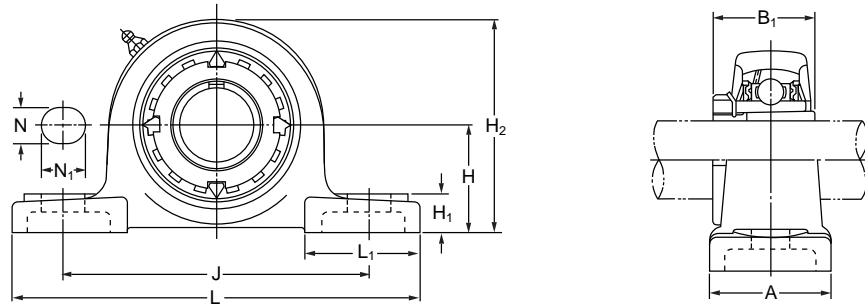
■ Taper Bored with Adapter Sleeve - UKP 200 Series



Shaft Dia. mm inch	Unit Number	Basic Dimensions							
		H	L	J	A	N	N ₁	H ₁	H ₂
20 3/4	UKP205 ; H2305 UKP205 ; HE2305	36.5 1 7/16	140 5 1/2	105 4 1/8	38 1 1/2	13 1/2	16 5/8	15 19/32	71 2 25/32
25 7/8 1	UKP206 ; H2306 UKP206 ; HS2306 UKP206 ; HE2306	42.9 1 11/16	160 6 1/2	121 4 3/4	48 1 7/8	17 21/32	20 25/32	17 21/32	83 3 9/32
30 1 1/8	UKP207 ; H2307 UKP207 ; HS2307	47.6 1 7/8	167 6 9/16	127 5	48 1 7/8	17 21/32	20 25/32	18 23/32	93 3 21/32
35 1 1/4 1 3/8	UKP208 ; H2308 UKP208 ; HE2308 UKP208 ; HS2308	49.2 1 15/16	184 7 1/4	137 5 13/32	54 2 1/8	17 21/32	20 25/32	18 23/32	98 3 27/32
40 1 7/16 1 1/2 1 5/8	UKP209 ; H2309 UKP209 ; HA2309 UKP209 ; HE2309 UKP209 ; HS2309	54 2 1/8	190 7 15/32	146 5 3/4	54 2 1/8	17 21/32	20 25/32	20 25/32	106 4 3/16
45 1 5/8 1 11/16 1 3/4	UKP210 ; H2310 UKP210 ; HS2310 UKP210 ; HA2310 UKP210 ; HE2310	57.2 2 1/4	206 8 1/8	159 6 1/4	58 2 3/8	20 25/32	23 29/32	21 13/16	114 4 1/2
50 1 7/8 1 15/16 2	UKP211 ; H2311 UKP211 ; HS2311 UKP211 ; HA2311 UKP211 ; HE2311	63.5 2 1/2	219 8 5/8	171 6 23/32	58 2 3/8	20 25/32	23 29/32	23 29/32	126 4 31/32
55 2 1/8	UKP212 ; H2312 UKP212 ; HS2312	69.8 2 3/4	241 9 1/2	184 7 1/4	70 2 3/4	20 25/32	23 29/32	25 31/32	138 5 7/16
60 2 3/16 2 1/4 2 3/8	UKP213 ; H2313 UKP213 ; HA2313 UKP213 ; HE2313 UKP213 ; HS2313	76.2 3	263 10 7/16	203 8	70 2 3/4	25 31/32	28 1 3/32	27 1 1/16	151 5 15/16
65 2 7/16 2 1/2	UKP215 ; H2315 UKP215 ; HA2315 UKP215 ; HE2315	82.6 3 1/4	275 10 13/16	217 8 17/32	73 2 29/32	25 31/32	28 1 3/32	28 1 3/32	163 6 13/32

B ₁	L ₁	Bolt Size	Bearing Number	Housing Number	Mass
		mm inch			UKP kg/lbs
35 1.378	42 1 21/32	M10 3/8	UK205 ; H2305 UK205 ; HE2305	P205	0.9 2.0
38 1.496	54 2 1/8	M14 1/2	UK206 ; H2306 UK206 ; HS2306 UK206 ; HE2306	P206 P206	1.3 2.9
43 1.693	54 2 1/8	M14 1/2	UK207 ; H2307 UK207 ; HS2307	P207	1.7 3.7
46 1.811	52 2 1/16	M14 1/2	UK208 ; H2308 UK208 ; HE2308 UK208 ; HS2308	P208 P208	2.0 4.4
50 1.969	60 2 3/8	M14 1/2	UK209 ; H2309 UK209 ; HA2309 UK209 ; HE2309 UK209 ; HS2309	P209 P209	2.3 5.1
55 2.165	65 2 9/16	M16 5/8	UK210 ; H2310 UK210 ; HS2310 UK210 ; HA2310 UK210 ; HE2310	P210 P210	2.8 6.2
59 2.323	65 2 9/16	M16 5/8	UK211 ; H2311 UK211 ; HS2311 UK211 ; HA2311 UK211 ; HE2311	P211 P211	3.5 7.7
62 2.441	70 2 3/4	M16 5/8	UK212 ; H2312 UK212 ; HS2312	P212	4.7 10
65 2.559	77 3 1/32	M20 3/4	UK213 ; H2313 UK213 ; HA2313 UK213 ; HE2313 UK213 ; HS2313	P213 P213	6.0 13
73 2.874	80 3 5/32	M20 3/4	UK215 ; H2315 UK215 ; HA2315 UK215 ; HE2315	P215 P215	7.6 17

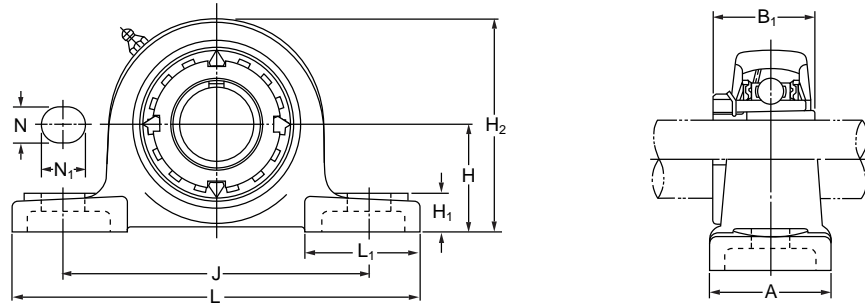
■ Taper Bored with Adapter Sleeve - UKP 200 Series



Shaft Dia.	Unit Number	Basic Dimensions							
		H	L	J	A	mm		inch	
70	UKP216 ; H2316	88.9	292	232	77	25	28	30	175
2 11/16	UKP216 ; HA2316	3 1/2	11 1/2	9 1/8	3 1/16	31/32	1 3/32	1 3/16	6 7/8
2 3/4	UKP216 ; HE2316								
75	UKP217 ; H2317	95.2	310	247	83	25	28	32	187
2 15/16	UKP217 ; HA2317	3 3/4	12 7/32	9 23/32	3 9/32	31/32	1 3/32	1 1/4	7 3/8
3	UKP217 ; HE2317								
80	UKP218 ; H2318	101.6	327	262	87	27	30	33	200
3 3/16	UKP218 ; HA2318	4	12 7/8	10 5/16	3 15/32	1 1/16	1 3/16	1 5/16	7 7/8

B ₁	L ₁	Bolt Size	Bearing Number	Housing Number	Mass
		mm inch			UKP kg/lbs
78	85	M20	UK216 ; H2316	P216	9.4
3.071	3 11/32	3/4	UK216 ; HA2316 UK216 ; HE2316	P216 P216	21
82	85	M20	UK217 ; H2317	P217	12
3.228	3 11/32	3/4	UK217 ; HA2317 UK217 ; HE2317	P217 P217	26
86	90	M22	UK218 ; H2318	P218	14
3.386	3 17/32	7/8	UK218 ; HA2318	P218	31

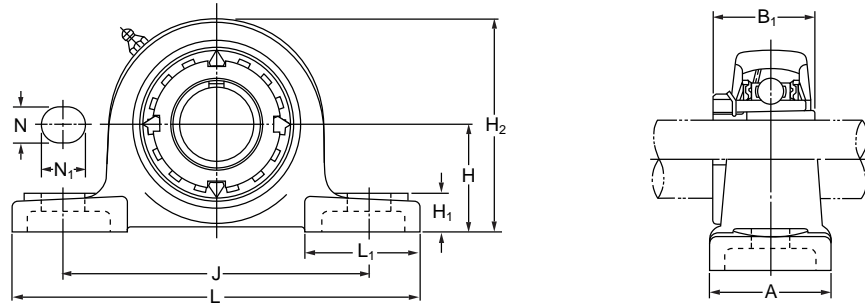
■ Taper Bored with Adapter Sleeve - UKPX Series



Shaft Dia. mm inch	Unit Number	Basic Dimensions							
		H	L	J	A	N	N ₁	H ₁	H ₂
20 3/4	UKPX05 ; H2305 UKPX05 ; HE2305	44.4 1 3/4	159 6 1/4	119 4 11/16	51 2	17 21/32	20 25/32	18 23/32	85 3 11/32
25 7/8 1	UKPX06 ; H2306 UKPX06 ; HS2306 UKPX06 ; HE2306	47.6 1 7/8	175 6 7/8	127 5	57 2 1/4	17 21/32	20 25/32	20 25/32	93 3 21/32
30 1 1/8	UKPX07 ; H2307 UKPX07 ; HS2307	54 2 1/8	203 8	144 5 21/32	57 2 1/4	17 21/32	20 25/32	21 13/16	105 4 1/8
35 1 1/4 1 3/8	UKPX08 ; H2308 UKPX08 ; HE2308 UKPX08 ; HS2308	58.7 2 5/16	222 8 3/4	156 6 5/32	67 2 5/8	20 25/32	23 29/32	26 1 1/32	111 4 3/8
40 1 7/16 1 1/2 1 5/8	UKPX09 ; H2309 UKPX09 ; HA2309 UKPX09 ; HE2309 UKPX09 ; HS2309	58.7 2 5/16	222 8 3/4	156 6 5/32	67 2 5/8	20 25/32	23 29/32	26 1 1/32	116 4 9/16
45 1 5/8 1 11/16 1 3/4	UKPX10 ; H2310 UKPX10 ; HS2310 UKPX10 ; HA2310 UKPX10 ; HE2310	63.5 2 1/2	241 9 1/2	171 6 23/32	73 2 7/8	20 25/32	23 29/32	27 1 1/16	126 4 31/32
50 1 7/8 1 15/16 2	UKPX11 ; H2311 UKPX11 ; HS2311 UKPX11 ; HA2311 UKPX11 ; HE2311	69.8 2 3/4	260 10 1/4	184 7 1/4	79 3 1/8	25 31/32	28 1 3/32	30 1 3/16	137 5 13/32
55 2 1/8	UKPX12 ; H2312 UKPX12 ; HS2312	76.2 3	286 11 1/4	203 8	83 3 9/32	25 31/32	28 1 3/32	33 1 5/16	151 5 15/16
60 2 3/16 2 1/4 2 3/8	UKPX13 ; H2313 UKPX13 ; HA2313 UKPX13 ; HE2313 UKPX13 ; HS2313	76.2 3	286 11 1/4	203 8	83 3 9/32	25 31/32	28 1 3/32	33 1 5/16	154 6 1/16
65 2 7/16 2 1/2	UKPX15 ; H2315 UKPX15 ; HA2315 UKPX15 ; HE2315	88.9 3 1/2	330 13	229 9 1/32	89 3 1/2	27 1 1/16	30 1 3/16	35 1 3/8	175 6 7/8

B ₁	L ₁	Bolt Size mm inch	Bearing Number	Housing Number	Mass
					kg/lbs
35 1.378	50 1 31/32	M14 1/2	UKX05 ; H2305 UKX05 ; HE2305	PX05 PX05	1.5 3.3
38 1.496	54 2 1/8	M14 1/2	UKX06 ; H2306 UKX06 ; HS2306 UKX06 ; HE2306	PX06 PX06 PX06	1.8 4.0
43 1.693	60 2 3/8	M14 1/2	UKX07 ; H2307 UKX07 ; HS2307	PX07 PX07	2.5 5.5
46 1.811	65 2 9/16	M16 5/8	UKX08 ; H2308 UKX08 ; HE2308 UKX08 ; HS2308	PX08 PX08 PX08	3.2 7.1
50 1.969	65 2 9/16	M16 5/8	UKX09 ; H2309 UKX09 ; HA2309 UKX09 ; HE2309 UKX09 ; HS2309	PX09 PX09 PX09 PX09	3.3 7.3
55 2.165	70 2 3/4	M16 5/8	UKX10 ; H2310 UKX10 ; HS2310 UKX10 ; HA2310 UKX10 ; HE2310	PX10 PX10 PX10 PX10	4.2 9.3
59 2.323	75 2 15/16	M20 3/4	UKX11 ; H2311 UKX11 ; HS2311 UKX11 ; HA2311 UKX11 ; HE2311	PX11 PX11 PX11 PX11	5.4 12
62 2.441	80 3 5/32	M20 3/4	UKX12 ; H2312 UKX12 ; HS2312	PX12 PX12	7.1 16
65 2.559	80 3 5/32	M20 3/4	UKX13 ; H2313 UKX13 ; HA2313 UKX13 ; HE2313 UKX13 ; HS2313	PX13 PX13 PX13 PX13	7.3 16
73 2.874	95 3 3/4	M22 7/8	UKX15 ; H2315 UKX15 ; HA2315 UKX15 ; HE2315	PX15 PX15 PX15	11 24

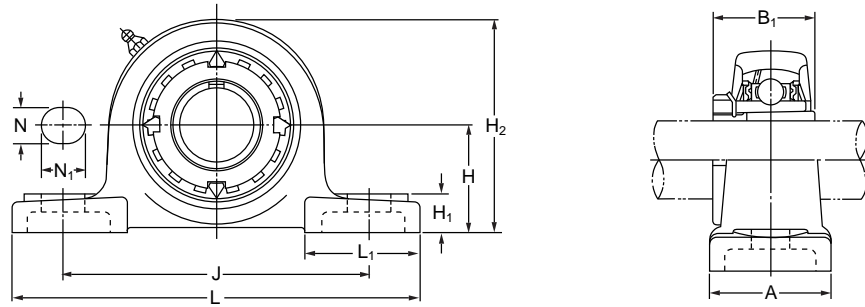
■ Taper Bored with Adapter Sleeve - UKPX Series



Shaft Dia.	Unit Number	Basic Dimensions							
		H	L	J	A	mm		inch	
70	UKPX16 ; H2316	101.6	381	283	102	27	30	40	194
2 11/16	UKPX16 ; HA2316	4	15	11 5/32	4 1/32	1 1/16	1 3/16	1 9/16	7 5/8
2 3/4	UKPX16 ; HE2316								
75	UKPX17 ; H2317	101.6	381	283	102	27	30	40	200
2 15/16	UKPX17 ; HA2317	4	15	11 5/32	4 1/32	1 1/16	1 3/16	1 9/16	7 7/8
3	UKPX17 ; HE2317								
80	UKPX18 ; H2318	101.6	381	283	111	27	30	40	206
3 3/16	UKPX18 ; HA2318	4	15	11 5/32	4 3/8	1 1/16	1 3/16	1 9/16	8 1/8
90	UKPX20 ; H2320	127	432	337	121	33	36	45	244

B ₁	L ₁	Bolt Size	Bearing Number	Housing Number	Mass
		mm inch			kg/lbs
78	110	M22	UKX16 ; H2316	PX16	16
3.071	4 11/32	7/8	UKX16 ; HA2316 UKX16 ; HE2316	PX16 PX16	35
82	110	M22	UKX17 ; H2317	PX17	16
3.228	4 11/32	7/8	UKX17 ; HA2317 UKX17 ; HE2317	PX17 PX17	35
86	110	M22	UKX18 ; H2318	PX18	17
3.386	4 11/32	7/8	UKX18 ; HA2318	PX18	37
97	125	M27	UKX20 ; H2320	PX20	29

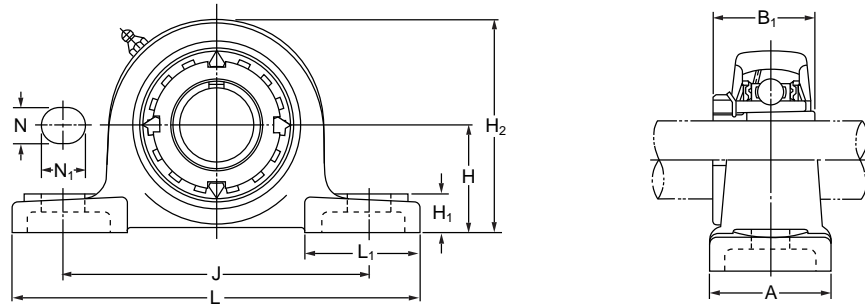
■ Taper Bored with Adapter Sleeve - UKP 300 Series



Shaft Dia. mm inch	Unit Number	Basic Dimensions							
		H	L	J	A	N	N ₁	H ₁	H ₂
20 3/4	UKP305 ; H2305 UKP305 ; HE2305	45 1 49/64	175 6 7/8	132 5 3/16	45 1 25/32	17 21/32	20 25/32	15 19/32	85 3 11/32
25 7/8 1	UKP306 ; H2306 UKP306 ; HS2306 UKP306 ; HE2306	50 1 31/32	180 7 3/32	140 5 1/2	50 1 31/32	17 21/32	20 25/32	18 23/32	95 3 3/4
30 1 1/8	UKP307 ; H2307 UKP307 ; HS2307	56 2 13/64	210 8 9/32	160 6 5/16	56 2 7/32	17 21/32	25 31/32	20 25/32	106 4 3/16
35 1 1/4 1 3/8	UKP308 ; H2308 UKP308 ; HE2308 UKP308 ; HS2308	60 2 23/64	220 8 21/32	170 6 11/16	60 2 3/8	17 21/32	27 1 1/16	22 7/8	116 4 9/16
40 1 7/16 1 1/2 1 5/8	UKP309 ; H2309 UKP309 ; HA2309 UKP309 ; HE2309 UKP309 ; HS2309	67 2 41/64	245 9 21/32	190 7 15/32	67 2 5/8	20 25/32	30 1 3/16	24 15/16	129 5 3/32
45 1 5/8 1 11/16 1 3/4	UKP310 ; H2310 UKP310 ; HS2310 UKP310 ; HA2310 UKP310 ; HE2310	75 2 61/64	275 10 13/16	212 8 11/32	75 2 15/16	20 25/32	35 1 3/8	27 1 1/16	143 5 5/8
50 1 7/8 1 15/16 2	UKP311 ; H2311 UKP311 ; HS2311 UKP311 ; HA2311 UKP311 ; HE2311	80 3 5/32	310 12 7/32	236 9 9/32	80 3 5/32	20 25/32	38 1 1/2	30 1 3/16	154 6 1/16
55 2 1/8	UKP312 ; H2312 UKP312 ; HS2312	85 3 11/32	330 13	250 9 27/32	85 3 11/32	25 31/32	38 1 1/2	32 1 1/4	165 6 1/2
60 2 3/16 2 1/4 2 3/8	UKP313 ; H2313 UKP313 ; HA2313 UKP313 ; HE2313 UKP313 ; HS2313	90 3 35/64	340 13 3/8	260 10 1/4	90 3 17/32	25 31/32	38 1 1/2	33 1 5/16	176 6 15/16
65 2 7/16 2 1/2	UKP315 ; H2315 UKP315 ; HA2315 UKP315 ; HE2315	100 3 15/16	380 14 31/32	290 11 13/32	100 3 15/16	27 1 1/16	40 1 9/16	35 1 3/8	198 7 25/32

B ₁	L ₁	Bolt Size mm inch	Bearing Number	Housing Number	Mass
					UKP kg/lbs
35 1.378	54 2 1/8	M14 1/2	UK305 ; H2305 UK305 ; HE2305	P305	1.4 3.1
38 1.496	54 2 1/8	M14 1/2	UK306 ; H2306 UK306 ; HS2306 UK306 ; HE2306	P306 P306	1.8 4.0
43 1.693	60 2 3/8	M14 1/2	UK307 ; H2307 UK307 ; HS2307	P307	2.9 6.4
46 1.811	60 2 3/8	M14 1/2	UK308 ; H2308 UK308 ; HE2308 UK308 ; HS2308	P308 P308	3.1 6.8
50 1.969	65 2 9/16	M16 5/8	UK309 ; H2309 UK309 ; HA2309 UK309 ; HE2309 UK309 ; HS2309	P309 P309 P309 P309	4.2 9.3
55 2.165	75 2 15/16	M16 5/8	UK310 ; H2310 UK310 ; HS2310 UK310 ; HA2310 UK310 ; HE2310	P310 P310 P310 P310	5.8 13
59 2.323	85 3 11/32	M16 5/8	UK311 ; H2311 UK311 ; HS2311 UK311 ; HA2311 UK311 ; HE2311	P311 P311 P311 P311	7.4 16
62 2.441	95 3 3/4	M20 3/4	UK312 ; H2312 UK312 ; HS2312	P312	9.3 21
65 2.559	105 4 1/8	M20 3/4	UK313 ; H2313 UK313 ; HA2313 UK313 ; HE2313 UK313 ; HS2313	P313 P313 P313 P313	10 22
73 2.874	110 4 11/32	M22 7/8	UK315 ; H2315 UK315 ; HA2315 UK315 ; HE2315	P315 P315	15 33

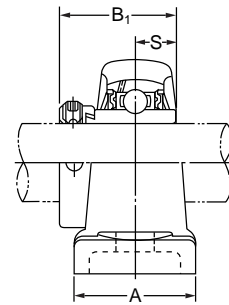
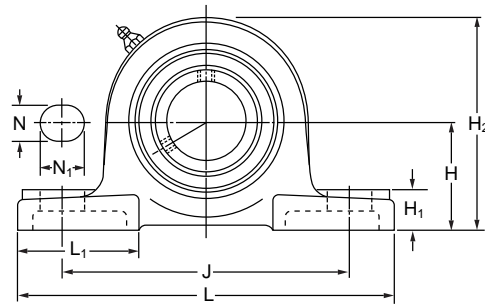
■ Taper Bored with Adapter Sleeve - UKP 300 Series



Shaft Dia.	Unit Number	Basic Dimensions							
		H	L	J	A	N	N ₁	H ₁	H ₂
mm inch		mm inch							
70 2 11/16 2 3/4	UKP316 ; H2316 UKP316 ; HA2316 UKP316 ; HE2316	106 4 11/64	400 15 3/4	300 11 13/16	110 4 11/32	27 1 1/16	40 1 9/16	40 1 9/16	210 8 9/32
75 2 15/16 3	UKP317 ; H2317 UKP317 ; HA2317 UKP317 ; HE2317	112 4 13/32	420 16 17/32	320 12 19/32	110 4 11/32	33 1 5/16	45 1 25/32	40 1 9/16	220 8 21/32
80 3 3/16	UKP318 ; H2318 UKP318 ; HA2318	118 4 41/64	430 16 15/16	330 13	110 4 11/32	33 1 5/16	45 1 25/32	45 1 25/32	235 9 1/4
85 3 1/4	UKP319 ; H2319 UKP319 ; HE2319	125 4 59/64	470 18 1/2	360 14 3/16	120 4 23/32	36 1 13/32	50 1 31/32	45 1 25/32	250 9 27/32
90 3 7/16 3 1/2	UKP320 ; H2320 UKP320 ; HA2320 UKP320 ; HE2320	140 5 33/64	490 19 9/32	380 14 31/32	120 4 23/32	36 1 13/32	50 1 31/32	50 1 31/32	275 10 13/16
100	UKP322 ; H2322	150	520	400	140	40	55	55	300
110	UKP324 ; H2324	160	570	450	140	40	55	65	320
115	UKP326 ; H2326	180	600	480	140	40	55	75	355
125	UKP328 ; H2328	200	620	500	140	40	55	75	390

B ₁	L ₁	Bolt Size	Bearing Number	Housing Number	Mass
					UKP kg/lbs
mm inch		mm inch			
78 3.071	110 4 11/32	M22 7/8	UK316 ; H2316 UK316 ; HA2316 UK316 ; HE2316	P316 P316 P316	18 40
82 3.228	120 4 23/32	M27 1	UK317 ; H2317 UK317 ; HA2317 UK317 ; HE2317	P317 P317 P317	20 44
86 3.386	120 4 23/32	M27 1	UK318 ; H2318 UK318 ; HA2318	P318 P318	24 53
90 3.543	125 4 29/32	M30 1 1/8	UK319 ; H2319 UK319 ; HE2319	P319 P319	29 64
97 3.819	130 5 1/8	M30 1 1/8	UK320 ; H2320 UK320 ; HA2320 UK320 ; HE2320	P320 P320 P320	35 77
105	135	M33	UK322 ; H2322	P322	46
112	140	M33	UK324 ; H2324	P324	55
121	140	M33	UK326 ; H2326	P326	73
131	140	M33	UK328 ; H2328	P328	89

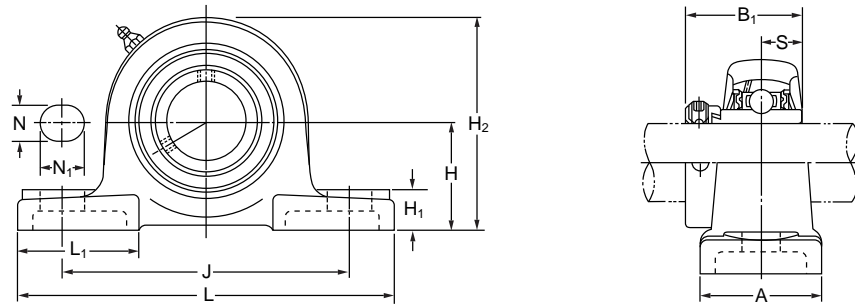
■ Eccentric Locking Collar Type - UELP 200 Series



Shaft Dia.	Unit Number	Basic Dimensions								
		H	L	J	A	N	N ₁	H ₁	H ₂	L ₁
20	UEL204	33	127	95	38	13	16	14	65	42
3/4	UEL204-012	1 5/16	5	3 3/4	1 1/2	1/2	5/8	9/16	2 9/16	1 21/32
25	UEL205	36.5	140	105	38	13	16	15	71	42
13/16	UEL205-013	1 7/16	5 1/2	4 1/8	1 1/2	1/2	5/8	19/32	2 25/32	1 21/32
7/8	UEL205-014									
15/16	UEL205-015									
1	UEL205-100									
30	UEL206	42.9	160	121	48	17	20	17	83	54
1 1/16	UEL206-101	1 11/16	6 1/2	4 3/4	1 7/8	21/32	25/32	21/32	3 9/32	2 1/8
1 1/8	UEL206-102									
1 3/16	UEL206-103									
1 1/4	UEL206-104									
35	UEL207	47.6	167	127	48	17	20	18	93	54
1 1/4	UEL207-104	1 7/8	6 9/16	5.00	1 7/8	21/32	25/32	23/32	3 21/32	2 1/8
1 5/16	UEL207-105									
1 3/8	UEL207-106									
1 7/16	UEL207-107									
40	UEL208	49.2	184	137	54	17	20	18	98	52
1 1/2	UEL208-108	1 15/16	7 1/4	5 13/32	2 1/8	21/32	25/32	23/32	3 27/32	2 1/16
1 9/16	UEL208-109									
45	UEL209	54	190	146	54	17	20	20	106	60
1 5/8	UEL209-110	2 1/8	7 15/32	5 3/4	2 1/8	21/32	25/32	25/32	4 3/16	2 3/8
1 11/16	UEL209-111									
1 3/4	UEL209-112									
50	UEL210	57.2	206	159	58	20	23	21	114	65
1 13/16	UEL210-113	2 1/4	8 1/8	6 1/4	2 3/8	25/32	29/32	13/16	4 1/2	2 9/16
1 7/8	UEL210-114									
1 15/16	UEL210-115									
2	UEL210-200									

B ₁	S	Bolt Size	Bearing Number	Housing Number	Mass
					kg/lbs
43.7	17.1	M10	UEL204	P204	0.7
1.72	0.673	3/8	UEL204-012	P204	1.5
44.4	17.5	M10	UEL205	P205	0.9
1.748	0.689	3/8	UEL205-013	P205	2.0
			UEL205-014	P205	
			UEL205-015	P205	
			UEL205-100	P205	
48.4	18.3	M14	UEL206	P206	1.4
1.906	0.72	1/2	UEL206-101	P206	3.1
			UEL206-102	P206	
			UEL206-103	P206	
			UEL206-104	P206	
51.1	18.8	M14	UEL207	P207	1.8
2.012	0.740	1/2	UEL207-104	P207	4.0
			UEL207-105	P207	
			UEL207-106	P207	
			UEL207-107	P207	
56.3	21.4	M14	UEL208	P208	2.0
2.217	0.843	1/2	UEL208-108	P208	4.4
			UEL208-109	P208	
56.3	21.4	M14	UEL209	P209	2.4
2.2170	0.843	1/2	UEL209-110	P209	5.3
			UEL209-111	P209	
			UEL209-112	P209	
62.7	24.6	M16	UEL210	P210	2.8
2.4690	0.969	5/8	UEL210-113	P210	6.2
			UEL210-114	P210	
			UEL210-115	P210	
			UEL210-200	P210	

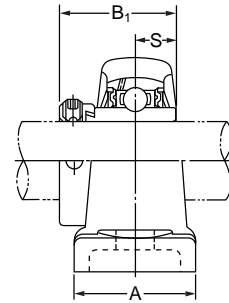
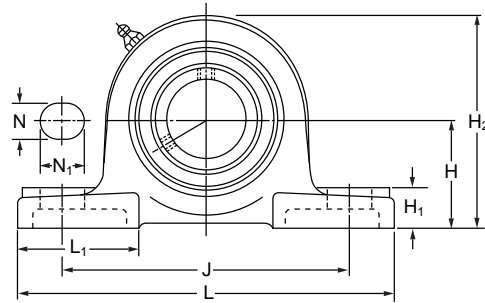
■ Eccentric Locking Collar Type - UELP 200 Series



Shaft Dia. mm inch	Unit Number	Basic Dimensions								
		H	L	J	A	N	N ₁	H ₁	H ₂	L ₁
55 2 2 1/16 2 1/8 2 3/16	UEL211 UEL211-200 UEL211-201 UEL211-202 UEL211-203	63.5 2 1/2	219 8 5/8	171 6 23/32	58 2 3/8	20 25/32	23 29/32	23 29/32	126 4 31/32	65 2 9/16
60 2 1/4 2 5/16 2 3/8 2 7/16	UEL212 UEL212-204 UEL212-205 UEL212-206 UEL212-207	69.8 2 3/4	241 9 1/2	184 7 1/4	70 2 3/4	20 25/32	23 29/32	25 31/32	138 5 7/16	70 2 3/4
65 2 1/2 2 9/16	UEL213 UEL213-208 UEL213-209	76.2 3	265 10 7/16	203 8	70 2 3/4	25 31/32	28 1 3/32	27 1 1/16	151 5 15/16	77 3 1/32
70 2 5/8 2 11/16 2 3/4	UEL214 UEL214-210 UEL214-211 UEL214-212	79.4 3 1/8	266 10 15/32	210 8 9/32	71 2 27/32	25 31/32	28 1 3/32	27 1 1/16	157 6 3/16	77 3 1/32
75 2 13/16 2 7/8 2 15/16 3	UEL215 UEL215-213 UEL215-214 UEL215-215 UEL215-300	82.6 3 1/4	275 10 13/16	217 8 17/32	73 2 29/32	25 31/32	28 1 3/32	28 1 3/32	163 6 13/32	80 3 5/32

B ₁	S	Bolt Size mm inch	Bearing Number	Housing Number	Mass
					kg/lbs
71.4 2.8110	27.8 1.094	M16 5/8	UEL211 UEL211-200 UEL211-201 UEL211-202 UEL211-203	P211 P211 P211 P211 P211	3.5 7.7
77.8 3.0630	31 1.22	M16 5/8	UEL212 UEL212-204 UEL212-205 UEL212-206 UEL212-207	P212 P212 P212 P212 P212	5.0 11
85.7 3.374	34.15 1.344	M20 3/4	UEL213 UEL213-208 UEL213-209	P213 P213 P213	6.4 14
85.7 3.3740	34.15 1.344	M20 3/4	UEL214 UEL214-210 UEL214-211 UEL214-212	P214 P214 P214 P214	6.8 15
92 3.6220	37.3 1.469	M20 3/4	UEL215 UEL215-213 UEL215-214 UEL215-215 UEL215-300	P215 P215 P215 P215 P215	7.6 17

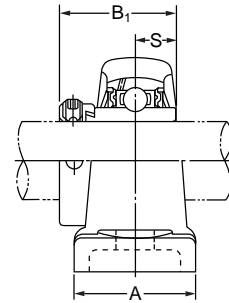
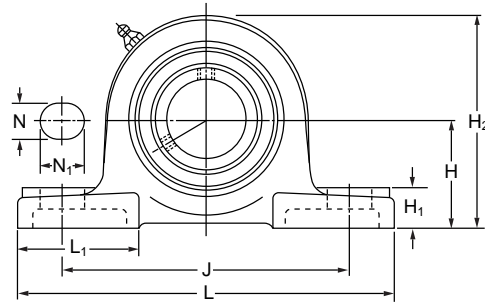
■ Eccentric Locking Collar Type - UELP 300 Series



Shaft Dia. mm inch	Unit Number	Basic Dimensions								
		H	L	J	A	N	N ₁	H ₁	H ₂	L ₁
25 13/16 7/8 15/16 1	UEL305 UEL305-013 UEL305-014 UEL305-015 UEL305-100	45 1 49/64	175 6 7/8	132 5 3/16	45 1 25/32	17 21/32	20 25/32	15 19/32	85 3 11/32	54 2 1/8
30 1 1/16 1 1/8 1 3/16	UEL306 UEL306-101 UEL306-102 UEL306-103	50 1 31/32	180 7 3/32	140 5 1/2	50 1 31/32	17 21/32	20 25/32	18 23/32	95 3 3/4	54 2 1/8
35 1 1/4 1 5/16 1 3/8 1 7/16	UEL307 UEL307-104 UEL307-105 UEL307-106 UEL307-107	56 2 13/64	210 8 9/32	160 6 5/16	56 2 7/32	17 21/32	25 31/32	20 25/32	106 4 3/16	60 2 3/8
40 1 1/2 1 9/16	UEL308 UEL308-108 UEL308-109	60 2 23/64	220 8 21/32	170 6 11/16	60 2 3/8	17 21/32	27 1 1/16	22 7/8	116 4 9/16	60 2 3/8
45 1 5/8 1 11/16 1 3/4	UEL309 UEL309-110 UEL309-111 UEL309-112	67 2 41/64	245 9 21/32	190 7 15/32	67 2 5/8	20 25/32	30 1 3/16	24 15/16	129 5 3/32	65 2 9/16
50 1 13/16 1 7/8 1 15/16	UEL310 UEL310-113 UEL310-114 UEL310-115	75 2 61/64	275 10 13/16	212 8 11/32	75 2 15/16	20 25/32	35 1 3/8	27 1 1/16	143 5 5/8	75 2 15/16
55 2 2 1/16 2 1/8 2 3/16	UEL311 UEL311-200 UEL311-201 UEL311-202 UEL311-203	80 3 5/32	310 12 7/32	236 9 9/32	80 3 5/32	20 25/32	38 1 1/2	30 1 3/16	154 6 1/16	85 3 11/32

B ₁	S	Bolt Size	Bearing Number	Housing Number	Mass
		mm inch			kg/lbs
46.8 1.843	16.7 0.657	M14 1/2	UEL305 UEL305-013 UEL305-014 UEL305-015 UEL305-100	P305 P305 P305 P305 P305	1.4 3.1
50 1.969	17.5 0.689	M14 1/2	UEL306 UEL306-101 UEL306-102 UEL306-103	P306 P306 P306 P306	1.9 4.2
51.6 2.031	18.3 0.72	M14 1/2	UEL307 UEL307-104 UEL307-105 UEL307-106 UEL307-107	P307 P307 P307 P307 P307	2.9 6.4
57.1 2.248	19.8 0.78	M14 1/2	UEL308 UEL308-108 UEL308-109	P308 P308 P308	3.1 6.8
58.7 2.311	19.8 0.78	M16 5/8	UEL309 UEL309-110 UEL309-111 UEL309-112	P309 P309 P309 P309	4.3 9.5
66.6 2.622	24.6 0.969	M16 5/8	UEL310 UEL310-113 UEL310-114 UEL310-115	P310 P310 P310 P310	6 13
73 2.874	27.8 1.094	M16 5/8	UEL311 UEL311-200 UEL311-201 UEL311-202 UEL311-203	P311 P311 P311 P311 P311	7.7 17

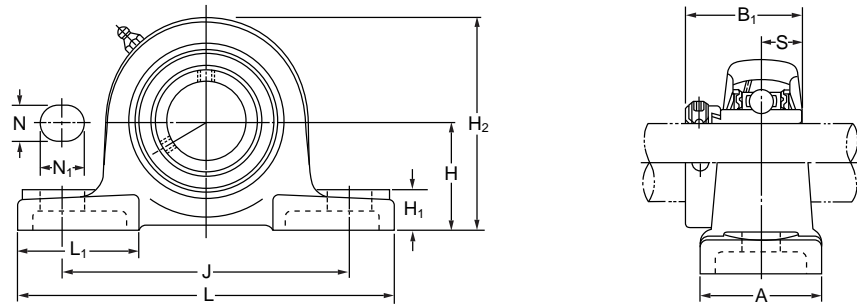
■ Eccentric Locking Collar Type - UELP 300 Series



Shaft Dia.	Unit Number	Basic Dimensions								
		H	L	J	A	N	N ₁	H ₁	H ₂	L ₁
mm inch		mm inch								
60 2 1/4 2 5/16 2 3/8 2 7/16	UEL312 UEL312-204 UEL312-205 UEL312-206 UEL312-207	85 3 11/32	330 13	250 9 27/32	85 3 11/32	25 31/32	38 1 1/2	32 1 1/4	165 6 1/2	95 3 3/4
65 2 1/2 2 9/16	UEL313 UEL313-208 UEL313-209	90 3 35/64	340 13 3/8	260 10 1/4	90 3 17/32	25 31/32	38 1 1/2	33 1 5/16	176 6 15/16	105 4 1/8
70 2 5/8 2 11/16 2 3/4	UEL314 UEL314-210 UEL314-211 UEL314-212	95 3 47/64	360 14 3/16	280 11 1/32	90 3 17/32	27 1 1/16	40 1 9/16	35 1 3/8	187 7 3/8	105 4 1/8
75 2 13/16 2 7/8 2 15/16 3	UEL315 UEL315-213 UEL315-214 UEL315-215 UEL315-300	100 3 15/16	380 14 31/32	290 11 13/32	100 3 15/16	27 1 1/16	40 1 9/16	35 1 3/8	198 7 25/32	110 4 11/32
80 3 1/16 3 1/8 3 3/16	UEL316 UEL316-301 UEL316-302 UEL316-303	106 4 11/64	400 15 3/4	300 11 13/16	110 4 11/32	27 1 1/16	40 1 9/16	40 1 9/16	210 8 9/32	110 4 11/32
85 3 1/4 3 5/16 3 7/16	UEL317 UEL317-304 UEL317-305 UEL317-307	112 4 13/32	420 16 17/32	320 12 19/32	110 4 11/32	33 1 5/16	45 1 25/32	40 1 9/16	220 8 21/32	120 4 23/32
90 3 7/16 3 1/2	UEL318 UEL318-307 UEL318-308	118 4 41/64	430 16 15/16	330 13	110 4 11/32	33 1 5/16	45 1 25/32	45 1 25/32	235 9 1/4	120 4 23/32
95 3 5/8 3 11/16 3 3/4	UEL319 UEL319-310 UEL319-311 UEL319-312	125 4 59/64	470 18 1/2	360 14 3/16	120 4 23/32	36 1 13/32	50 1 31/32	45 1 25/32	250 9 27/32	125 4 29/32

B ₁	S	Bolt Size mm inch	Bearing Number	Housing Number	Mass
					kg/lbs
79.4 3.126	30.95 1.219	M20 3/4	UEL312 UEL312-204 UEL312-205 UEL312-206 UEL312-207	P312 P312 P312 P312 P312	9.7 21
85.7 3.374	32.55 1.281	M20 3/4	UEL313 UEL313-208 UEL313-209	P313 P313 P313	11 24
92.1 3.626	34.15 1.344	M22 7/8	UEL314 UEL314-210 UEL314-211 UEL314-212	P314 P314 P314 P314	12 26
100 3.937	37.3 1.469	M22 7/8	UEL315 UEL315-213 UEL315-214 UEL315-215 UEL315-300	P315 P315 P315 P315 P315	15 33
106.4 4.189	40.5 1.594	M22 7/8	UEL316 UEL316-301 UEL316-302 UEL316-303	P316 P316 P316 P316	19 42
109.5 4.311	42.05 1.656	M27 1	UEL317 UEL317-304 UEL317-305 UEL317-307	P317 P317 P317 P317	21 46
115.9 4.563	43.65 1.719	M27 1	UEL318 UEL318-307 UEL318-308	P318 P318 P318	25 55
122.3 4.815	38.9 1.531	M30 1 1/8	UEL319 UEL319-310 UEL319-311 UEL319-312	P319 P319 P319 P319	30 66

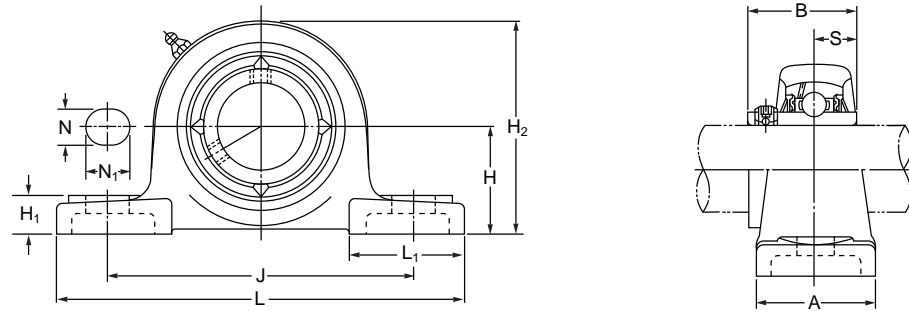
■ Eccentric Locking Collar Type - UELP 300 Series



Shaft Dia.	Unit Number	Basic Dimensions									
		H	L	J	A	N	N ₁	H ₁	H ₂	L ₁	
100	UEL320	140	490	380	120	36	50	50	275	130	
3 13/16	UEL320-313										
3 7/8	UEL320-314										
3 15/16	UEL320-315	5 33/64	19 9/32	14 31/32	4 23/32	1 13/32	1 31/32	1 31/32	10 13/16	5 1/8	
4	UEL320-400										
105	UEL321	140	490	380	120	36	50	50	280	130	
110	UEL322	150	520	400	140	40	55	55	300	135	

B ₁	S	Bolt Size	Bearing Number	Housing Number	Mass
		mm inch			kg/lbs
128.6	50	M30	UEL320	P320	37
			UEL320-313	P320	
			UEL320-314	P320	
5.063	1.969	1 1/8	UEL320-315	P320	82
			UEL320-400	P320	
139.7	48.4	M30	UEL321	P321	37
141.3	49.2	M33	UEL 322	P322	48

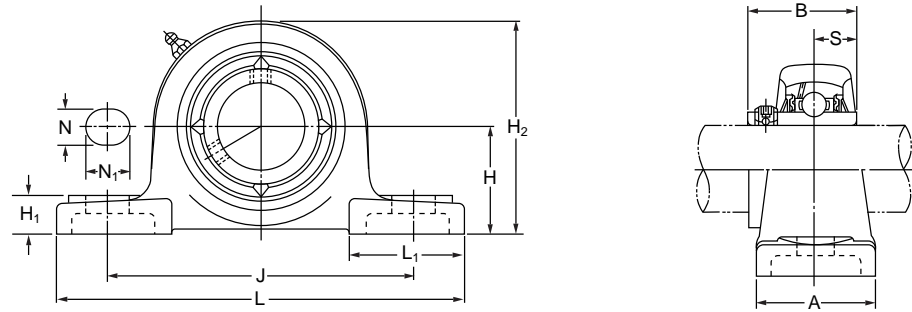
■ Set Screw Type - UCLP Series (Low Center Height)



Shaft Dia.	Unit Number	Basic Dimensions								
		H	L	J	A	N	N ₁	H ₁	H ₂	L ₁
mm inch		mm inch								
20 3/4	UCPL204 UCPL204-012	31.75 1 1/4	127 5	95 3 3/4	38 1 1/2	13 1/2	16 5/8	14 9/16	64 2 17/32	42 1 21/32
25 13/16 7/8 15/16 1	UCPL205 UCPL205-013 UCPL205-014 UCPL205-015 UCPL205-100	33 1 5/16	140 5 1/2	105 4 1/8	38 1 1/2	13 1/2	16 5/8	15 19/32	68 2 11/16	42 1 21/32
30 1 1/16 1 1/8 1 3/16 1 1/4	UCPL206 UCPL206-101 UCPL206-102 UCPL206-103 UCPL206-104	39.69 1 9/16	165 6 1/2	121 4 3/4	48 1 7/8	17 21/32	20 25/32	17 21/32	80 3 5/32	54 2 1/8
35 1 1/4 1 5/16 1 3/8 1 7/16	UCPL207 UCPL207-104 UCPL207-105 UCPL207-106 UCPL207-107	46.04 1 13/16	167 6 9/16	127 5	48 1 7/8	17 21/32	20 25/32	18 23/32	91 3 19/32	54 2 1/8
45 1 5/8 1 11/16 1 3/4	UCPL209 UCPL209-110 UCPL209-111 UCPL209-112	52.39 2 1/16	190 7 15/32	146 5 3/4	54 2 1/8	17 21/32	20 25/32	20 25/32	104 4 3/32	60 2 3/8
50 1 13/16 1 7/8 1 15/16 2	UCPL210 UCPL210-113 UCPL210-114 UCPL210-115 UCPL210-200	55.56 2 3/16	206 8 1/8	159 6 1/4	60 2 3/8	20 25/32	23 29/32	21 13/16	112 4 13/32	65 2 9/16

B	S	Bolt Size mm inch	Bearing Number	Housing Number	Mass
					kg/lbs
31 1.2205	12.7 0.500	M10 3/8	UC204 UC204-012	PL204 PL204	0.6 1.3
34.1 1.3425	14.3 0.563	M10 3/8	UC205 UC205-013 UC205-014 UC205-015 UC205-100	PL205 PL205 PL205 PL205	0.8 1.8
38.1 1.5000	15.9 0.626	M14 1/2	UC206 UC206-101 UC206-102 UC206-103 UC206-104	PL206 PL206 PL206 PL206	1.2 2.6
42.9 1.6890	17.5 0.689	M14 1/2	UC207 UC207-104 UC207-105 UC207-106 UC207-107	PL207 PL207 PL207 PL207	1.6 3.5
49.2 1.9370	19 0.748	M14 1/2	UC209 UC209-110 UC209-111 UC209-112	PL209 PL209 PL209	2.2 4.9
51.6 2.0315	19 0.748	M16 5/8	UC210 UC210-113 UC210-114 UC210-115 UC210-200	PL210 PL210 PL210 PL210	2.6 5.7

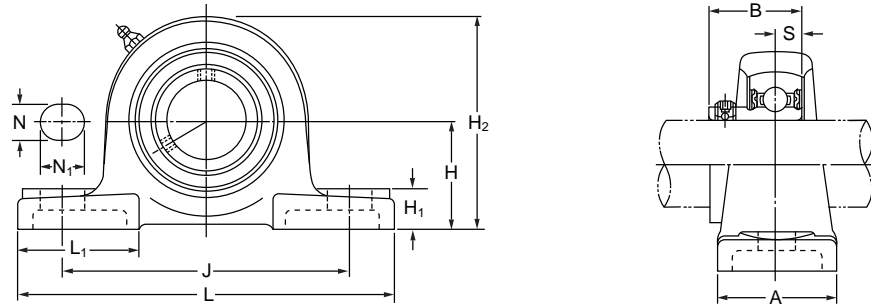
■ Set Screw Type - UCLP Series (Low Center Height)



Shaft Dia.	Unit Number	Basic Dimensions								
		H	L	J	A	N	N ₁	H ₁	H ₂	L ₁
55	UCPL211	61.91	219	171	60	20	23	23	124	65
2	UCPL211-200									
2 1/16	UCPL211-201	2 7/16	8 5/8	6 23/32	2 3/8	25/32	29/32	29/32	4 7/8	2 9/16
2 1/8	UCPL211-202									
2 3/16	UCPL211-203									
60	UCPL212	68.26	241	184	70	20	23	25	136	70
2 1/4	UCPL212-204									
2 5/16	UCPL212-205	2 11/16	9 1/2	7 1/4	2 3/4	25/32	29/32	31/32	5 11/32	2 3/4
2 3/8	UCPL212-206									
2 7/16	UCPL212-207									

B	S	Bolt Size	Bearing Number	Housing Number	Mass
		mm inch			kg/lbs
55.6	22.2	M16	UC211	PL211	3.2
			UC211-200	PL211	
2.1890	0.874	5/8	UC211-201	PL211	7.1
			UC211-202	PL211	
			UC211-203	PL211	
65.1	25.4	M16	UC212	PL212	4.5
			UC212-204	PL212	
2.5630	1.000	5/8	UC212-205	PL212	9.9
			UC212-206	PL212	
			UC212-207	PL212	

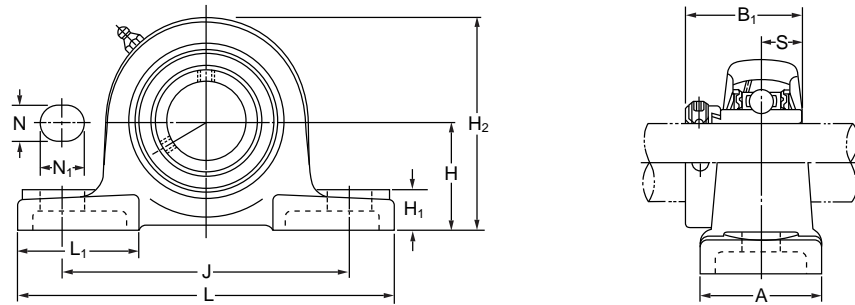
■ Set Screw Type - ASPL 200 Series (Low Center Height)



Shaft Dia.	Unit Number	Basic Dimensions								
		H	L	J	A	N	N ₁	H ₁	H ₂	L ₁
mm inch		mm inch								
12	ASPL201	26.99	121	89	35	11	14	13	54	40
1/2	ASPL201-008	1 1/16	4 3/4	3 1/2	1 3/8	7/16	9/16	1/2	2 1/8	1 9/16
15	ASPL202	26.99	121	89	35	11	14	13	54	40
9/16	ASPL202-009	1 1/16	4 3/4	3 1/2	1 3/8	7/16	9/16	1/2	2 1/8	1 9/16
5/8	ASPL202-010	1 1/16	4 3/4	3 1/2	1 3/8	7/16	9/16	1/2	2 1/8	1 9/16
17	ASPL203	26.99	121	89	35	11	14	13	54	40
11/16	ASPL203-011	1 1/16	4 3/4	3 1/2	1 3/8	7/16	9/16	1/2	2 1/8	1 9/16
20	ASPL204	31.75	127	95	38	13	16	14	64	42
3/4	ASPL204-012	1 1/4	5	3 3/4	1 1/2	1/2	5/8	9/16	2 17/32	1 21/32
25	ASPL205	33.34	140	105	38	13	16	15	68	42
13/16	ASPL205-013	1 5/16	5 1/2	4 1/8	1 1/2	1/2	5/8	19/32	2 11/16	1 21/32
7/8	ASPL205-014	1 5/16	5 1/2	4 1/8	1 1/2	1/2	5/8	19/32	2 11/16	1 21/32
15/16	ASPL205-015	1 5/16	5 1/2	4 1/8	1 1/2	1/2	5/8	19/32	2 11/16	1 21/32
1	ASPL205-100	1 5/16	5 1/2	4 1/8	1 1/2	1/2	5/8	19/32	2 11/16	1 21/32
30	ASPL206	39.69	165	121	48	17	20	17	80	54
1 1/16	ASPL206-101	1 9/16	6 1/2	4 3/4	1 7/8	21/32	25/32	21/32	3 5/32	2 1/8
1 1/8	ASPL206-102	1 9/16	6 1/2	4 3/4	1 7/8	21/32	25/32	21/32	3 5/32	2 1/8
1 3/16	ASPL206-103	1 9/16	6 1/2	4 3/4	1 7/8	21/32	25/32	21/32	3 5/32	2 1/8
1 1/4	ASPL206-104	1 9/16	6 1/2	4 3/4	1 7/8	21/32	25/32	21/32	3 5/32	2 1/8
35	ASPL207	46.04	167	127	48	17	20	18	91	54
1 1/4	ASPL207-104	1 13/16	6 9/16	5	1 7/8	21/32	25/32	23/32	3 19/32	2 1/8
1 5/16	ASPL207-105	1 13/16	6 9/16	5	1 7/8	21/32	25/32	23/32	3 19/32	2 1/8
1 3/8	ASPL207-106	1 13/16	6 9/16	5	1 7/8	21/32	25/32	23/32	3 19/32	2 1/8
1 7/16	ASPL207-107	1 13/16	6 9/16	5	1 7/8	21/32	25/32	23/32	3 19/32	2 1/8

B	S	Bolt Size	Bearing Number	Housing Number	Mass
					kg/lbs
mm inch		mm inch			
22	6	M10	AS201	PL201	0.6
0.8661	0.236	3/8	AS201-008	PL201	1.3
22	6	M10	AS202	PL201	0.6
0.8661	0.236	3/8	AS202-009	PL201	1.3
			AS202-010	PL201	
22	6	M10	AS203	PL201	0.6
0.8661	0.236	3/8	AS203-011	PL201	1.1
25	7	M10	AS204	PL204	0.6
0.9843	0.276	3/8	AS204-012	PL204	1.3
27	7.5	M10	AS205	PL205	0.7
			AS205-013	PL205	
1.0630	0.295	3/8	AS205-014	PL205	1.5
			AS205-015	PL205	
			AS205-100	PL205	
29	8	M14	AS206	PL206	1.2
1.1417	0.315	1/2	AS206-101	PL206	2.6
			AS206-102	PL206	
			AS206-103	PL206	
			AS206-104	PL206	
34	8.5	M14	AS207	PL207	1.5
			AS207-104	PL207	
1.3386	0.335	1/2	AS207-105	PL207	3.3
			AS207-106	PL207	
			AS207-107	PL207	

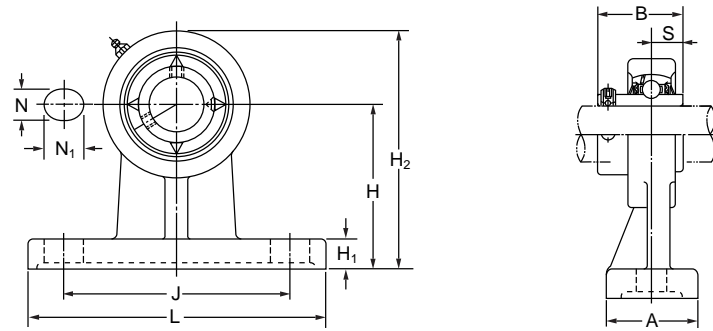
■ Eccentric Locking Collar Type - AELP 200 Series (Low Center Height)



Shaft Dia.	Unit Number	Basic Dimensions								
		H	L	J	A	N	N ₁	H ₁	H ₂	L ₁
12	AELPL201	26.99	121	89	35	11	14	13	54	40
1/2	AELPL201-008	1 1/16	4 3/4	3 1/2	1 3/8	7/16	9/16	1/2	2 1/8	1 9/16
15	AELPL202	26.99	121	89	35	11	14	13	54	40
9/16	AELPL202-009	1 1/16	4 3/4	3 1/2	1 3/8	7/16	9/16	1/2	2 1/8	1 9/16
5/8	AELPL202-010	1 1/16	4 3/4	3 1/2	1 3/8	7/16	9/16	1/2	2 1/8	1 9/16
17	AELPL203	26.99	121	89	35	11	14	13	54	40
11/16	AELPL203-011	1 1/16	4 3/4	3 1/2	1 3/8	7/16	9/16	1/2	2 1/8	1 9/16
20	AELPL204	31.75	127	95	38	13	16	14	64	42
3/4	AELPL204-012	1 1/4	5	3 3/4	1 1/2	1/2	5/8	9/16	2 17/32	1 21/32
25	AELPL205	33.34	140	105	38	13	16	15	68	42
13/16	AELPL205-013	1 5/16	5 1/2	4 1/8	1 1/2	1/2	5/8	19/32	2 11/16	1 21/32
7/8	AELPL205-014	1 5/16	5 1/2	4 1/8	1 1/2	1/2	5/8	19/32	2 11/16	1 21/32
15/16	AELPL205-015	1 5/16	5 1/2	4 1/8	1 1/2	1/2	5/8	19/32	2 11/16	1 21/32
1	AELPL205-100	1 5/16	5 1/2	4 1/8	1 1/2	1/2	5/8	19/32	2 11/16	1 21/32
30	AELPL206	39.69	165	121	48	17	20	17	80	54
1 1/16	AELPL206-101	1 9/16	6 1/2	4 3/4	1 7/8	21/32	25/32	21/32	3 5/32	2 1/8
1 1/8	AELPL206-102	1 9/16	6 1/2	4 3/4	1 7/8	21/32	25/32	21/32	3 5/32	2 1/8
1 3/16	AELPL206-103	1 9/16	6 1/2	4 3/4	1 7/8	21/32	25/32	21/32	3 5/32	2 1/8
1 1/4	AELPL206-104	1 9/16	6 1/2	4 3/4	1 7/8	21/32	25/32	21/32	3 5/32	2 1/8
35	AELPL207	46.04	167	127	48	17	20	18	91	54
1 1/4	AELPL207-104	1 13/16	6 9/16	5	1 7/8	21/32	25/32	23/32	3 19/32	2 1/8
1 5/16	AELPL207-105	1 13/16	6 9/16	5	1 7/8	21/32	25/32	23/32	3 19/32	2 1/8
1 3/8	AELPL207-106	1 13/16	6 9/16	5	1 7/8	21/32	25/32	23/32	3 19/32	2 1/8
1 7/16	AELPL207-107	1 13/16	6 9/16	5	1 7/8	21/32	25/32	23/32	3 19/32	2 1/8

B ₁	S	Bolt Size	Bearing Number	Housing Number	Mass
		mm inch			kg/lbs
28.6	6.5	M10	AEL201	PL201	0.6
1.126	0.256	3/8	AEL201-008	PL201	1.3
28.6	6.5	M10	AEL202	PL201	0.6
1.126	0.256	3/8	AEL202-009	PL201	1.3
			AEL202-010	PL201	1.3
28.6	6.5	M10	AEL203	PL201	0.6
1.126	0.256	3/8	AEL203-011	PL201	1.1
31	7.5	M10	AEL204	PL204	0.7
1.22	0.295	3/8	AEL204-012	PL204	1.5
31	7.5	M10	AEL205	PL205	0.8
			AEL205-013	PL205	
1.2200	0.295	3/8	AEL205-014	PL205	1.8
			AEL205-015	PL205	
			AEL205-100	PL205	
35.7	9	M14	AEL206	PL206	1.2
1.406	0.354	1/2	AEL206-101	PL206	2.6
			AEL206-102	PL206	
			AEL206-103	PL206	
			AEL206-104	PL206	
38.9	9.5	M14	AEL207	PL207	1.5
			AEL207-104	PL207	
1.531	0.374	1/2	AEL207-105	PL207	3.5
			AEL207-106	PL207	
			AEL207-107	PL207	

■ Set Screw Type - UCHP Series (Previously Call UCPH) (High Center Height)

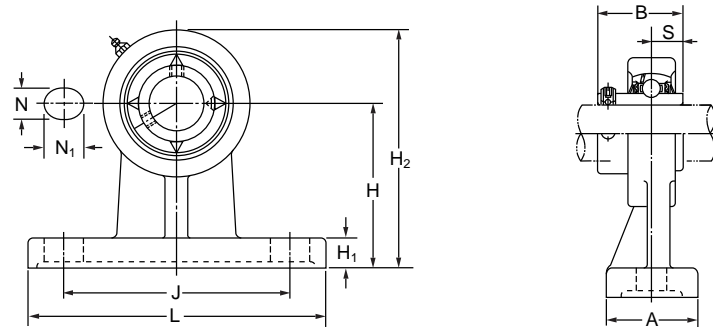


Shaft Dia.	Unit Number	Basic Dimensions											
		H		L	J	A	N	N ₁		H ₁	H ₂	B	
mm inch		mm	inch	mm	inch	mm	inch	mm	inch	mm	inch	mm	inch
12	UCHP201	70	127	95	40	13	19	13	101	31			
1/2	UCHP201-008	2 3/4	5	3 3/4	1 9/16	1/2	3/4	1/2	3 31/32	1.2205			
15	UCHP202	70	127	95	40	13	19	13	101	31			
9/16	UCHP202-009	2 3/4	5	3 3/4	1 9/16	1/2	3/4	1/2	3 31/32	1.2205			
5/8	UCHP202-010	2 3/4	5	3 3/4	1 9/16	1/2	3/4	1/2	3 31/32	1.2205			
17	UCHP203	70	127	95	40	13	19	13	101	31			
11/16	UCHP203-011	2 3/4	5	3 3/4	1 9/16	1/2	3/4	1/2	3 31/32	1.2205			
20	UCHP204	70	127	95	40	13	19	13	101	31			
3/4	UCHP204-012	2 3/4	5	3 3/4	1 9/16	1/2	3/4	1/2	3 31/32	1.2205			
25	UCHP205	80	142	105	50	13	19	13	114	34.1			
13/16	UCHP205-013												
7/8	UCHP205-014												
15/16	UCHP205-015												
1	UCHP205-100	3 5/32	5 19/32	4 1/8	1 31/32	1/2	3/4	1/2	4 1/2	1.3425			
30	UCHP206	90	165	120	50	17	21	16	130	38.1			
1 1/16	UCHP206-101												
1 1/8	UCHP206-102												
1 3/16	UCHP206-103												
1 1/4	UCHP206-104	3 35/64	6 1/2	4 23/32	1 31/32	21/32	13/16	5/8	5 1/8	1.5000			
35	UCHP207	95	166	127	60	17	21	18	140	42.9			
1 1/4	UCHP207-104												
1 5/16	UCHP207-104												
1 3/8	UCHP207-106												
1 7/16	UCHP207-107	3 47/64	6 17/32	5	2 3/8	21/32	13/16	23/32	5 1/2	1.6890			
40	UCHP208	100	184	136	70	17	21	20	150	49.2			
1 1/2	UCHP208-108												
1 9/16	UCHP208-109	3 15/16	7 1/4	5 11/32	2 3/4	21/32	13/16	25/32	5 29/32	1.9370			

	Bolt Size	Bearing Number	Housing Number	Mass
S	mm inch			kg/lbs
12.7	M10	UC201	HP204	1.0
0.5	3/8	UC201-008	HP204	2.2
12.7	M10	UC202	HP204	2.0
0.5	3/8	UC202-009	HP204	2.2
		UC202-010	HP204	
12.7	M10	UC203	HP204	1.0
0.5	3/8	UC203-011	HP204	2.2
12.7	M10	UC204	HP204	1.0
0.5	3/8	UC204-012	HP204	2.2
14.3	M10	UC205	HP205	1.2
		UC205-013	HP205	
0.563	3/8	UC205-014	HP205	2.6
		UC205-015	HP205	
		UC205-100	HP205	
15.9	M14	UC206	HP206	1.8
0.626	1/2	UC206-101	HP206	
		UC206-102	HP206	
		UC206-103	HP206	
		UC206-104	HP206	
17.5	M14	UC207	HP207	2.4
		UC207-104	HP207	
0.689	1/2	UC207-105	HP207	5.3
		UC207-106	HP207	
		UC207-107	HP207	
19	M14	UC208	HP208	3.4
0.748	1/2	UC208-108	HP208	7.5
		UC208-109	HP208	



■ Set Screw Type - UCHP Series (Previously Call UCPH) (High Center Height)

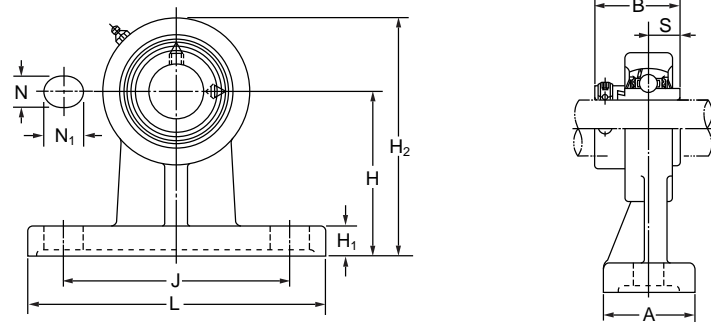


Shaft Dia.	Unit Number	Basic Dimensions								
		H	L	J	A	N	N ₁	H ₁	H ₂	B
45	UCHP209	105	190	146	70	17	22	20	158	49.2
1 5/8	UCHP209-110									
1 11/16	UCHP209-111	4 9/64	7 15/32	5 3/4	2 3/4	21/32	7/8	25/32	6 7/32	1.937
1 3/4	UCHP209-112									
50	UCHP210	110	206	159	70	20	22	22	165	51.6
1 13/16	UCHP210-113									
1 7/8	UCHP210-114	4 21/64	8 1/8	6 1/4	2 3/4	25/32	7/8	7/8	6 1/2	2.0315
1 15/16	UCHP210-115									
2	UCHP210-200									

	Bolt Size	Bearing Number	Housing Number	Mass
S	mm inch			kg/lbs
19	M14	UC209	HP209	3.7
0.748	1/2	UC209-110	HP209	8.2
		UC209-111	HP209	
		UC209-112	HP209	
19	M16	UC210	HP210	4.1
0.748	5/8	UC210-113	HP210	9.0
		UC210-114	HP210	
		UC210-115	HP210	
		UC210-200	HP210	



■ Eccentric Locking Collar Type - UELHP 200 Series (High Center Height)

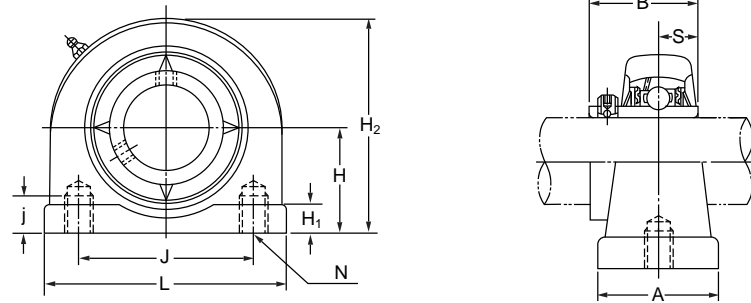


Shaft Dia.	Unit Number	Basic Dimensions								
		H	L	J	A	N	N ₁	H ₁	H ₂	B
mm inch		mm inch								
20	UELHP204	70	127	95	40	13	19	13	101	43.7
3/4	UELHP204-012	2 3/4	5	3 3/4	1 9/16	1/2	3/4	1/2	3 31/32	1.720
25	UELHP205	80	142	105	50	13	19	13	114	44.4
13/16	UELHP205-013	3 5/32	5 19/32	4 1/8	1 31/32	1/2	3/4	1/2	4 1/2	1.748
7/8	UELHP205-014									
15/16	UELHP205-015									
1	UELHP205-100									
30	UELHP206	90	165	120	50	17	21	16	130	48.4
1 1/16	UELHP206-101	3 35/64	6 1/2	4 23/32	1 31/32	21/32	13/16	5/8	5 1/8	1.906
1 1/8	UELHP206-102									
1 3/16	UELHP206-103									
1 1/4	UELHP206-104									
35	UELHP207	95	166	127	60	17	21	18	140	51.1
1 1/4	UELHP207-104	3 47/64	6 17/32	5	2 3/8	21/32	13/16	23/32	5 1/2	2.012
1 5/16	UELHP207-105									
1 3/8	UELHP207-106									
1 7/16	UELHP207-107									
40	UELHP208	100	184	136	70	17	21	20	150	56.3
1 1/2	UELHP208-108	3 15/16	7 1/4	5 11/32	2 3/4	21/32	13/16	25/32	5 29/32	2.217
1 9/16	UELHP208-109									
45	UELHP209	105	190	146	70	17	22	20	158	56.3
1 5/8	UELHP209-110	4 9/64	7 15/32	5 3/4	2 3/4	21/32	7/8	25/32	6 7/32	2.217
1 11/16	UELHP209-111									
1 3/4	UELHP209-112									
50	UELHP210	110	206	159	70	20	22	22	165	62.7
1 13/16	UELHP210-113	4 21/64	8 1/8	6 1/4	2 3/4	25/32	7/8	7/8	6 1/2	2.469
1 7/8	UELHP210-114									
1 15/16	UELHP210-115									
2	UELHP210-200									

	Bolt Size	Bearing Number	Housing Number	Mass
S	mm inch			kg/lbs
17.1	M10	UEL204	HP204	1.1
0.673	3/8	UEL204-012	HP204	2.4
17.5	M10	UEL205	HP205	1.3
0.689	3/8	UEL205-013	HP205	2.9
		UEL205-014	HP205	
		UEL205-015	HP205	
		UEL205-100	HP205	
18.3	M14	UEL206	HP206	1.9
0.720	1/2	UEL206-101	HP206	4.2
		UEL206-102	HP206	
		UEL206-103	HP206	
		UEL206-104	HP206	
18.8	M14	UEL207	HP207	2.5
0.740	1/2	UEL207-104	HP207	5.5
		UEL207-105	HP207	
		UEL207-106	HP207	
		UEL207-107	HP207	
21.4	M14	UEL208	HP208	3.5
0.843	1/2	UEL208-108	HP208	7.7
		UEL208-109	HP208	
21.4	M14	UEL209	HP209	3.9
0.843	1/2	UEL209-110	HP209	8.6
		UEL209-111	HP209	
		UEL209-112	HP209	
24.6	M16	UEL210	HP210	4.3
0.969	5/8	UEL210-113	HP210	9.5
		UEL210-114	HP210	
		UEL210-115	HP210	
		UEL210-200	HP210	



■ Set Screw Type - UCPA Series

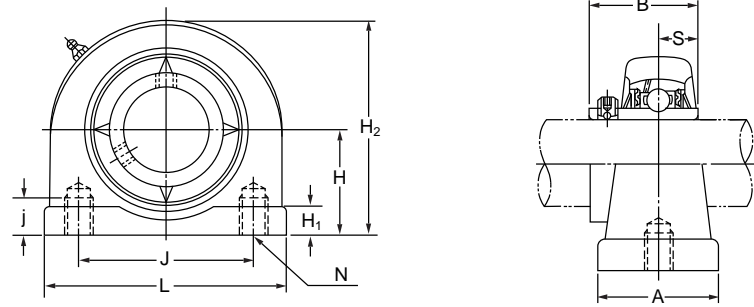


Shaft Dia.	Unit Number	Basic Dimensions									
		H	L	J	A	j	H ₁	H ₂	B	S	
12	UCPA201	30.2	76	52	40	13	11	62	31	12.7	
1/2	UCPA201-008	1 3/16	3	2 1/16	1 1/2	1/2	7/16	2 7/16	1.2205	0.500	
15	UCPA202	30.2	76	52	40	13	11	62	31	12.7	
9/16	UCPA202-009	1 3/16	3	2 1/16	1 1/2	1/2	7/16	2 7/16	1.2205	0.500	
5/8	UCPA202-010	1 3/16	3	2 1/16	1 1/2	1/2	7/16	2 7/16	1.2205	0.500	
17	UCPA203	30.2	76	52	40	13	11	62	31	12.7	
11/16	UCPA203-011	1 3/16	3	2 1/16	1 1/2	1/2	7/16	2 7/16	1.2205	0.500	
20	UCPA204	30.2	76	52	40	13	11	62	31	12.7	
3/4	UCPA204-012	1 3/16	3	2 1/16	1 1/2	1/2	7/16	2 7/16	1.2205	0.500	
25	UCPA205	36.5	83	56	44	15	12	72	34.1	14.3	
13/16	UCPA205-013	1 7/16	3 5/16	2 7/32	1 1/2	19/32	15/32	2 27/32	1.3425	0.563	
7/8	UCPA205-014	1 7/16	3 5/16	2 7/32	1 1/2	19/32	15/32	2 27/32	1.3425	0.563	
15/16	UCPA205-015	1 7/16	3 5/16	2 7/32	1 1/2	19/32	15/32	2 27/32	1.3425	0.563	
1	UCPA205-100	1 7/16	3 5/16	2 7/32	1 1/2	19/32	15/32	2 27/32	1.3425	0.563	
30	UCPA206	42.9	95	66	50	18	12	84	38.1	15.9	
1 1/16	UCPA206-101	1 11/16	3 11/16	2 19/32	1 7/8	23/32	15/32	3 5/16	1.5000	0.6290	
1 1/8	UCPA206-102	1 11/16	3 11/16	2 19/32	1 7/8	23/32	15/32	3 5/16	1.5000	0.6290	
1 3/16	UCPA206-103	1 11/16	3 11/16	2 19/32	1 7/8	23/32	15/32	3 5/16	1.5000	0.6290	
1 1/4	UCPA206-104	1 11/16	3 11/16	2 19/32	1 7/8	23/32	15/32	3 5/16	1.5000	0.6290	
35	UCPA207	47.6	113	80	56	20	13	95	42.9	17.5	
1 1/4	UCPA207-104	1 7/8	4 11/32	3 5/32	1 7/8	25/32	1/2	3 3/4	1.6890	0.6890	
1 5/16	UCPA207-105	1 7/8	4 11/32	3 5/32	1 7/8	25/32	1/2	3 3/4	1.6890	0.6890	
1 3/8	UCPA207-106	1 7/8	4 11/32	3 5/32	1 7/8	25/32	1/2	3 3/4	1.6890	0.6890	
1 7/16	UCPA207-107	1 7/8	4 11/32	3 5/32	1 7/8	25/32	1/2	3 3/4	1.6890	0.6890	
40	UCPA208	49.2	116	84	58	20	13	100	49.2	19	
1 1/2	UCPA208-108	1 15/16	4 9/16	3 5/16	2 1/8	25/32	1/2	3 15/16	1.9370	0.7480	
1 9/16	UCPA208-109	1 15/16	4 9/16	3 5/16	2 1/8	25/32	1/2	3 15/16	1.9370	0.7480	

	Bearing Number	Housing Number	Mass
N			kg/lbs
M10 X 1.5	UC201	PA204	0.6
	UC201-008	PA204	1.3
M10 X 1.5	UC202	PA204	0.6
	UC202-009	PA204	1.3
	UC202-010	PA204	1.3
M10 X 1.5	UC203	PA204	0.6
	UC203-011	PA204	1.3
M10 X 1.5	UC204	PA204	0.6
	UC204-012	PA204	1.3
M10 X 1.5	UC205	PA205	0.8
	UC205-013	PA205	1.8
	UC205-014	PA205	1.8
	UC205-015	PA205	1.8
	UC205-100	PA205	1.8
M14 X 2	UC206	PA206	1.2
	UC206-101	PA206	2.6
	UC206-102	PA206	2.6
	UC206-103	PA206	2.6
	UC206-104	PA206	2.6
M14 X 2	UC207	PA207	1.7
	UC207-104	PA207	3.7
	UC207-105	PA207	3.7
	UC207-106	PA207	3.7
	UC207-107	PA207	3.7
M14 X 2	UC208	PA208	2.0
	UC208-108	PA208	4.4
	UC208-109	PA208	4.4



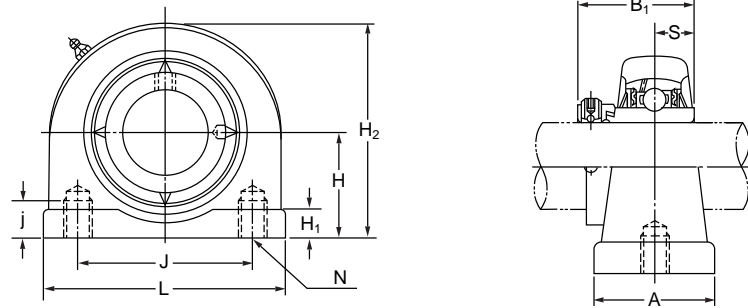
■ Set Screw Type - UCPA Series



Shaft Dia.	Unit Number	Basic Dimensions								
		H	L	J	A	j	H ₁	H ₂	B	S
45	UCPA209	54.2	123	90	62	25	13	108	49.2	19
1 5/8	UCPA209-110									
1 11/16	UCPA209-111	2 1/8	4 23/32	3 17/32	2 1/8	31/32	1/2	4 1/4	1.9370	0.748
1 3/4	UCPA209-112									
50	UCPA210	57.2	130	94	65	25	14	116	51.6	19
1 13/16	UCPA210-113									
1 7/8	UCPA210-114	2 1/4	5 1/8	3 11/16	2 3/8	31/32	9/16	4 9/16	2.0315	0.748
1 15/16	UCPA210-115									
2	UCPA210-200									

	Bearing Number	Housing Number	Mass
N			kg/lbs
M14 X 2	UC209	PA209	2.2
	UC209-110	PA209	
	UC209-111	PA209	4.9
	UC209-112	PA209	
M16 X 2	UC210	PA210	2.9
	UC210-113	PA210	
	UC210-114	PA210	6.4
	UC210-115	PA210	
	UC210-200	PA210	

■ Eccentric Locking Collar Type - UELUP 200 Series



Shaft Dia.	Unit Number	Basic Dimensions								
		H	L	J	A	j	H ₁	H ₂	B	S
20	UELPA204	30.2	76	52	40	13	11	62	43.7	17.1
3/4	UELPA204-012	1 3/16	3	2 1/16	1 1/2	1/2	7/16	2 7/16	1.72	0.673
25	UELPA205	36.5	83	56	44	15	12	72	44.4	17.5
13/16	UELPA205-013	1 7/16	3 5/16	2 7/32	1 1/2	19/32	15/32	2 27/32	1.748	0.689
7/8	UELPA205-014									
15/16	UELPA205-015									
1	UELPA205-100									
30	UELPA206	42.9	95	66	50	18	12	84	48.4	18.3
1 1/16	UELPA206-101	1 11/16	3 11/16	2 19/32	1 7/8	23/32	15/32	3 5/16	1.906	0.720
1 1/8	UELPA206-102									
1 3/16	UELPA206-103									
1 1/4	UELPA206-104									
35	UELPA207	47.6	113	80	56	20	13	95	51.1	18.8
1 1/4	UELPA207-104	1 7/8	4 11/32	3 5/32	1 7/8	25/32	1/2	3 3/4	2.012	0.740
1 5/16	UELPA207-105									
1 3/8	UELPA207-106									
1 7/16	UELPA207-107									
40	UELPA208	49.2	116	84	58	20	13	100	56.3	21.4
1 1/2	UELPA208-108	1 15/16	4 9/16	3 5/16	2 1/8	25/32	1/2	3 15/16	2.217	0.843
1 9/16	UELPA208-109									
45	UELPA209	54.2	123	90	62	25	13	108	56.3	21.4
1 5/8	UELPA209-110	2 1/8	4 23/32	3 17/32	2 1/8	31/32	1/2	4 1/4	2.217	0.843
1 11/16	UELPA209-111									
1 3/4	UELPA209-112									
50	UELPA210	57.2	130	94	65	25	14	116	62.7	24.6
1 13/16	UELPA210-113	2 1/4	5 1/8	3 11/16	2 3/8	31/32	9/16	4 9/16	2.469	0.969
1 7/8	UELPA210-114									
1 15/16	UELPA210-115									
2	UELPA210-200									

1.15

	Bearing Number	Housing Number	Mass
N			kg/lbs
M10 X 1.5	UEL204	PA204	0.7
M10 X 1.5	UEL204-012	PA204	1.5
M10 X 1.5	UEL205	PA205	0.9
M10 X 1.5	UEL205-013	PA205	2.0
	UEL205-014	PA205	
	UEL205-015	PA205	
	UEL205-100	PA205	
M14 X 2	UEL206	PA206	1.3
M14 X 2	UEL206-101	PA206	2.9
	UEL206-102	PA206	
	UEL206-103	PA206	
	UEL206-104	PA206	
M14 X 2	UEL207	PA207	1.8
M14 X 2	UEL207-104	PA207	4.0
	UEL207-105	PA207	
	UEL207-106	PA207	
	UEL207-107	PA207	
M14 X 2	UEL208	PA208	2.1
M14 X 2	UEL208-108	PA208	4.6
	UEL208-109	PA208	
M14 X 2	UEL209	PA209	2.4
M14 X 2	UEL209-110	PA209	5.3
	UEL209-111	PA209	
	UEL209-112	PA209	
M16 X 2	UEL210	PA210	3.1
M16 X 2	UEL210-113	PA210	6.8
	UEL210-114	PA210	
	UEL210-115	PA210	
	UEL210-200	PA210	



Note: All stainless steel housing can be supplied with solid base as an option.

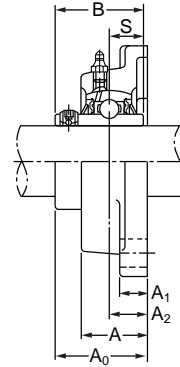
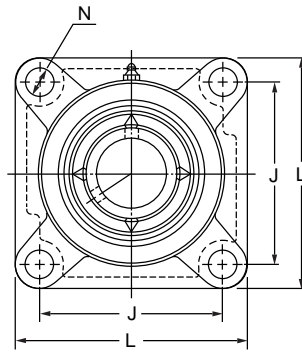
Flanged Unit

		Page
2.01	4 Bolt - Square, Set Screw Type - UCF 200 Series	67
2.02	4 Bolt - Square, Set Screw Type - UCFX Series	73
2.03	4 Bolt - Square, Set Screw Type - UCF 300 Series	77
2.04	4 Bolt - Square, Taper Bored with Adapter Sleeve - UKF 200 Series	83
2.05	4 Bolt - Square, Taper Bored with Adapter Sleeve - UKFX Series	87
2.06	4 Bolt - Square, Taper Bored with Adapter Sleeve - UKF 300 Series	91
2.07	4 Bolt - Square, Eccentric Locking Collar Type - UELF 200 Series	95
2.08	4 Bolt - Square, Eccentric Locking Collar Type - UELF 300 Series	99
2.09	4 Bolt - Round, Set Screw Type - UCFC 200 Series	105
2.10	4 Bolt - Round, Set Screw Type - UCFCX Series	111
2.11	4 Bolt - Round, Taper Bored with Adapter Sleeve - UKFC 200 Series	115
2.12	4 Bolt - Round, Taper Bored with Adapter Sleeve - UKFCX Series	119
2.13	4 Bolt - Round, Eccentric Locking Collar Type - UELFC 200 Series	123
2.14	2 Bolt - Oval, Set Screw Type - UCFL 200 Series	127
2.15	2 Bolt - Oval, Set Screw Type - UCFLX Series	133
2.16	2 Bolt - Oval, Set Screw Type - UCFL 300 Series	135
2.17	2 Bolt - Oval, Taper Bored with Adapter Sleeve - UKFL 200 Series	141
2.18	2 Bolt - Oval, Taper Bored with Adapter Sleeve - UKFLX Series	145
2.19	2 Bolt - Oval, Taper Bored with Adapter Sleeve - UKFL 300 Series	147
2.20	2 Bolt - Oval, Eccentric Locking Collar Type - UELFL 200 Series	151
2.21	2 Bolt - Oval, Eccentric Locking Collar Type - UELFL 300 Series	155
2.22	2 Bolt - Oval, Set Screw Type - ASFD 200 Series	161
2.23	2 Bolt - Oval, Eccentric Locking Collar Type - AELFLD 200 Series	163
2.24	Adjustable, Set Screw Type - UCFA 2 Series	165
2.25	3 Bolt Bracket, Set Screw Type - UCFH 200 Series	169

Flanged Unit (4 Bolt - Square)



■ Set Screw Type - UCF 200 Series



Shaft Dia. mm inch	* Unit Number	Basic Dimensions											
		L		J		A ₂		A ₁		A		N	A ₀
12	UCF201	86	64	15	12	25.5	12	33.3	31				
1/2	UCF201-008	3 3/8	2 33/64	19/32	7/16	1	15/32	1 5/16	1.2205				
15	UCF202	86	64	15	12	25.5	12	33.3	31				
9/16	UCF202-009	3 3/8	2 33/64	19/32	7/16	1	15/32	1 5/16	1.2205				
5/8	UCF202-010	3 3/8	2 33/64	19/32	7/16	1	15/32	1 5/16	1.2205				
17	UCF203	86	64	15	12	25.5	12	33.3	31				
11/16	UCF203-011	3 3/8	2 33/64	19/32	7/16	1	15/32	1 5/16	1.2205				
20	UCF204	86	64	15	12	25.5	12	33.3	31				
3/4	UCF204-012	3 3/8	2 33/64	19/32	7/16	1	15/32	1 5/16	1.2205				
25	UCF205	95	70	16	14	27	12	35.8	34.1				
13/16	UCF205-013	3 3/4	2 3/4	5/8	1/2	1 1/16	15/32	1 13/32	1.3425				
7/8	UCF205-014	3 3/4	2 3/4	5/8	1/2	1 1/16	15/32	1 13/32	1.3425				
15/16	UCF205-015	3 3/4	2 3/4	5/8	1/2	1 1/16	15/32	1 13/32	1.3425				
1	UCF205-100	3 3/4	2 3/4	5/8	1/2	1 1/16	15/32	1 13/32	1.3425				
30	UCF206	108	83	18	14	31	12	40.2	38.1				
1 1/16	UCF206-101	4 1/4	3 17/64	45/64	1/2	1 7/32	15/32	1 37/64	1.5000				
1 1/8	UCF206-102	4 1/4	3 17/64	45/64	1/2	1 7/32	15/32	1 37/64	1.5000				
1 3/16	UCF206-103	4 1/4	3 17/64	45/64	1/2	1 7/32	15/32	1 37/64	1.5000				
1 1/4	UCF206-104	4 1/4	3 17/64	45/64	1/2	1 7/32	15/32	1 37/64	1.5000				
35	UCF207	117	92	19	16	34	14	44.4	42.9				
1 1/4	UCF207-104	4 19/32	3 5/8	3/4	19/32	1 11/32	35/64	1 3/4	1.6890				
1 5/16	UCF207-105	4 19/32	3 5/8	3/4	19/32	1 11/32	35/64	1 3/4	1.6890				
1 3/8	UCF207-106	4 19/32	3 5/8	3/4	19/32	1 11/32	35/64	1 3/4	1.6890				
1 7/16	UCF207-107	4 19/32	3 5/8	3/4	19/32	1 11/32	35/64	1 3/4	1.6890				
40	UCF208	130	102	21	16	36	16	51.2	49.2				
1 1/2	UCF208-108	5 1/8	4 1/64	53/64	19/32	1 13/32	5/8	2 1/64	1.9370				
1 9/16	UCF208-109	5 1/8	4 1/64	53/64	19/32	1 13/32	5/8	2 1/64	1.9370				
45	UCF209	137	105	22	18	38	16	52.2	49.2				
1 5/8	UCF209-110	5 13/32	4 9/64	55/64	5/8	1 1/2	5/8	2 1/16	1.9370				
1 11/16	UCF209-111	5 13/32	4 9/64	55/64	5/8	1 1/2	5/8	2 1/16	1.9370				
1 3/4	UCF209-112	5 13/32	4 9/64	55/64	5/8	1 1/2	5/8	2 1/16	1.9370				



Flanged Unit (4 Bolt - Square)

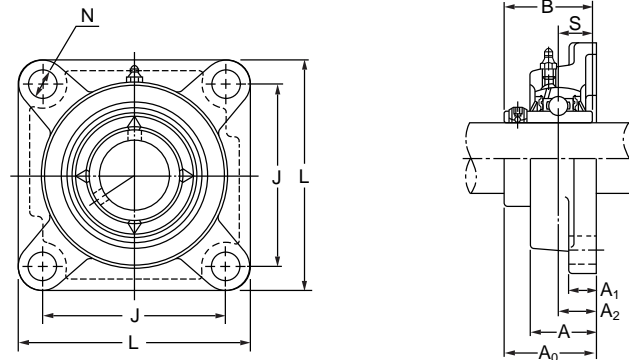
* Denotation
 UCF : Cast Housing with chrome steel bearing inserts.
 MUCF : Stainless Steel Housing with stainless steel bearing inserts.
 MUCFPL...SB : Plastic Housing with stainless steel bearing inserts.

S	Bolt Size	Bearing Number	Housing Number	Mass (kg/lbs)		
				UCF	MUCF	MUCFPL...SB
12.7	M10	UC201	F204	0.7	-	0.1
0.500	3/8	UC201-008	F204	1.5	-	0.2
12.7	M10	UC202	F204	0.7	-	0.1
0.500	3/8	UC202-009 UC202-010	F204 F204	1.5	-	0.2
12.7	M10	UC203	F204	0.6	-	0.1
0.500	3/8	UC203-011	F204	1.3	-	0.2
12.7	M10	UC204	F204	0.6	0.6	0.1
0.500	3/8	UC204-012	F204	1.3	1.3	0.2
14.3	M10	UC205	F205	0.8	0.9	0.2
0.563	3/8	UC205-013 UC205-014 UC205-015 UC205-100	F205 F205 F205 F205	1.8	2.0	0.4
15.9	M10	UC206	F206	1.0	1.1	0.2
0.626	3/8	UC206-101 UC206-102 UC206-103 UC206-104	F206 F206 F206 F206	2.2	2.4	0.4
17.5	M12	UC207	F207	1.4	1.6	0.3
0.689	7/16	UC207-104 UC207-105 UC207-106 UC207-107	F207 F207 F207 F207	3.1	3.5	0.7
19	M14	UC208	F208	1.8	1.9	0.3
0.748	1/2	UC208-108 UC208-109	F208 F208	4.0	4.2	0.7
19	M14	UC209	F209	2.2	2.4	-
0.748	1/2	UC209-110 UC209-111 UC209-112	F209 F209 F209	4.9	5.3	-

Flanged Unit (4 Bolt - Square)



■ Set Screw Type - UCF 200 Series



Shaft Dia. mm inch	* Unit Number	Basic Dimensions							
		mm inch							
		L	J	A ₂	A ₁	A	N	A ₀	B
50	UCF210	143	111	22	18	40	16	54.6	51.6
1 13/16	UCF210-113								
1 7/8	UCF210-114								
1 15/16	UCF210-115	5 5/8	4 3/8	55/64	5/8	1 9/16	5/8	2 5/32	2.0315
2	UCF210-200								
55	UCF211	162	130	25	20	43	19	58.4	55.6
2	UCF211-200								
2 1/16	UCF211-201								
2 1/8	UCF211-202	6 3/8	5 1/8	63/64	23/32	1 11/16	3/4	2 19/64	2.1890
2 3/16	UCF211-203								
60	UCF212	175	143	29	20	48	19	68.7	65.1
2 1/4	UCF212-204								
2 5/16	UCF212-205								
2 3/8	UCF212-206	6 7/8	5 5/8	1 9/64	23/32	1 7/8	3/4	2 45/64	2.5630
2 7/16	UCF212-207								
65	UCF213	187	149	30	22	50	19	69.7	65.1
2 1/2	UCF213-208								
2 9/16	UCF213-209	7 3/8	5 55/64	1 3/16	7/8	1 31/32	3/4	2 3/4	2.5630
70	UCF214	193	152	31	22	54	19	75.4	74.6
2 5/8	UCF214-210								
2 11/16	UCF214-211	7 19/32	5 63/64	1 7/32	7/8	2 1/8	3/4	2 31/32	2.9370
2 3/4	UCF214-212								
75	UCF215	200	159	34	22	56	19	78.5	77.8
2 13/16	UCF215-213								
2 7/8	UCF215-214	7 7/8	6 17/64	1 11/32	7/8	2 7/32	3/4	3 3/32	3.0630
2 15/16	UCF215-215								
3	UCF215-300								
80	UCF216	208	165	34	23	58	23	83.3	82.6
3 1/16	UCF216-301								
3 1/8	UCF216-302	8 3/16	6 1/2	1 11/32	7/8	2 9/32	29/32	3 9/32	3.2520
3 3/16	UCF216-303								



Flanged Unit (4 Bolt - Square)

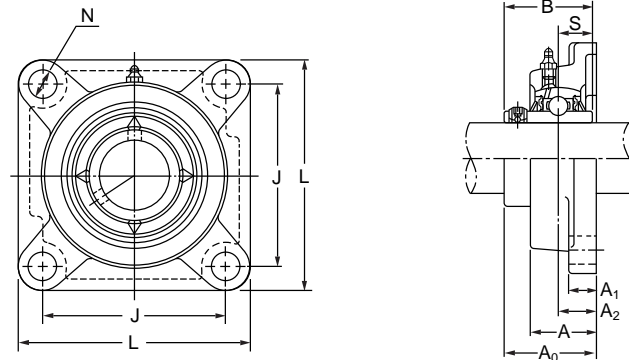
* Denotation
 UCF : Cast Housing with chrome steel bearing inserts.
 MUCF : Stainless Steel Housing with stainless steel bearing inserts.
 MUCFPL...SB : Plastic Housing with stainless steel bearing inserts.

S	Bolt Size mm inch	Bearing Number	Housing Number	Mass (kg/lbs)		
				UCF	MUCF	MUCFPL...SB
19	M14	UC210	F210	2.4	2.6	-
		UC210-113	F210			
0.748	1/2	UC210-114	F210	5.3	5.7	-
		UC210-115	F210			
		UC210-200	F210			
22.2	M16	UC211	F211	3.6	3.5	-
		UC211-200	F211			
0.874	5/8	UC211-201	F211	7.9	7.7	-
		UC211-202	F211			
		UC211-203	F211			
25.4	M16	UC212	F212	4.4	4.2	-
		UC212-204	F212			
1.000	5/8	UC212-205	F212	9.7	9.2	-
		UC212-206	F212			
		UC212-207	F212			
25.4	M16	UC213	F213	5.5	-	-
		UC213-208	F213	12	-	-
1.000	5/8	UC213-209	F213			
30.2	M16	UC214	F214	6.1	-	-
		UC214-210	F214			
1.189	5/8	UC214-211	F214	13	-	-
		UC214-212	F214			
33.3	M16	UC215	F215	6.9	-	-
		UC215-213	F215			
1.311	5/8	UC215-214	F215	15	-	-
		UC215-215	F215			
		UC215-300	F215			
33.3	M20	UC216	F216	8.1	-	-
		UC216-301	F216			
1.311	3/4	UC216-302	F216	18	-	-
		UC216-303	F216			

Flanged Unit (4 Bolt - Square)



■ Set Screw Type - UCF 200 Series



Shaft Dia.	* Unit Number	Basic Dimensions							
		mm		inch		mm		inch	
mm		L	J	A ₂	A ₁	A	N	A ₀	B
85	UCF217	220	175	36	24	63	23	87.6	85.7
3 1/4	UCF217-304								
3 5/16	UCF217-305	8 21/32	6 57/64	1 27/64	15/16	2 15/32	29/32	3 29/64	3.3740
3 7/16	UCF217-307								
90	UCF218	235	187	40	24	68	23	96.3	96
3 1/2	UCF218-308	9 1/4	7 23/64	1 37/64	15/16	2 11/16	29/32	3 51/64	3.7795



Flanged Unit (4 Bolt - Square)

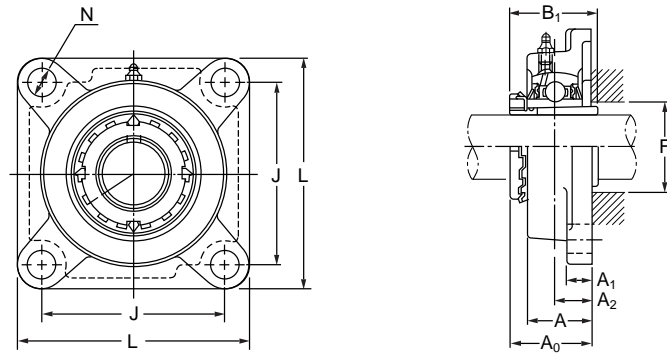
* Denotation
 UCF : Cast Housing with chrome steel bearing inserts.
 MUCF : Stainless Steel Housing with stainless steel bearing inserts.
 MUCFPL...SB : Plastic Housing with stainless steel bearing inserts.

S	Bolt Size	Bearing Number	Housing Number	Mass (kg/lbs)		
				UCF	MUCF	MUCFPL...SB
34.1	M20	UC217	F217	9.3	-	-
		UC217-304	F217			
1.343	3/4	UC217-305	F217	21	-	-
		UC217-307	F217			
39.7	M20	UC218	F218	11	-	-
1.563	3/4	UC218-308	F218	24	-	-

Flanged Unit Cast Housing (4 Bolt - Square)



■ Set Screw Type - UCFX Series



Shaft Dia.	Unit Number	Basic Dimensions							
		mm		inch		mm		inch	
mm inch		L	J	A ₂	A ₁	A	N	A ₀	B
25	UCFX05	108	83	18	13	30	12	40.2	38.1
13/16	UCFX05-013								
7/8	UCFX05-014								
15/16	UCFX05-015	4 1/4	3 17/64	45/64	1/2	1 3/16	15/32	1 37/64	1.5000
1	UCFX05-100								
30	UCFX06	117	92	19	14	34	16	44.4	42.9
1 1/16	UCFX06-101								
1 1/8	UCFX06-102								
1 3/16	UCFX06-103	4 19/32	3 5/8	3/4	9/16	1 11/32	5/8	1 3/4	1.6890
1 1/4	UCFX06-104								
35	UCFX07	130	102	21	14	38	16	51.2	49.2
1 5/16	UCFX07-105								
1 3/8	UCFX07-106	5 1/8	4 1/64	53/64	9/16	1 1/2	5/8	2 1/64	1.9370
1 7/16	UCFX07-107								
40	UCFX08	137	105	22	14	40	19	52.2	49.2
1 1/2	UCFX08-108								
1 9/16	UCFX08-109	5 13/32	4 9/64	55/64	9/16	1 9/16	3/4	2 1/16	1.9370
45	UCFX09	143	111	23	14	40	19	55.6	51.6
1 5/8	UCFX09-110								
1 11/16	UCFX09-111								
1 3/4	UCFX09-112	5 5/8	4 3/8	29/32	9/16	1 9/16	3/4	2 3/16	2.0315
1 13/16	UCFX09-113								
50	UCFX10	162	130	26	20	44	19	59.4	55.6
1 7/8	UCFX10-114								
1 15/16	UCFX10-115	6 3/8	5 1/8	1 1/32	25/32	1 23/32	3/4	2 11/32	2.1890
2	UCFX10-200								
55	UCFX11	175	143	29	20	49	19	68.7	65.1
2 1/16	UCFX11-201								
2 1/8	UCFX11-202								
2 3/16	UCFX11-203	6 7/8	5 5/8	1 9/64	25/32	1 15/16	3/4	2 45/64	2.5630
2 1/4	UCFX11-204								
2 5/16	UCFX11-205								



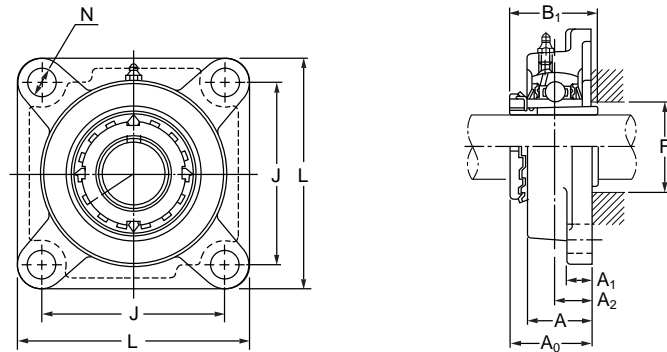
Flanged Unit Cast Housing (4 Bolt - Square)

	Bolt Size	Bearing Number	Housing Number	Mass
S	mm inch			UCF kg/lbs
15.9	M10	UCX05	FX05	1.0
		UCX05-013	FX05	
0.626	3/8	UCX05-014	FX05	2.2
		UCX05-015	FX05	
		UCX05-100	FX05	
17.5	M14	UCX06	FX06	1.7
		UCX06-101	FX06	
0.689	1/2	UCX06-102	FX06	3.7
		UCX06-103	FX06	
		UCX06-104	FX06	
19	M14	UCX07	FX07	2.1
		UCX07-105	FX07	
0.748	1/2	UCX07-106	FX07	4.6
		UCX07-107	FX07	
19	M16	UCX08	FX08	2.4
		UCX08-108	FX08	
0.748	5/8	UCX08-109	FX08	5.3
19	M16	UCX09	FX09	2.5
		UCX09-110	FX09	
0.748	5/8	UCX09-111	FX09	5.5
		UCX09-112	FX09	
		UCX09-113	FX09	
22.2	M16	UCX10	FX10	3.9
		UCX10-114	FX10	
0.874	5/8	UCX10-115	FX10	8.6
		UCX10-200	FX10	
25.4	M16	UCX11	FX11	4.9
		UCX11-201	FX11	
		UCX11-202	FX11	
1.000	5/8	UCX11-203	FX11	11
		UCX11-204	FX11	
		UCX11-205	FX11	

Flanged Unit Cast Housing (4 Bolt - Square)



■ Set Screw Type - UCFX Series



Shaft Dia.	Unit Number	Basic Dimensions							
		mm		inch		mm		inch	
mm inch		L	J	A ₂	A ₁	A	N	A ₀	B
60	UCFX12	187	149	34	21	59	19	73.7	65.1
2 3/8	UCFX12-206	7 3/8	5 55/64	1 11/32	13/16	2 5/16	3/4	2 29/32	2.5630
2 7/16	UCFX12-207								
65	UCFX13	187	149	34	21	59	19	78.4	74.6
2 1/2	UCFX13-208	7 3/8	5 55/64	1 11/32	13/16	2 5/16	3/4	3 3/32	2.9370
2 9/16	UCFX13-209								
70	UCFX14	197	152	37	24	60	23	81.5	77.8
2 5/8	UCFX14-210	7 3/4	5 63/64	1 29/64	15/16	2 3/8	29/32	3 13/64	3.0630
2 11/16	UCFX14-211								
2 3/4	UCFX14-212								
75	UCFX15	197	152	40	24	68	23	89.3	82.6
2 13/16	UCFX15-213	7 3/4	5 63/64	1 37/64	15/16	2 11/16	29/32	3 33/64	3.2520
2 7/8	UCFX15-214								
2 15/16	UCFX15-215								
3	UCFX15-300								
80	UCFX16	214	171	40	24	70	23	91.6	85.7
3 1/16	UCFX16-301	8 7/16	6 47/64	1 37/64	15/16	2 3/4	29/32	3 39/64	3.3740
3 1/8	UCFX16-302								
3 3/16	UCFX16-303								
3 1/4	UCFX16-304								
85	UCFX17	214	171	40	24	70	23	96.3	96
3 5/16	UCFX17-305	8 7/16	6 47/64	1 37/64	15/16	2 3/4	29/32	3 51/64	3.7795
3 7/16	UCFX17-307								
90	UCFX18	214	171	45	24	76	23	106.1	104
3 7/16	UCFX18-307	8 7/16	6 47/64	1 49/64	15/16	3	29/32	4 11/64	4.0945
3 1/2	UCFX18-308								
100	UCFX20	268	211	59	31	97	31	127.3	117.5
3 13/16	UCFX20-313	10 9/16	8 5/16	2 21/64	1 7/32	3 13/16	1 7/32	5 1/64	4.6260
3 7/8	UCFX20-314								
3 15/16	UCFX20-315								
4	UCFX20-400								



Flanged Unit Cast Housing (4 Bolt - Square)

	Bolt Size	Bearing Number	Housing Number	Mass
S	mm inch			UCF kg/lbs
25.4	M16	UCX12	FX12	5.2
1.000	5/8	UCX12-206	FX12	11
		UCX12-207	FX12	
30.2	M16	UCX13	FX13	5.3
1.189	5/8	UCX13-208	FX13	12
		UCX13-209	FX13	
33.3	M20	UCX14	FX14	7.3
1.311	3/4	UCX14-210	FX14	16
		UCX14-211	FX14	
		UCX14-212	FX14	
33.3	M20	UCX15	FX15	8.1
1.311	3/4	UCX15-213	FX15	18
		UCX15-214	FX15	
		UCX15-215	FX15	
		UCX15-300	FX15	
34.1	M20	UCX16	FX16	9.9
1.343	3/4	UCX16-301	FX16	22
		UCX16-302	FX16	
		UCX16-303	FX16	
		UCX16-304	FX16	
39.7	M20	UCX17	FX17	11
1.563	3/4	UCX17-305	FX17	24
		UCX17-307	FX17	
42.9	M20	UCX18	FX18	11
1.689	3/4	UCX18-307	FX18	24
		UCX18-308	FX18	
49.2	M27	UCX20	FX20	17
1.937	1	UCX20-313	FX20	37
		UCX20-314	FX20	
		UCX20-315	FX20	
		UCX20-400	FX20	



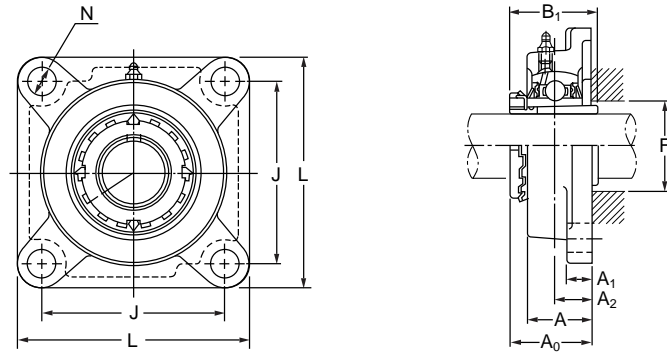
2.02

2.02

Flanged Unit Cast Housing (4 Bolt - Square)



■ Set Screw Type - UCF 300 Series



Shaft Dia.	Unit Number	Basic Dimensions							
		mm		inch		mm		inch	
mm inch		L	J	A ₂	A ₁	A	N	A ₀	B
25	UCF305	110	80	16	13	29	16	39	38
13/16	UCF305-013								
7/8	UCF305-014	4 11/32	3 5/32	5/8	1/2	1 5/32	5/8	1 17/32	1.4961
15/16	UCF305-015								
1	UCF305-100								
30	UCF306	125	95	18	15	32	16	44	43
1 1/16	UCF306-101								
1 1/8	UCF306-102	4 29/32	3 47/64	45/64	19/32	1 1/4	5/8	1 47/64	1.6929
1 3/16	UCF306-103								
35	UCF307	135	100	20	16	36	19	49	48
1 1/4	UCF307-104								
1 5/16	UCF307-105	5 5/16	3 15/16	25/32	5/8	1 13/32	3/4	1 59/64	1.8898
1 3/8	UCF307-106								
1 7/16	UCF307-107								
40	UCF308	150	112	23	17	40	19	56	52
1 1/2	UCF308-108								
1 9/16	UCF308-109	5 29/32	4 13/32	29/32	21/32	1 9/16	3/4	2 13/64	2.0472
45	UCF309	160	125	25	18	44	19	60	57
1 5/8	UCF309-110								
1 11/16	UCF309-111	6 5/16	4 59/64	63/64	23/32	1 23/32	3/4	2 23/64	2.2441
1 3/4	UCF309-112								
50	UCF310	175	132	28	19	48	23	67	61
1 13/16	UCF310-113								
1 7/8	UCF310-114	6 7/8	5 13/64	1 7/64	3/4	1 7/8	29/32	2 41/64	2.4016
1 15/16	UCF310-115								
55	UCF311	185	140	30	20	52	23	71	66
2	UCF311-200								
2 1/16	UCF311-201	7 9/32	5 33/64	1 3/16	25/32	2 1/16	29/32	2 51/64	2.5984
2 1/8	UCF311-202								
2 3/16	UCF311-203								



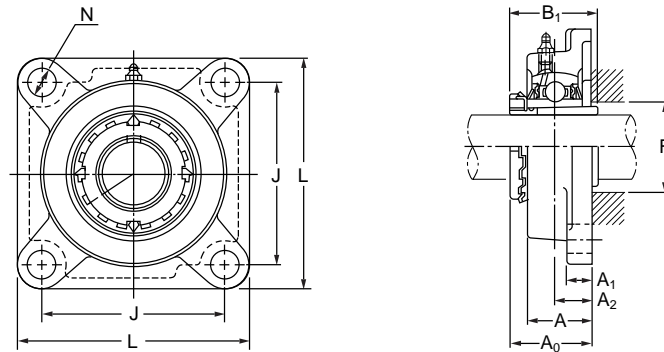
Flanged Unit Cast Housing (4 Bolt - Square)

	Bolt Size	Bearing Number	Housing Number	Mass
S	mm inch			UCF kg/lbs
15	M14	UC205	F305	1.1
		UC305-013	F305	
0.591	1/2	UC305-014	F305	2.4
		UC305-015	F305	
		UC305-100	F305	
17	M14	UC306	F306	1.6
		UC306-101	F306	
0.669	1/2	UC306-02	F306	3.5
		UC306-103	F306	
19	M16	UC307	F307	2.0
		UC307-104	F307	
0.748	5/8	UC307-105	F307	4.4
		UC307-106	F307	
		UC307-107	F307	
19	M16	UC308	F308	2.7
		UC308-108	F308	
0.748	5/8	UC308-109	F308	6.0
22	M16	UC309	F309	3.4
		UC309-110	F309	
0.866	5/8	UC309-111	F309	7.5
		UC309-112	F309	
22	M20	UC310	F310	4.5
		UC310-113	F310	
0.866	3/4	UC310-114	F310	9.9
		UC310-115	F310	
25	M20	UC311	F311	5.5
		UC311-200	F311	
0.984	3/4	UC311-201	F311	12
		UC311-202	F311	
		UC311-203	F311	

Flanged Unit Cast Housing (4 Bolt - Square)



■ Set Screw Type - UCF 300 Series



Shaft Dia.	Unit Number	Basic Dimensions							
		mm		inch		mm		inch	
mm inch		L	J	A ₂	A ₁	A	N	A ₀	B
60	UCF312	195	150	33	22	56	23	78	71
2 1/4	UCF312-204								
2 5/16	UCF312-205								
2 3/8	UCF312-206	7 11/16	5 29/32	1 19/64	7/8	2 7/32	29/32	3 5/64	2.7953
2 7/16	UCF312-207								
65	UCF313	208	166	33	22	58	23	78	75
2 1/2	UCF312-208								
2 9/16	UCF312-209	8 3/16	6 17/32	1 19/64	7/8	2 9/32	29/32	3 5/64	2.9528
70	UCF314	226	178	36	25	61	25	81	78
2 5/8	UCF314-210								
2 11/16	UCF314-211	8 29/32	6 1/64	1 27/64	31/32	2 13/32	63/64	3 3/16	3.0709
2 3/4	UCF314-212								
75	UCF315	236	184	39	25	66	25	89	82
2 13/16	UCF315-213								
2 7/8	UCF315-214								
2 15/16	UCF315-215	9 9/32	7 1/4	1 17/32	31/32	2 19/32	63/64	3 1/2	3.2283
3	UCF315-300								
80	UCF316	250	196	38	27	68	31	90	86
3 1/16	UCF316-301								
3 1/8	UCF316-302	9 27/32	7 23/32	1 1/2	1 1/16	2 11/16	1 7/32	3 35/64	3.3858
3 3/16	UCF316-303								
85	UCF317	260	204	44	27	74	31	100	96
3 1/4	UCF317-304								
3 5/16	UCF317-305	10 1/4	8 1/32	1 47/64	1 1/16	2 29/32	1 7/32	3 15/16	3.7795
3 7/16	UCF317-307								
90	UCF318	280	216	44	30	76	35	100	96
3 7/16	UCF318-307								
3 1/2	UCF318-308	11 1/32	8 1/2	1 47/64	1 3/16	3	1 3/8	3 15/16	3.7795
95	UCF319	290	228	59	30	94	35	121	103
3 5/8	UCF319-310								
3 11/16	UCF319-311	11 13/32	8 31/32	2 21/64	1 3/16	3 11/16	1 3/8	4 49/64	4.0551
3 3/4	UCF319-312								



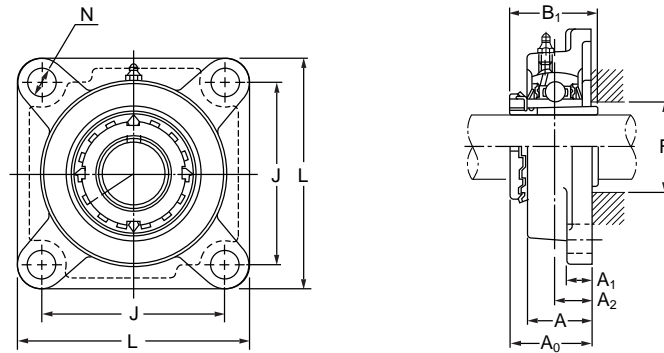
Flanged Unit Cast Housing (4 Bolt - Square)

	Bolt Size	Bearing Number	Housing Number	Mass
S	mm inch			UCF kg/lbs
26	M20	UC312	F312	6.5
		UC312-204	F312	
1.024	3/4	UC312-205	F312	14
		UC312-206	F312	
		UC312-207	F312	
30	M20	UC313	F313	7.9
		UC313-208	F313	
1.181	3/4	UC313-209	F313	17
33	M22	UC314	F314	9.5
		UC314-210	F314	
1.299	7/8	UC314-211	F314	21
		UC314-212	F314	
32	M22	UC315	F315	12
		UC315-213	F315	
1.26	7/8	UC315-214	F315	26
		UC315-215	F315	
		UC315-300	F315	
34	M27	UC316	F316	14
		UC316-301	F316	
1.339	1	UC316-302	F316	31
		UC316-303	F316	
40	M27	UC317	F317	16
		UC317-304	F317	
1.575	1	UC317-305	F317	35
		UC317-307	F317	
40	M30	UC318	F318	19
		UC318-307	F318	
1.575	1 1/8	UC318-308	F318	42
41	M300	UC319	F319	22
		UC319-310	F319	
1.614	1 1/8	UC319-311	F319	49
		UC319-312	F319	

Flanged Unit Cast Housing (4 Bolt - Square)



■ Set Screw Type - UCF 300 Series



Shaft Dia.	Unit Number	Basic Dimensions							
		mm		inch		mm		inch	
mm inch		L	J	A ₂	A ₁	A	N	A ₀	B
100	UCF320	310	242	59	32	94	38	125	108
3 13/16	UCF320-313								
3 7/8	UCF320-314								
3 15/16	UCF320-315	12 7/32	9 17/32	2 21/64	1 1/4	3 11/16	1 1/2	4 59/64	4.2520
4	UCF320-400								
105	UCF321	310	242	59	32	94	38	127	112
110	UCF322	340	266	60	35	96	41	131	117
120	UCF324	370	290	65	40	110	41	140	126
130	UCF326	410	320	65	45	115	41	146	135
140	UCF328	450	350	75	55	125	41	161	145



Flanged Unit Cast Housing (4 Bolt - Square)

	Bolt Size	Bearing Number	Housing Number	Mass
S	mm inch			UCF kg/lbs
42	M33	UC320	F320	26
		UC320-313	F320	
1.654	1 1/4	UC320-314	F320	57
		UC320-315	F320	
		UC320-400	F320	
44	M33	UC321	F321	27
46	M36	UC322	F322	38
51	M36	UC324	F324	50
54	M36	UC326	F326	66
59	M36	UC328	F328	90



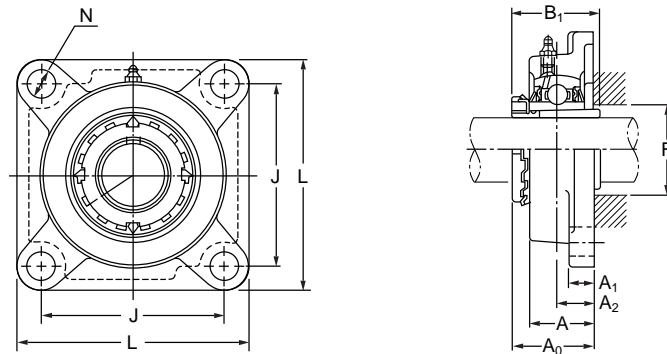
2.03

2.03

Flanged Unit Cast Housing (4 Bolt - Square)



■ Taper Bored with Adapter Sleeve - UKF 200 Series



Shaft Dia. mm inch	Unit Number	Basic Dimensions							
		L	J	A ₂	A ₁	A	N	A ₀	B ₁
20	UKF205 ; H2305	95	70	16	14	27	12	35.5	35
3/4	UKF205 ; HE2305	3 3/4	2 3/4	5/8	1/2	1 1/16	15/32	1 25/64	1.378
25	UKF206 ; H2306	108	83	18	14	31	12	39	38
7/8	UKF206 ; HS2306	4 1/4	3 17/64	45/64	1/2	1 7/32	15/32	1 17/32	1.496
1	UKF206 ; HE2306								
30	UKF207 ; H2307	117	92	19	16	34	14	42.5	43
1 1/8	UKF207 ; HS2307	4 19/32	3 5/8	3/4	19/32	1 11/32	35/64	1 43/64	1.693
35	UKF208 ; H2308	130	102	21	16	36	16	46.5	46
1 1/4	UKF208 ; HE2308	5 1/8	4 1/64	53/64	19/32	1 13/32	5/8	1 53/64	1.811
1 3/8	UKF208 ; HS2308								
40	UKF209 ; H2309	137	105	22	18	38	16	48.5	50
1 7/16	UKF209 ; HA2309								
1 1/2	UKF209 ; HE2309	5 13/32	4 9/64	55/64	5/8	1 1/2	5/8	1 29/32	1.969
1 5/8	UKF209 ; HS2309								
45	UKF210 ; H2310	143	111	22	18	40	16	50	55
1 5/8	UKF210 ; HS2310								
1 11/16	UKF210 ; HA2310	5 5/8	4 3/8	55/64	5/8	1 9/16	5/8	1 31/32	2.165
1 3/4	UKF210 ; HE2310								
50	UKF211 ; H2311	162	130	25	20	43	19	54.5	59
1 7/8	UKF211 ; HS2311								
1 15/16	UKF211 ; HA2311	6 3/8	5 1/8	63/64	23/32	1 11/16	3/4	2 9/64	2.323
2	UKF211 ; HE2311								
55	UKF212 ; H2312	175	143	29	20	48	19	61	62
2 1/8	UKF212 ; HS2312	6 7/8	5 5/8	1 9/64	23/32	1 7/8	3/4	2 13/32	2.441
60	UKF213 ; H2313	187	149	30	22	50	19	64	65
2 3/16	UKF213 ; HA2313								
2 1/4	UKF213 ; HE2313	7 3/8	5 55/64	1 3/16	7/8	1 31/32	3/4	2 33/64	2.559
2 3/8	UKF213 ; HS2313								
65	UKF215 ; H2315	200	159	34	22	56	19	71	73
2 7/16	UKF215 ; HA2315								
2 1/2	UKF215 ; HE2315	7 7/8	6 17/64	1 11/32	7/8	2 7/32	3/4	2 51/64	2.874



Flanged Unit Cast Housing (4 Bolt - Square)

	Bolt Size	Bearing Number	Housing Number	Mass
F	mm inch			UKF kg/lbs
30	M10	UK205 ; H2305	F205	0.8
1 3/16	3/8	UK205 ; HE2305	F205	1.8
36	M10	UK206 ; H2306	F206	1.1
1 13/32	3/8	UK206 ; HS2306 UK206 ; HE2306	F206 F206	2.4
40	M12	UK207 ; H2307	F207	1.5
1 9/16	7/8	UK207 ; HS2307	F207	3.3
46	M14	UK208 ; H2308	F208	1.9
1 13/16	1/2	UK208 ; HE2308 UK208 ; HS2308	F208 F208	4.2
52	M14	UK209 ; H2309	F209	2.3
2 1/16	1/2	UK209 ; HA2309 UK209 ; HE2309 UK209 ; HS2309	F209 F209 F209	5.1
57	M14	UK210 ; H2310	F210	2.6
2 1/4	1/2	UK210 ; HS2310 UK210 ; HA2310 UK210 ; HE2310	F210 F210 F210	5.7
64	M16	UK211 ; H2311	F211	3.8
2 17/32	5/8	UK211 ; HS2311 UK211 ; HA2311 UK211 ; HE2311	F211 F211 F211	8.4
69	M16	UK212 ; H2312	F212	4.5
2 23/32	5/8	UK212 ; HS2312	F212	9.9
74	M16	UK213 ; H2313	F213	5.6
2 29/32	5/8	UK213 ; HA2313 UK213 ; HE2313 UK213 ; HS2313	F213 F213 F213	12
84	M16	UK215 ; H2315	F215	7.1
3 5/16	5/8	UK215 ; HA2315 UK215 ; HE2315	F215 F215	16



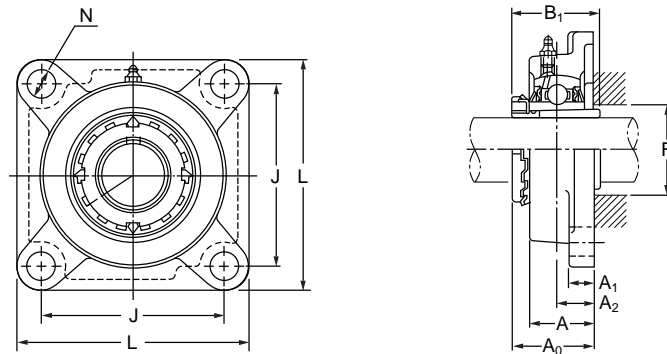
2.04

2.04

Flanged Unit Cast Housing (4 Bolt - Square)



■ Taper Bored with Adapter Sleeve - UKF 200 Series



Shaft Dia.	Unit Number	Basic Dimensions									
		mm		mm		inch		mm		inch	
mm		L	J	A ₂	A ₁	A	N	A ₀	B ₁		
70	UKF216 ; H2316	208	165	34	23	58	23	73.5	78		
2 11/16	UKF216 ; HA2316	8 3/16	6 1/2	1 11/32	7/8	2 9/32	29/32	2 57/64	3.071		
2 3/4	UKF216 ; HE2316										
75	UKF217 ; H2317	220	175	36	24	63	23	77	82		
2 15/16	UKF217 ; HA2317	8 21/32	6 57/64	1 27/64	15/16	2 15/32	29/32	3 1/32	3.228		
3	UKF217 ; HE2317										
80	UKF218 ; H2318	235	187	40	24	68	23	81.5	86		
3 3/16	UKF218 ; HA2318	9 1/4	7 23/64	1 37/64	15/16	2 11/16	29/32	3 13/64	3.386		



Flanged Unit Cast Housing (4 Bolt - Square)

	Bolt Size	Bearing Number	Housing Number	Mass
F	mm			UKF
inch	inch			kg/lbs
90	M20	UK216 ; H2316	F216	8.5
3 17/32	3/4	UK216 ; HA2316	F216	19
		UK216 ; HE2316	F216	
95	M20	UK217 ; H2317	F217	9.9
3 3/4	3/4	UK217 ; HA2317	F217	22
		UK217 ; HE2317	F217	
102	M20	UK218 ; H2318	F218	12
4 1/32	3/4	UK218 ; HA2318	F218	26



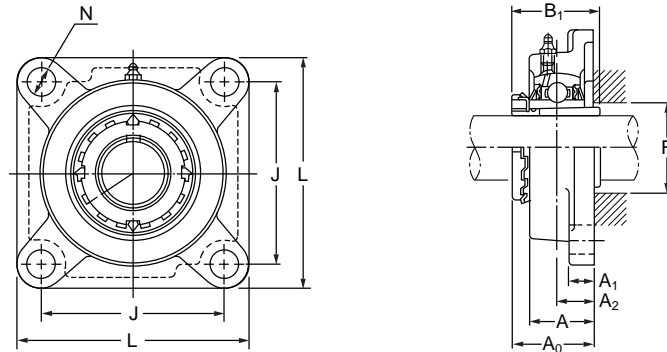
2.04

2.04

Flanged Unit Cast Housing (4 Bolt - Square)



■ Taper Bored with Adapter Sleeve - UKFX Series



Shaft Dia.	Unit Number	Basic Dimensions							
		mm		inch		mm		inch	
mm inch		L	J	A ₂	A ₁	A	N	A ₀	B ₁
20	UKFX05 ; H2305	108	83	18	13	30	12	39	35
3/4	UKFX05 ; HE2305	4 1/4	3 17/64	45/64	1/2	1 3/16	15/32	1 17/32	1.378
25	UKFX06 ; H2306	117	92	19	14	34	16	41.5	38
7/8	UKFX06 ; HS2306	4 19/32	3 5/8	3/4	9/16	1 11/32	5/8	1 41/64	1.496
1	UKFX06 ; HE2306								
30	UKFX07 ; H2307	130	102	21	14	38	16	45.5	43
1 1/8	UKFX07 ; HS2307	5 1/8	4 1/64	53/64	9/16	1 1/2	5/8	1 51/64	1.693
35	UKFX08 ; H2308	137	105	22	14	40	19	47.5	46
1 1/4	UKFX08 ; HE2308	5 13/32	4 9/64	55/64	9/16	1 9/16	3/4	1 7/8	1.811
1 3/8	UKFX08 ; HS2308								
40	UKFX09 ; H2309	143	111	23	14	40	19	50	50
1 7/16	UKFX09 ; HA2309								
1 1/2	UKFX09 ; HE2309	5 5/8	4 3/8	29/32	9/16	1 9/16	3/4	1 31/32	1.969
1 5/8	UKFX09 ; HS2309								
45	UKFX10 ; H2310	162	130	26	20	44	19	55.5	55
1 5/8	UKFX10 ; HS2310								
1 11/16	UKFX10 ; HA2310	6 3/8	5 1/8	1 1/32	25/32	1 23/32	3/4	2 3/16	2.165
1 3/4	UKFX10 ; HE2310								
50	UKFX11 ; H2311	175	143	29	20	49	19	60	59
1 7/8	UKFX11 ; HS2311								
1 15/16	UKFX11 ; HA2311	6 7/8	5 5/8	1 9/64	25/32	1 15/16	3/4	2 23/64	2.323
2	UKFX11 ; HE2311								
55	UKFX12 ; H2312	187	149	34	21	59	19	66	62
2 1/8	UKFX12 ; HS2312	7 3/8	5 55/64	1 11/32	13/16	2 5/16	3/4	2 19/32	2.441
60	UKFX13 ; H2313	187	149	34	21	59	19	70	65
2 3/16	UKFX13 ; HA2313								
2 1/4	UKFX13 ; HE2313	7 3/8	5 55/64	1 11/32	13/16	2 5/16	3/4	2 3/4	2.559
2 3/8	UKFX13 ; HS2313								
65	UKFX15 ; H2315	197	152	40	24	68	23	77.5	73
2 7/16	UKFX15 ; HA2315								
2 1/2	UKFX15 ; HE2315	7 3/4	5 63/64	1 37/64	15/16	2 11/16	29/32	3 3/64	2.874



Flanged Unit Cast Housing (4 Bolt - Square)

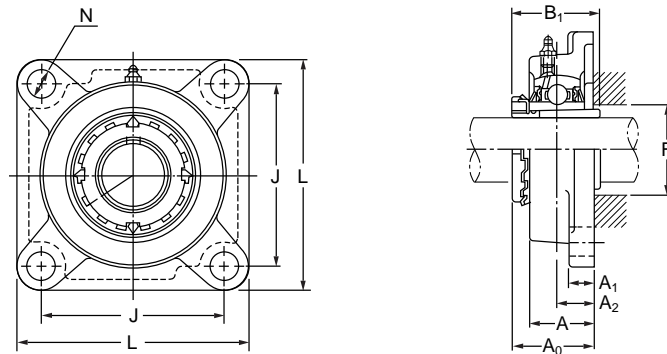
	Bolt Size	Bearing Number	Housing Number	Mass
F	mm inch			kg/lbs
30	M10	UKX05 ; H2305	FX05	1.0
1 3/16	3/8	UKX05 ; HE2305	FX05	2.2
36	M14	UKX06 ; H2306	FX06	1.6
1 13/32	1/2	UKX06 ; HS2306	FX06	3.5
		UKX06 ; HE2306	FX06	
40	M14	UKX07 ; H2307	FX07	2.0
1 9/16	1/2	UKX07 ; HS2307	FX07	4.4
46	M16	UKX08 ; H2308	FX08	2.4
1 13/16	5/8	UKX08 ; HE2308	FX08	5.3
		UKX08 ; HS2308	FX08	
52	M16	UKX09 ; H2309	FX09	2.5
2 1/16	5/8	UKX09 ; HA2309	FX09	5.5
		UKX09 ; HE2309	FX09	
		UKX09 ; HS2309	FX09	
57	M16	UKX10 ; H2310	FX10	3.8
2 1/4	5/8	UKX10 ; HS2310	FX10	8.4
		UKX10 ; HA2310	FX10	
		UKX10 ; HE2310	FX10	
64	M16	UKX11 ; H2311	FX11	4.6
2 17/32	5/8	UKX11 ; HS2311	FX11	10
		UKX11 ; HA2311	FX11	
		UKX11 ; HE2311	FX11	
69	M16	UKX12 ; H2312	FX12	5.0
2 23/32	5/8	UKX12 ; HS2312	FX12	11
74	M16	UKX13 ; H2313	FX13	5.0
2 29/32	5/8	UKX13 ; HA2313	FX13	11
		UKX13 ; HE2313	FX13	
		UKX13 ; HS2313	FX13	
84	M20	UKX15 ; H2315	FX15	8.2
3 5/16	3/4	UKX15 ; HA2315	FX15	18
		UKX15 ; HE2315	FX15	



Flanged Unit Cast Housing (4 Bolt - Square)



■ Taper Bored with Adapter Sleeve - UKFX Series



Shaft Dia.	Unit Number	Basic Dimensions							
		mm		inch		mm		inch	
mm inch		L	J	A ₂	A ₁	A	N	A ₀	B ₁
70	UKFX16 ; H2316	214	171	40	24	70	23	80	78
2 11/16	UKFX16 ; HA2316	8 7/16	6 47/64	1 37/64	15/16	2 3/4	29/32	3 5/32	3.071
2 3/4	UKFX16 ; HE2316								
75	UKFX17 ; H2317	214	171	40	24	70	23	81.5	82
2 15/16	UKFX17 ; HA2317	8 7/16	6 47/64	1 37/64	15/16	2 3/4	29/32	3 13/64	3.228
3	UKFX17 ; HE2317								
80	UKFX18 ; H2318	214	171	45	24	76	23	90	86
3 3/16	UKFX18 ; HA2318	8 7/16	6 47/64	1 49/64	15/16	3	29/32	3 35/64	3.386
90	UKFX20 ; H2320	268	211	59	31	97	31	107.5	97



Flanged Unit Cast Housing (4 Bolt - Square)

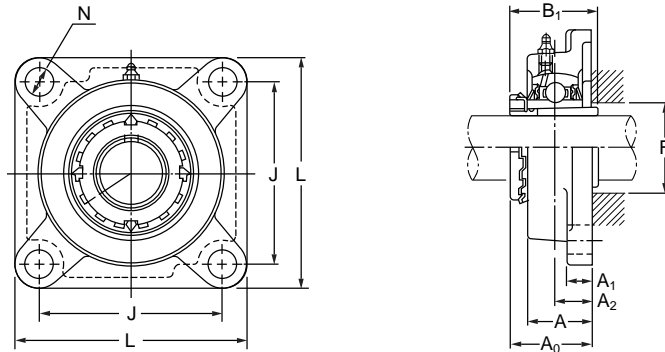
	Bolt Size	Bearing Number	Housing Number	Mass
F	mm inch			kg/lbs
90	M20	UKX16 ; H2316	FX16	10
3 17/32	3/4	UKX16 ; HA2316 UKX16 ; HE2316	FX16 FX16	22
95	M20	UKX17 ; H2317	FX17	11
3 3/4	3/4	UKX17 ; HA2317 UKX17 ; HE2317	FX17 FX17	24
102	M20	UKX18 ; H2318	FX18	11
4 1/32	3/4	UKX18 ; HA2318	FX18	24
112	M27	UKX20 ; H2320	FX20	15



Flanged Unit Cast Housing (4 Bolt - Square)



■ Taper Bored with Adapter Sleeve - UKF 300 Series



Shaft Dia.	Unit Number	Basic Dimensions							
		mm		inch		mm		inch	
mm inch		L	J	A ₂	A ₁	A	N	A ₀	B ₁
20	UKF305 ; H2305	110	80	16	13	29	16	37	35
3/4	UKF305 ; HE2305	4 11/32	3 5/32	5/8	1/2	1 5/32	5/8	1 29/64	1.378
25	UKF306 ; H2306	125	95	18	15	32	16	40.5	38
7/8	UKF306 ; HS2306	4 29/32	3 47/64	45/64	19/32	1 1/4	5/8	1 19/32	1.496
1	UKF306 ; HE2306								
30	UKF307 ; H2307	135	100	20	16	36	19	45.5	43
1 1/8	UKF307 ; HS2307	5 5/16	3 15/16	25/32	5/8	1 13/32	3/4	1 51/64	1.693
35	UKF308 ; H2308	150	112	23	17	40	19	50	46
1 1/4	UKF308 ; HE2308	5 29/32	4 13/32	29/32	21/32	1 9/16	3/4	1 31/32	1.811
1 3/8	UKF308 ; HS2308								
40	UKF309 ; H2309	160	125	25	18	44	19	54.5	50
1 7/16	UKF309 ; HA2309								
1 1/2	UKF309 ; HE2309	6 5/16	4 59/64	63/64	23/32	1 23/32	3/4	2 9/64	1.969
1 5/8	UKF309 ; HS2309								
45	UKF310 ; H2310	175	132	28	19	48	23	60.5	55
1 5/8	UKF310 ; HS2310								
1 11/16	UKF310 ; HA2310	6 7/8	5 13/64	1 7/64	3/4	1 7/8	29/32	2 3/8	2.165
1 3/4	UKF310 ; HE2310								
50	UKF311 ; H2311	185	140	30	20	52	23	64	59
1 7/8	UKF311 ; HS2311								
1 15/16	UKF311 ; HA2311	7 9/32	5 33/64	1 3/16	25/32	2 1/16	29/32	2 33/64	2.323
2	UKF311 ; HE2311								
55	UKF312 ; H2312	195	150	33	22	56	23	69.5	62
2 1/8	UKF312 ; HS2312	7 11/16	5 29/32	1 19/64	7/8	2 7/32	29/32	2 47/64	2.441
60	UKF313 ; H2313	208	166	33	22	58	23	71.5	65
2 3/16	UKF313 ; HA2313								
2 1/4	UKF313 ; HE2313	8 3/16	6 17/32	1 19/64	7/8	2 9/32	29/32	2 13/16	2.559
2 3/8	UKF313 ; HS2313								
65	UKF315 ; H2315	236	184	39	25	66	25	81.5	73
2 7/16	UKF315 ; HA2315								
2 1/2	UKF315 ; HE2315	9 9/32	7 1/4	1 17/32	31/32	2 19/32	63/64	3 13/64	2.874



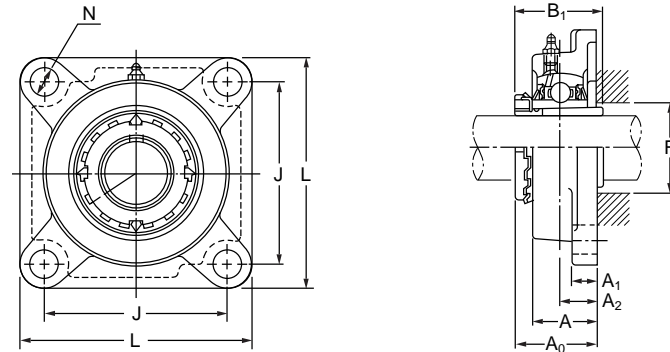
Flanged Unit Cast Housing (4 Bolt - Square)

Bolt Size	Bearing Number	Housing Number	Mass
mm inch			UKF kg/lbs
M14	UK305 ; H2305	F305	1.1
1/2	UK305 ; HE2305	F305	2.4
M14	UK306 ; H2306	F306	1.6
1/2	UK306 ; HS2306	F306	3.5
	UK306 ; HE2306	F306	
M16	UK307 ; H2307	F307	2.0
5/8	UK307 ; HS2307	F307	4.4
M16	UK308 ; H2308	F308	2.7
5/8	UK308 ; HE2308	F308	6.0
	UK308 ; HS2308	F308	
M16	UK309 ; H2309	F309	3.5
	UK309 ; HA2309	F309	
5/8	UK309 ; HE2309	F309	7.7
	UK309 ; HS2309	F309	
M20	UK310 ; H2310	F310	4.5
	UK310 ; HS2310	F310	
3/4	UK310 ; HA2310	F310	9.9
	UK310 ; HE2310	F310	
M20	UK311 ; H2311	F311	5.5
	UK311 ; HS2311	F311	
3/4	UK311 ; HA2311	F311	12
	UK311 ; HE2311	F311	
M20	UK312 ; H2312	F312	6.4
3/4	UK312 ; HS2312	F312	14
M20	UK313 ; H2313	F313	7.7
	UK313 ; HA2313	F313	
3/4	UK313 ; HE2313	F313	22
	UK313 ; HS2313	F313	
M22	UK315 ; H2315	F315	12
	UK315 ; HA2315	F315	
7/8	UK315 ; HE2315	F315	26
	UK315 ; HS2315	F315	

Flanged Unit Cast Housing (4 Bolt - Square)



■ Taper Bored with Adapter Sleeve - UKF 300 Series



Shaft Dia.	Unit Number	Basic Dimensions							
		mm		inch		mm			
mm inch		L	J	A ₂	A ₁	A	N	A ₀	B ₁
70	UKF316 ; H2316	250	196	38	27	68	31	84	78
2 11/16	UKF316 ; HA2316	9 27/32	7 23/32	1 1/2	1 1/16	2 11/16	1 7/32	3 5/16	3.071
2 3/4	UKF316 ; HE2316								
75	UKF317 ; H2317	260	204	44	27	74	31	92	82
2 15/16	UKF317 ; HA2317	10 1/4	8 1/32	1 47/64	1 1/16	2 29/32	1 7/32	3 5/8	3.228
3	UKF317 ; HE2317								
80	UKF318 ; H2318	280	216	44	30	76	35	94	86
3 3/16	UKF318 ; HA2318	11 1/32	8 1/2	1 47/64	1 3/16	3	1 3/8	3 45/64	3.386
85	UKF319 ; H2319	290	228	59	30	94	35	111.5	90
3 1/4	UKF319 ; HE2319	11 13/32	8 31/32	2 21/64	1 3/16	3 11/16	1 3/8	4 25/64	3.543
90	UKF320 ; H2320	310	242	59	32	94	38	115.5	97
3 7/16	UKF320 ; HA2320	12 7/32	9 17/32	2 21/64	1 1/4	3 11/16	1 1/2	4 35/64	3.819
3 1/2	UKF320 ; HE2320								
100	UKF322 ; H2322	340	266	60	35	96	41	121	105
110	UKF324 ; H2324	370	290	65	40	110	41	130	112
115	UKF326 ; H2326	410	320	65	45	115	41	133	121
125	UKF328 ; H2328	450	350	75	55	125	41	146.5	131



Flanged Unit Cast Housing (4 Bolt - Square)

2.06

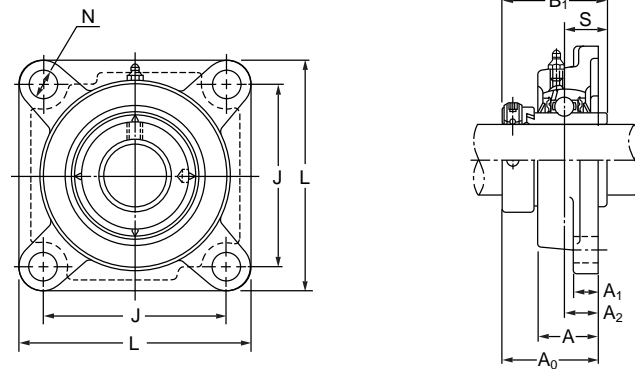
Bolt Size	Bearing Number	Housing Number	Mass
mm inch			UKF kg/lbs
M27	UK316 ; H2316	F316	15
1	UK316 ; HA2316	F316	33
	UK316 ; HE2316	F316	
M27	UK317 ; H2317	F317	16
1	UK317 ; HA2317	F317	35
	UK317 ; HE2317	F317	
M30	UK318 ; H2318	F318	20
1 1/8	UK318 ; HA2318	F318	44
M30	UK319 ; H2319	F319	22
1 1/8	UK319 ; HE2319	F319	49
M33	UK320 ; H2320	F320	26
1 1/4	UK320 ; HA2320	F320	57
	UK320 ; HE2320	F320	
M36	UK322 ; H2322	F322	38
M36	UK324 ; H2324	F324	49
M36	UK326 ; H2326	F326	66
M36	UK328 ; H2328	F328	91



Flanged Unit Cast Housing (4 Bolt - Square)



■ Eccentric Locking Collar Type - UELF 200 Series



Shaft Dia.	Unit Number	Basic Dimensions							
		mm		inch		mm		inch	
mm inch		L	J	A ₂	A ₁	A	N	A ₀	B ₁
20	UELF204	86	64	15	12	25.5	12	41.6	43.7
3/4	UELF204-012	3 3/8	2 33/64	19/32	7/16	1	15/32	1 41/64	1.720
25	UELF205	95	70	16	14	27	12	42.9	44.4
13/16	UELF205-013	3 3/4	2 3/4	5/8	1/2	1 1/16	15/32	1 11/16	1.748
7/8	UELF205-014								
15/16	UELF205-015								
1	UELF205-100								
30	UELF206	108	83	18	14	31	12	48.1	48.4
1 1/16	UELF206-101	4 1/4	3 17/64	45/64	1/2	1 7/32	15/32	1 57/64	1.906
1 1/8	UELF206-102								
1 3/16	UELF206-103								
1 1/4	UELF206-104								
35	UELF207	117	92	19	16	34	14	51.3	51.1
1 1/4	UELF207-104	4 19/32	3 5/8	3/4	19/32	1 11/32	35/64	2 1/64	2.012
1 5/16	UELF207-105								
1 3/8	UELF207-106								
1 7/16	UELF207-107								
40	UELF208	130	102	21	16	36	16	55.9	56.3
1 1/2	UELF208-108	5 1/8	4 1/64	53/64	19/32	1 13/32	5/8	2 13/64	2.217
1 9/16	UELF208-109								
45	UELF209	137	105	22	18	38	16	56.9	56.3
1 5/8	UELF209-110	5 13/32	4 9/64	55/64	5/8	1 1/2	5/8	2 15/64	2.217
1 11/16	UELF209-111								
1 3/4	UELF209-112								
50	UELF210	143	111	22	18	40	16	60.1	62.7
1 13/16	UELF210-113	5 5/8	4 3/8	55/64	5/8	1 9/16	5/8	2 23/64	2.469
1 7/8	UELF210-114								
1 15/16	UELF210-115								
2	UELF210-200								



Flanged Unit Cast Housing (4 Bolt - Square)

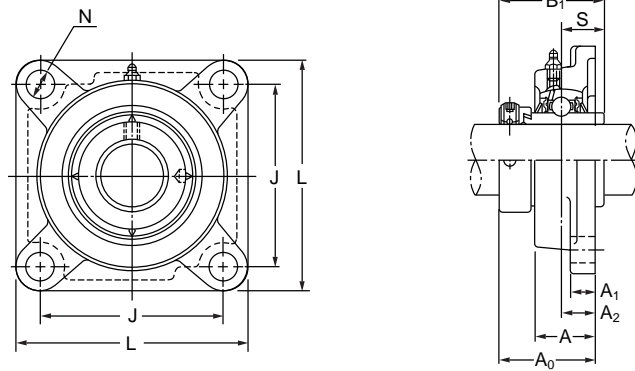
	Bolt Size	Bearing Number	Housing Number	Mass
S	mm inch			UCP kg/lbs
17.1	M10	UEL204	F204	0.7
0.673	3/8	UEL204-012	F204	1.5
17.5	M10	UEL205	F205	0.8
0.689	3/8	UEL205-013	F205	1.8
		UEL205-014	F205	
		UEL205-015	F205	
		UEL205-100	F205	
18.3	M10	UEL206	F206	1.2
0.720	3/8	UEL206-101	F206	2.6
		UEL206-102	F206	
		UEL206-103	F206	
		UEL206-104	F206	
18.8	M12	UEL207	F207	1.6
0.740	7/16	UEL207-104	F207	3.5
		UEL207-105	F207	
		UEL207-106	F207	
		UEL207-107	F207	
21.4	M14	UEL208	F208	1.9
0.843	1/2	UEL208-108	F208	4.2
		UEL208-109	F208	
21.4	M14	UEL209	F209	2.3
0.843	1/2	UEL209-110	F209	5.1
		UEL209-111	F209	
		UEL209-112	F209	
24.6	M14	UEL210	F210	2.6
0.969	1/2	UEL210-113	F210	5.7
		UEL210-114	F210	
		UEL210-115	F210	
		UEL210-200	F210	



Flanged Unit Cast Housing (4 Bolt - Square)



■ Eccentric Locking Collar Type - UELF 200 Series



Shaft Dia.	Unit Number	Basic Dimensions							
		mm		inch		mm		inch	
mm inch		L	J	A ₂	A ₁	A	N	A ₀	B ₁
55	UELF211	162	130	25	20	43	19	68.6	71.4
2	UELF211-200								
2 1/16	UELF211-201	6 3/8	5 1/8	63/64	23/32	1 11/16	3/4	2 45/64	2.811
2 1/8	UELF211-202								
2 3/16	UELF211-203								
60	UELF212	175	143	29	20	48	19	75.8	77.8
2 1/4	UELF212-204								
2 5/16	UELF212-205	6 7/8	5 5/8	1 9/64	23/32	1 7/8	3/4	2 63/64	3.063
2 3/8	UELF212-206								
2 7/16	UELF212-207								
65	UELF213	187	149	30	22	50	19	81.55	85.7
2 1/2	UELF213-208	7 3/8	5 55/64	1 3/16	7/8	1 31/32	3/4	3 31/16	3.374
2 9/16	UELF213-209								
70	UELF214	193	152	31	22	54	19	82.55	85.7
2 5/8	UELF214-210								
2 11/16	UELF214-211	7 19/32	5 63/64	1 7/32	7/8	2 1/8	3/4	3 1/4	3.374
2 3/4	UELF214-212								
75	UELF215	200	159	34	22	56	19	88.7	92
2 13/16	UELF215-213								
2 7/8	UELF215-214	7 7/8	6 17/64	1 11/32	7/8	2 7/32	3/4	3 31/64	3.622
2 15/16	UELF215-215								
3	UELF215-300								



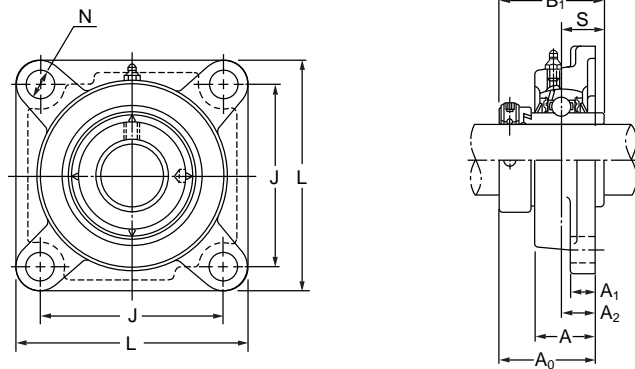
Flanged Unit Cast Housing (4 Bolt - Square)

	Bolt Size	Bearing Number	Housing Number	Mass
S	mm inch			UCP kg/lbs
27.8	M16	UEL211	F211	3.8
1.094	5/8	UEL211-200	F211	8.4
		UEL211-201	F211	
		UEL211-202	F211	
		UEL211-203	F211	
31	M16	UEL212	F212	4.8
1.220	5/8	UEL212-204	F212	11
		UEL212-205	F212	
		UEL212-206	F212	
		UEL212-207	F212	
34.15	M16	UEL213	F213	6.0
1.344	5/8	UEL213-208	F213	13
		UEL213-209	F213	
34.15	M16	UEL214	F214	6.3
1.344	5/8	UEL214-210	F214	14
		UEL214-211	F214	
		UEL214-212	F214	
37.3	M16	UEL215	F215	7.2
1.469	5/8	UEL215-213	F215	16
		UEL215-214	F215	
		UEL215-215	F215	
		UEL215-300	F215	

Flanged Unit Cast Housing (4 Bolt - Square)



■ Eccentric Locking Collar Type - UELF 300 Series



Shaft Dia.	Unit Number	Basic Dimensions							
		mm		inch		mm		inch	
mm inch		L	J	A ₂	A ₁	A	N	A ₀	B ₁
25	UELF305	110	80	16	13	29	16	46.1	46.8
13/16	UELF305-013								
7/8	UELF305-014	4 11/32	3 5/32	5/8	1/2	1 5/32	5/8	1 3/16	1.843
15/16	UELF305-015								
1	UELF305-100								
30	UELF306	125	95	18	15	32	16	50.5	50
1 1/16	UELF306-101								
1 1/8	UELF306-102	4 29/32	3 47/64	45/64	19/32	1 1/4	5/8	1 63/64	1.969
1 3/16	UELF306-103								
35	UELF307	135	100	20	16	36	19	53.3	51.6
1 1/4	UELF307-104								
1 5/16	UELF307-105	5 5/16	3 15/16	25/32	5/8	1 13/32	3/4	2 3/32	2.031
1 3/8	UELF307-106								
1 7/16	UELF307-107								
40	UELF308	150	112	23	17	40	19	60.3	57.1
1 1/2	UELF308-108								
1 9/16	UELF308-109	5 29/32	4 13/32	29/32	21/32	1 9/16	3/4	2 3/8	2.248
45	UELF309	160	125	25	18	44	19	63.9	58.7
1 5/8	UELF309-110								
1 11/16	UELF309-111	6 5/16	4 59/64	63/64	23/32	1 23/32	3/4	2 33/64	2.311
1 3/4	UELF309-112								
50	UELF310	175	132	28	19	48	23	70	66.6
1 13/16	UELF310-113								
1 7/8	UELF310-114	6 7/8	5 13/64	1 7/64	3/4	1 7/8	29/32	2 3/4	2.622
1 15/16	UELF310-115								
55	UELF311	185	140	30	20	52	23	75.2	73
2	UELF311-200								
2 1/16	UELF311-201	7 9/32	5 33/64	1 3/16	25/32	2 1/16	29/32	2 61/64	2.874
2 1/8	UELF311-202								
2 3/16	UELF311-203								



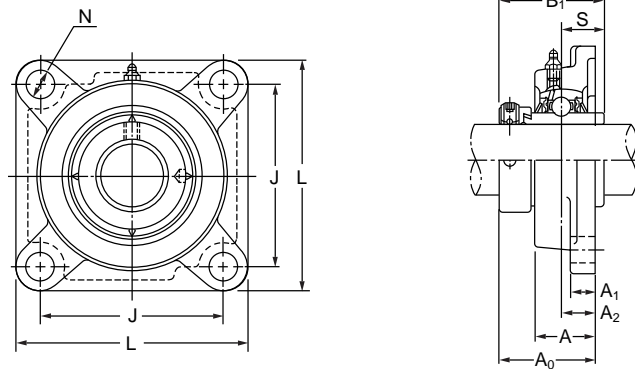
Flanged Unit Cast Housing (4 Bolt - Square)

	Bolt Size	Bearing Number	Housing Number	Mass
S	mm inch			kg/lbs
16.7	M14	UEL305	F305	1.2
0.657	1/2	UEL305-013	F305	
		UEL305-014	F305	2.6
		UEL305-015	F305	
		UEL305-100	F305	
17.5	M14	UEL306	F306	1.7
0.689	1/2	UEL306-101	F306	
		UEL306-102	F306	3.7
		UEL306-103	F306	
18.3	M16	UEL307	F307	2.0
0.720	5/8	UEL307-104	F307	
		UEL307-105	F307	4.4
		UEL307-106	F307	
		UEL307-107	F307	
19.8	M16	UEL308	F308	2.8
0.780	5/8	UEL308-108	F308	
		UEL308-109	F308	6.2
19.8	M16	UEL309	F309	3.6
0.780	5/8	UELF309-110	F309	
		UELF309-111	F309	7.9
		UELF309-112	F309	
24.6	M20	UEL310	F310	4.7
0.969	3/4	UEL310-113	F310	
		UEL310-114	F310	10
		UEL310-115	F310	
27.8	M20	UEL311	F311	5.7
1.094	3/4	UEL311-200	F311	
		UEL311-201	F311	13
		UEL311-202	F311	
		UEL311-203	F311	

Flanged Unit Cast Housing (4 Bolt - Round)



■ Eccentric Locking Collar Type - UELF 300 Series



Shaft Dia.	Unit Number	Basic Dimensions							
		mm		inch		mm		inch	
mm inch		L	J	A ₂	A ₁	A	N	A ₀	B ₁
60	UELF312	195	150	33	22	56	23	81.45	79.4
2 1/4	UELF312-204								
2 5/16	UELF312-205								
2 3/8	UELF312-206	7 11/16	5 29/32	1 19/64	7/8	2 7/32	29/32	3 13/64	3.126
2 7/16	UELF312-207								
65	UELF313	208	166	33	22	58	23	86.15	85.7
2 1/2	UELF313-208								
2 9/16	UELF313-209	8 3/16	6 17/32	1 19/64	7/8	2 9/32	29/32	3 25/64	3.374
70	UELF314	226	178	36	25	61	25	93.95	92.1
2 5/8	UELF314-210								
2 11/16	UELF314-211	8 29/32	6 1/64	1 27/64	31/32	2 13/32	63/64	3 45/64	3.626
2 3/4	UELF314-212								
75	UELF315	236	184	39	25	66	25	101.7	100
2 13/16	UELF315-213								
2 7/8	UELF315-214								
2 15/16	UELF315-215	9 9/32	7 1/4	1 17/32	31/32	2 19/32	63/64	4	3.937
3	UELF315-300								
80	UELF316	250	196	38	27	68	31	103.9	106.4
3 1/16	UELF316-301								
3 1/8	UELF316-302	9 27/32	7 23/32	1 1/2	1 1/16	2 11/16	1 7/32	4 3/32	4.189
3 3/16	UELF316-303								
85	UELF317	260	204	44	27	74	31	111.45	109.5
3 1/4	UELF317-304								
3 5/16	UELF317-305	10 1/4	8 1/32	1 47/64	1 1/16	2 29/32	1 7/32	4 25/64	4.311
3 7/16	UELF317-307								
90	UELF318	280	216	44	30	76	35	116.25	115.9
3 7/16	UELF318-307								
3 1/2	UELF318-308	11 1/32	8 1/2	1 47/64	1 3/16	3	1 3/8	4 37/64	4.563
95	UELF319	290	228	59	30	94	35	142.4	122.3
3 5/8	UELF319-310								
3 11/16	UELF319-311	11 13/32	8 31/32	2 21/64	1 3/16	3 11/16	1 3/8	5 39/64	4.815
3 3/4	UELF319-312								



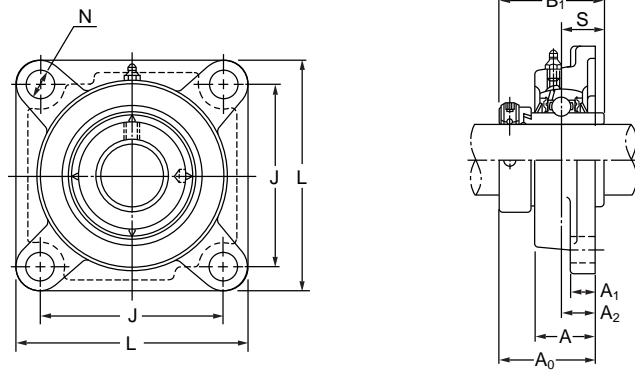
Flanged Unit Cast Housing (4 Bolt - Round)

	Bolt Size	Bearing Number	Housing Number	Mass
S	mm inch			kg/lbs
30.95	M20	UEL312	F312	6.8
		UEL312-204	F312	
1.219	3/4	UEL312-205	F312	15
		UEL312-206	F312	
		UEL312-207	F312	
32.55	M20	UEL313	F313	8.3
		UEL313-208	F313	
1.281	3/4	UEL313-209	F313	18
34.15	M22	UEL314	F314	10
		UEL314-210	F314	
1.344	7/8	UEL314-211	F314	22
		UEL314-212	F314	
37.3	M22	UEL315	F315	12
		UEL315-213	F315	
1.469	7/8	UEL315-214	F315	26
		UEL315-215	F315	
		UEL315-300	F315	
40.5	M27	UEL316	F316	16
		UEL316-301	F316	
1.594	1	UEL316-302	F316	35
		UEL316-303	F316	
42.05	M27	UEL317	F317	17
		UEL317-304	F317	
1.656	1	UEL317-305	F317	37
		UEL317-307	F317	
43.65	M30	UEL318	F318	21
		UEL318-308	F318	
1.719	1 1/8	UEL318-308	F318	46
38.9	M30	UEL319	F319	23
		UEL319-310	F319	
1.531	1 1/8	UEL319-311	F319	51
		UEL319-312	F319	

Flanged Unit Cast Housing (4 Bolt - Round)



■ Eccentric Locking Collar Type - UELF 300 Series



Shaft Dia.	Unit Number	Basic Dimensions											
		L		J		A ₂		A ₁		A		N	A ₀
mm inch		mm	inch	mm	inch	mm	inch	mm	inch	mm	inch	mm	inch
100	UELF320	310	242	59	32	94	38	137.6	128.6				
3 13/16	UELF320-313												
3 7/8	UELF320-314												
3 15/16	UELF320-315	12 7/32	9 17/32	2 21/64	1 1/4	3 11/16	1 1/2	5 27/64	5.063				
4	UELF320-400												
105	UELF321	310	242	59	32	94	38	150.3	139.7				
110	UELF322	340	266	60	35	96	41	152.1	141.3				



Flanged Unit Cast Housing (4 Bolt - Round)

	Bolt Size	Bearing Number	Housing Number	Mass
S	mm inch			kg/lbs
50	M33	UEL320	F320	28
		UEL320-313	F320	
1.969	1 1/4	UEL320-314	F320	62
		UEL320-315	F320	
		UEL320-400	F320	
48.4	M33	UEL321	F321	29
49.2	M36	UEL322	F322	40

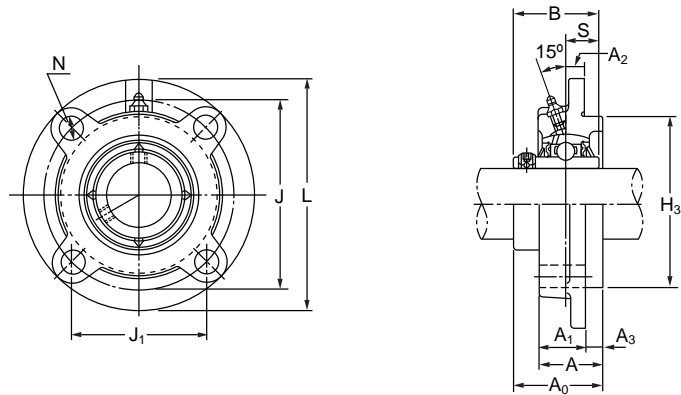
2.08

2.08

Flanged Unit Cast Housing (4 Bolt - Round)



■ Set Screw Type - UCFC 200 Series



Shaft Dia.	Unit Number	Basic Dimensions								
		mm inch								
mm inch		L	J	J ₁	A ₂	N	A ₃	A ₁	A	H ₃
12	UCFC201	100	78	55.1	10	12	5	20.5	25.5	62
1/2	UCFC201-008	3 15/16	3 5/64	2 11/64	25/64	15/32	13/64	13/16	1	2.4409
15	UCFC202	100	78	55.1	10	12	5	20.5	25.5	62
9/16	UCFC202-009	3 15/16	3 5/64	2 11/64	25/64	15/32	13/64	13/16	1	2.4409
5/8	UCFC202-010	3 15/16	3 5/64	2 11/64	25/64	15/32	13/64	13/16	1	2.4409
17	UCFC203	100	78	55.1	10	12	5	20.5	25.5	62
11/16	UCFC203-011	3 15/16	3 5/64	2 11/64	25/64	15/32	13/64	13/16	1	2.4409
20	UCFC204	100	78	55.1	10	12	5	20.5	25.5	62
3/4	UCFC204-012	3 15/16	3 5/64	2 11/64	25/64	15/32	13/64	13/16	1	2.4409
25	UCFC205	115	90	63.6	10	12	6	21	27	70
13/16	UCFC205-013									
7/8	UCFC205-0149	4 17/32	3 35/64	2 1/2	25/64	15/32	15/64	13/16	1 1/16	2.7559
15/16	UCFC205-015									
1	UCFC205-100									
30	UCFC206	125	100	70.7	10	12	8	23	31	80
1 1/16	UCFC206-101									
1 1/8	UCFC206-1029	4 29/32	3 15/16	2 25/32	25/64	15/32	5/16	29/32	1 7/32	3.1496
1 3/16	UCFC206-103									
1 1/4	UCFC206-104									
35	UCFC207	135	110	77.8	11	14	8	26	34	90
1 1/4	UCFC207-104									
1 5/16	UCFC207-1059	5 5/16	4 21/64	3 1/16	7/16	35/64	5/16	1 1/32	1 11/32	3.5433
1 3/8	UCFC207-106									
1 7/16	UCFC207-107									
40	UCFC208	145	120	84.8	11	14	10	26	36	100
1 1/2	UCFC208-1089	5 23/32	4 23/32	3 11/32	7/16	35/64	25/64	1 1/32	1 27/64	3.9370
1 9/16	UCFC208-109									
45	UCFC209	160	132	93.3	10	16	12	26	38	105
1 5/8	UCFC209-110									
1 11/16	UCFC209-111	6 5/16	5 13/64	3 43/64	25/64	5/8	15/32	1 1/32	1 1/2	4.1339
1 3/4	UCFC209-112									



Flanged Unit Cast Housing (4 Bolt - Round)

A ₀	B	S	Bolt Size	Bearing Number	Housing Number	Mass
						UCFC kg/lbs
mm inch			mm inch			
33.3	31	12.7	M10	UC201	FC204	0.8
1 15/16	1.2205	0.500	3/8	UC201-008	FC204	1.8
33.3	31	12.7	M10	UC202	FC204	0.8
1 15/16	1.2205	0.500	3/8	UC202-009 UC202-010	FC204 FC204	1.8
33.3	31	12.7	M10	UC203	FC204	0.7
1 15/16	1.2205	0.500	3/8	UC203-011	FC204	1.5
33.3	31	12.7	M10	UC204	FC204	0.7
1 15/16	1.2205	0.500	3/8	UC204-012	FC204	1.5
35.8	34.1	14.3	M10	UC205	FC205	1.0
				UC205-013	FC205	
1 13/32	1.3425	0.563	3/8	UC205-013 UC205-014 UC205-100	FC205 FC205 FC205	2.2
40.2	38.1	15.9	M10	UC206	FC206	1.3
				UC206-101	FC206	
1 37/64	1.5000	0.629	3/8	UC206-102 UC206-103 UC206-104	FC206 FC206 FC206	2.9
44.4	42.9	17.5	M12	UC207	FC207	1.6
				UC207-104	FC207	
1 3/4	1.6890	0.689	7/16	UC207-105 UC207-106 UC207-107	FC207 FC207 FC207	3.5
51.2	49.2	19	M12	UC208	FC208	2.1
				UC208-108	FC208	
2 1/64	1.9370	0.748	7/16	UC208-109	FC208	4.6
52.2	49.2	19	M14	UC209	FC209	2.7
				UC209-110	FC209	
2 3/64	1.9370	0.748	1/2	UC209-111 UC209-112	FC209 FC209	6.0

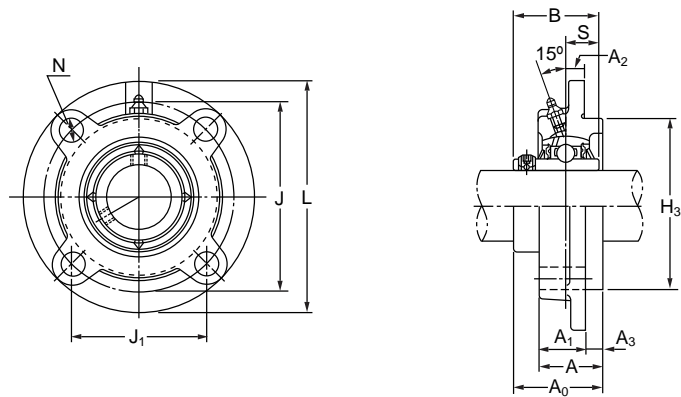
2.09

2.09

Flanged Unit Cast Housing (4 Bolt - Round)



■ Set Screw Type - UCFC 200 Series



Shaft Dia.	Unit Number	Basic Dimensions								
		mm inch								
mm inch		L	J	J ₁	A ₂	N	A ₃	A ₁	A	H ₃
50	UCFC210	165	138	97.6	10	16	12	28	40	110
1 13/16	UCFC210-113									
1 7/8	UCFC210-1149	6 1/2	5 7/16	3 27/32	25/64	5/8	15/32	1 3/32	1 37/64	4.3307
1 15/16	UCFC210-115									
2	UCFC210-200									
55	UCFC211	185	150	106.1	13	19	12	31	43	125
2	UCFC211-200									
2 1/16	UCFC211-2019	7 9/32	5 29/32	4 11/64	33/64	3/4	15/32	1 7/32	1 11/16	4.9213
2 1/8	UCFC211-202									
2 3/16	UCFC211-203									
60	UCFC212	195	160	113.1	17	19	12	36	48	135
2 1/4	UCFC212-204									
2 5/16	UCFC212-2059	7 11/16	6 19/64	4 29/64	43/64	3/4	15/32	1 13/32	1 57/64	5.3150
2 3/8	UCFC212-206									
2 7/16	UCFC212-207									
65	UCFC213	205	170	120.2	16	19	14	36	50	145
2 1/2	UCFC213-2089	8 1/16	6 11/16	4 47/64	5/8	3/4	35/64	1 13/32	1 31/32	5.7087
2 9/16	UCFC213-209									
70	UCFC214	215	177	125.1	17	19	14	40	54	150
2 5/8	UCFC214-210									
2 11/16	UCFC214-211	8 15/32	6 31/32	4 59/64	43/64	3/4	35/64	1 37/64	2 1/8	5.9055
2 3/4	UCFC214-212									
75	UCFC215	220	184	130.1	18	19	16	40	56	160
2 13/16	UCFC215-213									
2 7/8	UCFC215-2149	8 21/32	7 1/4	5 1/8	45/64	3/4	5/8	1 37/64	2 13/64	6.2992
2 15/16	UCFC215-215									
3	UCFC215-300									
80	UCFC216	240	200	141.4	18	23	16	42	58	170
3 1/16	UCFC216-301									
3 1/8	UCFC216-302	9 7/16	7 7/8	5 9/16	45/64	29/32	5/8	1 21/32	2 9/32	6.6929
3 3/16	UCFC216-303									



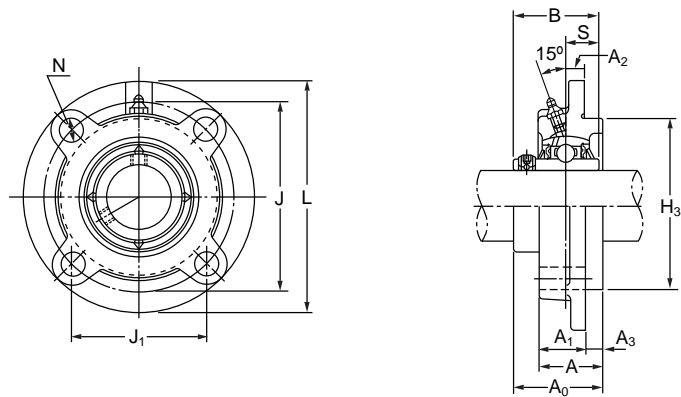
Flanged Unit Cast Housing (4 Bolt - Round)

			Bolt Size	Bearing Number	Housing Number	Mass
A ₀	B	S	mm inch			UCFC kg/lbs
54.6	51.6	19	M14	UC210	FC210	3.1
				UC210-113	FC210	
				UC210-114	FC210	
2 5/32	2.0315	0.748	1/2	UC210-115	FC210	6.8
				UC210-200	FC210	
58.4	55.6	22.2	M16	UC211	FC211	4.2
				UC211-200	FC211	
2 19/64	2.189	0.874	5/8	UC211-201	FC211	9.3
				UC211-202	FC211	
				UC211-203	FC211	
68.7	65.1	25.4	M16	UC212	FC212	5.3
				UC212-204	FC212	
2 45/64	2.5630	1.000	5/8	UC212-205	FC212	12
				UC212-206	FC212	
				UC212-207	FC212	
69.7	65.1	25.4	M16	UC213	FC213	6.0
				UC213-208	FC213	
2 3/4	2.5630	1.000	5/8	UC213-209	FC213	13
75.4	74.6	30.2	M16	UC214	FC214	7.0
				UC214-210	FC214	
2 31/32	2.9370	1.189	5/8	UC214-211	FC214	15
				UC214-212	FC214	
78.5	77.8	33.3	M16	UC215	FC215	7.8
				UC215-213	FC215	
3 3/32	3.0630	1.311	5/8	UC215-214	FC215	17
				UC215-215	FC215	
				UC215-300	FC215	
83.3	82.6	33.3	M20	UC216	FC216	9.3
				UC216-301	FC216	
2 9/32	3.2520	1.311	3/4	UC216-302	FC216	21
				UC216-303	FC216	

Flanged Unit Cast Housing (4 Bolt - Round)



■ Set Screw Type - UCFC 200 Series



Shaft Dia.	Unit Number	Basic Dimensions													
		mm			inch			mm			inch				
		L	J	J ₁	A ₂	N	A ₃	A ₁	A	H ₃					
85	UCFC217	250	208	147.1	18	23	18	45	63	180					
3 1/4	UCFC217-304														
3 5/16	UCFC217-305	9 27/32	8 3/16	5 51/64	45/64	29/32	45/64	1 25/32	2 31/64	7.0866					
3 7/16	UCFC217-307														
90	UCFC218	265	220	155.5	22	23	18	50	68	190					
3 1/2	UCFC218-308	10 7/16	8 21/32	6 1/8	55/64	29/32	45/64	1 31/32	2 43/64	7.4803					



Flanged Unit Cast Housing (4 Bolt - Round)

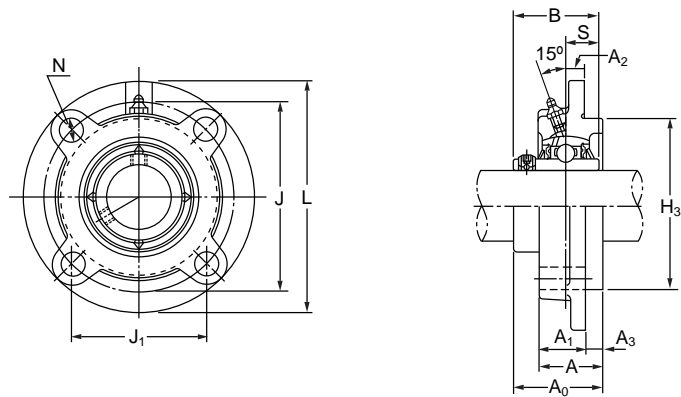
2.09

			Bolt Size	Bearing Number	Housing Number	Mass
A ₀	B	S	mm inch			UCFC kg/lbs
87.6	85.7	34.1	M20	UC217	FC217	11
				UC217-304	FC217	
3 29/64	3.374	1.343	3/4	UC217-305	FC217	24
				UC217-307	FC217	
96.3	96	39.7	M20	UC218	FC218	13
3 51/64	3.7795	1.563	3/4	UC218-308	FC218	29

Flanged Unit Cast Housing (4 Bolt - Round)



■ Set Screw Type - UCFCX Series



Shaft Dia.	Unit Number	Basic Dimensions								
		mm inch								
mm inch		L	J	J ₁	A ₂	N	A ₃	A ₁	A	H ₃
25	UCFCX05	111	92	65	10	9.5	6	24	30	76
13/16	UCFCX05-013									
7/8	UCFCX05-014	4 3/8	3 5/8	2 9/16	25 /64	3/8	1/4	15/16	1 3/16	2.9921
15/16	UCFCX05-015									
1	UCFCX05-100									
30	UCFCX06	127	105	74.2	8	12	9.5	22.5	32	85
1 1/16	UCFCX06-101									
1 1/8	UCFCX06-102	5	4 9/64	2 59/64	5/16	15/32	3/8	7/8	1 27/64	3.3465
1 3/16	UCFCX06-103									
1 1/4	UCFCX06-104									
35	UCFCX07	133	111	78.5	9	12	11	26	37	92
1 5/16	UCFCX07-105									
1 3/8	UCFCX07-106	5 1/4	4 3/8	3 3/32	23/64	15/32	7/16	1 1/32	1 29/64	3.6220
1 7/16	UCFCX07-107									
40	UCFCX08	133	111	78.5	9	12	11	26	37	92
1 1/2	UCFCX08-108									
1 9/16	UCFCX08-109	5 1/4	4 3/8	3 3/32	23/64	15/32	7/16	1 1/32	1 29/64	3.6220
45	UCFCX09	155	130	91.9	8	14	12	25	37	108
1 5/8	UCFCX09-110									
1 11/16	UCFCX09-111	6 3/32	5 1/8	3 5/8	5/16	35/64	15/32	31/32	1 29/64	4.2520
1 3/4	UCFCX09-112									
1 13/16	UCFCX09-113									
50	UCFCX10	162	136	96.2	7	14	16	25	41	118
1 7/8	UCFCX10-114									
1 15/16	UCFCX10-115	6 3/8	5 23/64	3 25/32	9/32	35/64	5/8	31/32	1 39/64	4.6457
2	UCFCX10-200									
55	UCFCX11	180	152	107.5	4	16	22	26	48	127
2 1/16	UCFCX11-201									
2 1/8	UCFCX11-202									
2 3/16	UCFCX11-203	7 3/32	5 63/64	4 15/64	5/32	5/8	55/64	1 1/32	1 57/64	5.0000
2 1/4	UCFCX11-204									
2 5/16	UCFCX11-205									



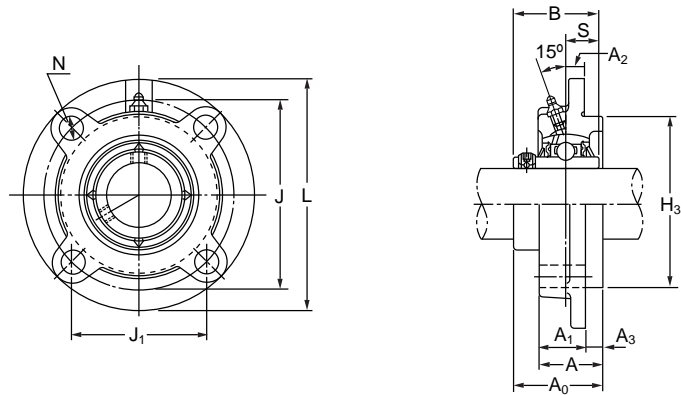
Flanged Unit Cast Housing (4 Bolt - Round)

			Bolt Size	Bearing Number	Housing Number	Mass
A ₀	B	S	mm inch			kg/lbs
38.2	38.1	15.9	M8	UCX05	FCX05	1.1
				UCX05-013	FCX05	
1 1/2	1.5000	0.626	5/16	UCX05-014	FCX05	2.4
				UCX05-015	FCX05	
				UCX05-100	FCX05	
42.9	42.9	17.5	M10	UCX06	FCX06	1.6
				UCX06-101	FCX06	
1 11/16	1.6890	0.689	3/8	UCX06-102	FCX06	3.5
				UCX06-103	FCX06	
				UCX06-104	FCX06	
50.2	49.2	19	M10	UCX07	FCX07	2.0
				UCX07-105	FCX07	
1 31/32	1.9370	0.748	3/8	UCX07-106	FCX07	4.4
				UCX07-107	FCX07	
50.2	49.2	19	M10	UCX08	FCX08	1.9
				UCX08-108	FCX08	
1 31/32	1.9370	0.748	3/8	UCX08-109	FCX08	4.2
52.6	51.6	19	M12	UCX09	FCX09	2.7
				UCX09-110	FCX09	
2 5/64	2.0315	0.748	7/16	UCX09-111	FCX09	6.0
				UCX09-112	FCX09	
				UC210-113	FCX09	
56.4	55.6	22.2	M12	UCX10	FCX10	3.2
				UCX10-114	FCX10	
2 7/32	2.1890	0.874	7/16	UCX10-115	FCX10	7.1
				UC211-200	FCX10	
65.7	65.1	25.4	M14	UCX11	FCX11	4.4
				UCX11-201	FCX11	
				UCX11-202	FCX11	
2 19/32	2.5630	1.000	1/2	UCX11-203	FCX11	9.7
				UCX11-204	FCX11	
				UCX11-205	FCX11	

Flanged Unit Cast Housing (4 Bolt - Round)



■ Set Screw Type - UCFCX Series



Shaft Dia. mm inch	Unit Number	Basic Dimensions								
		L	J	J ₁	A ₂	N	A ₃	A ₁	A	H ₃
60 2 3/8 2 7/16	UCFCX12 UCFCX12-206 UCFCX12-207	194 7 5/8	165 6 1/2	116.7 4 19/32	11 7/16	16 5/8	20 25/32	33 1 5/16	53 2 5/64	140 5.5118
65 2 1/2 2 9/16	UCFCX13 UCFCX13-208 UCFCX13-209	194 7 5/8	165 6 1/2	116.7 4 19/32	11 7/16	16 5/8	20 25/32	33 1 5/16	53 2 5/64	140 5.5118
70 2 5/8 2 11/16 2 3/4	UCFCX14 UCFCX14-210 UCFCX14-211 UCFCX14-212	222 8 3/4	190 7 31/64	134.3 5 9/32	14 35/64	19 3/4	20 25/32	36 1 13/32	56 2 13/64	164 6.4567
75 2 13/16 2 7/8 2 15/16 3	UCFCX15 UCFCX15-213 UCFCX15-214 UCFCX15-215 UCFCX15-300	222 8 3/4	190 7 31/64	134.3 5 9/32	12 15/32	19 3/4	22 55/64	35 1 3/8	57 2 1/4	164 6.4567
80 3 1/16 3 1/8 3 3/16 3 1/4	UCFCX16 UCFCX16-301 UCFCX16-302 UCFCX16-303 UCFCX16-304	260 10 1/4	219 8 5/8	154.8 6 3/32	10 25/64	23 29/32	25 63/64	36 1 13/32	61 2 13/32	186 7.3228
85 3 5/16 3 7/16	UCFCX17 UCFCX17-305 UCFCX17-307	260 10 1/4	219 8 5/8	154.8 6 3/32	10 25/64	23 29/32	25 63/64	36 1 13/32	61 2 13/32	186 7.3228
90 3 7/16 3 1/2	UCFCX18 UCFCX18-307 UCFCX18-308	260 10 1/4	219 8 5/8	154.8 6 3/32	12 15/32	23 29/32	28 1 7/64	43 1 11/16	71 2 51/64	186 7.3228
100 3 13/16 3 7/8 3 15/16 4	UCFCX20 UCFCX20-313 UCFCX20-314 UCFCX20-315 UCFCX20-400	276 10 7/8	238 9 3/8	168.3 6 5/8	22 55/64	23 29/32	28 1 7/64	66 2 19/32	94 3 45/64	206 8.1102



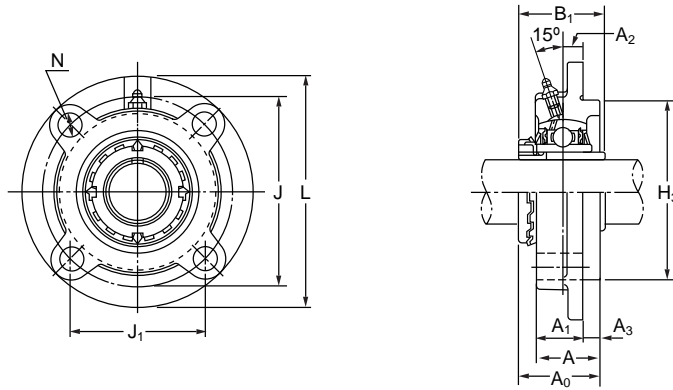
Flanged Unit Cast Housing (4 Bolt - Round)

A ₀	B	S	Bolt Size mm inch	Bearing Number	Housing Number	Mass
						kg/lbs
70.7 2 25/32	65.1 2.5630	25.4 1.000	M14 1/2	UCX12 UCX12-206 UCX12-207	FCX12 FCX12 FCX12	5.7 13
75.4 2 31/32	74.6 2.9370	30.2 1.189	M14 1/2	UCX13 UCX13-208 UCX13-209	FCX13 FCX13 FCX13	5.7 13
78.5 3 3/32	77.8 3.0630	33.3 1.311	M16 5/8	UCX14 UCX14-210 UCX14-211 UCX14-212	FCX14 FCX14 FCX14 FCX14	7.3 16
83.3 3 9/32	82.6 3.2520	33.3 1.311	M16 5/8	UCX15 UCX15-213 UCX15-214 UCX15-215 UCX15-300	FCX15 FCX15 FCX15 FCX15 FCX15	7.7 17
86.6 3 13/32	85.7 3.3740	34.1 1.343	M20 3/4	UCX16 UCX16-301 UCX16-302 UCX16-303 UCX16-304	FCX16 FCX16 FCX16 FCX16 FCX16	11 24
91.3 3 19/32	96 3.7795	39.7 1.563	M20 3/4	UCX17 UCX17-305 UCX17-307	FCX17 FCX17 FCX17	12 26
101.1 3 63/64	104 4.0945	42.9 1.689	M20 3/4	UCX18 UCX18-307 UCX18-308	FCX18 FCX18 FCX18	12 26
118.3 4 21/32	117.5 4.6262	49.2 1.937	M20 3/4	UCX20 UCX20-313 UCX20-314 UCX20-315 UCX20-400	FCX20 FCX20 FCX20 FCX20 FCX20	16 35

Flanged Unit Cast Housing (4 Bolt - Round)



■ Taper Bored with Adapter Sleeve - UKFC 200 Series



Shaft Dia.	Unit Number	Basic Dimensions							
		L	J	J ₁	A ₂	N	A ₃	A ₁	A
20	UKFC205 ; H2305	115	90	63.6	10	12	6	21	27
3/4	UKFC205 ; HE2305	4 17/32	3 35/64	2 1/2	25/64	15/32	15/64	13/16	1 1/16
25	UKFC206 ; H2306	125	100	70.7	10	12	8	23	31
7/8	UKFC206 ; HS2306	4 29/32	3 15/16	2 25/32	25/64	15/32	5/16	29/32	1 7/32
1	UKFC206 ; HE2306								
30	UKFC207 ; H2307	135	110	77.8	11	14	8	26	34
1 1/8	UKFC207 ; HS2307	5 5/16	4 21/64	3 1/16	7/16	35/64	5/16	1 1/32	1 11/32
35	UKFC208 ; H2308	145	120	84.8	11	14	10	26	36
1 1/4	UKFC208 ; HE2308	5 23/32	4 23/32	3 11/32	7/16	35/64	25/64	1 1/32	1 27/64
1 3/8	UKFC208 ; HS2308								
40	UKFC209 ; H2309	160	132	93.3	10	16	12	26	38
1 7/16	UKFC209 ; HA2309								
1 1/2	UKFC209 ; HE2309	6 5/16	5 13/64	3 43/64	25/64	5/8	15/32	1 1/32	1 1/2
1 5/8	UKFC209 ; HS2309								
45	UKFC210 ; H2310	165	138	97.6	10	16	12	28	40
1 5/8	UKFC210 ; HS2310								
1 11/16	UKFC210 ; HA2310	6 1/2	5 7/16	3 27/32	25/64	5/8	15/32	1 3/32	1 37/64
1 3/4	UKFC210 ; HE2310								
50	UKFC211 ; HE2311	185	150	106.1	13	19	12	31	43
1 7/8	UKFC211 ; HS2311								
1 15/16	UKFC211 ; HA2311	7 9/32	5 29/32	4 11/64	33/64	3/4	15/32	1 7/32	1 11/16
2	UKFC211 ; HE2311								
55	UKFC212 ; H2312	195	160	113.1	17	19	12	36	48
2 1/8	UKFC212 ; HS2312	7 11/16	6 19/64	4 29/64	43/64	3/4	15/32	1 13/32	1 57/64
60	UKFC213 ; H2313	205	170	120.2	16	19	14	36	50
2 3/16	UKFC213 ; HA2313								
2 1/4	UKFC213 ; HE2313	8 1/16	6 11/16	4 47/64	5/8	3/4	35/64	1 13/32	1 31/32
2 3/8	UKFC213 ; HS2313								
65	UKFC215 ; H2315	220	184	130.1	18	19	16	40	56
2 7/16	UKFC215 ; HA2315								
2 1/2	UKFC215 ; HE2315	8 21/32	7 1/4	5 1/8	45/64	3/4	5/8	1 9/16	2 13/64



Flanged Unit Cast Housing (4 Bolt - Round)

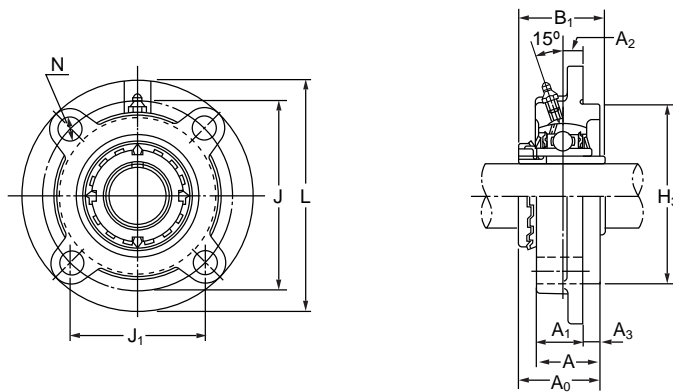
2.11

H ₃	A ₀	B ₁	Bolt Size	Bearing Number	Housing Number	Mass
			mm inch			UKFC kg/lbs
70	35.5	35	M10	UK205 ; H2305	FC205	1.0
2.7559	1 25/64	1.378	3/8	UK205 ; HE2305	FC205	2.2
80	39	38	M10	UK206 ; H2306	FC206	1.4
3.1496	1 17/32	1.496	3/8	UK206 ; HS2306	FC206	3.1
				UK206 ; HE2306	FC206	
90	42.5	43	M12	UK207 ; H2307	FC207	1.7
3.5433	1 43/64	1.693	7/16	UK207 ; HS2307	FC207	3.7
100	46.5	46	M12	UK208 ; H2308	FC208	2.1
3.9370	1 53/64	1.811	7/16	UK208 ; HE2308	FC208	4.6
				UK208 ; HS2308	FC208	
105	48.5	50	M14	UK209 ; H2309	FC209	2.8
				UK209 ; HA2309	FC209	
4.1339	1 29/32	1.969	1/2	UK209 ; HE2309	FC209	6.2
				UK209 ; HS2309	FC209	
110	50	55	M14	UK210 ; H2310	FC210	3.3
				UK210 ; HS2310	FC210	
4.3307	1 31/32	2.165	1/2	UK210 ; HA2310	FC210	7.3
				UK210 ; HE2310	FC210	
125	54.5	59	M16	UK211 ; H2311	FC211	4.4
				UK211 ; HS2311	FC211	
4.9213	2 9/64	2.323	5/8	UK211 ; HA2311	FC211	9.7
				UK211 ; HE2311	FC211	
135	61	62	M16	UK212 ; H2312	FC212	5.4
5.3150	2 13/32	2.441	5/8	UK212 ; HS2312	FC212	12
145	64	65	M16	UK213 ; H2313	FC213	6.1
				UK213 ; HA2313	FC213	
5.7087	2 33/64	2.559	5/8	UK213 ; HE2313	FC213	13
				UK213 ; HS2313	FC213	
160	71	73	M16	UK215 ; H2315	FC215	8.0
				UK215 ; HA2315	FC215	
6.2992	2 51/64	2.874	5/8	UK215 ; HE2315	FC215	18

Flanged Unit Cast Housing (4 Bolt - Round)



■ Taper Bored with Adapter Sleeve - UKFC 200 Series



Shaft Dia.	Unit Number	Basic Dimensions							
		L	J	J ₁	A ₂	N	A ₃	A ₁	A
70	UKFC216 ; H2316	240	200	141.4	18	23	16	42	58
2 11/16	UKFC216 ; HA2316	9 7/16	7 7/8	5 9/16	45/64	29/32	5/8	1 21/32	2 9/32
2 3/4	UKFC216 ; HE2316								
75	UKFC217 ; H2317	250	208	147.1	18	23	18	45	63
2 15/16	UKFC217 ; HA2317	9 27/32	8 3/16	5 51/64	45/64	29/32	45/64	1 25/32	2 31/64
3	UKFC217 ; HE2317								
80	UKFC218 ; H2318	265	220	155.5	22	23	18	50	68
3 3/16	UKFC218 ; HA2318	10 7/16	8 21/32	6 1/8	55/64	29/32	45/64	1 31/32	2 43/64



Flanged Unit Cast Housing (4 Bolt - Round)

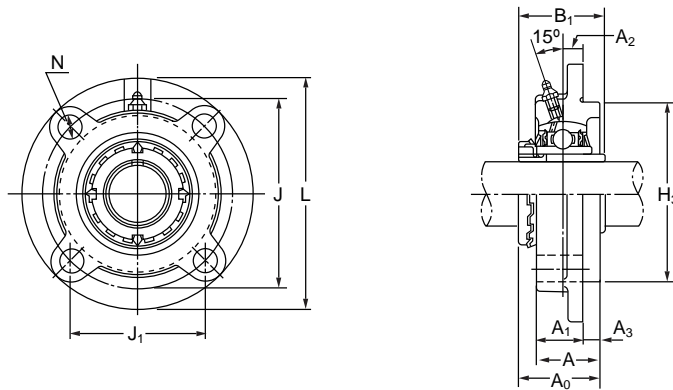
2.11

H ₃	A ₀	B ₁	Bolt Size	Bearing Number	Housing Number	Mass
			mm inch			UKFC kg/lbs
170	73.5	78	M20	UK216 ; H2316	FC216	9.7
6.6929	2 57/64	3.071	3/4	UK216 ; HA2316 UK216 ; HE2316	FC216 FC216	21
180	77	82	M20	UK217 ; H2317	FC217	11
7.0866	3 1/32	3.228	3/4	UK217 ; HA2317 UK217 ; HE2317	FC217 FC217	24
190	81.5	86	M20	UK218 ; H2318	FC218	14
7.4803	3 13/64	3.386	3/4	UK218 ; HA2318	FC218	31

Flanged Unit Cast Housing (4 Bolt - Round)



■ Taper Bored with Adapter Sleeve - UKFCX Series



Shaft Dia.	Unit Number	Basic Dimensions							
		L	J	J ₁	A ₂	N	A ₃	A ₁	A
20	UKFCX05 ; H2305	111	92	65	10	9.5	6	24	30
3/4	UKFCX05 ; HE2305	4 3/8	3 5/8	2 9/16	25/64	3/8	1/4	15/16	1 3/16
25	UKFCX06 ; H2306	127	105	74.2	8	12	9.5	22.5	32
7/8	UKFCX06 ; HS2306	5	4 9/64	2 59/64	5/16	15/32	3/8	7/8	1 17/64
1	UKFCX06 ; HE2306								
30	UKFCX07 ; H2307	133	111	78.5	9	12	11	26	37
1 1/8	UKFCX07 ; HS2307	5 1/4	4 3/8	3 3/32	23/64	15/32	7/16	1 1/32	1 29/64
35	UKFCX08 ; H2308	133	111	78.5	9	12	11	26	37
1 1/4	UKFCX08 ; HE2308	5 1/4	4 3/8	3 3/32	23/64	15/32	7/16	1 1/32	1 29/64
1 3/8	UKFCX08 ; HS2308								
40	UKFCX09 ; H2309	155	130	91.9	8	14	12	25	37
1 7/16	UKFCX09 ; HA2309								
1 1/2	UKFCX09 ; HE2309	6 3/32	5 1/8	3 5/8	5/16	35/64	15/32	31/32	1 29/64
1 5/8	UKFCX09 ; HS2309								
45	UKFCX10 ; H2310	162	136	96.2	7	14	16	25	41
1 5/8	UKFCX10 ; HS2310								
1 11/16	UKFCX10 ; HA2310	6 3/8	5 23/64	3 25/32	9/32	35/64	5/8	31/32	1 39/64
1 3/4	UKFCX10 ; HE2310								
50	UKFCX11 ; H2311	180	152	107.5	4	16	22	26	48
1 7/8	UKFCX11 ; HS2311								
1 15/16	UKFCX11 ; HA2311	7 3/32	5 63/64	4 15/64	5/32	5/8	55/64	1 1/32	1 57/64
2	UKFCX11 ; HE2311								
55	UKFCX12 ; H2312	194	165	116.7	11	16	20	33	53
2 1/8	UKFCX12 ; HS2312	7 5/8	6 1/2	4 19/32	7/16	5/8	25/32	1 5/16	2 5/64
60	UKFCX13 ; H2313	194	165	116.7	11	16	20	33	53
2 3/16	UKFCX13 ; HA2313								
2 1/4	UKFCX13 ; HE2313	7 5/8	6 1/2	4 19/32	7/16	5/8	25/32	1 5/16	2 5/64
2 3/8	UKFCX13 ; HS2313								
65	UKFCX15 ; H2315	222	190	134.3	12	19	22	35	57
2 7/16	UKFCX15 ; HA2315								
2 1/2	UKFCX15 ; HE2315	8 3/4	7 31/64	5 9/32	15/32	3/4	55/64	1 3/8	2 1/4



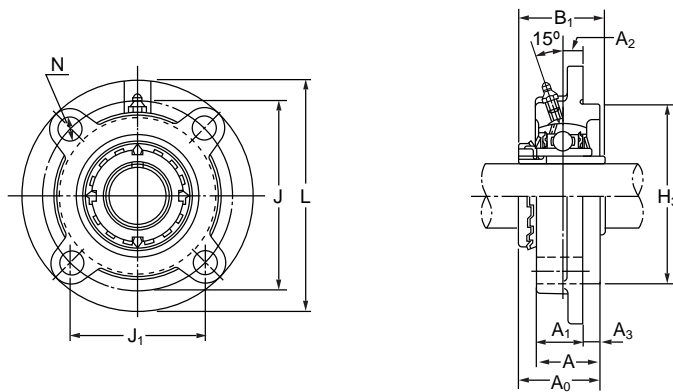
Flanged Unit Cast Housing (4 Bolt - Round)

H ₃	A ₀	B ₁	Bolt Size	Bearing Number	Housing Number	Mass
			mm inch			UKFC kg/lbs
76	37	35	M8	UKX05 ; H2305	FCX05	1.1
2.9921	1 29/64	1.378	5/16	UKX05 ; HE2305	FCX05	2.4
85	40	38	M10	UKX06 ; H2306	FCX06	1.5
3.3465	1 37/64	1.496	3/8	UKX06 ; HS2306 UKX06 ; HE2306	FCX06 FCX06	3.3
92	44.5	43	M10	UKX07 ; H2307	FCX07	1.9
3.6220	1 3/4	1.693	3/8	UKX07 ; HS2307	FCX07	4.2
92	45.5	46	M10	UKX08 ; H2308	FCX08	1.9
3.6220	1 51/64	1.811	3/8	UKX08 ; HE2308 UKX08 ; HS2308	FCX08 FCX08	4.2
108	47	50	M12	UKX09 ; H2309	FCX09	2.6
4.2520	1 27/32	1.969	7/16	UKX09 ; HA2309 UKX09 ; HE2309 UKX09 ; HS2309	FCX09 FCX09 FCX09	5.7
118	52.5	55	M12	UKX10 ; H2310	FCX10	3.1
4.6457	2 1/16	2.165	7/16	UKX10 ; HS2310 UKX10 ; HA2310 UKX10 ; HE2310	FCX10 FCX10 FCX10	6.8
127	57	59	M14	UKX11 ; H2311	FCX11	4.2
5.0000	2 1/4	2.323	1/2	UKX11 ; HS2311 UKX11 ; HA2311 UKX11 ; HE2311	FCX11 FCX11 FCX11	9.3
140	64	62	M14	UKX12 ; H2312	FCX12	5.5
5.5118	2 33/64	2.441	1/2	UKX12 ; HS2312	FCX12	12
140	66	65	M14	UKX13 ; H2313	FCX13	5.4
5.5118	2 19/32	2.559	1/2	UKX13 ; HA2313 UKX13 ; HE2313 UKX13 ; HS2313	FCX13 FCX13 FCX13	12
164	71.5	73	M16	UKX15 ; H2315	FCX15	7.8
6.4567	2 13/16	2.874	5/8	UKX15 ; HA2315 UKX15 ; HE2315	FCX15 FCX15	17

Flanged Unit Cast Housing (4 Bolt - Round)



■ Taper Bored with Adapter Sleeve - UKFCX Series



Shaft Dia.	Unit Number	Basic Dimensions							
		mm		inch					
mm		L	J	J ₁	A ₂	N	A ₃	A ₁	A
70	UKFCX16 ; H2316	260	219	154.8	10	23	25	36	61
2 11/16	UKFCX16 ; HA2316	10 1/4	8 5/8	6 3/32	25/64	29/32	63/64	1 13/32	2 13/32
2 3/4	UKFCX16 ; HE2316								
75	UKFCX17 ; H2317	260	219	154.8	10	23	25	36	61
2 15/16	UKFCX17 ; HA2317	10 1/4	8 5/8	6 3/32	25/64	29/32	63/64	1 13/32	2 13/32
3	UKFCX17 ; HE2317								
80	UKFCX18 ; H2318	260	219	154.8	12	23	28	43	71
3 3/16	UKFCX18 ; HA2318	10 1/4	8 5/8	6 3/32	15/32	29/32	1 7/64	1 11/16	2 51/64
90	UKFCX20 ; H2320	276	238	168.3	22	23	28	66	94



Flanged Unit Cast Housing (4 Bolt - Round)

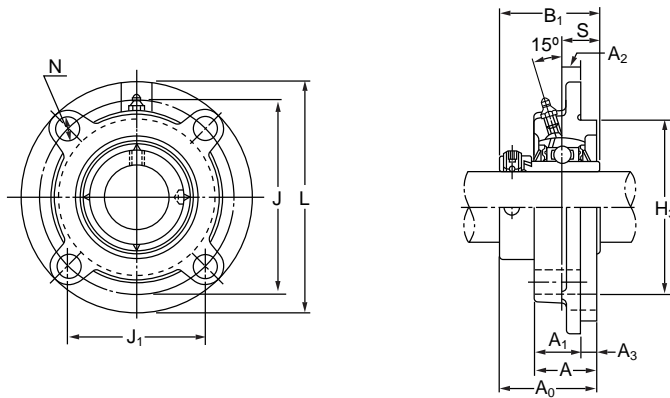
2.12

H ₃	A ₀	B ₁	Bolt Size	Bearing Number	Housing Number	Mass
			mm			UKFC
inch			mm			kg/lbs
186	75	78	M20	UKX16 ; H2316	FCX16	11
7.3228	2 61/64	3.071	3/4	UKX16 ; HA2316	FCX16	24
				UKX16 ; HE2316	FCX16	
186	76.5	82	M20	UKX17 ; H2317	FCX17	12
7.3228	3 1/64	3.228	3/4	UKX17 ; HA2317	FCX17	26
				UKX17 ; HE2317	FCX17	
186	85	86	M20	UKX18 ; H2318	FCX18	12
7.3228	3 11/32	3.386	3/4	UKX18 ; HA2318	FCX18	26
206	99	97	M20	UKFX20 ; H2320	FCX20	15

Flanged Cartridge Unit Cast Housing (4 Bolt - Round)



■ Eccentric Locking Collar Type - UELFC 200 Series



Shaft Dia.	Unit Number	Basic Dimensions								
		mm inch								
mm inch		L	J	J ₁	A ₂	N	A ₃	A ₁	A	H ₃
20	UELFC204	100	78	55.1	10	12	5	20.5	25.5	62
3/4	UELFC204-012	3 15/16	3 5/64	211/64	25/64	15/32	13/64	13/16	1	2.4409
25	UELFC205	115	90	63.6	10	12	6	21	27	70
13/16	UELFC205-013	4 17/32	3 35/64	2 1/2	25/64	15/32	15/64	13/16	1 1/16	2.7559
7/8	UELFC205-014									
15/16	UELFC205-015									
1	UELFC205-100									
30	UELFC206	125	100	70.7	10	12	8	23	31	80
1 1/16	UELFC206-101	4 29/32	3 15/16	2 25/32	25/64	15/32	5/16	29/32	1 7/32	3.1496
1 1/8	UELFC206-102									
1 3/16	UELFC206-103									
1 1/4	UELFC209-104									
35	UELFC207	135	110	77.8	11	14	8	26	34	90
1 1/4	UELFC207-104	5 5/16	4 21/64	3 1/16	7/16	35/64	5/16	1 1/32	1 11/32	3.5433
1 5/16	UELFC207-105									
1 3/8	UELFC207-106									
1 7/16	UELFC207-107									
40	UELFC208	145	120	84.8	11	14	10	26	36	100
1 1/2	UELFC208-108	5 23/32	4 23/32	3 11/32	7/16	35/64	25/64	1 1/32	1 27/64	3.937
1 9/16	UELFC208-109									
45	UELFC209	160	132	93.3	10	16	12	26	38	105
1 5/8	UELFC209-110	6 5/16	5 13/64	3 43/64	25/64	5/8	15/32	1 1/32	1 1/2	4.1339
1 11/16	UELFC209-111									
1 3/4	UELFC209-112									
50	UELFC210	165	138	97.6	10	16	12	28	40	110
1 13/16	UELFC210-113	6 1/2	5 7/16	3 27/32	25/64	5/8	15/32	1 3/32	1 37/64	4.3307
1 7/8	UELFC210-114									
1 15/16	UELFC210-115									
2	UELFC210-200									



Flanged Cartridge Unit Cast Housing (4 Bolt - Round)

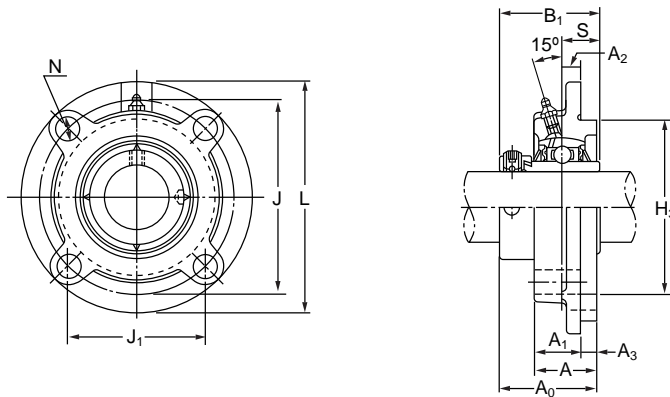
2.13

A ₀	B ₁	S	Bolt Size	Bearing Number	Housing Number	Mass
						mm inch
41.6	43.7	17.1	M10	UEL204	FC204	0.8
1 41/64	1.720	0.673	3/8	UEL204-012	FC204	1.8
42.9	44.4	17.5	M10	UEL205	FC205	1.1
1 11/16	1.748	0.689	3/8	UEL205-013 UEL205-014 UEL205-015 UEL205-100	FC205 FC205 FC205 FC205	2.4
48.1	48.4	18.3	M10	UEL206	FC206	1.5
1 57/64	1.906	0.720	3/8	UEL206-101 UEL206-102 UEL206-103 UEL206-104	FC206 FC206 FC206 FC206	3.3
51.3	51.1	18.8	M12	UEL207	FC207	1.8
2 1/64	2.012	0.740	7/16	UEL207-104 UEL207-105 UEL207-106 UEL207-107	FC207 FC207 FC207 FC207	4.0
55.9	56.3	21.4	M12	UEL208	FC208	2.2
2 13/64	2.217	0.843	7/16	UEL208-108 UEL208-109	FC208 FC208	4.9
56.9	56.3	21.4	M14	UEL209	FC209	2.8
2 15/64	2.217	0.843	1/2	UEL209-110 UEL209-111 UEL209-112	FC209 FC209 FC209	6.2
60.1	62.7	24.6	M14	UEL210	FC210	3.3
2 23/64	2.469	0.969	1/2	UEL210-113 UEL210-114 UEL210-115 UEL210-200	FC210 FC210 FC210 FC210	7.3

Flanged Cartridge Unit Cast Housing (4 Bolt - Round)



■ Eccentric Locking Collar Type - UELFC 200 Series



Shaft Dia.	Unit Number	Basic Dimensions								
		mm		inch						
mm		L	J	J ₁	A ₂	N	A ₃	A ₁	A	H ₃
55	UELFC211	185	150	106.1	13	19	12	31	43	125
2	UELFC211-200									
2 1/16	UELFC211-201	7 9/32	5 29/32	4 11/64	33/64	3/4	15/32	1 7/32	1 11/16	4.9213
2 1/8	UELFC211-202									
2 3/16	UELFC211-203									
60	UELFC212	195	160	113.1	17	19	12	36	48	135
2 1/4	UELFC212-204									
2 5/16	UELFC212-205	7 11/16	6 19/64	4 29/64	43/64	3/4	15/32	1 13/32	1 57/64	5.3150
2 3/8	UELFC212-206									
2 7/16	UELFC212-207									
65	UELFC213	205	170	120.2	16	19	14	36	50	145
2 1/2	UELFC213-208									
2 9/16	UELFC213-209	8 1/16	6 11/16	4 47/64	5/8	3/4	35/64	1 13/32	1 31/32	5.7087
70	UELFC214	215	177	125.1	17	19	14	40	54	150
2 5/8	UELFC214-210									
2 11/16	UELFC214-211	8 15/32	6 31/32	4 59/64	43/64	3/4	35/64	1 9/16	2 1/8	5.9055
2 3/4	UELFC214-212									
75	UELFC215	220	184	130.1	18	19	16	40	56	160
2 13/16	UELFC215-213									
2 7/8	UELFC215-214	8 21/32	7 1/4	5 1/8	45/64	3/4	5/8	1 9/16	2 13/64	6.2992
2 15/16	UELFC215-215									
3	UELFC215-300									



Flanged Cartridge Unit Cast Housing (4 Bolt - Round)

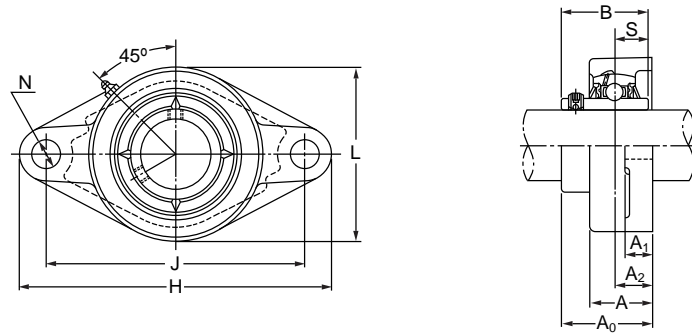
2.13

A ₀	B ₁	S	Bolt Size	Bearing Number	Housing Number	Mass
			mm			kg/lbs
68.6	71.4	27.8	M16	UEL211	FC211	4.5
				UEL211-200	FC211	
2 45/64	2.811	1.094	5/8	UEL211-201	FC211	9.9
				UEL211-202	FC211	
				UEL211-203	FC211	
75.8	77.8	31	M16	UEL212	FC212	5.7
				UEL212-204	FC212	
2 63/64	3.063	1.220	5/8	UEL212-205	FC212	13
				UEL212-206	FC212	
				UEL212-207	FC212	
81.6	85.7	34.15	M16	UEL213	FC213	6.5
				UEL213-208	FC213	
3 7/32	3.374	1.344	5/8	UEL213-209	FC213	14
82.6	85.7	34.15	M16	UEL214	FC214	7.2
				UEL214-210	FC214	
3 1/4	3.374	1.344	5/8	UEL214-211	FC214	16
				UEL214-212	FC214	
88.7	92	37.3	M16	UEL215	FC215	8.0
				UEL215-213	FC215	
3 31/64	3.622	1.469	5/8	UEL215-214	FC215	18
				UEL215-215	FC215	
				UEL215-300	FC215	

Flanged Unit (2 Bolt - Oval)



■ Set Screw Type - UCFL 200 Series



Shaft Dia. mm inch	* Unit Number	Basic Dimensions									
		H	J	A ₂	A ₁	A	N	L	A ₀	B	
12	UCFL201	113	90	15	11	25.5	12	60	33.3	31	
1/2	UCFL201-008	4 7/16	3 35/64	19/32	7/16	1	15/32	2 3/8	1 5/16	1.2205	
15	UCFL202	113	90	15	11	25.5	12	60	33.3	31	
9/16	UCFL202-009	4 7/16	3 35/64	19/32	7/16	1	15/32	2 3/8	1 5/16	1.2205	
5/8	UCFL202-010	4 7/16	3 35/64	19/32	7/16	1	15/32	2 3/8	1 5/16	1.2205	
17	UCFL203	113	90	15	11	25.5	12	60	33.3	31	
11/16	UCFL203-011	4 7/16	3 35/64	19/32	7/16	1	15/32	2 3/8	1 5/16	1.2205	
20	UCFL204	113	90	15	11	25.5	12	60	33.3	31	
3/4	UCFL204-012	4 7/16	3 35/64	19/32	7/16	1	15/32	2 3/8	1 5/16	1.2205	
25	UCFL205	130	99	16	13	27	16	68	35.8	34.1	
13/16	UCFL205-013										
7/8	UCFL205-0144	5 1/8	3 57/64	5/8	1/2	1 1/16	5/8	2 11/16	1 13/32	1.3425	
15/16	UCFL205-015										
1	UCFL205-100										
30	UCFL206	148	117	18	13	31	16	80	40.2	38.1	
1 1/16	UCFL206-101										
1 1/8	UCFL206-102	5 13/16	4 39/64	45/64	1/2	1 7/32	5/8	3 5/32	1 37/64	1.5000	
1 3/16	UCFL206-103										
1 1/4	UCFL206-104										
35	UCFL207	161	130	19	15	34	16	90	44.4	42.9	
1 1/4	UCFL207-104										
1 5/16	UCFL207-105	6 11/32	5 1/8	3/4	19/32	1 11/32	5/8	3 17/32	1 3/4	1.6890	
1 3/8	UCFL207-106										
1 7/16	UCFL207-107										
40	UCFL208	175	144	21	15	36	16	100	51.2	49.2	
1 1/2	UCFL208-108	6 7/8	5 43/64	53/64	19/32	1 13/32	5/8	3 15/16	2 1/64	1.9370	
1 9/16	UCFL208-109										
45	UCFL209	188	148	22	16	38	19	108	52.2	49.2	
1 5/8	UCFL209-110										
1 11/16	UCFL209-111	7 13/32	5 53/64	55/64	5/8	1 1/2	3/4	4 1/4	2 1/16	1.9370	
1 3/4	UCFL209-112										



Flanged Unit (2 Bolt - Oval)

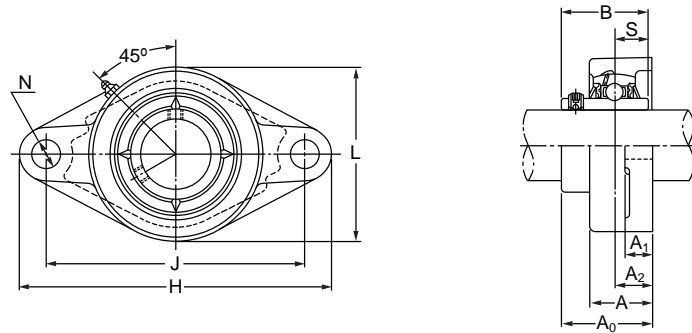
* Denotation
 UCFL : Cast Housing with chrome steel bearing inserts.
 MUCFL : Stainless Steel Housing with stainless steel bearing inserts.
 MUCPFL...SB : Plastic Housing with stainless steel bearing inserts.

S	Bolt Size	Bearing Number	Housing Number	Mass (kg/lbs)		
				UCFL	MUCFL	MUCPFL...SB
12.7	M10	UC201	FL204	0.6	-	0.08
0.500	3/8	UC201-008	FL204	1.3	-	0.18
12.7	M10	UC202	FL204	0.6	-	0.08
0.500	3/8	UC202-009 UC202-010	FL204 FL204	1.3	-	0.18
12.7	M10	UC203	FL204	0.5	-	0.08
0.500	3/8	UC203-011	FL204	1.1	-	0.18
12.7	M10	UC204	FL204	0.5	0.5	0.08
0.500	3/8	UC204-012	FL204	1.1	1.1	0.18
14.3	M14	UC205	FL205	0.6	0.6	0.11
		UC205-013	FL205			
0.563	1/2	UC205-014 UC205-015 UC205-100	FL205 FL205 FL205	1.3	1.3	0.24
15.9	M14	UC206	FL206	0.9	0.9	0.14
0.626	1/2	UC206-101 UC206-102 UC206-103 UC206-104	FL206 FL206 FL206 FL206	2.0	2.0	0.31
17.5	M14	UC207	FL207	1.2	1.2	0.17
		UC207-104	FL207			
0.689	1/2	UC207-105 UC207-106 UC207-107	FL207 FL207 FL207	2.6	2.6	0.37
19	M14	UC208	FL208	1.6	1.6	0.25
0.748	1/2	UC208-108 UC208-109	FL208 FL208	3.5	3.5	0.56
19	M16	UC209	FL209	1.9	1.9	-
0.748	5/8	UC209-110 UC209-111 UC209-112	FL209 FL209 FL209	4.2	4.2	-

Flanged Unit (2 Bolt - Oval)



■ Set Screw Type - UCFL 200 Series



Shaft Dia. mm inch	* Unit Number	Basic Dimensions									
		H	J	A ₂	A ₁	A	N	L	A ₀	B	
50	UCFL210	197	157	22	16	40	19	115	54.6	51.6	
1 13/16	UCFL210-113										
1 7/8	UCFL210-114	7 3/4	6 3/16	55/64	5/8	1 9/16	3/4	4 17/32	2 5/32	2.0315	
1 15/16	UCFL210-115										
2	UCFL210-200										
55	UCFL211	224	184	25	18	43	19	130	58.4	55.6	
2	UCFL211-200										
2 1/16	UCFL211-201	8 13/16	7 1/4	63/64	23/32	1 11/16	3/4	5 1/8	2 19/64	2.1890	
2 1/8	UCFL211-202										
2 3/16	UCFL211-203										
60	UCFL212	250	202	29	18	48	23	140	68.7	65.1	
2 1/4	UCFL212-204										
2 5/16	UCFL212-205	9 27/32	7 61/64	1 9/64	23/32	1 7/8	29/32	5 1/2	2 45/64	2.5630	
2 3/8	UCFL212-206										
2 7/16	UCFL212-207										
65	UCFL213	258	210	30	22	50	23	155	69.7	65.1	
2 1/2	UCFL213-208										
2 9/16	UCFL213-209	10 5/32	8 17/64	1 3/16	7/8	1 31/32	29/32	6 3/32	2 3/4	2.5630	
70	UCFL214	265	216	31	22	54	23	160	75.4	74.6	
2 5/8	UCFL214-210										
2 11/16	UCFL214-211	10 7/16	8 1/2	1 7/32	7/8	2 1/8	29/32	6 5/16	2 31/32	2.9370	
2 3/4	UCFL214-212										
75	UCFL215	275	225	34	22	56	23	165	78.5	77.8	
2 13/16	UCFL215-213										
2 7/8	UCFL215-214	10 13/16	8 55/64	1 11/32	7/8	2 7/32	29/32	6 1/2	3 3/32	3.0630	
2 15/16	UCFL215-215										
3	UCFL215-300										
80	UCFL216	290	233	34	22	58	25	180	83.3	82.6	
3 1/16	UCFL216-301										
3 1/8	UCFL216-302	11 13/32	9 11/64	1 11/32	7/8	2 9/32	63/64	7 3/32	3 9/32	3.2520	
3 3/16	UCFL216-303										



Flanged Unit (2 Bolt - Oval)

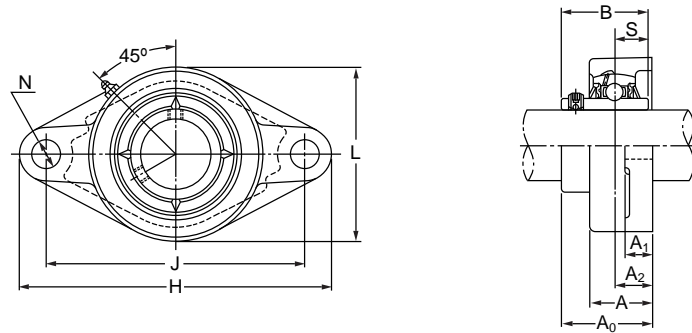
* Denotation
 UCFL : Cast Housing with chrome steel bearing inserts.
 MUCFL : Stainless Steel Housing with stainless steel bearing inserts.
 MUCFPL...SB : Plastic Housing with stainless steel bearing inserts.

S	Bolt Size	Bearing Number	Housing Number	Mass (kg/lbs)		
				UCFL	MUCFL	MUCFPL...SB
19	M16	UC210	FL210	2.2	2.3	-
		UC210-113	FL210			
0.748	5/8	UC210-114	FL210	4.9	5.1	-
		UC210-115	FL210			
		UC210-200	FL210			
22.2	M16	UC211	FL211	3.1	-	-
		UC211-200	FL211			
0.874	5/8	UC211-201	FL211	6.8	-	-
		UC211-202	FL211			
		UC211-203	FL211			
25.4	M20	UC212	FL212	4.0	-	-
		UC212-204	FL212			
1.000	3/4	UC212-205	FL212	8.8	-	-
		UC212-206	FL212			
		UC212-207	FL212			
25.4	M20	UC213	FL213	5.0	-	-
		UC213-208	FL213	11	-	-
1.000	3/4	UC213-209	FL213			
30.2	M20	UC214	FL214	5.6	-	-
		UC214-210	FL214			
1.189	3/4	UC214-211	FL214	12	-	-
		UC214-212	FL214			
33.3	M20	UC215	FL215	6.2	-	-
		UC215-213	FL215			
1.311	3/4	UC215-214	FL215	14	-	-
		UC215-215	FL215			
		UC215-300	FL215			
33.3	M22	UC216	FL216	8.2	-	-
		UC216-301	FL216			
1.311	7/8	UC216-302	FL216	18	-	-
		UC216-303	FL216			

Flanged Unit (2 Bolt - Oval)



■ Set Screw Type - UCFL 200 Series



Shaft Dia.	* Unit Number	Basic Dimensions									
		H	J	A ₂	A ₁	A	N	L	A ₀	B	
85	UCFL217	305	248	36	24	63	25	190	87.6	85.7	
3 1/4	UCFL217-304										
3 5/16	UCFL217-305	12	9 49/64	1 27/64	15/16	2 15/32	63/64	7 15/32	3 29/64	3.3740	
3 7/16	UCFL217-307										
90	UCFL218	320	265	40	24	68	25	205	96.3	96	
3 1/2	UCFL218-308	12 19/32	10 7/16	1 37/64	15/16	2 11/16	63/64	8 1/16	3 51/64	3.7795	



Flanged Unit (2 Bolt - Oval)

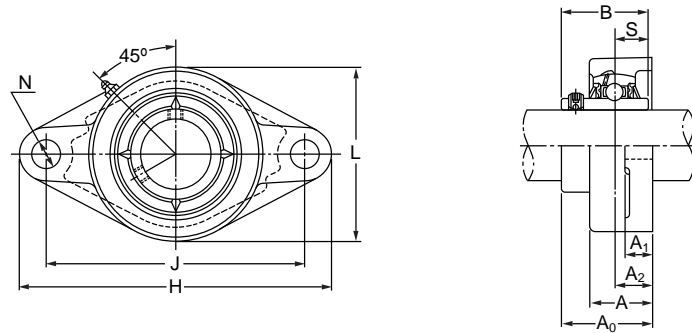
* Denotation
 UCFL : Cast Housing with chrome steel bearing inserts.
 MUCFL : Stainless Steel Housing with stainless steel bearing inserts.
 MUCFPL...SB : Plastic Housing with stainless steel bearing inserts.

S	Bolt Size	Bearing Number	Housing Number	Mass (kg/lbs)		
				UCFL	MUCFL	MUCFPL...SB
34.1	M22	UC217	FL217	9.3	-	-
		UC217-304	FL217			
1.343	7/8	UC217-305	FL217	21	-	-
		UC217-307	FL217			
39.7	M22	UC218	FL218	11	-	-
1.563	7/8	UC218-308	FL218	24	-	-

Flanged Unit Cast Housing (2 Bolt - Oval)



■ Set Screw Type - UCFLX Series



Shaft Dia. mm inch	Unit Number	Basic Dimensions									
		H	J	A ₂	A ₁	A	N	L	A ₀	B	
25	UCFLX05	141	117	18	13	30	12	83	40.2	38.1	
13/16	UCFLX05-013										
7/8	UCFLX05-014	5 9/16	4 39/64	45/64	1/2	1 3/16	15/32	3 9/32	1 37/64	1.5000	
15/16	UCFLX05-015										
1	UCFLX05-100										
30	UCFLX06	156	130	19	15	34	16	95	44.4	42.9	
1 1/16	UCFLX06-101										
1 1/8	UCFLX06-102	6 5/32	5 1/8	3/4	19/32	1 11/32	5/8	3 3/4	1 3/4	1.6890	
1 3/16	UCFLX06-103										
1 1/4	UCFLX06-104										
35	UCFLX07	171	144	21	16	38	16	105	51.2	49.2	
1 5/16	UCFLX07-105										
1 3/8	UCFLX07-106	6 23/32	5 43/64	53/64	5/8	1 1/2	5/8	4 1/8	2 1/64	1.9370	
1 7/16	UCFLX07-107										
40	UCFLX08	179	148	22	16	40	16	111	52.2	49.2	
1 1/2	UCFLX08-108										
1 9/16	UCFLX08-109	7 1/16	5 53/64	55/64	5/8	1 9/16	5/8	4 3/8	2 1/16	1.9370	
45	UCFLX09	189	157	23	16	40	16	116	55.6	51.6	
1 5/8	UCFLX09-110										
1 11/16	UCFLX09-111	7 7/16	6 3/16	29/32	5/8	1 9/16	5/8	4 9/16	2 3/16	2.0315	
1 3/4	UCFLX09-112										
1 13/16	UCFLX09-113										
50	UCFLX10	216	184	26	18	44	19	133	59.4	55.6	
1 7/8	UCFLX10-114										
1 15/16	UCFLX10-115	8 1/2	7 1/4	1 1/32	23/32	1 23/32	3/4	5 1/4	2 11/32	2.1890	
2	UCFLX10-200										



Flanged Unit Cast Housing (2 Bolt - Oval)

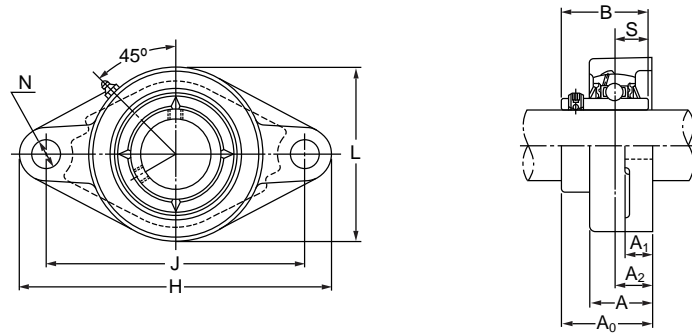
	Bolt Size	Bearing Number	Housing Number	Mass
S	mm inch			kg/lbs
15.9	M10	UCX05	FLX05	1.0
		UCX05-013	FLX05	
0.626	3/8	UCX05-014	FLX05	2.2
		UCX05-015	FLX05	
		UCX05-100	FLX05	
17.5	M14	UCX06	FLX06	1.5
		UCX06-101	FLX06	
0.689	1/2	UCX06-102	FLX06	3.3
		UCX06-103	FLX06	
		UCX06-104	FLX06	
19	M14	UCX07	FLX07	2.0
		UCX07-105	FLX07	
0.748	1/2	UCX07-106	FLX07	4.4
		UCX07-107	FLX07	
19	M14	UCX08	FLX08	2.2
		UCX08-108	FLX08	
0.748	1/2	UCX08-109	FLX08	4.9
19	M14	UCX09	FLX09	2.4
		UCX09-110	FLX09	
0.748	1/2	UCX09-111	FLX09	5.3
		UCX09-112	FLX09	
		UCX09-113	FLX09	
22.2	M16	UCX10	FLX10	3.4
		UCX10-114	FLX10	
0.874	5/8	UCX10-115	FLX10	7.5
		UCX10-200	FLX10	



Flanged Unit Cast Housing (2 Bolt - Oval)



■ Set Screw Type - UCFL 300 Series



Shaft Dia.	Unit Number	Basic Dimensions									
		H	J	A ₂	A ₁	A	N	L	A ₀	B	
25	UCFL305	150	113	16	13	29	19	80	39	38	
13/16	UCFL305-013										
7/8	UCFL305-014	5 29/32	4 7/16	5/8	1/2	1 5/32	3/4	3 5/32	1 17/32	1.4961	
15/16	UCFL305-015										
1	UCFL305-100										
30	UCFL306	180	134	18	15	32	23	90	44	43	
1 1/16	UCFL306-101										
1 1/8	UCFL306-102	7 3/32	5 9/32	45/64	19/32	1 1/4	29/32	3 17/32	1 47/64	1.6929	
1 3/16	UCFL306-103										
35	UCFL307	185	141	20	16	36	23	100	49	48	
1 1/4	UCFL307-104										
1 5/16	UCFL307-105	7 9/32	5 35/64	25/32	5/8	1 13/32	29/32	3 15/16	1 59/64	1.8898	
1 3/8	UCFL307-106										
1 7/16	UCFL307-107										
40	UCFL308	200	158	23	17	40	23	112	56	52	
1 1/2	UCFL308-108										
1 9/16	UCFL308-109	7 7/8	6 7/32	29/32	21/32	1 9/16	29/32	4 13/32	2 13/64	2.0472	
45	UCFL309	230	177	25	18	44	25	125	60	57	
1 5/8	UCFL309-110										
1 11/16	UCFL309-111	9 1/16	6 31/32	63/64	23/32	1 23/32	63/64	4 29/32	2 23/64	2.2441	
1 3/4	UCFL309-112										
50	UCFL310	240	187	28	19	48	25	140	67	61	
1 13/16	UCFL310-113										
1 7/8	UCFL310-114	9 7/16	7 23/64	1 7/64	3/4	1 7/8	63/64	5 1/2	2 41/64	2.4016	
1 15/16	UCFL310-115										
55	UCFL311	250	198	30	20	52	25	150	71	66	
2	UCFL311-200										
2 1/16	UCFL311-201	9 27/32	7 51/64	1 3/16	25/32	2 1/16	63/64	5 29/32	2 51/64	2.5984	
2 1/8	UCFL311-202										
2 3/16	UCFL311-203										



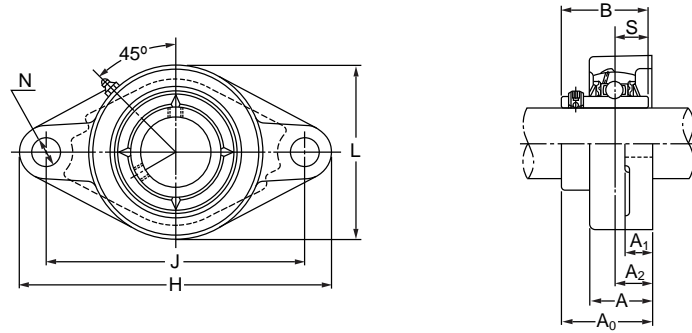
Flanged Unit Cast Housing (2 Bolt - Oval)

	Bolt Size	Bearing Number	Housing Number	Mass
S	mm inch			UCFL kg/lbs
15	M16	UC305	FL305	1.1
0.591	5/8	UC305-013 UC305-014 UC305-015 UC305-100	FL305 FL305 FL305 FL305	2.4
17	M20	UC306	FL306	1.5
0.669	3/4	UC306-101 UC306-102 UC306-103	FL306 FL306 FL306	3.3
19	M20	UC307	FL307	1.9
0.748	3/4	UC307-104 UC307-105 UC307-106 UC307-107	FL307 FL307 FL307 FL307	4.2
19	M20	UC308	FL308	2.5
0.748	3/4	UC308-108 UC308-109	FL308 FL308	5.5
22	M22	UC309	FL309	3.4
0.866	7/8	UC309-110 UC309-111 UC309-112	FL309 FL309 FL309	7.5
22	M22	UC310	FL310	4.4
0.866	7/8	UC310-113 UC310-114 UC310-115	FL310 FL310 FL310	9.7
25	M22	UC311	FL311	5.1
0.984	7/8	UC311-200 UC311-201 UC311-202 UC311-203	FL311 FL311 FL311 FL311	11

Flanged Unit Cast Housing (2 Bolt - Oval)



■ Set Screw Type - UCFL 300 Series



Shaft Dia. mm inch	Unit Number	Basic Dimensions									
		H	J	A ₂	A ₁	A	N	L	A ₀	B	
60 2 1/4 2 5/16 2 3/8 2 7/16	UCFL312 UCFL312-204 UCFL312-205 UCFL312-206 UCFL312-207	270 10 5/8	212 8 11/32	33 1 19/64	22 7/8	56 2 7/32	31 1 7/32	160 6 5/16	78 3 5/64	71 2.7953	
65 2 1/2 2 9/16	UCFL313 UCFL313-208 UCFL313-209	295 11 5/8	240 9 29/64	33 1 19/64	25 31/32	58 2 9/32	31 1 7/32	175 6 7/8	78 3 5/64	75 2.9528	
70 2 5/8 2 11/16 2 3/4	UCFL314 UCFL314-210 UCFL314-211 UCFL314-212	315 12 13/32	250 9 27/32	36 1 27/64	28 1 3/32	61 2 13/32	35 1 3/8	185 7 9/32	81 3 3/16	78 3.0709	
75 2 13/16 2 7/8 2 15/16 3	UCFL315 UCFL315-213 UCFL315-214 UCFL315-215 UCFL315-300	320 12 19/32	260 10 15/64	39 1 17/32	30 1 3/16	66 2 19/32	35 1 3/8	195 7 11/16	89 3 1/2	82 3.2283	
80 3 1/16 3 1/8 3 3/16	UCFL316 UCFL316-301 UCFL316-302 UCFL316-303	355 13 31/32	285 11 7/32	38 1 1/2	32 1 1/4	68 2 11/16	38 1 1/2	210 8 9/32	90 3 35/64	86 3.3858	
85 3 1/4 3 5/16 3 7/16	UCFL317 UCFL317-304 UCFL317-305 UCFL317-307	370 14 9/16	300 11 13/16	44 1 47/64	32 1 1/4	74 2 29/32	38 1 1/2	220 8 21/32	100 3 15/16	96 3.7795	
90 3 7/16 3 1/2	UCFL318 UCFL318-307 UCFL318-308	385 15 5/32	315 12 13/32	44 1 47/64	36 1 13/32	76 3	38 1 1/2	235 9 1/4	100 3 15/16	96 3.7795	
95 3 5/8 3 11/16 3 3/4	UCFL319 UCFL319-310 UCFL319-311 UCFL319-312	405 15 15/16	330 12 63/64	59 2 21/64	40 1 9/16	94 3 11/16	41 1 39/64	250 9 27/32	121 4 49/64	103 4.0551	



Flanged Unit Cast Housing (2 Bolt - Oval)

	Bolt Size	Bearing Number	Housing Number	Mass
26 1.024	M27 1	UC312 UC312-204 UC312-205 UC312-206 UC312-207	FL312 FL312 FL312 FL312 FL312	6.1 13
30 1.181	M27 1	UC313 UC313-208 UC313-209	FL313 FL313 FL313	7.8 17
33 1.299	M30 1 1/8	UC314 UC314-210 UC314-211 UC314-212	FL314 FL314 FL314 FL314	9.0 20
32 1.260	M30 1 1/8	UC315 UC315-213 UC315-214 UC315-215 UC315-300	FL315 FL315 FL315 FL315 FL315	10 22
34 1.339	M33 1 1/4	UC316 UC316-301 UC316-302 UC316-303	FL316 FL316 FL316 FL316	13 29
40 1.575	M33 1 1/4	UC317 UC317-304 UC317-305 UC317-307	FL317 FL317 FL317 FL317	15 33
40 1.575	M33 1 1/4	UC318 UC318-307 UC318-308	FL318 FL318 FL318	18 40
41 1.614	M36 1 3/8	UC319 UC319-310 UC319-311 UC319-312	FL319 FL319 FL319 FL319	22 49

2.16

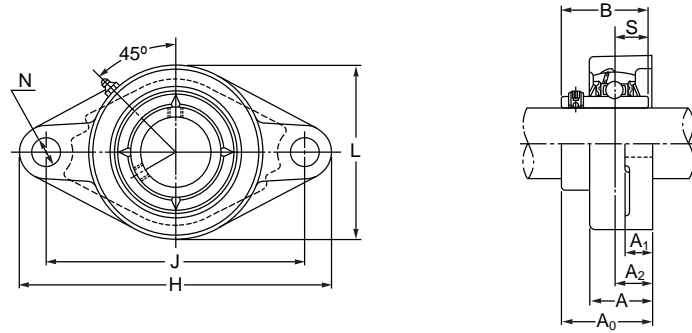
2.16



Flanged Unit Cast Housing (2 Bolt - Oval)



■ Set Screw Type - UCFL 300 Series



Shaft Dia.	Unit Number	Basic Dimensions									
		mm					inch				
mm inch		H	J	A ₂	A ₁	A	N	L	A ₀	B	
100	UCFL320	440	360	59	40	94	44	270	125	108	
3 13/16	UCFL320-313										
3 7/8	UCFL320-314										
3 15/16	UCFL320-315	17 5/16	14 11/64	2 21/64	1 9/16	3 11/16	1 47/64	10 5/8	4 59/64	4.2520	
4	UCFL320-400										
105	UCFL321	440	360	59	40	94	44	270	127	112	
110	UCFL322	470	390	60	42	96	44	300	131	117	
120	UCFL324	520	430	65	48	110	47	330	140	126	
130	UCFL326	550	460	65	50	115	47	360	146	135	
140	UCFL328	600	500	75	60	125	51	400	161	145	



Flanged Unit Cast Housing (2 Bolt - Oval)

	Bolt Size	Bearing Number	Housing Number	Mass
S	mm inch			UCFL kg/lbs
42	M39	UC320	FL320	27
		UC320-313	FL320	
		UC320-314	FL320	
1.654	1 1/2	UC320-315	FL320	60
		UC320-400	FL320	
44	M39	UC321	FL321	27
46	M39	UC322	FL322	33
51	M42	UC324	FL324	48
54	M42	UC326	FL326	58
59	M45	UC328	FL328	81



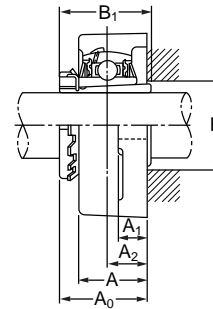
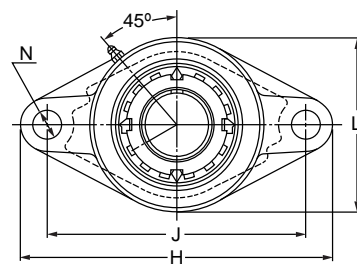
2.16

2.16

Flanged Unit Cast Housing (2 Bolt - Oval)



■ Taper Bored with Adapter Sleeve - UKFL 200 Series



Shaft Dia.	Unit Number	Basic Dimensions							
		mm		inch					
mm inch		H	J	A ₂	A ₁	A	N	L	A ₀
20	UKFL205 ; H2305	130	99	16	13	27	16	68	35.5
3/4	UKFL205 ; HE2305	5 1/8	3 57/64	5/8	1/2	1 1/16	5/8	2 11/16	1 25/64
25	UKFL206 ; H2306	148	117	18	13	31	16	80	39
7/8	UKFL206 ; HS2306	5 13/16	4 39/64	45/64	1/2	1 7/32	5/8	3 5/32	1 17/32
1	UKFL206 ; HE2306								
30	UKFL207 ; H2307	161	130	19	15	34	16	90	42.5
1 1/8	UKFL207 ; HS2307	6 11/32	5 1/8	3/4	19/32	1 11/32	5/8	3 17/32	1 43/64
35	UKFL208 ; H2308	175	144	21	15	36	16	100	46.5
1 1/4	UKFL208 ; HE2308	6 7/8	5 43/64	53/64	19/32	1 13/32	5/8	3 15/16	1 53/64
1 3/8	UKFL208 ; HS2308								
40	UKFL209 ; H2309	188	148	22	16	38	19	108	48.5
1 7/16	UKFL209 ; HA2309								
1 1/2	UKFL209 ; HE2309	7 13/32	5 53/64	55/64	5/8	1 1/2	3/4	4 1/4	1 29/32
1 5/8	UKFL209 ; HS2309								
45	UKFL210 ; H2310	197	157	22	16	40	19	115	50
1 5/8	UKFL210 ; HS2310								
1 11/16	UKFL210 ; HA2310	7 3/4	6 3/16	55/64	5/8	1 9/16	3/4	4 17/32	1 31/32
1 3/4	UKFL210 ; HE2310								
50	UKFL211 ; H2311	224	184	25	18	43	19	130	54.5
1 7/8	UKFL211 ; HS2311								
1 15/16	UKFL211 ; HA2311	8 13/16	7 1/4	63/64	23/32	1 11/16	3/4	5 1/8	2 9/64
2	UKFL211 ; HE2311								
55	UKFL212 ; H2312	250	202	29	18	48	23	140	61
2 1/8	UKFL212 ; HS2312	9 27/32	7 61/64	1 9/64	23/32	1 7/8	29/32	5 1/2	2 13/32
60	UKFL213 ; H2313	258	210	30	22	50	23	155	64
2 3/16	UKFL213 ; HA2313								
2 1/4	UKFL213 ; HE2313	10 5/32	8 17/64	1 3/16	7/8	1 31/32	29/32	6 3/32	2 33/64
2 3/8	UKFL213 ; HS2313								
65	UKFL215 ; H2315	275	225	34	22	56	23	165	71
2 7/16	UKFL215 ; HA2315								
2 1/2	UKFL215 ; HE2315	10 13/16	8 55/64	1 11/32	7/8	2 7/32	29/32	6 1/2	2 51/64



Flanged Unit Cast Housing (2 Bolt - Oval)

B ₁	F	Bolt Size	Bearing Number	Housing Number	Mass
		mm inch			UKFL kg/lbs
35	30	M14	UK205 ; H2305	FL205	0.6
1.378	1 3/16	1/2	UK205 ; HE2305	FL205	1.3
38	36	M14	UK206 ; H2306	FL206	1.0
1.496	1 13/32	1/2	UK206 ; HS2306 UK206 ; HE2306	FL206 FL206	2.2
43	40	M14	UK207 ; H2307	FL207	1.3
1.693	1 9/16	1/2	UK207 ; HS2307	FL207	2.9
46	46	M14	UK208 ; H2308	FL208	1.6
1.811	1 13/16	1/2	UK208 ; HE2308 UK208 ; HS2308	FL208 FL208	3.5
50	52	M16	UK209 ; H2309	FL209	2.0
			UK209 ; HA2309	FL209	
1.969	2 1/16	5/8	UK209 ; HE2309 UK209 ; HS2309	FL209 FL209	4.4
55	57	M16	UK210 ; H2310	FL210	2.3
			UK210 ; HS2310	FL210	
2.165	2 1/4	5/8	UK210 ; HA2310 UK210 ; HE2310	FL210 FL210	5.1
59	64	M16	UK211 ; H2311	FL211	3.3
			UK211 ; HS2311	FL211	
2.323	2 17/32	5/8	UK211 ; HA2311 UK211 ; HE2311	FL211 FL211	7.3
62	69	M20	UK212 ; H2312	FL212	4.0
2.4410	2 23/32	3/4	UK212 ; HS2312	FL212	8.8
65	74	M20	UK213 ; H2313	FL213	5.2
			UK213 ; HA2313	FL213	
2.559	2 29/32	3/4	UK213 ; HE2313 UK213 ; HS2313	FL213 FL213	11
73	84	M20	UK215 ; H2315	FL215	6.4
			UK215 ; HA2315	FL215	
2.874	3 5/16	3/4	UK215 ; HE2315	FL215	14

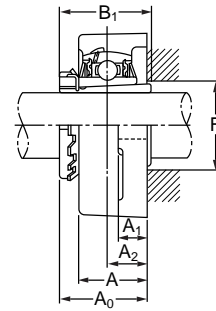
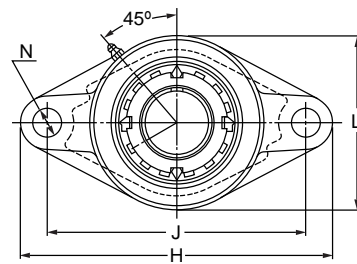
2.17

2.17

Flanged Unit Cast Housing (2 Bolt - Oval)



■ Taper Bored with Adapter Sleeve - UKFL 200 Series



Shaft Dia.	Unit Number	Basic Dimensions									
		mm		mm		inch		mm		inch	
mm inch		H	J	A ₂	A ₁	A	N	L	A ₀		
70	UKFL216 ; H2316	290	233	34	22	58	25	180	73.5		
2 11/16	UKFL216 ; HA2316	11 13/32	9 11/64	1 11/32	7/8	2 9/32	63/64	7 3/32	2 57/64		
2 3/4	UKFL216 ; HE2316										
75	UKFL217 ; H2317	305	248	36	24	63	25	190	77		
2 15/16	UKFL217 ; HA2317	12	9 49/64	1 27/64	15/16	2 15/32	63/64	7 15/32	3 1/32		
3	UKFL217 ; HE2317										
80	UKFL218 ; H2318	320	265	40	24	68	25	205	81.5		
3 3/16	UKFL218 ; HA2318	12 19/32	10 7/16	1 37/64	15/16	2 11/16	63/64	8 1/16	3 13/64		



Flanged Unit Cast Housing (2 Bolt - Oval)

B ₁	F	Bolt Size	Bearing Number	Housing Number	Mass
		mm inch			UKFL kg/lbs
78	90	M22	UK216 ; H2316	FL216	8.6
3.071	3 17/32	7/8	UK216 ; HA2316 UK216 ; HE2316	FL216 FL216	19
82	95	M22	UK217 ; H2317	FL217	9.8
3.228	3 3/4	7/8	UK217 ; HA2317 UK217 ; HE2317	FL217 FL217	22
86	102	M22	UK218 ; H2318	FL218	12
3.386	4 1/32	7/8	UK218 ; HA2318	FL218	26

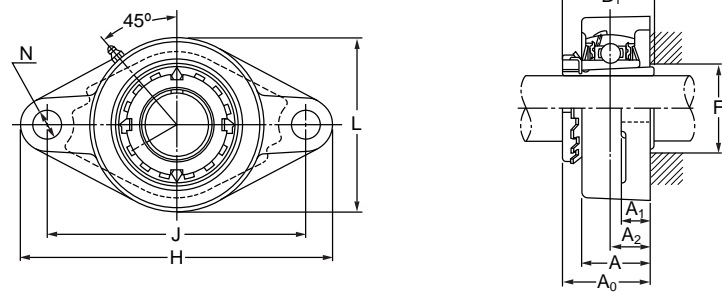
2.17

2.17

Flanged Unit Cast Housing (2 Bolt - Oval)



■ Taper Bored with Adapter Sleeve - UKFLX Series



Shaft Dia.	Unit Number	Basic Dimensions							
		mm		inch		mm			
mm inch		H	J	A ₂	A ₁	A	N	L	A ₀
20	UKFLX05 ; H2305	141	117	18	13	30	12	83	39
3/4	UKFLX05 ; HE2305	5 9/16	4 39/64	45/64	1/2	1 3/16	15/32	3 9/32	1 17/32
25	UKFLX06 ; H2306	156	130	19	15	34	16	95	41.5
7/8	UKFLX06 ; HS2306	6 5/32	5 1/8	3/4	19/32	1 11/32	5/8	3 3/4	1 41/64
1	UKFLX06 ; HE2306								
30	UKFLX07 ; H2307	171	144	21	16	38	16	105	45.5
1 1/8	UKFLX07 ; HS2307	6 23/32	5 43/64	53/64	5/8	1 1/2	5/8	4 1/8	1 51/64
35	UKFLX08 ; H2308	179	148	22	16	40	16	111	47.5
1 1/4	UKFLX08 ; HE2308	7 1/16	5 53/64	55/64	5/8	1 9/16	5/8	4 3/8	1 7/8
1 3/8	UKFLX08 ; HS2308								
40	UKFLX09 ; H2309	189	157	23	16	40	16	116	50
1 7/16	UKFLX09 ; HA2309								
1 1/2	UKFLX09 ; HE2309	7 7/16	6 3/16	29/32	5/8	1 9/16	5/8	4 9/16	1 31/32
1 5/8	UKFLX09 ; HS2309								
45	UKFLX10 ; H2310	216	184	26	18	44	19	133	55.5
1 5/8	UKFLX10 ; HS2310								
1 11/16	UKFLX10 ; HA2310	8 1/2	7 1/4	1 1/32	23/32	1 23/32	3/4	5 1/4	2 3/16
1 3/4	UKFLX10 ; HE2310								



Flanged Unit Cast Housing (2 Bolt - Oval)

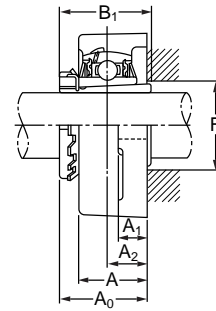
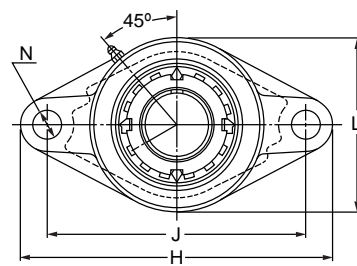
B ₁	F	Bolt Size	Bearing Number	Housing Number	Mass
		mm inch			UKFL kg/lbs
35	30	M10	UKX05 ; H2305	FLX05	1.0
1.378	1 3/16	3/8	UKX05 ; HE2305	FLX05	2.2
38	36	M14	UKX06 ; H2306	FLX06	1.3
1.496	1 13/32	1/2	UKX06 ; HS2306	FLX06	2.9
			UKX06 ; HE2306	FLX06	
43	40	M14	UKX07 ; H2307	FLX07	2.0
1.693	1 9/16	1/2	UKX07 ; HS2307	FLX07	4.4
46	46	M14	UKX08 ; H2308	FLX08	2.1
1.811	1 13/16	1/2	UKX08 ; HE2308	FLX08	4.6
			UKX08 ; HS2308	FLX08	
50	52	M14	UKX09 ; H2309	FLX08	2.4
			UKX09 ; HA2309	FLX09	
1.969	2 1/16	1/2	UKX09 ; HE2309	FLX09	5.3
			UKX09 ; HS2309	FLX09	
55	57	M16	UKX10 ; H2310	FLX10	3.3
			UKX10 ; HS2310	FLX10	
2.165	2 1/4	5/8	UKX10 ; HA2310	FLX10	7.3
			UKX10 ; HE2310	FLX10	

2.18

Flanged Unit Cast Housing (2 Bolt - Oval)



■ Taper Bored with Adapter Sleeve - UKFL 300 Series



Shaft Dia.	Unit Number	Basic Dimensions									
		mm		mm		inch		mm		inch	
mm inch		H	J	A ₂	A ₁	A	N	L	A ₀		
20	UKFL305 ; H2305	150	113	16	13	29	19	80	37		
3/4	UKFL305 ; HE2305	5 29/32	4 29/64	5/8	1/2	1 5/32	3/4	3 5/32	1 29/64		
25	UKFL306 ; H2306	180	134	18	15	32	23	90	40.5		
7/8	UKFL306 ; HS2306	7 3/32	5 9/32	45/64	19/32	1 1/4	29/32	3 17/32	1 19/32		
1	UKFL306 ; HE2306										
30	UKFL307 ; H2307	185	141	20	16	36	23	100	45.5		
1 1/8	UKFL307 ; HS2307	7 9/32	5 35/64	25/32	5/8	1 13/32	29/32	3 15/16	1 51/64		
35	UKFL308 ; H2308	200	158	23	17	40	23	112	50		
1 1/4	UKFL308 ; HE2308	7 7/8	6 7/32	29/32	21/32	1 9/16	29/32	4 13/32	1 31/32		
1 3/8	UKFL308 ; HS2308										
40	UKFL309 ; H2309	230	177	25	18	44	25	125	54.5		
1 7/16	UKFL309 ; HA2309										
1 1/2	UKFL309 ; HE2309	9 1/16	6 31/32	63/64	23/32	1 23/32	63/64	4 29/32	2 9/64		
1 5/8	UKFL309 ; HS2309										
45	UKFL310 ; H2310	240	187	28	19	48	25	140	60.5		
1 5/8	UKFL310 ; HS2310										
1 11/16	UKFL310 ; HA2310	9 7/16	7 23/64	1 7/64	3/4	1 7/8	63/64	5 1/2	2 3/8		
1 3/4	UKFL310 ; HE2310										
50	UKFL311 ; H2311	250	198	30	20	52	25	150	64		
1 7/8	UKFL311 ; HS2311										
1 15/16	UKFL311 ; HA2311	9 27/32	7 51/64	1 3/16	25/32	2 1/16	63/64	5 29/32	2 33/64		
2	UKFL311 ; HE2311										
55	UKFL312 ; H2312	270	212	33	22	56	31	160	69.5		
2 1/8	UKFL312 ; HS2312	10 5/8	8 11/32	1 19/64	7/8	2 7/32	1 7/32	6 5/16	2 47/64		
60	UKFL313 ; H2313	295	240	33	25	58	31	175	71.5		
2 3/16	UKFL313 ; HA2313										
2 1/4	UKFL313 ; HE2313	11 5/8	9 29/64	1 19/64	31/32	2 9/32	1 7/32	6 7/8	2 13/16		
2 3/8	UKFL313 ; HS2313										
65	UKFL315 ; H2315	320	260	39	30	66	35	195	81.5		
2 7/16	UKFL315 ; HA2315										
2 1/2	UKFL315 ; HE2315	12 19/32	10 15/64	1 17/32	1 3/16	2 19/32	1 3/8	7 11/16	3 13/64		



Flanged Unit Cast Housing (2 Bolt - Oval)

B ₁	Bolt Size	Bearing Number	Housing Number	Mass
	mm			UKFL
	inch			kg/lb
35	M16	UK305 ; H2305	FL305	1.1
1.378	5/8	UK305 ; HE2305	FL305	2.4
38	M20	UK306 ; H2306	FL306	1.5
1.496	3/4	UK306 ; HS2306	FL306	3.3
		UK306 ; HE2306	FL306	
43	M20	UK307 ; H2307	FL307	1.9
1.693	3/4	UK307 ; HS2307	FL307	4.2
46	M20	UK308 ; H2308	FL308	2.5
1.811	3/4	UK308 ; HE2308	FL308	5.5
		UK308 ; HS2308	FL308	
50	M22	UK309 ; H2309	FL309	3.5
		UK309 ; HA2309	FL309	
1.969	7/8	UK309 ; HE2309	FL309	7.7
		UK309 ; HS2309	FL309	
55	M22	UK310 ; H2310	FL310	4.4
		UK310 ; HS2310	FL310	
2.165	7/8	UK310 ; HA2310	FL310	9.7
		UK310 ; HE2310	FL310	
59	M22	UK311 ; H2311	FL311	5.1
		UK311 ; HS2311	FL311	
2.323	7/8	UK311 ; HA2311	FL311	11
		UK311 ; HE2311	FL311	
62	M27	UK312 ; H2312	FL312	6.0
2.4410	1	UK312 ; HS2312	FL312	13
65	M27	UK313 ; H2313	FL313	7.6
		UK313 ; HA2313	FL313	
2.559	1	UK313 ; HE2313	FL313	17
		UK313 ; HS2313	FL313	
73	M30	UK315 ; H2315	FL315	10
		UK315 ; HA2315	FL315	
2.874	1 1/8	UK315 ; HE2315	FL315	22
		UK315 ; HS2315	FL315	



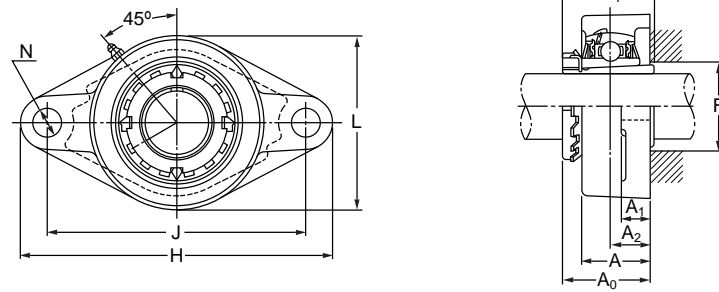
2.19

2.19

Flanged Unit Cast Housing (2 Bolt - Oval)



■ Taper Bored with Adapter Sleeve - UKFL 300 Series



Shaft Dia.	Unit Number	Basic Dimensions							
		mm		mm		inch		mm	
mm		H	J	A ₂	A ₁	A	N	L	A ₀
inch									
70	UKFL316 ; H2316	355	285	38	32	68	38	210	84
2 11/16	UKFL316 ; HA2316	13 31/32	11 7/32	1 1/2	1 1/4	2 11/16	1 1/2	8 9/32	3 5/16
2 3/4	UKFL316 ; HE2316								
75	UKFL317 ; H2317	370	300	44	32	74	38	220	92
2 15/16	UKFL317 ; HA2317	14 9/16	11 13/16	1 47/64	1 1/4	2 29/32	1 1/2	8 21/32	3 5/8
3	UKFL317 ; HE2317								
80	UKFL318 ; H2318	385	315	44	36	76	38	235	94
3 3/16	UKFL318 ; HA2318	15 5/32	12 13/32	1 47/64	1 13/32	3	1 1/2	9 1/4	3 45/64
85	UKFL319 ; H2319	405	330	59	40	94	41	250	111.5
3 1/4	UKFL319 ; HE2319	15 15/16	12 63/64	2 21/64	1 9/16	3 11/16	1 39/64	9 27/32	4 25/64
90	UKFL320 ; H2320	440	360	59	40	94	44	270	115.5
3 7/16	UKFL320 ; HA2320	17 5/16	14 11/64	2 21/64	1 9/16	3 11/16	1 39/64	10 5/8	4 35/64
3 1/2	UKFL320 ; HE2320								
100	UKFL322 ; H2322	470	390	60	42	96	44	300	121
110	UKFL324 ; H2324	520	430	65	48	110	47	330	130
115	UKFL326 ; H2326	550	460	65	50	115	47	360	133
125	UKFL328 ; H2328	600	500	75	60	125	51	400	146.5



Flanged Unit Cast Housing (2 Bolt - Oval)

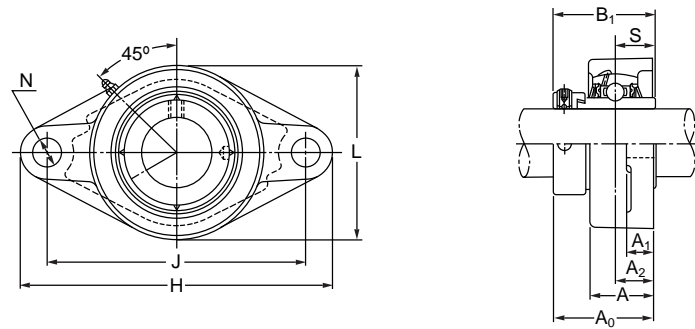
	Bolt Size	Bearing Number	Housing Number	Mass
B ₁	mm			UKFL
	inch			kg/lb
78	M33	UK316 ; H2316	FL316	13
3.071	1 1/4	UK316 ; HA2316	FL316	29
		UK316 ; HE2316	FL316	
82	M33	UK317 ; H2317	FL317	15
3.228	1 1/4	UK317 ; HA2317	FL317	33
		UK317 ; HE2317	FL317	
86	M33	UK318 ; H2318	FL318	18
3.386	1 1/4	UK318 ; HA2318	FL318	40
90	M36	UK319 ; H2318	FL319	22
3.543	1 3/8	UK319 ; HE2319	FL319	49
97	M39	UK320 ; H2320	FL320	27
3.819	1 1/2	UK320 ; HA2320	FL320	60
		UK320 ; HE2320	FL320	
105	M39	UK322 ; H2322	FL322	34
112	M42	UK324 ; H2324	FL324	47
121	M42	UK326 ; H2326	FL326	58
131	M45	UK328 ; H2328	FL328	82



2.19

2.19

■ Eccentric Locking Collar Type - UELFL 200 Series



Shaft Dia.	Unit Number	Basic Dimensions									
		mm inch									
mm inch		H	J	A ₂	A ₁	A	N	L	A ₀	B ₁	
20	UELFL204	113	90	15	11	25.5	12	60	41.6	43.7	
3/4	UELFL204-012	4 7/16	3 35/64	19/32	7/16	1	15/32	2 3/8	1 41/64	1.720	
25	UELFL205	130	99	16	13	27	16	68	42.9	44.4	
13/16	UELFL205-013	5 1/8	3 57/64	5/8	1/2	1 1/16	5/8	2 11/64	1 11/16	1.748	
7/8	UELFL205-014										
15/16	UELFL205-015										
1	UELFL205-100										
30	UELFL206	148	117	18	13	31	16	80	48.1	48.4	
1 1/16	UELFL206-101	5 13/16	4 9/64	45/64	1/2	1 7/32	5/8	3 5/32	1 57/64	1.906	
1 1/8	UELFL206-102										
1 3/16	UELFL206-103										
1 1/4	UELFL206-104										
35	UELFL207	161	130	19	15	34	16	90	51.3	51.1	
1 1/4	UELFL207-104	6 11/32	5 1/8	3/4	19/32	1 11/32	5/8	3 17/32	2 1/64	2.012	
1 5/16	UELFL207-105										
1 3/8	UELFL207-106										
1 7/16	UELFL207-107										
40	UELFL208	175	144	21	15	36	16	100	55.9	56.3	
1 1/2	UELFL208-108	6 7/8	5 43/64	53/64	19/32	1 13/32	5/8	3 15/16	2 13/16	2.217	
1 9/16	UELFL208-109										
45	UELFL209	188	148	22	16	38	19	108	56.9	56.3	
1 5/8	UELFL209-110	7 13/32	5 53/64	55/64	5/8	1 1/2	3/4	4 1/4	2 15/64	2.217	
1 11/16	UELFL209-111										
1 3/4	UELFL209-112										
50	UELFL210	197	157	22	16	40	19	115	60.1	62.7	
1 13/16	UELFL210-113	7 3/4	6 3/16	55/64	5/8	1 9/16	3/4	4 17/32	2 23/64	2.469	
1 7/8	UELFL210-114										
1 15/16	UELFL210-115										
2	UELFL210-200										

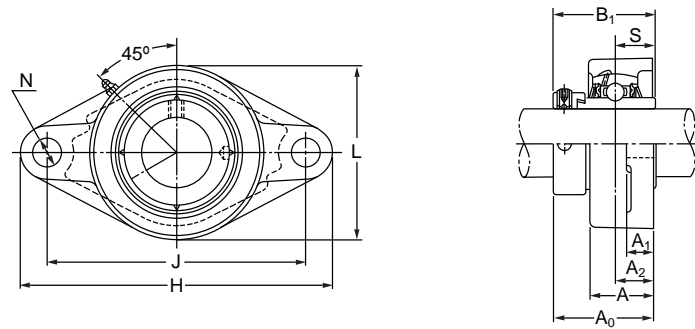
	Bolt Size	Bearing Number	Housing Number	Mass
S	mm inch			UKFL kg/lbs
17.1	M10	UEL204	FL204	0.6
0.673	3/8	UEL204-012	FL204	1.3
17.5	M14	UEL205	FL205	0.7
0.689	1/2	UEL205-013	FL205	1.5
		UEL205-014	FL205	
		UEL205-015	FL205	
		UEL205-100	FL205	
18.3	M14	UEL206	FL206	1.0
0.720	1/2	UEL206-101	FL206	2.2
		UEL206-102	FL206	
		UEL206-103	FL206	
		UEL206-104	FL206	
18.8	M14	UEL207	FL207	1.3
0.740	1/2	UEL207-104	FL207	2.9
		UEL207-105	FL207	
		UEL207-106	FL207	
		UEL207-107	FL207	
21.4	M14	UEL208	FL208	1.7
0.843	1/2	UEL208-108	FL208	3.7
		UEL208-109	FL208	
21.4	M16	UEL209	FL209	2.0
0.843	5/8	UEL209-110	FL209	4.4
		UEL209-111	FL209	
		UEL209-112	FL209	
24.6	M16	UEL210	FL210	2.3
0.969	5/8	UEL210-113	FL210	5.1
		UEL210-114	FL210	
		UEL210-115	FL210	
		UEL210-200	FL210	



Flanged Unit Cast Housing (2 Bolt - Oval)



■ Eccentric Locking Collar Type - UELFL 200 Series



Shaft Dia.	Unit Number	Basic Dimensions									
		mm					inch				
mm inch		H	J	A ₂	A ₁	A	N	L	A ₀	B ₁	
55	UELFL211	224	184	25	18	43	19	130	68.6	71.4	
2	UELFL211-200										
2 1/16	UELFL211-201	8 13/16	7 1/4	63/64	23/32	1 11/16	3/4	5 1/8	2 45/64	2.811	
2 1/8	UELFL211-202										
2 3/16	UELFL211-203										
60	UELFL212	250	202	29	18	48	23	140	75.8	77.8	
2 1/4	UELFL212-204										
2 5/16	UELFL212-205	9 27/32	7 61/64	1 9/64	23/32	1 7/8	29/32	5 1/2	2 63/64	3.063	
2 3/8	UELFL212-206										
2 7/16	UELFL212-207										
65	UELFL213	258	210	30	22	50	23	155	81.55	85.7	
2 1/2	UELFL213-208										
2 9/16	UELFL213-209	10 5/32	8 17/64	1 3/16	7/8	1 31/32	29/32	6 3/32	3 31/64	3.374	
70	UELFL214	265	216	31	22	54	23	160	82.55	85.7	
2 5/8	UELFL214-210										
2 11/16	UELFL214-211	10 7/16	8 1/2	1 7/32	7/8	2 1/8	29/32	6 5/16	3 1/4	3.374	
2 3/4	UELFL214-212										
75	UELFL215	275	225	34	22	56	23	165	88.7	92	
2 13/16	UELFL215-213										
2 7/8	UELFL215-214	10 13/16	8 55/64	1 11/32	7/8	2 7/32	29/32	6 1/2	3 31/64	3.622	
2 15/16	UELFL215-215										
3	UELFL215-300										



Flanged Unit Cast Housing (2 Bolt - Oval)

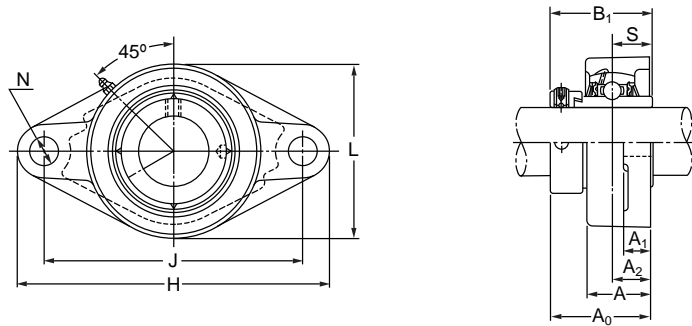
	Bolt Size	Bearing Number	Housing Number	Mass
S	mm inch			kg/lbs
27.8	M16	UEL211	FL211	3.3
		UEL211-200	FL211	
1.094	5/8	UEL211-201	FL211	7.3
		UEL211-202	FL211	
		UEL211-203	FL211	
31	M20	UEL212	FL212	4.3
		UEL212-204	FL212	
1.220	3/4	UEL212-205	FL212	9.5
		UEL212-206	FL212	
		UEL212-207	FL212	
34.15	M20	UEL213	FL213	5.5
		UEL213-208	FL213	
1.344	3/4	UEL213-209	FL213	12
34.15	M20	UEL214	FL214	5.8
		UEL214-210	FL214	
1.344	3/4	UEL214-211	FL214	13
		UEL214-212	FL214	
37.3	M20	UEL215	FL215	6.4
		UEL215-213	FL215	
1.469	5/8	UEL215-214	FL215	14
		UEL215-215	FL215	
		UEL215-300	FL215	



Flanged Unit Cast Housing (2 Bolt - Oval)



■ Eccentric Locking Collar Type - UELFL 300 Series



Shaft Dia.	Unit Number	Basic Dimensions									
		H	J	A ₂	A ₁	A	N	L	A ₀	B ₁	
mm inch		mm inch									
25	UELFL305	150	113	16	13	29	19	80	46.1	46.8	
13/16	UELFL305-013										
7/8	UELFL305-014	5 29/32	4 29/64	5/8	1/2	1 5/32	3/4	3 5/32	1 13/16	1.843	
15/16	UELFL305-015										
1	UELFL305-100										
30	UELFL306	180	134	18	15	32	23	90	50.5	50	
1 1/16	UELFL306-101										
1 1/8	UELFL306-102	7 3/32	5 9/32	45/64	19/32	1 1/4	29/32	3 17/32	1 63/64	1.969	
1 3/16	UELFL306-103										
35	UELFL307	185	141	20	16	36	23	100	53.3	51.6	
1 1/4	UELFL307-104										
1 5/16	UELFL307-105	7 9/32	5 35/64	25/32	5/8	1 13/32	29/32	3 15/16	2 3/32	2.031	
1 3/8	UELFL307-106										
1 7/16	UELFL307-107										
40	UELFL308	200	158	23	17	40	23	112	60.3	57.1	
1 1/2	UELFL308-108										
1 9/16	UELFL308-109	7 7/8	6 7/32	29/32	21/32	1 9/16	29/32	4 13/32	2 3/8	2.248	
45	UELFL309	230	177	25	18	44	25	125	63.9	58.7	
1 5/8	UELFL309-110										
1 11/16	UELFL309-111	9 1/16	6 31/32	63/64	23/32	1 23/32	63/64	4 29/32	2 33/64	2.311	
1 3/4	UELFL309-112										
50	UELFL310	240	187	28	19	48	25	140	70	66.6	
1 13/16	UELFL310-113										
1 7/8	UELFL310-114	9 7/16	7 23/64	1 7/64	3/4	1 7/8	63/64	5 1/2	2 3/4	2.622	
1 15/16	UELFL310-115										
55	UELFL311	250	198	30	20	52	25	150	75.2	73	
2	UELFL311-200										
2 1/16	UELFL311-201	9 27/32	7 51/64	1 3/16	25/32	2 1/16	63/64	5 29/32	2 61/64	2.874	
2 1/8	UELFL311-202										
2 3/16	UELFL311-203										



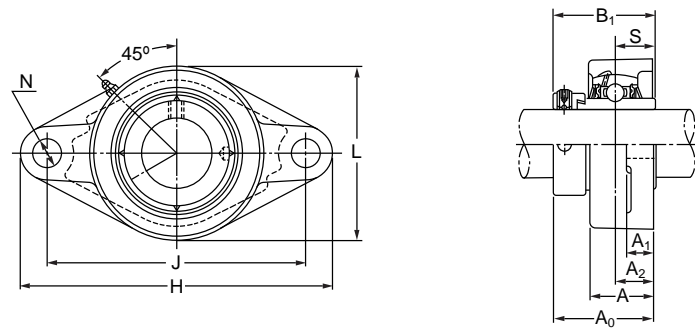
Flanged Unit Cast Housing (2 Bolt - Oval)

	Bolt Size	Bearing Number	Housing Number	Mass
S	mm inch			kg/lbs
16.7	M16	UEL305	FL305	1.1
0.657	5/8	UEL305-013 UEL305-014 UEL305-015 UEL305-100	FL305 FL305 FL305 FL305	2.4
17.5	M20	UEL306	FL306	1.6
0.689	3/4	UEL306-101 UEL306-102 UEL306-103	FL306 FL306 FL306	3.5
18.3	M20	UEL307	FL307	2.0
0.720	3/4	UEL307-104 UEL307-105 UEL307-106 UEL307-107	FL307 FL307 FL307 FL307	4.4
19.8	M20	UEL308	FL308	2.6
0.780	3/4	UEL308-108 UEL308-109	FL308 FL308	5.7
19.8	M22	UEL309	FL309	3.6
0.780	7/8	UEL309-110 UEL309-111 UEL309-112	FL309 FL309 FL309	7.9
24.6	M22	UEL310	FL310	4.6
0.969	7/8	UEL310-113 UEL310-114 UEL310-115	FL310 FL310 FL310	10
27.8	M22	UEL311	FL311	5.3
1.094	7/8	UEL311-200 UEL311-201 UEL311-202 UEL311-203	FL311 FL311 FL311 FL311	12

Flanged Unit Cast Housing (2 Bolt - Oval)



■ Eccentric Locking Collar Type - UELFL 300 Series



Shaft Dia. mm inch	Unit Number	Basic Dimensions									
		H	J	A ₂	A ₁	A	N	L	A ₀	B ₁	
60 2 1/4 2 5/16 2 3/8 2 7/16	UELFL312 UELFL312-204 UELFL312-205 UELFL312-206 UELFL312-207	270 10 5/8	212 8 11/32	33 1 19/64	22 7/8	56 2 7/32	31 1 7/32	160 6 5/16	81.45 3 13/64	79.4 3.126	
65 2 1/2 2 9/16	UELFL313 UELFL313-208 UELFL313-209	295 11 5/8	240 9 29/64	33 1 19/64	25 31/32	58 2 9/32	31 1 7/32	175 6 7/8	86.15 3 25/64	85.7 3.374	
70 2 5/8 2 11/16 2 3/4	UELFL314 UELFL314-210 UELFL314-211 UELFL314-212	315 12 13/32	250 9 27/32	36 1 27/64	28 1 3/32	61 2 13/32	35 1 3/8	185 7 9/32	93.95 3 45/64	92.1 3.626	
75 2 13/16 2 7/8 2 15/16 3	UELFL315 UELFL315-213 UELFL315-214 UELFL315-215 UELFL315-300	320 12 19/32	260 10 15/64	39 1 17/32	30 1 3/16	66 2 19/32	35 1 3/8	195 7 11/16	101.7 4	100 3.937	
80 3 1/16 3 1/8 3 3/16	UELFL316 UELFL316-301 UELFL316-302 UELFL316-303	355 13 31/32	285 11 7/32	38 1 1/2	32 1 1/4	68 2 11/16	38 1 1/2	210 8 9/32	103.9 4 3/32	106.4 4.189	
85 3 1/4 3 5/16 3 7/16	UELFL317 UELFL317-304 UELFL317-305 UELFL317-307	370 14 9/16	300 11 13/16	44 1 47/64	32 1 1/4	74 2 29/32	38 1 1/2	220 8 21/32	111.45 4 25/64	109.5 4.311	
90 3 7/16 3 1/2	UELFL318 UELFL318-307 UELFL318-308	385 15 5/32	315 12 13/32	44 1 47/64	36 1 13/32	76 3	38 1 1/2	235 9 1/4	116.25 4 37/64	115.9 4.563	
95 3 5/8 3 11/16 3 3/4	UELFL319 UELFL319-310 UELFL319-311 UELFL319-312	405 15 15/16	330 12 63/64	59 2 21/64	40 1 9/16	94 3 11/16	41 1 39/64	250 9 27/32	142.4 5 39/64	122.3 4.815	



Flanged Unit Cast Housing (2 Bolt - Oval)

	Bolt Size	Bearing Number	Housing Number	Mass
S	mm inch			kg/lbs
30.95 1.219	M27 1	UEL312 UEL312-204 UEL312-205 UEL312-206 UEL312-207	FL312 FL312 FL312 FL312 FL312	6.4 14
32.55 1.281	M27 1	UEL313 UEL313-208 UEL313-209	FL313 FL313 FL313	8.2 18
34.15 1.344	M30 1 1/8	UEL314 UEL314-210 UEL314-211 UEL314-212	FL314 FL314 FL314 FL314	9.5 21
37.3 1.469	M30 1 1/8	UEL315 UEL315-213 UEL315-214 UEL315-215 UEL315-300	FL315 FL315 FL315 FL315 FL315	11 24
40.5 1.594	M33 1 1/4	UEL316 UEL316-301 UEL316-302 UEL316-303	FL316 FL316 FL316 FL316	14 31
42.05 1.656	M33 1 1/4	UEL317 UEL317-304 UEL317-305 UEL317-307	FL317 FL317 FL317 FL317	16 35
43.65 1.719	M33 1 1/4	UEL318 UEL318-307 UEL318-308	FL318 FL318 FL318	19 42
38.9 1.531	M36 1 3/8	UEL319 UEL319-310 UEL319-311 UEL319-312	FL319 FL319 FL319 FL319	24 53

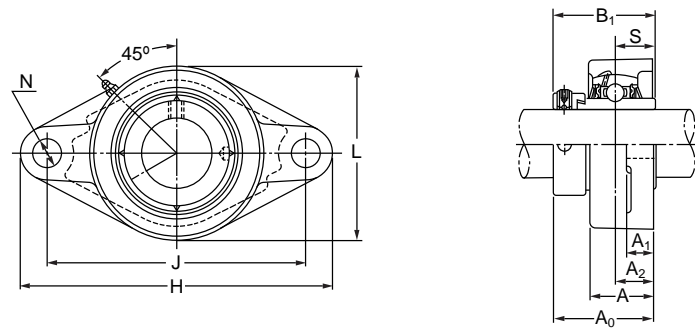
2.21

2.21

Flanged Unit Cast Housing (2 Bolt - Oval)



■ Eccentric Locking Collar Type - UELFL 300 Series



Shaft Dia.	Unit Number	Basic Dimensions									
		mm					inch				
mm inch		H	J	A ₂	A ₁	A	N	L	A ₀	B ₁	
100	UELFL320	440	360	59	40	94	44	270	137.6	128.6	
3 13/16	UELFL320-313										
3 7/8	UELFL320-314										
3 15/16	UELFL320-315	17 5/16	14 11/64	2 21/64	1 9/16	3 11/16	1 47/64	10 5/8	5 27/64	5.063	
4	UELFL320-400										
105	UELFL321	440	360	59	40	94	44	270	150.3	139.7	
110	UELFL322	470	390	60	42	96	44	300	152.1	141.3	



Flanged Unit Cast Housing (2 Bolt - Oval)

	Bolt Size	Bearing Number	Housing Number	Mass
S	mm inch			kg/lbs
50	M39	UEL320	FL320	29
		UEL320-313	FL320	
		UEL320-314	FL320	
1.969	1 1/2	UEL320-315	FL320	64
		UEL320-400	FL320	
48.4	M39	UEL321	FL321	30
49.2	M39	UEL322	FL322	36



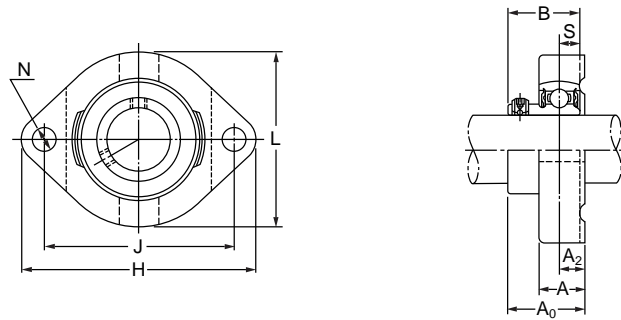
2.21

2.21

Flanged Unit Cast Housing (2 Bolt - Oval)



■ Set Screw Type - ASFD 200 Series



Shaft Dia.	Unit Number	Basic Dimensions							
		mm		inch		mm		inch	
mm inch		H	J	A ₂	A	N	L	A ₀	B
12	ASFD201	81	63	8.5	15	7	59	24.5	22
1/2	ASFD201-008	3 3/16	2 31/64	21/64	19/32	9/32	2 5/16	31/32	0.8661
15	ASFD202	81	63	8.5	15	7	59	24.5	22
9/16	ASFD202-009	3 3/16	2 31/64	21/64	19/32	9/32	2 5/16	31/32	0.8661
5/8	ASFD202-010	3 3/16	2 31/64	21/64	19/32	9/32	2 5/16	31/32	0.8661
17	ASFD203	81	63	8.5	15	7	59	24.5	22
11/16	ASFD203-011	3 3/16	2 31/64	21/64	19/32	9/32	2 5/16	31/32	0.8661
20	ASFD204	90	71	9.5	17	10	67	27.5	25
3/4	ASFD204-012	3 35/64	2 51/64	3/8	21/32	25/64	2 5/8	1 5/64	0.9843
25	ASFD205	95	76	9.5	17	10	71	29	27
13/16	ASFD205-013	3 3/4	2 63/64	3/8	21/32	25/64	2 25/32	1 9/64	1.0630
7/8	ASFD205-014	3 3/4	2 63/64	3/8	21/32	25/64	2 25/32	1 9/64	1.0630
15/16	ASFD205-015	3 3/4	2 63/64	3/8	21/32	25/64	2 25/32	1 9/64	1.0630
1	ASFD205-100	3 3/4	2 63/64	3/8	21/32	25/64	2 25/32	1 9/64	1.0630
30	ASFD206	113	90	12	21	12	84	33	29
1 1/16	ASFD206-101	4 7/16	3 35/64	15/32	13/16	15/32	3 5/16	1 19/64	1.1417
1 1/8	ASFD206-102	4 7/16	3 35/64	15/32	13/16	15/32	3 5/16	1 19/64	1.1417
1 3/16	ASFD206-103	4 7/16	3 35/64	15/32	13/16	15/32	3 5/16	1 19/64	1.1417
1 1/4	ASFD206-104	4 7/16	3 35/64	15/32	13/16	15/32	3 5/16	1 19/64	1.1417
35	ASFD207	125	100	12.5	22	12	94	38	34
1 1/4	ASFD207-104	4 29/32	3 15/16	31/64	7/8	15/32	3 11/16	1 1/2	1.3386
1 5/16	ASFD207-105	4 29/32	3 15/16	31/64	7/8	15/32	3 11/16	1 1/2	1.3386
1 3/8	ASFD207-106	4 29/32	3 15/16	31/64	7/8	15/32	3 11/16	1 1/2	1.3386
1 7/16	ASFD207-107	4 29/32	3 15/16	31/64	7/8	15/32	3 11/16	1 1/2	1.3386



Flanged Unit Cast Housing (2 Bolt - Oval)

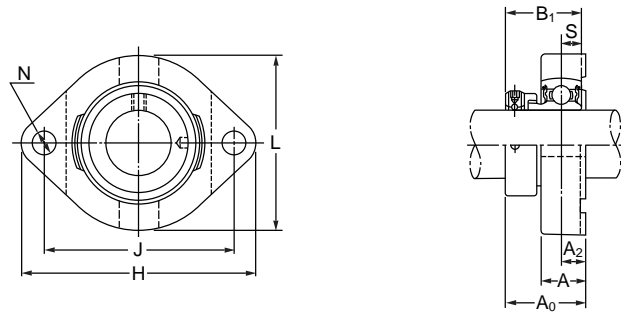
	Bolt Size	Bearing Number	Housing Number	Mass
S	mm inch			kg/lbs
6	M6	AS201	FD201	0.3
0.236	1/4	AS201-008	FD201	0.7
6	M6	AS202	FD201	0.3
0.236	1/4	AS202-009 AS202-010	FD201 FD201	0.7
6	M6	AS203	FD201	0.3
0.236	1/4	AS203-011	FD201	0.7
7	M8	AS204	FD204	0.4
0.276	5/16	AS204-012	FD204	0.9
7.5	M8	AS205	FD205	0.5
0.295	5/16	AS205-013 AS205-014 AS205-015 AS205-100	FD205 FD205 FD205 FD205	1.1
8	M10	AS206	FD206	0.8
0.315	3/8	AS206-101 AS206-102 AS206-103 AS206-104	FD206 FD206 FD206 FD206	1.8
8.5	M10	AS207	FD207	0.9
0.335	3/8	AS207-104 AS207-105 AS207-106 AS207-107	FD207 FD207 FD207 FD207	2.0



Flanged Unit Cast Housing (2 Bolt - Oval)



■ Eccentric Locking Collar Type - AELFLD 200 Series



Shaft Dia.	Unit Number	Basic Dimensions							
		mm		inch		mm		inch	
mm inch		H	J	A ₂	A	N	L	A ₀	B
12	AELFD201	81	63	8.5	15	7	59	30.6	28.6
1/2	AELFD201-008	3 3/16	2 31/64	21/64	19/32	9/32	2 5/16	1 13/64	1.126
15	AELFD202	81	63	8.5	15	7	59	30.6	28.6
9/16 5/8	AELFD202-009 AELFD202-010	3 3/16	2 31/64	21/64	19/32	9/32	2 5/16	1 13/64	1.126
17	AELFD203	81	63	8.5	15	7	59	30.6	28.6
11/16	AELFD203-011	3 3/16	2 31/64	21/64	19/32	9/32	2 5/16	1 13/64	1.126
20	AELFD204	90	71	9.5	17	10	67	33	31
3/4	AELFD204-012	3 17/32	2 51/64	3/8	21/32	25/64	2 5/8	1 19/64	1.220
25	AELFD205	95	76	9.5	17	10	71	33	31
13/16 7/8 15/16 1	AELFD205-013 AELFD205-014 AELFD205-015 AELFD205-100	3 3/4	2 63/64	3/8	21/32	25/64	2 25/32	1 19/64	1.220
30	AELFD206	113	90	12	21	12	84	38.7	35.7
1 1/16 1 1/8 1 3/16 1 1/4	AELFD206-101 AELFD206-102 AELFD206-103 AELFD206-104	4 7/16	3 17/32	15/32	13/16	15/32	3 5/16	1 17/32	1.406
35	AELFD207	125	100	12.5	22	12	94	41.9	38.9
1 1/4 1 5/16 1 3/8 1 7/16	AELFD207-104 AELFD207-105 AELFD207-106 AELFD207-107	4 29/32	3 15/16	31/64	7/8	15/32	3 11/16	1 21/32	1.531



Flanged Unit Cast Housing (2 Bolt - Oval)

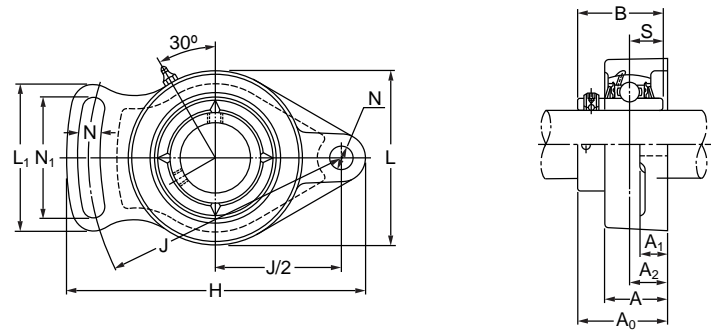
	Bolt Size	Bearing Number	Housing Number	Mass
S	mm inch			kg/lbs
6.5	M6	AEL201	FD201	0.3
0.256	1/4	AEL201-008	FD201	0.7
6.5	M6	AEL202	FD201	0.3
0.256	1/4	AEL202-009 AEL202-010	FD201 FD201	0.7
6.5	M6	AEL203	FD201	0.3
0.256	1/4	AEL203-011	FD201	0.7
7.5	M8	AEL204	FD204	0.5
0.295	5/16	AEL204-012	FD204	1.1
7.5	M8	AEL205	FD205	0.5
0.295	5/16	AEL205-013 AEL205-014 AEL205-015 AEL205-100	FD205 FD205 FD205 FD205	1.1
9	M10	AEL206	FD206	0.8
0.354	3/8	AEL206-101 AEL206-102 AEL206-103 AEL206-104	FD206 FD206 FD206 FD206	1.8
9.5	M10	AEL207	FD207	1.0
0.374	3/8	AEL207-104 AEL207-105 AEL207-106 AEL207-107	FD207 FD207 FD207 FD207	2.2



Flanged Unit Cast Housing (Adjustable)



■ Set Screw Type - UCFA 2 Series



Shaft Dia.	Unit Number	Basic Dimensions								
		H	J	A ₂	A ₁	A	N	N ₁	L	L ₁
mm inch		mm inch								
12	UCFA201	98	78	15	12	25.5	10	40	54	50
1/2	UCFA201-008	3 27/32	3 1/16	19/32	15/32	1	25/64	1 9/16	2 3/8	1 31/32
15	UCFA202	98	78	15	12	25.5	10	40	54	50
9/16	UCFA202-009	3 27/32	3 1/16	19/32	15/32	1	25/64	1 9/16	2 3/8	1 31/32
5/8	UCFA202-010	3 27/32	3 1/16	19/32	15/32	1	25/64	1 9/16	2 3/8	1 31/32
17	UCFA203	98	78	15	12	25.5	10	40	54	50
11/16	UCFA203-011	3 27/32	3 1/16	19/32	15/32	1	25/64	1 9/16	2 3/8	1 31/32
20	UCFA204	98	78	15	12	25.5	10	40	54	50
3/4	UCFC204-012	3 27/32	3 1/16	19/32	15/32	1	25/64	1 9/16	2 3/8	1 31/32
25	UCFA205	124	98	15	14	26.5	13	49	65	64
13/16	UCFA205-013									
7/8	UCFA205-014	4 7/8	3 25/32	19/32	9/16	1 1/32	33/64	1 15/16	2 3/4	2 17/32
15/16	UCFA205-015									
1	UCFA205-100									
30	UCFA206	144	117	18	14	31	13	58	72	68
1 1/16	UCFA206-101									
1 1/8	UCFA206-102	5 9/16	4 17/32	45/64	9/16	1 7/32	33/64	2 3/32	3 5/32	2 11/16
1 3/16	UCFA206-103									
1 1/4	UCFA206-104									
35	UCFA207	161	130	20	16	34	15	66	82	75
1 1/4	UCFA207-104									
1 5/16	UCFA207-105	6 3/32	5 1/32	25/32	5/8	1 11/32	19/32	2 3/8	3 17/32	2 15/16
1 3/8	UCFA207-106									
1 7/16	UCFA207-107									
40	UCFA208	175	144	22	16	36	15	69	87	84
1 1/2	UCFA208-108	6 23/32	5 19/32	55/64	5/8	1 13/32	19/32	2 23/32	3 15/16	3 5/16
1 9/16	UCFA208-109									
45	UCFA209	181	148	22	18	38	17	72	90	88
1 5/8	UCFA209-110									
1 11/16	UCFA209-111	7 1/16	5 3/4	55/64	23/32	1 1/2	43/64	2 27/32	4 11/32	3 15/32
1 3/4	UCFA209-112									



Flanged Unit Cast Housing (Adjustable)

A ₀	B	S	Bolt Size	Bearing Number	Housing Number	Mass
			mm inch			kg/lbs
33.3	31	12.7	M8	UC201	FA204	0.7
1 5/16	1.2205	0.500	5/16	UC201-008	FA204	1.5
33.3	31	12.7	M8	UC202	FA204	0.6
1 5/16	1.2205	0.500	5/16	UC202-009 UC202-010	FA204 FA204	1.3
33.3	31	12.7	M8	UC203	FA204	0.6
1 5/16	1.2205	0.500	5/16	UC203-011	FA204	1.3
33.3	31	12.7	M8	UC204	FA204	0.6
1 5/16	1.2205	0.500	5/16	UC204-012	FA204	1.3
34.8	34.1	14.3	M10	UC205	FA205	0.8
				UC205-013	FA205	
1 3/8	1.3425	0.563	3/8	UC205-013 UC205-014 UC205-100	FA205 FA205 FA205	1.8
40.2	38.1	15.9	M10	UC206	FA206	1.2
				UC206-101	FA206	
1 37/64	1.5000	0.626	3/8	UC206-102 UC206-103 UC206-104	FA206 FA206 FA206	2.6
45.4	42.9	17.5	M12	UC207	FA207	1.5
				UC207-104	FA207	
1 25/32	1.6890	0.689	7/16	UC207-105 UC207-106 UC207-107	FA207 FA207 FA207	3.3
52.2	49.2	19	M12	UC208	FA208	1.8
				UC208-108	FA208	
2 1/16	1.9370	0.748	7/16	UC208-109	FA208	4.0
52.2	49.2	19	M14	UC209	FA209	2.2
				UC209-110	FA209	
2 1/16	1.9370	0.748	1/2	UC209-111 UC209-112	FA209 FA209	4.9

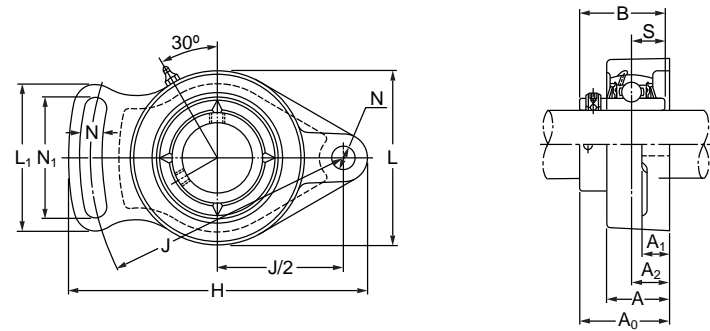
2.24

2.24

Flanged Unit Cast Housing (Adjustable)



■ Set Screw Type - UCFA 2 Series



Shaft Dia.	Unit Number	Basic Dimensions								
		mm inch								
mm inch		H	J	A ₂	A ₁	A	N	N ₁	L	L ₁
50	UCFA210	190	157	22	18	40	17	75	94	92
1 13/16	UCFA210-113									
1 7/8	UCFA210-114									
1 15/16	UCFA210-115	7 7/16	6 3/32	55/64	23/32	1 9/16	43/64	2 15/16	4 17/32	3 5/8
2	UCFA210-200									
55	UCFA211	219	184	26	20	43	17	85	104	102
2	UCFA211-200									
2 1/16	UCFA211-201									
2 1/8	UCFA211-202	8 1/8	7 5/32	1 1/32	25/32	1 11/16	43/64	3 11/32	5 1/8	4 1/32
2 3/16	UCFA211-203									



Flanged Unit Cast Housing (Adjustable)

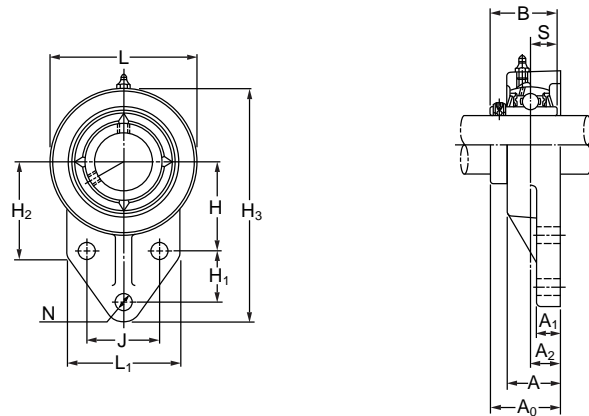
2.24

A ₀	B	S	Bolt Size	Bearing Number	Housing Number	Mass
			mm inch			kg/lbs
54.6	51.6	19	M14	UC210	FA210	2.6
				UC210-113	FA210	
				UC210-114	FA210	
2 5/32	2.0315	0.748	1/2	UC210-115	FA210	5.7
				UC210-200	FA210	
59.4	55.6	22.2	M14	UC211	FA211	3.6
				UC211-200	FA211	
				UC211-201	FA211	
2 11/32	2.1890	0.874	1/2	UC211-202	FA211	7.9
				UC211-203	FA211	

Flanged Unit Cast Housing (3 Bolt Bracket)



■ Set Screw Type - UCFH 200 Series



Shaft Dia.	Unit Number	Basic Dimensions								
		mm inch								
mm inch		H ₃	J	A ₂	A ₁	A	N	H	H ₁	L ₁
12	UCFH201	110	32	15	13	25.5	10	42	27	52
1/2	UCFH201-008	4 11/32	1 17/64	19/32	1/2	1	25/64	1 21/32	1 1/16	2 1/16
15	UCFH202	110	32	15	13	25.5	10	42	27	52
9/16	UCFH202-009	4 11/32	1 17/64	19/32	1/2	1	25/64	1 21/32	1 1/16	2 1/16
5/8	UCFH202-010	4 11/32	1 17/64	19/32	1/2	1	25/64	1 21/32	1 1/16	2 1/16
17	UCFH203	110	32	15	13	25.5	10	42	27	52
11/16	UCFH203-011	4 11/32	1 17/64	19/32	1/2	1	25/64	1 21/32	1 1/16	2 1/16
20	UCFH204	110	32	15	13	25.5	10	42	27	52
3/4	UCFH204-012	4 11/32	1 17/64	19/32	1/2	1	25/64	1 21/32	1 1/16	2 1/16
25	UCFH205	116	34	16	13	27	10	45	27	56
13/16	UCFH205-013									
7/8	UCFH205-014									
15/16	UCFH205-015	4 9/16	1 11/32	5/8	1/2	1 1/16	25/64	1 49/64	1 1/16	2 7/32
1	UCFH205-100									
30	UCFH206	130	40	18	13	31	10	50	29	65
1 1/16	UCFH206-101									
1 1/8	UCFH206-102	5 1/8	37/64	45/64	1/2	1 7/32	25/64	1 31/32	1 9/64	2 9/16
1 3/16	UCFH206-103									
1 1/4	UCFH206-104									
35	UCFH207	144	46	19	15	34	10	55	32	70
1 1/4	UCFH207-104									
1 5/16	UCFH207-105	5 21/32	1 13/16	3/4	19/32	1 11/32	25/64	2 11/64	1 17/64	2 3/4
1 3/8	UCFH207-106									
1 7/16	UCFH207-107									
40	UCFH208	164	50	21	16	36	12	60	41	78
1 1/2	UCFH208-108	6 15/32	1 31/32	53/64	5/8	1 13/32	15/32	2 23/64	1 39/64	3 1/16
1 9/16	UCFH208-109									



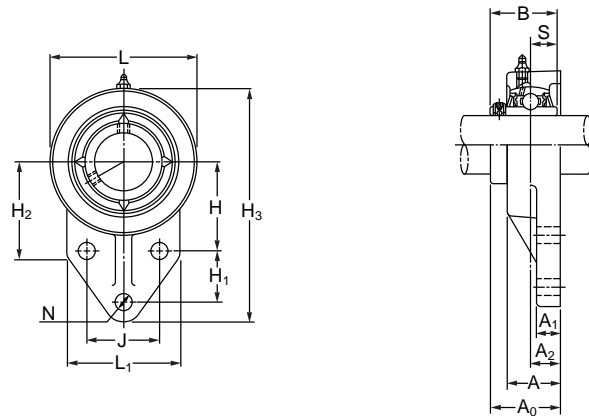
Flanged Unit Cast Housing (3 Bolt Bracket)

					Bolt Size	Bearing Number	Housing Number	Mass
					mm inch			kg/lbs
H ₂	L	A ₀	B	S				
52	62	33.3	31	12.7	M8	UC201	FH204	0.7
2 1/16	2 7/16	1 5/16	1.2205	0.500	5/16	UC201-008	FH204	1.5
52	62	33.3	31	12.7	M8	UC202	FH204	0.7
2 1/16	2 7/16	1 5/16	1.2205	0.500	5/16	UC202-009 UC202-010	FH204 FH204	1.5
52	62	33.3	31	12.7	M8	UC203	FH204	0.7
2 1/16	2 7/16	1 5/16	1.2205	0.500	5/16	UC203-011	FH204	1.5
52	62	33.3	31	12.7	M8	UC204	FH204	0.7
2 1/16	2 7/16	1 5/16	1.2205	0.500	5/16	UC204-012	FH204	1.5
52	68	35.8	34.1	14.3	M8	UC205	FH205	0.8
2 1/16	2 11/16	1 13/32	1.3425	0.563	5/16	UC205-013 UC205-013 UC205-014 UC205-100	FH205 FH205 FH205 FH205	1.8
55	78	40.2	38.1	15.9	M8	UC206	FH206	1.0
2 5/32	3 1/16	1 37/64	1.5000	0.626	5/16	UC206-101 UC206-102 UC206-103 UC206-104	FH206 FH206 FH206 FH206	2.2
62	90	44.4	42.9	17.5	M8	UC207	FH207	1.3
2 7/16	3 17/32	1 3/4	1.6890	0.689	5/16	UC207-104 UC207-105 UC207-106 UC207-107	FH207 FH207 FH207 FH207	2.9
72	100	51.2	49.2	19	M10	UC208	FH208	1.4
2 27/32	3 15/16	2 1/64	1.9370	0.748	3/8	UC208-108 UC208-109	FH208 FH208	3.1

Flanged Unit Cast Housing (3 Bolt Bracket)



■ Set Screw Type - UCFH 200 Series



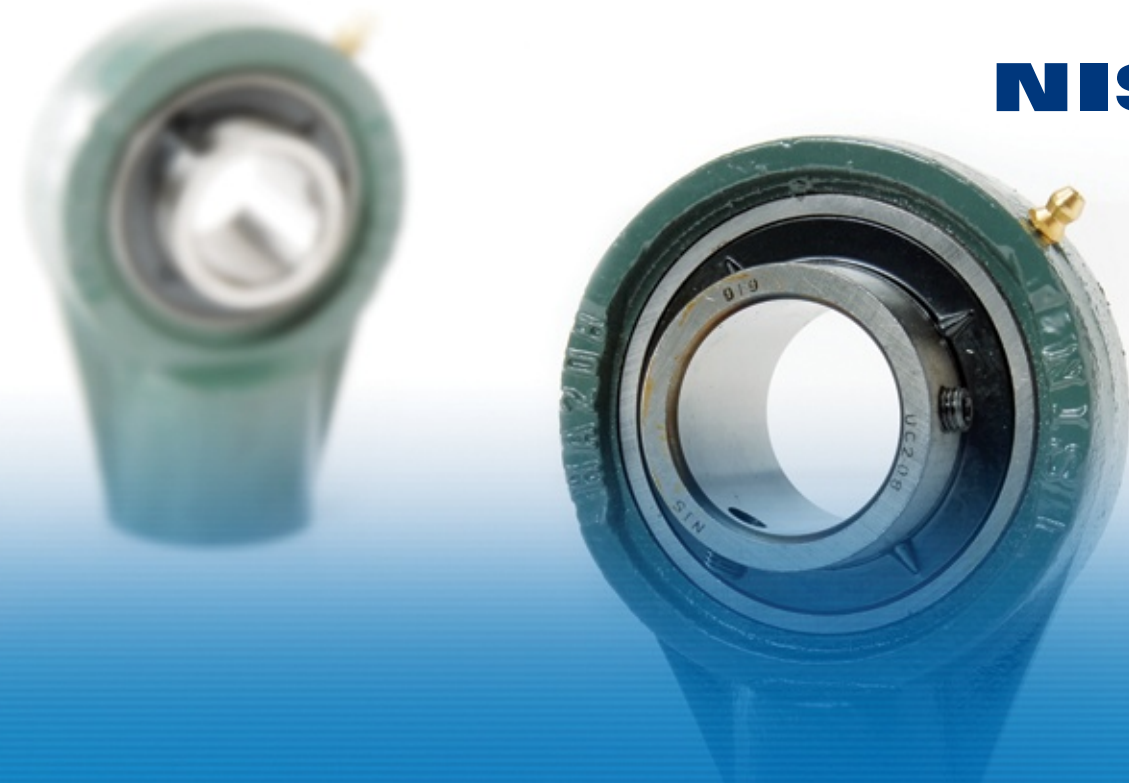
Shaft Dia.	Unit Number	Basic Dimensions								
		H ₃	J	A ₂	A ₁	A	N	H	H ₁	L ₁
45	UCFH209	174	54	22	18	38	12	65	43	80
1 5/8	UCFH209-110									
1 11/16	UCFH209-111	6 27/32	2 1/8	55/64	23/32	1 1/2	15/32	2 9/16	1 11/16	3 5/32
1 3/4	UCFH209-112									
50	UCFH210	184	58	22	18	40	12	68	46	86
1 13/16	UCFH210-113									
1 7/8	UCFH210-114	7 1/4	2 9/32	55/64	23/32	1 9/16	15/32	2 43/64	1 13/16	3 3/8
1 15/16	UCFH210-115									
2	UCFH210-200									



Flanged Unit Cast Housing (3 Bolt Bracket)

2.25

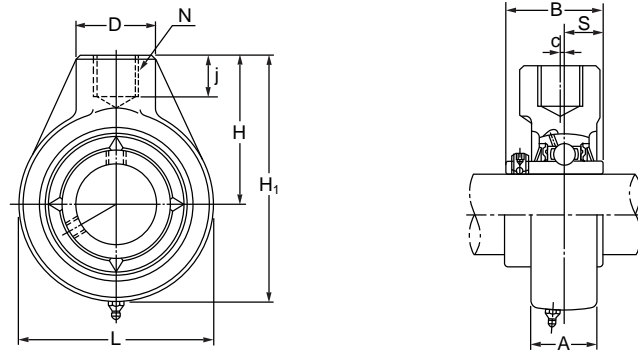
H ₂	L	A ₀	B	S	Bolt Size	Bearing Number	Housing Number	Mass
					mm inch			kg/lbs
76	106	52.2	49.2	19	M10	UC209	FH209	2.2
						UC209-110	FH209	
3	4 3/16	2 1/16	1.9370	0.748	3/8	UC209-111	FH209	4.9
						UC209-112	FH209	
82	112	54.6	51.6	19	M10	UC210	FH210	2.5
						UC210-113	FH210	
3 7/32	4 13/32	2 5/32	2.0315	0.748	3/8	UC210-114	FH210	5.5
						UC210-115	FH210	
						UC210-200	FH210	



3.00

Hanger Unit

	Page
3.01 Set Screw Type - UCHB 200 Series (Cast Housing)	175
3.02 Set Screw Type - MUCECH 200 Series (Plastic Housing)	179

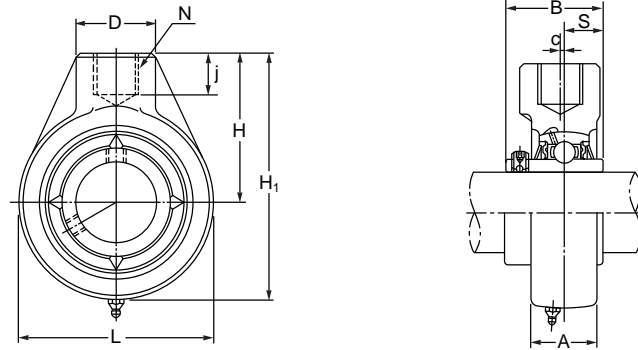


Shaft Dia.	Unit Number	Basic Dimensions								
		L	H ₁	c	A	H	N	D	j	B
mm inch		mm inch								
12	UCHA201	64	96	0	21	64	Rp3/4	40	19	31
1/2	UCHA201-008	2 17/32	3 25/32	0	13/16	2 33/64	Rp3/4	1 9/16	3/4	1.2205
15	UCHA202	64	96	0	21	64	Rp3/4	40	19	31
9/16	UCHA202-009	2 17/32	3 25/32	0	13/16	2 33/64	Rp3/4	1 9/16	3/4	1.2205
5/8	UCHA202-010	2 17/32	3 25/32	0	13/16	2 33/64	Rp3/4	1 9/16	3/4	1.2205
17	UCHA203	64	96	0	21	64	Rp3/4	40	19	31
11/16	UCHA203-011	2 17/32	3 25/32	0	13/16	2 33/64	Rp3/4	1 9/16	3/4	1.2205
20	UCHA204	64	96	0	21	64	Rp3/4	40	19	31
3/4	UCHA204-012	2 17/32	3 25/32	0	13/16	2 33/64	Rp3/4	1 9/16	3/4	1.2205
25	UCHA205	70	103	0	24	64	Rp3/4	40	19	34.1
13/16	UCHA205-013									
7/8	UCHA205-014	3 1/16	4 1/16	0	15/16	2 33/64	Rp3/4	1 9/16	3/4	1.3425
15/16	UCHA205-015									
1	UCHA205-100									
30	UCHA206	78	103	0	28	64	Rp3/4	40	19	38.1
1 1/16	UCHA206-101									
1 1/8	UCHA206-102	3 1/16	4 1/16	0	1 3/32	2 33/64	Rp3/4	1 9/16	3/4	1.5000
1 3/16	UCHA206-103									
1 1/4	UCHA206-104									
35	UCHA207	92	116	0	30	70	Rp3/4	40	19	42.9
1 1/4	UCHA207-104									
1 5/16	UCHA207-105	3 5/8	4 9/16	0	1 3/16	2 3/4	Rp3/4	1 9/16	3/4	1.6890
1 3/8	UCHA207-106									
1 7/16	UCHA207-107									
40	UCHA208	96	121	2	33	73	Rp3/4	40	19	49.2
1 1/2	UCHA208-108	3 25/32	4 3/4	3/32	1 5/16	2 7/8	Rp3/4	1 9/16	3/4	1.9370
1 9/16	UCHA208-109									
45	UCHA209	108	136	4	35	82	Rp1	48	21	49.2
1 5/8	UCHA209-110	4 1/4	5 11/32	3/16	1 3/8	3 15/64	Rp1	1 7/8	13/16	1.9370
1 11/16	UCHA209-111									
1 3/4	UCHA209-112									

	Bearing Number	Housing Number	Mass
S			kg/lbs
12.7	UC201	HA204	0.7
0.500	UC201-008	HA204	1.5
12.7	UC202	HA204	0.7
0.500	UC202-009	HA204	1.5
	UC202-010	HA204	
12.7	UC203	HA204	0.7
0.500	UC203-011	HA204	1.5
12.7	UC204	HA204	0.7
0.500	UC204-012	HA204	1.5
14.3	UC205	HA205	1.0
	UC205-013	HA205	
0.563	UC205-014	HA205	2.2
	UC205-015	HA205	
	UC205-100	HA205	
15.9	UC206	HA206	1.0
0.626	UC206-101	HA206	2.2
	UC206-102	HA206	
	UC206-103	HA206	
	UC206-104	HA206	
17.5	UC207	HA207	1.4
0.689	UC207-104	HA207	3.1
	UC207-105	HA207	
	UC207-106	HA207	
	UC207-107	HA207	
19	UC208	HA208	1.5
0.748	UC208-108	HA208	3.3
	UC208-109	HA208	
19	UC209	HA209	2.1
0.748	UC209-110	HA209	4.6
	UC209-111	HA209	
	UC209-112	HA209	



■ Set Screw Type - UCHB 200 Series



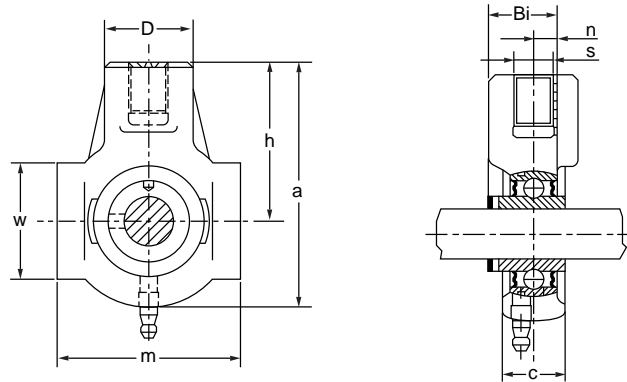
Shaft Dia.	Unit Number	Basic Dimensions								
		mm inch								
mm inch		L	H ₁	c	A	H	N	D	j	B
50	UCHA210	118	142	5	37	83	Rp1	48	21	51.6
1 13/16	UCHA210-113									
1 7/8	UCHA210-114	4 21/32	5 19/32	3/16	1 15/32	3 17/64	Rp1	1 7/8	13/16	2.0315
1 15/16	UCHA210-115									
2	UCHA210-200									
55	UCHA211	126	158	7	38	95	Rp1 1/4	60	25	55.6
2	UCHA211-200									
2 1/16	UCHA211-201	4 31/32	6 7/32	9/32	1 1/2	3 47/64	Rp1 1/4	2 3/8	31/32	2.1890
2 1/8	UCHA211-202									
2 3/16	UCHA211-203									
60	UCHA212	142	173	9	42	102	Rp1 1/4	60	28	65.1
2 1/4	UCHA212-204									
2 5/16	UCHA212-205	5 19/32	6 13/16	11/32	1 21/32	4 1/64	Rp1 1/4	2 3/8	1 3/32	2.5630
2 3/8	UCHA212-206									
2 7/16	UCHA212-207									
65	UCHA213	166	200	9.5	44	117	Rp1 1/2	70	32	65.1
2 1/2	UCHA213-208	6 17/32	7 7/8	3/8	1 23/32	4 39/64	Rp1 1/2	2 3/4	1 1/4	2.5630

	Bearing Number	Housing Number	Mass
S			kg/lbs
19	UC210	HA210	2.6
	UC210-113	HA210	
0.748	UC210-114	HA210	5.7
	UC210-115	HA210	
	UC210-200	HA210	
22.2	UC211	HA211	2.9
	UC211-200	HA211	
0.874	UC211-201	HA211	6.4
	UC211-202	HA211	
	UC211-203	HA211	
25.4	UC212	HA212	4.4
	UC212-204	HA212	
1.000	UC212-205	HA212	9.7
	UC212-206	HA212	
	UC212-207	HA212	
25.4	UC213	HA213	6.6
1.000	UC213-208	HA213	15

Hanger Unit Plastic Housing



■ Set Screw Type - MUCECH 200 Series



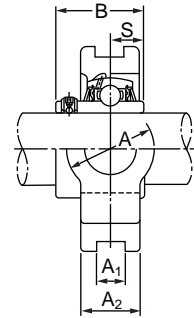
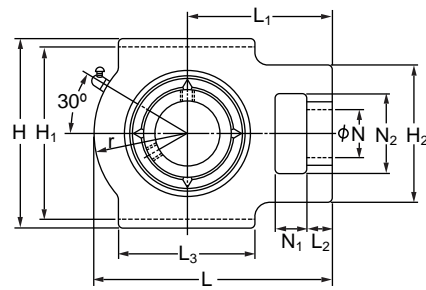
Shaft Dia d ø (mm)	Housing No.	Dimensions (mm)									Weight (kg)
		a	c	h	m	s	t ø	w	Bi	n	
12	ECH201	99.0	27.5	63.5	65.0	M16	35	47.0	31.0	12.7	0.16
15	ECH202	99.0	27.5	63.5	65.0	M16	35	47.0	31.0	12.7	0.16
17	ECH203	99.0	27.5	63.5	65.0	M16	35	47.0	31.0	12.7	0.16
20	ECH204	99.0	27.5	63.5	65.0	M16	35	47.0	31.0	12.7	0.16
25	ECH205	99.0	27.5	63.5	74.0	M16	35	47.0	34.0	14.3	0.16
30	ECH206	124.0	34.5	76.0	90.0	M16	40	63.0	38.1	15.9	0.21
35	ECH207	124.0	34.5	76.0	90.0	M16	40	63.0	42.9	17.5	0.25
40	ECH208	144.0	38.5	85.0	100.0	M16	46	80.0	49.2	19.0	0.36



Take-Up Unit

	Page
4.01 Set Screw Type - UCT 200 Series	181
4.02 Set Screw Type - UCTX Series	187
4.03 Set Screw Type - UCT 300 Series	191
4.04 Taper Bored with Adapter Sleeve - UKT 200 Series	197
4.05 Taper Bored with Adapter Sleeve - UKTX Series	201
4.06 Taper Bored with Adapter Sleeve - UKT 300 Series	205
4.07 Eccentric Locking Collar Type - UELT 200 Series	209
4.08 Eccentric Locking Collar Type - UELT 300 Series	213
4.09 Set Screw Type with Frame - UCT 200 + WB Series	218

■ Set Screw Type - UCT 200 Series



Shaft Dia. mm inch	* Unit Number	Basic Dimensions									
		N ₁	L ₂	H ₂	N ₂	N	L ₃	A ₁	H ₁	H	L
12 1/2	UCT201 UCT201-008	16 5/8	12 15/32	51 2	32 1 1/4	19 3/4	51 2	12 0.472	76 2 63/64	89 3 1/2	94 3 11/16
15 9/16 5/8	UCT202 UCT202-009 UCT202-010	16 5/8	12 15/32	51 2	32 1 1/4	19 3/4	51 2	12 0.472	76 2 63/64	89 3 1/2	94 3 11/16
17 11/16	UCT203 UCT203-011	16 5/8	12 15/32	51 2	32 1 1/4	19 3/4	51 2	12 0.472	76 2 63/64	89 3 1/2	94 3 11/16
20 3/4	UCT204 UCT204-012	16 5/8	12 15/32	51 2	32 1 1/4	19 3/4	51 2	12 0.472	76 2 63/64	89 3 1/2	94 3 11/16
25 13/16 7/8 15/16 1	UCT205 UCT205-013 UCT205-014 UCT205-015 UCT205-100	16 5/8	12 15/32	51 2	32 1 1/4	19 3/4	51 2	12 0.472	76 2 63/64	89 3 1/2	94 3 11/16
30 1 1/16 1 1/8 1 3/16 1 1/4	UCT206 UCT206-101 UCT206-102 UCT206-103 UCT206-104	16 5/8	12 15/32	56 2 7/32	37 1 15/32	22 7/8	57 2 1/4	12 0.472	89 3 1/2	102 4 1/32	113 4 7/16
35 1 1/4 1 5/16 1 3/8 1 7/16	UCT207 UCT207-104 UCT207-105 UCT207-106 UCT207-107	16 5/8	15 19/32	64 2 17/32	37 1 15/32	22 7/8	64 2 17/32	12 0.472	89 3 1/2	102 4 1/32	129 5 3/32
40 1 1/2 1 9/16	UCT208 UCT208-108 UCT208-109	19 3/4	18 23/32	83 3 9/32	49 1 15/16	29 1 5/32	83 3 9/32	16 0.630	102 4 1/64	114 4 1/2	144 5 21/32

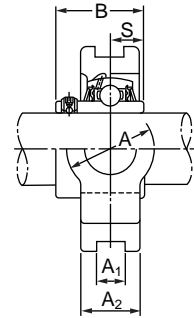
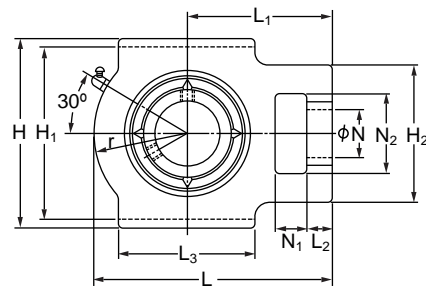
* Denotation
 UCT : Cast Housing with chrome steel bearing inserts.
 MUCT : Stainless Steel Housing with stainless steel bearing inserts.
 MUCTPL...SB : Plastic Housing with stainless steel bearing inserts.

A ₂	A	r	L ₁	B	S	Bearing Number	Housing Number	Mass (kg/lbs)		
								UCT	MUCT	MUCTPL...SB
21 13/16	32 1 1/4	33 1 5/16	61 2 13/32	31 1.2205	12.7 0.500	UC201 UC201-008	T204 T204	0.8 1.8	0.7 1.5	0.2 0.4
21 13/16	32 1 1/4	33 1 5/16	61 2 13/32	31 1.2205	12.7 0.500	UC202 UC202-009 UC202-010	T204 T204 T204	0.8 1.8	0.7 1.5	0.2 0.4
21 13/16	32 1 1/4	33 1 5/16	61 2 13/32	31 1.2205	12.7 0.500	UC203 UC203-011	T204 T204	0.8 1.8	0.7 1.5	0.2 0.4
21 13/16	32 1 1/4	33 1 5/16	61 2 13/32	31 1.2205	12.7 0.500	UC204 UC204-012	T204 T204	0.8 1.8	0.8 1.8	0.2 0.4
24 15/16	32 1 1/4	35 1 3/8	62 2 7/16	34.1 1.3425	14.3 0.563	UC205 UC205-013 UC205-014 UC205-015 UC205-100	T205 T205 T205 T205	0.9 2.0	0.9 2.0	0.2 0.4
28 1 3/32	37 1 15/32	43 1 11/16	70 2 3/4	38.1 1.5000	15.9 0.626	UC206 UC206-101 UC206-102 UC206-103 UC206-104	T206 T206 T206 T206	1.3 2.9	1.3 2.9	0.2 0.4
30 1 3/16	37 1 15/32	51 2	78 3 1/16	42.9 1.6890	17.5 0.689	UC207 UC207-104 UC207-105 UC207-106 UC207-107	T207 T207 T207 T207	1.7 3.7	1.7 3.7	0.3 0.7
33 1 5/16	49 1 15/16	56 2 7/32	88 3 15/32	49.2 1.9370	19 0.748	UC208 UC208-108 UC208-109	T208 T208 T208	2.3 5.1	2.5 6.0	0.4 0.9

Take-Up Unit



■ Set Screw Type - UCT 200 Series



Shaft Dia. mm inch	* Unit Number	Basic Dimensions									
		N ₁	L ₂	H ₂	N ₂	N	L ₃	A ₁	H ₁	H	L
45 1 5/8 1 11/16 1 3/4	UCT209 UCT209-110 UCT209-111 UCT209-112	19 3/4	18 23/32	83 3 9/32	49 1 15/16	29 1 5/32	83 3 9/32	16 0.630	102 4 1/64	117 4 19/32	145 5 23/32
50 1 13/16 1 7/8 1 15/16 2	UCT210 UCT210-113 UCT210-114 UCT210-115 UCT210-200	19 3/4	18 23/32	83 3 9/32	49 1 15/16	29 1 5/32	86 3 3/8	16 0.630	102 4 1/64	117 4 19/32	151 5 15/16
55 2 2 1/16 2 1/8 2 3/16	UCT211 UCT211-200 UCT211-201 UCT211-202 UCT211-203	25 31/32	21 13/16	102 4 1/32	64 2 17/32	35 1 3/8	95 3 3/4	22 0.866	130 5 1/8	146 5 3/4	171 6 23/32
60 2 1/4 2 5/16 2 3/8 2 7/16	UCT212 UCT212-204 UCT212-205 UCT212-206 UCT212-207	32 1 1/4	21 13/16	102 4 1/32	64 2 17/32	35 1 3/8	102 4 1/32	22 0.866	130 5 1/8	146 5 3/4	194 7 5/8
65 2 1/2 2 9/16	UCT213 UCT213-208 UCT213-209	32 1 1/4	23 29/32	111 4 3/8	70 2 3/4	41 1 5/8	121 4 3/4	26 1.024	151 5 15/16	167 6 9/16	224 8 13/16
70 2 5/8 2 11/16 2 3/4	UCT214 UCT214-210 UCT214-211 UCT214-212	32 1 1/4	23 29/32	111 4 3/8	70 2 3/4	41 1 5/8	121 4 3/4	26 1.024	151 5 15/16	167 6 9/16	224 8 13/16



Take-Up Unit

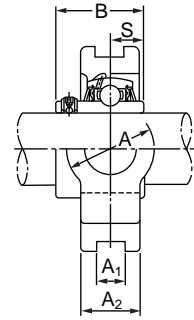
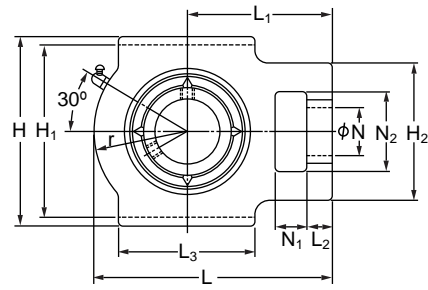
* Denotation
 UCT : Cast Housing with chrome steel bearing inserts.
 MUCT : Stainless Steel Housing with stainless steel bearing inserts.
 MUCTPL...SB : Plastic Housing with stainless steel bearing inserts.

A ₂	A	r	L ₁	B	S	Bearing Number	Housing Number	Mass (kg/lbs)		
								UCT	MUCT	MUCTPL...SB
35 1 3/8	49 1 15/16	57 2 1/4	88 3 15/32	49.2 1.9370	19 0.748	UC209 UC209-110 UC209-111 UC209-112	T209 T209 T209 T209	2.4 5.3	2.6 5.7	-
37 1 15/32	49 1 15/16	59 2 5/16	92 3 5/8	51.6 2.0315	19 0.748	UC210 UC210-113 UC210-114 UC210-115 UC210-200	T210 T210 T210 T210 T210	2.5 5.5	2.6 5.7	-
38 1 1/2	64 2 17/32	65 2 9/16	106 4 3/16	55.6 2.1890	22.2 0.874	UC211 UC211-200 UC211-201 UC211-202 UC211-203	T211 T211 T211 T211 T211	3.8 8.4	4.3 9.5	-
42 1 21/32	64 2 17/32	75 2 15/16	119 4 11/16	65.1 2.5630	25.4 1.000	UC212 UC212-204 UC212-205 UC212-206 UC212-207	T212 T212 T212 T212 T212	4.7 10	5.0 11.0	-
44 1 23/32	70 2 3/4	87 3 7/16	137 5 13/32	65.1 2.5630	25.4 1.000	UC213 UC213-208 UC213-209	T213 T213 T213	7.0 15	-	-
46 1 13/16	70 2 3/4	87 3 7/16	137 5 13/32	74.6 2.9370	30.2 1.189	UC214 UC214-210 UC214-211 UC214-212	T214 T214 T214 T214	7.3 16	-	-

Take-Up Unit



■ Set Screw Type - UCT 200 Series



Shaft Dia. mm inch	* Unit Number	Basic Dimensions									
		N ₁	L ₂	H ₂	N ₂	N	L ₃	A ₁	H ₁	H	L
75	UCT215	32	23	111	70	41	121	26	151	167	232
2 13/16	UCT215-213										
2 7/8	UCT215-214										
2 15/16	UCT215-215	1 1/4	29/32	4 3/8	2 3/4	1 5/8	4 3/4	1.024	5 15/16	6 9/16	9 1/8
3	UCT215-300										
80	UCT216	32	23	111	70	41	121	26	165	184	235
3 1/16	UCT216-301										
3 1/8	UCT216-302	1 1/4	29/32	4 3/8	2 3/4	1 5/8	4 3/4	1.024	6 1/2	7 1/4	9 1/4
3 3/16	UCT216-303										
85	UCT217	38	31	124	73	48	157	30	173	198	260
3 1/4	UCT217-304										
3 5/16	UCT217-305	1 1/2	1 7/32	4 7/8	2 7/8	1 7/8	6 3/16	1.181	6 13/16	7 25/32	10 1/4
3 7/16	UCT217-307										



Take-Up Unit

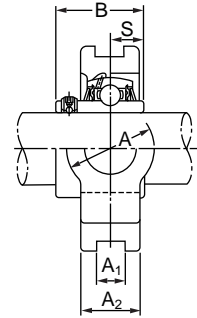
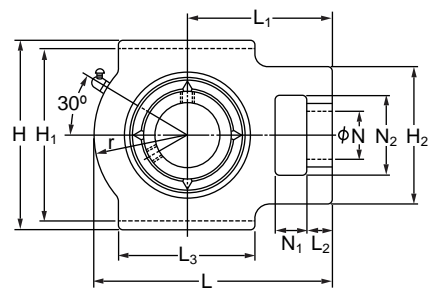
* Denotation
 UCT : Cast Housing with chrome steel bearing inserts.
 MUCT : Stainless Steel Housing with stainless steel bearing inserts.
 MUCTPL...SB : Plastic Housing with stainless steel bearing inserts.

A ₂	A	r	L ₁	B	S	Bearing Number	Housing Number	Mass (kg/lbs)		
								UCT	MUCT	MUCTPL...SB
48	70	92	140	77.8	33.3	UC215	T215	7.7	-	-
						UC215-213	T215			
						UC215-214	T215	17	-	-
						UC215-215	T215			
						UC215-300	T215			
51	70	95	140	82.6	33.3	UC216	T216	8.4	-	-
						UC216-301	T216			
						UC216-302	T216	19	-	-
						UC216-303	T216			
54	73	98	162	85.7	34.1	UC217	T217	11	-	-
						UC217-304	T217			
						UC217-305	T217	24	-	-
						UC217-307	T217			

4.01

4.01

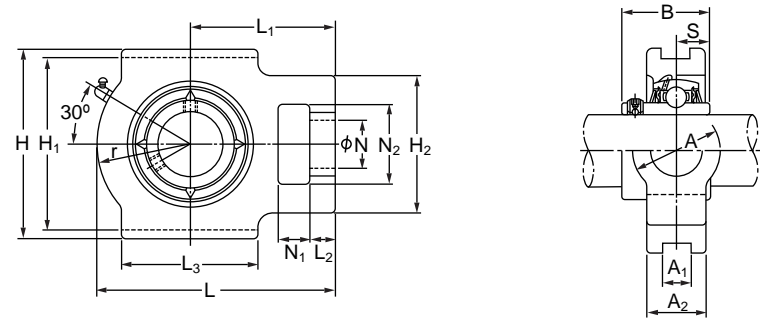
■ Set Screw Type - UCTX Series



Shaft Dia. mm inch	Unit Number	Basic Dimensions								
		N ₁	L ₂	H ₂	N ₂	N	L ₃	A ₁	H ₁	H
25	UCTX05	16	12	56	37	22	57	12	89	102
13/16	UCTX05-013									
7/8	UCTX05-014	5/8	15/32	2 7/32	1 15/32	7/8	2 1/4	0.472	3 1/2	4 1/32
15/16	UCTX05-015									
1	UCTX05-100									
30	UCTX06	16	15	64	37	22	64	12	89	102
1 1/16	UCTX06-101									
1 1/8	UCTX06-102	5/8	19/32	2 17/32	1 15/32	7/8	2 17/32	0.472	3 1/2	4 1/32
1 3/16	UCTX06-103									
1 1/4	UCTX06-104									
35	UCTX07	19	17	83	49	29	83	16	102	114
1 5/16	UCTX07-105									
1 3/8	UCTX07-106	3/4	21/32	3 9/32	1 15/16	1 5/32	3 9/32	0.630	4 1/64	4 1/2
1 7/16	UCTX07-107									
40	UCTX08	19	17	83	49	29	83	16	102	117
1 1/2	UCTX08-108									
1 9/16	UCTX08-109	3/4	21/32	3 9/32	1 15/16	1 5/32	3 9/32	0.630	4 1/64	4 19/32
45	UCTX09	19	18	83	49	29	86	16	102	117
1 5/8	UCTX09-110									
1 11/16	UCTX09-111	3/4	23/32	3 9/32	1 15/16	1 5/32	3 3/8	0.630	4 1/64	4 19/32
1 3/4	UCTX09-112									
1 13/16	UCTX09-113									
50	UCTX10	25	21	102	64	35	95	22	130	146
1 7/8	UCTX10-114									
1 15/16	UCTX10-115	31/32	13/16	4 1/32	2 17/32	1 3/8	3 3/4	0.866	5 1/8	5 3/4
2	UCTX10-200									
55	UCTX11	32	21	102	64	35	102	22	130	146
2 1/16	UCTX11-201									
2 1/8	UCTX11-202	1 1/4	13/16	4 1/32	2 17/32	1 3/8	4 1/32	0.866	5 1/8	5 3/4
2 3/16	UCTX11-203									
2 1/4	UCTX11-204									
2 5/16	UCTX11-205									

L	A ₂	A	r	L ₁	B	S	Bearing Number	Housing Number	Mass
									kg/lbs
113	28	37	43	70	38.1	15.9	UCX05	TX05	1.4
							UCX05-013	TX05	
4 7/16	1 3/32	1 15/32	1 11/16	2 3/4	1.5000	0.626	UCX05-014	TX05	3.1
							UCX05-015	TX05	
							UCX05-100	TX05	
129	30	37	51	78	42.9	17.5	UCX06	TX06	1.8
							UCX06-101	TX06	
5 3/32	1 3/16	1 15/32	2	3 1/16	1.6890	0.689	UCX06-102	TX06	4.0
							UCX06-103	TX06	
							UCX06-104	TX06	
144	36	49	56	88	49.2	19	UCX07	TX07	2.6
							UCX07-105	TX07	
5 21/32	1 13/32	1 15/16	2 7/32	3 15/32	1.9370	0.748	UCX07-106	TX07	5.7
							UCX07-107	TX07	
144	36	49	57	87	49.2	19	UCX08	TX08	2.6
							UCX08-108	TX08	
5 21/32	1 13/32	1 15/16	2 1/4	3 7/16	1.9370	0.748	UCX08-109	TX08	5.7
151	38	49	59	92	51.6	19	UCX09	TX09	2.8
							UCX09-110	TX09	
5 15/16	1 1/2	1 15/16	2 5/16	3 5/8	2.0315	0.748	UCX09-111	TX09	6.2
							UCX09-112	TX09	
							UCX09-113	TX09	
171	42	64	65	106	55.6	22.2	UCX10	TX10	4.3
							UCX10-114	TX10	
6 23/32	1 21/32	2 17/32	2 9/16	4 3/16	2.1890	0.874	UCX10-115	TX10	9.5
							UCX10-200	TX10	
194	44	64	75	119	65.1	25.4	UCX11	TX11	5.2
							UCX11-201	TX11	
7 5/8	1 23/32	2 17/32	2 15/16	4 11/16	2.5630	1.000	UCX11-202	TX11	11
							UCX11-203	TX11	
							UCX11-204	TX11	
							UCX11-205	TX11	

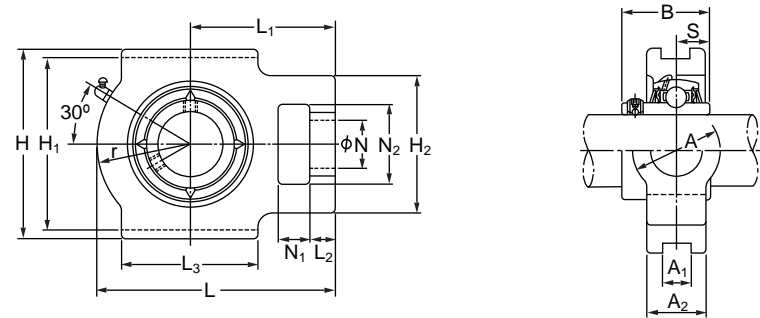
■ Set Screw Type - UCTX Series



Shaft Dia. mm inch	Unit Number	Basic Dimensions								
		N ₁	L ₂	H ₂	N ₂	N	L ₃	A ₁	H ₁	H
60 2 3/8 2 7/16	UCTX12 UCTX12-206 UCTX12-207	32 1 1/4	23 29/32	111 4 3/8	70 2 3/4	41 1 5/8	121 4 3/4	26 1.024	151 5 15/16	167 6 9/16
65 2 1/2 2 9/16	UCTX13 UCTX13-208 UCTX13-209	32 1 1/4	23 29/32	111 4 3/8	70 2 3/4	41 1 5/8	121 4 3/4	26 1.024	151 5 15/16	167 6 9/16
70 2 5/8 2 11/16 2 3/4	UCTX14 UCTX14-210 UCTX14-211 UCTX14-212	32 1 1/4	23 29/32	111 4 3/8	70 2 3/4	41 1 5/8	121 4 3/4	26 1.024	151 5 15/16	167 6 9/16
75 2 13/16 2 7/8 2 15/16 3	UCTX15 UCTX15-213 UCTX15-214 UCTX15-215 UCTX15-300	32 1 1/4	23 29/32	111 4 3/8	70 2 3/4	41 1 5/8	121 4 3/4	26 1.024	165 6 1/2	184 7 1/4
80 3 1/16 3 1/8 3 3/16 3 1/4	UCTX16 UCTX16-301 UCTX16-302 UCTX16-303 UCTX16-304	38 1 1/2	30 1 3/16	124 4 7/8	73 2 7/8	48 1 7/8	157 6 3/16	28 1.102	173 6 13/16	198 7 25/32
85 3 5/16 3 7/16	UCTX17 UCTX17-305 UCTX17-307	38 1 1/2	30 1 3/16	124 4 7/8	73 2 7/8	48 1 7/8	157 6 3/16	28 1.102	173 6 13/16	198 7 25/32

L	A ₂	A	r	L ₁	B	S	Bearing Number	Housing Number	Mass
									kg/lbs
224 8 13/16	48 1 7/8	70 2 3/4	87 3 7/16	137 5 13/32	65.1 2.5630	25.4 1.000	UCX12 UCX12-206 UCX12-207	TX12 TX12 TX12	7.6 17
224 8 13/16	48 1 7/8	70 2 3/4	87 3 7/16	137 5 13/32	65.1 2.5630	25.4 1.000	UCX13 UCX13-208 UCX13-209	TX13 TX13 TX13	7.6 17
232 9 1/8	48 1 7/8	70 2 3/4	92 3 5/8	140 5 1/2	77.8 3.0630	33.3 1.311	UCX14 UCX14-210 UCX14-211 UCX14-212	TX14 TX14 TX14 TX14	7.7 17
235 9 1/4	48 1 7/8	70 2 3/4	95 3 3/4	140 5 1/2	82.6 3.2520	33.3 1.311	UCX15 UCX15-213 UCX15-214 UCX15-215 UCX15-300	TX15 TX15 TX15 TX15 TX15	8.4 19
260 10 1/4	54 2 1/8	73 2 7/8	98 3 27/32	162 6 3/8	85.7 3.3740	34.1 1.343	UCX16 UCX16-301 UCX16-302 UCX16-303 UCX16-304	TX16 TX16 TX16 TX16 TX16	11 24
260 10 1/4	54 2 1/8	73 2 7/8	98 3 27/32	162 6 3/8	85.7 3.3740	34.1 1.343	UCX17 UCX17-305 UCX17-307	TX17 TX17 TX17	12 26

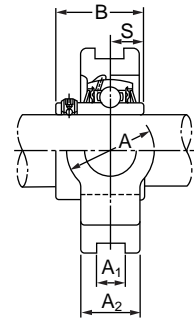
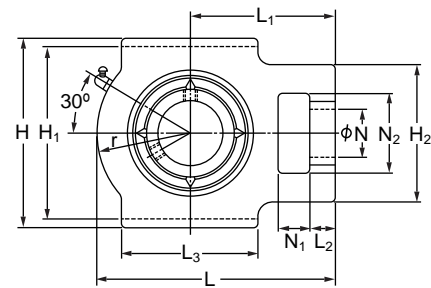
■ Set Screw Type - UCTX Series



Shaft Dia. mm inch	Unit Number	Basic Dimensions								
		N ₁	L ₂	H ₂	N ₂	N	L ₃	A ₁	H ₁	H
25	UCT305	16	14	62	36	26	65	12	80	89
13/16	UCT305-013									
7/8	UCT305-014									
15/16	UCT305-015	5/8	9/16	2 7/16	1 13/32	1 1/32	2 9/16	0.472	3 5/32	3 1/2
1	UCT305-100									
30	UCT306	18	16	70	41	28	74	16	90	100
1 1/16	UCT306-101									
1 1/8	UCT306-102	23/32	5/8	2 3/4	1 5/8	1 3/32	2 29/32	0.630	3 35/64	3 15/16
1 3/16	UCT306-103									
35	UCT307	20	17	75	45	30	80	16	100	111
1 1/4	UCT307-104									
1 5/16	UCT307-105									
1 3/8	UCT307-106	25/32	21/32	2 15/16	1 25/32	1 3/16	3 5/32	0.630	3 15/16	4 3/8
1 7/16	UCT307-107									
40	UCT308	22	19	83	50	32	89	18	112	124
1 1/2	UCT308-108									
1 9/16	UCT308-109	7/8	3/4	3 9/32	1 31/32	1 1/4	3 1/2	0.709	4 13/32	4 7/8
45	UCT309	24	20	90	55	34	97	18	125	138
1 5/8	UCT309-110									
1 11/16	UCT309-111	15/16	25/32	3 17/32	2 5/32	1 11/32	3 13/16	0.709	4 59/64	5 7/16
13/4	UCT309-112									
50	UCT310	27	22	98	61	37	106	20	140	151
1 13/16	UCT310-113									
1 7/8	UCT310-114	1 1/16	7/8	3 27/32	2 13/32	1 15/32	4 3/16	0.787	5 33/34	5 15/16
1 15/16	UCT310-200									
55	UCT311	29	23	105	66	39	115	22	150	163
2	UCT311-200									
2 1/16	UCT311-201									
2 1/8	UCT311-202	1 5/32	29/32	4 1/8	2 19/32	1 17/32	4 17/32	0.866	5 29/32	6 13/32
2 3/16	UCT311-203									

L	A ₂	A	r	L ₁	B	S	Bearing Number	Housing Number	Mass
									UCT kg/lbs
122	26	36	46	76	38	15	UC305	T305	1.4
							UC305-013	T305	
							UC305-014	T305	
4 13/16	1 1/32	1 13/32	1 13/16	3	1.4961	0.591	UC305-015	T305	3.1
							UC305-100	T305	
137	28	41	52	85	43	17	UC306	T306	1.8
							UC306-101	T306	
5 13/32	1 3/32	1 5/8	2 1/16	3 11/32	1.6929	0.669	UC306-102	T306	4.0
							UC306-103	T306	
150	32	45	56	94	48	19	UC307	T307	2.4
							UC307-104	T307	
							UC307-105	T307	
5 29/32	1 1/4	1 25/32	2 7/32	3 11/16	1.8898	0.748	UC307-106	T307	5.3
							UC307-107	T307	
162	34	50	62	100	52	19	UC308	T308	3.0
							UC308-108	T308	
6 3/8	1 11/32	1 31/32	2 7/16	3 15/16	2.0472	0.748	UC308-109	T308	6.6
178	38	55	68	110	57	22	UC309	T309	4.0
							UC309-110	T309	
7	1 1/2	2 5/32	2 11/16	4 11/32	2.2441	0.866	UC309-111	T309	8.8
							UC309-112	T309	
192	40	61	74	118	61	22	UC310	T310	5.0
							UC310-113	T310	
7 9/16	1 9/16	2 13/32	2 29/32	4 21/32	2.4016	0.866	UC310-114	T310	11
							UC310-200	T310	
207	44	66	80	127	66	25	UC311	T311	6.4
							UC311-200	T311	
							UC311-201	T311	
8 5/32	1 23/32	2 19/32	3 5/32	5	2.5984	0.984	UC311-202	T311	14
							UC311-203	T311	

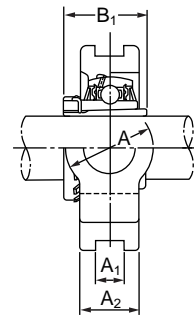
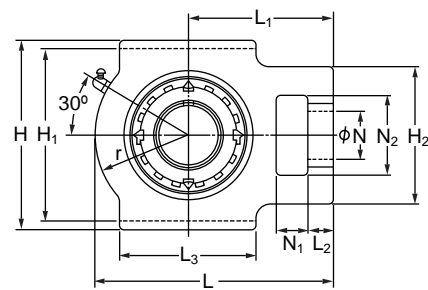
■ Set Screw Type - UCTX Series



Shaft Dia.	Unit Number	Basic Dimensions								
		mm inch								
mm inch		N ₁	L ₂	H ₂	N ₂	N	L ₃	A ₁	H ₁	H
100	UCT320	48	34	175	115	59	200	35	260	290
3 13/16	UCT320-313									
3 7/8	UCT320-314									
3 15/16	UCT320-315	1 7/8	1 11/32	6 7/8	4 17/32	2 5/16	7 7/8	1.378	10 15/64	11 13/32
4	UCT320-400									
105	UCT321	48	34	175	115	59	200	35	260	290
110	UCT322	52	40	185	125	65	215	38	285	320
120	UCT324	60	44	210	140	70	230	45	320	355
130	UCT326	65	47	220	150	75	240	50	350	385
140	UCT328	70	52	230	160	80	255	50	380	415

L	A ₂	A	r	L ₁	B	S	Bearing Number	Housing Number	Mass
									UCT kg/lbs
345	75	120	135	210	108	42	UC320	T320	32
							UC320-313	T320	
							UC320-314	T320	
							UC320-315	T320	71
							UC320-400	T320	
347	75	120	135	212	112	44	UC321	T321	32
385	80	130	150	235	117	46	UC322	T322	40
432	90	140	165	267	126	51	UC324	T324	55
465	100	150	180	285	135	54	UC326	T326	69
515	100	155	200	315	145	59	UC328	T328	84

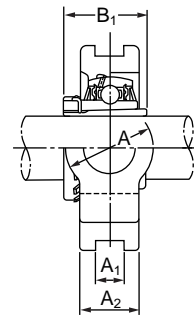
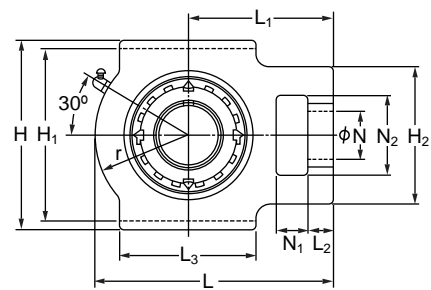
■ Taper Bored with Adapter Sleeve - UKT 200 Series



Shaft Dia. mm inch	Unit Number	Basic Dimensions								
		N ₁	L ₂	H ₂	N ₂	N	L ₃	A ₁	H ₁	H
20 3/4	UKT205 ; H2305 UKT205 ; HE2305	16 5/8	12 15/32	51 2	32 1 1/4	19 3/4	51 2	12 0.472	76 2 63/64	89 3 1/2
25 7/8 15/16	UKT206 ; H2306 UKT206 ; HS2306 UKT206 ; HE2306	16 5/8	12 15/32	56 2 7/32	37 1 15/32	22 7/8	57 2 1/4	12 0.472	89 3 1/2	102 4 1/32
30 1 1/8	UKT207 ; H2307 UKT207 ; HS2307	16 5/8	15 19/32	64 2 17/32	37 1 15/32	22 7/8	64 2 17/32	12 0.472	89 3 1/2	102 4 1/32
35 1 1/4 1 3/8	UKT208 ; H2308 UKT208 ; HE2308 UKT208 ; HS2308	19 3/4	18 23/32	83 3 9/32	49 1 15/16	29 1 5/32	83 3 9/32	16 0.630	102 4 1/64	114 4 1/2
40 1 7/16 1 1/2 1 9/16	UKT209 ; H2309 UKT209 ; HA2309 UKT209 ; HE2309 UKT209 ; HS2309	19 3/4	18 23/32	83 3 9/32	49 1 15/16	29 1 5/32	83 3 9/32	16 0.630	102 4 1/64	117 4 19/32
45 1 5/8 1 11/16 1 3/4	UKT210 ; H2310 UKT210 ; HS2310 UKT210 ; HA2310 UKT210 ; HE2310	19 3/4	18 23/32	83 3 9/32	49 1 15/16	29 1 5/32	86 3 3/8	16 0.630	102 4 1/64	117 4 19/32
50 1 7/8 1 15/16 2	UKT211 ; H2311 UKT211 ; HS2311 UKT211 ; HA2311 UKT211 ; HE2311	25 31/32	21 13/16	102 4 1/32	64 2 17/32	35 1 3/8	95 3 3/4	22 0.866	130 5 1/8	146 5 3/4
55 2 1/8	UKT212 ; H2312 UKT212 ; HS2312	32 1 1/4	21 13/16	102 4 1/32	64 2 17/32	35 1 3/8	102 4 1/32	22 0.866	130 5 1/8	146 5 3/4
60 2 3/16 2 1/4 2 3/8	UKT213 ; H2313 UKT213 ; HA2313 UKT213 ; HE2313 UKT213 ; HS2313	32 1 1/4	23 29/32	111 4 3/8	70 2 3/4	41 1 5/8	121 4 3/4	26 1.024	151 5 15/16	167 6 9/16
65 2 7/16 2 1/2	UKT215 ; H2315 UKT215 ; HA2315 UKT215 ; HE2315	32 1 1/4	23 29/32	111 4 3/8	70 2 3/4	41 1 5/8	121 4 3/4	26 1.024	151 5 15/16	167 6 9/16

L	A ₂	A	r	L ₁	B ₁	Bearing Number	Housing Number	Mass
								UKT kg/lbs
97 3 13/16	24 15/16	32 1 1/4	35 1 3/8	62 2 7/16	35 1.378	UK205 ; H2305 UK205 ; HE2305	T205 T205	0.9 2.0
113 4 7/16	28 1 3/32	37 1 15/32	43 1 11/16	70 2 3/4	38 1.496	UK206 ; H2306 UK206 ; HS2306 UK206 ; HE2306	T206 T206 T206	1.4 3.1
129 5 3/32	30 1 3/16	37 1 15/32	51 2	78 3 1/16	43 1.693	UK207 ; H2307 UK207 ; HS2307	T207 T207	1.8 4.0
144 5 21/32	33 1 5/16	49 1 15/16	56 2 7/32	88 3 15/32	46 1.811	UK208 ; H2308 UK208 ; HE2308 UK208 ; HS2308	T208 T208 T208	2.3 5.1
145 5 23/32	35 1 3/8	49 1 15/16	57 2 1/4	88 3 15/32	50 1.969	UK209 ; H2309 UK209 ; HA2309 UK209 ; HE2309 UK209 ; HS2309	T209 T209 T209 T208	2.5 5.5
151 5 15/16	37 1 15/32	49 1 15/16	59 2 5/16	92 3 5/8	55 2.165	UK210 ; H2310 UK210 ; HS2310 UK210 ; HA2310 UK210 ; HE2310	T210 T210 T210 T210	2.6 5.7
171 6 23/32	38 1 1/2	64 2 17/32	65 2 9/16	106 4 3/16	59 2.323	UK211 ; H2311 UK211 ; HS2311 UK211 ; HA2311 UK211 ; HE2311	T211 T211 T211 T211	4.0 8.8
194 7 5/8	42 1 21/32	64 2 17/32	75 2 15/16	119 4 11/16	62 2.441	UK212 ; H2312 UK212 ; HS2312	T212 T212	4.8 11
224 8 13/16	44 1 23/32	70 2 3/4	87 3 7/16	137 5 13/32	65 2.559	UK213 ; H2313 UK213 ; HA2313 UK213 ; HE2313 UK213 ; HS2313	T213 T213 T213 T212	7.1 16
232 9 1/8	48 1 7/8	70 2 3/4	92 3 5/8	140 5 1/2	73 2.874	UK215 ; H2315 UK215 ; HA2315 UK215 ; HE2315	T215 T215 T215	7.9 17

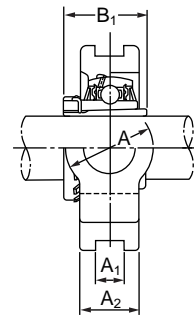
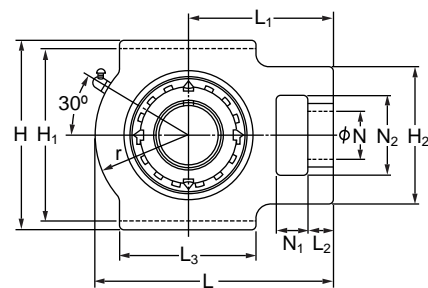
■ Taper Bored with Adapter Sleeve - UKT 200 Series



Shaft Dia.	Unit Number	Basic Dimensions								
		mm inch								
mm inch		N ₁	L ₂	H ₂	N ₂	N	L ₃	A ₁	H ₁	H
70	UKT216 ; H2316	32	23	111	70	41	121	26	165	184
2 11/16	UKT216 ; HA2316	1 1/4	29/32	4 3/8	2 3/4	1 5/8	4 3/4	1.024	6 1/2	7 1/4
2 3/4	UKT216 ; HE2316									
75	UKT217 ; H2317	38	31	124	73	48	157	30	173	198
2 15/16	UKT217 ; HA2317	1 1/2	1 7/32	4 7/8	2 7/8	1 7/8	6 3/16	1.181	6 13/16	7 25/32
3	UKT217 ; HE2317									

						Bearing Number	Housing Number	Mass
						UKT		
L	A ₂	A	r	L ₁	B ₁	kg/lbs		
235	51	70	95	140	78	UK216 ; H2316	T216	8.8
9 1/4	2	2 3/4	3 3/4	5 1/2	3.071	UK216 ; HA2316	T216	19
						UK216 ; HE2316	T216	
260	54	73	98	162	82	UK217 ; H2317	T217	11
10 1/4	2 1/8	2 7/8	3 27/32	6 3/8	3.228	UK217 ; HA2317	T217	24
						UK217 ; HE2317	T217	

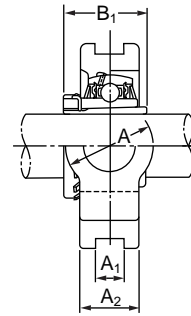
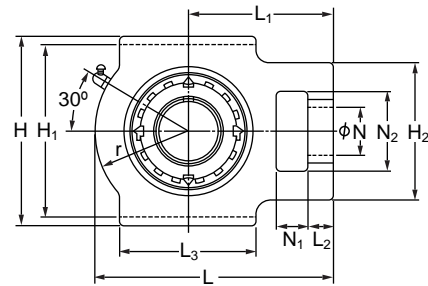
■ Taper Bored with Adapter Sleeve - UKTX Series



Shaft Dia. mm inch	Unit Number	Basic Dimensions								
		N ₁	L ₂	H ₂	N ₂	N	L ₃	A ₁	H ₁	H
20 3/4	UKTX05 ; H2305 UKTX05 ; HE2305	16 5/8	12 15/32	56 2 7/32	37 1 15/32	22 7/8	57 2 1/4	12 0.472	89 3 1/2	102 4 1/32
25 7/8 1	UKTX06 ; H2306 UKTX06 ; HS2306 UKTX06 ; HE2306	16 5/8	15 19/32	64 2 17/32	37 1 15/32	22 7/8	64 2 17/32	12 0.472	89 3 1/2	102 4 1/32
30 1 1/8	UKTX07 ; H2307 UKTX07 ; HS2307	19 3/4	17 21/32	83 3 9/32	49 1 15/16	29 1 5/32	83 3 9/32	16 0.630	102 4 1/64	114 4 1/2
35 1 1/4 1 3/8	UKTX08 ; H2308 UKTX08 ; HE2308 UKTX08 ; HS2308	19 3/4	17 21/32	83 3 9/32	49 1 15/16	29 1 5/32	83 3 9/32	16 0.630	102 4 1/64	117 4 19/32
40 1 7/16 1 1/2 1 9/16	UKTX09 ; H2309 UKTX09 ; HA2309 UKTX09 ; HE2309 UKTX09 ; HS2309	19 3/4	18 23/32	83 3 9/32	49 1 15/16	29 1 5/32	86 3 3/8	16 0.630	102 4 1/64	117 4 19/32
45 1 5/8 1 11/16 1 3/4	UKTX10 ; H2310 UKTX10 ; HS2310 UKTX10 ; HA2310 UKTX10 ; HE2310	25 31/32	21 13/16	102 4 1/32	64 2 17/32	35 1 3/8	95 3 3/4	22 0.866	130 5 1/8	146 5 3/4
50 1 7/8 1 15/16 2	UKTX11 ; H2311 UKTX11 ; HS2311 UKTX11 ; HA2311 UKTX11 ; HE2311	32 1 1/4	21 13/16	102 4 1/32	64 2 17/32	35 1 3/8	102 4 1/32	22 0.866	130 5 1/8	146 5 3/4
55 2 1/8	UKTX12 ; H2312 UKTX12 ; HS2312	32 1 1/4	23 29/32	111 4 3/8	70 2 3/4	41 1 5/8	121 4 3/4	26 1.024	151 5 15/16	167 6 9/16
60 2 3/16 2 1/4 2 3/8	UKTX13 ; H2313 UKTX13 ; HA2313 UKTX13 ; HE2313 UKTX13 ; HS2313	32 1 1/4	23 29/32	111 4 3/8	70 2 3/4	41 1 5/8	121 4 3/4	26 1.024	151 5 15/16	167 6 9/16

L	A ₂	A	r	L ₁	B ₁	Bearing Number	Housing Number	Mass
								kg/lbs
113 4 7/16	28 1 3/32	37 1 15/32	43 1 11/16	70 2 3/4	35 1.378	UKX05 ; H2305 UKX05 ; HE2305	TX05 TX05	1.4 3.1
129 5 3/32	30 1 3/16	37 1 15/32	51 2	78 3 1/16	38 1.496	UKX06 ; H2306 UKX06 ; HS2306 UKX06 ; HE2306	TX06 TX06 TX06	1.4 3.7
144 5 21/32	36 1 13/32	49 1 15/16	56 2 7/32	88 3 15/32	43 1.693	UKX07 ; H2307 UKX07 ; HS2307	TX07 TX07	2.5 5.5
144 5 21/32	36 1 13/32	49 1 15/16	57 2 1/4	87 3 7/16	46 1.811	UKX08 ; H2308 UKX08 ; HE2308 UKX08 ; HS2308	TX08 TX08 TX08	2.6 5.7
151 5 15/16	38 1 1/2	49 1 15/16	59 2 5/16	92 3 5/8	50 1.969	UKX09 ; H2309 UKX09 ; HA2309 UKX09 ; HE2309 UKX09 ; HS2309	TX09 TX09 TX09 TX08	2.8 6.2
171 6 23/32	42 1 21/32	64 2 17/32	65 2 9/16	106 4 3/16	55 2.165	UKX10 ; H2310 UKX10 ; HS2310 UKX10 ; HA2310 UKX10 ; HE2310	TX10 TX10 TX10 TX10	4.2 9.3
194 7 5/8	44 1 23/32	64 2 17/32	75 2 15/16	119 4 11/16	59 2.323	UKX11 ; H2311 UKX11 ; HS2311 UKX11 ; HA2311 UKX11 ; HE2311	TX11 TX11 TX11 TX11	5.0 11
224 8 13/16	48 1 7/8	70 2 3/4	87 3 7/16	137 5 13/32	62 2.441	UKX12 ; H2312 UKX12 ; HS2312	TX12 TX12	7.4 16
224 8 13/16	48 1 7/8	70 2 3/4	87 3 7/16	137 5 13/32	65 2.559	UKX13 ; H2313 UKX13 ; HA2313 UKX13 ; HE2313 UKX13 ; HS2313	TX13 TX13 TX13 TX12	7.3 16

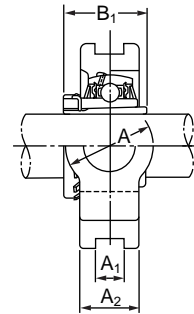
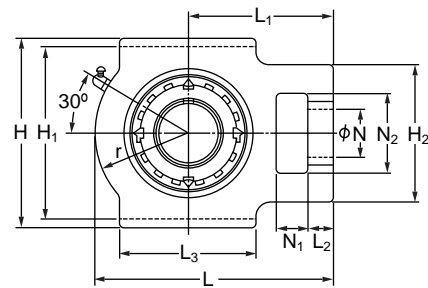
■ Taper Bored with Adapter Sleeve - UKTX Series



Shaft Dia.	Unit Number	Basic Dimensions								
		mm inch								
mm inch		N ₁	L ₂	H ₂	N ₂	N	L ₃	A ₁	H ₁	H
65	UKTX15 ; H2315	32	23	111	70	41	121	28	165	184
2 7/16	UKTX15 ; HA2315	1 1/4	29/32	4 3/8	2 3/4	1 5/8	4 3/4	1.102	6 1/2	7 1/4
2 1/2	UKTX15 ; HE2315									
70	UKTX16 ; H2316	38	30	124	73	48	157	28	173	198
2 11/16	UKTX16 ; HA2316	1 1/2	1 3/16	4 7/8	2 7/8	1 7/8	6 3/16	1.102	6 13/16	7 25/32
2 3/4	UKTX16 ; HE2316									
75	UKTX17 ; H2317	38	30	124	73	48	157	28	173	198
2 15/16	UKTX17 ; HA2317	1 1/2	1 3/16	4 7/8	2 7/8	1 7/8	6 3/16	1.102	6 13/16	7 25/32
3	UKTX17 ; HE2317									

						Bearing Number	Housing Number	Mass
						kg/lbs		
L	A ₂	A	r	L ₁	B ₁			
235	48	70	95	140	73	UKX15 ; H2315	TX15	8.5
9 1/4	1 7/8	2 3/4	3 3/4	5 1/2	2.874	UKX15 ; HA2315	TX15	19
						UKX15 ; HE2315	TX15	
260	54	73	98	162	78	UKX16 ; H2316	TX16	11
10 1/4	2 1/8	2 7/8	3 27/32	6 3/8	3.071	UKX16 ; HA2316	TX16	24
						UKX16 ; HE2316	TX16	
260	54	73	98	162	82	UKX17 ; H2317	TX17	12
10 1/4	2 1/8	2 7/8	3 27/32	6 3/8	3.228	UK217 ; HA2317	T217	24
						UK217 ; HE2317	T217	

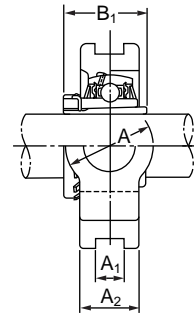
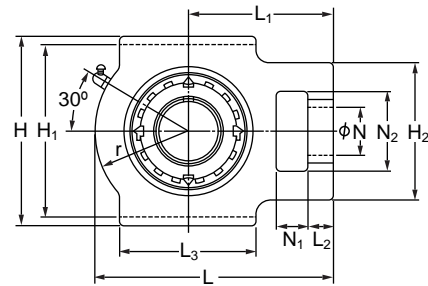
■ Taper Bored with Adapter Sleeve - UKT 300 Series



Shaft Dia. mm inch	Unit Number	Basic Dimensions								
		N ₁	L ₂	H ₂	N ₂	N	L ₃	A ₁	H ₁	H
20 3/4	UKT305 ; H2305 UKT305 ; HE2305	16 5/8	14 9/16	62 2 7/16	36 1 13/32	26 1 1/32	65 2 9/16	12 0.472	80 3 5/32	89 3 1/2
25 7/8 1	UKT306 ; H2306 UKT306 ; HS2306 UKT306 ; HE2306	18 23/32	16 5/8	70 2 3/4	41 1 5/8	28 1 3/32	74 2 29/32	16 0.630	90 3 35/64	100 3 15/16
30 1 1/8	UKT307 ; H2307 UKT307 ; HS2307	20 25/32	17 21/32	75 2 15/16	45 1 25/32	30 1 3/16	80 3 5/32	16 0.630	100 3 15/16	111 4 3/8
35 1 1/4 1 3/8	UKT308 ; H2308 UKT308 ; HE2308 UKT308 ; HS2308	22 7/8	19 3/4	83 3 9/32	50 1 31/32	32 1 1/4	89 3 1/2	18 0.709	112 4 13/32	124 4 7/8
40 1 7/16 1 1/2 1 5/8	UKT309 ; H2309 UKT309 ; HA2309 UKT309 ; HE2309 UKT309 ; HS2309	24 15/16	20 25/32	90 3 17/32	55 2 5/32	34 1 11/32	97 3 13/16	18 0.709	125 4 59/64	138 5 7/16
45 1 5/8 1 11/16 1 3/4	UKT310 ; H2310 UKT310 ; HS2310 UKT310 ; HA2310 UKT310 ; HE2310	27 1 1/16	22 7/8	98 3 27/32	61 2 13/32	37 1 15/32	106 4 3/16	20 0.787	140 5 33/64	151 5 15/16
50 1 7/8 1 15/16 2	UKT311 ; H2311 UKT311 ; HS2311 UKT311 ; HA2311 UKT311 ; HE2311	29 1 5/32	23 29/32	105 4 1/8	66 2 19/32	39 1 17/32	115 4 17/32	22 0.866	150 5 29/32	163 6 13/32
55 2 1/8	UKT312 ; H2312 UKT312 ; HS2312	31 1 7/32	25 31/32	113 4 7/16	71 2 25/32	41 1 5/8	123 4 27/32	22 0.866	160 6 19/64	178 7
60 2 3/16 2 1/4 2 3/8	UKT313 ; H2313 UKT313 ; HA2313 UKT313 ; HE2313 UKT313 ; HS2313	32 1 1/4	27 1 1/16	116 4 9/16	70 2 3/4	43 1 11/16	134 5 9/32	26 1.024	170 6 11/16	190 7 15/32
65 2 7/16 2 1/2	UKT315 ; H2315 UKT315 ; HA2315 UKT315 ; HE2315	36 1 13/32	27 1 1/16	132 5 3/16	85 3 11/32	46 1 13/16	150 5 29/32	26 1.024	192 7 9/16	216 8 1/2

L	A ₂	A	r	L ₁	B ₁	Bearing Number	Housing Number	Mass
						UKT kg/lbs		
122 4 13/16	26 1 1/32	36 1 13/32	46 1 13/16	76 3	35 1.378	UK305 ; H2305 UK305 ; HE2305	T305 T305	1.4 3.1
137 5 13/32	28 1 3/32	41 1 5/8	52 2 1/16	85 3 11/32	38 1.496	UK306 ; H2306 UK306 ; HS2306 UK306 ; HE2306	T306 T306 T306	1.8 4.0
150 5 29/32	32 1 1/4	45 1 25/32	56 2 7/32	94 3 11/16	43 1.693	UK307 ; H2307 UK307 ; HS2307	T307 T307	2.4 5.3
162 6 3/8	34 1 11/32	50 1 31/32	62 2 7/16	100 3 15/16	46 1.811	UK308 ; H2308 UK308 ; HE2308 UK308 ; HS2308	T308 T308 T308	3.0 6.6
178 7	38 1 1/2	55 2 5/32	68 2 11/16	110 4 11/32	50 1.969	UK309 ; H2309 UK309 ; HA2309 UK309 ; HE2309 UK309 ; HS2309	T309 T309 T309 T309	4.1 9.0
192 7 9/16	40 1 9/16	61 2 13/32	74 2 29/32	118 4 21/32	55 2.165	UK310 ; H2310 UK310 ; HS2310 UK310 ; HA2310 UK310 ; HE2310	T310 T310 T310 T310	5.0 11
207 8 5/32	44 1 23/32	66 2 19/32	80 3 5/32	127 5	59 2.323	UK311 ; H2311 UK311 ; HS2311 UK311 ; HA2311 UK311 ; HE2311	T311 T311 T311 T311	6.4 14
220 8 21/32	46 1 13/16	71 2 25/32	85 3 11/32	135 5 5/16	62 2.441	UK312 ; H2312 UK312 ; HS2312	T312 T312	7.5 17
238 9 3/8	50 1 31/32	80 3 5/32	92 3 5/8	146 5 3/4	65 2.559	UK313 ; H2313 UK313 ; HA2313 UK313 ; HE2313 UK313 ; HS2313	T313 T313 T313 T313	9.5 21
262 10 5/16	55 2 5/32	90 3 17/32	102 4 1/32	160 6 5/16	73 2.874	UK315 ; H2315 UK315 ; HA2315 UK315 ; HE2315	T315 T315 T315	14 31

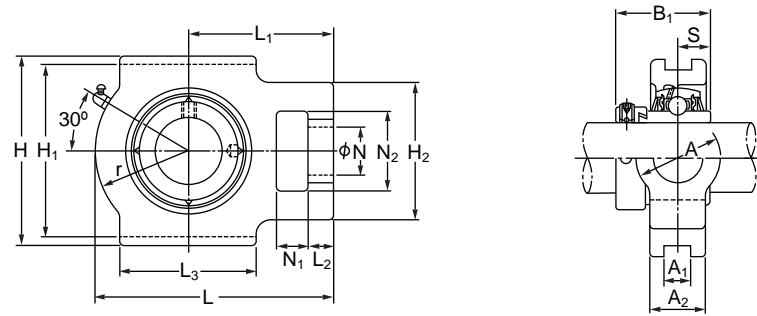
■ Taper Bored with Adapter Sleeve - UKT 300 Series



Shaft Dia.	Unit Number	Basic Dimensions								
		mm inch								
mm inch		N ₁	L ₂	H ₂	N ₂	N	L ₃	A ₁	H ₁	H
70 2 11/16 2 3/4	UKT316 ; H2316 UKT316 ; HA2316 UKT316 ; HE2316	42 1 21/32	30 1 3/16	150 5 29/32	98 3 27/32	53 2 3/32	160 6 5/16	30 1.181	204 8 1/32	230 9 1/16
75 2 15/16 3	UKT317 ; H2317 UKT317 ; HA2317 UKT317 ; HE2317	42 1 21/32	32 1 1/4	152 5 31/32	98 3 27/32	53 2 3/32	170 6 11/16	32 1.260	214 8 27/64	240 9 7/16
80 3 3/16	UKT318 ; H2318 UKT318 ; HA2318	46 1 13/16	32 1 1/4	160 6 5/16	106 4 3/16	57 2 1/4	175 6 7/8	32 1.260	228 8 31/32	255 10 1/32
85 3 1/4	UKT319 ; H2319 UKT319 ; HE2319	46 1 13/16	33 1 5/16	165 6 1/2	106 4 3/16	57 2 1/4	180 7 3/32	35 1.378	240 9 29/64	270 10 5/8
90 3 7/16 3 1/2	UKT320 ; H2320 UKT320 ; HA2320 UKT320 ; HE2320	48 1 7/8	34 1 11/32	175 6 7/8	115 4 17/32	59 2 5/16	200 7 7/8	35 1.378	260 10 15/64	290 11 13/32
100	UKT322 ; H2322	52	40	185	125	65	215	38	285	320
110	UKT324 ; H2324	60	44	210	140	70	230	45	320	355
115	UKT326 ; H2326	65	47	220	150	75	240	50	350	385
125	UKT328 ; H2328	70	52	230	160	80	255	50	380	415

L	A ₂	A	r	L ₁	B ₁	Bearing Number	Housing Number	Mass
								UKT kg/lbs
282 11 3/32	60 2 3/8	102 4 1/32	108 4 1/4	174 6 27/32	78 3.071	UK316 ; H2316 UK316 ; HA2316 UK316 ; HE2316	T316 T316 T316	17 37
298 11 23/32	64 2 17/32	102 4 1/32	115 4 17/32	183 7 7/32	82 3.228	UK317 ; H2317 UK317 ; HA2317 UK317 ; HE2317	T317 T317 T317	20 44
312 12 9/32	66 2 19/32	110 4 11/32	120 4 23/32	192 7 9/16	86 3.386	UK318 ; H2318 UK318 ; HA2318	T318 T318	22 49
322 12 11/16	72 2 27/32	110 4 11/32	125 4 29/32	197 7 3/4	90 3.543	UK319 ; H2319 UK319 ; HE2319	T319 T319	25 55
345 13 19/32	75 2 15/16	120 4 23/32	135 5 5/16	210 8 9/32	97 3.819	UK320 ; H2320 UK320 ; HA2320 UK320 ; HE2320	T320 T320 T320	33 73
385	80	130	150	235	105	UK322 ; H2322	T322	40
432	90	140	165	267	112	UK324 ; H2324	T324	54
465	100	150	180	285	121	UK326 ; H2326	T326	69
515	100	155	200	315	131	UK328 ; H2328	T328	84

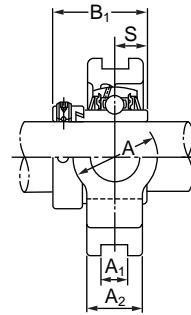
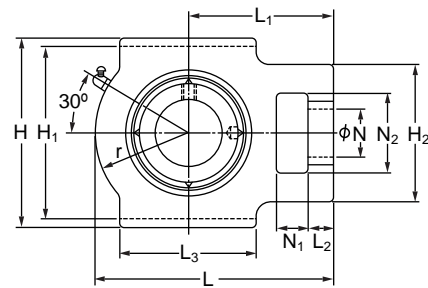
■ Eccentric Locking Collar Type - UELT 200 Series



Shaft Dia. mm inch	Unit Number	Basic Dimensions								
		N ₁	L ₂	H ₂	N ₂	N	L ₃	A ₁	H ₁	H
20 3/4	UEL204 UEL204-012	16 5/8	12 15/32	51 2	32 1 1/4	19 3/4	51 2	12 0.472	76 2 63/64	89 3 1/2
25 13/16 7/8 15/16 1	UEL205 UEL205-013 UEL205-014 UEL205-015 UEL205-100	16 5/8	12 15/32	51 2	32 1 1/4	19 3/4	51 2	12 0.472	76 2 63/64	89 3 1/2
30 1 1/16 1 1/8 1 3/16 1 1/4	UEL206 UEL206-101 UEL206-102 UEL206-103 UEL206-104	16 5/8	12 15/32	56 2 7/32	37 1 15/32	22 7/8	57 2 1/4	12 0.472	89 3 1/2	102 4 1/32
35 1 1/4 1 5/16 1 3/8 1 7/16	UEL207 UEL207-104 UEL207-105 UEL207-106 UEL207-107	16 5/8	15 19/32	64 2 17/32	37 1 15/32	22 7/8	64 2 17/32	12 0.472	89 3 1/2	102 4 1/32
40 1 1/2 1 9/16	UEL208 UEL208-108 UEL208-109	19 3/4	18 23/32	83 3 9/32	49 1 15/16	29 1 5/32	83 3 9/32	16 0.630	102 4 1/64	114 4 1/2
45 1 5/8 1 11/16 1 3/4	UEL209 UEL209-110 UEL209-111 UEL209-112	19 3/4	18 23/32	83 3 9/32	49 1 15/16	29 1 5/32	83 3 9/32	16 0.630	102 4 1/64	117 4 19/32
50 1 13/16 1 7/8 1 15/16 2	UEL210 UEL210-113 UEL210-114 UEL210-115 UEL210-200	19 3/4	18 23/32	83 3 9/32	49 1 15/16	29 1 5/32	86 3 3/8	16 0.630	102 4 1/64	117 4 19/32

L	A ₂	A	r	L ₁	B ₁	S	Bearing Number	Housing Number	Mass
									kg/lbs
94 3 11/16	21 13/16	32 1 1/4	33 1 5/16	61 2 13/32	43.7 1.720	17.1 0.673	UEL204 UEL204-012	T204 T204	0.8 1.8
97 3 13/16	24 15/16	32 1 1/4	35 1 3/8	62 2 7/16	44.4 1.748	17.5 0.689	UEL205 UEL205-013 UEL205-014 UEL205-015 UEL205-100	T205 T205 T205 T205	1.0 2.2
113 4 7/16	28 1 3/32	37 1 15/32	43 1 11/16	70 2 3/4	48.4 1.906	18.3 0.720	UEL206 UEL206-101 UEL206-102 UEL206-103 UEL206-104	T206 T206 T206 T206 T206	1.5 3.3
129 5 3/32	30 1 3/16	37 1 15/32	51 2	78 3 1/16	51.1 2.012	18.8 0.740	UEL207 UEL207-104 UEL207-105 UEL207-106 UEL207-107	T207 T207 T207 T207 T207	1.8 4.0
144 5 21/32	33 1 5/16	49 1 15/16	56 2 7/32	88 3 15/32	56.3 2.217	21.4 0.843	UEL208 UEL208-108 UEL208-109	T208 T208 T208	2.4 5.3
145 5 23/32	35 1 3/8	49 1 15/16	57 2 1/4	88 3 15/32	56.3 2.217	21.4 0.843	UEL209 UEL209-110 UEL209-111 UEL209-112	T209 T209 T209 T209	2.5 5.5
151 5 15/16	37 1 15/32	49 1 15/16	59 2 5/16	92 3 5/8	62.7 2.469	24.6 0.969	UEL210 UEL210-113 UEL210-114 UEL210-115 UEL210-200	T210 T210 T210 T210 T210	2.6 5.7

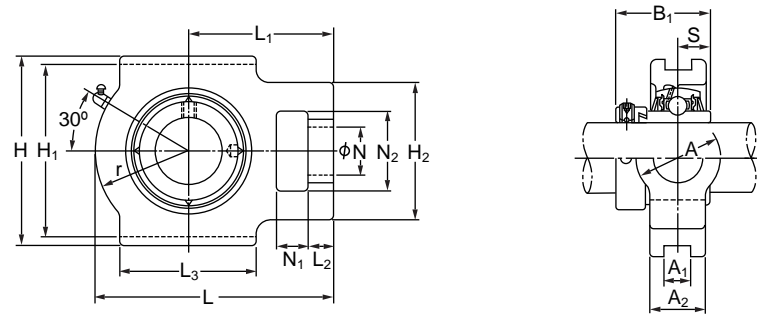
■ Eccentric Locking Collar Type - UELT 200 Series



Shaft Dia. mm inch	Unit Number	Basic Dimensions								
		N ₁	L ₂	H ₂	N ₂	N	L ₃	A ₁	H ₁	H
55 2 2 1/16 2 1/8 2 3/16	UEL211 UEL211-200 UEL211-201 UEL211-202 UEL211-203	25 31/32	21 13/16	102 4 1/32	64 2 17/32	35 1 3/8	95 3 3/4	22 0.866	130 5 1/8	146 5 3/4
60 2 1/4 2 5/16 2 3/8 2 7/16	UEL212 UEL212-204 UEL212-205 UEL212-206 UEL212-207	32 1 1/4	21 13/16	102 4 1/32	64 2 17/32	35 1 3/8	102 4 1/32	22 0.866	130 5 1/8	146 5 3/4
65 2 1/2 2 9/16	UEL213 UEL213-208 UEL213-209	32 1 1/4	23 29/32	111 4 3/8	70 2 3/4	41 1 5/8	121 4 3/4	26 1.024	151 5 15/16	167 6 9/16
70 2 5/8 2 11/16 2 3/4	UEL214 UEL214-210 UEL214-211 UEL214-212	32 1 1/4	23 29/32	111 4 3/8	70 2 3/4	41 1 5/8	121 4 3/4	26 1.024	151 5 15/16	167 6 9/16
75 2 13/16 2 7/8 2 15/16 3	UEL215 UEL215-213 UEL215-214 UEL215-215 UEL215-300	32 1 1/4	23 29/32	111 4 3/8	70 2 3/4	41 1 5/8	121 4 3/4	26 1.024	151 5 15/16	167 6 9/16

L	A ₂	A	r	L ₁	B ₁	S	Bearing Number	Housing Number	Mass
									kg/lbs
171 6 23/32	38 1 1/2	64 2 17/32	65 2 9/16	106 4 3/16	71.4 2.811	27.8 1.094	UEL211 UEL211-200 UEL211-201 UEL211-202 UEL211-203	T211 T211 T211 T211 T211	4.0 8.8
194 7 5/8	42 1 21/32	64 2 17/32	75 2 15/16	119 4 11/16	77.8 3.063	31 1.220	UEL212 UEL212-204 UEL212-205 UEL212-206 UEL212-207	T212 T212 T212 T212 T212	5.1 11
224 8 13/16	44 1 23/32	70 2 3/4	87 3 7/16	137 5 13/32	85.7 3.374	34.15 1.344	UEL213 UEL213-208 UEL213-209	T213 T213 T213	7.5 17
224 8 13/16	46 1 13/16	70 2 3/4	87 3 7/16	137 5 13/32	85.7 3.374	34.15 1.344	UEL214 UEL214-210 UEL214-211 UEL214-212	T214 T214 T214 T214	7.5 17
232 9 1/8	48 1 7/8	70 2 3/4	92 3 5/8	140 5 1/2	92 3.622	37.3 1.469	UEL215 UEL215-213 UEL215-214 UEL215-215 UEL215-300	T215 T215 T215 T215 T215	8.0 18

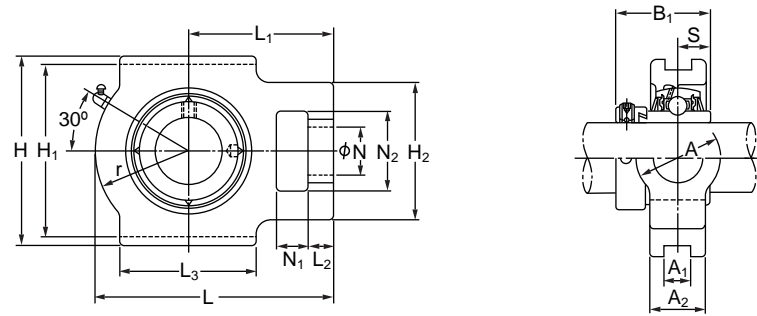
■ Eccentric Locking Collar Type - UELT 300 Series



Shaft Dia.	Unit Number	Basic Dimensions								
		mm inch								
mm inch		N ₁	L ₂	H ₂	N ₂	N	L ₃	A ₁	H ₁	H
25	UEL305	16	14	62	36	26	65	12	80	89
13/16	UEL305-013									
7/8	UEL305-014									
15/16	UEL305-015	5/8	9/16	2 7/16	1 13/32	1 1/32	2 9/16	0.472	3 5/32	3 1/2
1	UEL305-100									
30	UEL306	18	16	70	41	28	74	16	90	100
1 1/16	UEL306-101									
1 1/8	UEL306-102	23/32	5/8	2 3/4	1 5/8	1 3/32	2 29/32	0.630	3 35/64	3 15/16
1 3/16	UEL306-103									
35	UEL307	20	17	75	45	30	80	16	100	111
1 1/4	UEL307-104									
1 5/16	UEL307-105									
1 3/8	UEL307-106	25/32	21/32	2 15/16	1 25/32	1 3/16	3 5/32	0.630	3 15/16	4 3/8
1 7/16	UEL307-107									
40	UEL308	22	19	83	50	32	89	18	112	124
1 1/2	UEL308-108									
1 9/16	UEL308-109	7/8	3/4	3 9/32	1 31/32	1 1/4	3 1/2	0.709	4 13/32	4 7/8
45	UEL309	24	20	90	55	34	97	18	125	138
1 5/8	UEL309-110									
1 11/16	UEL309-111	15/16	25/32	3 17/32	2 5/32	1 11/32	3 13/16	0.709	4 59/64	5 7/16
1 3/4	UEL309-112									
50	UEL310	27	22	98	61	37	106	20	140	151
1 13/16	UEL310-113									
1 7/8	UEL310-114	1 1/16	7/8	3 27/32	2 13/32	1 15/32	4 3/16	0.787	5 33/34	5 15/16
1 15/16	UEL310-115									
55	UEL311	29	23	105	66	39	115	22	150	163
2	UEL311-200									
2 1/16	UEL311-201									
2 1/8	UEL311-202	1 5/32	29/32	4 1/8	2 19/32	1 17/32	4 17/32	0.866	5 29/32	6 13/32
2 3/16	UEL311-203									

							Bearing Number	Housing Number	Mass
									kg/lbs
L	A ₂	A	r	L ₁	B ₁	S			
122	26	36	46	76	46.8	16.7	UEL305	T305	1.4
							UEL305-013	T305	
							UEL305-014	T305	
4 13/16	1 1/32	1 13/32	1 13/16	3	1.843	0.657	UEL305-015	T305	3.1
							UEL305-100	T305	
137	28	41	52	85	50	17.5	UEL306	T306	1.9
							UEL306-101	T306	
5 13/32	1 3/32	1 5/8	2 1/16	3 11/32	1.969	0.689	UEL306-102	T306	4.2
							UEL306-103	T306	
150	32	45	56	94	51.6	18.3	UEL307	T307	2.5
							UEL307-104	T307	
							UEL307-105	T307	
5 29/32	1 1/4	1 25/32	2 7/32	3 11/16	2.031	0.720	UEL307-106	T307	5.5
							UEL307-107	T307	
162	34	50	62	100	57.1	19.8	UEL308	T308	3.1
							UEL308-108	T308	
6 3/8	1 11/32	1 31/32	2 7/16	3 15/16	2.248	0.780	UEL308-109	T308	6.8
178	38	55	68	110	58.7	19.8	UEL309	T309	4.2
							UEL309-110	T309	
7	1 1/2	2 5/32	2 11/16	4 11/32	2.311	0.780	UEL309-111	T309	9.3
							UEL309-112	T309	
192	40	61	74	118	66.6	24.6	UEL310	T310	5.2
							UEL310-113	T310	
7 9/16	1 9/16	2 13/32	2 29/32	4 21/32	2.622	0.969	UEL310-114	T310	11
							UEL310-115	T310	
207	44	66	80	127	73	27.8	UEL311	T311	6.6
							UEL311-200	T311	
							UEL311-201	T311	
8 5/32	1 23/32	2 19/32	3 5/32	5	2.874	1.094	UEL311-202	T311	15
							UEL311-203	T311	

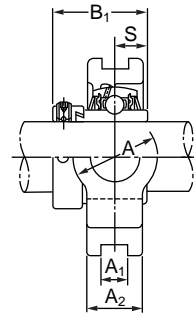
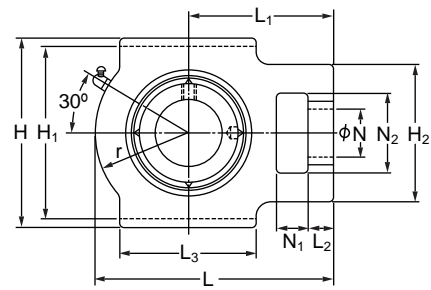
■ Eccentric Locking Collar Type - UELT 300 Series



Shaft Dia. mm inch	Unit Number	Basic Dimensions								
		N ₁	L ₂	H ₂	N ₂	N	L ₃	A ₁	H ₁	H
60 2 1/4 2 5/16 2 3/8 2 7/16	UEL312 UEL312-204 UEL312-205 UEL312-206 UEL312-207	31 1 7/32	25 31/32	113 4 7/16	71 2 25/32	41 1 5/8	123 4 27/32	22 0.866	160 6 19/64	178 7
65 2 1/2 2 9/16	UEL313 UEL313-208 UEL313-209	32 1 1/4	27 1 1/16	116 4 9/16	70 2 3/4	43 1 11/16	134 5 9/32	26 1.024	170 6 11/16	190 7 15/32
70 2 5/8 2 11/16 2 3/4	UEL314 UEL314-210 UEL314-211 UEL314-212	36 1 13/32	27 1 1/16	130 5 1/8	85 3 11/32	46 1 13/16	140 5 1/2	26 1.024	180 7 3/32	202 7 15/16
75 2 13/16 2 7/8 2 15/16 3	UEL315 UEL315-213 UEL315-214 UEL315-215 UEL315-300	36 1 13/32	27 1 1/16	132 5 3/16	85 3 11/32	46 1 13/16	150 5 29/32	26 1.024	192 7 9/16	216 8 1/2
80 3 1/16 3 1/8 3 3/16	UEL316 UEL316-301 UEL316-302 UEL316-303	42 1 21/32	30 1 3/16	150 5 29/32	98 3 27/32	53 2 3/32	160 6 5/16	30 1.181	204 8 1/32	230 9 1/16
85 3 1/4 3 5/16 3 7/16	UEL317 UEL317-304 UEL317-305 UEL317-307	42 1 21/32	32 1 1/4	152 5 31/32	98 3 27/32	53 2 3/32	170 6 11/16	32 1.260	214 8 27/64	240 9 7/16
90 3 7/16 3 1/2	UEL318 UEL318-307 UEL318-308	46 1 13/16	32 1 1/4	160 6 5/16	106 4 3/16	57 2 1/4	175 6 7/8	32 1.260	228 8 31/32	255 10 1/32
95 3 5/8 3 11/16 3 3/4	UEL319 UEL319-310 UEL319-311 UEL319-312	46 1 13/16	33 1 5/16	165 6 1/2	106 4 3/16	57 2 1/4	180 7 3/32	35 1.378	240 9 29/64	270 10 5/8

L	A ₂	A	r	L ₁	B ₁	S	Bearing Number	Housing Number	Mass
									kg/lbs
220 8 21/32	46 1 13/16	71 2 25/32	85 3 11/32	135 5 5/16	79.4 3.126	30.95 1.219	UEL312 UEL312-204 UEL312-205 UEL312-206 UEL312-207	T312 T312 T312 T312 T312	7.9 17
238 9 3/8	50 1 31/32	80 3 5/32	92 3 5/8	146 5 3/4	85.7 3.374	32.55 1.281	UEL313 UEL313-208 UEL313-209	T313 T313 T313	10 22
252 9 29/32	52 2 1/16	90 3 17/32	97 3 13/16	155 6 3/32	92.1 3.626	34.15 1.344	UEL314 UEL314-210 UEL314-211 UEL314-212	T314 T314 T314 T314	12 26
262 10 5/16	55 2 5/32	90 3 17/32	102 4 1/32	160 6 5/16	100 3.937	37.3 1.469	UEL315 UEL315-213 UEL315-214 UEL315-215 UEL315-300	T315 T315 T315 T315 T315	14 31
282 11 3/32	60 2 3/8	102 4 1/32	108 4 1/4	174 6 27/32	106.4 4.189	40.5 1.594	UEL316 UEL316-301 UEL316-302 UEL316-303	T316 T316 T316 T316	18 40
298 11 23/32	64 2 17/32	102 4 1/32	115 4 17/32	183 7 7/32	109.5 4.311	42.05 1.656	UEL317 UEL317-304 UEL317-305 UEL317-307	T317 T317 T317 T317	21 46
312 12 9/32	66 2 19/32	110 4 11/32	120 4 23/32	192 7 9/16	115.9 4.563	43.65 1.719	UEL318 UEL318-307 UEL318-308	T318 T318 T318	23 51
322 12 11/16	72 2 27/32	110 4 11/32	125 4 29/32	197 7 3/4	122.3 4.815	38.9 1.531	UEL319 UEL319-310 UEL319-311 UEL316-312	T319 T319 T319 T319	26 57

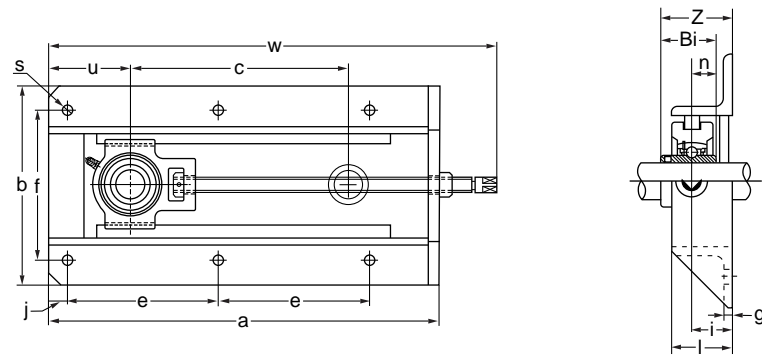
■ Eccentric Locking Collar Type - UELT 300 Series



Shaft Dia.	Unit Number	Basic Dimensions								
		mm inch								
mm inch		N ₁	L ₂	H ₂	N ₂	N	L ₃	A ₁	H ₁	H
100	UEL320	48	34	175	115	59	200	35	260	290
3 13/16	UEL320-313									
3 7/8	UEL320-314									
3 15/16	UEL320-315	1 7/8	1 11/32	6 7/8	4 17/32	2 5/16	7 7/8	1.378	10 15/64	11 13/32
4	UEL320-400									
105	UEL321	48	34	175	115	59	200	35	260	290
110	UEL322	52	40	185	125	65	215	38	285	320

							Bearing Number	Housing Number	Mass
									kg/lbs
L	A ₂	A	r	L ₁	B ₁	S			
345	75	120	135	210	128.6	50	UEL320	T320	34
							UEL320-313	T320	
							UEL320-314	T320	
							UEL320-315	T320	75
							UEL320-400	T320	
347	75	120	135	212	139.7	48.4	UEL321	T321	35
385	80	130	150	235	141.3	49.2	UEL322	T322	43

■ UCT 200 + WB Type - Normal Duty Set-Screw Locking



Shaft Dia. mm	Unit No.	Dimensions mm											
		a	b	c	e	f	g	i	l	j	s	u	w
12	UCT 201 +WB	317	199	150	117	154	6	29	50	19	12	83	367
15	UCT 202 +WB	317	199	150	117	154	6	29	50	19	12	83	367
17	UCT 203 +WB	317	199	150	117	154	6	29	50	19	12	83	367
20	UCT 204 +WB	317	199	150	117	154	6	29	50	19	12	83	367
25	UCT 205 +WB	317	199	150	117	154	6	29	50	19	12	83	368
30	UCT 206 +WB	337	212	150	127	166	6	30	50	19	12	95	396
35	UCT 207 +WB	429	212	230	173	166	6	30	50	19	12	99	490
40	UCT 208 +WB	520	233	300	219	192	6	30	50	22	15	108	591
45	UCT 209 +WB	520	233	300	219	192	6	30	50	22	15	108	590
50	UCT 210 +WB	520	233	300	219	192	6	30	50	22	15	108	593
55	UCT 211 +WB	542	301	300	230	240	6	38	65	22	15	114	631
60	UCT 212 +WB	568	301	300	243	240	6	38	65	22	15	127	657
65	UCT 213 +WB	606	322	300	260	260	6	38	65	22	15	144	699

Z	Bi	n	Shaft Dia.	Frame No.	Weight
			mm		kg/lbs
47.3	31	12.7	M10	WB 205	5
47.3	31	12.7	M10	WB 205	5
47.3	31	12.7	M10	WB 205	5
47.3	31	12.7	M10	WB 205	5
48.7	34.1	14.3	M10	WB 205	5
52.2	38.1	15.9	M10	WB 206	5.9
55.4	42.9	17.5	M10	WB 207	7.9
60.2	49.2	19	M12	WB 210	11.1
60.2	49.2	19	M12	WB 210	11.1
62.6	51.6	19	M12	WB 210	11.2
71.4	55.6	22.2	M12	WB 211	17.3
77.7	65.1	25.4	M12	WB 212	18.7
77.7	65.1	25.4	M12	WB 213	23.4





Cylindrical Unit

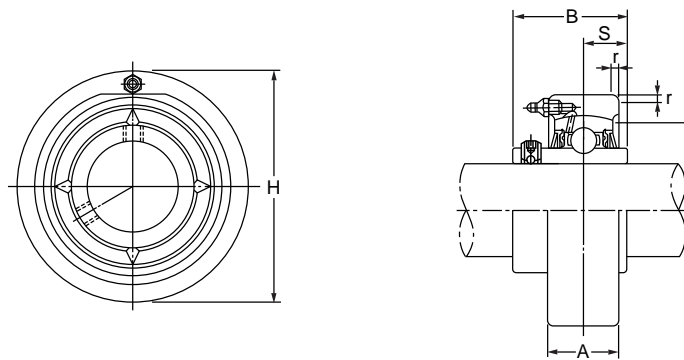
5.00

	Page
5.01 Round, Set Screw Type - UCC 200 Series	223
5.02 Round, Set Screw Type - UCCX Series	225
5.03 Round, Set Screw Type - UCC 300 Series	227
5.04 Round, Adapter Type - UKC 200 Series	230
5.05 Round, Adapter Type - UKCX Series	231
5.06 Round, Adapter Type - UKC 300 Series	232
5.07 Round, Eccentric Locking Collar Type - UELC 200 Series	234
5.08 Round, Eccentric Locking Collar Type - UELC 300 Series	236

Cylindrical Unit Cast Housing (Round)



■ Set Screw Type - UCC 200 Series

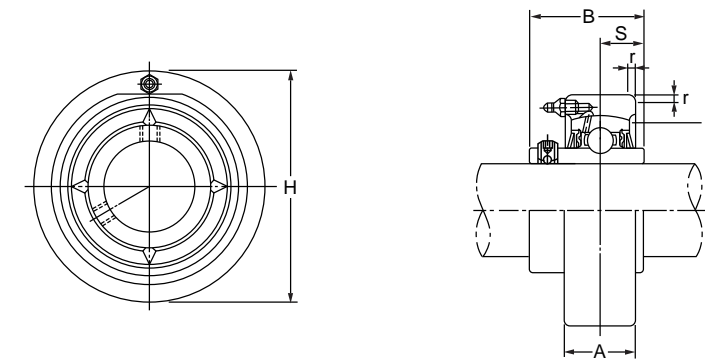


Shaft Dia.	Unit Number	Basic Dimensions					Bearing Number	Housing Number	Mass
		H	A	r	B	S			
12 mm 1/2 inch	UCC201 UCC201-008	72 2.8346	20 25/32	2 0.079	31 1.2205	12.7 0.500	UC201 UC201-008	C204 C204	0.6 1.3
15 mm 9/16 5/8 inch	UCC202 UCC202-009 UCC202-009	72 2.8346	20 25/32	2 0.079	31 1.2205	12.7 0.500	UC202 UC202-009 UC202-010	C204 C204 C204	0.6 1.3
17 mm 11/16 inch	UCC203 UCC203-011	72 2.8346	20 25/32	2 0.079	31 1.2205	12.7 0.500	UC203 UC203-011	C204 C204	0.5 1.1
20 mm 3/4 inch	UCC204 UCC204-012	72 2.8346	20 25/32	2 0.079	31 1.2205	12.7 0.500	UC204 UC204-012	C204 C204	0.5 1.1
25 mm 13/16 7/8 15/16 1 inch	UCC205 UCC205-013 UCC205-014 UCC205-015 UCC205-100	80 3.1496	22 55/64	2 0.079	34.1 1.3425	14.3 0.563	UC205 UC205-013 UC205-014 UC205-015 UC205-100	C205 C205 C205 C205	0.7 1.5
30 mm 1 1/16 1 1/8 1 3/16 1 1/4 inch	UCC206 UCC206-101 UCC206-102 UCC206-103 UCC206-104	85 3.3465	27 1 1/16	2 0.079	38.1 1.5000	15.9 0.626	UC206 UC206-101 UC206-102 UC206-103 UC206-104	C206 C206 C206 C206	0.9 2.0
35 mm 1 1/4 1 5/16 1 3/8 1 7/16 inch	UCC207 UCC207-104 UCC207-105 UCC207-106 UCC207-107	90 3.5433	28 1 7/64	2 0.079	42.9 1.6890	17.5 0.689	UC207 UC207-104 UC207-105 UC207-106 UC207-107	C207 C207 C207 C207	1.0 2.2
40 mm 1 1/2 1 9/16 inch	UCC208 UCC208-108 UCC208-109	100 3.9370	30 1 3/16	2.5 0.098	49.2 1.9370	19 0.748	UC208 UC208-108 UC208-109	C208 C208 C208	1.3 2.9
45 mm 1 5/8 1 11/16 1 3/4 inch	UCC209 UCC209-110 UCC209-111 UCC209-112	110 4.3307	31 1 7/32	2.5 0.098	49.2 1.9370	19 0.748	UC209 UC209-110 UC209-111 UC209-112	C209 C209 C209 C209	1.6 3.5



Cylindrical Unit Cast Housing (Round)

■ Set Screw Type - UCC 200 Series

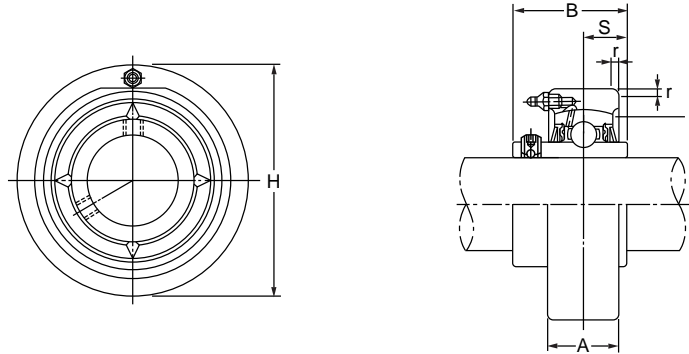


Shaft Dia.	Unit Number	Basic Dimensions					Bearing Number	Housing Number	Mass
		H	A	r	B	S			
50 mm 1 13/16 1 7/8 1 15/16 2 inch	UCC210 UCC210-113 UCC210-114 UCC210-115 UCC210-200	120 4.7244	33 1 19/64	2.5 0.098	51.6 2.0315	19 0.748	UC210 UC210-113 UC210-114 UC210-115 UC210-200	C210 C210 C210 C210 C210	2.0 4.4
55 mm 2 2 1/16 2 1/8 2 3/16 inch	UCC211 UCC211-200 UCC211-201 UCC211-202 UCC211-203	125 4.9213	35 1 3/8	2.5 0.098	55.6 2.1890	22.2 0.874	UC211 UC211-200 UC211-201 UC211-202 UC211-203	C211 C211 C211 C211 C211	2.2 4.9
60 mm 2 1/4 2 5/16 2 3/8 2 7/16 inch	UCC212 UCC212-204 UCC212-205 UCC212-206 UCC212-207	130 5.1181	38 1 1/2	2.5 0.098	65.1 2.5630	25.4 1.000	UC212 UC212-204 UC212-205 UC212-206 UC212-207	C212 C212 C212 C212 C212	2.6 5.7
65 mm 2 1/2 2 9/16 inch	UCC213 UCC213-208 UCC213-209	140 5.5118	40 1 37/64	3 0.118	65.1 2.5630	25.4 1.000	UC213 UC213-208 UC213-209	C213 C213 C213	3.1 6.8

Cylindrical Unit Cast Housing (Round)



■ Set Screw Type - UCCX Series

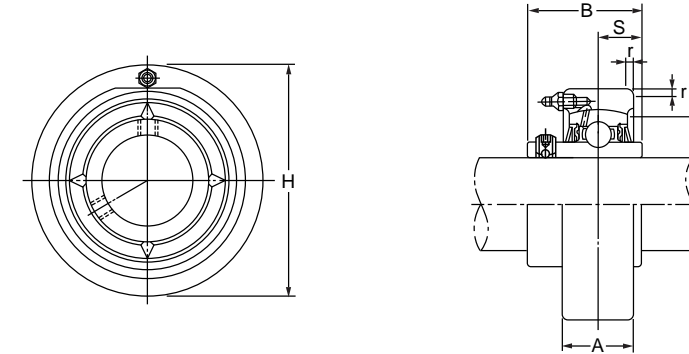


Shaft Dia.	Unit Number	Basic Dimensions					Bearing Number	Housing Number	Mass
		H	A	r	B	S			
25	UCCX05	90	27	2	38.1	15.9	UCX05	CX05	1.1
13/16	UCCX05-013						UCX05-013	CX05	
7/8	UCCX05-014	3.5433	1 1/16	0.079	1.5000	0.626	UCX05-014	CX05	2.4
15/16	UCCX05-015						UCX05-015	CX05	
1	UCCX05-100						UCX05-100	CX05	
30	UCCX06	100	30	2.5	42.9	17.5	UCX06	CX06	1.6
1 1/16	UCCX06-101						UCX06-101	CX06	
1 1/8	UCCX06-102	3.9370	1 3/16	0.098	1.6890	0.689	UCX06-102	CX06	3.5
1 3/16	UCCX06-103						UCX06-103	CX06	
1 1/4	UCCX06-104						UCX06-104	CX06	
35	UCCX07	110	34	2.5	49.2	19	UCX07	CX07	2.0
1 5/16	UCCX07-105						UCX07-105	CX07	
1 3/8	UCCX07-106	4.3307	1 11/32	0.098	1.9370	0.748	UCX07-106	CX07	4.4
1 7/16	UCCX07-107						UCX07-107	CX07	
40	UCCX08	120	38	2.5	49.2	19	UCX08	CX08	2.5
1 1/2	UCCX08-108						UCX08-108	CX08	
1 9/16	UCCX08-109	4.7244	1 1/2	0.098	1.9370	0.748	UCX08-109	CX08	5.5
45	UCCX09	120	38	2.5	51.6	19	UCX09	CX09	2.4
1 5/8	UCCX09-110						UCX09-110	CX09	
1 11/16	UCCX09-111	4.7244	1 1/2	0.098	2.0315	0.748	UCX09-111	CX09	5.3
1 3/4	UCCX09-112						UCX09-112	CX09	
1 13/16	UCCX09-113						UCX09-113	CX09	
50	UCCX10	130	40	2.5	55.6	22.2	UCX10	CX10	3.0
1 7/8	UCCX10-114						UCX10-114	CX10	
1 15/16	UCCX10-115	5.1181	1 37/64	0.098	2.1890	0.874	UCX10-115	CX10	6.6
2	UCCX10-200						UCX10-200	CX10	



Cylindrical Unit Cast Housing (Round)

■ Set Screw Type - UCCX Series



Shaft Dia.	Unit Number	Basic Dimensions					Bearing Number	Housing Number	Mass
		H	A	r	B	S			
55	UCCX11	150	42	3	65.1	25.4	UCX11	CX11	4.4
2 1/16	UCCX11-201						UCX11-201	CX11	
2 1/8	UCCX11-202						UCX11-202	CX11	
2 3/16	UCCX11-203	5.9055	1 21/32	0.118	2.5630	1.000	UCX11-203	CX11	9.7
2 1/4	UCCX11-204						UCX11-204	CX11	
2 5/16	UCCX11-205						UCX11-205	CX11	
60	UCCX12	160	44	3	65.1	25.4	UCX12	CX12	5.0
2 3/8	UCCX12-206	6.2992	1 47/64	0.118	2.5630	1.000	UCX12-206	CX12	11
2 7/16	UCCX12-207						UCX12-207	CX12	

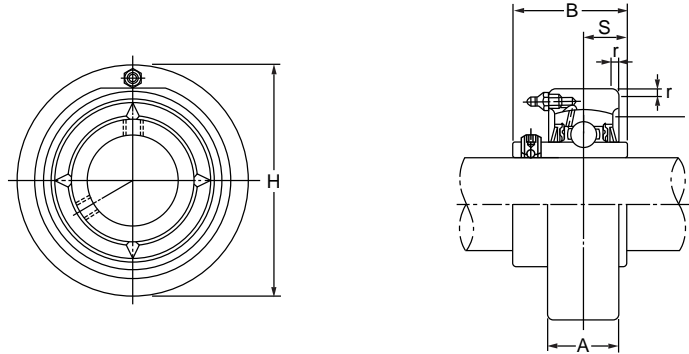
5.02

5.02

Cylindrical Unit Cast Housing (Round)



■ Set Screw Type - UCC 300 Series

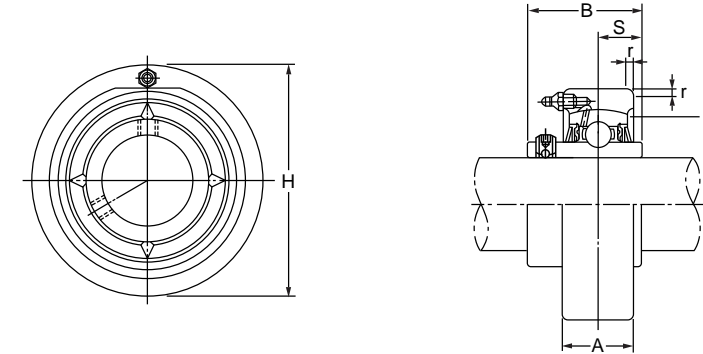


Shaft Dia.	Unit Number	Basic Dimensions					Bearing Number	Housing Number	Mass
		H	A	r	B	S			
25 mm 13/16 inch	UCC305 UCC305-013 UCC305-014 UCC305-015 UCC305-100	90 3.5433	26 1 1/32	2.5 0.098	38 1.4961	15 0.591	UC305 UC305-013 UC305-014 UC305-015 UC305-100	C305 C305 C305 C305	1.1 2.4
30 mm 1 1/16 1 1/8 1 3/16 inch	UCC306 UCC306-101 UCC306-102 UCC306-103	100 3.9370	28 1 7/64	2.5 0.098	43 1.6929	17 0.669	UC306 UC306-101 UC306-102 UC306-103	C306 C306 C306 C306	1.4 3.1
35 mm 1 1/4 1 5/16 1 3/8 1 7/16 inch	UCC307 UCC307-104 UCC307-105 UCC307-106 UCC307-107	110 4.3307	32 1 17/64	3 0.118	48 1.8898	19 0.748	UC307 UC307-104 UC307-105 UC307-106 UC307-107	C307 C307 C307 C307 C307	1.8 4.0
40 mm 1 1/2 1 9/16 inch	UCC308 UCC308-108 UCC308-109	120 4.7244	34 1 11/32	3 0.118	52 2.0472	19 0.748	UC308 UC308-108 UC308-109	C308 C308 C308	2.2 4.9
45 mm 1 5/8 1 11/16 1 3/4 inch	UCC309 UCC309-110 UCC309-111 UCC309-112	130 5.1181	38 1 1/2	3.5 0.138	57 2.2441	22 0.866	UC309 UC309-110 UC309-111 UC309-112	C309 C309 C309 C309	2.7 6.0
50 mm 1 13/16 1 7/8 1 15/16 inch	UCC310 UCC310-113 UCC310-114 UCC310-200	140 5.5118	40 1 37/64	3.5 0.138	61 2.4016	22 0.866	UC310 UC310-113 UC310-114 UC310-200	C310 C310 C310 C310	3.3 7.3
55 mm 2 2 1/16 2 1/8 2 3/16 inch	UCC311 UCC311-200 UCC311-201 UCC311-202 UCC311-203	150 5.9055	44 1 47/64	3.5 0.138	66 2.5984	25 0.984	UC311 UC311-200 UC311-201 UC311-202 UC311-203	C311 C311 C311 C311 C311	3.9 8.6



Cylindrical Unit Cast Housing (Round)

■ Set Screw Type - UCC 300 Series



Shaft Dia.	Unit Number	Basic Dimensions					Bearing Number	Housing Number	Mass
		H	A	r	B	S			
60 mm 2 1/4 2 5/16 2 3/8 2 7/16 inch	UCC312 UCC312-204 UCC312-205 UCC312-206 UCC312-207	160 6.2992	46 1 13/16	3.5 0.138	71 2.7953	26 1.024	UC312 UC312-204 UC312-205 UC312-206 UC312-207	C312 C312 C312 C312 C312	4.8 11
65 mm 2 1/2 2 9/16 inch	UCC313 UCC313-208 UCC313-209	170 6.6929	50 1 31/32	3.5 0.138	75 2.9528	30 1.181	UC313 UC313-208 UC313-209	C313 C313 C313	5.8 13
70 mm 2 5/8 2 11/16 2 3/4 inch	UCC314 UCC314-210 UCC314-211 UCC314-212	180 7.0866	52 2 3/64	4 0.157	78 3.0709	33 1.299	UC314 UC314-210 UC314-211 UC314-212	C314 C314 C314 C314	6.6 15
75 mm 2 13/16 2 7/8 2 15/16 3 inch	UCC315 UCC315-213 UCC315-214 UCC315-215 UCC315-300	190 7.4803	55 2 11/64	4 0.157	82 3.2283	32 1.260	UC315 UC315-213 UC315-214 UC315-215 UC315-300	C315 C315 C315 C315 C315	7.8 17
80 mm 3 1/16 3 1/8 3 3/16 inch	UCC316 UCC316-301 UCC316-302 UCC316-303	200 7.8740	60 2 23/64	4 0.157	86 3.3858	34 1.339	UC316 UC316-301 UC316-302 UC316-303	C316 C316 C316 C316	9.0 20
85 mm 3 1/4 3 5/16 3 7/16 inch	UCC317 UCC317-304 UCC317-305 UCC317-307	215 8.4646	64 2 33/64	4 0.157	96 3.7795	40 1.575	UC317 UC317-304 UC317-305 UC317-307	C317 C317 C317 C317	11 24
90 mm 3 1/2 inch	UCC318 UCC318-308	225 8.8583	66 2 19/32	4 0.157	96 3.7795	40 1.575	UC318 UC318-308	C318 C318	12 26
95 mm 3 5/8 3 11/16 3 3/4 inch	UCC319 UCC319-310 UCC319-311 UCC319-312	240 9.4488	72 2 53/64	4 0.157	103 4.0551	41 1.614	UC319 UC319-310 UC319-311 UC319-312	C319 C319 C319 C319	15 33

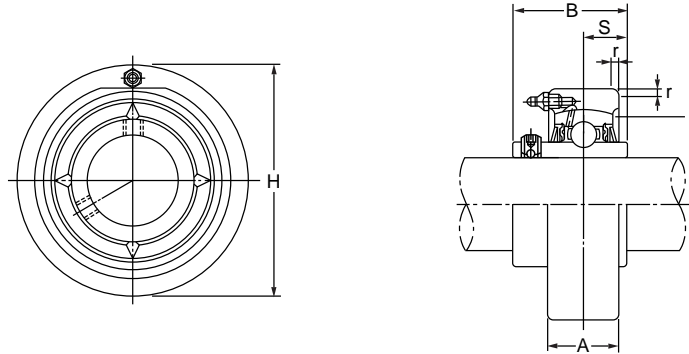
5.03

5.03

Cylindrical Unit Cast Housing (Round)



■ Set Screw Type - UCC 300 Series

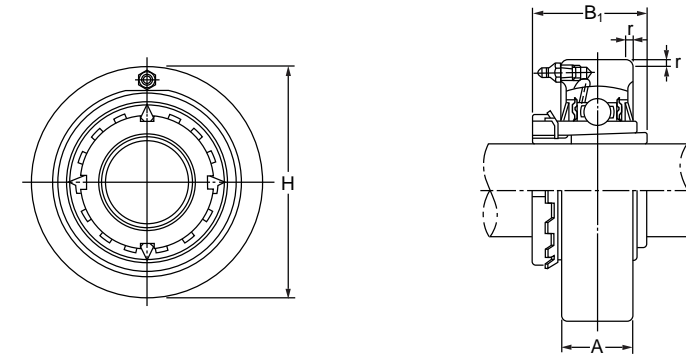


Shaft Dia.	Unit Number	Basic Dimensions					Bearing Number	Housing Number	Mass
		H	A	r	B	S			
100 3 13/16 3 7/8 3 15/16 4	UCC320 UCC320-313 UCC320-314 UCC320-315 UCC320-400	260	75	4	108	42	UC320 UC320-313 UC320-314 UC320-315 UC320-400	C320 C320 C320 C320 C320	19 42
105	UCC321	260	75	4	112	44	UC321	C321	19
110	UCC322	300	80	5	117	46	UC322	C322	28
120	UCC324	320	90	5	126	51	UC324	C324	35
130	UCC326	340	100	5	135	54	UC326	C326	42
140	UCC328	360	100	5	145	59	UC328	C328	84



Cylindrical Unit Cast Housing (Round)

■ Adapter Type - UKC 200 Series



Shaft Dia.	Unit Number	Basic Dimensions				Bearing Number	Housing Number	Mass
		H	A	r	B			
20 3/4	UKC205 ; H2305 UKC205 ; HE2305	80 3.1496	22 55/64	2 0.079	35 1.378	UK205 ; H2305 UK205 ; HE2305	C205 C205	0.8 1.8
25 7/8 15/16	UKC206 ; H2306 UKC206 ; HS2306 UKC206 ; HE2306	85 3.3465	27 1 1/16	2 0.079	38 1.496	UK206 ; H2306 UK206 ; HS2306 UK206 ; HE2306	C206 C206 C206	0.9 2.0
30 1 1/8	UKC207 ; H2307 UKC207 ; HS2307	90 3.5433	28 1 7/64	2 0.079	43 1.693	UK207 ; H2307 UK207 ; HS2307	C207 C207	1.1 2.4
35 1 1/4 1 3/8	UKC208 ; H2308 UKC208 ; HE2308 UKC208 ; HS2308	100 3.9370	30 1 3/16	2.5 0.098	46 1.811	UK208 ; H2308 UK208 ; HE2308 UK208 ; HS2308	C208 C208 C208	1.4 3.1
40 1 7/16 1 1/2 1 5/8	UKC209 ; H2309 UKC209 ; HA2309 UKC209 ; HE2309 UKT209 ; HS2309	110 4.3307	31 1 7/32	2.5 0.098	50 1.969	UK209 ; H2309 UK209 ; HA2309 UK209 ; HE2309 UK209 ; HS2309	C209 C209 C209 C208	1.7 3.7
45 1 5/8 1 11/16 1 3/4	UKC210 ; H2310 UKC210 ; HS2310 UKC210 ; HA2310 UKC210 ; HE2310	120 4.7244	33 1 19/64	2.5 0.098	55 2.165	UK210 ; H2310 UK210 ; HS2310 UK210 ; HA2310 UK210 ; HE2310	C210 C210 C210 C210	2.1 4.6
50 1 7/8 1 15/16 2	UKC211 ; H2311 UKC211 ; HS2311 UKC211 ; HA2311 UKC211 ; HE2311	125 4.9213	35 1 3/8	2.5 0.098	59 2.323	UK211 ; H2311 UK211 ; HS2311 UK211 ; HA2311 UK211 ; HE2311	C211 C211 C211 C211	2.4 5.3
55 2 1/8	UKC212 ; H2312 UKC212 ; HS2312	130 5.1181	38 1 1/2	2.5 0.098	62 2.441	UK212 ; H2312 UK212 ; HS2312	C212 C212	2.6 5.7
60 2 3/16 2 1/4 2 3/8	UKC213 ; H2313 UKC213 ; HA2313 UKC213 ; HE2313 UKC213 ; HS2313	140 5.5118	40 1 37/64	3 0.118	65 2.559	UK213 ; H2313 UK213 ; HA2313 UK213 ; HE2313 UK213 ; HS2313	C213 C213 C213 C212	3.2 7.1

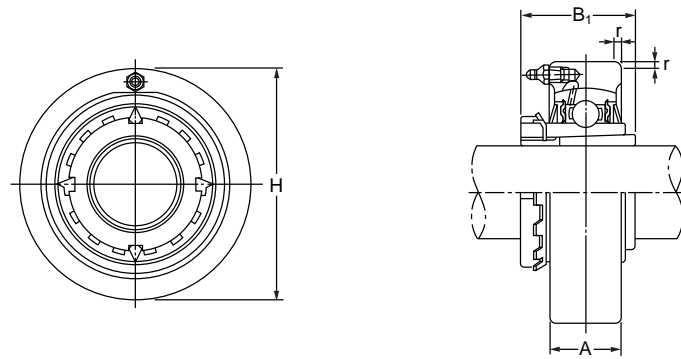
5.03

5.04

Cylindrical Unit Cast Housing (Round)



■ Adapter Type - UKCX Series

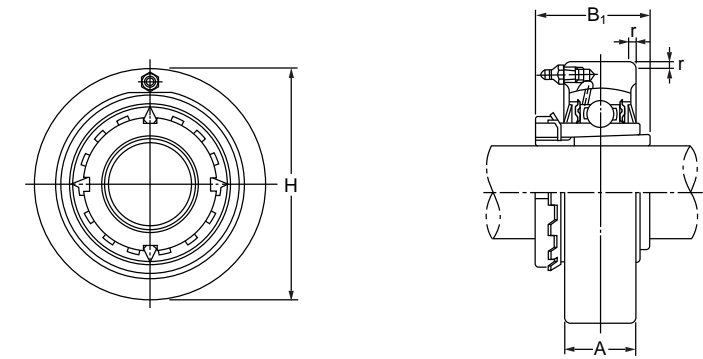


Shaft Dia.	Unit Number	Basic Dimensions				Bearing Number	Housing Number	Mass
		H	A	r	B ₁			
20 3/4	UKCX05 ; H2305 UKCX05 ; HE2305	90 3.5433	27 1 1/16	2 0.079	35 1.378	UKX05 ; H2305 UKX05 ; HE2305	CX05 CX05	1.1 2.4
25 7/8 1	UKCX06 ; H2306 UKCX06 ; HS2306 UKCX06 ; HE2306	100 3.9370	30 1 3/16	2.5 0.098	38 1.496	UKX06 ; H2306 UKX06 ; HS2306 UKX06 ; HE2306	CX06 CX06 CX06	1.4 3.1
30 1 1/8	UKCX07 ; H2307 UKCX07 ; HS2307	110 4.3307	34 1 11/32	2.5 0.098	43 1.693	UKX07 ; H2307 UKX07 ; HS2307	CX07 CX07	1.9 4.2
35 1 1/4 1 3/8	UKCX08 ; H2308 UKCX08 ; HE2308 UKCX08 ; HS2308	120 4.7244	38 1 1/2	2.5 0.098	46 1.811	UKX08 ; H2308 UKX08 ; HE2308 UKX08 ; HS2308	CX08 CX08 CX08	2.5 5.5
40 1 7/16 1 1/2 1 5/8	UKCX09 ; H2309 UKCX09 ; HA2309 UKCX09 ; HE2309 UKCX09 ; HS2309	120 4.7244	38 1 1/2	2.5 0.098	50 1.969	UKX09 ; H2309 UKX09 ; HA2309 UKX09 ; HE2309 UKX09 ; HS2309	CX09 CX09 CX09 CX08	2.4 5.3
45 1 5/8 1 11/16 1 3/4	UKCX10 ; H2310 UKCX10 ; HS2310 UKCX10 ; HA2310 UKCX10 ; HE2310	130 5.1181	40 1 37/64	2.5 0.098	55 2.165	UKX10 ; H2310 UKX10 ; HS2310 UKX10 ; HA2310 UKX10 ; HE2310	CX10 CX10 CX10 CX10	2.9 6.4
50 1 7/8 1 15/16 2	UKCX11 ; H2311 UKCX11 ; HS2311 UKCX11 ; HA2311 UKCX11 ; HE2311	150 5.9055	42 1 21/32	3 0.118	59 2.323	UKX11 ; H2311 UKX11 ; HS2311 UKX11 ; HA2311 UKX11 ; HE2311	CX11 CX11 CX11 CX11	4.2 9.3
55 2 1/8	UKCX12 ; H2312 UKCX12 ; HS2312	160 6.2992	44 1 47/64	3 0.118	62 2.441	UKX12 ; H2312 UKX12 ; HS2312	CX12 CX12	4.8 11



Cylindrical Unit Cast Housing (Round)

■ Adapter Type - UKC 300 Series

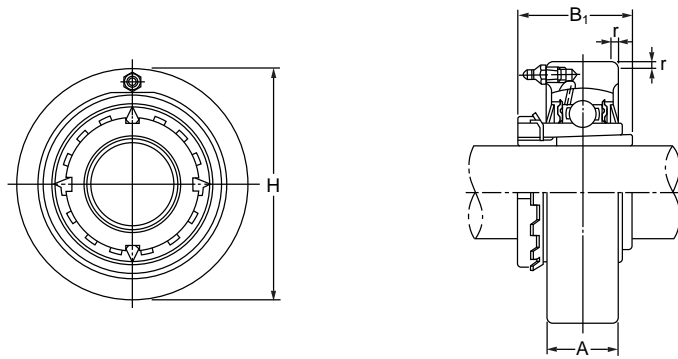


Shaft Dia.	Unit Number	Basic Dimensions				Bearing Number	Housing Number	Mass
		H	A	r	B ₁			
20 3/4	UKC305 ; H2305 UKC305 ; HE2305	90 3.5433	26 1 1/32	2.5 0.098	35 1.378	UK305 ; H2305 UK305 ; HE2305	C305 C305	1.2 2.6
25 7/8 1	UKC306 ; H2306 UKC306 ; HS2306 UKC306 ; HE2306	100 3.9370	28 1 7/64	2.5 0.098	38 1.496	UK306 ; H2306 UK306 ; HS2306 UK306 ; HE2306	C306 C306 C306	1.4 3.1
30 1 1/8	UKC307 ; H2307 UKC307 ; HS2307	110 4.3307	32 1 17/64	3 0.118	43 1.693	UK307 ; H2307 UK307 ; HS2307	C307 C307	1.8 4.0
35 1 1/4 1 3/8	UKC308 ; H2308 UKC308 ; HE2308 UKC308 ; HS2308	120 4.7244	34 1 11/32	3 0.118	46 1.811	UK308 ; H2308 UK308 ; HE2308 UK308 ; HS2308	C308 C308 C308	2.2 4.9
40 1 7/16 1 1/2 1 5/8	UKC309 ; H2309 UKC309 ; HA2309 UKC309 ; HE2309 UKC309 ; HS2309	130 5.1181	38 1 1/2	3.5 0.138	50 1.969	UK309 ; H2309 UK309 ; HA2309 UK309 ; HE2309 UK309 ; HS2309	C309 C309 C309 C309	2.8 6.2
45 1 5/8 1 11/16 1 3/4	UKC310 ; H2310 UKC310 ; HS2310 UKC310 ; HA2310 UKC310 ; HE2310	140 5.5118	40 1 37/64	3.5 0.138	55 2.165	UK310 ; H2310 UK310 ; HS2310 UK310 ; HA2310 UK310 ; HE2310	C310 C310 C310 C310	3.3 7.3
50 1 7/8 1 15/16 2	UKC311 ; H2311 UKC311 ; HS2311 UKC311 ; HA2311 UKC311 ; HE2311	150 5.9055	44 1 47/64	3.5 0.138	59 2.323	UK311 ; H2311 UK311 ; HS2311 UK311 ; HA2311 UK311 ; HE2311	C311 C311 C311 C311	6.4 8.6
55 2 1/8	UKC312 ; H2312 UKC312 ; HS2312	160 6.2992	46 1 13/16	3.5 0.138	62 2.441	UK312 ; H2312 UK312 ; HS2312	C312 C312	4.7 10
60 2 3/16 2 1/4 2 3/8	UKC313 ; H2313 UKC313 ; HA2313 UKC313 ; HE2313 UKC313 ; HS2313	170 6.6929	50 1 31/32	3.5 0.138	65 2.559	UK313 ; H2313 UK313 ; HA2313 UK313 ; HE2313 UK313 ; HS2313	C313 C313 C313 C313	5.6 12
65 2 7/16 2 1/2	UKC315 ; H2315 UKC315 ; HA2315 UKC315 ; HE2315	190 7.4803	55 2 11/16	4 0.157	73 2.874	UK315 ; H2315 UK315 ; HA2315 UK315 ; HE2315	C315 C315 C315	7.9 17

Cylindrical Unit Cast Housing (Round)



■ Adapter Type - UKC 300 Series

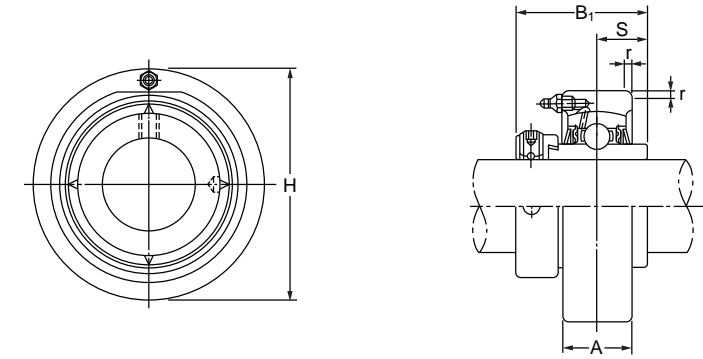


Shaft Dia.	Unit Number	Basic Dimensions				Bearing Number	Housing Number	Mass
		H	A	r	B ₁			
70 2 11/16 2 3/4	UKC316 ; H2316 UKC316 ; HA2316 UKC316 ; HE2316	200 7.8740	60 2 23/64	4 0.157	78 3.071	UK316 ; H2316 UK316 ; HA2316 UK316 ; HE2316	C316 C316 C316	9.2 20
75 2 15/16 3	UKC317 ; H2317 UKC317 ; HA2317 UKC317 ; HE2317	215 8.4646	64 2 33/64	4 0.157	82 3.228	UK317 ; H2317 UK317 ; HA2317 UK317 ; HE2317	C317 C317 C317	11 24
80 3 3/16	UKC318 ; H2318 UKC318 ; HA2318	225 8.8583	66 2 19/32	4 0.157	86 3.386	UK318 ; H2318 UK318 ; HA2318	C318 C318	13 29
85 3 1/4	UKC319 ; H2319 UKC319 ; HE2319	240 9.4488	72 2 53/64	4 0.157	90 3.543	UK319 ; H2319 UK319 ; HE2319	C319 C319	16 35
90 3 7/16 3 1/2	UKC320 ; H2320 UKC320 ; HA2320 UKC320 ; HE2320	260 10.2362	75 2 61/64	4 0.157	97 3.819	UK320 ; H2320 UK320 ; HA2320 UK320 ; HE2320	C320 C320 C320	20 44
100	UKC322 ; H2322	300	80	5	105	UK322 ; H2322	C322	29
110	UKC324 ; H2324	320	90	5	112	UK324 ; H2324	C324	35
115	UKC326 ; H2326	340	100	5	121	UK326 ; H2326	C326	43
125	UKC328 ; H2328	360	100	5	131	UK328 ; H2328	C328	49



Cylindrical Unit Cast Housing (Round)

■ Eccentric Locking Collar Type - UELC 200 Series



Shaft Dia.	Unit Number	Basic Dimensions					Bearing Number	Housing Number	Mass
		H	A	r	B ₁	S			
20 3/4	UEL204 UEL204-012	72 2.8346	20 25/32	2 0.079	43.7 1.720	17.1 0.673	UEL204 UEL204-012	C204 C204	0.6 1.3
25 13/16 7/8 15/16 1	UEL205 UEL205-013 UEL205-014 UEL205-015 UEL205-100	80 3.1496	22 55/64	2 0.079	44.4 1.748	17.5 0.689	UEL205 UEL205-013 UEL205-014 UEL205-015 UEL205-100	C205 C205 C205 C205	0.8 1.8
30 1 1/16 1 1/8 1 3/16 1 1/4	UEL206 UEL206-101 UEL206-102 UEL206-103 UEL206-104	85 3.3465	27 1 1/16	2 0.079	48.4 1.906	18.3 0.720	UEL206 UEL206-101 UEL206-102 UEL206-103 UEL206-104	C206 C206 C206 C206	1.0 2.2
35 1 1/4 1 5/16 1 3/8 1 7/16	UEL207 UEL207-104 UEL207-105 UEL207-106 UEL207-107	90 3.5433	28 1 7/64	2 0.079	51.1 2.012	18.8 0.740	UEL207 UEL207-104 UEL207-105 UEL207-106 UEL207-107	C207 C207 C207 C207	1.1 2.4
40 1 1/2 1 9/16	UEL208 UEL208-108 UEL208-109	100 3.9370	30 1 3/16	2.5 0.098	56.3 2.217	21.4 0.843	UEL208 UEL208-108 UEL208-109	C208 C208 C208	1.4 3.1
45 1 5/8 1 11/16 1 3/4	UEL209 UEL209-110 UEL209-111 UEL209-112	110 4.3307	31 1 7/32	2.5 0.098	56.3 2.217	21.4 0.843	UEL209 UEL209-110 UEL209-111 UEL209-112	C209 C209 C209	1.7 3.7
50 1 13/16 1 7/8 1 15/16 2	UEL210 UEL210-113 UEL210-114 UEL210-115 UEL210-200	120 4.7244	33 1 19/64	2.5 0.098	62.7 2.469	24.6 0.969	UEL210 UEL210-113 UEL210-114 UEL210-115 UEL210-200	C210 C210 C210 C210	2.1 4.6

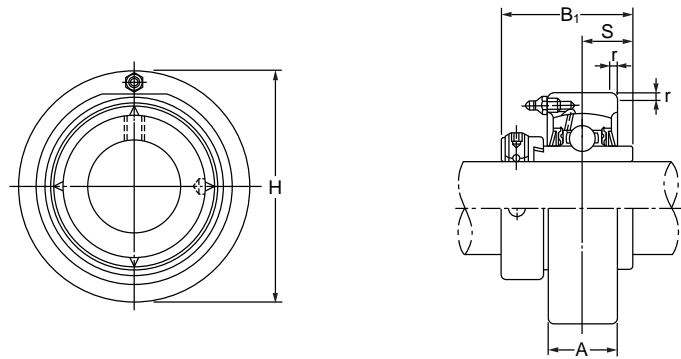
5.06

5.07

Cylindrical Unit Cast Housing (Round)



■ Eccentric Locking Collar Type - UELC 200 Series

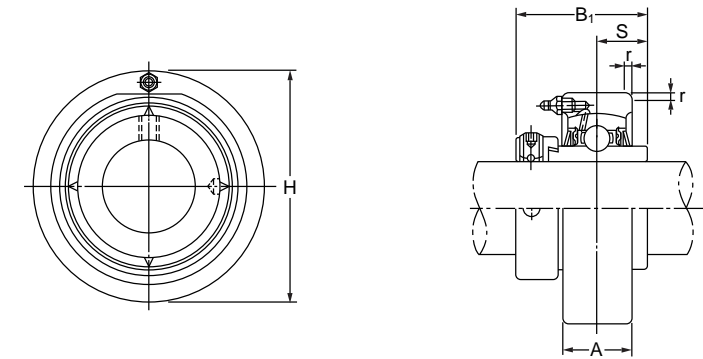


Shaft Dia.	Unit Number	Basic Dimensions					Bearing Number	Housing Number	Mass
		H	A	r	B ₁	S			
mm inch									kg/lbs
55	UEL211	125	35	2.5	71.4	27.8	UEL211	C211	2.4
2	UEL211-200						UEL211-200	C211	
2 1/16	UEL211-201	4.9213	1 3/8	0.098	2.811	1.094	UEL211-201	C211	5.3
2 1/8	UEL211-202						UEL211-202	C211	
2 3/16	UEL211-203						UEL211-203	C211	
60	UEL212	130	38	2.5	77.8	31	UEL212	C212	2.9
2 1/4	UEL212-204						UEL212-204	C212	
2 5/16	UEL212-205	5.1181	1 1/2	0.098	3.063	1.220	UEL212-205	C212	6.4
2 3/8	UEL212-206						UEL212-206	C212	
2 7/16	UEL212-207						UEL212-207	C212	



Cylindrical Unit Cast Housing (Round)

■ Eccentric Locking Collar Type - UELC 300 Series

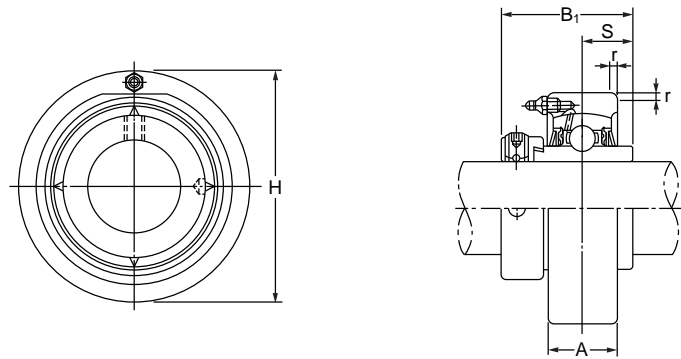


Shaft Dia.	Unit Number	Basic Dimensions					Bearing Number	Housing Number	Mass
		H	A	r	B ₁	S			
mm inch									kg/lbs
25	UEL305	90	26	2.5	46.8	16.7	UEL305	C305	1.1
13/16	UEL305-013						UEL305-013	C305	
7/8	UEL305-014	3.5433	1 1/32	0.098	1.843	0.657	UEL305-014	C305	2.4
15/16	UEL305-015						UEL305-015	C305	
1	UEL305-100						UEL305-100	C305	
30	UEL306	100	28	2.5	50	17.5	UEL306	C306	1.5
1 1/16	UEL306-101						UEL306-101	C306	
1 1/8	UEL306-102	3.9370	1 7/64	0.098	1.969	0.689	UEL306-102	C306	3.3
1 3/16	UEL306-103						UEL306-103	C306	
35	UEL307	110	32	3	51.6	18.3	UEL307	C307	1.8
1 1/4	UEL307-104						UEL307-104	C307	
1 5/16	UEL307-105	4.3307	1 17/64	0.118	2.031	0.720	UEL307-105	C307	4.0
1 3/8	UEL307-106						UEL307-106	C307	
1 7/16	UEL307-107						UEL307-107	C307	
40	UEL308	120	34	3	57.1	19.8	UEL308	C308	2.3
1 1/2	UEL308-108						UEL308-108	C308	
1 9/16	UEL308-109	4.7244	1 11/32	0.118	2.248	0.780	UEL308-109	C308	5.1
45	UEL309	130	38	3.5	58.7	19.8	UEL309	C309	2.9
1 5/8	UEL309-110						UEL309-110	C309	
1 11/16	UEL309-111	5.1181	1 1/2	0.138	2.311	0.780	UEL309-111	C309	6.4
1 3/4	UEL309-112						UEL309-112	C309	
50	UEL310	140	40	3.5	66.6	24.6	UEL310	C310	3.5
1 13/16	UEL310-113						UEL310-113	C310	
1 7/8	UEL310-114	5.5118	1 37/64	0.138	2.622	0.969	UEL310-114	C310	7.7
1 15/16	UEL310-115						UEL310-115	C310	
55	UEL311	150	44	3.5	73	27.8	UEL311	C311	4.2
2	UEL311-200						UEL311-200	C311	
2 1/16	UEL311-201	5.9055	1 47/64	0.138	2.874	1.094	UEL311-201	C311	9.3
2 1/8	UEL311-202						UEL311-202	C311	
2 3/16	UEL311-203						UEL311-203	C311	

Cylindrical Unit Cast Housing (Round)



■ Eccentric Locking Collar Type - UELC 300 Series

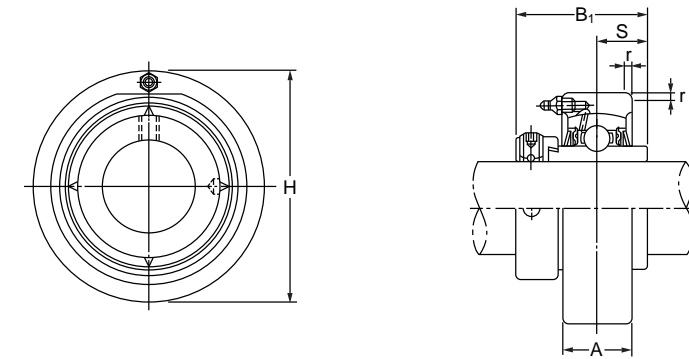


Shaft Dia.	Unit Number	Basic Dimensions					Bearing Number	Housing Number	Mass
		H	A	r	B ₁	S			
60	UEL312	160	46	3.5	79.4	30.95	UEL312	C312	5.1
2 1/4	UEL312-204						UEL312-204	C312	
2 5/16	UEL312-205	6.2992	1 13/16	0.138	3.126	1.219	UEL312-205	C312	11
2 3/8	UEL312-206						UEL312-206	C312	
2 7/16	UEL312-207						UEL312-207	C312	
65	UEL313	170	50	3.5	85.7	32.55	UEL313	C313	6.2
2 1/2	UEL313-208	6.6929	1 31/32	0.138	3.374	1.281	UEL313-208	C313	14
2 9/16	UEL313-209						UEL313-209	C313	
70	UEL314	180	52	4	92.1	34.15	UEL314	C314	7.2
2 5/8	UEL314-210						UEL314-210	C314	
2 11/16	UEL314-211	7.0866	2 3/64	0.157	3.626	1.344	UEL314-211	C314	16
2 3/4	UEL314-212						UEL314-212	C314	
75	UEL315	190	55	4	100	37.3	UEL315	C315	8.4
2 13/16	UEL315-213						UEL315-213	C315	
2 7/8	UEL315-214	7.4803	2 11/64	0.157	3.937	1.469	UEL315-214	C315	19
2 15/16	UEL315-215						UEL315-215	C315	
3	UEL315-300						UEL315-300	C315	
80	UEL316	200	60	4	106.4	40.5	UEL316	C316	10
3 1/16	UEL316-301						UEL316-301	C316	
3 1/8	UEL316-302	7.8740	2 23/64	0.157	4.189	1.594	UEL316-302	C316	22
3 3/16	UEL316-303						UEL316-303	C316	
85	UEL317	215	64	4	109.5	42.05	UEL317	C317	13
3 1/4	UEL317-304						UEL317-304	C317	
3 5/16	UEL317-305	8.4646	2 33/64	0.157	4.311	1.656	UEL317-305	C317	29
3 7/16	UEL317-307						UEL317-307	C317	
90	UEL318	225	66	4	115.9	43.65	UEL318	C318	14
3 7/16	UEL318-307	8.8583	2 19/32	0.157	4.563	1.719	UEL318-307	C318	31
3 1/2	UEL318-308						UEL318-308	C318	
95	UEL319	240	72	4	122.3	38.9	UEL319	C319	17
3 5/8	UEL319-310						UEL319-310	C319	
3 11/16	UEL319-311	9.4488	2 53/64	0.157	4.815	1.531	UEL319-311	C319	37
3 3/4	UEL319-312						UEL319-312	C319	



Cylindrical Unit Cast Housing (Round)

■ Eccentric Locking Collar Type - UELC 300 Series



Shaft Dia.	Unit Number	Basic Dimensions					Bearing Number	Housing Number	Mass
		H	A	r	B ₁	S			
100	UEL320	260	75	4	128.6	50	UEL320	C320	21
3 13/16	UEL320-313						UEL320-313	C320	
3 7/8	UEL320-314	10.2362	2 61/64	0.157	5.063	1.969	UEL320-314	C320	46
3 15/16	UEL320-315						UEL320-315	C320	
4	UEL320-400						UEL320-400	C320	
105	UEL321	260	75	4	139.7	48.4	UEL321	C321	22
110	UEL322	300	80	5	141.3	49.2	UEL322	C322	31

5.08

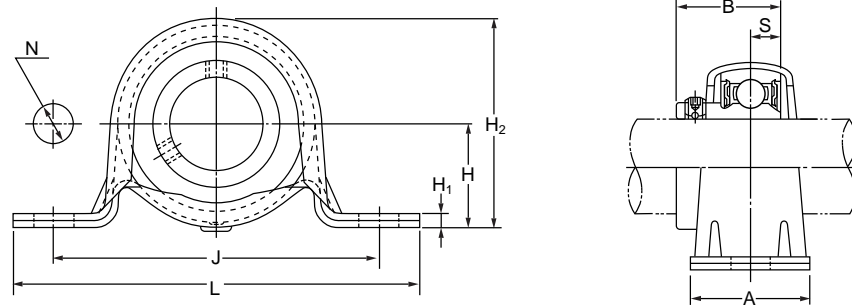
5.08



Pillow Block Pressed Steel Housing

	Page
6.01 Set Screw Type - ASPP 200 Series	241
6.02 Set Screw Type with Rubber Ring - ASRPP 200 Series	243
6.03 Eccentric Locking Collar Type - AELPP 200 Series	245
6.04 Eccentric Locking Collar with Rubber Ring - AELRPP 200 Series	247

■ Set Screw Type - ASPP 200 Series

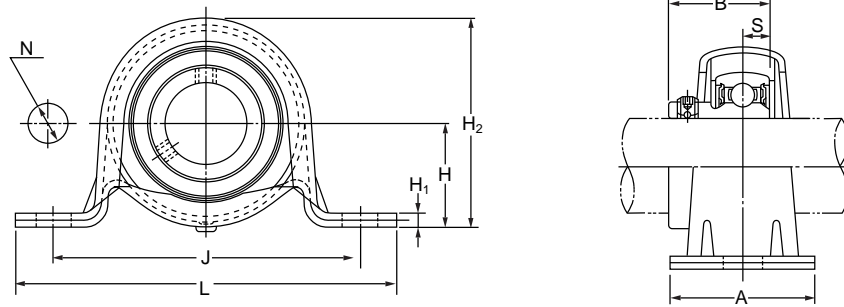


Shaft Dia.	Unit Number	Basic Dimensions									
		mm		inch							
mm inch		H	L	J	A	N	H ₁	H ₂	B	S	
12	ASPP201	22.2	86	68	25	9.5	3.2	43.8	22	6	
1/2	ASPP201-008	7/8	3 3/8	2 11/16	31/32	3/8	0.126	1 23/32	0.8661	0.236	
15	ASPP202	22.2	86	68	25	9.5	3.2	43.8	22	6	
9/16	ASPP202-009	7/8	3 3/8	2 11/16	31/32	3/8	0.126	1 23/32	0.8661	0.236	
5/8	ASPP202-010	7/8	3 3/8	2 11/16	31/32	3/8	0.126	1 23/32	0.8661	0.236	
17	ASPP203	22.2	86	68	25	9.5	3.2	43.8	22	6	
11/16	ASPP203-011	7/8	3 3/8	2 11/16	31/32	3/8	0.126	1 23/32	0.8661	0.236	
20	ASPP204	25.4	98	76	32	9.5	3.2	50.5	25	7	
3/4	ASPP204-012	1	3 27/32	3	1 1/4	3/8	0.126	2	0.9843	0.276	
25	ASPP205	28.6	108	86	32	11.5	4	56.6	27	7.5	
13/16	ASPP205-013										
7/8	ASPP205-014	1 1/8	4 1/4	3 3/8	1 1/4	29/64	0.157	2 7/32	1.0630	0.295	
15/16	ASPP205-015										
1	ASPP205-100										
30	ASPP206	33.3	117	95	38	11.5	4	66.3	29	8	
1 1/16	ASPP206-101										
1 1/8	ASPP206-102	1 5/16	4 19/32	3 3/4	1 1/2	29/64	0.157	2 5/8	1.1417	0.315	
1 3/16	ASPP206-103										
1 1/4	ASPP206-104										
35	ASPP207	39.7	129	106	42	11.5	4.6	78	34	8.5	
1 1/4	ASPP207-104										
1 5/16	ASPP207-105	1 9/16	5 3/32	4 3/16	1 21/32	29/64	0.181	3 1/16	1.3386	0.335	
1 3/8	ASPP207-106										
1 7/16	ASPP207-107										

Bolt Size	Bearing Number	Housing Number	Mass
mm inch			kg/lbs
M8	AS201	PP203	0.2
5/16	AS201-008	PP203	0.4
M8	AS202	PP203	0.1
5/16	AS202-009	PP203	0.2
	AS202-010	PP203	
M8	AS203	PP203	0.1
5/16	AS203-011	PP203	0.2
M8	AS204	PP204	0.2
5/16	AS204-012	PP204	0.4
M10	AS205	PP205	0.3
	AS205-013	PP205	
3/8	AS205-014	PP205	0.7
	AS205-015	PP205	
	AS205-100	PP205	
M10	AS206	PP206	0.4
3/8	AS206-101	PP206	0.9
	AS206-102	PP206	
	AS206-103	PP206	
	AS206-104	PP206	
M10	AS207	PP207	0.6
	AS207-104	PP207	
3/8	AS207-105	PP207	1.3
	AS207-106	PP207	
	AS207-107	PP207	



■ Set Screw Type with Rubber Ring - ASRPP 200 Series

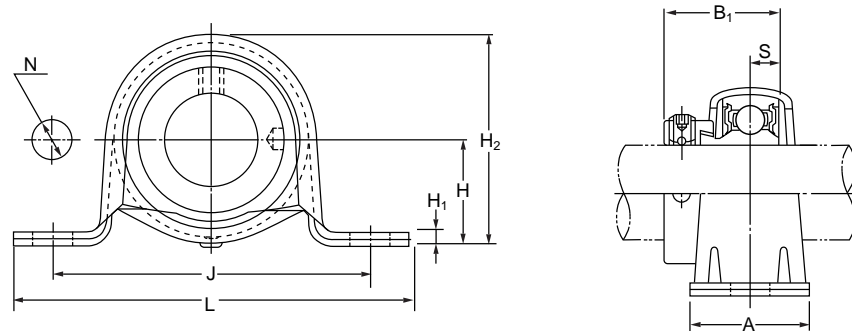


Shaft Dia.	Unit Number	Basic Dimensions									
		mm		inch							
mm inch		H	L	J	A	N	H ₁	H ₂	B	S	
12	ASRPP201	25.4	98	76	32	9.5	3.2	50.5	22	6	
1/2	ASRPP201-008	1	3 27/32	3	1 1/4	3/8	0.126	2	0.8661	0.236	
15	ASRPP202	25.4	98	76	32	9.5	3.2	50.5	22	6	
9/16	ASRPP202-009	1	3 27/32	3	1 1/4	3/8	0.126	2	0.8661	0.236	
5/8	ASRPP202-010	1	3 27/32	3	1 1/4	3/8	0.126	2	0.8661	0.236	
17	ASRPP203	25.4	98	76	32	9.5	3.2	50.5	22	6	
11/16	ASRPP203-011	1	3 27/32	3	1 1/4	3/8	0.126	2	0.8661	0.236	
20	ASRPP204	28.6	108	86	32	11.5	4	56.6	25	7	
3/4	ASPP204-012	1 1/8	4 1/4	3 3/8	1 1/4	29/64	0.157	2 7/32	0.9843	0.276	
25	ASRPP205	33.3	117	95	38	11.5	4	66.3	27	7.5	
13/16	ASRPP205-013	1 5/16	4 19/32	3 3/4	1 1/2	29/64	0.157	2 5/8	1.0630	0.295	
7/8	ASRPP205-014	1 5/16	4 19/32	3 3/4	1 1/2	29/64	0.157	2 5/8	1.0630	0.295	
15/16	ASRPP205-015	1 5/16	4 19/32	3 3/4	1 1/2	29/64	0.157	2 5/8	1.0630	0.295	
1	ASRPP205-100	1 5/16	4 19/32	3 3/4	1 1/2	29/64	0.157	2 5/8	1.0630	0.295	
30	ASRPP206	39.7	129	106	42	11.5	4.6	78	29	8	
1 1/16	ASRPP206-101	1 9/16	5 3/32	4 3/16	1 21/32	29/64	0.181	3 1/16	1.1417	0.315	
1 1/8	ASRPP206-102	1 9/16	5 3/32	4 3/16	1 21/32	29/64	0.181	3 1/16	1.1417	0.315	
1 3/16	ASRPP206-103	1 9/16	5 3/32	4 3/16	1 21/32	29/64	0.181	3 1/16	1.1417	0.315	
1 1/4	ASRPP206-104	1 9/16	5 3/32	4 3/16	1 21/32	29/64	0.181	3 1/16	1.1417	0.315	

Bolt Size	Bearing Number	Housing Number	Mass
mm inch			kg/lbs
M8	AS201	PP204	0.2
5/16	AS201-008	PP204	0.4
M8	AS202	PP204	0.2
5/16	AS202-009	PP204	0.4
	AS202-010	PP204	0.4
M8	AS203	PP204	0.2
5/16	AS203-011	PP204	0.4
M10	AS204	PP205	0.3
3/8	AS204-012	PP205	0.7
M10	AS205	PP206	0.4
	AS205-013	PP206	0.9
3/8	AS205-014	PP206	0.9
	AS205-015	PP206	0.9
	AS205-100	PP206	0.9
M10	AS206	PP207	0.5
3/8	AS206-101	PP207	1.1
	AS206-102	PP207	1.1
	AS206-103	PP207	1.1
	AS206-104	PP207	1.1



■ Eccentric Locking Collar Type - AELPP 200 Series

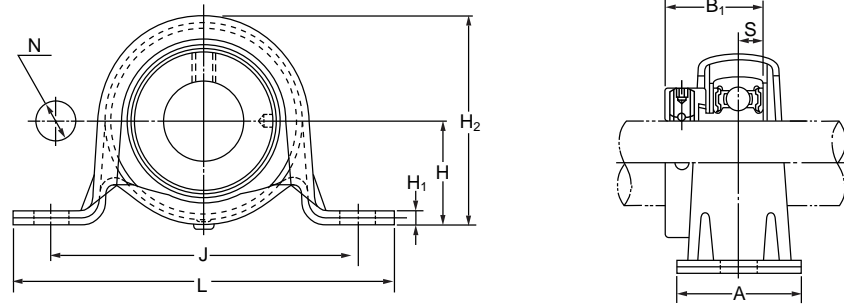


Shaft Dia.	Unit Number	Basic Dimensions									
		mm					inch				
mm inch		H	L	J	A	N	H ₁	H ₂	B ₁	S	
12	AELPP201	22.2	86	68	25	9.5	3.2	43.8	28.6	6.5	
1/2	AELPP201-008	7/8	3 3/8	2 11/16	31/32	3/8	0.126	1 23/32	1.126	0.256	
15	AELPP202	22.2	86	68	25	9.5	3.2	43.8	28.6	6.5	
9/16	AELPP202-009	7/8	3 3/8	2 11/16	31/32	3/8	0.126	1 23/32	1.126	0.256	
5/8	AELPP202-010	7/8	3 3/8	2 11/16	31/32	3/8	0.126	1 23/32	1.126	0.256	
17	AELPP203	22.2	86	68	25	9.5	3.2	43.8	28.6	6.5	
11/16	AELPP203-011	7/8	3 3/8	2 11/16	31/32	3/8	0.126	1 23/32	1.126	0.256	
20	AELPP204	25.4	98	76	32	9.5	3.2	50.5	31	7.5	
3/4	AELPP204-012	1	3 27/32	3	1 1/4	3/8	0.126	2	1.220	0.295	
25	AELPP205	28.6	108	86	32	11.5	4	56.6	31	7.5	
13/16	AELPP205-013										
7/8	AELPP205-014	1 1/8	4 1/4	3 3/8	1 1/4	29/64	0.157	2 7/32	1.220	0.295	
15/16	AELPP205-015										
1	AELPP205-100										
30	AELPP206	33.3	117	95	38	11.5	4	66.3	35.7	9	
1 1/16	AELPP206-101										
1 1/8	AELPP206-102	1 5/16	4 19/32	3 3/4	1 1/2	29/64	0.157	2 5/8	1.406	0.354	
1 3/16	AELPP206-103										
1 1/4	AELPP206-104										
35	AELPP207	39.7	129	106	42	11.5	4.6	78	38.9	9.5	
1 1/4	AELPP207-104										
1 5/16	AELPP207-105	1 9/16	5 3/32	4 3/16	1 21/32	29/64	0.181	3 1/16	1.531	0.374	
1 3/8	AELPP207-106										
1 7/16	AELPP207-107										

Bolt Size	Bearing Number	Housing Number	Mass
mm inch			kg/lbs
M8	AEL201	PP203	0.2
5/16	AEL201-008	PP203	0.4
M8	AEL202	PP203	0.2
5/16	AEL202-009	PP203	0.4
	AEL202-010	PP203	0.4
M8	AEL203	PP203	0.2
5/16	AEL203-011	PP203	0.4
M8	AEL204	PP204	0.2
5/16	AEL204-012	PP204	0.4
M10	AEL205	PP205	0.3
	AEL205-013	PP205	
3/8	AEL205-014	PP205	0.7
	AEL205-015	PP205	
	AEL205-100	PP205	
M10	AEL206	PP206	0.5
3/8	AEL206-101	PP206	
	AEL206-102	PP206	1.1
	AEL206-103	PP206	
	AEL206-104	PP206	
M10	AEL207	PP207	0.7
	AEL207-104	PP207	
3/8	AEL207-105	PP207	1.5
	AEL207-106	PP207	
	AEL207-107	PP207	



■ Eccentric Locking Collar with Rubber Ring - AELRPP 200 Series



Shaft Dia.	Unit Number	Basic Dimensions									
		mm		inch							
mm inch		H	L	J	A	N	H ₁	H ₂	B ₁	S	
12	AELRPP201	25.4	98	76	32	9.5	3.2	50.5	28.6	6.5	
1/2	AELRPP201-008	1	3 27/32	3	1 1/4	3/8	0.126	2	1.126	0.256	
15	AELRPP202	25.4	98	76	32	9.5	3.2	50.5	28.6	6.5	
9/16	AELRPP202-009	1	3 27/32	3	1 1/4	3/8	0.126	2	1.126	0.256	
5/8	AELRPP202-010	1	3 27/32	3	1 1/4	3/8	0.126	2	1.126	0.256	
17	AELRPP203	25.4	98	76	32	9.5	3.2	50.5	28.6	6.5	
11/16	AELRPP203-011	1	3 27/32	3	1 1/4	3/8	0.126	2	1.126	0.256	
20	AELRPP204	28.6	108	86	32	11.5	4	56.6	31	7.5	
3/4	AELPP204-012	1 1/8	4 1/4	3 3/8	1 1/4	29/64	0.157	2 7/32	1.220	0.295	
25	AELRPP205	33.3	117	95	38	11.5	4	66.3	31	7.5	
13/16	AELRPP205-013	1 5/16	4 19/32	3 3/4	1 1/2	29/64	0.157	2 5/8	1.220	0.295	
7/8	AELRPP205-014	1 5/16	4 19/32	3 3/4	1 1/2	29/64	0.157	2 5/8	1.220	0.295	
15/16	AELRPP205-015	1 5/16	4 19/32	3 3/4	1 1/2	29/64	0.157	2 5/8	1.220	0.295	
1	AELRPP205-100	1 5/16	4 19/32	3 3/4	1 1/2	29/64	0.157	2 5/8	1.220	0.295	
30	AELRPP206	39.7	129	106	42	11.5	4.6	78	35.7	9	
1 1/16	AELRPP206-101	1 9/16	5 3/32	4 3/16	1 21/32	29/64	0.181	3 1/16	1.406	0.354	
1 1/8	AELRPP206-102	1 9/16	5 3/32	4 3/16	1 21/32	29/64	0.181	3 1/16	1.406	0.354	
1 3/16	AELRPP206-103	1 9/16	5 3/32	4 3/16	1 21/32	29/64	0.181	3 1/16	1.406	0.354	
1 1/4	AELRPP206-104	1 9/16	5 3/32	4 3/16	1 21/32	29/64	0.181	3 1/16	1.406	0.354	

Bolt Size	Bearing Number	Housing Number	Mass
mm inch			kg/lbs
M8	AEL201	PP204	0.2
5/16	AEL201-008	PP204	0.4
M8	AEL202	PP204	0.2
5/16	AEL202-009	PP204	0.4
	AEL202-010	PP204	0.4
M8	AEL203	PP204	0.2
5/16	AEL203-011	PP204	0.4
M10	AEL204	PP205	0.3
3/8	AEL204-012	PP205	0.7
M10	AEL205	PP206	0.5
	AEL205-013	PP206	
3/8	AEL205-014	PP206	1.1
	AEL205-015	PP206	
	AEL205-100	PP206	
M10	AEL206	PP207	0.7
3/8	AEL206-101	PP207	
	AEL206-102	PP207	
	AEL206-103	PP207	1.5
	AEL206-104	PP207	





Flange Unit Pressed Steel Housing

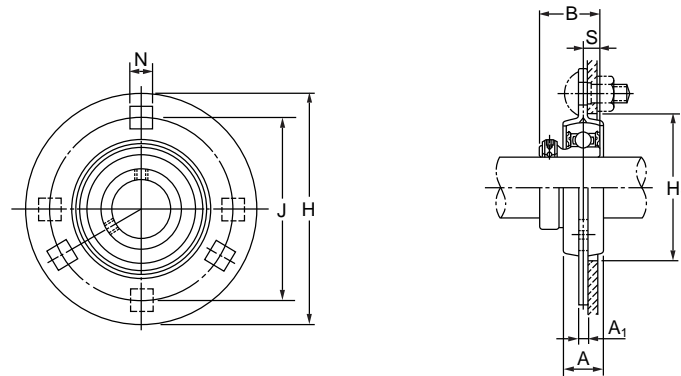
		Page
7.01	3 Bolt - Round, Set Screw Type - ASPF 200 Series	251
7.02	3 Bolt - Round, Set Screw Type with Rubber Ring - ASRPF 200 Series	253
7.03	3 Bolt - Round, Eccentric Locking Collar Type - AELPF 200 Series	255
7.04	3 Bolt - Round, Eccentric Locking Collar Type - AELRPF 200 Series	257
7.05	3 Bolt - Triangle, Set Screw Type - ASPFT 200 Series	259
7.06	3 Bolt - Triangle, Eccentric Locking Collar Type - AELPFT 200 Series	261
7.07	2 Bolt - Oval, Set Screw Type - ASPFL 200 Series	263
7.08	2 Bolt - Oval, Eccentric Collar Locking Type with Rubber Ring - AELPFL 200 Series	265

7.00

Flanged Unit Pressed Steel Housing (3 Bolt-Round)



■ Set Screw Type - ASPF 200 Series



Shaft Dia.	Unit Number	Basic Dimensions							
		mm		inch		mm		inch	
mm inch		H	J	A ₁	N	A	B	S	H ₁ min.
12	ASPF201	81	63.5	4	7.1	14	22	6	49
1/2	ASPF201-008	3 3/16	2 1/2	0.157	9/32	9/16	0.8661	0.236	1 59/64
15	ASPF202	81	63.5	4	7.1	14	22	6	49
9/16	ASPF202-009	3 3/16	2 1/2	0.157	9/32	9/16	0.8661	0.236	1 59/64
5/8	ASPF202-010	3 3/16	2 1/2	0.157	9/32	9/16	0.8661	0.236	1 59/64
17	ASPF203	81	63.5	4	7.1	14	22	6	49
11/16	ASPF203-011	3 3/16	2 1/2	0.157	9/32	9/16	0.8661	0.236	1 59/64
20	ASPF204	90	71.5	4	9	16	25	7	56
3/4	ASPF204-012	3 35/64	2 13/16	0.157	23/64	5/8	0.9843	0.276	2 13/64
25	ASPF205	95	76	4	9	18	27	7.5	60
13/16	ASPF205-013	3 3/4	2 63/64	0.157	23/64	23/32	1.0630	0.295	2 23/64
7/8	ASPF205-014	3 3/4	2 63/64	0.157	23/64	23/32	1.0630	0.295	2 23/64
15/16	ASPF205-015	3 3/4	2 63/64	0.157	23/64	23/32	1.0630	0.295	2 23/64
1	ASPF205-100	3 3/4	2 63/64	0.157	23/64	23/32	1.0630	0.295	2 23/64
30	ASPF206	113	90.5	5.2	11	18	29	8	71
1 1/16	ASPF206-101	4 7/16	3 9/16	0.205	7/16	23/32	1.1417	0.315	2 51/64
1 1/8	ASPF206-102	4 7/16	3 9/16	0.205	7/16	23/32	1.1417	0.315	2 51/64
1 3/16	ASPF206-103	4 7/16	3 9/16	0.205	7/16	23/32	1.1417	0.315	2 51/64
1 1/4	ASPF206-104	4 7/16	3 9/16	0.205	7/16	23/32	1.1417	0.315	2 51/64
35	ASPF207	122	100	5.2	11	20	34	8.5	81
1 1/4	ASPF207-104	4 13/16	3 15/16	0.205	7/16	25/32	1.3386	0.335	3 3/16
1 5/16	ASPF207-105	4 13/16	3 15/16	0.205	7/16	25/32	1.3386	0.335	3 3/16
1 3/8	ASPF207-106	4 13/16	3 15/16	0.205	7/16	25/32	1.3386	0.335	3 3/16
1 7/16	ASPF207-107	4 13/16	3 15/16	0.205	7/16	25/32	1.3386	0.335	3 3/16
40	ASPF208	148	119	6.8	13.5	21	38	9	91
1 1/2	ASPF208-108	5 13/16	4 11/16	0.268	17/32	13/16	1.4961	0.354	3 37/64
1 9/16	ASPF208-109	5 13/16	4 11/16	0.268	17/32	13/16	1.4961	0.354	3 37/64



Flanged Unit Pressed Steel Housing (3 Bolt-Round)

Bolt Size	Bearing Number	Housing Number	Mass
mm inch			kg/lbs
M6	AS201	PF203	0.2
1/4	AS201-008	PF203	0.4
M6	AS202	PF203	0.2
1/4	AS202-009	PF203	0.4
	AS202-010	PF203	0.4
M6	AS203	PF203	0.2
1/4	AS203-011	PF203	0.4
M8	AS204	PF204	0.3
5/16	AS204-012	PF204	0.7
M8	AS205	PF205	0.3
	AS205-013	PF205	0.7
5/16	AS205-014	PF205	0.7
	AS205-015	PF205	0.7
	AS205-100	PF205	0.7
M10	AS206	PF206	0.5
3/8	AS206-101	PF206	1.1
	AS206-102	PF206	1.1
	AS206-103	PF206	1.1
	AS206-104	PF206	1.1
M10	AS207	PF207	0.7
	AS207-104	PF207	1.5
3/8	AS207-105	PF207	1.5
	AS207-106	PF207	1.5
	AS207-107	PF207	1.5
M12	AS208	PF208	1.1
1/2	AS208-108	PF208	2.4
	AS208-109	PF208	2.4



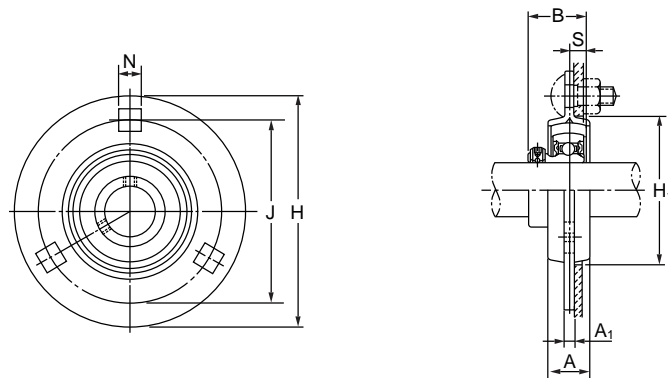
7.01

7.01

Flanged Unit Pressed Steel Housing (3 Bolt-Round)



■ Set Screw Type with Rubber Ring - ASRPF 200 Series



Shaft Dia.	Unit Number	Basic Dimensions							
		mm		inch		mm		inch	
mm inch		H	J	A ₁	N	A	B	S	H ₁ min.
12	ASRPF201	90	71.5	4	9	16	22	6	56
1/2	ASRPF201-008	3 17/32	2 13/16	0.157	23/64	5/8	0.8661	0.236	2 13/64
15	ASRPF202	90	71.5	4	9	16	22	6	56
9/16	ASRPF202-009	3 17/32	2 13/16	0.157	23/64	5/8	0.8661	0.236	2 13/64
5/8	ASRPF202-010	3 17/32	2 13/16	0.157	23/64	5/8	0.8661	0.236	2 13/64
17	ASRPF203	90	71.5	4	9	16	22	6	56
11/16	ASRPF203-011	3 17/32	2 13/16	0.157	23/64	5/8	0.8661	0.236	2 13/64
20	ASRPF204	95	76	4	9	18	25	7	60
3/4	ASRPF204-012	3 3/4	2 63/64	0.157	23/64	23/32	0.9843	0.276	2 23/64
25	ASRPF205	113	90.5	5.2	11	18	27	7.5	71
13/16	ASRPF205-013	4 7/16	3 9/16	0.205	7/16	23/32	1.0630	0.295	2 51/64
7/8	ASRPF205-014	4 7/16	3 9/16	0.205	7/16	23/32	1.0630	0.295	2 51/64
15/16	ASRPF205-015	4 7/16	3 9/16	0.205	7/16	23/32	1.0630	0.295	2 51/64
1	ASRPF205-100	4 7/16	3 9/16	0.205	7/16	23/32	1.0630	0.295	2 51/64
30	ASRPF206	122	100	5.2	11	20	29	8	81
1 1/16	ASRPF206-101	4 13/16	3 15/16	0.205	7/16	23/32	1.1417	0.315	3 3/16
1 1/8	ASRPF206-102	4 13/16	3 15/16	0.205	7/16	23/32	1.1417	0.315	3 3/16
1 3/16	ASRPF206-103	4 13/16	3 15/16	0.205	7/16	23/32	1.1417	0.315	3 3/16
1 1/4	ASRPF206-104	4 13/16	3 15/16	0.205	7/16	23/32	1.1417	0.315	3 3/16



Flanged Unit Pressed Steel Housing (3 Bolt-Round)

Bolt Size	Bearing Number	Housing Number	Mass
mm inch			kg/lbs
M8	AS201	PF204	0.3
5/16	AS201-008	PF204	0.7
M8	AS202	PF204	0.3
5/16	AS202-009	PF204	0.7
	AS202-010	PF204	0.7
M8	AS203	PF204	0.3
5/16	AS203-011	PF204	0.7
M8	AS204	PF205	0.4
5/16	AS204-012	PF205	0.9
M10	AS205	PF206	0.4
	AS205-013	PF206	
	AS205-014	PF206	
3/8	AS205-015	PF206	0.9
	AS205-100	PF206	
M10	AS206	PF207	0.6
	AS206-101	PF207	
3/8	AS206-102	PF207	1.3
	AS206-103	PF207	
	AS206-104	PF207	



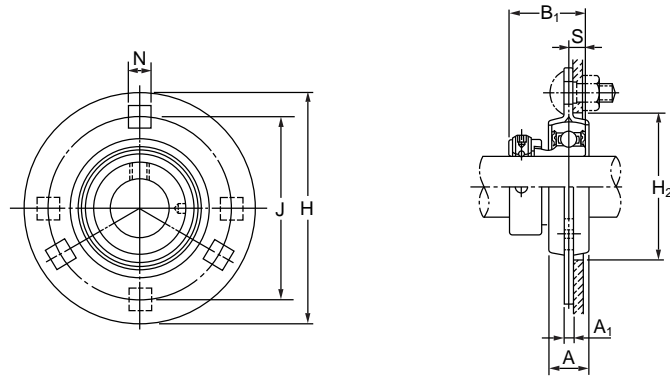
7.02

7.02

Flanged Unit Pressed Steel Housing (3 Bolt-Round)



■ Eccentric Locking Collar Type - AELPF 200 Series



Shaft Dia.	Unit Number	Basic Dimensions							
		mm		inch		mm		inch	
mm inch		H	J	A ₁	N	A	B	S	H ₁ min.
12	AELPF201	81	63.5	4	7.1	14	28.6	6.5	49
1/2	AELPF201-008	3 3/16	2 1/2	0.157	9/32	9/16	1.126	0.256	1 59/64
15	AELPF202	81	63.5	4	7.1	14	28.6	6.5	49
9/16	AELPF202-009	3 3/16	2 1/2	0.157	9/32	9/16	1.126	0.256	1 59/64
5/8	AELPF202-010	3 3/16	2 1/2	0.157	9/32	9/16	1.126	0.256	1 59/64
17	AELPF203	81	63.5	4	7.1	14	28.6	6.5	49
11/16	AELPF203-011	3 3/16	2 1/2	0.157	9/32	9/16	1.126	0.256	1 59/64
20	AELPF204	90	71.5	4	9	16	31	7.5	56
3/4	AELPF204-012	3 17/32	2 13/16	0.157	23/64	5/8	1.220	0.295	2 13/64
25	AELPF205	95	76	4	9	18	31	7.5	60
13/16	AELPF205-013	3 3/4	2 63/64	0.157	23/64	23/32	1.220	0.295	2 23/64
7/8	AELPF205-014	3 3/4	2 63/64	0.157	23/64	23/32	1.220	0.295	2 23/64
15/16	AELPF205-015	3 3/4	2 63/64	0.157	23/64	23/32	1.220	0.295	2 23/64
1	AELPF205-100	3 3/4	2 63/64	0.157	23/64	23/32	1.220	0.295	2 23/64
30	AELPF206	113	90.5	5.2	11	18	35.7	9	71
1 1/16	AELPF206-101	4 7/16	3 9/16	0.205	7/16	23/32	1.406	0.354	2 51/64
1 1/8	AELPF206-102	4 7/16	3 9/16	0.205	7/16	23/32	1.406	0.354	2 51/64
1 3/16	AELPF206-103	4 7/16	3 9/16	0.205	7/16	23/32	1.406	0.354	2 51/64
1 1/4	AELPF206-104	4 7/16	3 9/16	0.205	7/16	23/32	1.406	0.354	2 51/64
35	AELPF207	122	100	5.2	11	20	38.9	9.5	81
1 1/4	AELPF207-104	4 13/16	3 15/16	0.205	7/16	25/32	1.531	0.374	3 3/16
1 5/16	AELPF207-105	4 13/16	3 15/16	0.205	7/16	25/32	1.531	0.374	3 3/16
1 3/8	AELPF207-106	4 13/16	3 15/16	0.205	7/16	25/32	1.531	0.374	3 3/16
1 7/16	AELPF207-107	4 13/16	3 15/16	0.205	7/16	25/32	1.531	0.374	3 3/16
40	AELPF208	148	119	6.8	13.5	21	43.7	11	91
1 1/2	AELPF208-108	5 13/16	4 11/16	0.268	17/32	13/16	1.720	0.433	3 37/64
1 9/16	AELPF208-109	5 13/16	4 11/16	0.268	17/32	13/16	1.720	0.433	3 37/64



Flanged Unit Pressed Steel Housing (3 Bolt-Round)

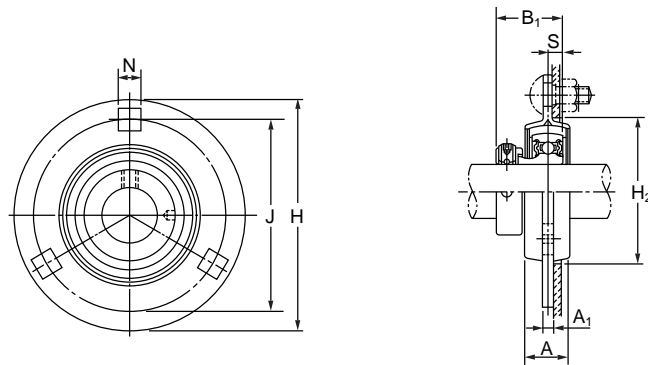
Bolt Size	Bearing Number	Housing Number	Mass
mm inch			kg/lbs
M6	AEL201	PF203	0.2
1/4	AEL201-008	PF203	0.4
M6	AEL202	PF203	0.2
1/4	AEL202-009	PF203	0.4
	AEL202-010	PF203	0.4
M6	AEL203	PF203	0.2
1/4	AEL203-011	PF203	0.4
M8	AEL204	PF204	0.3
5/16	AEL204-012	PF204	0.7
M8	AEL205	PF205	0.4
	AEL205-013	PF205	
	AEL205-014	PF205	
5/16	AEL205-015	PF205	0.9
	AEL205-100	PF205	
M10	AEL206	PF206	0.6
	AEL206-101	PF206	
3/8	AEL206-102	PF206	1.3
	AEL206-103	PF206	
	AEL206-104	PF206	
M10	AEL207	PF207	0.8
	AEL207-104	PF207	
3/8	AEL207-105	PF207	1.8
	AEL207-106	PF207	
	AEL207-107	PF207	
M12	AEL208	PF208	1.3
1/2	AEL208-108	PF208	2.9
	AEL208-109	PF208	



Flanged Unit Pressed Steel Housing (3 Bolt-Round)



■ Eccentric Locking Collar Type - AELRPF 200 Series



Shaft Dia.	Unit Number	Basic Dimensions							
		mm		inch		mm		inch	
mm inch		H	J	A ₁	N	A	B	S	H ₁ min.
12	AELRPF201	90	71.5	4	9	16	28.6	6.5	56
1/2	AELRPF201-008	3 17/32	2 13/16	0.157	23/64	5/8	1.126	0.256	2 13/64
15	AELRPF202	90	71.5	4	9	16	28.6	6.5	56
9/16	AELRPF202-009	3 17/32	2 13/16	0.157	23/64	5/8	1.126	0.256	2 13/64
5/8	AELRPF202-010	3 17/32	2 13/16	0.157	23/64	5/8	1.126	0.256	2 13/64
17	AELRPF203	90	71.5	4	9	16	28.6	6.5	56
11/16	AELRPF203-011	3 17/32	2 13/16	0.157	23/64	5/8	1.126	0.256	2 13/64
20	AELRPF204	95	76	4	9	18	31	7.5	60
3/4	AELRPF204-012	3 3/4	2 63/64	0.157	23/64	23/32	1.220	0.295	2 23/64
25	AELRPF205	113	90.5	5.2	11	18	31	7.5	71
13/16	AELRPF205-013	4 7/16	3 9/16	0.205	7/16	23/32	1.220	0.295	2 51/64
7/8	AELRPF205-014	4 7/16	3 9/16	0.205	7/16	23/32	1.220	0.295	2 51/64
15/16	AELRPF205-015	4 7/16	3 9/16	0.205	7/16	23/32	1.220	0.295	2 51/64
1	AELRPF205-100	4 7/16	3 9/16	0.205	7/16	23/32	1.220	0.295	2 51/64
30	AELRPF206	122	100	5.2	11	20	35.7	9	81
1 1/16	AELRPF206-101	4 13/16	3 15/16	0.205	7/16	25/32	1.406	0.354	3 3/16
1 1/8	AELRPF206-102	4 13/16	3 15/16	0.205	7/16	25/32	1.406	0.354	3 3/16
1 3/16	AELRPF206-103	4 13/16	3 15/16	0.205	7/16	25/32	1.406	0.354	3 3/16
1 1/4	AELRPF206-104	4 13/16	3 15/16	0.205	7/16	25/32	1.406	0.354	3 3/16



Flanged Unit Pressed Steel Housing (3 Bolt-Round)

Bolt Size	Bearing Number	Housing Number	Mass
mm inch			kg/lbs
M8	AEL201	PF204	0.3
5/16	AEL201-008	PF204	0.7
M8	AEL202	PF204	0.3
5/16	AEL202-009	PF204	0.7
	AEL202-010	PF204	0.7
M8	AEL203	PF204	0.3
5/16	AEL203-011	PF204	0.7
M8	AEL204	PF205	0.4
5/16	AEL204-012	PF205	0.9
M10	AEL205	PF206	0.5
	AEL205-013	PF206	
	AEL205-014	PF206	
3/8	AEL205-015	PF206	1.1
	AEL205-100	PF206	
M10	AEL206	PF207	0.7
	AEL206-101	PF207	
3/8	AEL206-102	PF207	1.5
	AEL206-103	PF207	
	AEL206-104	PF207	



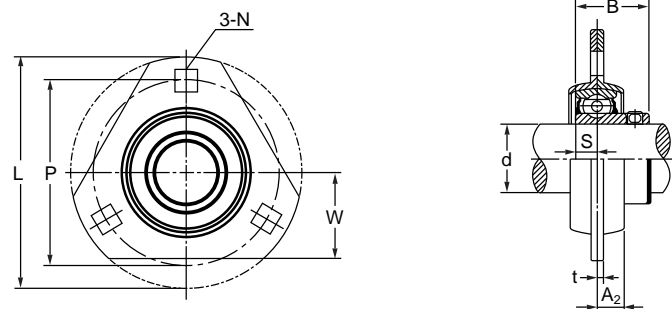
7.04

7.04

Flanged Unit Pressed Steel Housing (3 Bolt-Triangle)



■ Set Screw Type - ASPFT 200 Series



Shaft Dia.	Unit Number	Basic Dimensions								Bolt Size	
		L	P	A ₂	t	N	W	S	B		
12 1/2	ASPFT201 ASPFT201-008	82	64	7	2	7.5	29	6	22	1/4	M6
15 5/8	ASPFT202 ASPFT202-010	82	64	7	2	7.5	29	6	22	1/4	M6
17 11/16	ASPFT203 ASPFT203-011	82	64	7	2	7.5	29	6	22	1/4	M6
20 3/4	ASPFT204 ASPFT204-012	91	71	8	2	9	33	7	25	5/16	M8
25 7/8 15/16 1	ASPFT205 ASPFT205-014 ASPFT205-015 ASPFT205-100	95	76	9	2	9	35	7.5	27	5/16	M8
30 1 1/8 1 3/16 1 1/4	ASPFT206 ASPFT206-102 ASPFT206-103 ASPFT206-104	113	90	9	2.5	10.5	38	8	29	3/8	M10
35 1 1/4 1 5/16 1 3/8 1 7/16	ASPFT207 ASPFT207-104 ASPFT207-105 ASPFT207-106 ASPFT207-107	122	100	10	2.5	10.5	45	9	32	3/8	M10



Flanged Unit Pressed Steel Housing (3 Bolt-Triangle)

Bearing Number	Housing Number	Mass
AS201 AS201-008	PFT203	0.27
AS202 AS202-010	PFT203	0.27
AS203 AS203-011	PFT203	0.27
AS204 AS204-012	PFT204	0.3
AS205 AS205-014 AS205-015 AS205-100	PFT205	0.38
AS206 AS206-102 AS206-103 AS206-104	PFT206	0.62
AS207 AS207-104 AS207-105 AS207-106 AS207-107	PFT207	0.82



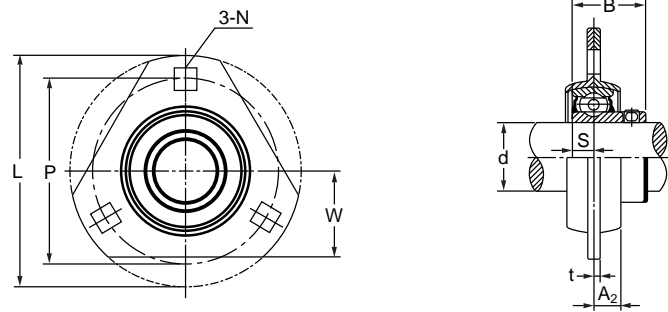
7.05

7.05

Flanged Unit Pressed Steel Housing (3 Bolt-Triangle)



■ Eccentric Locking Collar Type - AELPFT 200 Series



Shaft Dia.	Unit Number	Basic Dimensions								Bolt Size	
		L	P	A ₂	mm		inch		W		
mm inch					t	N					
12 1/2	AELPFT201 AELPFT201-008	82	64	7	2	7.5	29	6.5	28.6	1/4	M6
15 5/8	AELPFT202 AELPFT202-010	82	64	7	2	7.5	29	6.5	28.6	1/4	M6
17 11/16	AELPFT203 AELPFT203-011	82	64	7	2	7.5	29	6.5	28.6	1/4	M6
20 3/4	AELPFT204 AELPFT204-012	91	71	8	2	9	33	7	30	5/16	M8
25 7/8 15/16 1	AELPFT205 AELPFT205-014 AELPFT205-015 AELPFT205-100	95	76	9	2	9	35	7.5	31	5/16	M8
30 1 1/8 1 3/16 1 1/4	AELPFT206 AELPFT206-102 AELPFT206-103 AELPFT206-104	113	90	9	2.5	10.5	38	8	33.9	3/8	M10
35 1 1/4 1 5/16 1 3/8 1 7/16	AELPFT207 AELPFT207-104 AELPFT207-105 AELPFT207-106 AELPFT207-107	122	100	10	2.5	10.5	45	9	37.5	3/8	M10



Flanged Unit Pressed Steel Housing (3 Bolt-Triangle)

Bearing Number	Housing Number	Mass
		kg/lbs
AEL201 AEL201-008	PFT203	0.29
AEL202 AEL202-010	PFT203	0.29
AEL203 AEL203-011	PFT203	0.28
AEL204 AEL204-012	PFT204	0.31
AEL205 AEL205-014 AEL205-015 AEL205-100	PFT205	0.41
AEL206 AEL206-102 AEL206-103 AEL206-104	PFT206	0.67
AEL207 AEL207-104 AEL207-105 AEL207-106 AEL207-107	PFT207	0.67



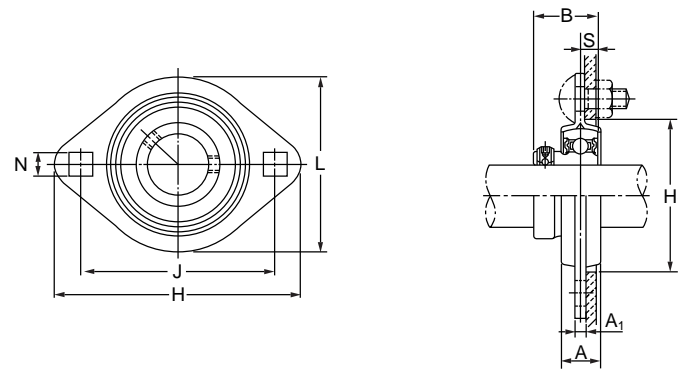
7.06

7.06

Flanged Unit Pressed Steel Housing (2 Bolt-Oval)



■ Set Screw Type - ASPFL 200 Series



Shaft Dia.	Unit Number	Basic Dimensions								
		mm inch								
mm inch		H	J	A ₁	N	A	L	B ₁	S	H ₁ min.
12	ASPFL201	81	63.5	4	7.1	14	59	22	6	49
1/2	ASPFL201-008	3 3/16	2 1/2	0.157	9/32	9/16	2 5/16	0.8661	0.236	1 59/64
15	ASPFL202	81	63.5	4	7.1	14	59	22	6	49
9/16	ASPFL202-009	3 3/16	2 1/2	0.157	9/32	9/16	2 5/16	0.8661	0.236	1 59/64
5/8	ASPFL202-010	3 3/16	2 1/2	0.157	9/32	9/16	2 5/16	0.8661	0.236	1 59/64
17	ASPFL203	81	63.5	4	7.1	14	59	22	6	49
11/16	ASPFL203-011	3 3/16	2 1/2	0.157	9/32	9/16	2 5/16	0.8661	0.236	1 59/64
20	ASPFL204	90	71.5	4	9	16	67	25	7	56
3/4	ASPFL204-012	3 17/32	2 13/16	0.157	23/64	5/8	2 5/8	0.9843	0.276	2 13/64
25	ASPFL205	95	76	4	9	18	71	27	7.5	60
13/16	ASPFL205-013	3 3/4	2 63/64	0.157	23/64	23/32	2 25/32	1.0630	0.295	2 23/64
7/8	ASPFL205-014									
15/16	ASPFL205-015									
1	ASPFL205-100									
30	ASPFL206	113	90.5	5.2	11	18	84	29	8	71
1 1/16	ASPFL206-101	4 7/16	3 9/16	0.205	7/16	23/32	3 5/16	1.1417	0.315	2 51/64
1 1/8	ASPFL206-102									
1 3/16	ASPFL206-103									
1 1/4	ASPFL206-104									
35	ASPFL207	122	100	5.2	11	20	94	34	8.5	81
1 1/4	ASPFL207-104	4 13/16	3 15/16	0.205	7/16	25/32	3 11/16	1.3386	0.335	3 3/16
1 5/16	ASPFL207-105									
1 3/8	ASPFL207-106									
1 7/16	ASPFL207-107									
40	ASPFL208	148	119	6.8	13.5	21	100	38	9	91
1 1/2	ASPFL208-108	5 53/64	4 11/16	0.268	17/32	53/64	3 15/16	1.4961	0.354	3 37/64
1 9/16	ASPFL208-109									



Flanged Units Pressed Steel Housing (2 Bolt-Oval)

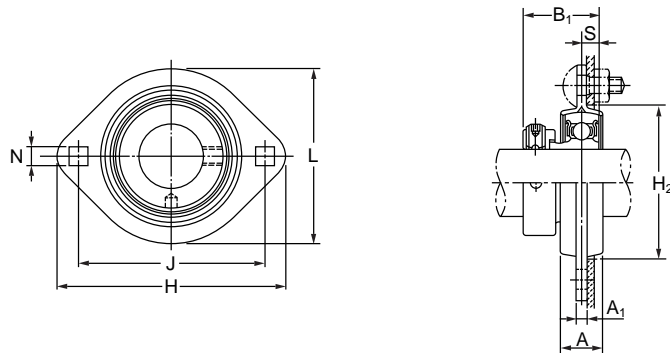
Bolt Size	Bearing Number	Housing Number	Mass
mm inch			kg/lbs
M6	AS201	PFL203	0.1
1/4	AS201-008	PFL203	0.2
M6	AS202	PFL203	0.1
1/4	AS202-009	PFL203	0.2
	AS202-010	PFL203	
M6	AS203	PFL203	0.1
1/4	AS203-011	PFL203	0.2
M8	AS204	PFL204	0.2
5/16	AS204-012	PFL204	0.4
M8	AS205	PFL205	0.3
5/16	AS205-013	PFL205	0.7
	AS205-014	PFL205	
	AS205-015	PFL205	
	AS205-100	PFL205	
M10	AS206	PFL206	0.4
3/8	AS206-101	PFL206	0.9
	AS206-102	PFL206	
	AS206-103	PFL206	
	AS206-104	PFL206	
M10	AS207	PFL207	0.5
3/8	AS207-104	PFL207	1.1
	AS207-105	PFL207	
	AS207-106	PFL207	
	AS207-107	PFL207	
M12	AS208	PFL208	0.8
1/2	AS208-108	PFL208	1.4
	AS208-109	PFL208	



Flanged Unit Pressed Steel Housing (2 Bolt-Oval)



■ Eccentric Locking Collar with Rubber Ring - AELPFL 200 Series



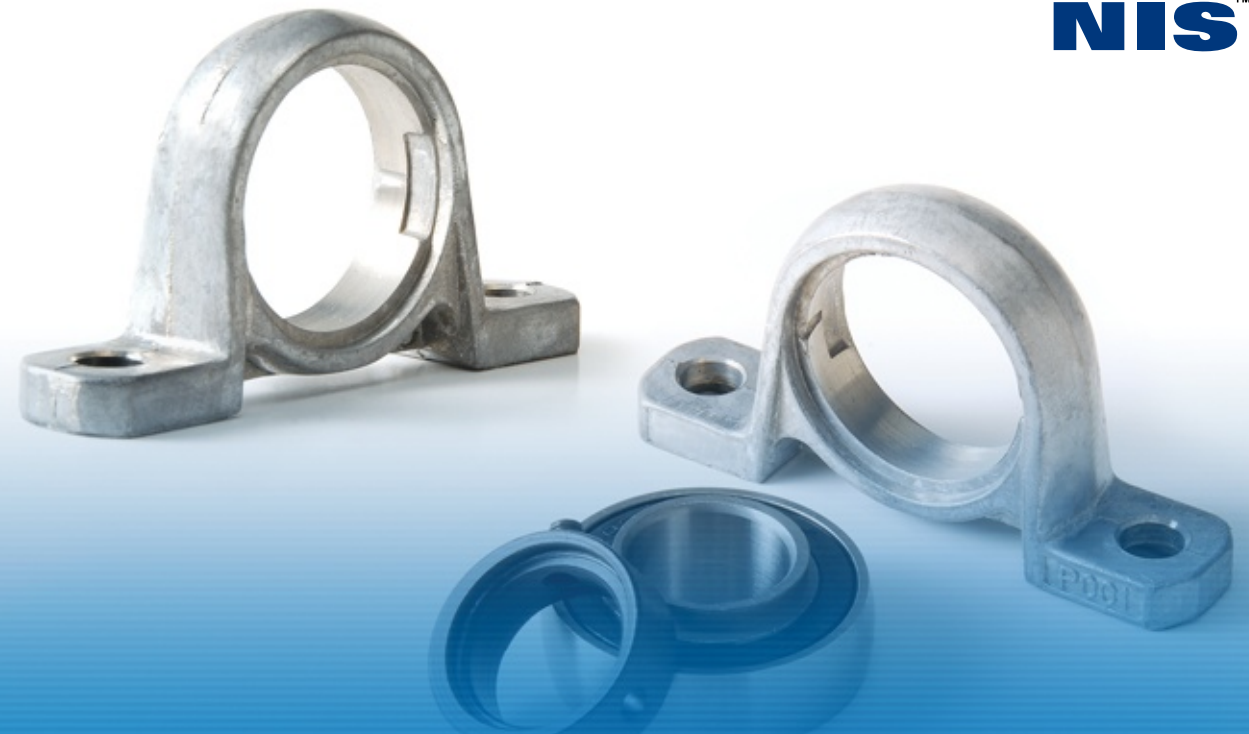
Shaft Dia.	Unit Number	Basic Dimensions								
		mm		inch						
mm inch		H	J	A ₁	N	A	L	B ₁	S	H ₂
12	AELPFL201	81	63.5	4	7.1	14	59	28.6	6.5	49
1/2	AELPFL201-008	3 3/16	2 1/2	0.157	9/32	9/16	2 5/16	1.126	0.256	1 59/64
15	AELPFL202	81	63.5	4	7.1	14	59	28.6	6.5	49
9/16	AELPFL202-009	3 3/16	2 1/2	0.157	9/32	9/16	2 5/16	1.126	0.256	1 59/64
5/8	AELPFL202-010	3 3/16	2 1/2	0.157	9/32	9/16	2 5/16	1.126	0.256	1 59/64
17	AELPFL203	81	63.5	4	7.1	14	59	28.6	6.5	49
11/16	AELPFL203-011	3 3/16	2 1/2	0.157	9/32	9/16	2 5/16	1.126	0.256	1 59/64
20	AELPFL204	90	71.5	4	9	16	67	31	7.5	56
3/4	AELPFL204-012	3 17/32	2 13/16	0.157	23/64	5/8	2 5/8	1.220	0.295	2 13/64
25	AELPFL205	95	76	4	9	18	71	31	7.5	60
13/16	AELPFL205-013	3 3/4	2 63/64	0.157	23/64	23/32	2 25/32	1.220	0.295	2 23/64
7/8	AELPFL205-014	3 3/4	2 63/64	0.157	23/64	23/32	2 25/32	1.220	0.295	2 23/64
15/16	AELPFL205-015	3 3/4	2 63/64	0.157	23/64	23/32	2 25/32	1.220	0.295	2 23/64
1	AELPFL205-100	3 3/4	2 63/64	0.157	23/64	23/32	2 25/32	1.220	0.295	2 23/64
30	AELPFL206	113	90.5	5.2	11	18	84	35.7	9	71
1 1/16	AELPFL206-101	4 7/16	3 9/16	0.205	7/16	23/32	3 5/16	1.406	0.354	2 51/64
1 1/8	AELPFL206-102	4 7/16	3 9/16	0.205	7/16	23/32	3 5/16	1.406	0.354	2 51/64
1 3/16	AELPFL206-103	4 7/16	3 9/16	0.205	7/16	23/32	3 5/16	1.406	0.354	2 51/64
1 1/4	AELPFL206-104	4 7/16	3 9/16	0.205	7/16	23/32	3 5/16	1.406	0.354	2 51/64
35	AELPFL207	122	100	5.2	11	20	94	38.9	9.5	81
1 1/4	AELPFL207-104	4 13/16	3 15/16	0.205	7/16	25/32	3 11/16	1.531	0.374	3 3/16
1 5/16	AELPFL207-105	4 13/16	3 15/16	0.205	7/16	25/32	3 11/16	1.531	0.374	3 3/16
1 3/8	AELPFL207-106	4 13/16	3 15/16	0.205	7/16	25/32	3 11/16	1.531	0.374	3 3/16
1 7/16	AELPFL207-107	4 13/16	3 15/16	0.205	7/16	25/32	3 11/16	1.531	0.374	3 3/16
40	AELPFL208	148	119	6.8	13.5	21	100	43.7	11	91
1 1/2	AELPFL208-108	5 13/16	4 11/16	0.268	17/32	13/16	3 15/16	1.720	0.433	3 37/64
1 9/16	AELPFL208-109	5 13/16	4 11/16	0.268	17/32	13/16	3 15/16	1.720	0.433	3 37/64



Flanged Units Pressed Steel Housing (2 Bolt-Oval)

Bolt Size	Bearing Number	Housing Number	Mass
mm inch			kg/lbs
M6	AEL201	PFL203	0.2
1/4	AEL201-008	PFL203	0.4
M6	AEL202	PFL203	0.2
1/4	AEL202-009	PFL203	0.4
	AEL202-010	PFL203	0.4
M6	AEL203	PFL203	0.1
1/4	AEL203-011	PFL203	0.2
M8	AEL204	PFL204	0.3
5/16	AEL204-012	PFL204	0.7
M8	AEL205	PFL205	0.3
	AEL205-013	PFL205	0.7
	AEL205-014	PFL205	0.7
	AEL205-015	PFL205	0.7
	AEL205-100	PFL205	0.7
M10	AEL206	PFL206	0.5
	AEL206-101	PFL206	1.1
	AEL206-102	PFL206	1.1
	AEL206-103	PFL206	1.1
	AEL206-104	PFL206	1.1
M10	AEL207	PFL207	0.7
	AEL207-104	PFL207	1.5
	AEL207-105	PFL207	1.5
	AEL207-106	PFL207	1.5
	AEL207-107	PFL207	1.5
M12	AEL208	PFL208	1.0
1/2	AEL208-108	PFL208	2.2
	AEL208-109	PFL208	2.2





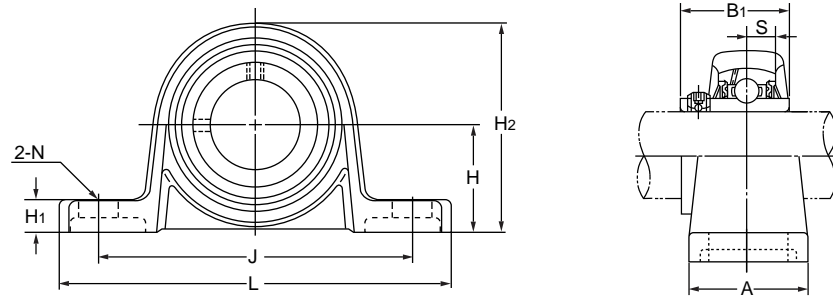
Pillow Block Zinc Alloy Housing

	Page
8.01 Eccentric Locking Collar Type - UP Series	269
8.02 Set Screw Type - KP Series	270

Pillow Block Zinc Alloy Housing



■ Eccentric Locking Collar Type - UP Series

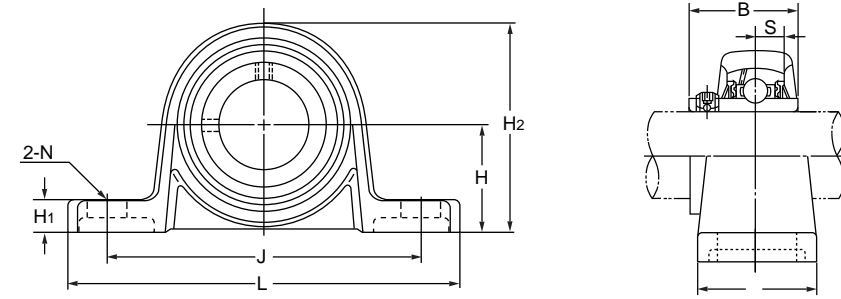


Shaft Dia. d (mm)	Bearing Unit No.	Dimensions (mm)									Bolt Used
		H	L	J	A	N	H ₁	H ₂	B ₁	S	
8	UP08	15	55	42	13	4.8	5	29	15	3.5	M4
10	UP000	18	67	53	16	7	6	35	17.5	4	M6
12	UP001	19	71	56	16	7	6	38	17.5	4	M6
15	UP002	22	80	63	16	7	7	43	18.5	4.5	M6
17	UP003	24	85	67	18	7	7	47	20.5	5	M6
20	UP004	28	100	80	20	10	9	55	24.5	6	M8
25	UP005	32	112	90	20	10	10	62	25.5	6	M8
30	UP006	36	132	106	26	13	11	70	26.5	6.5	M10



Pillow Block Zinc Alloy Housing

■ Set Screw Type - KP Series



Shaft Dia. d (mm)	Bearing Unit No.	Dimensions (mm)									Bolt Used
		H	L	J	A	N	H ₁	H ₂	B	S	
10	UP000	18	67	53	16	7	6	35	14	4	M6
12	UP001	19	71	56	16	7	6	38	14.5	4	M6
15	UP002	22	80	63	16	7	7	43	16.5	4.5	M6
17	UP003	24	85	67	18	7	7	47	17.5	5	M6
20	UP004	28	100	80	20	10	9	55	21	6	M8
25	UP005	32	112	90	20	10	10	62	22.5	6	M8
30	UP006	36	132	106	26	13	11	70	24.5	6.5	M10



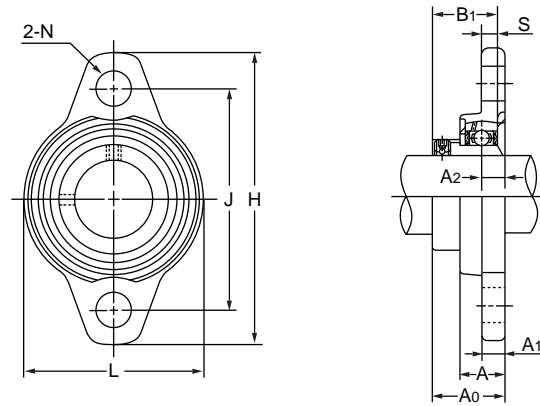
Flanged Unit Zinc Alloy Housing

	Page
9.01 Eccentric Locking Collar Type - UFL Series	273
9.02 Set Screw Type - KFL Series	274

Flanged Unit Zinc Alloy Housing



■ Eccentric Locking Collar Type - UFL Series

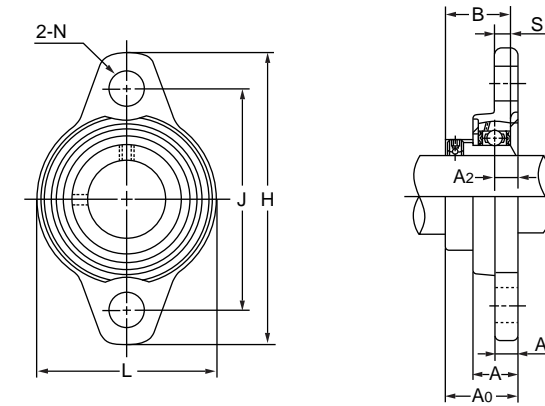


Shaft Dia. d (mm)	Bearing Unit No.	Dimensions (mm)										Bolt Used
		H	J	A ₁	A ₂	A	N	L	A ₀	B ₁	S	
8	UFL08	48	37	4.5	4	8.5	4.8	27	16	15	3.5	M4
10	UFL000	60	45	5.5	5.5	11.5	7	36	19	17.5	4	M6
12	UFL001	63	48	5.5	5.5	11.5	7	38	19	17.5	4	M6
15	UFL002	67	53	6.5	6.5	13	7	42	20.5	18.5	4.5	M6
17	UFL003	71	56	7	7	14	7	46	22.5	20.5	5	M6
20	UFL004	90	71	8	8	16	10	55	26.5	24.5	6	M8
25	UFL005	95	75	8	8	16	10	60	27.5	25.5	6	M8
30	UFL006	112	85	9	9	18	13	70	29	26.5	6.5	M10
35	UFL007	122	95	10	10	20	13	80	32.5	29.5	7	M10



Flanged Unit Zinc Alloy Housing

■ Set Screw Type - KFL Series



Shaft Dia. d (mm)	Bearing Unit No.	Dimensions (mm)										Bolt Used
		H	J	A ₁	A ₂	A	N	L	A ₀	B	S	
10	KFL000	60	45	5.5	5.5	11.5	7	36	15.5	14	4	M6
12	KFL001	63	48	5.5	5.5	11.5	7	38	16	14.5	4	M6
15	KFL002	67	53	6.5	6.5	13	7	42	18.6	16.5	4.5	M6
17	KFL003	71	56	7	7	14	7	46	19.5	17.5	5	M6
20	KFL004	90	71	8	8	16	10	55	23	21	6	M8
25	KFL005	95	75	8	8	16	10	60	24.5	22.5	6	M8
30	KFL006	112	85	9	9	18	13	70	27	24.5	6.5	M10

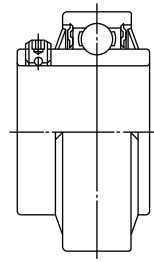
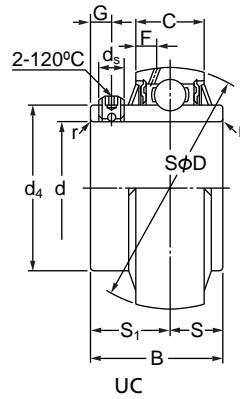


Ball Bearing Insert

	Page
10.01 Set Screw Type - UC 200, RB 200 Series	277
10.02 Set Screw Type - UCX Series	283
10.03 Set Screw Type - UC 300, RB 300 Series	285
10.04 Set Screw Type - AS 200 Series, ASS 200 Series	291
10.05 Eccentric Locking Collar Type - UEL 200, UELS 200 Series	293
10.06 Eccentric Locking Collar Type - UEL 300, UELS 300 Series	297
10.07 Eccentric Locking Collar Type - AEL 200, AELS 200 Series	303
10.08 Adapter Type - UK 200 Series	305
10.09 Adapter Type - UKX Series	309
10.10 Adapter Type - UK 300 Series	313

10.00

■ Set Screw Type - UC 200, RB 200 Series



UC

RB

Shaft Dia. mm inch	Bearing Number		Basic Dimensions						
	UC Series	RB Series	d	D	B	C	mm rs min.	inch S	S ₁
12 1/2	UC201 UC201-008	RB201 RB201-008	12 0.5000	47 1.8504	31 1.2205	17 0.6693	0.6 0.024	12.7 0.500	18.3 0.720
15 9/16 5/8	UC202 UC202-009 UC202-010	RB202 RB202-009 RB202-010	15 0.5625 0.6250	47 1.8504	31 1.2205	17 0.6693	0.6 0.024	12.7 0.500	18.3 0.720
17 11/16	UC203 UC203-011	RB203 RB203-011	17 0.6875	47 1.8504	31 1.2205	17 0.6693	0.6 0.024	12.7 0.500	18.3 0.720
20 3/4	UC204 UC204-012	RB204 RB204-012	20 0.7500	47 1.8504	31 1.2205	17 0.6693	1 0.039	12.7 0.500	18.3 0.720
25 13/16 7/8 15/16 1	UC205 UC205-013 UC205-014 UC205-015 UC205-100	RB205 RB205-013 RB205-014 RB205-015 RB205-100	25 0.8125 0.8750 0.9375 1.0000	52 2.0472	34.1 1.3425	17 0.6693	1 0.039	14.3 0.563	19.8 0.780
30 1 1/16 1 1/8 1 3/16 1 1/4	UC206 UC206-101 UC206-102 UC206-103 UC206-104	RB206 RB206-101 RB206-102 RB206-103 RB206-104	30 1.0625 1.1250 1.1875 1.2500	62 2.4409	38.1 1.5000	19 0.7480	1 0.039	15.9 0.626	22.2 0.874
35 1 1/4 1 5/16 1 3/8 1 7/16	UC207 UC207-104 UC207-105 UC207-106 UC207-107	RB207 RB207-104 RB207-105 RB207-106 RB207-107	35 1.2500 1.3125 1.3750 1.4375	72 2.8346	42.9 1.6890	20 0.7874	1.5 0.059	17.5 0.689	25.4 1.000
40 1 1/2 1 9/16	UC208 UC208-108 UC208-109	RB208 RB208-108 RB208-109	40 1.5000 1.5625	80 3.1496	49.2 1.9370	21 0.8268	1.5 0.059	19 0.748	30.2 1.189
45 1 5/8 1 11/16 1 3/4	UC209 UC209-110 UC209-111 UC209-112	RB209 RB209-110 RB209-111 RB209-112	45 1.6250 1.6875 1.7500	85 3.3465	49.2 1.9370	22 0.8661	1.5 0.059	19 0.748	30.2 1.189

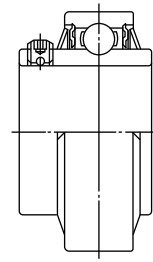
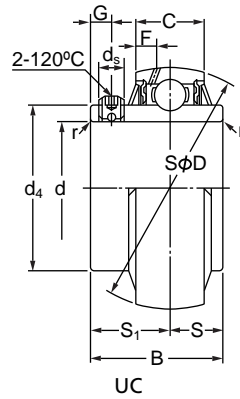
* Denotation
UC : Chrome Steel Bearing Inserts.
RB : Stainless Steel Bearing Inserts.

				Basic Load Ratings		Mass
G	ds	d ₄	F	Dynamic C	Static C ₀	kg/lbs
4.5 0.177	M5 X 0.8 No.10-32UNF	29.6 1.1654	4.7 0.185	11520 2601	5985 1350	0.21 0.46
4.5 0.177	M5 X 0.8 No.10-32UNF	29.6 1.1654	4.7 0.185	11520 2601	5985 1350	0.20 0.44 0.42
4.5 0.177	M5 X 0.8 No.10-32UNF	29.6 1.1654	4.7 0.185	11520 2601	5985 1350	0.18 0.39
4.5 0.177	M5 X 0.8 No.10-32UNF	29.6 1.1654	4.7 0.185	11520 2601	5985 1350	0.17 0.39
5 0.197	M5 X 0.8 No.10-32UNF	33.9 1.3346	4.5 0.177	12600 2835	7065 1593	0.20 0.53 0.51 0.46 0.44
5 0.197	M6 X 0.75 1/4-28UNF	40.8 1.6063	4.6 0.181	17550 3960	10170 2286	0.33 0.82 0.77 0.73 0.66
6 0.236	M6 X 0.75 1/4-28UNF	46.8 1.8425	4.6 0.181	23130 5175	13770 3105	0.49 1.21 1.15 1.08 1.01
8 0.315	M8 X 1 5/16-24UNF	53 2.0866	4.5 0.177	26190 5895	16020 3600	0.65 1.52 1.46
8 0.315	M8 X 1 5/16-24UNF	57.5 2.2638	4.9 0.193	29250 6615	18360 4140	0.70 1.76 1.68 1.57

10.01

10.01

■ Set Screw Type - UC 200, RB 200 Series



UC

RB

Shaft Dia. mm inch	Bearing Number		Basic Dimensions						
	UC Series	RB Series	d	D	B	C	mm rs min.	inch S	S ₁
50	UC210	RB210	50	90	51.6	24	1.5	19	32.6
1 13/16	UC210-113	RB210-113	1.8125						
1 7/8	UC210-114	RB210-114	1.8750	3.5433	2.0315	0.9449	0.059	0.748	1.283
1 15/16	UC210-115	RB210-115	1.9375						
2	UC210-200	RB210-200	2.0000						
55	UC211	RB211	55	100	55.6	25	2	22.2	33.4
2	UC211-200	RB211-200	2.0000						
2 1/16	UC211-201	RB211-201	2.0625	3.9370	2.1890	0.9843	0.079	0.874	1.315
2 1/8	UC211-202	RB211-202	2.1250						
2 3/16	UC211-203	RB211-203	2.1875						
60	UC212	RB212	60	110	65.1	27	2	25.4	39.7
2 1/4	UC212-204	RB212-204	2.2500						
2 5/16	UC212-205	RB212-205	2.3125	4.3307	2.5630	1.0630	0.079	1.000	1.563
2 3/8	UC212-206	RB212-206	2.3750						
2 7/16	UC212-207	RB212-207	2.4375						
65	UC213	RB213	65	120	65.1	32	2	25.4	39.7
2 1/2	UC213-208	RB213-208	2.5000	4.7244	2.5630	1.2598	0.079	1.000	1.563
2 9/16	UC213-209	RB213-209	2.5625						
70	UC214	RB214	70	125	74.6	33	2	30.2	44.4
2 5/8	UC214-210	RB214-210	2.6250						
2 11/16	UC214-211	RB214-211	2.6875	4.9213	2.9370	1.2992	0.079	1.189	1.748
2 3/4	UC214-212	RB214-212	2.7500						
75	UC215	RB215	75	130	77.8	34	2	33.3	44.5
2 13/16	UC215-213	RB215-213	2.8125						
2 7/8	UC215-214	RB215-214	2.8750	5.1181	3.0630	1.3386	0.079	1.311	1.752
2 15/16	UC215-215	RB215-215	2.9375						
3	UC215-300	RB215-300	3.0000						
80	UC216	RB216	80	140	82.6	35	2.5	33.3	49.3
3 1/16	UC216-301	RB216-301	3.0625						
3 1/8	UC216-302	RB216-302	3.1250	5.5118	3.2520	1.3780	0.098	1.311	1.941
3 3/16	UC216-303	RB216-303	3.1875						

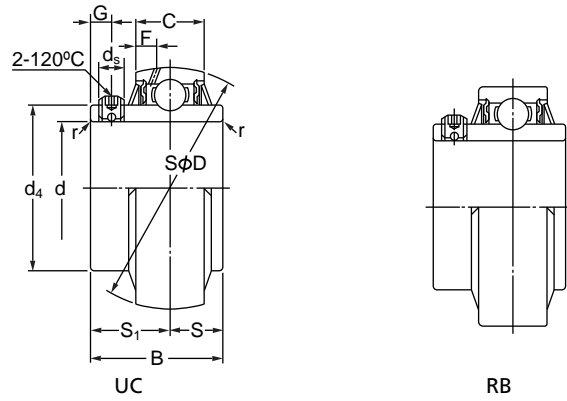
* Denotation
UC : Chrome Steel Bearing Inserts.
RB : Stainless Steel Bearing Inserts.

				Basic Load Ratings		Mass
G	ds	d ₄	F	Dynamic C	Static C ₀	kg/lbs
9	M8 X 1	62.4	5.9	31500	20880	0.80
						2.03
0.354	5/16-24UNF	2.4567	0.232	7110	4680	1.92
						1.81
						1.69
9	M8 X 1	69	6.0	39150	26280	1.08
						2.71
0.354	5/16-24UNF	2.7165	0.236	8775	5895	2.60
						2.46
						2.34
10	M10 X 1.25	77	6.2	47250	32400	1.53
						3.66
0.394	3/8-24UNF	3.0315	0.244	10620	7335	3.50
						3.33
						3.17
10	M10 X 1.25	82.5	8.7	51750	36000	1.85
						4.26
0.394	3/8-24UNF	3.2480	0.343	11610	8100	4.09
12	M10 X 1.25	87	8.8	55800	39600	2.10
						5.09
0.472	3/8-24UNF	3.4252	0.346	12600	8910	4.87
						4.65
12	M10 X 1.25	93	9.0	59400	44550	2.35
						5.73
0.472	3/8-24UNF	3.6614	0.354	13410	9990	5.49
						5.25
						4.98
12	M10 X 1.25	98.1	9.5	65250	47700	2.80
						6.57
0.472	3/8-24UNF	3.8622	0.374	14670	10710	6.28
						6.00

10.01

10.01

■ Set Screw Type - UC 200, RB 200 Series

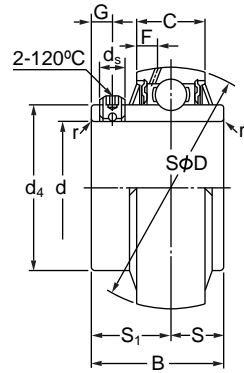


Shaft Dia.	Bearing Number		Basic Dimensions						
	UC Series	RB Series	d	D	B	C	mm rs min.	inch S	S ₁
85	UC217	RB217	85	150	85.7	36	2.5	34.1	51.6
3 1/4	UC217-304	RB217-304	3.2500						
3 5/16	UC217-305	RB217-305	3.3125	5.9055	3.3740	1.4173	0.098	1.343	2.031
3 7/16	UC217-307	RB217-307	3.4375						
90	UC218	RB218	90	160	96	37	2.5	39.7	56.3
3 1/2	UC218-308	RB218-308	3.5000	6.2992	3.7795	1.4570	0.098	1.563	2.217

* Denotation
UC : Chrome Steel Bearing Inserts.
RB : Stainless Steel Bearing Inserts.

G	ds	d ₄	F	Basic Load Ratings		Mass
				Dynamic C	Static C ₀	kg/lbs
12	M12 X 1.5	106.4	10.1	75150	57600	3.37
0.472	1/2-20UNF	4.1890	0.398	16830	12870	7.92
						7.60
						6.97
12	M12 X 1.5	111.6	9.8	86400	64350	4.36
0.472	1/2-20UNF	4.3937	0.386	19440	14490	9.88

■ Set Screw Type - UCX 200 Series

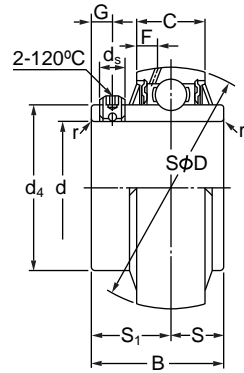


Shaft Dia. mm inch	Bearing Number UC Series	Basic Dimensions							
		d	D	B	C	r _s min.	S mm inch	S ₁	G
65 2 1/2 2 9/16	UCX13 UCX13-208 UCX13-209	65 2.5000 2.5625	125 4.9213	74.6 2.9370	33 1.2992	2 0.079	30.2 1.189	44.4 1.748	12 0.472
70 2 5/8 2 11/16 2 3/4	UCX14 UCX14-210 UCX14-211 UCX14-212	70 2.6250 2.6875 2.7500	130 5.1181	77.8 3.0630	34 1.3386	2 0.079	33.3 1.311	44.5 1.752	12 0.472
75 2 13/16 2 7/8 2 15/16 3	UCX15 UCX15-213 UCX15-214 UCX15-215 UCX15-300	75 2.8125 2.8750 2.9375 3.0000	140 5.5118	82.6 3.2520	35 1.3780	2 0.079	33.3 1.311	49.3 1.941	12 0.472
80 3 1/16 3 1/8 3 3/16	UCX16 UCX16-301 UCX16-302 UCX16-303	80 3.0625 3.1250 3.1875	150 5.9055	85.7 3.3740	36 1.4173	2.5 0.098	34.1 1.343	51.6 2.031	12 0.472
85 3 5/16 3 7/16	UCX17 UCX17-305 UCX17-307	85 3.3125 3.4375	160 6.2992	96 3.7795	37 1.4567	2.5 0.098	39.7 1.563	56.3 2.217	12 0.472
90 3 7/16 3 1/2	UCX18 UCX18-307 UCX18-308	90 3.4375 3.5000	170 6.6929	104 4.0945	39 1.5354	2.5 0.098	42.9 1.689	61.1 2.406	14 0.551
100 3 13/16 3 7/8 3 15/16 4	UCX20 UCX20-313 UCX20-314 UCX20-315 UCX20-400	100 3.8125 3.8750 3.9375 4.0000	190 7.4803	117.5 4.6260	44 1.7323	2.5 0.098	49.2 1.937	68.3 2.689	16 0.630

ds	d ₄	F	Basic Load Ratings		Mass
			Dynamic C	Static C ₀	kg/lbs
M12 X 1.5 1/2-20UNF	87 3.4252	8.8 0.346	55800 12600	39600 8910	2.45 5.60 5.38
M12 X 1.5 1/2-20UNF	93 3.6614	9.0 0.354	59400 13410	44550 9990	2.47 5.93 5.69 5.47
M12 X 1.5 1/2-20UNF	98.1 3.8622	9.5 0.374	65250 14670	47700 10710	3.11 7.43 7.19 6.92 6.66
M12 X 1.5 1/2-20UNF	106.4 4.1890	10.1 0.398	75150 16830	57600 12870	3.79 8.75 8.47 8.18
M12 X 1.5 1/2-20UNF	111.6 4.3937	9.8 0.386	86400 19440	64350 14490	4.82 10.8 10.1
M14 X 1.5 9/16-18UNF	118.2 4.6535	10.5 0.413	98100 22050	73800 16560	5.51 13.3 12.4
M16 X 1.5 5/8-18UNF	131.3 5.1693	11.3 0.445	119700 26910	94500 21150	8.95 18.8 18.4 19.7 19.2



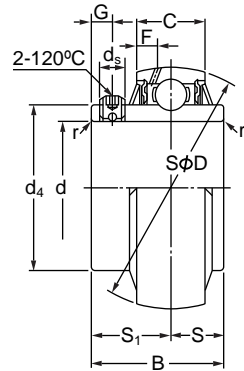
■ Set Screw Type - UC 300, RB 300 Series



Shaft Dia. mm inch	Bearing Number		Basic Dimensions						
	UC Series	RB Series	d	D	B	C	mm rs min.	inch S	S ₁
25	UC305	RB305	25	62	38	20	1.5	15	23
13/16	UC305-013	RB305-013	0.8125						
7/8	UC305-014	RB305-014	0.8750	2.4409	1.4961	0.7874	0.059	0.591	0.906
15/16	UC305-015	RB305-015	0.9375						
1	UC305-100	RB305-100	1.0000						
30	UC306	RB306	30	72	43	23	1.5	17	26
1 1/16	UC306-101	RB306-101	1.0625						
1 1/8	UC306-102	RB306-102	1.1250	2.8346	1.6929	0.9055	0.059	0.669	1.024
1 3/16	UC306-103	RB306-103	1.1875						
35	UC307	RB307	35	80	48	25	2	19	29
1 1/4	UC307-104	RB307-104	1.2500						
1 5/16	UC307-105	RB307-105	1.3125	3.1496	1.8898	0.9843	0.079	0.748	1.142
1 3/8	UC307-106	RB307-106	1.3750						
1 7/16	UC307-107	RB307-107	1.4375						
40	UC308	RB308	40	90	52	27	2	19	33
1 1/2	UC308-108	RB308-108	1.5000						
1 9/16	UC308-109	RB308-109	1.5625	3.5433	2.0472	1.0630	0.079	0.748	1.299
45	UC309	RB309	45	100	57	29	2	22	35
1 5/8	UC309-110	RB309-110	1.6250						
1 11/16	UC309-111	RB309-111	1.6875	3.9370	2.2441	1.1417	0.079	0.866	1.378
1 3/4	UC309-112	RB309-112	1.7500						
50	UC310	RB310	50	110	61	32	2.5	22	39
1 13/16	UC310-113	RB310-113	1.8125						
1 7/8	UC310-114	RB310-114	1.8750	4.3307	2.4016	1.2598	0.098	0.866	1.535
1 15/16	UC310-115	RB310-115	1.9375						
55	UC311	RB311	55	120	66	34	2.5	25	41
2	UC311-200	RB311-200	2.0000						
2 1/16	UC311-201	RB311-201	2.0625	4.7244	2.5984	1.3386	0.098	0.984	1.614
2 1/8	UC311-202	RB311-202	2.1250						
2 3/16	UC311-203	RB311-203	2.1875						

				Basic Load Ratings		Mass
G	ds	d ₄	F	Dynamic C	Static C ₀	kg/lbs
6	M6 X 0.75	36.8	5.0	19080	9810	0.35
						0.88
0.236	1/4-28UNF	1.4488	0.197	4275	2214	0.84
						0.79
						0.77
6	M6 X 0.75	44.9	5.9	24030	13500	0.56
						1.34
0.236	1/4-28UNF	1.7677	0.232	5400	3060	1.28
						1.23
8	M8 X 1	49.4	6.8	30150	17190	0.71
						1.70
0.315	5/16-24UNF	1.9449	0.268	6750	3870	1.63
						1.57
						1.50
10	M10 X 1.25	56	7.4	36450	21600	0.96
						2.23
0.394	3/8-24UNF	2.2047	0.291	8235	4860	2.14
10	M10 X 1.25	63.5	7.4	47700	28800	1.28
						3.06
0.394	3/8-24UNF	2.5000	0.291	10710	6480	2.98
						2.87
12	M12 X 1.5	70.6	8.1	55800	34650	1.65
						3.95
0.472	1/2-20UNF	2.7795	0.319	12510	7740	3.84
						3.70
12	M12 X 1.5	76.6	8.5	64350	40500	2.07
						4.96
0.472	1/2-20UNF	3.0157	0.335	14490	9090	4.81
						4.67
						4.50

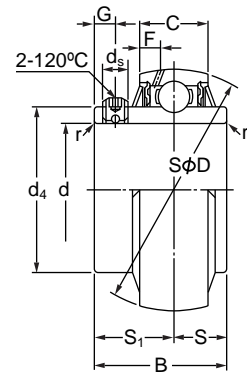
■ Set Screw Type - UC 300, RB 300 Series



Shaft Dia. mm inch	Bearing Number		Basic Dimensions						
	UC Series	RB Series	d	D	B	C	mm rs min.	inch S	S ₁
60 2 1/4	UC312 UC312-204	RB312 RB312-204	60 2.2500	130 5.1181	71 2.7953	36 1.4173	2.5 0.098	26 1.024	45 1.772
2 5/16	UC312-205	RB312-205	2.3125						
2 3/8	UC312-206	RB312-206	2.3750						
2 7/16	UC312-207	RB312-207	2.4375						
65 2 1/2	UC313 UC313-208	RB313 RB313-208	65 2.5000	140 5.5118	75 2.9528	39 1.5354	2.5 0.098	30 1.181	45 1.772
2 9/16	UC313-209	RB313-209	2.5625						
70 2 5/8	UC314 UC314-210	RB314 RB314-210	70 2.6250	150 5.9055	78 3.0709	41 1.6142	2.5 0.098	33 1.299	45 1.772
2 11/16	UC314-211	RB314-211	2.6875						
2 3/4	UC314-212	RB314-212	2.7500						
75 2 13/16	UC315 UC315-213	RB315 RB315-213	75 2.8125	160 6.2992	82 3.2283	43 1.6929	2.5 0.098	32 1.260	50 1.969
2 7/8	UC315-214	RB315-214	2.8750						
2 15/16	UC315-215	RB315-215	2.9375						
3	UC315-300	RB315-300	3.0000						
80 3 1/16	UC316 UC316-301	RB316 RB316-301	80 3.0625	170 6.6929	86 3.3858	45 1.7717	2.5 0.098	34 1.339	52 2.047
3 1/8	UC316-302	RB316-302	3.1250						
3 3/16	UC316-303	RB316-303	3.1875						
85 3 1/4	UC317 UC317-304	RB317 RB317-304	85 3.2500	180 7.0866	96 3.7795	47 1.8504	3 0.118	40 1.575	56 2.205
3 5/16	UC317-305	RB317-305	3.3125						
3 7/16	UC317-307	RB317-307	3.4375						
90 3 7/16	UC318 UC318-307	RB318 RB218-307	90 3.4375	190 7.4803	96 3.7795	49 1.9291	3 0.118	40 1.575	56 2.205
3 1/2	UC318-308	RB218-308	3.5000						
95 3 5/8	UC319 UC319-310	RB319 RB319-310	95 3.6250	200 7.8740	103 4.0551	51 2.0079	3 0.118	41 1.614	62 2.441
3 11/16	UC319-311	RB319-311	3.6875						
3 3/4	UC319-312	RB319-312	3.7500						

				Basic Load Ratings		Mass
G	ds	d ₄	F	Dynamic C	Static C ₀	kg/lbs
12	M12 X 1.5	82.7	9.0	73800	46800	2.60 6.06
0.472	1/2-20UNF	3.2559	0.354	16560	10530	5.89 5.68 5.51
12	M12 X 1.5	88.2	10.1	83250	54000	3.25 7.36
0.472	1/2-20UNF	3.4724	0.398	18720	12060	7.14
12	M12 X 1.5	94.8	10.5	93600	61200	3.89 9.06
0.472	1/2-20UNF	3.7323	0.413	21060	13770	8.82 8.60
14	M14 X 1.5	101.3	11.0	101700	69300	4.72 11.0
0.551	9/16-18UNF	3.9882	0.433	22950	15660	10.7 10.5 10.2
14	M14 X 1.5	107.9	11.4	110700	77850	5.55 12.6
0.551	9/16-18UNF	4.248	0.449	24840	17550	12.3 12.1
16	M16 X 1.5	114.4	12.0	119700	87300	6.67 15.2
0.630	5/8-18UNF	4.5039	0.472	26820	19620	14.9 14.2
16	M16 X 1.5	120.9	12.3	128700	96300	7.56 17.3
0.630	5/8-18UNF	4.7598	0.484	28800	21690	16.9
16	M16 X 1.5	127.5	12.8	137700	107100	8.70 19.9
0.630	5/8-18UNF	5.0197	0.504	31050	23940	19.5 19.1

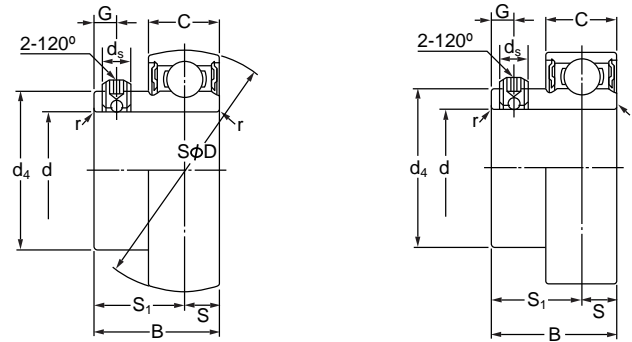
■ Set Screw Type - UC 300, RB 300 Series



Shaft Dia.	Bearing Number		Basic Dimensions						
	UC Series	RB Series	d	D	B	C	mm rs min.	inch S	S ₁
100	UC320	RB320	100	215	108	55	3	42	66
3 13/16	UC320-313	RB320-313	3.8125						
3 7/8	UC320-314	RB320-314	3.8750	8.4646	4.2520	2.1654	0.118	1.654	2.598
3 15/16	UC320-315	RB320-315	3.9375						
4	UC320-400	RB320-400	4.0000						
105	UC321	RB321	105	225	112	57	3	44	68
110	UC322	RB322	110	240	117	59	3	46	71
120	UC324	RB324	120	260	126	63	3	51	75
130	UC326	RB326	130	280	135	67	4	54	81
140	UC328	RB328	140	300	145	71	4	59	86

G	ds	d ₄	F	Basic Load Ratings		Mass
				Dynamic C	Static C ₀	kg/lbs
18	M18 X 1.5	135.6	13.5	155700	126900	10.8
						24.7
0.709	5/8-18UNF	5.3386	0.531	35100	28350	24.2
						23.8
						23.4
18	M18 X 1.5	142.1	13.9	165600	137700	12.2
18	M18 X 1.5	151.7	13.9	184500	161100	14.3
18	M18 X 1.5	165.2	16.0	186300	166500	18.5
20	M20 X 1.5	178.3	16.9	206100	192600	23.0
20	M20 X 1.5	190.4	17.7	227700	221400	28.5

■ Set Screw Type - AS 200 Series, ASS 200 Series



Shaft Dia.	Bearing Number		Basic Dimensions						
	AS Series	ASS Series	d	D	B	C	mm rs min.	inch S	S ₁
12	AS201	ASS201	12	40	22	12	0.6	6	16
1/2	AS201-008	ASS201-008	0.5000	1.5748	0.8661	0.4724	0.024	0.236	0.630
15	AS202	ASS202	15	40	22	12	0.6	6	16
9/16	AS202-009	ASS202-009	0.5625	1.5748	0.8661	0.4724	0.024	0.236	0.630
5/8	AS202-010	ASS202-010	0.6250	1.5748	0.8661	0.4724	0.024	0.236	0.630
17	AS203	ASS203	17	40	22	12	0.6	6	16
11/16	AS203-011	ASS203-011	0.6875	1.5748	0.8661	0.4724	0.024	0.236	0.630
20	AS204	ASS204	20	47	25	14	1	7	18
3/4	AS204-012	ASS204-012	0.7500	1.8504	0.9843	0.5512	0.039	0.276	0.709
25	AS205	ASS205	25	52	27	15	1	7.5	19.5
13/16	AS205-013	ASS205-013	0.8125	2.0472	1.0630	0.5906	0.039	0.295	0.768
7/8	AS205-014	ASS205-014	0.8750	2.0472	1.0630	0.5906	0.039	0.295	0.768
15/16	AS205-015	ASS205-015	0.9375	2.0472	1.0630	0.5906	0.039	0.295	0.768
1	AS205-100	ASS205-100	1.0000	2.0472	1.0630	0.5906	0.039	0.295	0.768
30	AS206	ASS206	30	62	29	16	1	8	21
1 1/16	AS206-101	ASS206-101	1.0625	2.4409	1.1417	0.6299	0.039	0.315	0.827
1 1/8	AS206-102	ASS206-102	1.1250	2.4409	1.1417	0.6299	0.039	0.315	0.827
1 3/16	AS206-103	ASS206-103	1.1875	2.4409	1.1417	0.6299	0.039	0.315	0.827
1 1/4	AS206-104	ASS206-104	1.2500	2.4409	1.1417	0.6299	0.039	0.315	0.827
35	AS207	ASS207	35	72	34	17	1.5	8.5	25.5
1 1/4	AS207-104	ASS207-104	1.2500	2.8346	1.3386	0.6693	0.059	0.335	1.004
1 5/16	AS207-105	ASS207-105	1.3125	2.8346	1.3386	0.6693	0.059	0.335	1.004
1 3/8	AS207-106	ASS207-106	1.3750	2.8346	1.3386	0.6693	0.059	0.335	1.004
1 7/16	AS207-107	ASS207-107	1.4375	2.8346	1.3386	0.6693	0.059	0.335	1.004
40	AS208	ASS208	40	80	38	18	1.5	9	29
1 1/2	AS208-108	ASS208-108	1.5000	3.1496	1.4961	0.7087	0.059	0.354	1.142
1 9/16	AS208-109	ASS208-109	1.5625	3.1496	1.4961	0.7087	0.059	0.354	1.142

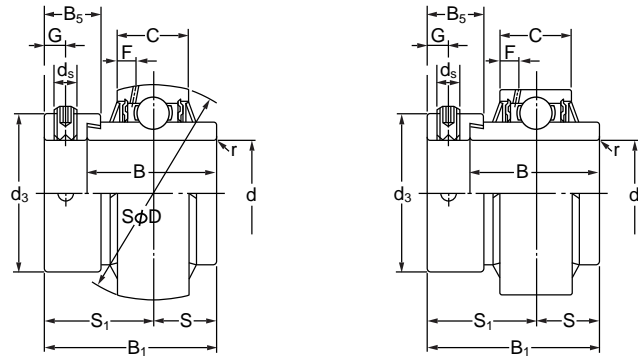
			Basic Load Ratings		Mass
G	d _s	d ₄	Dynamic C	Static C ₀	kg/lbs
4.2	M5 X 0.8	24.3	8640	4140	0.10
0.165	No.10-32UNF	0.957	1944	927	0.22
4.2	M5 X 0.8	24.3	8640	4140	0.09
0.165	No.10-32UNF	0.957	1944	927	0.21
					0.20
4.2	M5 X 0.8	24.3	8640	4140	0.08
0.165	No.10-32UNF	0.957	1944	927	0.18
4.2	M5 X 0.8	29.6	11520	5985	0.13
0.165	No.10-32UNF	1.165	2601	1350	0.29
5	M5 X 0.8	33.9	12600	7065	0.16
					0.42
0.197	No.10-32UNF	1.335	2835	1593	0.40
					0.38
					0.35
5	M6 X 0.75	40.8	17550	10170	0.25
					0.61
0.197	1/4-28UNF	1.606	3960	2286	0.59
					0.57
					0.55
6	M6 X 0.75	46.8	23130	13770	0.37
					1.06
0.236	1/4-28UNF	1.843	5175	3105	0.93
					0.81
					0.69
8	M8 X 1	53	26190	16020	0.5
					1.15
0.315	5/16-24UNF	2.087	5895	3600	1.06
					1.06



10.04

10.04

■ Eccentric Locking Collor Type - UEL 200, UELS 200 Series



Shaft Dia. mm inch	Bearing Number		Basic Dimensions						
	UEL Series	UELS Series	d	D	B ₁	B	C	r _s min.	S
20 3/4	UEL204 UEL204-012	UELS204 UELS204-012	20 0.7500	47 1.8504	43.7 1.720	34.2 1.3465	17 0.6693	1 0.039	17.1 0.673
25 13/16 7/8 15/16 1	UEL205 UEL205-013 UEL205-014 UEL205-015 UEL205-100	UELS205 UELS205-013 UELS205-014 UELS205-015 UELS205-100	25 0.8125 0.8750 0.9375 1.0000	52 2.0472	44.4 1.748	34.9 1.3740	17 0.6693	1 0.039	17.5 0.689
30 1 1/16 1 1/8 1 3/16 1 1/4	UEL206 UEL206-101 UEL206-102 UEL206-103 UEL206-104	UELS206 UELS206-101 UELS206-102 UELS206-103 UELS206-104	30 1.0625 1.1250 1.1875 1.2500	62 2.4409	48.4 1.906	36.5 1.4370	19 0.7480	1 0.039	18.3 0.720
35 1 1/4 1 5/16 1 3/8 1 7/16	UEL207 UEL207-104 UEL207-105 UEL207-106 UEL207-107	UELS207 UELS207-104 UELS207-105 UELS207-106 UELS207-107	35 1.2500 1.3125 1.3750 1.4375	72 2.8346	51.1 2.012	37.6 1.4803	20 0.7874	1.5 0.059	18.8 0.740
40 1 1/2 1 9/16	UEL208 UEL208-108 UEL208-109	UELS208 UELS208-108 UELS208-109	40 1.5000 1.5625	80 3.1496	56.3 2.217	42.8 1.6850	21 0.8268	1.5 0.059	21.4 0.843
45 1 5/8 1 11/16 1 3/4	UEL209 UEL209-110 UEL209-111 UEL209-112	UELS209 UELS209-110 UELS209-111 UELS209-112	45 1.6250 1.6875 1.7500	85 3.3465	56.3 2.217	42.8 1.6850	22 0.8661	1.5 0.059	21.4 0.843
50 1 13/16 1 7/8 1 15/16 2	UEL210 UEL210-113 UEL210-114 UEL210-115 UEL210-200	UELS210 UELS210-113 UELS210-114 UELS210-115 UELS210-200	50 1.8125 1.8750 1.9375 2.0000	90 3.5433	62.7 2.469	49.2 1.9370	24 0.9449	1.5 0.059	24.6 0.969

						Basic Load Ratings		Mass
S ₁	G	ds	d ₃	B ₅	F	Dynamic C	Static C ₀	kg/lbs
26.6 1.047	4.8 0.189	M6 X 0.75 1/4-28UNF	33 1.299	13.5 0.531	4.7 0.185	11520 2601	5985 1350	0.23 0.45
26.9 1.059	4.8 0.189	M6 X 0.75 1/4-28UNF	38 1.496	13.5 0.531	4.5 0.177	12600 2835	7065 1593	0.27 0.61 0.58 0.55 0.51
30.1 1.185	6 0.236	M8 X 1 5/16-24UNF	44.5 1.752	15.9 0.626	4.6 0.181	17550 3960	10170 2286	0.45 0.94 0.89 0.84 0.80
32.3 1.272	6.8 0.268	M10 X 1.25 3/8-24UNF	55.5 2.185	17.5 0.689	4.6 0.181	23130 5175	13770 3105	0.60 1.45 1.40 1.35 1.28
34.9 1.374	6.8 0.268	M10 X 1.25 3/8-24UNF	60 2.362	18.3 0.720	4.5 0.177	26190 5895	16020 3600	0.79 1.90 1.82
34.9 1.374	6.8 0.268	M10 X 1.25 3/8-24UNF	63.5 2.500	18.3 0.720	4.9 0.193	29250 6615	18360 4140	0.85 2.05 1.97 1.88
38.1 1.500	6.8 0.268	M10 X 1.25 3/8-24UNF	69.5 2.736	18.3 0.720	5.9 0.232	31500 7110	20880 4680	0.98 2.46 2.36 2.25 2.09

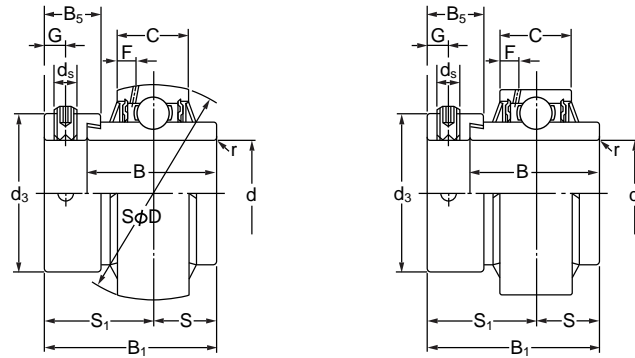
10.05

10.05

Ball Bearing Insert



■ Eccentric Locking Collor Type - UEL 200, UELS 200 Series



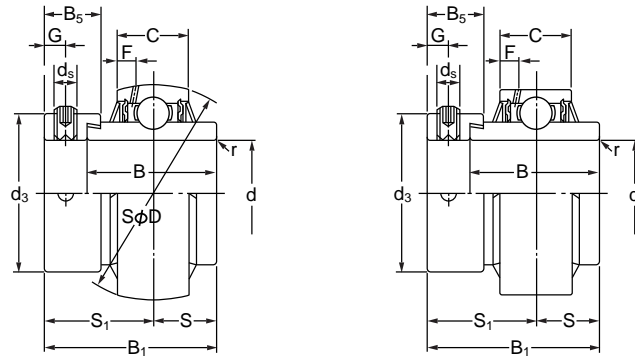
Shaft Dia. mm inch	Bearing Number		Basic Dimensions						
	UEL Series	UELS Series	d	D	B ₁	B	C	r _s min.	S
55	UEL211	UELS211	55	100	71.4	55.5	25	2	27.8
2	UEL211-200	UELS211-200	2.0000						
2 1/16	UEL211-201	UELS211-201	2.0625	3.9370	2.811	2.1850	0.9843	0.079	1.094
2 1/8	UEL211-202	UELS211-202	2.1250						
2 3/16	UEL211-203	UELS211-203	2.1875						
60	UEL212	UELS212	60	110	77.8	61.9	27	2	31
2 1/4	UEL212-204	UELS212-204	2.2500						
2 5/16	UEL212-205	UELS212-205	2.3125	4.3307	3.063	2.4370	1.0630	0.079	1.220
2 3/8	UEL212-206	UELS212-206	2.3750						
2 7/16	UEL212-207	UELS212-207	2.4375						
65	UEL213	UELS213	65	120	85.7	68.3	32	2	34.15
2 1/2	UEL213-208	UELS213-208	2.5000	4.7244	3.374	2.6890	1.2598	0.079	1.344
2 9/16	UEL213-209	UELS213-209	2.5625						
70	UEL214	UELS214	70	125	85.7	68.3	33	2	34.15
2 5/8	UEL214-210	UELS214-210	2.6250						
2 11/16	UEL214-211	UELS214-211	2.6875	4.9213	3.374	2.6890	1.2992	0.079	1.344
2 3/4	UEL214-212	UELS214-212	2.7500						
75	UEL215	UELS215	75	130	92	74.6	34	2	37.3
2 13/16	UEL215-213	UELS215-213	2.8125						
2 7/8	UEL215-214	UELS215-214	2.8750	5.1181	3.622	2.9370	1.3386	0.079	1.469
2 15/16	UEL215-215	UELS215-215	2.9375						
3	UEL215-300	UELS215-300	3.0000						



Ball Bearing Insert

						Basic Load Ratings		Mass
S ₁	G	ds	d ₃	B ₅	F	Dynamic C	Static C ₀	kg/lbs
43.6	8	M10 X 1.25	76	20.7	6.0	39150	26280	1.32
								3.28
1.717	0.315	3/8-24UNF	2.992	0.815	0.236	8775	5895	3.12
								3.02
								2.90
46.8	8	M10 X 1.25	84	22.3	6.2	47250	32400	1.87
								4.38
1.843	0.315	3/8-24UNF	3.307	0.878	0.244	10620	7335	4.22
								4.05
								3.88
51.55	8.7	M10 X 1.25	97	23.8	8.7	51750	36000	2.48
								5.47
2.030	0.343	3/8-24UNF	3.819	0.937	0.343	11610	8100	5.30
								5.18
51.55	8.7	M10 X 1.25	97	23.8	8.8	55800	39600	2.47
								5.67
2.030	0.343	3/8-24UNF	3.819	0.937	0.346	12600	8910	5.45
								5.18
54.7	8.7	M10 X 1.25	102	23.8	9.0	59400	44550	2.68
								6.39
2.154	0.343	3/8-24UNF	4.016	0.937	0.354	13410	9990	6.15
								5.91
								5.60

■ Eccentric Locking Collor Type - UEL 300, UELS 300 Series



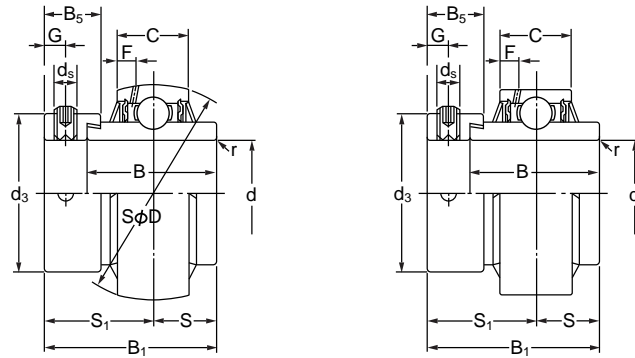
Shaft Dia. mm inch	Bearing Number		Basic Dimensions						
	UEL Series	UELS Series	d	D	B ₁	B	C	r _s min.	S
25	UEL305	UELS305	25	62	46.8	34.9	20	1.5	16.7
13/16	UEL305-013	UELS305-013	0.8125						
7/8	UEL305-014	UELS305-014	0.8750	2.4409	1.843	1.3740	0.7874	0.059	0.657
15/16	UEL305-015	UELS305-015	0.9375						
1	UEL305-100	UELS305-100	1.0000						
30	UEL306	UELS306	30	72	50	36.5	23	1.5	17.5
1 1/16	UEL306-101	UELS306-101	1.0625						
1 1/8	UEL306-102	UELS306-102	1.1250	2.8346	1.969	1.4370	0.9055	0.059	0.689
1 3/16	UEL306-103	UELS306-103	1.1875						
35	UEL307	UELS307	35	80	51.6	38.1	25	2	18.3
1 1/4	UEL307-104	UELS307-104	1.2500						
1 5/16	UEL307-105	UELS307-105	1.3125	3.1496	2.031	1.5000	0.9843	0.079	0.720
1 3/8	UEL307-106	UELS307-106	1.3750						
1 7/16	UEL307-107	UELS307-107	1.4375						
40	UEL308	UELS308	40	90	57.1	41.3	27	2	19.8
1 1/2	UEL308-108	UELS308-108	1.5000	3.5433	2.248	1.6260	1.0630	0.079	0.780
1 9/16	UEL308-109	UELS308-109	1.5625						
45	UEL309	UELS309	45	100	58.7	42.9	29	2	19.8
1 5/8	UEL309-110	UELS309-110	1.6250						
1 11/16	UEL309-111	UELS309-111	1.6875	3.9370	2.311	1.6890	1.1417	0.079	0.780
1 3/4	UEL309-112	UELS309-112	1.7500						
50	UEL310	UELS310	50	110	66.6	49.2	32	2.5	24.6
1 13/16	UEL310-113	UELS310-113	1.8125						
1 7/8	UEL310-114	UELS310-114	1.8750	4.3307	2.622	1.9370	1.2598	0.098	0.969
1 15/16	UEL310-115	UELS310-115	1.9375						
55	UEL311	UELS311	55	120	73	55.6	34	2.5	27.8
2	UEL311-200	UELS311-200	2.0000						
2 1/16	UEL311-201	UELS311-201	2.0625	4.7244	2.874	2.1890	1.3386	0.098	1.094
2 1/8	UEL311-202	UELS311-202	2.1250						
2 3/16	UEL311-203	UELS311-203	2.1875						

						Basic Load Ratings		Mass
S ₁	G	ds	d ₃	B ₅	F	Dynamic C	Static C ₀	kg/lbs
30.1	6	M8 X 1	42.8	15.9	5.0	19080	9810	0.43
								1.09
1.185	0.236	5/16-24UNF	1.685	0.626	0.197	4275	2214	1.05
								1.01
								0.96
32.5	6.7	M8 X 1	50	17.5	5.9	24030	13500	0.69
								1.57
1.280	0.264	5/16-24UNF	1.969	0.689	0.232	5400	3060	1.51
								1.45
33.3	6.7	M8 X 1	55	17.5	6.8	30150	17190	0.80
								1.92
1.311	0.264	5/16-24UNF	2.165	0.689	0.268	6750	3870	1.84
								1.77
								1.69
37.3	8	M10 X 1.25	63.5	20.6	7.4	36450	21600	1.08
								2.58
1.469	0.315	3/8-24UNF	2.500	0.811	0.291	8235	4860	2.49
								2.49
38.9	8	M10 X 1.25	70	20.6	7.4	47700	28800	1.45
								3.36
1.531	0.315	3/8-24UNF	2.756	0.811	0.291	10710	6480	3.26
								3.15
42	8.7	M10 X 1.25	76.2	22.2	8.1	55800	34650	1.86
								4.40
1.654	0.343	3/8-24UNF	3.000	0.874	0.319	12510	7740	4.29
								4.15
45.2	8.7	M10 X 1.25	83	22.2	8.5	64350	40500	2.34
								5.58
1.780	0.343	3/8-24UNF	3.268	0.874	0.335	14490	9090	5.39
								5.25
								5.08

Ball Bearing Insert



■ Eccentric Locking Collor Type - UEL 300, UELS 300 Series



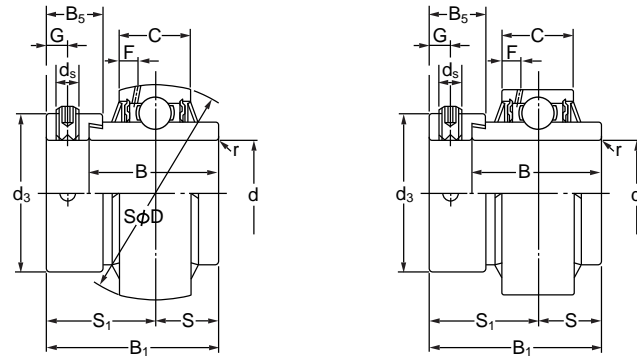
Shaft Dia. mm inch	Bearing Number		Basic Dimensions						
	UEL Series	UELS Series	d	D	B ₁	B	C	rs min.	S
60 2 1/4 2 5/16 2 3/8 2 7/16	UEL312 UEL312-204 UEL312-205 UEL312-206 UEL312-207	UELS312 UELS312-204 UELS312-205 UELS312-206 UELS312-207	60 2.2500 2.3125 2.3750 2.4375	130 5.1181	79.4 3.126	61.9 2.4370	36 1.4173	2.5 0.098	30.95 1.219
65 2 1/2 2 9/16	UEL313 UEL313-208 UEL313-209	UELS313 UELS313-208 UELS313-209	65 2.5000 2.5625	140 5.5118	85.7 3.374	65.1 2.5630	39 1.5354	2.5 0.098	32.55 1.281
70 2 5/8 2 11/16 2 3/4	UEL314 UEL314-210 UEL314-211 UEL314-212	UELS314 UELS314-210 UELS314-211 UELS314-212	70 2.6250 2.6875 2.7500	150 5.9055	92.1 3.626	68.3 2.6890	41 1.6142	2.5 0.098	34.15 1.344
75 2 13/16 2 7/8 2 15/16 3	UEL315 UEL315-213 UEL315-214 UEL315-215 UEL315-300	UELS315 UELS315-213 UELS315-214 UELS315-215 UELS315-300	75 2.8125 2.8750 2.9375 3.0000	160 6.2992	100 3.937	74.6 2.9370	43 1.6929	2.5 0.098	37.3 1.469
80 3 1/16 3 1/8 3 3/16	UEL316 UEL316-301 UEL316-302 UEL316-303	UELS316 UELS316-301 UELS316-302 UELS316-303	80 3.0625 3.1250 3.1875	170 6.6929	106.4 4.189	81 3.1890	45 1.7717	2.5 0.098	40.5 1.594
85 3 1/4 3 5/16 3 7/16	UEL317 UEL317-304 UEL317-305 UEL317-307	UELS317 UELS317-304 UELS317-305 UELS317-307	85 3.2500 3.3125 3.4375	180 7.0866	109.5 4.311	84.1 3.3110	47 1.8504	3 0.118	42.05 1.656
90 3 7/16 3 1/2	UEL318 UEL318-307 UEL318-308	UELS318 UELS318-307 UELS318-308	90 3.4375 3.5000	190 7.4803	115.9 4.563	87.3 3.4370	49 1.9291	3 0.118	43.65 1.719
95 3 5/8 3 11/16 3 3/4	UEL319 UEL319-310 UEL319-311 UEL319-312	UELS319 UELS319-310 UELS319-311 UELS319-312	95 3.6250 3.6875 3.7500	200 7.8740	122.3 4.815	93.7 3.6890	51 2.0079	3 0.118	38.9 1.531



Ball Bearing Insert

						Basic Load Ratings		Mass
S ₁	G	ds	d ₃	B ₅	F	Dynamic C	Static C ₀	kg/lbs
48.45 1.907	8.7 0.343	M10 X 1.25 3/8-24UNF	89 3.504	23.9 0.941	9.0 0.354	73800 16560	46800 10530	2.94 6.80 6.65 6.48 6.19
53.15 2.093	10.3 0.406	M12 X 1.5 1/2-20UNF	97 3.819	27 1.063	10.1 0.398	83250 18720	54000 12060	3.67 8.49 8.27
57.95 2.281	10.3 0.406	M12 X 1.5 1/2-20UNF	102 4.016	30.2 1.189	10.5 0.413	93600 21060	61200 13770	4.40 10.4 10.2 9.96
62.7 2.469	12.7 0.500	M16 X 1.5 5/8-18UNF	113 4.449	31.8 1.252	11.0 0.433	101700 22950	69300 15660	5.34 13.2 12.9 12.7 12.5
65.9 2.594	12.7 0.500	M16 X 1.5 5/8-18UNF	119 4.685	31.8 1.252	11.4 0.449	110700 24840	77850 17550	6.70 14.9 14.8 14.6
67.45 2.656	12.7 0.500	M16 X 1.5 5/8-18UNF	127 5.000	31.8 1.252	12.0 0.472	119700 26820	87300 19620	8.00 18.0 17.7 17.0
72.25 2.844	14.3 0.563	M20 X 1.5 3/4-16UNF	133 5.236	36.5 1.437	12.3 0.484	128700 28800	96300 21690	9.10 20.7 20.2
83.4 3.283	14.3 0.563	M20 X 1.5 3/4-16UNF	140 5.512	36.5 1.437	12.8 0.504	137700 31050	107100 23940	10.4 23.4 23.0 22.6

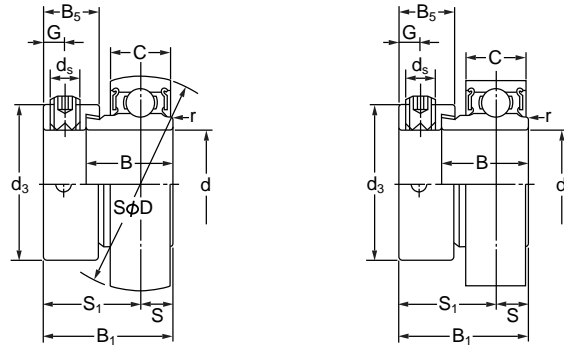
■ Eccentric Locking Collor Type - UEL 300, UELS 300 Series



Shaft Dia.	Bearing Number		Basic Dimensions						
	UEL Series	UELS Series	d	D	B ₁	B	C	r _s min.	S
100	UEL320	UELS320	100	215	128.6	100	55	3	50
3 13/16	UEL320-313	UELS320-313	3.8125						
3 7/8	UEL320-314	UELS320-314	3.8750	8.4646	5.063	3.9370	2.1654	0.118	1.969
3 15/16	UEL320-315	UELS320-315	3.9375						
4	UEL320-400	UELS320-400	4.0000						
105	UEL321	UELS321	105	225	139.7	104.8	57	3	48.4
110	UEL322	UELS322	110	240	141.3	106.4	59	3	49.2

						Basic Load Ratings		Mass
S ₁	G	d _s	d ₃	B ₅	F	Dynamic C	Static C ₀	kg/lbs
78.6	14.3	M20 X 1.5	146	36.5	13.5	155700	126900	12.5 28.5
3.094	0.563	3/4-16UNF	5.748	1.437	0.531	35100	28350	28.0 27.6 27.0
91.3	17.5	M20 X 1.5	157	42.8	13.9	165600	137700	14.6
92.1	17.5	M20 X 1.5	168	42.8	13.9	184500	161100	17.2

■ Eccentric Locking Collor Type - AEL 200, AELS 200 Series



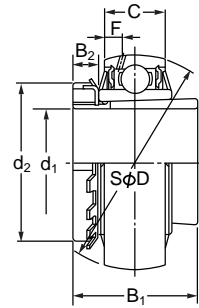
Shaft Dia. mm inch	Bearing Number		Basic Dimensions						
	AEL Series	AELS Series	d	D	B ₁	B	C	r _s min.	S
12 1/2	AEL201 AEL201-008	AELS201 AELS201-008	12 0.5000	40 1.5748	28.6 1.126	19 0.7480	12 0.4724	0.6 0.024	6.5 0.256
15 9/16 5/8	AEL202 AEL202-009 AEL202-010	AELS202 AELS202-009 AELS202-010	15 0.5625 0.6250	40 1.5748	28.6 1.126	19 0.7480	12 0.4724	0.6 0.024	6.5 0.256
17 11/16	AEL203 AEL203-011	AELS203 AELS203-011	17 0.6875	40 1.5748	28.6 1.126	19 0.7480	12 0.4724	0.6 0.024	6.5 0.256
20 3/4	AEL204 AEL204-012	AELS204 AELS204-012	20 0.7500	47 1.8504	31 1.220	21.5 0.8465	14 0.5512	1 0.039	7.5 0.295
25 13/16 7/8 15/16 1	AEL205 AEL205-013 AEL205-014 AEL205-015 AEL205-100	AELS205 AELS205-013 AELS205-014 AELS205-015 AELS205-100	25 0.8125 0.8750 0.9375 1.0000	52 2.0472	31 1.220	21.5 0.8465	15 0.5906	1 0.039	7.5 0.295
30 1 1/16 1 1/8 1 3/16 1 1/4	AEL206 AEL206-101 AEL206-102 AEL206-103 AEL206-104	AELS206 AELS206-101 AELS206-102 AELS206-103 AELS206-104	30 1.0625 1.1250 1.1875 1.2500	62 2.4409	35.7 1.406	23.8 0.9370	16 0.6299	1 0.039	9 0.354
35 1 1/4 1 5/16 1 3/8 1 7/16	AEL207 AEL207-104 AEL207-105 AEL207-106 AEL207-107	AELS207 AELS207-104 AELS207-105 AELS207-106 AELS207-107	35 1.2500 1.3125 1.3750 1.4375	72 2.8346	38.9 1.531	25.4 1.0000	17 0.6693	1.5 0.059	9.5 0.374
40 1 1/2 1 9/16	AEL208 AEL208-108 AEL208-109	AELS208 AELS208-108 AELS208-109	40 1.5000 1.5625	80 3.1496	43.7 1.72	30.2 1.1890	18 0.7087	1.5 0.059	11 0.433

					Basic Load Ratings		Mass
S ₁	G	ds	d ₃	B ₅	Dynamic C	Static C ₀	kg/lbs
22.1 0.870	4.8 0.189	M6 X 0.75 1/4-28UNF	29 1.142	13.6 0.535	8640 1944	4140 927	0.12 0.26
22.1 0.870	4.8 0.189	M6 X 0.75 1/4-28UNF	29 1.142	13.6 0.535	8640 1944	4140 927	0.11 0.26 0.24
22.1 0.870	4.8 0.189	M6 X 0.75 1/4-28UNF	29 1.142	13.6 0.535	8640 1944	4140 927	0.10 0.23
23.5 0.925	4.8 0.189	M6 X 0.75 1/4-28UNF	33 1.299	13.5 0.531	11520 2601	5985 1350	0.17 0.35
23.5 0.925	4.8 0.189	M6 X 0.75 1/4-28UNF	38 1.496	13.5 0.531	12600 2835	7065 1593	0.20 0.51 0.48 0.45 0.42
26.7 1.051	6 0.236	M8 X 1 5/16-24UNF	44.5 1.752	15.9 0.626	17550 3960	10170 2286	0.31 0.74 0.73 0.66 0.61
29.4 1.157	6.8 0.268	M10 X 1.25 3/8-24UNF	55.5 2.185	17.5 0.689	23130 5175	13770 3105	0.49 1.15 1.10 1.04 0.98
32.7 1.287	6.8 0.268	M10 X 1.25 3/8-24UNF	60 2.362	18.3 0.720	26190 5895	16020 3600	0.66 1.41 1.34

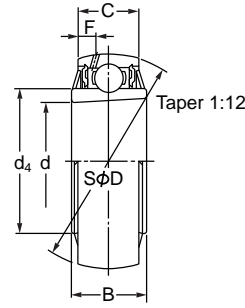
10.07

10.07

■ Adapter Type - UK 200 Series



UK2...H, HA, HE, HS



UK2

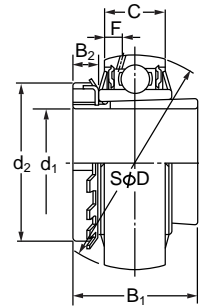
Shaft Dia. mm inch	Unit Number	Basic Dimensions							
		d	D	B	C	d ₄	d ₁	B ₁	B ₂
20 3/4	UK205 ; H2305 UK205 ; HE2305	25 0.9843	52 2.0472	23 0.9055	17 0.6693	33.9 1.335	20 3/4	35 1.378	8 0.315
25 7/8 1	UK206 ; H2306 UK206 ; HS2306 UK206 ; HE2306	30 1.1811	62 2.4409	26 1.0236	19 0.7480	40.8 1.606	25 7/8	38 1.496	8 0.315
30 1 1/8	UK207 ; H2307 UK207 ; HS2307	35 1.3780	72 2.8346	29 1.1417	20 0.7874	46.8 1.843	30 1 1/8	43 1.693	9 0.354
35 1 1/4 1 3/8	UK208 ; H2308 UK208 ; HE2308 UK208 ; HS2308	40 1.5748	80 3.1496	31 1.2205	21 0.8268	53 2.087	35 1 1/4 1 3/8	46 1.811	10 0.394
40 1 7/16 1 1/2 1 5/8	UK209 ; H2309 UK209 ; HA2309 UK209 ; HE2309 UK209 ; HS2309	45 1.7717	85 3.3465	31 1.2205	22 0.8661	57.5 2.264	40 1 7/16 1 1/2 1 5/8	50 1.969	11 0.433
45 1 5/8 1 11/16 1 3/4	UK210 ; H2310 UK210 ; HS2310 UK210 ; HA2310 UK210 ; HE2310	50 1.9685	90 3.5433	32 1.2598	24 0.9449	62.4 2.457	45 1 5/8 1 11/16 1 3/4	55 2.165	12 0.472
50 1 7/8 1 15/16 2	UK211 ; H2311 UK211 ; HS2311 UK211 ; HA2311 UK211 ; HE2311	55 2.1654	100 3.9370	35 1.3780	25 0.9843	69 2.717	50 1 7/8 1 15/16 2	59 2.323	12 0.472
55 2 1/8	UK212 ; H2312 UK212 ; HS2312	60 2.3622	110 4.3307	38 1.4961	27 1.0630	77 3.031	55 2 1/8	62 2.441	13 0.512
60 2 3/16 2 1/4 2 3/8	UK213 ; H2313 UK213 ; HA2313 UK213 ; HE2313 UK213 ; HS2313	65 2.5591	120 4.7244	40 1.5748	32 1.2598	82.5 3.248	60 2 3/16 2 1/4 2 3/8	65 2.559	14 0.551
65 2 7/16 2 1/2	UK215 ; H2315 UK215 ; HA2315 UK215 ; HE2315	75 2.9528	130 5.1181	44 1.7323	34 1.3386	93 3.661	65 2 7/16 2 1/2	73 2.874	15 0.591

		Basic Load Ratings		Mass
d ₂	F	Dynamic C	Static C ₀	kg/lbs
38 1.496	4.5 0.177	12600 2835	7065 1593	0.25 0.57
45 1.772	4.6 0.181	17550 3960	10170 2286	0.36 0.86 0.78
52 2.047	4.6 0.181	23130 5175	13770 3105	0.57 1.30
58 2.283	4.5 0.177	26190 5895	16020 3600	0.74 1.77 1.63
65 2.559	4.9 0.193	29250 6615	18360 4140	0.83 2.01 1.93 1.76
70 2.756	5.9 0.232	31500 7110	20880 4680	0.97 2.38 2.28 2.18
75 2.953	6.0 0.236	39150 8775	26280 5895	1.26 2.96 2.84 2.70
80 3.150	6.2 0.244	47250 10620	32400 7335	1.59 2.71
85 3.346	8.7 0.343	51750 11610	36000 8100	2.00 4.86 4.70 4.38
98 3.858	9.0 0.354	59400 13410	44550 9990	2.56 6.04 5.84

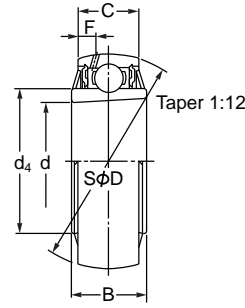


10.08

10.08



UK2...H, HA, HE, HS



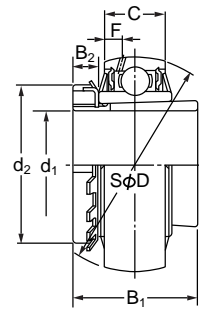
UK2

Shaft Dia.	Unit Number	Basic Dimensions							
		mm		inch					
mm inch		d	D	B	C	d ₄	d ₁	B ₁	B ₂
70	UK216 ; H2316	80	140	45	35	98.1	70	78	17
2 11/16 2 3/4	UK216 ; HA2316 UK216 ; HE2316	3.1496	5.5118	1.7717	1.3780	3.862	2 11/16 2 3/4	3.071	0.669
75	UK217 ; H2317	85	150	46	36	106.4	75	82	18
2 15/16 3	UK217 ; HA2317 UK217 ; HE2317	3.3465	5.9055	1.8110	1.4173	4.189	2 15/16 3	3.228	0.709
80	UK218 ; H2318	90	160	47	37	111.6	80	86	18
3 3/16	UK218 ; HA2318	3.5433	6.2992	1.8504	1.4567	4.394	3 3/16	3.386	0.709

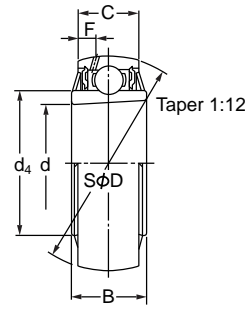
		Basic Load Ratings		Mass
d ₂	F	Dynamic C	Static C ₀	kg/lbs
105	9.5	65250	47700	3.23
4.134	0.374	14670	10710	7.38 7.14
110	10.1	75150	57600	3.93
4.331	0.398	16830	12870	8.73 8.46
120	9.8	86400	64350	4.74
4.724	0.386	19440	14490	11.0



■ Adapter Type - UKX Series



UK2...H, HA, HE, HS

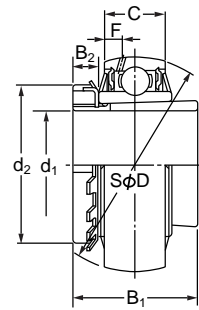


UK2

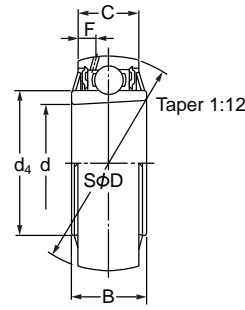
Shaft Dia. mm inch	Unit Number	Basic Dimensions							
		d	D	B	C	d ₄	d ₁	B ₁	B ₂
20 3/4	UKX05 ; H2305 UKX05 ; HE2305	25 0.9843	62 2.4409	26 1.0236	19 0.7480	40.8 1.606	20 3/4	35 1.378	8 0.315
25 7/8 1	UKX06 ; H2306 UKX06 ; HS2306 UKX06 ; HE2306	30 1.1811	72 2.8346	29 1.1417	20 0.7874	46.8 1.843	25 7/8	38 1.496	8 0.315
30 1 1/8	UKX07 ; H2307 UKX07 ; HS2307	35 1.3780	80 3.1496	31 1.2205	21 0.8268	53 2.087	30 1 1/8	43 1.693	9 0.354
35 1 1/4 1 3/8	UKX08 ; H2308 UKX08 ; HE2308 UKX08 ; HS2308	40 1.5748	85 3.3465	31 1.2205	22 0.8661	57.5 2.264	35 1 1/4 1 3/8	46 1.811	10 0.394
40 1 7/16 1 1/2 1 5/8	UKX09 ; H2309 UKX09 ; HA2309 UKX09 ; HE2309 UKX09 ; HS2309	45 1.7717	90 3.5433	32 1.2598	24 0.9449	62.4 2.457	40 1 7/16 1 1/2 1 5/8	50 1.969	11 0.433
45 1 5/8 1 11/16 1 3/4	UKX10 ; H2310 UKX10 ; HS2310 UKX10 ; HA2310 UKX10 ; HE2310	50 1.9685	100 3.9370	35 1.3780	25 0.9843	69 2.717	45 1 5/8 1 11/16 1 3/4	55 2.165	12 0.472
50 1 7/8 1 15/16 2	UKX11 ; H2311 UKX11 ; HS2311 UKX11 ; HA2311 UKX11 ; HE2311	55 2.1654	110 4.3307	38 1.4961	27 1.0630	77 3.031	50 1 7/8 1 15/16 2	59 2.323	12 0.472
55 2 1/8	UKX12 ; H2312 UKX12 ; HS2312	60 2.3622	120 4.7244	40 1.5748	32 1.2598	82.5 3.248	55 2 1/8	62 2.441	13 0.512
60 2 3/16 2 1/4 2 3/8	UKX13 ; H2313 UKX13 ; HA2313 UKX13 ; HE2313 UKX13 ; HS2313	65 2.5591	125 4.9213	42 1.6535	33 1.2992	87 3.425	60 2 3/16 2 1/4 2 3/8	65 2.559	14 0.551
65 2 7/16 2 1/2	UKX15 ; H2315 UKX15 ; HA2315 UKX15 ; HE2315	75 2.9528	140 5.5118	45 1.7717	35 1.3780	98.1 3.862	65 2 7/16 2 1/2	73 2.874	15 0.591

d ₂	F	Basic Load Ratings		Mass
		Dynamic C	Static C ₀	kg/lbs
38 1.496	4.6 0.181	17550 3960	10170 2286	0.38 0.85
45 1.772	4.6 0.181	23130 5175	13770 3105	0.53 1.24 1.16
52 2.047	4.5 0.177	26190 5895	16020 3600	0.75 1.70
58 2.283	4.9 0.193	29250 6615	18360 4140	0.85 2.01 1.88
65 2.559	5.9 0.193	31500 7110	20880 4680	0.97 2.32 2.24 2.07
70 2.756	6.0 0.232	39150 8775	26280 5895	1.29 3.09 2.99 2.88
75 2.953	6.2 0.244	47250 10620	32400 7335	1.66 3.84 3.72 3.58
80 3.150	8.7 0.343	51750 11610	36000 8100	2.07 4.66
85 3.346	8.8 0.346	55800 12600	39600 8910	2.19 5.28 5.12 4.79
98 3.858	9.5 0.374	65250 14670	47700 10710	3.21 7.47 7.27

■ Adapter Type - UKX Series



UK2...H, HA, HE, HS



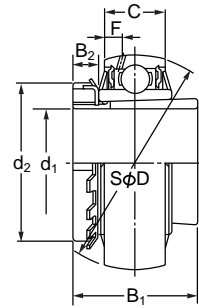
UK2

Shaft Dia.	Unit Number	Basic Dimensions							
		mm		inch					
mm inch		d	D	B	C	d ₄	d ₁	B ₁	B ₂
70	UKX16 ; H2316	80	150	46	36	106.4	70	78	17
2 11/16 2 3/4	UKX16 ; HA2316 UKX16 ; HE2316	3.1496	5.9118	1.7717	1.3780	3.862	2 11/16 2 3/4	3.071	0.669
75	UKX17 ; H2317	85	160	47	37	111.6	75	82	18
2 15/16 3	UKX17 ; HA2317 UKX17 ; HE2317	3.3465	6.2992	1.8504	1.4567	4.394	2 15/16 3	3.228	0.709
80	UKX18 ; H2318	90	170	49	39	118.2	80	86	18
3 3/16	UKX18 ; HA2318	3.5433	6.6929	1.9291	1.5354	4.654	3 3/16	3.386	0.709
90	UKX20 ; H2320	100	190	57	44	131.3	90	97	20

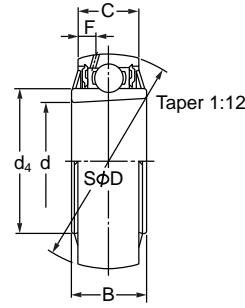
		Basic Load Ratings		Mass
d ₂	F	Dynamic C	Static C ₀	kg/lbs
105	10.1	75150	57600	3.87
4.134	0.374	14670	10710	8.79 8.56
110	9.8	86400	64350	4.76
4.331	0.386	19440	14490	10.6 10.3
120	10.5	98100	73800	5.17
4.724	0.413	22050	16560	11.2
130	11.3	119700	94500	8.03



■ Adapter Type - UK 300 Series



UK2...H, HA, HE, HS



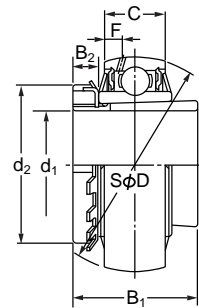
UK2

Shaft Dia. mm inch	Unit Number	Basic Dimensions							
		d	D	B	C	d ₄	d ₁	B ₁	B ₂
20 3/4	UK305 ; H2305 UK305 ; HE2305	25 0.9843	62 2.4409	26 1.0236	20 0.7874	36.8 1.449	20 3/4	35 1.378	8 0.315
25 7/8 1	UK306 ; H2306 UK306 ; HS2306 UK306 ; HE2306	30 1.1811	72 2.8346	29 1.1417	23 0.9055	44.9 1.768	25 7/8	38 1.496	8 0.315
30 1 1/8	UK307 ; H2307 UK307 ; HS2307	35 1.3780	80 3.1496	33 1.2992	25 0.9843	49.4 1.945	30 1 1/8	43 1.693	9 0.354
35 1 1/4 1 3/8	UK308 ; H2308 UK308 ; HE2308 UK308 ; HS2308	40 1.5748	90 3.5433	34 1.3386	27 1.0630	56 2.205	35 1 1/4 1 3/8	46 1.811	10 0.394
40 1 7/16 1 1/2 1 5/8	UK309 ; H2309 UK309 ; HA2309 UK309 ; HE2309 UK309 ; HS2309	45 1.7717	100 3.9370	37 1.4567	29 1.1417	63.5 2.500	40 1 7/16 1 1/2 1 5/8	50 1.969	11 0.433
45 1 5/8 1 11/16 1 3/4	UK310 ; H2310 UK310 ; HS2310 UK310 ; HA2310 UK310 ; HE2310	50 1.9685	110 4.3307	41 1.6142	32 1.2598	70.6 2.780	45 1 5/8 1 11/16 1 3/4	55 2.165	12 0.472
50 1 7/8 1 15/16 2	UK311 ; H2311 UK311 ; HS2311 UK311 ; HA2311 UK311 ; HE2311	55 2.1654	120 4.7244	44 1.7323	34 1.3386	76.6 3.016	50 1 7/8 1 15/16 2	59 2.323	12 0.472
55 2 1/8	UK312 ; H2312 UK312 ; HS2312	60 2.3622	130 5.1181	47 1.8504	36 1.4173	82.7 3.256	55 2 1/8	62 2.441	13 0.512
60 2 3/16 2 1/4 2 3/8	UK313 ; H2313 UK313 ; HA2313 UK313 ; HE2313 UK313 ; HS2313	65 2.5591	140 5.5118	49 1.9291	39 1.5354	88.2 3.472	60 2 3/16 2 1/4 2 3/8	65 2.559	14 0.551
65 2 7/16 2 1/2	UK315 ; H2315 UK315 ; HA2315 UK315 ; HE2315	75 2.9528	160 6.2992	55 2.1654	43 1.6929	101.3 3.988	65 2 7/16 2 1/2	73 2.874	15 0.591

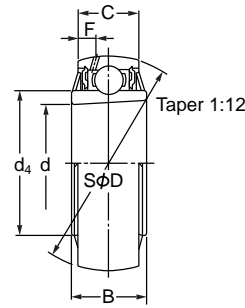
d ₂	F	Basic Load Ratings		Mass
		Dynamic C	Static C ₀	kg/lbs
38 1.496	5.0 0.197	19080 4275	9810 2214	0.36 0.81
45 1.772	5.9 0.232	24030 5400	13500 3060	0.59 1.37 1.29
52 2.047	6.8 0.268	30150 6750	17190 3870	0.75 1.70
58 2.283	7.4 0.291	36450 8235	21600 4860	1.02 2.38 2.25
65 2.559	7.4 0.291	47700 10710	28800 6480	1.38 3.22 3.14 2.97
70 2.756	8.1 0.319	55800 12510	34650 7740	1.68 3.95 3.85 3.74
75 2.953	8.5 0.335	64350 14490	40500 9090	2.06 4.73 4.60 4.46
80 3.150	9.0 0.354	73800 16560	46800 10530	2.53 5.67
85 3.346	10.1 0.398	83250 18720	54000 12060	3.08 7.24 7.08 6.76
98 3.858	11.0 0.433	101700 22950	69300 15660	4.84 11.1 10.9



■ Adapter Type - UK 300 Series



UK2...H, HA, HE, HS



UK2

Shaft Dia. mm inch	Unit Number	Basic Dimensions							
		d	D	B	C	d ₄	d ₁	B ₁	B ₂
70 2 11/16 2 3/4	UK316 ; H2316 UK316 ; HA2316 UK316 ; HE2316	80 3.1496	170 6.6929	58 2.2835	45 1.7717	107.9 4.248	70 2 11/16 2 3/4	78 3.071	17 0.669
75 2 15/16 3	UK317 ; H2317 UK317 ; HA2317 UK317 ; HE2317	85 3.3465	180 7.0866	60 2.3622	47 1.8504	114.4 4.504	75 2 15/16 3	82 3.228	18 0.709
80 3 3/16	UK318 ; H2318 UK318 ; HA2318	90 3.5433	190 7.4803	64 2.5197	49 1.9291	120.9 4.760	80 3 3/16	86 3.386	18 0.709
85 3 1/4	UK319 ; H2319 UK319 ; HE2319	95 3.7402	200 7.8740	67 2.6378	51 2.0079	127.5 5.02	85 3 1/4	90 3.543	19 0.748
90 3 7/16 3 1/2	UK320 ; H2320 UK320 ; HA2320 UK320 ; HE2320	100 3.9370	215 8.4646	73 2.8740	55 2.1654	135.6 5.339	90 3 7/16 3 1/2	97 3.819	20 0.787
100	UK322 ; H2322	110	240	80	59	151.7	100	105	21
110	UK324 ; H2324	120	260	86	63	165.2	110	112	22
115	UK326 ; H2326	130	280	90	67	178.3	115	121	23
125	UK328 ; H2328	140	300	95	71	190.4	125	131	24

		Basic Load Ratings		Mass
d ₂	F	Dynamic C	Static C ₀	kg/lbs
105 4.134	11.4 0.449	110700 24840	77850 17550	5.75 12.9 12.7
110 4.331	12.0 0.472	119700 26820	87300 19620	6.72 14.9 14.6
120 4.724	12.3 0.484	128700 28800	96300 21690	7.87 17.2
125 4.921	12.8 0.504	137700 31050	107100 23940	9.02 20.4
130 5.118	13.5 0.531	155700 35100	126900 28350	11.1 24.7 25.1
145	13.9	184500	161100	14.9
155	16.0	186300	166500	18.0
165	16.9	206100	192600	23.3
180	17.7	227700	221400	28.9





Caps for Plastic Housing

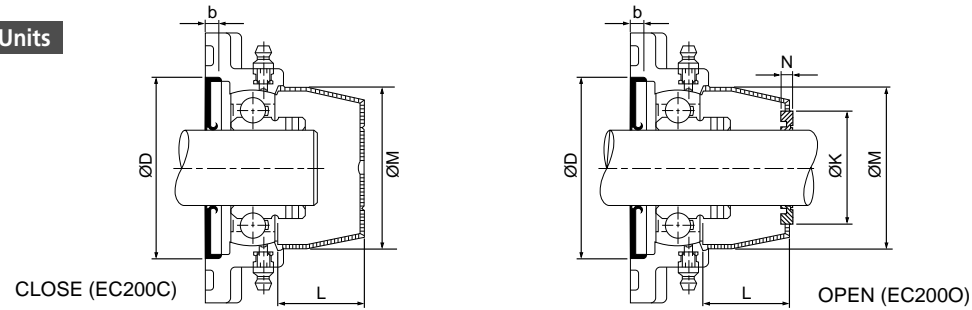
	Page
11.01 Plastic End Caps	319
11.02 Back Seal	319

Caps for Plastic Housing

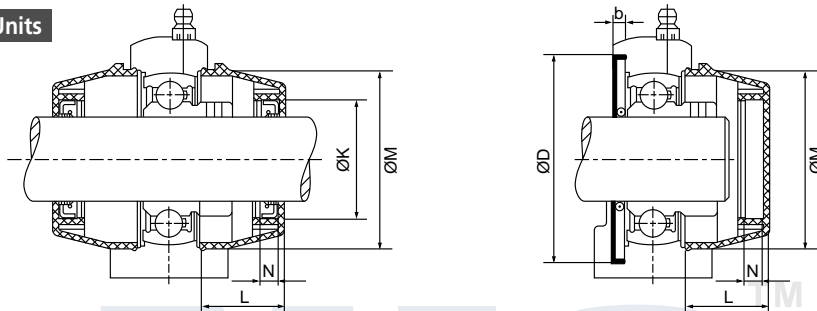
NIS™

■ Plastic End Caps - EC200C / EC2000 Series

Flange Units



Pillow Block Units

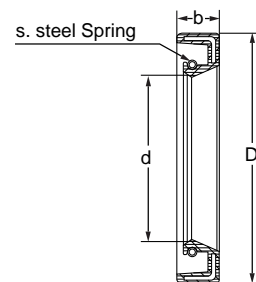


Designation	Shaft Diameter		Dimensions (mm)					
	mm	inch	K	N	L	M	D	b
EC201C/EC201O	12	1/2	32	7	23	50	52	6
EC202C/EC202O	15	9/16, 5/8	32	7	23	50	52	6
EC203C/EC203O	17	11/16	32	7	23	50	52	6
EC204C/EC204O	20	3/4	32	7	23	50	52	6
EC205C/EC205O	25	13/16, 7/8, 15/16, 1	37	7	25	55	62	6
EC206C/EC206O	30	1 1/16, 1 1/8, 1 3/16, 1 1/4	42	7	30	64	72	6
EC207C/EC207O	35	1 1/4, 1 15/16, 1 3/8, 1 7/16	47	7	32	74.5	82	6
EC208C/EC208O	40	1 1/2, 1 9/16	52	7	37	84	88	6
EC209C/EC209O	45	1 5/8, 1 11/16, 1 3/4	57	7	41	89	93	6
EC210C/EC210O	50	1 13/16, 1 7/8, 1 15/16, 2	62	7	47	94	98	6

Caps for Plastic Housing

NIS™

■ Back Seal



Designation	Size	Dia.	d	b	D
EC204S	204	20	6	52	
EC205S	205	25	6	62	
EC206S	206	30	6	72	
EC207S	207	35	6	82	
EC208S	208	40	6	88	
EC209S	209	45	6	93	
EC210S	210	50	6	98	

DISCLAIMER

The detailed listings and information within this catalogue have been researched and compiled from reliable sources, and are knowingly correct to the best of our knowledge.

NIS™ does not accept any liability or responsibility for errors or omissions or damage resulting from use of any information contained in this catalogues.

Contact your nearest **NIS™** Distributor for assistance.

