



Stainless Steel & Plastic Bearing Units  
不锈钢和塑料带座外球面



Bearing Unit Stainless Steel Housing Series  
不锈钢带座外球面轴承单元系列



Design Characteristic  
设计特点

Guards against corrosion  
防腐蚀

Maintains a clean operating environment  
保持干净的操作环境

Chemical resistance  
耐化学性

Extreme Strength & Toughness  
高强度和韧性

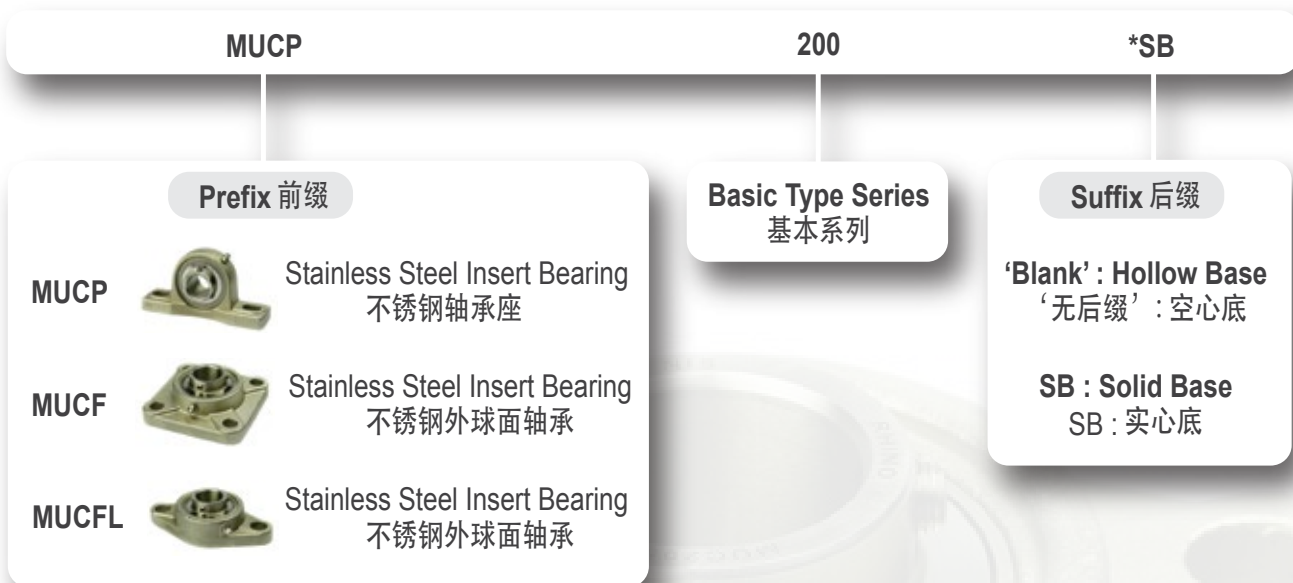


# Bearing Unit Stainless Steel Housing Series

## 不锈钢带座外球面轴承单元系列

### Designation Chart for Complete Set

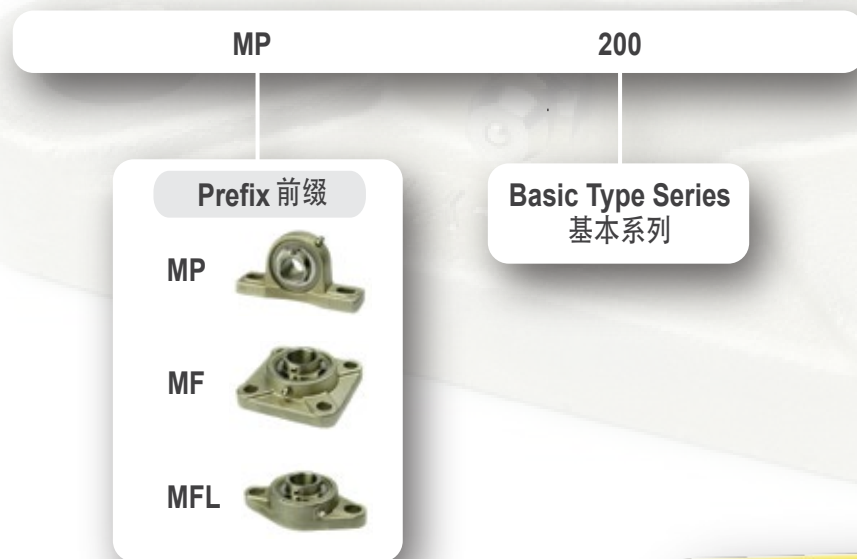
Prefix & Suffix 前缀与后缀



### Designation Chart for Housing Series

#### 轴承座系列

Prefix & Suffix 前缀与后缀



### Material

#### 材料

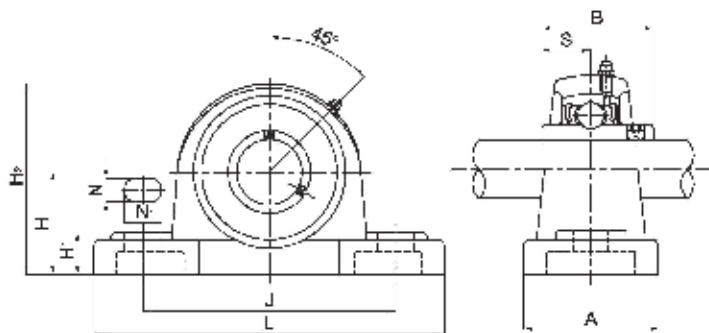
**Insert bearing:** Stainless Steel Grade SUS 440  
外球面轴承: 不锈钢牌号 SUS 440

**Housing:** Stainless Steel Grade SUS 304  
轴承座: 不锈钢牌号 SUS 304

\*All stainless steel housing DO NOT come with solid base unless stated otherwise  
\*备注: 除非另有说明, 不锈钢轴承座都不带有实心底设计

# Stainless Steel Housing Pillow Block Unit : MUCP200 Series

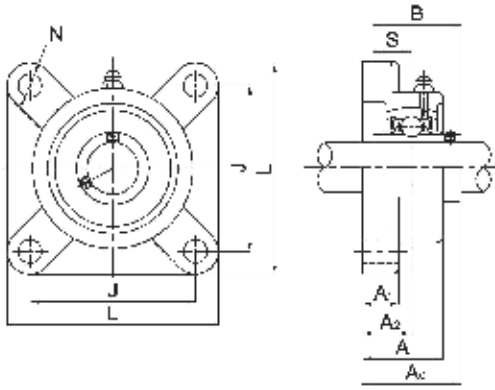
## 不锈钢带座外球面轴承单元：MUCP200 系列



Shaft Diameter 轴径	Designation 型号	Dimension 外形尺寸 (mm)										Housing No. 轴承座 型号	Mass 重量
		H	L	J	A	N	N1	H1	H2	B	S		
mm inch													kg
20 19.05	<b>MUCP204</b> MUCP204-012	33.3	125.5	95	37	13	19	15	64	31	12.7	MP204	0.60 0.63
25 22.225 23.8125 25.4	<b>MUCP205</b> MUCP205-014 MUCP205-015 MUCP205-100	36.5	138.5	105	37.5	13	19	16	70.5	34.1	14.3	MP205	0.73 0.81 0.76 0.71
30 26.9875 28.575 30.1625 31.75	<b>MUCP206</b> MUCP206-101 MUCP206-102 MUCP206-103 MUCP206-104	42.9	164	121	47	17	21	17	83	38.1	15.9	MP206	1.15 1.27 1.21 1.14 1.08
35 31.75 33.3375 34.925 36.5125	<b>MUCP207</b> MUCP207-104 MUCP207-105 MUCP207-106 MUCP207-107	47.6	167	127	47.5	17	21	17.5	93	42.9	17.5	MP207	1.5 1.64 1.58 1.50 1.43
40 38.1 39.6875	<b>MUCP208</b> MUCP208-108 MUCP208-109	49.2	183	137	53.5	17	21	18	99.5	49.2	19	MP208	1.85 1.94 1.87
45 41.275 42.8625 44.45	<b>MUCP209</b> MUCP209-110 MUCP209-111 MUCP209-112	54	188	146	53.5	17	21	20	105.5	49.2	19	MP209	2.00 2.17 2.1 2.02
50 46.0375 47.625 49.2125 50.8	<b>MUCP210</b> MUCP210-113 MUCP210-114 MUCP210-115 MUCP210-200	57.2	204	159	59.5	20	25	22	112.5	51.6	19	MP210	2.40 2.59 2.52 2.44 2.36
55 50.8 52.3875 53.975 55.563	<b>MUCP211</b> MUCP211-200 MUCP211-201 MUCP211-202 MUCP211-203	63.5	217.5	171	59	20	25	23	125	55.6	22.2	MP211	3.00 3.23 3.15 3.06 2.97
60 57.15 58.7375 60.325 61.9125	<b>MUCP212</b> MUCP212-204 MUCP212-205 MUCP212-206 MUCP212-207	69.8	239	184	69	20	25	25	136	65.1	25.4	MP212	4.00 4.19 4.09 3.98 3.87

# Stainless Steel Housing Flanged Unit (4 Bolt - Square) : MUCF200 Series

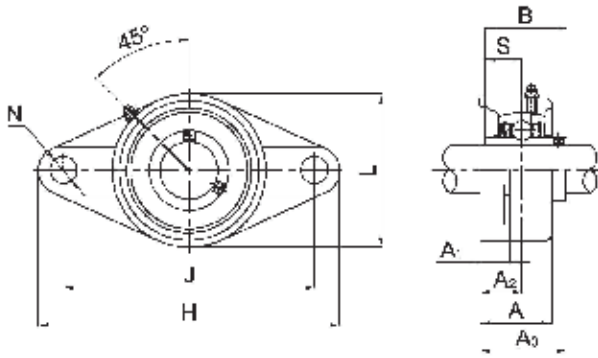
不锈钢法兰座外球面轴承单元 (4 螺栓孔 - 方形) : MUCF200 系列



Shaft Diameter 轴径	Designation 型号	Dimension 外形尺寸 (mm)										Housing No. 轴承座 型号	Mass 重量
		L	J	A2	A1	A	N	B	A0	S			
mm inch													kg
20 19.05	<b>MUCF204</b> MUCF204-012	86	64	15	12	25.5	12	31	33.3	12.7	MF204	0.58 0.60	
25 22.225 23.8125 25.4	<b>MUCF205</b> MUCF205-014 MUCF205-015 MUCF205-100	95	70	16	14	27	12	34.1	35.8	14.3	MF205	0.76 0.84 0.80 0.75	
30 26.9875 28.575 30.1625 31.75	<b>MUCF206</b> MUCF206-101 MUCF206-102 MUCF206-103 MUCF206-104	108	83	18	14	31	12	38.1	40.2	15.9	MF206	1.00 1.10 1.05 0.99 0.94	
35 31.75 33.3375 34.925 36.5125	<b>MUCF207</b> MUCF207-104 MUCF207-105 MUCF207-106 MUCF207-107	116	92	19	15.5	34	14	42.9	44.4	17.5	MF207	1.30 1.42 1.37 1.30 1.24	
40 38.1 39.6875	<b>MUCF208</b> MUCF208-108 MUCF208-109	129	102	21	15.5	36	16	49.2	51.2	19	MF208	1.70 1.78 1.71	
45 41.275 42.8625 44.45	<b>MUCF209</b> MUCF209-110 MUCF209-111 MUCF209-112	136.5	105	22	17.5	38	16	49.2	52.2	19	MF209	2.10 2.27 2.21 2.13	
50 46.0375 47.625 49.2125 50.8	<b>MUCF210</b> MUCF210-113 MUCF210-114 MUCF210-115 MUCF210-200	142.5	111	22	17.5	40	16	51.6	54.6	19	MF210	2.20 2.37 2.31 2.23 2.16	
55 50.8 52.3875 53.975 55.563	<b>MUCF211</b> MUCP211-200 MUCP211-201 MUCP211-202 MUCP211-203	161.5	130	25	19.5	43	19	55.6	58.4	22.2	MF211	3.30 3.55 3.47 3.36 3.26	
60 57.15 58.7375 60.325 61.9125	<b>MUCF212</b> MUCP212-204 MUCP212-205 MUCP212-206 MUCP212-207	175	143	29	19.5	48	19	65.1	68.7	25.4	MF212	4.00 4.19 4.09 3.98 3.87	

# Stainless Steel Housing Flanged Unit (2 Bolt - Oval) : MUCFL200 Series

不锈钢法兰座外球面轴承单元 (2 螺栓孔 - 椭圆形) : MUCFL200 系列



Shaft Diameter 轴径	Designation 型号	Dimension 外形尺寸 (mm)										Housing No. 轴承座 型号	Mass 重量	
		H	J	A2	L	A1	A	N	B	A0	S			
mm inch														kg
20 19.05	<b>MUCFL204</b> MUCFL204-012	113	90	15	60.3	12	25.5	12	31	33.3	12.7	MFL204	0.44 0.46	
25 22.225 23.8125 25.4	<b>MUCFL205</b> MUCFL205-014 MUCFL205-015 MUCFL205-100	125	99	16	68	13.5	27	16	34.1	35.8	14.3	MFL205	0.58 0.64 0.61 0.57	
30 26.9875 28.575 30.1625 31.75	<b>MUCFL206</b> MUCFL206-101 MUCFL206-102 MUCFL206-103 MUCFL206-104	141	117	18	79	13.5	31	16	38.1	40.2	15.9	MFL206	0.80 0.88 0.84 0.80 0.75	
35 31.75 33.3375 34.925 36.5125	<b>MUCFL207</b> MUCFL207-104 MUCFL207-105 MUCFL207-106 MUCFL207-107	156	130	19	89	15.5	34	16	42.9	44.4	17.5	MFL207	1.16 1.27 1.22 1.16 1.11	
40 38.1 39.6875	<b>MUCFL208</b> MUCFL208-108 MUCFL208-109	172	144	21	99	15	36	16	49.2	51.2	19	MFL208	1.45 1.52 1.46	
45 41.275 42.8625 44.45	<b>MUCFL209</b> MUCFL209-110 MUCFL209-111 MUCFL209-112	179	148	22	107	14.3	38	19	49.2	52.2	19	MFL209	1.70 1.84 1.79 1.72	
50 46.0375 47.625 49.2125 50.8	<b>MUCFL210</b> MUCFL210-113 MUCFL210-114 MUCFL210-115 MUCFL210-200	189	157	22	114	15.5	38.5	19	51.6	54.6	19	MFL210	2.05 2.21 2.16 2.08 2.01	
55 50.8 52.3875 53.975 55.563	<b>MUCFL211</b> MUCFL211-200 MUCFL211-201 MUCFL211-202 MUCFL211-203	223	184	25	130	20	43	19	55.6	58.4	22.2	MFL211	2.70 2.91 2.84 2.75 2.67	
60 57.15 58.7375 60.325 61.9125	<b>MUCFL212</b> MUCFL212-204 MUCFL212-205 MUCFL212-206 MUCFL212-207	249	202	29	142	20.5	48	23	65.1	68.7	25.4	MFL212	3.60 3.77 3.68 3.58 3.48	

Bearing Unit Plastic Housing Series  
塑料帶座外球面軸承單元系列





Design Characteristic  
设计特点

Solid base design, easy to clean  
实体设计，容易清洗

Water resistance  
防水

Light weight  
轻量级

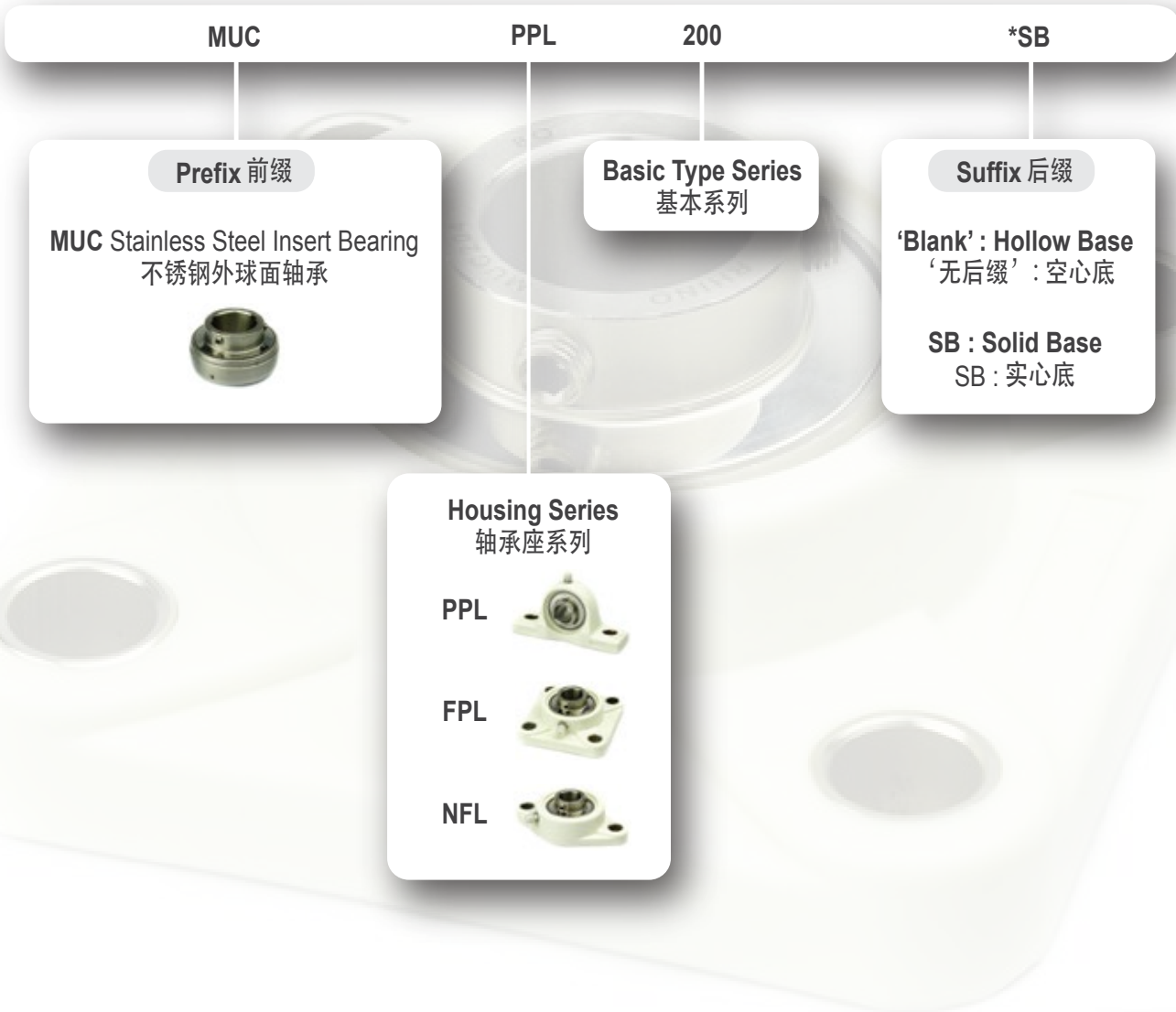


# Bearing Unit Plastic Housing Series

## 塑料带座外球面轴承单元系列

### Designation Chart

#### Prefix & Suffix 前缀与后缀



### Material

#### 材料

**Insert bearing** : Stainless Steel Grade SUS 440  
外球面轴承 : 不锈钢牌号 SUS 440

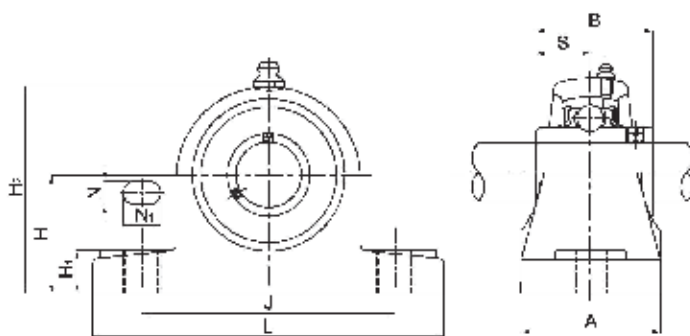
**Housing** : Polybutylene terephthalate (PBT)  
轴承座 : 工程塑料牌号 PBT

\*All plastic housing series comes with Solid Base design unless stated otherwise  
\*备注 : 除非另有说明, 塑料轴承座都带有实心底设计



# Plastic Housing Pillow Block Unit : MUCPPL200 Series

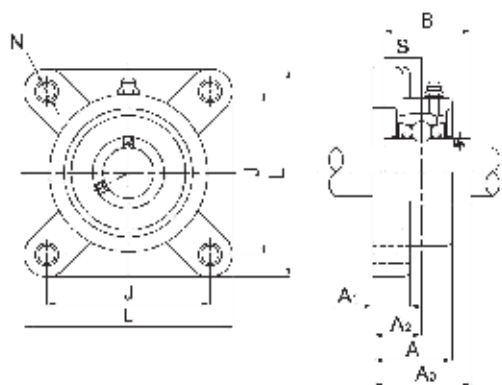
塑料带座外球面轴承单元：MUCP200 系列



Shaft Diameter 轴径	Designation 型号	Dimension 外形尺寸 (mm)										Housing No. 轴承座 型号	Mass 重量
		H	L	J	A	N	N1	H1	H2	B	S		
<b>20</b> 19.05	<b>MUCPPL204SB</b> MUCPPL204-012SB	33.3	127	95	37.5	11	14	14.5	65	31	12.7	PPL204SB	0.30 0.31
<b>25</b> 22.225 23.8125 25.4	<b>MUCPPL205SB</b> MUCPPL205-014SB MUCPPL205-015SB MUCPPL205-100SB	36.5	141	105	37.5	11	14	14.5	71.5	34.1	14.3	PPL205SB	0.37 0.41 0.38 0.36
<b>30</b> 26.9875 28.575 30.1625 31.75	<b>MUCPPL206SB</b> MUCPPL206-101SB MUCPPL206-102SB MUCPPL206-103SB MUCPPL206-104SB	42.9	164	119	46	14	18	17.8	83.5	38.1	15.9	PPL206SB	0.57 0.63 0.60 0.57 0.54
<b>35</b> 31.75 33.3375 34.925 36.5125	<b>MUCPPL207SB</b> MUCPPL207-104SB MUCPPL207-105SB MUCPPL207-106SB MUCPPL207-107SB	47.6	169	127	47.5	14	18	18	94.5	42.9	17.5	PPL207SB	0.77 0.84 0.80 0.77 0.73
<b>40</b> 38.1 39.6875	<b>MUCPPL208SB</b> MUCPPL208-108SB MUCPPL208-109SB	49.2	184	137	53.5	14	18	20	99	49.2	19	PPL208SB	0.97 1.01 0.97
<b>45</b> 41.275 42.8625 44.45	<b>MUCPPL209SB</b> MUCPPL209-110SB MUCPPL209-111SB MUCPPL209-112SB	54	192	146	53.5	17	20	22.5	106	49.2	19	PPL209SB	1.05 1.14 1.1 1.06
<b>50</b> 46.0375 47.625 49.2125 50.8	<b>MUCPPL210SB</b> MUCPPL210-113SB MUCPPL210-114SB MUCPPL210-115SB MUCPPL210-200SB	57.2	206	159	60	17	20	22.5	114	51.6	19	PPL210SB	1.21 1.31 1.27 1.23 1.19
<b>55</b> 50.8 52.3875 53.975 55.563	<b>MUCPPL211SB</b> MUCPPL211-200SB MUCPPL211-201SB MUCPPL211-202SB MUCPPL211-203SB	63.5	220	171	60	17	20	22.5	127	55.6	22.2	PPL211SB	1.55 1.67 1.62 1.58 1.53
<b>60</b> 57.15 58.7375 60.325 61.9125	<b>MUCPPL212SB</b> MUCPPL212-204SB MUCPPL212-205SB MUCPPL212-206SB MUCPPL212-207SB	69.8	241	184	70	17	20	26.5	138	65.1	25.4	PPL212SB	2.1 2.2 2.14 2.09 2.03

# Plastic Housing Flanged Unit (4 Bolt - Square) : MUCFPL200 Series

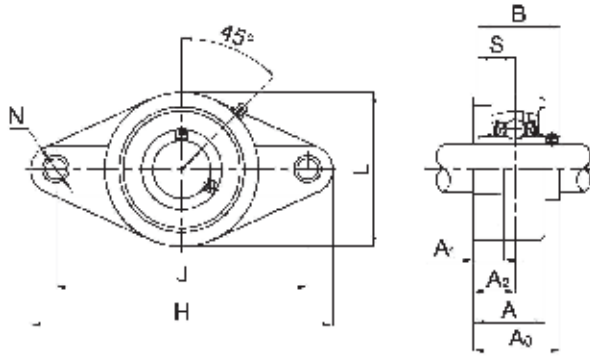
塑料法兰座外球面轴承单元 (4 螺栓孔 - 方形) : MUCFPL200 系列



Shaft Diameter 轴径	Designation 型号	Dimension 外形尺寸 (mm)									Housing No. 轴承座 型号	Mass 重量
		L	J	A2	A1	A	N	B	A0	S		
mm inch												kg
20 19.05	<b>MUCFPL204SB</b> MUCFPL204-012SB	86	64	18	14	27.8	11	31	36.3	12.7	FPL204SB	0.30 0.31
25 22.225 23.8125 25.4	<b>MUCFPL205SB</b> MUCFPL205-014SB MUCFPL205-015SB MUCFPL205-100SB	95	70	17	14.5	28	11	34.1	36.8	14.3	FPL205SB	0.36 0.40 0.38 0.36
30 26.9875 28.575 30.1625 31.75	<b>MUCFPL206SB</b> MUCFPL206-101SB MUCFPL206-102SB MUCFPL206-103SB MUCFPL206-104SB	108	83	19.2	14.3	31.5	11	38.1	41.4	15.9	FPL206SB	0.52 0.57 0.55 0.52 0.49
35 31.75 33.3375 34.925 36.5125	<b>MUCFPL207SB</b> MUCFPL207-104SB MUCFPL207-105SB MUCFPL207-106SB MUCFPL207-107SB	116	92	21.5	16	34.8	13	42.9	46.9	17.5	FPL207SB	0.73 0.80 0.77 0.73 0.70
40 38.1 39.6875	<b>MUCFPL208SB</b> MUCFPL208-108SB MUCFPL208-109SB	129	102	23	17.5	36.5	14	49.2	53.2	19	FPL208SB	0.95 0.99 0.96
45 41.275 42.8625 44.45	<b>MUCFPL209SB</b> MUCFPL209-110SB MUCFPL209-111SB MUCFPL209-112SB	136.5	105	24	19.5	41	17	49.2	54.2	19	FPL209SB	1.00 1.08 1.05 1.01
50 46.0375 47.625 49.2125 50.8	<b>MUCFPL210SB</b> MUCFPL210-113SB MUCFPL210-114SB MUCFPL210-115SB MUCFPL210-200SB	142.5	111	25	20	42	17	51.6	57.6	19	FPL210SB	1.05 1.13 1.10 1.07 1.03
55 50.8 52.3875 53.975 55.563	<b>MUCFPL211</b> MUCFPL211-200SB MUCFPL211-201SB MUCFPL211-202SB MUCFPL211-203SB	161.5	130	25	20	42	19	55.6	58.4	22.2	FPL211SB	1.08 1.16 1.14 1.1 1.07
60 57.15 58.7375 60.325 61.9125	<b>MUCFPL212SB</b> MUCFPL212-204SB MUCFPL212-205SB MUCFPL212-206SB MUCFPL212-207SB	175	143	29	18.5	48	19	65.1	68.7	25.4	FPL212SB	2.00 2.10 2.04 1.99 1.93

# Plastic Housing Flanged Unit (2 Bolt - Oval) : MUCNFL200 Series

塑料法兰座外球面轴承单元 (2 螺栓孔 - 椭圆形) : MUCNFL200 系列



Shaft Diameter 轴径	Designation 型号	Dimension 外形尺寸 (mm)										Housing No. 轴承座 型号	Mass 重量
		H	J	A2	L	A1	A	N	B	A0	S		
<b>20</b> 19.05	<b>MUCNFL204SB</b> MUCNFL204-012SB	113	90	15.4	64	12	26.5	11	31	33.7	12.7	NFL204SB	0.25 0.26
<b>25</b> 22.225 23.8125 25.4	<b>MUCNFL205SB</b> MUCNFL205-014SB MUCNFL205-015SB MUCNFL205-100SB	131	99	17	69.5	14	29.5	11	34.1	36.8	14.3	NFL205SB	0.31 0.34 0.33 0.31
<b>30</b> 26.9875 28.575 30.1625 31.75	<b>MUCNFL206SB</b> MUCNFL206-101SB MUCNFL206-102SB MUCNFL206-103SB MUCNFL206-104SB	148	117	19	79	14	30.5	11	38.1	41.2	15.9	NFL206SB	0.45 0.50 0.47 0.45 0.42
<b>35</b> 31.75 33.3375 34.925 36.5125	<b>MUCNFL207SB</b> MUCNFL207-104SB MUCNFL207-105SB MUCNFL207-106SB MUCNFL207-107SB	164	130	18	90	16	32.8	13	42.9	43.4	17.5	NFL207SB	0.63 0.69 0.67 0.64 0.60
<b>40</b> 38.1 39.6875	<b>MUCNFL208SB</b> MUCNFL208-108SB MUCNFL208-109SB	175	144	21.5	99	20	37.5	14	49.2	51.7	19	NFL208SB	0.85 0.89 0.85
<b>45</b> 41.275 42.8625 44.45	<b>MUCNFL209SB</b> MUCNFL209-110SB MUCNFL209-111SB MUCNFL209-112SB	189	148	24	107	21	41	17	49.2	54.2	19	NFL209SB	0.98 1.06 1.03 0.99
<b>50</b> 46.0375 47.625 49.2125 50.8	<b>MUCNFL210SB</b> MUCNFL210-113SB MUCNFL210-114SB MUCNFL210-115SB MUCNFL210-200SB	198	157	25	115	21	43	17	51.6	57.6	19	NFL210SB	1.07 1.15 1.12 1.08 1.05
<b>55</b> 50.8 52.3875 53.975 55.563	<b>MUCNFL211SB</b> MUCNFL211-200SB MUCNFL211-201SB MUCNFL211-202SB MUCNFL211-203SB	225	184	25	130	19	43	19	55.6	58.4	22.2	NFL211SB	1.4 1.51 1.47 1.43 1.38
<b>60</b> 57.15 58.7375 60.325 61.9125	<b>MUCNFL212SB</b> MUCNFL212-204SB MUCNFL212-205SB MUCNFL212-206SB MUCNFL212-207SB	250	202	29	141	23	45	19	65.1	68.7	25.4	NFL212SB	1.95 2.04 1.99 1.94 1.88

# Insert Bearing 外球面轴承

## Designation Chart

Prefix 前綴

MUC

200

Prefix 前綴

**MUC** Stainless Steel Insert Bearing  
不锈钢外球面轴承



**Basic Type Series**  
基本系列

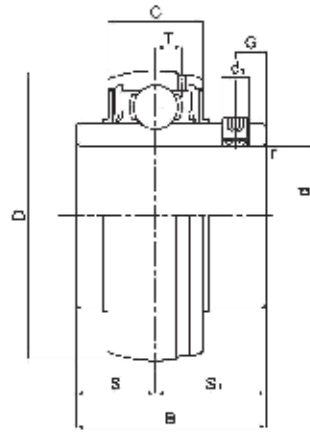
## Material 材料

**Insert bearing** : Stainless Steel Grade SUS 440  
外球面轴承 : 不锈钢牌号 SUS 440



# Insert Bearing MUC200

不锈钢外球面轴承

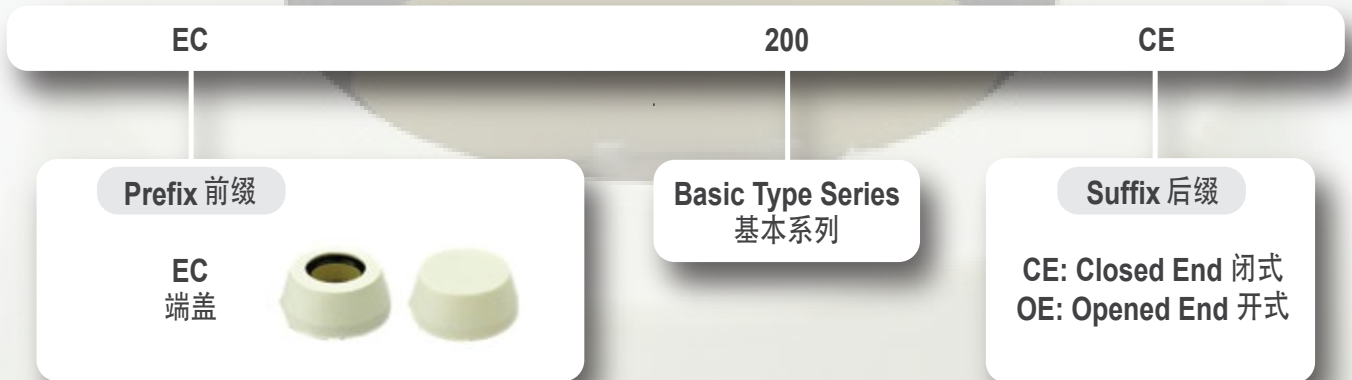


Shaft Diameter 轴径	Designation 型号	Dimension 外形尺寸 (mm)									Basic Load Rating (kN)		Mass 重量
		D	B	C	r <sub>min</sub>	S	S1	G	2-ds 120°	T	Dynamic, Cr 动	Static, Cor 静	
<b>20</b> 19.05	<b>MUC204</b> MUC204-012	47	31	17	1	12.7	18.3	4.7	M6*0.75 1/4-28	4	10.37	5.08	0.15 0.16
<b>25</b> 22.225 23.8125 25.4	<b>MUC205</b> MUC205-014 MUC205-015 MUC205-100	52	34.1	17	1.5	14.3	19.8	5	M6*0.75 1/4-28	4.2	11.31	6	0.19 0.21 0.20 0.19
<b>30</b> 26.9875 28.575 30.1625 31.75	<b>MUC206</b> MUC206-101 MUC206-102 MUC206-103 MUC206-104	62	38.1	19	1.5	15.9	22.2	5	M6*0.75 1/4-28	5	15.81	8.64	0.30 0.33 0.31 0.30 0.28
<b>35</b> 31.75 33.3375 34.925 36.5125	<b>MUC207</b> MUC207-104 MUC207-105 MUC207-106 MUC207-107	72	42.9	20	2	17.5	25.4	6	M8*1.0 5/16-24	5.7	20.83	11.68	0.45 0.49 0.47 0.45 0.43
<b>40</b> 38.1 39.6875	<b>MUC208</b> MUC208-108 MUC208-109	80	49.2	21	2	19	30.2	8	M8*1.0 5/16-24	6.3	23.55	13.6	0.60 0.63 0.60
<b>45</b> 41.275 42.8625 44.45	<b>MUC209</b> MUC209-110 MUC209-111 MUC209-112	85	49.2	22	2	19	30.2	8	M8*1.0 5/16-24	6.3	26.35	15.6	0.68 0.73 0.71 0.68
<b>50</b> 46.0375 47.625 49.2125 50.8	<b>MUC210</b> MUC210-113 MUC210-114 MUC210-115 MUC210-200	90	51.6	24	2	19	32.6	10	M10*1.25 3/8-24	6.6	28.48	18	0.73 0.78 0.76 0.74 0.71
<b>55</b> 50.8 52.3875 53.975 55.563	<b>MUC211</b> MUC211-200 MUC211-201 MUC211-202 MUC211-203	100	55.6	25	2.5	22.2	33.4	10	M10*1.25 3/8-24	7	35.28	22.4	1.03 1.11 1.08 1.05 1.02
<b>60</b> 57.15 58.7375 60.325 61.9125	<b>MUC212</b> MUC212-204 MUC212-205 MUC212-206 MUC212-207	110	65.1	27	2.5	25.4	39.7	10	M10*1.25 3/8-24	7.6	42.5	26.34	1.40 1.47 1.43 1.39 1.36

# End Cover 端盖

## Designation Chart

Prefix 前缀

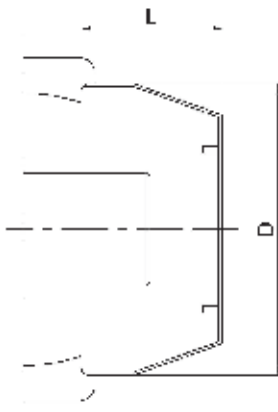


## Material 材料

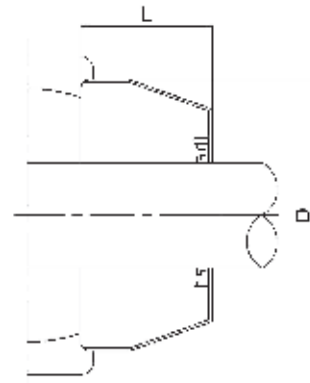
End Cover : Polybutylene terephthalate (PBT)  
端盖 : 工程塑料牌号 PBT







CE: Closed End 闭式



OE: Opened End 开式

Cover No. 盖号	Dimension 外形尺寸 (mm)			Mass 重量
	d	D	L	
				kg
EC204CE EC204OE	- 20	50	23	0.02
EC205CE EC205OE	- 25	55	25	0.03
EC206CE EC206OE	- 30	64	30	0.03
EC207CE EC207OE	- 35	74.5	32	0.04
EC208CE EC208OE	- 40	84	37	0.05
EC209CE EC209OE	- 45	89	41	0.06
EC210CE EC210OE	- 50	94	47	0.08
EC211CE EC211OE	- 55	104	56	0.11
EC212CE EC212OE	- 60	114	60	0.11





# NIS

LET YOUR BUSINESS ROLL ON NIS

## **NIS Bearings Pte Ltd**

E-mail: [marketing@nisbearings.com](mailto:marketing@nisbearings.com)

Tel: (65) 6396 4195 Fax: (65) 6396 4196

Website: [www.nisbearings.com](http://www.nisbearings.com)



## **DISCLAIMER**

---

The detailed listings and information within this catalogue have been researched and compiled from reliable sources, and are knowingly correct to the best of our knowledge.

NIS<sup>™</sup> does not accept any liability or responsibility for errors or omissions or damage resulting from use of any information contained in this catalogues