

FYH[®]

NU-LOC[®]

NU Concentric-LOC BALL BEARING UNITS



***EASY INSTALLATION
360° SHAFT CONTACT
TRUE CONCENTRIC LOCK***

CATALOG NO.3401

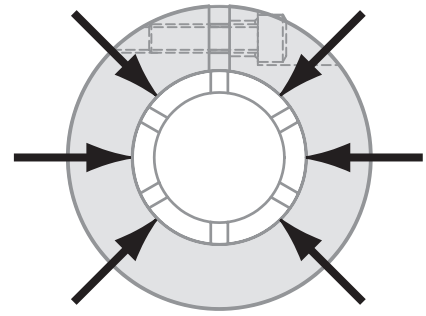


fyhbearings.com



Uniform LOC

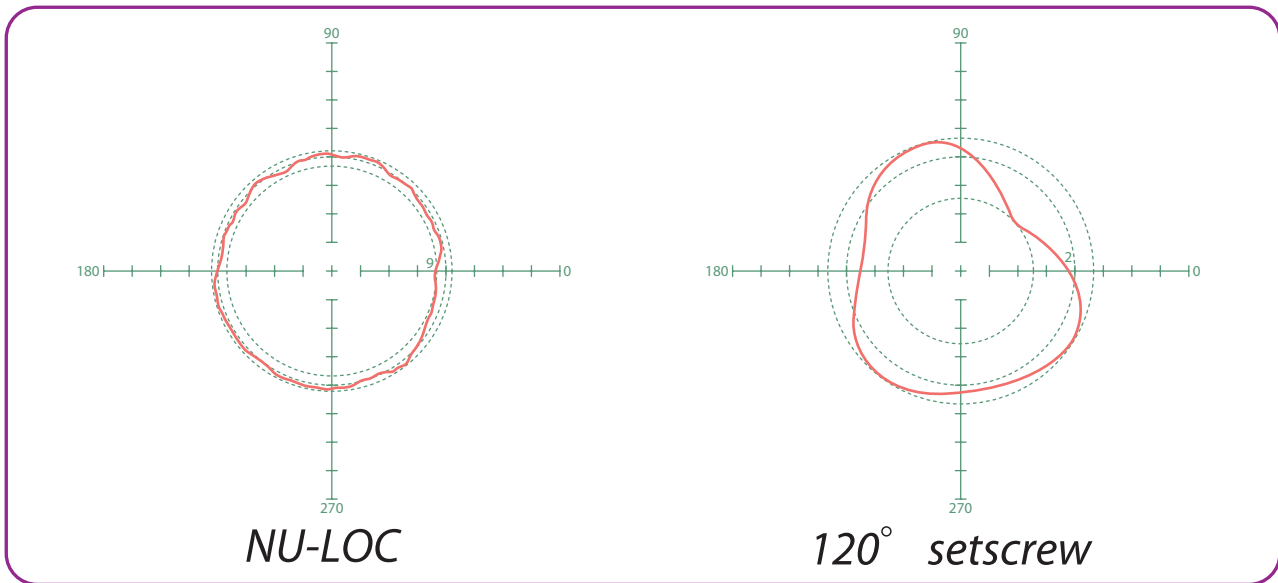
The FYH NU-LOC bearing grips the shaft more uniformly, which allows 360 degrees of equalized locking contact. The roundness of the ball path on NU-LOC bearings results in better operation and longer life. NU-LOC concentric locking collars are designed to prevent shaft marring and burring. A single standard hex head cap screw can be tightened quickly and easily. NU-LOC bearings can replace either setscrew or eccentric locking collar inserts.



360° LOCKING

NU-LOC concentric locking collar with a single cap screw provides great holding power. The collar is installed over the slotted inner ring on the shaft concentrically.

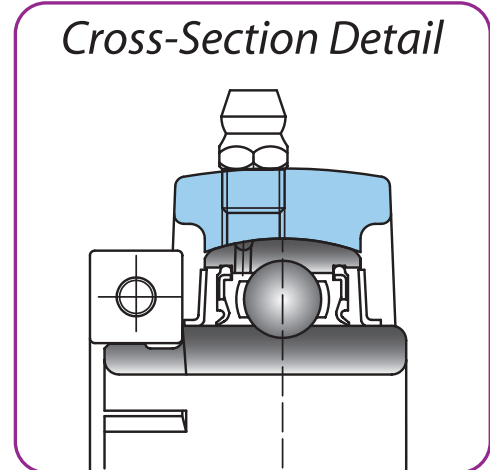
Ballpath Roundness

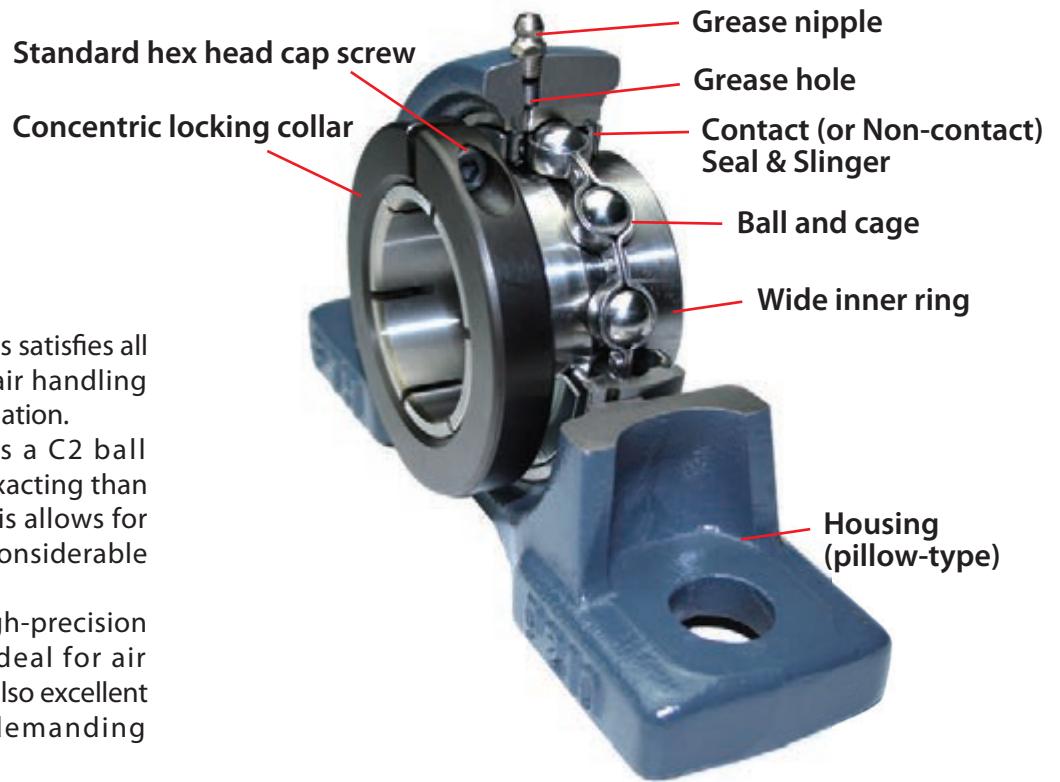


Quick & Easy Installation with a single hex cap screw.



Cross-Section Detail






The standard NU-LOC series satisfies all the specifications of our air handling series under the "S3" designation.

This series incorporates a C2 ball clearance which is more exacting than the standard style, and this allows for quieter operation and a considerable reduction of vibration.

The NU-LOC series is a high-precision design and, while it is ideal for air handling applications, it is also excellent for many more highly demanding applications.

SUFFIX																																															
S3	P18	P18 is the suffix code that designates smaller bore tolerance which allows for a tighter fit with the shaft. This, in turn, reduces vibration and noise and dramatically increases bearing life.																																													
		Tolerance and tolerance values of inner rings of P18 suffix (unit: μm)																																													
		<table border="1" style="width: 100%; border-collapse: collapse;"> <thead> <tr> <th colspan="2">Nominal bearing bore dia. d (mm)</th> <th colspan="2">Variation of tolerance of average bore dia. in plane Δd_{mp}</th> <th>Unequal bore dia. in plane V_{dp}</th> <th>Radial runout of inner ring K_{ia}</th> </tr> <tr> <th>Over</th> <th>Incl.</th> <th>Max.</th> <th>Min.</th> <th>Max.</th> <th>Max.</th> </tr> </thead> <tbody> <tr> <td>-</td> <td>10</td> <td>+13</td> <td>0</td> <td>6</td> <td>7</td> </tr> <tr> <td>10</td> <td>18</td> <td>+13</td> <td>0</td> <td>6</td> <td>8</td> </tr> <tr> <td>18</td> <td>31.75</td> <td>+13</td> <td>0</td> <td>10</td> <td>10</td> </tr> <tr> <td>31.75</td> <td>50.8</td> <td>+15</td> <td>0</td> <td>10</td> <td>10</td> </tr> <tr> <td>50.8</td> <td>80</td> <td>+18</td> <td>0</td> <td>14</td> <td>13</td> </tr> </tbody> </table>		Nominal bearing bore dia. d (mm)		Variation of tolerance of average bore dia. in plane Δd_{mp}		Unequal bore dia. in plane V_{dp}	Radial runout of inner ring K_{ia}	Over	Incl.	Max.	Min.	Max.	Max.	-	10	+13	0	6	7	10	18	+13	0	6	8	18	31.75	+13	0	10	10	31.75	50.8	+15	0	10	10	50.8	80	+18	0	14	13		
Nominal bearing bore dia. d (mm)		Variation of tolerance of average bore dia. in plane Δd_{mp}		Unequal bore dia. in plane V_{dp}	Radial runout of inner ring K_{ia}																																										
Over	Incl.	Max.	Min.	Max.	Max.																																										
-	10	+13	0	6	7																																										
10	18	+13	0	6	8																																										
18	31.75	+13	0	10	10																																										
31.75	50.8	+15	0	10	10																																										
50.8	80	+18	0	14	13																																										
<table border="1" style="width: 100%; border-collapse: collapse;"> <thead> <tr> <th colspan="2">Nominal bearing bore dia. d (mm)</th> <th colspan="2">Variation of tolerance of average bore dia. in plane Δd_{mp}</th> <th>Unequal bore dia. in plane V_{dp}</th> <th>Radial runout of inner ring K_{ia}</th> </tr> <tr> <th>Over</th> <th>Incl.</th> <th>Max.</th> <th>Min.</th> <th>Max.</th> <th>Max.</th> </tr> </thead> <tbody> <tr> <td>-</td> <td>10</td> <td>+15</td> <td>0</td> <td>10</td> <td>10</td> </tr> <tr> <td>10</td> <td>18</td> <td>+15</td> <td>0</td> <td>10</td> <td>15</td> </tr> <tr> <td>18</td> <td>31.75</td> <td>+18</td> <td>0</td> <td>12</td> <td>18</td> </tr> <tr> <td>31.75</td> <td>50.8</td> <td>+21</td> <td>0</td> <td>14</td> <td>20</td> </tr> <tr> <td>50.8</td> <td>80</td> <td>+24</td> <td>0</td> <td>16</td> <td>25</td> </tr> </tbody> </table>		Nominal bearing bore dia. d (mm)		Variation of tolerance of average bore dia. in plane Δd_{mp}		Unequal bore dia. in plane V_{dp}	Radial runout of inner ring K_{ia}	Over	Incl.	Max.	Min.	Max.	Max.	-	10	+15	0	10	10	10	18	+15	0	10	15	18	31.75	+18	0	12	18	31.75	50.8	+21	0	14	20	50.8	80	+24	0	16	25				
Nominal bearing bore dia. d (mm)		Variation of tolerance of average bore dia. in plane Δd_{mp}		Unequal bore dia. in plane V_{dp}	Radial runout of inner ring K_{ia}																																										
Over	Incl.	Max.	Min.	Max.	Max.																																										
-	10	+15	0	10	10																																										
10	18	+15	0	10	15																																										
18	31.75	+18	0	12	18																																										
31.75	50.8	+21	0	14	20																																										
50.8	80	+24	0	16	25																																										
	P11	The anti-rotation pin, in conjunction with the standard "J" fit housing, means very secure housing fit in high speed applications.																																													
	C2	Internal bearing clearance is defined as the allowable space between the rolling elements and the raceways. C2 is smaller clearance than the standard, and it reduces the noise and vibration in high speed applications.																																													

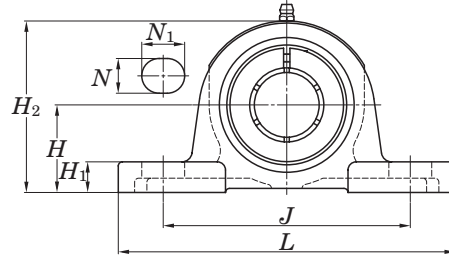
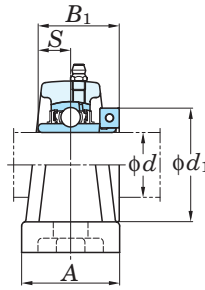


Pillow type units NU-LOC

NCP

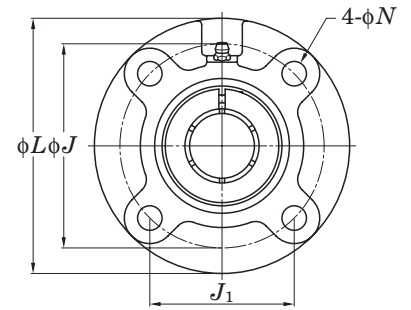
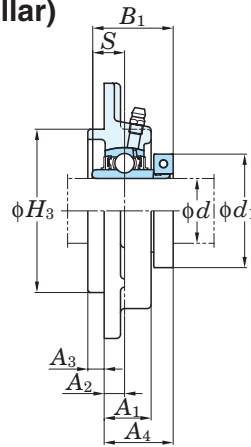
Cylindrical bore (with concentric locking collar)

d 20 ~ 60 mm



Shaft Dia mm inch		Dimensions inch mm										Bolt Size	Unit No.	Housing No.	Bearing No.	Mass		
d		H	L	A	J	N	N_1	H_1	H_2	B_1	S	d_1	inch mm				kg	
20	3/4	1 5/16	5	1 1/2	3 3/4	1/2	23/32	1/2	2 17/32	1 9/32	0.500	1 3/4	3/8	NCP204-12	P204	NC204-12	0.80	
		33.3	127	38	95	13	18	13	64	32.5	12.7	44.5	M10	NCP204		NC204		
25	7/8	1 7/16	5 1/2	1 1/2	4 1/8	1/2	23/32	1/2	2 25/32	1 7/16	0.563	1 15/16	3/8	NCP205-14	P205	NC205-14	1.0	
	15/16													NCP205-15				NC205-15
	1													NCP205-16				NC205-16
30	1 1/8	1 11/16	6 1/2	1 7/8	4 3/4	21/32	13/16	19/32	3 5/16	1 9/16	0.626	2 3/16	1/2	NCP206-18	P206	NC206-18	1.5	
	1 3/16													NCP206				NC206
	1 1/4													NCP206-19				NC206-19
35	1 1/4	1 7/8	6 9/16	1 7/8	5	21/32	13/16	5/8	3 21/32	1 3/4	0.689	2 7/16	1/2	NCP207-20	P207	NC207-20	1.9	
														NCP207				NC207
	1 3/8													NCP207-23				NC207-23
40	1 1/2	1 15/16	7 1/4	2 1/8	5 13/32	21/32	13/16	21/32	3 27/32	2	0.748	2 11/16	1/2	NCP208-24	P208	NC208-24	2.4	
														NCP208				NC208
	1 5/8													NCP209-26				NC209-26
45	1 5/8	2 1/8	7 15/32	2 1/8	5 3/4	21/32	13/16	21/32	4 3/16	2	0.748	2 13/16	1/2	NCP209-27	P209	NC209-27	2.6	
														NCP209-28				NC209-28
	1 3/4													NCP209				NC209
50	1 15/16	2 1/4	8 1/8	2 3/8	6 1/4	25/32	7/8	3/4	4 7/16	2 3/32	0.748	3 3/8	5/8	NCP210-31	P210	NC210-31	3.5	
	2													NCP210				NC210
55	2	2 1/2	8 5/8	2 3/8	6 23/32	25/32	7/8	3/4	4 29/32	2 1/4	0.874	3 1/2	5/8	NCP211-32	P211	NC211-32	4.0	
														NCP211				NC211
	2 3/16													NCP211-35				NC211-35
60	2 1/4	2 3/4	9 1/2	2 3/4	7 1/4	25/32	31/32	7/8	5 7/16	2 5/8	1.000	4 1/16	5/8	NCP212-36	P212	NC212-36	5.6	
														NCP212				NC212
	2 7/16											104.8	M16	NCP212-39		NC212-39	5.6	

**Round flange cartridge type units NU-LOC
NCFC**
Cylindrical bore (with concentric locking collar)
 d 20 ~ 60 mm

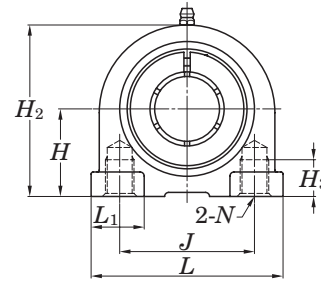
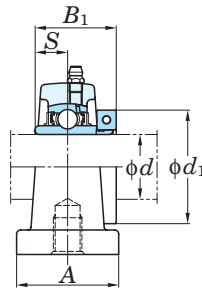
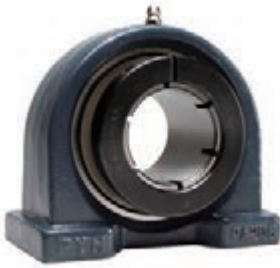


Shaft Dia		Dimensions											Bolt Size	Unit No.	Housing No.	Bearing No.	Mass	
mm	inch	inch																
d		L	H_3	J	J_1	N	A_1	A_2	A_3	A_4	B_1	S	d_1	inch				kg
20	$3/4$	3 15/16	2.4409	3 5/64	2 11/64	15/32	13/16	25/64	13/64	1 3/16	1 9/32	0.500	1 3/4	3/8	NCFC204-12	FC204	NC204-12	0.87
		100	62	78	55.1	12	20.5	10	5	29.8	32.5	12.7	44.5	M10	NCFC204		NC204	
25	$7/8$	4 17/32	2.7559	3 35/64	2 1/2	15/32	13/16	25/64	15/64	1 9/32	1 7/16	0.563	1 15/16	3/8	NCFC205-14	FC205	NC205-14	1.2
	$15/16$														NCFC205-15		NC205-15	
	1														NCFC205-16		NC205-16	
30	$1 1/8$	4 29/32	3.1496	3 15/16	2 25/32	15/32	29/32	25/64	5/16	1 11/32	1 9/16	0.626	2 3/16	3/8	NCFC206-18	FC206	NC206-18	1.5
	$1 3/16$														NCFC206		NC206	
	$1 1/4$														NCFC206-19		NC206-19	
															NCFC206-20		NC206-20	
35	$1 1/4$	5 5/16	3.5433	4 21/64	3 1/16	35/64	1 1/32	7/16	5/16	1 1/2	1 3/4	0.689	2 7/16	7/16	NCFC207-20	FC207	NC207-20	2.0
	$1 3/8$														NCFC207-22		NC207-22	
															$1 7/16$		NCFC207	
40	$1 3/8$	5 5/16	3.5433	4 21/64	3 1/16	35/64	1 1/32	7/16	5/16	1 1/2	1 3/4	0.689	2 9/16	7/16	NCFC207-23	FC207	NC207-23	2.0
	$1 7/16$														NCFC207-23		NC207-23	
40	$1 1/2$	5 23/32	3.9370	4 23/32	3 11/32	35/64	1 1/32	7/16	25/64	1 11/16	2	0.748	2 11/16	7/16	NCFC208-24	FC208	NC208-24	2.4
															NCFC208		NC208	
45	$1 5/8$	6 5/16	4.1339	5 13/64	3 43/64	5/8	1 1/32	25/64	15/32	1 21/32	2	0.748	2 13/16	1/2	NCFC209-26	FC209	NC209-26	3.0
	$1 11/16$														NCFC209-27		NC209-27	
															$1 3/4$		NCFC209-28	
50	$1 11/16$	6 1/2	4.3307	5 7/16	3 27/32	5/8	1 3/32	25/64	15/32	1 3/4	2 3/32	0.748	3 3/8	1/2	NCFC209-27	FC209	NC209-27	3.0
	2														NCFC209-28		NC209-28	
50	$1 15/16$	6 1/2	4.3307	5 7/16	3 27/32	5/8	1 3/32	25/64	15/32	1 3/4	2 3/32	0.748	3 3/8	1/2	NCFC210-31	FC210	NC210-31	3.5
															NCFC210		NC210-32	
55	2	7 9/32	4.9213	5 29/32	4 11/64	3/4	1 7/32	33/64	15/32	1 7/8	2 1/4	0.874	3 1/2	5/8	NCFC210-32	FC211	NC210-32	4.6
	$2 3/16$														NCFC211-32		NC211-32	
																	NCFC211	
60	$2 3/16$	7 9/32	4.9213	5 29/32	4 11/64	3/4	1 7/32	33/64	15/32	1 7/8	2 1/4	0.874	3 5/8	5/8	NCFC211-35	FC211	NC211-35	4.6
	$2 1/4$														NCFC212-36		NC212-36	
															$2 7/16$		NCFC212	

NCFCF (For USA) is also available. Contact FYH for unit specifications.



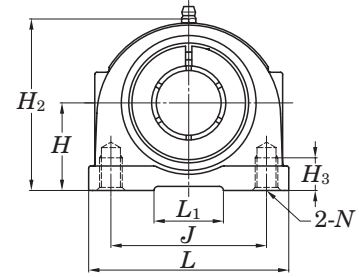
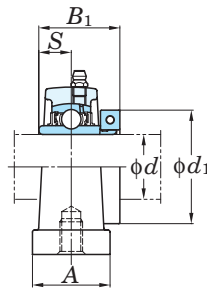
Tapped-base pillow type units NU-LOC
NCPA
Cylindrical bore (with concentric locking collar)
d 20 ~ 50 mm



Shaft Dia		Dimensions										Unit No.	Housing No.	Bearing No.	Mass	
mm	inch	inch														
<i>d</i>		<i>H</i>	<i>L</i>	<i>A</i>	<i>J</i>	<i>N</i>	<i>H</i> ₂	<i>H</i> ₃	<i>L</i> ₁	<i>B</i> ₁	<i>S</i>	<i>d</i> ₁				
		mm														
												kg				
20	3/4	1 3/16	3	1 9/16	2 3/64	M10×1.5	2 3/8	1/2	1 1/16	1 9/32	0.500	1 3/4	NCPA204-12 NCPA204	PA204	NC204-12 NC204	0.73
			30.2	76	40	52		60	13	27	32.5	12.7				
25	7/8	1 7/16	3 5/16	1 25/32	2 13/64	M10×1.5	2 25/32	1/2	1 3/16	1 7/16	0.563	1 15/16	NCPA205-14 NCPA205-15 NCPA205 NCPA205-16	PA205	NC205-14 NC205-15 NC205 NC205-16	1.0
	15/16															
	1															
30	1 1/8	1 11/16	3 11/16	1 31/32	2 19/32	M14×2	3 5/16	23/32	1 13/32	1 9/16	0.626	2 3/16	NCPA206-18 NCPA206 NCPA206-19 NCPA206-20	PA206	NC206-18 NC206 NC206-19 NC206-20	1.4
	1 3/16															
	1 1/4															
35	1 1/4	1 7/8	3 11/32	2 5/32	3 5/32	M14×2	3 21/32	25/32	1 5/8	1 3/4	0.689	2 7/16	NCPA207-20	PA207	NC207-20	2.0
	1 3/8															
40	1 1/2	1 15/16	4 9/16	2 9/32	3 5/16	M14×2	3 15/16	25/32	1 5/8	2	0.748	2 11/16	NCPA208-24 NCPA208	PA208	NC208-24 NC208	2.4
	1 5/8															
45	1 5/8	2 9/64	4 23/32	2 3/8	3 35/64	M14×2	4 3/16	31/32	1 21/32	2	0.748	2 13/16	NCPA209-26	PA209	NC209-26	2.6
	1 11/16															
50	1 3/4	2 9/64	4 23/32	2 3/8	3 35/64	M14×2	4 3/16	31/32	1 21/32	2	0.748	2 15/16	NCPA209-27 NCPA209-28 NCPA209	PA209	NC209-27 NC209-28 NC209	2.6
	1 15/16															
	2	2 1/4	5 1/8	2 17/32	3 45/64	M16×2	4 7/16	31/32	1 27/32	2 3/32	0.748	3 3/8	NCPA210-31 NCPA210 NCPA210-32	PA210	NC210-31 NC210 NC210-32	3.4

Tapped-base pillow type units NU-LOC
 NCPAN
 Cylindrical bore (with concentric locking collar)
 d 20 ~ 35 mm

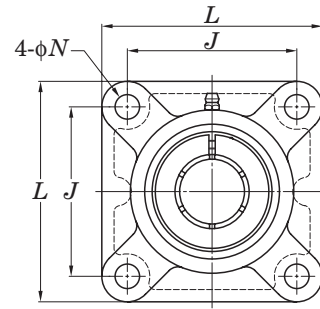
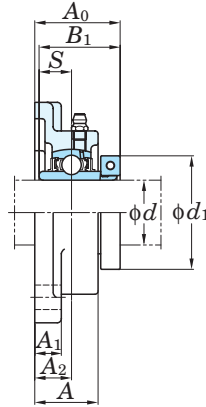
For USA



Shaft Dia		Dimensions										Unit No.	Housing No.	Bearing No.	Mass		
mm	inch	inch mm														kg	
d		H	L	A	J	N	H_2	H_3	L_1	B_1	S	d_1					
20	$3/4$	$1\ 5/16$	$2\ 9/16$	$1\ 1/4$	2	$3/8$ -16UNC	$2\ 17/32$	$1/2$	$7/8$	$1\ 9/32$	0.500	$1\ 3/4$	NCPAN204-12	PAN204	NC204-12 NC204	0.80	
			33.3	65	32	50.8		64	12.7	22	32.5	12.7	44.5				NCPAN204
25	$7/8$	$1\ 7/16$	$2\ 3/4$	$1\ 13/32$	2	$3/8$ -16UNC	$2\ 3/4$	$1/2$	$15/16$	$1\ 7/16$	0.563	$1\ 15/16$	NCPAN205-14	PAN205	NC205-14 NC205-15 NC205	1.4	
	$15/16$		36.5	70	36	50.8		70	13	24	36.5	14.3	49.2				NCPAN205-15
																	NCPAN205
30	1	$1\ 7/16$	$2\ 3/4$	$1\ 13/32$	2	$3/8$ -16UNC	$2\ 3/4$	$1/2$	$15/16$	$1\ 7/16$	0.563	$1\ 15/16$	NCPAN205-16		NC205-16		
	$1\ 1/8$	$1\ 11/16$	$3\ 27/32$	$1\ 1/2$	3	$7/16$ -14UNC	$3\ 7/32$	$5/8$	$1\ 11/32$	$1\ 9/16$	0.626	$2\ 3/16$	NCPAN206-18	PAN206	NC206-18 NC206 NC206-19 NC206-20	1.9	
	$1\ 3/16$		42.9	98	38	76.2		82	16	34	39.7	15.9	55.6				NCPAN206
																	NCPAN206-19
$1\ 1/4$													NCPAN206-20				
35	$1\ 1/4$	$1\ 7/8$	$4\ 11/32$	$1\ 7/8$	$3\ 1/4$	$1/2$ -13UNC	$3\ 21/32$	$3/4$	$1\ 3/32$	$1\ 3/4$	0.689	$2\ 7/16$	NCPAN207-20	PAN207	NC207-20	2.3	
			47.6	110	48	82.6		93	19	28	44.5	17.5	61.9				NCPAN207
	$1\ 3/8$	$1\ 7/8$	$4\ 11/32$	$1\ 7/8$	$3\ 1/4$	$1/2$ -13UNC	$3\ 21/32$	$3/4$	$1\ 3/32$	$1\ 3/4$	0.689	$2\ 9/16$	NCPAN207-22				
													NCPAN207		NC207		
	$1\ 7/16$												NCPAN207-23		NC207-23		



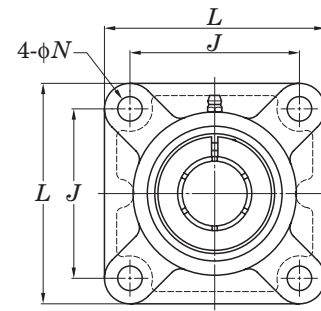
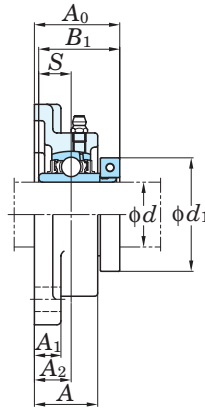
**Square four-bolt flange type units NU-LOC
NCF**
Cylindrical bore (with concentric locking collar)
 d 20 ~ 60 mm



Shaft Dia mm inch		Dimensions inch mm										Bolt Size inch mm	Unit No.	Housing No.	Bearing No.	Mass kg
d		L	A	J	N	A_1	A_2	A_0	B_1	S	d_1					
20	3/4	3 3/8 86	1 25.5	2 33/64 64	15/32 12	7/16 11	19/32 15	1 3/8 34.8	1 9/32 32.5	0.500 12.7	1 3/4 44.5	3/8 M10	NCF204-12 NCF204	F204	NC204-12 NC204	0.73
	7/8 15/16	3 3/4 95	1 1/16 27	2 3/4 70	15/32 12	1/2 13	5/8 16	1 1/2 38.2	1 7/16 36.5	0.563 14.3	1 15/16 49.2	3/8 M10	NCF205-14 NCF205-15 NCF205	F205	NC205-14 NC205-15 NC205	1.0
30	1 1/8	4 1/4 108	1 7/32 31	3 17/64 83	15/32 12	1/2 13	45/64 18	1 21/32 41.8	1 9/16 39.7	0.626 15.9	2 3/16 55.6	3/8 M10	NCF206-18 NCF206	F206	NC206-18 NC206	1.3
	1 3/16	4 19/32 117	1 11/32 34	3 5/8 92	35/64 14	19/32 15	3/4 19	1 13/16 46	1 3/4 44.5	0.689 17.5	2 7/16 61.9	7/16 M12	NCF207-20	F207	NC207-20	1.8
	1 7/16	4 19/32 117	1 11/32 34	3 5/8 92	35/64 14	19/32 15	3/4 19	1 13/16 46	1 3/4 44.5	0.689 17.5	2 9/16 65.1	7/16 M12	NCF207-22 NCF207 NCF207-23	F207	NC207-22 NC207 NC207-23	1.8
40	1 1/2	5 1/8 130	1 13/32 36	4 1/64 102	5/8 16	19/32 15	53/64 21	2 3/32 52.8	2 50.8	0.748 19	2 11/16 68.3	1/2 M14	NCF208-24 NCF208	F208	NC208-24 NC208	2.3
	1 5/8	5 13/32 137	1 1/2 38	4 9/64 105	5/8 16	5/8 16	55/64 22	2 1/8 53.8	2 50.8	0.748 19	2 13/16 71.4	1/2 M14	NCF209-26	F209	NC209-26	2.6
45	1 11/16	5 13/32 137	1 1/2 38	4 9/64 105	5/8 16	5/8 16	55/64 22	2 1/8 53.8	2 50.8	0.748 19	2 15/16 74.6	1/2 M14	NCF209-27 NCF209-28 NCF209	F209	NC209-27 NC209-28 NC209	2.6
	1 3/4	5 13/32 137	1 1/2 38	4 9/64 105	5/8 16	5/8 16	55/64 22	2 1/8 53.8	2 50.8	0.748 19	2 15/16 74.6	1/2 M14	NCF209-27 NCF209-28 NCF209	F209	NC209-27 NC209-28 NC209	2.6
50	1 15/16	5 5/8 143	1 9/16 40	4 3/8 111	5/8 16	5/8 16	55/64 22	2 7/32 56.1	2 3/32 53.1	0.748 19	3 3/8 85.7	1/2 M14	NCF210-31 NCF210 NCF210-32	F210	NC210-31 NC210 NC210-32	3.1
	2	6 3/8 162	1 11/16 43	5 1/8 130	3/4 19	23/32 18	63/64 25	2 11/32 59.9	2 1/4 57.1	0.874 22.2	3 1/2 88.9	5/8 M16	NCF211-32	F211	NC211-32	3.8
55	2 3/16	6 3/8 162	1 11/16 43	5 1/8 130	3/4 19	23/32 18	63/64 25	2 11/32 59.9	2 1/4 57.1	0.874 22.2	3 5/8 92.1	5/8 M16	NCF211 NCF211-35	F211	NC211 NC211-35	3.8
	2 1/4	6 7/8 175	1 7/8 48	5 5/8 143	3/4 19	23/32 18	1 9/64 29	2 25/32 70.3	2 5/8 66.7	1.000 25.4	4 1/16 103.2	5/8 M16	NCF212-36	F212	NC212-36	4.9
60	2 1/4	6 7/8 175	1 7/8 48	5 5/8 143	3/4 19	23/32 18	1 9/64 29	2 25/32 70.3	2 5/8 66.7	1.000 25.4	4 1/8 104.8	5/8 M16	NCF212 NCF212-39	F212	NC212 NC212-39	4.9
	2 7/16	6 7/8 175	1 7/8 48	5 5/8 143	3/4 19	23/32 18	1 9/64 29	2 25/32 70.3	2 5/8 66.7	1.000 25.4	4 1/8 104.8	5/8 M16	NCF212 NCF212-39	F212	NC212 NC212-39	4.9

**Square four-bolt flange type units NU-LOC
NCF-E**
Cylindrical bore (with concentric locking collar)
 d 20 ~ 60 mm

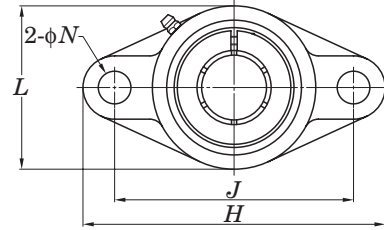
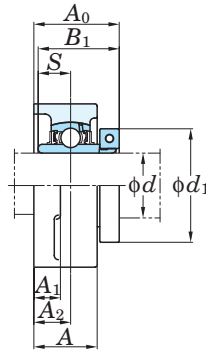
For USA



Shaft Dia mm inch		Dimensions inch mm										Bolt Size inch mm	Unit No.	Housing No.	Bearing No.	Mass kg
d		L	A	J	N	A_1	A_2	A_0	B_1	S	d_1					
20	$3/4$	$3\ 3/8$ 86	1 25.5	$2\ 33/64$ 64	$7/16$ 11	$7/16$ 11	$19/32$ 15	$1\ 3/8$ 34.8	$1\ 9/32$ 32.5	0.500 12.7	$1\ 3/4$ 44.5	$3/8$ -	NCF204-12E NCF204E	F204E	NC204-12 NC204	0.73
	$7/8$ $15/16$	$3\ 3/4$ 95	$1\ 1/16$ 27	$2\ 3/4$ 70	$15/32$ 12	$1/2$ 13	$5/8$ 16	$1\ 1/2$ 38.2	$1\ 7/16$ 36.5	0.563 14.3	$1\ 15/16$ 49.2	$3/8$ M10	NCF205-14 NCF205-15 NCF205 NCF205-16	F205	NC205-14 NC205-15 NC205 NC205-16	1.0
30	$1\ 1/8$	$4\ 1/4$ 108	$1\ 7/32$ 31	$3\ 17/64$ 83	$33/64$ 13	$1/2$ 13	$45/64$ 18	$1\ 21/32$ 41.8	$1\ 9/16$ 39.7	0.626 15.9	$2\ 3/16$ 55.6	$7/16$ -	NCF206-18E NCF206E NCF206-19E NCF206-20E	F206E	NC206-18 NC206 NC206-19 NC206-20	1.3
	$1\ 3/16$	$4\ 19/32$ 117	$1\ 11/32$ 34	$3\ 5/8$ 92	$33/64$ 13	$19/32$ 15	$3/4$ 19	$1\ 13/16$ 46	$1\ 3/4$ 44.5	0.689 17.5	$2\ 7/16$ 61.9	$7/16$ -	NCF207-20E	F207E	NC207-20	1.8
	$1\ 1/4$	$4\ 19/32$ 117	$1\ 11/32$ 34	$3\ 5/8$ 92	$33/64$ 13	$19/32$ 15	$3/4$ 19	$1\ 13/16$ 46	$1\ 3/4$ 44.5	0.689 17.5	$2\ 9/16$ 65.1	$7/16$ -	NCF207-22E NCF207E NCF207-23E	F207E	NC207-22 NC207 NC207-23	1.8
35	$1\ 1/4$	$4\ 19/32$ 117	$1\ 11/32$ 34	$3\ 5/8$ 92	$33/64$ 13	$19/32$ 15	$3/4$ 19	$1\ 13/16$ 46	$1\ 3/4$ 44.5	0.689 17.5	$2\ 7/16$ 61.9	$7/16$ -	NCF207-20E	F207E	NC207-20	1.8
	$1\ 3/8$	$4\ 19/32$ 117	$1\ 11/32$ 34	$3\ 5/8$ 92	$33/64$ 13	$19/32$ 15	$3/4$ 19	$1\ 13/16$ 46	$1\ 3/4$ 44.5	0.689 17.5	$2\ 9/16$ 65.1	$7/16$ -	NCF207-22E NCF207E NCF207-23E	F207E	NC207-22 NC207 NC207-23	1.8
40	$1\ 1/2$	$5\ 1/8$ 130	$1\ 13/32$ 36	$4\ 1/64$ 102	$35/64$ 14	$19/32$ 15	$53/64$ 21	$2\ 3/32$ 52.8	2 50.8	0.748 19	$2\ 11/16$ 68.3	$1/2$ -	NCF208-24E NCF208E	F208E	NC208-24 NC208	2.3
	$1\ 5/8$	$5\ 13/32$ 137	$1\ 1/2$ 38	$4\ 9/64$ 105	$5/8$ 16	$5/8$ 16	$55/64$ 22	$2\ 1/8$ 53.8	2 50.8	0.748 19	$2\ 13/16$ 71.4	$1/2$ M14	NCF209-26	F209	NC209-26	2.6
45	$1\ 11/16$	$5\ 13/32$ 137	$1\ 1/2$ 38	$4\ 9/64$ 105	$5/8$ 16	$5/8$ 16	$55/64$ 22	$2\ 1/8$ 53.8	2 50.8	0.748 19	$2\ 15/16$ 74.6	$1/2$ M14	NCF209-27 NCF209-28 NCF209	F209	NC209-27 NC209-28 NC209	2.6
	$1\ 3/4$	$5\ 13/32$ 137	$1\ 1/2$ 38	$4\ 9/64$ 105	$5/8$ 16	$5/8$ 16	$55/64$ 22	$2\ 1/8$ 53.8	2 50.8	0.748 19	$2\ 15/16$ 74.6	$1/2$ M14	NCF209-27 NCF209-28 NCF209	F209	NC209-27 NC209-28 NC209	2.6
50	$1\ 15/16$	$5\ 5/8$ 143	$1\ 9/16$ 40	$4\ 3/8$ 111	$5/8$ 16	$5/8$ 16	$55/64$ 22	$2\ 7/32$ 56.1	$2\ 3/32$ 53.1	0.748 19	$3\ 3/8$ 85.7	$1/2$ M14	NCF210-31 NCF210 NCF210-32	F210	NC210-31 NC210 NC210-32	3.1
	2	$6\ 3/8$ 162	$1\ 11/16$ 43	$5\ 1/8$ 130	$43/64$ 17	$23/32$ 18	$63/64$ 25	$2\ 11/32$ 59.9	$2\ 1/4$ 57.1	0.874 22.2	$3\ 1/2$ 88.9	$5/8$ -	NCF211-32E	F211E	NC211-32	3.8
55	$2\ 3/16$	$6\ 3/8$ 162	$1\ 11/16$ 43	$5\ 1/8$ 130	$43/64$ 17	$23/32$ 18	$63/64$ 25	$2\ 11/32$ 59.9	$2\ 1/4$ 57.1	0.874 22.2	$3\ 5/8$ 92.1	$5/8$ -	NCF211E NCF211-35E	F211E	NC211 NC211-35	3.8
	$2\ 1/4$	$6\ 7/8$ 175	$1\ 7/8$ 48	$5\ 5/8$ 143	$43/64$ 17	$23/32$ 18	$1\ 9/64$ 29	$2\ 25/32$ 70.3	$2\ 5/8$ 66.7	1.000 25.4	$4\ 1/16$ 103.2	$5/8$ -	NCF212-36E	F212E	NC212-36	4.9
60	$2\ 1/4$	$6\ 7/8$ 175	$1\ 7/8$ 48	$5\ 5/8$ 143	$43/64$ 17	$23/32$ 18	$1\ 9/64$ 29	$2\ 25/32$ 70.3	$2\ 5/8$ 66.7	1.000 25.4	$4\ 1/8$ 104.8	$5/8$ -	NCF212E NCF212-39E	F212E	NC212 NC212-39	4.9
	$2\ 7/16$	$6\ 7/8$ 175	$1\ 7/8$ 48	$5\ 5/8$ 143	$43/64$ 17	$23/32$ 18	$1\ 9/64$ 29	$2\ 25/32$ 70.3	$2\ 5/8$ 66.7	1.000 25.4	$4\ 1/8$ 104.8	$5/8$ -	NCF212E NCF212-39E	F212E	NC212 NC212-39	4.9



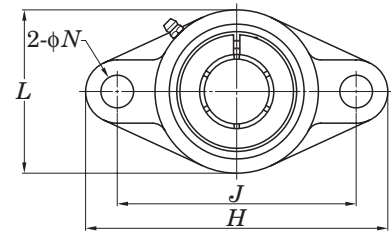
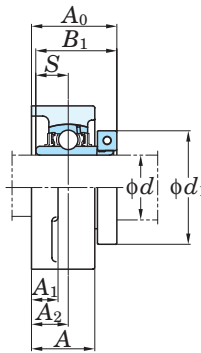
**Oval tow-bolt flange type units NU-LOC
NCFL**
Cylindrical bore (with concentric locking collar)
 d 20 ~ 60 mm



Shaft Dia		Dimensions											Bolt Size	Unit No.	Housing No.	Bearing No.	Mass												
mm	inch	inch mm																inch mm	kg										
d		H	L	A	J	N	A_1	A_2	A_0	B_1	S	d_1																	
20	3/4	4 7/16	2 3/8	1	3 35/64	15/32	7/16	19/32	1 3/8	1 9/32	0.500	1 3/4	3/8	NCFL204-12 NCFL204	FL204	NC204-12 NC204	0.62												
		113	60	25.5	90	12	11	15	34.8	32.5	12.7	44.5	M10																
25	7/8	5 1/8	2 11/16	1 1/16	3 57/64	5/8	1/2	5/8	1 1/2	1 7/16	0.563	1 15/16	1/2	NCFL205-14 NCFL205-15 NCFL205	FL205	NC205-14 NC205-15 NC205	0.84												
	15/16																	130	68	27	99	16	13	16	38.2	36.5	14.3	49.2	M14
	1																												
30	1 1/8	5 13/16	3 5/32	1 7/32	4 39/64	5/8	1/2	45/64	1 21/32	1 9/16	0.626	2 3/16	1/2	NCFL206-18 NCFL206	FL206	NC206-18 NC206	1.1												
	1 3/16																	148	80	31	117	16	13	18	41.8	39.7	15.9	55.6	M14
	1 1/4																												
35	1 1/4	6 11/32	3 17/32	1 11/32	5 1/8	5/8	9/16	3/4	1 13/16	1 3/4	0.689	2 7/16	1/2	NCFL207-20	FL207	NC207-20	1.5												
																		161	90	34	130	16	14	19	46	44.5	17.5	61.9	M14
	1 3/8																	6 11/32	3 17/32	1 11/32	5 1/8	5/8	9/16	3/4	1 13/16	1 3/4	0.689	2 9/16	1/2
1 7/16	161	90	34	130	16	14	19	46	44.5	17.5	65.1	M14																	
40	1 1/2	6 7/8	3 15/16	1 13/32	5 43/64	5/8	9/16	53/64	2 3/32	2	0.748	2 11/16	1/2	NCFL208-24 NCFL208	FL208	NC208-24 NC208	2.0												
																		175	100	36	144	16	14	21	52.8	50.8	19	68.3	M14
45	1 5/8	7 13/32	4 1/4	1 1/2	5 53/64	3/4	19/32	55/64	2 1/8	2	0.748	2 13/16	5/8	NCFL209-26	FL209	NC209-26	2.3												
																		188	108	38	148	19	15	22	53.8	50.8	19	71.4	M16
	1 11/16																	7 13/32	4 1/4	1 1/2	5 53/64	3/4	19/32	55/64	2 1/8	2	0.748	2 15/16	5/8
1 3/4	188	108	38	148	19	15	22	53.8	50.8	19	74.6	M16																	
50	1 15/16	7 3/4	4 17/32	1 9/16	6 3/16	3/4	19/32	55/64	2 7/32	2 3/32	0.748	3 3/8	5/8	NCFL210-31 NCFL210	FL210	NC210-31 NC210	2.8												
	2																	197	115	40	157	19	15	22	56.1	53.1	19	85.7	M16
55	2	8 13/16	5 1/8	1 11/16	7 1/4	3/4	23/32	63/64	2 11/32	2 1/4	0.874	3 1/2	5/8	NCFL211-32	FL211	NC211-32	3.7												
																		224	130	43	184	19	18	25	59.9	57.1	22.2	88.9	M16
	2 3/16																	8 13/16	5 1/8	1 11/16	7 1/4	3/4	23/32	63/64	2 11/32	2 1/4	0.874	3 5/8	5/8
	224	130	43	184	19	18	25	59.9	57.1	22.2	92.1	M16																	
60	2 1/4	9 27/32	5 1/2	1 7/8	7 61/64	29/32	23/32	1 9/64	2 25/32	2 5/8	1.000	4 1/16	3/4	NCFL212-36	FL212	NC212-36	4.9												
																		250	140	48	202	23	18	29	70.3	66.7	25.4	103.2	M20
	2 7/16																	9 27/32	5 1/2	1 7/8	7 61/64	29/32	23/32	1 9/64	2 25/32	2 5/8	1.000	4 1/8	3/4
	250	140	48	202	23	18	29	70.3	66.7	25.4	104.8	M20																	

Oval tow-bolt flange type units NU-LOC
 NCFL-E
 Cylindrical bore (with concentric locking collar)
 d 20 ~ 60 mm

For USA



Shaft Dia mm inch	Dimensions inch mm											Bolt Size inch	Unit No.	Housing No.	Bearing No.	Mass kg
	d	H	L	A	J	N	A_1	A_2	A_0	B_1	S					
20 3/4	4 7/16	2 3/8	1	3 17/32	25/64	7/16	19/32	1 3/8	1 9/32	0.500	1 3/4	5/16	NCFL204-12E NCFL204E	FL204E	NC204-12 NC204	0.62
	113	60	25.5	89.7	10	11	15	34.8	32.5	12.7	44.5					
25 7/8 15/16	5 1/8	2 11/16	1 1/16	3 57/64	15/32	1/2	5/8	1 1/2	1 7/16	0.563	1 15/16	3/8	NCFL205-14E NCFL205-15E NCFL205E NCFL205-16E	FL205E	NC205-14 NC205-15 NC205 NC205-16	0.84
	130	68	27	98.8	12	13	16	38.2	36.5	14.3	49.2					
30 1 1/8 1 3/16 1 1/4	5 13/16	3 5/32	1 7/32	4 19/32	15/32	1/2	45/64	1 21/32	1 9/16	0.626	2 3/16	3/8	NCFL206-18E NCFL206E NCFL206-19E NCFL206-20E	FL206E	NC206-18 NC206 NC206-19 NC206-20	1.1
	148	80	31	116.7	12	13	18	41.8	39.7	15.9	55.6					
35 1 1/4 1 3/8 1 7/16	6 11/32	3 17/32	1 11/32	5 1/8	33/64	9/16	3/4	1 13/16	1 3/4	0.689	2 7/16	7/16	NCFL207-20E NCFL207-22E NCFL207E NCFL207-23E	FL207E	NC207-20 NC207-22 NC207 NC207-23	1.5
	161	90	34	130.2	13	14	19	46	44.5	17.5	61.9					
40 1 1/2	6 7/8	3 15/16	1 13/32	5 21/32	33/64	9/16	53/64	2 3/32	2	0.748	2 11/16	7/16	NCFL208-24E NCFL208E	FL208E	NC208-24 NC208	2.0
	175	100	36	143.7	13	14	21	52.8	50.8	19	68.3					
45 1 5/8 1 11/16 1 3/4	7 13/32	4 1/4	1 1/2	5 27/32	19/32	19/32	55/64	2 1/8	2	0.748	2 13/16	1/2	NCFL209-26E NCFL209-27E NCFL209-28E NCFL209E	FL209E	NC209-26 NC209-27 NC209-28 NC209	2.3
	188	108	38	148.4	15	15	22	53.8	50.8	19	71.4					
50 1 15/16 2	7 3/4	4 17/32	1 9/16	6 3/16	19/32	19/32	55/64	2 7/32	2 3/32	0.748	3 3/8	1/2	NCFL210-31E NCFL210E NCFL210-32E	FL210E	NC210-31 NC210 NC210-32	2.8
	197	115	40	157	15	15	22	56.1	53.1	19	85.7					
55 2 2 3/16	8 13/16	5 1/8	1 11/16	7 1/4	21/32	23/32	63/64	2 11/32	2 1/4	0.874	3 1/2	9/16	NCFL211-32E NCFL211E NCFL211-35E	FL211E	NC211-32 NC211 NC211-35	3.7
	224	130	43	184	16.5	18	25	59.9	57.1	22.2	88.9					
60 2 1/4 2 7/16	9 27/32	5 1/2	1 7/8	7 61/64	21/32	23/32	1 9/64	2 25/32	2 5/8	1.000	4 1/16	9/16	NCFL212-36E NCFL212E NCFL212-39E	FL212E	NC212-36 NC212 NC212-39	4.9
	250	140	48	202	16.5	18	29	70.3	66.7	25.4	103.2					
	250	140	48	202	16.5	18	29	70.3	66.7	25.4	104.8	9/16				4.9

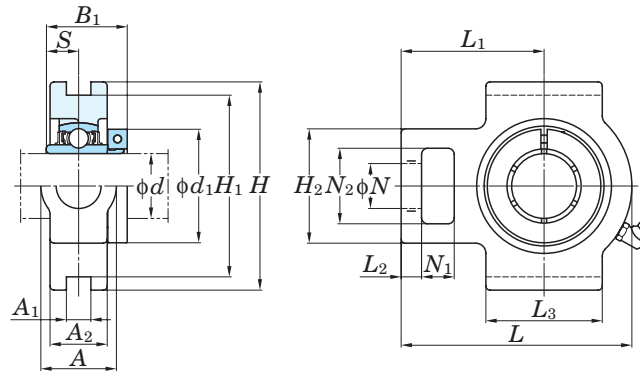


Take-up type units NU-LOC

NCT

Cylindrical bore (with concentric locking collar)

d 20 ~ 60 mm



Shaft Dia mm inch		Dimensions inch mm															Unit No.	Housing No.	Bearing No.	Mass kg	
d		A	A ₁	A ₂	H	H ₁	H ₂	L	L ₁	L ₂	L ₃	N	N ₁	N ₂	B ₁	S					d_1
20	3/4	1 1/4	15/32	13/16	3 1/2	2 63/64	2	3 11/16	2 13/32	13/32	2	3/4	5/8	1 1/4	1 9/32	0.500	1 3/4	NCT204-12 NCT204	T204	NC204-12 NC204	0.90
		32	12	21	89	76	51	94	61	10	51	19	16	32	32.5	12.7	44.5				
25	7/8	1 1/4	15/32	15/16	3 1/2	2 63/64	2	3 13/16	2 7/16	13/32	2	3/4	5/8	1 1/4	1 7/16	0.563	1 15/16	NCT205-14 NCT205-15 NCT205	T205	NC205-14 NC205-15 NC205	1.0
	15/16	32	12	24	89	76	51	97	62	10	51	19	16	32	36.5	14.3	49.2				
	1																	NCT205-16		NC205-16	
30	1 1/8	1 15/32	15/32	1 3/32	4 1/32	3 1/2	2 7/32	4 7/16	2 3/4	13/32	2 1/4	7/8	5/8	1 15/32	1 9/16	0.626	2 3/16	NCT206-18 NCT206 NCT206-19 NCT206-20	T206	NC206-18 NC206 NC206-19 NC206-20	1.5
	1 3/16	37	12	28	102	89	56	113	70	10	57	22	16	37	39.7	15.9	55.6				
	1 1/4																				
35	1 1/4	1 15/32	15/32	1 3/16	4 1/32	3 1/2	2 17/32	5 3/32	3 1/16	1/2	2 17/32	7/8	5/8	1 15/32	1 3/4	0.689	2 7/16	NCT207-20	T207	NC207-20	1.9
		37	12	30	102	89	64	129	78	13	64	22	16	37	44.5	17.5	61.9				
	1 3/8	1 15/32	15/32	1 3/16	4 1/32	3 1/2	2 17/32	5 3/32	3 1/16	1/2	2 17/32	7/8	5/8	1 15/32	1 3/4	0.689	2 9/16	NCT207-22 NCT207 NCT207-23	T207	NC207-22 NC207 NC207-23	1.9
	1 7/16	37	12	30	102	89	64	129	78	13	64	22	16	37	44.5	17.5	65.1				
40	1 1/2	1 15/16	5/8	1 5/16	4 1/2	4 1/64	3 9/32	5 21/32	3 15/32	19/32	3 9/32	1 5/32	3/4	1 15/16	2	0.748	2 11/16	NCT208-24 NCT208	T208	NC208-24 NC208	2.9
		49	16	33	114	102	83	144	88	16	83	29	19	49	50.8	19	68.3				
45	1 5/8	1 15/16	5/8	1 3/8	4 19/32	4 1/64	3 9/32	5 21/32	3 7/16	5/8	3 9/32	1 5/32	3/4	1 15/16	2	0.748	2 13/16	NCT209-26	T209	NC209-26	2.8
		49	16	35	117	102	83	144	87	16	83	29	19	49	50.8	19	71.4				
	1 11/16	1 15/16	5/8	1 3/8	4 19/32	4 1/64	3 9/32	5 21/32	3 7/16	5/8	3 9/32	1 5/32	3/4	1 15/16	2	0.748	2 15/16	NCT209-27 NCT209-28 NCT209	T209	NC209-27 NC209-28 NC209	2.8
	1 3/4	49	16	35	117	102	83	144	87	16	83	29	19	49	50.8	19	74.6				
50	1 15/16	1 15/16	5/8	1 15/32	4 19/32	4 1/64	3 9/32	5 7/8	3 17/32	5/8	3 3/8	1 5/32	3/4	1 15/16	2 3/32	0.748	3 3/8	NCT210-31 NCT210 NCT210-32	T210	NC210-31 NC210 NC210-32	3.2
		49	16	37	117	102	83	149	90	16	86	29	19	49	53.1	19	85.7				
	2	2 17/32	55/64	1 1/2	5 3/4	5 1/8	4 1/32	6 23/32	4 3/16	3/4	3 3/4	1 3/8	31/32	2 17/32	2 1/4	0.874	3 1/2	NCT211-32	T211	NC211-32	4.4
	64	22	38	146	130	102	171	106	19	95	35	25	64	57.1	22.2	88.9					
55		2 17/32	55/64	1 1/2	5 3/4	5 1/8	4 1/32	6 23/32	4 3/16	3/4	3 3/4	1 3/8	31/32	2 17/32	2 1/4	0.874	3 5/8	NCT211 NCT211-35	T211	NC211 NC211-35	4.4
	2 3/16	64	22	38	146	130	102	171	106	19	95	35	25	64	57.1	22.2	92.1				
60	2 1/4	2 17/32	55/64	1 21/32	5 3/4	5 1/8	4 1/32	7 5/8	4 11/16	3/4	4 1/32	1 3/8	1 1/4	2 17/32	2 5/8	1.000	4 1/16	NCT212-36	T212	NC212-36	5.6
		64	22	42	146	130	102	194	119	19	102	35	32	64	66.7	25.4	103.2				
		2 17/32	55/64	1 21/32	5 3/4	5 1/8	4 1/32	7 5/8	4 11/16	3/4	4 1/32	1 3/8	1 1/4	2 17/32	2 5/8	1.000	4 1/8	NCT212 NCT212-39	T212	NC212 NC212-39	5.6
	2 7/16	64	22	42	146	130	102	194	119	19	102	35	32	64	66.7	25.4	104.8				

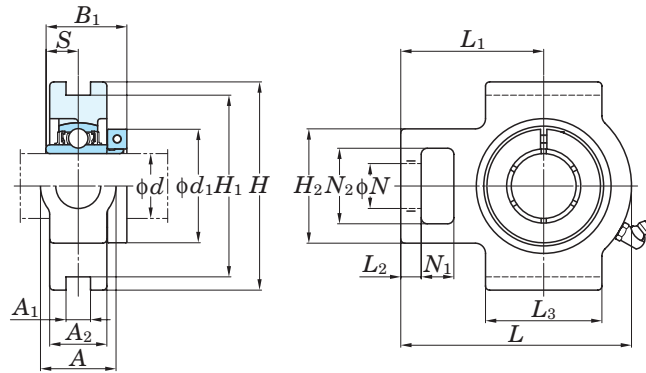
Take-up type units NU-LOC

NCT-E

Cylindrical bore (with concentric locking collar)

d 20 ~ 60 mm

For USA



Shaft Dia mm inch		Dimensions inch mm															Unit No.	Housing No.	Bearing No.	Mass kg	
d		A	A ₁	A ₂	H	H ₁	H ₂	L	L ₁	L ₂	L ₃	N	N ₁	N ₂	B ₁	S	d ₁				
20	3/4	1 1/4	17/32	13/16	3 1/2	3	2	3 11/16	2 13/32	13/32	2	3/4	5/8	1 1/4	1 9/16	0.500	1 3/4	NCT204-12E NCT204E	T204E	NC204-12 NC204	0.90
		32	13.5	21	89	76.2	51	94	61	10	51	19	16	32	32.5	12.7	44.5				
25	7/8	1 1/4	17/32	15/16	3 1/2	3	2	3 13/16	2 7/16	13/32	2	3/4	5/8	1 1/4	1 7/16	0.563	1 15/16	NCT205-14E NCT205-15E NCT205E NCT205-16E	T205E	NC205-14 NC205-15 NC205 NC205-16	1.0
	15/16	32	13.5	24	89	76.2	51	97	62	10	51	19	16	32	36.5	14.3	49.2				
	1																				
30	1 1/8	1 15/32	17/32	1 3/32	4 1/32	3 1/2	2 7/32	4 7/16	2 3/4	13/32	2 1/4	7/8	5/8	1 15/32	1 9/16	0.626	2 3/16	NCT206-18E NCT206E NCT206-19E NCT206-20E	T206E	NC206-18 NC206 NC206-19 NC206-20	1.5
	1 3/16	37	13.5	28	102	88.9	56	113	70	10	57	22	16	37	39.7	15.9	55.6				
	1 1/4																				
35	1 1/4	1 15/32	17/32	1 3/16	4 1/32	3 1/2	2 17/32	5 3/32	3 1/16	1/2	2 17/32	7/8	5/8	1 15/32	1 3/4	0.689	2 7/16	NCT207-20E	T207E	NC207-20	1.9
		37	13.5	30	102	88.9	64	129	78	13	64	22	16	37	44.5	17.5	61.9				
	1 3/8	1 15/32	17/32	1 3/16	4 1/32	3 1/2	2 17/32	5 3/32	3 1/16	1/2	2 17/32	7/8	5/8	1 15/32	1 3/4	0.689	2 9/16	NCT207-22E NCT207E NCT207-23E	T207E	NC207-22 NC207 NC207-23	1.9
	1 7/16	37	13.5	30	102	88.9	64	129	78	13	64	22	16	37	44.5	17.5	65.1				
40	1 1/2	1 15/16	11/16	1 5/16	4 1/2	4	3 9/32	5 21/32	3 15/32	5/8	3 9/32	1 5/32	3/4	1 15/16	2	0.748	2 11/16	NCT208-24E NCT208E	T208E	NC208-24 NC208	2.9
		49	17.5	33	114	101.6	83	144	88	16	83	29	19	49	50.8	19	68.3				
45	1 5/8	1 15/16	11/16	1 3/8	4 19/32	4	3 9/32	5 21/32	3 7/16	5/8	3 9/32	1 5/32	3/4	1 15/16	2	0.748	2 13/16	NCT209-26E	T209E	NC209-26	2.8
		49	17.5	35	117	101.6	83	144	87	16	83	29	19	49	50.8	19	71.4				
	1 11/16	1 15/16	11/16	1 3/8	4 19/32	4	3 9/32	5 21/32	3 7/16	5/8	3 9/32	1 5/32	3/4	1 15/16	2	0.748	2 15/16	NCT209-27E NCT209-28E NCT209E	T209E	NC209-27 NC209-28 NC209	2.8
	1 3/4	49	17.5	35	117	101.6	83	144	87	16	83	29	19	49	50.8	19	74.6				
50	1 15/16	1 15/16	11/16	1 15/32	4 19/32	4	3 9/32	5 7/8	3 17/32	5/8	3 3/8	1 5/32	3/4	1 15/16	2 3/32	0.748	3 3/8	NCT210-31E NCT210E NCT210-32E	T210E	NC210-31 NC210 NC210-32	3.2
	2	49	17.5	37	117	101.6	83	149	90	16	86	29	19	49	53.1	19	85.7				
55	2	2 17/32	1 1/16	1 1/2	5 3/4	5 1/8	4 1/32	6 23/32	4 3/16	3/4	3 3/4	1 3/8	31/32	2 17/32	2 1/4	0.874	3 1/2	NCT211-32E	T211E	NC211-32	4.4
		64	27	38	146	130.17	102	171	106	19	95	35	25	64	57.1	22.2	88.9				
	2 3/16	2 17/32	1 1/16	1 1/2	5 3/4	5 1/8	4 1/32	6 23/32	4 3/16	3/4	3 3/4	1 3/8	31/32	2 17/32	2 1/4	0.874	3 5/8	NCT211E NCT211-35E	T211E	NC211 NC211-35	4.4
	2 3/16	64	27	38	146	130.17	102	171	106	19	95	35	25	64	57.1	22.2	92.1				
60	2 1/4	2 17/32	1 1/16	1 21/32	5 3/4	5 1/8	4 1/32	7 5/8	4 11/16	3/4	4 1/32	1 3/8	1 1/4	2 17/32	2 5/8	1.000	4 1/16	NCT212-36E	T212E	NC212-36	5.6
		64	27	42	146	130.17	102	194	119	19	102	35	32	64	66.7	25.4	103.2				
	2 7/16	2 17/32	1 1/16	1 21/32	5 3/4	5 1/8	4 1/32	7 5/8	4 11/16	3/4	4 1/32	1 3/8	1 1/4	2 17/32	2 5/8	1.000	4 1/8	NCT212E NCT212-39E	T212E	NC212 NC212-39	5.6
	2 7/16	64	27	42	146	130.17	102	194	119	19	102	35	32	64	66.7	25.4	104.8				

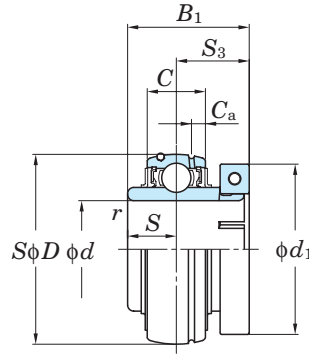


Ball bearing inserts NU-LOC

NC

Cylindrical bore (with concentric locking collar)

d 20 ~ 60 mm



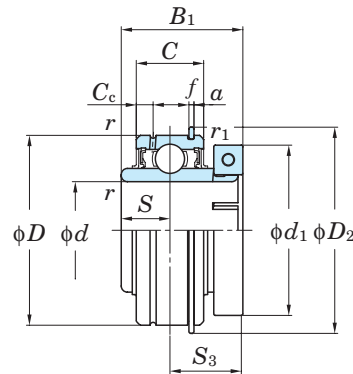
Shaft Dia mm inch		Dimensions inch mm				Basic Load Ratings kN		Factor	Bearing No.	Collar No.	Dimensions inch mm				Cap screw inch mm	Mass kg				
d		D	B_1	C	r	C_r	C_{or}	f_0			C_a	S	S_3	d_1						
20	3/4	1.850	1.280	0.630	0.039	12.8	6.65	13.2	NC204-12 NC204	UCL204B	0.157	0.500	0.780	1.752	No.8-32UNC	0.30				
		47	32.5	16	1					UCL204B	4	12.7	19.8	44.5	M4×0.7					
25	7/8	2.047	1.437	0.669	0.039	14.0	7.85	13.9	NC205-14 NC205-15 NC205	UCL205A	0.197	0.563	0.874	1.937	No.8-32UNC	0.40				
	15/16									UCL205A					5		14.3	22.2	49.2	No.8-32UNC
	1									UCL205A										No.8-32UNC
30	1 1/8	2.441	1.563	0.748	0.039	19.5	11.3	13.9	NC206-18 NC206 NC206-19 NC206-20	UCL206A	0.197	0.626	0.937	2.189	No.8-32UNC	0.50				
	1 3/16									UCL206A					5		15.9	23.8	55.6	No.8-32UNC
	1 1/4									UCL206A										No.8-32UNC
										UCL206A										No.8-32UNC
35	1 1/4	2.835	1.752	0.787	0.043	25.7	15.4	13.9	NC207-20	UCL207A	0.217	0.689	1.063	2.437	No.10-24UNC	0.80				
															5.5		17.5	27	61.9	No.10-24UNC
	1 3/8									UCL207B					0.217		0.689	1.063	2.563	No.10-24UNC
1 7/16	UCL207B	5.5	17.5	27	65.1	No.10-24UNC														
40	1 1/2	3.150	2.000	0.827	0.043	29.1	17.8	14.0	NC208-24 NC208	UCL208A	0.236	0.748	1.252	2.689	No.10-24UNC	1.0				
										UCL208A					6		19	31.8	68.3	M5×0.8
45	1 5/8	3.346	2.000	0.866	0.043	34.1	21.3	14.0	NC209-26	UCL209A	0.236	0.748	1.252	2.811	No.10-24UNC	1.1				
															6		19	31.8	71.4	No.10-24UNC
	1 11/16									UCL209B					0.236		0.748	1.252	2.937	No.10-24UNC
1 3/4	UCL209B	6	19	31.8	74.6	No.10-24UNC														
50	1 15/16	3.543	2.091	0.945	0.043	35.1	23.3	14.4	NC210-31 NC210 NC210-32	UCL210A	0.236	0.748	1.343	3.374	1/4-20UNC	1.4				
										UCL210A					6		19	34.1	85.7	M6×1
	2									UCL210A										1/4-20UNC
55	2	3.937	2.248	0.984	0.059	43.4	29.4	14.4	NC211-32	UCL211A	0.276	0.874	1.374	3.500	1/4-20UNC	1.5				
															7		22.2	34.9	88.9	1/4-20UNC
	2 3/16	3.937	2.248	0.984	0.059	43.4	29.4	14.4	NC211 NC211-35	UCL211B	0.276	0.874	1.374	3.626	M6×1	1.5				
										UCL211B					7		22.2	34.9	92.1	1/4-20UNC
60	2 1/4	4.331	2.626	1.063	0.059	52.4	36.2	14.4	NC212-36	UCL212A	0.295	1.000	1.626	4.063	5/16-18UNC	2.2				
															7.5		25.4	41.3	103.2	5/16-18UNC
	2 7/16									UCL212B					0.295		1.000	1.626	4.126	M8×1.25
	UCL213B	7.5	25.4	41.3	104.8	5/16-18UNC														

Ball bearing inserts NU-LOC

ERC

Cylindrical bore (with concentric locking collar)

d 20 ~ 60 mm



Shaft Dia		Dimensions														Bearing No.	Mass		
mm	inch	D		C		r		r_1 (min)		C_e		a		f				D_2	
d		mm	inch	mm	inch	mm	inch	mm	inch	mm	inch	mm	inch	mm	inch	mm	inch		
20	³ / ₄	47	1.850	16	0.630	1	0.039	0.5	0.020	4	0.157	2.38	0.094	1.07	0.042	52.5	2.067	ERC204-12 ERC204	0.36
25	⁷ / ₈	52	2.047	19	0.748	1	0.039	0.5	0.020	5	0.197	2.38	0.094	1.07	0.042	57.7	2.272	ERC205-14	0.47
	¹⁵ / ₁₆																	ERC205-15	
	1																	ERC205	
30	1 ¹ / ₈	62	2.441	22	0.866	1	0.039	0.5	0.020	5.5	0.217	3.18	0.125	1.65	0.065	67.5	2.657	ERC206-18	0.57
	1 ³ / ₁₆																	ERC206	
	1 ¹ / ₄																	ERC206-19 ERC206-20	
35	1 ¹ / ₄	72	2.835	24	0.945	1.1	0.043	0.5	0.020	5.5	0.217	3.18	0.125	1.65	0.065	78.4	3.087	ERC207-20	0.95
	1 ³ / ₈																	ERC207-22	
	1 ⁷ / ₁₆																	ERC207 ERC207-23	
40	1 ¹ / ₂	80	3.150	28	1.102	1.1	0.043	0.5	0.020	6	0.236	3.18	0.125	1.65	0.065	86.4	3.402	ERC208-24 ERC208	1.2
45	1 ⁵ / ₈	85	3.346	28	1.102	1.1	0.043	0.5	0.020	6	0.236	3.18	0.125	1.65	0.065	91.4	3.598	ERC209-26	1.3
	1 ¹¹ / ₁₆																	ERC209-27	
	1 ³ / ₄																	ERC209-28 ERC209	
50	1 ¹⁵ / ₁₆	90	3.543	28	1.102	1.1	0.043	0.5	0.020	7.5	0.295	3.18	0.125	2.41	0.095	96.3	3.791	ERC210-31	1.6
	2																	ERC210 ERC210-32	
55	2	100	3.937	30	1.181	1.5	0.059	0.5	0.020	7.5	0.295	3.18	0.125	2.41	0.095	106.3	4.185	ERC211-32	1.8
	2 ³ / ₁₆																	ERC211 ERC211-35	
60	2 ¹ / ₄	110	4.331	32	1.260	1.5	0.059	0.5	0.020	7.5	0.295	3.18	0.125	2.41	0.095	116.4	4.583	ERC212-36	2.5
	2 ⁷ / ₁₆																	ERC212 ERC212-39	

Note : See NC insert series for additional dimensions.





NU Concentric Cap Screw Tightening Torque

Shaft Dia		Bearing No.	Collar No.	Cap screw	Recommended Torque		
mm	inch				Foot · Lbs.	Inch · Lbs.	N · m
<i>d</i>				inch mm			
20	3/4	NU204-12	UCL204B	No.8-32UNC	5.5 – 6.0	66 – 73	7.4 – 8.2
		NU204	UCL204B	M4×0.7			
25	7/8 15/16	NU205-14	UCL205A	No.8-32UNC			
		NU205-15	UCL205A	No.8-32UNC			
		NU205	UCL205A	M4×0.7			
30	1 1 1/16	NU205-16	UCL205A	No.8-32UNC			
		NU206-18	UCL206A	No.8-32UNC			
		NU206	UCL206A	M4×0.7			
		NU206-19	UCL206A	No.8-32UNC			
35	1 1/4 1 3/8	NU206-20	UCL206A	No.8-32UNC			
		NU207-20	UCL207A	No.10-24UNC			
		NU207-22	UCL207B	No.10-24UNC			
40	1 7/16	NU207	UCL207B	M5×0.8			
		NU207-23	UCL207B	No.10-24UNC			
		NU208-24	UCL208A	No.10-24UNC			
45	1 1/2	NU208	UCL208A	M5×0.8			
		NU209-26	UCL209A	No.10-24UNC			
		NU209-27	UCL209B	No.10-24UNC			
		NU209-28	UCL209B	No.10-24UNC			
50	1 5/8 1 11/16	NU209	UCL209B	M5×0.8			
		NU210-31	UCL210A	1/4-20UNC			
		NU210	UCL210A	M6×1			
55	2 2 3/16	NU210-32	UCL210A	1/4-20UNC			
		NU211-32	UCL211A	1/4-20UNC			
		NU211	UCL211B	M6×1			
60	2 1/4 2 7/16	NU211-35	UCL211B	1/4-20UNC			
		NU212-36	UCL212A	5/16-18UNC			
		NU212	UCL212B	M8×1.25			
		NU212-39	UCL213B	5/16-18UNC			

NIPPON PILLOW BLOCK CO., LTD.

HEAD OFFICE/Main Plant

2306 Hirao Miharaku Sakai Osaka 587-0022 JAPAN
 TEL: 072-361-3752 FAX: 072-361-4173 E-mail: info@fyhbearings.com

SALES E-mail: exports@fyh.co.jp

FYH BEARING UNITS USA INC.

13201 FYH Drive Huntley, Illinois 60142, USA
 TEL: 847-487-9111 FAX: 847-487-9222 E-mail: sales@fyhusa.com

