

ASAHI

Cat.No.BE13

HT400 SERIES INSERT BEARING UNITS



JQA-1973
JQA-EM4783

NEW

HEAT RESISTANT
UP TO
400°C



ASAHI SEIKO CO., LTD.

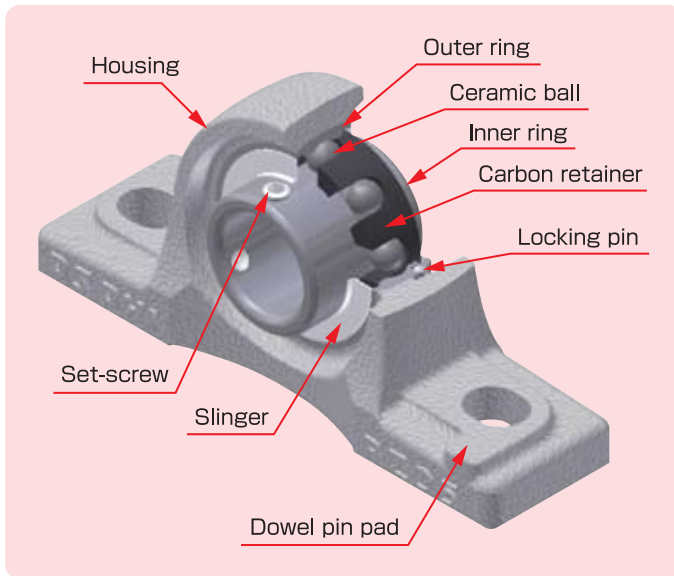
HT400 Series INSERT BEARING UNITS

●FEATURES

- Bearing rings : stainless steel coated with solid lubricant with special technique, preventing them from being oxidized and allowing stable bearing hardness
- Balls : ceramics (Si3N4) also coated with solid lubricant with special technique
- Retainer : self-lubricating carbon durable even for high-temp application
- Housing : gray cast iron with special heat resistant paint

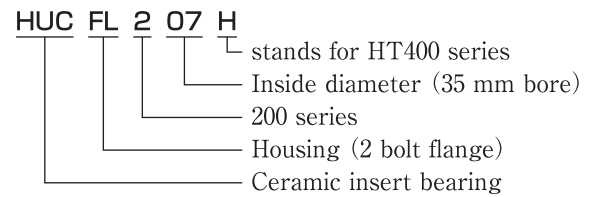
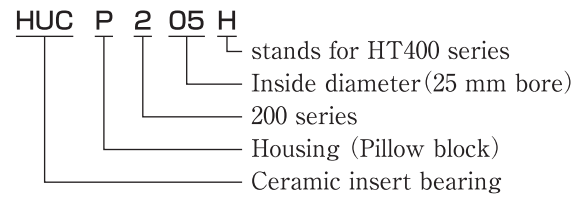
These special materials with superior features enable excellent performance of the bearing unit even under high-temp operation and provide satisfactory service life.

In order to maximize the life expectancy, please consult with us for the operating conditions, such as ambient temperature, rotation speed, load, etc.



●NOMENCLATURE

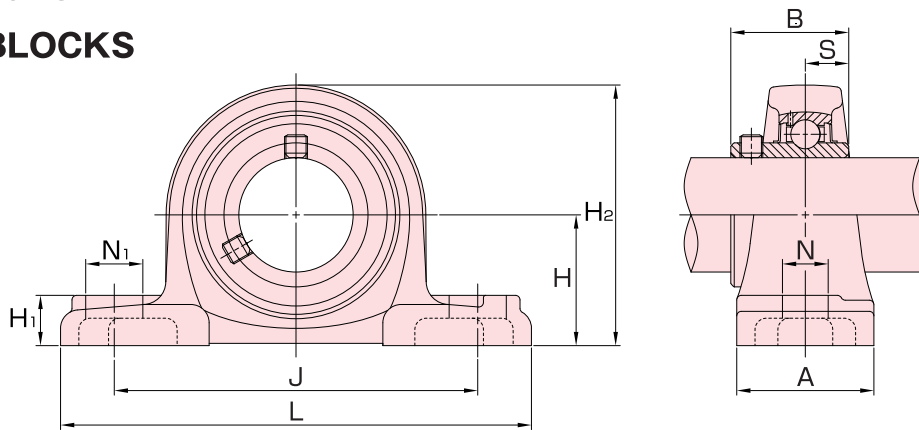
Part number explanation



●DIMENSIONS

PILLOW BLOCKS

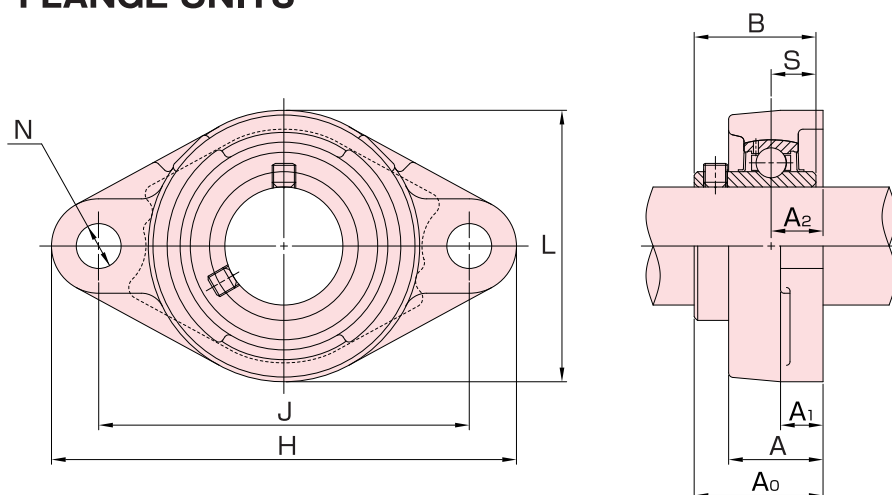
HUCP200H



Shaft Dia. (mm)	Unit No.	Dimensions (mm)										Bolt Size	Bearing No.	Housing No.	Weight (kg)
		H	L	A	J	N	N ₁	H ₁	H ₂	B	S				
20	HUCP204H	33.3	127	38	95	13	19	15	65	31	12.7	M10	HUC204H	P204G00-IZS	0.65
25	HUCP205H	36.5	140	38	105	13	16	16	70	34.1	14.3	M10	HUC205H	P205G00-IZS	0.79
30	HUCP206H	42.9	165	48	121	17	21	18	83	38.1	15.9	M14	HUC206H	P206G00-IZS	1.26
35	HUCP207H	47.6	167	48	127	17	21	19	94	42.9	17.5	M14	HUC207H	P207G00-IZS	1.59
40	HUCP208H	49.2	184	54	137	17	25	19	100	49.2	19	M14	HUC208H	P208G00-IZS	1.92
45	HUCP209H	54	190	54	146	17	22	20	108	49.2	19	M14	HUC209H	P209G00-IZS	2.19
50	HUCP210H	57.2	206	60	159	20	25	22	114	51.6	19	M16	HUC210H	P210G00-IZS	2.59

TWO-BOLT FLANGE UNITS

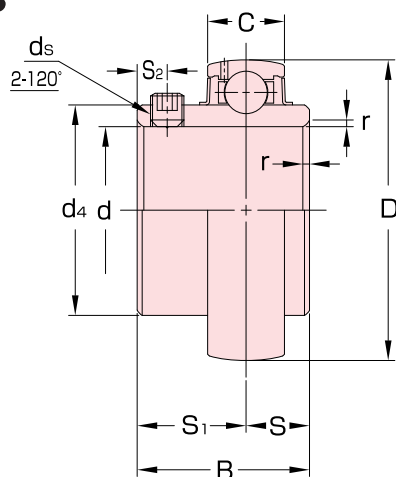
HUCFL200H



Shaft Dia. (mm)	Unit No.	Dimensions (mm)										Bolt Size	Bearing No.	Housing No.	Weight (kg)
		H	L	A	J	N	A ₁	A ₂	A ₀	B	S				
20	HUCFL204H	113	60	25.5	90	12	12	15	33.3	31	12.7	M10	HUC204H	FL204G00-IZS	0.42
25	HUCFL205H	130	68	27	99	16	14	16	35.8	34.1	14.3	M14	HUC205H	FL205G00-IZS	0.59
30	HUCFL206H	148	80	31	117	16	14	18	40.2	38.1	15.9	M14	HUC206H	FL206G00-IZS	0.9
35	HUCFL207H	161	90	34	130	16	16	19	44.4	42.9	17.5	M14	HUC207H	FL207G00-IZS	1.2
40	HUCFL208H	175	100	36	144	16	16	21	51.2	49.2	19	M14	HUC208H	FL208G00-IZS	1.51
45	HUCFL209H	188	108	38	148	19	18	22	52.2	49.2	19	M16	HUC209H	FL209G00-IZS	1.9
50	HUCFL210H	197	115	40	157	19	18	22	54.6	51.6	19	M16	HUC210H	FL210G00-IZS	2.2

INSERT BALL BEARINGS

HUC200H



Shaft Dia. (mm)	Unit No.	Dimensions (mm)										Weight (kg)
		d	D	B	C	r _{min}	S	S ₁	S ₂	ds	d ₄	
20	HUC204H	20	47	31	17	1	12.7	18.3	4.5	M6×1	29	0.16
25	HUC205H	25	52	34.1	17	1	14.3	19.8	5	M6×1	34	0.19
30	HUC206H	30	62	38.1	19	1	15.9	22.2	5	M6×1	40.5	0.31
35	HUC207H	35	72	42.9	20	1.5	17.5	25.4	6	M8×1	48	0.48
40	HUC208H	40	80	49.2	21	1.5	19	30.2	8	M8×1	53	0.62
45	HUC209H	45	85	49.2	22	1.5	19	30.2	8	M8×1	57.3	0.67
50	HUC210H	50	90	51.6	23	1.5	19	32.6	9	M10×1.25	63	0.78

1. r_{min} is the minimum allowable value for dimension "r".

● MATERIAL

Parts			
Bearing	Balls	Ceramic	Si ₃ N ₄
	Inner & Outer rings	Stainless steel	SUS440C (equiv.)
	Retainer	Self-lubricant	Carbon
	Slinger	Stainless steel	SUS304
	Set-screw	Solid Lubricant	—
Housing		Gray cast iron	FC200 (with heat resistant paint)

● SET-SCREW TIGHTENING TORQUE

Bearing No. HUC	Spanner No.	Tightening Torque (N·m)
204~206	3	3.9
207~209	4	8.3
210	5	16.2

● TOLERANCE

Unit : μm

Bearing inner ring					Housing					
Shaft Dia. (mm)	Deviation of mean bore diameter in plane of inner ring ∠dmp		Variation of bore diameter in plane of inner ring Vdsp	Deviation of inner ring width ∠Bs (Ref.)		Radial runout of inner ring Kia (Ref.)	Housing No. P-G00-IZS FL-G00-IZS	Pillow block	Two-bolt flange	
	Over Incl.	High		Low	High			Low	Max.	Deviation of distance between mounting base and spherical-seat center
								∠Hs	∠A2s	×
18 30	+18	0	12	0	-120	18	204~210	±150	±500	700
30 50	+21	0	14	0	-120	20				

● MAXIMUM OPERATING TEMPERATURE UP TO 400°C

● TYPICAL APPLICATION

- INDUSTRIAL FURNACE
- DRYING FURNACE
- DAMPER

● REMARKS

- Please contact us for other types of housing.
- Please contact us in advance for detail of operating conditions.
- Specifications are subject to change without prior notice.

ASAHI SEIKO CO., LTD.

<http://www.asahiseiko.co.jp>

FOREIGN TRADE DEPARTMENT : 570-1, Otori-Higashi-machi 6-cho, Nishi-ku, Sakai City, Osaka 593-8324, Japan

Tel : +81-72-272-6900

Fax : +81-72-272-6903

e-mail address : info@asahiseiko.co.jp

U.S.A. OFFICE : 570 North Wheeling Road, Mount Prospect, Illinois 60056 U.S.A.

Tel : +1-847-759-0620

Fax : +1-847-759-0630

CHINA OFFICE : Room # 20C, Secondary Building, Lvjingguangchang, Chegongmiao, Shennan Road, Futian District, Shenzhen City, Guangdong Province, China.518048

Tel : +86-755-23902930 23605690 23605700

Fax : +86-755-23607911

HEAD OFFICE & FACTORY : 570-1, Otori-Higashi-machi 6-cho, Nishi-ku, Sakai City, Osaka 593-8324, Japan

Tel : +81-72-271-1221

Fax : +81-72-273-0058