

DURBAL

THE PERFECT ROD END





DURBAL® heavy-duty rod ends are standardized ready-to-be-installed machine components serving the transmission of static and dynamic forces in combination with swivelling, tilting or rotating movements.

Known under the name »Schlegel«, the rod ends with integrated self-aligning ball bearing were initially used in the aircraft industry. In the meantime our heavy-duty rod ends have become a standard concept in all industrial applications under the name »DURBAL«.

The DURBAL® heavy-duty rod ends are distinguished by their high precision and reliability. The quality of DURBAL products is systematically planned, manufactured and controlled by the QM-System, which was

certified officially in March 1996 and is in accordance with DIN ISO 9001 which is valid for all areas of enterprise.

The universal product range is available ex stock and consists of DURBAL® heavy-duty rod ends with maintenance-free plain bearings or low-maintenance antifriction bearings, offering an optimal choice for a wide range of different applications.

The selection criteria and calculation basics contained in this catalogue are based on numerous endurance test runs and more than 65 years of experience. This enables an individual adaption of the features of DURBAL® heavy-duty rod ends to the requirements of the corresponding application.

DURBAL® heavy-duty rod ends are available with connections in metric dimensions according to DIN ISO 12240-4, ISO 8139, or in INCHES. Suitable threaded links facilitate the installation of DURBAL® heavy-duty rod ends.

This catalogue represents the latest state of our technical and manufacturing developments and therefore earlier catalogues are not longer valid. The given specifications are subject to change due to technical improvements.

Our experienced staff is always at your service to answer any query you may have.





Table of contents

Technical introduction

Selection • Definitions • Calculations • Tolerances

DURBAL® heavy-duty rod ends with integral self-aligning roller bearing adapter sizes according to DIN ISO 12240-4, series K		BRTM page 12 BRTF page 13
DURBAL® heavy-duty rod ends with integral self-aligning ball bearing adapter sizes according to DIN ISO 12240-4, series K		BRM page 14 BRF page 15
DURBAL® heavy-duty rod ends with integral self-aligning ball bearing		PM page 16 PF page 17
DURBAL® heavy-duty rod ends with integral spherical plain bearing adapter sizes according to DIN ISO 12240-4, series K; maintenance-free thread according to ISO 8139		BEM page 18 BEF page 19
DURBAL® heavy-duty rod ends with integral spherical plain bearing adapter sizes according to DIN ISO 12240-4, series E / EH; maintenance-free		EM page 20 EF page 21
DURBAL® heavy-duty rod ends with integral self-aligning ball bearing adapter sizes according to DIN ISO 12240-4, series K stainless steel		BRM page 22 BRF page 23
DURBAL® heavy-duty rod ends with integral spherical plain bearing adapter sizes according to DIN ISO 12240-4, series K thread according to ISO 8139 stainless steel		BEM page 24 BEF page 25
DURBAL® heavy-duty rod ends with integral self-aligning roller bearing dimensions in inches		BRTM page 26 BRTF page 27
DURBAL® heavy-duty rod ends with integral self-aligning ball bearing dimensions in inches		BRM page 28 BRF page 29
DURBAL® heavy-duty rod ends with integral spherical plain bearing dimensions in inches ; maintenance-free		BEM page 30 BEF page 31
DURBAL® Mountings threaded links for bars washers threaded bolt rod linkage		GW page 32 DDG page 33 BOK page 34 Rod Linkage page 34



DURBAL® heavy-duty rod ends are robust, maintenance-free or low-maintenance bearing elements which, considering the selection criteria described hereafter, impress because of their outstanding working lives.

DURBAL® heavy-duty rod ends with integral self-aligning ball bearing, series BRM, BRF, PM, PF

This design is especially suitable for high speeds, large swivelling angles or rotating movements with relatively low or medium loads. Prominent technical features are the low bearing friction, long-term greasing as well as the sealing against rough dirt penetration by means of shields on both sides. Under normal operating conditions the rod ends are maintenance-free. Lubrication fittings are provided for lubrication in case of rough operations and maximum loads.

To avoid incompatibility with the production lubrication, we recommend lubrication with a aluminium-complex-soap-grease.

A special heat treatment procedure confers the rod end housing a raceway hardness adapted to the antifriction bearing, ensuring at the same time high stability with changing loads.

DURBAL® heavy-duty rod ends with integral self-aligning roller bearings, series BRTM, BRTF

The design based on the structure of a self-aligning roller bearing is preferably used for high speed, wide tilting angles or rotating movements under high loads. Compared to rod ends with self-aligning ball bearings, rod ends with self-aligning roller bearings have essentially higher basic load ratings. This design is equipped with a cage to minimize the rolling friction and heat built-up. These rod ends with long-term lubrication are maintenance-free under normal operating conditions. Lubrication fittings are provided for lubrication in case of rough operations and maximum loads.

To avoid incompatibility with the production lubrication, we recommend lubricating with an aluminium-complex-soap-grease. Shields on both sides prevent dirt particles from penetrating into the bearing. The rod ends with self-aligning roller bearings are, just as the design with self-aligning ball bearings,

subjected to a special heat treatment to obtain a raceway hardness adapted to the antifriction bearings, ensuring at the same time a high stability with changing loads.

DURBAL® heavy-duty rod ends with integral maintenance-free spherical plain bearings, series BEM, BEF, EM, EF

In many cases DURBAL® heavy-duty rod ends with integrated spherical plain bearings serve their purpose. They are above all used for small swivelling or tilting movements at low speeds. They stand out for their high loadability and can also be used for shock-like loads. The rod end ball slides on a bearing shell consisting of a glass fibre-filled nylon/teflon compound. This design ensures an absolutely maintenance-free rod end. DURBAL® heavy-duty plain bearing rod ends have a slight initial stress and virtually no clearance. The compound used has the favourable secondary advantage to absorb any foreign particles and to enclose them that no damage may occur. The joint balls of DURBAL® heavy-duty rod ends with integrated spherical plain bearing are standardly fitted with a hard chrome plating. This reliable corrosion protection ensures that the function of the rod end will not be affected by a corroded ball surface under humid operating conditions.

Basic load ratings

Static basic load rating of antifriction bearing rod ends

The static basic load rating C_0 of an antifriction bearing rod end corresponds to that of a static radial load causing a lasting overall deformation of 1/10.000 of the roller body diameter at the contact point most highly stressed between roller body and raceway.

Static basic load ratings of plain bearing rod ends

The static basic load rating C_0 of a plain bearing rod end corresponds to the static radial load that does not yet cause a lasting deformation at the weakest housing section. It contains at least a 1.2 fold security compared to the yield stress of the material used for the rod end housing.

Dynamic basic load rating of antifriction bearing rod ends

The dynamic basic load rating C of an antifriction bearing rod end is the external radial load, unchangeable in size and direction, at which 90 % of a large quantity of obviously identical rod ends will reach or exceed 1 million of rotations or swivelling movements.

Dynamic basic load ratings of plain bearing rod ends

The dynamic basic load rating C is the parameter for the calculation of dynamically loaded maintenance-free DURBAL® heavy-duty rod ends with integrated spherical plain bearing, in other words, making tilting, swivelling or rotating movements under load.

Basic load ratings always depend on the definitions they are based on. For this reason it is not always possible to compare basic load rating data supplied by different manufactures.

Operating temperatures

DURBAL® heavy-duty antifriction bearing rod ends can be used for operating temperatures between -45°C and $+120^{\circ}\text{C}$.

The temperature range of DURBAL® heavy-duty rod ends with integrated spherical plain bearings is between -30°C and $+60^{\circ}\text{C}$, without affecting the loadability. Higher temperatures will reduce the loadability taken into account for the calculation of the working life under the temperature factor C_2 .

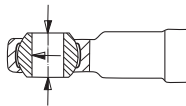
Loads

The decisive parameters for the selection and calculation of DURBAL® heavy-duty rod ends are size, direction and type of load.

Radial or combined loads

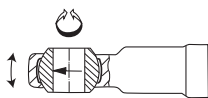
The DURBAL® heavy-duty rod ends have been especially designed to adopt high radial loads.

They can furthermore be used for combined loads. The axial load share of which does not exceed 20 % of the corresponding radial load.



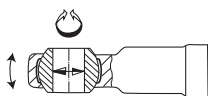
Unilaterally acting load

In this case the load acts only in the same direction, which means that the load area is always in the same bearing section.



Alternately acting load

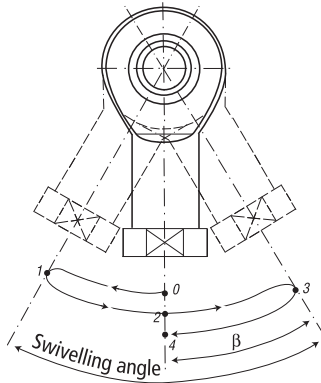
In case of alternating loads, the load areas facing each other are alternately loaded and/or relieved, which means that the load changes its direction constantly by approx. 180° .



Swivelling angle

The swivelling angle is the excursion of the

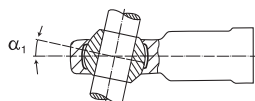
rod end from one final position to the other. Half the swivelling angle β is used to calculate the service or working life.



Angle of tilt

The angle of tilt, also called setting angle, refers to the possible excursion of the joint ball and/or the inner ring to the rod end axis in degrees. The tilting angle α indicated in the table for the DURBAL® heavy-duty antifriction bearing rod ends corresponds to the max. possible excursion being limited by the shields on both sides. It is important that this tilting angle is not exceeded either during installation or operation, as otherwise the shields may be damaged. As far as DURBAL® heavy-duty plain bearing rod ends are concerned, distinction is made between the tilting angles α_1 and α_2 .

If the excursion is not limited by adjacent components, excursion angle α_1 can fully be used without affecting the rod end capacity. Tilting angle α_2 is the excursion limit when connecting a forked component.



Nominal service life

The term »nominal service life« is used for DURBAL® heavy-duty antifriction bearing rod ends and represents the number of swivelling motions or rotations and/or the number of service hours the rod end performs before showing the first signs of material fatigue at the raceway or roller bodies.

In view of many influence factors that are difficult or impossible to assess, the service life of several obviously identical bearings differ under the same operating conditions. For this reason, the following method for the service life determination of DURBAL® heavy-duty antifriction rod ends results in a nominal service life being achieved or exceeded by at least 90% of a larger quantity of identical rod ends.

Working life

The term »working life« is used with DURBAL® heavy-duty plain bearing rod ends. It represents the number of swivelling motions or rotations and/or the number of service hours the DURBAL® heavy-duty plain bearing rod end performs before becoming unserviceable because of material fatigue, wear, increased bearing clearance or increase of the bearing friction moment. The working life is not only influenced by the size and the type of load, it is also affected by a number of factors, which are partially difficult to assess. A calculation of the exact servicelife is therefore impossible. Field-experienced standard values for the approximate working life can nevertheless be determined by using the following calculation procedure which is based on numerous results from endurance test runs and values from decades of experience. The values determined by this formula are achieved, normally even exceeded, by the majority of the DURBAL® heavy-duty rod ends.

The specific loading of rod ends and bearings differs in each application. Therefore general statements by a producer in a catalogue may not totally fit to the single application.

In all cases the user has to coordinate the theoretical selection criteria with the concrete installation situation and check the suitability of the rod end respectively bearing. In this context the user has to define sufficient security factors and maintenance intervals.



Antifriction bearing construction

DURBAL® heavy-duty rod ends with integral self-aligning ball bearing series BRM, BRF, PM, PF

Nominal service life

rotating:
$$L_{h_{rot.}} = 10^6 \frac{\left(\frac{C}{P}\right)^3}{60 \cdot n} \quad [h] \quad (1)$$

oscillating:
$$L_{h_{osz.}} = 10^6 \frac{\left(\frac{C}{P \sqrt[3]{\frac{\beta}{90}}}\right)^3}{60 \cdot f} \quad [h] \quad (2)$$

condition:

swivelling angle $\beta \geq 3^\circ$
 For swivelling angles $\beta \geq 3^\circ$
 we recommend the use of
 DURBAL® heavy-duty plain bearing
 rod ends.

Static load

constant:
$$P_0 \leq C_0 \quad [N] \quad (3)$$

DURBAL® heavy-duty rod ends with integral self-aligning roller bearing series BRTF, BRTM

Nominal service life

rotating:
$$L_{h_{rot.}} = 10^6 \frac{\left(\frac{C}{P}\right)^{3,333}}{60 \cdot n} \quad [h] \quad (4)$$

oscillating:
$$L_{h_{osz.}} = 10^6 \frac{\left(\frac{C}{P \sqrt[3]{\frac{\beta}{90}}}\right)^{3,333}}{60 \cdot f} \quad [h] \quad (5)$$

condition:

swivelling angle $\beta \geq 3^\circ$
 For swivelling angles $\beta \geq 3^\circ$
 we recommend the use of
 DURBAL® heavy-duty plain bearing
 rod ends.

Static load

constant:
$$P_0 \leq C_0 \quad [N] \quad (6)$$



Calculations

- $L_{h_{rot.}}$ nominal service life for rotation [hours of operation]
 $L_{h_{osz.}}$ nominal service life for oscillating movement [hours or operation]
 C basic dynamic load rating [N], see tables
 C_0 basic static load rating [N], see tables

P dynamic equivalent load [N]

rod ends with integral self-aligning ball bearing: $P = F_r + y \cdot F_a$ (7)

rod ends with integral self-aligning roller bearing: $P = F_r + 9,5 \cdot F_a$ (8)

P_0 static equivalent load [N]

rod ends with integral self-aligning ball bearing: $P_0 = F_r + y_0 \cdot F_a$ (9)

rod ends with integral self-aligning roller bearing: $P_0 = F_r + 5 \cdot F_a$ (10)

- F_a axial load [N]
 F_r radial load [N]
 Y axial factor, dynamic, see tables
 Y_0 axial factor, static, see tables
 β half the swivelling angle [degrees], $\beta = 90^\circ$ should be used for rotation
 n rotation speed [min^{-1}]
 f frequency of oscillation [min^{-1}]

Calculation example

At the rotating side of a crank mechanism, a DURBAL® heavy-duty antifriction bearing rod end should be installed. The expected service life amounts to at least 5,000 hours.

Known: rotation speed $n = 300 \text{ min}^{-1}$, radial load $F_r = 750 \text{ N}$

Selected: BRF 8

$C = 4000 \text{ N}$

$$L_{h_{rot.}} = 10^6 \frac{\left(\frac{C}{P}\right)^3}{60 \cdot n}$$

$$= 10^6 \frac{\left(\frac{4000}{750}\right)^3}{60 \cdot 300} = \underline{\underline{8428 \text{ h} > 5000 \text{ h}}}$$



Plain bearing construction

Working life

$$G = C_1 \cdot C_2 \cdot C_3 \cdot \frac{3}{d_8 \cdot \beta} \cdot \frac{C}{P} \cdot 10^8 \quad (11)$$

$$G_h = C_1 \cdot C_2 \cdot C_3 \cdot \frac{5}{d_8 \cdot \beta \cdot f} \cdot \frac{C}{P} \cdot 10^6 \quad (12)$$

- G working life [number of oscillations or revolutions]
- G_h working life [hours of operation]
- C basic dynamic load rating [N], see tables
- d_8 joint ball diameter [mm]
- β half the swivelling angle [degrees], $\beta = 90^\circ$ should be used for rotation
- f frequency of oscillation [min^{-1}]
- C_1 load direction factor, see following table
- C_2 temperature factor, see following table
- C_3 material factor, see following table
- C_4 factor for type of load, see following table
- P equivalent dynamic load [N]

$$P = F_r + F_a \leq P_{\text{max.}} \quad (13)$$

- F_r radial load component [N]
- F_a axial load component [N], condition: $F_a \leq 0,2 \cdot F_r$
- $P_{\text{max.}}$ maximum permissible rod end load [N]

$$P_{\text{max.}} = C_0 \cdot c_2 \cdot c_4 \quad (14)$$

- C_0 Basic static load rating, [N], see tables

Load direction factor C_1

Single load direction:

$$C_1 = 1,0$$

alternating load direction,

at $f < 30 \text{ min}^{-1}$: $C_1 = 0,25$

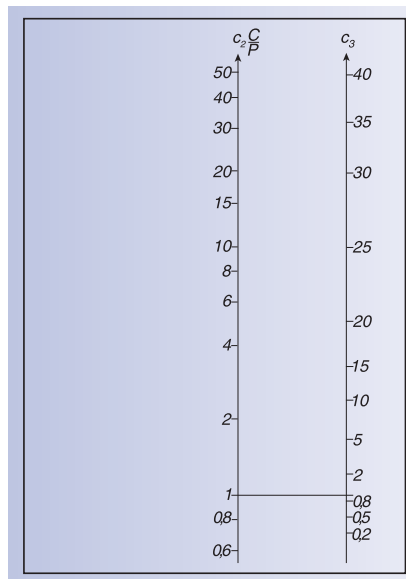
alternating load direction,

at $f > 30 \text{ min}^{-1}$: $C_1 = 0,125$

Temperature factor C_2

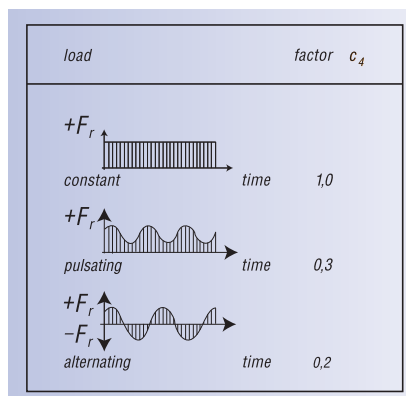
temperature	C_2
up to 60°C	1,0
60°C to 80°C	0,8
80°C to 100°C	0,7
100°C to 110°C	0,6

Material factor C_3



Alignment chart for material factor C_3

Factor for type of load C_4



Static load

If DURBAL® heavy-duty rod ends support loads whilst stationary or with very little movement, the maximum permissible load is not a result of wear but a function of the material strength of the sliding layer or the rod end housing.

If static loads are a combination of radial and axial loads, the equivalent static bearing load will have to be calculated.

The Calculation is identical with that of the equivalent dynamic bearing load – see equation (13), page 8.

Permissible sliding velocity

The permissible sliding velocity of DURBAL® heavy-duty rod ends depends mainly on the load and temperature conditions. Heat generated through friction in the rod end housing itself is the main limitation on sliding velocity. When selecting the rod end size, it is necessary to determine the sliding velocity and the pv-value, which is a product of the specific bearing load p [N/mm^2] and the sliding velocity v [m/s].

The following standard values refer to swivelling and rotating movements. With satisfactory cooling, speeds may be increased.

Permissible

$$\text{pv-value} = 0,5 \text{ N}/\text{mm}^2 \cdot \text{m}/\text{s}$$

Permissible sliding velocity

$$v_{\text{max.}} = 0,15 \text{ m}/\text{s} \geq v_m$$



Specific bearing load

$$p = k \cdot \frac{P}{C} \quad (15)$$

- p specific bearing load [N/mm²]
- P equivalent dynamic load [N], see equation (13), page 8
- C basic dynamic load rating [N], see tables
- k specific load factor [N/mm²] for sliding contact surfaces steel on nylon/teflon/fibre glass k = 50 N/mm²

Mean sliding velocity

$$V_m = 5,82 \cdot 10^{-7} \cdot d_g \cdot \beta \cdot f \quad (16)$$

- V_m mean sliding velocity [m/s]
- d_g joint ball diameter [mm], see tables
- β half the swivelling angle [degrees], β = 90° should be used for rotation
- f frequency of oscillation [min⁻¹]

Calculation example

The rod assembly of a conveyor equipment calls for a DURBAL® heavy-duty rod end with a working life of 7000 hours in conjunction with an alternating acting load of 5000 N. 25 swivelling movements with a swivelling angle of 20° take place per minute. The operating temperature amounts to approx. 60°C. The choice is a DURBAL® heavy-duty rod end EF 15 with: C = 13400 N, d_g = 22 mm.

Working life

$$G_h = c_1 \cdot c_2 \cdot c_3 \cdot \frac{5}{d_g \cdot \beta \cdot f} \cdot \frac{C}{P} \cdot 10^6$$

$$c_1 = 0,25 \text{ (alternating load direction, } f = 25 \text{ min}^{-1} < 30 \text{ min}^{-1}\text{)}$$

$$c_2 = 1,0 \text{ (operating temperature } 60^\circ \text{ C)}$$

$$c_3 = c_2 \cdot \frac{C}{P} = 1,0 \cdot \frac{13400}{5000} = 2,68$$

see alignment chart page 8 c₃ = 17

$$d_g = 22 \text{ mm}$$

$$f = 25 \text{ min}^{-1}$$

$$\beta = 10^\circ \text{ (half the swivelling angle: } 20^\circ : 2 = 10^\circ\text{)}$$

$$C = 13400 \text{ N}$$

$$P = 5000 \text{ N}$$

$$G_h = 0,25 \cdot 1,0 \cdot 17 \cdot \frac{5}{22 \cdot 10 \cdot 25} \cdot \frac{13400}{5000} \cdot 10^6$$

$$= \underline{\underline{7308 \text{ h} > 7000 \text{ h}}}$$

Checking the permissible load of the rod end

$$P_{\max} = C_0 \cdot c_2 \cdot c_4$$

$$C_0 = 41000 \text{ N}$$

$$c_2 = 1,0 \text{ (operating temperature } 60^\circ \text{ C)}$$

$$c_4 = 0,2 \text{ (alternating load)}$$

$$P_{\max} = 41000 \cdot 1,0 \cdot 0,2 = \underline{\underline{8200 \text{ N} > 5000 \text{ N}}}$$

Checking the permissible sliding velocity

$$V_m = 5,82 \cdot 10^{-7} \cdot d_g \cdot \beta \cdot f = 5,82 \cdot 10^{-7} \cdot 22 \cdot 10 \cdot 25$$

$$= \underline{\underline{0,0032 \text{ m/s} < 0,15 \text{ m/s}}}$$

Checking the p · v -value

$$p = k \cdot \frac{P}{C} = 50 \cdot \frac{5000}{13400} = 18,66 \text{ N/mm}^2$$

$$p \cdot V_m = 18,66 \cdot 0,0032$$

$$= 0,06 \text{ N/mm}^2 \cdot \text{m/s} < 0,5 \text{ N/mm}^2 \cdot \text{m/s}$$

Tolerances

DURBAL® heavy-duty rod ends, series BRM, BRF, BRTM, BRTF, BEM, BEF

d_1		Δd_{1mp}		V_{d1p}	V_{d1mp}	Δb_{1s}		$\Delta_{hs, h1s, h2s}$	
over	incl.	tolerance limit		max.	max.	upper	lower	upper	lower
		upper	lower						
	6	+0,012	0	0,012	0,009	0	-0,12	+1,2	-1,2
6	10	+0,015	0	0,015	0,011	0	-0,12	+1,2	-1,2
10	18	+0,018	0	0,018	0,014	0	-0,12	+1,2	-1,2
18	30	+0,021	0	0,021	0,016	0	-0,12	+1,7	-1,7
30	50	+0,025	0	0,025	0,019	0	-0,12	+2,1	-2,1

DURBAL® heavy-duty rod ends, series EM, EF, PM, PF

d_1		Δd_{1mp}		V_{d1p}	V_{d1mp}	Δb_{1s}		$\Delta_{hs, h1s, h2s}$	
over	incl.	tolerance limit		max.	max.	upper	lower	upper	lower
		upper	lower						
	18	0	-0,008	0,008	0,006	0	-0,12	+1,2	-1,2
18	30	0	-0,010	0,010	0,008	0	-0,12	+1,7	-1,7
30	50	0	-0,012	0,012	0,009	0	-0,12	+2,1	-2,1
50	80	0	-0,015	0,015	0,011	0	-0,15	+2,7	-2,7

Dimension and tolerance symbols

- d_1 = nominal bore diameter of the inner ring or joint ball
- Δd_{1mp} = mean bore diameter deviation in one plane, arithmetical mean of the largest and smallest bore diameter
- V_{d1p} = bore diameter variation in one plane, difference between the largest and smallest bore diameter
- V_{d1mp} = mean bore diameter variation, difference between the largest and smallest bore diameter of one inner ring or joint ball
- b_1 = inner ring or joint ball width
- Δb_{1s} = single inner ring or joint ball width deviation
- $h, h1, h2$ = system length from inner ring or ball bore center to shank end
- $\Delta_{hs}, \Delta_{h1s}, \Delta_{h2s}$ = system length variation of a single rod end

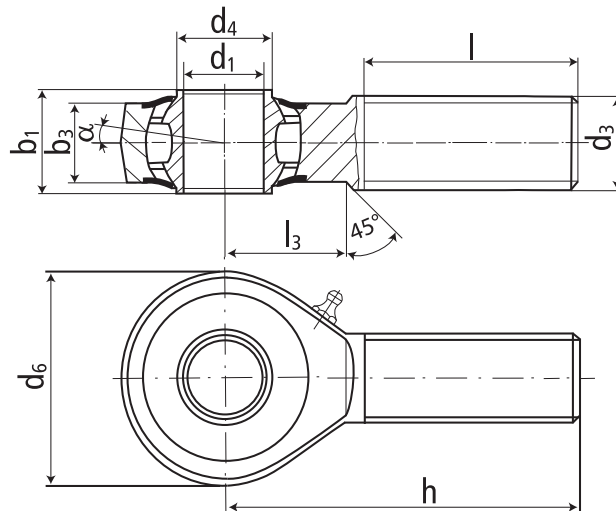




male thread;
long-term
lubrication,
low maintenance,
shields,
adapter sizes
according to
DIN ISO 12240-4,
series K



DURBAL® heavy-duty rod ends with integral self-aligning roller bearing



rod end housing:
forged steel, case-hardened bearing race,
superfinished, rolled thread, surface gal-
vanized, free of Cr VI

inner ring:
ball bearing steel, hardened,
superfinished

lubrication:
aluminium-complex-soap-grease,
temperature range -45 °C to +120 °C,
approval according to USDA H1

lubrication fitting:
DIN 71 412 H1

bearing clearance:
10 - 30 µm radial

tolerances:
see page 10

type	order number		measurements [mm]					
	right hand thread	left hand thread	d ₁	d ₃	d ₄	d ₆	b ₁	b ₃
BRTM 12 -01	-501	-502	12	M 12	14,5	32	16	12
BRTM 16 -03	-501	-502	16	M 16	19,0	42	21	15
BRTM 20 -00	-501	-502	20	M 20 x 1,5	24,5	50	25	18
BRTM 25 -00	-501	-502	25	M 24 x 2	29,5	64	31	22
BRTM 30 -00	-501	-502	30	M 30 x 2	34,5	70	37	25

type	measurements [mm]				weight [kg]	rotational speed limit n _{max} [min ⁻¹]	basic load rating	
	h	l	l ₃	α [°]			dyn. C [N]	stat. C ₀ [N]
BRTM 12	54	33	19	7,5	0,088	1125	10250	6600
BRTM 16	66	40	22	7,0	0,185	975	13300	8900
BRTM 20	78	47	28	7,0	0,340	825	17000	11700
BRTM 25	94	57	30	5,0	0,596	600	24900	18500
BRTM 30	110	66	35	7,5	0,912	450	32500	24850



rod end housing:

forged steel, case-hardened bearing race, superfinished, surface galvanized, free of Cr VI

inner ring:

ball bearing steel, hardened, superfinished

lubrication:

aluminium-complex-soap-grease, temperature range -45 °C to +120 °C, approval according to USDA H1

lubrication fitting:

DIN 71 412 H1

bearing clearance:

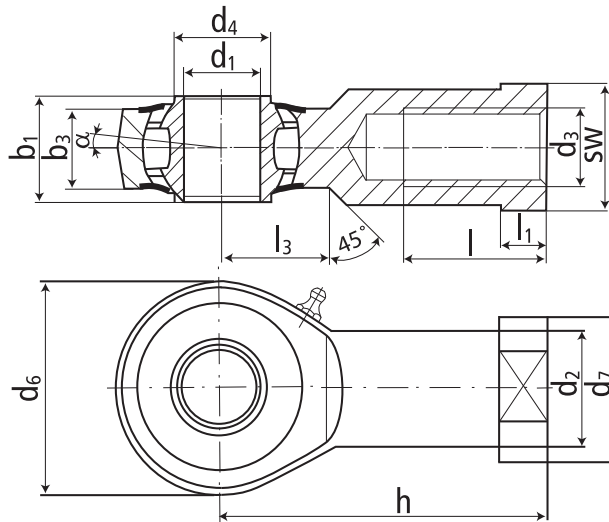
10 - 30 µm radial

tolerances:

see page 10

DURBAL® heavy-duty rod ends with integral self-aligning roller bearing

female thread;
long-term lubrication,
low maintenance,
shields,
adapter sizes according to
DIN ISO 12240-4,
series K



type	order number		measurements [mm]							b ₁	b ₃
	right hand thread	left hand thread	d ₁	d ₂	d ₃	d ₄	d ₆	d ₇			
BRTF 12 -04	-501	-502	12	17,5	M 12	14,5	32	22	16	12	
BRTF 16 -03	-501	-502	16	22,0	M 16	19,0	42	27	21	15	
BRTF 20 -00	-501	-502	20	27,5	M 20 x 1,5	24,5	50	34	25	18	
BRTF 25 -00	-501	-502	25	30,0	M 24 x 2	29,5	64	35	31	22	
BRTF 30 -01	-501	-502	30	40,0	M 30 x 2	34,5	70	50	37	25	

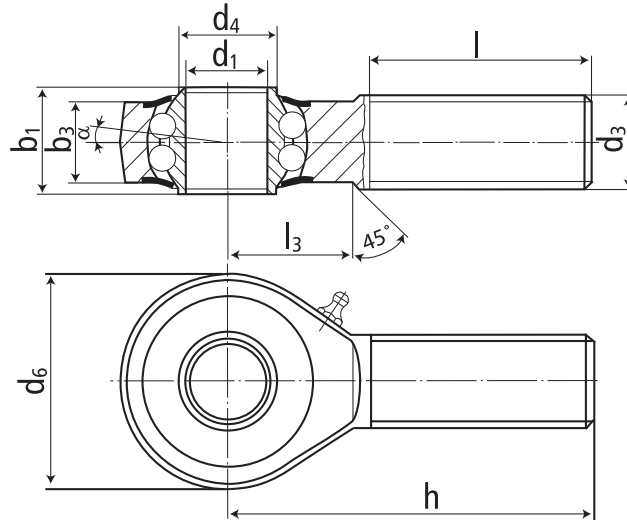
type	measurements [mm]					weight [kg]	rotational speed limit n _{max} [min ⁻¹]	basic load rating	
	h	l	l ₁	l ₃	SW			dyn. C [N]	stat. C ₀ [N]
BRTF 12	50	22	6,5	16	19	0,109	1125	10250	6600
BRTF 16	64	28	8,0	22	22	0,220	975	13300	8900
BRTF 20	77	33	10,0	26	30	0,361	825	17000	11700
BRTF 25	94	42	10,0	32	30	0,565	600	24900	18500
BRTF 30	110	51	15,0	35	41	1,000	450	32500	24850



male thread;
long-term
lubrication,
low maintenance,
shields,
adapter sizes
according to
DIN ISO 12240-4,
series K



DURBAL® heavy-duty rod ends with integral self-aligning ball bearing



rod end housing:

forged steel, case-hardened bearing race, superfinished, rolled thread, surface galvanized, free of Cr VI

inner ring:

ball bearing steel, hardened, superfinished

lubrication:

aluminium-complex-soap-grease, temperature range -45 °C to +120 °C, approval according to USDA H1

lubrication fitting:

DIN 3405 D1/A (sizes 6 to 10)
DIN 71 412 H1 (sizes 12 to 30)

bearing clearance:

10 - 30 µm radial

tolerances:

see page 10

order number		measurements [mm]								
type	right hand thread	left hand thread	d ₁	d ₃	d ₄	d ₆	b ₁	b ₃	h	
BRM 06	-00	-501	-502	6	M 6	9,0	20	9	6,75	36
BRM 08	-00	-501	-502	8	M 8	10,5	24	12	9,0	42
BRM 10	-00	-501	-502	10	M 10	12,0	28	14	10,5	48
BRM 12	-00	-501	-502	12	M 12	14,5	32	16	12,0	54
BRM 14	-00	-501	-502	14	M 14	17,0	36	19	13,5	60
BRM 16	-00	-501	-502	16	M 16	19,0	42	21	15,0	66
BRM 18	-00	-501	-502	18	M 18 x 1,5	21,5	46	23	16,5	72
BRM 20	-00	-501	-502	20	M 20 x 1,5	24,5	50	25	18,0	78
BRM 22	-00	-501	-502	22	M 22 x 1,5	26,0	54	28	20,0	84
BRM 25	-00	-501	-502	25	M 24 x 2	29,5	64	31	22,0	94
BRM 30	-00	-501	-502	30	M 30 x 2	34,5	70	37	25,0	110

type	measurements [mm]			weight [kg]	calculation-factors		rotational speed limit n _{max} [min ⁻¹]	basic load rating dyn. stat.	
	l	l ₃	α [°]		Y	Y ₀		C [N]	C ₀ [N]
BRM 06	22	12	8,0	0,019	2,09	2,19	1350	2750	650
BRM 08	25	15	8,5	0,036	1,80	1,89	1300	4000	1000
BRM 10	29	15	8,0	0,060	1,90	1,81	1225	4450	1450
BRM 12	33	19	7,5	0,087	1,74	1,82	1125	4950	1800
BRM 14	36	20	6,0	0,135	2,36	2,48	1025	5600	2000
BRM 16	40	22	8,0	0,190	2,24	2,35	975	6250	2350
BRM 18	44	25	8,5	0,270	2,21	2,31	900	7100	2900
BRM 20	47	28	7,0	0,338	2,46	2,58	825	7900	3450
BRM 22	51	26	8,0	0,450	2,35	2,24	725	9300	3980
BRM 25	57	30	5,0	0,602	2,02	2,12	600	11030	5680
BRM 30	66	35	7,5	0,922	2,24	2,35	450	14150	7450



rod end housing:

forged steel, case-hardened bearing race, superfinished, surface galvanized, free of Cr VI

inner ring:

ball bearing steel, hardened, superfinished

lubrication:

aluminium-complex-soap-grease, temperature range -45 °C to +120 °C, approval according to USDA H1

lubrication fitting:

DIN 3405 D1/A (sizes 6 to 10)
DIN 71 412 H1 (sizes 12 to 30)

bearing clearance:

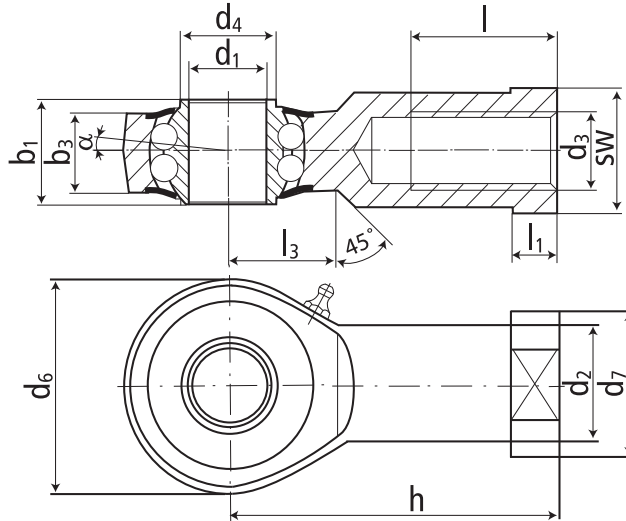
10 - 30 µm radial

tolerances:

see page 10

DURBAL® heavy-duty rod ends with integral self-aligning ball bearing

female thread;
long-term lubrication,
low maintenance,
shields,
adapter sizes according to
DIN ISO 12240-4,
series K



order number				measurements [mm]								
type	right hand thread	left hand thread		d ₁	d ₂	d ₃	d ₄	d ₆	d ₇	b ₁	b ₃	h
BRF 06	-00	-501	-502	6	10,0	M 6	9,0	20	13	9	6,75	30
BRF 08	-00	-501	-502	8	12,5	M 8	10,5	24	16	12	9,0	36
BRF 10	-00	-501	-502	10	15,0	M 10	12,0	28	19	14	10,5	43
BRF 12	-00	-501	-502	12	17,5	M 12	14,5	32	22	16	12,0	50
BRF 14	-00	-501	-502	14	20,0	M 14	17,0	36	25	19	13,5	57
BRF 16	-00	-501	-502	16	22,0	M 16	19,0	42	27	21	15,0	64
BRF 18	-00	-501	-502	18	25,0	M 18 x 1,5	21,5	46	31	23	16,5	71
BRF 20	-00	-501	-502	20	27,5	M 20 x 1,5	24,5	50	34	25	18,0	77
BRF 22	-00	-501	-502	22	30,0	M 22 x 1,5	26,0	54	38	28	20,0	84
BRF 25	-00	-501	-502	25	30,0	M 24 x 2	29,5	64	35	31	22,0	94
BRF 30	-00	-501	-502	30	40,0	M 30 x 2	34,5	70	50	37	25,0	110

type	measurements [mm]			SW	α [°]	weight [kg]	calculation-factors		rotational speed limit n _{max} [min ⁻¹]	basic load rating	
	l	l ₁	l ₃				Y	Y ₀		dyn. C [N]	stat. C ₀ [N]
BRF 06	12	5,0	10	11	8,0	0,024	2,09	2,19	1350	2750	650
BRF 08	16	5,0	12	14	8,5	0,044	1,80	1,89	1300	4000	1000
BRF 10	20	6,5	15	17	8,0	0,072	1,90	1,81	1225	4450	1450
BRF 12	22	6,5	16	19	7,5	0,107	1,74	1,82	1125	4950	1800
BRF 14	25	8,0	20	22	6,0	0,160	2,36	2,48	1025	5600	2000
BRF 16	28	8,0	22	22	8,0	0,224	2,24	2,35	975	6250	2350
BRF 18	32	10,0	24	27	8,5	0,293	2,21	2,31	900	7100	2900
BRF 20	33	10,0	26	30	7,0	0,367	2,46	2,58	825	7900	3450
BRF 22	37	12,0	26	32	8,0	0,480	2,35	2,24	725	9300	3980
BRF 25	42	10,0	32	30	5,0	0,572	2,02	2,12	600	11030	5680
BRF 30	51	15,0	35	41	7,5	0,978	2,24	2,35	450	14150	7450



male thread;
long-term
lubrication,
low maintenance,
shields

DURBAL® heavy-duty rod ends with integral self-aligning ball bearing

rod end housing:
forged steel, case-hardened bearing race,
superfinished, rolled thread, surface gal-
vanized, free of Cr VI

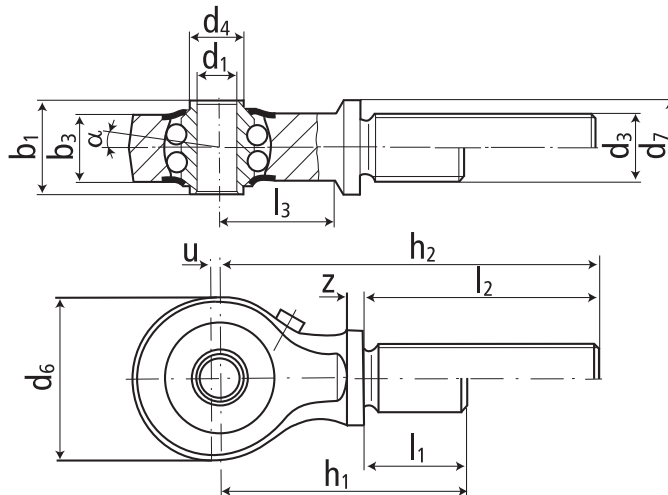
inner ring:
ball bearing steel, hardened,
superfinished

lubrication:
aluminium-complex-soap-grease,
temperature range -45 °C to +120 °C,
approval according to USDA H1

lubrication fitting:
DIN 3405 D1/A

bearing clearance:
10 - 30 µm radial

tolerances:
see page 10



type	order number		measurements [mm]						
	right hand thread	left hand thread	d_1	d_3	d_4	d_6	d_7	b_1	b_3
PM 05 -00	-501	-502	5	M 8 x 1	7,5	19	12	12	8
PM 05 -01	-501	-502	5	M 8 x 1	7,5	19	12	12	8
PM 06 -00	-501	-502	6	M 10 x 1	8,5	24	14	14	10
PM 06 -02	-501	-502	6	M 10 x 1	8,5	24	14	14	10
PM 08 -00	-501	-502	8	M 12 x 1,5	11,0	30	17	15	10
PM 08 -02	-501	-502	8	M 12 x 1,5	11,0	30	17	15	10
PM 10 -00	-501	-502	10	M 14 x 1,5	13,5	36	19	20	14
PM 10 -03	-501	-502	10	M 14 x 1,5	13,5	36	19	20	14
PM 12 -00	-501	-502	12	M 16 x 1,5	15,0	40	21	20	14
PM 12 -02	-501	-502	12	M 16 x 1,5	15,0	40	21	20	14
PM 15 -00	-501	-502	15	M 20 x 1,5	18,5	42	26	20	14
PM 15 -02	-501	-502	15	M 20 x 1,5	18,5	42	26	20	14
PM 17 -00	-501	-502	17	M 20 x 1,5	21,0	48	26	22	16
PM 17 -01	-501	-502	17	M 20 x 1,5	21,0	48	26	22	16
PM 20 -00	-501	-502	20	M 24 x 1,5	24,0	56	30	24	18
PM 20 -02	-501	-502	20	M 24 x 1,5	24,0	56	30	24	18

type	measurements [mm]							α [°]	weight [kg]	calculation-factors		rotational speed limit n_{max} [min ⁻¹]	basic load rating dyn. stat.	
	l_1	l_2	l_3	h_1	h_2	u	z			Y	Y_0		C [N]	C_0 [N]
PM 05		39,5	13		57	1,5	2,5	7,0	0,037	1,51	1,58	1350	1610	480
PM 05	16		13	33,5		1,5	2,5	7,0	0,033	1,51	1,58	1350	1610	480
PM 06		42,5	17		64	1,5	2,5	10,5	0,062	1,28	1,34	1300	2445	765
PM 06	19		17	40,5		1,5	2,5	10,5	0,057	1,28	1,34	1300	2445	765
PM 08		46,5	20		72	2,0	2,5	8,5	0,097	1,9	1,81	1225	2605	985
PM 08	23		20	48,5		2,0	2,5	8,5	0,088	1,9	1,81	1225	2605	985
PM 10		49,5	28		82	2,5	2,5	9,5	0,168	1,69	1,77	1100	5120	1905
PM 10	26		28	58,5		2,5	2,5	9,5	0,154	1,69	1,77	1100	5120	1905
PM 12		53,5	31		90	3,0	2,5	7,5	0,226	1,81	1,90	1050	5345	2065
PM 12	29		31	65,5		3,0	2,5	7,5	0,204	1,81	1,90	1050	5345	2065
PM 15		62,5	30		100	3,0	2,5	6,5	0,310	2,07	2,17	975	5485	3270
PM 15	36		30	73,5		3,0	2,5	6,5	0,273	2,07	2,17	975	5485	3270
PM 17		62,5	36		105	3,5	2,5	7,0	0,401	2,35	2,46	875	5575	2680
PM 17	36		36	78,5		3,5	2,5	7,0	0,354	2,35	2,46	875	5575	2680
PM 20		68,5	41		117	3,5	3,0	5,5	0,587	2,76	2,90	775	6165	3140
PM 20	41		41	89,5		3,5	3,0	5,5	0,519	2,76	2,90	775	6165	3140



rod end housing:

forged steel, case-hardened bearing race, superfinished, surface galvanized, free of Cr VI

inner ring:

ball bearing steel, hardened, superfinished

lubrication:

aluminium-complex-soap-grease, temperature range -45 °C to +120 °C, approval according to USDA H1

lubrication fitting:

DIN 3405 D1/A

bearing clearance:

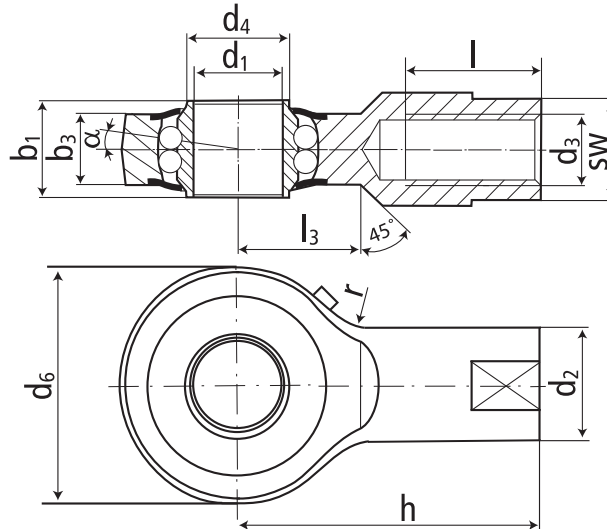
10 - 30 µm radial

tolerances:

see page 10

DURBAL® heavy-duty rod ends with integral self-aligning ball bearing

female thread;
long-term
lubrication,
low maintenance,
shields



type	order number		measurements [mm]						
	right hand thread	left hand thread	d ₁	d ₂	d ₃	d ₄	d ₆	b ₁	b ₃
PF 10	-00 -501	-502	10	15	M 8	13,0	30	13,0	9
PF 15	-00 -501	-502	15	19	M 12	17,5	40	16,5	12
PF 20	-00 -501	-502	20	22	M 16	24,0	48	20,5	15

type	measurements [mm]					weight [kg]	calculation-factors		rotational speed limit n _{max} [min ⁻¹]	basic load rating	
	h	l	l ₃	r	SW		Y	Y ₀		dyn. C [N]	stat. C ₀ [N]
PF 10	38	17	14,5	10	13	0,063	1,90	1,81	1225	2605	985
PF 15	51	24	20,0	15	17	0,140	2,30	2,41	1025	5000	1890
PF 20	65	32	22,0	20	19	0,223	2,34	2,45	850	6105	2955

male thread;
maintenance free,
adapter sizes
according to
DIN ISO 12240-4,
series K

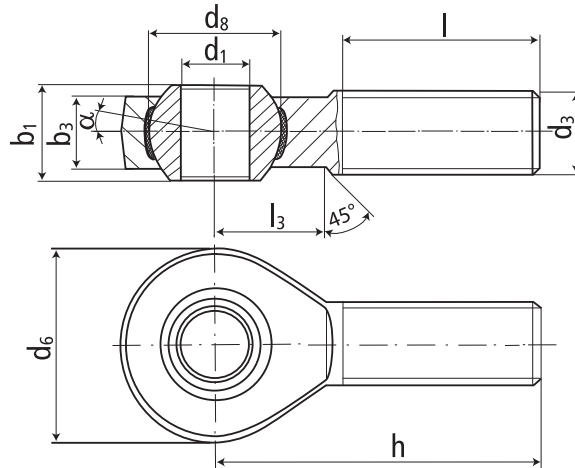
DURBAL® heavy-duty rod ends with integral spherical plain bearing

rod end housing:
forged steel, tempered, rolled thread,
surface galvanized, free of Cr VI

joint ball:
ball bearing steel, hardened and ground,
surface superfinished and chromium
plated

race:
nylon / teflon / glass fibre compound

tolerances:
see page 10



type	order number		measurements [mm]						
	right hand thread	left hand thread	d ₁	d ₃	d ₆	d ₈	b ₁	b ₃	
BEM 05	-20	-501	-502	5	M 5	18	11,06	8	6,0
BEM 06	-20	-501	-502	6	M 6	20	12,65	9	6,75
BEM 08	-20	-501	-502	8	M 8	24	15,82	12	9,0
BEM 10	-20	-501	-502	10	M 10	28	19,00	14	10,5
BEM 12	-20	-501	-502	12	M 12	32	22,17	16	12,0
BEM 14	-20	-501	-502	14	M 14	36	25,35	19	13,5
BEM 16	-20	-501	-502	16	M 16	42	28,52	21	15,0
BEM 18	-20	-501	-502	18	M 18 x 1,5	46	31,70	23	16,5
BEM 20	-20	-501	-502	20	M 20 x 1,5	50	34,87	25	18,0
BEM 22	-20	-501	-502	22	M 22 x 1,5	54	38,05	28	20,0
BEM 25	-20	-501	-502	25	M 24 x 2	60	42,80	31	22,0
BEM 30	-20	-501	-502	30	M 30 x 2	70	50,75	37	25,0

type	measurements [mm]			α ¹⁾		weight [kg]	basic load rating	
	h	l	l ₃	[°]	[°]		dyn. C [N]	stat. C ₀ [N]
BEM 05	33	20	9	13,0	7,5	0,014	3910	5600
BEM 06	36	22	12	13,0	6,5	0,020	4590	7800
BEM 08	42	25	15	14,5	7,5	0,038	6965	14300
BEM 10	48	29	15	13,5	8,0	0,060	10420	22600
BEM 12	54	33	19	13,0	8,0	0,092	12425	32800
BEM 14	60	36	20	16,0	9,5	0,127	15440	41300
BEM 16	66	40	22	15,5	8,5	0,202	22410	56600
BEM 18	72	44	25	15,0	9,5	0,250	26325	69700
BEM 20	78	47	28	14,5	9,0	0,327	30805	82200
BEM 22	84	51	26	15,5	10,0	0,440	38230	95600
BEM 25	94	57	30	15,0	10,0	0,630	45350	118600
BEM 30	110	66	35	17,0	10,5	1,015	55010	145600

rod end housing:

forged steel, tempered, surface galvanized, free of Cr VI

joint ball:

ball bearing steel, hardened and ground, surface superfinished and chromium plated

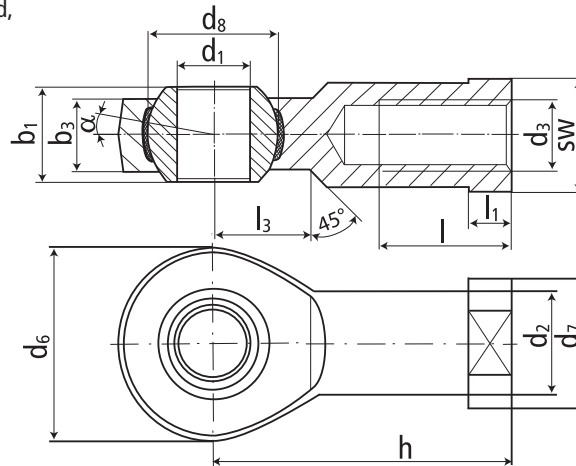
race:

nylon / teflon / glass fibre compound

tolerances:

see page 10

DURBAL® heavy-duty rod ends with integral spherical plain bearing



female thread;

maintenance free, adapter sizes according to

DIN ISO 12240-4, series K,

thread according to ISO 8139



type	order number			measurements [mm]							
	right hand thread	left hand thread		d ₁	d ₂	d ₃	d ₆	d ₇	d ₈	b ₁	b ₃
BEF 05	-20	-501	-502	5	9,0	M 5	18	11	11,06	8	6,0
BEF 05 SO	-22	-501	-502	5	9,0	M 4	18	11	11,06	8	6,0
BEF 06	-20	-501	-502	6	10,0	M 6	20	13	12,65	9	6,75
BEF 08	-20	-501	-502	8	12,5	M 8	24	16	15,82	12	9,0
BEF 10	-20	-501	-502	10	15,0	M 10	28	19	19,00	14	10,5
BEF 10 SO	-21	-501	-502	10	15,0	M 10 x 1,25	28	19	19,00	14	10,5
BEF 12	-20	-501	-502	12	17,5	M 12	32	22	22,17	16	12,0
BEF 12 SO	-22	-501	-502	12	17,5	M 12 x 1,25	32	22	22,17	16	12,0
BEF 14	-20	-501	-502	14	20,0	M 14	36	25	25,35	19	13,5
BEF 16	-20	-501	-502	16	22,0	M 16	42	27	28,52	21	15,0
BEF 16 SO	-21	-501	-502	16	22,0	M 16 x 1,5	42	27	28,52	21	15,0
BEF 18	-20	-501	-502	18	25,0	M 18 x 1,5	46	31	31,70	23	16,5
BEF 20	-20	-501	-502	20	27,5	M 20 x 1,5	50	34	34,87	25	18,0
BEF 22	-20	-501	-502	22	30,0	M 22 x 1,5	54	38	38,05	28	20,0
BEF 25	-20	-501	-502	25	33,5	M 24 x 2	60	42	42,80	31	22,0
BEF 30	-20	-501	-502	30	40,0	M 30 x 2	70	50	50,75	37	25,0
BEF 30 SO	-22	-501	-502	30	40,0	M 27 x 2	70	50	50,75	37	25,0

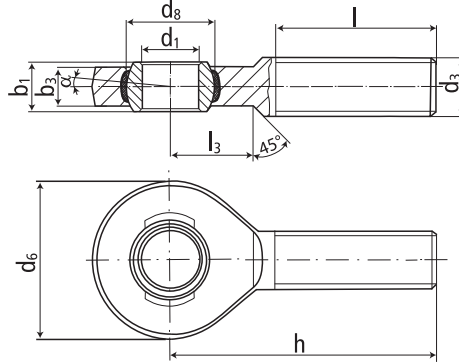
type	measurements [mm]				SW	weight		basic load rating		
	h	l	l ₁	l ₃		[kg]	α ₁ ¹⁾ [°]	α ₂ ¹⁾ [°]	dyn. C [N]	stat. C ₀ [N]
BEF 05	27	10	4,0	10	9	13,0	7,5	0,018	3910	10800
BEF 05 SO	27	10	4,0	10	9	13,0	7,5	0,018	3910	10800
BEF 06	30	12	5,0	10	11	13,0	6,5	0,024	4590	12800
BEF 08	36	16	5,0	12	14	14,5	7,5	0,045	6965	19200
BEF 10	43	20	6,5	15	17	13,5	8,0	0,074	10420	27400
BEF 10 SO	43	20	6,5	15	17	13,5	8,0	0,074	10420	27400
BEF 12	50	22	6,5	16	19	13,0	8,0	0,109	12425	33400
BEF 12 SO	50	22	6,5	16	19	13,0	8,0	0,109	12425	33400
BEF 14	57	25	8,0	20	22	16,0	9,5	0,155	15440	41300
BEF 16	64	28	8,0	22	22	15,5	8,5	0,233	22410	59600
BEF 16 SO	64	28	8,0	22	22	15,5	8,5	0,233	22410	59600
BEF 18	71	32	10,0	24	27	15,0	9,5	0,310	26325	69700
BEF 20	77	33	10,0	26	30	14,5	9,0	0,386	30805	82200
BEF 22	84	37	12,0	26	32	15,5	10,0	0,520	38230	95600
BEF 25	94	42	12,0	30	36	15,0	10,0	0,705	45350	118600
BEF 30	110	51	15,0	35	41	17,0	10,5	1,084	55010	145600
BEF 30 SO	110	51	15,0	35	41	17,0	10,5	1,084	55010	145600



male thread;
maintenance free,
adapter sizes
according to
DIN ISO 12240-4,
series E / EH



DURBAL® heavy-duty rod ends with integral spherical plain bearing



rod end housing:

forged steel, tempered, rolled thread,
surface galvanized, free of Cr VI

joint ball:

ball bearing steel, hardened and ground,
surface superfinished and chromium
plated

race:

nylon / teflon / glass fibre compound

tolerances:

see page 10

type	order number			measurements [mm]						
	right hand thread	left hand thread		d ₁	d ₃	d ₆	d ₈	b ₁	b ₃	h
EM 06	-20	-501	-502	6	M 6	20	10,0	6	4	36
EM 08	-20	-501	-502	8	M 8	23	13,0	8	5	42
EM 10	-20	-501	-502	10	M 10	28	16,0	9	6	48
EM 12	-20	-501	-502	12	M 12	32	18,0	10	7	54
EM 15	-20	-501	-502	15	M 14	38	22,0	12	9	63
EM 17	-20	-501	-502	17	M 16	44	25,0	14	10	69
EM 20	-20	-501	-502	20	M 20 x 1,5	51	29,0	16	12	78
EM 25	-20	-501	-502	25	M 24 x 2	62	35,5	20	16	94
EM 30	-20	-501	-502	30	M 30 x 2	70	40,7	22	18	110
EM 35	-20	-501	-502	35	M 36 x 3	82	47,0	25	20	140
EM 40	-20	-501	-502	40	M 42 x 3	92	53,0	28	22	145
EM 40 SO	-21	-501	-502	40	M 39 x 3	92	53,0	28	22	150
EM 45	-20	-501	-502	45	M 45 x 3	102	60,0	32	25	165
EM 45 SO	-22	-501	-502	45	M 42 x 3	102	60,0	32	25	163
EM 50	-20	-501	-502	50	M 52 x 3	112	66,0	35	28	195
EM 50 SO	-22	-501	-502	50	M 45 x 3	112	66,0	35	28	185
EM 60	-20	-501	-502	60	M 60 x 4	135	80,0	44	36	225
EM 60 SO	-21	-501	-502	60	M 52 x 3	135	80,0	44	36	210

type	measurements [mm]		weight		basic load rating	
	l	l ₃	α ₁ ¹⁾ [°]	α ₂ ¹⁾ [°]	dyn. C [N]	stat. C ₀ [N]
EM 06	22	11	13,0	6,5	0,014	2500 6400
EM 08	25	12	15,0	8,0	0,024	4200 11000
EM 10	29	15	12,0	6,0	0,041	6400 16800
EM 12	33	15	10,5	5,0	0,067	9200 23000
EM 15	36	18	8,5	4,5	0,110	13400 39600
EM 17	40	23	10,0	5,5	0,163	19200 54100
EM 20	47	25	9,0	4,5	0,270	25200 76700
EM 25	57	32	7,5	3,5	0,508	42400 119100
EM 30	66	35	6,0	3,0	0,785	54000 141800
EM 35	92	38	6,5	3,5	1,330	70400 180800
EM 40	94	42	7,0	3,5	1,890	86000 222600
EM 40 SO	99	42	7,0	3,5	1,785	86000 222600
EM 45	100	50	7,5	4,0	2,620	107000 276200
EM 45 SO	98	50	7,5	4,0	2,430	107000 276200
EM 50	120	60	6,5	3,0	3,865	132000 339200
EM 50 SO	110	60	6,5	3,0	3,225	132000 339200
EM 60	140	70	6,5	3,5	6,400	208000 532100
EM 60 SO	125	70	6,5	3,5	5,430	208000 532100

rod end housing:

forged steel, tempered, surface galvanized, free of Cr VI

joint ball:

ball bearing steel, hardened and ground, surface superfinished and chromium plated

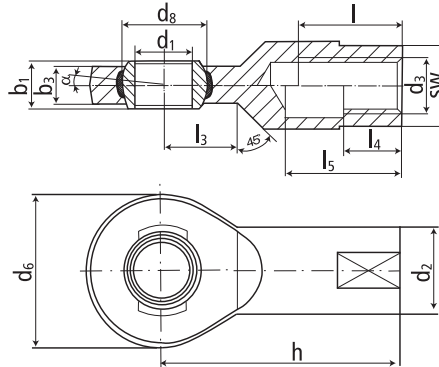
race:

nylon / teflon / glass fibre compound

tolerances:

see page 10

DURBAL® heavy-duty rod ends with integral spherical plain bearing



female thread;
maintenance free,
adapter sizes
according to
DIN ISO 12240-4,
series E / EH



order number				measurements [mm]								
type	right hand thread		left hand thread	d ₁	d ₂	d ₃	d ₆	d ₈	b ₁	b ₃	h	
EF 06	-20	-501	-502	6	10	M 6	20	10,0	6	4	30	
EF 08	-20	-501	-502	8	13	M 8	23	13,0	8	5	36	
EF 10	-20	-501	-502	10	16	M 10	28	16,0	9	6	43	
EF 10 SO	-22	-501	-502	10	16	M 10 x 1,25	28	16,0	9	6	43	
EF 12	-20	-501	-502	12	19	M 12	32	18,0	10	7	50	
EF 12 SO	-22	-501	-502	12	19	M 12 x 1,25	32	18,0	10	7	50	
EF 15	-20	-501	-502	15	22	M 14	38	22,0	12	9	61	
EF 17	-20	-501	-502	17	25	M 16	44	25,0	14	10	67	
EF 20	-20	-501	-502	20	28	M 20 x 1,5	51	29,0	16	12	77	
EF 25	-20	-501	-502	25	35	M 24 x 2	62	35,5	20	16	94	
EF 30	-20	-501	-502	30	42	M 30 x 2	70	40,7	22	18	110	
EF 35	-20	-501	-502	35	51	M 36 x 3	82	47,0	25	20	125	
EF 35 SO	-22	-501	-502	35	51	M 36 x 2	82	47,0	25	20	130	
EF 40	-20	-501	-502	40	60	M 42 x 3	92	53,0	28	22	145	
EF 40 SO	-22	-501	-502	40	52	M 39 x 3	92	53,0	28	22	142	
EF 45	-20	-501	-502	45	67	M 45 x 3	102	60,0	32	25	165	
EF 45 SO	-21	-501	-502	45	58	M 42 x 3	102	60,0	32	25	145	
EF 50	-20	-501	-502	50	72	M 52 x 3	112	66,0	35	28	195	
EF 50 SO	-21	-501	-502	50	62	M 45 x 3	112	66,0	35	28	160	
EF 60	-20	-501	-502	60	84	M 60 x 4	135	80,0	44	36	225	
EF 60 SO	-21	-501	-502	60	71	M 52 x 3	135	80,0	44	36	175	

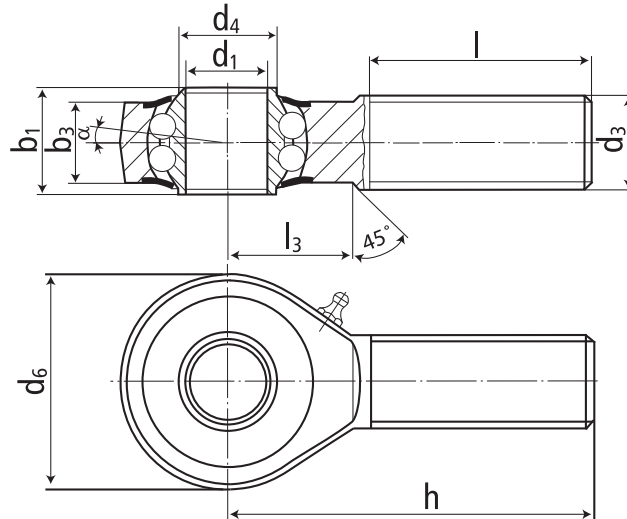
type	measurements [mm]					SW	$\alpha_1^{1)}$ [°]	$\alpha_2^{1)}$ [°]	weight [kg]	basic load rating	
	l	l ₃	l ₄	l ₅	C [N]					C ₀ [N]	
EF 06	12	11				9	13,0	6,5	0,017	2500	10600
EF 08	16	12				11	15,0	8,0	0,031	4200	13100
EF 10	20	13				14	12,0	6,0	0,054	6400	18800
EF 10 SO	20	13				14	12,0	6,0	0,054	6400	18800
EF 12	22	15				17	10,5	5,0	0,086	9200	28000
EF 12 SO	22	15				17	10,5	5,0	0,086	9200	28000
EF 15	25	18				19	8,5	4,5	0,142	13400	41000
EF 17	28	20				22	10,0	5,5	0,208	19200	57900
EF 20	33	23				24	9,0	4,5	0,290	25200	76700
EF 25	42	30				30	7,5	3,5	0,573	42400	119100
EF 30	51	32				36	6,0	3,0	0,908	54000	141800
EF 35		38	36	61		41	6,5	3,5	1,230	70400	180800
EF 35 SO		38	41	66		41	6,5	3,5	1,230	70400	180800
EF 40		42	42	71		50	7,0	3,5	2,075	86000	222600
EF 40 SO		42	39	66		46	7,0	3,5	1,880	86000	222600
EF 45		50	45	76		55	7,5	4,0	3,085	107000	276200
EF 45 SO		50	42	66		50	7,5	4,0	2,500	107000	276200
EF 50		60	52	89		60	6,5	3,0	3,975	132000	339200
EF 50 SO		60	45	69		55	6,5	3,0	3,200	132000	339200
EF 60		70	60	103		70	6,5	3,5	7,300	208000	532100
EF 60 SO		70	52	71		60	6,5	3,5	5,900	208000	532100



male thread;
long-term
lubrication,
low maintenance,
shields,
adapter sizes
according to
DIN ISO 12240-4,
series K



DURBAL® heavy-duty rod ends with integral self-aligning ball bearing in stainless steel



rod end housing:
stainless steel 1.4034, hardened, bearing
race superfinished, rolled thread

inner ring:
stainless steel, hardened,
surface superfinished

lubrication:
aluminium-complex-soap-grease,
temperature range -45 °C to +120 °C,
approval according to USDA H1

lubrication fitting:
DIN 3405 D1/A (sizes 6 to 10)
DIN 71 412 H1 (sizes 12 to 20)

bearing clearance:
10 - 30 µm radial

tolerances:
see page 10

order number		measurements [mm]							
type	right hand thread	left hand thread	d ₁	d ₃	d ₄	d ₆	b ₁	b ₃	h
BRM 06	-60	-501	6	M 6	9,0	20	9	6,75	36
BRM 08	-60	-501	8	M 8	10,5	24	12	9,0	42
BRM 10	-60	-501	10	M 10	12,0	28	14	10,5	48
BRM 12	-60	-501	12	M 12	14,5	32	16	12,0	54
BRM 16	-60	-501	16	M 16	19,0	42	21	15,0	66
BRM 20	-60	-501	20	M 20 x 1,5	24,5	50	25	18,0	78

type	measurements [mm]		α [°]	weight [kg]	calculation- factors		rotational speed limit n _{max} [min ⁻¹]	basic load rating dyn. stat.	
	l	l ₃			Y	Y ₀		C [N]	C ₀ [N]
BRM 06	22	12	8,0	0,019	2,09	2,19	1350	1900	450
BRM 08	25	15	8,5	0,036	1,80	1,89	1300	2800	700
BRM 10	29	15	8,0	0,060	1,90	1,81	1225	3100	1000
BRM 12	33	19	7,5	0,087	1,74	1,82	1125	3450	1250
BRM 16	40	22	8,0	0,190	2,24	2,35	975	4250	1600
BRM 20	47	28	7,0	0,338	2,46	2,58	825	5350	2300



rod end housing:

stainless steel 1.4034, hardened, bearing race superfinished

inner ring:

stainless steel, hardened, surface superfinished

lubrication:

aluminium-complex-soap-grease, temperature range -45 °C to +120 °C, approval according to USDA H1

lubrication fitting:

DIN 3405 D1/A (sizes 6 to 10)
DIN 71 412 H1 (sizes 12 to 20)

bearing clearance:

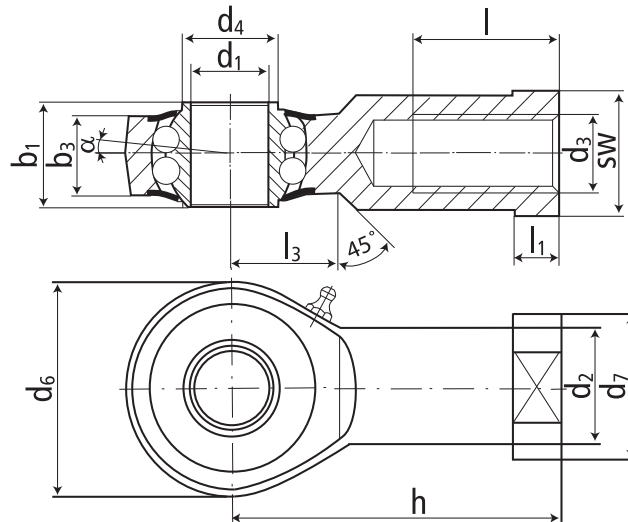
10 - 30 µm radial

tolerances:

see page 10

DURBAL® heavy-duty rod ends with integral self-aligning ball bearing in stainless steel

female thread;
long-term lubrication,
low maintenance,
shields,
adapter sizes according to
DIN ISO 12240-4,
series K



order number				measurements [mm]								
type	right hand thread	left hand thread		d ₁	d ₂	d ₃	d ₄	d ₆	d ₇	b ₁	b ₃	h
BRF 06	-60	-501	-502	6	10,0	M 6	9,0	20	13	9	6,75	30
BRF 08	-60	-501	-502	8	12,5	M 8	10,5	24	16	12	9,0	36
BRF 10	-60	-501	-502	10	15,0	M 10	12,0	28	19	14	10,5	43
BRF 12	-60	-501	-502	12	17,5	M 12	14,5	32	22	16	12,0	50
BRF 16	-60	-501	-502	16	22,0	M 16	19,0	42	27	21	15,0	64
BRF 20	-60	-501	-502	20	27,5	M 20 x 1,5	24,5	50	34	25	18,0	77

type	measurements [mm]			SW	α [°]	weight [kg]	calculation-factors		rotational speed limit n _{max} [min ⁻¹]	basic load rating	
	l	l ₁	l ₃				Y	Y ₀		dyn. C [N]	stat. C ₀ [N]
BRF 06	12	5,0	10	11	8,0	0,024	2,09	2,19	1350	1900	450
BRF 08	16	5,0	12	14	8,5	0,044	1,80	1,89	1300	2800	700
BRF 10	20	6,5	15	17	8,0	0,072	1,90	1,81	1225	3100	1000
BRF 12	22	6,5	16	19	7,5	0,107	1,74	1,82	1125	3450	1250
BRF 16	28	8,0	22	22	8,0	0,224	2,24	2,35	975	4250	1600
BRF 20	33	10,0	26	30	7,0	0,367	2,46	2,58	825	5350	2300

DURBAL® BEM stainless steel



male thread;
maintenance free,
adapter sizes
according to
DIN ISO 12240-4,
series K

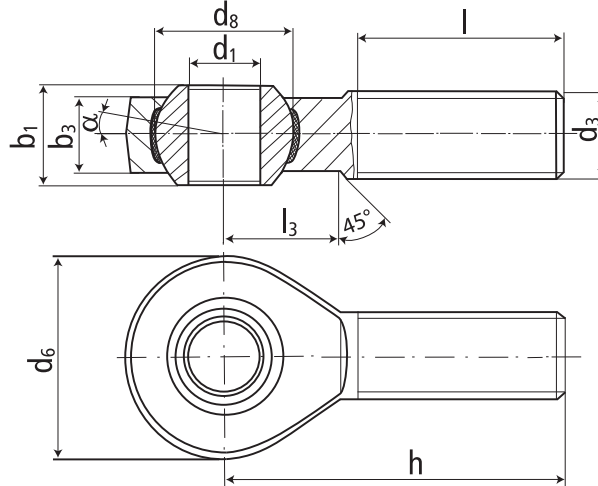
DURBAL® heavy-duty rod ends with integral spherical plain bearing in stainless steel

rod end housing:
stainless steel 1.4301, rolled thread,
surface with pickling treatment

joint ball:
stainless steel, hardened and ground,
surface superfinished

race:
nylon / teflon / glass fibre compound

tolerances:
see page 10



type	order number		measurements [mm]						
	right hand thread	left hand thread	d ₁	d ₃	d ₆	d ₈	b ₁	b ₃	
BEM 05	-60	-501	-502	5	M 5	18	11,06	8	6,0
BEM 06	-60	-501	-502	6	M 6	20	12,65	9	6,75
BEM 08	-60	-501	-502	8	M 8	24	15,82	12	9,0
BEM 10	-60	-501	-502	10	M 10	28	19,00	14	10,5
BEM 12	-60	-501	-502	12	M 12	32	22,17	16	12,0
BEM 14	-60	-501	-502	14	M 14	36	25,35	19	13,5
BEM 16	-60	-501	-502	16	M 16	42	28,52	21	15,0
BEM 18	-60	-501	-502	18	M 18 x 1,5	46	31,70	23	16,5
BEM 20	-60	-501	-502	20	M 20 x 1,5	50	34,87	25	18,0
BEM 22	-60	-501	-502	22	M 22 x 1,5	54	38,05	28	20,0
BEM 25	-60	-501	-502	25	M 24 x 2	60	42,80	31	22,0
BEM 30	-60	-501	-502	30	M 30 x 2	70	50,75	37	25,0

type	measurements [mm]			weight		basic load rating		
	h	l	l ₃	α ₁ ¹⁾ [°]	α ₂ ¹⁾ [°]	C [N]	C ₀ [N]	
BEM 05	33	20	9	13,0	7,5	0,014	2400	3500
BEM 06	36	22	12	13,0	6,5	0,020	2820	4900
BEM 08	42	25	15	14,5	7,5	0,038	4280	8800
BEM 10	48	29	15	13,5	8,0	0,060	6400	14000
BEM 12	54	33	19	13,0	8,0	0,092	7600	20300
BEM 14	60	36	20	16,0	9,5	0,127	9480	27600
BEM 16	66	40	22	15,5	8,5	0,202	13760	37700
BEM 18	72	44	25	15,0	9,5	0,250	16160	46500
BEM 20	78	47	28	14,5	9,0	0,327	18960	54800
BEM 22	84	51	26	15,5	10,0	0,440	23480	63600
BEM 25	94	57	30	15,0	10,0	0,630	27860	79100
BEM 30	110	66	35	17,0	10,5	1,015	33800	97100



stainless steel DURBAL® BEF

rod end housing:

stainless steel 1.4301, rolled thread, surface with pickling treatment

joint ball:

stainless steel, hardened and ground, surface superfinished

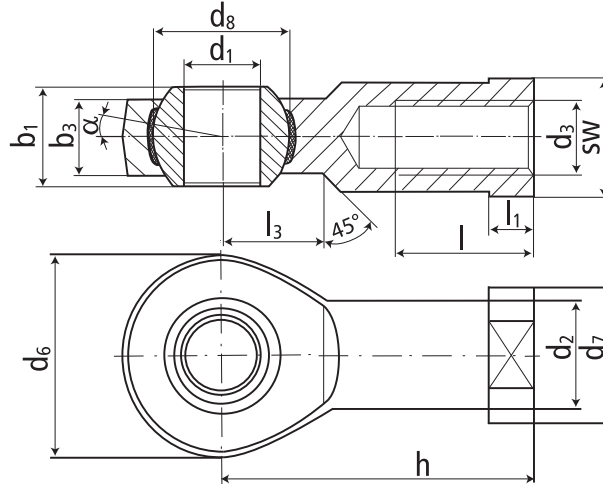
race:

nylon / teflon / glass fibre compound

tolerances:

see page 10

DURBAL® heavy-duty rod ends with integral spherical plain bearing in stainless steel



female thread;

maintenance free, adapter sizes according to

DIN ISO 12240-4, series K,

thread according to ISO 8139



type	order number			measurements [mm]							
	right hand thread	left hand thread		d ₁	d ₂	d ₃	d ₆	d ₇	d ₈	b ₁	b ₃
BEF 05	-60	-501	-502	5	9,0	M 5	18	11	11,06	8	6,0
BEF 05SO	-61	-501	-502	5	9,0	M 4	18	11	11,06	8	6,0
BEF 06	-60	-501	-502	6	10,0	M 6	20	13	12,65	9	6,75
BEF 08	-60	-501	-502	8	12,5	M 8	24	16	15,82	12	9,0
BEF 10	-60	-501	-502	10	15,0	M 10	28	19	19,00	14	10,5
BEF 10SO	-61	-501	-502	10	15,0	M 10 x 1,25	28	19	19,00	14	10,5
BEF 12	-60	-501	-502	12	17,5	M 12	32	22	22,17	16	12,0
BEF 12SO	-61	-501	-502	12	17,5	M 12 x 1,25	32	22	22,17	16	12,0
BEF 14	-60	-501	-502	14	20,0	M 14	36	25	25,35	19	13,5
BEF 16	-60	-501	-502	16	22,0	M 16	42	27	28,52	21	15,0
BEF 16SO	-61	-501	-502	16	22,0	M 16 x 1,5	42	27	28,52	21	15,0
BEF 18	-60	-501	-502	18	25,0	M 18 x 1,5	46	31	31,70	23	16,5
BEF 20	-60	-501	-502	20	27,5	M 20 x 1,5	50	34	34,87	25	18,0
BEF 22	-60	-501	-502	22	30,0	M 22 x 1,5	54	38	38,05	28	20,0
BEF 25	-60	-501	-502	25	33,5	M 24 x 2	60	42	42,80	31	22,0
BEF 30	-60	-501	-502	30	40,0	M 30 x 2	70	50	50,75	37	25,0
BEF 30SO	-61	-501	-502	30	40,0	M 27 x 2	70	50	50,75	37	25,0

type	measurements [mm]				SW	α ₁ ¹⁾ [°]	α ₂ ¹⁾ [°]	weight [kg]	basic load rating dyn. stat.	
	h	l	l ₁	l ₃					C [N]	C ₀ [N]
BEF 05	27	10	4,0	10	9	13,0	7,5	0,018	2400	7200
BEF 05SO	27	10	4,0	10	9	13,0	7,5	0,018	2400	7200
BEF 06	30	12	5,0	10	11	13,0	6,5	0,024	2820	8500
BEF 08	36	16	5,0	12	14	14,5	7,5	0,045	4280	12800
BEF 10	43	20	6,5	15	17	13,5	8,0	0,074	6400	18300
BEF 10SO	43	20	6,5	15	17	13,5	8,0	0,074	6400	18300
BEF 12	50	22	6,5	16	19	13,0	8,0	0,109	7600	22300
BEF 12SO	50	22	6,5	16	19	13,0	8,0	0,109	7600	22300
BEF 14	57	25	8,0	20	22	16,0	9,5	0,155	9480	27600
BEF 16	64	28	8,0	22	22	15,5	8,5	0,233	13760	39700
BEF 16SO	64	28	8,0	22	22	15,5	8,5	0,233	13760	39700
BEF 18	71	32	10,0	24	27	15,0	9,5	0,310	16160	46500
BEF 20	77	33	10,0	26	30	14,5	9,0	0,386	18960	54800
BEF 22	84	37	12,0	26	32	15,5	10,0	0,520	23480	63600
BEF 25	94	42	12,0	30	36	15,0	10,0	0,705	27860	79100
BEF 30	110	51	15,0	35	41	17,0	10,5	1,084	33800	97100
BEF 30SO	110	51	15,0	35	41	17,0	10,5	1,084	33800	97100

DURBAL® BRTM dimensions in inches



male thread;
long-term
lubrication,
low maintenance,
shields,
dimensions in inches

DURBAL® heavy-duty rod ends with integral self-aligning roller bearing

rod end housing:
forged steel, case-hardened bearing race,
superfinished, rolled thread, surface gal-
vanized, free of Cr VI

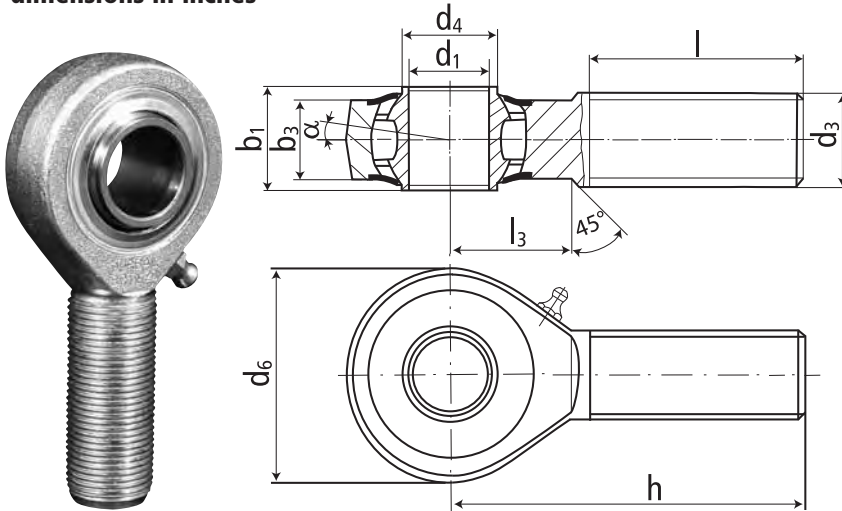
inner ring:
ball bearing steel, hardened,
superfinished

lubrication:
aluminium-complex-soap-grease,
temperature range -45 °C to +120 °C,
approval according to USDA H1

lubrication fitting:
DIN 71 412 H1

bearing clearance:
10 - 30 µm radial

tolerances:
see page 10



type	order number		measurements [inches]						
	right hand thread	left hand thread	d ₁	d ₃ class 2	d ₄	d ₆	b ₁	b ₃	
BRTM 1/2	-00	-501	-502	.500	.5000-20 UNF	.574	1.311	.624	.472
BRTM 5/8	-00	-501	-502	.625	.6250-18 UNF	.748	1.653	.826	.590
BRTM 3/4	-00	-501	-502	.750	.7500-16 UNF	.956	1.968	.984	.708
BRTM 1/1	-00	-501	-502	1.000	1.0000-12 UNF	1.161	2.519	1.220	.866
BRTM 1/1	-01	-501	-502	1.000	1.0000-14 UNS	1.161	2.519	1.220	.866

type	measurements [inches]				weight [kg]	rotational speed limit n _{max} [min ⁻¹]	basic load rating	
	h	l	l ₃	α [°]			dyn. C [N]	stat. C ₀ [N]
BRTM 1/2	2.460	1.496	.846	7,5	0,109	1125	10250	6600
BRTM 5/8	2.618	1.574	.944	7,0	0,182	975	13300	8900
BRTM 3/4	3.090	1.850	1.102	7,0	0,341	825	16655	11445
BRTM 1/1	3.720	2.244	1.279	5,0	0,590	600	24900	18500
BRTM 1/1	3.720	2.244	1.279	5,0	0,590	600	24900	18500



dimensions in inches DURBAL® BRTF

rod end housing:

forged steel, case-hardened bearing race, superfinished, surface galvanized, free of Cr VI

inner ring:

ball bearing steel, hardened, superfinished

lubrication:

aluminium-complex-soap-grease, temperature range -45 °C to +120 °C, approval according to USDA H1

lubrication fitting:

DIN 71 412 H1

bearing clearance:

10 - 30 µm radial

tolerances:

see page 10

DURBAL® heavy-duty rod ends with integral self-aligning roller bearing

female thread;

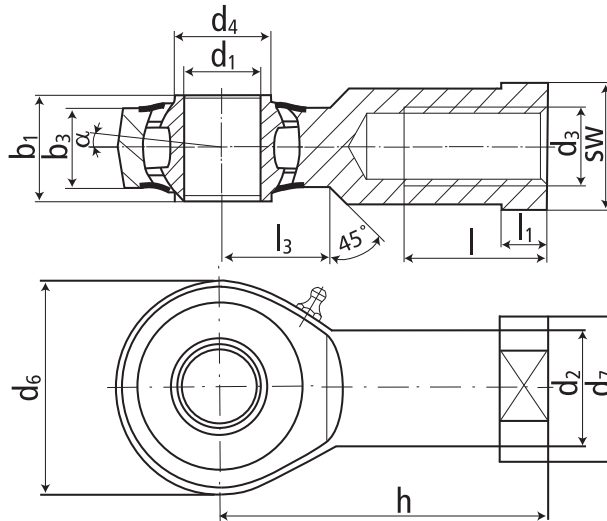
long-term

lubrication,

low maintenance,

shields,

dimensions in inches



type	order number		measurements [inches]							b ₁	b ₃
	right hand thread	left hand thread	d ₁	d ₂	d ₃ class 2	d ₄	d ₆	d ₇			
BRTF 1/2 -00	-501	-502	.500	.748	.5000-20 UNF	.574	1.311	.874	.624	.472	
BRTF 5/8 -00	-501	-502	.625	.866	.6250-18 UNF	.748	1.653	1.063	.826	.590	
BRTF 3/4 -00	-501	-502	.750	1.082	.7500-16 UNF	.956	1.968	1.338	.984	.708	
BRTF 1/1 -00	-501	-502	1.000	1.171	1.0000-12 UNF	1.161	2.519	1.377	1.220	.866	
BRTF 1/1 -01	-501	-502	1.000	1.171	1.0000-14 UNS	1.161	2.519	1.377	1.220	.866	

type	measurements [inches]					α [°]	weight [kg]	rotational speed limit n _{max} [min ⁻¹]	basic load rating dyn. stat.	
	h	l	l ₁	l ₃	SW				C [N]	C ₀ [N]
BRTF 1/2	2.145	1.102	.251	.649	.757	7,5	0,127	1125	10250	6600
BRTF 5/8	2.539	1.110	.350	.885	.866	7,0	0,218	975	13300	8900
BRTF 3/4	3.051	1.299	.409	1.043	1.181	7,0	0,386	825	16655	11445
BRTF 1/1	3.720	1.653	.236	1.279	1.181	5,0	0,568	600	24900	18500
BRTF 1/1	3.720	1.653	.236	1.279	1.181	5,0	0,568	600	24900	18500

DURBAL® BRM dimensions in inches



male thread;
long-term
lubrication,
low maintenance,
shields,
dimensions in inches

DURBAL® heavy-duty rod ends with integral self-aligning ball bearing

rod end housing:
forged steel, case-hardened bearing race,
superfinished, rolled thread, surface gal-
vanized, free of Cr VI

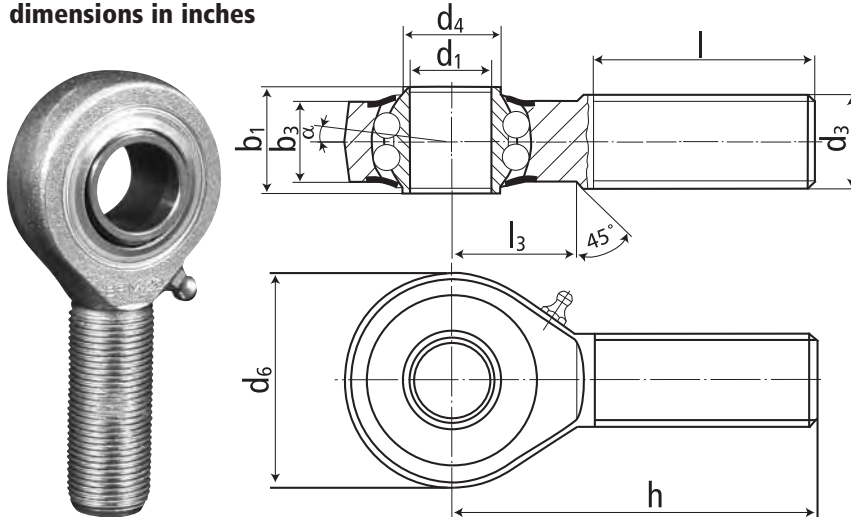
inner ring:
ball bearing steel, hardened,
superfinished

lubrication:
aluminium-complex-soap-grease,
temperature range -45 °C to +120 °C,
approval according to USDA H1

lubrication fitting:
DIN 3405 D1/A (sizes 1/4 und 3/8)
DIN 71 412 H1 (sizes 1/2 und 1/1)

bearing clearance:
10 - 30 µm radial

tolerances:
see page 10



type	order number		measurements [inches]					
	right hand thread	left hand thread	d ₁	d ₃ class 2	d ₄	d ₆	b ₁	b ₃
BRM 1/4 -00	-501	-502	.250	.2500-28 UNF	.356	.787	.354	.265
BRM 3/8 -00	-501	-502	.375	.3750-24 UNF	.468	1.102	.551	.413
BRM 1/2 -00	-501	-502	.500	.5000-20 UNF	.574	1.311	.624	.472
BRM 5/8 -00	-501	-502	.625	.6250-18 UNF	.744	1.653	.826	.590
BRM 3/4 -00	-501	-502	.750	.7500-16 UNF	.956	1.968	.984	.708
BRM 1/1 -00	-501	-502	1.000	1.0000-12 UNF	1.161	2.519	1.220	.866
BRM 1/1 -01	-501	-502	1.000	1.0000-14 UNS	1.161	2.519	1.220	.866

type	measurements [inches]				weight [kg]	calculation- factors		rotational speed limit n _{max} [min ⁻¹]	basic load rating dyn. stat.	
	h	l	l ₃	α [°]		Y	Y ₀		C [N]	C ₀ [N]
BRM 1/4	1.437	.866	.551	8,0	0,022	2,09	2,19	1350	2670	645
BRM 3/8	1.909	1.141	.748	8,0	0,060	1,87	1,83	1225	4360	1425
BRM 1/2	2.460	1.496	.846	7,5	0,109	1,74	1,82	1125	4850	1850
BRM 5/8	2.618	1.574	.944	8,0	0,200	2,24	2,35	975	6250	2350
BRM 3/4	3.090	1.850	1.102	7,0	0,341	2,32	2,43	825	7750	3380
BRM 1/1	3.720	2.244	1.279	5,0	0,590	2,02	2,12	600	11030	5680
BRM 1/1	3.720	2.244	1.279	5,0	0,590	2,02	2,12	600	11030	5680



dimensions in inches DURBAL® BRF

rod end housing:

forged steel, case-hardened bearing race, superfinished, surface galvanized, free of Cr VI

inner ring:

ball bearing steel, hardened, superfinished

lubrication:

aluminium-complex-soap-grease, temperature range -45 °C to +120 °C, approval according to USDA H1

lubrication fitting:

DIN 3405 D1/A (sizes 1/4 und 3/8)
DIN 71 412 H1 (sizes 1/2 und 1/1)

bearing clearance:

10 - 30 µm radial

tolerances:

see page 10

DURBAL® heavy-duty rod ends with integral self-aligning ball bearing

female thread;

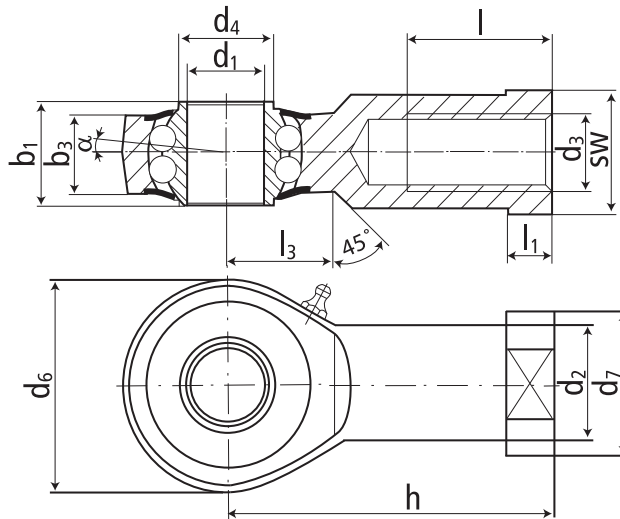
long-term

lubrication,

low maintenance,

shields,

dimensions in inches



type	order number		measurements [inches]							
	right hand thread	left hand thread	d ₁	d ₂	d ₃ class 2	d ₄	d ₆	d ₇	b ₁	b ₃
BRF 1/4 -00	-501	-502	.250	.393	.2500-28 UNF	.356	.787	.511	.354	.265
BRF 3/8 -00	-501	-502	.375	.590	.3750-24 UNF	.468	1.102	.748	.551	.413
BRF 1/2 -00	-501	-502	.500	.748	.5000-20 UNF	.574	1.311	.874	.624	.472
BRF 5/8 -00	-501	-502	.625	.866	.6250-18 UNF	.744	1.653	1.062	.826	.590
BRF 3/4 -00	-501	-502	.750	1.000	.7500-16 UNF	.956	1.750	1.125	.984	.688
BRF 1/1 -00	-501	-502	1.000	1.171	1.0000-12 UNF	1.161	2.519	1.377	1.220	.866
BRF 1/1 -01	-501	-502	1.000	1.171	1.0000-14 UNS	1.161	2.519	1.377	1.220	.866

type	measurements [inches]				SW	α [°]	weight [kg]	calculation-factors		rotational speed limit n _{max} [min ⁻¹]	basic load rating	
	h	l	l ₁	l ₃				Y	Y ₀		C [N]	C ₀ [N]
BRF 1/4	1.200	.472	.240	.452	.433	8,0	0,027	2,09	2,19	1350	2670	645
BRF 3/8	1.712	.787	.299	.590	.669	8,0	0,072	1,87	1,83	1225	4360	1425
BRF 1/2	2.145	1.102	.279	.649	.757	7,5	0,127	1,74	1,82	1125	4850	1850
BRF 5/8	2.539	1.102	.322	.885	.866	8,0	0,220	2,24	2,35	975	6250	2350
BRF 3/4	3.051	1.299	.409	.854	1.007	7,0	0,390	2,32	2,43	825	7750	3380
BRF 1/1	3.720	1.653	.236	1.279	1.181	5,0	0,570	2,02	2,12	600	11030	5680
BRF 1/1	3.720	1.653	.236	1.279	1.181	5,0	0,570	2,02	2,12	600	11030	5680

DURBAL® BEM dimensions in inches



male thread;
maintenance free,
dimensions in inches

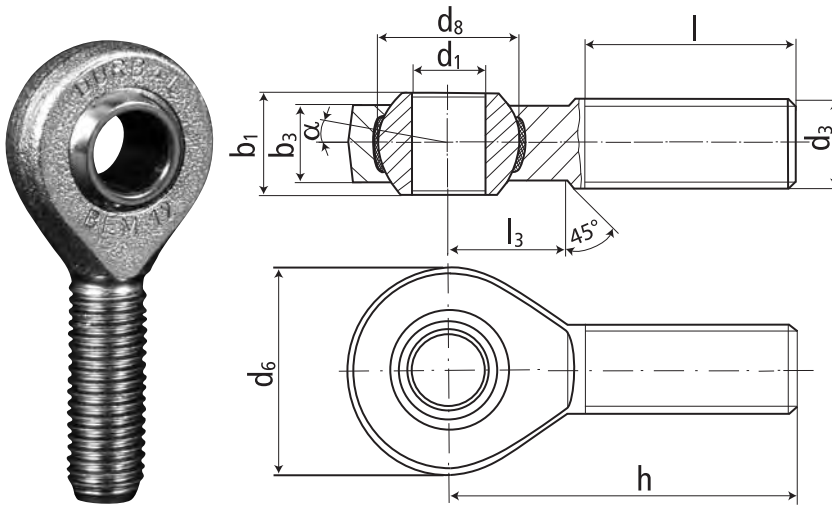
DURBAL® heavy-duty rod ends with integral spherical plain bearing

rod end housing:
forged steel, tempered, rolled thread,
surface galvanized, free of Cr VI

joint ball:
ball bearing steel, hardened and ground,
surface superfinished and chromium
plated

race:
nylon / teflon / glass fibre compound

tolerances:
see page 10



type	order number		measurements [inches]						
	right hand thread	left hand thread	d ₁	d ₃ class 2	d ₆	d ₈	b ₁	b ₃	
BEM 1/4 -20	-501	-502	.250	.2500-28 UNF	.750	.516	.374	.283	
BEM 3/8 -20	-501	-502	.375	.3750-24 UNF	1.000	.719	.499	.405	
BEM 1/2 -20	-501	-502	.500	.5000-20 UNF	1.311	.876	.624	.472	
BEM 5/8 -20	-501	-502	.625	.6250-18 UNF	1.654	1.125	.827	.590	
BEM 3/4 -20	-501	-502	.750	.7500-16 UNF	1.750	1.249	.874	.688	
BEM 1/1 -20	-501	-502	1.000	1.0000-12 UNF	2.362	1.688	1.220	.866	
BEM 1/1 -21	-501	-502	1.000	1.0000-14 UNS	2.362	1.688	1.220	.866	

type	measurements [inches]					weight [kg]	basic load rating	
	h	l	l ₃	α ₁ ¹⁾ [°]	α ₂ ¹⁾ [°]		dyn. C [N]	stat. C ₀ [N]
BEM 1/4	1.594	1.000	.511	17,5	8,0	0,022	3610	9030
BEM 3/8	1.948	1.240	.629	9,5	5,5	0,049	7650	19120
BEM 1/2	2.460	1.500	.846	13,0	9,5	0,109	14649	36624
BEM 5/8	2.618	1.574	.944	15,5	8,5	0,202	22410	56020
BEM 3/4	2.893	1.750	1.023	11,0	7,0	0,249	24870	62175
BEM 1/1	3.720	2.244	1.200	15,5	10,0	0,562	45350	113380
BEM 1/1	3.720	2.244	1.200	15,5	10,0	0,562	45350	113380



dimensions in inches DURBAL® BEF

rod end housing:

forged steel, tempered, surface galvanized, free of Cr VI

joint ball:

ball bearing steel, hardened and ground, surface superfinished and chromium plated

race:

nylon / teflon / glass fibre compound

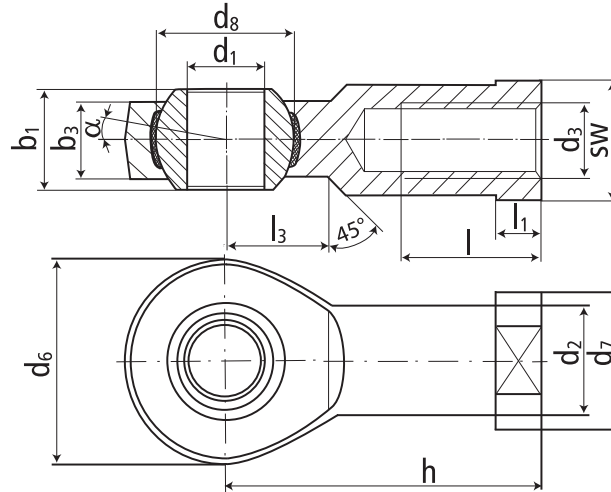
tolerances:

see page 10

DURBAL® heavy-duty rod ends with integral spherical plain bearing

female thread;

maintenance free, dimensions in inches

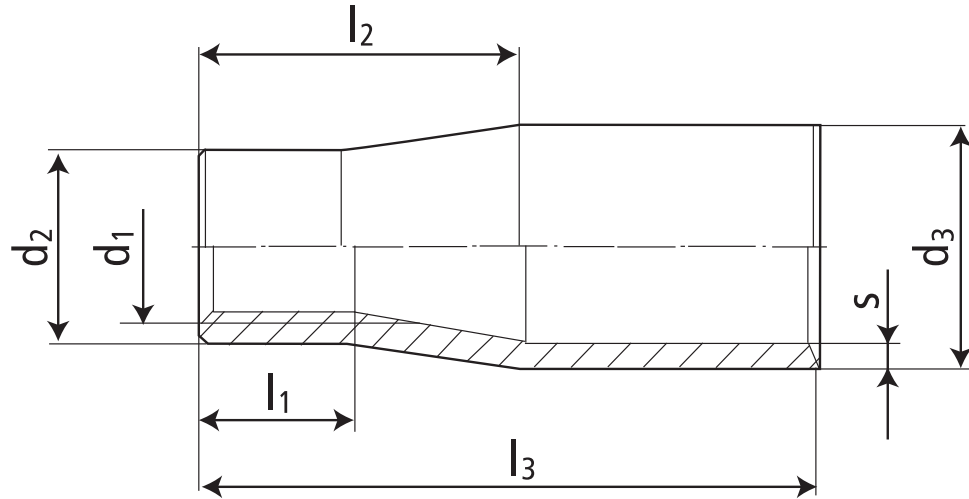


type	order number		measurements [inches]							
	right hand thread	left hand thread	d ₁	d ₂	d ₃ class 2	d ₆	d ₇	d ₈	b ₁	b ₃
BEF 1/4 -20	-501	-502	.250	.374	.2500-28 UNF	.750	.469	.516	.374	.283
BEF 3/8 -20	-501	-502	.375	.567	.3750-24 UNF	1.000	.689	.719	.499	.405
BEF 1/2 -20	-501	-502	.500	.748	.5000-20 UNF	1.311	.874	.876	.624	.472
BEF 5/8 -20	-501	-502	.625	.866	.6250-18 UNF	1.654	1.063	1.125	.826	.590
BEF 3/4 -20	-501	-502	.750	1.000	.7500-16 UNF	1.750	1.126	1.249	.874	.688
BEF 1/1 -20	-501	-502	1.000	1.319	1.0000-12 UNF	2.362	1.654	1.688	1.220	.866
BEF 1/1 -21	-501	-502	1.000	1.319	1.0000-14 UNS	2.362	1.654	1.688	1.220	.866

type	measurements [inches]				SW	α ₁ ¹⁾ [°]	α ₂ ¹⁾ [°]	weight [kg]	basic load rating	
	h	l	l ₁	l ₃					dyn. C [N]	stat. C ₀ [N]
BEF 1/4	1.338	.716	.185	.385	.381	17,5	8,0	0,027	4290	11400
BEF 3/8	1.641	.874	.275	.503	.570	9,5	5,5	0,059	7650	20300
BEF 1/2	2.145	1.161	.279	.649	.757	13,0	9,5	0,127	14649	39000
BEF 5/8	2.539	1.102	.350	.885	.866	15,5	8,5	0,231	22410	69600
BEF 3/4	2.905	1.718	.311	.854	1.007	11,0	7,0	0,229	24870	66200
BEF 1/1	3.720	1.653	.511	1.200	1.417	15,5	10,0	0,663	45350	118600
BEF 1/1	3.720	1.653	.511	1.200	1.417	15,5	10,0	0,663	45350	118600

Threaded links

material:
tube DIN 2391 - St 35 BK

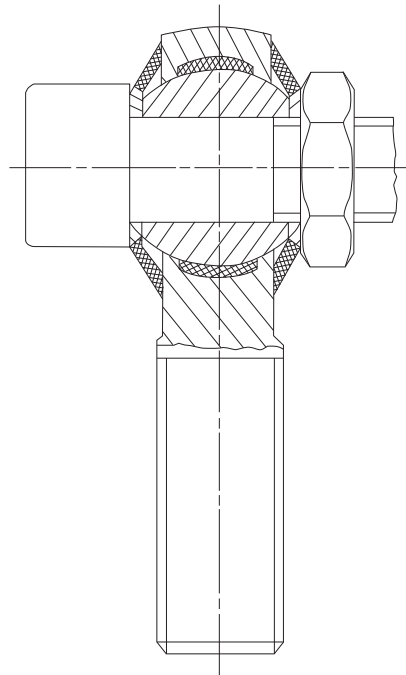
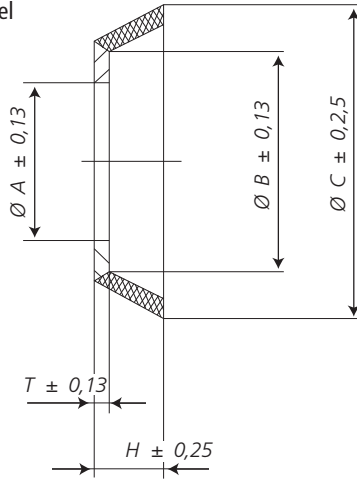


order number			measurements [mm]							breaking load	yield stress
type	right hand thread	left hand thread	d ₁	d ₂	d ₃	l ₁	l ₂	l ₃	s	[N]	[N]
GW08 -00	-001	-002	M 8	12	15	8	17	33	2,5	27725	17250
GW08 -01	-001	-002	M 8 x 1	12	15	8	17	33	2,5	27725	17250
GW10 -00	-001	-002	M 10	14	18	10	24	40	2,5	32265	20700
GW10 -01	-001	-002	M 10 x 1	14	18	10	24	40	2,5	32265	20700
GW12 -00	-001	-002	M 12	16	20	12	27	48	2,5	38815	24155
GW12 -01	-001	-002	M 12 x 1,5	16	20	12	27	48	2,5	38815	24155
GW14 -00	-001	-002	M 14	18	22	14	28	56	2,5	44365	27605
GW14 -01	-001	-002	M 14 x 1,5	18	22	14	28	56	2,5	44365	27605
GW16 -00	-001	-002	M 16	20	25	16	33	64	2,5	49905	31060
GW16 -01	-001	-002	M 16 x 1,5	20	25	16	33	64	2,5	49905	31060
GW20 -00	-001	-002	M 20 x 1,5	24	30	20	41	72	2,5	60995	37950
GW24 -01	-001	-002	M 24 x 2	28	35	24	48	82	3,0	72090	44855
GW30 -00	-001	-002	M 30 x 2	34	42	30	60	102	3,0	87890	54685

Washers

seal:
neoprene rubber

washer:
stainless steel



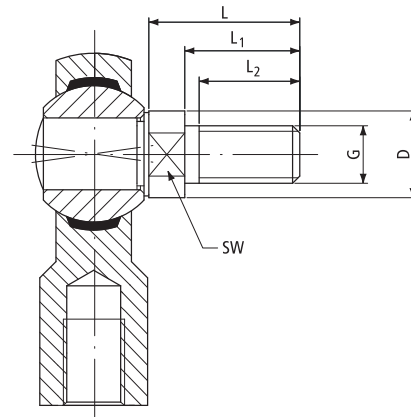
order number type	measurements [mm]				
	A ± 0,13	B ± 0,13	C ± 0,25	H ± 0,25	T ± 0,13
DDG 05 -00 -100	5,25	8,28	11,22	2,41	0,50
DDG 06 -00 -100	6,25	9,53	12,7	3,05	0,69
DDG 08 -00 -100	8,25	12,37	17,78	5,08	1,20
DDG 10 -00 -100	10,25	13,46	20,32	5,59	1,20
DDG 12 -00 -100	12,25	18,54	28,58	6,35	1,20
DDG 14 -00 -100	14,25	20,32	29,21	6,86	1,20
DDG 16 -00 -100	16,25	22,40	31,7	6,80	1,20
DDG 18 -00 -100	18,25	22,60	32,69	8,25	1,20
DDG 20 -00 -100	20,25	25,15	38,10	10,16	1,20
DDG 25 -00 -100	25,25	33,80	53,30	12,70	1,50
DDG 30 -00 -100	30,25	35,56	55,88	13,97	1,53

DURBAL® threaded bolt & rod linkage



Threaded Bolt

In addition to the DURBAL® heavy-duty rod ends series K DURBAL supplies a threaded bolt. The bolt can be supplied already fixed to the required rod end.



order number		measurements [mm]					weight	
type	size	L	L ₁	L ₂	G	D	SW	[g/bolt]
BOK	06	18,5	13	10	M 6	9,0	8	10
BOK	08	23,5	17	13	M 8	10,5	8	12
BOK	10	28,0	21	17	M 10	13,0	12	25
BOK	12	32,5	25	20	M 12	15,0	14	40
BOK	14	37,5	29	22	M 14	17,0	14	65
BOK	16	42,5	33	24	M 16	19,0	17	90
BOK	20	57,0	45	35	M 20 x 1,5	24,0	22	200

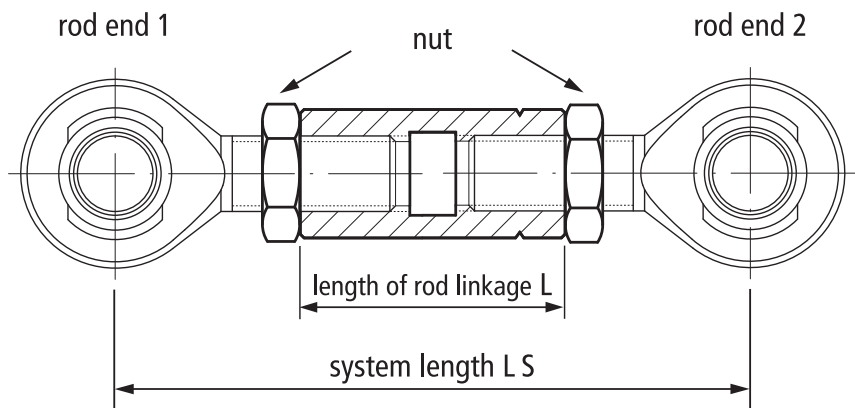
When ordering this constellation please use the catalogue designation of the required rod end along with the type of the fitting threaded bolt.

Example: you need a DURBAL® integral spherical plain bearing BEM 10 incl. threaded bolt:
text of order: **BEM 10-20-501 + BOK 10**

Rod Linkage

To simplify installation you can use already mounted rod linkages.

Please define the desired system as described in the table below:



DURBAL® heavy duty rod end 1	length of rod linkage L	system length L S	DURBAL® heavy duty rod end 2

Upon your request you will receive the rod linkage with male thread respectively pipe construction to reduce weight.



Conditions of Delivery and Payment

1. General

- 1.1. Only our conditions for delivery and payment are valid unless otherwise specified in our order confirmation. Deviating conditions for purchasing the customer may have will not become term of the contract with the acceptance of the order.
- 1.2. If a specific term of these conditions is or becomes invalid, all remaining conditions shall remain valid.
- 1.3. Modifications of the contract or side agreements will be applicable only if confirmed in writing.

2. Conclusion of the Contract

- 2.1. All our offers are without obligation.
- 2.2. Contracts are accepted with the dispatch of our order confirmation and apply accordingly.

3. Delivery

- 3.1. Delivering times are not binding for us.
- 3.2. For agreed delivery times the period for delivery begins on the day on which we receive the written consent between the customer and the supplier and the customer has provided the supplier with all documents and items needed for the execution of the contract.
- 3.3. The compliance with the agreed delivery time takes place under reserve of correct and timely self supply of the supplier.
- 3.4. The delivery date is considered met if the delivery item is brought or fetched for shipping within the agreed period. If the handover is delayed due to reasons the customer is responsible for, the delivery date is considered met with the notification of the readiness for dispatch.
- 3.5. If the shipping or turnover of the delivery item is delayed due to reasons the customer is responsible for, he has to compensate the supplier for any costs incurred due to the delay. The supplier is entitled to bill these costs after the expiration of ten days counting from the day of notification of the readiness for dispatch or turnover.
- 3.6. If the delivery date cannot be met due to reasons the supplier is not responsible for or due to unexpected events, the period will be reasonably extended.
- 3.7. If the supplier cannot meet the delivery date (delay in delivery), the customer is entitled to rescission and/or amends only after a reasonable period of grace has been set.

4. Shipping

- 4.1. The shipment is made on account and at the risk of the customer. The packaging will be charged at cost price.
- 4.2. With the shipment of the delivery items the risk passes to the customer, even if the delivery is done partially and/or the supplier exceptionally pays for shipping and handling.
- 4.3. If the shipping is delayed due to reasons the customer is responsible for, the risk passes to the customer on the day of readiness for dispatch.
- 4.4. Delivered items have to be accepted by the customer, even if they show minor defects.
- 4.5. Partial deliveries are licit.

5. Claim of Remedy

- 5.1. Claims of remedy are excluded if the condition of the goods changes after the passing of the risk and/or the customer has to scrutinize and accept the goods prior to shipping.
- 5.2. Claims of remedy against the supplier are not applicable if a pre-supplier of the supplier has taken over the guarantee towards the customer.
- 5.3. Notification of defects shall be asserted in writing immediately after delivery, within ten days at the latest. At the same time the supplier is entitled to an opportunity to scrutinize the delivered goods or to have them scrutinized respectively.
- 5.4. If the claim is legitimate, the supplier reserves the right to repair or replace the goods free of defects at his own choice. Replaced parts become the property of the supplier.

- 5.5. The customer must give the opportunity and allow for the required time for the rectifications and replacements the supplier deems necessary; otherwise the supplier is not liable for any subsequent consequences.
- 5.6. The customer is only entitled to rescission if the supplier - with respect to the legal exceptional cases - fails to repair or replace the goods within a reasonable period of time. In case of a minor defect the customer is only entitled to an abatement of the contract price. In all other respects the right to abatement of the contract price remains excluded.
- 5.7. Any claim of the customer - on whatever legal foundation - expires after 12 month, if legally allowed.

6. Pricing and Payment

- 6.1. Prices are ex works except packaging and except currently applicable VAT, unless otherwise agreed.
- 6.2. If the delivery shall take place more than four month after the conclusion of the contract, the supplier reserves the right to an appropriate price adjustment in the event that the relevant conditions for the calculation of the price have risen considerably since the conclusion of the contract, particularly material costs, wages and public charges.
- 6.3. Payments are due without deductions within 30 days after invoicing. If the payment has been made within 10 days and the net price amounts to more than 50,- Euro, we grant a 2% discount.
- 6.4. The customer shall assert a set-off or retention only to the extent that the claim is uncontested or recognized by declaratory judgment.

7. Reservation of Title

- 7.1. The delivered good remains our property until the customer has fully paid all bills receivable from our business connection with the customer. The customer has the right to resell the reservation goods within proper business connections, but he has no authorization to pledge or bail them.
- 7.2. The customer already cedes all bills receivable from the reselling of the reservation goods to us; our consent to this assignment in advance is herewith deemed to be granted. As long as the customer fulfils his obligations as our customer and is not in a state of liquidation, he is authorized to collect these bills receivable. At our request the customer has to provide us with all information required for the collection and to inform the party liable about the assignment of claim.
- 7.3. The customer has to undertake any possible processing or combination of the reservation good with other goods without the development of any obligations for us. We are entitled to become co-owner of the new thing in proportion of the value of the reservation goods to the other processed goods. If the customer is the sole owner of the new thing, he already transfers a co-ownership to us and keeps it with commercial care and free of charge.
- 7.4. If the customer resells the reservation goods together with other goods - no matter if with or without any processing or interconnection-, the assignment in advance agreed above is only valid amounting to the value of the reservation goods.
- 7.5. If the value of the existing securities exceeds the value of these bills receivable by 20% or more, we commit ourselves to release these excess securities upon request of the customer.
- 7.6. The customer has the obligation to notify us about any compulsory enforcement of any third party into the reservation goods or into the allowances ceded in advance and to provide us with all documents required for intervention.

8. Other

- 8.1. Place of fulfilment for delivery and payments is Öhringen, Germany.
- 8.2. Only the law of the Federal Republic of Germany applies to the mutual contractual and legal relationship.
- 8.3. Place of jurisdiction is Öhringen.

DURBAL

