

DODGE[®]

PT COMPONENTS ENGINEERING CATALOG



BALDOR[®]
A MEMBER OF THE ABB GROUP

To receive a copy of the DODGE Bearing Engineering Catalog, DODGE Gearing Engineering Catalog, DODGE Power Transmission Components Engineering Catalog, or DODGE Product Manuals, contact your local authorized DODGE Distributor or www.baldor.com.

MEMBER OF . . .



AMERICAN GEAR MANUFACTURERS ASSOCIATION



MECHANICAL POWER TRANSMISSION ASSOCIATION

AFBMA

ANTI-FRICTION BEARING MANUFACTURERS ASSOCIATION



AMERICAN SUPPLY AND MACHINERY MANUFACTURERS ASSOCIATION, INC.



BEARING SPECIALISTS ASSOCIATION



POWER TRANSMISSION DISTRIBUTORS ASSOCIATION



CONVEYOR MANUFACTURERS ASSOCIATION



DODGE Products are
Manufactured in
ISO 9002 Certified Plants

Prices and data indicated in this document are for your convenience and were correct at time of printing with the exception of clerical and/or printing errors. Possession of this document by any person or company is not to be construed as an offer to sell to him or to anyone else the goods listed herein at the prices stated.

ALL DATA AND PRICES ARE SUBJECT TO CHANGE WITHOUT NOTICE and shall be subject to those prices in effect at time of shipments. All published and quoted prices are based upon the application of, and all sales are expressly subject to, the Company's Standard Terms and Conditions of Sales are available upon request. This document supersedes all previously published catalog/pricing documents.

WARNING

The information provided for Product Interchange in this catalog is for use only as a general reference by persons qualified to recognize unreasonable selection options. Products suggested as substitutes may have dimensional, rating, pricing and other differences from products to be replaced. This selection method must be used in conjunction with the applicable product catalog which contains important precautions and other pertinent information.

In illustrations throughout this catalog, safety guards have been removed for photographic purposes.

© 2015 Baldor Electric Company

WARNING: Because of the possible danger to person(s) or property from accidents which may result from the improper use of products, it is important that correct procedures be followed: Products must be used in accordance with the engineering information specified in the catalog. Proper installation, maintenance and operation procedures must be observed. The instructions in the instruction manuals must be followed. Inspections should be made as necessary to assure safe operation under prevailing conditions. Proper guards and other suitable safety devices or procedures as may be described or as may be specified in safety codes should be provided, and are neither provided by Baldor Electric nor are the responsibility of Baldor Electric. This unit and its associated equipment must be installed, adjusted and maintained by qualified personnel who are familiar with the construction and operation of all equipment in the system and the potential hazards involved. When risk to persons or property may be involved, a holding device must be an integral part of the driven equipment beyond the speed reducer output shaft.



CONTENTS

DODGE Power Transmission Components Catalog

Couplings	PT1
Clutches and Brakes.	PT2
FLEXIDYNE	PT3
Fluid Coupling.	PT4
TORQUE-TAMER	PT5
Bushings	PT6
V-Drives.	PT7
FHP.	PT8
Drive Component Accessories	PT9
DYNA-SYNC.	PT10
HT200/HTD Synchronous Drives	PT11
HT500 Synchronous Drives	PT12
Roller Chain Sprockets	PT13
Conveyor Components.	PT14
Engineering	PT15
Part Number Index	INDEX-1
Keyword Index	INDEX-43

REFERENCE GUIDE

PT Component
Quick References

Couplings

Clutches and Brakes

FLEXIDYNE

Fluid Couplings

TORQUE-TAMER

Bushings

COUPLINGS

PARA-FLEX Couplings Page PT1-2

- Torque transmitted through composite element system
- Finished-bore and TAPER-LOCK® flange designs
- Five-year limited warranty
- No lubrication and visual inspection reduces maintenance time
- Accommodates highest misalignment of any coupling in the industry
 - 4° angular
 - 1/8" parallel
 - 5/16" end float
- ATEX Approved



D-FLEX Couplings Page PT1-29

- Low-cost Type J couplings offered in four sizes
- Type S couplings feature AGMA 9 balanced flanges off the shelf
- Type B couplings offered with standard QD bushing shaft attachment
- Type SC spacer couplings satisfy standard spacing requirements for pump
- Rounded EPDM and Neoprene elements for improved fit and longer
- AGMA 9 balance on S and SC flanges for reduced vibration
- ATEX Approved



Applications

- Interchangeable components make installation quick, easy
- No lubrication assures trouble-free operation

GRID-LIGN Couplings Page PT1-42

- Flexible tapered element isolates vibration and cushions shock loads
- High-torque capability
- Interchangeability with other tapered grid couplings
- Tapered grid design



Gear Couplings Page PT1-60

- High-quality forged steel
- Largest tooth profile provides additional service factor
- Largest bore capacity in the industry, in most sizes
- Proven "O"-ring seal design
- Machined flanges for improved sealing
- High-grade fasteners
- High-torque rating allows for coupling downsizing
- Crowned tooth profile for longer life and improved performance
- Interchangeable with industry-standard gear couplings half for half



Chain Couplings Page PT1-66

- Simple, widely accepted, inexpensive way to couple two shafts
- Interchangeable with industry-standard dimensions
- Can be provided with TAPER-LOCK bushed hubs, finished bore, or reboreable flanges
- Covers and assemblies available from stock
- Shaft attachment flexibility
- High-torque capability
- Compact design
- Low operating cost
- Broad product line



Poly-Disc Coupling Page PT1-73

- Requires no lubrication
- Taper-Lock bushing allows for connection of two different shaft sizes
- Polyurethane element
- Pin design cushions shock loads
- Excellent for washdown applications
- Wide temperature range (-90 to 170 ° F)
- Misalignment = 2° Angular, 1/32 in. parallel



Please see www.baldor.com for Instruction Manuals on all Dodge products.

REFERENCE GUIDE

Taper-Lock Rigid Coupling

Page PT 1-74

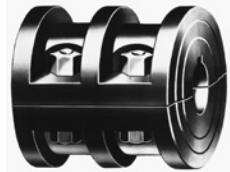
- Metallic coupling
- Requires no lubrication
- Taper-Lock bushing allows for connection of two different shaft sizes
- 8 Flange sizes thru 6" bore



Ribbed Rigid Coupling

Page PT1-75

- Metallic coupling
- Requires no lubrication
- Clearance fit with full length key
- Same shaft size required on both sides
- 34 Sizes thru 7" bore



POWERPLUS

Page PT1-76

- A power-dense, high torque elastomeric coupling
- Power density at high speeds
- Positive drive
- Shock load and vibration dampening
- Easy installation
- Low maintenance
- ATEX approved
- Minimal length thru bore
- Lightweight design



D-Series Motor Brakes

Page PT2-6

- Exceptionally long-life friction material
- Internally rectified DC coil provides quieter operation
- Easy installation and external adjustment
- One moving part, reduces replacement parts
- Smooth stopping action
- Splined hub for superior load distribution
- Manual release
- Clutch/brake modules



Clutch/Brake Modules

Page PT2-12

- Conforms to UL and CSA requirements
- One-piece, die-cast housing simplifies mounting; housing finned for maximum heat dissipation
- Pre-lubricated and sealed ball bearings have higher B10 life rating than competitive modules
- High-torque, non-asbestos friction material assures long life and environmental safety
- Armatures incorporate a high-impact, high-temperature molded spline for heavy-torque and high-cycle capabilities
- DYNA-GAP automatic air gap mechanism automatically compensates for friction surface wear
- Modules are factory assembled, adjusted, and burnished for easy installation and out-of-the-box operation
- Rotor incorporates ball bearing and Driv-Lok key for foolproof installation
- Standard NEMA C-face and base mounted, shaft-in/ shaft-out mounting configurations



Shaft Mounted Clutches & Brakes

Page PT2-18

- Bore to size and taper lock bushings
- Voltage Input = 90, 24 and 6 VDC
- Static torque range: 22 lb-ft thru 175 lb-ft
- Factory assembled, adjusted, burnished
- Dyna-Gap self adjusting mechanism
- Heavy duty spline driven armature



REFERENCE GUIDE

PT Component
Quick References

Couplings

Clutches and Brakes

FLEXIDYNE

Fluid Couplings

TORQUE-TAMER

Bushings

FLEXIDYNE Couplings

Page PT3-2

- Motor starts under no-load conditions
- Permits use of STD NEMA-B motor
- Coupling or drive styles available
- 100% efficient, no slippage
- Can provide overload protection by slipping at loads somewhat greater than pre-set starting torque



Fluid Couplings

Page PT4-1

- Motor starts under no-load conditions
- Starting torque can be customized easily
- Permits use of standard NEMA design B motors
- Reduced voltage starters not needed
- Sizes 7 to 24 KSD with standard QD mounting sheave style
- KCP and CKCP mountings may require tapped motor shaft
- Available in standard and delay fill for increased control
- Optional fuse plug for overload protection
- Contact DODGE for non-standard sheaves



TORQUE-TAMER

Page PT5-2

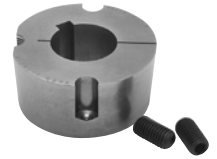
- DODGE TORQUE-TAMER Clutches
- Low cost overload protection that's a cinch to adjust
- Quality features
 - Non-Asbestos friction discs
 - Long-Life bushing
- Exclusive "easy set" adjustment
- Automatic reset
- Higher torque ratings
- Application versatility
- Minimum maintenance



Bushings

Page PT6-2

- Full line of TAPER-LOCK and QD available
- Stock sizes available up to 12" shaft diameter
- Material: sintered steel, cast iron, ductile iron, and stainless steel
- Easy installation and demounting
- Inch and metric bores



Weld-On Hubs

Page PT6-12

- Full line of TAPER-LOCK and QD available
- Steel material with rugged, compact designs
- Hubs to accommodate most bushing sizes
- Made-to-order capabilities—special construction and materials



V-Belt Sheaves

Page PT7-27

- Full line of TAPER-LOCK and QD available
- Classical (A, B, and C) and D-V Wedge style (3V, 5V, and 8V) groove profiles
- Stock sizes from one to 12 grooves and 2.65" to 71" in diameter
- Manufactured to MPTA standards
- MTO capabilities—material, construction, BTS, etc.
- Computer drive selection available



V-Belts

Page PT7-28

- Full range of Classical (A, B, and C) and D-V Wedge (3V, 5V, and 8V) belts
- Manufactured to RMA standards
- Poly-band, Double-V (hex), and FHP belts available
- Lengths from 22" to 660"
- Drive capability from 1 HP to over 1000 HP



REFERENCE GUIDE

FHP Belt Drives

Page PT8-10

- Full range of FHP belts available
- Finished-bore and “QT/L” bushed style sheaves available
- “QT/L” bushings available in metric bores
- Cast iron and manufactured to MPTA standards
- Sheave outside diameter range: 1-1/2” to 19-3/4”
- Variable pitch sheaves available
- Computer drive selection available



DYNA-SYNC Drives (Timing)

Page PT10-2

The Original Timing Drive

- Synchronized No-Slip Transmission
- No Lubrication Required
- Efficiency: Approximately 98%
- Low Maintenance
- Virtually No Backlash
- Constant Linear Velocity
- Drive Ratios to 8.5:1
- Pitches: XL, L, H, and XH
- Dual-Sided Teeth Available for Serpentine Drives



HT200/HTD Synchronous Belt Drives

Page PT11-2

- Full line of TAPER-LOCK, QD, and minimum plain bore sprockets
- Higher capacity drives
- Available pitches: HT series, 5 mm, 8 mm, and 14 mm
- Made-to-order sprocket capabilities: construction, non-standard number of teeth, etc.
- HT200 belt profiles
- Computer drive selection available
- Modified curvilinear tooth profile



HT500 Synchronous Belt Drives

Page PT12-2

Virtually maintenance free

- Requires no oil or grease to run efficiently
- No need to re-tension the belts
- Compact maintenance free design



Reinforced Parabolic Tooth Profile (RPP)

- Allows synchronous transmission of power eliminating slippage and speed variation on high torque application
- Low installation tension reducing loads on other power transmission components (i.e., bearings, gearing, motors, etc.)
- Delivers power up to speeds of 10,000 FPM (Standard hardware is rated for 6,500 FPM). Contact Dodge if speeds greater than 6500 FPM are required.
- Superior meshing characteristics with the sprocket
- Reduces sprocket wear due to friction
- Higher power ratings than comparable timing belts
- Quieter operation
- Wide speed range coverage

Roller Chain Sprockets

Page PT13-2

- Sprockets manufactured to ANSI standard
- TAPER-LOCK sprockets: #35 (3/8” pitch) to #160 (2” pitch)
- Double-strand and double-single sprockets also available
- Special machining and re-bore capabilities available as made-to-order product
- Accessories available: chain casings, idlers, tensioners, etc.
- Hardened teeth up to 25 teeth on #40 through #160 sprockets
- Chain tools available



REFERENCE GUIDE

PT Component
Quick References

Couplings

Clutches and Brakes

FLEXIDYNE

Fluid Couplings

TORQUE-TAMER

Bushings

Conveyor Components

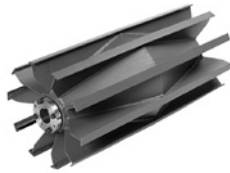
Heavy Duty Drum Pulley Assemblies Page PT14-15

- Standard, stock pulley assemblies fit CEMA dimensions and exceed the CEMA application standards for use with conveyor belts rated up to 750 PIW/(131 kN/m)
- 14° taper bushings with the lowest installation stress of any taper bushing shaft mounting system for two hub pulley applications
- Up to 1" vulcanized 45, 60, and 70 durometer SBR and 45, 60, and 70 durometer Neoprene rubber lagged with plain and groove surfaces
- Vulcanized 60 durometer D-Lag with +73% more abrasion resistance than 60 durometer SBR
- Drums either center crowned or straight face



Heavy Duty Wing Pulley Assemblies Page PT14-34

- Standard, stock pulley assemblies fit CEMA dimensions and exceed the CEMA application standards for use with conveyor belts rated up to 350 PIW/61 kN/m
- 14° taper bushings with the lowest installation stress of any taper bushing shaft mounting system for two hub pulley applications
- Slide-on 92 durometer urethane wing lagging 1/2" thick or 45, 60, and 70 durometer SBR, vulcanized directly to contact bars. Also weld-on strips with 45 and 60 durometer with prebonded SBR rubber lagging



Mine Duty Extra Drum Pulley Assemblies Page PT14-49

- One-piece integral hubs eliminate welded hub heat-affected zones (HAZ)
- 14° taper bushings with the lowest installation stress of any taper bushing shaft mounting system for two hub pulley applications
- Continuous welding of internal center disc
- Up to 1" vulcanized 45, 60, and 70 durometer SBR and 45, 60, and 70 durometer Neoprene rubber lagged with plain and groove surfaces
- Vulcanized 60 durometer D-Lag with +73% more abrasion resistance than 60 durometer SBR
- Drums either center crowned or straight face



Mine Duty Extra Wing Pulley Assemblies Page PT14-53

- Designed for use with DODGE Mine Duty EXTRA drum pulleys
- One-piece integral hubs
- 14° taper bushings with the lowest installation stress of any taper bushing shaft mounting system for two hub pulley applications
- Rugged construction incorporating 2" x 3/4" thick contact bars, 3/8" thick wings, and 3/8" thick spacers
- Up to 1/2" vulcanized 45, 60, and 70 durometer SBR and 45, 60, and 70 Neoprene rubber lagging on contact bars
- AR400 bar available



Engineered Drum Pulley Assemblies Page PT14-56

- Made to order based upon conveyor load, belt tension, belt wrap angles, and bearing centers
- Supplied for belt ratings up to and exceeding 8000 PIW or 1400 kN/m
- Welded, integral, and profiled end discs versions minimize the harmful effects of weld heat-affected zones (HAZ)
- 14° taper bushings with the lowest installation stress of any taper bushing shaft mounting system for two hub pulley applications up to 12" shaft diameter
- Keyless locking devices available for most shaft sizes



CONTENTS

Couplings

Features/Benefits

PARA-FLEX®	PT1-2
PARA-FLEX High Speed Flywheel	PT1-29
D-FLEX®	PT1-35
GRID-LIGN®	PT1-48
Gear Coupling	PT1-60
Disc Coupling	PT1-53
Moment	PT1-82
Chain Coupling	PT1-83

Specification

PARA-FLEX®	PT1-3
D-FLEX®	PT1-37
GRID-LIGN®	PT1-50
Gear Coupling	PT1-62
Disc Coupling	PT1-71
Chain Coupling	PT1-84

How To Order

PARA-FLEX®	PT1-3
D-FLEX®	PT1-37
GRID-LIGN®	PT1-50
Gear Coupling	PT1-62
Disc Coupling	PT1-71
Chain Coupling	PT1-84

Nomenclature

PARA-FLEX®	PT1-4
D-FLEX®	PT1-37
GRID-LIGN®	PT1-51
Gear Coupling	PT1-62
Disc Coupling	PT1-71
Chain Coupling	PT1-84
POLY-DISC®	PT1-89

Selection/Dimensions

PARA-FLEX®	PT1-5
High Speed, TAPER-LOCK	PT1-30
D-FLEX®	PT1-38
GRID-LIGN®	PT1-52
Gear Coupling	PT1-63
Disc Coupling	PT1-72
Chain Coupling	PT1-85
POLY-DISC®	PT1-90
Rigid	PT1-91

Modifications/Accessories

Engineering/Technical

Part Number Index	INDEX-1
Keyword Index	INDEX-69



FEATURES/BENEFITS

DODGE PARA-FLEX Couplings



Superior "Problem Solver" Element Design

- Industry leading misalignment capabilities
- End split reinforcement for increased torque ratings and extended life
- Reinforced torque-carrying tension cords prevent unexpected downtime
- Uniform and centered beads prevent element pull out during operation
- Protects connected equipment by damping vibrations and shock loads

Industry Leading Five-Year Limited Warranty

- Over 50 years of proven performance
- Reliable product operation
- Includes sizes PX40 to PX200



Increased Productivity

- Non-lubricated design assures trouble-free operation
- Visual inspection saves time and allows for preventive maintenance
- Split element for easy installation

ATEX Approved

- All documents and markings included with standard product to meet ATEX requirements

TAPER-LOCK Flange Design

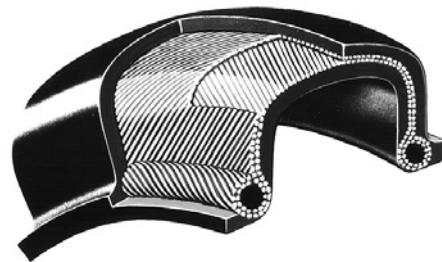
- Utilizes standard TAPER-LOCK bushings for easy installation and removal
- Reversible flanges for H and F style mounting on sizes PX50-PX120
- "TLX" extended bore capacity flanges for increased bore capacities
- Pre-assembled for quick installation

QD Flange Design

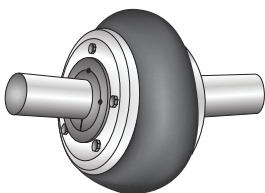
- Utilizes standard QD bushings for easy installation and removal
- Industry leading bore and torque capacities versus competitive designs
- Hardware installs from inside or outside of the hub for mounting flexibility
- Pre-assembled for quick installation

Bored to Size

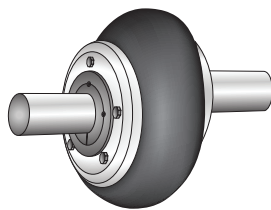
- Steel flanges are ideal for high shock load and vibration applications
- Largest bore capacity of all Para-Flex products



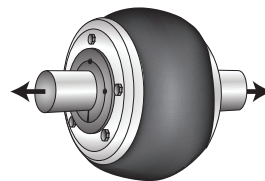
Accommodates Misalignment



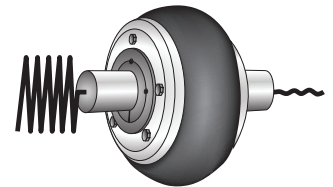
Takes 4° angular misalignment



Takes 1/8" parallel misalignment



Takes end-float of 1/4" to 5/16"



Dampens vibrations



PARA-FLEX

SPECIFICATION

PARA-FLEX Couplings employ a molded, non-lubricated elastomeric flexing member loaded in shear. The flexible element is compounded natural or neoprene rubber with textile cord reinforcement throughout and has an extra layer of reinforcement adjacent to the split for added durability. The compound of natural rubber element shall be suitable for operation in ambient temperature from -45°F to +180°F; Neoprene -40°F to +210°F.

The flexible element is attached by clamping between axially separable rings with exposed cap screws. The couplings are designed to be capable of accommodating combined misalignments of 4° angular, 1/8" parallel, and 5/16" end float at the full rating of the coupling without restricting the life of the coupling. The flexible element must be replaceable without disturbing the coupled equipment and without the requirement for realignment.

The coupling assemblies have optional methods of attachment to the shaft including but not limited to: clearance fit, interference fit TAPER-LOCK or QD bushings. Clearance fits are supplied with an industry standard keyway and two set screws, one over the key and one at 65°.

- 1 PX40: 4° angular, 1/16" parallel, 3/16" end float.
- 2 PX110: 4° angular, 1/8" parallel, 1/4" end float.
- 3 PH & PF: 1° angular, 1/16" parallel, 3/16" end float.

PARA-FLEX Couplings are static conductive.

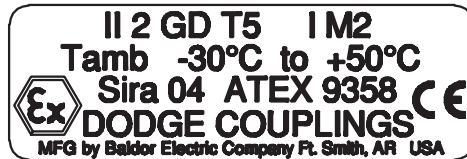
HOW TO ORDER

Standard couplings consist of:

- (2) Flange Assemblies
- (1) Flexible Element
- (2) Bushings (TL or QD)

ATEX Approved

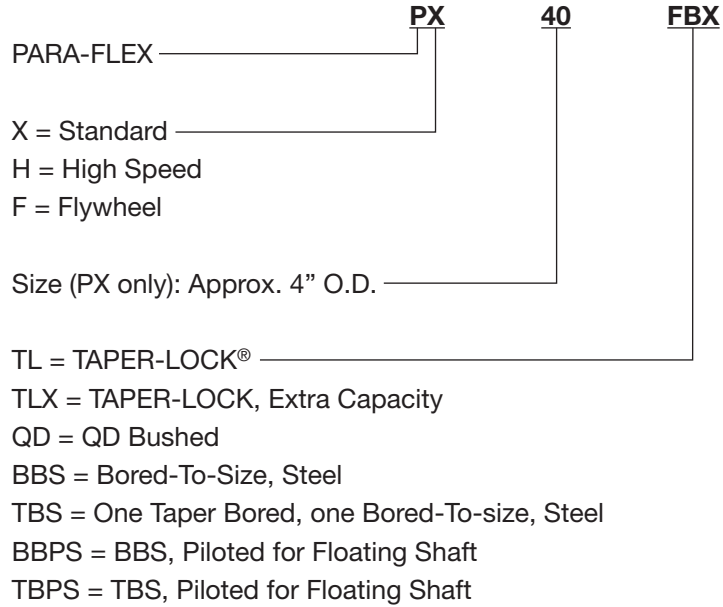
- All documents and markings included with standard product to meet ATEX requirements



FEATURES/BENEFITS PAGE PT1-2	SELECTION/DIMENSIONS PAGE PT1-6	MODIFICATION/ACCESSORIES PAGE PT1-93	ENGINEERING/TECHNICAL PAGE PT1-95
---------------------------------	------------------------------------	---	--------------------------------------



NOMENCLATURE

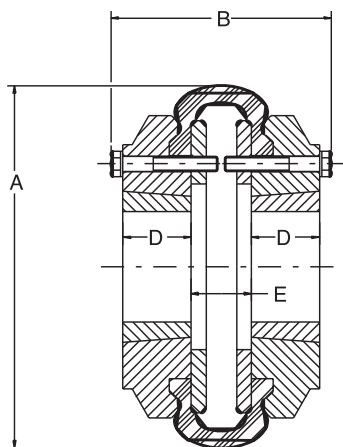


FEATURES/BENEFITS PAGE PT1-2	SELECTION/DIMENSIONS PAGE PT1-6	MODIFICATION/ACCESSORIES PAGE PT1-93	ENGINEERING/TECHNICAL PAGE PT1-95
---------------------------------	------------------------------------	---	--------------------------------------

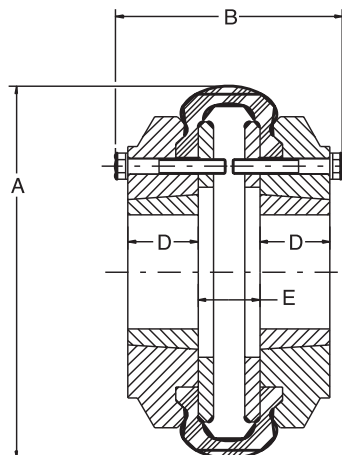


SELECTION/DIMENSIONS

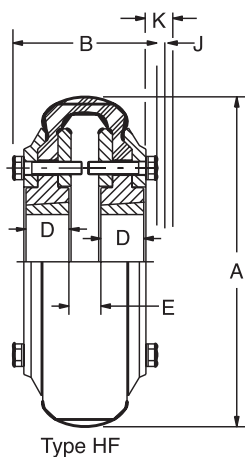
Standard, TAPER-LOCK



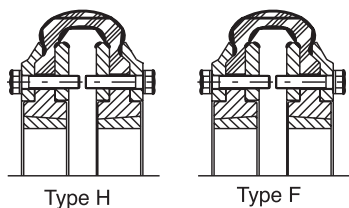
Style 1
Type H Taper-Lock



Style 1
Type F Taper-Lock

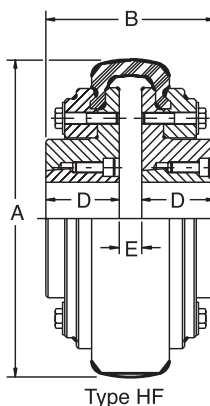


Style 2 Taper-Lock couplings
with reversible flange

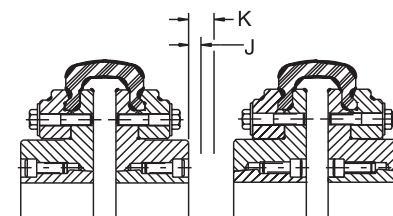


Type H

Type F



Type HF



Type H-H

Type F-F

Style 3 PARA-FLEX Taper-Lock couplings

<p>FEATURES/BENEFITS PAGE PT1-2</p>	<p>SPECIFICATION/HOW TO ORDER PAGE PT1-4</p>	<p>MODIFICATION/ACCESSORIES PAGE PT1-93</p>	<p>ENGINEERING/TECHNICAL PAGE PT1-95</p>
---	--	---	--



SELECTION/DIMENSIONS

Standard, TAPER-LOCK

Coupling Size	TAPER-LOCK Bushing Size	Max. Bore	HP/100	Torque (In-Lbs)	Max. RPM	Style	A	B	D	E	J (1)	K (2)	Weight (Lbs.) (3)	Inertia (Lb-Ft ²) (4)
PX40TL	1008	1	0.68	429	4500	1	4.25	3	0.88	0.77	0.63	0.75	4.2	0.05
PX50TL	1108	1-1/8	1.43	900	4500	1	5.25	2.75	0.88	0.53	0.63	0.75	4.7	0.07
PX60TL	1310	1-7/16	2.86	1800	4000	1	6.5	3.34	1	0.72	0.81	1.06	9.2	0.21
PX70TL	1610	1-11/16	3.49	2200	3600	2	7.38	3.56	1	0.95	0.81	1.06	13	0.3
PX70TLX-F	2012	2-1/8	3.49	2200	3600	3	7.38	3.83	1.25	0.95	0.94	1.38	14.8	0.3
PX80TL	2012	2-1/8	5.72	3605	3100	2	8.38	3.75	1.25	0.77	0.94	1.38	19.6	0.73
PX80TLX-F	2517	2-11/16	5.72	3605	3100	3	8.38	3.99	1.75	0.77	1	1.63	24.7	0.8
PX90TL	2517	2-11/16	7.15	4502	2800	2	9.25	4.03	1.75	0.33	1	1.63	28.8	1.3
PX100TL	2517	2-11/16	8.58	5402	2600	2	10	4.22	1.75	0.52	1	1.63	38	2.2
PX100TLX-F	3020	3-1/4	8.58	5402	2600	3	10	4.36	2	0.52	1.19	2.06	42.6	2.4
PX110TL	2517	2-11/16	12.3	7750	2300	2	11	4.53	1.75	0.47	1	1.63	52.1	3.7
PX110TLX-F	3020	3-1/4	12.3	7750	2300	3	11	4.75	2	0.47	1.19	2.06	57.2	3.9
PX110TLX-H	3020	3-1/4	12.3	7750	2300	3	11	4.75	2	0.47	1.19	2.06	57.2	3.9
PX120TL	3020	3-1/4	20	12605	2100	2	12.38	5.03	2	0.44	1.19	2.06	74.4	6.6
PX120TLX-F	3525	3-15/16	20	12605	2100	3	12.38	5.45	2.5	0.44	1.31	2.69	88.1	7.4
PX140TL	3535	3-15/16	44	27590	1840	3	14.13	7.81	3.5	0.81	1.31	2.69	156	18.7
PX160TL	4040	4-7/16	60	37800	1560	3	16.63	9.19	4	1.19	1.63	3.38	243	33.7
PX200TL	4545	4-15/16	131	82500	1300	3	20	10.31	4.5	1.31	1.94	4.06	417	101
PX240TL	5050	5	240	151200	1080	3	24.13	11.91	5	1.91	2.31	4.81	682	231
PX280TL	7060	7	480	302200	910	3	28.5	15.97	6	2.22	1.63	4.38	1148	544
PX320TL	8065	8	719	453000	810	3	32.5	16.31	6.5	2.06	1.63	4.38	1640	1077

- Notes:** (1) Space required to tighten bushing with shortened hex key.
 (2) Space required to loosen bushing with shortened hex key.
 (3) Weight of complete coupling with bushing.
 (4) Inertia of complete coupling with bushing.

Flange assemblies may be combined or interchanged for a given element size.
 Upon combination, dimensions B and E as well as mass and inertia should be average to determine appropriate value.



SELECTION/DIMENSIONS

Standard, TAPER-LOCK Part Numbers

TAPER-LOCK Flange Assemblies

Coupling Size	Flange Assembly Part No.		TAPER-LOCK Bushing Size
	Type H	Type F	
PX40TL	000849	000848	1008
PX50TL	010601	*	1108
PX60TL	010602	*	1310
PX70TL	010603	*	1610
PX70TLX-F	-	395277	2012 •
PX80TL	010604	*	2012
PX80TLX-F	-	395278	2517 •
PX90TL	010605	*	2517
PX100TL	010606	*	2517
PX100TLX-F	-	395279	3020 •
PX110TL	010607	*	2517
PX110TLX-H	395281	-	3020 •
PX110TLX-F	-	395280	3020 •
PX120TL	010608	*	3020
PX120TLX-F	-	395282	3525 •
PX140TL	011134	011154	3535
PX160TL	011137	011157	4040
PX200TL	011140	011160	4545
PX240TL	011144	011164	5050
PX280TL	011455	011456	7060
PX320TL	011472	011471	8065

* PX50-PX120 have a reversible flange for type H or F mount
Complete coupling consists of (2) TAPER-LOCK Flange Assemblies.

(2) Taper-Lock Bushings, and (1) Element.

For Taper-Lock Bushings, see page/section _____

• These flanges require a metric bushing, see page _____

Elements

Coupling Size	Standard Part No.	Neoprene (1) Part No.	Cordless (2) Part No.
PX40	011529	012455	012456
PX50	011105	011296	011285
PX60	011106	011297	011286
PX70	011107	011298	011287
PX80	011108	011299	011288
PX90	011109	011300	011289
PX100	011110	011301	011290
PX110	011111	011302	---
PX120	011112	011303	011292
PX140	011114	011304	---
PX160	011117	011305	---
PX200	011120	011306	---
PX240	011124	011312	---
PX280	011457	011313	---
PX320	011463	011315	---

- (1) Neoprene element ratings are the same as the standard natural rubber element ratings. (Green sticker or painted mark)
- (2) Cordless elements have an average static torsional stiffness 25% of the standard element and approximately 25% of the torque rating. (White sticker or painted mark)

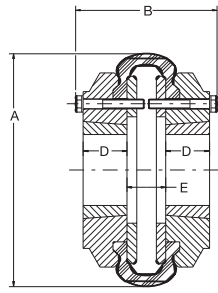


FEATURES/BENEFITS PAGE PT1-2	SPECIFICATION/HOW TO ORDER PAGE PT1-4	MODIFICATION/ACCESSORIES PAGE PT1-93	ENGINEERING/TECHNICAL PAGE PT1-95
---------------------------------	--	---	--------------------------------------

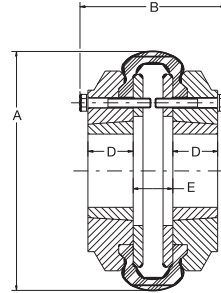


SELECTION/DIMENSIONS

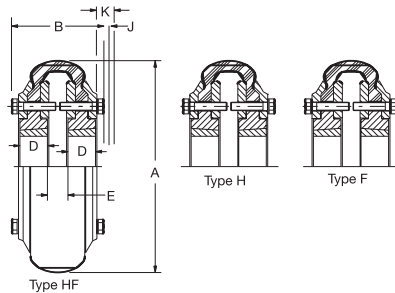
Metric, TAPER-LOCK Part Numbers



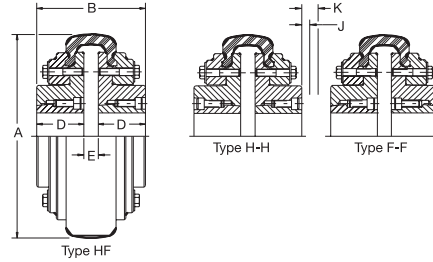
Style 1
Type H Taper-Lock



Style 1
Type F Taper-Lock



Style 2 Taper-Lock couplings
with reversible flange



Style 3 PARA-FLEX Taper-Lock couplings

Taper-Lock Couplings*

Coupling flange assy.	Element size	Min. bore	Max. bore	TL Bushing*	kW/100	Torque (in-lbs)	Max RPM	Style	A (in)	B = (in)	D (in)	E = (in)	J ⁽¹⁾ (in)	K ⁽²⁾ (in)	Mass ⁽³⁼⁾ (lbs)	Inertia ⁽⁴⁼⁾ (lb-ft ²)
PXM40TL	40	13	25	1008	0.51	425	4500	1	4.25	3	.88	.77	.63	.75	4.2	.05
PXM50TL	50	13	32	1210	1.07	900	4500	1	5.25	2.75	.88	.53	.63	.75	4.7	.07
PXM60TL	60	13	42	1610	2.13	180	4000	1	6.5	3.34	1	.72	.81	1.06	9.2	.21
PXM70TL	70†	13	42	1610	2.60	2200	3600	2	7.38	3.56	1	.95	.81	1.06	13	.3
PXM70TLX-F	70†	13	50	2012	2.60	2200	3600	3	7.38	3.83	1.25	.95	.94	1.38	14.8	.3
PXM80TL	80†	13	50	2012	4.27	3605	3100	2	8.38	3.75	1.25	.77	.94	1.38	19.6	.73
PXM80TLX-F	80†	13	65	2517	4.27	3605	3100	3	8.38	3.99	1.75	.77	1	1.63	24.7	.8
PXM90TL	90	13	65	2517	5.33	4502	2800	2	9.25	4.03	1.75	.33	1	1.63	28.8	1.3
PXM100TL	100†	13	65	2517	6.40	5402	2600	2	10	4.22	1.75	.52	1	1.63	38	2.2
PXM100TLX-F	100†	24	80	3020	6.40	5402	2600	3	10	4.36	2	.52	1.19	2.06	42.6	2.4
PXM110TL	110†	13	65	2517	9.18	7750	2300	2	11	4.53	1.75	.47	1	1.63	52.1	3.7
PXM110TLX-H	110†	24	80	3020	9.18	7750	2300	3	11	4.75	2	.47	1.19	2.06	57.2	3.9
PXM110TLX-F	110†	24	80	3020	9.18	7750	2300	3	11	4.75	2	.47	1.19	2.06	57.2	3.9
PXM120TL	120†	24	80	3020	14.92	12605	2100	2	12.38	5.03	2	.44	1.19	2.06	74.4	6.6
PXM120TLX-F	120†	31	100	3525	14.92	12605	2100	3	12.38	5.45	2.5	.44	1.31	2.69	88.1	7.4
PXM140TL	140	31	95/100•	3535	32.82	27590	1840	3	14.13	7.81	3.5	.81	1.31	2.69	156	18.7
PXM160TL	160	37	105/115•	4040	44.76	37800	1560	3	16.63	9.19	4	1.19	1.63	3.38	243	33.7
PXM200TL	200	50	115/125•	4545	97.73	82500	1300	3	20	10.31	4.5	1.31	1.94	4.06	417	101
PXM240TL	240	61	127	5050	179.04	151200	1080	3	24.13	11.91	5	1.91	2.31	4.81	682	231

(1) Space required to tighten bushing with shortened hex key

(2) Space required to loosen bushing with shortened hex key

(3) Weight of complete coupling with bushing

(4) Inertia of complete coupling with bushing

* Metric hardware

• Requires short series bushings to achieve maximum bore.

† Flange assemblies may be combined or interchanged for a given element size. Upon combination, dimensions B & E as well as mass and inertia should be averaged for appropriate value.

H = Hub Mount

F = Flange Mount

FEATURES/BENEFITS PAGE PT1-2	SPECIFICATION/HOW TO ORDER PAGE PT1-4	MODIFICATION/ACCESSORIES PAGE PT1-93	ENGINEERING/TECHNICAL PAGE PT1-95
---------------------------------	--	---	--------------------------------------



SELECTION/DIMENSIONS

Metric, TAPER-LOCK

Complete Para-Flex coupling consists of:
one element, two PXMTL flange assemblies and two TL bushings

Para-Flex Taper-Lock flange assemblies

Coupling size	Type H	Type F	
	Part Number	Part Number	Taper-Lock bushing size
PXM40TL	013095	013096	1008
PXM50TL	013041	013040	1210
PXM60TL	013043	013042	1610
PXM70TL	013044	*	1610
PXM70TLX-F	—	395277	2012
PXM80TL	013045	*	2012
PXM80TLX-F	—	395278	2517
PXM90TL	013046	*	2517
PXM100TL	013047	*	2517
PXM100TLX-F	—	395279	3020
PXM110TL	013048	*	2517
PXM110TLX-H	395281	—	3020
PXM110TLX-F	—	395280	3020
PXM120TL	013049	*	3020
PXM120TLX-F	—	395282	3525
PXM140TL	013051	013050	3535 / 3525 •
PXM160TL	013053	013052	4040 / 4030 •
PXM200TL	013055	013054	4545 / 4535 •
PXM240TL	395286	395285	5050

Notes:

- * Have reversible flange for type H or F mount.
 - Requires short series bushing to achieve maximum bore.
- Metric bushing required
For Taper-Lock designs, Taper-Lock bushings must be ordered separately.

Elements

Coupling Size	Standard Part No.	Neoprene (1) Part No.	Cordless (2) Part No.
PX40	011529	012455	012456
PX50	011105	011296	011285
PX60	011106	011297	011286
PX70	011107	011298	011287
PX80	011108	011299	011288
PX90	011109	011300	011289
PX100	011110	011301	011290
PX110	011111	011302	---
PX120	011112	011303	011292
PX140	011114	011304	---
PX160	011117	011305	---
PX200	011120	011306	---
PX240	011124	011312	---

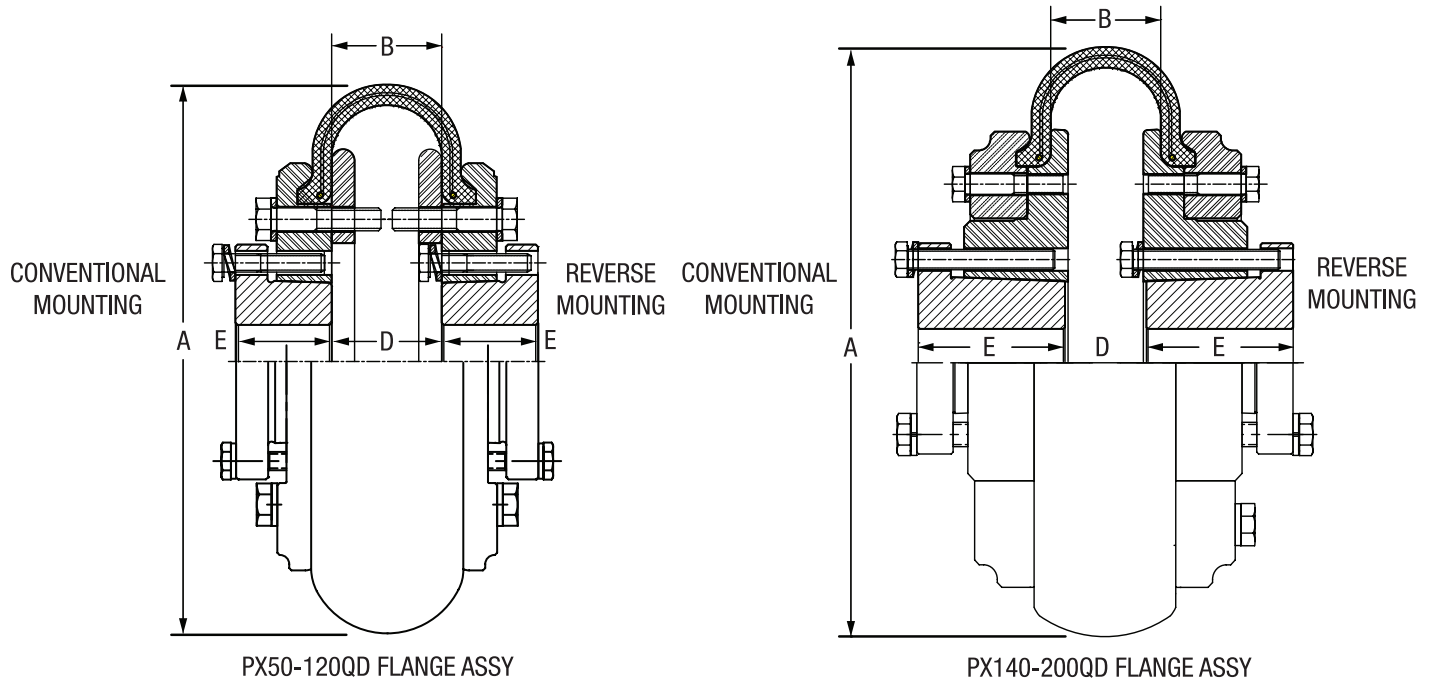
- (1) Neoprene element ratings are the same as the standard natural rubber element ratings. (Green sticker or painted mark)
- (2) Cordless elements have an average static torsional stiffness 25% of the standard element and approximately 25% of the torque rating. (White sticker or painted mark)

FEATURES/BENEFITS PAGE PT1-2	SPECIFICATION/HOW TO ORDER PAGE PT1-4	MODIFICATION/ACCESSORIES PAGE PT1-93	ENGINEERING/TECHNICAL PAGE PT1-95
---------------------------------	--	---	--------------------------------------



SELECTION/DIMENSIONS

Standard, QD Bushed



Dimensions

Coupling Size	Bushing Size	Max Bore (In.)			HP/100	Torque Rating (In-Lbs)	Max RPM	Style	Dimensions (In.)				Weight (1) (Lbs.)	Inertia (2) (Lb-Ft)
		Full KW	Shallow KW	No KW					A	B	D	E		
PX50QD	JA	1	1-3/16	1-1/4	1.43	900	4500	1	5 1/4	3 7/8	1	1 17/32	4.7	0.08
PX60QD	SH	1-3/8	1-5/8	1-11/16	2.86	1800	4000	1	6 1/2	4 23/32	1 1/4	1 25/32	8.0	0.24
PX70QD	SDS	1-5/8	1-15/16	2	3.49	2200	3600	1	7 3/8	4 17/32	1 5/16	1 1/2	10.7	0.45
PX80QD	SK	2-1/8	2-1/2	2-5/8	5.72	3600	3100	1	8 3/8	5 13/16	3 7/8	1 1/2	15.5	0.88
PX90QD	SK	2-1/8	2-1/2	2-5/8	7.15	4350	2800	1	9 1/4	5 7/8	3 7/8	1 9/16	22.0	1.60
PX100QD	SF	2-5/16	2-15/16	-	8.58	5250	2600	1	10	6 1/8	4 5/8	1 15/32	32.0	2.90
PX110QD	SF	2-5/16	2-15/16	-	12.3	7750	2300	1	11	5 7/8	4 5/8	1 3/16	46.0	4.30
PX120QD	E	2-7/8	3-1/2	-	20	12540	2100	1	12 3/8	7 1/4	6	1 1/4	59.8	6.70
PX140QD	F	3-1/4	3-15/16	4	44	27590	1840	2	14 1/8	9 1/2	6 5/8	1 3/8	132.5	19.50
PX160QD	J	3-3/4	4-1/2	-	60	37800	1560	2	16 5/8	11 1/2	7 1/4	1 3/8	208.7	34.60
PX200QD	J	3-3/4	4-1/2	-	131	82500	1300	2	20	11 3/4	7 1/4	1 13/16	366.0	103.00

Notes:

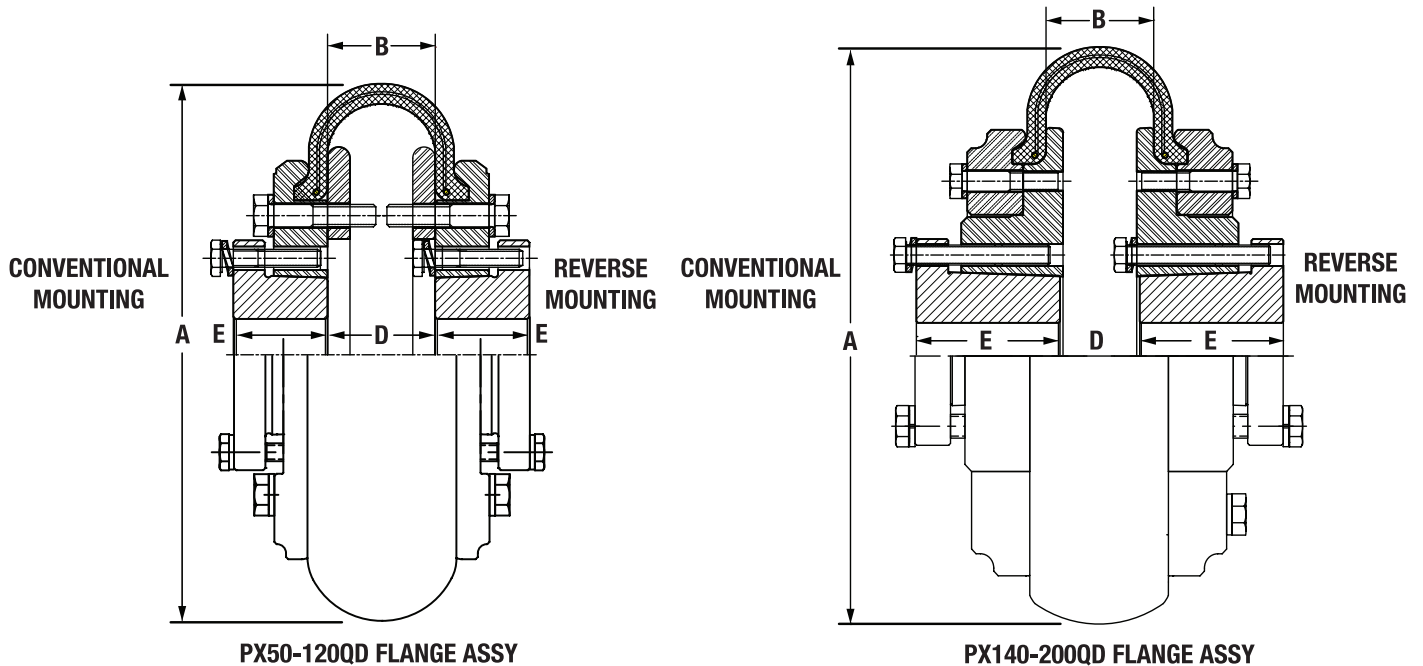
- (1) Weight of complete coupling with bushings.
- (2) Inertia of complete coupling with bushing.

FEATURES/BENEFITS PAGE PT1-2	SPECIFICATION/HOW TO ORDER PAGE PT1-4	MODIFICATION/ACCESSORIES PAGE PT1-93	ENGINEERING/TECHNICAL PAGE PT1-95
---------------------------------	--	---	--------------------------------------



SELECTION/DIMENSIONS

Standard, QD Bushed



Para-Flex QD Part Numbers

Size	PXQD Flanges		Elements		
	Description	Part No.	Standard	Neoprene (1)	Cordless (2)
PX50	PX50QD FLANGE ASSEMBLY	013210	011105	011296	011285
PX60	PX60QD FLANGE ASSEMBLY	013211	011106	011297	011286
PX70	PX70QD FLANGE ASSEMBLY	013212	011107	011298	011287
PX80	PX80QD FLANGE ASSEMBLY	013213	011108	011299	011288
PX90	PX90QD FLANGE ASSEMBLY	013214	011109	011300	011289
PX100	PX100QD FLANGE ASSEMBLY	013215	011110	011301	011290
PX110	PX110QD FLANGE ASSEMBLY	013216	011111	011302	-
PX120	PX120QD FLANGE ASSEMBLY	013217	011112	011303	011292
PX140	PX140QD FLANGE ASSEMBLY	013218	011114	011304	-
PX160	PX160QD FLANGE ASSEMBLY	013219	011117	011305	-
PX200	PX200QD FLANGE ASSEMBLY	013220	011120	011306	-

Complete Para-Flex QD coupling consists of one element, two flanges, and two QD bushings.

Notes:

(1) Neoprene element ratings are the same as the standard natural rubber element ratings. (Green sticker or painted mark)

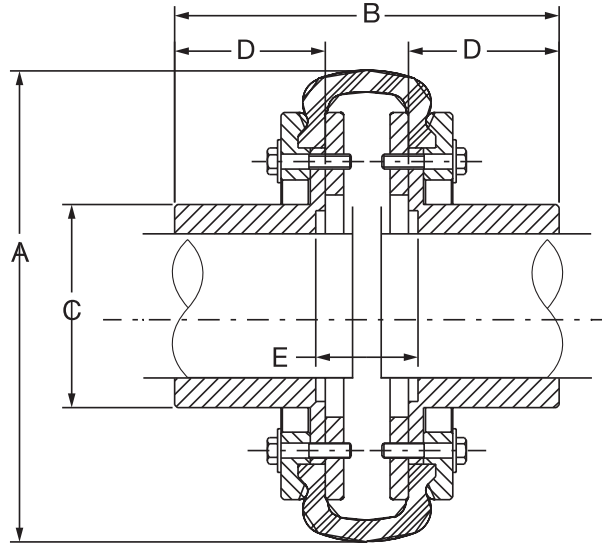
(2) Cordless elements have an average static torsional stiffness 25% of the standard element and approximately 25% of the torque rating. (White sticker or painted mark)

FEATURES/BENEFITS PAGE PT1-2	SPECIFICATION/HOW TO ORDER PAGE PT1-4	MODIFICATION/ACCESSORIES PAGE PT1-93	ENGINEERING/TECHNICAL PAGE PT1-95
---------------------------------	--	---	--------------------------------------



SELECTION/DIMENSIONS

Bored to Size, Type BBS



PX60 Thru PX320 Type BBS Couplings

Coupling Size	Min. Bore	Max. Bore	HP/100	Torque (In-Lbs)	Max. RPM	A	B	C	D	E	Weight (1) (Lbs.)	Inertia (2) (Lb-Ft ²)
PX60BBS	none	1-1/2	2.86	1,800	4000	6.50	4.28	2.38	1.50	1.28	8.8	.21
PX70BBS	none	2-1/8	3.49	2,200	3600	7.38	5.00	2.94	1.75	1.50	12.8	.32
PX80BBS	none	2-9/16	5.72	3,605	3100	8.38	5.50	3.69	2.00	1.50	18.4	.79
PX90BBS	none	2-3/4	7.15	4,502	2800	9.25	6.03	4.13	2.25	1.53	25.6	1.4
PX100BBS	none	3-1/4	8.58	5,402	2600	10.00	6.97	4.94	2.63	1.72	36.4	2.5
PX110BBS	none	3-15/16	12.30	7,750	2300	11.00	7.56	5.44	3.00	1.56	47.3	4.2
PX120BBS	none	4	20.00	12,605	2100	12.38	8.25	5.81	3.25	1.75	68.4	7.0
PX140BBS	2-1/4	4-1/2	44.00	27,590	1840	14.13	9.81	7.00	3.88	2.44	127.2	16.4
PX160BBS	2-1/2	6	60.00	37,800	1560	16.63	12.94	8.50	5.13	3.06	210.8	39.6
PX200BBS	2-7/8	6-3/4	131.00	82,500	1300	20.00	15.56	9.38	6.13	3.75	333.5	76.9
PX240BBS	4	7-1/2	240.00	151,200	1080	24.13	14.16	10.00	5.13	4.34	481.0	188.1
PX280BBS	4-7/16	9	480.00	302,200	910	28.50	18.47	12.00	7.13	4.66	802.0	440.8
PX320BBS	5-1/2	11	719.00	453,000	810	32.50	20.75	14.00	8.13	4.94	1074.0	709.6

(1) Weight of complete coupling at maximum bore

(2) Inertia of complete coupling at maximum bore

FEATURES/BENEFITS PAGE PT1-2	SPECIFICATION/HOW TO ORDER PAGE PT1-4	MODIFICATION/ACCESSORIES PAGE PT1-93	ENGINEERING/TECHNICAL PAGE PT1-95
---------------------------------	--	---	--------------------------------------



SELECTION/DIMENSIONS

Bored to Size, Type BBS



PX60BBS - PX320BBS Part Numbers

Coupling Size	BS Flange Assemblies Rough Bore	Standard Element
PX60BBS	010300	011106
PX70BBS	010301	011107
PX80BBS	010302	011108
PX90BBS	010303	011109
PX100BBS	010304	011110
PX110BBS	010305	011111
PX120BBS	010306	011112
PX140BBS	010530	011114
PX160BBS	010531	011117
PX200BBS	010532	011120
PX240BBS	010533	011124
PX280BBS	010528	011457
PX320BBS	010529	011463

Unless otherwise specified, Size 60-120 BBS flanges are clearance fit per AGMA 9002. Size 140-320 BBS flanges are interference fit per AGMA 9002.

See page __ for additional details.

Complete coupling consists of: (2) BS Flange Assemblies and (1) Element.

PARA-FLEX Elements - Part Numbers

Element Size	Standard	Neoprene (1)	Cordless (2)	Weight (Lbs)
	Part No.	Part No.	Part No.	
PX40	011529	012455	012456	0.3
PX50	011105	011296	011285	0.7
PX60	011106	011297	011286	1.2
PX70	011107	011298	011287	1.6
PX80	011108	011299	011288	2.2
PX90	011109	011300	011289	2.6
PX100	011110	011301	011290	2.5
PX110	011111	011302	---	3.0
PX120	011112	011303	011292	4.8
PX140	011114	011304	---	5.6
PX160	011117	011305	---	9.1
PX200	011120	011306	---	20.8
PX240	011124	011312	---	27.0
PX280	011457	011313	---	45.0
PX320	011463	011315	---	80.0

(1) Neoprene element ratings are the same as the standard natural rubber element ratings. (Green sticker or painted mark)

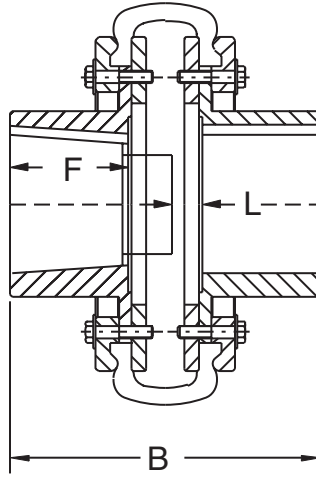
(2) Cordless elements have an average static torsional stiffness 25% of the standard element and approximately 25% of the torque rating. (White sticker or painted mark)

FEATURES/BENEFITS PAGE PT1-2	SPECIFICATION/HOW TO ORDER PAGE PT1-4	MODIFICATION/ACCESSORIES PAGE PT1-93	ENGINEERING/TECHNICAL PAGE PT1-95
---------------------------------	--	---	--------------------------------------



SELECTION/DIMENSIONS

Mill Motor, Type TBS



Size	For Mill Motor Size	Min. Bore	Max. Bore	HP/100	Torque (In-Lbs)	Max. RPM	B	F	L	Weight(1) (Lbs.)	Inertia(2) (Lb-Ft ²)
PX60TBS	602,802*	none	1-1/2	2.86	1,800	4000	5.78	3.00	0.34	10.1	0.21
PX70TBS	603	none	2-1/8	3.49	2,200	3600	6.75	3.50	0.50	16.1	0.32
	802B,802C						6.25	3.00	0.56		
PX80TBS	603,803	none	2-9/16	5.72	3,605	3100	7.00	3.50	0.50	23.2	0.79
	604804						7.00	3.50	0.50		
PX90TBS	804	none	2-3/4	7.15	4,502	2800	7.28	3.50	0.53	29.9	1.4
PX100TBS	804	none	3-1/4	8.58	5,402	2600	7.84	3.50	0.72	44.4	2.5
PX110TBS	606,806	none	3-15/16	12.30	7,750	2300	8.56	4.00	0.59	62.3	4.2
	608						9.06	4.50	0.16		
PX120TBS	608,806	none	4	20.00	12,605	2100	9.00	4.00	0.63	81.4	7.0
	608,808						9.50	4.50	0.50		
PX140TBS	808 610-810 612	2-1/4	4-1/2	44.00	27,590	1840	10.63	4.69	1.19	136.2	16.4
							10.63	4.69	1.06		
							11.06	5.13	0.94		
PX160TBS	810 612-812 614	2-1/2	6	60.00	37,800	1560	12.50	4.69	1.69	227.8	39.6
							12.94	5.13	1.56		
							12.94	5.13	1.44		
PX200TBS	812 614-814 616-816 618-818	2-7/8	6-3/4	131.00	82,500	1300	14.63	5.19	2.19	344.5	76.9
							14.63	5.19	2.06		
							15.13	5.69	1.94		
							15.56	6.13	2.38		
PX240TBS	818 620	4	7-1/2	240.00	151,200	1080	15.22	6.19	2.97	519	188.1
							15.91	6.88	2.53		
PX280TBS	622 624	5-1/4	9	480.00	302,200	910	18.78	7.44	2.22	836	440.8
							20.78	9.44	2.22		

◆ Refer to page PT1-24 for additional envelope information

* 1-1/4" per foot taper on diameter



SELECTION/DIMENSIONS

Mill Motor, Type TBS

PX60 - PX280 TBS Part Numbers

Coupling Size	For Mill Motor Size	TBS Flange Assembly	Standard Element	BS Flange Assembly	Coupling Size	TBS Flange Assy Rough Bore
PX60TBS	602,802*	010471	011106	See Page PT1-30	PX60TBS	010510
PX70TBS	603	010472	011107		PX70TBS	010511
	802B,802C	010473			PX80TBS	010512
PX80TBS	603,803	010474	011108		PX90TBS	010513
	604,804				PX100TBS	010514
PX90TBS	804	010475	011109		PX110TBS	010515
PX100TBS	804	010476	011110		PX120TBS	010516
PX110TBS	606,806	010477	011111		PX140TBS	010524
	608	010478			PX160TBS	010531
PX120TBS	606,806	010479	011112		PX200TBS	010532
	608,808	010480			PX240TBS	010525
PX140TBS	608,808	008980	011114		PX280TBS	010526
	610,810	008981				
	612,812	008982				
PX160TBS	610,810	008983	011117			
	612,812	008984				
	614	008985				
PX200TBS	612,812	008986	011120			
	614,814	008987				
	616,816	008988				
	618,818	008989				
PX240TBS	818	008990	011124			
	620	008991				
PX280TBS	622	008992	011457			
	624	008993				

Complete coupling consists of:

- (1) TS Flange Assembly,
- (1) BS Flange Assembly, and
- (1) Element

* Key furnished for shallow keyways.

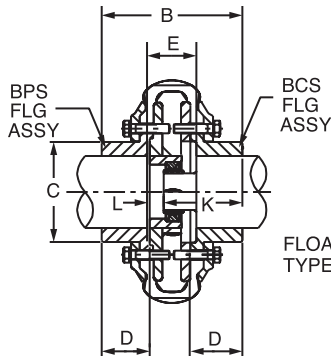
+ Part numbers are finished bore flanges to fit mill motor sizes listed.

FEATURES/BENEFITS PAGE PT1-2	SPECIFICATION/HOW TO ORDER PAGE PT1-4	MODIFICATION/ACCESSORIES PAGE PT1-93	ENGINEERING/TECHNICAL PAGE PT1-95
---------------------------------	--	---	--------------------------------------

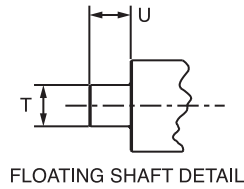


SELECTION/DIMENSIONS

Floating Shaft, Type BBPS

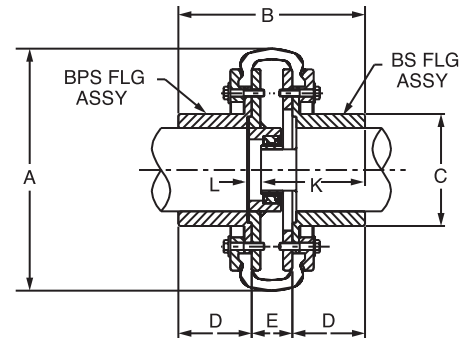


PX60-120 BBPS



FLOATING SHAFT
TYPE BBPS

FLOATING SHAFT
TYPE BBPS



PX140-320 BBPS

Size	Min. Bore	Max. Bore	HP/100	Torque (In-Lbs)	Max RPM	A	B	C	D	E	K	L	T	U	Weight (Lbs)	Inertia (Lb-Ft ²)
PX60BBPS	none	1-1/2	2.86	1,800	4000	6.50	4.28	2.38	1.50	1.78	2.45	0.58	.624/.6225	1.28	9.8	0.21
PX70BBPS	none	2-1/8	3.49	2,200	3600	7.38	5.00	2.94	1.75	2.06	3.05	0.48	.999/.9975	1.58	14.6	0.32
PX80BBPS	none	2-9/16	5.72	3,605	3100	8.38	5.50	3.69	2.00	2.00	3.30	0.45	.999/.9975	1.58	26.9	0.79
PX90BBPS	none	2-3/4	7.15	4,502	2800	9.25	6.03	4.13	2.25	2.09	3.67	0.39	1.249/1.2475	1.70	29.0	1.4
PX100BBPS	none	3-1/4	5.85	5,402	2600	10.00	6.97	4.94	2.63	2.16	4.13	0.44	1.249/1.2475	1.72	40.1	2.5
PX110BBPS	none	3-15/16	12.30	7,750	2300	11.00	7.56	5.44	3.00	2.06	4.44	0.38	1.249/1.2475	1.69	51.0	4.2
PX120BBPS	none	4	20	12,605	2100	12.38	8.25	5.81	3.25	2.44	4.89	0.45	1.499/1.497	1.98	75.7	7.0
PX140BBPS	2-1/4	4-1/2	44	27,590	1840	14.13	9.19	7.00	3.88	2.44	5.69	0.44	1.499/1.497	2.00	140.2	16.4
PX160BBPS	2-1/2	6	60	37,800	1560	16.63	12.94	8.50	5.13	3.06	7.25	0.75	1.499/1.497	2.94	230.8	39.6
PX200BBPS	2-7/8	6-3/4	131	82,500	1300	20.00	15.56	9.38	6.13	3.69	8.78	0.84	1.999/1.997	2.84	364.5	76.9
PX240BBPS	4	7-1/2	240	151,200	1080	24.13	14.16	10.00	5.13	4.28	8.06	1.16	1.999/1.997	3.12	529.0	188.1
PX280BBPS	4-7/16	9	480	302,200	910	28.50	18.47	12.00	7.13	4.59	10.22	1.31	1.999/1.997	3.28	877.0	440.8
PX320BBPS	5-1/2	11	719	453,000	810	32.50	20.75	14.00	8.13	4.88	11.38	1.44	1.999/1.997	3.44	1181.0	709.6

Complete coupling consists of:

- (1) BCS or BS Flange Assembly (depending on size of coupling),
- (1) BPS Flange Assembly, and
- (1) Element.

BCS Flange Assembly consists of:

1. External Clamp Ring
2. Internal Clamp Ring
3. BCS Flange

BPS Flange Assembly consists of:

1. External Clamp Ring
2. Piloted Internal Clamp Ring
 - a. Includes floating shaft bearing assembly
3. BS Flange

PX60BBPS - PX320BBPS Part Numbers

Coupling Size	BCS Flange Assembly	BPS Flange Assembly	Standard Element
PX60BBPS	010658	010657	011106
PX70BBPS	010660	010659	011107
PX80BBPS	010189	010190	011108
PX90BBPS	010191	010192	011109
PX100BBPS	010193	010194	011110
PX110BBPS	010599	010598	011111
PX120BBPS	010195	010196	011112

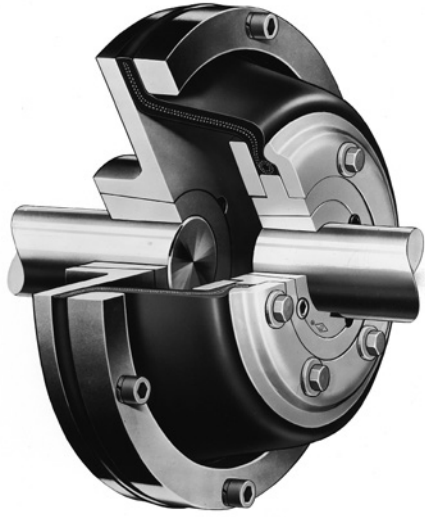
Coupling Size	BS Flange Assembly	BPS Flange Assembly	Standard Element
PX140BBPS	010530	011714	011114
PX160BBPS	010531	011715	011117
PX200BBPS	010532	011716	011120
PX240BBPS	010533	011717	011124
PX280BBPS	010528	011718	011457
PX320BBPS	010529	011719	011463

FEATURES/BENEFITS PAGE PT1-2	SPECIFICATION/HOW TO ORDER PAGE PT1-4	MODIFICATION/ACCESSORIES PAGE PT1-93	ENGINEERING/TECHNICAL PAGE PT1-95
---------------------------------	--	---	--------------------------------------



FEATURES/BENEFITS

PARA-FLEX High Speed and Flywheel Couplings



HIGH SPEED TYPE

- Compensates for misalignment
- Cushions thrust loads
- Absorbs vibration and shock
- Prolongs bearing life
- Available in TAPER-LOCK and bored to sizes



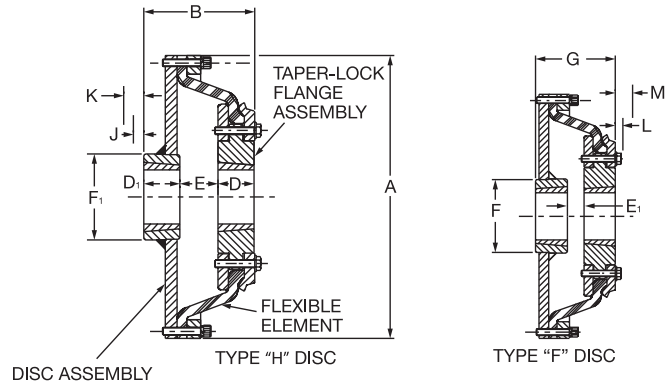
FLYWHEEL TYPE

- Specifically designed to connect the flexible element to standard SAE flywheel bolt patterns
- Available in TAPER-LOCK and bored to configurations

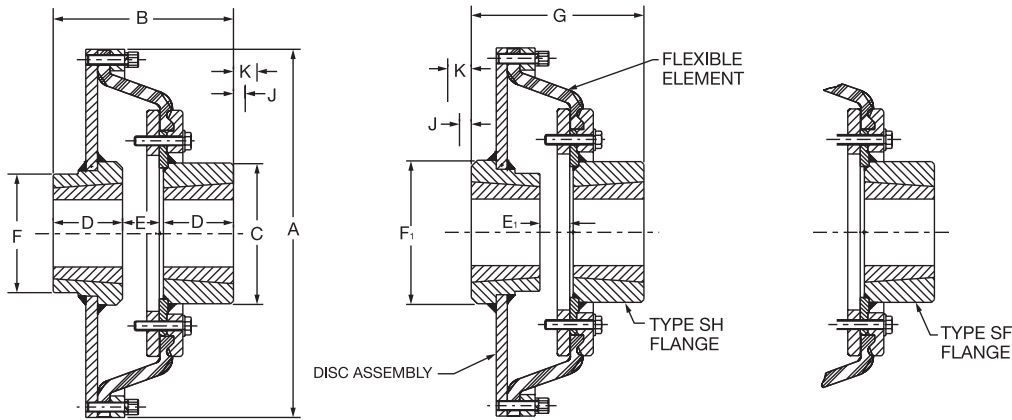


SELECTION/DIMENSIONS

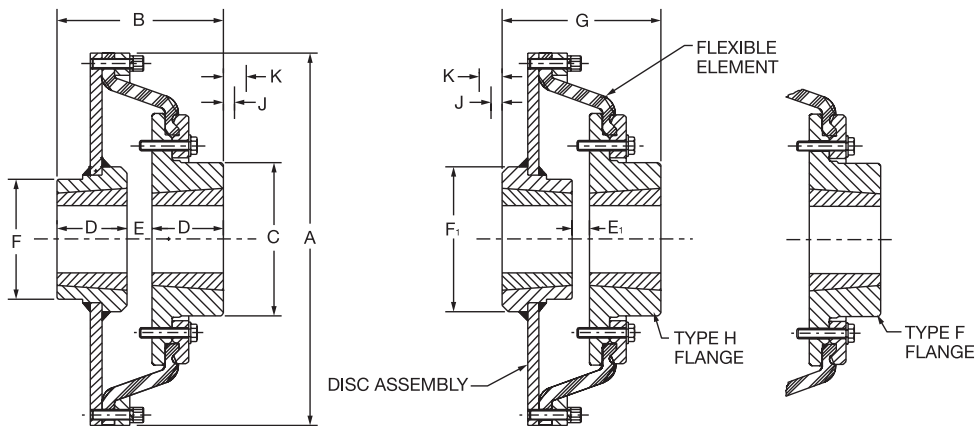
High Speed, TAPER-LOCK



PH87 THRU PH131



PH172 thru PH252 STEEL FLANGE ASSEMBLY



PH172 & PH192 IRON FLANGE ASSEMBLY



SELECTION/DIMENSIONS

High Speed, TAPER-LOCK

Coupling Size	Bushing Size	Min. Bore	Max. Bore	HP/100	Torque (In-Lbs)	Max. RPM		Weight (Lbs)		Inertia (Lb-Ft ²)	
						Gray Iron Flange	Steel Flange	Iron Flg	Steel Flg	Iron Flg	Steel Flg
PH87	+	1/2	+	3.0	1890	6000	19.5	1.32
PH96	*	1/2	*	4.5	2835	5230	27.2	2.44
PH116	2517	1/2	2-11/16	7.1	4470	4050	40.8	4.92
PH131	2517	1/2	2-11/16	9.5	5985	3750	59.7	8.87
PH172	3535	1-3/16	3-15/16	23.0	14490	1860	2800	138.2	128.5	31.74	29.98
PH192	4040	1-7/16	4-7/16	47.0	29610	1620	2430	219.6	219.6	51.09	50.37
PH213	4545	1-15/16	4-15/16	90.0	56700	2130	291.2	102.3	90.22
PH252	5050	2-7/16	5-5/16	135.0	85050	1945	389.9	144.1	133.7

Coupling Size	A	B		C		D	D ¹	E	
		Iron Flg	Steel Flg	Iron Flg	Steel Flg			Iron Flg	Steel Flg
PH87	9.44	3.53	1.00	1.75	0.81
PH96	10.31	4.30	1.25	1.75	1.33
PH116	12.31	4.44	1.75	1.75	1.14
PH131	13.81	5.45	1.75	1.75	1.95
PH172	18.31	8.06	8.97	7.50	7.00	3.50	1.06	1.88
PH192	20.31	9.31	10.25	8.63	8.50	4.00	1.31	2.25
PH213	22.50	11.31	8.75	4.50	2.31
PH252	26.50	14.31	9.50	5.00	4.31

Coupling Size	E ¹		F	F ¹	G		J★	K†	L★	M†
	Iron Flg	Steel Flg			Iron Flg	Steel Flg				
PH87	0.50	4.12	4.19	3.28	1.00	1.63	0.81	1.06
PH96	0.45	4.12	4.19	3.42	1.00	1.63	0.94	1.38
PH116	0.33	4.12	4.19	3.63	1.00	1.63	1.00	1.63
PH131	0.77	4.12	4.19	4.27	1.00	1.63	1.00	1.63
PH172	0.63	1.44	6.25	7.12	7.62	8.53	1.31	2.69
PH192	0.38	1.31	7.75	8.62	8.38	9.31	1.63	3.38
PH213	1.44	8.75	9.75	10.44	1.94	4.06
PH252	2.94	9.50	10.88	12.94	2.31	4.81

★ Space required to tighten bushing with shortened hex key or to loosen screws to permit removal of the hub by a puller

† Space required to loosen bushing with the shortened hex key using screws as hack screws - no puller required.

PH87 - PH252 Part Numbers

Coupling Size	TAPER-LOCK Flange						Disc Assembly	High Speed Element	Bushing Size
	Std Flange	Flange Size	Iron Flange		Steel Flange				
			Type H	Type F	Type SH	Type SF			
PH87	010603	PX70	011307	011227	+
PH96	010604	PX80	011308	011228	*
PH116	010606	PX100	011310	011230	2517
PH131	010607	PX110	011311	011231	2517
PH172	PX140	011134	011154	010290	010294	011314	011234	3535
PH192	PX160	011137	011157	010291	010295	011316	011236	4040
PH213	PX190	010292	010296	011319	011239	4545
PH252	PX220	010293	010297	011322	011242	5050

+ Flange assembly uses a 1610 bushing with 1-11/16 max. bore

Disc assembly uses a 2517 bushing with 2-11/16 max. bore

* Flange assembly uses a 2012 bushing with 2-1/8 max. bore

Disc assembly uses a 2517 bushing with 2-11/16 max. bore

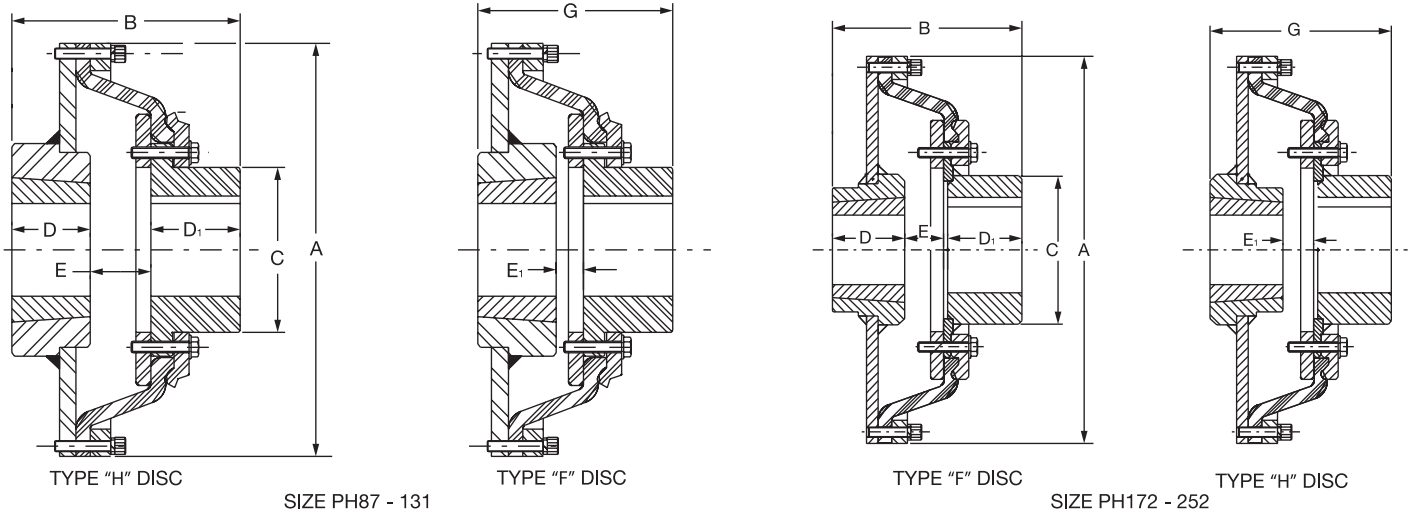
Complete coupling consists of:
(1) TAPER-LOCK Flange Assembly, (1) TAPER-LOCK Disc Assembly, & (1) High speed Element.
TAPER-LOCK bushings must be ordered separately.
Refer to bushing section PT6-16.

FEATURES/BENEFITS PAGE PT1-29	SELECTION/DIMENSION PAGE PT1-30	MODIFICATION/ACCESSORIES PAGE PT1-93	ENGINEERING/TECHNICAL PAGE PT1-95
----------------------------------	------------------------------------	---	--------------------------------------



SELECTION/DIMENSIONS

High Speed, Bored to Size



Coupling Size	BS Flange Assembly		TAPER-LOCK Disc Assembly		A	B	C	D	D1	E	E1	G	Weight (Lbs)	Inertia (Lb-Ft ²)
	Min Bore	Max Bore	Min Bore	Max Bore										
PH87B	none	2-1/8	1/2	2-11/16	9.44	4.59	2.94	1.75	1.75	1.09	0.81	4.31	20.1	1.33
PH96B	none	2-9/16	1/2	2-11/16	10.31	5.44	3.69	1.75	2.00	1.69	0.81	4.56	28.0	2.47
PH116B	none	3-1/4	1/2	2-11/16	12.31	6.13	4.94	1.75	2.63	1.75	0.97	5.31	42.8	5.31
PH131B	none	3-15/16	1/2	2-11/16	13.81	7.25	5.44	1.75	3.00	2.50	1.31	6.06	60.1	9.08
PH172B	2-1/4	4-1/2	1-3/16	3-15/16	18.31	9.06	7.00	3.50	3.88	1.88	1.44	8.63	135.2	30.98
PH192B	2-1/2	6	1-7/16	4-7/16	20.31	11.19	8.50	4.00	5.13	2.25	1.31	10.25	220.6	54.27
PH213B	2-1/2	6-1/4	1-15/16	4-15/16	22.50	11.31	8.75	4.50	4.69	2.31	1.44	10.44	289.2	91.62
PH252B	2-7/8	6-7/8	2-7/16	5-5/16	26.50	14.31	9.50	5.00	5.19	4.31	2.94	12.94	379.9	135.9

Coupling Size	BS Flange Assembly	TAPER-LOCK Disc Assembly	TAPER-LOCK Bushing Size	High Speed Element
PH87B	010301	011307	2517	011227
PH96B	010302	011308	2517	011228
PH116B	010304	011310	2517	011230
PH131B	010305	011311	2517	011231
PH172B	010530	011314	3535	011234
PH192B	010531	011316	4040	011236
PH213B	010508	011319	4545	011239
PH252B	010509	011322	5050	011242

Complete coupling consists of: (1) BS Flange Assembly, (1) TAPER-LOCK Disc Assembly, (1) High Speed Element, and (1) TAPER-LOCK Bushing. TAPER-LOCK bushings must be ordered separately. Refer to bushing section PT6-16.

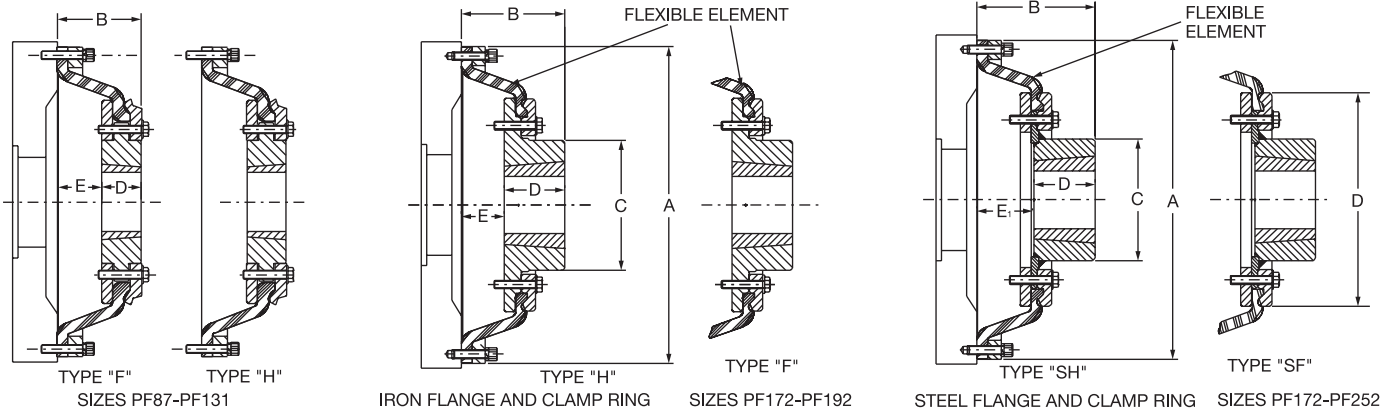
Unless otherwise specified, Size 60-120 BS flanges are clearance fit per AGMA 9002. Size 140-320 BS flanges are interference fit per AGMA 9002. See page __ for additional details.

FEATURES/BENEFITS PAGE PT1-29	SELECTION/DIMENSION PAGE PT1-30	MODIFICATION/ACCESSORIES PAGE PT1-93	ENGINEERING/TECHNICAL PAGE PT1-95
----------------------------------	------------------------------------	---	--------------------------------------



SELECTION/DIMENSIONS

Flywheel, TAPER-LOCK



Coupling Size	Bushing Size	Min. Bore	Max. Bore	HP/100	Torque (In-Lbs)	Max. RPM		A	B	
						Gray Iron Flange	Steel Flange		Iron Flg.	Steel Flg.
PF87	1610	1/2	1-11/16	3.00	1890	6000	6000	9.44	2.69
PF96	2012	1/2	2-1/8	4.50	2835	5230	5230	10.31	2.83
PF116	2517	1/2	2-11/16	7.10	4470	4050	4050	12.31	3.14
PF131	2517	1/2	2-11/16	9.50	5985	3750	3750	13.81	3.70
PF172	3535	1-3/16	3-15/16	23.00	14490	1860	2800	18.31	5.81	6.72
PF192	4040	1-7/16	4-7/16	47.00	29610	1620	2430	20.31	6.56	7.50
PF213	4545	1-15/16	4-15/16	90.00	56700	2130	22.50	9.00
PF252	5050	2-7/16	5-5/16	135.00	85050	1945	26.50	10.81

Coupling Size	Bushing Size	C		D	E	E1	Weight (Lbs) Less Bushing		Inertia (Lb-FT ²)	
		Iron Flg.	Steel Flg.				Iron Flgs	Steel Flgs	Iron Flgs	Steel Flgs
PF87	1610	1.00	1.34	9.9	0.6
PF96	2012	1.25	1.58	13.5	1.05
PF116	2517	1.75	1.39	22.3	2.35
PF131	2517	1.75	1.95	33.3	4.35
PF172	3535	7.50	7.00	3.50	2.31	3.12	87.2	77.5	17.49	15.73
PF192	4040	8.63	8.50	4.00	2.56	3.50	128.6	128.6	28.84	28.12
PF213	4545	8.75	4.50	-	4.50	221.2	190.2	74.47	64.36
PF252	5050	9.50	5.00	-	5.81	297.9	260.9	121.79	111.38

PF87 THRU PF252 Part Numbers

Coupling Size	TAPER-LOCK Flange					Bolt Ring Assembly	High Speed Element	T-L Bushing Size
	Std Flange	Iron Flange		Steel Flange				
		Type H	Type F	Type SH	Type SF			
PF87	010603	011247	011227	1610
PF96	010604	011248	011228	2012
PF116	010606	011250	011230	2517
PF131	010607	011251	011231	2517
PF172	011134	011154	010290	010294	011254	011234	3535
PF192	011137	011157	010291	010295	011256	011236	4040
PF213	010292	010296	011259	011239	4545
PF252	010293	010297	011262	011242	5050

Complete coupling consists of: (1) TAPER-LOCK Flange Assembly (as selected), (1) Bolt Ring Assembly, (1) High Speed Element, and (1) TAPER-LOCK Bushing. TAPER-LOCK Bushings must be ordered separately.

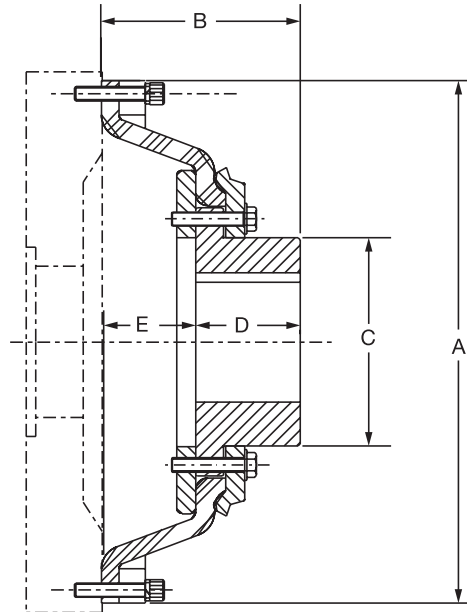
See page PT1-34 for Flywheel & Power Take Off housing information. Refer to bushing section PT6-16.

FEATURES/BENEFITS PAGE PT1-29	SELECTION/DIMENSION PAGE PT1-30	MODIFICATION/ACCESSORIES PAGE PT1-93	ENGINEERING/TECHNICAL PAGE PT1-95
----------------------------------	------------------------------------	---	--------------------------------------



SELECTION/DIMENSIONS

Flywheel, Bored to Size



PF87B THRU PF252B Bored-To-Size Flywheel Couplings

Coupling Size	Min. Bore	Max. Bore	HP/100	Torque (In-Lbs)	Max. RPM Steel Flg	A	B	C	D	E	Weight (Lbs)	Inertia (Lb-Ft ²)
PF87B	none	2-1/8	3.0	1890	6000	9.44	3.38	2.94	1.75	1.63	10.5	0.61
PF96B	none	2-9/16	4.5	2835	5230	10.31	3.94	3.69	2.00	1.94	14.3	1.08
PF116B	none	3-1/4	7.1	4470	4050	12.31	4.68	4.94	2.63	2.00	24.3	2.47
PF131B	none	3-15/16	9.5	5980	3750	13.81	5.50	5.44	3.00	2.50	33.7	4.56
PF172B	2-1/4	4-1/2	23.0	14490	2800	18.31	6.81	7.00	3.88	3.13	84.2	16.73
PF192B	2-1/2	6	47.0	29610	2430	20.31	8.44	8.50	5.13	3.50	129.6	32.02
PF213B	2-1/2	6-1/4	90.0	56700	2130	22.50	9.00	8.75	4.69	4.50	188.2	65.76
PF252B	2-7/8	6-7/8	135.0	85050	1945	26.50	10.81	9.50	5.19	5.81	250.9	113.58

PF87 - PF252B Part Numbers

Coupling Size	BS Flange Assembly	Bolt Ring Assembly	High Speed Element
PF87B	010301	011247	011227
PF96B	010302	011248	011228
PF116B	010304	011250	011230
PF131B	010305	011251	011231
PF172B	010530	011254	011234
PF192B	010531	011256	011236
PF213B	010508	011259	011239
PF252B	010509	011262	011242

SAE Power Take Off & Flywheel Info.

Coupling Size	Fits Within These SAE Power Take-Off Housings	SAE Flywheel		
		Bolt Circle Diam.	Tapped Holes	
			No.	Size
PF87	6,5	8-3/4	8	5/16-18
PF96	4,3	9-5/8	6	3/8-16
PF116	4,3,2,1	11-5/8	8	3/8-16
PF131	3,2,1,0	13-1/8	8	3/8-16
PF172	0	17-1/4	8	1/2-13
PF192	0	19-1/4	8	1/2-13
PF213	0	21-3/8	6	5/8-11
PF252	0	25-1/4	12	5/8-11

Complete coupling consists of: (1) BS Flange Assembly, (1) Bolt Ring Assembly, and (1) High Speed Element.

Unless otherwise specified, Size 60-120 BS flanges are clearance fit per AGMA 9002. Size 140-320 BS flanges are interference fit per AGMA 9002.

See page __ for additional details.

FEATURES/BENEFITS PAGE PT1-29	SELECTION/DIMENSION PAGE PT1-30	MODIFICATION/ACCESSORIES PAGE PT1-93	ENGINEERING/TECHNICAL PAGE PT1-95
----------------------------------	------------------------------------	---	--------------------------------------



FEATURES/BENEFITS

D-FLEX Couplings



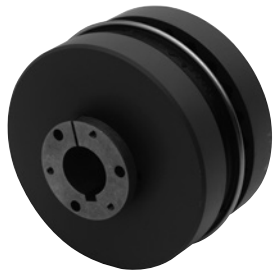
FLEXIBLE SOLUTIONS LOW COST TYPE J COUPLINGS OFFERED IN FOUR SIZES

- Features zinc die-cast flanges that are bored to size
- Accommodates applications through 10 HP at 1750 RPM
- Available with EPDM or Neoprene sleeves
- Shaft attachment with two setscrews at 65°



TYPE S COUPLINGS FEATURE AGMA 9 BALANCED FLANGES OFF THE SHELF

- High-strength, cast iron flanges that are finished bored for AGMA clearance fit
- Ionized powder coated flanges for superior corrosion protection
- Available with EPDM, Neoprene or Hytel* sleeves
- Shaft attachment with two setscrews at 65°



TYPE B COUPLINGS OFFERED WITH STANDARD QD† BUSHING SHAFT ATTACHMENT

- Constructed from high-strength cast iron
- Available with EPDM or Neoprene sleeves



TYPE SC SPACER COUPLINGS SATISFY STANDARD SPACING REQUIREMENTS FOR PUMP APPLICATIONS

- Accommodates ANSI and ISO standard between shaft end dimensions, with custom spacer dimensions available on demand
- Features AGMA 9 balanced flanges & drop-out center for easy equipment maintenance
- Available with EPDM, Neoprene or Hytrel sleeves
- Uses H & HS shaft hubs that are bored to size for slip fit or offered with plain bore for reboring
- Shaft attachment with two setscrews at 65°
- Shaft hub flats are used for holding shafts stationary while loosening or tightening grade 8 bolts

★ Registered trademark of DuPont

† QD is a registered trademark of Emerson Electric Co.



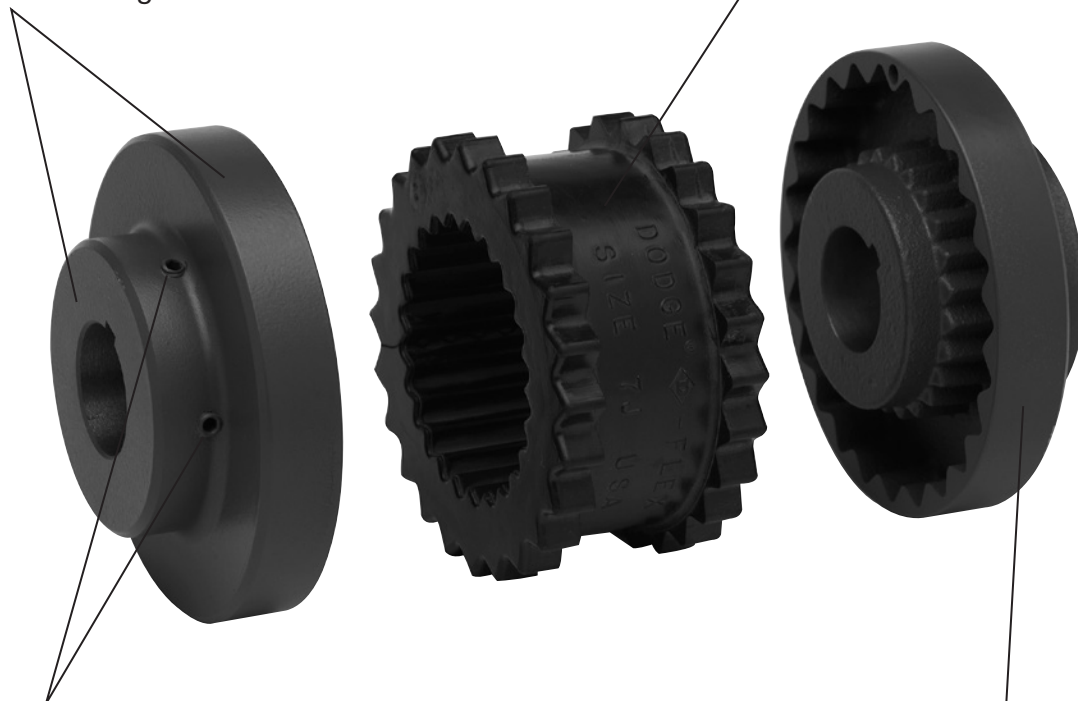
FEATURES/BENEFITS

D-FLEX Couplings

ADDED VALUE

Outside diameter concentric to bore for ease in alignment

Rounded EPDM and Neoprene element edges for full tooth engagement, even load distribution, and reduced stress build up at edges



Two setscrews at 65° on Type J flanges, Type S flanges & Type SC-H hubs for optimum shaft attachment. Holding force is 10% greater than two setscrews at 90°

Type S and SC flanges are balanced to AGMA 9 specifications for reduced vibration

ATEX Approved



- All documents and markings included with standard product

INTERCHANGEABLE COMPONENTS MAKES INSTALLATION QUICK AND EASY

- Interchangeable with other elastomeric sleeve couplings
- Slides into position for snug fit

NO LUBRICATION ASSURES TROUBLE-FREE OPERATION

- No metal-to-metal contact
- Provides clean, quiet, trouble-free performance

NOTE: All instruction manuals for D-FLEX Coupling and QD and TL Bushings available on www.baldor.com



D-FLEX

SPECIFICATION

D-FLEX Couplings employ a molded, non-lubricated elastomeric flexing sleeve loaded in shear. The flexible sleeve shall be of EPDM, Neoprene, or Hytrel. The compound of EPDM shall be suitable for operation in ambient temperature from -30°F to +275°F, Neoprene 0°F to +200°F, and Hytrel -65°F to +250°F. Both EPDM and Neoprene sleeves shall have torsional flexing capability of 15° and accommodate 1° of angular misalignment. Hytrel sleeves, suitable to transmit four times the power of EPDM or Neoprene, has torsional flexing capability of 7° and 1/4° of angular misalignment.

The flexible sleeve is connected with external and internal gear teeth that engage with mating teeth in each flange. The coupling assemblies have optional methods of attachment to the shaft including but not limited to: clearance fit or QD Bushings. Clearance fits are supplied with an industry standard keyway and two set screws, one over the key and one at 65°.

Spacer Couplings consist of two hubs and a center assembly consisting of two spacer spacer flanges and one flexible element. The center assembly is easily removable to facilitate maintenance on pumps or other connected equipment and must be replaceable without disturbing the coupled equipment and without realignment.

D-Flex couplings utilizing EPDM and Neoprene elements are static conductive.

HOW TO ORDER


Standard couplings consist of:

- (2) Flange Assemblies
- (1) Flexible Sleeve

Spacer Couplings consist of:

- (2) Shaft Hubs
- (2) Spacer Flanges
- (1) Flexible Sleeve

NOMENCLATURE



6 JE / 2 - 6J X 7/8

SIZE ————— 6

SLEEVE ————— JE
(JE, JES, E, JN, JNS, N, H, HS)

FLANGE QTY. ————— 2

FLANGE SIZE AND TYPE ————— 6J X 7/8

FLANGE BORE ————— 7/8

For selection method, please refer to page PT1-83

FEATURES/BENEFITS PAGE PT1-35	SELECTION/DIMENSIONS PAGE PT1-37	MODIFICATION/ACCESSORIES PAGE PT1-93	ENGINEERING/TECHNICAL PAGE PT1-95
----------------------------------	-------------------------------------	---	--------------------------------------



SELECTION/DIMENSIONS

D-FLEX Couplings FOUR-WAY FLEXING ACTION HANDLES SHOCK, VIBRATION & MISALIGNMENT

PT Component
Reference Guide

Couplings

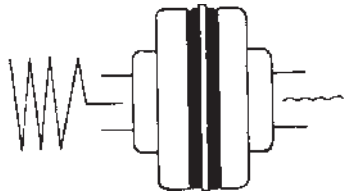
Clutches and Brakes

FLEXIDYNE

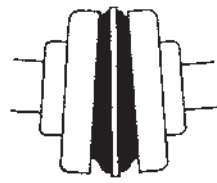
Fluid Couplings

TORQUE-TAMER

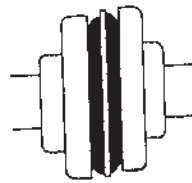
Bushings



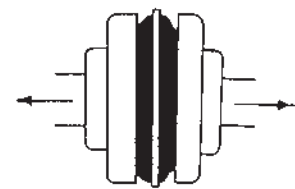
TORSIONAL
Absorbs torsional shock, dampens torsional vibrations



ANGULAR
Allows for angular misalignment



PARALLEL
Minimizes bearing loads, absorbs parallel misalignment with less wear and energy loss



AXIAL
Allows for shaft end-float

D-FLEX Coupling Sleeves

	EPDM Rubber	Neoprene	Hytel(1)
One-Piece Solid Construction	JE	JN	H
One-Piece Split Construction	JES	JNS	-
Two-Piece Construction	E	N	HS
Sizes Offered	3 - 10 JE, JES 4 - 16 E	3 - 10 JN, JNS 4 - 14 N	6 - 12 H, HS
Temperature Range	-30°F to +275°F	0°F to +200°F	-65°F to +250°F
Max Angular	1°	1°	1/4°
Max Parallel(2)	.010" - .062"	.010" - .062"	.010" - .035"
Axial End-Float(2)(3)	.03" - .125"	.03" - .125"	.06" - .125"
Torsional Flexibility	15° Wind Up	15° Wind Up	7° Wind Up
Application Use	General	Good Oil Resistance	Downsizing For Use Of Smaller Couplings

(1) Do not use with J or B flanges or as a replacement for other sleeves

(2) Depends on coupling size.

(3) Increase the E dimension by this amount to accommodate end float.

FEATURES/BENEFITS PAGE PT1-35	SPECIFICATION/HOW TO ORDER PAGE PT1-37	MODIFICATION/ACCESSORIES PAGE PT1-93	ENGINEERING/TECHNICAL PAGE PT1-95
----------------------------------	---	---	--------------------------------------



SELECTION/DIMENSIONS

D-FLEX Couplings

D-FLEX Coupling Sleeves - Part Numbers

Coupling Size	EPDM			Neoprene			Hytrel	
	JE	JES	E	JN	JNS	N	H	HS
3	004208	004242		004209	004243			
4	004210	004244	022190	004211	004245	022211		
5	004212	004246	022191	004213	004247	022212		
6	004214	004248	022192	004215	004249	022213	022183	022232
7	004216	004250	022193	004217	004251	022214	022184	022233
8	004218	004252	022194	004219	004253	022215	022185	022234
9	004220	004254	022195			022216	022186	022235
10	004222	004256	022196			022217	022187	022236
11			022197			022218	022188	022237
12			022198			022219	022189	022238
13			021990			021993		022239
14			021991			021994		425730
16			021992					

D-FLEX Flange/Sleeve Compatibility

Flange Style	EPDM		Neoprene		Hytrel	
	JE/JES 1 Piece	E 2 Piece	JN/JNS 1 Piece	N 2 Piece	H 1 Piece	HS 2 Piece
Type J	√	√	√	√		
Type S	√	√	√	√	√	√
Type B Bushed	√	√	√	√		
SC Spacer	√	√	√	√	√	√

D-FLEX Section/Ratings Data

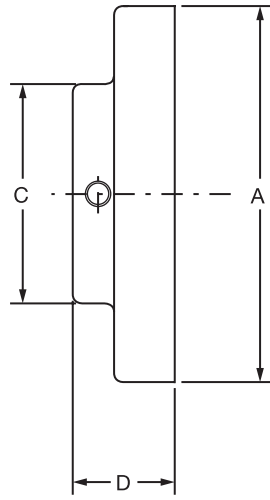
Element Size	Max. Bore				Max RPM	EPDM & Neoprene		Hytrel	
	Straight Bore			Bushes		HP/100	Rated Torque (In-Lbs)	HP/100	Rated Torque (In-Lbs)
	Type J	Type S	Type SC	Type B					
3	7/8	-	-	-	9200	0.10	60	-	-
4	1	-	-	-	7600	0.19	120	-	-
5	1-1/8	1-1/4	1-1/8	-	7600	0.38	240	-	-
6	1-3/8	1-7/8	1-3/8	1-3/16	6000	0.71	450	2.90	1,800
7	-	1-7/8	1-5/8	1-3/16	5250	1.20	725	4.60	2,875
8	-	2-3/8	1-7/8	1-5/8	4500	1.80	1,135	7.20	4,530
9	-	2-7/8	2-1/8	1-15/16	3750	2.80	1,800	11.40	7,200
10	-	3-3/8	2-3/8	2-1/2	3600	4.60	2,875	18.00	11,350
11	-	3-7/8	2-7/8	2-13/16	3600	7.20	4,530	28.60	18,000
12	-	3-15/16	2-7/8	3-1/2	2800	11.40	7,200	50.00	31,500
13	-	4-1/2	3-3/8	3-15/16	2400	18.00	11,350	75.00	47,268
14	-	5	3-7/8	3-15/16	2200	28.60	18,000	115.00	72,480
16	-	6	-	4-1/2	1500	75.00	47,250	-	-

FEATURES/BENEFITS PAGE PT1-35	SPECIFICATION/HOW TO ORDER PAGE PT1-37	MODIFICATION/ACCESSORIES PAGE PT1-93	ENGINEERING/TECHNICAL PAGE PT1-95
----------------------------------	---	---	--------------------------------------

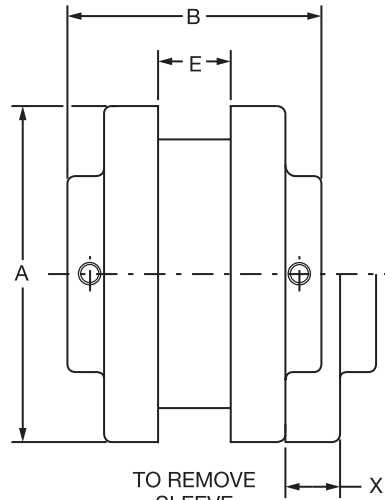


SELECTION/DIMENSIONS

D-FLEX Couplings TYPE "J" COUPLING DIMENSIONS



TYPE "J" FLANGE



TO REMOVE SLEEVE
TYPE "J" COUPLING

Dimensions

Coupling Size	Min. Bore	Max. Bore	HP/100	EPDM/Neoprene Torque (in.-lbs.)	Max. RPM	A	B	C	D	E	X	Weight (lbs.)	Inertia (lbs ft ²)
3J	3/8	7/8	0.10	60	9200	2.06	2.00	1.50	0.81	0.38	0.56	0.03	
4J	1/2	1	0.19	120	7600	2.46	2.38	1.63	0.88	0.63	0.75	0.04	
5J	1/2	1-1/8	0.38	240	7600	3.25	2.88	1.88	1.06	0.75	0.97	0.09	
6J	5/8	1-3/8	0.71	450	6000	4.00	3.31	2.50	1.22	0.88	1.09	1.20	

6J Minimum bore - 5/8"

Part Numbers

Bore (in.)	Coupling Flange			
	3J	4J	5J	6J
3/8	022700			
1/2	022701	022708	022714	
5/8	022702	022709	022715	022721
3/4	022703	022710	022716	022722
7/8	022704	022711	022717	022723
15/16		022712	022718	022724
1		022713	022719	022725
1-1/8			022720	022726
1-3/16				022727
1-1/4				022728
1-3/8				022729

Unless otherwise specified, all Type-J flanges are clearance fit per AGMA 9002.
See page 101 for additional details.

Complete coupling consists of (2) J flanges, and (1) sleeve (from page PT1-39).

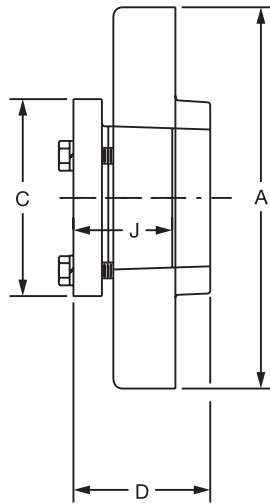
FEATURES/BENEFITS PAGE PT1-35	SPECIFICATION/HOW TO ORDER PAGE PT1-37	MODIFICATION/ACCESSORIES PAGE PT1-93	ENGINEERING/TECHNICAL PAGE PT1-95
----------------------------------	---	---	--------------------------------------



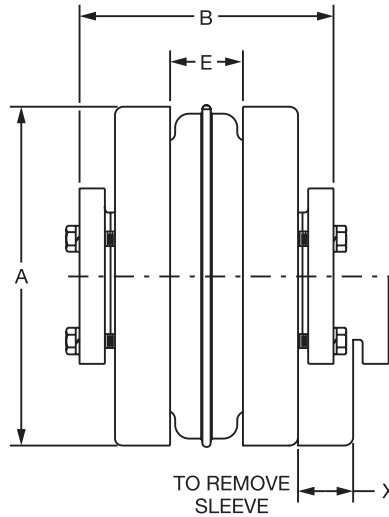
SELECTION/DIMENSIONS

D-FLEX Couplings

TYPE "B" QD BUSHED COUPLING DIMENSIONS



TYPE "B" FLANGE



TYPE "B" COUPLING

Dimensions

Coupling Size	Bushing Type	Min. Bore	Max. Bore#	HP/100	EPDM/Neoprene Torque (in.-lbs.)	Max. RPM	A	B	C	D	E	J	X	Weight (lbs.)+		Inertia (lbs ft ²)
														Flange	Bushing	
6B	JA	1/2	1-3/16	0.71	450	6000	4.00	3.31	2.00	1.53	0.88	1.00	1.09	1.30	0.40	
7B	JA	1/2	1-3/16	1.20	725	5250	4.63	3.44	2.00	1.59	1.00	1.00	1.31	1.90	0.40	
8B	SH	1/2	1-5/8	1.80	1135	4500	5.45	4.06	2.63	1.84	1.13	1.31	1.50	2.90	0.90	
9B	SD	1/2	1-15/16	2.80	1800	3750	6.35	4.63	3.19	2.19	1.44	1.81	1.75	4.80	1.60	
10B	SK	1/2	2-1/2	4.60	2875	3600	7.50	5.63	3.88	1.84	1.63	1.94	2.00	7.80	2.70	
11B	SF	1/2	2-15/16	7.20	4530	3600	8.63	6.56	4.63	2.13	1.88	2.00	2.38	12.00	3.80	
12B	E	7/8	3-1/2	11.40	7200	2800	10.00	7.94	6.00	2.69	2.31	2.75	2.69	18.00	9.00	
13B	F	1	3-15/16	18.00	11350	2400	11.75	9.31	6.63	3.69	2.69	3.75	3.00	31.20	14.00	
14B	F	1	3-15/16	28.60	18000	2200	13.88	10.44	6.63	3.69	3.25	3.75	3.50	51.40	14.00	
16B	J	1-1/2	4-1/2	75.00	47250	1500	18.88	13.25	7.25	4.75	4.75	4.63	4.50	120.00	21.00	

Max bore with shallow key

+ Approximate weight for each flange; average weight for each bushing

Part Numbers

	6B	7B	8B	9B	10B	11B	12B
Part No.	022501	022502	022503	022504	022505	022506	022507

	13B	14B	16B
Part No.	022508	022509	022510

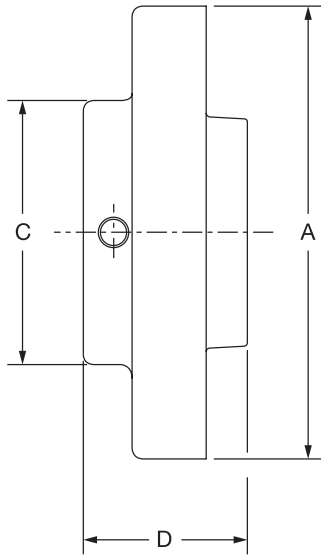
Complete coupling consists of (2) B flanges, (1) sleeve and (2) QD Bushings. QD Bushings must be ordered separately (from page PT6-16).

FEATURES/BENEFITS PAGE PT1-35	SPECIFICATION/HOW TO ORDER PAGE PT1-37	MODIFICATION/ACCESSORIES PAGE PT1-93	ENGINEERING/TECHNICAL PAGE PT1-95
----------------------------------	---	---	--------------------------------------

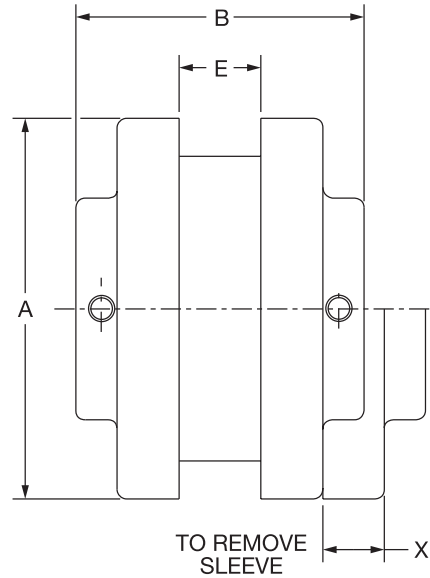


SELECTION/DIMENSIONS

D-FLEX Couplings TYPE "S" COUPLING DIMENSIONS



TYPE "S" FLANGE



TYPE "S" COUPLING

Dimensions

Coupling Size	Min. Bore	Max. Bore#	HP/100*	Torque* (in.-lbs.)	Max. RPM	A	B	C	D	E	X	Weight (lbs.)
5S	1/2	1-1/4	0.38	240	7600	3.25	2.81	1.88	1.34	0.75	0.97	1.1
6S	1/2	1-1/2							1.63			1.9
6S	1-9/16	1-3/4	0.71	450	6000	4	3.5	2.81	1.31	0.88	1.09	1.8
6S	1-13/16	1-7/8							1.31			1.8
7S	1/2	1-7/8	1.2	725	5250	4.63	3.94	2.81	1.84	1	1.31	2.6
8S	1/2	2-1/8	1.8	1135	4500	5.45	4.44	3.25	2.09	1.13	1.5	4.4
8S	2-3/16	2-3/8							1.66			3.7
9S	7/8	2-1/2	2.8	1800	3750	6.35	5.06	4.13	2.41	1.44	1.75	6.5
9S	2-9/16	2-7/8							1.81			6.2
10S	1-1/8	2-7/8	4.6	2875	3600	7.5	5.69	4.75	2.72	1.63	2	10.5
10S	2-15/16	3-3/8							2.03			9.8
11S	1-1/4	2-1/8							3.44			18.1
11S	2-3/16	2-3/4	7.2	4530	3600	8.63	7.13	5.63	3.44	1.88	2.38	17.9
11S	2-13/16	3-3/8							3.44			16.6
11S	3-7/16	3-7/8							2.63			16.4
12S	1-1/2	2-1/8										27.8
12S	2-3/16	2-7/8	11.4	7200	2800	10	8.25	5.75	4	2.31	2.69	27.5
12S	2-15/16	3-15/16										26.6
13S	2" Reb.	4-1/2	18	11350	2400	11.75	9.25	6.75	4.38	2.69	3.06	45.2
14S	2" Reb.	5	28.6	18000	2200	13.88	9.88	7.5	4.5	3.25	3.5	69.1
16S	2" Reb.	6	75	47250	1500	18.88	14.25	8	6	4.75	4.25	125.3

Max bore with shallow keyway. For max bore with standard keyway, see page PT1-43

* Ratings based on EPDM & Neoprene. For Hytrel ratings, see page PT1-39

FEATURES/BENEFITS PAGE PT1-35	SPECIFICATION/HOW TO ORDER PAGE PT1-37	MODIFICATION/ACCESSORIES PAGE PT1-93	ENGINEERING/TECHNICAL PAGE PT1-95
----------------------------------	---	---	--------------------------------------



SELECTION/DIMENSIONS

D-FLEX Couplings

Type "S" Coupling Flange - Part Numbers

Bore (in.)	Coupling Flange Size										
	5S	6S	7S	8S	9S	10S	11S	12S	13S	14S	16S
Reborable	004976	004977	004978	004979	004980	004981	004982	004983	004993	004994	004995
Finished Bore Flanges											
1/2	004498										
5/8	004500	004511	004534								
3/4	004502	004513	004536	004559							
7/8	004504	004515	004538	004561	004586						
15/16	004505	004516	004539	004562	004587						
1	004506	004517	004540	004563	004588						
1-1/8	004508	004519	004542	004565	004590	004619					
1-3/16	* 004509	004520	004543	004566	004591	004620					
1-1/4	† 004510	004521	004544	004567	004592	004621	004656				
1-5/16		004522	004545	004568	004593	004622	004657				
1-3/8		004523	004546	004569	004594	004623	004658				
1-7/16		* 004524	004547	004570	004595	004624	004659				
1-1/2		† 004525	004548	004571	004596	004625	004660	004696			
1-5/8		004527	* 004550	004573	004598	004627	004662	004698			
1-11/16		004528	004551	004574	004599	004628	004663	004699			
1-3/4		004529	004552	004575	004600	004629	004664	004700			
1-7/8		004531	† 004554	004577	004602	004631	004666	004702			
1-15/16				004578	004603	004632	004667	004703			
2				004579	004604	004633	004668	004704			
2-1/8				† 004581	004606	004635	004670	004706			
2-3/16				004582	004607	004636	004671	004707			
2-1/4				004583	004608	004637	004672	004708			
2-3/8				004585	* 004610	004639	004674	004710	004996		
2-7/16					004611	004640	004675	004711			
2-1/2					† 004612	004641	004676	004712			
2-5/8					004614	004643	004678	004714			
2-11/16					004615	004644	004679	004715			
2-3/4					004616	* 004645	004680	004716			
2-7/8					004618	† 004647	004682	004718	004997	004998	
2-15/16						004648	004683	004719			
3						004649	004684	004720			
3-1/8						004651	004686	004722			
3-1/4						004653	004688	004724			
3-5/16						004654	004689	004725			
3-3/8						004655	*† 004690	004726			
3-7/16							004691	004727			
3-1/2							004692	004728			
3-5/8							004693	004730			
3-11/16								004731			
3-3/4							004694	004732			
3-7/8							004695	*† 004734			
3-15/16								004735			

Unless otherwise specific, all Type-S flanges are clearance fit per AGMA 9002. See page 101 for additional details.

*Max bore with std. square keyway. Larger bores have rectangular keyways & keys supplied.

† Max bore for reborable flanges.

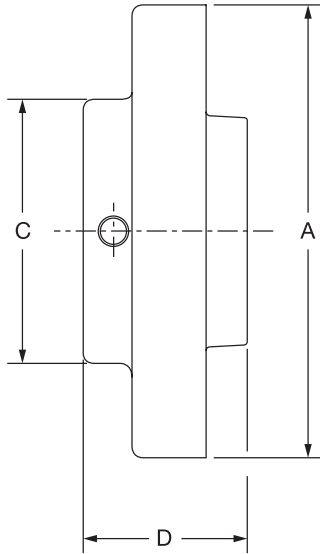
Complete coupling consists of (2) S flanges and (1) sleeve (from page PT1-39).

FEATURES/BENEFITS PAGE PT1-35	SPECIFICATION/HOW TO ORDER PAGE PT1-37	MODIFICATION/ACCESSORIES PAGE PT1-93	ENGINEERING/TECHNICAL PAGE PT1-95
----------------------------------	---	---	--------------------------------------

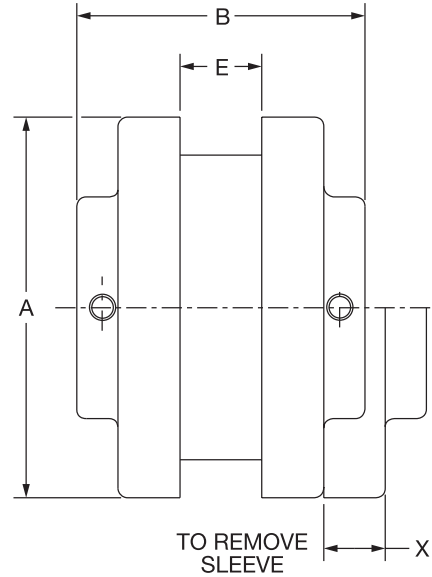


SELECTION/DIMENSIONS

D-FLEX Couplings TYPE "S" COUPLING DIMENSIONS - METRIC



TYPE "S" FLANGE



TYPE "S" COUPLING

Dimensions

Coupling Size	Min. Bore (mm)	Max. Bore #	Watts/100*	Torque* (N-m)	Max. RPM	A (mm)	B (mm)	C (mm)	D (mm)	E (mm)	X (mm)	Mass (kg)
5S	12.7	30	283	27.1	7600	82.6	71.4	48	34	19	25	0.5
6S	12.7	38	530	51	6000	101.6	89	71	41	22	28	0.9
7S	12.7	42	895	82	5250	117.6	100	71	47	25	33	1.2
8S	12.7	50	1343	128	4500	138.4	113	83	53	29	38	2.0
9S	22.2	60	2089	203	3750	161.3	129	92	61	37	44	2.9
10S	28.0	70	3432	325	3600	190.5	145	111	69	41	51	4.8
11S	30.0	95	5371	512	3600	219.2	181	143	87	48	60	8.2
12S	38.0	100	8504	814	2800	254.0	210	146	102	59	68	12.6
13S	50.8	114	13428	1282	2400	298.5	235	171	111	68	78	20.5
14S	50.8	127	21336	2034	2200	352.6	251	191	114	83	89	31.3
16S	50.8	140	55950	5339	1500	479.6	362	203	152	121	108	56.8

Max bore with shallow keyway. For max bore with standard keyway, see page PT1-43

* Ratings based on EPDM & Neoprene. For Hytrel ratings, see page PT1-39



SELECTION/DIMENSIONS

D-FLEX Couplings

Type "S" Coupling Flange - Part Numbers - Metric

Bore (mm)	Coupling Flange Size							
	5S	6S	7S	8S	9S	10S	11S	12S
14mm	004856	004865	004878	004893	004911			
16mm	004857	004866	004879	004894	004912			
18mm	004858	004867	004880	004895	004913			
19mm	004859	004868	004881	004896	004914			
20mm	004860	004869	004882	004897	004915			
22mm	004861	004870	004883	004898	004916			
24mm	004862	004871	004884	004899	004917			
25mm	004863	004872	004885	004900	004918			
28mm	004864	004873	004886	004901	004919	004928		
30mm		004874	004887	004902	004920	004929	004942	
32mm		004875	004888	004903	004921	004930	004943	
35mm		004876	004889	004904	004922	004931	004944	
38mm			004890	004905	004923	004932	004945	004960
40mm			004891	004906	004924	004933	004946	004961
42mm			004892	004907	004925	004934	004947	004962
45mm				004908	004926	004935	004948	004963
48mm				004909	004927	004936	004949	004964
50mm				004910		004937	004950	004965
55mm						004938	004951	004966
60mm						004939	004952	004967
65mm						004940	004953	004968
70mm						004941	004954	004969
75mm							004955	004970
80mm							004956	004971
85mm							004957	004972
90mm							004958	004973
95mm							004959	004974
100mm								004975

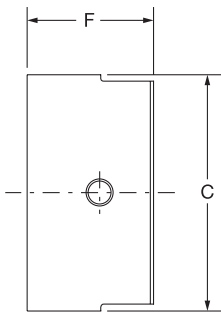
Complete coupling consists of (2) S flanges and (1) sleeve (from page PT1-39).

FEATURES/BENEFITS PAGE PT1-35	SPECIFICATION/HOW TO ORDER PAGE PT1-37	MODIFICATION/ACCESSORIES PAGE PT1-93	ENGINEERING/TECHNICAL PAGE PT1-95
----------------------------------	---	---	--------------------------------------

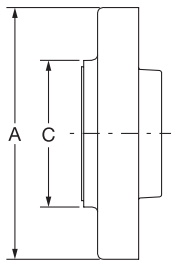


SELECTION/DIMENSIONS

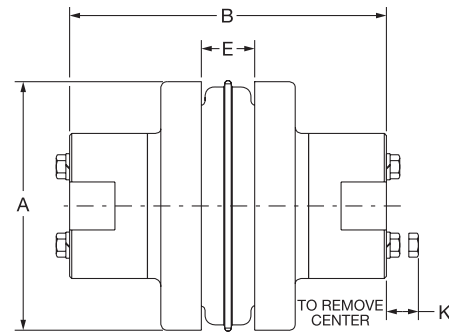
D-FLEX Couplings TYPE "SC" COUPLING DIMENSIONS



SHAFT HUB



SPACER FLANGE



COMPLETE SPACER COUPLING

Dimensions (1)

Cplg. Size	BSE	Flange Number	Shaft Hub		Max. Bore (2)		A	(3) B	C	E	F		K	Wt. (4) (lbs.)
			H	HS	H	HS					H	HS		
5SC	3.50	5SC35	5H	-	1-1/8	-	3.25	5.63	2.00	0.75	1.09	-	0.56	4.50
	3.50	6SC35	6H	---	1-3/8	-	4.00	5.88	2.50	0.88	1.22	-	0.75	7.30
	4.38	6SC44	6H	-	1-3/8	-		6.75	2.50		1.22	-		8.10
6SC	5.00	6SC50	6H	-	1-3/8	-		7.88	2.50		1.22	-		8.70
	3.50	7SC35	7H	---	1-5/8	-	4.63	6.38	2.81	1.00	1.47	-	0.63	9.90
	4.38	7SC44	7H	-	1-5/8	-		7.25	2.81		1.47	-		10.80
7SC	5.00	7SC50	7H	-	1-5/8	-		7.88	2.81		1.47	-		11.40
	3.50	8SC35	8H	-	1-7/8	-	5.45	6.88	3.25	1.13	1.72	-	0.81	15.20
	3.50	8SC35-10	10H	10HS	2-3/8	1-5/8		9.13	4.38		2.34	-	0.81	23.20
8SC	4.38	8SC44	8H	-	1-7/8	-		7.75	3.25		1.72	1.66	0.81	16.40
	5.00	8SC50	8H	-	1-7/8	-		8.38	3.25		1.72	1.33	1.19	17.40
	5.00	8SC50-10	10H	10HS	2-3/8	1-5/8		9.63	4.38		2.34	-	1.19	27.20
	3.50	9SC35	9H	9HS	2-1/8	1-1/2	6.35	7.50	3.63	1.44	1.97	1.53	1.06	18.60
9SC	4.38	9SC44	9H	9HS	2-1/8	1-1/2		8.25	3.63		1.97	1.53	1.06	22.20
	5.00	9SC50	9H	9HS	2-1/8	1-1/2		8.88	3.63		1.97	1.53	1.06	23.20
	5.00	9SC50-11	11H	11HS	2-7/8	1-7/8		10.38	5.25		2.72	1.91	1.19	40.40
	7.00	9SC70-11	11H	11HS	2-7/8	1-7/8		12.38	5.25		2.72	1.91	1.19	48.20
	7.75	9SC78-11	11H	11HS	2-7/8	1-7/8		13.13	5.25		2.72	1.91	1.19	51.00
10SC	4.75	10SC48	10H	10HS	2-3/8	1-5/8	7.50	9.38	4.38	1.63	2.34	1.66	1.19	37.60
	5.00	10SC50	10H	10HS	2-3/8	1-5/8		9.63	4.38		2.34	1.66	1.19	38.40
	7.00	10SC70-13	13H	13HS	3-3/8	2-1/2		13.63	6.13		3.34	2.47	1.88	72.00
	7.75	10SC78-13	13H	13HS	3-3/8	2-1/2		14.63	6.13		3.34	2.47	1.88	76.00
	10.00	10SC100-13	13H	13HS	3-3/8	2-1/2		16.63	6.13		3.34	2.47	1.88	88.00
11SC	4.75	11SC48	11H	11HS	2-7/8	1-7/8	8.63	10.31	5.25	1.88	2.72	1.91	1.19	54.50
	5.00	11SC50	11H	11HS	2-7/8	1-7/8		10.38	5.25		2.72	-	1.19	54.70
	7.00	11SC70-14	14H	-	3-7/8	-		14.38	6.50		3.84	-	2.00	86.10
	7.75	11SC78-14	14H	-	3-7/8	-		15.38	6.50		3.84	-	2.00	90.30
	10.00	11SC100-14	14H	-	3-7/8	-		17.63	6.50		3.84	-	2.00	102.70
12SC	7.00	12SC70	12H	12HS	2-7/8	2-1/2	10.00	12.88	5.75	2.31	2.97	2.53	1.50	88.10
	7.00	12SC70-14	14H	-	3-7/8	-		14.63	6.50		3.84	-	2.00	99.10
	7.75	12SC78	12H	12HS	2-7/8	2-1/2		13.63	5.75		2.97	-	1.50	91.90
	7.75	12SC78-14	14H	-	3-7/8	-		14.38	6.50		3.84	-	2.00	103.30
	10.00	12SC100-14	14H	-	3-7/8	-		17.63	6.50		3.84	-	2.00	115.70
13SC	7.75	13SC78	13H	13HS	3-3/8	2-1/2	11.75	14.38	6.13	2.69	3.34	2.47	1.88	129.60
14SC	7.75	14SC78	14H	-	3-7/8	-	13.88	15.38	6.50	3.25	3.84	-	2.00	179.90

(1) Ratings (HP/100, Torque, RPM) same as Type S. See page PT1-42.

(2) Check shaft hub table on next page for minimum Bore.

(3) B dimension included H hubs. Dimension will change if one or two HS (short hubs) are used.

(4) Complete coupling weight at MAX bore.

FEATURES/BENEFITS PAGE PT1-35	SPECIFICATION/HOW TO ORDER PAGE PT1-37	MODIFICATION/ACCESSORIES PAGE PT1-93	ENGINEERING/TECHNICAL PAGE PT1-95
----------------------------------	---	---	--------------------------------------



SELECTION/DIMENSIONS

D-FLEX Couplings

Type "SC" Couplings - Spacer Flange Part Numbers

BSE (in.)	Coupling Size						
	5SC	6SC	7SC	8SC	8SC-10	9SC	9SC-11
3.50	• 022000	• 022001	• 022004	• 022007	• 022775	• 022010	
4.38		• 022002	• 022005	• 022008		• 022011	
5.00		• 022003	• 022006	• 022009	• 022776	• 022012	• 022777
7.00							• 022778
7.75							• 022779

BSE (in.)	Coupling Size							
	10SC	10SC-13	11SC	11SC-14	12SC	12SC-14	13SC	14SC
4.75	• 022013		• 022015					
5.00	• 022014		• 022016					
7.00		022780		022783	• 022017	022786		
7.75		022781		022784	• 022018	022787	021997	021998
10.00		022782		022785		022788		

• Stock flanges

Spacer Shaft Hub Part Numbers

Bore (in.)	Coupling Size									
	5H	6H	7H	8H	9H	10H	11H	12H	13H	14H
Reborable Finished Bore Hubs	• 022220	• 022221	• 022222	• 022223	• 022224	• 022225	• 022226	• 022227	022228	
1/2	022329									
5/8	• 022331	022340	022353							
11/16	022332	022341	022354							
3/4	• 022333	• 022342	022355	022368						
7/8	• 022335	• 022344	• 022357	022370	022387					
15/16	022336	022345	022358	022371	022388					
1	• 022337	• 022346	• 022359	• 022372	022389					
1-1/8	• 022339	• 022348	• 022361	• 022374	022391	022409	0022452			
1-1/8 (1)					• 022392(1)	• 022410(1)	022453(1)			
1-3/16		022349	022362	022375	022393	022411	022454			
1-1/4		• 022350	022363	022376	022394	022412	022455			
1-5/16		022351	022364	022377	022395	022413	022456			
1-3/8		022352	• 022365	• 022378	• 022396	022414	022457			
1-7/16				022379	022397	022415	022458			
1-1/2			• 022366	• 022380	• 022398	022416	022459			
1-9/16				022381	022399	022417	022460			
1-5/8			• 022367	• 022382	• 022400	• 022418	022461			
1-5/8 (1)							022462(1)			
1-3/4				• 022384	• 022402	022420	022464			
1-7/8				• 022386	• 022404	• 022428	• 022466	022483		
1-15/16					022405	022429	022467	022484		
2					022406	022430	022468	022485		
2-1/8					• 022408	• 022432	• 022470	022487	022813(1)	
2-3/16						022433	022471	022488		
2-1/4						022434	022472	022489		
2-5/16						022435	022473	022490		
2-3/8						• 022436	• 022474	022491	022810	• 022815
2-3/8(1)								022492(1)	022814(1)	
2-7/16							022475	022493		
2-1/2							022476	022494		
2-5/8							022478	022496		
2-11/16							022479	022497		
2-3/4							022480	022498		
2-7/8							• 022482	022500	022811	022816
3-3/8									022812	022817
3-7/8										022818

• Stock hub assemblies

(1) HS (Short Hub)

Complete coupling consists of (2) shaft hubs, (2) spacer flanges, and (1) sleeve (from page PT1-39)

FEATURES/BENEFITS PAGE PT1-35	SPECIFICATION/HOW TO ORDER PAGE PT1-37	MODIFICATION/ACCESSORIES PAGE PT1-93	ENGINEERING/TECHNICAL PAGE PT1-95
----------------------------------	---	---	--------------------------------------



FEATURES/BENEFITS

GRID-LIGN

PT Component
Reference Guide

Couplings

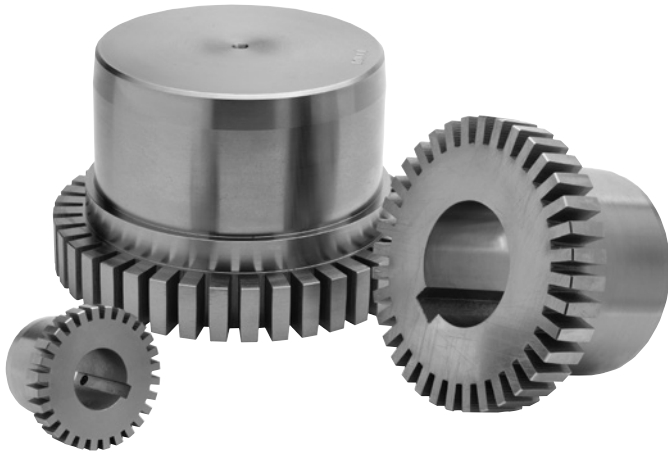
Clutches and Brakes

FLEXIDYNE

Fluid Couplings

TORQUE-TAMER

Bushings



The basic GRID-LIGN coupling consists of two steel shaft hubs, a high strength spring steel tapered grid element, two seals and a cover assembly. Misalignment and end float are accommodated by the sliding action of the grid in the lubricated hub grooves.

Standard GRID-LIGN couplings operate reliably between -22° and +215°F. They can accept angular misalignment to 1/2°, parallel misalignment to .012", and end float to .375". Speed capability goes as high as 6000 RPM.

GRID-LIGN couplings can be mounted with TAPER-LOCK bushings on shafts from 1/2" to 3-15/16". Straight bore hubs go up to 13" bore.



Flexible Tapered Element

- Isolates vibration, cushions shock loads
- Allows uniform contact during light, normal and shock loading conditions
- Lengthens machine life
- Constructed from tempered spring steel for long life

High Torque Capability

- Torque ranges from 464 to 1,650,000 in. lbs.
- Steel components allow for compact size

Interchangeability

- Stock GRID-LIGN coupling configurations include the standard full-flex design in vertically or horizontally split covers, half spacers and full spacers
- Interchangeable with other tapered grid style couplings

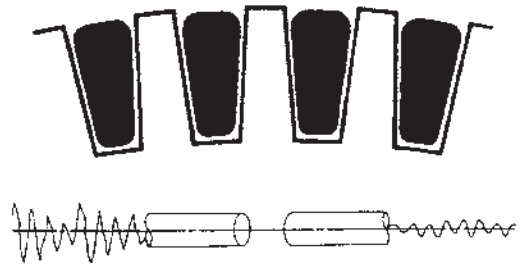
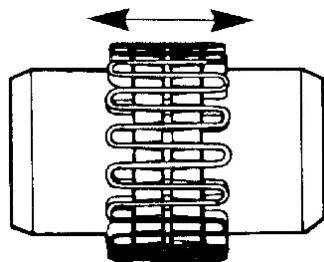
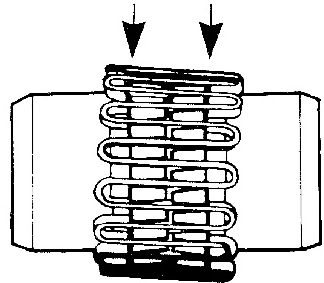
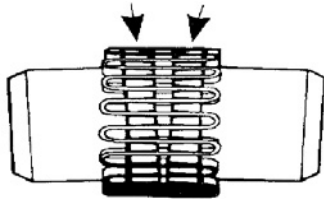


FEATURES/BENEFITS

GRID-LIGN

STYLE, SIZES AND RATINGS CHART

Coupling Styles	Number of Sizes	Maximum Ratings		
		Bore	Torque	Speed
T10 Standard Coupling H Cover	19	13.0"	1,650,000	6000
T20 Standard Coupling V Cover	10	5.0"	75,000	6000
T31 Full Spacer	8	4.25"	30,000	3600
T35 Half Spacer	8	4.25"	30,000	3600



TAPERED GRID DESIGN

- Tapered grid element, combined with the contoured hub grooves, transmit torque efficiency while accommodating misalignment and cushioning shock loads
- Grid element made from high strength steel that is quenched and tempered for long life



GRID-LIGN

SPECIFICATION

GRID-LIGN Couplings are tapered grid style with hubs, grids and covers which are interchangeable with other industry standard tapered grid couplings. Grid hubs are machined steel, protected with an anti-rust coating. Hubs have optional methods of attachment to the shaft including but not limited to: clearance fit, interference fit or TAPER-LOCK bushings. Clearance fits and interference fits are supplied with an industry standard keyway. Clearance fits are supplied with two set screws, one over the key and one at 65°. The grid element is made of high strength spring steel, heat treated and shot peened to enhance strength and durability.

The coupling is designed and manufactured such that the grid member can be replaced without disturbing the connected equipment and without the requirement for realignment. All Grid-Lign Couplings are fitted with covers to retain lubrication and prevent the entry of abrasives and contaminants. Covers are of a two piece design to facilitate installation and are available as axial split or radial split. DODGE will provide recommendations for types and amounts of lubricant suitable for operation in ambient temperatures from -22°F to +215°F.

Spacer Couplings consist of two shaft hubs and a center assembly consisting of two spacer hubs, one grid and cover. The center assembly is readily removable to facilitate maintenance on pumps or other connected equipment. The center assembly must be replaceable without disturbing the coupled equipment and without realignment.

NOTE: Instruction manuals for all Dodge products available at www.baldor.com

FEATURES/BENEFITS PAGE PT1-48	SELECTION/DIMENSIONS PAGE PT1-50	MODIFICATION/ACCESSORIES PAGE PT1-93	ENGINEERING/TECHNICAL PAGE PT1-95
----------------------------------	-------------------------------------	---	--------------------------------------



GRID-LIGN

HOW TO ORDER

<p>Standard couplings consist of:</p> <ul style="list-style-type: none"> (2) Shaft Hubs (1) Grid & Cover Assembly (T10 or T20) 	<p>Spacer couplings consists of:</p> <ul style="list-style-type: none"> T31 Spacer <ul style="list-style-type: none"> (2) "T" Shaft Hubs (2) Spacer Hubs (1) T10 Grid & Cover Assembly T35 Half Spacer <ul style="list-style-type: none"> (1) Shaft Hub (1) Spacer Hub (1) "T" Shaft Hub (1) T10 Grid & Cover Assembly
--	---

NOMENCLATURE

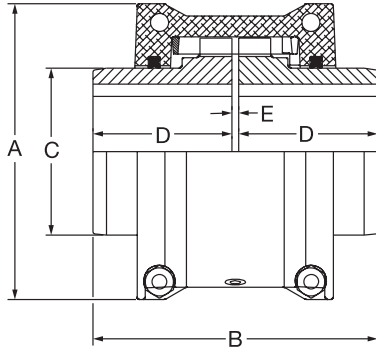
	<p>Size <u>1020</u> <u>T10</u></p>
	<p>Coupling Type _____</p> <ul style="list-style-type: none"> T10 = Horizontal Split Cover T20 = Vertical Split Cover T31 = Full Spacer T35 = Half Spacer



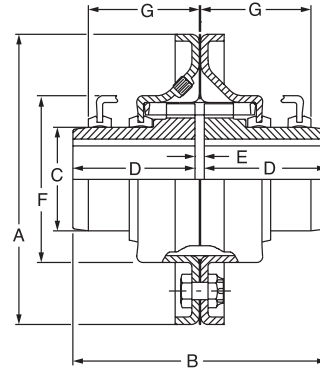
SELECTION/DIMENSIONS

GRID-LIGN

RATINGS AND DIMENSIONS FOR COUPLING SIZES 1020T - 1140T



TYPE T10



TYPE T20

Coupling Size	Straight Bore			TAPER-LOCK		HP/100		TORQUE		Max. RPM	
	Min. Bore	Maximum Bore		Min. Bore	Max. Bore	Str. Hub	T-L Hub	Str. Hub (In-Lbs)	T-L Hub (In-Lbs)	T10	T20
		Sq. Key	Rec. Key								
1020T	0	1-1/8	1-3/16	N/A	N/A	0.74	-	464	-	4500	6000
1030T	0	1-3/8	1-7/16	1/2	1-1/8	2.09	1.9	1320	1200	4500	6000
1040T	0	1-5/8	1-3/4	1/2	1-1/8	3.49	2.1	2200	1300	4500	6000
1050T	0	1-7/8	2	1/2	1-1/4	6.11	5.6	3850	3500	4500	6000
1060T	0	2-1/8	2-1/4	1/2	1-11/16	9.60	6.8	6050	4300	4350	6000
1070T	0	2-1/2	2-11/16	1/2	2-1/8	13.96	11.3	8800	7150	4125	5500
1080T	0	3	3-1/4	3/4	2-11/16	28.80	17.9	18150	11300	3600	4750
1090T	0	3-1/2	3-3/4	15/16	3-1/4	52.36	38.1	33000	24000	3600	4000
1100T	0	4	4-1/4	15/16	3-1/4	88.14	38.1	55550	24000	2440	3250
1110T	0	4-1/2	4-5/8	1-13/16	3-15/16	130.90	71.1	82500	44800	2250	3000
1120T	2-3/8	5	5-3/8	*	*	191.99	*	121000	*	2025	2700
1130T	2-5/8	6	6-1/2	*	*	279.25	*	176000	*	1800	2400
1140T	2-5/8	7	7-1/4	*	*	401.43	*	253000	*	1650	2200

Coupling Size	A		B		C	D		E	Weight (Lbs.) (1)		Inertia (Lb. Ft. ²) (2)
	T10	T20	Str. Hub	T-L Hub		Str. Hub	T-L Hub		T10	T20	
	1020T	3.47	4.38	3.89		N/A	1.56		1.9	N/A	0.1
1030T	3.88	4.75	3.89	3.39	1.94	1.9	1.6	0.1	3.8	4.0	0.1
1040T	4.22	5.06	4.13	3.36	2.25	2.0	1.6	0.1	4.7	4.9	0.1
1050T	5.09	5.81	4.88	3.89	2.63	2.4	1.9	0.1	7.3	7.5	0.2
1060T	5.47	6.38	5.13	4.38	3.00	2.5	2.1	0.1	11.0	11.0	0.3
1070T	5.92	6.81	6.13	4.38	3.44	3.0	2.1	0.1	13.8	14.0	0.4
1080T	6.92	7.88	7.13	5.39	4.13	3.5	2.6	0.1	25.1	25.6	1.01
1090T	7.70	9.13	7.88	6.39	4.88	3.9	3.1	0.1	35.1	35.6	1.7
1100T	9.88	10.50	9.69	7.19	5.59	4.8	3.5	0.2	62.6	63.2	3.7
1110T	10.63	11.25	10.19	7.45	6.31	5.0	3.6	0.2	78.5	79.0	5.6
1120T	12.13	12.56	12.00	*	7.06	5.9	*	0.3	114.0		10.8
1130T	13.63	14.88	13.00	*	8.56	6.4	*	0.3	165.0		20.2
1140T	15.13	16.38	14.75	*	10.00	7.3	*	0.3	236.0		36.4

(1) Weight of complete coupling at maximum bore

(2) Inertia of complete coupling at maximum bore

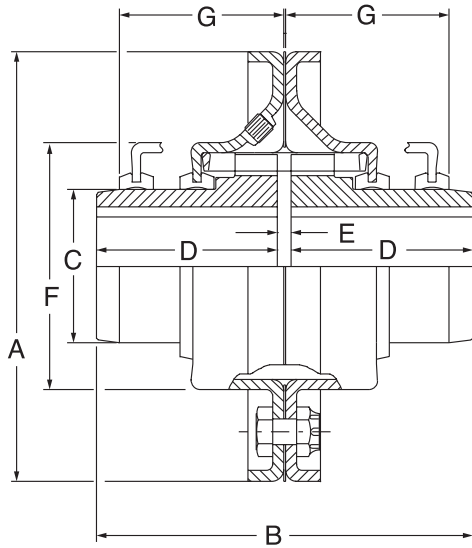
* Priced on Request

FEATURES/BENEFITS PAGE PT1-48	SPECIFICATION/HOW TO ORDER PAGE PT1-52	MODIFICATION/ACCESSORIES PAGE PT1-93	ENGINEERING/TECHNICAL PAGE PT1-95
----------------------------------	---	---	--------------------------------------

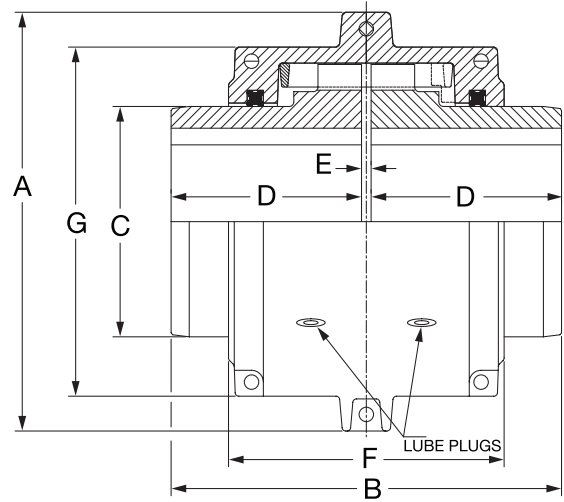


SELECTION/DIMENSIONS

GRID-LIGN COUPLINGS SIZES FOR 1150T - 1200T



TYPE T20



TYPE T10

Coupling Size	Straight Bore		Torque		Maximum RPM		Weight (lbs) (1)	Inertia (lb ft ²) (2)
	Minimum	Maximum	HP/100	In-Lbs	T10	T20		
1150T	4.1	8.0	558.5	352000	1500	2000	516	12387
1160T	4.6	9.0	785.4	495000	1350	1750	699	20192
1170T	5.1	10.0	1047.2	660000	1225	1600	988	35251
1180T	5.8	11.0	1451.8	915000	1110	1400	1365	63935
1190T	5.8	12.0	1919.9	1210000	1050	1300	1711	95407
1200T	6.8	13.0	2618.0	1650000	900	1100	2333	158256

Coupling Size	A		B	C	D	E	F	G
	T10	T20						
1150T	17.9	18.8	14.7	10.6	7.2	0.3	10.8	15.5
1160T	19.8	21.0	15.9	12.0	7.8	0.3	11.0	17.2
1170T	22.4	23.0	17.3	14.0	8.5	0.3	12.2	19.2
1180T	24.8	24.8	19.1	15.5	9.4	0.3	12.7	21.9
1190T	26.4	27.0	20.7	18.3	10.2	0.3	12.8	23.8
1200T	30.0	29.0	22.3	19.6	11.0	0.3	14.0	26.1

(1) Weight of complete coupling at minimum bore

(2) Inertia of complete coupling at minimum bore



SELECTION/DIMENSIONS

GRID-LIGN

Type T10 And T20 GRID-LIGN Couplings Part Numbers - Sizes 1020T Thru 1090T

Size	1020T	1030T	1040T	1050T	1060T	1070T	1080T	1090T
T10 Grid/Cover	• 006750	• 006751	• 006752	• 006753	• 006754	• 006755	• 006756	• 006757
T20 Grid/Cover	• 006765	• 006766	• 006767	• 006768	• 006769	• 006770	• 006771	• 006772
Grid	• 006275	• 006276	• 006277	• 006278	• 006279	• 006280	• 006281	• 006282
T10 Cover	• 006250	• 006251	• 006252	• 006253	• 006254	• 006255	• 006256	• 006257
T20 Cover	• 006260	• 006261	• 006262	• 006263	• 006264	• 006265	• 006266	• 006267
T-L Hubs	N/A	• 006318	• 006319	• 006320	• 006321	• 006322	• 006323	• 006324
Bushing Size	N/A	1108	1108	1215	1615	2012	2525	3030
Reborable	• 006290	• 006291	• 006292	• 006293	• 006294	• 006295	• 006296	• 006297
Finished Bore Hub								
1/2	006580							
5/8	006581	006585						
3/4	• 006582	• 006586						
7/8	006583	• 006587	• 006592	• 006576				
15/16	006571	006572	006950	006953	006957			
1	• 006584	• 006588	• 006593	• 006577				
1-1/8	• 006793	• 006589	• 006594	• 006599	006578			
1-3/16			006951	006954	006958			
1-1/4		• 006590	• 006595	• 006600	• 006579	006629		
1-3/8		• 006591	• 006596	• 006601	• 006606	006640		
1-7/16			006952	006955	006643	006961		
1-1/2			• 006597	• 006602	• 006607	• 006641	006642	006540
1-5/8			• 006598	• 006603	• 006608	• 006612	006539	
1-11/16				• 006956	006959	006962		
1-3/4				006604	• 006609	• 006613		
1-7/8				• 006605	• 006610	• 006614	006573	006541
1-15/16					• 006960	006963		
2					• 006794	• 006615	006620	
2-1/8					• 006611	• 006616	• 006621	006656
2-3/16						• 006964	006966	
2-1/4						• 006617	• 006622	• 006657
2-3/8						• 006618	• 006623	• 006804
2-7/16						• 006965	006967	
2-1/2						006619	• 006624	• 006795
2-5/8						006479	006625	006796
2-11/16							006968	006790
2-3/4							006626	006797
2-7/8							• 006627	• 006798
2-15/16							006969	006791
3							006628	006799
3-1/8								006800
3-1/4								006801
3-3/8								• 006802
3-7/16								006792
3-1/2								006803
3-5/8								
3-3/4								006480
3-7/8								
3-15/16								
4								

• Stock Sizes *Priced on request

Note: For TAPER-LOCK design, TAPER-LOCK bushings must be ordered separately

Note: 1020T - 1090T hubs come standard as clearance fit. Interference fit available on request.

Complete coupling consists of: (2) Hubs, TAPER-LOCK or straight bore, and (1) grid & cover assembly

FEATURES/BENEFITS PAGE PT1-48	SPECIFICATION/HOW TO ORDER PAGE PT1-52	MODIFICATION/ACCESSORIES PAGE PT1-93	ENGINEERING/TECHNICAL PAGE PT1-95
----------------------------------	---	---	--------------------------------------



SELECTION/DIMENSIONS

GRID-LIGN

Type T10 And T20 GRID-LIGN Couplings Part Numbers - Sizes 1100T Through 1200T

Size	1100T	1110T	1120T	1130T	1140T	1150T	1160T	1170T	1180T	1190T	1200T
T10 Grid/Cover	• 006758	• 006759	• 006760	• 006761	• 006762	• 007456	• 007457	• 007458	• 007459	• 007460	• 007461
T20 Grid/Cover	• 006773	• 006774	425514	423677	426916	007017	007018	007019	007020	007021	007022
Grid	• 006283	• 006284	007462	007463	007464	• 007465	• 007466	• 007467	• 007468	• 007469	• 007470
T10 Cover	• 006258	• 006259	007471	007472	007473	• 007474	• 007475	• 007476	• 007477	• 007478	• 007479
T20 Cover	• 006268	• 006269	426672	426673	426674	007011	007012	007013	007014	007015	007016
T-L Hubs	• 006325	• 006326	423589	393257	*	*	*	*	*	*	*
Bushing Size	3030	3535	4040	4545	*	*	*	*	*	*	*
Reborable	• 006298	• 006299	• 006300	• 006301	• 006245	• 007450	• 007451	• 007452	• 007453	• 007454	• 007455
Finished Bore Hubs											
2-1/2	006460										
2-5/8	006461										
2-11/16	006473										
2-3/4	006462										
2-7/8	006463										
2-15/16	006474										
3	006464	006486									
3-1/8	006465	006487									
3-1/4	006466	006488									
3-3/8	• 006467	006489									
3-7/16	006475	006484									
3-1/2	006468	006490									
3-5/8	006469	006491									
3-3/4	006470	006492									
3-7/8	006471	006493									
3-15/16	006476	006485									
4	006472	006494									

• Stock Sizes *Priced on request

Note: For TAPER-LOCK design, TAPER-LOCK bushings must be ordered separately

Note: 1100T - 1200T hubs come standard as interference fit. Clearance fit available on request

Complete coupling consists of: (2) Hubs, TAPER-LOCK or straight bore, and (1) grid & cover assembly.

TL Bushings on page PT6-2

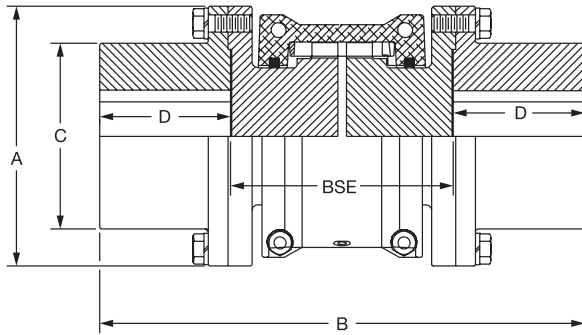
FEATURES/BENEFITS PAGE PT1-48	SPECIFICATION/HOW TO ORDER PAGE PT1-52	MODIFICATION/ACCESSORIES PAGE PT1-93	ENGINEERING/TECHNICAL PAGE PT1-95
----------------------------------	---	---	--------------------------------------



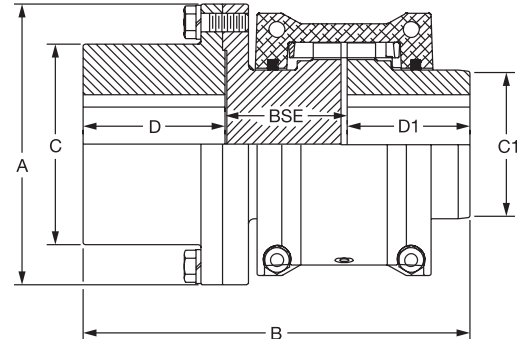
SELECTION/DIMENSIONS

GRID-LIGN

SPACER, STRAIGHT BORE & TAPER-LOCK DIMENSIONS/RATINGS



TYPE T31



TYPE T35

Coupling Size	Straight Bore			TAPER-LOCK		HP/100 (5)		TORQUE (5)		Max. RPM	T31 Weight*	
	Min. Bore	Maximum Bore		Min. Bore	Max. Bore	Str. Hub	T-L Hub	Str. Hub (In-Lbs)	T-L Hub (In-Lbs)		(1)	(2)
		Sq. Key	Rec. Key									
1020T	---	1-3/8	1-7/16	1/2	1-1/8	0.67	0.67	422	422	3600	8.1	.54
1030T	---	1-5/8	1-3/4	1/2	1-1/8	1.90	1.90	1200	1200	3600	11.1	.83
1040T	---	2-1/8	2-1/4	1/2	1-7/16	3.20	3.20	2000	2000	3600	18.0	1.11
1050T	---	2-3/8	2-1/2	1/2	1-11/16	5.60	5.60	3500	3500	3600	26.6	1.52
1060T	---	2-7/8	3-1/8	1/2	2-1/8	8.70	8.70	5500	5500	3600	42.7	1.98
1070T	---	3-1/8	3-1/4	3/4	2-11/16	13.00	13.00	8000	8000	3600	52.3	2.60
1080T	---	3-1/2	3-3/4	3/4	2-11/16	26.00	17.90	16,500	11,300	3600	84.8	3.70
1090T	---	4	4-1/4	15/16	3-1/4	48.00	38.10	30,000	24,000	3600	130.0	5.20

Coupling Size	A	C	C1	D	D1	T31 BSE		T35 BSE		T31 Inertia (Lb. Ft. ²)	
						Min.	Max.	Min.	Max.	(3)	(4)
1020T	3.38	2.06	1.56	1.38	1.88	3.50	8.00	1.78	4.03	0.07	0.001
1030T	3.69	2.34	1.94	1.63	1.88	3.50	8.50	1.78	4.28	0.11	0.003
1040T	4.44	3.11	2.25	2.13	2.00	3.50	8.50	1.78	4.28	0.21	0.005
1050T	4.94	3.44	2.63	2.38	2.38	4.38	8.50	2.22	4.28	0.51	0.010
1060T	5.69	4.06	3.00	2.88	3.50	5.00	13.00	2.53	6.53	0.88	0.020
1070T	6.00	4.31	3.44	3.13	3.00	5.00	13.00	2.53	6.53	1.23	0.030
1080T	7.00	4.81	4.13	3.50	3.50	7.25	16.00	3.66	8.03	2.49	0.060
1090T	8.25	5.63	4.88	4.00	3.88	7.25	16.00	3.66	8.03	5.01	0.110

- (1) Weight of T31 coupling at maximum bore
- (2) Weight adder per inch
- (3) Inertia of T31 coupling at maximum bore
- (4) Inertia adder per inch
- (5) HP/100 and TORQUE ratings for T-L style shaft hubs apply for "T" shaft hubs. See page PT1-52 for standard T-L style shaft hubs

* For weight and inertia of T35 use 1/2 of T31 value (this page) and 1/2 T10 value (page PT1-52)

FEATURES/BENEFITS PAGE PT1-48	SPECIFICATION/HOW TO ORDER PAGE PT1-52	MODIFICATION/ACCESSORIES PAGE PT1-93	ENGINEERING/TECHNICAL PAGE PT1-95
----------------------------------	---	---	--------------------------------------



SELECTION/DIMENSIONS

GRID-LIGN

Type T 31 And T35 GRID-LIGN Couplings, Spacer Straight Bore "T" Hubs, TAPER-LOCK "T" Hubs, Grids And Covers - Part Numbers

Size	1020T	1030T	1040T	1050T	1060T	1070T	1080T	1090T
T10Grid/Cover	• 006750	• 006751	• 006752	• 006753	• 006754	• 006755	• 006756	• 006757
Grid	• 006275	• 006276	• 006277	• 006278	• 006279	• 006280	• 006281	• 006282
T10 Cover	• 006250	• 006251	• 006252	• 006253	• 006254	• 006255	• 006256	• 006257
T-L Hubs	• 006328	• 006329	• 006330	• 006331	• 006332	• 006333	• 006334	• 006335
Bushing Size	1108	1108	1310	1615	2012	2525	2525	3030
Reborable	• 006305	• 006306	• 006307	• 006308	• 006309	• 006310	• 006311	• 006312
Finished								
Bore Hubs								
5/8	006903							
7/8	• 006904	006907	006399					
1	006905	006908	• 006970	006984				
1-1/8	006906	006909	006971	006985				
1-1/4	006396	006397	006400	006402	006411			
1-3/8	• 006560	006894	006972	006986	006412			
1-7/16				006456				
1-1/2				006481	006413			
1-5/8		• 006398	006973	006987	006414	006417	006433	
1-3/4			006974	006988	006990	006418		
1-7/8			006564	006989	006991	006419	006434	• 006440
2				006457	006482			
2-1/8			006401	006565	006992	006429	006435	
2-3/8				006566	• 006567	• 006430	006458	006451
2-7/16					006415		006550	
2-5/8					006416		006436	
2-7/8					• 006568	006431	006437	006452
3						006432	006438	006453
3-3/8							• 006439	006454
3-7/8							006455	006455

• Stock Sizes

Complete spacer couplings consists of:

- T31 Spacer -**
- (2) "T" Shaft Hubs
 - (2) Spacer Hubs (Page PT1-58)
 - (1) T10 Grid & Cover Assembly
- T35 Half Spacer -**
- (1) Shaft Hub (Page PT1-49)
 - (1) Spacer Hub (Page PT1-59)
 - (1) "T" Shaft Hub
 - (1) T10 Grid & Cover Assembly

NOTE: For TAPER-LOCK designs, TAPER-LOCK bushings must be ordered separately. Refer to bushing section PT6-16.

NOTE: 1020T - 1090T hubs come standard as clearance fit. Interference fit available on request.

FEATURES/BENEFITS PAGE PT1-48	SPECIFICATION/HOW TO ORDER PAGE PT1-52	MODIFICATION/ACCESSORIES PAGE PT1-93	ENGINEERING/TECHNICAL PAGE PT1-95
----------------------------------	---	---	--------------------------------------



SELECTION/DIMENSIONS

GRID-LIGN

Type T31 - Full Spacer

PT Component
Reference Guide

Couplings

Clutches and Brakes

FLEXIDYNE

Fluid Couplings

TORQUE-TAMER

Bushings

B.S.E. Dimensions (in.)	Coupling Size															
	1020T		1030T		1040T		1050T		1060T		1070T		1080T		1090T	
	Spacer Assembly		Spacer Assembly		Spacer Assembly		Spacer Assembly		Spacer Assembly		Spacer Assembly		Spacer Assembly		Spacer Assembly	
	P/N	Qty.	P/N	Qty.	P/N	Qty.	P/N	Qty.	P/N	Qty.	P/N	Qty.	P/N	Qty.	P/N	Qty.
3.5	006497	2	006504	2	006516	2										
3.94	006497	1	006504	1	006516	1										
	006498	1	006505	1	006517	1										
4.25	006497	1	006504	1	006516	1										
	006499	1	006506	1	006518	1										
4.38	006498	2	006505	2	006517	2	006533	2								
4.69	006498	1	006505	1	006517	1	006533	1								
	006499	1	006506	1	006518	1	006534	1								
5	006499	2	006506	2	006518	2	006534	2	006544	2	006553	2				
5.22					006516	1										
					006519	1										
5.38			006504	1	006516	1										
			006507	1	006520	1										
5.66					006517	1	006533	1								
					006519	1	006535	1								
5.81			006505	1	006517	1	006533	1								
			006507	1	006520	1	006536	1								
5.97					006518	1	006534	1								
					006519	1	006535	1								
6.12			006506	1	006518	1	006534	1	006544	1	006553	1				
			006507	1	006520	1	006536	1	006545	1	006554	1				
6.94					006519	2	006535	2								
7.09					006519	1	006535	1								
					006520	1	006536	1								
7.25			006507	2	006520	2	006536	2	006545	2	006554	2	006561	2	006569	2
8.00																
8.59													006561	1		
													006562	1		
8.62									006544	1	006553	1				
									006546	1	006555	1				
8.88																
9.75									006545	1	006554	1	006561	1	006569	1
									006546	1	006555	1	006563	1	006570	1
9.94												006562	2			
11.09												006562	1			
												006563	1			
12.25									006546	2	006555	2	006563	2	006570	2

FEATURES/BENEFITS PAGE PT1-48	SPECIFICATION/HOW TO ORDER PAGE PT1-52	MODIFICATION/ACCESSORIES PAGE PT1-93	ENGINEERING/TECHNICAL PAGE PT1-95
----------------------------------	---	---	--------------------------------------



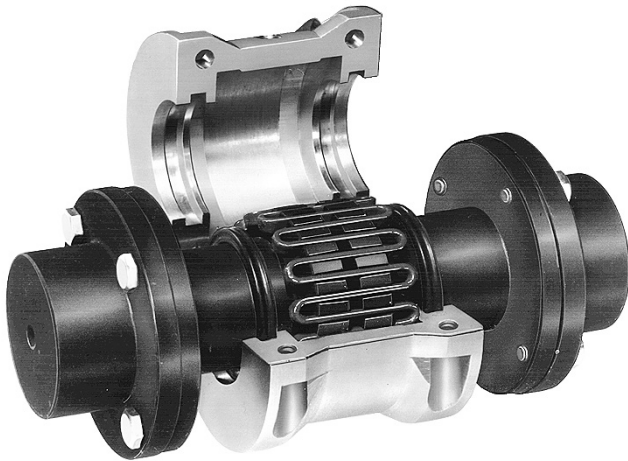
SELECTION/DIMENSIONS

GRID-LIGN

Type T35 - Half Spacer

B.S.E. Dimensions (in.)	Coupling Size															
	1020T		1030T		1040T		1050T		1060T		1070T		1080T		1090T	
	Spacer Assembly		Spacer Assembly		Spacer Assembly		Spacer Assembly		Spacer Assembly		Spacer Assembly		Spacer Assembly		Spacer Assembly	
	P/N	Qty.	P/N	Qty.	P/N	Qty.	P/N	Qty.	P/N	Qty.	P/N	Qty.	P/N	Qty.	P/N	Qty.
1.78	006497	1	006504	1	006516	1										
2.22	006498	1	006505	1	006517	1	006533	1								
2.53	006499	1	006506	1	006518	1	006534	1	006544	1	006553	1				
3.50					006519	1	006535	1								
3.66			006507	1	006520	1	006536	1	006545	1	006554	1	006561	1	006569	1
4.06																
5.00													006562	1		
6.16									006546	1	006555	1	006563	1	006570	1

T31 - Full Spacer



T35 - Half Spacer



FEATURES/BENEFITS PAGE PT1-48	SPECIFICATION/HOW TO ORDER PAGE PT1-52	MODIFICATION/ACCESSORIES PAGE PT1-93	ENGINEERING/TECHNICAL PAGE PT1-95
----------------------------------	---	---	--------------------------------------



FEATURES/BENEFITS

Gear Couplings

The Power-Dense, High-Torque Gear Coupling

The DODGE Gear Coupling (DGF) offers unmatched performance and proven reliability

Quality Manufacturing

- High-quality steel
- Larger tooth profile provides additional service factor
- Good inherent balance
- Proven O-ring seal design
- Machined flanges and gasket for improved sealing
- High-grade fasteners

Performance Benefits

- High torque rating allows for coupling downsizing
- Versatile design permits interchangeable half couplings
- Low backlash (well suited for reversing applications)
- Crowned tooth profile for longer life and improved performance

DODGE Benefits

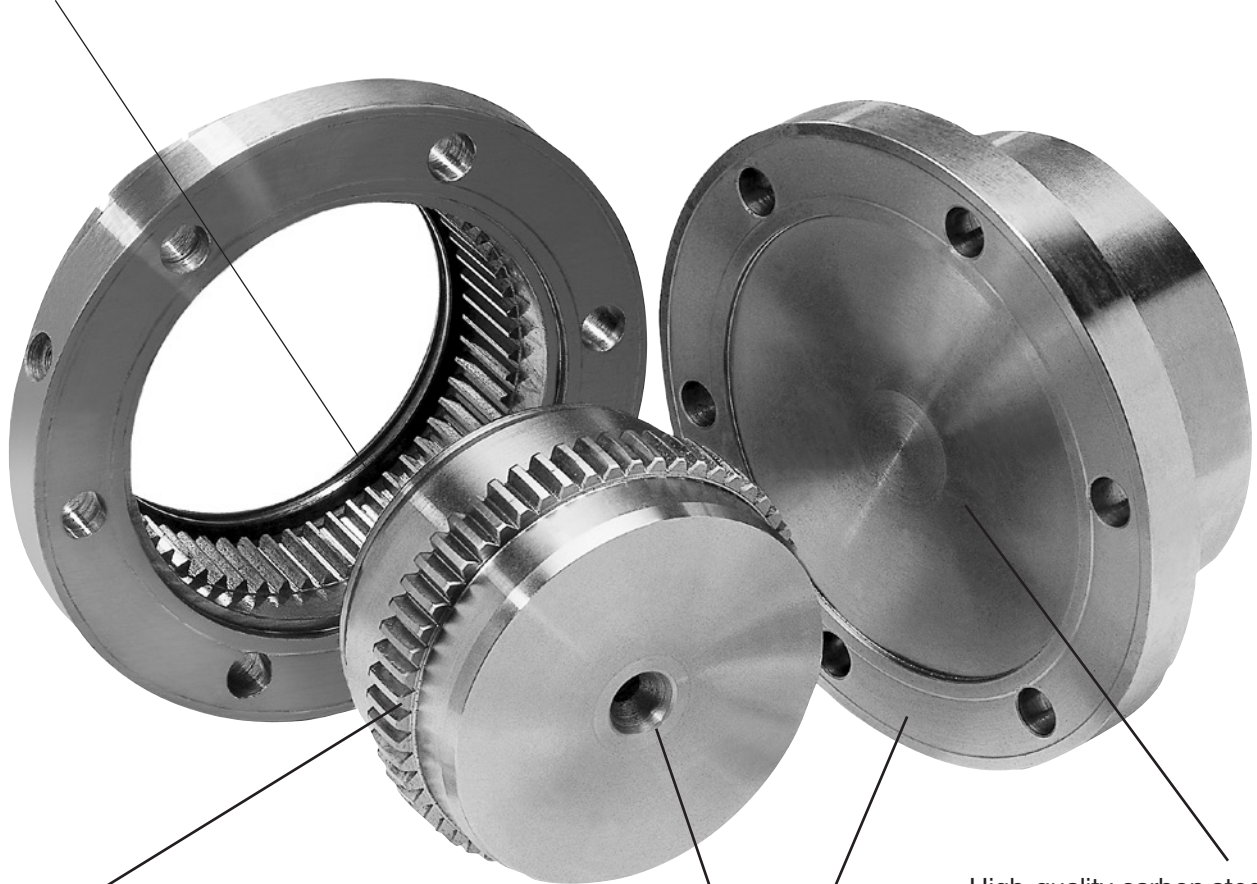
- Coupling solutions for any application
 - Choose from DODGE coupling family: Gear (DGF), PARA-FLEX, GRID-LIGN, D-FLEX, Rigid and Fluid - all available from stock
- Combine DODGE couplings with any DODGE speed reducer for unmatched performance
 - Choose from thousands of combinations to get a package tailored to meet your needs
- Years of application expertise
 - DODGE engineers can help specify products to achieve maximum results from your equipment



FEATURES/BENEFITS

Gear Couplings

Reliable O-ring design effectively seals against contaminants



High pressure angle provides large tooth base; results in high safety factor

Flexible, rigid hub styles available

High-quality carbon steel ensures longer service life



Gear Couplings

SPECIFICATION

DODGE GEAR COUPLINGS are power dense and capable of transmitting high torque at high speeds while still remaining inherently well balanced. Gear Couplings transmit torque by the mating of two hubs with external gear teeth that are joined by flanged sleeves with internal gear teeth.


Gear Couplings will be provided with interference fit bores unless otherwise specified. The hubs and sleeves will be manufactured of high quality steel.

HOW TO ORDER

Standard couplings consist of:

- (2) Flex Hubs
- (2) Sleeves
- (1) Hardware Kit

NOMENCLATURE



DODGE Gear coupling DGF 1.0

Size _____

COMPETITOR INTERCHANGE

DODGE DGF	FALK LIFELIGN	KOP-FLEX KOPPERS SERIES H	AMERIGEAR ZURN F SERIES	LOVEJOY/SIER-BATH
1	1010G20 *	1	201	-
1.5	1015G20	1-1/2	201-1/2	1.5
2	1020G20	2	202	2
2.5	1025G20	2-1/2	202-1/2	2.5
3	1030G20	3	203	3
3.5	1035G20	3-1/2	203-1/2	3.5
4	1040G20	4	204	4
4.5	1045G20	4-1/2	204-1/2	4.5
5	1050G20	5	205	5
5.5	1055G20	5-1/2	205-1/2	5.5
6	1060G20	6	206	6
7	1070G20	7	207	-

* G20 - FLEX-FLEX
G52 - FLEX-RIGID

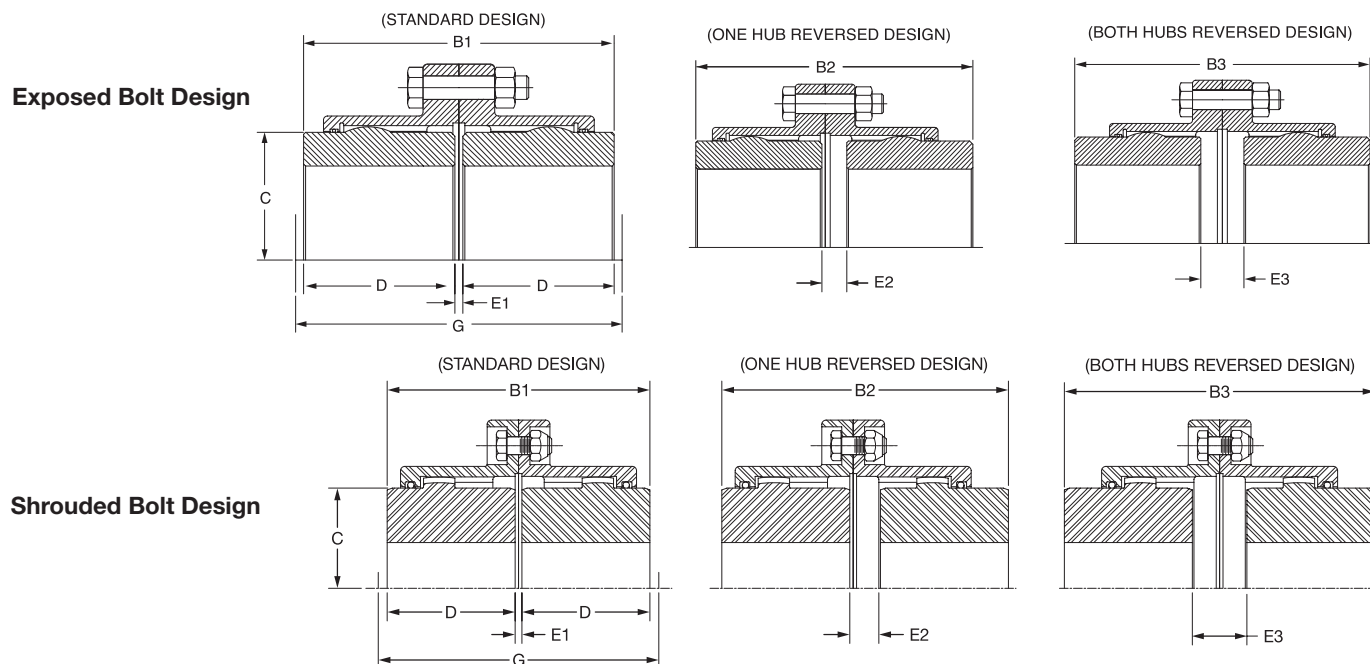
NOTE: Instruction manual for Gear Couplings available on www.baldor.com

FEATURES/BENEFITS PAGE PT1-60	SELECTION/DIMENSIONS PAGE PT1-63	MODIFICATION/ACCESSORIES PAGE PT1-93	ENGINEERING/TECHNICAL PAGE PT1-95
----------------------------------	-------------------------------------	---	--------------------------------------



SELECTION/DIMENSIONS

Gear Couplings



Size	Min. Bore [in.]	Max. Bore [in.] Standard Keyway		Max. Bore [in.] Shallow Keyway		HP/100+ RPM	Torque+ [lb-in.]	Max. RPM*	Max. Parallel Offset [in.]**	Approx. Weight [lbs.]***
		Flex Hub	Rigid Hub	Flex Hub	Rigid Hub					
1	0.438	1.625	2.188	1.750	2.313	12	7500	6000	0.055	9
1.5	0.690	2.125	2.813	2.250	3.063	30	18900	5500	0.060	19
2	0.940	2.750	3.500	3.000	3.750	50	31500	5000	0.085	34
2.5	1.440	3.250	4.250	3.375	4.500	90	56700	4400	0.105	55
3	1.440	4.000	4.875	4.250	5.250	150	94500	4000	0.115	86
3.5	1.810	4.625	5.625	4.875	6.125	240	151300	3500	0.130	135
4	2.440	5.375	6.500	5.625	6.875	350	220600	3000	0.150	195
4.5	3.000	6.000	7.375	6.438	8.000	480	302500	2700	0.175	268
5	3.000	6.500	8.375	7.000	8.875	690	434900	2500	0.200	394
5.5	4.000	7.500	9.250	7.875	9.875	910	573500	2200	0.220	526
6	4.000	8.250	10.125	8.750	11.000	1190	750000	2100	0.120	687
7	5.000	9.500	11.250	9.750	12.250	1600	1008400	2000	0.135	1017

+ Ratings are based on standard interference fit.

* For higher RPM applications, contact DODGE Customer Order Engineering at (864) 284-5700.

** Based on 1-1/2 degrees angular misalignment per gear mesh for sizes 1 through 5-1/2, 3/4 degree angular misalignment per gear mesh for sizes 6 and 7, and maximum bore. Flex-Rigid configurations do not accept parallel misalignment.

*** Approximate weight with minimum bore.

Size	Dimension [in.]								
	B1	B2	B3	C	D	E1	E2	E3	G
1	3-1/2	3-13/16	4-1/8	2-5/16	1-11/16	1/8	7/16	3/4	4-3/16
1.5	4	4-1/4	4-1/2	3	1-15/16	1/8	3/8	5/8	4-3/4
2	5	5-13/16	6-3/8	4	2-7/16	1/8	13/16	1-1/2	6
2.5	6-1/4	7-1/32	7-13/16	4-5/8	3-1/32	3/16	31/32	1-3/4	7-1/8
3	7-3/8	8-1/32	8-11/16	5-5/8	3-19/32	3/16	27/32	1-1/2	8-1/8
3.5	8-5/8	9-3/16	9-3/4	6-1/2	4-3/16	1/4	13/16	1-3/8	9-3/8
4	9-3/4	10-7/16	11-1/8	7-1/2	4-3/4	1/4	15/16	1-5/8	10-1/4
4.5	10-15/16	12	13-1/16	8-1/2	5-5/16	5/16	1-3/8	2-7/16	11-1/2
5	12-3/8	13-23/32	15-1/16	9-1/2	6-1/32	5/16	1-21/32	3	13
5.5	14-1/8	15-5/8	17-1/8	6-29/32	6-29/32	5/16	1-13/16	3-5/16	14-3/8
6	15-1/8	16-17/32	17-15/16	11-1/2	7-13/32	5/16	1-23/32	3-1/8	17
7	17-3/4	19-1/16	20-3/8	13	8-11/16	3/8	1-11/16	3	20

* Minimum space required to install and align coupling.

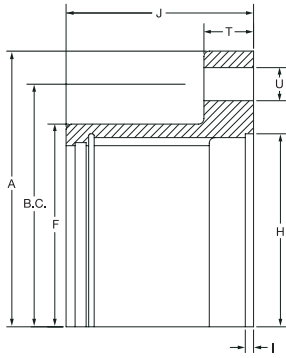
FEATURES/BENEFITS PAGE PT1-60	SPECIFICATION/HOW TO ORDER PAGE PT1-62	MODIFICATION/ACCESSORIES PAGE PT1-93	ENGINEERING/TECHNICAL PAGE PT1-95
----------------------------------	---	---	--------------------------------------



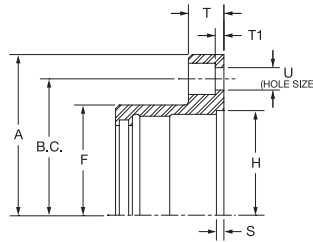
SELECTION/DIMENSIONS

Gear Couplings

(FLANGED SLEEVE AND RIGID HUB DETAILS)



Exposed Bolt Design



Shrouded Bolt Design

Size	Outside Diameter	Flange Width	Flange Thickness		Hub Diameter	Undercut Depth	Undercut Diameter	Hole Diameter	Bolt Circle	Number of Bolts
	A	J	T	T1	F	I	H	U	B.C.	
All Dimensions in Inches										
1 EB	4-9/16	1-21/32	9/16	-	3	3/32	2-7/8	1/4	3-3/4	6
1 SB	4-9/16	1-21/32	9/16	1/2	3	3/32	2-7/8	1/4	3-3/4	6
1.5 EB	6	1-7/8	3/4	-	3-7/8	3/32	3-11/16	3/8	4-13/16	8
1.5 SB	6	1-7/8	3/4	1/2	3-7/8	3/32	3-11/16	3/8	4-13/16	8
2 EB	7	2-3/8	3/4	-	4-13/16	3/32	4-5/8	1/2	5-7/8	6
2 SB	7	2-3/8	3/4	1/2	4-13/16	3/32	4-5/8	3/8	5-13/16	10
2.5 EB	8-3/8	2-7/8	15/16	-	5-13/16	3/32	5-7/16	5/8	7-1/8	6
2.5 SB	8-3/8	2-7/8	15/16	5/16	5-13/16	3/32	5-7/16	1/2	7	10
3 EB	9-7/16	3-5/16	15/16	-	6-13/16	3/32	6-7/16	5/8	8-1/8	8
3 SB	9-7/16	3-5/16	15/16	5/16	6-13/16	3/32	6-7/16	1/2	8	12
3.5 EB	11	3-13/16	1-1/8	-	7-27/32	3/32	7-3/8	3/4	9-1/2	8
3.5 SB	11	3-13/16	1-1/8	3/8	7-27/32	3/32	7-3/8	5/8	9-9/32	12
4 EB	12-1/2	4-1/4	1-1/8	-	9-3/16	3/16	8-3/4	3/4	11	8
4 SB	12-1/2	4-1/4	1-1/8	3/8	9-3/16	3/16	8-3/4	5/8	10-5/8	14
4.5 EB	13-5/8	4-13/16	1-1/8	-	10-5/16	3/16	9-3/4	3/4	12	10
4.5 SB	13-5/8	4-13/16	1-1/8	3/8	10-5/16	3/16	9-3/4	5/8	11-3/4	14
5 EB	15-5/16	5-1/2	1-1/2	-	11-7/16	3/16	10-3/4	7/8	13-1/2	8
5 SB	15-5/16	5-1/2	1-1/2	9/16	11-7/16	3/16	10-3/4	3/8	13-3/16	14
5.5 EB	16-3/4	6	1-1/2	-	10-1/2	3/16	12-1/8	7/8	14-1/2	14
5.5 SB	16-3/4	6	1-1/2	9/16	10-1/2	3/16	12-1/8	3/4	14-7/16	16
6 EB*	18	6-11/16	1	-	13-15/16	3/16	13-3/8	7/8	15-3/4	14
7 EB*	20-3/4	7-3/8	1-1/8	-	15-3/4	1/4	14-5/8	1	18-1/4	16

EB = Exposed Bolt Pattern
 SB = Shrouded Bolt Pattern
 * Sizes 6 & 7 only available in exposed bolt pattern

Part Numbers

Part Number	Description	Part Number	Description	Part Number	Description
Size 1.0		Size 3.0		Size 5.0	
013110	DGF 1.0 FLEX HUB	013126	DGF 3.0 FLEX HUB	013142	DGF 5.0 FLEX HUB
013111	DGF 1.0 SLEEVE EB	013127	DGF 3.0 SLEEVE EB	013143	DGF 5.0 SLEEVE EB
012975	DGF 1.0 SLEEVE SB	012979	DGF 3.0 SLEEVE SB	012983	DGF 5.0 SLEEVE SB
013112	DGF 1.0 RIGID HUB EB	013128	DGF 3.0 RIGID HUB EB	013144	DGF 5.0 RIGID HUB EB
013113	DGF 1.0 EB HARDWARE KIT	013129	DGF 3.0 EB HARDWARE KIT	013145	DGF 5.0 EB HARDWARE KIT
394171	DGF 1.0 SB HARDWARE KIT	394175	DGF 3.0 SB HARDWARE KIT	394179	DGF 5.0 SB HARDWARE KIT
Size 1.5		Size 3.5		Size 5.5	
013114	DGF 1.5 FLEX HUB	013130	DGF 3.5 FLEX HUB	013146	DGF 5.5 FLEX HUB
013115	DGF 1.5 SLEEVE EB	013131	DGF 3.5 SLEEVE EB	013147	DGF 5.5 SLEEVE EB
012976	DGF 1.5 SLEEVE SB	012980	DGF 3.5 SLEEVE SB	012984	DGF 5.5 SLEEVE SB
013116	DGF 1.5 RIGID HUB EB	013132	DGF 3.5 RIGID HUB EB	013148	DGF 5.5 RIGID HUB EB
013117	DGF 1.5 EB HARDWARE KIT	013133	DGF 3.5 EB HARDWARE KIT	013149	DGF 5.5 EB HARDWARE KIT
394172	DGF 1.5 SB HARDWARE KIT	394176	DGF 3.5 SB HARDWARE KIT	394180	DGF 5.5 SB HARDWARE KIT
Size 2.0		Size 4.0		Size 6.0	
013118	DGF 2.0 FLEX HUB	013134	DGF 4.0 FLEX HUB	013150	DGF 6.0 FLEX HUB
013119	DGF 2.0 SLEEVE EB	013135	DGF 4.0 SLEEVE EB	013151	DGF 6.0 SLEEVE EB
012977	DGF 2.0 SLEEVE SB	012981	DGF 4.0 SLEEVE SB	013152	DGF 6.0 RIGID HUB EB
013120	DGF 2.0 RIGID HUB EB	013136	DGF 4.0 RIGID HUB EB	013153	DGF 6.0 HARDWARE KIT
013121	DGF 2.0 EB HARDWARE KIT	013137	DGF 4.0 EB HARDWARE KIT		
394173	DGF 2.0 SB HARDWARE KIT	394177	DGF 4.0 SB HARDWARE KIT		
Size 2.5		Size 4.5		Size 7.0	
013122	DGF 2.5 FLEX HUB	013138	DGF 4.5 FLEX HUB	013154	DGF 7.0 FLEX HUB
013123	DGF 2.5 SLEEVE EB	013139	DGF 4.5 SLEEVE EB	013155	DGF 7.0 SLEEVE EB
012978	DGF 2.5 SLEEVE SB	012982	DGF 4.5 SLEEVE SB	013156	DGF 7.0 RIGID HUB EB
013124	DGF 2.5 RIGID HUB EB	013140	DGF 4.5 RIGID HUB EB	013157	DGF 7.0 HARDWARE KIT
013125	DGF 2.5 EB HARDWARE KIT	013141	DGF 4.5 EB HARDWARE KIT		
394174	DGF 2.5 SB HARDWARE KIT	394178	DGF 4.5 SB HARDWARE KIT		

Ordering Information: Standard Gear Couplings may be orders in 3 different assemblies -

1. Flex-Flex (or Full Flex): To order a complete Flex-Flex coupling you need - (2) Flex Hubs [reborable], (2) Sleeves (includes Seal), and (1) Hardware Kit.
2. Flex-Rigid: To order a complete Flex-Rigid Coupling you need - (1) Flex Hub [reborable], (1) Sleeve (includes Seal), (1) Rigid Hub [reborable], and (1) Hardware Kit.
3. Rigid-Rigid: To order a complete Rigid-Rigid Coupling you need - (2) Rigid Hubs [reborable], and (1) Hardware Kit.

FEATURES/BENEFITS PAGE PT1-60	SPECIFICATION/HOW TO ORDER PAGE PT1-62	MODIFICATION/ACCESSORIES PAGE PT1-93	ENGINEERING/TECHNICAL PAGE PT1-95
----------------------------------	---	---	--------------------------------------



FEATURES/BENEFITS

Disc Couplings



The Dodge Disc coupling offers industry leading torque capacity and misalignment capability resulting in longer life and improved reliability.

Disc couplings have become the preferred design for pumping and compressor applications used in the oil and gas industry due to their high torque, speed, misalignment, and maintenance-free features. The advantages of the disc style coupling have also driven the API 610 specification, which can be met by all Dodge Disc couplings. Dodge Disc Couplings meeting API 671 requirements are available upon request.

In addition to the high torque and misalignment capabilities, the Dodge Disc coupling also provides features for customers to save money by downsizing with a large hub option, and prevent unexpected downtime costs with strobe light inspection during operation.

The Dodge Disc coupling can be specified into any API 610 or API 671 pumping application due to its wide range of capabilities, as seen in Table 1. ABB drives, ABB motors, and Baldor•Reliance motors have become the standard in the oil and gas industry due to their reliability and long life. Now oil and gas users can realize the same reliability and long life by packaging Dodge Disc Couplings, ABB or Baldor•Reliance motors, and ABB drives, into one complete pump driver system.

Table 1 – Dodge Disc Coupling Ratings*

Coupling style	Size range	Max torque*	Power per 100 RPM*	Max speed*	Max bore	Misalignment capability (Angular)	Misalignment capability (Parallel)	Misalignment capability (End-Float)
		In-lbs	HP/100		Inch		Inch	Inch
Disc (Standard)	94-310	177,000	280	9,100/22,700**	7.88	1° - 1.5°	0.107	0.224
Disc (Made-to-Order)	333-702	2,292,000	3636	1,360/3,400**	15.25	0.5° - 1°	N/A	0.299

*Listed values represent the range of the entire product line. Ratings listed are the maximum ratings for the largest coupling size. Ratings are dependent upon coupling size.

See Dodge engineering catalog and appropriate selection methods during sizing or contact application engineering for assistance.

**Balanced

Note (1): Anti-corrosive options including Black Oxide, Zinc or Manganese Phosphating, Electroless Nickel, and Stainless Steel are available upon request.

Note (2): Anti-sparking options available upon request.

Note (3): Temperature range: -40°F to +450°F



FEATURES/BENEFITS

Disc Couplings

Oil and Gas Industry Focus

API 610 Design

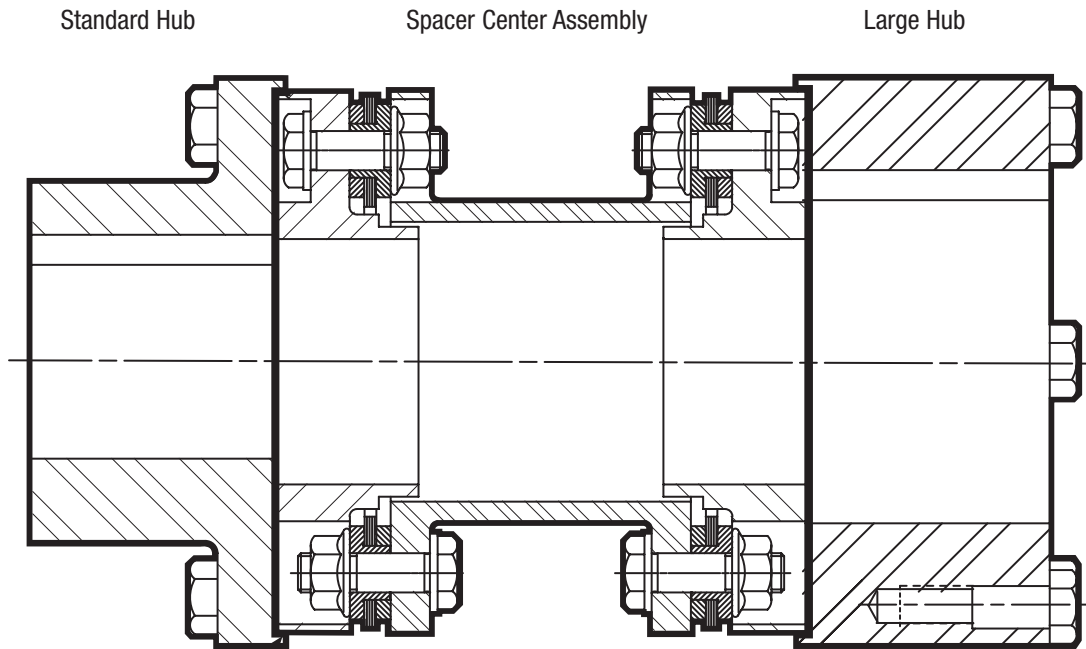
The Oil and Gas industry recognizes the importance of reliability and uptime by specifying products that reduce maintenance requirements, increase productivity, and prevent unexpected downtime. As a result, the American Petroleum Institute developed the API 610 specification as the standard for pumping applications across the industry.

All Dodge Disc Couplings can meet the API 610 specification, which includes:

- The spacer center assembly must be positively retained if the flexible element ruptures. As seen in Figure 1, the pilot machined in the disc coupling shaft hub positively retains the spacer center assembly, preventing the spacer center assembly from rotating free if a catastrophic bolt failure were to occur during operation.
- Coupling must be capable of rotating at 3800 rpm. All Dodge Disc Couplings are capable of operation at 3800 rpm.
- Flexible element should be made of corrosion resistant material. The Dodge Disc Coupling design utilizes flexible discs made of corrosion 301 stainless steel.
- Coupling hubs are made of 1045 steel.
- Coupling hubs are manufactured in accordance with AGMA 9000 Class 9 balance specifications.
- Spacer center assembly is removable without disturbing connected equipment.

In addition to meeting API 610 specification requirements, the Dodge Disc Coupling is also capable of meeting API 671 requirements upon request.

Figure 1: Dodge Disc Coupling Configuration



Piloted connections between spacer center assembly and shaft hubs allow the spacer center assembly to be positively retained during operation



FEATURES/BENEFITS

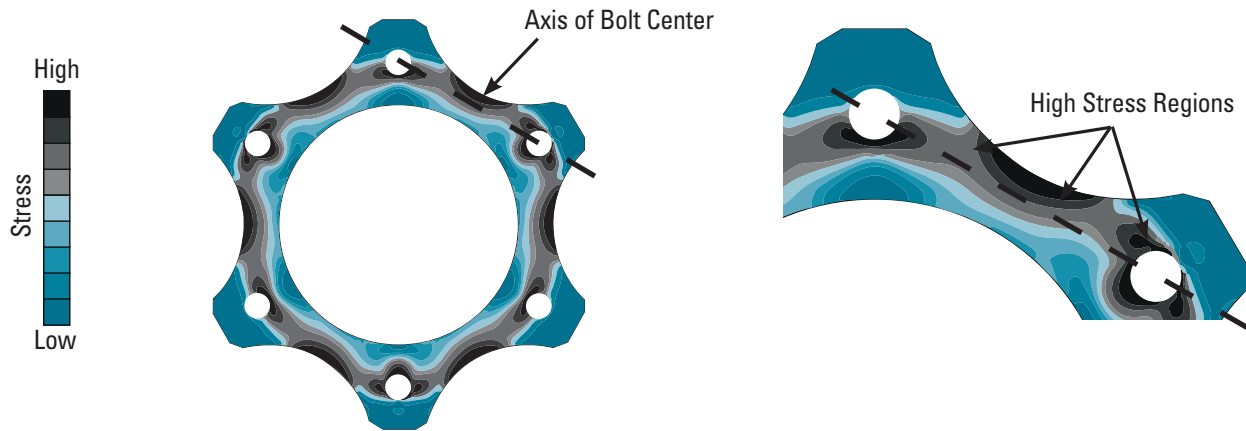
Disc Couplings

Longer Life, Improved Reliability

Competitor Disc Geometry

Many disc coupling competitors utilize the disc geometry seen below, featuring a scalloped outside diameter and circular inside diameter. As seen in Figure 2, this single scalloped design unevenly distributes material along the “axis of bolt center”, which negatively impacts the torque ratings and the misalignment capability of the coupling. Figure 2 shows large peak stress areas (as indicated) are created around the bolt holes and along the outside diameter of each leg between bolts, resulting in lower torque ratings. Additionally, the uneven distribution of material along the “axis of bolt center” drastically reduces misalignment capability during operation.

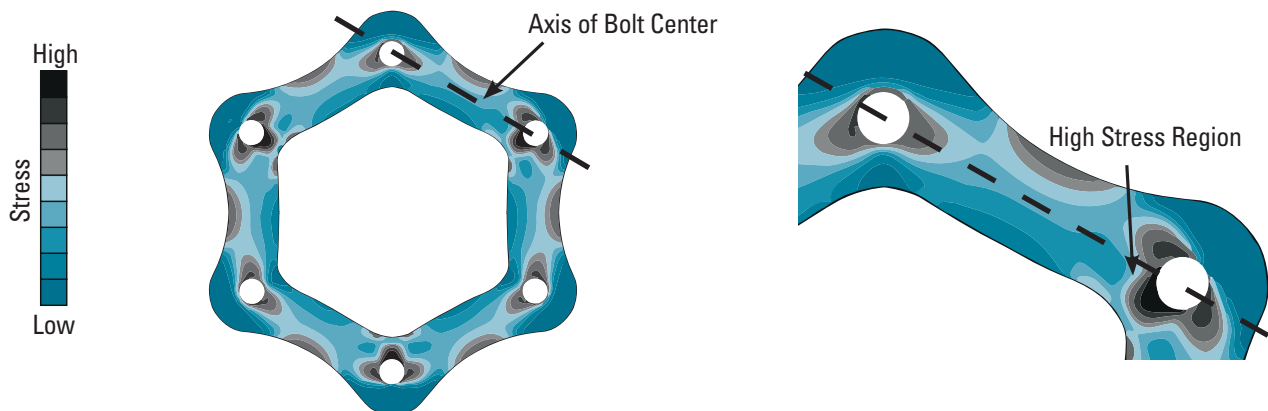
Figure 2: Competitor Disc Geometry - Single Scalloped Design



Dodge Disc Geometry

The Dodge Disc coupling utilizes the newest generation of disc geometry, a dual scalloped design, which offers an even distribution of material along the “axis of bolt center”. Figure 3 shows a drastically reduced number of high stress areas within the disc limited to only a small area around the bolt hole. Also, the peak stress shown in the Dodge Disc geometry is 13% less than the competitor’s geometry, resulting in an average of double the torque capacity. Additionally, an even distribution of material along the “axis of bolt center” maximizes misalignment capability and offers up to three times the misalignment of the leading competitor. Industry leading torque ratings and misalignment capability will ultimately lead to longer coupling life, improved reliability, and reduced unexpected downtime.

Figure 3: Dodge Disc Geometry - Dual Scalloped Design





FEATURES/BENEFITS

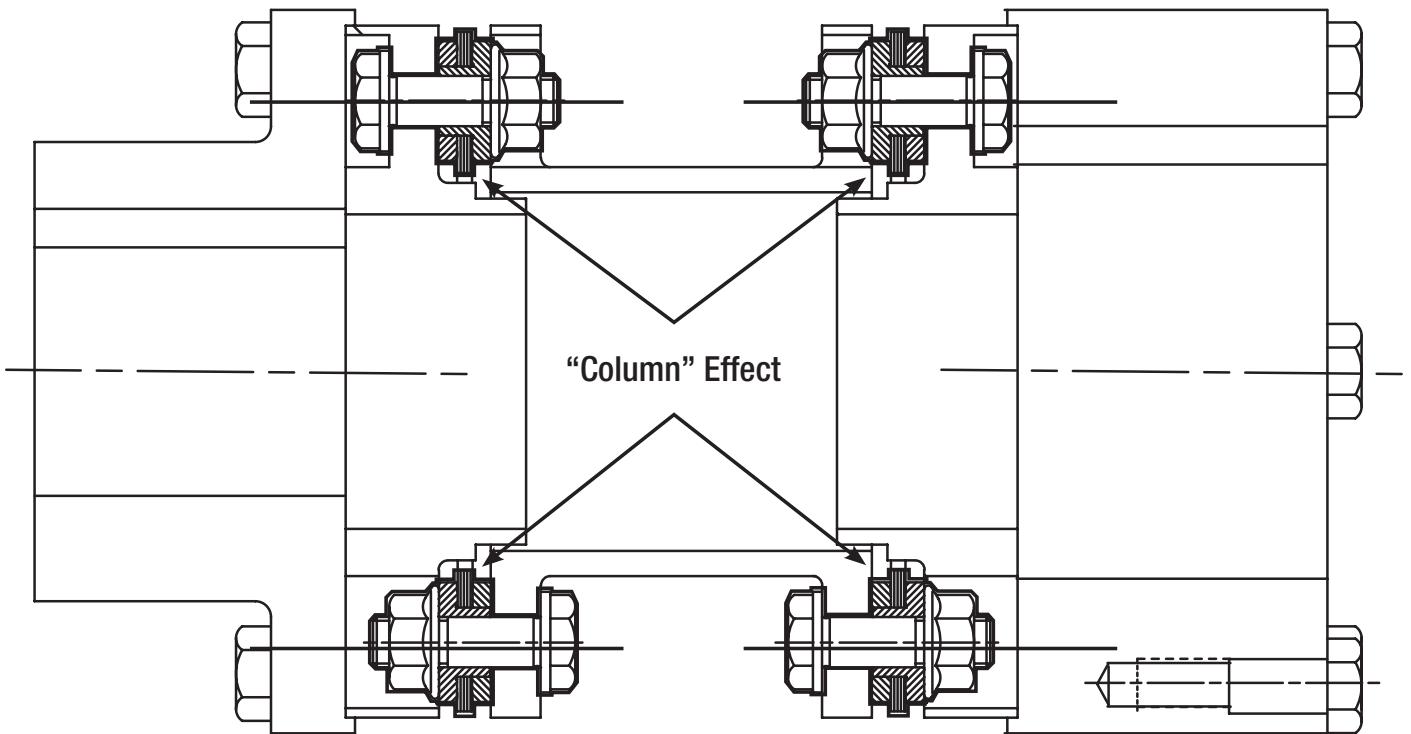
Disc Couplings

Longer Life, Improved Reliability

Unitized Assembly Design

All Dodge Disc coupling spacer center assemblies are factory assembled and include a spacer, two disc packs, and two guard rings. Pre-assembling the spacer center assembly not only ensures that the system is assembled with the required tolerances, but also allows the customer to order a single part number and receive a single unit. Utilizing a custom, tight tolerance bushing and bolt to connect the spacer, disc pack, and guard ring, results in torque being transmitted through the entire assembly. The unitized assembly or “column” effect, which can be seen in Figure 4 below, prevents any single component from transmitting the application torque alone. Competitive designs that offer loose discs for assembly risk improper installation which can cause the bolt to quickly shear. The unitized assembly is just another reason why Dodge Disc couplings can offer users higher torque ratings, increased misalignment capability, and longer life.

Figure 4: Unitized Assembly Column Effect





FEATURES/BENEFITS

Disc Couplings

Increased Productivity

Maintenance Free

The Dodge Disc coupling offers the power density, large bore capacity, and high speed capabilities of a metallic coupling while eliminating the need for maintenance. Traditional gear and grid style couplings require additional grease multiple times per year in order to lubricate gear teeth and looping segments. However, the Dodge Disc coupling does not have relative movement between mating parts which allows for increased maintenance productivity. Additionally, by not having any moving components, the Dodge Disc coupling is torsionally rigid, prevents backlash, and is perfect for applications needing precise positioning such as paper machines.

When comparing a metallic coupling that requires maintenance with an elastomeric, maintenance free design, the customer must sacrifice space since the maintenance free option would be much larger than the metallic design. However, Table 2 lists three common application examples driven by NEMA and IEC motors. Table 3 reveals that the Dodge Disc coupling selection has a smaller outside diameter than the grid and gear selection. Additionally, the Dodge Disc coupling selection has equal angular misalignment to the gear and more than the grid.

Table 3 shows that the maintenance-free Dodge Disc Coupling offers comparable size and angular misalignment capability as other metallic coupling designs requiring maintenance.

Table 2: Application Details for Metallic Coupling Comparison

	Application 1		Application 2		Application 3	
	NEMA	IEC	NEMA	IEC	NEMA	IEC
Motor Frame Size	256T	160	365T	250	445T	315
Motor Shaft Size	1 5/8"	42 mm	2 3/8"	65 mm	3 3/8"	80 mm
HP / kW	20 HP	15 kW	75 HP	55 kW	150 HP	110 kW
RPM	1750	1500	1750	1500	1750	1500
Service Factor	2.0	2.0	2.0	3.0	2.0	4.0
Torque	1,441 in-lbs	191 N-m	5,402 in-lbs	1,051 N-m	10,804 in-lbs	2,801 N-m

Table 3: Coupling Size Details for Metallic Coupling Comparison

		Application 1			Application 2			Application 3		
		Outside Diameter (inch)	Outside Diameter (mm)	Angular Misalignment	Outside Diameter (inch)	Outside Diameter (mm)	Angular Misalignment	Outside Diameter (inch)	Outside Diameter (mm)	Angular Misalignment
Disc Coupling	NEMA Motor	3.70	94.00	1.5°	5.47	139.00	1.5°	7.59	193.00	1.5°
	IEC Motor	3.70	94.00	1.5°	5.47	139.00	1.5°	7.59	193.00	1.5°
Gear Coupling	NEMA Motor	4.56	115.82	1.5°	7.00	177.80	1.5°	9.44	239.78	1.5°
	IEC Motor	6.00	152.40	1.5°	7.00	177.80	1.5°	9.44	239.78	1.5°
Grid Coupling	NEMA Motor	4.22	107.19	0.5°	5.92	2336.80	0.5°	7.70	195.58	0.5°
	IEC Motor	5.09	129.29	0.5°	6.92	175.77	0.5°	7.70	195.58	0.5°



FEATURES/BENEFITS

Disc Couplings

Lower Costs, Reduce Unexpected Downtime

Downsizing Capability

Many disc coupling competitors utilize the disc geometry seen below which features a scalloped outside diameter and circular inside diameter. As seen in Figure 2, this single scalloped design unevenly distributes material along the “axis of bolt center”, which negatively impacts the torque ratings and the misalignment capability of the coupling. Figure 2 shows large peak stress areas are created around the bolt holes and along the outside diameter of each leg between bolts, resulting in lower torque ratings. Additionally, the uneven distribution of material along the “axis of bolt center” drastically reduces misalignment capability during operation.

Figure 5: Large Hub Configurations



Dodge Disc Coupling
size 115 with
two large hubs



Dodge Disc Coupling
size 115 with one large hub
and one standard hub

Reduce Unexpected Downtime with Strobe Light Inspection

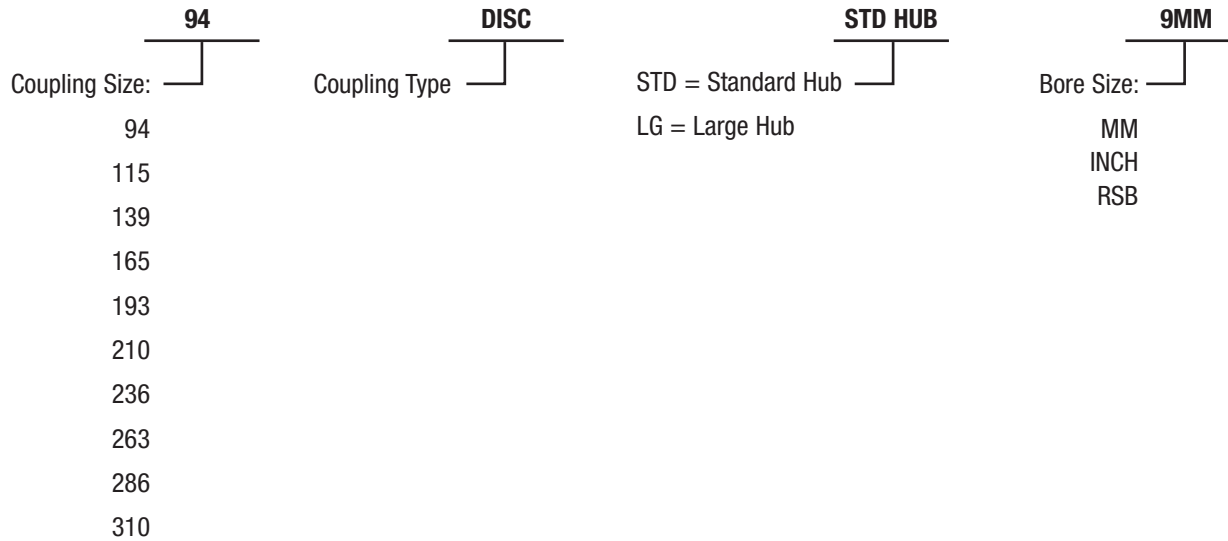
The Dodge Disc coupling has the ability to be inspected during operation. By observing the disc pack under a strobe light during operation, users can diagnose potential application issues before they experience costly, unexpected downtime. Cracks in the discs clearly communicate to the user that the driver and driven shafts are severely misaligned. Also, an “S” condition, the buckling of a disc leg between the driver and driven connecting bolts, tells the user the application is experiencing a torque overload situation. With this information, modifications can be made to the application to extend the life of the coupling or the spacer center assembly can be changed out, depending on the severity of the deformation. The ability to perform predictive maintenance during operation will greatly reduce plant costs by eliminating unexpected downtime associated with couplings.



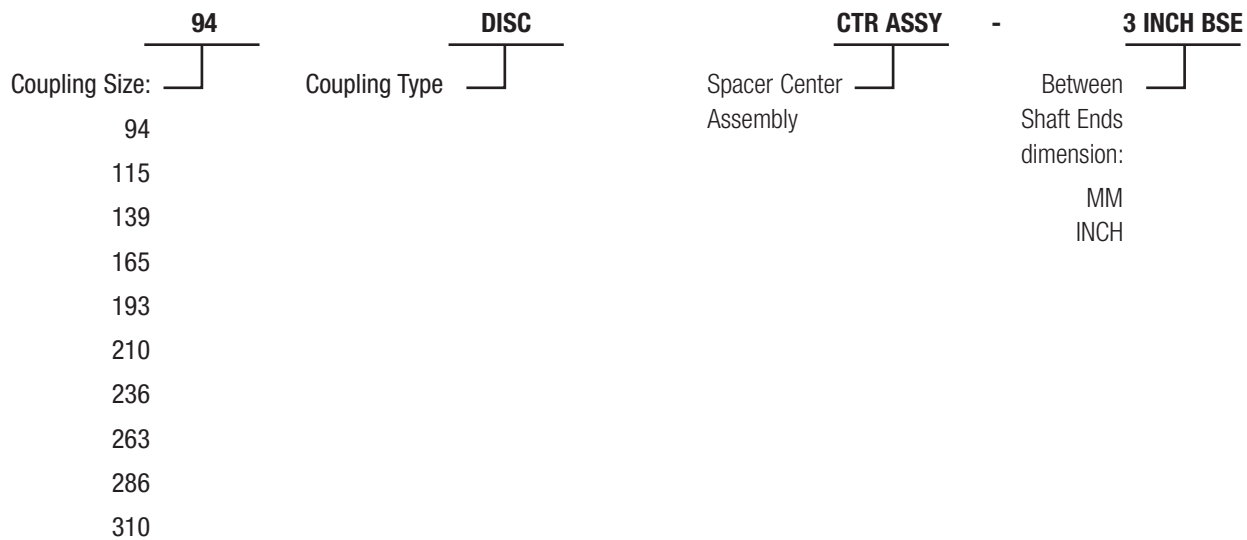
Disc Couplings

Complete Dodge Disc Coupling Consists of:
Quantity two hubs (standard or large) and quantity one spacer center assembly

DISC COUPLING HUB NOMENCLATURE

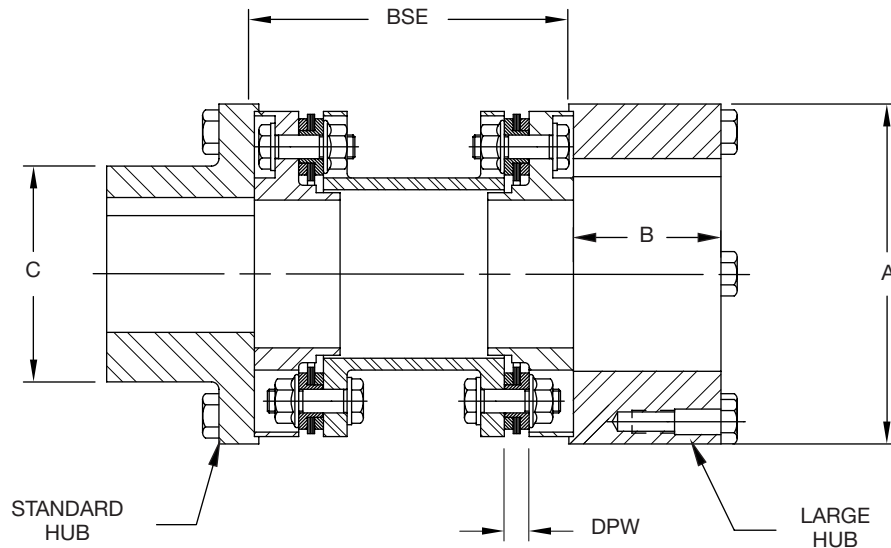


DISC COUPLING SPACER CENTER ASSEMBLY NOMENCLATURE





Disc Couplings



Dimensions (in)

Coupling Size	A	B	C	DPW
94	3.70	1.57	2.36	0.295
115	4.53	1.97	2.87	0.331
139	5.47	2.36	3.74	0.331
165	6.50	2.76	4.41	0.441
193	7.60	3.15	5.28	0.551
210	8.27	3.54	5.67	0.610
236	9.29	3.94	6.30	0.689
263	10.35	4.53	6.89	0.807
286	11.26	4.92	7.68	0.835
310	12.20	5.31	8.40	0.961

Ratings (Imperial Units)

Coupling Size	Max Bore		Torque			Max RPM		Axial Misalignment (in) (4)	Angular Misalignment (5)	Weight (lbs) (3)
	Standard Hub (in)	Large Hub (in)	HP/100	Nominal (in.-lbs.)	Peak (in.-lbs.)	Standard (1)	Balanced (2)			
94	1.68	2.25	3.33	2100	4200	9100	22700	0.059	1.5°	8
115	2.06	2.94	8.09	5100	10200	7200	18000	0.083		12
139	2.69	3.56	15.39	9700	19500	5840	14600	0.102		22
165	3.13	4.13	28.08	17700	35400	4920	12300	0.122		40
193	3.75	4.94	46.33	29200	58400	4200	10500	0.146		62
210	4.06	5.38	64.58	40700	81400	3840	9600	0.150	1.0°	84
236	4.50	5.94	98.37	62000	123900	3400	8500	0.165		121
263	4.94	6.63	143.28	90,300	180600	3080	7700	0.185		159
286	5.50	7.31	199.44	125700	251400	2800	7000	0.205		223
310	6.13	7.88	280.84	177000	354000	2560	6400	0.224		293

Notes:

- (1) Coupling operational speed must be equal to or less than the allowable speed that is limited by the weight and critical speed of the spacer.
- (2) Standard Dodge Disc couplings will meet the maximum speed listed in the "Standard" column. Speed capabilities listed in the "Balanced" column require special balancing by Dodge.
- (3) Weight of complete coupling at maximum bores.
- (4) Axial misalignment for two disc packs.
- (5) Angular misalignment for one disc pack.
- (6) Anti-corrosive options including Black Oxide, Zinc or Manganese Phosphating, Electroless Nickel, and Stainless Steel are available upon request.
- (7) Standard BSE's are listed on page 9

FEATURES/BENEFITS
PAGE PT1-65

EASY SELECTION
PAGE PT1-72

MODIFICATION/ACCESSORIES
PAGE PT1-93

ENGINEERING/TECHNICAL
PAGE PT1-95



Disc Couplings

Dodge Disc Coupling Inch and Metric Spacer Center Assembly Part Numbers

Complete Dodge Disc Coupling Consists of:
Quantity two hubs (standard or large) and quantity one spacer center assembly

BSE Distance		Pump Standard	Coupling Size										
(mm)	(inch)		94	115	139	165	193	210	236	263	286	310	
76	3.00	ANSI	138452										
79	3.10	ANSI	138453	138458									
89	3.50	ANSI	138454	138459	138463								
100	3.94	ISO	138482	138484	138487								
111	4.38	ANSI	138455	138460	138464	138467							
127	5.00	ANSI	138456	138461	138465	138468	138471						
140	5.51	ISO	138483	138485	138488	138490	138493	138496					
178	7.00	ANSI	138457	138462	138466	138469	138472	138475	138477				
180	7.09	ISO		138486	138489	138491	138494	138497					
229	9.00	ANSI				138470	138473	138476	138478	138480	138481	138503	
250	9.84	ISO				138492	138495	138498	138499	138500	138501	138502	

Note: (1) In addition to the listed standard between shaft end (BSE) dimensions, spacer center assemblies with custom BSE dimensions are available upon request.

FEATURES/BENEFITS PAGE PT1-65	SPECIFICATION/HOW TO ORDER PAGE PT1-71	MODIFICATION/ACCESSORIES PAGE PT1-93	ENGINEERING/TECHNICAL PAGE PT1-95
----------------------------------	---	---	--------------------------------------



EASY SELECTION

Disc Couplings

Dodge Disc Coupling Inch Bore Hub Part Numbers

Complete Dodge Disc Coupling Consists of:
Quantity two hubs (standard or large) and quantity one spacer center assembly

Size Inch Bore (in)	94		115		139		165		193	
	Standard Hub	Large Hub	Standard Hub	Large Hub	Standard Hub	Large Hub	Standard Hub	Large Hub	Standard Hub	Large Hub
Reborable	138000	138020	138023	138046	138051	138076	138081	138103	138106	138129
1/2	138225									
5/8	138226									
3/4	138227									
7/8	138228		138240							
15/16	138229		138241							
1	138230		138242		138258		138284			
1 1/8	138231		138243		138259		138285			
1 3/16	138232		138244		138260		138286			
1 1/4	138233		138245		138261		138287		138313	
1 3/8	138234		138246		138262		138288		138314	
1 7/16	138235		138247		138263		138289		138315	
1 1/2	138236		138248		138264		138290		138316	
1 5/8	138237		138249		138265		138291		138317	
1 11/16			138250		138266		138292		138318	
1 3/4			138251		138267		138293		138319	
1 7/8			138252		138268		138294		138320	
1 15/16			138253		138269		138295		138321	
2			138254		138270		138296		138322	
2 1/8		138239		138255	138271		138297		138323	
2 3/16					138272		138298		138324	
2 1/4					138273		138299		138325	
2 3/8				138256	138274		138300		138326	
2 7/16					138275		138301		138327	
2 1/2					138276		138302		138328	
2 5/8					138277		138303		138329	
2 11/16					138278		138304		138330	
2 3/4							138305		138331	
2 7/8				138257		138280	138306		138332	
2 15/16						138281	138307		138333	
3						138282	138308		138334	
3 1/8							138309		138335	
3 1/4									138336	
3 3/8						138283		138312	138337	
3 7/16									138338	
3 1/2									138339	
3 5/8									138340	
3 3/4									138341	
3 7/8										
3 15/16										
4										
4 3/8										
4 3/4										

Unless otherwise specified, all Dodge Disc Couplings are interference fit per AGMA 9002.
See page ___ for additional details

FEATURES/BENEFITS PAGE PT1-65	SPECIFICATION/HOW TO ORDER PAGE PT1-71	MODIFICATION/ACCESSORIES PAGE PT1-93	ENGINEERING/TECHNICAL PAGE PT1-95
----------------------------------	---	---	--------------------------------------

EASY SELECTION



PT Component Reference Guide

Disc Couplings

Dodge Disc Coupling Inch Bore Hub Part Numbers

Complete Dodge Disc Coupling Consists of:
Quantity two hubs (standard or large) and quantity one spacer center assembly

Size Inch Bore (in)	210		236		263		286		310	
	Standard Hub	Large Hub	Standard Hub	Large Hub	Standard Hub	Large Hub	Standard Hub	Large Hub	Standard Hub	Large Hub
Reborable	138130	138154	138155	138178	138179	138200	138201	138221	138223	138224
1/2										
5/8										
3/4										
7/8										
15/16										
1										
1 1/8										
1 3/16										
1 1/4	138345									
1 3/8	138346									
1 7/16	138347									
1 1/2	138348									
1 5/8	138349									
1 11/16	138350									
1 3/4	138351		138380		138409					
1 7/8	138352		138381		138410					
1 15/16	138353		138382		138411					
2	138354		138383		138412		138439			
2 1/8	138355		138384		138413		138440			
2 3/16	138356		138385		138414		138441			
2 1/4	138357		138386		138415		138442			
2 3/8	138358		138387		138416		138443			
2 7/16	138359		138388		138417		138444			
2 1/2	138360		138389		138418		138445			
2 5/8	138361		138390		138419		138446			
2 11/16	138362		138391		138420		138447			
2 3/4	138363		138392		138421		138448			
2 7/8	138364		138393		138422		138449			
2 15/16	138365		138394		138423		138450			
3	138366		138395		138424		138451			
3 1/8	138367		138396		138425					
3 1/4	138368		138397		138426					
3 3/8	138369		138398		138427					
3 7/16	138370		138399		138428					
3 1/2	138371		138400		138429					
3 5/8	138372		138401		138430					
3 3/4	138373		138402		138431					
3 7/8	138374		138403		138432					
3 15/16	138375		138404		138433					
4	138376		138405		138434					
4 3/8			138406		138435					
4 3/4					138436					

Couplings

Clutches and Brakes

FLEXIDYNE

Fluid Couplings

TORQUE-TAMER

Bushings

Unless otherwise specified, all Dodge Disc Couplings are interference fit per AGMA 9002.
See page ___ for additional details

FEATURES/BENEFITS PAGE PT1-65	SPECIFICATION/HOW TO ORDER PAGE PT1-71	MODIFICATION/ACCESSORIES PAGE PT1-93	ENGINEERING/TECHNICAL PAGE PT1-95
----------------------------------	---	---	--------------------------------------



EASY SELECTION

Disc Couplings

Dodge Disc Coupling Metric Bore Hub Part Numbers

Complete Dodge Disc Coupling Consists of:
Quantity two hubs (standard or large) and quantity one spacer center assembly

Size Metric Bore (mm)	94		115		139		165		193		210	
	Standard Hub	Large Hub	Standard Hub	Large Hub	Standard Hub	Large Hub	Standard Hub	Large Hub	Standard Hub	Large Hub	Standard Hub	Large Hub
Reborable	138000	138020	138023	138046	138051	138076	138081	138103	138106	138129	138130	138154
9	138001		138024									
11	138002		138025									
12	138003		138026									
14	138004		138027		138052							
16	138005		138028		138053							
17	138006		138029		138054							
18	138007		138030		138055							
19	138008		138031		138056							
20	138009		138032		138057							
22	138010		138033		138058							
24	138011		138034		138059		138082					
25	138012		138035		138060		138083					
28	138013		138036		138061		138084		138107			
30	138014		138037		138062		138085		138108		138131	
32	138015		138038		138063		138086		138109		138132	
35	138016		138039		138064		138087		138110		138133	
38	138017		138040		138065		138088		138111		138134	
40	138018		138041		138066		138089		138112		138135	
42	138019		138042		138067		138090		138113		138136	
45			138043		138068		138091		138114		138137	
48		138022	138044		138069		138092		138115		138138	
50			138045		138070		138093		138116		138139	
55				138048	138071		138094		138117		138140	
56					138072		138095		138118		138141	
60				138049	138073		138096		138119		138142	
63					138074		138097		138120		138143	
65				138050	138075		138098		138121		138144	
70							138099		138122		138145	
71							138100		138123		138146	
75						138079	138101		138124		138147	
80						138080	138102		138125		138148	
85									138126		138149	
90									138127		138150	
95									138128		138151	
100											138152	
105											138153	
110												
120												
125												
130												

Unless otherwise specified, all Dodge Disc Couplings are supplied with interference fits per ISO R775.
See page ___ for additional details

FEATURES/BENEFITS PAGE PT1-65	SPECIFICATION/HOW TO ORDER PAGE PT1-71	MODIFICATION/ACCESSORIES PAGE PT1-93	ENGINEERING/TECHNICAL PAGE PT1-95
----------------------------------	---	---	--------------------------------------

EASY SELECTION



Disc Couplings

Dodge Disc Coupling Metric Bore Hub Part Numbers

Complete Dodge Disc Coupling Consists of:
 Quantity two hubs (standard or large) and quantity one spacer center assembly

Size Metric Bore (mm)	236		263		286		310	
	Standard Hub	Large Hub	Standard Hub	Large Hub	Standard Hub	Large Hub	Standard Hub	Large Hub
Reborable	138155	138178	138179	138200	138201	138221	138223	138224
9								
11								
12								
14								
16								
17								
18								
19								
20								
22								
24								
25								
28								
30								
32								
35	138156							
38	138157							
40	138158							
42	138159							
45	138160		138180					
48	138161		138181					
50	138162		138182		138202			
55	138163		138183		138203			
56	138164		138184		138204			
60	138165		138185		138205			
63	138166		138186		138206			
65	138167		138187		138207			
70	138168		138188		138208			
71	138169		138189		138209			
75	138170		138190		138210			
80	138171		138191		138211			
85	138172		138192		138212			
90	138173		138193		138213			
95	138174		138194		138214			
100	138175		138195		138215			
105	138176		138196		138216			
110	138177		138197		138217			
120			138198		138218			
125			138199		138219			
130					138220			

Unless otherwise specified, all Dodge Disc Couplings are supplied with interference fits per ISO R775.
 See page ___ for additional details

FEATURES/BENEFITS PAGE PT1-65	SPECIFICATION/HOW TO ORDER PAGE PT1-71	MODIFICATION/ACCESSORIES PAGE PT1-93	ENGINEERING/TECHNICAL PAGE PT1-95
----------------------------------	---	---	--------------------------------------



NEW PRODUCT

DODGE Moment Couplings

DODGE Moment Couplings are specifically designed to make the rigid connection between the output shaft of a gearbox and an overhung driven load, commonly a head pulley. Highly engineered to meet the most rigorous application requirements, these couplings are capable of handling both the required application torque and the bending moment forces of the suspended weight of a drive package, including the gearbox, motor, high-speed coupling, and swing base.

Moment Coupling hubs are designed to maximize the bore range of the driver and driven shafts. The male and female hubs are manufactured from 4140 alloy steel and are assembled with Grade 8 bolts. Suitable for a wide range of applications, DODGE Moment Couplings span a torque range of 100,000 to 920,000 inch-pounds and may be used in DODGE MagnaGear packages and in other operations.

Information needed from the customer for DODGE engineering to select the appropriate Moment Coupling for an application:

- Horse Power / Torque / Speed Requirements
- Driver and Driven Shaft Sizes
- Overhung Load
- Length of Lever Arm
- Application Specifics: Type of Operation; Required Stops and Starts; Shock Loads and Vibration

For more information on Couplings contact your authorized DODGE distributor or log onto www.baldor.com.

FEATURES/BENEFITS PAGE PT1-82	SPECIFICATION/HOW TO ORDER PAGE PT1-82	MODIFICATION/ACCESSORIES PAGE PT1-93	ENGINEERING/TECHNICAL PAGE PT1-95
----------------------------------	---	---	--------------------------------------



FEATURES/BENEFITS

Chain Couplings



DODGE Chain Couplings offer a simple, widely accepted and inexpensive way to couple two shafts. They are interchangeable with industry standard dimensions. DODGE Chain Couplings can be provided with TAPER-LOCK bushed hubs, finished bore or reboreable flanges. Chain coupling covers and chain assemblies are also available from stock.

Low Operating Cost

- Long service life
- Inexpensive initial investment
- Economical replacement costs

Broad Product Line

- Six popular TAPER-LOCK coupling sizes
- Eleven popular straight bore sizes
- Stocked covers available for higher speeds

Shaft Attachment Flexibility

- TAPER-LOCK bushings
- Slip fit with setscrews
- Interference fit

High Torque Capability

- Hardened tooth sprockets
- ANSI standard double width roller chain

Compact Design

- All metallic components
- Excellent torque to bore compatibility



NOTE: Instruction manual for Chain Couplings and TAPER-LOCK Bushings available on www.baldor.com



Chain Couplings

SPECIFICATION

Chain Couplings transmit torque through two hubs with hardened sprocket teeth and a double width roller chain. The chain is wrapped around the sprocket and connected with a link or pin for easy installation or removal. The Chain Coupling allows for misalignment through the clearances between chain and sprocket teeth. The coupling allows 2° angular misalignment, .015" parallel misalignment and up to .300" shaft end float. The temperature range is -30°F to +225°F.

The coupling hubs have optional methods of attachment to the shaft including but not limited to: clearance fit, interference fit or TAPER-LOCK bushings. Clearance fits and interference fits are supplied with an industry standard keyway. Clearance fits are supplied with one set screw over the keyway.

Aluminum covers with elastomeric seals contain lubricant and protect the chain and teeth in an abrasive or corrosive atmosphere.

HOW TO ORDER

Standard couplings consist of:

- (2) Flanges
- (1) Chain Assembly
- (1) Cover (check RPM requirements on page PT1-68)

NOMENCLATURE

FB = Finished Bore
 B = Reborable
 Blank = TAPER-LOCK
 Chain Size
 Number of Teeth

FEATURES/BENEFITS PAGE PT1-83	EASY SELECTION PAGE PT1-85	MODIFICATION/ACCESSORIES PAGE PT1-93	ENGINEERING/TECHNICAL PAGE PT1-95
----------------------------------	-------------------------------	---	--------------------------------------



EASY SELECTION

Chain Couplings

Basic Size No.	Max. Bore			Max. RPM		*HP Ratings at Various RPM 1.0 Service Factor									
	TAPER-LOCK	Finished Bore	Reborable	Without Covers	With Covers	10	20	40	60	80	100	150	200	250	300
4012	..	3/4	7/8	875	5000	0.22	0.43	0.86	1.29	1.72	2.15	2.83	3.43	4.03	4.57
4016	1-1/8	1-1/8	1-5/16	875	5000	0.38	0.77	1.53	2.30	3.06	3.83	5.02	6.06	7.14	8.08
5012	...	1-1/8	1-1/8	875	...	40	0.81	1.61	2.42	3.23	4.03	5.30	6.39	7.57	8.57
5016	...	1-5/8	1-11/16	800	4000	0.73	1.46	2.93	4.39	5.86	7.32	9.60	11.7	13.7	15.5
5018	1-11/16	...	2	800	4000	0.95	1.89	3.79	5.68	7.57	9.47	12.4	15.0	17.7	20.0
6018	...	2-7/16	2-7/16	675	3000	1.73	3.46	6.92	10.4	13.8	17.3	22.9	27.6	32.5	36.8
6020	2-1/8	...	2-3/4	675	3000	2.25	4.50	9.01	13.5	18.0	22.5	29.6	35.6	42.0	47.6
8018	...	2-7/8	3-1/8	500	2000	3.86	7.72	15.4	23.2	30.9	38.6	50.8	61.4	72.3	81.5
8020	3-1/4	...	3-9/16	500	2000	5.03	10.1	20.1	30.2	40.3	50.3	66.1	79.7	94.0	106.0
10020	3-15/16	...	4-5/8	450	1800	8.68	17.4	34.7	52.1	69.4	86.8	115.0	139.0	162.0	184.0
12018	4-11/16	400	...	13.7	27.3	54.6	82.0	109.0	137.0	178.0	217.0	253.0	288.0
12020	4-7/16	400	1600	16.8	33.6	67.2	101.0	134.0	168.0	218.0	264.0	308.0	350.0

* TAPER-LOCK Bushings are not recommended below 250 RPM

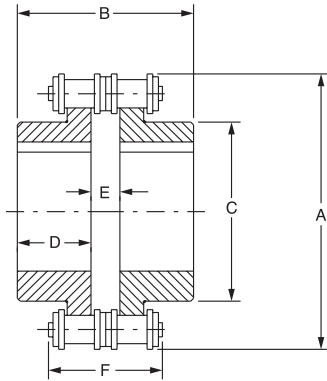
Basic Size No.	Max. Bore			Max. RPM		HP Ratings at Various RPM 1.0 Service Factor									
	TAPER-LOCK	Finished Bore	Reborable	Without Covers	With Covers	350	400	500	600	800	1000	1200	1400	160	1800
4012	..	3/4	7/8	875	5000	5.10	5.57	6.55	7.56	9.42	11.3	13.1	14.9	16.6	18.2
4016	1-1/8	1-1/8	1-5/16	875	5000	9.04	9.89	11.6	13.4	16.7	20.1	23.0	26.3	29.3	32.7
5012	...	1-1/8	1-1/8	875	...	9.41	10.42	12.2	14.1	17.5	21.0
5016	...	1-5/8	1-11/16	800	4000	17.3	18.9	22.3	25.7	32.0	38.3	44.5	50.4	56.2	61.9
5018	1-11/16	...	2	800	4000	22.4	24.5	28.8	33.1	41.4	49.7	56.8	65.1	72.6	80.9
6018	...	2-7/16	2-7/16	675	3000	41.2	44.9	53.0	60.9	75.9	90.7	105.0	120.0	134.0	147.0
6020	2-1/8	...	2-3/4	675	3000	53.2	58.2	68.5	78.8	98.5	118.0	135.0	155.0	173.0	192.0
8018	...	2-7/8	3-1/8	500	2000	91.5	99.8	118.0	135.0	169.0	202.0	234.0	266.0	297.0	326.0
8020	3-1/4	...	3-9/16	500	2000	119.0	130.0	153.0	176.0	220.0	264.0	302.0	346.0	386.0	430.0
10020	3-15/16	...	4-5/8	450	1800	205.0	225.0	265.0	305.0	380.0	454.0	527.0	598.0	667.0	734.0
12018	4-11/16	400	...	322.0	355.0
12020	4-7/16	400	1600	391.0	432.0	510.0	585.0	708.0	877.0	1003.0	1135.0	1273.0	...



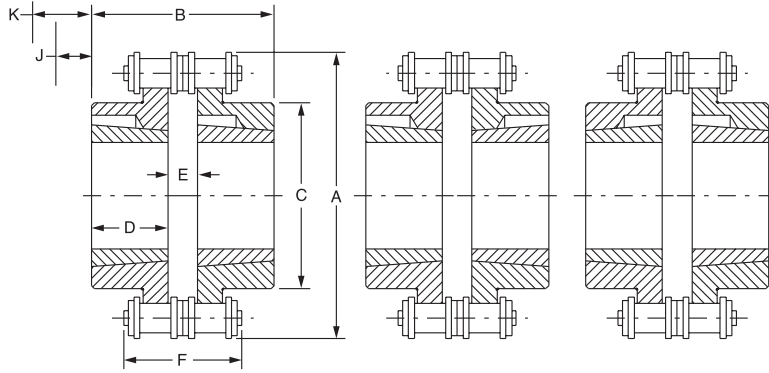
SELECTION/DIMENSIONS

Chain Couplings

STANDARD, STRAIGHT BORE AND TAPER-LOCK - FLANGES DIMENSIONS, RATINGS



STRAIGHT BORE CHAIN COUPLING



TAPER-LOCK CHAIN COUPLING

Ratings

Coupling Size	Straight Bore		TAPER-LOCK		Max. RPM		Weight (lbs.) (1)	
	Min.	Max.	Min.	Max.	Without Cover	With Cover	Str.	TL
4012	1/2	7/8	---	---	875	5000	2.20	---
4016	5/8	1-5/16	1/2	1-1/8	875	5000	3.80	2.70
5012	5/8	1-1/8	---	---	875	---	3.10	---
5016	5/8	1-11/16	---	---	800	4000	5.00	---
5018	3/4	2	1/2	1-11/16	800	4000	6.00	6.00
6018	1	2-7/16	---	---	675	3000	9.90	---
6020	1-1/8	2-3/4	1/2	2-1/8	675	3000	12.25	12.70
8018	1-1/8	3-1/8	---	---	500	2000	31.10	---
8020	1-1/2	3-9/16	7/8	3-1/4	500	2000	33.50	31.10
10020	1-1/2	4-5/8	1-3/16	3-15/16	450	1800	80.00	77.90
12018	2	4-11/16	---	---	400	---	110.00	---
12020	---	---	1-7/16	4-7/16	400	1600	---	135.00

Dimensions

Coupling Size	A	B		C	D		E		K (2)	J (3)
		Str.	T-L		Str.	T-L	Str.	T-L		
4012	2.41	2.53	---	1.41	1.13	---	0.28	---	---	---
4016	3.03	2.53	2.04	1.97	1.13	0.88	0.28	0.28	0.75	0.63
5012	3.00	2.88	---	1.75	1.25	---	0.38	---	---	---
5016	3.91	3.25	---	2.50	1.44	---	0.38	---	---	---
5018	4.19	3.75	2.38	2.97	1.69	1.00	0.38	0.38	1.06	0.81
6018	5.00	4.23	---	3.50	1.88	---	0.47	---	---	---
6020	5.50	4.47	2.94	3.88	2.00	1.25	0.47	0.47	1.38	0.94
8018	666	5.35	---	4.56	2.38	---	0.59	---	---	---
8020	7.30	5.85	4.59	5.38	2.63	2.00	0.59	0.59	2.06	1.19
10020	9.13	6.97	7.63	6.72	3.13	3.50	0.72	0.72	2.34	1.31
12018	10.00	7.88	---	6.75	3.50	---	0.86	---	---	---
12020	10.94	---	8.75	7.75	---	4.00	---	0.86	3.38	1.63

(1) Weight of complete coupling with cover at maximum bore (5012 & 12018 are without cover).

(2) Space required to loosen bushing with shortened hex key.

FEATURES/BENEFITS PAGE PT1-83	EASY SELECTION PAGE PT1-85	MODIFICATION/ACCESSORIES PAGE PT1-93	ENGINEERING/TECHNICAL PAGE PT1-95
----------------------------------	-------------------------------	---	--------------------------------------



SELECTION/DIMENSIONS

Chain Couplings

TAPER-LOCK, Reborable, Finished Bore Flanges - Part Number

Bore (in.)	Coupling Size												
	4012	4016	5012	5016	5018	6018	6020	8018	8020	10020	12018	12020	
Chain Assembly	100480	100490	100489	100481	100491	100482	100492	100483	100493	100495	100497	100496	
TL-H	---	• 099049	---	---	• 099053	---	• 099055	---	• 099057	• 099061	---	• 099063	
TL-F	---	• 099048	---	---	• 099052	---	• 099054	---	• 099056	• 099060	---	• 099062	
Bushing	---	1108	---	---	1610	---	2012	---	3020	3535	---	4040	
Reborable	• 099190	• 099151	• 099150	• 099152	• 099161	• 099153	• 099162	• 099154	• 099163	• 099164	• 099226		
Finished Bore Hubs													
1/2"	• 099100												
5/8"	• 099101	• 099138											
3/4"	• 099102	• 099103	• 099132	• 099141	• 099193								
7/8"		• 099104	• 099133	• 099107	• 099194								
15/16"		• 099139	• 099134										
1"		• 099105	• 099135	• 099108	• 099195	• 099142							
1-1/8"		• 099106	• 099136	• 099109	• 099196	• 099143	• 099209	• 099146					
1-3/16"		• 099191		• 099192	• 099197	• 099206							
1-1/4"		• 099140		• 099110	• 099198	• 099115	• 099210						
1-3/8"				• 099111	• 099199	• 099116							
1-7/16"				• 099112	• 099200	• 099117							
1-1/2"				• 099113	• 099201	• 099118	• 099211		• 099219				
1-5/8"				• 099114	• 099202	• 099119							
1-3/4"					• 099203	• 099120	• 099212	• 099147					
1-7/8"					• 099204	• 099121							
1-15/16"					• 099205	• 099122	• 099213	• 099125					
2"						• 099123		099126					
2-1/8"						• 099124	• 099214	• 099127					
2-3/16"						• 099207			• 099220				
2-1/4"						• 099208							
2-3/8"						• 099144	• 099215	• 099128					
2-7/16"						• 099145	• 099216	• 099129	• 099221				
2-5/8"							• 099217	• 099130					
2-11/16"									• 099222				
2-7/8"								• 099131					
2-15/16"								• 099218	• 099223				
3-1/8"										• 099224			
3-3/8"										• 099225			
3-7/16"													

• Stock Sizes

Complete coupling consists of:

- (2) Hubs, TAPER-LOCK, straight bore, or reborable
- (1) Chain Assembly
- (1) Cover Assembly (if required)

NOTE: For TAPER-LOCK designs, TAPER-LOCK bushings must be ordered separately

FEATURES/BENEFITS PAGE PT1-83	EASY SELECTION PAGE PT1-85	MODIFICATION/ACCESSORIES PAGE PT1-93	ENGINEERING/TECHNICAL PAGE PT1-95
----------------------------------	-------------------------------	---	--------------------------------------



SELECTION/DIMENSIONS

Chain Couplings

CHAIN COUPLING COVERS

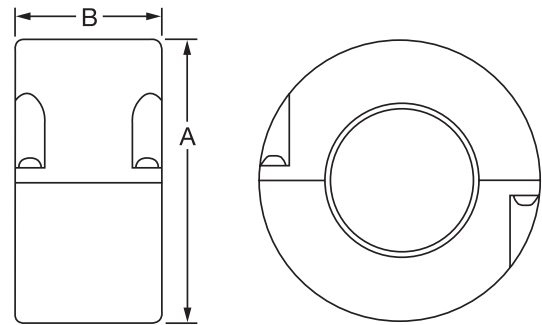
Chain coupling covers are recommended for use when couplings are operating under abrasive or moist conditions, or when coupling speeds exceed the RPM listed in the table below.

Cover should be filled with a roller bearing grease of soft or medium consistency. This provides excellent lubrication and substantially increases coupling life.



Chain Coupling Cover Recommendation

Coupling Size	Cover required when Coupling RPM exceeds this figure
4012	875
4016	875
5016	800
5018	800
6018	675
6020	675
8018	500
8020	500
10020	450
12020	400



Chain Coupling Cover Assemblies ▲

For Coupling Size	Cover Size	Part No.	Wt. (lbs.)	A	B
4012	40	099026	1.0	4.00	2.00
4016	40	099026	1.0	4.00	2.00
5016	50	099027	1.3	5.13	2.38
5018	50	099027	1.3	5.13	2.38
6018	60	099028	2.6	6.38	2.94
6020	60	099028	2.6	6.38	2.94
8018	80	099029	5.1	8.19	4.00
8020	80	099029	5.1	8.19	4.00
10020	100	099024	12.2	10.13	5.25
12020	120	099025	19.5	12.25	6.13

▲ Consists of (2) cover halves and screws; (4) seals for cover sizes 4012/4016 thru 8012/8020; (2) seals for cover sizes 10020 and 12020; and (2) cover gaskets.





POLY-DISC

SPECIFICATION

POLY-DISC Couplings are a pin type coupling using a molded polyurethane disc. The physical properties of the disc allow for the cushioning of shock loads and the resistance to most common chemicals such as acids, alkalis and petroleum products. The disc has an operating range of -90°F to +170°F.

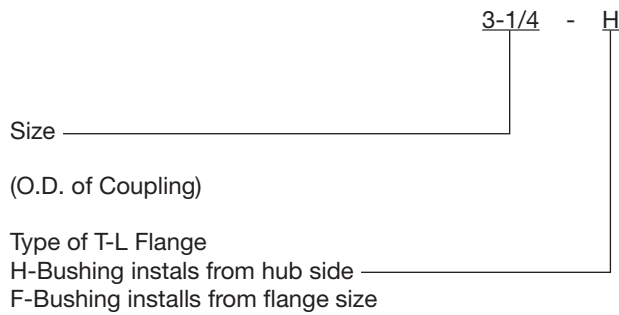
The flexible disc is captured through metallic pins, utilizing a light press fit over the pins to prevent the accumulation of abrasive particles between the disc and pins. The pin holes are barreled to allow 2° angular misalignment and the flexible disc allows 1/32" parallel misalignment. The disc has spacer buttons to achieve automatic flange spacing which speeds up installation. Both flanges are machined all over and are taper bored to receive TAPER-LOCK bushings to permit quick and easy installation and removal on shafts of equal or different diameters.

HOW TO ORDER

Consists of:

- (2) TAPER-LOCK Flanges
- (2) TAPER-LOCK Bushings
- (1) POLY-DISC Element

NOMENCLATURE



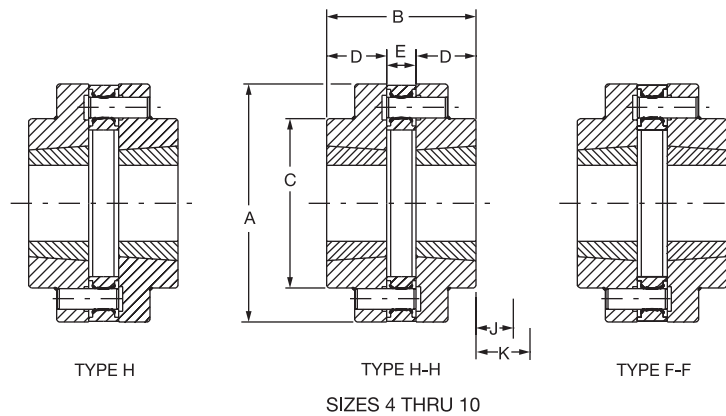
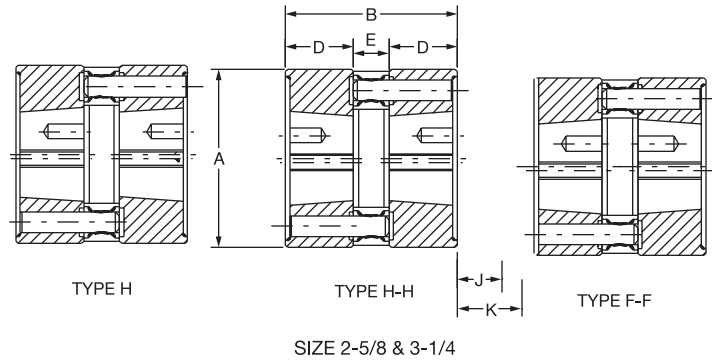
NOTE: Instruction manuals for POLY-DISC Couplings available on www.baldor.com

FEATURES/BENEFITS PAGE PT1-89	SELECTION/DIMENSIONS PAGE PT1-90	MODIFICATION/ACCESSORIES PAGE PT1-93	ENGINEERING/TECHNICAL PAGE PT1-95
----------------------------------	-------------------------------------	---	--------------------------------------

SPECIFICATION/HOW TO ORDER NOMENCLATURE



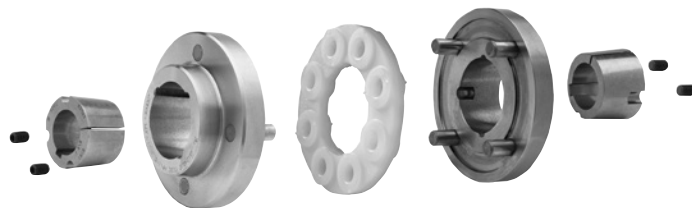
POLY-DISC



Coupling Size	TL Bushing Size	Min. Bore	Max. Bore	HP/100	Torque (In-Lb)	Max. RPM	A	B	C	D	E	J	K	Weight (Lbs.)	Inertia (Lb-Ft ²)	Holes In disc
2-5/8	1008	1/2	1	0.29	180	3600	2.63	2.56	2.63	1.00	0.69	0.63	0.75	2.50	2.30	6
3-1/4	1210	1/2	1-1/4	0.57	360	3600	3.25	2.88	3.25	1.13	0.75	0.81	1.06	4.15	6.20	6
4	1215	1/2	1-1/4	0.95	600	3600	4.00	3.63	2.63	1.50	0.63	0.81	1.06	5.80	10.00	8
5-1/4	1615	1/2	1-11/16	2.29	1440	3600	5.25	3.75	3.25	1.50	0.75	0.81	1.06	12.10	34.40	8
7	2517	1/2	2-11/16	4.6	2900	3000	7.00	4.38	4.97	1.75	0.88	1.00	1.63	25.90	141.20	10
8	2517	1/2	2-11/16	10	6300	2400	8.00	4.63	5.00	1.75	1.13	1.00	1.63	34.10	246.70	12
10	3030	15/16	3-1/4	17.26	10900	2000	10.00	7.5	6.00	3.00	1.50	1.31	2.69	77.70	866.00	12

POLY-DISC Part Numbers

Coupling Size	TL Bushing Size	T-L Flanges		Disc
		Type H	Type F	
2-5/8	1008	008057	008058	008030
3-1/4	1210	008059	008060	008031
4	1215	008041	008040	008032
5-1/4	1615	008043	008042	008033
7	2517	008045	008044	008034
8	2517	008047	008046	008035
10	3030	008049	008048	008036



Complete coupling consists of:

- (2) TAPER-LOCK Flanges
- (2) TAPER-LOCK Bushings
- (1) POLY-DISC Element

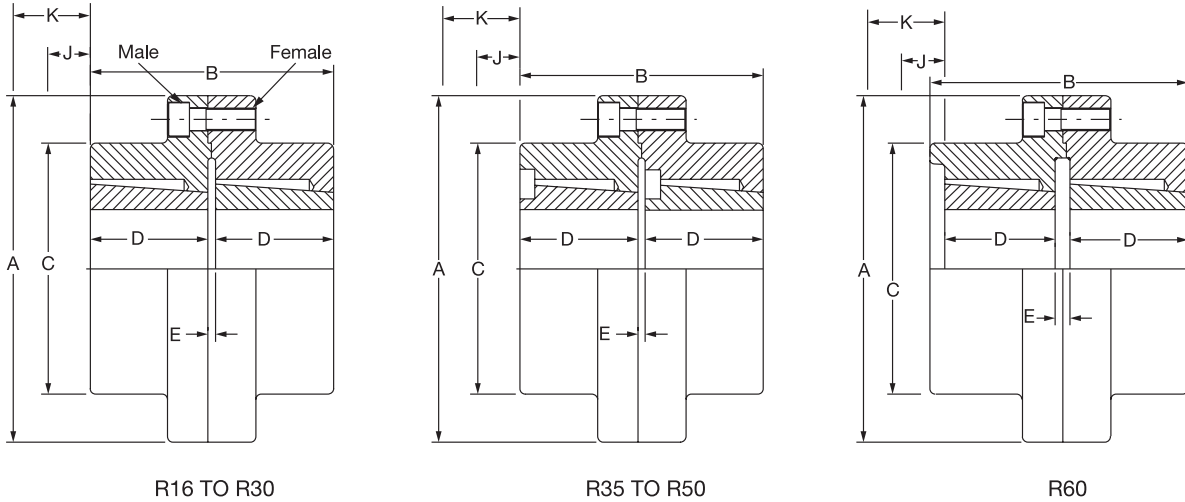
NOTE: TAPER-LOCK bushings ordered separately.
Refer to Bushing section PT6-15

FEATURES/BENEFITS PAGE PT1-89	SELECTION/DIMENSIONS PAGE PT1-90	MODIFICATION/ACCESSORIES PAGE PT1-93	ENGINEERING/TECHNICAL PAGE PT1-95
----------------------------------	-------------------------------------	---	--------------------------------------



SELECTION/DIMENSIONS

TAPER-LOCK RIGID



R16 TO R30

R35 TO R50

R60

Size	Bushing Size	Min. Bore	Max. Bore	HP/100	Torque (In Lb)**	Max. RPM	A	B	C	D	E	J*	K†	Weight (Lbs.)
R16	1615	1/2	1-11/16	8.0	5,050	4965	5.00	3.25	3.25	1.50	0.25	0.81	1.06	8.00
R25	2517	1/2	2-11/16	29.2	18,400	3545	7.00	3.75	5.00	1.75	0.25	1.00	1.63	19.10
R30	3030	15/16	3-1/4	50.5	31,800	2920	8.50	6.25	5.75	3.00	0.25	1.19	2.06	38.10
R35	3535	1-3/16	3-15/16	80.0	50,500	2545	9.75	7.25	7.00	3.50	0.25	1.31	2.69	62.20
R40	4040	1-7/16	4-7/16	120	75,500	2115	11.75	8.25	8.50	4.00	0.25	1.63	3.38	105.60
R45	4545	1-15/16	4-15/16	170	107,000	1910	13.00	9.25	9.50	4.50	0.25	1.94	4.06	146.70
R50	5050	2-7/16	5-5/16	233	147,000	1740	14.25	10.25	10.50	5.00	0.25	2.31	4.81	194.40
R60	6050	3-7/16	6	404	254,500	1240	20.00	13.25	16.00	5.00	1.75	1.63	4.38	526.70

* Space required to tighten bushing with shortened hex key in bushings 1615 through 5050. 6050 uses standard wrench. Also space required to loosen screws to permit removal of hub by a puller

† Space required to loosen bushing using screws as jack screws-no puller required. Use shortened hex key for bushing 1615 through 5050. 6050 uses standard wrench

** Ratings are based on uniform, non-reversing type loads. For more severe conditions, consult DODGE



TAPER-LOCK Rigid Part Numbers

Coupling Size	Bushing Size	Standard		Stainless Steel*	
		Male Flange Assembly	Female Flange	Male Flange Assembly	Female Flange
R16	1615	003001	003002	394157	394158
R25	2517	003003	003004	424453	424452
R30	3030	003005	003006	424490	424491
R35	3535	003007	003008	394455	393340
R40	4040	003009	003010	394032	394035
R45	4545	003011	003012	395635	395634
R50	5050	003013	003014	395637	395636
R60	6050	003015	003016	395639	395638

Complete coupling consists of:

- (1) Male Flange Assembly
- (1) Female Flange
- (2) TL Bushings

* Stainless Steel TL Rigid couplings include zinc coated hardware.

Hardware supplied with male flange

Available in reverse mount

NOTE: TAPER-LOCK bushings ordered separately.

Refer to bushing section PT6-16

TL Rigid couplings are capable of accommodating keyless locking devices for use with non-keyed shafting. Please contact DODGE for further details.

NOTE: Instruction manuals for TAPER-LOCK Rigid Couplings and TAPER-LOCK Bushings available on www.baldor.com

FEATURES/BENEFITS PAGE PT1-89	SPECIFICATION/HOW TO ORDER PAGE PT1-89	MODIFICATION/ACCESSORIES PAGE PT1-93	ENGINEERING/TECHNICAL PAGE PT1-95
----------------------------------	---	---	--------------------------------------



Rigid Couplings

RIBBED RIGID

RIBBED RIGID SPECIFICATION

Rigid Couplings provide a connection between two perfectly aligned shafts. Ribbed Rigid Couplings are axially split to clamp on shafts of the same diameter and held together by bolts. The coupling uses one key over the entire length and permits quick and easy installation and removal.

HOW TO ORDER

TAPER-LOCK consist of:
(1) Ribbed Rigid Coupling Assembly
(Complete, by bore size)

NOMENCLATURE

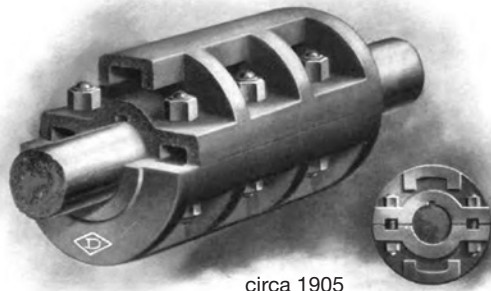
Ribbed Rigid 2-3/4
Bore Size of Coupling

FEATURES/BENEFITS PAGE PT1-89	SELECTION/DIMENSIONS PAGE PT1-90	MODIFICATION/ACCESSORIES PAGE PT1-93	ENGINEERING/TECHNICAL PAGE PT1-95
----------------------------------	-------------------------------------	---	--------------------------------------



SELECTION/DIMENSIONS

Ribbed Rigid



circa 1905

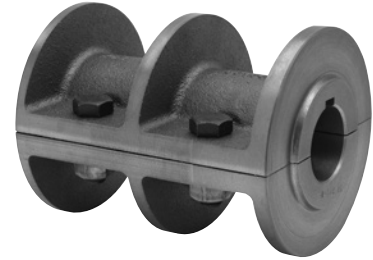


Figure 1

Today's Ribbed Rigid Coupling

“Grim Death” Compression Coupling as presented in the 1905 Dodge Catalog, is an original Dodge design. “Grim Death” is a substantial safety coupling adapted to any class of service, and complies with all legal requirements as to safety by having bolt heads and nuts protected. “Grim Death” coupling is finished and polished on periphery and faced on ends.

For Nominal Shaft of:	Style Cplg. Figure no.	Part Number	Max RPM	Torque (In-Lb)	Weight	Coupling Dia x Length	Keyway Size	Key Furnished	Bolts	
									No.	Dia.
1	1	009001	5360	1200	6.0					
1-3/16	1	009002	5360	2000	5.5	3-5/8 x 5-1/4	1/4 x 1/8	1/4 x 1/4 x 5-1/4	4	3/8
1-1/4	1	009003	5360	2300	5.2					
1-3/8	1	009004	4130	3100	11.0	4-5/8 x 6-3/16	5/16 x 5/32	5/16 x 5/16 x 6-3/16	4	1/2
1-7/16	1	009005	4130	3500	10.5	4-5/8 x 6-3/16	3/8 x 3/16	3/8 x 3/8 x 6-3/16	4	1/2
1-1/2	1	009006	4130	4000	10.2					
1-11/16	1	009007	3965	5700	13.7	4-13/16 x 7-1/16	3/8 x 3/16	3/8 x 3/8 x 7-1/16	4	1/2
1-3/4	1	009008	3965	6300	13.3					
1-7/8		009009	3635	7800	19.4				4	1/2
1-15/16	★	009010	3635	8600	20.6	5-1/4 x 7-15/16	1/2 x 1/4	1/2 x 1/2 x 7-15/16		
2		009011	3635	9400	20.0					
2-3/16		009013	3180	12400	29.1				4	5/8
2-1/4	★	009012	3180	13400	29.0	6 x 8-5/8	1/2 x 1/4	1/2 x 1/2 x 8-5/8		
2-7/16	2	009015	2965	17100	37.3	6-7/16 x 9-11/16	5/8 x 5/16	5/8 x 5/8 x 9-11/16	6	5/8
2-1/2	2	009016	2965	18400	36.6					
2-11/16	2	009017	2830	22900	43.4	6-3/4 x 10-9/16	5/8 x 5/16	5/8 x 5/8 x 10-9/16	6	5/8
2-3/4	2	009014	2830	24500	43.0					
2-15/16	2	009019	2545	29900	58.7	7-1/2 x 11-3/8	3/4 x 3/8	3/4 x 3/4 x 11-3/8	6	3/4
3	2	009020 *	2545	31800	56.2					
3-3/16	2	009022	2315	38200	80.5	8-1/4 x 12-1/4	3/4 x 3/8	3/4 x 3/4 x 12-1/4	6	7/8
3-1/4	2	009021 *	2315	40500	80.0	8-1/4 x 12-1/4	3/4 x 3/8	3/4 x 3/4 x 12-1/4	6	7/8
3-7/16	2	009023	2165	47900	94.6	8-13/16 x 13-3/16	7/8 x 7/16	7/8 x 7/8 x 13-3/16	6	7/8
3-1/2	2	009024 *	2165	50500	94.0	8-13/16 x 13-3/16	7/8 x 7/16	7/8 x 7/8 x 13-3/16	6	7/8
3-15/16	2	009025	1900	72000	146.6	10-1/16 x 15-1/4	1 x 1/2	1 x 1 x 15-1/4	6	1
4	2	009027 *	1900	75400	146.0	10-1/16 x 15-1/4	1 x 1/2	1 x 1 x 15-1/4	6	1
4-7/16	3	009026	1775	103000	215.0	10-3/4 x 18-3/16	1 x 1/2	1 x 1 x 18-3/16	6	1-1/8
4-1/2	3	009031 *	1775	107400	214.4	10-3/4 x 18-3/16	1 x 1/2	1 x 1 x 18-3/16	6	1-1/8
4-15/16	3	009028	1625	142000	276.3	11-3/4 x 19-5/8	1-1/4 x 5/8	1-1/4 x 1-1/4 x 19-5/8	6	1-1/8
5	3	009043 *	1625	147500	275.6	11-3/4 x 19-5/8	1-1/4 x 5/8	1-1/4 x 1-1/4 x 19-5/8	6	1-1/8
5-7/16	4	009029	1390	190000	426.2	13-3/4 x 20-3/8	1-1/4 x 5/8	1-1/4 x 1-1/4 x 20-3/8	8	1-1/8
5-1/2	4	009050 *	1390	196000	425.4	13-3/4 x 20-3/8	1-1/4 x 5/8	1-1/4 x 1-1/4 x 20-3/8	8	1-1/8
5-15/16	3	009042 *	1365	247000	426.0	14 x 20-3/4	1-1/2 x 3/4	1-1/2 x 1-1/2 x 20-3/4	6	1-1/4
6	3	009054 *	1365	255000	425.3	14 x 20-3/4	1-1/2 x 3/4	1-1/2 x 1-1/2 x 20-3/4	6	1-1/4
7	4	009044 *	1230	404000	560.8	15-1/2 x 21-15/16	1-3/4 x 3/4	1-3/4 x 1-1/2 x	8	1-1/4

★ Same as Fig. 1 except with a rib parallel to the bore between each pair of flanges

* Standard non-stock size. Consult DODGE Engineering for delivery

Note: Coupled shafts must be the same diameters

NOTE: Instruction manuals for Ribbed Rigid Couplings available on www.baldor.com

FEATURES/BENEFITS PAGE PT1-89	SPECIFICATION/HOW TO ORDER PAGE PT1-89	MODIFICATION/ACCESSORIES PAGE PT1-93	ENGINEERING/TECHNICAL PAGE PT1-95
----------------------------------	---	---	--------------------------------------



PARA-FLEX Elements - Part Numbers

Element Size	Standard	Neoprene (1)	Cordless (2)	Weight (Lbs)
	Part No.	Part No.	Part No.	
PX40	011529	012455	012456	0.3
PX50	011105	011296	011285	0.7
PX60	011106	011297	011286	1.2
PX70	011107	011298	011287	1.6
PX80	011108	011299	011288	2.2
PX90	011109	011300	011289	2.6
PX100	011110	011301	011290	2.5
PX110	011111	011302	---	3.0
PX120	011112	011303	011292	4.8
PX140	011114	011304	---	5.6
PX160	011117	011305	---	9.1
PX200	011120	011306	---	20.8
PX240	011124	011312	---	27.0
PX280	011457	011313	---	45.0
PX320	011463	011315	---	80.0

High Speed/Flywheel Elements			
Element Size	Standard Part No.	Neoprene Part No. (1)	Weight (lbs)
PH87	011227	011266	1.20
PH96	011228	011267	1.80
PH116	011230	011268	2.00
PH131	011231	011269	3.50
PH172	011234	011270	7.50
PH192	011236	011271	9.30
PH213	011239	011272	13.90
PH252	011242	011273	27.00

(1) Neoprene element ratings are the same as the standard natural rubber element ratings. (Green sticker or painted mark)

- (1) Neoprene element ratings are the same as the standard natural rubber element ratings. (Green sticker or painted mark)
- (2) Cordless elements have an average static torsional stiffness 25% of the standard element and approximately 25% of the torque rating. (White sticker or painted mark)

Elastomer Compatibility

Ratings: 1 - Minor Effect 2 - Moderate Effect 3 - Severe Effect nd - No Data

Substance	Nat. Rubber	Neo-prene	EPDM	Hytrel	Substance	Nat. Rubber	Neo-prene	EPDM	Hytrel
Acetic Acids	2	1	1	1	Hydrobromic Acid (40%)	1	2	1	nd
Acetic Anhydride	2	1	2	nd	Kerosene	3	2	3	nd
Alcohols, Monohydric	2	1	2	nd	Lacquers	3	3	3	2
Ammonia Anhydrous	3	1	1	nd	Lead Sulfamate	2	1	1	nd
ASTM A Oils	3	1	1	1	Mineral Oil	3	2	2	1
Animal Fats	3	2	2	nd	Naphtha	3	2	3	1
Benzene	3	3	3	2	Nickel Chloride	1	2	1	nd
Carbonic Acid	3	2	2	nd	Nitric Acid (10%)	1	2	2	2
Calcium Bisulfite	2	1	3	nd	Ozone	3	2	1	nd
Chloroacetone	2	2	1	2	Petroleum (<250°F)	3	2	3	nd
Chloroacetic Acid	2	1	1	nd	Potassium Dichromate	2	1	1	nd
Copper Sulphate	2	1	1	1	Salt Water	1	2	1	1
Corn Oil	2	2	2	nd	Silicone Oils	1	1	1	1
Diesel Oil	3	2	3	1	Sulfuric Acid (Conc.)	3	3	3	3
Fuel Oil	3	2	3	1	Vinegar	2	1	1	nd
Gasoline	2	2	3	1	Zinc Sulfate	2	1	1	nd



GRID-LIGN Replacement Grids, Covers, and Seals - Part Numbers

Coupling Size	Grid	T10 Cover Assembly	T10 Seal Kit	T20 Cover Assembly	T20 Seal Kit
1020T	006275	006250	006805	006260	006815
1030T	006276	006251	006806	006261	006816
1040T	006277	006252	006807	006262	006817
1050T	006278	006253	006808	006263	006818
1060T	006279	006254	006809	006264	006819
1070T	006280	006255	006810	006265	006820
1080T	006281	006256	006811	006266	006821
1090T	006282	006257	006812	006267	006822
1100T	006283	006258	006813	006268	006823
1110T	006284	006259	006814	006269	006824
1120T	007462	007471	007520	426672	007529
1130T	007463	007472	007521	426673	007530
1140T	007464	007473	007522	426674	007531
1150T	007465	007474	007523	007011	007532
1160T	007466	007475	007524	007012	007533
1170T	007467	007476	007525	007013	007534
1180T	007468	007477	007526	007014	007535
1190T	007469	007478	007527	007015	007536
1200T	007470	007479	007528	007016	007537

Chain Coupling: Chain Assemblies And Covers - Part Numbers

Coupling Size	Chain Assembly	Chain Assembly Weight (Lbs.)	Cover Assembly (1)	Cover Assembly Weight (Lbs.)
4012	100480	.4	099026	1.0
4016	100490	.6	099026	1.0
5012	100489	.9	N/A	N/A
5016	100481	1.4	099027	1.3
5018	100491	1.4	099027	1.3
6018	100482	2.7	099028	2.6
6020	100492	2.7	099028	2.6
8018	100483	6.1	099029	5.1
8020	100493	6.1	099029	5.1
10020	100495	11.0	099024	12.2
12018	100497	20.0	N/A	N/A
12020	100496	20.0	099025	19.5

(1) Cover assemblies consist of cover halves, screws, seals, and cover gaskets.

PARA-FLEX Nickel Plated Screws

Flange Assembly Size	Screw Size (2)	Part Number	Number per Flange (3)
PX70, PX80	5/16-18X1-1/2	411767	5, 6
PX90, PX100	3/8-16X1-3/4	411768	6
PX120	1/2-13X2	411770	6
PX140	1/2-13X2-1/4	411771	8

(2) Nickel plated Grade 8 hex head cap screws. Screws not available from stock for PX140 with iron flanges. For sizes not listed, contact DODGE.

(3) 5 required for PX70; 6 for PX80.

NOTE: Product installation and maintenance instructions can be found at www.baldor.com



Selection Methods:

D-FLEX, PARA-FLEX, GRID-LIGN, GEAR, POWER-PLUS, POLY-DISC, & RIGID COUPLINGS

HP/100 METHOD

Step 1: Obtain required service factor from Service Factor Tables on pages PT1-83 and PT1-84.

Step 2: Determine the application HP per 100 RPM:

$$HP / 100 \text{ RPM} = \frac{\text{Motor HP} \times 100 \times \text{Service Factor}}{\text{Coupling RPM}}$$

Step 3: From Rating Tables, find a rating equal to or greater than the HP/100 RPM. Note coupling size from left hand column.

Step 4: Check maximum RPM capability.

Step 5: Check maximum bore capacity. If maximum bore is exceeded, move to larger size with adequate bore-but be sure maximum RPM of coupling is not exceeded

Step 6: If the GT Adapter System is utilized then ensure the keyless torsional holding power exceeds the application demands. From the application tables listed on PT1-10 and PT1-11, ensure the **Maximum Adapter Torque** for the shaft size exceeds the application torque that was calculated in Step 2.

TORQUE METHOD:

Step 1: Obtain required service factor from Service Factor Tables on pages PT1-83 and PT1-84

Step 2: Determine torque required for application.

$$\text{Torque (In - lbs)} = \frac{63025 \times \text{HP} \times \text{SF}}{\text{Coupling RPM}}$$

Step 3: From Rating Tables, find a rating equal to or greater than the torque. Note coupling size from left hand column.

Step 4: Check maximum RPM capability

Step 5: Check maximum bore capacity. If maximum bore is exceeded, move to larger size with adequate bore-but be sure maximum RPM of coupling is not exceeded

CHAIN COUPLINGS

DESIGN HP METHOD:

Step1: Obtain required service factor from Service Factory Tables on pages PT1-84 and PT1-85

Step 2: Determine application HP:
HP Design = HP x SF

Step 3: From rating tables, select appropriate coupling RPM column and find a rating equal to or greater than HP design. Note coupling size from left hand column.

Step 4: Check maximum RPM capability

Step 5: Check maximum bore capacity. If maximum bore is exceeded, move to larger size with adequate bore-but be sure maximum RPM of coupling is not exceeded.

NOTE: If spring set motor brake is used, and brake HP is greater than prime mover, use brake HP in place of motor HP.

NOTE: If system peak torque is known and is non-reversing, start at Step 3. If system peak torque is known and reversing, multiply by 2.0 and start at Step 3

NOTE: Selection program "Couple" available on www.ptwizard.com



SERVICE FACTOR

Table 1

Application (Read Footnotes)	Factor Δ				
	PARA-FLEX/ Poly-Disc	Grid Chain Rigid	D-FLEX	Gear	Power-Plus
AGITATORS					
Paddle or Propeller (Vert. or Horiz.)	1.00	1.00	1.25	1.00	1.25
Screw	1.00	1.00	1.25	1.00	1.25
BLOWERS					
Centrifugal	1.00	1.00	1.25	1.00	1.00
Lobe	1.50	1.25	1.50	1.25	1.50
Vane	1.00	1.25	1.25	1.25	1.25
BREWING & DISTILLING					
Bottling Machinery, Brew Kettle	1.00	1.00	1.25	1.00	1.00
Cooker (Continuous Duty)	1.00	1.00	1.25	1.00	1.25
Mash Tub	1.00	1.00	1.25	1.00	1.25
Scale Hopper-Frequent Starting Peaks	1.50	1.75	◆	1.75	1.75
CAN FILLING MACHINE	1.00	1.00	1.25	1.00	1.00
CAR DUMPER	1.50	2.50	2.00	2.50	2.00
CAR PULLER	1.50	1.50	1.50	1.50	1.50
CLARIFIER	1.00	1.00	1.25	1.00	1.25
CLASSIFIER	1.00	1.00	1.25	1.00	1.25
CLAY-WORKING MACHINES					
Brick Press, Briquette Mach., Clay Working Mach., Pug Mill	1.50	1.50	1.50	1.75	1.75
COMPRESSORS**					
Centrifugal, Lobe, Screw	1.00	1.00	1.25	1.00	1.00
Lobe, Rotary	2.00	1.25	2.00	1.25	1.50
Reciprocating					
1 cylinder - single acting	3.50	3.00	◆	3.00	3.50
1 cylinder - double acting	3.00	3.00	◆	3.00	3.00
2 cylinder - single acting	3.00	3.00	◆	3.00	3.00
2 cylinder - double acting	2.50	3.00	◆	3.00	2.50
3 cl. or more - single acting	2.50	3.00	◆	3.00	2.50
3 cl. or more - double acting	2.00	2.00	◆	2.00	2.00
CONVEYORS					
Apron, Assembly, Belt, Chain, Flight, Oven	1.00	1.00	1.25	1.00	1.25
Reciprocating	2.50	3.00	◎	3.00	2.50
Screw	1.00	1.00	1.25	1.00	1.25
CRANES AND HOISTS					
Main Hoist-Medium Duty	1.50	1.75	1.50	1.75	1.75
Main Hoist-Heavy Duty	2.00	2.00	2.00	2.00	2.50
Skip Hoist, Travel Motion, Trolley	1.50	1.75	1.00	1.75	2.00
Motion, Slope	1.50	1.75	1.00	1.75	1.75
CRUSHERS					
Cane	2.00	2.00	2.00	2.00	2.00
Gyratory	2.50	2.50	◆	2.50	2.50

Application (Read Footnotes)	Factor Δ				
	PARA-FLEX/ Poly-Disc	Grid Chain Rigid	D-FLEX	Gear	Power-Plus
DREDGES					
Cable Reel, Screen Drive, Stacker	1.50	1.75	1.50	1.75	1.75
Conveyor	1.50	1.75	1.50	1.25	1.75
Cutter Head Drive, Jig Drive	2.50	2.00	2.00	2.00	2.00
Pump, Utility Winch	1.50	1.75	1.50	1.50	1.75
DYNAMOMETER	1.00	1.00	1.25	1.00	1.00
ELEVATORS					
Bucket, Freight	2.00	1.25	2.00	1.25	2.00
EXCITER	1.00	1.00	1.25	1.00	1.00
FANS					
Centrifugal	1.00	1.00	1.25	1.00	1.00
Cooling Tower	2.00	2.00	2.00	2.00	2.00
Heavy Duty (Forced Draft)	1.50	1.50	2.00	1.50	1.50
Induced Draft	1.50	1.50	2.00	1.50	2.00
Light	1.00	1.00	1.25	1.00	1.00
Propeller Indoor	1.50	1.50	2.00	1.50	1.50
FOOD INDUSTRY					
Beet Slicer	1.50	1.75	1.50	1.75	1.75
Cereal Cooker	1.00	1.25	1.25	1.25	1.25
Dough Mixer, Meat Grinder	1.50	1.75	1.50	1.75	1.75
GENERATORS					
Even Load	1.00	1.00	1.25	1.00	1.00
Hoist or Railway Service	1.50	1.50	1.50	1.50	1.50
Welder Load	2.00	2.00	2.00	2.00	2.00
GRIZZLY	2.00	2.00	2.00	2.00	2.00
KILN	2.00	2.00	2.00	2.00	2.00
LAUNDRY MACHINES					
Tumbler Washer	2.00	2.00	2.00	2.00	2.00
LINE SHAFTS					
Driving Processing Machinery	1.00	1.50	1.25	1.50	1.50
Light	1.00	1.50	1.25	1.50	1.50
LUMBER INDUSTRY					
Band Resaw	1.50	1.50	1.50	1.50	1.50
Circular Resaw	1.50	1.50	1.50	1.75	1.50
Edger Head Rig, Hog, Log Haul	2.00	2.00	2.00	2.00	2.00
Planer	1.50	1.75	1.50	1.75	1.75
Rolls Non-Reversing	1.50	1.25	1.50	1.25	1.25
Rolls Reversing	2.00	2.00	2.00	2.00	2.00
Sawdust Conveyor	1.00	1.25	1.25	1.25	1.25
Slab Conveyor	1.50	1.75	1.50	1.75	1.50
Sorting Table	1.50	1.75	1.50	1.50	1.50
MACHINE TOOLS					
Auxiliary	1.00	1.00	1.25	1.00	1.00

Note: Selection program "Couple" available on www.ptwizard.com



SERVICE FACTOR

Table 1 (continued)

Application (Read Footnotes)	Factor Δ				
	PARA-FLEX/ Poly-Disc	Grid Chain Rigid	D-FLEX	Gear	Power-Plus
MACHINE TOOLS (continued)					
Main Drive	1.50	1.75	1.50	1.50	1.75
Notching Press, Planer (Reversing), Plate Planer, Punch Press	1.50	1.75	1.50	1.75	1.75
Traverse	1.00	1.00	1.25	1.00	1.00
METAL FORMING MACHINES					
Draw Bench, Carriage, Main Drive, Extruder,	2.00	2.00	1.50	2.00	2.00
Wire Drawing, Flattening Machine	2.00	2.00	1.50	1.75	2.00
MILLS Rotary Type					
Ball or Pebble direct or	2.50	2.00	2.00	2.00	2.25
on LS Shaft Gear Reducer	2.50	2.00	2.00	2.00	2.25
on HS Shaft Gear Reducer	2.00	1.50	1.50	1.50	1.75
Dryer and Cooler	1.50	1.75	1.50	1.75	2.00
Rod or Tube direct or	2.50	2.00	2.00	2.00	2.25
on LS Shaft Gear Reducer	2.50	2.00	2.00	2.00	2.25
on HS Shaft Gear Reducer	2.00	1.50	1.50	1.50	1.75
Tumbling Barrel	1.50	1.75	2.00	1.75	1.75
MIXERS					
Concrete (Continuous or intermittent)	1.50	1.75	1.50	1.75	1.75
Muller-Simpson type	1.50	1.75	1.50	1.50	1.75
OIL INDUSTRY					
Chiller	1.00	1.25	1.25	1.25	1.25
Oil Well Pumping (Not over 150% peak torque)	2.00	2.00	2.00	2.00	2.00
Paraffin Filter Press	1.50	1.50	1.50	1.50	1.50
PAPER MILLS					
Agitator	1.00	2.00	1.25	2.00	2.00
Barking Drum	2.50	2.50	2.00	2.50	2.25
Beater and Pulper	1.50	1.75	1.50	1.75	1.75
Bleacher	1.00	1.00	1.25	1.00	1.00
Calender	2.00	1.75	2.00	1.75	2.00
Chipper	3.00	2.50	2.00	2.50	2.50
Couch Cylinder Dryer	1.50	1.75	1.50	1.75	1.75
Felt Stretcher	1.00	1.25	1.25	1.25	1.25
Fourdrinier	1.50	1.75	1.50	1.75	1.75
Jordan	2.00	2.00	2.00	2.00	2.00
Press	2.00	1.75	1.50	1.75	1.75
Pulp Grinder	2.00	1.75	2.00	1.75	1.75
Stock Chest	1.50	1.50	1.50	1.50	1.50
Stock Pump					
Reciprocating	2.00	2.00	◆	2.00	2.00

Application (Read Footnotes)	Factor Δ				
	PARA-FLEX/ Poly-Disc	Grid Chain Rigid	D-FLEX	Gear	Power-Plus
PAPER MILLS (continued)					
Suction Roll	2.00	1.75	1.50	1.75	1.75
Winder	1.50	1.50	1.50	1.50	1.50
PARAFFIN FILTER PRESS					
	1.50	1.50	1.50	1.50	1.50
PRINTING PRESS					
	1.50	1.50	1.50	1.50	1.50
PROPELLER Marine					
	1.50	1.50	◆	1.50	1.50
PULLERS					
Barge Hall	2.50	2.00	2.00	1.50	2.00
PULVERIZERS					
Hammermill-Light Duty	1.50	1.50	1.50	1.50	1.50
Hammermill-Heavy Duty	2.00	1.75	2.00	1.75	1.75
Hog	2.00	1.75	2.00	1.75	1.75
Roller	1.50	1.50	1.50	1.50	1.50
PUMPS					
For Stock Pumps See Paper Mills					
Centrifugal	1.00	1.00	1.25	1.00	1.00
Descaling Gear Type	1.50	1.25	1.50	1.25	1.50
Oil Well Pumping (Not over 150% peak torque)	2.00	2.00	2.00	2.00	2.00
Rotary -other than gear	1.50	1.25	1.50	1.25	1.50
Reciprocating					
1 cylinder-single acting	2.50	3.00	◆	3.00	2.25
1 cylinder-double acting	2.00	3.00	◆	3.00	2.00
2 cylinder-single acting	2.00	2.00	◆	2.00	2.25
2 cylinder-double acting	1.50	1.75	◆	1.75	2.00
3 cylinder or more	1.50	1.50	◆	1.50	1.75
RUBBER INDUSTRY					
Banbury Mixer	2.50	2.50	2.00	2.50	2.50
Calender	2.00	2.00	2.00	2.00	2.00
Cracker Mixing Mill Plasticator	2.50	2.50	2.00	2.50	2.50
Refiner, Sheeter	2.00	2.50	2.00	2.50	2.00
Tire-Building Machine	2.00	2.50	2.00	2.50	2.50
Tire and Tube Press Opener Based on Peak Torque	1.00	1.00	1.25	1.00	1.00
Tuber and Strainer	1.50	1.75	1.50	1.75	1.75
Warming Mill	2.00	2.00	2.00	2.00	2.00
Washer	2.50	2.50	2.00	2.50	2.50
SCREENS					
Air Washing	1.00	1.00	1.25	1.00	1.00
Coal and Sand Rotary	1.50	1.50	1.50	1.50	1.50
Vibrating	2.50	2.50	2.00	2.50	2.50
Water	1.00	1.00	1.25	1.00	1.25

 Note: Selection program "Couple" available on www.ptwizard.com



SERVICE FACTOR

Table 1 (continued)

Application (Read Footnotes)	Factor Δ				
	PARA-FLEX/ Poly-Disc	Grid Chain Rigid	D-FLEX	Gear	Power-Plus
SEWAGE DISPOSAL EQUIPMENT	1.00	1.00	1.25	1.00	1.25
SHOVEL	2.00	2.00	2.00	2.00	2.00
SHREDDER	1.50	1.50	1.50	1.50	1.50
STEEL INDUSTRY					
Cold Mills					
Coiler up or down	1.50	2.00	◆	1.50	2.00
Strip, Temper	2.00	2.00	◆	2.00	2.00
Hot Mills					
Coiler up or down	1.50	2.00	◆	1.50	2.00
Edger Drive	1.50	2.00	◆	1.50	2.00
Feed Roll Blooming	3.00	2.50	◆	3.00	3.50
Roughing Mill Delivery	3.00	2.50	◆	2.50	3.00
Non-reversing, Sheet Strip	3.00	2.50	◆	2.50	3.00
Rod Mill	2.50	2.50	◆	2.00	2.25
Soaking Pit Cover Drive Lift	3.00	1.50	◆	1.00	3.00
Soaking Pit Cover Drive Travel	3.00	1.50	◆	2.00	3.00

Application (Read Footnotes)	Factor Δ				
	PARA-FLEX/ Poly-Disc	Grid Chain Rigid	D-FLEX	Gear	Power-Plus
STEERING GEAR	1.00	1.00	1.25	1.00	1.25
STOKER		1.00	1.25	1.00	1.25
TEXTILE MILLS					
Batcher	1.00	1.25	1.25	1.25	1.25
"Calender, Card Machine, D Can"	1.50	1.50	1.50	1.50	1.50
Dyeing Machine	1.00	1.25	1.25	1.25	1.25
Loom	1.50	1.50	1.50	1.50	1.50
Mangel, Napper, Soaper	1.00	1.25	1.25	1.25	1.25
Spinner, Tenter Frame	1.50	1.50	1.50	1.50	1.50
WINDLASS	1.50	1.50	1.50	1.50	1.50
WOODWORKING MACHINES	1.00	1.00	1.25	1.00	1.25

SYSTEM SERVICE FACTOR CALCULATION

To determine the system service factor, the driver service factor adder (Table 1A) must be added to the driven service factor. (Table 1) Example: Determine the system service factor for a PARA-FLEX coupling used to couple a barking drum and a six-cylinder diesel engine.

$$\text{Driven S.F.} + \text{Driver S.F. Adder} = \text{System S.F.}$$

$$2.5 + .5 = 3.0$$

Δ The service factors listed are intended only as a general guide. Where substantial shock occurs or starting and stopping is frequent as on some "inching" drives and on some reversing drives or where the power source is an internal combustion engine with less

than four cylinders—Consult DODGE. Where torsional vibrations occur as in, for example, internal combustion engine or reciprocating compressor or pump applications, check the coupling stiffness for the possible development of damaging large-amplitude vibrations. A complete system torsional analysis may be necessary.

** Add 0.5 to factor if without flywheel

◆ CONSULT DODGE FOR SELECTION ASSISTANCE

Table 1A-Driver Service Factor Adders

Type of Coupling	Electric Motor Std. Torque	High Torque Motors	Turbines	Reciprocating Engine Number of Cylinders				
				12 or More	8 to 11	6 to 7	4 to 5	Less than 4
PARA-FLEX	0.00	0.00	0.00	0.00	0.50	0.50	0.50	◆
METALLIC	0.00	0.00	0.00	0.00	0.50	0.50	1.00	◆
D-FLEX	0.00	IF SF < 1.25 ADD 0.25 IF SF > 1.25 ADD 0.5	IF SF < 1.5 SUBTRACT 0.25 IF SF > 1.5 SUBTRACT 0.5	IF SF < 1.25 ADD 0.25 IF SF > 1.25 ADD 0.5				◆ ◆

Note: Selection program "Couple" available on www.ptwizard.com



Comparative Table

Coupling Type	Misalignment		End Float
	Angular	Parallel	
PARA-FLEX (PX, PS) (1) (2)	4°	.125"	± 0.156"
PARA-FLEX (PH, PF)	1°	0.0625"	± 0.094"
GRID-LIGN	1/2°	0.012"	0.375"
CHAIN	2°	.015"	0.300"
POLY-DISC	2°	0.032"	
POWERPLUS	Please refer to instruction manual #MN4025 on www.baldor.com		

(1) PX40 is 4° Angular / .06" Parallel / ±.094" End Float

(2) PX110 is 4° Angular / 0.125" Parallel / ±.125" End Float

Temperature Range

Coupling Type	°F
PARA-FLEX	
PX, PS	-45°F (1) to +180°F(1)
PH, PF	-45°F (1) to +180°F(1)
D-FLEX	
EPDM	-30°F to +275°F
NEOPRENE	0°F to +200°F
HYTREL	-65°F to +250°F
GRID-LIGN	-35°F to +210°F
CHAIN	-30°F to +225°F
GEAR	-30°F to +250°F
POLY-DISC	-90°F to +170°F
NYLIGN	0°F to +170°F
POWERPLUS	-22°F to 176°F

(1) -40°F to +210°F for neoprene element.

D-Flex Misalignment (1)

Size	Types JE, JN, E & N			Types H & HS (4)		
	Parallel (1)	Angular (2)	End Float (3)	Parallel (1)	Angular (2)	End Float (3)
3	0.010	1°	± 0.030	-	-	-
4	0.010	1°	± 0.030	-	-	-
5	0.015	1°	± 0.046	-	-	-
6	0.015	1°	± 0.060	.010	1/4°	± 0.060
7	0.020	1°	± 0.060	.012	1/4°	± 0.060
8	0.020	1°	± 0.096	.015	1/4°	± 0.096
9	0.025	1°	± 0.096	.017	1/4°	± 0.096
10	0.025	1°	± 0.125	.020	1/4°	± 0.125
11	0.032	1°	± 0.125	.022	1/4°	± 0.125
12	0.032	1°	± 0.125	.025	1/4°	± 0.125
13	0.040	1°	± 0.125	.030	1/4°	± 0.125
14	0.045	1°	± 0.125	.035	1/4°	± 0.125
16	0.062	1°	± 0.125	-	1/4°	-

NOTE: (1) All dimensions are in inches

(2) Values are for when 1/4 or more of the rated torque is transmitted.
Reduce values by 50% for lower torques

(3) Increase E dimension by this amount to accommodate end float.

(4) Types H & HS should not be used as direct replacements for EPDM or Neoprene sleeves



PARA-FLEX Couplings Bolt Torque Information

Size	Standard				
	Clamp Ring Bolts (5) Torque (In.-Lbs.)			PS Shaft Hub Bolts (3)	
	No.	2-Piece Assy	3-Piece Assy	No.	Torque (In.-Lbs.)
PX40	4	130	130	4	130
PX50	5	130	130	4	180
PX60	5	290	290	5	180
PX70	5	290	290	5	180
PX80	6	290	290	5	300
PX90	6	480	480	6	300
PX100	6	480	480	6	300
PX110	6	480	480	6	300
PX120	6	1080	1080	6	720
PX140	8	1080	1080	5	720
PX160 (2)	8	2160	1150	6	1296
PX200	12	2160	2400	8	1296
PX240	12	3600	4020	-	-
PX280	14	4320	6600	-	-
PX320	16	4320	6600	-	-

(2) PX160 steel flanges have 10 clamp ring bolts

(3) SAE Grade 8

(5) SAE Grade 8. FB style couplings utilize class 10.9 metric clamping ring bolts

PARA-FLEX High Speed & Fly Wheel Bolt Torque Information (in-lb)

Size	For Flange (3)		For Bolt Ring (3)
	Iron Fig.	Steel Fig.	
87	290	290	180
96	290	290	300
116	480	480	360
131	480	480	420
172	1080	1150	600
192	2160	1150	780
213	2160	2160	840
252	3600	3600	2880

(3) SAE Grade 8

Torsional Stiffness

PARA-FLEX		HIGH SPEED PARA-FLEX	
Size	In-Lbs/Degree (4)	Size	In-Lbs/Degree (4)
PX40	120	PH 87	1000
PX50	224	PH 96	1190
PX60	414	PH 116	2182
PX70	544	PH 131	2566
PX80	876	PH 172	6737
PX90	1088	PH 192	13893
PX100	1530	PH 213	23143
PX110	2420	PH 252	39008
PX120	4014		
PX140	8296		
PX160	12,000		
PX200	29,000		
PX240	48,000		
PX280	98,000		
PX320	151,000		

(4) Values are nominal and may vary +/- 20%. To convert static values to approximate dynamic values, multiply the static values by 1.2

D-Flex Torsional Stiffness*

Size	EPDM & Neoprene (In-Lbs/radian)	Hytrel (In-Lbs/radian)
3	229	-
4	458	-
5	916	-
6	1,718	10,000
7	2,769	20,000
8	4,335	30,000
9	6,875	47,500
10	10,980	100,000
11	17,300	125,000
12	27,500	225,000
13	43,350	368,900
14	68,775	593,250
16	180,480	-

* Values shown are for an ambient temperature of 75°F

D-Flex Spacer Bolt Torques

Size	Shaft Hub Bolts (1)	
	Number	Torque Ft-Lbs
5SCH	4	4
6SCH	4	9
7SCH	4	9
8SCH	4	18
9SCH	4	31
10SCH	4	50
11SCH	4	75
12SCH	4	150
13SCH	4	150
14SCH	4	150

(1) SAE Grade 8



AGMA Class 1 Fits

Nom. Shaft Diameter (In.)	Bore Dimensions			
	Clearance		Interference	
	Nom. Shaft Dia. Less	Bore Tolerance	Nom. Shaft Dia. Less	Bore Tolerance
0 - 1-1/2	.000	+ .001 -.000	.001	+ .0005 -.000
1-1/2 - 2	.000	+ .001 -.000	.002	+ .001 -.000
2 - 3	.000	+ .0015 -.000	.002	+ .0015 -.000
3 - 4	.000	+ .0015 -.000	.003	+ .0015 -.000
4 - 5	.000	+ .002 -.000	.0035	+ .0015 -.000
5 - 6	.000	+ .002 -.000	.004	+ .0015 -.000

Standard Keyways

Keyway Bore Size	Width	For Sq. Key	For Rec. Key
7/16	3/32	3/64	...
1/2 - 9/16	1/8	1/16	...
5/8 - 7/8	3/16	3/32	...
15/16 - 1-1/4	1/4	1/8	...
1-5/16 - 1-3/8	5/16	5/32	...
1-7/16 - 1-3/4	3/8	3/16	1/8
1-13/16 - 2-1/4	1/2	1/4	3/16
2-5/16 - 2-3/4	5/8	5/16	7/32
2-13/16 - 3-1/4	3/4	3/8	1/4
3-5/16 - 3-3/4	7/8	7/16	5/16
3-13/16 - 4-1/2	1	1/2	3/8
4-9/16 - 5-1/2	1-1/4	5/8	7/16

Metric Bore Standard

MM Bore	MM Keyway Width	MM Hub Keyseat	MM Key
14	5	2.3	5x5
16	5	2.3	5x5
18	6	2.8	6X6
19	6	2.8	6X6
20	6	2.8	6X6
22	6	2.8	6X6
24	8	3.3	8X7
25	8	3.3	8X7
28	8	3.3	8X7
30	8	3.3	8X7
32	10	3.3	10X8
35	10	3.3	10X8
38	10	3.3	10X8
40	12	3.3	12X8
42	12	3.3	12X8
45	14	3.8	14X9
48	14	3.8	14X9
50	14	3.8	14X9
55	16	4.3	16X10
60	18	4.4	18X11
65	18	4.4	18X11
70 & 75	20	4.9	20X12
80 & 85	22	5.4	22X14
90	25	5.4	25X14
95	25	5.4	25X14
100	28	6.4	28X16

MM bore and keyway conform to ISO standard recommendation R773, for "FREE" fit

CONTENTS

Clutches and Brakes

Features / Benefits

Motor Brakes	PT2-2
Clutch/Brake Modules	PT2-11
Shaft Mounted Clutches & Brakes	PT2-18
Fractional HP Clutches & Brakes	PT2-24

Specification

How to Order

Nomenclature

Motor Brakes	PT2-3
Clutch/Brake Modules	PT2-12
Shaft Mounted Clutches & Brakes	PT2-19
Fractional HP Clutches & Brakes	PT2-25

Selection

Fractional HP Clutches & Brakes	PT2-26
---	--------

Selection/Dimensions

Motor Brakes	
DBSS	PT2-5
DBSC	PT2-6
DBEC	PT2-8
DBES	PT2-9
Clutch/Brakes & Modules	
DMCCB & DMCCO	PT2-14
DMCCB-PSM	PT2-15
DMCBO & DMCBX	PT2-16
DMSCB & DMSCO	PT2-17
Shaft Mounted Clutches & Brakes	
IEC Series	PT2-21
IEB Series	PT2-22
IPB Series	PT2-23
Fractional HP Clutches & Brakes	
SL Series	PT2-30
BSL Series	PT2-31
SO Series	PT2-32
FB Series	PT2-33
FSB Series	PT2-34
FSBR Series	PT2-35

Modifications/Accessories

Motor Brake	PT2-10
Power Supplies/Motor Adapters	PT2-36

Engineering/Technical PT2-38

Part Number Index	INDEX-1
-----------------------------	---------

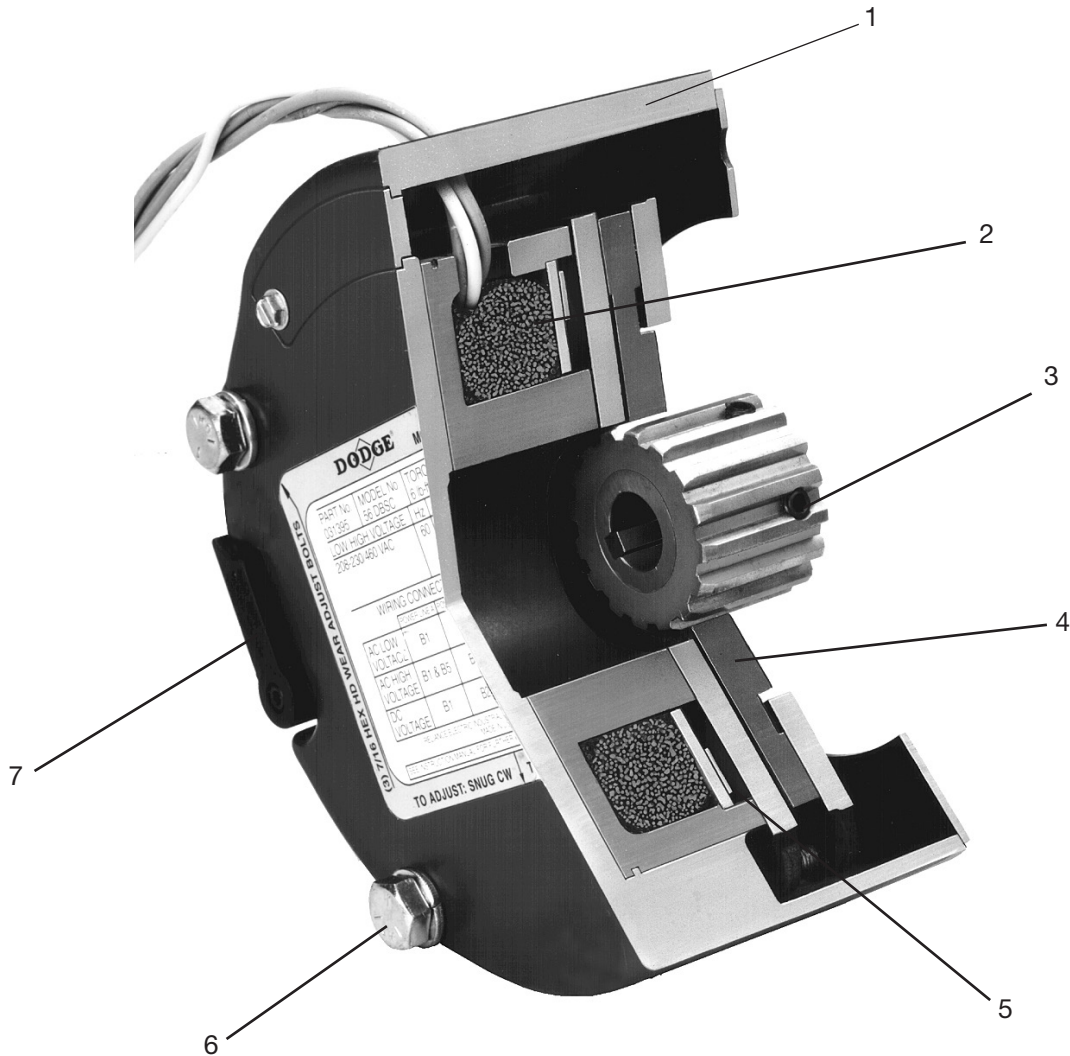
Keyword Index	INDEX-43
-------------------------	----------



FEATURES/BENEFITS

Motor Brakes

1. Rugged, die-cast aluminum housing mounts at any angle without modification.
2. Internally rectified DC voltage coil operates on either AC or DC voltage. Class B insulation is standard.
3. Splined hub permits uniform load distribution. Integral key design simplifies installation - no loose parts.
4. Single, non-asbestos friction disc design extends life, reduces replacement parts and allows quiet operation (1)
5. Wave spring provides 360° of force when power is removed from the brake.
6. Industry standard NEMA C-face mounting. Interchanges easily with competitive units.
7. Easy-to-use, reliable manual release levers reset automatically.



(1) 35 & 50 ft. lb. motor brakes employ two friction discs and can be mounted at any angle without modification





Motor Brakes

SPECIFICATION

D-Series Motor Brakes are designed with a single* non-asbestos friction disc for fewer adjustments, reduced replacement parts, and extended life. They are released when power is applied to the brake coil. The friction disc hub assembly and ultimately the load are free to turn. However, when power is taken away, intentionally or accidentally, an internal wave spring clamps the friction disc to stop and hold the load. The single* disc design has significantly fewer parts than competitive brakes and provides a dramatic improvement in brake friction disc life. Just as dramatic is the quiet operation compared to solenoid type brakes. DODGE D-Series motor brakes are available as stock off-the-shelf units in 2 configurations. DBSC C-Face brakes mount on the fan end (non-driving end) of a motor. DBSS double C-Face brakes are generally used as a coupler between standard C-Face motors and C-Face gear reducers.

* 35/50 ft.-lb motor brakes employ two friction discs

HOW TO ORDER

Motor Brakes are ordered by specifying the unit size, the motor frame size, and the voltage. Part numbers are found on the selection pages for each type of unit. Refer to the part number when ordering.

NOMENCLATURE

	56	DBSS	-	3	-	MA	-	115/230 VAC	60 HZ
NEMA C-Face Designation _____	56 = 56C (5/8" shaft) 140 = 143TC/145TC (7/8" shaft) 180 = 180TC/210TC (1-1/8" shaft)	DBSS = Double C-Face		3 = Motor Frame Size		MA = Manually Adjusted		115/230 VAC = Coil Voltage	60 HZ = Frequency
DODGE Brakes _____									
Housing Enclosure _____	S = Standard Enclosure/Drip-Proof E = E-Z KLEEN (Food Duty/NEMA 4X)								
Mounting Configuration _____	C = C-face (single)/Fan End Mounting S = Shaft-out (Double C-Face) Coupler								
Static Torque Rating (Ft.-Lbs) _____									
Wear Adjustment Method _____	MA = Manually Adjusted								
Coil Voltage _____	115/230 VAC 230/460 VAC Others As Noted On Brake Label								
Frequency _____	60 Hz 50 Hz Blank If DC Voltage Only								

FEATURES/BENEFITS PAGE PT2-2	SELECTION/DIMENSIONS PAGE PT2-4	MODIFICATION/ACCESSORIES PAGE PT2-10	ENGINEERING/TECHNICAL PAGE PT2-38
---------------------------------	------------------------------------	---	--------------------------------------



SELECTION/DIMENSIONS

Motor Brakes

Selection Procedure

1. Determine the motor frame size, horsepower and speed.
2. Use chart for brake static torque selection. Note that chart selections are based on a **1.4 service factor** and increased to the next highest standard brake torque rating. To select a brake using a different service factor, use the formula below to determine the required brake static torque.

$$T = \frac{HP \times 5252 \times SF}{RPM}$$

T = Brake Static Torque (Ft-Lbs)

HP = Motor Horsepower

SF = Service Factor Desired

RPM = Motor Speed

Once your torque requirement has been determined, select a brake with at least that capacity.

3. Consult Part Number charts on pages PT2-5 thru PT2-10 for appropriate part number. Brake voltage should be matched with motor voltage rating.
4. Verify mounting dimensions (C-face tenon, mounting bolt pattern, shaft size, etc.) from pages PT2-5 thru PT2-10.
5. In positioning applications, use of a fast response kit allows you to obtain faster stop times. To order see page PT2-10.
6. In positioning applications, use 2.0 SF

Note: DODGE D Series brakes are intended as holding brakes. Contact application engineering with inertia and application information for cycle rates exceeding 6 per minute.

Brake Static Torque Ratings* (Ft.-Lbs)

Motor HP	Motor Speed (RPM)							
	750	900	1200	1500	1800	3000	3600	5000
1/4	3	3	3	3	3	3	3	3
1/3	6	3	3	3	3	3	3	3
1/2	6	6	6	3	3	3	3	3
3/4	10	10	6	6	6	3	3	3
1	10	10	10	6	6	3	3	3
1-1/2	15	15	10	10	10	6	6	3
2	20	20	15	10	10	6	6	3
3	35	25	20	15	15	10	10	6
5	50	50	35	25	25	15	15	10
7-1/2	-	-	50	50	35	20	20	15
10	-	-	-	50	50	35	25	15

*Selections based on 1.4 service factor and increased to next highest standard brake torque rating.

Speed limit 5000 RPM maximum motor speed

FEATURES/BENEFITS PAGE PT2-2	SPECIFICATION/HOW TO ORDER PAGE PT2-3	MODIFICATION/ACCESSORIES PAGE PT2-10	ENGINEERING/TECHNICAL PAGE PT2-38
---------------------------------	--	---	--------------------------------------

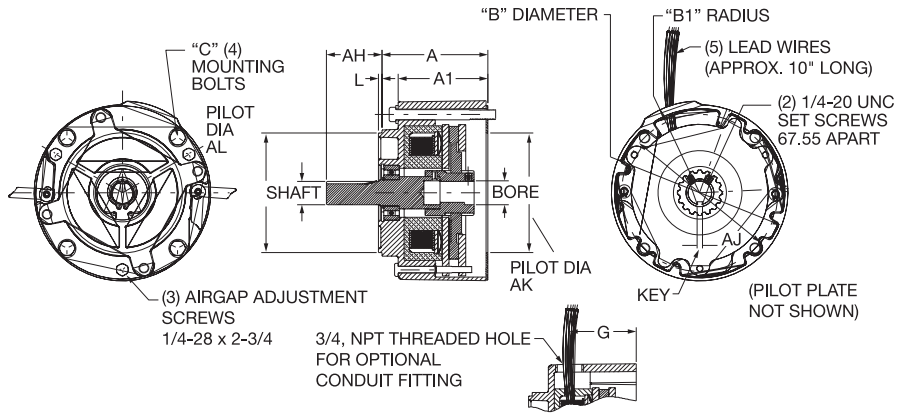


SELECTION/DIMENSIONS

Motor Brakes



DBSS Model



Complete Unit Part Numbers

Standard Enclosure	Unit Size --- Static Torque	Unit Size --- Static Torque					
		3 Ft- Lbs	6 Ft- Lbs	10 Ft- Lbs	15 Ft- Lbs	20 Ft- Lbs	25 Ft- Lbs
DOUBLE C-FACE	DBSS Complete Units 56 Frame, 5/8" Bore						
	115/230 VAC 60 Hz (1)	031369	031411	031453	031342	031345	031348
	230/460 VAC 60 HZ (2)	031371	031413	031455	031343	031346	031349
	287/575 VAC 60 Hz (3)	031373	031415	031457	031344	031347	031350
	104/208 VAC 60 Hz (4)	031088	031100	031112	031124	031136	031148
	190/380 VAC 50 Hz (5)	031089	031101	031113	031125	031137	031149
	250/500 VAC 50 Hz	031090	031102	031114	031126	031138	031150
	48 VDC	031091	031103	031115	031127	031139	031151
	24 VDC	031092	031104	031116	031128	031140	031152
	12 VDC	031093	031105	031117	031129	031141	031153
	DBSS Complete Units 140 Frame, 7/8" Bore						
	115/230 VAC 60 Hz (1)	031375	031417	031459	031495	031525	031555
	230/460 VAC 60 Hz (2)	031377	031419	031461	031497	031527	031557
	287/575 VAC 60 Hz (3)	031379	031421	031463	031499	031529	031559
	104/208 VAC 60 Hz (4)	031094	031106	031118	031130	031142	031154
	190/380 VAC 50 Hz (5)	031095	031107	031119	031131	031143	031155
	250/500 VAC 50 Hz	031096	031108	031120	031132	031144	031156
	48 VDC	031097	031109	031121	031133	031145	031157
	24 VDC	031098	031110	031122	031134	031146	031158
	12 VDC	031099	031111	031123	031135	031147	031159

NOTES:

Coil will operate at the following voltages:

- (1) 115/208-230 VAC 50 or 60 Hz, 133/265 VAC 60 Hz, 110-125 VDC
- (2) 208-230/460 VAC 50 or 60 Hz, 240/480 VAC 60 Hz, 220/440 VAC 50 Hz, 230 VDC

- (3) 287/575 VAC 60 Hz, 300/600 VAC 60 Hz
- (4) 104/208 VAC 50 or 60 Hz, 100/200 VAC 60 Hz, 90-95 VDC
- (5) 190/380 VAC 50 Hz, 200/400 VAC 60 Hz, 206/416 VAC 50 Hz

Dimensions

Standard Enclosure Double C-Face Coupler

Unit Size	Inertia Friction Disc & Hub (Lb-In2)	Input Bore Output Shaft Dia.	Output Keyway & Input Key	A Max	A1 Nom	AK Pilot Dia.	AL Pilot Dia.	AH	AJ	B Dia. Max	B1 Radius Max.	C Mounting Bolts	G	L	Shipping Weight (Lbs)
56DBSS-3 56DBSS-6 56DBSS-10 56DBSS-15 56DBSS-20 56DBSS-25	1.73	5/8"	3/16 x 3/32	3.97	3.36	4.5	4.5	2.12	5.88	6.63	3.46	3/8 -16 UNC-2A (4) Equally Spaced on 5.875 Dia. Bolt Circle	2.57	0.13	13.2
140DBSS-3 140DBSS-6 140DBSS-10 140DBSS-15 140DBSS-20 140DBSS-25	1.74	7/8"	3/16 x 3/32	3.97	3.36	4.5	4.5	2.12	5.88	6.63	3.46		2.57	0.13	13.3

FEATURES/BENEFITS PAGE PT2-2	SPECIFICATION/HOW TO ORDER PAGE PT2-3	MODIFICATION/ACCESSORIES PAGE PT2-10	ENGINEERING/TECHNICAL PAGE PT2-38
---------------------------------	--	---	--------------------------------------

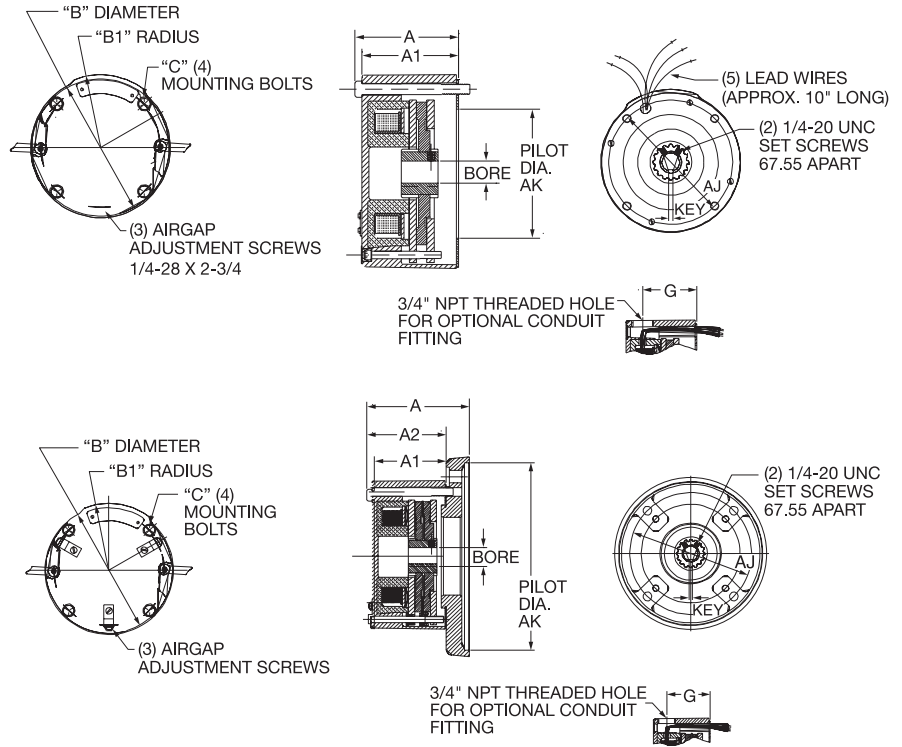


SELECTION/DIMENSIONS

Motor Brakes



DBSC Model



Complete Unit Part Numbers

Standard Enclosure		Unit Size-Static Torque					
		3 Ft-Lbs	6 Ft-Lbs	10 Ft-Lbs	15 Ft-Lbs	20 Ft-Lbs	25 Ft-Lbs
C-FACE (FAN END MOUNTING)	DBSC Complete Units 56 Frame, 5/8" Bore						
	115/230 VAC 60 Hz (1)	031351	031393	031435	031477	031507	031537
	230/460 VAC 60 HZ (2)	031353	031395	031437	031479	031509	031539
	287/575 VAC 60 Hz (3)	031355	031397	031439	031481	031511	031541
	104/208 VAC 60 Hz (4)	031000	031015	031030	031043	031058	031073
	190/380 VAC 50 Hz (5)	031001	031016	031031	031044	031059	031074
	250/500 VAC 50 Hz	031002	031017	031032	031045	031060	031075
	48 VDC	031003	031018	031033	031046	031061	031076
	24 VDC	031004	031019	031034	031047	031062	031077
	12 VDC	031005	031020	031035	031048	031063	031078
	DBSC Complete Units 140 Frame, 7/8" Bore						
	115/230 VAC 60 Hz (1)	031007	031022	031037	031050	031065	031080
	230/460 VAC 60 HZ (2)	031009	031024	031039	031052	031067	031082
	287/575 VAC 60 Hz (3)	031011	031026	031041	031054	031069	031084
104/208 VAC 60 Hz (4)	031006	031021	031036	031049	031064	031079	
190/380 VAC 50 Hz (5)	031008	031023	031038	031051	031066	031081	
250/500 VAC 50 Hz	031010	031025	031040	031053	031068	031083	
48 VDC	031012	031027	031042	031055	031070	031085	
24 VDC	031013	031028	031160	031056	031071	031086	
12 VDC	031014	031029	031161	031057	031072	031087	

NOTES:

Coil will operate at the following voltages:

- (1) 115/208-230 VAC 50 or 60 Hz, 133/265 VAC 60 Hz, 110-125 VDC
- (2) 208-230/460 VAC 50 or 60 Hz, 240/480 VAC 60 Hz, 220/440 VAC 50 Hz, 230 VDC

- (3) 287/575 VAC 60 Hz, 300/600 VAC 60 Hz
- (4) 104/208 VAC 50 or 60 Hz, 100/200 VAC 60 Hz, 90-95 VDC
- (5) 190/380 VAC 50 Hz, 200/400 VAC 60 Hz, 206/416 VAC 50 Hz

FEATURES/BENEFITS PAGE PT2-2	SPECIFICATION/HOW TO ORDER PAGE PT2-3	MODIFICATION/ACCESSORIES PAGE PT2-10	ENGINEERING/TECHNICAL PAGE PT2-38
---------------------------------	--	---	--------------------------------------



SELECTION/DIMENSIONS

Complete Unit Part Numbers (Continued)

	Standard Enclosure	Unit Size-Static Torque						
		6 Ft-Lbs	10 Ft-Lbs	15 Ft-Lbs	20 Ft-Lbs	25 Ft-Lbs	35 Ft-Lbs	50 Ft-Lb
C-FACE (FAN END MOUNTING)	180 Frame, 1-1/8" Bore 8-1/2" Pilot Diameter							
	115/230 VAC 60 Hz (1)	027023	027032	027041	027050	027059	027068	027077
	230/460 VAC 60 Hz (2)	027024	027033	027042	027051	027060	027069	027078
	287/575 VAC 60 Hz (3)	027025	027034	027043	027052	027061	027070	027079
	104/208 VAC 60 Hz (4)	027026	027035	027044	027053	027062	027071	027080
	190/380 VAC 50 Hz (5)	027027	027036	027045	027054	027063	027072	027081
	250/500 VAC 50 Hz	027028	027037	027046	027055	027064	027073	027082
	48 VDC	027029	027038	027047	027056	027065	027074	027083
	24 VDC	027030	027039	027048	027057	027066	027075	027084
	12 VDC	027031	027040	027049	027058	027067	027076	027085

NOTES:

Coil will operate at the following voltages:

(1) 115/208-230 VAC 50 or 60 Hz, 133/265 VAC 60 Hz, 110-125 VDC

(2) 208-230/460 VAC 50 or 60 Hz, 240/480 VAC 60 Hz, 220/440 VAC 50 Hz, 230 VDC

(3) 287/575 VAC 60 Hz, 300/600 VAC 60 Hz

(4) 104/208 VAC 50 or 60 Hz, 100/200 VAC 60 Hz, 90-95 VDC

(5) 190/380 VAC 50 Hz, 200/400 VAC 60 Hz, 206/416 VAC 50 Hz

Dimensions

Standard Enclosure Single C-face (Fan End Mounting)

Unit Size (Lb-In2)	Inertia Friction Disc & Hub	Input Bore	Key	A Max	A1 Nom	AJ	AK Pilot Dia.	B Dia. Max.	B1 Radius Max	C Mounting Bolts	G	Shipping Weight (Lbs)
56DBSC-3 56DBSC-6 56DBSC-10 56DBSC-15 56DBSC-20 56DBSC-25	1.52	5/8"	3/16 x 3/32	3.74	3.36	5.88	4.5	6.63	3.46	3/8 - 16 UNC-2A (4) Equally Spaced on 5.875" Dia. Bolt Circle	2.57	11.7
140DBSC-3 140DBSC-6 140DBSC-10 140DBSC-15 140DBSC-20 140DBSC-25	1.51	7/8"	3/16 x 3/32	3.74	3.36	5.88	4.5	6.63	3.46		2.57	11.8

Unit Size (6)	Inertia Friction Disc & Hub (7) (Lb-In2)	Input Bore	Key	A Max	A1 Nom	A2	AJ	AK Pilot Dia.	B Dia. Max.	B1 Radius Max.	C Mounting Bolts	G	Shipping Weight (Lbs)
180DBSC-6* 180DBSC-10* 180DBSC-15* 180DBSC-20* 180DBSC-25* 180DBSC-35 180DBSC-50	1.51	1-1/8"	1/4" X 1/8"	4.78	3.36	3.74	7.25	8.5	6.63	3.46	3/8 - 16 UNC-2A (4) Equally Spaced on 5.875" Dia. Bolt Circle	2.57	20.6

(6) 140 Sizes do not require an adapter plate.

(7) Inertia for single-disc units.

*These sizes employ one friction disc.

FEATURES/BENEFITS PAGE PT-2	SPECIFICATION/HOW TO ORDER PAGE PT-3	MODIFICATION/ACCESSORIES PAGE PT-10	ENGINEERING/TECHNICAL PAGE PT-38
--------------------------------	---	--	-------------------------------------

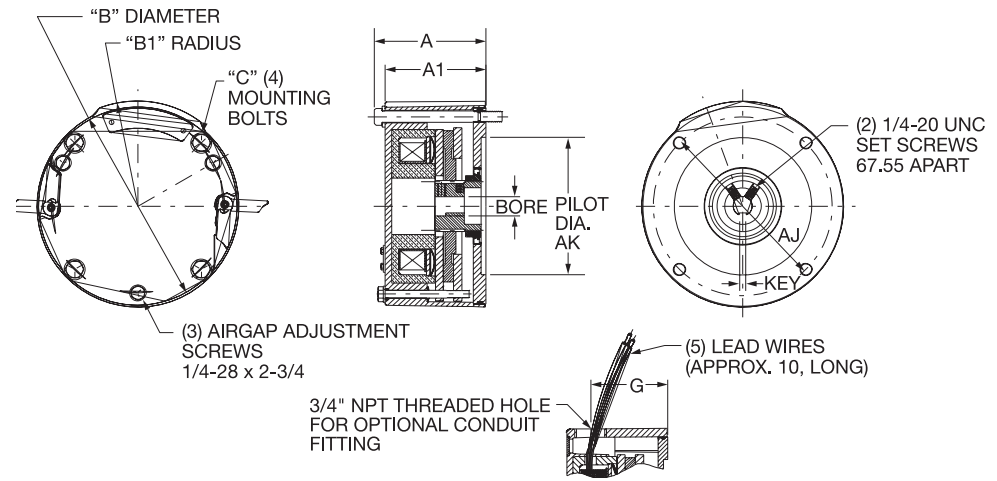


SELECTION/DIMENSIONS

Motor Brakes



DBEC Model



Complete Unit Part Numbers

E-Z KLEEN Enclosure		Unit Size-Static Torque					
		3 Ft- Lbs	6 Ft- Lbs	10 Ft- Lbs	15 Ft- Lbs	20 Ft- Lbs	25 Ft- Lbs
C-FACE (FAN END MOUNTING)	DBEC Complete Units 56 Frame, 5/8" Bore						
	115/230 VAC 60 Hz (1)	031910	031913	031915	031918	031921	031924
	230/460 VAC 60 HZ (2)	031716	031718	031916	031919	031922	031925
	287/575 VAC 60 Hz (3)	031911	031914	031917	031920	031923	031926
	DBEC Complete Units 140 Frame, 7/8" Bore						
	115/230 VAC 60 Hz (1)	029436	029439	029442	029445	029448	029451
230/460 VAC 60 HZ (2)	029437	029440	029443	029446	029449	029452	
287/575 VAC 60 Hz (3)	029438	029441	029444	029447	029450	029453	

NOTES:

- Coil will operate at the following voltages:
- (1) 115/208-230 VAC 50 or 60 Hz, 133/265 VAC 60 Hz, 110-125 VDC
- (2) 208-230/460 VAC 50 or 60 HZ, 240/480 VAC 60 Hz, 220/440 VAC 50 Hz, 230 VDC
- (3) 287/575 VAC 60 Hz, 300/600 VAC 60 Hz

Dimensions

E-Z KLEEN Single C- Face (Fan End Mounting)

Unit Size	Inertia Friction Disc & Hub (Lb-In ²)	Input Bore	Key	A Max	A1 Nom	AJ	AK Pilot Dia.	B Dia. Max	B1 Radius Max.	C Mounting Bolts	G	Shipping Weight (Lbs)
56DBEC-3 56DBEC-6 56DBEC-10 56DBEC-15 56DBEC-20 56DBEC-25	1.52	5/8"	3/16 x 3/32	3.74	3.36	5.88	4.5	6.63	3.46	3/8 - 16 UNC-2A (4) Equally Spaced on 5.875" Dia. Bolt Circle	2.57	14.4
140DBEC-3 140DBEC-6 140DBEC-10 140DBEC-15 140DBEC-20 140DBEC-25	1.51	7/8"	3/16 x 3/32	3.74	3.36	5.88	4.5	6.63	3.46	3/8 - 16 UNC-2A (4) Equally Spaced on 5.875" Dia. Bolt Circle	2.57	14.5

FEATURES/BENEFITS PAGE PT2-2	SPECIFICATION/HOW TO ORDER PAGE PT2-3	MODIFICATION/ACCESSORIES PAGE PT2-10	ENGINEERING/TECHNICAL PAGE PT2-38
---------------------------------	--	---	--------------------------------------

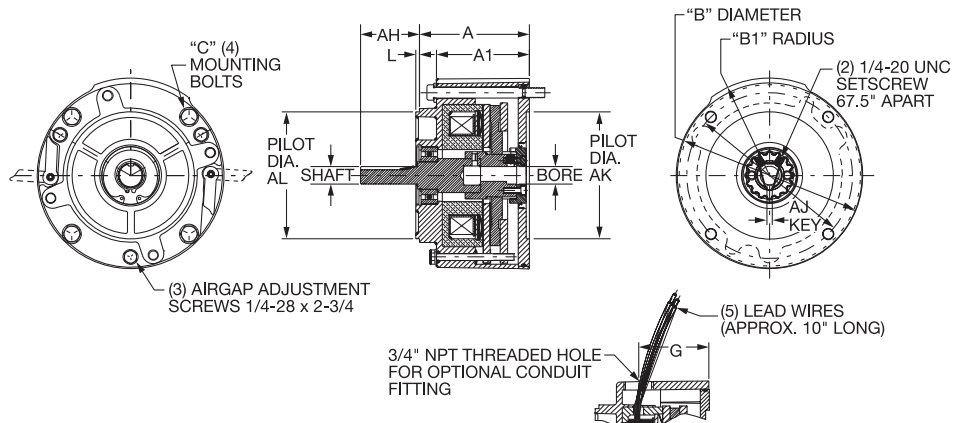


SELECTION/DIMENSIONS

Motor Brakes



DBES Model



Complete Unit Part Numbers

E-Z KLEEN Enclosure		Unit Size-Static Torque					
		3 Ft- Lbs	6 Ft- Lbs	10 Ft- Lbs	15 Ft- Lbs	20 Ft- Lbs	25 Ft- Lbs
DOUBLE C-FACE	DBES Complete Units 56 Frame, 5/8" Bore						
	115/230 VAC 60 Hz (1)	030381	030384	030387	030390	030393	030396
	230/460 VAC 60 HZ (2)	030382	030385	030388	030391	030394	030397
	287/575 VAC 60 Hz (3)	030383	030386	030389	030392	030395	030398
	DBES Complete Units 140 Frame, 7/8" Bore						
	115/230 VAC 60 Hz (1)	029400	029403	029406	029409	029412	029415
230/460 VAC 60 HZ (2)	029401	029404	029407	029410	029413	029416	
287/575 VAC 60 Hz (3)	029402	029405	029408	029411	029414	029417	

NOTES:

Coil will operate at the following voltages:

- (1) 115/208-230 VAC 50 or 60 Hz, 133/265 VAC 60 Hz, 110-125 VDC
- (2) 208-230/460 VAC 50 or 60 HZ, 240/480 VAC 60 Hz, 220/440 VAC 50 Hz, 230 VDC
- (3) 287/575 VAC 60 Hz, 275/550 VAC 60 Hz, 300/600 VAC 60 Hz

Dimensions

E-Z KLEEN Double C-Face Coupler

Unit Size	Inertia Friction Disc & Hub (Lb-In ²)	Input Bore & Output Shaft Dia.	Output Keyway & Input Key	A Max	A1 Nom	AK Pilot Dia.	AL Pilot Dia.	AH	AJ	B Dia Max.	B1 Radius Max	C Mounting Bolts	G	L	Shipping Weight (Lbs)
56DBES-3 56DBES-6 56DBES-10 56DBES-15 56DBES-20 56DBES-25	1.73	5/8"	3/16 x 3/32	3.97	3.36	4.5	4.5	2.12	5.88	6.63	3.46	3/8-16 UNC-2A (4) Equally Spaced on 5.875" Dia. Bolt Circle	2.57	0.13	14.4
140DBES-3 140DBES-6 140DBES-10 140DBES-15 140DBES-20 140DBES-25	1.74	7/8"	3/16 x 3/32	3.97	3.36	4.5	4.5	2.12	5.88	6.63	3.46	3/8-16 UNC-2A (4) Equally Spaced on 5.875" Dia. Bolt Circle	2.57	0.13	14.5

FEATURES/BENEFITS PAGE PT2-2	SPECIFICATION/HOW TO ORDER PAGE PT2-3	MODIFICATION/ACCESSORIES PAGE PT2-10	ENGINEERING/TECHNICAL PAGE PT2-38
---------------------------------	--	---	--------------------------------------



Motor Brakes

Fast Response Kits

In positioning applications, use of a fast response kit allows you to obtain stop times equivalent to AC voltage brakes while continuing to get all of the benefits associated with DC voltage brakes:

- Low power draw = less energy consumption
- Constant current creates smooth operation
- Lower coil temperature during cycling applications
- Quieter operation

The kit has two wiring configurations:

- Wired to brake and motor
- Wired to brake and isolated AC line

Part Number

Description	Part Number
Fast Response Kit 115/230V	031386
Fast Response Kit 230/460V	031389
FRK w/ Conduit Cover 115/230V	031424
FRK w/ Conduit Cover 230/460V	031425
Fast Response Kit 190/380V	032552
Fast Response Kit 287/575V	032525
Fast Response Kit 575V	032531

Replacement Rectifier Kit

DODGE D-Series Motor Brakes come with an internal rectifier allowing operation on either AC or DC voltage. A “one size fits all” replacement rectifier is available, in the event a new rectifier is needed. The kit wires external to the brake housing.

Part Number

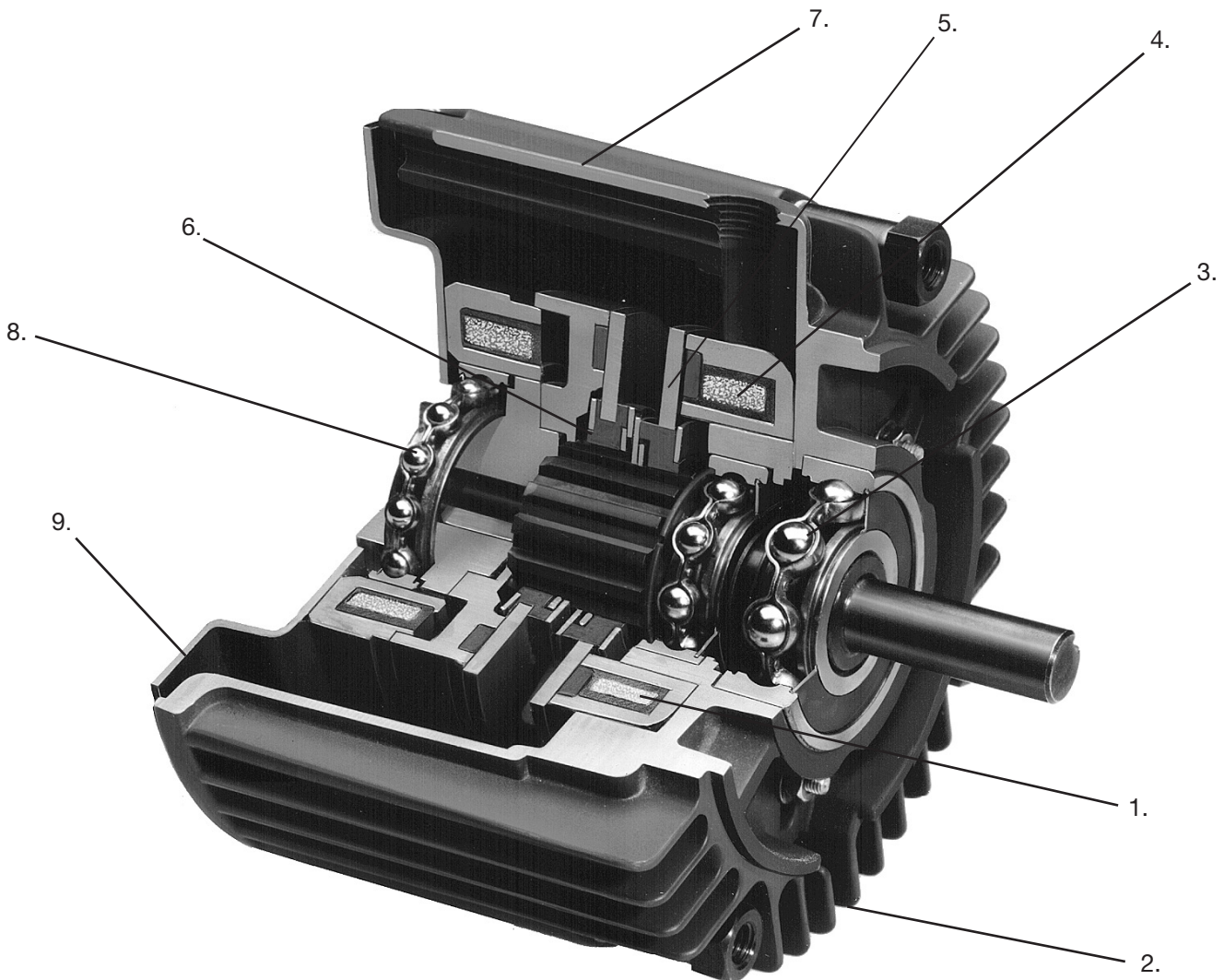
Description	Part Number
DBSC/DBSS Replacement Rectifier	024018



FEATURES/BENEFITS

Clutch/Brakes Modules

1. Conforms to UL and C-UL requirements.
2. One-piece, die-cast housing simplifies mounting. Housing is finned for maximum heat dissipation.
3. Pre-lubricated and sealed ball bearings have higher B10 life rating than competitive modules.
4. High torque, non-asbestos friction material assures long life and environmental safety.
5. Armatures incorporate a high impact, high temp molded spline for heavy torque and high cycle capabilities. (Patent # 4,760,898)
6. DYNA-GAP automatic air gap mechanism automatically compensates for friction surface wear.
7. Modules are factory assembled, adjusted and burnished for easy installation and out-of-the-box operation.
8. Rotor incorporates ball bearing and Driv-Lok key for foolproof installation.
9. Standard NEMA C-face and Base Mounted, Shaft-in/ Shaft-out mounting configurations.





CLUTCH/BRAKE MODULES

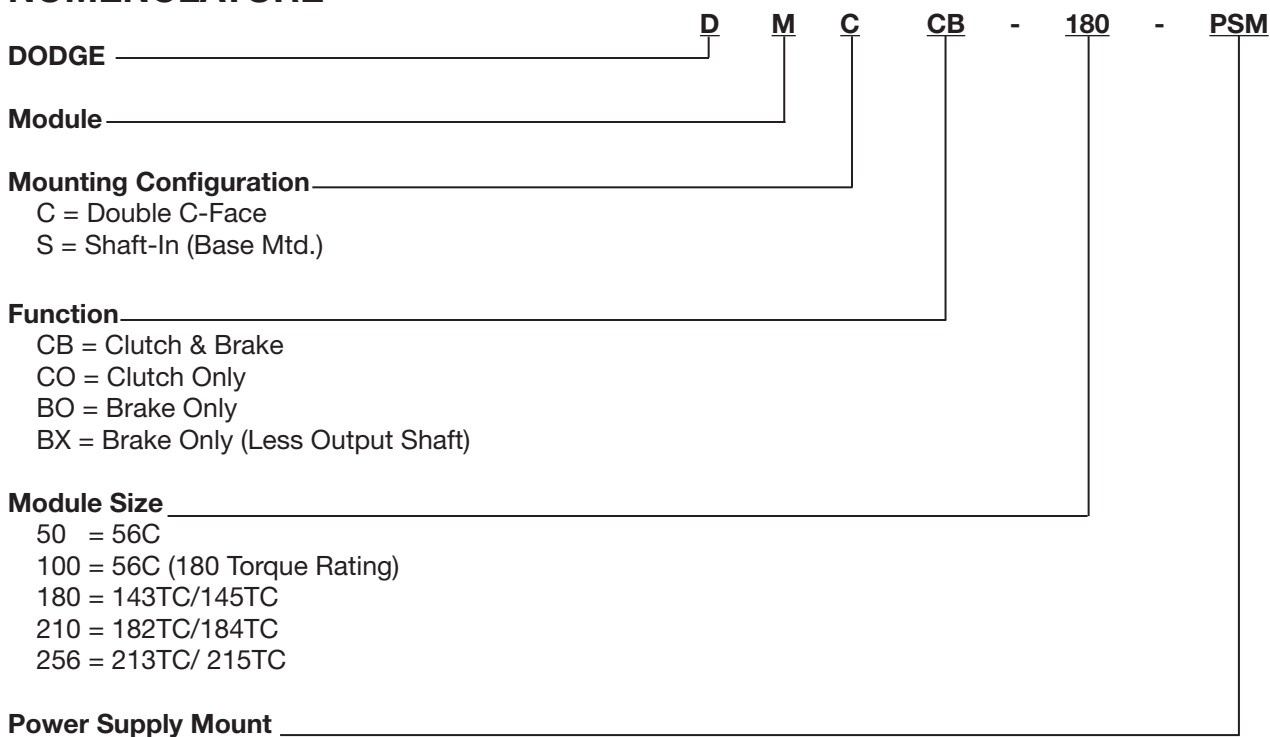
SPECIFICATION

Clutch/Brake Modules mount directly to NEMA C-face motors and reducers or can be used with separate base mount frames. These modules are completely factory assembled, tested, and pre-burnished for easy installation and long maintenance free operation. The units are designed with large ball-bearings to provide greater over-hung load capacity and longer life. They use larger armatures for high torque transmission.

HOW TO ORDER

Clutch/Brake Modules are ordered by specifying the type of unit, size and voltage. Part numbers are found on the selection pages for each type of unit. Refer to the part number when ordering.

NOMENCLATURE



PT Component Quick References
 Couplings
 Clutches and Brakes
 FLEXIDYNE
 Fluid Couplings
 TORQUE-TAMER
 Bushings

FEATURES/BENEFITS PAGE PT2-11	SPECIFICATION/HOW TO ORDER PAGE PT2-12	SELECTION/DIMENSIONS PAGE PT2-13	ENGINEERING/TECHNICAL PAGE PT2-38
----------------------------------	---	-------------------------------------	--------------------------------------



Clutch/Brake Modules SELECTION

DMC Selection by NEMA Frame Size

Frame Size	Module Size
56C	DMC-50, 100 ◆
143TC/145TC	DMC-180
182TC/184TC	DMC-210
213TC/215TC	DMC-256

◆ DMC 100 module has rating of 180 module with 56C (5/8") shafts

Selection Procedure

- (1) Determine the frame size, horsepower and speed at the module location (motor speed for DMC Series).
- (2) Choose proper module size based on motor frame size for DMC Series or motor HP and operating speed for DMS Series.
- (3) Check to ensure the max allowable cycles per minute rating is not exceeded by consulting charts in the engineering/technical section. Consult DODGE Engineering when allowable cycle rate is exceeded.

DMS Series Selection

HP	Shaft Speed at Module (RPM)																		
	100	200	300	400	500	600	700	800	900	1000	1100	1200	1500	1800	2000	2400	3000	3600	
1/4	210	180	180	180	50	50	50	50	50	50	50	50	50	50	50	50	50	50	50
1/2	210	210	180	180	180	180	180	180	50	50	50	50	50	50	50	50	50	50	50
3/4		210	210	210	180	180	180	180	180	180	180	50	50	50	50	50	50	50	50
1		210	210	210	210	210	180	180	180	180	180	180	180	50	50	50	50	50	50
1-1/2			210	210	210	210	210	210	210	210	180	180	180	180	180	180	180	180	180
2				210	210	210	210	210	210	210	210	210	210	180	180	180	180	180	180
3					210	210	210	210	210	210	210	210	210	210	210	210	180	180	180
5									256	256	256	210	210	210	210	210	210	210	210
7-1/2													256	210	210	210	210	210	210
10														256	256	256	256	256	256
15																	256	256	256

NOTE: 256 modules may be selected as an alternate to the 210 size. Check shaft diameter for proper drive components

SELECTION/DIMENSIONS

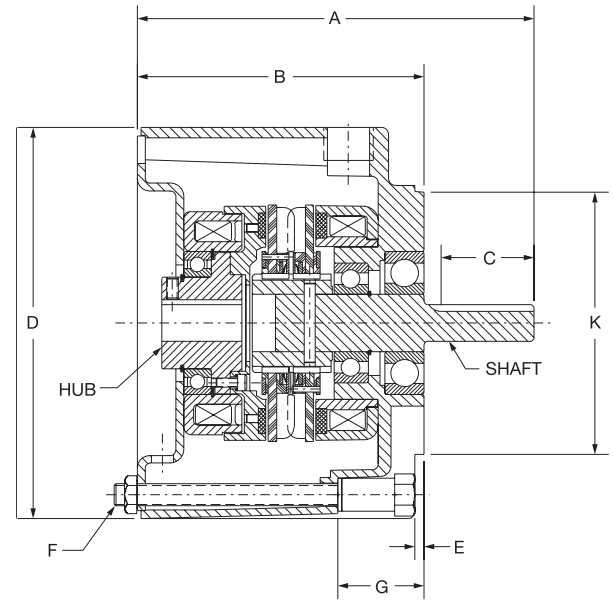


Clutch/Brake Modules



DMCCB & DMCCO

DMCCB modules are ideal for rapid cycling applications. They can be mounted directly between a C-face motor and reducer. Five standard sizes are available in 90, 24 or 6 VDC input voltage. The brake is power on. The DMCCO mounts and operates in a manner similar to DMCCB, but as a clutch only. The clutch ratings and external dimensions of both units are the same and are completely factory preassembled, adjusted, burnished and dynamically tested.



**Clutch/Brake Module
(Clutch Only - Same Dimensions)**

Part Numbers		Static Torque (Lb. - Ft.)	Coil Voltage		
			90 VDC	24 VDC	6 VDC
C-Face Clutch & Brake	DMCCB-50	22	028765	028763	028761
	DMCCB-100	34	028770	028768	028766
	DMCCB-180	34	028775	028773	028771
	DMCCB-210	100	028780	028778	028776
	DMCCB-256	100	028785	028783	028781
C-Face Clutch Only	DMCCO-50	22	028855	028853	028851
	DMCCO-100	34	028860	028858	028856
	DMCCO-180	34	028865	028863	028861
	DMCCO-210	100	028870	028868	028866
	DMCCO-256	100	028875	028873	028871

Size	Static Torque (Lb.-Ft.)	C-Face Frame	Input Hub Dia	Output Shaft Dia	Keyway	A Max	B	C	D Max	E Max	F	G*	K
50	22	56C	5/8	5/8	3/16 x 3/32	6.75	4.84	1.59	6.75	.16	4 Equally Spaced 3/8-16 UNC on 5.875" Dia. B.C.	1.30	4.50
100	34	56C	5/8	5/8	3/16 x 3/32	6.75	4.84	1.59	6.75	.16		1.30	4.50
180	34	143TC and 145TC	7/8	7/8	3/16 x 3/32	6.75	4.84	1.59	6.75	.16	4 Equally Spaced 1/2-13 UNC on 7.25" Dia. B.C.	1.30	4.50
210	100	182TC and 184TC	1-1/8	1-1/8	1/4 x 1/8	8.83	6.20	2.00	9.05	.27		1.57	8.50
256	100	213TC and 215TC	1-3/8	1-3/8	5/16 x 5/32	9.32	6.20	2.50	9.05	.27	1.57	8.50	

* G Dimension = Electrical Connection

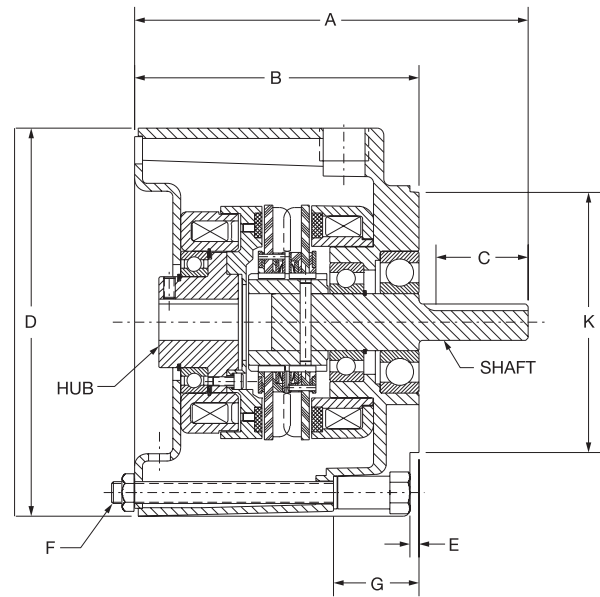
FEATURES/BENEFITS PAGE PT2-11	SPECIFICATION/HOW TO ORDER PAGE PT2-12	SELECTION/DIMENSIONS PAGE PT2-13	ENGINEERING/TECHNICAL PAGE PT2-38
----------------------------------	---	-------------------------------------	--------------------------------------



Clutch/Brake Modules



DMCCB-PSM
Power Supply Mounted †
Clutch Brake Motor



Part Number		Static Torque (Lb-Ft)	Coil Voltage	
			90 VDC	
C-Face	DMCCB-50-PSM	22	028977	
Clutch &	DMCCB-180-PSM	34	028979	
Brake	DMCCB-210-PSM	100	028981	

Size	Static Torque (Lb.-Ft.)	C-Face Frame	Input Hub Dia	Output Shaft Dia	Keyway	A Max	B	C	D Max	E Max	F	G*	K
50	22	56C	5/8	5/8	3/16 x 3/32	6.75	4.84	1.59	6.75	.16	4 Equally Spaced 3/8-16 UNC on 5.875" Dia. B.C.	1.30	4.50
180	34	143TC and 145TC	7/8	7/8	3/16 x 3/32	6.75	4.84	1.59	6.75	.16		1.30	4.50
210	100	182TC and 184TC	1-1/8	1-1/8	1/4 x 1/8	8.83	6.20	2.00	9.05	.27	4 Equally Spaced 1/2-13 UNC on 7.25" Dia. B.C.	1.570	8.50

* G Dimension = Electrical Connection

† **NOTE:** Unit includes two model 50 power supplies (120 VAC input) part number 032408

FEATURES/BENEFITS PAGE PT2-11	SPECIFICATION/HOW TO ORDER PAGE PT2-12	SELECTION/DIMENSIONS PAGE PT2-13	ENGINEERING/TECHNICAL PAGE PT2-38
----------------------------------	---	-------------------------------------	--------------------------------------

SELECTION/DIMENSIONS



Clutch/Brake Modules

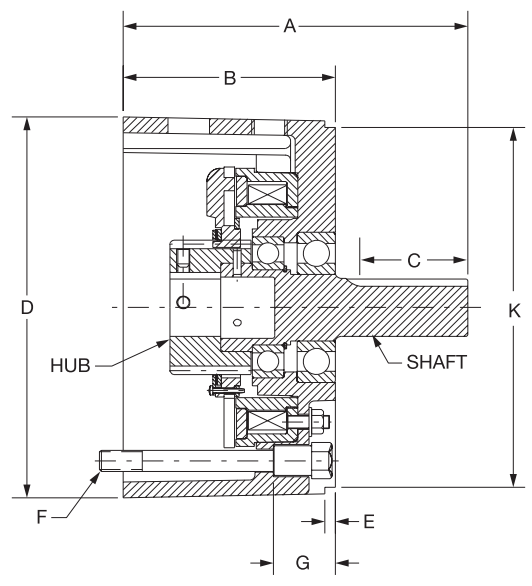


DMCBO



DMCBX

The DMCBO mounts and operates in a manner similar to DMCCB, but as a power-on brake only. Brake ratings are the same as the DMCCB. Dimensionally, the DMCBO is shorter axially from C-face to output shaft. The DMCBX power-on brake is designed to be mounted on a double shafted C-face motor. It is shorter axially than comparable power-off brakes and provides the advantages of C-face mounting in space restricted applications. Sizes and ratings are the same as the DMCBO brakes.



**Clutch/Brake Module
(Clutch Only - Same Dimensions)**

Part Numbers		Static Torque (Lb.-Ft.)	Coil Voltage		
			90 VDC	24 VDC	6 VDC
C-Face Brake Only	DMCBO-50	22	028120	028123	028121
	DMCBO-100	34	028920	028923	028921
	DMCBO-180	34	028220	028223	028221
	DMCBO-210	100	028320	028323	028321
	DMCBO-256	100	028820	028823	028821
C-Face Brake Only (No Shaft)	DMCBX-50	22	028125	028128	028126
	DMCBX-180	34	028225	028228	028226
	DMCBX-210	100	028325	028328	028326
	DMCBX-256	100	028825	028828	028826

Size	Static Torque (Lb.-Ft.)	C-Face Frame Size	Hub Dia.	Output Shaft Dia.	Keyway	A Max	B	C	D Max	E Max	F	G*	K	
DMCBO-50	22	56C	5/8	5/8	3/16x3/32	5.18	3.28	1.59	6.75	.16	4 Equally Spaced 3/8-16 UNC on 5.875" Dia. B.C.	1.30	4.50	
DMCBX-50	22	56C	5/8	-	3/16x3/32	3.30	3.28	-	6.75	.16		1.30	4.50	
DMCBO-100	34	56C	5/8	5/8	3/16x3/32	5.18	3.28	1.59	6.75	.16	4 Equally Spaced 3/8-16 UNC on 5.875" Dia. B.C.	1.30	4.50	
DMCBO-180		143TC and 145TC	7/8	7/8	3/16x3/32	5.18		1.59						
DMCBX-180	-	-	-	-	3.30	-								
DMCBO-210	100	182TC and 184TC	1-1/8	1-1/8	1/4x1/8	7.65	5.02	2.00	9.00	.27		4 Equally Spaced 1/2-13UNC on 7.25" Dia. B. C.	1.57	8.50
DMCBX-210		-		-		5.17		-						
DMCBO-256	100	213TC and 215TC	1-3/8	1-3/8	3/16x5/32	8.04	5.02	2.50	9.00	.27	4 Equally Spaced 1/2-13UNC on 7.25" Dia. B. C.		1.57	8.50
DMCBX-256		-		-		4.92		-						

* G Dimension = Electrical Connection

FEATURES/BENEFITS PAGE PT2-11	SPECIFICATION/HOW TO ORDER PAGE PT2-12	SELECTION/DIMENSIONS PAGE PT2-13	ENGINEERING/TECHNICAL PAGE PT2-38
----------------------------------	---	-------------------------------------	--------------------------------------

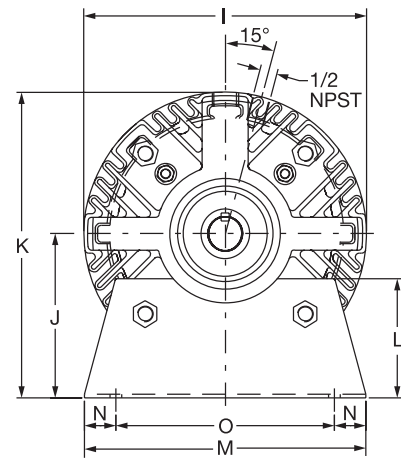
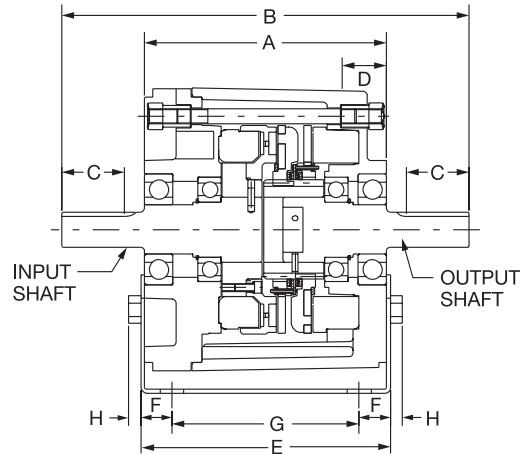


Clutch/Brake Modules



DMSCB & DMSCO

The DMSCB clutch/brake module is rated identically to the C-face version, but is mounted on a base with standard shaft input and output. It can be direct coupled or linked by belt drive to motor and driven equipment. The DMSCO mounts and operates in a manner similar to the DMSCB, but as a clutch only. Clutch ratings and dimensions of both units are identical.



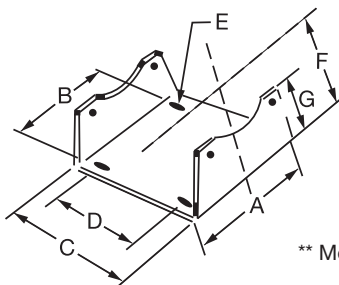
Part Numbers		Static Torque (Lb.-Ft.)	Coil Voltage		
			90 VDC	24 VDC	6 VDC
Base Mount	DMSCB-50	22	028130	028133	028131
Clutch & Brake	DMSCB-180	34	028230	028233	028231
	DMSCB-210	100	028330	028333	028331
Base Mount	DMSCO-50	22	028140	028143	028141
Clutch Only	DMSCO-180	34	028240	028243	028241
	DMSCO-210	100	028340	028343	028341

Size	Static Torque (Lb.-Ft.)	Shaft Dia.	Keyway	A	B	C Min	D*	E	F	G	H	I Max	J	K	L	M	N	O
50	22	5/8	3/16 x 3/32	5.72	9.49	1.59	1.30	5.70	0.85	4	0.34	6.75	3.50	6.87	2.00	6	0.50	5.00
180	34	7/8			9.49	1.59							4.50	7.87	3.00			
210	100	1-1/8	1/4 x 1/8	7.71	12.97	2.00	1.57	8.20	1.09	6	0.44	9.05	5.25	9.78	3.37	9	0.62	7.75

* D Dimension - Electrical Connection

DMS Series Module Bases

Style	Size	Base Part Number
Module Base	DM-50-B	028180
	DM-180-B	028280
	DM-210-B	028380



** Module base sold separately

Size	A	B	C	D Nom	E (Slot)	F	G
DM-50-B	6.00	5.00	5.70	4.00	.75 x.40	3.50	2.00
DM-180-B	6.00	5.00	5.70	4.00	.75 x.40	4.50	3.00
DM-210-B	9.00	7.75	8.20	6.00	.75 x.53	5.25	3.80

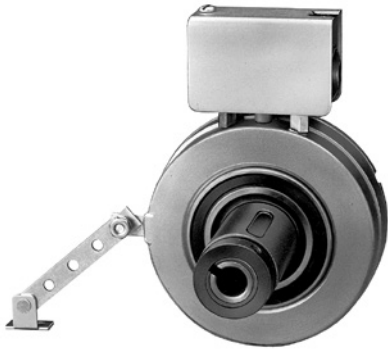
FEATURES/BENEFITS PAGE PT2-11	SPECIFICATION/HOW TO ORDER PAGE PT2-12	SELECTION/DIMENSIONS PAGE PT2-13	ENGINEERING/TECHNICAL PAGE PT2-38
----------------------------------	---	-------------------------------------	--------------------------------------



FEATURES/BENEFITS

Shaft Mounted Clutches & Brakes

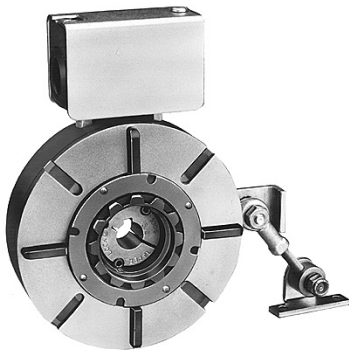
IEC SERIES - Shaft Mounted Clutches



DODGE IEC Electric Clutches are engineered to mount on standard motor shafts or thru shafts. These clutches are designed to accept standard sheaves, sprockets & gears. The product features include:

- **Mounting Flexibility**-Offered in bore sizes from 1/2" to 1-3/8"
- **Torque Range**-Rating from 22 lb-ft. to 175 lb-ft. handling from 1/50 to 7-1/2 HP @ 1800 RPM. Units are pre-burnished at the factory.
- **Easy Installation**-Sheaves, sprockets, gears or other standard power transmission components mount directly to the clutch hub.
- **Conduit Box** meets Industry Standards-C-UL-UL.
- **Long Life**-Minimal Maintenance-Integral splined armature and fan designed for maximum cooling.
- **DYNA-GAP**-Automatic Wear Compensation.
- **Maintenance**- Friction surfaces easily replaced.

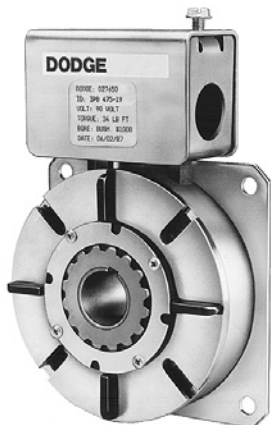
IEB SERIES - Shaft Mounted Power-On Brakes



DODGE IEB Electric Brakes are engineered to mount on standard motor shafts or thru shafts.

- **Mounting Flexibility**-Offered in bore sizes from 1/2" to 1-11/16"
- **Torque Range**-Rating from 22 lb-ft. to 175 lb-ft. handling from 3/4 to 20 HP @1800 RPM. Units are pre-assembled at the factory.
- **Conduit Box** meets Industry Standards-C-UL-UL.
- **Long Life**-Minimal Maintenance-Integral splined armature and fan designed for maximum cooling.
- **DYNA-GAP**-Automatic Wear Compensation

IPB SERIES - Flange Mounted Brakes



DODGE IPB Electric Brakes are equipped with flange for ease of mounting to any suitable mounting surface.

- **Mounting Flexibility**-Offered in bore sizes from 1/2" to 1-3/8"
- **Torque Range**-Rating from 22 lb-ft. to 100 lb-ft. handling from 3/4 HP to 10 HP@ 1800 RPM.
- **Conduit Box** meets Industry Standards-CUL-UL.
- **Long Life**-Minimal maintenance-Integral splined armature and fan designed for maximum cooling.
- **DYNA-GAP**-Automatic wear compensation.



Shaft Mounted Clutches & Brakes

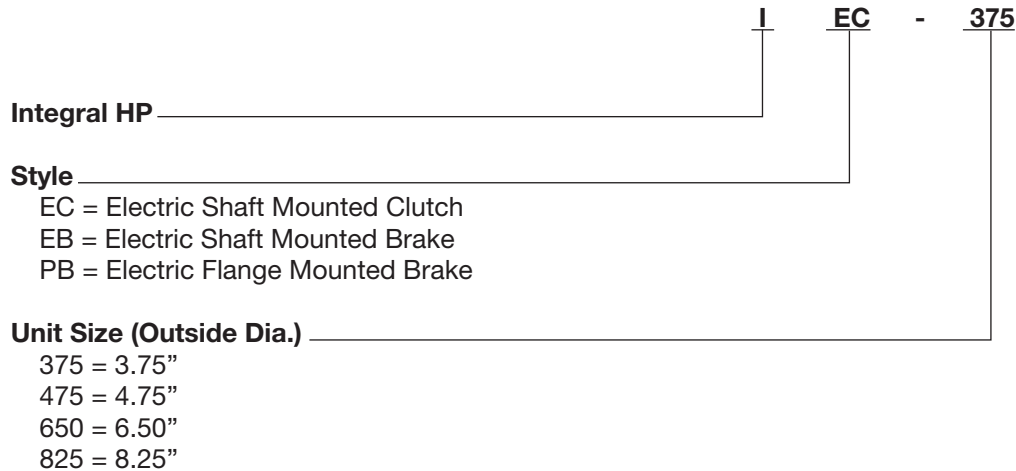
SPECIFICATION

The Shaft Mounted Series of Clutches and Brakes are factory assembled, tested, and pre-burnished. They are engineered and ready to mount on standard motor shafts or thru shafts. The IPB brake is flange mounted on a bulkhead, suitable frame, or on the motor. They are long life and minimal maintenance with an integral splined armature with fan designed for maximum cooling.

HOW TO ORDER

Shaft Mounted Clutches & Brakes are ordered by specifying the unit size, bore size (or bushing size if Taper-Lock), and voltage. Part numbers are found on the selection pages for each type of unit. Refer to the part number when ordering.

NOMENCLATURE





Shaft Mounted Clutches & Brakes

1. Determine the horsepower and the speed at the clutch or brake.
2. Choose proper size based on motor HP and operating speed.
3. Check to ensure the maximum allowable cycles per minute rating is not exceeded by consulting the charts in the Engineering/Technical section.

IEC Series/RPM

HP	100	200	300	400	500	600	700	800	900	1000	1100	1200	1500	1800	2000	2400	3000	3600	4000	4500	5000	
1/50																						
1/20																						
1/12										IEC-375												
1/8																						
1/6																						
1/4																						
1/2																						
3/4										IEC-475												
1																						
1-1/2																						
2										IEC-650												
3																						
5										IEC-825												
7-1/2																						

IEB and IPB* Series/RPM

HP	100	200	300	400	500	600	700	800	900	1000	1100	1200	1500	1800	2000	2400	3000	3600	4000	4500	5000	
1/12																						
1/8																						
1/6																						
1/4										IEB-375/IPB-375												
1/3																						
1/2																						
3/4																						
1																						
1-1/2										IEB-475/IPB-475												
2																						
3										IEB-650/IPB-650												
5																						
7-1/2										IEB-825*												
10																						
15																						
20																						
25																						
30																						
40																						

* IPB selection through size 650

PT Component
Quick References

Couplings

Clutches and Brakes

FLEXIDYNE

Fluid Couplings

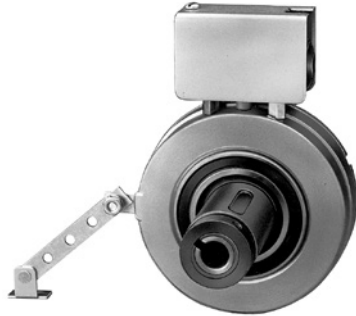
TORQUE-TAMER

Bushings

SPECIFICATION/HOW TO ORDER/NOMENCLATURE

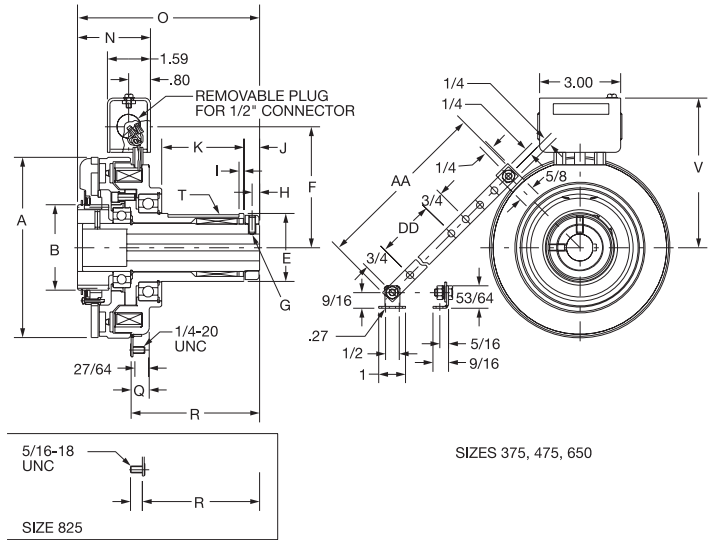


Shaft Mounted Clutches & Brakes



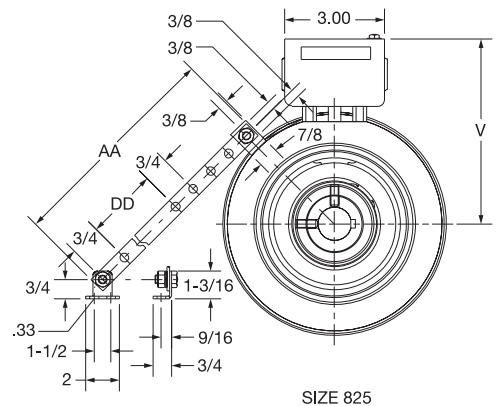
IEC SERIES

IEC Series Shaft Mounted Clutches are factory assembled, tested, preburnished and ready to mount on standard motor shafts. Sheaves, sprockets, gears or other power transmission components can be mounted directly on the clutch hub extension with standard DODGE TAPER-LOCK® bushings.



Part Numbers

Unit Size	Voltage	Bore Size							
		1/2"	5/8"	3/4"	7/8"	1	1- 1/8"	1- 1/4"	1- 3/8"
IEC-375	90 VDC	027500	027501						
	24 VDC	027506	027507						
	6 VDC	027502	027503						
IEC-475	90 VDC		027600	027601	027602				
	24 VDC		027609	027610	027611				
	6 VDC		027603	027604	027605				
IEC-650	90 VDC					027700	027701	027702	027703
	24 VDC					027712	027713	027714	027715
	6 VDC					027704	027705	027706	027707
IEC-825	90 VDC					027806	027800	027801	027802
	24 VDC					027812	027813	027814	027815
	6 VDC					027807	027803	027804	027805



IEC Series Dimensions

Size	Bore ±.001	Keyway	Static Torque Lb-Ft	A Max	B Max	E Dia	F	G Set Screw	H	I	J	K	N Max	O Max	Q	R	T Keyway	V Max	W	AA	DD
IEC-375	1/2	1/8 x 1/16	22	4.08	1.70	1.375	3.20	#10-24	.18	.22	.35	2.10	2	4.65	.60	3	5/16x3/16*	4.23	2.44	5	1.50
	5/8	3/16 x 1/16*				1.3735															
IEC-475	5/8	3/16 x 3/32	34	5.17	2.20	1.625	3.78	1/4-20	.28	.20	.58	2.39	2.10	5.30	.60	3.53	3/8x1/16*	4.98	2.98	5	1.50
	3/4	3/16 x 3/32				1.6235															
IEC-650	1	1/4 x 1/8	100	6.68	3.17	2.500	4.47	1/4-20	.27	.19	.56	3.08	2.69	6.72	.52	4.61	5/8x3/32*	5.66	3.73	10♦	6.50
	1-1/8	1/4 x 1/8				2.4985															
	1-1/4	1/4 x 1/8																			
	1-3/8	5/6 x 3/32*																			
IEC-825	1	1/4 x 1/8	175	8.43	3.17	2.500	5.35	1/4-20	.27	.19	.56	3.08	2.81	7.01	-	4.19	5/8x3/32*	6.54	5.06	17♦	2.88
	1-1/8	1/4 x 1/8				2.4985															
	1-1/4	1/4 x 1/8																			
	1-3/8	5/16x3/32*																			

♦ Tab location on IEC-650 45° counterclockwise from top; tab location on IC-825 45° clockwise from top

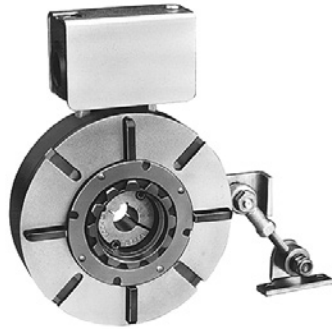
* Non-standard keyway - keys furnished with clutch

FEATURES/BENEFITS PAGE PT2-18	SPECIFICATION/HOW TO ORDER PAGE PT2-19	SELECTION/DIMENSIONS PAGE PT2-20	ENGINEERING/TECHNICAL PAGE PT2-38
----------------------------------	---	-------------------------------------	--------------------------------------

SPECIFICATION/HOW TO ORDER/NOMENCLATURE

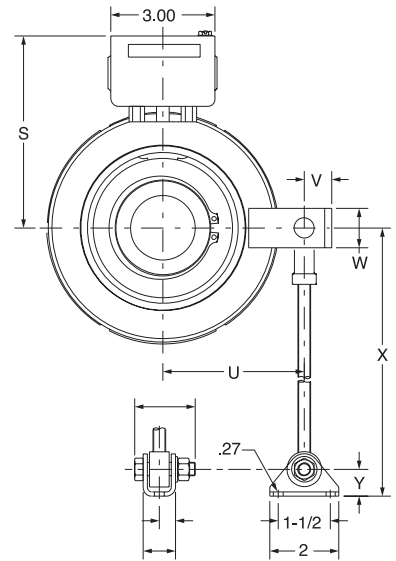
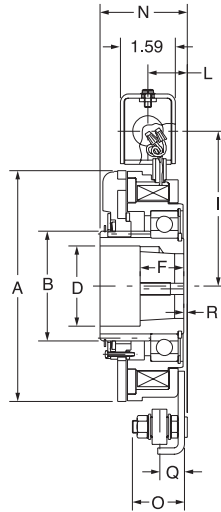


Shaft Mounted Clutches & Brakes

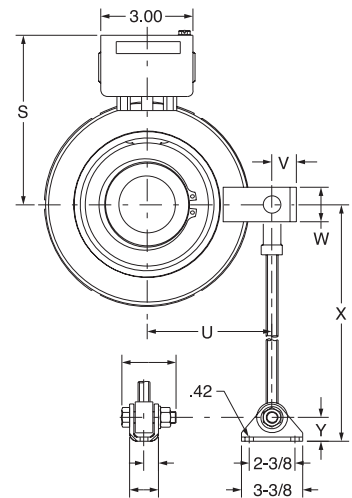


IEB SERIES

IEB Series Shaft Mounted Power-On Brakes offer a wide selection of bore sizes with the use of the DODGE TAPER-LOCK bushings. The anti-rotation torque arm can be mounted in any location around the shaft for further application flexibility.



SIZES 375, 475



SIZES 650, 825

Part Numbers

Unit Size	Voltage	Bore Size		
		1/2"	5/8"	TAPER-LOCK
IEB-375	90 VDC	027550	027551	
IEB-375	24 VDC	027556	027557	
IEB-375	6 VDC	027552	027553	
IEB-475	90 VDC			027650 TAPER-LOCK
IEB-475	24 VDC			027653 #1008
IEB-475	6 VDC			027651 1" Max.
IEB-650	90 VDC			027750 TAPER-LOCK
IEB-650	24 VDC			027753 #1310
IEB-650	6 VDC			027751 1-7/16" Max.
IEB-825	90 VDC			027850 TAPER-LOCK
IEB-825	24 VDC			#1615
IEB-825	6 VDC			027851 1-11/16" Max.

*TL Bushing sold separately

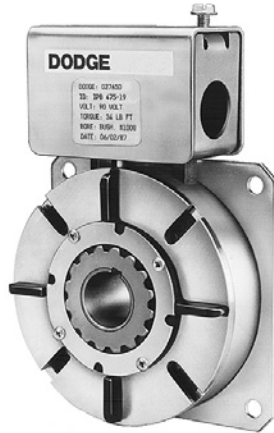
Size	Bore	Keyway	Static Torque Lb-Ft.	A Max.	B	D	F	I	L	N Max.	O	Q	R Max.	S	U	V	W	X Max.	Y
IEB-375	1/2 5/8	1/8 x 1/16 3/16 x 3/32	22	4.08	1.70	.98	1.66	3.34	.90	2.25	1.00	.33	.15	4.45	2.52	.66	1.00	8	.69
IEB-475		TAPER-LOCK Bushing #1008 1" Max.	34	5.17	2.20	1.45	1.00	3.88	.75	1.88	1.00	.33	.15	4.98	3.05	.78	1.00	10	.69
IEB-650		TAPER-LOCK Bushing #1310 1-7/16" Max.	100	6.65	3.17	2.30	1.27	4.55	1.13	2.51	1.31	.80	.09	5.74	4.06	.78	1.13	11.78	.78
IEB-825		TAPER-LOCK Bushing #1615 1-11/16" Max.	175	8.39	3.17	2.25	1.63	5.42	1.18	2.72	1.31	.80	-	6.61	4.81	.84	1.13	11.78	.78

FEATURES/BENEFITS PAGE PT2-18	SPECIFICATION/HOW TO ORDER PAGE PT2-19	SELECTION/DIMENSIONS PAGE PT2-20	ENGINEERING/TECHNICAL PAGE PT2-38
----------------------------------	---	-------------------------------------	--------------------------------------

SPECIFICATION/HOW TO ORDER/NOMENCLATURE

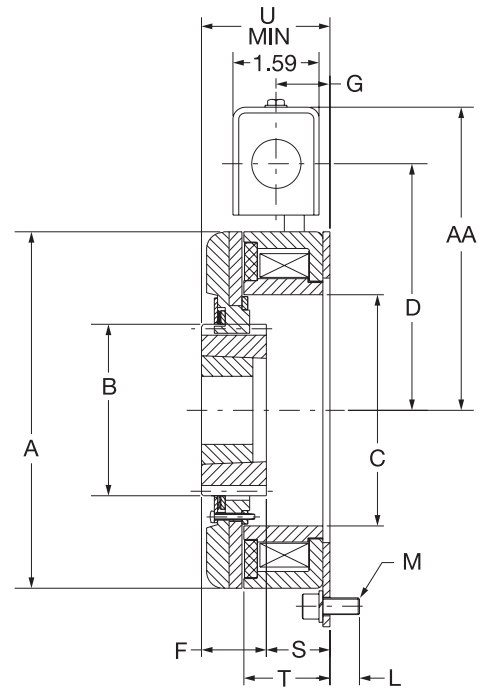


Shaft Mounted Clutches & Brakes



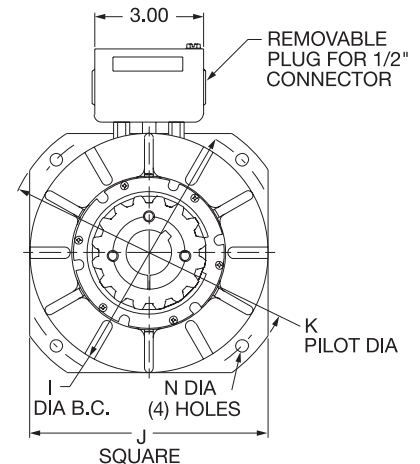
IPB SERIES

IPB Series Flange Mounted Power-On Brakes operate similar to the FB Series brake. The brake magnet/flange can be mounted to any suitable mounting surface. Armature mounts to load shaft using DODGE TAPER-LOCK bushings.



Unit	Voltage Size	Bore Size				TAPER-LOCK
		1/2"	5/8"	3/4"	7/8"	
IPB-375	90 VDC	029900	029901	029902	029903	
	24 VDC	029918	029919	029920	029921	
	6 VDC	029909	029910	029911	029912	
IPB-475	90 VDC					029904 TAPER-LOCK
	24 VDC					029922 #1008
	6 VDC					029913 1" Max.
IPB-650	90 VDC					029905 TAPER-LOCK
	24 VDC					029923 #1610
	6 VDC					029914 1-11/16" Max.

* TL Bushing sold separately



Size	Bore	Keyway	Static Torque (Lb.-Ft.)	A Max	B	C	D	F	G	I	J Sq.	K	S	T	U Min.	M	L Max.	AA*	N	P
IPB-375	1/2	1/8x1/16	22	4.08	1.70	2.62	3.34	1.66	.78	5.00	4.25	5.625	1.04	1.15	2.36	4.45	.61	1/4-20 UNC	.280	4.00
	5/8	3/16x3/32										5.623							.300	
	3/4	3/16 x 3/32																		
	7/8	3/16 x 3/32																		
IPB-475	Bushing 1008-1 1" Max.		34	5.17	2.20	3.15	3.88	1.00	.88	5.88	5.00	6.500	.97	1.31	2.23	4.98	.52	3/8-16 UNC	0.389	4.00
												6.498						0.409		
IPB-650	Bushing 1610 1-3/8" Max.		100	6.65	3.17	4.27	4.55	1.20	.99	7.25	6.50	8.000	1.17	1.59	2.37	5.74	.55	5/16-18 UNC	0.338	4.00
												7.998						0.358		

* Screw not included

FEATURES/BENEFITS PAGE PT2-18	SPECIFICATION/HOW TO ORDER PAGE PT2-19	SELECTION/DIMENSIONS PAGE PT2-20	ENGINEERING/TECHNICAL PAGE PT2-38
----------------------------------	---	-------------------------------------	--------------------------------------



FEATURES/BENEFITS

Fractional HP Clutches & Brakes

PT Component
Quick References

Couplings

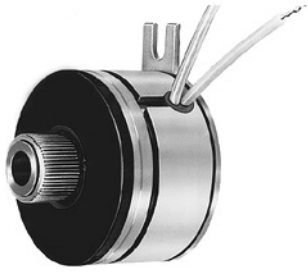
Clutches and Brakes

FLEXIDYNE

Fluid Couplings

TORQUE-TAMER

Bushings



SL SERIES



BSL SERIES

SL & BSL SERIES ELECTRIC CLUTCHES

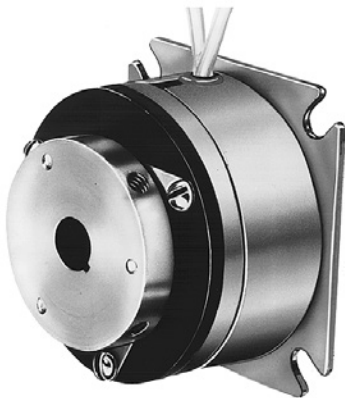
- Bearing Mounted
- Couples 2 Parallel Shafts
- Sl Has 9 Sizes For Shaft Diameters 3/16"-3/4"
- Bsl Has 2 Sizes For Shaft Diameters 1/2"-1"
- Protective Zinc Chromate Plating



SO SERIES

SO SERIES ELECTRIC CLUTCH-COUPPLINGS

- Couples In-Line Shafts
- Zinc Chromate Plating For Corrosion Resistance
- 9 Sizes For Shaft Diameters 3/16"-1"



FB SERIES

FB SERIES POWER ON BRAKES

- Power-On Brake, Engages When Voltage Is Applied, Releases When Voltage Is Turned Off
- 9 Sizes For Shaft Diameters 3/16"-1"



FSB SERIES



FSBR SERIES

FSB AND FSBR SERIES POWER OFF BRAKES

FSB

- Flange Mounted
- Engages When Voltage Is Removed
- 7 Sizes For Shaft Diameters 3/16"-3/4"
- Non-Asbestos, Non-Lead Friction Material For Long-Life And Quiet Operation

FSBR

- Designed For Applications Requiring Minimal Space
- 5 Sizes For Shaft Diameters 5/16"-3/4"
- Non-Asbestos, Non-Lead Friction Material For Long-Life And Quiet Operation



Fractional HP Clutches & Brakes

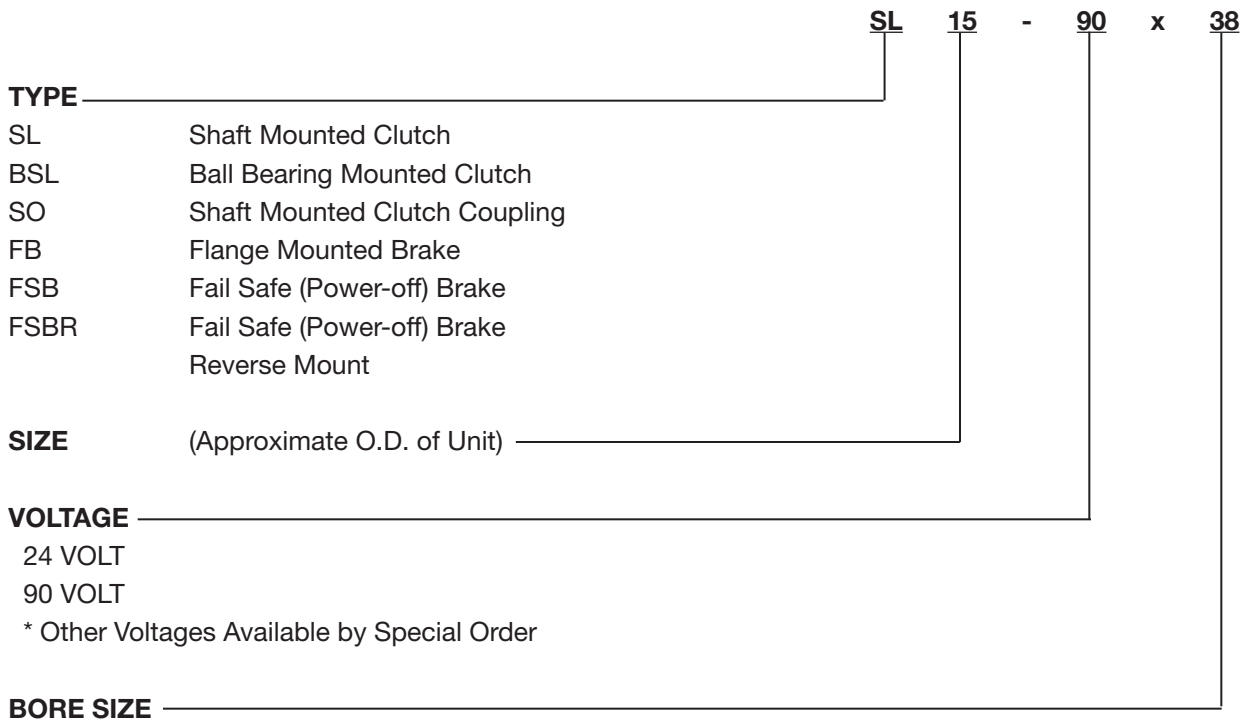
SPECIFICATION

The Fractional HP product offerings include three shaft mounted clutches and three flange mounted brakes. In the shaft mounted line, the SL and BSL series are used to couple two parallel shafts, and the SO series is used to couple two in-line shafts. They are engineered for easy installation, and incorporate a zero backlash armature hub assembly. In the flange mounted line, the FB series is “power-on” and the FSB and FSBR series are “power-off”.

HOW TO ORDER

Fractional HP Clutches and Brakes are ordered by specifying the type of unit, size, voltage and bore size. Part numbers are found on the selection pages for each type of unit. Refer to the part number when ordering.

NOMENCLATURE





SELECTION

Fractional Hp Clutches & Brakes

Power-On Clutch & Brake Selection

1. Determine the motor horsepower required (or torque required for sizes 08-15) and speed at the clutch location. For optimum performance, the clutch should be mounted on the highest speed shaft.
2. Using the Selection Chart, identify the proper clutch size-where the shaft speed intersects the HP (or torque) required.
3. Where rapid cycling occurs, check the Allowable Cycles Chart below. If the allowable cycle rate is exceeded, consult DODGE Engineering.
4. Specify the voltage and shaft size when ordering.
5. For optimum performance, use a properly sized control.

Allowable Cycles/Minute*

Unit Size	RPM	Inertia (Lb-In2)				Unit Size	RPM	Inertia (Lb-In2)			
		5	10	50	100			50	100	500	1000
08	225	300	200	30	12	19	225	200	120	20	8
	900	30	12	2	1		900	9	5	1	-
11	225	-	300	60	30	22	225	250	150	25	10
	900	45	20	3	2		900	12	6	1	-
15	225	-	350	120	60	26	225	300	200	30	12
	900	60	30	6	3		900	20	9	2	1
17	225	-	-	150	100	30	225	350	250	40	20
	900	80	40	7	4		900	25	12	3	1
						42	225	-	300	60	30
							900	30	20	4	2

* Chart intended as a guide. For other speeds and inertias, consult DODGE

For SL, BSL, SO Series

Torque Lb-In★	Shaft Speed At Clutch (Rpm)																				
	100	200	300	400	500	600	700	800	900	1000	1100	1200	1500	1800	2000	2400	3000	3600	4000	5000	
0.50								08													
1.00																					
1.50																					
2.00																					
2.50										11											
3.00																					
3.50																					
4.00																					
4.50																					
5.00										15											
5.50																					
6.00																					
6.50																					
7.00																					

★ Slightly higher torque ratings may be allowable for some speeds. Consult DODGE



SELECTION

HP vs. RPM (Sizes 17 thru 42) - Selection Chart

HP	Shaft Speed At Clutch (RPM)																			
	100	200	300	400	500	600	700	800	900	1000	1100	1200	1500	1800	2000	2400	3000	3600	4000	5000
1/50																				
1/20													17							
1/12																				
1/8												19								
1/6											22									
1/4										26										
1/3																				
1/2											30									
3/4											42									
1																				
1 1/2																				
2																				
3																				
5																				
7-1/2																				
10																				

For FB Series: Torque Rating vs. RPM (Sizes 08 thru 15)- Selection Chart

Torque Lb-In ★	Shaft Speed At Clutch (RPM)																			
	100	200	300	400	500	600	700	800	900	1000	1100	1200	1500	1800	2000	2400	3000	3600	4000	5000
0.5								08												
1.0																				
1.5																				
2.0																				
2.5											11									
3.0																				
3.5																				
4.0																				
4.5																				
5.0											15									
5.5																				
6.0																				
6.5																				
7.0																				

★ Slightly higher torque ratings may be allowable for some speeds. Consult DODGE.

HP vs. RPM (Sizes 17 thru 42)-Selection Chart

HP	Shaft Speed At Clutch (RPM)																			
	100	200	300	400	500	600	700	800	900	1000	1100	1200	1500	1800	2000	2400	3000	3600	4000	5000
1/50																				
1/20																				
1/12													17							
1/8																				
1/6																				
1/4																				
1/3											19									
1/2											22									
3/4											26									
1																				
1 1/2																				
2																				
3																				
5																				
7 1/2																				
10																				



SELECTION

Fractional HP Clutches & Brakes

1. Determine the motor horsepower required and speed at the brake location. For optimum performance, the brake should be mounted on the highest speed shaft.
2. Using the Selection Chart, identify the proper brake size-where the shaft speed intersects the HP required.
3. Where rapid cycling occurs, check the Allowable Cycles Chart below. If the allowable cycle rate is exceeded, consult DODGE Engineering.
4. Specify the voltage and shaft size when ordering.
5. For optimum performance, use a properly sized control.

FSB Allowable Cycles/Minutes*

Unit Size	RPM	Inertia (Lb-In2)				Unit Size	RPM	Inertia (Lb-In2)			
		1	5	10	50			10	50	100	500
01	1800	60	12	6	1	35	1800	25	5	2.50	0.50
	3600	15	3	1.50	-		3600	5	1	0.50	-
03	1800	80	16	8	2	50	1800	25	5	2.50	0.50
	3600	20	4	2	-		3600	5	1	0.50	-
07	1800	150	30	15	3	100	1800	50	10	5	1
	3600	40	8	4	3		3600	12	2.50	1.20	-
15	1800	150	30	15	3						
	3600	40	8	4	0.80						

* Chart intended as guide. For other speed and inertias, consult DODGE

For FSB Series:

Torque Rating vs. RPM (Sizes 001 thru 007) - Selection

Torque Lb-In	Shaft Speed At Brake (RPM)																			
	100	200	300	400	500	600	700	800	900	1000	1100	1200	1500	1800	2000	2400	3000	3600	4000	5000
0.50											1									
0.75																				
1.00																				
2.00											3									
2.50																				
2.75																				
3.00																				
5.00																				
6.25											7									
6.50																				
6.75																				
7.00																				

HP vs. RPM (Sizes 17 thru 42) - Selection

HP	Shaft Speed At Brake (RPM)																			
	100	200	300	400	500	600	700	800	900	1000	1100	1200	1500	1800	2000	2400	3000	3600	4000	5000
1/50																				
1/20																				
1/12											15									
1/8																				
1/6																				
1/4																				
1/3											35									
1/2																				
3/4											50									
1																				
1-1/2											100									
2																				
3																				
5																				
7-1/2																				
10																				



SELECTION

Fractional HP Clutches & Brakes

For FSBR Series

HP	Shaft Speed At Brake (RPM)																			
	100	200	300	400	500	600	700	800	900	1000	1100	1200	1500	1800	2000	2400	3000	3600	4000	5000
1/50																				
1/20																				
1/12										7										
1/8																				
1/6										15										
1/4																				
1/3																				
1/2										35										
3/4										50										
1																				
1-1/2										100										
2																				
3																				
5																				
7-1/2																				
10																				

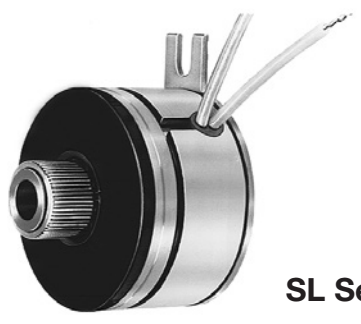
FSBR Allowable Cycles/Minutes ★

Unit Size	RPM	Inertia (Lb.- in.2)			
		5	10	50	100
07	1800	30	15	3	-
	3600	8	4	0.8	-
15	1800	30	15	3	-
	3600	8	4	0.8	-
35	1800	50	25	5	2.5
	3600	10	5	1	0.5
50	1800	50	25	5	2.5
	3600	10	5	1	0.5
100	1800	100	50	10	5
	3600	25	12	2.5	1.2

★ Chart intended as a guide. For other speeds and inertias, consult DODGE.

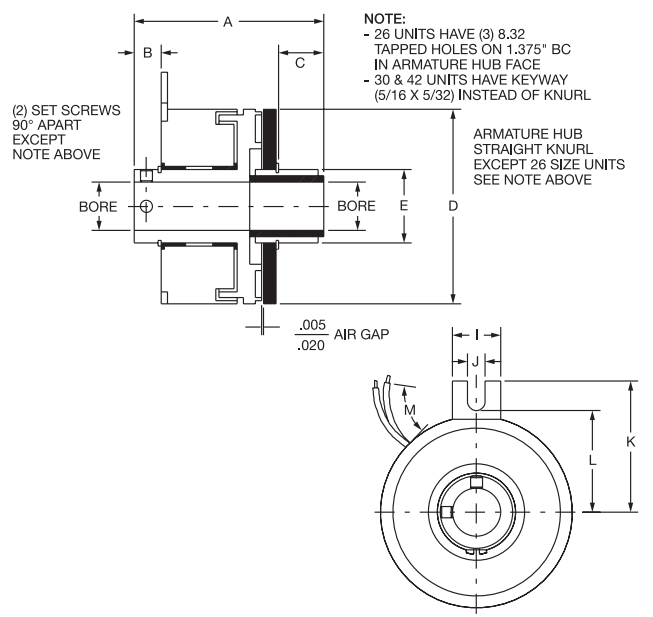


SELECTION/DIMENSIONS



SL Series

The Shaft Mounted SL SERIES clutches are engineered for easy installation. Nine sizes are available for shaft diameters from 3/16" to 3/4". The SL Armature Hub will accept sheaves, sprockets, gears or other typical power transmission drive components. SL Clutches are plated for protection from the environment. The SL units have a zero backlash armature hub assembly.



SL Series Dimensions

Size	Part No.	Volts DC	Bore In. ★	Rotor Keyway	Static Torque (Lb.-In.)	A Max	B Nom	C Max	D Max	E ±.002	I Max	J Min	K Nom	L Nom	M ±.500
SL-08	024000	90	3/16	set screws	2.5	1.370	.191	.410	.903	.507	.305	.094	0.625	.445	12.00
	024001		1/4												
	024002	24	3/16												
SL-11	024100	90	1/4	set screws	6	1.409	.147	.396	1.160	.506	.380	.122	0.875	.585	12.00
	024101		5/16												
	024102	24	1/4												
SL-15	024200	90	5/16	set screws	10	1.695	.275	.303	1.500	.630	.520	.180	1.120	.750	12.00
	024201		3/8												
	024202	24	5/16												
SL-17	024300	90	5/16	set screws	15	1.823	.279	.380	1.780	.630	.505	.184	1.325	.975	12.00
	024301		3/8												
	024302	24	5/16												
SL-19	024400	90	3/8	3/32x3/64	25	1.948	.279	.465	2.000	.756	.505	.184	1.325	.975	12.00
	024401		1/2	set screws											
	024402	24	3/8	3/32x3/64											
SL-22	024500	90	3/8	3/32x3/64	50	2.160	.281	.432	2.260	.756	.442	.170	1.515	1.160	18.00
	024501		1/2	1/8x1/16											
	024502	24	3/8	3/32x3/64											
SL-26	024600	90	1/2	1/8x1/16	80	2.464	.277	.472	2.645	.999	.510	.190	1.750	1.465	18.00
	024601		1/2	1/8x1/16											
	024602	24	1/2	1/8x1/16											
SL-30	024700	90	1/2	1/8x1/16	125	2.800	.250	.830	3.268	1.374	.442	.170	2.050	1.695	terminals
	024701		5/8	3/16x3/32											
	024702	24	1/2	1/8x1/16											
SL-42	024800	90	1/2	1/8x1/16	250	3.820	.320	1.560	4.270	1.374	.645	.190	2.500	2.312	terminals
	024801		5/8	3/16x3/32											
	024802		3/4	3/16x3/32											
	024803	24	1/2	1/8x1/16											
	024804		5/8	3/16x3/32											
024805		3/4	3/16x3/32												

★ Consult DODGE for other bore sizes

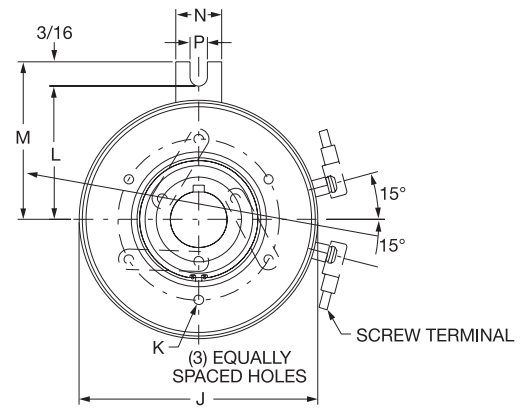
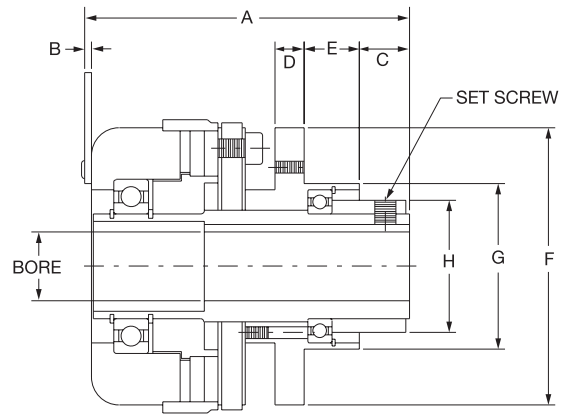
FEATURES/BENEFITS PAGE PT2-24	SPECIFICATION PAGE PT2-25	SELECTION PAGE PT2-26	ENGINEERING/TECHNICAL PAGE PT2-28
----------------------------------	------------------------------	--------------------------	--------------------------------------

SELECTION/DIMENSIONS



BSL Series

The Shaft Mounted BSL SERIES clutches are engineered for easy installation. Two sizes are available for shaft diameters from 1/2" to 1". The BSL Armature Hub will accept sheaves, sprockets, gears or other typical power transmission drive components. BSL Clutches are plated for protection from the environment. The BSL units have a zero backlash armature hub assembly.



BSL Series Dimensions

Size	Part No.	Volts	★ Bore	Rotor Keyway	Set Screw	Static Torque (Lb.-In.)	A Max	B Nom	C Max	D Max
BSL-26	024900	90	1/2	1/8x1/16	#10-32	80	2.93	.06	.45	.265
	024901	90	5/8	3/16x3/32						
	024902	24	1/2	1/8x1/16						
	024903	24	5/8	3/16x3/32						
BSL-42	025100	90	7/8	3/16x3/32	1/4-28	250	3.35	.06	.41	.282
	025101	90	1	1/4x1/8						
	025102	24	7/8	3/16x3/32						
	025103	24	1	1/4x1/8						

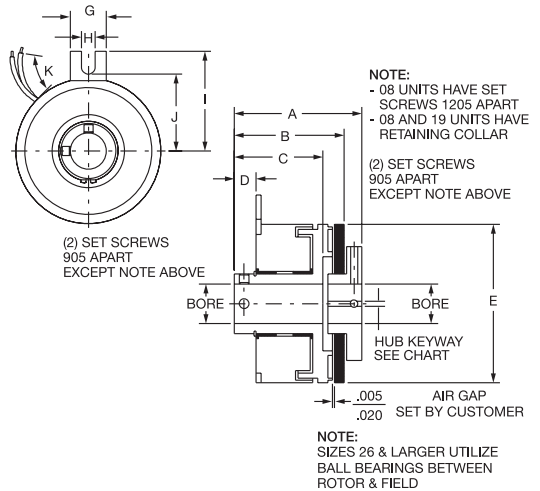
Size	E ±.005	F Max	G Pilot Dia.	H Max	J Max	K	L Max	M ±.015	N Max	P Min.
BSL-26	.50	2.505	1.499 1.497	1.195	2.65	(3) 6-32 on 1.790 B.C.	1.482	1.750	.510	.190
BSL-42	.673	4.015	3.000 2.998	1.82	4.27	(3) 1/4-20 on 3.500 B.C.	2.223	2.500	.545	.190

★ Consult DODGE for other bore sizes

FEATURES/BENEFITS PAGE PT2-24	SPECIFICATION PAGE PT2-25	SELECTION PAGE PT2-26	ENGINEERING/TECHNICAL PAGE PT2-38
----------------------------------	------------------------------	--------------------------	--------------------------------------



SELECTION/DIMENSIONS



SO Series

The Shaft Mounted SO SERIES Clutches are engineered for easy installation. Nine sizes are available for shaft diameters from 3/16" to 1". SO Clutches are plated for protection from the environment and have a zero backlash armature hub assembly.

SO Series Dimensions

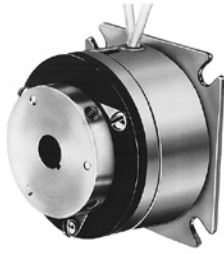
Size	Part No.	Volts DC	Bore In. ★	Rotor Keyway	Static Torque (Lb.-In.)	A Max	B Max	C Max	D Max	E Max	G Max	H Min	I Nom	J Nom	K ±.500
SO-08	029000	90	3/16	set screws	2.5	1.059	.875	.763	.200	.903	.305	.094	.625	.445	12.0
	029001		1/4												
	029002	24	3/16												
	029003		1/4												
SO-11	029004	90	1/4	set screws	6	1.168	.933	.777	.164	1.160	.380	.122	.875	.585	12.0
	029005		5/16												
	029006	24	1/4												
	029007		5/16												
SO-15	029008	90	5/16	set screws	10	1.575	1.255	1.075	.295	1.500	.520	.180	1.120	.750	12.0
	029009		3/8												
	029010		5/16												
	029011	24	3/8												
SO-17	029012	90	5/16	1/16x1/32	15	1.605	1.311	1.060	.301	1.780	.505	.184	1.325	.975	12.0
	029013		3/8	3/32x3/64											
	029014	24	5/16	1/16x1/32											
	029015		3/8	3/32x3/64											
SO-19	029016	90	3/8	3/32x3/64	25	1.609	1.314	1.060	.301	2.000	.505	.184	1.325	.975	12.0
	029017		1/2	1/8x1/16											
	029018		3/8	3/32x3/64											
	029019	24	1/2	1/8x1/16											
SO-22	029020	90	3/8	3/32x3/64	50	1.989	1.578	1.273	.316	2.260	.442	.170	1.515	1.160	18.0
	029021		1/2	1/8x1/16											
	029022		3/8	3/32x3/64											
	029023	24	1/2	1/8x1/16											
SO-26	029024	90	1/2	1/8x1/16	80	2.115	1.754	1.444	.302	2.645	.510	.190	1.750	1.465	18.0
	029025		5/8	3/16x3/32											
	029026		1/2	1/8x1/16											
	029027	24	5/8	3/16x3/32											
SO-30	029028	90	1/2	1/8x1/16	125	2.130	1.795	1.390	.270	3.268	.442	.170	2.050	1.695	screw terminals
	029029		5/8	3/16x3/32											
	029031		1/2	1/8x1/16											
	029032	24	5/8	3/16x3/32											
SO-42	029034	90	1/2	1/8x1/16	250	2.570	2.050	1.625	.340	4.270	.645	.190	2.500	2.312	screw terminals
	029035		5/8	3/16x3/32											
	029036		3/4	3/16x3/32											
	029037		7/8	3/16x3/32											
	029038	1	1/4x1/8												
	029039	24	1/2	1/8x1/16											
	029040		5/8	3/16x3/32											
	029041		3/4	3/16x3/32											
029042	7/8		3/16x3/32												
029043	1	1/4x1/8													

● Other voltages available on request

★ Consult DODGE for other bore sizes

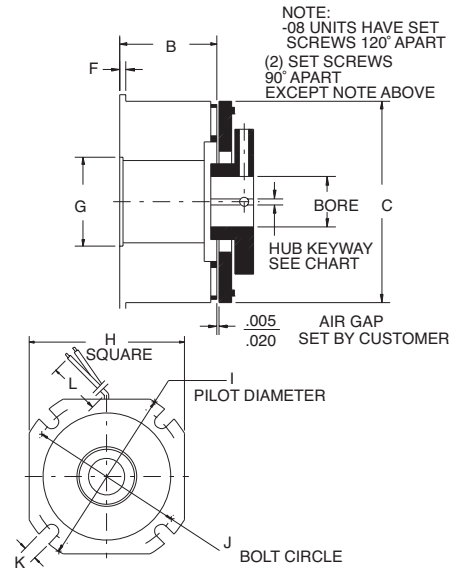
FEATURES/BENEFITS PAGE PT2-24	SPECIFICATION PAGE PT2-25	SELECTION PAGE PT2-26	ENGINEERING/TECHNICAL PAGE PT2-38
----------------------------------	------------------------------	--------------------------	--------------------------------------

SELECTION/DIMENSIONS



FB Series

The FB Flange Mounted Electric Brakes are designed for easy installation. These power on brakes engage when voltage is applied and release when the voltage is turned off. FB Brakes are available in nine sizes in shaft diameters from 3/16" to 1". These brakes can be used to accurately and repetitively decelerate inertial loads or to control web tension. (Contact application engineering for application assistance.) They incorporate zero backlash style armature assembly.



FB Series Dimensions

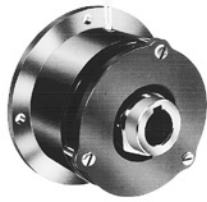
Size	Part No.	Volts DC	Bore In. ★	Nominal Keyway	Static Torque (Lb.-In.)	A Max	B Nom	C Max	F Max	G ±.001	H Max	I ±.001	J Nom	K Min	L ±.500
FB-08	025200	90	3/16	set screws	2.5	.885	.634	.905	.034	N.A.	.980	1.1995	1.030	.094	12.00
	025201	24	1/4												
	025202		3/16												
	025203		1/4												
FB-11	025300	90	1/4	set screws	6	.974	.650	1.160	.052	N.A.	1.230	1.498	1.312	.123	12.00
	025301	24	5/16												
	025302		1/4												
	025303		5/16												
FB-15	025400	90	5/16	set screws	10	1.304	.867	1.500	.063	N.A.	1.567	1.999	1.750	.156	12.00
	025401	24	3/8												
	025402		5/16												
	025403		3/8												
FB-17	025500	90	5/16	1/16x1/32 3/32x3/64	15	1.269	.848	1.780	.064	0.751	1.943	2.436	2.125	.186	12.00
	025501	24	3/8												
	025502		5/16												
	025503		3/8												
FB-19	025600	90	3/8	3/32x3/64 1/8x1/16 3/32x3/64 1/8x1/16	25	1.33	.901	2.00	.062	0.751	1.943	2.436	2.125	0.186	12.00
	025601	24	1/2												
	025602		3/8												
	025603		1/2												
FB-22	025700	90	3/8	3/32x3/64 1/8x1/16 3/32x3/64 1/8x1/16	50	1.757	1.173	2.260	.096	1.001	2.322	2.873	2.500	0.160	18.00
	025701	24	1/2												
	025702		3/8												
	025703		1/2												
FB-26	025800	90	1/2	1/8x1/16 3/16x3/32 1/8x1/16 3/16x3/32	80	1.815	1.300	2.645	.064	1.062	2.630	3.499	3.125	0.182	18.00
	025801	24	5/8												
	025802		1/2												
	025803		5/8												
FB-30	025900	90	5/8	3/16x3/32 3/16x3/32 3/16x3/32 1/4x1/8	125	1.9	1.310	3.268	.097	1.751	3.200	4.186	3.750	0.182	terminals
	025901	24	3/4												
	025902		5/8												
	025903		3/4												
FB-42	026000	90	5/8	3/16x3/32 3/16x3/32 3/16x3/32 1/4x1/8 3/16x3/32 3/16x3/32 3/16x3/32 1/4x1/8	250	2.28	1.490	4.270	.097	1.875	4.255	5.624	5.000	0.276	terminals
	026001		3/4												
	026004		7/8												
	026005	1													
	026002	24	5/8												
	026003		3/4												
	026006		7/8												
026007	1														

★ Consult DODGE for other bore sizes

FEATURES/BENEFITS PAGE PT2-24	SPECIFICATION PAGE PT2-25	SELECTION PAGE PT2-26	ENGINEERING/TECHNICAL PAGE PT2-38
----------------------------------	------------------------------	--------------------------	--------------------------------------

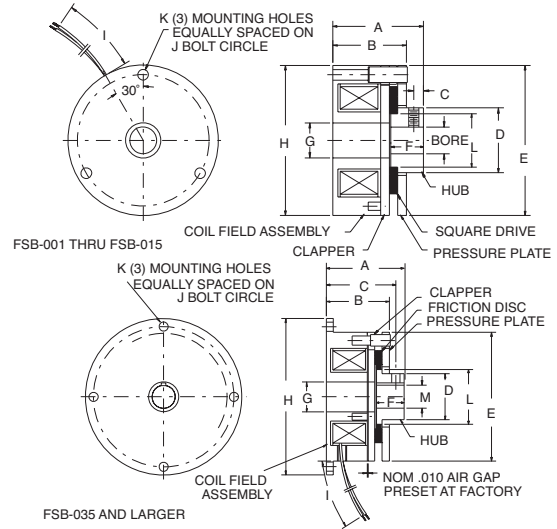


SELECTION/DIMENSIONS



FSB Series

FSB SERIES Power Off Brakes are designed to decelerate or park inertial loads when the voltage is turned off, either intentionally or accidentally (as in the case of a power failure). These units can be bulkhead or motor mounted and are available in seven torque ranges and shaft sizes 3/16" to 3/4". These units employ unique friction material for long life and quiet operation.



FSB Series Dimensions

Size	Part No.	Volts	Bore In.★	Nominal Keyway	Static Torque (Lb.-In.)	A Max	B Nom	C Nom	D Max	E Max	F Min	G Nom	H Max	I ±.500	J Nom	K Min
FSB-001	026100	90 DC	3/16	set screws	1	0.890	.710	.072	.510	1.485	.320	.280	1.375	12.0	1.180	.124
	026101	90 DC	1/4													
	026102	24 DC	3/16													
	026103	24 DC	1/4													
	026104	120 AC	3/16													
	026105	120 AC	1/4													
FSB-003	026200	90 DC	1/4	set screws	3	1.060	.870	.115	0.755	1.910	.380	.410	1.752	12.0	1.545	.124
	026201	90 DC	5/16													
	026202	24 DC	1/4													
	026203	24 DC	5/16													
	026204	120 AC	1/4													
	026205	120 AC	5/16													
FSB-007	026300	90 DC	5/16	1/16x1/32	7	1.400	1.200	1.255	0.722	2.465	.605	.781	2.436	12.0	2.125	.172
	026301	90 DC	3/8	3/32x3/64												
	026302	24 DC	5/16	1/16x1/32												
	026303	24 DC	3/8	3/32x3/64												
	026304	120 AC	5/16	1/16x1/32												
	026305	120 AC	3/8	3/32x3/64												
FSB-015	026400	90 DC	5/16	1/16x1/32	15	1.400	1.200	1.255	0.722	2.465	.605	.781	2.436	12.0	2.125	0.172
	026401	90 DC	3/8	3/32x3/64												
	026402	24 DC	5/16	1/16x1/32												
	026403	24 DC	3/8	3/32x3/64												
	026404	120 AC	5/16	1/16x1/32												
	026405	120 AC	3/8	3/32x3/64												
FSB-035	026500	90 DC	1/2	1/8x1/16	35	2.090	1.920	1.960	1.000	3.010	.580	.891	3.500	18.0	3.125	0.200
	026501	90 DC	5/8	3/16x3/32												
	026502	24 DC	1/2	1/8x1/16												
	026503	24 DC	5/8	3/16x3/32												
	026504	120 AC	1/2	1/8x1/16												
	026505	120 AC	5/8	3/16x3/32												
FSB-050	026600	90 DC	1/2	1/8x1/16	50	2.090	1.920	1.960	1.000	3.010	.580	.891	3.500	18.0	3.125	0.200
	026601	90 DC	5/8	3/16x3/32												
	026602	24 DC	1/2	1/8x1/16												
	026603	24 DC	5/8	3/16x3/32												
	026604	120 AC	1/2	1/8x1/16												
	026605	120 AC	5/8	3/16x3/32												
FSB-100	026800	90 DC	5/8	3/16x3/32	100	2.320	2.080	2.100	.975	4.000	.555	1.188	5.250	18.0	4.750	0.216
	026801	90 DC	3/4													
	026802	24 DC	5/8													
	026803	24 DC	3/4													
	026804	120 AC	5/8													
	026805	120 AC	3/4													

★ Consult DODGE for other bore sizes

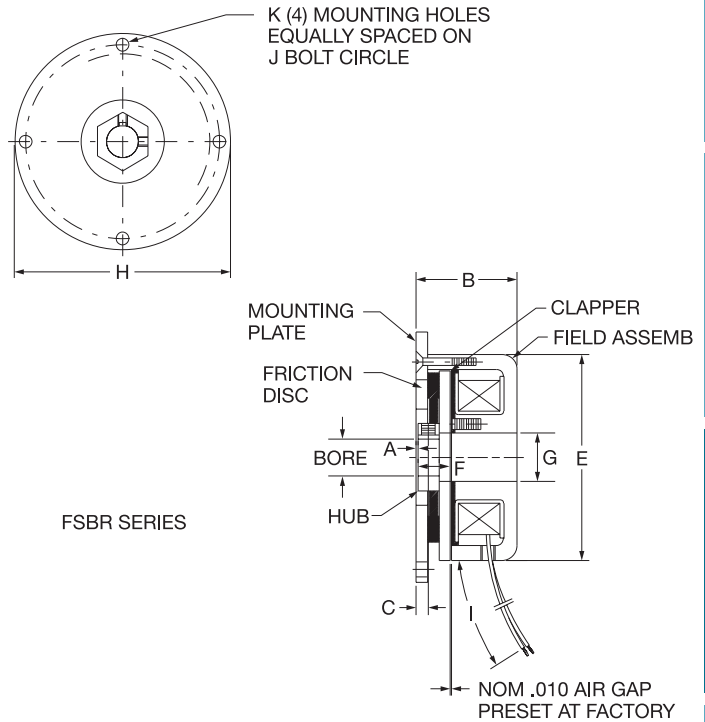
FEATURES/BENEFITS PAGE PT2-24	SPECIFICATION PAGE PT2-25	SELECTION PAGE PT2-26	ENGINEERING/TECHNICAL PAGE PT2-38
----------------------------------	------------------------------	--------------------------	--------------------------------------

SELECTION/DIMENSIONS



FSBR Series

FSBR SERIES Power Off Brakes are designed for applications requiring minimum space or on motors with short shaft extensions. When mounted, the armature hub on these units is not exposed like the FSB series. These units are available in five torque ranges and shaft sizes from 5/16" thru 3/4". Unique friction material is employed for long wear life and quiet operation.



FSBR Series Dimensions

Size	Part No.	Volts	Bore In. ★	Nominal Keyway	Static Torque (Lb.-In.)	A ● Max	B Nom	C Nom	E Max	F Min	G Nom	H Max	I .500	J Nom	K Min
FSBR-007	026900	90 DC	5/16	1/16x1/32	7	.062	.960	.115	2.260	.605	.781	3.235	12.0	2.844	.172
	026901	90 DC	3/8	3/32x3/64											
	026902	24 DC	5/16	1/16x1/32											
	026903	24 DC	3/8	3/32x3/64											
	026904	120 AC	5/16	1/16x1/32											
026905	120 AC	3/8	3/32x3/64												
FSBR-015	027000	90 DC	5/16	1/16x1/32	15	.062	1.200	.115	2.400	.605	.945	3.235	12.0	2.844	.172
	027001	90 DC	3/8	3/32x3/64											
	027002	24 DC	5/16	1/16x1/32											
	027003	24 DC	3/8	3/32x3/64											
	027004	120 AC	5/16	1/16x1/32											
027005	120 AC	3/8	3/16x3/32												
FSBR-035	027100	90 DC	1/2	1/8x1/16	35	.094	1.905	.239	2.810	.280	.891	3.500	18.0	3.125	.200
	027101	90 DC	5/8	3/16x3/32											
	027102	24 DC	1/2	1/8x1/16											
	027103	24 DC	5/8	3/16x3/32											
	027104	120 AC	1/2	1/8x1/16											
027105	120 AC	5/8	3/16x3/32												
FSBR-050	027200	90 DC	1/2	1/8x1/16	50	.094	1.905	.239	2.810	.280	.891	3.500	18.0	3.125	.200
	027201	90 DC	5/8	3/16x3/32											
	027202	24 DC	1/2	1/8x1/16											
	027203	24 DC	5/8	3/16x3/32											
	027204	120 AC	1/2	1/8x1/16											
027205	120 AC	5/8	3/16x3/32												
FSBR-100	027400	90 DC	5/8	3/16x3/32	100	.140	1.870	.610	4.000	.575	1.188	5.250	18.0	4.750	.216
	027401	90 DC	3/4												
	027402	24 DC	5/8												
	027403	24 DC	3/4												
	027404	120 AC	5/8												
027405	120 AC	3/4													

● Required distance between Hub & Mounting surface

★ Consult DODGE for other bore sizes

FEATURES/BENEFITS PAGE PT2-24	SPECIFICATION PAGE PT2-25	SELECTION PAGE PT2-26	ENGINEERING/TECHNICAL PAGE PT2-38
----------------------------------	------------------------------	--------------------------	--------------------------------------



Power Supplies



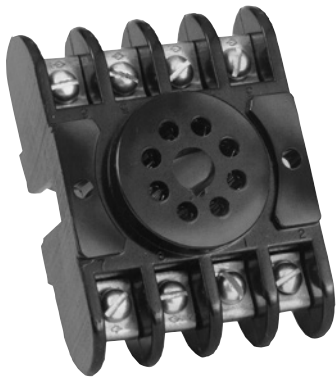
Model 50 - Conduit box Supply

- Controls one Brake or Clutch
- Input: 120 VAC; 50/60 Hz
- Output: 90 VDC
- Rating: 0.8 amps
- Full wave rectifier
- Dimensions: 5/8" H, 2" W, 1-3/8" D
- Part Number **032408**



Model 75 - Conduit Box Supply

- Controls one Brake or Clutch
- Input: 230 VAC; 50/60 Hz, 1 Phase
- Output: 90 VDC Nominal
- Rating: 0.4 amp Maximum
- Dimensions: 0.62" H, 1.40" W, 0.90" D
- Part Number: **030336**



Octal Socket

- Socket used with Model 100, 200 and 250 power supplies
- Prewired
- U. L. approved
- Industry Standard design
- Dimensions: 3/4" H, 2 1/2" W, 2" D
- Part Number: **032401**



Model 100-Octal Base Mount

- Controls one brake or clutch
- Used with octal socket
- Full wave rectifier
- Input: 120 VAC; 50/60 Hz
- Output: 90 VDC
- Rating: 1.5 amps
- Dimensions: 2" H, 2" W, 2" D
- Part Number: **032400**



Power Supplies



Model 200-Octal Base Mount w/Fuse

- Controls one brake and clutch, or two clutches or two brakes
- Input: 120 VAC; 50/60 Hz fused
- Output: 90 VDC
- Used with octal socket
- Full wave rectifier
- Rating: 1.5 amps
- Fused for overload protection
- Dimensions: 2 1/2, H, 2, W, 2, D
- Part Number: **032402**



Model 250 - Octal Base Mount

- Controls one Brake and Clutch; or two Clutches or two Brakes
- Used with Octal Socket
- Input: 115 VAC; 50/60 Hz
- Output: 15-90 VDC Nominal one unit, 90 VDC for the other unit
- Rating: 0.5 amp Maximum
- Dimensions: 2.88" H, 2.38" W, 1.75" D
- Part Number: **030337**

FEATURES/BENEFITS PAGE PT2-24	SPECIFICATION PAGE PT2-25	SELECTION PAGE PT2-26	ENGINEERING/TECHNICAL PAGE PT2-38
----------------------------------	------------------------------	--------------------------	--------------------------------------



Motor Brakes

Motor Brake Coil Data

DODGE D-Series motor brakes are equipped with DC voltage coils which are capable of a variety of nameplate voltage possibilities. Please consult Voltage Notes below the chart for these capabilities.

Coil Voltage	3 and 6 Ft.-Lb		10 thru 50 Ft.-Lb	
	Current Draw (Amps)	Resistance (Ohms)	Current Draw (Amps)	Resistance (Ohms)
115/230 VAC 60 Hz (1)	0.19	562	0.28	387
230/460 VAC 60 Hz (2)	0.10	2078	0.14	1550
287/575 VAC 60 Hz (3)	0.09	2987	0.12	2245
104/208 VAC 60 Hz (4)	0.24	384	0.31	290
190/380 VAC 50 Hz (5)	0.13	1341	0.19	923
250/500 VAC 50 Hz	0.10	2336	0.13	1793
48 VDC	0.48	100	0.58	82
24 VDC	0.97	24.70	1.14	21.70
12 VDC	1.95	6.16	2.24	5.40

Voltage News:

- 115/208-230 VAC 50 or 60 Hz, 133/265 VAC 60 Hz, 110-125 VDC
- 208-230/460 VAC 50 or 60 Hz, 240/480 VAC 60 Hz, 220/440 VAC 50 Hz, 230 VDC
- 287/575 VAC 60 Hz, 275/550 VAC 60 Hz, 300/600 VAC 60 Hz
- 104/208 VAC 50 or 60 Hz, 100/200 VAC 60 Hz 90-95 VDC
- 190/380 VAC 50 Hz, 260/400 VAC 60 Hz, 208/416 VAC 50 Hz

General Notes:

- Current and Resistance values are approximate only.
- Current and Resistance for other nameplate voltages may vary slightly. Consult DODGE Engineering for actual values
- Coil Resistance is measured between leads B4 and B5.

ELECTRICAL CONNECTIONS

Standard DODGE D-Series motor brakes operate on single phase, dual voltage AC.

Connections should be made per Chart 1 (similar chart is also included in a label on the brake). To change the operating voltage, simply change the wiring connections per Chart 1.

When changing brake wiring connections for operation at another voltage, be sure to verify the brake's compatibility with the voltage desired.

Consult Instruction Manual #499765 for complete details on Electrical Connections of DODGE D-Series motor brakes.

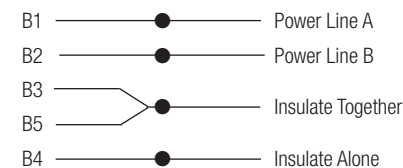
Chart 1

Voltage	Power Line A	Power Line B	Insulate Together	Insulate Alone
AC Voltage-Low (1)	B1	B2	B3 & B5	B4
AC Voltage-High (1)	B1 B5	B2	-	B3 B4
DC Voltage-Low	B1	B2	B3 & B5	B4

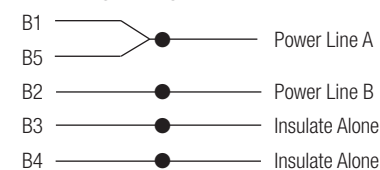
Notes:

- Unless specified, all brakes have dual voltage coils. For example, with a 230/460 VAC brake, low voltage = 230 VAC and high voltage = 460 VAC.

AC Voltage - Low and DC Voltage



AC Voltage - High



PT Component
Quick References

Couplings

Clutches and Brakes

FLEXIDYNE

Fluid Couplings

TORQUE-TAMER

Bushings



Clutch/Brake Modules

Technical Data

Module Size	Static Torque (Lb-Ft.)	Inertia (Lb-Ft.(2))		Unit Weight (Lbs.)	90 VDC				24 VDC				6 VDC			
					Clutch		Brake		Clutch		Brake		Clutch		Brake	
		Rotor & Hub	Armature & Shaft		Amps	Ohms	Amps	Ohms	Amps	Ohms	Amps	Ohms	Amps	Ohms	Amps	Ohms
DMCCB-50	22	.022	.017	11.8	.207	434	.196	460	.797	30.1	.800	30	3.23	.186	3.05	1.97
DMCCO-50		.022	.010	9.9	.207	434	---	---	.797	30.1	---	---	3.23	---	---	---
DMCBO-50		---	.009	6.1	---	---	.196	460	---	---	.800	30	---	---	3.05	1.97
DMCBX-50		---	.009	6.1	---	---	.196	460	---	---	.800	30	---	---	3.05	1.97
DMSCB-50		.023	.017	16.2	.207	434	.196	460	.797	30.1	.800	30	3.23	.186	3.05	1.97
DMSCO-50		.023	.010	14.3	.207	434	---	---	.797	30.1	---	---	3.23	.186	---	---
DMCCB-100	34	.050	.049	11.9	.208	432	.189	476	.805	29.8	.743	32.3	3.23	.186	2.91	2.06
DMCCO-100		.050	.027	10	.208	432	---	---	.805	29.8	---	---	3.23	.186	---	---
DMCBO-100		---	.026	6.2	---	---	.189	476	---	---	.743	32.3	---	---	2.91	2.06
DMCBX-100		---	.026	6.2	---	---	.189	476	---	---	.743	32.3	---	---	2.91	2.06
DMCCB-180	34	.051	.050	15.9	.208	432	.189	476	.805	29.8	.743	32.3	3.23	.186	2.91	2.06
DMCCO-180		.051	.028	12.5	.208	432	---	---	.805	29.8	---	---	3.23	.186	---	---
DMCBO-180		---	.027	7.2	---	---	.189	476	---	---	.743	32.3	---	---	2.91	2.06
DMCBX-180		---	.027	7.2	---	---	.189	476	---	---	.743	32.3	---	---	2.91	2.06
DMSCB-180		.049	.050	19.6	.208	432	.189	476	.805	29.8	.743	32.3	3.23	.186	2.91	2.06
DMSCO-180		.049	.028	16.2	.208	432	---	---	.805	29.8	---	---	3.23	.186	---	---
DMCCB-210	100	.233	.196	44.2	.390	231	.360	250	1.61	14.9	1.480	16.2	6.67	.900	6.59	0.91
DMCCO-210		.233	.113	38.2	.390	231	---	---	1.61	14.9	---	16.2	6.67	.900	---	---
DMCBO-210		---	.100	28	---	---	.360	250	---	---	1.480	---	---	---	6.59	0.91
DMCBX-210		---	.100	28	---	---	.360	250	---	---	1.480	---	---	---	6.59	0.91
DMSCB-210		.240	.190	59.5	.390	231	.360	250	1.61	14.9	1.480	16.2	6.67	.900	6.59	0.91
DMSCO-210		.240	.190	53.5	.390	231	---	---	1.61	14.9	---	16.2	6.67	.900	---	---
DMCCB-256	100	.230	.200	44.4	.390	231	.360	250	1.61	14.9	1.480	16.2	6.67	.900	6.59	0.91
DMCCO-256		.230	.110	38.4	.390	231	---	---	1.61	14.9	---	---	6.67	.900	---	---
DMCBO-256		---	.110	28.2	---	---	.360	250	---	---	1.480	16.2	---	---	6.59	0.91
DMCBX-256		---	.110	28.2	---	---	.360	250	---	---	1.480	16.2	---	---	6.59	0.91

Consult DODGE for other voltages

PT Component
Quick References

Couplings

Clutches and Brakes

FLEXIDYNE

Fluid Couplings

TORQUE-TAMER

Bushings



Shaft Mounted Clutches & Brakes

IEC Series Shaft Mounted Clutches

Unit Size	Static Torque (Lb-Ft.)	Max RPM	Inertia (Lb-Ft.2)		90 VDC		24 VDC		6 VDC		Wt.(Lbs.)
			Rotor & Sleeve	Armature & Sleeve	Amps	Ohms	Amps	Ohms	Amps	Ohms	
IEC-375	22	5000	0.022	0.01	0.207	434	0.797	30.1	3.23	1.86	5.5
IEC-475	34	4500	0.052	0.027	0.208	432	0.805	29.8	3.23	1.86	9
IEC-650	100	3600	0.214	0.107	0.39	231	1.61	14.9	6.67	0.9	19.5
IEC-825	175	3600	0.417	0.268	0.405	222	1.66	14.5	5.41	1.11	29

Consult DODGE for other voltages.

IEB Series Shaft Mounted Brakes/IPB Series Flange Mounted Brakes

Unit Size	Static Torque (Lb-Ft.)	Max Speed RPM	Inertia (Lb-Ft2) Armature & Hub	90 VDC		24 VDC		6 VDC		Brake Wt. (Lbs.)	Bore Range (In.)	DODGE TAPER LOCK BUSHING
				Amps	Ohms	Amps	Ohms	Amps	Ohms			
IEB/IPB-375	22	5000	.010	.196	460	.800	30.00	3.05	1.97	4	1/2" & 5/8"	N/A
IEB/IPB-475	34	4500	.029	.189	476	.743	32.30	2.91	2.06	6	1/2" to 1"	1008
IEB/IPB-650	100	3600	0.11	.360	250	1.48	16.20	6.59	0.91	11	1/2" to 1-7/16"	1310
IEB-825	175	3600	0.33	.405	222	1.66	14.50	5.41	1.11	19	1/2" to 1-11/16"	1615

Consult DODGE for other voltages.

* See page CB-53 (1-1R)

PT Component Quick References

Couplings

Clutches and Brakes

FLEXIDYNE

Fluid Couplings

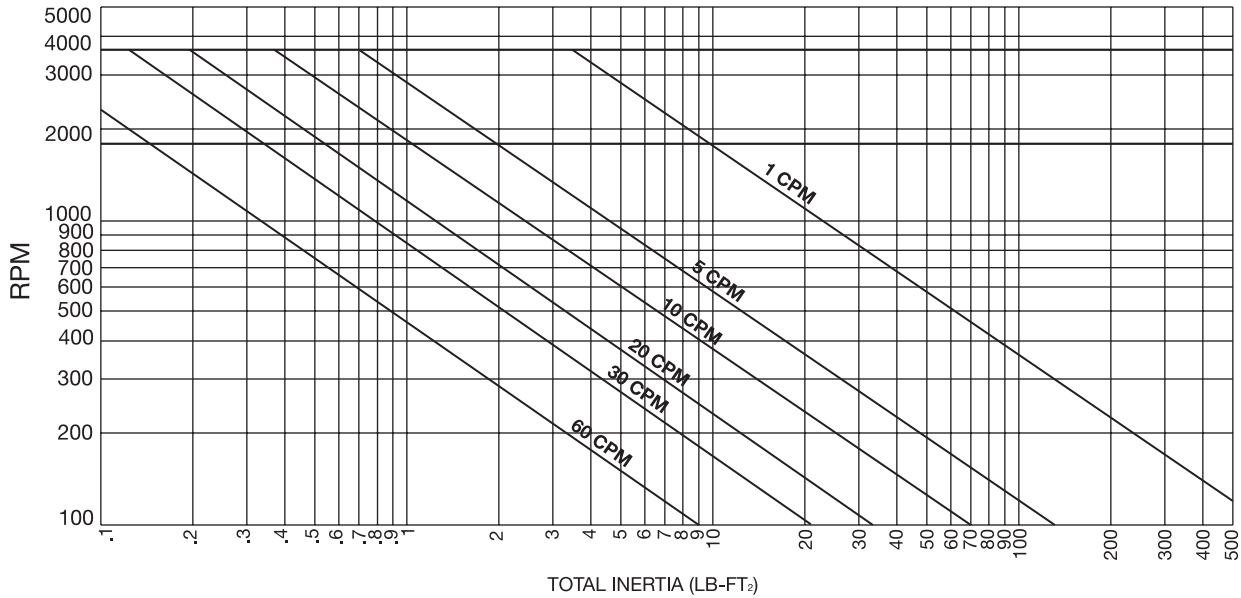
TORQUE-TAMER

Bushings

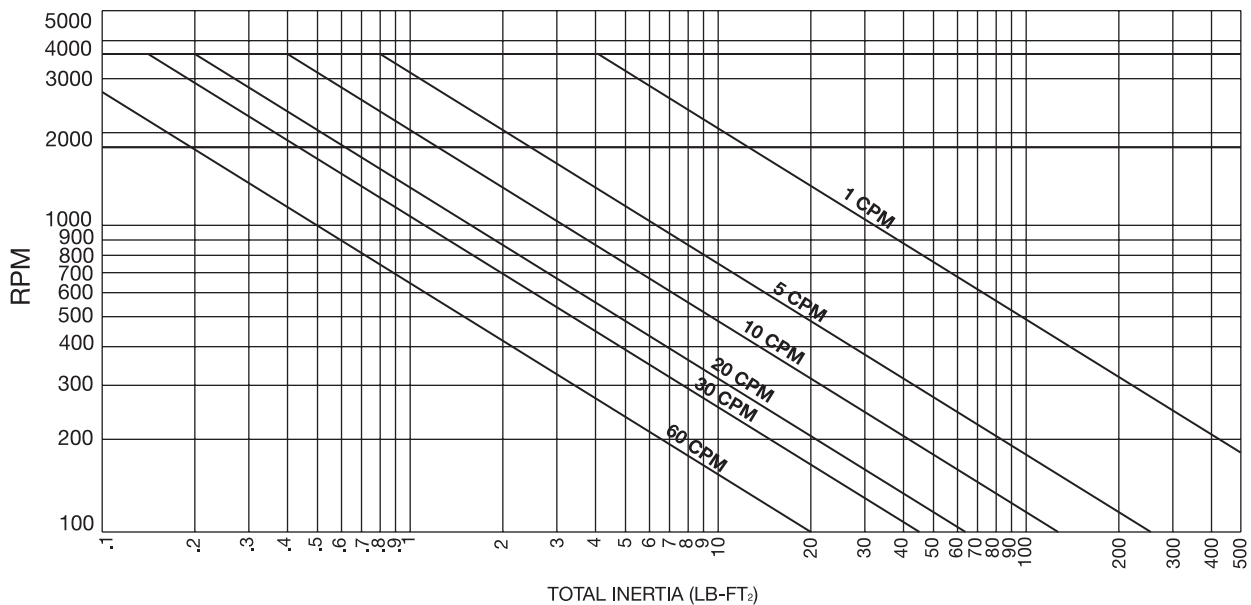


Clutch/Brake Modules ALLOWABLE CYCLE RATES

DMCCB-50



DMCCB-100

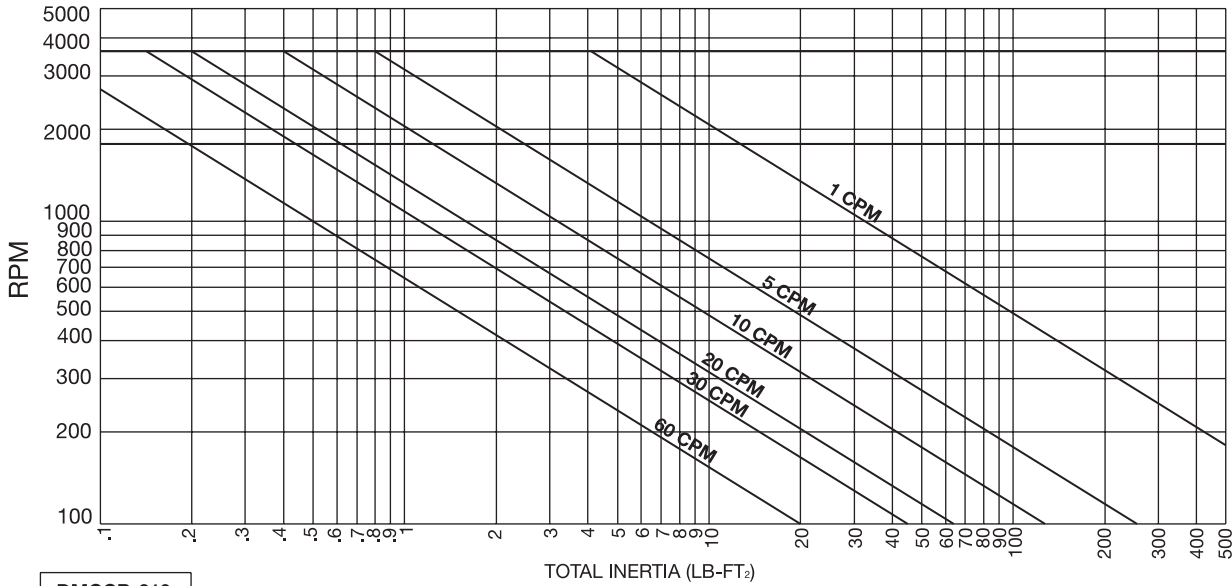


- NOTES:**
1. Consult DODGE for cycle rates that exceed chart.
 2. Max. coil temperature 250°F
 3. Motor fan cooled
 4. 100% current

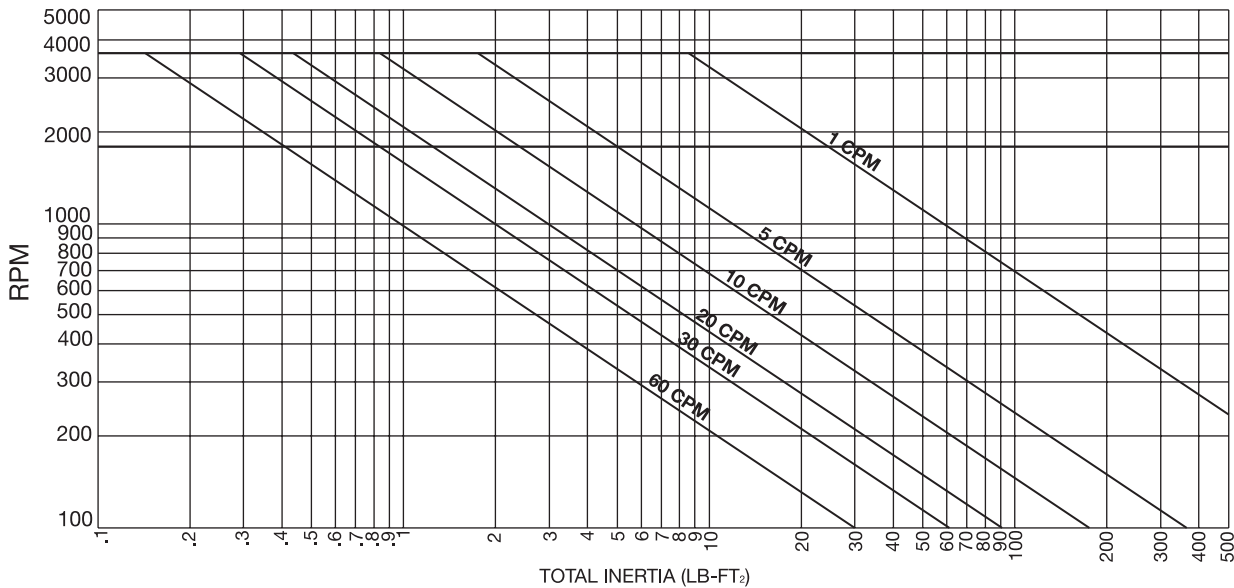


Clutch/Brake Modules ALLOWABLE CYCLE RATES

DMCCB-180



DMCCB-210



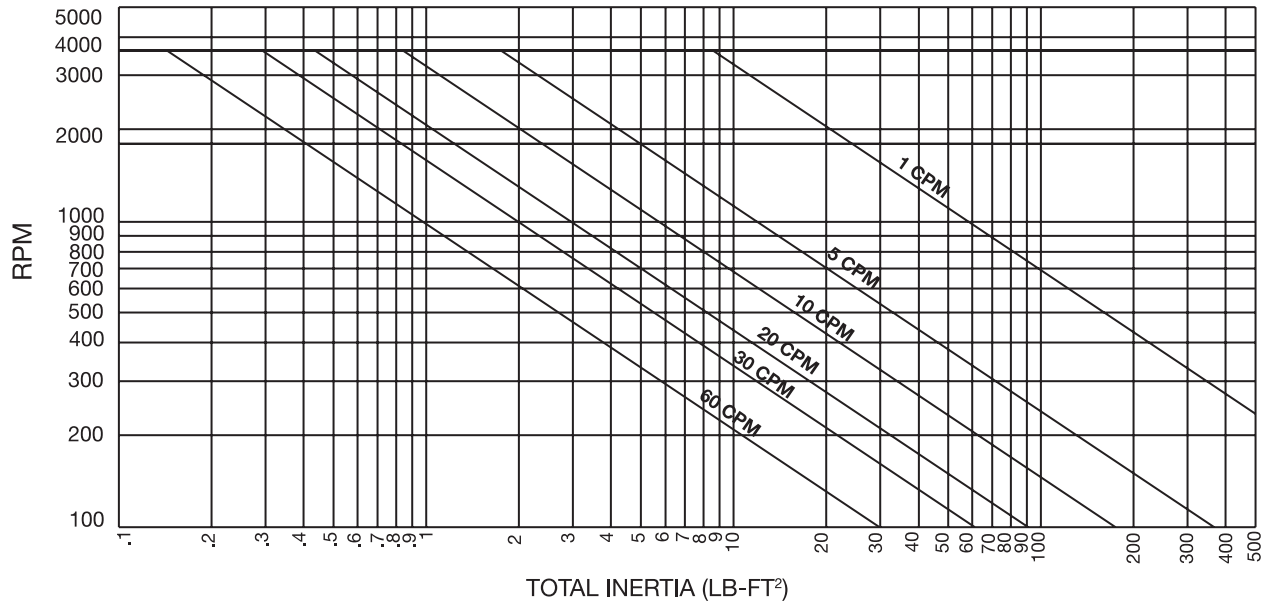
NOTES:

1. Consult DODGE for cycle rates that exceed chart.
2. Max. coil temperature 250°F
3. Motor fan cooled
4. 100% current



**Clutch/Brake Modules
ALLOWABLE CYCLE RATES**

DMCCB-256



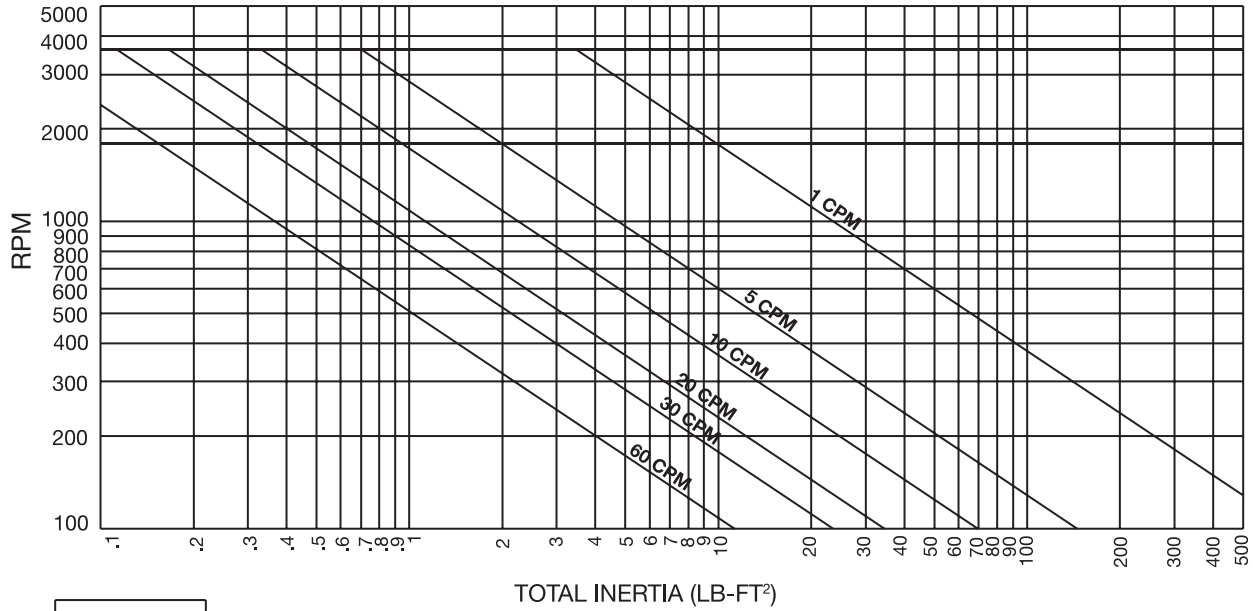
NOTES:

1. Consult DODGE for cycle rates that exceed chart.
2. Max. coil temperature 250°F
3. Motor fan cooled
4. 100% current

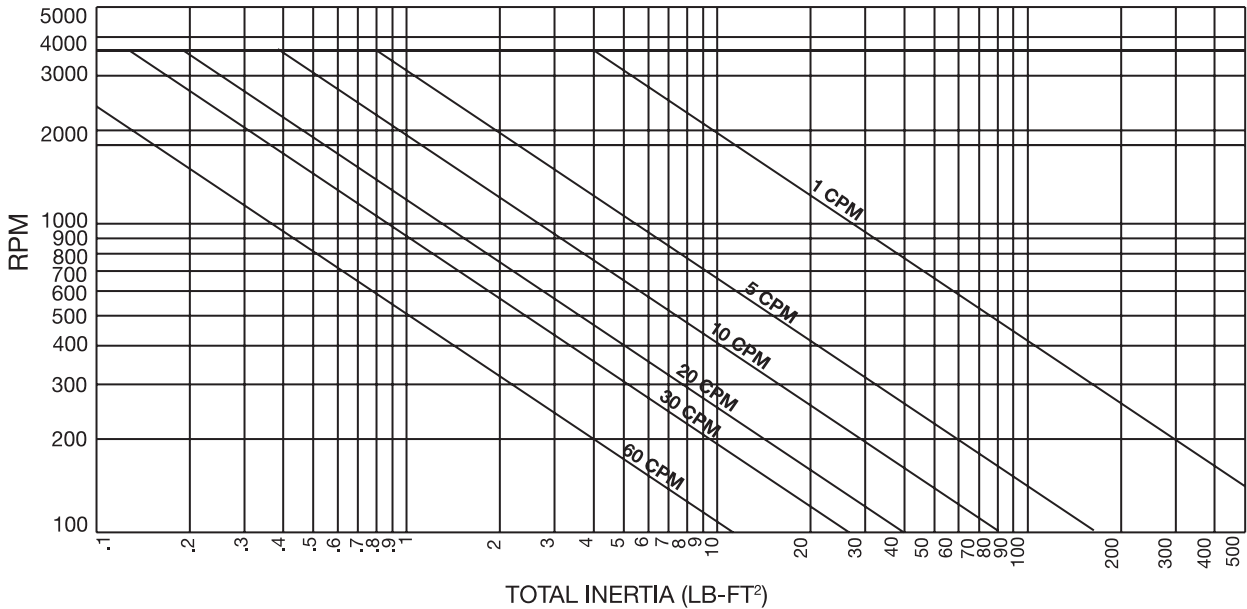


Clutch/Brake Modules ALLOWABLE CYCLE RATES

DMCCO-50



DMCCO-100



- NOTES:**
1. Consult DODGE for cycle rates that exceed chart.
 2. Max. coil temperature 250°F
 3. Motor fan cooled
 4. 100% current

PT Component
Quick References

Couplings

Clutches and Brakes

FLEXIDYNE

Fluid Couplings

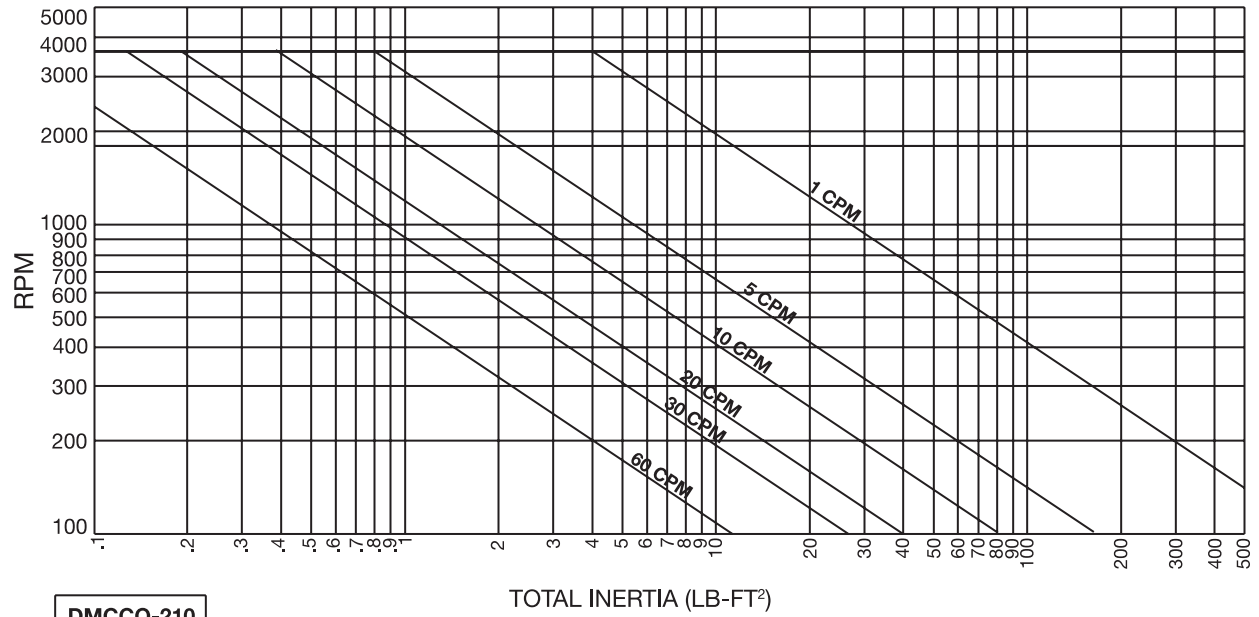
TORQUE-TAMER

Bushings

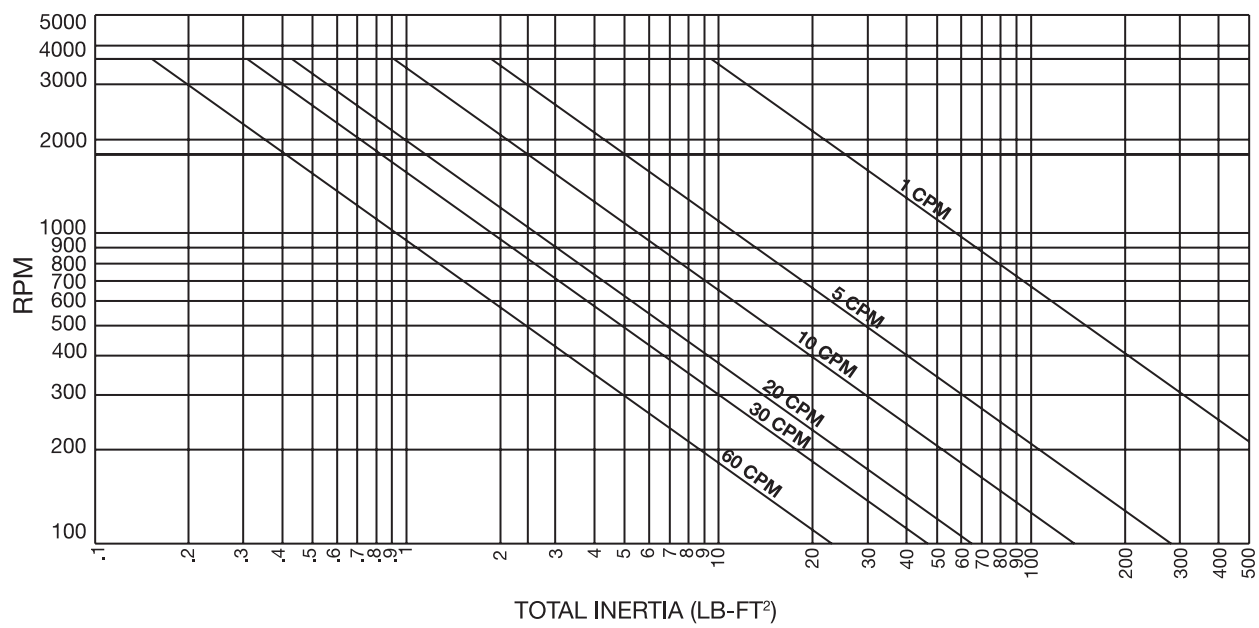


**Clutch/Brake Modules
ALLOWABLE CYCLE RATES**

DMCCO-180



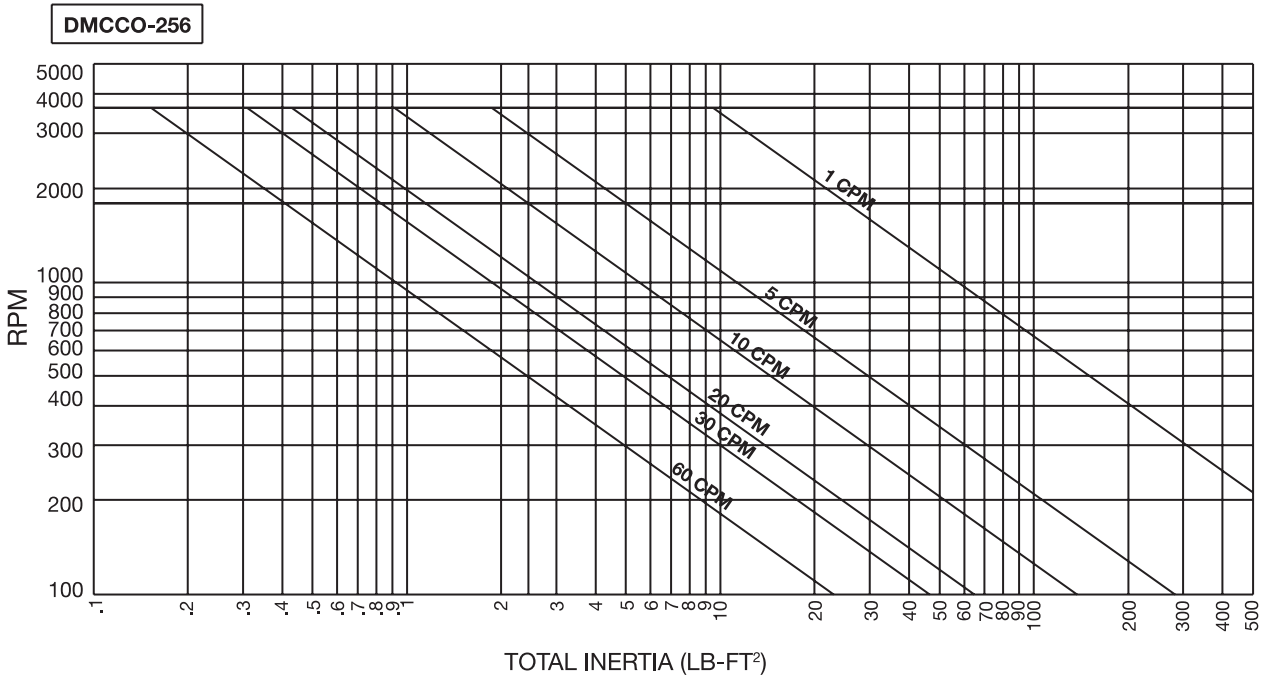
DMCCO-210



- NOTES:**
1. Consult DODGE for cycle rates that exceed chart.
 2. Max. coil temperature 250°F
 3. Motor fan cooled
 4. 100% current



**Clutch/Brake Modules
ALLOWABLE CYCLE RATES**



- NOTES:**
1. Consult DODGE for cycle rates that exceed chart.
 2. Max. coil temperature 250°F
 3. Motor fan cooled
 4. 100% current

PT Component
Quick References

Couplings

Clutches and Brakes

FLEXIDYNE

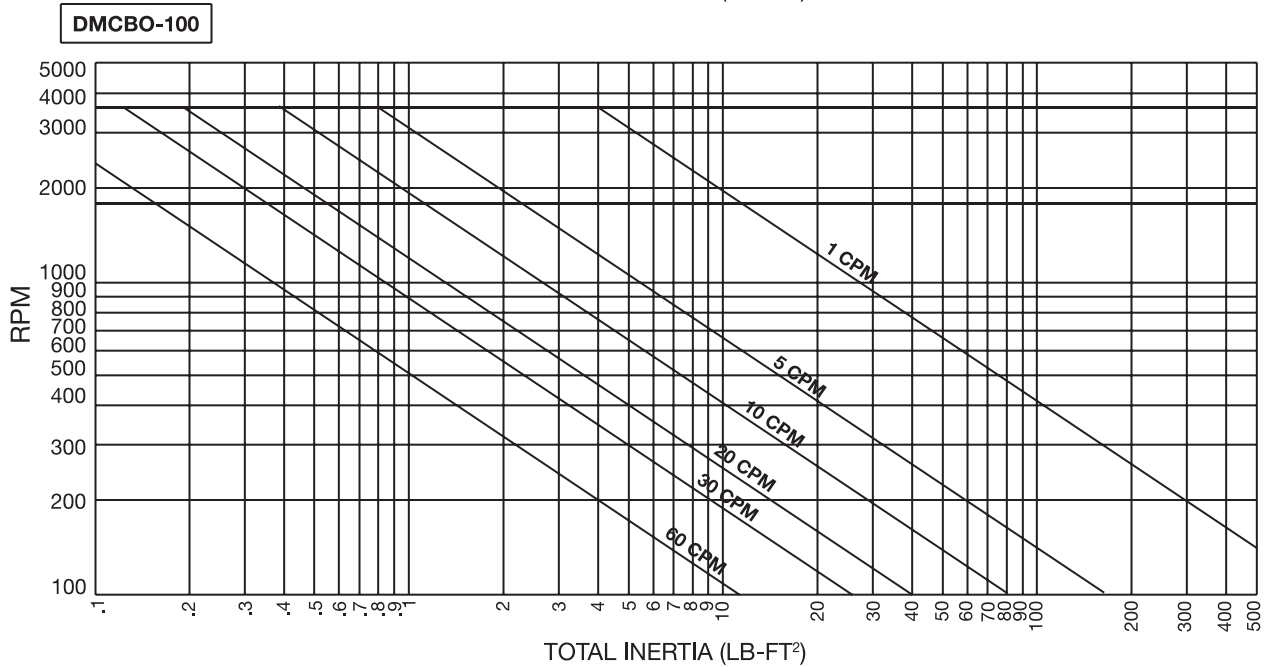
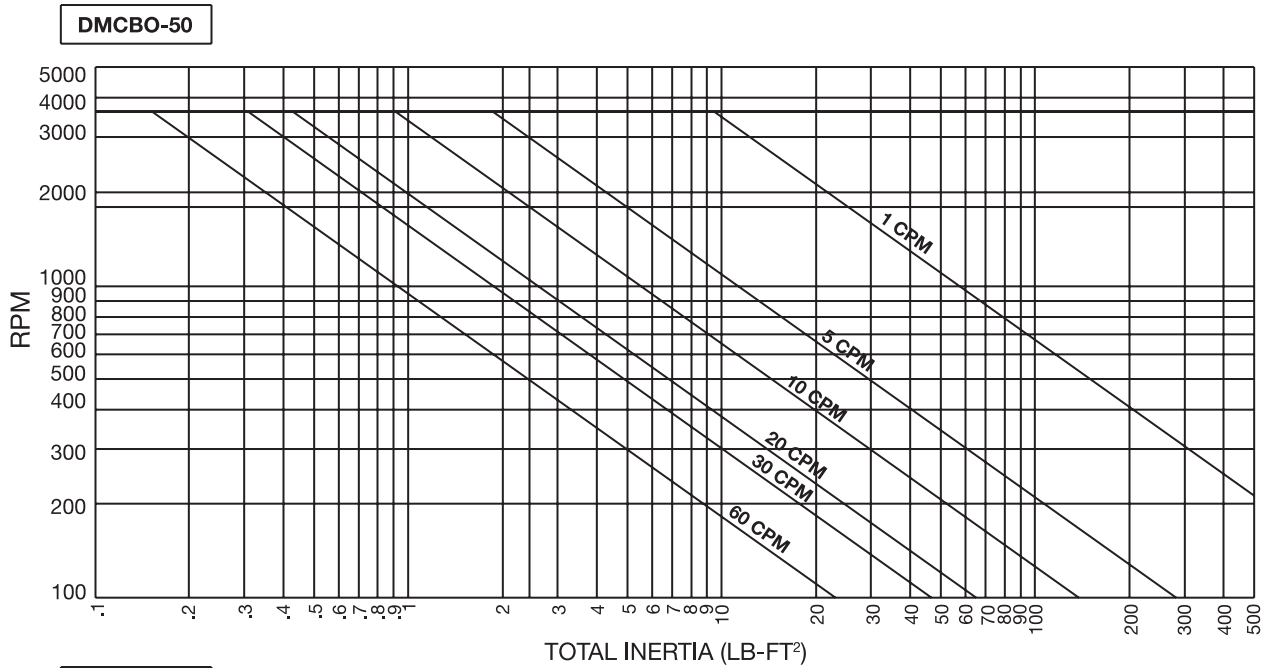
Fluid Couplings

TORQUE-TAMER

Bushings



**Clutch/Brake Modules
ALLOWABLE CYCLE RATES**



NOTES:

1. Consult DODGE for cycle rates that exceed chart.
2. Max. coil temperature 250°F
3. Motor fan cooled
4. 100% current



**Clutch/Brake Modules
ALLOWABLE CYCLE RATES**

PT Component
Quick References

Couplings

Clutches and Brakes

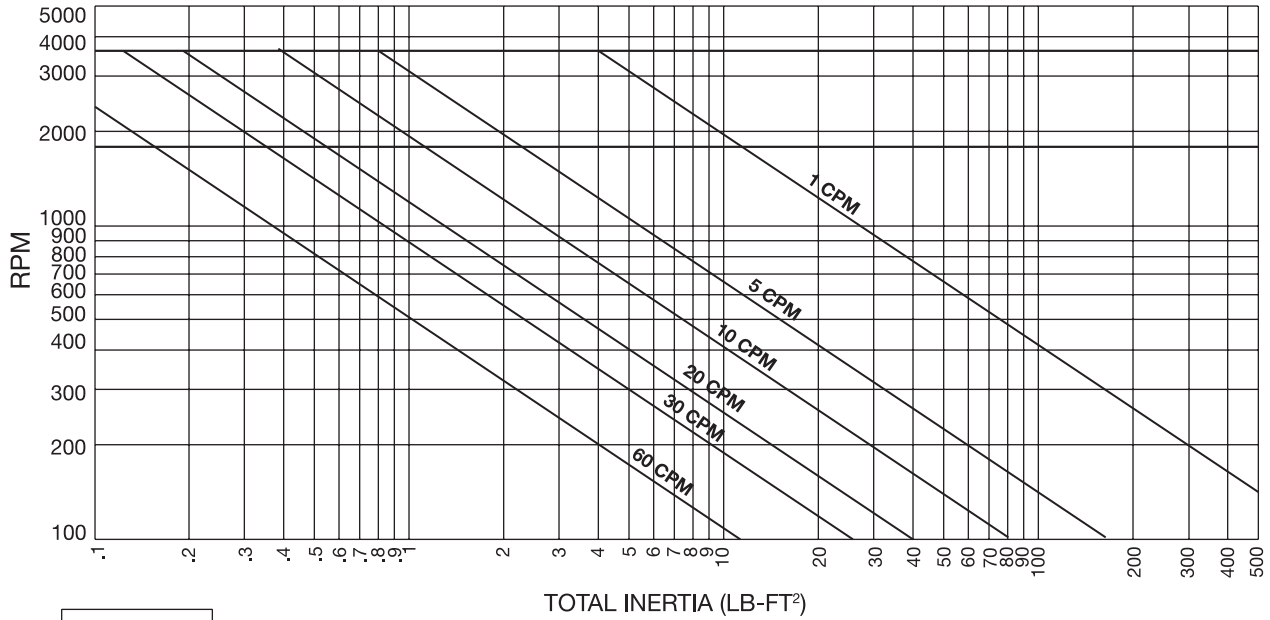
FLEXIDYNE

Fluid Couplings

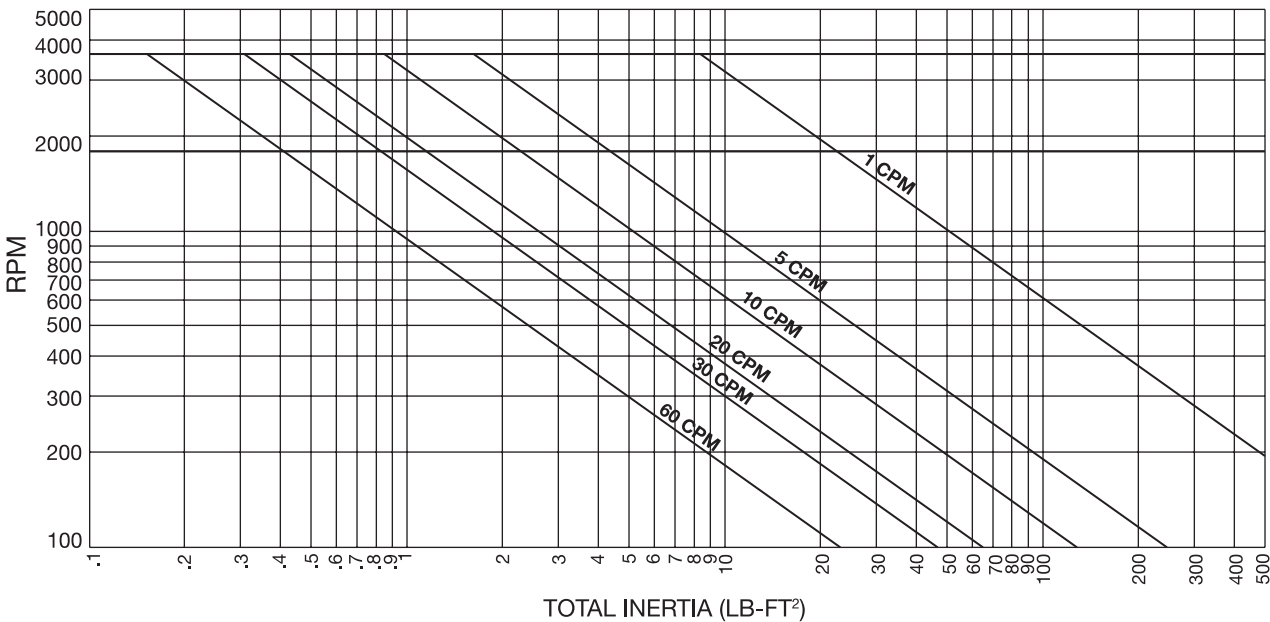
TORQUE-TAMER

Bushings

DMCBO-180



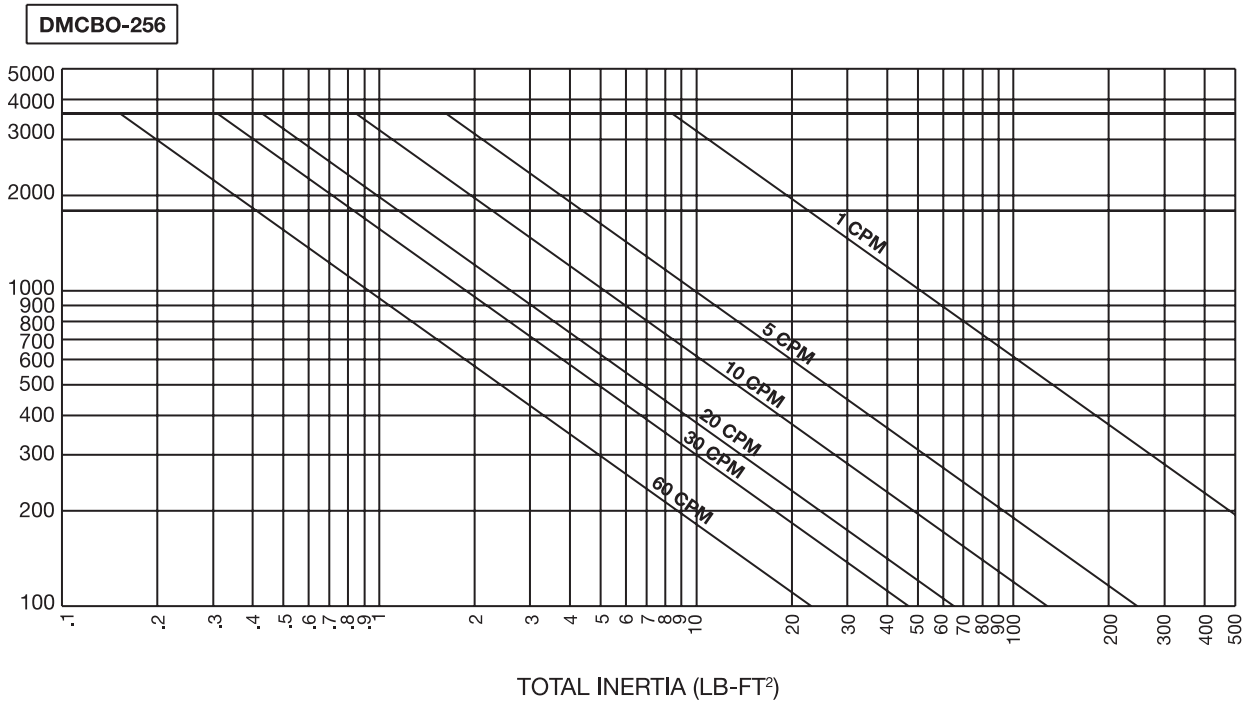
DMCBO-210



- NOTES:**
1. Consult DODGE for cycle rates that exceed chart.
 2. Max. coil temperature 250°F
 3. Motor fan cooled
 4. 100% current



**Clutch/Brake Modules
ALLOWABLE CYCLE RATES**



- NOTES:**
1. Consult DODGE for cycle rates that exceed chart.
 2. Max. coil temperature 250°F
 3. Motor fan cooled
 4. 100% current



**Clutch/Brake Modules
ALLOWABLE CYCLE RATES**

PT Component
Quick References

Couplings

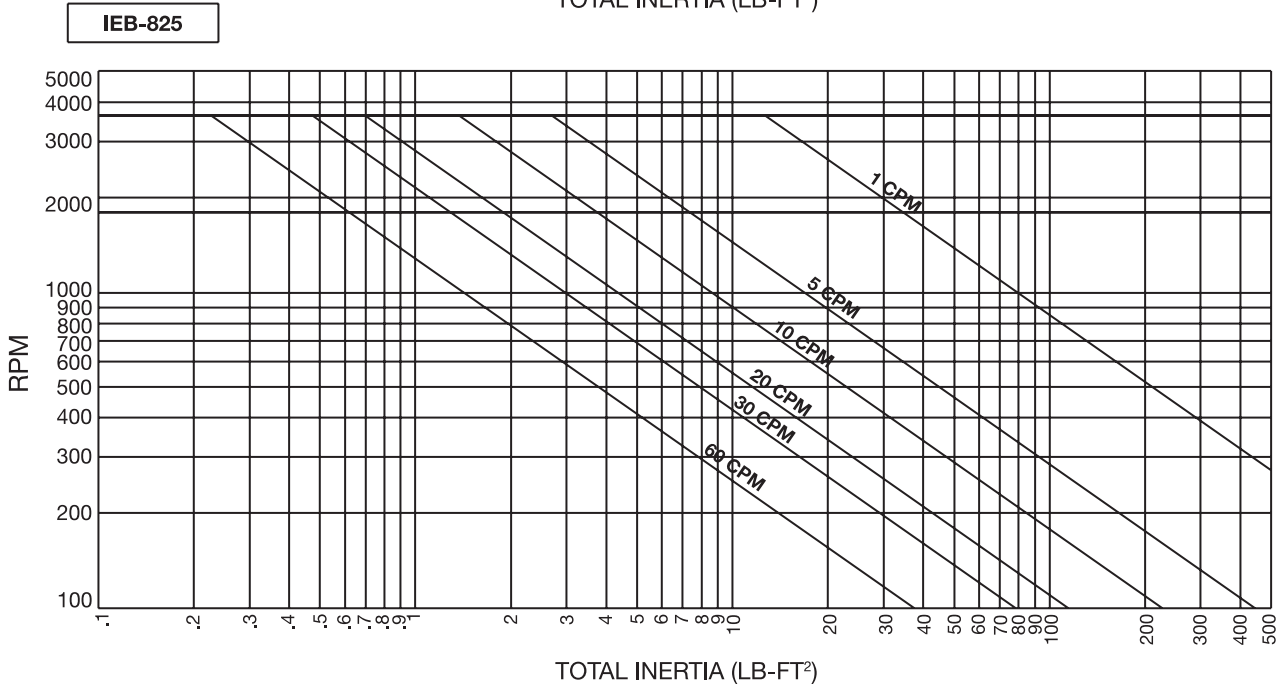
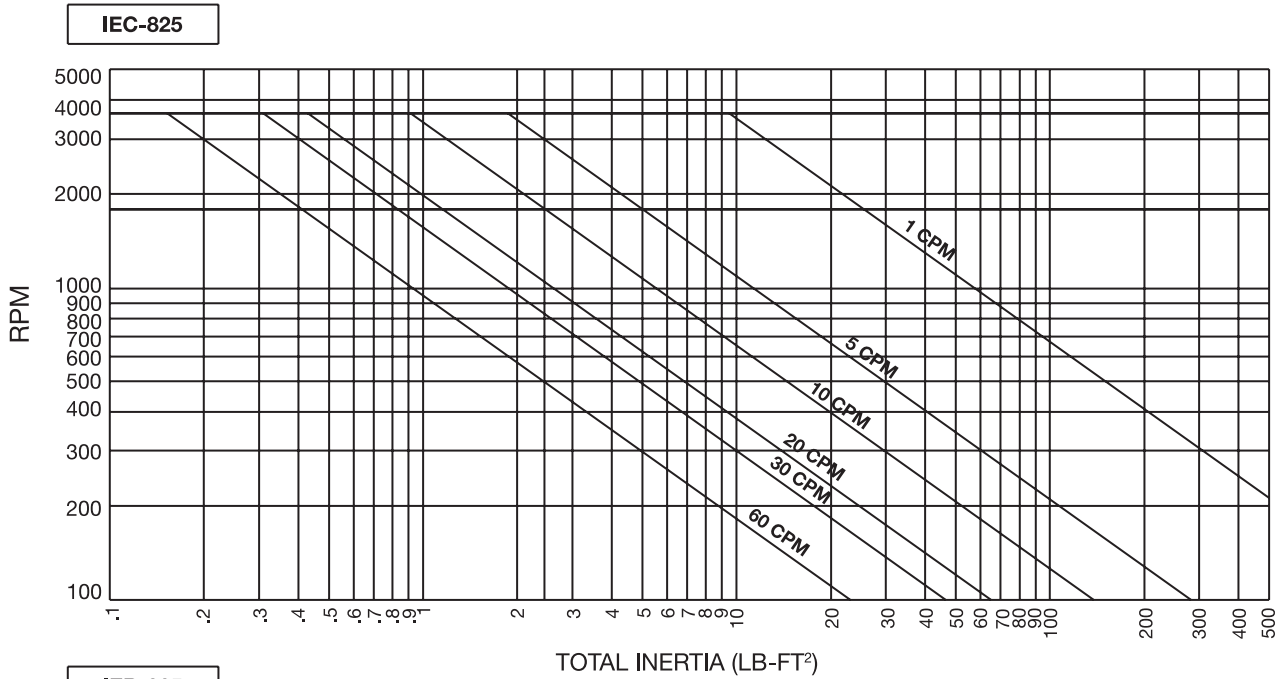
Clutches and Brakes

FLEXIDYNE

Fluid Couplings

TORQUE-TAMER

Bushings



- NOTES:**
1. Consult DODGE for cycle rates that exceed chart.
 2. Max. coil temperature 250°F
 3. Motor fan cooled
 4. 100% current



CLUTCHES

SL Series Technical Data

Unit Size	Static Torque Lb.-In.	Inertia Lb.-In. ²		Wgt. Oz.	90 v DC		24 v DC	
		Rotor	Arm & Hub		Amps	Ohms	Amps	Ohms
SL-08	2.5	.002	.0015	2	.046	1977	.117	205
SL-11	6	.0058	.0029	3.2	.047	1930	.198	121
SL-15	10	.060	.0031	3.8	.042	2150	.183	132
SL-17	15	.061	.036	11	.066	1369	.289	83
SL-19	25	.082	.047	12	.074	1213	.294	81.6
SL-22	50	.215	.079	20	.079	1140	.322	74.6
SL-26	80	.362	.292	28	.088	1024	.358	67.1
SL-30	125	.610	.561	50	.091	988	.378	65.3
SL-42	250	2.50	2.30	85	.124	722	.468	51.2

BSL Series Technical Data

Unit Size	Static Torque Lb.-In.	Inertia Lb.-In. ²		Wgt. Oz.	90 v DC		24 v DC	
		Rotor	Arm & Hub		Amps	Ohms	Amps	Ohms
BSL-26	80	.29	.53	38	.088	1024	.358	67.1
BSL-42	250	2.25	4.99	94	.124	722	.468	51.2

S0 Series Technical Data

Unit Size	Static Torque Lb.-In.	Inertia Lb.-In. ²		Wgt. Oz.	90 v DC		24 v DC	
		Rotor	Arm & Hub		Amps	Ohms	Amps	Ohms
S0-08	2.5	.002	.0011	2	.046	1977	.117	205
S0-11	6	.0058	.0024	3.2	.047	1930	.198	121
S0-15	10	.06	.026	3.8	.042	2150	.183	132
S0-17	15	.061	.031	11	.066	1369	.289	83
S0-19	25	.082	.042	12	.074	1213	.294	81.3
S0-22	50	.215	.070	20	.079	1140	.322	74.6
S0-26	80	.362	.320	28	.088	1024	.358	67.1
S0-30	125	.61	.561	45	.091	988	.378	65.3
S0-42	250	2.50	2.30	80	.124	722	.468	51.2



Fractional HP

BRAKES

FB Series Technical Data

Unit Size	Static Torque Lb.-In.	Inertia Lb.-In. ² Arm & Hub	Wgt. Oz.	90 v DC		24 v DC	
				Amps	Ohms	Amps	Ohms
FB-08	2.5	.0011	2	.046	1977	.117	205
FB-11	6	.0024	3.2	.047	1930	.198	121
FB-15	10	.026	3.8	.042	2150	.183	132
FB-17	15	.031	11	.066	1369	.289	83
FB-19	25	.042	12	.074	1213	.294	81.6
FB-22	50	.070	20	.079	1140	.322	74.6
FB-26	10	.320	26	.088	1024	.358	67.1
FB-30	125	.561	35	.091	988	.378	65.3
FB-42	250	2.30	60	.124	722	.468	51.2

FSB Series Technical Data

Unit Size	Static Torque Lb.-In.	Inertia Lb.-In. ² Arm & Hub	Wgt. Oz.	90 v DC		24 v DC		120 v AC	
				Amps	Ohms	Amps	Ohms	Amps	Ohms
FSB-001	1	.0004	2	.051	1880	.220	117	.041	N.A.
FSB-002	3	.0017	3	.064	2177	.190	132	.050	N.A.
FSB-007	7	.0133	15	.059	1520	.247	97.3	.045	N.A.
FSB-015	15	.0133	16	.098	922	.369	65.1	.077	N.A.
FSB-035	35	.084	33	.093	964	.394	61	.073	N.A.
FSB-050	50	.084	36	.194	465	.717	35.5	.140	N.A.
FSB-100	100	.205	64	.180	501	.707	34	.142	N.A.

FSBR Series Technical Data

UNIT SIZE	Static Torque Lb.-In.	Inertia Lb.-In. ² Arm & Hub	Wgt. Oz.	90 v DC		24 v DC		120 v AC	
				Amps	Ohms	Amps	Ohms	Amps	Ohms
FSB-001	7	.0133	11	.059	1520	.247	97.3	.045	N.A.
FSB-002	15	.0133	12	.098	922	.369	65.1	.077	N.A.
FSB-007	35	.084	24	.093	964	.394	61	.073	N.A.
FSB-015	50	.084	27	.194	465	.717	35.5	.140	N.A.
FSB-035	100	.205	56	.180	501	.707	34	.142	N.A.

Consult DODGE for other voltages.

PT Component
Quick References

Couplings

Clutches and Brakes

FLEXIDYNE

Fluid Couplings

TORQUE-TAMER

Bushings

CONTENTS



FLEXIDYNE®

Features/Benefits	PT3-2
Specification	PT3-3
How To Order	PT3-3
Nomenclature	PT3-3
Selection	PT3-4
Selection/Dimensions	
FLEXIDYNE Drives	PT3-8
FLEXIDYNE Couplings	PT3-9
PH Couplings	PT3-11
C-FLEX Modules	PT3-13
Modifications/Accessories	PT3-15
Engineering/Technical	PT3-25
Part Number Index	INDEX-1
Keyword Index	INDEX-43

PT Component
Reference Guide

Couplings

Clutches and Brakes

FLEXIDYNE

Fluid Couplings

TORQUE-TAMER

Bushings



FEATURES/BENEFITS

FLEXIDYNE

- **Smoother, Faster Acceleration**

- Smaller motors may be used
- Motor starts under no load conditions
- Smoother starts
- Starting torque can be easily customized

- **More Efficient Design**

- Permits use of standard NEMA Design B motors
- High torque or high slip motors not needed
- Reduced voltage starters not needed
- Wound rotor motors not needed

- **More Efficient Running**

- No slip at running speed means no wear, no heat, no power loss

- **Overload Protection**

- Provides overload protection at overloads somewhat greater than starting torque
- Protection devices to prevent damage to FLEXIDYNE are available

- **Low Current Draw**

- Less than twice the nameplate amperage during both starting and overload periods
- Many electric utilities recommend FLEXIDYNE

- **Increased Productivity**

- Eliminates product spillage and machine damage due to harsh starts or jammed loads



FLEXIDYNE

SPECIFICATION

FLEXIDYNE is available in three designs: Drives, Couplings, and C-Flex Modules to meet most system needs. The Drive style is designed to mount directly on the motor shaft to provide an extremely compact unit for belted service. The Coupling style provides a versatile solution for transmitting torque between in-line shafts. The C-Flex Module style provides all of the benefits of regular FLEXIDYNE in a compact package that readily mounts between C-Face motors and reducers.

HOW TO ORDER

DRIVE STYLE

Specify mechanism size and bore size. Select a sheave from the selection tables found in the Modifications/Accessories section. Refer to the part number when ordering.

COUPLING STYLE

On size 5C - specify bore size. A complete coupling consists of (1) output hub and (1) mechanism.

On larger sizes - specify coupling size, and bore size. A complete coupling consists of (1) mechanism, including flexible disc, (1) Poly-Disc flange, and (2) bushings.

Type PH Couplings - specify coupling size, bore size of the driven end and the motor end. A complete coupling consists of (1) mechanism, (1) Taper-Lock or Bored-To-Size flange assembly, and (1) element.

Refer to the part numbers when ordering.

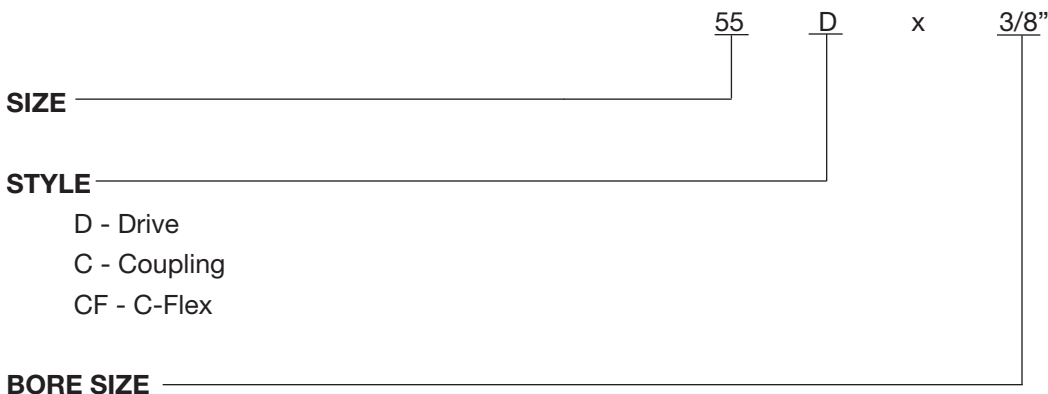
C-FLEX MODULE STYLE

Specify the C-Flex unit size and the FLEXIDYNE mechanism. Refer to the part numbers when ordering.

FLOW CHARGE

Determine the amount of flow charge to be ordered by referring to the Flow Charge tables in the Modifications/Accessories section. Choose between cast steel and stainless. Refer to the part number when ordering.

NOMENCLATURE



SELECTION



FLEXIDYNE

SIMPLIFIED SELECTION PROCEDURE

The tables on pages PT3-6 -PT3-7 give FLEXIDYNE mechanism size and amount of flow charge to provide starting capacities from 100-200% of motor nameplate HP of a NEMA Design B squirrel cage induction motor. This starting capacity is satisfactory for most ordinary industrial applications.

The FLEXIDYNE unit sizes shown in the simplified selection tables suggest the most economical FLEXIDYNE mechanism for a given RPM and HP. In some cases, under the same conditions, there may be other sizes of FLEXIDYNE which may be utilized.

STEP 1

Determine the approximate starting torque percentage for the application. As a guide, suggested percentages are listed in the table below.

STEP 2

Determine motor speed and HP to be used. Refer to tables on pages PT3-6 -PT3-7 based on 1760, 1175, or 875 RPM NEMA Design B motors.

STEP 3

Check maximum bore from Selection/Dimensions pages.

FLEXIDYNE Mechanism Starting Torque

Application	Range	Application	Range	Application	Range
Air Conditioning	130-175%	Cranes (Bridge Draw)	150-200%	Mixers	130-150%
Agitators	130-175%	Crushers	150-200%	Oven Drivers	150-175%
Belt Conveyors	130-150%	Dryers	130-175%	Paper Mills	
Blenders	130-175%	Fans	150-175%	Agitator	130-175%
Blowers	150-175%	Lumber Chippers	150-200%	Hydropulper	130-175%
Bucket Elevators	130-175%	Sawdust Conv.	130-175%		150-200%
Can Filling Machine	125-150%	Matl. Handling Equip.	130-150%	Drier	130-150%
Compressors	150-175%	Mills (Ball, Pebble)	150-175%	Pumps	125-150%

NOTE: Since FLEXIDYNE Drives and Couplings are selected primarily as torque limiting devices by using the starting torque percentages shown above, the use of a service factor is not necessary.



FLEXIDYNE OTHER APPLICATIONS

The information on the previous page provides a simple method of selecting the FLEXIDYNE mechanism size when used with NEMA Design B motors under general operating conditions. Selection for any other application is based on the specific conditions and requirements of the installation. The power transmitting characteristics of the FLEXIDYNE unit vary with input speed and amount of flow charge used. A FLEXIDYNE unit can be adapted to the specific conditions and requirements of the individual application by using the proper amount of flow charge.

FLEXIDYNE units are not recommended for variable speed applications, engines or speeds below 700 RPM.

DODGE engineers welcome inquiries on FLEXIDYNE mechanism selection for applications not previously covered. It is suggested that their experience be called upon to recommend the best installation. To contact Dodge engineering please call 864-284-5700.

Please provide the following information with your request:

- Type, HP, RPM, shaft size of motor
- Type, RPM, shaft size of driven machine
- Frequency of starts, reversals, and overloads
- Time required to accelerate
- For high inertia loads, WR^2
- Starting HP and Overload Breakaway HP desired
- Functions the FLEXIDYNE unit must perform

FEATURES/BENEFITS PAGE PT3-2	SPECIFICATION PAGE PT3-3	SELECTION/DIMENSIONS PAGE PT3-8	ENGINEERING/TECHNICAL PAGE PT3-26
---------------------------------	-----------------------------	------------------------------------	--------------------------------------

SELECTION



FLEXIDYNE

SELECTION OF FLEXIDYNE MECHANISM SIZE

(BASED ON % OF STARTING TORQUE FOR NEMA DESIGN B MOTORS)

1760 RPM

Rated Motor HP	FLEXIDYNE Mech Size	100% @ 1760 rpm			125% @ 1750 RPM			150% @ 1740 RPM			175% @ 1700 RPM			200% @ 1650 RPM		
		Start-ing HP	Flow Charge		Start-ing HP	Flow Charge		Start-ing HP	Flow Charge		Start-ing HP	Flow Charge		Start-ing HP	Flow Charge	
			Lbs.	Oz.		Lbs.	Oz.		Lbs.	Oz.		Lbs.	Oz.		Lbs.	Oz.
1/2	5D, 5C	.5	0	8	.62	0	9	.75	0	9.5	.85	0	10	.94	0	10.5
3/4	5D, 5C	.75	0	9	.94	0	10.5	1.1	0	11	1.3	0	11.5	1.4	*	*
1	55D, 55C	1.0	0	9	1.2	0	10	1.5	0	11	1.7	0	12	1.9	0	13
1-1/2	55D, 55C	1.5	0	10	1.9	0	12	2.2	0	13.5	2.5	0	14	2.8	0	16
2	55D, 55C	2.0	0	12	2.5	0	13.5	3.0	0	15	3.4	0	17	3.8	0	18
3	70D, 70C	3.0	1	11	3.7	1	13	4.5	1	14	5.1	2	0	5.7	2	2
5	70D, 70C	5.0	1	14	6.2	2	1	7.5	2	4	8.5	2	8	9.4	2	10
7-1/2	75D, 75	7.5	1	11	9.4	1	14	11.2	2	1	12.7	2	4	14.1	2	9
10	75D, 75C	10	1	15	12.5	2	3	14.9	2	6	17.0	2	9	18.8	2	12
15	9D, 9C	15	2	9	18.8	3	0	22.3	3	7	25.5	3	13	28.3	4	2
20	9D, 9C	20	3	2	25	3	10	30	4	0	34	4	8	38	5	3
25	11D, 11C	25	4	3	31	4	12	37	5	0	42	5	8	47	6	2
30	11D, 11C	30	4	10	37	5	0	45	5	12	51	6	3	57	6	12
40	11D, 11C	40	5	5	50	6	0	60	6	8	68	7	3	75	8	0
50	11D, 11C	50	5	13	62	6	10	74	7	6	85	8	2	94	8	11
60	15D, 15116	60	7	3	75	8	3	89	9	1	102	10	1	113	10	14
75	15D, 15116	75	8	3	94	9	3	111	10	3	127	11	0	141	12	0
100	15D, 15116	100	9	7	125	10	10	149	11	9	170	12	8	188	13	5
125	D15131 ▲	125	7	3	156	8	6	186	9	4	212	10	4	236	11	1
150	D15131 ▲	150	8	3	187	9	3	224	10	3	255	11	1	283	12	1

1175 RPM

Rated Motor HP	FLEXIDYNE Mech Size	100% @ 1175 rpm			125% @ 1160 RPM			150% @ 1150 RPM			175% @ 1130 RPM			200% @ 1100 RPM		
		Start-ing HP	Flow Charge		Start-ing HP	Flow Charge		Start-ing HP	Flow Charge		Start-ing HP	Flow Charge		Start-ing HP	Flow Charge	
			Lbs.	Oz.		Lbs.	Oz.		Lbs.	Oz.		Lbs.	Oz.		Lbs.	Oz.
1/4	5D, 5C	.25	0	8.546	0	10.5
1/2	55D, 55C	.5	0	11	.62	0	15	.75	0	13	.85	0	15	.94	0	16
3/4	55D, 55C	.75	0	12	.94	0	15	1.1	0	16	1.3	0	17	1.4	0	18
1	70D, 70C	1.0	1	10	1.2	1	12	1.5	1	14	1.7	2	1	1.9	2	4
1-1/2	70D, 70C	1.5	1	13	1.9	2	1	2.2	2	3	2.5	2	6	2.8	2	9
2	75D, 75C	2.0	1	10	2.5	1	13	3.0	2	0	3.4	2	2	3.8	2	6
3	75D, 75C	3.0	1	15	3.7	2	3	4.5	2	7	5.1	2	10	5.7	2	12
5	9D, 9C	5.0	2	4	6.2	2	11	7.4	3	1	8.5	3	8	9.4	3	12
7-1/2	9D, 9C	7.5	3	0	9.3	3	9	11.1	3	14	12.7	4	4	14.1	4	12
10	11D, 11C	10	5	0	12.4	5	5	14.8	5	10	17	6	3	19	7	0
15	11D, 11C	15	5	14	18	6	5	22	7	0	25	7	14	28	9	0
20	11D, 11C	20	6	8	25	7	14	30	8	4	34	8	13	38	9	10
25	15D, 15116	25	8	8	31	9	13	37	10	12	42	11	13	47	12	10
30	15D, 15116	30	9	7	37	10	10	44	11	11	51	12	9	57	13	8
40	15D, 15116	40	10	14	50	12	14	59	13	0	68	14	0	75	15	3
50	15D	50	12	0	62	13	1	74	14	2	85	15	8
	D15116 ▲	50	8	8	62	9	13	74	10	12	85	11	8	94	12	0
	18D	94	15	11
60	15D	60	12	11	75	14	1	89	15	6
	D15116 ▲	60	9	7	75	10	10	89	11	11	102	12	9	113	13	8
	18D	102	17	4	113	19	6
75	15D	75	13	14	93	15	8
	D15116 ▲	75	10	9	93	11	13	111	12	11	127	13	10	141	14	12
	18D	111	17	10	127	19	10	141	21	14
100	18D, 18172	100	15	12	124	18	7	148	20	9	170	22	13	189	24	13
125	18D, 18172	125	18	7	155	21	1	185	23	3	212	25	3	236	27	3
150	18D, 18172	150	20	5	186	22	15	222	25	0	254	27	0	283	29	4
200	D18172 ▲	200	15	12	249	18	10	285	20	5	340	22	13	377	24	13
250	D18172 ▲	250	18	9	312	21	0	370	23	2	424	25	3	470	27	0

* Use a Size 55 FLEXIDYNE unit. Fill with 11 oz. of Flow Charge for 1.5 Starting HP

▲ Flow charge is listed for one cavity. For duplex (double cavity) units, numbered with prefix "D", the amount listed is would have to be doubled.

FEATURES/BENEFITS PAGE PT3-2	SPECIFICATION PAGE PT3-3	SELECTION/DIMENSIONS PAGE PT3-8	ENGINEERING/TECHNICAL PAGE PT3-26
---------------------------------	-----------------------------	------------------------------------	--------------------------------------

SELECTION



PT Component
Reference Guide

FLEXIDYNE

SELECTION OF FLEXIDYNE MECHANISM SIZE

(BASED ON % OF STARTING TORQUE FOR NEMA DESIGN B MOTORS)

875 RPM

Rated Motor HP	FLEXIDYNE Mech Size	100% @ 875 rpm			125% @ 870 RPM			150% @ 850 RPM			175% @ 840 RPM			200% @ 820 RPM		
		Start-ing HP	Flow Charge		Start-ing HP	Flow Charge		Start-ing HP	Flow Charge		Start-ing HP	Flow Charge		Start-ing HP	Flow Charge	
			Lbs.	Oz.		Lbs.	Oz.		Lbs.	Oz.		Lbs.	Oz.		Lbs.	Oz.
1/2	70D, 70C	.5	1	12	.62	1	15	.75	2	1	.85	2	4	.94	2	6
3/4	70D, 70C	.75	2	0	.94	2	3	1.1	2	6	1.3	2	8	1.4	2	12
1	75D, 75C	1.0	1	13	1.2	2	0	1.5	2	3	1.7	2	7	1.9	2	8
1-1/2	75D, 75C	1.5	2	2	1.9	2	7	2.2	2	10	2.5	2	11	2.8	2	12
2	9D, 9C	2.0	2	6	2.5	2	12	2.9	3	0	3.4	3	8	3.7	3	12
3	9D, 9C	3.0	3	0	3.7	3	8	4.4	4	0	5.0	4	6	5.6	4	14
5	11D, 11C	5.0	5	6	6.2	5	14	7.3	6	10	8.4	7	0	9.4	7	8
7-1/2	11D, 11C	7.5	6	8	9.3	7	2	10.9	8	0	12.6	8	8	14.0	9	5
10	15D, 15116	10	8	6	12.4	9	8	14.6	10	9	16.8	11	7	18.7	12	5
15	15D, 15116	15	10	5	19	11	7	22	12	8	25	13	5	28	14	6
20	15D, 15116	20	11	12	25	12	13	29	13	14	34	15	1	38	15	8
25	D15116	25	9	7	31	10	9	36	11	11	42	12	8	47	13	5
30	D15116	30	10	5	37	11	7	44	12	8	50	13	5	56	14	6
40	18D, 18172	40	15	3	50	18	0	58	20	6	67	22	8	75	24	7
50	18D, 18172	50	17	14	62	20	4	73	22	14	84	24	14	94	26	14
60	18D, 18172	60	19	13	75	22	6	87	24	15	101	26	1	112	28	12
75	D18172 ▲	75	14	8	93	17	2	109	19	11	126	21	13	141	23	12
100	D18172 ▲	100	17	14	124	20	4	146	22	14	168	24	14	187	26	14
125	D18172 ▲	125	20	2	155	22	13	182	25	7	210	27	4	234	29	4

▲ Flow charge is listed for one cavity. For duplex (double cavity) units, numbered with prefix "D", the amount listed would have to be doubled.

Couplings

Clutches and Brakes

FLEXIDYNE

Fluid Couplings

TORQUE-TAMER

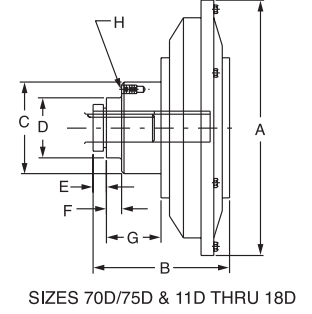
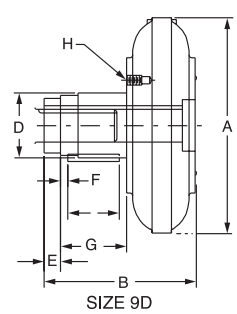
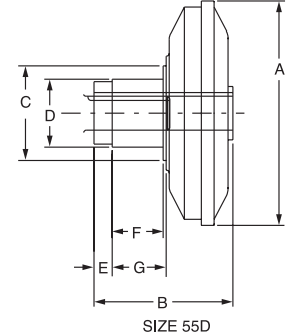
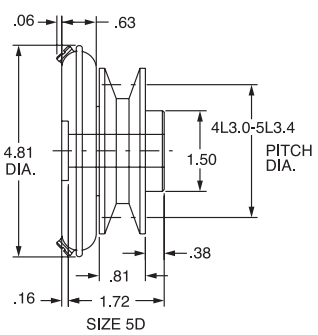
Bushings

FEATURES/BENEFITS PAGE PT3-2	SPECIFICATION PAGE PT3-3	SELECTION/DIMENSIONS PAGE PT3-8	ENGINEERING/TECHNICAL PAGE PT3-26
---------------------------------	-----------------------------	------------------------------------	--------------------------------------

SELECTION/DIMENSIONS



FLEXIDYNE Drives



Each FLEXIDYNE, including a container of flow charge, is individually packaged. Cutout features and a cross section drawing are shown in the Modifications/ Accessories section.



NOTE: Drawings are for dimensional purpose only and do not necessarily represent construction

5D FLEXIDYNE Drive

Nom. Stock Bores ▲	w/Integral Sheave P.D.	Part Number	Wt. Lbs.	Keyseat	Key Req'd.
5/8	4L2.2-5L2.6	305106	3.4	3/16 X 3/32 X 1-11/16	3/16 X 3/16 X 1-3/8
	4L3.0-5L3.4	305101	2.4		
	4L3.6-5L4.0	305102	3.6		
3/4 (Max.)	4L3.0-5L3.4	305103	2.7	3/16 X 3/32 X 1-11/16	3/16 X 3/16 X 1-7/8

▲ +.0005" +.0025" over nominal. Bores not listed will be quoted on application.

FEATURES/BENEFITS PAGE PT3-2	SPECIFICATION PAGE PT3-3	SELECTION PAGE PT3-4	ENGINEERING/TECHNICAL PAGE PT3-26
---------------------------------	-----------------------------	-------------------------	--------------------------------------

SELECTION/DIMENSIONS



FLEXIDYNE

55D Thru 18D FLEXIDYNE Drive

DRIVE SIZE	MAX. RPM	NOM STOCK BORES *	Part Number	Wt Lbs	Keyseat ♥	Key Req'd
55D	3600	5/8	305015	3.0	3/16 x 3/32 x 3-1/16	3/16 x 3/16 x 1-3/8
		7/8 (Max)	305016	2.8		
70D	3300	7/8	305021	9.5	3/16 x 3/32 x 3-5/16	3/16 x 3/16 x 1-3/8
		1-1/8 (Max.)	305022	9.7	1/4 x 1/8 x 3-5/16	1/4 x 1/4 x 1-3/4
75D	3300	1	305085	10.0	1/4 x 1/8 x 4	1/4 x 1/4 x 1-3/4
		1-3/8 (Max.)	305056		10.2	1/4 x 1/8 x 4
9D	2300	1-1/8	309070	23.0	5/16 x 3/32 x 4	5/16 x 1/4 x 2-3/8 ◆
		1-1/4	309071	24.0	1/4 x 1/8 x 6	1/4 x 1/4 x 2
		1-3/8	309072	23.5	1/4 x 1/8 x 6	1/4 x 1/4 x 2-3/4
		1-5/8 (Max.)	309073	23.0	5/16 x 5/32 x 6	5/16 x 5/16 x 2-3/4
11D	2400	1-3/8	311070	45.0	3/8 x 1/8 x 6	3/8 x 5/16 x 3-3/4
		1-5/8	311071	46.0	5/16 x 5/32 x 7-5/16	5/16 x 5/16 x 2-3/4
		1-7/8 (Max.)	311072	45.0	3/8 x 3/16 x 7-5/16	3/8 x 3/8 x 3-3/4
11DL	2400	2-1/8 (Max.)	311073	44.0	1/2 x 1/8 x 7-5/16	1/2 x 3/8 x 5-1/2 ◆
15D	1800	1-7/8	315070	100.0	1/2 x 1/4 x 10-3/16	1/2 x 1/2 x 5
		2-1/8	315071	92.0	1/2 x 1/4 x 10-3/16	1/2 x 1/2 x 5
		2-3/8 (Max.)	315072	96.0	5/8 x 1/8 x 10-3/16	5/8 x 7/16 x 5-1/2 ◆
18D	1500	2-7/8	318060	154.0	3/4 x 3/8 x 10-3/16	3/4 x 3/4 x 9-3/4
		3-3/8 (Max.)	318065	154.0	7/8 x 1/4 x 10-3/16	7/8 x 11/16 x 9-3/4 ◆

Size	A	B	C -.000 +.002	D	E	F	G * *	H	
								No. of Holes	Thd's
55D	5.38	3.07	2.752	1.69	0.47	1.38	1.41
70D	8.13	3.56	3.755/3.753	2.81	0.63	0.63	1.03	4	††
75D	8.13	4.25	3.755/3.753	2.81	0.63	0.63	1.72	4	††
9D	9.50	6.75	3.00{	0.69	0.56	3.38	4	♣
11D	11.25	8.28	5.082/5.080	3.610/3.605	0.75	2.50	4.38	4	§
11DL									
15D	14.50	11.19	6.625/6.623	4.63	1.00	3.25	6.31	6	▲
18D	18.00	14.75	9.189/9.187	6.00	1.13	1.50	9.25	6	♣

Note: To facilitate order processing specify part numbers

Setscrews: One furnished over keyway, one @ 120°

* **All sizes:** +.0005" +.0025" over nominal. Bores not listed will be quoted on application

† Key provided

* * Provide 3/32 min. clearance between sheave and FLEXIDYNE drive

◆ Key is furnished for these sizes only

♥ Keyseat begins at left end of FLEXIDYNE drive as viewed in drawings on page PT3-8

♣ 1/4-20x1/2" deep on 3-1/2" Dia. B.C. (1/4x2-1/2" Soc. Hd. Cap Screws w/1-3/8" thd., not furnished).

§ 3/8-16x1-1/8" deep on 4-3/8" Dia. B.C. (3/8x1-3/4" Soc. Hd. Cap Screws w/1-1/4" thd., furnished).

▲ 1/2-13x1-1/4" deep on 5-3/4" Dia. B.C. (1/2x2" Soc. Hd. Cap Screws w/1-1/2" thd., furnished).

♣ 1/2-13x1-5/16" deep on 8-3/16 Dia. B.C. (1/2x2-1/4" Soc. Hd. Cap Screws w/1-1/2" thd., furnished)."

†† 1/4-20x5/8" deep on 3-1/4" Dia. B.C. (1/4x1-1/4" for 70 & 1/4x1-1/4" for 75 furnished).

FEATURES/BENEFITS PAGE PT3-2	SPECIFICATION PAGE PT3-3	SELECTION PAGE PT3-4	ENGINEERING/TECHNICAL PAGE PT3-26
---------------------------------	-----------------------------	-------------------------	--------------------------------------



SELECTION/DIMENSIONS

FLEXIDYNE

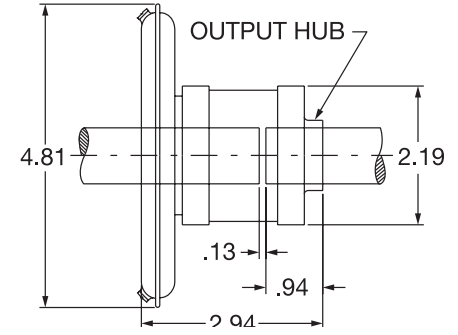
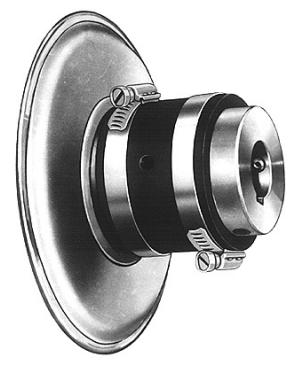
5C FLEXIDYNE COUPLING

The 5C FLEXIDYNE Coupling uses a formed steel housing and tubular flexible element. See ordering instructions in table below.

5C FLEXIDYNE Couplings

Available Bores	Keyway	Part Numbers	
		MECHANISM for Motor Shaft (Avg. Wt. 2.2 Lbs.)	OUTPUT HUB for Driven Shaft (Avg. Wt. .55 Lbs.)
1/2"	1/8 x 1/16	305120
5/8"	3/16 x 3/32	305115	305121
3/4"	3/16 x 3/32	305118	305122
7/8"	3/16 x 3/32	305037	305123

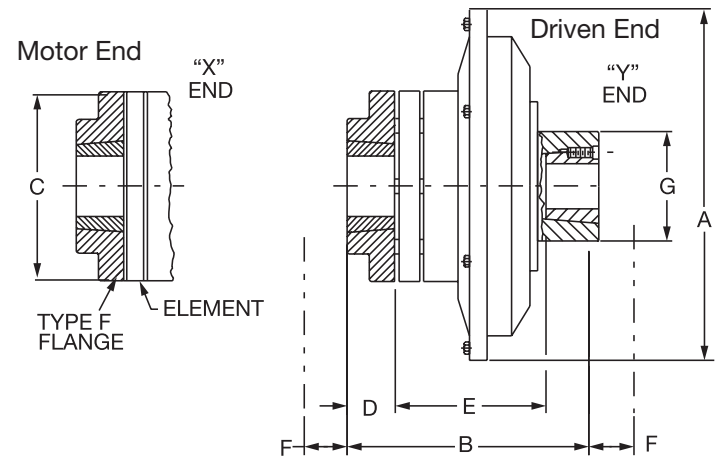
Note: Total coupling consists of (1) output hub and (1) mechanism. Order by description x bore. To facilitate order processing, order these items by part number. Max bore of mechanism = 3/4"; output hub = 1".



55C thru 11C FLEXIDYNE Couplings

The 55C thru 11C size FLEXIDYNE Coupling uses the same flexible disc used in DODGE POLY-DISC Couplings. The molded polyurethane disc offers longer life and smoother, quieter operation. Disc has excellent physical properties yet remains pliable to cushion shock loads and accommodate misalignment.

H and F Flanges, carried in stock, can be arranged in the position which best suits the application. In H type the bushing installs from the Hub side of the flange; in F type from the Face side. Sufficient flow charge is furnished with each unit.



FEATURES/BENEFITS PAGE PT3-2	SPECIFICATION PAGE PT3-3	SELECTION PAGE PT3-4	ENGINEERING/TECHNICAL PAGE PT3-26
---------------------------------	-----------------------------	-------------------------	--------------------------------------

SELECTION/DIMENSIONS



PT Component Reference Guide

Couplings

Clutches and Brakes

FLEXIDYNE

Fluid Couplings

TORQUE-TAMER

Bushings

FLEXIDYNE

55C Thru 11C FLEXIDYNE Couplings

Cplg. Size	Bore Range of Bushing		Max. RPM	Cplg. Less Bushings	Items required for Complete Coupling †									
					Mechanism (Includes disc)		Poly-Disc Flange w/o Bush.			Bushings				
	Min.	Max.			Wt. Lbs.	Part No.	Wt. Lbs.	Size	TYPE H Part No.	TYPE F Part No.	Wt. Lbs.	Motor End Bush No.	Avg. Wt. Lbs.	Driven End Bush No.
55C	1/2	1	1800	5.0	305019	4.0	2-5/8	008057	008058	1.0	1008	.2	1008	.2
70C	*	*	1800	15.6	305025	13.6	4	008041	008040	2.0	1215	.7	1610	.7
75C	1/2	1-11/16	1800	18.6	305058	14.1	5-1/4	008043	008042	4.5	1615	1.0	1610	.7
9C	1/2	2-11/16	1800	40.6	309074	30.6	7	008045	008044	10.0	2517	2.8	2517	2.8
11C	1/2	2-11/16	1800	57.2	311074	44.2	8	008047	008046	13.0	2517	2.8	2517	2.8

Cplg Size	Replacement Poly-Disc			A	B	C	D	E ◆	F ▲	G	X End	Y End
	No.	Part Number	Weight Lbs									
55C	2-5/8	008030	1	5.38	3.5	2.63	0.88	1.41	0.75	2.25	Driven	Driven
70C	4	008032	0.2	8.13	6.06	4	★	3.56	1.06	3.63	Motor	Motor
75C	5-1/4	008033	0.5	8.13	6.38	5.25	★	3.889	1.06	3.63		
9C	7	008034	0.9	9.5	8.63	7	1.75	5.13	1.63	4.13		
11C	8	008035	1.5	11.25	9.63	8	1.75	6.13	1.63	4.88		

Complete coupling consists of (1) Mechanism, including flexible disc,

(1) POLY-DISC Flange, and two bushings.

TAPER-LOCK bushings sold separately.

† To facilitate order processing specify part numbers.

Determine whether H or F Flange is required and order accordingly.

* Motor End: 1/2" - 1-1/4" (Min./Max.); Driven End: 1/2" - 1-5/8"

◆ Normal dimension. Shaft end float which increases or decreases "E" by slight amounts is permissible.

★ 1" on driven end, 1-1/2" on motor end.

▲ Space required to loosen bushing with shortened hex key using screws as jack screws-no puller required.

Keywords-See tables below for standard keyways and shallow keyways.

Standard Keyways

Bore Range	Keyway
1/2 - 9/16 Incl.	1/8 x 1/16
over 9/16 - 7/8 Incl.	3/16 x 3/32
over 7/8 - 1-1/4 Incl.	1/4 x 1/8
over 1-1/4 - 1-3/8 Incl.	5/16 x 5/32
over 1-3/8 - 1-3/4 Incl.	3/8 x 3/16
over 1-3/4 - 2-1/4 Incl.	1/2 x 1/4
over 2-1/4 - 2-3/4 Incl.	5/8 x 5/16
over 2-3/4 - 3-1/4 Incl.	3/4 x 3/8
over 3-1/4 - 3-3/4 Incl.	7/8 x 7/16
over 3-3/4 - 4-1/2 Incl.	1 x 1/2
over 4-1/2 - 5-1/2 Incl.	1-1/4 x 5/8
over 5-1/2 - 6-1/2 Incl.	1-1/2 x 3/4

Shallow Keyways

Bush No.	Bore Range	
1008	15/16 - 1	Note: Key furnished for these exceptions only.
1610	1-9/16 - 11-1/16	
1615		
2517	2-5/16 - 2-11/16	Note: Key furnished for these exceptions only.

FEATURES/BENEFITS PAGE PT3-2	SPECIFICATION PAGE PT3-3	SELECTION PAGE PT3-4	ENGINEERING/TECHNICAL PAGE PT3-26
---------------------------------	-----------------------------	-------------------------	--------------------------------------



SELECTION/DIMENSIONS

FLEXIDYNE TYPE PH FLEXIDYNE COUPLINGS



This unique combination of PARA-FLEX coupling and FLEXIDYNE mechanism offers maximum protection for motors and driven machines. The FLEXIDYNE unit allows the motor to accelerate quickly and start the load smoothly while the Para-Flex coupling permits up to 1° angular misalignment, up to 1/16" parallel misalignment and 3/32" end float. Consequently, starting torque can be tailored to the driven load requirements while torsional and lateral vibration and shock loads are being absorbed or cushioned.

The driven end of the couplings uses TAPER-LOCK bushings only. However, the motor end is available as bushed or bored-to-size. Bored-to-size flanges accommodate larger shafts than possible with bushed flanges. Smaller size flanges are reversible offering the H and F position from the same flange. A choice of H or F flanges is offered for size PX140.

TAPER-LOCK Bushings

Cplg. Size	For Mechanism		For Flange Assy.	
	No	Avg. Wt Lbs.	No.	Avg. Wt. Lbs.
987	2517	2.8	1610	0.7
1196	2517	2.8	2012	1.4
15116	3030	7.4	2517	2.8
D15116	3030	7.4	2517	2.8
D15131	3030	7.4	2517	2.8
18172	3535	11.5	3535	11.5
D18172	3535	11.5	3535	11.5

Note: For Keyway information, see footnote next page

Type PH FLEXIDYNE Couplings W/ TAPER-LOCK Flanges

Cplg. Size	Cplg. Less Bushings	Items Req'd. for Complete Coupling ▲													
		Mechanism				TAPER-LOCK FLG. ASSY						ELEMENT			
		Driven End Bore Range		Part No.	Wt. Lbs.	Motor End Bore Range		Size	Part Nos. for Respective Types			Wt. Lbs.	Size	Part No.	Wt. lbs.
		Min.	Max.			Min.	Max.		St'd. (Reversible)	Type H	Type F				
987	46.7	1/2	2-11/16	309077†	40	1/2	1-11/16	PX70	010603	5.1	PH87	011227	1.6
1196	65.5	1/2	2-11/16	311077	56	1/2	2-1/8	PX80	010604	7.4	PH96	011228	2.1
15116	137.5	1-5/16	3-1/4	315073	120	1/2	2-11/16	PX100	010606	15.0	PH116	011230	2.5
D15116	184.5	1-5/16	3-1/4	315074	167	1/2	2-11/16	PX100	010606	15.0	PH116	011230	2.5
D15131	175.7	1-5/16	3-1/4	315075	150	1/2	2-11/16	PX110	010607	21.6	PH131	011231	4.1
18172	314.2	1-3/16	3-15/16	318110	242	1-3/16	3-15/16	PX140	011134	011154	64.0	PH172	011234	8.2
D18172	320.2	1-3/16	3-15/16	318400	248	1-3/16	3-15/16	PX140	011134	011154	64.0	PH172	011234	8.2

◆ When ordering bushings, specify bore and part number.

† Assembled-to-order. Consult DODGE for delivery.

▲ To facilitate order processing specify part numbers. In sizes 18172 and D18172, determine whether H or F Flange is required and order accordingly. Complete Coupling consists of (1) Mechanism, (1) Taper-LOCK Flange Assembly, (1) Element and (2) Bushings.

Cplg. Size	Coupling Less Bushings		BBS FLANGE ASSEMBLY						
	Rgh. Bored	Fin. Bored	Size	Rough Stock Bore			Fin. Bored w St'd. K. W.		
				Min. Bore *	Part Number	Wt. Lbs.	Motor End Bore Range	Wt. Lbs.	Set Screw
987	49.5	47.3	PX70BBS		010301	7.9	1/2 - 2-1/8	5.7	
1196	69.1	66.3	PX80BBS		010302	11	1/2 - 2-9/16	8.2	
15116	147.5	139.5	PX100BBS	0	010304	25	1/2 - 3-1/4	17	⊕
D15116	194.5	186.5	PX100BBS		010304	25	1/2 - 3-1/4	17	
D15131	189.1	176.1	PX110BBS		010305	35	1/2 - 3-15/16	22	
18172	336.2	311.2	PX140BBS	2-1/4	010530	86	2-3/4 - 4-1/2	61	⊕
D18172	342.2	317.2	PX140BBS	2-1/4	010530	86	2-3/4 - 4-1/2	61	⊕

Note: Complete Coupling consists of (1) Mechanism, (1) BBS Flange Assembly, (1) Element and (1) Bushing.

♥ Bored per order-Sizes PX70 thru PX110 are furnished with a clearance fit from nominal bores (up to 2" +.000-.000. over 2" +.0015 -.0000). In PX140 size, tolerance will be applied to custom bores (up to 3" +.000 -.001. over 3" thru 6" +.0000 -.0015; over 6" +.000 -.002). Largest Bore listed should be considered as maximum.

⊕ One furnished over keyway.

⊕ Not furnished unless specified on order.

* Standard keyway is the same as shown on page. For shallow keyway exceptions, see table at right:

NOTE: Taper-LOCK bushings sold separately

◆ Approximate weight with maximum bore

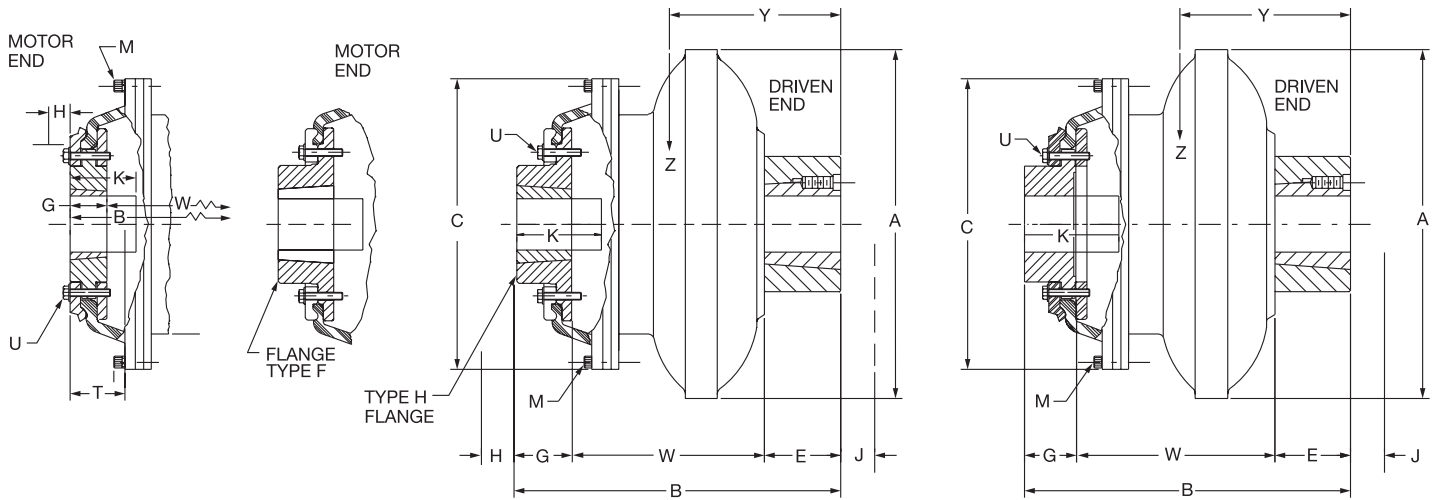
* -.010 to -.015" no keyway

BS Flg. Size	Bore Range	Keyway	NOTE-Key furnished for these exceptions only
PX70	2 - 2-1/8	1/2 x 1/8	
PX80	2-3/8 - 2-9/16	5/8 x 3/16	
PX100	3-1/16 - 3-1/4	3/4 x 3/16	
PX110	3-11/16 - 3-3/4	7/8 x 1/4	
	3-13/16 - 3-15/16	1 x 1/4	

FEATURES/BENEFITS PAGE PT3-2	SPECIFICATION PAGE PT3-3	SELECTION PAGE PT3-4	ENGINEERING/TECHNICAL PAGE PT3-26
---------------------------------	-----------------------------	-------------------------	--------------------------------------



FLEXIDYNE TYPE PH FLEXIDYNE COUPLINGS (cont.)



Coupling Size	Max. RPM	A	B		C	E ♣	G		H †	J †	K ▲		M ◆ (No.) & Size of Screws
			TAPER-LOCK Flange	Bored-to-Size Flange			TAPER-LOCK Flange	Bored-to-Size Flange			TAPER-LOCK Flange	Bored-to-Size Flange	
987	1800	9.5	8.75	9.75	9.44	1.75	1	1.75	1.06	1.63	3.19	4.19	(8) 5/16-18 x 1-1/4
1196	1800	11.25	10.06	11.19	10.31	1.75	1.25	2	1.38	1.38	4.38	5.5	(6) 3/8-16 x 1-1/2
15116	1800	14.5	12.31	13.81	12.31	3	1.75	2.63	1.63	2.06	4.44	5.94	(8) 3/8-16 x 1-1/2
D15116	1800	14.5	13.88	15.31	12.31	3	1.75	2.63	1.63	2.06	4.44	5.94	(8) 3/8-16 x 1-1/2
D15131	1800	14.5	14.63	16.38	13.81	3	1.75	3	1.63	2.06	5.19	6.94	(8) 3/8-16 x 2
18172	1500	18	16.31	17.44	18.31	3.5	3.5	3.88	2.63	2.63	7.5	8.5	(8) 1/2-13 x 2
D18172	1500	18	17.81	18.94	18.31	3.5	3.5	3.88	2.63	2.63	7.31	8.5	(8) 1/2-13 x 2

Coupling Size	T		U **		W ■		X	Y ♥	Z ♣ (Lbs.)		
	TAPER-LOCK Flange	Bored-to-Size Flange	No. and Size of Screws		TAPER-LOCK Flange	Bored-to-Size Flange					
			TAPER-LOCK Flange	Bored-to-Size Flange							
987	1.59	1.59	(5) 5/16-18 x 1-1/2		(5) 5/16-18 x 1-1/2		5.94	6.25	..	3.88	43
1196	1.91	1.91	(6) 5/16-18 x 1-1/2		(6) 5/16-18 x 1-1/2		7.06	7.44	..	4.13	66
15116	2.09	2.09	(6) 3/8-16 x 1-3/4		(6) 3/8-16 x 1-3/4		7.56	8.19	..	5.5	107
D15116	2.09	2.09	(6) 3/8-16 x 1-3/4		(6) 3/8-16 x 1-3/4		9.13	9.69	..	6.5	153
D15131	2.56	2.56	(6) 3/8-16 x 2		(6) 3/8-16 x 2		9.88	1.38	..	6.5	153
18172	3.63	3	(8) 1/2-13 x 2-1/2		(8) 1/2-13 x 2-1/4		9.31	10.06	0.19	6.75	209
D18172	3.63	3	(8) 1/2-13 x 2-1/2		(8) 1/2-13 x 2-1/4		10.81	11.56	0.19	6.69	284

- ♣ Driven shaft should not extend into coupling beyond dimension E.
- † Space required to loosen bushing with shortened hex key using screws as jackscrew no puller required
- ▲ Motor shaft may extend into coupling beyond dimension G but not beyond dimension K.
- * Reversible flanges permit Type H or F from the same flange.
- Normal distance between shafts. End float which increases or decreases W by slight amounts is permissible.
- ♥ Distance from driven end to center of gravity of driven section of coupling.
- ♣ Weight of driven section with maximum bore and flow charge.

- ◆ Socket head cap screw.
- ** Hex head cap screw, SAE Grade 8; Optional: Nickel plated Grade 8 screws

Keyways-Standard Keyways are shown on page PT3-11. For Shallow keyway exceptions see table below.

Bush No	Bore Range	NOTE - Key furnished for these exceptions only. See TAPER-LOCK section for Keyway information
1610	1-9/16 - 1-5/8	
2012	1-15/16 - 2-1/8	
2517	2-5/16 - 2-11/16	
3030	2-13/16 - 3-1/4	
3535	3-5/16 - 3-15/16	

SELECTION/DIMENSIONS

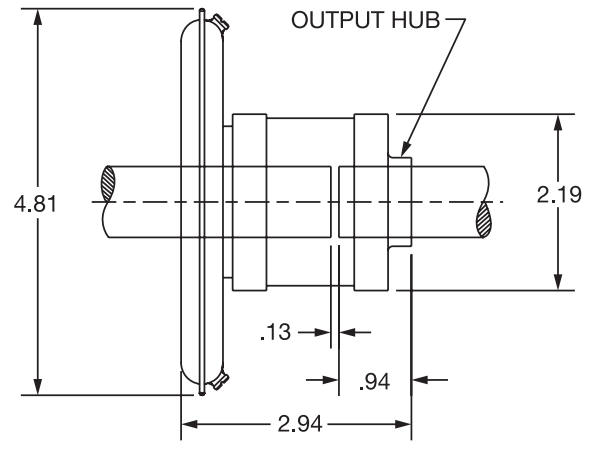
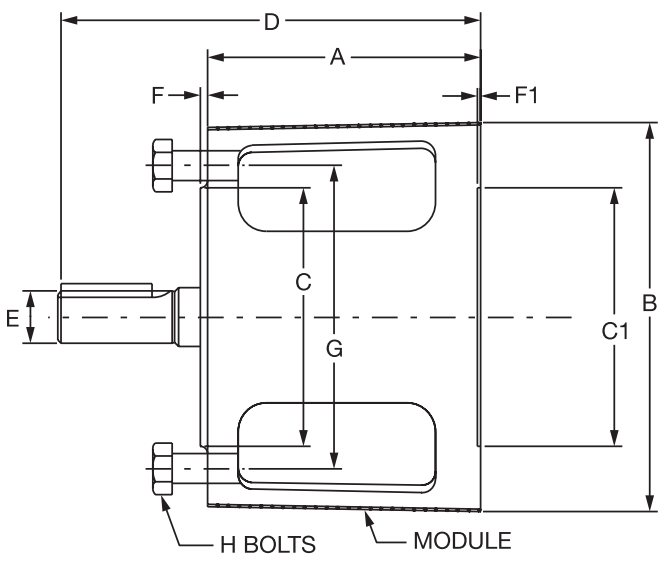


FLEXIDYNE C-FLEX MODULE

C-Flex is a system for easily adapting stock FLEXIDYNE couplings to conventional AC motor/C-Face reducer drive combinations. The advantages of this low cost arrangement include soft start and intermittent overload protection utilizing popular NEMA-B motors and across-the-line switching. Costly reduced voltage starters or specially wound motors are not required. FLEXIDYNE unit operates bi-directionally

(reversing) and allows starting of heavy inertial loads without oversized motors.

C-Flex fits all standard NEMA C-Face mountings of 56C, 140TC, 180TC and 210TC frame utilized on 1/2 thru 10 HP, 1750 ROM AC motors. The C-Flex output bearing provides support for single-bearing reducer types, but is equally suitable for reducers having two input shaft bearings.



C-Flex Modules

HP Rating @ 1750 RPM	For NEMA C-Face Frame	C-Flex Unit ▲			FLEXIDYNE Mechanism			A	B	C Dia.	C1 Dia.	D	Nom. E. Dia.	F	F1	G Dia. B.C.	H Bolts		
		Model No.	Part No.	Wt. (Lbs.)	Size	Part No.	Wt. (Lbs.)										No.	Size	
1/2	56C	150	305026	14.5	5CF x 5/8 ■	305117	2.2	4.75	6.63	4.500	4.501	6.69	5/8	.100	0.19	5.88	4	★	
3/4										4.497	4.503			.160					
1										4.500	4.501			.100					
1	140TC	200	305027	14.5	5CF x 7/8 ■	305037	2	4.75	6.63	4.500	4.501	6.81	7/8	.100	0.19	5.88	4	★	
1-1/2										4.497	4.503			.160					
2																			
3	180TC	500	305028	54.5	70C	305025	13.6	12.5	10	8.499	8.500	15.31	1-1/8	.200	0.22	7.25	4	*	
5										8.497	8.502			.250					
7-1/2										8.499	8.500			.200					
10	210TC	1000	305029	58.2	75C	305058	14.1	12.5	10	8.497	8.502	15.84	1-3/8	.250	0.22	7.25	4	*	

SELECTION DATA-For 1/2 thru 2 HP rating, see table below.
For 3 thru 10 HP rating, see tables on page PT3-6 and PT3-7
■ For 5C FLEXIDYNES see page PT3-10.

▲ Includes all necessary parts except mechanism.
★ 3/8 -16 x 1-1/4 Hex Hd. Cap Screw.
* 1/2 -13 x 1-1/2 Soc. Hd. Cap Screw.

Selection Of 5CF FLEXIDYNE Mechanism Used In C-Flex Module

Rated Motor HP	100% @ 1760 RPM			125% @ 1750 RPM			150% @ 1740 RPM			175% @ 1700 RPM			200% @ 1650 RPM		
	Start ing HP	Flow Charge		Start ing HP	Flow Charge		Start ing HP	Flow Charge		Start ing HP	Flow Charge		Start ing HP	Flow Charge	
		Lbs.	Oz.		Lbs.	Oz.		Lbs.	Oz.		Lbs.	Oz.		Lbs.	Oz.
1/2	.50	0	4	.62	0	5	.75	0	5	.85	0	6	.94	0	7
3/4	.75	0	5	1.00	0	6	1.10	0	6	1.30	0	7	1.40	0	8
1	1.00	0	6	1.20	0	7	1.50	0	7	1.70	0	8	1.90	0	9
1-1/2	1.50	0	7	1.90	0	8	2.20	0	8	2.50	0	9	2.80	0	10
2	2.00	0	8	2.50	0	9	3.00	0	9	3.40	0	10	3.60	0	11

FEATURES/BENEFITS PAGE PT3-2	SPECIFICATION PAGE PT3-3	SELECTION PAGE PT3-4	ENGINEERING/TECHNICAL PAGE PT3-26
---------------------------------	-----------------------------	-------------------------	--------------------------------------



FLEXIDYNE FLEXIDYNE Flow Charge



Cast steel flow charge is furnished unless otherwise specified. Sufficient amounts for all applications are furnished and included in the price of each FLEXIDYNE unit. The part numbers listed here apply only when extra flow charge is ordered or the application requires stainless steel flow charge.

Flow charge is packaged in a tough transparent plastic bottle which is graduated and has a handy pour spout. This makes handling of flow charge easy whether pouring into the unit or removing flow charge if a change in torque is desired.

Stainless steel flow charge is recommended for applications subject to excessive moisture, humidity or wide temperature variations that may cause internal condensation. It may be ordered to replace that in an existing unit or in place of the cast steel flow charge when ordering a FLEXIDYNE unit.

Sizes 5, 5CF, and 55 FLEXIDYNE mechanisms use SAE S110 (.0234, maximum diameter) steel shot. In sizes 70 and up, SAE S170 (.0331" maximum diameter) steel shot is used.

Flow Charge for Individual FLEXIDYNE Mechanism Applications

FLEXIDYNE Mech. Size ▲	Cast Steel		Stainless Steel	
	Part No.	Wt.	Part No.	Wt.
5, 5CF	311124	1 lb.-2 oz.	311116	11 oz.
55, 6*	311124	1 lb.-2 oz.	311122	1 lb. - 2oz.
7*	311125	3 lb.-5 oz.	311118	1 lb. -14 oz.
8*	311125	3 lb.-5 oz.	311119	3 lb. -5 oz.
70, 75"	311125	3 lb.-5 oz.	311123	2 lb. -13 oz.
9	309111	5 lb.-3 oz.	311120	5 lb. -3 oz.
11	311111	10 lb.	311121	10 lb.
15	315111	20 lb.	(2) 311121	20 lb.
D15, 18	(1) 315111 (1) 311111	30 lb.	(3) 311121	30 lb.
D18	(3) 315111	60 lb.	(2) 311113 (1) 311121	60 lb.

▲ Units with "D" prefix have duplex cavities.

* Old style FLEXIDYNE sizes.

Bulk FLEXIDYNE Flow Charge Size 70 and Up

Wt. (Lbs.)	Cast Steel Part No.	Stainless Part No.
15	311112
20	315111
25	311113



FLEXIDYNE

Stock Sheaves For FLEXIDYNE Drives (Refer To Information On Page PT3-18)

For FLEXIDYNE Size	Fig. No. (page PT3-18)	No. of Grvs.	Datum Dia.			Outside Dia.		Bolt-On Part No.	TAPER LOCK Part No.	QD Part No.	Wt. (Lbs) ▲	See Drwg's on Page PT3-18			
			Using A Belts ★	Using B Belts ★	Using C Belts ★	Using 3V Belts	Using 5V Belts					E	F	L	M
5D Sheaves are integral - included in price & wt. of assembled unit															
55D	1 or 2	1	3.35	112175	1.1	...	0.69	...	0.31
		1	3.65	112176	455108	1.5	0.56	0.69	...	0.31
		1	4.12	112177	144109	2.2	0.56	0.69	...	0.31
		1	4.5	112178	144110	2.4	0.56	0.69	...	0.31
		1	5.0	112180	455112	2.9	0.56	0.69	...	0.31
		1	5.3	112181	455113	3.4	0.56	0.69	...	0.31
		1	5.6	112182	455114	3.8	0.56	0.69	...	0.31
		1	6.0	112183	455115	4.1	0.56	0.69	...	0.31
	1	6.5	112184	455116	4.5	0.56	0.69	...	0.31	
	1	6.9	112185	455117	5.1	0.56	0.69	...	0.31	
	1	...	3.0	3.4 ■	118283	1.2	0.50	0.88	0.00	...
	1	...	3.2	3.6 ■	118284	1.3	0.50	0.88	0.00	0.00
	1	...	3.4	3.8 ■	118301	118285	1.6	0.50	0.88	0.00	0.00
	1	...	3.6	4.0 ■	118302	118286	1.8	0.25	0.88	0.19	0.00
	1	...	3.8	4.2 ■	118194	455550	2.2	0.25	0.88	0.19	0.13
	1	...	4.0	4.4 ■	118195	455551	2.6	0.25	0.88	0.19	0.13
1	...	4.2	4.6	118196	2.1	...	0.88	...	0.13	
1	...	4.4	4.8	118197	2.4	...	0.88	...	0.13	
1	...	4.6	5.0	118198	3.6	...	0.88	...	0.13	
1	...	4.8	5.2	118199	3.8	...	0.88	...	0.13	
1	...	5.0	5.4	118200	...	3.1	0.88	...	0.13	
1	...	5.2	5.6	118201	...	4.3	0.88	...	0.13	
1	...	5.4	5.8	118202	...	4.1	0.88	...	0.13	
1	...	5.6	6.0	118203	...	4.1	0.88	...	0.13	
1	...	5.8	6.2	118204	...	4.3	...	0.88	...	0.13	
1	...	6.0	6.4	118205	...	4.1	0.88	...	0.13	
1	...	6.2	6.6	118206	...	4.9	0.88	...	0.13	
1	...	6.4	6.8	118207	...	4.8	...	0.88	...	0.13	
70D	4	1	4.75	112250	...	2.2	0.13	0.69	0.44	0.13
		1	5.0	112251	...	2.5	0.13	0.69	0.44	0.13
		1	5.3	112252	...	3.1	0.13	0.69	0.44	0.13
		1	5.6	112253	...	3.3	0.13	0.69	0.44	0.13
		1	6.0	112254	...	3.8	0.00	0.69	0.56	0.13
		1	6.5	112255	...	4.6	0.00	0.69	0.56	0.13
		1	6.9	112256	...	5.4	0.00	0.69	0.56	0.13
	1	...	4.8	5.2	118275	...	2.7	0.19	0.88	0.44	0.25
	1	...	5.0	5.4	118276	...	3.2	0.19	0.88	0.44	0.25
	1	...	5.2	5.6	118277	...	3.7	0.19	0.88	0.44	0.25
	1	...	5.6	6.0	118278	...	4.5	0.19	0.88	0.44	0.25
	1	...	6.0	6.4	118279	...	5.3	0.28	0.88	0.22	0.38
	1	...	6.4	6.8	118280	...	6.2	0.28	0.88	0.22	0.38
	1	...	7.0 ◆	7.4 ◆	118281	...	10.9	0.25	1.00	0.50	0.25

★ Composite groove to accommodate either A or B belts

† These sizes also fit 70D

◆ Made to order sheaves, price on application

▲ Use "B" Dyna-Cog Belt, not standard "B"

■ Weight does not include bushing. Order from page PT3-18

FEATURES/BENEFITS PAGE PT3-2	SPECIFICATION PAGE PT3-3	SELECTION PAGE PT3-4	ENGINEERING/TECHNICAL PAGE PT3-26
---------------------------------	-----------------------------	-------------------------	--------------------------------------



FLEXIDYNE

Stock Sheaves For FLEXIDYNE Drives (Refer To Information On Page PT3-18)

For FLEXIDYNE Size	Drwg. Ref Fig. No.	No. of Grvs.	Datum Dia.			Outside Dia.		Bolt-On Part No.	TAPER LOCK Part No.	QD Part No.	Wt. (Lbs) ▲	See Drwg's on Page PT3-18					
			Using A Belts ★	Using B Belts ★	Using C Belts ★	Using 3V Belts	Using 5V Belts					E	F	L	M		
75D	4	2	4.75	...	112265	2.2	0.13	1.09	0.69	0.28		
		2	5.0†	...	112266	2.7	0.13	1.09	0.69	0.28		
		2	5.3	...	112267	3.6	0.13	1.09	0.69	0.28		
		2	5.6†	...	112268	4.0	0.13	1.09	0.69	0.28		
		2	6.0†	...	112269	4.9	0.00	1.09	0.81	0.28		
		2	6.5	...	112270	6.1	0.00	1.09	0.81	0.28		
		2	6.9	...	112271	7.5	0.00	1.09	0.81	0.28		
	4	2	4.8	5.2	118290	4.6	0.06	1.75	0.75	0.94		
		2	5.0	5.4	118291	5.5	0.06	1.75	0.75	0.94		
		2	5.2	5.6	118292	6.5	0.06	1.75	0.75	0.94		
		2	5.6	6.0	118293	7.0	0.06	1.75	0.75	0.94		
		2	6.0	6.4	118294	7.9	0.06	1.75	0.75	0.94		
		2	6.4	6.8	118295	8.9	0.06	1.75	0.75	0.94		
		2	7.0◆	7.4◆	118296	13.3	0.00	1.75	0.81	0.94		
9D	3	4	4.75	...	310077	4.5	0.00	1.91	2.13	0.22		
		4	5.3	...	310078	5.6	0.00	1.91	2.13	0.22		
		4	6.0	...	310079	8.6	0.00	1.91	2.13	0.22		
	3	4	5.6	6.0	310060	13.2	1.25	3.25	2.25	0.25		
		4	6.0	6.4	310061	15.0	1.25	3.25	2.25	0.25		
		5	5.0	5.4	310062	11.4	2.00	4.00	2.25	0.25		
		5	5.2	5.6	310063	12.3	2.00	4.00	2.25	0.25		
		11D, 11DL	4	3	7.5	310082	10.7	0.63	2.38	0.75	1.00
				5	6.5	...	310080	7.6	0.56	2.31	0.75	1.00
5	6.9	...	310081	8.7	0.56	2.31	0.75	1.00		
4	5		6.2	6.6	310064	13.7	1.63	4.00	0.75	1.63		
	5		6.4	6.8	310065	14.0	1.63	4.00	0.75	1.63		
	5		7.0	7.4	310066	18.0	1.63	4.00	0.75	1.63		
	5		8.2	8.6	310067	23.0	1.63	4.00	0.75	1.63		
	15D		4	4	9.75	310085	19.8	0.56	3.06	0.75	1.75
5				8.5	310083	16.4	1.25	3.75	0.75	1.75	
5				9.0	310084	18.6	1.25	3.75	0.75	1.75	
4			5	10.5	310068	37.0	2.75	5.38	0.75	1.88	
		6	9.0	310069	31.0	2.75	6.38	0.75	2.88		
		6	9.5	310070	33.8	2.75	6.38	0.75	2.88		
		6	10.0	310071	40.0	2.75	6.38	0.75	2.88		
		18D	Not Stocked, See Made-To-Order Sheaves on Next Page														

★ Composite groove to accommodate either A or B belts.

◆ Made to order sheaves, price on application.

† These sizes also fit 70D.

▲ Weight does not include bushing. Order from next page.

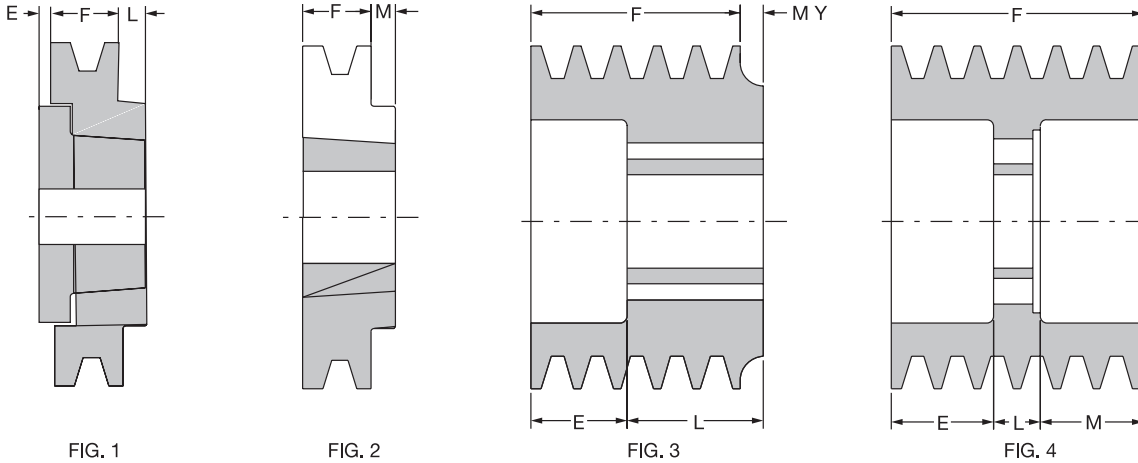
FEATURES/BENEFITS PAGE PT3-2	SPECIFICATION PAGE PT3-3	SELECTION PAGE PT3-4	ENGINEERING/TECHNICAL PAGE PT3-26
---------------------------------	-----------------------------	-------------------------	--------------------------------------



FLEXIDYNE

The tables on the previous pages list stock sheaves available for use on FLEXIDYNE Drives from size 55D thru 15D. The size 5D uses integral sheaves which are shown on page PT3-8. The 18D sheaves are made-to-order.

Avoid the use of bored-to-size sheaves which use setscrews which may distort sleeve or damage bearings. Order sheaves by part number listed in tables on previous pages PT3-16 - PT3-17. Refer to V-Drive tables on Pages PT3-18 - PT3-24. Information on made-to-order sheaves is shown below



▲ Locate right side of M dimension shown here @ right end of G dimension as shown in drawing for size 9D on page PT3-8

Made-To-Order FLEXIDYNE Sheaves

For FLEXIDYNE Mech. Size	Separate Sheaves				
	Max. No. Grvs	Belt Size	Min. Dia.* TAPER-LOCK	QD	Bolt-On
55D	1	3V	3.85
		A	3.8	3.0	...
		B	4.2	3.4	...
70D	1	3V	5.3
		A	4.8
		B	5.2
75D	2	3V	5.3
		A	4.8
		B	5.2
9D	7	3V	6.4	...	4.75★
	6	B	6.6	...	5.4◆
11D, 11DL	10	3V	6.6
	6	5V	7.5
	7	B	6.7
15D	15	3V	8.0
	9	5V	9.0
	9	B	8.0
	7	C	8.5
18D	13	5V	11.8
	10	C	11.0

* For 3V, 5V groove sheaves outside diameter is shown. For A, B and C groove sheaves, pitch diameter is shown."

★ TAPER-LOCK furnished for 6.4 and larger O.D.

◆ TAPER-LOCK furnished for 6.6 and larger P.D.

FLEXIDYNE Sheave Bushings

Dwg. Ref.	Bush. Type	Part Number	Wt. (Lbs.)	Size
Fig. 1	QD	* 120580	.6	SH x 1-11/16
Fig. 2	TAPER-LOCK	* 117071	.5	1610 x 1-11/16

* These bushings used with 55D FLEXIDYNE. Must be used without key

Stock FLEXIDYNE sheaves should be used whenever possible. However Made-to-Order sheaves which conform to diameter and groove limitations listed in table at left, can be furnished. Consult DODGE if sheave required does not fall within these limits.

Made-to-order sheaves will be priced on application. Consult DODGE for price and delivery. The following should be included with your inquiry:

1. Style of Sheave (Bolt-on, Integral, TAPER-LOCK, etc.)
2. No. of Grooves.
3. Belt Size.
4. Sheave Dia. (State whether O.D. or P.D.)
5. Quantity Req'd.

FEATURES/BENEFITS PAGE PT3-2	SPECIFICATION PAGE PT3-3	SELECTION PAGE PT3-4	ENGINEERING/TECHNICAL PAGE PT3-26
---------------------------------	-----------------------------	-------------------------	--------------------------------------



FLEXIDYNE DS

These are typical drives for average service conditions

Driven by 1750 RPM Motors					Driven by 1750 RPM Motors				
Driven RPM	V-Belt Drive Ratio	Sheave		Quan. & Belt Size ◆	Driven RPM	V-Belt Drive Ratio	Sheave		Quan. & Belt Size ◆
		Driver ▲	Driven *				Driver ▲	Driven *	
2250	1.29	3.6	AK30H	1-4L	1122	1.56	3.6	5.6	**
2122	1.22	3.4	AK30H	1-4L	1117	1.57	3.0	AK51H	1-4L
2100	1.20	3.6	AK32H	1-4L	1105	1.58	3.6	AK61H	1-4L
1970	1.13	3.6	AK34H	1-4L	1048	1.67	3.0	AK54H	1-4L
1970	1.13	3.4	AK32H	1-4L	1012	1.73	3.0	AK56H	1-4L
1875	1.07	3.0	AK30H	1-4L	1008	1.74	3.4	BK65H	1-5L
1850	1.06	3.6	3.4	**	983	1.78	3.6	6.4	**
1850	1.06	3.4	AK34H	1-4L	955	1.83	3.0	AK59H	1-4L
1750	1.00	3.0	AK32H	1-4L	936	1.87	3.0	5.6	**
1707	1.03	4.0	BK47H	1-5L	930	1.88	3.4	BK70H	1-5L
1703	1.03	3.6	AK41H	1-4L	921	1.90	3.0	AK61H	1-4L
1651	1.06	3.6	3.8	**	900	1.94	3.6	AK74H	1-4L
1651	1.06	3.4	BK40H	1-5L	875	2.00	3.0	AK64H	1-4L
1640	1.07	3.0	AK34H	1-4L	833	2.10	4.0	BK90H	1-5L
1577	1.11	3.6	AK44H	1-4L	804	2.18	3.4	BK80H	1-5L
1572	1.11	4.0	BK50H	1-5L	788	2.22	3.6	AK84H	1-4L
1615	1.08	3.6	BK45H	1-5L	768	2.28	3.6	8.2	**
1544	1.13	3.0	3.4	**	751	2.33	3.0	AK74H	1-4L
1525	1.15	3.4	BK45H	1-5L	708	2.47	3.4	BK90H	1-5L
1496	1.17	3.6	AK46H	1-4L	700	2.50	3.6	AK94H	1-4L
1522	1.15	4.0	BK52H	1-5L	673	2.60	4.0	BK110H	1-5L
1458	1.20	3.0	3.6	**	656	2.67	3.0	AK84H	1-4L
1451	1.21	3.4	BK47H	1-5L	641	2.73	3.0	8.2	**
1429	1.23	4.0	BK55H	1-5L	630	2.78	3.6	AK104H	1-4L
1400	1.25	3.6	AK49H	1-4L	614	2.85	4.0	BK120H	1-5L
1423	1.23	3.0	AK41H	1-4L	595	2.94	3.6	10.6	**
1378	1.27	3.0	3.8	**	583	3.00	3.0	AK94H	1-4L
1376	1.28	3.6	4.6	**	572	3.06	3.4	BK110H	1-5L
1372	1.28	4.0	BK57H	1-5L	525	3.33	3.0	AK104H	1-4L
1316	1.33	3.6	4.8	**	496	3.53	3.0	10.6	**
1340	1.31	3.6	AK51H	1-4L	455	3.85	4.0	BK160H	1-5L
1313	1.33	3.0	AK44H	1-4L	450	3.89	3.6	AK144H	1-4L
1296	1.35	4.0	BK60H	1-5L	444	3.94	3.4	BK140H	1-5L
1293	1.35	3.4	BK52H	1-5L	438	4.00	3.0	AK124H	1-4L
1259	1.39	3.6	AK54H	1-4L	420	4.17	3.6	AK154H	1-4L
1250	1.40	3.0	AK46H	1-4L	386	4.53	3.4	BK160H	1-5L
1215	1.44	3.6	AK56H	1-4L	375	4.67	3.0	AK144H	1-4L
1214	1.44	3.4	BK55H	1-5L	350	5.00	3.0	AK154H	1-4L
1186	1.48	4.0	BK65H	1-5L	323	5.41	3.4	BK190H	1-5L
1167	1.50	3.0	AK49H	1-4L	292	6.00	3.0	AK184H	1-4L
1167	1.50	3.4	BK57H	1-5L					
1145	1.58	3.6	AK59H	1-4L					

** Use one belt, either A or 4L.

▲ Pitch diameter of integral sheaves supplied with stock 5D-FLEXIDYNE.

◆ "A" Belts may be used in place of 4L belts on 3.0 P.D. sheaves or larger.

"AX" Belts may be used in place of 4L belts on 2.2 P.D. sheaves or larger.

"B" Belts are not recommended in place of 5L belts.

"BX" Belts may be used in place of 5L belts on 4.0 P.D. sheaves or larger.

* All Sheaves are DODGE stock sheaves. Size numbers are shown for FHP 4L and 5L sheaves; datum diameters for Dual Duty sheaves.

FEATURES/BENEFITS PAGE PT3-2	SPECIFICATION PAGE PT3-3	SELECTION PAGE PT3-4	ENGINEERING/TECHNICAL PAGE PT3-26
---------------------------------	-----------------------------	-------------------------	--------------------------------------



FLEXIDYNE V-Belt Drives For 55D FLEXIDYNE Drives

These are typical drives for average service conditions

Driven by 1750 RPM Motors					Driven by 1750 RPM Motors				
Driven RPM	V-Belt Drive Ratio	Diameter ★		Quan. & Belt Size ◆	Driven RPM	V-Belt Drive Ratio	Diameter ★		Quan. & Belt Size ◆
		Driver *	Driven ▲				Driver *	Driven ▲	
1750	1.00	3.6	3.6	1-A	1160	1.00	3.0	3.0	1-A
1750	1.00	3.4	3.4	1-3V	1160	1.00	3.4	3.4	1-3V
1670	1.05	4.2	4.4	1-A	1112	1.04	4.6	4.8	1-B
1657	1.06	4.5	4.8	1-3V	1098	1.06	4.5	4.8	1-3V
1598	1.10	4.2	4.6	1-A	1059	1.10	4.2	4.6	1-A
1573	1.11	4.5	5.0	1-3V	1061	1.09	4.1	4.5	1-3V
1522	1.15	4.0	4.6	1-A	1036	1.12	5.0	5.6	1-B
1515	1.15	4.1	4.8	1-3V	1026	1.13	3.7	4.1	1-3V
1483	1.18	4.5	5.3	1-3V	1005	1.15	4.1	4.8	1-3V
1470	1.19	4.2	5.0	1-A	1002	1.16	3.8	4.4	1-A
1439	1.22	4.1	5.0	1-3V	958	1.21	3.8	4.6	1-A
1411	1.24	5.0	6.2	1-B	954	1.22	4.1	5.0	1-3V
1403	1.25	4.5	5.6	1-3V	928	1.25	3.2	4.0	1-A
1357	1.29	4.1	5.3	1-3V	930	1.25	4.5	5.6	1-3V
1342	1.30	4.6	6.0	1-B	899	1.29	4.1	5.3	1-3V
1309	1.34	4.5	6.0	1-3V	892	1.30	4.0	5.2	1-A
1298	1.35	4.6	6.2	1-B	868	1.34	4.5	6.0	1-3V
1273	1.37	3.7	5.0	1-3V	859	1.35	4.0	5.4	1-A
1250	1.40	4.0	5.6	1-A	844	1.37	3.7	5.0	1-3V
1229	1.42	3.4	4.8	1-3V	840	1.38	4.2	5.8	1-A
1207	1.45	4.0	5.8	1-A	816	1.42	3.8	5.4	1-A
1197	1.46	4.1	6.0	1-3V	814	1.42	3.4	4.8	1-3V
1182	1.48	5.0	7.4	1-B	800	1.45	4.5	6.5	1-3V
1167	1.50	3.4	5.0	1-3V	791	1.47	3.0	4.4	1-A
1135	1.54	3.7	5.6	1-3V	773	1.50	3.2	4.8	1-A
1129	1.55	4.0	6.2	1-A	773	1.50	3.4	5.0	1-3V
1100	1.59	3.4	5.3	1-3V	757	1.53	3.0	4.6	1-A
1094	1.60	4.0	6.4	1-A	754	1.54	4.5	6.9	1-3V
1073	1.63	3.8	6.2	1-A	746	1.56	3.6	5.6	1-A
1059	1.65	3.7	6.0	1-3V	730	1.59	3.4	5.4	1-A
1041	1.68	3.4	5.6	1-3V	729	1.59	3.4	5.3	1-3V
1026	1.71	3.4	5.8	1-A	711	1.63	3.8	6.2	1-A
1000	1.75	4.0	7.0	1-A	702	1.65	3.7	6.0	1-3V
980	1.79	4.5	8.0	1-3V	696	1.67	3.0	5.0	1-A
960	1.82	3.4	6.2	1-A	690	1.68	3.4	5.6	1-3V
936	1.87	4.6	8.6	1-B	680	1.71	3.4	5.8	1-A
920	1.90	3.7	6.9	1-3V	649	1.79	4.5	8.0	1-3V
900	1.94	3.6	7.0	1-A	644	1.80	3.0	5.4	1-A
895	1.95	3.4	6.5	1-3V	616	1.88	3.4	6.4	1-A
850	2.06	3.4	7.0	1-A	610	1.90	3.7	6.9	1-3V
843	2.08	3.4	6.9	1-3V	593	1.95	3.4	6.5	1-3V
795	2.20	5.0	11.0	1-B	580	2.00	3.0	6.0	1-A
792	2.21	3.7	8.0	1-3V	559	2.08	3.4	6.9	1-3V
759	2.30	4.6	10.6	1-A	544	2.13	3.0	6.4	1-A
726	2.41	3.4	8.2	1-A	527	2.20	5.0	11.0	1-B
726	2.41	3.4	8.0	1-3V	525	2.21	3.7	8.0	1-3V
693	2.52	4.2	10.6	1-A	503	2.30	4.6	10.6	1-A
675	2.59	4.1	10.6	1-3V	489	2.37	4.5	10.6	1-3V
671	2.61	4.6	12.0	1-A	481	2.41	3.4	8.2	1-A
627	2.79	3.8	10.6	1-A	482	2.41	3.4	8.0	1-3V
597	2.93	3.7	10.6	1-3V	448	2.59	4.1	10.6	1-3V
583	3.00	4.0	12.0	1-A	445	2.61	4.6	12.0	1-A
558	3.13	4.5	14.0	1-3V	406	2.86	4.2	12.0	1-A
537	3.26	4.6	15.0	1-A	396	2.93	3.7	10.6	1-3V
511	3.43	4.1	14.0	1-3V	372	3.12	3.4	10.6	1-A
496	3.53	3.4	12.0	1-A	370	3.13	4.5	14.0	1-3V
476	3.68	5.0	18.4	1-B	346	3.35	4.6	15.4	1-B
452	3.87	3.7	14.0	1-3V	338	3.43	4.1	14.0	1-3V
443	3.95	3.8	15.0	1-A	309	3.75	3.2	12.0	1-A
420	4.17	3.6	15.0	1-A	299	3.87	3.7	14.0	1-3V
411	4.26	4.5	19.0	1-3V	278	4.17	3.6	15.0	1-A
397	4.41	3.4	15.0	1-A	274	4.23	3.4	14.0	1-3V
376	4.66	4.1	19.0	1-3V	258	4.50	4.0	18.0	1-A
369	4.74	3.8	18.0	1-A	249	4.66	4.1	19.0	1-3V
350	5.00	3.6	18.0	1-A	219	5.29	3.4	18.0	1-A
331	5.29	3.4	18.0	1-A	220	5.26	3.7	19.0	1-3V
332	5.26	3.7	19.0	1-3V	202	5.74	3.4	19.0	1-3V
305	5.74	3.4	19.0	1-3V	193	6.00	3.0	18.0	1-A

* Stock FLEXIDYNE sheaves listed on page PT3-16 - PT3-17.

★ Outside diameter of 3V DYNA-V sheaves. Datum diameter of A and B sheaves. All ratios are based on P.D. for DYNA-V Sheaves and Datum diameter for A and B Sheaves.

* Stock TAPER-LOCK sheaves in V-drives section.

FEATURES/BENEFITS PAGE PT3-2	SPECIFICATION PAGE PT3-3	SELECTION PAGE PT3-4	ENGINEERING/TECHNICAL PAGE PT3-26
---------------------------------	-----------------------------	-------------------------	--------------------------------------



FLEXIDYNE V-Belts Drive For 70D FLEXIDYNE Drives

These are typical drives for average service conditions

Driven by 1750 RPM Motors					Driven by 1750 RPM Motors				
Driven RPM	V-Belt Drive Ratio	Diameter ★		Quan. & Belt Size ◆	Driven RPM	V-Belt Drive Ratio	Diameter ★		Quan. & Belt Size ◆
		Driver *	Driven ▲				Driver *	Driven ▲	
1750	1.00	5.6	5.6	1-B	1160	1.00	4.8	4.8	1-A
1694	1.03	6.0	6.2	1-B	1123	1.03	6.0	6.2	1-B
1690	1.04	5.6	5.8	1-B	1119	1.04	5.4	5.6	1-B
1641	1.07	6.0	6.4	1-B	1094	1.06	5.0	5.3	1-3V
1633	1.07	5.6	6.0	1-B	1083	1.07	5.6	6.0	1-B
1632	1.07	5.6	6.0	1-3V	1082	1.07	5.6	6.0	1-3V
1614	1.08	6.0	6.5	1-3V	1070	1.08	6.0	6.5	1-3V
1591	1.10	6.0	6.6	1-B	1055	1.10	6.0	6.6	1-B
1581	1.11	5.6	6.2	1-B	1040	1.12	5.2	5.8	1-B
1575	1.11	5.4	6.0	1-B	1035	1.12	5.0	5.6	1-3V
1544	1.13	6.0	6.8	1-B	1015	1.14	5.6	6.4	1-B
1531	1.14	5.6	6.4	1-B	1008	1.15	6.0	6.9	1-3V
1524	1.15	5.4	6.2	1-B	998	1.16	5.6	6.5	1-3V
1520	1.15	6.0	6.9	1-3V	994	1.17	4.8	5.6	1-A
1506	1.16	5.6	6.5	1-3V	967	1.20	5.0	6.0	1-A
1485	1.18	5.6	6.6	1-B	965	1.20	5.0	6.0	1-3V
1477	1.19	5.4	6.4	1-B	949	1.22	5.4	6.6	1-B
1441	1.21	5.6	6.8	1-B	940	1.23	5.6	6.9	1-3V
1432	1.22	5.4	6.6	1-B	928	1.25	4.8	6.0	1-A
1419	1.23	6.0	7.4	1-B	914	1.27	5.2	6.6	1-B
1418	1.23	5.6	6.9	1-3V	898	1.29	4.8	6.2	1-A
1390	1.26	5.4	6.8	1-B	890	1.30	5.0	6.5	1-3V
1324	1.32	5.6	7.4	1-B	878	1.32	5.6	7.4	1-B
1310	1.34	6.0	8.0	1-3V	868	1.34	6.0	8.0	1-3V
1265	1.38	5.0	6.9	1-3V	862	1.35	5.2	7.0	1-A
1221	1.43	6.0	8.6	1-B	846	1.37	5.4	7.4	1-B
1222	1.43	5.6	8.0	1-3V	838	1.38	5.0	6.9	1-3V
1140	1.54	5.6	8.6	1-B	829	1.40	5.0	7.0	1-A
1117	1.57	6.0	9.4	1-B	809	1.43	6.0	8.6	1-B
1099	1.59	5.4	8.6	1-B	810	1.43	5.6	8.0	1-3V
1090	1.61	5.0	8.0	1-3V	792	1.46	5.6	8.2	1-A
1058	1.65	5.2	8.6	1-B	755	1.54	5.6	8.6	1-B
1043	1.68	5.6	9.4	1-B	740	1.57	6.0	9.4	1-B
1005	1.74	5.4	9.4	1-B	722	1.61	5.6	9.0	1-A
987	1.77	6.0	10.6	1-3V	722	1.61	5.0	8.0	1-3V
968	1.81	5.2	9.4	1-B	701	1.65	5.2	8.6	1-B
955	1.83	6.0	11.0	1-B	679	1.71	4.8	8.2	1-A
921	1.90	5.6	10.6	1-3V	666	1.74	5.4	9.4	1-B
891	1.96	5.6	11.0	1-B	654	1.77	6.0	10.6	1-3V
859	2.04	5.4	11.0	1-B	644	1.80	5.0	9.0	1-A
847	2.07	6.0	12.4	1-B	613	1.89	5.6	10.6	1-A
827	2.12	5.2	11.0	1-B	610	1.90	5.6	10.6	1-3V
821	2.13	5.0	10.6	1-3V	591	1.96	5.6	11.0	1-B
790	2.21	5.6	12.4	1-B	569	2.04	5.4	11.0	1-B
762	2.30	5.4	12.4	1-B	548	2.12	5.2	11.0	1-B
746	2.34	6.0	14.0	1-3V	544	2.13	5.0	10.6	1-3V
734	2.38	5.2	12.4	1-B	525	2.21	4.8	10.6	1-A
696	2.51	5.6	14.0	1-3V	505	2.30	5.4	12.4	1-B
682	2.57	6.0	15.4	1-B	495	2.34	6.0	14.0	1-3V
636	2.75	5.6	15.4	1-B	486	2.38	5.2	12.4	1-B
621	2.82	5.0	14.0	1-3V	464	2.50	4.8	12.0	1-A
614	2.85	5.4	15.4	1-B	462	2.51	5.6	14.0	1-3V
609	2.87	6.4	18.4	1-B	452	2.57	6.0	15.4	1-B
591	2.96	5.2	15.4	1-B	433	2.68	5.6	15.0	1-A
571	3.07	6.0	18.4	1-B	422	2.75	5.6	15.4	1-B
549	3.18	6.0	19.0	1-3V	412	2.82	5.0	14.0	1-3V
533	3.29	5.6	18.4	1-B	402	2.88	5.2	15.0	1-A
514	3.41	5.4	18.4	1-B	392	2.96	5.2	15.4	1-B
513	3.41	5.6	19.0	1-3V	387	3.00	5.0	15.0	1-A
495	3.54	5.2	18.4	1-B	371	3.12	4.8	15.0	1-A
457	3.83	5.0	19.0	1-3V	364	3.18	6.0	19.0	1-3V
.....	361	3.21	5.6	18.0	1-A
.....	353	3.29	5.6	18.4	1-B
.....	340	3.41	5.6	19.0	1-3V
.....	335	3.46	5.2	18.0	1-A
.....	322	3.60	5.0	18.0	1-A
.....	309	3.75	4.8	18.0	1-A
.....	303	3.83	5.0	19.0	1-3V

* Stock FLEXIDYNE sheaves listed on page PT3-16 - PT3-17.

★ Outside diameter of 3V DYNA-V sheaves. Datum diameter of A and B sheaves. All ratios are based on P.D. for DYNA-V Sheaves and Datum diameter for A and B Sheaves.

* Stock TAPER-LOCK sheaves in V-drives section.

FEATURES/BENEFITS PAGE PT3-2	SPECIFICATION PAGE PT3-3	SELECTION PAGE PT3-4	ENGINEERING/TECHNICAL PAGE PT3-26
---------------------------------	-----------------------------	-------------------------	--------------------------------------



FLEXIDYNE

V-Belt Drives For 75D FLEXIDYNE Drives

These are typical drives for average service conditions

Driven by 1750 RPM Motors					Driven by 1750 RPM Motors				
Driven RPM	V-Belt Drive Ratio	Diameter ★		Quan. & Belt Size ◆	Driven RPM	V-Belt Drive Ratio	Diameter ★		Quan. & Belt Size ◆
		Driver *	Driven ⬆				Driver *	Driven ⬆	
1750	1.00	5.6	5.6	2-B	1160	1.00	4.8	4.8	2-A
1694	1.03	6.0	6.2	2-B	1114	1.04	4.8	5.0	2-A
1690	1.04	5.6	5.8	2-B	1094	1.06	5.0	5.3	2-3V
1641	1.07	6.0	6.4	2-B	1082	1.07	5.6	6.0	2-3V
1632	1.07	5.6	6.0	2-3V	1071	1.08	4.8	5.2	2-A
1614	1.08	6.0	6.5	2-3V	1072	1.08	6.0	6.5	2-3V
1591	1.10	6.0	6.6	2-B	1055	1.10	6.0	6.6	2-B
1544	1.13	6.0	6.8	2-B	1036	1.12	5.0	5.6	2-A
1524	1.15	5.4	6.2	2-B	1035	1.12	5.0	5.6	2-3V
1520	1.15	6.0	6.9	2-3V	1015	1.14	5.6	6.4	2-B
1506	1.16	5.6	6.5	2-3V	1008	1.15	6.0	6.9	2-3V
1485	1.18	5.6	6.6	2-B	1000	1.16	5.0	5.8	2-A
1441	1.21	5.6	6.8	2-B	998	1.16	5.6	6.5	2-3V
1419	1.23	6.0	7.4	2-B	994	1.17	4.8	5.6	2-A
1418	1.23	5.6	6.9	2-3V	984	1.18	5.6	6.6	2-B
1390	1.26	5.4	6.8	2-B	967	1.20	5.0	6.0	2-A
1324	1.32	5.6	7.4	2-B	965	1.20	5.0	6.0	2-3V
1310	1.34	6.0	8.0	2-3V	960	1.21	4.8	5.8	2-A
1277	1.37	5.4	7.4	2-B	941	1.23	6.0	7.4	2-B
1265	1.38	5.0	6.9	2-3V	940	1.23	5.6	6.9	2-3V
1221	1.43	6.0	8.6	2-B	935	1.24	5.0	6.2	2-A
1222	1.43	5.6	8.0	2-3V	928	1.25	4.8	6.0	2-A
1140	1.54	5.6	8.6	2-B	906	1.28	5.0	6.4	2-A
1117	1.57	6.0	9.4	2-B	898	1.29	4.8	6.2	2-A
1099	1.59	5.4	8.6	2-B	890	1.30	5.0	6.5	2-3V
1090	1.61	5.0	8.0	2-3V	887	1.31	5.2	6.8	2-B
1043	1.68	5.6	9.4	2-B	870	1.33	4.8	6.4	2-A
1005	1.74	5.4	9.4	2-B	868	1.34	6.0	8.0	2-3V
987	1.77	6.0	10.6	2-3V	862	1.35	5.2	7.0	2-A
968	1.81	5.2	9.4	2-B	846	1.37	5.4	7.4	2-B
955	1.83	6.0	11.0	2-B	838	1.38	5.0	6.9	2-3V
921	1.90	5.6	10.6	2-3V	829	1.40	5.0	7.0	2-A
891	1.96	5.6	11.0	2-B	809	1.43	6.0	8.6	2-B
859	2.04	5.4	11.0	2-B	810	1.43	5.6	8.0	2-3V
847	2.07	6.0	12.4	2-B	795	1.46	4.8	7.0	2-A
827	2.12	5.2	11.0	2-B	755	1.54	5.6	8.6	2-B
821	2.13	5.0	10.6	2-3V	736	1.58	5.2	8.2	2-A
790	2.21	5.6	12.4	2-B	722	1.61	5.0	8.0	2-3V
762	2.30	5.4	12.4	2-B	707	1.64	5.0	8.2	2-A
746	2.34	6.0	14.0	2-3V	679	1.71	4.8	8.2	2-A
734	2.38	5.2	12.4	2-B	670	1.73	5.2	9.0	2-A
696	2.51	5.6	14.0	2-3V	654	1.77	6.0	10.6	2-3V
682	2.57	6.0	15.4	2-B	644	1.80	5.0	9.0	2-A
636	2.75	5.6	15.4	2-B	619	1.87	4.8	9.0	2-A
621	2.82	5.0	14.0	2-3V	610	1.90	5.6	10.6	2-3V
614	2.85	5.4	15.4	2-B	591	1.96	5.6	11.0	2-B
591	2.96	5.2	15.4	2-B	569	2.04	5.4	11.0	2-B
571	3.07	6.0	18.4	2-B	547	2.12	5.0	10.6	2-A
549	3.18	6.0	19.0	2-3V	544	2.13	5.0	10.6	2-3V
525	3.33	6.0	20.0	2-B	525	2.21	4.8	10.6	2-A
514	3.41	5.4	18.4	2-B	495	2.34	6.0	14.0	2-3V
513	3.41	5.6	19.0	2-3V	486	2.38	5.2	12.4	2-B
490	3.57	5.6	20.0	2-B	464	2.50	4.8	12.0	2-A
455	3.85	5.2	20.0	2-B	462	2.51	5.6	14.0	2-3V
457	3.83	5.0	19.0	2-3V	422	2.75	5.6	15.4	2-B
420	4.17	6.0	25.0	2-B	412	2.82	5.0	14.0	2-3V
417	4.19	6.0	25.0	2-3V	402	2.88	5.2	15.0	2-A
392	4.46	5.6	25.0	2-B	387	3.00	5.0	15.0	2-A
389	4.50	5.6	25.0	2-3V	371	3.12	4.8	15.0	2-A
378	4.63	5.4	25.0	2-B	364	3.18	6.0	19.0	2-3V
364	4.81	5.2	25.0	2-B	340	3.41	5.6	19.0	2-3V
350	5.00	6.0	30.0	2-B	322	3.60	5.0	18.0	2-A
347	5.04	5.0	25.0	2-3V	309	3.75	4.8	18.0	2-A
327	5.36	5.6	30.0	2-B	303	3.83	5.0	19.0	2-3V
303	5.77	5.2	30.0	2-B	278	4.17	6.0	25.0	2-B
276	6.33	6.0	38.0	2-B	277	4.19	6.0	25.0	2-3V
258	6.79	5.6	38.0	2-B	258	4.50	5.6	25.0	2-3V
249	7.04	5.4	38.0	2-B	230	5.04	5.0	25.0	2-3V

* Stock FLEXIDYNE sheaves listed on page PT3-16 - PT3-17.

★ Outside diameter of 3V DYNA-V sheaves. Datum diameter of A and B sheaves. All ratios are based on P.D. for DYNA-V Sheaves and Datum diameter for A and B Sheaves.

* Stock TAPER-LOCK sheaves in V-drives section.

FEATURES/BENEFITS PAGE PT3-2	SPECIFICATION PAGE PT3-3	SELECTION PAGE PT3-4	ENGINEERING/TECHNICAL PAGE PT3-26
---------------------------------	-----------------------------	-------------------------	--------------------------------------



FLEXIDYNE

V-Belt Drives For 9D FLEXIDYNE Drives

These are typical drives for average service conditions

Driven by 1750 RPM Motors					Driven by 1750 RPM Motors				
Driven RPM	V-Belt Drive Ratio	Diameter ★		Quan. & Belt Size ◆	Driven RPM	V-Belt Drive Ratio	Diameter ★		Quan. & Belt Size ◆
		Driver *	Driven ▲				Driver *	Driven ▲	
1750	1.00	4.75	4.75	4-3V	1160	1.00	4.75	4.75	4-3V
1683	1.04	5.0	5.2	5-A	1115	1.04	5.0	5.2	5-A
1667	1.05	4.75	5.0	4-3V	1105	1.05	4.75	5.0	4-3V
1636	1.07	5.6	6.0	4-A	1084	1.07	5.6	6.0	4-A
1620	1.08	5.2	5.6	5-A	1074	1.08	5.2	5.6	5-A
1577	1.11	5.4	6.0	5-B	1045	1.11	5.4	6.0	5-B
1563	1.12	4.75	5.3	4-3V	1036	1.12	4.75	5.3	4-3V
1549	1.13	5.3	6.0	4-3V	1027	1.13	5.3	6.0	4-3V
1535	1.14	5.6	6.4	4-A	1018	1.14	5.6	6.4	4-A
1522	1.15	6.0	6.9	4-3V	1009	1.15	6.0	6.9	4-3V
1496	1.17	6.0	7.0	4-A	991	1.17	6.0	7.0	4-A
1483	1.18	4.75	5.6	4-3V	983	1.18	4.75	5.6	4-3V
1458	1.20	5.0	6.0	5-A	967	1.20	5.0	6.0	5-A
1423	1.23	5.3	6.5	4-3V	943	1.23	5.3	6.5	4-3V
1400	1.25	5.6	7.0	4-A	928	1.25	5.6	7.0	4-A
1378	1.27	4.75	6.0	4-3V	913	1.27	4.75	6.0	4-3V
1367	1.28	5.0	6.4	5-A	906	1.28	5.0	6.4	5-A
1346	1.30	5.3	6.9	4-3V	892	1.30	5.3	6.9	4-3V
1326	1.32	5.6	7.4	5-B	879	1.32	5.6	7.4	5-B
1306	1.34	6.0	8.0	4-3V	866	1.34	6.0	8.0	4-3V
1296	1.35	5.2	7.0	5-A	859	1.35	5.2	7.0	5-A
1277	1.37	4.75	6.5	4-3V	847	1.37	4.75	6.5	4-3V
1250	1.40	5.0	7.0	5-A	829	1.40	5.0	7.0	5-A
1224	1.43	6.0	8.6	4-B	811	1.43	6.0	8.6	4-B
1199	1.46	4.75	6.9	4-3V	795	1.46	4.75	6.9	4-3V
1159	1.51	5.3	8.0	4-3V	768	1.51	5.3	8.0	4-3V
1136	1.54	5.6	8.6	5-B	753	1.54	5.6	8.6	5-B
1108	1.58	5.2	8.2	5-A	734	1.58	5.2	8.2	5-A
1087	1.61	5.6	9.0	4-A	720	1.61	5.6	9.0	4-A
1067	1.64	5.0	8.2	5-A	707	1.64	5.0	8.2	5-A
1036	1.69	4.75	8.0	4-3V	686	1.69	4.75	8.0	4-3V
1012	1.73	5.2	9.0	5-A	671	1.73	5.2	9.0	5-A
989	1.77	6.0	10.6	4-3V	655	1.77	6.0	10.6	4-3V
972	1.80	5.0	9.0	5-A	644	1.80	5.0	9.0	5-A
956	1.83	6.0	11.0	4-B	634	1.83	6.0	11.0	4-B
926	1.89	5.6	10.6	4-A	614	1.89	5.6	10.6	4-A
902	1.94	6.4	12.4	4-B	598	1.94	6.4	12.4	4-B
871	2.01	5.3	10.6	4-3V	577	2.01	5.3	10.6	4-3V
858	2.04	5.2	10.6	5-A	569	2.04	5.2	10.6	5-A
818	2.14	5.6	12.0	4-A	542	2.14	5.6	12.0	4-A
792	2.21	5.6	12.4	5-B	525	2.21	5.6	12.4	5-B
781	2.24	4.75	10.6	4-3V	518	2.24	4.75	10.6	4-3V
748	2.34	6.0	14.0	4-3V	496	2.34	6.0	14.0	4-3V
729	2.40	5.0	12.0	5-A	483	2.40	5.0	12.0	5-A
700	2.50	6.0	12.0	4-A	464	2.50	6.0	12.0	4-A
681	2.57	6.0	15.4	4-B	451	2.57	6.0	15.4	4-B
658	2.66	5.3	14.0	4-3V	436	2.66	5.3	14.0	4-3V
636	2.75	5.6	15.4	5-B	422	2.75	5.6	15.4	5-B
608	2.88	5.2	15.0	5-A	403	2.88	5.2	15.0	5-A
589	2.97	4.75	14.0	4-3V	391	2.97	4.75	14.0	4-3A
570	3.07	6.0	18.4	4-B	378	3.07	6.0	18.4	4-B
545	3.21	5.6	18.0	4-A	361	3.21	5.6	18.0	4-A
532	3.29	5.6	18.4	5-B	353	3.29	5.6	18.4	5-B
506	3.46	5.2	18.0	5-A	335	3.46	5.2	18.0	5-A
485	3.61	5.3	19.0	4-3V	321	3.61	5.3	19.0	4-3V
473	3.70	5.4	20.0	5-B	314	3.70	5.4	20.0	5-B
448	3.91	6.4	25.0	4-B	297	3.91	6.4	25.0	4-B
434	4.03	4.75	19.0	4-3V	288	4.03	4.75	19.0	4-3V
420	4.17	6.0	25.0	4-B	278	4.17	6.0	25.0	4-B
392	4.46	5.6	25.0	5-B	260	4.46	5.6	25.0	5-B
368	4.75	5.3	25.0	4-3V	244	4.75	5.3	25.0	4-3V
350	5.00	6.0	30.0	4-B	232	5.00	6.0	30.0	4-B
330	5.31	4.75	25.0	4-3V	218	5.31	4.75	25.0	4-3V
311	5.62	6.0	33.5	4-3V	206	5.62	6.0	33.5	4-3V
295	5.94	6.4	38.0	4-B	195	5.94	6.4	38.0	4-B
275	6.37	5.3	33.5	4-3V	182	6.37	5.3	33.5	4-3V
258	6.79	5.6	38.0	5-B	171	6.79	5.6	38.0	5-B
246	7.12	4.75	33.5	4-3V	163	7.12	4.75	33.5	4-3V

* Stock FLEXIDYNE sheaves listed on page PT3-16 - PT3-17.

* Stock TAPER-LOCK sheaves in V-drives section.

★ Outside diameter of 3V DYNA-V sheaves. Datum diameter of A and B sheaves. All ratios are based on P.D. for DYNA-V Sheaves and Datum diameter for A and B Sheaves.

FEATURES/BENEFITS PAGE PT3-2	SPECIFICATION PAGE PT3-3	SELECTION PAGE PT3-4	ENGINEERING/TECHNICAL PAGE PT3-26
---------------------------------	-----------------------------	-------------------------	--------------------------------------



FLEXIDYNE

V-Belt Drives For 11D, 11DL FLEXIDYNE Drives

These are typical drives for average service conditions

Driven by 1750 RPM Motors					Driven by 1750 RPM Motors				
Driven RPM	V-Belt Drive Ratio	Diameter ★		Quan. & Belt Size ◆	Driven RPM	V-Belt Drive Ratio	Diameter ★		Quan. & Belt Size ◆
		Driver *	Driven ▲				Driver *	Driven ▲	
1750	1.00	6.5	6.5	5-3V	1160	1.00	6.5	6.5	5-3V
1750	1.00	6.8	6.8	5-B	1160	1.00	6.8	6.8	5-B
1699	1.03	6.6	6.8	5-B	1126	1.03	6.6	6.8	5-B
1651	1.06	6.5	6.9	5-3V	1094	1.06	6.5	6.9	5-3V
1636	1.07	7.5	8.0	3-5V	1084	1.07	7.5	8.0	3-5V
1606	1.09	6.8	7.4	5-B	1064	1.09	6.8	7.4	5-B
1563	1.12	6.6	7.4	5-B	1036	1.12	6.6	7.4	5-B
1535	1.14	7.5	8.5	3-5V	1022	1.14	7.5	8.5	3-5V
1509	1.16	7.4	8.6	5-B	1000	1.16	7.4	8.6	5-B
1509	1.16	6.9	8.0	5-3V	1000	1.16	6.9	8.0	5-3V
1458	1.20	7.5	9.0	3-5V	967	1.20	7.5	9.0	3-5V
1423	1.23	6.5	8.0	5-3V	943	1.23	6.5	8.0	5-3V
1411	1.24	7.5	9.25	3-5V	935	1.24	7.5	9.25	3-5V
1389	1.26	6.8	8.6	5-B	921	1.26	6.8	8.6	5-B
1378	1.27	7.4	9.4	5-B	913	1.27	7.4	9.4	5-B
1367	1.28	8.6	11.0	5-B	906	1.28	8.6	11.0	5-B
1346	1.30	7.5	9.75	3-5V	892	1.30	7.5	9.75	3-5V
1346	1.30	6.6	8.6	5-B	892	1.30	6.6	8.6	5-B
1268	1.38	7.5	10.3	3-5V	841	1.38	7.5	10.3	3-5V
1268	1.38	6.8	9.4	5-B	841	1.38	6.8	9.4	5-B
1232	1.42	6.6	9.4	5-B	817	1.42	6.6	9.4	5-B
1215	1.44	8.6	12.4	5-B	806	1.44	8.6	12.4	5-B
1199	1.46	7.5	10.9	3-5V	795	1.46	7.5	10.9	3-5V
1174	1.49	7.4	11.0	5-B	779	1.49	7.4	11.0	5-B
1136	1.54	6.9	10.6	5-3V	753	1.54	6.9	10.6	5-3V
1108	1.58	7.5	11.8	3-5V	734	1.58	7.5	11.8	3-5V
1080	1.62	6.8	11.0	5-B	716	1.62	6.8	11.0	5-B
1067	1.64	6.5	10.6	5-3V	707	1.64	6.5	10.6	5-3V
1048	1.67	6.6	11.0	5-B	695	1.67	6.6	11.0	5-B
1042	1.68	7.5	12.5	3-5V	690	1.68	7.5	12.5	3-5V
1042	1.68	7.4	12.4	5-B	690	1.68	7.4	12.4	5-B
989	1.77	7.5	13.2	3-5V	655	1.77	7.5	13.2	3-5V
978	1.79	8.6	15.4	5-B	648	1.79	8.6	15.4	5-B
962	1.82	6.8	12.4	5-B	637	1.82	6.8	12.4	5-B
931	1.88	7.5	14.0	3-5V	617	1.88	7.5	14.0	3-5V
931	1.88	6.6	12.4	5-B	617	1.88	6.6	12.4	5-B
871	2.01	7.5	15.0	3-5V	577	2.01	7.5	15.0	3-5V
858	2.04	6.9	14.0	5-3V	569	2.04	6.9	14.0	5-3V
841	2.08	7.4	15.4	5-B	558	2.08	7.4	15.4	5-B
818	2.14	8.6	18.4	5-B	542	2.14	8.6	18.4	5-B
814	2.15	7.5	16.0	3-5V	540	2.15	7.5	16.0	3-5V
810	2.16	6.5	14.0	5-3V	537	2.16	6.5	14.0	5-3V
774	2.26	6.8	15.4	5-B	513	2.26	6.8	15.4	5-B
751	2.33	6.6	15.4	5-B	498	2.33	6.6	15.4	5-B
703	2.49	7.4	18.4	5-B	466	2.49	7.4	18.4	5-B
646	2.71	6.8	18.4	5-B	428	2.71	6.8	18.4	5-B
632	2.77	6.9	19.0	5-3V	419	2.77	6.9	19.0	5-3V
627	2.79	6.6	18.4	5-B	416	2.79	6.6	18.4	5-B
614	2.85	7.5	21.2	3-5V	407	2.85	7.5	21.2	3-5V
601	2.91	8.6	25.0	5-B	399	2.91	8.6	25.0	5-B
595	2.94	6.5	19.0	5-3V	395	2.94	6.5	19.0	5-3V
578	3.03	6.6	20.0	5-B	383	3.03	6.6	20.0	5-B
518	3.38	7.4	25.0	5-B	343	3.38	7.4	25.0	5-B
501	3.49	8.6	30.0	5-B	332	3.49	8.6	30.0	5-B
481	3.64	6.9	25.0	5-3V	319	3.64	6.9	25.0	5-3V
476	3.68	6.8	25.0	5-B	315	3.68	6.8	25.0	5-B
464	3.77	7.5	28.0	3-5V	308	3.77	7.5	28.0	3-5V
462	3.79	6.6	25.0	5-B	306	3.79	6.6	25.0	5-B
452	3.87	6.5	25.0	5-3V	300	3.87	6.5	25.0	5-3V
432	4.05	7.4	30.0	5-B	286	4.05	7.4	30.0	5-B
397	4.41	6.8	30.0	5-B	263	4.41	6.8	30.0	5-B
385	4.55	6.6	30.0	5-B	255	4.55	6.6	30.0	5-B
359	4.88	6.9	33.5	5-3V	238	4.88	6.9	35.5	5-3V
347	5.05	7.5	37.5	3-5V	230	5.05	7.5	37.5	3-5V
340	5.14	7.4	38.0	5-B	226	5.14	7.4	38.0	5-B
337	5.19	6.5	33.5	5-3V	224	5.19	6.5	33.5	5-3V
313	5.59	6.8	38.0	5-B	208	5.59	6.8	38.0	5-B
304	5.76	6.6	38.0	5-B	201	5.76	6.6	38.0	5-B

* Stock FLEXIDYNE sheaves listed on page PT3-16 - PT3-17.

★ Outside diameter of 3V DYNA-V sheaves. Datum diameter of A and B sheaves. All ratios are based on P.D. for DYNA-V Sheaves and Datum diameter for A and B Sheaves.

* Stock TAPER-LOCK sheaves in V-drives section.

FEATURES/BENEFITS PAGE PT3-2	SPECIFICATION PAGE PT3-3	SELECTION PAGE PT3-4	ENGINEERING/TECHNICAL PAGE PT3-26
---------------------------------	-----------------------------	-------------------------	--------------------------------------



FLEXIDYNE

V-Belt Drives For 15D FLEXIDYNE Drives

These are typical drives for average service conditions

Driven by 1750 RPM Motors					Driven by 1750 RPM Motors				
Driven RPM	V-Belt Drive Ratio	Diameter ★		Quan. & Belt Size ◆	Driven RPM	V-Belt Drive Ratio	Diameter ★		Quan. & Belt Size ◆
		Driver *	Driven ▲				Driver *	Driven ▲	
1750	1.00	9.75	9.75	4-5V	1160	1.00	9.75	9.75	4-5V
1699	1.03	9.0	9.25	5-5V	1126	1.03	9.0	9.25	5-5V
1663	1.05	9.5	10.0	6-C	1102	1.05	9.5	10.0	6-C
1651	1.06	9.75	10.3	4-5V	1094	1.06	9.75	10.3	4-5V
1620	1.08	9.0	9.75	5-5V	1074	1.08	9.0	9.75	5-5V
1606	1.09	8.5	9.25	5-5V	1064	1.09	8.5	9.25	5-5V
1591	1.10	10.0	11.0	6-C	1055	1.10	10.0	11.0	6-C
1575	1.11	9.0	10.0	6-C	1044	1.11	9.0	10.0	6-C
1563	1.12	9.75	10.9	4-5V	1036	1.12	9.75	10.9	4-5V
1531	1.14	10.5	12.0	5-C	1015	1.14	10.5	12.0	5-C
1522	1.15	8.5	9.75	5-5V	1009	1.15	8.5	9.75	5-5V
1496	1.17	9.0	10.5	6-C	994	1.17	9.0	10.5	6-C
1458	1.20	10.0	12.0	6-C	966	1.20	10.0	12.0	6-C
1446	1.21	9.75	11.8	4-5V	959	1.21	9.75	11.8	4-5V
1432	1.22	9.0	11.0	6-C	949	1.22	9.0	11.0	6-C
1413	1.24	10.5	13.0	5-C	937	1.24	10.5	13.0	5-C
1385	1.26	9.5	12.0	6-C	918	1.26	9.5	12.0	6-C
1367	1.28	9.75	12.5	4-3V	906	1.28	9.75	12.5	4-3V
1357	1.29	8.5	10.9	5-5V	899	1.29	8.5	10.9	5-5V
1346	1.30	10.0	13.0	6-C	892	1.30	10.0	13.0	6-C
1336	1.31	9.0	11.8	5-5V	885	1.31	9.0	11.8	5-5V
1313	1.33	10.5	14.0	5-C	870	1.33	10.5	14.0	5-C
1287	1.36	9.75	13.2	4-5V	853	1.36	9.75	13.2	4-5V
1279	1.37	9.5	13.0	6-C	848	1.37	9.5	13.0	6-C
1259	1.39	8.5	11.8	5-5V	835	1.39	8.5	11.8	5-5V
1250	1.40	10.0	14.0	6-C	829	1.40	10.0	14.0	6-C
1215	1.44	9.75	14.0	4-5V	806	1.44	9.75	14.0	4-5V
1190	1.47	9.0	13.2	5-5V	789	1.47	9.0	13.2	5-5V
1182	1.48	8.5	12.5	5-5V	784	1.48	8.5	12.5	5-5V
1148	1.52	10.5	16.0	5-C	761	1.52	10.5	16.0	5-C
1136	1.54	9.75	15.0	4-5V	753	1.54	9.75	15.0	4-5V
1122	1.56	8.5	13.2	5-5V	744	1.56	8.5	13.2	5-5V
1094	1.60	10.0	16.0	6-C	725	1.60	10.0	16.0	6-C
1061	1.65	9.75	16.0	4-5V	703	1.65	9.75	16.0	4-5V
1048	1.67	9.0	15.0	5-5V	695	1.67	9.0	15.0	5-5V
1039	1.68	9.5	16.0	6-C	689	1.68	9.5	16.0	6-C
989	1.77	8.5	15.0	5-5V	655	1.77	8.5	15.0	5-5V
978	1.79	9.0	16.0	5-5V	648	1.79	9.0	16.0	5-5V
926	1.89	8.5	16.0	5-5V	614	1.89	8.5	16.0	5-5V
919	1.91	10.5	20.0	5-C	609	1.91	10.5	20.0	5-C
875	2.00	10.0	20.0	6-C	580	2.00	10.0	20.0	6-C
831	2.10	9.5	20.0	6-C	551	2.10	9.5	20.0	6-C
799	2.19	9.75	21.2	4-5V	530	2.19	9.75	21.2	4-5V
788	2.22	9.0	20.0	6-C	522	2.22	9.0	20.0	6-C
766	2.28	10.5	24.0	5-C	508	2.28	10.5	24.0	5-C
738	2.37	9.0	21.2	5-5V	489	2.37	9.0	21.2	5-5V
729	2.40	10.0	24.0	6-C	483	2.40	10.0	24.0	6-C
697	2.51	8.5	21.2	5-5V	462	2.51	8.5	21.2	5-5V
656	2.67	9.0	24.0	6-C	435	2.67	9.0	24.0	6-C
612	2.86	10.5	30.0	5-C	406	2.86	10.5	30.0	5-C
606	2.89	9.75	28.0	4-5V	401	2.89	9.75	28.0	4-5V
583	3.00	10.0	30.0	6-C	386	3.00	10.0	30.0	6-C
559	3.13	9.0	28.0	5-5V	371	3.13	9.0	28.0	5-5V
527	3.32	8.5	28.0	5-5V	349	3.32	8.5	28.0	5-5V
510	3.43	10.5	36.0	5-C	338	3.43	10.5	36.0	5-C
486	3.60	10.0	36.0	6-C	322	3.60	10.0	36.0	6-C
462	3.79	9.5	36.0	6-C	306	3.79	9.5	36.0	6-C
451	3.88	9.75	37.5	4-5V	299	3.88	9.75	37.5	4-5V
438	4.00	9.0	36.0	6-C	290	4.00	9.0	36.0	6-C
417	4.20	9.0	37.5	5-5V	276	4.20	9.0	37.5	5-5V
393	4.45	8.5	37.5	5-5V	261	4.45	8.5	37.5	5-5V
378	4.64	9.5	44.0	6-C	251	4.64	9.5	44.0	6-C
368	4.76	10.5	50.0	5-C	244	4.76	10.5	50.0	5-C
358	4.89	9.0	44.0	6-C	237	4.89	9.0	44.0	6-C
350	5.00	10.0	50.0	6-C	232	5.00	10.0	50.0	6-C
338	5.17	9.75	50.0	4-5V	224	5.17	9.75	50.0	4-5V
312	5.61	9.0	50.0	5-5V	207	5.61	9.0	50.0	5-5V
295	5.94	8.5	50.0	5-5V	195	5.94	8.5	50.0	5-5V

* Stock FLEXIDYNE sheaves listed on page PT3-16 - PT3-17.

* Stock TAPER-LOCK sheaves in V-drives section.

★ Outside diameter of 3V DYNA-V sheaves. Datum diameter of A and B sheaves. All ratios are based on P.D. for DYNA-V Sheaves and Datum diameter for A and B Sheaves.

FEATURES/BENEFITS PAGE PT3-2	SPECIFICATION PAGE PT3-3	SELECTION PAGE PT3-4	ENGINEERING/TECHNICAL PAGE PT3-26
---------------------------------	-----------------------------	-------------------------	--------------------------------------



FLEXIDYNE

SCF FLEXIDYNE Mechanism Used In A C-Flex Module

Maximum Allowable Acceleration Time (seconds)

Frequency of Starts	RPM	Starting Horsepower*						
		0.50	1.00	1.50	2.00	2.50	3.00	3.60
2 Hours	1750	140	90	70	56	50	44	37
1 Hour	1750	140	90	70	56	50	44	37
30 Min.	1750	140	90	70	56	50	44	37
15 Min.	1750	140	90	70	56	50	44	37
10 Min.	1750	125	80	60	48	42	39	32
5 Min.	1750	74	46	46	29	26	23	20
2 Min.	1750	30	19	15	12	10	8	5
1 Min.	1750	15	10	5	3

Table may be interpolated for HP and cycle times between those figures listed.

Thermal Capacities

FLEXIDYNE Mechanism Size 5

Maximum Allowable Acceleration Time (seconds)

Frequency of Starts	RPM	Starting Horsepower*					
		0.30	0.50	0.70	0.90	1.10	1.30
2 Hours	1750	330	220	170	128	116	104
	1160
	870
1 Hour	1750	330	220	170	128	116	104
	1160
	870
30 Min.	1750	330	220	170	128	116	104
	1160
	870
15 Min.	1750	330	220	170	128	116	104
	1160
	870
10 Min.	1750	300	200	150	116	105	94
	1160
	870
5 Min.	1750	170	116	88	68	62	55
	1160
	870
2 Min.	1750	70	47	35	27	25	22
	1160
	870
1 Min.	1750	35	23	18	14	12	11
	1160
	870

Table may be interpolated for HP and cycle times between those figures listed.

* Starting HP is dependent on the amount of flow charge used.

FEATURES/BENEFITS PAGE PT3-2	SPECIFICATION PAGE PT3-3	SELECTION PAGE PT3-4	SELECTION/DIMENSIONS PAGE PT3-8
---------------------------------	-----------------------------	-------------------------	------------------------------------



FLEXIDYNE

FLEXIDYNE Mechanism Size 55

Maximum Allowable Acceleration Time (seconds)

Frequency of Starts	RPM	Starting Horsepower*								
		0.50	0.75	1.00	1.50	2.00	2.50	3.00	3.50	4.00
2 Hours	1750	125	92	76	67	60	55	50
	1160	250	175	148	110
	870
1 Hour	1750	125	92	76	67	60	55	50
	1160	250	175	148	110
	870
30 Min.	1750	125	92	76	67	60	55	50
	1160	250	175	148	110
	870
15 Min.	1750	125	92	76	67	60	55	50
	1160	250	175	148	110
	870
10 Min.	1750	96	67	60	52	47	43	40
	1160	190	130	110	82
	870
5 Min.	1750	58	41	37	32	29	25	20
	1160	110	80	68	50
	870
2 Min.	1750	30	23	20	17	15	13	10
	1160	60	40	35	28
	870
1 Min.	1750	19	15	13	11	9	8	6
	1160	33	26	22	18
	870

FLEXIDYNE Mechanism Size 70

Maximum Allowable Acceleration Time (seconds)

Frequency of Starts	RPM	Starting Horsepower*									
		0.50	0.75	1.00	2.00	2.50	3.00	4.00	6.00	8.00	10.00
2 Hours	1750	210	180	150	110	80	63	53
	1160	500	260	190	170	130
	870	900	800	550
1 Hour	1750	210	180	150	110	80	63	53
	1160	500	260	190	170	130
	870	900	800	550
30 Min.	1750	210	180	150	110	80	63	53
	1160	500	260	190	170	130
	870	900	800	550
15 Min.	1750	190	160	140	100	72	56	46
	1160	450	230	165	155	118
	870	800	700	500
10 Min.	1750	170	140	120	83	60	41	36
	1160	320	190	143	133	90
	870	500	400	330
5 Min.	1750	105	85	74	54	38	29	23
	1160	200	120	88	80	60
	870	250	230	210
2 Min.	1750	58	45	39	30	21	16	13
	1160	80	60	49	45	36
	870	100	100	100
1 Min.	1750	36	29	25	19	13	10	8
	1160	45	38	33	28	23
	870	50	50	50

Table may be interpolated for HP and cycle times between those figures listed.

* Starting HP is dependent on the amount of flow charge used

FEATURES/BENEFITS PAGE PT3-2	SPECIFICATION PAGE PT3-3	SELECTION PAGE PT3-4	SELECTION/DIMENSIONS PAGE PT3-8
---------------------------------	-----------------------------	-------------------------	------------------------------------



FLEXIDYNE

SCF FLEXIDYNE Mechanism Used In A C-Flex Module

Maximum Allowable Acceleration Time (seconds)

Frequency of Starts	RPM	Starting Horsepower*						
		0.50	1.00	1.50	2.00	2.50	3.00	3.60
2 Hours	1750	140	90	70	56	50	44	37
1 Hour	1750	140	90	70	56	50	44	37
30 Min.	1750	140	90	70	56	50	44	37
15 Min.	1750	140	90	70	56	50	44	37
10 Min.	1750	125	80	60	48	42	39	32
5 Min.	1750	74	46	46	29	26	23	20
2 Min.	1750	30	19	15	12	10	8	5
1 Min.	1750	15	10	5	3

Table may be interpolated for HP and cycle times between those figures listed.

Thermal Capacities

FLEXIDYNE Mechanism Size 5

Maximum Allowable Acceleration Time (seconds)

Frequency of Starts	RPM	Starting Horsepower*					
		0.30	0.50	0.70	0.90	1.10	1.30
2 Hours	1750	330	220	170	128	116	104
	1160
	870
1 Hour	1750	330	220	170	128	116	104
	1160
	870
30 Min.	1750	330	220	170	128	116	104
	1160
	870
15 Min.	1750	330	220	170	128	116	104
	1160
	870
10 Min.	1750	300	200	150	116	105	94
	1160
	870
5 Min.	1750	170	116	88	68	62	55
	1160
	870
2 Min.	1750	70	47	35	27	25	22
	1160
	870
1 Min.	1750	35	23	18	14	12	11
	1160
	870

Table may be interpolated for HP and cycle times between those figures listed.

* Starting HP is dependent on the amount of flow charge used.

FEATURES/BENEFITS PAGE PT3-2	SPECIFICATION PAGE PT3-3	SELECTION PAGE PT3-4	SELECTION/DIMENSIONS PAGE PT3-8
---------------------------------	-----------------------------	-------------------------	------------------------------------



FLEXIDYNE

FLEXIDYNE Mechanism Size 55

Maximum Allowable Acceleration Time (seconds)

Frequency of Starts	RPM	Starting Horsepower*								
		0.50	0.75	1.00	1.50	2.00	2.50	3.00	3.50	4.00
2 Hours	1750	125	92	76	67	60	55	50
	1160	250	175	148	110
	870
1 Hour	1750	125	92	76	67	60	55	50
	1160	250	175	148	110
	870
30 Min.	1750	125	92	76	67	60	55	50
	1160	250	175	148	110
	870
15 Min.	1750	125	92	76	67	60	55	50
	1160	250	175	148	110
	870
10 Min.	1750	96	67	60	52	47	43	40
	1160	190	130	110	82
	870
5 Min.	1750	58	41	37	32	29	25	20
	1160	110	80	68	50
	870
2 Min.	1750	30	23	20	17	15	13	10
	1160	60	40	35	28
	870
1 Min.	1750	19	15	13	11	9	8	6
	1160	33	26	22	18
	870

FLEXIDYNE Mechanism Size 70

Maximum Allowable Acceleration Time (seconds)

Frequency of Starts	RPM	Starting Horsepower*									
		0.50	0.75	1.00	2.00	2.50	3.00	4.00	6.00	8.00	10.00
2 Hours	1750	210	180	150	110	80	63	53
	1160	500	260	190	170	130
	870	900	800	550
1 Hour	1750	210	180	150	110	80	63	53
	1160	500	260	190	170	130
	870	900	800	550
30 Min.	1750	210	180	150	110	80	63	53
	1160	500	260	190	170	130
	870	900	800	550
15 Min.	1750	190	160	140	100	72	56	46
	1160	450	230	165	155	118
	870	800	700	500
10 Min.	1750	170	140	120	83	60	41	36
	1160	320	190	143	133	90
	870	500	400	330
5 Min.	1750	105	85	74	54	38	29	23
	1160	200	120	88	80	60
	870	250	230	210
2 Min.	1750	58	45	39	30	21	16	13
	1160	80	60	49	45	36
	870	100	100	100
1 Min.	1750	36	29	25	19	13	10	8
	1160	45	38	33	28	23
	870	50	50	50

Table may be interpolated for HP and cycle times between those figures listed.

* Starting HP is dependent on the amount of flow charge used

FEATURES/BENEFITS PAGE PT3-2	SPECIFICATION PAGE PT3-3	SELECTION PAGE PT3-4	SELECTION/DIMENSIONS PAGE PT3-8
---------------------------------	-----------------------------	-------------------------	------------------------------------



FLEXIDYNE

FLEXIDYNE Mechanism Size 15

Maximum Allowable Acceleration Time (seconds)

Frequency of Starts	RPM	Starting Horsepower*									
		10	20	30	40	50	60	70	80	90	100
2 Hours	1750	35	31	27	23	20	16
	1160	230	167	105	81	56	47	39	33	28
	870	560	300	200	145
1 Hour	1750	35	31	27	23	20	16
	1160	230	167	105	81	56	47	39	33	28
	870	560	300	200	145
30 Min.	1750	34	30	26	22	18	15
	1160	230	167	105	81	56	47	39	33	28
	870	460	240	160	120
15 Min.	1750	30	27	23	20	16	13
	1160	190	140	90	68	47	40	33	28	24
	870	350	170	125	90
10 Min.	1750	28	25	21	17	15	13
	1160	160	117	74	57	40	34	28	24	20
	870	260	130	95	68
5 Min.	1750	19	16	14	12	10	9
	1160	100	73	46	35	25	21	17	14	12
	870	160	80	60	42
2 Min.	1750	12	10	9	7	6	5
	1160	44	32	20	15	11	9	7	6	5
	870	85	42	32	22
1 Min.	1750	8	7	6	5	4	3
	1160	23	17	10	7	5	5	4	3	3
	870	53	25	19	14

Frequency of Starts	RPM	Starting Horsepower*									
		110	120	130	140	150	160	170	180	190	200
2 Hours	1750	15	14	13	12	11	10	9	9	8	8
	1160
	870
1 Hour	1750	15	14	13	12	11	10	9	9	8	8
	1160
	870
30 Min.	1750	14	13	12	11	10	10	9	9	8	7
	1160
	870
15 Min.	1750	12	11	10	10	9	8	8	7	7	6
	1160
	870
10 Min.	1750	12	11	10	9	8	8	7	7	6	6
	1160
	870
5 Min.	1750	8	7	7	6	6	6	5	5	4	4
	1160
	870
2 Min.	1750	5	4	4	3	3
	1160
	870
1 Min.	1750	3
	1160
	870

Table may be interpolated for HP and cycle times between those figures listed

* Starting HP is dependent on the amount of flow charge used.

Thermal capacities are shown for single cavity units. For duplex cavities, starting horsepower = (HP * Starting Torque%)/2

Caution: At these capacities, the housing temperature may reach 250 degrees F.

FEATURES/BENEFITS PAGE PT3-2	SPECIFICATION PAGE PT3-3	SELECTION PAGE PT3-4	SELECTION/DIMENSIONS PAGE PT3-8
---------------------------------	-----------------------------	-------------------------	------------------------------------



FLEXIDYNE

FLEXIDYNE Mechanism Size 18 Maximum Allowable Acceleration Time (seconds)

Frequency of Starts	RPM	Starting Horsepower*							
		20	40	60	80	100	120	140	160
2 Hours	1160	60	49	38	33
	870	200	160	120	96	72	62	52
	720	600	370	220	160
1 Hour	1160	60	49	38	33
	870	200	160	120	96	72	62	52
	720	560	350	200	150
30 Min.	1160	56	45	35	30
	870	160	130	100	80	60	52	44
	720	450	280	160	120
15 Min.	1160	44	35	26	23
	870	115	94	72	58	45	38	32
	720	300	180	100	74
10 Min.	1160	32	26	20	17
	870	90	72	54	43	32	27	22
	720	200	120	66	48
5 Min.	1160	17	13	10	9
	870	44	35	27	21	16	13	11
	720	90	54	32	23
2 Min.	1160	7	5	4	4
	870	17	13	10	8	6	5	4
	720	35	21	12	8
1 Min.	1160
	870	8	6	5	4	3
	720	16	10	5	4

Frequency of Starts	RPM	Starting Horsepower*						
		180	200	220	240	260	280	300
2 Hours	1160	28	25	22	20	18	16	14
	870
	720
1 Hour	1160	28	25	22	20	18	16	14
	870
	720
30 Min.	1160	26	23	20	18	17	15	13
	870
	720
15 Min.	1160	20	18	16	14	13	11	10
	870
	720
10 Min.	1160	15	13	12	10	9	8	7
	870
	720
5 Min.	1160	8	7	6	5	5	4	4
	870
	720
2 Min.	1160
	870
	720
1 Min.	1160
	870
	720

Table may be interpolated for HP and cycle times between those figures listed.

* Starting HP is dependent on the amount of flow charge used.

Thermal capacities are shown for single cavity units.
For duplex cavities, starting horsepower = (HP * Starting Torque%)/2

Caution: At these capacities, the housing temperature may reach 250 degrees F.

FEATURES/BENEFITS PAGE PT3-2	SPECIFICATION PAGE PT3-3	SELECTION PAGE PT3-4	SELECTION/DIMENSIONS PAGE PT3-8
---------------------------------	-----------------------------	-------------------------	------------------------------------

NOTES

PT Component
Reference Guide

Couplings

Clutches and Brakes

FLEXIDYNE

Fluid Couplings

TORQUE-TAMER

Bushing



Fluid Coupling

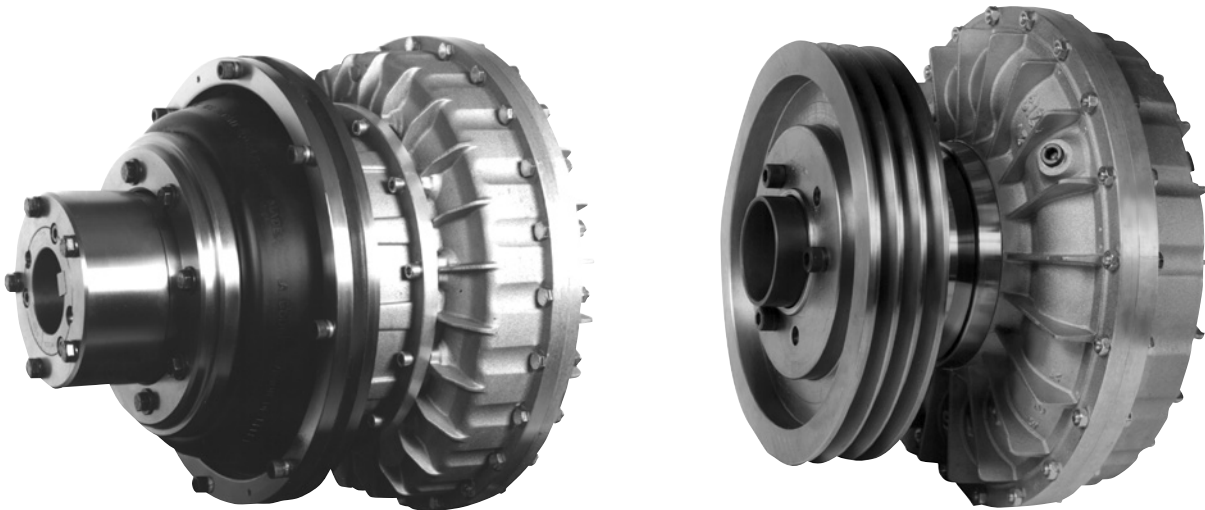
Features/Benefits	PT4-2
Nomenclature	PT4-3
Selection	PT4-3
Selection/Dimensions	
Fluid Coupling Drives - KSD	PT4-4
Fluid Coupling Drives - KCM	PT4-6
Fluid Coupling Drives - KCP	PT4-8
Part Number Index	INDEX-1
Keyword Index	INDEX-43



FEATURES/BENEFITS

Fluid Coupling

- **Smoother and Shock Free Operation**
 - Motor starts under no load conditions
 - Smoother starts
- **More Efficient Design**
 - Permits use of standard NEMA Design B motors
 - Eliminate need for motors with special winding
 - Wound rotor motors not needed
- **Overload Protection**
 - Provides overload protection at overloads somewhat greater than starting torque
 - Protection devices to prevent damage to Fluid Couplings are available
- **Low Current Draw**
 - Less than twice the nameplate amperage during both starting and overload periods
 - Many electric utilities recommend Fluid Couplings
- **Increased Productivity**
 - Eliminates product spillage and machine damage due to harsh starts or jammed loads



PT Component
Reference Guide

Couplings

Clutches and Brakes

FLEXIDYNE

Fluid Couplings

TORQUE-TAMER

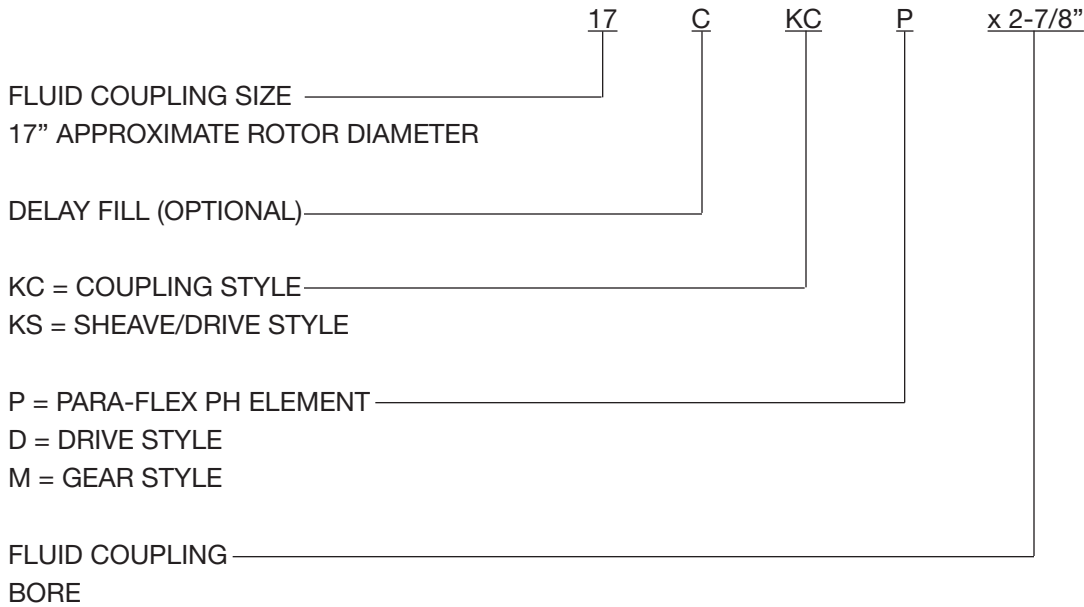
Bushings



NOMENCLATURE

Fluid Coupling

NOMENCLATURE



SELECTION

Fluid Coupling

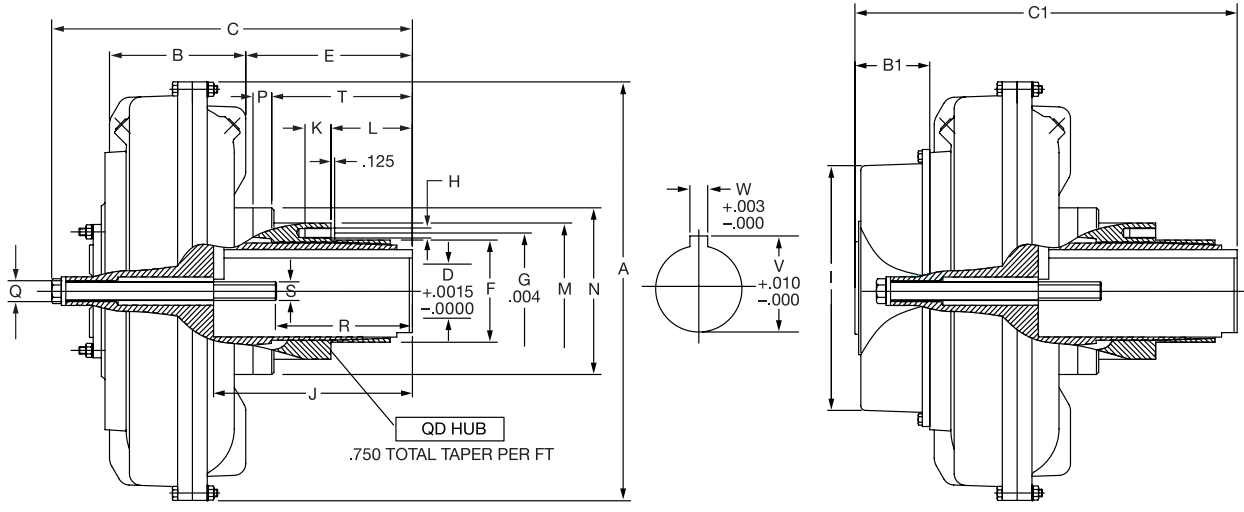
Fluid Coupling Selection

HP	RPM		
	1800	1500	1200
5	8	8	9
7.50	8	9	11
10	8	9	12
15	9	11	12
20	11	12	13
25	11	12	13
30	11	12	15
40	12	13	15
50	13	15	17
60	13	15	17
75	15	15	17
100	15	17	19
125	17	19	21
150	17	19	21
200	19	21	24
250	21	21	24
300	21	24	27
350	21	24	27
400	24	24	27
500	24	27	29

SELECTION/DIMENSIONS



Fluid Coupling



KSD-QD

CKSD-QD

Dimensional Data Sheet - KSD & CKSD

Size	D Bore	A	KSD		CKSD		E	F	G	H		J	K	L	M	N	P	Q	R	S	T	QD Hub Size	Weight (lb) Less Oil		Oil U.S. Gal. max.	
			B	B1	C Max	C1 Max				#	Dia												KSD-QD	CKSD-QD	KSD-QD	CKSD-QD
			7	1.375• 1.125 0.875	8.98	3.03					7.09												-	2.77	2.19	2.69
8	1.375• 1.125	10.08	3.58		7.33	-	2.61	2.19	2.69	3	1/4-20	2.40	0.6	1.2	3.1	4.5	0.6	1/2-13 UNC			1.94	SDS	14.8		0.40	
9	1.625• 1.375	11.61	3.78		9.80	-	3.98	2.81	3.31	3	5/16-18	3.31	0.7	1.5	3.9	5.0	1.0	3/4-10 UNC			2.48	SK	28.7		0.52	
11	1.875• 1.625	12.80	4.21		10.20	11.39	3.86	3.13	3.88	3	3/8-16	4.00	0.8	1.5	4.6	5.5	0.8	3/4-10 UNC			2.76	SF	34.2		0.73	
12	2.125• 1.875 1.625	14.57	4.80	3.15	11.56	13.05	5.10	3.83	5.00	3	1/2-13	4.25	1.1	1.9	6.0	6.1	0.9	3/4-10 UNC			3.98	E	50.7	57.2	1.08	1.27
13	2.375• 2.125 1.875	15.67	5.39	3.15	13.90	14.96	6.42	3.83	5.00	3	1/2-13	4.25	1.1	2.8	6.0	7.0	1.1	3/4-10 UNC			5.22	E	73.9	80.5	1.37	1.53
15	2.875• 2.375	18.11	5.95	3.62	15.60	16.70	7.13	4.44	5.63	3	9/16-12	7.00 5.63	1.2	3.9	6.6	8.0	1.38	7/8-9 UNC	5.35 3.90	3/4-10 UNC	5.43	F	107	115.8	2.02	2.27
17	3.375• 2.875	20.47	6.69	3.98	19.11	20.32	9.65	5.15	6.25	3	5/8-11	8.25 7.00	1.4	4.3	7.24	8.3	2.8	1 1/4-7 UNC	6.30 5.00	7/8-9 UNC	6.69	J	156	169.2	3.09	3.59
19	3.375• 2.875	22.24	7.48	3.98	18.17	20.32	8.86	5.15	6.25	3	5/8-11	8.25 7.00	1.4	4.3	7.24	8.98	1.77	1 1/8-7 UNC	6.30 5.00	7/8-9 UNC	6.69	J	174	187.2	3.75	4.36
21	3.875• 3.375	24.41	8.07	4.53	21.46 19.88	24.41 22.84	11.81 10.24	6.50	7.88	4	3/4-10	1.00 0.88	1.6	7.1 5.5	9.02	10.38	2.2	1 1/4-7 UNC	6.56 6.51	7/8-9 UNC	11.02 9.45	M	270	292	5.02	6.08
24	3.875•	27.95	9.02	4.53	21.46	24.41	10.87	6.50	7.88	4	3/4-10	1.00	1.6	7.1	9.02	10.38	1.4	1 1/4-7 UNC	6.56	7/8-9 UNC	11.02	M	307	329	7.50	8.24

• Max Bore

SELECTION/DIMENSIONS



Fluid Coupling

Part Numbers

KSD Drive Accepts "Q" Style Sheave	
Part #	Part Description
118780	7 KSD-QD SDS W/ 1-1/8 COLLET
118781	8 KSD-QD SDS W/ 1-1/8 COLLET
118782	9 KSD-QD SK W/ 1-3/8 COLLET
118783	11 KSD-QD SF W/ 1-7/8 COLLET
118784	12 KSD-QD E W/ 2-1/8 COLLET
118785	13 KSD-QD E W/ 2-1/8 COLLET
118786	13 KSD-QD E W/ 2-3/8 COLLET
118648	15 KSD-QD F W/ 2-3/8 COLLET
118649	15 KSD-QD F W/ 2-7/8 COLLET
118650	17 KSD-QD J W/ 3-3/8 COLLET
118651	19 KSD-QD J W/ 3-3/8 COLLET
118652	21 KSD-QD M W/ 3-3/8 FINISH BORE
118653	24 KSD-QD M W/ 3-3/8 FINISH BORE



Collet Mount: Available on most sizes for ease of installation.

Delay Fill

CKSD Drive Accepts "Qd" Style Sheave	
Part #	Part Description
118654	11 CKSD-QD SF W/ 1-7/8 COLLET
118655	12 CKSD-QD E W/ 2-1/8 COLLET
118656	13 CKSD-QD E W/ 2-1/8 COLLET
118657	13 CKSD-QD E W/ 2-3/8 COLLET
118658	15 CKSD-QD F W/ 2-3/8 COLLET
118659	15 CKSD-QD F W/ 2-7/8 COLLET
118660	17 CKSD-QD J W/ 3-3/8 COLLET
118661	19 CKSD-QD J W/ 3-3/8 COLLET
118662	21 CKSD-QD M W/ 3-3/8 FINISH BORE
118663	24 CKSD-QD M W/ 3-3/8 FINISH BORE

KSD Drive Accepts Bolt-On Style Sheave	
Part #	Part Description
118787	15 KSD FLUID CPLG W/ 2-3/8 F.B.
118788	15 KSD FLUID CPLG W/ 2-7/8 F.B.
118789	15 KSD FLUID CPLG 2-3/8 COLLET
118790	15 KSD FLUID CPLG 2-7/8 COLLET
118792	17 KSD FLUID CPLG W/ 3-3/8 F.B.
118793	17 KSD FLUID CPLG 3-3/8 COLLET
118794	17 KSD FLUID CPLG 2-3/8 COLLET
118795	19 KSD FLUID CPLG W/ 3-3/8 F.B.
118796	19 KSD FLUID CPLG 3-3/8 COLLET
118797	21 KSD FLUID CPLG W/ 3-3/8 F.B.
118798	24 KSD FLUID CPLG W/ 3-3/8 F.B.

The motor shaft for sizes 15 KSD F.B. style and up must be tapped.

* For non-standard sheaves contact DODGE Drive Components.

KSD Bolt-On Sheaves *		
Part Number	KSD#	Description
118740	15	3GR 5V 12.5
118743	15	4GR 5V 9.75
118744	15	4GR 5V 10.3
118745	15	4GR 5V 10.9
118746	15	4GR 5V 11.3
118747	15	4GR 5V 11.8

KSD Bolt-On Sheaves *		
Part Number	KSD#	Description
118750	17	4GR 5V 12.5
118755	17	5GR 5V 10.9
118746	17	5GR 5V 11.3
118757	17	5GR 5V 11.8
118758	17	5GR 5V 12.5
118759	17	5GR 5V 13.2
118762	17	6GR 5V 10.9
118763	17	6GR 5V 11.3
118749	17	4GR 5V 11.8
118764	19	6GR 5V 12.5
118765	19	6GR 5V 13.2
118769	19	8GR 5V 10.9
118770	19	8GR 5V 11.3
118771	19	8GR 5V 11.8
118772	21	5GR 8V 14.0
118774	21	6GR 8V 13.2
118775	21	6GR 8V 14.0
118776	21	8GR 8V 13.2
118777	21	8GR 8V 14.0
118778	24	8GR 8V 14.0
118779	24	10GR 8V 13.2



Fluid Coupling

Couplings

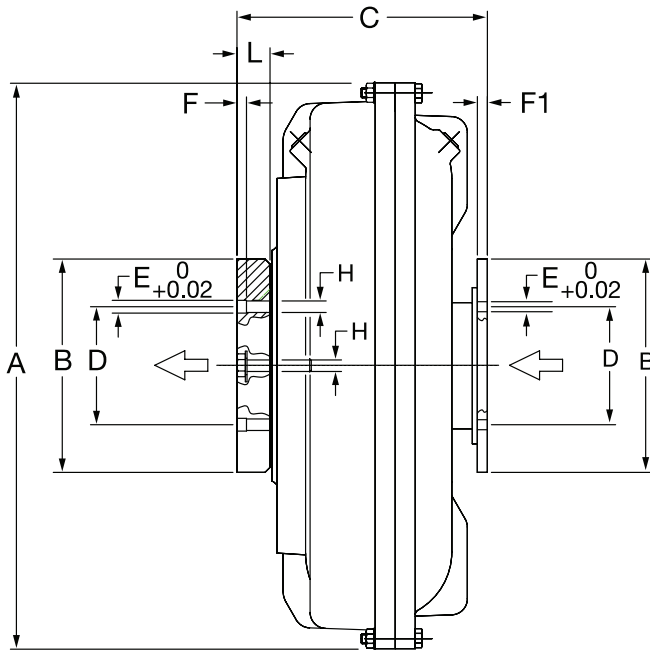
Clutches and Brakes

FLEXIDYNE

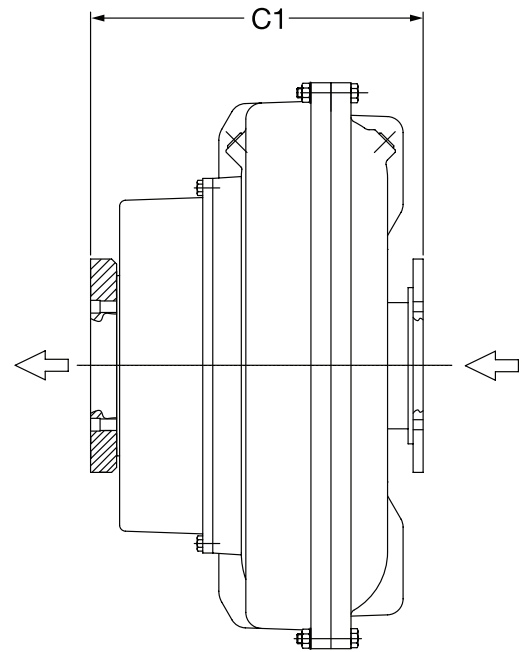
Fluid Couplings

TORQUE-TAMER

Bushings



KCM



CKCM

Dimensional Data Sheet - KCM & CKCM

Size	A	B	C		D	E		H	Gear Coupling Size	Weight (lb) Less Oil		Oil U.S. Gal. max.	
			KCM	CKCM		#	DIA			KCM	CKCM	KCM	CKCM
7	8.98	4.57	5.51	-	3.75	6	0.25	1/4-28 UNF	1	16	-	0.24	-
8	10.08	4.57	5.71	-	3.75	6	0.25	1/4-28 UNF	1	18	-	0.34	-
9	11.61	6.00	7.44	-	4.81	8	0.38	3/8-24 UNF	1.5	31	-	0.52	-
11	12.80	6.00	7.80	9.61	4.81	8	0.38	3/8-24 UNF	1.5	35	-	0.73	-
12	14.65	6.00	7.80	10.43	4.81	8	0.38	3/8-24 UNF	1.5	46	53	1.08	1.27
13	15.67	6.00	8.80	11.14	4.81	8	0.38	3/8-24 UNF	1.5	62	68	1.37	1.53
15	18.11	8.39	9.88	12.56	7.13	6	0.62	5/8-11 UNC	2.5	104	112	2.02	2.27
17	20.47	8.39	10.83	13.98	7.13	6	0.62	5/8-11 UNC	2.5	146	159	3.09	3.59
19	22.24	8.39	10.83	13.98	7.13	6	0.62	5/8-11 UNC	2.5	165	178	3.75	4.36
21	24.41	9.45	12.44	16.38	8.13	8	0.62	5/8-11 UNC	2.3	240	262	5.02	6.08
24	28.11	9.45	12.44	16.38	8.13	8	0.62	5/8-11 UNC	2.3	285	306	7.50	8.24
27	30.71	11.02	16.06	20.71	9.50	8	0.75	3/4-10 UNC	3.5	454	505	11.09	13.21
29	33.86	11.02	17.2	21.85	9.50	8	0.75	3/4-10 UNC	3.5	562	613	14.53	16.65
34	39.37	12.52	19.8	24.96	11.00	8	0.75	3/4-10 UNC	4	960	978	21.80	24.44
46	52.36	18.0	-	-	15.75	14	0.88	7/8-11 UNC	6	-	-	-	-

FEATURES/BENEFITS PAGE PT4-2	NOMENCLATURE PAGE PT4-3	SELECTION PAGE PT4-3	SELECTION/DIMENSIONS PAGE PT4-5
---------------------------------	----------------------------	-------------------------	------------------------------------

SELECTION/DIMENSIONS



Fluid Coupling PART NUMBERS

Fluid Couplings

Part #	Part Description
118625	7 KCM - LESS 1.0SB GEAR COUPLING
118626	8 KCM - LESS 1.0SB GEAR COUPLING
118627	9 KCM - LESS 1.5SB GEAR COUPLING
118628	11 KCM - LESS 1.5SB GEAR COUPLING
118629	12 KCM - LESS 1.5SB GEAR COUPLING
118630	13 KCM - LESS 1.5SB GEAR COUPLING
118631	15 KCM - LESS 2.5EB GEAR COUPLING
118632	17 KCM - LESS 2.5EB GEAR COUPLING
118633	19 KCM - LESS 2.5EB GEAR COUPLING
118634	21 KCM - LESS 3.0EB GEAR COUPLING
118635	24 KCM - LESS 3.0EB GEAR COUPLING
118636	27 KCM - LESS 3.5EB GEAR COUPLING
118637	29 KCM - LESS 3.5EB GEAR COUPLING

* Gear Coupling Kit ordered separately (See below)

Delay Fill Fluid Couplings

Part #	Part Description
118638	11 CKCM - LESS 1.5SB GEAR COUPLING
118639	12 CKCM - LESS 1.5SB GEAR COUPLING
118640	13 CKCM - LESS 1.5SB GEAR COUPLING
118641	15 CKCM - LESS 2.5EB GEAR COUPLING
118642	17 CKCM - LESS 2.5EB GEAR COUPLING
118643	19 CKCM - LESS 2.5EB GEAR COUPLING
118644	21 CKCM - LESS 3.0EB GEAR COUPLING
118645	24 CKCM - LESS 3.0EB GEAR COUPLING
118646	27 CKCM - LESS 3.5EB GEAR COUPLING
118647	29 CKCM - LESS 3.5EB GEAR COUPLING

Gear Couplings for KCM Fluid Coupling

Fluid Coupling Size 7 - 8	
Part Numbers	Description
013110	DGF 1.0 FLEX HUB
012975	DGF 1.0 SLEEVE SB
012987	KCM/CKCM 7 - 8 HARDWARE KIT
Fluid Coupling Size 9 - 13	
Part Numbers	Description
013114	DGF 1.5 FLEX HUB
012976	DGF 1.5 SLEEVE SB
012988	KCM/CKCM 9 - 13 HARDWARE KIT
Fluid Coupling Size 15 - 24	
Part Numbers	Description
013122	DGF 2.5 FLEX HUB
012978	DGF 2.5 SLEEVE SB
012989	KCM/CKCM 15 - 24 HARDWARE KIT
Fluid Coupling Size 27 - 34	
Part Numbers	Description
013130	DGF 3.5 FLEX HUB
013131	DGF 3.5 SLEEVE EB
012990	KCM/CKCM 27 - 29 HARDWARE KIT

Gear couplings are required for shaft attachment. For a complete gear coupling attachment kit, please order - (2) flex hubs (reborable), (2) sleeves (includes seal), and (1) hardware kit.

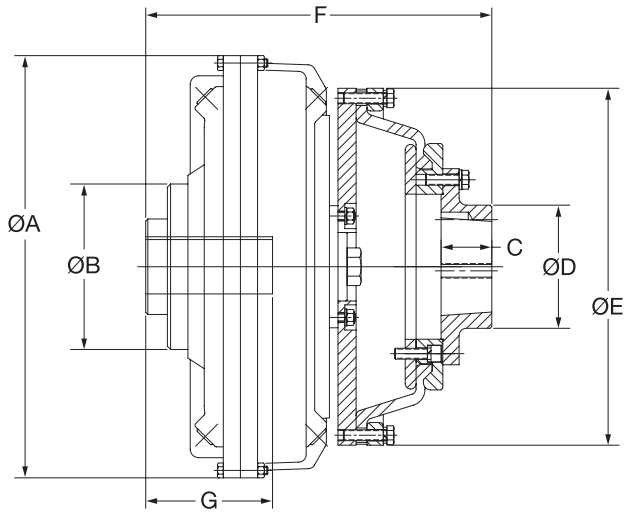
Size	Outside	Flange	Flange	Hub	Undercut	Undercut	Hole	Bolt	Number of Bolts	Max Bore
	Diameter	Width	Thickness	Diameter	Depth	Diameter	Diameter	Circle		
	A	J	T	F	I	H	U	B.C.		
All Dimensions in Inches										
1 SB	4-9/16	1-21/32	9/16	3	3/32	2 -7/8	1/4	3-3/4	6	1.625"
1.5 SB	6	1-7/8	3/4	3-7/8	3/32	3-11/16	3/8	4-13/16	8	2.375"
2.5 SB	8-3/8	2-7/8	15/16	5-13/16	3/32	5-7/16	1/2	7	10	3.750"
3.5 EB	11	3-13/16	1-1/8	7-27/32	3/32	7-3/8	3/4	9-1/2	8	4.750"

FEATURES/BENEFITS PAGE PT4-2	NOMENCLATURE PAGE PT4-3	SELECTION PAGE PT4-3	SELECTION/DIMENSIONS PAGE PT4-5
---------------------------------	----------------------------	-------------------------	------------------------------------

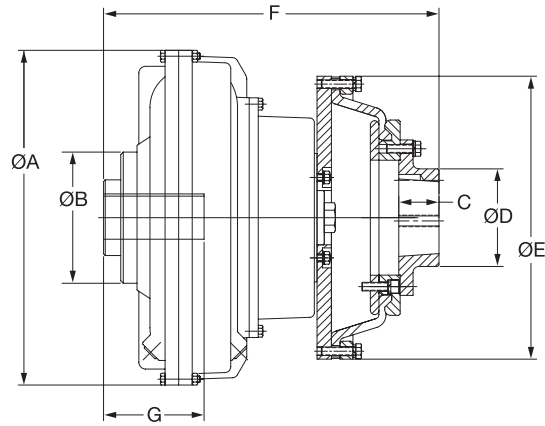
SELECTION/DIMENSIONS



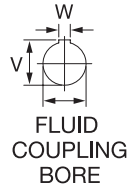
Fluid Coupling



KCP-CONSTANT FILL



CKCP-DELAY FILL



Dimensional Data Sheet - KCP & CKCP

Size	Fluid Coupling Bore	A	B	C	D	E	F		G	V		W	PH Element	PH Max Bore	TL Bushing	Max Torque (in-lb)	Max RPM
							KCP	CKCP		+0.010 / -0.000							
11	1.625	12.80	5.04	1.75	4.25	10.31	11.76		3.75	1.796	0.375	PH96	2 11/16	2517	2300	3300	
	1.875								4.38	1.972	0.5						
12	1.625	14.57	5.71	1.75	4.25	12.31	11.71	14.37	3.75	1.796	0.375	PH116	2 11/16	2517	3150	3200	
	1.875								4.38	1.972	0.5						
13	1.875	15.67	7.06	1.75	4.25	13.81	13.58	15.94	4.38	2.093	0.5	PH131	2 11/16	2517	4700	3000	
	2.125								5.00	2.350	0.5						
15	2.375	18.11	8.00	3.50	7.69	18.31	18.36	21.04	5.63	2.480	0.625	PH172	3 15/16	3535	6600	2600	
	2.875								7.00	2.992	0.75						
17	2.375	20.47	8.86	3.50	7.69	18.31	19.23	22.38	5.63	2.651	0.625	PH172	3 15/16	3535	9200	2400	
	3.375								7.00	3.205	0.75						
19	2.375	22.24	8.86	3.50	7.69	18.31	19.23	22.38	7.63	3.635	0.875	PH172	3 15/16	3535	12900	2200	
	2.875								7.00	3.205	0.75						
21	3.375	24.41	9.84	4.00	8.63	20.31	22.79	26.73	7.00	3.205	0.75	PH192	4 7/16	4040	17300	2000	
	3.875								8.25	3.635	0.875						
24	2.875	27.95	9.84	4.00	8.63	20.31	22.79	26.73	7.00	3.205	0.75	PH192	4 7/16	4040	24500	1800	
	3.375								8.25	3.760	0.875						
	3.875								8.50	4.106	1						

SELECTION/DIMENSIONS



Fluid Coupling PART NUMBERS

PX STYLE FLUID CPLG - INCLUDES ELEMENT *

		Delay Fill	
Part #	Part Description	Part #	Part Description
000423	11KCP X 1-5/8" FLUID CPLG-2517	000454	11CKCP X 1-5/8" FLUID CPLG-2517
000424	11KCP X 1-7/8" FLUID CPLG-2517	000455	11CKCP X 1-7/8" FLUID CPLG-2517
000426	12KCP X 1-5/8" FLUID CPLG-2517	000457	12CKCP X 1-5/8" FLUID CPLG-2517
000427	12KCP X 1-7/8" FLUID CPLG-2517	000458	12CKCP X 1-7/8" FLUID CPLG-2517
000429	13KCP X 1-7/8" FLUID CPLG-2517	000460	13CKCP X 1-7/8" FLUID CPLG-2517
000430	13KCP X 2-1/8" FLUID CPLG-2517	000461	13CKCP X 2-1/8" FLUID CPLG-2517
000431	13KCP X 2-3/8" FLUID CPLG-2517	000462	13CKCP X 2-3/8" FLUID CPLG-2517
000432	15KCP X 2-1/8" FLUID CPLG-3535	000463	15CKCP X 2-1/8" FLUID CPLG-3535
000433	15KCP X 2-3/8" FLUID CPLG-3535	000464	15CKCP X 2-3/8" FLUID CPLG-3535
000434	15KCP X 2-7/8" FLUID CPLG-3535	000465	15CKCP X 2-7/8" FLUID CPLG-3535
000435	17KCP X 2-3/8" FLUID CPLG-3535	000466	17CKCP X 2-3/8" FLUID CPLG-3535
000436	17KCP X 2-7/8" FLUID CPLG-3535	000467	17CKCP X 2-7/8" FLUID CPLG-3535
000437	17KCP X 3-3/8" FLUID CPLG-3535	000468	17CKCP X 3-3/8" FLUID CPLG-3535
000438	19KCP X 2-3/8" FLUID CPLG-3535	000469	19CKCP X 2-3/8" FLUID CPLG-3535
000439	19KCP X 2-7/8" FLUID CPLG-3535	000470	19CKCP X 2-7/8" FLUID CPLG-3535
000440	19KCP X 3-3/8" FLUID CPLG-3535	000471	19CKCP X 3-3/8" FLUID CPLG-3535
000441	21KCP X 2-3/8" FLUID CPLG-4040	000472	21CKCP X 2-3/8" FLUID CPLG-4040
000442	21KCP X 3-3/8" FLUID CPLG-4040	000473	21CKCP X 3-3/8" FLUID CPLG-4040
000443	24KCP X 2-3/8" FLUID CPLG-4040	000474	24CKCP X 2-3/8" FLUID CPLG-4040
000444	24KCP X 3-3/8" FLUID CPLG-4040	000475	24CKCP X 3-3/8" FLUID CPLG-4040
000445	24KCP X 3-7/8" FLUID CPLG-4040	000476	24CKCP X 3-7/8" FLUID CPLG-4040

Mounting of KCP and CKCP may require the motor shaft to be tapped.

Part #s include mechanism, element and coupling assembly.

* TAPER-LOCK bushing ordered separately.

FEATURES/BENEFITS PAGE PT4-2	NOMENCLATURE PAGE PT4-3	SELECTION PAGE PT4-3	SELECTION/DIMENSIONS PAGE PT4-5
---------------------------------	----------------------------	-------------------------	------------------------------------



SELECTION/DIMENSIONS

Replacement Fuse Plugs

Fluid Coupling Size (Range)	Part Number	Temperature
6	019161	290°F
6	019162	350°F
7 - 12	019163	290°F
7 - 12	019164	350°F
13 - 24	019165	290°F
13 - 24	019166	350°F
27 - 34	019167	290°F
27 - 34	019168	350°F

Couplings

Clutches and Brakes

FLEXIDYNE

Fluid Couplings

TORQUE-TAMER

Bushings

FEATURES/BENEFITS PAGE PT4-2	NOMENCLATURE PAGE PT4-3	SELECTION PAGE PT4-3	SELECTION/DIMENSIONS PAGE PT4-5
---------------------------------	----------------------------	-------------------------	------------------------------------

CONTENTS

TORQUE-TAMER™

Features/Benefits	PT5-2
Specification	PT5-3
How To Order	PT5-3
Nomenclature	PT5-3
Selection/Dimensions	PT5-4
Part Number Index	INDEX-1
Keyword Index	INDEX-43



FEATURES/BENEFITS

TORQUE-TAMER

DODGE TORQUE-TAMER Clutches

Low cost overload protection that's a cinch to adjust. Intermittent shock loads or drive overload conditions can stress reducers to a point of premature failure. DODGE TORQUE-TAMER clutches provide a simple, economical solution. When an overload occurs, the TORQUE-TAMER clutch is designed to slip, protecting the valuable reducer and other components in the drive train. Once the overload is cleared, the TORQUE-TAMER clutch automatically picks up the load.

A DODGE TORQUE-TAMER clutch is easily set to the required slip-protection torque level, using standard wrenches.

QUALITY FEATURES

- Non-asbestos friction discs
- Long-life bushing

New keyed bushing will not slip on the hub. Provides improved bearing surface for sprocket to ride on during overload slip. NOTE: Because of the possibility of excessive heat build-up, the TORQUE-TAMER clutch is not recommended for continuous slip duty.

EXCLUSIVE "EASY SET" ADJUSTMENT

Torque adjustment is a simple matter, accomplished quickly! The need for hammer and block, brute strength and spanner wrenches is eliminated. No sweat. No wasted time.

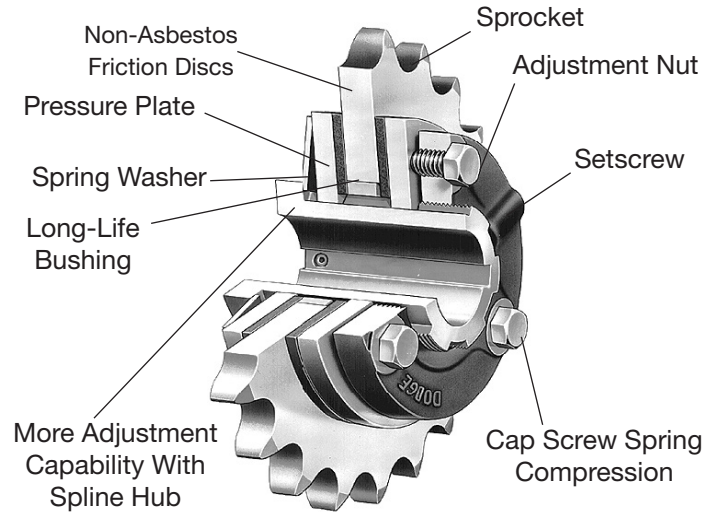
For maximum torque, tighten the adjusting nut to finger tight and use a small wrench to tighten the three cap screws until the heads bottom out. For less torque, loosen the cap screws and set screws. Then back off the adjusting nut from one to seven spline notches, depending on the torque desired. Then retighten set screw and cap screws. Please consult Instruction Manual (MN4038) for complete details. This Instruction Manual is available on www.dodge-pt.com.

AUTOMATIC RESET

The DODGE TORQUE-TAMER clutch gives machinery permanent protection against overloads during starting, reversing or driving-by slipping at the desired load.

When an overload occurs, the driven member slips between long-life, clutch-type friction discs. After slipping has started, it will continue at approximately 90% of the torque setting, due to the lower coefficient of friction when slipping, until the overload condition has been corrected. It resumes driving without resetting when the overload is relieved.

For speeds above 500 rpm please consult Dodge Engineering at 864-284-5700



HIGHER TORQUE RATINGS

Spring design provides higher torque ratings for No. 35 and No. 50 TORQUE-TAMER clutches. This results in more uniform coverage between minimum and maximum torque range of the TORQUE-TAMER clutch.

APPLICATION VERSATILITY

DODGE TORQUE-TAMER clutches may be used with stock or special sprockets, gears, sheaves, flange or other driven members. It is recommended that the rubbing sides of the driven member be ground to provide a smooth rubbing surface of 65 to 125 micro-inches.

Higher torque ratings can be obtained by the use of a second spring nested within the original spring. (See torque rating table on page PT5-4.)

MINIMUM MAINTENANCE

The DODGE TORQUE-TAMER clutch is simple in design, compact, efficient, and built for long life. It provides low cost torque limiting service for a wide variety of applications. No lubrication. . . minimum maintenance.

TORQUE-TAMER clutches are supplied complete with friction discs and one spring. The following are ordered separately:
SPROCKET-Stock sizes shown on page PT5-6. Non-stock sizes can be furnished as reworked A-Plate sprockets listed in the sprocket section of the DODGE Engineering Catalog.
BUSHINGS-Specify size and width and/or part no. as tabulated.
EXTRA SPRING-Provides higher torque rating as tabulated. Second spring is nested into first spring.

PT Component
Quick Reference

Couplings

Clutches and Brakes

FLEXIDYNE

Fluid Couplings

TORQUE-TAMER

Bushings

TORQUE-TAMER

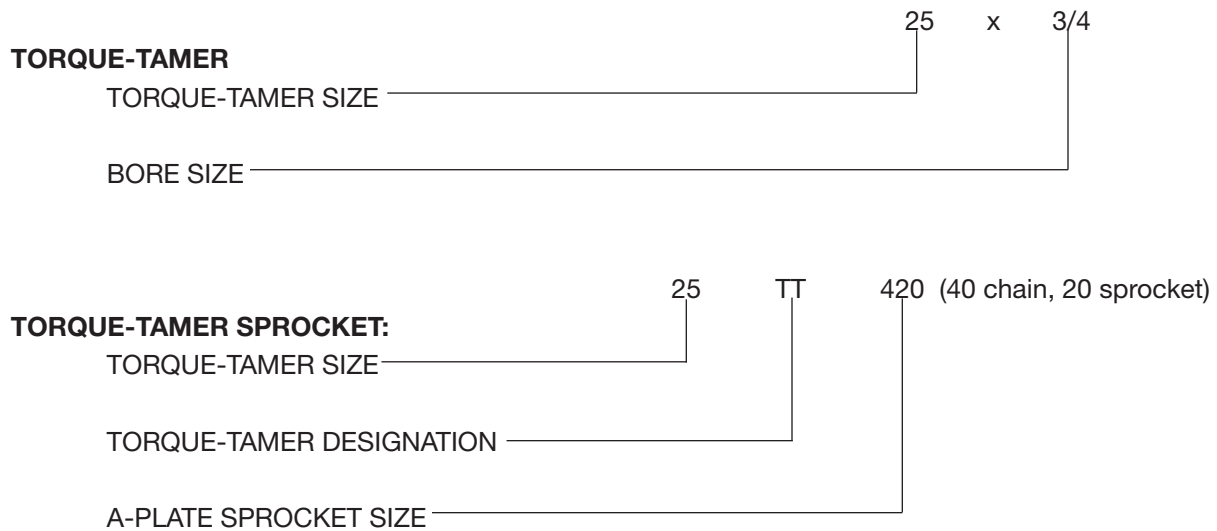
SPECIFICATION

The DODGE TORQUE-TAMER is a protective device that is designed to slip when overloaded, thus protecting the valuable reducer and other components in the drive train. Once the overload is cleared, the TORQUE-TAMER clutch will automatically re-engage. No resetting is required.

HOW TO ORDER

TORQUE-TAMER clutches are ordered by the size of the TORQUE-TAMER, the bore size of the unit, and the sprocket and bushing width required. The DODGE TORQUE-TAMER is supplied with the friction discs and one spring. The sprocket, bushings, and additional spring (if needed) must be ordered separately.

NOMENCLATURE



SELECTION/DIMENSIONS



TORQUE-TAMER

STEP 1: Determine torque at which clutch should limit or slip.

$$T = \frac{HP \times 63025}{RPM} \times \text{Limit Factor}$$

Limit factor determines point at which TORQUE-TAMER should slip above nominal load.

STEP 2: Refer to Chart 1. Select the TORQUE-TAMER size that falls within the min./max torque range. Verify the max bore for the TORQUE-TAMER is within specification. This chart will also determine the number of springs required and the spline setting for the TORQUE-TAMER.

STEP 3: Refer to Chart 2 to verify the minimum number of sprocket teeth required for the TORQUE-TAMER sprocket. From Chart 2, also determine the bushing width required.

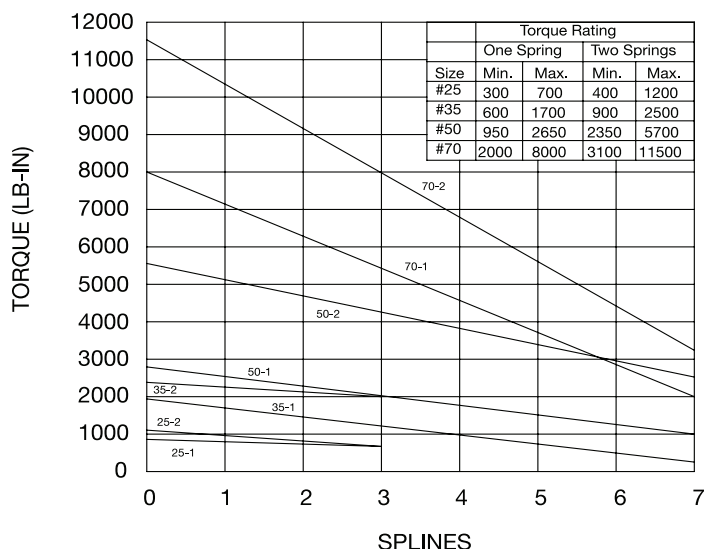
EXAMPLE: 3HP, RPM at TORQUE-TAMER 175, Needs TORQUE-TAMER to limit or slip at 150% of nominal torque.

- Limit factor is 150%/100%=1.5

$$T = \frac{3HP \times 63025}{175 \text{ RPM}} \times 1.5 = 1,620 \text{ lb-in}$$

- Select size from Chart 1. Minimum size is #35 TORQUE-TAMER. One spring will be sufficient, however, a second spring can be added for increased torque capability (should parameters of application required additional torque).

Chart 1 -



Note

Graph indicates approximate rated torque vs. number of splines adjusting nut is backed off from finger tight.

Numbers on calibration lines indicate TORQUE-TAMER model and quantity of compression springs. Example: 35-2 is a model 35 TORQUE-TAMER with 2 springs.

- Check Chart 2 for maximum bore and minimum sprocket teeth and bushing requirements.

CHART 2 - Minimum Allowable Sprocket Teeth• & Width of Bushing Required & Maximum Bore Capability

TORQUE-TAMER Size	Data:	Chain SizeŽ										Max Bore	
		#35 Chain	#41 Chain	#40 Chain	#50 Chain	#60 Chain	#80 Chain	#100 Chain	#120 Chain	#140 Chain	#160 Chain	Std. KW†	Shallow KW†
25	Minimum # Teeth	25	19▲	19▲	16▲	7/8	1
	Bushing Width Req'd	1/8	1/8	1/4	1/4		
35	Minimum # Teeth	34	26	26	21	18	15	1-3/16	1-1/4
	Bushing Width Req'd	1/8	1/8	1/4	1/4	3/8	3/8		
50	Minimum # Teeth	48	35	35	30	25	19	17	1-3/16	2
	Bushing Width Req'd	1/8	1/8	1/4	1/4	3/8	3/8	1/2***		
70	Minimum # Teeth	48	40	34	26	21	18	16	14	2-3/4	3
	Bushing Width Req'd	1/4	1/4	3/8	3/8	1/2	3/4*	3/4*	1**		

- Minimum number of teeth on sprocket which will permit chain to clear friction disc
- ▲ 20 teeth minimum recommended. Minimal clearance of 19 teeth may shorten life

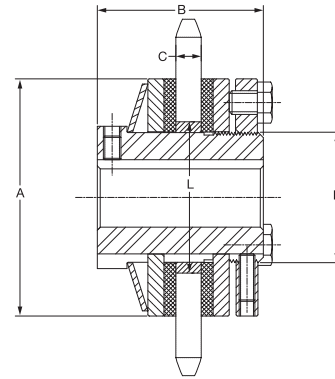
- * Use two 3/8" wide bushings
- ** Use two 1/2" wide bushings
- † Keyway to be cut central with threaded spline. For standard KW sizes refer to page PT1-74.
- *** Use two 1/4" wide bushings

FEATURES/BENEFITS PAGE PT5-2	SPECIFICATION/HOW TO ORDER PAGE PT5-3		
---------------------------------	--	--	--

SELECTION/DIMENSIONS



TORQUE-TAMER



TORQUE-TAMER Clutch Dimensions

TORQUE-TAMER Size	Avg. Wt.	A	B	C		K	L	Max. Bore	
				Min.	Max.	+0.000 -0.002 Spline O D	+0.003 -0.000 Spkt. Bore	Std. Key*	Shallow Key*
25	1	2-1/2	1-3/4	1/8	11/32	1.368	1.628	7/8	1
35	2.5	3-1/2	2-7/16	1/8	5/8	1.675	2.003	1-3/16	1-1/4
50	6	5	2-7/8	1/8	5/8	2.625	3.005	1-3/4	2
70	18	7	3-7/8	1/4	1-1/4	3.811	4.194	2-3/4	3

* Keyway to be cut central with threaded spline.

Stock TORQUE-TAMER Clutches: Finished Bores & Reborable

Stock TORQUE-TAMER Clutches w/Finished Bore & Keyway

Reborable TORQUE-TAMER Clutches

TORQUE-TAMER Size	Finished Bore		Reborable			
	Bore	Part Number	Bore (No KW & 1 ▲)	Part Number	Max Bore	
					Standard KW*	Shallow KW*
25	1/2	096034	1/2	096033	7/8	1
	5/8	096035				
	3/4	096036				
	7/8	096037				
35	3/4	096008	3/4	096010	1-3/16	1-1/4
	7/8	096009				
	1	096011				
	1-1/8	096014				
	1-3/16	096015				
50	1-1/4	096018	1	096017	1-3/4	2
	1-3/8	096019				
	1-7/16	096020				
	1-1/2	096021				
	1-1/2	096022				
	1-5/8	096023				
	1-7/16	096028				
70	1-1/2	096029	1-3/8	096027	2-3/4	3
	1-3/4	096030				
	1-15/16	096031				
	2	096032				
	2-3/16	096038				
	2-7/16	096016				

▲ With standard Keyway and (1) Setscrew.

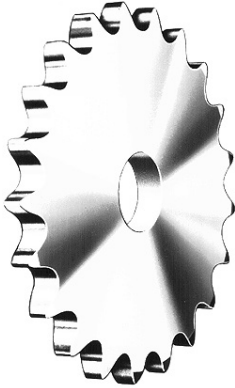
* Keyway to be cut central with threaded spline. For standard KW sizes refer to page PT1-74.

FEATURES/BENEFITS PAGE PT5-2	SPECIFICATION/HOW TO ORDER PAGE PT5-3		
---------------------------------	--	--	--

SELECTION/DIMENSIONS

TORQUE-TAMER TORQUE-TAMER

Sprocket



Stock TORQUE-TAMER sprockets are bored to fit TORQUE-TAMER clutches. Sprocket faces are machined smooth and parallel to provide proper interface with friction discs. Rubbing sides are micro ground to 65 to 125 micro-inches.

Standard A-Plate sprockets can also be reworked for use with TORQUE-TAMER clutches. Refer to DODGE List price Book for modifications charges.

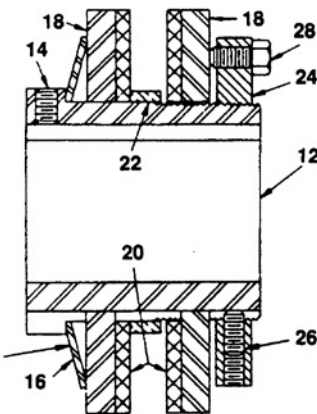
Stock TORQUE-TAMER Sprockets Bored and Micro Ground

#25 TORQUE-TAMER					#35 TORQUE-TAMER				
Chain Size	No. Teeth	Descrip.	Part No	Bushing Part No *	Chain Size	No. Teeth	Descrip.	Part No	Bushing Part No *
40	19	25TT419	096135	096051	40	26	35TT426	096150	096056
40	20	25TT420	096136	096051	50	21	35TT521	096151	096056
40	21	25TT421	096137	096051	50	22	35TT522	096152	096056
40	23	25TT423	096138	096051	50	23	35TT523	096153	096056
50	16	25TT516	096139	096051	50	25	35TT525	096154	096056
50	17	25TT517	096140	096051	60	18	35TT618	096155	096057
50	18	25TT518	096141	096051	60	19	35TT619	096156	096057
50	19	25TT519	096142	096051	60	20	35TT620	096157	096057
50	21	25TT521	096143	096051	60	21	35TT621	096158	096057
50	23	25TT523	096144	096051	60	23	35TT623	096159	096057
#50 TORQUE-TAMER					#70 TORQUE-TAMER				
Chain Size	No. Teeth	Descrip.	Part No	Bushing Part No *	Chain Size	No. Teeth	Descrip.	Part No	Bushing Part No *
50	30	50TT530	096165	096063	60	35	70TT635	096175	096071
60	25	50TT625	096166	096064	80	26	70TT826	096176	096071
60	26	50TT626	096167	096064	80	27	70TT827	096177	096071
80	19	50TT819	096168	096064	100	21	70TT1021	096178	096072
80	20	50TT820	096169	096064	100	22	70TT1022	096179	096072
80	21	50TT821	096170	096064					
80	23	50TT823	096171	096064					

* Bushing Ordered Separately

TORQUE-TAMER Clutch Extra Items

TORQUE-TAMER Size	Part Number for Bushing Width of:				Part Number for Extra Spring
	1/8"	1/4"	3/8"	1/2"	
25	096050	096051	096039
35	096055	096056	096057	096041
50	096062	096063	096064	096042
70	096070	096071	096072	096043
Reference #	22				16



WHEN 2 SPRINGS ARE TO BE USED, INSTALL BOTH HERE

TORQUE-TAMER Replacement Parts

Reference#	No. Req'd	Name of Part	Part Numbers			
			Size 25	Size 35	Size 50	Size 70
12	1	Hub Assembly	N/A	N/A	N/A	N/A
14	1	Hub Set Screw	N/A	N/A	N/A	N/A
18	2	Pressure Plate	391371	391375	391379	391383
20	1	• Friction Discs	096065	096066	096067	096068
24	1	Adjusting Nut Assembly	391372	391376	391380	391384
26	1	▲ Adjusting Nut Set Screws
28	3	▲ Tension Screw	391373	391377	391381	391385

• Sold in packs of 2 only

▲ Included in preceding assembly

CONTENTS

Bushings and Hubs

TAPER-LOCK® Bushings

Features/Benefits	PT6-2
Nomenclature.....	PT6-2
Specification:	
Dimensions	PT6-3
Stock Bore.....	PT6-5
Reborable.....	PT6-11
Metric Bores.....	PT6-12
Related Products:	
TAPER-LOCK Hubs.....	PT6-13
TAPER-LOCK Adapters.....	PT6-15

QD Bushings

Features/Benefits	PT6-16
Specifications	
Dimensions	PT6-17
Stock Bore	PT6-18
Metric Bore	PT6-25
Related Products	
QD Hubs	PT6-26

GRIP TIGHT™ Bushings

Features/Benefits	PT6-28
Specification:	
Dimensions	PT6-29

Part Index	INDEX-1
Keyword Index	INDEX-43



FEATURES/BENEFITS

TAPER-LOCK Bushings



- Clean, Compact Design
- An Industry Standard for over 40 years
- Easy-on, Easy-off
- 8° Taper-Grips Tight, Holds Tight, Runs True, No Wobble
- Total System Concept: Bushings, Hubs, Adapters and Products
- World-Wide Acceptance and Availability
- Flush Mounting-No Protruding Parts
- Diamond **D**® Integral Key for Added Value and Convenience

DODGE TAPER-LOCK BUSHING WITH INTEGRAL KEY

- Popular bore sizes, 1008 thru 2517
- Capitalizes on proven DODGE sintered steel technology
- Convenience: No more fumbling with a separate key and setscrew over the key. Integral key cannot work loose or fall out.
- More Secure fit: Clearances between key and bushing are automatically eliminated, providing a more precise fit. Provides full key even in maximum bore sizes. . . No more "shallow keyseat" compromise.
- Cost Reduction: Eliminates labor cost associated with installing key and separate key, and associated inventory expense.
- Engineered and Tested Design: Integral key concept thoroughly analyzed, including computerized Finite Element Analysis (FEA), for stress evaluation. Extensive laboratory testing included static and dynamic loading on customized machinery. Results demonstrated in successful field applications.

TAPER-LOCK Integral Key Bushing

Simple Mounting



Easy On

- Insert bushing into sprocket
- Match holes (not threads).
- Put screws into holes that are farthest apart
- Slip entire unit onto shaft
- Set drive alignment and tighten screws



Easy Off

- Take both screws out entirely
- Insert one screw into hole that is threaded in the bushing only
- Use as jackscrew to disengage bushing

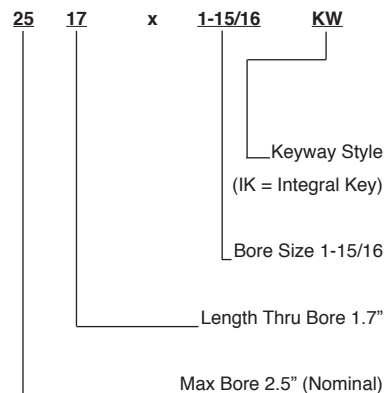


IMPORTANT!

Do not use lubricants or anti-seize compounds on tapered bore, bushing suitcase, shaft or screws. Complete installation instructions are available on www.dodge-pt.com.

Example Nomenclature

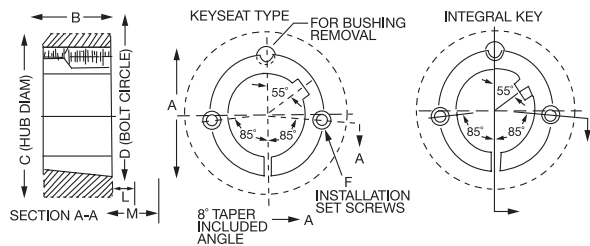
TAPER-LOCK Bushing





SPECIFICATION

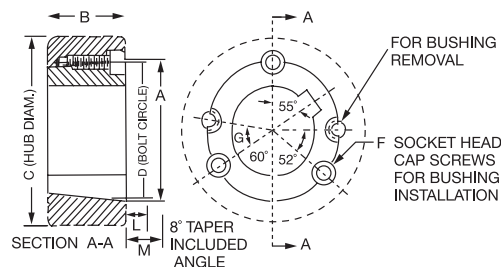
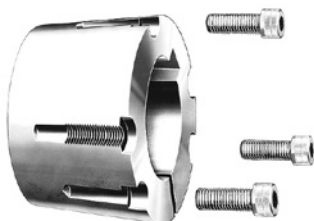
TAPER-LOCK Bushings - Dimensions



Dimensions For 1008 Thru 3030 TAPER-LOCK Bushings

Bush No.	Ratings (LB-IN)		A	B	C Hub Dia ■			D	F †		L ●		M ★	
	Torque Capacity ◆	Wrench Torque Install Screws			CL 30	Steel	Qty		Size	Std Hex Key	Short Key ▲	Std. Hex Key	Short Key ▲	
1008	1200	55	1.39	0.87	2.19	1.94	1.33	2	1/4 X 1/2	1.13	0.63	1.25	0.75	
1108	1300	55	1.51	0.87	2.31	2.06	1.45	2	1/4 X 1/2	1.13	0.63	1.25	0.75	
1210	3600	175	1.87	1.00	3.25	2.88	1.75	2	3/8 X 5/8	1.38	0.81	1.63	1.10	
1215	3550	175	1.87	1.50	2.88	2.63	1.75	2	3/8 X 5/8	1.38	0.81	1.63	1.10	
1310	3850	175	2.00	1.00	3.38	3.00	1.88	2	3/8 X 5/8	1.38	0.81	1.63	1.10	
1610	4300	175	2.25	1.00	3.63	3.25	2.13	2	3/8 X 5/8	1.38	0.81	1.63	1.10	
1615	4300	175	2.25	1.50	3.25	3.00	2.13	2	3/8 X 5/8	1.38	0.81	1.63	1.10	
2012	7150	280	2.75	1.25	4.38	3.88	2.63	2	7/16 X 7/8	1.56	0.94	2.00	1.38	
2517	11600	430	3.38	1.75	4.88	4.38	3.25	2	1/2 X 1	1.63	1.00	2.25	1.63	
2525	11300	430	3.38	2.50	4.50	4.25	3.25	2	1/2 X 1	1.63	1.00	2.25	1.63	
3020	24000	800	4.25	2.00	6.25	5.63	4.00	2	5/8 X 1-1/4	1.81	1.19	2.69	2.10	
3030	24000	800	4.25	3.00	5.75	5.38	4.00	2	5/8 X 1-1/4	1.81	1.19	2.69	2.10	

3535 thru 5050 Size



Dimensions For 3525 Thru 5050 TAPER-LOCK Bushings

Bush No.	Ratings (LB-IN)		A	B	C Hub Dia ■			D	F †		G	L ●		M ★	
	Torque Capacity ◆	Wrench Torque Install Screws			CL 30	Steel	Qty		Size	Std Hex Key		Short Key ▲	Std. Hex Key	Short Key ▲	
3525	44800	1000	5.00	2.50	7.00	6.50	4.83	3	1/2 X 1-1/2	39	2.00	1.31	3.38	2.69	
3535	44800	1000	5.00	3.50	7.00	6.50	4.83	3	1/2 X 1-1/2	39	2.00	1.31	3.38	2.69	
4030	77300	1700	5.75	3.00	8.50	7.75	5.54	3	5/8 X 1-3/4	39	2.39	1.63	4.13	3.38	
4040	77300	1700	5.75	4.00	8.50	7.75	5.54	3	5/8 X 1-3/4	40	2.39	1.63	4.13	3.38	
4535	110000	2450	6.38	3.50	9.50	8.75	6.13	3	3/4 X 2	40	2.63	1.94	4.75	4.10	
4545	110000	2450	6.38	4.50	9.50	8.75	6.13	3	3/4 X 2	40	2.63	1.94	4.75	4.10	
5040	126000	3100	7.00	4.00	10.50	9.50	6.72	3	7/8 X 2-1/4	37	2.81	2.31	5.25	4.81	
5050	126000	3100	7.00	5.00	10.50	9.50	6.72	3	7/8 X 2-1/4	37	2.81	2.31	5.25	4.81	

Note: For dimensions required for machining hubs, consult factory.

■ Hub diameter required depends on the application.
Hub diameter shown is based on 30,000 P.S.I. minimum ultimate tensile strength.

◆ Important: refer to service factor information on page PT6-4.

● Space required to tighten bushing. Also space required to loosen screws to permit removal of hub by puller.

★ Space required to remove bushing using jackscrews-no puller required

▲ Standard hex key cut to minimum usable length.

† Use in position shown in drawing above for tightening bushing on shaft. When loosening bushing remove screws and use all except one in the holes. other

Note: Installation and maintenance instructions for Dodge products available at www.dodge-pt.com

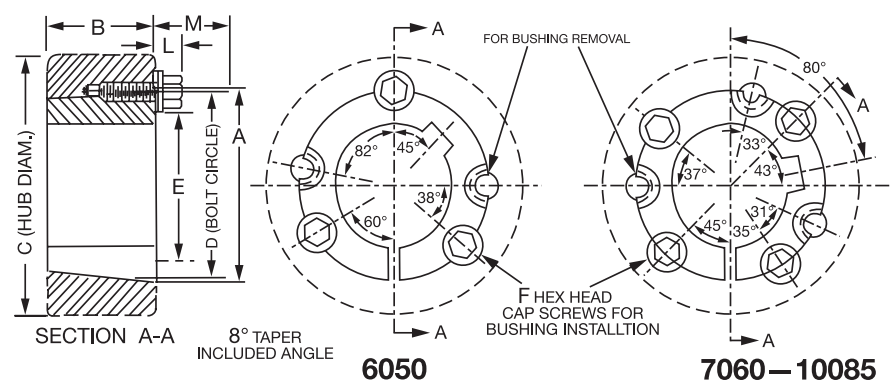
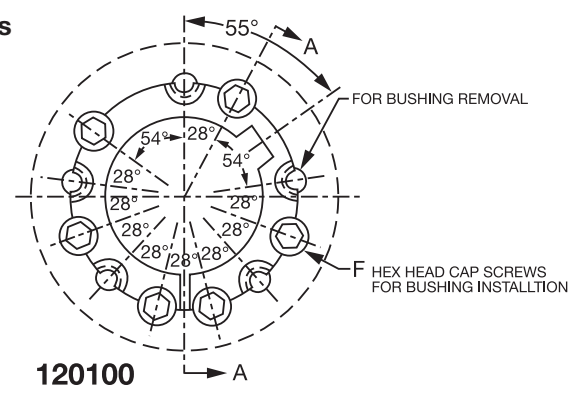
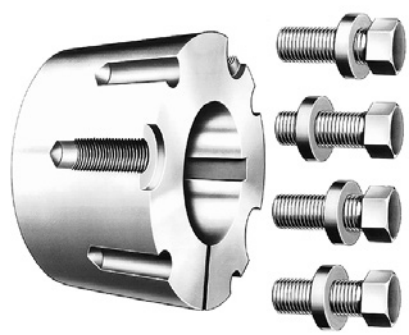
T-L FEATURES/BENEFITS PAGE PT6-2	T-L SPECIFICATION PAGE PT6-3	QD BUSHINGS PAGE PT6-17	GT BUSHINGS PAGE PT6-29
-------------------------------------	---------------------------------	----------------------------	----------------------------



SPECIFICATION

TAPER-LOCK Bushings - Dimensions

6050 thru 120100 Sizes



Dimensions For 6050 Thru 120100 TAPER-LOCK Bushings

Bush No.	Ratings (LB-IN)		A	B	C Hub Dia		D	E	F		L	M
	Torque Capacity	Wrench Torque Install Screws			CL 30	Steel			Qty	Size		
6050	282000	7820	9.25	5.00	15.50	13.50	9.00	6.75	3	1-1/4 X 3-1/2	1.63	4.38
7060	416000	7820	10.25	6.00	17.00	14.80	10.00	7.75	4	1-1/4 X 3-1/2	1.63	4.38
8065	456000	7820	11.25	6.50	17.50	15.50	11.00	8.75	4	1-1/4 X 3-1/2	1.63	4.38
10085	869000	13700	14.75	8.50	22.00	19.50	14.50	11.75	4	1-1/2 X 4-1/4	2.00	5.38
120100	1520000	13700	17.25	10.00	26.00	23.00	17.00	14.25	6	1-1/2 X 4-1/4	2.00	5.38

Note: For dimensions required for machining hubs, consult factory.

- Hub diameter required depends on the application. Hub diameter shown is based on 30,000 P.S.I. minimum ultimate tensile strength.
- † Use in position shown in drawing above for tightening bushing on shaft. When loosening bushing remove screws and use all except one in the other holes.
- Space required to tighten bushing. Also space required to loosen screws to permit removal of hub by puller.
- ★ Space required to loosen bushing using screws as jackscrews - no puller required.
- ◆ Peak torque loads must not exceed torque capacity rating shown. Capacity values shown are for light starting and steady running conditions. For more severe duty, divide torque capacity by service factor suggested in following table.

Service Factor	Type of Loading
1.00	Light Starting & Steady Running
1.50	Light Starting & Uneven Running
2.00	Fairly Heavy Starting & Steady Or Uneven Running
2.50	Light or Heavy Starting & Moderate Shock Running
3.00	Light or Heavy Starting & Severe Shock Running, or Reversing Loads

SPECIFICATION



TAPER-LOCK Bushings - Stock Bore

TL Bush Size	Bore	P/N Integral Key	P/N Keyway	WT.	Bushing Keyway	Shaft Keyway REF	Key Size REF
1008	1/2"		119176	0.3	1/8 x 1/16	1/8 x 1/16	1/8 x 1/8
	9/16"		119177	0.3			
	5/8"	119180	117073	0.3	3/16 x 3/32	3/16 x 3/32	3/16 x 3/16
	11/16"		119179	0.2			
	3/4"		117150	0.2			
	13/16"		119181	0.2			
	7/8"	119182	117074	0.2			
	15/16" #	119184	119183	0.2	1/4 x 1/16	1/4 x 1/8	1/4 x 3/16 Δ
	1" #		117151	0.2			
	14MM		119565	0.3	5 x 2.3MM	5 x 5.3MM	5 x 5MM
	16MM		119566	0.3			
	18MM		119575	0.3	6 x 2.8MM	6 x 3.5MM	6 x 6MM
	19MM		119569	0.3			
	20MM		119576	0.3			
22MM		119577	0.2				
24MM		119567	0.2	8 x 1.3MM	8 x 4MM	8 X 7MM	
25MM		119568	0.2				
1108	1/2"		119365	0.3	1/8 x 1/4	1/8 x 1/4	1/8 x 1/8
	9/16"		119366	0.3			
	5/8"	119367	117075	0.3	3/16 x 3/32	3/16 x 3/32	3/16 x 3/16
	11/16"		119368	0.2			
	3/4"		117152	0.2			
	13/16"		119370	0.2			
	7/8"	119371	117076	0.2			
	15/16"		119372	0.2	1/4 x 1/8	1/4 x 1/8	1/4 x 1/4
	1"		117153	0.2			
	1-1/16" #		119374	0.2	1/4 x 1/16	1/4 x 1/8	1/4 x 3/16 Δ
	1-1/8" #		117077	0.1			
	14MM		119651	0.3	5 x 2.3MM	5 x 5.3MM	5 x 5MM
	16MM		119652	0.3			
	18MM		119653	0.3	6 x 2.8MM	6 x 3.5MM	6 x 6MM
19MM		119570	0.3				
20MM		119579	0.3				
22MM		119580	0.3				
24MM		119581	0.2	8 X 3.3MM	8 X 4MM	8 X 7MM	
25MM		119582	0.2				
1210	1/2"		119191	0.6	1/8 x 1/16	1/8 x 1/16	1/8 x 1/8
	9/16"		119192	0.6			
	5/8"	119195	117078	0.6	3/16 x 3/32	3/16 x 3/32	3/16 x 3/16
	11/16"		119194	0.5			
	3/4"		117154	0.5			
	13/16"		119196	0.5			
	7/8"	119197	117079	0.5			
	15/16"		119198	0.5	1/4 x 1/8	1/4 x 1/8	1/4 x 1/4
	1"	119201	117155	0.5			
	1-1/16"		119200	0.4			
	1-1/8"		117080	0.4			
	1-3/16"		117156	0.4			
	1-1/4"		117157	0.4			
	14MM		119583	0.6	5 x 2.3MM	5 x 5.3MM	5 x 5MM
16MM		119654	0.6				
18MM		119584	0.5	6 x 2.8MM	6 x 3.5MM	6 x 6MM	
19MM		119571	0.5				
20MM		119585	0.5				
22MM		119655	0.5				
24MM		119586	0.5	8 X 3.3MM	8 X 4MM	8 X 7MM	
25MM		119587	0.4				
28MM		119588	0.4				
30MM		119589	0.4				
32MM		119590	0.4	10 X 3.3MM	10 X 5MM	10 X 8MM	

Δ Key furnished for these sizes ONLY
 + These sizes are STEEL
 # Refer to torque capacity ratings on page PT6-3. If service factor of 2.0 or greater is required consult DODGE

TL Bush Size	Bore	P/N Integral Key	P/N Keyway	WT.	Bushing Keyway	Shaft Keyway REF	Key Size REF
1215	1/2"		119001	0.9	1/8 x 1/16	1/8 x 1/16	1/8 x 1/8
	9/16"		119002	0.9			
	5/8"		119003	0.8	3/16 x 3/32	3/16 x 3/32	3/16 x 3/16
	11/16"		119004	0.8			
	3/4"		119005	0.8			
	13/16"		119006	0.8			
	7/8"	119007	0.8				
	15/16"		119008	0.8	1/4 x 1/8	1/4 x 1/8	1/4 x 1/4
	1"		119009	0.7			
	1-1/16"		119010	0.6			
	1-1/8"		119011	0.6			
	1-3/16"		119012	0.5			
	1-1/4"		119013	0.5			
	1310	1/2"		119390	0.7	1/8 x 1/16	1/8 x 1/16
9/16"			119391	0.7			
5/8"			119392	0.7	3/16 x 3/32	3/16 x 3/32	3/16 x 3/16
11/16"			119393	0.7			
3/4"			119394	0.7			
13/16"			119395	0.7			
7/8"		119396	0.7				
15/16"			119397	0.6	1/4 x 1/8	1/4 x 1/8	1/4 x 1/4
1"			119398	0.6			
1-1/16"			119399	0.6			
1-1/8"			119400	0.6			
1-3/16"			119401	0.6			
1-1/4"			119402	0.6			
1-5/16" #			119403	0.6	5/16 x 5/32	5/16 x 5/32	5/16 x 5/16
1-3/8" #		119404	0.6				
1-7/16" +		119438	0.6	3/8 x 1/8	3/8 x 3/16	3/8 x 5/16 Δ	
14MM		119656	0.7	5 x 2.3MM	5 x 5.3MM	5 x 5MM	
16MM		119657	0.7				
18MM		119658	0.7	6 x 2.8MM	6 x 3.5MM	6 x 6MM	
19MM		119572	0.7				
20MM		119659	0.6				
22MM		119660	0.6				
24MM		119591	0.6	8 X 3.3MM	8 X 4MM	8 X 7MM	
25MM		119592	0.5				
28MM		119593	0.5				
30MM		119594	0.5				
32MM		119595	0.4	10 X 3.3MM	10 X 5MM	10 X 8MM	
35MM		119596	0.4				
1610	1/2"		119211	0.9	1/8 x 1/16	1/8 x 1/16	1/8 x 1/8
	9/16"		119212	0.9			
	5/8"	119213	117081	0.9	3/16 x 3/32	3/16 x 3/32	3/16 x 3/16
	11/16"		119214	0.9			
	3/4"		119215	0.9			
	13/16"		119216	0.9			
	7/8"	119217	117082	0.8			
	15/16"		117083	0.8	1/4 x 1/8	1/4 x 1/8	1/4 x 1/4
	1"	119219	117159	0.8			
	1-1/16"		117159	0.8			
	1-1/8"	119221	117084	0.7			
	1-3/16"		117160	0.7			
	1-1/4"	119223	117161	0.7			
	1-5/16"		117161	0.7			
1-3/8"	119225	117085	0.6	5/16 x 5/32	5/16 x 5/32	5/16 x 5/16	
1-7/16"		117162	0.6				
1-1/2"	119227	117163	0.5	3/8 x 3/16	3/8 x 3/16	3/8 x 3/8	
1-9/16" #		117163	0.5				
1-5/8" #	119229	117086	0.5	3/8 x 1/8	3/8 x 3/16	3/8 x 5/16 Δ	
1-11/16" +		117071	0.5				
14MM		119661	0.9	5 x 2.3MM	5 x 5.3MM	5 x 5MM	
16MM		119662	0.9				

T-L FEATURES/BENEFITS PAGE PT6-2	T-L SPECIFICATION PAGE PT6-3	QD BUSHINGS PAGE PT6-17	GT BUSHINGS PAGE PT6-29
-------------------------------------	---------------------------------	----------------------------	----------------------------

SPECIFICATION



TAPER-LOCK Bushings - Stock Bore

TL Bush Size	Bore	P/N Integral Key	P/N Keyway	WT.	Bushing Keyway	Shaft Keyway REF	Key Size REF			
1610 (cont)	18MM		119663	0.9	6 x 2.8MM	6 x 3.5MM	6 x 6MM			
	19MM		119573	0.8						
	20MM		119598	0.8						
	22MM		119236	0.8						
	24MM		119599	0.8	8 X 3.3MM	8 X 4MM	8 X 7MM			
	25MM		119600	0.7						
	28MM		119601	0.7						
	30MM		119602	0.7						
	32MM		119603	0.6	10 X 3.3MM	10 X 5MM	10 X 8MM			
	35MM		119604	0.6						
38MM		119605	0.5							
40MM		119606	0.5	12 X 3.3MM	12 X 5MM	12 X 8MM				
42MM +		393002	0.5							
1615	1/2"		119040	1.3	1/8 x 1/16	1/8 x 1/16	1/8 x 1/8			
	9/16"		119041	1.3						
	5/8"		119042	1.3	3/16 x 3/32	3/16 x 3/32	3/16 x 3/16			
	11/16"		119043	1.2						
	3/4"		119044	1.2						
	13/16"		119045	1.2						
	7/8"		119046	1.1						
	15/16"		119047	1.1	1/4 x 1/8	1/4 x 1/8	1/4 x 1/4			
	1"		119048	1.1						
	1-1/16"		119049	1						
	1-1/8"		119050	1						
	1-3/16"		119051	1						
	1-1/4"		119052	0.9						
	1-5/16"		119053	0.8				5/16 x 5/32	5/16 x 5/32	5/16 x 5/16
	1-3/8"		119054	0.8						
	1-7/16"		119055	0.7				3/8 x 3/16	3/8 x 3/16	3/8 x 3/8
	1-1/2"		119056	0.7						
	1-9/16" #		119057	0.7	3/8 x 1/8	3/8 x 3/16	3/8 x 5/16 Δ			
	1-5/8" #		119058	0.6						
	1-11/16" +		119068	0.6						
25MM		119039	0.7	8 X 3.3MM				8 X 4MM	8 X 7MM	
35MM		119038	0.7	10 X 3.3MM	10 X 5MM	10 X 8MM				
2012	1/2"		119241	1.7	1/8 x 1/16	1/8 x 1/16	1/8 x 1/8			
	9/16"		119242	1.7						
	5/8"		117087	1.7				3/16 x 3/32	3/16 x 3/32	3/16 x 3/16
	11/16"		119244	1.7						
	3/4"		117088	1.7						
	13/16"		119246	1.7						
	7/8"		117089	1.6						
	15/16"		119248	1.6	1/4 x 1/8	1/4 x 1/8	1/4 x 1/4			
	1"		117164	1.6						
	1-1/16"	119249	119250	1.6						
	1-1/8"		117090	1.5						
	1-3/16"	119252	117165	1.5						
	1-1/4"	119253	117166	1.4						
	1-5/16"		119254	1.3	5/16 x 5/32	5/16 x 5/32	5/16 x 5/16			
	1-3/8"		117091	1.2						
1-7/16"	119256	117167	1.2	3/8 x 3/16	3/8 x 3/16	3/8 x 3/8				
1-1/2"	119257	117168	1.2							
1-9/16"		119258	1.2							
1-5/8"		117092	1.2							
1-11/16"		117093	1.1							
1-3/4"		117094	1							
1-13/16"		119262	1				1/2 x 1/4	1/2 x 1/4	1/2 x 1/2	
1-7/8"		117095	0.9							

TL Bush Size	Bore	P/N Integral Key	P/N Keyway	WT.	Bushing Keyway	Shaft Keyway REF	Key Size REF		
2012 (cont)	1-15/16" #		117169	0.9	1/2 x 3/16	1/2 x 1/4	1/2 x 7/16 Δ		
	2" #		117170	0.9					
	2-1/8" +		117177	0.9					
	14MM		119664	1.7	5 x 2.3MM	5 x 5.3MM	5 x 5MM		
	16MM		119665	1.7					
	18MM		119666	1.6	6 x 2.8MM	6 x 3.5MM	6 x 6MM		
	19MM		119574	1.6					
	20MM		119607	1.6					
	22MM		119667	1.6					
	24MM		119608	1.5					
25MM		119609	1.5	8 X 3.3MM	8 X 4MM	8 X 7MM			
28MM		119610	1.5						
30MM		119611	1.4						
32MM		119612	1.4						
35MM		119613	1.3	10 X 3.3MM	10 X 5MM	10 X 8MM			
38MM		119614	1.3						
40MM		119615	1.2						
42MM		119616	1.1	12 X 3.3MM	12 X 5MM	12 X 8MM			
45MM		119617	1						
48MM		119668	0.9	14 X 3.8MM	14 X 5.5MM	14 X 9MM			
2517	1/2"		119100	3.7	1/8 x 1/16	1/8 x 1/16	1/8 x 1/8		
	5/8"		119102	3.6					
	11/16"		119103	3.5					
	3/4"		119104	3.4	3/16 x 3/32	3/16 x 3/32	3/16 x 3/16		
	13/16"		119105	3.4					
	7/8"		119106	3.3					
	15/16"		119107	3.3					
	1"		119108	3.3	1/4 x 1/8	1/4 x 1/8	1/4 x 1/4		
	1-1/16"		119109	3.2					
	1-1/8"		119110	3.2					
	1-3/16"		119111	3.2					
	1-1/4"		119112	3.2					
	1-5/16"		119113	3.1					
	1-3/8"		119114	3.1	5/16 x 5/32	5/16 x 5/32	5/16 x 5/16		
	1-7/16"		119115	3					
1-1/2"		119116	2.9	3/8 x 3/16	3/8 x 3/16	3/8 x 3/8			
1-9/16"		119117	2.9						
1-5/8"	119144	119118	2.8						
1-11/16"		119119	2.8						
1-3/4"		119120	2.7						
1-13/16"		119121	2.6	1/2 x 1/4	1/2 x 1/4	1/2 x 1/2			
1-7/8"		119122	2.5						
1-15/16"		117173	2.4						
2"		117174	2.3						
2-1/16"	119123	119125	2.3						
2-1/8"	119124	117096	2.2						
2-3/16"		117175	2.1						
2-1/4"		117097	2						
2-5/16"		119129	1.9				5/8 x 3/16	5/8 x 5/16	5/8 x 1/2 Δ
2-3/8"		117098	1.9						
2-7/16" #		117176	1.8						
2-1/2" #		117099	1.8						
2-5/8" +		117111	1.8						
2-11/16" +		117115	1.8						
14MM		119669	3.6	5 x 2.3MM	5 x 5.3MM	5 x 5MM			
16MM		119670	3.6						
18MM		119671	3.5	6 x 2.8MM	6 x 3.5MM	6 x 6MM			
19MM		119672	3.4						
20MM		119618	3.4						
22MM		119619	3.3						
24MM		119620	3.3						
25MM		119621	3.2	8 X 3.3MM	8 X 4MM	8 X 7MM			
28MM		119622	3.1						
30MM		119623	3.1						

Δ Key furnished for these sizes ONLY
 + These sizes are STEEL
 # Refer to torque capacity ratings on page PT6-3. If service factor of 2.0 or greater is required consult DODGE



SPECIFICATION

TAPER-LOCK Bushings - Stock Bore

TL Bush Size	Bore	P/N Integral Key	P/N Keyway	WT.	Bushing Keyway	Shaft Keyway REF	Key Size REF
2517 (cont)	32MM		119624	3	10 X 3.3MM	10 X 5MM	10 X 8MM
	35MM		119625	2.9			
	38MM		119626	2.9			
	40MM		119627	2.8	12 X 3.3MM	12 X 5MM	12 X 8MM
	42MM		119628	2.6			
	45MM		119629	2.5	14 X 3.8MM	14 X 5.5MM	14 X 9MM
	48MM		119630	2.4			
	50MM		119640	2.3			
	55MM		119641	2	16 X 4.3MM	16 X 6MM	16 X 10MM
	60MM		119642	1.7	18 X 4.4MM	18 X 7MM	18 X 11MM
65MM		119643	1.4				

TL Bush Size	Bore	P/N Keyway	WT.	Bushing Keyway	Shaft Keyway REF	Key Size REF			
2525	3/4"	119304	4.9	3/16 x 3/32	3/16 x 3/32	3/16 x 3/16			
	7/8"	119306	4.8						
	15/16"	119307	4.8	1/4 x 1/8	1/4 x 1/8	1/4 x 1/4			
	1"	119308	4.8						
	1-1/8"	119310	4.6						
	1-3/16"	119311	4.5						
	1-1/4"	119312	4.4						
	1-3/8"	119314	4.2	5/16 x 5/32	5/16 x 5/32	5/16 x 5/16			
	1-7/16"	119315	4.2	3/8 x 3/16	3/8 x 3/16	3/8 x 3/8			
	1-1/2"	119316	4						
	1-5/8"	119318	3.8						
	1-11/16"	119319	3.8						
	1-3/4"	119320	3.7						
	1-13/16"	119321	3.2				1/2 x 1/4	1/2 x 1/4	1/2 x 1/2
	1-7/8"	119322	3.4						
	1-15/16"	119323	3.2						
	2"	119324	3.1						
	2-1/8"	119325	2.9						
	2-3/16"	119327	2.5	5/8 x 3/16	5/8 x 5/16	5/8 x 1/2 Δ			
	2-1/4"	119328	2.3						
	2-5/16"	119329	2						
	2-3/8"	119330	2						
	2-7/16"	119331	2						
	2-1/2"	119332	2						
	3020	7/8"	117103	6.5	3/16 x 3/32	3/16 x 3/32	3/16 x 3/16		
		15/16"	117101	6.5	1/4 x 1/8	1/4 x 1/8	1/4 x 1/4		
		1"	117102	6.5					
		1-1/8"	117104	6.4					
		1-3/16"	117105	6.4					
		1-1/4"	117106	6.3					
1-5/16"		117107	6.1	5/16 x 5/32	5/16 x 5/32	5/16 x 5/16			
1-3/8"		117108	6	3/8 x 3/16	3/8 x 3/16	3/8 x 3/8			
1-7/16"		117109	6						
1-1/2"		117110	5.9						
1-9/16"		117135	5.9						
1-5/8"		117112	5.9						
1-11/16"		117113	5.7						
1-3/4"		117114	5.6						
1-13/16"		117136	5.5				1/2 x 1/4	1/2 x 1/4	1/2 x 1/2
1-7/8"		117116	5.4						
1-15/16"		117117	5.3						
2"		117118	5.2						
2-1/16"		117119	5						
2-1/8"		117120	5						
2-3/16"		117121	4.9						
2-1/4"		117122	4.8						

TL Bush Size	Bore	P/N Keyway	WT.	Bushing Keyway	Shaft Keyway REF	Key Size REF			
3020 (cont)	2-5/16"	117137	4.6	5/8 x 5/16	5/8 x 5/16	5/8 x 5/8			
	2-3/8"	117124	4.5						
	2-7/16"	117125	4.4						
	2-1/2"	117126	4.3						
	2-5/8"	117128	4						
	2-11/16"	117129	3.9						
	2-3/4"	117130	3.7						
	2-13/16"	117139	3.7				3/4 x 1/4	3/4 x 3/8	3/4 x 5/8 Δ
	2-7/8"	117132	3.6						
	2-15/16" # 3" #	117133	3.6						
	3-1/8" +	117178	3.3						
	3-3/16" +	117179	3.3						
	3-1/4" +	117180	3.3						
	24MM	119673	6.5	8 X 3.3MM	8 X 4MM	8 X 7MM			
	25MM	119674	6.5						
	28MM	119675	6.4						
	30MM	119676	6.4						
	32MM	119677	6.3	10 X 3.3MM	10 X 5MM	10 X 8MM			
	35MM	119678	6						
	38MM	119679	5.9						
40MM	119680	5.9	12 X 3.3MM	12 X 5MM	12 X 8MM				
42MM	119681	5.8							
45MM	119682	5.6	14 X 3.8MM	14 X 5.5MM	14 X 9MM				
48MM	119644	5.5							
50MM	119645	5.2							
55MM	119646	5							
60MM	119647	4.9	18 X 4.4MM	18 X 7MM	18 X 11MM				
65MM	119648	4.3							
70MM	119649	3.7	20 X 4.9MM	20 X 7.5MM	20 X 12MM				
75MM	119650	3.5							
80MM +	117721	4	22 X 5.4MM	22 X 9MM	22 X 14MM				
3030	15/16"	117004	10	1/4 x 1/8	1/4 x 1/8	1/4 x 1/4			
	1"	117005	9.4						
	1-1/8"	117007	9.4						
	1-3/16"	117008	9.2						
	1-1/4"	117009	9						
	1-5/16"	117010	8.9	5/16 x 5/32	5/16 x 5/32	5/16 x 5/16			
	1-3/8"	117011	8.8						
	1-7/16"	117012	8.6						
	1-1/2"	117013	8.5	3/8 x 3/16	3/8 x 3/16	3/8 x 3/8			
	1-9/16"	117014	8.4						
	1-5/8"	117015	8.2						
	1-11/16"	117016	8						
	1-3/4"	117017	7.8						
	1-13/16"	117018	7.6	1/2 x 1/4	1/2 x 1/4	1/2 x 1/2			
	1-7/8"	117019	7.5						
	1-15/16"	117020	7.4						
	2"	117021	7.3						
	2-1/16"	117022	7.2						
	2-1/8"	117023	7.1						
	2-3/16"	117024	6.9						
	2-1/4"	117025	6.7						
	2-5/16"	117026	6.6	5/8 x 5/16	5/8 x 5/16	5/8 x 5/8			
	2-3/8"	117027	6.4						
	2-7/16"	117028	6.2						
2-1/2"	117029	6.1							
2-5/8"	117031	6							
2-11/16"	117032	5.9							
2-3/4"	117033	5.6							
2-7/8"	117035	5.3	3/4 x 1/8				3/4 x 3/8	3/4 x 1/2 Δ	
2-15/16" # 3" #	117036	5							
3-1/8" +	117181	4.7							
3-3/16" +	117182	4.7							
3-1/4" +	117183	4.7							
28MM	119808	9.4	8 X 3.3MM	8 X 4MM	8 X 7MM				
32MM	119809	9	10 X 3.3MM	10 X 5MM	10 X 8MM				
38MM	119810	8.4	14 X 3.8MM	14 X 5.5MM	14 X 9MM				
48MM	119811	7.6							

Δ Key furnished for these sizes ONLY

+ These sizes are STEEL

Refer to torque capacity ratings on page PT6-3. If service factor of 2.0 or greater is required consult DODGE

T-L FEATURES/BENEFITS PAGE PT6-2	T-L SPECIFICATION PAGE PT6-3	QD BUSHINGS PAGE PT6-17	GT BUSHINGS PAGE PT6-29
-------------------------------------	---------------------------------	----------------------------	----------------------------



SPECIFICATION

TAPER-LOCK Bushings - Stock Bore

TL Bush Size	Bore	P/N Keyway	WT.	Bushing Keyway	Shaft Keyway REF	Key Size REF
3030 (cont)	55MM	119812	6.9	16 X 4.3MM	16 X 6MM	16 X 10MM
	60MM	119813	6.4	18 X 4.4MM	18 X 7MM	18 X 11MM
	80MM +	119895	4	22 X 5.4MM	22 X 9MM	22 X 14MM
	1-3/16"	119702	16			
	1-1/4"	119703	14.6	1/4 x 1/8	1/4 x 1/8	1/4 x 1/4
	1-5/16"	119791	14.6			
	1-3/8"	119704	14.3	5/16 x 5/32	5/16 x 5/32	5/16 x 5/16
	1-7/16"	119734	14.2			
	1-1/2"	119705	14			
	1-9/16"	119792	14			
	1-5/8"	119735	14	3/8 x 3/16	3/8 x 3/16	3/8 x 3/8
	1-11/16"	119706	13.9			
	1-3/4"	119707	13.4			
	1-13/16"	119793	13.3			
	1-7/8"	119708	13.2			
	1-15/16"	119709	13			
	2"	119710	13	1/2 x 1/4	1/2 x 1/4	1/2 x 1/2
	2-1/8"	119711	12.6			
	2-3/16"	119712	12.4			
	2-1/4"	119713	12.3			
	2-5/16"	119736	12.2			
	2-3/8"	119714	12			
	2-7/16"	119715	11.7			
3525	2-1/2"	119716	11.5			
	2-9/16"	119795	11.4	5/8 x 5/16	5/8 x 5/16	5/8 x 5/8
	2-5/8"	119717	11.1			
	2-11/16"	119718	10.7			
	2-3/4"	119719	10.4			
	2-13/16"	119796	10.3			
	2-7/8"	119720	10.1			
	2-15/16"	119721	10.5			
	3"	119722	9.5	3/4 x 3/8	3/4 x 3/8	3/4 x 3/4
	3-1/16"	119797	9.4			
	3-1/8"	119723	9.3			
	3-3/16"	119724	8.6			
	3-1/4"	119725	8.8			
	3-5/16"	119737	8.6	7/8 x 1/8	7/8 x 7/16	7/8 x 9/16 Δ
	3-3/8"	119726	8.5			
	3-7/16"	119727	8.2			
	3-1/2"	119728	8			
	3-9/16"	119798	8	7/8 x 3/16	7/8 x 7/16	7/8 x 5/8 Δ
	3-5/8" #	119729	7.9			
	3-11/16" #	119730	7.9			
	3-3/4" #	119731	7.9			
	3-13/16" #	119799	7.9			
	3-7/8" #	119732	7.9	1 x 1/4	1 x 1/2	1 x 3/4 Δ
	3-15/16" #	119733	7.9			
	1-3/16"	117207	15.2			
	1-1/4"	117208	14.9	1/4 x 1/8	1/4 x 1/8	1/4 x 1/4
	1-3/8"	117209	14.8	5/16 x 5/32	5/16 x 5/32	5/16 x 5/16
	1-7/16"	117210	14.6			
	1-1/2"	117211	14.4			
	1-5/8"	117212	14.1	3/8 x 3/16	3/8 x 3/16	3/8 x 3/8
3535	1-11/16"	117213	14			
	1-3/4"	117214	14			
	1-7/8"	117215	13.6			
	1-15/16"	117216	13.4			
	2"	117217	13.1	1/2 x 1/4	1/2 x 1/4	1/2 x 1/2
	2-1/8"	117218	12.6			
	2-3/16"	117219	12.4			
	2-1/4"	117220	12.2			

TL Bush Size	Bore	P/N Keyway	WT.	Bushing Keyway	Shaft Keyway REF	Key Size REF
	2-5/16"	117237	12			
	2-3/8"	117221	11.7			
	2-7/16"	117222	11.7			
	2-1/2"	117223	11	5/8 x 5/16	5/8 x 5/16	5/8 x 5/8
	2-5/8"	117224	10.9			
	2-11/16"	117225	10.7			
	2-3/4"	117226	10			
	2-7/8"	117227	9.8			
	2-15/16"	117228	9.7			
	3"	117229	9.2	3/4 x 3/8	3/4 x 3/8	3/4 x 3/4
3535 (cont)	3-1/8"	117230	9.2			
	3-3/16"	117231	8.8			
	3-1/4"	117232	8.7			
	3-5/16"	117236	8.6	7/8 x 1/8	7/8 x 7/16	7/8 x 9/16 Δ
	3-3/8"	117233	8.7			
	3-7/16"	117234	8.3			
	3-1/2"	117235	8	7/8 x 3/16	7/8 x 7/16	7/8 x 5/8 Δ
	3-5/8" #	117707	7.1	7/8 x 1/4	7/8 x 7/16	7/8 x 11/16 Δ
	3-11/16" #	117708	6.8			
	3-3/4" #	117709	6.4	7/8 x 3/16	7/8 x 7/16	7/8 x 5/8 Δ
	3-7/8" #	117710	6			
	3-15/16" #	117703	5.6	1 x 1/4	1 x 1/2	1 x 3/4 Δ
	32MM	119814	14.6			
	38MM	119815	14	10 X 3.3MM	10 X 5MM	10 X 8MM
	48MM	119816	13.2			
	50MM	117738	13	14 X 3.8MM	14 X 5.5MM	14 X 9MM
	55MM	119817	11.1	16 X 4.3MM	16 X 6MM	16 X 10MM
	60MM	119683	11.1			
	65MM	117737	11	18 X 4.4MM	18 X 7MM	18 X 11MM
	75MM	117722	10	20 X 4.9MM	20 X 7.5MM	20 X 12MM
4030	80MM	117297	10	22 X 5.4MM	22 X 9MM	22 X 14MM
	85MM	393170	10			
	90MM	426013	10			
	95MM	426013	10	25 X 5.4MM	25 X 9MM	25 X 14MM
	1-7/16"	119738	24			
	1-1/2"	119739	22			
	1-9/16"	119770	21.9	3/8 x 3/16	3/8 x 3/16	3/8 x 3/8
	1-5/8"	119740	21.8			
	1-11/16"	119771	21.5			
	1-3/4"	119772	21.2			
	1-13/16"	119773	21			
	1-7/8"	119774	20.9			
	1-15/16"	119775	20.7			
	2"	119741	20.6	1/2 x 1/4	1/2 x 1/4	1/2 x 1/2
	2-1/16"	119776	20.6			
	2-1/8"	119742	20.7			
	2-3/16"	119743	20.4			
	2-1/4"	119744	20.1			
	2-5/16"	119777	20			
	2-3/8"	119745	19.5			
	2-7/16"	119746	19.3			
	2-1/2"	119778	19.2	5/8 x 5/16	5/8 x 5/16	5/8 x 5/8
	2-9/16"	119779	19.1			
	2-5/8"	119747	19			
	2-11/16"	119780	18.4			
	2-3/4"	119748	17.7			
	2-13/16"	119781	17.5			
	2-7/8"	119749	17.2			
	2-15/16"	119750	17.2			
	3"	119751	17	3/4 x 3/8	3/4 x 3/8	3/4 x 3/4
3-1/16"	119782	16.8				
3-1/8"	119752	16.5				
3-3/16"	119783	15.9				
3-1/4"	119753	15.4				

Δ Key furnished for these sizes ONLY
 + These sizes are STEEL
 # Refer to torque capacity ratings on page PT6-3. If service factor of 2.0 or greater is required consult DODGE

T-L FEATURES/BENEFITS PAGE PT6-2	T-L SPECIFICATION PAGE PT6-3	QD BUSHINGS PAGE PT6-17	GT BUSHINGS PAGE PT6-29
-------------------------------------	---------------------------------	----------------------------	----------------------------



SPECIFICATION

TAPER-LOCK Bushings - Stock Bore

TL Bush Size	Bore	P/N Keyway	WT.	Bushing Keyway	Shaft Keyway REF	Key Size REF	
4030 (cont)	3-5/16"	119784	14.9	7/8 x 7/16	7/8 x 7/16	7/8 x 7/8	
	3-3/8"	119754	14.6				
	3-7/16"	119755	14.1				
	3-1/2"	119756	13.4				
	3-9/16"	119785	13.3				
	3-5/8"	119757	13.2				
	3-11/16"	119786	13	7/8 x 3/16	7/8 x 7/16	7/8 x 5/8 Δ	
	3-3/4"	119758	12.7				
	3-13/16"	119787	12.7				
	3-7/8"	119759	12.6				
	3-15/16"	119760	12.6				
	4"	119761	12.6				
	4040	4-1/8" #	119788	12.6	1 x 1/4	1 x 1/2	1 x 3/4 Δ
		4-3/16" #	119762	12.6			
		4-1/4" #	119763	12.6			
		4-3/8" #	119764	12.6			
		4-7/16" #	119765	11.8			
		1-7/16"	117310	24			
1-1/2"		117311	22				
1-5/8"		117312	22				
1-11/16"		117313	21.9				
1-3/4"		117314	21.9				
1-7/8"		117315	21	1/2 x 1/4	1/2 x 1/4	1/2 x 1/2	
1-15/16"		117316	21.2				
2"		117317	21.1				
2-1/8"		117318	20.6				
2-3/16"		117319	20.3				
2-1/4"		117320	20.2				5/8 x 5/16
2-3/8"		117321	19.6				
2-7/16"		117322	19.3				
2-1/2"	117323	18.8					
2-5/8"	117324	18.7					
2-11/16"	117325	18.3					
2-3/4"	117326	18.2	3/4 x 3/8	3/4 x 3/8	3/4 x 3/4		
2-13/16"	117267	17.8					
2-7/8"	117327	17.5					
2-15/16"	117328	17.2					
3"	117329	16.8					
3-1/8"	117330	16.2				7/8 x 7/16	7/8 x 7/16
3-3/16"	117331	15.8					
3-1/4"	117332	15.5					
3-3/8"	117333	14.8					
3-7/16"	117334	14.4					
3-1/2"	117335	14					
4040	3-5/8"	117337	13.5	7/8 x 3/16	7/8 x 7/16	7/8 x 5/8 Δ	
	3-11/16"	117340	13.5				
	3-3/4"	117336	13.5				
	3-7/8"	117341	12.9				
	3-15/16"	117338	12.5				
	4"	117352	12				
	4-1/8" #	117714	11.2	1 x 1/4	1 x 1/2	1 x 3/4 Δ	
	4-3/16" #	117715	10.7				
	4-1/4" #	117716	10.3				
	4-3/8" #	117717	9.5				
	4-7/16" #	117704	8.9				
	48MM	119818	21				14 X 3.8MM
	55MM	119819	20.4	16 X 4.3MM	16 X 6MM	16 X 10MM	
	60MM	119820	19.5	18 X 4.4MM	18 X 7MM	18 X 11MM	
	75MM	117723	10	20 X 4.9MM	20 X 7.5MM	20 X 12MM	
	80MM	117724	10	22 X 5.4MM	22 X 9MM	22 X 14MM	
	90MM	117726	10	25 X 5.4MM	25 X 9MM	25 X 14MM	
	95MM	117725	10				
100MM	117729	10	28 X 6.4MM				28 X 10MM

Δ Key furnished for these sizes ONLY
+ These sizes are STEEL
Refer to torque capacity ratings on page PT6-3. If service factor of 2.0 or greater is required consult DODGE

TL Bush Size	Bore	P/N Keyway	WT.	Bushing Keyway	Shaft Keyway REF	Key Size REF	
4535	1-15/16"	114765	31	1/2 x 1/4	1/2 x 1/4	1/2 x 1/2	
	2"	114766	29.7				
	2-1/16"	114767	29.5				
	2-1/8"	114768	29.3				
	2-3/16"	114769	29				
	2-1/4"	114770	28.8				5/8 x 5/16
	2-5/16"	114771	28.6				
	2-3/8"	114772	27.4				
	2-7/16"	114773	28				
	2-1/2"	114774	26.7				
	2-9/16"	114775	26.4				
	4535	2-5/8"	114776	25.9	3/4 x 3/8	3/4 x 3/8	3/4 x 3/4
		2-11/16"	114777	25.4			
		2-3/4"	114778	25			
		2-13/16"	114779	24.9			
		2-7/8"	114780	24.8			
		2-15/16"	114781	24.2			
		3"	114782	24.2	7/8 x 7/16	7/8 x 7/16	7/8 x 7/8
3-1/16"		114783	24.2				
3-1/8"		114784	24.1				
3-3/16"		114785	23.8				
3-1/4"		114786	23.1				
3-5/16"		114787	22.7	1 x 1/2			
3-3/8"		114788	22.4				
3-7/16"		114789	21.5				
3-1/2"		114790	21.3				
3-9/16"		114791	21.1				
3-5/8"		114792	21		1 x 1/4	1 x 1/2	1 x 3/4 Δ
3-11/16"		114793	20.3				
3-3/4"	114794	19.9					
3-13/16"	114795	19.6					
3-7/8"	114796	19.3					
3-15/16"	114797	18.9	1-1/4 x 1/4	1-1/4 x 5/8			
4"	114798	18.7					
4-1/8"	114799	18.6					
4-3/16"	114800	18.5					
4-1/4"	114801	17.8					
4-3/8"	114802	16.8			1/2 x 1/4	1/2 x 1/4	1/2 x 1/2
4-7/16"	114803	15.4					
4-1/2"	114804	15.3					
4-3/4" #	114805	15.2					
4-7/8" #	114806	15.1					
4-15/16" #	114807	14.9	5/8 x 5/16	5/8 x 5/16			
1-15/16"	117416	29.9					
2"	117417	29.8					
2-1/8"	117849	29.8					
2-3/16"	117419	29					
2-3/8"	117421	28.2			7/8 x 7/16	7/8 x 7/16	7/8 x 7/8
2-7/16"	117422	27.9					
2-1/2"	117850	27.5					
2-5/8"	117424	27					
2-3/4"	117426	26.5					
2-7/8"	117427	25.7	3/4 x 3/8	3/4 x 3/8			
2-15/16"	117428	25.3					
3"	117429	25.2					
3-1/8"	117430	24.3					
3-3/16"	117431	24.2					
3-1/4"	117432	23.9			7/8 x 7/16	7/8 x 7/16	7/8 x 7/8
3-3/8"	117433	22.8					
3-7/16"	117434	22.6					
3-1/2"	117435	22.1					
3-5/8"	117413	21.2					
3-3/4"	117436	20.3	1 x 1/2	1 x 1/2			
3-7/8"	117437	19.5					
3-15/16"	117438	19					
4"	117439	18.6					
4-1/8"	117444	17.5					
4-3/16"	117443	17.1			1 x 1/4	1 x 1/2	1 x 3/4
4-1/4"	117441	17					
4-3/8"	117442	16.9					

T-L FEATURES/BENEFITS PAGE PT6-2	T-L SPECIFICATION PAGE PT6-3	QD BUSHINGS PAGE PT6-17	GT BUSHINGS PAGE PT6-29
-------------------------------------	---------------------------------	----------------------------	----------------------------

PT Component
Quick References

Couplings

Clutches and Brakes

FLEXIDYNE

Fluid Couplings

TORQUE-TAMER

Bushings



SPECIFICATION

TAPER-LOCK Bushings - Stock Bore

PT Component
Quick References

Couplings

Clutches and Brakes

FLEXIDYNE

Fluid Couplings

TORQUE-TAMER

Bushings

TL Bush Size	Bore	P/N Keyway	WT.	Bushing Keyway	Shaft Keyway REF	Key Size REF
4545 (cont)	4-7/16"	117440	16.5	1 x 1/4	1 x 1/2	1 x 3/4 Δ
	4-1/2"	117447	15.9			
	4-3/4" #	117718	13.9	1-1/4 x 1/4	1-1/4 x 5/8	1-1/4 x 7/8 Δ
	4-7/8" #	117719	12.9			
	4-15/16" #	117705	12.5			
5040	2-7/16"	114865	39.5	5/8 x 5/16	5/8 x 5/16	5/8 x 5/8
	2-1/2"	114866	38.3			
	2-9/16"	114867	37.7			
	2-5/8"	114868	37.1			
	2-11/16"	114869	36.9			
	2-3/4"	114870	36.6			
	2-13/16"	114871	36.5	3/4 x 3/8	3/4 x 3/8	3/4 x 3/4
	2-7/8"	114872	36.4			
	2-15/16"	114873	36.2			
	3"	114874	35.6			
	3-1/16"	114875	35.2			
	3-1/8"	114876	34.8	7/8 x 7/16	7/8 x 7/16	7/8 x 7/8
	3-3/16"	114877	33.9			
	3-1/4"	114878	33.2			
	3-5/16"	114879	33			
	3-3/8"	114880	32.7			
	3-7/16"	114881	32	1 x 1/2	1 x 1/2	1 x 1
	3-1/2"	114882	31.7			
	3-9/16"	114883	31.4			
	3-5/8"	114884	31.1			
3-11/16"	114885	30.4				
3-3/4"	114886	29.7	1-1/4 x 1/4	1-1/4 x 5/8	1-1/4 x 7/8 Δ	
3-13/16"	114887	29.4				
3-7/8"	114888	29				
3-15/16"	114889	28.7				
4"	114890	27.8				
4-1/8"	114891	27.5	1-1/4 x 1/4	1-1/4 x 5/8	1-1/4 x 7/8 Δ	
4-3/16"	114892	27.2				
4-1/4"	114893	27				
4-3/8"	114894	26				
4-7/16"	114895	25.1				
4-1/2"	114896	23.6	28 X 6.4MM	28 X 10MM	28 X 16MM	
4-3/4"	114897	22.9				
4-7/8"	114898	22.2				
4-15/16"	114899	20.6				
5"	114900	20.5				
5050	2-7/16"	117458	39	3/4 x 3/8	3/4 x 3/8	3/4 x 3/4
	2-11/16"	117450	37.4			
	2-15/16"	117459	36			
	3-3/8"	117452	33	1 x 1/2	1 x 1/2	1 x 1
	3-7/16"	117460	32.6			
	3-5/8"	117453	31.2			
	3-7/8"	117454	29.3			
	3-15/16"	117461	28.6			
	4"	117466	28.3	1-1/4 x 1/4	1-1/4 x 5/8	1-1/4 x 7/8 Δ
	4-1/4"	117465	26.2			
4-3/8"	117469	25				
4-7/16"	117462	24.4				
4-1/2"	117467	23.9				
4-5/8"	117734	23	110MM	110MM	110MM	
4-7/8"	117468	22.3				
4-15/16"	117463	21.4				
5"	117464	20.9				
110MM	117736	26.2				
6050	4-7/16"	117474	63.6	1 x 1/2	1 x 1/2	1 x 1
	4-15/16"	117473	58.2	1-1/4 x 5/8	1-1/4 x 5/8	1-1/4 x 1-1/4
	5-7/16"	117475	52.3			
	5-15/16"	117476	57.2	1-1/2 x 3/4	1-1/2 x 3/4	1-1/2 x 1-1/2
	6"	117477	46.4			

TL Bush Size	Bore	P/N Keyway	WT.	Bushing Keyway	Shaft Keyway REF	Key Size REF		
7060	4-15/16"	117490	92	1-1/4 x 5/8	1-1/4 x 5/8	1-1/4 x 1-1/4		
	5-7/16"	117491	84.5					
	5-15/16"	117492	78.2	1-1/2 x 3/4	1-1/2 x 3/4	1-1/2 x 1-1/2		
	6"	117493	76.6					
	6-7/16"	117494	68.1					
6-1/2"	117495	68.7	1-3/4 x 3/4	1-3/4 x 3/4	1-3/4 x 1-1/2			
6-15/16"	117496	62.1						
7"	117497	60.6						
5-7/16"	117479	98.6				1-1/4 x 5/8	1-1/4 x 5/8	1-1/4 x 1-1/4
5-15/16"	117480	105.7						
6-7/16"	117481	102.3	1-1/2 x 3/4	1-1/2 x 3/4	1-1/2 x 1-1/2			
6-1/2"	117482	101.8						
8065	6-15/16"	117488	92	1-3/4 x 3/4	1-3/4 x 3/4	1-3/4 x 1-1/2		
	7"	117483	91.1					
	7-1/2"	117503	89.9					
	8"	117484	89.9	2 x 3/4	2 x 3/4	2 x 1-1/2		
	7"	117486	245	1-3/4 x 3/4	1-3/4 x 3/4	1-3/4 x 1-1/2		
10085	8"	117485	219	2 x 3/4	2 x 3/4	2 x 1-1/2		
	8-1/4"	117411	210					
	9"	117487	190	2-1/2 x 7/8	2-1/2 x 7/8	2-1/2 x 1-3/4		
	10"	117510	157.5					
120100	8"	117522	410	2 x 3/4	2 x 3/4	2 x 1-1/2		
	8-1/2"	117523	395					
	9"	117520	380					
	9-1/2"	117524	365	2-1/2 x 7/8	2-1/2 x 7/8	2-1/2 x 1-3/4		
	10"	117521	350					
	10-1/2"	117525	335					
	11"	117526	320					
	11-1/2"	117527	305					
12" #	117508	290	3 x 1	3 x 1	3 x 2			

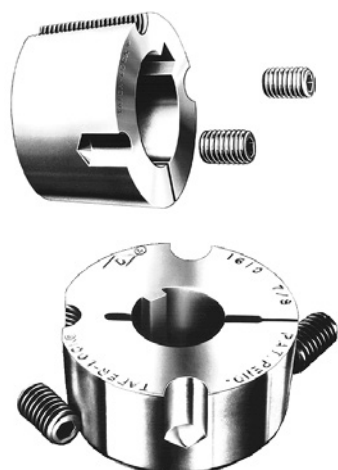
Δ Key furnished for these sizes ONLY
 + These sizes are STEEL
 # Refer to torque capacity ratings on page PT6-3. If service factor of 2.0 or greater is required consult DODGE

T-L FEATURES/BENEFITS PAGE PT6-2	T-L SPECIFICATION PAGE PT6-3	QD BUSHINGS PAGE PT6-17	GT BUSHINGS PAGE PT6-29
-------------------------------------	---------------------------------	----------------------------	----------------------------



SPECIFICATION

TAPER-LOCK Bushings - Reborable



NOTE:

All reborable bushings are stocked without sawsplit to facilitate re-machining. Sawsplit must be made in bushing to allow it to compress for proper gripping of the shaft. Factory rebores and keyseat service as listed in MLP price book includes sawsplit

TL Bush Size	Sintered Steel		Cast Iron		Ductile Iron		Steel		Stainless Steel	
	Bore	P/N	Bore	P/N	Bore	P/N	Bore	P/N	Bore	P/N
1008	1/2"	119187					1/2"	119432	1/2"	119410
1108	1/2"	119361					1/2"	119433	1/2"	119411
1210	1/2"	119206					1/2"	119434	1/2"	119412
1215	1/2"	119023					1/2"	119435	1/2"	119413
1310	1/2"	119386					1/2"	119436	1/2"	119414
1610	1/2"	119209					1/2"	119421	1/2"	119415
1615	1/2"	119067					1/2"	119437	1/2"	119416
2012	1/2"	119272					1/2"	119422	1/2"	119417
2517	1/2"	119141					1"	119423	5/8"	119418
2525							1-7/16"	119429		
3020	7/8"	117147					1-7/16"	119430	7/8"	119419
3020	1-11/16"	117149								
3030			15/16"	117045			1-7/16"	119431		
3525			1-3/16"	119700	1-3/16"	119701				
3535			1-3/16"	117250	1-7/16"	117205				
4030			1-7/16"	119789	1-15/16"	119790				
4040			1-7/16"	117345	1-15/16"	117307				
4535			1-15/16"	119766	2-7/16"	119767				
4545			1-15/16"	117448	2-7/16"	117414				
5040			2-7/16"	119768	2-15/16"	119769				
5050			2-7/16"	117451	2-15/16"	117455				
6050			3-7/16"	117472	3-7/16"	117471				
7060			3-15/16"	117498	3-15/16"	117505				
8065			4-7/16"	117502	4-7/16"	117506				
10085			7"	117489						
120100			8"	117504						

TAPER-LOCK Bushings - Maximum Bore Capacities (Inches)

TL Bush Size	Sintered Steel			Cast Iron			Ductile Iron			Steel		
	Full Key	Shallow Key	No * Key	Full Key	Shallow Key	No * Key	Full Key	Shallow Key	No * Key	Full Key	Shallow Key	No * Key
1008	7/8"	1"	1"							7/8"	1"	1"
1108	1"	1-1/8"	1-1/8"							1"	1-1/8"	1-1/8"
1210	1-1/4"	1-1/4"	1-1/4"							1-1/4"	1-1/4"	1-1/4"
1215	1-1/4"	1-1/4"	1-1/4"							1-1/4"	1-1/4"	1-1/4"
1310	1-3/8"	1-3/8"	1-3/8"							1-3/8"	1-7/16"	1-7/16"
1610	1-1/2"	1-5/8"	1-5/8"							1-5/8"	1-11/16"	1-11/16"
1615	1-1/2"	1-5/8"	1-5/8"							1-5/8"	1-11/16"	1-11/16"
2012	1-7/8"	2"	2"							2"	2-1/8"	2-1/8"
2517	2-1/4"	2-1/2"	2-1/2"							2-7/16"	2-11/16"	2-11/16"
2525				2-1/4"	2-1/2"	2-1/2"				2-3/8"	2-11/16"	2-11/16"
3020	2-3/4"	3"	3"	2-3/4"	3"	3"				3"	3-1/4"	3-1/4"
3030				2-3/4"	3"	3"				3"	3-1/4"	3-1/4"
3525				3-1/4"	3-1/2"	3-1/2"	3-1/2"	3-15/16"	3-15/16"			
3535				3-1/4"	3-1/2"	3-1/2"	3-1/2"	3-15/16"	3-15/16"			
4030				3-5/8"	4"	4"	4"	4-7/16"	4-7/16"			
4040				3-5/8"	4"	4"	4"	4-7/16"	4-7/16"			
4535				4-1/2"	4-1/2"	4-1/2"	4-1/2"	4-15/16"	4-15/16"			
4545				4-1/2"	4-1/2"	4-1/2"	4-1/2"	4-15/16"	4-15/16"			
5040				4-1/2"	5"	5"	5"	5-5/16"	5-5/16"			
5050				4-1/2"	5"	5"	5"	5-5/16"	5-5/16"			
6050				6"	6"	6"	6"	6"	6"			
7060				7"	7"	7"	7"	7"	7"			
8065				8"	8"	8"	8"	8"	8"			
10085				10"	10"	10"	10"	10"	10"			
120100				12"	12"	12"	12"	12"	12"			

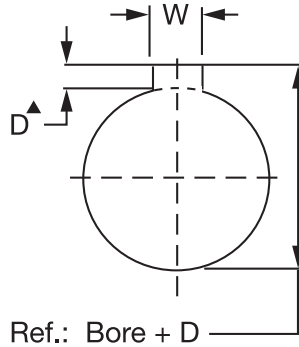
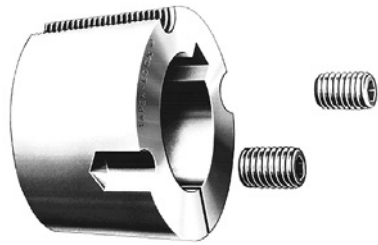
* Verify torque capacity: Contact Application Engineering for assistance

T-L FEATURES/BENEFITS PAGE PT6-2	T-L SPECIFICATION PAGE PT6-3	QD BUSHINGS PAGE PT6-17	GT BUSHINGS PAGE PT6-29
-------------------------------------	---------------------------------	----------------------------	----------------------------



SPECIFICATION

TAPER-LOCK Bushings - Reborable



ISO STANDARD METHOD FOR MEASURING KEYSEAT DEPTH.

▲ Depth measured at centerline

TAPER-LOCK Bushings - Maximum Bore Capacities (Metric)

TL Bush Size	Min Bore	Sintered Steel			Cast Iron			Ductile Iron			Steel		
		Full Key	Shallow Key	No Key*	Full Key	Shallow Key	No Key*	Full Key	Shallow Key	No Key*	Full Key	Shallow Key	No Key*
1008	13	22	25	25							22	22	26
1108	13	25	25	29							25	28	29
1210	13	32	32	32							32	32	32
1215	13	32	32	32							32	32	32
1310	13	35	35	35							35	35	36
1610	13	40	40	40							42	42	44
1615	13	39	39	39							42	42	44
2012	13	50	50	51							50	50	55
2517	13	60	60	64							65	65	68
2525	20				60	60	64				65	65	68
3020	24	75	75	76							80	80	82
3030	24				75	75	76				80	80	82
3525	31				90	90	90	95	100	100			
3535	31				85	85	85	95	95	100			
4030	37				100	100	102	110	115	115			
4040	37				100	100	102	105	105	113			
4535	50				110	110	114	125	125	125			
4545	50				110	110	114	115	115	125			
5040	61				125	125	127	127	127	134			
5050	61				125	125	127	127	127	134			
6050	88				152	152	152	152	152	152			
7060	100				177	177	177	180	180	180			
8065	117				203	203	203	203	203	203			
10085	178				254	254	254	254	254	254			
120100	204				304	304	304	304	304	304			

NOTE: ISO STANDARD METHOD FOR MEASURING KEYSEAT DEPTH
 MM Bore and Keyway dimensions conform to ISO standard recommendation R773, for "Free" fit
 * Verify torque capability. Contact Application Engineering for assistance.

REFERENCE:
 1 inch = 25.4 millimeters
 1 millimeter = 0.03937 inches

T-L FEATURES/BENEFITS PAGE PT6-2	T-L SPECIFICATION PAGE PT6-3	QD BUSHINGS PAGE PT6-17	GT BUSHINGS PAGE PT6-29
-------------------------------------	---------------------------------	----------------------------	----------------------------



SPECIFICATION

TAPER-LOCK Weld-On Hubs



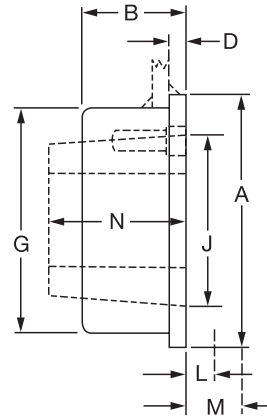
DODGE Weld-On hubs are made of 1015-1025 steel, drilled, tapped, and taper bored to receive TAPER-LOCK bushings. They are useful for welding into fan rotors, pulleys, plate sprockets, impellers, agitators, etc. which must be firmly mounted onto shafting. Four types of hubs are available from stock:

TYPE W/WA: Rugged, full length size for single-hub heavy-duty applications.

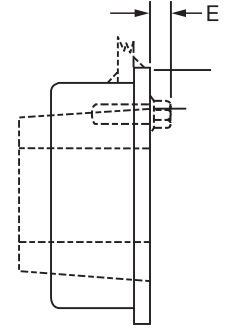
TYPE K: More compact design, especially useful for two-hub construction such as conveyor pulleys.

TYPE S: Originally designed for use in smaller sprockets using up to Taper-Lock size 3535 bushings. Suitable for many other lighter-duty applications.

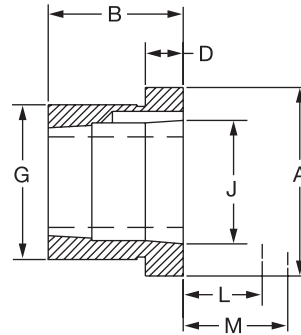
TYPE F: Features a larger flange diameter that can be welded into standard steel tubing to fabricate conveyor pulleys or process rolls.



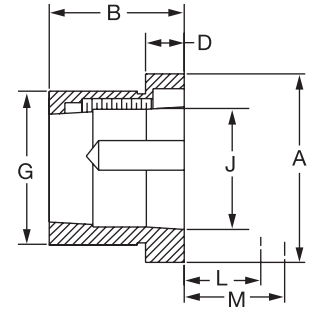
K25 to K50



K60 to K120



W12 to WA30



WA35 to WA100

TAPER-LOCK Type K And Type W/WA Weld-On Hubs

Hub No.	Part No.	Uses Bush.	Max. Bore	Wt. lbs.	Dimensions										Tolerances	
					A	B+	D	E	G	J Ref.	L++	M**	N	G Dimension		
W12	228010	1215	1-1/4	1.2	2.88	1.50	0.63	...	2.500*	1.88	1.38	1.63	1.50	*	+ .000/- .002	
W16	228011	1615	1-11/16	1.3	3.25	1.50	0.63	...	2.875*	2.25	1.38	1.63	1.50	@	+ .000/- .003	
W25	228012	2517	2-11/16	3.9	4.88	1.75	0.75	...	4.375*	3.38	1.63	2.25	1.75	~	+ .000/- .004	
WA30	228087	3030	3-1/4	8.6	5.50	3.00	0.75	...	5.125*	4.25	1.81	2.69	3.00			
WA35	228088	3535	3-15/16	15	6.75	3.50	1.00	...	6.250*	5.00	2.00	3.33 -	3.50		B Dimension	
WA40	228089	4040	4-7/16	29	7.75	4.00	1.00	...	7.250*	5.75	2.38	4.13	4.00		W/WA Hubs Only	
WA45	228090	4545	4-15/16	42	8.75	4.50	1.00	...	8.000*	6.38	2.63	4.75	4.50		+	+ .001/- .125
WA50	228091	5050	5	57	9.50	5.00	1.00	...	8.750@	7.00	2.19	5.25	5.00			
WA60	228092	6050	6	115	13.25	5.00	1.25	1.44	12.250~	9.25	1.63	4.33	5.00			
WA70	228093	7060	7	158	14.5	6.00	1.25	1.44	13.500~	10.25	1.63	4.33	6.00			
WA80	228094	8065	8	180	15.25	6.50	1.25	1.44	14.125~	11.25	1.63	4.33	6.50			
WA100	228095	10085	10	340	19.75	8.50	1.50	1.75	18.750~	14.75	2.00	5.33	8.50			
K25	207156	2517	2-11/16	3.6	4.88	1.50	0.38	...	4.375*	3.38	1.63	2.25	1.75			
K30	207157	3020	3-1/4	7.8	5.50	1.63	0.75	...	5.125*	4.25	1.81	2.69	2.00			
K35	228080	3535	3-15/16	9.8	6.75	1.63	0.75	...	6.250*	5.00	2.00	3.33	3.50			
K40	228081	4040	4-7/16	10.8	7.75	2.13	0.50	...	7.250*	5.75	2.63	4.13	4.00			
K45	228082	4545	4-15/16	15.2	8.50	2.63	0.63	...	8.000*	6.83	2.63	4.75	4.50			
K50	228083	5050	5	29	9.25	2.88	0.63	...	8.750@	7.00	2.81	5.25	5.00			
K60	228084	6050	6	44	12.75	2.88	0.63	1.44	12.250~	9.25	1.63	4.33	5.00			
K70	228085	7060	7	60	14.00	3.38	0.75	1.44	13.500~	10.25	1.63	4.33	6.00			
K80	228086	8065	8	65	14.75	3.63	0.75	1.44	14.125~	11.25	1.63	4.33	6.5			
K100	228079	10085	10	128	19.25	4.13	1.00	1.75	18.750~	14.75	2.00	5.33	8.50			
K120	228058	120100	12	225	22.25	5.38	1.00	1.75	21.750~	17.25	2.00	5.33	10.00			

++ Wrench clearance required to install bushing.

** Wrench clearance required to remove bushing.

T-L FEATURES/BENEFITS PAGE PT6-2	T-L SPECIFICATION PAGE PT6-3	QD BUSHINGS PAGE PT6-17	GT BUSHINGS PAGE PT6-29
-------------------------------------	---------------------------------	----------------------------	----------------------------



SPECIFICATION

TAPER-LOCK Weld-On Hubs

Type S Weld-On Hubs

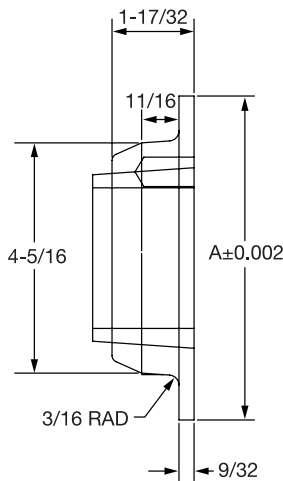
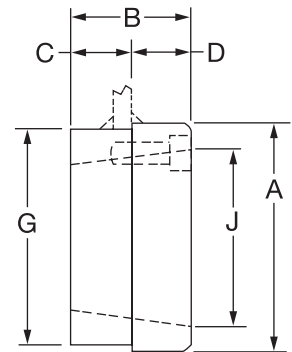
Hub No.	Part No.	Uses Bush.	Bore Range	Wt.	Dimensions						
					A	B	C	D	G	G Toler.	J Ref.
S16-4	097023	1610	1/2 to 1-11/16"	.90	3.00	1.00	0.275	.73	2.875	+0.000/-0.002	2.25
S16-6	097024	1610	1/2 to 1-11/16"	.90	3.00	1.00	0.45	.55	2.875	+0.000/-0.002	2.25
S20-6	097025	2012	1/2 to 2-1/8"	1.80	3.56	1.25	0.45	.80	3.438	+0.000/-0.002	2.75
S20-8	097015	2012	1/2 to 2-1/8"	1.40	3.56	1.25	0.57	.68	3.438	+0.000/-0.002	2.75
S25-6	097016	2517	1/2 to 2-11/16"	2.60	4.25	1.75	0.45	1.3	4.125	+0.000/-0.002	3.33
S25-8	097017	2517	1/2 to 2-11/16"	2.60	4.25	1.75	0.565	1.19	4.125	+0.000/-0.002	3.33
S25-10	097018	2517	1/2 to 2-11/16"	2.50	4.25	1.75	0.685	1.07	4.125	+0.000/-0.002	3.33
S25-16	097019	2517	1/2 to 2-11/16"	2.40	4.25	1.75	1.09	.66	4.125	+0.000/-0.002	3.33
S30-10	097020	3020	15/16 to 3-1/4"	4.30	5.25	2.00	0.675	1.33	5.125	+0.000/-0.002	4.25
S30-16	097021	3020	15/16 to 3-1/4"	4.20	5.25	2.00	1.09	.91	5.125	+0.000/-0.002	4.25
S35	097022	3535	1-3/16 to 3-15/16"	12.80	6.50	3.50	1.16	2.34	6.375	+0.000/-0.002	5.00

TAPER-LOCK Type F Weld-On Hubs

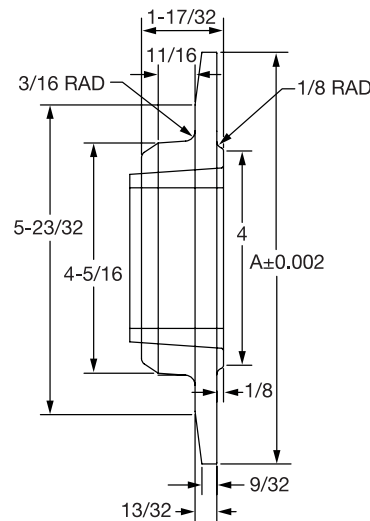
Hub No.	Part No.	Uses Bush.	Bore Range	Wt.	A
6F25P	226091	2517	1/2 to 2-11/16"	3.9	6.048
6F25A	226026	2517	1/2 to 2-11/16"	3.8	5.685
6F25B	226027	2517	1/2 to 2-11/16"	3.8	5.664
6F25C	226028	2517	1/2 to 2-11/16"	3.8	5.625
6F25D	226029	2517	1/2 to 2-11/16"	3.8	5.579
6F25E	226030	2517	1/2 to 2-11/16"	3.8	5.537
8F25P	226093	2517	1/2 to 2-11/16"	6.3	7.962
8F25A	226031	2517	1/2 to 2-11/16"	6.2	7.685
8F25B	226032	2517	1/2 to 2-11/16"	6.2	7.664
8F25C	226033	2517	1/2 to 2-11/16"	6.2	7.625
8F25D	226034	2517	1/2 to 2-11/16"	6.2	7.579
8F25E	226007	2517	1/2 to 2-11/16"	6.2	7.537
F30	226101	3020	15/16 to 3-1/4"	5.3	5.75



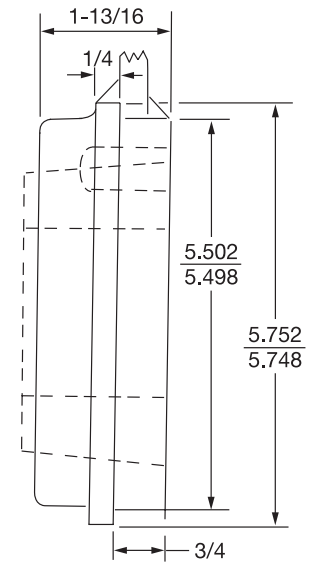
Type S



8F25



6F25



F30

T-L FEATURES/BENEFITS PAGE PT6-2	T-L SPECIFICATION PAGE PT6-3	QD BUSHINGS PAGE PT6-17	GT BUSHINGS PAGE PT6-29
-------------------------------------	---------------------------------	----------------------------	----------------------------

PT Component
Quick References

Couplings

Clutches and Brakes

FLEXIDYNE

Fluid Couplings

TORQUE-TAMER

Bushings



SPECIFICATION

TAPER-LOCK Adapters

PT Component
Quick References

Couplings

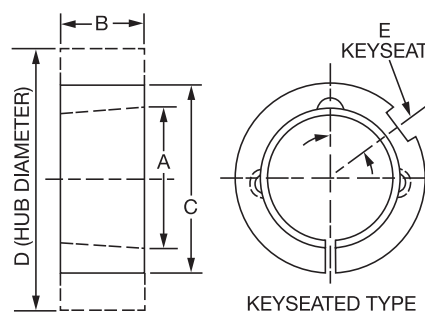
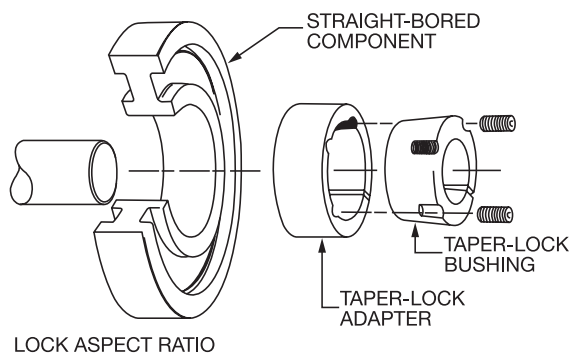
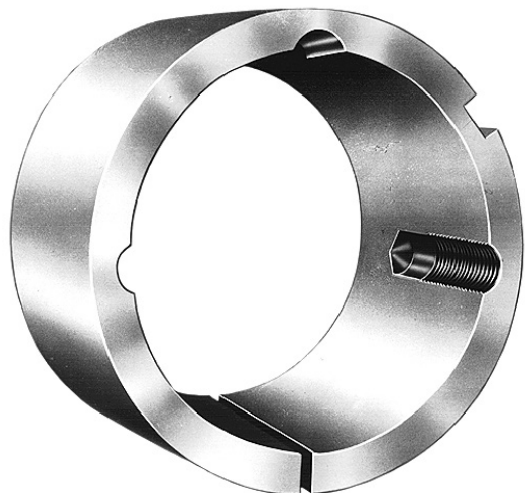
Clutches and Brakes

FLEXIDYNE

Fluid Couplings

TORQUE-TAMER

Bushings



Adapters for TAPER-LOCK bushings are recommended for use where it is more convenient to straight bore than to drill, tap and taper bore hubs to accommodate bushings.

The adapter is a gray iron, taper-bored sleeve which fits into the straight bore of a hub. The bushing simply fits inside the adapter which is tapped for the bushing screws. When tightening the locking screws, adapter is expanded against the hub bore contracting the bushing tightly upon the shaft. See page PT6-3 for bushing data and wrench space required.

TAPER-LOCK Adapters

Adapter No.	Type	For Use With Bush. No.	Adapter Part No.	Adapter Wt.	A Ref.	B	C*	D: Req'd Hub Dia. †		E
								Class 30 Gray Iron	Steel	Keyseat
1215B	Keyseated	1215	120011	.7	1.88	1.50	2-3/8	3.38	3.25	1/4 x 1/8
1615B	Keyseated	1615	120012	.9	2.25	1.50	2-3/4	3.75	3.50	3/8 x 1/8
2517B	Keyseated	2517	120013	2.2	3.38	1.75	4-1/8	5.50	5.00	5/8 x 1/8
2525B	Keyseated	2525	120014	3.2	3.38	2.50	4-1/8	5.25	5.00	5/8 x 1/8
3030B	Keyseated	3030	120015	5.8	4.25	3.00	5-1/8	6.88	6.25	3/4 x 3/16
3535B	Keyseated	3535	120016	11.3	5.00	3.50	6-1/4	8.38	7.88	7/8 x 3/16
4040B	Keyseated	4040	120017	17.3	5.75	4.00	7-1/4	10.13	9.38	1 x 3/16
4545B	Keyseated	4545	120018	21.9	6.38	4.50	7-7/8	11.00	10.25	1 x 3/16

* .001 to +.003 tolerance recommended for bore of hub.

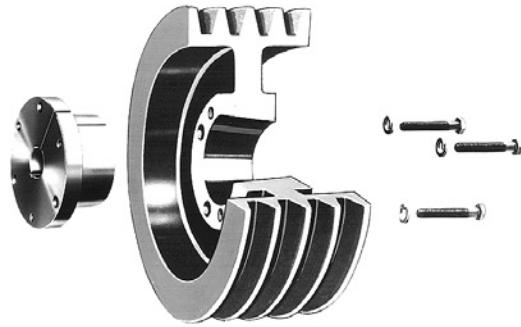
† For reference. Severe conditions may require larger hub. Heavy well located web may permit smaller hub. Hub diameter required depends on the application. Consult factory giving full information on the proposed design. Hub diameters shown are based on 30,000 and 50,000 P.S.I. minimum ultimate tensile strength respectively for Class 30 gray iron and steel hubs.

T-L FEATURES/BENEFITS PAGE PT6-2	T-L SPECIFICATION PAGE PT6-3	QD BUSHINGS PAGE PT6-17	GT BUSHINGS PAGE PT6-29
-------------------------------------	---------------------------------	----------------------------	----------------------------



FEATURES/BENEFITS

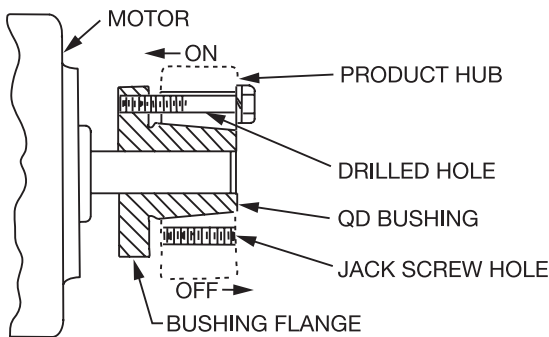
QD Bushings



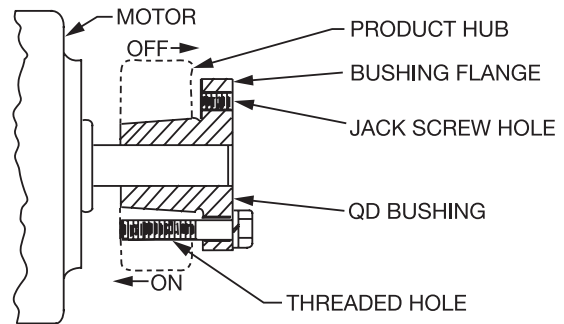
- 4 Degree Taper
- Easy on/Easy off
- Manufactured precisely to industry standards
- Conventional or Reverse Mounting, Including sizes M thru W - DODGE exclusive!
- QD is a registered trademark of Emerson Electric.



CONVENTIONAL



REVERSE



Conventional Mounting

Easy On

- Place bushing in product
- Align clearance holes in product with threaded holes in bushing
- Install screws and lockwashers thru clearance holes, finger tight
- Slide assembly onto shaft, flange first
- Locate assembly on shaft for proper drive alignment
- Tighten cap screws alternately and evenly to specified torque

Easy Off

- Remove cap screws and install in product threaded holes
- Alternately and evenly tighten screws until bushing grip is released
- Flanged Design

Reverse Mounting

Easy On

- Place bushing in product
- Align clearance holes in product with threaded holes in bushing
- Install screws and lockwashers thru clearance holes, finger tight
- Slide assembly onto shaft, flange outward
- Locate assembly on shaft for proper drive alignment
- Tighten cap screws alternately and evenly to specified torque

Easy Off

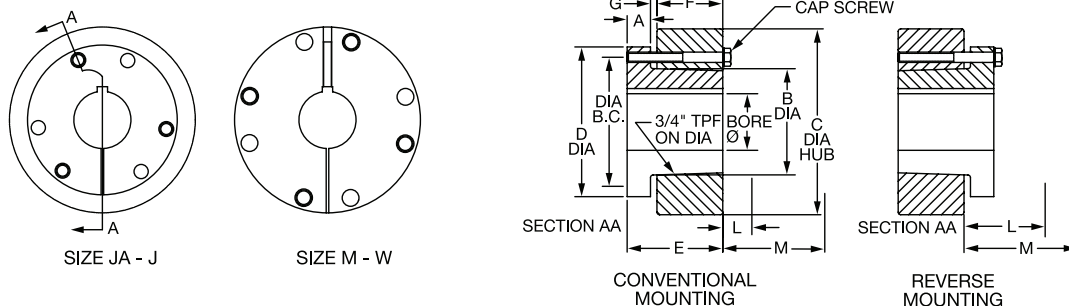
- Remove cap screws and reinstall in flange threaded holes
- Alternately and evenly tighten screws until bushing grip is released

IMPORTANT! Do not use lubricants or anti-seize compounds on tapered bore or bushing surfaces. Complete installation instructions are available at www.dodge-pt.com.



SPECIFICATION

QD Bushings - Dimensions



QD Bushing Ratings And Dimensions

Bush. Symb.	Ratings (Lb-in) Bush. Torque Cap.*	Bore Range				Dimensions							
		Min.	Max. Bore for:			A	B Dia.	C Hub Dia.		D Dia.	E	F	G
			Full KW	Shallow KW	No KW			CI 30 Iron	Steel				
QT / (L)	1000	3/8	1-1/4	1-1/2	1-9/16	0.35	1.63	3.00	2.375	2.50	1.35	0.94	0.12
JA	1000	1/2	1	1-3/16	1-1/4	0.31	1.38	3.93	2.25	2.00	1.00	0.56	0.12
SH	3500	1/2	1-3/8	1-5/8	1-11/16	0.38	1.88	4.75	3.00	2.63	1.25	0.81	0.12
SDS	5000	1/2	1-5/8	1-15/16	2	0.43	2.18	4.75	3.50	3.18	1.31	0.75	0.12
SD	5000	1/2	1-5/8	1-15/16	2	0.43	2.18	3.81	3.50	3.18	1.81	1.25	0.12
SK	7000	1/2	2-1/8	2-1/2	2-5/8	0.50	2.81	4.75	4.50	3.88	1.88	1.25	0.22
SF	11000	1/2	2-5/16	2-15/16	...	0.50	3.13	6.38	5.50	4.63	2.00	1.25	0.22
E	20000	7/8	2-7/8	3-1/2	...	0.75	3.83	7.50	6.50	6.00	2.63	1.63	0.25
F	30000	1	3-1/4	3-15/16	4	0.81	4.43	7.75	7.25	6.63	3.63	2.50	0.34
J	45000	1-1/2	3-3/4	4-1/2	...	1.00	5.14	9.00	8.00	7.25	4.50	3.18	0.38
M	85000	2	4-3/4	5-1/2	...	1.25	6.50	11.38	10.00	9.00	6.75	5.18	0.41
N	150000	2-7/16	5	6	...	1.50	7.00	12.00	...	10.00	8.12	6.25	0.56
P	250000	2-15/16	5-15/16	7	...	1.75	8.25	14.00	...	11.75	9.38	7.25	0.63
W	375000	4	7-1/2	8-1/2	...	2.00	10.42	17.00	...	15.00	11.38	9.00	0.50
S	625000	5-1/2	9	10	...	3.25	12.13	19.00	...	17.75	15.75	12.00	0.75

* Torque ratings apply when bushing installation screws are tightened to listed torque. Important: Do not over-torque screws. This can lead to hub damage

Installation Information

Bush. Sym.	Installation Screws				Required Wrench Clearance							
	B. C. Dia.	Qty.	Size	Screw Torque (Lb - in)	Conventional Mounting				Reverse Mounting			
					L-Install		M-Remove		L-Install		M-Remove	
					#	@	#	@	#	@	#	@
QT / (L)	2	2	1/4-20 x 7/8	90	0.41	2.53	1.13	3.25	1.13	3.25	1.56	3.68
JA	1.65	3	10-24 x 1	60	0.41	2.53	1.13	3.25	1.13	3.25	1.56	3.68
SH	2.25	3	1/4-20x 1-3/8	108	0.54	2.61	1.51	3.58	1.51	3.58	2.08	4.13
SDS	2.69	3	1/4-20 x 1-3/8	108	0.59	2.66	1.56	3.63	1.56	3.63	2.13	4.18
SD	2.69	3	1/4-20 x 1-7/8	108	0.66	2.72	2.06	4.13	2.06	4.13	2.63	4.68
SK	3.31	3	5/16-18 x 2	180	0.72	2.66	2.19	4.19	2.25	4.25	2.32	4.94
SF	3.88	3	3/8-16 x 2	360	0.78	2.78	2.25	4.23	2.30	4.30	3.19	5.18
E	5.00	3	1/2 -13 x 2-3/4	720	1.12	3.06	3.00	4.93	3.05	5.00	4.30	6.25
F	5.63	3	9/16-12 x 3-5/8	900	1.09	2.91	3.94	5.75	3.99	5.81	5.31	7.12
J	6.25	3	5/8-11 x 4-1/2	1620	1.28	3.09	4.81	6.62	3.80	5.62	5.37	7.18
M	7.88	4	3/4-10 x 6-3/4	2700	2.16	4.03	7.69	9.56
N	8.50	4	7/8-9 x 8	3600	2.28	...	9.25
P	10.00	4	1-8 x 9-1/2	5400	3.13	...	10.88
W	12.75	4	1-1/8-7 x 11-1/2	7200	3.88	...	13.38
S	15.00	5	1-1/4 -7x 15	9000	3.75	...	16.50

Using Open-End Wrench

@ Using Socket Wrench

NOTE: Installation and maintenance instructions for Dodge products available at www.dodge-pt.com

T-L FEATURES/BENEFITS PAGE PT6-2	T-L SPECIFICATION PAGE PT6-3	QD BUSHINGS PAGE PT6-17	GT BUSHINGS PAGE PT6-29
-------------------------------------	---------------------------------	----------------------------	----------------------------

SPECIFICATION



Bushings For Bushed FHP Sheave - Stock Bore

QD Bush Size	BORE	P/N Keyway	WT.	Bushing Keyway	Shaft Keyway REF	Key Size REF
QT / (L)	3/8"	121129	0.85	None		
	7/16"	121130	0.82			
	1/2"	121131	0.81	1/8 x 1/16	1/8 x 1/16	1/8 x 1/8
	9/16"	121133	0.80			
	5/8"	122050	0.78	3/16 x 3/32	3/16 x 3/32	3/16 x 3/16
	11/16"	121134	0.76			
	3/4"	121162 +	0.74			
	3/4"	122051	0.74			
	13/16"	121136	0.70			
	7/8"	121163 +	0.68			
	7/8"	122052	0.68			
	15/16"	121138	0.66			
	1"	121164 +	0.62			
	1"	122053	0.62			
	1-1/16"	121140	0.59			
	1-1/8"	121186 +	0.56			
	1-1/8"	122054	0.56			
	1-3/16"	121187 +	0.52			
	1-3/16"	122055	0.52			
	1-1/4"	122056	0.49			
1-5/16"	121144	0.44	5/16 x 1/16	5/16 x 5/32	5/16 x 7/32 *	
1-3/8"	121145	0.43				
1-7/16"	121146	0.38	3/8 x 1/16	3/8 x 3/16	3/8 x 1/4 *	
1-1/2"	121147	0.34				
14MM	121148	0.79	5 x 2.3MM	5 x 3MM	5 x 5MM	
19MM	121149	0.74	6 x 2.8MM	6 x 3.5MM	6 x 6MM	
20MM	121467	0.73				
25MM	121151	0.63	8 X 3.3MM	8 X 4MM	8 X 7MM	
28MM	151152	0.57				
30MM	121153	0.53				
32MM	121154	0.50				10 x 3.3MM

QD Bushings - Stock Bore

QD Bush Size	Bore	P/N	WT.	Bushing Keyway	Shaft Keyway REF	Key Size REF			
JA	1/2"	120332	0.46	1/8 x 1/16	1/8 x 1/16	1/8 x 1/8			
	9/16"	120333	0.46						
	5/8"	120334	0.45	3/16 x 3/32	3/16 x 3/32	3/16 x 3/16			
	11/16"	120335	0.43						
	3/4"	120336	0.41						
	13/16"	120337	0.40						
	7/8"	120338	0.37						
	15/16"	120339	0.35	1/4 x 1/8	1/4 x 1/8	1/4 x 1/4			
	1"	120340	0.33						
	1-1/16"	120341	0.34	1/4 x 1/16	1/4 x 1/8	1/4 x 3/16 *			
	1-1/8"	120342	0.31						
	1-3/16"	120343	0.29						
	1-1/4"	120344	0.25	None					
	19MM	117049	0.42	6 x 2.8MM	6 x 3.5MM	6 x 6MM			
	20MM	120329	0.41						
	22MM	117043	0.40						
	SH	1/2"	120345	1.16	1/8 x 1/16	1/8 x 1/16	1/8 x 1/8		
		9/16"	120346	1.14					
		5/8"	120347	1.14	3/16 x 3/32	3/16 x 3/32	3/16 x 3/16		
		11/16"	120348	1.14					
3/4"		120349	1.10						
13/16"		120350	1.07						
7/8"		120351	1.04						
15/16"		120352	1.00	1/4 x 1/8	1/4 x 1/8	1/4 x 1/4			
1"		120353	0.98						
1-1/16"		120354	0.94						
1-1/8"		120355	0.91						
1-3/16"		120356	0.88						
1-1/4"		120357	0.84						
1-5/16"		120358	0.82				5/16 x 5/32	5/16 x 5/32	5/16 x 5/16
1-3/8"		120359	0.80						
1-7/16"		120360	0.79	3/8 x 1/16	3/8 x 3/16	3/8 x 1/4 *			
1-1/2"		120361	0.75						
1-9/16"		120362	0.90						
1-5/8"		120363	0.64						
1-11/16"		120580	0.55				None		
24MM	120088	1.00	8 X 3.3MM	8 X 4MM	8 X 7MM				
25MM	120089	0.99							
28MM	120090	0.93							
30MM	120091	0.87							
32MM	120092	0.82							
35MM	120093	0.74	10 X 3.3MM	10 X 5MM	10 X 8MM				
SDS	1/2"	120388	1.65	1/8 x 1/16	1/8 x 1/16	1/8 x 1/8			
	9/16"	120389	1.65						
	5/8"	120390	1.61	3/16 x 3/32	3/16 x 3/32	3/16 x 3/16			
	11/16"	120391	1.60						
	3/4"	120392	1.58						
	13/16"	120393	1.54						
	7/8"	120394	1.54						
	15/16"	120395	1.50	1/4 x 1/8	1/4 x 1/8	1/4 x 1/4			
	1"	120396	1.46						
	1-1/16"	120397	1.43						
	1-1/8"	120398	1.38						
	1-3/16"	120399	1.36						
	1-1/4"	120400	1.32						
	1-5/16"	120401	1.26				5/16 x 5/32	5/16 x 5/32	5/16 x 5/16
	1-3/8"	120402	1.24						

P/N's marked (+) are Integral Key Bushings
 Bore sizes marked (#) will be supplied with 1/2" wide keyway unless the 5/8" wide keyway is specified when ordering
 * Key furnished for these sizes ONLY
 ** Key not furnished for MM bores sizes

SPECIFICATION



QD Bushings - Stock Bore

QD Bush Size	Bore	P/N	WT.	Bushing Keyway	Shaft Keyway REF	Key Size REF
SDS (cont)	1-7/16"	120403	1.19	3/8 x 3/16	3/8 x 3/16	3/8 x 3/8
	1-1/2"	120404	1.15			
	1-9/16"	120405	1.11			
	1-5/8"	120406	1.08			
	1-11/16"	120407	1.08	3/8 x 1/8	3/8 x 3/16	3/8 x 5/16 *
	1-3/4"	120408	1.02			
	1-13/16"	120409	0.98	1/2 x 1/16	1/2 x 1/4	1/2 x 5/16 *
	1-7/8"	120410	0.92			
	1-15/16"	120411	0.87			
	2"	120412	0.77	None		
	24MM	120094	1.47	8 X 3.3MM	8 X 4MM	8 X 7MM
	25MM	120095	1.47			
	28MM	120096	1.41			
	30MM	120097	1.36			
	32MM	120098	1.31	10 X 3.3MM	10 X 5MM	10 X 8MM
	35MM	120099	1.22			
	38MM	120100	1.00			
	40MM	120101	1.01	12 X 3.3MM	12 X 5MM	12 X 8MM
42MM	120102	1.02				
SD	1/2"	120364	2.07	1/8 x 1/16	1/8 x 1/16	1/8 x 1/8
	9/16"	120365	2.05			
	5/8"	120366	2.03			
	11/16"	120367	2.00	3/16 x 3/32	3/16 x 3/32	3/16 x 3/16
	3/4"	120368	2.00			
	13/16"	120369	2.00			
	7/8"	120370	1.88			
	15/16"	120371	1.85	1/4 x 1/8	1/4 x 1/8	1/4 x 1/4
	1"	120372	1.80			
	1-1/16"	120373	1.79			
	1-1/8"	120374	1.72			
	1-3/16"	120375	1.67			
	1-1/4"	120376	1.62			
	1-5/16"	120377	1.55	5/16 x 5/32	5/16 x 5/32	5/16 x 5/16
	1-3/8"	120378	1.50			
	1-7/16"	120379	1.44	3/8 x 3/16	3/8 x 3/16	3/8 x 3/8
	1-1/2"	120380	1.36			
	1-9/16"	120381	1.29			
	1-5/8"	120382	1.29			
	1-11/16"	120383	1.20			
	1-3/4"	120384	1.19			
	1-13/16"	120385	1.15			
	1-7/8"	120386	1.07			
	1-15/16"	120387	1.00			
	2"	120581	0.84			
	24MM	120103	1.84	8 X 3.3MM	8 X 4MM	8 X 7MM
	25MM	120104	1.82			
	28MM	120105	1.72			
	30MM	120106	1.66			
	32MM	120107	1.58	10 X 3.3MM	10 X 5MM	10 X 8MM
35MM	120108	1.49				
38MM	120109	1.37				
40MM	120110	1.28	12 X 3.3MM	12 X 5MM	12 X 8MM	
42MM	120111	1.18				

P/N's marked (+) are Integral Key Bushings

Bore sizes marked (#) will be supplied with 1/2" wide keyway unless the 5/8" wide keyway is specified when ordering

* Key furnished for these sizes ONLY

** Key not furnished for MM bores sizes

QD Bush Size	Bore	P/N	WT.	Bushing Keyway	Shaft Keyway REF	Key Size REF			
SK	1/2"	120413	3.77	1/8 x 1/16	1/8 x 1/16	1/8 x 1/8			
	9/16"	120414	3.74						
	5/8"	120415	3.72	3/16 x 3/32	3/16 x 3/32	3/16 x 3/16			
	11/16"	120416	3.70						
	3/4"	120417	3.61						
	13/16"	120418	3.53						
	7/8"	120419	3.58	1/4 x 1/8	1/4 x 1/8	1/4 x 1/4			
	15/16"	120420	3.52						
	1"	120421	3.45						
	1-1/16"	120422	3.41						
	1-1/8"	120423	3.37						
	1-3/16"	120424	3.31						
	1-1/4"	120425	3.31						
	1-5/16"	120426	3.18						
	1-3/8"	120427	3.12						
	1-7/16"	120428	3.08				3/8 x 3/16	3/8 x 3/16	3/8 x 3/8
	1-1/2"	120429	3.00						
	1-9/16"	120430	2.95						
	1-5/8"	120431	2.86						
	1-11/16"	120432	2.79						
	1-3/4"	120433	2.88						
	1-13/16"	120434	2.62	1/2 x 1/4	1/2 x 1/4	1/2 x 1/2			
	1-7/8"	120435	2.50						
	1-15/16"	120436	2.42						
	2"	120437	2.32						
	2-1/16"	120438	2.26	1/2 x 3/16	1/2 x 1/4	1/2 x 7/16 *			
	2-1/8"	120439	2.17						
	2-3/16"	120440	2.21	2-1/4"	2-1/4"	2-1/4"			
	2-1/4"	120441	2.09						
	2-5/16"	120442	2.00	5/8 x 1/16	5/8 x 5/16	5/8 x 3/8 *			
	2-3/8"	120443	1.91						
	2-7/16"	120444	1.81						
	2-1/2"	120445	1.72						
	2-5/8"	120447	1.32	None					
	24MM	120112	3.52	8 X 3.3MM	8 X 4MM	8 X 7MM			
	25MM	120113	3.50						
	28MM	120114	3.41						
	30MM	120115	3.31						
	32MM	120116	3.31	10 X 3.3MM	10 X 5MM	10 X 8MM			
	35MM	120117	3.12						
38MM	120118	2.98							
40MM	120119	2.95	12 X 3.3MM	12 X 5MM	12 X 8MM				
42MM	120120	2.86							
45MM	120070	2.69	14 X 3.8MM	14 X 5.5MM	14 X 9MM				
48MM	120121	2.50							
50MM	120122	2.40							
55MM	120123	2.17							
SF	1/2"	120448	5.27	1/8 x 1/4	1/8 x 1/4	1/8 x 1/8			
	9/16"	120449	5.27						
	5/8"	120450	5.22	3/16 x 3/32	3/16 x 3/32	3/16 x 3/16			
	11/16"	120451	5.20						
	3/4"	120452	5.17						
	13/16"	120453	5.32						
	7/8"	120454	5.08	1/4 x 1/8	1/4 x 1/8	1/4 x 1/4			
	15/16"	120455	5.05						
	1"	120456	5.00						
	1-1/16"	120457	4.95						
	1-1/8"	120458	4.90						
	1-3/16"	120459	4.83						
1-1/4"	120460	4.77							

T-L FEATURES/BENEFITS PAGE PT6-2	T-L SPECIFICATION PAGE PT6-3	QD BUSHINGS PAGE PT6-17	GT BUSHINGS PAGE PT6-29
-------------------------------------	---------------------------------	----------------------------	----------------------------



SPECIFICATION

QD Bushings - Stock Bore

QD Bush Size	Bore	P/N	WT.	Bushing Keyway	Shaft Keyway REF	Key Size REF
SF (cont)	1-5/16"	120461	4.71	3/8 x 3/16	3/8 x 3/16	3/8 x 3/8
	1-3/8"	120462	4.61			
	1-7/16"	120463	4.57			
	1-1/2"	120464	4.48			
	1-9/16"	120465	4.42			
	1-5/8"	120466	4.32			
	1-11/16"	120467	4.31			
	1-3/4"	120468	4.16	1/2 x 1/4	1/2 x 1/4	1/2 x 1/2
	1-13/16"	120469	4.06			
	1-7/8"	120470	4.00			
	1-15/16"	120471	3.87			
	2"	120472	3.78			
	2-1/16"	120473	3.70			
	2-1/8"	120474	3.57			
	2-3/16"	120475	3.45			
	2-1/4"	120476	3.38			
	2-5/16"	120477	3.32			
	2-3/8"	120478	3.39	5/8 x 3/16	5/8 x 5/16	5/8 x 1/2 *
	2-7/16"	120479	3.26			
	2-1/2"	120592	3.16			
2-5/8"	120482	2.91	5/8 x 1/16	5/8 x 5/16	5/8 x 3/8 *	
2-11/16"	120483	2.80				
2-3/4"	120484	2.59				
2-13/16"	120485	2.50				3/4 x 1/16
2-7/8"	120486	2.35	3/4 x 1/32	3/4 x 3/8	3/4 x 13/32 *	
2-15/16"	120487	2.22				
28MM	120124	5.00	8 X 3.3MM	8 X 4MM	8 X 7MM	
30MM	120125	4.90				
32MM	120126	4.77				10 X 3.3MM
35MM	120127	4.61				
38MM	120128	4.48				
40MM	120129	4.42	12 X 3.3MM	12 X 5MM	12 X 8MM	
42MM	120130	4.32				
45MM	120071	4.16	14 X 3.8MM	14 X 5.5MM	14 X 9MM	
48MM	120131	4.00				
50MM	120132	3.87				
55MM	120133	3.57				16 X 4.3MM
60MM	120134	3.39	18 X 4.4MM	18 X 7MM	18 X 11MM	
E	7/8"	120488	11.80	3/16 x 3/32	3/16 x 3/32	3/16 x 3/16
	1"	120490	11.65			
	1-1/8"	120492	11.46			
	1-3/16"	120493	11.40			
	1-1/4"	120494	11.33			
	1-5/16"	120495	11.26			
	1-3/8"	120496	11.20			
	1-7/16"	120497	11.13	3/8 x 3/16	3/8 x 3/16	3/8 x 3/8
	1-1/2"	120498	10.86			
	1-9/16"	120499	10.82			
	1-5/8"	120500	10.69			
	1-11/16"	120501	10.56			
	1-3/4"	120502	10.46			

QD Bush Size	Bore	P/N	WT.	Bushing Keyway	Shaft Keyway REF	Key Size REF			
E (cont)	1-13/16"	120503	10.16	1/2 x 1/4	1/2 x 1/4	1/2 x 1/2			
	1-7/8"	120504	10.16						
	1-15/16"	120505	10.16						
	2"	120506	10.01						
	2-1/16"	120507	9.85						
	2-1/8"	120508	9.73						
	2-3/16"	120509	9.42						
	2-1/4"	120510	9.42						
	2-5/16"	120511	9.07				5/8 x 5/16	5/8 x 5/16	5/8 x 5/8
	2-3/8"	120512	8.95						
	2-7/16"	120513	8.77						
	2-1/2"	120514	8.72						
	2-5/8"	120516	8.37						
	2-11/16"	120517	8.05						
	2-3/4"	120518	7.90						
	2-13/16"	120519	7.70	3/4 x 3/8	3/4 x 3/8	3/4 x 3/4			
	2-7/8"	120520	7.32						
	2-15/16"	120521	7.53	3/4 x 1/8	3/4 x 3/8	3/4 x 1/2 *			
	3"	120522	7.31						
	3-1/8"	120524	6.90						
	3-3/16"	120525	6.69						
	3-1/4"	120526	6.48						
	3-5/16"	120527	6.10	7/8 x 1/8	7/8 x 7/16	7/8 x 9/16 *			
	3-3/8"	120528	6.21	7/8 x 1/16	7/8 x 7/16	7/8 x 1/2 *			
	3-7/16"	120529	5.86						
	3-1/2"	120530	5.73						
	28MM	120073	10.20	8 X 3.3MM	8 X 4MM	8 X 7MM			
	30MM	120074	10.20						
	32MM	120075	10.20	10 X 3.3MM	10 X 5MM	10 X 8MM			
	35MM	120135	10.20						
38MM	120136	10.00							
40MM	120137	10.88	12 X 3.3MM				12 X 5MM	12 X 8MM	
42MM	120138	9.80							
45MM	120141	9.60	14 X 3.8MM	14 X 5.5MM	14 X 9MM				
48MM	120139	10.26							
50MM	120140	10.06							
55MM	120142	9.56				16 X 4.3MM	16 X 6MM	16 X 10MM	
60MM	120143	9.10	18 X 4.4MM	18 X 7MM	18 X 11MM				
65MM	120144	9.60							
70MM	120145	7.87	20 X 4.9MM	20 X 7.5MM	20 X 12MM				
75MM	120146	7.28							
F	1"	120531	19.41	1/4 x 1/8	1/4 x 1/8	1/4 x 1/4			
	1-1/8"	120533	19.15						
	1-3/16"	120534	18.00						
	1-1/4"	120535	18.99						
	1-3/8"	120537	18.68				5/16 x 5/32	5/16 x 5/32	5/16 x 5/16
	1-7/16"	120538	18.56	3/8 x 3/16	3/8 x 3/16	3/8 x 3/8			
	1-1/2"	120539	18.48						
	1-9/16"	120540	18.40						
	1-5/8"	120541	18.15						
	1-11/16"	120542	17.91						
	1-3/4"	120543	16.77						
	1-13/16"	120544	17.62				1/2 x 1/4	1/2 x 1/4	1/2 x 1/2
	1-7/8"	120545	16.41						
	1-15/16"	120546	16.00						
	2"	120547	16.00						
2-1/16"	120548	16.00							
2-1/8"	120549	15.95							
2-3/16"	120550	15.95							
2-1/4"	120551	15.95							

P/N's marked (+) are Integral Key Bushings
 Bore sizes marked (#) will be supplied with 1/2" wide keyway unless the 5/8" wide keyway is specified when ordering
 * Key furnished for these sizes ONLY
 ** Key not furnished for MM bores sizes

SPECIFICATION



QD Bushings - Stock Bore

QD Bush Size	Bore	P/N	WT.	Bushing Keyway	Shaft Keyway REF	Key Size REF
F (cont)	2-5/16"	120552	15.95	5/8 x 5/16	5/8 x 5/16	5/8 x 5/8
	2-3/8"	120553	15.50			
	2-7/16"	120554	15.50			
	2-1/2"	120555	15.37			
	2-5/8"	120557	14.86			
	2-11/16"	120558	14.50			
	2-3/4"	120559	14.37	3/4 x 3/8	3/4 x 3/8	3/4 x 3/4
	2-13/16"	120560	14.00			
	2-7/8"	120561	14.02			
	2-15/16"	120562	13.47			
	3"	120563	13.20			
	3-1/8"	120565	12.67			
	3-3/16"	120566	12.50	7/8 x 3/16	7/8 x 7/16	7/8 x 5/8 *
	3-1/4"	120567	12.00			
	3-3/8"	120569	12.00			
	3-7/16"	120570	11.88			
	3-1/2"	120571	11.40			
	3-5/8"	120573	10.53			
	3-11/16"	120574	14.00	1 x 1/8	1 x 1/2	1 x 5/8 *
	3-3/4"	120575	9.89			
3-7/8"	120577	9.26				
3-15/16"	120578	9.23				
4"	120579	7.96				
None						
45MM	120076	16.20	14 X 3.8MM	14 X 5.5MM	14 X 9MM	
48MM	120147	16.00				
50MM	120148	15.80				
55MM	120149	15.80	16 X 4.3MM	16 X 6MM	16 X 10MM	
60MM	120150	15.80				
65MM	120151	14.30				
70MM	120152	14.30	20 X 4.9MM	20 x 7.5MM	20 X 12MM	
75MM	120153	13.50				
80MM	120154	12.55				
85MM	120155	10.60	22 X 5.4MM	22 X 9MM	22 X 14MM	
90MM	120077	10.50				
25 X 5.4MM						
J	1-1/2"	120600	28.97	3/8 x 3/16	3/8 x 3/16	3/8 x 3/8
	1-5/8"	120601	28.61			
	1-3/4"	120603	28.28			
	1-7/8"	120604	27.79	1/2 x 1/4	1/2 x 1/4	1/2 x 1/2
	1-15/16"	120605	27.53			
	2"	120606	27.33			
	2-1/8"	120607	26.74			
	2-3/16"	120608	26.37			
	2-1/4"	120609	26.32			
	2-3/8"	120610	25.65	5/8 x 5/16	5/8 x 5/16	5/8 x 5/8
	2-7/16"	120611	25.52			
	2-1/2"	120612	25.05			
	2-5/8"	120613	24.50			
	2-11/16"	120614	24.18			
	2-3/4"	120615	23.86			

QD Bush Size	Bore	P/N	WT.	Bushing Keyway	Shaft Keyway REF	Key Size REF
J (cont)	2-7/8"	120617	23.15	3/4 x 3/8	3/4 x 3/8	3/4 x 3/4
	2-15/16"	120618	23.07			
	3"	120619	22.43			
	3-1/8"	120620	21.68			
	3-3/16"	120621	21.35			
	3-1/4"	120622	20.98			
	3-3/8"	120623	20.33	7/8 x 7/16	7/8 x 7/16	7/8 x 7/8
	3-7/16"	120624	21.13			
	3-1/2"	120625	19.58			
	3-5/8"	120626	18.44			
	3-11/16"	120627	18.04			
	3-3/4"	120628	17.62			
	3-7/8"	120629	17.94	1 x 1/8	1 x 1/2	1 x 5/8 *
	3-15/16"	120630	17.38			
	4"	120631	16.62			
	4-1/8"	120632	15.69			
	4-3/16"	120633	14.55			
	4-1/4"	120634	14.68			
	4-3/8"	120635	14.00	14 X 3.8MM	14 X 5.5MM	14 X 9MM
	4-7/16"	120636	13.49			
	4-1/2"	120637	12.67			
	50MM	120157	26.50			
	55MM	120158	25.60			
	60MM	120159	25.82			
	65MM	120160	25.25	18 X 4.4MM	18 X 7MM	18 X 11MM
	70MM	120161	24.04			
	75MM	120162	21.90			
	80MM	120163	20.90	20 X 4.9MM	20 x 7.5MM	20 X 12MM
	85MM	120164	20.52			
	90MM	120165	18.10			
95MM	120166	16.80	22 X 5.4MM	22 X 9MM	22 X 14MM	
100MM	120167	16.50				
26 X 6.4MM						
M	2"	119900	62.65	1/2 x 1/4	1/2 x 1/4	1/2 x 1/2
	2-1/8"	119901	62.65			
	2-3/16"	119902	61.58			
	2-1/4"	119903	61.14	5/8 x 5/16	5/8 x 5/16	5/8 x 5/8
	2-3/8"	119904	59.50			
	2-7/16"	119905	59.35			
	2-1/2"	119906	59.21			
	2-5/8"	119907	58.69			
	2-3/4"	119908	57.86			
	2-7/8"	119909	56.57	3/4 x 3/8	3/4 x 3/8	3/4 x 3/4
	2-15/16"	119910	56.17			
	3"	119911	56.10			
	3-1/8"	119912	55.82			
	3-3/16"	119913	53.84			
	3-1/4"	119914	53.42			
	3-3/8"	119915	52.06	7/8 x 7/16	7/8 x 7/16	7/8 x 7/8
	3-7/16"	119916	52.04			
	3-1/2"	119917	51.12			
	3-5/8"	119918	50.08			
	3-11/16"	119919	49.00			
3-3/4"	119920	48.47				
3-7/8"	119921	47.03	1 x 1/2	1 x 1/2	1 x 1	
3-15/16"	119922	46.26				
4"	119923	46.09				
4-1/8"	119924	44.31				
4-3/16"	119925	43.64				
4-1/4"	119926	42.81				

P/N's marked (+) are Integral Key Bushings
 Bore sizes marked (#) will be supplied with 1/2" wide keyway unless the 5/8" wide keyway is specified when ordering
 * Key furnished for these sizes ONLY
 ** Key not furnished for MM bores sizes

T-L FEATURES/BENEFITS PAGE PT6-2	T-L SPECIFICATION PAGE PT6-3	QD BUSHINGS PAGE PT6-17	GT BUSHINGS PAGE PT6-29
-------------------------------------	---------------------------------	----------------------------	----------------------------



SPECIFICATION

QD Bushings - Stock Bore

QD Bush Size	Bore	P/N	WT.	Bushing Keyway	Shaft Keyway REF	Key Size REF
M (cont)	4-3/8"	119927	41.46			
	4-7/16"	119928	40.60	1 x 1/2	1 x 1/2	1 x 1
	4-1/2"	119929	40.27			
	4-11/16"	119930	37.12	1-1/4 x 5/8	1-1/4 x 5/8	1-1/4 x 1-1/4
	4-3/4"	119931	37.00			
	4-7/8"	119932	36.89			
	4-15/16"	119933	36.13			
	5"	119934	35.66			
	5-1/8"	119899	35.00	1-1/4 x 1/4	1-1/4 x 5/8	1-1/4 x 7/8 *
	5-3/16"	119894	35.00			
	5-1/4"	119935	30.00			
	5-7/16"	119936	30.00			
	5-1/2"	119937	29.00			
	N	2-7/16"	119940	87.57	5/8 x 5/16	5/8 x 5/16
2-15/16"		119941	83.00	3/4 x 3/8	3/4 x 3/8	3/4 x 3/4
3-7/16"		119942	80.00			
3-1/2"		119980	80.00	7/8 x 7/16	7/8 x 7/16	7/8 x 7/8
3-3/4"		119943	80.00			
3-7/8"		119944	80.00			
3-15/16"		119945	80.00			
4"		119946	80.00			
4-3/16"		119947	80.00	1 x 1/2	1 x 1/2	1 x 1
4-1/4"		119948	80.00			
4-3/8"		119982	79.00			
4-7/16"		119949	78.00			
4-1/2"		119950	77.00			
4-11/16"		119983	76.00			
4-3/4"		119951	75.00			
4-7/8"		119952	74.00	1-1/4 x 5/8	1-1/4 x 5/8	1-1/4 x 1-1/4
4-15/16"		119953	73.00			
5"		119954	72.00			
5-1/8"		119955	71.00			
5-3/16"		119986	70.50			
5-1/4"	119956	70.00	1-1/4 x 1/4	1-1/4 x 5/8	1-1/4 x 7/8 *	
5-7/16"	119957	52.19				
5-1/2"	119958	49.02				
5-3/4"	119959	49.00				
5-7/8"	119960	44.00				
5-15/16"	119961	43.00	1-1/2 x 1/8	1-1/2 x 3/4	1-1/2 x 7/8 *	
6"	119962	42.00				

QD Bush Size	Bore	P/N	WT.	Bushing Keyway	Shaft Keyway REF	Key Size REF
P	3-7/16"	119965	134.00	7/8 x 7/16	7/8 x 7/16	7/8 x 7/8
	3-15/16"	119966	122.00			
	4"	119987	122.00	1 x 1/2	1 x 1/2	1 x 1
	4-7/16"	119967	122.40			
	4-1/2"	119968	121.00			
	4-3/4"	119969	120.00			
	4-7/8"	119985	120.00			
	4-15/16"	119970	119.00			
	5"	119971	115.00	1-1/4 x 5/8	1-1/4 x 5/8	1-1/4 x 1-1/4
	5-3/16"	119984	114.00			
	5-7/16"	119972	113.00			
	5-1/2"	119973	100.00			
	5-15/16"	119974	94.00			
	6"	119975	93.70			
	6-7/16"	119976	83.50	1-1/2 x 1/4	1-1/2 x 3/4	1-1/2 x 1 *
	6-1/2"	119977	80.50			
	7"	119978	68.00	1-3/4 x 1/8	1-3/4 x 3/4	1-3/4 x 7/8 *
W	4-1/4"	120180	260.00			
	4-7/16"	120181	256.60	1 x 1/2	1 x 1/2	1 x 1
	4-1/2"	120182	255.40			
	4-3/4"	120183	250.00			
	5"	120186	244.30	1-1/4 x 5/8	1-1/4 x 5/8	1-1/4 x 1-1/4
	5-3/8"	120188	235.30			
	5-1/2"	120189	232.20			
	5-3/4"	120190	225.70			
	5-7/8"	120191	222.30			
	5-15/16"	120192	220.00	1-1/2 x 3/4	1-1/2 x 3/4	1-1/2 x 1-1/2
	6"	120193	218.90			
	6-1/2"	120194	215.00			
	6-3/4"	120328	210.00			
	7"	120196	184.90	1-3/4 x 3/4	1-3/4 x 3/4	1-3/4 x 1-1/2
	7-1/4"	120197	184.40			
	7-1/2"	120198	175.80			
	7-3/4"	120199	172.00	2 x 1/4	2 x 3/4	2 x 1 *
8"	120200	159.70				

S ▼ Bushings size available please call Dodge for information

P/N's marked (+) are Integral Key Bushings
 Bore sizes marked (#) will be supplied with 1/2" wide keyway unless the 5/8" wide keyway is specified when ordering

* Key furnished for these sizes ONLY

** Key not furnished for MM bores sizes

T-L FEATURES/BENEFITS PAGE PT6-2	T-L SPECIFICATION PAGE PT6-3	QD BUSHINGS PAGE PT6-17	GT BUSHINGS PAGE PT6-29
-------------------------------------	---------------------------------	----------------------------	----------------------------



SPECIFICATION

QD Reborable

QD Bush Size	Sintered Steel		Cast Iron		Ductile Iron	
	Bore	P/N	Bore	P/N	Bore	P/N
QT (L)	3/8"	120595				
JA	1/2"	120050				
SH	1/2"	120051			1/2"	119876
SDS	1/2"	120052			1-7/16"	119877
SD	1/2"	120053			1-9/16"	119878
SK	1/2"	120054			2"	119879
SF	1/2"	120055			2-5/16"	119880
E			7/8"	120056	7/8"	119881
F			1"	120057	1"	119882
J			1-1/2"	120058	1-1/2"	119883
M			2"	119938	2"	119884
N			2-7/16"	119963	2-7/16"	119885
P			3-7/16"	119979	3-7/16"	119886
W			4"	120276		
S			5-1/2"	394059		

NOTE: All reborable bushings are stocked without sawsplit to facilitate re-machining. Sawsplit must be made in bushing to allow it to compress for proper gripping of the shaft. Factory rebore and keyseat service as listed in MLP price book includes sawsplit.

QD - Maximum Bore Capacities

QD Bush Size	Sintered Steel			Cast Iron			Ductile Iron			
	Full Key	Shallow Key	Metric	Full Key	Shallow Key	Metric	Full Key	Shallow Key	No Key*	Metric
QT (L)										
JA	1"	1-1/16"	25				1"	1-3/16"	1-1/4"	25
SH	1-1/4"	1-1/4"	30				1-3/8"	1-5/8"	1-11/16"	35
SDS	1-9/16"	1-5/8"	40				1-5/8"	1-15/16"	2"	42
SD	1-9/16"	1-9/16"	40				1-11/16"	1-15/16"	2"	42
SK	2"	2-1/16"	50				2-1/2"	2-1/2"	2-5/8"	55
SF	2-1/4"	2-3/8"	55				2-5/16"	2-15/16"	2-15/16"	65
E				2-3/4"	3"	70	2-7/8"	3-1/2"	3-1/2"	89
F				3-1/4"	3-7/16"	90	3-1/4"	3-15/16"	4"	101
J				3-3/4"	3-7/8"	100	3-3/4"	4-1/2"	4-1/2"	114
M				4-3/4"	5"	120	4-3/4"	5-1/2"	5-1/2"	139
N				5"	5-1/4"	130	5"	6"	6"	149
P				5-1/2"	7"	160	5-1/2"	7"	7"	177
W				6-1/2"	7"	165	6-1/2"	8-1/2"	8-1/2"	216
S				8-1/4"	8-1/4"	209	8-1/4"	10"	10"	250

NOTE: ISO STANDARD METHOD FOR MEASURING KEYSEAT DEPTH
MM Bore and Keyway dimensions conform to ISO standard recommendation R773, for "Free" fit

REFERENCE:

1 inch = 25.4 millimeters
1 millimeter = .03937 inches

* Verify torque capacity: Contact Application Engineering for assistance

T-L FEATURES/BENEFITS PAGE PT6-2	T-L SPECIFICATION PAGE PT6-3	QD BUSHINGS PAGE PT6-17	GT BUSHINGS PAGE PT6-29
-------------------------------------	---------------------------------	----------------------------	----------------------------

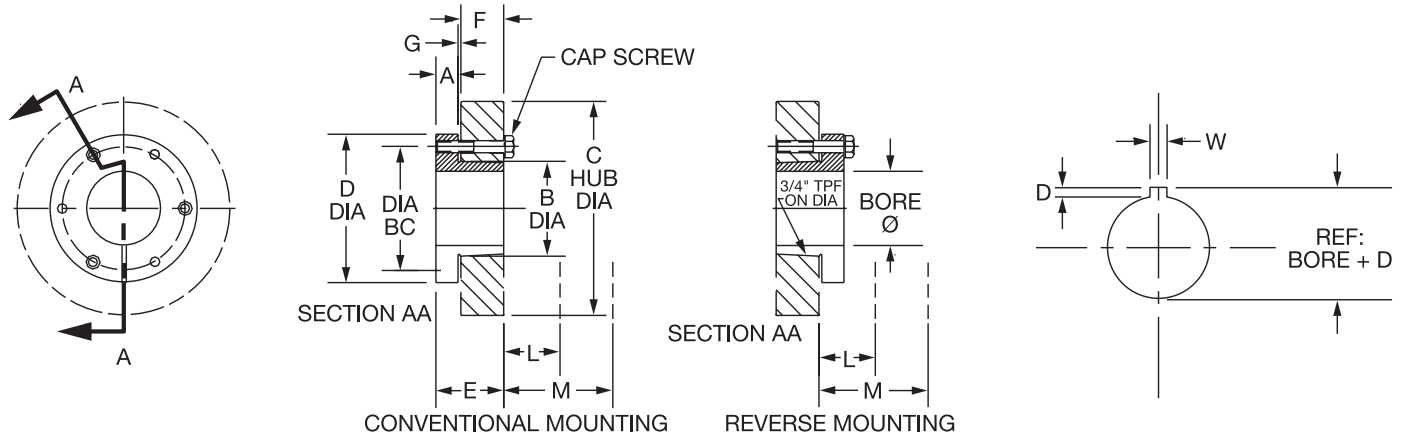
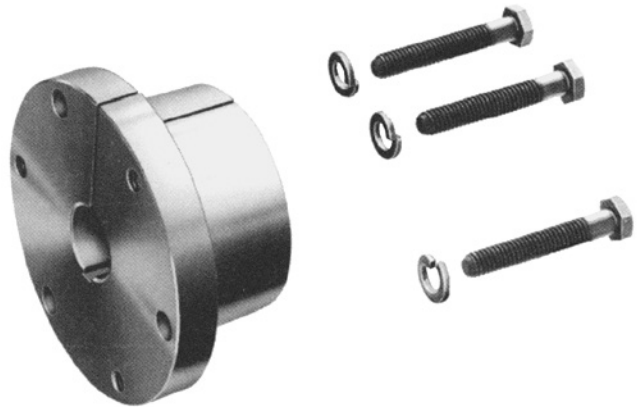


SPECIFICATION

QD Bushing - Metric Bore/Metric Hardware

FEATURES

- ◆ DODGE QD-style bushings stocked in popular finish bore sizes and minimum plain bore, for custom reboring
- ◆ DODGE Metric QD bushings supplied with metric hex-head cap screws and lock washers
- ◆ Stock reborable bushings available for custom reboring
- ◆ Reboring and sawsplit available from DODGE for nominal extra charge
NOTE: Rebore by others must be sawsplit after rebore
- ◆ Can be used with DODGE HTD sprockets for conventional mounting only (*English thread hardware required for demounting.*)



T-L FEATURES/BENEFITS PAGE PT6-2	T-L SPECIFICATION PAGE PT6-3	QD BUSHINGS PAGE PT6-17	GT BUSHINGS PAGE PT6-29
-------------------------------------	---------------------------------	----------------------------	----------------------------



SPECIFICATION

QD Bushing - Metric Bore/Metric Hardware

Stock Reborable Bushings & Specifications

Bush Sym	Ductile Iron			Dimensions (MM)							
	Part No.	Max Bore	Stock Bore	A MM	B MM	C Hub Dia		D MM	E MM	F MM	G MM
						Iron	Steel				
QT / (L)	119861	35	10.00	6.40	41.40	76.20	69.90	63.50	33.30	22.20	4.80
JA	119860	25	12.70	7.90	35.10	99.80	57.20	50.80	25.40	14.20	3.10
SH	119862	36	12.70	10.90	47.80	120.70	76.20	66.80	33.30	20.60	3.10
SDS	119863	42	36.51	10.90	55.40	120.70	88.90	80.80	33.30	19.10	3.10
SD	119864	42	39.69	10.90	55.40	96.80	88.90	80.80	46.00	31.80	3.10
SK	119865	55	50.80	14.20	71.40	120.70	114.30	98.60	49.00	31.80	5.60
SF	119866	60	58.74	16.00	79.50	162.10	139.70	117.60	52.30	31.80	5.60
E	119867	82	22.20	22.40	97.30	190.50	165.10	152.40	69.90	41.40	6.40
F	119868	92	25.40	25.40	115.50	196.90	184.20	168.40	95.30	63.50	8.60
J	119869	104	38.10	28.70	130.60	228.60	203.20	184.20	117.60	80.80	9.70
M	119870	130	50.80	31.80	165.10	289.10	254.00	228.60	171.50	131.60	10.40

Bushing			Bolt			
Type	Torque Capacity (Nm)	Center Dia (mm)	Qty	Length (mm)	Size	Bolt Torque (Nm)
QT / (L)	113	50.8	2	22	M6 x 1	9.6
JA	113	42.3	3	25	M5 x 0.8	5.6
SH	395	57.2	3	35	M6 x 1	11.5
SDS	565	68.3	3	35	M6 x 1	11.5
SD	565	68.3	3	50	M6 x 1	11.5
SK	781	84.1	3	50	M8 x 1.25	20.5
SF	1243	98.4	3	50	M10 x 1.5	34.0
E	2260	127.0	3	70	M12 x 1.75	77.0
F	3390	142.9	3	100	M14 x 2	100.0
J	5085	158.8	3	120	M16 x 2	194.5
M	9600	200.0	4	180	M20 x 2.5	256.0

QD Bushing - Metric Series

Metric QD Bushing - Metric Hardware

MM Bore	Bushing No.									MM Keyway	
	QT / (L)	JA	SH	SDS	SD	SK	SF	E	F	W	D
14	----	117377	----	----	----	----	----	----	----	5	2.30
19	----	117371	----	----	----	----	----	----	----	6	2.80
20	----	117372	117378	117385	----	----	----	----	----	6	2.80
24	----	117373	117379	117386	117531	117540	----	----	----	8	3.30
25	117356	117374*	117380	117387	117532	117541	117553	----	----	8	3.30
28	----	----	117381	117388	117533	117542	117554	----	----	8	3.30
30	117357	----	117382	117389	117534	117543	117555	----	----	8	3.30
32	117358*	----	117383*	117390	117535	117544	117556	----	----	10	3.30
35	----	----	117384*	117391	117536	117545	117557	----	----	10	3.30
38	----	----	----	117392	117537	117546	117558	----	----	10	3.30
40	----	----	----	117393	117538	117547	117559	117571*	117583*	12	3.30
42	----	----	----	117394*	117539*	117548	117560	----	117584*	12	3.30
45	----	----	----	----	----	117549	117561	----	----	14	3.80
48	----	----	----	----	----	117550	117562	----	----	14	3.80
50	----	----	----	----	----	117551	117563	117575*	117587*	14	3.80
55	----	----	----	----	----	117552*	117564	117576*	117588*	16	4.30
60	----	----	----	----	----	----	117565*	----	117589*	18	4.40

Part Numbers marked (*) are Ductile Iron

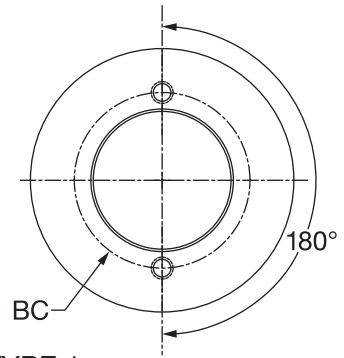
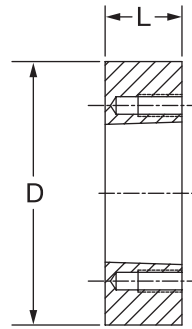
T-L FEATURES/BENEFITS PAGE PT6-2	T-L SPECIFICATION PAGE PT6-3	QD BUSHINGS PAGE PT6-17	GT BUSHINGS PAGE PT6-29
-------------------------------------	---------------------------------	----------------------------	----------------------------



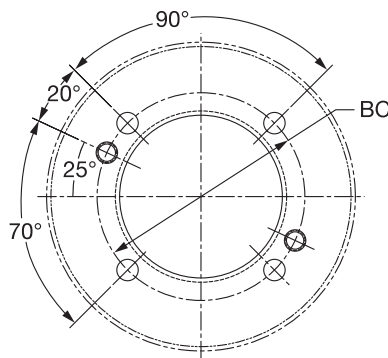
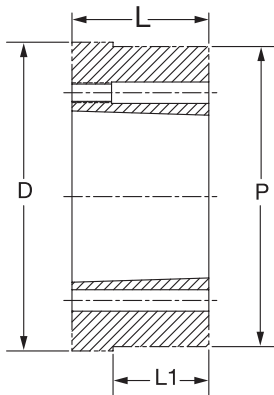
SPECIFICATION

QD Hubs

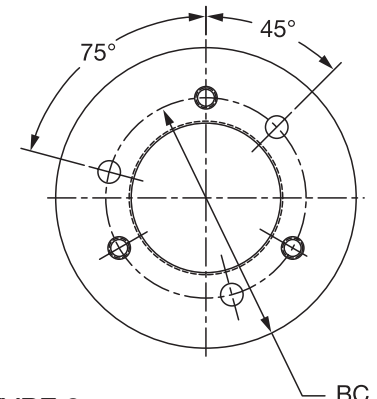
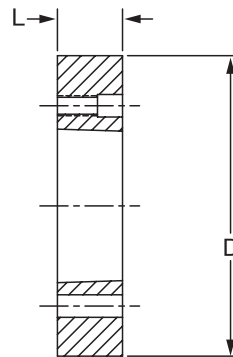
DODGE QD Weld-On hubs are useful for welding into fan rotors, pulleys, plate sprockets, impellers, agitators, etc. which require secure mounting to the shaft. These hubs are made of low carbon steel for good welding compatibility. The data tabulation shows the standard QD bushings that are used with these hubs.



TYPE 1



TYPE 3



TYPE 2

Hub No.	Part No.	For Bush	Bore Range	Wt. Lbs.	Type	Dimensions					
						D*	L	BC	P	L1	Thread Size
QT-A	228465	QT	3/8 to 1-1/2"	0.6	1	2.375	0.88	2.00	2.50	0.17	1/4-20 NC x 3/4
JA-A	228466	JA	1/2 to 1-1/4"	0.4	2	2.250	0.56	1.66	10-24 NC x 1
SH-A	228467	SH	1/2 to 1-11/16"	1.0	2	3.000	0.81	2.25	1/4-20 NC x 1-3/8
SDS-A	228468	SDS	1/2 to 2"	1.3	2	3.500	0.75	2.6	1/4-20 NC x 1-3/8
SK-A	228469	SK	1/2 to 2-5/8"	3.0	2	4.375	1.25	3.31	5/16-18 NC x 2
SF-A	228470	SF	1/2 to 2-15/16"	4.0	2	5.000	1.25	3.88	3/8-16 NC x 2
E-A	228471	E	7/8 to 3-1/2"	9.0	2	6.250	1.63	5.00	1/2-13 NC x 2-3/4
F-A	228472	F	1 to 4"	16.0	2	7.000	2.50	5.63	9/16-12 NC x 3-5/8
J-A	228473	J	1-1/2 to 4-1/2"	22.5	2	7.750	3.19	6.25	5/8-11 NC x 4-1/2
M-A	228474	M	2 to 5-1/2"	50.0	3	9.250	5.19	7.88	9.50	3.56	3/4-10 NC x 6-3/4
N-A	228475	N	2-7/16 to 5-7/8"	75.0	3	10.250	6.25	8.50	10.50	4.50	7/8-9 NC x 8
P-A	228476	P	2-15/16 to 7"	155.0	2	13.000	7.25	10.00	1-8 NC x 9-1/2
W-A	228477	W	4 to 8-1/2"	300.0	2	15.500	9.00	12.75	1-1/16-7 NC x 11/12

Mounting:

- Type 1: Reverse only
- Type 2: Conventional or Reverse
- Type 3: Conventional Only

*Tolerance:

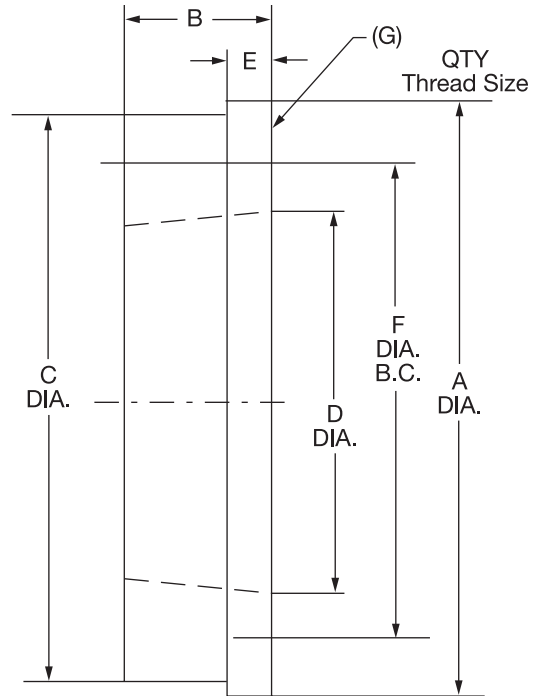
- QT-A Thru J-A = (+0.000"/-0.002")
- M-A Thru W-A = (+0.000"/-0.003")

T-L FEATURES/BENEFITS PAGE PT6-2	T-L SPECIFICATION PAGE PT6-3	QD BUSHINGS PAGE PT6-17	GT BUSHINGS PAGE PT6-29
-------------------------------------	---------------------------------	----------------------------	----------------------------



SPECIFICATION

QD Weld-On Hubs For Conveyor Pulleys



DODGE QD Weld-On Hubs for conveyor pulleys are specifically designed for use in the end disc of a conveyor pulley. Their short length through bore provides more

forgiveness under the operating stresses of the pulley. These hubs are manufactured from low Carbon steel for good welding compatibility

QD Weld-On Hubs For Conveyor Pulleys

Hub No.	Part No.	For Bush.	Bore Range	Wt. Lbs.	Dimensions						Installation Screws	
					A	B	C #	D (ref)	E	F	Qty	Thread Size
SF	228110	SF	1/2 to 2-15/16"	3.9	5.00	1.00	4.750	3.13	0.44	3.88	3	3/8-16 NC x 2
E	228111	E	7/8 to 3-1/2"	6.6	6.25	1.13	6.000	3.52	0.50	5.00	3	1/2-13 NC x 2-1/4
F	228112	F	1 to 4"	9.3	7.00	1.25	6.750	4.44	0.56	5.63	3	9/16-12 NC x 3-5/8
JS	228113	J	1-1/2 to 4-1/2"	17	8.25	1.63	8.000	5.14	0.63	6.25	3	5/8-11 NC x 2-1/2
MS	228114	M	2 to 5-1/2"	22	9.50	2.38	9.250	6.50	0.75	7.88	4	3/4-10 NC-10 x 3
NS	228115	N	2-7/16 to 5-7/8"	29	10.25	2.38	10.000	7.00	0.81	8.50	4	7/8-9 NC x 3-1/2
PS	228116	P	2-15/16 to 7"	75	12.25	2.88	12.000	8.25	0.88	10.00	4	1-8 NC x 4-1/2
WS	228117	W	4 to 8-1/2"	85	15.25	3.33	14.875	10.42	0.94	12.75	4	1-1/8-7 NC x 5
SS	228118	S	5-1/2 to 10"	139	17.50	3.88	17.000	12.13	1.13	15.00	5	1-1/4-7 NC x 5
ZS	228119	Z	7 to 12"	236	22.00	4.88	21.500	15.98	1.25	19.00	5	1-1/8-7 NC x 5

+.000/- .010" Tolerance



FEATURES/BENEFITS

GRIP-TIGHT Bushings

GRIP-TIGHT is a revolutionary bushing system that will decrease maintenance costs and increase productivity and uptime. The 360° contact provides a secure fit onto the shaft, reduces vibration, eliminates shaft damage and makes the use of keys obsolete.



Features and Benefits:

- Concentric contact on shaft for better grip
- Less vibration
- Superior balanced system
- No keyways required
- No fretting corrosion
- Can be used with commercial shafting
- Reduction in material cost
- Easy on, reliable mounting
- Same bushing concept used in bearings, fan hubs, and sheaves

Possible Application:

- Fan hub
- Sheaves and sprockets
- Couplings

NOTE: Installation and maintenance instructions for Dodge products are available on www.dodge-pt.com

PT Component
Quick References

Couplings

Clutches and Brakes

FLEXIDYNE

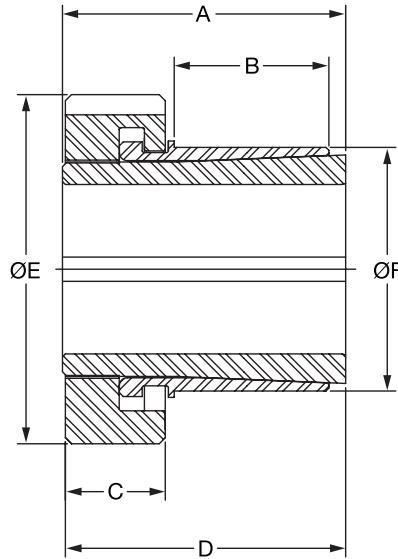
Fluid Couplings

TORQUE-TAMER

Bushings



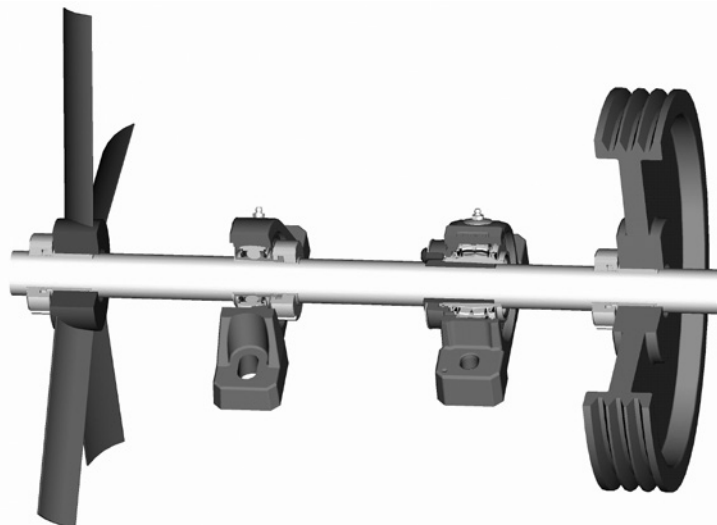
GRIP-TIGHT Bushings - Dimensions



Shaft Size*	Series	Part Number	A	B	C	D	E	F +.002/- .000	Recommended Housing Bore Tolerance	Locknut Rotation From Zero
1	205	111940	1.46	0.80	0.52	1.43	1.80	1.256	+ .0040" - 0	2/3 Turn
1-3/16	206	111941	1.61	0.94	0.53	1.58	2.00	1.445	+ .0040" - 0	2/3 Turn
1-7/16	207	111942	1.62	0.98	0.53	1.59	2.30	1.693	+ .0040" - 0	2/3 Turn
1-1/2	208	111943	1.84	1.12	0.53	1.81	2.50	1.932	+ .0040" - 0	2/3 Turn
1-11/16	209	111944	1.85	1.15	0.53	1.82	2.67	2.080	+ .0047" - 0	2/3 Turn
1-15/16	210	111945	1.86	1.16	0.53	1.83	2.94	2.312	+ .0047" - 0	1 Turn
2-3/16	211	111946	1.93	1.23	0.53	1.90	3.25	2.564	+ .0047" - 0	1 Turn
2-7/16	212	111947	2.12	1.33	0.60	2.09	3.50	2.782	+ .0047" - 0	1 Turn
2-11/16	214	111948	2.39	1.59	0.62	2.36	3.81	3.083	+ .0047" - 0	1 Turn
2-15/16	215	111949	2.56	1.66	0.75	2.53	4.25	3.410	+ .0055" - 0	1 Turn
3-7/16	218	111950	2.77	1.83	0.75	2.94	4.50	3.962	+ .0055" - 0	1 Turn

* Other shaft sizes available upon request

NOTE: Installation and maintenance instructions for Dodge products available at www.dodge-pt.com

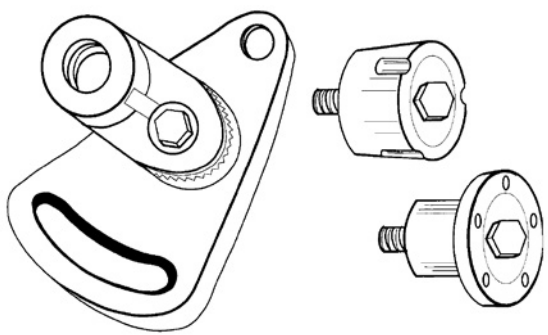


T-L FEATURES/BENEFITS PAGE PT6-2	T-L SPECIFICATION PAGE PT6-3	QD BUSHINGS PAGE PT6-17	GT BUSHINGS PAGE PT6-29
-------------------------------------	---------------------------------	----------------------------	----------------------------

SPECIFICATION



Idler Brackets and Bushings

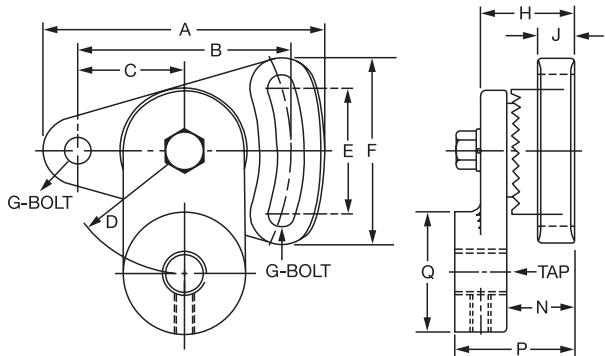


- Double Adjustable Bracket for Maximum Flexibility
 - Positive Ratchet Locking Between Base and Arm
 - Idler Bushings in TAPER-LOCK® and QD* Style
 - Use with Stock Products, such as: Sheaves, Roller Chain Sprockets, HTD Sprockets · Compatible with Products Machined for: TAPER-LOCK 1610, 2012 and 2517 Bushings; QD SK, SF and E Bushings
- * QD is a registered trademark of Emerson Electric.

Bracket Specs

		Model No.		
		5	10	20
Part Number		115982	115986	115987
WT.		3.40	3.40	13.50
DIM.	A	4.62	4.63	6.94
	B	3.50	3.50	5.25
	C	1.75	1.75	2.62
	D	2.00	2.00	5.00
DIM.	E	2.06	2.06	3.00
	F	3.06	3.06	4.56
	G	3/8	3/8	5/8
	H	1.63	1.63	2.38
DIM.	J	0.62	0.62	0.88
	N	1.16	1.16	1.63
	P	2.01	2.01	2.94
	Q	2.00	2.00	3.00
	THD	5/8-18	3/4-16	1-14

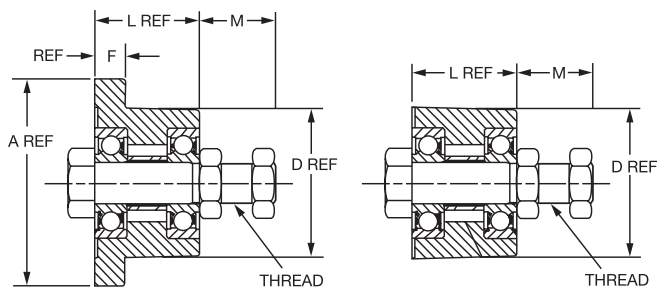
IDLER BRACKETS



Bushing Specs

Taper-Lock		1610-IDL	2012-IDL	2517-IDL
Part Number		115985	115983	115984
For Brkt No.		5	10	10
DIM.	D	2.25	2.75	3.38
	L	1.00	1.25	1.75
	M	1.38	1.56	1.56
	THD	5/8-18	3/4-16	3/4-16
	WT.	1.0	1.6	3.0
Bearings		6003	6204	6304

IDLER BUSHINGS



QD		SH-IDL	SD-IDL	SK-IDL	SK-IDL - Large	SF-IDL	E-IDL	E-IDL - Large
Part Number		115978	115979	115988	115980	115989	115990	424063
For Brkt No.		-	-	10	-	20	20	-
DIM.	A	2.63	3.18	3.88	3.88	4.63	6.00	6.00
	D	1.88	2.18	2.81	2.81	3.13	3.83	3.83
	F	0.43	0.43	0.56	0.56	0.63	0.88	0.88
	L	1.31	1.81	1.94	1.94	2.08	2.75	2.75
	M	1.69	1.69	1.44	1.44	2.13	2.19	2.19
	Thd.	3/4-10	3/4-10	3/4-16	1-8	1-14	1-14	1-1/4 - 12
	Wt.	2.10	2.50	2.80	2.80	5.00	8.60	12.50
Bearings		6004	6204	6304	6206	6206	6306	6307

T-L FEATURES/BENEFITS PAGE PT6-2	T-L SPECIFICATION PAGE PT6-3	QD BUSHINGS PAGE PT6-17	GT BUSHINGS PAGE PT6-29
-------------------------------------	---------------------------------	----------------------------	----------------------------



V-Drives

Sheaves

Features/Benefits	PT7-2
Selection/Dimensions, TAPER-LOCK	
Wedge (3V-5V-8V)	PT7-4
Classical (A-B-C)	PT7-11
Selection/Dimensions, QD Heavy Duty	
Wedge (3V-5V-8V)	PT7-16
Classical (A-B-C)	PT7-22
Selection/Dimensions, QD Standard Duty	
Wedge (3V-5V-8V)	PT7-29
Classical (A-B-C)	PT7-36
Selection/How To Order Custom Sheaves	PT7-44

V-Belts

Features/Benefits	PT7-45
Selection:	
D-V Wedge	PT7-46
Polyband Wedge	PT7-47
S-L Classic	PT7-50
Polyband S-L Classic	PT7-52
Classic Cog	PT7-56
Double-V	PT7-57
FLEXLINK	PT7-58
FHP Fractional Horsepower	PT7-59

Selection

D-V Wedge	
Selection Procedure	PT7-60
Stock Selection Tables	PT7-64
Basic Horsepower Rating	PT7-96
S-L Classic Drives	
Selection Procedure	PT7-102
Stock Selection Tables	PT7-106
Basic Horsepower Rating	PT7-135

Related Products

Idler Brackets & Busings	PT7-140
Groove Belt Gages	PT7-141

Software

VIA-VISA	PT7-141
----------------	---------

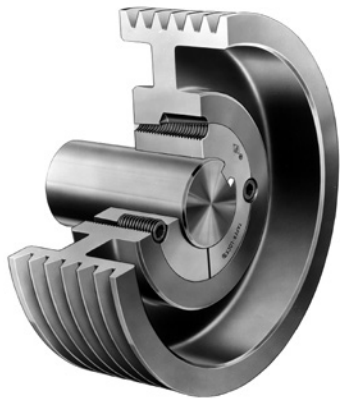
Engineering/Technical

Installation and Maintenance	PT7-143
Part Number Index	INDEX-1
Keyword Index	INDEX-43



FEATURES/BENEFITS

TAPER-LOCK and QD Sheaves



TAPER-LOCK Sheaves



QD Sheaves

DODGE Branded Sheaves come in two bushing styles, QD and Taper-Lock®. In addition to these bushing choices, DODGE now offers choices within our QD Sheaves line. Our QD Sheave line comes in a Standard Duty (SD) and a Heavy Duty (HD) offering.

Dodge QD SD Sheave Line offers:

- Economical Solution for everyday V-Belt power transmission applications
- Quality materials
- Manufacturing to Industry recognized tolerances
- Power transmission applications standard sheave loads and torque

Great for standard applications, such as air handling and fluid pumping.

Dodge QD HD Sheave Line offers:

- High strength solution for higher torque and heavy load applications
- Rigid Hubs and High strength arms
- Quality materials
- Manufacturing to Industry recognized tolerances

Great for Harsh duty applications, such as Rock Crushers and Wood Chippers.

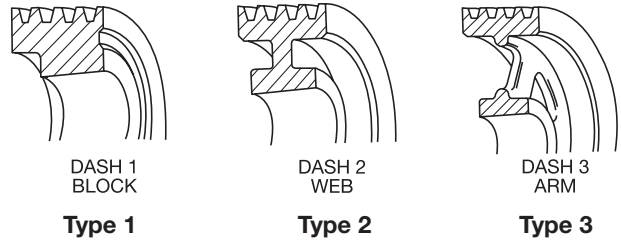
Dodge Taper-Lock Sheave Line offers:

- A premium solution
- A Bushing system that pound for pound carries more torque, than the QD system.
- A Bushing system that reduces overhung load increasing the life of the other power transmission products in the system.
- An easy on and easy off bushing system with fewer components to install.
- Quality materials
- Manufacturing to Industry recognized tolerances

Great for Standard and Harsh duty applications, suitable for all applications.

Sheaves are manufactured in DODGE plants under strict quality control assurances. Precision machining meets or exceeds joint RMA/MPTA industry standards for smooth operation plus extended belt life. DODGE manufactures all sheaves in plants certified to ISO 9002 Quality Standards.

Sheave Construction



DODGE stock sheaves are manufactured from high quality gray iron. They are given a corrosion-resistant finish before packaging and shipping. Sheave construction follows the general format illustrated above: smaller sheaves are of the block construction, intermediate sizes of the web type, and large sheaves of the arm- type construction.

V-Drives

FHP Drives

Drive Component Accessories

DYNA-SYNC

HT200/HTD Synchronous Drives

HT500 Synchronous Drives

Roller Chain Sprockets



TAPER-LOCK and QD Sheaves

Sheave Balance

Static balance of stock sheaves is suitable for most applications up to a rim speed of 6500 FPM. Dynamic (two-plane) balance is available at extra charge for applications that are more sensitive to vibration. Dynamic balance is recommended for operation above 6500 FPM.

V-Drive Advantages

- Isolates shock loads and vibration.
- Misalignment capability.
- Drive ratios of 6:1 or more possible.
- Stock drive selections up to:
 - 1100 design HP at 1180 RPM
 - 800 design HP at 1770 RPM
- Low maintenance.
- No lubrication required.
- Quiet operation: Motors, etc. are normally at a higher db level than V-Drives.
- Efficiency of 93% is typical.

Computer Selection

For fast, accurate evaluation of viable V-Drive alternatives, use the DODGE VIA-VISA software program which is available on the website www.dodge-pt.com. Just type the required information on the user-friendly input screen and let the software do the rest. All the significant data on the drive combinations is presented: Cost, RPM, shaft loading, installation tension, face width and diameter, etc. This is shown in a format that allows you to select the best drive for the application. See page PT7-123 for complete information on VIA-VISA.

WARNING

Stock sheaves are manufactured from gray iron, which is suitable for operation up to 6500 feet per minute rim speed (e.g. 14, max. dia. on a 1750 RPM motor). Operation above this rim speed may cause sheave failure resulting in personnel and/or equipment damage. Refer to the Made-To-Order sheave section for constructions that are suitable for operation at higher rim speeds.

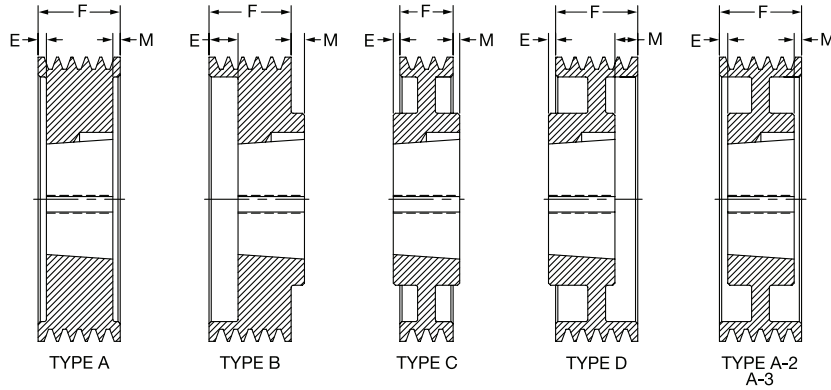
ARAMIDE CORD BELTS WARNING:

Because of the high horsepower rating of Aramide (Kevlar) cord belts, stock sheaves can not be used. Contact DODGE for made to order high capacity sheaves at 864-234-5700.



SELECTION/DIMENSIONS

3V TAPER-LOCK SHEAVES



1-Groove							F = **
O.D.Δ	Part No.	Description	Wt.	Type‡	E	M	
2.65	112124	1/3V2.65-1108	.75	A1	.06	0	
2.8	112125	1/3V2.8-1108	.85	A1	.06	0	
3.0	112126	1/3V3.0-1108	1.0	A1	.06	0	
3.15	112127	1/3V3.15-1108	1.0	A1	.06	0	
3.35	112175	1/3V3.35-1610	1.1	A1	.11	.05	
3.65	112176	1/3V3.65-1610	1.3	A1	.11	.05	
4.12	112177	1/3V4.12-1610	2.0	A1	.11	.05	
4.5	112178	1/3V4.5-1610	2.3	A1	.11	.05	
4.75	112179	1/3V4.75-1610	2.6	A1	.11	.05	
5.0	112180	1/3V5.0-1610	2.9	A1	.11	.05	
5.3	112181	1/3V5.3-1610	3.3	A1	.11	.05	
5.6	112182	1/3V5.6-1610	3.7	A1	.11	.05	
6.0	112183	1/3V6.0-1610	4.2	B1	0	.31	
6.5	112184	1/3V6.5-1610	5.0	B1	0	.31	
6.9	112185	1/3V6.9-1610	5.6	B1	0	.31	
8.0	112008	1/3V8.0-2517	8.5	B1	0	1.06	
10.6	112009	1/3V10.6-2517	14.0	B1	0	1.06	
14.0	112010	1/3V14.0-2517	20.0	C3	0	.94	
19.0	112011	1/3V19.0-3020	20.0	C3	0	.91	

** 2.65-3.15=0.94, 3.35-5.6=1.06, 6.0-10.6=0.69, 14.0=0.81, 19.0=1.09

3-Groove							F = 1.50
O.D.Δ	Part No.	Description	Wt.	Type‡	E	M	
2.65	112130	3/3V2.65-1108	1.0	A1	.06	.56	
2.8	112131	3/3V2.8-1108	1.1	A1	.06	.56	
3.0	112199	3/3V3.0-1210	1.8	A1	.11	.40	
3.15	112200	3/3V3.15-1210	1.5	A1	.11	.40	
3.35	112201	3/3V3.35-1610	1.8	A1	.11	.40	
3.65	112202	3/3V3.65-1610	2.0	A1	.11	.40	
4.12	112203	3/3V4.12-1610	2.6	A1	0	.50	
4.5	112204	3/3V4.5-1610	3.2	A1	0	.50	
4.75	112205	3/3V4.75-1610	3.7	A1	0	.50	
5.0	112206	3/3V5.0-1610	4.2	A1	0	.50	
5.3	112207	3/3V5.3-1610	4.8	A1	0	.50	
5.6	112208	3/3V5.6-1610	5.5	A1	0	.50	
6.0	112038	3/3V6.0-2517	7.4	B1	0	.25	
6.5	112144	3/3V6.5-2517	9.1	B1	0	.25	
6.9	112145	3/3V6.9-2517	10.0	B1	0	.25	
8.0	112039	3/3V8.0-2517	15.0	B1	0	.25	
10.6	112040	3/3V10.6-2517	18.0	C2	0	.25	
14.0	112041	3/3V14.0-2517	25.0	C3	0	.25	
19.0	112042	3/3V19.0-3020	34.0	C3	0	.50	
25.0	112043	3/3V25.0-3020	36.0	C3	0	.50	
33.5	112044	3/3V33.5-3020	53.0	C3	.25	.25	

2-Groove							F = 1.09
O.D.Δ	Part No.	Description	Wt.	Type‡	E	M	
2.65	112128	2/3V2.65-1108	0.75	A1	.06	.13	
2.8	112129	2/3V2.8-1108	0.90	A1	.06	.13	
3.0	112186	2/3V3.0-1210	1.4	A1	.11	.05	
3.15	112187	2/3V3.15-1210	1.0	A1	.11	.05	
3.35	112188	2/3V3.35-1610	1.5	A1	.11	.05	
3.65	112189	2/3V3.65-1610	1.6	A1	.11	.05	
4.12	112190	2/3V4.12-1610	2.1	A1	.11	.05	
4.5	112191	2/3V4.5-1610	2.7	A1	.11	.05	
4.75	112192	2/3V4.75-1610	3.1	A1	.11	.05	
5.0	112193	2/3V5.0-1610	3.6	A1	.11	.05	
5.3	112194	2/3V5.3-1610	4.2	A1	0	.05	
5.6	112195	2/3V5.6-1610	4.8	A1	0	.05	
6.0	112196	2/3V6.0-1610	5.8	A1	.09	0	
6.5	112197	2/3V6.5-1610	7.0	A1	.09	0	
6.9	112198	2/3V6.9-1610	8.0	A1	0	.09	
8.0	112023	2/3V8.0-2517	11.0	B1	0	.66	
10.6	112024	2/3V10.6-2517	15.0	B1	0	.66	
14.0	112025	2/3V14.0-2517	22.0	C3	0	.66	
19.0	112026	2/3V19.0-3020	22.0	C3	0	.91	
25.0	112027	2/3V25.0-3020	30.0	C3	.125	.78	

4-Groove							F = 1.90
O.D.Δ	Part No.	Description	Wt.	Type‡	E	M	
2.65	112132	4/3V2.65-1108	1.2	A1	.06	.97	
2.8	112133	4/3V2.8-1108	1.3	A1	.06	.97	
3.0	112209	4/3V3.0-1210	2.1	A1	.11	.80	
3.15	112210	4/3V3.15-1210	1.9	A1	.11	.80	
3.35	112211	4/3V3.35-1610	2.2	A1	.11	.80	
3.65	112212	4/3V3.65-1610	2.0	A1	.11	.80	
4.12	112213	4/3V4.12-1610	3.0	A1	0	.91	
4.5	112214	4/3V4.5-1610	3.7	A1	0	.91	
4.75	112215	4/3V4.75-1610	4.2	A1	0	.91	
5.0	112216	4/3V5.0-1610	4.8	A1	0	.91	
5.3	112217	4/3V5.3-1610	5.5	A1	0	.91	
5.6	112218	4/3V5.6-1610	6.2	A1	0	.91	
6.0	112053	4/3V6.0-2517	8.0	A1	0	.16	
6.5	112150	4/3V6.5-2517	10.0	A1	0	.16	
6.9	112151	4/3V6.9-2517	12.0	A1	0	.16	
8.0	112054	4/3V8.0-2517	18.0	A1	0	.16	
10.6	112055	4/3V10.6-2517	20.0	A2	0	.16	
14.0	112056	4/3V14.0-2517	29.0	A3	0	.16	
19.0	112275	4/3V19.0-3020	45.0	C3	0	.09	
25.0	112276	4/3V25.0-3020	42.0	D3	.19	.09	
33.5	112059	4/3V33.5-3030	73.0	C3	.55	.55	

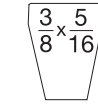
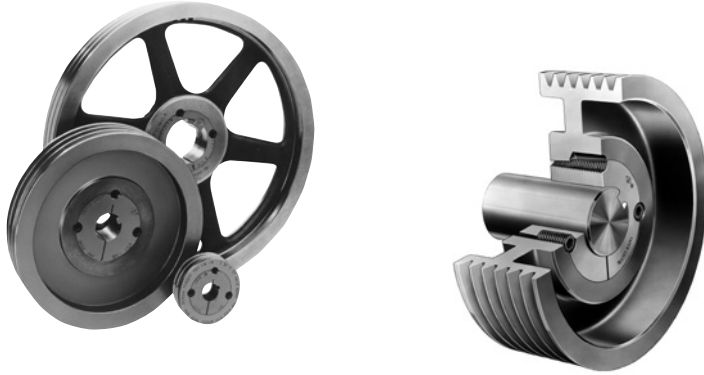
Δ Pitch diameter = O.D. - .05"

‡ Type 1 = Block Type, 2 = Web, 3 = Arm - See page PT7-2.

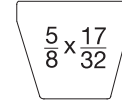
SELECTION/DIMENSIONS



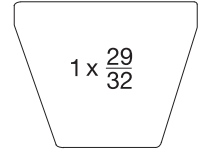
3V TAPER-LOCK SHEAVES



3V
Belt Profile



5V
Belt Profile



8V
Belt Profile

5-Groove							F = 2.31	
O.D.Δ	Part No.	Description	Wt.	Type‡	E	M		
4.5	112102	5/3V4.5-1615	4.0	A1	0	.81		
4.75	112103	5/3V4.75-2517	3.9	A1	.56	0		
5.0	112061	5/3V5.0-2517	5.4	A1	.56	0		
5.30	112062	5/3V5.3-2517	6.7	A1	.56	0		
5.6	112063	5/3V5.6-2517	7.6	A1	.56	0		
6.0	112064	5/3V6.0-2517	11.0	A1	.56	0		
6.5	112152	5/3V6.5-2517	11.0	A1	0	.56		
6.9	112153	5/3V6.9-2517	14.0	A1	0	.56		
8.0	112065	5/3V8.0-2517	20.0	A1	0	.56		
10.6	112066	5/3V10.6-2517	27.0	A1	0	.56		
14.0	112067	5/3V14.0-2517	29.0	A3	0	.56		
19.0	112277	5/3V19.0-3020	51.0	A3	0	.31		
25.0	112069	5/3V25.0-3030	58.0	C3	0	.69		
33.5	112070	5/3V33.5-3030	82.0	C3	.34	.34		

6-Groove							F = 2.71	
O.D.Δ	Part No.	Description	Wt.	Type‡	E	M		
4.75	112071	6/3V4.75-2517	4.4	A1	.97	0		
5.0	112072	6/3V5.0-2517	5.4	A1	.97	0		
5.3	112073	6/3V5.3-2517	6.5	A1	.97	0		
5.6	112074	6/3V5.6-2517	7.7	A1	.97	0		
6.0	112075	6/3V6.0-2517	9.5	A1	0	.97		
6.5	112154	6/3V6.5-2517	12.0	A1	0	.97		
6.9	112155	6/3V6.9-2517	13.0	A1	0	.97		
8.0	112076	6/3V8.0-2517	20.0	A1	0	.97		
10.6	112077	6/3V10.6-2517	29.0	A2	0	.97		
14.0	112078	6/3V14.0-2517	41.0	A3	.22	.75		
19.0	112278	6/3V19.0-3020	51.0	A3	0	.72		
25.0	112080	6/3V25.0-3030	72.0	C3	0	.28		
33.5	112081	6/3V33.5-3030	92.0	C3	.14	.14		

8-Groove							F = 3.53	
O.D.Δ	Part No.	Description	Wt.	Type‡	E	M		
4.75	112082	8/3V4.75-2517	5.8	A1	1.78	0		
5.0	112083	8/3V5.0-2517	6.4	A1	1.78	0		
5.3	112084	8/3V5.3-2517	7.8	A1	1.03	.75		
5.6	112085	8/3V5.6-2517	9.2	A1	.25	1.53		
6.0	112086	8/3V6.0-2517	11.0	A1	.25	1.53		
6.5	112156	8/3V6.5-2517	14.0	A1	.25	1.53		
6.9	112157	8/3V6.9-2517	16.0	A1	.25	1.53		
8.0	112087	8/3V8.0-3020	22.0	A1	.50	1.03		
10.6	112088	8/3V10.6-3020	28.0	A2	.50	1.03		
14.0	112279	8/3V14.0-3020	52.0	A3	.65	.87		
19.0	112090	8/3V19.0-3535	67.0	A3	0	.03		
25.0	112091	8/3V25.0-3535	75.0	A3	0	.03		
33.5	112092	8/3V33.5-4040	111.0	C3	.23	.23		

10-Groove							F = 4.34	
O.D.Δ	Part No.	Description	Wt.	Type‡	E	M		
4.75	112093	10/3V4.75-2517	7.1	A1	2.59	0		
5.0	112094	10/3V5.0-2517	8.2	A1	2.59	0		
5.3	112158	10/3V5.3-2517	9.3	A1	1.84	.75		
5.6	112159	10/3V5.6-2517	10.0	A1	.50	2.09		
6.0	112095	10/3V6.0-2517	13.0	A1	.50	2.09		
6.5	112160	10/3V6.5-2517	15.0	A1	.50	2.09		
6.9	112161	10/3V6.9-2517	18.0	A1	.81	1.78		
8.0	112096	10/3V8.0-3020	25.0	A1	.25	2.09		
10.6	112097	10/3V10.6-3020	39.0	A1	.84	1.50		
14.0	112098	10/3V14.0-3535	57.0	A3	0	.84		
19.0	112099	10/3V19.0-3535	81.0	A3	0	.84		
25.0	112100	10/3V25.0-4040	88.0	A3	0	.34		
33.5	112101	10/3V33.5-4040	128.0	A3	.17	.17		

Δ Pitch diameter = O.D. - .05"

‡ Type 1 = Block Type, 2 = Web, 3 = Arm - See page PT7-2.

V-Drives

FHP Drives

Drive Component
Accessories

DYNA-SYNC

HT200/HTD
Synchronous Drives

HT500
Synchronous Drives

Roller Chain Sprockets



SELECTION/DIMENSIONS

5V TAPER-LOCK SHEAVES

2-Groove							F = 1.68
O.D.Δ	Part No.	Description	Wt.	Type‡	E	M	
4.4++	111200	2/5V4.4-1610	3.0	A1	.06	.62	
4.65++	111201	2/5V4.65-1610	3.0	A1	.06	.62	
4.9++	111202	2/5V4.9-1610	4.0	A1	.06	.62	
5.2++	111203	2/5V5.2-1610	4.0	A1	.06	.62	
5.5++	111255	2/5V5.5-1610	5.0	A1	.06	.62	
5.9++	111204	2/5V5.9-1610	6.0	A1	.06	.62	
6.3++	111205	2/5V6.3-1610	7.0	A1	0	.68	
6.7++	111206	2/5V6.7-1610	9.0	A1	0	.68	
7.1	111132	2/5V7.1-2517	10.0	B1	0	.06	
7.5	111133	2/5V7.5-2517	12.0	B1	0	.06	
8.0	111134	2/5V8.0-2517	14.0	B1	0	.06	
8.5	111135	2/5V8.5-2517	13.0	C2	0	.06	
9.0	111136	2/5V9.0-2517	16.0	C2	0	.06	
9.25	111137	2/5V9.25-3020	17.0	B1	0	.31	
9.75	111138	2/5V9.75-3020	19.0	B1	0	.31	
10.3	111139	2/5V10.3-3020	22.0	C2	0	.31	
10.9	111140	2/5V10.9-3020	24.0	C2	0	.31	
11.3	111207	2/5V11.3-3020	25.0	C2	0	.31	
11.8	111141	2/5V11.8-3020	26.0	C2	0	.31	
12.5	111142	2/5V12.5-3020	28.0	C2	0	.31	
13.2	111143	2/5V13.2-3020	21.0	C3	0	.31	
14.0	111144	2/5V14.0-3020	23.0	C3	0	.31	
15.0	111145	2/5V15.0-3020	26.0	C3	0	.31	
16.0	111146	2/5V16.0-3020	28.0	C3	0	.31	
18.7	111208	2/5V18.7-3020	40.0	C3	0	.31	
21.2	111147	2/5V21.2-3535	45.0	C3	.37	1.44	
23.6	111209	2/5V23.6-3535	56.0	C3	.25	1.56	
28.0	111148	2/5V28.0-3535	68.0	C3	.37	1.43	

3-Groove							F = 2.37
O.D.Δ	Part No.	Description	Wt.	Type‡	E	M	
4.4++	111210	3/5V4.4-1610	4.0	A1	1.38	0	
4.65++	111211	3/5V4.65-1610	5.0	A1	.06	1.31	
4.9++	111212	3/5V4.9-1610	5.0	A1	.06	1.31	
5.2++	111213	3/5V5.2-1610	6.0	A1	.06	1.31	
5.5++	111256	3/5V5.5-1610	6.0	A1	.06	1.31	
5.9++	111214	3/5V5.9-2517	7.0	A1	0	.62	
6.3++	111215	3/5V6.3-2517	9.0	A1	0	.62	
6.7++	111216	3/5V6.7-2517	10.0	A1	0	.62	
7.1	111001	3/5V7.1-2517	13.0	A1	0	.62	
7.5	111002	3/5V7.5-2517	15.0	A1	0	.62	
8.0	111003	3/5V8.0-2517	18.0	A1	0	.62	
8.5	111004	3/5V8.5-2517	20.0	A1	0	.62	
9.0	111005	3/5V9.0-2517	20.0	A1	0	.62	
9.25	111099	3/5V9.25-3020	21.0	A1	0	.37	
9.75	111100	3/5V9.75-3020	24.0	A2	0	.37	
10.3	111101	3/5V10.3-3020	25.0	A2	0	.37	
10.9	111102	3/5V10.9-3020	27.0	A2	0	.37	
11.3	111217	3/5V11.3-3020	28.0	A2	0	.37	
11.8	111006	3/5V11.8-3020	29.0	A2	0	.37	
12.5	111103	3/5V12.5-3020	32.0	A2	0	.37	
13.2	111007	3/5V13.2-3020	34.0	A3	0	.37	
14.0	111008	3/5V14.0-3020	36.0	A3	0	.37	
15.0	111009	3/5V15.0-3020	36.0	A3	0	.37	
16.0	111010	3/5V16.0-3020	38.0	A3	0	.37	
18.7	111218	3/5V18.7-3020	52.0	A3	0	.37	
21.2	111011	3/5V21.2-3535	60.0	C3	0	1.12	
23.6	111219	3/5V23.6-3535	68.0	C3	0	1.12	
28.0	111012	3/5V28.0-3535	83.0	C3	0	1.12	
31.5	111220	3/5V31.5-3535	96.0	C3	.34	.78	
37.5	111013	3/5V37.5-4040	124.0	C3	.50	1.12	
50.0	111014	3/5V50.0-4040	186.0	C3	.50	1.12	

Δ Pitch diameter = O.D. - .10"

‡ Type 1 = Block Type, 2 = Web, 3 = Arm - See drawings page PT7-2.

++ 5VX Belts only on these sizes.

V-Drives

FHP Drives

Drive Component Accessories

DYNA-SYNC

HT200/HTD Synchronous Drives

HT500 Synchronous Drives

Roller Chain Sprockets

SELECTION/DIMENSIONS



5V TAPER-LOCK SHEAVES

4-Groove						F = 3.06	
O.D.Δ	Part No.	Description	Wt.	Type‡	E	M	
4.4++	111221	4/5V4.4-1610	6.0	A1	2.06	0	
4.65++	111222	4/5V4.65-1610	6.0	A1	2.06	0	
4.9++	111223	4/5V4.9-1610	6.0	A1	2.06	0	
5.2++	111224	4/5V5.2-1610	7.0	A1	2.06	0	
5.5++	111225	4/5V5.5-2517	8.0	A1	1.31	0	
5.9++	111226	4/5V5.9-2517	10.0	A1	1.31	0	
6.3++	111227	4/5V6.3-2517	11.0	A1	0	1.31	
6.7++	111228	4/5V6.7-2517	12.0	A1	0	1.31	
7.1	111020	4/5V7.1-2517	15.0	A1	0	1.31	
7.5	111021	4/5V7.5-2517	18.0	A1	0	1.31	
8.0	111022	4/5V8.0-2517	21.0	A1	0	1.31	
8.5	111023	4/5V8.5-2517	20.0	A1	0	1.31	
9.0	111035	4/5V9.0-2517	22.0	A1	0	1.31	
9.25	111104	4/5V9.25-3020	27.0	A1	0	1.06	
9.75	111105	4/5V9.75-3020	31.0	A1	0	1.06	
10.3	111106	4/5V10.3-3020	28.0	A1	0	1.06	
10.9	111107	4/5V10.9-3020	31.0	A1	0	1.06	
11.3	111229	4/5V11.3-3020	32.0	A1	0	1.06	
11.8	111025	4/5V11.8-3020	34.0	A2	0	1.06	
12.5	112280	4/5V12.5-3020	40.0	A2	0	1.06	
13.2	112281	4/5V13.2-3020	42.0	A3	0	1.06	
14.0	111028	4/5V14.0-3535	48.0	C2	.43	0	
15.0	111029	4/5V15.0-3535	52.0	C3	.43	0	
16.0	111030	4/5V16.0-3535	53.0	C3	.43	0	
18.7	111230	4/5V18.7-3535	63.0	C3	.43	0	
21.2	111031	4/5V21.2-3535	70.0	C3	0	.43	
23.6	111231	4/5V23.6-3535	79.0	C3	0	.43	
28.0	111032	4/5V28.0-3535	98.0	C3	0	.43	
31.5	111232	4/5V31.5-3535	114.0	C3	0	.43	
37.5	111033	4/5V37.5-4040	148.0	C3	0	.93	
50.0	111034	4/5V50.0-4040	243.0	C3	0	.93	

5-Groove						F = 3.75	
O.D.Δ	Part No.	Description	Wt.	Type‡	E	M	
5.9++	111233	5/5V5.9-2517	11.0	A1	.56	1.43	
6.3++	111234	5/5V6.3-2517	12.0	A1	.56	1.43	
6.7++	111235	5/5V6.7-2517	13.0	A1	.56	1.43	
7.1	111038	5/5V7.1-3020	16.0	A1	.50	1.25	
7.5	111039	5/5V7.5-3020	19.0	A1	.50	1.25	
8.0	111040	5/5V8.0-3020	22.0	A1	.50	1.25	
8.5	111041	5/5V8.5-3020	26.0	A1	.50	1.25	
9.0	111042	5/5V9.0-3020	30.0	A1	.50	1.25	
9.25	111108	5/5V9.25-3020	31.0	A1	.50	1.25	
9.75	111109	5/5V9.75-3020	36.0	A1	.50	1.25	
10.3	111110	5/5V10.3-3020	33.0	A1	.50	1.25	
10.9	111111	5/5V10.9-3020	36.0	A1	.50	1.25	
11.3	111236	5/5V11.3-3020	38.0	A1	.50	1.25	
11.8	111043	5/5V11.8-3020	40.0	A2	.50	1.25	
12.5	111044	5/5V12.5-3535	54.0	A2	0	.25	
13.2	111045	5/5V13.2-3535	57.0	A2	0	.25	
14.0	111046	5/5V14.0-3535	57.0	A3	0	.25	
15.0	111047	5/5V15.0-3535	65.0	A3	0	.25	
16.0	111048	5/5V16.0-3535	70.0	A3	0	.25	
18.7	111237	5/5V18.7-3535	84.0	A3	0	.25	
21.2	111049	5/5V21.2-4040	81.0	C3	0	.25	
23.6	111238	5/5V23.6-4040	92.0	C3	0	.25	
28.0	111050	5/5V28.0-4040	115.0	C3	0	.25	
31.5	111239	5/5V31.5-4040	155.0	C3	0	.25	
37.5	111051	5/5V37.5-4040	190.0	C3	0	.25	
50.0	111052	5/5V50.0-4545	280.0	C3	0	.75	

Δ Pitch diameter = O.D. - .10"

‡ Type 1 = Block Type, 2 = Web, 3 = Arm - See drawings page PT7-2.

++ 5VX Belts only on these sizes.

V-Drives

FHP Drives

Drive Component Accessories

DYNA-SYNC

HT200/HTD Synchronous Drives

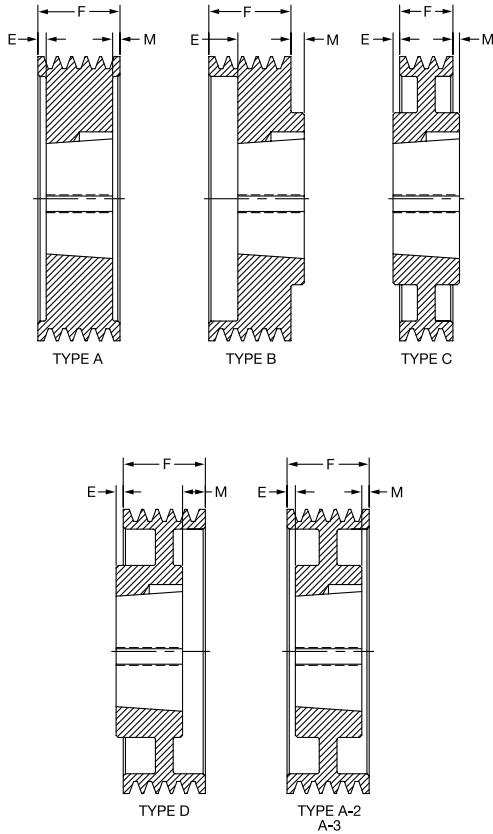
HT500 Synchronous Drives

Roller Chain Sprockets



SELECTION/DIMENSIONS

5V TAPER-LOCK SHEAVES



6-Groove				F = 4.43		
O.D.Δ	Part No.	Description	Wt.	Type‡	E	M
5.9++	111240	6/5V5.9-2517	13.0	A1	1.12	1.56
6.3++	111241	6/5V6.3-2517	13.0	A1	.81	1.87
6.7++	111242	6/5V6.7-2517	15.0	A1	.81	1.87
7.1	111056	6/5V7.1-3020	18.0	A1	.75	1.68
7.5	111057	6/5V7.5-3020	21.0	A1	.75	1.68
8.0	111058	6/5V8.0-3020	24.0	A1	.75	1.68
8.5	111059	6/5V8.5-3020	28.0	A1	.75	1.68
9.0	111060	6/5V9.0-3020	32.0	A1	.75	1.68
9.25	111112	6/5V9.25-3535	41.0	A1	0	.93
9.75	111113	6/5V9.75-3535	48.0	A1	0	.93
10.3	111114	6/5V10.3-3535	56.0	A1	0	.93
10.9	111115	6/5V10.9-3535	65.0	A1	0	.93
11.3	111243	6/5V11.3-3535	53.0	A1	0	.93
11.8	111061	6/5V11.8-3535	59.0	A2	0	.93
12.5	111062	6/5V12.5-3535	59.0	A2	0	.93
13.2	111063	6/5V13.2-3535	67.0	A2	0	.93
14.0	111064	6/5V14.0-3535	67.0	A2	0	.93
15.0	111065	6/5V15.0-4040	82.0	A2	0	.43
16.0	111066	6/5V16.0-4040	84.0	A2	0	.43
18.7	111244	6/5V18.7-4040	97.0	A2	0	.43
21.2	111067	6/5V21.2-4040	91.0	A3	0	.43
23.6	111245	6/5V23.6-4040	124.0	A3	0	.43
28.0	111068	6/5V28.0-4040	149.0	A3	0	.43
31.5	111246	6/5V31.5-4040	171.0	A3	0	.43
37.5	111069	6/5V37.5-4545	214.0	C3	0	.06
50.0	111070	6/5V50.0-4545	336.0	D3	.50	.56

8-Groove				F = 5.81		
O.D.Δ	Part No.	Description	Wt.	Type‡	E	M
7.1	111075	8/5V7.1-3030	24.0	A1	1.00	1.81
7.5	111076	8/5V7.5-3030	28.0	A1	1.00	1.81
8.0	111077	8/5V8.0-3030	33.0	A1	1.00	1.81
8.5	111078	8/5V8.5-3030	38.0	A1	1.00	1.81
9.0	111079	8/5V9.0-3535	44.0	A1	1.00	1.31
9.25	111116	8/5V9.25-3535	45.0	A1	1.00	1.31
9.75	111117	8/5V9.75-3535	51.0	A1	1.00	1.31
10.3	111118	8/5V10.3-3535	60.0	A1	1.00	1.31
10.9	111119	8/5V10.9-3535	68.0	A1	1.00	1.31
11.3	111247	8/5V11.3-3535	57.0	A1	1.00	1.31
11.8	111080	8/5V11.8-3535	63.0	A1	1.00	1.31
12.5	111081	8/5V12.5-4040	102.0	A1	.25	1.56
13.2	111082	8/5V13.2-4040	82.0	A1	.25	1.56
14.0	111083	8/5V14.0-4040	87.0	A1	.25	1.56
15.0	111084	8/5V15.0-4040	97.0	A2	.25	1.56
16.0	111085	8/5V16.0-4040	102.0	A2	.25	1.56
18.7	111248	8/5V18.7-4040	112.0	A3	.25	1.56
21.2	111086	8/5V21.2-4040	129.0	A3	.25	1.56
23.6	111249	8/5V23.6-4040	145.0	A3	.25	1.56
28.0	111087	8/5V28.0-4545	178.0	A3	.25	1.06
31.5	111250	8/5V31.5-4545	228.0	A3	.25	1.06
37.5	111088	8/5V37.5-4545	279.0	A3	.25	1.06
50.0	111089	8/5V50.0-4545	403.0	A3	.25	1.06

10-Groove				F = 7.18		
O.D.Δ	Part No.	Description	Wt.	Type‡	E	M
8.0	111120	10/5V8.0-3030	36.0	A1	1.00	3.18
8.5	111121	10/5V8.5-3030	42.0	A1	1.00	3.18
9.0	111122	10/5V9.0-3535	47.0	A1	1.00	2.68
9.25	111123	10/5V9.25-4040	46.0	A1	1.00	2.18
9.75	111124	10/5V9.75-4040	54.0	A1	1.00	2.18
10.3	111125	10/5V10.3-4040	64.0	A1	1.00	2.18
10.9	111126	10/5V10.9-4040	73.0	A1	1.00	2.18
11.3	111251	10/5V11.3-4040	80.0	A1	1.00	2.18
11.8	111127	10/5V11.8-4040	92.0	A1	1.00	2.18
12.5	111090	10/5V12.5-4040	107.0	A1	.38	2.81
13.2	111091	10/5V13.2-4040	107.0	A1	.38	2.81
14.0	111092	10/5V14.0-4545	106.0	A1	.75	1.93
15.0	111093	10/5V15.0-4545	116.0	A1	.69	2.00
16.0	111094	10/5V16.0-4545	126.0	A2	0	2.68
18.7	111252	10/5V18.7-4545	116.0	A2	.50	2.18
21.2	111095	10/5V21.2-4545	149.0	D3	.50	3.18
23.6	111253	10/5V23.6-4545	191.0	A3	.50	2.18
28.0	111096	10/5V28.0-4545	227.0	A3	.75	1.93
31.5	111254	10/5V31.5-4545	259.0	A3	.75	1.93
37.5	111097	10/5V37.5-4545	320.0	A3	.75	1.93
50.0	111098	10/5V50.0-5050	471.0	A3	.75	1.43

Δ Pitch diameter = O.D. - .10"

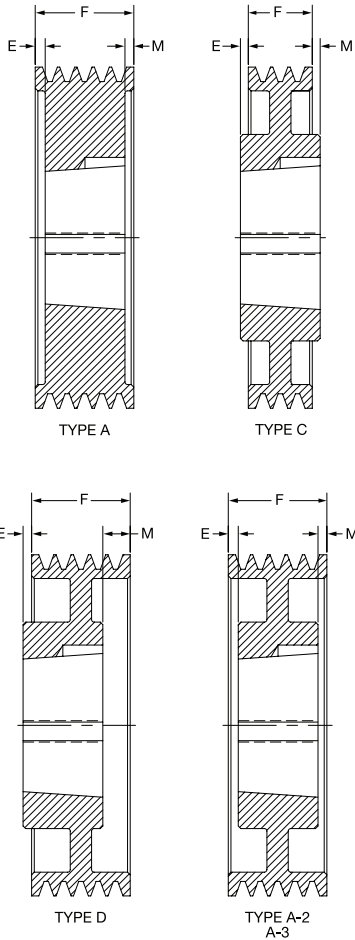
‡ Type 1 = Block Type, 2 = Web, 3 = Arm - See page PT7-2.

++ 5VX Belts only on these sizes.

SELECTION/DIMENSIONS



8V TAPER-LOCK SHEAVES



4-Groove					F = 4.87	
O.D.Δ	Part No.	Description	Wt.	Type‡	E	M
12.5	110003	4/8V12.5-4040	83.0	A1	0	.87
13.2	110008	4/8V13.2-4040	125.0	A2	0	.87
14.0	110950	4/8V14.0-4040	88.0	A2	0	.87
15.0	110951	4/8V15.0-4040	111.0	A2	.50	.37
16.0	110952	4/8V16.0-4040	105.0	A2	.44	.44
17.0	110953	4/8V17.0-4040	150.0	A2	0	.87
18.0	110954	4/8V18.0-4040	150.0	A2	0	.87
19.0	110955	4/8V19.0-4040	146.0	A2	0	.87
20.0	110015	4/8V20.0-4545	145.0	A2	0	.37
21.2	110016	4/8V21.2-4545	138.0	A2	0	.37
22.4	110004	4/8V22.4-4545	147.0	A2	0	.37
24.8	110681	4/8V24.8-5050	191.0	D3	.94	.81
30.0	110957	4/8V30.0-5050	233.0	D3	1.12	1.00
35.5	110900	4/8V35.5-5050	278.0	D3	1.12	1.00
40.0	110006	4/8V40.0-5050	324.0	D3	1.12	1.00
44.5	110002	4/8V44.5-5050	367.0	D3	.25	.12
53.0	110007	4/8V53.0-5050	469.0	B3	1.12	1.25

5-Groove					F = 6.00	
O.D.Δ	Part No.	Description	Wt.	Type‡	E	M
12.5	110958	5/8V12.5-4040	96.0	A2	.18	1.81
13.2	110959	5/8V13.2-4040	100.0	A2	.18	1.81
14.0	110960	5/8V14.0-4040	107.0	A2	.18	1.81
15.0	110961	5/8V15.0-4040	106.0	A2	.18	1.81
16.0	110962	5/8V16.0-4040	110.0	A2	.50	1.50
17.0	110023	5/8V17.0-4545	120.0	A3	0	1.50
18.0	110024	5/8V18.0-4545	180.0	A3	0	1.50
19.0	110025	5/8V19.0-4545	200.0	A3	0	1.50
20.0	110026	5/8V20.0-4545	145.0	A3	0	1.50
21.2	110027	5/8V21.2-4545	185.0	A3	0	1.50
22.4	110028	5/8V22.4-4545	176.0	A3	0	1.50
24.8	110682	5/8V24.8-5050	206.0	A3	0	1.50
30.0	110029	5/8V30.0-5050	319.0	D3	.62	1.62
35.5	110046	5/8V35.5-5050	399.0	A3	0	1.00
40.0	110017	5/8V40.0-5050	350.0	A3	0	1.00
44.5	110047	5/8V44.5-5050	572.0	A3	0	1.00
53.0	110018	5/8V53.0-5050	565.0	A3	0	1.00

6-Groove					F = 7.12	
O.D.Δ	Part No.	Description	Wt.	Type‡	E	M
12.5	110964	6/8V12.5-4040	98.0	A1	1.00	2.12
13.2	110965	6/8V13.2-4040	114.0	A2	1.00	2.12
14.0	110966	6/8V14.0-4040	134.0	A2	1.00	2.12
15.0	110033	6/8V15.0-4545	146.0	A2	.50	2.12
16.0	110034	6/8V16.0-4545	140.0	A2	.12	2.50
17.0	110035	6/8V17.0-4545	143.0	A2	.50	2.12
18.0	110036	6/8V18.0-4545	164.0	A2	.50	2.12
19.0	110037	6/8V19.0-4545	166.0	A3	.50	2.12
20.0	110967	6/8V20.0-5050	144.0	D3	1.31	3.43
21.2	110968	6/8V21.2-5050	201.0	A3	.19	1.94
22.4	110969	6/8V22.4-5050	212.0	D3	1.13	3.25
24.8	110683	6/8V24.8-5050	236.0	D3	.13	2.25
30.0	110041	6/8V30.0-5050	292.0	A3	.06	2.06
35.5	110049	6/8V35.5-5050	363.0	A3	.50	1.62
40.0	110042	6/8V40.0-5050	423.0	A3	.50	1.62
44.5	110064	6/8V44.5-5050	485.0	A3	.50	1.62
53.0	110043	6/8V53.0-5050	621.0	A3	.50	1.62

Δ Pitch diameter = O.D. - .20"

‡ Type 1 = Block Type, 2 = Web, 3 = Arm - See drawings page PT7-2.

V-Drives

FHP Drives

Drive Component Accessories

DYNA-SYNC

HT200/HTD Synchronous Drives

HT500 Synchronous Drives

Roller Chain Sprockets



SELECTION/DIMENSIONS

8V TAPER-LOCK SHEAVES

8-Groove					F = 9.37	
O.D.Δ	Part No.	Description	Wt.	Type‡	E	M
12.5	110050	8/8V12.5-4545	150.0	A1	1.50	3.37
13.2	110051	8/8V13.2-4545	141.0	A2	1.50	3.37
14.0	110052	8/8V14.0-4545	160.0	A2	1.50	3.37
15.0	110053	8/8V15.0-4545	185.0	A2	1.50	3.37
16.0	110054	8/8V16.0-4545	168.0	A2	1.50	3.37
17.0	110971	8/8V17.0-5050	179.0	A2	.18	4.18
18.0	110056	8/8V18.0-5050	204.0	A2	.18	4.18
19.0	110057	8/8V19.0-5050	223.0	A2	.18	4.18
20.0	110058	8/8V20.0-5050	178.0	A2	.18	4.18
21.2	110059	8/8V21.2-5050	192.0	A3	.18	4.18
22.4	110060	8/8V22.4-5050	249.0	A3	.18	4.18
24.8	110065	8/8V24.8-5050	285.0	A3	2.12	2.25
30.0	110061	8/8V30.0-5050	356.0	A3	1.18	3.18
35.5	110066	8/8V35.5-5050	441.0	A3	1.00	3.37
40.0	110062	8/8V40.0-5050	517.0	A3	1.00	3.37
44.5	110973	8/8V44.5-6050	596.0	A3	1.00	3.37
53.0	110974	8/8V53.0-6050	759.0	A3	1.00	3.37

10-Groove		F = 11.62				
O.D.Δ	Part No.	Description	Wt.	Type‡	E	M
12.5	- - -	10/8V12.5-4545	- - -	A1	2.06	5.06
13.2	110071	10/8V13.2-4545	150.0	A1	2.06	5.06
14.0	110072	10/8V14.0-4545	175.0	A2	2.06	5.06
15.0	110073	10/8V15.0-5050	175.0	A2	1.31	4.68
16.0	110074	10/8V16.0-5050	200.0	A2	2.18	4.43
17.0	110075	10/8V17.0-5050	210.0	A2	2.25	4.37
18.0	110076	10/8V18.0-5050	220.0	A2	2.25	4.37
19.0	110077	10/8V19.0-5050	240.0	A3	2.25	4.37
20.0	110078	10/8V20.0-5050	211.0	A3	2.25	4.37
21.2	110079	10/8V21.2-5050	270.0	A3	2.50	4.12
22.4	110080	10/8V22.4-5050	291.0	A3	2.25	4.37
24.8	110068	10/8V24.8-5050	328.0	A3	2.37	4.25
30.0	110081	10/8V30.0-5050	416.0	A3	2.25	4.37
35.5	110976	10/8V35.5-6050	517.0	A3	2.25	4.37
40.0	110977	10/8V40.0-6050	606.0	A3	2.25	4.37
44.5	110978	10/8V44.5-6050	701.0	A3	2.25	4.37
53.0	110979	10/8V53.0-6050	898.0	A3	2.25	4.37

12-Groove		F = 13.87				
O.D.Δ	Part No.	Description	Wt.	Type‡	E	M
12.5	110980	12/8V12.5-5050	153.0	A1	3.18	5.68
13.2	110981	12/8V13.2-5050	180.0	A1	3.00	5.87
14.0	110982	12/8V14.0-5050	186.0	A1	3.18	5.68
15.0	110983	12/8V15.0-5050	221.0	A2	1.88	7.00
16.0	110984	12/8V16.0-5050	247.0	A2	1.88	7.00
17.0	110985	12/8V17.0-5050	267.0	A2	3.50	5.38
18.0	110986	12/8V18.0-5050	274.0	A2	3.53	5.34
19.0	110987	12/8V19.0-5050	306.0	A2	2.25	6.62
20.0	110988	12/8V20.0-5050	249.0	A3	2.25	6.62
21.2	110989	12/8V21.2-5050	294.0	A3	2.25	6.62
22.4	110990	12/8V22.4-5050	337.0	A3	2.25	6.62
24.8	110991	12/8V24.8-5050	380.0	A3	5.37	3.50
30.0	110992	12/8V30.0-6050	482.0	A3	4.00	4.87
35.5	110993	12/8V35.5-6050	597.0	A3	4.00	4.87
40.0	110994	12/8V40.0-6050	702.0	A3	4.00	4.87
44.5	110995	12/8V44.5-6050	814.0	A3	4.00	4.87
53.0	110996	12/8V53.0-7060	1077.0	A3	5.00	2.87

Δ Pitch diameter = O.D. - .20"

‡ Type 1 = Block Type, 2 = Web, 3 = Arm - See drawings page PT7-2.

V-Drives

FHP Drives

Drive Component
Accessories

DYNA-SYNC

HT200/HTD
Synchronous Drives

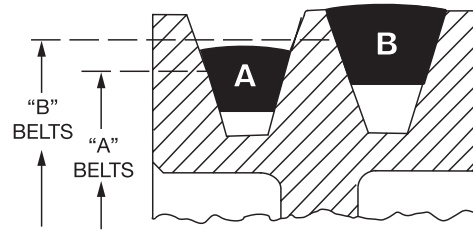
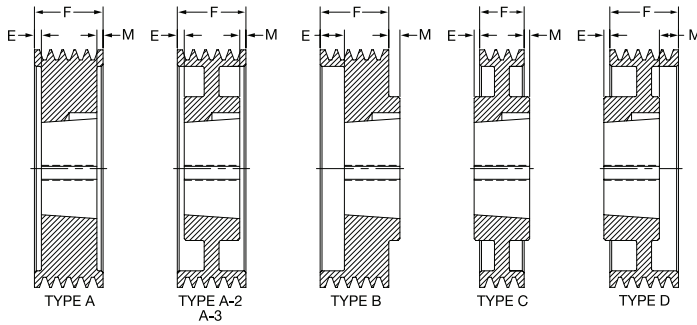
HT500
Synchronous Drives

Roller Chain Sprockets

SELECTION/DIMENSIONS



A/B TAPER-LOCK SHEAVES



Drawing illustrates how either A or B belts may be used with Dual Duty groove sheaves.

1-Groove						F = **
O.D.Δ	Part No.	Description	Wt.	Type‡	E	M
3.75	118190	1A3.0B3.4-1210	1.5	A1	.11	.04
3.95	118191	1A3.2B3.6-1210	1.7	A1	.11	.04
4.15	118301	1A3.4B3.8-1610	1.5	A1	.11	.04
4.35	118302	1A3.6B4.0-1610	1.9	A1	.11	.04
4.55	118194	1A3.8B4.2-1610	2.2	A1	.11	.04
4.75	118195	1A4.0B4.4-1610	2.5	A1	.11	.04
4.95	118196	1A4.2B4.6-1610	2.9	A1	.11	.04
5.15	118197	1A4.4B4.8-1610	3.3	A1	.11	.04
5.35	118198	1A4.6B5.0-1610	3.6	A1	.11	.04
5.55	118199	1A4.8B5.2-1610	4.1	A1	.11	.04
5.75	118200	1A5.0B5.4-1610	4.5	A1	.11	.04
5.95	118201	1A5.2B5.6-1610	4.9	A1	0	0
6.15	118202	1A5.4B5.8-1610	5.3	A1	0	0
6.35	118203	1A5.6B6.0-1610	5.8	A1	0	0
6.55	118204	1A5.8B6.2-1610	6.3	A1	0	0
6.75	118205	1A6.0B6.4-1610	6.8	A1	0	0
6.95	118206	1A6.2B6.6-1610	7.5	A1	0	0
7.15	118207	1A6.4B6.8-1610	7.8	A1	0	0
7.35	118340	1A6.6B7.0-2517	8.5	B1	0	.75
7.75	118303	1A7.0B7.4-2517	9.4	B1	0	.75
8.35	118341	1A7.6B8.0-2517	11.0	B1	0	.75
8.95	118304	1A8.2B8.6-2517	12.0	B1	0	.75
9.75	118305	1A9.0B9.4-2517	14.0	B1	0	.75
11.35	118022	1A10.6B11.0-2517	15.0	B1	0	.75
12.75	118023	1A12.0B12.4-2517	114.0	C3	.25	.50
13.95	118342	1A13.2B13.6-2517	16.0	C3	.25	.50
15.75	118024	1A15.0B15.4-2517	18.0	C3	.38	.38
16.35	118343	1A15.6B16.0-2517	22.0	C3	.38	.38
18.75	118025	1A18.0B18.4-2517	27.0	C3	.18	.43

2-Groove						F = 1.75
O.D.Δ	Part No.	Description	Wt.	Type‡	E	M
3.75	118211	2A3.0B3.4-1210	2.2	A1	.10	.65
3.95	118212	2A3.2B3.6-1210	2.6	A1	.10	.65
4.15	118306	2A3.4B3.8-1610	2.5	A1	0	.75
4.35	118307	2A3.6B4.0-1610	2.9	A1	0	.75
4.55	118215	2A3.8B4.2-1610	3.3	A1	0	.75
4.75	118216	2A4.0B4.4-1610	3.7	A1	0	.75
4.95	118217	2A4.2B4.6-1610	4.2	A1	0	.75
5.15	118218	2A4.4B4.8-1610	4.1	A1	0	.75
5.35	118219	2A4.6B5.0-1610	5.0	A1	0	.75
5.55	118220	2A4.8B5.2-1610	5.5	A1	0	.75
5.75	118221	2A5.0B5.4-1610	5.9	A1	0	.75
5.95	118222	2A5.2B5.6-1610	6.5	A1	0	.75
6.15	118223	2A5.4B5.8-1610	6.9	A1	0	.75
6.35	118224	2A5.6B6.0-1610	7.6	A1	0	.75
6.55	118225	2A5.8B6.2-1610	8.2	A1	0	.75
6.75	118226	2A6.0B6.4-1610	8.6	A1	0	.75
6.95	118227	2A6.2B6.6-1610	9.5	A1	0	.75
7.15	118228	2A6.4B6.8-1610	9.8	A1	0	.75
7.35	118344	2A6.6B7.0-2517	14.0	A1	0	0
7.75	118044	2A7.0B7.4-2517	14.0	A1	0	0
8.35	118345	2A7.6B8.0-2517	15.0	C2	0	0
8.95	118045	2A8.2B8.6-2517	15.0	C2	0	0
9.75	118046	2A9.0B9.4-2517	18.0	C2	0	0
11.35	118047	2A10.6B11.0-2517	25.0	C2	0	0
12.75	118048	2A12.0B12.4-2517	18.0	C3	0	0
13.95	118346	2A13.2B13.6-2517	24.0	C3	0	0
15.75	118049	2A15.0B15.4-2517	24.0	C3	0	0
16.35	118347	2A15.6B16.0-2517	26.0	C3	0	0
18.75	118050	2A18.0B18.4-2517	33.0	C3	0	0
20.35	114068	2B20.0-3020	31.0	C3	0	.25
25.35	114069	2B25.0-3020	41.0	C3	0	.25
30.35	114070	2B30.0-3020	52.0	C3	0	.25
38.35	114071	2B38.0-3020	71.0	C3	0	.25

Δ P.D. for "A" Belts = O.D. - .37"

P.D. for "B" Belts = O.D. + .01"

‡ Type 1 = Block Type, 2 = Web, 3 = Arm - See page PT7-2.

** 1.16" for 1A3.0B3.4 thru 1A4.4B4.8

1.05" for 1A4.6B5.0 thru 1A5.0B15.4

1.13" for 1A15.6B16.0 thru 1A18.0B18.4



SELECTION/DIMENSIONS

A/B TAPER-LOCK SHEAVES

3-Groove							F = 2.50	
O.D.Δ	Part No.	Description	Wt.	Type‡	E	M		
3.75	118229	3A3.0B3.4-1210	3.0	A1	0	1.50		
3.95	118230	3A3.2B3.6-1210	3.5	A1	0	1.50		
4.15	118308	3A3.4B3.8-1610	3.4	A1	0	1.50		
4.35	118309	3A3.6B4.0-1610	4.0	A1	0	1.50		
4.55	118233	3A3.8B4.2-1610	4.6	A1	0	1.50		
4.75	118234	3A4.0B4.4-1610	4.9	A1	0	1.50		
4.95	118235	3A4.2B4.6-1610	5.4	A1	0	1.50		
5.15	118310	3A4.4B4.8-1610	5.9	A1	0	1.50		
5.35	118311	3A4.6B5.0-1610	6.4	A1	0	1.50		
5.55	118312	3A4.8B5.2-1610	7.0	A1	0	1.50		
5.75	118313	3A5.0B5.4-2517	7.8	A1	.75	0		
5.95	118314	3A5.2B5.6-2517	8.2	A1	.75	0		
6.15	118315	3A5.4B5.8-2517	8.9	A1	.75	0		
6.35	118316	3A5.6B6.0-2517	9.8	A1	.75	0		
6.55	118317	3A5.8B6.2-2517	11.0	A1	0	.75		
6.75	118318	3A6.0B6.4-2517	12.0	A1	0	.75		
6.95	118319	3A6.2B6.6-2517	13.0	A1	0	.75		
7.15	118320	3A6.4B6.8-2517	14.0	A1	0	.75		
7.35	118348	3A6.6B7.0-2517	15.0	A1	0	.75		
7.75	118069	3A7.0B7.4-2517	17.0	A1	.0	.75		
8.35	118349	3A7.6B8.0-2517	19.0	A1	0	.75		
8.95	118070	3A8.2B8.6-2517	19.0	A1	0	.75		
9.75	118071	3A9.0B9.4-2517	21.0	A2	0	.75		
11.35	118072	3A10.6B11.0-2517	28.0	A2	0	.75		
12.75	118073	3A12.0B12.4-2517	22.0	A3	0	.75		
13.95	118350	3A13.2B13.6-2517	25.0	A3	0	.75		
15.75	118074	3A15.0B15.4-2517	30.0	A3	0	.75		
16.35	118351	3A15.6B16.0-2517	32.0	A3	0	.75		
18.75	118075	3A18.0B18.4-2517	39.0	A3	0	.75		
20.35	114072	3B20.0-3020	39.0	A3	0	.50		
25.35	114073	3B25.0-3020	52.0	A3	0	.50		
30.35	114074	3B30.0-3020	66.0	A3	0	.50		
38.35	114033	3B38.0-3020	103.0	A3	0	.50		

4-Groove							F = 3.25	
O.D.Δ	Part No.	Description	Wt.	Type‡	E	M		
3.75	118247	4A3.0B3.4-1210	3.7	A1	2.25	0		
3.95	118248	4A3.2B3.6-1210	4.4	A1	2.25	0		
4.15	118321	4A3.4B3.8-1610	4.3	A1	2.25	0		
4.35	118322	4A3.6B4.0-1610	5.1	A1	2.25	0		
4.55	118251	4A3.8B4.2-1610	5.5	A1	2.25	0		
4.75	118252	4A4.0B4.4-1610	6.0	A1	2.25	0		
4.95	118253	4A4.2B4.6-1610	6.7	A1	2.25	0		
5.15	118323	4A4.4B4.8-1610	7.2	A1	2.25	0		
5.35	118324	4A4.6B5.0-2517	6.7	A1	1.50	0		
5.55	118325	4A4.8B5.2-2517	8.0	A1	1.50	0		
5.75	118326	4A5.0B5.4-2517	8.7	A1	1.50	0		
5.95	118327	4A5.2B5.6-2517	9.8	A1	1.50	0		
6.15	118328	4A5.4B5.8-2517	10.0	A1	1.50	0		
6.35	118329	4A5.6B6.0-2517	12.0	A1	1.50	0		
6.55	118090	4A5.8B6.2-2517	13.0	A1	0	1.50		
6.75	118091	4A6.0B6.4-2517	13.0	A1	0	1.50		
6.95	118092	4A6.2B6.6-2517	15.0	A1	0	1.50		
7.15	118093	4A6.4B6.8-2517	15.0	A1	0	1.50		
7.35	118352	4A6.6B7.0-2517	16.0	A1	0	1.50		
7.75	118094	4A7.0B7.4-2517	19.0	A1	0	1.50		
8.35	118353	4A7.6B8.0-2517	21.0	A1	0	1.50		
8.95	118095	4A8.2B8.6-2517	21.0	A1	0	1.50		
9.75	118096	4A9.0B9.4-2517	24.0	A1	0	1.50		
11.35	118097	4A10.6B11.0-2517	31.0	A1	0	1.50		
12.75	118098	4A12.0B12.4-2517	30.0	A3	.37	1.12		
13.95	118354	4A13.2B13.6-2517	34.0	A3	.37	1.12		
15.75	118099	4A15.0B15.4-2517	41.0	A3	.37	1.12		
16.35	118355	4A15.6B16.0-2517	61.0	A3	.37	1.12		
18.75	118100	4A18.0B18.4-2517	67.0	A3	.48	1.01		
20.35	114075	4B20.0-3020	58.0	A3	.50	.75		
25.35	114041	4B25.0-3030	73.0	A3	0	.25		
30.35	114042	4B30.0-3030	91.0	A3	0	.25		
38.35	114043	4B38.0-3030	123.0	A3	0	.25		

P.D. for "A" Belts = O.D. - .37"

P.D. for "B" Belts = O.D. +.01"

‡ Type 1 = Block Type, 2 = Web, 3 = Arm - See page PT7-2.

V-Drives

FHP Drives

Drive Component Accessories

DYNA-SYNC

HT200/HTD Synchronous Drives

HT500 Synchronous Drives

Roller Chain Sprockets

SELECTION/DIMENSIONS



A/B TAPER-LOCK SHEAVES

5-Groove						F = 4.00	
O.D.Δ	Part No.	Description	Wt.	Type‡	E	M	
3.75	118101	5A3.0B3.4-1215	4.9	A1	.87	1.62	
3.95	118102	5A3.2B3.6-1215	5.4	A1	.87	1.62	
4.15	118103	5A3.4B3.8-1215	5.1	A1	.87	1.62	
4.35	118104	5A3.6B4.0-1215	6.1	A1	.87	1.62	
4.55	118105	5A3.8B4.2-1615	6.6	A1	.87	1.62	
4.75	118106	5A4.0B4.4-1615	6.9	A1	.87	1.62	
4.95	118107	5A4.2B4.6-1615	8.6	A1	.87	1.62	
5.15	118356	5A4.4B4.8-1615	9.4	A1	.87	1.62	
5.35	118109	5A4.6B5.0-1615	9.2	A1	.87	1.62	
5.55	118110	5A4.8B5.2-1615	9.9	A1	.87	1.62	
5.75	118111	5A5.0B5.4-2517	11.0	A1	.81	1.43	
5.95	118112	5A5.2B5.6-2517	11.0	A1	.81	1.43	
6.15	118357	5A5.4B5.8-2517	13.0	A1	.81	1.43	
6.35	118114	5A5.6B6.0-2517	13.0	A1	.81	1.43	
6.55	118358	5A5.8B6.2-2517	14.0	A1	.81	1.43	
6.75	118116	5A6.0B6.4-2517	15.0	A1	.81	1.43	
6.95	118359	5A6.2B6.6-2517	16.0	A1	.81	1.43	
7.15	118118	5A6.4B6.8-2517	18.0	A1	.81	1.43	
7.35	118360	5A6.6B7.0-2517	18.0	A1	.75	1.50	
7.75	118119	5A7.0B7.4-2517	22.0	A1	.75	1.50	
8.35	118361	5A7.6B8.0-2517	23.0	A1	.50	1.75	
8.95	118120	5A8.2B8.6-2517	24.0	A1	.75	1.50	
9.75	118121	5A9.0B9.4-2517	26.0	A1	.75	1.50	
11.35	118122	5A10.6B11.0-2517	32.0	A2	.75	1.50	
12.75	118123	5A12.0B12.4-2517	35.0	A3	.75	1.50	
13.95	118362	5A13.2B13.6-2517	38.0	A3	1.00	1.25	
15.75	118124	5A15.0B15.4-2517	43.0	A3	.75	1.50	
16.35	118363	5A15.6B16.0-2517	67.0	A3	.75	1.50	
18.75	118125	5A18.0B18.4-2517	70.0	A3	.81	1.44	
20.35	114050	5B20.0-3030	65.0	A3	.25	.75	
25.35	114051	5B25.0-3030	84.0	A3	.25	.75	
30.35	114052	5B30.0-3030	105.0	A3	.38	.63	
38.35	114053	5B38.0-3030	144.0	A3	.25	.75	

6-Groove						F = 4.75	
O.D.Δ	Part No.	Description	Wt.	Type‡	E	M	
4.55	118130	6A3.8B4.2-1615	7.9	A1	1.25	2.00	
4.75	118131	6A4.0B4.4-1615	9.3	A1	1.25	2.00	
4.95	118132	6A4.2B4.6-1615	9.7	A1	1.25	2.00	
5.15	118364	6A4.4B4.8-1615	11.0	A1	1.25	2.00	
5.35	118134	6A4.6B5.0-1615	10.0	A1	1.25	2.00	
5.55	118135	6A4.8B5.2-1615	11.0	A1	1.25	2.00	
5.75	118136	6A5.0B5.4-2517	12.0	A1	1.12	1.87	
5.95	118137	6A5.2B5.6-2517	13.0	A1	1.12	1.87	
6.15	118365	6A5.4B5.8-2517	14.0	A1	1.12	1.87	
6.35	118139	6A5.6B6.0-2517	15.0	A1	1.12	1.87	
6.55	118366	6A5.8B6.2-2517	16.0	A1	1.12	1.87	
6.75	118141	6A6.0B6.4-2517	19.0	A1	1.12	1.87	
6.95	118367	6A6.2B6.6-2517	20.0	A1	1.12	1.87	
7.15	118143	6A6.4B6.8-2517	20.0	A1	1.12	1.87	
7.35	118368	6A6.6B7.0-2517	21.0	A1	1.50	1.50	
7.75	118144	6A7.0B7.4-2517	24.0	A1	1.12	1.87	
8.35	118369	6A7.6B8.0-2517	26.0	A1	1.50	1.50	
8.95	118145	6A8.2B8.6-2517	30.0	A2	1.50	1.50	
9.75	118146	6A9.0B9.4-2517	30.0	A2	1.12	1.87	
11.35	118147	6A10.6B11.0-2517	33.0	A2	1.12	1.87	
12.75	118148	6A12.0B12.4-2517	37.0	A3	1.50	1.50	
13.95	118370	6A13.2B13.6-2517	42.0	A3	1.50	1.50	
15.75	118149	6A15.0B15.4-2517	47.0	A3	1.50	1.50	
16.35	118371	6A15.6B16.0-2517	53.0	A3	1.50	1.50	
18.75	118150	6A18.0B18.4-2517	68.0	A3	1.50	1.50	
20.35	114060	6B20.0-3030	73.0	A3	.50	1.25	
25.35	114061	6B25.0-3030	95.0	A3	.50	1.25	
30.35	114062	6B30.0-3030	119.0	A3	.50	1.25	
38.35	114063	6B38.0-3030	164.0	A3	.50	1.25	

Δ P.D. for "A" Belts = O.D. - .37"

P.D. for "B" Belts = O.D. +.01"

‡ Type 1 = Block Type, 2 = Web, 3 = Arm - See page PT7-2.

V-Drives

FHP Drives

Drive Component Accessories

DYNA-SYNC

HT200/HTD Synchronous Drives

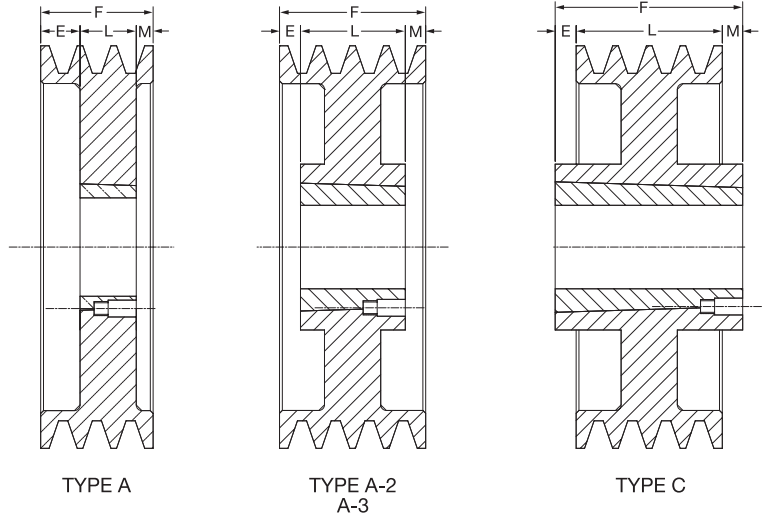
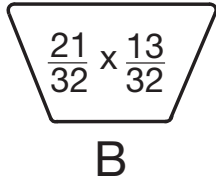
HT500 Synchronous Drives

Roller Chain Sprockets



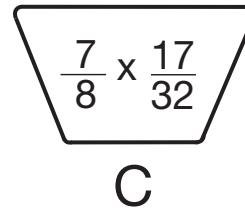
SELECTION/DIMENSIONS

B TAPER-LOCK SHEAVES



8-Groove		F = 6.25				
O.D.Δ	Part No.	Description	Wt.	Type‡	E	M
5.75	114114	8B5.4-2517	15.0	A1	1.87	2.62
5.95	114115	8B5.6-2517	17.0	A1	1.87	2.62
6.35	114116	8B6.0-2517	19.0	A1	1.87	2.62
6.75	114117	8B6.4-2517	22.0	A1	1.87	2.62
7.15	114118	8B6.8-2517	26.0	A1	1.87	2.62
7.75	114119	8B7.4-2517	34.0	A1	1.87	2.62
8.95	114130	8B8.6-3030	37.0	A1	1.00	2.25
9.75	114131	8B9.4-3030	37.0	A1	1.00	2.25
11.35	114132	8B11.0-3030	46.0	A1	1.13	2.13
12.75	114133	8B12.4-3030	46.0	A2	1.00	2.25
15.75	114134	8B15.4-3030	66.0	A2	1.00	2.25
18.75	114135	8B18.4-3030	81.0	A3	1.00	2.25
20.35	114136	8B20.0-3030	87.0	A3	1.00	2.25
25.35	114137	8B25.0-3535	115.0	A3	.75	2.00
30.35	114138	8B30.0-3535	146.0	A3	.75	2.00
38.35	114139	8B38.0-4040	204.0	A3	1.12	1.12

10-Groove		F = 7.75				
O.D.Δ	Part No.	Description	Wt.	Type‡	E	M
5.75	114150	10B5.4-2517	18.0	A1	3.00	3.00
5.95	114151	10B5.6-2517	20.0	A1	3.00	3.00
6.35	114152	10B6.0-2517	22.0	A1	3.00	3.00
6.75	114153	10B6.4-2517	26.0	A1	3.00	3.00
7.15	114154	10B6.8-2517	29.0	A1	3.00	3.00
7.75	114155	10B7.4-2517	35.0	A1	3.00	3.00
8.95	114170	10B8.6-3030	43.0	A1	2.00	2.75
9.75	114171	10B9.4-3030	47.0	A1	2.00	2.75
11.35	114172	10B11.0-3030	58.0	A1	2.00	2.75



C TAPER-LOCK SHEAVES

2-Groove		F = 2.37				
O.D.Δ	Part No.	Description	Wt.	Type‡	E	M
7.4	115162	2C7.0-2517	15.0	A1	0	.62
7.9	115163	2C7.5-2517	18.0	A1	0	.62
8.4	115164	2C8.0-2517	20.0	A1	0	.62
8.9	115165	2C8.5-2517	22.0	A1	0	.62
9.4	115166	2C9.0-2517	21.0	A1	0	.62
9.9	115186	2C9.5-2517	24.0	A1	0	.62
10.4	115171	2C10.0-2517	25.0	A2	0	.62
10.9	115187	2C10.5-2517	26.0	A2	0	.62
11.4	115174	2C11.0-2517	27.0	A2	0	.62
12.4	115175	2C12.0-2517	28.0	A2	0	.62
13.4	115176	2C13.0-2517	33.0	A3	0	.62
14.4	115177	2C14.0-2517	35.0	A3	0	.62
16.4	115178	2C16.0-2517	38.0	A3	0	.62
18.4	115325	2C18.0-3020	42.0	A3	0	.37
20.4	115326	2C20.0-3020	44.0	A3	0	.37
24.4	115327	2C24.0-3020	56.0	A3	0	.37
30.4	115000	2C30.0-3535	85.0	C3	.50	.63

3-Groove		F = 3.37				
O.D.Δ	Part No.	Description	Wt.	Type‡	E	M
7.4	115130	3C7.0-2517	18.0	A1	.25	1.37
7.9	115131	3C7.5-2517	19.0	A1	.25	1.37
8.4	115132	3C8.0-2517	21.0	A1	0	1.62
8.9	115133	3C8.5-2517	23.0	A1	.25	1.37
9.4	115001	3C9.0-2517	24.0	A1	.25	1.37
9.9	115188	3C9.5-2517	25.0	A1	.25	1.37
10.4	115016	3C10.0-2517	27.0	A1	.25	1.37
10.9	115189	3C10.5-2517	28.0	A1	.25	1.37
11.4	115006	3C11.0-2517	29.0	A1	.25	1.37
12.4	115328	3C12.0-3020	44.0	A2	0	1.37
13.4	115329	3C13.0-3020	49.0	A3	0	1.37
14.4	115330	3C14.0-3020	50.0	A3	0	1.37
16.4	115331	3C16.0-3020	64.0	A3	.06	1.31
18.4	115014	3C18.0-3030	72.0	A3	0	.37
20.4	115009	3C20.0-3030	79.0	A3	0	.37
24.4	115010	3C24.0-3030	90.0	A3	0	.37
30.4	115011	3C30.0-3535	135.0	C3	0	.12
36.4	115012	3C36.0-3535	175.0	C3	0	.12

Δ P.D. for "B" Belts = O.D. + .01"

P.D. for "C" Belts = O.D.

‡ Type 1 = Block Type, 2 = Web, 3 = Arm - See page PT7-2.

SELECTION/DIMENSIONS



C TAPER-LOCK SHEAVES

4-Groove						F = 4.37	
O.D.Δ	Part No.	Description	Wt.	Type‡	E	M	
7.4	115135	4C7.0-2517	20.0	A1	1.12	1.50	
7.9	115136	4C7.5-2517	21.0	A1	1.13	1.50	
8.4	115137	4C8.0-2517	24.0	A1	.50	2.13	
8.9	115138	4C8.5-2517	25.0	A1	.50	2.13	
9.4	115017	4C9.0-2517	26.0	A1	.50	2.13	
9.9	115190	4C9.5-2517	29.0	A1	.50	2.13	
10.4	115032	4C10.0-2517	31.0	A1	.50	2.13	
10.9	115191	4C10.5-2517	32.0	A1	.50	2.13	
11.4	115022	4C11.0-2517	34.0	A1	.50	2.13	
12.4	115151	4C12.0-3030	52.0	A2	0	1.37	
13.4	115023	4C13.0-3030	56.0	A3	0	1.37	
14.4	115155	4C14.0-3030	63.0	A3	0	1.37	
16.4	115024	4C16.0-3030	71.0	A3	0	1.37	
18.4	115030	4C18.0-3030	81.0	A3	.18	1.18	
20.4	115025	4C20.0-3030	80.0	A3	0	1.37	
24.4	115026	4C24.0-3030	98.0	A3	0	1.37	
30.4	115027	4C30.0-3535	130.0	A3	.31	.56	
36.4	115028	4C36.0-3535	165.0	A3	0	.87	
44.4	115029	4C44.0-4040	240.0	A3	0	.37	

6-Groove						F = 6.37	
O.D.Δ	Part No.	Description	Wt.	Type‡	E	M	
7.4	115145	6C7.0-3030	33.0	A1	1.00	2.37	
7.9	115146	6C7.5-3030	38.0	A1	1.00	2.37	
8.4	115147	6C8.0-3030	43.0	A1	1.00	2.37	
8.9	115148	6C8.5-3030	49.0	A1	1.00	2.37	
9.4	115049	6C9.0-3030	54.0	A1	1.00	2.37	
9.9	115194	6C9.5-3030	57.0	A1	1.00	2.37	
10.4	115064	6C10.0-3030	61.0	A1	1.00	2.37	
10.9	115195	6C10.5-3030	56.0	A1	1.00	2.37	
11.4	115054	6C11.0-3030	58.0	A1	1.00	2.37	
12.4	115153	6C12.0-3030	66.0	A1	1.00	2.37	
13.4	115055	6C13.0-3030	69.0	A2	1.00	2.37	
14.4	115157	6C14.0-3535	85.0	A2	.50	2.37	
16.4	115056	6C16.0-3535	100.0	A3	.50	2.37	
18.4	115062	6C18.0-3535	115.0	A3	.75	2.12	
20.4	115057	6C20.0-3535	103.0	A3	.87	2.00	
24.4	115058	6C24.0-3535	129.0	A3	.87	2.00	
30.4	115059	6C30.0-4040	195.0	A3	1.00	1.37	
36.4	115060	6C36.0-4040	243.0	A3	1.00	1.37	
44.4	115061	6C44.0-4040	315.0	A3	1.00	1.37	

10-Groove						F = 10.37	
O.D.Δ	Part No.	Description	Wt.	Type‡	E	M	
9.4	115351	10C9.0-4545	84.0	A1	1.50	4.37	
9.9	115352	10C9.5-4545	101.0	A1	1.50	4.37	
10.4	115353	10C10.0-4545	104.0	A1	1.50	4.37	
10.9	115354	10C10.5-4545	108.0	A1	1.50	4.37	
11.4	115355	10C11.0-4545	128.0	A1	1.50	4.37	
12.4	115356	10C12.0-4545	148.0	A1	1.50	4.37	
13.4	115349	10C13.0-4545	168.0	A1	2.00	3.87	
14.4	115357	10C14.0-4545	205.0	A1	2.00	3.87	
16.4	115358	10C16.0-4545	237.0	A1	2.00	3.87	
18.4	115359	10C18.0-4545	270.0	A3	2.00	3.87	
20.4	115360	10C20.0-4545	176.0	A3	2.00	3.87	
24.4	115361	10C24.0-5050	242.0	A3	1.50	3.87	
30.4	115123	10C30.0-4545	303.0	A3	2.00	3.87	
36.4	115124	10C36.0-4545	375.0	A3	2.00	3.87	
44.4	115125	10C44.0-4545	484.0	A3	2.00	3.87	

5-Groove						F = 5.37	
O.D.Δ	Part No.	Description	Wt.	Type‡	E	M	
7.4	115140	5C7.0-2517	23.0	A1	1.50	2.12	
7.9	115141	5C7.5-2517	25.0	A1	1.50	2.12	
8.4	115142	5C8.0-2517	30.0	A1	1.50	2.12	
8.9	115143	5C8.5-2517	32.0	A1	1.50	2.12	
9.4	115033	5C9.0-2517	35.0	A1	1.50	2.12	
9.9	115192	5C9.5-2517	36.0	A1	1.50	2.12	
10.4	115048	5C10.0-2517	39.0	A1	1.50	2.12	
10.9	115193	5C10.5-2517	42.0	A1	1.50	2.12	
11.4	115038	5C11.0-2517	43.0	A1	1.50	2.12	
12.4	115152	5C12.0-3030	58.0	A1	.69	1.69	
13.4	115039	5C13.0-3030	63.0	A2	.50	1.87	
14.4	115156	5C14.0-3030	65.0	A2	.50	1.87	
16.4	115040	5C16.0-3030	86.0	A3	.50	1.87	
18.4	115036	5C18.0-3030	105.0	A3	.69	1.69	
20.4	115041	5C20.0-3535	91.0	A3	0	1.87	
24.4	115042	5C24.0-3535	114.0	A3	.37	1.50	
30.4	115043	5C30.0-3535	152.0	A3	.38	1.50	
36.4	115044	5C36.0-4040	216.0	A3	.25	1.12	
44.4	115045	5C44.0-4040	278.0	A3	.25	1.12	

8-Groove						F = 8.37	
O.D.Δ	Part No.	Description	Wt.	Type‡	E	M	
8.4	115160	8C8.0-3030	59.0	A1	2.00	3.37	
8.9	115161	8C8.5-3030	62.0	A1	2.00	3.37	
9.4	115081	8C9.0-3535	64.0	A1	1.50	3.37	
9.9	115196	8C9.5-3535	73.0	A1	1.50	3.37	
10.4	115096	8C10.0-3535	81.0	A1	1.50	3.37	
10.9	115197	8C10.5-3535	85.0	A1	1.50	3.37	
11.4	115086	8C11.0-3535	87.0	A1	1.50	3.37	
12.4	115185	8C12.0-3535	90.0	A1	1.50	3.37	
13.4	115087	8C13.0-3535	97.0	A1	1.50	3.37	
14.4	115097	8C14.0-3535	105.0	A1	1.50	3.37	
16.4	115088	8C16.0-3535	125.0	A3	1.50	3.37	
18.4	115098	8C18.0-4040	155.0	A3	1.50	2.87	
20.4	115089	8C20.0-4040	151.0	A3	1.50	2.87	
24.4	115090	8C24.0-4040	183.0	A3	1.50	2.87	
30.4	115091	8C30.0-4040	237.0	A3	1.50	2.87	
36.4	115092	8C36.0-4545	322.0	A3	1.25	2.62	
44.4	115093	8C44.0-4545	411.0	A3	1.25	2.62	

12-Groove						F = 12.37	
O.D.Δ	Part No.	Description	Wt.	Type‡	E	M	
9.4	115065	12C9.0-4040	87.0	A1	3.50	4.87	
9.9	115066	12C9.5-4040	90.0	A1	3.50	4.87	
10.4	115067	12C10.0-4040	95.0	A1	3.50	4.87	
10.9	115068	12C10.5-4040	104.0	A1	3.50	4.87	
11.4	115069	12C11.0-4040	125.0	A1	3.50	4.87	
12.4	115070	12C12.0-4040	140.0	A1	3.50	4.87	
13.4	115071	12C13.0-4545	173.0	A1	3.00	4.87	
14.4	115072	12C14.0-4545	177.0	A1	3.00	4.87	

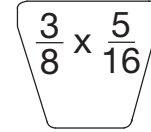
Δ P.D. for "C" Belts = O.D.

‡ Type 1 = Block Type, 2 = Web, 3 = Arm - See page PT7-2.



SELECTION/DIMENSIONS

3V QD SHEAVES - Heavy Duty



1-Groove							F = *
O.D.Δ	Part No.	Description	Wt.	Type‡	M	K	
2.2	455100	1/3V2.2-JA	0.93	E1	0.50	0.51	
2.35	455101	1/3V2.35-JA	1.1	E1	0.50	0.51	
2.5	455102	1/3V2.5-JA	1.2	E1	0.50	0.51	
2.65	455103	1/3V2.65-JA	1.4	D1	0.14	0.37	
2.8	455104	1/3V2.8-JA	1.5	D1	0.14	0.37	
3.0	455105	1/3V3.00-JA	1.6	D1	0.14	0.37	
3.15	455106	1/3V3.15-JA	1.7	D1	0.14	0.37	
3.35	455107	1/3V3.35-JA	1.8	D1	0.14	0.37	
3.65	455108	1/3V3.65-SH	2.2	D1	0.11	0.57	
4.12	455109	1/3V4.12-SH	2.7	D1	0.05	0.63	
4.5	455110	1/3V4.5-SH	3.1	D1	0.05	0.63	
4.75	455111	1/3V4.75-SH	3.4	D1	0.05	0.63	
5.0	455112	1/3V5.0-SH	3.7	C1	0.00	0.68	
5.3	455113	1/3V5.3-SH	3.9	C1	0.00	0.68	
5.6	455114	1/3V5.6-SH	4.4	C1	0.00	0.68	
6.0	455115	1/3V6.0-SH	4.5	C1	0.00	0.68	
6.5	455116	1/3V6.5-SH	4.6	C1	0.00	0.68	
6.9	455117	1/3V6.9-SH	4.8	C1	0.00	0.68	
8.0	455118	1/3V8.0-SDS	6.6	C1	0.06	0.64	
10.6	455119	1/3V10.6-SDS	8.5	C2	0.12	0.58	
14.0	455120	1/3V14.0-SK	14.0	C3	0.44	1.33	
19.0	455121	1/3V19.0-SK	20.0	C3	0.16	1.05	

* F=1.19 2.2 - 2.5, F=1.09 2.65 - 3.65 & 14.0 - 19.0,
F=0.93 4.12 - 4.75, F=0.81 5.0 - 6

2-Groove							F = 1.09
O.D.Δ	Part No.	Description	Wt.	Type‡	M	K	
2.2	455122	2/3V2.2-JA	1.2	E1	0.50	0.51	
2.35	455123	2/3V2.35-JA	1.3	E1	0.50	0.51	
2.5	455124	2/3V2.5-JA	1.5	E1	0.50	0.51	
2.65	455125	2/3V2.65-JA	1.6	D1	0.14	0.37	
2.8	455126	2/3V2.8-JA	1.7	D1	0.14	0.37	
3.0	455127	2/3V3.0-JA	2.0	D1	0.14	0.37	
3.15	455128	2/3V3.15-JA	2.1	D1	0.14	0.37	
3.35	455129	2/3V3.35-SH	2.2	D1	0.11	0.57	
3.65	455130	2/3V3.65-SH	2.6	D1	0.11	0.57	
4.12	455131	2/3V4.12-SH	3.2	C1	0.28	0.40	
4.5	455132	2/3V4.5-SH	3.8	C1	0.28	0.40	
4.75	455133	2/3V4.75-SH	4.1	C1	0.28	0.40	
5.0	455134	2/3V5.0-SH	4.6	C1	0.28	0.40	
5.3	455135	2/3V5.3-SH	5.1	C1	0.28	0.40	
5.6	455136	2/3V5.6-SH	5.6	C1	0.28	0.40	
6.0	455137	2/3V6.0-SH	5.8	C1	0.12	0.56	
6.5	455138	2/3V6.5-SDS	6.0	C1	0.34	0.36	
6.9	455139	2/3V6.9-SDS	6.6	C1	0.34	0.36	
8.0	455140	2/3V8.0-SDS	7.8	C1	0.34	0.36	
10.6	455141	2/3V10.6-SK	14.0	C1	0.25	0.64	
14.0	455142	2/3V14.0-SK	17.0	D3	0.25	0.64	
19.0	455143	2/3V19.0-SK	24.0	D3	0.00	0.89	
25.0	455144	2/3V25.0-SF	29.0	D3	0.18	0.76	

3-Groove							F = 1.50
O.D.Δ	Part No.	Description	Wt.	Type‡	M	K	
2.5	455145	3/3V2.50-JA	1.9	E1	0.44	0.51	
2.65	455146	3/3V2.65-JA	1.9	E1	0.00	0.51	
2.8	455147	3/3V2.80-JA	2.2	E1	0.00	0.51	
3.0	455148	3/3V3.00-SH	2.6	E1	0.52	0.68	
3.15	455149	3/3V3.15-SH	2.8	E1	0.52	0.68	
3.35	455150	3/3V3.35-SH	3.0	D1	0.11	0.57	
3.65	455151	3/3V3.65-SH	3.2	D1	0.11	0.57	
4.12	455152	3/3V4.12-SH	3.6	B1	0.69	0.01	
4.5	455153	3/3V4.50-SDS	4.3	B1	0.75	0.05	
4.75	455154	3/3V4.75-SDS	4.8	B1	0.75	0.05	
5.0	455155	3/3V5.0-SDS	5.1	B1	0.75	0.05	
5.3	455156	3/3V5.3-SDS	5.8	B1	0.75	0.05	
5.6	455157	3/3V5.6-SDS	6.5	B1	0.75	0.05	
6.0	455158	3/3V6.0-SDS	7.5	D1	0.56	0.14	
6.5	455159	3/3V6.5-SDS	7.8	B1	0.75	0.05	
6.9	455160	3/3V6.9-SDS	8.0	B1	0.75	0.05	
8.0	455161	3/3V8.0-SK	12.0	C1	0.25	0.64	
10.6	455162	3/3V10.6-SK	15.0	D2	0.25	0.64	
14.0	455163	3/3V14.0-SK	21.0	C3	0.25	0.64	
19.0	455164	3/3V19.0-SF	36.0	C3	0.25	0.69	
25.0	455165	3/3V25.0-SF	35.0	C3	0.25	0.69	
33.5	455166	3/3V33.5-SF	52.0	C3	0.25	0.69	

4-Groove							F = 1.90
O.D.Δ	Part No.	Description	Wt.	Type‡	M	K	
2.65	455167	4/3V2.65-JA	2.2	E1	0.00	0.51	
2.8	455168	4/3V2.8-JA	2.4	E1	0.00	0.51	
3.0	455169	4/3V3.0-SH	2.8	E1	0.38	0.68	
3.15	455170	4/3V3.15-SH	3.1	E1	0.38	0.68	
3.35	455171	4/3V3.35-SH	3.3	E1	0.38	0.68	
3.65	455172	4/3V3.65-SH	3.8	E1	0.38	0.68	
4.12	455173	4/3V4.12-SH	4.1	A1	1.09	0.41	
4.5	455174	4/3V4.5-SDS	4.6	A1	1.15	0.45	
4.75	455175	4/3V4.75-SDS	5.3	A1	1.15	0.45	
5.0	455176	4/3V5.0-SDS	5.6	A1	1.15	0.45	
5.3	455177	4/3V5.3-SDS	6.4	A1	1.15	0.45	
5.6	455178	4/3V5.6-SDS	6.9	A1	1.15	0.45	
6.0	455179	4/3V6.0-SK	9.4	D1	0.50	0.39	
6.5	455180	4/3V6.5-SK	9.5	C1	0.66	0.23	
6.9	455181	4/3V6.9-SK	11.0	C1	0.66	0.23	
8.0	455182	4/3V8.0-SK	13.0	C1	0.66	0.23	
10.6	455183	4/3V10.6-SK	18.0	D2	0.66	0.23	
14.0	455184	4/3V14.0-SK	24.0	D3	0.63	0.27	
19.0	455185	4/3V19.0-SF	40.0	D3	0.50	0.44	
25.0	455186	4/3V25.0-SF	41.0	D3	0.63	0.31	
33.5	455187	4/3V33.5-E	65.0	C3	0.34	0.86	

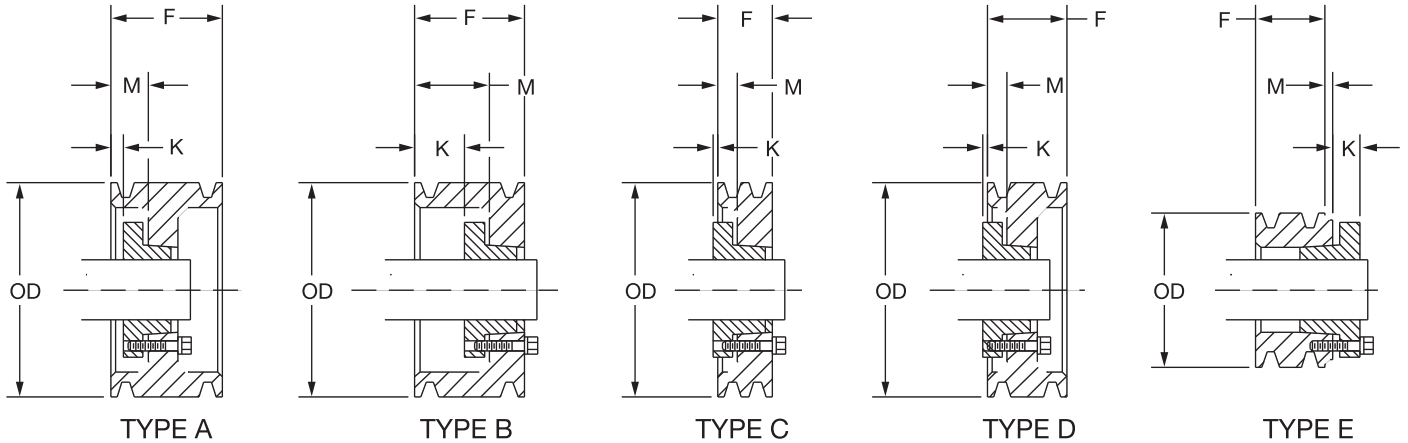
Δ Pitch Diameter = O.D. - .05"

‡ Type 1 = Block Type, 2 = Web, 3 = Arm - See page PT7-2.

SELECTION/DIMENSIONS



3V QD SHEAVES - Heavy Duty



5-Groove		F = 2.31				
O.D.Δ	Part No.	Description	Wt.	Type‡	M	K
4.75	455188	5/3V4.75-SDS	5.9	A1	0.75	0.05
5.0	455189	5/3V5.0-SDS	6.3	A1	0.75	0.05
5.3	455190	5/3B5.3-SK	8.0	A1	0.94	0.05
5.6	455191	5/3V5.6-SK	9.0	A1	0.94	0.05
6.0	455192	5/3V6.0-SK	11.0	A1	0.94	0.05
6.5	455193	5/3V6.5-SK	11.0	A1	0.94	0.05
6.9	455194	5/3V6.9-SK	12.0	A1	0.94	0.05
8.0	455195	5/3V8.0-SK	15.0	A1	0.94	0.05
10.6	455196	5/3V10.6-SK	20.0	A1	0.94	0.05
14.0	455197	5/3V14.0-SF	31.0	D3	0.63	0.32
19.0	455198	5/3V19.0-SF	46.0	D3	0.63	0.31
25.0	455199	5/3V25.0-E	50.0	C3	0.63	0.57
33.5	455200	5/3V33.5-E	74.0	C3	0.63	0.57

6-Groove		F = 2.72				
O.D.Δ	Part No.	Description	Wt.	Type‡	M	K
4.75	455201	6/3V4.75-SK	7.1	E1	0.00	0.89
5.0	455202	6/3V5.0-SK	7.8	E1	0.00	0.89
5.3	455203	6/3V5.3-SK	8.6	A1	1.31	0.42
5.6	455204	6/3V5.6-SK	8.8	A1	1.31	0.42
6.0	455205	6/3V6.0-SK	11.0	A1	1.31	0.42
6.5	455206	6/3V6.5-SK	12.0	A1	1.31	0.42
6.9	455207	6/3V6.9-SK	13.0	A1	1.31	0.42
8.0	455208	6/3V8.0-SK	17.0	D1	0.59	0.30
10.6	455209	6/3V10.6-SF	23.0	D1	0.88	0.07
14.0	455210	6/3V14.0-SF	33.0	D3	0.88	0.06
19.0	455211	6/3V19.0-E	62.0	D3	0.88	0.32
25.0	455212	6/3V25.0-E	56.0	D3	1.00	0.20
33.5	455213	6/3V33.5-E	83.0	D3	1.00	0.20

8-Groove		F = 3.53				
O.D.Δ	Part No.	Description	Wt.	Type‡	M	K
4.75	455214	8/3V4.75-SK	8.4	E1	0.00	0.89
5.0	455215	8/3V5.0-SK	8.6	E1	0.00	0.89
5.3	455216	8/3V5.3-SK	10.0	A1	1.31	0.42
5.6	455217	8/3V5.6-SK	11.0	A1	1.31	0.42
6.0	455218	8/3V6.0-SK	13.0	A1	1.31	0.42
6.5	455219	8/3V6.5-SK	15.0	A1	1.31	0.42
6.9	455220	8/3V6.9-SK	15.0	A1	1.53	0.64
8.0	455221	8/3V8.0-SF	20.0	A1	1.31	0.37
10.6	455222	8/3V10.6-SF	29.0	A2	1.12	0.18
14.0	455223	8/3V14.0-E	51.0	A3	1.25	0.05
19.0	455224	8/3V19.0-E	70.0	D3	1.12	0.08
25.0	455225	8/3V25.0-E	67.0	A3	1.25	0.05
33.5	455226	8/3V33.5-F	98.0	D3	1.06	0.36

10-Groove		F = 4.34				
O.D.Δ	Part No.	Description	Wt.	Type‡	M	K
4.75	455227	10/3V4.75-SK	9.7	E1	0.00	0.89
5.0	455228	10/3V5.0-SK	11.0	E1	0.00	0.89
5.3	455229	10/3V5.3-SK	12.0	A1	1.44	0.55
5.6	455230	10/3V5.6-SK	13.0	A1	1.44	0.55
6.0	455231	10/3V6.0-SK	15.0	A1	1.44	0.55
6.5	455232	10/3V6.5-SK	16.0	A1	1.44	0.55
6.9	455233	10/3V6.9-SK	18.0	A1	1.44	0.55
8.0	455234	10/3V8.0-SF	22.0	A1	1.63	0.69
10.6	455235	10/3V10.6-E	41.0	A1	1.25	0.05
14.0	455236	10/3V14.0-E	55.0	A2	1.25	0.05
19.0	455237	10/3V19.0-E	80.0	A3	1.25	0.05
25.0	455238	10/3V25.0-F	83.0	D3	1.31	0.11
33.5	455239	10/3V33.5-F	124.0	D3	1.31	0.11

Δ Pitch Diameter = O.D. - .05"

‡ Type 1 = Block Type, 2 = Web, 3 = Arm - See page PT7-2.

V-Drives

FHP Drives

Drive Component Accessories

DYNA-SYNC

HT200/HTD Synchronous Drives

HT500 Synchronous Drives

Roller Chain Sprockets



SELECTION/DIMENSIONS

5V QD SHEAVES - Heavy Duty

V-Drives

FHP Drives

Drive Component Accessories

DYNA-SYNC

HT200/HTD Synchronous Drives

HT500 Synchronous Drives

Roller Chain Sprockets

2-Groove							F = 1.69
O.D.Δ	Part No.	Description	Wt.	Type‡	M	K	
++4.4	455240	2/5V4.4-SH	4.0	D1	0.19	0.49	
++4.65	455241	2/5V4.65-SDS	4.4	E1	0.19	0.70	
++4.9	455242	2/5V4.9-SDS	5.1	E1	0.19	0.51	
++5.2	455243	2/5V5.2-SDS	5.7	D1	0.69	0.01	
++5.5	455244	2/5V5.5-SDS	5.9	D1	0.69	0.01	
++5.9	455245	2/5V5.9-SDS	6.8	D1	0.69	0.01	
++6.3	455246	2/5V6.3-SK	10.0	C1	0.44	0.45	
++6.7	455247	2/5V6.7-SK	13.0	C1	0.44	0.45	
7.1	455248	2/5V7.1-SK	10.0	C1	0.44	0.45	
7.5	455249	2/5V7.5-SK	12.0	C1	0.44	0.45	
8.0	455250	2/5V8.0-SK	10.0	C1	0.44	0.45	
8.5	455251	2/5V8.5-SK	11.0	C2	0.44	0.45	
9.0	455252	2/5V9.0-SK	12.0	C2	0.44	0.45	
9.25	455253	2/5V9.25-SK	13.0	C1	0.44	0.45	
9.75	455254	2/5V9.75-SK	13.0	C1	0.44	0.45	
10.3	455255	2/5V10.3-SK	15.0	C2	0.44	0.45	
10.9	455256	2/5V10.9-SK	16.0	C2	0.44	0.45	
11.3	455257	2/5V11.3-SK	19.0	C2	0.44	0.45	
11.8	455258	2/5V11.8-SK	18.0	C2	0.44	0.45	
12.5	455259	2/5V12.5-SF	20.0	C2	0.44	0.50	
13.2	455260	2/5V13.2-SF	21.0	D3	0.31	0.63	
14.0	455261	2/5V14.0-SF	23.0	D3	0.31	0.63	
15.0	455262	2/5V15.0-SF	26.0	D3	0.31	0.63	
16.0	455263	2/5V16.0-SF	29.0	D3	0.31	0.63	
18.7	455264	2/5V18.7-SF	39.0	D3	0.31	0.63	
21.2	455265	2/5V21.2-SF	39.0	C3	0.44	0.50	
23.6	455266	2/5V23.6-E	48.0	D3	0.25	0.95	
28.0	455267	2/5V28.0-E	60.0	D3	0.25	0.95	
31.5	---	---	---	---	---	---	
37.5	---	---	---	---	---	---	
50.0	---	---	---	---	---	---	

4-Groove							F = 3.06
O.D.Δ	Part No.	Description	Wt.	Type‡	M	K	
++4.4	455300	4/5V4.40-SD	6.8	E1	0.00	0.70	
++4.65	455301	4/5V4.65-SD	7.7	E1	0.00	0.70	
++4.9	455302	4/5V4.90-SD	8.0	A1	1.31	0.61	
++5.2	455303	4/5V5.20-SD	8.7	A1	1.31	0.61	
++5.5	455304	4/5V5.50-SD	9.7	A1	1.31	0.61	
++5.9	455305	4/5V5.90-SD	11.0	A1	1.31	0.61	
++6.3	455306	4/5V6.30-SK	13.0	A1	1.31	0.42	
++6.7	455307	4/5V6.70-SK	14.0	A1	1.31	0.42	
7.1	455308	4/5V7.1-SF	17.0	A1	1.31	0.37	
7.5	455309	4/5V7.5-SF	20.0	A1	1.06	0.12	
8.0	455310	4/5V8.0-E	28.0	B1	1.44	0.24	
8.5	455311	4/5V8.5-E	30.0	B1	1.44	0.24	
9.0	455312	4/5V9.0-E	33.0	B1	1.44	0.24	
9.25	455313	4/5V9.25-E	36.0	B1	1.44	0.24	
9.75	455314	4/5V9.75-E	36.0	B1	1.44	0.24	
10.3	455315	4/5V10.3-E	37.0	B1	1.44	0.24	
10.9	455316	4/5V10.9-E	40.0	B1	1.44	0.24	
11.3	455317	4/5V11.3-E	39.0	B1	1.44	0.24	
11.8	455318	4/5V11.8-E	42.0	B2	1.44	0.24	
12.5	455319	4/5V12.5-E	43.0	B2	1.44	0.24	
13.2	455320	4/5V13.2-E	44.0	A3	1.06	0.14	
14.0	455321	4/5V14.0-E	47.0	A3	1.31	0.11	
15.0	455322	4/5V15.0-E	50.0	A3	1.31	0.11	
16.0	455323	4/5V16.0-E	51.0	A3	1.31	0.11	
18.7	455324	4/5V18.7-E	63.0	A3	1.31	0.11	
21.2	455325	4/5V21.2-E	62.0	D3	0.88	0.32	
23.6	455326	4/5V23.6-F	75.0	D3	0.88	0.54	
28.0	455327	4/5V28.0-F	94.0	D3	0.88	0.54	
31.5	455328	4/5V31.5-F	111.0	D3	0.88	0.54	
37.5	455329	4/5V37.5-F	144.0	D3	0.88	0.54	
50.0	455330	4/5V50.0-J	267.0	D3	0.69	0.91	

3-Groove							F = 2.38
O.D.Δ	Part No.	Description	Wt.	Type‡	M	K	
++4.4	455268	3/5V4.4-SDS	5.7	E1	0.00	0.70	
++4.65	455269	3/5V4.65-SDS	6.2	E1	0.00	0.70	
++4.9	455270	3/5V4.9-SDS	6.3	A1	1.06	0.36	
++5.2	455271	3/5V5.2-SDS	6.8	A1	1.06	0.36	
++5.5	455272	3/5V5.5-SDS	7.7	A1	1.06	0.36	
++5.9	455273	3/5V5.9-SDS	8.3	A1	1.06	0.36	
++6.3	455274	3/5V6.3-SK	12.0	B1	1.13	0.24	
++6.7	455275	3/5V6.7-SK	13.0	B1	1.13	0.24	
7.1	455276	3/5V7.1-SF	15.0	A1	1.00	0.06	
7.5	455277	3/5V7.5-SF	17.0	A1	1.00	0.06	
8.0	455278	3/5V8.0-SF	19.0	A1	1.00	0.06	
8.5	455279	3/5V8.5-SF	21.0	D1	0.81	0.13	
9.0	455280	3/5V9.0-SF	22.0	D1	0.81	0.13	
9.25	455281	3/5V9.25-SF	23.0	A1	1.00	0.06	
9.75	455282	3/5V9.75-SF	23.0	A2	1.13	0.19	
10.3	455284	3/5V10.3-SF	25.0	A2	1.00	0.06	
10.9	455285	3/5V10.9-SF	27.0	D2	0.81	0.13	
11.3	455286	3/5V11.3-SF	25.0	D2	0.81	0.13	
11.8	455287	3/5V11.8-SF	28.0	A2	1.00	0.06	
12.5	455288	3/5V12.5-E	36.0	D2	0.56	0.64	
13.2	455289	3/5V13.2-E	38.0	C2	0.75	0.45	
14.0	455290	3/5V14.0-E	46.0	D3	0.56	0.64	
15.0	455291	3/5V15.0-E	48.0	D3	0.63	0.57	
16.0	455292	3/5V16.0-E	50.0	D3	0.63	0.57	
18.7	455293	3/5V18.7-E	54.0	D3	0.50	0.70	
21.2	455294	3/5V21.2-E	62.0	C3	0.75	0.45	
23.6	455295	3/5V23.6-E	79.0	C3	0.75	0.45	
28.0	455296	3/5V28.0-E	85.0	C3	0.75	0.45	
31.5	455297	3/5V31.5-F	124.0	D3	0.56	0.86	
37.5	455298	3/5V37.5-F	143.0	D3	0.56	0.86	
50.0	455299	3/5V50.0-F	218.0	D3	0.31	1.11	

5-Groove							F = 3.75
O.D.Δ	Part No.	Description	Wt.	Type‡	M	K	
++4.4	455331	5/5V4.4-SD	8.0	E1	0.00	0.70	
++4.65	455332	5/5V4.65-SD	8.5	E1	0.00	0.70	
++4.9	455333	5/5V4.9-SD	10.0	E1	0.00	0.70	
++5.2	455334	5/5V5.2-SD	11.0	A1	1.31	0.61	
++5.5	455335	5/5V5.5-SD	11.0	A1	1.31	0.61	
++5.9	455336	5/5V5.9-SK	13.0	A1	1.31	0.42	
++6.3	455337	5/5V6.3-SK	15.0	A1	1.31	0.42	
++6.7	455338	5/5V6.7-SF	16.0	A1	1.19	0.25	
7.1	455339	5/5V7.1-SF	19.0	A1	1.19	0.25	
7.5	455340	5/5V7.5-SF	21.0	A1	1.19	0.25	
8.0	455341	5/5V8.0-E	30.0	A1	1.38	0.18	
8.5	455342	5/5V8.5-E	33.0	A1	1.38	0.18	
9.0	455343	5/5V9.0-E	36.0	A1	1.38	0.18	
9.25	455344	5/5V9.25-E	38.0	A1	1.38	0.18	
9.75	455345	5/5V9.75-E	38.0	A1	1.38	0.18	
10.3	455346	5/5V10.3-E	41.0	A1	1.38	0.18	
10.9	455347	5/5V10.9-E	45.0	A1	1.38	0.18	
11.3	455348	5/5V11.3-E	42.0	A1	1.38	0.18	
11.8	455349	5/5V11.8-E	45.0	A2	1.38	0.18	
12.5	455350	5/5V12.5-E	55.0	A2	1.38	0.18	
13.2	455351	5/5V13.2-E	58.0	A2	1.38	0.18	
14.0	455352	5/5V14.0-E	60.0	A2	1.38	0.18	
15.0	455353	5/5V15.0-E	61.0	A3	1.31	0.11	
16.0	455354	5/5V16.0-E	67.0	A3	1.25	0.05	
18.7	455355	5/5V18.7-F	92.0	C3	1.31	0.11	
21.2	455356	5/5V21.2-F	77.0	C3	1.31	0.11	
23.6	455357	5/5V23.6-F	88.0	C3	1.31	0.11	
28.0	455358	5/5V28.0-F	111.0	D3	1.08	0.34	
31.5	455359	5/5V31.5-J	150.0	D3	1.00	0.60	
37.5	455360	5/5V37.5-J	186.0	D3	0.81	0.79	
50.0	455361	5/5V50.0-J	273.0	D3	1.00	0.60	

Δ Pitch diameter = O.D. - .10" . . . >.000

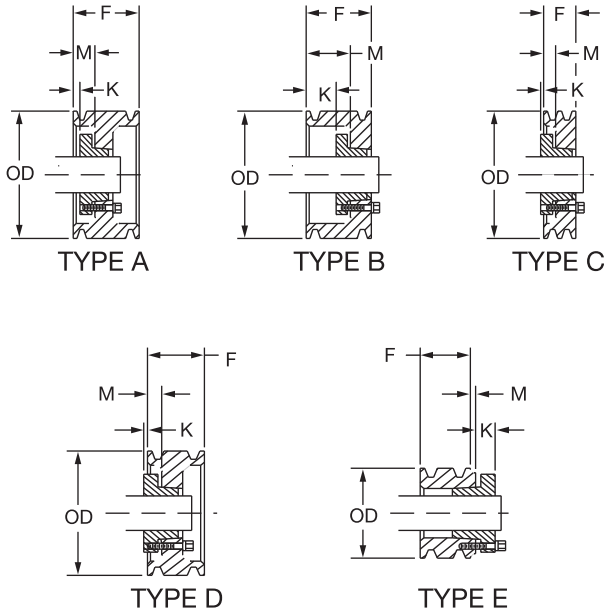
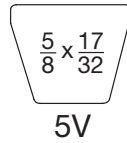
‡ Type 1 = Block Type, 2 = Web, 3 = Arm - See page PT7-2.

++ 5VX Belts only on these sizes.

SELECTION/DIMENSIONS



5V QD SHEAVES - Heavy Duty



8-Groove							F = 5.81	
O.D.Δ	Part No.	Description	Wt.	Type‡	M	K		
7.1	455393	8/5V7.1-SF	24.0	A1	2.13	1.19		
7.5	455394	8/5V7.5-SF	28.0	A1	2.13	1.19		
8.0	455395	8/5V8.0-E	36.0	A1	2.50	1.30		
8.5	455396	8/5V8.5-E	39.0	A1	2.50	1.30		
9.0	455397	8/5V9.0-E	43.0	A1	2.50	1.30		
9.25	455398	8/5V9.25-F	55.0	A1	2.31	0.89		
9.75	455399	8/5V9.75-F	56.0	A1	2.31	0.89		
10.3	455400	8/5V10.3-F	60.0	A1	2.31	0.89		
10.9	455401	8/5V10.9-F	65.0	A1	2.31	0.89		
11.3	455402	8/5V11.3-F	70.0	A1	2.31	0.89		
11.8	455403	8/5V11.8-F	67.0	A1	2.31	0.89		
12.5	455404	8/5V12.5-F	76.0	A1	2.56	1.14		
13.2	455405	8/5V13.2-F	77.0	A1	2.56	1.14		
14.0	455406	8/5V14.0-F	77.0	A1	2.44	1.02		
15.0	455407	8/5V15.0-F	85.0	A2	2.44	1.02		
16.0	455408	8/5V16.0-F	90.0	A3	2.38	0.96		
18.7	455409	8/5V18.7-J	138.0	A3	2.91	1.31		
21.2	455410	8/5V21.2-J	126.0	D3	1.56	0.04		
23.6	455411	8/5V23.6-J	141.0	D3	1.56	0.04		
28.0	455412	8/5V28.0-J	172.0	D3	1.56	0.04		
31.5	455413	8/5V31.5-M	246.0	A3	1.94	0.20		
37.5	455414	8/5V37.5-M	296.0	A3	1.94	0.20		
50.0	455415	8/5V50.0-M	419.0	A3	1.94	0.20		

Δ Pitch diameter = O.D. - .10"

‡ Type 1 = Block Type, 2 = Web, 3 = Arm - See drawings page PT7-2.

++ 5VX Belts only on these sizes.

6-Groove							F = 4.44	
O.D.Δ	Part No.	Description	Wt.	Type‡	M	K		
++4.4	455362	6/5V4.40-SD	9.0	E1	0.00	0.70		
++4.65	455363	6/5V4.65-SD	10.0	E1	0.00	0.70		
++4.90	455364	6/5V4.90-SD	11.0	E1	0.00	0.70		
++5.20	455365	6/5V5.20-SD	12.0	A1	1.31	0.61		
++5.50	455366	6/5V5.50-SD	13.0	A1	1.31	0.61		
++5.90	455367	6/5V5.90-SK	14.0	A1	1.31	0.42		
++6.30	455368	6/5V6.30-SK	16.0	A1	1.31	0.42		
++6.70	455369	6/5V6.70-SF	19.0	A1	1.69	0.75		
7.1	455370	6/5V7.1-SF	21.0	A1	1.63	0.68		
7.5	455371	6/5V7.5-SF	24.0	A1	1.63	0.68		
8.0	455372	6/5V8.0-E	32.0	A1	2.00	0.80		
8.5	455373	6/5V8.5-E	34.0	A1	2.00	0.80		
9.0	455374	6/5V9.0-E	38.0	A1	2.00	0.80		
9.25	455375	6/5V9.25-E	40.0	A1	2.00	0.80		
9.75	455376	6/5V9.75-E	41.0	A1	2.00	0.80		
10.3	455377	6/5V10.3-E	44.0	A1	2.00	0.80		
10.9	455378	6/5V10.9-E	49.0	A1	2.00	0.80		
11.3	455379	6/5V11.3-E	47.0	A1	2.00	0.80		
11.8	455380	6/5V11.8E	49.0	A2	2.00	0.80		
12.5	455381	6/5V12.5-F	63.0	B2	2.06	0.64		
13.2	455382	6/5V13.2-F	64.0	B2	2.06	0.64		
14.0	455383	6/5V14.0-F	73.0	B2	2.06	0.64		
15.0	455384	6/5V15.0-F	75.0	D2	1.31	0.11		
16.0	455385	6/5V16.0-F	91.0	B3	1.88	0.46		
18.7	455386	6/5V18.7-F	99.0	A3	1.44	0.02		
21.2	455387	6/5V21.2-F	86.0	D3	1.31	0.11		
23.6	455388	6/5V23.6-J	121.0	B3	1.31	0.11		
28.0	455389	6/5V28.0-J	145.0	B3	1.31	0.11		
31.5	455390	6/5V31.5-J	167.0	B3	1.31	0.11		
37.5	455391	6/5V37.5-J	208.0	B3	1.31	0.11		
50.0	455392	6/5V50.0-M	353.0	B3	0.00	1.74		

10-Groove							F = 7.19	
O.D.Δ	Part No.	Description	Wt.	Type‡	M	K		
8.0	456062	10/5V8.0-E	42.0	A1	3.25	2.05		
8.5	456063	10/5V8.5-E	44.0	A1	3.25	2.05		
9.0	456064	10/5V9.0-F	57.0	A1	3.31	1.89		
9.25	456065	10/5V9.25-F	60.0	A1	3.31	1.89		
9.75	456066	10/5V9.75-F	61.0	A1	3.31	1.89		
10.3	456067	10/5V10.3-F	66.0	A1	3.31	1.89		
10.9	456068	10/5V10.9-F	72.0	A1	3.31	1.89		
11.3	456069	10/5V11.3-F	78.0	A1	3.31	1.89		
11.8	456070	10/5V11.8-F	80.0	A1	3.31	1.89		
12.5	456071	10/5V12.5-J	111.0	A1	3.56	1.96		
13.2	456072	10/5V13.2-J	115.0	A1	3.56	1.96		
14.0	456073	10/5V14.0-J	118.0	A1	3.44	1.84		
15.0	456074	10/5V15.0-J	120.0	A1	3.31	1.71		
16.0	456075	10/5V16.0-J	160.0	A1	3.56	1.96		
18.7	456076	10/5V18.7-J	151.0	D2	1.56	0.04		
21.2	456077	10/5V21.2-J	143.0	D2	1.56	0.04		
23.6	456078	10/5V23.6-M	209.0	B3	1.94	0.20		
28.0	456079	10/5V28.0-M	245.0	B3	1.94	0.20		
31.5	456080	10/5V31.5-M	277.0	B3	1.94	0.20		
37.5	456081	10/5V37.5-M	337.0	B3	1.94	0.20		
50.0	456082	10/5V50.0-M	484.0	B3	1.94	0.20		

V-Drives

FHP Drives

Drive Component Accessories

DYNA-SYNC

HT200/HTD Synchronous Drives

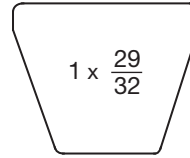
HT500 Synchronous Drives

Roller Chain Sprockets



SELECTION/DIMENSIONS

8V QD SHEAVES - Heavy Duty



4-Groove							F = 4.88
O.D.Δ	Part No.	Description	Wt.	Type‡	M	K	
12.5	455416	4/8V12.5-F	83.0	D1	1.19	0.23	
13.2	455417	4/8V13.2-F	88.0	D2	1.19	0.23	
14.0	455418	4/8V14.0-F	88.0	D2	1.19	0.23	
15.0	455419	4/8V15.0-F	111.0	D2	1.19	0.23	
16.0	455420	4/8V16.0-F	105.0	D2	1.19	0.23	
17.0	455521	4/8V17.0-F	150.0	D3	1.19	0.23	
18.0	455422	4/8V18.0-F	150.0	D3	1.19	0.23	
19.0	455423	4/8V19.0-F	146.0	D3	1.19	0.23	
20.0	455424	4/8V20.0-J	145.0	D3	1.44	0.16	
21.2	455425	4/8V21.2-J	181.0	D3	1.44	0.16	
22.4	455426	4/8V22.4-J	199.0	D3	1.44	0.16	
24.8	456654	4/8V24.8-M	211.0	C3	1.44	0.93	
30.0	455427	4/8V30.0-M	292.0	C3	0.81	0.93	
35.5	456655	4/8V35.5-M	367.0	C3	0.81	0.93	
40.0	455428	4/8V40.0-M	434.0	C3	0.81	0.93	
44.5	456656	4/8V44.5-M	371.0	C3	0.81	0.93	
53.0	455429	4/8V53.0-M	818.0	C3	0.81	0.93	

5-Groove							F = 6.00
O.D.Δ	Part No.	Description	Wt.	Type‡	M	K	
12.5	455430	5/8V12.5-F	69.0	A2	2.31	0.89	
13.2	455431	5/8V13.2-F	75.0	A2	2.31	0.89	
14.0	455432	5/8V14.0-F	83.0	A2	2.31	0.89	
15.0	455433	5/8V15.0-F	94.0	A2	2.31	0.89	
16.0	455434	5/8V16.0-F	106.0	A2	2.31	0.89	
17.0	455435	5/8V17.0-J	133.0	A2	2.00	0.40	
18.0	455436	5/8V18.0-J	147.0	A3	2.00	0.40	
19.0	455437	5/8V19.0-J	161.0	A3	2.00	0.40	
20.0	455438	5/8V20.0-J	141.0	A3	2.00	0.40	
21.2	455439	5/8V21.2-J	151.0	A3	2.00	0.40	
22.4	456402	5/8V22.4-M	208.0	D3	1.94	0.20	
24.8	456657	5/8V24.8-M	229.0	D3	1.94	0.20	
30.0	455441	5/8V30.0-M	276.0	D3	1.94	0.20	
35.5	456658	5/8V35.5-M	334.0	D3	1.94	0.20	
40.0	455442	5/8V40.0-M	385.0	D3	1.94	0.20	
44.5	456659	5/8V44.5-N	459.0	C3	0.94	1.11	
53.0	455443	5/8V53.0-N	574.0	C3	0.94	1.11	

6-Groove							F = 7.13
O.D.Δ	Part No.	Description	Wt.	Type‡	M	K	
12.5	455444	6/8V12.5-F	78.0	A1	2.31	0.89	
13.2	455445	6/8V13.2-F	85.0	A2	2.31	0.89	
14.0	455446	6/8V14.0-F	94.0	A2	2.31	0.89	
15.0	455447	6/8V15.0-J	122.0	A2	2.56	0.96	
16.0	455448	6/8V16.0-J	134.0	A2	2.56	0.96	
17.0	455449	6/8V17.0-J	147.0	A2	2.56	0.96	
18.0	455450	6/8V18.0-J	161.0	A2	2.56	0.96	
19.0	455451	6/8V19.0-J	177.0	A3	2.56	0.96	
20.0	455452	6/8V20.0-M	232.0	B3	2.94	1.20	
21.2	455453	6/8V21.2-M	216.0	B3	2.94	1.20	
22.4	455454	6/8V22.4-M	227.0	B3	2.94	1.20	
24.8	456660	6/8V24.8-M	251.0	B3	1.94	0.20	
30.0	455455	6/8V30.0-M	306.0	B3	2.06	0.32	
35.5	456661	6/8V35.5-N	391.0	C3	1.13	0.92	
40.0	455456	6/8V40.0-N	450.0	C3	1.13	0.92	
44.5	456662	6/8V44.5-N	511.0	C3	1.13	0.92	
53.0	455457	6/8V53.0-N	646.0	C3	1.13	0.92	
63.0	456663	6/8V63.0-P	856.0	C3	2.00	0.30	
71.0	456690	6/8V71.0-P	1016.0	C3	2.00	0.30	

8-Groove							F = 9.38
O.D.Δ	Part No.	Description	Wt.	Type‡	M	K	
12.5	455458	8/8V12.5-J	115.0	A1	3.56	1.96	
13.2	455459	8/8V13.2-J	129.0	A2	3.56	1.96	
14.0	455460	8/8V14.0-J	146.0	A2	3.56	1.96	
15.0	455461	8/8V15.0-J	144.0	A2	3.56	1.96	
16.0	455462	8/8V16.0-J	158.0	A2	3.56	1.96	
17.0	455463	8/8V17.0-M	214.0	A1	3.94	2.20	
18.0	455464	8/8V18.0-M	230.0	A2	4.19	2.45	
19.0	455465	8/8V19.0-M	247.0	A2	3.94	2.20	
20.0	455466	8/8V20.0-M	266.0	A2	3.94	2.20	
21.2	455467	8/8V21.2-M	245.0	A3	3.94	2.20	
22.4	455468	8/8V22.4-M	264.0	A3	2.25	0.51	
24.8	456664	8/8V24.8-N	315.0	A3	2.25	0.20	
30.0	455469	8/8V30.0-N	384.0	A3	2.25	0.20	
35.5	456665	8/8V35.5-N	468.0	A3	2.25	0.20	
40.0	455470	8/8V40.0-N	543.0	B3	2.63	0.58	
44.5	456666	8/8V44.5-P	670.0	B3	2.63	0.33	
53.0	455471	8/8V53.0-P	833.0	B3	2.63	0.33	
63.0	456667	8/8V63.0-P	1049.0	B3	2.63	0.33	
71.0	456691	8/8V71.0-W	1266.0	C3	0.19	2.37	

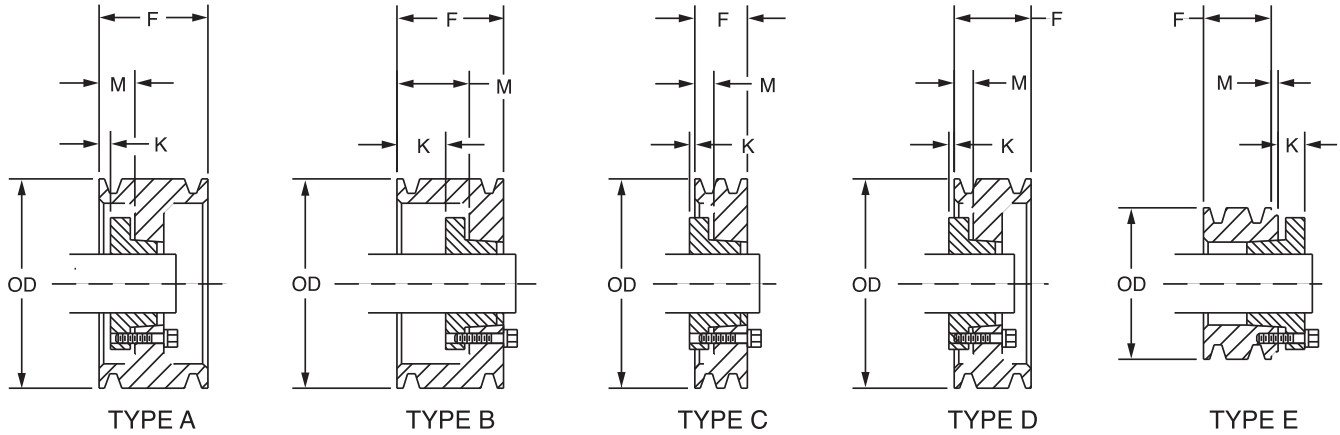
Δ Pitch diameter = O.D. - .20"

‡ Type 1 = Block Type, 2 = Web, 3 = Arm - See page PT7-2.

SELECTION/DIMENSIONS



8V QD SHEAVES - Heavy Duty



10-Groove		F = 11.63				
O.D.Δ	Part No.	Description	Wt.	Type‡	M	K
12.5	455472	10/8V12.5-J	133	A1	3.56	1.96
13.2	455473	10/8V13.2-J	148	A1	3.56	1.96
14.0	455474	10/8V14.0-J	166	A2	3.56	1.96
15.0	455475	10/8V15.0-M	224	A2	3.94	2.20
16.0	455476	10/8V16.0-M	260	A2	3.94	2.20
17.0	455477	10/8V17.0-M	241	A1	3.94	2.20
18.0	455478	10/8V18.0-M	259	A2	3.94	2.20
19.0	455479	10/8V19.0-M	279	A2	3.94	2.20
20.0	455480	10/8V20.0-M	300	A2	3.94	2.20
21.2	455481	10/8V21.2-M	286	A3	3.94	2.20
22.4	455482	10/8V22.4-N	321	A3	2.25	0.20
24.8	456668	10/8V24.8-N	357	A3	2.25	0.20
30.0	455483	10/8V30.0-N	444	A3	2.25	0.20
35.5	456669	10/8V35.5-P	591	A3	2.63	0.33
40.0	455484	10/8V40.0-P	680	A3	2.63	0.33
44.5	456670	10/8V44.5-P	775	A3	2.63	0.33
53.0	455485	10/8V53.0-P	971	A3	2.63	0.33
63.0	456671	10/8V63.0-W	1256	D3	1.31	1.25
71.0	456692	10/8V71.0-W	1482	D3	1.31	1.25

12-Groove		F = 13.88				
O.D.Δ	Part No.	Description	Wt.	Type‡	M	K
12.5	456672	12/8V12.5-M	164	A1	3.94	2.20
13.2	456673	12/8V13.2-M	186	A1	3.94	2.20
14.0	456674	12/8V14.0-M	213	A1	3.94	2.20
15.0	456675	12/8V15.0-M	248	A2	3.94	2.20
16.0	456676	12/8V16.0-M	285	A1	3.94	2.20
17.0	456677	12/8V17.0-M	270	A1	3.94	2.20
18.0	456678	12/8V18.0-M	292	A2	3.94	2.20
19.0	456679	12/8V19.0-N	330	A2	2.25	0.20
20.0	456680	12/8V20.0-N	354	A2	2.25	0.20
21.2	456681	12/8V21.2-N	365	A3	2.25	0.20
22.4	456682	12/8V22.4-N	367	A3	2.25	0.20
24.8	456683	12/8V24.8-N	408	A3	2.25	0.20
30.0	456684	12/8V30.0-P	557	A3	2.63	0.32
35.5	456685	12/8V35.5-P	671	A3	2.63	0.32
40.0	456686	12/8V40.0-P	776	A3	2.63	0.32
44.5	456687	12/8V44.5-P	887	A3	2.63	0.32
53.0	456688	12/8V53.0-W	1150	A3	2.88	0.32
63.0	456689	12/8V63.0-W	1445	D3	2.44	0.12
71.0	456693	12/8V71.0-W	1706	D3	2.44	0.12

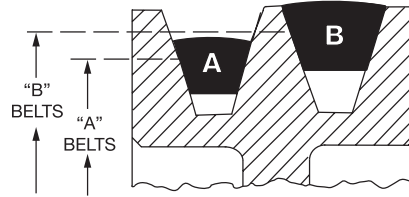
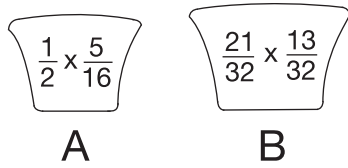
Δ Pitch diameter = O.D. - .20"

‡ Type 1 = Block Type, 2 = Web, 3 = Arm - See page PT7-2.

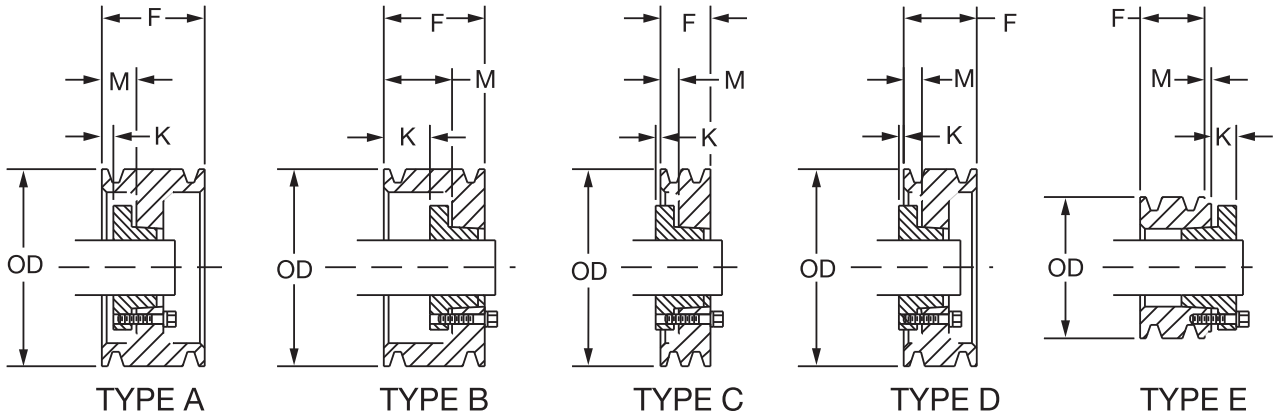


SELECTION/DIMENSIONS

A/B QD SHEAVES - Heavy Duty



Drawing illustrates how either A or B belts may be used with combination groove sheaves.



1-Groove		F = .84 A3.2 thru A4.0 B4.4				
O.D.Δ	Part No.	Description	Wt.	Type‡	M	K
Balance F = 1						
3.75	118283	1A3.0B3.4-SH	2.0	E1	0.44	0.68
3.95	118284	1A3.2B3.6-SH	2.2	D1	0.05	0.63
4.15	118285	1A3.4B3.8-SH	2.4	D1	0.05	0.63
4.35	118286	1A3.6B4.0-SH	2.7	D1	0.05	0.63
4.55	455550	1A3.8B4.2-SH	2.9	D1	0.05	0.63
4.75	455551	1A4.0B4.4-SH	3.4	D1	0.05	0.63
4.95	455552	1A4.2B4.6-SDS	4.0	D1	0.14	0.55
5.15	455553	1A4.4B4.8-SDS	4.0	D1	0.14	0.55
5.35	455554	1A4.6B5.0-SDS	4.0	D1	0.14	0.55
5.55	455555	1A4.8B5.2-SDS	5.0	D1	0.14	0.55
5.75	455556	1A5.0B5.4-SDS	5.0	D1	0.14	0.55
5.95	455557	1A5.2B5.6-SDS	6.0	C1	0.25	0.45
6.15	455558	1A5.4B5.8-SDS	6.0	C1	0.25	0.45
6.35	455559	1A5.6B6.0-SDS	6.0	C1	0.25	0.45
6.55	455560	1A5.8B6.2-SDS	6.0	C1	0.25	0.45
6.75	455561	1A6.0B6.4-SDS	6.0	C1	0.25	0.45
6.95	455562	1A6.2B6.6-SDS	7.0	C1	0.25	0.45
7.15	455563	1A6.4B6.8-SDS	7.0	C1	0.25	0.45
7.35	455564	1A6.6B7.0-SDS	7.5	D1	0.13	0.57
7.75	455565	1A7.0B7.4-SDS	8.0	C1	0.25	0.45
8.35	455566	1A7.6B8.0-SDS	8.0	D1	0.13	0.57
8.95	455567	1A8.2B8.6-SDS	8.0	D2	0.13	0.57
9.75	455568	1A9.0B9.4-SDS	8.0	D2	0.13	0.57
11.35	455569	1A10.6B11.0-SDS	10.0	D2	0.13	0.57
12.75	455570	1A12.0B12.4-SDS	11.0	D3	0.13	0.57
13.95	455571	1A13.2B13.6-SDS	13.0	D3	0.06	0.63
15.75	455572	1A15.0B15.4-SK	16.0	C3	0.00	0.83
16.35	455573	1A15.6B16.0-SK	17.0	C3	0.00	0.89
18.75	455574	1A18.0B18.4-SK	18.0	C3	0.00	0.89
20.35	455575	1B20.0-SK	18.0	C3	0.00	0.89

2-Groove		F = 1.75				
O.D.Δ	Part No.	Description	Wt.	Type‡	M	K
3.75	455576	2A3.0B3.4-SH	3.2	E1	0.38	0.68
3.95	455577	2A3.2B3.6-SH	3.4	E1	0.00	0.68
4.15	455578	2A3.4B3.8-SH	3.9	E1	0.00	0.68
4.35	455579	2A3.6B4.0-SH	3.8	A1	0.94	0.26
4.55	455580	2A3.8B4.2-SH	4.4	A1	0.94	0.26
4.75	455581	2A4.0B4.4-SH	4.6	A1	0.94	0.26
4.95	455582	2A4.2B4.6-SDS	5.0	A1	1.00	0.30
5.15	455583	2A4.4B4.8-SDS	4.1	A1	1.00	0.30
5.35	455584	2A4.6B5.0-SDS	6.0	A1	1.00	0.30
5.55	455585	2A4.8B5.2-SDS	7.0	A1	1.00	0.30
5.75	455586	2A5.0B5.4-SDS	7.0	A1	1.00	0.30
5.95	455587	2A5.2B5.6-SDS	7.0	A1	0.81	0.12
6.15	455588	2A5.4B5.8-SDS	7.0	D1	0.69	0.01
6.35	455589	2A5.6B6.0-SDS	7.0	D1	0.69	0.01
6.55	455590	2A5.8B6.2-SDS	6.3	D1	0.69	0.01
6.75	455591	2A6.0B6.4-SDS	8.0	D1	0.69	0.01
6.95	455592	2A6.2B6.6-SDS	8.2	D1	0.69	0.01
7.15	455593	2A6.4B6.8-SDS	9.0	D1	0.69	0.01
7.35	455594	2A6.6B7.0-SK	10.0	C1	0.50	0.39
7.75	455595	2A7.0B7.4-SK	11.0	C1	0.50	0.39
8.35	455596	2A7.6B8.0-SK	11.0	D2	0.44	0.46
8.95	455597	2A8.2B8.6-SK	12.0	D2	0.44	0.46
9.75	455598	2A9.0B9.4-SK	12.0	D2	0.44	0.46
11.35	455599	2A10.6B11.0-SK	14.0	D2	0.44	0.46
12.75	455600	2A12.0B12.4-SK	18.0	D3	0.44	0.46
13.95	455601	2A13.2B13.6-SK	19.0	D3	0.38	0.52
15.75	455602	2A15.0B15.4-SK	24.0	D3	0.44	0.46
16.35	455603	2A15.6B16.0-SK	22.0	D3	0.44	0.46
18.75	455604	2A18.0B18.4-SK	29.0	D3	0.31	0.58
20.35	455605	2B20.0-SF	30.0	D3	0.38	0.57
25.35	455606	2B25.0-SF	40.0	D3	0.38	0.57
30.35	455607	2B30.0-SF	50.0	D3	0.38	0.57
38.35	455608	2B38.0-SF	70.0	D3	0.34	0.60

Δ P.D. for "A" Belts = O.D. - .37"

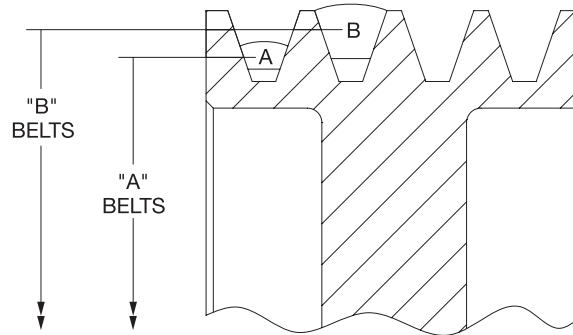
P.D. for "B" Belts = O.D. + .01"

‡ Type 1 = Block Type, 2 = Web, 3 = Arm - See page PT7-2.

SELECTION/DIMENSIONS



A/B QD SHEAVES - Heavy Duty



Drawing illustrates how either A or B belts may be used with combination groove sheaves.

3-Groove						F = 2.50	
O.D.Δ	Part No.	Description	Wt.	Type‡	M	K	
3.75	455609	3A3.0B3.4-SH	4.2	E1	0.38	0.68	
3.95	455610	3A3.2B3.6-SH	4.7	E1	0.00	0.68	
4.15	455611	3A3.4B3.8-SH	5.4	E1	0.00	0.68	
4.35	455612	3A3.6B4.0-SH	4.8	E1	0.00	0.68	
4.55	455613	3A3.8B4.2-SH	5.4	E1	0.00	0.68	
4.75	455614	3A4.0B4.4-SH	5.6	E1	0.00	0.68	
4.95	455615	3A4.2B4.6-SD	8.0	A1	1.06	0.37	
5.15	455616	3A4.4B4.8-SD	8.5	A1	1.06	0.67	
5.35	455617	3A4.6B5.0-SD	9.0	A1	1.06	0.67	
5.55	455618	3A4.8B5.2-SD	9.0	A1	1.06	0.37	
5.75	455619	3A5.0B5.4-SD	10.0	A1	1.06	0.37	
5.95	455620	3A5.2B5.6-SD	11.0	A1	1.06	0.37	
6.15	455621	3A5.4B5.8-SD	9.1	A1	1.06	0.37	
6.35	455622	3A5.6B6.0-SD	10.0	A1	1.06	0.37	
6.55	455623	3A5.8B6.2-SD	11.0	A1	1.06	0.37	
6.75	455624	3A6.0B6.4-SD	11.0	A1	1.06	0.37	
6.95	455625	3A6.2B6.6-SD	12.0	A1	1.06	0.37	
7.15	455626	3A6.4B6.8-SD	13.0	A1	1.06	0.37	
7.35	455627	3A6.6B7.0-SK	13.0	D1	0.75	0.14	
7.75	455628	3A7.0B7.4-SK	13.0	D1	0.75	0.14	
8.35	455629	3A7.6B8.0-SK	14.0	D1	0.88	0.02	
8.95	455630	3A8.2B8.6-SK	13.0	D1	0.88	0.02	
9.75	455631	3A9.0B9.4-SK	16.0	D2	0.75	0.14	
11.35	455632	3A10.6B11.0-SK	19.0	D2	0.75	0.14	
12.75	455633	3A12.0B12.4-SK	24.0	D3	0.75	0.14	
13.95	455634	3A13.2B13.6-SK	24.0	D3	0.69	0.21	
15.75	455635	3A15.0B15.4-SK	30.0	D3	0.75	0.14	
16.35	455636	3A15.6B16.0-SK	27.0	D3	0.75	0.14	
18.75	455637	3A18.0B18.4-SK	38.0	D3	0.75	0.14	
20.35	455638	3B20.0-SF	38.0	D3	0.63	0.32	
25.35	455639	3B25.0-SF	51.0	D3	0.63	0.32	
30.35	455640	3B30.0-SF	65.0	D3	0.63	0.32	
38.35	455641	3B38.0-E	95.0	D3	0.63	0.57	

4-Groove						F = 3.25	
O.D.Δ	Part No.	Description	Wt.	Type‡	M	K	
3.75	455642	4A3.0B3.4-SD	5.5	E1	0.47	0.70	
3.95	455643	4A3.2B3.6-SD	5.8	E1	0.47	0.70	
4.15	455644	4A3.4B3.8-SD	6.2	E1	0.47	0.70	
4.35	455645	4A3.6B4.0-SD	6.6	E1	0.00	0.70	
4.55	455646	4A3.8B4.2-SD	6.9	E1	0.00	0.70	
4.75	455647	4A4.0B4.4-SD	7.5	E1	0.00	0.70	
4.95	455648	4A4.2B4.6-SD	7.5	A1	1.50	0.80	
5.15	455649	4A4.4B4.8-SD	7.3	A1	1.50	0.80	
5.35	455650	4A4.6B5.0-SD	10.0	A1	1.50	0.80	
5.55	455651	4A4.8B5.2-SD	11.0	A1	1.50	0.80	
5.75	455652	4A5.0B5.4-SD	11.0	A1	1.50	0.80	
5.95	455653	4A5.2B5.6-SD	12.0	A1	1.50	0.80	
6.15	455654	4A5.4B5.8-SD	11.0	A1	1.50	0.80	
6.35	455655	4A5.6B6.0-SD	11.0	A1	1.50	0.80	
6.55	455656	4A5.8B6.2-SD	14.0	A1	1.50	0.80	
6.75	455657	4A6.0B6.4-SD	14.0	A1	1.50	0.80	
6.95	455658	4A6.2B6.6-SD	14.0	A1	1.50	0.80	
7.15	455659	4A6.4B6.8-SD	14.0	A1	1.50	0.80	
7.35	455660	4A6.6B7.0-SK	14.0	A1	1.00	0.11	
7.75	455661	4A7.0B7.4-SK	15.0	A1	1.25	0.36	
8.35	455662	4A7.6B8.0-SK	15.0	A1	1.38	0.48	
8.95	455663	4A8.2B8.6-SK	17.0	A1	1.50	0.61	
9.75	455664	4A9.0B9.4-SK	19.0	A2	1.13	0.23	
11.35	455665	4A10.6B11.0-SK	22.0	A2	1.00	0.11	
12.75	455666	4A12.0B12.4-SK	29.0	A3	1.00	0.11	
13.95	455667	4A13.2B13.6-SK	29.0	A3	1.00	0.11	
15.75	455668	4A15.0B15.4-SF	39.0	A3	1.13	0.18	
16.35	455669	4A15.6B16.0-SF	34.0	A3	1.00	0.06	
18.75	455670	4A18.0B18.4-SF	47.0	A3	1.00	0.06	
20.35	455671	4B20.0-SF	46.0	A3	1.00	0.06	
25.35	455672	4B25.0-E	66.0	D3	1.00	0.20	
30.35	455673	4B30.0-E	83.0	D3	0.63	0.57	
38.35	455674	4B38.0-E	115.0	D3	1.00	0.20	

Δ P.D. for "A" Belts = O.D. - .37"

P.D. for "B" Belts = O.D. + .01"

‡ Type 1 = Block Type, 2 = Web, 3 = Arm - See page PT7-2.



SELECTION/DIMENSIONS

A/B QD SHEAVES - Heavy Duty

5-Groove							F = 4.00	
O.D.Δ	Part No.	Description	Wt.	Type‡	M	K		
3.75	455675	5A3.0B3.4-SD	5.9	E1	0.47	0.70		
3.95	455676	5A3.2B3.6-SD	6.5	E1	0.47	0.70		
4.15	455677	5A3.4B3.8-SD	7.2	E1	0.47	0.70		
4.35	455678	5A3.6B4.0-SD	7.3	E1	0.00	0.70		
4.55	455679	5A3.8B4.2-SD	8.0	E1	0.00	0.70		
4.75	455680	5A4.0B4.4-SD	8.8	E1	0.00	0.70		
4.95	455681	5A4.2B4.6-SD	9.0	A1	1.31	0.62		
5.15	455682	5A4.4B4.8-SD	8.5	A1	1.31	0.62		
5.35	455683	5A4.6B5.0-SD	11.0	A1	1.31	0.62		
5.55	455684	5A4.8B5.2-SD	12.0	A1	1.31	0.62		
5.75	455685	5A5.0B5.4-SK	12.0	A1	1.31	0.42		
5.95	455686	5A5.2B5.6-SK	12.0	A1	1.31	0.42		
6.15	455687	5A5.4B5.8-SK	13.0	A1	1.31	0.42		
6.35	455688	5A5.6B6.0-SK	14.0	A1	1.31	0.42		
6.55	455689	5A5.8B6.2-SK	13.0	A1	1.31	0.42		
6.75	455690	5A6.0B6.4-SK	16.0	A1	1.31	0.42		
6.95	455691	5A6.2B6.6-SK	15.0	A1	1.31	0.42		
7.15	455692	5A6.4B6.8-SK	17.0	A1	1.31	0.42		
7.35	455693	5A6.6B7.0-SF	16.0	A1	1.31	0.37		
7.75	455694	5A7.0B7.4-SF	20.0	A1	1.31	0.37		
8.35	455695	5A7.6B8.0-SF	17.0	A1	1.31	0.37		
8.95	455696	5A8.2B8.6-SF	24.0	A1	1.31	0.37		
9.75	455697	5A9.0B9.4-SF	24.0	A1	1.31	0.37		
11.35	455698	5A10.6B11.0-SF	29.0	A2	1.31	0.37		
12.75	455699	5A12.0B12.4-SF	34.0	A3	1.06	0.12		
13.95	455700	5A13.2B13.6-SF	33.0	A3	1.31	0.37		
15.75	455701	5A15.0B15.4-SF	46.0	A3	1.31	0.37		
16.35	455702	5A15.6B16.0-SF	38.0	A2	1.25	0.31		
18.75	455703	5A18.0B18.4-SF	55.0	A3	1.31	0.37		
20.35	455704	5B20.0-E	58.0	A3	1.25	0.05		
25.35	455705	5B25.0-E	76.0	A3	1.25	0.05		
30.35	455706	5B30.0-E	97.0	A3	1.25	0.05		
38.35	455707	5B38.0-E	135.0	A3	1.25	0.05		

6-Groove							F = 4.75	
O.D.Δ	Part No.	Description	Wt.	Type‡	M	K		
3.75	455708	6A3.0B3.4-SD	6.7	E1	0.38	0.70		
3.95	455709	6A3.2B3.6-SD	7.4	E1	0.38	0.70		
4.15	455710	6A3.4B3.8-SD	8.0	E1	0.38	0.70		
4.35	455711	6A3.6B4.0-SD	8.4	E1	0.00	0.70		
4.55	455712	6A3.8B4.2-SD	9.0	E1	0.00	0.70		
4.75	455713	6A4.0B4.4-SD	10.0	E1	0.00	0.70		
4.95	455714	6A4.2B4.6-SD	10.0	A1	1.31	0.62		
5.15	455715	6A4.4B4.8-SD	10.0	A1	1.31	0.62		
5.35	455716	6A4.6B5.0-SD	12.0	A1	1.31	0.62		
5.55	455717	6A4.8B5.2-SD	13.0	A1	1.31	0.62		
5.75	455718	6A5.0B5.4-SK	13.0	A1	1.31	0.42		
5.95	455719	6A5.2B5.6-SK	14.0	A1	1.31	0.42		
6.15	455720	6A5.4B5.8-SK	12.0	A1	1.31	0.42		
6.35	455721	6A5.6B6.0-SK	15.0	A1	1.31	0.42		
6.55	455722	6A5.8B6.2-SK	15.0	A1	1.31	0.42		
6.75	455723	6A6.0B6.4-SK	17.0	A1	1.31	0.42		
6.95	455724	6A6.2B6.6-SK	17.0	A1	1.31	0.42		
7.15	455725	6A6.4B6.8-SK	19.0	A1	1.31	0.42		
7.35	455726	6A6.6B7.0-SF	18.0	A1	1.69	0.75		
7.75	455727	6A7.0B7.4-SF	22.0	A1	1.69	0.75		
8.35	455728	6A7.6B8.0-SF	23.0	A1	1.69	0.75		
8.95	455729	6A8.2B8.6-SF	26.0	A1	1.69	0.75		
9.75	455730	6A9.0B9.4-SF	27.0	A1	1.69	0.75		
11.35	455731	6A10.6B11.0-SF	32.0	A2	1.69	0.75		
12.75	455732	6A12.0B12.4-SF	39.0	A3	1.50	0.56		
13.95	455733	6A13.2B13.6-SF	38.0	A3	1.69	0.75		
15.75	455734	6A15.0B15.4-SF	50.0	A2	1.81	0.87		
16.35	455735	6A15.6B16.0-SF	44.0	A2	1.81	0.87		
18.75	455736	6A18.0B18.4-SF	62.0	A3	1.75	0.81		
20.35	455737	6B20.0-E	65.0	A3	1.38	0.18		
25.35	455738	6B25.0-E	87.0	A3	1.38	0.18		
30.35	455739	6B30.0-E	111.0	A3	1.38	0.18		
38.35	455740	6B38.0-E	155.0	A3	1.38	0.18		

8-Groove							F = 6.25	
O.D.Δ	Part No.	Description	Wt.	Type‡	M	K		
5.8	455741	8B5.4-SK	15.0	A1	1.88	0.98		
6.0	455742	8B5.6-SK	16.0	A1	1.88	0.98		
6.4	455743	8B6.0-SF	21.0	A1	1.81	0.87		
6.8	455744	8B6.4-SF	23.0	A1	1.81	0.87		
7.2	455745	8B6.8-SF	25.0	A1	1.25	0.31		
7.8	455746	8B7.4-SF	28.0	A1	1.25	1.18		
9.0	455747	8B8.6-E	40.0	A1	2.38	1.18		
9.8	455748	8B9.4-E	43.0	A1	2.38	1.18		
11.4	455749	8B11.0-E	49.0	A1	2.38	1.18		
12.8	455750	8B12.4-E	56.0	A2	2.38	1.18		
15.8	455751	8B15.4-E	69.0	A2	2.38	1.18		
18.8	455752	8B18.4-F	91.0	D3	1.31	0.11		
20.4	455753	8B20.0-F	84.0	D3	1.31	0.11		
25.4	455754	8B25.0-F	111.0	D3	1.31	0.11		
30.4	455755	8B30.0-F	142.0	D3	1.31	0.11		
38.4	455756	8B38.0-F	200.0	D3	1.31	0.11		

10-Groove							F = 7.75	
O.D.Δ	Part No.	Description	Wt.	Type‡	M	K		
5.8	455757	10B5.4-SK	18.0	A1	3.25	2.36		
6.0	455758	10B5.6-SK	19.0	A1	3.50	2.61		
6.4	455759	10B6.0-SF	24.0	A1	3.25	2.31		
6.8	455760	10B6.4-SF	26.0	A1	3.50	2.56		
7.2	455761	10B6.8-SF	28.0	A1	3.00	2.06		
7.8	455762	10B7.4-SF	32.0	A1	2.56	1.62		
9.0	455763	10B8.6-E	47.0	A1	3.13	1.93		
9.8	455764	10B9.4-E	48.0	A1	3.13	1.93		
11.4	455765	10B11.0-E	56.0	A1	3.13	1.93		
12.8	455766	10B12.4-F	64.0	A1	3.13	1.70		
15.8	455767	10B15.4-F	88.0	A2	2.06	0.64		
18.8	455768	10B18.4-F	103.0	A3	2.06	0.64		
20.4	455769	10B20.0-F	99.0	A3	2.06	0.64		
25.4	455770	10B25.0-F	132.0	A3	2.06	0.64		
30.4	455771	10B30.0-F	169.0	A3	2.06	0.64		
38.4	455772	10B38.0-J	257.0	D3	1.44	0.16		

Δ P.D. for "A" Belts = O.D. - .37"
P.D. for "B" Belts = O.D. + .01"

‡ Type 1 = Block Type, 2 = Web, 3 = Arm - See page PT7-2.

V-Drives

FHP Drives

Drive Component Accessories

DYNA-SYNC

HT200/HTD Synchronous Drives

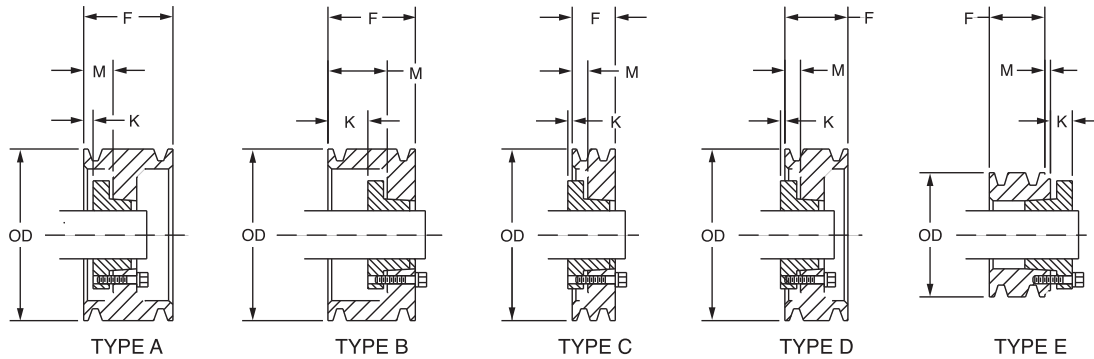
HT500 Synchronous Drives

Roller Chain Sprockets

SELECTION/DIMENSIONS



C QD SHEAVES - Heavy Duty



1-Groove							F = 1.38	
O.D.Δ	Part No.	Description	Wt.	Type‡	M	K		
7.4	455773	1C7.0-SF	9.0	C1	0.13	0.82		
7.9	455774	1C7.5-SF	11.0	C1	0.13	0.82		
8.4	455775	1C8.0-SF	11.0	C1	0.13	0.82		
8.9	455776	1C8.5-SF	12.0	C1	0.13	0.82		
9.4	455777	1C9.0-SF	12.0	C1	0.13	0.82		
9.9	455778	1C9.5-SF	13.0	C1	0.13	0.82		
10.4	455779	1C10.0-SF	14.0	C2	0.13	0.82		
10.9	455780	1C10.5-SF	14.0	C2	0.13	0.82		
11.4	455781	1C11.0-SF	16.0	C2	0.13	0.82		
12.4	455782	1C12.0-SF	17.0	C2	0.13	0.82		
13.4	455783	1C13.0-SF	19.0	C3	0.13	0.82		
14.4	455784	1C14.0-SF	21.0	C3	0.13	0.82		
16.4	455785	1C16.0-SF	24.0	C3	0.13	0.82		
18.4	455786	1C18.0-SF	27.0	C3	0.13	0.82		
20.4	455787	1C20.0-SF	31.0	C3	0.13	0.82		
24.4	455788	1C24.0-SF	38.0	C3	0.13	0.82		

2-Groove							F = 2.37	
O.D.Δ	Part No.	Description	Wt.	Type‡	M	K		
7.4	455789	2C7.0-SF	18.0	D1	0.81	0.13		
7.9	455790	2C7.5-SF	20.0	D1	0.81	0.13		
8.4	455791	2C8.0-SF	19.0	D1	0.81	0.13		
8.9	455792	2C8.5-SF	20.0	D1	0.81	0.13		
9.4	455793	2C9.0-SF	21.0	D1	0.81	0.13		
9.9	455794	2C9.5-SF	22.0	D1	0.81	0.13		
10.4	455795	2C10.0-SF	23.0	D2	0.81	0.13		
10.9	455796	2C10.5-SF	23.0	D2	0.81	0.13		
11.4	455797	2C11.0-SF	25.0	D2	0.81	0.13		
12.4	455798	2C12.0-SF	27.0	D2	0.56	0.38		
13.4	455799	2C13.0-SF	29.0	D3	0.56	0.68		
14.4	455800	2C14.0-SF	34.0	D3	0.56	0.38		
16.4	455801	2C16.0-SF	39.0	D3	0.63	0.32		
18.4	455802	2C18.0-SF	39.0	D2	0.63	0.32		
20.4	455803	2C20.0-SF	43.0	D3	0.56	0.38		
24.4	455804	2C24.0-SF	55.0	D3	0.56	0.38		
27.4	456012	2C27.0-F	72.0	C3	0.56	0.86		
30.4	456805	2C30.0-F	82.0	C3	0.56	0.86		

3-Groove							F = 3.38	
O.D.Δ	Part No.	Description	Wt.	Type‡	M	K		
5.4	455806	+3C5.0-SD	9.0	A1	1.31	0.62		
5.9	455807	+3C5.5-SD	10.0	A1	1.31	0.62		
6.4	455808	+3C6.0-SF	10.0	A1	1.31	0.37		
7.4	455809	3C7.0-SF	20.0	A1	1.13	0.18		
7.9	455810	3C7.5-SF	23.0	A1	1.31	0.37		
8.4	455811	3C8.0-E	33.0	B1	1.75	0.55		
8.9	455812	3C8.5-E	35.0	B1	1.75	0.55		
9.4	455813	3C9.0-E	36.0	B1	1.75	0.55		
9.9	455814	3C9.5-E	37.0	B1	1.75	0.55		
10.4	455815	3C10.0-E	39.0	B1	1.75	0.55		
10.9	455816	3C10.5-E	39.0	B1	1.75	0.55		
11.4	455817	3C11.0-E	40.0	B1	1.75	0.55		
12.4	455818	3C12.0-E	43.0	B2	1.75	0.55		
13.4	455819	3C13.0-E	45.0	B3	1.75	0.55		
14.4	455820	3C14.0-E	51.0	B3	1.75	0.55		
16.4	455821	3C16.0-E	59.0	A3	1.31	0.12		
18.4	455822	3C18.0-E	55.0	D3	0.81	0.38		
20.4	455823	3C20.0-E	60.0	D3	1.00	0.20		
24.4	455824	3C24.0-E	75.0	D3	1.00	0.20		
27.4	456013	3C27.0-F	91.0	D3	0.81	0.61		
30.4	455825	3C30.0-F	104.0	D3	0.81	0.61		
36.4	455826	3C36.0-F	133.0	D3	0.81	0.61		
44.4	455827	3C44.0-F	176.0	D3	0.81	0.61		
50.4	455828	3C50.0-F	211.0	D3	0.81	0.61		

4-Groove							F = 4.37	
O.D.Δ	Part No.	Description	Wt.	Type‡	M	K		
5.4	455829	+4C5.0-SD	11.0	A1	1.56	0.87		
5.9	455830	+4C5.5-SD	12.0	A1	1.56	0.87		
6.4	455831	+4C6.0-SF	11.0	A1	1.56	0.62		
7.4	455832	4C7.0-SF	23.0	A1	1.56	0.62		
7.9	455833	4C7.5-SF	25.0	A1	1.50	0.56		
8.4	455834	4C8.0-E	36.0	A1	2.00	0.80		
8.9	455835	4C8.5-E	39.0	A1	2.00	0.80		
9.4	455836	4C9.0-E	39.0	A1	2.13	0.93		
9.9	455837	4C9.5-E	41.0	A1	2.00	0.80		
10.4	455838	4C10.0-E	43.0	A1	2.13	0.93		
10.9	455839	4C10.5-E	44.0	A1	2.13	0.93		
11.4	455840	4C11.0-E	46.0	A1	2.13	0.93		
12.4	455841	4C12.0-E	50.0	A2	2.13	0.93		
13.4	455842	4C13.0-E	53.0	A3	2.00	0.80		
14.4	455843	4C14.0-E	59.0	A2	1.81	0.62		
16.4	455844	4C16.0-E	69.0	A3	1.94	0.74		
18.4	455845	4C18.0-E	66.0	A3	1.88	0.68		
20.4	455846	4C20.0-E	72.0	A3	1.50	0.30		
24.4	455847	4C24.0-F	95.0	D3	1.31	0.11		
27.4	456014	4C27.0-F	110.0	D3	1.31	0.11		
30.4	455848	4C30.0-F	126.0	D3	1.31	0.11		
36.4	455849	4C36.0-F	162.0	D3	1.31	0.11		
44.4	455850	4C44.0-F	236.0	D3	1.19	0.41		
50.4	455851	4C50.0-J	279.0	D3	1.56	0.04		

Δ Pitch Diameter = O.D.

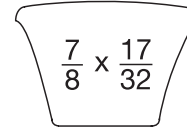
‡ Type 1 = Block Type, 2 = Web, 3 = Arm - See page PT7-2.

+ Recommended CX Belt only



SELECTION/DIMENSIONS

C QD SHEAVES - Heavy Duty



5-Groove							F = 5.37
O.D.Δ	Part No.	Description	Wt.	Type‡	M	K	
6.4	455852	+5C6.0-SF	13.0	A1	1.94	1.00	
7.4	455853	5C7.0-SF	26.0	A1	1.25	0.31	
7.9	455854	5C7.5-SF	28.0	A1	1.88	0.93	
8.4	455855	5C8.0-E	39.0	A1	1.50	0.30	
8.9	455856	5C8.5-E	42.0	A1	1.63	0.43	
9.4	455857	5C9.0-E	43.0	A1	1.63	0.43	
9.9	455858	5C9.5-E	45.0	A1	1.50	0.30	
10.4	455859	5C10.0-E	48.0	A1	1.50	0.30	
10.9	455860	5C10.5-E	50.0	A1	1.50	0.30	
11.4	455861	5C11.0-E	52.0	A1	2.25	1.05	
12.4	455862	5C12.0-E	57.0	A1	2.22	1.02	
13.4	455863	5C13.0-E	61.0	A2	2.00	0.80	
14.4	455864	5C14.0-E	69.0	A2	2.00	0.80	
16.4	455865	5C16.0-E	79.0	A3	2.00	0.80	
18.4	455866	5C18.0-E	74.0	A3	2.38	1.18	
20.4	455867	5C20.0-F	88.0	D3	1.31	0.11	
24.4	455868	5C24.0-F	110.0	D3	1.31	0.11	
27.4	456083	5C27.0-F	128.0	D3	1.31	0.11	
30.4	455869	5C30.0-F	148.0	D3	1.31	0.11	
36.4	455870	5C36.0-J	212.0	D3	1.31	0.29	
44.4	455871	5C44.0-J	274.0	D3	1.31	0.29	
50.0	455872	5C50.0-J	325.0	D3	1.56	0.04	

8-Groove							F = 8.37
O.D.Δ	Part No.	Description	Wt.	Type‡	M	K	
7.4	455894	8C7.0-SF	32.0	A1	4.00	3.06	
8.4	455895	8C8.0-E	49.0	A1	3.25	2.05	
8.9	455896	8C8.5-E	53.0	A1	3.25	2.05	
9.4	455897	8C9.0-F	68.0	A1	2.50	1.08	
9.9	455898	8C9.5-F	74.0	A1	2.50	1.08	
10.4	455899	8C10.0-F	73.0	A1	2.50	1.08	
10.9	455900	8C10.5-F	74.0	A1	2.50	1.08	
11.4	455901	8C11.0-F	78.0	A1	3.38	1.95	
12.4	455902	8C12.0-F	86.0	A1	3.38	1.95	
13.4	455903	8C13.0-F	93.0	A1	3.38	1.95	
14.4	455904	8C14.0-F	102.0	A1	3.38	1.95	
16.4	455905	8C16.0-F	116.0	A3	3.38	1.95	
18.4	455906	8C18.0-F	133.0	A3	3.63	2.20	
20.4	455907	8C20.0-J	147.0	D3	1.56	0.04	
24.4	455908	8C24.0-J	179.0	D3	1.56	0.04	
27.4	456085	8C27.0-J	205.0	D3	1.56	0.04	
30.4	455909	8C30.0-J	233.0	D3	1.56	0.04	
36.4	455910	8C36.0-M	339.0	A3	1.94	0.20	
44.4	455911	8C44.0-M	428.0	A3	1.94	0.20	
50.4	455912	8C50.0-M	502.0	A3	1.94	0.20	

12-Groove							F = 12.37
O.D.Δ	Part No.	Description	Wt.	Type‡	M	K	
9.4	455930	12C9.0-J	92.0	A1	4.06	2.46	
9.9	455931	12C9.5-J	100.0	A1	4.06	2.46	
10.4	455932	33'12C10.0-J	108.0	A1	4.06	2.46	
10.9	455933	12C10.5-J	115.0	A1	4.06	2.46	
11.4	455934	12C11.0-J	125.0	A1	4.06	2.46	
12.4	455935	12C12.0-J	127.0	A1	4.06	2.46	
13.4	455936	12C13.0-J	135.0	A1	4.06	2.46	
14.4	455937	12C14.0-J	145.0	A1	4.06	2.46	
16.4	455938	12C16.0-J	165.0	A2	4.06	2.46	
18.4	455939	12C18.0-J	198.0	A3	4.06	2.46	
20.4	455940	12C20.0-M	277.0	A3	1.94	0.20	
24.4	455941	12C24.0-M	287.0	A3	1.94	0.20	
30.4	455942	12C30.0-M	362.0	A3	1.94	0.20	
36.4	455943	12C36.0-M	446.0	A3	1.94	0.20	
44.4	455944	12C44.0-M	572.0	A3	1.94	0.20	
50.4	455945	12C50.0-M	676.0	A3	1.94	0.20	

6-Groove							F = 6.37
O.D.Δ	Part No.	Description	Wt.	Type‡	M	K	
6.4	455873	+6C6.0-SF	15.0	A1	1.94	1.00	
7.4	455874	6C7.0-SF	29.0	A1	1.94	1.00	
7.9	455875	6C7.5-SF	31.0	A1	1.94	1.18	
8.4	455876	6C8.0-E	42.0	A1	2.38	1.18	
8.9	455877	6C8.5-E	46.0	A1	2.38	1.02	
9.4	455878	6C9.0-F	60.0	A1	2.44	1.02	
9.9	455879	6C9.5-F	66.0	A1	2.44	1.02	
10.4	455880	6C10.0-F	64.0	A1	2.44	1.02	
10.9	455881	6C10.5-F	65.0	A1	2.44	1.02	
11.4	455882	6C11.0-F	68.0	A1	2.44	1.02	
12.4	455883	6C12.0-F	73.0	A1	2.44	1.02	
13.4	455884	6C13.0-F	76.0	A2	2.50	1.08	
14.4	455885	6C14.0-F	85.0	A2	2.44	1.02	
16.4	455886	6C16.0-F	96.0	A3	2.44	1.02	
18.4	455887	6C18.0-F	90.0	A3	2.63	1.20	
20.4	455888	6C20.0-F	100.0	A3	1.94	0.52	
24.4	455889	6C24.0-F	126.0	A3	1.94	0.52	
27.4	456084	6C27.0-J	169.0	D3	0.56	0.04	
30.4	455890	6C30.0-J	191.0	D3	1.56	0.04	
36.4	455891	6C36.0-J	239.0	D3	1.56	0.04	
44.4	455892	6C44.0-J	310.0	D3	1.56	0.04	
50.4	455893	6C50.0-J	415.0	B3	1.94	0.34	

10-Groove							F = 10.37
O.D.Δ	Part No.	Description	Wt.	Type‡	M	K	
8.4	455913	10C8.0-E	76.0	A1	3.25	2.05	
8.9	455914	10C8.5-E	80.0	A1	3.25	2.05	
9.4	455915	10C9.0-J	84.0	A1	3.56	1.96	
9.9	455916	10C9.5-J	91.0	A1	3.56	1.96	
10.4	455917	10C10.0-J	99.0	A1	3.56	1.96	
10.9	455918	10C10.5-J	106.0	A1	3.56	1.96	
11.4	455919	10C11.0-J	115.0	A1	3.56	1.96	
12.4	455920	10C12.0-J	114.0	A1	3.56	1.96	
13.4	456061	10C13.0-J	119.0	A1	3.56	1.96	
14.4	455921	10C14.0-J	128.0	A1	3.63	2.02	
16.4	455922	10C16.0-J	147.0	A1	3.56	1.96	
18.4	455923	10C18.0-J	156.0	A3	3.56	1.96	
20.4	455924	10C20.0-J	171.0	A3	3.56	1.96	
24.4	455925	10C24.0-M	257.0	A3	1.94	0.20	
30.4	455926	10C30.0-M	321.0	A3	1.94	0.20	
36.4	455927	10C36.0-M	393.0	A3	1.94	0.20	
44.4	455928	10C44.0-M	500.0	A3	1.94	0.20	
50.4	455929	10C50.0-M	589.0	A3	1.94	0.20	

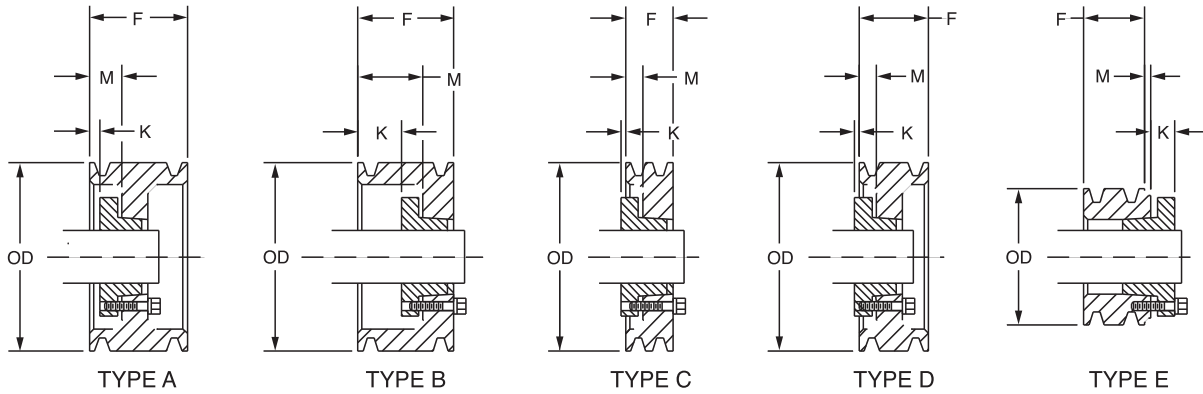
Δ Pitch Diameter = O.D.
 ‡ Type 1 = Block Type, 2 = Web, 3 = Arm - See page PT7-2.
 + Recommended CX Belt only

V-Drives
 FHP Drives
 Drive Component Accessories
 DYNA-SYNC
 HT200/HTD Synchronous Drives
 HT500 Synchronous Drives
 Roller Chain Sprockets

SELECTION/DIMENSIONS



D QD SHEAVES - Heavy Duty



3-Groove F = 4.62						
O.D.Δ	Part No.	Description	Wt.	Type‡	M	K
12.6	455946	3D 12.0-F	83.0	A1	1.50	0.08
13.6	455947	3D 13.0-F	88.0	A1	1.50	0.08
14.1	455948	3D 13.5-F	88.0	A1	1.50	0.08
14.6	455949	3D 14.0-F	111.0	A1	1.50	0.08
15.1	455950	3D 14.5-F	111.0	A1	1.50	0.08
15.6	455951	3D 15.0-F	105.0	A2	1.50	0.08
16.1	455952	3D 15.5-F	105.0	A2	1.50	0.08
16.6	455953	3D 16.0-F	150.0	A2	1.50	0.08
18.6	455954	3D 18.0-J	146.0	D2	1.19	0.41
20.6	455955	3D 20.0-J	117.0	D2	1.19	0.41
22.6	455956	3D 22.0-J	128.0	D2	1.19	0.41
27.6	455957	3D 27.0-J	129.0	D3	1.19	0.41
33.6	455958	3D 33.0-J	200.0	D3	1.19	0.41

4-Groove F = 6.06						
O.D.Δ	Part No.	Description	Wt.	Type‡	M	K
12.6	455960	4D 12.0-F	85.0	A1	2.31	0.89
13.6	455961	4D 13.0-F	76.0	A1	2.31	0.89
14.1	455962	4D 13.5-F	107.0	A1	2.31	0.89
14.6	455983	4D 14.0-F	106.0	A2	2.31	0.89
15.1	455964	4D 14.5-F	106.0	A2	2.31	0.89
15.6	455965	4D 15.0-F	110.0	A2	2.31	0.89
16.1	455966	4D 15.5-F	110.0	A2	2.31	0.89
16.6	455967	4D 16.0-F	150.0	A2	2.31	0.89
18.6	455968	4D 18.0-J	146.0	D2	1.56	0.04
20.6	455969	4D 20.0-J	137.0	D2	1.56	0.04
22.6	455970	4D 22.0-J	151.0	D2	1.56	0.04
27.6	455971	4D 27.0-J	190.0	D3	1.56	0.04
33.6	455972	4D 33.0-M	288.0	C3	1.06	0.68
40.6	455973	4D 40.0-M	354.0	C3	1.06	0.68
48.6	455974	4D 48.0-M	439.0	C3	1.06	0.68

5-Groove F = 7.50						
O.D.Δ	Part No.	Description	Wt.	Type‡	M	K
12.6	455976	5D 12.0-F	98.0	A1	3.06	1.64
13.6	455977	5D 13.0-F	114.0	A1	3.06	1.64
14.1	455978	5D 13.5-F	134.0	A1	3.06	1.64
14.6	455979	5D 14.0-F	140.0	A1	3.06	1.64
15.1	455980	5D 14.5-F	140.0	A1	3.06	1.64
15.6	455981	5D 15.0-F	146.0	A2	3.06	1.64
16.1	455982	5D 15.5-F	146.0	A2	3.06	1.64
16.6	455983	5D 16.0-F	143.0	A2	3.06	1.64
18.6	455984	5D 18.0-J	164.0	D2	1.56	0.04
20.6	455985	5D 20.0-J	157.0	D2	0.69	0.91
22.6	455986	5D 22.0-J	174.0	D3	1.56	0.04
27.6	455987	5D 27.0-M	268.0	A3	1.94	0.20
33.6	455988	5D 33.0-M	329.0	A3	1.94	0.20
40.6	455989	5D 40.0-M	408.0	A3	1.94	0.20
48.6	455990	5D 48.0-M	510.0	A3	1.94	0.20

6-Groove F = 8.93						
O.D.Δ	Part No.	Description	Wt.	Type‡	M	K
12.6	455992	6D 12.0-J	126.0	A1	3.31	1.71
13.6	455993	6D 13.0-J	140.0	A1	3.31	1.71
14.1	455994	6D 13.5-J	140.0	A1	3.31	1.71
14.6	455995	6D 14.0-J	159.0	A1	3.31	1.71
15.1	455996	6D 14.5-J	162.0	A1	3.31	1.71
15.6	455997	6D 15.0-J	162.0	A2	3.31	1.71
16.1	455998	6D 15.5-J	162.0	A2	3.31	1.71
16.6	456000	6D 16.0-M	199.0	A1	3.88	2.27
18.6	456001	6D 18.0-J	223.0	A2	3.88	2.27
20.6	456002	6D 20.0-J	178.0	A2	3.88	2.27
22.6	456003	6D 22.0-M	246.0	A2	3.16	1.42
27.6	456004	6D 27.0-M	298.0	A3	1.94	0.20
33.6	456005	6D 33.0-M	369.0	A3	1.94	0.20
40.6	456006	6D 40.0-M	462.0	A3	1.94	0.20
48.6	456007	6D 48.0-M	581.0	A3	1.94	0.20
58.6	456008	6D 58.0-N	764.0	D3	1.34	0.71

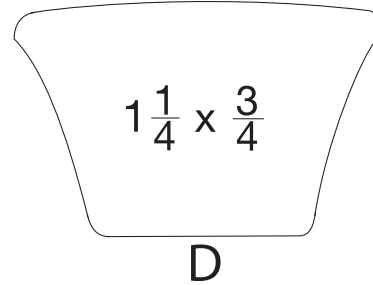
Δ Pitch Diameter = O.D.

‡ Type 1 = Block Type, 2 = Web, 3 = Arm - See page PT7-2.



SELECTION/DIMENSIONS

D QD SHEAVES - Heavy Duty



8-Groove			F = 11.81			
O.D.Δ	Part No.	Description	Wt.	Type‡	M	K
12.6	456009	8D 12.0-J	151.0	A1	3.56	1.96
13.6	456010	8D 13.0-J	168.0	A1	3.56	1.96
14.1	456011	8D 13.5-J	168.0	A1	3.56	1.96
14.6	456015	8D 14.0-J	181.0	A1	3.56	1.96
15.1	456016	8D 14.5-J	181.0	A1	3.56	1.96
15.6	456017	8D 15.0-J	216.0	A1	3.56	1.96
16.1	456018	8D 15.5-J	216.0	A1	3.56	1.96
16.6	456019	8D 16.0-J	237.0	A1	3.56	1.96
18.6	456020	8D 18.0-M	249.0	A2	4.19	2.45
20.6	456021	8D 20.0-M	299.0	A2	4.38	2.64
22.6	456022	8D 22.0-M	292.0	A2	2.34	0.60
27.6	456023	8D 27.0-M	360.0	A3	2.19	0.45
33.6	456024	8D 33.0-M	451.0	A3	1.94	0.20
40.6	456025	8D 40.0-N	588.0	A3	2.25	0.20
48.6	456026	8D 48.0-N	739.0	A3	2.25	0.20
58.6	456027	8D 58.0-N	950.0	D3	2.78	0.73

10-Groove			F = 14.68			
O.D.Δ	Part No.	Description	Wt.	Type‡	M	K
12.6	456028	10D 12.0-M	153.0	A1	3.94	2.20
13.6	456029	10D 13.0-M	180.0	A1	3.81	2.07
14.1	456030	10D 13.5-M	186.0	A1	3.94	2.20
14.6	456031	10D 14.0-M	221.0	A1	3.81	2.07
15.1	456032	10D 14.5-M	221.0	A1	3.81	2.07
15.6	456033	10D 15.0-M	247.0	A1	3.94	2.20
16.1	456034	10D 15.5-M	270.0	A1	3.94	2.20
16.6	456035	10D 16.0-M	267.0	A1	1.88	0.14
18.6	456036	10D 18.0-M	274.0	A1	3.88	2.14
20.6	456037	10D 20.0-M	341.0	A2	3.50	1.76
22.6	456038	10D 22.0-M	339.0	A2	2.94	1.20
27.6	456039	10D 27.0-M	422.0	A3	2.94	1.20
33.6	456040	10D 33.0-N	552.0	A3	3.25	1.20
40.6	456041	10D 40.0-N	696.0	A3	3.38	1.33
48.6	456042	10D 48.0-P	926.0	A3	2.63	0.32
58.6	456043	10D 58-P	1179.0	D3	3.72	1.42

Δ Pitch Diameter = O.D.

‡ Type 1 = Block Type, 2 = Web, 3 = Arm - See page PT7-2.

WARNING: The sheaves listed in this catalog must not be used with the high modulus belts unless approved by factory. Do not use with belt speeds exceeding 6500 fpm. May cause sheaves to fragment resulting in personal injury or property damage.

12-Groove			F = 17.56			
O.D.Δ	Part No.	Description	Wt.	Type‡	M	K
12.6	456044	12D12.0--M	180.0	A-1	7.31	4.94
12.6	456045	12D13.0--M	230.0	A-1	7.31	4.94
14.6	456047	12D14.0--M	256.0	A-1	7.31	4.94
15.1	456048	12D14.5-M	270.0	A-1	7.31	4.94
15.6	456049	12D15.0--M	285.0	A-1	7.31	4.94
16.1	456050	12D15.5--M	285.0	A-1	7.31	4.94
16.6	456051	12D16.0--M	300.0	A-2	7.31	4.94
18.6	456052	12D18.0-M	320.0	A-2	7.31	4.94
22.6	456054	12D22.0--M	376.0	A-3	8.31	3.94
27.6	456055	12D27.0--N	500.0	A-3	6.94	4.25
33.6	456056	12D33.0--N	662.0	A-3	6.94	4.25
40.6	456057	12D40.0-P	850.0	A-3	7.56	2.63
48.6	456059	12D48.0-P	1100.0	A-3	7.56	2.63
58.6	456060	12D58.0-P	1158.0	A-3	7.56	2.63

Pitch Diameter = O.D.

‡ Type 1 = Block Type, 2 = Web, 3 = Arm - See page PT7-2

SELECTION/DIMENSIONS



3V QD SHEAVES - Standard Duty

1-Groove		F = .69 up to and including 10.60 O.D. Balance .81				
O.D.Δ	Part No.	Description	Wt.	Type‡	M	K
# 2.20	D1-3V22	1/3V2.2-JA	0.8	E1	0.00	1.02
# 2.35	D1-3V235	1/3V2.35-JA	0.85	E1	0.00	1.02
# 2.50	D1-3V25	1/3V2.5-JA	0.92	E1	0.00	1.02
2.65	D1-3V265	1/3V2.65-JA	0.5	D1	0.06	0.45
2.80	D1-3V28	1/3V2.8-JA	0.7	D1	0.06	0.45
3.00	D1-3V30	1/3V3.0-JA	0.7	D1	0.06	0.45
3.15	D1-3V315	1/3V3.15-JA	0.7	D1	0.06	0.45
3.35	D1-3V335	1/3V3.35-JA	1.1	D1	0.06	0.45
3.65	D1-3V365	1/3V3.65-SH	1.3	E1	0.00	0.63
4.12	D1-3V412	1/3V4.12-SH	1.8	E1	0.00	0.63
4.50	D1-3V45	1/3V4.5-SH	2.2	E1	0.00	0.63
4.75	D1-3V475	1/3V4.75-SH	2.2	E1	0.00	0.63
5.00	D1-3V50	1/3V5.0-SH	2.9	E1	0.00	0.63
5.30	D1-3V53	1/3V5.3-SH	3.3	E1	0.00	0.63
5.60	D1-3V56	1/3V5.6-SH	3.7	E1	0.00	0.63
6.00	D1-3V60	1/3V6.0-SH	3.9	E2	0.00	0.63
6.50	D1-3V65	1/3V6.5-SH	4.9	E2	0.00	0.63
6.90	D1-3V69	1/3V6.9-SH	5.5	E2	0.00	0.63
8.00	D1-3V80	1/3V8.0-SDS	5.1	E3	0.00	0.69
10.60	D1-3V106	1/3V10.6-SDS	8.6	E3	0.00	0.69
14.00	D1-3V140	1/3V14.0-SK	15.3	C3	0.00	0.81
19.00	D1-3V190	1/3V19.0-SK	18.3	C3	0.00	0.91

2-Groove		F = 1.09				
O.D.Δ	Part No.	Description	Wt.	Type‡	M	K
# 2.20	D2-3V22	2/3V2.2-JA	0.9	E1	0.00	1.02
# 2.35	D2-3V235	2/3V2.35-JA	1.0	E1	0.00	1.02
# 2.50	D2-3V25	2/3V2.5-JA	1.1	E1	0.00	1.02
## 2.65	D2-3V265	2/3V2.65-JA	0.8	D1	0.13	0.39
## 2.80	D2-3V28	2/3V2.8-JA	1.0	D1	0.13	0.39
## 3.00	D2-3V30	2/3V3.0-JA	1.2	D1	0.13	0.39
## 3.15	D2-3V315	2/3V3.15-JA	1.4	D1	0.13	0.39
## 3.35	D2-3V335	2/3V3.35-SH	1.2	D1	0.13	0.50
## 3.65	D2-3V365	2/3V3.65-SH	1.6	D1	0.13	0.50
4.12	D2-3V412	2/3V4.12-SH	2.2	D1	0.34	0.28
4.50	D2-3V45	2/3V4.5-SH	2.7	D1	0.34	0.28
4.75	D2-3V475	2/3V4.75-SH	3.2	D1	0.34	0.28
5.00	D2-3V50	2/3V5.0-SH	3.7	D1	0.34	0.28
5.30	D2-3V53	2/3V5.3-SH	4.2	D1	0.34	0.28
5.60	D2-3V56	2/3V5.6-SH	4.6	D1	0.34	0.28
6.00	D2-3V60	2/3V6.0-SH	5.0	D2	0.34	0.28
6.50	D2-3V65	2/3V6.5-SDS	5.8	D2	0.31	0.38
6.90	D2-3V69	2/3V6.9-SDS	6.4	D2	0.31	0.38
8.00	D2-3V80	2/3V8.0-SDS	6.6	D3	0.31	0.38
10.60	D2-3V106	2/3V10.6-SK	11.7	C3	0.19	0.63
14.00	D2-3V140	2/3V14.0-SK	17.9	C3	0.19	0.63
19.00	D2-3V190	2/3V19.0-SK	26.6	E3	0.00	0.81
25.00	D2-3V250	2/3V25.0-SF	33.4	C3	0.00	0.81

3-Groove		F = 1.50				
O.D.Δ	Part No.	Description	Wt.	Type‡	M	K
## 2.65	D3-3V265	3/3V2.65-JA	1.1	D1	0.13	0.39
## 2.80	D3-3V28	3-3V2.8-JA	1.3	D1	0.13	0.39
* 3.00	D3-3V30	3/3V3.0-SH	1.6	E1	0.00	1.03
* 3.15	D3-3V315	3/3V3.15-SH	2.0	E1	0.00	1.00
## 3.35	D3-3V3.35	3/3V3.35-SH	1.8	D1	0.06	0.56
## 3.65	D3-3V365	3/3V3.65-SH	2.4	D1	0.06	0.56
4.12	D3-3V412	3/3V4.12-SH	2.7	D1	0.63	0.00
4.50	D3-3V450	3/3V4.50-SDS	3.0	D1	0.69	0.00
4.75	D3-3V475	3/3V4.75-SDS	3.7	D1	0.69	0.00
5.00	D3-3V50	3/3V5.0-SDS	4.2	D1	0.69	0.00
5.30	D3-3V53	3/3V5.3-SDS	4.7	D1	0.69	0.00
5.60	D3-3V56	3/3V5.6-SDS	5.2	D1	0.69	0.00
6.00	D3-3V60	3/3V6.0-SDS	6.2	D1	0.69	0.00
6.50	D3-3V65	3/3V6.5-SDS	6.7	D2	0.69	0.00
6.90	D3-3V69	3/3V6.9-SDS	7.5	D2	0.69	0.00
8.00	D3-3V80	3/3V8.0-SK	9.8	D3	0.19	0.63
10.60	D3-3V106	3/3V10.6-SK	14.0	D3	0.19	0.63
14.00	D3-3V140	3/3V14.0-SK	19.4	D3	0.19	0.63
19.00	D3-3V190	3/3V19.0-SF	32.1	E3	0.00	0.81
25.00	D3-3V250	3/3V25.0-SF	38.5	E3	0.00	0.81
33.50	D3-3V335	3/3V33.5-SF	79.3	D3	0.10	0.72

4-Groove		F = 1.90				
O.D.Δ	Part No.	Description	Wt.	Type‡	M	K
## 2.65	D4-3V2.65	4/3V2.65-JA	1.4	D1	0.13	0.39
## 2.80	D4-3V28	4/3V2.8-JA	1.6	D1	0.13	0.39
# 3.00	D4-3V30	4/3V3.0-SH	2.3	E1	0.00	1.03
# 3.15	D4-3V315	4/3V3.15-SH	2.7	E1	0.00	1.00
## 3.35	D4-3V3.35	4/3V3.35-SH	2.3	D1	0.13	0.50
## 3.65	D4-3V365	4/3V3.65-SH	3.1	D1	0.13	0.50
4.12	D4-3V412	4/3V4.12-SH	3.2	A1	0.81	0.19
4.50	D4-3V45	4/3V4.5-SDS	3.4	A1	0.88	0.19
4.75	D4-3V475	4/3V4.75-SDS	4.4	A1	0.81	0.13
5.00	D4-3V50	4/3V5.0-SDS	5.0	A1	0.81	0.13
5.30	D4-3V53	4/3V5.3-SDS	6.0	A1	0.75	0.13
5.60	D4-3V56	4/3V5.6-SDS	6.2	A1	0.81	0.13
6.00	D4-3V60	4/3V6.0-SK	7.8	D1	0.56	0.25
6.50	D4-3V65	4/3V6.5-SK	9.5	D1	0.56	0.25
6.90	D4-3V69	4/3V6.9-SK	11.1	D1	0.56	0.25
8.00	D4-3V80	4/3V8.0-SK	11.2	D3	0.56	0.25
10.60	D4-3V106	4/3V10.6-SK	16.0	D3	0.56	0.25
14.00	D4-3V140	4/3V14.0-SK	25.0	D3	0.56	0.25
19.00	D4-3V190	4/3V19.0-SF	39.8	C3	0.75	0.06
25.00	D4-3V250	4/3V25.0-SF	51.1	D3	0.38	0.44
33.50	D4-3V335	4/3V33.5-E	94.1	D3	0.28	0.78

* For 3-3V3.00; F=1.912", For 3-3V3.15; F=1 7/8

P.D. for "3V" Belts = O.D.

‡ Type 1 = Block Type, 2 = Web, 3 = Arm – See page PT7-2

Reverse Mount Only

This sheave can only be reverse mounted with standard bushing bolts. Special bolts required for conventional mounting.



SELECTION/DIMENSIONS

5V QD SHEAVES - Standard Duty

5-Groove							F = 2.31	
O.D.Δ	Part No.	Description	Wt.	Type‡	M	K		
4.75	D5-3V475	5/3V4.75-SDS	4.7	A1	0.81	0.13		
5.00	D5-3V50	5/3V5.0-SDS	6	A1	0.81	0.13		
5.30	D5-3V53	5/3V5.3-SK	6.2	A1	0.88	0.06		
5.60	D5-3V56	5/3V5.6-SK	7.4	A1	0.84	0.03		
6.00	D5-3V60	5/3V6.0-SK	8.8	A1	0.88	0.06		
6.50	D5-3V65	5/3V6.5-SK	9.9	A1	0.88	0.06		
6.90	D5-3V69	5/3V6.9-SK	11.5	A1	0.84	0.03		
8.00	D5-3V80	5/3V8.0-SK	14.5	A2	0.88	0.06		
10.60	D5-3V106	5/3V10.6-SK	19.3	A3	0.97	0.16		
14.00	D5-3V140	5/3V14.0-SF	26.5	D3	0.72	0.09		
19.00	D5-3V190	5/3V19.0-SF	33.9	A3	0.91	0.09		
25.00	D5-3V250	5/3V25.0-E	60.7	D3	0.63	0.44		
33.50	D5-3V335	5/3V33.5-E	107	D3	0.69	0.38		

6-Groove							F = 2.72	
O.D.Δ	Part No.	Description	Wt.	Type‡	M	K		
# 4.75	D6-3V475	6/3V4.75-SK	5.8	E1	0.00	0.81		
# 5.00	D6-3V50	6/3V5.0-SK	7.1	E1	0.00	0.81		
5.30	D6-3V53	6/3V5.3-SK	6.8	A1	1.28	0.47		
5.60	D6-3V56	6/3V5.6-SK	8.2	A1	1.25	0.44		
6.00	D6-3V60	6/3V6.0-SK	9.7	A1	1.25	0.44		
6.50	D6-3V65	6/3V6.5-SK	10.8	A1	0.88	0.06		
6.90	D6-3V69	6/3V6.9-SK	12.2	A1	1.25	0.44		
8.00	D6-3V80	6/3V8.0-SK	16	A2	0.88	0.06		
10.60	D6-3V106	6/3V10.6-SF	18.7	A3	0.97	0.16		
14.00	D6-3V140	6-3V14.0-SF	30.5	A3	0.90	0.09		
19.00	D6-3V190	6/3V19.0-E	47.6	D3	1.03	0.03		
25.00	D6-3V250	6/3V25.0-E	66.9	D3	1.03	0.03		
33.50	D6-3V335	6/3V33.5-E	121.6	A3	1.09	0.03		

8-Groove							F = 3.53	
O.D.Δ	Part No.	Description	Wt.	Type‡	M	K		
# 4.75	D8-3V475	8/3V4.75-SK	7.2	E1	0.00	0.81		
# 5.00	D8-3V50	8/3V5.0-SK	8.9	E1	0.00	0.81		
5.30	D8-3V53	8/3V5.3-SK	8.3	A1	1.25	0.44		
5.60	D8-3V56	8/3V5.6-SK	9.5	A1	1.25	0.44		
6.00	D8-3V60	8/3V6.0-SK	11.7	A1	1.25	0.44		
6.50	D8-3V65	8/3V6.5-SK	13.6	A1	1.25	0.44		
6.90	D8-3V69	8/3V6.9-SK	15.4	A1	1.25	0.44		
8.00	D8-3V80	8/3V8.0-SF	19.2	A2	1.13	0.31		
10.60	D8-3V106	8/3V10.6-SF	22.5	A3	0.97	0.16		
14.00	D8-3V140	8/3V14.0-E	42.9	D3	0.94	0.13		
19.00	D8-3V190	8/3V19.0-E	66.6	D3	0.94	0.13		
25.00	D8-3V250	8/3V25.0-E	92.2	D3	0.88	0.19		
33.50	D8-3V335	8/3V33.5-F	153	D3	0.75	0.47		

10-Groove							F = 4.34	
O.D.Δ	Part No.	Description	Wt.	Type‡	M	K		
# 4.75	D10-3V475	10/3V4.75-SK	8.6	E1	0.00	0.81		
# 5.00	D10-3V50	10/3V5.0-SK	10.7	E1	0.00	0.81		
5.30	D10-3V53	10/3V5.3-SK	9.6	A1	1.38	0.56		
5.60	D10-3V56	10-3V5.6-SK	11.9	A1	1.38	0.56		
6.00	D10-3V60	10/3V6.0-SK	13.45	A1	1.38	0.56		
6.50	D10-3V65	10/3V6.5-SK	14.1	A1	1.38	0.56		
6.90	D10-3V69	10/3V6.9-SK	17.5	A1	1.38	0.56		
8.00	D10-3V80	10/3V8.0-SF	21.55	A2	1.50	0.69		
10.60	D10-3V106	10/3V10.6-E	31.6	D2	1.06	0.00		
14.00	D10-3V140	10/3V14.0-E	41.6	D3	1.06	0.00		
19.00	D10-3V190	10/3V19.0-E	74	D3	1.06	0.00		
25.00	D10-3V250	10/3V25.0--F	105	D3	1.16	0.06		
33.50	D10-3V335	10/3V33.5-F	180	D3	1.16	0.06		

Reverse Mount Only

P.D. for "3V" Belts = O.D.

‡ Type 1 = Block Type, 2 = Web, 3 = Arm – See page PT7-2

V-Drives

FHP Drives

Drive Component Accessories

DYNA-SYNC

HT200/HTD Synchronous Drives

HT500 Synchronous Drives

Roller Chain Sprockets

SELECTION/DIMENSIONS



5V QD SHEAVES - Standard Duty

2-Groove							F = 1.69		3-Groove							F = 2.38	
O.D.Δ	Part No.	Description	Wt.	Type‡	M	K			O.D.Δ	Part No.	Description	Wt.	Type‡	M	K		
# + 4.40	D2-5V44	2/5V4.4-SH	3.4	D1	0.16	0.47			# + 4.40	D3-5V44	3/5V4.4-SDS	4.3	E1	0.00	0.69		
## + 4.65	D2-5V465	2/5V4.65-SDS	3.6	E1	0.00	0.69			# + 4.65	D3-5V465	3/5V4.65-SDS	5.2	E1	0.00	0.69		
+ 4.90	D2-5V49	2/5V4.9-SDS	3.9	D1	0.69	0.22			+ 4.90	D3-5V49	3/5V4.9-SDS	4.9	A1	1.06	0.38		
+ 5.20	D2-5V52	2/5V5.2-SDS	4.8	D1	0.47	0.22			+ 5.20	D3-5V52	3/5V5.2-SDS	6.1	A1	1.06	0.38		
+ 5.50	D2-5V55	2/5V5.5-SDS	5.5	D1	0.47	0.22			+ 5.50	D3-5V55	3/5V5.5-SDS	6.4	A1	1.00	0.31		
+ 5.90	D2-5V59	2/5V5.9-SDS	6.5	D1	0.47	0.22			+ 5.90	D3-5V59	3/5V5.9-SDS	8.2	A1	1.00	0.31		
+ 6.30	D2-5V63	2/5V6.3-SK	9.6	D1	0.38	0.44			+ 6.30	D3-5V63	3/5V6.3-SK	9	A1	1.25	0.25		
+ 6.70	D2-5V67	2/5V6.7-SK	9.3	D1	0.38	0.44			+ 6.70	D3-5V67	3/5V6.7-SK	12.7	A1	1.06	0.25		
7.10	D2-5V71	2/5V7.1-SK	10.6	D1	0.44	0.38			7.10	D3-5V71	3/5V7.1-SF	12.3	D1	0.75	0.06		
7.50	D2-5V75	2/5V7.5-SK	12.1	D1	0.44	0.38			7.50	D3-5V75	3/5V7.5-SF	13.8	D1	0.75	0.06		
8.00	D2-5V80	2/5V8.0-SK	14.3	D1	0.44	0.38			8.00	D3-5V80	3/5V8.0-SF	16.2	D1	0.75	0.06		
8.50	D2-5V85	2/5V8.5-SK	16.2	D1	0.44	0.38			8.50	D3-5V85	3/5V8.5-SF	18.3	D1	0.75	0.06		
9.00	D2-5V90	2/5V9.0-SK	18.5	D1	0.44	0.38			9.00	D3-5V90	3/5V9.0-SF	20.6	D1	0.75	0.06		
9.25	D2-5V925	2/5V9.25-SK	17	D2	0.44	0.38			9.25	D3-5V925	3/5V9.25-SF	20.2	D2	0.75	0.06		
9.75	D2-5V975	2/5V9.75-SK	18.2	D2	0.44	0.38			9.75	D3-5V975	3/5V9.75-SF	20.8	D2	0.75	0.06		
10.30	D2-5V103	2/5V10.3-SK	18	D2	0.44	0.38			10.30	D3-5V103	3/5V10.3-SF	20.5	D2	1.00	0.06		
10.90	D2-5V109	2/5V10.9-SK	20.8	D2	0.44	0.38			10.90	D3-5V109	3/5V10.9-SF	23.4	D2	0.75	0.06		
11.30	D2-5V113	2/5V11.3-SK	16.9	D3	0.44	0.38			11.30	D3-5V113	3/5V11.3-SF	22.7	D3	0.75	0.06		
11.80	D2-5V118	2/5V11.8-SK	18.6	D3	0.44	0.38			11.80	D3-5V118	3/5V11.8-SF	24.4	D3	0.75	0.06		
12.50	D2-5V125	2/5V12.5-SF	20.8	D3	0.44	0.38			12.50	D3-5V125	3/5V12.5-E	31.1	D3	0.38	0.69		
13.20	D2-5V132	2/5V13.2-SF	22	D3	0.44	0.38			13.20	D3-5V132	3/5V13.2-E	32.2	D3	0.38	0.69		
14.00	D2-5V140	2/5V14.0-SF	24.8	D3	0.44	0.38			14.00	D3-5V140	3/5V14.0-E	35.5	D3	0.75	0.69		
15.00	D2-5V150	2/5V15.0-SF	26.6	D3	0.44	0.38			15.00	D3-5V150	3/5V15.0-E	38.3	D3	0.38	0.69		
16.00	D2-5V160	2/5V16.0-SF	34.9	D3	0.44	0.38			16.00	D3-5V160	3/5V16.0-E	40.1	D3	0.38	0.69		
18.70	D2-5V187	2/5V18.7-SF	43.8	D3	0.44	0.38			18.70	D3-5V187	3/5V18.7-E	46.6	D3	0.75	0.31		
21.20	D2-5V212	2/5V21.2--SF	43.8	D3	0.44	0.38			21.20	D3-5V212	3/5V21.2-E	57.2	D3	0.38	0.69		
23.60	D2-5V236	2/5V23.6--E	61.7	C3	0.75	0.31			23.60	D3-5V236	3/5V23.6-E	73	D3	0.72	0.34		
28.00	D2-5V280	2/5V28.0-E	73	C3	0.75	0.31			28.00	D3-5V280	3/5V28.0-E	97	D3	0.75	0.31		
31.50	---	---	---	---	---	---			31.50	D3-5V315	3/5V31.5--F	128	C3	0.25	0.97		
37.50	---	---	---	---	---	---			37.50	D3-5V375	3/5V37.5--F	158	C3	0.25	0.97		
50.00	---	---	---	---	---	---			50.00	D3-5V500	3/5V50.0-F	218	C3	0.25	0.97		

+ 5VX Belts only on these sizes.

Reverse Mount Only

This sheave can only be reverse mounted with standard bushing bolts. Special bolts required for conventional mounting.

P.D. for "5V" Belts = O.D.

‡ Type 1 = Block Type, 2 = Web, 3 = Arm – See page PT7-2.



SELECTION/DIMENSIONS

5V QD SHEAVES - Standard Duty

4-Groove							5-Groove						
F = 3.06							F = 3.75						
O.D.Δ	Part No.	Description	Wt.	Type‡	M	K	O.D.Δ	Part No.	Description	Wt.	Type‡	M	K
# + 4.40	D4-5V44	4/5V4.4-SD	5.4	E1	0.00	0.69	# + 4.40	D5-5V44	5/5V4.4-SD	6.3	E1	0.00	0.69
# + 4.65	D4-5V465	4/5V4.65-SD	6.1	E1	0.00	0.69	# + 4.65	D5-5V465	5-5V4.65-SD	7	E1	0.00	0.69
+ 4.90	D4-5V49	4/5V4.9-SD	6.5	A1	1.31	0.63	+ 4.90	D5-5V49	5/5V4.9-SD	7.9	A1	1.31	0.63
+ 5.20	D4-5V52	4/5V5.2-SD	8.2	A1	1.31	0.63	+ 5.20	D5-5V52	5/5V5.2-SD	9.7	A1	1.31	0.63
+ 5.50	D4-5V55	4/5V5.5-SD	9.4	A1	1.31	0.63	+ 5.50	D5-5V55	5/5V5.5-SD	10.9	A1	1.31	0.63
+ 5.90	D4-5V59	4/5V5.9-SD	10	A1	1.31	0.63	+ 5.90	D5-5V59	5/5V5.9-SK	11.2	A1	1.31	0.50
+ 6.30	D4-5V63	4/5V6.3-SK	11.7	A1	1.31	0.50	+ 6.30	D5-5V63	5/5V6.3-SK	12.2	A1	1.31	0.50
+ 6.70	D4-5V67	4/5V6.7-SK	13.4	A1	1.31	0.50	+ 6.70	D5-5V67	5/5V6.7-SF	13.2	A1	1.31	0.50
7.10	D4-5V71	4/5V7.1-SF	14.5	D1	0.81	0.00	7.10	D5-5V71	5/5V7.1-SF	16.7	A1	1.13	0.31
7.50	D4-5V75	4/5V7.5-SF	16.3	D1	0.81	0.00	7.50	D5-5V75	5/5V7.5-SF	18.5	A1	1.13	0.31
8.00	D4-5V80	4/5V8.0-E	17.9	D1	1.06	0.00	8.00	D5-5V80	5/5V8.0-E	20	A1	1.38	0.31
8.50	D4-5V85	4/5V8.5-E	21.7	D1	1.06	0.00	8.50	D5-5V85	5/5V8.5-E	24.4	A1	1.38	0.31
9.00	D4-5V90	4/5V9.0-E	24.4	D1	1.06	0.00	9.00	D5-5V90	5/5V9.0-E	27.4	A1	1.38	0.31
9.25	D4-5V925	4/5V9.25-E	26.2	D1	1.06	0.00	9.25	D5-5V925	5/5V9.25-E	29.2	A1	1.38	0.31
9.75	D4-5V975	4/5V9.75-E	29.4	A1	1.44	0.38	9.75	D5-5V975	5/5V9.75-E	32.8	A1	1.38	0.31
10.30	D4-5V103	4/5V10.3-E	28.6	D2	1.06	0.00	10.30	D5-5V103	5/5V10.3-E	31.1	A2	1.38	0.31
10.90	D4-5V109	4/5V10.9-E	30.3	D2	1.06	0.00	10.90	D5-5V109	5/5V10.9-E	33	A2	1.38	0.31
11.30	D4-5V113	4/5V11.3-E	30.9	A2	1.44	0.38	11.30	D5-5V113	5/5V11.3-E	35	A2	1.38	0.31
11.80	D4-5V118	4/5V11.8-E	32.5	D2	1.06	0.00	11.80	D5-5V118	5/5V11.8-E	37.3	A2	1.38	0.31
12.50	D4-5V125	4/5V12.5-E	35	A3	1.44	0.38	12.50	D5-5V125	5/5V12.5-E	38.9	A2	1.38	0.31
13.20	D4-5V132	4/5V13.2-E	37.4	D3	1.06	0.00	13.20	D5-5V132	5/5V13.2-E	41.8	A2	1.38	0.31
14.00	D4-5V140	4/5V14.0-E	41.1	D3	1.06	0.00	14.00	D5-5V140	5/5V14.0-E	45.3	A3	1.38	0.31
15.00	D4-5V150	4/5V15.0-E	43.7	D3	1.06	0.00	15.00	D5-5V150	5/5V15.0-E	49.1	A3	1.38	0.31
16.00	D4-5V160	4/5V16.0-E	46.9	D3	1.06	0.00	16.00	D5-5V160	5/5V16.0-E	51.9	A3	1.38	0.31
18.70	D4-5V187	4/5V18.7-E	58.5	A3	1.25	0.19	18.70	D5-5V187	5/5V18.7-F	86	D3	0.94	0.28
21.20	D4-5V212	4/5V21.2-E	77	A3	1.25	0.19	21.20	D5-5V212	5/5V21.2-F	84.7	D3	1.00	0.22
23.60	D4-5V236	4/5V23.6-F	98	D3	0.56	0.66	23.60	D5-5V236	5/5V23.6-F	111	D3	1.00	0.22
28.00	D4-5V280	4/5V28.0--F	118	D3	0.56	0.66	28.00	D5-5V280	5/5V28.0-F	128	D3	1.00	0.22
31.50	D4-5V315	4/5V31.5-F	141	C3	0.88	0.34	31.50	D5-5V315	5/5V31.5--J	174	D3	0.27	0.30
37.50	D4-5V375	4/5V37.5-F	178	D3	0.56	0.66	37.50	D5-5V375	5/5V37.5-J	199	D3	0.53	0.88
50.00	D4-5V500	4/5V50.0-J	269	C3	0.69	0.94	50.00	D5-5V500	5/5V50.0-J	319	D3	0.53	0.88

+ 5VX Belts only on these sizes.

Reverse Mount Only

This sheave can only be reverse mounted with standard bushing bolts. Special bolts required for conventional mounting.

P.D. for "5V" Belts = O.D.

‡ Type 1 = Block Type, 2 = Web, 3 = Arm – See page PT7-2.

SELECTION/DIMENSIONS



5V QD SHEAVES - Standard Duty

8-Groove							F = 5.81
O.D.Δ	Part No.	Description	Wt.	Type‡	M	K	
7.10	D8-5V71	8/5V7.1-SF	23	A1	1.88	1.06	
7.50	D8-5V75	8/5V7.5-SF	25.4	A1	1.88	1.06	
8.00	D8-5V80	8/5V8.0-E	26	A1	2.13	1.06	
8.50	D8-5V85	8/5V8.5-E	33	A1	2.13	1.06	
9.00	D8-5V90	8/5V9.0-E	36	A1	2.13	1.06	
9.25	D8-5V925	8/5V9.25-F	42	A1	2.25	1.03	
9.75	D8-5V975	8/5V9.75-F	47	A1	2.25	1.03	
10.30	D8-5V103	8/5V10.3-F	54	A1	2.25	1.03	
10.90	D8-5V109	8/5V10.9-F	61	A1	2.25	1.03	
11.30	D8-5V113	8/5V11.3-F	57	A2	2.25	1.03	
11.80	D8-5V118	8/5V11.8-F	59	A2	2.25	1.03	
12.50	D8-5V125	8/5V12.5-F	63	A2	2.25	1.03	
13.20	D8-5V132	8/5V13.2-F	67	A2	2.25	1.03	
14.00	D8-5V140	8/5V14.0-F	77	A2	2.25	1.03	
15.00	D8-5V150	8/5V15.0-F	79	A3	2.25	1.03	
16.00	D8-5V160	8/5V16.0-F	85	A3	2.25	1.03	
18.70	D8-5V187	8/5V18.7-J	112	A3	1.56	0.16	
21.20	D8-5V212	8/5V21.2-J	119	D3	1.19	0.22	
23.60	D8-5V236	8/5V23.6--J	154	A3	1.56	0.16	
28.00	D8-5V280	8/5V28.0-J	179	D3	1.19	0.22	
31.50	D8-5V315	8/5V31.5-M**	295	B3	1.88	0.22	
37.50	D8-5V375	8/5V37.5-M**	326	C3	1.38	0.28	
50.00	D8-5V500	8/5V50.0-M**	466	C3	1.44	0.22	

6-Groove							F = 4.44
O.D.Δ	Part No.	Description	Wt.	Type‡	M	K	
# ++4.40	D6-5V44	6/5V4.4-SD	8.4	E1	0.00	0.69	
# ++4.65	D6-5V465	6/5V4.65-SD	9.3	E1	0.00	0.69	
++4.90	D6-5V49	6/5V4.9-SD	8.9	A1	1.31	0.63	
++5.20	D6-5V52	6/5V5.2-SD	10.9	A1	1.31	0.63	
++5.50	D6-5V55	6/5V5.5-SD	13.4	A1	1.31	0.63	
++5.90	D6-5V59	6/5V5.9-SK	12.8	A1	1.31	0.50	
++6.30	D6-5V63	6/5V6.3-SK	15.3	A1	1.31	0.50	
++6.70	D6-5V67	6/5V6.7-SF	16.1	A1	1.63	0.81	
7.10	D6-5V71	6/5V7.1-SF	18.8	A1	1.38	0.56	
7.50	D6-5V75	6/5V7.5-SF	20.8	A1	1.38	0.56	
8.00	D6-5V80	6/5V8.0-E	22.3	A1	1.63	0.56	
8.50	D6-5V85	6/5V8.5-E	27.1	A1	1.63	0.56	
9.00	D6-5V90	6/5V9.0-E	30.5	A1	1.63	0.56	
9.25	D6-5V925	6/5V9.25-E	32.2	A1	1.63	0.56	
9.75	D6-5V975	6/5V9.75-E	36.2	A1	1.63	0.56	
10.30	D6-5V103	6/5V10.3-E	34.4	A2	1.63	0.56	
10.90	D6-5V109	6/5V10.9-E	36.4	A2	1.63	0.56	
11.30	D6-5V113	6/5V11.3-E	39.3	A2	1.63	0.56	
11.80	D6-5V118	6/5V11.8-E	40.2	A2	1.63	0.56	
12.50	D6-5V125	6/5V12.5-F	54.2	A2	1.75	0.53	
13.20	D6-5V132	6/5V13.2-F	58	A2	1.75	0.53	
14.00	D6-5V140	6/5V14.0-F	59.9	A2	1.75	0.53	
15.00	D6-5V150	6/5V15.0-F	60	A3	1.75	0.53	
16.00	D6-5V160	6/5V16.0-F	64.7	A3	1.75	0.53	
18.70	D6-5V187	6/5V18.7-F	80.5	A3	1.31	0.09	
21.20	D6-5V212	6/5V21.2-F	96.3	D3	1.00	0.22	
23.60	D6-5V236	6/5V23.6--J	133	D3	0.94	0.47	
28.00	D6-5V280	6/5V28.0-J	179	D3	0.94	0.47	
31.50	D6-5V315	6/5V31.5--J	198	D3	0.94	0.47	
37.50	D6-5V375	6/5V37.5-J	239	D3	0.94	0.47	
50.00	D6-5V500	6/5V50.0-M**	386	C3	0.25	1.41	

+ 5VX Belts only on these sizes.

Reverse Mount Only

10-Groove							F = 7.19
O.D.Δ	Part No.	Description	Wt.	Type‡	M	K	
8.00	D10-5V80	10/5V8.0-E	32	A1	2.88	1.81	
8.50	D10-5V85	10/5V8.5-E	38	A1	2.88	1.81	
9.00	D10-5V90	10/5V9.0-F	46	A1	2.94	1.72	
9.25	D10-5V925	10/5V9.25-F	48	A1	2.94	1.72	
9.75	D10-5V975	10/5V9.75-F	54	A1	2.94	1.72	
10.30	D10-5V103	10/5V10.3-F	61	A1	2.94	1.72	
10.90	D10-5V109	10/5V10.9-F	69	A1	2.94	1.72	
11.30	D10-5V113	10/5V11.3-F	73	A1	2.94	1.72	
11.80	D10-5V118	10/5V11.8-F	77	A2	2.94	1.72	
12.50	D10-5V125	10/5V12.5-J	93	A2	3.19	1.78	
13.20	D10-5V132	10/5V13.2-J	100	A2	3.19	1.78	
14.00	D10-5V140	10/5V14.0-J	90	A2	3.56	2.16	
15.00	D10-5V150	10/5V15.0-J	98	A2	3.56	2.16	
16.00	D10-5V160	10/5V16.0-J	99	A3	3.56	2.16	
18.70	D10-5V187	10/5V18.7-J	123	A3	3.56	2.16	
21.20	D10-5V212	10/5V21.2-J	139	A3	2.56	1.16	
23.60	D10-5V236	10/5V23.6-M**	245	A3	1.88	0.22	
28.00	D10-5V280	10/5V28.0-M**	256	A3	1.88	0.22	
31.50	D10-5V315	10/5V31.5-M**	329	A3	1.88	0.22	
37.50	D10-5V375	10/5V37.5-M**	356	A3	1.88	0.22	
50.00	D10-5V500	10/5V50.0-M**	556	A3	1.94	0.28	

P.D. for "5V" Belts = O.D.

** M-N-P-W are standard mounting only for these parts

‡ Type 1 = Block Type, 2 = Web, 3 = Arm - See page PT7-2

V-Drives

FHP Drives

Drive Component Accessories

DYNA-SYNC

HT200/HTD Synchronous Drives

HT500 Synchronous Drives

Roller Chain Sprockets



SELECTION/DIMENSIONS

8V QD SHEAVES - Standard Duty

4-Groove							F = 4.88
O.D.Δ	Part No.	Description	Wt.	Type‡	M	K	
12.5	D4-8V125	4/8V12.5--F	56	D2	1.19	0.03	
13.2	D4-8V132	4/8V13.2--F	63	D2	1.19	0.03	
14.0	D4-8V140	4/8V14.0--F	65	D2	1.19	0.03	
15.0	D4-8V150	4/8V15.0--F	72	D2	1.69	0.03	
16.0	D4-8V160	4-8V16.0-F	80	D3	1.19	0.03	
17.0	D4-8V170	4/8V17.0--F	93	A3	1.25	0.03	
18.0	D4-8V180	4/8V18.0-F	105	A3	1.25	0.03	
19.0	D4-8V190	4/8V19.0--F	113	D3	1.19	0.03	
20.0	D4-8V200	4/8V20.0--J	125	A3	1.50	0.09	
21.2	D4-8V212	4/8V21.2--J	131	A3	1.50	0.09	
22.4	D4-8V224	4/8V22.4--J	150	A3	1.50	0.09	
24.8	D4-8V248	4/8V24.8-M**	247	C3	0.81	0.84	
30.0	D4-8V300	4/8V30.0-M**	230	C3	0.81	0.84	
35.5	D4-8V355	4/8V35.5-M**	329	C3	0.81	0.84	
40.0	D4-8V400	4/8V40.0-M**	325	C3	0.81	0.84	
44.5	D4-8V445	4/8V44.5-M**	434	C3	0.81	0.84	
53.0	D4-8V530	4/8V53.0-M**	425	C3	0.81	0.84	

5-Groove							F = 6.00
O.D.Δ	Part No.	Description	Wt.	Type‡	M	K	
12.5	D5-8V125	5/8V12.5-F	64	A2	2.28	1.06	
13.2	D5-8V132	5/8V13.2-F	75	A2	2.28	1.06	
14.0	D5-8V140	5/8V14.0-F	77	A2	2.28	1.06	
15.0	D5-8V150	5/8V15.0-F	87	A2	2.31	1.09	
16.0	D5-8V160	5/8V16.0-F	93	A3	2.31	1.09	
17.0	D5-8V170	5/8V17.0-J	105	A3	2.00	0.59	
18.0	D5-8V180	5/8V18.0--J	117	A3	2.00	0.59	
19.0	D5-8V190	5/8V19.0-J	126	A3	2.00	0.59	
20.0	D5-8V200	5/8V20.0-J	135	A3	2.00	0.59	
21.2	D5-8V212	5/8V21.2-J	160	A3	2.00	0.59	
22.4	D5-8V224	5/8V22.4-M**	188	B3	1.94	0.28	
24.8	D5-8V248	5/8V24.8-M**	266	B3	1.97	0.31	
30.0	D5-8V300	5/8V30.0-M**	255	B3	1.97	0.31	
35.5	D5-8V355	5/8V35.5-M**	391	B3	1.97	0.31	
40.0	D5-8V400	5/8V40.0-M**	355	B3	1.97	0.31	
44.5	D5-8V445	5/8V44.5-N**	538	C3	0.75	1.31	
53.0	D5-8V530	5/8V53.0-N**	500	C3	0.75	1.31	

6-Groove							F = 7.13
O.D.Δ	Part No.	Description	Wt.	Type‡	M	K	
12.5	D6-8V125	6/8V12.5-F	79	A1	3.31	2.09	
13.2	D6-8V132	6/8V13.2-F	86	A2	2.28	1.06	
14.0	D6-8V140	6/8V14.0-F	92	A2	2.28	1.06	
15.0	D6-8V150	6/8V15.0--J	99	A2	2.56	1.16	
16.0	D6-8V160	6/8V16.0-J	119	A2	2.56	1.16	
17.0	D6-8V170	6/8V17.0-J	125	A3	2.56	1.16	
18.0	D6-8V180	6/8V18.0-J	131	A3	2.56	1.16	
19.0	D6-8V190	6/8V19.0-J	146	A3	2.56	1.16	
20.0	D6-8V200	6/8V20.0-M**	153	B3	2.94	1.28	
21.2	D6-8V212	6/8V21.2-M**	170	B2	2.94	1.28	
22.4	D6-8V224	6/8V22.4-M**	205	B3	2.94	1.28	
24.8	D6-8V248	6/8V24.8-M**	285	A3	1.94	0.28	
30.0	D6-8V300	6/8V30.0-M**	291	A3	1.94	0.28	
35.5	D6-8V355	6/8V35.5-N**	467	C3	1.88	0.19	
40.0	D6-8V400	6/8V40.0-N**	401	B3	1.13	0.19	
44.5	D6-8V445	6/8V44.5-N**	573	C3	1.88	0.19	
53.0	D6-8V530	6/8V53.0-N**	520	C3	1.88	0.19	
63.0	D6-8V630	6/8V63.0-P**	890	C3	1.63	0.75	
71.0	D6-8V710	6/8V71.0-P**	1131	C3	1.63	0.75	

8-Groove							F = 9.38
O.D.Δ	Part No.	Description	Wt.	Type‡	M	K	
12.5	D8-8V125	8/8V12.5--J	100	A1	3.44	2.03	
13.2	D8-8V132	8/8V13.2--J	126	A1	3.44	2.03	
14.0	D8-8V140	8/8V14.0--J	124	A2	3.44	2.03	
15.0	D8-8V150	8/8V15.0-J	134	A2	3.44	2.03	
16.0	D8-8V160	8/8V16.0--J	145	A2	3.56	2.16	
17.0	D8-8V170	8/8V17.0-M**	213	A2	3.94	2.28	
18.0	D8-8V180	8/8V18.0-M**	213	A2	3.94	2.28	
19.0	D8-8V190	8/8V19.0-M**	221	A2	3.94	2.28	
20.0	D8-8V200	8/8V20.0-M**	217	A2	3.94	2.28	
21.2	D8-8V212	8/8V21.2-M**	239	A2	3.94	2.28	
22.4	D8-8V224	8/8V22.4-M**	260	A3	3.94	2.28	
24.8	D8-8V248	8/8V24.8-N**	417	A3	2.25	0.19	
30.0	D8-8V300	8/8V30.0-N**	352	A3	2.25	0.19	
35.5	D8-8V355	8/8V35.5-N**	575	A3	2.25	0.19	
40.0	D8-8V400	8/8V40.0-N**	496	A3	2.25	0.19	
44.5	D8-8V445	8/8V44.5-P**	783	B3	2.63	0.25	
53.0	D8-8V530	8/8V53.0-P**	760	B3	2.63	0.25	
63.0	D8-8V630	8/8V63.0-P**	1116	B3	2.63	0.25	
71.0	D8-8V710	8/8V71.0-W**	1632	C3	2.63	0	

P.D. for "8V" Belts = O.D.

** M-N-P-W are standard mounting only for these parts

‡ Type 1 = Block Type, 2 = Web, 3 = Arm - See page PT7-2

SELECTION/DIMENSIONS



8V QD SHEAVES - Standard Duty

10-Groove							12-Groove						
F = 11.63							F = 13.88						
O.D.Δ	Part No.	Description	Wt.	Type‡	M	K	O.D.Δ	Part No.	Description	Wt.	Type‡	M	K
12.5	D10-8V125	10/8V12.5-J	148	A1	3.56	2.16	12.5	D12-8V125	12/8V12.5-M**	197	A1	3.94	2.28
13.2	D10-8V132	10/8V13.2-J	148	A1	3.56	2.16	13.2	D12-8V132	12/8V13.2-M**	219	A1	3.94	2.28
14.0	D10-8V140	10/8V14.0-J	160	A1	3.56	2.16	14.0	D12-8V140	12/8V14.0-M**	245	A1	3.94	2.28
15.0	D10-8V150	10/8V15.0-M**	259	A1	3.94	2.28	15.0	D12-8V150	12/8V15.0-M**	280	A1	3.94	2.28
16.0	D10-8V160	10/8V16.0-M**	296	A1	3.94	2.28	16.0	D12-8V160	12/8V16.0-M**	319	A1	3.94	2.28
17.0	D10-8V170	10/8V17.0-M**	269	A2	3.94	2.28	17.0	D12-8V170	12/8V17.0-M**	321	A1	3.94	2.28
18.0	D10-8V180	10/8V18.0-M**	282	A2	3.94	2.28	18.0	D12-8V180	12/8V18.0-M**	337	A1	3.94	2.28
19.0	D10-8V190	10/8V19.0-M**	300	A2	3.94	2.28	19.0	D12-8V190	12/8V19.0-N**	380	A1	2.25	0.19
20.0	D10-8V200	10/8V20.0-M**	318	A2	3.94	2.28	20.0	D12-8V200	12/8V20.0-N**	402	A2	2.25	0.19
21.2	D10-8V212	10/8V21.2-M**	340	A2	3.94	2.28	21.2	D12-8V212	12/8V21.2-N**	420	A2	2.25	0.19
22.4	D10-8V224	10/8V22.4-N**	410	A3	2.25	0.19	22.4	D12-8V224	12/8V22.4-N**	458	A3	2.25	0.19
24.8	D10-8V248	10/8V24.8-N**	463	A3	2.25	0.19	24.8	D12-8V248	12/8V24.8--N**	516	A3	2.25	0.19
30.0	D10-8V300	10/8V30.0--N**	557	A3	2.25	0.19	30.0	D12-8V300	12/8V30.0-P**	671	A3	2.63	0.25
35.5	D10-8V355	10/8V35.5-P**	706	A3	2.63	0.25	35.5	D12-8V355	12/8V35.5-P**	798	A3	2.63	0.25
40.0	D10-8V400	10/8V40.0-P**	817	A3	2.63	0.25	40.0	D12-8V400	12/8V40.0-P**	909	A3	2.63	0.25
44.5	D10-8V445	10/8V44.5-P**	854	A3	2.63	0.25	44.5	D12-8V445	12/8V44.5-P**	982	A3	2.63	0.25
53.0	D10-8V530	10/8V53.0-P**	1198	A3	2.63	0.25	53.0	D12-8V530	12/8V53.0-W**	1456	A3	3.25	0.63
58.0	D10-8V580	10/8V58.0-W**	1300	B3	3.00	0.38	58.0	D12-8V580	12/8V58.0-W**	1500	A3	3.25	0.63
63.0	D10-8V630	10/8V63.0-W**	1412	B3	3.00	0.38	63.0	D12-8V630	12/8V63.0-W**	1540	A3	3.25	0.63
71.0	D10-8V710	10/8V71.0-W**	1771	B3	3.00	0.38	71.0	D12-8V710	12/8V71.0-W**	1912	A3	3.25	0.63

P.D. for "8V" Belts = O.D.

** M-N-P-W are standard mounting only for these parts

‡ Type 1 = Block Type, 2 = Web, 3 = Arm – See page PT7-2

V-Drives

FHP Drives

Drive Component Accessories

DYNA-SYNC

HT200/HTD Synchronous Drives

HT500 Synchronous Drives

Roller Chain Sprockets



SELECTION/DIMENSIONS

A/B QD SHEAVES - Standard Duty

1-Groove						
F = .88 A3.0 thru A6.4 B6.8						
Balance F = 1						
O.D.Δ	Part No.	Description	Wt.	Type‡	M	K
# 3.75	D1B34	1A3.0B3.4-SH	1	E1	0.13	0.63
3.95	D1B36	1A3.2B3.6-SH	1	D1	0.13	0.50
4.15	D1B38	1A3.4B3.8-SH	2	D1	0.13	0.50
4.35	D1B40	1A3.6B4.0-SH	2	D1	0.13	0.50
4.55	D1B42	1A3.8B4.2-SH	2	D1	0.13	0.50
4.75	D1B44	1A4.0B4.4-SH	2	D1	0.13	0.50
4.95	D1B46	1A4.2B4.6-SDS	2	C1	0.25	0.44
5.15	D1B48	1A4.4B4.8-SDS	3	C1	0.25	0.44
5.35	D1B50	1A4.6B5.0-SDS	3	C1	0.25	0.44
5.55	D1B52	1A4.8B5.2-SDS	3	C1	0.25	0.44
5.75	D1B54	1A5.0B5.4-SDS	4	C1	0.25	0.44
5.95	D1B56	1A5.2B5.6-SDS	4	C1	0.25	0.44
6.15	D1B58	1A5.4B5.8-SDS	4	C1	0.25	0.44
6.35	D1B60	1A5.6B6.0-SDS	5	C1	0.25	0.44
6.55	D1B62	1A5.8B6.2-SDS	5	C1	0.25	0.44
6.75	D1B64	1A6.0B6.4-SDS	6	C1	0.25	0.44
6.95	D1B66	1A6.2B6.6-SDS	6	C1	0.25	0.44
7.15	D1B68	1A6.4B6.8-SDS	6	C1	0.25	0.44
7.35	D1B70	1A6.6B7.0-SDS	6	D3	0.13	0.56
7.75	D1B74	1A7.0B7.4-SDS	6	D3	0.13	0.56
8.35	D1B80	1A7.6B8.0-SDS	7	D3	0.13	0.56
8.95	D1B86	1A8.2B8.6-SDS	8	D3	0.13	0.56
9.35	D1B90	1A8.6B9.0-SDS	9	D3	0.13	0.56
9.75	D1B94	1A9.0B9.4-SDS	9	D3	0.13	0.56
11.35	D1B110	1A10.6B11.0-SDS	11	D3	0.13	0.56
12.75	D1B124	1A12.0B12.4-SDS	12	D3	0.13	0.56
13.95	D1B136	1A13.2B13.6-SDS	13	D3	0.13	0.56
15.75	D1B154	1A15.0B15.4-SK	20	C3	0.11	0.69
16.35	D1B160	1A15.6B16.0--SK	22	C3	0.09	0.88
18.75	D1B184	1A18.0B18.4-SK	28	E3	0.12	0.94
20.35	D1B200	1B20.0--SK	30	C3	0.00	0.81
25.35	D1B250	1B25.0--SK	40	E3	0.12	0.94

2-Groove						
F = 1.75						
O.D.Δ	Part No.	Description	Wt.	Type‡	M	K
# 3.75	D2B34	2A3.0B3.4-SH	2	E1	0.00	0.63
## 3.95	D2B36	2A3.2B3.6-SH	3	D1	0.16	0.47
## 4.15	D2B38	2A3.4B3.8-SH	3	D1	0.16	0.47
## 4.35	D2B40	2A3.6B4.0-SH	3	D1	0.16	0.47
4.55	D2B42	2A3.8B4.2-SH	3	A1	0.69	0.06
4.75	D2B44	2A4.0B4.4-SH	4	A1	0.69	0.06
4.95	D2B46	2A4.2B4.6-SDS	4	D1	0.69	0.00
5.15	D2B48	2A4.4B4.8-SDS	4	D1	0.69	0.00
5.35	D2B50	2A4.6B5.0-SDS	5	D1	0.69	0.00
5.55	D2B52	2A4.8B5.2-SDS	5	D1	0.69	0.00
5.75	D2B54	2A5.0B5.4-SDS	6	D1	0.69	0.00
5.95	D2B56	2A5.2B5.6-SDS	6	D1	0.69	0.00
6.15	D2B58	2A5.4B5.8-SDS	6	D2	0.69	0.00
6.35	D2B60	2A5.6B6.0-SDS	6	D2	0.69	0.00
6.55	D2B62	2A5.8B6.2-SDS	7	D2	0.69	0.00
6.75	D2B64	2A6.0B6.4-SDS	7	D2	0.69	0.00
6.95	D2B66	2A6.2B6.6-SDS	8	D2	0.69	0.00
7.15	D2B68	2A6.4B6.8-SDS	8	D2	0.69	0.00
7.35	D2B70	2A6.6B7.0-SK	9	D2	0.44	0.38
7.75	D2B74	2A7.0B7.4-SK	10	D2	0.44	0.38
8.35	D2B80	2A7.6B8.0-SK	11	D2	0.44	0.38
8.95	D2B86	2A8.2B8.6-SK	12	D3	0.44	0.38
9.35	D2B90	2A8.6B8.6-SK	12	D3	0.44	0.38
9.75	D2B94	2A9.0B9.4-SK	13	D3	0.44	0.38
11.35	D2B110	2A10.6B11.0-SK	15	D3	0.44	0.38
12.75	D2B124	2A12.0B12.4-SK	18	D3	0.25	0.56
13.95	D2B136	2A13.2B13.6-SK	24	D3	0.44	0.38
15.75	D2B154	2A15.0B15.4-SK	25	D3	0.44	0.38
16.35	D2B160	2A15.6B16.0-SK	27.4	D3	0.44	0.38
18.75	D2B184	2A18.0B18.4-SK	38	D3	0.44	0.38
20.35	D2B200	2B20.0--SF	47	D3	0.13	0.69
25.35	D2B250	2B25.0-SF	60	D3	0.44	0.38
30.35	D2B300	2B30.0--SF	75	D3	0.38	0.44
38.35	D2B380	2B38.0--SF	100	D3	0.47	0.34

P.D. for "A" (4L) Belts = Datum Dia. + 0.35" = O.D. - 0.40

P.D. for "B" (5L) Belts = O.D.

‡ Type 1 = Block Type, 2 = Web, 3 = Arm – See page PT7-2

Reverse Mount Only

This sheave can only be reverse mounted with standard bushing bolts. Special bolts required for conventional mounting.

V-Drives

FHP Drives

Drive Component Accessories

DYNA-SYNC

HT200/HTD Synchronous Drives

HT500 Synchronous Drives

Roller Chain Sprockets

SELECTION/DIMENSIONS



A/B QD SHEAVES - Standard Duty

3-Groove							F = 2.50		4-Groove							F = 3.25	
O.D.Δ	Part No.	Description	Wt.	Type‡	M	K	O.D.Δ	Part No.	Description	Wt.	Type‡	M	K				
# 3.75	D3B34	3A3.0B3.4-SH	3	E1	0.00	0.63	# 3.75	D4B34	4A3.0B3.4-SD	4	E1	0.00	1.00				
# 3.95	D3B36	3A3.2B3.6-SH	4	D1	0.13	0.50	# 3.95	D4B36	4A3.2B3.6-SD	5	E1	0.00	1.00				
# 4.15	D3B38	3A3.4B3.8-SH	4	D1	0.13	0.50	# 4.15	D4B38	4A3.4B3.8-SD	6	E1	0.00	1.00				
# 4.35	D3B40	3A3.6B4.0-SH	4	E1	0.00	0.63	# 4.35	D4B40	4A3.6B4.0-SD	5	E1	0.00	0.69				
4.55	D3B42	3A3.8B4.2-SH	4	A1	1.06	0.44	# 4.55	D4B42	4A3.8B4.2-SD	6	E1	0.00	0.69				
4.75	D3B44	3A4.0B4.4-SH	5	A1	1.06	0.44	4.75	D4B44	4A4.0B4.4-SD	6	E1	0.00	0.69				
4.95	D3B46	3A4.2B4.6-SD	5	A1	1.06	0.38	4.95	D4B46	4A4.2B4.6-SD	7	A1	1.31	0.63				
5.15	D3B48	3A4.4B4.8-SD	6	A1	1.06	0.38	5.15	D4B48	4A4.4B4.8-SD	8	A1	1.31	0.63				
5.35	D3B50	3A4.6B5.0-SD	7	A1	1.06	0.38	5.35	D4B50	4A4.6B5.0-SD	8	A1	1.31	0.63				
5.55	D3B52	3A4.8B5.2-SD	7	A1	1.06	0.38	5.55	D4B52	4A4.8B5.2-SD	9	A1	1.31	0.63				
5.75	D3B54	3A5.0B5.4-SD	8	A1	1.06	0.38	5.75	D4B54	4A5.0B5.4-SD	10	A1	1.31	0.63				
5.95	D3B56	3A5.2B5.6-SD	9	A1	1.06	0.38	5.95	D4B56	4A5.2B5.6-SD	10	A1	1.31	0.63				
6.15	D3B58	3A5.4B5.8-SD	9	A2	1.06	0.38	6.15	D4B58	4A5.4B5.8-SD	11	A2	1.31	0.63				
6.35	D3B60	3A5.6B6.0-SD	10	A2	1.06	0.38	6.35	D4B60	4A5.6B6.0-SD	11	A2	1.31	0.63				
6.55	D3B62	3A5.8B6.2-SD	10	A2	1.06	0.38	6.55	D4B62	4A5.8B6.2-SD	12	A2	1.31	0.63				
6.75	D3B64	3A6.0B6.4-SD	10	A2	1.06	0.38	6.75	D4B64	4A6.0B6.4-SD	11	A2	1.31	0.63				
6.95	D3B66	3A6.2B6.6-SD	10	A2	1.06	0.38	6.95	D4B66	4A6.2B6.6-SD	11	A2	1.31	0.63				
7.15	D3B68	3A6.4B6.8-SD	11	A2	1.06	0.38	7.15	D4B68	4A6.4B6.8-SD	12	A2	1.31	0.63				
7.35	D3B70	3A6.6B7.0-SK	12	D2	0.69	0.13	7.35	D4B70	4A6.6B7.0-SK	13	A2	1.00	0.19				
7.75	D3B74	3A7.0B7.4-SK	12	D2	0.69	0.13	7.75	D4B74	4A7.0B7.4-SK	15	A2	1.00	0.19				
8.35	D3B80	3A7.6B8.0-SK	13	D2	0.69	0.13	8.35	D4B80	4A7.6B8.0-SK	15	A2	1.00	0.19				
8.95	D3B86	3A8.2B8.6-SK	14	D3	0.69	0.13	8.95	D4B86	4A8.2B8.6-SK	17	A3	1.00	0.19				
9.35	D3B90	3A8.6B9.0-SK	15	D3	0.69	0.13	9.35	D4B90	4A8.6B9.0-SK	17	A3	1.00	0.19				
9.75	D3B94	3A9.0B9.4-SK	17	D3	0.69	0.13	9.75	D4B94	4A9.0B9.4-SK	19	A3	1.00	0.19				
11.35	D3B110	3A10.6B11.0-SK	21	D3	0.69	0.13	11.35	D4B110	4A10.6B11.0-SK	25	A3	1.00	0.19				
12.75	D3B124	3A12.0B12.4-SK	25	D3	0.69	0.13	12.75	D4B124	4A12.0B12.4-SK	28	A3	1.00	0.19				
13.95	D3B136	3A13.2B13.6-SK	28	D3	0.69	0.13	13.95	D4B136	4A13.2B13.6-SK	32	A3	1.00	0.19				
15.75	D3B154	3A15.0B15.4-SK	30	D3	0.69	0.13	15.75	D4B154	4A15.0B15.4-SF	38	A3	1.00	0.19				
16.35	D3B160	3A15.6B16.0-SK	32	D3	0.69	0.13	16.35	D4B160	4A15.6B16.0-SF	41	A3	1.00	0.19				
18.75	D3B184	3A18.0B18.4-SK	41	D3	0.69	0.13	18.75	D4B184	4A18.0B18.4-SF	48	A3	1.00	0.19				
20.35	D3B200	3B20.0-SF	55.6	D3	0.63	0.19	20.35	D4B200	4B20.0-SF	60	A3	1.00	0.19				
25.35	D3B250	3B25.0--SF	76.1	D3	0.63	0.19	25.35	D4B250	4B25.0-E	93	D3	1.00	0.06				
30.35	D3B300	3B30.0--SF	96	D3	0.63	0.19	30.35	D4B300	4B30.0--E	120	D3	1.00	0.06				
38.35	D3B380	3B38.0-E	145	D3	0.69	0.38	38.35	D4B380	4B38.0--E	162	D3	1.00	0.00				

P.D. for "A" (4L) Belts = Daturm Dia. + 0.35" = O.D. - 0.40

P.D. for "B" (5L) Belts = O.D.

Reverse Mount Only

‡ Type 1 = Block Type, 2 = Web, 3 = Arm – See page PT7-2

V-Drives

FHP Drives

Drive Component Accessories

DYNA-SYNC

HT200/HTD Synchronous Drives

HT500 Synchronous Drives

Roller Chain Sprockets



SELECTION/DIMENSIONS

A/B QD SHEAVES - Standard Duty

5-Groove							F = 4.00	
O.D.Δ	Part No.	Description	Wt.	Type‡	M	K		
# 3.75	D5B34	5A3.0B3.4-SD	5	E1	0.00	1.00		
# 3.95	D5B36	5A3.2B3.6-SD	6	E1	0.00	1.00		
# 4.15	D5B38	5A3.4B3.8-SD	6	E1	0.00	1.00		
# 4.35	D5B40	5A3.6B4.0-SD	6	E1	0.00	0.69		
# 4.55	D5B42	5A3.8B4.2-SD	7	E1	0.00	0.69		
# 4.75	D5B44	5A4.0B4.4-SD	7	E1	0.00	0.69		
4.95	D5B46	5A4.2B4.6-SD	7	A1	1.31	0.63		
5.15	D5B48	5A4.4B4.8-SD	9	A1	1.31	0.63		
5.35	D5B50	5A4.6B5.0-SD	10	A1	1.31	0.63		
5.55	D5B52	5A4.8B5.2-SD	10	A1	1.31	0.63		
5.75	D5B54	5A5.0B5.4-SK	10	A1	1.31	0.50		
5.95	D5B56	5A5.2B5.6-SK	11	A1	1.31	0.50		
6.15	D5B58	5A5.4B5.8-SK	12	A1	1.31	0.50		
6.35	D5B60	5A5.6B6.0-SK	12	A1	1.31	0.50		
6.55	D5B62	5A5.8B6.2-SK	14	A1	1.31	0.50		
6.75	D5B64	5A6.0B6.4-SK	14	A1	1.31	0.50		
6.95	D5B66	5A6.2B6.6-SK	15	A1	1.31	0.50		
7.15	D5B68	5A6.4B6.8-SK	16	A1	1.31	0.50		
7.35	D5B70	5A6.6B7.0-SF	16	A1	1.31	0.50		
7.75	D5B74	5A7.0B7.4-SF	18	A1	1.31	0.50		
8.35	D5B80	5A7.6B8.0-SF	19	A2	1.31	0.50		
8.95	D5B86	5A8.2B8.6-SF	21	A2	1.31	0.50		
9.35	D5B90	5A8.6B9.0-SF	21	A3	1.31	0.50		
9.75	D5B94	5A9.0B9.4-SF	22	A3	1.31	0.50		
11.35	D5B110	5A10.6B11.0-SF	29	A3	1.31	0.50		
12.75	D5B124	5A12.0B12.4-SF	33	A3	1.31	0.50		
13.95	D5B136	5A13.2B13.6-SF	39	A3	1.31	0.50		
15.75	D5B154	5A15.0B15.4-SF	43	A3	1.31	0.50		
16.35	D5B160	5A15.6B16.0-SF	46	A3	1.31	0.50		
18.75	D5B184	5A18.0B18.4-SF	54	A3	1.31	0.50		
20.35	D5B200	5B20.0-E	77.5	A3	1.25	0.19		
25.35	D5B250	5B25.0-E	108	A3	1.25	0.19		
30.35	D5B300	5B30.0-E	131	A3	1.25	0.19		
38.35	D5B380	5B38.0-E	169	A3	1.25	0.19		

6-Groove							F = 4.75	
O.D.Δ	Part No.	Description	Wt.	Type‡	M	K		
# 3.75	D6B34	6A3.0B3.4-SD	6	E1	0.00	1.09		
# 3.95	D6B36	6A3.2B3.6-SD	7	E1	0.00	1.09		
# 4.15	D6B38	6A3.4B3.8-SD	7	E1	0.00	1.09		
# 4.35	D6B40	6A3.6B4.0-SD	7	E1	0.00	0.69		
# 4.55	D6B42	6A3.8B4.2-SD	8	E1	0.00	0.69		
# 4.75	D6B44	6A4.0B4.4-SD	9	E1	0.00	0.69		
4.95	D6B46	6A4.2B4.6-SD	9	A1	1.31	0.63		
5.15	D6B48	6A4.4B4.8-SD	10	A1	1.31	0.63		
5.35	D6B50	6A4.6B5.0-SD	11	A1	1.31	0.63		
5.55	D6B52	6A4.8B5.2-SD	11	A1	1.31	0.63		
5.75	D6B54	6A5.0B5.4-SK	11	A1	1.31	0.50		
5.95	D6B56	6A5.2B5.6-SK	13.4	A1	1.31	0.50		
6.15	D6B58	6A5.4B5.8-SK	15.5	A1	1.31	0.50		
6.35	D6B60	6A5.6B6.0-SK	15	A1	1.31	0.50		
6.55	D6B62	6A5.8B6.2-SK	15	A1	1.31	0.50		
6.75	D6B64	6A6.0B6.4-SK	16	A1	1.31	0.50		
6.95	D6B66	6A6.2B6.6-SK	17	A1	1.31	0.50		
7.15	D6B68	6A6.4B6.8-SK	18	A1	1.31	0.50		
7.35	D6B70	6A6.6B7.0-SF	19	A1	1.69	0.88		
7.75	D6B74	6A7.0B7.4-SF	20	A1	1.69	0.88		
8.35	D6B80	6A7.6B8.0-SF	24	A2	1.69	0.88		
8.95	D6B86	6A8.2B8.6-SF	26	A2	1.69	0.88		
9.75	D6B94	6A9.0B9.4-SF	30	A2	1.69	0.88		
11.35	D6B110	6A10.6B11.0-SF	30	A3	1.69	0.88		
12.75	D6B124	6A12.0B12.4-SF	37	A3	1.67	0.88		
13.95	D6B136	6A13.2B13.6-SF	39	A3	1.91	1.09		
15.75	D6B154	6A15.0B15.4-SF	51.4	A3	1.91	1.09		
16.35	D6B160	6A15.6B16.0-SF	54.6	A3	1.69	0.88		
18.75	D6B184	6A18.0B18.4-SF	59	A3	1.91	1.09		
20.35	D6B200	6B20.0-E	96.9	A3	1.25	0.19		
25.35	D6B250	6B25.0-E	120	A3	1.38	0.31		
30.35	D6B300	6B30.0-E	151	A3	1.38	0.31		
38.35	D6B380	6B38.0-E	157	A3	1.38	0.31		

P.D. for "A" (4L) Belts = Datum Dia. + 0.35" = O.D. - 0.40

P.D. for "B" (5L) Belts = O.D.

Reverse Mount Only

‡ Type 1 = Block Type, 2 = Web, 3 = Arm - See page PT7-2

V-Drives

FHP Drives

Drive Component Accessories

DYNA-SYNC

HT200/HTD Synchronous Drives

HT500 Synchronous Drives

Roller Chain Sprockets

SELECTION/DIMENSIONS



A/B QD SHEAVES - Standard Duty

8-Groove							10-Groove						
						F = 6.25							F = 7.75
O.D.Δ	Part No.	Description	Wt.	Type‡	M	K	O.D.Δ	Part No.	Description	Wt.	Type‡	M	K
5.75	D8B54	8B5.4-SK	15	A1	1.81	1.00	5.75	D10B54	10B5.4-SK	16	A1	2.56	1.75
5.95	D8B56	8B5.6-SK	17	A1	1.81	1.00	5.95	D10B56	10B5.6-SK	17	A1	2.56	1.75
6.15	D8B58	8B5.8-SK	16	A1	1.81	1.00	6.15	D10B58	10B5.8-SK	18	A1	2.56	1.75
6.35	D8B60	8B6.0-SF	16	A1	1.81	1.00	6.35	D10B60	10B6.0-SF	19	A1	2.56	1.75
6.55	D8B62	8B6.2-SF	18	A1	1.81	1.00	6.55	D10B62	10B6.2-SF	20	A1	2.56	1.75
6.75	D8B64	8B6.4-SF	19	A1	1.81	1.00	6.75	D10B64	10B6.4-SF	21	A1	2.56	1.75
6.95	D8B66	8B6.6-SF	20	A1	1.81	1.00	6.95	D10B66	10B6.6-SF	21	A1	2.56	1.75
7.15	D8B68	8B6.8-SF	21	A1	1.81	1.00	7.15	D10B68	10B6.8-SF	22	A1	2.56	1.75
7.35	D8B70	8B7.0-SF	22	A1	1.81	1.00	7.35	D10B70	10B7.0-SF	23	A1	2.56	1.75
7.75	D8B74	8B7.4-SF	25	A1	1.81	1.00	7.75	D10B74	10B7.4-SF	24	A1	2.56	1.75
8.35	D8B80	8B8.0-E	29	A1	2.38	1.31	-	-	-	-	-	-	-
8.95	D8B86	8B8.6-E	33	A1	2.38	1.31	8.95	D10B86	10B8.6-E	39.6	A1	3.13	2.06
9.75	D8B94	8B9.4-E	36	A1	2.38	1.31	9.75	D10B94	10B9.4-E	40	A1	3.13	2.06
11.35	D8B110	8B11.0-E	46	A1	2.38	1.31	11.35	D10B110	10B11.0-E	52	A1	3.13	2.06
12.75	D8B124	8B12.4-E	53	A2	2.38	1.31	12.75	D10B124	10B12.4-E	58	A2	3.13	2.06
13.95	D8B136	8B13.6-E	59	A3	2.44	1.38	13.95	D10B136	10B13.6-F	73	A3	2.06	0.84
15.75	D8B154	8B15.4-E	69	A3	2.44	1.38	15.75	D10B154	10B15.4-F	87	A3	2.06	0.84
16.35	D8B160	8B16.0-E	71	A3	#N/A!	1.31	16.35	D10B160	10B16.0-F	100	A3	2.06	0.84
18.75	D8B184	8B18.4--F	108	A3	1.31	0.09	18.75	D10B184	10B18.4--F	110	A3	2.06	0.84
20.35	D8B200	8B20.0--F	114	A3	1.31	0.09	20.35	D10B200	10B20.0--F	120	A3	2.06	0.84
25.35	D8B250	8B25.0-F	152	A3	1.31	0.09	25.35	D10B250	10B25.0--F	148	A3	2.06	0.84
30.35	D8B300	8B30.0--F	186	A3	1.31	0.09	30.35	D10B300	10B30.0--F	190	A3	2.06	0.84
38.35	D8B380	8B38.0-F	220	A3	1.31	0.09	38.35	D10B380	10B38.0-J	260	A3	1.63	0.22

P.D. for "A" (4L) Belts = Datum Dia. + 0.35" = O.D. - 0.40

P.D. for "B" (5L) Belts = O.D.

Reverse Mount Only

‡ Type 1 = Block Type, 2 = Web, 3 = Arm – See page PT7-2

V-Drives

FHP Drives

Drive Component Accessories

DYNA-SYNC

HT200/HTD Synchronous Drives

HT500 Synchronous Drives

Roller Chain Sprockets



SELECTION/DIMENSIONS

C QD SHEAVES - Standard Duty

1-Groove							F = 1.38	
O.D.Δ	Part No.	Description	Wt.	Type‡	M	K		
7.4	D1C70	1C7.0-SF	10	C1	0.25	0.56		
7.9	D1C75	1C7.5-SF	11	C1	0.25	0.56		
8.4	D1C80	1C8.0-SF	13.2	C1	0.25	0.56		
8.9	D1C85	1C8.5-SF	15.6	C1	0.25	0.56		
9.4	D1C90	1C9.0-SF	13	C2	0.22	0.59		
9.9	D1C95	1C9.5-SF	18	C2	0.22	0.59		
10.4	D1C100	1C10.0-SF	14	D2	0.13	0.69		
10.9	D1C105	1C10.5-SF	20	D2	0.13	0.69		
11.4	D1C110	1C11.0-SF	15	C2	0.13	0.53		
12.4	D1C120	1C12.0-SF	16	D2	0.13	0.69		
13.4	D1C130	1C13.0-SF	18	D3	0.13	0.69		
14.4	D1C140	1C14.0-SF	20	D3	0.13	0.69		
16.4	D1C160	1C16.0-SF	24	D3	0.13	0.69		
18.4	D1C180	1C18.0-SF	32	D3	0.13	0.69		
20.4	D1C200	1C20.0--SF	35	D3	0.13	0.69		
24.4	D1C240	1C24.0--SF	46.9	D3	0.13	0.69		

3-Groove							F = 3.38	
O.D.Δ	Part No.	Description	Wt.	Type‡	M	K		
+ 5.4	D3C50	3C5.0-SD	9	A1	1.00	0.31		
# + 5.4	D3C50SK	3C5.0-SK	10.5	E1	#N/A!	0.83		
+ 6.0	D3C56	3C5.6-SF	10	A1	0.00	0.63		
+ 6.4	D3C60	3C6.0-SF	11.3	A1	0.75	0.06		
7.4	D3C70	3C7.0-SF	16	A1	1.31	0.50		
7.9	D3C75	3C7.5-SF	18	A1	1.31	0.50		
8.4	D3C80	3C8.0-E	21	A1	1.75	0.69		
8.9	D3C85	3C8.5-E	24	A1	1.75	0.69		
9.4	D3C90	3C9.0-E	26	A1	1.75	0.69		
9.9	D3C95	3C9.5-E	29.8	A2	1.75	0.69		
10.4	D3C100	3C10.0-E	34	A2	1.75	0.69		
10.9	D3C105	3C10.5-E	37	A2	1.75	0.69		
11.4	D3C110	3C11.0-E	39	A2	1.75	0.69		
12.4	D3C120	3C12.0-E	43.4	A2	1.75	0.69		
13.4	D3C130	3C13.0-E	45	A3	1.75	0.69		
14.4	D3C140	3C14.0-E	50	A3	1.75	0.69		
16.4	D3C160	3C16.0-E	60	A3	1.75	0.69		
18.4	D3C180	3C18.0-E	63	A3	1.75	0.69		
20.4	D3C200	3C20.0--E	81	D3	1.00	0.06		
24.4	D3C240	3C24.0-E	94.7	D3	1.00	0.06		
27.4	D3C270	3C27.0--F	116	D3	0.81	0.41		
30.4	D3C300	3C30.0--F	134.4	D3	0.81	0.41		
36.4	D3C360	3C36.0--F	159	D3	0.81	0.41		
44.4	D3C440	3C44.0-F	190	D3	0.81	0.41		
50.4	D3C500	3C50.0--F	250	D3	0.81	0.41		

P.D. for "C" Belts = O.D.

Reverse Mount Only

‡ Type 1 = Block Type, 2 = Web, 3 = Arm – See page PT7-2

+ Recommended CX Belt only

2-Groove							F = 2.38	
O.D.Δ	Part No.	Description	Wt.	Type‡	M	K		
7.4	D2C70	2C7.0-SF	13	A1	0.81	0.00		
7.9	D2C75	2C7.5-SF	15	A1	0.81	0.00		
8.4	D2C80	2C8.0-SF	17	A1	0.81	0.00		
8.9	D2C85	2C8.5-SF	19	A1	0.81	0.00		
9.4	D2C90	2C9.0-SF	21	A2	0.81	0.00		
9.9	D2C95	2C9.5-SF	22	A2	0.81	0.00		
10.4	D2C100	2C10.0-SF	21.8	A2	0.81	0.00		
10.9	D2C105	2C10.5-SF	23	A2	0.81	0.00		
11.4	D2C110	2C11.0-SF	26	A2	0.81	0.00		
12.4	D2C120	2C12.0-SF	37	D2	0.56	0.25		
13.4	D2C130	2C13.0-SF	35	D3	0.56	0.25		
14.4	D2C140	2C14.0-SF	40	D3	0.56	0.25		
16.4	D2C160	2C16.0-SF	40	D3	0.56	0.25		
18.4	D2C180	2C18.0-SF	50	D3	0.56	0.25		
20.4	D2C200	2C20.0--SF	55	D3	0.56	0.25		
24.4	D2C240	2C24.0--SF	73.1	D3	0.56	0.25		
27.4	D2C270	2C27.0--F	94	C3	#N/A!	0.91		
30.4	D2C300	2C30.0--F	104	C3	#N/A!	0.91		

4-Groove							F = 4.38	
O.D.Δ	Part No.	Description	Wt.	Type‡	M	K		
+ 5.4	D4C50	4C5.0-SD	10.2	A1	1.31	0.63		
# + 5.4	D4C50SK	4C5.0-SK	12.0	E1	#N/A!	0.81		
+ 6.0	D4C56	4C5.6-SF	13.0	A1	0.00	0.88		
+ 6.4	D4C60	4C6.0-SF	15.0	A1	0.88	0.06		
7.4	D4C70	4C7.0-SF	19.0	A1	1.56	0.75		
7.9	D4C75	4C7.5-SF	22.0	A1	1.56	0.75		
8.4	D4C80	4C8.0-E	24.0	A1	2.00	0.94		
8.9	D4C85	4C8.5-E	28.0	A1	2.00	0.94		
9.4	D4C90	4C9.0-E	31.0	A1	2.00	0.94		
9.9	D4C95	4C9.5-E	34.8	A1	2.00	0.94		
10.4	D4C100	4C10.0-E	40.0	A1	2.00	0.94		
10.9	D4C105	4C10.5-E	43.0	A2	2.00	0.94		
11.4	D4C110	4C11.0-E	44.0	A2	2.00	0.94		
12.4	D4C120	4C12.0-E	50.0	A2	2.00	0.94		
13.4	D4C130	4C13.0-E	52.0	A3	2.00	0.94		
14.4	D4C140	4C14.0-E	57.0	A3	2.00	0.94		
16.4	D4C160	4C16.0--E	67.0	A3	2.00	0.94		
18.4	D4C180	4C18.0-E	72.0	A3	2.00	0.94		
20.4	D4C200	4C20.0--E	86.0	A3	1.50	0.44		
24.4	D4C240	4C24.0-F	113.0	A3	1.31	0.09		
27.4	D4C270	4C27.0--F	140.0	A3	1.31	0.09		
30.4	D4C300	4C30.0--F	149.0	A3	1.31	0.09		
36.4	D4C360	4C36.0--F	185.0	A3	1.38	0.16		
44.4	D4C440	4C44.0-J	225.0	B3	1.63	0.22		
50.4	D4C500	4C50.0-J	275.0	B3	1.63	0.22		

V-Drives

FHP Drives

Drive Component Accessories

DYNA-SYNC

HT200/HTD Synchronous Drives

HT500 Synchronous Drives

Roller Chain Sprockets

SELECTION/DIMENSIONS



C QD SHEAVES - Standard Duty

5-Groove						F = 5.38	
O.D.Δ	Part No.	Description	Wt.	Type‡	M	K	
+ 6.4	D5C60	5C6.0-SF	16	A1	0.88	0.06	
7.4	D5C70	5C7.0-SF	23	A1	1.94	1.13	
7.9	D5C75	5C7.5-SF	25	A1	1.94	1.13	
8.4	D5C80	5C8.0-E	28	A1	2.38	1.31	
8.9	D5C85	5C8.5-E	32	A1	2.38	1.31	
9.4	D5C90	5C9.0-E	36	A1	2.38	1.31	
9.9	D5C95	5C9.5-E	40	A1	2.38	1.31	
10.4	D5C100	5C10.0-E	41	A2	2.38	1.31	
10.9	D5C105	5C10.5-E	44	A2	2.38	1.31	
11.4	D5C110	5C11.0-E	47	A2	2.38	1.31	
12.4	D5C120	5C12.0-E	55	A2	2.38	1.31	
13.4	D5C130	5C13.0-E	55	A3	2.38	1.31	
14.4	D5C140	5C14.0-E	62	A3	2.38	1.31	
16.4	D5C160	5C16.0-E	73	A3	2.38	1.31	
18.4	D5C180	5C18.0-E	83	A3	2.38	1.31	
20.4	D5C200	5C20.0-F	109	A3	2.38	0.09	
24.4	D5C240	5C24.0-F	129	A3	1.31	0.09	
27.4	D5C270	5C27.0--F	149	A3	1.31	0.09	
30.4	D5C300	5C30.0--F	172	A3	1.31	0.09	
36.4	D5C360	5C36.0-J	205	A3	1.63	0.22	
44.4	D5C440	5C44.0-J	285	A3	1.63	0.22	
50.4	D5C500	5C50.0-J	325	A3	1.63	0.22	

8-Groove						F = 8.38	
O.D.Δ	Part No.	Description	Wt.	Type‡	M	K	
7.4	D8C70	8C7.0-SF	34	A1	3.22	2.41	
8.4	D8C80	8C8.0-E	38.7	A1	3.25	2.19	
8.9	D8C85	8C8.5-E	44	A1	3.25	2.19	
9.4	D8C90	8C9.0-F	52.7	A1	3.31	2.09	
9.9	D8C95	8C9.5-F	56	A1	3.31	2.09	
10.4	D8C100	8C10.0-F	62	A1	3.31	2.09	
10.9	D8C105	8C10.5-F	72	A1	3.31	2.09	
11.4	D8C110	8C11.0-F	80	A1	3.31	2.09	
12.4	D8C120	8C12.0-F	94	A1	3.31	2.09	
13.4	D8C130	8C13.0-F	97	A2	3.31	2.09	
14.4	D8C140	8C14.0-F	96	A3	3.31	2.09	
16.4	D8C160	8C16.00-F	111	A3	3.94	2.09	
18.4	D8C180	8C18.0--F	129	A3	3.94	2.09	
20.4	D8C200	8C20.0-J	158	A3	1.56	0.16	
24.4	D8C240	8C24.0--J	173	A3	1.56	0.16	
30.4	D8C300	8C30.0--J	272	A3	1.56	0.16	
36.4	D8C360	8C36.0--M**	370	A3	1.94	0.28	
44.4	D8C440	8C44.0--M**	479	A3	1.94	0.28	
50.4	D8C500	8C50.0--M**	570	A3	1.94	0.28	

12-Groove						F = 12.38	
O.D.Δ	Part No.	Description	Wt.	Type‡	M	K	
9.4	D12C90	12C9.0--J	68	A1	4.06	2.66	
9.9	D12C95	12C9.5--J	75	A1	4.06	2.66	
10.4	D12C100	12C10.0--J	86	A1	4.06	2.66	
10.9	D12C105	12C10.5--J	96	A1	4.06	2.66	
11.4	D12C110	12C11.0--J	104	A1	4.06	2.66	
12.4	D12C120	12C12.0--J	118.7	A1	4.06	2.66	
13.4	D12C130	12C13.0--J	138	A2	4.06	2.66	
14.4	D12C140	12C14.0--J	153	A2	4.06	2.66	
16.4	D12C160	12C16.0--J	175	A3	4.06	2.66	
18.4	D12C180	12C18.0--J	198	A3	4.06	2.66	
20.4	D12C200	12C20.0--M**	237	A3	1.94	0.28	
24.4	D12C240	12C24.0--M**	277	A3	1.94	0.28	
30.4	D12C300	12C30.0--M**	357	A3	1.94	0.28	
36.4	D12C360	12C36.0--M**	430	A3	1.94	0.28	
44.4	D12C440	12C44.0--M**	520	A3	1.94	0.28	
50.4	D12C500	12C50.0--M**	595	A3	1.94	0.28	

6-Groove						F = 6.38	
O.D.Δ	Part No.	Description	Wt.	Type‡	M	K	
+ 6.4	D6C60	6C6.0-SF	24	A1	1.88	1.06	
7.4	D6C70	6C7.0-SF	26	A1	1.94	1.13	
7.9	D6C75	6C7.5-SF	29	A1	1.94	1.13	
8.4	D6C80	6C8.0-E	31	A1	2.38	1.31	
8.9	D6C85	6C8.5-E	35	A1	2.38	1.31	
9.4	D6C90	6C9.0-F	44	A1	2.44	1.22	
9.9	D6C95	6C9.5-F	49	A1	2.44	1.22	
10.4	D6C100	6C10.0-F	56	A1	2.44	1.22	
10.9	D6C105	6C10.5-F	56	A1	2.44	1.22	
11.4	D6C110	6C11.0-F	59	A2	2.44	1.22	
12.4	D6C120	6C12.0-F	66	A2	2.44	1.22	
13.4	D6C130	6C13.0-F	66	A3	2.44	1.22	
14.4	D6C140	6C14.0-F	75	A3	2.44	1.22	
16.4	D6C160	6C16.0--F	86	A3	2.44	1.22	
18.4	D6C180	6C18.0--F	100	A3	2.44	1.22	
20.4	D6C200	6C20.0--F	119	A3	1.94	0.72	
24.4	D6C240	6C24.0--F	141	A3	1.94	0.72	
27.4	D6C270	6C27.0--J	173	A3	#N/A!	0.16	
30.4	D6C300	6C30.0--J	189	A3	1.56	0.16	
36.4	D6C360	6C36.0-J	240	A3	1.63	0.22	
44.4	D6C440	6C44.0-J	290	A3	1.63	0.22	
50.4	D6C500	6C50.0-M**	430	B3	2.00	0.34	

10-Groove						F = 10.38	
O.D.Δ	Part No.	Description	Wt.	Type‡	M	K	
8.9	D10C85	10C8.5--E	52	A1	3.25	2.19	
9.4	D10C90	10C9.0--J	54	A1	3.56	2.16	
9.9	D10C95	10C9.5-J	67.4	A1	3.56	2.16	
10.4	D10C100	10C10.0--J	77	A1	3.56	2.16	
10.9	D10C105	10C10.5--J	85.7	A1	3.56	2.16	
11.4	D10C110	10C11.0--J	93.5	A1	3.56	2.16	
12.4	D10C120	10C12.0--J	111.8	A1	3.56	2.16	
13.4	D10C130	10C13.0-J	105	A2	#N/A!	2.16	
14.4	D10C140	10C14.0-J	114	A2	3.56	2.16	
16.4	D10C160	10C16.0--J	140	A3	3.56	2.16	
18.4	D10C180	10C18.0--J	160	A3	3.56	2.16	
20.4	D10C200	10C20.0--J	165	A3	3.56	2.16	
24.4	D10C240	10C24.0-M**	225	A3	1.94	0.28	
30.4	D10C300	10C30.0-M**	275	A3	1.94	0.28	
36.4	D10C360	10C36.0-M**	340	A3	1.94	0.28	
44.40	D10C440	10C44.0--M**	460	A3	1.94	0.28	
50.40	D10C500	10C50.0-M**	550	A3	1.94	0.28	

P.D. for "C" Belts = O.D.

‡ Type 1 = Block Type, 2 = Web, 3 = Arm – See page PT7-2

+ Recommended CX Belt only

** M-N-P-W are standard mounting only for these parts



SELECTION/DIMENSIONS

D QD SHEAVES - Standard Duty

3-Groove							F = 4.62	
O.D.Δ	Part No.	Description	Wt.	Type‡	M	K		
12.6	D3D120	3D12.0-F	64	A2	1.50	0.28		
13.6	D3D130	3D13.0-F	72	A2	1.50	0.28		
14.1	D3D135	3D13.5--F	76	A2	1.50	0.28		
14.6	D3D140	3D14.0--F	79	A2	1.50	0.28		
15.1	D3D145	3D14.5-F	84	A2	1.50	0.28		
15.6	D3D150	3D15.0-F	89	A2	1.50	0.28		
16.1	D3D155	3D15.5-F	94	A2	1.50	0.28		
16.6	D3D160	3D16.0--F	95	A3	1.50	0.28		
18.6	D3D180	3D18.0--J	115	D3	1.19	0.22		
22.6	D3D220	3D22.0--J	135	D3	1.19	0.22		
27.6	D3D270	3D27.0--J	170	D3	1.19	0.22		
33.6	D3D330	3D33.0--J	215	D3	1.19	0.22		
40.6	D3D400	3D40.0--J	275	D3	1.19	0.22		

5-Groove							F = 7.50	
O.D.Δ	Part No.	Description	Wt.	Type‡	M	K		
12.6	D5D120	5D12.0-F	89	A2	3.06	1.84		
13.6	D5D130	5D13.0-F	100	A2	3.06	1.84		
14.1	D5D135	5D13.5--F	105	A2	3.06	1.84		
14.6	D5D140	5D14.0-F	111	A2	3.06	1.84		
15.1	D5D145	5D14.5-F	118	A2	3.06	1.84		
15.6	D5D150	5D15.0-F	125	A2	3.06	1.84		
16.1	D5D155	5D15.5-F	131	A2	3.06	1.84		
16.6	D5D160	5D16.0-F	110	A3	3.06	1.84		
17.6	D5D170	5D17.0-J	148	A3	1.56	1.91		
18.6	D5D180	5D18.0-J	131	A3	1.56	1.91		
20.6	D5D200	5D20.0-J	148	A3	1.56	0.16		
22.6	D5D220	5D22.0-J	152	A3	0.16	0.16		
27.6	D5D270	5D27.0-M**	250	A3	1.94	0.28		
33.6	D5D330	5D33.0-M**	321	A3	1.94	0.28		
40.6	D5D400	5D40.0--M**	424	A3	1.94	0.28		
48.6	D5D480	5D48.0-M**	550	A3	1.94	0.28		
58.6	D5D580	5D58.0--M**	600	A3	1.94	0.28		

4-Groove							F = 6.06	
O.D.Δ	Part No.	Description	Wt.	Type‡	M	K		
12.6	D4D120	4D12.0--F	77	A2	2.31	1.09		
13.6	D4D130	4D13.0--F	85	A2	2.31	1.09		
14.1	D4D135	4D13.5-F	90	A2	2.31	1.09		
14.6	D4D140	4D14.0--F	95	A2	2.31	1.09		
15.1	D4D145	4D14.5-F	100	A2	2.31	1.09		
15.6	D4D150	4D15.0--F	107	A2	2.31	1.09		
16.1	D4D155	4D15.5--F	112	A2	2.31	1.09		
16.6	D4D160	4D16.0-F	110	A3	2.31	1.09		
17.6	D4D170	4D17.0-J	127	A3	2.56	1.16		
18.6	D4D180	4D18.0-J	131	A3	2.56	1.16		
20.6	D4D200	4D20.0-J	145	A3	2.56	1.16		
22.6	D4D220	4D22.0--J	160	A3	1.56	0.16		
27.6	D4D270	4D27.0--J	200	A3	1.56	0.16		
33.6	D4D330	4D33.0-M**	285	B3	1.94	0.28		
40.6	D4D400	4D40.0-M**	375	B3	1.94	0.28		

6-Groove							F = 8.94	
O.D.Δ	Part No.	Description	Wt.	Type‡	M	K		
12.6	D6D120	6D12.0-J	116	A1	3.31	1.91		
13.6	D6D130	6D13.0-J	137	A1	3.31	1.91		
14.1	D6D135	6D13.5-J	147	A1	3.31	1.91		
14.6	D6D140	6D14.0--J	158	A1	3.31	1.91		
15.1	D6D145	6D14.5-J	170	A1	3.31	1.91		
15.6	D6D150	6D15.0-J	147	A2	3.31	1.91		
16.1	D6D155	6D15.5-J	153	A2	3.31	1.91		
16.6	D6D160	6D16.0-J	137	A3	3.31	1.91		
17.6	D6D170	6D17.0-J	175	A3	3.31	1.91		
18.6	D6D180	6D18.0--J	159	A3	3.31	1.91		
20.6	D6D200	6D20.0-J	185	A3	3.31	1.91		
22.6	D6D220	6D22.0-M**	225	A3	1.94	0.28		
27.6	D6D270	6D27.0-M**	300	A3	1.94	0.28		
33.6	D6D330	6D33.0-M**	350	A3	1.94	0.28		
40.6	D6D400	6D40.0--M**	460	A3	1.94	0.28		
48.6	D6D480	6D48.0-M**	600	A3	1.94	0.28		
58.6	D6D580	6D58.0--N**	760	A3	1.94	0.19		

P.D. for "D" Belts = O.D.

‡ Type 1 = Block Type, 2 = Web, 3 = Arm – See page PT7-2

** M-N-P-W are standard mounting only for these parts

V-Drives

FHP Drives

Drive Component Accessories

DYNA-SYNC

HT200/HTD Synchronous Drives

HT500 Synchronous Drives

Roller Chain Sprockets

SELECTION/DIMENSIONS



D QD SHEAVES - Standard Duty

8-Groove							F = 11.81
O.D.Δ	Part No.	Description	Wt.	Type‡	M	K	
12.6	D8D120	8D12.0-J	141	A1	3.56	2.16	
13.6	D8D130	8D13.0-J	163	A1	3.56	2.16	
14.1	D8D135	8D13.5-J	175	A1	3.56	2.16	
14.6	D8D140	8D14.0-J	187	A1	3.56	2.16	
15.1	D8D145	8D14.5-J	200	A1	3.56	2.16	
15.6	D8D150	8D15.0-J	183	A2	3.56	2.16	
16.1	D8D155	8D15.5-J	189	A2	3.56	2.16	
16.6	D8D160	8D16.0-J	197	A2	3.56	2.16	
17.6	D8D170	8D17.0-J	213	A2	3.56	2.16	
18.6	D8D180	8D18.0-M**	255	A2	3.94	2.28	
20.6	D8D200	8D20.0-M**	258	A2	3.94	2.28	
22.6	D8D220	8D22.0-M**	266	A3	1.94	0.28	
27.6	D8D270	8D27.0-M**	320	A3	1.94	0.28	
33.6	D8D330	8D33.0-M**	420	A3	1.94	0.28	
40.6	D8D400	8D40.0-N**	600	A3	2.19	0.13	
48.6	D8D480	8D48.0-N**	750	A3	2.19	0.13	
58.6	D8D580	8D58.0-N**	1000	A3	2.19	0.13	

10-Groove							F = 14.69
O.D.Δ	Part No.	Description	Wt.	Type‡	M	K	
12.6	D10D120	10D12.0-M**	166	A1	3.94	2.28	
13.6	D10D130	10D13.0-M**	207	A1	3.94	2.28	
14.1	D10D135	10D13.5-M**	224	A1	3.94	2.28	
14.6	D10D140	10D14.0-M**	242	A1	3.94	2.28	
15.1	D10D145	10D14.5-M**	260	A1	3.94	2.28	
15.6	D10D150	10D15.0-M**	279	A1	3.94	2.28	
16.1	D10D155	10D15.5-M**	298	A1	3.94	2.28	
16.6	D10D160	10D16.0-M**	318	A1	3.94	2.28	
17.6	D10D170	10D17.0-M**	307	A2	3.94	2.28	
18.6	D10D180	10D18.0-M**	293	A2	3.94	2.28	
20.6	D10D200	10D20.0-M**	351	A2	3.94	2.28	
22.6	D10D220	10D22.0-M**	342	A3	2.94	1.28	
27.6	D10D270	10D27.0-M**	415	A3	2.94	1.28	
33.6	D10D330	10D33.0-N**	575	A3	3.40	1.34	
40.6	D10D400	10D40.0-N**	680	A3	3.40	1.34	
48.6	D10D480	10D48.0-P**	975	A3	2.57	0.19	
58.6	D10D580	10D58.0-P**	1250	A3	2.57	0.19	

12-Groove							F = 17.56
O.D.Δ	Part No.	Description	Wt.	Type‡	M	K	
12.6	D12D120	12D12.0--M**	187	A1	#N/A!	3.28	
13.6	D12D130	12D13.0--M**	234	A1	#N/A!	3.28	
14.1	D12D135	12D13.5--M**	252	A1	#N/A!	3.28	
14.6	D12D140	12D14.0--M**	271	A1	#N/A!	3.28	
15.1	D12D145	12D14.5-M**	290	A1	#N/A!	3.28	
15.6	D12D150	12D15.0--M**	310	A1	#N/A!	3.28	
16.1	D12D155	12D15.5--M**	330	A1	#N/A!	3.28	
16.6	D12D160	12D16.0--M**	352	A1	#N/A!	3.28	
17.6	D12D170	12D17.0--M**	365	A2	#N/A!	3.47	
18.6	D12D180	12D18.0-M**	391	A2	#N/A!	3.47	
20.6	D12D200	12D20.0-M**	401	A2	#N/A!	2.28	
22.6	D12D220	12D22.0--M**	365	A3	#N/A!	2.28	
27.6	D12D270	12D27.0--N**	505	A3	#N/A!	2.13	
33.6	D12D330	12D33.0--N**	590	A3	#N/A!	2.13	
40.6	D12D400	12D40.0--P**	925	A3	#N/A!	0.19	
48.6	D12D480	12D48.0--P**	1150	A3	#N/A!	0.19	
58.6	D12D580	12D58.0-P**	1500	A3	#N/A!	0.19	

P.D. for "D" Belts = O.D.

‡ Type 1 = Block Type, 2 = Web, 3 = Arm – See page PT7-2

** M-N-P-W are standard mounting only for these parts

V-Drives

FHP Drives

Drive Component Accessories

DYNA-SYNC

HT200/HTD Synchronous Drives

HT500 Synchronous Drives

Roller Chain Sprockets



SELECTION

Custom-Made Sheaves & Sprockets

V-Belt Sheaves & Synchronous Sprockets

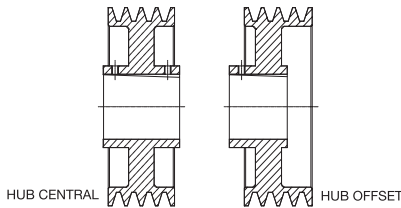
Standard stock products offer the best value for most power transmission operations. But, for requirements that cannot be served with stock products, DODGE manufactures custom-made sheaves and synchronous belt sprockets.

Custom Construction Options

- Non-stock pitch diameter
- Non-stock number of teeth
- Alternate hub location
- Special material: ductile, steel, aluminum, stainless steel etc.
- Alternate bushing or bore configuration for mounting product onto shaft
- Other non-standard requirements

Hub Locations

- Hub central
- Typical for larger diameter products
- Hub offset
- This location is preferred for wider face widths. It is positioned to accommodate the shaft and provides centralized sheave support
- Hub projection
- Required for access to setscrews on smaller bored-to-size products
- Special coating and plating



Materials

Stock sheaves, as well as synchronous sprockets, are manufactured typically from high quality gray iron. Frequently specified alternate materials are shown below.

Alternate Materials

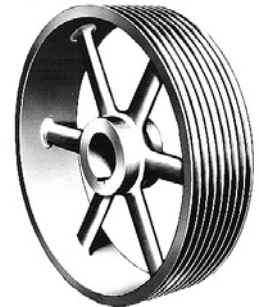
Material	Grade	Max. Rim Speed (Fpm)
GRAY IRON:	-	6,500
DUCTILE	65-45-12	8,000
IRON:	80-55-06	10,000
STEEL:	-	10,000

Dynamic (two-plane) balance normally required for rim speeds above 6,500 feet per minute (FPM).

Drives that exceed 8,000 FPM should be reviewed by DODGE Engineering.



Synchronous Sprockets



V-Belt Sheaves

Mounting Styles

Bored-to-size

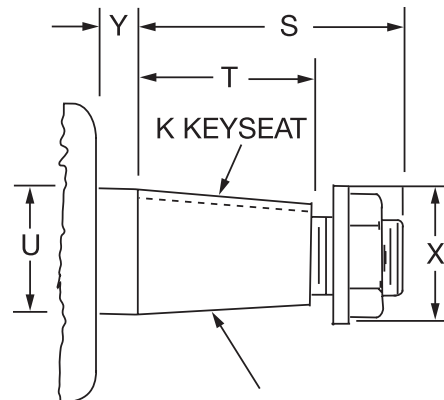
Required when rim diameter cannot accommodate the bushing that is required for the bore size. One keyseat, as well as one or two setscrews are usually specified.

Taper bushed

Specify TAPER-LOCK or QD bushing for required bore size. Verify that hub diameter accommodates bushing. Taper bushed mounting is preferred because this mounting compensates for variations in shaft diameter; provides tight, secure fit; and removes easily for servicing.

Taper bore

For use on taper shafts (sketch below). If hub is not central with face, specify which hub end takes large end of bore. Hub at small end will extend 1/8" beyond the "T" dimension. Keyways are standard size, as well as parallel with the taper, unless specified otherwise.

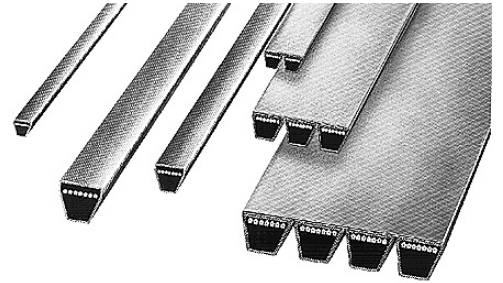




V-Belts

V-drives have been the mainstay of industrial power transmission for over 60 years. During this time, DODGE has been a major influence, designing and developing innovative concepts in V-belt sheaves and supplying the highest quality belts.

Today's V-drives offer quiet, efficient mechanical power transmission. They provide many thousands of hours of performance, even under conditions of shock load and normal drive misalignment. All of these benefits come at an economic value that is unsurpassed.



V-Drives

FHP Drives

Drive Component Accessories

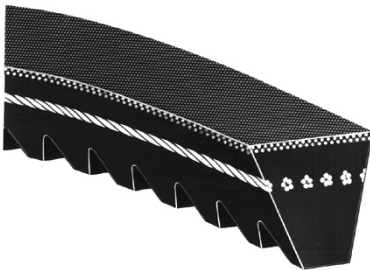
DYNA-SYNC

HT200/HTD Synchronous Drives

HT500 Synchronous Drives

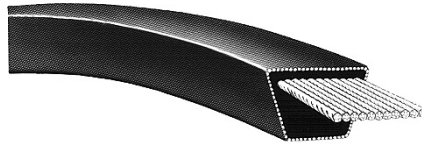
Roller Chain Sprockets

D-V WEDGE BELTS 3VX-5VX-8V



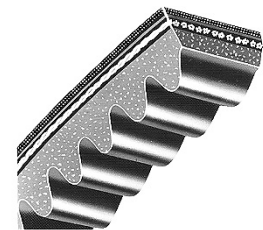
- Oil resistant and static conducting
- Permits compact, lighter weight drives flexibility
- High-strength tension member delivers maximum power with minimum stretch
- Built for long-term dimensional stability
- Molded cog construction under 200-inch belt length is reduced

S-L CLASSIC V-BELTS A-B-C-D-E



- Cable cord envelope construction
- Cool running and flexible
- Strong tensile cords minimize stretch
- Static conducting and heat and oil resistant
- More tolerant of shock loads

CLASSIC COG V-BELTS AX-BX-CX-DX



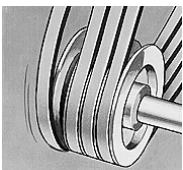
Deliver more horsepower and last longer than conventional belts...

- Fully notched cogs for maximum
- High coefficient rubber edge
- Oil resistant and static conducting
- Proven energy-saving design
- Outlasts conventional belts
- Fewer belts required - drive weight

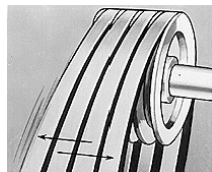
POLYBAND CLASSIC POLYBAND WEDGE V-BELTS



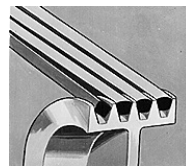
POLYBAND banded V-belts are engineered to handle those problem drives where vibration, sudden shock loads or misalignment causes belts to turn over, whip or jump off sheave. Two or more belts are inseparable joined together as one single unit. POLYBAND belts may be used without changing sheaves or altering the drive.



• NO JUMP OFF

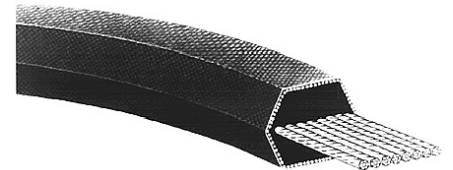


• NO WHIP



• NO TURN OVER

DOUBLE-V SEALED-LIFE (HEX)



For serpentine drives

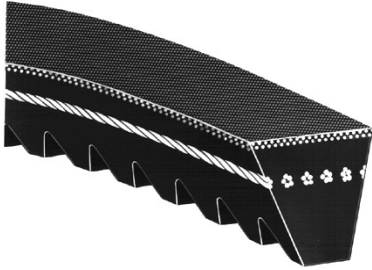
- Transmits power from both sides of belt
- Standard AA, BB, CC cross sections
- Runs in standard classical sheaves
- Oil resistant and static conducting



SELECTION

D-V Wedge Narrow Belts

- Oil Resistant and Static Conducting
- Permits Compact, Lighter Weight Drives
- Hi-Strength Tension Member Delivers Maximum Power with Minimum Stretch
- Built for Long-Term Dimensional Stability.
- Matched to MPTA/RMA Standards. No additional matching or Matching Codes required.



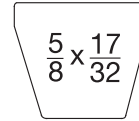
Raw-Edge Molded Cog Construction



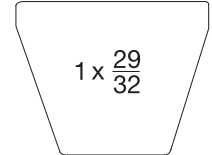
Wrapped Construction



3V
3VX



5V
5VX



8V
8VX

3VX				5VX, 5V								8VX, 8V			
Belt No.	Part No.	Wt.	Lgth. Δ	Belt No.	Part No.	Wt.	Lgth. Δ	Belt No.	Part No.	Wt.	Lgth. Δ	Belt No.	Part No.	Wt.	Lgth. Δ
3VX250	107150	0.11	25	5VX450		0.51	45	5VX900	107180	1.04	90	8VX1000	107200	2.97	100
3VX265	107220	0.11	27	5VX470		0.54	47	5VX930		1.07	93	8VX1060	107219	3.50	106
3VX280	107151	0.12	28	5VX490		0.56	49	5VX950	107195	1.10	95	8VX1120	107201	3.35	112
3VX300	107229	0.12	30	5VX500	107175	0.57	50	5VX960		1.11	96	8VX1180	107240	3.65	118
3VX315	107152	0.14	31.5	5VX510		0.59	51	5VX1000	107181	1.16	100	8VX1250	107202	3.98	125
3VX335	107230	0.14	33.5	5VX530	107233	0.61	53	5VX1030		1.18	103	8VX1320	107241	4.05	132
3VX355	107153	0.16	35.5	5VX540		0.63	54	5VX1060	107196	1.23	106	8VX1400	107203	4.16	140
3VX375	107166	0.16	37.5	5VX550		0.63	55	5VX1080		1.24	108	8VX1500	107242	4.69	150
3VX400	107154	0.16	40	5VX560	107176	0.64	56	5VX1120	107182	1.30	112	8VX1600	107204	5.30	160
3VX425	107167	0.17	42.5	5VX570		0.66	57	5VX1150		1.33	115	8VX1700	107243	5.27	170
3VX450	107155	0.54	45	5VX580		0.67	58	5VX1160		1.34	116	8VX1800	107205	5.73	180
3VX475	107221	0.20	47.5	5VX590		0.68	59	5VX1180	107197	1.37	118	8VX1900	107244	5.81	190
3VX500	107156	0.22	50	5VX600	107234	0.69	60	5VX1230		1.42	123	8VX2000	107206	6.05	200
3VX530	107222	0.21	53	5VX610		0.70	61	5VX1250	107183	1.45	125	8V2120	107245	6.80	212
3VX560	107157	0.22	56	5VX630	107177	0.73	63	5VX1320	107224	1.53	132	8V2240	107207	7.25	224
3VX600	107168	0.24	60	5VX650		0.75	65	5VX1400	107184	1.62	140	8V2360	107215	7.65	236
3VX630	107158	0.27	63	5VX660		0.75	66	5VX1500	107225	1.74	150	8V2500	107208	7.97	250
3VX670	107169	0.29	67	5VX670	107235	0.77	67	5VX1600	107185	1.86	160	8V2650	107246	8.52	265
3VX710	107159	0.31	71	5VX680		0.78	68	5VX1700	107226	1.97	170	8V2800	107209	8.95	280
3VX750	107170	0.30	75	5VX690		0.80	69	5VX1800	107186	2.10	180	8V3000	107216	10.05	300
3VX800	107160	0.33	80	5VX710	107178	0.82	71	5VX1900	107227	2.20	190	8V3150	107210	10.50	315
3VX850	107171	0.39	85	5VX730		0.84	73	5VX2000	107187	2.30	200	8V3350	107247	11.20	335
3VX900	107161	0.38	90	5VX740		0.85	74	5V2120	107228	2.50	212	8V3550	107211	11.90	355
3VX950	107172	0.40	95	5VX750	107193	0.87	75	5V2240	107188	2.60	224	8V3750	107218	12.60	375
3VX1000	107162	0.44	100	5VX780		0.90	78	5V2360	107236	2.74	236	8V4000	107212	13.40	400
3VX1060	107223	0.44	106	5VX800	107179	0.92	80	5V2500	107189	2.84	250	8V4250	107248	14.20	425
3VX1120	107163	0.46	112	5VX810		0.93	81	5V2650	107237	2.99	265	8V4500	107213	15.10	425
3VX1180	107231	0.50	118	5VX830		0.96	83	5V2800	107190	3.10	280	8V4750	107217	15.50	475
3VX1250	107164	0.54	125	5VX840		0.97	84	5V3000	107238	3.60	300	8V5000	107214	16.00	500
3VX1320	107232	0.57	132	5VX850	107194	0.98	85	5V3150	107191	3.80	315	----	----	----	----
3VX1400	107165	0.62	140	5VX860		0.99	86	5V3350	107239	4.00	335	----	----	----	----
3VX1500	107173	0.56	150	5VX880		1.02	88	5V3550	107192	4.30	355	----	----	----	----

Δ Outside circumference in inches



D-V Wedge Banded Belts



3VX POLYBAND Narrow Belts (2, 3, 4, 5, and 6 Bands)

Lgth. Δ	Belt No.	Wgt. Per Band	2-BAND P/N	3-BAND P/N	4-BAND P/N	5-BAND P/N	6-BAND P/N
25	R3VX250 Δ	0.10					
26.5	R3VX265 Δ	0.10					
28	R3VX280 Δ	0.10	108208	108209	108210	108211	
30	R3VX300 Δ	0.15	108212	108213	108214	108215	
31.5	R3VX315 Δ	0.15	108216	108217	108218	108219	
33.5	R3VX335 Δ	0.15	108220	108221	108222	108228	
35.5	R3VX355 Δ	0.15	108224	108225	108226	108227	
37.5	R3VX375 Δ	0.15	108228	108229	108230	108231	
40	R3VX400 Δ	0.20	108232	108233	108234	108235	
42.5	R3VX425 Δ	0.20	108236	108237	108238	108239	
45	R3VX450 Δ	0.20	108240	108241	108242	108243	
47.5	R3VX475 Δ	0.20	108244	108245	108246	108247	
50	R3VX500 Δ	0.20	108248	108249	108250	108251	
53	R3VX530 Δ	2.50	108252	108253	108254	108255	
56	R3VX560 Δ	2.50	108256	108257	108258	108259	
60	R3VX600 Δ	2.50	108260	108261	108262	108263	
63	R3VX630 Δ	0.30	108264	108265	108266	108267	
67	R3VX670 Δ	0.30	108268	108269	108270	108271	
71	R3VX710 Δ	0.30	108272	108273	108274	108275	
75	R3VX750 Δ	0.35	108276	108277	108278	108279	
80	R3VX800 Δ	0.35	108280	108281	108282	108283	
85	R3VX850 Δ	0.40	108284	108285	108286	108287	
90	R3VX900 Δ	0.40	108288	108289	108290	108291	
95	R3VX950 Δ	0.45	108292	108293	108294	108295	
100	R3VX1000 Δ	0.45	108296	108297	108298	108299	
106	R3VX1060 Δ	0.50	108300	108301	108302	108303	
112	R3VX1120 Δ	0.50	108304	108305	108306	108307	
118	R3VX1180 Δ	0.55	108308	108309	108310	108311	
125	R3VX1250 Δ	0.55	108312	108313	108314	108315	
132	R3VX1320 Δ	0.60	108316	108317	108318	108319	
140	R3VX1400 Δ	0.65	108320	108321	108322	108323	

Δ Outside circumference in inches

V-Drives

FHP Drives

Drive Component
Accessories

DYNA-SYNC

HT200/HTD
Synchronous Drives

HT500
Synchronous Drives

Roller Chain Sprockets



SELECTION

5VX, 5V POLYBAND Narrow Belts (2, 3, 4, 5, and 6 Bands)

Lgth. Δ	Belt No.	Wgt. Per Band	2-BAND P/N	3-BAND P/N	4-BAND P/N	5-BAND P/N	6-BAND P/N
50	R5VX500 Δ	0.65	108330				
53	R5VX530 Δ	0.65					
56	R5VX560 Δ	0.70	108338	108339	108340	108341	
60	R5VX600 Δ	0.75	108342	108343	108344	108345	
63	R5VX630 Δ	0.80	108346	108347	108348	108349	
67	R5VX670 Δ	0.85	108350	108351	108352	108353	
71	R5VX710 Δ	0.90	108354	108355	108356	108357	
75	R5VX750 Δ	0.95	108358	108359	108360	108361	
80	R5VX800 Δ	1.00	108362	108363	108364	108365	
85	R5VX850 Δ	1.10	108366	108367	108368	108369	
90	R5VX900 Δ	1.15	108370	108371	108372	108373	
95	R5VX950 Δ	1.20	108374	108375	108376	108377	
100	R5VX1000 Δ	1.30	108378	108379	108380	108381	
106	R5VX1060 Δ	1.35	108382	108383	108384	108385	
112	R5VX1120 Δ	1.45	108386	108387	108388	108389	
118	R5VX1180 Δ	1.50	108390	108391	108392	108393	
125	R5VX1250 Δ	1.60	108394	108395	108396	108397	
132	R5VX1320 Δ	1.70	108398	108399	108400	108401	
140	R5VX1400 Δ	1.80	108402	108403	108404	108405	108329
150	R5VX1500 Δ	1.90	108406	108407	108408	108409	
160	R5VX1600 Δ	2.05	108410	108411	108412	108413	
170	R5VX1700 Δ	2.20	108414	108415	108416	108417	
180	R5VX1800 Δ	2.30	108418	108419	108420	108421	
190	R5VX1900 Δ	2.45	108422	108423	108424	108425	
200	R5VX2000 Δ	2.55	108426	108427	108428	108429	
212	R5V2120 Δ	2.75	108430	108431	108432	108433	
224	R5V2240 Δ	2.90	108434	108435	108436	108437	
236	R5V2360 Δ	3.00	108438	108439	108440	108441	
250	R5V2500 Δ	3.20	108442	108443	108444	108445	
265	R5V2650 Δ	3.40	108446	108447	108448	108449	
280	R5V2800 Δ	3.60	108450	108451	108452	108453	
300	R5V3000 Δ	3.85	108454	108455	108456	108457	
315	R5V3150 Δ	4.05	108458	108459	108460	108461	
335	R5V3350 Δ	4.35	108462	108463	108464	108465	
355	R5V3550 Δ	4.70	108466	108467	108468	108469	

FOR 8V BELTS SEE NEXT PAGE

Δ Outside circumference in inches

SELECTION



8V POLYBAND Narrow Belts (2, 3, 4, 5, and 6 Bands)

Lgth. Δ	Belt No.	Wgt. Per Band	2-BAND P/N	3-BAND P/N	4-BAND P/N	5-BAND P/N	6-BAND P/N
100	R8V1000 Δ	3.3					
106	R8V1060 Δ	3.50	108486				
112	R8V1120 Δ	3.70	108489	108490	108491	108492	
118	R8V1180 Δ	3.80	108493	108494	108495	108496	
125	R8V1250 Δ	4.15	108498	108499	108500	108501	
132	R8V1320 Δ	4.35	108502	108503	108504	108505	
140	R8V1400 Δ	4.65	108507	108508	108509	108510	
150	R8V1500 Δ	5.00	108511	108512	108513	108514	
160	R8V1600 Δ	5.35	108515	108516	108517	108518	
170	R8V1700 Δ	5.70	108519	108520	108521	108522	
180	R8V1800 Δ	6.00	108524	108525	108526	108527	
190	R8V1900 Δ	6.35	108528	108529	108530	108531	
200	R8V2000 Δ	6.70	108533	108534	108535	108536	
212	R8V2120 Δ	7.10	108537	108538	108539	108540	108326
224	R8V2240 Δ	7.50	108542	108543	108544	108545	
236	R8V2360 Δ	7.90	108546	108547	108548	108549	
250	R8V2500 Δ	8.40	108550	108551	108552	108553	
265	R8V2650 Δ	8.90	108554	108555	108556	108557	
280	R8V2800 Δ	9.14	108559	108560	108561	108562	
300	R8V3000 Δ	10.10	108563	108564	108565	108566	108558
315	R8V3150 Δ	10.60	108567	108568	108569	108570	
335	R8V3350 Δ	11.30	108571	108572	108573	108574	
355	R8V3550 Δ	12.00	108576	108577	108578	108579	
375	R8V3750 Δ	12.65	108580	108581	108582	108583	
400	R8V4000 Δ	13.50	108585	108586	108587	108588	
425	R8V4250 Δ	14.35	108589	108590	108591	108592	
450	R8V4500 Δ	15.20	108594	108595	108596	108597	
475	R8V4750 Δ	16.05	108470	108471	108472	108473	
500	R8V5000 Δ	16.90	108474	108475	108476	108477	
560	R8V5600 Δ	18.90	108478	108479	108484	108488	
600	R8V6000 Δ	20.25					

Δ Outside circumference in inches

V-Drives

FHP Drives

Drive Component
Accessories

DYNA-SYNC

HT200/HTD
Synchronous Drives

HT500
Synchronous Drives

Roller Chain Sprockets

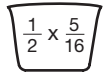


SELECTION

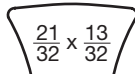
S-L Classic Belts



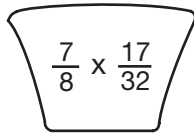
- Premium Performance at Standard Prices.
- Cool Running and Flexible.
- Strong Tensile Cords Remove Excess Stretch.
- Static Conducting and Heat and Oil Resistant.
- Matched to MPTA/RMA Standards - No additional matching or Match Codes required.



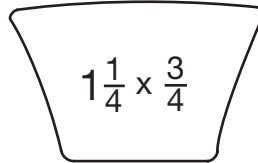
A



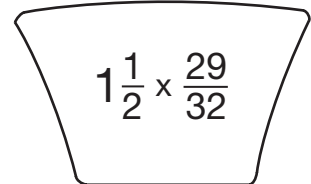
B



C



D



E

Belt No.	Part No.	Wt.	Datum Lgth. Δ	Belt No.	Part No.	Wt.	Datum Lgth. Δ	Belt No.	Part No.	Wt.	Datum Lgth. Δ	Belt No.	Part No.	Wt.	Datum Lgth. Δ
AP21		0.14	22.3	AP44	107324	0.30	45.3	AP67	107388	0.44	68.3	AP89	107922	0.57	90.3
AP22	107908	0.15	23.3	AP45	107329	0.32	46.3	AP68	107016	0.80	69.3	AP90	107022	0.57	91.3
AP23		0.16	24.3	AP46	107007	0.31	47.3	AP69	107913	0.44	70.3	AP91	107923	0.57	92.3
AP24	107910	0.17	25.3	AP47	107330	0.34	48.3	AP70	107252	0.46	71.3	AP92	107277	0.58	93.3
AP25		0.18	26.3	AP48	107008	0.34	49.3	AP71	107017	0.46	72.3	AP93	107430	0.58	94.3
AP26	107001	0.20	27.9	AP49	107272	0.34	50.3	AP72	107914	0.48	73.3	AP94	107924	0.60	95.3
AP27	107417	0.19	28.3	AP50	107331	0.35	51.3	AP73	107915	0.48	74.3	AP95	107925	0.62	96.3
AP28	107320	0.21	29.3	AP51	107009	0.36	52.3	AP74	107343	0.48	75.3	AP96	107023	0.65	97.3
AP29	107418	0.21	30.3	AP52	107332	0.38	53.3	AP75	107018	0.48	76.3	AP97	107926	0.65	98.3
AP30	107321	0.23	31.3	AP53	107010	0.37	54.3	AP76	107420	0.47	77.3	AP98	107431	0.70	99.3
AP31	107002	0.24	32.3	AP54	107250	0.38	55.3	AP77	107916	0.50	78.3	AP100	107346	0.67	101.3
AP32	107322	0.24	33.3	AP55	107011	0.38	56.3	AP78	107019	0.51	79.3	AP103		0.68	104.3
AP33	107003	0.25	34.3	AP56	107251	0.37	57.3	AP79	107917	0.52	80.3	AP105	107024	0.68	106.3
AP34	107278	0.26	35.3	AP57	107273	0.40	58.3	AP80	107020	0.51	81.3	AP110	107253	0.70	111.3
AP35	107004	0.26	36.3	AP58	107274	0.40	59.3	AP81	107276	0.52	82.3	AP112	107025	0.74	113.3
AP36	107270	0.27	37.3	AP59	107912	0.40	60.3	AP82	107918	0.55	83.3	AP120	107026	0.75	121.3
AP37	107129	0.27	38.3	AP60	107012	0.41	61.3	AP83	107344	0.50	84.3	AP128	107027	0.85	129.3
AP38	107005	0.26	39.3	AP61	107333	0.41	62.3	AP84	107919	0.53	85.3	AP136	107028	0.84	137.3
AP39	107323	0.29	40.3	AP62	107013	0.66	63.3	AP85	107021	0.55	86.3	AP144	107029	1.00	145.3
AP40	107271	0.29	41.3	AP63	107387	0.40	64.3	AP86	107920	0.56	87.3	AP158	107254	1.10	159.3
AP41	107419	0.29	42.3	AP64	107014	0.41	65.3	AP87	107921	0.58	88.3	AP173	107255	1.20	174.3
AP42	107006	0.27	43.3	AP65	107122	0.42	66.3	AP88	107345	0.60	89.3	AP180	107256	1.20	181.3
AP43	107249	0.31	44.3	AP66	107015	0.43	67.3								

Δ Datum Length in inches

SELECTION



S-L Classic Belts B, C, D, E S-L Classic Belts

Belt No.	Part No.	Wt.	Datum Lgth. Δ	Belt No.	Part No.	Wt.	Datum Lgth. Δ	Belt No.	Part No.	Wt.	Datum Lgth. Δ	Belt No.	Part No.	Wt.	Datum Lgth. Δ
B-Belts				B-Belts (Con't)				B-Belts (Con't)				C-Belts (Con't)			
BP25		0.28	26.8	BP78	107046	0.74	79.8	BP205	107353	2.00	206.8	CP330	107096	6.00	330.9
BP26		0.29	27.8	BP79	107257	0.80	80.8	BP210	107065	2.07	211.8	CP345	107097	6.30	345.9
BP28	107932	0.30	29.8	BP80	107047	0.85	81.8	BP225	107262	2.21	225.3	CP360	107098	7.40	360.9
BP29	107933	0.29	30.8	BP81	107048	0.82	82.8	BP240	107066	2.39	240.3	CP390	107099	7.10	390.9
BP30		0.30	31.8	BP82	107258	0.84	83.8	BP255	107263	2.56	255.3	CP420	107269	8.03	420.9
BP31		0.32	32.8	BP83	107049	0.79	84.8	BP270	107067	2.75	270.3	D-BELTS			
BP32	107389	0.36	33.8	BP84	107411	0.81	85.8	BP285	107264	2.70	285.3	DP120	107100	4.30	123.3
BP33		0.34	34.8	BP85	107050	0.87	86.8	BP300	107068	3.40	300.3	DP128	107101	4.60	131.3
BP34	107390	0.34	35.8	BP86	107434	0.84	87.8	BP315	107265	3.20	315.3	DP144	107102	5.10	147.3
BP35	107030	0.39	36.8	BP87	107296	0.87	88.8	C-BELTS				DP158	107103	5.58	161.3
BP36	107391	0.39	37.8	BP88	107297	0.87	89.8	CP51	107072	0.99	53.9	DP162	107104	5.65	165.3
BP37	107936	0.41	38.8	BP89	107938	0.90	90.8	CP55	107354	1.07	57.9	DP173	107105	11.00	176.3
BP38	107031	0.44	39.8	BP90	107051	0.94	91.8	CP60	107073	1.15	62.9	DP180	107106	6.35	183.3
BP39	107937	0.43	40.8	BP91	107939	0.87	92.8	CP68	107074	1.30	70.9	DP195	107107	6.90	198.3
BP40	107279	0.44	41.8	BP92	107940	0.90	93.8	CP71		1.34	73.9	DP210	107108	7.40	213.3
BP41	107280	0.45	42.8	BP93	107052	0.91	94.8	CP72	107699	1.36	74.9	DP225	107146	7.90	225.8
BP42	107032	0.44	43.8	BP94	107941	0.93	95.8	CP75	107075	1.42	77.9	DP240	107109	8.49	240.8
BP43	107349	0.46	44.8	BP95	107259	0.95	96.8	CP78	107124	1.49	80.9	DP255	107148	8.90	255.8
BP44	107281	0.50	45.8	BP96	107260	0.96	97.8	CP81	107076	1.50	83.9	DP270	107110	8.90	270.8
BP45	107433	0.48	46.8	BP97	107053	0.95	98.8	CP85	107077	1.65	87.9	DP285	107149	9.90	285.8
BP46	107033	0.49	47.8	BP98		0.96	99.8	CP90	107078	1.64	92.9	DP300	107111	10.30	300.8
BP47	107408	0.52	48.8	BP99	107128	0.99	100.8	CP96	107079	1.82	98.9	DP315	107112	11.00	315.8
BP48	107034	0.51	49.8	BP100	107069	1.02	101.8	CP97	107356	1.83	99.9	DP330	107113	11.50	330.8
BP49	107350	0.53	50.8	BP101		1.06	102.8	CP99	107361	1.86	101.9	DP345	107114	12.00	345.8
BP50	107282	0.54	51.8	BP103	107054	1.07	104.8	CP100	107126	1.88	102.9	DP360	107115	12.76	360.8
BP51	107035	0.51	52.8	BP105	107055	1.07	106.8	CP101		1.89	103.9	DP390	107116	13.60	390.8
BP52	107283	0.55	53.8	BP106		1.08	107.8	CP105	107080	1.90	107.9	DP420	107117	14.70	420.8
BP53	107036	0.57	54.8	BP108	107298	1.08	109.8	CP108	107363	1.90	110.9	DP450	107373	15.70	450.8
BP54	107284	0.59	55.8	BP111		1.15	112.8	CP109	107123	2.02	111.9	DP480	107118	16.80	480.8
BP55	107037	0.59	56.8	BP112	107056	1.14	113.8	CP111	107365	2.10	113.9	DP540	107119	18.90	540.8
BP56	107285	0.59	57.8	BP116	107412	1.18	117.8	CP112	107081	2.13	114.9	DP600	107120	20.90	600.8
BP57	107286	0.59	58.8	BP118		1.18	119.8	CP115	107364	2.26	117.9	DP660	107070	23.00	660.8
BP58	107287	0.61	59.8	BP120	107057	1.18	121.8	CP120	107082	2.22	122.9	E-BELTS			
BP59	107288	0.59	60.8	BP123		1.25	124.8	CP124	107127	2.42	126.9	EP144		8.00	148.5
BP60	107038	0.60	61.8	BP124	107299	1.26	125.8	CP128	107083	2.35	130.9	EP180	107131	9.40	184.5
BP61	107289	0.61	62.8	BP126		1.25	127.8	CP136	107084	2.56	138.9	EP195	107132	10.10	199.5
BP62	107039	0.62	63.8	BP128	107058	1.28	129.8	CP144	107085	2.64	146.9	EP210	107133	10.90	214.5
BP63	107290	0.63	64.8	BP130		1.35	131.8	CP148		2.80	150.9	EP225		12.10	229.5
BP64	107040	0.64	65.8	BP133	107261	1.38	134.8	CP150	107957	2.82	152.9	EP240	107135	12.20	241.5
BP65	107041	0.65	66.8	BP136	107059	1.34	137.8	CP158	107086	3.01	160.9	EP270		14.50	271.5
BP66	107042	0.66	67.8	BP140		1.43	141.8	CP162	107087	3.09	164.9	EP300	107137	15.30	301.0
BP67	107291	0.69	68.8	BP144	107060	1.45	145.8	CP173	107088	3.39	175.9	EP330	107138	16.80	331.0
BP68	107043	0.67	69.8	BP148	107351	1.39	149.8	CP180	107089	3.47	182.9	EP360	107139	18.30	361.0
BP69	107409	0.70	70.8	BP150	107000	1.49	151.8	CP195	107090	3.65	197.9	EP390	107140	19.80	391.0
BP70	107275	0.72	71.8	BP154		1.54	155.8	CP210	107091	8.03	212.9	EP420	107141	21.40	421.0
BP71	107044	0.69	72.8	BP158	107061	1.55	159.8	CP225	107266	4.16	225.9	EP480	107142	27.00	481.0
BP72	107292	0.73	73.8	BP162	107125	1.58	163.8	CP240	107092	4.31	240.9	EP540	107143	30.00	541.0
BP73	107293	0.73	74.8	BP173	107062	1.69	174.8	CP255	107267	4.70	255.9	EP600	107144	34.00	601.0
BP74	107294	0.73	75.8	BP180	107063	1.72	181.8	CP270	107093	5.03	270.9	EP660	107174	36.00	661.0
BP75	107045	0.78	76.8	BP190	107352	1.85	191.8	CP285	107268	5.20	285.9	Δ Datum Length in inches			
BP76	107410	0.76	77.8	BP191		1.95	192.8	CP300	107094	5.50	300.9				
BP77	107295	0.76	78.8	BP195	107064	2.00	196.8	CP315	107095	5.80	315.9				

◇ E-BELTS: Recommended for Replacement Only - Not for New Drives (Use 8V Belts)

V-Drives

FHP Drives

Drive Component Accessories

DYNA-SYNC

HT200/HTD Synchronous Drives

HT500 Synchronous Drives

Roller Chain Sprockets



SELECTION

S-L Classic Banded Belts B POLYBAND Classic Belts (2, 3, 4 and 5 Bands)

Datum Lgth. Δ	Belt. No.	Wgt. per Band	2-Band P/N	3-Band P/N	4-Band P/N	5-Band P/N
36.8	RBP35 Δ	0.50				
39.8	RBP38 Δ	0.55				
41.8	RBP40 Δ	0.55				
42.8	RBP41 Δ	0.55				
43.8	RBP42 Δ	0.60	107308	107309	107310	107311
44.8	RBP43 Δ	0.60	107421	107451	107452	107453
45.8	RBP44 Δ	0.60				
47.8	RBP46 Δ	0.65	107312	107313	107314	107315
49.8	RBP48 Δ	0.65	107316	107317	107318	107319
50.8	RBP49 Δ	0.70				
51.8	RBP50 Δ	0.70	107454	107455	107464	107465
52.8	RBP51 Δ	0.70	107325	107326	107327	107328
53.8	RBP52 Δ	0.70	107466	107467	107468	107481
54.8	RBP53 Δ	0.75	107334	107335	107336	107337
55.8	RBP54 Δ	0.75	107482	107483	107484	107485
56.8	RBP55 Δ	0.75	107338	107339	107340	107341
57.8	RBP56 Δ	0.75	107494	107495	107496	107497
58.8	RBP57 Δ	0.80	107498	107503	107504	107505
59.8	RBP58 Δ	0.80	107506	107507	107520	107521
60.8	RBP59 Δ	0.80	107522	107523	107524	107541
61.8	RBP60 Δ	0.85	107357	107358	107359	107360
62.8	RBP61 Δ	0.85	107542	107543	107544	107545
63.8	RBP62 Δ	0.85	107366	107367	107368	107369
64.8	RBP63 Δ	0.85	107550	107551	107552	107553
65.8	RBP64 Δ	0.90	107375	107376	107377	107378
66.8	RBP65 Δ	0.90	107379	107380	107381	107382
67.8	RBP66 Δ	0.90	107383	107384	107385	107386
68.8	RBP67 Δ	0.90	107554	107563	107564	107565
69.8	RBP68 Δ	0.90	107392	107393	107394	107395
71.8	RBP70 Δ	0.95	107396	107397	107398	107399
72.8	RBP71 Δ	0.95	107400	107401	107402	107403
73.8	RBP72 Δ	1.00	107566	107567	107568	107569
74.8	RBP73 Δ	1.00	107660	107651	107652	107653
75.8	RBP74 Δ	1.00	107654	107659	107660	107661
75.8	RBP75 Δ	1.00	107404	107405	107406	107407
78.8	RBP77 Δ	1.05	107662	107663	107668	107669
79.8	RBP78 Δ	1.05	107413	107414	107415	107416
80.8	RBP79 Δ	1.10	107670	107671	107672	107677
81.8	RBP80 Δ	1.10	107422	107423	107424	107425
82.8	RBP81 Δ	1.10	107426	107427	107428	107429
83.8	RBP82 Δ	1.10	107678	107894	107895	107896
84.8	RBP83 Δ	1.15	107435	107436	107437	107438
86.8	RBP85 Δ	1.15	107439	107440	107441	107442
88.8	RBP87 Δ	1.20	107897	107898	107899	107942
89.8	RBP88 Δ	1.20	107943	107944	107948	107949
91.8	RBP90 Δ	1.20	107443	107444	107445	107446
94.8	RBP93 Δ	1.25	107447	107448	107449	107450
96.8	RBP95 Δ	1.30	107950	107951	107952	107953
97.8	RBP96 Δ	1.30	107456	107457	107458	107459
98.8	RBP97 Δ	1.30	107460	107461	107462	107463

Δ Datum Length in inches

SELECTION



S-L Classic Banded Belts B POLYBAND Classic Belts (2, 3, 4 and 5 Bands) (Cont'd)

Datum Lgth. Δ	Belt. No.	Wgt. per Band	2-Band P/N	3-Band P/N	4-Band P/N	5-Band P/N
100.8	RBP99 Δ	1.35	107954	107955	107956	107979
101.8	RBP100 Δ	1.35	107469	107470	107471	107472
104.8	RBP103 Δ	1.40	107473	107474	107475	107476
106.8	RBP105 Δ	1.45	107477	107478	107479	107480
109.8	RBP108 Δ	1.45	107980	107981	107982	107983
113.8	RBP112 Δ	1.50	107486	107487	107488	107489
121.8	RBP120 Δ	1.65	107490	107491	107492	107493
125.8	RBP124 Δ	1.70	107984	107985	107986	107987
129.8	RBP128 Δ	1.75	107499	107500	107501	107502
134.8	RBP133 Δ	1.80	107988	107989	107990	107991
137.8	RBP136 Δ	1.85	107508	107509	107510	107511
145.8	RBP144 Δ	1.95	107512	107513	107514	107515
149.8	RBP148 Δ	2.00	107992	107993	107994	107995
159.8	RBP158 Δ	2.15	107516	107517	107518	107519
163.8	RBP162 Δ	2.20	107996	107997	107998	108765
174.8	RBP173 Δ	2.35	107525	107526	107527	107528
181.8	RBP180 Δ	2.45	107529	107530	107531	107532
196.8	RBP195 Δ	2.65	107533	107534	107535	107536
211.8	RBP210 Δ	2.85	107537	107538	107539	107540
225.3	RBP225 Δ	3.00	108766	108767	108768	108769
240.3	RBP240 Δ	3.20	107546	107547	107548	107549
255.3	RBP255 Δ	3.40	108770	108771	108772	108773
270.3	RBP270 Δ	3.60	107555	107556	107557	107558
285.3	RBP285 Δ	3.80				
300.3	RBP300 Δ	4.00	107559	107560	107561	107562
315.3	RBP315 Δ	4.20	108774	108775	108776	108777

V-Drives

FHP Drives

Drive Component Accessories

DYNA-SYNC

HT200/HTD Synchronous Drives

HT500 Synchronous Drives

Roller Chain Sprockets



SELECTION

S-L Classic Banded Belts C POLYBAND Classic Belts (2, 3, 4 and 5 Bands)

Datum Lgth. Δ	Belt. No.	Wgt. per Band	2-Band P/N	3-Band P/N	4-Band P/N	5-Band P/N
53.9	RCP51 Δ	1.20				
57.9	RCP55 Δ	1.30				
62.9	RCP60 Δ	1.40	107574	107575	107576	107577
70.9	RCP68 Δ	1.55	107578	107579	107580	107581
73.9	RCP71 Δ	1.65				
77.9	RCP75 Δ	1.70	107582	107583	107584	107585
83.9	RCP81 Δ	1.85	107586	107587	107588	107589
87.9	RCP85 Δ	1.95	107590	107591	107592	107593
92.9	RCP90 Δ	2.05	107594	107595	107596	107597
98.9	RCP96 Δ	2.20	107598	107599	107600	107601
99.9	RCP97 Δ	2.20				
101.9	RCP99 Δ	2.25	108778	108779	108780	108781
102.9	RCP100 Δ	2.30				
107.9	RCP105 Δ	2.40	107602	107603	107604	107605
110.9	RCP108 Δ	2.45	108782	108783	108784	108785
111.9	RCP109 Δ	2.50	108786	108787	108788	108789
114.9	RCP112 Δ	2.55	107606	107607	107608	107609
122.9	RCP120 Δ	2.70	107610	107611	107612	107613
126.9	RCP124 Δ	2.80	108790	108791	108792	108793
130.9	RCP128 Δ	2.80	107614	107615	107616	107617
138.9	RCP136 Δ	3.05	107618	107619	107620	107621
146.9	RCP144 Δ	3.25	107622	107623	107624	107625
160.9	RCP158 Δ	3.55	107626	107627	107628	107629
164.9	RCP162 Δ	3.65	107630	107631	107632	107633
175.9	RCP173 Δ	3.90	107634	107635	107636	107637
182.9	RCP180 Δ	4.05	107638	107639	107640	107641
197.9	RCP195 Δ	4.40	107642	107643	107644	107645
212.9	RCP210 Δ	4.70	107646	107647	107648	107649
225.9	RCP225 Δ	5.00	107679	107680	107681	107682
240.9	RCP240 Δ	5.35	107655	107656	107657	107658
255.9	RCP255 Δ	5.65	107684	107685	107686	107687
270.9	RCP270 Δ	6.00	107664	107665	107666	107667
285.9	RCP285 Δ	6.35	107689	107690	107691	107692
300.9	RCP300 Δ	6.65	107673	107674	107675	107676
315.9	RCP315 Δ	7.00	108794	108795	108796	108797
330.9	RCP330 Δ	7.35	108798	108799	108876	108877
345.9	RCP345 Δ	7.65	108878	108879	108880	108881
360.9	RCP360 Δ	8.00	108882	108883	108884	108885
390.9	RCP390 Δ	8.65	108886	108887	108888	108889
420.9	RCP420 Δ	9.35	108890	108891	108892	108893

Δ Datum Length in inches

V-Drives

FHP Drives

Drive Component Accessories

DYNA-SYNC

HT200/HTD Synchronous Drives

HT500 Synchronous Drives

Roller Chain Sprockets

SELECTION



S-L Classic Banded Belts D POLYBAND Classic Belts (2, 3, 4 and 5 Bands)

Datum Lgth. Δ	Belt. No.	Wgt. per Band	2-Band P/N	3-Band P/N	4-Band P/N	5-Band P/N
123.3	RDP120 Δ	5.05	107700	107701	107702	107703
131.3	RDP128 Δ	5.40				
147.3	RDP144 Δ	6.05	107708	107709	107710	107711
161.3	RDP158 Δ	6.65	107712	107713	107714	107715
165.3	RDP162 Δ	6.80	107716	107717	107718	107719
176.3	RDP173 Δ	7.25	107720	107721	107722	107723
183.3	RDP180 Δ	7.50	107724	107725	107726	107727
198.3	RDP195 Δ	8.15	107728	107729	107730	107731
213.3	RDP210 Δ	8.75	107732	107733	107734	107735
225.8	RDP225 Δ	9.30	107736	107737	107738	107739
240.8	RDP240 Δ	9.90	107741	107742	107743	107744
255.8	RDP255 Δ	10.50	107745	107746	107747	107748
270.8	RDP270 Δ	11.15	107750	107751	107752	107753
285.8	RDP285 Δ	11.75	107754	107755	107756	107757
300.8	RDP300 Δ	12.35	107759	107760	107761	107762
315.8	RDP315 Δ	13.00	107777	107778	107779	107780
330.8	RDP330 Δ	13.60	107781	107782	107783	107784
345.8	RDP345 Δ	14.20	107695	107696	107697	107698
360.8	RDP360 Δ	14.85	107960	107961	107962	107963
390.8	RDP390 Δ	16.10	107764	107765	107766	107767
420.8	RDP420 Δ	17.30	107769	107770	107771	107772
450.8	RDP450 Δ	18.55	107964	107965	107966	107967
480.8	RDP480 Δ	19.80	107773	107774	107775	107776
540.8	RDP540 Δ	22.25		107968	107969	107970
600.8	RDP600 Δ	24.70	107971	107972	107973	107974
660.8	RDP660 Δ	27.15	107975	107976	107977	107978

Δ Datum Length in inches

V-Drives

FHP Drives

Drive Component Accessories

DYNA-SYNC

HT200/HTD Synchronous Drives

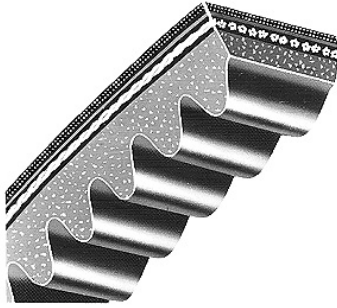
HT500 Synchronous Drives

Roller Chain Sprockets



SELECTION

Classic Cog Belts



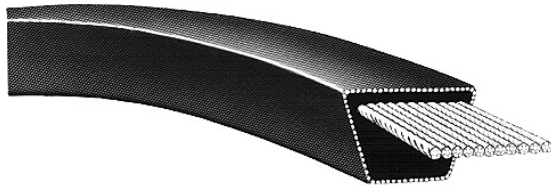
Deliver more horsepower and last longer than conventional belts

- Fully notched cogs for maximum flexibility.
- High coefficient, energy-efficient rubber edge.
- Proven energy-saving design.
- Outlast conventional belts.
- Fewer belts required - drive weight is reduced.
- Matched to MPTA/RMA Standards - No Additional matching or Match Codes Required

Belt No.	Part No.	Wt.	Datum Lgth.	Belt No.	Part No.	Wt.	Datum Lgth.	Belt No.	Part No.	Wt.	Datum Lgth.	Belt No.	Part No.	Wt.	Datum Lgth.
AX BELTS				AX BELTS (CON'T)				BX-BELTS (CON'T)				BX BELTS (CON'T)			
AX25	108867	.17	26.3	AX105	108670	.68	106.3	BX78	108702	.86	79.8	BX270	108735	2.65	270.3
AX26	108640	.18	27.3	AX110	108671	.71	111.3	BX79	108703	.87	80.8	BX300	108637	3.0	300.3
AX27	108868	.19	28.3	AX112	108672	.73	113.3	BX80	108704	.88	81.8	CX-BELTS			
AX31	108641	.21	32.3	AX120	108673	.74	121.3	BX81	108705	.89	82.8	CX51	108736	1.07	53.9
AX32	108869	.21	33.3	AX128	108674	.78	129.3	BX82	108706	.90	83.8	CX60	108737	1.24	62.9
AX33	108642	.22	34.3	AX136	108675	.98	137.3	BX83	108707	.91	84.8	CX68	108738	1.39	70.9
AX34	108643	.23	35.3	BX-BELTS				BX85	108708	.93	86.8	CX75	108739	1.53	77.9
AX35	108644	.24	36.3	BX35	108676	.40	36.8	BX90	108709	.98	91.8	CX81	108740	1.64	83.9
AX36	108645	.24	37.3	BX38	108677	.43	39.8	BX93	108710	1.01	94.8	CX85	108741	1.72	87.9
AX37	108646	.25	38.3	BX42	108678	.48	43.8	BX95	108711	1.03	96.8	CX90	108742	1.81	92.9
AX38	108647	.26	39.3	BX46	108679	.52	47.8	BX96	108712	1.05	97.8	CX96	108743	1.93	98.9
AX42	108648	.28	43.3	BX48	108680	.54	49.8	BX97	108713	1.06	98.8	CX105	108744	2.10	107.9
AX43	108649	.29	44.3	BX50	108681	.56	51.8	BX99	108714	1.08	100.8	CX109	108745	2.18	111.9
AX46	108650	.31	47.3	BX51	108682	.57	52.8	BX100	108715	1.09	101.8	CX112	108746	2.24	114.9
AX48	108651	.32	49.3	BX52	108683	.58	53.8	BX103	108716	1.12	104.8	CX115	108747	2.29	117.9
AX51	108652	.34	52.3	BX53	108684	.59	54.8	BX105	108717	1.14	106.8	CX120	108748	2.39	122.9
AX53	108653	.35	54.3	BX54	108685	.60	55.8	BX112	108718	1.21	113.8	CX128	108749	2.42	130.9
AX54	108654	.36	55.3	BX55	108686	.61	56.8	BX113	108719	1.22	114.8	CX136	108750	2.49	138.9
AX55	108655	.36	56.3	BX56	108687	.62	57.8	BX116	108720	1.26	117.8	CX144	108751	2.63	146.9
AX56	108656	.37	57.3	BX59	108688	.66	60.8	BX120	108721	1.30	121.8	CX150	108752	2.74	152.9
AX60	108657	.40	61.3	BX60	108689	.67	61.8	BX124	108722	1.26	125.8	CX158	108753	2.88	160.9
AX62	108658	.41	63.3	BX61	108690	.68	62.8	BX128	108723	1.30	129.8	CX162	108754	2.95	164.9
AX64	108659	.42	65.3	BX62	108691	.69	63.8	BX133	108724	1.34	134.8	CX173	108755	3.15	175.9
AX66	108660	.43	67.3	BX63	108692	.70	64.8	BX136	108725	1.37	137.8	CX180	108756	3.27	182.9
AX68	108661	.45	69.3	BX64	108693	.71	65.8	BX144	108726	1.45	145.8	CX195	108757	3.54	197.9
AX70	108662	.46	71.3	BX65	108694	.72	66.8	BX150	108727	1.51	151.8	CX210	108758	3.77	212.9
AX71	108663	.47	72.3	BX66	108695	.73	67.8	BX158	108728	1.59	159.8	CX225	108896	4.0	227.9
AX75	108664	.49	76.3	BX67	108696	.74	68.8	BX162	108729	1.63	163.8	CX240	108759	4.30	240.9
AX78	108665	.51	79.3	BX68	108697	.75	69.8	BX173	108730	1.74	174.8	CX270	108760	4.83	270.9
AX80	108666	.52	81.3	BX70	108698	.77	71.8	BX180	108731	1.81	181.8	CX285	108638	4.7	285.9
AX85	108667	.55	86.3	BX71	108699	.78	72.8	BX195	108732	1.96	196.8	CX300	108639	4.9	300.9
AX90	108668	.59	91.3	BX75	108700	.82	76.8	BX210	108733	2.09	211.8	CX330	108762	5.3	330.9
AX96	108669	.62	97.3	BX77	108701	.85	78.8	BX240	108734	2.36	240.3	CX360	108764	5.8	360.9



Double-V (Hex) Belts



- For Serpentine Drives
- Static Conducting
- Oil Resistant

AA, BB, CC, Double-V (Hex) Belts

Belt No.	Part No.	Wt.	Datum Lgth.	Belt No.	Part No.	Wt.	Datum Lgth.	Belt No.	Part No.	Wt.	Datum Lgth.	Belt No.	Part No.	Wt.	Datum Lgth.
AA BELTS				BB BELTS (CON'T.)				BB BELTS (CON'T.)				CC BELTS			
AA51	109125	0.50	53.1	BB73	109209	3.30	75.9	BB140	109223	2.00	142.9	CC75	109235	1.72	79.2
AA55	109087	0.60	57.1	BB74	109210	1.20	76.9	BB144	109091	2.00	146.9	CC81	109153	1.80	85.2
AA60	109126	0.50	62.1	BB75	109138	1.00	77.9	BB155	109202	2.00	157.9	CC85	109154	1.90	89.5
AA62		0.50	64.1	BB76		1.00	78.9	BB157		2.10	159.9	CC90	109155	2.00	94.2
AA64	109120	0.70	66.1	BB77		1.10	79.9	BB158	109092	2.10	160.9	CC96	109156	2.20	100.2
AA66	109121	0.70	68.1	BB81	109139	1.10	83.9	BB160		2.20	162.9	CC105	109157	2.40	109.2
AA68	109127	0.50	70.1	BB83	109211	1.10	85.9	BB162		2.20	164.9	CC112	109158	2.50	116.2
AA70	109122	0.70	72.1	BB85	109140	1.20	87.9	BB168		2.30	170.9	CC119		2.60	123.2
AA75	109128	0.60	77.1	BB89		1.20	91.9	BB169		2.30	171.9	CC120	109159	2.70	124.2
AA78	109123	0.90	80.1	BB90	109141	1.20	92.9	BB170		2.30	172.9	CC128	109160	2.90	132.2
AA80	109129	0.60	82.1	BB92	109197	1.20	94.9	BB173	109093	2.30	175.9	CC136	109236	3.26	140.2
AA85	109130	0.71	87.1	BB93	109198	1.20	95.9	BB180	109094	2.40	182.9	CC144	109161	3.20	148.2
AA90	109131	0.80	92.1	BB94	109199	1.20	96.9	BB182		2.40	184.9	CC148	109237	3.54	152.2
AA92		0.80	94.1	BB96		1.30	98.9	BB190		2.60	192.9	CC158	109162	3.50	162.2
AA96	109132	0.80	98.1	BB97	109142	1.30	99.9	BB195	109148	2.60	197.9	CC162	109163	3.80	166.2
AA105	109133	0.90	107.1	BB103	109213	1.66	105.9	BB210	109149	2.60	212.9	CC173	109164	3.80	177.2
AA112	109134	0.80	114.1	BB105	109143	1.40	107.9	BB225		3.00	226.4	CC180	109165	4.00	184.2
AA120	109135	0.90	122.1	BB107	109214	1.71	109.9	BB226	109203	3.00	227.4	CC195	109166	4.30	199.2
AA128	109136	0.90	130.1	BB108	109215	1.74	110.9	BB228	109204	3.00	229.4	CC210	109167	4.70	214.2
BB-BELTS				BB111	109200	1.40	113.9	BB230	109205	3.10	231.4	CC225		5.20	229.2
BB42	109192	0.60	44.9	BB112	109144	1.60	114.9	BB240	109150	3.20	241.4	CC240	109168	5.20	242.2
BB43	109193	0.60	45.9	BB116	109216	1.60	118.9	BB250		3.20	251.4	CC255		5.90	259.2
BB45	109206	0.60	47.9	BB117		1.60	119.9	BB267		3.20	268.4	CC270	109169	5.90	272.2
BB51	109088	0.80	53.9	BB118	109218	1.90	120.9	BB270	109151	3.60	271.4	CC300	109170	6.50	302.2
BB53		0.80	55.9	BB120	109145	1.60	122.9	BB273		3.60	274.4	CC330	109171	7.20	332.2
BB54		0.80	56.9	BB122		1.70	124.9	BB277		3.60	278.4	CC360	109172	7.80	362.2
BB55	109089	0.80	57.9	BB123	109219	1.70	125.9	BB278		3.70	279.4	CC390	109189	8.50	392.2
BB60	109090	0.90	62.9	BB124	109220	1.70	126.9	BB285		3.90	286.4	CC420	109188	9.10	422.2
BB64		0.90	66.9	BB128	109146	1.80	130.9	BB300		4.00	301.4				
BB68	109137	0.90	70.9	BB129	109221	1.80	131.9	BB360		4.50	361.4				
BB71	109196	1.00	73.9	BB130	109222	1.80	132.9								
BB72	109208	1.17	74.9	BB136	109201	1.80	138.9								

V-Drives

FHP Drives

Drive Component Accessories

DYNA-SYNC

HT200/HTD Synchronous Drives

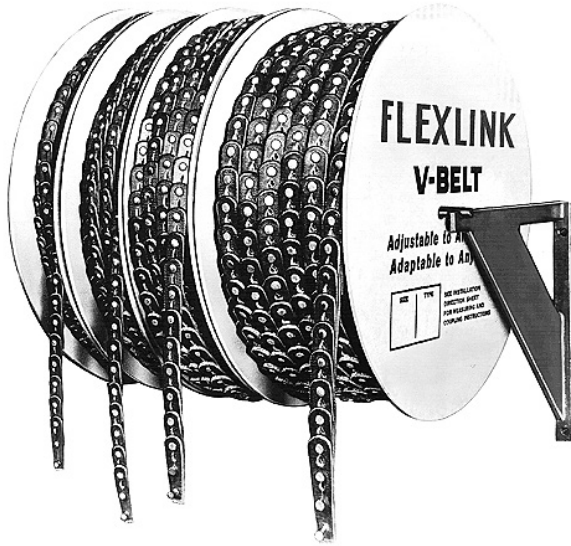
HT500 Synchronous Drives

Roller Chain Sprockets



SELECTION

FLEXLINK Belting



Belt Selection	Belt Width	Min. Recommended Sheave Pitch Dia.	Part No. Per Foot*	Wt. Per Ft.
0/3L	3/8	2"	109076	.14
A/4L	1/2	2"	109084	.15
B/5L	21/32	4"	109085	.19
C	7/8	6"	109086	.35

* 100 Ft reel available

FLEXLINK BELT APPLICATION GUIDELINES

1. To obtain link belt length, multiply desired pitch length by .916. This provides correct belt length for initial run-in and seating of belt.
 2. For matched sets of link belts, use the same number of links on each belt.
 3. Do not use link belting above 5000 FPM belt speed.
Belt speed = .262 x RPM x pitch diameter of sheave.
 4. **Note:** Link belting is not static conducting.
Important -
For matched sets of link belts use same number of links on each belt.
- Fast installation, installs in a snap
 - Adjustable to any length, adaptable to any drive
 - Reduces vibration
 - Long-lasting construction
 - Reduces inventory - one reel can replace many sizes of standard belting
 - Oil proof construction
 - Order by the foot or by the reel.

V-Drives
FHP Drives
Drive Component Accessories
DYNA-SYNC
HT200/HTD Synchronous Drives
HT500 Synchronous Drives
Roller Chain Sprockets

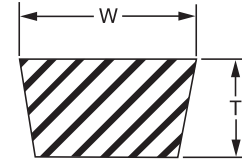
SELECTION



FHP Belts



- Oil Resistant
- Static Conducting
- For Fractional HP Single Drive Belts
- Belt Number Indicates Pi8tch Length (eg 4L270 = 27")



Belt Sect.	W	T
3L	3/8	7/32
4L	1/2	5/16
5L	21/32	3/8

3L, 4L, 5L FHP Belts

Belt No.	Part No.	Wt.	Belt No.	Part No.	Wt.	Belt No.	Part No.	Wt.	Belt No.	Part No.	Wt.
3L BELTS			3L BELTS (CON'T)			4L BELTS (CON'T.)			5L BELTS (CON'T.)		
3L150	108150	.05	3L620	108604	.19	4L590	108043	.32	5L400	108096	.38
3L160	108151	.05	3L630	108805	.19	4L600	108044	.33	5L410	108097	.38
3L170	108152	.05	4L BELTS			4L610	108045	.33	5L420	108098	.40
3L180	108153	.06	4L170	108614	.09	4L620	108046	.34	5L430	108099	.41
3L190	108154	.06	4L180	108001	.09	4L630	108047	.35	5L440	108100	.42
3L200	108155	.06	4L188	108836	.09	4L640	108048	.35	5L450	108101	.43
3L210	108156	.06	4L190	108002	.10	4L650	108049	.36	5L460	108102	.44
3L220	108157	.07	4L200	108003	.10	4L660	108050	.36	5L470	108103	.45
3L230	108158	.07	4L210	108004	.11	4L670	108051	.37	5L480	108104	.46
3L240	108159	.07	4I220	108005	.11	4L680	108052	.37	5L490	108105	.47
3L250	108160	.08	4L230	108006	.12	4L690	108053	.38	5L500	108106	.48
3L260	108161	.08	4L240	108007	.12	4L700	108054	.38	5L510	108107	.49
3L270	108162	.08	4L250	108008	.13	4L710	108055	.39	5L520	108108	.50
3L280	108163	.09	4L260	108009	.13	4L720	108056	.40	5L530	108109	.51
3L290	108164	.09	4L270	108010	.14	4L730	108057	.40	5L540	108110	.52
3L300	108165	.09	4L275	108841	.14	4L740	108058	.41	5L550	108111	.53
3L310	108166	.10	4L280	108011	.15	4L750	108059	.41	5L560	108112	.54
3L320	108167	.10	4L290	108012	.16	4L760	108060	.42	5L570	108113	.55
3L330	108168	.10	4L300	108013	.16	4L770	108061	.42	5L575	108873	.55
3L340	108169	.10	4L310	108014	.17	4L780	108062	.43	5L580	108114	.56
3L350	108170	.11	4L320	108015	.18	4L790	108063	.43	5L590	108115	.57
3L360	108171	.11	4L330	108016	.18	4L800	108064	.44	5L600	108116	.58
3L370	108172	.11	4L340	108018	.19	4L810	108615	.44	5L610	108117	.59
3L380	108173	.12	4L350	108019	.19	4L820	108065	.45	5L620	108118	.60
3L390	108174	.12	4L360	108020	.20	4L830	108616	.46	5L630	108119	.61
3L400	108175	.12	4L370	108021	.20	4L840	108066	.46	5L640	108120	.61
3L410	108176	.13	4L380	108022	.21	4L850	108617	.47	5L650	108121	.62
3L420	108177	.13	4L390	108023	.21	5L BELTS			5L660	108122	.63
3L430	108178	.13	4L400	108024	.22	5L230	108625	.21	5L670	108123	.64
3L440	108179	.14	4L410	108025	.23	5L240	108080	.20	5L680	108124	.65
3L450	108180	.14	4L420	108026	.23	5L250	108081	.20	5L690	108125	.66
3L460	108181	.14	4L430	108027	.24	5L260	108082	.20	5L700	108126	.67
3L470	108182	.15	4L440	108028	.24	5L265	108070	.21	5L710	108127	.68
3L480	108183	.15	4L450	108029	.25	5L270	108083	.21	5L720	108128	.69
3L490	108184	.15	4L460	108030	.25	5L280	108084	.22	5L730	108129	.70
3L500	108185	.15	4L470	108031	.26	5L290	108085	.23	5L740	108130	.71
3L510	108186	.16	4L480	108032	.26	5L300	108086	.24	5L750	108131	.72
3L520	108187	.16	4L490	108033	.27	5L310	108087	.24	5L760	108132	.73
3L530	108188	.16	4L500	108034	.27	5L320	108088	.25	5L770	108133	.74
3L540	108189	.17	4L510	108035	.28	5L330	108089	.26	5L780	108134	.75
3L550	108190	.17	4L520	108036	.29	5L340	108090	.27	5L790	108826	.76
3L560	108191	.17	4L530	108037	.29	5L350	108091	.28	5L800	108135	.77
3L570	108192	.18	4L540	108038	.30	5L360	108092	.28	5L810	108827	.78
3L580	108193	.18	4L550	108039	.30	5L365	108872	.29	5L820	108136	.79
3L590	108194	.18	4L560	108040	.31	5L370	108093	.29	5L830	108328	.80
3L600	108195	.19	4L570	108041	.31	5L380	108094	.37	5L840	108137	.81
3L610	108196	.19	4L580	108042	.32	5L390	108095	.37	5L850	108629	.82

V-Drives

FHP Drives

Drive Component Accessories

DYNA-SYNC

HT200/HTD Synchronous Drives

HT500 Synchronous Drives

Roller Chain Sprockets



SELECTION

Stock D-V Wedge Drives: Standard Motor Speeds

Step 1 - Determine Service Factor. Refer to Typical Service Factors, Table 2. Locate type of Driven and Driver equipment. (If an idler is used, increase the factor by value indicated.) Correct factor is determined by: 1. The extent and frequency of peak loads. 2. Number of operating hours/year (broken down in average hours/day of continuous service). 3. Proper service category (Intermittent, Normal or Continuous). Select the one closest to the application conditions.

Step 2 - Compute Design HP. Multiply normal running HP required or nameplate rating by service factor obtained in Step 1.

Step 3 - Choose Belt Section. Using Table 1, below, read up from design hp figure obtained in Step 2 and over from the rpm of faster shaft. This intersection indicates belt section.

Step 4 - Select the Drive. a). Using belt section from Step 3, refer to Stock Drive Selection Tables beginning on page PT7-48. b). Under appropriate driver speed column find Driven RPM nearest to the desired speed. To the right note HP per Belt. Read left for Driver/Driven Sheave information. (If driver is an electric motor be sure motor sheave diameter is not less than shown in Table 3.) c). Read onto opposite page and find figure nearest the required center distance. Note Arc-Length Correction Factor in the shaded row below the C.D. figure. d). Read to the top of the table for the belt size. e). To determine number of belts, multiply the HP per Belt value by the ArcLength Correction Factor. This is the corrected HP/belt. Divide design HP by corrected HP figure to determine number of belts required.

EXAMPLE OF SELECTION

Select a D-V Wedge drive for a positive blower, with a 2-15/16" shaft, to run @ 290 rpm, driven by a 30 hp, 1160 squirrel cage electric motor with a 2-1/8" shaft. Desired center distance is 26". Service is continuous.

Step 1 - Service factor from Table 2 is 1.4.

Step 2 - Design HP = 1.4x30 = 42 HP.

Step 3 - A 5V belt section is shown in Table 1 when reading to the right of 1160 rpm and up from 42 design HP.

Step 4 - Turn to 5V Stock Drive Selection Tables. On page PT7-86, under 1160 RPM Driver, read down to find 290 rpm. The nearest appears as 291.

Note HP/belt as 12.8 for all D-V and Polyband belts over 200" and 15.4 for Polyband belts under 200". Also note sheaves listed as 7.1 Driver, 28.0 Driven. Table 3 shows driver is not undersize. Reading toward the right the C.D. figure nearest 26, is 26.4. The correction factor below the C.D. figure is .92. Top of table shows belt size as 5VX 1120.

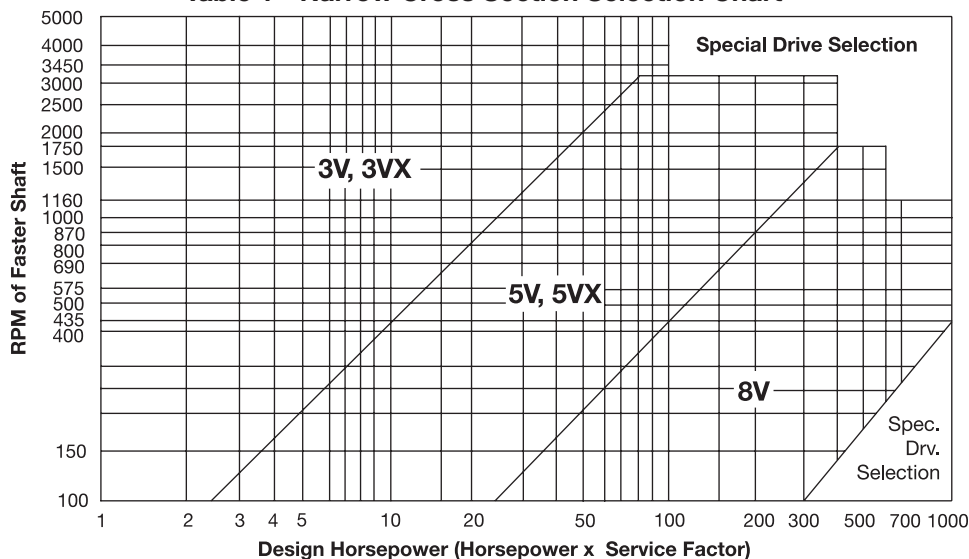
The HP/belt for D-V is 15.4. This value x the .92 factor = 14.2 corrected hp/belt. 42 HP ÷ 14.20 = 2.96. Going to the next whole number, drive requires 3 belts. (Center to center operating distance is 26.4 nominal.)

Order: 1. 3-5VX 1120 D-V belts. **2.** 1 - 3/5V7.1-2517

TAPER-LOCK Sheave. **3.** 1 - 2-1/8, bore 2517 bushing.

4. 1 - 3/5V28.0-3535 TAPER-LOCK Sheave. **5.** 1 - 2-15/16, bore 3535 bushing.

Table 1 - Narrow Cross Section Selection Chart



NOTE: Selection program VIA-VISA available at www.ptwizard.com.



Service Factor

Table 2 - Typical Service Factors

Driven Machine Types Note: Certain machines may require flywheel sheaves or special construction to withstand heavy shock loads. Consult Mfg'r.	Driver: Normal Torque NEMA Des. A or B Motors DC Shunt Wound Motors Multi-Cylinder Engines			Driver: High Torque NEMA Des. C or D Motors DC Series Wound Motors Single Cylinder Engines			
	Service*			Service*			
	Intermit.	Normal	Contin.	Intermit.	Normal	Cont.	
Agitators for Liquids Blowers and Exhausters Centrif. Pumps, Compressors Fans up to 10HP Light Duty Conveyors	1.0	1.1	1.2	1.1	1.2	1.3	* Note: Intermittent: Up to 6 Hrs./Day Normal: 6-16 Hrs./Day Continuous: 16-24 Hrs./Day Adder for Idlers: Outside on slack side 0.1 Inside on tight side 0.1 Outside on tight side 0.2
Belt Conveyors, Bulk Mat'l Dough Mixers Fans over 10 HP Generators Line Shafts Laundry Machinery Machine Tools Punches, Presses, Shears Printing Machinery Positive Displ. Rotary Pumps Revolving & Vibrating Screens	1.1	1.2	1.3	1.2	1.3	1.4	
Brick Machinery Bucket Elevators Exciters Piston Compressors Conveyors: Drag, Pan, Screw Paper Mill Beaters Piston Pumps Pos. Displacement Blowers Pulverizers Saw Mill, Woodworking Mach'y Textile Machinery	1.2	1.3	1.4	1.4	1.5	1.6	
Crushers: Gyratory, Jaw, Roll Mills: Ball, Rod, Tube Hoists Rubber Calendars, Extruders, Mills Chokable Equipment, Fire Hazard	1.3	1.4	1.5	1.6	1.7	1.8	
	2.0	2.0	2.0	2.0	2.0	2.0	

Table 3 - NEMA Min. Sheave Dia. for D-V Wedge Drives

Motor		Motor Horsepower																								
RPM	Sheave	1/2	3/4	1	1-1/2	2	3	5	7-1/2	10	15	20	25	30	40	50	60	75	100	125	150	200	250	300	350	400
870	Min O.D.	2.2	2.4	2.4	2.4	3.0	3.0	3.8	4.4	5.2	6.0	6.8	6.8	6.8	8.2	8.4	10.0	9.5	12.0	12.5	13.2	13.2	15.0
	Max F.W.	2.3	2.3	2.8	2.8	3.4	3.4	4.0	4.0	4.7	4.7	5.3	5.3	5.9	5.9	7.3	7.3	8.5	8.5	8.5	11.6	11.6	11.6
1160	Min O.D.	...	2.2	2.4	2.4	3.0	3.0	3.8	4.4	4.4	5.2	6.0	6.8	6.8	8.2	9.0	10.0	10.0	12.0	13.2	13.2	13.2	15.0	14.1	...	
	Max F.W.	...	2.3	2.3	2.8	2.8	3.4	3.4	4.0	4.0	4.7	4.7	5.3	5.3	5.9	5.9	7.3	7.3	8.5	8.5	8.5	11.6	11.6	11.6	11.6	...
1750	Min O.D.	2.2	2.4	2.4	3.0	3.0	3.8	4.4	4.4	4.4	5.2	6.0	6.8	7.4	8.6	8.6	10.5	10.5	13.2	13.2	13.2	13.2	14.1	
	Max F.W.	2.3	2.3	2.8	2.8	3.4	3.4	4.0	4.0	4.7	4.7	5.3	5.3	5.9	5.9	7.3	7.3	8.5	9.4	9.4	11.6	11.6	11.6	
3500	Min O.D.	2.2	2.4	2.4	3.0	3.8	4.4	4.4	
	Max F.W.	2.3	2.3	2.8	2.8	3.4	4.0	4.0	

Data in unshaded area is per NEMA Standard MG1-14.42

Data in shaded area subject to approval of motor manufacturer

F.W. = Face Width of sheave

NOTE: Selection program VIA-VISA available at www.ptwizard.com.



SELECTION

Stock D-V Wedge Drives: Non-Standard Motor Speeds & Speed-Up Drives.

For Speeds Other Than Standard Motor Speeds:

Step 1 - Determine Speed Ratio = $\left(\frac{\text{Driver RPM}}{\text{Driven RPM}} \right)$

Step 2 - Compute Design HP. Multiply normal running HP required or nameplate rating by service factor from Table 2.

Step 3 - Determine Maximum Diameter of Driver Sheave

@ 6500 FPM : O.D. = $\frac{6500 \text{ FPM}}{0.262 * \text{RPM}}$

Step 4 - Select Belt Cross Section. Using Table 1, read up from design HP figure obtained in Step 2 and over from the RPM of faster shaft. This intersection indicates belt section.

Step 5 - Select Drive. Using the belt section from Step 4, make a tentative sheave selection from **stock drive tables**. (Note that several choices are available in the ratio obtained from Step 1. Other choices close to this ratio may also produce a functional drive.) Read onto opposite page and find figure nearest the required center distance. The Arc-Length correction factor is listed in the shaded row below the C.D. figure. Read to the top of the table for the belt size.

Step 6 - Size the Drive. From basic horsepower tables locate HP rating at intersection of RPM of faster shaft row and small sheave column. To this, add the "additional HP" figure based on drive ratio. This becomes the rated HP. Multiply this sum by the arc-length correction factor noted in Step 5. This becomes the corrected HP per belt. To find

Required number of belts : $\frac{\text{Design HP}}{\text{Correction HP/Belt}}$

EXAMPLE OF SELECTION

A V-drive is needed for a 30 HP 2200 RPM gasoline engine, with a 2-1/4" dia. shaft, driving a generator, with a 2-7/16" dia. shaft, @ 1800 RPM. It runs 8 hrs. a day. Center distance is 31".

Step 1 - Speed Ratio = $\frac{2200}{1785} = 1.23$

Step 2 - Service Factor = 1.2 Design HP = 30 x 1.2 = 36

Step 3 - Driver Sheave Max. Dia. = $\frac{6500}{.262 \times 2200} = 11.3$

Step 4 - Belt Cross Section = Table 1 indicates 3VX.

Step 5 - In 3VX Stock Drive Selection Tables on pages PT7-66 and PT7-67, find the 1.23 ratio obtained in the Step 1 calculation. At the top of page PT7-64, the most economical drive is shown as 6.5 Driver, 8.0 Driven. The C.D. nearest 31" is 31.1. The correction factor below the C.D. figure is 1.05. Top of the column shows a 3VX850 belt. Refer to Basic HP Tables on page PT7-80 and PT7-81. From the 2200 RPM of faster shaft row and down from the 6.5 smaller sheave heading: 10.2 HP/belt plus an additional hp of .23 in the 1.19 thru 1.26 ratio column. The sum = 10.43 HP/belt x 1.05 arc length correction factor = 10.95 HP/belt.

Number of belts = $\frac{36}{10.95} = 3.28$ or 4 belts

Order: 1- 4 groove 3V 6.5 TAPER-LOCK Sheave, 1-2517 2-1/4" bore bushing, 1-4 groove 8.0 TAPER-LOCK Sheave, 1-2517 2-7/16" bore bushing, 4-3VX850 D-V Wedge Belts.

Example of a 3V Speed-Up Drive

A 20 HP 1750 RPM AC motor, with a 1-5/8" dia. shaft, is to drive a blower, with a 1-7/16" shaft, @ 2500 RPM. The center distance = 26". Equipment runs 24 hrs./day.

1. Service Factor from Table 2 is 1.2.
2. Design HP=20x1.2=24 HP
3. Speed Ratio = $\frac{2500}{1750} = 1.43$
4. In Stock Drive Table, under 1.43 ratio, sheaves are listed as 5.6 Driver/8.0 Driven. (In a speed-up drive, the 5.6 sheave becomes the Driven, the 8.0 the Driver.) The opposite page of the table shows the closest center distance as 26.8 with an arc correction factor of 1.03. Belt shown at top of column is 3VX750.
5. From Basic Horsepower Tables a 5.6 sheave @ 2500 RPM = (9.46 + .37) = 9.83. 9.83 X 1.03 arc length correction factor = 10.12 corrected HP/belt.
6. Number of Belts = $\frac{\text{Design HP}}{\text{Corrected HP}} = \frac{24}{10.12} = 2.37$
or 3 belts.
7. Order: 1-3 groove 3V 8.0 TAPER-LOCK Sheave, 1-15/8" bore 2517 bushing, 1-3 groove 3V 5.6 TAPER-LOCK Sheave, 1-17/16" bore 1610 bushing, 3-3VX750 D-V belts.

NOTE: Selection program VIA-VISA available at www.ptwizard.com.

SELECTION



Table 4 - Narrow Belt Length Correction Factors

Belt Lgth. *	Factor for Belts:			Belt Lgth.	Factor for Belts:		
	3VX	5V, 5VX	8V, 8VX		3VX	5V, 5VX	8V, 8VX
25	.83	118	1.12	.99	.89
26.5	.84	125	1.13	1.00	.90
28	.85	132	1.14	1.01	.91
30	.86	140	1.15	1.02	.92
31.5	.87	150	1.16	1.03	.93
33.5	.88	160	...	1.04	.94
35.5	.89	170	...	1.05	.94
37.5	.90	180	...	1.06	.95
40	.92	190	...	1.07	.96
42.5	.93	200	...	1.08	.97
45	.94	212	...	1.09	.98
47.5	.95	224	...	1.09	.98
50	.96	.85	...	236	...	1.10	.99
53	.97	.86	...	250	...	1.11	1.00
56	.98	.87	...	265	...	1.12	1.01
60	.99	.88	...	280	...	1.13	1.02
63	1.00	.89	...	300	...	1.14	1.03
67	1.01	.90	...	315	...	1.15	1.03
71	1.02	.91	...	335	...	1.16	1.04
75	1.03	.92	...	355	...	1.17	1.05
80	1.04	.93	...	375	1.06
85	1.06	.94	...	400	1.07
90	1.07	.95	...	425	1.08
95	1.08	.96	...	450	1.09
100	1.09	.96	.87	475	1.09
106	1.10	.97	.88	500	1.10
112	1.11	.98	.88	560	1.11

* Outside circumference in inches

Table 5 - Arc Correction Factors

D-d ‡ C	Approx. Arc of Contact on Small Shv.	Factor
.00	180°	1.00
.10	174°	.99
.20	169°	.97
.30	163°	.96
.40	157°	.94
.50	151°	.93
.60	145°	.91
.70	139°	.89
.80	133°	.87
.90	127°	.85
1.00	120°	.82
1.10	113°	.80
1.20	106°	.77
1.30	99°	.73
1.40	91°	.70
1.50	83°	.65

‡ D = Dia. of large sheave

d = Dia. of small sheave

C = Center distance

NOTE: To determine required belt length when center distance and sheave diameters are known, use the following formula.

$$L = 2C + 1.57 (D + d) + \frac{(D - d)^2}{4c}$$

V-Drives

FHP Drives

Drive Component Accessories

DYNA-SYNC

HT200/HTD Synchronous Drives

HT500 Synchronous Drives

Roller Chain Sprockets

NOTE: Selection program VIA-VISA available at www.ptwizard.com.



SELECTION

3VX STOCK DRIVE SELECTIONS

Speed Ratio	Stock Sheaves		3500 RPM Driver		1750 RPM Driver		1160 RPM Driver		Belt Number and Approx. Center Distance							
	Diameter		Driven	HP/Belt	Driven	HP/Belt	Driven	HP/Belt	3VX	3VX	3VX	3VX	3VX	3VX	3VX	3VX
	Driver	Driven	RPM	3VX	RPM	3VX	RPM	3VX	250	265	280	300	315	335	355	375
1.00	2.65	2.65	3500	3.78	1750	2.15	1160	1.52	8.3	9.1	9.8	10.8	11.6	12.6	13.6	14.6
	2.80	2.80	3500	4.25	1750	2.41	1160	1.69	8.1	8.9	9.6	10.6	11.4	12.4	13.4	14.4
	3.00	3.00	3500	4.88	1750	2.75	1160	1.93	7.8	8.5	9.3	10.3	11.0	12.0	13.0	14.0
	3.15	3.15	3500	5.34	1750	3.01	1160	2.10	7.6	8.3	9.1	10.1	10.8	11.8	12.8	13.8
	3.35	3.35	3500	5.96	1750	3.34	1160	2.34	7.2	8.0	8.7	9.7	10.5	11.5	12.5	13.5
	3.65	3.65	3500	6.86	1750	3.85	1160	2.68	6.8	7.5	8.3	9.3	10.0	11.0	12.0	13.0
	4.12	4.12	3500	8.24	1750	4.63	1160	3.22	6.0	6.8	7.5	8.5	9.3	10.3	11.3	12.3
	4.50	4.50	3500	9.32	1750	5.25	1160	3.65	...	6.2	6.9	7.9	8.7	9.7	10.7	11.7
	4.75	4.75	3500	10.01	1750	5.65	1160	3.93	...	5.8	6.5	7.5	8.3	9.3	10.3	11.3
	5.00	5.00	3500	10.68	1750	6.06	1160	4.21	6.2	7.2	7.9	8.9	9.9	10.9
	5.30	5.30	3500	11.48	1750	6.53	1160	4.55	6.7	7.4	8.4	9.4	10.4
	5.60	5.60	3500	12.25	1750	7.01	1160	4.88	7.0	8.0	9.0	10.0
	6.00	6.00	3500	13.24	1750	7.63	1160	5.32	7.3	8.3	9.3
	6.50	6.50	3500	14.41	1750	8.40	1160	5.87	7.5	8.5
6.90	6.90	3500	15.30	1750	9.01	1160	6.30	7.9	
8.00	8.00	3500	17.48	1750	10.64	1160	7.47	
10.60	10.60	3500	20.91	1750	14.22	1160	10.13	
1.05	3.00	3.15	3331	5.00	1665	2.81	1104	1.97	7.7	8.4	9.2	10.2	10.9	11.9	12.9	13.9
	4.75	5.00	3323	10.13	1662	5.72	1101	3.97	6.3	7.3	8.1	9.1	10.1	11.1
1.06	2.65	2.80	3309	3.91	1655	2.22	1097	1.56	8.2	9.0	9.7	10.7	11.5	12.5	13.5	14.5
	3.15	3.35	3288	5.49	1644	3.08	1090	2.15	7.4	8.1	8.9	9.9	10.6	11.6	12.6	13.6
	4.50	4.75	3314	9.45	1657	5.31	1098	3.70	...	6.0	6.7	7.7	8.5	9.5	10.5	11.5
	5.00	5.30	3300	10.82	1650	6.13	1094	4.26	6.9	7.7	8.7	9.7	10.7
	5.30	5.60	3311	11.61	1655	6.60	1097	4.59	7.2	8.2	9.2	10.2
	6.50	6.90	3296	14.55	1648	8.48	1092	5.91	8.2
1.07	2.80	3.00	3263	4.42	1631	2.49	1081	1.75	7.9	8.7	9.4	10.4	11.2	12.2	13.2	14.2
	5.60	6.00	3265	12.41	1632	7.09	1082	4.93	7.6	8.6	9.6
1.08	6.00	6.50	3229	13.42	1614	7.73	1070	5.38	7.9	8.9
1.09	3.35	3.65	3208	6.15	1604	3.44	1063	2.40	7.0	7.8	8.5	9.5	10.3	11.3	12.3	13.3
	4.12	4.50	3201	8.44	1601	4.73	1061	3.29	5.7	6.5	7.2	8.2	9.0	10.0	11.0	12.0
ARC-LENGTH CORRECTION FACTOR →									.83	.84	.85	.86	.87	.88	.89	.90
1.11	4.50	5.00	3146	9.55	1573	5.36	1043	3.73	...	5.8	6.5	7.5	8.3	9.3	10.3	11.3
	3.00	3.35	3129	5.12	1564	2.87	1037	2.01	7.5	8.3	9.0	10.0	10.8	11.8	12.8	13.8
	4.75	5.30	3133	10.24	1567	5.77	1038	4.01	6.1	7.1	7.9	8.9	9.9	10.9
1.12	5.00	5.60	3122	10.93	1561	6.18	1035	4.29	6.7	7.4	8.4	9.4	10.4
	2.65	3.00	3085	4.04	1542	2.28	1022	1.60	8.1	8.8	9.6	10.6	11.3	12.3	13.3	14.3
	2.80	3.15	3105	4.50	1552	2.53	1029	1.78	7.8	8.6	9.3	10.3	11.1	12.1	13.1	14.1
1.13	3.65	4.12	3096	7.12	1548	3.98	1026	2.77	6.4	7.1	7.9	8.9	9.6	10.6	11.6	12.6
	5.30	6.00	3088	11.74	1544	6.66	1024	4.63	6.9	7.9	8.9	9.9	...
	4.12	4.75	3031	8.53	1515	4.77	1005	3.32	..	6.3	7.0	8.0	8.8	9.8	10.8	11.8
1.15	6.00	6.90	3040	13.52	1520	7.78	1008	5.41	7.6	8.6
	3.15	3.65	3014	5.64	1507	3.15	999	2.20	7.2	7.9	8.7	9.7	10.4	11.4	12.4	13.4
1.16	5.60	6.50	3012	12.54	1506	7.16	998	4.98	7.2	8.2	9.2
	6.90	8.00	3016	15.59	1508	9.16	999	6.40
1.18	4.50	5.30	2967	9.63	1483	5.41	983	3.76	6.3	7.3	8.0	9.0	10.0	11.0
	4.75	5.60	2964	10.33	1482	5.81	982	4.04	6.9	7.6	8.6	9.6	10.6
1.19	2.65	3.15	2935	4.11	1468	2.32	973	1.63	7.9	8.7	9.4	10.4	11.2	12.2	13.2	14.2
1.20	2.80	3.35	2917	4.59	1458	2.58	967	1.81	7.7	8.4	9.2	10.2	10.9	11.9	12.9	13.9
	5.00	6.00	2912	11.03	1456	6.23	965	4.33	7.1	8.1	9.1	10.1
1.22	3.00	3.65	2868	5.24	1434	2.93	951	2.05	7.3	8.0	8.8	9.8	10.5	11.5	12.5	13.5
	4.12	5.00	2878	8.59	1439	4.80	954	3.34	...	6.1	6.8	7.8	8.6	9.6	10.6	11.6

Arc & Length Factors are approximate values
 Refer to Selection Procedure for more precise values

NOTE: Selection program VIA-VISA available at www.ptwizard.com.

SELECTION



3VX STOCK DRIVE SELECTIONS

Speed Ratio	Belt Number and Approx. Center Distance																							
	3VX 400	3VX 425	3VX 450	3VX 475	3VX 500	3VX 530	3VX 560	3VX 600	3VX 630	3VX 670	3VX 710	3VX 750	3VX 800	3VX 850	3VX 900	3VX 950	3VX 1000	3VX 1060	3VX 1120	3VX 1180	3VX 1250	3VX 1320	3VX 1400	3VX 1500
1.00	15.8	17.1	18.3	19.6	20.8	22.3	23.8	25.8	27.3	29.3	31.3	33.3	35.8	38.3	40.8	43.3	45.8	48.8	51.8	55	58	62	66	71
	15.6	16.9	18.1	19.4	20.6	22.1	23.6	25.6	27.1	29.1	31.1	33.1	35.6	38.1	40.6	43.1	45.6	48.6	51.6	55	58	62	66	71
	15.3	16.5	17.8	19.0	20.3	21.8	23.3	25.3	26.8	28.8	30.8	32.8	35.3	37.8	40.3	42.8	45.3	48.3	51.3	54	58	61	65	70
	15.1	16.3	17.6	18.8	20.1	21.6	23.1	25.1	26.6	28.6	30.6	32.6	35.1	37.6	40.1	42.6	45.1	48.1	51.1	54	58	61	65	70
	14.7	16.0	17.2	18.5	19.7	21.2	22.7	24.7	26.2	28.2	30.2	32.2	34.7	37.2	39.7	42.2	44.7	47.7	50.7	54	57	61	65	70
	14.3	15.5	16.8	18.0	19.3	20.8	22.3	24.3	25.8	27.8	29.8	31.8	34.3	36.8	39.3	41.8	44.3	47.3	50.3	53	57	60	64	69
	13.5	14.8	16.0	17.3	18.5	20.0	21.5	23.5	25.0	27.0	29.0	31.0	33.5	36.0	38.5	41.0	43.5	46.5	49.5	53	56	60	64	69
	12.9	14.2	15.4	16.7	17.9	19.4	20.9	22.9	24.4	26.4	28.4	30.4	32.9	35.4	37.9	40.4	42.9	45.9	48.9	52	55	59	63	68
	12.5	13.8	15.0	16.3	17.5	19.0	20.5	22.5	24.0	26.0	28.0	30.0	32.5	35.0	37.5	40.0	42.5	45.5	48.5	52	55	59	63	68
	12.2	13.4	14.7	15.9	17.2	18.7	20.2	22.2	23.7	25.7	27.7	29.7	32.2	34.7	37.2	39.7	42.2	45.2	48.2	51	55	58	62	67
	11.7	12.9	14.2	15.4	16.7	18.2	19.7	21.7	23.2	25.2	27.2	29.2	31.7	34.2	36.7	39.2	41.7	44.7	47.7	51	54	58	62	67
	11.2	12.5	13.7	15.0	16.2	17.7	19.2	21.2	22.7	24.7	26.7	28.7	31.2	33.7	36.2	38.7	41.2	44.2	47.2	50	54	57	61	66
	10.6	11.8	13.1	14.3	15.6	17.1	18.6	20.6	22.1	24.1	26.1	28.1	30.6	33.1	35.6	38.1	40.6	43.6	46.6	50	53	57	61	66
	9.8	11.0	12.3	13.5	14.8	16.3	17.8	19.8	21.3	23.3	25.3	27.3	29.8	32.3	34.8	37.3	39.8	42.8	45.8	49	52	56	60	65
9.2	10.4	11.7	12.9	14.2	15.7	17.2	19.2	20.7	22.7	24.7	26.7	29.2	31.7	34.2	36.7	39.2	42.2	45.2	48	52	55	59	64	
...	...	9.9	11.2	12.4	13.9	15.4	17.4	18.9	20.9	22.9	24.9	27.4	29.9	32.4	34.9	37.4	40.4	43.4	46	50	53	57	62	
...	13.4	14.9	16.9	18.9	20.9	23.4	25.9	28.4	30.9	33.4	36.4	39.4	42	46	49	53	58	
1.05	15.2	16.4	17.7	18.9	20.2	21.7	23.2	25.2	26.7	28.7	30.7	32.7	35.2	37.7	40.2	42.7	45.2	48.2	51.2	54	58	61	65	70
	12.3	13.6	14.8	16.1	17.3	18.8	20.3	22.3	23.8	25.8	27.8	29.8	32.3	34.8	37.3	39.8	42.3	45.3	48.3	51	55	58	62	67
1.06	15.7	17.0	18.2	19.5	20.7	22.2	23.7	25.7	27.2	29.2	31.2	33.2	35.7	38.2	40.7	43.2	45.7	48.7	51.7	55	58	62	66	71
	14.9	16.1	17.4	18.6	19.9	21.4	22.9	24.9	26.4	28.4	30.4	32.4	34.9	37.4	39.9	42.4	44.9	47.9	50.9	54	57	61	65	70
	12.7	14.0	15.2	16.5	17.7	19.2	20.7	22.7	24.2	26.2	28.2	30.2	32.7	35.2	37.7	40.2	42.7	45.7	48.7	52	55	59	63	68
	11.9	13.2	14.4	15.7	16.9	18.4	19.9	21.9	23.4	25.4	27.4	29.4	31.9	34.4	36.9	39.4	41.9	44.9	47.9	51	54	58	62	67
	11.4	12.7	13.9	15.2	16.4	17.9	19.4	21.4	22.9	24.9	26.9	28.9	31.4	33.9	36.4	38.9	41.4	44.4	47.4	50	54	57	61	66
9.5	10.7	12.0	13.2	14.5	16.0	17.5	19.5	2.10	23.0	25.0	27.0	29.5	32.0	34.5	37.0	39.5	42.5	45.5	48	52	55	59	64	
1.07	15.4	16.7	17.9	19.2	20.4	21.9	23.4	25.4	26.9	28.9	30.9	32.9	35.4	37.9	40.4	42.9	45.5	48.4	51.4	54	58	61	65	70
	10.9	12.1	13.4	14.6	15.9	17.4	18.9	20.9	22.4	24.4	26.4	28.4	30.9	33.4	35.9	38.4	40.9	43.9	46.9	50	53	57	61	66
1.08	10.2	11.4	12.7	13.9	15.2	16.7	18.2	20.2	21.7	23.7	25.7	27.7	30.2	32.7	35.2	37.7	40.2	43.2	46.2	49	53	56	60	65
1.09	14.5	15.8	17.0	18.3	19.5	21.0	22.5	24.5	26.0	28.0	30.0	32.0	34.5	37.0	39.5	42.0	44.5	47.5	50.5	54	57	61	65	70
	13.2	14.5	15.7	17.0	18.2	19.7	21.2	23.2	24.7	26.7	28.7	30.7	33.2	35.7	38.2	40.7	43.2	46.2	49.2	52	56	59	63	68
.92	.93	.94	.95	.96	.97	.98	.99	1.00	1.01	1.02	1.03	1.04	1.05	1.06	1.07	1.08	1.09	1.10	1.11	1.12	1.13	1.14	1.16	
1.10	12.5	13.8	15.0	16.3	17.5	19.0	20.5	22.5	24.0	26.0	28.0	30.0	32.5	35.0	37.5	40.0	42.5	45.5	48.5	52	55	59	63	68
1.12	15.0	16.3	17.5	18.8	20.0	21.5	23.0	25.0	26.5	28.5	30.5	32.5	35.0	37.5	40.0	42.5	45.0	48.0	51.0	54	58	61	65	70
	12.1	13.4	14.6	15.9	17.1	18.6	20.1	22.1	23.6	25.6	27.6	29.6	32.1	34.6	37.1	39.6	42.1	45.1	48.1	51	54	58	62	67
	11.7	12.9	14.2	15.4	16.7	18.2	19.7	21.7	23.2	25.2	27.2	29.2	31.7	34.2	36.7	39.2	41.7	44.7	47.7	51	55	58	62	67
1.13	15.6	16.8	18.1	19.3	20.6	22.1	23.6	25.6	27.1	29.1	31.1	33.1	35.6	38.1	40.6	43.1	45.6	48.6	51.6	55	58	62	66	71
	15.3	16.6	17.8	19.1	20.3	21.8	23.3	25.3	26.8	28.8	30.8	32.8	35.3	37.8	40.3	42.8	45.3	48.3	51.3	54	58	61	65	70
	13.9	15.1	16.4	17.6	18.9	20.4	21.9	23.9	25.4	27.4	29.4	31.4	33.9	36.4	38.9	41.4	43.9	46.9	49.9	53	56	60	64	69
	11.1	12.4	13.6	14.9	16.1	17.6	19.1	21.1	22.6	24.6	26.6	28.6	31.1	33.6	36.1	38.6	41.1	44.1	47.1	50	54	57	61	66
1.15	13.0	14.3	15.5	16.8	18.0	19.5	21.0	23.0	24.5	26.5	28.5	30.5	33.0	35.5	38.0	40.5	43.0	46.0	49.0	52	56	59	63	68
	9.9	11.1	12.4	13.6	14.9	16.4	17.9	19.9	21.4	23.4	25.4	27.4	29.9	32.4	34.9	37.4	39.9	42.9	45.9	49	52	56	60	65
1.16	14.7	15.9	17.2	18.4	19.7	21.2	22.7	24.7	26.2	28.2	30.2	32.2	34.7	37.2	39.7	42.2	44.7	47.7	50.7	54	57	61	65	70
	10.5	11.7	13.0	14.2	15.5	17.0	18.5	20.5	22.0	24.0	26.0	28.0	30.5	33.0	35.5	38.0	40.5	43.5	46.5	49	53	56	60	65
	...	9.5	10.8	12.0	13.3	14.8	16.3	18.3	19.8	21.8	23.8	25.8	28.3	30.8	33.3	35.8	38.3	41.3	44.3	47	51	54	58	63
1.18	12.3	13.6	14.8	16.1	17.3	18.8	20.3	22.3	23.8	25.8	27.8	29.8	32.3	34.8	37.3	39.8	42.3	45.3	48.3	51	55	58	62	67
	11.9	13.1	14.4	15.6	16.9	18.4	19.9	21.9	23.4	25.4	27.4	29.4	31.9	34.4	36.9	39.4	41.9	44.9	47.9	51	54	58	62	67
1.19	15.4	16.7	17.9	19.2	20.4	21.9	23.4	25.4	26.9	28.9	30.9	32.9	35.4	37.9	40.4	42.9	45.4	48.4	51.4	54	58	61	65	70
1.20	15.2	16.4	17.7	18.9	20.2	21.7	23.2	25.2	26.7	28.7	30.7	32.7	35.2	37.7	40.2	42.7	45.2	48.2	51.2	54	58	61	65	70
	11.4	12.6	13.9	15.1	16.4	17.9	19.4	21.4	22.9	24.9	26.9	28.9	31.4	33.9	36.4	38.9	41.4	44.4	47.4	50	54	58	61	66
1.22	14.8	16.0	17.3	18.5	19.8	21.3	22.8	24.8	26.3	28.3	30.3	32.3	34.8	37.3	39.8	42.3	44.8	47.8	50.8	54	57	61	65	70
	12.8	14.1	15.3	16.6	17.8	19.3	20.8	22.8	24.3	26.3	28.3	30.3	32.8	35.3	37.8	40.3	42.8	45.8	48.8	52	55	59	63	68

Arc & Length Factors are approximate values
Refer to Selection Procedure for more precise values

NOTE: Selection program VIA-VISA available at www.ptwizard.com.



SELECTION

3VX STOCK DRIVE SELECTIONS

Speed Ratio	Stock Sheaves		3500 RPM Driver		1750 RPM Driver		1160 RPM Driver		Belt Number and Approx. Center Distance							
	Diameter		Driven RPM	HP/Belt 3VX	Driven RPM	HP/Belt 3VX	Driven RPM	HP/Belt 3VX	3VX 250	3VX 265	3VX 280	3VX 300	3VX 315	3VX 335	3VX 355	3VX 375
	Driver	Driven														
1.23	3.35	4.12	2838	6.33	1419	3.53	941	2.46	6.6	7.4	8.1	9.1	9.9	10.9	11.9	12.9
	5.30	6.5	2849	11.84	1424	6.72	944	4.67	7.5	8.5	9.5
	5.60	6.9	2836	12.62	1418	7.19	940	5.00	7.9	8.9
	6.50	8.0	2840	14.78	1420	8.59	941	5.99
1.24	3.65	4.5	2831	7.23	1416	4.03	938	2.81	6.1	6.8	7.6	8.6	9.3	10.3	11.3	12.3
ARC-LENGTH CORRECTION FACTOR →									.82	.83	.84	.86	.86	.88	.89	.90
1.25	4.50	5.6	2806	9.70	1403	5.44	930	3.78	7.1	7.8	8.8	9.8	10.8
1.27	2.65	3.35	2758	4.18	1379	2.35	914	1.65	7.8	8.5	9.3	10.3	11.0	12.0	13.0	14.0
	4.75	6.0	2765	10.40	1382	5.85	916	4.07	6.5	7.3	8.3	9.3	10.3
1.29	4.12	5.3	2713	8.65	1357	4.83	899	3.36	...	5.8	6.6	7.6	8.3	9.3	10.3	11.3
	5.00	6.5	2686	11.11	1343	6.27	890	4.35	7.7	8.7	9.7
1.30	5.30	6.9	2682	11.90	1341	6.74	889	4.69	7.1	8.1	9.1
	2.80	3.65	2674	4.68	1337	2.62	886	1.83	7.4	8.2	8.9	9.9	10.7	11.7	12.7	13.7
1.31	3.15	4.12	2666	5.77	1333	3.22	884	2.25	6.8	7.5	8.3	9.3	10.0	11.0	12.0	13.0
	3.65	4.75	2681	7.29	1340	4.06	889	2.82	5.9	6.6	7.4	8.4	9.1	10.1	11.1	12.1
1.32	10.6	14.0	2647	21.34	1323	14.43	877	10.27
1.33	8.00	10.6	2637	17.92	1319	10.86	874	7.61
1.34	4.50	6.0	2618	9.76	1309	5.47	868	3.80	6.7	7.5	8.5	9.5	10.5
	6.00	8.0	2619	13.68	1310	7.86	868	5.47
1.35	3.35	4.5	2596	6.40	1298	3.57	860	2.48	6.3	7.1	7.8	8.8	9.6	10.6	11.6	12.6
1.36	4.12	5.6	2567	8.69	1283	4.85	851	3.37	6.3	7.3	8.1	9.1	10.1	11.1
ARC-LENGTH CORRECTION FACTOR →									.82	.83	.84	.86	.86	.88	.89	.90
1.37	3.65	5.0	2545	7.32	1273	4.08	844	2.84	5.7	6.4	7.2	8.2	8.9	9.9	10.9	11.9
	4.75	6.5	2550	10.47	1275	5.88	845	4.09	6.9	7.9	8.9	9.9
1.38	2.65	3.65	2528	4.24	1264	2.38	838	1.67	7.5	8.3	9.0	10.0	10.8	11.8	12.8	13.8
	3.00	4.12	2537	5.34	1268	2.98	841	2.08	6.9	7.6	8.4	9.4	10.1	11.1	12.1	13.1
	5.00	6.9	2529	11.15	1265	6.29	838	4.37	7.3	8.3	9.4
1.42	3.35	4.75	2457	6.44	1229	3.58	814	2.50	6.1	6.9	7.6	8.6	9.4	10.4	11.4	12.4
1.43	5.60	8.0	2443	12.73	1222	7.25	810	5.04
1.44	3.15	4.5	2438	5.83	1219	3.25	808	2.26	6.5	7.2	8.0	9.0	9.7	10.7	11.7	12.7
1.45	4.50	6.5	2415	9.81	1207	5.49	800	3.81	7.0	8.0	9.1	10.1
1.46	3.65	5.3	2400	7.35	1200	4.09	795	2.85	...	6.2	6.9	7.9	8.7	9.7	10.7	11.7
	4.12	6.0	2394	8.73	1197	4.87	793	3.39	7.0	7.7	8.8	9.8	10.8
	4.75	6.9	2401	10.50	1201	5.90	796	4.10	7.5	8.5	9.5
1.48	2.80	4.12	2365	4.75	1182	2.66	784	1.86	7.0	7.8	8.5	9.5	10.3	11.3	12.3	13.3
1.50	3.35	5.0	2333	6.46	1167	3.60	773	2.50	5.9	6.6	7.4	8.4	9.2	10.2	11.2	12.2
1.51	3.00	4.5	2320	5.39	1160	3.00	769	2.10	6.6	7.3	8.1	9.1	9.8	10.8	11.8	12.8
	5.30	8.0	2311	11.99	1156	6.79	766	4.72	8.2
1.52	3.15	4.75	2309	5.85	1154	3.26	765	2.27	6.2	7.0	7.8	8.8	9.5	10.5	11.5	12.5
	3.65	5.6	2270	7.38	1135	4.11	752	2.85	6.7	7.7	8.4	9.4	10.4	11.4
	4.50	6.9	2274	9.83	1137	5.51	754	3.82	7.7	8.7	9.7
1.54	6.90	10.6	2273	15.81	1136	9.27	753	6.47
	2.65	4.12	2236	4.30	1118	2.41	741	1.69	7.1	7.9	8.7	9.7	10.4	11.4	12.4	13.4
1.58	4.12	6.5	2209	8.76	1104	4.89	732	3.40	6.6	7.3	8.3	9.3	10.3
1.59	3.00	4.75	2197	5.41	1098	3.01	728	2.10	6.4	7.1	7.9	8.9	9.6	10.6	11.6	12.6
	3.35	5.3	2200	6.48	1100	3.61	729	2.51	5.6	6.4	7.1	8.1	8.9	9.9	10.9	11.9
1.60	3.15	5.0	2192	5.87	1096	3.27	726	2.28	6.0	6.8	7.5	8.6	9.3	10.3	11.3	12.3
ARC-LENGTH CORRECTION FACTOR →									.81	.82	.83	.85	.86	.87	.89	.89
1.61	5.00	8.0	2179	11.22	1090	6.32	722	4.39	8.4
1.62	2.80	4.5	2163	4.79	1081	2.68	717	1.87	6.7	7.5	8.2	9.2	10.0	11.0	12.0	13.0
1.64	6.50	10.6	2140	14.95	1070	8.67	709	6.04
1.65	3.65	6.0	2118	7.40	1059	4.12	702	2.86	6.3	7.3	8.1	9.1	10.1	11.1
1.68	3.00	5.0	2086	5.42	1043	3.02	691	2.11	6.1	6.9	7.7	8.7	9.4	10.4	11.4	12.4
	3.35	5.6	2081	6.50	1041	3.62	690	2.52	...	6.1	6.9	7.9	8.6	9.7	10.7	11.7
	4.12	6.9	2080	8.78	1040	4.90	689	3.40	7.0	8.0	9.0	10.0
1.69	3.15	5.3	2067	5.89	1033	3.28	685	2.28	5.8	6.5	7.3	8.3	9.0	10.1	11.1	12.1
	4.75	8.0	2069	10.55	1035	5.93	686	4.11	7.6	8.6
1.71	2.65	4.5	2045	4.33	1022	2.42	678	1.70	6.8	7.6	8.3	9.3	10.1	11.1	12.1	13.1
1.71	2.80	4.75	2048	4.80	1024	2.68	679	1.88	6.5	7.3	8.0	9.0	9.8	10.8	11.8	12.8
1.75	8.00	14.0	19.95	18.04	997	10.92	661	7.65
1.77	6.00	10.6	1974	13.79	987	7.91	654	5.51
1.78	3.00	5.3	1967	5.44	983	3.03	652	2.11	5.9	6.6	7.4	8.4	9.2	10.2	11.2	12.2
ARC-LENGTH CORRECTION FACTOR →									.80	.81	.82	.84	.85	.86	.88	.89

NOTE: Selection program VIA-VISA available at www.ptwizard.com.

SELECTION



3VX STOCK DRIVE SELECTIONS

Speed Ratio	Belt Number and Approx. Center Distance																							
	3VX 400	3VX 425	3VX 450	3VX 475	3VX 500	3VX 530	3VX 560	3VX 600	3VX 630	3VX 670	3VX 710	3VX 750	3VX 800	3VX 850	3VX 900	3VX 950	3VX 1000	3VX 1060	3VX 1120	3VX 1180	3VX 1250	3VX 1320	3VX 1400	3VX 1500
1.23	14.1	15.4	16.6	17.9	19.1	20.6	22.1	24.1	25.6	27.6	29.6	31.6	34.1	36.6	39.1	41.6	44.1	47.1	50.1	53	57	60	64	69
	10.7	12.0	13.2	14.5	15.7	17.2	18.7	20.7	22.2	24.2	26.2	28.2	30.7	33.2	35.7	38.2	40.7	43.7	46.7	50	53	57	61	66
	10.2	11.4	12.7	13.9	15.2	16.7	18.2	20.2	21.7	23.7	25.7	27.7	30.2	32.7	35.2	37.7	40.2	43.2	46.2	49	53	56	60	65
	8.6	9.8	11.1	12.3	13.6	15.1	16.6	18.6	20.1	22.1	24.1	26.1	28.6	31.1	33.6	36.1	38.6	41.6	44.6	48	51	55	59	64
1.24	13.6	14.8	16.1	17.3	18.6	20.1	21.6	23.6	25.1	27.1	29.1	31.1	33.6	36.1	38.6	41.1	43.6	46.6	49.6	53	56	61	64	69
	.91	.92	.93	.94	.95	.96	.97	.99	1.00	1.01	1.02	1.03	1.04	1.05	1.06	1.07	1.08	1.09	1.10	1.11	1.12	1.13	1.14	1.15
1.25	12.1	13.3	14.6	15.8	17.1	18.6	20.1	22.1	23.6	25.6	27.6	29.6	32.1	34.6	37.1	39.6	42.1	45.1	48.1	51	55	58	62	67
1.27	15.3	16.5	17.8	19.0	20.3	21.8	23.3	25.3	26.8	28.8	30.8	32.8	35.3	37.8	40.3	42.1	45.3	48.3	51.3	54	58	61	65	70
	11.5	12.8	14.0	15.3	16.5	18.1	19.6	21.6	23.1	25.1	27.1	29.1	31.6	34.1	36.6	39.1	41.6	44.6	47.6	51	54	58	62	67
1.29	12.6	13.8	15.1	16.3	17.6	19.1	20.6	22.6	24.1	26.1	28.1	30.1	32.6	35.1	37.6	40.1	42.6	45.6	48.6	52	55	59	63	68
1.30	10.9	12.2	13.5	14.7	16.0	17.5	19.0	21.0	22.5	24.5	26.5	28.5	31.0	33.5	36.0	38.5	41.0	44.0	47.0	50	53	57	61	66
	10.4	11.6	12.9	14.2	15.4	16.9	18.4	20.4	21.9	23.9	25.9	27.9	30.4	32.9	35.4	37.9	40.4	43.4	46.4	49	53	56	60	65
1.31	14.9	16.2	17.4	18.7	19.9	21.4	22.9	24.9	26.4	28.4	30.4	32.4	34.9	37.4	39.9	42.4	44.9	47.9	50.9	54	57	61	65	70
	14.3	15.5	16.8	18.0	19.3	20.8	22.3	24.3	25.8	27.8	29.8	31.8	34.3	36.8	39.3	41.8	44.3	47.3	50.3	53	57	60	64	69
	13.4	14.6	15.9	17.1	18.4	19.9	21.4	23.4	24.9	26.9	28.9	30.9	33.4	35.9	38.4	40.9	43.4	46.4	49.4	52	56	59	63	68
1.32	14.1	16.1	18.1	20.6	23.1	25.6	28.1	30.6	33.6	36.6	40	43	47	51	56
1.33	11.8	13.3	15.3	16.8	18.9	20.9	22.9	25.4	27.9	30.4	32.9	35.4	38.4	41.4	44	48	51	55	60
1.34	11.7	13.0	14.2	15.5	16.7	18.2	19.7	21.7	23.2	25.2	27.2	29.2	31.7	34.2	36.7	39.3	41.8	44.8	47.8	51	54	58	62	67
	9.0	10.2	11.5	12.7	14.0	15.5	17.0	19.0	20.5	22.5	24.5	26.5	29.0	31.5	34.0	36.5	39.0	42.0	45.0	48	52	55	59	64
1.35	13.8	15.1	16.3	17.6	18.8	20.3	21.8	23.8	25.3	27.3	29.3	31.3	33.8	36.3	38.8	41.3	43.8	46.8	49.8	53	56	60	64	69
1.36	12.3	13.6	14.9	16.1	17.4	18.9	20.4	22.4	23.9	25.9	27.9	29.9	32.4	34.9	37.4	39.9	42.4	45.4	48.4	51	55	58	62	67
	.91	.92	.93	.94	.95	.96	.97	.99	1.00	1.01	1.02	1.03	1.04	1.05	1.06	1.07	1.08	1.09	1.10	1.11	1.12	1.13	1.14	1.15
1.37	13.2	14.4	15.7	16.9	18.2	19.7	21.2	23.2	24.7	26.7	28.7	30.7	33.2	35.7	38.2	40.7	43.2	46.2	49.2	52	56	59	63	68
	11.1	12.4	13.6	14.9	16.1	17.6	19.1	21.2	22.7	24.7	26.7	28.7	31.2	33.7	36.2	38.7	41.2	44.2	47.2	50	54	57	61	66
1.38	15.0	16.3	17.5	18.8	20.0	21.5	23.0	25.0	26.5	28.6	30.6	32.6	35.1	37.6	40.1	42.6	45.1	48.1	51.1	54	58	61	65	70
	14.4	15.7	16.9	18.2	19.4	20.9	22.4	24.4	25.9	27.9	29.9	31.9	34.4	36.9	39.4	41.9	44.4	47.4	50.4	53	57	60	64	69
	10.6	11.9	13.1	14.4	15.6	17.1	18.6	20.6	22.1	24.1	26.1	28.1	30.6	33.1	35.6	38.1	40.6	43.6	46.6	50	53	57	61	66
1.42	13.6	14.9	16.1	17.4	18.6	20.1	21.6	23.6	25.1	27.1	29.1	31.1	33.6	36.1	38.6	41.1	43.6	46.6	49.6	53	56	60	64	69
1.43	9.2	10.5	11.8	13.0	14.3	15.8	17.3	19.3	20.8	22.8	24.8	26.8	29.3	31.8	34.3	36.8	39.3	42.3	45.3	48	52	55	59	64
1.44	14.0	15.2	16.5	17.7	19.0	20.5	22.0	24.0	25.5	27.5	29.5	31.5	34.0	36.5	39.0	41.5	44.0	47.0	50.0	53	56	60	64	69
1.45	11.3	12.6	13.8	15.1	16.3	17.8	19.3	21.3	22.8	24.8	26.8	28.8	31.3	33.9	36.4	38.9	41.4	44.4	47.4	50	54	57	61	66
1.46	12.9	14.2	15.5	16.7	18.0	19.5	21.0	23.0	24.5	26.5	28.5	30.5	33.0	35.5	38.0	40.5	43.0	46.0	49.0	52	55	59	63	68
	12.0	13.3	14.5	15.8	17.0	18.5	20.0	22.0	23.5	25.5	27.5	29.5	32.0	34.5	37.0	39.5	42.0	45.0	48.0	51	55	58	62	67
	10.8	12.1	13.3	14.6	15.8	17.3	18.8	20.8	22.3	24.3	26.3	28.3	30.8	33.3	35.8	38.3	40.8	43.8	46.8	50	53	57	61	66
1.48	14.6	15.8	17.1	18.3	19.6	21.1	22.6	24.6	26.1	28.1	30.1	32.1	34.6	37.1	39.6	42.1	44.6	47.6	50.6	54	57	61	65	70
1.50	13.4	14.7	15.9	17.2	18.4	19.9	21.4	23.4	24.9	26.9	28.9	30.9	33.4	35.9	38.4	40.9	43.4	46.4	49.4	52	56	59	63	68
1.51	14.1	15.3	16.6	17.8	19.1	20.6	22.1	24.1	25.6	27.6	29.6	31.6	34.1	36.6	39.1	41.6	44.1	47.1	50.1	53	57	60	64	69
	9.5	10.7	12.0	13.2	14.5	16.0	17.5	19.5	21.0	23.0	25.0	27.0	29.5	32.0	34.5	37.0	39.5	42.5	45.5	49	52	56	60	65
1.52	13.8	15.0	16.3	17.5	18.8	20.3	21.8	23.8	25.3	27.3	29.3	31.3	33.8	36.3	38.8	41.3	43.8	46.8	49.8	53	56	60	64	69
1.54	12.7	14.0	15.2	16.5	17.7	19.2	20.7	22.7	24.2	26.2	28.2	30.2	32.7	35.2	37.7	40.2	42.7	45.7	48.7	52	55	59	63	68
	11.0	12.2	13.5	14.8	16.0	17.5	19.0	21.0	22.5	24.5	26.5	28.5	31.0	33.5	36.0	38.5	41.0	44.0	47.0	50	54	57	61	66
	11.1	12.6	14.1	16.2	17.7	19.7	21.7	23.7	26.2	28.7	31.2	33.7	36.2	39.2	42.2	45	49	52	56	61
1.57	14.7	15.9	17.2	18.4	19.7	21.2	22.7	24.7	26.2	28.2	30.2	32.2	34.7	37.2	39.7	42.2	44.7	47.7	50.7	54	57	61	65	70
1.58	11.6	12.9	14.1	15.4	16.6	18.1	19.6	21.6	23.1	25.1	27.1	29.1	31.6	34.1	36.6	39.1	41.6	44.6	47.6	51	54	58	62	67
1.59	13.9	15.1	16.4	17.6	18.9	20.4	21.9	23.9	25.4	27.4	29.4	31.4	33.9	36.4	38.9	41.4	43.9	46.9	49.9	53	56	60	64	69
	13.2	14.4	15.7	16.9	18.2	19.7	21.2	23.2	24.7	26.7	28.7	30.7	33.2	35.7	38.2	40.7	43.2	46.2	49.2	52	56	59	63	68
1.60	13.6	14.8	16.1	17.3	18.6	20.1	21.6	23.6	25.1	27.1	29.1	31.1	33.6	36.1	38.6	41.1	43.6	46.6	49.6	53	56	60	64	69
	.90	.92	.93	.94	.95	.96	.97	.98	.99	1.01	1.02	1.03	1.04	1.05	1.06	1.07	1.08	1.09	1.10	1.11	1.12	1.13	1.14	1.15
1.61	9.7	10.9	12.2	13.5	14.7	16.2	17.7	19.7	21.2	23.2	25.3	27.3	29.8	32.3	34.8	37.3	39.8	42.8	45.8	49	52	56	60	65
1.62	14.2	15.5	16.7	18.0	19.3	20.8	22.3	24.3	25.8	27.8	29.8	31.8	34.3	36.8	39.3	41.8	44.3	47.3	50.3	53	57	60	64	69
1.64	10.1	11.4	12.9	14.4	16.4	18.0	20.0	22.0	24.0	26.5	29.0	31.5	34.0	36.5	39.5	42.5	46	49	53	57	62
1.65	12.4	13.6	14.9	16.1	17.4	18.9	20.4	22.4	23.9	25.9	27.9	29.9	32.4	34.9	37.4	39.9	42.4	45.4	48.4	51	55	58	62	67
1.68	13.7	14.9	16.2	17.4	18.7	20.2	21.7	23.7	25.2	27.2	29.2	31.2	33.7	36.2	38.7	41.2	43.7	46.7	49.7	53	56	60	64	69
	12.9	14.2	15.4	16.7	17.9	19.4	20.9	22.9	24.4	26.5	28.5	30.5	33.0	35.5	38.0	40.5	43.0	46.0	49.0	52	55	59	63</	



SELECTION

3VX STOCK DRIVE SELECTIONS

Speed Ratio	Stock Sheaves		3500 RPM Driver		1750 RPM Driver		1160 RPM Driver		Belt Number and Approx. Center Distance						
	Diameter		Driven RPM	HP/Belt 3VX	Driven RPM	HP/Belt 3VX	Driven RPM	HP/Belt 3VX	3VX 265	3VX 280	3VX 300	3VX 315	3VX 335	3VX 355	3VX 375
	Driver	Driven													
1.79	3.65	6.50	1953	7.42	977	4.13	647	2.87	6.9	7.6	8.7	9.7	10.7
	4.50	8.00	1959	9.87	980	5.53	649	3.84	7.7	8.8
1.80	2.80	5.00	1944	4.81	972	2.69	644	1.88	7.0	7.8	8.8	9.6	10.6	11.6	12.6
	3.35	6.00	1941	6.52	971	3.62	643	2.52	5.8	6.5	7.5	8.3	9.3	10.3	11.3
	10.60	19.00	1949	21.47	974	14.50	646	10.31
1.81	2.65	4.75	1936	4.34	968	2.43	642	1.70	7.4	8.1	9.1	9.9	10.9	11.9	12.9
1.88	3.00	5.60	1860	5.45	930	3.03	617	2.12	6.4	7.1	8.1	8.9	9.9	10.9	11.9
1.90	2.65	5.00	1838	4.35	919	2.44	609	1.71	7.1	7.9	8.9	9.7	10.7	11.7	12.7
	3.65	6.90	1839	7.43	920	4.13	610	2.87	6.5	7.3	8.3	9.3	10.3
	5.60	10.60	1841	12.81	921	7.29	610	5.07
1.91	2.80	5.30	1833	4.82	917	2.69	608	1.88	6.8	7.5	8.5	9.3	10.3	11.3	12.3
1.92	3.15	6.00	1824	5.91	912	3.29	604	2.29	5.9	6.7	7.7	8.4	9.5	10.5	11.5
1.95	3.35	6.50	1791	6.53	895	3.63	593	2.53	7.1	7.9	8.9	9.9	10.9
	4.12	8.00	1792	8.81	896	4.91	594	3.41	8.0	9.0
2.01	5.30	10.60	1742	12.05	871	6.82	577	4.74
2.02	2.65	5.30	1733	4.36	367	2.44	574	1.71	6.9	7.6	8.7	9.4	10.4	11.4	12.4
	2.80	5.60	1734	4.83	867	2.70	575	1.89	6.5	7.3	8.3	9.0	10.1	11.1	12.1
	3.00	6.00	1735	5.46	868	3.04	575	2.12	6.0	6.8	7.8	8.5	9.6	10.6	11.6
2.04	6.90	14.00	1719	15.88	859	9.30	570	6.49
2.08	3.15	6.50	1682	5.93	841	3.30	558	2.30	...	6.2	7.2	8.0	9.0	10.0	11.0
	3.35	6.90	1686	6.54	843	3.63	559	2.53	6.7	7.5	8.5	9.5	10.6
ARC-LENGTH CORRECTION FACTOR →									.81	.82	.84	.85	.86	.87	.88
2.13	2.65	5.60	1640	4.36	820	2.44	543	1.71	6.6	7.4	8.4	9.2	10.2	11.2	12.2
	5.00	10.60	1642	11.27	821	6.35	544	4.41
2.16	2.80	6.00	1618	4.84	809	2.70	536	1.89	6.1	6.9	7.9	8.7	9.7	10.7	11.7
	6.50	14.00	1618	14.99	809	8.70	536	6.06
2.19	3.00	6.50	1601	5.47	800	3.04	531	2.12	...	6.3	7.3	8.1	9.1	10.1	11.2
2.21	3.15	6.90	1584	5.93	792	3.30	525	2.30	6.9	7.6	8.7	9.7	10.7
	3.65	8.00	1585	7.45	792	4.14	525	2.88	7.3	8.3	9.3
2.24	4.75	10.60	1559	10.60	780	5.95	517	4.13
2.29	2.65	6.00	1529	4.37	765	2.45	507	1.71	6.2	7.0	8.0	8.8	9.8	10.8	11.8
2.32	3.00	6.90	1507	5.47	754	3.05	500	2.12	7.0	7.7	8.8	9.8	10.8
2.34	6.00	14.00	1493	13.83	746	7.93	495	5.52
2.35	2.80	6.50	1492	4.84	746	2.70	495	1.89	...	6.4	7.5	8.2	9.3	10.3	11.3
2.36	10.6	25.00	1480	21.5	740	14.51	491	10.33
2.37	4.50	10.60	1476	9.91	738	5.54	489	3.85
2.38	8.00	19.00	1468	18.07	734	10.94	487	7.66
2.41	3.35	8.00	1453	6.55	726	3.64	482	2.53	7.5	8.5	9.6
2.48	2.65	6.50	1411	4.37	705	2.45	468	1.71	5.7	6.5	7.6	8.3	9.4	10.4	11.4
2.49	2.80	6.90	1405	4.85	703	2.71	466	1.89	...	6.0	7.1	7.9	8.9	9.9	10.9
2.51	5.60	14.00	1392	12.84	696	7.31	462	5.08
ARC-LENGTH CORRECTION FACTOR →									.78	.80	.82	.83	.84	.86	.87
2.56	3.15	8.00	1365	5.94	682	3.30	452	2.30	7.6	8.7	9.7
2.59	4.12	10.60	1350	8.84	675	4.92	448	3.42
2.63	2.65	6.90	1328	4.38	664	2.45	440	1.72	...	6.1	7.2	8.0	9.0	10.0	11.0
2.66	5.30	14.00	1317	12.08	659	6.83	437	4.75
2.69	3.00	8.00	1299	5.48	649	3.05	430	2.13	6.6	7.7	8.8	9.8
2.77	6.90	19.00	1265	15.90	633	9.31	419	6.50
2.82	5.00	14.00	1242	11.29	621	6.36	412	4.41
2.89	2.80	8.00	1211	4.86	605	2.71	401	1.89	6.8	7.8	8.9	9.9
2.93	3.65	10.60	1194	7.46	597	4.15	396	2.88
2.94	6.50	19.00	1191	15.01	596	8.71	395	6.07
2.97	4.75	14.00	1179	10.61	590	5.95	391	4.13
3.06	2.65	8.00	1145	4.38	572	2.45	379	1.72	6.9	7.9	9.0	10.0
3.13	4.50	14.00	1116	9.92	558	5.55	370	3.85
ARC-LENGTH CORRECTION FACTOR →								75	.78	.80	.82	.84	.85

* NOTE: Stock belt size 3VX250 not shown

NOTE: Selection program VIA-VISA available at www.ptwizard.com.

SELECTION



3VX STOCK DRIVE SELECTIONS

Speed Ratio	Belt Number and Approx. Center Distance																							
	3VX 400	3VX 425	3VX 450	3VX 475	3VX 500	3VX 530	3VX 560	3VX 600	3VX 630	3VX 670	3VX 710	3VX 750	3VX 800	3VX 850	3VX 900	3VX 950	3VX 1000	3VX 1060	3VX 1120	3VX 1180	3VX 1250	3VX 1320	3VX 1400	3VX 1500
1.79	11.9	13.2	15.5	15.7	17.0	18.5	20.0	22.0	23.5	25.5	27.5	29.5	32.0	34.5	37.0	39.5	42.0	45.0	48.0	51	55	58	62	67
	10.0	11.3	12.6	13.8	15.1	16.6	18.1	20.1	21.6	23.6	25.6	27.6	30.1	32.6	35.1	37.6	40.1	43.2	46.2	49	53	56	60	65
1.80	13.8	15.1	16.3	17.6	18.8	20.3	21.8	23.9	25.4	27.4	29.4	31.4	33.9	36.4	38.9	41.4	43.9	46.9	49.9	53	56	60	64	69
	12.6	13.8	15.1	16.4	17.6	19.1	20.6	22.6	24.1	26.1	28.1	30.1	32.6	35.1	37.6	40.1	42.6	45.6	48.6	52	55	59	63	68
...	18.8	21.4	23.9	26.4	29.5	32.5	36	39	43	47	52
1.81	14.2	15.4	16.7	17.9	19.2	20.7	22.2	24.2	25.7	27.7	29.7	31.7	34.2	36.7	39.2	41.7	44.2	47.2	50.2	53	57	60	64	69
1.88	13.2	14.4	15.7	16.9	18.2	19.7	21.2	23.2	24.7	26.7	28.7	30.7	33.2	35.7	38.2	40.7	43.2	46.2	49.2	52	56	59	63	68
1.90	13.9	15.2	16.5	17.7	19.0	20.5	22.0	24.0	25.5	27.5	29.5	31.5	34.0	36.5	39.0	41.5	44.0	47.0	50.0	53	56	60	64	69
	11.6	12.9	14.1	15.4	16.6	18.1	19.7	21.7	23.2	25.2	27.2	29.2	31.7	34.2	36.7	39.2	41.7	44.7	47.7	51	54	58	62	67
...	...	9.5	10.7	12.0	13.6	15.1	17.1	18.6	20.6	22.6	24.7	27.2	29.7	32.2	34.7	37.2	40.2	43.2	46	50	53	57	62	
1.91	13.6	14.8	16.1	17.3	18.6	20.1	21.6	23.6	25.1	27.1	29.1	31.1	33.6	36.1	38.6	41.1	43.6	46.6	49.6	53	56	60	64	69
1.92	12.7	14.0	15.3	16.5	17.8	19.3	20.8	22.8	24.3	26.3	28.3	30.3	32.8	35.3	37.8	40.3	42.8	45.8	48.8	52	55	59	63	68
1.95	12.2	13.4	14.7	15.9	17.2	18.7	20.2	22.2	23.7	25.7	27.7	29.7	32.2	34.7	37.2	39.7	42.2	45.2	48.2	51	55	58	62	67
	10.3	11.6	12.8	14.1	15.4	16.9	18.4	20.4	21.9	23.9	25.9	27.9	30.4	32.9	35.4	37.9	40.4	43.4	46.4	49	53	56	60	65
2.01	9.7	10.9	12.2	13.8	15.3	17.3	18.8	20.9	22.9	24.9	27.4	29.9	32.4	34.9	37.4	40.4	43.4	46	50	53	58	62
2.02	13.7	15.0	16.2	17.5	18.7	20.2	21.7	23.7	25.2	27.2	29.2	31.2	33.7	36.2	38.7	41.2	43.7	46.7	49.7	53	56	60	64	69
	13.3	14.6	15.8	17.1	18.4	19.9	21.4	23.4	24.9	26.9	28.9	30.9	33.4	35.9	38.4	40.9	43.4	46.4	49.4	52	56	59	63	68
...	12.8	14.1	15.4	16.6	17.9	19.4	20.9	22.9	24.4	26.4	28.4	30.4	32.9	35.4	37.9	40.4	42.9	45.9	48.9	52	55	59	63	68
2.04	13.1	14.7	16.7	18.8	20.8	23.3	25.8	28.4	30.9	33.4	36.4	39.4	42	46	49	53	58
2.08	12.3	13.6	14.8	16.1	17.3	18.9	20.4	22.4	23.9	25.9	27.9	29.9	32.4	34.9	37.4	39.9	42.4	45.4	48.4	51	55	58	62	67
	11.8	13.1	14.3	15.6	16.9	18.4	19.9	21.9	23.4	25.4	27.4	29.4	31.9	34.4	36.9	39.4	41.9	44.9	47.9	51	54	58	64	67
...	.90	.91	.92	.93	.94	.95	.97	.98	.99	1.00	1.01	1.02	1.03	1.05	1.06	1.07	1.08	1.09	1.10	1.11	1.12	1.13	1.14	1.15
2.13	13.4	14.7	16.0	17.2	18.5	20.0	21.5	23.5	25.0	27.0	29.0	31.0	33.5	36.0	38.5	41.0	43.5	46.5	49.5	53	56	60	63	69
	9.9	11.2	12.4	14.0	15.5	17.5	19.0	21.1	23.1	25.1	27.6	30.1	32.6	35.1	37.6	40.7	43.7	47	50	54	58	63
2.16	13.0	14.3	15.5	16.8	18.0	19.5	21.0	23.0	24.5	26.5	28.5	30.6	33.1	35.6	38.1	40.6	43.1	46.1	49.1	52	56	59	63	68
	13.4	14.9	17.0	19.0	21.1	23.6	26.1	28.7	31.2	33.7	36.7	39.7	43	46	50	54	59
2.19	12.4	13.7	14.9	16.2	17.5	19.0	20.5	22.5	24.0	26.0	28.0	30.0	32.5	35.0	37.5	40.0	42.5	45.5	48.5	52	55	59	63	68
2.21	12.0	13.2	14.5	15.7	17.0	18.5	20.0	22.0	23.5	25.5	27.5	29.6	32.1	34.6	37.1	39.6	42.1	45.1	48.1	50	55	58	61	67
	10.6	11.9	13.2	14.4	15.7	17.2	18.7	20.7	22.2	24.3	26.3	28.3	30.8	33.3	35.8	38.3	40.8	43.8	46.8	50	53	57	61	66
2.24	10.0	11.3	12.6	14.1	15.7	17.7	19.2	21.2	23.3	25.3	27.8	30.3	32.8	35.3	37.8	40.8	43.9	47	50	54	58	63
2.29	13.1	14.4	15.6	16.9	18.1	19.6	21.1	23.1	24.7	26.7	28.7	30.7	33.2	35.7	38.2	40.7	43.2	46.2	49.2	52	56	59	63	68
2.32	12.1	13.3	14.6	15.9	17.1	18.6	20.1	22.1	23.6	25.7	27.7	29.7	32.2	34.7	37.2	39.7	42.2	45.2	48.2	51	55	58	62	67
2.34	11.6	13.7	15.3	17.3	19.4	21.4	24.0	26.5	29.0	31.5	34.1	37.1	40.1	43	47	50	54	59
2.35	12.6	13.8	15.1	16.3	17.6	19.1	20.6	22.6	24.1	26.1	28.1	30.1	32.6	35.2	37.7	40.2	42.7	45.7	48.7	52	55	59	63	68
2.36	20.8	24.0	27.1	30	34	37	41	46
2.37	...	8.9	10.2	11.5	12.8	14.3	15.9	17.9	19.4	21.4	23.4	25.5	28.0	30.5	33.0	35.5	38.0	41.0	44.0	47	51	54	58	63
2.38	15.3	18.0	20.6	23.2	25.7	28.3	31.3	34.4	37	41	44	48	54
2.41	10.8	12.1	13.4	14.7	15.9	17.4	18.9	21.0	22.5	24.5	26.5	28.5	31.0	33.5	36.0	38.5	41.0	44.0	47.0	50	54	57	61	66
2.48	12.7	13.9	15.2	16.5	17.7	19.2	20.7	22.7	24.2	26.2	28.3	30.3	32.8	35.3	37.8	40.3	42.8	45.8	48.8	52	55	59	63	68
2.49	12.2	13.5	14.7	16.0	17.3	18.8	20.3	22.3	23.8	25.8	27.8	29.8	32.3	34.8	37.3	39.8	42.3	45.3	48.3	51	55	58	62	67
2.51	11.9	14.0	15.5	17.6	19.7	21.7	24.3	26.8	29.3	31.8	34.4	37.4	40.4	43	47	50	54	59
...	.89	.90	.91	.92	.93	.95	.96	.97	.98	.99	1.01	1.02	1.03	1.04	1.05	1.06	1.07	1.08	1.10	1.11	1.12	1.13	1.14	1.15
2.56	11.0	12.3	13.5	14.8	16.1	17.6	19.1	21.1	22.6	24.6	26.6	28.6	31.2	33.7	36.2	38.7	41.2	44.2	47.2	50	54	57	61	66
2.59	...	9.1	10.4	11.7	13.0	14.6	16.1	18.2	19.7	21.7	23.7	25.7	28.3	30.8	33.3	35.8	38.3	41.3	44.3	47	51	54	58	63
2.63	12.3	13.6	14.9	16.1	17.4	18.9	20.4	22.4	23.9	25.9	27.9	29.9	32.4	34.9	37.4	39.9	42.5	45.5	48.5	51	55	58	62	67
2.66	12.1	14.2	15.7	17.8	19.9	21.9	24.5	27.0	29.5	32.1	34.6	37.6	40.6	44	47	51	55	60
2.69	11.1	12.4	13.6	14.9	16.2	17.7	19.2	21.2	22.7	24.7	26.7	28.8	31.3	33.8	36.3	38.8	41.3	44.3	47.3	50	54	57	61	66
2.77	16.0	18.7	21.3	23.9	26.5	29.0	32.1	35.1	38	42	45	49	54
2.82	12.3	14.4	16.0	18.0	20.1	22.1	24.7	27.2	29.7	32.3	34.8	37.8	40.8	44	47	51	55	60
2.89	11.2	12.5	13.8	15.0	16.3	17.8	19.3	21.4	22.9	24.9	26.9	28.9	31.4	33.9	36.4	38.9	41.4	44.4	47.5	50	54	57	61	66
2.93	...	9.4	10.8	12.1	13.4	14.9	16.4	18.5	20.0	22.0	24.1	26.1	28.6	31.1	33.6	36.1	38.7	41.7	44.7	48	51	55	59	64
2.94	16.3	19.0	21.6	24.2	26.8	29.3	32.4	35.4	38	42	46	50	55
2.97	12.4	14.5	16.1	18.2	20.3	22.3	24.9	27.4	29.9	32.5	35.0	38.0	41.0	44	48	51	55	60
3.06	11.3	12.6	13.9	15.1	16.4	17.9	19.5	21.5	23.0	25.0	27.0	29.0	31.5	34.0	36.5	39.0	41.6	44.6	47.6	51	54	58	62	67
3.13	10.9	12.6	14.7	16.3	18.4	20.4	22.5	25.0	27.6	30.1	32.6	35.2	38.2	41.2	44	48	51	55	60
...	.87	.89	.90	.91	.92	.94	.95	.96	.97	.99	1.00	1.01												



SELECTION

3VX STOCK DRIVE SELECTIONS

Speed Ratio	Stock Sheaves		3500 RPM Driver		1750 RPM Driver		1160 RPM Driver		Belt Number and Approx. Center Distance			
	Outside Diam.		Driven RPM	HP/Belt 3VX	Driven RPM	HP/Belt 3VX	Driven RPM	HP/Belt 3VX	3VX 425	3VX 450	3VX 475	3VX 500
	Driver	Driven										
3.14	8.00	25.00	1115	18.09	558	10.94	370	7.67
3.17	10.60	33.50	1104	21.52	552	14.52	366	10.33
3.18	6.00	19.00	1099	13.84	549	7.94	364	5.52
3.20	3.35	10.60	1095	6.56	547	3.65	363	2.54	9.6	10.9	12.3	13.6
3.40	3.15	10.60	1028	5.95	514	3.31	341	2.31	9.7	11.1	12.4	13.7
3.41	5.60	19.00	1025	12.85	513	7.31	340	5.08
3.43	4.12	14.00	1021	8.85	511	4.93	338	3.42
3.58	3.00	10.60	979	5.49	489	3.05	324	2.13	9.8	11.2	12.5	13.8
3.61	5.30	19.00	970	12.09	485	6.84	321	4.75
3.64	6.90	25.00	961	15.91	480	9.32	318	6.50
3.83	5.00	19.00	914	11.29	457	6.36	303	4.42
3.84	2.80	10.60	912	4.86	456	2.71	302	1.90	10.0	11.3	12.6	13.9
ARC-LENGTH CORRECTION FACTOR →									.88	.89	.91	.92
3.87	6.50	25.00	905	15.02	452	8.71	300	6.07
3.88	3.65	14.00	903	7.47	452	4.15	299	2.89
4.03	4.75	19.00	868	10.62	434	5.96	288	4.14
4.06	2.65	10.60	863	4.39	431	2.46	286	1.72	10.1	11.4	12.7	14.0
4.19	6.00	25.00	835	13.85	417	7.94	277	5.52
4.21	8.00	33.50	832	18.09	416	10.95	276	7.67
4.23	3.35	14.00	828	6.57	414	3.65	274	2.54	10.0
4.26	4.50	19.00	822	9.93	411	5.55	272	3.86
4.50	3.15	14.00	778	5.96	389	3.31	258	2.31	10.1
	5.60	25.00	779	12.86	389	7.31	258	5.08
4.66	4.12	19.00	752	8.85	376	4.93	249	3.42
4.73	3.00	14.00	740	5.49	370	3.06	245	2.13	10.2
4.75	5.30	25.00	736	12.09	368	6.84	244	4.75
4.88	6.90	33.50	717	15.91	358	9.32	238	6.50
5.04	5.00	25.00	694	11.30	347	6.36	230	4.42
5.07	2.80	14.00	690	4.87	345	2.72	229	1.90	10.3
5.19	6.50	33.50	675	15.02	337	8.71	224	6.07
5.26	3.65	19.00	665	7.47	332	4.15	220	2.89
5.31	4.75	25.00	659	10.62	330	5.96	219	4.14
5.37	2.65	14.00	652	4.39	326	2.46	216	1.72	10.4
ARC-LENGTH CORRECTION FACTOR →									.80	.83	.85	.87
5.61	4.50	25.00	624	9.93	312	5.55	207	3.86
5.62	6.00	33.50	623	13.85	311	7.94	206	5.52
5.74	3.35	19.00	609	6.57	305	3.65	202	2.54
6.03	5.60	33.50	581	12.86	290	7.32	192	5.08
6.11	3.15	19.00	573	4.91	286	2.84	190	2.31
6.13	4.12	25.00	571	8.85	285	4.93	189	3.43
6.37	5.30	33.50	549	12.09	275	6.84	182	4.75
6.42	3.00	19.00	545	5.49	272	3.06	181	2.13
6.76	5.00	33.50	518	11.30	259	6.36	172	4.42
6.89	2.80	19.00	508	4.87	254	2.72	168	1.90
6.93	3.65	25.00	505	7.48	253	4.15	167	2.89
7.12	4.75	33.50	492	10.62	246	5.96	163	4.14
7.29	2.65	19.00	480	4.39	240	2.46	159	1.72
7.52	4.50	33.50	466	9.93	233	5.56	154	3.86
7.56	3.35	25.00	463	6.57	231	3.65	153	2.54
8.05	3.15	25.00	435	5.96	217	3.31	144	2.31
8.22	4.12	33.50	426	8.85	213	4.93	141	3.43
8.46	3.00	25.00	414	5.50	207	3.06	137	2.13
9.07	2.80	25.00	386	4.87	193	2.72	128	1.90
9.29	3.65	33.50	377	7.48	188	4.15	125	2.89
ARC-LENGTH CORRECTION FACTOR →								
9.60	2.65	25.00	365	4.39	182	2.46	121	1.72
10.14	3.35	33.50	345	6.57	173	3.65	114	2.54
10.79	3.15	33.50	324	5.96	162	3.31	108	2.31
11.34	3.00	33.50	309	5.50	154	3.06	102	2.13
12.16	2.80	33.50	288	4.87	144	2.72	95	1.90
12.87	2.65	33.50	272	4.39	136	2.46	90	1.72
ARC-LENGTH CORRECTION FACTOR →								

* Note: Stock belt sizes 3VX250 thru 3VX400 not shown

NOTE: Selection program VIA-VISA available at www.ptwizard.com.

V-Drives

FHP Drives

Drive Component Accessories

DYNA-SYNC

HT200/HTD Synchronous Drives

HT500 Synchronous Drives

Roller Chain Sprockets

SELECTION



3VX STOCK DRIVE SELECTIONS

Speed Ratio	Belt Number and Approx. Center Distance																			
	3VX 530	3VX 560	3VX 600	3VX 630	3VX 670	3VX 710	3VX 750	3VX 800	3VX 850	3VX 900	3VX 950	3VX 1000	3VX 1060	3VX 1120	3VX 1180	3VX 1250	3VX 1320	3VX 1400	3VX 1500	
3.14	19.8	22.5	25.7	28.8	32.0	35.6	39	43	48	
3.17	25.3	29	33	39	
3.18	14.4	16.6	19.3	21.9	24.5	27.1	29.7	32.7	35.8	38.8	42.4	46	50	55	
3.20	15.1	16.7	18.7	20.2	22.3	24.3	26.3	28.8	31.3	33.9	36.4	38.9	41.9	44.9	47.9	51.4	55	59	64	
3.40	15.2	16.8	18.8	20.4	22.4	24.4	26.4	29.0	31.5	34.0	36.5	39.0	42.0	45.1	48.1	51.6	55	59	64	
3.41	14.7	16.9	19.5	22.2	24.8	27.4	29.9	33.0	36.1	39.1	42.7	46	50	55	
3.43	11.2	12.8	15.0	16.5	18.6	20.7	22.7	25.3	27.8	30.4	32.9	35.4	38.5	41.5	44.5	48.0	52	56	61	
3.58	15.3	16.9	18.9	20.5	22.5	24.5	26.6	29.1	31.6	34.1	36.6	39.1	42.2	45.2	48.2	51.7	55	59	64	
3.61	14.8	17.0	19.7	22.4	25.0	27.6	30.1	33.2	36.3	39.3	42.9	46	50	56	
3.64	17.6	20.5	23.2	26.4	29.6	32.7	36.3	40	44	49	
3.83	15.0	17.2	19.9	22.6	25.2	27.8	30.4	33.4	36.5	39.5	43.1	47	51	56	
3.84	15.5	17.0	19.1	20.6	22.6	24.7	26.7	29.2	31.7	34.3	36.8	39.3	42.3	45.3	48.3	51.8	55	59	64	
	.93	.94	.95	.97	.98	.99	1.00	1.02	1.03	1.04	1.05	1.06	1.08	1.09	1.10	1.11	1.12	1.13	1.14	
3.87	17.9	20.7	23.4	26.7	29.8	33.0	36.6	40	44	49	
3.88	11.5	13.1	15.3	16.9	18.9	21.0	23.1	25.6	28.2	30.7	33.2	35.8	38.8	41.8	44.8	48.4	52	56	61	
4.03	15.2	17.4	20.1	22.7	25.4	27.9	30.5	33.6	36.7	39.7	43.3	47	51	56	
4.06	15.6	17.1	19.2	20.7	22.8	24.8	26.8	29.3	31.9	34.4	36.9	39.4	42.4	45.4	48.4	51.9	55	59	64	
4.19	18.2	21.0	23.8	27.0	30.2	33.3	36.9	41	45	50	
4.21	22.9	26.9	31	35	44	
4.23	11.7	13.3	15.5	17.0	19.1	21.2	23.3	25.8	28.4	30.9	33.5	36.0	39.0	42.0	45.1	48.6	52	56	61	
4.26	15.3	17.6	20.3	22.9	25.5	28.1	30.7	33.8	36.8	39.9	43.4	47	51	56	
4.50	11.8	13.4	15.6	17.2	19.3	21.3	23.4	26.0	28.5	31.1	33.6	36.1	39.2	42.2	45.2	48.7	52	46	61	
4.66	13.3	15.6	17.8	20.5	23.2	25.8	28.4	31.0	34.0	37.1	40.2	43.7	47	51	56	
4.73	...	13.5	15.7	17.3	19.4	21.4	23.5	26.1	28.6	31.2	33.7	36.2	39.3	42.3	45.3	48.8	52	56	61	
4.75	18.6	21.5	24.2	27.4	30.6	33.8	37.4	41	45	50	
4.88	23.5	27.6	31	36	41	
5.04	18.8	21.6	24.4	27.6	30.8	34.0	37.6	41	45	50	
5.07	12.0	13.7	15.8	17.4	19.5	21.6	23.6	26.2	28.8	31.3	33.8	36.4	39.4	42.4	45.5	49.0	53	57	62	
5.19	23.8	27.8	32	36	41	
5.26	13.5	15.9	18.1	20.8	23.5	26.1	28.7	31.3	34.4	37.4	40.5	44.1	48	52	57	
5.31	18.9	21.8	24.6	27.8	31.0	34.1	37.8	41	46	51	
5.37	12.1	13.8	15.9	17.5	19.6	21.7	23.8	26.3	28.9	31.4	34.0	36.5	39.5	42.6	45.6	49.1	53	57	62	
	.89	.91	.93	.94	.96	.97	.99	1.00	1.02	1.03	1.04	1.05	1.07	1.08	1.09	1.10	1.11	1.12	1.13	1.13
5.61	19.1	21.9	24.7	28.0	31.2	34.3	38.0	42	46	51	
5.62	24.1	28.1	32	36	42	
5.74	13.7	16.0	18.3	21.0	23.7	26.3	28.9	31.5	34.6	37.6	40.7	44.3	48	52	57	
6.03	24.3	28.4	32	37	42	
6.11	13.8	16.2	18.4	21.1	23.8	26.4	29.0	31.6	34.7	37.8	40.8	44.4	48	52	57	
6.13	16.3	19.3	22.2	25.0	28.2	31.4	34.6	38.2	42	46	41	
6.37	24.5	28.6	32	39	42	
6.42	13.9	16.3	18.5	21.2	23.9	26.5	29.1	31.7	34.8	37.9	40.9	44.5	48	52	57	
6.76	20.9	24.7	28.7	33	37	42	
6.89	14.1	16.4	18.6	21.4	24.0	26.7	29.3	31.9	34.9	38.0	41.1	44.7	48	52	57	
6.93	16.6	19.6	22.5	25.3	28.5	31.7	34.9	38.5	42	46	51	
7.12	21.1	24.8	28.9	33	37	43	
7.29	14.1	16.5	18.7	21.4	24.1	26.8	29.4	32.0	35.1	38.1	41.2	44.8	48	52	57	
7.52	21.2	25.0	29.1	33	37	43	
7.56	16.7	19.8	22.7	25.4	28.7	31.9	35.1	38.7	42	46	52	
8.05	16.9	19.9	22.8	25.6	28.8	32.0	35.2	38.9	42	47	52	
8.22	21.4	25.2	29.3	33	38	43	
8.46	17.0	20.0	22.9	25.7	28.9	32.1	35.3	39.0	43	47	52	
9.07	17.1	20.1	23.0	25.8	29.1	32.3	35.4	39.1	43	47	52	
9.29	21.7	25.5	29.6	34	38	43	
	.79	.84	.88	.91	.94	.96	.98	1.00	1.02	1.04	1.05	1.07	1.08	1.09	1.10	1.11	1.12	1.13	1.14	
9.60	17.2	20.2	23.1	25.9	29.2	32.4	35.5	39.2	43	47	52		
10.14	21.9	25.6	29.8	34	38	43	
10.79	22.0	25.8	29.9	34	38	44	
11.34	22.1	25.8	30.0	34	38	44	
12.16	22.2	26.0	30.1	34	38	44	
12.87	22.3	26.1	30.2	34	39	4	
	.78	.86	.92	.96	1.00	1.01	1.01	1.01	1.01	1.01	1.01	1.01	1.01	1.01	1.01	1.01	1.01	1.01	1.01	

Arc & Length Factors are approximate values
Refer to Selection Procedure for more precise values
NOTE: Selection program VIA-VISA available at www.ptwizrd.com.



SELECTION

5VX D-V Wedge
Single Belts to 200"
POLYBAND to 200"

5V D-V Wedge
Single Belts over 200"
POLYBAND over 200"

STOCK DRIVE SELECTION

Ratio	Stock Sheaves		1750 RPM Driver			1160 RPM Driver			870 RPM Driver			Belt Number and Approx. Center Distance**							
	Diameter		Driven	HP/Belt		Driven	HP/Belt		Driven	HP/Belt		5VX	5VX	5VX	5VX	5VX	5VX	5VX	5VX
	Driver	Driven	RPM	5VX	5V	RPM	5VX	5V	RPM	5VX	5V	500	560	600	630	670	710	750	800
1.00	4.40	4.40	1750	8.2	3.9	1160	5.9	3.1	870	5.6	2.6	18.1	21.1	23.1	24.6	26.6	28.6	30.6	33.1
	4.65	4.65	1750	9.4	5.0	1160	6.1	3.9	870	5.3	3.2	17.7	20.7	22.7	24.2	26.2	28.2	30.2	32.7
	4.90	4.90	1750	10.6	6.2	1160	7.5	4.7	870	5.9	3.8	17.3	20.3	22.3	23.8	25.8	27.8	29.8	32.3
	5.20	5.20	1750	11.9	7.5	1160	8.5	5.6	870	6.6	4.5	16.8	19.8	21.8	23.3	25.3	27.3	29.3	31.8
	5.50	5.50	1750	13.3	8.8	1160	9.4	6.6	870	7.3	5.2	16.4	19.4	21.4	22.9	24.9	26.9	28.9	31.4
	5.90	5.90	1750	15.1	10.6	1160	10.7	7.8	870	8.3	6.2	15.7	18.7	20.7	22.2	24.2	26.2	28.2	30.7
	6.30	6.30	1750	16.9	12.6	1160	11.9	9.0	870	9.3	7.1	15.1	18.1	20.1	21.6	23.6	25.6	27.6	30.1
	6.70	6.70	1750	18.7	13.9	1160	13.2	10.2	870	10.4	8.1	14.5	17.5	19.5	21.0	23.0	25.0	27.0	29.5
	7.10	7.10	1750	20.4	15.6	1160	14.4	11.4	870	11.0	9.0	13.9	16.8	18.8	20.3	22.3	24.3	26.3	28.8
	7.50	7.50	1750	22.1	17.2	1160	15.6	12.6	870	12.2	9.9	13.2	16.2	18.2	19.7	21.7	23.7	25.7	28.2
	8.00	8.00	1750	24.3	19.2	1160	17.0	14.1	870	13.3	11.1	12.4	15.4	17.4	18.9	20.9	22.9	24.9	27.4
	8.50	8.50	1750	26.4	21.2	1160	18.7	15.5	870	14.0	12.2	11.7	14.6	16.6	18.1	20.1	22.1	24.1	26.6
	9.00	9.00	1750	28.4	23.0	1160	20.1	17.0	870	15.7	13.4	10.9	13.9	15.9	17.4	19.4	21.4	23.4	25.9
	9.25	9.25	1750	29.4	24.0	1160	20.9	17.7	870	16.4	13.9	10.5	13.5	15.5	17.0	19.0	21.0	23.0	25.5
	9.75	9.75	1750	31.4	25.8	1160	22.4	19.1	870	17.4	15.1	...	12.7	14.7	16.2	18.2	20.2	22.2	24.7
	10.30	10.30	1750	33.6	27.7	1160	24.0	20.6	870	18.6	16.3	...	11.8	13.8	15.3	17.3	19.3	21.3	23.8
	10.90	10.90	1750	35.9	29.7	1160	25.7	22.2	870	20.2	17.6	12.9	14.4	16.4	18.4	20.4	22.9
11.30	11.30	1750	37.4	31.0	1160	26.8	23.3	870	20.9	18.5	13.8	15.8	17.8	19.8	22.3	
11.80	11.80	1750	39.3	32.6	1160	28.2	24.6	870	22.0	19.5	15.0	17.0	19.0	21.5	
12.50	12.50	1750	41.8	34.7	1160	30.2	26.4	870	23.6	21.0	15.9	17.9	20.4	
13.20	13.20	1750	44.2	38.7	1160	31.1	28.2	870	25.1	22.5	16.8	19.3	
14.00	14.00	1750	46.9	38.8	1160	34.3	30.2	870	26.9	24.1	18.0	
15.00	15.00	1750	1160	870	29.0	26.2	
16.00	16.00	1750	1160	870	31.1	28.1	
1.03	9.00	9.25	1702	28.6	23.3	1128	20.3	17.1	845	15.7	13.5	1.07	13.7	15.7	17.2	19.2	21.2	23.2	25.7
1.04	10.90	11.30	1688	36.1	30.1	1119	25.8	22.4	837	20.1	17.7	12.6	14.1	16.1	18.1	20.1	22.6
	11.30	11.80	1675	37.7	31.4	1110	27.0	23.5	837	21.0	18.6	15.4	17.4	19.4	21.9
1.05	4.65	4.90	1659	9.7	5.4	1100	6.9	4.2	829	5.4	3.4	17.5	20.5	22.5	24.0	26.0	28.0	30.0	32.5
	9.25	9.75	1659	29.8	24.4	1100	21.1	17.9	829	16.4	14.1	...	13.1	15.1	16.6	18.6	20.6	22.6	25.1
1.06	4.40	4.65	1654	8.6	4.3	1096	6.1	3.4	821	4.8	2.8	17.9	20.9	22.9	24.4	26.4	28.4	30.4	32.9
	4.90	5.20	1654	10.9	6.6	1096	7.7	5.0	821	6.1	4.0	17.1	20.1	22.1	23.6	25.6	27.6	29.6	32.1
	5.20	5.50	1653	12.3	7.9	1092	8.7	5.9	821	6.8	4.7	16.6	19.6	21.6	23.1	25.1	27.1	29.1	31.6
	6.30	6.70	1644	17.3	12.8	1090	12.2	9.3	821	9.5	7.4	14.8	17.8	19.8	21.3	23.3	25.3	27.3	29.8
	6.70	7.10	1650	19.0	14.4	1094	13.4	10.5	821	10.4	8.3	14.2	17.2	19.2	20.7	22.7	24.7	26.7	29.2
	7.10	7.50	1655	20.7	16.0	1097	14.6	11.7	821	11.4	9.3	13.5	16.5	18.5	20.0	22.0	24.0	26.0	28.5
	8.00	8.50	1646	24.6	19.7	1091	17.4	14.4	821	13.5	11.3	12.0	15.0	17.0	18.5	20.5	22.5	24.5	27.0
	8.50	9.00	1652	26.7	21.6	1095	18.9	15.8	821	14.7	12.5	11.3	14.3	16.3	17.8	19.8	21.8	23.8	26.3
	9.75	10.30	1656	31.8	26.2	1097	22.6	19.4	821	17.6	15.3	...	12.2	14.3	15.8	17.8	19.8	21.8	24.3
	10.30	10.90	1653	33.9	28.2	1096	24.2	20.9	821	18.8	16.5	13.3	14.8	16.8	18.8	20.8	23.3
	11.80	12.50	1651	39.6	33.1	1095	28.5	24.9	821	22.2	19.8	14.4	16.4	18.4	20.9
	12.50	13.20	1656	42.1	35.1	1098	30.4	26.7	821	23.8	21.3	15.3	17.3	19.8
	13.20	14.00	1649	44.6	37.1	1093	32.4	28.5	821	25.3	22.7	16.1	18.6
ARC-LENGTH CORRECTION FACTOR →												.85	.87	.88	.89	.90	.91	.92	.93
1.07	5.50	5.90	3259	13.7	9.4	1080	9.7	6.9	813	7.6	5.5	16.0	19.0	21.0	22.5	24.5	26.5	28.5	31.0
	5.90	6.30	1629	15.5	11.1	1085	10.9	8.1	813	8.5	6.4	15.4	18.4	20.4	21.9	23.9	25.9	27.9	30.4
	7.50	8.00	1637	22.5	17.7	1087	15.9	12.9	813	12.3	10.2	12.8	15.8	17.8	19.3	21.3	23.3	25.3	27.8
	14.00	15.00	1639	47.0	39.3	1082	34.6	30.5	813	27.1	24.4	17.2
	15.00	16.00	1633	1087	37.2	32.9	813	29.2	26.4
1.08	9.00	9.75	1640	28.9	23.6	1070	20.5	17.3	806	15.9	13.7	...	13.3	15.3	16.8	18.8	20.8	22.8	25.3
	10.90	11.80	1614	36.4	30.3	1071	26.0	22.6	806	20.3	17.9	13.7	15.7	17.7	19.7	22.2
1.09	8.50	9.25	1615	26.8	21.8	1065	19.0	16.0	798	14.7	12.6	11.1	14.1	16.1	17.6	19.6	21.6	23.6	26.1
1.10	10.30	11.30	1607	34.1	28.4	1056	24.3	21.1	791	18.9	16.6	13.0	14.5	16.5	18.5	20.5	23.0
1.11	9.25	10.30	1594	30.3	24.7	1041	21.3	18.2	784	16.5	14.3	...	12.6	14.6	16.1	18.1	20.1	22.1	24.6
	11.30	12.50	1570	38.0	31.8	1048	27.2	23.8	784	21.2	18.8	14.8	16.8	18.8	21.3
1.12	4.40	4.90	1581	8.8	4.7	1039	6.3	3.6	777	4.9	3.0	17.7	20.7	22.7	24.2	26.2	28.2	30.2	32.7
	4.65	5.20	1568	10.0	5.8	1035	7.1	4.4	777	5.6	3.6	17.3	20.3	22.3	23.8	25.8	27.8	29.8	32.3
	6.70	7.50	1561	19.3	14.7	1035	13.6	10.7	777	10.6	8.5	13.8	16.8	18.8	20.3	22.3	24.3	26.3	28.9
	9.75	10.90	1561	32.0	26.6	1036	22.8	19.6	777	17.7	15.4	13.8	15.3	17.3	19.3	21.3	23.8
	11.80	13.20	1564	39.9	33.4	1036	28.6	25.1	777	22.3	19.9	13.9	15.8	17.9	20.4
12.50	14.00	1563	42.4	35.5	1035	30.6	27.0	777	23.9	21.4	14.7	16.7	19.2	

NOTE: * 5VX = Single and Polyband belts to 200" length
5V = Single and Polyband belts over 200" long

** Stock belt size 5VX530 not shown

NOTE: Selection program VIA-VISA available at www.ptwizard.com.

V-Drives
FHP Drives
Drive Component Accessories
DVNA-SYNC
HT200/HTD Synchronous Drives
HT500 Synchronous Drives
Roller Chain Sprockets

SELECTION



5VX D-V Wedge
Single Belts to 200"
POLYBAND to 200"

5V D-V Wedge
Single Belts over 200"
POLYBAND over 200"

STOCK DRIVE SELECTION

Ratio	Belt Number and Approx. Center Distance**																						
	5VX 850	5VX 900	5VX 950	5VX 1000	5VX 1060	5VX 1120	5VX 1180	5VX 1250	5VX 1320	5VX 1400	5VX 1500	5VX 1600	5VX 1700	5VX 1800	5VX 1900	5V 2000	5V 2120	5V 2240	5V 2360	5V 2500	5V 2800	5V 3150	5V 3550
1.00	35.6	38.1	40.6	43.1	46.1	49.1	52.1	55.6	59.1	63.1	68	73	78	83	88	93	99	105	111	118	133	151	171
	35.2	37.7	40.2	42.7	45.7	48.7	51.7	55.2	58.7	62.7	68	73	78	83	88	93	99	105	111	118	133	150	170
	34.8	37.3	39.8	42.3	45.3	48.3	51.3	54.8	58.3	62.3	67	72	77	82	87	92	98	104	110	117	132	1550	170
	34.3	36.8	39.3	41.8	44.8	47.8	50.8	54.3	57.8	61.8	67	72	7	82	87	92	98	104	110	117	132	149	169
	33.9	36.4	38.9	41.4	44.4	47.4	50.4	53.9	57.4	61.4	66	71	76	81	86	91	97	103	109	116	131	149	169
	33.2	35.7	38.2	40.7	43.7	46.7	49.7	53.2	56.7	60.7	66	71	76	81	86	91	97	103	109	116	131	148	168
	32.6	35.1	37.6	40.1	43.1	46.1	49.1	52.6	56.1	60.1	65	70	75	80	85	90	96	102	108	115	130	148	168
	32.0	34.5	37.0	39.5	42.5	45.5	48.5	52.0	55.5	59.5	64	69	74	79	84	89	95	101	107	115	129	147	167
	31.3	33.8	36.3	38.8	41.8	44.8	47.8	51.3	54.8	58.8	64	69	74	79	84	89	95	101	107	114	129	146	168
	30.7	33.2	35.7	38.2	41.2	44.2	47.2	50.7	54.2	58.2	63	68	73	78	83	88	94	100	106	113	128	146	166
	29.9	32.4	34.9	37.4	40.4	43.4	46.4	49.9	53.4	57.4	62	67	72	77	82	87	93	99	105	112	127	150	165
	29.1	31.6	34.1	36.6	39.6	42.6	45.6	49.1	52.6	56.6	62	67	72	77	82	89	93	99	105	112	127	144	164
	28.4	30.9	33.4	35.9	38.9	41.9	44.9	48.4	51.9	55.9	61	66	71	76	81	86	92	98	104	111	126	143	163
	28.0	30.5	33.0	35.5	38.5	41.5	44.5	48.0	51.5	55.5	60	65	71	75	80	85	91	97	103	111	125	143	163
	27.2	29.7	32.2	34.7	37.7	40.7	43.7	47.2	50.7	54.7	60	65	70	75	80	85	91	97	102	110	124	143	162
	26.3	28.8	31.3	33.8	36.8	39.8	42.8	46.3	49.8	53.8	59	64	69	74	79	84	90	96	102	109	124	141	161
	25.4	27.9	30.4	32.9	35.9	38.9	41.9	45.4	48.9	52.9	58	63	68	73	78	83	89	95	1010	107	123	140	160
	24.8	27.3	29.8	32.3	35.3	38.3	41.3	44.8	48.3	52.3	57	62	67	72	77	82	88	94	100	107	122	140	160
	24.0	26.5	29.0	31.5	34.5	37.5	40.5	44.0	47.5	51.5	56	61	66	72	76	81	87	93	99	106	121	139	159
	22.9	25.4	27.9	30.4	33.4	36.4	39.4	42.9	46.4	50.4	55	60	65	70	75	80	86	92	98	105	120	138	158
	21.8	24.3	26.8	29.3	32.3	35.3	38.3	41.8	45.3	49.3	54	59	64	69	74	79	85	91	97	104	119	137	157
20.5	23.0	25.5	28.0	31.0	34.0	37.0	40.5	44.0	48.0	53	58	63	68	73	78	84	90	96	103	118	136	155	
19.0	21.4	23.9	26.4	29.4	32.4	35.4	38.9	42.4	46.4	51	56	61	66	71	76	82	88	94	101	116	134	154	
...	19.9	22.4	24.9	27.9	30.9	33.9	37.4	40.9	44.9	50	55	60	645	70	75	81	87	93	100	115	132	152	
1.03	28.2	30.7	33.2	35.7	38.7	41.7	44.7	48.2	51.7	55.7	61	66	71	76	81	86	92	98	104	111	126	143	163
1.04	25.1	27.6	30.1	32.6	35.6	38.6	41.6	45.1	48.6	52.6	58	63	68	73	78	83	89	95	101	108	123	140	160
	24.4	26.9	29.4	31.9	34.9	37.9	40.9	44.4	47.9	51.9	57	62	67	72	77	81	88	94	100	107	122	139	159
1.05	35.0	37.5	40.0	42.5	45.5	48.5	51.5	55.0	58.5	62.5	68	72	77	82	87	92	98	104	110	117	132	150	170
	27.6	30.1	32.6	35.1	38.1	41.1	44.1	47.6	51.1	55.1	60	65	70	75	80	85	91	97	103	110	125	143	163
1.06	35.4	37.9	40.4	42.9	45.9	48.9	51.9	55.4	58.9	62.9	68	73	78	83	88	93	99	105	111	118	133	150	170
	34.6	3438	37.3	39.8	42.8	45.8	48.8	52.3	55.8	59.5	65	70	75	80	85	90	96	102	108	115	130	147	167
	34.1	36.6	39.1	41.6	44.6	47.6	50.6	54.1	57.6	61.6	67	72	77	82	87	92	98	104	110	117	132	149	169
	32.3	37.1	39.6	42.1	45.1	4811	51.1	54.6	58.1	62.1	67	72	77	82	87	92	98	104	110	117	132	150	170
	31.7	34.2	36.7	39.2	42.2	45.2	48.2	51.7	55.2	59.2	64	69	74	79	84	89	95	101	107	114	129	147	167
	31.0	33.5	36.0	38.5	41.5	44.5	47.5	51.0	54.5	58.5	64	68	74	78	83	88	94	100	106	113	128	146	166
	29.5	32.0	34.5	37.0	40.0	43.0	46.0	49.5	53.0	57.0	62	67	72	77	82	87	93	99	105	112	127	144	164
	28.8	31.3	33.8	36.3	39.3	42.3	45.3	46.8	52.3	56.3	61	66	71	76	81	86	92	98	104	111	126	144	164
	26.8	29.3	31.8	34.3	37.3	40.3	43.3	46.8	50.3	54.3	59	64	69	74	79	84	90	96	102	109	124	142	162
	25.9	28.3	30.8	33.3	35.3	39.3	42.3	45.8	49.3	53.3	58	63	68	73	78	83	89	95	101	108	123	141	161
	23.4	25.9	28.4	30.9	33.9	36.9	39.9	43.4	46.9	50.9	56	61	66	71	76	81	87	93	99	106	121	138	158
	22.3	24.8	27.3	29.8	32.8	35.8	38.8	42.3	45.8	49.8	55	60	65	70	75	80	86	92	98	105	120	137	157
21.1	23.6	26.1	28.6	31.6	34.6	37.6	41.1	44.6	48.6	54	59	64	69	74	79	85	91	97	104	119	136	156	
1.07	.94	.95	.95	.96	.97	.98	.99	1.00	1.01	1.02	1.03	1.04	1.05	1.06	1.07	1.08	1.09	1.09	1.10	1.11	1.13	1.15	1.17
	33.6	36.0	38.5	41.0	44.0	47.0	50.0	53.5	57.0	61.0	66	71	76	81	86	91	97	103	109	116	131	147	169
	32.9	35.4	37.9	40.4	43.4	46.4	49.4	52.9	56.4	60.4	65	70	75	80	85	90	96	102	108	115	130	148	168
	30.3	32.8	35.3	37.8	40.8	43.8	46.8	50.3	53.8	57.8	63	68	73	78	83	88	94	100	106	113	128	145	165
	19.7	22.2	24.7	27.2	30.2	33.2	36.2	39.7	43.2	47.2	52	57	62	67	72	77	83	89	95	102	117	135	155
1.08	18.2	20.6	23.1	25.6	28.6	31.6	34.6	38.1	41.6	45.6	51	56	61	66	71	76	82	88	94	101	116	133	153
	27.8	30.3	32.8	35.3	38.3	41.3	44.3	47.8	51.3	55.3	60	65	70	75	80	85	91	97	103	110	125	143	163
24.7	27.2	29.7	32.2	35.2	38.2	41.2	44.7	48.2	52.2	57	62	67	72	77	82	88	94	100	107	122	140	160	
1.09	28.6	31.1	33.6	36.1	39.1	42.1	45.1	48.6	52.1	56.1	61	66	71	76	81	86	92	98	104	111	126	144	164
1.10	25.5	28.0	30.5	33.0	36.0	39.0	42.0	45.5	49.0	53.0	58	63	68	73	78	83	89	95	101	108	123	140	160
1.11	27.1	29.6	32.1	34.6	37.6	40.6	43.6	47.1	50.6	54.6	60	65	70	75	80	85	91	97	103	110	125	142	162
	23.8	26.3	28.8	31.3	34.3	37.3	40.3	43.8	47.3	51.3	56	61	66	71	76	81	87	93	99	106	121	139	159
1.12	35.2	37.7	40.2	42.7	45.7	48.7	51.7	55.2	58.7	62.7	68	73	78	83	88	93	99	105	111	118	133	150	170
	34.8	37.3	39.8	42.3	45.3	48.3	51.3	54.8	58.3	62.3	67	72	77	82	87	92	98	104	110	117	132	150	170
	31.4	33.9	36.4	38.9	41.9	44.9	47.9	51.4	54.9	58.9	64	69	74	79	84	89	95	101	107	114	129	146	166
	26.3	28.8	31.3	33.8	36.8	39.8	42.8	46.3	49.8	53.8	59	64	69	74	79	84	90	96	102	109	124	141	161
	22.9	25.4	27.9	30.4	33.4	36.4	39.4	42.9	46.4	50.4	55	60	65	70	75	80	86	92	98	105	120	138	158
21.7	24.2	26.7	29.2	32.2	35.2	38.2	41.7	45.2	49.2	54	59	64	69	74	79	85	91	97	104	119	137	157	

NOTES: ** Stock belt size 5V2650 & 5V3350 not shown
Arc & Length Factors are approximate values
Refer to Selection



SELECTION

5VX D-V Wedge
Single Belts to 200"
POLYBAND to 200"

5V D-V Wedge
Single Belts over 200"
POLYBAND over 200"

STOCK DRIVE SELECTION

Ratio	Stock Sheaves		1750 RPM Driver			1160 RPM Driver			870 RPM Driver			Belt Number and Approx. Center Distance**							
	Diameter		Driven	HP/Belt		Driven	HP/Belt		Driven	HP/Belt		5VX 500	5VX 560	5VX 600	5VX 630	5VX 670	5VX 710	5VX 750	5VX 800
	Driver	Driven	RPM	5VX	5V	RPM	5VX	5V	RPM	5VX	5V								
1.13	4.90	5.50	1556	11.2	7.0	1031	7.9	5.2	770	6.2	4.2	16.8	19.8	21.8	23.3	25.3	27.3	29.3	31.8
	6.30	7.10	1550	17.5	13.1	1027	12.4	9.6	770	9.6	7.6	14.5	17.5	19.5	21.0	23.0	25.2	27.2	29.5
	7.10	8.00	1551	21.1	16.4	1028	14.8	12.0	770	11.5	9.4	13.1	16.1	18.1	19.6	21.6	23.6	25.6	28.1
	8.00	9.00	1553	24.9	20.2	1030	17.6	14.6	770	13.6	11.5	11.6	14.6	16.6	18.1	20.1	22.1	24.1	26.6
1.14	5.20	5.90	1539	12.6	8.4	1020	8.9	6.2	763	6.9	4.9	16.3	19.3	21.3	22.8	24.8	26.8	28.8	31.3
	5.90	6.70	1538	15.8	11.4	1019	11.1	8.4	763	8.7	6.6	15.1	18.1	20.1	21.6	23.6	25.6	27.6	30.1
	7.50	8.50	1542	22.8	18.1	1022	16.1	13.2	763	12.5	10.4	12.4	15.4	17.4	18.9	20.9	22.9	24.9	27.4
	13.20	15.00	1539	44.9	37.6	1020	32.6	28.8	763	25.5	22.9	17.8
	14.00	16.00	1530	47.6	39.6	1014	34.7	30.8	763	27.2	24.6
ARC-LENGTH CORRECTION FACTOR →												.85	.87	.86	.89	.90	.91	.91	.92
1.15	5.50	6.30	1524	14.0	9.7	1010	9.9	7.2	757	7.7	5.7	15.7	18.7	20.7	22.2	24.2	26.2	28.2	30.7
	8.50	9.75	1523	27.1	22.4	1010	19.1	16.1	757	14.9	12.7	...	13.7	15.7	17.2	19.2	21.2	23.2	25.7
	9.00	10.30	1527	29.1	24.0	1012	20.6	17.6	757	16.0	13.8	...	12.8	14.8	16.3	18.3	20.3	22.3	24.8
	10.30	11.80	1526	34.3	28.6	1011	24.4	21.2	757	19.0	16.7	1.26	14.1	16.1	18.1	20.1	22.6
	10.90	12.50	1524	38.6	30.7	1010	26.2	22.8	757	20.4	18.1	1.31	15.1	17.1	19.1	21.6
1.16	8.00	9.25	1511	25.0	20.2	1002	17.6	14.7	750	13.7	11.6	11.4	14.4	16.4	17.9	19.9	21.9	23.9	26.4
	9.75	11.30	1508	32.2	26.7	999	22.8	19.7	750	17.8	15.5	13.5	14.9	16.9	19.0	21.0	23.5
1.17	11.30	13.20	1496	38.2	32.0	992	27.3	24.0	744	21.3	19.0	16.2	18.2	20.7
	16.00	18.70	1496	992	40.0	35.5	744	31.5	28.6
1.18	9.25	10.90	1483	30.2	25.0	983	21.4	18.4	737	16.6	14.4	...	12.2	14.2	15.7	17.7	19.7	21.7	24.2
ARC-LENGTH CORRECTION FACTOR →												.85	.87	.86	.89	.90	.91	.91	.92
1.19	4.40	5.20	1475	9.1	5.0	978	6.4	3.8	731	5.1	3.1	17.5	20.5	22.5	24.0	26.0	28.0	30.0	32.5
	4.65	5.50	1475	10.2	6.1	977	7.3	4.6	731	5.7	3.7	17.0	20.0	22.0	23.5	25.5	27.5	29.5	32.0
	6.30	7.50	1466	17.7	13.4	972	12.5	9.7	731	9.7	7.7	14.1	17.2	19.2	20.7	22.7	24.7	26.7	29.2
	11.80	14.00	1473	40.1	33.7	976	28.8	25.3	731	22.4	20.1	15.2	17.2	19.7
1.20	6.70	8.00	1462	19.5	15.1	969	13.7	11.0	725	10.7	8.6	13.4	16.4	18.4	19.9	22.0	24.0	26.0	28.5
	7.10	8.50	1458	21.3	16.7	967	15.0	12.2	725	11.6	9.6	12.7	15.7	17.7	19.2	21.2	23.2	25.2	27.7
	7.50	9.00	1455	23.0	18.4	964	16.2	13.4	725	12.6	10.5	12.0	15.0	17.0	18.5	20.5	22.5	24.5	27.0
	12.50	15.00	1456	42.6	35.8	965	30.8	27.2	725	24.0	21.6	15.9	18.4
1.21	4.90	5.90	1448	11.4	7.3	960	8.1	5.4	719	6.3	4.4	16.5	19.5	21.5	23.0	25.0	27.0	29.0	31.5
	5.90	7.10	1450	16.0	11.7	961	11.3	8.5	719	8.8	6.8	14.8	17.8	19.8	21.3	23.3	25.3	27.3	29.8
	8.50	10.30	1441	27.2	22.3	955	19.2	16.3	719	14.9	12.8	...	13.2	15.2	16.7	18.7	20.7	22.7	25.2
	9.00	10.90	442	29.3	24.2	956	20.7	17.7	719	16.1	14.0	...	12.3	14.3	15.8	17.8	19.8	21.9	24.4
	9.75	11.80	1443	32.3	26.9	957	22.9	19.8	719	17.8	15.6	13.0	14.5	16.5	18.5	20.5	23.1
	10.90	13.20	1443	38.8	30.9	956	26.3	23.0	719	20.5	18.2	14.5	16.5	18.5	21.0
13.20	16.00	1442	45.1	37.8	956	32.7	29.0	719	25.6	23.1	17.0	
1.22	5.20	6.30	1440	12.8	8.7	954	9.1	6.4	713	7.1	5.1	16.0	19.0	21.0	22.5	24.5	26.5	28.5	31.0
	5.50	6.70	1432	14.2	10.0	949	10.0	7.3	713	7.8	5.8	15.4	18.4	20.4	21.9	23.9	25.9	27.9	30.4
	8.00	9.75	1433	25.2	20.4	950	17.7	14.9	713	13.8	11.7	...	14.0	16.0	17.5	19.5	21.5	23.5	26.0
	9.25	11.30	1430	30.3	25.2	948	21.5	18.5	713	16.7	14.5	13.8	15.3	17.3	19.3	21.3	23.8
	10.30	12.50	1440	34.5	28.9	954	24.6	21.4	713	19.1	16.9	13.6	15.6	17.6	19.6	22.1
1.24	7.50	9.25	1415	23.1	18.5	938	16.3	13.4	702	12.6	10.5	11.8	14.8	16.8	18.3	20.3	22.3	24.3	26.8
	11.30	14.00	1410	38.4	32.3	935	27.5	24.1	702	21.4	19.0	15.6	17.6	20.1
1.25	15.00	18.70	1402	929	37.6	33.4	696	29.5	26.8
1.26	4.40	5.50	1394	9.2	5.2	924	6.6	3.9	690	5.1	3.2	17.2	20.2	22.2	23.7	25.7	27.7	29.7	32.2
	9.00	11.30	1391	29.4	24.3	922	20.8	17.8	690	16.1	14.0	...	12.0	14.0	15.5	17.5	19.5	21.5	24.0
1.27	4.65	5.90	1373	10.4	6.4	910	7.4	4.9	685	5.8	3.8	16.7	19.7	21.7	23.2	25.2	27.2	29.2	31.7
	6.30	8.00	1373	17.9	13.6	910	12.6	9.9	685	9.8	7.8	13.7	16.7	18.7	20.3	22.3	24.3	26.3	28.8
	6.70	8.50	1375	19.7	15.3	911	13.8	11.1	685	10.7	8.7	13.0	16.0	18.0	19.5	21.5	23.6	25.6	28.1
	7.10	9.00	1376	21.4	16.9	912	15.1	12.3	685	11.7	9.7	12.3	15.3	17.3	18.8	20.8	22.8	24.8	27.3
	11.80	15.00	1374	40.3	33.9	911	28.9	25.5	685	22.5	20.2	16.4
1.28	5.90	7.50	1372	16.1	11.9	909	11.4	8.7	680	8.8	6.9	14.5	17.5	19.5	21.0	23.0	25.0	27.0	29.5
	9.25	11.80	1369	30.5	25.3	907	21.6	18.6	680	16.8	14.6	13.4	14.9	16.9	18.9	20.9	23.4
	9.75	12.50	1362	32.5	27.1	903	23.0	20.0	680	17.9	15.7	14.0	16.0	18.0	20.0	22.5
	10.30	13.20	1363	34.6	29.1	903	24.6	21.5	680	19.2	16.9	15.0	17.0	19.0	21.5
	12.50	16.00	1365	42.8	36.0	905	30.9	27.3	680	24.1	21.7	17.5
1.29	4.90	6.30	1355	11.6	7.5	898	8.2	5.6	674	6.4	4.5	16.2	19.2	21.2	22.7	24.7	26.7	28.7	31.2
	5.20	6.70	1352	13.0	8.9	896	9.2	6.5	674	7.1	5.2	15.6	18.6	20.6	22.1	24.1	26.1	28.1	30.6
	8.00	10.30	1355	25.3	20.6	898	17.8	15.0	674	13.9	11.8	...	13.6	15.6	17.1	19.1	21.1	23.1	25.6
	8.50	10.90	1361	27.4	22.5	902	19.3	16.4	674	15.0	12.9	...	12.7	14.7	16.2	18.2	20.2	22.2	24.7
	10.90	14.00	1360	37.0	31.1	901	26.4	23.1	674	20.5	18.3	13.9	15.9	17.9	20.4

NOTE: * 5VX = Single and Polyband belts to 200" length
5V = Single and Polyband belts over 200" long

** Stock belt size 5VX530 not shown

NOTE: Selection program VIA-VISA available at www.ptwizard.com.

SELECTION



5VX D-V Wedge
Single Belts to 200"
POLYBAND to 200"

5V D-V Wedge
Single Belts over 200"
POLYBAND over 200"

STOCK DRIVE SELECTION

Ratio	Belt Number and Approx. Center Distance**																					
	5VX 850	5VX 900	5VX 950	5VX 1000	5VX 1060	5VX 1120	5VX 1180	5VX 1250	5VX 1320	5VX 1400	5VX 1500	5VX 1600	5VX 1700	5VX 1800	5VX 1900	5VX 2000	5V 2120	5V 2240	5V 2500	5V 2800	5V 3150	5V 3550
1.13	34.3	36.8	39.3	41.8	44.8	47.8	50.8	54.3	57.8	61.8	67	72	77	82	87	92	98	104	117	132	149	169
	32.0	34.5	37.0	39.5	42.5	45.5	48.5	52.0	55.5	59.5	64	69	74	79	84	89	95	101	114	129	147	167
	30.6	33.1	35.6	38.1	41.1	44.1	47.1	50.6	54.1	58.1	63	68	73	78	83	88	94	100	113	128	146	166
	29.1	31.6	34.1	36.6	39.6	42.6	45.6	49.1	52.6	56.6	62	67	72	77	82	87	93	99	112	127	144	164
1.14	33.8	36.3	38.8	41.3	44.3	47.3	50.3	53.8	57.3	61.3	66	71	76	81	86	91	97	103	116	131	147	169
	32.6	35.1	37.6	41.1	43.1	46.1	49.1	52.6	56.1	60.1	65	70	75	80	85	90	96	102	115	130	148	168
	29.9	32.4	34.9	37.4	40.4	43.4	46.4	49.9	53.4	57.4	62	67	72	77	82	87	93	99	112	127	145	165
	20.3	22.8	25.3	27.8	30.8	33.8	36.8	40.3	43.8	47.8	53	58	63	68	73	78	84	90	103	118	135	155
1.15	18.9	21.4	23.9	26.4	29.4	32.4	35.4	38.9	42.4	46.4	51	56.	61	66	71	76	82	88	101	116	134	154
1.15	.93	.94	.95	.96	.97	.98	.99	1.00	1.01	1.02	1.03	1.04	1.05	1.06	1.07	1.08	1.08	1.09	1.11	1.13	1.15	1.17
	33.2	35.7	38.2	40.7	43.7	46.7	49.7	53.2	56.7	60.7	66	71	76	81	86	91	97	103	116	131	146	168
	28.2	30.7	33.2	35.7	38.7	41.7	44.7	48.2	51.7	55.7	61	66	71	76	81	86	92	98	111	126	148	163
	27.3	29.8	32.3	34.8	37.8	40.8	43.8	47.3	50.8	54.8	60	65	70	75	80	85	91	97	110	125	142	162
1.16	25.1	27.6	30.1	32.6	35.6	38.6	41.6	45.1	48.6	52.6	58	63	68	73	78	83	89	95	108	123	140	160
	24.1	26.6	29.1	31.6	34.6	37.6	40.6	44.1	47.6	51.6	57	62	67	72	77	82	88	94	107	122	139	159
	28.9	31.4	33.9	36.4	39.4	42.4	45.4	46.9	52.4	56.4	61	66	71	76	81	86	92	98	111	126	144	164
	26.0	28.5	31.0	33.5	36.5	39.5	42.5	46.0	49.5	53.5	58	63	68	73	78	83	89	95	108	123	141	161
1.17	23.2	25.7	28.3	30.8	33.8	36.8	39.8	43.3	46.8	50.8	56	61	66	71	76	81	89	93	106	121	138	158
	20.2	22.7	25.7	28.7	31.7	35.2	38.7	42.7	47	53	58	63	68	73	79	85	98	113	130	150
	26.7	29.2	31.7	34.2	37.2	40.2	43.2	46.7	50.2	54.2	59	64	69	74	79	84	90	96	109	124	142	162
	.93	.94	.95	.96	.97	.98	.99	1.00	1.01	1.02	1.03	1.04	1.05	1.06	1.07	1.08	1.08	1.09	1.11	1.13	1.15	1.17
1.19	35.0	37.5	40.0	42.5	45.5	48.5	51.5	55.0	58.5	62.5	67	72	77	82	87	92	98	104	117	132	150	170
	34.5	37.0	39.5	42.0	45.0	48.0	51.0	54.5	59.0	62.0	67	72	77	82	87	92	98	104	117	132	150	170
	31.7	34.2	36.7	39.2	42.2	45.2	48.2	51.7	55.2	59.2	64	69	74	79	84	89	95	101	114	129	147	167
	22.2	24.7	27.2	29.7	32.7	35.7	38.7	42.2	45.7	49.7	54	60	65	70	75	80	86	92	105	132	137	157
1.20	31.0	33.5	36.0	38.5	41.5	44.5	47.5	51.0	54.5	58.5	63	68	73	78	83	88	94	100	113	128	146	166
	30.2	32.7	35.2	37.7	40.7	43.7	46.7	50.2	53.7	57.7	63	68	73	77	83	88	94	100	113	129	145	165
	29.5	32.0	34.5	37.0	40.0	43.0	46.0	49.5	53.0	57.0	62	67	72	77	82	87	93	99	112	127	145	165
	20.9	23.4	25.9	28.4	31.4	34.4	37.4	40.9	44.4	48.4	53	58	63	68	73	78	84	90	103	118	136	156
1.21	34.0	36.5	39.0	41.5	44.5	47.5	50.5	54.0	57.5	61.5	66	71	76	81	86	91	97	103	117	132	149	169
	32.3	34.8	37.3	39.8	42.8	45.8	48.8	52.3	55.8	59.8	65	70	75	80	85	90	96	102	115	130	147	167
	27.7	30.2	32.7	35.2	38.2	41.2	44.2	47.7	51.2	55.2	60	65	70	75	80	85	91	97	110	125	143	163
	26.9	29.4	31.9	34.4	37.4	40.4	43.4	46.9	50.4	54.4	59	64	69	74	79	84	90	96	109	124	142	162
1.22	25.6	28.1	30.6	33.1	36.1	39.1	42.1	45.6	49.1	53.1	58	63	68	73	78	83	89	95	108	123	141	161
	23.5	26.0	28.5	31.1	34.1	37.1	40.1	43.6	47.1	51.1	56	61	66	71	76	81	87	93	106	121	139	159
	19.5	22.0	24.5	27.0	30.0	33.0	36.0	39.5	43.0	47.0	52	57	62	67	72	77	83	89	102	117	135	155
	33.5	36.0	38.5	41.0	44.0	47.0	50.0	53.5	57.0	61.0	66	71	76	81	86	91	97	103	116	131	149	169
1.22	32.9	35.4	37.9	40.4	43.4	46.4	49.4	52.9	56.4	60.4	65	70	75	80	85	90	96	102	115	130	148	168
	28.5	31.0	33.5	36.0	39.0	42.1	45.1	48.6	52.1	56.1	61	66	71	76	81	86	92	98	111	125	144	164
	26.3	28.8	31.3	33.8	36.8	39.8	42.8	46.3	49.8	53.9	59	63	68	73	78	83	89	95	109	124	141	161
	24.6	27.1	29.6	32.1	35.1	38.1	41.1	44.6	48.1	52.1	57	62	67	72	77	82	88	94	107	122	140	160
1.24	29.3	31.8	34.3	36.8	39.8	42.8	45.8	49.3	52.8	56.8	62	67	72	77	82	87	93	99	112	127	144	164
	22.6	25.1	27.6	30.1	33.1	36.1	39.1	42.6	46.1	50.1	55	60	65	70	75	80	86	92	105	120	138	158
	21.0	23.5	26.5	29.5	32.5	36.0	39.5	43.5	49	54	59	64	69	74	80	86	99	114	131	151
	34.7	37.2	39.7	42.2	45.2	48.2	51.2	54.7	58.2	62.2	67	72	77	82	87	92	98	104	117	132	150	170
1.27	26.5	29.0	31.5	34.0	37.0	40.0	43.0	46.5	50.0	54.0	59	64	69	74	79	84	90	96	109	124	142	162
	34.2	36.7	39.2	41.7	44.7	47.7	50.7	54.2	57.7	61.7	67	72	77	82	87	92	98	104	117	132	149	169
	31.3	33.8	36.3	38.8	41.8	44.8	47.8	51.3	54.8	58.8	64	69	74	79	83	89	95	101	114	129	146	166
	30.6	32.3	34.8	37.3	40.3	43.3	46.3	49.8	53.3	57.3	62	67	72	77	82	87	93	99	112	127	145	165
1.28	29.8	32.3	34.8	37.3	40.3	43.3	46.3	49.8	53.3	57.3	62	67	72	77	82	87	93	99	112	127	145	165
	21.4	23.9	26.4	28.9	31.9	34.9	37.9	41.4	44.9	48.9	54	59	64	70	74	79	85	91	104	119	136	156
	32.0	34.5	37.0	39.5	42.5	45.5	48.5	52.0	55.5	59.5	64	69	74	79	84	89	95	101	114	129	147	167
	25.9	28.4	30.9	33.4	36.4	39.4	42.4	45.9	49.5	53.5	58	63	68	73	78	83	89	95	108	123	141	161
1.29	25.0	27.5	30.0	32.5	35.5	38.5	41.5	45.0	48.5	52.5	57	62	67	72	77	82	88	94	108	123	140	160
	24.0	26.5	29.0	31.5	34.5	37.5	40.5	44.0	47.5	51.5	56	61	66	71	75	81	87	93	107	122	139	159
	20.0	22.5	25.1	27.6	30.6	33.6	36.6	40.1	43.6	47.6	52	58	63	68	73	78	84	90	103	118	135	155
	33.7	36.2	38.7	41.2	44.2	47.2	50.2	53.7	57.2	61.2	66	71	76	81	86	91	97	103	116	131	149	169
1.29	32.2	35.7	38.2	40.7	43.7	46.7	49.7	53.2	56.7	60.7	66	71	76	81	86	91	97	103	116	131	148	168
	28.1	30.6	33.1	35.6	38.6	41.6	44.6	48.1	51.6	55.6	61	66	71	76	81	86	92	98	111	126	143	163
	27.2	29.7	32.2	34.7	37.7	40.7	43.7	47.2	50.7	54.8	60	65	70	75	80	85	91	97	110	125	142	162
	22.9	25.4	27.9	30.4	33.4	36.4	39.4	42.9	46.4	50.4	55	60	65	70	75	80	86	92	105	120	138	158

NOTES: ** Stock belt size 5V2650 & 5V3350 not shown
Arc & Length Factors are approximate values
Refer to Selection Procedure for more precise values

NOTE: Selection program VIA



SELECTION

STOCK DRIVE SELECTION

5VX D-V Wedge
Single Belts to 200"
POLYBAND to 200"

5V D-V Wedge
Single Belts over 200"
POLYBAND over 200"

Ratio	Stock Sheaves		1750 RPM Driver			1160 RPM Driver			870 RPM Driver			Belt Number and Approx. Center Distance**										
	Diameter		Driven RPM	HP/Belt		Driven RPM	HP/Belt		Driven RPM	HP/Belt		5VX 500	5VX 560	5VX 600	5VX 630	5VX 670	5VX 710	5VX 750	5VX 800			
	Driver	Driven		5VX	5V		5VX	5V		5VX	5V											
1.30	5.50	7.10	1350	14.4	10.2	895	10.1	7.5	669	7.9	5.9	15.1	18.1	20.1	21.6	23.6	25.6	27.6	30.1			
	7.50	9.75	1342	23.2	18.6	890	16.3	13.5	669	12.7	10.6	11.4	14.4	16.4	17.9	19.9	21.9	23.9	26.4			
ARC-LENGTH CORRECTION FACTOR →												.84	.86	.87	.88	.89	.90	.91	.92			
1.31	7.10	9.25	1339	21.5	17.0	887	15.1	12.3	664	11.7	9.7	12.1	15.1	17.1	18.6	20.6	22.6	24.6	27.1			
	9.00	11.80	1331	29.5	24.5	882	20.9	17.9	664	16.2	14.1	13.6	15.1	17.1	19.1	21.1	23.6			
1.33	8.50	11.30	1313	27.5	22.6	870	19.4	16.5	654	15.1	13.0	...	12.4	14.4	15.9	17.9	19.9	21.9	24.4			
	11.30	15.00	1315	38.5	32.5	872	27.6	24.2	654	21.5	19.2	14.7	16.8	19.3			
	16.00	21.20	1319	874	654	31.7	28.9			
1.34	14.00	18.70	1308	48.0	40.2	867	35.0	31.1	649	27.4	24.9			
1.35	4.40	5.90	1297	9.4	5.4	860	6.7	4.1	644	5.2	3.3	16.9	19.9	21.9	23.4	25.4	27.4	29.4	31.9			
	6.30	8.50	1292	18.0	13.7	856	12.7	10.2	644	9.9	7.9	13.3	16.3	18.3	19.9	21.8	23.9	25.9	28.4			
	6.70	9.00	1298	19.8	15.4	860	13.9	11.2	644	10.8	8.8	12.6	15.6	17.6	19.1	21.1	23.1	25.1	27.7			
1.36	4.65	6.30	1284	10.6	6.5	851	7.5	4.9	640	5.8	3.9	16.4	19.4	21.4	22.9	24.9	26.9	28.9	31.4			
	5.90	8.00	1285	16.3	12.1	852	11.4	8.8	640	8.9	6.9	14.2	17.1	19.1	20.6	22.6	24.6	26.6	29.1			
	9.25	12.50	1291	30.5	25.5	856	21.6	18.7	640	16.8	14.7	12.8	14.3	16.3	18.3	20.4	22.9			
	9.75	13.20	1289	32.6	27.3	855	23.1	20.1	640	18.0	15.8	13.4	15.4	17.4	19.4	21.9			
	10.30	14.00	1284	34.8	29.2	851	24.7	21.5	640	19.2	17.0	14.3	16.3	18.3	20.8			
	11.80	16.00	1288	4.04	34.1	854	29.0	25.6	640	22.6	20.3	15.5	18.0			
ARC-LENGTH CORRECTION FACTOR →												.82	.84	.85	.86	.87	.88	.90	.91			
1.37	5.20	7.10	1275	13.1	9.0	845	9.2	6.6	635	7.2	5.3	15.3	18.3	20.3	21.8	23.8	25.8	27.8	30.3			
	5.50	7.50	1277	14.5	10.3	846	10.2	7.5	635	7.9	5.60	14.8	17.8	19.8	21.3	23.3	25.3	27.3	29.8			
	8.00	10.90	1280	25.4	20.7	849	17.9	15.1	635	13.9	11.8	...	13.1	15.1	16.6	18.6	20.6	22.6	25.1			
1.38	4.90	6.70	1273	11.7	7.7	844	8.3	5.7	630	6.5	4.5	15.9	18.9	20.9	22.4	24.4	26.4	28.4	30.9			
	7.10	9.75	1269	21.6	17.1	841	15.2	12.4	630	11.8	9.8	11.7	14.7	16.7	18.2	20.2	22.2	24.2	26.7			
	7.50	10.30	1270	23.3	18.7	842	16.4	13.6	630	12.7	10.7	...	13.9	16.0	17.5	19.5	21.5	23.5	26.0			
	10.90	15.00	1268	37.1	31.3	841	26.5	23.2	630	20.6	18.3	17.0	19.6			
1.39	6.70	9.25	1262	19.8	15.5	837	14.0	11.2	626	10.8	8.8	12.4	15.4	17.4	18.9	20.9	22.9	24.9	27.4			
	8.50	11.80	1256	27.5	22.7	833	19.4	16.5	626	15.1	13.0	14.0	15.5	17.5	19.5	21.5	24.0			
	9.00	12.50	1256	29.6	24.6	833	20.9	18.0	626	16.2	14.1	13.0	14.5	16.5	18.5	20.5	23.0			
1.42	8.00	11.30	1234	25.5	20.8	818	18.0	15.1	613	13.9	11.9	...	12.7	14.7	16.3	18.3	20.3	22.3	24.8			
	11.30	16.00	1233	38.6	32.6	817	27.6	24.3	613	21.5	19.2	15.9	18.4			
	13.20	18.70	1233	45.4	38.3	817	32.9	29.2	613	25.7	23.2			
	15.00	21.20	1236	819	613	29.6	26.9			
1.43	9.25	13.20	1222	30.7	25.6	810	21.7	18.7	608	16.8	14.7	13.7	15.7	17.8	19.8	22.3			
1.44	4.40	6.30	1214	9.5	5.5	805	6.7	4.2	604	5.3	3.4	16.6	19.6	21.6	23.1	25.1	27.1	29.1	31.6			
	6.30	9.00	1219	18.1	13.9	808	12.7	10.1	604	9.9	7.9	12.9	15.9	17.9	19.4	21.4	23.4	25.4	28.0			
	9.75	14.00	1215	32.7	27.4	805	23.2	20.1	604	18.0	15.9	14.7	16.7	18.7	21.2			
1.45	4.65	6.70	1206	10.6	6.7	800	7.5	5.0	600	5.9	4.0	16.1	19.1	21.1	22.6	24.6	26.6	28.6	31.1			
	5.20	7.50	1206	13.2	9.1	799	9.3	6.7	600	7.2	5.3	15.0	18.0	20.0	21.5	2.5	25.5	27.5	30.0			
	5.90	8.50	1208	16.4	12.2	801	11.5	8.9	600	8.9	7.0	13.6	16.6	18.6	20.1	22.2	24.2	26.2	28.7			
1.46	4.90	7.10	1200	11.8	7.8	795	8.3	5.8	596	6.5	4.6	15.5	18.5	20.5	22.0	24.1	26.1	28.1	30.6			
	5.50	8.00	1196	14.6	10.5	793	10.2	7.6	596	8.0	6.0	14.3	17.4	19.4	20.9	22.9	24.9	26.9	29.4			
	6.70	9.75	1197	19.9	15.6	793	14.0	11.3	596	10.9	8.9	12.0	15.0	17.0	18.5	20.5	22.5	24.5	27.0			
	7.10	10.30	1201	21.7	17.2	796	15.2	12.5	596	11.8	9.8	11.2	14.2	16.3	17.8	19.8	21.8	23.8	26.3			
	7.50	10.90	1199	23.4	18.8	795	16.5	13.7	596	12.8	10.8	...	13.4	15.5	17.0	19.0	21.0	23.0	25.5			
	10.30	15.00	1198	34.9	29.3	794	24.8	21.7	596	19.3	17.1	15.5	17.5	20.0			
1.47	9.00	13.20	1189	29.7	24.7	788	21.0	18.0	592	16.3	14.2	13.9	15.9	17.9	20.0	22.5			
	10.90	16.00	1189	37.2	31.4	788	26.5	23.3	592	20.6	18.4	16.2	18.7			
ARC-LENGTH CORRECTION FACTOR →												.82	.84	.85	.86	.87	.88	.90	.91			
1.48	6.30	9.25	1186	18.2	13.9	590	12.8	10.1	588	9.9	8.	12.7	15.7	17.7	19.2	21.2	23.2	25.2	27.8			
	8.00	11.80	1182	25.5	20.9	587	18.0	15.2	588	14.0	11.9	...	12.3	14.3	15.8	17.8	19.9	21.9	24.4			
	8.50	12.50	1185	27.6	22.8	589	19.5	16.6	588	15.1	13.1	13.4	14.9	16.9	18.9	20.9	23.4			
	16.00	23.60	1184	589	40.3	35.9	588	31.8	29.0			
1.50	12.50	18.70	1167	43.1	36.4	580	31.0	27.5	580	24.2	21.8				
1.51	7.50	11.30	1156	23.4	18.9	575	16.5	13.7	576	12.8	10.8	...	13.1	15.1	16.6	18.6	20.6	22.7	25.2			
1.52	9.25	14.00	1152	30.7	25.7	573	21.7	18.8	572	16.9	14.8	15.1	17.1	19.1	21.6			
	14.00	21.20	1153	46.2	40.0	573	35.1	31.3	572	27.5	25.0			
1.53	4.40	6.70	1140	9.5	5.6	567	6.8	4.2	569	5.3	3.4	16.2	19.2	21.3	22.8	24.8	26.8	28.8	31.3			
	5.90	9.00	1140	16.4	12.3	567	11.5	8.9	569	9.0	7.0	13.2	16.2	18.2	19.7	21.7	23.7	25.8	28.3			

NOTE: * 5VX = Single and Polyband belts to 200" length
5V = Single and Polyband belts over 200" long

** Stock belt size 5VX530 not shown

NOTE: Selection program VIA-VISA available at www.ptwizard.com.

V-Drives

FHP Drives

Drive Component
Accessories

DYNA-SYNC

HT200/HTD
Synchronous Drives

HT500
Synchronous Drives

Roller Chain Sprockets

SELECTION



5VX D-V Wedge
Single Belts to 200"
POLYBAND to 200"

5V D-V Wedge
Single Belts over 200"
POLYBAND over 200"

STOCK DRIVE SELECTION

Ratio	Belt Number and Approx. Center Distance**																						
	5VX 850	5VX 900	5VX 950	5VX 1000	5VX 1060	5VX 1120	5VX 1180	5VX 1250	5VX 1320	5VX 1400	5VX 1500	5VX 1600	5VX 1700	5VX 1800	5VX 1900	5VX 2000	5V 2120	5V 2240	5V 2360	5V 2500	5V 2800	5V 3150	5V 3550
1.30	32.6	35.1	37.6	40.1	43.1	46.1	49.1	52.6	56.1	60.1	65	70	75	80	85	90	96	102	108	115	130	148	168
	28.9	31.4	33.9	36.4	39.4	42.4	45.4	48.9	52.4	56.4	61	66	71	76	81	86	92	98	104	111	126	144	164
	.93	.94	.95	.96	.97	.99	.99	1.00	1.01	1.02	1.03	1.04	1.05	1.06	1.07	1.07	1.08	1.09	1.10	1.11	1.13	1.15	1.17
1.31	29.6	32.1	34.6	37.1	40.1	43.1	46.1	49.6	53.1	57.1	62	67	72	77	82	87	93	99	105	112	127	145	165
	26.1	28.6	31.1	33.6	36.6	39.6	42.6	46.1	49.6	53.6	59	64	69	74	79	84	90	96	102	109	124	141	161
1.33	26.9	29.4	31.9	34.4	37.4	40.4	43.4	46.9	50.4	54.4	59	64	69	74	79	84	90	96	102	109	124	142	162
	21.8	24.3	26.8	29.3	32.3	35.3	38.3	41.8	45.3	49.3	54	59	64	69	74	79	85	91	97	104	119	137	157
	23.6	26.7	29.7	33.2	36.7	40.7	46	51	56	61	66	71	77	83	89	96	111	128	146
1.34	...	19.2	21.7	24.2	27.2	30.2	33.2	36.7	40.2	44.3	49	54	59	64	69	74	80	86	92	99	114	132	152
1.35	34.4	36.9	39.4	41.9	44.9	47.9	50.9	54.4	57.9	61.9	67	73	77	82	87	92	98	104	110	117	132	149	169
	30.9	33.4	35.9	38.4	41.4	44.4	47.4	50.9	54.4	58.4	63	68	73	78	83	88	94	100	106	113	128	146	166
	30.1	32.6	35.2	37.7	40.7	43.7	46.7	50.2	53.7	57.7	63	68	73	78	83	88	94	100	106	113	128	145	165
1.36	33.9	36.4	38.9	41.1	44.4	47.4	50.4	53.9	57.4	61.4	66	71	76	81	86	91	97	103	109	116	131	149	169
	31.6	34.1	36.6	39.1	42.1	45.1	48.1	51.6	55.1	59.1	64	69	74	79	84	89	95	101	107	114	129	147	167
	25.4	27.9	30.4	32.9	35.9	38.9	41.9	45.4	48.9	52.9	58	63	68	73	78	83	89	95	101	108	123	140	160
	24.4	26.9	29.4	31.9	34.9	37.9	40.9	44.4	47.9	51.9	57	62	67	72	77	82	88	94	100	107	122	139	159
	23.3	25.8	28.4	30.9	33.9	36.9	39.9	43.4	46.9	50.9	56	61	66	71	76	81	87	93	99	106	121	138	158
	20.6	23.1	25.6	28.1	31.1	34.1	37.1	40.6	44.1	48.4	53	58	63	68	73	78	84	90	96	103	118	136	156
	.92	.93	.94	.95	.96	.97	.98	.99	1.00	1.01	1.02	1.03	1.04	1.05	1.06	1.07	1.08	1.09	1.10	1.11	1.13	1.15	1.17
1.37	32.8	35.9	38.4	40.9	43.9	46.9	49.9	53.4	56.9	60.9	66	71	76	81	86	91	97	103	108	116	131	148	168
	32.3	34.8	37.3	39.8	42.8	45.8	48.8	52.3	55.8	59.8	65	70	75	80	84	90	96	102	108	115	130	147	167
	27.6	30.1	32.6	35.1	38.1	41.1	44.1	47.5	51.1	55.1	60	65	70	75	80	85	91	97	103	110	125	143	162
1.38	33.4	35.9	38.4	40.9	43.9+	46.9	49.9	53.4	56.9	60.9	66	71	76	81	86	91	97	103	109	116	131	148	168
	29.2	31.7	34.2	36.7	39.7	42.7	45.7	49.2	52.7	56.8	62	67	72	77	82	87	93	99	105	112	127	144	164
	28.5	31.0	33.5	36.0	39.0	42.0	45.0	48.5	52.0	56.0	61	66	71	76	81	86	92	98	104	111	126	143	163
	22.1	24.6	27.1	29.6	32.6	35.6	38.6	42.1	45.6	49.6	55	60	65	70	75	80	85	91	98	105	120	137	157
1.39	29.9	32.4	34.9	37.5	40.5	43.5	46.5	50.0	53.5	57.5	62	67	72	77	82	87	93	99	105	112	127	145	165
	26.5	29.0	31.5	34.0	37.0	40.0	43.0	46.5	50.0	54.0	59	64	69	74	79	84	90	96	102	109	124	141	161
	25.6	28.1	30.6	33.1	36.1	39.1	42.1	45.6	49.1	53.1	58	63	68	73	78	83	89	95	101	108	123	141	161
1.42	27.3	29.8	32.3	34.8	37.8	40.8	43.8	47.3	50.8	54.8	60	65	70	75	80	85	91	97	103	110	125	142	162
	20.9	23.4	26.0	28.5	31.5	34.5	37.5	41.0	44.5	48.5	53	58	63	68	73	78	84	90	97	103	118	136	156
	...	19.8	22.3	24.8	27.8	30.8	33.8	37.3	40.9	44.9	50	55	60	65	70	75	81	87	92	100	115	132	154
	21.3	24.4	27.4	30.4	33.9	37.4	41.5	46	51	56	61	66	71	77	83	90	96	111	129	149
1.43	24.8	27.3	29.8	32.3	35.3	38.3	41.3	44.8	48.3	52.3	57	62	67	72	77	82	88	94	100	107	122	140	160
1.44	34.1	36.6	39.1	41.6	44.6	47.6	50.6	54.1	57.6	61.6	67	72	77	82	87	92	98	104	110	117	132	149	169
	30.5	33.0	35.5	38.0	41.0	44.0	47.0	50.5	54.0	58.0	63	68	73	78	83	88	94	100	106	113	128	145	165
	24.8	26.3	28.8	31.3	34.3	37.3	40.3	43.8	47.3	51.3	56	61	66	71	76	81	87	93	99	106	121	139	159
1.45	33.6	36.1	38.6	41.1	44.1	47.1	50.1	53.6	57.1	61.1	66	71	76	81	86	91	97	103	109	116	131	147	169
	32.5	35.0	37.5	40.0	43.0	46.0	49.0	52.5	56.0	60.0	65	70	75	80	85	90	96	102	108	115	130	148	168
	31.2	33.7	36.2	38.7	41.7	44.7	47.7	51.2	54.7	58.7	64	69	74	79	84	89	95	101	107	114	129	146	166
1.46	33.1	35.6	38.1	40.6	43.6	46.6	49.6	53.1	56.6	60.6	66	70	76	81	86	91	97	103	109	116	131	146	168
	31.9	34.4	36.9	39.4	42.4	45.4	48.4	51.9	55.4	59.4	64	69	74	79	84	89	95	101	107	114	129	147	167
	29.5	32.1	34.6	37.1	40.1	43.1	46.1	49.6	53.1	57.1	62	67	72	77	82	87	93	99	105	112	127	145	165
	28.8	31.3	33.8	36.3	39.3	42.3	45.3	48.8	52.3	56.3	61	66	71	76	81	86	92	98	104	111	126	144	164
	28.0	30.5	33.0	35.5	38.5	41.5	44.5	48.0	51.5	55.5	60	65	70	75	80	85	91	97	104	110	125	143	163
	22.5	25.0	27.5	30.0	33.0	36.1	39.1	42.6	46.1	50.1	55	60	65	70	75	80	86	92	98	105	120	138	158
1.47	25.0	27.5	30.0	32.5	35.5	38.5	41.5	45.0	48.5	52.5	57	62	67	72	77	82	88	94	101	107	122	140	160
	2.12	23.7	26.2	28.8	31.8	34.8	37.8	41.3	44.8	48.8	54	59	64	69	74	79	85	91	97	104	119	136	156
	.92	.93	.94	.95	.96	.97	.98	.99	1.00	1.01	1.02	1.03	1.04	1.05	1.06	1.07	1.08	1.09	1.10	1.11	1.13	1.15	1.17
1.48	30.3	32.8	35.3	37.8	40.8	43.8	46.8	50.3	53.8	57.8	63	68	73	78	83	88	94	100	100	113	128	145	165
	26.9	29.4	31.9	34.4	37.4	40.4	43.4	46.9	50.4	54.4	59	64	69	74	79	84	90	96	96	109	124	142	162
	25.9	28.8	30.4	33.4	36.5	39.5	42.5	46.0	49.5	53.5	58	63	68	73	78	83	89	95	95	108	123	141	161
	24.6	27.6	31.2	34.7	38.7	44	49	54	59	64	69	75	81	81	94	109	126	146
1.50	...	20.3	22.8	25.3	28.3	31.3	34.4	37.9	41.4	45.4	50	55	60	65	70	75	81	87	87	100	115	133	153
1.51	27.7	30.2	32.7	35.2	38.2	41.2	44.2	47.7	51.2	55.2	60	65	70	75	80	85	91	97	97	110	125	143	163
1.52	24.1	26.6	29.1	31.7	34.7	37.7	40.7	44.2	47.7	51.7	57	62	67	72	77	82	88	94	94	107	122	139	159
	22.1	25.1	28.1	31.1	34.7	38.2	42.2	47	52	57	62	67	72	78	84	84	97	112	130	150
1.53	33.8	36.3	38.8	41.3	44.3	47.3	50.3	53.8	57.3	61.3	66	71	76	81	86	91	97	103	103	116	131	146	169
	30.8	33.3	35.8	38.3	41.3	44.3	47.3	50.8	54.3	58.3	63	68	73	78	83								

SELECTION



5VX D-V Wedge
Single Belts to 200"
POLYBAND to 200"

5V D-V Wedge
Single Belts over 200"
POLYBAND over 200"

STOCK DRIVE SELECTION

Ratio	Stock Sheaves		1750 RPM Driver			1160 RPM Driver			870 RPM Driver			Belt Number and Approx. Center Distance**										
	Diameter		Driven	HP/Belt		Driven	HP/Belt		Driven	HP/Belt		5VX 500	5VX 560	5VX 600	5VX 630	5VX 670	5VX 710	5VX 750	5VX 800			
	Driver	Driven	RPM	5VX	5V	RPM	5VX	5V	RPM	5VX	5V	5VX	5VX	5VX	5VX	5VX	5VX	5VX	5VX			
1.54	4.65	7.10	1138	10.7	6.7	765	7.6	5.0	565	5.9	4.0	15.7	18.7	20.7	22.2	24.2	26.2	28.2	30.8			
	4.90	7.50	1135	11.9	7.9	752	8.4	5.8	565	6.53	4.6	15.2	18.2	20.2	21.7	23.7	25.7	27.7	30.2			
	7.10	10.90	1134	21.7	17.3	752	15.3	12.5	565	11.9	10.0	10.7	13.7	15.8	17.3	19.3	21.3	23.3	25.8			
	9.75	15.00	1133	32.8	27.5	751	23.2	20.2	565	18.0	15.9	13.8	15.9	17.9	20.4			
1.55	5.20	8.00	1130	13.3	9.2	749	9.3	6.8	561	7.3	5.4	14.6	17.6	19.6	21.1	23.1	25.1	27.1	29.6			
	6.70	10.30	1132	20.0	15.7	751	14.0	11.4	561	11.0	8.9	11.5	14.5	16.6	18.1	20.1	22.1	24.1	26.6			
1.56	5.50	8.50	1125	14.6	10.5	746	10.3	7.7	558	8.0	6.1	13.9	16.9	19.0	20.4	22.5	24.5	26.5	29.0			
	6.30	9.75	1124	18.2	14.0	745	12.8	10.1	558	9.9	8.0	12.3	15.3	17.3	18.8	20.8	22.8	24.8	27.3			
	8.50	13.20	1122	27.7	22.9	744	19.5	16.7	558	15.1	13.1	12.7	14.3	16.3	18.3	20.3	22.8			
	9.00	14.00	1121	29.7	24.8	743	21.0	18.1	558	16.3	14.2	13.2	15.2	17.3	19.3	21.8			
1.57	10.30	16.00	1123	34.9	29.4	744	24.8	21.7	558	19.3	17.1	14.6	16.6	19.1			
	8.00	12.50	1115	25.6	20.9	739	18.0	15.2	554	14.0	12.0	13.7	15.2	17.3	19.3	21.3	23.8			
	5.90	9.25	1109	16.4	12.3	735	11.6	8.9	551	9.0	7.1	13.0	16.0	18.0	19.5	21.5	23.5	25.5	28.1			
	7.50	11.80	1107	23.5	19.0	734	16.5	13.8	551	12.8	10.8	...	12.7	14.7	16.2	18.2	20.2	22.2	24.7			
1.58	15.00	23.60	1110	735	37.8	33.7	551	29.7	27.0			
	11.80	18.70	1101	40.6	34.3	730	29.1	25.8	547	22.7	20.4			
1.60	7.10	11.30	1094	21.8	17.4	725	15.3	12.6	544	11.9	10.0	...	13.4	15.4	16.9	18.9	20.9	23.0	25.5			
ARC-LENGTH CORRECTION FACTOR →												.82	.83	.85	.86	.87	.88	.89	.91			
1.61	13.20	21.20	1086	45.6	38.4	720	33.0	29.4	540	25.8	23.4			
	4.40	7.10	1075	9.3	5.7	713	6.8	4.3	534	5.3	3.4	15.9	18.9	20.9	22.4	24.4	26.4	28.4	30.9			
	4.65	7.50	1076	10.8	6.8	713	7.6	5.1	534	5.9	4.1	15.4	18.4	20.4	21.9	23.9	25.9	27.9	30.4			
1.63	9.25	15.00	1076	30.8	25.7	712	21.8	18.8	534	16.9	14.8	14.2	16.2	18.2	20.8			
	6.70	10.90	1069	20.2	15.7	709	14.1	11.4	530	10.9	9.0	11.0	14.0	16.0	17.6	19.6	21.6	23.6	26.1			
1.65	4.90	8.00	1063	11.9	7.9	705	8.4	5.9	527	6.6	4.7	14.8	17.8	19.8	21.3	23.3	25.3	27.3	29.8			
	5.20	8.50	1063	13.3	9.3	704	9.4	6.8	527	7.3	5.4	14.1	17.2	19.2	20.7	22.7	24.7	26.7	29.2			
	5.50	9.00	1062	14.7	10.6	704	10.3	7.7	527	8.3	6.1	13.5	16.5	18.5	20.0	22.0	24.0	26.1	28.6			
	6.30	10.30	1064	18.3	14.0	705	12.8	10.2	527	10.0	8.0	11.8	14.8	16.9	18.4	20.4	22.4	24.4	26.9			
	8.50	14.00	1058	27.7	22.9	701	19.6	16.7	527	15.2	13.1	13.5	15.6	17.6	19.6	22.2			
1.66	9.75	16.00	1062	32.8	27.6	704	23.2	20.2	527	18.1	15.9	17.0	19.5			
	5.90	9.75	1052	16.5	12.3	697	11.6	9.0	524	9.0	7.1	12.6	15.6	17.6	19.1	21.1	23.1	25.1	27.6			
	8.00	13.20	1055	25.6	21.0	700	18.1	15.3	524	14.0	12.0	13.1	14.6	16.6	18.7	20.7	23.2			
1.67	11.30	18.70	1054	38.8	32.8	698	27.7	24.4	524	21.6	19.3			
	7.10	11.80	1047	21.8	17.4	694	15.3	12.6	521	11.9	9.9	...	12.9	15.0	16.5	18.5	20.5	22.5	25.0			
1.68	9.00	15.00	1045	29.8	24.8	693	21.1	18.1	521	16.3	14.3	14.3	16.4	18.4	20.9			
	7.50	12.50	1044	23.5	19.0	692	16.5	13.8	518	12.8	10.8	14.1	15.6	17.6	19.6	21.6	24.2			
1.69	5.50	9.25	1033	14.7	10.6	685	10.3	7.7	515	8.0	6.1	13.3	16.3	18.3	19.8	21.8	23.8	25.8	28.4			
	14.00	23.60	1035	48.3	40.6	686	35.2	31.4	515	27.6	25.0			
1.70	6.70	11.30	1028	20.1	15.8	684	14.1	11.4	512	10.9	9.0	10.6	13.7	15.7	17.2	19.2	21.2	23.3	25.8			
	12.50	21.20	1031	43.2	36.5	682	31.1	27.6	512	24.3	21.9			
1.72	4.40	7.50	1017	9.6	5.72	674	6.8	4.3	506	5.3	3.5	15.6	18.6	20.6	22.1	24.1	26.1	28.1	30.6			
	10.90	18.70	1016	37.3	31.5	674	26.6	23.4	506	20.7	18.5			
1.74	4.65	8.00	1008	10.6	6.9	668	7.6	5.1	500	6.0	4.1	15.0	18.0	20.0	21.5	23.5	25.5	27.5	30.0			
	6.30	10.90	1005	18.3	14.1	666	12.9	10.2	500	10.0	8.1	11.3	14.3	16.3	17.8	19.9	21.9	23.9	26.4			
	9.25	16.00	1007	30.8	25.8	668	21.8	18.9	500	16.9	14.8	15.3	17.3	19.9			
1.75	4.90	8.50	1000	12.0	8.0	663	8.4	5.9	497	6.6	4.7	14.4	17.4	19.4	20.9	22.9	24.9	26.9	29.4			
	5.20	9.00	1003	13.3	9.3	665	9.4	6.8	497	7.3	5.4	13.7	16.7	18.8	20.3	22.3	24.3	26.3	28.8			
	16.00	28.00	997	661	40.4	36.0	497	31.8	29.0			
ARC-LENGTH CORRECTION FACTOR →												.83	.85	.86	.87	.88	.89	.91				
1.76	5.90	10.30	995	16.5	12.4	660	11.6	9.0	494	9.0	7.1	...	15.1	17.1	18.6	20.7	22.7	24.7	27.2			
	8.00	14.00	995	25.7	21.0	659	18.1	15.3	494	14.0	12.0	12.4	13.9	15.9	18.0	20.0	22.5			
1.77	6.70	11.80	987	20.1	15.5	654	14.1	11.4	492	10.9	9.0	...	13.2	15.3	16.8	18.8	20.8	22.8	25.3			
	7.10	12.50	977	21.8	17.4	655	15.3	12.6	492	11.9	9.9	...	12.3	14.4	15.9	17.9	19.9	21.9	24.5			
	7.50	13.20	979	23.5	19.1	655	16.6	13.8	492	12.8	10.9	13.4	15.0	17.0	19.0	21.0	23.6			
	8.50	15.00	987	27.8	23.0	654	19.6	16.7	492	15.2	13.2	14.7	16.7	18.8	21.3			
1.79	5.20	9.25	975	13.3	9.3	647	9.4	6.8	486	7.3	5.4	...	16.5	18.5	20.0	22.1	24.1	26.1	28.6			
	5.50	9.75	979	14.7	10.7	649	10.4	7.8	486	8.1	6.1	...	15.9	17.9	19.4	21.4	23.4	25.4	27.9			
	9.00	16.00	980	29.8	24.9	649	21.1	18.2	486	16.4	14.3	15.5	17.5	20.1			
	13.20	23.60	976	45.6	38.5	647	33.1	29.4	486	25.8	23.4			

NOTE: * 5VX = Single and Polyband belts to 200" length
5V = Single and Polyband belts over 200" long

** Stock belt size 5VX530 not shown

NOTE: Selection program VIA-VISA available at www.ptwizard.com.

V-Drives

FHP Drives

Drive Component Accessories

DYNA-SYNC

HT200/HTD Synchronous Drives

HT500 Synchronous Drives

Roller Chain Sprockets

SELECTION



5VX D-V Wedge
Single Belts to 200"
POLYBAND to 200"

5V D-V Wedge
Single Belts over 200"
POLYBAND over 200"

STOCK DRIVE SELECTION

Ratio	Belt Number and Approx. Center Distance**																							
	5VX 850	5VX 900	5VX 950	5VX 1000	5VX 1060	5VX 1120	5VX 1180	5VX 1250	5VX 1320	5VX 1400	5VX 1500	5VX 1600	5VX 1700	5VX 1800	5VX 1900	5VX 2000	5V 2120	5V 2240	5V 2360	5V 2500	5V 2650	5V 2800	5V 3150	5V 3550
1.54	33.3	35.8	38.3	40.7	43.8	46.8	49.8	53.3	56.8	60.7	66	71	76	81	86	91	97	103	109	116	...	131	148	168
	32.7	35.2	37.7	40.2	43.2	46.2	49.2	52.7	56.2	60.2	65	70	75	80	85	90	96	102	108	115	...	130	148	168
	28.3	30.8	33.3	35.8	38.8	41.8	44.8	48.3	51.8	55.8	61	66	71	76	81	86	92	98	104	110	...	126	143	163
	22.9	25.4	27.9	30.4	33.5	36.5	39.5	43.0	46.5	50.5	56	61	66	71	76	81	86	92	99	105	...	120	138	158
	32.1	34.6	37.1	39.6	42.6	45.6	48.6	52.1	55.6	59.6	65	70	75	80	85	90	96	102	108	114	...	130	147	167
29.1	31.6	34.1	36.6	39.6	42.6	45.6	49.1	52.6	56.6	62	67	72	77	82	87	93	99	105	112	...	127	144	164	
1.55	31.5	34.0	36.5	39.0	42.0	45.0	48.0	51.5	55.0	59.0	64	69	74	79	84	89	95	101	107	114	...	129	146	166
	29.9	32.3	34.9	37.4	40.4	43.4	46.4	49.9	53.4	57.4	62	67	72	77	82	87	93	99	105	112	...	127	145	165
	25.4	27.9	30.4	32.9	35.9	38.9	41.9	45.4	48.9	52.9	58	63	68	73	78	83	89	94	101	108	...	123	140	160
	24.3	26.8	29.3	31.8	34.8	37.9	40.9	44.4	47.9	51.9	57	62	67	72	77	82	88	94	100	107	...	122	139	159
	21.7	24.2	26.7	29.2	32.2	35.2	38.2	41.7	45.3	49.3	54	59	64	69	74	79	85	91	97	104	...	119	137	157
1.56	26.3	28.8	31.3	33.8	36.8	39.8	42.8	46.3	49.8	53.9	59	64	69	74	79	84	90	96	102	109	...	124	141	161
	30.6	33.1	35.6	38.1	41.1	44.1	47.1	50.6	54.1	58.1	63	68	73	78	83	88	94	100	106	113	...	128	146	166
	27.3	29.8	32.3	34.8	37.8	40.8	43.8	47.3	50.8	54.8	60	65	70	75	80	85	91	97	103	110	...	125	142	162
	22.3	25.3	28.4	31.9	35.4	39.4	44	50	55	60	64	70	76	82	88	95	...	110	127	147
	18.2	20.8	23.3	25.8	28.8	31.9	34.9	38.4	41.9	45.9	51	56	61	66	71	76	82	88	94	101	...	116	133	153
1.57	28.0	30.5	33.0	35.5	38.5	41.5	44.5	48.0	51.5	55.5	61	66	71	76	81	85	91	97	104	110	...	125	143	163
	22.3	25.3	28.4	31.9	35.4	39.4	44	50	55	60	64	70	76	82	88	95	...	110	127	147
	18.2	20.8	23.3	25.8	28.8	31.9	34.9	38.4	41.9	45.9	51	56	61	66	71	76	82	88	94	101	...	116	133	153
	28.0	30.5	33.0	35.5	38.5	41.5	44.5	48.0	51.5	55.5	61	66	71	76	81	85	91	97	104	110	...	125	143	163
	.92	.93	.94	.95	.96	.97	.98	.99	1.00	1.01	1.02	1.03	1.04	1.05	1.06	1.07	1.08	1.09	1.10	1.11	1.12	1.13	1.15	1.17
1.61	20.1	22.6	25.7	28.7	31.7	35.3	38.8	42.8	48	53	58	63	68	73	79	85	91	98	...	113	130	150
	33.4	35.9	38.4	40.9	43.9	46.9	49.9	53.5	57.0	61.0	66	71	76	81	86	91	97	103	109	116	...	131	148	168
	32.9	35.4	37.9	40.4	43.4	46.4	49.4	52.9	56.4	60.6	65	70	75	80	85	90	96	102	108	115	...	130	148	168
	23.3	25.8	28.3	30.8	33.8	36.8	39.9	43.4	46.9	50.9	56	61	66	71	76	81	87	93	99	106	...	121	138	158
	28.6	31.1	33.6	36.1	39.1	42.1	45.1	48.6	52.1	56.1	61	66	71	76	81	86	92	98	104	111	...	126	144	164
1.63	32.3	34.8	37.3	39.8	42.8	45.8	48.8	52.3	55.8	59.8	65	70	75	80	84	89	95	101	107	114	...	130	147	167
	31.7	34.2	36.7	39.2	42.2	45.2	48.2	51.7	55.2	59.2	64	69	74	79	84	89	95	101	107	114	...	129	147	167
	31.1	33.6	36.1	38.6	41.6	44.6	47.6	51.1	54.6	58.6	64	69	74	79	84	89	95	101	107	114	...	129	146	166
	29.4	31.9	34.4	36.9	39.9	42.9	45.9	49.4	52.9	56.9	62	67	72	77	82	87	93	99	105	112	...	127	144	164
	24.7	27.2	29.7	32.2	35.2	38.2	41.2	44.7	48.3	52.3	57	62	67	72	77	82	88	94	100	107	...	122	140	160
1.64	22.1	24.6	27.1	29.6	32.6	35.6	38.6	42.2	45.7	49.7	55	60	65	70	75	80	86	92	98	105	...	120	137	157
	30.2	32.7	35.2	37.7	40.7	43.7	46.7	50.2	53.7	57.7	62	68	73	78	83	88	94	100	106	113	...	128	145	165
	25.7	28.2	30.7	33.2	36.3	39.3	42.3	45.8	49.3	53.3	58	63	68	73	78	83	89	95	101	108	...	123	141	161
	18.6	21.1	23.6	26.2	29.2	32.2	35.2	38.8	42.3	46.3	51	56	61	66	71	76	82	88	94	101	...	116	134	154
	27.6	30.1	32.6	35.1	38.1	41.1	44.1	47.6	51.1	55.1	60	65	70	75	80	85	91	97	103	110	...	125	143	163
1.65	23.5	26.0	28.5	31.0	34.0	37.0	40.0	43.5	47.1	51.1	56	61	66	71	76	81	87	93	99	106	...	121	139	159
	26.7	29.2	31.7	34.2	37.2	40.2	43.2	46.7	50.2	54.2	59	64	69	74	79	84	90	96	102	109	...	124	142	162
	30.9	33.4	35.9	38.4	41.4	44.4	47.4	50.9	54.4	58.4	63	68	73	78	83	88	94	100	106	113	...	128	146	166
	23.0	26.0	29.1	32.6	36.2	40.2	45	50	55	60	65	70	76	82	88	95	...	110	127	148
	28.3	30.8	33.3	35.8	38.8	41.8	44.8	48.3	51.8	55.8	61	66	71	76	81	86	92	98	104	111	...	126	143	163
1.66	20.6	23.1	26.2	29.2	32.2	35.8	39.3	43.3	48	53	58	63	68	73	79	85	91	98	...	113	131	151
	33.1	35.6	38.1	40.6	43.6	46.6	49.6	53.1	56.6	60.6	66	71	76	81	86	91	97	103	109	116	...	131	148	168
	18.9	21.4	23.9	26.5	29.5	32.5	35.5	39.1	42.6	46.6	52	57	62	67	72	77	83	89	95	102	...	117	134	154
	32.5	35.0	37.5	40.0	43.0	46.0	49.0	52.5	56.0	60.0	65	70	75	80	85	90	96	102	108	115	...	130	148	168
	28.9	31.4	33.9	36.4	39.4	42.4	45.4	48.9	52.4	56.4	61	66	71	76	81	86	92	98	105	111	...	126	144	164
1.67	22.4	24.9	27.5	30.0	33.0	36.0	39.0	42.5	46.0	50.1	55	60	65	70	75	80	86	92	98	105	...	120	138	158
	31.9	34.4	36.9	39.4	42.4	45.4	48.4	51.9	55.4	59.4	65	69	74	79	84	89	95	101	107	114	...	129	147	167
	31.3	33.8	36.3	38.8	41.8	44.8	47.8	51.3	54.8	58.8	64	67	74	79	84	89	94	101	107	114	...	129	146	166
	27.3	30.9	34.9	40	45	50	55	60	65	71	77	83	90	...	105	123	143
	.92	.93	.94	.95	.96	.97	.98	.99	1.00	1.01	1.02	1.03	1.04	1.05	1.06	1.07	1.08	1.09	1.10	1.11	1.12	1.13	1.15	1.17
1.76	29.7	32.2	34.7	37.2	40.2	43.2	46.2	49.7	53.2	57.2	62	67	72	77	82	87	93	99	105	112	120	127	145	165
	25.1	27.6	30.1	32.6	35.6	38.6	41.6	45.1	48.6	52.6	58	63	68	73	78	83	89	95	101	108	115	123	140	160
	27.9	30.4	32.9	35.4	38.4	41.4	44.4	47.9	51.4	55.4	60	65	70	75	80	85	91	97	103	110	118	125	143	163
	27.0	29.5	32.0	34.5	37.5	40.5	43.5	47.0	50.5	54.5	60	65	70	75	80	84	91	97	103	110	117	125	142	162
	26.1	28.6	31.1	33.6	36.6	39.6	42.6	46.2	49.7	53.7	59	64	69	74	79	84	90	96	102	109	116	124	141	161
1.77	23.8	26.3	28.8	31.4	34.4	37.4	40.4	43.9	47.4	51.4	56	61	66	71	76	81	87	93	99	106	114	121	139	159
	31.1	33.6	36.1	38.6	41.6	44.6	47.6	51.1	54.6	58.6	64	69	74	79	84	89	95	101	107	114	...	129	146	166
	30.5	33.0	35.5	38.0	41.0	44.0	47.0	50.5	54.0	58.0	63	68	73	78	83	88	94	100	106	113	121	128	146	166
	22.6	25.1</																						



SELECTION

5VX D-V Wedge
Single Belts to 200"
POLYBAND to 200"

5V D-V Wedge
Single Belts over 200"
POLYBAND over 200"

STOCK DRIVE SELECTION

Ratio	Stock Sheaves		1750 RPM Driver			1160 RPM Driver			870 RPM Driver			Belt Number and Approx. Center Distance**										
	Diameter		Driven RPM	HP/Belt		Driven RPM	HP/Belt		Driven RPM	HP/Belt		5VX 560	5VX 600	5VX 630	5VX 670	5VX 710	5VX 750	5VX 800	5VX 850			
	Driver	Driven		5VX	5V		5VX	5V		5VX	5V											
1.80	11.80	21.20	970	40.7	34.5	643	29.2	25.8	483	22.7	20.5				
1.81	6.30	11.30	969	18.3	14.1	642	12.9	10.2	481	10.0	8.1	14.0	16.0	17.5	19.5	21.5	23.6	26.1	28.6			
1.82	10.30	18.70	960	35.0	29.6	636	24.9	21.8	478	19.4	17.2	16.7	19.3			
1.84	4.40	8.00	953	9.7	5.8	631	6.8	4.3	473	5.3	35.0	18.2	20.2	21.7	23.7	25.7	27.7	30.2	32.7			
1.85	4.65	8.50	944	10.8	6.9	628	7.7	5.1	470	6.0	4.1	17.6	19.6	21.1	23.1	25.1	27.1	29.6	32.1			
	4.90	9.00		12.0	8.0		626	8.5		5.9	470	6.6	4.7	17.0	19.0	20.5	22.5	24.5	26.5	29.0	31.5	
1.86	5.90	10.90	940	16.5	12.4	623	11.6	9.0	468	9.0	7.1	14.6	16.6	18.1	20.2	22.2	24.2	26.7	29.2			
1.87	7.10	13.20	935	21.8	17.5	620	15.4	12.7	465	11.9	10.0	11.7	13.7	15.3	17.3	19.3	21.3	23.9	26.4			
	15.00	28.00			619	37.9		33.7	465	29.7	27.1	
1.88	6.70	12.50	932	20.1	15.8	617	14.1	11.5	463	11.0	9.0	12.6	14.6	16.2	18.2	20.2	22.2	24.8	27.3			
	7.50	14.00		929	23.6		19.1	618		16.6	13.8	463	12.9	10.9	...	12.7	14.3	16.3	18.3	20.4	22.9	25.4
	11.30	21.20		...	38.9		32.9	616		27.8	24.5	463	21.6	19.4
1.89	5.20	9.75	925	13.4	9.4	613	9.4	6.9	460	7.3	5.4	16.1	18.1	19.6	21.6	23.7	25.7	28.2	30.7			
	5.50	10.30	927	14.7	10.7	614	10.4	7.8	460	8.1	6.2	15.4	17.4	18.9	21.0	23.0	25.0	27.5	30.0			
	6.30	11.80	928	18.3	14.1	615	12.9	10.2	460	10.0	8.1	13.5	15.5	17.1	19.1	21.1	23.1	25.6	28.2			
	8.00	15.00	925	25.7	21.1	615	18.1	15.3	460	14.0	12.0	13.0	15.0	17.1	19.1	21.7	24.2			
	8.50	16.00	...	27.8	23.0	613	19.6	16.8	460	15.2	13.2	13.8	15.8	17.9	20.4	23.0			
1.90	12.50	23.60	923	43.2	36.6	612	31.1	27.7	458	24.3	22.0			
1.91	4.90	9.250	918	12.0	8.0	609	8.5	5.9	455	6.6	4.7	16.7	18.8	20.3	22.3	24.3	26.3	28.8	31.3			
1.93	5.90	11.30	906	16.6	12.4	601	11.6	9.0	451	9.0	7.1	14.2	16.3	17.8	19.8	21.8	23.8	26.4	28.9			
	9.75	18.70	908	32.9	27.7	602	23.3	20.3	451	18.1	16.0	17.1	19.7			
1.95	4.40	8.50	896	9.7	5.8	594	6.9	4.3	446	5.4	3.5	17.8	19.8	21.3	23.3	25.3	27.3	29.8	32.3			
	10.90	21.20	896	37.4	31.6	594	26.7	23.5	446	20.7	18.5			
1.96	4.65	9.00	...	10.9	6.9	593	7.7	5.1	444	6.0	4.1	17.1	19.2	20.7	22.7	24.7	26.7	29.2	31.7			
1.97	16.00	31.50	587	40.5	36.1	442	31.9	29.1			
1.98	6.70	13.20	882	20.1	15.8	584	14.1	11.5	439	11.0	9.0	11.9	14.0	15.5	17.6	19.6	21.6	24.2	26.7			
1.99	7.10	14.00	881	21.9	17.5	584	15.4	12.7	437	11.9	10.0	...	13.0	14.5	16.6	18.6	20.6	23.2	25.7			
ARC-LENGTH CORRECTION FACTOR →												.83	.85	.86	.87	.88	.89	.91	.92			
2.00	5.20	10.30	875	13.4	9.4	580	9.4	6.9	435	7.3	5.5	15.6	17.6	19.2	21.2	23.2	25.2	27.7	30.2			
	5.50	10.90	875	14.8	10.7	580	10.4	7.8	435	8.1	6.2	14.9	16.9	18.4	20.4	22.5	24.5	27.0	29.5			
	6.30	12.50	875	18.4	14.2	580	12.9	10.3	435	10.0	8.1	12.9	14.9	16.4	18.5	20.5	22.5	25.1	27.6			
2.01	4.65	9.25	870	10.9	6.9	577	7.7	5.1	433	6.0	4.1	16.9	18.9	20.5	22.5	24.5	26.5	29.0	31.5			
	4.90	9.75	870	12.0	8.1	577	8.5	5.9	433	6.6	4.7	16.3	18.3	19.9	21.9	23.9	25.9	28.4	30.9			
	7.50	15.00	869	23.6	19.1	576	16.6	13.9	433	12.9	10.9	13.3	15.4	17.4	19.5	22.0	24.5			
	8.00	16.00	869	25.7	21.1	576	18.1	15.3	433	14.1	12.1	14.1	16.2	18.2	20.8	23.3			
	11.80	23.60	870	40.7	34.5	578	29.2	25.9	433	22.8	20.5			
14.00	28.00	872	48.4	40.7	578	35.2	31.4	433	27.6	25.1				
2.02	5.90	11.80	868	16.6	12.5	575	11.6	9.0	431	9.0	7.1	13.8	15.8	17.4	19.4	21.4	23.4	25.9	28.4			
2.03	9.25	18.70	861	30.9	25.9	571	21.9	18.9	429	17.0	14.9	17.4	20.0			
2.07	4.40	9.00	846	9.7	5.8	560	6.9	4.4	420	5.4	3.5	17.3	19.3	20.9	22.9	24.9	26.9	29.4	31.9			
	5.50	11.30	844	14.8	10.7	559	10.4	7.8	420	8.1	6.2	14.5	16.6	18.1	20.1	22.1	24.1	26.7	29.2			
	10.30	21.20	846	35.1	29.6	561	24.9	21.9	420	19.4	17.2			
2.09	9.00	18.70	837	29.9	25.0	555	21.1	18.2	416	16.4	14.3	17.6	20.2			
2.10	11.30	23.60	834	38.9	32.9	553	27.8	24.6	414	21.6	19.4			
2.11	6.30	13.20	828	18.4	14.2	549	12.9	10.3	412	10.0	8.1	...	14.3	15.8	17.9	19.9	21.9	24.4	27.0			
	6.70	14.00	831	20.1	15.9	551	14.2	11.5	412	11.0	9.0	...	13.2	14.8	16.9	18.9	20.9	23.5	26.0			
	15.0	31.50	830	550	37.9	33.8	412	29.7	27.1			
2.12	46.50	9.75	825	10.9	7.0	547	7.7	5.2	410	6.0	4.1	...	18.5	20.0	22.0	24.1	26.1	28.6	31.1			
	5.20	10.90	826	13.4	9.4	548	9.4	6.9	410	7.3	5.5	...	17.1	18.6	20.7	22.7	24.7	27.2	29.7			
2.13	4.40	9.25	822	9.7	5.8	545	6.9	4.4	408	5.4	3.5	...	19.1	20.6	22.7	24.7	26.7	29.2	31.7			
	4.90	10.30	824	12.0	8.1	546	8.5	6.0	408	6.6	4.7	...	17.9	19.4	21.4	23.4	25.4	27.9	30.4			
	7.10	15.00	822	21.9	17.5	545	15.4	12.7	408	11.9	10.0	13.6	15.6	17.7	19.8	22.3	24.8			
	13.20	28.00	822	45.7	38.6	545	33.1	29.5	408	25.9	23.4			
2.14	5.90	12.50	819	16.6	12.5	543	11.7	9.1	407	9.1	7.1	...	15.2	16.7	18.8	20.8	22.8	25.3	27.9			
2.15	7.50	16.00	814	23.6	19.2	540	16.6	13.9	405	12.9	10.9	14.4	16.5	18.6	21.1	23.7			
2.17	5.50	11.80	808	14.8	10.7	535	10.4	7.8	401	8.1	6.2	...	16.1	17.6	19.7	21.7	23.7	26.2	28.7			
2.18	10.90	23.60	804	37.4	31.7	533	26.7	23.5	399	20.7	18.6			

NOTE: * 5VX = Single and Polyband belts to 200" length
5V = Single and Polyband belts over 200" long

** Stock belt size 5VX530 not shown

NOTE: Selection program VIA-VISA available at www.ptwizard.com.

V-Drives

FHP Drives

Drive Component Accessories

DYNA-SYNC

HT200/HTD Synchronous Drives

HT500 Synchronous Drives

Roller Chain Sprockets

SELECTION



5VX D-V Wedge
Single Belts to 200"
POLYBAND to 200"

5V D-V Wedge
Single Belts over 200"
POLYBAND over 200"

STOCK DRIVE SELECTION

Speed Ratio	Belt Number and Approx. Center Distance**																								
	5VX 900	5VX 950	5VX 1000	5VX 1060	5VX 1120	5VX 1180	5VX 1250	5VX 1320	5VX 1400	5VX 1500	5VX 1600	5VX 1700	5VX 1800	5VX 1900	5VX 2000	5V 2120	5V 2240	5V 2360	5V 2500	5V 2650	5V 2800	5V 3000	5V 3150	5V 3550	
1.80	18.5	21.1	23.6	26.7	29.7	32.6	36.3	39.8	43.8	49	54	59	64	69	74	80	86	92	99	106	114	...	132	152	
1.81	31.1	33.6	36.1	39.1	42.1	45.1	48.6	52.1	56.1	61	66	71	76	81	86	92	98	104	111	119	126	...	144	164	
1.82	21.8	24.4	26.9	29.9	33.0	36.0	39.5	43.0	47.0	52	57	62	67	72	77	83	89	95	102	110	117	...	135	155	
1.84	35.2	37.7	40.2	43.2	46.2	49.2	52.7	56.2	60.2	65	70	75	80	85	90	96	102	108	115	123	130	...	148	168	
1.85	34.6	37.1	39.6	42.6	45.6	48.6	52.1	55.6	59.6	65	70	75	80	85	90	96	102	108	115	122	130	...	147	167	
1.86	34.0	36.5	39.0	42.0	45.0	48.0	51.5	55.0	59.0	64	69	74	79	84	89	95	101	107	114	122	129	...	147	167	
1.87	31.7	34.2	36.7	39.7	42.7	45.7	49.2	52.7	56.8	62	67	72	77	82	87	93	99	105	112	119	127	...	144	164	
1.88	28.9	31.4	33.9	36.9	39.9	42.9	46.5	50.0	54.0	59	64	69	74	79	84	90	96	102	109	117	124	...	142	162	
1.88	24.4	28.0	31.6	35.6	41	46	51	56	61	66	72	78	84	91	99	106	...	124	144
1.88	29.8	32.3	34.8	37.8	40.8	43.8	47.3	50.8	54.9	60	65	70	75	80	85	91	97	103	110	117	125	...	142	162	
1.88	27.9	30.4	33.0	36.0	39.0	42.0	45.5	49.0	53.0	58	63	68	73	78	83	89	95	101	108	116	123	...	141	161	
1.88	18.8	21.4	24.0	27.0	30.1	33.1	36.6	40.2	44.2	49	54	59	64	69	74	80	86	92	99	107	114	...	132	152	
1.89	33.2	35.7	38.2	41.2	44.2	47.2	50.7	54.2	58.2	63	68	73	78	83	88	94	100	106	113	121	128	...	146	166	
1.89	32.5	35.0	37.5	40.5	43.5	46.5	50.0	53.5	57.5	63	68	73	78	83	88	94	100	106	113	120	128	...	145	165	
1.89	30.7	33.2	35.7	38.7	41.7	44.7	48.2	51.7	55.7	61	66	71	76	81	86	92	98	104	111	118	126	...	143	163	
1.89	26.7	29.2	31.7	34.8	37.8	40.8	44.3	47.8	51.8	57	62	67	72	77	82	88	94	100	107	114	122	...	139	159	
1.89	25.5	28.0	30.5	33.5	36.6	39.6	43.1	46.6	50.6	56	61	66	71	76	81	87	93	99	105	113	121	...	138	158	
1.90	20.9	24.0	27.1	30.1	33.7	37.2	41.3	46	51	56	61	66	71	77	83	89	97	104	112	...	129	149	
1.91	33.8	36.3	38.8	41.8	44.8	47.8	51.3	54.8	58.8	64	69	74	79	84	89	95	101	107	114	121	129	...	146	166	
1.93	31.4	33.9	36.4	39.4	42.4	45.4	48.9	52.4	56.4	61	66	71	76	81	86	92	98	104	111	119	126	...	144	164	
1.93	22.2	24.8	27.3	30.3	33.4	36.4	39.9	43.4	47.4	52	57	62	67	73	78	84	90	96	103	110	118	...	135	155	
1.95	34.8	37.3	39.8	42.8	45.8	48.8	52.3	55.8	59.8	65	70	75	80	85	90	96	102	108	114	122	130	...	147	167	
1.95	19.1	21.7	24.2	27.3	30.4	33.4	36.9	40.5	44.5	50	55	60	65	70	74	81	87	93	100	107	115	...	132	152	
1.96	34.2	36.7	39.2	42.2	45.2	48.2	51.7	55.2	59.2	64	69	74	79	84	89	95	101	107	114	122	129	...	147	167	
1.97	27.6	31.7	37	42	47	52	57	62	68	74	80	87	95	102	...	120	140	
1.96	29.2	31.7	34.2	37.2	40.2	43.2	46.8	50.3	54.3	59	64	69	74	79	84	90	96	102	109	117	124	...	142	162	
1.99	28.2	30.7	33.2	36.3	39.3	42.3	45.8	49.3	53.3	58	63	68	73	78	83	89	95	101	108	116	123	...	141	161	
2.00	.93	.94	.95	.96	.97	.98	.99	1.00	1.01	1.02	1.03	1.04	1.05	1.06	1.07	1.08	1.09	1.10	1.11	1.12	1.13	...	1.14	1.16	
2.00	32.7	35.2	37.7	40.8	43.8	46.8	50.3	53.8	57.8	63	68	73	78	83	88	94	100	106	113	120	128	...	145	165	
2.00	32.0	34.5	37.0	40.0	43.0	46.0	49.5	53.1	57.1	62	67	72	77	82	87	93	99	105	112	120	127	...	147	165	
2.00	30.1	32.6	35.1	38.1	41.1	44.1	47.6	51.1	55.2	60	65	70	75	80	85	91	97	103	110	118	125	...	143	163	
2.01	34.0	36.5	39.0	42.0	45.0	48.0	51.5	55.0	59.0	64	69	74	79	84	89	95	101	107	114	122	129	...	147	167	
2.01	33.4	35.9	38.4	41.4	44.4	47.4	50.9	54.4	58.4	63	68	73	78	83	88	94	100	106	113	121	128	...	146	166	
2.01	27.1	29.6	32.1	35.1	38.1	41.2	44.7	48.2	52.2	57	62	67	72	77	82	88	94	100	107	115	122	...	140	160	
2.01	25.9	28.4	30.9	33.9	36.9	40.0	43.5	47.0	51.0	56	61	66	71	76	81	87	93	99	106	114	121	...	139	159	
2.01	21.4	24.5	27.6	30.6	34.2	37.7	41.8	47	52	57	62	67	72	78	84	90	97	105	112	...	130	150	
2.01	25.0	28.7	32.3	36.3	41	47	51	57	62	67	73	79	85	92	99	107	...	124	144	
2.02	31.0	35.5	36.0	39.0	42.0	45.0	48.5	52.0	56.0	61	66	71	76	81	86	92	98	104	111	119	126	...	144	164	
2.03	22.6	25.1	27.6	30.7	33.7	36.7	40.3	43.8	47.8	53	58	63	68	73	78	84	90	96	103	110	118	...	135	155	
2.07	34.4	36.9	39.4	42.4	45.4	48.4	51.9	55.4	59.4	64	69	74	79	84	89	95	101	107	114	122	129	...	147	167	
2.07	31.7	34.2	36.7	39.7	42.7	45.7	49.2	52.7	56.7	62	67	72	77	82	87	93	99	105	112	119	127	...	144	164	
2.07	19.5	22.1	24.7	27.7	30.8	33.8	37.4	40.9	44.9	50	55	60	65	70	75	81	87	93	100	108	115	...	133	153	
2.09	22.7	25.3	27.8	30.9	33.9	36.9	40.5	44.0	48.0	53	58	63	68	73	78	84	90	96	103	111	118	...	136	156	
2.10	21.7	24.8	27.9	31.0	34.5	38.1	42.1	47	52	57	62	67	72	78	84	90	97	105	112	...	130	150	
2.11	29.5	32.0	34.5	37.5	40.5	43.5	47.1	50.6	54.6	60	65	70	75	80	85	91	97	103	110	117	125	135	...	142	162
2.11	28.5	31.0	33.6	36.6	39.6	42.6	46.1	49.6	53.6	59	64	69	74	79	84	90	96	102	109	116	124	...	141	161	
2.11	28.3	32.4	38	43	48	53	58	63	69	75	81	88	96	103	...	121	141	
2.12	33.6	36.1	38.6	41.6	44.6	47.6	51.1	54.6	58.6	64	69	74	79	84	89	95	101	107	114	121	129	137	...	146	166
2.12	32.2	34.7	37.2	40.3	43.3	46.3	49.8	53.3	57.3	62	67	72	77	82	87	93	99	105	112	120	127	139	...	145	165
2.13	34.2	36.7	39.2	42.2	45.2	48.2	51.7	55.2	59.2	64	69	74	79	84	89	95	101	107	114	122	129	139	...	147	167
2.13	33.0	35.5	38.0	41.0	44.0	47.0	50.5	54.0	58.0	63	68	73	78	83	88	94	100	106	113	121	128	138	...	146	166
2.13	27.4	29.9	32.4	35.4	38.4	41.5	45.0	48.5	52.5	58	63	68	73	78	83	89	95	101	108	115	123	133	...	140	160
2.13	25.6	29.2	32.8	36.9	42	47	52	57	62	67	73	79	85	92	100	107	117	...	125	145
2.14	30.4	32.9	35.4	38.4	41.4	44.4	47.9	51.4	55.5	60	65	70	75	80	85	91	98	104	111	118	126	136	...	143	163
2.15	26.2	28.7	31.3	34.3	37.3	40.3	43.8	47.4	51.4	56	61	66	71	76	81	87	93	99	106	114	121	131	...	139	159
2.17	31.3	33.8	36.3	39.3	42.3	45.3	48.8	52.3	56.3	61	66	71	76	81	86	92	98	104	111	119	126	136	...	144	164
2.18	22.0	25.1	28.2	31.3	34.8	38.4	42.4	47	53	58	63	68	73	79	85	91	98	105	113	123	...	130	150

NOTES: ** Stock belt size 5V2650 & 5V3350 not shown
Arc & Length Factors are approximate values
Refer to Selection Procedure for more precise values



SELECTION

5VX D-V Wedge
Single Belts to 200"
POLYBAND to 200"

5V D-V Wedge
Single Belts over 200"
POLYBAND over 200"

STOCK DRIVE SELECTION

Ratio	Stock Sheaves		1750 RPM Driver			1160 RPM Driver			870 RPM Driver			Belt Number and Approx. Center Distance**						
	Diameter		Driven RPM	HP/Belt		Driven RPM	HP/Belt		Driven RPM	HP/Belt		5VX 600	5VX 630	5VX 670	5VX 710	5VX 750	5VX 800	5VX 850
	Driver	Driven		5VX	5VX		5VX	5VX		5VX	5VX							
2.19	9.75	21.20	800	32.9	27.7	531	23.3	20.4	397	18.1	16.0	17.3
2.20	5.20	11.30	797	13.4	9.4	528	9.5	6.9	395	7.4	5.5	16.8	18.3	20.3	22.3	24.4	26.9	29.4
2.21	8.50	18.70	790	27.8	23.1	524	19.6	16.8	394	15.2	13.2	15.3	17.9	20.5
2.24	4.40	9.75	780	9.7	5.8	517	6.9	4.4	388	5.4	3.5	18.7	20.2	22.2	24.2	26.3	28.8	31.3
	4.65	10.30	781	10.9	7.0	517	7.7	5.2	388	6.0	4.1	18.0	19.6	21.6	23.6	25.6	28.1	30.6
	6.30	14.00	781	18.4	14.2	517	12.9	10.3	388	10.0	8.1	13.5	15.1	17.1	19.2	21.2	23.8	26.3
2.25	4.90	10.90	778	12.1	8.1	516	8.5	6.0	387	6.6	4.7	17.3	18.9	20.9	22.9	24.9	27.4	29.9
	12.50	28.00	778	43.3	36.6	516	31.2	27.7	387	24.3	22.0
2.26	5.90	13.20	775	16.6	12.5	516	11.7	9.1	385	9.1	7.2	14.5	16.1	18.1	20.2	22.2	24.7	27.3
	6.70	15.00	775	20.2	15.9	514	14.2	11.5	385	11.0	9.1	12.3	13.8	15.9	18.0	20.0	22.6	25.1
	14.00	31.50	775	48.4	40.7	514	35.3	31.5	385	27.6	25.1
2.27	7.10	16.00	770	21.9	17.55	511	15.4	12.7	383	11.9	10.0	14.7	16.8	18.8	21.4	23.9
2.29	5.20	11.80	763	13.4	9.4	506	9.5	6.9	380	7.4	5.5	16.3	17.8	19.9	21.9	23.9	26.4	29.0
2.30	5.50	12.50	762	14.8	10.8	505	10.4	7.8	378	8.1	6.2	15.5	17.0	19.0	21.1	23.1	25.6	28.1
	10.30	23.60	760	35.1	29.7	503	25.0	21.9	378	19.4	17.2
2.31	9.25	21.20	729	30.9	25.9	503	21.9	19.0	377	17.0	14.9	17.6
2.33	4.90	11.30	750	12.1	8.1	497	8.5	6.0	373	6.6	4.8	17.0	18.5	20.5	22.5	24.6	27.1	29.6
	8.00	18.70	713	25.8	21.2	493	18.1	15.4	370	14.1	12.1	15.6	18.2	20.8
2.35	16.00	37.50	744	493	40.5	36.1	370	31.9	29.1
	4.40	10.30	738	9.7	5.9	489	6.9	4.4	367	5.4	3.5	18.2	19.7	21.8	23.8	25.8	28.3	30.8
2.37	4.65	10.90	737	10.9	7.0	489	7.7	5.2	367	6.0	4.1	17.5	19.0	21.1	23.1	25.1	27.6	30.1
	9.00	21.20	738	29.9	25.0	489	21.1	18.3	367	16.4	14.4	17.7
	2.38	11.80	28.00	734	40.8	34.6	486	29.2	25.9	366	22.8	20.5
2.40	5.90	14.00	730	16.6	12.5	484	11.7	9.1	363	9.1	7.2	13.8	15.3	17.4	19.4	21.5	24.0	26.6
	6.30	15.00	728	18.4	14.2	483	12.9	10.3	363	10.0	8.1	12.5	14.1	16.2	18.3	20.3	22.9	25.4
	13.20	31.50	730	45.7	38.6	484	33.1	29.5	363	25.9	23.5
2.41	6.70	16.00	726	20.2	15.9	482	14.2	11.5	361	11.0	9.1	12.8	15.0	17.0	19.1	21.7	24.2
2.43	5.20	12.50	720	13.5	9.5	477	9.5	6.9	358	7.4	5.5	15.7	17.2	19.3	21.3	23.3	25.8	28.4
	5.50	13.20	721	14.8	10.8	478	10.4	7.9	358	8.1	6.2	14.8	16.4	18.4	20.5	22.5	25.0	27.6
2.44	4.90	11.80	718	12.1	8.1	476	8.5	6.0	357	6.6	4.78	16.5	18.1	20.1	22.1	24.1	26.7	29.2
	9.75	23.60	719	32.9	27.7	476	23.4	20.4	357	18.1	16.1
2.48	4.65	11.30	711	10.9	7.0	471	7.71	5.2	351	6.0	4.2	17.2	18.7	20.7	22.7	24.7	27.3	29.8
2.49	11.30	28.00	703	38.9	33.0	466	27.8	24.6	349	21.7	19.4
ARC-LENGTH CORRECTION FACTOR →												.84	.84	.86	.87	.88	.89	.91
2.51	4.40	10.90	697	9.7	5.9	462	6.9	4.4	347	5.4	3.5	17.7	19.2	21.2	23.3	25.3	27.8	30.3
	7.50	18.70	696	23.6	19.2	462	16.6	13.9	347	12.9	10.9	15.9	18.6	21.2
	8.50	21.20	697	27.9	23.1	462	19.7	16.8	347	15.2	13.2	18.1
	15.00	37.50	697	462	37.9	33.9	347	29.8	27.1
2.53	12.50	31.50	691	43.3	36.7	458	31.2	27.7	344	24.3	22.0
2.56	6.30	16.00	682	18.4	14.2	452	12.9	10.3	340	10.0	8.1	...	13.1	15.2	17.3	19.4	22.0	24.5
2.57	4.65	11.80	681	10.9	7.0	451	7.7	5.2	339	6.0	4.2	16.7	18.2	20.3	22.3	24.3	26.8	29.4
	5.20	13.20	681	13.5	9.5	452	9.5	6.9	339	7.4	5.5	15.0	16.6	18.6	20.7	22.7	25.2	27.8
	5.50	14.00	680	14.8	10.8	451	10.4	7.9	339	8.1	6.2	14.0	15.6	17.7	19.7	21.8	24.3	26.8
	5.90	15.00	681	16.6	12.5	452	11.7	9.1	339	9.1	7.2	12.8	14.4	16.5	18.5	20.6	23.1	25.7
	9.25	23.60	681	30.9	25.9	452	21.9	19.0	339	17.0	14.9
2.58	4.90	12.50	677	12.1	8.1	449	8.5	6.0	337	6.6	4.8	...	17.4	19.5	21.5	23.5	26.1	28.6
	10.90	28.00	677	37.4	31.7	449	26.7	23.5	337	20.8	18.6
2.60	4.40	11.30	672	9.8	5.9	445	6.9	4.4	335	5.4	3.5	...	18.9	20.9	22.9	24.9	27.9	30.0
2.64	9.00	23.60	663	29.9	25.0	439	21.2	18.3	330	16.4	14.4
2.66	7.10	18.70	659	21.9	17.6	437	15.4	12.7	327	12.0	10.0	16.2	15.8	26.5
2.67	8.00	21.20	655	25.8	21.2	434	18.2	15.4	326	14.1	12.1	18.4
2.68	11.80	31.50	652	40.8	34.6	432	29.2	25.9	325	22.8	20.5
2.69	14.00	37.50	650	48.4	40.7	431	35.3	31.5	323	27.6	25.1
2.72	4.40	11.80	643	9.8	5.9	426	6.9	4.4	320	5.4	3.5	...	18.4	20.4	22.5	24.5	27.0	29.5
	4.65	12.50	642	10.9	7.0	426	7.7	5.2	319	6.0	4.2	...	17.6	19.6	21.7	23.7	26.2	28.8
2.73	4.90	13.20	641	12.1	8.1	425	8.5	6.0	319	6.6	4.8	...	16.8	18.8	20.9	22.9	25.5	28.0
	5.20	14.00	642	13.5	9.5	426	9.5	6.9	319	7.4	5.5	...	15.8	17.9	19.9	22.0	24.5	27.1

NOTE: * 5VX = Single and Polyband belts to 200" length
5V = Single and Polyband belts over 200" long

** Stock belt size 5VX530 not shown

NOTE: Selection program VIA-VISA available at www.ptwizard.com.

V-Drives
FHP Drives
Drive Component Accessories
DYNA-SYNC
Synchronous Drives
HT200/HTD
Synchronous Drives
HT500
Synchronous Drives
Roller Chain Sprockets

SELECTION



5VX D-V Wedge
Single Belts to 200"
POLYBAND to 200"

5V D-V Wedge
Single Belts over 200"
POLYBAND over 200"

STOCK DRIVE SELECTION

Ratio	Belt Number and Approx. Center Distance																								
	5VX 900	5VX 950	5VX 1000	5VX 1060	5VX 1120	5VX 1180	5VX 1250	5VX 1320	5VX 1400	5VX 1500	5VX 1600	5VX 1700	5VX 1800	5VX 1900	5VX 2000	5V 2120	5V 2240	5V 2360	5V 2500	5V 2650	5V 2800	5V 3000	5V 3150	5V 3350	5V 3550
2.19	19.9	22.5	25.0	28.1	31.2	34.2	37.8	41.3	45.3	50	55	60	65	70	75	82	88	94	101	108	116	126	133	...	153
2.20	31.9	34.4	36.9	39.9	42.9	45.9	49.4	53.0	57.0	62	67	72	77	82	87	93	99	105	112	120	127	137	145	...	165
2.21	23.1	25.6	28.2	31.2	34.3	37.3	40.8	44.3	48.4	53	58	63	68	73	78	84	90	96	103	111	118	129	136	...	156
2.24	33.8	36.3	38.8	41.8	44.8	47.8	51.3	54.8	58.8	64	69	74	79	84	89	95	101	107	114	121	129	139	146	...	166
	33.1	35.6	38.2	41.2	44.2	47.2	50.7	54.2	58.2	63	68	73	78	83	88	94	100	106	113	121	128	138	146	...	166
2.25	28.8	31.3	33.8	36.9	39.9	42.9	46.4	49.9	53.9	59	64	69	74	79	84	90	96	102	109	117	124	134	142	...	162
	32.5	35.0	37.5	40.5	43.5	46.5	50.0	53.5	57.5	62	68	73	78	83	88	94	100	106	113	120	128	138	145	...	165
2.26	22.9	26.0	29.7	33.3	37.4	43	48	53	58	63	68	74	80	86	93	100	108	118	125	...	145
	29.8	32.3	34.8	37.8	40.8	43.8	47.4	50.9	54.9	60	65	70	75	80	85	91	97	103	110	117	125	135	142	...	162
2.27	27.7	30.2	32.7	35.7	38.7	41.7	45.3	48.8	52.8	58	63	68	73	78	83	89	95	101	108	115	123	133	140	...	160
	25.2	28.9	33.1	38	43	48	54	59	64	70	76	82	89	96	104	114	121	...	141
2.29	26.5	29.0	31.5	34.6	37.6	40.6	44.1	47.6	51.7	57	62	67	72	77	82	88	94	100	107	114	122	132	139	...	159
2.29	31.5	34.0	36.5	39.5	42.5	45.5	49.0	52.6	56.6	62	67	72	77	82	87	93	99	105	112	119	127	137	144	...	164
2.30	30.7	33.2	35.7	38.7	41.7	44.7	48.2	51.7	55.8	61	66	71	76	81	86	92	98	104	111	118	126	136	143	...	163
	...	19.8	22.4	25.5	28.6	31.7	35.2	38.8	42.9	48	53	58	63	68	73	79	85	91	98	106	113	123	131	...	151
2.31	20.2	22.8	25.4	28.5	31.5	34.6	38.1	41.7	45.7	51	56	61	66	71	76	82	88	94	101	108	116	126	133	...	153
2.33	32.1	34.6	37.1	40.1	43.2	46.2	49.7	53.2	57.2	62	67	72	77	82	87	93	99	105	112	120	127	137	145	...	165
2.35	23.4	26.0	28.5	31.6	34.6	37.6	41.2	44.7	48.7	54	59	64	69	74	79	85	91	97	104	111	119	129	136	...	156
	31	36	42	47	52	57	63	69	75	82	120	97	107	115	...	135
2.37	33.3	35.8	38.3	41.3	44.4	47.4	50.9	54.4	58.4	63	68	73	78	83	88	94	100	106	113	121	128	138	146	...	166
	32.6	35.2	37.7	41.7	43.7	46.7	50.2	53.7	57.7	63	68	3	78	83	88	94	100	106	113	120	128	138	145	...	165
2.38	20.4	23.0	25.6	28.6	31.7	34.7	38.3	41.8	45.9	51	56	61	66	71	76	82	88	94	101	109	116	125	134	...	154
	23.3	26.5	30.2	33.8	37.9	43	48	53	58	63	68	74	80	86	93	101	108	118	126	...	146
2.40	29.1	31.6	34.1	37.1	40.2	43.2	46.7	50.2	54.2	59	64	69	74	79	84	90	96	102	109	117	124	134	142	...	162
	27.9	30.5	33.0	36.0	39.0	42.1	45.6	49.1	53.1	58	63	68	73	78	83	89	95	101	108	116	123	133	141	...	161
2.41	25.8	29.5	33.6	39	44	49	54	59	64	70	76	82	89	97	105	115	122	...	142
	26.8	29.3	31.8	34.9	37.9	40.9	44.4	48.0	52.0	57	62	67	72	77	82	88	94	100	107	115	122	132	140	...	160
2.43	30.9	33.4	35.9	38.9	41.9	45.0	48.5	52.0	56.0	61	66	71	76	81	86	92	98	104	111	119	126	136	144	...	164
	30.1	32.6	35.1	38.1	41.1	44.2	47.7	51.2	55.2	60	65	70	75	80	85	91	97	103	110	118	125	135	143	...	163
2.44	31.7	34.2	36.7	39.7	42.7	45.8	49.3	52.8	56.8	62	67	72	77	82	87	93	99	105	112	119	127	137	144	...	164
	...	20.1	22.8	25.9	29.0	32.1	35.6	39.2	43.3	48	53	58	63	68	73	80	86	92	99	106	114	125	131	...	151
2.46	32.3	34.8	37.3	40.3	43.3	46.4	49.9	53.4	57.4	62	67	72	77	82	87	93	99	105	112	120	127	137	145	...	165
2.49	23.7	26.8	30.5	34.1	38.2	43	48	53	59	64	69	75	81	87	94	101	109	119	126	...	146
2.51	.92	.93	.94	.95	.96	.97	.98	.99	1.00	1.01	1.03	1.04	1.05	1.06	1.07	1.08	1.08	1.09	1.10	1.10	1.12	1.13	1.14	1.15	1.16
	32.8	35.3	37.8	40.9	43.9	46.9	50.4	53.9	57.9	63	68	73	78	83	88	94	100	106	113	120	128	138	145	...	165
	23.8	26.3	28.9	31.9	35.0	38.0	41.5	45.1	49.1	54	59	64	69	74	79	85	91	97	104	112	119	129	137	...	157
2.53	20.7	23.3	25.9	29.0	32.0	35.1	38.7	42.2	46.2	51	56	61	66	71	76	82	88	94	101	109	117	127	134	...	154
	32	37	42	47	53	58	64	70	76	83	91	98	108	116	...	136
2.56	27.1	29.6	32.1	35.2	38.2	41.2	44.7	48.3	52.3	57	62	67	72	77	82	88	94	100	107	115	122	132	140	...	160
2.57	31.9	34.4	36.9	39.9	42.9	45.9	49.5	53.0	57.0	62	67	72	77	82	87	93	99	105	112	120	127	137	115	...	165
	30.3	32.8	35.3	38.3	41.4	44.4	47.9	51.4	55.4	60	65	70	75	80	85	91	97	103	110	118	125	135	143	...	163
	29.4	31.9	34.4	37.4	40.5	43.5	47.0	50.5	54.5	59	64	70	75	80	85	91	97	103	110	117	125	135	142	...	162
	28.2	30.8	33.3	36.3	39.3	42.3	45.9	49.4	5.4	58	63	68	73	78	83	89	95	101	108	116	124	134	141	...	161
2.58	...	20.4	23.1	26.2	29.3	32.4	36.0	39.5	43.6	49	54	58	64	67	74	80	86	92	99	106	114	124	132	...	152
	31.1	33.6	36.1	39.2	42.2	45.2	48.7	52.2	56.2	61	66	71	76	81	86	92	98	104	111	119	126	136	144	154	164
2.60	23.9	27.1	30.8	34.4	38.5	44	49	54	57	64	69	75	81	87	94	102	109	119	127	137	147
	32.5	35.0	37.5	40.5	43.5	46.5	50.1	53.6	57.6	63	68	73	78	83	88	94	100	106	113	120	128	138	145	155	165
2.64	...	20.6	23.3	26.4	29.5	32.6	36.2	39.7	43.8	49	54	59	64	69	74	80	86	92	99	107	114	124	132	142	152
2.66	24.0	26.6	29.2	32.2	35.3	38.3	41.8	45.4	49.4	54	59	64	69	74	79	86	92	98	105	112	120	130	137	147	157
2.67	21.0	23.6	26.2	29.3	32.4	35.5	39.0	42.6	46.6	52	57	62	67	72	77	83	89	95	102	109	117	127	134	144	154
2.68	26.7	30.4	34.6	40	45	50	55	60	65	71	77	83	90	98	106	116	123	133	143
2.69	32	38	43	48	53	58	65	71	77	84	91	99	109	116	127	136
2.72	32.1	34.6	37.1	40.1	43.1	46.1	49.6	53.1	57.2	62	67	72	77	82	87	93	99	105	112	120	127	137	145	155	165
	31.3	33.8	36.3	39.3	42.4	45.4	48.9	52.4	56.4	61	66	71	76	81	86	92	98	101	111	119	126	136	144	154	164
2.73	30.5	33.0	35.5	38.6	41.6	44.6	48.1	51.6	55.6	61	66	71	76	81	86	92	98	104	111	118	126	136	143	153	163
	29.6	32.1	34.6	37.7	40.7	43.7	47.2	50.7	54.7	60	65	70	75	80	85	91	97	103	110	117	125	135	142	152	162

NOTES: ** Stock belt size 5V2650 & 5V3350 not shown
Arc & Length Factors are approximate values

Refer to Selection Procedure for more precise values

NOTE: Selection program VIA-VISA available at www.ptwizard.com.



SELECTION

5VX D-V Wedge
Single Belts to 200"
POLYBAND to 200"

5V D-V Wedge
Single Belts over 200"
POLYBAND over 200"

STOCK DRIVE SELECTION

Ratio	Stock Sheaves		1750 RPM Driver			1160 RPM Driver			870 RPM Driver			Belt Number and Approx. Center Distance**						
	Diameter		Driven RPM	HP/Belt		Driven RPM	HP/Belt		Driven RPM	HP/Belt		5VX 600	5VX 630	5VX 670	5VX 710	5VX 750	5VX 800	5VX 850
	Driver	Driven		5VX	5VX		5VX	5VX		5VX	5VX							
2.74	5.90	16.00	638	16.6	12.5	423	11.7	9.1	318	9.1	7.2	...	13.3	15.5	17.6	19.7	22.2	24.8
	10.30	28.00	640	35.1	29.7	424	25.0	21.9	318	19.4	17.3
2.76	5.50	15.00	634	14.8	10.8	420	10.4	7.9	315	8.1	6.2	...	14.6	16.7	18.8	20.9	23.4	26.0
	8.50	23.60	626	27.9	23.1	415	19.7	16.8	311	15.3	13.2
2.80	11.30	31.50	624	38.9	33.0	414	27.8	24.6	311	21.7	19.4
	6.70	18.70	621	20.2	15.9	412	14.2	11.5	309	11.0	9.1	16.5	19.1	21.7
2.85	7.50	21.20	614	23.7	19.2	407	16.6	13.9	305	12.9	10.9	16.0	18.7
	13.20	37.50	613	45.7	38.7	406	33.1	29.5	305	25.9	23.5
2.88	4.40	12.50	607	9.8	5.9	402	6.9	4.4	302	5.4	3.5	...	17.8	19.8	21.9	23.9	26.4	28.9
	4.65	13.20	608	11.0	7.0	403	7.7	5.2	302	6.0	4.2	...	16.9	19.0	21.1	23.1	25.6	28.3
2.89	9.75	28.00	605	33.0	27.8	401	23.4	20.4	301	18.1	16.0
	4.90	14.00	604	12.1	8.2	401	8.5	6.0	300	6.6	4.8	...	16.0	18.1	20.1	22.2	24.7	27.3
2.91	10.90	31.50	602	37.4	31.7	399	26.7	23.5	299	20.7	18.6
	5.20	15.00	599	13.5	9.5	397	9.5	6.9	298	7.4	5.5	...	14.8	16.9	19.0	21.1	23.6	26.2
2.92	5.50	16.00	594	14.8	10.8	394	10.4	7.9	296	8.1	6.2	...	13.6	15.7	17.9	19.9	22.5	25.1
	8.00	23.60	588	25.8	21.2	390	18.2	15.4	293	14.1	12.1
3.00	6.30	18.70	583	18.4	14.3	387	12.9	10.3	290	10.0	8.1	14.6	16.7	19.4	22.0
	7.10	21.20	581	21.9	17.6	385	15.4	12.7	289	12.0	10.0	16.3	19.0
3.01	12.50	37.50	580	43.3	36.7	385	31.2	27.7	288	24.3	22.0
	4.40	13.20	574	9.8	5.9	381	6.9	4.4	285	5.4	3.6	...	17.1	19.2	21.2	23.3	25.8	28.3
3.05	4.65	14.00	573	10.9	7.0	380	7.7	5.2	285	6.0	4.2	...	16.2	18.3	20.3	22.4	24.9	27.5
	9.25	28.00	574	31.0	26.0	380	21.9	19.0	285	17.0	14.9
3.08	10.30	31.50	568	35.1	29.7	377	25.0	21.9	282	19.4	17.3
	ARC-LENGTH CORRECTION FACTOR →										82	.84	.86	.87	.88	.90
3.10	4.90	15.00	564	12.1	8.2	374	8.5	6.0	281	6.6	4.8	...	15.0	17.1	19.2	21.3	23.8	26.4
	5.20	16.00	561	13.5	9.50	372	9.5	6.9	279	7.4	5.5	...	13.8	15.9	18.1	20.1	22.7	25.3
3.12	9.00	28.00	558	30.0	25.0	370	21.2	18.3	278	16.4	14.4
	16.00	50.00	558	370	40.5	36.2	277	31.9	29.1
3.14	7.50	23.60	551	23.7	19.2	365	16.6	13.9	274	12.9	10.9
	11.80	37.50	547	40.8	34.6	363	29.3	25.9	272	22.8	20.5
3.18	6.70	21.20	547	20.2	15.9	363	14.2	11.5	272	11.0	9.1	16.5	19.2
	5.90	18.70	546	16.6	12.6	362	11.7	9.1	271	9.1	7.2	14.8	17.0	19.6	22.3
3.20	4.40	14.00	541	9.8	5.9	359	6.9	4.4	269	5.4	3.6	...	16.4	18.4	20.5	22.5	25.1	27.6
	9.75	31.50	538	33.0	27.8	356	23.4	20.4	268	18.2	16.1
3.21	4.65	15.00	534	10.9	7.0	354	7.7	5.2	266	6.0	4.2	...	15.2	17.3	19.4	21.5	24.0	26.6
	4.90	16.00	528	12.1	8.2	350	8.5	6.0	263	6.6	4.8	...	14.0	16.1	18.2	20.3	22.9	25.5
3.23	8.50	28.00	527	27.9	23.2	349	19.7	16.9	262	15.3	13.2
	11.30	37.50	524	39.0	33.0	347	27.8	24.6	260	21.7	19.5
3.25	15.00	50.00	523	346	37.9	33.9	260	29.8	27.2
	7.10	23.60	521	22.0	17.6	346	15.4	12.7	259	12.0	10.0
3.27	6.30	21.20	514	18.4	14.3	341	13.0	10.3	256	10.0	8.1	16.8	19.5
	9.25	31.50	510	31.0	26.0	338	21.9	19.0	254	17.0	14.9
3.29	5.50	18.70	508	14.8	10.8	337	10.4	7.9	253	8.1	6.2	15.1	17.2	19.9	22.5
	10.90	37.50	505	37.5	31.7	335	26.7	23.5	251	20.8	18.6
ARC-LENGTH CORRECTION FACTOR →											0.79	0.81	0.83	0.85	0.86	0.87	0.89	
3.47	4.40	15.00	505	9.8	5.9	335	6.9	4.4	251	5.4	3.6	19.6	21.6	24.2	26.7
	4.65	16.00	501	10.9	7.0	332	7.7	5.2	249	6.0	4.2	18.4	20.5	23.1	25.7
3.49	8.00	28.00	496	25.8	21.2	328	18.2	15.4	246	14.1	12.1
	9.00	31.50	496	30.0	25.0	329	21.2	18.2	246	16.4	14.4
3.53	6.70	23.60	491	20.2	16.0	326	14.2	11.5	244	11.0	9.1
	14.00	50.00	487	48.4	40.8	323	35.3	31.5	242	27.6	25.1
3.56	5.90	21.20	481	16.7	12.6	319	11.7	9.1	239	9.1	7.2	17.0	19.7
	5.20	18.70	480	13.5	9.5	318	9.5	6.9	238	7.4	5.5	15.2	17.4	20.1	22.7
3.64	10.30	37.50	477	35.5	29.7	316	25.0	21.9	237	19.4	17.3
	4.40	16.00	473	9.8	5.9	314	6.93	4.4	235	5.4	3.56	18.6	20.7	23.3	25.8
ARC-LENGTH CORRECTION FACTOR →											0.81	0.83	0.85	0.87	

NOTE: * 5VX = Single and Polyband belts to 200" length
5V = Single and Polyband belts over 200" long

** Stock belt size 5VX530 not shown

NOTE: Selection program VIA-VISA available at www.ptwizard.com.

SELECTION



5VX D-V Wedge
Single Belts to 200"
POLYBAND to 200"

5V D-V Wedge
Single Belts over 200"
POLYBAND over 200"

STOCK DRIVE SELECTION

Ratio	Belt Number and Approx. Center Distance																									
	5VX 900	5VX 950	5VX 100	5VX 1060	5VX 1120	5VX 1180	5VX 1250	5VX 1320	5VX 1400	5VX 1500	5VX 1600	5VX 1700	5VX 1800	5VX 1900	5VX 2000	5V 2120	5V 2240	5V 2360	5V 2500	5V 2650	5V 2800	5V 3000	5V 3150	5V 3350	5V 3550	
2.74	27.3	29.9	32.4	35.4	38.5	41.5	45.0	48.5	52.6	58	63	68	73	78	83	89	95	101	108	115	123	133	140	150	160	
...	24.3	27.5	31.2	34.8	38.9	44	49	54	59	64	69	75	81	87	95	102	110	120	127	137	147	
2.76	28.5	31.0	33.6	36.6	39.6	42.6	46.2	49.7	53.7	59	64	69	74	79	84	90	96	102	109	116	124	134	141	151	161	
2.80	18.2	20.9	23.6	26.7	29.8	32.9	36.5	40.1	44.1	49	54	59	64	69	74	80	86	92	99	107	115	125	132	142	152	
...	27.0	30.7	34.9	40	45	50	55	60	66	72	78	84	91	98	106	116	123	134	144	
2.82	24.3	26.9	29.4	32.5	35.5	38.6	42.1	45.7	49.7	55	60	65	70	75	80	86	92	98	105	112	120	130	137	147	157	
2.85	21.4	24.0	26.6	29.7	32.7	35.8	39.4	42.9	47.0	52	57	62	67	72	77	83	89	95	102	110	117	127	135	145	155	
...	33	38	44	49	54	59	65	71	77	84	92	99	110	117	127	137	
2.88	31.5	34.0	36.5	39.5	42.5	45.5	49.1	52.6	56.6	62	67	72	77	82	87	93	99	105	112	119	127	137	144	154	164	
...	38.8	41.8	44.8	48.3	51.8	55.8	61	66	71	76	81	86	92	98	104	111	118	126	136	143	153	163
2.89	21.4	24.7	27.9	31.5	35.2	39.3	44	50	55	60	65	70	76	82	88	95	102	110	120	128	138	148	
2.90	29.8	32.3	34.9	37.9	40.9	43.9	47.4	51.0	55.0	60	65	70	75	80	85	91	97	103	110	118	125	135	143	153	163	
2.91	27.3	31.0	35.2	40	46	51	56	61	66	72	78	84	91	99	106	116	124	134	144	
2.92	28.7	31.3	33.8	36.8	39.8	42.9	46.4	49.9	53.9	59	64	69	74	79	84	90	96	102	109	117	124	134	142	152	162	
2.94	27.6	30.2	32.7	35.7	38.8	41.8	45.3	48.8	52.9	58	63	68	73	78	83	89	95	101	108	116	123	133	141	151	161	
2.97	18.5	21.3	23.9	27.1	30.2	33.3	36.9	40.4	44.5	50	55	60	65	70	75	81	87	93	100	107	115	125	132	142	152	
3.00	24.6	27.2	29.7	32.8	35.8	38.9	42.4	46.0	50.0	55	60	65	70	75	80	86	92	98	105	113	120	130	138	148	158	
3.01	21.6	24.2	26.8	29.9	33.0	36.1	39.6	43.2	47.2	52	57	62	67	72	77	83	90	96	103	110	118	128	135	145	155	
3.02	27.9	33	39	44	49	54	59	66	72	78	85	92	100	110	118	128	138	
...	30.9	33.4	35.9	38.9	41.9	45.0	48.5	52.0	56.0	61	66	71	76	81	86	92	98	104	111	119	126	136	144	154	164	
3.05	30.0	32.5	35.0	38.1	41.1	44.1	47.6	51.1	55.2	60	65	70	75	80	85	91	97	103	110	118	125	135	143	143	163	
...	21.7	25.0	28.2	31.9	35.5	39.6	45	50	55	60	65	70	76	82	88	95	103	110	120	128	138	148	
3.08	23.8	27.6	31.4	35.6	41	46	51	56	61	66	72	78	85	92	99	107	117	124	134	144	
...	.91	.92	.93	.94	.95	.96	.98	.99	1.00	1.01	1.02	1.03	1.04	1.05	1.06	1.07	1.08	1.09	1.10	1.10	1.12	1.13	1.14	1.15	1.16	
3.10	28.9	31.5	34.0	37.0	40.1	43.1	46.6	50.1	54.1	59	64	69	74	79	84	90	96	102	109	117	124	134	142	152	162	
3.12	27.8	30.4	32.9	36.0	39.0	42.0	45.5	49.1	53.1	58	63	68	73	78	83	89	95	101	108	116	123	133	141	151	161	
3.13	21.9	25.2	28.4	32.0	35.7	39.8	45	50	55	60	65	70	76	82	88	95	103	110	121	128	138	148	
3.14	40	45	51	58	64	71	79	87	97	104	114	125
3.18	18.9	21.6	24.3	27.4	30.5	33.6	37.2	40.8	44.9	50	55	60	65	70	75	81	87	93	100	108	115	125	133	143	153	
3.20	21.9	24.5	27.1	30.2	33.3	36.4	28.4	34	39	44	50	55	60	66	72	78	85	110	100	128	118	128	138	
...	39.9	43.5	47.5	53	58	63	68	73	78	84	90	96	103	93	118	111	135	145	155		
3.21	24.9	27.4	30.0	33.1	36.1	39.2	42.7	46.2	50.3	55	60	65	70	75	80	86	92	98	105	113	121	131	138	148	158	
3.23	30.2	32.7	35.2	38.3	41.6	44.3	47.8	51.3	55.3	60	65	70	75	80	85	91	97	103	110	118	125	135	143	153	163	
3.25	24.2	28.0	31.7	36.0	41	46	51	57	62	67	73	79	85	92	100	107	117	125	135	145	
3.27	29.1	31.7	34.2	37.2	41.2	43.3	46.8	50.3	54.3	59	64	69	74	79	84	90	96	102	109	117	124	134	142	152	162	
3.31	28.0	30.6	33.1	36.2	39.2	42.2	45.7	49.3	53.3	58	63	68	73	78	83	89	95	101	108	116	123	133	141	151	161	
3.32	22.2	25.5	28.7	32.4	36.0	40.1	45	50	55	60	66	71	77	83	89	96	103	111	121	128	139	148	
3.34	28.7	34	40	45	50	55	60	66	73	79	86	93	101	111	118	129	139	
3.35	40	46	52	58	65	72	80	87	97	105	115	125	
3.36	19.1	21.8	24.5	27.7	30.8	33.9	37.5	41.1	45.1	50	55	60	65	70	75	81	88	94	101	108	116	126	133	143	153	
3.40	22.2	24.8	27.4	30.5	33.6	36.7	40.2	43.8	47.8	53	58	63	68	73	78	84	90	96	103	11	118	128	136	146	156	
3.43	24.5	28.3	32.1	36.3	41	47	52	57	62	67	73	79	85	92	100	107	117	125	135	145	
3.44	25.1	27.7	30.3	33.3	36.4	39.5	43.0	46.5	50.6	56	61	66	71	76	81	87	93	99	106	113	121	131	138	148	158	
3.46	28.9	34	40	45	50	55	61	67	73	79	86	94	101	111	119	129	139	
...	.91	.92	.93	.94	.95	.96	.98	.99	1.00	1.01	1.02	1.03	1.04	1.05	1.06	1.07	1.08	1.09	1.10	1.10	1.12	1.13	1.14	1.15	1.16	
3.47	29.3	31.8	34.4	37.4	40.4	43.4	47	50	54	59	64	70	75	80	85	91	97	103	110	...	125	...	142	...	162	
3.49	28.2	30.8	33.3	36.3	39.4	42.4	46	49	53	58	63	68	74	79	84	90	96	102	109	...	124	...	141	...	161	
...	333	22.5	25.8	29.0	33	36	40	46	51	56	61	66	71	77	83	89	96	...	111	...	129	...	149	
3.53	333	24.6	28	32	36	42	47	52	57	62	67	73	79	85	92	...	108	...	125	...	145	
3.56	19.4	22.1	24.8	27.9	31.1	34.2	38	41	45	50	56	61	66	71	76	82	88	94	110	...	116	...	133	...	153	
3.59	35	41	46	53	59	65	72	...	88	...	106	...	126	
3.64	22.4	25.1	27.7	30.8	33.9	36.9	40	44	48	53	58	63	68	73	78	84	90	96	103	...	118	...	136	...	156	
3.65	25.3	27.9	30.5	33.6	36.6	39.7	43	47	51	56	61	66	71	76	81	87	93	99	106	...	121	...	139	...	159	
3.67	29	35	40	45	51	56	61	67	73	79	86	...	101	...	119	...	139	
3.70	28.4	30.9	33.5	36.5	39.6	42.6	46	50	54	59	64	69	74	79	84	90	96	102	109	...	124	...	141	...	161	
...	.91	.92	.93	.94	.95	.96	.98	.99	1.00	1.01	1.02	1.03	1.04	1.05	1.06	1.07	1.08	1.09	1.10	1.10	1.12	1.13	1.14	1.15	1.16	

NOTES: ** Stock belt size 5V2650 & 5V3350 not shown
Arc & Length Factors are approximate values
Refer to Selection Procedure for more precise values

NOTE: Selection program VIA-VISA available at www.ptwizard.com.



SELECTION

STOCK DRIVE SELECTION

5VX D-V Wedge
Single Belts to 200"
POLYBAND to 200"

5V D-V Wedge
Single Belts over 200"
POLYBAND over 200"

Ratio	Stock Sheaves		1750 RPM Driver			1160 RPM Driver			870 RPM Driver			Belt Number and Approx. Center Distance**						
	Diameter		Driven RPM	HP/Belt		Driven RPM	HP/Belt		Driven RPM	HP/Belt		5VX	5VX	5VX	5VX	5VX	5VX	5VX
	Driver	Driven		5VX	5VX		5VX	5VX		5VX	5VX	5VX	5VX	5VX	5VX	5VX	5VX	5VX
ARC-LENGTH CORRECTION FACTOR →																		
3.74	8.50	31.50	468	27.9	23.2	310	19.7	16.9	233	15.3	13.2	0.81	0.83	0.85	0.87
3.77	7.50	28.00	464	23.7	19.2	308	16.7	13.9	231	12.9	11.0
3.79	6.30	23.60	462	18.4	14.3	306	13.0	10.3	230	10.1	8.1	16.8
3.81	13.20	50.00	459	45.8	38.7	305	33.1	29.5	228	25.9	23.5
3.87	4.90	18.70	452	12.1	8.2	299	8.5	6.0	225	6.6	4.8	15.4	1.76	20.3	22.9
3.88	9.75	37.50	452	33.0	27.8	299	23.4	20.4	224	18.2	16.1
3.91	5.50	21.20	448	14.9	10.8	297	10.4	7.9	223	8.1	6.2	1.73	20.0
3.97	8.00	31.50	440	25.8	21.2	292	18.2	15.4	219	14.1	12.1
3.99	7.10	28.00	439	22.0	17.6	291	15.4	12.8	218	12.0	10.0
4.02	12.50	50.00	435	43.3	36.7	288	31.2	27.8	216	24.4	22.0
ARC-LENGTH CORRECTION FACTOR →																		
4.05	5.90	23.60	432	16.7	12.6	286	11.7	9.1	215	9.1	7.2	0.77	0.79	0.81	0.83
4.09	4.65	18.70	428	10.9	7.1	284	7.7	5.2	213	6.0	4.2	15.6	17.8	20.5	23.1
	9.25	37.50	428	31.0	26.0	284	21.9	19.0	213	17.0	14.9
4.14	5.20	21.20	423	13.5	9.5	280	9.5	7.0	210	7.4	5.5	17.4	20.2
4.20	9.00	37.50	416	30.0	25.1	276	21.2	18.3	207	16.4	14.4
4.23	6.70	28.00	414	20.2	16.0	274	14.2	11.6	206	11.0	9.1
4.24	7.50	31.50	412	23.7	19.2	273	16.7	13.9	205	12.9	11.0
4.26	11.80	50.00	410	40.8	34.6	272	29.3	26.0	204	22.8	20.5
4.33	4.40	18.70	405	9.8	5.9	201	6.9	4.4	201	5.4	3.6	15.7	17.9	20.6	23.3
4.35	5.50	23.60	402	14.9	10.8	267	10.4	7.9	200	8.1	6.2	17.3
ARC-LENGTH CORRECTION FACTOR →																		
4.40	4.90	21.20	398	12.1	8.2	264	8.5	6.0	198	6.6	4.8	0.76	0.78	0.80	0.83
4.45	8.50	37.50	393	27.9	23.2	261	19.7	16.9	196	15.3	13.2	14.8	17.6	20.4
4.46	11.30	50.00	393	39.0	33.1	260	27.9	24.6	195	21.7	19.5
4.49	7.10	31.50	390	22.0	17.6	259	15.4	12.8	194	12.0	10.0
4.50	6.30	28.00	389	18.4	14.3	258	13.0	10.3	193	10.1	8.1
4.61	5.20	23.60	380	13.5	9.5	252	9.6	7.0	189	7.4	5.5	17.5
4.62	10.90	50.00	379	37.5	31.8	251	26.7	23.6	188	20.8	18.6
4.64	4.65	21.20	377	11.0	7.1	250	7.7	5.2	188	6.0	4.2	14.9	17.8	20.5
4.73	8.00	37.50	370	25.8	21.2	245	18.2	15.4	184	14.1	12.1
4.76	6.70	31.50	368	20.2	16.0	244	14.2	11.6	183	11.0	9.1
ARC-LENGTH CORRECTION FACTOR →																		
4.81	5.90	28.0	364	16.7	12.6	241	11.7	9.1	181	9.1	7.2	0.73	0.76	0.78	0.80
4.89	10.30	50.0	358	35.2	29.7	237	25.0	21.9	178	19.4	17.3
4.90	4.90	23.60	357	12.1	8.2	237	8.5	6.0	178	6.7	4.8	1.77
4.91	4.40	21.20	357	9.8	5.9	236	6.9	4.4	177	5.4	3.6	15.1	17.9	20.7
5.05	7.50	37.50	346	23.7	19.2	230	16.7	13.9	172	12.9	11.0
5.06	6.30	31.50	346	18.5	14.3	229	13.0	10.3	172	10.0	8.1
5.16	4.65	23.60	339	11.0	7.1	225	7.74	5.2	169	6.0	4.2	17.8
5.17	5.50	28.00	339	14.5	10.8	225	10.4	7.9	168	8.1	6.2
	9.75	50.00	338	33.0	27.8	224	23.4	20.4	168	18.2	16.1
5.34	7.10	37.50	328	22.0	17.6	217	15.4	12.8	163	12.0	10.0
5.41	5.90	31.5	323	16.7	12.5	214	11.7	9.1	161	9.1	7.2
5.45	9.25	50.00	321	31.0	26.0	213	21.9	19.0	160	17.0	15.0
5.47	4.40	23.60	320	9.8	5.9	212	6.9	4.4	159	5.4	3.6	18.0
	5.20	28.00	320	13.5	9.5	212	9.5	7.0	159	7.4	5.5
5.61	9.00	50.00	312	29.8	25.1	207	21.2	18.3	155	16.4	14.4
ARC-LENGTH CORRECTION FACTOR →																		
											80	.83	.85	.87	.89	.93

NOTE: * 5VX = Single and Polyband belts to 200" length
5V = Single and Polyband belts over 200" long

** Stock belt size 5VX530 not shown

NOTE: Selection program VIA-VISA available at www.ptwizard.com.

V-Drives

FHP Drives

Drive Component
Accessories

DYNA-SYNC

HT200/HTD
Synchronous Drives

HT500
Synchronous Drives

Roller Chain Sprockets

SELECTION



5VX D-V Wedge
Single Belts to 200"
POLYBAND to 200"

5V D-V Wedge
Single Belts over 200"
POLYBAND over 200"

STOCK DRIVE SELECTION

Ratio	Belt Number and Approx. Center Distance																									
	5VX 900	5VX 950	5VX 100	5VX 1060	5VX 1120	5VX 1180	5VX 1250	5VX 1320	5VX 1400	5VX 1500	5VX 1600	5VX 1700	5VX 1800	5VX 1900	5VX 2000	5V 2120	5V 2240	5V 2360	5V 2500	5V 2650	5V 2800	5V 3000	5V 3150	5V 3350	5V 3550	
	.88	.90	.92	.93	.94	.95	.97	.96	.99	1.00	1.01	1.03	1.04	1.05	1.06	1.07	1.08	1.09	1.10	1.10	1.12	1.13	1.14	1.15		
3.74	28.8	32.6	36.8	42	47	52	57	63	68	74	80	86	93	100	108	118	126	136	146	
3.77	19.4	22.8	26.1	29.3	33.0	36.7	40.8	46	51	56	61	66	71	77	83	89	97	104	112	122	129	139	149	
3.79	19.6	22.4	25.0	28.2	31.3	34.4	38.0	41.6	45.7	51	56	61	66	71	76	82	88	91	101	109	116	126	134	144	154	
3.81	36	41	47	53	59	66	73	81	88	99	106	116	126	
3.87	25.5	28.1	30.7	33.8	36.8	39.9	43.4	47.0	51.0	56	61	66	71	76	81	87	93	99	106	114	121	131	139	149	159	
3.88	30	35	40	46	51	56	61	67	74	80	87	94	102	112	120	130	140	
3.91	22.7	25.3	27.9	31.0	34.1	37.2	40.8	44.3	48.4	53	58	63	69	74	79	85	91	97	104	111	119	129	136	146	156	
3.97	21.8	25.3	29.1	32.9	37.1	42	47	53	58	63	68	74	80	86	93	101	108	118	126	136	146	
3.99	19.7	23.1	26.4	29.6	33.3	37.0	41.1	46	51	56	61	67	72	78	84	90	97	104	112	122	129	150	150	
4.02	36	42	47	54	60	66	73	81	89	99	10	117	127	
	.85	.87	.88	.90	.92	.93	.95	.96	.97	.99	1.00	1.01	1.03	1.04	1.05	1.06	1.07	1.08	1.09	1.10	1.11	1.12	1.13	1.14	1.15	
4.05	19.9	22.6	25.3	28.5	31.6	34.7	38.3	41.9	46.0	51	56	61	66	71	76	82	88	94	101	109	116	127	134	144	154	
4.09	25.7	28.3	30.9	33.9	37.0	40.0	43.6	47.1	51.2	56	61	66	71	76	81	87	93	99	106	114	121	131	139	149	159	
	30.0	35	41	46	51	56	62	68	74	80	87	95	102	112	120	130	140	
4.14	22.9	25.5	28.1	31.3	34.3	37.4	41.0	44.6	49	54	59	64	69	74	79	85	91	97	104	111	119	129	136	147	157	
4.20	25.5	30	36	41	46	51	57	62	68	74	80	87	95	102	113	120	130	140	
4.23	19.9	23.3	26.6	29.9	33.6	37.2	41	46	52	57	62	67	72	78	84	90	97	105	112	122	130	140	150	
4.24	22.1	25.6	29.4	33.2	37	43	48	53	58	63	68	74	80	86	94	101	109	119	126	136	146	
4.26	36	42	48	54	60	67	74	82	89	100	107	117	127	
4.33	25.9	28.5	31.0	34.1	37.2	40.2	43.8	47.3	51.4	56	61	66	72	77	81	88	94	100	107	114	122	132	139	149	159	
4.35	20.1	22.9	25.6	28.7	31.9	35.0	38.6	42.2	46.3	51	56	61	67	72	77	83	89	95	102	109	117	127	134	144	154	
	0.87	0.89	0.91	0.92	0.93	0.94	.95	.97	.98	.99	1.01	1.02	1.03	1.04	1.05	1.06	1.07	1.08	1.09	1.10	1.11	1.12	1.13	1.14	1.15	
4.40	23.1	25.7	28.3	31.5	34.6	37.6	41.2	44.8	48.8	54	59	64	69	74	79	85	91	97	104	112	119	129	137	147	157	
4.45	25.8	30.4	36	41	47	52	57	62	68	74	81	88	95	103	113	120	131	141	
4.46	37	42	48	54	61	67	74	82	90	100	108	118	128	
4.49	22.4	25.8	29.7	33.5	37.7	43	48	53	58	63	69	75	81	87	94	101	109	119	127	137	147	
4.50	20.2	23.6	26.9	30.1	33.8	37.5	41.7	47	52	57	62	67	72	78	84	90	97	105	113	123	130	140	150	
4.61	20.3	23.1	25.7	28.9	32.1	35.2	38.8	42.4	46.5	52	57	62	67	72	77	83	89	95	102	110	117	127	135	145	155	
4.62	37	43	48	55	61	67	75	82	90	100	108	118	128	
4.64	23.2	25.9	28.5	31.6	34.7	37.8	41.4	44.9	49.0	54	59	64	69	74	79	85	91	97	104	112	119	129	137	147	157	
4.73	26.1	30.7	36	42	47	52	57	62	69	75	81	88	93	103	113	121	131	141	
4.76	22.6	26.1	29.9	33.7	38.0	43	48	54	59	64	69	75	81	87	94	102	109	119	127	137	147	
	0.83	0.84	0.85	0.86	0.87	0.88	0.89	0.91	0.93	0.96	0.97	0.98	1.00	1.01	1.02	1.036	1.04	1.06	1.07	1.08	1.09	1.10	1.12	1.13	1.14	
4.81	20.4	23.8	27.1	30.4	34.1	37.8	41.9	47	52	57	62	67	73	79	85	91	98	105	113	123	130	140	150	
4.89	37	43	49	55	61	68	75	83	90	101	108	119	129	
4.90	20.5	23.2	25.9	29.1	32.3	35.4	39.0	42.6	46.7	52	57	62	67	72	77	83	89	95	102	110	117	127	135	145	155	
4.91	23.4	26.0	28.7	31.8	34.9	38.0	41.6	45.1	49.2	54	59	64	69	74	79	85	91	97	105	112	120	130	137	147	157	
5.05	26.4	31.0	37	42	47	52	58	63	69	75	81	88	96	104	114	121	131	141	
5.06	22.9	26.3	30.2	34.0	38.3	44	49	54	59	64	69	75	81	87	94	102	110	120	127	137	147	
5.16	20.6	23.4	26.1	29.3	32.4	35.5	39.2	42.8	46.9	52	57	62	67	72	77	83	89	95	102	110	117	127	135	145	155	
5.17	20.6	24.1	27.4	30.6	34.4	38.0	42.2	47	52	58	63	68	73	79	85	91	98	106	113	123	134	141	151	
	38	43	49	55	62	68	75	83	91	101	109	119	129	
5.34	26.6	31.3	37	42	47	53	58	63	69	75	82	89	96	104	114	121	132	142	
5.41	23.1	26.6	30.5	34.2	38.5	44	49	54	59	64	69	76	82	88	95	102	110	120	127	138	148	
5.45	38	44	49	56	62	68	76	84	91	101	109	119	129	
5.47	20.8	23.6	26.3	29.5	32.6	35.7	39.3	42.9	47.0	52	57	62	67	72	77	83	90	96	103	110	118	128	135	145	155	
	20.8	24.3	27.6	30.8	34.5	38.2	42.4	48	53	58	63	68	73	79	85	91	98	106	113	123	131	141	151	
5.61	32	38	44	49	56	62	69	76	84	91	102	109	119	130
	0.80	0.83	0.84	0.85			.93	.94	.96	.98	.99	1.00	1.02	1.03	1.04	1.05	1.06	1.07	1.08	1.06	1.11	1.09	1.13	1.12	1.15	

NOTES: ** Stock belt size 5V2650 & 5V3350 not shown
Arc & Length Factors are approximate values
Refer to Selection Procedure for more precise values

NOTE: Selection program VIA-VISA available at www.ptwizard.com.

V-Drives

FHP Drives

Drive Component Accessories

DYNA-SYNC

HT200/HTD Synchronous Drives

HT500 Synchronous Drives

Roller Chain Sprockets



SELECTION

5VX D-V Wedge
Single Belts to 200"
POLYBAND to 200"

5V D-V Wedge
Single Belts over 200"
POLYBAND over 200"

STOCK DRIVE SELECTION

Ratio	Stock Sheaves		1750 RPM Driver		1160 RPM Driver		870 RPM Driver		Belt Number and Approx. Center Distance**											
	Diameter		Driven RPM	HP/Belt		Driven RPM	HP/Belt		Driven RPM	HP/Belt		5VX 600	5VX 630	5VX 670	5VX 710	5VX 750	5VX 800	5VX 850		
	Driver	Driven		5VX	5VX		5VX	5VX		5VX	5VX									
5.67	6.70	37.50	309	20.2	16.0	205	14.2	11.6	153	11.0	9.1		
5.81	4.90	28.00	301	12.1	8.2	200	8.5	6.0	150	6.7	4.8		
	5.50	31.50	301	14.9	10.8	199	10.5	7.9	150	8.1	6.2		
5.94	8.50	50.00	295	27.9	23.2	195	19.7	16.9	146	15.3	13.3		
6.03	6.30	37.50	290	18.5	14.3	192	13.0	10.3	144	10.1	8.1		
6.13	4.65	28.00	285	11.0	7.1	189	7.7	5.2	142	6.0	4.2		
6.16	5.20	31.50	284	13.5	9.5	188	9.5	7.0	141	7.4	5.5		
6.32	8.00	50.00	277	25.8	21.2	184	18.2	15.4	138	14.1	12.1		
6.45	5.90	37.50	271	16.7	12.6	180	11.7	9.1	135	9.1	7.2		
6.49	4.40	28.00	270	9.8	5.9	179	6.9	4.4	134	5.4	3.6		
6.54	4.90	31.50	268	12.1	8.2	177	8.5	6.0	133	6.7	4.8		
6.74	7.50	50.00	260	23.7	19.3	172	16.7	14.0	129	12.9	11.0		
6.90	4.65	31.50	254	11.0	7.1	168	7.7	5.2	126	6.0	4.2		
6.93	5.50	37.50	253	14.9	10.7	167	10.5	7.9	126	8.1	6.2		
7.13	7.10	50.00	245	22.0	17.6	163	15.4	12.8	122	12.0	10.0		
ARC-LENGTH CORRECTION FACTOR →											
7.30	4.40	31.50	240	9.8	5.9	159	6.9	4.4	119	5.4	3.6		
7.33	5.20	37.50	239	13.5	9.5	158	9.5	7.0	119	7.4	5.5		
7.56	6.70	50.00	231	20.2	16.0	153	14.2	11.6	115	11.0	9.1		
7.79	4.90	37.50	225	12.1	8.2	149	8.5	6.0	112	6.7	4.8		
8.05	6.30	50.00	217	18.5	14.3	144	13.0	10.4	108	10.1	8.2		
ARC-LENGTH CORRECTION FACTOR →											
8.22	4.65	37.50	213	11.0	7.1	141	7.7	5.2	106	6.0	4.2		
8.60	5.90	50.00	203	16.7	12.6	135	11.7	9.1	101	9.1	7.2		
8.70	4.40	37.50	201	9.8	5.9	133	6.9	4.4	100	5.4	3.6		
9.24	5.50	50.00	189	14.9	10.9	126	10.5	7.9	94	8.1	6.2		
9.78	5.20	50.00	179	13.5	9.5	119	9.5	7.0	89	7.4	5.5		
10.40	4.90	50.00	168	12.1	8.2	112	8.5	6.0	84	6.7	4.8		
10.97	4.65	50.00	160	11.0	7.1	106	7.7	5.2	79	6.0	4.2		
11.60	4.40	50.00	151	9.8	5.9	100	6.9	4.4	75	5.4	3.6		
ARC-LENGTH CORRECTION FACTOR →											

NOTE: * 5VX = Single and Polyband belts to 200" length
5V = Single and Polyband belts over 200" long

** Stock belt size 5VX530 not shown

NOTE: Selection program VIA-VISA available at www.ptwizard.com.

V-Drives

FHP Drives

Drive Component Accessories

DYNA-SYNC

HT200/HTD Synchronous Drives

HT500 Synchronous Drives

Roller Chain Sprockets

SELECTION



5VX D-V Wedge
Single Belts to 200"
POLYBAND to 200"

5V D-V Wedge
Single Belts over 200"
POLYBAND over 200"

STOCK DRIVE SELECTION

Ratio	Belt Number and Approx. Center Distance																											
	5VX 900	5VX 950	5VX 100	5VX 1060	5VX 1120	5VX 1180	5VX 1250	5VX 1320	5VX 1400	5VX 1500	5VX 1600	5VX 1700	5VX 1800	5VX 1900	5VX 2000	5V 2120	5V 2240	5V 2360	5V 2500	5V 2650	5V 2800	5V 3000	5V 3150	5V 3350	5V 3550			
5.67	26.9	31.5	37	40	48	53	58	63	70	76	82	89	97	104	114	122	132	142				
5.81	...	18.0	21.0	24.4	27.8	31.0	34.7	38.4	42.6	48	53	58	63	68	73	79	85	91	98	106	114	124	131	141	151			
5.94	32	38	44	50	56	63	69	76	84	92	102	110	120	130				
6.03	27.1	31.8	37	43	48	53	58	64	70	76	82	89	97	104	115	122	132	142				
6.13	...	18.1	21.1	24.6	27.9	31.2	34.9	38.6	42.8	48	53	58	63	68	73	79	86	92	99	106	114	124	131	141	151			
6.16	23.5	27.0	30.9	34.7	39.0	44	49	55	60	65	70	76	82	88	95	103	110	120	128	138	148			
6.32	33	39	44	50	56	63	69	76.6	84	92	102	110	120	130				
6.45	27.4	32.0	38	43	48	54	59	64	70	76	82	89	97	105	115	122	132	142				
6.49	...	18.3	21.3	24.7	28.1	31.3	35.1	38.8	42.9	48	53	58	63	68	74	80	86	92	99	106	114	124	131	142	152			
6.54	20.0	23.7	27.2	31.1	34.9	39.2	44	50	55	60	65	70	76	82	88	95	103	111	121	128	138	148			
6.74	33	39	45	50	57	63	70	77	85	92	103	110	120	131				
6.90	20.2	23.8	27.3	31.2	35.1	39.3	45	50	55	60	65	70	76	83	89	96	103	111	121	127	138	149			
6.93	27.6	32.3	38	43	49	54	59	64	70	71	83	90	97	105	115	123	133	143				
7.13	33	39	45	51	57	64	70	77	85	93	103	111	121	131				
	...	0.75	0.77	0.81	0.84	0.87	0.88	0.89	0.91	0.93	0.94	0.95	0.97	0.99	1.00	4.02	1.04	1.06	1.09	1.09	1.10	1.11	1.12	1.13	1.14			
7.30	20.3	24.0	27.5	31.4	35.2	39.5	45	50	55	60	65	71	77	83	86	96	103	111	121	129	139	149			
7.33	27.8	32.4	38	43	49	54	59	64	71	77	83	90	98	105	115	123	133	143.1				
7.56	33	39	45	51	57	64	70	77	85	93	103	111	121	131.2				
7.79	23.6	28.0	32.6	38	44	49	54	59	65	71	77	83	90	98	105	116	123	133	143.3				
8.05	34	40	45	51	58	64	70	78	86	93	103	111	121	131				
	0.79	0.82	0.84	0.86	0.88	0.89	0.90	0.93	0.94	0.96	0.97	0.98	1.00	1.02	1.04	1.05	1.07	1.08	1.10	1.11	1.12	1.14			
8.22	23.7	28.1	32.8	38	44	49	54	60	65	71	77	83	90	98	106	116	123	133	143				
8.60	34	40	46	51	59	64	71	78	86	94	104	111	122	132				
8.70	23.9	28.3	33.0	39	44	49	55	60	65	71	77	83	91	98	106	116	123	134	144				
9.24	34	40	46	52	58	64	71	78	86	94	104	112	122	132				
9.78	34	40	46	52	58	64	71	78	86	94	104	112	122	132				
10.40	35	41	46	52	59	65	71	79	86	91	104	112	122	132				
10.97	35	41	47	52	59	65	72	79	87	94	105	112	123	133				
11.60	35	41	47	52	59	65	72	79	87	95	101	112	123	133				

NOTE: Arc & Length Factors are approximate values
Refer to Selection Procedure for more precise values

NOTE: Selection program VIA-VISA available at www.ptwizard.com.

V-Drives

FHP Drives

Drive Component Accessories

DYNA-SYNC

HT200/HTD Synchronous Drives

HT500 Synchronous Drives

Roller Chain Sprockets



SELECTION

STOCK DRIVE SELECTIONS

8V D-V Wedge & POLYBAND Belts

Ratio	Stock Sheaves		1750 RPM Driver		1160 RPM Driver		870 RPM Driver		Belt Number and Approx. Center Distance							
	Diameter		Driven RPM	HP Per Belt 8V	Driven RPM	HP Per Belt 8V	Driven RPM	HP Per Belt 8V	8VX 1000	8VX 1060	8VX 1120	8VX 1180	8VX 1250	8VX 1320	8VX 1400	8VX 1500
	Driver	Driven														
1.00	12.5	12.5	1750	50.9	1160	42.6	870	35.0	30.4	33.4	36.4	39.4	42.9	46.4	50.4	55.4
	13.2	13.2	1750	56.1	1160	47.3	870	38.9	29.3	32.3	35.3	38.3	41.8	45.3	49.3	54.3
	14.0	14.0	1750	61.7	1160	52.5	870	43.2	28.0	31.0	34.0	37.0	40.5	44.0	48.0	53.0
	15.0	15.0	1160	58.8	870	48.6	26.4	29.4	32.4	35.4	38.9	42.5	46.5	51.5
	16.0	16.0	1160	64.8	870	53.8	24.9	27.9	30.9	33.9	37.4	40.9	44.9	49.9
	17.0	17.0	1160	70.6	870	58.9	23.3	26.3	29.3	32.3	35.8	39.3	43.3	48.3
	18.0	18.0	1160	76.1	870	63.9	21.7	24.7	27.7	30.7	34.2	37.7	41.7	46.7
	19.0	19.0	1160	81.2	870	68.7	...	23.2	26.2	29.2	32.7	36.2	40.2	45.2
	20.0	20.0	1160	86.1	870	73.3	24.6	27.6	31.1	34.6	38.6	43.6
	21.2	21.2	1160	91.5	870	78.8	25.7	29.2	32.7	36.7	41.7
22.4	22.4	870	84.0	27.3	30.8	34.8	39.8	
24.8	24.8	870	93.8	31.0	36.0	
1.05	19.0	20.0	1101	82.5	826	69.6	25.4	28.4	31.9	...	39.4	44.4
1.06	12.5	13.2	1656	53.0	1098	44.1	823	36.1	29.8	32.8	35.8	38.8	42.3	45.8	49.8	54.8
	13.2	14.0	1649	58.4	1093	48.7	820	40.0	28.6	31.6	34.6	37.6	41.1	44.6	48.6	53.6
	16.0	17.0	1091	66.3	818	54.9	24.1	27.1	30.1	33.1	36.6	40.1	44.1	49.1
	17.0	18.0	1095	72.1	821	60.0	22.5	25.5	28.5	31.5	35.0	38.5	42.5	47.5
	18.0	19.0	1098	77.5	824	65.0	...	23.9	27.0	30.0	33.5	37.0	41.0	46.0
	20.0	21.2	1094	87.6	820	74.5	26.7	30.2	33.7	37.7	42.7
21.2	22.4	1097	93.0	823	79.9	28.3	31.8	35.8	40.8	
1.07	14.0	15.0	1632	64.2	1082	54.2	811	44.5	27.2	30.2	33.2	36.2	39.7	43.2	47.2	52.2
	15.0	16.0	1087	60.5	815	49.8	25.7	28.7	31.7	34.7	38.2	41.7	45.7	50.7
1.11	18.0	20.0	1043	78.5	782	65.7	...	23.1	26.2	29.2	32.7	36.2	40.2	45.2
	22.4	24.8	785	85.8	28.9	32.9	37.9
ARC-LENGTH CORRECTION FACTOR →									.86	.87	.86	.89	.90	.90	.91	.92
1.12	12.5	14.0	1560	54.8	1034	45.2	775	37.0	29.2	32.2	35.2	38.2	41.7	45.2	49.2	54.2
	17.0	19.0	1037	73.2	777	60.8	21.7	24.7	27.7	30.7	34.2	37.7	41.7	46.7
	19.0	21.2	1038	83.8	779	70.6	24.4	27.4	30.9	34.4	38.4	43.4
	20.0	22.4	1035	88.7	776	75.3	25.7	29.3	32.7	36.7	41.7
1.13	16.0	18.0	1030	67.5	772	55.9	23.3	26.3	29.3	32.3	35.8	39.3	43.3	48.3
1.14	13.2	15.0	1537	60.4	1019	50.1	764	41.0	27.8	30.8	33.9	36.9	40.4	43.9	47.9	52.9
	14.0	16.0	1528	66.1	1013	55.4	760	45.4	26.4	29.4	32.4	35.4	38.9	42.4	46.4	51.4
	15.0	17.0	1022	61.66	766	50.7	24.9	27.9	30.9	33.9	37.4	40.9	44.9	49.9
1.17	21.2	24.8	990	94.83	743	81.3	29.8	33.8	38.8
1.18	17.0	20.0	984	73.98	738	61.4	...	23.9	26.9	29.9	33.4	36.9	40.9	45.9
	18.0	21.2	983	79.46	737	66.4	25.2	28.2	31.7	35.2	39.2	44.2
	19.0	22.4	982	84.65	737	71.3	26.4	30.0	33.5	37.5	42.5
1.19	16.0	19.0	975	68.33	731	56.4	22.5	25.5	28.5	31.5	35.0	38.5	42.5	47.5
1.20	12.5	15.0	1454	56.4	964	46.20	723	37.7	28.4	31.4	34.4	37.4	40.9	44.4	48.4	53.4
	15.0	18.0	964	62.40	723	51.3	24.0	27.1	30.1	33.1	36.6	40.1	44.1	49.1
1.21	24.8	30.0	718	96.6	31.9
1.22	13.2	16.0	1440	61.8	954	51.09	716	41.7	27.0	30.0	33.0	36.1	39.6	43.1	47.1	52.1
	14.0	17.0	1438	67.4	953	56.31	715	46.1	25.6	28.6	31.6	34.6	38.1	41.6	45.6	50.6
1.24	20.0	24.8	934	90.14	700	76.4	27.2	30.7	34.7	39.7
1.25	16.0	20.0	926	68.92	694	56.9	21.6	24.7	27.7	30.7	34.2	37.7	41.7	46.7
	17.0	21.2	928	74.68	696	62.0	...	22.9	25.9	28.9	32.4	36.0	40.0	45.0
	18.0	22.4	930	80.16	698	66.9	24.2	27.2	30.7	34.2	38.2	43.2
1.27	15.0	19.0	913	63.04	685	51.8	23.2	26.2	29.2	32.2	35.8	39.3	43.3	48.3
1.28	12.5	16.0	1362	57.5	903	46.92	677	38.2	27.6	30.6	33.6	36.6	40.1	43.6	47.6	52.6
1.29	13.2	17.0	1354	62.8	898	51.68	673	42.2	26.2	29.2	32.2	35.2	38.7	42.3	46.3	51.3
	14.0	18.0	1357	68.3	899	56.89	674	46.5	24.8	27.8	30.8	33.8	37.3	40.8	44.8	49.8
1.31	19.0	24.8	887	85.80	665	72.1	27.9	31.5	35.5	40.5
1.32	17.0	22.4	878	75.19	658	62.4	24.9	27.9	31.5	35.0	39.0	44.0
1.33	16.0	21.2	873	69.49	655	57.3	...	23.7	26.7	29.7	33.2	36.7	40.7	45.7
1.34	15.0	20.0	867	63.51	650	52.1	22.4	25.4	28.4	31.4	34.9	38.4	42.5	47.5
	22.4	30.0	648	87.6	33.7
ARC-LENGTH CORRECTION FACTOR →									.84	.85	.86	.87	.88	.89	.90	.90

NOTE: Arc & Length Factors are approximate values
Refer to Selection Procedure for more precise values

NOTE: Selection program VIA-VISA available at www.ptwizard.com.

V-Drives

FHP Drives

Drive Component Accessories

DVNA-SYNC

HT200/HTD Synchronous Drives

HT500 Synchronous Drives

Roller Chain Sprockets

SELECTION



8V D-V Wedge & POLYBAND Belts

STOCK DRIVE SELECTIONS

Ratio	Belt Number and Approx. Center Distance																						
	8VX 1600	8VX 1700	8VX 1800	8VX 1900	8VX 2000	8V 2120	8V 2240	8V 2360	8V 2500	8V 2650	8V 2800	8V 3000	8V 3150	8V 3350	8V 3550	8V 3750	8V 4000	8V 4250	8V 4500	8V 4750	8V 5000	8V 5600	
1.00	60.4	65.4	70.4	75.4	80.4	86.4	92.4	98.4	105	113	120	130	138	148	158	168	180	193	205	218	230	260	
	59.3	64.3	69.3	74.3	79.3	85.3	91.3	97.3	104	112	119	129	137	147	157	167	179	192	204	217	229	259	
	58.0	63.0	68.0	73.0	78.0	84.0	90.0	96.0	103	110	118	128	135	145	155	165	178	190	203	215	228	258	
	56.5	61.5	66.5	71.5	76.5	82.5	88.5	94.5	101	109	116	126	134	144	154	164	176	189	201	214	226	256	
	54.9	59.9	64.9	69.9	74.9	80.9	86.9	92.9	100	107	115	125	132	142	152	162	175	187	200	212	225	255	
	53.3	58.3	63.3	68.3	73.3	79.3	85.3	91.3	98	106	113	123	131	141	151	161	173	186	198	211	223	235	253
	51.7	56.7	61.7	66.7	71.7	77.7	83.7	89.7	97	104	112	122	129	139	149	159	172	184	197	209	222	232	252
	50.2	55.2	60.2	65.2	70.2	76.2	82.2	88.2	95	103	110	120	127	138	148	158	170	183	195	208	220	230	250
	48.6	53.6	58.6	63.6	68.6	74.6	80.6	86.6	94	101	109	119	126	136	146	156	169	181	194	206	219	229	248
	46.7	51.7	56.7	61.7	66.7	72.7	78.7	84.7	92	99	107	117	124	134	144	154	167	179	192	204	217	227	247
44.8	49.8	54.8	59.8	64.8	70.8	76.8	82.8	90	97	105	115	122	132	142	152	165	177	190	202	215	225	245	
41.0	46.0	51.0	56.0	61.0	67.0	73.0	79.0	86	93	101	111	118	128	138	148	161	173	186	198	211	221	241	
1.05	49.4	54.4	59.4	64.4	69.4	75.4	81.4	87.4	94	102	109	119	127	137	147	157	169	182	194	207	219	249	
1.06	59.8	64.8	69.8	74.8	79.8	85.8	91.8	97.8	105	112	120	130	137	147	157	167	180	192	205	217	230	26	
	58.6	63.6	68.6	73.6	78.6	84.6	90.6	96.6	104	111	119	129	136	146	156	166	179	191	204	216	229	259	
	54.1	59.1	64.1	69.1	74.1	80.1	86.1	92.1	99	107	114	124	132	142	152	162	174	187	199	212	224	254	
	52.5	57.5	62.5	67.5	72.5	78.5	84.5	90.5	97	105	112	122	130	140	150	160	172	185	197	210	222	252	
	51.0	56.0	61.0	66.0	71.0	77.0	83.0	89.0	96	103	111	121	128	138	148	158	171	183	196	208	221	251	
1.07	47.7	52.7	57.7	62.7	67.7	73.7	79.7	85.7	93	100	108	118	125	135	145	155	168	180	193	206	218	248	
	45.8	50.8	55.8	60.8	65.8	71.8	77.8	83.8	91	98	106	116	123	133	143	153	166	178	191	203	216	246	
1.11	57.2	62.2	67.2	72.2	77.2	83.2	89.2	95.2	102	110	117	127	134	145	155	165	177	190	202	215	227	257	
	55.2	60.2	65.2	70.2	75.2	81.2	87.2	93.2	101	108	116	126	133	143	153	163	176	188	201	213	226	256	
1.12	50.2	55.2	60.2	65.2	70.2	76.2	82.2	88.2	95	103	110	120	128	138	148	158	170	183	195	208	220	250	
	42.9	47.9	52.9	57.9	62.9	68.9	74.9	80.9	88	95	103	113	120	130	140	150	163	175	188	200	213	243	
1.13	.93	.94	.95	.96	.97	.97	.98	.99	1.00	1.01	1.02	1.03	1.03	1.04	1.05	1.06	1.07	1.08	1.09	1.09	1.10	1.12	
	59.2	64.2	69.2	74.2	79.2	85.2	91.2	97.2	104	112	119	129	137	147	157	167	179	192	204	217	229	259	
	51.7	56.7	61.7	66.7	71.7	77.7	83.7	89.7	97	104	112	122	129	139	149	159	172	184	197	209	222	252	
1.14	48.4	53.4	58.4	63.4	68.4	74.4	80.4	86.4	93	101	108	118	126	136	146	156	168	181	193	206	218	248	
	46.7	51.7	56.7	61.7	66.7	72.7	78.7	84.7	92	99	107	117	124	134	144	154	167	179	191	204	217	247	
1.17	53.3	58.3	63.3	68.3	73.3	79.3	85.3	91.3	98	106	113	123	131	141	151	161	173	186	198	211	223	253	
	57.9	62.9	67.9	72.9	77.9	83.9	89.9	95.9	103	110	118	128	135	145	155	165	178	190	203	215	228	258	
1.18	56.4	61.4	66.4	71.4	76.4	82.4	88.4	94.4	101	109	116	126	134	144	154	164	177	189	201	214	226	256	
	54.9	59.9	64.9	69.9	74.9	80.9	86.9	92.9	100	107	115	125	132	142	152	162	175	187	200	212	225	255	
1.19	43.8	48.8	53.8	58.8	63.8	69.8	75.9	81.9	89	96	104	114	121	131	141	151	164	176	189	201	214	244	
	50.9	55.9	60.9	65.9	70.9	76.9	82.9	88.9	96	103	111	121	128	138	148	158	171	183	196	208	221	251	
1.20	49.2	54.2	59.2	64.2	69.2	75.2	81.2	87.2	94	102	109	119	127	137	147	157	169	182	194	207	219	249	
	47.5	52.5	57.5	62.5	67.5	73.5	79.5	85.5	92	100	107	117	125	135	145	155	167	180	192	205	217	247	
1.21	52.5	57.5	62.5	67.5	72.5	78.5	84.5	90.5	97	105	112	122	130	140	150	160	172	185	197	210	222	252	
	58.4	63.4	68.4	73.4	78.4	84.4	90.4	96.4	103	111	118	128	136	146	156	166	178	191	203	216	228	258	
1.22	54.1	59.1	64.1	69.1	74.1	80.1	86.1	92.1	99	107	114	124	132	142	152	162	174	187	199	212	224	254	
	36.9	41.9	46.9	51.9	56.9	62.9	68.9	74.9	82	89	97	107	114	124	134	144	157	169	182	194	207	237	
1.24	57.1	62.1	67.1	72.1	77.1	83.1	89.1	95.1	102	110	117	127	135	145	155	165	177	190	202	215	227	257	
	55.6	60.6	65.6	70.6	75.6	81.6	87.6	93.6	101	108	116	126	133	143	153	163	176	186	201	213	226	256	
1.25	44.8	49.8	54.8	59.8	64.8	70.8	76.8	82.8	90	97	105	115	122	132	142	152	165	177	190	202	215	244	
	51.7	56.7	61.7	66.7	71.7	77.7	83.7	89.7	97	104	112	122	129	139	149	159	172	184	197	209	222	252	
1.27	50.0	55.0	60.0	65.0	70.0	76.0	82.0	88.0	95	102	110	120	127	137	147	157	170	182	195	207	220	250	
	48.2	53.2	58.2	63.2	68.2	74.2	80.2	86.2	93	101	108	118	126	136	146	156	168	181	193	206	218	248	
1.28	53.3	58.3	63.3	68.3	73.3	79.3	85.3	91.3	98	106	113	123	131	141	151	161	173	186	198	211	223	253	
	57.6	62.6	67.6	72.6	77.6	83.6	89.6	95.6	103	110	118	128	135	145	155	165	178	190	203	21	228	258	
1.29	56.3	61.3	66.3	71.3	76.3	82.3	88.3	94.3	101	109	116	126	134	144	154	164	176	189	201	214	226	256	
	54.8	59.8	64.8	69.8	74.8	80.8	86.8	92.8	100	107	115	125	132	142	152	162	175	187	200	212	225	255	
1.31	45.5	50.5	55.5	60.5	65.5	71.5	77.5	83.5	91	98	106	116	123	133	143	153	166	178	191	203	216	245	
	49.0	54.0	59.0	64.0	69.0	75.0	81.0	87.0	94	101	109	119	126	136	146	156	169	182	194	207	219	249	
1.33	50.7	55.7	60.7	65.7	70.7	76.7	82.7	88.7	96	103	111	121	128	138	148	158	171	183	196	208	221	251	
	52.5	57.5	62.5	67.5	72.5	78.5	84.5	90.5	97	105	112	122	130	140	150	160	172	185	197	210	222	252	
1.34	38.7	43.7	48.7	53.7	58.7	64.7	70.7	76.7	84	91	99	109	116	126	136	146	159	171	184	196	209	239	
	.92	.93	.94	.95	.96	.97	.98	.98	.99	1.00	1.01	1.02	1.03	1.04	1.05	1.06	1.06	1.07	1.08	1.09	1.10	1.11	

NOTE: Selection program VIA-VISA available at www.ptwizord.com.

V-Drives

FHP Drives

Drive Component Accessories

DYNA-SYNC

HT200/HTD Synchronous Drives

HT500 Synchronous Drives

Roller Chain Sprockets



SELECTION

STOCK DRIVE SELECTIONS

8V D-V Wedge & POLYBAND Belts

Ratio	Stock Sheaves		1750 RPM Driver		1160 RPM Driver		870 RPM Driver		Belt Number and Approx. Center Distance							
	Outside Diameter		Driven RPM	HP Per Belt	Driven RPM	HP Per Belt	Driven RPM	HP Per Belt	8VX 1000	8VX 1060	8VX 1120	8VX 1180	8VX 1250	8VX 1320	8VX 1400	8VX 1500
	Driver	Driven		8V		8V		8V								
1.36	14.0	19.0	1285	69.0	851	57.3	639	46.9	24.0	27.0	30.0	33.0	36.5	40.0	44.0	49.0
1.37	12.5	17.0	1281	58.3	849	47.5	637	38.7	26.7	29.8	32.8	35.8	39.3	42.8	46.8	51.8
	13.2	18.0	1278	63.5	847	52.2	635	42.5	25.4	28.4	31.4	34.4	37.9	41.4	45.4	50.5
1.38	18.0	24.8	839	81.0	630	67.6	25.2	28.7	32.2	36.2	41.2
1.41	16.0	22.4	826	69.9	619	57.6	25.7	28.7	32.2	35.7	39.7	44.7
1.42	15.0	21.2	818	63.9	613	52.4	...	24.4	27.4	30.4	33.9	37.5	41.5	46.5
	21.2	30.0	817	96.7	613	82.7	29.5	34.5
1.43	14.0	20.0	1220	69.5	808	57.7	606	47.1	23.1	26.1	29.2	32.2	35.7	39.2	43.2	48.2
	24.8	35.5	606	97.6
1.45	12.5	18.0	1209	58.8	802	47.8	601	38.9	25.9	28.9	31.9	34.9	38.5	42.0	46.0	51.0
	13.2	19.0	1210	64.0	802	52.5	602	42.8	24.6	27.6	30.6	33.6	37.1	40.6	44.6	49.6
1.46	17.0	24.8	792	75.9	594	62.9	25.9	29.4	32.9	37.0	42.0
1.50	15.0	22.4	773	64.2	580	52.6	...	23.3	26.4	29.4	32.9	36.5	40.5	45.5
1.51	20.0	30.0	771	91.5	578	77.5	30.3	35.4
1.52	13.2	20.0	1149	64.4	762	52.7	571	43.0	23.7	26.7	29.7	32.8	36.3	39.8	43.8	48.8
	14.0	21.2	1150	69.9	762	57.9	572	47.3	22.1	25.1	28.1	31.2	34.7	38.2	42.2	47.2
1.53	12.5	19.0	1145	59.2	759	48.2	569	39.1	25.1	28.1	31.1	34.1	37.6	41.1	45.2	50.2
1.56	16.0	24.8	745	70.4	559	58.0	26.6	30.1	33.7	37.7	42.7
	19.0	30.0	732	86.9	549	72.9	31.0	36.1
1.59	22.4	35.5	547	88.3
	12.5	20.0	1087	59.5	721	48.3	540	39.3	24.2	27.2	30.3	33.3	36.8	40.3	44.3	49.3
1.61	14.0	22.4	1088	70.2	721	58.2	541	47.5	...	24.1	27.1	30.1	33.7	37.2	41.2	46.2
	13.2	21.2	1083	64.7	718	53.0	539	43.2	22.6	25.7	28.7	31.7	35.3	38.8	42.8	47.8
1.62	24.8	40.0	538	98.0
1.66	15.0	24.8	698	64.6	523	52.9	24.2	27.3	30.9	34.4	38.4	43.5
ARC-LENGTH CORRECTION FACTOR →									.83	.84	.85	.86	.87	.88	.89	.91
1.67	18.0	30.0	693	81.9	520	68.2	27.7	31.7	36.8
1.68	21.2	35.5	690	97.4	518	83.2
1.71	12.5	21.2	1025	59.7	679	48.4	510	39.4	23.1	26.2	29.2	32.3	35.8	39.3	43.3	48.3
	13.2	22.4	1025	65.0	679	53.1	509	43.3	21.6	24.6	27.7	30.7	34.2	37.8	41.8	46.8
1.77	17.0	30.0	654	76.5	490	63.4	28.4	32.5	37.5
1.78	14.0	24.8	982	70.6	651	58.4	488	47.7	24.9	28.0	31.6	35.1	39.2	44.2
	20.0	35.5	651	92.1	488	77.9
1.79	22.4	40.0	485	88.5
1.80	12.5	22.4	970	59.9	643	48.6	482	39.5	22.0	25.1	28.2	31.2	34.7	38.3	42.3	47.3
	24.8	44.5	483	98.3
1.88	19.0	35.5	618	87.3	463	73.2	31.1
1.89	13.2	24.8	925	65.3	613	53.3	460	43.4	25.5	28.6	32.1	35.7	39.7	44.8
	16.0	30.0	615	70.9	461	58.4	29.0	33.1	38.2
1.90	21.2	40.0	612	97.6	459	83.4
1.98	18.0	35.5	585	82.2	439	68.5	31.8
2.00	12.5	24.8	875	60.2	580	48.7	435	39.6	...	22.9	26.0	29.1	32.6	36.2	40.2	45.3
	22.4	44.5	436	88.7
2.01	15.0	30.0	576	64.9	432	53.2	26.1	29.7	33.8	38.9
	20.0	40.0	577	92.3	433	78.0
2.10	17.0	35.5	552	76.8	414	63.6	32.4
2.11	21.2	44.5	550	97.8	412	83.5
2.12	19.0	40.0	548	87.5	411	73.4
2.15	24.8	53.0	405	98.5
2.16	14.0	30.0	810	71.1	537	58.7	403	47.9	26.7	30.4	34.5	39.6
2.23	16.0	35.5	519	71.1	389	58.5	33.1
2.24	18.0	40.0	519	82.3	389	68.6
	20.0	44.5	518	92.4	389	78.1
2.29	13.2	30.0	763	65.6	506	53.6	380	43.6	27.3	30.9	35.1	40.2
2.36	19.0	44.5	492	87.6	369	73.4
2.37	17.0	40.9	490	76.9	367	63.6
ARC-LENGTH CORRECTION FACTOR →									.80	.80	.81	.81	.82	.83	.85	.87

NOTE: Arc & Length Factors are approximate values
 Refer to Selection Procedure for more precise values
NOTE: Selection program VIA-VISA available at www.ptwizard.com.



8V D-V Wedge & POLYBAND Belts

STOCK DRIVE SELECTIONS

Speed Ratio	Belt Number and Approx. Center Distance																					
	8VX	8VX	8VX	8VX	8VX	8V	8V	8V	8V	8V	8V	8V	8V	8V	8V	8V	8V	8V	8V	8V	8V	
	160	1700	1800	1900	2000	2120	2240	2360	2500	2650	2800	3000	3150	3350	3550	3750	4000	4250	4500	4750	5000	5600
1.36	54.0	59.0	64.0	69.0	74.1	80.1	86.1	92.1	99	107	114	124	132	142	152	162	174	187	199	212	224	254
1.37	56.8	61.8	66.8	71.8	76.8	82.8	88.8	94.8	102	109	117	127	134	144	154	164	177	189	202	214	227	257
1.38	55.5	60.5	65.5	70.5	75.5	81.5	87.5	93.5	101	108	115	125	133	143	153	163	175	186	200	213	225	255
1.41	46.3	51.3	56.3	61.3	66.3	72.3	78.3	84.3	91	99	106	116	124	134	144	154	166	179	191	204	216	246
1.42	49.8	54.8	59.8	64.8	69.8	75.8	81.8	87.8	95	102	110	120	127	137	147	157	170	182	195	207	220	250
1.42	51.5	56.5	61.5	66.5	71.5	77.5	83.5	89.5	97	104	111	121	129	139	149	159	172	184	197	209	222	252
1.43	39.6	44.6	49.6	54.6	59.6	65.7	71.7	77.7	85	92	100	110	117	127	137	147	160	172	185	197	210	240
1.43	53.2	58.2	63.2	68.2	73.2	79.3	85.3	91.3	98	106	113	123	131	141	151	161	173	186	198	211	223	253
1.45	...	37.3	42.3	47.3	52.4	58.4	64.4	70.4	77	85	92	102	110	120	130	140	152	165	178	190	203	233
1.45	56.0	61.0	66.0	71.0	76.0	82.0	88.0	94.0	101	108	116	126	133	143	153	163	176	188	201	213	226	256
1.46	54.6	59.7	64.7	69.7	74.7	80.7	86.7	92.7	100	107	115	125	132	142	152	162	175	187	200	212	225	255
1.46	47.0	52.0	57.0	62.0	67.1	73.1	79.1	85.1	92	100	107	117	125	135	145	155	167	180	192	205	217	247
1.50	50.5	55.5	60.5	65.5	70.5	76.6	82.6	88.6	96	103	111	121	128	138	148	158	171	183	196	208	221	251
1.51	40.4	45.5	50.5	55.5	60.5	66.6	72.6	78.6	86	93	101	111	118	128	138	148	161	173	186	198	211	241
1.52	53.8	58.8	63.8	68.9	73.9	79.9	85.9	91.9	99	106	114	124	131	141	151	161	174	186	199	211	224	254
1.52	52.2	57.3	62.3	67.3	72.3	78.3	84.3	90.3	97	105	112	122	130	140	150	160	172	185	197	210	222	252
1.53	55.2	60.2	65.2	70.2	75.2	81.2	87.2	93.2	100	108	115	125	133	143	153	163	175	188	200	213	225	255
1.56	47.8	52.8	57.8	62.8	67.8	73.8	79.8	85.8	93	100	108	118	125	135	145	155	168	180	193	205	218	248
1.59	41.1	46.2	51.2	56.2	61.3	67.3	73.3	79.3	86	94	101	111	119	129	139	149	161	174	186	199	211	241
1.59	33.9	39.0	44.0	49.1	54.1	60.2	66.2	72.2	79	87	94	104	111	122	132	142	154	167	179	192	204	234
1.61	54.4	59.4	64.4	69.4	74.4	80.4	86.4	92.4	99	107	114	124	131	142	151	162	174	187	199	212	224	254
1.61	51.3	56.3	61.3	66.3	71.3	77.3	83.3	89.3	96	104	111	121	129	139	149	159	171	184	196	209	221	251
1.62	52.8	57.9	62.9	67.9	72.9	78.9	84.9	90.9	98	105	113	123	130	140	150	160	173	185	198	210	223	253
1.66	48.5	54.6	60.6	66.7	74	81	89	99	106	116	126	136	149	161	174	186	199	229
1.66	48.5	53.5	58.4	63.6	68.6	74.6	80.6	86.6	94	101	109	119	126	136	146	156	169	181	194	206	219	249
	.92	.93	.94	.95	.95	.96	.97	.98	.99	1.00	1.01	1.02	1.03	1.04	1.04	1.05	1.06	1.07	1.08	1.09	1.10	1.11
1.67	41.9	46.9	52.0	57.0	62.0	68.0	74.1	80.1	87	95	102	112	120	130	140	150	162	175	187	200	212	242
1.68	34.7	39.8	44.9	50.0	55.0	61.0	67.1	73.1	80	88	95	105	113	123	133	143	155	168	180	193	205	235
1.71	...	58.4	63.4	68.4	73.4	79.4	85.4	91.4	98	106	113	123	131	141	151	161	173	186	198	211	223	253
1.71	51.8	56.9	61.9	66.9	71.9	77.9	83.9	89.9	97	104	112	122	129	139	149	159	172	184	197	209	222	252
1.77	42.6	47.7	52.7	57.7	62.8	68.8	74.8	80.8	88	95	103	113	120	130	140	150	163	175	188	200	213	243
1.78	49.2	54.3	59.3	64.3	69.3	75.3	81.3	87.4	94	102	109	119	127	137	147	157	169	182	194	207	219	249
1.78	35.6	40.7	45.8	50.8	55.9	61.9	68.0	74.0	81	89	96	106	114	124	134	144	156	169	181	194	206	236
1.79	...	34.9	40.0	45.1	50.2	56.3	62.4	68.4	76	83	91	101	108	118	128	138	151	163	176	186	201	231
1.80	52.4	57.4	62.4	67.4	72.4	78.4	84.4	90.5	97	105	112	122	130	140	150	160	172	185	197	210	225	252
1.80	39.3	44.5	50.6	56.7	62.8	70	77	85	95	103	113	123	133	145	158	170	183	195	225
1.88	36.3	41.4	46.5	51.5	56.6	62.7	68.7	74.7	82	89	97	107	114	124	134	144	157	169	182	194	207	237
1.89	49.8	54.8	59.9	64.9	69.9	75.9	81.9	88.0	95	102	110	120	127	137	147	157	170	183	195	208	220	250
1.89	43.3	48.4	53.4	58.5	63.5	69.5	75.5	81.6	89	96	104	114	121	131	141	151	164	176	189	201	214	244
1.90	...	35.7	40.9	46.0	51.1	57.2	63.2	69.3	76	84	91	101	109	119	129	139	152	164	177	189	202	232
1.98	36.9	42.1	47.2	52.2	57.3	63.4	69.4	75.5	82	90	98	108	115	125	135	145	158	170	183	195	208	238
2.00	50.3	55.4	60.4	65.4	70.4	76.5	82.5	88.5	95	103	111	120	128	138	148	158	171	183	196	208	221	251
2.00	41.0	46.1	52.3	58.4	64.5	72	79	87	97	104	114	124	134	147	160	172	185	197	227
2.01	44.0	49.1	54.1	59.2	64.2	70.3	76.3	82.3	89	97	104	114	122	132	142	152	164	177	189	202	214	244
2.01	...	36.5	41.7	46.8	51.9	58.0	64.1	70.2	77	85	92	102	110	120	130	140	152	165	178	190	203	233
2.10	37.6	42.8	47.9	53.0	58.0	64.1	70.2	76.2	83	91	98	108	116	126	136	146	158	171	183	196	209	237
2.11	36.5	41.8	47.0	53.1	59.3	65.4	72	80	88	98	105	115	125	135	148	160	173	185	198	228
2.12	...	37.2	42.4	47.5	52.6	58.7	64.8	70.9	78	85	93	103	111	121	131	141	153	166	178	191	203	233
2.15	42.6	48.9	55.1	62	70	78	88	95	105	115	126	138	151	163	176	188	218
2.16	44.7	44.8	54.9	59.9	64.9	71.0	77.0	83.1	90	98	105	115	123	133	143	153	165	178	190	203	215	245
2.23	38.3	43.5	48.6	53.7	58.7	64.8	70.9	76.9	84	91	99	109	117	127	137	147	159	172	184	197	209	239
2.24	...	37.8	43.0	48.2	53.3	59.4	65.5	71.6	79	86	94	104	111	121	131	141	154	167	179	192	204	234
2.24	37.3	42.6	47.8	54.0	60.1	66.2	73	81	89	99	106	116	126	136	149	161	174	186	199	229
2.29	45.3	50.4	55.4	60.5	65.5	71.6	77.6	83.6	91	98	106	116	123	133	143	153	166	178	191	203	216	246
2.36	38.0	43.2	48.4	54.6	60.8	66.9	74	82	89	99	107	117	127	137	150	162	175	187	120	230
2.37	33.2	38.5	43.7	48.9	54.0	60.1	66.2	72.3	79	87	95	105	112	122	132	142	155	167	180	192	205	235
	.89	.90	.91	.92	.93	.94	.96	.96	.98	.99	1.00	1.01	1.02	1.03	1.04	1.04	1.05	1.06	1.07	1.08	1.09	1.11

NOTE: Selection program VIA-VISA available at www.ptwizard.com.



SELECTION

STOCK DRIVE SELECTIONS

8V

D-V Wedge & POLYBAND Belts

Speed Ratio	Stock Sheaves (4, 5, 6, 8, 10, 12 Grooves)		1750 RPM Driver		1160 RPM Driver		870 RPM Driver		Belt Number and Approx. Center Distance								
	Outside Diameter		Driven RPM	HP Per Belt 8V	Driven RPM	HP Per Belt 8V	Driven RPM	HP Per Belt 8V	8VX 1250	8VX 1320	8VX 1400	8VX 1500	8VX 1600	8VX 1700	8VX 1800	8VX 1900	
	Driver	Driven															
2.38	22.4	53.0	366	88.8	
2.39	15.0	35.5	486	65.1	365	53.	33.8	39.0	44.1	49.3	54.4	
2.42	12.5	30.0	722	60.5	479	48.9	359	39.8	27.7	31.4	35.5	40.7	45.8	50.9	55.9	61.0	
2.49	18.0	44.5	466	82.4	350	68.6	38.6	43.9	
2.51	21.2	53.0	461	97.9	346	83.6	
2.52	16.0	40.0	461	71.2	345	58.6	33.9	39.2	44.4	49.6	
2.55	24.8	63.0	341	98.6	
2.56	14.0	35.5	684	71.3	453	58.9	340	48.0	29.1	34.4	39.7	44.8	50.0	55.1	
2.64	17.0	44.5	440	77.0	330	63.7	39.3	44.6	
2.67	20.0	53.0	435	92.5	326	78.2	
2.69	15.0	40.0	431	65.2	324	53.4	34.5	39.8	45.1	50.2	
2.72	13.2	35.5	644	65.	427	53.7	320	43.7	29.7	35.0	40.2	45.4	50.5	55.6	
2.80	16.0	44.5	414	71.	310	58.6	34.5	39.9	45.2	
2.81	19.0	53.0	413	87.7	310	73.5	
2.83	22.4	63.0	308	88.9	
2.87	12.5	35.5	610	60.	404	49.	303	39.8	30.1	35.4	40.7	45.9	51.0	56.1	
2.88	14.0	40.0	607	71.4	402	58.	302	48.1	35.2	40.5	45.7	50.9	
2.88	24.8	71.0	302	98.6	
2.97	18.0	53.0	391	82.	293	68.7	
2.99	15.0	44.5	388	65.2	291	53.4	35.2	40.6	45.9	
ARC-LENGTH CORRECTION FACTOR →									.80	.81	.82	.83	.86	.87	.88	.90	
2.99	21.2	63.0	388	98.0	291	83.7	
3.06	13.2	40.0	572	65.9	379	53.7	284	43.7	30.2	35.7	41.0	46.3	51.5	
3.14	17.0	53.0	369	77.0	277	63.7	
3.17	20.0	63.0	366	92.6	274	78.2	
3.19	22.4	71.0	273	88.9	
3.21	14.0	44.5	545	71.4	361	58.9	271	48.1	35.8	41.2	46.6	
3.24	12.5	40.0	541	60.7	358	49.0	269	39.9	30.7	36.2	41.5	46.7	51.9	
3.34	16.0	53.0	347	71.3	260	58.7	
3.34	19.0	63.0	347	87.7	260	73.6	
3.37	21.2	71.0	344	98.0	258	83.7	
ARC-LENGTH CORRECTION FACTOR →								78	.82	.85	.87	.88	
3.41	13.2	44.5	514	65.9	340	53.8	255	43.7	36.3	41.7	47.1	
3.53	18.0	63.0	329	82.6	247	68.7	
3.57	15.0	53.0	325	65.3	244	53.5	
3.58	20.0	71.0	324	92.6	243	78.3	
3.60	12.5	44.5	486	60.7	322	49.1	242	39.9	36.7	42.2	47.5	
ARC-LENGTH CORRECTION FACTOR →								81	.84	.88
3.74	17.0	63.0	310	77.1	233	63.8	
3.77	19.0	71.0	308	87.8	231	73.6	
3.83	14.0	53.0	457	71.5	303	59.0	227	48.1	37.3	
3.97	16.0	63.0	292	71.3	219	58.7	
3.98	18.0	71.0	292	82.6	219	68.8	
4.06	13.2	53.0	431	66.0	286	53.8	214	43.8	
4.21	17.0	71.0	275	77.1	206	63.8	
4.24	15.0	63.0	273	65.1	205	53.5	
4.29	12.5	53.0	408	60.8	270	49.1	203	39.9	38.2	
4.48	16.0	71.0	259	71.3	194	58.7	
4.55	14.0	63.0	385	71.5	255	59.0	191	48.1	
4.78	15.0	71.0	242	65.3	182	53.5	
ARC-LENGTH CORRECTION FACTOR →								77	
4.83	13.2	63.0	362	66.0	240	53.8	180	43.8	
5.11	12.5	63.0	343	60.8	227	49.1	170	39.9	
5.13	14.0	71.0	341	71.5	226	59.0	170	48.1	
5.45	13.2	71.0	321	66.0	213	53.8	160	43.8	
5.76	12.5	71.0	304	60.8	202	49.1	151	39.9	
ARC-LENGTH CORRECTION FACTOR →									

NOTE: Arc & Length Factors are approximate values
Refer to Selection Procedure for more precise values

NOTE: Selection program VIA-VISA available at www.ptwizard.com.

V-Drives

FHP Drives

Drive Component Accessories

DYNA-SYNC

HT200/HTD Synchronous Drives

HT500 Synchronous Drives

Roller Chain Sprockets



8V D-V Wedge & POLYBAND Belts

STOCK DRIVE SELECTIONS

Speed Ratio	Belt Number and Approx. Center Distance																	
	8V 2000	8V 2120	8V 2240	8V 2360	8V 2500	8V 2650	8V 2800	8V 3000	8V 3150	8V 3350	8V 3550	8V 3750	8V 4000	8V 4250	8V 4500	8V 4750	8V 5000	8V 5600
2.38	...	44.1	50.5	56.7	64	72	79	89	97	107	117	127	140	152	165	178	190	220
2.39	59.5	65.5	71.6	77.7	85	92	100	110	117	127	137	147	160	172	185	197	210	240
2.42	66.0	72.1	78.1	84.2	91	99	106	116	124	134	144	154	166	179	191	204	216	246
2.49	49.1	55.3	61.5	67.6	75	82	90	100	108	118	128	138	150	163	175	188	200	230
2.51	...	44.9	51.3	57.5	65	72	80	90	98	108	118	128	141	153	166	178	191	221
2.52	54.7	60.8	66.9	73.0	80	88	95	105	113	123	133	143	156	168	181	193	206	236
2.55	53	60	68	79	86	97	107	117	130	142	156	167	180	210
2.56	60.2	66.3	72.3	78.4	85	93	100	111	118	128	138	148	161	173	186	198	211	241
2.64	49.8	56.0	62.2	68.3	75	83	91	101	108	118	128	138	151	164	176	189	201	231
2.67	...	45.7	52.1	58.3	66	73	81	91	99	109	119	129	142	154	167	179	192	222
2.69	55.4	61.5	67.6	73.7	81	88	96	106	114	124	134	144	156	168	181	194	206	236
2.72	60.7	66.8	72.9	79.0	86	94	101	111	119	129	139	149	161	174	186	199	211	241
2.80	50.5	56.7	62.9	69.0	76	84	91	101	109	119	129	139	152	164	177	189	202	232
2.81	39.8	46.3	52.7	59.0	66	74	82	92	99	110	120	130	142	155	168	180	193	223
2.83	46.5	54	62	70	80	88	98	108	119	131	144	157	169	182	212
2.87	61.2	67.3	73.4	79.5	86	94	102	112	119	129	139	149	162	174	187	199	212	242
2.88	56.1	62.2	68.4	74.5	82	89	97	107	114	124	134	144	157	170	182	195	207	237
...	52	60	71	79	89	100	110	123	135	148	161	173	203
2.97	40.5	47.0	53.4	59.7	67	75	82	93	100	110	120	131	143	156	168	181	193	224
2.99	51.1	57.4	63.6	69.7	77	84	92	102	110	120	130	140	153	165	178	190	203	233
...	.92	.93	.94	.95	.96	.97	.99	1.00	1.01	1.02	1.03	1.04	1.05	1.06	1.07	1.08	1.09	1.10
2.99	47.2	55	63	71	81	89	99	109	119	132	145	157	170	183	213
3.06	56.6	62.8	68.9	75.0	82	90	97	107	115	125	135	145	158	170	183	195	208	238
3.14	41.4	47.6	54.0	60.3	68	75	83	93	101	111	121	131	144	156	169	182	194	224
3.17	48.0	56	64	72	82	90	100	110	120	133	146	158	171	184	214
3.19	54	62	73	81	91	101	111	124	137	150	162	175	205
3.21	51.8	58.1	64.2	70.4	78	85	93	103	111	121	131	141	153	166	178	191	203	234
3.24	57.1	63.3	69.4	75.5	83	90	98	108	115	125	136	146	158	171	183	196	208	233
3.34	41.7	48.3	54.7	61.0	68	76	84	94	102	112	122	132	145	157	170	182	195	225
...	48.6	56	64	72	83	90	101	111	121	134	146	159	172	184	214
3.37	54	63	73	81	92	102	112	125	138	150	163	176	206
...	.90	.91	.93	.94	.95	.97	.96	.99	1.00	1.01	1.02	1.03	1.04	1.05	1.06	1.07	1.08	1.10
3.41	52.3	58.6	64.8	71.0	78	86	93	104	111	121	131	141	154	166	179	191	204	234
3.53	49.2	57	65	73	83	91	101	112	122	134	147	160	172	185	215
3.57	42.3	48.9	55.3	61.7	69	77	84	95	102	112	123	133	145	158	170	183	196	226
3.58	55	63	74	82	92	103	113	126	139	151	164	177	207
3.60	52.8	59.1	65.3	71.4	79	86	94	104	112	122	132	142	154	167	179	192	204	235
...	.88	.90	.91	.93	.94	.96	.97	.98	.99	1.01	1.02	1.03	1.04	1.05	1.06	1.07	1.08	1.10
3.74	49.9	58	66	74	84	92	102	112	122	135	148	160	173	186	216
3.77	56	64	75	83	93	104	114	127	139	152	165	177	208
3.83	43.0	49.5	56.0	62.3	70	77	85	95	103	113	123	133	146	159	171	184	196	226
3.97	43.6	50.5	58	66	74	85	92	103	113	123	135	149	161	174	186	217
3.98	56	65	75	83	94	104	114	127	140	153	165	178	208
4.06	43.4	50.1	56.5	62.9	70	78	86	96	104	114	124	134	147	159	172	184	197	227
4.21	48	57	65	76	84	94	105	115	128	141	153	166	179	209
4.24	44.2	51.1	59	67	75	85	93	103	114	124	137	149	162	175	187	217
4.29	43.9	50.5	57.0	63.3	71	78	86	96	104	114	124	134	147	160	172	185	197	228
4.48	49	58	66	77	85	95	106	116	129	141	154	167	180	210
4.55	44.8	51.7	59	68	76	86	94	104	114	125	137	150	163	175	188	218
4.78	49	58	67	77	85	96	106	117	129	142	155	168	180	211
...	.81	.85	.87	.89	.91	.93	.95	.96	.98	.99	1.00	1.01	1.03	1.04	1.05	1.06	1.07	1.09
4.83	45.3	52.2	60	68	76	87	94	105	115	125	138	151	163	176	188	219
5.11	45.7	52.6	60	69	76	87	95	105	115	126	138	151	164	176	189	219
5.13	50	59	67	78	86	96	107	117	130	143	156	168	181	211
5.45	51	59	68	79	86	97	107	118	131	143	156	169	182	2120
5.76	51	60	68	79	87	97	108	118	131	144	157	169	182	212
...79	.80	.82	.84	.87	.91	.93	.95	.97	.98	1.00	1.02	1.03	1.04	1.05	1.08

NOTE: Selection program VIA-VISA available at www.ptwizard.com.



SELECTION

3VX BASIC HORSEPOWER RATINGS Δ

Faster Shaft RPM	Rated HP per belt for Small Sheave O.D. of:										
	2.2 3VX	2.65 3VX	2.8 3VX	3.0 3VX	3.15 3VX	3.35 3VX	3.65 3VX	4.12 3VX	4.5 3VX	4.75 3VX	5.0 3VX
575	.55	.83	.92	1.04	1.13	1.25	1.43	1.72	1.94	2.09	2.24
690	.64	.97	1.08	1.22	1.33	1.48	1.69	2.02	2.29	2.47	2.64
725	.66	1.01	1.13	1.28	1.39	1.54	1.77	2.12	2.40	2.58	2.76
870	.77	1.18	1.32	1.50	1.63	1.81	2.08	2.49	2.82	3.04	3.26
950	.83	1.28	1.42	1.62	1.77	1.96	2.25	2.70	3.06	3.29	3.52
1160	.98	1.52	1.69	1.93	2.10	2.34	2.68	3.22	3.65	3.93	4.21
1425	1.16	1.81	2.02	2.31	2.52	2.80	3.22	3.86	4.38	4.72	5.06
1750	1.37	2.15	2.41	2.75	3.01	3.34	3.85	4.63	5.25	5.65	6.06
2850	2.00	3.21	3.61	4.14	4.53	5.05	5.82	6.99	7.92	8.53	9.12
3450	2.30	3.74	4.21	4.82	5.28	5.89	6.78	8.15	9.21	9.90	10.6
100	.12	.18	.19	.22	.23	.26	.29	.35	.39	.42	.45
200	.22	.33	.36	.41	.44	.48	.55	.66	.74	.80	.85
300	.31	.47	.52	.58	.63	.70	.80	.95	1.07	1.16	1.24
400	.40	.60	.67	.75	.82	.91	1.03	1.24	1.40	1.50	1.61
500	.49	.73	.81	.92	1.00	1.11	1.27	1.51	1.84	1.97	2.13
600	.57	.86	.95	1.08	1.18	1.30	1.49	1.78	2.02	2.17	2.33
700	.65	.98	1.09	1.24	1.35	1.49	1.71	2.05	2.32	2.50	2.68
800	.72	1.10	1.23	1.39	1.52	1.68	1.93	2.31	2.62	2.82	3.02
900	.80	1.22	1.36	1.54	1.68	1.87	2.14	2.57	2.91	3.13	3.36
1000	.87	1.34	1.49	1.69	1.85	2.05	2.35	2.82	3.20	3.45	3.69
1100	.94	1.45	1.62	1.84	2.01	2.23	2.56	3.07	3.48	3.75	4.02
1200	1.01	1.56	1.74	1.99	2.17	2.41	2.76	3.32	3.76	4.05	4.34
1300	1.08	1.67	1.87	2.13	2.32	2.58	2.97	3.56	4.04	4.35	4.66
1400	1.14	1.78	1.99	2.27	2.48	2.75	3.17	3.80	4.32	4.65	4.98
1500	1.21	1.89	2.11	2.41	2.63	2.93	3.36	4.04	4.59	4.94	5.29
1600	1.27	1.99	2.23	2.55	2.78	3.09	3.56	4.28	4.85	5.23	5.60
1700	1.34	2.10	2.35	2.68	2.93	3.26	3.75	4.51	5.12	5.51	5.90
1800	1.40	2.20	2.47	2.82	3.08	3.43	3.94	4.74	5.38	5.79	6.21
1900	1.46	2.30	2.58	2.95	3.22	3.59	4.13	4.97	5.64	6.07	6.50
2000	1.52	2.40	2.70	3.08	3.37	3.75	4.32	5.19	5.89	6.34	6.79
2100	1.58	2.50	2.81	3.21	3.51	3.91	4.50	5.41	6.14	6.61	7.08
2200	1.64	2.60	2.92	3.34	3.65	4.07	4.68	5.63	6.39	6.88	7.37
2300	1.70	2.70	3.03	3.47	3.79	4.22	4.86	5.85	6.63	7.14	7.65
2400	1.75	2.80	3.14	3.59	3.93	4.38	5.04	6.06	6.88	7.40	7.92
2500	1.81	2.89	3.25	3.72	4.07	4.53	5.22	6.28	7.12	7.66	8.20
2600	1.87	2.98	3.35	3.84	4.20	4.68	5.39	6.48	7.35	7.91	8.47
2700	1.92	3.08	3.46	3.96	4.33	4.83	5.56	6.69	7.58	8.16	8.73
2800	1.97	3.17	3.56	4.08	4.47	4.98	5.73	6.89	7.81	8.40	8.99
2900	2.03	3.26	3.66	4.20	4.60	5.12	5.90	7.09	8.04	8.65	9.25
3000	2.08	3.35	3.76	4.31	4.72	5.26	6.06	7.29	8.26	8.88	9.50
3200	2.18	3.52	3.96	4.54	4.98	5.55	6.39	7.68	8.69	9.34	9.99
3400	2.28	3.69	4.16	4.77	5.22	5.82	6.71	8.05	9.11	9.79	10.5
3600	2.37	3.86	4.35	4.99	5.46	6.09	7.01	8.42	9.52	10.2	10.9
3800	2.47	4.02	4.53	5.20	5.70	6.35	7.31	8.77	9.91	10.6	11.3
4000	2.56	4.18	4.71	5.41	5.92	6.60	7.60	9.11	10.3	11.0	11.7
4200	2.64	4.33	4.89	5.61	6.15	6.85	7.88	9.44	10.6	11.4	12.1
4400	2.73	4.48	5.06	5.81	6.36	7.09	8.15	9.75	11.0	11.7	12.5
4600	2.81	4.63	5.22	6.00	6.57	7.32	8.41	10.0	11.3	12.1	12.8
4800	2.89	4.77	5.38	6.18	6.77	7.54	8.66	10.3	11.6	12.4	13.2
5000	2.96	4.90	5.53	6.36	6.96	7.75	8.90	10.6	11.9	12.7	13.5
5200	3.03	5.04	5.68	6.53	7.15	7.96	9.13	10.9	12.2	13.0	13.7
5400	3.10	5.16	5.83	6.69	7.33	8.15	9.35	11.1	12.4	13.2	14.0
5600	3.17	5.28	5.96	6.85	7.50	8.34	9.56	11.3	12.7	13.5	14.2
5800	3.23	5.40	6.10	7.00	7.66	8.52	9.76	11.5	12.9	13.7	14.4
6000	3.29	5.51	6.22	7.15	7.82	8.69	9.94	11.7	13.1	13.8	14.6
6200	3.35	5.62	6.34	7.28	7.97	8.85	10.1	11.9	13.2	14.0	14.7
6400	3.40	5.72	6.46	7.41	8.11	9.00	10.3	12.1	13.4	14.1	14.8
6600	3.45	5.82	6.57	7.54	8.24	9.14	10.4	12.2	13.5	14.2	14.9
6800	3.50	5.91	6.67	7.65	8.36	9.27	10.5	12.4	13.6	14.3	14.9
7000	3.54	5.99	6.77	7.76	8.48	9.40	10.7	12.5	13.7	14.4	15.5

Shaded areas indicate rim speeds exceeding 6500 FPM which may require special sheaves.

TOTAL RATING = rated HP + "additional HP" listed on opposite page.

Δ Subject to Arc and Length Corrections Factors on page PT7-47.

NOTE: Selection program VIA-VISA available at www.ptwizard.com.



3VX BASIC HORSEPOWER RATINGS Δ

Faster Shaft RPM	Rated HP per Belt for Small Sheave O.D. of:							Additional HP per Belt for Speed Ratio of: ‡								
	5.3 3VX	5.6 3VX	6.0 3VX	6.5 3VX	6.9 3VX	8.0 3VX	10.6 3VX	1.02 to 1.05	1.06 to 1.11	1.12 to 1.18	1.19 to 1.26	1.27 to 1.38	1.39 to 1.57	1.58 to 1.94	1.95 to 3.38	3.39 and up
575	2.41	2.59	2.82	3.11	3.34	3.97	5.42	.01	.02	.04	.06	.07	.09	.10	.11	.11
690	2.85	3.06	3.33	3.67	3.95	4.69	6.39	.01	.03	.05	.07	.09	.10	.11	.12	.13
725	2.98	3.20	3.49	3.84	4.13	4.90	6.69	.01	.03	.05	.07	.09	.11	.12	.13	.14
870	3.51	3.77	4.11	4.53	4.87	5.78	7.87	.01	.03	.06	.09	.11	.13	.14	.16	.17
950	3.80	4.08	4.45	4.91	5.27	6.25	8.51	.01	.04	.07	.10	.12	.14	.16	.17	.18
1160	4.55	4.88	5.32	5.87	6.30	7.47	10.1	.02	.05	.09	.12	.14	.17	.19	.21	.22
1425	5.46	5.86	6.38	7.03	7.55	8.94	12.0	.02	.06	.11	.15	.18	.21	.24	.26	.28
1750	6.53	7.01	7.63	8.40	9.01	10.6	14.2	.03	.07	.13	.18	.22	.25	.29	.31	.33
2850	9.82	10.5	11.4	12.5	13.3	15.5	19.6	.04	.12	.22	.30	.36	.42	.48	.52	.55
3450	11.4	12.1	13.1	14.3	15.2	17.3	20.8	.05	.15	.27	.36	.44	.51	.58	.63	.67
100	.48	.52	.56	.62	.67	.79	1.08	.00	.00	.01	.01	.01	.01	.02	.02	.02
200	.92	.98	1.07	1.18	1.27	1.50	2.05	.00	.01	.01	.01	.02	.03	.03	.03	.03
300	1.33	1.43	1.56	1.71	1.84	2.18	2.99	.00	.01	.02	.03	.03	.04	.05	.05	.05
400	1.73	1.86	2.03	2.23	2.40	2.85	3.89	.01	.02	.03	.04	.05	.06	.06	.07	.08
500	2.13	2.28	2.48	2.74	2.94	3.49	4.77	.01	.02	.03	.05	.06	.07	.08	.09	.10
600	2.51	2.69	2.93	3.23	3.47	4.13	5.63	.01	.02	.04	.06	.08	.09	.10	.11	.11
700	2.89	3.10	3.38	3.72	4.00	4.75	6.48	.01	.03	.05	.07	.09	.10	.12	.12	.13
800	3.26	3.50	3.81	4.20	4.51	5.36	7.30	.01	.03	.06	.08	.10	.12	.13	.14	.15
900	3.62	3.89	4.24	4.67	5.02	5.96	8.11	.01	.04	.07	.09	.11	.13	.15	.16	.17
1000	3.98	4.27	4.66	5.14	5.52	6.55	8.90	.01	.04	.08	.10	.12	.15	.17	.18	.19
1100	4.34	4.65	5.07	5.59	6.01	7.13	9.68	.02	.04	.08	.11	.14	.16	.19	.20	.21
1200	4.69	5.03	5.48	6.04	6.49	7.69	10.4	.02	.05	.09	.12	.15	.18	.20	.22	.23
1300	5.03	5.40	5.89	6.49	6.97	8.25	11.2	.02	.05	.10	.13	.16	.19	.22	.23	.25
1400	5.37	5.77	6.29	6.93	7.43	8.80	11.9	.02	.06	.11	.14	.18	.21	.23	.26	.27
1500	5.71	6.13	6.68	7.36	7.89	9.34	12.6	.02	.06	.11	.16	.19	.22	.25	.28	.29
1600	6.04	6.48	7.06	7.78	8.35	9.87	13.3	.02	.07	.12	.17	.20	.24	.27	.29	.31
1700	6.37	6.83	7.45	8.20	8.79	10.4	14.0	.02	.07	.13	.18	.21	.25	.29	.31	.33
1800	6.70	7.18	7.82	8.61	9.23	10.9	14.5	.03	.08	.13	.19	.23	.27	.30	.33	.34
1900	7.01	7.52	8.19	9.01	9.66	11.4	15.1	.03	.08	.14	.20	.25	.28	.32	.35	.37
2000	7.33	7.86	8.55	9.41	10.1	11.9	15.7	.03	.09	.15	.21	.25	.30	.33	.37	.39
2100	7.64	8.19	8.91	9.80	10.5	12.3	16.3	.03	.09	.16	.22	.27	.31	.35	.38	.40
2200	7.94	8.51	9.26	10.2	11.0	12.8	16.8	.03	.10	.17	.23	.28	.33	.37	.40	.43
2300	8.25	8.84	9.61	10.5	11.3	13.2	17.3	.03	.10	.18	.24	.29	.34	.39	.42	.45
2400	8.54	9.15	9.95	10.9	11.7	13.7	17.8	.03	.11	.19	.25	.30	.36	.40	.44	.47
2500	8.83	9.46	10.3	11.3	12.1	14.1	18.2	.04	.11	.19	.26	.32	.37	.42	.46	.48
2600	9.12	9.77	10.6	11.6	12.4	14.5	18.6	.04	.11	.20	.27	.33	.39	.44	.48	.50
2700	9.40	10.1	10.9	12.0	12.8	14.9	19.0	.04	.12	.21	.29	.35	.40	.46	.49	.52
2800	9.68	10.4	11.2	12.3	13.1	15.3	19.4	.04	.13	.21	.29	.36	.42	.47	.51	.54
2900	9.95	10.6	11.6	12.6	13.5	15.6	19.7	.04	.13	.22	.30	.37	.43	.49	.53	.56
3000	10.2	10.9	11.8	13.0	13.8	16.0	20.0	.04	.13	.23	.31	.38	.45	.50	.55	.58
3200	10.7	11.5	12.4	13.6	14.4	16.6	20.5	.05	.14	.24	.33	.40	.48	.54	.58	.62
3400	11.2	12.0	13.0	14.1	15.0	17.2	20.8	.05	.15	.26	.36	.43	.50	.57	.62	.66
3600	11.7	12.5	13.5	14.7	15.6	17.7	21.0	.06	.16	.28	.38	.46	.54	.61	.66	.69
3800	12.2	12.9	14.0	15.2	16.1	18.206	.17	.29	.40	.48	.57	.64	.69	.74
4000	12.6	13.4	14.4	15.6	16.5	18.506	.18	.31	.42	.51	.59	.67	.73	.77
4200	13.0	13.8	14.8	16.0	16.9	18.807	.19	.32	.44	.54	.63	.71	.77	.82
4400	13.4	14.2	15.2	16.4	17.2	19.007	.21	.34	.46	.56	.66	.74	.81	.85
4600	13.7	14.5	15.6	16.7	17.5	19.107	.21	.36	.47	.58	.68	.77	.84	.89
4800	14.1	14.8	15.8	17.0	17.7	19.208	.21	.37	.50	.61	.72	.81	.88	.93
5000	14.3	15.1	16.1	17.2	17.908	.22	.39	.53	.64	.75	.83	.92	.97
5200	14.6	15.4	16.3	17.4	18.008	.23	.40	.55	.66	.77	.87	.95	1.01
5400	14.8	15.6	16.5	17.4	18.009	.24	.41	.57	.69	.81	.91	.99	1.05
5600	15.1	15.8	16.7	17.509	.25	.44	.61	.73	.85	.94	1.05	1.11
5800	15.2	15.9	16.7	17.509	.26	.45	.61	.74	.86	.97	1.06	1.13
6000	15.4	16.0	16.810	.27	.47	.64	.78	.91	1.03	1.12	1.19
6200	15.5	16.1	16.810	.28	.47	.66	.81	.94	1.06	1.16	1.21
6400	15.5	16.1	16.710	.28	.49	.67	.81	.94	1.08	1.17	1.24
6600	15.6	16.111	.29	.51	.69	.84	.99	1.11	1.18	1.29
6800	15.6	16.011	.30	.52	.72	.87	1.01	1.14	1.25	1.29
7000	15.511	.31	.52	.74	.89	1.04	1.18	1.29	1.36

Shaded areas indicate rim speeds exceeding 6500 FPM which may require higher strength sheaves.

TOTAL RATING = rated HP + "additional HP" from right hand column.

‡ Additional HP below 1.02 ratio equals zero.

Δ Subject to Arc and Length Corrections Factors on page PT7-47.

NOTE: Selection program VIA-VISA available at www.ptwizard.com.

V-Drives

FHP Drives

Drive Component Accessories

DYNA-SYNC

HT200/HTD Synchronous Drives

HT500 Synchronous Drives

Roller Chain Sprockets



5VX

5V

BASIC HORSEPOWER RATINGS Δ

Faster Shaft RPM	Rated HP per Belt for Small Sheave O.D. of:																					
	4.4	4.65	4.9	5.5	6.3	6.7	7.1		7.5		8.0		8.5		9.0		9.25		9.75		10.3	
	5VX						5VX	5V	5VX	5V	5VX	5V	5VX	5V	5VX	5V	5VX	5V	5VX	5V	5VX	5V
435	2.57	2.90	3.22	3.99	5.01	5.52	6.03	4.99	6.53	5.48	7.16	6.10	7.78	6.72	8.40	7.33	8.71	7.64	9.32	8.25	10.0	8.91
485	2.82	3.18	3.54	4.40	5.53	6.09	6.65	5.48	7.20	6.03	7.90	6.71	8.58	7.39	9.27	8.07	9.61	8.41	10.3	9.08	11.0	9.81
585	3.27	3.69	4.11	5.11	6.43	7.09	7.87	6.44	8.53	7.09	9.35	7.91	10.2	8.71	11.0	9.51	11.4	9.91	12.2	10.7	13.1	11.6
690	3.82	4.32	4.81	6.00	7.57	8.34	9.12	7.42	9.88	8.17	10.8	9.12	11.8	10.0	12.7	11.0	13.2	11.4	14.1	12.4	15.2	13.4
725	3.98	4.50	5.02	6.27	7.90	8.72	9.53	7.74	10.3	8.53	11.3	9.51	12.3	10.5	13.3	11.4	13.8	11.9	14.8	12.9	15.8	13.9
870	4.64	5.26	5.88	7.35	9.28	10.24	11.2	9.02	12.1	9.95	13.3	11.1	14.5	12.2	15.7	13.4	16.2	13.9	17.4	15.1	18.6	16.3
950	5.00	5.67	6.34	7.93	10.03	11.07	12.1	9.70	13.1	10.7	14.4	11.9	15.6	13.2	16.9	14.4	17.6	15.0	18.8	16.2	20.1	17.5
1160	5.90	6.71	7.51	9.42	11.93	13.17	14.4	11.4	15.6	12.6	17.1	14.1	18.6	15.5	20.1	16.9	20.9	17.7	22.3	19.0	23.9	20.6
1425	6.98	7.95	8.92	11.21	14.23	15.71	17.2	13.4	18.6	14.8	20.4	16.5	22.2	18.2	24.0	19.9	24.9	20.7	26.6	22.3	28.5	24.1
1750	8.23	9.40	10.55	13.30	16.89	18.66	20.4	15.6	22.1	17.2	24.3	19.2	26.3	21.1	28.4	23.0	29.4	23.9	31.4	25.8	33.6	27.7
2850	11.86	13.62	15.35	19.42	24.64	27.15	29.6	20.5	32.0	22.5	34.8	24.9	37.6	27.0	40.2	29.0	41.5	29.9	43.9	31.6	46.5	33.2
3450	13.45	15.47	17.46	22.09	27.93	30.69	33.3	21.3	35.9	23.2	38.9	25.3	41.7	27.1	44.3	28.6	45.5	29.2	47.7	30.1	49.9	30.7
100	0.71	0.79	0.87	1.07	1.33	1.45	1.58	1.36	1.71	1.48	1.87	1.64	2.02	1.80	2.18	1.96	2.26	2.04	2.42	2.19	2.59	2.36
200	1.31	1.47	1.62	2.00	2.49	2.73	2.98	2.52	3.2	2.76	3.53	3.06	3.83	3.36	4.13	3.66	4.28	3.81	4.58	4.11	4.91	4.44
300	1.86	2.09	2.32	2.87	3.59	3.95	4.31	3.60	4.6	3.96	5.11	4.40	5.55	4.83	5.99	5.27	6.21	5.49	6.64	5.92	7.12	6.39
400	2.39	2.69	2.99	3.71	4.65	5.12	5.59	4.63	6.0	5.10	6.63	5.67	7.21	6.24	7.78	6.81	8.07	7.09	8.64	7.65	9.26	8.27
500	2.90	3.27	3.64	4.52	5.68	6.26	6.83	5.63	7.4	6.19	8.12	6.90	8.82	7.59	9.53	8.29	9.88	8.64	10.6	9.33	11.3	10.1
600	3.39	3.83	4.26	5.31	6.68	7.37	8.05	6.58	8.7	7.25	9.56	8.08	10.4	8.91	11.2	9.72	11.6	10.1	12.5	10.9	13.4	11.8
700	3.86	4.37	4.87	6.08	7.66	8.45	9.23	7.51	10.0	8.28	11.0	9.23	11.9	10.2	12.9	11.1	13.4	11.6	14.3	12.5	15.4	13.5
800	4.33	4.90	5.47	6.83	8.62	9.51	10.4	8.41	11.3	9.27	12.4	10.3	13.4	11.4	14.5	12.5	15.1	13.0	16.1	14.0	17.3	15.2
900	4.78	5.41	6.05	7.57	9.56	10.55	11.5	9.28	12.5	10.2	13.7	11.4	14.9	12.6	16.1	13.8	16.7	14.3	17.9	15.5	19.2	16.7
1000	5.22	5.92	6.62	8.29	10.49	11.57	12.7	10.1	13.7	11.2	15.1	12.5	16.4	13.7	17.7	15.0	18.4	15.6	19.6	16.9	21.1	18.3
1100	5.65	6.41	7.18	9.00	11.39	12.58	13.7	10.9	14.9	12.1	16.4	13.5	17.8	14.9	19.2	16.2	19.9	16.9	21.3	18.3	22.9	19.7
1200	3.07	6.90	7.72	9.69	12.28	13.56	14.8	11.7	16.1	12.9	17.6	14.5	1.92	15.9	20.7	17.4	21.5	18.1	23.0	19.6	24.6	21.1
1300	6.48	7.37	8.26	10.36	13.16	14.53	15.9	12.5	17.2	13.8	18.9	15.4	20.6	17.0	22.2	18.5	23.0	19.3	24.6	20.8	26.4	22.5
1400	6.88	7.84	8.79	11.05	14.01	15.48	16.9	1.32	18.4	14.6	20.1	16.3	21.9	18.0	23.6	19.6	24.5	20.4	26.2	22.0	28.1	23.8
1500	7.28	8.29	9.30	11.71	14.86	16.41	17.9	13.9	19.5	15.4	21.3	17.2	23.2	18.9	25.1	20.7	25.9	21.5	27.7	23.2	29.7	25.0
1600	7.66	8.74	9.81	12.35	15.68	17.32	18.9	14.6	20.5	1.62	22.5	18.0	24.5	19.8	26.4	21.6	27.4	22.5	29.3	24.3	31.3	26.1
1700	8.04	9.18	10.31	12.99	16.50	18.22	19.9	15.3	21.6	16.9	23.7	18.8	25.7	20.7	27.7	22.6	28.7	23.5	30.7	25.3	32.8	27.2
1800	8.42	9.61	10.80	13.61	17.29	19.10	20.8	15.9	22.6	17.6	24.8	19.6	26.9	21.5	29.1	23.5	30.1	24.4	32.1	26.2	34.3	28.2
1900	8.78	10.03	11.28	14.22	18.07	19.96	21.8	16.5	23.6	1.82	25.9	20.3	28.1	22.3	30.3	24.3	31.4	25.3	33.5	27.1	35.8	29.1
2000	9.14	10.45	11.74	14.82	18.33	20.80	22.7	17.1	24.6	1.88	27.0	21.0	29.3	23.1	31.5	25.1	32.6	26.0	34.8	27.9	37.2	29.9
2100	9.48	10.85	12.20	15.41	19.58	21.62	23.6	17.6	25.6	1.94	28.0	21.6	30.4	23.7	32.7	25.8	33.9	26.8	36.1	28.7	38.5	30.7
2200	9.83	11.25	12.66	15.99	20.31	22.43	24.5	18.1	26.5	2.00	29.0	22.2	31.5	24.4	33.9	26.4	35.0	27.4	37.3	29.3	39.7	31.3
2300	10.16	11.64	13.10	16.55	21.03	23.21	25.3	18.6	27.5	2.05	30.0	22.8	32.5	24.9	35.0	27.0	36.2	28.0	36.5	29.9	40.9	31.9
2400	10.49	12.01	13.53	17.10	21.72	23.97	26.2	19.0	28.3	2.09	31.0	23.3	33.5	25.5	36.0	27.5	37.2	28.5	39.6	30.4	42.1	32.4
2500	10.81	12.39	13.95	17.64	22.40	24.72	27.0	19.4	29.2	2.14	31.9	23.7	34.5	25.9	37.0	28.0	38.3	29.0	40.7	30.9	43.2	32.7
2600	11.12	12.75	14.36	18.16	23.06	25.44	27.7	19.8	30.0	2.17	32.8	24.1	35.5	26.3	38.0	28.4	39.3	29.4	41.7	31.2	44.2	33.0
2700	11.42	13.10	14.77	18.68	23.71	26.14	28.5	20.1	30.8	2.21	33.6	24.5	36.4	26.7	39.0	28.7	40.2	29.7	42.6	31.4	45.2	33.2
2800	11.72	13.45	15.16	19.18	24.33	26.82	29.2	20.4	31.6	2.24	34.5	24.8	37.2	26.9	39.8	28.9	41.1	29.9	43.5	31.6	46.1	33.3
2900	12.00	13.78	15.54	19.66	24.94	27.48	29.9	20.6	32.3	2.26	35.2	25.0	38.0	27.2	40.6	29.1	41.9	30.0	44.4	31.6	46.9	33.2
3000	12.28	14.11	15.91	20.14	25.53	28.12	30.6	20.8	33.1	2.28	36.0	25.2	38.8	27.3	41.4	29.2	42.7	30.1	45.1	31.6	47.6	33.0
3100	12.56	14.43	16.28	20.60	26.10	28.73	31.3	21.0	33.7	2.30	36.7	25.3	39.5	27.4	42.1	29.2	43.4	30.0	45.8	31.5	48.3	32.7
3200	12.82	14.74	16.63	21.04	26.65	29.32	31.9	21.1	34.4	2.31	37.3	25.4	40.2	2.74	42.8	29.1	41.1	29.9	46.5	31.2	48.8	32.3
3300	13.08	15.04	16.97	21.47	27.17	29.88	32.5	21.2	35.0	2.32	38.0	25.4	40.8	27.3	43.4	29.0	44.7	29.7	47.1	30.9	49.4	31.8
3400	13.33	15.33	17.30	21.89	27.68	30.43	33.1	21.3	35.6	2.32	38.6	25.3	41.4	27.2	44.1	28.7	45.2	29.4	47.5	30.4	49.8	31.1
3500	13.57	15.61	17.62	22.29	28.17	30.94	33.6	21.3	36.1	2.32	39.1	25.2	41.9	27.0	44.5	28.4	45.7	28.9	47.9	29.8	50.1	30.3
3600	13.80	15.88	17.93	22.68	28.63	31.43	34.1	21.2	36.6	2.31	39.6	25.1	42.4	26.7	45.0	27.9	46.1	28.4	48.3	29.1	50.4	29.4
3700	14.02	16.14	18.23	23.05	29.07	31.90	34.6	21.1	37.1	2.30	40.1	24.8	42.8	26.3	45.3	27.4	46.5	27.8	48.5	27.3	50.5	28.3
3800	14.23	16.40	18.51	23.41	29.49	32.33	35.0	21.0	37.6	2.27	40.5	24.5	43.2	25.8	45.7	26.3	46.8	27.1	48.7	27.4
3900	14.44	16.64	18.79	23.75	29.89	32.74	35.4	20.7	38.0	2.24	40.9	24.1	43.5	25.3	45.9	26.1	47.0	26.3	48.9	26.3
4000	14.64	16.87	19.05	24.07	30.26	33.13	35.8	20.5	38.3	2.21	41.2	23.6	43.8	24.7	46.1	25.3	47.1	25.3

Shaded areas indicate rim speeds exceeding 6500 FPM which may require higher strength sheaves.

TOTAL RATING = rated HP + "additional HP" from right hand column.

‡ Additional HP below 1.02 ratio equals zero.

Δ Subject to Arc and Length Corrections Factors on page PT7-47.

NOTE: Selection program VIA-VISA available at www.ptwizard.com.



5VX 5V BASIC HORSEPOWER RATINGS Δ

Faster Shaft RPM	Rated HP per Belt for Small Sheave O.D. of:												Additional HP per Belt for Speed Ratio of: ‡										
	10.9		11.8		12.5		13.2		14.0		15.0		16.0		1.02 to 1.05	1.06 to 1.11	1.12 to 1.18	1.19 to 1.26	1.27 to 1.38	1.39 to 1.57	1.58 to 1.94	1.95 to 3.38	3.39 and up
	5VX	5V	5VX	5V	5VX	5V	5VX	5V	5VX	5V	5VX	5V	5VX	5V									
435	10.7	9.64	11.8	10.7	12.7	11.5	13.5	12.4	14.5	13.3	15.6	14.5	16.8	15.6	.03	.10	.17	.24	.29	.34	.38	.41	.44
485	11.8	10.6	13.1	11.8	14.0	12.7	14.9	13.6	16.0	14.6	17.3	15.9	18.6	17.2	.04	.11	.19	.26	.32	.38	.43	.46	.49
585	14.0	12.5	15.5	13.9	16.6	15.0	17.7	16.1	18.9	17.3	20.4	18.8	22.0	20.2	.05	.13	.24	.31	.39	.46	.51	.56	.59
690	16.3	14.4	17.9	16.0	19.2	17.3	20.5	18.5	21.9	19.9	23.7	21.6	25.4	23.3	.06	.16	.27	.38	.46	.54	.61	.66	.70
725	17.0	15.1	18.8	16.7	20.1	18.0	21.4	19.3	22.9	20.7	24.7	22.5	26.6	24.3	.06	.17	.29	.40	.48	.56	.63	.69	.72
870	20.0	17.6	22.0	19.5	23.6	21.0	25.1	22.5	26.9	24.1	29.0	26.2	31.1	28.1	.07	.20	.35	.46	.58	.67	.77	.83	.88
950	21.6	18.9	23.8	21.0	25.5	22.6	27.1	24.2	28.9	25.9	31.3	28.0	33.5	30.1	.08	.22	.38	.52	.63	.74	.83	.91	.96
1160	25.7	22.2	28.2	24.6	30.2	26.4	32.1	28.2	34.3	30.2	36.9	32.5	39.5	34.8	.10	.26	.47	.63	.77	.90	1.02	1.11	1.17
1425	30.5	25.9	33.5	28.6	35.7	30.6	37.9	32.6	40.4	34.7	43.4	37.2	46.2	39.5	.12	.33	.57	.78	.95	1.11	1.24	1.35	1.45
1750	35.9	29.7	39.3	32.6	41.8	34.7	44.2	36.7	46.9	38.7	50.1	41.1	53.0	43.1	.15	.40	.70	.96	1.17	1.37	1.50	1.68	1.77
2850	49.0	34.7	52.5	36.2	54.8	6.9	56.8	37.024	.66	1.15	1.56	1.80	2.22	2.50	2.73	2.89
3450	52.0	30.929	.80	1.39	1.90	2.20	2.69	3.03	3.30	3.50
100	2.77	2.55	3.05	2.83	3.27	3.04	3.48	3.26	3.73	3.50	4.03	3.80	4.33	4.11	.01	.02	.04	.05	.07	.08	.09	.10	
200	5.26	4.79	5.80	5.32	6.21	5.73	6.62	6.14	7.09	6.60	7.67	7.18	8.25	7.75	.01	.04	.08	.11	.13	.16	.17	.19	.20
300	7.64	6.91	8.42	7.68	9.02	8.27	9.62	8.86	10.3	9.54	11.1	10.37	12.0	11.2	.02	.07	.12	.16	.20	.23	.26	.29	.30
400	9.94	8.94	10.9	9.94	11.7	10.7	12.5	11.5	13.4	12.3	14.5	13.4	15.6	14.5	.03	.09	.16	.22	.26	.31	.35	.38	.40
500	12.2	10.9	13.4	12.1	14.4	13.0	15.3	14.0	16.4	15.0	17.7	16.3	19.1	17.7	.04	.11	.20	.27	.33	.39	.44	.46	.50
600	14.3	12.8	15.8	14.2	16.9	15.3	18.1	16.4	19.3	17.6	20.9	19.2	22.5	20.7	.05	.14	.24	.33	.40	.47	.53	.57	.61
700	16.5	14.6	18.2	16.2	19.5	17.5	20.7	18.7	22.2	20.1	24.0	21.8	25.8	23.6	.06	.16	.28	.38	.47	.55	.62	.67	.71
800	18.6	16.4	20.5	18.2	21.9	19.6	23.3	21.0	24.9	22.5	27.0	24.4	28.9	26.1	.07	.18	.32	.44	.53	.62	.70	.77	.81
900	20.6	18.1	22.7	20.1	24.3	21.6	25.9	23.1	27.7	24.8	29.9	26.9	32.0	28.9	.08	.21	.36	.49	.60	.70	.79	.86	.91
1000	22.6	19.7	24.9	21.9	26.6	23.5	28.3	25.2	30.3	27.0	32.7	29.2	35.0	31.3	.08	.23	.39	.55	.66	.78	.87	.95	1.01
1100	24.5	21.3	27.0	23.6	28.9	25.3	30.7	27.1	32.8	29.0	35.4	31.3	37.8	33.6	.09	.25	.44	.60	.73	.86	.96	1.05	1.11
1200	26.4	22.8	29.0	25.3	31.1	27.1	33.0	28.9	35.2	30.9	37.9	33.3	40.6	35.6	.10	.27	.48	.66	.80	.93	1.05	1.15	1.22
1300	28.3	24.2	31.1	26.8	33.2	28.7	35.3	30.6	37.6	32.7	40.4	35.2	43.2	37.5	.11	.30	.52	.71	.86	1.01	1.14	1.24	1.32
1400	30.1	25.6	33.0	28.3	35.2	30.3	37.4	32.2	39.8	34.3	42.8	36.8	45.6	39.2	.11	.32	.56	.77	.93	1.09	1.23	1.34	1.42
1500	31.8	26.9	34.9	29.6	37.2	31.7	39.5	33.6	42.0	35.8	45.0	38.3	47.9	40.6	.12	.34	.61	.82	1.00	1.18	1.32	1.44	1.52
1600	33.5	28.1	36.7	30.9	39.1	33.0	41.4	34.9	44.0	37.1	47.1	39.6	50.1	41.8	.13	.37	.64	.88	1.07	1.25	1.40	1.53	1.62
1700	35.1	29.2	38.4	32.1	40.9	34.1	43.3	36.1	46.0	38.2	49.1	40.6	52.1	42.7	.14	.39	.69	.93	1.13	1.32	1.49	1.61	1.72
1800	36.7	30.2	40.1	33.1	42.6	35.2	45.1	37.2	47.8	39.2	51.0	41.5	53.9	43.4	.15	.41	.72	.99	1.20	1.40	1.58	1.72	1.83
1900	38.2	31.2	41.7	34.0	44.3	36.1	46.8	38.0	49.5	40.0	52.7	42.1	55.6	43.9	.16	.44	.77	1.04	1.26	1.48	1.67	1.82	1.93
2000	39.6	32.0	43.2	34.8	45.8	36.9	48.3	38.7	51.1	40.6	54.2	42.5	57.1	44.0	.17	.46	.80	1.10	1.33	1.56	1.77	1.92	2.03
2100	41.0	32.7	44.6	35.5	47.3	37.5	49.8	39.2	52.5	40.9	55.6	42.7	58.3	43.8	.18	.48	.85	1.15	1.40	1.64	1.85	2.01	2.13
2200	42.3	33.4	46.0	36.1	48.6	38.0	51.1	39.6	53.8	41.1	56.8	42.5	59.4	43.4	.18	.51	.89	1.21	1.47	1.71	1.93	2.10	2.23
2300	43.6	33.9	47.2	36.5	49.9	38.3	52.4	39.7	55.0	41.1	57.8	42.1	60.3	42.6	.19	.52	.93	1.26	1.53	1.79	2.02	2.20	2.33
2400	44.7	34.3	48.4	36.8	51.0	38.4	53.5	39.7	56.0	40.8	58.7	41.5	61.0	41.4	.20	.55	.96	1.32	1.60	1.87	2.11	2.30	2.44
2500	45.8	34.6	49.5	36.9	52.1	38.4	54.4	39.5	56.8	40.3	59.4	40.521	.57	1.01	1.38	1.67	1.95	2.20	2.39	2.54
2600	46.8	34.8	50.5	36.9	53.0	38.2	55.3	39.0	57.6	39.522	.60	1.05	1.43	1.73	2.03	2.29	2.49	2.64
2700	47.8	34.9	51.3	36.8	53.8	37.8	56.0	38.4	58.1	38.523	.62	1.09	1.48	1.80	2.11	2.37	2.59	2.74
2800	48.6	34.8	52.1	36.4	54.5	37.2	56.5	37.524	.64	1.13	1.59	1.86	2.18	2.46	2.68	2.84
2900	49.4	34.6	52.8	35.9	55.0	36.4	56.9	36.424	.67	1.17	1.60	1.93	2.26	2.55	2.78	2.94
3000	50.1	34.2	53.4	35.3	55.5	35.525	.69	1.21	1.65	2.00	2.34	2.63	2.87	3.05
3100	50.7	33.7	53.8	34.526	.72	1.25	1.70	2.07	2.42	2.72	2.97	3.15
3200	51.2	33.1	54.1	33.427	.74	1.29	1.76	2.14	2.50	2.81	3.07	3.25
3300	51.6	32.328	.77	1.33	1.81	2.20	2.58	2.90	3.16	3.35
3400	51.9	31.429	.79	1.37	1.87	2.27	2.65	2.99	3.26	3.45
3500	52.1	30.330	.81	1.41	1.92	2.33	2.73	3.08	3.35	3.55
360031	.83	1.45	1.98	2.40	2.81	3.16	3.45	3.65
370032	.86	1.49	2.03	2.47	2.89	3.25	3.54	3.76
380032	.88	1.53	2.09	2.53	2.97	3.34	3.64	3.85
390033	.90	1.57	2.14	2.60	3.05	3.43	3.74	3.96
400034	.93	1.61	2.20	2.67	3.12	3.52	3.83	4.06

Shaded areas indicate rim speeds exceeding 6500 FPM which may require higher strength sheaves.

TOTAL RATING = rated HP + "additional HP" from right hand column.

‡ Additional HP below 1.02 ratio equals zero.

Δ Subject to Arc and Length Corrections Factors on page PT7-47.

NOTE: Selection program VIA-VISA available at www.ptwizard.com.



SELECTION

8V

BASIC HORSEPOWER RATINGS Δ

Faster Shaft RPM	Rated HP per Belt for Small Sheave O.D. of:												Additional HP per Belt for Speed Ratio of: ‡								
	12.5	13.2	14.0	15.0	16.0	17.0	18.0	19.0	20.0	21.2	22.4	24.8	1.02 to 1.05	1.06 to 1.11	1.12 to 1.18	1.19 to 1.26	1.27 to 1.38	1.39 to 1.57	1.58 to 1.94	1.95 to 3.38	3.39 and up
435	20.1	22.3	24.8	27.8	30.9	33.9	36.8	39.8	42.7	46.2	49.7	56.4	.20	.56	.97	1.32	1.60	1.87	2.11	2.30	2.43
485	22.0	24.4	27.1	30.5	33.8	37.1	40.4	43.6	46.9	50.7	54.4	61.8	.23	.62	1.08	1.47	1.78	2.09	2.35	2.56	2.71
585	25.7	28.5	31.7	35.6	39.5	43.4	47.2	50.9	54.6	59.0	63.3	71.6	.27	.75	1.30	1.77	2.15	2.52	2.83	3.09	3.27
690	29.3	32.6	36.2	40.7	45.2	49.5	53.8	58.0	62.2	67.0	71.8	80.9	.32	.88	1.54	2.09	2.54	2.97	3.34	3.64	3.86
725	30.5	33.8	37.6	42.3	46.9	51.5	55.9	60.3	64.5	69.5	74.4	83.7	.34	.93	1.61	2.20	2.67	3.12	3.51	3.83	4.06
870	35.0	38.9	43.2	48.6	53.8	58.9	63.9	68.7	73.4	78.8	84.0	93.8	.41	1.11	1.94	2.64	3.20	3.74	4.22	4.59	4.87
950	37.3	41.4	46.0	51.7	57.2	62.6	67.7	72.8	77.6	83.1	88.4	98.1	.45	1.21	2.11	2.88	3.49	4.09	4.60	5.02	5.32
1160	42.6	47.3	52.5	58.8	64.8	70.6	76.1	81.2	86.1	91.5	96.5	104.8	.54	1.48	2.58	3.52	4.27	4.99	5.62	6.13	6.49
1425	47.6	52.7	58.4	65.0	71.2	76.9	82.1	86.8	90.9	95.0	98.3	102.1	.67	1.82	3.17	4.32	5.24	6.13	6.91	7.52	7.97
1750	50.9	56.1	61.7	67.9	73.3	77.8	81.5	84.2	85.8	86.582	2.24	3.90	5.30	6.44	7.53	8.48	9.24	9.79
50	3.01	3.31	3.64	4.06	4.47	4.88	5.30	5.70	6.11	6.60	7.09	8.0	.02	.06	.11	.15	.18	.22	.24	.26	.28
100	5.59	6.15	6.79	7.59	8.38	9.17	9.96	10.7	11.5	12.5	13.4	15.2	.05	.13	.22	.30	.37	.43	.48	.53	.56
150	8.00	8.82	9.76	10.9	12.1	13.2	14.4	15.5	16.6	18.0	19.4	22.0	.07	.19	.33	.45	.55	.65	.73	.79	.84
200	10.3	11.4	12.6	14.1	15.6	17.1	18.6	20.1	21.6	23.3	25.1	28.6	.09	.26	.45	.61	.74	.86	.97	1.06	1.12
250	12.5	13.8	15.3	17.2	19.0	20.9	22.7	24.5	26.3	28.5	30.7	34.9	.12	.32	.56	.76	.92	1.08	1.21	1.32	1.40
300	14.6	16.2	18.0	20.2	22.4	24.5	26.7	28.8	31.0	33.5	36.0	41.0	.14	.38	.67	.91	1.10	1.29	1.45	1.58	1.68
350	16.7	18.5	20.5	23.1	25.6	28.1	30.5	33.0	35.4	38.3	41.2	46.9	.16	.45	.78	1.06	1.29	1.51	1.70	1.85	1.96
400	18.7	20.7	23.0	25.9	28.7	31.5	34.3	37.0	39.8	43.0	46.3	52.6	.19	.51	.89	1.21	1.47	1.72	1.94	2.11	2.24
450	20.7	22.9	25.5	28.6	31.8	34.9	37.9	41.0	44.0	47.6	51.1	58.1	.21	.58	1.00	1.36	1.66	1.94	2.18	2.38	2.52
500	22.6	25.0	27.8	31.3	34.7	38.1	41.5	44.8	48.1	51.9	55.8	63.3	.23	.64	1.11	1.52	1.84	2.15	2.42	2.64	2.80
550	24.4	27.1	30.1	33.9	37.6	41.3	44.9	48.5	52.0	56.2	60.3	68.3	.26	.70	1.22	1.67	2.02	2.37	2.67	2.90	3.08
600	26.2	29.1	32.4	36.4	40.4	44.3	48.2	52.0	55.8	60.2	64.6	73.0	.28	.77	1.34	1.82	2.21	2.58	2.91	3.17	3.36
650	28.0	31.0	34.5	38.8	43.1	47.2	51.4	55.4	59.4	64.1	68.7	77.5	.31	.83	1.45	1.97	2.39	2.80	3.15	3.43	3.64
700	29.7	32.9	36.6	41.2	45.7	50.1	54.4	58.7	62.9	67.8	72.6	81.7	.33	.89	1.56	2.12	2.57	3.01	3.39	3.70	3.92
750	31.3	34.7	38.7	43.5	48.2	52.8	57.4	61.8	66.2	71.3	76.2	85.6	.35	.96	1.67	2.27	2.76	3.23	3.63	3.96	4.20
800	32.9	36.5	40.6	45.7	50.6	55.4	60.2	64.8	69.3	74.6	79.6	89.3	.38	1.02	1.78	2.43	2.94	3.44	3.88	4.22	4.48
850	34.4	38.2	42.5	47.8	52.9	57.9	62.8	67.6	72.3	77.6	82.8	92.5	.40	1.09	1.89	2.58	3.13	3.66	4.12	4.49	4.76
900	35.9	39.8	44.3	49.8	55.1	60.3	65.4	70.3	75.0	80.5	85.8	95.5	.42	1.15	2.00	2.73	3.31	3.87	4.36	4.75	5.04
950	37.3	41.4	46.0	51.7	57.2	62.6	67.7	72.8	77.6	83.1	88.4	98.1	.45	1.21	2.11	2.88	3.49	4.09	4.60	5.02	5.32
1000	38.7	42.9	47.7	53.5	59.2	64.7	70.0	75.1	80.0	85.6	90.8	100.3	.47	1.28	2.23	3.03	3.68	4.30	4.85	5.28	5.60
1050	39.9	44.4	49.3	55.3	61.1	66.7	72.1	77.2	82.1	87.7	92.9	102.2	.49	1.34	2.34	3.18	3.86	4.52	5.09	5.54	5.88
1100	41.2	45.7	50.8	56.9	62.9	68.5	74.0	79.2	84.1	89.6	94.7	103.6	.52	1.41	2.45	3.33	4.05	4.73	5.33	5.81	6.16
1150	42.3	47.0	52.2	58.5	64.5	70.2	75.7	80.9	85.9	91.2	96.2	104.6	.54	1.47	2.56	3.49	4.23	4.95	5.57	6.07	6.44
1200	43.5	48.2	53.5	59.9	65.0	71.8	77.3	82.5	87.3	92.6	97.4	105.2	.56	1.53	2.67	3.64	4.41	5.17	5.82	6.34	6.71
1250	44.5	49.4	54.8	61.2	67.4	73.2	78.7	83.8	88.5	93.7	98.2	105.4	.59	1.60	2.78	3.79	4.60	5.38	6.06	6.60	6.99
1300	45.5	50.4	55.9	62.5	68.7	74.5	79.9	84.9	89.5	94.5	98.7	105.1	.61	1.66	2.89	3.94	4.78	5.60	6.30	6.86	7.27
1350	46.4	51.4	57.0	63.6	69.8	75.6	80.9	85.8	90.3	94.9	98.8	104.3	.63	1.73	3.01	4.09	4.97	5.81	6.54	7.13	7.55
1400	47.2	52.3	57.9	64.5	70.8	76.5	81.7	86.5	90.7	95.1	98.6	102.9	.66	1.79	3.12	4.24	5.15	6.03	6.78	7.39	7.83
1450	48.0	53.1	58.8	65.4	71.6	77.2	82.4	86.9	90.9	94.9	98.0	101.1	.68	1.85	3.23	4.40	5.33	6.24	7.03	7.66	8.11
1500	48.7	53.9	59.5	66.2	72.3	77.8	82.8	87.1	90.8	94.4	97.0	98.8	.70	1.92	3.34	4.55	5.52	6.46	7.27	7.92	8.39
1550	49.3	54.5	60.2	66.8	72.8	78.2	83.0	87.1	90.5	93.6	95.5	95.9	.73	1.98	3.45	4.70	5.70	6.67	7.51	8.18	8.67
1600	49.8	55.1	60.7	67.2	73.2	78.4	82.9	86.7	89.8	92.3	93.775	2.05	3.56	4.85	5.88	6.89	7.75	8.45	8.95
1650	50.2	55.5	61.1	67.6	73.4	78.4	82.7	86.2	88.8	90.8	91.477	2.11	3.67	5.00	6.07	7.10	8.00	8.71	9.23
1700	50.6	55.9	61.5	67.8	73.4	78.2	82.2	85.3	87.5	88.8	88.780	2.17	3.78	5.15	6.25	7.32	8.24	8.98	9.51
1800	51.2	56.3	61.7	67.8	73.0	77.2	80.5	82.7	83.9	83.784	2.30	4.01	5.46	6.62	7.75	8.72	9.5	10.1
1900	51.2	56.3	61.5	67.2	71.8	75.4	77.8	79.0	78.989	2.43	4.23	5.76	6.99	8.18	9.21	10.0	10.6
2000	51.0	55.9	60.8	65.9	69.9	72.6	74.0	74.094	2.56	4.45	6.06	7.36	8.61	9.69	10.6	11.2
2200	49.4	53.7	57.7	61.5	63.7	64.2	1.03	2.81	4.90	6.67	8.09	9.47	10.7	11.6	12.3
2400	46.0	49.5	52.4	54.2	54.1	1.13	3.07	5.34	7.28	8.83	10.3	11.6	12.7	13.4
2600	40.9	43.2	44.5	1.22	3.32	5.79	7.88	9.56	11.2	12.6	13.7	14.5

Shaded areas indicate rim speeds exceeding 6500 FPM which may require higher strength sheaves.

TOTAL RATING = rated HP + "additional HP" from right hand column.

‡ Additional HP below 1.02 ratio equals zero.

Δ Subject to Arc and Length Corrections Factors on page PT7-47.

NOTE: Selection program VIA-VISA available at www.ptwizard.com.

V-Drives

FHP Drives

Drive Component Accessories

DYNA-SYNC

HT200/HTD Synchronous Drives

HT500 Synchronous Drives

Roller Chain Sprockets

SELECTION



5VF

BASIC HORSEPOWER RATINGS Δ Aramide Cord Belt

SEE CAUTION BELOW

Faster Shaft RPM	Rated HP per Belt for Small Sheave O.D. of:														Additional HP per Belt for Speed Ratio of \ddagger :				
	7.1	8.0	8.5	9.0	9.75	10.3	10.9	11.3	11.8	12.5	13.2	14.0	15.0	16.0	1.02 to 1.20	1.21 to 1.50	1.51 to 2.19	2.20 to 3.32	3.33 and up
	200	3.55	4.42	4.91	5.39	6.11	6.63	7.2	7.58	8.05	8.71	9.36	10.1	11.0	11.9	.10	.24	.33	.37
300	5.01	6.29	6.99	7.69	8.74	9.5	10.3	10.9	11.5	12.5	13.5	14.5	15.9	17.2	.15	.36	.50	.55	.57
400	6.39	8.05	8.97	9.88	11.2	12.2	13.3	14.0	14.9	16.1	17.4	18.8	20.5	22.2	.19	.47	.66	.74	.76
500	7.71	9.74	10.9	12.0	13.6	14.8	16.2	17.0	18.1	19.6	21.1	22.8	24.9	27.0	.24	.59	.83	.92	.94
600	8.96	11.4	12.7	14.0	15.9	17.4	18.9	19.9	21.2	23.0	24.8	26.7	29.2	31.7	.29	.71	.99	1.11	1.13
700	10.2	12.9	14.4	15.9	18.2	19.8	21.6	22.8	24.2	26.3	28.3	30.5	33.3	36.1	.34	.83	1.16	1.29	1.32
800	11.3	14.4	16.1	17.8	20.4	22.2	24.2	25.5	27.1	29.4	31.6	34.2	37.3	40.4	.39	.95	1.32	1.48	1.51
900	12.4	15.9	17.8	19.7	22.5	24.5	26.7	28.2	29.9	32.4	34.9	37.7	41.1	44.5	.44	1.07	1.49	1.66	1.70
1000	13.5	17.3	19.4	21.5	24.5	26.7	29.1	30.7	32.7	35.4	38.0	41.1	44.8	48.4	.49	1.18	1.65	1.85	1.89
1100	14.6	18.7	20.9	23.2	26.5	28.9	31.5	33.2	35.3	38.2	41.1	44.3	48.2	52.1	.53	1.30	1.82	2.03	2.08
1200	15.6	20.0	22.4	24.8	28.4	30.9	33.7	35.5	37.8	40.9	43.9	47.4	51.5	55.6	.58	1.42	1.99	2.22	2.27
1300	16.6	21.3	23.9	26.4	30.2	32.9	35.9	37.8	40.2	43.5	46.7	50.3	54.7	58.9	.63	1.54	2.15	2.40	2.45
1400	17.5	22.5	25.3	28.0	32.0	34.9	37.9	40.0	42.5	45.9	49.3	53.0	57.6	61.9	.68	1.66	2.32	2.59	2.64
1600	19.3	24.9	27.9	30.9	35.3	38.5	41.8	44.1	46.8	50.5	54.1	58.1	62.8	67.3	.78	1.89	2.65	2.96	3.02
1800	20.9	27.0	30.3	33.6	38.4	41.7	45.4	47.7	50.6	54.5	58.2	62.3	67.2	71.6	.88	2.13	2.98	3.32	3.40
2000	22.4	29.0	32.6	36.0	41.1	44.7	48.5	50.9	53.9	57.9	61.7	65.8	70.5	74.8	.97	2.37	3.31	3.69	3.78
2200	23.8	30.8	34.5	38.2	43.5	47.2	51.2	53.7	56.7	60.7	64.5	68.5	72.9	76.7	1.07	2.60	3.64	4.06	4.15
2400	24.9	32.4	36.3	40.1	45.6	49.4	53.4	55.9	58.9	62.8	65.5	70.2	74.1	77.3	1.17	2.84	3.97	4.43	4.53
2600	26.0	33.7	37.8	41.7	47.3	51.1	55.1	57.6	60.5	64.3	67.6	70.9	1.26	3.08	4.30	4.80	4.91
2800	26.9	34.8	39.0	43.0	48.6	52.4	56.3	58.7	61.4	64.9	67.8	1.36	3.31	4.63	5.17	5.29
3000	27.6	35.8	40.0	44.0	49.6	53.3	56.9	59.2	61.7	64.7	1.46	3.55	4.96	5.54	5.66
3200	28.1	36.4	40.7	44.6	50.1	53.6	57.0	59.0	61.2	1.56	3.79	5.30	5.91	6.04
3400	28.4	36.8	41.0	44.9	50.1	53.4	56.5	58.2	1.65	4.02	5.63	6.28	6.42
3600	28.6	36.9	41.1	44.8	49.7	52.7	1.75	4.26	5.96	6.65	6.80

8VF

SEE CAUTION BELOW

Faster Shaft RPM	Rated HP per Belt for Small Sheave O.D. of:												Additional HP per Belt for Speed Ratio of \ddagger :				
	12.5	13.2	14.0	15.0	16.0	17.0	18.0	19.0	20.0	21.2	22.4	24.8	1.02 to 1.20	1.21 to 1.50	1.51 to 2.19	2.20 to 3.32	3.33 and up
	200	12.6	14.5	16.6	19.3	21.9	24.6	27.2	29.8	32.433	35.5	38.6	44.7	.59	1.43	2.00	2.24
250	15.0	17.4	20.0	23.3	26.5	29.7	33.0	36.2	39.4	43.2	46.9	54.5	.74	1.79	2.51	2.80	2.86
300	17.4	20.1	23.2	27.1	30.9	34.7	38.5	42.3	46.1	50.5	55.0	63.8	.88	2.15	3.01	3.36	3.43
350	19.6	22.7	26.3	30.7	35.2	39.6	43.9	48.3	52.6	57.7	62.8	72.9	1.03	2.51	3.51	3.91	4.00
400	21.7	25.2	29.3	34.3	39.3	44.2	49.1	54.0	58.9	64.6	70.4	81.7	1.18	2.87	4.01	4.47	4.57
450	23.7	27.7	32.2	37.7	43.2	48.7	54.2	59.6	65.0	71.4	77.7	90.2	1.33	3.23	4.51	5.03	5.15
500	25.6	30.0	34.9	41.0	47.1	53.1	59.1	65.0	70.9	77.8	84.8	98.4	1.47	3.58	5.01	5.59	5.72
600	29.3	34.4	40.1	47.3	54.4	61.4	68.4	75.3	82.2	90.2	98.2	113.9	1.77	4.30	6.01	6.71	6.86
700	32.6	38.4	45.0	51.2	61.2	69.2	77.1	84.9	92.6	101.7	110.7	128.1	2.06	5.02	7.01	7.83	8.00
800	35.6	42.1	49.5	58.6	67.6	76.5	85.2	93.8	102.3	112.3	122.1	141.1	2.36	5.73	8.02	8.95	9.15
900	38.3	45.5	53.6	63.6	73.5	83.1	92.7	102.0	111.2	121.9	132.4	152.5	2.65	6.45	9.02	10.1	10.3
1000	40.7	48.5	57.4	68.2	78.8	89.2	99.4	109.4	119.1	130.5	141.5	162.4	2.95	7.17	10.0	11.2	11.4
1100	42.9	51.3	60.7	72.3	83.6	94.7	105.5	116.0	126.2	138.0	149.4	170.7	3.24	7.89	11.0	12.3	12.6
1200	44.7	53.7	63.7	75.9	87.9	99.5	110.8	121.7	132.2	144.4	155.9	177.3	3.53	8.60	12.0	13.4	13.7
1300	46.2	55.7	66.3	79.2	91.6	103.7	115.3	126.5	137.3	149.5	161.1	181.9	3.83	9.32	13.1	14.5	14.8
1400	47.4	57.3	68.4	81.8	94.7	107.1	119.0	130.4	141.2	153.4	164.7	184.5	4.12	10.1	14.1	15.7	16.0
1500	48.3	58.6	70.1	83.9	97.1	109.8	121.8	133.2	143.9	155.8	165.7	184.9	4.42	10.7	15.0	16.8	17.1
1600	48.8	59.5	71.3	85.4	98.9	111.7	123.7	135.0	145.4	156.8	167.0	...	4.71	11.5	16.0	17.9	18.3
1700	49.0	59.0	72.0	86.4	100.0	112.8	124.7	135.7	145.6	156.3	165.5	...	5.01	12.2	17.0	19.0	19.4
1800	48.8	60.0	72.2	86.8	100.4	113.0	124.6	135.1	144.5	154.2	5.30	12.9	18.0	20.1	20.6
1900	48.2	59.5	71.9	86.5	100.0	112.4	123.5	133.4	141.9	5.60	13.6	19.0	21.2	21.7
2000	47.2	58.7	71.1	85.6	98.8	110.7	121.3	130.3	5.89	14.3	20.0	22.3	22.8
2100	45.8	57.3	69.7	84.0	96.8	108.1	117.9	6.19	15.0	21.0	23.5	24.0
2200	43.9	55.5	67.7	81.7	94.0	104.5	6.48	15.8	22.0	24.6	25.1

Shaded areas indicate rim speeds exceeding 6500 FPM which may require higher strength sheaves.

TOTAL RATING = rated HP + "additional HP" from right hand column.

\ddagger Additional HP below 1.02 ratio equals zero.

Δ Subject to Arc and Length Corrections Factors on page PT7-47.

CAUTION: Belt horsepower ratings may exceed design capacity of stock sheaves. Consult factory for recommendations.

NOTE: Selection program VIA-VISA available at www.ptwizard.com.



SELECTION

Stock Classical Drives: Standard Motor Speeds

Step 1 - Determine Service Factor. Refer to Typical Service factors, Table 7. Locate type of Driven and Driver equipment. (If an idler is used, increase the factor by value indicated). Correct factor is determined by: 1. The extent and frequency of peak loads. 2. Number of operating hours/year, broken down in average hours/day of continuous service. 3. Proper service category: (Intermittent, Normal or Continuous). Select the one closest to the application conditions.

Step 2 - Compute Design HP. Multiply normal running HP required or nameplate rating by service factor obtained in Step 1.

Step 3 - Choose Belt Section. Using Table 6, below, read up from design HP figure obtained in Step 2 and over from the RPM of faster shaft. This intersection indicates belt sections.

Step 4 - Select the Drive. a) Using belt section from Step 3, refer to Stock Drive Selection Tables beginning on page PT7-90. b) Under appropriate driver speed column find Driven RPM nearest to the desired speed. To the right note HP per Belt. Read left for Driver/Driven Sheave information. (If driver is an electric motor be sure motor sheave diameter is not less than shown in Table 8.) c) Read onto opposite page and find figure nearest the required center distance. Note Arc-Length Correction Factor in the shaded row below the C.D. figure. d) Read to the top of the table for the belt size. e) **To determine number of belts**, multiply the HP per Belt value by the Arc Length Correction Factor. This is the corrected HP/ belt. Divide design HP by corrected HP figure to determine number of belts required.

EXAMPLE OF SELECTION

Select a classical drive for a continuous duty 3-piston compressor, with a 2-7/16, shaft, to run at about 284 RPM, driven by a 30 HP, 1160 RPM squirrel cage electric motor with a 2-1/8, shaft. Desired center distance is approximately 36".

Step 1 - Service factor from Table 7 is 1.4.

Step 2 - Design HP = 1.4 x 30 = 42 HP.

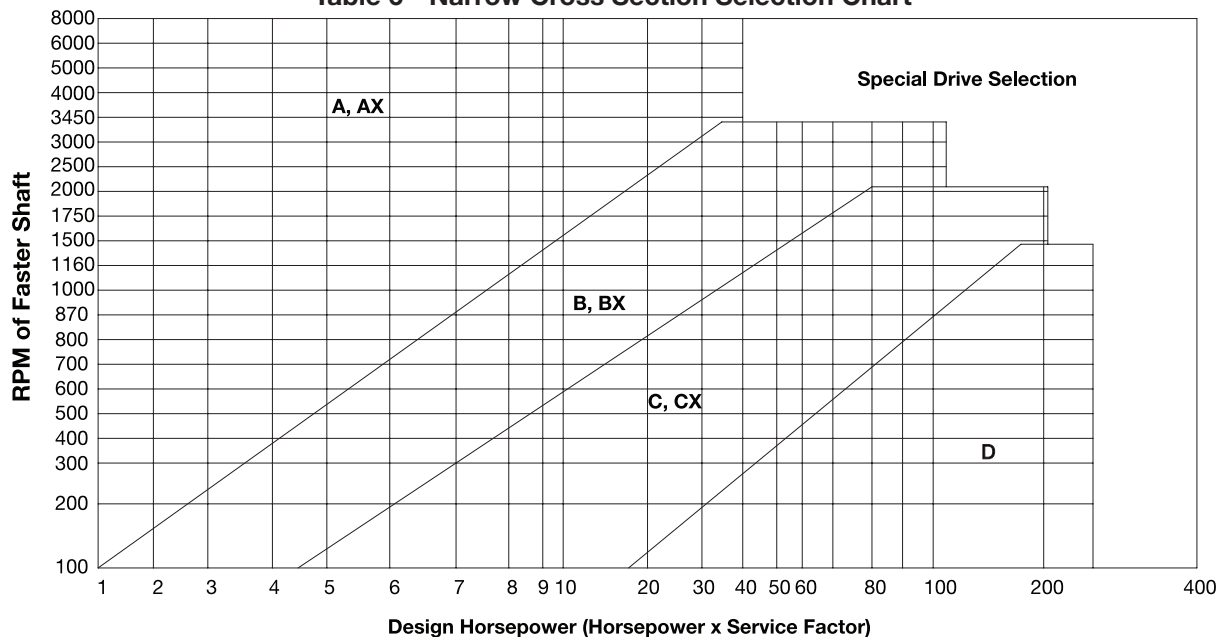
Step 3 - A C-section belt is shown in Table 11 when reading to the right of 1160 RPM and up from 42 design HP.

Step 4 - Turn to C-Stock Drive Selection Tables beginning on page PT7-124. Under 1160 RPM Driven, read down to find 285 RPM. One selection is 284 on page PT7-128. Note HP/belt as 15.47 for all SL Classic belts and Polyband belts over 116" and 19.34 for all Classic-Cog and Polyband under 116". Also note sheaves listed as a 8.5 Driver, 36.0 Driven. Table 8 shows driver is not undersize. Reading to opposite page the C.D. figure of 35.9 is closest to 36". Top of table shows belt size as C144.

The HP/belt for SL Classic is 15.47. This value x the .95 factor = 14.7 corrected HP/belt. 42 HP ÷ 14.7 = 2.85. Going to the next whole number the drive requires 3 SL Classic belts. (Center to center operating distance is 35.9 nominal.) **Order:** 1. 3 - C144 SL Classic Belts. 2. 1 - 3-groove C8.5 TAPER-LOCK Sheave. 3. 1 - 2-1/8, bore 2517 bushing. 4. 1 - 3-groove C36.0 TAPER-LOCK Sheave. 5. 1 - 2-7/16, bore 3535 bushing.

(The steps above may be used to figure a Classic-COG drive with higher HP ratings. This drive usually uses fewer grooves and will be more compact. The decision to use SL Classic, Classic-COG or POLYBAND belts involves economics, interchangeability, etc.).

Table 6 - Narrow Cross Section Selection Chart



NOTE: Selection program VIA-VISA available at www.ptwizard.com.



SERVICE FACTORS

Table 7 - Typical Service Factors

Driven Machine Types	Driver: Normal Torque NEMA Des. A or B Motors DC Shunt Wound Motors Multi-Cylinder Engines			Driver: High Torque NEMA Des. C or D Motors DC Series Wound Motors Single Cylinder Engines			
	Service*			Service*			
	Intermit.	Normal	Contin.	Intermit.	Normal	Cont.	
Note: Certain machines may require flywheel sheaves or special construction to withstand heavy shock loads. Consult Mfg'r. Agitators for Liquids Blowers and Exhausters Centrif. Pumps, Compressors Fans up to 10HP Light Duty Conveyors	1.0	1.1	1.2	1.1	1.2	1.3	* Note: Intermittent: Up to 6 Hrs./Day Normal: 6-16 Hrs./Day Continuous: 16-24 Hrs./Day Adder for Idlers: Outside on slack side 0.1 Inside on tight side 0.1 Outside on tight side 0.2
Belt Conveyors, Bulk Mat'l Dough Mixers Fans over 10 HP Generators Line Shafts Laundry Machinery Machine Tools Punches, Presses, Shears Printing Machinery Positive Displ. Rotary Pumps Revolving & Vibrating Screens	1.1	1.2	1.3	1.2	1.3	1.4	
Brick Machinery Bucket Elevators Exciters Piston Compressors Conveyors: Drag, Pan, Screw Hammer Mills Paper Mill Beaters Piston Pumps Pos. Displacement Blowers Pulverizers Saw Mill, Woodworking Mach'y Textile Machinery	1.2	1.3	1.4	1.4	1.5	1.6	
Crushers: Gyratory, Jaw, Roll Mills: Ball, Rod, Tube Hoists Rubber Calendars, Extruders, Mills Chokable Equipment, Fire Hazard	1.3	1.4	1.5	1.6	1.7	1.8	
	2.0	2.0	2.0	2.0	2.0	2.0	

Table 8 - Min. Recommended Classical Groove Sheave Dia. for Drives Using Electric Motors

Motor RPM	A, B, C, D, V-belt Sheave	Motor Horsepower																		
		1/2	3/4	1	1-1/2	2	3	5	7-1/2	10	15	20	25	30	40	50	60	75	100	125
870	Min. P.D.	2.2	2.4	2.4	2.4	3.0	3.0	3.8	4.4	4.6	5.4	6.0	6.8	6.8	8.2	9.0	10.0	10.5	12.5	...
	Max. Face Width	4.3	4.3	5.3	5.3	6.5	6.5	7.8	7.8	9.0	9.0	10.3	10.3	11.5	11.5	14.3	14.3	16.8	16.8	...
1160	Min. P.D.	...	2.2	2.4	2.4	2.4	3.0	3.0	3.8	4.4	4.6	5.4	6.0	6.8	6.8	8.2	9.0	10.0	11.0	12.5
	Max. Face Width	...	4.3	4.3	5.3	5.3	6.5	6.5	7.8	7.8	9.0	9.0	10.3	10.3	11.5	11.5	14.3	14.3	16.8	16.8
1750	Min. P.D.	2.2	2.4	2.4	2.4	3.0	3.0	3.8	4.4	4.6	5.0	5.4	6.0	6.8	7.4	9.0	10.0	11.5
	Max. Face Width	4.3	4.3	4.3	5.3	5.3	6.5	6.5	7.8	7.8	9.0	9.0	10.3	10.3	11.5	11.5	14.3	14.3
3500	Min. P.D.	2.2	2.4	2.4	3.0	3.8	3.0	3.8	4.4	4.4
	Max. Face Width	4.3	4.3	4.3	5.3	5.3	6.5	6.5	7.8	7.8

Data is per NEMA Standard MG1-14.42. In areas where sheaves are not listed, consult motor manufacturer

NOTE: Selection program VIA-VISA available at www.ptwizard.com.



SELECTION

Stock Classical Drives: Non Standard Motor Speeds & Speed-Up Drives

For Speeds Other Than Standard Motor Speeds:

Step 1 - Determine Speed Ratio = $\left(\frac{\text{Driver RPM}}{\text{Driven RPM}} \right)$

Step 2 - Compute Design HP. Multiply normal running HP required or nameplate rating by service factor from Table 2.

Step 3 - Determine Maximum Diameter of Driver Sheave

@ 6500 FPM: O.D. = $\left(\frac{6500 \text{ RPM}}{.262 \times \text{RPM}} \right)$

Step 4 - Select Belt Cross Section. Using Table 6, read up from design HP figure obtained in Step 2 and over from the RPM of faster shaft. This intersection indicates belt section.

Step 5 - Select Drive. Using the belt section from Step 4, make a tentative sheave selection from **Stock Drive Selection Tables**. (Note that several choices are available in the ratio obtained from Step 1.) Other choices close to this ratio may also produce a functional drive. Read onto opposite page and find figure nearest the required center distance. The Arc-Length Correction Factor is listed in the shaded row below the C.D. figure. Read to the top of the table for the belt size.

Step 6 - Size the Drive. From Basic HP Tables beginning on page PT7-118, locate HP rating at intersection of RPM row and small sheave column. To this, add the "additional HP" figure based on drive ratio. This becomes the rated HP. Multiply this sum by the arc-length correction factor noted in Step 5. This becomes the corrected HP per belt. To find

Required number of belts : $\frac{\text{Design HP}}{\text{Correction HP/Belt}}$

EXAMPLE OF SELECTION

A V-drive is needed for a 15 HP, 2200 RPM gasoline engine, with a 1-5/8" shaft, running a reducer on a belt conveyor. 2-5/16" reducer input shaft shaft runs at 1490 RPM. Service is intermittent. Center distance is 36".

Step 1 - Speed Ratio = $\frac{2200}{1785} = 1.48$

Step 2 - Service Factor = 1.2 Design HP = 15 x 1.1 = 16.5

Step 3 - Driver Sheave Max. Dia. = $\frac{6500}{.262 \times 2200} = 11.3$

Step 4 - Belt Cross Section = Table 11 indicates A-AX.

Step 5 - Turn to A, AX **Stock Drive Selection Tables** beginning on page PT7-106. Find the 1.48 ratio obtained in the Step 1 calculations. The most economical drive shows a 4.6 Driver,

NOTE: Selection program VIA-VISA available at www.ptwizard.com.

7.0 Driven Sheave. The C.D. nearest 36" is 36.5. The correction factor below the C.D. figure is 1.07. Top of the table shows an A90 belt. Refer to Basic HP Tables on page PT7-134. From the 2200 RPM of the faster shaft row and down from the 4.6 smaller sheave:

5.80 HP/belt plus an additional HP of .44 in the 1.35 thru 1.99 ratio column. The sum = 6.24 HP/belt x 1.07 arc-length correction factor = 6.68 HP/belt.

Number of belts = $\frac{16.5}{6.68} = 2.47$ or 3 belts

Order: 1- 3 groove A4.6 TAPER-LOCK Sheave, 1 to 1-5/8" bore 1610 bushing, 1-3 groove A7.0 sheave, 1 to 2-5/16" bore 2517 bushing, 3-A90 SL Classic Belts.

Example of an "A" Speed-Up Drive

A 10 HP 1750 RPM AC motor, with a 1-3/8" shaft is to drive a high speed blower @ 4000 RPM. The blower shaft is 1-7/16", center distance 24" and equipment runs 24 hrs./day.

1. Service Factor from Table 12 is 1.2.

2. Design HP = 10 x 1.2 = 12 HP.

3. Speed Ratio = $\frac{4000}{1750} = 2.29$

4. In Stock Drive Table, under 2.29 ratio, sheaves are listed as 3.4 Driver/8.2 Driven. (In a speed-up drive, the 3.4 sheave becomes the Driven, the 8.2 the Driver.) The opposite page of the table shows the closest center distance as 24.4 with an arc length correction factor of .96. Belt shown at top of table is A66.

5. From **Basic Horsepower Tables** a 3.4 sheave @ 4000 RPM = (4.38 + 1.00) = 5.38.
5.38 x .96 = 5.16 corrected HP/belt.

6. **Number of Belts** = $\frac{\text{Design HP}}{\text{Corrected HP}} = \frac{12}{5.16} = 2.33$

or 3 belts.

7. **Order:** 1-3 groove A8.2 TAPER-LOCK Sheave, 1 to 1-3/8" bore 2517 bushing, 1-3 groove A3.4 TAPER-LOCK Sheave, 1 to 1-7/16" bore 1610 bushing, 3-A66 SL belts.

NOTE: To determine required belt length when center distance and sheave datum diameters are known, use the following formula.

$$L = 2C + 1.57(D + d) + \frac{(D - d)^2}{4c}$$

L = Belt Length In Inches

C = Center Distance

D = Datum Dia. of Large Sheave

d = Datum Dia. of Small Sheave

SELECTION



Belt Correction Factors

Table 9 - Classical Belt Length Correction Factors

Datum Length	Factor	Datum Length	Factor	Datum Length	Factor	Datum Length	Factor	Datum Length	Factor	Datum Length	Factor	Datum Length	Factor
A Belts		A Belts (Cont.)		A Belts (Cont.)		B Belts (Cont.)		B Belts (Cont.)		C Belts (Cont.)		D Belts (Cont.)	
15.3	0.68	58.3	0.96	113.3	1.11	57.8	0.90	101.8	1.03	107.9	0.94	213.3	0.96
16.3	0.69	59.3	0.97	121.3	1.13	58.8	0.90	102.8	1.03	108.9	0.94	225.8	0.99
17.3	0.71	60.3	0.97	129.3	1.14	59.8	0.91	104.8	1.04	110.9	0.94	240.8	1.00
18.3	0.72	61.3	0.98	134.3	1.14	60.8	0.91	106.8	1.04	111.9	0.94	255.8	1.01
19.3	0.73	62.3	0.98	137.3	1.15	61.8	0.92	109.8	1.04	113.9	0.94	270.8	1.03
20.3	0.74	63.3	0.98	145.3	1.17	62.8	0.92	112.8	1.05	114.9	0.95	285.8	1.04
21.3	0.75	64.3	0.98	159.3	1.19	63.8	0.92	113.8	1.05	117.9	0.95	300.8	1.05
22.3	0.76	65.3	0.99	174.3	1.21	64.8	0.92	117.8	1.06	122.9	0.97	315.8	1.06
23.3	0.77	67.3	0.99	181.3	1.22	65.8	0.93	121.8	1.07	126.9	0.97	330.8	1.07
24.3	0.78	68.3	0.99	B Belts		66.8	0.93	125.8	1.07	130.9	0.98	345.8	1.08
25.3	0.79	69.3	1.00	23.8	0.71	67.8	0.93	129.8	1.08	138.9	0.99	360.8	1.09
26.3	0.80	70.3	1.00	24.8	0.72	68.8	0.94	134.8	1.09	146.9	1.00	390.8	1.11
27.3	0.81	71.3	1.00	25.8	0.73	69.8	0.95	137.8	1.09	152.9	1.01	420.8	1.12
28.3	0.81	72.3	1.01	26.8	0.74	70.8	0.95	145.8	1.11	160.9	1.02	450.8	1.14
29.3	0.82	73.3	1.01	27.8	0.75	71.8	0.95	149.8	1.11	164.9	1.03	480.8	1.16
30.3	0.82	74.3	1.01	28.8	0.75	72.8	0.95	159.8	1.13	175.9	1.04	540.8	1.18
31.3	0.83	75.3	1.02	29.8	0.76	73.8	0.95	163.8	1.13	182.9	1.05	600.8	1.20
32.3	0.84	76.3	1.02	30.8	0.77	74.8	0.96	174.8	1.15	197.9	1.07	E Belts #	
33.3	0.84	77.3	1.02	31.8	0.77	75.8	0.96	181.8	1.16	212.9	1.08	184.5	0.91
34.3	0.85	78.3	1.02	32.8	0.78	76.8	0.97	191.8	1.16	225.9	1.10	199.5	0.92
35.3	0.86	79.3	1.03	33.8	0.79	77.8	0.97	196.8	1.18	240.9	1.11	214.5	0.94
36.3	0.87	80.3	1.03	34.8	0.79	78.8	0.97	206.8	1.19	255.9	1.12	241.0	0.96
37.3	0.87	81.3	1.04	35.8	0.80	79.8	0.97	211.8	1.19	270.9	1.14	271.0	0.99
38.3	0.87	82.3	1.04	36.8	0.81	80.8	0.97	225.3	1.21	285.9	1.15	301.0	1.01
39.3	0.88	83.3	1.04	37.8	0.81	81.8	0.97	240.3	1.22	300.9	1.16	331.0	1.03
40.3	0.89	84.3	1.04	38.8	0.82	82.8	0.98	255.3	1.24	315.9	1.18	361.0	1.05
41.3	0.89	85.3	1.05	39.8	0.83	83.8	0.98	270.3	1.25	330.9	1.19	391.0	1.07
42.3	0.90	86.3	1.05	40.8	0.83	84.8	0.98	285.3	1.26	345.9	1.20	421.0	1.09
42.3	0.90	87.3	1.05	41.8	0.83	85.8	0.99	300.3	1.27	360.9	1.21	481.0	1.12
43.3	0.91	88.3	1.05	42.8	0.84	86.8	0.99	315.3	1.29	390.9	1.23	541.0	1.14
44.3	0.91	89.3	1.06	43.8	0.85	87.8	0.99	C Belts		420.9	1.24	601.0	1.17
45.3	0.92	90.3	1.06	44.8	0.85	88.8	0.99	53.9	0.80	450.9	1.26
46.3	0.92	91.3	1.06	45.8	0.85	89.8	1.00	57.9	0.81	480.9	1.27
47.3	0.93	92.3	1.06	46.8	0.86	90.8	1.00	62.9	0.82	D Belts	
48.3	0.93	93.3	1.07	47.8	0.87	91.8	1.00	70.9	0.85	108.3	0.83
49.3	0.93	94.3	1.07	48.8	0.87	92.8	1.00	73.9	0.87	115.3	0.84
50.3	0.94	95.3	1.07	49.8	0.87	93.8	1.00	77.9	0.89	123.3	0.86
51.3	0.94	96.3	1.07	50.8	0.88	94.8	1.01	83.9	0.90	131.3	0.87
52.3	0.95	97.3	1.08	51.8	0.88	95.8	1.01	87.9	0.91	147.3	0.90
53.3	0.95	98.3	1.08	52.8	0.89	96.8	1.01	92.9	0.92	161.3	0.92
54.3	0.96	99.3	1.08	53.8	0.89	97.8	1.01	98.9	0.92	165.3	0.92
55.3	0.96	101.3	1.08	54.8	0.89	98.8	1.02	99.9	0.92	176.3	0.93
56.6	0.96	106.3	1.10	55.8	0.89	99.8	1.02	101.9	0.92	183.3	0.94
57.3	0.96	111.3	1.11	56.8	0.90	100.8	1.02	103.9	0.94	198.3	0.96

E Belts recommended for replacement only, not for new drive design

Table 10 - Arc Correction Factors

D-d‡	Approx. Arc of Contact on Small Shv.	Factor	D-d‡	Approx. Arc of Contact on Small Shv.	Factor
.00	180°	1.00	.80	133°	.87
.10	174°	.99	.90	127°	.85
.20	169°	.97	1.00	120°	.82
.30	163°	.96	1.10	113°	.80
.40	157°	.94	1.20	106°	.77
.50	151°	.93	1.30	99°	.73
.60	145°	.91	1.40	91°	.70
.70	139°	.89	1.50	83°	.65

‡ D = Dia. of large sheave.
d = Dia. of small sheave.
C = Center distance

NOTE: Selection program VIA-VISA available at www.ptwizard.com.

SELECTION



A S-L CLASSIC AX CLASSIC COG STOCK DRIVE SELECTIONS

Ratio	Stock Shv.		3500 RPM Driver			1750 RPM Driver			1160 RPM Driver			Belt Size/Center Distance						
	Datum Diam.		Driven RPM	HP Per Belt		Driven RPM	HP Per Belt		Driven RPM	HP Per Belt		A26 AX26	A31 AX31	A33 AX33	A35 AX35	A38 AX38	A42 AX42	A46 AX46
	Driver	Driven		A	AX		A	AX		A	AX							
1.00	3.0	3.0	3500	3.42	4.61	1750	2.37	3.08	1160	1.78	2.33	8.9	11.4	12.4	13.4	14.9	16.9	18.9
1.00	3.4	3.4	3500	4.60	5.68	1750	3.09	3.72	1160	2.29	2.79	8.3	10.8	11.8	12.8	14.3	16.3	18.3
1.00	3.8	3.8	3500	5.72	6.70	1750	3.80	4.35	1160	2.79	3.24	7.7	10.2	11.2	12.2	13.7	15.7	17.7
1.00	4.2	4.2	3500	6.77	7.68	1750	4.49	4.96	1160	3.29	3.69	7.1	9.6	10.6	11.6	13.1	15.1	17.1
1.00	4.6	4.6	3500	7.75	8.62	1750	5.16	5.56	1160	3.77	4.13	6.4	8.9	9.9	10.9	12.4	14.4	16.4
1.00	5.0	5.0	3500	8.66	9.52	1750	5.83	6.15	1160	4.25	4.56	---	8.3	9.3	10.3	11.8	13.8	15.8
1.00	5.2	5.2	3500	9.09	9.96	1750	6.15	6.44	1160	4.49	4.77	---	8.0	9.0	10.0	11.5	13.5	15.5
1.00	6.0	6.0	3500	10.60	11.59	1750	7.42	7.57	1160	5.43	5.60	---	---	7.7	8.7	10.2	12.2	14.2
1.00	7.0	7.0	3500	---	---	1750	8.92	8.92	1160	6.56	6.61	---	---	---	---	8.7	10.7	12.7
1.03	5.6	5.8	3387	10.02	10.93	1693	6.86	7.08	1122	5.01	5.23	---	7.2	8.2	9.2	10.7	12.7	14.7
1.04	5.0	5.2	3375	8.81	9.67	1687	5.90	6.23	1118	4.30	4.60	5.6	8.1	9.1	10.1	11.6	13.6	15.6
1.04	4.2	4.4	3354	6.94	7.85	1677	4.57	5.05	1111	3.34	3.75	6.9	9.4	10.4	11.4	12.9	14.9	16.9
1.05	3.6	3.8	3333	5.36	6.39	1666	3.54	4.13	1104	2.61	3.08	7.8	10.3	11.3	12.3	13.8	15.8	17.8
1.06	3.0	3.2	3304	3.64	4.83	1652	2.48	3.19	1095	1.86	2.40	8.8	11.3	12.3	13.3	14.8	16.8	18.8
1.06	6.0	6.4	3294	10.83	11.82	1647	7.54	7.69	1092	5.50	5.68	---	6.4	7.4	8.4	9.9	11.9	13.9
1.07	5.2	5.6	3266	9.35	10.22	1633	6.28	6.57	1082	4.58	4.85	---	7.7	8.7	9.7	11.2	13.2	15.2
1.08	4.6	5.0	3240	8.04	8.91	1620	5.31	5.71	1074	3.87	4.22	6.1	8.6	9.6	10.6	12.1	14.1	16.1
1.09	4.0	4.4	3207	6.57	7.51	1604	4.30	4.82	1063	3.14	3.57	7.1	9.6	10.6	11.6	13.1	15.1	17.1
1.09	6.0	6.6	3199	10.92	11.91	1600	7.58	7.73	1060	5.53	5.71	---	6.3	7.3	8.3	9.8	11.8	13.8
1.10	5.6	6.2	3181	10.23	11.13	1590	6.96	7.18	1054	5.07	5.30	---	6.9	7.9	8.9	10.4	12.4	14.4
1.10	3.6	4.0	3180	5.51	6.53	1590	3.61	4.21	1054	2.66	3.13	7.7	10.2	11.2	12.2	13.7	15.7	17.7
1.11	5.2	5.8	3160	9.45	10.31	1580	6.33	6.62	1047	4.61	4.89	---	7.5	8.5	9.5	11.0	13.0	15.0
1.11	3.2	3.6	3148	4.38	5.52	1574	2.92	3.59	1043	2.16	2.68	8.3	10.8	11.8	12.8	14.3	16.3	18.3
1.12	4.8	5.4	3137	8.60	9.46	1568	5.69	6.05	1040	4.14	4.47	5.6	8.1	9.1	10.1	11.6	13.6	15.6
1.12	3.0	3.4	3130	3.80	5.00	1565	2.56	3.27	1037	1.91	2.46	8.6	11.1	12.1	13.1	14.6	16.6	18.6
1.13	4.2	4.8	3095	7.18	8.10	1547	4.69	5.17	1026	3.42	3.83	6.6	9.1	10.1	11.1	12.6	14.6	16.6
1.13	5.6	6.4	3087	10.31	11.21	1544	7.00	7.22	1023	5.10	5.33	---	6.7	7.7	8.7	10.2	12.2	14.2
1.14	3.8	4.4	3061	6.16	7.14	1530	4.02	4.57	1014	2.94	3.39	7.2	9.7	10.7	11.7	13.2	15.2	17.2
1.15	5.0	5.8	3047	9.12	9.97	1523	6.05	6.38	1010	4.40	4.70	---	7.7	8.7	9.7	11.2	13.2	15.2
1.15	3.6	4.2	3041	5.62	6.65	1521	3.67	4.27	1008	2.69	3.17	7.5	10.0	11.0	12.0	13.5	15.5	17.5
ARC-LENGTH CORRECTION FACTOR →												0.74	0.79	0.81	0.82	0.84	0.87	0.89
1.16	6.0	7.0	3026	11.07	12.06	1513	7.65	7.80	1003	5.58	5.75	---	---	6.9	7.9	9.4	11.4	13.4
1.16	3.4	4.0	3021	5.07	6.15	1510	3.33	3.96	1001	2.45	2.95	7.8	10.3	11.3	12.3	13.8	15.8	17.8
1.16	4.6	5.4	3016	8.23	9.10	1508	5.40	5.80	999	3.93	4.28	5.8	8.3	9.3	10.3	11.8	13.8	15.8
1.17	3.2	3.8	2998	4.50	5.64	1499	2.98	3.65	993	2.20	2.72	8.1	10.7	11.7	12.7	14.2	16.2	18.2
1.18	3.0	3.6	2972	3.92	5.12	1486	2.62	3.34	985	1.95	2.50	8.5	11.0	12.0	13.0	14.5	16.5	18.5
1.18	4.0	4.8	2959	6.77	7.71	1480	4.40	4.92	981	3.21	3.64	6.7	9.2	10.2	11.2	12.7	14.7	16.7
1.19	5.0	6.0	2951	9.19	10.04	1476	6.09	6.41	978	4.43	4.73	---	7.5	8.5	9.5	11.0	13.0	15.0
1.19	3.8	4.6	2938	6.25	7.23	1469	4.06	4.62	974	2.97	3.42	7.0	9.5	10.5	11.5	13.0	15.1	17.1
1.21	3.4	4.2	2889	5.16	6.24	1444	3.37	4.01	957	2.48	2.98	7.7	10.2	11.2	12.2	13.7	15.7	17.7
1.22	5.2	6.4	2881	9.66	10.53	1440	6.44	6.73	955	4.68	4.96	---	7.0	8.0	9.0	10.5	12.5	14.5
1.23	4.0	5.0	2849	6.84	7.78	1425	4.44	4.95	944	3.23	3.66	6.6	9.1	10.1	11.1	12.6	14.6	16.6
1.23	5.6	7.0	2836	10.48	11.39	1418	7.09	7.31	940	5.16	5.38	---	6.2	7.2	8.2	9.7	11.7	13.7
1.24	3.0	3.8	2830	4.02	5.21	1415	2.67	3.38	938	1.98	2.53	8.3	10.8	11.8	12.8	14.3	16.3	18.3
1.24	3.8	4.8	2824	6.32	7.30	1412	4.10	4.65	936	2.99	3.44	6.9	9.4	10.4	11.4	12.9	14.9	16.9
1.24	4.6	5.8	2820	8.36	9.23	1410	5.47	5.87	935	3.97	4.33	5.5	8.0	9.0	10.0	11.5	13.5	15.5
1.25	5.2	6.6	2798	9.71	10.57	1399	6.46	6.75	927	4.70	4.97	---	6.9	7.9	8.9	10.4	12.4	14.4
1.26	4.2	5.4	2773	7.40	8.31	1387	4.80	5.28	919	3.50	3.90	6.1	8.6	9.6	10.6	12.1	14.1	16.1
1.27	6.4	8.2	2766	11.86	12.98	1383	8.35	8.44	917	6.10	6.22	---	---	---	---	8.1	10.1	12.2
1.27	4.8	6.2	2755	8.86	9.72	1378	5.82	6.18	913	4.23	4.55	---	7.5	8.5	9.5	11.0	13.0	15.0
1.28	4.6	6.0	2732	8.41	9.28	1366	5.49	5.89	905	3.99	4.34	5.3	7.8	8.8	9.8	11.3	13.3	15.3
1.29	3.8	5.0	2719	6.38	7.36	1360	4.13	4.68	901	3.01	3.46	6.7	9.2	10.2	11.2	12.7	14.7	16.7
1.30	3.0	4.0	2701	4.09	5.28	1350	2.71	3.42	895	2.01	2.55	8.1	10.6	11.6	12.6	14.1	16.1	18.1
1.30	3.6	4.8	2689	5.84	6.87	1345	3.78	4.38	891	2.77	3.24	7.0	9.5	10.5	11.5	13.0	15.0	17.0
1.31	4.8	6.4	2674	8.90	9.76	1337	5.84	6.20	886	4.24	4.57	---	7.3	8.3	9.3	10.8	12.8	14.8
1.32	4.0	5.4	2652	6.95	7.89	1326	4.49	5.01	879	3.27	3.70	6.2	8.7	9.7	10.7	12.3	14.3	16.3
1.32	5.2	7.0	2646	9.79	10.65	1323	6.50	6.79	877	4.72	5.00	---	6.5	7.5	8.5	10.0	12.0	14.0
1.33	5.6	7.6	2623	10.59	11.50	1311	7.15	7.36	869	5.20	5.42	---	---	6.7	7.7	9.2	11.2	13.3
1.34	3.2	4.4	2621	4.72	5.86	1311	3.09	3.76	869	2.27	2.80	7.7	10.2	11.2	12.2	13.7	15.7	17.7
1.34	6.0	8.2	2603	11.31	12.31	1301	7.78	7.93	863	5.66	5.84	---	---	---	6.9	8.4	10.4	12.5
1.35	4.2	5.8	2594	7.49	8.40	1297	4.85	5.32	860	3.52	3.93	5.7	8.3	9.3	10.3	11.8	13.8	15.8
ARC-LENGTH CORRECTION FACTOR →												0.74	0.78	0.80	0.82	0.84	0.87	0.89

NOTE: Selection program VIA-VISA available at www.ptwizard.com.

V-Drives
FHP Drives
Drive Component Accessories
DYNA-SYNC
HT200/HTD Synchronous Drives
HT500 Synchronous Drives
Roller Chain Sprockets

SELECTION



A S-L CLASSIC AX CLASSIC COG STOCK DRIVE SELECTIONS

Ratio	Belt Size/Center Distance																		
	A48 AX48	A51 AX51	A53 AX53	A55 AX55	A60 AX60	A64 AX64	A66 AX66	A68 AX68	A71 AX71	A75 AX75	A78 AX78	A80 AX80	A85 AX85	A90 AX90	A96 AX96	A105 AX105	A112 AX112	A120 AX120	A128 AX128
1.00	19.9	21.4	22.4	23.4	25.9	27.9	28.9	29.9	31.4	33.4	34.9	35.9	38.4	40.9	43.9	48.4	51.9	55.9	59.9
1.00	19.3	20.8	21.8	22.8	25.3	27.3	28.3	29.3	30.8	32.8	34.3	35.3	37.8	40.3	43.3	47.8	51.3	55.3	59.3
1.00	18.7	20.2	21.2	22.2	24.7	26.7	27.7	28.7	30.2	32.2	33.7	34.7	37.2	39.7	42.7	47.2	50.7	54.7	58.7
1.00	18.1	19.6	20.6	21.6	24.1	26.1	27.1	28.1	29.6	31.6	33.1	34.1	36.6	39.1	42.1	46.6	50.1	54.1	58.1
1.00	17.4	18.9	19.9	20.9	23.4	25.4	26.4	27.4	28.9	30.9	32.4	33.4	35.9	38.4	41.4	45.9	49.4	53.4	57.4
1.00	16.8	18.3	19.3	20.3	22.8	24.8	25.8	26.8	28.3	30.3	31.8	32.8	35.3	37.8	40.8	45.3	48.8	52.8	56.8
1.00	16.5	18.0	19.0	20.0	22.5	24.5	25.5	26.5	28.0	30.0	31.5	32.5	35.0	37.5	40.5	45.0	48.5	52.5	56.5
1.00	15.2	16.7	17.7	18.7	21.2	23.2	24.2	25.2	26.7	28.7	30.2	31.2	33.7	36.2	39.2	43.7	47.2	51.2	55.2
1.00	13.7	15.2	16.2	17.2	19.7	21.7	22.7	23.7	25.2	27.2	28.7	29.7	32.2	34.7	37.7	42.2	45.7	49.7	53.7
1.03	15.7	17.2	18.2	19.2	21.7	23.7	24.7	25.7	27.2	29.2	30.7	31.7	34.2	36.7	39.7	44.2	47.7	51.7	55.7
1.04	16.6	18.1	19.1	20.1	22.6	24.6	25.6	26.6	28.1	30.1	31.6	32.6	35.1	37.6	40.6	45.1	48.6	52.6	56.6
1.04	17.9	19.4	20.4	21.4	23.9	25.9	26.9	27.9	29.4	31.4	32.9	33.9	36.4	38.9	41.9	46.4	49.9	53.9	57.9
1.05	18.8	20.3	21.3	22.3	24.8	26.8	27.8	28.8	30.3	32.3	33.8	34.8	37.3	39.8	42.8	47.3	50.8	54.8	58.8
1.06	19.8	21.3	22.3	23.3	25.8	27.8	28.8	29.8	31.3	33.3	34.8	35.8	38.3	40.8	43.8	48.3	51.8	55.8	59.8
1.06	14.9	16.4	17.4	18.4	20.9	22.9	23.9	24.9	26.4	28.4	29.9	30.9	33.4	35.9	38.9	43.4	46.9	50.9	54.9
1.07	16.2	17.7	18.7	19.7	22.2	24.2	25.2	26.2	27.7	29.7	31.2	32.2	34.7	37.2	40.2	44.7	48.2	52.2	56.2
1.08	17.1	18.6	19.6	20.6	23.1	25.1	26.1	27.1	28.6	30.6	32.1	33.1	35.6	38.1	41.1	45.6	49.1	53.1	57.1
1.09	18.1	19.6	20.6	21.6	24.1	26.1	27.1	28.1	29.6	31.6	33.1	34.1	36.6	39.1	42.1	46.6	50.1	54.1	58.1
1.09	14.8	16.3	17.3	18.3	20.8	22.8	23.8	24.8	26.3	28.3	29.8	30.8	33.3	35.8	38.8	43.3	46.8	50.8	54.8
1.10	15.4	16.9	17.9	18.9	21.4	23.4	24.4	25.4	26.9	28.9	30.4	31.4	33.9	36.4	39.4	43.9	47.4	51.4	55.4
1.10	18.7	20.2	21.2	22.2	24.7	26.7	27.7	28.7	30.2	32.2	33.7	34.7	37.2	39.7	42.7	47.2	50.7	54.7	58.7
1.11	16.0	17.5	18.5	19.5	22.0	24.0	25.0	26.0	27.5	29.5	31.0	32.0	34.5	37.0	40.0	44.5	48.0	52.0	56.0
1.11	19.3	20.8	21.8	22.8	25.3	27.3	28.3	29.3	30.8	32.8	34.3	35.3	37.8	40.3	43.3	47.8	51.3	55.3	59.3
1.12	16.6	18.1	19.1	20.1	22.6	24.6	25.6	26.6	28.1	30.1	31.6	32.6	35.1	37.6	40.6	45.1	48.6	52.6	56.6
1.12	19.6	21.1	22.1	23.1	25.6	27.6	28.6	29.6	31.1	33.1	34.6	35.6	38.1	40.6	43.6	48.1	51.6	55.6	59.6
1.13	17.6	19.1	20.1	21.1	23.6	25.6	26.6	27.6	29.1	31.1	32.6	33.6	36.1	38.6	41.6	46.1	49.6	53.6	57.6
1.13	15.2	16.7	17.7	18.7	21.2	23.2	24.2	25.2	26.7	28.7	30.2	31.2	33.7	36.2	39.2	43.7	47.2	51.2	55.2
1.14	18.2	19.7	20.7	21.7	24.2	26.2	27.2	28.2	29.7	31.7	33.2	34.2	36.7	39.2	42.2	46.7	50.2	54.2	58.2
1.15	16.2	17.7	18.7	19.7	22.2	24.2	25.2	26.2	27.7	29.7	31.2	32.2	34.7	37.2	40.2	44.7	48.2	52.2	56.2
1.15	18.5	20.0	21.0	22.0	24.5	26.5	27.5	28.5	30.0	32.0	33.5	34.5	37.0	39.5	42.5	47.0	50.5	54.5	58.5
	0.90	0.92	0.93	0.94	0.96	0.97	0.99	1.00	1.01	1.02	1.03	1.04	1.06	1.07	1.09	1.12	1.13	1.15	1.17
1.16	14.4	15.9	16.9	17.9	20.4	22.4	23.4	24.4	25.9	27.9	29.4	30.4	32.9	35.4	38.4	42.9	46.4	50.4	54.4
1.16	18.8	20.3	21.3	22.3	24.8	26.8	27.8	28.8	30.3	32.3	33.8	34.8	37.3	39.8	42.8	47.3	50.8	54.8	58.8
1.16	16.8	18.3	19.3	20.3	22.8	24.8	25.8	26.8	28.3	30.3	31.8	32.8	35.3	37.8	40.8	45.3	48.8	52.8	56.8
1.17	19.2	20.7	21.7	22.7	25.2	27.2	28.2	29.2	30.7	32.7	34.2	35.2	37.7	40.2	43.2	47.7	51.2	55.2	59.2
1.18	19.5	21.0	22.0	23.0	25.5	27.5	28.5	29.5	31.0	33.0	34.5	35.5	38.0	40.5	43.5	48.0	51.5	55.5	59.5
1.18	17.7	19.2	20.2	21.2	23.7	25.7	26.7	27.7	29.2	31.2	32.7	33.7	36.2	38.7	41.7	46.2	49.7	53.7	57.7
1.19	16.0	17.5	18.5	19.5	22.0	24.0	25.0	26.0	27.5	29.5	31.0	32.0	34.5	37.0	40.0	44.5	48.0	52.0	56.0
1.19	18.1	19.6	20.6	21.6	24.1	26.1	27.1	28.1	29.6	31.6	33.1	34.1	36.6	39.1	42.1	46.6	50.1	54.1	58.1
1.21	18.7	20.2	21.2	22.2	24.7	26.7	27.7	28.7	30.2	32.2	33.7	34.7	37.2	39.7	42.7	47.2	50.7	54.7	58.7
1.22	15.5	17.0	18.0	19.0	21.5	23.5	24.5	25.5	27.0	29.0	30.5	31.5	34.0	36.5	39.5	44.0	47.5	51.5	55.5
1.23	17.6	19.1	20.1	21.1	23.6	25.6	26.6	27.6	29.1	31.1	32.6	33.6	36.1	38.6	41.6	46.1	49.6	53.6	57.6
1.23	14.7	16.2	17.2	18.2	20.7	22.7	23.7	24.7	26.2	28.2	29.7	30.7	33.2	35.7	38.7	43.2	46.7	50.7	54.7
1.24	19.3	20.8	21.8	22.8	25.3	27.3	28.3	29.3	30.8	32.8	34.3	35.3	37.8	40.3	43.3	47.8	51.3	55.3	59.3
1.24	17.9	19.4	20.4	21.4	23.9	25.9	26.9	27.9	29.4	31.4	32.9	33.9	36.4	38.9	41.9	46.4	49.9	53.9	57.9
1.24	16.5	18.0	19.0	20.0	22.5	24.5	25.5	26.5	28.0	30.0	31.5	32.5	35.0	37.5	40.5	45.0	48.5	52.5	56.5
1.25	15.4	16.9	17.9	18.9	21.4	23.4	24.4	25.4	26.9	28.9	30.4	31.4	33.9	36.4	39.4	43.9	47.4	51.4	55.4
1.26	17.1	18.6	19.6	20.6	23.1	25.1	26.1	27.1	28.6	30.6	32.1	33.1	35.6	38.1	41.1	45.6	49.1	53.1	57.1
1.27	13.2	14.7	15.7	16.7	19.2	21.2	22.2	23.2	24.7	26.7	28.2	29.2	31.7	34.2	37.2	41.7	45.2	49.2	53.2
1.27	16.0	17.5	18.5	19.5	22.0	24.0	25.0	26.0	27.5	29.5	31.0	32.0	34.5	37.0	40.0	44.5	48.0	52.0	56.0
1.28	16.3	17.8	18.8	19.8	22.3	24.3	25.3	26.3	27.8	29.8	31.3	32.3	34.8	37.3	40.3	44.8	48.3	52.3	56.3
1.29	17.7	19.2	20.2	21.2	23.7	25.7	26.7	27.7	29.2	31.2	32.7	33.7	36.2	38.7	41.7	46.2	49.7	53.7	57.7
1.30	19.1	20.6	21.6	22.6	25.1	27.1	28.1	29.1	30.6	32.6	34.1	35.1	37.6	40.1	43.1	47.6	51.1	55.1	59.1
1.30	18.0	19.5	20.5	21.5	24.0	26.0	27.0	28.0	29.5	31.5	33.0	34.0	36.5	39.0	42.0	46.5	50.0	54.0	58.0
1.31	15.8	17.3	18.3	19.3	21.8	23.8	24.8	25.8	27.3	29.3	30.8	31.8	34.3	36.8	39.8	44.3	47.8	51.8	55.8
1.32	17.3	18.8	19.8	20.8	23.3	25.3	26.3	27.3	28.8	30.8	32.3	33.3	35.8	38.3	41.3	45.8	49.3	53.3	57.3
1.32	15.0	16.5	17.5	18.5	21.0	23.0	24.0	25.0	26.5	28.5	30.0	31.0	33.5	36.0	39.0	43.5	47.0	51.0	55.0
1.33	14.3	15.8	16.8	17.8	20.3	22.3	23.3	24.3	25.8	27.8	29.3	30.3	32.8	35.3	38.3	42.8	46.3	50.3	54.3
1.34	18.7	20.2	21.2	22.2	24.7	26.7	27.7	28.7	30.2	32.2	33.7	34.7	37.2	39.7	42.7	47.2	50.7	54.7	58.7
1.34	13.5	15.0	16.0	17.0	19.5	21.5	22.5	23.5	25.0	27.0	28.5	29.5	32.0	34.5	37.5	42.0	45.5	49.5	53.5
1.35	16.8	18.3	19.3	20.3	22.8	24.8	25.8	26.8	28.3	30.3	31.8	32.8	35.3	37.8	40.8	45.3	48.8	52.8	56.8
	0.90	0.92	0.93	0.94	0.96	0.97	0.99	1.00	1.01	1.02	1.03	1.04	1.06	1.07	1.09	1.11	1.13	1.15	1.17

NOTE: Selection program VIA-VISA available at www.ptwizard.com.

V-Drives

FHP Drives

Drive Component Accessories



SELECTION

A S-L CLASSIC AX CLASSIC COG STOCK DRIVE SELECTIONS

Ratio	Stock Shv.		3500 RPM Driver			1750 RPM Driver			1160 RPM Driver			Belt Size/Center Distance						
	Datum Diam.		Driven RPM	HP Per Belt		Driven RPM	HP Per Belt		Driven RPM	HP Per Belt		A26 AX26	A31 AX31	A33 AX33	A35 AX35	A38 AX38	A42 AX42	A46 AX46
	Driver	Driven		A	AX		A	AX		A	AX							
1.36	3.0	4.2	2583	4.14	5.34	1291	2.73	3.44	856	2.02	2.57	8.0	10.5	11.5	12.5	14.0	16.0	18.0
1.36	4.6	6.4	2571	8.48	9.35	1285	5.53	5.93	852	4.01	4.37	---	7.5	8.5	9.5	11.0	13.0	15.0
1.37	5.0	7.0	2551	9.40	10.26	1276	6.19	6.52	846	4.50	4.80	---	6.7	7.7	8.7	10.2	12.2	14.2
1.38	3.8	5.4	2531	6.46	7.45	1266	4.17	4.72	839	3.04	3.49	6.4	8.9	9.9	10.9	12.4	14.4	16.4
1.38	6.4	9.0	2530	11.97	13.09	1265	8.41	8.49	838	6.13	6.25	---	---	---	---	7.4	9.5	11.5
1.40	4.6	6.6	2497	8.51	9.38	1249	5.54	5.94	828	4.02	4.38	---	7.3	8.3	9.3	10.8	12.8	14.8
1.40	3.6	5.2	2496	5.92	6.95	1248	3.82	4.42	827	2.79	3.27	6.7	9.2	10.2	11.2	12.7	14.7	16.7
1.41	3.0	4.4	2475	4.18	5.38	1237	2.75	3.47	820	2.04	2.58	7.8	10.3	11.3	12.3	13.8	15.8	17.8
1.42	4.8	7.0	2457	8.99	9.85	1228	5.88	6.25	814	4.27	4.60	---	6.8	7.8	8.8	10.3	12.3	14.3
1.43	5.6	8.2	2439	10.66	11.57	1220	7.18	7.40	808	5.22	5.44	---	---	---	7.2	8.7	10.7	12.8
1.44	4.2	6.2	2436	7.55	8.46	1218	4.88	5.35	807	3.54	3.95	5.4	7.9	8.9	9.9	11.4	13.4	15.5
1.45	3.2	4.8	2419	4.80	5.94	1209	3.13	3.80	802	2.30	2.82	7.3	9.8	10.8	11.8	13.3	15.3	17.4
1.47	3.0	4.6	2376	4.22	5.41	1188	2.77	3.48	787	2.05	2.60	7.6	10.2	11.2	12.2	13.7	15.7	17.7
1.48	3.8	5.8	2367	6.52	7.50	1184	4.20	4.75	785	3.06	3.51	6.0	8.6	9.6	10.6	12.1	14.1	16.1
1.48	4.6	7.0	2362	8.56	9.43	1181	5.56	5.97	783	4.04	4.39	---	6.9	8.0	9.0	10.5	12.5	14.5
1.50	4.0	6.2	2330	7.07	8.01	1165	4.55	5.07	772	3.31	3.74	5.5	8.1	9.1	10.1	11.6	13.6	15.6
1.50	3.2	5.0	2329	4.83	5.97	1164	3.14	3.81	772	2.31	2.83	7.2	9.7	10.7	11.7	13.2	15.2	17.2
1.53	3.4	5.4	2289	5.42	6.50	1144	3.50	4.14	759	2.56	3.07	6.7	9.2	10.2	11.2	12.7	14.7	16.7
1.53	3.0	4.8	2284	4.24	5.44	1142	2.78	3.50	757	2.06	2.60	7.5	10.0	11.0	12.0	13.5	15.5	17.5
1.54	5.2	8.2	2276	9.92	10.79	1138	6.57	6.86	754	4.77	5.04	---	---	6.5	7.5	9.0	11.0	13.0
1.55	4.0	6.4	2261	7.08	8.03	1131	4.56	5.08	749	3.32	3.74	5.4	7.9	8.9	9.9	11.4	13.4	15.4
1.56	3.2	5.2	2246	4.85	5.99	1123	3.15	3.82	744	2.32	2.84	7.0	9.5	10.5	11.5	13.0	15.0	17.0
1.57	5.6	9.0	2231	10.73	11.64	1116	7.21	7.43	740	5.24	5.46	---	---	---	---	8.0	10.0	12.1
1.59	3.0	5.0	2199	4.27	5.46	1099	2.79	3.51	729	2.06	2.61	7.3	9.8	10.8	11.8	13.3	15.3	17.3
1.59	4.0	6.6	2196	7.10	8.05	1098	4.57	5.08	728	3.32	3.75	---	7.7	8.7	9.7	11.3	13.3	15.3
1.59	5.0	8.2	2195	9.51	10.37	1097	6.25	6.58	727	4.53	4.84	---	---	6.6	7.6	9.1	11.2	13.2
1.60	3.6	6.0	2183	6.02	7.05	1092	3.87	4.47	724	2.82	3.30	6.0	8.5	9.5	10.5	12.1	14.1	16.1
1.61	4.2	7.0	2172	7.62	8.54	1086	4.91	5.39	720	3.57	3.97	---	7.2	8.2	9.3	10.8	12.8	14.8
1.61	3.2	5.4	2168	4.87	6.01	1084	3.16	3.83	718	2.32	2.85	6.8	9.3	10.3	11.3	12.9	14.9	16.9
1.65	3.0	5.2	2120	4.28	5.48	1060	2.80	3.52	703	2.07	2.62	7.1	9.7	10.7	11.7	13.2	15.2	17.2
ARC-LENGTH CORRECTION FACTOR →												0.73	0.78	0.80	0.81	0.83	0.86	0.89
1.65	3.6	6.2	2117	6.03	7.06	1059	3.88	4.47	702	2.83	3.31	5.8	8.4	9.4	10.4	11.9	13.9	15.9
1.66	4.8	8.2	2113	9.09	9.95	1057	5.93	6.29	700	4.30	4.63	---	---	6.7	7.8	9.3	11.3	13.3
1.67	3.8	6.6	2096	6.59	7.57	1048	4.23	4.79	695	3.08	3.53	5.3	7.9	8.9	9.9	11.4	13.4	15.4
1.68	5.2	9.0	2082	9.97	10.83	1041	6.59	6.88	690	4.78	5.06	---	---	---	6.7	8.3	10.3	12.4
1.69	3.4	6.0	2074	5.47	6.55	1037	3.53	4.16	687	2.58	3.08	6.1	8.7	9.7	10.7	12.2	14.2	16.2
1.71	3.0	5.4	2047	4.30	5.49	1023	2.81	3.52	678	2.08	2.62	7.0	9.5	10.5	11.5	13.0	15.0	17.0
1.72	6.0	10.6	2034	11.48	12.47	1017	7.86	8.01	674	5.72	5.89	---	---	---	---	---	8.3	10.4
1.72	4.6	8.2	2031	8.64	9.51	1016	5.60	6.01	673	4.07	4.42	---	---	6.9	7.9	9.4	11.5	13.5
1.74	3.4	6.2	2011	5.49	6.57	1005	3.53	4.17	666	2.59	3.09	5.9	8.5	9.5	10.5	12.0	14.0	16.1
1.77	3.8	7.0	1982	6.61	7.59	991	4.24	4.80	657	3.09	3.54	---	7.5	8.5	9.5	11.1	13.1	15.1
1.77	3.0	5.6	1978	4.31	5.51	989	2.82	3.53	656	2.08	2.63	6.8	9.3	10.3	11.3	12.8	14.8	16.8
1.79	3.4	6.4	1951	5.50	6.58	976	3.54	4.17	647	2.59	3.09	5.8	8.3	9.3	10.3	11.9	13.9	15.9
1.81	4.8	9.0	1933	9.12	9.98	966	5.95	6.31	641	4.31	4.64	---	---	---	7.0	8.6	10.6	12.6
1.82	4.0	7.6	1921	7.15	8.10	961	4.59	5.11	637	3.34	3.77	---	6.8	7.8	8.9	10.4	12.4	14.4
1.83	3.0	5.8	1914	4.32	5.52	957	2.82	3.53	634	2.08	2.63	6.6	9.1	10.1	11.2	12.7	14.7	16.7
1.84	5.6	10.6	1906	10.79	11.70	953	7.25	7.46	632	5.26	5.49	---	---	---	---	---	8.6	10.6
1.85	3.4	6.6	1895	5.51	6.58	948	3.54	4.18	628	2.59	3.09	5.6	8.1	9.2	10.2	11.7	13.7	15.7
1.87	4.2	8.2	1868	7.68	8.59	934	4.94	5.42	619	3.59	3.99	---	6.1	7.1	8.2	9.7	11.7	13.8
1.88	4.6	9.0	1858	8.67	9.53	929	5.62	6.02	616	4.07	4.43	---	---	---	7.1	8.7	10.7	12.8
1.89	3.0	6.0	1854	4.33	5.53	927	2.83	3.54	615	2.09	2.63	6.4	9.0	10.0	11.0	12.5	14.5	16.5
1.91	3.8	7.6	1833	6.63	7.62	917	4.25	4.81	608	3.10	3.55	---	6.9	8.0	9.0	10.5	12.6	14.6
1.95	3.0	6.2	1798	4.34	5.53	899	2.83	3.54	596	2.09	2.64	6.2	8.8	9.8	10.8	12.3	14.3	16.3
1.95	3.4	7.0	1793	5.52	6.60	896	3.55	4.18	594	2.60	3.10	5.2	7.8	8.8	9.8	11.3	13.4	15.4
1.96	4.0	8.2	1787	7.17	8.12	893	4.60	5.12	592	3.35	3.77	---	6.2	7.3	8.3	9.8	11.9	13.9
1.97	5.2	10.6	1779	10.01	10.88	889	6.61	6.90	590	4.80	5.07	---	---	---	---	---	8.8	10.9
2.00	6.4	13.2	1747	12.15	13.27	874	8.50	8.58	579	6.19	6.31	---	---	---	---	---	---	---
2.01	3.6	7.6	1746	6.09	7.12	873	3.91	4.50	579	2.85	3.33	---	7.1	8.1	9.1	10.7	12.7	14.7
2.01	3.0	6.4	1745	4.34	5.54	872	2.83	3.55	578	2.09	2.64	6.0	8.6	9.6	10.6	12.2	14.2	16.2
2.04	5.0	10.6	1715	9.59	10.45	857	6.29	6.62	568	4.56	4.86	---	---	---	---	---	9.0	11.0
2.05	3.8	8.2	1705	6.65	7.63	853	4.26	4.82	565	3.10	3.55	---	6.3	7.4	8.4	10.0	12.0	14.1
ARC-LENGTH CORRECTION FACTOR →												0.73	0.78	0.80	0.81	0.83	0.86	0.89

NOTE: Selection program VIA-VISA available at www.ptwizard.com.

SELECTION



A S-L CLASSIC AX CLASSIC COG STOCK DRIVE SELECTIONS

Ratio	Belt Size/Center Distance																		
	A48 AX48	A51 AX51	A53 AX53	A55 AX55	A60 AX60	A64 AX64	A66 AX66	A68 AX68	A71 AX71	A75 AX75	A78 AX78	A80 AX80	A85 AX85	A90 AX90	A96 AX96	A105 AX105	A112 AX112	A120 AX120	A128 AX128
1.36	19.0	20.5	21.5	22.5	25.0	27.0	28.0	29.0	30.5	32.5	34.0	35.0	37.5	40.0	43.0	47.5	51.0	55.0	59.0
1.36	16.0	17.5	18.5	19.5	22.0	24.0	25.0	26.0	27.5	29.5	31.0	32.0	34.5	37.0	40.0	44.5	48.0	52.0	56.0
1.37	15.2	16.7	17.7	18.7	21.2	23.2	24.2	25.2	26.7	28.7	30.2	31.2	33.7	36.2	39.2	43.7	47.2	51.2	55.2
1.38	17.4	18.9	19.9	20.9	23.4	25.4	26.4	27.4	28.9	30.9	32.4	33.4	35.9	38.4	41.4	45.9	49.4	53.4	57.4
1.38	12.5	14.0	15.0	16.0	18.5	20.5	21.5	22.5	24.0	26.0	27.5	28.5	31.0	33.5	36.5	41.0	44.5	48.5	52.5
1.40	15.8	17.3	18.3	19.3	21.8	23.8	24.8	25.8	27.3	29.3	30.8	31.8	34.3	36.8	39.8	44.3	47.8	51.8	55.8
1.40	17.7	19.2	20.2	21.2	23.7	25.7	26.7	27.7	29.2	31.2	32.7	33.7	36.2	38.7	41.7	46.2	49.7	53.7	57.7
1.41	18.8	20.3	21.3	22.3	24.8	26.8	27.8	28.8	30.3	32.3	33.8	34.8	37.3	39.8	42.8	47.3	50.8	54.8	58.8
1.42	15.3	16.9	17.9	18.9	21.4	23.4	24.4	25.4	26.9	28.9	30.4	31.4	33.9	36.4	39.4	43.9	47.4	51.4	55.4
1.43	13.8	15.3	16.3	17.3	19.8	21.8	22.8	23.8	25.3	27.3	28.8	29.8	32.3	34.8	37.8	42.3	45.8	49.8	53.8
1.44	16.5	18.0	19.0	20.0	22.5	24.5	25.5	26.5	28.0	30.0	31.5	32.5	35.0	37.5	40.5	45.0	48.5	52.5	56.5
1.45	18.4	19.9	20.9	21.9	24.4	26.4	27.4	28.4	29.9	31.9	33.4	34.4	36.9	39.4	42.4	46.9	50.4	54.4	58.4
1.47	18.7	20.2	21.2	22.2	24.7	26.7	27.7	28.7	30.2	32.2	33.7	34.7	37.2	39.7	42.7	47.2	50.7	54.7	58.7
1.48	17.1	18.6	19.6	20.6	23.1	25.1	26.1	27.1	28.6	30.6	32.1	33.1	35.6	38.1	41.1	45.6	49.1	53.1	57.1
1.48	15.5	17.0	18.0	19.0	21.5	23.5	24.5	25.5	27.0	29.0	30.5	31.5	34.0	36.5	39.5	44.0	47.5	51.5	55.5
1.50	16.6	18.1	19.1	20.1	22.6	24.6	25.6	26.6	28.1	30.1	31.6	32.6	35.1	37.6	40.6	45.1	48.6	52.6	56.6
1.50	18.2	19.7	20.7	21.7	24.2	26.2	27.2	28.2	29.7	31.7	33.2	34.2	36.7	39.2	42.2	46.7	50.2	54.2	58.2
1.53	17.7	19.2	20.2	21.2	23.7	25.7	26.7	27.7	29.2	31.2	32.7	33.7	36.2	38.7	41.7	46.2	49.7	53.7	57.7
1.53	18.5	20.0	21.0	22.0	24.5	26.5	27.5	28.5	30.0	32.0	33.5	34.5	37.0	39.5	42.5	47.0	50.5	54.5	58.5
1.54	14.1	15.6	16.6	17.6	20.1	22.1	23.1	24.1	25.6	27.6	29.1	30.1	32.6	35.1	38.1	42.6	46.1	50.1	54.1
1.55	16.4	17.9	18.9	19.9	22.5	24.5	25.5	26.5	28.0	30.0	31.5	32.5	35.0	37.5	40.5	45.0	48.5	52.5	56.5
1.56	18.0	19.5	20.5	21.5	24.0	26.0	27.0	28.0	29.5	31.5	33.0	34.0	36.5	39.0	42.0	46.5	50.0	54.0	58.0
1.57	13.1	14.6	15.6	16.6	19.1	21.1	22.1	23.1	24.6	26.6	28.1	29.1	31.6	34.1	37.2	41.7	45.2	49.2	53.2
1.59	18.3	19.8	20.8	21.8	24.3	26.4	27.4	28.4	29.9	31.9	33.4	34.4	36.9	39.4	42.4	46.9	50.4	54.4	58.4
1.59	16.3	17.8	18.8	19.8	22.3	24.3	25.3	26.3	27.8	29.8	31.3	32.3	34.8	37.3	40.3	44.8	48.3	52.3	56.3
1.59	14.2	15.7	16.7	17.7	20.2	22.2	23.2	24.2	25.7	27.7	29.2	30.2	32.7	35.3	38.3	42.8	46.3	50.3	54.3
1.60	17.1	18.6	19.6	20.6	23.1	25.1	26.1	27.1	28.6	30.6	32.1	33.1	35.6	38.1	41.1	45.6	49.1	53.1	57.1
1.61	15.8	17.3	18.3	19.3	21.8	23.8	24.8	25.8	27.3	29.3	30.8	31.8	34.3	36.8	39.8	44.3	47.8	51.8	55.8
1.61	17.9	19.4	20.4	21.4	23.9	25.9	26.9	27.9	29.4	31.4	32.9	33.9	36.4	38.9	41.9	46.4	49.9	53.9	57.9
1.65	18.2	19.7	20.7	21.7	24.2	26.2	27.2	28.2	29.7	31.7	33.2	34.2	36.7	39.2	42.2	46.7	50.2	54.2	58.2
	0.90	0.91	0.93	0.94	0.96	0.97	0.98	0.99	1.00	1.02	1.03	1.04	1.05	1.07	1.09	1.11	1.13	1.15	1.17
1.65	16.9	18.4	19.4	20.4	22.9	24.9	25.9	26.9	28.4	30.4	31.9	32.9	35.4	37.9	40.9	45.4	48.9	52.9	56.9
1.66	14.3	15.9	16.9	17.9	20.4	22.4	23.4	24.4	25.9	27.9	29.4	30.4	32.9	35.4	38.4	42.9	46.4	50.4	54.4
1.67	16.4	17.9	18.9	19.9	22.4	24.4	25.4	26.4	28.0	30.0	31.5	32.5	35.0	37.5	40.5	45.0	48.5	52.5	56.5
1.68	13.4	14.9	15.9	16.9	19.4	21.4	22.4	23.4	24.9	26.9	28.4	29.4	31.9	34.5	37.5	42.0	45.5	49.5	53.5
1.69	17.2	18.7	19.7	20.7	23.2	25.2	26.2	27.2	28.7	30.7	32.2	33.2	35.7	38.2	41.3	45.8	49.3	53.3	57.3
1.71	18.0	19.5	20.5	21.5	24.0	26.0	27.0	28.0	29.5	31.5	33.0	34.0	36.5	39.0	42.0	46.5	50.0	54.0	58.0
1.72	11.4	12.9	13.9	14.9	17.5	19.5	20.5	21.5	23.0	25.0	26.5	27.5	30.0	32.5	35.5	40.1	43.6	47.6	51.6
1.72	14.5	16.0	17.0	18.0	20.5	22.5	23.5	24.5	26.0	28.0	29.5	30.5	33.1	35.6	38.6	43.1	46.6	50.6	54.6
1.74	17.1	18.6	19.6	20.6	23.1	25.1	26.1	27.1	28.6	30.6	32.1	33.1	35.6	38.1	41.1	45.6	49.1	53.1	57.1
1.77	16.1	17.6	18.6	19.6	22.1	24.1	25.1	26.1	27.6	29.6	31.1	32.1	34.6	37.1	40.1	44.6	48.1	52.1	56.1
1.77	17.9	19.4	20.4	21.4	23.9	25.9	26.9	27.9	29.4	31.4	32.9	33.9	36.4	38.9	41.9	46.4	49.9	53.9	57.9
1.79	16.9	18.4	19.4	20.4	22.9	24.9	25.9	26.9	28.4	30.4	31.9	32.9	35.4	37.9	40.9	45.4	48.9	52.9	56.9
1.81	13.7	15.2	16.2	17.2	19.7	21.7	22.7	23.7	25.2	27.2	28.7	29.7	32.2	34.8	37.8	42.3	45.8	49.8	53.8
1.82	15.4	16.9	18.0	19.0	21.5	23.5	24.5	25.5	27.0	29.0	30.5	31.5	34.0	36.5	39.5	44.0	47.5	51.5	55.5
1.83	17.7	19.2	20.2	21.2	23.7	25.7	26.7	27.7	29.2	31.2	32.7	33.7	36.2	38.7	41.7	46.2	49.7	53.7	57.7
1.84	11.7	13.2	14.2	15.2	17.8	19.8	20.8	21.8	23.3	25.3	26.8	27.8	30.3	32.8	35.8	40.4	43.9	47.9	51.9
1.85	16.7	18.2	19.2	20.2	22.7	24.7	25.7	26.7	28.3	30.3	31.8	32.8	35.3	37.8	40.8	45.3	48.8	52.8	56.8
1.87	14.8	16.3	17.3	18.3	20.8	22.8	23.8	24.8	26.3	28.3	29.8	30.9	33.4	35.9	38.9	43.4	46.9	50.9	54.9
1.88	13.8	15.3	16.3	17.3	19.9	21.9	22.9	23.9	25.4	27.4	28.9	29.9	32.4	34.9	37.9	42.4	45.9	49.9	53.9
1.89	17.5	19.0	20.0	21.0	23.5	25.5	26.5	27.5	29.0	31.0	32.6	33.6	36.1	38.6	41.6	46.1	49.6	53.6	57.6
1.91	15.6	17.1	18.1	19.1	21.6	23.6	24.6	25.6	27.1	29.1	30.6	31.6	34.1	36.7	39.7	44.2	47.7	51.7	55.7
1.95	17.4	18.9	19.9	20.9	23.4	25.4	26.4	27.4	28.9	30.9	32.4	33.4	35.9	38.4	41.4	45.9	49.4	53.4	57.4
1.95	16.4	17.9	18.9	19.9	22.4	24.4	25.4	26.4	27.9	29.9	31.4	32.4	34.9	37.4	40.4	44.9	48.5	52.5	56.5
1.96	14.9	16.4	17.4	18.5	21.0	23.0	24.0	25.0	26.5	28.5	30.0	31.0	33.5	36.0	39.0	43.5	47.0	51.0	55.0
1.97	11.9	13.5	14.5	15.5	18.0	20.1	21.1	22.1	23.6	25.6	27.1	28.1	30.6	33.1	36.1	40.7	44.2	48.2	52.2
2.00	---	10.2	11.3	12.3	14.9	16.9	17.9	19.0	20.5	22.5	24.0	25.0	27.6	30.1	33.1	37.6	41.1	45.1	49.1
2.01	15.7	17.2	18.2	19.3	21.8	23.8	24.8	25.8	27.3	29.3	30.8	31.8	34.3	36.8	39.8	44.3	47.8	51.8	55.8
2.01	17.2	18.7	19.7	20.7	23.2	25.2	26.2	27.2	28.7	30.7	32.2	33.2	35.7	38.2	41.2	45.7	49.2	53.2	57.2
2.04	12.1	13.6	14.6	15.7	18.2	20.2	21.2	22.2	23.7	25.8	27.3	28.3	30.8	33.3	36.3	40.8	44.3	48.3	52.3
2.05	15.1	16.6	17.6	18.6	21.1	23.1	24.1	25.1	26.6	28.6	30.1	31.2	33.7	36.2	39.2	43.7	47.2	51.2	55.2
	.89	0.90	0.92	0.93	0.95	0.97	0.98	0.99	1.00	1.01	1.02	1.03	1.05	1.06	1.08	1.11	1.13	1.14	1.16

NOTE: Selection program VIA-VISA available at www.ptwizard.com.

V-Drives

FHP Drives

Drive Component Accessories

DYNA-SYNC

HT200/HTD Synchronous Drives

HT500 Synchronous Drives

Roller Chain Sprockets

SELECTION



A S-L CLASSIC AX CLASSIC COG STOCK DRIVE SELECTIONS

Ratio	Stock Shv.		3500 RPM Driver			1750 RPM Driver			1160 RPM Driver			Belt Size/Center Distance									
	Datum Diam.		Driven RPM	HP Per Belt		Driven RPM	HP Per Belt		Driven RPM	HP Per Belt		A26 AX26	A31 AX31	A33 AX33	A35 AX35	A38 AX38	A42 AX42	A46 AX46			
	Driver	Driven		A	AX		A	AX		A	AX										
2.07	3.0	6.6	1695	4.35	5.55	847	2.84	3.55	562	2.09	2.64	5.8	8.4	9.4	10.5	12.0	14.0	16.0			
2.07	5.6	12.0	1691	10.82	11.73	845	7.26	7.48	560	5.27	5.50	---	---	---	---	---	---	9.3			
2.11	3.4	7.6	1658	5.53	6.61	829	3.56	4.19	549	2.60	3.10	---	7.2	8.2	9.3	10.8	12.8	14.9			
2.12	4.8	10.6	1651	9.15	10.01	826	5.96	6.33	547	4.32	4.65	---	---	---	---	7.0	9.1	11.2			
2.13	6.0	13.2	1644	11.53	12.53	822	7.89	8.04	545	5.74	5.91	---	---	---	---	---	---	---			
2.14	4.0	9.0	1634	7.19	8.13	817	4.61	5.13	542	3.35	3.78	---	---	6.5	7.5	9.1	11.2	13.2			
2.16	3.6	8.2	1624	6.11	7.13	812	3.91	4.51	538	2.85	3.33	---	6.5	7.5	8.6	10.1	12.2	14.2			
2.18	3.0	7.0	1603	4.36	5.55	801	2.84	3.55	531	2.09	2.64	5.4	8.1	9.1	10.1	11.6	13.7	15.7			
2.20	4.6	10.6	1587	8.70	9.56	794	5.63	6.04	526	4.08	4.44	---	---	---	---	7.1	9.2	11.3			
2.22	5.2	12.0	1578	10.03	10.90	789	6.62	6.91	523	4.80	5.08	---	---	---	---	---	---	9.5			
2.23	3.2	7.6	1570	4.96	6.10	785	3.20	3.88	520	2.35	2.88	---	7.3	8.4	9.4	11.0	13.0	15.0			
2.27	3.4	8.2	1542	5.55	6.62	771	3.56	4.20	511	2.60	3.11	---	6.6	7.7	8.7	10.3	12.3	14.3			
2.30	5.0	12.0	1521	9.61	10.47	761	6.30	6.63	504	4.57	4.87	---	---	---	---	---	---	9.7			
2.36	3.6	9.0	1485	6.12	7.15	743	3.92	4.51	492	2.86	3.33	---	---	6.7	7.8	9.4	11.4	13.5			
2.36	3.0	7.6	1482	4.37	5.56	741	2.85	3.56	491	2.10	2.65	---	7.5	8.5	9.6	11.1	13.1	15.2			
2.39	4.8	12.0	1464	9.17	10.03	732	5.97	6.34	485	4.33	4.66	---	---	---	---	---	---	9.8			
2.40	3.2	8.2	1460	4.97	6.10	730	3.21	3.88	484	2.35	2.88	---	6.7	7.8	8.8	10.4	12.4	14.5			
2.40	4.2	10.6	1460	7.72	8.63	730	4.96	5.44	484	3.60	4.00	---	---	---	---	7.3	9.5	11.6			
2.43	5.2	13.2	1438	10.05	10.91	719	6.63	6.92	477	4.81	5.08	---	---	---	---	---	---	---			
2.48	3.4	9.0	1410	5.55	6.63	705	3.57	4.20	467	2.61	3.11	---	---	6.8	7.9	9.5	11.6	13.6			
2.49	4.6	12.0	1408	8.71	9.58	704	5.64	6.04	467	4.09	4.44	---	---	---	---	---	7.7	9.9			
2.51	4.0	10.6	1396	7.21	8.15	698	4.62	5.14	463	3.36	3.79	---	---	---	---	7.5	9.6	11.7			
2.52	5.0	13.2	1387	9.62	10.48	693	6.30	6.63	460	4.57	4.87	---	---	---	---	---	---	---			
2.54	3.0	8.2	1379	4.38	5.57	689	2.85	3.56	457	2.10	2.65	---	6.9	7.9	9.0	10.5	12.6	14.6			
2.57	5.6	15.0	1361	10.85	11.75	680	7.27	7.49	451	5.28	5.50	---	---	---	---	---	---	---			
2.62	3.2	9.0	1336	4.98	6.11	668	3.21	3.89	443	2.36	2.88	---	5.9	7.0	8.1	9.6	11.7	13.8			
2.62	4.8	13.2	1335	9.18	10.04	668	5.98	6.34	442	4.33	4.66	---	---	---	---	---	---	8.5			
2.63	3.8	10.6	1332	6.68	7.66	666	4.28	4.83	442	3.11	3.56	---	---	---	---	7.6	9.8	11.9			
2.67	5.6	15.6	1310	10.85	11.76	655	7.27	7.49	434	5.28	5.51	---	---	---	---	---	---	---			
2.70	4.2	12.0	1295	7.73	8.65	647	4.97	5.45	429	3.60	4.01	---	---	---	---	---	8.0	10.2			
ARC-LENGTH CORRECTION FACTOR →												0.70	0.75	0.76	0.79	0.80	0.81	0.84			
2.71	6.4	18.0	1291	12.19	13.31	646	8.51	8.60	428	6.20	6.33	---	---	---	---	---	---	---			
2.73	4.6	13.2	1284	8.72	9.59	642	5.64	6.05	425	4.09	4.45	---	---	---	---	---	---	8.6			
2.76	3.6	10.6	1269	6.13	7.16	634	3.93	4.52	420	2.86	3.34	---	---	---	---	7.7	9.9	12.0			
2.78	3.0	9.0	1261	4.38	5.58	631	2.85	3.56	418	2.10	2.65	---	6.0	7.1	8.2	9.8	11.9	13.9			
2.83	4.0	12.0	1238	7.22	8.16	619	4.63	5.14	410	3.36	3.79	---	---	---	---	---	8.1	10.3			
2.86	5.0	15.0	1224	9.63	10.49	612	6.31	6.64	406	4.57	4.88	---	---	---	---	---	---	---			
2.88	6.0	18.0	1215	11.57	12.56	607	7.90	8.05	403	5.75	5.92	---	---	---	---	---	---	---			
2.90	3.4	10.6	1205	5.57	6.65	602	3.57	4.21	399	2.61	3.11	---	---	---	---	7.8	10.0	12.1			
2.96	3.8	12.0	1182	6.69	7.67	591	4.28	4.84	392	3.11	3.57	---	---	---	---	---	8.2	10.4			
2.97	4.8	15.0	1179	9.19	10.05	589	5.98	6.34	391	4.33	4.66	---	---	---	---	---	---	---			
3.07	3.2	10.6	1141	4.99	6.12	571	3.22	3.89	378	2.36	2.88	---	---	---	6.2	8.0	10.1	12.3			
3.09	4.6	15.0	1133	8.72	9.59	567	5.65	6.05	376	4.09	4.45	---	---	---	---	---	---	---			
3.10	4.0	13.2	1129	7.22	8.17	564	4.63	5.14	374	3.36	3.79	---	---	---	---	---	---	9.0			
3.11	3.6	12.0	1125	6.14	7.17	563	3.93	4.52	373	2.86	3.34	---	---	---	---	---	8.3	10.6			
3.13	6.0	19.6	1118	11.57	12.56	559	7.91	8.06	370	5.75	5.92	---	---	---	---	---	---	---			
3.21	4.6	15.6	1091	8.73	9.60	545	5.65	6.05	362	4.10	4.45	---	---	---	---	---	---	---			
3.25	3.0	10.6	1077	4.39	5.59	539	2.86	3.57	357	2.11	2.65	---	---	---	6.3	8.1	10.3	12.4			
3.25	3.8	13.2	1077	6.69	7.67	539	4.28	4.84	357	3.11	3.57	---	---	---	---	---	---	9.1			
3.29	5.2	18.0	1063	10.07	10.93	531	6.64	6.93	352	4.81	5.09	---	---	---	---	---	---	---			
3.36	4.2	15.0	1042	7.74	8.66	521	4.97	5.45	345	3.61	4.01	---	---	---	---	---	---	---			
3.41	3.6	13.2	1026	6.14	7.17	513	3.93	4.53	340	2.87	3.34	---	---	---	---	---	---	9.2			
3.42	5.0	18.0	1024	9.64	10.50	512	6.31	6.64	340	4.58	4.88	---	---	---	---	---	---	---			
3.46	3.2	12.0	1012	4.99	6.13	506	3.22	3.89	335	2.36	2.89	---	---	---	---	---	8.6	10.8			
3.49	4.2	15.6	1003	7.75	8.66	502	4.97	5.45	332	3.61	4.01	---	---	---	---	---	---	---			
3.51	4.0	15.0	997	7.23	8.17	498	4.63	5.15	330	3.36	3.79	---	---	---	---	---	---	---			
3.55	4.8	18.0	986	9.19	10.05	493	5.98	6.35	327	4.34	4.66	---	---	---	---	---	---	---			
3.58	5.2	19.6	977	10.07	10.93	489	6.64	6.93	324	4.81	5.09	---	---	---	---	---	---	---			
3.59	3.4	13.2	974	5.58	6.66	487	3.58	4.21	323	2.62	3.12	---	---	---	---	---	---	9.3			
3.65	4.0	15.6	959	7.23	8.17	480	4.63	5.15	318	3.36	3.79	---	---	---	---	---	---	---			
3.66	3.0	12.0	956	4.40	5.59	478	2.86	3.57	317	2.11	2.65	---	---	---	---	---	8.7	11.0			
ARC-LENGTH CORRECTION FACTOR →												---	0.71	0.73	0.75	0.77	0.77	0.81			

NOTE: Selection program VIA-VISA available at www.ptwizard.com.

SELECTION



A S-L CLASSIC AX CLASSIC COG STOCK DRIVE SELECTIONS

Ratio	Belt Size/Center Distance																		
	A48 AX48	A51 AX51	A53 AX53	A55 AX55	A60 AX60	A64 AX64	A66 AX66	A68 AX68	A71 AX71	A75 AX75	A78 AX78	A80 AX80	A85 AX85	A90 AX90	A96 AX96	A105 AX105	A112 AX112	A120 AX120	A128 AX128
2.07	17.0	18.5	19.5	20.5	23.0	25.0	26.1	27.1	28.6	30.6	32.1	33.1	35.6	38.1	41.1	45.6	49.1	53.1	57.1
2.07	10.3	11.9	12.9	14.0	16.5	18.6	19.6	20.6	22.1	24.1	25.6	26.6	29.2	31.7	34.7	39.2	42.7	46.7	50.7
2.11	15.9	17.4	18.4	19.4	21.9	23.9	24.9	25.9	27.4	29.4	30.9	31.9	34.5	37.0	40.0	44.5	48.0	52.0	56.0
2.12	12.2	13.8	14.8	15.8	18.3	20.4	21.4	22.4	23.9	25.9	27.4	28.4	30.9	33.4	36.4	41.0	44.5	48.5	52.5
2.13	---	10.5	11.5	12.6	15.2	17.2	18.2	19.2	20.8	22.8	24.3	25.3	27.8	30.4	33.4	37.9	41.4	45.4	49.4
2.14	14.2	15.7	16.8	17.8	20.3	22.3	23.3	24.3	25.8	27.8	29.3	30.3	32.8	35.4	38.4	42.9	46.4	50.4	54.4
2.16	15.2	16.7	17.7	18.7	21.3	23.3	24.3	25.3	26.8	28.8	30.3	31.3	33.8	36.3	39.3	43.8	47.3	51.3	55.3
2.18	16.7	18.2	19.2	20.2	22.7	24.7	25.7	26.7	28.2	30.2	31.7	32.7	35.2	37.7	40.8	45.3	48.8	52.8	56.8
2.20	12.4	13.9	14.9	15.9	18.5	20.5	21.5	22.5	24.0	26.0	27.6	28.6	31.1	33.6	36.6	41.1	44.6	48.6	52.6
2.22	10.6	12.2	13.2	14.2	16.8	18.8	19.9	20.9	22.4	24.4	25.9	26.9	29.5	32.0	35.0	39.5	43.0	47.0	51.0
2.23	16.0	17.5	18.5	19.5	22.1	24.1	25.1	26.1	27.6	29.6	31.1	32.1	34.6	37.1	40.1	44.6	48.1	52.1	56.1
2.27	15.4	16.9	17.9	18.9	21.4	23.4	24.4	25.4	26.9	28.9	30.4	31.5	34.0	36.5	39.5	44.0	47.5	51.5	55.5
2.30	10.7	12.3	13.3	14.4	16.9	19.0	20.0	21.0	22.5	24.6	26.1	27.1	29.6	32.1	35.1	39.7	43.2	47.2	51.2
2.36	14.5	16.0	17.0	18.1	20.6	22.6	23.6	24.6	26.1	28.1	29.6	30.6	33.1	35.7	38.7	43.2	46.7	50.7	54.7
2.36	16.2	17.7	18.7	19.7	22.2	24.2	25.2	26.2	27.7	29.7	31.2	32.2	34.8	37.3	40.3	44.8	48.3	52.3	56.3
2.39	10.9	12.4	13.5	14.5	17.1	19.1	20.1	21.2	22.7	24.7	26.2	27.2	29.7	32.3	35.3	39.8	43.3	47.3	51.3
2.40	15.5	17.0	18.0	19.0	21.6	23.6	24.6	25.6	27.1	29.1	30.6	31.6	34.1	36.6	39.6	44.1	47.6	51.6	55.6
2.40	12.6	14.2	15.2	16.2	18.8	20.8	21.8	22.8	24.3	26.3	27.8	28.9	31.4	33.9	36.9	41.4	44.9	48.9	52.9
2.43	9.4	11.0	12.0	13.1	15.7	17.8	18.8	19.8	21.3	23.4	24.9	25.9	28.4	30.9	34.0	38.5	42.0	46.0	50.0
2.48	14.6	16.2	17.2	18.2	20.7	22.7	23.8	24.8	26.3	28.3	29.8	30.8	33.3	35.8	38.8	43.3	46.8	50.8	54.8
2.49	11.0	12.6	13.6	14.7	17.2	19.3	20.3	21.3	22.8	24.8	26.4	27.4	29.9	32.4	35.4	39.9	43.5	47.5	51.5
2.51	12.8	14.3	15.3	16.4	18.9	20.9	21.9	23.0	24.5	26.5	28.0	29.0	31.5	34.0	37.0	41.6	45.1	49.1	53.1
2.52	9.5	11.1	12.2	13.2	15.8	17.9	18.9	19.9	21.5	23.5	25.0	26.0	28.6	31.1	34.1	38.6	42.2	46.2	50.2
2.54	15.6	17.2	18.2	19.2	21.7	23.7	24.7	25.7	27.2	29.2	30.7	31.8	34.3	36.8	39.8	44.3	47.8	51.8	55.8
2.57	---	---	9.9	11.0	13.7	15.8	16.8	17.9	19.4	21.5	23.0	24.0	26.6	29.1	32.1	36.7	40.2	44.2	48.3
2.62	14.8	16.3	17.3	18.3	20.9	22.9	23.9	24.9	26.4	28.4	29.9	30.9	33.4	36.0	39.0	43.5	47.0	51.0	55.0
2.62	9.6	11.2	12.3	13.4	16.0	18.0	19.1	20.1	21.6	23.6	25.2	26.2	28.7	31.2	34.3	38.8	42.3	46.3	50.3
2.63	12.9	14.4	15.5	16.5	19.0	21.1	22.1	23.1	24.6	26.6	28.1	29.1	31.7	34.2	37.2	41.7	45.2	49.2	53.2
2.67	---	---	---	---	13.1	15.2	16.2	17.3	18.8	20.9	22.5	23.5	26.0	28.6	31.6	36.2	39.7	43.7	47.7
2.70	11.3	12.8	13.9	14.9	17.5	19.5	20.6	21.6	23.1	25.1	26.6	27.7	30.2	32.7	35.7	40.2	43.8	47.8	51.8
	0.86	0.88	0.89	0.90	0.93	0.94	0.96	0.97	0.99	1.00	1.01	1.02	1.04	1.05	1.07	1.10	1.12	1.14	1.16
2.71	---	---	---	---	---	12.1	13.2	14.3	15.9	18.1	19.6	20.7	23.3	25.8	28.9	33.5	37.0	41.1	45.1
2.73	9.7	11.4	12.4	13.5	16.1	18.2	19.2	20.2	21.8	23.8	25.3	26.3	28.9	31.4	34.4	38.9	42.5	46.5	50.5
2.76	13.0	14.6	15.6	16.6	19.2	21.2	22.2	23.2	24.8	26.8	28.3	29.3	31.8	34.3	37.3	41.9	45.4	49.4	53.4
2.78	14.9	16.5	17.5	18.5	21.0	23.0	24.0	25.1	26.6	28.6	30.1	31.1	33.6	36.1	39.1	43.6	47.1	51.1	55.1
2.83	11.4	13.0	14.0	15.1	17.6	19.7	20.7	21.7	23.2	25.3	26.8	27.8	30.3	32.8	35.9	40.4	43.9	47.9	51.9
2.86	---	---	10.2	11.3	14.1	16.2	17.2	18.3	19.8	21.9	23.4	24.4	27.0	29.5	32.6	37.1	40.6	44.7	48.7
2.88	---	---	---	---	---	12.4	13.5	14.6	16.2	18.3	19.9	21.0	23.5	26.1	29.2	33.8	37.3	41.4	45.4
2.90	13.2	14.7	15.7	16.8	19.3	21.4	22.4	23.4	24.9	26.9	28.4	29.4	32.0	34.5	37.5	42.0	45.5	49.5	53.5
2.96	11.5	13.1	14.2	15.2	17.8	19.8	20.8	21.9	23.4	25.4	26.9	27.9	30.5	33.0	36.0	40.5	44.1	48.1	52.1
2.97	---	9.2	10.4	11.5	14.2	16.3	17.4	18.4	20.0	22.0	23.6	24.6	27.1	29.7	32.7	37.3	40.8	44.8	48.8
3.07	13.3	14.9	15.9	16.9	19.5	21.5	22.5	23.5	25.0	27.1	28.6	29.6	32.1	34.6	37.6	42.2	45.7	49.7	53.7
3.09	---	9.3	10.5	11.6	14.3	16.4	17.5	18.5	20.1	22.2	23.7	24.7	27.3	29.8	32.9	37.4	40.9	45.0	49.0
3.10	10.1	11.7	12.8	13.9	16.5	18.6	19.6	20.6	22.2	24.2	25.7	26.8	29.3	31.8	34.8	39.4	42.9	46.9	50.9
3.11	11.6	13.2	14.3	15.3	17.9	20.0	21.0	22.0	23.5	25.6	27.1	28.1	30.6	33.1	36.2	40.7	44.2	48.2	52.2
3.13	---	---	---	---	---	---	---	12.7	14.5	16.7	18.3	19.4	22.0	24.6	27.7	32.3	35.9	40.0	44.0
3.21	---	---	---	10.9	13.7	15.8	16.9	18.0	19.5	21.6	23.1	24.2	26.7	29.3	32.3	36.9	40.4	44.5	48.5
3.25	13.4	15.0	16.0	17.1	19.6	21.6	22.7	23.7	25.2	27.2	28.7	29.7	32.3	34.8	37.8	42.3	45.8	49.8	53.8
3.25	10.2	11.9	13.0	14.0	16.6	18.7	19.7	20.8	22.3	24.4	25.9	26.9	29.4	32.0	35.0	39.5	43.0	47.1	51.1
3.29	---	---	---	---	10.5	12.8	14.0	15.1	16.7	18.9	20.4	21.5	24.1	26.7	29.7	34.3	37.9	41.9	46.0
3.36	---	9.6	10.7	11.8	14.6	16.7	17.8	18.8	20.4	22.4	24.0	25.0	27.5	30.1	33.1	37.7	41.2	45.3	49.3
3.41	10.3	12.0	13.1	14.1	16.8	18.9	19.9	20.9	22.4	24.5	26.0	27.0	29.6	32.1	35.1	39.7	43.2	47.2	51.2
3.42	---	---	---	---	10.6	13.0	14.1	15.2	16.8	19.0	20.6	21.6	24.2	26.8	29.9	34.5	38.0	42.1	46.1
3.46	11.9	13.5	14.6	15.6	18.2	20.2	21.3	22.3	23.8	25.8	27.4	28.4	30.9	33.4	36.5	41.0	44.5	48.5	52.5
3.49	---	---	10.0	11.2	13.9	16.1	17.2	18.2	19.8	21.9	23.4	24.4	27.0	29.6	32.6	37.2	40.7	44.7	48.8
3.51	---	9.7	10.8	12.0	14.7	16.8	17.9	18.9	20.5	22.6	24.1	25.1	27.7	30.2	33.3	37.8	41.4	45.4	49.4
3.55	---	---	---	---	10.7	13.1	14.2	15.3	17.0	19.1	20.7	21.8	24.4	26.9	30.0	34.6	38.2	42.2	46.3
3.58	---	---	---	---	---	---	12.0	13.2	14.9	17.2	18.8	19.9	22.5	25.2	28.3	32.9	36.5	40.5	44.6
3.59	10.5	12.1	13.2	14.3	16.9	19.0	20.0	21.0	22.6	24.6	26.2	27.2	29.7	32.2	35.3	39.8	43.3	47.4	51.4
3.65	---	---	10.1	11.3	14.1	16.2	17.3	18.3	19.9	22.0	23.5	24.6	27.1	29.7	32.8	37.3	40.9	44.9	48.9
3.66	12.0	13.6	14.7	15.7	18.3	20.4	21.4	22.4	24.0	26.0	27.5	28.5	31.0	33.6	36.6	41.1	44.6	48.7	52.7
	0.83	0.86	0.87	0.88	0.91	0.92	0.94	0.96	0.97	0.99	1.00	1.01	1.03	1.04	1.06	1.09	1.11	1.13	1.15

NOTE: Selection program VIA-VISA available at www.ptwizard.com.

SELECTION



V-Drives

FHP Drives

Drive Component Accessories

DYNA-SYNC

HT200/HTD Synchronous Drives

HT500 Synchronous Drives

Roller Chain Sprockets

A S-L CLASSIC AX CLASSIC COG STOCK DRIVE SELECTIONS

Ratio	Stock Shv. Datum Diam.		3500 RPM Driver				1750 RPM Driver				1160 RPM Driver				Belt Size/Center Distance					
	Driver	Driven	RPM	HP Per Belt		RPM	HP Per Belt		RPM	HP Per Belt		A26 AX26	A31 AX31	A33 AX33	A35 AX35	A38 AX38	A42 AX42	A46 AX46		
				A	AX		A	AX		A	AX									
3.69	4.6	18.0	948	8.73	9.60	474	5.65	6.05	314	4.10	4.45	---	---	---	---	---	---	---		
3.71	5.0	19.6	942	9.64	10.50	471	6.31	6.64	312	4.58	4.88	---	---	---	---	---	---	---		
3.79	3.2	13.2	923	4.99	6.13	461	3.22	3.89	306	2.36	2.89	---	---	---	---	---	---	9.5		
3.82	3.8	15.6	916	6.70	7.68	458	4.28	4.84	303	3.12	3.57	---	---	---	---	---	---	---		
3.86	3.6	15.0	906	6.15	7.17	453	3.93	4.53	300	2.87	3.34	---	---	---	---	---	---	---		
3.92	6.0	24.6	894	11.58	12.57	447	7.91	8.06	296	5.75	5.92	---	---	---	---	---	---	---		
4.01	4.2	18.0	872	7.75	8.66	436	4.98	5.45	289	3.61	4.01	---	---	---	---	---	---	9.6		
4.02	3.0	13.2	871	4.40	5.59	436	2.86	3.57	289	2.11	2.66	---	---	---	---	---	---	---		
4.07	3.4	15.0	860	5.58	6.66	430	3.58	4.21	285	2.62	3.12	---	---	---	---	---	---	---		
4.20	4.0	18.0	834	7.23	8.18	417	4.63	5.15	276	3.36	3.79	---	---	---	---	---	---	---		
4.23	3.4	15.6	828	5.58	6.66	414	3.58	4.21	274	2.62	3.12	---	---	---	---	---	---	---		
4.30	3.2	15.0	815	5.00	6.13	407	3.22	3.90	270	2.36	2.89	---	---	---	---	---	---	---		
4.36	4.2	19.6	802	7.75	8.66	401	4.98	5.46	266	3.61	4.01	---	---	---	---	---	---	---		
4.40	3.8	18.0	796	6.70	7.68	398	4.29	4.84	264	3.12	3.57	---	---	---	---	---	---	---		
4.46	3.2	15.6	784	5.00	6.13	392	3.22	3.90	260	2.36	2.89	---	---	---	---	---	---	---		
ARC-LENGTH CORRECTION FACTOR →												---	---	---	---	---	---	---	---	0.76
4.48	5.2	24.6	782	10.07	10.94	391	6.64	6.93	259	4.82	5.09	---	---	---	---	---	---	---		
4.55	3.0	15.0	769	4.40	5.60	385	2.86	3.57	255	2.11	2.66	---	---	---	---	---	---	---		
4.56	4.0	19.6	767	7.23	8.18	384	4.63	5.15	254	3.37	3.79	---	---	---	---	---	---	---		
4.62	3.6	18.0	758	6.15	7.18	379	3.94	4.53	251	2.87	3.35	---	---	---	---	---	---	---		
4.64	5.0	24.6	754	9.65	10.51	377	6.32	6.64	250	4.58	4.88	---	---	---	---	---	---	---		
4.73	3.0	15.6	740	4.40	5.60	370	2.86	3.57	245	2.11	2.66	---	---	---	---	---	---	---		
4.78	3.8	19.6	732	6.70	7.68	366	4.29	4.84	243	3.12	3.57	---	---	---	---	---	---	---		
4.82	4.8	24.6	726	9.20	10.06	363	5.99	6.35	241	4.34	4.67	---	---	---	---	---	---	---		
4.86	3.4	18.0	720	5.58	6.66	360	3.58	4.22	239	2.62	3.12	---	---	---	---	---	---	---		
5.01	5.6	29.6	698	10.87	11.78	349	7.29	7.50	231	5.29	5.51	---	---	---	---	---	---	---		
5.02	3.6	19.6	697	6.15	7.18	349	3.94	4.53	231	2.87	3.35	---	---	---	---	---	---	---		
5.13	3.2	18.0	682	5.00	6.14	341	3.22	3.90	226	2.36	2.89	---	---	---	---	---	---	---		
5.29	3.4	19.6	662	5.58	6.66	331	3.58	4.22	219	2.62	3.12	---	---	---	---	---	---	---		
5.37	5.2	29.6	651	10.08	10.94	326	6.64	6.93	216	4.82	5.09	---	---	---	---	---	---	---		
5.44	3.0	18.0	644	4.40	5.60	322	2.86	3.57	213	2.11	2.66	---	---	---	---	---	---	---		
ARC-LENGTH CORRECTION FACTOR →												---	---	---	---	---	---	---	---	---
5.45	4.2	24.6	642	7.76	8.67	321	4.98	5.46	213	3.61	4.02	---	---	---	---	---	---	---		
5.57	5.0	29.6	628	9.65	10.51	314	6.32	6.64	208	4.58	4.88	---	---	---	---	---	---	---		
5.58	3.2	19.6	627	5.00	6.14	314	3.22	3.90	208	2.36	2.89	---	---	---	---	---	---	---		
5.70	4.0	24.6	614	7.24	8.18	307	4.64	5.15	203	3.37	3.79	---	---	---	---	---	---	---		
5.79	4.8	29.6	605	9.20	10.06	302	5.99	6.35	200	4.34	4.67	---	---	---	---	---	---	---		
5.91	3.0	19.6	592	4.40	5.60	296	2.86	3.57	196	2.11	2.66	---	---	---	---	---	---	---		
5.98	3.8	24.6	586	6.70	7.69	293	4.29	4.84	194	3.12	3.57	---	---	---	---	---	---	---		
6.02	4.6	29.6	581	8.74	9.61	291	5.66	6.06	193	4.10	4.45	---	---	---	---	---	---	---		
6.28	3.6	24.6	558	6.15	7.18	279	3.94	4.53	185	2.87	3.35	---	---	---	---	---	---	---		
6.35	5.6	37.6	551	10.87	11.78	276	7.29	7.50	183	5.29	5.51	---	---	---	---	---	---	---		
6.55	4.2	29.6	535	7.76	8.67	267	4.98	5.46	177	3.61	4.02	---	---	---	---	---	---	---		
6.61	3.4	24.6	530	5.59	6.67	265	3.58	4.22	176	2.62	3.12	---	---	---	---	---	---	---		
6.81	5.2	37.6	514	10.08	10.94	257	6.65	6.94	170	4.82	5.09	---	---	---	---	---	---	---		
6.84	4.0	29.6	511	7.24	8.18	256	4.64	5.15	169	3.37	3.80	---	---	---	---	---	---	---		
6.98	3.2	24.6	502	5.00	6.14	251	3.23	3.90	166	2.37	2.89	---	---	---	---	---	---	---		
ARC-LENGTH CORRECTION FACTOR →												---	---	---	---	---	---	---	---	---
7.06	5.0	37.6	496	9.65	10.51	248	6.32	6.65	164	4.58	4.88	---	---	---	---	---	---	---		
7.17	3.8	29.6	488	6.70	7.69	244	4.29	4.84	162	3.12	3.57	---	---	---	---	---	---	---		
7.33	4.8	37.6	477	9.21	10.07	239	5.99	6.35	158	4.34	4.67	---	---	---	---	---	---	---		
7.39	3.0	24.6	474	4.41	5.60	237	2.86	3.58	157	2.11	2.66	---	---	---	---	---	---	---		
7.53	3.6	29.6	465	6.15	7.18	232	3.94	4.53	154	2.87	3.35	---	---	---	---	---	---	---		
7.63	4.6	37.6	459	8.74	9.61	229	5.66	6.06	152	4.10	4.45	---	---	---	---	---	---	---		
7.93	3.4	29.6	441	5.59	6.67	221	3.58	4.22	146	2.62	3.12	---	---	---	---	---	---	---		
8.29	4.2	37.6	422	7.76	8.67	211	4.98	5.46	140	3.61	4.02	---	---	---	---	---	---	---		
8.37	3.2	29.6	418	5.00	6.14	209	3.23	3.90	139	2.37	2.89	---	---	---	---	---	---	---		
8.67	4.0	37.6	404	7.24	8.19	202	4.64	5.15	134	3.37	3.80	---	---	---	---	---	---	---		
8.87	3.0	29.6	395	4.41	5.60	197	2.87	3.58	131	2.11	2.66	---	---	---	---	---	---	---		
9.09	3.8	37.6	385	6.71	7.69	193	4.29	4.85	128	3.12	3.57	---	---	---	---	---	---	---		
9.54	3.6	37.6	367	6.16	7.18	183	3.94	4.53	122	2.87	3.35	---	---	---	---	---	---	---		
10.05	3.4	37.6	348	5.59	6.67	174	3.58	4.22	115	2.62	3.12	---	---	---	---	---	---	---		
10.61	3.2	37.6	330	5.01	6.14	165	3.23	3.90	109	2.37	2.89	---	---	---	---	---	---	---		
11.24	3.0	37.6	311	4.41	5.60	156	2.87	3.58	103	2.11	2.66	---	---	---	---	---	---	---		
ARC-LENGTH CORRECTION FACTOR →												---	---	---	---	---	---	---	---	---

NOTE: Selection program VIA-VISA available at www.ptwizard.com.

SELECTION



A	S-L CLASSIC	AX	CLASSIC COG	STOCK DRIVE SELECTIONS
---	-------------	----	-------------	------------------------

Ratio	Belt Size/Center Distance																			
	A48 AX48	A51 AX51	A53 AX53	A55 AX55	A60 AX60	A64 AX64	A66 AX66	A68 AX68	A71 AX71	A75 AX75	A78 AX78	A80 AX80	A85 AX85	A90 AX90	A96 AX96	A105 AX105	A112 AX112	A120 AX120	A128 AX128	
3.69	---	---	---	---	10.8	13.2	14.3	15.5	17.1	19.2	20.8	21.9	24.5	27.1	30.2	34.8	38.3	42.4	46.4	
3.71	---	---	---	---	---	---	12.1	13.3	15.1	17.3	18.9	20.0	22.7	25.3	28.4	33.0	36.6	40.7	44.7	
3.79	10.6	12.3	13.3	14.4	17.0	19.1	20.2	21.2	22.7	24.8	26.3	27.3	29.9	32.4	35.4	40.0	43.5	47.5	51.5	
3.82	---	---	10.2	11.4	14.2	16.4	17.4	18.5	20.1	22.1	23.7	24.7	27.3	29.8	32.9	37.5	41.0	45.0	49.1	
3.86	---	9.9	11.1	12.2	15.0	17.1	18.2	19.2	20.8	22.8	24.4	25.4	28.0	30.5	33.6	38.1	41.7	45.7	49.7	
3.92	---	---	---	---	---	---	---	---	---	---	---	13.4	16.5	19.4	22.7	27.6	31.2	35.4	39.5	
4.01	---	---	---	---	11.1	13.5	14.6	15.7	17.4	19.5	21.1	22.1	24.8	27.4	30.4	35.0	38.6	42.7	46.7	
4.02	10.7	12.4	13.5	14.5	17.2	19.3	20.3	21.3	22.9	24.9	26.4	27.5	30.0	32.5	35.6	40.1	43.6	47.7	51.7	
4.07	---	10.0	11.2	12.3	15.1	17.2	18.3	19.3	20.9	23.0	24.5	25.5	28.1	30.7	33.7	38.3	41.8	45.8	49.9	
4.20	---	---	---	---	11.2	13.6	14.7	15.8	17.5	19.6	21.2	22.3	24.9	27.5	30.6	35.2	38.7	42.8	46.9	
4.23	---	9.2	10.5	11.6	14.4	16.6	17.7	18.7	20.3	22.4	24.0	25.0	27.6	30.1	33.2	37.7	41.3	45.3	49.4	
4.30	8.3	10.1	11.3	12.5	15.2	17.4	18.4	19.5	21.0	23.1	24.7	25.7	28.2	30.8	33.8	38.4	41.9	46.0	50.0	
4.36	---	---	---	---	---	11.4	12.6	13.8	15.6	17.8	19.4	20.5	23.2	25.8	28.9	33.6	37.2	41.2	45.3	
4.40	---	---	---	---	11.3	13.7	14.8	16.0	17.6	19.8	21.4	22.4	25.0	27.6	30.7	35.3	38.9	43.0	47.0	
4.46	---	9.3	10.6	11.8	14.6	16.7	17.8	18.9	20.5	22.5	24.1	25.1	27.7	30.3	33.3	37.9	41.4	45.5	49.5	
	0.78	0.79	0.80	0.81	0.82	0.83	0.85	0.85	0.87	0.91	0.92	0.94	0.97	0.99	1.02	1.05	1.07	1.10	1.12	
4.48	---	---	---	---	---	---	---	---	---	---	12.5	13.9	17.0	19.9	23.2	28.1	31.8	35.9	40.1	
4.55	8.4	10.3	11.4	12.6	15.3	17.5	18.5	19.6	21.2	23.2	24.8	25.8	28.4	30.9	34.0	38.6	42.1	46.1	50.2	
4.56	---	---	---	---	---	11.5	12.7	13.9	15.7	17.9	19.6	20.7	23.3	26.0	29.1	33.7	37.3	41.4	45.5	
4.62	---	---	---	---	11.4	13.8	15.0	16.1	17.7	19.9	21.5	22.5	25.2	27.8	30.9	35.5	39.0	43.1	47.1	
4.64	---	---	---	---	---	---	---	---	---	---	12.6	14.0	17.1	20.0	23.4	28.2	31.9	36.1	40.2	
4.73	---	9.4	10.7	11.9	14.7	16.9	17.9	19.0	20.6	22.7	24.2	25.3	27.8	30.4	33.5	38.0	41.6	45.6	49.6	
4.78	---	---	---	---	---	11.6	12.9	14.1	15.8	18.1	19.7	20.8	23.5	26.1	29.2	33.9	37.4	41.5	45.6	
4.82	---	---	---	---	---	---	---	---	---	---	12.7	14.1	17.2	20.1	23.5	28.3	32.0	36.2	40.4	
4.86	---	---	---	---	11.5	13.9	15.1	16.2	17.9	20.0	21.6	22.7	25.3	27.9	31.0	35.6	39.2	43.2	47.3	
5.01	---	---	---	---	---	---	---	---	---	---	---	---	---	---	16.7	22.3	26.3	30.7	35.0	
5.02	---	---	---	---	---	11.7	13.0	14.2	15.9	18.2	19.8	20.9	23.6	26.2	29.3	34.0	37.6	41.7	45.7	
5.13	---	---	---	---	11.7	14.1	15.2	16.3	18.0	20.1	21.7	22.8	25.4	28.0	31.1	35.7	39.3	43.4	47.4	
5.29	---	---	---	---	---	11.8	13.1	14.3	16.1	18.3	20.0	21.0	23.7	26.4	29.5	34.1	37.7	41.8	45.9	
5.37	---	---	---	---	---	---	---	---	---	---	---	---	---	---	16.9	22.5	26.5	30.9	35.2	
5.44	---	---	---	---	11.8	14.2	15.3	16.5	18.1	20.3	21.9	22.9	25.6	28.2	31.3	35.9	39.5	43.5	47.6	
	0.78	0.79	0.80	0.81	0.82	0.83	0.85	0.85	0.87	0.91	0.92	0.94	0.97	0.99	1.02	1.05	1.07	1.10	1.12	
5.45	---	---	---	---	---	---	---	---	---	---	13.1	14.4	17.6	20.5	23.9	28.7	32.4	36.6	40.8	
5.57	---	---	---	---	---	11.9	13.2	14.4	16.2	18.4	---	---	---	---	17.1	22.6	26.7	31.1	35.3	
5.58	---	---	---	---	---	---	---	---	---	---	---	20.1	21.2	23.8	26.5	29.6	34.3	37.9	42.0	46.0
5.70	---	---	---	---	---	---	---	---	---	---	---	13.2	14.6	17.7	20.6	24.0	28.9	32.6	36.8	40.9
5.79	---	---	---	---	---	---	---	---	---	---	---	---	---	---	17.2	22.8	26.8	31.2	35.5	
5.91	---	---	---	---	---	12.1	13.3	14.5	16.3	18.6	20.2	21.3	24.0	26.6	29.8	34.4	38.0	42.1	46.2	
5.98	---	---	---	---	---	---	---	---	---	---	---	13.3	14.7	17.8	20.7	24.1	29.0	32.7	36.9	41.0
6.02	---	---	---	---	---	---	---	---	---	---	---	---	---	---	17.3	22.9	26.9	31.3	35.6	
6.28	---	---	---	---	---	---	---	---	---	---	13.4	14.8	17.9	20.9	24.2	29.1	32.8	37.0	41.2	
6.35	---	---	---	---	---	---	---	---	---	---	---	---	---	---	---	---	---	20.5	25.8	
6.55	---	---	---	---	---	---	---	---	---	---	---	---	---	---	17.5	23.1	27.1	31.6	35.9	
6.61	---	---	---	---	---	---	---	---	---	---	13.5	14.9	18.1	21.0	24.4	29.2	33.0	37.2	41.3	
6.81	---	---	---	---	---	---	---	---	---	---	---	---	---	---	---	---	---	20.7	26.0	
6.84	---	---	---	---	---	---	---	---	---	---	---	---	---	---	17.6	23.3	27.3	31.7	36.0	
6.98	---	---	---	---	---	---	---	---	---	---	13.6	15.0	18.2	21.1	24.5	29.4	33.1	37.3	41.4	
	---	---	---	---	---	0.76	0.76	0.78	0.83	0.87	0.89	0.91	0.94	0.97	1.00	1.04	1.06	1.09	1.11	
7.06	---	---	---	---	---	---	---	---	---	---	---	---	---	---	---	---	---	20.8	26.1	
7.17	---	---	---	---	---	---	---	---	---	---	---	---	---	---	17.7	23.4	27.4	31.8	36.1	
7.33	---	---	---	---	---	---	---	---	---	---	---	---	---	---	---	---	---	20.9	26.2	
7.39	---	---	---	---	---	---	---	---	---	11.3	13.7	15.1	18.3	21.2	24.6	29.5	33.2	37.4	41.6	
7.53	---	---	---	---	---	---	---	---	---	---	---	---	---	---	17.9	23.5	27.5	31.9	36.3	
7.63	---	---	---	---	---	---	---	---	---	---	---	---	---	---	---	---	---	21.1	26.4	
7.93	---	---	---	---	---	---	---	---	---	---	---	---	---	---	18.0	23.6	27.6	32.1	36.4	
8.29	---	---	---	---	---	---	---	---	---	---	---	---	---	---	---	---	---	21.3	26.6	
8.37	---	---	---	---	---	---	---	---	---	---	---	---	---	---	18.1	23.7	27.8	32.2	36.5	
8.67	---	---	---	---	---	---	---	---	---	---	---	---	---	---	---	---	---	21.4	26.7	
8.87	---	---	---	---	---	---	---	---	---	---	---	---	---	---	18.2	23.9	27.9	32.3	36.6	
9.09	---	---	---	---	---	---	---	---	---	---	---	---	---	---	---	---	---	21.5	26.8	
9.54	---	---	---	---	---	---	---	---	---	---	---	---	---	---	---	---	---	21.6	26.9	
10.05	---	---	---	---	---	---	---	---	---	---	---	---	---	---	---	---	---	21.7	27.1	
10.61	---	---	---	---	---	---	---	---	---	---	---	---	---	---	---	---	---	21.9	27.2	
11.24	---	---	---	---	---	---	---	---	---	---	---	---	---	---	---	---	---	22.0	27.3	
	---	---	---	---	---	---	---	---	---	0.75	0.77	0.80	0.82	0.88	0.93	0.99	1.02	1.05	1.08	

NOTE: Selection program VIA-VISA available at www.ptwizard.com.

V-Drives

FHP Drives

Drive Component Accessories

DYNA-SYNC

HT200/HTD Synchronous Drives

HT500 Synchronous Drives

Roller Chain Sprockets



SELECTION

STOCK DRIVE SELECTIONS

B	S-L CLASSIC	BX	CLASSIC COG
----------	--------------------	-----------	--------------------

Ratio	Stock Shv.		3500 RPM Driver			1750 RPM Driver			1160 RPM Driver			Belt Size/Center Distance									
	Datum	Diam.	Driven	HP Per Belt		Driven	HP Per Belt		Driven	HP Per Belt		B35	B38	B42	B46	B51	B55	B60	B64		
	Driver	Driven		B	BX		B	BX		B	BX	BX35	BX38	BX42	BX46	BX51	BX55	BX60	BX64		
1.00	3.40	3.40	3500	1.41	7.30	1750	1.95	4.99	1160	1.67	3.74	13.1	14.6	16.6	18.6	21.1	23.1	25.6	27.6		
1.00	3.80	3.80	3500	3.20	8.67	1750	3.07	5.90	1160	2.47	4.40	12.4	13.9	15.9	17.9	20.4	22.4	24.9	26.9		
1.00	4.20	4.20	3500	4.88	9.94	1750	4.18	6.78	1160	3.26	5.05	11.8	13.3	15.3	17.3	19.8	21.8	24.3	26.3		
1.00	4.60	4.60	3500	6.45	11.11	1750	5.26	7.65	1160	4.03	5.68	11.2	12.7	14.7	16.7	19.2	21.2	23.7	25.7		
1.00	5.00	5.00	3500	7.90	12.17	1750	6.32	8.49	1160	4.80	6.31	10.6	12.1	14.1	16.1	18.6	20.6	23.1	25.1		
1.00	5.20	5.20	3500	8.58	12.66	1750	6.84	8.90	1160	5.18	6.62	10.2	11.7	13.7	15.7	18.2	20.2	22.7	24.7		
1.00	5.40	5.40	3500	9.23	13.12	1750	7.36	9.31	1160	5.56	6.92	9.9	11.4	13.4	15.4	17.9	19.9	22.4	24.4		
1.00	5.60	5.60	3500	9.85	13.55	1750	7.87	9.71	1160	5.94	7.22	9.6	11.1	13.1	15.1	17.6	19.6	22.1	24.1		
1.00	6.00	6.00	3500	10.97	14.33	1750	8.87	10.49	1160	6.68	7.82	9.0	10.5	12.5	14.5	17.0	19.0	21.5	23.5		
1.00	6.40	6.40	3500	11.96	14.99	1750	9.85	11.26	1160	7.41	8.41	8.4	9.9	11.9	13.9	16.4	18.4	20.9	22.9		
1.00	6.80	6.80	3500	12.80	15.51	1750	10.81	11.99	1160	8.14	8.99	7.7	9.2	11.2	13.2	15.7	17.7	20.2	22.2		
1.00	7.40	7.40	3500	---	---	1750	12.19	13.06	1160	9.20	9.84	---	8.3	10.3	12.3	14.8	16.8	19.3	21.3		
1.00	8.60	8.60	3500	---	---	1750	14.79	15.03	1160	11.27	11.47	---	---	10.4	12.9	14.9	17.4	19.4	21.4		
1.00	9.40	9.40	3500	---	---	1750	16.38	16.22	1160	12.59	12.50	---	---	---	11.6	13.6	16.1	18.1	20.1		
1.03	6.80	7.00	3405	13.01	15.72	1702	10.91	12.10	1128	8.20	9.06	7.6	9.1	11.1	13.1	15.6	17.6	20.1	22.1		
1.03	6.00	6.20	3393	11.21	14.57	1697	8.99	10.61	1125	6.76	7.90	8.8	10.3	12.3	14.3	16.8	18.8	21.3	23.3		
1.03	5.40	5.60	3383	9.49	13.38	1691	7.49	9.43	1121	5.65	7.01	9.8	11.3	13.3	15.3	17.8	19.8	22.3	24.3		
1.04	5.20	5.40	3378	8.85	12.92	1689	6.98	9.03	1120	5.27	6.70	10.1	11.6	13.6	15.6	18.1	20.1	22.6	24.6		
1.04	4.60	4.80	3364	6.75	11.40	1682	5.41	7.79	1115	4.13	5.78	11.0	12.5	14.5	16.5	19.0	21.0	23.5	25.5		
1.04	4.20	4.40	3353	5.20	10.25	1676	4.34	6.94	1111	3.36	5.15	11.6	13.1	15.1	17.1	19.6	21.6	24.1	26.1		
1.05	4.00	4.20	3346	4.38	9.64	1673	3.79	6.51	1109	2.97	4.83	12.0	13.5	15.5	17.5	20.0	22.0	24.5	26.5		
1.05	3.60	3.80	3332	2.68	8.36	1666	2.69	5.62	1104	2.19	4.19	12.6	14.1	16.1	18.1	20.6	22.6	25.1	27.1		
1.05	3.40	3.60	3323	1.79	7.68	1662	2.13	5.18	1101	1.79	3.87	12.9	14.4	16.4	18.4	20.9	22.9	25.4	27.4		
1.06	6.40	6.80	3304	12.37	15.40	1652	10.06	11.46	1095	7.55	8.55	8.0	9.5	11.5	13.5	16.0	18.0	20.5	22.5		
1.06	6.00	6.40	3293	11.41	14.77	1646	9.09	10.71	1091	6.82	7.97	8.7	10.2	12.2	14.2	16.7	18.7	21.2	23.2		
1.07	5.60	6.00	3280	10.30	14.01	1640	8.10	9.94	1087	6.09	7.38	9.3	10.8	12.8	14.8	17.3	19.3	21.8	23.8		
1.07	5.00	5.40	3257	8.40	12.67	1628	6.57	8.74	1079	4.97	6.47	10.2	11.7	13.7	15.7	18.2	20.2	22.7	24.7		
1.08	7.40	8.00	3249	---	---	1624	12.45	13.32	1077	9.37	10.01	---	7.8	9.8	11.8	14.3	16.3	18.8	20.8		
1.08	4.60	5.00	3239	6.99	11.64	1619	5.53	7.91	1073	4.21	5.86	10.9	12.4	14.4	16.4	18.9	20.9	23.4	25.4		
1.09	8.60	9.40	3213	---	---	1607	15.08	15.32	1065	11.46	11.66	---	---	9.8	12.3	14.3	16.8	18.8	21.3		
1.09	4.00	4.40	3206	4.65	9.91	1603	3.92	6.64	1063	3.06	4.92	11.8	13.3	15.3	17.3	19.8	21.8	24.3	26.3		
1.09	6.00	6.60	3198	11.58	14.94	1599	9.17	10.79	1060	6.88	8.02	8.5	10.0	12.0	14.0	16.5	18.5	21.0	23.0		
1.10	5.60	6.20	3180	10.48	14.19	1590	8.19	10.03	1054	6.15	7.43	9.1	10.6	12.6	14.6	17.1	19.1	21.6	23.6		
1.10	3.60	4.00	3179	2.96	8.63	1589	2.83	5.76	1054	2.28	4.28	12.4	13.9	15.9	17.9	20.4	22.4	24.9	26.9		
1.11	3.40	3.80	3163	2.07	7.96	1582	2.28	5.32	1048	1.89	3.96	12.7	14.2	16.2	18.2	20.7	22.7	25.2	27.2		
ARC-LENGTH CORRECTION FACTOR →												0.76	0.78	0.81	0.83	0.86	0.88	0.90	0.92		
1.11	5.20	5.80	3159	9.25	13.33	1580	7.18	9.24	1047	5.41	6.84	9.8	11.3	13.3	15.3	17.8	19.8	22.3	24.3		
1.12	4.60	5.20	3122	7.18	11.84	1561	5.63	8.01	1035	4.28	5.93	10.7	12.2	14.2	16.2	18.7	20.7	23.2	25.2		
1.13	6.00	6.80	3109	11.72	15.08	1554	9.25	10.87	1030	6.93	8.07	8.3	9.8	11.8	13.8	16.3	18.3	20.8	22.8		
1.13	4.20	4.80	3093	5.66	10.71	1547	4.57	7.17	1025	3.51	5.30	11.3	12.8	14.8	16.8	19.3	21.3	23.8	25.8		
1.13	5.60	6.40	3086	10.63	14.34	1543	8.26	10.10	1023	6.20	7.48	9.0	10.5	12.5	14.5	17.0	19.0	21.5	23.5		
1.14	5.40	6.20	3073	10.04	13.93	1537	7.76	9.71	1019	5.83	7.19	9.3	10.8	12.8	14.8	17.3	19.3	21.8	23.8		
1.14	3.80	4.40	3059	4.03	9.49	1529	3.49	6.31	1014	2.74	4.67	12.0	13.5	15.5	17.5	20.0	22.0	24.5	26.5		
1.15	5.00	5.80	3045	8.75	13.01	1523	6.74	8.91	1009	5.08	6.59	9.9	11.4	13.4	15.4	17.9	19.9	22.4	24.4		
1.15	3.60	4.20	3039	3.17	8.85	1520	2.94	5.87	1007	2.35	4.36	12.3	13.8	15.8	17.8	20.3	22.3	24.8	26.8		
1.15	7.40	8.60	3031	---	---	1516	12.63	13.49	1005	9.49	10.12	---	---	9.3	11.3	13.8	15.8	18.3	20.3		
1.16	6.00	7.00	3024	11.85	15.21	1512	9.31	10.93	1002	6.97	8.11	8.2	9.7	11.7	13.7	16.2	18.2	20.7	22.7		
1.16	3.40	4.00	3018	2.30	8.19	1509	2.39	5.43	1000	1.96	4.03	12.6	14.1	16.1	18.1	20.6	22.6	25.1	27.1		
1.16	9.40	11.00	3007	---	---	1504	16.83	16.67	997	12.89	12.80	---	---	---	10.4	12.4	14.9	16.9	19.9		
1.17	6.80	8.00	2998	13.71	16.43	1499	11.26	12.45	993	8.44	9.29	---	8.3	10.3	12.3	14.8	16.8	19.3	21.3		
1.17	5.40	6.40	2982	10.17	14.06	1491	7.83	9.77	988	5.87	7.23	9.1	10.6	12.6	14.6	17.1	19.1	21.6	23.6		
1.18	5.20	6.20	2966	9.54	13.61	1483	7.32	9.38	983	5.50	6.93	9.4	10.9	12.9	14.9	17.4	19.4	21.9	23.9		
1.18	4.00	4.80	2957	5.02	10.28	1479	4.11	6.83	980	3.18	5.05	11.5	13.0	15.0	17.0	19.5	21.5	24.0	26.0		
1.19	5.00	6.00	2950	8.88	13.15	1475	6.81	8.98	978	5.13	6.63	9.8	11.3	13.3	15.3	17.8	19.8	22.3	24.3		
1.19	3.80	4.60	2935	4.19	9.66	1468	3.57	6.39	973	2.80	4.73	11.8	13.3	15.3	17.3	19.8	21.8	24.3	26.3		
1.20	5.60	6.80	2913	10.87	14.58	1457	8.38	10.22	966	6.27	7.56	8.6	10.1	12.2	14.2	16.7	18.7	21.2	23.2		
1.20	4.60	5.60	2913	7.48	12.13	1456	5.77	8.16	965	4.37	6.02	10.4	11.9	13.9	15.9	18.4	20.4	22.9	24.9		
1.20	3.60	4.40	2912	3.34	9.02	1456	3.02	5.96	965	2.41	4.41	12.1	13.6	15.6	17.6	20.1	22.1	24.6	26.6		
1.21	5.40	6.60	2897	10.27	14.16	1448	7.88	9.83	960	5.91	7.27	9.0	10.5	12.5	14.5	17.0	19.0	21.5	23.5		
1.21	3.40	4.20	2886	2.47	8.36	1443	2.47	5.52	956	2.02	4.09	12.4	13.9	15.9	17.9	20.4	22.4	24.9	26.9		
1.22	4.20	5.20	2871	5.96	11.01	1435	4.72	7.32	951	3.61	5.40	11.0	12.5	14.5	16.5	19.0	21.0	23.5	25.5		
ARC-LENGTH CORRECTION FACTOR →												0.75	0.77	0.80	0.82	0.85	0.87	0.89	0.90		

NOTE: Selection program VIA-VISA available at www.ptwizard.com.

SELECTION



B	S-L CLASSIC	BX	CLASSIC COG	STOCK DRIVE SELECTIONS
----------	--------------------	-----------	--------------------	-------------------------------

Ratio	Belt Size/Center Distance																	
	B68 BX68	B75 BX75	B81 BX81	B85 BX85	B90 BX90	B97 BX97	B105 BX105	B112 BX112	B120 BX120	B128 BX128	B144 BX144	B158 BX158	B173 BX173	B180 BX180	B195 BX195	B210 BX210	B240 BX240	B270 BX270
1.00	29.6	33.1	36.1	38.1	40.6	44.1	48.1	51.6	55.6	59.6	67.6	74.6	82.1	85.6	93.1	100.6	114.8	129.8
1.00	28.9	32.4	35.4	37.4	39.9	43.4	47.4	50.9	54.9	58.9	66.9	73.9	81.4	84.9	92.4	99.9	114.2	129.2
1.00	28.3	31.8	34.8	36.8	39.3	42.8	46.8	50.3	54.3	58.3	66.3	73.3	80.8	84.3	91.8	99.3	113.6	128.6
1.00	27.7	31.2	34.2	36.2	38.7	42.2	46.2	49.7	53.7	57.7	65.7	72.7	80.2	83.7	91.2	98.7	112.9	127.9
1.00	27.1	30.6	33.5	35.5	38.0	41.5	45.5	49.0	53.0	57.0	65.0	72.0	79.5	83.0	90.5	98.0	112.3	127.3
1.00	26.7	30.2	33.2	35.2	37.7	41.2	45.2	48.7	52.7	56.7	64.7	71.7	79.2	82.7	90.2	97.7	112.0	127.0
1.00	26.4	29.9	32.9	34.9	37.4	40.9	44.9	48.4	52.4	56.4	64.4	71.4	78.9	82.4	89.9	97.4	111.7	126.7
1.00	26.1	29.6	32.6	34.6	37.1	40.6	44.6	48.1	52.1	56.1	64.1	71.1	78.6	82.1	89.6	97.1	111.4	126.4
1.00	25.5	29.0	32.0	34.0	36.5	40.0	44.0	47.5	51.5	55.5	63.5	70.5	78.0	81.5	89.0	96.5	110.7	125.7
1.00	24.9	28.4	31.4	33.4	35.9	39.4	43.4	46.9	50.9	54.9	62.9	69.9	77.4	80.9	88.4	95.9	110.1	125.1
1.00	24.2	27.7	30.7	32.7	35.2	38.7	42.7	46.2	50.2	54.2	62.2	69.2	76.7	80.2	87.7	95.2	109.5	124.5
1.00	23.3	26.8	29.8	31.8	34.3	37.8	41.8	45.3	49.3	53.3	61.3	68.3	75.8	79.3	86.8	94.3	108.5	123.5
1.00	21.4	24.9	27.9	29.9	32.4	35.9	39.9	43.4	47.4	51.4	59.4	66.4	73.9	77.4	84.9	92.4	106.6	121.6
1.00	20.1	23.6	26.6	28.6	31.1	34.6	38.6	42.1	46.1	50.1	58.1	65.1	72.6	76.1	83.6	91.1	105.4	120.4
1.03	24.1	27.6	30.6	32.6	35.1	38.6	42.6	46.1	50.1	54.1	62.1	69.1	76.6	80.1	87.6	95.1	109.3	124.3
1.03	25.3	28.8	31.8	33.8	36.3	39.8	43.8	47.3	51.3	55.3	63.3	70.3	77.8	81.3	88.8	96.3	110.6	125.6
1.03	26.3	29.8	32.8	34.8	37.3	40.8	44.8	48.3	52.3	56.3	64.3	71.3	78.8	82.3	89.8	97.3	111.5	126.5
1.04	26.6	30.1	33.1	35.1	37.6	41.1	45.1	48.6	52.6	56.6	64.6	71.6	79.1	82.6	90.1	97.6	111.8	126.8
1.04	27.5	31.0	34.0	36.0	38.5	42.0	46.0	49.5	53.5	57.5	65.5	72.5	80.0	83.5	91.0	98.5	112.8	127.8
1.04	28.1	31.6	34.6	36.6	39.1	42.6	46.6	50.1	54.1	58.1	66.1	73.1	80.6	84.1	91.6	99.1	113.4	128.4
1.05	28.5	32.0	35.0	37.0	39.5	43.0	47.0	50.5	54.5	58.5	66.5	73.5	81.0	84.5	92.0	99.5	113.7	128.7
1.05	29.1	32.6	35.6	37.6	40.1	43.6	47.6	51.1	55.1	59.1	67.1	74.1	81.6	85.1	92.6	100.1	114.3	129.3
1.05	29.4	32.9	35.9	37.9	40.4	43.9	47.9	51.4	55.4	59.4	67.4	74.4	81.9	85.4	92.9	100.4	114.7	129.7
1.06	24.5	28.0	31.0	33.0	35.5	39.0	43.0	46.5	50.5	54.5	62.5	69.5	77.0	80.5	88.0	95.5	109.8	124.8
1.06	25.2	28.7	31.7	33.7	36.2	39.7	43.7	47.2	51.2	55.2	63.2	70.2	77.7	81.2	88.7	96.2	110.4	125.4
1.07	25.8	29.3	32.3	34.3	36.8	40.3	44.3	47.8	51.8	55.8	63.8	70.8	78.3	81.8	89.3	96.8	111.0	126.0
1.07	26.7	30.2	33.2	35.2	37.7	41.2	45.2	48.7	52.7	56.7	64.7	71.7	79.2	82.7	90.2	97.7	112.0	127.0
1.08	22.8	26.3	29.3	31.3	33.8	37.3	41.3	44.8	48.8	52.8	60.8	67.8	75.3	78.8	86.3	93.8	108.1	123.1
1.08	27.4	30.9	33.9	35.9	38.4	41.9	45.9	49.4	53.4	57.4	65.4	72.4	79.9	83.4	90.9	98.4	112.6	127.6
1.09	20.8	24.3	27.3	29.3	31.8	35.3	39.3	42.8	46.8	50.8	58.8	65.8	73.3	76.8	84.3	91.8	106.0	121.0
1.09	28.3	31.8	34.8	36.8	39.3	42.8	46.8	50.3	54.3	58.3	66.3	73.3	80.8	84.3	91.8	99.3	113.6	128.6
1.09	25.0	28.5	31.5	33.5	36.0	39.5	43.5	47.0	51.0	55.0	63.0	70.0	77.5	81.0	88.5	96.0	110.3	125.3
1.10	25.6	29.1	32.1	34.1	36.6	40.1	44.1	47.6	51.6	55.6	63.6	70.6	78.1	81.6	89.1	96.6	110.9	125.9
1.10	28.9	32.4	35.4	37.4	39.9	43.4	47.4	50.9	54.9	58.9	66.9	73.9	81.4	84.9	92.4	99.9	114.2	129.2
1.11	29.2	32.7	35.7	37.7	40.2	43.7	47.7	51.2	55.2	59.2	67.2	74.2	81.7	85.2	92.7	100.2	114.5	129.5
	0.93	0.95	0.97	0.98	1.00	1.02	1.04	1.05	1.07	1.09	1.12	1.14	1.16	1.17	1.19	1.21	1.24	1.27
1.11	26.3	29.8	32.8	34.8	37.3	40.8	44.8	48.3	52.3	56.3	64.3	71.3	78.8	82.3	89.8	97.3	111.5	126.5
1.12	27.2	30.7	33.7	35.7	38.2	41.7	45.7	49.2	53.2	57.2	65.2	72.2	79.7	83.2	90.7	98.2	112.5	127.5
1.13	24.8	28.3	31.3	33.3	35.8	39.3	43.3	46.8	50.8	54.8	62.8	69.8	77.3	80.8	88.3	95.8	110.1	125.1
1.13	27.8	31.3	34.3	36.3	38.8	42.3	46.3	49.8	53.8	57.8	65.8	72.8	80.3	83.8	91.3	98.8	113.1	128.1
1.13	25.5	29.0	32.0	34.0	36.5	40.0	44.0	47.5	51.5	55.5	63.5	70.5	78.0	81.5	89.0	96.5	110.7	125.7
1.14	25.8	29.3	32.3	34.3	36.8	40.3	44.3	47.8	51.8	55.8	63.8	70.8	78.3	81.8	89.3	96.8	111.0	126.0
1.14	28.5	32.0	35.0	37.0	39.5	43.0	47.0	50.5	54.5	58.5	66.5	73.5	81.0	84.5	92.0	99.5	113.7	128.7
1.15	26.4	29.9	32.9	34.9	37.4	40.9	44.9	48.4	52.4	56.4	64.4	71.4	78.9	82.4	89.9	97.4	111.7	126.7
1.15	28.8	32.3	35.3	37.3	39.8	43.3	47.3	50.8	54.8	58.8	66.8	73.8	81.3	84.8	92.3	99.8	114.0	129.0
1.15	22.3	25.8	28.8	30.8	33.3	36.8	40.8	44.3	48.3	52.3	60.3	67.3	74.8	78.3	85.8	93.3	107.6	122.6
1.16	24.7	28.2	31.2	33.2	35.7	39.2	43.2	46.7	50.7	54.7	62.7	69.7	77.2	80.7	88.2	95.7	109.9	124.9
1.16	29.1	32.6	35.6	37.6	40.1	43.6	47.6	51.1	55.1	59.1	67.1	74.1	81.6	85.1	92.6	100.1	114.3	129.3
1.16	18.9	22.4	25.4	27.4	29.9	33.4	37.4	40.9	44.9	48.9	56.9	63.9	71.4	74.9	82.4	89.9	104.1	119.1
1.17	23.3	26.8	29.8	31.8	34.3	37.8	41.8	45.3	49.3	53.3	61.3	68.3	75.8	79.3	86.8	94.3	108.5	123.5
1.17	25.6	29.1	32.1	34.1	36.6	40.1	44.1	47.6	51.6	55.6	63.6	70.6	78.1	81.6	89.1	96.6	110.9	125.9
1.18	25.9	29.4	32.4	34.4	36.9	40.4	44.4	47.9	51.9	55.9	63.9	70.9	78.4	81.9	89.4	96.9	111.2	126.2
1.18	28.0	31.5	34.5	36.5	39.0	42.5	46.5	50.0	54.0	58.0	66.0	73.0	80.5	84.0	91.5	99.0	113.2	128.2
1.19	26.3	29.8	32.8	34.8	37.3	40.8	44.8	48.3	52.3	56.3	64.3	71.3	78.8	82.3	89.8	97.3	111.5	126.5
1.19	28.3	31.8	34.8	36.8	39.3	42.8	46.8	50.3	54.3	58.3	66.3	73.3	80.8	84.3	91.8	99.3	113.6	128.6
1.20	25.2	28.7	31.7	33.7	36.2	39.7	43.7	47.2	51.2	55.2	63.2	70.2	77.7	81.2	88.7	96.2	110.4	125.4
1.20	26.9	30.4	33.4	35.4	37.9	41.4	45.4	48.9	52.9	56.9	64.9	71.9	79.4	82.9	90.4	97.9	112.1	127.1
1.20	28.6	32.1	35.1	37.1	39.6	43.1	47.1	50.6	54.6	58.6	66.6	73.6	81.1	84.6	92.1	99.6	113.9	128.9
1.21	25.5	29.0	32.0	34.0	36.5	40.0	44.0	47.5	51.5	55.5	63.5	70.5	78.0	81.5	89.0	96.5	110.7	125.7
1.21	28.9	32.4	35.4	37.4	39.9	43.4	47.4	50.9	54.9	58.9	66.9	73.9	81.4	84.9	92.4	99.9	114.2	129.2
1.22	27.5	31.0	34.0	36.0	38.5	42.0	46.0	49.5	53.5	57.5	65.5	72.5	80.0	83.5	91.0	98.5	112.8	127.8
	0.92	0.95	0.97	0.98	0.99	1.01	1.03	1.05	1.07	1.08	1.11	1.14	1.16	1.17	1.19	1.21	1.24	1.27

NOTE: Selection program VIA-VISA available at www.ptwizard.com.

V-Drives
FHP Drives
Drive Component Accessories
DYNA-SYNC
HT200/HTD Synchronous Drives
HT500 Synchronous Drives
Roller Chain Sprockets

SELECTION



B S-L CLASSIC BX CLASSIC COG STOCK DRIVE SELECTIONS

Ratio	Stock Shv.		3500 RPM Driver			1750 RPM Driver			1160 RPM Driver			Belt Size/Center Distance								
	Datum Diam.		Driven		HP Per Belt	Driven		HP Per Belt	Driven		HP Per Belt	B35	B38	B42	B46	B51	B55	B60	B64	
	Driver	Driven	RPM	B	BX	RPM	B	BX	RPM	B	BX	BX35	BX38	BX42	BX46	BX51	BX55	BX60	BX64	
1.22	6.00	7.40	2869	12.05	15.41	1434	9.41	11.03	951	7.04	8.18	7.8	9.4	11.4	13.4	15.9	17.9	20.4	22.4	
1.22	5.00	6.20	2860	8.99	13.26	1430	6.86	9.03	948	5.16	6.67	9.6	11.1	13.1	15.1	17.6	19.6	22.1	24.1	
1.23	4.00	5.00	2847	5.16	10.42	1424	4.18	6.89	944	3.23	5.09	11.3	12.8	14.8	16.8	19.3	21.3	23.8	25.8	
1.23	5.60	7.00	2834	10.96	14.67	1417	8.43	10.27	939	6.31	7.59	8.5	10.0	12.0	14.0	16.5	18.5	21.0	23.0	
1.24	6.40	8.00	2830	13.08	16.11	1415	10.41	11.81	938	7.78	8.78	---	8.6	10.6	12.6	15.1	17.1	19.6	21.6	
1.24	3.80	4.80	2822	4.33	9.80	1411	3.64	6.46	935	2.84	4.77	11.6	13.1	15.1	17.1	19.6	21.6	24.1	26.1	
1.24	4.60	5.80	2818	7.59	12.24	1409	5.83	8.21	934	4.41	6.06	10.2	11.7	13.7	15.7	18.2	20.2	22.7	24.7	
1.24	5.40	6.80	2816	10.37	14.26	1408	7.93	9.87	933	5.94	7.30	8.8	10.3	12.3	14.3	16.8	18.8	21.3	23.3	
1.25	6.80	8.60	2797	13.95	16.67	1398	11.38	12.57	927	8.52	9.37	---	7.8	9.8	11.8	14.3	16.3	18.8	20.8	
1.25	5.20	6.60	2796	9.74	13.82	1398	7.42	9.48	927	5.57	7.00	9.1	10.6	12.6	14.6	17.1	19.1	21.6	23.6	
1.25	3.60	4.60	2794	3.48	9.16	1397	3.09	6.02	926	2.45	4.46	12.0	13.5	15.5	17.5	20.0	22.0	24.5	26.5	
1.26	7.40	9.40	2783	---	---	1391	12.78	13.65	922	9.59	10.22	---	---	8.7	10.7	13.2	15.2	17.7	19.7	
1.26	5.00	6.40	2775	9.08	13.35	1388	6.91	9.08	920	5.19	6.70	9.4	10.9	12.9	14.9	17.4	19.4	21.9	23.9	
1.26	4.20	5.40	2771	6.07	11.12	1385	4.77	7.38	918	3.65	5.44	10.8	12.3	14.4	16.4	18.9	20.9	23.4	25.4	
1.27	8.60	11.00	2761	---	---	1380	15.39	15.63	915	11.66	11.86	---	---	---	---	10.9	13.0	15.5	17.5	
1.28	4.60	6.00	2730	7.68	12.33	1365	5.87	8.26	905	4.44	6.09	10.1	11.6	13.6	15.6	18.1	20.1	22.6	24.6	
1.29	5.20	6.80	2718	9.82	13.89	1359	7.46	9.52	901	5.59	7.03	8.9	10.4	12.5	14.5	17.0	19.0	21.5	23.5	
1.29	3.80	5.00	2716	4.44	9.91	1358	3.69	6.52	900	2.88	4.81	11.5	13.0	15.0	17.0	19.5	21.5	24.0	26.0	
1.30	5.60	7.40	2688	11.11	14.82	1344	8.50	10.34	891	6.35	7.64	8.1	9.7	11.7	13.7	16.2	18.2	20.7	22.7	
1.31	4.20	5.60	2678	6.15	11.21	1339	4.81	7.42	888	3.68	5.47	10.7	12.2	14.2	16.2	18.7	20.7	23.2	25.2	
1.31	9.40	12.40	2677	---	---	1339	17.02	16.86	887	13.01	12.93	---	---	---	---	---	11.2	13.7	15.7	
1.31	6.00	8.00	2663	12.26	15.62	1331	9.52	11.14	882	7.11	8.25	7.3	8.9	10.9	12.9	15.4	17.4	19.9	21.9	
1.32	3.40	4.60	2653	2.71	8.60	1327	2.59	5.64	879	2.10	4.17	12.1	13.6	15.6	17.6	20.1	22.1	24.6	26.6	
1.32	4.60	6.20	2646	7.75	12.41	1323	5.91	8.30	877	4.47	6.11	9.9	11.4	13.4	15.4	17.9	19.9	22.4	24.4	
1.33	6.40	8.60	2641	13.27	16.29	1320	10.50	11.91	875	7.84	8.84	---	8.0	10.1	12.1	14.6	16.6	19.1	21.1	
1.34	5.00	6.80	2620	9.23	13.49	1310	6.98	9.15	868	5.24	6.75	9.1	10.6	12.6	14.6	17.1	19.1	21.6	23.6	
1.35	5.40	7.40	2598	10.57	14.46	1299	8.03	9.98	861	6.01	7.37	8.3	9.8	11.8	13.8	16.3	18.3	20.8	22.8	
1.35	4.20	5.80	2591	6.23	11.28	1295	4.85	7.46	859	3.70	5.49	10.5	12.0	14.0	16.0	18.5	20.5	23.0	25.0	
1.36	4.60	6.40	2568	7.82	12.47	1284	5.94	8.33	851	4.49	6.14	9.7	11.2	13.2	15.2	17.7	19.7	22.2	24.2	
1.36	6.80	9.40	2568	14.16	16.88	1284	11.49	12.68	851	8.59	9.44	---	---	9.1	11.1	13.6	15.6	18.1	20.1	
1.37	3.40	4.80	2550	2.79	8.68	1275	2.63	5.68	845	2.12	4.20	11.9	13.4	15.4	17.4	20.0	22.0	24.5	26.5	
1.37	5.00	7.00	2549	9.28	13.55	1274	7.01	9.18	845	5.26	6.76	8.9	10.4	12.4	14.4	17.0	19.0	21.5	23.5	
1.39	4.20	6.00	2509	6.29	11.35	1255	4.88	7.49	832	3.72	5.51	10.4	11.9	13.9	15.9	18.4	20.4	22.9	24.9	
1.40	5.60	8.00	2495	11.26	14.97	1248	8.58	10.42	827	6.41	7.69	7.6	9.1	11.2	13.2	15.7	17.7	20.2	22.2	
1.40	4.60	6.60	2494	7.87	12.52	1247	5.97	8.36	827	4.51	6.15	9.6	11.1	13.1	15.1	17.6	19.6	22.1	24.1	
ARC-LENGTH CORRECTION FACTOR →											0.75	0.77	0.80	0.82	0.85	0.87	0.89	0.90		
1.40	3.60	5.20	2493	3.74	9.42	1246	3.22	6.16	826	2.54	4.54	11.5	13.0	15.0	17.0	19.5	21.5	24.0	26.0	
1.41	6.00	8.60	2484	12.40	15.76	1242	9.59	11.21	823	7.15	8.29	---	8.3	10.4	12.4	14.9	16.9	19.4	21.4	
1.42	8.60	12.40	2458	---	---	1229	15.51	15.75	815	11.75	11.94	---	---	---	---	---	11.8	14.3	16.3	
1.43	3.40	5.00	2455	2.86	8.75	1228	2.67	5.71	814	2.15	4.22	11.8	13.3	15.3	17.3	19.8	21.8	24.3	26.3	
1.43	9.40	13.60	2447	---	---	1223	17.11	16.95	811	13.07	12.98	---	---	---	---	---	---	12.7	14.7	
1.44	6.40	9.40	2424	13.43	16.45	1212	10.58	11.99	803	7.90	8.90	---	---	9.4	11.4	13.9	15.9	18.4	20.4	
1.45	5.40	8.00	2411	10.70	14.59	1206	8.10	10.04	799	6.05	7.41	7.8	9.3	11.3	13.3	15.8	17.8	20.3	22.3	
1.46	4.00	6.00	2399	5.54	10.80	1200	4.37	7.08	795	3.35	5.22	10.5	12.0	14.0	16.0	18.5	20.5	23.0	25.0	
1.46	7.40	11.00	2391	---	---	1195	12.94	13.80	792	9.69	10.33	---	---	---	9.3	11.8	13.8	16.4	18.4	
1.48	3.40	5.20	2367	2.91	8.80	1183	2.70	5.74	784	2.16	4.24	11.6	13.1	15.1	17.1	19.6	21.6	24.1	26.1	
1.48	4.20	6.40	2361	6.39	11.44	1180	4.93	7.54	782	3.75	5.55	10.0	11.5	13.5	15.5	18.0	20.0	22.6	24.6	
1.50	5.60	8.60	2328	11.37	15.08	1164	8.63	10.47	772	6.44	7.73	---	8.6	10.6	12.7	15.7	17.2	19.7	21.7	
1.51	3.60	5.60	2326	3.84	9.52	1163	3.27	6.21	771	2.57	4.58	11.1	12.6	14.6	16.6	19.2	21.2	23.7	25.7	
1.53	4.20	6.60	2293	6.42	11.48	1147	4.95	7.55	760	3.77	5.56	9.8	11.4	13.4	15.4	17.9	19.9	22.4	24.4	
1.53	6.00	9.40	2281	12.52	15.88	1140	9.65	11.27	756	7.19	8.33	---	---	9.7	11.7	14.2	16.2	18.7	20.7	
1.55	4.00	6.40	2257	5.61	10.87	1129	4.41	7.12	748	3.38	5.24	10.2	11.7	13.7	15.7	18.2	20.2	22.7	24.7	
1.56	3.60	5.80	2250	3.88	9.56	1125	3.29	6.23	746	2.59	4.59	11.0	12.5	14.5	16.5	19.0	21.0	23.5	25.5	
1.56	8.60	13.60	2246	---	---	1123	15.57	15.81	745	11.79	11.98	---	---	---	---	---	---	13.2	15.3	
1.56	4.60	7.40	2237	8.02	12.67	1119	6.05	8.43	741	4.55	6.20	8.9	10.4	12.4	14.4	16.9	18.9	21.4	23.4	
1.57	4.20	6.80	2229	6.45	11.51	1115	4.96	7.57	739	3.78	5.57	9.7	11.2	13.2	15.2	17.7	19.7	22.2	24.2	
1.59	3.40	5.60	2208	2.99	8.88	1104	2.74	5.78	732	2.19	4.27	11.3	12.8	14.8	16.8	19.3	21.3	23.8	25.8	
1.59	6.80	11.00	2206	14.38	17.10	1103	11.60	12.79	731	8.66	9.51	---	---	---	9.7	12.2	14.3	16.8	18.8	
1.60	4.00	6.60	2193	5.64	10.90	1096	4.42	7.14	727	3.39	5.25	10.0	11.5	13.5	15.5	18.0	20.0	22.5	24.5	
1.61	3.60	6.00	2179	3.91	9.59	1090	3.31	6.24	722	2.60	4.60	10.8	12.3	14.3	16.3	18.8	20.8	23.3	25.3	
1.61	5.20	8.60	2172	10.18	14.26	1086	7.64	9.70	720	5.71	7.15	7.4	8.9	10.9	13.0	15.5	17.5	20.0	22.0	
ARC-LENGTH CORRECTION FACTOR →											0.74	0.76	0.79	0.81	0.84	0.86	0.88	0.90		

NOTE: Selection program VIA-VISA available at www.ptwizard.com.

SELECTION



B	S-L CLASSIC	BX	CLASSIC COG	STOCK DRIVE SELECTIONS
----------	--------------------	-----------	--------------------	-------------------------------

Ratio	Belt Size/Center Distance																	
	B68 BX68	B75 BX75	B81 BX81	B85 BX85	B90 BX90	B97 BX97	B105 BX105	B112 BX112	B120 BX120	B128 BX128	B144 BX144	B158 BX158	B173 BX173	B180 BX180	B195 BX195	B210 BX210	B240 BX240	B270 BX270
1.22	24.4	27.9	30.9	32.9	35.4	38.9	42.9	46.4	50.4	54.4	62.4	69.4	76.9	80.4	87.9	95.4	109.6	124.6
1.22	26.1	29.6	32.6	34.6	37.1	40.6	44.6	48.1	52.1	56.1	64.1	71.1	78.6	82.1	89.6	97.1	111.4	126.4
1.23	27.8	31.3	34.3	36.3	38.8	42.3	46.3	49.8	53.8	57.8	65.8	72.8	80.3	83.8	91.3	98.8	113.1	128.1
1.23	25.0	28.5	31.5	33.5	36.0	39.5	43.5	47.0	51.0	55.0	63.0	70.0	77.5	81.0	88.5	96.0	110.3	125.3
1.24	23.6	27.1	30.1	32.1	34.6	38.1	42.1	45.6	49.6	53.6	61.6	68.6	76.1	79.6	87.1	94.6	108.8	123.8
1.24	28.1	31.6	34.6	36.6	39.1	42.6	46.6	50.1	54.1	58.1	66.1	73.1	80.6	84.1	91.6	99.1	113.4	128.4
1.24	26.7	30.2	33.2	35.2	37.7	41.2	45.2	48.7	52.7	56.7	64.7	71.7	79.2	82.7	90.2	97.7	112.0	127.0
1.24	25.3	28.8	31.8	33.8	36.3	39.8	43.8	47.3	51.3	55.3	63.3	70.3	77.8	81.3	88.8	96.3	110.6	125.6
1.25	22.8	26.3	29.3	31.3	33.8	37.3	41.3	44.8	48.8	52.8	60.8	67.8	75.3	78.8	86.3	93.8	108.1	123.1
1.25	25.6	29.1	32.1	34.1	36.6	40.1	44.1	47.6	51.6	55.6	63.6	70.6	78.1	81.6	89.1	96.6	110.9	125.9
1.25	28.5	32.0	35.0	37.0	39.5	43.0	47.0	50.5	54.5	58.5	66.5	73.5	81.0	84.5	92.0	99.5	113.7	128.7
1.26	21.7	25.2	28.2	30.2	32.7	36.2	40.2	43.7	47.7	51.7	59.7	66.7	74.2	77.7	85.2	92.7	107.0	122.0
1.26	25.9	29.4	32.4	34.4	36.9	40.4	44.4	47.9	51.9	55.9	63.9	70.9	78.4	81.9	89.4	96.9	111.2	126.2
1.26	27.4	30.9	33.9	35.9	38.4	41.9	45.9	49.4	53.4	57.4	65.4	72.4	79.9	83.4	90.9	98.4	112.6	127.6
1.27	19.5	23.0	26.0	28.0	30.5	34.0	38.0	41.5	45.5	49.5	57.5	64.5	72.0	75.5	83.0	90.5	104.8	119.8
1.28	26.6	30.1	33.1	35.1	37.6	41.1	45.1	48.6	52.6	56.6	64.6	71.6	79.1	82.6	90.1	97.6	111.8	126.8
1.29	25.5	29.0	32.0	34.0	36.5	40.0	44.0	47.5	51.5	55.5	63.5	70.5	78.0	81.5	89.0	96.5	110.7	125.7
1.29	28.0	31.5	34.5	36.5	39.0	42.5	46.5	50.0	54.0	58.0	66.0	73.0	80.5	84.0	91.5	99.0	113.2	128.2
1.30	24.7	28.2	31.2	33.2	35.7	39.2	43.2	46.7	50.7	54.7	62.7	69.7	77.2	80.7	88.2	95.7	109.9	124.9
1.31	27.2	30.7	33.7	35.7	38.2	41.7	45.7	49.2	53.2	57.2	65.2	72.2	79.7	83.2	90.7	98.2	112.5	127.5
1.31	17.7	21.2	24.2	26.2	28.7	32.3	36.3	39.8	43.8	47.8	55.8	62.8	70.3	73.8	81.3	88.8	103.0	118.0
1.31	23.9	27.4	30.4	32.4	34.9	38.4	42.4	45.9	49.9	53.9	61.9	68.9	76.4	79.9	87.4	94.9	109.2	124.2
1.32	28.6	32.1	35.1	37.1	39.6	43.1	47.1	50.6	54.6	58.6	66.6	73.6	81.1	84.6	92.1	99.6	113.9	128.9
1.32	26.4	29.9	32.9	34.9	37.4	40.9	44.9	48.4	52.4	56.4	64.4	71.4	78.9	82.4	89.9	97.4	111.7	126.7
1.33	23.1	26.6	29.6	31.6	34.1	37.6	41.6	45.1	49.1	53.1	61.1	68.1	75.6	79.1	86.6	94.1	108.4	123.4
1.34	25.6	29.1	32.1	34.1	36.6	40.1	44.1	47.6	51.6	55.6	63.6	70.6	78.1	81.6	89.1	96.6	110.9	125.9
1.35	24.8	28.3	31.3	33.3	35.8	39.3	43.3	46.8	50.8	54.8	62.8	69.8	77.3	80.8	88.3	95.8	110.1	125.1
1.35	27.0	30.5	33.5	35.5	38.0	41.5	45.5	49.0	53.0	57.0	65.0	72.0	79.5	83.0	90.5	98.0	112.3	127.3
1.36	26.2	29.8	32.8	34.8	37.3	40.8	44.8	48.3	52.3	56.3	64.3	71.3	78.8	82.3	89.8	97.3	111.5	126.5
1.36	22.1	25.7	28.7	30.7	33.2	36.7	40.7	44.2	48.2	52.2	60.2	67.2	74.7	78.2	85.7	93.2	107.4	122.4
1.37	28.5	32.0	35.0	37.0	39.5	43.0	47.0	50.5	54.5	58.5	66.5	73.5	81.0	84.5	92.0	99.5	113.7	128.7
1.37	25.5	29.0	32.0	34.0	36.5	40.0	44.0	47.5	51.5	55.5	63.5	70.5	78.0	81.5	89.0	96.5	110.7	125.7
1.39	26.9	30.4	33.4	35.4	37.9	41.4	45.4	48.9	52.9	56.9	64.9	71.9	79.4	82.9	90.4	97.9	112.1	127.1
1.40	24.2	27.7	30.7	32.7	35.2	38.7	42.7	46.2	50.2	54.2	62.2	69.2	76.7	80.2	87.7	95.2	109.5	124.5
1.40	26.1	29.6	32.6	34.6	37.1	40.6	44.6	48.1	52.1	56.1	64.1	71.1	78.6	82.1	89.6	97.1	111.4	126.4
	0.92	0.95	0.97	0.98	0.99	1.01	1.03	1.05	1.07	1.08	1.11	1.14	1.16	1.17	1.19	1.21	1.24	1.27
1.40	28.0	31.5	34.5	36.5	39.0	42.5	46.5	50.0	54.0	58.0	66.0	73.0	80.5	84.0	91.5	99.0	113.2	128.2
1.41	23.4	26.9	29.9	31.9	34.4	37.9	41.9	45.4	49.4	53.4	61.4	68.4	75.9	79.4	86.9	94.4	108.7	123.7
1.42	18.3	21.8	24.8	26.8	29.4	32.9	36.9	40.4	44.4	48.4	56.4	63.4	70.9	74.4	81.9	89.4	103.6	118.6
1.43	28.3	31.8	34.8	36.8	39.3	42.8	46.8	50.3	54.3	58.3	66.3	73.3	80.8	84.3	91.8	99.3	113.6	128.6
1.43	16.7	20.2	23.3	25.3	27.8	31.3	35.3	38.8	42.8	46.8	54.8	61.8	69.3	72.8	80.3	87.8	102.1	117.1
1.44	22.4	26.0	29.0	31.0	33.5	37.0	41.0	44.5	48.5	52.5	60.5	67.5	75.0	78.5	86.0	93.5	107.7	122.7
1.45	24.3	27.9	30.9	32.9	35.4	38.9	42.9	46.4	50.4	54.4	62.4	69.4	76.9	80.4	87.9	95.4	109.6	124.6
1.46	27.0	30.5	33.5	35.5	38.0	41.5	45.5	49.0	53.0	57.0	65.0	72.0	79.5	83.0	90.5	98.0	112.3	127.3
1.46	20.4	23.9	26.9	28.9	31.4	34.9	38.9	42.4	46.4	50.4	58.4	65.4	72.9	76.4	83.9	91.4	105.7	120.7
1.48	28.1	31.6	34.6	36.6	39.1	42.6	46.6	50.1	54.1	58.1	66.1	73.1	80.6	84.1	91.6	99.1	113.4	128.4
1.48	26.6	30.1	33.1	35.1	37.6	41.1	45.1	48.6	52.6	56.6	64.6	71.6	79.1	82.6	90.1	97.6	111.8	126.8
1.50	23.7	27.2	30.2	32.2	34.7	38.2	42.2	45.7	49.7	53.7	61.7	68.7	76.2	79.7	87.2	94.7	109.0	124.0
1.51	27.7	31.2	34.2	36.2	38.7	42.2	46.2	49.7	53.7	57.7	65.7	72.7	80.2	83.7	91.2	98.7	112.9	127.9
1.53	26.4	29.9	32.9	34.9	37.4	40.9	44.9	48.4	52.4	56.4	64.4	71.4	78.9	82.4	89.9	97.4	111.7	126.7
1.53	22.7	26.3	29.3	31.3	33.8	37.3	41.3	44.8	48.8	52.8	60.8	67.8	75.3	78.8	86.3	93.8	108.0	123.0
1.55	26.7	30.2	33.2	35.2	37.7	41.2	45.2	48.7	52.7	56.7	64.7	71.7	79.2	82.7	90.2	97.7	112.0	127.0
1.56	27.5	31.0	34.0	36.0	38.5	42.0	46.0	49.5	53.5	57.5	65.5	72.5	80.0	83.5	91.0	98.5	112.8	127.8
1.56	17.3	20.8	23.8	25.8	28.4	31.9	35.9	39.4	43.4	47.4	55.4	62.4	69.9	73.4	80.9	88.4	102.7	117.7
1.56	25.4	28.9	31.9	34.0	36.5	40.0	44.0	47.5	51.5	55.5	63.5	70.5	78.0	81.5	89.0	96.5	110.7	125.7
1.57	26.2	29.7	32.7	34.7	37.2	40.7	44.7	48.2	52.2	56.2	64.2	71.2	78.7	82.2	89.7	97.2	111.5	126.5
1.59	27.8	31.3	34.3	36.3	38.8	42.3	46.3	49.8	53.8	57.8	65.8	72.8	80.3	83.8	91.3	98.8	113.1	128.1
1.59	20.8	24.3	27.3	29.4	31.9	35.4	39.4	42.9	46.9	50.9	58.9	65.9	73.4	76.9	84.4	91.9	106.2	121.2
1.60	26.5	30.1	33.1	35.1	37.6	41.1	45.1	48.6	52.6	56.6	64.6	71.6	79.1	82.6	90.1	97.6	111.8	126.8
1.61	27.3	30.8	33.8	35.8	38.3	41.8	45.8	49.3	53.3	57.3	65.3	72.3	79.8	83.3	90.8	98.3	112.6	127.6
1.61	24.0	27.5	30.5	32.5	35.0	38.5	42.5	46.0	50.0	54.0	62.0	69.0	76.5	80.0	87.5	95.0	109.3	124.3
	0.92	0.94	0.96	0.98	0.99	1.01	1.03	1.05	1.06	1.08	1.11	1.13	1.16	1.17	1.19	1.21	1.24	1.27

NOTE: Selection program VIA-VISA available at www.ptwizard.com.



SELECTION

STOCK DRIVE SELECTIONS

B	S-L CLASSIC	BX	CLASSIC COG
----------	--------------------	-----------	--------------------

Ratio	Stock Shv.		3500 RPM Driver				3500 RPM Driver				Belt Size/Center Distance								
	Datum	Diam.	Driven RPM	HP Per Belt		Driven RPM	HP Per Belt		Driven RPM	HP Per Belt		B35 BX35	B38 BX38	B42 BX42	B46 BX46	B51 BX51	B55 BX55	B60 BX60	B64 BX64
	Driver	Driven		B	BX		B	BX		B	BX								
1.61	9.40	15.40	2168	---	---	1084	17.18	17.02	718	13.12	13.03	---	---	---	---	---	---	---	13.1
1.64	5.60	9.40	2137	11.46	15.17	1069	8.68	10.51	708	6.47	7.76	---	7.9	9.9	12.0	14.5	16.5	19.0	21.0
1.64	3.40	5.80	2136	3.02	8.91	1068	2.75	5.79	708	2.20	4.28	11.1	12.6	14.6	16.6	19.1	21.1	23.6	25.6
1.64	7.40	12.40	2129	---	---	1064	13.00	13.87	705	9.74	10.37	---	---	---	---	10.6	12.6	15.2	17.2
1.67	5.00	8.60	2094	9.53	13.80	1047	7.14	9.30	694	5.34	6.85	7.5	9.0	11.1	13.1	15.6	17.6	20.1	22.2
1.67	3.80	6.60	2092	4.83	10.30	1046	3.89	6.71	693	3.01	4.94	10.1	11.7	13.7	15.7	18.2	20.2	22.7	24.7
1.68	9.40	16.00	2088	---	---	1044	17.20	17.04	692	13.13	13.04	---	---	---	---	---	---	---	---
1.68	6.40	11.00	2083	13.59	16.62	1041	10.67	12.07	690	7.95	8.95	---	---	---	10.0	12.5	14.6	17.1	19.1
1.69	4.60	8.00	2077	8.09	12.74	1038	6.08	8.46	688	4.58	6.23	8.3	9.9	11.9	13.9	16.4	18.4	20.9	22.9
1.69	3.40	6.00	2069	3.05	8.94	1035	2.76	5.81	686	2.21	4.28	10.9	12.5	14.5	16.5	19.0	21.0	23.5	25.5
1.69	5.40	9.40	2066	10.87	14.76	1033	8.18	10.13	685	6.10	7.46	---	8.0	10.1	12.1	14.6	16.7	19.2	21.2
1.70	4.20	7.40	2057	6.53	11.58	1028	5.00	7.60	682	3.80	5.59	9.2	10.7	12.7	14.7	17.2	19.2	21.7	23.7
1.72	3.80	6.80	2034	4.85	10.32	1017	3.90	6.72	674	3.01	4.95	10.0	11.5	13.5	15.5	18.0	20.0	22.5	24.5
1.74	3.40	6.20	2006	3.07	8.96	1003	2.78	5.82	665	2.22	4.29	10.8	12.3	14.3	16.3	18.8	20.8	23.3	25.3
1.76	5.20	9.40	1994	10.25	14.32	997	7.68	9.73	661	5.73	7.17	---	8.2	10.2	12.3	14.8	16.8	19.3	21.3
1.76	8.60	15.40	1990	---	---	995	15.62	15.86	659	11.82	12.02	---	---	---	---	---	---	---	13.6
1.77	3.80	7.00	1978	4.87	10.34	989	3.91	6.73	656	3.02	4.95	9.8	11.3	13.3	15.3	17.9	19.9	22.4	24.4
1.78	4.00	7.40	1966	5.73	10.99	983	4.47	7.18	652	3.42	5.28	9.3	10.8	12.8	14.9	17.4	19.4	21.9	23.9
1.78	6.80	12.40	1964	14.47	17.19	982	11.64	12.83	651	8.69	9.54	---	---	---	---	11.0	13.0	15.6	17.6
1.79	6.00	11.00	1960	12.65	16.01	980	9.71	11.33	649	7.23	8.38	---	---	---	10.3	12.8	14.8	17.4	19.4
1.80	3.40	6.40	1947	3.09	8.98	973	2.79	5.83	645	2.22	4.30	10.6	12.1	14.1	16.1	18.6	20.7	23.2	25.2
1.80	7.40	13.60	1946	---	---	973	13.03	13.90	645	9.76	10.39	---	---	---	---	---	11.5	14.1	16.1
1.81	4.60	8.60	1937	8.13	12.79	969	6.10	8.49	642	4.59	6.24	7.8	9.3	11.4	13.4	15.9	17.9	20.4	22.4
1.83	8.60	16.00	1917	---	---	958	15.63	15.87	635	11.83	12.03	---	---	---	---	---	---	---	13.1
1.83	4.20	8.00	1909	6.57	11.63	955	5.02	7.63	633	3.82	5.61	8.6	10.1	12.2	14.2	16.7	18.7	21.2	23.2
ARC-LENGTH CORRECTION FACTOR →												0.74	0.76	0.79	0.81	0.84	0.86	0.88	0.90
1.85	3.40	6.60	1891	3.11	9.00	945	2.79	5.84	627	2.23	4.30	10.4	11.9	14.0	16.0	18.5	20.5	23.0	25.0
1.87	3.80	7.40	1876	4.90	10.37	938	3.92	6.75	622	3.03	4.96	9.4	11.0	13.0	15.0	17.5	19.5	22.0	24.0
1.89	6.40	12.40	1854	13.67	16.69	927	10.70	12.11	615	7.98	8.98	---	---	---	---	11.2	13.3	15.9	17.9
1.90	3.40	6.80	1838	3.12	9.01	919	2.80	5.84	609	2.23	4.31	10.3	11.8	13.8	15.8	18.3	20.3	22.8	24.8
1.91	5.60	11.00	1836	11.56	15.26	918	8.72	10.56	609	6.50	7.79	---	---	8.4	10.5	13.1	15.1	17.7	19.7
1.92	4.00	8.00	1825	5.77	11.03	913	4.48	7.20	605	3.43	5.29	8.8	10.3	12.3	14.3	16.9	18.9	21.4	23.4
1.92	9.40	18.40	1821	---	---	910	17.24	17.08	603	13.16	13.07	---	---	---	---	---	---	---	---
1.95	6.80	13.60	1795	14.52	17.23	898	11.67	12.85	595	8.71	9.56	---	---	---	---	---	11.9	14.5	16.5
1.96	3.40	7.00	1788	3.13	9.02	894	2.81	5.85	593	2.24	4.31	10.1	11.6	13.6	15.6	18.1	20.2	22.7	24.7
1.96	4.20	8.60	1781	6.61	11.66	891	5.04	7.64	590	3.83	5.62	8.1	9.6	11.6	13.7	16.2	18.2	20.7	22.7
1.97	4.60	9.40	1779	8.18	12.83	889	6.12	8.51	590	4.61	6.25	---	8.6	10.6	12.7	15.2	17.2	19.8	21.8
1.97	5.40	11.00	1775	10.96	14.85	887	8.22	10.17	588	6.13	7.49	---	---	8.6	10.7	13.2	15.3	17.8	19.8
2.01	6.00	12.40	1745	12.71	16.06	872	9.74	11.36	578	7.25	8.40	---	---	---	---	11.5	13.6	16.1	18.2
2.01	3.80	8.00	1742	4.93	10.40	871	3.94	6.76	577	3.04	4.97	8.9	10.4	12.5	14.5	17.0	19.0	21.5	23.5
2.03	7.40	15.40	1723	---	---	862	13.06	13.93	571	9.78	10.41	---	---	---	---	---	---	12.4	14.4
2.04	5.20	11.00	1713	10.32	14.40	857	7.71	9.77	568	5.76	7.19	---	---	8.7	10.8	13.4	15.4	17.9	20.0
2.06	4.00	8.60	1703	5.79	11.06	852	4.50	7.21	564	3.44	5.30	8.2	9.7	11.8	13.8	16.3	18.4	20.9	22.9
2.07	6.40	13.60	1695	13.70	16.73	847	10.72	12.13	562	7.99	8.99	---	---	---	---	10.1	12.2	14.8	16.8
2.09	8.60	18.40	1672	---	---	836	15.66	15.90	554	11.85	12.04	---	---	---	---	---	---	---	---
2.11	7.40	16.00	1660	---	---	830	13.07	13.93	550	9.78	10.42	---	---	---	---	---	---	11.7	13.9
ARC-LENGTH CORRECTION FACTOR →												0.72	0.75	0.77	0.80	0.83	0.85	0.88	0.89
2.11	3.60	8.00	1658	4.07	9.75	829	3.39	6.32	549	2.65	4.65	9.0	10.6	12.6	14.6	17.2	19.2	21.7	23.7
2.12	5.00	11.00	1651	9.65	13.92	826	7.20	9.36	547	5.38	6.89	---	---	8.8	10.9	13.5	15.6	18.1	20.1
2.14	4.20	9.40	1635	6.64	11.69	818	5.05	7.66	542	3.84	5.63	7.3	8.8	10.9	13.0	15.5	17.5	20.1	22.1
2.14	5.60	12.40	1635	11.60	15.31	817	8.75	10.58	542	6.52	7.81	---	---	9.1	11.8	13.9	16.4	18.5	20.5
2.19	6.00	13.60	1595	12.73	16.09	797	9.75	11.37	528	7.26	8.41	---	---	---	---	10.3	12.4	15.0	17.1
2.20	6.80	15.40	1590	14.56	17.28	795	11.69	12.87	527	8.72	9.57	---	---	---	---	---	---	12.7	14.9
2.22	5.40	12.40	1580	10.99	14.88	790	8.24	10.19	524	6.14	7.51	---	---	---	9.3	11.9	14.0	16.6	18.6
2.22	3.40	8.00	1574	3.17	9.06	787	2.83	5.87	522	2.25	4.33	9.2	10.7	12.7	14.8	17.3	19.3	21.8	23.8
2.24	4.00	9.40	1564	5.82	11.08	782	4.51	7.23	518	3.45	5.31	7.4	9.0	11.1	13.1	15.6	17.7	20.2	22.2
2.27	8.60	20.00	1540	---	---	770	15.67	15.92	510	11.85	12.05	---	---	---	---	---	---	---	---
2.28	6.80	16.00	1532	14.57	17.28	766	11.69	12.88	508	8.72	9.57	---	---	---	---	---	---	12.1	14.3
2.29	4.60	11.00	1528	8.22	12.88	764	6.15	8.53	506	4.62	6.27	---	---	9.1	11.2	13.8	15.8	18.4	20.4
2.29	5.20	12.40	1525	10.35	14.43	763	7.73	9.79	505	5.77	7.20	---	---	---	9.4	12.0	14.1	16.7	18.7
2.33	6.40	15.40	1501	13.74	16.76	751	10.74	12.14	498	8.00	9.00	---	---	---	---	---	---	13.0	15.1
2.34	5.60	13.60	1494	11.62	15.33	747	8.76	10.60	495	6.52	7.81	---	---	---	---	10.6	12.7	15.3	17.4
ARC-LENGTH CORRECTION FACTOR →												0.71	0.73	0.75	0.76	0.80	0.82	0.85	0.87

NOTE: Selection program VIA-VISA available at www.ptwizard.com.

SELECTION



B	S-L CLASSIC	BX	CLASSIC COG	STOCK DRIVE SELECTIONS
---	-------------	----	-------------	------------------------

Ratio	Belt Size/Center Distance																	
	B68 BX68	B75 BX75	B81 BX81	B85 BX85	B90 BX90	B97 BX97	B105 BX105	B112 BX112	B120 BX120	B128 BX128	B144 BX144	B158 BX158	B173 BX173	B180 BX180	B195 BX195	B210 BX210	B240 BX240	B270 BX270
1.61	15.1	18.7	21.7	23.7	26.3	29.8	33.8	37.3	41.3	45.3	53.3	60.4	67.9	71.4	78.9	86.4	100.6	115.6
1.64	23.0	26.6	29.6	31.6	34.1	37.6	41.6	45.1	49.1	53.1	61.1	68.1	75.6	79.1	86.6	94.1	108.4	123.4
1.64	27.7	31.2	34.2	36.2	38.7	42.2	46.2	49.7	53.7	57.7	65.7	72.7	80.2	83.7	91.2	98.7	112.9	127.9
1.64	19.2	22.7	25.7	27.7	30.3	33.8	37.8	41.3	45.3	49.3	57.3	64.3	71.8	75.3	82.8	90.3	104.6	119.6
1.67	24.2	27.7	30.7	32.7	35.2	38.7	42.7	46.2	50.2	54.2	62.2	69.2	76.7	80.2	87.7	95.2	109.5	124.5
1.67	26.7	30.2	33.2	35.2	37.7	41.2	45.2	48.7	52.7	56.7	64.7	71.7	79.2	82.7	90.2	97.7	112.0	127.0
1.68	14.6	18.2	21.2	23.2	25.7	29.3	33.3	36.8	40.8	44.8	52.9	59.9	67.4	70.9	78.4	85.9	100.2	115.2
1.68	21.1	24.6	27.6	29.7	32.2	35.7	39.7	43.2	47.2	51.2	59.2	66.2	73.7	77.2	84.7	92.2	106.5	121.5
1.69	25.0	28.5	31.5	33.5	36.0	39.5	43.5	47.0	51.0	55.0	63.0	70.0	77.5	81.0	88.5	96.0	110.2	125.2
1.69	27.5	31.0	34.0	36.0	38.5	42.0	46.0	49.5	53.5	57.5	65.5	72.5	80.0	83.5	91.0	98.5	112.8	127.8
1.69	23.2	26.7	29.7	31.7	34.2	37.7	41.7	45.2	49.2	53.2	61.2	68.3	75.8	79.3	86.8	94.3	108.5	123.5
1.70	25.7	29.3	32.3	34.3	36.8	40.3	44.3	47.8	51.8	55.8	63.8	70.8	78.3	81.8	89.3	96.8	111.0	126.0
1.72	26.5	30.0	33.0	35.0	37.5	41.1	45.1	48.6	52.6	56.6	64.6	71.6	79.1	82.6	90.1	97.6	111.8	126.8
1.74	27.3	30.8	33.8	35.8	38.3	41.8	45.8	49.3	53.3	57.3	65.3	72.4	79.9	83.4	90.9	98.4	112.6	127.6
1.76	23.3	26.9	29.9	31.9	34.4	37.9	41.9	45.4	49.4	53.4	61.4	68.4	75.9	79.4	86.9	94.4	108.7	123.7
1.76	15.7	19.3	22.3	24.3	26.8	30.4	34.4	37.9	41.9	45.9	54.0	61.0	68.5	72.0	79.5	87.0	101.3	116.3
1.77	26.4	29.9	32.9	34.9	37.4	40.9	44.9	48.4	52.4	56.4	64.4	71.4	78.9	82.4	89.9	97.4	111.7	126.7
1.78	25.9	29.4	32.4	34.4	36.9	40.4	44.4	47.9	51.9	55.9	63.9	70.9	78.4	81.9	89.4	96.9	111.2	126.2
1.78	19.6	23.2	26.2	28.2	30.7	34.2	38.2	41.7	45.7	49.7	57.8	64.8	72.3	75.8	83.3	90.8	105.0	120.0
1.79	21.4	24.9	27.9	30.0	32.5	36.0	40.0	43.5	47.5	51.5	59.5	66.5	74.0	77.5	85.0	92.5	106.8	121.8
1.80	27.2	30.7	33.7	35.7	38.2	41.7	45.7	49.2	53.2	57.2	65.2	72.2	79.7	83.2	90.7	98.2	112.4	127.4
1.80	18.2	21.7	24.7	26.7	29.3	32.8	36.8	40.3	44.3	48.3	56.3	63.3	70.8	74.4	81.9	89.4	103.6	118.6
1.81	24.5	28.0	31.0	33.0	35.5	39.0	43.0	46.5	50.5	54.5	62.5	69.5	77.0	80.5	88.0	95.5	109.8	124.8
1.83	15.1	18.7	21.8	23.8	26.3	29.9	33.9	37.4	41.4	45.4	53.5	60.5	68.0	71.5	79.0	86.5	100.8	115.8
1.83	25.3	28.8	31.8	33.8	36.3	39.8	43.8	47.3	51.3	55.3	63.3	70.3	77.8	81.3	88.8	96.3	110.6	125.6
	0.92	0.94	0.96	0.98	0.99	1.01	1.03	1.05	1.06	1.08	1.11	1.13	1.16	1.17	1.19	1.21	1.24	1.27
1.85	27.0	30.5	33.5	35.5	38.0	41.5	45.5	49.0	53.0	57.0	65.0	72.0	79.5	83.0	90.5	98.0	112.3	127.3
1.87	26.0	29.6	32.6	34.6	37.1	40.6	44.6	48.1	52.1	56.1	64.1	71.1	78.6	82.1	89.6	97.1	111.3	126.3
1.89	19.9	23.5	26.5	28.5	31.0	34.5	38.5	42.0	46.0	50.1	58.1	65.1	72.6	76.1	83.6	91.1	105.3	120.4
1.90	26.8	30.3	33.3	35.4	37.9	41.4	45.4	48.9	52.9	56.9	64.9	71.9	79.4	82.9	90.4	97.9	112.1	127.1
1.91	21.7	25.2	28.2	30.2	32.8	36.3	40.3	43.8	47.8	51.8	59.8	66.8	74.3	77.8	85.3	92.8	107.1	122.1
1.92	25.4	28.9	31.9	33.9	36.4	39.9	43.9	47.4	51.4	55.4	63.4	70.4	77.9	81.4	88.9	96.4	110.7	125.7
1.92	---	15.9	19.0	21.1	23.6	27.2	31.3	34.8	38.8	42.8	50.9	57.9	65.4	68.9	76.4	84.0	98.2	113.2
1.95	18.6	22.1	25.2	27.2	29.7	33.2	37.2	40.7	44.8	48.8	56.8	63.8	71.3	74.8	82.3	89.8	104.1	119.1
1.96	26.7	30.2	33.2	35.2	37.7	41.2	45.2	48.7	52.7	56.7	64.7	71.7	79.2	82.7	90.2	97.7	112.0	127.0
1.96	24.8	28.3	31.3	33.3	35.8	39.3	43.3	46.8	50.8	54.8	62.8	69.8	77.3	80.8	88.3	95.8	110.1	125.1
1.97	23.8	27.3	30.3	32.3	34.8	38.3	42.3	45.8	49.9	53.9	61.9	68.9	76.4	79.9	87.4	94.9	109.1	124.1
1.97	21.8	25.4	28.4	30.4	32.9	36.4	40.4	43.9	47.9	52.0	60.0	67.0	74.5	78.0	85.5	93.0	107.2	122.2
2.01	20.2	23.7	26.8	28.8	31.3	34.8	38.8	42.3	46.3	50.4	58.4	65.4	72.9	76.4	83.9	91.4	105.7	120.7
2.01	25.6	29.1	32.1	34.1	36.6	40.1	44.1	47.6	51.6	55.6	63.6	70.6	78.1	81.6	89.1	96.6	110.9	125.9
2.03	16.5	20.1	23.2	25.2	27.7	31.2	35.3	38.8	42.8	46.8	54.9	61.9	69.4	72.9	80.4	87.9	102.2	117.2
2.04	22.0	25.5	28.5	30.5	33.1	36.6	40.6	44.1	48.1	52.1	60.1	67.1	74.6	78.1	85.6	93.1	107.4	122.4
2.06	24.9	28.4	31.4	33.4	35.9	39.4	43.4	47.0	51.0	55.0	63.0	70.0	77.5	81.0	88.5	96.0	110.2	125.2
2.07	18.9	22.4	25.4	27.5	30.0	33.5	37.5	41.0	45.1	49.1	57.1	64.1	71.6	75.1	82.6	90.1	104.4	119.4
2.09	---	16.5	19.6	21.7	24.2	27.8	31.8	35.4	39.4	43.4	51.5	58.5	66.0	69.5	77.0	84.6	98.8	113.8
2.11	16.0	19.6	22.6	24.7	27.2	30.7	34.8	38.3	42.3	46.3	54.4	61.4	68.9	72.4	79.9	87.4	101.7	116.7
	0.91	0.94	0.96	0.97	0.98	1.00	1.02	1.04	1.06	1.08	1.11	1.13	1.15	1.17	1.19	1.21	1.24	1.27
2.11	25.7	29.2	32.2	34.2	36.7	40.2	44.2	47.7	51.7	55.8	63.8	70.8	78.3	81.8	89.3	96.8	111.0	126.0
2.12	22.1	25.7	28.7	30.7	33.2	36.7	40.7	44.2	48.2	52.3	60.3	67.3	74.8	78.3	85.8	93.3	107.5	122.6
2.14	24.1	27.6	30.6	32.6	35.1	38.6	42.6	46.2	50.2	54.2	62.2	69.2	76.7	80.2	87.7	95.2	109.4	124.4
2.14	20.5	24.0	27.1	29.1	31.6	35.1	39.1	42.6	46.6	50.7	58.7	65.7	73.2	76.7	84.2	91.7	106.0	121.0
2.19	19.1	22.7	25.7	27.8	30.3	33.8	37.8	41.3	45.4	49.4	57.4	64.4	71.9	75.4	82.9	90.4	104.7	119.7
2.20	16.9	20.5	23.6	25.6	28.1	31.7	35.7	39.2	43.3	47.3	55.3	62.3	69.8	73.3	80.9	88.4	102.6	117.6
2.22	20.6	24.2	27.2	29.2	31.7	35.3	39.3	42.8	46.8	50.8	58.8	65.8	73.3	76.8	84.4	91.9	106.1	121.1
2.22	25.8	29.4	32.4	34.4	36.9	40.4	44.4	47.9	51.9	55.9	63.9	70.9	78.4	81.9	89.4	96.9	111.2	126.2
2.24	24.2	27.7	30.8	32.8	35.3	38.8	42.8	46.3	50.3	54.3	62.3	69.3	76.8	80.3	87.8	95.3	109.6	124.6
2.27	---	14.9	18.0	20.1	22.7	26.3	30.4	34.0	38.0	42.1	50.1	57.2	64.7	68.2	75.7	83.3	97.5	112.6
2.28	16.4	20.0	23.0	25.1	27.6	31.2	35.2	38.7	42.8	46.8	54.8	61.8	69.3	72.9	80.4	87.9	102.1	117.2
2.29	22.4	26.0	29.0	31.0	33.5	37.0	41.0	44.5	48.5	52.6	60.6	67.6	75.1	78.6	86.1	93.6	107.9	122.9
2.29	20.8	24.3	27.3	29.4	31.9	35.4	39.4	42.9	46.9	51.0	59.0	66.0	73.5	77.0	84.5	92.0	106.3	121.3
2.33	17.2	20.8	23.9	25.9	28.4	32.0	36.0	39.5	43.6	47.6	55.6	62.6	70.1	73.6	81.2	88.7	102.9	118.0
2.34	19.4	23.0	26.0	28.0	30.6	34.1	38.1	41.6	45.7	49.7	57.7	64.7	72.2	75.7	83.2	90.7	105.0	120.0
	0.89	0.92	0.94	0.96	0.97	.99	1.01	1.03	1.05	1.07	1.10	1.12	1.15	1.16	1.18	1.20	1.23	1.26

NOTE: Selection program VIA-VISA available at www.ptwizard.com.

V-Drives

FHP Drives

SELECTION



B S-L CLASSIC BX CLASSIC COG **STOCK DRIVE SELECTIONS**

Ratio	Stock Shv.		3500 RPM Driver			1750 RPM Driver			1160 RPM Driver			Belt Size/Center Distance										
	Datum Diam.		Driven RPM	HP Per Belt		Driven RPM	HP Per Belt		Driven RPM	HP Per Belt		B35 BX35	B38 BX38	B42 BX42	B46 BX46	B51 BX51	B55 BX55	B60 BX60	B64 BX64			
	Driver	Driven		B	BX		B	BX		B	BX											
2.35	3.80	9.40	1492	4.98	10.44	746	3.96	6.79	494	3.06	4.99	7.5	9.1	11.2	13.2	15.8	17.8	20.3	22.4			
2.38	5.00	12.40	1470	9.68	13.95	735	7.21	9.38	487	5.39	6.90	---	---	---	9.5	12.2	14.3	16.8	18.9			
2.38	3.40	8.60	1469	3.19	9.08	734	2.84	5.88	487	2.26	4.33	8.6	10.1	12.2	14.2	16.8	18.8	21.3	23.3			
2.42	7.40	18.40	1448	---	---	724	13.08	13.95	480	9.79	10.43	---	---	---	---	---	---	---	---			
2.42	5.40	13.60	1444	11.01	14.90	722	8.25	10.20	479	6.15	7.51	---	---	---	---	10.7	12.8	15.4	17.5			
2.46	3.60	9.40	1420	4.10	9.78	710	3.41	6.34	471	2.66	4.66	7.6	9.2	11.3	13.4	15.9	18.0	20.5	22.5			
2.48	6.00	15.40	1412	12.76	16.12	706	9.77	11.39	468	7.27	8.41	---	---	---	---	---	---	13.3	15.4			
2.49	4.20	11.00	1405	6.67	11.73	702	5.07	7.68	466	3.85	5.64	---	---	9.3	11.5	14.1	16.1	18.7	20.7			
2.51	5.20	13.60	1394	10.37	14.45	697	7.74	9.79	462	5.78	7.21	---	---	---	---	10.8	13.0	15.6	17.6			
2.57	6.00	16.00	1361	12.77	16.13	680	9.77	11.39	451	7.27	8.42	---	---	---	---	---	---	12.6	14.8			
2.57	4.60	12.40	1361	8.25	12.90	680	6.16	8.54	451	4.63	6.28	---	---	---	9.8	12.4	14.5	17.1	19.2			
2.60	3.40	9.40	1348	3.21	9.10	674	2.84	5.88	447	2.26	4.34	7.8	9.4	11.5	13.5	16.1	18.1	20.6	22.7			
2.60	9.40	25.00	1347	---	---	674	17.28	17.12	446	13.19	13.10	---	---	---	---	---	---	---	---			
2.61	4.00	11.00	1343	5.85	11.11	672	4.53	7.24	445	3.46	5.32	---	---	9.5	11.6	14.2	16.2	18.8	20.8			
2.62	6.80	18.40	1336	14.59	17.31	668	11.70	12.89	443	8.73	9.58	---	---	---	---	---	---	---	---			
2.62	7.40	20.00	1334	---	---	667	13.09	13.96	442	9.80	10.43	---	---	---	---	---	---	---	---			
2.64	5.60	15.40	1324	11.64	15.35	662	8.77	10.61	439	6.53	7.82	---	---	---	---	10.8	13.5	15.6	17.6			
2.73	3.80	11.00	1282	5.00	10.47	641	3.97	6.80	425	3.06	5.00	---	7.4	9.6	11.7	14.3	16.4	18.9	21.0			
2.74	5.40	15.40	1279	11.03	14.92	640	8.26	10.21	424	6.16	7.52	---	---	---	---	10.9	13.7	15.8	17.8			
2.78	6.40	18.40	1261	13.76	16.79	631	10.75	12.16	418	8.01	9.01	---	---	---	---	---	---	---	---			
ARC-LENGTH CORRECTION FACTOR →												0.71	0.73	0.75	0.76	0.80	0.82	0.85	0.87			
2.80	4.20	12.40	1251	6.69	11.74	625	5.08	7.69	415	3.85	5.65	---	---	---	10.0	12.7	14.8	17.4	19.4			
2.81	4.60	13.60	1244	8.26	12.91	622	6.16	8.55	412	4.63	6.28	---	---	---	---	11.2	13.4	16.0	18.1			
2.83	5.20	15.40	1235	10.39	14.46	617	7.75	9.80	409	5.78	7.21	---	---	---	---	11.1	13.8	15.9	17.9			
2.84	5.40	16.00	1232	11.04	14.93	616	8.26	10.21	408	6.16	7.52	---	---	---	---	---	---	13.0	15.2			
2.84	6.80	20.00	1231	14.60	17.32	615	11.71	12.90	408	8.73	9.59	---	---	---	---	---	---	---	---			
2.87	3.60	11.00	1220	4.13	9.80	610	3.42	6.35	404	2.67	4.67	---	7.5	9.7	11.9	14.5	16.5	19.1	21.1			
2.93	4.00	12.40	1196	5.86	11.12	598	4.53	7.25	396	3.46	5.33	---	---	---	10.2	12.8	14.9	17.5	19.6			
2.94	5.00	15.40	1190	9.71	13.98	595	7.23	9.39	395	5.40	6.91	---	---	---	---	11.2	13.9	16.0	18.0			
2.95	6.00	18.40	1187	12.78	16.14	593	9.78	11.40	393	7.28	8.42	---	---	---	---	---	---	---	---			
3.01	6.40	20.00	1162	13.77	16.80	581	10.76	12.16	385	8.01	9.01	---	---	---	---	---	---	---	---			
3.02	3.40	11.00	1158	3.22	9.11	579	2.85	5.89	384	2.27	4.34	---	7.7	9.9	12.0	14.6	16.7	19.2	21.3			
3.05	5.00	16.00	1147	9.72	13.98	573	7.23	9.39	380	5.40	6.91	---	---	---	---	---	---	13.3	15.4			
3.06	4.20	13.60	1143	6.70	11.75	572	5.09	7.69	379	3.86	5.65	---	---	---	---	11.5	13.6	16.2	18.3			
3.07	3.80	12.40	1141	5.01	10.48	571	3.98	6.80	378	3.07	5.00	---	---	---	10.3	13.0	15.1	17.7	19.7			
3.11	9.40	30.00	1125	---	---	563	17.29	17.13	373	13.19	13.11	---	---	---	---	---	---	---	---			
3.15	5.60	18.40	1112	11.66	15.37	556	8.78	10.62	369	6.54	7.83	---	---	---	---	---	---	---	12.4			
3.18	4.60	15.40	1102	8.27	12.92	551	6.17	8.56	365	4.64	6.29	---	---	---	---	---	11.4	14.2	16.3			
3.20	6.00	20.00	1093	12.79	16.15	547	9.78	11.40	362	7.28	8.42	---	---	---	---	---	---	---	---			
3.20	4.00	13.60	1093	5.87	11.13	547	4.54	7.25	362	3.47	5.33	---	---	---	---	11.6	13.7	16.4	18.5			
3.22	3.60	12.40	1086	4.14	9.82	543	3.42	6.35	360	2.67	4.67	---	---	8.2	10.4	13.1	15.2	17.8	19.9			
3.26	5.40	18.40	1075	11.05	14.94	537	8.27	10.22	356	6.16	7.52	---	---	---	---	---	---	---	12.5			
3.27	7.40	25.00	1071	---	---	535	13.10	13.97	355	9.80	10.44	---	---	---	---	---	---	---	---			
3.30	4.60	16.00	1061	8.27	12.93	531	6.17	8.56	352	4.64	6.29	---	---	---	---	---	10.7	13.5	15.7			
3.36	3.80	13.60	1043	5.02	10.49	521	3.98	6.81	346	3.07	5.00	---	---	---	8.9	11.7	13.9	16.5	18.6			
3.37	5.20	18.40	1037	10.41	14.48	519	7.75	9.81	344	5.79	7.22	---	---	---	---	---	---	---	12.7			
ARC-LENGTH CORRECTION FACTOR →												---	---	0.70	0.72	0.74	0.77	0.80	0.83	0.86		
3.39	3.40	12.40	1031	3.23	9.12	516	2.86	5.90	342	2.27	4.34	---	---	8.3	10.5	13.2	15.3	17.9	20.0			
3.42	5.60	20.00	1025	11.67	15.38	512	8.78	10.62	340	6.54	7.83	---	---	---	---	---	---	---	---			
3.46	4.20	15.40	1013	6.71	11.76	506	5.09	7.70	336	3.86	5.65	---	---	---	---	---	11.7	14.4	16.6			
3.50	5.00	18.40	1000	9.73	13.99	500	7.23	9.40	331	5.41	6.91	---	---	---	---	---	---	---	12.8			
3.53	3.60	13.60	993	4.14	9.82	496	3.42	6.36	329	2.67	4.68	---	---	---	9.0	11.8	14.0	16.6	18.7			
3.53	5.40	20.00	990	11.06	14.95	495	8.27	10.22	328	6.17	7.53	---	---	---	---	---	---	---	---			
3.54	6.80	25.00	988	14.62	17.34	494	11.72	12.91	328	8.74	9.59	---	---	---	---	---	---	---	---			
3.61	4.00	15.40	968	5.88	11.14	484	4.54	7.26	321	3.47	5.33	---	---	---	---	---	11.8	14.6	16.7			
3.66	5.20	20.00	956	10.41	14.49	478	7.76	9.81	317	5.79	7.22	---	---	---	---	---	---	---	---			
3.71	3.40	13.60	943	3.24	9.13	471	2.86	5.90	312	2.27	4.35	---	---	---	9.1	12.0	14.1	16.8	18.9			
3.75	6.40	25.00	933	13.79	16.82	466	10.77	12.17	309	8.02	9.02	---	---	---	---	---	---	---	---			
3.75	4.00	16.00	933	5.88	11.14	466	4.54	7.26	309	3.47	5.33	---	---	---	---	---	11.1	13.9	16.1			
3.78	4.60	18.40	925	8.28	12.93	463	6.18	8.56	307	4.64	6.29	---	---	---	---	---	---	---	13.0			
3.79	3.80	15.40	924	5.03	10.50	462	3.99	6.81	306	3.07	5.01	---	---	---	---	---	11.9	14.7	16.8			
3.80	5.00	20.00	921	9.73	14.00	461	7.24	9.40	305	5.41	6.91	---	---	---	---	---	---	---	---			
ARC-LENGTH CORRECTION FACTOR →												---	---	0.70	0.72	0.75	0.78	0.81	0.83			

NOTE: Selection program VIA-VISA available at www.ptwizard.com.

SELECTION



B S-L CLASSIC

BX CLASSIC COG

STOCK DRIVE SELECTIONS

Ratio	Belt Size/Center Distance																	
	B68 BX68	B75 BX75	B81 BX81	B85 BX85	B90 BX90	B97 BX97	B105 BX105	B112 BX112	B120 BX120	B128 BX128	B144 BX144	B158 BX158	B173 BX173	B180 BX180	B195 BX195	B210 BX210	B240 BX240	B270 BX270
2.35	24.4	27.9	30.9	32.9	35.4	38.9	42.9	46.5	50.5	54.5	62.5	69.5	77.0	80.5	88.0	95.5	109.8	124.8
2.38	20.9	24.5	27.5	29.5	32.0	35.5	39.6	43.1	47.1	51.1	59.1	66.1	73.6	77.2	84.7	92.2	106.4	121.4
2.38	25.3	28.9	31.9	33.9	36.4	39.9	43.9	47.4	51.4	55.4	63.4	70.4	77.9	81.4	88.9	96.4	110.7	125.7
2.42	13.5	17.3	20.4	22.5	25.0	28.6	32.7	36.2	40.3	44.3	52.4	59.4	66.9	70.4	78.0	85.5	99.7	114.8
2.42	19.6	23.1	26.2	28.2	30.7	34.2	38.3	41.8	45.8	49.8	57.8	64.9	72.4	75.9	83.4	90.9	105.2	120.2
2.46	24.5	28.0	31.1	33.1	35.6	39.1	43.1	46.6	50.6	54.6	62.6	69.6	77.1	80.6	88.1	95.7	109.9	124.9
2.48	17.5	21.1	24.1	26.2	28.7	32.3	36.3	39.8	43.8	47.9	55.9	62.9	70.4	74.0	81.5	89.0	103.2	118.3
2.49	22.7	26.2	29.3	31.3	33.8	37.3	41.3	44.8	48.8	52.9	60.9	67.9	75.4	78.9	86.4	93.9	108.2	123.2
2.51	19.7	23.3	26.3	28.3	30.9	34.4	38.4	41.9	46.0	50.0	58.0	65.0	72.5	76.0	83.5	91.0	105.3	120.3
2.57	16.9	20.5	23.6	25.6	28.2	31.7	35.8	39.3	43.3	47.4	55.4	62.4	70.0	73.5	81.0	88.5	102.8	117.8
2.57	21.2	24.7	27.8	29.8	32.3	35.8	39.9	43.4	47.4	51.4	59.4	66.4	74.0	77.5	85.0	92.5	106.7	121.7
2.60	24.7	28.2	31.2	33.2	35.7	39.2	43.2	46.8	50.8	54.8	62.8	69.8	77.3	80.8	88.3	95.8	110.1	125.1
2.60	---	---	---	---	---	20.9	25.2	28.8	33.0	37.1	45.2	52.3	59.9	63.4	71.0	78.5	92.8	107.9
2.61	22.9	26.4	29.4	31.4	33.9	37.5	41.5	45.0	49.0	53.0	61.0	68.0	75.5	79.0	86.6	94.1	108.3	123.3
2.62	13.9	17.7	20.8	22.9	25.5	29.0	33.1	36.7	40.7	44.7	52.8	59.8	67.4	70.9	78.4	85.9	100.2	115.2
2.62	---	15.6	18.8	20.9	23.5	27.2	31.3	34.8	38.9	42.9	51.0	58.0	65.6	69.1	76.6	84.2	98.4	113.5
2.64	17.7	21.4	24.4	26.5	29.0	32.5	36.6	40.1	44.1	48.2	56.2	63.2	70.7	74.3	81.8	89.3	103.5	118.6
2.73	23.0	26.5	29.6	31.6	34.1	37.6	41.6	45.1	49.2	53.2	61.2	68.2	75.7	79.2	86.7	94.2	108.5	123.5
2.74	17.9	21.5	24.6	26.6	29.1	32.7	36.7	40.3	44.3	48.3	56.4	63.4	70.9	74.4	81.9	89.4	103.7	118.7
2.78	14.2	17.9	21.1	23.2	25.7	29.3	33.4	36.9	41.0	45.0	53.1	60.1	67.7	71.2	78.7	86.2	100.5	115.5
	0.89	0.92	0.94	0.96	0.97	0.99	1.01	1.03	1.05	1.07	1.10	1.12	1.15	1.16	1.18	1.20	1.23	1.26
2.80	21.5	25.0	28.1	30.1	32.6	36.1	40.2	43.7	47.7	51.7	59.7	66.7	74.3	77.8	85.3	92.8	107.0	122.1
2.81	20.1	23.7	26.7	28.8	31.3	34.8	38.9	42.4	46.4	50.4	58.4	65.4	73.0	76.5	84.0	91.5	105.8	120.8
2.83	18.0	21.6	24.7	26.7	29.3	32.8	36.9	40.4	44.4	48.5	56.5	63.5	71.0	74.6	82.1	89.6	103.9	118.9
2.84	17.3	20.9	24.0	26.1	28.6	32.2	36.2	39.7	43.8	47.8	55.8	62.9	70.4	73.9	81.4	88.9	103.2	118.2
2.84	---	16.0	19.2	21.3	24.0	27.6	31.7	35.2	39.3	43.4	51.4	58.5	66.0	69.5	77.1	84.6	98.9	113.9
2.87	23.1	26.7	29.7	31.7	34.2	37.8	41.8	45.3	49.3	53.3	61.3	68.3	75.8	79.4	86.9	94.4	108.6	123.6
2.93	21.6	25.2	28.2	30.2	32.8	36.3	40.3	43.8	47.8	51.9	59.9	66.9	74.4	77.9	85.4	92.9	107.2	122.2
2.94	18.1	21.8	24.8	26.9	29.4	33.0	37.0	40.6	44.6	48.6	56.6	63.7	71.2	74.7	82.2	89.7	104.0	119.0
2.95	14.4	18.2	21.3	23.4	26.0	29.6	33.7	37.2	41.3	45.3	53.4	60.4	68.0	71.5	79.0	86.5	100.8	115.8
3.01	---	16.3	19.5	21.6	24.2	27.8	32.0	35.5	39.6	43.6	51.7	58.8	66.3	69.8	77.4	84.9	99.2	114.2
3.02	23.3	26.8	29.9	31.9	34.4	37.9	41.9	45.4	49.4	53.5	61.5	68.5	76.0	79.5	87.0	94.5	108.8	123.8
3.05	17.6	21.2	24.3	26.3	28.9	32.4	36.5	40.0	44.1	48.1	56.1	63.2	70.7	74.2	81.7	89.2	103.5	118.5
3.06	20.4	24.0	27.0	29.0	31.6	35.1	39.1	42.7	46.7	50.7	58.7	65.8	73.3	76.8	84.3	91.8	106.1	121.1
3.07	21.8	25.3	28.4	30.4	32.9	36.4	40.5	44.0	48.0	52.0	60.0	67.0	74.6	78.1	85.6	93.1	107.3	122.4
3.11	---	---	---	---	---	---	19.8	23.7	28.1	32.3	40.7	47.9	55.5	59.1	66.7	74.3	88.6	103.7
3.15	14.7	18.4	21.6	23.7	26.3	29.9	34.0	37.5	41.6	45.6	53.7	60.7	68.3	71.8	79.3	86.8	101.1	116.1
3.18	18.4	22.0	25.1	27.2	29.7	33.3	37.3	40.8	44.9	48.9	56.9	64.0	71.5	75.0	82.5	90.0	104.3	119.3
3.20	---	16.5	19.7	21.9	24.5	28.1	32.2	35.8	39.9	43.9	52.0	59.1	66.6	70.1	77.7	85.2	99.5	114.5
3.20	20.5	24.1	27.2	29.2	31.7	35.3	39.3	42.8	46.8	50.9	58.9	65.9	73.4	76.9	84.4	92.0	106.2	121.2
3.22	21.9	25.5	28.5	30.5	33.0	36.6	40.6	44.1	48.1	52.2	60.2	67.2	74.7	78.2	85.7	93.2	107.5	122.5
3.26	14.8	18.6	21.7	23.8	26.4	30.0	34.1	37.7	41.7	45.8	53.8	60.9	68.4	71.9	79.5	87.0	101.3	116.3
3.27	---	---	---	---	18.4	22.2	26.5	30.2	34.3	38.5	46.6	53.7	61.3	64.9	72.4	80.0	94.3	109.4
3.30	17.8	21.5	24.6	26.6	29.2	32.7	36.8	40.3	44.4	48.4	56.4	63.5	71.0	74.5	82.0	89.5	103.8	118.8
3.36	20.7	24.2	27.3	29.3	31.9	35.4	39.4	43.0	47.0	51.0	59.0	66.1	73.6	77.1	84.6	92.1	106.4	121.4
3.37	14.9	18.7	21.9	24.0	26.6	30.2	34.2	37.8	41.9	45.9	54.0	61.0	68.6	72.1	79.6	87.1	101.4	116.4
	0.88	0.90	0.93	0.95	0.97	0.99	1.01	1.03	1.05	1.07	1.10	1.12	1.15	1.16	1.18	1.20	1.23	1.26
3.39	22.0	25.6	28.6	30.7	33.2	36.7	40.7	44.3	48.3	52.3	60.3	67.3	74.9	78.4	85.9	93.4	107.7	122.7
3.42	---	16.8	20.0	22.1	24.8	28.4	32.5	36.1	40.2	44.2	52.3	59.4	66.9	70.4	78.0	85.5	99.8	114.8
3.46	18.7	22.3	25.4	27.4	30.0	33.5	37.6	41.1	45.2	49.2	57.2	64.3	71.8	75.3	82.8	90.3	104.6	119.6
3.50	15.0	18.8	22.0	24.1	26.7	30.3	34.4	37.9	42.0	46.0	54.1	61.2	68.7	72.2	79.7	87.3	101.6	116.6
3.53	20.8	24.4	27.4	29.5	32.0	35.5	39.6	43.1	47.1	51.2	59.2	66.2	73.7	77.2	84.8	92.3	106.5	121.5
3.53	12.9	16.9	20.1	22.3	24.9	28.5	32.6	36.2	40.3	44.4	52.5	59.5	67.1	70.6	78.1	85.6	99.9	114.9
3.54	---	---	---	---	18.7	22.6	26.9	30.6	34.7	38.9	47.1	54.2	61.8	65.3	72.9	80.4	94.8	109.8
3.61	18.8	22.4	25.5	27.6	30.1	33.7	37.7	41.3	45.3	49.3	57.4	64.4	71.9	75.5	83.0	90.5	104.8	119.8
3.66	13.0	17.0	20.3	22.4	25.0	28.7	32.8	36.4	40.4	44.5	52.6	59.7	67.2	70.7	78.3	85.8	100.1	115.1
3.71	20.9	24.5	27.6	29.6	32.2	35.7	39.7	43.3	47.3	51.3	59.3	66.4	73.9	77.4	84.9	92.4	106.7	121.7
3.75	---	---	---	16.1	19.0	22.9	27.2	30.8	35.0	39.1	47.3	54.5	62.1	65.6	73.2	80.7	95.0	110.1
3.75	18.2	21.9	25.0	27.0	29.6	33.2	37.2	40.8	44.8	48.8	56.9	63.9	71.4	75.0	82.5	90.0	104.3	119.3
3.78	15.3	19.1	22.3	24.4	27.0	30.6	34.7	38.2	42.3	46.3	54.4	61.5	69.0	72.5	80.0	87.6	101.9	116.9
3.79	18.9	22.6	25.7	27.7	30.3	33.8	37.9	41.4	45.5	49.5	57.5	64.6	72.1	75.6	83.1	90.6	104.9	119.9
3.80	13.1	17.1	20.4	22.5	25.2	28.8	32.9	36.5	40.6	44.6	52.7	59.8	67.4	70.9	78.4	85.9	100.2	115.3
	0.85	0.88	0.92	0.93	0.95	0.97	0.99	1.00	1.02	1.04	1.08	1.10	1.13	1.14	1.16	1.18	1.22	1.25

NOTE: Selection program VIA-VISA available at www.ptwizard.com.

V-Drives

FHP Drives

Drive Component Accessories

DYNA-SYNC

HT200/HTD Synchronous Drives

HT500 Synchronous Drives

Roller Chain Sprockets

SELECTION



B **S-L CLASSIC** **BX** **CLASSIC COG** STOCK DRIVE SELECTIONS

Ratio	Stock Shv.		3500 RPM Driver			1750 RPM Driver			1160 RPM Driver			Belt Size/Center Distance											
	Datum Diam.		Driven RPM	HP Per Belt		Driven RPM	HP Per Belt		Driven RPM	HP Per Belt		B35 BX35	B38 BX38	B42 BX42	B46 BX46	B51 BX51	B55 BX55	B60 BX60	B64 BX64				
	Driver	Driven		B	BX		B	BX		B	BX												
3.91	7.40	30.00	895	---	---	447	13.11	13.98	296	9.81	10.44	---	---	---	---	---	---	---					
3.93	3.80	16.00	890	5.03	10.50	445	3.99	6.81	295	3.07	5.01	---	---	---	---	11.2	14.0	16.2					
3.98	3.60	15.40	879	4.15	9.83	440	3.43	6.36	291	2.68	4.68	---	---	---	9.7	12.0	14.8	17.0					
3.99	6.00	25.00	878	12.81	16.16	439	9.79	11.41	291	7.29	8.43	---	---	---	---	---	---	---					
4.10	4.60	20.00	853	8.28	12.94	426	6.18	8.56	283	4.64	6.29	---	---	---	---	---	---	---					
4.11	4.20	18.40	851	6.71	11.77	425	5.09	7.70	282	3.86	5.65	---	---	---	---	---	---	13.3					
4.13	3.60	16.00	847	4.15	9.83	424	3.43	6.36	281	2.68	4.68	---	---	---	---	11.3	14.2	16.3					
4.19	3.40	15.40	835	3.24	9.13	418	2.86	5.90	277	2.27	4.35	---	---	---	9.8	12.2	14.9	17.1					
4.24	6.80	30.00	825	14.63	17.35	413	11.72	12.91	274	8.74	9.60	---	---	---	---	---	---	---					
4.26	5.60	25.00	823	11.68	15.39	411	8.79	10.62	273	6.54	7.83	---	---	---	---	---	---	---					
4.28	8.60	38.00	818	---	---	409	15.71	15.95	271	11.87	12.07	---	---	---	---	---	---	---					
4.30	4.00	18.40	813	5.89	11.15	407	4.55	7.26	270	3.47	5.33	---	---	---	---	---	---	13.4					
4.35	3.40	16.00	804	3.25	9.14	402	2.86	5.91	267	2.28	4.35	---	---	---	---	11.4	14.3	16.5					
4.40	5.40	25.00	795	11.07	14.96	397	8.28	10.22	263	6.17	7.53	---	---	---	---	---	---	---					
4.46	4.20	20.00	784	6.72	11.77	392	5.10	7.70	260	3.86	5.66	---	---	---	---	---	---	---					
4.49	6.40	30.00	779	13.80	16.82	390	10.77	12.17	258	8.02	9.02	---	---	---	---	---	---	---					
4.51	3.80	18.40	776	5.04	10.50	388	3.99	6.82	257	3.08	5.01	---	---	---	---	---	---	13.5					
4.56	5.20	25.00	767	10.42	14.50	384	7.76	9.82	254	5.79	7.22	---	---	---	---	---	---	---					
4.67	4.00	20.00	750	5.89	11.15	375	4.55	7.26	248	3.47	5.33	---	---	---	---	---	---	---					
4.73	5.00	25.00	740	9.74	14.01	370	7.24	9.41	245	5.41	6.92	---	---	---	---	---	---	---					
4.74	3.60	18.40	739	4.16	9.83	369	3.43	6.36	245	2.68	4.68	---	---	---	---	---	11.2	13.6					
4.77	6.00	30.00	733	12.81	16.17	367	9.79	11.41	243	7.29	8.43	---	---	---	---	---	---	---					
4.89	3.80	20.00	715	5.04	10.51	358	3.99	6.82	237	3.08	5.01	---	---	---	---	---	---	---					
4.94	7.40	38.00	708	---	---	354	13.11	13.98	235	9.81	10.45	---	---	---	---	---	---	---					
4.99	3.40	18.40	701	3.25	9.14	351	2.87	5.91	232	2.28	4.35	---	---	---	---	---	11.3	13.7					
ARC-LENGTH CORRECTION FACTOR →												---	---	---	---	0.75	0.77	0.80	0.82				
5.09	5.60	30.00	687	11.69	15.39	344	8.79	10.63	228	6.55	7.83	---	---	---	---	---	---	---					
5.11	4.60	25.00	685	8.29	12.95	342	6.18	8.57	227	4.64	6.29	---	---	---	---	---	---	---					
5.14	3.60	20.00	681	4.16	9.84	340	3.43	6.37	226	2.68	4.68	---	---	---	---	---	---	---					
5.27	5.40	30.00	664	11.07	14.96	332	8.28	10.23	220	6.17	7.53	---	---	---	---	---	---	---					
5.36	6.80	38.00	653	14.64	17.35	327	11.73	12.91	217	8.75	9.60	---	---	---	---	---	---	---					
5.41	3.40	20.00	646	3.25	9.14	323	2.87	5.91	214	2.28	4.35	---	---	---	---	---	---	---					
5.46	5.20	30.00	641	10.42	14.50	320	7.76	9.82	212	5.79	7.23	---	---	---	---	---	---	---					
5.56	4.20	25.00	629	6.72	11.78	315	5.10	7.70	209	3.87	5.66	---	---	---	---	---	---	---					
5.66	5.00	30.00	618	9.75	14.01	309	7.24	9.41	205	5.41	6.92	---	---	---	---	---	---	---					
5.67	6.40	38.00	617	13.80	16.83	308	10.77	12.18	204	8.02	9.02	---	---	---	---	---	---	---					
ARC-LENGTH CORRECTION FACTOR →												---	---	---	---	---	---	---	---				
5.82	4.00	25.00	602	5.90	11.16	301	4.55	7.26	199	3.47	5.34	---	---	---	---	---	---	---					
6.03	6.00	38.00	580	12.82	16.18	290	9.79	11.41	192	7.29	8.43	---	---	---	---	---	---	---					
6.10	3.80	25.00	574	5.04	10.51	287	3.99	6.82	190	3.08	5.01	---	---	---	---	---	---	---					
6.12	4.60	30.00	572	8.30	12.95	286	6.18	8.57	190	4.65	6.29	---	---	---	---	---	---	---					
6.40	3.60	25.00	547	4.16	9.84	273	3.43	6.37	181	2.68	4.68	---	---	---	---	---	---	---					
6.44	5.60	38.00	544	11.69	15.40	272	8.79	10.63	180	6.55	7.84	---	---	---	---	---	---	---					
6.66	4.20	30.00	526	6.73	11.78	263	5.10	7.71	174	3.87	5.66	---	---	---	---	---	---	---					
6.74	3.40	25.00	519	3.26	9.15	259	2.87	5.91	172	2.28	4.35	---	---	---	---	---	---	---					
6.90	5.20	38.00	507	10.43	14.50	254	7.77	9.82	168	5.79	7.23	---	---	---	---	---	---	---					
6.96	4.00	30.00	503	5.90	11.16	251	4.55	7.27	167	3.47	5.34	---	---	---	---	---	---	---					
ARC-LENGTH CORRECTION FACTOR →												---	---	---	---	---	---	---	---				
7.16	5.00	38.00	489	9.75	14.01	245	7.24	9.41	162	5.41	6.92	---	---	---	---	---	---	---					
7.30	3.80	30.00	480	5.05	10.51	240	4.00	6.82	159	3.08	5.01	---	---	---	---	---	---	---					
7.67	3.60	30.00	457	4.17	9.84	228	3.44	6.37	151	2.68	4.68	---	---	---	---	---	---	---					
7.73	4.60	38.00	453	8.30	12.95	226	6.18	8.57	150	4.65	6.30	---	---	---	---	---	---	---					
8.07	3.40	30.00	433	3.26	9.15	217	2.87	5.91	144	2.28	4.35	---	---	---	---	---	---	---					
8.41	4.20	38.00	416	6.73	11.79	208	5.10	7.71	138	3.87	5.66	---	---	---	---	---	---	---					
8.80	4.00	38.00	398	5.90	11.16	199	4.55	7.27	132	3.48	5.34	---	---	---	---	---	---	---					
9.22	3.80	38.00	380	5.05	10.52	190	4.00	6.82	126	3.08	5.01	---	---	---	---	---	---	---					
9.69	3.60	38.00	361	4.17	9.85	181	3.44	6.37	120	2.68	4.68	---	---	---	---	---	---	---					
10.20	3.40	38.00	343	3.26	9.15	172	2.87	5.91	114	2.28	4.35	---	---	---	---	---	---	---					
ARC-LENGTH CORRECTION FACTOR →												---	---	---	---	---	---	---	---				

NOTE: Selection program VIA-VISA available at www.ptwizard.com.

SELECTION



B	S-L CLASSIC	BX	CLASSIC COG	STOCK DRIVE SELECTIONS
----------	--------------------	-----------	--------------------	-------------------------------

Ratio	Belt Size/Center Distance																		
	B68 BX68	B75 BX75	B81 BX81	B85 BX85	B90 BX90	B97 BX97	B105 BX105	B112 BX112	B120 BX120	B128 BX128	B144 BX144	B158 BX158	B173 BX173	B180 BX180	B195 BX195	B210 BX210	B240 BX240	B270 BX270	
3.91	---	---	---	---	---	---	21.0	25.0	29.4	33.6	42.0	49.2	56.9	60.5	68.1	75.7	90.1	105.2	
3.93	18.3	22.0	25.1	27.2	29.7	33.3	37.4	40.9	44.9	49.0	57.0	64.1	71.6	75.1	82.6	90.2	104.4	119.5	
3.98	19.1	22.7	25.8	27.9	30.4	34.0	38.0	41.6	45.6	49.6	57.7	64.7	72.2	75.8	83.3	90.8	105.1	120.1	
3.99	---	---	---	16.3	19.2	23.1	27.4	31.1	35.3	39.4	47.6	54.7	62.3	65.9	73.5	81.0	95.3	110.4	
4.10	13.4	17.4	20.7	22.8	25.4	29.1	33.2	36.8	40.9	44.9	53.0	60.1	67.7	71.2	78.7	86.2	100.5	115.6	
4.11	15.5	19.4	22.5	24.6	27.2	30.8	34.9	38.5	42.6	46.6	54.7	61.8	69.3	72.8	80.3	87.9	102.2	117.2	
4.13	18.5	22.1	25.3	27.3	29.9	33.4	37.5	41.0	45.1	49.1	57.2	64.2	71.7	75.3	82.8	90.3	104.6	119.6	
4.19	19.2	22.9	25.9	28.0	30.6	34.1	38.2	41.7	45.7	49.8	57.8	64.9	72.4	75.9	83.4	90.9	105.2	120.2	
4.24	---	---	---	---	---	---	21.4	25.4	29.8	34.0	42.4	49.7	57.3	60.9	68.5	76.1	90.5	105.6	
4.26	---	---	---	16.5	19.5	23.4	27.7	31.4	35.6	39.7	47.9	55.0	62.6	66.2	73.7	81.3	95.6	110.7	
4.28	---	---	---	---	---	---	---	---	---	23.8	33.0	40.7	48.6	52.3	60.0	67.7	82.3	97.5	
4.30	15.7	19.5	22.7	24.8	27.4	31.0	35.1	38.6	42.7	46.8	54.8	61.9	69.4	73.0	80.5	88.0	102.3	117.3	
4.35	18.6	22.3	25.4	27.4	30.0	33.6	37.6	41.2	45.2	49.3	57.3	64.4	71.9	75.4	82.9	90.5	104.7	119.8	
4.40	---	---	---	16.7	19.6	23.5	27.8	31.5	35.7	39.8	48.0	55.2	62.8	66.3	73.9	81.4	95.8	110.9	
4.46	13.6	17.6	20.9	23.0	25.7	29.3	33.5	37.1	41.1	45.2	53.3	60.4	67.9	71.5	79.0	86.5	100.8	115.9	
4.49	---	---	---	---	---	---	21.6	25.6	30.0	34.3	42.7	49.9	57.6	61.2	68.8	76.4	90.8	105.9	
4.51	15.8	19.6	22.8	24.9	27.5	31.1	35.2	38.8	42.9	46.9	55.0	62.0	69.6	73.1	80.6	88.2	102.5	117.5	
4.56	---	---	---	16.8	19.7	23.6	27.9	31.6	35.8	40.0	48.2	55.3	62.9	66.5	74.0	81.6	95.9	111.0	
4.67	13.7	17.8	21.0	23.2	25.8	29.5	33.6	37.2	41.3	45.4	53.5	60.5	68.1	71.6	79.2	86.7	101.0	116.0	
4.73	---	---	---	16.9	19.8	23.7	28.1	31.8	36.0	40.1	48.3	55.4	63.1	66.6	74.2	81.7	96.1	111.2	
4.74	15.9	19.7	22.9	25.0	27.6	31.3	35.4	38.9	43.0	47.0	55.1	62.2	69.7	73.3	80.8	88.3	102.6	117.6	
4.77	---	---	---	---	---	---	21.8	25.9	30.3	34.6	43.0	50.2	57.9	61.5	69.1	76.7	91.1	106.2	
4.89	13.8	17.9	21.2	23.3	26.0	29.6	33.7	37.3	41.4	45.5	53.6	60.7	68.2	71.8	79.3	86.8	101.1	116.2	
4.94	---	---	---	---	---	---	---	---	---	24.5	33.8	41.4	49.4	53.1	60.8	68.6	83.1	98.3	
4.99	16.0	19.9	23.1	25.2	27.8	31.4	35.5	39.1	43.1	47.2	55.3	62.3	69.9	73.4	80.9	88.5	102.8	117.8	
	0.85	0.88	0.89	0.90	0.92	0.95	0.98	1.00	1.02	1.04	1.08	1.10	1.13	1.14	1.16	1.18	1.22	1.25	
5.09	---	---	---	---	---	---	22.1	26.1	30.5	34.8	43.2	50.5	58.2	61.7	69.4	77.0	91.4	106.5	
5.11	14.0	18.0	21.3	17.1	20.1	24.0	28.3	32.0	36.2	40.4	48.6	55.7	63.3	66.9	74.5	82.0	96.4	111.4	
5.14	---	---	---	23.4	26.1	29.7	33.9	37.5	41.6	45.6	53.7	60.8	68.4	71.9	79.5	87.0	101.3	116.3	
5.27	---	---	---	---	---	---	22.2	26.2	30.6	34.9	43.4	50.6	58.3	61.9	69.5	77.1	91.5	106.7	
5.36	---	---	---	---	---	---	---	---	---	24.8	34.2	41.8	49.8	53.5	61.2	69.0	83.5	98.7	
5.41	14.1	18.1	21.4	23.6	26.2	29.9	34.0	37.6	41.7	45.8	53.9	61.0	68.5	72.1	79.6	87.1	101.4	116.5	
5.46	---	---	---	---	---	---	22.3	26.4	30.8	35.1	43.5	50.8	58.5	62.0	69.7	77.3	91.7	106.8	
5.56	---	---	14.8	17.4	20.3	24.2	28.6	32.3	36.5	40.6	48.9	56.0	63.6	67.2	74.8	82.3	96.7	111.7	
5.66	---	---	---	---	---	---	22.4	26.5	30.9	35.2	43.6	50.9	58.6	62.2	69.8	77.4	91.8	106.9	
5.67	---	---	---	---	---	---	---	---	---	25.1	34.4	42.1	50.1	53.7	61.5	69.2	83.8	99.0	
	0.78	0.81	0.84	0.88	0.90	0.93	0.96	0.99	1.01	1.03	1.07	1.10	1.12	1.14	1.16	1.18	1.22	1.25	
5.82	---	---	14.9	17.5	20.4	24.4	28.7	32.4	36.6	40.8	49.0	56.2	63.8	67.3	74.9	82.5	96.8	111.9	
6.03	---	---	---	---	---	---	---	---	---	25.3	34.7	42.3	50.3	54.0	61.8	69.5	84.1	99.3	
6.10	---	---	15.1	17.6	20.6	24.5	28.8	32.6	36.8	40.9	49.1	56.3	63.9	67.5	75.0	82.6	97.0	112.0	
6.12	---	---	---	---	---	17.7	22.7	26.7	31.2	35.5	43.9	51.2	58.9	62.4	70.1	77.7	92.1	107.2	
6.40	---	---	15.2	17.7	20.7	24.6	29.0	32.7	36.9	41.1	49.3	56.4	64.1	67.6	75.2	82.8	97.1	112.2	
6.44	---	---	---	---	---	---	---	---	---	25.5	34.9	42.6	50.6	54.3	62.1	69.8	84.4	99.6	
6.66	---	---	---	---	---	17.9	22.9	27.0	31.4	35.7	44.2	51.4	59.1	62.7	70.4	78.0	92.4	107.5	
6.74	---	---	15.3	17.8	20.8	24.7	29.1	32.8	37.0	41.2	49.4	56.6	64.2	67.7	75.3	82.9	97.3	112.3	
6.90	---	---	---	---	---	---	---	---	---	25.8	35.2	42.8	50.8	54.5	62.3	70.1	84.6	99.9	
6.96	---	---	---	---	---	18.0	23.0	27.1	31.5	35.9	44.3	51.6	59.3	62.9	70.5	78.1	92.5	107.7	
	---	---	0.70	0.75	0.81	0.87	0.91	0.95	0.98	1.00	1.05	1.08	1.11	1.12	1.15	1.17	1.21	1.24	
7.16	---	---	---	---	---	---	---	---	---	25.9	35.3	43.0	51.0	54.7	62.5	70.2	84.8	100.0	
7.30	---	---	---	---	---	18.1	23.2	27.2	31.7	36.0	44.4	51.7	59.4	63.0	70.7	78.3	92.7	107.8	
7.67	---	---	---	---	---	18.3	23.3	27.3	31.8	36.1	44.6	51.8	59.6	63.1	70.8	78.4	92.8	108.0	
7.73	---	---	---	---	---	---	---	---	---	26.1	35.5	43.2	51.2	54.9	62.7	70.5	85.1	100.3	
8.07	---	---	---	---	---	18.4	23.4	27.5	31.9	36.2	44.7	52.0	59.7	63.3	70.9	78.6	93.0	108.1	
8.41	---	---	---	---	---	---	---	---	---	26.4	35.8	43.5	51.5	55.2	63.0	70.8	85.3	100.6	
8.80	---	---	---	---	---	---	---	---	---	21.1	26.5	35.9	43.6	51.6	55.3	63.1	70.9	85.5	100.7
9.22	---	---	---	---	---	---	---	---	---	21.2	26.6	36.0	43.7	51.8	55.5	63.3	71.0	85.6	100.9
9.69	---	---	---	---	---	---	---	---	---	21.3	26.7	36.2	43.9	51.9	55.6	63.4	71.2	85.8	101.0
10.20	---	---	---	---	---	---	---	---	---	21.4	26.8	36.3	44.0	52.0	55.7	63.5	71.3	85.9	101.2
	---	---	---	---	---	0.77	0.82	0.88	0.92	0.96	1.02	1.05	1.09	1.10	1.13	1.15	1.19	1.23	

NOTE: Selection program VIA-VISA available at www.ptwizard.com.

V-Drives

FHP Drives

Drive Component Accessories

DYNA-SYNC

HT200/HTD Synchronous Drives

HT500 Synchronous Drives

Roller Chain Sprockets



SELECTION

C S-L CLASSIC CX CLASSIC COG STOCK DRIVE SELECTIONS

Ratio	Stock Shv.		1750 RPM Driver			1160 RPM Driver			870 RPM Driver			Belt Size/Center Distance								
	Datum Diam.		Driven RPM	HP Per Belt		Driven RPM	HP Per Belt		Driven RPM	HP Per Belt		C51	C60	C68	C75	C81	C85	C90	C96	C105
	Driver	Driven		C	CX		C	CX		C	CX	CX51	CX60	CX68	CX75	CX81	CX85	CX90	CX96	CX105
1.00	7.0	7.0	1750	12.09	18.97	1160	9.69	14.22	870	7.98	11.39	16.0	20.5	24.5	28.0	31.0	33.0	35.5	38.5	43.0
1.00	7.5	7.5	1750	14.00	20.59	1160	11.17	15.48	870	9.16	12.40	15.2	19.7	23.7	27.2	30.2	32.2	34.7	37.7	42.2
1.00	8.0	8.0	1750	15.84	22.15	1160	12.62	16.71	870	10.33	13.40	14.4	18.9	22.9	26.4	29.4	31.4	33.9	36.9	41.4
1.00	8.5	8.5	1750	17.62	23.65	1160	14.05	17.93	870	11.48	14.39	13.6	18.1	22.1	25.6	28.6	30.6	33.1	36.1	40.6
1.00	9.0	9.0	1750	19.32	25.09	1160	15.45	19.11	870	12.62	15.36	12.8	17.3	21.3	24.8	27.8	29.8	32.3	35.3	39.8
1.00	9.5	9.5	1750	20.94	26.47	1160	16.82	20.28	870	13.74	16.32	12.0	16.5	20.5	24.0	27.0	29.0	31.5	34.5	39.0
1.00	10.0	10.0	1750	22.49	27.78	1160	18.17	21.42	870	14.85	17.26	11.3	15.8	19.7	23.3	26.3	28.3	30.8	33.8	38.3
1.00	10.5	10.5	1750	23.96	29.02	1160	19.49	22.54	870	15.95	18.20	---	15.0	19.0	22.5	25.5	27.5	30.0	33.0	37.5
1.00	11.0	11.0	1750	25.35	30.20	1160	20.78	23.63	870	17.03	19.12	---	14.2	18.2	21.7	24.7	26.7	29.2	32.2	36.7
1.00	12.0	12.0	1750	27.86	32.34	1160	23.27	25.74	870	19.15	20.92	---	12.6	16.6	20.1	23.1	25.1	27.6	30.6	35.1
1.00	13.0	13.0	1750	30.00	34.18	1160	25.64	27.75	870	21.21	22.66	---	---	15.0	18.5	21.5	23.5	26.0	29.0	33.5
1.00	14.0	14.0	1750	31.76	35.70	1160	27.88	29.64	870	23.20	24.36	---	---	---	17.0	20.0	22.0	24.5	27.5	32.0
1.00	16.0	16.0	1750	---	---	1160	31.96	33.10	870	27.00	27.57	---	---	---	---	16.8	18.8	21.3	24.3	28.8
1.05	10.5	11.0	1673	24.35	29.41	1109	19.74	22.79	832	16.14	18.39	---	14.6	18.6	22.1	25.1	27.1	29.6	32.6	37.1
1.05	10.0	10.5	1670	22.89	28.18	1107	18.44	21.69	830	15.05	17.45	10.9	15.4	19.4	22.9	25.9	27.9	30.4	33.4	37.9
1.05	9.5	10.0	1666	21.36	26.88	1104	17.10	20.56	828	13.95	16.53	11.6	16.1	20.1	23.6	26.6	28.6	31.1	34.1	38.6
1.05	9.0	9.5	1662	19.75	25.53	1101	15.74	19.40	826	12.83	15.58	12.4	16.9	20.9	24.4	27.4	29.4	31.9	34.9	39.4
1.06	8.5	9.0	1657	18.07	24.11	1098	14.36	18.23	824	11.71	14.61	13.2	17.7	21.7	25.2	28.2	30.2	32.7	35.7	40.2
1.06	8.0	8.5	1652	16.32	22.63	1095	12.94	17.03	821	10.57	13.64	14.0	18.5	22.5	26.0	29.0	31.0	33.5	36.5	41.0
1.06	7.5	8.0	1646	14.51	21.10	1091	11.51	15.81	818	9.41	12.65	14.8	19.3	23.3	26.8	29.8	31.8	34.3	37.3	41.8
1.07	7.0	7.5	1639	12.62	19.51	1087	10.05	14.57	815	8.24	11.65	15.6	20.1	24.1	27.6	30.6	32.6	35.1	38.1	42.6
1.07	13.0	14.0	1628	30.50	34.76	1079	26.03	28.13	810	21.50	22.95	---	---	14.2	17.7	20.7	22.7	25.3	28.3	32.8
1.08	12.0	13.0	1619	28.48	32.96	1073	23.68	26.15	805	19.46	21.23	---	---	15.8	19.3	22.3	24.3	26.8	29.8	34.3
1.09	11.0	12.0	1609	26.01	30.86	1066	21.22	24.07	800	17.36	19.45	---	---	13.4	17.4	20.9	23.9	25.9	28.4	31.4
1.10	10.0	11.0	1596	23.21	28.49	1058	18.65	21.90	794	15.21	17.62	---	---	15.0	19.0	22.5	25.5	30.0	33.0	37.5
ARC-LENGTH CORRECTION FACTOR -->												0.77	0.81	0.83	0.85	0.87	0.88	0.89	0.91	0.93
1.10	9.5	10.5	1589	21.69	27.21	1054	17.32	20.77	790	14.11	16.69	11.2	15.7	19.7	23.2	26.2	28.2	30.7	33.7	38.2
1.11	9.0	10.0	1582	20.09	25.86	1048	15.96	19.63	786	13.00	15.74	12.0	16.5	20.5	24.0	27.0	29.0	31.5	34.5	39.0
1.11	8.5	9.5	1573	18.42	24.46	1043	14.58	18.46	782	11.88	14.79	12.8	17.3	21.3	24.8	27.8	29.8	32.3	35.3	39.8
1.12	8.0	9.0	1564	16.66	22.99	1037	13.18	17.27	777	10.74	13.82	13.6	18.1	22.1	25.6	28.6	30.6	33.1	36.1	40.6
1.12	16.0	18.0	1560	---	---	1034	32.53	33.67	775	27.43	28.00	---	---	---	---	---	17.2	19.7	22.7	27.2
1.13	7.5	8.5	1553	14.86	21.47	1030	11.75	16.06	772	9.59	12.84	14.4	18.9	22.9	26.4	29.4	31.4	33.9	36.9	41.4
1.14	7.0	8.0	1542	13.01	19.89	1022	10.30	14.83	766	8.43	11.84	15.2	19.7	23.7	27.2	30.2	32.2	34.7	37.7	42.2
1.14	10.5	12.0	1538	24.89	29.96	1020	20.11	23.16	765	16.41	18.66	---	13.8	17.8	21.3	24.3	26.3	28.8	31.8	36.3
1.14	14.0	16.0	1537	32.70	36.64	1019	28.51	30.26	764	23.67	24.82	---	---	---	15.4	18.4	20.4	22.9	25.9	30.4
1.15	9.5	11.0	1520	21.94	27.46	1007	17.49	20.94	756	14.24	16.81	10.8	15.3	19.3	22.8	25.8	27.8	30.3	33.3	37.9
1.16	9.0	10.5	1509	20.35	26.12	1000	16.13	19.80	750	13.13	15.87	11.6	16.1	20.1	23.6	26.6	28.6	31.1	34.1	38.6
1.16	12.0	14.0	1507	28.90	33.38	999	23.96	26.43	749	19.66	21.43	---	---	15.0	18.5	21.5	23.5	26.0	29.0	33.5
1.17	8.5	10.0	1498	18.68	24.72	993	14.76	18.63	745	12.01	14.92	12.4	16.9	20.9	24.4	27.4	29.4	31.9	34.9	39.4
1.18	11.0	13.0	1489	26.44	31.30	987	21.51	24.36	740	17.57	19.66	---	12.6	16.6	20.1	23.1	25.1	27.6	30.6	35.1
1.18	8.0	9.5	1486	16.95	23.26	984	13.36	17.45	738	10.88	13.95	13.2	17.7	21.7	25.2	28.2	30.2	32.7	35.7	40.2
1.19	7.5	9.0	1471	15.15	21.74	975	11.93	16.24	731	9.73	12.97	14.0	18.5	22.5	26.0	29.0	31.0	33.5	36.5	41.0
1.19	10.0	12.0	1468	23.65	28.94	973	18.94	22.19	730	15.43	17.84	---	14.1	18.2	21.7	24.7	26.7	29.2	32.2	36.7
1.20	7.0	8.5	1455	13.28	20.17	964	10.49	15.01	723	8.57	11.98	14.8	18.3	22.3	26.8	29.8	31.8	34.3	37.3	41.8
1.21	9.0	11.0	1443	20.65	26.32	956	16.27	19.93	717	13.23	15.97	11.2	15.7	19.7	23.2	26.2	28.2	30.7	33.7	38.2
1.22	13.0	16.0	1430	31.27	35.45	948	26.48	28.58	711	21.84	23.29	---	---	---	16.1	19.1	21.1	23.6	26.6	31.1
1.22	8.5	10.5	1429	18.89	24.92	947	14.89	18.77	710	12.11	15.02	12.0	16.5	20.5	24.0	27.0	29.0	31.5	34.5	39.0
1.23	10.5	13.0	1424	25.24	30.31	944	20.34	23.39	708	16.59	18.84	---	12.9	17.0	20.5	23.5	25.5	28.0	31.0	35.5
1.24	8.0	10.0	1413	17.15	23.48	937	13.49	17.58	703	10.98	14.05	12.8	17.3	21.3	24.8	27.8	29.8	32.3	35.3	39.8
1.24	16.0	20.0	1407	---	---	933	32.84	33.98	699	27.66	28.23	---	---	---	---	---	---	18.1	21.1	25.6
1.25	9.5	12.0	1397	22.29	27.82	926	17.72	21.18	695	14.41	16.99	---	14.5	18.5	22.0	25.0	27.0	29.5	32.5	37.1
1.25	7.5	9.5	1396	15.35	21.94	926	12.07	16.37	694	9.83	13.07	13.6	18.1	22.1	25.6	28.6	30.6	33.1	36.1	40.6
1.26	11.0	14.0	1385	26.73	31.58	918	21.69	24.55	689	17.72	19.80	---	---	15.8	19.3	22.3	24.3	26.8	29.8	34.3
1.27	7.0	9.0	1378	13.48	20.37	913	10.62	15.14	685	8.67	12.08	14.4	18.9	22.9	26.4	29.4	31.4	33.9	36.9	41.4
1.28	14.0	18.0	1370	33.18	37.12	908	28.82	30.58	681	23.91	25.06	---	---	---	---	16.7	18.7	21.2	24.2	28.8
1.28	8.5	11.0	1366	19.04	25.07	906	14.99	18.87	679	12.19	15.09	11.6	16.1	20.1	23.6	26.6	28.6	31.1	34.1	38.6
1.29	10.0	13.0	1358	23.93	29.22	900	19.13	22.38	675	15.57	17.98	---	13.3	17.3	20.8	23.8	25.9	28.4	31.4	35.9
1.30	8.0	10.5	1349	17.31	23.61	894	13.59	17.68	670	11.05	14.13	12.4	16.9	20.9	24.4	27.4	29.4	31.9	34.9	39.4
1.32	7.5	10.0	1329	15.50	22.09	881	12.17	16.47	661	9.91	13.15	13.2	17.7	21.7	25.2	28.2	30.2	32.7	35.7	40.2
1.32	9.0	12.0	1327	20.83	26.60	879	16.45	20.12	660	13.37	16.11	---	14.9	18.9	22.4	25.4	27.4	29.9	32.9	37.4
1.32	10.5	14.0	1325	25.47	30.54	878	20.49	23.54	659	16.70	18.95	---	---	16.1	19.6	22.6	24.7	27.2	30.2	34.7
1.32	12.0	16.0	1323	29.37	33.85	877	24.28	26.74												

SELECTION



C	S-L CLASSIC	CX	CLASSIC COG	STOCK DRIVE SELECTIONS
----------	--------------------	-----------	--------------------	-------------------------------

Ratio	Belt Size/Center Distance																	
	C112 CX112	C120 CX120	C128 CX128	C136 CX136	C144 CX144	C158 CX158	C162 CX162	C173 CX173	C180 CX180	C195 CX195	C210 CX210	C240 CX240	C270 CX270	C300 CX300	C330 CX330	C360 CX360	C390 CX390	C420 CX420
1.00	46.5	50.5	54.5	58.5	62.5	69.5	71.5	77.0	80.5	88.0	95.5	109.5	124.5	139.5	154.5	169.5	184.5	199.5
1.00	45.7	49.7	53.7	57.7	61.7	68.7	70.7	76.2	79.7	87.2	94.7	108.7	123.7	138.7	153.7	168.7	183.7	198.7
1.00	44.9	48.9	52.9	56.9	60.9	67.9	69.9	75.4	78.9	86.4	93.9	107.9	122.9	137.9	152.9	167.9	182.9	197.9
1.00	44.1	48.1	52.1	56.1	60.1	67.1	69.1	74.6	78.1	85.6	93.1	107.1	122.1	137.1	152.1	167.1	182.1	197.1
1.00	43.3	47.3	51.3	55.3	59.3	66.3	68.3	73.8	77.3	84.8	92.3	106.3	121.3	136.3	151.3	166.3	181.3	196.3
1.00	42.5	46.5	50.5	54.5	58.5	65.5	67.5	73.0	76.5	84.0	91.5	105.5	120.5	135.5	150.5	165.5	180.5	195.5
1.00	41.8	45.8	49.7	53.7	57.7	64.8	66.8	72.3	75.8	83.3	90.8	104.8	119.7	134.8	149.7	164.8	179.8	194.7
1.00	41.0	45.0	49.0	53.0	57.0	64.0	66.0	71.5	75.0	82.5	90.0	104.0	119.0	134.0	149.0	164.0	179.0	194.0
1.00	40.2	44.2	48.2	52.2	56.2	63.2	65.2	70.7	74.2	81.7	89.2	103.2	118.2	133.2	148.2	163.2	178.2	193.2
1.00	38.6	42.6	46.6	50.6	54.6	61.6	63.6	69.1	72.6	80.1	87.6	101.6	116.6	131.6	146.6	161.6	176.6	191.6
1.00	37.0	41.0	45.0	49.0	53.0	60.0	62.0	67.5	71.0	78.5	86.0	100.0	115.0	130.0	145.0	160.0	175.0	190.0
1.00	35.5	39.5	43.5	47.5	51.5	58.5	60.5	66.0	69.5	77.0	84.5	98.5	113.5	128.5	143.5	158.5	173.5	188.5
1.00	32.3	35.3	40.3	44.3	48.3	55.3	57.3	62.8	66.3	73.8	81.3	95.3	110.3	125.3	140.3	155.3	170.3	185.3
1.05	40.6	44.6	48.6	52.6	56.6	63.6	65.6	71.1	74.6	82.1	89.6	103.6	118.6	133.6	148.6	163.6	178.6	193.6
1.05	41.4	45.4	49.4	53.4	57.4	64.4	66.4	71.9	75.4	82.9	90.4	104.4	119.4	134.4	149.4	164.4	179.4	194.4
1.05	42.1	46.1	50.1	54.1	58.1	65.1	67.1	72.6	76.1	83.6	91.1	105.1	120.1	135.1	150.1	165.1	180.1	195.1
1.05	42.9	46.9	50.9	54.9	58.9	65.9	67.9	73.4	76.9	84.4	91.9	105.9	120.9	135.9	150.9	165.9	180.9	195.9
1.06	43.7	47.7	51.7	55.7	59.7	66.7	68.7	74.2	77.7	85.2	92.7	106.7	121.7	136.7	151.7	166.7	181.7	196.7
1.06	44.5	48.5	52.5	56.5	60.5	67.5	69.5	75.0	78.5	86.0	93.5	107.5	122.5	137.5	152.5	167.5	182.5	197.5
1.06	45.3	49.3	53.3	57.3	61.3	68.3	70.3	75.8	79.3	86.8	94.3	108.3	123.3	138.3	153.3	168.3	183.3	198.3
1.07	48.1	50.1	54.1	58.1	62.1	69.1	71.1	76.6	80.1	87.6	95.1	109.1	124.1	139.1	154.1	169.1	184.1	199.1
1.07	36.3	40.3	44.3	48.3	52.3	59.3	61.3	66.8	70.3	77.8	85.3	99.3	114.3	129.3	144.3	159.3	174.3	189.3
1.08	37.8	41.8	45.8	49.8	53.8	60.8	62.8	68.3	71.8	79.3	86.8	100.8	115.8	130.8	145.8	160.8	175.8	190.8
1.09	39.4	43.4	47.4	51.4	55.4	62.4	64.4	69.9	73.4	80.9	88.4	102.4	117.4	132.4	147.4	162.4	177.4	192.4
1.10	41.0	45.0	49.0	53.0	57.0	64.0	66.0	71.5	75.0	82.5	90.0	104.0	119.0	134.0	149.0	164.0	179.0	194.0
1.10	0.94	0.96	0.97	0.99	1.00	1.02	1.03	1.04	1.05	1.07	1.08	1.11	1.14	1.16	1.18	1.20	1.22	1.24
1.10	41.7	45.7	49.7	53.7	57.7	64.7	66.7	72.2	75.7	83.2	90.7	104.7	119.7	134.7	149.7	164.7	179.7	194.7
1.11	42.5	46.5	50.5	54.5	58.5	65.5	67.5	73.0	76.5	84.0	91.5	105.5	120.5	135.5	150.5	165.5	180.5	195.5
1.11	43.3	47.3	51.3	55.3	59.3	66.3	68.3	73.8	77.3	84.8	92.3	106.3	121.3	136.3	151.3	166.3	181.3	196.3
1.12	44.1	48.1	52.1	56.1	60.1	67.1	69.1	74.6	78.1	85.6	93.1	107.1	122.1	137.1	152.1	167.1	182.1	197.1
1.12	30.7	34.7	38.7	42.7	46.7	53.8	55.8	61.3	64.8	72.3	79.8	93.8	108.8	123.8	138.8	153.8	168.8	183.8
1.13	44.9	48.9	52.9	56.9	60.9	67.9	69.9	75.4	78.9	86.4	93.9	107.9	122.9	137.9	152.9	167.9	182.9	197.9
1.14	45.7	49.7	53.7	57.7	61.7	68.7	70.7	76.2	79.7	87.2	94.7	108.7	123.7	138.7	153.7	168.7	183.7	198.7
1.14	39.8	43.8	47.8	51.8	55.8	62.8	64.8	70.3	73.8	81.3	88.8	102.8	117.8	132.8	147.8	162.8	177.8	192.8
1.14	33.9	37.9	41.9	45.9	49.9	56.9	58.9	64.4	67.9	75.4	82.9	96.9	111.9	126.9	141.9	156.9	171.9	186.9
1.15	41.4	45.4	49.4	53.4	57.4	64.4	66.4	71.9	75.4	82.9	90.4	104.4	119.4	134.4	149.4	164.4	179.4	194.4
1.16	42.1	46.1	50.1	54.1	58.1	65.1	67.1	72.6	76.1	83.6	91.1	105.1	120.1	135.1	150.1	165.1	180.1	195.1
1.16	37.0	41.0	45.0	49.0	53.0	60.0	62.0	67.5	71.0	78.5	86.0	100.0	115.0	130.0	145.0	160.0	175.0	190.0
1.17	42.9	46.9	50.9	54.9	58.9	65.9	67.9	73.4	76.9	84.4	91.9	105.9	120.9	135.9	150.9	165.9	180.9	195.9
1.18	38.6	42.6	46.6	50.6	54.6	61.6	63.6	69.1	72.6	80.1	87.6	101.6	116.6	131.6	146.6	161.6	176.6	191.6
1.18	43.7	47.7	51.7	55.7	59.7	66.7	68.7	74.2	77.7	85.2	92.7	106.7	121.7	136.7	151.7	166.7	181.7	196.7
1.19	44.5	48.5	52.5	56.5	60.5	67.5	69.5	75.0	78.5	86.0	93.5	107.5	122.5	137.5	152.5	167.5	182.5	197.5
1.19	40.2	44.2	48.2	52.2	56.2	63.2	65.2	70.7	74.2	81.7	89.2	103.2	118.2	133.2	148.2	163.2	178.2	193.2
1.20	45.3	49.3	53.3	57.3	61.3	68.3	70.3	75.8	79.3	86.8	94.3	108.3	123.3	138.3	153.3	168.3	183.3	198.3
1.21	41.7	45.7	49.7	53.7	57.7	64.7	66.7	72.2	75.7	83.2	90.7	104.7	119.7	134.7	149.7	164.7	179.7	194.7
1.22	34.7	38.7	42.7	46.7	50.7	57.7	59.7	65.2	68.7	76.2	83.7	97.7	112.7	127.7	142.7	157.7	172.7	187.7
1.22	42.5	46.5	50.5	54.5	58.5	65.5	67.5	73.0	76.5	84.0	91.5	105.5	120.5	135.5	150.5	165.5	180.5	195.5
1.23	39.0	43.0	47.0	51.0	55.0	62.0	64.0	69.5	73.0	80.5	88.0	102.0	117.0	132.0	147.0	162.0	177.0	192.0
1.24	43.3	47.3	51.3	55.3	59.3	66.3	68.3	73.8	77.3	84.8	92.3	106.3	121.3	136.3	151.3	166.3	181.3	196.3
1.24	29.1	33.1	37.1	41.1	45.1	52.2	54.2	59.7	63.2	70.7	78.2	92.2	107.2	122.2	137.2	152.2	167.2	182.2
1.25	40.6	44.6	48.6	52.6	56.6	63.6	65.6	71.1	74.6	82.1	89.6	103.6	118.6	133.6	148.6	163.6	178.6	193.6
1.25	44.1	48.1	52.1	56.1	60.1	67.1	69.1	74.6	78.1	85.6	93.1	107.1	122.1	137.1	152.1	167.1	182.1	197.1
1.26	37.8	41.8	45.8	49.8	53.8	60.8	62.8	68.3	71.8	79.3	86.8	100.8	115.8	130.8	145.8	160.8	175.8	190.8
1.27	44.9	48.9	52.9	56.9	60.9	67.9	69.9	75.4	78.9	86.4	93.9	107.9	122.9	137.9	152.9	167.9	182.9	197.9
1.28	32.3	36.3	40.3	44.3	48.3	55.3	57.3	62.8	66.3	73.8	81.3	95.3	110.3	125.3	140.3	155.3	170.3	185.3
1.28	42.1	46.1	50.1	54.1	58.1	65.1	67.1	72.6	76.1	83.6	91.1	105.1	120.1	135.1	150.1	165.1	180.1	195.1
1.29	39.4	43.4	47.4	51.4	55.4	62.4	64.4	69.9	73.4	80.9	88.4	102.4	117.4	132.4	147.4	162.4	177.4	192.4
1.30	42.9	46.9	50.9	54.9	58.9	65.9	67.9	73.4	76.9	84.4	91.9	105.9	120.9	135.9	150.9	165.9	180.9	195.9
1.32	43.7	47.7	51.7	55.7	59.7	66.7	68.7	74.2	77.7	85.2	92.7	106.7	121.7	136.7	151.7	166.7	181.7	196.7
1.32	40.9	44.9	48.9	52.9	56.9	63.9	65.9	71.4	74.9	82.4	89.9	103.9	118.9	133.9	148.9	163.9	178.9	193.9
1.32	38.2	42.2	46.2	50.2	54.2	61.2	63.2	68.7	72.2	79.7	87.2	101.2	116.2	131.2	146.2	161.2	176.2	191.2
1.32	35.4	39.4	43.4	47.4	51.4	58.4	60.4	65.9	69.4	76.9	84.4	98.4	113.4	128.4	143.4	158.4	173.4	188.4
1.34	44.5	48.5	52.5	56.5	60.5	67.5	69.5	75.0	78.5	86.0	93.5	107.5	122.5	137.5	152.5	167.5	182.5	197.5
1.35	39.7	43.7	47.7	51.7	55.7	62.7	64.7	70.2	73.7	81.2	88.7	102.7	1					



SELECTION

C S-L CLASSIC CX CLASSIC COG STOCK DRIVE SELECTIONS

Ratio	Stock Shv. Datum Diam.		1750 RPM Driver			1160 RPM Driver			870 RPM Driver			Belt Size/Center Distance									
	Driver	Driven	RPM	HP Per Belt		RPM	HP Per Belt		RPM	HP Per Belt		CX51	CX60	CX68	CX75	CX81	CX85	CX90	CX96	CX105	
				C	CX		C	CX		C	CX										
1.38	10.0	14.0	1264	24.12	29.40	838	19.25	22.50	628	15.66	18.07	---	12.4	16.5	20.0	23.0	25.0	27.5	30.5	35.1	
1.39	8.5	12.0	1256	19.26	25.29	833	15.14	19.01	624	12.29	15.20	10.7	15.3	19.3	22.8	25.8	27.8	30.3	33.3	37.8	
1.41	7.0	10.0	1245	13.74	20.63	825	10.79	15.31	619	8.80	12.21	13.5	18.0	22.1	25.6	28.6	30.6	33.1	36.1	40.6	
1.42	14.0	20.0	1235	33.44	37.38	819	28.99	30.75	614	24.03	25.19	---	---	---	---	---	---	19.5	22.6	27.1	
1.43	9.0	13.0	1228	21.00	26.77	814	16.57	20.23	610	13.46	16.20	---	14.0	18.1	21.6	24.6	26.6	29.1	32.1	36.6	
1.44	11.0	16.0	1216	27.05	31.90	806	21.91	24.76	605	17.88	19.96	---	---	14.0	17.6	20.6	22.6	25.1	28.1	32.7	
1.44	7.5	11.0	1213	15.71	22.30	804	12.30	16.61	603	10.01	13.25	12.3	16.8	20.9	24.4	27.4	29.4	31.9	34.9	39.4	
1.45	9.5	14.0	1203	22.67	28.19	797	17.97	21.42	598	14.60	17.17	---	12.8	16.9	20.4	23.4	25.4	27.9	30.9	35.4	
1.47	7.0	10.5	1188	13.83	20.71	788	10.85	15.37	591	8.84	12.25	13.1	17.6	21.6	25.2	28.2	30.2	32.7	35.7	40.2	
1.48	8.0	12.0	1185	17.59	23.90	786	13.78	17.87	589	11.19	14.27	11.1	15.6	19.6	23.2	26.2	28.2	30.7	33.7	38.2	
1.48	12.0	18.0	1179	29.61	34.09	782	24.43	26.90	596	20.02	21.79	---	---	---	15.1	18.2	20.2	22.7	25.7	30.3	
1.49	16.0	24.0	1176	---	---	780	33.13	34.26	585	27.88	28.45	---	---	---	---	---	---	---	---	22.2	
1.50	10.5	16.0	1163	25.74	30.80	771	20.67	23.72	578	16.83	19.08	---	---	14.4	17.9	21.0	23.0	25.5	28.5	33.0	
1.51	8.5	13.0	1162	19.39	25.43	770	15.23	19.10	578	12.36	15.27	---	14.4	18.4	22.0	25.0	27.0	29.5	32.5	37.0	
1.52	13.0	20.0	1150	31.80	35.97	762	26.83	28.93	571	22.10	23.55	---	---	---	---	---	17.7	20.2	23.3	27.8	
1.53	9.0	14.0	1142	21.12	26.89	757	16.65	20.31	568	13.51	16.25	---	13.2	17.2	20.7	23.8	25.8	28.3	31.3	35.8	
1.54	7.0	11.0	1136	13.90	20.78	753	10.89	15.41	565	8.87	12.28	12.7	17.2	21.2	24.7	27.7	29.8	32.3	35.3	39.8	
1.57	7.5	12.0	1115	15.83	22.42	739	12.39	16.69	554	10.07	13.31	11.4	16.0	20.0	23.5	26.5	28.6	31.1	34.1	38.6	
1.58	10.0	16.0	1110	24.33	29.62	735	19.39	22.64	552	15.77	18.18	---	---	14.7	18.3	21.3	23.3	25.9	28.9	33.4	
1.60	8.0	13.0	1097	17.69	24.00	727	13.85	17.94	545	11.25	14.32	---	14.8	18.8	22.3	25.3	27.4	29.9	32.9	37.4	
1.61	11.0	18.0	1084	27.21	32.06	719	22.01	24.87	539	17.96	20.04	---	---	---	15.8	18.9	20.9	23.4	26.5	31.0	
1.62	8.5	14.0	1082	19.48	25.52	717	15.29	19.16	538	12.41	15.31	---	13.5	17.6	21.1	24.1	26.1	28.7	31.7	36.2	
1.65	12.0	20.0	1064	29.74	34.22	705	24.52	26.99	529	20.08	21.85	---	---	---	---	16.3	18.4	20.9	24.0	28.5	
1.66	9.5	16.0	1056	22.83	28.36	700	18.08	21.53	525	14.68	17.26	---	---	15.1	18.6	21.7	23.7	26.2	29.3	33.8	
1.67	16.0	27.0	1047	---	---	694	33.22	34.36	521	27.95	28.52	---	---	---	---	---	---	---	---	---	
ARC-LENGTH CORRECTION FACTOR -->												0.75	0.79	0.82	0.84	0.86	0.87	0.88	0.90	0.92	
1.68	7.0	12.0	1044	13.99	20.87	692	10.95	15.48	519	8.92	12.33	11.8	16.3	20.4	23.9	26.9	28.9	31.4	34.4	39.0	
1.69	10.5	18.0	1037	25.87	30.93	687	20.75	23.80	515	16.90	19.15	---	---	16.1	19.2	21.2	23.8	26.8	31.4	---	
1.69	14.0	24.0	1033	33.67	37.62	685	29.15	30.91	513	24.15	25.31	---	---	---	---	---	---	---	---	23.6	
1.70	7.5	13.0	1032	15.91	22.50	684	12.44	16.74	513	10.11	13.35	10.5	15.1	19.2	22.7	25.7	27.7	30.2	33.2	37.8	
1.71	8.0	14.0	1021	17.76	24.07	677	13.90	17.99	507	11.28	14.35	---	13.9	17.9	21.5	24.5	26.5	29.0	32.0	36.6	
1.74	9.0	16.0	1003	21.25	27.02	665	16.73	20.40	499	13.56	16.32	---	---	15.4	19.0	22.0	24.1	26.6	29.6	34.1	
1.77	10.0	18.0	989	24.44	29.72	656	19.46	22.71	492	15.82	18.23	---	---	16.5	19.6	21.6	24.1	27.2	31.7	---	
1.79	11.0	20.0	978	27.30	32.15	648	22.07	24.93	486	18.00	20.09	---	---	---	---	17.0	19.1	21.6	24.7	29.3	
1.81	7.0	13.0	966	14.05	20.93	641	10.99	15.52	480	8.95	12.36	10.8	15.5	19.5	23.1	26.1	28.1	30.6	33.6	38.1	
1.82	13.0	24.0	961	31.97	36.15	637	26.94	29.05	478	22.18	23.64	---	---	---	---	---	---	---	19.6	24.3	
1.82	7.5	14.0	960	15.97	22.56	636	12.47	16.78	477	10.14	13.38	---	14.2	18.3	21.8	24.9	26.9	29.4	32.4	36.9	
1.84	8.5	16.0	950	19.59	25.62	630	15.36	19.23	472	12.46	15.37	---	---	15.8	19.4	22.4	24.4	27.0	30.0	34.5	
1.85	16.0	30.0	944	---	---	626	33.27	34.41	469	27.98	28.56	---	---	---	---	---	---	---	---	---	
1.86	9.5	18.0	942	22.92	28.44	624	18.14	21.59	468	14.73	17.30	---	---	---	16.8	19.9	22.0	24.5	27.5	32.1	
1.87	10.5	20.0	935	25.94	31.01	620	20.80	23.85	465	16.93	19.18	---	---	---	---	17.4	19.4	22.0	25.1	29.6	
1.90	14.0	27.0	920	33.75	37.70	610	29.20	30.96	457	24.19	25.35	---	---	---	---	---	---	---	---	20.7	
1.95	7.0	14.0	899	14.09	20.97	596	11.02	15.54	447	8.97	12.38	---	14.5	18.6	22.2	25.2	27.2	29.8	32.8	37.3	
1.95	8.0	16.0	896	17.85	24.15	594	13.95	18.04	446	11.32	14.40	---	---	16.1	19.7	22.8	24.8	27.3	30.3	34.9	
1.96	9.0	18.0	894	21.32	27.10	593	16.78	20.44	444	13.61	16.36	---	---	13.5	17.2	20.3	22.3	24.8	27.9	32.4	
1.96	10.0	20.0	892	24.60	29.79	591	19.50	22.75	444	15.85	18.26	---	---	---	---	17.7	19.8	22.3	25.4	30.0	
1.97	12.0	24.0	889	29.87	34.35	590	24.60	27.07	442	20.15	21.92	---	---	---	---	---	---	---	20.3	25.0	
2.04	13.0	27.0	856	32.03	36.21	567	26.98	29.09	425	22.21	23.67	---	---	---	---	---	---	---	---	21.4	
2.06	9.5	20.0	849	22.97	28.50	563	18.17	21.63	422	14.75	17.33	---	---	---	14.9	18.0	20.1	22.7	25.8	30.3	
2.07	8.5	18.0	846	19.65	25.68	561	15.40	19.27	421	12.49	15.39	---	---	13.8	17.5	20.6	22.6	25.2	28.2	32.8	
2.08	7.5	16.0	843	16.03	22.62	559	12.52	16.82	419	10.17	13.41	---	12.3	16.5	20.1	23.1	25.1	27.7	30.7	35.2	
2.11	14.0	30.0	829	33.80	37.74	549	29.24	30.99	412	24.22	25.37	---	---	---	---	---	---	---	---	---	
2.14	11.0	24.0	818	27.39	32.24	542	22.13	24.99	406	18.05	20.13	---	---	---	---	---	---	17.8	21.0	25.7	
2.17	9.0	20.0	806	21.37	27.14	535	16.81	20.47	401	13.64	16.38	---	---	---	15.2	18.4	20.4	23.0	26.1	30.7	
2.19	8.0	18.0	799	17.89	24.20	530	13.98	18.07	397	11.34	14.42	---	---	---	14.2	17.8	20.9	23.0	25.6	28.6	33.2
2.21	12.0	27.0	792	29.91	34.39	525	24.63	27.10	394	20.17	21.94	---	---	---	---	---	---	---	---	22.1	
2.22	7.0	16.0	790	14.14	21.03	523	11.05	15.58	393	9.00	12.41	---	12.6	16.8	20.4	23.5	25.5	28.0	31.1	35.6	
2.22	16.0	36.0	788	---	---	523	33.33	34.46	392	28.02	28.59	---	---	---	---	---	---	---	---	---	
2.24	10.5	24.0	782	26.02	31.08	518	20.85	23.90	389	16.97	19.22	---	---	---	---	---	---	18.1	21.3	26.0	
2.27	13.0	30.0	771	32.07	36.24	511	27.01	29.11	383	22.23	23.69	---	---	---	---	---	---	---	---	---	
ARC-LENGTH CORRECTION FACTOR -->												0.74	0.78	0.81	0.83	0.85	0.86	0.88	0.89	0.91	

NOTE: Selection program VIA-VISA available at www.ptwizard.com.

SELECTION



C S-L CLASSIC CX CLASSIC COG STOCK DRIVE SELECTIONS

Ratio	Belt Size/Center Distance																	
	C112 CX112	C120 CX120	C128 CX128	C136 CX136	C144 CX144	C158 CX158	C162 CX162	C173 CX173	C180 CX180	C195 CX195	C210 CX210	C240 CX240	C270 CX270	C300 CX300	C330 CX330	C360 CX360	C390 CX390	C420 CX420
1.38	38.6	42.6	46.6	50.6	54.6	61.6	63.6	69.1	72.6	80.1	87.6	101.6	116.6	131.6	146.6	161.6	176.6	191.6
1.39	41.3	45.3	49.3	53.3	57.3	64.3	66.3	71.8	75.3	82.8	90.3	104.3	119.3	134.3	149.3	164.3	179.3	194.3
1.41	44.1	48.1	52.1	56.1	60.1	67.1	69.1	74.6	78.1	85.6	93.1	107.1	122.1	137.1	152.1	167.1	182.1	197.1
1.42	30.6	34.6	38.6	42.7	46.7	53.7	55.7	61.2	64.7	72.2	79.7	93.7	108.7	123.7	138.7	153.7	168.7	183.7
1.43	40.1	44.1	48.1	52.1	56.1	63.1	65.1	70.7	74.2	81.7	89.2	103.2	118.2	133.2	148.2	163.2	178.2	193.2
1.44	36.2	40.2	44.2	48.2	52.2	59.2	61.2	66.7	70.2	77.7	85.2	99.2	114.2	129.2	144.2	159.2	174.2	189.2
1.44	42.9	46.9	50.9	54.9	58.9	65.9	67.9	73.4	76.9	84.4	91.9	105.9	120.9	135.9	150.9	165.9	180.9	195.9
1.45	38.9	42.9	46.9	51.0	55.0	62.0	64.0	69.5	73.0	80.5	88.0	102.0	117.0	132.0	147.0	162.0	177.0	192.0
1.47	43.7	47.7	51.7	56.7	59.7	66.7	68.7	74.2	77.7	85.2	92.7	106.7	121.7	136.7	151.7	166.7	181.7	196.7
1.48	41.7	45.7	49.7	53.7	57.7	64.7	66.7	72.2	75.7	83.2	90.7	104.7	119.7	134.7	149.7	164.7	179.7	194.7
1.48	33.8	37.8	41.8	45.8	49.8	56.8	58.8	64.3	67.8	75.3	82.8	96.9	111.9	126.9	141.9	156.9	171.9	186.9
1.49	25.7	29.7	33.7	37.7	41.7	48.7	50.7	56.2	59.7	67.2	74.7	88.8	103.8	118.8	133.8	148.8	163.8	178.8
1.50	36.5	40.5	44.5	48.5	52.5	59.5	61.5	67.0	70.5	78.0	85.5	99.5	114.5	129.5	144.5	159.5	174.5	189.5
1.51	40.5	44.5	48.5	52.5	56.5	63.5	65.5	71.0	74.5	82.0	89.5	103.5	118.5	133.5	148.5	163.5	178.5	193.5
1.52	31.3	35.3	39.3	43.3	47.3	54.3	56.3	61.8	65.3	72.8	80.3	94.3	109.3	124.3	139.3	154.3	169.3	184.3
1.53	39.3	43.3	47.3	51.3	55.3	62.3	64.3	69.8	73.3	80.8	88.3	102.3	117.3	132.3	147.3	162.3	177.3	192.3
1.54	43.3	47.3	51.3	55.3	59.3	66.3	68.3	73.8	77.3	84.8	92.3	106.3	121.3	136.3	151.3	166.3	181.3	196.3
1.57	42.1	46.1	50.1	54.1	58.1	65.1	67.1	72.6	76.1	83.6	91.1	105.1	120.1	135.1	150.1	165.1	180.1	195.1
1.58	36.9	40.9	44.9	48.9	53.0	60.0	62.0	67.5	71.0	78.5	86.0	100.0	115.0	130.0	145.0	160.0	175.0	190.0
1.60	40.9	44.9	48.9	52.9	56.9	63.9	65.9	71.4	74.9	82.4	89.9	103.9	118.9	133.9	148.9	163.9	178.9	193.9
1.61	34.5	38.5	42.5	46.5	50.5	57.5	59.5	65.0	68.5	76.0	83.5	97.5	112.5	127.5	142.5	157.5	172.5	187.5
1.62	39.7	43.7	47.7	51.7	55.7	62.7	64.7	70.2	73.7	81.2	88.7	102.7	117.7	132.7	147.7	162.7	177.7	192.7
1.65	32.1	36.1	40.1	44.1	48.2	55.2	57.2	62.7	66.2	73.7	81.2	95.2	110.2	125.2	140.2	155.2	170.2	185.2
1.66	37.3	41.3	45.3	49.3	53.3	60.3	62.3	67.8	71.3	78.8	86.3	100.3	115.3	130.3	145.3	160.3	175.3	190.3
1.67	23.0	27.1	31.2	35.3	39.3	46.4	48.4	53.9	57.4	65.0	72.5	86.5	101.5	116.5	131.5	146.5	161.5	176.5
	0.94	0.95	0.97	0.98	0.99	1.01	1.02	1.03	1.04	1.06	1.08	1.11	1.03	1.16	1.18	1.20	1.22	1.24
1.66	42.5	46.5	50.5	54.5	58.5	65.5	67.5	73.0	76.5	84.0	91.5	105.5	120.5	135.5	150.5	165.5	180.5	195.5
1.69	34.9	38.9	42.9	46.9	50.9	58.0	60.0	65.5	69.0	76.5	84.0	98.0	113.0	128.0	143.0	158.0	173.0	188.0
1.69	27.2	31.2	35.3	39.3	43.3	50.4	52.4	57.9	61.4	68.9	76.5	90.5	105.5	120.5	135.5	150.5	165.5	180.6
1.70	41.3	45.3	49.3	53.3	57.3	64.3	66.3	71.8	75.3	82.8	90.3	104.3	119.3	134.3	149.3	164.3	179.3	194.3
1.71	40.1	44.1	48.1	52.1	56.1	63.1	65.1	70.6	74.1	81.6	89.1	103.1	118.1	133.1	148.1	163.1	178.1	193.1
1.74	37.7	41.7	45.7	49.7	53.7	60.7	62.7	68.2	71.7	79.2	86.8	100.8	115.8	130.8	145.8	160.8	175.8	190.8
1.77	35.2	39.3	43.3	47.3	51.3	58.3	60.3	65.8	69.4	76.9	84.4	98.4	113.4	128.4	143.4	158.4	173.4	188.4
1.79	32.8	36.8	40.9	44.9	48.9	55.9	57.9	63.5	67.0	74.5	82.0	96.0	111.0	126.0	141.0	156.1	171.1	186.1
1.81	41.6	45.7	49.7	53.7	57.7	64.7	66.7	72.2	75.7	83.2	90.7	104.7	119.7	134.7	149.7	164.7	179.7	194.7
1.82	27.9	31.9	36.0	40.0	44.1	51.1	53.1	58.6	62.2	69.7	77.2	91.2	106.3	121.3	136.3	151.3	166.3	181.3
1.82	40.4	44.5	48.5	52.5	56.5	63.5	65.5	71.0	74.5	82.0	89.5	103.5	118.5	133.5	148.5	163.5	178.5	193.5
1.84	38.0	42.1	46.1	50.1	54.1	61.1	63.1	68.6	72.1	79.6	87.1	101.1	116.2	131.2	146.2	161.2	176.2	191.2
1.85	---	24.3	28.5	32.6	36.7	43.8	45.8	51.4	54.9	62.4	70.0	84.0	99.1	114.1	129.2	144.2	159.2	174.2
1.86	35.6	39.6	43.7	47.7	51.7	58.7	60.7	66.2	69.7	77.2	84.8	98.8	113.8	128.8	143.8	158.8	173.8	188.8
1.87	33.2	37.2	41.2	45.3	49.3	56.3	58.3	63.8	67.3	74.9	82.4	96.4	111.4	126.4	141.4	156.4	171.4	186.4
1.90	24.4	28.5	32.6	36.7	40.7	47.8	49.8	55.4	58.9	66.4	74.0	88.0	103.1	118.1	133.1	148.1	163.1	178.1
1.95	40.8	44.8	48.8	52.8	56.9	63.9	65.9	71.4	74.9	82.4	89.9	103.9	118.9	133.9	148.9	163.9	178.9	193.9
1.95	38.4	42.4	46.4	50.5	54.5	61.5	63.5	69.0	72.5	80.0	87.5	101.5	116.5	131.5	146.6	161.6	176.6	191.6
1.96	36.0	40.0	44.0	48.0	52.1	59.1	61.1	66.6	70.1	77.6	85.1	99.2	114.2	129.2	144.2	159.2	174.2	189.2
1.96	33.5	37.6	41.6	45.6	49.6	56.7	58.7	64.2	67.7	75.2	82.7	96.8	111.8	126.8	141.8	156.8	171.8	186.8
1.97	28.6	32.6	36.7	40.7	44.8	51.8	53.9	59.4	62.9	70.4	78.0	92.0	107.0	122.0	137.1	152.1	167.1	182.1
2.04	25.1	29.2	33.3	37.4	41.5	48.5	50.6	56.1	59.6	67.2	74.7	88.8	103.8	118.8	133.9	148.9	163.9	178.9
2.06	32.9	37.9	42.0	46.0	50.0	57.1	59.1	64.6	68.1	75.6	83.1	97.2	112.2	127.2	142.2	157.2	172.2	187.2
2.07	36.3	40.4	44.4	48.4	52.4	59.5	61.5	67.0	70.5	78.0	85.5	99.5	114.5	129.5	144.5	159.5	174.5	189.5
2.06	38.8	42.8	46.8	50.8	54.8	61.9	63.9	69.4	72.9	80.4	87.9	101.9	116.9	131.9	146.9	161.9	176.9	191.9
2.11	---	25.7	29.8	34.0	38.1	45.2	47.2	52.8	56.3	63.9	71.5	85.5	100.6	115.6	130.7	145.7	160.7	175.7
2.14	29.3	33.3	37.4	41.5	45.5	52.6	54.6	60.1	63.6	71.2	78.7	92.7	107.8	122.8	137.8	152.8	167.8	182.9
2.17	34.2	38.3	42.3	46.4	50.4	57.4	59.4	65.0	68.5	76.0	83.5	97.5	112.6	127.6	142.6	157.6	172.6	187.6
2.19	36.7	40.7	44.8	48.8	52.8	59.8	61.8	67.4	70.9	78.4	85.9	99.9	114.9	129.9	144.9	159.9	174.9	189.9
2.21	25.7	29.9	34.0	38.1	42.2	49.3	51.3	56.8	60.4	67.9	75.5	89.5	104.6	119.6	134.6	149.6	164.7	179.7
2.22	39.1	43.2	47.2	51.2	55.2	62.2	64.2	69.7	73.3	80.8	88.3	102.3	117.3	132.3	147.3	162.3	177.3	192.3
2.22	---	---	---	26.8	31.0	38.3	40.4	46.0	49.6	57.3	64.9	79.0	94.1	109.2	124.2	139.3	154.3	169.3
2.24	29.6	33.7	37.8	41.8	45.9	52.9	55.0	60.5	64.0	71.5	79.1	93.1	108.2	123.2	138.2	153.2	168.2	183.2
2.27	22.1	26.3	30.5	34.7	38.8	45.9	47.9	53.5	57.1	64.6	72.2	86.3	101.3	116.4	131.4	146.4	161.5	176.5
	0.93	0.95	0.96	0.97	0.99	1.01	1.02	1.03	1.04	1.06	1.08	1.10	1.13	1.16	1.18	1.20	1.22	1.23

NOTE: Selection program VIA-VISA available at www.ptwizard.com.

V-Drives

FHP Drives

Drive Component Accessories

DYNA-SYNC

HT200/HTD Synchronous Drives

HT500 Synchronous Drives

Roller Chain Sprockets



SELECTION

C S-L CLASSIC CX CLASSIC COG STOCK DRIVE SELECTIONS

Ratio	Stock Shv.		1750 RPM Driver			1160 RPM Driver			870 RPM Driver			Belt Size/Center Distance													
	Datum Diam.		Driven RPM	HP Per Belt		Driven RPM	HP Per Belt		Driven RPM	HP Per Belt		C51 CX51	C60 CX60	C68 CX68	C75 CX75	C81 CX81	C85 CX85	C90 CX90	C96 CX96	C105 CX105					
	Driver	Driven		C	CX		C	CX		C	CX														
2.29	8.5	20.0	763	19.68	25.71	506	15.42	19.29	380	12.50	15.41	---	---	---	15.5	18.7	20.8	23.4	26.5	31.0					
2.33	7.5	18.0	751	16.07	22.66	498	12.54	16.85	374	10.19	13.43	---	---	14.5	18.2	21.3	23.3	25.9	29.0	33.5					
2.35	10.0	24.0	746	24.56	29.85	494	19.54	22.79	371	15.88	18.29	---	---	---	---	---	---	18.4	21.6	26.3					
2.40	11.0	27.0	728	27.42	32.28	483	22.16	25.01	362	18.06	20.15	---	---	---	---	---	---	---	---	22.7					
2.43	8.0	20.0	721	17.92	24.23	478	14.00	18.09	358	11.36	14.43	---	---	---	15.8	19.0	21.1	23.7	26.8	31.4					
2.45	12.0	30.0	714	29.94	34.42	473	24.65	27.12	355	20.18	21.95	---	---	---	---	---	---	---	---	---					
2.48	9.5	24.0	710	23.03	28.55	471	18.20	21.66	353	14.78	17.35	---	---	---	---	---	18.8	22.0	26.7	---					
2.49	7.0	18.0	704	14.17	21.05	467	11.07	15.60	350	9.01	12.42	---	---	14.8	18.5	21.6	23.7	26.2	29.3	33.9					
2.51	10.5	27.0	696	26.05	31.11	461	20.87	23.92	346	16.99	19.23	---	---	---	---	---	---	---	---	23.0					
2.53	14.0	36.0	692	33.85	37.79	459	29.27	31.03	344	24.24	25.39	---	---	---	---	---	---	---	---	---					
2.58	7.5	20.0	678	16.09	22.68	449	12.56	16.86	337	10.20	13.44	---	---	---	16.2	19.4	21.5	24.1	27.1	31.7					
2.60	9.0	24.0	674	21.41	27.18	447	16.84	20.50	335	13.66	16.40	---	---	---	---	---	19.1	22.3	27.0	---					
2.63	10.0	27.0	664	24.59	29.87	440	19.56	22.81	330	15.89	18.31	---	---	---	---	---	---	---	---	23.4					
2.67	11.0	30.0	656	27.44	32.30	435	22.17	25.02	326	18.07	20.16	---	---	---	---	---	---	---	---	---					
2.71	16.0	44.0	646	---	---	428	33.36	34.49	321	28.05	28.62	---	---	---	---	---	---	---	---	---					
2.72	13.0	36.0	644	32.10	36.28	427	27.03	29.14	320	22.25	23.71	---	---	---	---	---	---	---	---	---					
2.74	8.5	24.0	638	19.72	25.75	423	15.44	19.32	317	12.52	15.43	---	---	---	---	16.6	19.4	22.6	27.3	---					
2.76	7.0	20.0	635	14.19	21.07	421	11.09	15.61	316	9.02	12.43	---	---	---	16.5	19.7	21.8	24.4	27.5	32.1					
2.77	9.5	27.0	632	23.05	28.57	419	18.22	21.67	314	14.79	17.36	---	---	---	---	---	---	18.8	23.7	---					
2.79	10.5	30.0	627	26.06	31.13	416	20.88	23.93	312	16.99	19.24	---	---	---	---	---	---	---	---	---					
2.90	8.0	24.0	602	17.95	24.26	399	14.02	18.11	300	11.37	14.45	---	---	---	---	16.9	19.7	22.9	27.7	---					
2.91	9.0	27.0	600	21.43	27.20	398	16.85	20.51	298	13.67	16.41	---	---	---	---	---	---	19.1	24.0	---					
2.92	10.0	30.0	599	24.60	29.89	397	19.57	22.82	298	15.90	18.31	---	---	---	---	---	---	---	---	20.1					
2.94	12.0	36.0	596	29.97	34.45	395	24.67	27.14	296	20.20	21.97	---	---	---	---	---	---	---	---	---					
3.07	9.5	30.0	570	23.06	28.58	378	18.23	21.68	283	14.79	17.37	---	---	---	---	---	---	---	---	20.4					
ARC-LENGTH CORRECTION FACTOR -->												---	---	0.76	0.79	0.82	0.83	0.85	0.87	0.89					
3.08	8.5	27.0	568	19.73	25.77	377	15.45	19.33	283	12.53	15.44	---	---	---	---	---	---	19.4	24.3	---					
3.08	14.0	44.0	568	33.88	37.82	376	29.29	31.05	282	24.25	25.41	---	---	---	---	---	---	---	---	---					
3.09	7.5	24.0	567	16.11	22.70	376	12.57	16.88	282	10.21	13.45	---	---	---	---	17.2	20.0	23.3	28.0	---					
3.19	11.0	36.0	648	27.47	32.32	363	22.18	25.04	272	18.08	20.17	---	---	---	---	---	---	---	---	---					
3.23	9.0	30.0	541	21.44	27.21	359	16.86	20.52	269	13.67	16.41	---	---	---	---	---	---	---	---	20.7					
3.26	8.0	27.0	536	17.96	24.27	356	14.03	18.12	267	11.38	14.45	---	---	---	---	---	---	19.7	24.6	---					
3.30	7.0	24.0	531	14.21	21.09	352	11.10	15.62	264	9.03	12.44	---	---	---	---	17.6	20.3	23.6	28.3	---					
3.31	13.0	44.0	528	32.13	36.30	350	27.05	29.15	263	22.26	23.72	---	---	---	---	---	---	---	---	---					
3.34	10.5	36.0	524	26.08	31.15	347	20.90	23.95	261	17.00	19.25	---	---	---	---	---	---	---	---	---					
3.42	8.5	30.0	512	19.74	25.77	340	15.46	19.33	255	12.53	15.44	---	---	---	---	---	---	---	---	21.0					
3.47	7.5	27.0	505	16.12	22.71	334	12.58	16.88	251	10.21	13.46	---	---	---	---	---	---	20.0	25.0	---					
3.50	10.0	36.0	500	24.62	29.90	331	19.58	22.83	249	15.91	18.32	---	---	---	---	---	---	---	---	---					
3.58	12.0	44.0	489	29.99	34.47	324	24.68	27.15	243	20.21	21.98	---	---	---	---	---	---	---	---	---					
3.62	8.0	30.0	484	17.97	24.28	321	14.04	18.12	240	11.38	14.46	---	---	---	---	---	---	---	---	21.3					
3.68	9.5	36.0	476	23.07	28.60	315	18.24	21.69	237	14.80	17.38	---	---	---	---	---	---	---	---	---					
3.70	7.0	27.0	473	14.22	21.10	313	11.10	15.63	235	9.04	12.44	---	---	---	---	---	---	20.3	25.3	---					
3.85	7.5	30.0	455	16.13	22.72	301	12.58	16.89	226	10.22	13.46	---	---	---	---	---	---	---	---	21.6					
3.87	9.0	36.0	452	21.45	27.22	300	16.87	20.53	225	13.68	16.42	---	---	---	---	---	---	---	---	---					
3.89	11.0	44.0	449	27.48	32.33	298	22.19	25.05	223	18.09	20.18	---	---	---	---	---	---	---	---	---					
4.07	10.5	44.0	430	26.10	31.16	285	20.91	23.95	214	17.01	19.26	---	---	---	---	---	---	---	---	---					
ARC-LENGTH CORRECTION FACTOR -->												---	---	---	---	---	0.74	0.77	0.80	0.84					
4.09	8.5	36.0	428	19.75	25.79	284	15.47	19.34	213	12.54	15.45	---	---	---	---	---	---	---	---	---					
4.11	7.0	30.0	426	14.22	21.11	282	11.11	15.63	212	9.04	12.45	---	---	---	---	---	---	---	---	21.9					
4.27	10.0	44.0	410	24.63	29.92	272	19.59	22.84	204	15.92	18.33	---	---	---	---	---	---	---	---	---					
4.33	8.0	36.0	404	17.98	24.29	268	14.04	18.13	201	11.39	14.46	---	---	---	---	---	---	---	---	---					
4.48	9.5	44.0	390	23.08	28.61	259	18.24	21.70	194	14.81	17.38	---	---	---	---	---	---	---	---	---					
4.61	7.5	36.0	380	16.14	22.73	252	12.59	16.90	189	10.22	13.46	---	---	---	---	---	---	---	---	---					
4.72	9.0	44.0	370	21.46	27.23	246	16.87	20.53	184	13.68	16.42	---	---	---	---	---	---	---	---	---					
4.92	7.0	36.0	356	14.23	21.11	236	11.11	15.64	177	9.04	12.45	---	---	---	---	---	---	---	---	---					
4.99	8.5	44.0	351	19.76	25.79	233	15.47	19.35	174	12.54	15.45	---	---	---	---	---	---	---	---	---					
5.29	8.0	44.0	331	17.99	24.29	219	14.05	18.13	165	11.39	14.47	---	---	---	---	---	---	---	---	---					
5.62	7.5	44.0	311	16.15	22.74	206	12.59	16.90	155	10.23	13.47	---	---	---	---	---	---	---	---	---					
6.00	7.0	44.0	292	14.24	21.12	193	11.12	15.64	145	9.04	12.45	---	---	---	---	---	---	---	---	---					
ARC-LENGTH CORRECTION FACTOR -->												---	---	---	---	---	---	---	---	---	0.79				

NOTE: Selection program VIA-VISA available at www.ptwizard.com.

SELECTION



C S-L CLASSIC CX CLASSIC COG STOCK DRIVE SELECTIONS

Ratio	Belt Size/Center Distance																	
	C112 CX112	C120 CX120	C128 CX128	C136 CX136	C144 CX144	C158 CX158	C162 CX162	C173 CX173	C180 CX180	C195 CX195	C210 CX210	C240 CX240	C270 CX270	C300 CX300	C330 CX330	C360 CX360	C390 CX390	C420 CX420
2.29	34.6	38.6	42.7	46.7	50.8	57.8	59.8	65.3	68.8	76.4	83.9	97.9	112.9	127.9	143.0	158.0	173.0	188.0
2.33	37.1	41.1	45.1	49.2	53.2	60.2	62.2	67.7	71.2	78.8	86.3	100.3	115.3	130.3	145.3	160.3	175.4	190.4
2.35	29.9	34.0	38.1	42.2	46.2	53.3	55.3	60.9	64.4	71.9	79.5	93.5	108.5	123.6	138.6	153.6	168.6	183.6
2.40	26.4	30.6	34.7	38.8	42.9	50.0	52.0	57.6	61.1	68.7	76.2	90.3	105.3	120.4	135.4	150.4	165.4	180.4
2.43	35.0	39.0	43.1	47.1	51.1	58.2	60.2	65.7	69.2	76.7	84.3	98.3	113.3	128.3	143.3	158.4	173.4	188.4
2.45	22.7	27.0	31.2	35.3	39.5	46.6	48.6	54.2	57.8	65.4	72.9	87.0	102.1	117.1	132.2	147.2	162.2	177.3
2.48	30.3	34.4	38.5	42.5	46.6	53.7	55.7	61.2	64.7	72.3	79.8	93.9	108.9	123.9	139.0	154.0	169.0	184.0
2.49	37.4	41.5	45.5	49.5	53.5	60.6	62.6	68.1	71.6	79.1	86.7	100.7	115.7	130.7	145.7	160.7	175.7	190.7
2.51	26.7	30.9	35.0	39.1	43.2	50.3	52.4	57.9	61.5	69.0	76.6	90.6	105.7	120.7	135.8	150.8	165.8	180.8
2.53	---	---	---	28.0	32.3	39.7	41.8	47.4	51.0	58.7	66.3	80.4	95.6	110.7	125.7	140.8	155.8	170.8
2.58	35.3	39.4	43.4	47.5	51.5	58.5	60.5	66.1	69.6	77.1	84.6	98.7	113.7	128.7	143.7	158.7	173.8	188.8
2.60	30.6	34.7	38.8	42.9	46.9	54.0	56.0	61.6	65.1	72.7	80.2	94.2	109.3	124.3	139.3	154.4	169.4	184.4
2.63	27.1	31.2	35.4	39.5	43.6	50.7	52.7	58.3	61.8	69.4	76.9	91.0	106.1	121.1	136.1	151.2	166.2	181.2
2.67	23.3	27.6	31.8	36.0	40.1	47.3	49.4	54.9	58.5	66.1	73.7	87.8	102.8	117.9	132.9	148.0	163.0	178.0
2.71	---	---	---	---	---	30.1	32.3	38.3	42.0	49.9	57.7	72.0	87.2	102.4	117.5	132.6	147.7	162.7
2.72	---	---	---	28.7	33.0	40.3	42.4	48.1	51.7	59.4	67.0	81.2	96.3	111.4	126.5	141.5	156.6	171.6
2.74	31.0	35.1	39.2	43.2	47.3	54.4	56.4	62.0	65.5	73.0	80.6	94.6	109.7	124.7	139.7	154.7	169.8	184.8
2.76	35.7	39.7	43.8	47.8	51.8	58.9	60.9	66.4	70.0	77.5	85.0	99.0	114.1	129.1	144.1	159.1	174.1	189.1
2.77	27.4	31.6	35.7	39.8	43.9	51.0	53.1	58.6	62.2	69.7	77.3	91.4	106.4	121.5	136.5	151.5	166.6	181.6
2.79	23.6	28.0	32.2	36.3	40.5	47.7	49.7	55.3	58.8	66.4	74.0	88.1	103.2	118.3	133.3	148.3	163.4	178.4
2.90	31.3	35.4	39.5	43.6	47.7	54.7	56.8	62.3	65.8	73.4	80.9	95.0	110.0	125.1	140.1	155.1	170.1	185.2
2.91	27.7	31.9	36.1	40.2	44.3	51.4	53.4	59.0	62.5	70.1	77.7	91.7	106.8	121.9	136.9	151.9	166.9	182.0
2.92	24.0	28.3	32.5	36.7	40.8	48.0	50.1	55.7	59.2	66.8	74.4	88.5	103.6	118.6	133.7	148.7	163.7	178.8
2.94	---	---	24.9	29.3	33.6	41.0	43.1	48.8	52.4	60.1	67.7	81.9	97.0	112.1	127.2	142.3	157.3	172.4
3.07	24.3	28.6	32.8	37.0	41.2	48.4	50.4	56.0	59.6	67.2	74.7	88.9	103.9	119.0	134.1	149.1	164.1	179.1
	0.91	0.93	0.94	0.95	0.97	1.00	1.01	1.02	1.03	1.05	1.07	1.10	1.12	1.15	1.17	1.19	1.21	1.23
3.08	28.1	32.3	36.4	40.5	44.6	51.8	53.8	59.4	62.9	70.5	78.0	92.1	107.2	122.2	137.3	152.3	167.3	182.3
3.08	---	---	---	---	---	31.3	33.6	39.6	43.3	51.2	59.0	73.4	88.7	103.8	119.0	134.1	149.2	164.2
3.09	31.6	35.8	39.9	43.9	48.0	55.1	57.1	62.7	66.2	73.8	81.3	95.4	110.4	125.5	140.5	155.5	170.5	185.5
3.19	---	---	25.5	29.9	34.3	41.7	43.8	49.5	53.1	60.8	68.4	82.6	97.8	112.9	127.9	143.0	158.1	173.1
3.23	24.6	28.9	33.2	37.4	41.5	48.7	50.7	56.4	59.9	67.5	75.1	89.2	104.3	119.4	134.4	149.5	164.5	179.5
3.26	28.4	32.6	36.7	40.9	45.0	52.1	54.1	59.7	63.3	70.8	78.4	92.5	107.6	122.6	137.6	152.7	167.7	182.7
3.30	32.0	36.1	40.2	44.3	48.4	55.5	57.5	63.0	66.6	74.1	81.7	95.7	110.8	125.8	140.9	155.9	170.9	185.9
3.31	---	---	---	---	---	31.9	34.2	40.2	44.0	51.9	59.7	74.1	89.4	104.6	119.7	134.8	149.9	165.0
3.34	---	---	25.8	30.3	34.6	42.0	44.1	49.8	53.4	61.1	68.8	83.0	98.1	113.2	128.3	143.4	158.4	173.5
3.42	24.9	29.3	33.5	37.7	41.8	49.0	51.1	56.7	60.3	67.9	75.5	89.6	104.7	119.7	134.8	149.8	164.9	179.9
3.47	28.7	32.9	37.1	41.2	45.3	52.5	54.5	60.1	63.6	71.2	78.8	92.9	107.9	123.0	138.0	153.1	168.1	183.1
3.50	---	---	26.1	30.6	34.9	42.3	44.4	50.2	53.8	61.5	69.1	83.3	98.5	113.6	128.7	143.8	158.8	173.9
3.58	---	---	---	---	---	32.6	34.8	40.9	44.6	52.6	60.4	74.8	90.1	105.3	120.4	135.5	150.6	165.7
3.62	25.2	29.6	33.8	38.0	42.2	49.4	51.4	57.1	60.6	68.2	75.8	89.9	105.0	120.1	135.2	150.2	165.3	180.3
3.68	---	---	26.4	30.9	35.2	42.7	44.8	50.5	54.1	61.8	69.5	83.7	98.8	114.0	129.1	144.1	159.2	174.2
3.70	29.0	33.3	37.4	41.6	45.7	52.8	54.8	60.4	64.0	71.6	79.1	93.2	108.3	123.4	138.4	153.4	168.5	183.5
3.85	25.5	29.9	34.2	38.4	42.5	49.7	51.8	57.4	61.0	68.6	76.2	90.3	105.4	120.5	135.5	150.6	165.6	180.7
3.87	---	---	26.7	31.2	35.6	43.0	45.1	50.8	54.5	62.2	69.8	84.0	99.2	114.3	129.4	144.5	159.6	174.6
3.89	---	---	---	---	---	33.2	35.4	41.5	45.3	53.2	61.0	75.5	90.8	106.0	121.2	136.3	151.4	166.5
4.07	---	---	---	---	---	33.5	35.7	41.8	45.6	53.5	61.4	75.8	91.1	106.3	121.5	136.6	151.7	166.8
	0.86	0.89	0.91	0.93	0.95	0.97	0.98	1.00	1.01	1.03	1.05	1.08	1.11	1.14	1.16	1.19	1.20	1.22
4.09	---	22.3	27.0	31.5	35.9	43.3	45.4	51.2	54.8	62.5	70.2	84.4	99.6	114.7	129.8	144.9	159.9	175.0
4.11	25.8	30.2	34.5	38.7	42.9	50.1	52.1	57.8	61.3	68.9	76.5	90.7	105.8	120.9	135.9	151.0	166.0	181.0
4.27	---	---	---	---	---	33.8	36.1	42.1	45.9	53.9	61.7	76.2	91.5	106.7	121.9	137.0	152.1	167.2
4.33	---	22.6	27.3	31.8	36.2	43.7	45.8	51.5	55.1	62.9	70.5	84.8	99.9	115.1	130.2	145.2	160.3	175.4
4.48	---	---	---	---	---	34.1	36.4	42.4	46.2	54.2	62.1	76.5	91.8	107.1	122.2	137.4	152.5	167.6
4.61	---	22.9	27.6	32.1	36.5	44.0	46.1	51.8	55.5	63.2	70.9	85.1	100.3	115.4	130.5	145.6	160.7	175.7
4.72	---	---	---	---	---	34.4	36.7	42.8	46.6	54.5	62.4	76.9	92.2	107.4	122.6	137.7	152.8	167.9
4.92	---	23.2	27.9	32.5	36.8	44.3	46.4	52.2	55.8	63.5	71.2	85.5	100.7	115.8	130.9	146.0	161.0	176.1
4.99	---	---	---	---	---	34.7	37.0	43.1	46.9	54.9	62.7	77.2	92.5	107.8	123.0	138.1	153.2	168.3
5.29	---	---	---	---	26.5	35.0	37.3	43.4	47.2	55.2	63.1	77.5	92.9	108.1	123.3	138.5	153.6	168.7
5.62	---	---	---	---	26.8	35.3	37.6	43.7	47.5	55.5	63.4	77.9	93.2	108.5	123.7	138.8	153.9	169.0
6.00	---	---	---	---	27.1	35.6	37.9	44.0	47.8	55.9	63.7	78.2	93.6	108.8	124.0	139.2	154.3	169.4
	0.82	0.85	0.87	0.89	0.91	0.95	0.96	0.98	0.99	1.01	1.04	1.07	1.10	1.13	1.16	1.18	1.20	1.22

NOTE: Selection program VIA-VISA available at www.ptwizard.com.

V-Drives

FHP Drives

Drive Component Accessories

DYNA-SYNC

HT200/HTD Synchronous Drives

HT500 Synchronous Drives

Roller Chain Sprockets



D S-L CLASSIC

STOCK DRIVE SELECTIONS

Ratio	Stock Shv. Datum Diam.		1160 RPM Driver		870 RPM Driver		690 RPM Driver		Belt Size/Center Distance					
	Driver	Driven	Driven RPM	HP/Belt D	Driven RPM	HP/Belt D	Driven RPM	HP/Belt D	D120	D128	D144	D158	D162	D173
	1.00	12.00	12.00	1160	28.43	870	24.56	690	21.13	42.8	46.8	54.8	61.8	63.8
1.00	13.00	13.00	1160	32.81	870	28.39	690	24.40	41.2	45.2	53.2	60.2	62.2	67.7
1.00	13.50	13.50	1160	34.92	870	30.26	690	26.02	40.5	44.5	52.5	59.5	61.5	67.0
1.00	14.00	14.00	1160	36.96	870	32.10	690	27.61	39.7	43.7	51.7	58.7	60.7	66.2
1.00	14.50	14.50	1160	38.93	870	33.92	690	29.19	38.9	42.9	50.9	57.9	59.9	65.4
1.00	15.00	15.00	1160	40.84	870	35.70	690	30.75	38.1	42.1	50.1	57.1	59.1	64.6
1.00	15.50	15.50	1160	42.68	870	37.45	690	32.30	37.3	41.3	49.3	56.3	58.3	63.8
1.00	16.00	16.00	1160	44.46	870	39.16	690	33.82	36.5	40.5	48.5	55.5	57.5	63.0
1.00	18.00	18.00	1160	50.84	870	45.70	690	39.74	33.4	37.4	45.4	52.4	54.4	59.9
1.00	22.00	22.00	1160	---	870	57.07	690	50.64	27.1	31.1	39.1	46.1	48.1	53.6
1.03	15.50	16.00	1125	43.34	844	37.94	669	32.69	36.9	40.9	48.9	55.9	57.9	63.4
1.03	15.00	15.50	1124	41.52	843	36.20	669	31.16	37.7	41.7	49.7	56.7	58.7	64.2
1.03	14.50	15.00	1123	39.63	842	34.44	668	29.61	38.5	42.5	50.5	57.5	59.5	65.0
1.03	14.00	14.50	1122	37.67	841	32.64	667	28.04	39.3	43.3	51.3	58.3	60.3	65.8
1.04	13.50	14.00	1120	35.66	840	30.82	666	26.46	40.1	44.1	52.1	59.1	61.1	66.6
1.04	13.00	13.50	1119	33.58	839	28.96	666	24.86	40.8	44.8	52.8	59.8	61.8	67.3
1.06	15.00	16.00	1090	42.09	818	36.64	648	31.50	37.3	41.3	49.3	46.3	58.3	63.8
1.07	14.50	15.50	1088	40.22	816	34.88	647	29.96	38.1	42.1	50.1	57.1	59.1	64.6
1.07	14.00	15.00	1086	38.28	814	33.10	646	28.40	38.9	42.9	50.9	57.9	59.9	65.4
1.07	13.50	14.50	1083	36.28	812	31.28	644	26.83	39.7	43.7	51.7	58.7	60.7	66.2
1.07	13.00	14.00	1081	34.22	810	29.44	643	25.24	40.5	44.5	52.5	59.5	61.5	67.0
1.08	12.00	13.00	1075	29.93	806	25.68	639	22.02	42.0	46.0	54.0	61.0	63.0	68.5
1.10	14.50	16.00	1055	40.72	791	35.26	628	30.26	37.7	41.7	49.7	56.7	58.7	64.2
1.10	14.00	15.50	1052	38.79	789	33.48	626	28.70	38.5	42.5	50.5	57.5	59.5	65.0
1.11	13.50	15.00	1048	36.80	786	31.67	624	27.14	39.3	43.3	51.3	58.3	60.3	65.8
ARC-LENGTH CORRECTION FACTOR -->									0.86	0.87	0.90	0.92	0.92	0.93
1.11	18.00	20.00	1047	52.74	786	47.13	623	40.87	31.8	35.8	43.8	50.8	52.8	58.3
1.11	13.00	14.50	1045	34.85	784	29.84	621	25.55	40.1	44.1	52.1	59.1	61.1	66.6
1.12	12.00	13.50	1037	30.48	777	26.09	617	22.34	41.6	45.6	53.6	60.6	62.6	68.1
1.12	16.00	18.00	1035	46.53	776	40.71	616	35.05	34.9	38.9	46.9	54.0	56.0	61.5
1.14	14.00	16.00	1020	39.22	765	33.80	607	28.96	38.1	42.1	50.1	57.1	59.1	64.6
1.14	13.50	15.50	1016	37.24	762	32.00	604	27.40	38.9	42.9	50.9	57.1	59.9	65.4
1.15	13.00	15.00	1011	35.19	758	30.17	602	25.82	39.7	43.7	51.7	58.7	60.7	66.2
1.16	15.50	18.00	1004	45.15	753	39.30	597	33.76	35.3	39.3	47.3	54.3	56.3	61.2
1.16	12.00	14.00	1001	30.93	751	26.44	595	22.61	41.2	45.2	53.2	60.2	62.2	67.7
1.18	13.50	16.00	985	37.60	739	32.28	586	27.62	38.5	42.5	50.5	57.5	59.5	65.0
1.18	13.00	15.50	980	35.56	735	30.45	583	26.04	39.3	43.3	51.3	58.3	60.3	65.8
1.19	15.00	18.00	973	43.67	730	37.82	579	32.43	35.7	39.7	47.7	54.7	56.7	62.2
1.20	12.00	14.50	968	31.31	726	26.72	576	22.84	40.8	44.8	52.8	59.8	61.8	67.3
1.22	18.00	22.00	955	53.86	716	47.97	568	41.53	30.2	34.2	42.2	49.2	51.2	56.7
1.22	13.00	16.00	950	35.87	713	30.68	565	26.22	38.9	42.9	50.9	57.9	59.9	65.4
1.22	22.00	27.00	950	---	712	59.37	565	52.46	---	27.1	35.1	42.1	44.1	49.6
1.23	14.50	18.00	942	42.08	706	36.27	560	31.06	36.1	40.1	48.1	55.1	57.1	62.6
1.24	12.00	15.00	937	31.62	703	26.95	557	23.02	40.4	44.4	52.4	59.4	61.4	66.9
1.24	16.00	20.00	935	47.67	701	41.57	556	35.73	33.3	37.3	45.3	52.4	54.4	59.9
1.27	14.00	18.00	911	40.38	683	34.67	542	29.65	36.5	40.5	48.5	55.5	57.5	63.0
1.28	12.00	15.50	908	31.88	681	27.15	540	23.18	40.0	44.0	52.0	59.0	61.0	66.5
1.28	15.50	20.00	907	46.14	680	40.04	539	34.36	33.7	37.7	45.7	52.7	54.7	60.2
1.32	12.00	16.00	880	32.10	660	27.31	524	23.31	39.6	43.6	51.6	58.6	60.6	66.1
1.32	13.50	18.00	879	38.59	660	33.02	523	28.20	36.9	40.9	48.9	55.9	57.9	63.4
1.32	15.00	20.00	878	44.52	659	38.46	523	32.94	34.1	38.1	46.1	53.1	55.1	60.6
1.36	16.00	22.00	852	48.33	639	42.07	507	36.12	31.7	35.7	43.7	50.7	52.7	58.2
1.36	14.50	20.00	850	42.81	638	36.83	506	31.50	34.5	38.5	46.5	53.5	55.5	61.0
1.37	13.00	18.00	848	36.71	636	31.31	505	26.72	37.2	41.2	49.2	56.2	58.2	63.7
1.40	15.50	22.00	826	46.72	620	40.47	492	34.69	32.0	36.1	44.1	51.1	53.1	58.6
1.41	14.00	20.00	822	41.01	617	35.15	489	30.03	34.8	38.8	46.8	53.8	55.8	61.3
1.45	15.00	22.00	801	45.02	601	38.83	476	33.24	32.4	36.4	44.4	51.4	53.4	58.9
1.46	13.50	20.00	794	39.13	595	33.42	472	28.52	35.2	39.2	47.2	54.2	56.2	61.7
1.48	12.00	18.00	786	32.68	589	27.75	467	23.66	38.0	42.0	50.0	57.0	59.0	64.5
1.48	18.00	27.00	782	55.12	586	48.91	465	42.28	25.9	30.0	38.1	45.1	47.1	52.6
1.49	22.00	33.00	780	---	585	60.28	464	53.18	---	---	30.0	37.1	39.1	44.6
ARC-LENGTH CORRECTION FACTOR -->									0.84	0.86	0.88	0.90	0.91	0.92

NOTE: Selection program VIA-VISA available at www.ptwizard.com.

SELECTION



D	S-L CLASSIC
----------	--------------------

STOCK DRIVE SELECTIONS

Ratio	Belt Size/Center Distance																	
	D180	D195	D210	D225	D240	D255	D270	D300	D315	D330	D360	D390	D420	D480	D540	D600	D660	
1.00	72.8	80.3	87.8	94.1	101.6	109.1	116.6	131.6	139.1	146.6	161.6	176.6	191.6	221.6	251.6	281.6	311.6	
1.00	71.2	78.7	86.2	92.5	100.0	107.5	115.0	130.0	137.5	145.0	160.0	175.0	190.0	220.0	250.0	280.0	310.0	
1.00	70.5	78.0	85.5	91.7	99.2	106.7	114.2	129.2	136.7	144.2	159.2	174.2	189.2	219.2	249.2	279.2	309.2	
1.00	69.7	77.2	84.7	90.9	98.4	105.9	113.4	128.4	135.9	143.4	158.4	173.4	188.4	218.4	248.4	278.4	308.4	
1.00	68.9	76.4	83.4	90.1	97.6	105.1	112.6	127.6	135.1	142.6	157.6	172.6	187.6	217.6	247.6	277.6	307.6	
1.00	68.1	75.6	83.1	89.4	96.8	104.4	111.9	126.9	134.4	141.8	156.8	171.8	186.9	216.9	246.8	276.9	306.9	
1.00	67.3	74.8	82.3	88.6	96.1	103.6	111.1	126.1	133.6	141.1	156.1	171.1	186.1	216.1	246.1	276.1	306.1	
1.00	66.5	74.0	81.5	87.8	95.3	102.8	110.3	125.3	132.8	140.3	155.3	170.3	185.3	215.3	245.3	275.3	305.3	
1.00	63.4	70.9	78.4	84.6	92.1	99.6	107.1	122.1	129.6	137.1	152.1	167.1	182.1	212.1	242.1	272.1	302.1	
1.00	57.1	64.6	72.1	78.4	85.9	93.4	100.9	115.9	123.4	130.9	145.9	160.9	175.9	205.9	235.9	265.9	295.9	
1.03	66.9	74.4	81.9	88.2	95.7	103.2	110.7	125.7	133.2	140.7	155.7	170.7	185.7	215.7	245.7	275.7	305.7	
1.03	67.7	75.2	82.7	89.0	96.5	104.0	111.5	126.5	134.0	141.5	156.5	171.5	186.5	216.5	246.5	276.5	306.5	
1.03	68.5	76.0	83.5	89.7	97.2	104.7	112.2	127.2	134.7	142.2	157.2	172.2	187.2	217.2	247.2	277.2	307.2	
1.03	69.3	76.8	84.3	90.5	98.0	105.5	113.0	128.0	135.5	143.0	158.0	173.0	188.0	218.0	248.0	278.0	308.0	
1.04	70.1	77.6	85.1	91.3	98.8	106.3	113.8	128.8	136.3	143.8	158.8	173.8	188.8	218.8	248.8	278.8	308.8	
1.04	70.8	78.3	85.8	92.1	99.6	107.1	114.6	129.6	137.1	144.6	159.6	174.6	189.6	219.6	249.6	279.6	309.6	
1.06	67.3	74.8	82.3	88.6	96.1	103.6	111.1	126.1	133.6	141.1	156.1	171.1	186.1	216.1	246.1	276.1	306.1	
1.07	68.1	75.6	83.1	89.3	96.8	104.3	111.8	126.8	134.3	141.8	156.8	171.8	186.8	216.8	246.8	276.8	306.8	
1.07	68.9	76.4	83.9	90.1	97.6	105.1	112.6	127.6	135.1	142.6	157.6	172.6	187.6	217.6	247.6	277.6	307.6	
1.07	69.7	77.2	84.7	90.9	98.4	105.9	113.4	128.4	135.9	143.4	158.4	173.4	188.4	218.4	248.4	278.4	308.4	
1.07	70.5	78.0	85.5	91.5	99.2	106.7	114.2	129.2	136.7	144.2	159.2	174.2	189.2	219.2	249.2	279.2	309.2	
1.08	72.0	79.5	87.0	93.3	100.8	108.3	115.8	130.8	138.3	145.8	160.8	175.8	190.8	220.8	250.8	280.8	310.8	
1.10	67.7	75.2	82.7	89.0	96.5	104.0	111.5	126.5	134.0	141.5	156.5	171.5	186.5	216.5	246.5	276.5	306.5	
1.10	68.5	76.0	83.5	89.7	97.2	104.7	112.2	127.2	134.7	142.2	157.2	172.2	187.2	217.2	247.2	277.2	307.2	
1.11	69.3	76.8	84.3	90.5	98.0	105.5	113.0	128.0	135.5	143.0	158.0	173.0	188.0	218.0	248.0	278.0	308.0	
	0.94	0.96	0.97	0.99	1.00	1.01	1.02	1.04	1.05	1.05	1.05	1.08	1.10	1.11	1.14	1.16	1.19	1.20
1.11	61.8	69.3	76.8	83.1	90.6	98.1	105.6	120.6	128.1	135.6	150.6	165.6	180.6	210.6	240.6	270.6	300.6	
1.11	70.1	77.6	85.1	91.3	98.8	106.3	113.8	128.8	136.3	143.8	158.8	173.8	188.8	218.8	248.8	278.8	308.8	
1.12	71.6	79.1	86.6	92.9	100.4	107.9	115.4	130.4	137.9	145.4	160.4	175.4	190.4	220.4	250.4	280.4	310.4	
1.12	65.0	72.5	80.0	86.2	93.7	101.2	108.7	123.7	131.2	138.7	153.7	168.7	183.7	213.7	243.7	273.7	303.7	
1.14	68.1	75.6	83.1	89.3	96.8	104.3	111.8	126.8	134.3	141.8	156.8	171.8	186.8	216.8	246.8	276.8	306.8	
1.14	68.9	76.4	83.9	90.1	97.6	105.1	112.6	127.6	135.1	142.6	157.6	172.6	187.6	217.6	247.6	277.6	307.6	
1.15	69.7	77.2	84.7	90.9	98.4	105.9	113.4	128.4	135.9	143.4	158.4	173.4	188.4	218.4	248.4	278.4	308.4	
1.16	65.3	72.8	80.3	86.6	94.1	101.6	109.1	124.1	131.6	139.1	154.1	169.1	184.1	214.1	244.1	274.1	304.1	
1.16	71.2	78.7	86.2	92.5	100.0	107.5	115.0	130.0	137.5	145.0	160.0	175.0	190.0	220.0	250.0	280.0	310.0	
1.18	68.5	76.0	83.5	89.7	97.2	104.7	112.2	127.2	134.7	142.2	157.2	172.2	187.2	217.2	247.2	277.2	307.2	
1.18	69.3	76.8	84.3	90.5	98.0	105.5	113.0	128.0	135.5	143.0	158.0	173.0	188.0	218.0	248.0	278.0	308.0	
1.19	65.7	73.2	80.7	87.0	94.5	102.0	109.5	124.5	132.0	139.5	154.5	169.5	184.5	214.5	244.5	274.5	304.5	
1.20	70.8	78.3	85.8	92.1	99.6	107.1	114.6	129.6	137.1	144.6	159.6	174.6	189.6	219.6	249.6	279.6	309.6	
1.22	60.2	67.7	75.2	81.5	89.0	96.5	104.0	119.0	126.5	134.0	149.0	164.0	179.0	209.0	239.0	269.0	299.0	
1.22	68.9	76.4	83.9	90.1	97.6	105.1	112.6	127.6	135.1	142.6	157.6	172.6	187.6	217.6	247.6	277.6	307.6	
1.22	53.1	60.6	68.1	74.4	81.9	89.4	96.9	111.9	119.4	126.9	141.9	156.9	171.9	201.9	231.9	261.9	291.9	
1.23	66.1	73.6	81.1	87.4	94.9	102.4	109.9	124.9	132.4	139.9	154.9	169.9	184.9	214.9	244.9	274.9	304.9	
1.24	70.4	77.9	85.4	91.7	99.2	106.7	114.2	129.2	136.7	144.2	159.2	174.2	189.2	219.2	249.2	279.2	309.2	
1.24	63.4	70.9	78.4	84.6	92.1	99.6	107.1	122.1	129.6	137.1	152.1	167.1	182.1	212.1	242.1	272.1	302.1	
1.27	66.5	74.0	81.5	87.8	95.3	102.8	110.3	125.3	132.8	140.3	155.3	170.3	185.3	215.3	245.3	275.3	305.3	
1.28	70.0	77.5	85.0	91.3	98.8	106.3	113.8	128.8	136.3	143.8	158.8	173.8	188.8	218.8	248.8	278.8	308.8	
1.28	63.7	71.2	78.7	85.0	92.5	100.0	107.5	122.5	130.0	137.5	152.5	167.5	182.5	212.5	242.5	272.5	302.5	
1.32	69.6	77.1	84.6	90.9	98.4	105.9	113.4	128.4	135.9	143.4	158.4	173.4	188.4	218.4	248.4	278.4	308.4	
1.32	66.9	74.4	81.9	88.1	95.6	103.1	110.6	125.6	133.1	140.6	155.6	170.6	185.6	215.6	245.6	275.6	305.6	
1.32	64.1	71.6	79.1	85.4	92.9	100.4	107.9	122.9	130.4	137.9	152.9	167.9	182.9	212.9	242.9	272.9	302.9	
1.36	61.7	69.3	76.8	83.0	90.5	98.0	105.5	120.5	128.0	135.5	150.5	165.5	180.5	210.5	240.5	270.5	300.5	
1.36	64.5	72.0	79.5	85.8	93.3	100.8	108.3	123.3	130.8	138.3	153.3	168.3	183.3	213.3	243.3	273.3	303.3	
1.37	67.3	74.8	82.3	88.5	96.0	103.5	111.0	126.0	133.5	141.0	156.0	171.0	186.0	216.0	246.0	276.0	306.0	
1.40	62.1	69.6	77.1	83.4	90.9	98.4	105.9	120.9	128.4	135.9	150.9	165.9	180.9	210.9	240.9	270.9	300.9	
1.41	64.9	72.4	79.9	86.2	93.7	101.2	108.7	123.7	131.2	138.7	153.7	168.7	183.7	213.7	243.7	273.7	303.7	
1.45	62.5	70.0	77.5	83.8	91.3	98.8	106.3	121.3	128.8	136.3	151.3	166.3	181.3	211.3	241.3	271.3	301.3	
1.46	65.3	72.8	80.3	86.5	94.0	101.6	109.1	124.1	131.6	139.1	154.1	169.1	184.1	214.1	244.1	274.1	304.1	
1.48	68.0	75.5	83.0	89.3	96.8	104.3	111.8	126.8	134.3	141.8	156.8	171.8	186.8	216.8	246.8	276.8	306.8	
1.48	56.1	63.7	71.2	77.4	85.0	92.5	100.0	115.0	122.5	130.0	145.0	160.0	175.0	205.0	235.0	265.0	295.0	
1.49	48.2	55.7	63.2	69.5	77.0	84.5	92.1	107.1	114.6	122.1	137.1	152.1	167.1	197.1	227.2	257.2	287.2	
	0.93	0.95	0.97	0.98	0.99	1.00	1.02	1.04	1.05	1.06	1.08	1.09	1.11	1.14	1.16	1.18	1.19	

NOTE: Selection program VIA-VISA available at www.ptwizard.com.



SELECTION

STOCK DRIVE SELECTIONS

D S-L CLASSIC

Ratio	Stock Shv. Datum Diam.		1160 RPM Driver		870 RPM Driver		690 RPM Driver		Belt Size/Center Distance					
	Driver	Driven	Driven RPM	HP/Belt D	Driven RPM	HP/Belt D	Driven RPM	HP/Belt D	D120	D128	D144	D158	D162	D173
1.50	14.50	22.00	775	43.24	581	37.14	461	31.75	32.8	36.8	44.8	51.9	53.9	59.4
1.51	13.00	20.00	766	37.16	574	31.65	456	26.99	35.6	39.6	47.6	54.6	56.6	62.1
1.55	14.00	22.00	749	41.38	562	35.42	446	30.24	33.1	37.2	45.2	52.2	54.2	59.8
1.60	13.50	22.00	724	39.44	543	33.65	430	28.71	33.5	37.5	45.6	52.6	54.6	60.1
1.63	12.00	20.00	710	33.00	532	27.99	422	23.85	36.3	40.3	48.4	55.4	57.4	62.9
ARC-LENGTH CORRECTION FACTOR -->									0.84	0.85	0.88	0.90	0.91	0.92
1.66	13.00	22.00	698	37.43	524	31.85	415	27.15	33.9	37.9	46.0	53.0	55.0	60.5
1.66	16.00	27.00	698	49.07	523	42.62	415	36.57	27.3	31.4	39.5	46.6	48.6	54.1
1.71	15.50	27.00	677	47.37	507	40.96	403	35.08	27.7	31.8	39.9	46.9	48.9	54.5
1.77	15.00	27.00	656	45.58	492	39.25	390	33.57	28.0	32.1	40.2	47.3	49.3	54.9
1.79	12.00	22.00	647	33.19	485	28.13	385	23.96	34.6	38.6	46.7	53.7	55.7	61.3
1.80	22.00	40.00	646	---	484	60.65	384	53.47	---	---	---	---	32.7	38.4
1.81	18.00	33.00	642	55.62	482	49.29	382	42.58	---	---	32.8	39.9	41.9	47.5
1.83	14.50	27.00	635	43.73	476	37.51	378	32.04	28.4	32.5	40.6	47.7	49.7	55.2
1.89	14.00	27.00	614	41.80	460	35.74	365	30.49	28.7	32.8	40.9	48.0	50.0	55.6
1.96	13.50	27.00	593	39.80	444	33.93	353	28.92	29.1	33.2	41.3	48.4	50.4	56.0
2.02	16.00	33.00	573	49.38	430	42.86	341	36.75	---	25.8	34.1	41.3	43.4	48.9
2.03	13.00	27.00	572	37.74	429	32.09	340	27.34	29.4	33.5	41.7	48.7	50.8	56.3
2.09	15.50	33.00	556	47.64	417	41.16	331	35.24	---	26.1	34.5	41.7	43.7	49.3
2.15	22.00	48.00	539	---	405	60.81	321	53.60	---	---	---	---	---	---
2.15	15.00	33.00	539	45.82	404	39.43	320	33.72	---	26.4	34.8	42.0	44.1	49.7
2.18	18.00	40.00	531	55.84	399	49.45	316	42.71	---	---	---	33.3	35.4	41.1
2.19	12.00	27.00	530	33.43	397	28.31	315	24.10	30.1	34.2	42.4	49.5	51.5	57.0
2.23	14.50	33.00	521	43.94	391	37.67	310	32.17	---	26.8	35.1	42.4	44.4	50.0
2.30	14.00	33.00	504	41.99	378	35.88	300	30.61	---	27.1	35.5	42.7	44.7	50.4
2.38	13.50	33.00	487	39.97	365	34.05	290	29.02	---	27.4	35.8	43.0	45.1	50.7
ARC-LENGTH CORRECTION FACTOR -->									0.80	0.82	0.86	0.88	0.89	0.90
2.45	16.00	40.00	474	49.53	356	42.96	282	36.84	---	---	---	34.6	36.7	42.5
2.47	13.00	33.00	470	37.89	352	32.19	279	27.42	23.4	27.7	36.2	43.4	45.4	51.1
2.52	15.50	40.00	460	47.77	345	41.26	274	35.32	---	---	---	34.9	37.1	42.8
2.59	22.00	58.00	447	---	336	60.89	266	53.67	---	---	---	---	---	---
2.60	15.00	40.00	446	45.94	334	39.52	265	33.78	---	---	27.6	35.3	37.4	43.2
2.61	18.00	48.00	444	55.94	333	49.53	264	42.77	---	---	---	---	---	---
2.67	12.00	33.00	435	33.54	326	28.39	259	24.16	24.0	28.4	36.8	44.1	46.1	51.8
2.69	14.50	40.00	431	44.04	324	37.75	257	32.23	---	---	28.0	35.6	37.7	43.5
2.78	14.00	40.00	417	42.08	313	35.95	248	30.66	---	---	28.3	35.9	38.0	43.8
2.88	13.50	40.00	403	40.05	302	34.11	240	29.07	---	---	28.6	36.2	38.4	44.2
ARC-LENGTH CORRECTION FACTOR -->									0.79	0.82	0.86	0.88	0.89	0.90
2.93	16.00	48.00	396	49.60	297	43.02	236	36.88	---	---	---	---	---	34.2
2.99	13.00	40.00	389	37.96	291	32.25	231	27.46	---	---	28.9	36.6	38.7	44.5
3.02	15.50	48.00	384	47.83	288	41.31	229	35.36	---	---	---	---	---	34.5
3.12	15.00	48.00	372	46.00	279	39.56	221	33.82	---	---	---	---	---	34.8
3.15	18.00	58.00	368	56.00	276	49.57	219	42.81	---	---	---	---	---	---
3.22	14.50	48.00	360	44.09	270	37.79	214	32.26	---	---	---	---	---	35.1
3.22	12.00	40.00	360	33.59	270	28.43	214	24.20	---	---	29.5	37.2	39.3	45.2
3.33	14.00	48.00	348	42.13	261	35.98	207	30.69	---	---	---	---	---	35.4
3.45	13.50	48.00	337	40.09	252	34.14	200	29.10	---	---	---	---	---	35.7
3.53	16.00	58.00	329	49.64	246	43.05	195	36.90	---	---	---	---	---	---
ARC-LENGTH CORRECTION FACTOR -->									---	---	0.75	0.81	0.82	0.85
3.57	13.00	48.00	325	38.00	243	32.28	193	27.49	---	---	---	---	---	36.0
3.64	15.50	58.00	319	47.87	239	41.34	190	35.38	---	---	---	---	---	---
3.76	15.00	58.00	309	46.03	232	39.59	184	33.84	---	---	---	---	---	---
3.86	12.00	48.00	301	33.63	226	28.45	179	24.22	---	---	---	---	30.2	36.6
3.88	14.50	58.00	299	44.13	224	37.81	178	32.28	---	---	---	---	---	---
4.01	14.00	58.00	289	42.16	217	36.00	172	30.71	---	---	---	---	---	---
4.16	13.50	58.00	279	40.12	209	34.17	166	29.11	---	---	---	---	---	---
4.31	13.00	58.00	269	38.02	202	32.30	160	27.50	---	---	---	---	---	---
4.65	12.00	58.00	249	33.65	187	28.47	148	24.23	---	---	---	---	---	---
ARC-LENGTH CORRECTION FACTOR -->									---	---	---	---	0.74	0.77

NOTE: Selection program VIA-VISA available at www.ptwizard.com.

V-Drives

FHP Drives

Drive Component Accessories

DYNA-SYNC

HT200/HTD Synchronous Drives

HT500 Synchronous Drives

Roller Chain Sprockets

SELECTION



D S-L CLASSIC

STOCK DRIVE SELECTIONS

Ratio	Belt Size/Center Distance																
	D180	D195	D210	D225	D240	D255	D270	D300	D315	D330	D360	D390	D420	D480	D540	D600	D660
1.50	62.9	70.4	77.9	84.9	91.7	99.2	106.7	121.7	129.2	136.7	151.7	166.7	181.7	211.7	241.7	271.7	301.7
1.51	65.7	73.2	80.7	86.9	94.4	101.9	109.4	124.4	131.9	139.5	154.5	169.5	184.5	214.5	244.5	274.5	304.5
1.55	63.3	70.8	78.3	84.5	92.1	99.6	107.1	122.1	129.6	137.1	152.1	167.1	182.1	212.1	242.1	272.1	302.1
1.60	63.6	71.2	78.7	84.9	92.4	99.9	107.4	122.5	130.0	137.5	152.5	167.5	182.5	212.5	242.5	272.5	302.5
1.63	66.4	73.9	81.4	87.7	95.2	102.7	110.2	125.2	132.7	140.2	155.2	170.2	185.2	215.2	245.2	275.3	305.3
	0.93	0.95	0.96	0.98	0.99	1.00	1.02	1.04	1.05	1.06	1.08	1.09	1.11	1.14	1.16	1.18	1.19
1.66	64.0	71.5	79.0	85.3	92.8	100.3	107.8	122.8	130.3	137.9	152.9	167.9	182.9	212.9	242.9	272.9	302.9
1.66	57.6	65.2	72.7	79.0	86.5	94.0	101.5	116.5	124.0	131.5	146.5	161.6	176.6	206.6	236.6	266.6	296.6
1.71	58.0	65.5	73.1	79.3	86.8	94.4	101.9	116.9	124.4	131.9	146.9	161.9	176.9	207.0	237.0	267.0	297.0
1.77	58.4	65.9	73.4	79.7	87.2	94.7	102.3	117.3	124.8	132.3	147.3	162.3	177.3	207.3	237.4	267.4	297.4
1.79	64.8	72.3	79.8	86.1	93.6	101.1	108.6	123.6	131.1	138.6	153.6	168.6	183.6	213.7	243.7	273.7	303.7
1.80	42.0	49.7	57.3	63.6	71.2	78.7	86.3	101.3	108.9	116.4	131.4	146.5	161.5	191.5	221.5	251.6	281.6
1.81	51.1	58.6	66.2	72.5	80.0	87.5	95.1	110.1	117.6	125.1	140.2	155.2	170.2	200.2	230.2	260.3	290.3
1.83	58.7	66.3	73.8	80.1	87.6	95.1	102.6	117.7	125.2	132.7	147.7	162.7	177.7	207.7	237.7	267.7	297.8
1.89	59.1	66.6	74.2	80.5	88.0	95.5	103.0	118.0	125.5	133.1	148.1	163.1	178.1	208.1	238.1	268.1	298.1
1.96	59.5	67.0	74.6	80.8	88.3	95.9	103.4	118.4	125.9	133.4	148.5	163.5	178.5	208.5	238.5	268.5	298.5
2.02	52.5	60.1	67.7	73.9	81.5	89.0	96.6	111.6	119.1	126.6	141.7	156.7	171.7	201.8	231.8	261.8	291.8
2.03	59.8	67.4	74.9	81.2	88.7	96.2	103.8	118.8	126.3	133.8	148.8	163.9	178.9	208.9	238.9	268.9	298.9
2.09	52.9	60.4	68.0	74.3	81.9	89.4	96.9	112.0	119.5	127.0	142.1	157.1	172.1	202.1	232.2	262.2	292.2
2.15	---	42.2	50.0	56.5	64.1	71.8	79.4	94.6	102.1	109.7	124.8	139.8	154.9	185.0	215.1	245.1	275.1
2.15	53.2	60.8	68.4	74.7	82.2	89.8	97.3	112.4	119.9	127.4	142.4	157.5	172.5	202.5	232.5	262.6	292.6
2.18	44.8	52.5	60.1	66.5	74.1	81.6	89.2	104.3	111.8	119.4	134.4	149.5	164.5	194.6	224.6	254.6	284.7
2.19	60.6	68.1	75.7	81.9	89.5	97.0	104.5	119.5	127.1	134.6	149.6	164.6	179.6	209.7	239.7	269.7	299.7
2.23	53.6	61.2	68.7	75.0	82.6	90.1	97.7	112.7	120.3	127.8	142.8	157.8	172.9	202.9	232.9	262.9	293.0
2.30	53.9	61.5	69.1	75.4	83.0	90.5	98.0	113.1	120.6	128.2	143.2	158.2	173.2	203.3	233.3	263.3	293.4
2.38	54.3	61.9	69.5	75.8	83.3	90.9	98.4	113.5	121.0	128.5	143.6	158.6	173.6	203.7	233.7	263.7	293.7
	0.91	0.93	0.95	0.96	0.98	0.99	1.00	1.03	1.04	1.05	1.07	1.09	1.10	1.13	1.16	1.18	1.19
2.45	46.1	53.9	61.5	67.9	75.5	83.1	90.6	105.8	113.3	120.8	135.9	151.0	166.0	196.1	226.1	256.2	286.2
2.47	54.6	62.2	69.8	76.1	83.7	91.2	98.8	113.9	121.4	128.9	143.9	159.0	174.0	204.0	234.1	264.1	294.1
2.52	46.5	54.2	61.9	68.2	75.8	83.4	91.0	106.1	113.7	121.2	136.3	151.3	166.4	196.5	226.5	256.5	286.6
2.59	---	---	---	46.6	54.6	62.5	70.3	85.7	93.4	101.0	116.2	131.4	146.5	176.7	206.8	236.9	267.0
2.60	46.8	54.5	62.2	68.6	76.2	83.8	91.4	106.5	114.0	121.6	136.7	151.7	166.8	196.8	226.9	256.9	287.0
2.61	36.8	44.8	52.7	59.2	66.9	74.6	82.2	97.4	105.0	112.6	127.7	142.8	157.9	188.0	218.1	248.1	278.2
2.67	55.3	62.9	70.5	76.9	84.4	92.0	99.5	114.6	122.1	129.6	144.7	159.7	174.8	204.8	234.8	264.9	294.9
2.69	47.1	54.9	62.6	68.9	76.6	84.2	91.7	106.9	114.4	122.0	137.0	152.1	167.1	197.2	227.3	257.3	287.3
2.78	47.5	55.2	62.9	69.3	76.9	84.5	92.1	107.2	114.8	122.3	137.4	152.5	167.5	197.6	227.6	257.7	287.7
2.88	47.8	55.6	63.3	69.6	77.3	84.9	92.5	107.6	115.1	122.7	137.8	152.8	167.9	198.0	228.0	258.1	288.1
	0.91	0.93	0.95	0.96	0.98	0.99	1.00	1.03	1.04	1.05	1.07	1.09	1.10	1.13	1.16	1.18	1.19
2.93	38.0	46.1	54.0	60.5	68.3	76.0	83.6	98.9	106.5	114.0	129.2	144.3	159.4	189.5	219.6	249.6	279.7
2.99	48.2	55.9	63.6	70.0	77.6	85.2	92.8	108.0	115.5	123.1	138.1	153.2	168.3	198.3	228.4	258.4	288.5
3.02	38.4	46.5	54.4	60.9	68.6	76.3	84.0	99.2	106.8	114.4	129.5	144.6	159.7	189.7	219.8	249.8	279.9
3.12	38.7	46.8	54.7	61.2	69.0	76.7	84.3	99.6	107.2	114.8	129.9	145.0	160.1	190.2	220.3	250.3	280.5
3.15	---	---	42.3	49.2	57.2	65.2	73.0	88.5	96.2	103.8	119.1	134.3	149.4	179.6	209.8	239.9	270.0
3.22	39.0	47.1	55.0	61.6	69.3	77.0	84.7	99.9	107.5	115.1	130.3	145.4	160.5	190.6	220.7	250.8	280.8
3.22	48.8	56.6	64.3	70.7	78.3	85.9	93.5	108.7	116.2	123.8	138.9	153.9	169.0	199.1	229.2	259.2	289.2
3.33	39.3	47.4	55.4	61.9	69.7	77.4	85.0	100.3	107.9	115.5	130.6	145.7	160.8	190.9	221.1	251.2	281.2
3.45	39.6	47.8	55.7	62.2	70.0	77.7	85.4	100.6	108.2	115.8	131.0	146.1	161.2	191.3	221.5	251.5	281.6
3.53	---	---	43.5	50.4	58.5	66.5	74.3	89.9	97.5	105.2	120.5	135.7	150.8	181.1	211.3	241.4	271.5
	0.86	0.89	0.91	0.93	0.95	0.97	0.98	1.01	1.02	1.03	1.05	1.07	1.09	1.12	1.15	1.17	1.18
3.57	39.9	48.1	56.0	62.6	70.3	78.1	85.7	101.0	108.6	116.2	131.3	146.5	161.6	191.7	221.8	251.9	282.0
3.64	---	---	43.8	50.8	58.9	66.8	74.7	90.2	97.9	105.6	120.8	136.0	151.2	181.5	211.6	241.8	271.9
3.76	---	---	44.1	51.1	59.2	67.2	75.0	90.5	98.2	105.9	121.2	136.4	151.6	181.8	212.0	242.1	272.2
3.86	40.6	48.7	56.7	63.2	71.0	78.7	86.4	101.7	109.3	116.9	132.1	147.2	162.3	192.5	222.6	252.7	282.7
3.88	---	---	44.4	51.4	59.5	67.5	75.3	90.9	98.6	106.3	121.5	136.8	151.9	182.2	212.4	242.5	272.6
4.01	---	---	44.7	51.7	59.8	67.8	75.7	91.2	98.9	106.6	121.9	137.1	152.3	182.6	212.7	242.9	273.0
4.16	---	36.2	45.0	52.0	60.2	68.1	76.0	91.6	99.3	107.0	122.2	137.5	152.7	182.9	213.1	243.3	273.4
4.31	---	36.5	45.3	52.3	60.5	68.5	76.3	91.9	99.6	107.3	122.6	137.8	153.0	183.3	213.5	243.6	273.7
4.65	---	37.1	45.9	53.0	61.1	69.1	77.0	92.6	100.3	108.0	123.3	138.5	153.7	184.0	214.2	244.4	274.5
	0.80	0.85	0.88	0.90	0.93	0.95	0.96	0.99	1.00	1.02	1.04	1.06	1.08	1.11	1.14	1.16	1.17

NOTE: Selection program VIA-VISA available at www.ptwizard.com.



SELECTION

A S-L CLASSIC

AX CLASSIC COG

Basic Horsepower Ratings

Faster Shaft RPM	Rated HP per Belt for Small Sheave Datum Dia.																							
	2.2		2.6		3.0		3.2		3.4		3.6		3.8		4.0		4.2		4.6		4.8		5.0	
	AX	AX	A	AX	A	AX	A	AX	A	AX	A	AX	A	AX	A	AX	A	AX	A	AX	A	AX	A	AX
870	1.02	1.40	1.31	1.78	1.51	1.96	1.71	2.14	1.91	2.32	2.10	2.50	2.30	2.68	2.49	2.86	2.87	3.20	3.06	3.38	3.25	3.55		
1160	1.22	1.70	1.62	2.18	1.87	2.41	2.13	2.64	2.38	2.87	2.63	3.10	2.88	3.32	3.13	3.55	3.62	3.98	3.85	4.20	4.10	4.42		
1750	1.52	2.21	2.13	2.87	2.50	3.20	2.86	3.52	3.21	3.83	3.57	4.15	3.92	4.46	4.26	4.77	4.94	5.37	5.28	5.67	5.61	5.96		
3500	1.97	3.14	3.02	4.26	3.63	4.80	4.22	5.34	4.80	5.86	5.36	6.37	5.91	6.88	6.44	7.37	7.44	8.32	7.92	8.78	8.38	9.23		
100	0.21	0.27	0.23	0.33	0.26	0.36	0.29	0.38	0.32	0.41	0.35	0.44	0.37	0.47	0.40	0.50	0.46	0.55	0.46	0.58	0.51	0.61		
200	0.36	0.47	0.42	0.57	0.47	0.63	0.52	0.68	0.57	0.73	0.63	0.78	0.68	0.83	0.73	0.88	0.83	0.99	0.88	1.04	0.93	1.09		
300	0.49	0.64	0.58	0.79	0.65	0.87	0.73	0.94	0.81	1.02	0.88	1.09	0.96	1.16	1.03	1.23	1.18	1.38	1.25	1.45	1.33	1.52		
400	0.60	0.80	0.72	0.99	0.82	1.09	0.92	1.18	1.02	1.28	1.12	1.37	1.22	1.46	1.31	1.56	1.50	1.74	1.60	1.83	1.70	1.92		
500	0.70	0.94	0.86	1.18	0.98	1.29	1.10	1.41	1.22	1.52	1.34	1.63	1.46	1.75	1.58	1.86	1.82	2.08	1.93	2.19	2.05	2.29		
600	0.80	1.08	0.99	1.35	1.14	1.49	1.28	1.62	1.42	1.75	1.56	1.88	1.70	2.01	1.84	2.14	2.11	2.40	2.25	2.53	2.39	2.65		
700	0.88	1.20	1.12	1.52	1.28	1.67	1.44	1.82	1.61	1.97	1.77	2.12	1.93	2.27	2.09	2.42	2.40	2.71	2.56	2.85	2.72	3.00		
800	0.97	1.32	1.23	1.67	1.42	1.84	1.60	2.01	1.78	2.18	1.97	2.35	2.15	2.52	2.33	2.68	2.68	3.00	2.86	3.17	3.03	3.32		
900	1.04	1.44	1.35	1.82	1.55	2.01	1.75	2.20	1.96	2.38	2.16	2.57	2.36	2.75	2.56	2.93	2.95	3.29	3.15	3.47	3.34	3.64		
1000	1.11	1.54	1.45	1.96	1.68	2.17	1.90	2.37	2.12	2.58	2.34	2.78	2.56	2.98	2.78	3.17	3.21	3.56	3.43	3.76	3.64	3.95		
1100	1.18	1.64	1.56	2.10	1.80	2.32	2.04	2.54	2.29	2.76	2.52	2.98	2.76	3.20	3.00	3.41	3.47	3.83	3.70	4.04	3.93	4.24		
1200	1.24	1.74	1.66	2.23	1.92	2.47	2.18	2.71	2.44	2.94	2.70	3.18	2.96	3.41	3.21	3.64	3.71	4.09	3.96	4.31	4.21	4.53		
1300	1.30	1.83	1.75	2.36	2.03	2.61	2.31	2.87	2.59	3.12	2.87	3.37	3.14	3.61	3.41	3.86	3.95	4.34	4.22	4.57	4.48	4.81		
1400	1.35	1.92	1.84	2.46	2.14	2.75	2.44	3.02	2.74	3.29	3.03	3.55	3.32	3.81	3.61	4.07	4.18	4.58	4.47	4.83	4.75	5.08		
1500	1.41	2.01	1.93	2.59	2.25	2.88	2.57	3.17	2.88	3.45	3.19	3.73	3.50	4.00	3.81	4.28	4.41	4.81	4.71	5.08	5.00	5.34		
1600	1.46	2.09	2.01	2.71	2.35	3.01	2.69	3.31	3.02	3.61	3.35	3.90	3.67	4.19	3.99	4.48	4.63	5.04	4.94	5.32	5.25	5.59		
1700	1.50	2.17	2.09	2.82	2.45	3.13	2.80	3.45	3.15	3.76	3.49	4.07	3.84	4.37	4.17	4.67	4.84	5.26	5.17	5.55	5.49	5.84		
1800	1.55	2.24	2.17	2.92	2.54	3.26	2.91	3.58	3.28	3.91	3.64	4.23	4.00	4.55	4.35	4.86	5.05	5.46	5.39	5.78	5.73	6.08		
1900	1.59	2.32	2.25	3.02	2.64	3.37	3.02	3.71	3.40	4.05	3.78	4.39	4.15	4.72	4.52	5.05	5.24	5.69	5.60	6.00	5.95	6.32		
2000	1.63	2.38	2.32	3.12	2.72	3.48	3.13	3.84	3.52	4.19	3.91	4.54	4.30	4.88	4.68	5.22	5.44	5.89	5.81	6.22	6.17	6.54		
2100	1.66	2.45	2.39	3.22	2.81	3.59	3.23	3.96	3.64	4.33	4.04	4.69	4.45	5.05	4.84	5.40	5.62	6.09	6.00	6.43	6.38	6.76		
2200	1.70	2.52	2.45	3.31	2.89	3.70	3.32	4.08	3.75	4.46	4.17	4.84	4.59	5.20	5.00	5.57	5.80	6.28	6.19	6.63	6.58	6.98		
2300	1.73	2.58	2.51	3.40	2.97	3.80	3.41	4.20	3.86	4.59	4.29	4.98	4.72	5.36	5.14	5.73	5.97	6.47	6.37	6.83	6.77	7.19		
2400	1.76	2.64	2.57	3.49	3.04	3.90	3.50	4.31	3.96	4.71	4.41	5.11	4.85	5.51	5.28	5.89	6.13	6.65	6.55	7.02	6.96	7.39		
2500	1.79	2.69	2.63	3.57	3.11	4.00	3.59	4.42	4.06	4.84	4.52	5.25	4.97	5.65	5.42	6.05	6.29	6.83	6.72	7.21	7.13	7.59		
2600	1.81	2.75	2.68	3.65	3.18	4.09	3.67	4.53	4.15	4.95	4.63	5.38	5.09	5.79	5.55	6.20	6.44	7.00	6.87	7.39	7.30	7.78		
2700	1.84	2.80	2.73	3.73	3.24	4.18	3.75	4.63	4.24	5.07	4.73	5.50	5.20	5.93	5.67	6.35	6.58	7.17	7.02	7.57	7.46	7.96		
2800	1.86	2.85	2.78	3.80	3.30	4.27	3.82	4.73	4.33	5.18	4.82	5.62	5.31	6.06	5.79	6.49	6.72	7.33	7.17	7.74	7.61	8.14		
2900	1.88	2.90	2.82	3.88	3.36	4.35	3.89	4.82	4.41	5.29	4.92	5.74	5.41	6.19	5.90	6.63	6.85	7.49	7.30	7.90	7.74	8.32		
3000	1.90	2.94	2.86	3.95	3.41	4.44	3.95	4.92	4.48	5.39	5.00	5.85	5.51	6.31	6.01	6.76	6.97	7.64	7.43	8.06	7.87	8.48		
3100	1.92	2.98	2.90	4.01	3.46	4.51	4.02	5.01	4.56	5.49	5.09	5.97	5.60	6.43	6.11	6.89	7.08	7.78	7.54	8.22	8.00	8.64		
3200	1.93	3.03	2.94	4.08	3.51	4.59	4.07	5.09	4.62	5.59	5.16	6.07	5.69	6.55	6.20	7.02	7.18	7.93	7.65	8.37	8.11	8.80		
3300	1.95	3.06	2.97	4.14	3.55	4.66	4.13	5.18	4.69	5.68	5.23	6.18	5.77	6.66	6.28	7.14	7.28	8.06	7.75	8.51	8.21	8.95		
3400	1.96	3.10	3.00	4.20	3.59	4.74	4.18	5.26	4.75	5.77	5.30	6.28	5.84	6.77	6.36	7.25	7.36	8.19	7.84	8.65	8.30	9.10		
3500	1.97	3.14	3.02	4.26	3.63	4.80	4.22	5.34	4.80	5.86	5.36	6.37	5.91	6.88	6.44	7.37	7.44	8.32	7.92	8.78	8.38	9.23		
3600	1.98	3.17	3.04	4.31	3.56	4.87	4.26	5.41	4.85	5.94	5.42	6.47	5.97	6.98	6.50	7.48	7.51	8.44	7.99	8.91	8.45	9.37		
3700	1.99	3.20	3.06	4.37	3.69	4.93	4.30	5.49	4.89	6.03	5.47	6.56	6.02	7.07	6.56	7.58	7.57	8.56	8.05	9.03	8.50	9.50		
3800	1.99	3.23	3.08	4.42	3.71	4.99	4.33	5.55	4.93	6.10	5.51	6.64	6.07	7.17	6.61	7.68	7.63	8.67	8.10	9.15	8.55	9.62		
3900	2.00	3.26	3.09	4.47	3.74	5.05	4.36	5.62	4.97	6.18	5.55	6.73	6.11	7.26	6.65	7.78	7.67	8.78	8.14	9.26	8.59	9.73		
4000	2.00	3.29	3.10	4.51	3.75	5.11	4.38	5.69	4.99	6.25	5.58	6.81	6.15	7.34	6.69	7.87	7.70	8.88	8.17	9.37	8.61	9.84		

NOTE: Selection program VIA-VISA available at www.ptwizard.com.

SELECTION



A S-L CLASSIC

AX CLASSIC COG

Basic Horsepower Ratings

Faster Shaft RPM	Rated HP per Belt for Small Sheave Datum Dia.												Add'l HP/Belt for Speed Ratio of:										
	5.2		5.6		5.8		6.0		6.4		6.6		7.0		1.02	1.05	1.09	1.13	1.19	1.25	1.35	1.52	2.00
	A	AX	A	AX	A	AX	A	AX	A	AX	A	AX	A	AX	1.04	1.08	1.12	1.18	1.24	1.34	1.51	1.99	& up
870	3.44	3.72	3.81	4.05	3.99	4.22	4.18	4.38	4.54	4.71	4.72	4.87	5.08	5.19	0.03	0.05	0.08	0.10	0.13	0.15	0.16	0.20	0.23
1160	4.34	4.63	4.81	5.05	5.04	5.26	5.28	5.47	5.74	5.87	5.96	6.08	6.42	6.48	0.03	0.06	0.10	0.13	0.17	0.20	0.21	0.26	0.29
1750	5.94	6.25	6.59	6.83	6.90	7.11	7.22	7.39	7.84	7.94	8.14	8.21	8.73	8.75	0.04	0.09	0.15	0.20	0.26	0.30	0.35	0.40	0.44
3500	8.82	9.68	9.64	10.53	10.02	10.94	10.38	11.34	11.03	12.10	11.32	12.47	---	---	0.08	0.19	0.31	0.41	0.52	0.60	0.70	0.79	0.87
100	0.54	0.63	0.59	0.69	0.62	0.71	0.64	0.74	0.70	0.79	0.72	0.82	0.78	0.87	0.00	0.01	0.01	0.01	0.01	0.02	0.02	0.02	0.02
200	0.98	1.13	1.09	1.23	1.14	1.28	1.19	1.33	1.29	1.43	1.34	1.47	1.43	1.57	0.00	0.01	0.02	0.02	0.03	0.03	0.04	0.04	0.05
300	1.40	1.59	1.54	1.73	1.62	1.79	1.69	1.86	1.83	2.00	1.90	2.07	2.05	2.20	0.01	0.02	0.03	0.03	0.04	0.05	0.05	0.06	0.06
400	1.79	2.01	1.98	2.18	2.07	2.27	2.17	2.36	2.35	2.53	2.44	2.62	2.63	2.79	0.01	0.02	0.03	0.04	0.06	0.07	0.08	0.09	0.09
500	2.16	2.40	2.39	2.62	2.51	2.72	2.62	2.83	2.85	3.03	2.96	3.14	3.18	3.34	0.01	0.03	0.04	0.06	0.07	0.08	0.10	0.11	0.12
600	2.52	2.78	2.79	3.03	2.93	3.15	3.06	3.27	3.33	3.51	3.46	3.63	3.72	3.87	0.01	0.03	0.05	0.07	0.09	0.10	0.12	0.13	0.15
700	2.87	3.14	3.18	3.42	3.33	3.56	3.49	3.70	3.79	3.97	3.94	4.11	4.24	4.38	0.02	0.04	0.06	0.08	0.10	0.12	0.14	0.16	0.17
800	3.21	3.48	3.55	3.80	3.73	3.95	3.90	4.11	4.24	4.41	4.41	4.56	4.74	4.86	0.02	0.04	0.07	0.09	0.12	0.14	0.16	0.18	0.20
900	3.53	3.82	3.92	4.16	4.11	4.33	4.30	4.50	4.67	4.84	4.86	5.00	5.23	5.33	0.02	0.05	0.08	0.10	0.13	0.15	0.18	0.20	0.22
1000	3.85	4.14	4.27	4.51	4.48	4.70	4.68	4.88	5.09	5.25	5.29	5.43	5.70	5.78	0.02	0.05	0.09	0.11	0.15	0.17	0.20	0.22	0.25
1100	4.16	4.45	4.61	4.85	4.83	5.05	5.06	5.25	5.50	5.64	5.72	5.84	6.15	6.22	0.02	0.06	0.09	0.13	0.16	0.19	0.22	0.25	0.27
1200	4.45	4.75	4.94	5.18	5.18	5.40	5.42	5.61	5.89	6.03	6.13	6.23	6.59	6.64	0.03	0.06	0.10	0.14	0.18	0.21	0.24	0.27	0.29
1300	4.74	5.04	5.26	5.50	5.52	5.73	5.77	5.95	6.27	6.40	6.52	6.62	7.01	7.05	0.03	0.07	0.11	0.15	0.19	0.22	0.26	0.29	0.32
1400	5.02	5.32	5.57	5.81	5.84	6.05	6.11	6.29	6.64	6.76	6.91	6.99	7.42	7.45	0.03	0.07	0.12	0.16	0.21	0.24	0.28	0.31	0.35
1500	5.30	5.60	5.88	6.11	6.16	6.37	6.44	6.62	7.00	7.11	7.28	7.35	7.82	7.84	0.03	0.08	0.13	0.17	0.22	0.26	0.30	0.33	0.37
1600	5.56	5.87	6.17	6.40	6.47	6.67	6.76	6.93	7.34	7.45	7.63	7.71	8.20	8.21	0.04	0.08	0.14	0.19	0.24	0.27	0.32	0.36	0.40
1700	5.82	6.13	6.45	6.69	6.76	6.97	7.07	7.24	7.68	7.78	7.97	8.05	8.56	8.57	0.04	0.09	0.15	0.20	0.25	0.29	0.34	0.38	0.42
1800	6.06	6.38	6.72	6.96	7.04	7.25	7.36	7.54	7.99	8.10	8.30	8.38	8.90	8.92	0.04	0.09	0.16	0.21	0.27	0.31	0.36	0.41	0.45
1900	6.30	6.62	6.98	7.23	7.32	7.53	7.65	7.83	8.30	8.41	8.61	8.70	9.23	9.26	0.04	0.10	0.17	0.22	0.28	0.32	0.38	0.43	0.47
2000	6.53	6.86	7.23	7.49	7.58	7.80	7.92	8.11	8.59	8.71	8.91	9.01	9.55	9.59	0.05	0.11	0.18	0.23	0.29	0.34	0.40	0.45	0.49
2100	6.75	7.10	7.48	7.75	7.83	8.07	8.18	8.38	8.86	9.00	9.19	9.31	9.84	9.90	0.05	0.11	0.19	0.24	0.31	0.36	0.42	0.47	0.52
2200	6.96	7.32	7.71	7.99	8.07	8.32	8.43	8.65	9.12	9.28	9.46	9.60	10.12	10.21	0.05	0.12	0.20	0.26	0.32	0.38	0.44	0.49	0.55
2300	7.16	7.54	7.93	8.23	8.30	8.57	8.66	8.90	9.37	9.56	9.71	9.88	10.38	10.50	0.05	0.12	0.21	0.27	0.34	0.40	0.46	0.51	0.57
2400	7.36	7.75	8.14	8.46	8.51	8.81	8.88	9.15	9.60	9.82	9.95	10.15	10.62	10.79	0.05	0.13	0.21	0.28	0.36	0.42	0.46	0.54	0.60
2500	7.54	7.96	8.33	8.68	8.72	9.04	9.09	9.39	9.82	10.07	10.17	10.41	10.83	11.06	0.05	0.13	0.22	0.29	0.37	0.43	0.49	0.56	0.62
2600	7.71	8.16	8.52	8.90	8.91	9.26	9.29	9.62	10.02	10.32	10.37	10.56	11.03	11.32	0.06	0.14	0.23	0.30	0.39	0.45	0.51	0.58	0.65
2700	7.88	8.35	8.69	9.11	9.09	9.48	9.47	9.84	10.20	10.55	10.55	10.90	11.21	11.57	0.06	0.14	0.24	0.31	0.40	0.46	0.53	0.61	0.67
2800	8.03	8.54	8.86	9.31	9.25	9.69	9.63	10.06	10.37	10.78	10.71	11.13	11.37	11.81	0.06	0.15	0.25	0.32	0.42	0.46	0.56	0.63	0.69
2900	8.18	8.72	9.01	9.51	9.40	9.89	9.79	10.27	10.52	11.00	10.86	11.35	11.51	12.04	0.06	0.16	0.26	0.33	0.43	0.48	0.58	0.65	0.71
3000	8.31	8.89	9.14	9.69	9.54	10.08	9.92	10.47	10.65	11.21	10.99	11.57	11.62	12.26	0.07	0.16	0.27	0.35	0.45	0.51	0.60	0.67	0.74
3100	8.43	9.06	9.27	9.88	9.67	10.27	10.05	10.66	10.76	11.40	11.10	11.77	11.71	12.47	0.07	0.17	0.27	0.36	0.47	0.53	0.62	0.69	0.77
3200	8.55	9.23	9.38	10.05	9.78	10.45	10.15	10.84	10.86	11.59	11.18	11.96	11.78	12.66	0.07	0.17	0.28	0.37	0.48	0.55	0.64	0.72	0.08
3300	8.65	9.38	9.38	10.22	9.87	10.62	10.24	11.01	10.93	11.77	11.25	12.14	11.83	12.84	0.07	0.18	0.27	0.38	0.49	0.57	0.66	0.74	0.82
3400	8.74	9.53	9.57	10.38	9.95	10.78	10.32	11.18	10.99	10.94	11.30	12.31	11.85	13.02	0.08	0.19	0.30	0.40	0.50	0.59	0.68	0.76	0.84
3500	8.82	9.68	9.64	10.53	10.02	10.94	10.38	11.34	11.03	12.10	11.32	12.47	---	---	0.08	0.20	0.31	0.41	0.51	0.60	0.70	0.79	0.86
3600	8.88	9.81	9.69	10.67	10.07	11.08	10.42	11.49	11.05	12.26	11.33	12.62	---	---	0.08	0.20	0.32	0.42	0.53	0.62	0.72	0.81	0.89
3700	8.94	9.94	9.74	10.81	10.10	11.22	10.44	11.63	11.04	12.40	---	---	---	---	0.08	0.21	0.33	0.43	0.55	0.64	0.74	0.83	0.91
3800	8.98	10.07	9.76	10.94	10.12	11.36	10.45	11.76	---	---	---	---	---	---	0.09	0.21	0.34	0.44	0.56	0.66	0.76	0.85	0.94
3900	9.01	10.19	9.78	11.06	10.12	11.48	10.43	11.88	---	---	---	---	---	---	0.09	0.22	0.35	0.45	0.58	0.67	0.78	0.87	0.97
4000	9.03	10.30	9.77	11.18	10.10	11.60	---	---	---	---	---	---	---	---	0.09	0.22	0.35	0.47	0.60	0.69	0.80	0.90	1.00



Note: Shaded area indicates operation above 6500 FPM rim speed. Special sheave construction required.

NOTE: Selection program VIA-VISA available at www.ptwizard.com.



SELECTION

Basic Horsepower Ratings

B	S-L CLASSIC	BX	CLASSIC COG
----------	--------------------	-----------	--------------------

Faster Shaft RPM	Rated HP per Belt for Small Sheave Datum Dia.																			
	3.4		3.6		3.8		4.0		4.2		4.4		4.6		5.0		5.4		5.6	
	B	BX	B	BX	B	BX	B	BX	B	BX	B	BX	B	BX	B	BX	B	BX	B	BX
870	1.42	3.01	1.73	3.27	2.04	3.53	2.35	3.79	2.66	4.04	2.96	4.30	3.27	4.55	3.87	5.04	4.47	5.53	4.76	5.78
1160	1.65	3.72	2.05	4.06	2.45	4.38	2.84	4.71	3.24	5.03	3.63	5.35	4.02	5.67	4.78	6.29	5.54	6.91	5.92	7.21
1750	1.92	4.96	2.48	5.42	3.05	5.87	3.60	6.32	4.15	6.76	4.70	7.20	5.23	7.63	6.30	8.47	7.33	9.29	7.84	9.69
3500	1.37	7.27	2.27	7.96	3.16	8.64	4.01	9.28	4.84	9.91	5.64	10.51	6.41	11.08	7.87	12.14	92.0	13.10	9.82	13.53
100	0.31	0.53	0.36	0.56	0.40	0.60	0.44	0.64	0.49	0.68	0.53	0.72	0.57	0.76	0.56	0.84	0.75	0.91	0.79	0.95
200	0.53	0.94	0.61	1.01	0.70	1.08	0.78	1.16	0.86	1.23	0.94	1.30	1.02	1.37	1.19	1.51	1.35	1.65	1.43	1.72
300	0.71	1.30	0.83	1.41	0.95	1.51	1.07	1.62	1.19	1.72	1.31	1.82	1.43	1.92	1.66	2.13	1.89	2.33	2.01	2.42
400	0.87	1.64	1.03	1.78	1.18	1.91	1.34	2.05	1.49	2.18	1.64	2.31	1.80	2.44	2.10	2.70	2.40	2.95	2.55	3.08
500	1.01	1.96	1.20	2.13	1.39	2.29	1.58	2.45	1.77	2.61	1.96	2.77	2.14	2.93	2.51	3.24	2.88	3.55	3.06	3.70
600	1.14	2.26	1.36	2.45	1.59	2.64	1.81	2.83	2.03	3.02	2.25	3.20	2.47	3.39	2.90	3.75	3.33	4.11	3.55	4.29
700	1.25	2.55	1.51	2.77	1.76	2.98	2.02	3.20	2.27	3.41	2.53	3.62	2.78	3.83	3.28	4.25	3.77	4.66	4.01	4.86
800	1.35	2.82	1.64	3.07	1.93	3.31	2.22	3.55	2.50	3.79	2.79	4.02	3.07	4.26	3.63	4.72	4.18	5.18	4.46	5.41
900	1.45	3.09	1.77	3.36	2.09	3.62	2.41	3.89	2.72	4.15	3.04	4.41	3.35	4.67	3.97	5.18	4.58	5.68	4.89	5.93
1000	1.53	3.34	1.88	3.63	2.23	3.92	2.58	4.21	2.93	4.50	3.27	4.78	3.62	5.06	4.29	5.62	4.96	6.17	5.30	6.44
1100	1.61	3.58	1.99	3.90	2.37	4.21	2.75	4.53	3.12	4.84	3.50	5.14	3.87	5.44	4.60	6.04	5.33	6.63	5.69	6.92
1200	1.67	3.82	2.09	4.16	2.50	4.50	2.90	4.83	3.31	5.16	3.71	5.49	4.11	5.81	4.90	6.45	5.68	7.08	6.07	7.40
1300	1.73	4.04	2.18	4.41	2.62	4.77	3.05	5.12	3.48	5.47	3.91	5.82	4.34	6.17	5.18	6.85	6.02	7.52	6.43	7.85
1400	1.79	4.26	2.26	4.65	2.73	5.03	3.19	5.40	3.65	5.78	4.11	6.15	4.56	6.51	5.45	7.23	6.33	7.94	6.77	8.29
1500	1.83	4.47	2.33	4.88	2.83	5.28	3.32	5.68	3.80	6.07	4.29	6.46	4.77	6.85	5.71	7.60	6.64	8.34	7.10	8.71
1600	1.87	4.67	2.40	5.10	2.92	5.52	3.44	5.94	3.95	6.35	4.46	6.76	4.96	7.17	5.95	7.96	6.93	8.73	7.41	9.11
1700	1.90	4.87	2.46	5.32	3.01	5.76	3.55	6.20	4.09	6.63	4.62	7.05	5.15	7.48	6.19	8.30	7.20	9.11	7.70	9.50
1800	1.93	5.06	2.51	5.53	3.08	5.99	3.65	6.44	4.21	6.89	4.77	7.34	5.32	7.77	6.40	8.63	7.46	9.46	7.98	9.87
1900	1.95	5.24	2.55	5.73	3.15	6.21	3.74	6.68	4.33	7.15	4.91	7.61	5.48	8.06	6.61	8.95	7.70	9.81	8.24	10.23
2000	1.96	5.42	2.59	5.92	3.21	6.42	3.83	6.91	4.44	7.39	5.04	7.87	5.63	8.34	6.80	9.25	7.93	10.14	8.49	10.57
2100	1.97	5.58	2.62	6.11	3.27	6.62	3.91	7.13	4.54	7.63	5.16	8.12	5.77	8.60	6.97	9.54	8.14	10.45	8.71	10.89
2200	1.97	5.75	2.65	6.29	3.31	6.82	3.97	7.34	4.63	7.85	5.27	8.36	5.90	8.85	7.14	9.82	8.34	10.75	8.92	11.20
2300	1.96	5.90	2.66	6.46	3.35	7.00	4.03	7.54	4.70	8.07	5.36	8.59	6.02	9.09	7.29	10.08	8.51	11.03	9.11	11.49
2400	1.95	6.05	2.67	6.62	3.38	7.18	4.08	7.74	4.77	8.28	5.45	8.81	6.12	9.33	7.42	10.33	8.67	11.29	9.28	11.76
2500	1.93	6.19	2.67	6.78	3.40	7.36	4.12	7.92	4.83	8.47	5.53	9.02	6.21	9.54	7.54	10.57	8.82	11.54	9.44	12.01
2600	1.90	6.33	2.67	6.93	3.42	7.52	4.16	8.10	4.88	8.66	5.59	9.21	6.29	9.75	7.65	10.79	8.94	11.78	9.57	12.25
2700	1.87	6.46	2.65	7.08	3.42	7.68	4.18	8.27	4.92	8.84	5.65	9.40	6.36	9.95	7.74	11.00	9.05	11.99	9.68	12.47
2800	1.83	6.58	2.63	7.21	3.42	7.83	4.19	8.42	4.95	9.01	5.69	9.58	6.41	10.13	7.81	11.20	9.14	12.19	9.78	12.67
2900	1.78	6.70	2.60	7.34	3.41	7.97	4.20	8.57	4.97	9.17	5.72	9.74	6.45	10.30	7.87	11.38	9.21	12.38	9.85	12.85
3000	1.73	6.81	2.57	7.46	3.39	8.10	4.19	8.72	4.97	9.32	5.74	9.90	6.48	10.46	7.91	11.54	9.26	12.54	9.90	13.02
3100	1.67	6.92	2.53	7.58	3.36	8.22	4.17	8.85	4.97	9.45	5.74	10.04	6.50	10.61	7.94	11.69	9.29	12.69	9.93	13.16
3200	1.61	7.01	2.47	7.68	3.32	8.34	4.15	8.97	4.95	9.58	5.74	10.18	6.50	10.75	7.95	11.83	9.30	12.82	9.93	13.28
3300	1.53	7.10	2.42	7.78	3.28	8.45	4.11	9.08	4.93	9.70	5.72	10.30	6.48	10.87	7.94	11.95	9.29	12.93	9.92	13.39
3400	1.45	7.19	2.35	7.88	3.22	8.54	4.07	9.19	4.89	9.81	5.69	10.41	6.46	10.98	7.91	12.05	9.25	13.03	9.88	13.47
3500	1.37	7.27	2.27	7.96	3.16	8.64	4.01	9.28	4.84	9.91	5.64	10.51	6.41	11.08	7.87	12.14	9.20	13.10	9.82	13.53
3600	1.27	7.34	2.19	8.04	3.08	8.72	3.95	9.37	4.78	9.99	5.58	10.59	6.36	11.16	7.81	12.22	9.12	13.15	9.73	13.58
3700	1.17	7.40	2.10	8.11	3.00	8.79	3.87	9.44	4.71	10.07	5.51	10.67	6.29	11.23	7.73	12.27	9.03	13.19	9.62	13.59
3800	1.06	7.46	2.00	8.17	2.91	8.86	3.78	9.51	4.62	10.13	5.43	10.73	6.20	11.29	7.63	12.31	8.90	13.20	9.46	13.59
3900	0.94	7.51	1.89	8.23	2.80	8.91	3.68	9.57	4.52	10.19	5.33	10.78	6.10	11.33	7.51	12.34	8.76	13.20	9.32	13.57
4000	0.82	7.55	1.77	8.27	2.69	8.96	3.57	9.61	4.41	10.23	5.22	10.81	5.98	11.36	7.37	12.34	8.59	13.17	9.13	13.52

NOTE: Selection program VIA-VISA available at www.ptwizard.com.

V-Drives

FHP Drives

Drive Component Accessories

DYNA-SYNC

HT200/HTD Synchronous Drives

HT500 Synchronous Drives

Roller Chain Sprockets

SELECTION



B S-L CLASSIC

BX CLASSIC COG

Basic Horsepower Ratings

Faster Shaft RPM	Rated HP per Belt for Small Sheave Datum Dia.														Add'l HP/Belt for Speed Ratio of:									
	6.0		6.4		6.8		7.4		8.0		8.6		9.4		1.02	1.05	1.09	1.13	1.19	1.25	1.35	1.52	2.00	
	B	BX	B	BX	B	BX	B	BX	B	BX	B	BX	B	BX	1.04	1.08	1.12	1.18	1.24	1.34	1.51	1.99	& up	
870	5.35	6.26	5.93	6.73	6.50	7.20	7.36	7.89	8.19	8.56	9.02	9.23	10.10	10.09	0.04	0.01	0.17	0.22	0.28	0.32	0.38	0.42	0.47	
1160	6.66	7.81	7.39	8.40	8.12	8.97	9.18	9.82	10.23	10.65	11.25	11.45	12.58	12.49	0.06	0.14	0.22	0.29	0.38	0.43	0.50	0.56	0.63	
1750	8.85	10.47	9.83	11.24	10.78	11.98	12.17	13.04	13.50	14.06	14.77	15.02	16.36	16.21	0.09	0.20	0.34	0.44	0.66	0.56	0.70	0.79	0.88	
3500	10.95	14.31	11.94	14.97	---	---	---	---	---	---	---	---	---	---	0.18	0.42	0.68	0.89	1.13	1.32	1.52	1.71	1.89	
100	0.87	1.03	0.96	1.10	1.04	1.18	1.17	1.29	1.29	1.40	1.42	1.51	1.58	1.65	0.00	0.01	0.02	0.02	0.03	0.03	0.04	0.05	0.05	
200	1.59	1.86	1.75	2.09	1.90	2.14	2.14	2.34	2.37	2.54	2.60	2.74	2.91	3.09	0.01	0.02	0.04	0.05	0.06	0.07	0.08	0.09	0.10	
300	2.24	2.62	2.47	2.82	2.69	3.01	3.03	3.30	3.37	3.58	3.70	3.86	4.14	4.23	0.01	0.03	0.05	0.07	0.09	0.11	0.13	0.15	0.16	
400	2.85	3.33	3.14	3.58	3.44	3.83	3.87	4.20	4.31	4.56	4.74	4.92	5.30	5.39	0.02	0.04	0.07	0.10	0.11	0.15	0.17	0.19	0.21	
500	3.42	4.01	3.79	4.31	4.14	4.61	4.67	5.05	5.20	5.49	5.72	5.92	6.41	6.48	0.02	0.06	0.09	0.12	0.16	0.19	0.21	0.24	0.27	
600	3.98	4.65	4.40	5.09	4.82	5.35	5.44	5.86	6.06	6.37	6.67	6.87	7.47	7.52	0.03	0.07	0.12	0.15	0.19	0.22	0.26	0.29	0.32	
700	4.50	5.26	4.98	5.66	5.46	6.06	6.17	6.64	6.88	7.21	7.57	7.77	8.48	8.51	0.03	0.08	0.14	0.17	0.22	0.26	0.30	0.34	0.38	
800	5.01	5.86	5.55	6.30	6.08	6.74	6.88	7.38	7.66	8.02	8.44	8.64	9.45	9.46	0.04	0.09	0.16	0.20	0.26	0.30	0.34	0.39	0.43	
900	5.49	6.42	6.09	6.91	6.68	7.39	7.56	8.10	8.42	8.79	9.27	9.47	10.38	10.36	0.04	0.11	0.17	0.23	0.29	0.33	0.39	0.44	0.49	
1000	5.96	6.97	6.61	7.50	7.25	8.02	8.20	8.78	9.14	9.53	10.06	10.26	11.26	11.21	0.05	0.12	0.19	0.25	0.32	0.37	0.43	0.49	0.54	
1100	6.40	7.50	7.11	8.07	7.80	8.62	8.82	9.44	9.83	10.24	10.81	11.02	12.10	12.02	0.05	0.11	0.21	0.28	0.35	0.41	0.47	0.54	0.59	
1200	6.83	8.01	7.58	8.61	8.32	9.20	9.42	10.07	10.49	10.92	11.53	11.74	12.89	12.79	0.06	0.14	0.23	0.30	0.39	0.45	0.52	0.58	0.65	
1300	7.24	8.50	8.04	9.14	8.83	9.76	9.98	10.67	11.11	11.56	12.21	12.42	13.63	13.52	0.06	0.15	0.25	0.33	0.42	0.49	0.56	0.64	0.70	
1400	7.63	8.97	8.47	9.64	9.30	10.29	10.52	11.25	11.70	12.17	12.85	13.06	14.33	14.20	0.07	0.16	0.27	0.35	0.45	0.53	0.60	0.68	0.76	
1500	8.00	9.42	8.89	10.12	9.76	10.80	11.03	11.80	12.26	12.75	13.45	13.67	14.98	14.83	0.07	0.18	0.29	0.38	0.48	0.56	0.65	0.73	0.81	
1600	8.35	9.85	9.28	10.58	10.19	11.29	11.51	12.32	12.78	13.30	14.01	14.24	15.57	15.42	0.08	0.19	0.31	0.41	0.52	0.60	0.69	0.78	0.86	
1700	8.69	10.27	9.65	11.02	10.59	11.75	11.96	12.81	13.27	13.81	14.53	14.77	16.11	15.96	0.08	0.20	0.33	0.43	0.55	0.64	0.74	0.83	0.92	
1800	9.00	10.67	10.09	11.44	10.97	12.19	12.37	13.27	13.72	14.29	15.00	15.25	16.60	16.44	0.09	0.21	0.35	0.45	0.58	0.68	0.78	0.88	0.97	
1900	9.30	11.05	10.32	11.84	11.32	12.61	12.76	13.70	14.13	14.74	15.42	15.70	17.03	16.88	0.10	0.22	0.37	0.48	0.61	0.71	0.82	0.93	1.03	
2000	9.57	11.41	10.63	12.22	11.65	13.00	13.11	14.11	14.50	15.14	15.80	16.10	17.39	17.26	0.10	0.24	0.39	0.51	0.65	0.75	0.87	0.97	1.08	
2100	9.83	11.75	10.91	12.57	11.95	13.36	13.43	14.48	14.83	15.52	16.13	16.47	17.70	17.59	0.11	0.25	0.41	0.53	0.68	0.79	0.91	1.03	1.14	
2200	10.06	12.07	11.16	12.91	12.22	13.70	13.72	14.82	15.11	15.85	16.40	16.78	17.94	17.85	0.11	0.26	0.42	0.56	0.71	0.82	0.95	1.08	1.19	
2300	10.27	12.37	11.39	13.21	12.46	14.02	13.97	15.13	15.36	16.14	16.63	17.05	18.12	18.08	0.12	0.27	0.44	0.58	0.74	0.86	1.09	1.12	1.24	
2400	10.46	12.65	11.59	13.50	12.67	14.30	14.18	15.41	15.56	16.40	16.80	17.27	18.22	18.23	0.12	0.28	0.46	0.61	0.78	0.90	1.02	1.18	1.30	
2500	10.63	12.91	11.77	13.76	12.85	14.56	14.35	15.65	15.71	16.61	16.91	17.44	18.26	18.32	0.12	0.29	0.48	0.63	0.83	0.93	1.08	1.22	1.35	
2600	10.78	13.15	11.92	14.00	13.00	14.79	14.49	15.86	15.81	16.79	16.96	17.56	---	---	0.13	0.31	0.50	0.56	0.84	0.97	1.13	1.27	1.41	
2700	10.90	13.37	12.04	14.22	13.11	14.99	14.58	16.03	15.86	16.92	16.96	17.63	---	---	0.13	0.32	0.52	0.68	0.87	1.01	1.17	1.32	1.46	
2800	10.99	13.57	12.14	14.40	13.20	15.17	14.63	16.17	15.87	17.00	16.42	17.74	---	---	0.14	0.33	0.54	0.71	0.91	1.05	1.21	1.37	1.51	
2900	11.07	13.75	12.20	14.57	13.25	15.31	14.64	16.27	15.82	17.04	---	---	---	---	0.14	0.34	0.56	0.73	0.94	1.09	1.25	1.42	1.56	
3000	11.11	13.90	12.24	14.70	13.26	15.42	14.61	16.33	15.81	17.09	---	---	---	---	0.15	0.36	0.58	0.76	0.97	1.12	1.30	1.47	1.62	
3100	11.13	14.06	12.24	14.81	13.24	15.50	14.53	16.36	---	---	---	---	---	---	0.15	0.37	0.60	0.78	0.99	1.14	1.34	1.51	1.67	
3200	11.13	14.14	12.21	14.90	13.18	15.55	14.41	16.34	---	---	---	---	---	---	0.16	0.38	0.62	0.81	1.02	1.19	1.39	1.56	1.73	
3300	11.10	14.22	12.15	14.95	13.09	15.57	---	---	---	---	---	---	---	---	0.16	0.39	0.64	0.83	1.06	1.23	1.43	1.61	1.77	
3400	11.04	14.28	12.06	14.98	12.95	15.55	---	---	---	---	---	---	---	---	0.17	0.40	0.66	0.85	1.10	1.28	1.47	1.56	1.84	
3500	10.95	15.31	11.94	14.97	---	---	---	---	---	---	---	---	---	---	0.17	0.41	0.68	0.89	1.12	1.31	1.51	1.71	1.89	
3600	10.83	14.32	11.78	14.94	---	---	---	---	---	---	---	---	---	---	0.18	0.43	0.70	0.92	1.15	1.35	1.56	1.76	1.95	
3700	10.68	14.31	---	---	---	---	---	---	---	---	---	---	---	---	0.18	0.44	0.71	0.94	1.19	1.39	1.61	1.81	2.01	
3800	10.50	14.26	---	---	---	---	---	---	---	---	---	---	---	---	0.19	0.45	0.73	0.96	1.23	1.43	1.66	1.86	2.06	
3900	10.30	14.19	---	---	---	---	---	---	---	---	---	---	---	---	0.19	0.46	0.74	0.99	1.27	1.47	1.70	1.91	2.11	
4000	---	---	---	---	---	---	---	---	---	---	---	---	---	---	0.20	0.47	0.76	1.02	1.30	1.50	1.74	1.96	2.16	



Note: Shaded area indicates operation above 6500 FPM rim speed. Special sheave construction required.

NOTE: Selection program VIA-VISA available at www.ptwizard.com.



SELECTION

Basic Horsepower Ratings

C	S-L CLASSIC	CX	CLASSIC COG
----------	--------------------	-----------	--------------------

Faster Shaft RPM	Rated HP per Belt for Small Sheave Datum Dia.																			
	6.0		6.5		7.0		7.5		8.0		8.5		9.0		9.5		10.0		10.5	
	C	CX	C	CX	C	CX	C	CX	C	CX	C	CX	C	CX	C	CX	C	CX	C	CX
870	5.57	9.32	6.78	10.36	7.98	11.39	9.16	12.40	10.33	13.40	11.48	14.39	12.62	15.36	13.74	16.32	14.85	17.26	15.95	18.20
1160	6.66	11.62	8.19	12.93	9.69	14.22	11.17	15.48	12.62	16.71	14.05	17.93	15.45	19.11	16.82	20.28	18.17	21.42	19.49	22.54
1750	8.07	15.57	10.11	17.30	12.09	18.97	14.00	20.59	15.84	22.15	17.62	23.65	19.32	25.09	20.94	26.47	22.49	27.78	23.96	29.02
3500	4.78	20.81	6.77	22.53	---	---	---	---	---	---	---	---	---	---	---	---	---	---	---	---
100	1.06	1.53	1.23	1.68	1.41	1.84	1.58	1.99	1.75	2.15	1.92	2.30	2.09	2.45	2.26	2.61	2.43	2.76	2.60	2.91
200	1.86	2.77	2.19	3.06	2.51	3.35	2.84	3.64	3.16	3.92	3.48	4.21	3.80	4.49	4.12	4.77	4.43	5.05	4.75	5.33
300	2.56	3.90	3.03	4.32	3.50	4.73	3.97	5.14	4.44	5.55	4.90	5.96	5.36	6.36	5.81	6.76	6.27	7.16	6.72	7.55
400	3.19	4.96	3.80	5.50	4.41	6.03	5.02	6.56	5.62	7.08	6.22	7.60	6.81	8.12	7.40	8.63	7.99	9.14	8.57	9.65
500	3.77	5.96	4.52	6.62	5.26	7.26	6.00	7.90	6.73	8.54	7.46	9.17	8.18	9.79	8.89	10.41	9.60	11.02	10.31	11.63
600	4.31	6.92	5.19	7.68	6.06	8.44	6.92	9.19	7.78	9.93	8.63	10.56	9.47	11.39	10.31	12.11	11.13	12.82	11.96	13.52
700	4.80	7.84	5.81	8.71	6.81	9.57	7.79	10.42	8.77	11.26	9.74	12.09	10.69	12.91	11.64	13.73	12.58	14.53	13.51	15.33
800	5.27	8.72	6.39	9.69	7.51	10.65	8.61	11.60	9.70	12.54	10.78	13.46	11.85	14.37	12.90	15.27	13.95	16.17	14.98	17.04
900	5.69	9.57	6.94	10.64	8.17	11.69	9.38	12.73	10.58	13.76	11.77	14.77	12.94	15.77	14.09	16.75	15.23	17.72	16.35	18.68
1000	6.09	10.38	7.45	11.55	8.79	12.69	10.11	13.82	11.41	14.94	12.69	16.03	13.96	17.11	15.20	18.17	16.43	19.21	17.63	20.23
1100	6.46	11.17	7.92	12.42	9.37	13.66	10.79	14.87	12.19	16.06	13.56	17.23	14.91	18.38	16.24	19.51	17.54	20.61	18.82	21.70
1200	6.79	11.92	8.36	13.26	9.90	14.58	11.42	15.87	12.91	17.14	14.37	18.38	15.80	19.59	17.20	20.78	18.57	21.94	19.91	23.08
1300	7.09	12.65	8.76	14.07	10.40	15.47	12.00	16.83	13.57	18.16	15.11	19.47	16.61	20.74	18.08	21.98	19.51	23.19	20.90	24.37
1400	7.36	13.35	9.13	14.85	10.85	16.31	12.53	17.74	14.18	19.14	15.78	20.50	17.35	21.82	18.87	23.11	20.35	24.36	21.78	25.58
1500	7.61	14.02	9.45	15.59	11.26	17.12	13.02	18.61	14.73	20.06	16.40	21.48	18.01	22.84	19.58	24.17	21.09	25.45	22.55	26.69
1600	7.82	14.66	9.75	16.30	11.62	17.89	13.45	19.44	15.22	20.94	16.94	22.39	18.60	23.79	20.19	25.15	21.73	26.45	23.21	27.70
1700	7.99	15.27	10.00	16.97	11.94	18.62	13.83	20.22	15.65	21.76	17.41	23.25	19.10	24.68	20.72	26.05	22.27	27.36	23.74	28.61
1800	8.14	15.85	10.21	17.61	12.22	19.31	14.15	20.95	16.02	22.53	17.81	24.04	19.52	25.49	21.14	26.86	22.69	28.17	24.15	29.41
1900	8.25	16.41	10.39	18.22	12.44	19.96	14.42	21.63	16.32	23.24	18.13	24.77	19.84	26.22	21.47	27.60	23.00	28.90	24.42	30.11
2000	8.33	16.93	10.52	18.79	12.62	20.57	14.63	22.27	16.55	23.89	18.37	25.43	20.08	26.88	21.69	28.25	23.18	29.52	24.56	30.69
2100	8.37	17.42	10.61	19.32	12.75	21.13	14.79	22.85	16.71	24.49	18.53	26.02	20.22	27.46	21.80	28.80	23.25	30.04	24.56	31.16
2200	8.38	17.89	10.56	19.82	12.82	21.65	14.88	23.39	16.80	25.02	18.60	26.55	20.27	27.96	21.80	29.27	23.18	30.45	24.41	31.51
2300	8.35	18.32	10.66	20.28	12.85	22.13	14.90	23.87	16.82	25.49	18.59	27.00	20.21	28.38	21.68	29.63	22.98	30.75	---	---
2400	8.28	18.72	10.62	20.70	12.81	22.56	14.86	24.29	16.76	25.90	18.49	27.38	20.05	28.71	21.44	29.90	---	---	---	---
2500	8.17	19.08	10.53	21.08	12.73	22.94	14.76	24.66	16.62	26.25	18.29	27.68	19.78	28.95	21.07	30.07	---	---	---	---
2600	8.03	19.42	10.39	21.42	12.58	25.27	14.25	24.98	16.39	23.52	18.00	27.90	19.40	29.11	---	---	---	---	---	---
2700	7.84	19.72	10.20	21.72	12.37	23.56	14.34	25.23	16.09	26.73	17.61	28.04	---	---	---	---	---	---	---	---
2800	7.61	19.98	9.97	21.98	12.10	23.80	14.02	25.43	15.69	26.87	---	---	---	---	---	---	---	---	---	---
2900	7.34	20.21	9.68	22.19	11.77	23.98	13.62	25.56	15.21	26.93	---	---	---	---	---	---	---	---	---	---
3000	7.03	20.41	9.33	22.37	11.38	24.11	13.15	25.63	---	---	---	---	---	---	---	---	---	---	---	---
3100	6.67	20.57	8.94	22.49	10.91	24.19	12.59	25.64	---	---	---	---	---	---	---	---	---	---	---	---
3200	6.27	20.69	8.48	22.57	10.38	24.21	---	---	---	---	---	---	---	---	---	---	---	---	---	---
3300	5.82	20.77	7.97	22.61	9.78	24.17	---	---	---	---	---	---	---	---	---	---	---	---	---	---
3400	5.32	20.81	7.40	22.59	---	---	---	---	---	---	---	---	---	---	---	---	---	---	---	---
3500	4.78	20.81	6.77	22.53	---	---	---	---	---	---	---	---	---	---	---	---	---	---	---	---
3600	4.18	20.77	---	---	---	---	---	---	---	---	---	---	---	---	---	---	---	---	---	---
3700	3.53	20.69	---	---	---	---	---	---	---	---	---	---	---	---	---	---	---	---	---	---
3800	2.83	20.57	---	---	---	---	---	---	---	---	---	---	---	---	---	---	---	---	---	---

Note: Shaded area indicates operation above 6500 FPM rim speed. Special sheave construction required.

NOTE: Selection program VIA-VISA available at www.ptwizard.com.

V-Drives

FHP Drives

Drive Component Accessories

DYNA-SYNC

HT200/HTD Synchronous Drives

HT500 Synchronous Drives

Roller Chain Sprockets

SELECTION



C S-L CLASSIC

CX CLASSIC COG

Basic Horsepower Ratings

Faster Shaft RPM	Rated HP per Belt for Small Sheave Datum Dia.										Add'l HP/Belt for Speed Ratio of:					
	11.0		12.0		13.0		14.0		16.0		1.03	1.10	1.20	1.40	1.80	3.00
	C	CX	C	CX	C	CX	C	CX	C	CX	1.09	1.19	1.39	1.79	2.99	& up
870	17.03	19.12	19.15	20.92	21.21	22.66	23.20	24.36	27.00	27.57	0.13	0.37	0.59	0.82	0.97	1.05
1160	20.78	23.63	23.27	25.74	25.64	27.75	27.88	29.64	31.96	33.10	0.17	0.49	0.79	1.09	1.30	1.40
1750	25.35	30.20	27.86	32.34	30.00	34.18	---	---	---	---	0.26	0.74	1.19	1.65	1.96	2.11
3500	---	---	---	---	---	---	---	---	---	---	0.52	1.47	2.37	3.30	3.92	4.22
100	2.76	3.06	3.10	3.35	3.43	3.65	3.75	3.94	4.40	4.51	0.01	0.04	0.07	0.09	0.11	0.12
200	5.06	5.60	5.68	6.15	6.30	6.69	6.91	7.22	8.12	8.28	0.03	0.08	0.14	0.19	0.22	0.24
300	7.17	7.94	8.06	8.72	8.95	9.49	9.82	10.25	11.55	11.74	0.04	0.13	0.20	0.28	0.34	0.36
400	9.15	10.15	10.29	11.14	11.43	12.12	12.55	13.08	14.75	14.98	0.06	0.17	0.27	0.38	0.45	0.48
500	11.01	12.23	12.39	13.43	13.76	14.60	15.11	15.75	17.75	18.01	0.07	0.21	0.34	0.47	0.56	0.60
600	12.77	14.22	14.38	15.60	15.96	16.95	17.51	18.27	20.54	20.85	0.09	0.25	0.41	0.57	0.67	0.72
700	14.43	16.11	16.24	17.66	18.02	19.17	19.76	20.65	23.12	23.51	0.10	0.29	0.47	0.66	0.78	0.84
800	15.99	17.91	17.99	19.61	19.94	21.27	21.84	22.88	25.48	25.97	0.12	0.34	0.54	0.75	0.90	0.97
900	17.46	19.62	19.62	21.46	21.73	23.24	23.76	24.96	27.62	28.23	0.13	0.38	0.61	0.85	1.01	1.09
1000	18.82	21.24	21.13	23.20	23.36	25.08	25.50	26.89	29.50	30.28	0.15	0.42	0.68	0.94	1.12	1.21
1100	20.08	22.76	22.51	24.82	24.83	26.79	27.05	28.66	31.12	32.11	0.16	0.46	0.75	1.04	1.23	1.33
1200	21.22	24.19	23.75	26.33	26.15	28.35	28.40	30.26	32.47	33.71	0.18	0.51	0.81	1.13	1.34	1.45
1300	22.26	25.52	24.85	27.72	27.28	29.77	29.54	31.69	33.51	35.06	0.19	0.55	0.88	1.23	1.45	1.57
1400	23.17	26.75	25.80	28.98	28.24	31.04	30.46	32.93	34.24	36.16	0.21	0.59	0.95	1.32	1.57	1.69
1500	23.96	27.88	26.60	30.11	29.00	32.15	31.15	33.98	34.63	36.98	0.22	0.63	1.02	1.41	1.68	1.81
1600	24.62	28.89	27.23	31.11	29.56	33.09	31.59	34.83	---	---	0.24	0.67	1.09	1.51	1.79	1.93
1700	25.14	29.79	27.69	31.97	29.91	33.86	31.77	35.47	---	---	0.25	0.72	1.15	1.60	1.90	2.05
1800	25.52	30.58	27.98	32.67	30.04	34.45	---	---	---	---	0.27	0.76	1.22	1.70	2.01	2.17
1900	25.75	31.24	28.07	33.23	---	---	---	---	---	---	0.28	0.80	1.29	1.79	2.13	2.29
2000	25.82	31.77	27.97	33.63	---	---	---	---	---	---	0.30	0.84	1.36	1.89	2.24	2.41
2100	25.74	32.18	---	---	---	---	---	---	---	---	0.31	0.88	1.42	1.98	2.35	2.53
2200	---	---	---	---	---	---	---	---	---	---	0.33	0.93	1.49	2.07	2.46	2.66
2300	---	---	---	---	---	---	---	---	---	---	0.34	0.97	1.56	2.17	2.57	2.78
2400	---	---	---	---	---	---	---	---	---	---	0.36	1.01	1.63	2.26	2.69	2.90
2500	---	---	---	---	---	---	---	---	---	---	0.37	1.05	1.70	2.36	2.80	3.02
2600	---	---	---	---	---	---	---	---	---	---	0.39	1.10	1.76	2.45	2.91	3.14
2700	---	---	---	---	---	---	---	---	---	---	0.40	1.14	1.83	2.54	3.02	3.26
2800	---	---	---	---	---	---	---	---	---	---	0.42	1.18	1.90	2.64	3.13	3.38
2900	---	---	---	---	---	---	---	---	---	---	0.43	1.22	1.97	2.73	3.25	3.50
3000	---	---	---	---	---	---	---	---	---	---	0.45	1.26	2.04	2.83	3.36	3.62
3100	---	---	---	---	---	---	---	---	---	---	0.46	1.31	2.10	2.92	3.47	3.74
3200	---	---	---	---	---	---	---	---	---	---	0.48	1.35	2.17	3.02	3.58	3.86
3300	---	---	---	---	---	---	---	---	---	---	0.49	1.39	2.24	3.11	3.69	3.98
3400	---	---	---	---	---	---	---	---	---	---	0.51	1.43	2.31	3.20	3.80	4.10
3500	---	---	---	---	---	---	---	---	---	---	0.52	1.47	2.37	3.30	3.92	4.22
3600	---	---	---	---	---	---	---	---	---	---	0.54	1.52	2.44	3.39	4.03	4.35
3700	---	---	---	---	---	---	---	---	---	---	0.55	1.56	2.51	3.49	4.14	4.47
3800	---	---	---	---	---	---	---	---	---	---	0.57	1.60	2.58	3.58	4.25	4.59

Note: Shaded area indicates operation above 6500 FPM rim speed. Special sheave construction required.

NOTE: Selection program VIA-VISA available at www.ptwizard.com.

V-Drives
FHP Drives
Drive Component Accessories
DYNA-SYNC
HT200/HTD Synchronous Drives
HT500 Synchronous Drives
Roller Chain Sprockets



SELECTION

D S-L CLASSIC

Basic Horsepower Ratings

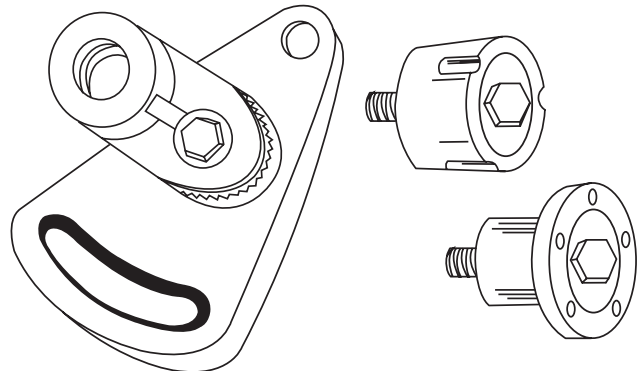
Faster Shaft RPM	Rated HP per Belt for Small Sheave Datum Dia.											Additional HP/Belt for Speed Ratio of:									
	12.0	13.0	13.5	14.0	14.5	15.0	15.5	16.0	18.0	20.0	22.0	1.02 thru 1.04	1.05 thru 1.08	1.09 thru 1.12	1.13 thru 1.18	1.19 thru 1.24	1.25 thru 1.34	1.35 thru 1.51	1.52 thru 1.99	2.00 and Up	
700	19.3	22.7	24.3	25.9	27.6	29.2	30.7	32.3	38.4	44.1	49.5	.26	.60	.98	1.29	1.65	1.91	2.20	2.48	2.75	
870	22.2	26.1	28.0	29.9	31.7	33.5	35.3	37.1	43.8	50.0	55.5	.32	.75	1.22	1.61	2.05	2.37	2.74	3.09	3.42	
1150	25.7	30.2	32.4	34.5	36.5	38.5	40.5	42.3	49.1	54.6	58.8	.43	1.00	1.63	2.14	2.73	3.16	3.65	4.11	4.56	
50	2.26	2.59	2.75	2.91	3.07	3.24	3.40	3.56	4.19	4.82	5.44	.02	.04	.07	.09	.12	.14	.16	.18	.20	
100	4.10	4.71	5.02	5.32	5.63	5.93	6.23	6.53	7.73	8.91	10.1	.04	.09	.14	.18	.24	.27	.31	.35	.39	
150	5.76	6.65	7.09	7.53	7.97	8.41	8.85	9.28	11.0	12.7	14.4	.06	.13	.21	.28	.35	.41	.47	.53	.59	
200	7.32	8.47	9.04	9.61	10.2	10.7	11.3	11.9	14.1	16.3	18.5	.07	.17	.28	.37	.47	.54	.63	.71	.79	
300	10.2	11.8	12.7	13.5	14.3	15.1	15.9	16.7	19.9	23.0	26.1	.11	.26	.42	.55	.71	.82	.94	1.06	1.18	
400	12.8	14.9	16.0	17.0	18.1	19.1	20.1	21.1	25.2	29.2	33.0	.15	.35	.56	.74	.94	1.09	1.26	1.42	1.57	
500	15.1	17.7	19.0	20.3	21.5	22.8	24.0	25.2	30.0	34.7	39.3	.19	.43	.70	.92	1.18	1.36	1.57	1.77	1.96	
600	17.3	20.3	21.8	23.2	24.7	26.1	27.5	28.9	34.4	39.7	44.8	.22	.52	.84	1.11	1.41	1.63	1.89	2.13	2.36	
700	19.3	22.7	24.3	25.9	27.6	29.2	30.7	32.3	38.3	44.1	49.5	.26	.60	.98	1.29	1.65	1.91	2.20	2.48	2.75	
800	21.1	24.8	26.6	28.4	30.1	31.9	33.6	35.3	41.7	47.8	53.4	.30	.69	1.13	1.48	1.88	2.18	2.52	2.84	3.14	
900	22.6	26.6	28.6	30.5	32.4	34.2	36.0	37.8	44.6	50.7	56.3	.34	.78	1.27	1.66	2.12	2.45	2.83	3.19	3.53	
1000	24.0	28.2	30.3	32.3	34.3	36.2	38.1	39.9	46.8	52.9	58.2	.37	.86	1.41	1.85	2.35	2.72	3.15	3.55	3.93	
1100	25.1	29.5	31.7	33.8	35.8	37.8	39.7	41.6	48.4	54.2	58.9	.41	.95	1.55	2.03	2.59	3.00	3.46	3.90	4.32	
1200	26.0	30.6	32.8	34.9	36.9	38.9	40.9	42.7	49.3	54.6	58.5	.45	1.04	1.69	2.21	2.82	3.27	3.78	4.26	4.71	
1300	26.7	31.3	33.5	35.7	37.7	39.7	41.5	43.3	49.5	54.0	56.8	.49	1.12	1.83	2.40	3.06	3.54	4.09	4.61	5.11	
1400	27.0	31.7	33.9	36.0	38.0	39.9	41.7	43.4	48.9	52.4	53.6	.52	1.21	1.97	2.58	3.29	3.81	4.41	4.97	5.50	
1500	27.1	31.8	33.9	36.0	37.9	39.7	41.3	42.8	47.4	49.6	49.1	.56	1.30	2.11	2.77	3.53	4.09	4.72	5.32	5.89	
1600	27.0	31.5	33.6	35.5	37.3	38.9	40.3	41.6	45.1	45.6	42.9	.60	1.38	2.25	2.95	3.76	4.36	5.04	5.68	6.28	
1700	26.5	30.9	32.8	34.6	36.1	37.5	38.8	39.8	41.8	40.4	35.0	.63	1.47	2.39	3.14	4.00	4.63	5.35	6.03	6.68	
1800	25.7	29.8	31.6	33.1	34.5	35.6	36.5	37.2	37.6	33.8	---	.67	1.55	2.53	3.32	4.23	4.90	5.67	6.38	7.07	

Shaded areas indicate rim speed exceeding 6500 FPM which may require special sheaves

IDLER

Brackets and Bushings

- Double Adjustable Bracket for Maximum Flexibility
- Positive Ratchet Locking Between Base and Arm
- Idler Bushings in TAPER-LOCK and QD Style
- Use with Stock Products, such as: Sheaves, Roller Chain Sprockets, HTD Sprockets
- Compatible with Products Machined for:
TAPER-LOCK 1610, 2012 and 2517 Bushings QD SK, SF and E Bushings
- Also, NEMA - Motor Bases Shaft Collars

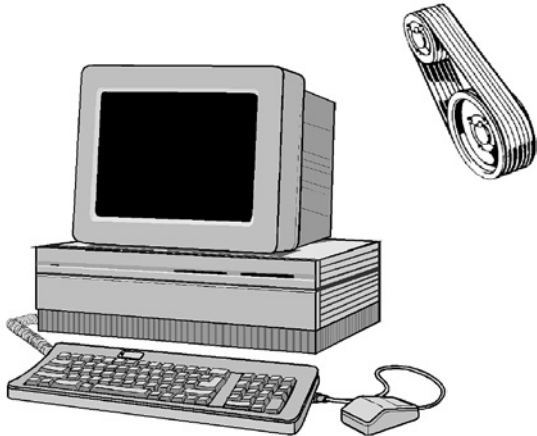


Refer to Related Products (page PT12-40) for complete data.

NOTE: Selection program VIA-VISA available at www.ptwizard.com.



Computer Drive Selection Program



For any given set of drive conditions, there are many different drives that will satisfy the requirements. What is a “best drive”? It could be the drive with lowest initial cost, or the drive with the lowest bearing load, or the drive which minimizes the number of parts required.

Finding the best drive is a time-consuming and frustrating task for the design engineer. Manual drive selection, pricing, and organizing of data for analysis can be a long, drawn-out process, prone to errors and oversights. VIA-VISA Software handles such problems with ease and displays drive selection alternatives in an organized format that makes analysis a simple process.

Here’s what you get with VIA-VISA Software selection:

- Belt size, type, quantity, part number.
- Sheave sizes, part number.
- Bushing type, part number.
- Drive face width.
- Actual center distance.
- Installation force/deflection values for drive tensioning.
- Belt pull, dynamic shaft load for bearing and shafting calculations.
- Net price (if discount multipliers entered). Default to total list price.
- Belt speed in feet per minute.
- Calculated driven RPM
- Calculated actual service factor.

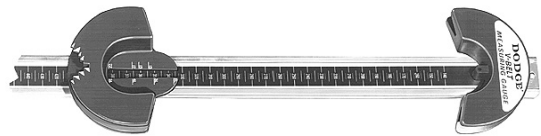
Ask your DODGE Sales Engineer for a demonstration and instruction on how you can obtain your personal VIA-VISA package.

V-Drive Accessories

V-Belt Measuring Gage

This gage allows you to measure belts that may have lost their identification. This is easily done by slipping belt in “sheave” grooves and moving bottom sheave until belts is taut. Notched portion of bottom sheave indicates belt width. Belt length is then read opposite corresponding width on scale. Gage is made of aluminum and plastic – rust proof and durable.

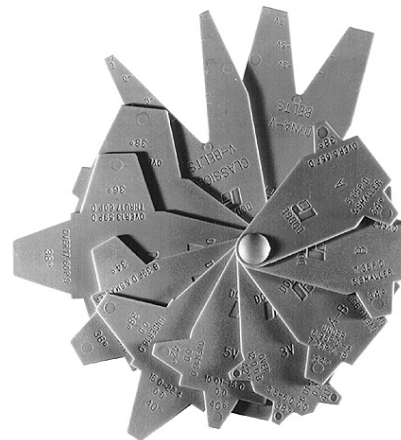
Part No. 450966
Wt - 1 Lb.



V-Belt Groove and Belt Gage

When V-belt sections or sheave groove need to be identified this set of molded plastic gages can be the handiest thing in your tool box. Includes 8 gages for grooves and 2 for belts covering Classical A thru E, A/B Combination grooves and Narrow 3V, 5V and 8V. They are pinned together so that the individual gages will not become lost.

Part No. 121294
Wt. - 0.12 Lb.



NOTE: Selection program VIA-VISA available at www.ptwizard.com.



RELATED PRODUCTS

V-Drive Accessories

V-Belt Tension Tester

This convenient tool facilitates easy checking of belt tension on drives having two or more belts. Scales are provided for reading both the required force and the distance of belt deflection which are used in properly tensioning belts. Force range is 0 - 35 lbs.



Part No. 109082
Wt. - 0.5 Lb.

Precision Laser Alignment Device

Identifies common types of pulley misalignment.



Part No. 109993
Wt. - 30 Lb

Double Barrel Tension Tester

Maximum deflection force: 66 lbs. For use with all multiple V-belts and large synchronous belts.



Part No. 109991
Wt. - 0.5 Lb

Five Barrel Tension Tester

Maximum deflection force: 165 lbs. For use with multiple V-belts and large synchronous belts.



Part No. 109992
Wt. - 1 Lb.

Sonic Tension Meter - Model 507C



The Sonic Tension Meter is an electronic device that measures the natural frequency of a free stationary belt span and instantly computes the static belt tensions based upon the belt span length, belt width, and belt type. The Sonic Tension Meter can accurately measure belt tensions for both synchronous and v-belts. Other features include:

- Output readings can be switched between pounds, kilograms, newtons and hertz
- Auto gain control automatically adjusts meter sensitivity
- Auto frequency range filters for background noise
- Frequency range from 10 - 5,000 Hz

Sonic Tension Meter - Model 507C
(Comes with meter) **Part No. 109994** Wt. - 1.0 Lb.

★ Flexible Sensor **Part No. 109995** Wt. - 0.2 Lb.

Cord Sensor **Part No. 109996** Wt. - 0.2 Lb.

★ Inductive Sensor (magnets included) **Part No. 109997** Wt. - 0.2 Lb.

★ Optional accessories

NOTE: Selection program VIA-VISA available at www.ptwizard.com.



INSTALLING/TENSIONING V-DRIVES INSTALLING A DRIVE

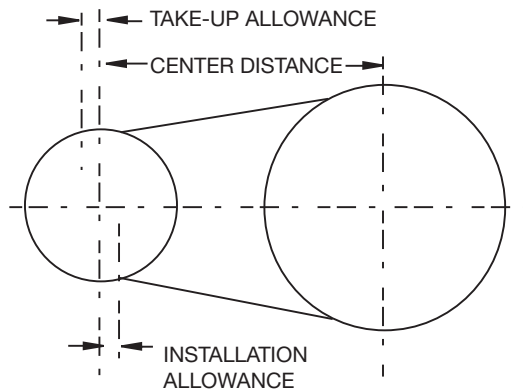
Check Condition of Sheaves—Before a new set of V-belts are installed, check the condition of the sheaves. Dirty or rusty sheaves impair the drive’s efficiency and abrade the belts, which result in premature failure.

Worn sheaves shorten belt life as much as 50%. If the grooves are worn to where the belt bottoms, slippage may result and burn the belts. If the sidewalls are “dished out,” the bottom shoulder ruins the belts prematurely by wearing off the bottom corners.

Check Sheave Alignment—Sheave adjustment should be checked by placing a straight edge or tight cord across the sheave faces so that it touches all four points of contact. Ordinarily, a misalignment of more than one-half of one degree (one-eighth inch in one foot) will adversely affect belt life. Improper sheave alignment produces uneven wear on one side of the belt, causes the belt to roll over in the sheaves or throws all the load on one side of the belt, stretching or breaking the cords on that side.

INSTALLATION AND TAKE-UP ALLOWANCES

After calculating a center distance from a standard pitch length,



make provision for adjusting the center distance as in sketch below, to allow for installation of the belts without injury, for tensioning, and for maintenance of proper tension throughout the life of the belt. (Refer to Tables 11 or 12 for values).

Placing Belts on Sheaves—Shorten the center distance of the drive until the belts can be put on the sheaves without forcing. Forcing the belts can cause internal injury to the belts.

Belt Selection—For maximum service, replace V-belt drives with a complete new matched set of belts or use the new Matchmaker belts.

Never employ a used belt as a replacement for a unit of a set. Used belts, normally, are worn in cross-section and stretched. A new belt so applied will ride higher in the sheave, travel faster and operate at a much higher tension than the used belts. The cord center may be ruptured, allowing the new belt to elongate. Shortly after this occurs it will cease to accept its full share of the load, leaving the drive under-belted. Thus, the new belt is wasted. Belts of different manufacturers should not be mixed for the same reasons.

Table 11 - Center Distance Allowance for Narrow Belt Installation and Take-Up

Nom. Belt Lgth. in Inches	Min. Installation Allowance (in inches) (Below Center)						Min. Take-up Allowance (Above Center)
	3V Dyna-V	3V Poly-band	5V Dyna-V	5V Poly-band	8V Dyna-V	8V Poly-band	
Up to & incl. 47.5	.05	1.2	1.0"
50-71	0.8	1.4	1.0	2.1	1.2
75-106	0.8	1.4	1.0	2.1	1.5	3.4	1.5
112-125	0.8	1.4	1.0	2.1	1.5	3.4	1.8
132-170	0.8	1.4	1.0	2.1	1.5	3.4	2.2
180-200	1.0	2.1	1.8	3.6	2.5
212-236	1.2	2.4	1.8	3.6	3.0
250 & 265	1.2	2.4	1.8	3.6	3.2
280 & 300	1.2	2.4	1.8	3.6	3.5
315-355	1.2	2.4	2.0	4.0	4.0
375	2.0	4.0	4.5
400-560	2.0	4.0	5.5

NOTE: Selection program VIA-VISA available at www.ptwizard.com.



TECHNICAL

INSTALLING/TENSIONING V-DRIVES

Table 12 - Center Distance Allowance for Classical Belt Installation and Take-Up

Nom. Belt Lgth. in Inches	Min. Installation Allowance (in inches) (Below Center)							Min. Take-up Allowance (Above Center)
	A	B	B Poly-band	C	C Poly-band	D	D Poly-band	
26-37	0.75	1.00	1.50	1.50	1.00"
38-59	0.75	1.00	1.50	1.50	2.00	1.50
60-89	0.75	1.25	1.61	1.50	2.00	2.00
90-119	1.00	1.25	1.61	1.50	2.00	2.50
120-157	1.00	1.25	1.81	1.50	2.11	2.0	2.00	3.00
158-194	...	1.25	1.81	2.00	2.20	2.00	3.00	3.50
195-239	...	1.50	1.81	2.00	2.31	2.00	3.20	4.00
240-269	...	1.50	2.00	2.00	2.50	2.50	3.20	4.50
270-329	...	1.50	2.20	2.00	2.50	2.50	3.50	5.00
330-419	2.00	2.70	2.50	3.60	6.00
420 & Over	2.50	2.90	3.00	4.10	1-1/2% of belt lgth.

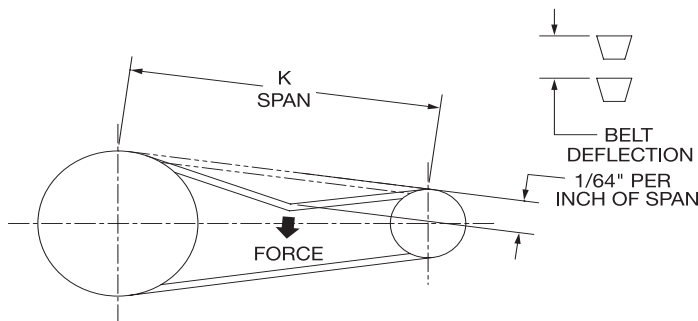
TENSIONING A DRIVE

General Rules of Tensioning-

1. Ideal tension is the lowest tension at which the belt will not slip under peak load conditions.
2. Check tension frequently during the first 24-48 hours of run-in operation.
3. Over tensioning shortens belt and bearing life.
4. Keep belts free from foreign material which may cause slip.
5. Make V-Drive inspection on a periodic basis. Tension when slipping. Never apply belt dressing as this will damage the belt and cause early failure.

SIMPLE TENSIONING PROCEDURE

1. Measure the span length, K.
2. At the center of the span (K) apply a force (perpendicular to the span) large enough to deflect the 1/64, for every inch of span length. For example, one deflection of a 100 inch span would be 100/64 or 1-9/16 inches.



3. Compare the force you have applied with the values given in Tables 13 or 14. If the force is between the values for normal tension, and 1-1/2 times normal tension, the drive tension should be satisfactory. A force below the value for normal tension indicates an under-tensioned drive. If the force exceeds the value for 1-1/2 times normal tension, the drive is tighter than it needs to be.

For V-Belt Tension Testers, See Page PT7-142.

After the proper operating tension has been applied to the belts, a double-check should be made of the following:

- a. Parallel position of the sheave shafts.
- b. Correct alignment of sheave grooves.

NOTE: Selection program VIA-VISA available at www.ptwizard.com.



INSTALLING/TENSIONING V-DRIVES

Table 13 - Belt Deflection Force (Check Factory For Conditions Not Covered In This Table)

V-Belt Section	Small Sheave		Deflection Force In Lbs. For Drive Speed Ratio of:			
	Speed Range	Diameter	1.0	1.5	2.0	4.0 +
A (AP)	1800-3600	3.0	2.0	2.3	2.4	2.6
	1800-3600	4.0	2.6	2.8	3.0	3.3
	1800-3600	5.0	3.0	3.3	3.4	3.7
	1800-3600	7.0	3.5	3.7	3.8	4.3
B (BP)	1200-1800	4.6	3.7	4.3	4.5	5.0
	1200-1800	5.0	4.1	4.6	4.8	5.6
	1200-1800	6.0	4.8	5.3	5.5	6.3
C (CP)	1200-1800	8.0	5.7	6.2	6.4	7.2
	900-1800	7.0	6.5	7.0	8.0	9.0
	900-1800	9.0	8.0	9.0	10.0	11.0
	900-1800	12.0	10.0	11.0	12.0	13.0
D (DP)	700-1500	16.0	12.0	13.0	13.0	14.0
	900-1500	12.0	13.0	15.0	16.0	17.0
	900-1500	15.0	16.0	18.0	19.0	21.0
	700-1200	18.0	19.0	21.0	22.0	24.0
AX	700-1200	22.0	22.0	23.0	24.0	26.0
	1800-3600	3.0	2.5	2.8	3.0	3.3
	1800-3600	4.0	3.3	3.6	3.8	4.2
	1800-3600	5.0	3.7	4.1	4.3	4.6
BX	1800-3600	7.0	4.3	4.6	4.8	5.3
	1200-1800	4.6	5.2	5.8	6.0	6.9
	1200-1800	5.0	5.4	6.0	6.3	7.1
	1200-1800	6.0	6.0	6.4	6.7	7.7
CX	1200-1800	8.0	6.6	7.1	7.5	8.2
	900-1800	7.0	10.0	11.0	12.0	13.0
	900-1800	9.0	11.0	12.0	13.0	14.0
	900-1800	12.0	12.0	13.0	13.0	14.0
DX	700-1500	16.0	13.0	14.0	14.0	15.0
	900-1500	12.0	16.0	18.0	19.0	20.0
	900-1500	15.0	19.0	21.0	22.0	24.0
	700-1200	18.0	22.0	24.0	25.0	27.0
700-1200	22.0	25.0	27.0	28.0	30.0	

V-Belt Section	Small Sheave		Deflection Force in Lbs. for Drive Speed Ratio of:			
	Speed Range	Diameter	1.0	1.5	2.0	4.0+
3VX	1200-3600	2.2	2.2	2.5	2.7	3.0
	1200-3600	2.5	2.6	2.9	3.1	3.6
	1200-3600	3.0	3.1	3.5	3.7	4.2
	1200-3600	4.1	3.9	4.3	4.5	5.1
	1200-3600	5.3	4.6	4.9	5.1	5.7
	1200-3600	6.9	5.0	5.4	5.6	6.2
5VX	1200-3600	4.4	6.5	7.5	8.0	9.0
	1200-3600	5.2	8.0	9.0	9.5	10.0
	1200-3600	6.3	9.5	10.0	11.0	12.0
	1200-3600	7.1	10.0	11.0	12.0	13.0
	900-1800	9.0	12.0	13.0	14.0	15.0
	900-1800	14	14.0	15.0	16.0	17.0
8VX	900-1800	12.5	18.0	21.0	23.0	25.0
	900-1800	14.0	21.0	23.0	24.0	28.0
	700-1500	17.0	24.0	26.0	28.0	30.0
	700-1500	21.2	28.0	30.0	32.0	34.0
	400-1000	24.8	31.0	32.0	34.0	36.0
5V	900-1800	7.1	8.5	9.5	10.0	11.0
	900-1800	9.0	10.0	11.0	12.0	13.0
	900-1800	14	12.0	13.0	14.0	15.0
	700-1200	21.2	14.0	15.0	16.0	17.0
8V	900-1800	12.5	18.0	21.0	23.0	25.0
	900-1800	14.0	21.0	23.0	24.0	28.0
	700-1500	17.0	24.0	26.0	28.0	30.0
	700-1200	21.2	28.0	30.0	32.0	34.0
400-1000	24.8	31.0	32.0	34.0	36.0	

Notes: 1. Use approximately 130% of above values to tension a new set of belts
 2. Use closest sheave diameter for sizes not shown.

NOTE: Selection program VIA-VISA available at www.ptwizard.com.



TECHNICAL

INSTALLING/TENSIONING V-DRIVES

Table 14 - POLYBAND Plus Belt Deflection Force (Lbs.)
(Force is pounds for one belt only)

Cross Section	Small Sheave Diameter Range	RPM Range	Belt Deflection Force*	
			Normal	New Belt
5VF	7.1-10.9	200-700	21.1	30.9
		701-1250	18.0	26.3
		1251-1900	16.7	23.4
		1901-3000	15.8	23.0
5VF	11.8-16.0	200-700	26.8	39.5
		701-1250	23.5	34.7
		1251-2100	22.7	33.3
8VF	12.5-20.0	200-500	44.7	65.8
		501-850	38.5	56.6
		851-1150	35.2	51.6
8VF	21.2-25.0	1151-1650	33.5	49.0
		200-500	65.9	97.6
		501-850	61.2	90.6
		851-1200	57.0	84.3

* Multiply the force required for one belt by the number of belts in the Polyband Plus unit to get total force to apply.
 Example: New 8VF drive with a small sheave dia. equal to 20".
 The rpm of the sheave is 1000.
 The belt to be installed is 8/8VF4000.
 Total deflection force = table value x 8 = 51.6 x 8 = 413 lbs.

Belt Pull and Bearing Loads

Belt Pull Calculations—The following method of calculating belt pull is found to be the most convenient and accurate for drives operating at design loads and tensions:

$$T1 + T2 = 33,000 (2.5-G) \left(\frac{HP}{GV} \right)$$

WHERE:

T1 = Tight side tension, pounds

T2 = Slack side tension, pounds

HP = Design horsepower

V = Belt speed, feet per minute = (PD) (RPM) (.262)

G = Arc of contact correction factor

D-d	Arc of Contact	Factor G	D-d	Arc of Contact	Factor G
.00	180°	1.00	.80	133°	.87
.10	174°	.99	.90	127°	.85
.20	169°	.97	1.00	120°	.82
.30	163°	.96	1.10	113°	.80
.40	157°	.94	1.20	106°	.77
.50	151°	.93	1.30	99°	.73
.60	145°	.91	1.40	91°	.70
.70	139°	.89	1.50	83°	.65

Arc of contact is on small sheave

D = Diam. of large sheave

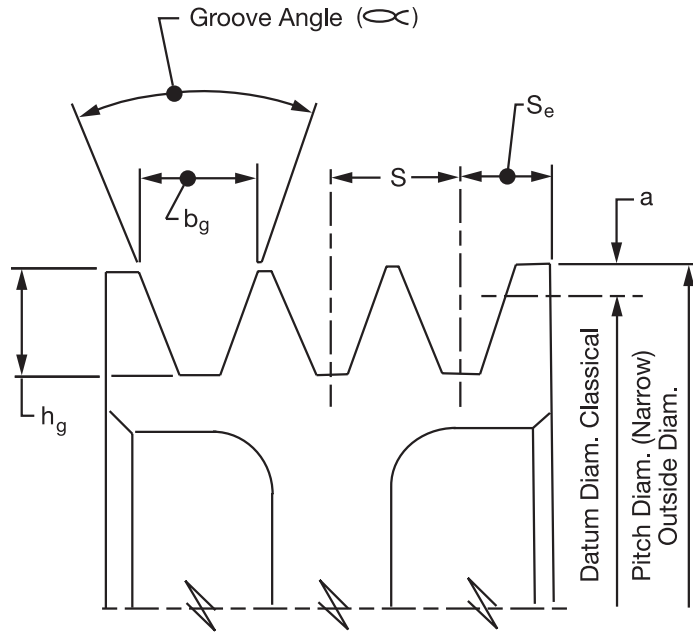
d = Dia. of small sheave

C = Center distance

NOTE: Selection program VIA-VISA available at www.ptwizard.com.



V-Belt Sheave Groove Dimensions



Narrow

Belt Section	Outside Diameter Range	α ± 0.25	bg $\pm .005$	hg Min.	a	S $\pm .015$	Se	
3VX, 3V	LESS THAN 3.50	36°						
	3.50 TO 6.00	38°						
	6.01 to 12.00	40°	.350	0.340	0.025	0.406	0.344	+0.094
	Over 12.00	42°						-0.000
5VX, 5V	Less than 10.00	38°						
	10.00 to 16.00	40°	.600	0.590	.050	0.688	0.500	+0.125
	Over 16.00	42°						-0.000
8VX, 8V	Less than 16.00	38°						
	16.00 to 22.40	40°	1.000	0.990	.100	1.125	0.750	+0.250
	Over 22.40	42°						-0.000

Classical

Belt Section	Pitch Diameter		m $+ 0.33$	bg		hg Min.	$2a$ ref *	S $\pm .025$	Se		
	Min. Recom.	Range									
AX, A	3.0	2.6 to 5.4	34°	.494	} $\pm .005$.460	.125	.625	.375	+0.090	
		Over 5.4	38°	.504							-0.062
BX, B	5.4	4.6 to 7.0	34°	.637	} $\pm .006$.550	.175	.750	.500	+0.120	
		Over 7.0	38°	.650							-0.065
A, B AX, BX	-	To 7.0	34°	.612	} $\pm .006$.612	A (.634/.602) B (.333/.334)	.750	.500	+0.120	
		Over 7.0	38°	.625							-0.065
CX, C	9.0	7.0 to 7.99	34°	.879	} $\pm .007$.750	.200	1.000	.688	+0.160	
		8.0 to 12.0	36°	.887							-0.070
		Over 12.0	38°	.895							
DX, D	13.0	12.0 to 12.9	34°	1.259	} $\pm .008$	1.020	.300	1.438	.875	+0.220	
		13.0 to 17.0	36°	1.271							-0.080
		Over 17.0	38°	1.283							
E	21.0	18.0 to 24.0	36°	1.527	} $\pm .010$	1.300	.400	1.750	1.125	+0.250	
		Over 24.0	38°	1.542							-0.000

Note—For complete manufacturing tolerances – see RMA, MPTA, Narrow/Classical V-belt Standards.


* Datum diameter, not pitch diameter.

NOTE: Selection program VIA-VISA available at www.ptwizard.com.



ENGINEERING/TECHNICAL

More Power and Life From V-Drives

Trouble Area And Observation	Cause	Remedy
<p>Belt Stretch Beyond Take-Up Belt stretch unequally.</p> <p>All belts stretch about equally.</p>	<p>Mis-aligned drive, unequal work done by belts.</p> <p>Belt tensile member broken from improper installation. Insufficient take-up allowance.</p> <p>Greatly overloaded or underdesigned drive.</p>	<p>Realign and re-tension drive.</p> <p>Replace all belts with new matched set properly installed. Check take-up and follow allowance on page .</p> <p>Redesign.</p>
<p>Short Belt Life Relatively rapid failure; no visible reason.</p> <p>Sidewalls soft and sticky. Low adhesion between cover plies. Cross-section swollen.</p> <p>Sidewalls dry and hard. Low adhesion between cover plies. Bottom belt cracked.</p>	<p>Tensile members damaged through improper installation. Worn sheave grooves (check with groove gauge)</p> <p>Under-designed drive.</p> <p>Oil or grease on belts or sheaves.</p> <p>High temperatures.</p>	<p>Replace with all new matched set, properly installed.</p> <p>Replace sheaves.</p> <p>Redesign.</p> <p>Remove source of oil or grease. Clean belts and grooves with cloth moistened with alcohol.</p> <p>Remove source of heat. Ventilate drive better.</p>
<p>BELT TURN OVER</p> 	<p>Excess lateral belt whip. Foreign material in grooves. Mis-aligned sheaves. Worn sheave grooves (check with groove gauge).</p> <p>Tensile member broken through improper installation. Incorrectly placed flat idler pulley.</p>	<p>Use Banded belt. Remove material—shield drive. Realign the drive. Replace sheave.</p> <p>Replace with new matched set properly installed.</p> <p>Carefully align flat idler on slack side of drive as close as possible to driver sheave.</p>
<p>DETERIORATION OF RUBBER COMPOUNDS USED IN BELT</p> <p>Extreme cover wear.</p> <p>Spin burns on belt.</p> <p>Bottom of belt cracked. Broken belts.</p>	<p>Belt dressing.</p> <p>Belts rub against belt guard or other obstruction.</p> <p>Belts slip under starting or stalling load.</p> <p>Too small sheaves. Object falling into or hitting drive.</p>	<p>Never use dressing on V-belts. Clean with cloth moistened with alcohol. Tension drive properly to prevent slip.</p> <p>Remove obstruction or align drive to give needed clearance. Tighten drive until slipping stops.</p> <p>Redesign for larger sheaves. Replace with new matched set of belts. Provide shield for drive.</p>
<p>IMPROPER DRIVEN SPEED Incorrect driveR-driveN ratio. Spin burns on belt.</p>	<p>Design error.</p> <p>Belt slip.</p>	<p>Use correct sheave sizes.</p> <p>Re-tension drive until belt stops slipping.</p>
<p>BELT NOISE HOT BEARINGS</p> <p>Drive over-tensioned.</p> <p>Sheaves too small.</p> <p>Poor bearing condition.</p> <p>Sheaves out too far on shaft.</p> <p>Drive under-tensioned.</p>	<p>Worn grooves-belts bottoming and will not transmit power until over-tensioned. Improper tensioning. Motor manufacturers sheave diameters not followed.</p> <p>Underdesigned bearing or poor bearing maintenance.</p> <p>Error or obstruction problem.</p> <p>Belts slipping and causing heat build-up.</p>	<p>Replace sheaves. Tension drive properly.</p> <p>Re-tension drive. Redesign drive.</p> <p>Observe recommended bearing design and maintenance. Place sheaves as close as possible to bearings. Remove any obstruction preventing this.</p> <p>Re-tension drive.</p>

NOTE: Selection program VIAVISA available at www.ptwizard.com.



CONTENTS

FHP Drives

Features / Benefits

Fixed Pitch Drives	PT8-2
Variable Pitch Drives	PT8-2

Selection/Dimensions

Light Duty Fixed Bore Sheaves	PT8-3
Bushed FHP Sheave	PT8-7
Adjustable Pitch VP Sheave	PT8-9

Selection

Fixed Pitch FHP Drives	PT8-10
Variable Pitch Drives	PT8-15
Part Number Index	INDEX-1
Keyword Index	INDEX-43



FEATURES/BENEFITS

V-Drives

FHP Drives

Drive Component Accessories

DYNA-SYNC

HT200/HTD Synchronous Drives

HT500 Synchronous Drives

Roller Chain Sprockets

FHP Light Duty V-Drives

The Economical Option For Smaller Drives

- Fractional thru 10 HP at 1750 RPM
- One or Two Groove
- Fixed Pitched or Variable Pitch
- Use Standard Belts FHP: 3L-4L-5L SL Classic; A or B Section Classic Cog: AX or BX



Variable Pitch Sheaves

- One and Two Grooves
- Selections Available up to 30HP, 1750 RPM
- Durable Cast Iron Construction
- Static Balance
- Driven Sheave Options: FHP Bored-to-Size, FHP QT-Bushed, Taper-Lock Dual Duty, QD Combination Duty

- Belt Options Include FHP, Classical
- Adjustment Range 1.3:1 (Approx.)
- Positive Locking of Adjustment Setting
- New Easy Selection Procedure
- Applications Include: Conveyors, Pumps, Fans, Mixers, Ventilators, etc.

QT-Bushed Sheave

- Sizes AKQT, 2AKQT, BKQT, 2BKQT
- Durable Cast Iron Construction
- Industry Standard H-Style Bushing
- Interchangeable with QT and D Bushing
- Secure Clamp Fit to Shaft
- Bore Range 3/8 to 1-1/2"
- Integral Key Bushing Available in Select Bores
- Inch and Metric Bores
- Static Balance
- Suitable for Higher Capacity AX or BX Classic Cog Belts



Finish Bore Sheaves

- Sizes AK, 2AK, BK, 2BK
- Bored-to-Size
- Keyway and Setscrew
- Durable Cast Iron Construction
- Static Balance
- Stocked in Popular Sizes
- Not Recommended for Classic Cog Belts



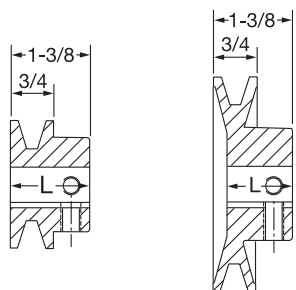
NOTE: Selection tools available online at www.dodge-pt.com



SELECTION/DIMENSIONS

LIGHT DUTY FIXED BORE SHEAVES

AK (A & 3L - 4L V-BELTS)



TYPE 1

TYPE 2

A = Arms

B = Block

W = Web



- Finished Bore
- Keyway and (2) Setscrew
- Cast Iron, max speed 6500 FPM

Shaft Dia.	Keyseat
1/2	none
5/8 - 7/8"	3/16 X 3/32
15/16 - 1-1/4"	1/4 X 1/8
1-5/16 - 1-3/8"	5/16 X 5/32
1-7/16"	3/8 X 3/16

1 GROOVE

O.D.	Datum Dia.		SHV NO	Type	L	Bore/Part Number										Approx Wgt	
	3L (O)	4L(A)				1/2	5/8	3/4	7/8	15/16	1	1-1/8	1-3/16	1-1/4	1-3/8		1-7/16
1.55	---	1.30	AK15 / MA15	1B	1.25	121626	121627										.40
1.75	---	1.50	AK17 / MA18	1B	1.38	121631	121632	121633									.40
2.00	1.41	1.75	AK20 / MA20	1B	1.38	121636	121637	121638									.70
2.10	1.51	1.85	AK21 / MA21	1B	1.38	127100	127101	127102									.70
2.20	1.61	1.95	AK22 / MA22	1B	1.38	127436	127437	127438									.80
2.30	1.71	2.05	AK23 / MA23	1B	1.38	121642	121643	121644	121645								.80
2.50	1.91	2.25	AK25 / MA25	2B	1.25	121649	121650	121651	121652								.90
2.60	2.01	2.35	AK26 / MA26	2B	1.25	127103	127104	127105									.90
2.70	2.11	2.45	AK27 / MA27	2B	1.25	127107	121503	127108									.90
2.80	2.21	2.55	AK28 / MA28	2B	1.25	121655	121656	121657	121658	121659							.90
3.05	2.46	2.80	AK30 / MA30	2B	1.25	121662	121663	121664	121665	121666							1.20
3.25	2.66	3.00	AK32 / MA33	2B	1.25	121669	121670	121671	121672	121673	121674						1.50
3.45	2.86	3.20	AK34 / MA35	2B	1.25	121676	121677	121678	121679	121680	121681						1.40
3.75	3.16	3.50	AK39 / MA38	2W	1.13	121530	121531	121532	121533	127110	121534	121535					1.50
3.95	3.36	3.70	AK41 / MA40	2W	1.13	121536	121537	121538	121539	127111	121540	121541					2.00
4.25	3.66	4.00	AK44 / MA43	2W	1.13	121542	121543	121544	121545	127112	121546	121547					2.00
4.45	3.86	4.20	AK46 / MA45	2W	1.13	121548	121549	121550	121551	127113	121552	121553					2.00
4.75	4.16	4.50	AK49 / MA48	1A	1.38	121554	121555	121556	121557	127114	121558	121559					2.00
4.95	4.36	4.70	AK51 / MA50	1A	1.38	121560	121561	121562	121563		121564	121565					2.00
5.25	4.66	5.00	AK54 / MA53	1A	1.38	121566	121567	121568	121569	127115	121570	121571	121572				2.50
5.45	4.86	5.20	AK56 / MA55	1A	1.38	121573	121574	121575	121576	127116	121577	121578	121579				2.50
5.75	5.16	5.50	AK59 / MA58	1A	1.38	127117	127118	127119	127120	127121	127122	127123	127124				2.50
5.95	5.36	5.70	AK61 / MA60	1A	1.38	121580	121581	121582	121583	127125	121584	121585	121586				3.00
6.25	5.66	6.00	AK64 / MA63	1A	1.38	121587	121588	121589	121590	127126	121591	121592	121593				3.00
6.45	5.86	6.20	AK66 / MA65	1A	1.38		127209	121594			121595	127128					3.00
6.75	6.16	6.50	AK69 / MA68	1A	1.38			127129			127130	127131					3.00
6.95	6.36	6.70	AK71 / MA70	1A	1.38			127132	121596		121597	127133					3.50
7.25	6.66	7.00	AK74 / MA73	1A	1.38	121598	121599	121600		127134	121601	121602	127135	127136		127137	3.50
7.75	7.16	7.50	AK79 / MA78	1A	1.38			127138			127139	127140				127141	3.50
8.25	7.66	8.00	AK84 / MA83	1A	1.38	127142	121609	121610		127143	121611		121612			127144	4.40
8.75	8.16	8.50	AK89 / MA88	1A	1.38			127145			127146	127147				127148	4.50
9.25	8.66	9.00	AK94 / MA93	1A	1.38	127210	127211	121800		127212	127213		127214	121803		127215	5.40
9.75	9.16	9.50	AK99 / MA98	1A	1.38			127149			127150					127151	5.50
10.25	9.66	10.00	AK104 / MA103	1A	1.38		121809	121810			121811		127216	127217	127218	127219	6.00
10.75	10.16	10.50	AK109 / MA108	1A	1.38			127152			127153				127220	127154	6.00
11.25	10.66	11.00	AK114 / MA113	1A	1.38			127155			127156		127222			127223	6.50
12.25	11.66	12.00	AK124 / MA123	1A	1.38		121820	121821			121823		127224	127226		127227	7.00
13.25	12.66	13.00	AK134 / MA133	1A	1.38			121620			121621		121622		127106	127109	8.50
14.25	13.66	14.00	AK144 / MA143	1A	1.38			121623			121624		121628			121629	9.00
15.25	14.66	15.00	AK154 / MA153	1A	1.38			121634			121639		121640		127228	121646	9.00
18.25	17.66	18.00	AK184 / MA183	1A	1.38			121647			121653		121654			121660	14.00

P.D. for "3L Belt = D.D. + .25" = O.D. - .34"

P.D. for "A" (4L) Belt = O.D.

DO NOT use 3L belts with AK15 and AK17 sheaves

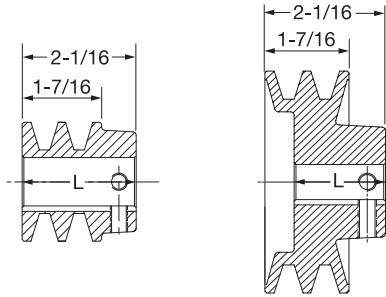
Bore sizes marked X are available - POA

FEATURES/BENEFITS PAGE PT8-2	SELECTION/DIMENSIONS PAGE PT8-3	SELECTION PAGE PT8-10	
---------------------------------	------------------------------------	--------------------------	--



SELECTION/DIMENSIONS

LIGHT DUTY FIXED BORE SHEAVES 2AK (A V-BELTS)



TYPE 3

TYPE 4

A = Arms

B = Block

W = Web

- Finished Bore
- Keyway and (2) Setscrew
- Cast Iron, max speed 6500 FPM

Shaft Dia.	Keyseat
1/2	none
5/8 - 7/8"	3/16 X 3/32
15/16 - 1-1/4"	1/4 X 1/8
1-5/16 - 1-3/8"	5/16 X 5/32
1-7/16"	3/8 X 3/16

2 GROOVES

O.D	D.D. A Belt	SHV NO	Type	L	Bore/Part Number										Approx Wgt	
					1/2	5/8	3/4	7/8	15/16	1	1-1/8	1-3/16	1-3/8	1-7/16		
2.00	1.75	2AK20 / 2MA20	3B	2.06	121835	121836	121837	121838								1.00
2.15	1.90	2AK21 / 2MA22	3B	2.06	127158	127159	127160									1.00
2.25	2.00	2AK22 / 2MA23	3B	2.06	121839	121840	121841	121842		121843						1.00
2.35	2.10	2AK23 / 2MA24	4B	1.88		127161	127162	127163		127229						1.00
2.55	2.30	2AK25 / 2MA25	4B	1.69	121844	121845	121846	121847		121848	121849					1.50
2.65	2.40	2AK26 / 2MA27	4B	1.88		127164	127165	127166								1.50
2.75	2.50	2AK27 / 2MA28	4B	1.69	121850	121851	121852	121853		121854	121855					1.50
2.85	2.60	2AK28 / 2MA29	4B	1.69		127169	127170	127171		127172						1.50
3.05	2.80	2AK30 / 2MA30	4B	1.69	121856	121857	121858	121859		121860	121861					2.00
3.25	3.00	2AK32 / 2MA33	4B	1.63	121862	121863	121864	121865		121866	121867					2.00
3.45	3.20	2AK34 / 2MA35	4B	1.63	121868	121869	121870	121871		121872	121873					2.50
3.75	3.50	2AK39 / 2MA38	4B	1.63	121874	121875	121876	121877		121878	121879					3.00
3.95	3.70	2AK41 / 2MA40	4W	1.56		121959	121880	121881		121882	121883					3.00
4.25	4.00	2AK44 / 2MA43	4W	1.56		121884	121885	121886		121887	121888					3.00
4.45	4.20	2AK46 / 2MA45	4W	1.69				121891		121892	121893					4.00
4.75	4.50	2AK49 / 2MA48	4W	1.56			121895	121896		121897	127230		127231			3.50
4.95	4.70	2AK51 / 2MA50	4W	1.56			121899	121900		121901	127439		127232			4.00
5.25	5.00	2AK54 / 2MA53	4W	1.56		121902	121903	121904		121905	127233		127234			4.00
5.45	5.20	2AK56 / 2MA55	4W	1.56		121906	121907			121909	127440		127235			5.00
5.75	5.50	2AK59 / 2MA58	4W	1.56						121910	127236		127237			5.00
5.95	5.70	2AK61 / 2MA60	4W	1.69			121911	121912		121913	127238		127240			6.00
6.25	6.00	2AK64 / 2MA63	4A	1.56			121914			121916	127241	121917	127242	121918		5.50
7.25	7.00	2AK74 / 2MA73	4A	1.56			121919			121920	127243	121921	127244	121922		6.00
8.25	8.00	2AK84 / 2MA83	4A	1.56			121923		121924	121925	127245	121926	127246	121927		8.00
9.25	9.00	2AK94 / 2MA93	4A	1.56			121928			121930	127248	121931	127249	121932		9.00
10.25	10.00	2AK104 / 2MA103	4A	1.56			121933		121934	121935						10.00
11.25	11.00	2AK114 / 2MA113	4A	1.56						121939		121940	127250	121941		11.00
12.25	12.00	2AK124 / 2MA123	4A	1.59						121943		121944		121945		12.00
13.25	13.00	2AK134 / 2MA133	4A	1.59								121947		121948		14.00
14.25	14.00	2AK144 / 2MA143	4A	1.56						121949				121951		15.00
15.25	15.00	2AK154 / 2MA153	4A	1.56								121953		121954		17.00
18.25	18.00	2AK184 / 2MA183	4A	1.53								121957		121958		19.00

PD for "A" Belts = O.D.

Bore sizes marked X are available - POA



FEATURES/BENEFITS PAGE PT8-2	SELECTION/DIMENSIONS PAGE PT8-3	SELECTION PAGE PT8-10	
---------------------------------	------------------------------------	--------------------------	--

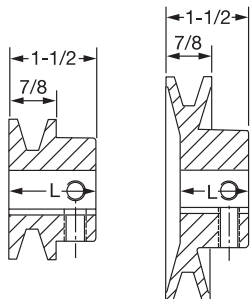


SELECTION/DIMENSIONS

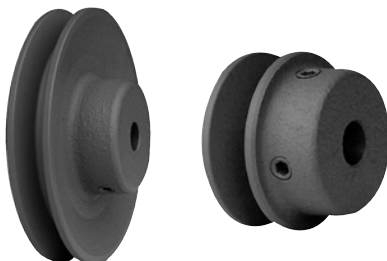
LIGHT DUTY FIXED BORE SHEAVES

BK (A & 4L - B & 5L V-BELTS)

- Finished Bore
- Keyway and (2) Setscrew
- Cast Iron, max speed 6500 FPM



A = Arms
B = Block
W = Web



Shaft Dia.	Keyseat
1/2	none
5/8 - 7/8"	3/16 X 3/32
15/16 - 1-1/4"	1/4 X 1/8
1-5/16 - 1-3/8"	5/16 X 5/32
1-7/16"	3/8 X 3/16

TYPE 5 TYPE 6

1 GROOVE

O.D.	Datum Dia.		SHV NO	Type	L	Bore/Part Number							Approx Wgt				
	A (4L)	B (5L)				1/2	5/8	3/4	7/8	15/16	1	1-1/8		1-3/16	1-1/4	1-3/8	1-7/16
2.00	* 1.25	1.65	BK20 / MB20	5B	1.50	121682 *	121683 *	121684 *									.50
2.25	* 1.50	1.90	BK23 / MB23	6B	1.34	121685	121686	121687	121688		121689 *						1.00
2.40	1.65	2.05	BK24 / MB24	6B	1.50	121713	121714	121715									1.00
2.50	* 1.75	2.15	BK25 / MB25	5B	1.50	121691	121692	121693	121694		121695 *	*					1.00
2.60	1.85	2.25	BK26 / MB26	5B	1.50	121716	121717	121718	121719								1.00
2.70	1.95	2.35	BK27 / MB28	6B	1.38	121697	121698	121699	121700		121701						1.00
2.95	2.20	2.60	BK28 / MB30	6B	1.38	121706	121707	121708	121709		121710	121711					1.00
3.15	2.40	2.80	BK30 / MB31	6B	1.38	121718	121718	121718	121718								1.00
3.25	2.50	2.90	BK31 / MB33	6B	1.38	121714	121715	121716	121717		121718	121719					1.00
3.35	2.60	3.00	BK32 / MB34	6B	1.38	121718	121718	121718	121718								1.00
3.55	2.80	3.20	BK34 / MB35	6B	1.38	121722	121723	121724	121725		121726	121727					1.50
3.75	3.00	3.40	BK36 / MB38	6B	1.25	120850	120851	120852	120853		120854	120855					1.50
3.95	3.20	3.60	BK40 / MB40	6B	1.25	120856	120857	120858	120859		120860	120861					2.00
4.25	3.50	3.90	BK45 / MB43	6W	1.25	120862	120863	120864	120865		120866	120867					2.00
4.45	3.70	4.10	BK47 / MB45	6W	1.25	120874	120875	120876	120877		120878	127201					2.00
4.75	4.00	4.40	BK50 / MB48	5W	1.50	121010	121011	121012	121013	127206	121014	121015					2.50
4.95	4.20	4.60	BK52 / MB50	5W	1.50	120885	120886	120887	120888		120889	120890					2.50
5.25	4.50	4.90	BK55 / MB53	6W	1.31	120892	120893	120894	120895		120896	120897	127221				3.00
5.45	4.70	5.10	BK57 / MB55	5A	1.50	120899	120899	120900	120901	127225	120902	120903					2.50
5.75	5.00	5.40	BK60 / MB58	5A	1.50	120910	120911	120912	120913		120914	120915	120916				2.50
5.95	5.20	5.60	BK62 / MB60	5A	1.50	120917	120918	120919	120920	127239	120921	120922	120923				2.50
6.25	5.50	5.90	BK65 / MB63	5A	1.50		120924	120925			120926	120927					3.00
6.45	5.70	6.10	BK67 / MB65	5A	1.50		120929	120930			120932	120933					3.00
6.75	6.00	6.40	BK70 / MB68	5A	1.50		120942	120943		127247	120945	120946	120947			120949	4.00
6.95	6.20	6.60	BK72 / MB70	5A	1.50			120950			120951	127301			127252		3.50
7.25	6.50	6.90	BK75 / MB73	5A	1.50			120952			120953	127302					3.50
7.45	6.70	7.10	BK77 / MB75	5A	1.50			127254			127255	127256				127257	4.00
7.75	7.00	7.40	BK80 / MB78	5A	1.50		120954	120955	120956		120957	120958	120959	120960	127303	120961	4.00
8.25	7.50	7.90	BK85 / MB83	5A	1.50			121661			121668	127304			127258	127259	4.50
8.75	8.00	8.40	BK90 / MB88	5A	1.50			127260	120962	127261	120963	120847	127262		127263	127264	5.00
9.25	8.50	8.90	BK95 / MB93	5A	1.50			127265			127266	127267			127268	127269	5.50
9.75	9.00	9.40	BK100 / MB98	5A	1.50			120972	120973	127270	120974	120975	120976	120977	127305	120978	6.00
10.25	9.50	9.90	BK105 / MB103	5A	1.50						127271				127272	127273	6.50
10.75	10.00	10.40	BK110 / MB108	5A	1.50			120980			120981	120848	120982		127274	127275	7.00
11.25	10.50	10.90	BK115 / MB113	5A	1.50						120985				127442	120989	8.00
11.75	11.00	11.40	BK120 / MB118	5A	1.50			120990			120991		120992		127443	120994	8.00
12.75	12.00	12.40	BK130 / MB128	5A	1.50			120995			120996	120997	120998	121000		121001	9.00
13.75	13.00	13.40	BK140 / MB138	5A	1.50			127276			127277	127157	127278			127279	10.00
15.75	15.00	15.40	BK160 / MB158	5A	1.50						121690	127280	121696	121833		121834	12.00
18.75	18.00	18.40	BK190 / MB188	5A	1.50								121521	121527		121528	14.00

P.D. for A (4L) Belts = Datum Dia. + .35 = O.D. -.40

P.D. for B (5L) Belts = O.D.

(*) DO NOT use "A" or "4L" belts with these specific bores

Bore sizes marked X are available - POA

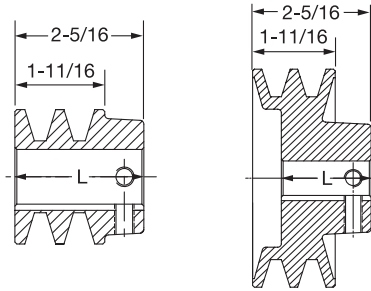
FEATURES/BENEFITS PAGE PT8-2	SELECTION/DIMENSIONS PAGE PT8-3	SELECTION PAGE PT8-10	
---------------------------------	------------------------------------	--------------------------	--



SELECTION/DIMENSIONS

LIGHT DUTY FIXED BORE SHEAVES 2BK (A & B V-BELTS)

- Finished Boe
- Keyway and (2) Setscrew
- Cast Iron, max speed 6500 FPM



TYPE 7

TYPE 8

A = Arms

B = Block

W = Web

Shaft Dia.	Keyseat
1/2	none
5/8 - 7/8"	3/16 X 3/32
15/16 - 1-1/4"	1/4 X 1/8
1-5/16 - 1-3/8"	5/16 X 5/32
1-7/16"	3/8 X 3/16

2 GROOVES

O.D.	D.D. A(4L) Belt	D.D. B(5L) Belt	SHV NO	Type	L	Bore/Part Number										Wgt
						1/2	5/8	3/4	7/8	1	1-1/8	1-3/16	1-3/8	1-7/16		
2.50	* 1.90	2.30	2BK25 / 2MB25	7B	2.31	121730	121731	121732	121733	121734 *	*					1.50
1.70	2.10	2.50	2BK27 / 2MB28	8B	1.94	121736	121737	121738	121739	121740	121741					1.50
2.95	2.20	2.60	2BK28 / 2MB30	8B	1.94	121742	121743	121744	121745	121746	121747					2.00
3.15	2.40	2.80	2BK30 / 2MB32	8B	1.88	127281	127282	127283	127284	127285	127286					2.00
3.35	2.60	3.00	2BK32 / 2MB34	8B	1.94		121748	121749	121750	121751	121752					3.00
3.55	2.80	3.20	2BK34 / 2MB35	8B	1.88		121753	121754	121755	121756	121757					2.50
3.75	3.00	3.40	2BK36 / 2MB38	8B	1.88			121759	121760	121761	121762		127287			3.00
3.95	3.20	3.60	2BK40 / 2MB40	8B	1.69		121763	121764	121765	121766	121767		121768			3.00
4.25	3.50	3.90	2BK45 / 2MB43	8W	1.81				121772	121773			121774			4.00
4.45	3.70	4.10	2BK47 / 2MB45	8W	1.81				121776	121777	121778					4.00
4.75	4.00	4.40	2BK50 / 2MB48	8W	1.81			121780	121782	121783			121784			4.00
4.95	4.20	4.60	2BK52 / 2MB50	8W	1.69				121786	121787	121788		121789			4.50
5.25	4.50	4.90	2BK55 / 2MB53	8W	1.81					121793	121793		127288			5.00
5.45	4.70	5.10	2BK57 / 2MB55	8W	1.81					121796	121797		127289			5.00
5.75	5.00	5.40	2BK60 / 2MB58	8W	1.81			121798	121799	121960	121961		127290			5.00
5.95	5.20	5.60	2BK62 / 2MB60	8W	1.81					121963	121964		127291			6.00
6.25	5.50	5.90	2BK65 / 2MB63	8A	1.81					121966	121967		127292			6.00
6.45	5.70	6.10	2BK67 / 2MB65	8A	1.69					121969	121970		127293			6.00
6.75	6.00	6.40	2BK70 / 2MB68	8A	1.81					121972	127294	121973	127295	121974		6.00
7.75	7.00	7.40	2BK80 / 2MB78	8A	1.81					121977	127296	121978	127297	121979		7.00
8.75	8.00	8.40	2BK90 / 2MB88	8A	1.81				121980	121981	127298	121982	127299	121983		8.00
9.75	9.00	9.40	2BK100 / 2MB98	8A	1.81				121984	121986		121987	127300	121988		10.00
10.75	10.00	10.40	2BK110 / 2MB108	8A	1.81					121989		121990		121991		13.00
11.75	11.00	11.40	2BK120 / 2MB118	8A	1.81					121993		121994		121995		10.00
12.75	12.00	12.40	2BK130 / 2MB128	8A	1.81					121996		121997		121998		15.00
13.75	13.00	13.40	2BK140 / 2MB138	8A	1.81					121703		121704		121705		17.00
15.75	15.00	15.40	2BK160 / 2MB158	8A	1.81					121712		121713		121720		18.00
18.75	18.00	18.40	2BK190 / 2MB188	8A	1.81							121728		121729		26.00

P.D. for A (4L) Belts = Datum Dia. + .35 = O.D. - .40

P.D. for B (5L) Belts = O.D.

(*) DO NOT use A belts with these specific bores

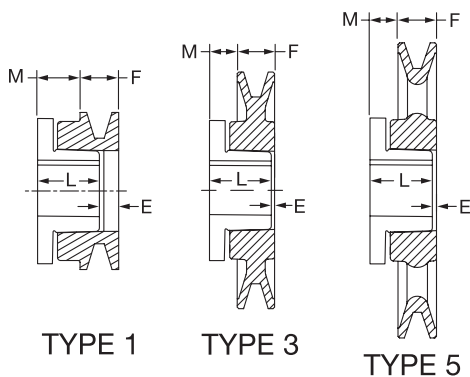
Bore sizes marked X are available - POA



FEATURES/BENEFITS PAGE PT8-2	SELECTION/DIMENSIONS PAGE PT8-3	SELECTION PAGE PT8-10	
---------------------------------	------------------------------------	--------------------------	--

SELECTION/DIMENSIONS

QT-Bushed Sheaves



QT-Bushed Sheaves

- Sizes AKQT, 2AKQT, BKQT, 2BKQT
- Uses QT(L)-Style Bushing
- Secure Clamp Fit to Shaft
- Bore Range 3/8 to 1-1/2"
- Integral Key Bushing — Available in Select Bores
- Inch and Metric Bores
- Suitable for Higher Capacity AX or BX Classic Cog Belts



AK (A & 3L - 4L V-BELTS) 1 GROOVE

O.D.	Datum Dia.		SHV NO	P/N	Type	Dimensions				Approx Wgt
	3L	A (4L)				E	F	L	M	
3.05	2.46	2.80	AK30QT / MAL30	121017	1B	0.38	0.75	1.69	0.97	1.15
3.25	2.66	3.00	AK32QT / MAL32	121018	1B	0.38	0.75	1.69	0.97	1.30
3.45	2.86	3.20	AK34QT / MAL34	121019	1B	0.09	0.75	1.69	0.69	1.20
3.75	3.16	3.50	AK39QT / MAL37	121020	1B	0.09	0.75	1.69	0.69	1.50
3.95	3.36	3.70	AK41QT / MAL39	121021	1B	0.09	0.75	1.69	0.69	1.75
4.25	3.66	4.00	AK44QT / MAL42	121022	1B	0.09	0.75	1.69	0.69	2.05
4.45	3.86	4.20	AK46QT / MAL44	121023	1B	0.09	0.75	1.69	0.69	2.25
4.75	4.16	4.50	AK49QT / MAL47	121024	3W	0.09	0.75	1.69	0.69	2.10
4.95	4.36	4.70	AK51QT / MAL49	121025	3W	0.09	0.75	1.69	0.69	2.35
5.25	4.66	5.00	AK54QT / MAL52	121026	3W	0.09	0.75	1.69	0.69	2.65
5.45	4.86	5.20	AK56QT / MAL54	121027	3W	0.09	0.75	1.69	0.69	2.75
5.75	5.16	5.50	AK59QT / MAL57	121028	5A	0.09	0.75	1.69	0.69	2.60
5.95	5.36	5.70	AK61QT / MAL59	121029	5A	0.09	0.75	1.69	0.69	2.50
6.25	5.66	6.00	AK64QT / MAL62	121030	5A	0.09	0.75	1.69	0.69	2.60
6.45	5.86	6.20	AK66QT / MAL64	121031	5A	0.09	0.75	1.69	0.69	2.70
6.75	6.16	6.50	AK69QT / MAL67	121032	5A	0.09	0.75	1.69	0.69	2.85
6.95	6.36	6.70	AK71QT / MAL69	121033	5A	0.09	0.75	1.69	0.69	2.90
7.25	6.66	7.00	AK74QT / MAL72	121034	5A	0.09	0.75	1.69	0.69	3.10
7.75	7.16	7.50	AK79QT / MAL77	121035	5A	0.09	0.75	1.69	0.69	3.35
8.25	7.66	8.00	AK84QT / MAL82	121036	5A	0.13	0.75	1.69	0.72	3.85
8.75	8.16	8.50	AK89QT / MAL87	121037	5A	0.09	0.75	1.69	0.69	4.10
9.25	8.66	9.00	AK94QT / MAL92	121038	5A	0.09	0.75	1.69	0.69	4.40
9.75	9.16	9.50	AK99QT / MAL97	121039	5A	0.09	0.75	1.69	0.69	4.60
10.25	9.66	10.00	AK104QT / MAL102	121040	5A	0.09	0.75	1.69	0.69	4.90
10.75	10.16	10.50	AK109QT / MAL107	121041	5A	0.09	0.75	1.69	0.69	5.20
11.25	10.66	11.00	AK114QT / MAL112	121042	5A	0.09	0.75	1.69	0.34	5.55
12.25	11.66	12.00	AK124QT / MAL122	121043	5A	0.09	0.75	1.69	0.69	5.90
13.25	12.66	13.00	AK134QT / MAL132	121044	5A	0.09	0.75	1.69	0.69	6.55
14.25	13.66	14.00	AK144QT / MAL142	121045	5A	0.09	0.75	1.69	0.69	7.30
15.25	14.66	15.00	AK154QT / MAL152	121046	5A	0.09	0.75	1.69	0.69	9.80
18.25	17.66	18.00	AK184QT / MAL182	121529	5A	0.09	0.75	1.69	0.69	9.95

P.D. for "3L Belt = D.D. + .25" = O.D. - .34"

P.D. for "A (4L)" is same as O.D

NOTE: See Bushing section for bores/part numbers of QT Bushings used with these Sheaves

QT(L)-Bushings

Size	Part No.	Size	Part No.
Bore/Keyway		Integral Key	
QT x 3/8-NKS	121129	QT x 3/4-IK	121162
QT x 7/16-NKS	121130	QT x 7/8-IK	121163
QT x 1/2-KW	121131	QT x 1-IK	121164
QT x 9/16-KW	121133	QT x 1-1/8-IK	121186
QT x 5/8-KW	122050	QT x 1-3/16-IK	121187
Metric		Metric	
QT x 11/16-KW	121134	QT x 14MM-KW	121148
QT x 3/4-KW	122051	QT x 19MM-KW	121149
QT x 13/16-KW	121136	QT x 20MM-KW	121467
QT x 7/8-KW	122052	QT x 24MM-KW	121150
QT x 15/16-KW	121138	QT x 25MM-KW	121151
QT x 1-KW	122053	QT x 28MM-KW	121152
QT x 1-1/16-KW	121140	QT x 30MM-KW	121153
QT x 1-1/8-KW	122054	QT x 32MM-KW	121154
QT x 13/16-KW	122055	Reborable	
QT x 1-1/4-KW	122056	QT x 3/8-NKS	120595
QT x 15/16-KW	121144		
QT x 1-3/8-KW	121145		
QT x 17/16-KW	121146		
QT x 1-1/2-KW	121147		

NOTE: INSTALLATION SCREW SIZE=1/4-20X7/8
TORQUE=55 LB-IN



2AK (A V-BELTS) 2 GROOVE

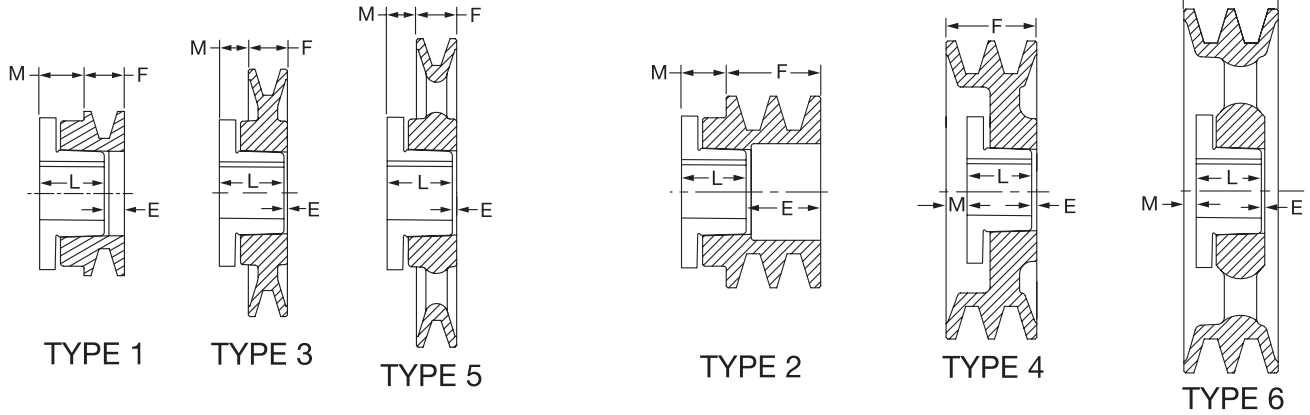
O.D.	D.D. A Belts	SHV NO	P/N	Type	Dimensions				Approx Wgt
					E	F	L	M	
3.05	2.80	2AK30QT /2MAL30	121048	2B	1.00	1.38	1.34	.97	1.70
3.25	3.00	2AK32QT /2MAL32	121049	2B	1.00	1.38	1.34	.97	1.90
3.45	3.20	2AK34QT /2MAL34	121050	2B	.72	1.38	1.34	.69	1.90
3.75	3.50	2AK39QT /2MAL37	121051	2B	.72	1.38	1.34	.69	2.15
3.95	3.70	2AK41QT /2MAL39	121052	4B	.09	1.38	1.34	0.06	2.30
4.25	4.00	2AK44QT /2MAL42	121053	4B	.09	1.38	1.34	0.06	2.75
4.45	4.20	2AK46QT /2MAL44	121054	4W	.09	1.38	1.34	0.06	2.85
4.75	4.50	2AK49QT /2MAL47	121055	4W	.09	1.38	1.34	0.06	3.50
4.95	4.70	2AK51QT /2MAL49	121056	4W	.09	1.38	1.34	0.06	3.70
5.25	5.00	2AK54QT /2MAL52	121057	4W	.09	1.38	1.34	0.06	4.05
5.45	5.20	2AK56QT /2MAL54	121058	4W	.09	1.38	1.34	0.06	4.20
5.75	5.50	2AK59QT /2MAL57	121059	6A	.09	1.38	1.34	0.06	3.90
5.95	5.70	2AK61QT /2MAL59	121060	6A	.09	1.38	1.34	0.06	4.05
6.25	6.00	2AK64QT /2MAL62	121061	6A	.09	1.38	1.34	0.06	4.50
7.25	7.00	2AK74QT /2MAL72	121062	6A	.09	1.38	1.34	0.06	5.70
8.25	8.00	2AK84QT /2MAL82	121063	6A	.09	1.38	1.34	0.06	6.50
9.25	9.00	2AK94QT /2MAL92	121064	6A	.09	1.38	1.34	0.06	7.80
10.25	10.00	2AK104QT /2MAL102	121065	6A	.09	1.38	1.34	0.06	8.80
11.25	11.00	2AK114QT /2MAL112	121066	6A	.09	1.38	1.34	0.06	9.50
12.25	12.00	2AK124QT /2MAL122	121067	6A	.09	1.38	1.34	0.06	10.60
13.25	13.00	2AK134QT /2MAL132	121068	6A	.09	1.38	1.34	0.06	11.90
14.25	14.00	2AK144QT /2MAL142	121069	6A	.09	1.38	1.34	0.06	12.45
15.25	15.00	2AK154QT /2MAL152	121070	6A	.09	1.38	1.34	0.06	14.00
18.25	18.00	2AK184QT /2MAL182	121008	6A	.09	1.38	1.25	0.06	17.95

FEATURES/BENEFITS PAGE PT8-2	SELECTION/DIMENSIONS PAGE PT8-3	SELECTION PAGE PT8-10	
---------------------------------	------------------------------------	--------------------------	--



SELECTION/DIMENSIONS

QT-Bushed Sheaves



BK (A (3L) & B (4L) V-BELTS) 1 GROOVE

O.D.	Datum Dia.		SHV NO	P/N	Type	Dimensions				Approx Wgt
	3L	A (4L)				E	F	L	M	
3.15	2.40	2.80	BK30QT / MBL31	121072	1B	.53	.91	1.34	.98	1.25
3.35	2.60	3.00	BK32QT / MBL33	121073	1B	.53	.91	1.34	.98	1.40
3.55	2.80	3.20	BK34QT / MBL35	121074	1B	.53	.91	1.34	.98	1.65
3.75	3.00	3.40	BK36QT / MBL37	121075	1B	.09	.91	1.34	.53	1.40
3.95	3.20	3.60	BK40QT / MBL39	121076	1B	.09	.91	1.34	.53	1.70
4.25	3.50	3.90	BK45QT / MBL42	121077	1B	.09	.91	1.34	.53	2.05
4.45	3.70	4.10	BK47QT / MBL44	121078	1B	.09	.91	1.34	.53	2.35
4.75	4.00	4.40	BK50QT / MBL47	121079	3W	.09	.91	1.34	.53	1.95
4.95	4.20	4.60	BK52QT / MBL49	121080	3W	.09	.91	1.34	.53	2.40
5.25	4.50	4.90	BK55QT / MBL52	121081	3W	.09	.91	1.34	.53	2.35
5.45	4.70	5.10	BK57QT / MBL54	121082	3W	.09	.91	1.34	.53	2.90
5.75	5.00	5.40	BK60QT / MBL57	121083	3W	.09	.91	1.34	.53	2.45
5.95	5.20	5.60	BK62QT / MBL59	121084	5A	.09	.91	1.34	.53	2.80
6.25	5.50	5.90	BK65QT / MBL62	121085	5A	.09	.91	1.34	.53	2.70
6.45	5.70	6.10	BK67QT / MBL64	121086	5A	.09	.91	1.34	.53	2.80
6.75	6.00	6.40	BK70QT / MBL67	121087	5A	.09	.91	1.34	.53	3.00
6.95	6.20	6.60	BK72QT / MBL69	121088	5A	.09	.91	1.34	.53	3.60
7.25	6.50	6.90	BK75QT / MBL72	121089	5A	.09	.91	1.34	.53	3.45
7.45	6.70	7.10	BK77QT / MBL74	121090	5A	.09	.91	1.34	.53	3.65
7.75	7.00	7.40	BK80QT / MBL77	121091	5A	.09	.91	1.34	.53	3.80
8.25	7.50	7.90	BK85QT / MBL82	121092	5A	.09	.91	1.34	.53	4.55
8.75	8.00	8.40	BK90QT / MBL87	121093	5A	.09	.91	1.34	.53	5.10
9.25	8.50	8.90	BK95QT / MBL92	121094	5A	.09	.91	1.34	.53	5.30
9.75	9.00	9.40	BK100QT / MBL97	121095	5A	.09	.91	1.34	.53	5.80
10.25	9.50	9.90	BK105QT / MBL102	121096	5A	.09	.91	1.34	.53	5.50
10.75	10.00	10.40	BK110QT / MBL107	121097	5A	.09	.91	1.34	.53	5.85
11.25	10.50	10.90	BK115QT / MBL112	121098	5A	.09	.91	1.34	.53	7.20
11.75	11.00	11.40	BK120QT / MBL117	121099	5A	.09	.91	1.34	.53	6.59
12.75	12.00	12.40	BK130QT / MBL127	121100	5A	.09	.91	1.34	.53	7.90
13.75	13.00	13.40	BK140QT / MBL137	121101	5A	.09	.91	1.34	.53	10.15
14.75	14.00	14.40	BK150QT / MBL147	121102	5A	.09	.91	1.34	.53	13.25
15.75	15.00	15.40	BK160QT / MBL157	121103	5A	.09	.91	1.34	.53	16.05
18.75	18.00	18.40	BK190QT / MBL187	121009	5A	.09	.91	1.34	.53	12.45

P.D. for "A (4L)" Belts = D.D. + .35" = O.D. -.40"

P.D. for "B (5L)" is same as O.D.

NOTE: See Bushing section for bores/part numbers of QT Bushings used with these Sheaves

2BK (A & B V-BELTS) 2 GROOVE

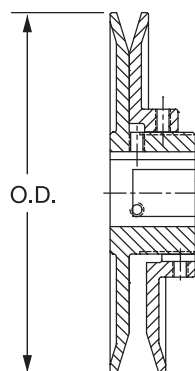
O.D.	Datum Dia.		SHV NO	P/N	Type	Dimensions				Approx Wgt
	A	B				E	F	L	M	
3.35	2.60	3.00	2BK32QT / 2MBL33	121105	2B	1.38	1.75	1.34	.97	2.35
3.55	2.80	3.20	2BK34QT / 2MBL35	121106	2B	1.38	1.75	1.34	.97	2.55
3.75	3.00	3.40	2BK36QT / 2MBL37	121107	2B	1.38	1.75	1.34	.97	3.00
3.95	3.20	3.60	2BK40QT / 2MBL39	121108	2B	.94	1.75	1.34	.53	2.80
4.25	3.50	3.90	2BK45QT / 2MBL42	121109	2B	.94	1.75	1.34	.53	3.25
4.45	3.70	4.10	2BK47QT / 2MBL44	121110	2B	.94	1.75	1.34	.53	3.35
4.75	4.00	4.40	2BK50QT / 2MBL47	121111	2B	.09	1.75	1.34	.31	3.85
4.95	4.20	4.60	2BK52QT / 2MBL49	121112	4W	.09	1.75	1.34	.31	4.00
5.25	4.50	4.90	2BK55QT / 2MBL52	121113	4W	.09	1.75	1.34	.31	4.40
5.45	4.70	5.10	2BK57QT / 2MBL54	121114	4W	.09	1.75	1.34	.31	4.95
5.75	5.00	5.40	2BK60QT / 2MBL57	121115	4W	.09	1.75	1.34	.31	5.30
5.95	5.20	5.60	2BK62QT / 2MBL59	121116	4W	.09	1.75	1.34	.31	5.80
6.25	5.50	5.90	2BK65QT / 2MBL62	121117	4W	.06	1.75	1.34	.34	5.40
6.45	5.70	6.10	2BK67QT / 2MBL64	121118	6A	.06	1.75	1.34	.34	5.85
6.75	6.00	6.40	2BK70QT / 2MBL67	121119	6A	.06	1.75	1.34	.34	5.55
6.95	6.20	6.60	2BK72QT / 2MBL69		6A	.06	1.75	1.34	.34	6.65
7.75	7.00	7.40	2BK80QT / 2MBL77	121120	6A	.06	1.75	1.34	.34	6.85
8.75	8.00	8.40	2BK90QT / 2MBL87	121121	6A	.06	1.75	1.34	.34	9.65
9.75	9.00	9.40	2BK100QT / 2MBL97	121122	6A	.06	1.75	1.34	.34	9.20
10.75	10.00	10.40	2BK110QT / 2MBL107	121123	6A	.06	1.75	1.34	.34	12.80
11.75	11.00	11.40	2BK120QT / 2MBL117	121124	6A	.06	1.75	1.34	.34	14.65
12.75	12.00	12.40	2BK130QT / 2MBL127	121125	6A	.06	1.75	1.34	.34	14.15
13.75	13.00	13.40	2BK140QT / 2MBL137	121126	6A	.06	1.75	1.34	.34	14.95
15.75	15.00	15.40	2BK160QT / 2MBL157	121127	6A	.06	1.75	1.34	.34	18.70
18.75	18.00	18.40	2BK190QT / 2MBL187	121016	6A	.06	1.75	1.34	.34	24.20





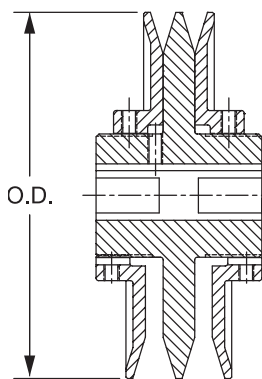
SELECTION/DIMENSIONS

Variable Pitch Sheaves



ONE GROOVE

SHV NO.	O.D.	Overall Length	WT LBS	Stock Bores									MAX BORE		
				1/2	5/8	3/4	7/8	1	1-1/8	1-1/4	1-3/8	1-5/8			
1VP25	2.58	1.59	0.7	127400											0.75
1VP30	2.87	1.66	1.1	121203	121207	127401									0.75
1VP34	3.15	1.88	1.4	121208	121209	121210	121211								1.13
1VP40	3.75	1.88	1.9	121212	121213	121214	121215								1.13
1VP44	4.15	1.88	2.4	121216	121217	121218	121219	121220	121221						1.13
1VP50	4.75	1.88	3.6	121222	121223	121224	121225	121226	121227						1.13
1VP56	5.35	1.88	4.4	121228	121229	121230	121231	121232	121233						1.13
1VP60	6.00	1.66	6.5			127402	127403								1.63
1VP62	5.95	1.91	6.7		127405	121234	121235	121236	121237	121239	121240				1.63
1VP65	6.50	1.66	6.8			127406	127407								1.63
1VP68	6.55	1.91	7.3		127408	121241	121242	121243	121244	121246	121247				1.63
1VP71	7.10	1.66	8.5			127409	127410								1.63
1VP75	7.50	1.66	9.2			121248	121249		121251						1.63



TWO GROOVE

SHV NO.	O.D.	Overall Length	WT LBS	Stock Bores									MAX BORE		
				1/2	5/8	3/4	7/8	1	1-1/8	1-1/4	1-3/8	1-5/8			
2VP36	3.35	3.00	3.4	127412	127413	127414	127415	127416	1-1/8						1.13
2VP42	3.95	3.00	4.4		127417	127418	127419	127420	127421						1.13
2VP50	4.75	3.00	6.3		121266	121267	121268	121269	121270						1.13
2VP56	5.35	3.00	7.8		121271	121272	121273	121274	121275						1.63
2VP60	6.00	3.25	10.6			127431	127432		127434			127435	127444		1.63
2VP62	5.95	3.00	11.0			121276	121277	121278	121279	127422	121295				1.63
2VP65	6.50	3.25	12.3			127423	127424		127425		127426	127445			1.63
2VP68	6.55	3.00	12.7				121281	121282	121283	121285	121286				1.63
2VP71	7.10	3.25	14.6			127427	127428		127429		127430	127446			1.63
2VP75	7.50	3.25	16.5			121287	121288		121290		121293	127447			1.63

Bore	Keyseat
1/2	None
5/8 to 7/8	3/16 x 3/32
15/16 to 1-1/4	1/4 x 1/8
1-5/16 - 1-3/8	5/16 x 5/32

FEATURES/BENEFITS PAGE PT8-2	SELECTION/DIMENSIONS PAGE PT8-3	SELECTION PAGE PT8-10	
---------------------------------	------------------------------------	--------------------------	--



SELECTION

FHP Fixed Speed Drives

PROCEDURE

- 1. Calculate the Drive Ratio:** DriveR RPM divided by DriveN RPM.
- 2. Calculate the Design Horsepower:** Multiply motor HP by the "combined Correction Factor" listed below. If the exact type of machine is not listed, use the one that most nearly matches the application.
- 3. Select DriveR Sheave:** In the HP Rating Tables, scan the RPM column for the HP rating that is equal to or greater than the Design HP calculated in Step 2. The DriveR sheave size is listed in the left-hand column. Normally the smallest diameter sheave alternative that covers the Design HP will result in the most economical drive.
- 4. Select the DriveN Sheave:** Refer to the appropriate "Ratio Table". Choose the DriveN Sheave at the intersection of the calculated ratio and the DriveR Sheave.
- 5. Select Belt Length:** Add DriveR and DriveN sheave diameters. Locate this number on the top row of the Center Distance Table. Trace down to the desired center distance in this column. The appropriate belt length will be listed in the left hand column. Belt length is indicated by the belt nomenclature: e.g., 4L350 is 35.0" long, 5L530 is 53.0" long, B36 is 36" long, etc.

NOTE: This procedure will provide approximate center distance. For more accurate results, refer to the "Non-Standard Drive Selection Procedure" for S-L Classic V-Drives.

6. Two Belt Drives: If the Design Horsepower is greater than the belt listed belt rating, divide the DHP by two, and proceed as though it were a single belt drive. **CAUTION:** FHP belts are not matched, and are therefore not normally recommended for two-belt drives. A, B, AX, or BX belts are matched and may be substituted. Also, these classical belts may have a significantly higher HP rating, which could allow for a more economical single belt drive.

Driven Machine	Speed Ratio	
	Under 1.5	1.5 and Over
Fans & Blowers	1.0	0.9
Domestic Laundry Mach.	1.1	1.0
Centrifugal Pumps	1.1	1.0
Generators	1.2	1.1
Rotary Compressors	1.3	1.1
Machine Tools	1.3	1.2
Reciprocating Pumps	1.4	1.3
Recip. Compressors	1.4	1.3
Woodworking Machy.	1.4	1.3

Horsepower Ratings

Small Shv.	Belt Horsepower Rating for RPM of Faster Shaft **											
	1160	1750	3450	1000	1500	2000	2500	3000	3500	4000	4500	5000
1.50	0.07	0.09	0.11	0.07	0.09	0.10	0.11	0.11	0.11	0.11	0.10	0.09
1.75	0.13	0.17	0.25	0.12	0.15	0.19	0.21	0.23	0.25	0.26	0.26	0.26
2.00	0.18	0.25	0.38	0.16	0.22	0.27	0.31	0.35	0.38	0.40	0.42	0.42
2.25	0.23	0.32	0.50	0.21	0.29	0.35	0.41	0.46	0.50	0.54	0.56	0.57
2.50	0.28	0.39	0.62	0.25	0.35	0.43	0.51	0.57	0.62	0.66	0.68	0.69
2.75	0.34	0.46	0.73	0.30	0.41	0.51	0.60	0.68	0.74	0.78	0.80	0.80
3.00	0.39	0.54	0.83	0.34	0.47	0.59	0.69	0.78	0.84	0.88	0.90	0.89

**Synchronous belt drives are suggested for lower RPM's.

(continued next page)

FEATURES/BENEFITS PAGE PT8-2	SELECTION/DIMENSIONS PAGE PT8-3	SELECTION PAGE PT8-10	
---------------------------------	------------------------------------	--------------------------	--



SELECTION

Horsepower Ratings

4L, A, AX Section Belts

Small Shv. O.D.	Belt Section	Belt Horsepower Rating for RPM of Faster Shaft **											
		1160	1750	3450	1000	1500	2000	2500	3000	3500	4000	4500	5000
2.00*	4L	0.12	0.12	0.02	0.11	0.12	0.11	0.09	0.06	0.02	-	-	-
	A	-	-	-	-	-	-	-	-	-	-	-	-
	AX	-	1.24	1.40	-	-	1.30	1.38	1.42	1.40	1.35	1.25	1.08
2.25*	4L	0.23	0.28	0.30	0.21	0.26	0.30	0.31	0.31	0.30	0.27	0.22	0.15
	A	-	1.17	1.60	-	-	1.26	1.40	1.52	1.60	1.64	1.65	1.62
	AX	-	1.58	1.98	-	1.23	1.68	1.83	1.94	1.98	1.98	1.92	1.82
2.50	4L	0.34	0.44	0.57	0.31	0.40	0.47	0.53	0.56	0.57	0.56	0.54	0.47
	A	-	1.55	2.26	-	1.40	1.60	1.91	2.11	2.31	2.42	2.50	2.48
	AX	-	2.05	2.73	-	1.87	2.19	2.52	2.69	2.74	2.83	2.85	2.83
2.75	4L	0.45	0.60	0.83	0.41	0.54	0.65	0.73	0.79	0.83	0.83	0.81	0.78
	A	-	1.92	2.61	-	1.74	2.21	2.39	2.68	2.89	3.03	3.12	3.18
	AX	-	2.50	3.53	-	2.31	2.72	3.13	3.40	3.57	3.70	3.84	3.91
3.00	4L	0.56	0.75	1.07	0.50	0.67	0.82	0.94	1.02	1.07	1.09	1.07	1.01
	A	1.68	2.23	3.34	-	1.97	2.42	2.78	3.09	3.41	3.52	3.64	3.67
	AX	2.22	2.90	4.14	-	2.63	3.14	3.58	3.89	4.01	4.40	4.59	4.71
3.25	4L	0.67	0.90	1.30	0.60	0.81	0.99	1.13	1.24	1.31	1.33	1.30	1.23
	A	1.97	2.61	3.79	-	2.37	2.85	3.24	3.57	3.78	3.95	4.08	4.11
	AX	2.45	3.25	4.81	-	2.88	3.57	3.94	4.41	4.78	5.12	5.31	5.47
3.5	4L	0.77	1.05	1.52	0.69	0.94	1.15	1.32	1.45	1.53	1.55	1.51	1.41
	A	2.32	3.13	4.66	2.07	2.81	3.42	3.93	4.35	4.65	4.84	4.90	4.83
	AX	2.79	3.68	5.68	2.51	3.31	4.01	4.61	5.19	5.64	6.08	6.37	6.54
3.75	4L	0.86	1.20	1.73	0.78	1.07	1.31	1.51	1.65	1.73	1.75	1.69	1.55
	A	2.63	3.58	5.35	-	3.17	3.90	4.51	4.98	5.31	5.56	5.67	5.63
	AX	3.05	4.06	6.43	-	3.66	4.44	5.20	5.87	6.41	6.87	7.09	7.40
4.00	4L	0.98	1.34	1.92	0.87	1.20	1.47	1.69	1.84	1.92	1.92	1.84	1.65
	A	2.94	4.01	6.02	2.62	3.58	4.40	4.10	5.64	6.04	6.29	6.37	6.28
	AX	3.34	4.46	7.14	3.00	3.95	4.93	5.78	6.52	7.13	7.64	7.98	8.19

5L, B, BX Section Belts

Small Shv. O.D.	Belt Section	Belt Horsepower Rating for RPM of Faster Shaft **											
		1160	1750	3450	1000	1500	2000	2500	3000	3500	4000	4500	5000
3.00*	5L	0.28	0.27	-	0.27	0.28	0.24	0.16	0.04	-	-	-	-
	B	1.35	1.58	1.28	-	1.51	1.62	1.61	1.50	1.27	0.95	0.45	-
	BX	2.90	3.72	5.16	-	3.38	4.02	4.51	4.90	5.15	5.31	5.33	5.25
3.25*	5L	0.46	0.52	0.28	0.43	0.50	1.52	0.49	0.41	0.26	0.04	-	-
	B	1.72	2.03	2.00	-	1.89	2.18	2.22	2.17	1.98	1.75	1.25	0.75
	BX	3.29	4.20	5.92	-	3.81	4.50	5.15	5.59	5.85	6.12	6.18	6.15
3.50	5L	0.63	0.77	0.65	0.58	0.72	0.80	0.82	0.76	0.63	0.42	0.12	-
	B	2.20	2.67	3.05	1.80	2.45	2.80	3.05	3.12	3.14	3.84	2.36	1.82
	BX	3.76	4.77	6.87	2.87	4.37	5.20	5.91	6.51	6.92	7.15	7.26	7.16
3.75	5L	0.81	1.01	1.00	0.74	0.94	1.07	1.13	1.10	0.99	0.77	0.44	-
	B	2.61	3.31	4.01	2.33	2.98	3.52	3.87	4.02	4.03	3.81	3.38	2.75
	BX	4.22	5.45	7.85	3.70	4.83	5.87	6.60	7.40	7.92	8.12	8.35	8.20
4.00	5L	0.98	1.25	1.33	0.89	1.15	1.33	1.43	1.43	1.31	1.08	0.71	0.19
	B	3.00	3.77	4.70	2.66	3.40	4.04	4.45	4.68	4.70	4.43	4.03	3.39
	BX	4.58	5.93	8.57	4.02	5.32	6.46	7.35	8.07	8.53	8.88	8.97	8.92
4.25	5L	1.15	1.49	1.63	1.04	1.36	1.59	1.72	1.73	1.62	1.35	0.93	0.33
	B	3.35	4.19	5.32	2.95	3.81	4.53	5.05	5.31	5.35	5.18	5.65	3.95
	BX	4.98	6.39	9.23	4.42	5.74	7.06	7.91	8.71	9.19	9.61	9.60	9.58
4.50	5L	1.32	1.72	1.91	1.19	1.57	1.84	2.00	2.02	1.89	1.59	1.10	0.39
	B	3.81	4.87	5.31	3.81	4.41	5.26	5.73	6.12	6.23	5.98	5.41	4.52
	BX	5.37	6.99	10.12	4.71	6.28	7.61	8.66	9.52	10.12	10.52	10.62	10.45
4.75	5L	1.49	1.95	2.16	1.34	1.77	2.09	2.27	2.29	2.14	1.79	1.21	0.38
	B	4.38	5.61	7.00	3.82	5.14	6.01	6.70	7.01	7.00	6.71	6.04	5.04
	BX	5.80	7.54	12.02	5.06	6.82	8.20	9.51	10.50	11.41	11.75	11.90	11.46
5.00	5L	1.66	2.17	2.39	1.49	1.98	2.33	2.53	2.55	2.36	1.94	1.26	0.28
	B	4.75	6.16	7.69	4.21	5.57	6.65	7.35	7.74	7.69	7.25	6.54	-
	BX	6.15	8.08	12.28	5.38	7.29	8.90	10.59	11.47	12.30	12.73	12.76	-

NOTES: * These sizes are below min. recommended diameter

** Synchronous belt drives are suggested for lower RPM's.

FEATURES/BENEFITS PAGE PT8-2	SELECTION/DIMENSIONS PAGE PT8-3	SELECTION PAGE PT8-10	
---------------------------------	------------------------------------	--------------------------	--



SELECTION

Ratio Table

AK, 2AK, AKQT, 2AKQT Sheave SERIES

Driven Shv.	Driver Sheave																	
	AK20	AK21	AK22	AK23	AK25	AK26	AK27	AK28	AK30	AK32	AK34	AK39	AK41	AK44	AK46	AK49	AK51	AK54
AK20	1.00	0.95	0.90	0.86	0.78	0.75	0.72	0.69	0.64	0.60	0.56	0.51	0.49	0.45	0.43	0.40	0.38	0.36
AK21	1.06	1.00	0.95	0.90	0.83	0.79	0.76	0.73	0.68	0.63	0.59	0.54	0.51	0.48	0.45	0.42	0.40	0.38
AK22	1.11	1.05	1.00	0.95	0.87	0.83	0.80	0.77	0.71	0.67	0.63	0.57	0.54	0.50	0.48	0.44	0.43	0.40
AK23	1.17	1.11	1.05	1.00	0.91	0.88	0.84	0.81	0.75	0.70	0.66	0.60	0.57	0.53	0.50	0.47	0.45	0.42
AK25	1.28	1.21	1.15	1.10	1.00	0.96	0.92	0.88	0.82	0.77	0.72	0.66	0.62	0.58	0.55	0.51	0.49	0.46
AK26	1.33	1.26	1.20	1.14	1.04	1.00	0.96	0.92	0.86	0.80	0.75	0.69	0.65	0.60	0.57	0.53	0.51	0.48
AK27	1.39	1.32	1.25	1.19	1.09	1.04	1.00	0.96	0.89	0.83	0.78	0.71	0.68	0.63	0.60	0.56	0.53	0.50
AK28	1.44	1.37	1.30	1.24	1.13	1.08	1.04	1.00	0.93	0.87	0.81	0.74	0.70	0.65	0.62	0.58	0.55	0.52
AK30	1.56	1.47	1.40	1.33	1.22	1.17	1.12	1.08	1.00	0.93	0.88	0.80	0.76	0.70	0.67	0.62	0.60	0.56
AK32	1.67	1.58	1.50	1.43	1.30	1.25	1.20	1.15	1.07	1.00	0.94	0.86	0.81	0.75	0.71	0.67	0.64	0.60
AK34	1.78	1.68	1.60	1.52	1.39	1.33	1.28	1.23	1.14	1.07	1.00	0.91	0.86	0.80	0.76	0.71	0.68	0.64
AK39	1.94	1.84	1.75	1.67	1.52	1.46	1.40	1.35	1.25	1.17	1.09	1.00	0.95	0.88	0.83	0.78	0.74	0.70
AK41	2.06	1.95	1.85	1.76	1.61	1.54	1.48	1.42	1.32	1.23	1.16	1.06	1.00	0.93	0.88	0.82	0.79	0.74
AK44	2.22	2.11	2.00	1.90	1.74	1.67	1.60	1.54	1.43	1.33	1.25	1.14	1.08	1.00	0.95	0.89	0.85	0.80
AK46	2.33	2.21	2.10	2.00	1.83	1.75	1.68	1.62	1.50	1.40	1.31	1.20	1.14	1.05	1.00	0.93	0.89	0.84
AK49	2.50	2.37	2.25	2.14	1.96	1.88	1.80	1.73	1.61	1.50	1.41	1.29	1.22	1.13	1.07	1.00	0.96	0.90
AK51	2.61	2.47	2.35	2.24	2.04	1.96	1.88	1.81	1.68	1.57	1.47	1.34	1.27	1.18	1.12	1.04	1.00	0.94
AK54	2.72	2.58	2.45	2.33	2.13	2.04	1.96	1.88	1.75	1.63	1.53	1.40	1.32	1.23	1.17	1.09	1.04	0.98
AK56	2.89	2.74	2.60	2.48	2.26	2.17	2.08	2.00	1.86	1.73	1.63	1.49	1.41	1.30	1.24	1.16	1.11	1.04
AK59	3.06	2.89	2.75	2.62	2.39	2.29	2.20	2.12	1.96	1.83	1.72	1.57	1.49	1.38	1.31	1.22	1.17	1.10
AK61	3.17	3.00	2.85	2.71	2.48	2.37	2.28	2.19	2.04	1.90	1.78	1.63	1.54	1.43	1.36	1.27	1.21	1.14
AK64	3.33	3.16	3.00	2.86	2.61	2.50	2.40	2.31	2.14	2.00	1.88	1.71	1.62	1.50	1.43	1.33	1.28	1.20
AK66	3.44	3.26	3.10	2.95	2.70	2.58	2.48	2.38	2.21	2.07	1.94	1.77	1.68	1.55	1.48	1.38	1.32	1.24
AK69	3.61	3.42	3.25	3.10	2.83	2.71	2.60	2.50	2.32	2.17	2.03	1.86	1.76	1.63	1.55	1.44	1.38	1.30
AK71	3.72	3.53	3.35	3.19	2.91	2.79	2.68	2.58	2.39	2.23	2.09	1.91	1.81	1.68	1.60	1.49	1.43	1.34
AK74	3.89	3.68	3.50	3.33	3.04	2.92	2.80	2.69	2.50	2.33	2.19	2.00	1.89	1.75	1.67	1.56	1.49	1.40
AK79	4.17	3.95	3.75	3.57	3.26	3.13	3.00	2.88	2.68	2.50	2.34	2.14	2.03	1.88	1.79	1.67	1.60	1.50
AK84	4.44	4.21	4.00	3.81	3.48	3.33	3.20	3.08	2.86	2.67	2.50	2.29	2.16	2.00	1.90	1.78	1.70	1.60
AK89	4.72	4.47	4.25	4.05	3.70	3.54	3.40	3.27	3.04	2.83	2.66	2.43	2.30	2.13	2.02	1.89	1.81	1.70
AK94	5.00	4.74	4.50	4.29	3.91	3.75	3.60	3.46	3.21	3.00	2.81	2.57	2.43	2.25	2.14	2.00	1.91	1.80
AK99	5.28	5.00	4.75	4.52	4.13	3.96	3.80	3.65	3.39	3.17	2.97	2.71	2.57	2.38	2.26	2.11	2.02	1.90
AK104	5.56	5.26	5.00	4.76	4.35	4.17	4.00	3.85	3.57	3.33	3.13	2.86	2.70	2.50	2.38	2.22	2.13	2.00
AK109	5.89	5.58	5.30	5.05	4.61	4.42	4.24	4.08	3.79	3.53	3.31	3.03	2.86	2.65	2.52	2.36	2.26	2.12
AK114	6.11	5.79	5.50	5.24	4.78	4.58	4.40	4.23	3.93	3.67	3.44	3.14	2.97	2.75	2.62	2.44	2.34	2.20
AK124	6.67	6.32	6.00	5.71	5.22	5.00	4.80	4.62	4.29	4.00	3.75	3.43	3.24	3.00	2.86	2.67	2.55	2.40
AK134	7.22	6.84	6.50	6.19	5.65	5.42	5.20	5.00	4.64	4.33	4.06	3.71	3.51	3.25	3.10	2.89	2.77	2.60
AK144	7.78	7.37	7.00	6.67	6.09	5.83	5.60	5.38	5.00	4.67	4.38	4.00	3.78	3.50	3.33	3.11	2.98	2.80
AK154	8.33	7.89	7.50	7.14	6.52	6.25	6.00	5.77	5.36	5.00	4.69	4.29	4.05	3.75	3.57	3.33	3.19	3.00
AK184	10.0	9.47	9.00	8.57	7.83	7.50	7.20	6.92	6.43	6.00	5.63	5.14	4.86	4.50	4.29	4.00	3.83	3.60

FEATURES/BENEFITS
PAGE PT8-2

SELECTION/DIMENSIONS
PAGE PT8-3

SELECTION
PAGE PT8-10

V-Drives

FHP Drives

Drive Component
Accessories

DVNA-SYNC

HT200/HTD
Synchronous Drives

HT500
Synchronous Drives

Roller Chain Sprockets

SELECTION



Ratio Table

BK, 2BK, BKQT, 2BKQT SERIES																					
Driven Shv.	Driver Sheave																				
	BK23	BK24	BK25	BK26	BK27	BK28	BK30	BK31	BK32	BK34	BK36	BK40	BK45	BK47	BK50	BK52	BK55	BK57	BK60	BK62	BK65
BK23	1.00	0.95	0.91	0.88	0.84	0.81	0.75	0.72	0.70	0.66	0.62	0.58	0.54	0.51	0.48	0.46	0.43	0.41	0.39	0.38	0.36
BK24	1.05	1.00	0.96	0.92	0.88	0.85	0.79	0.76	0.73	0.69	0.65	0.61	0.56	0.54	0.50	0.48	0.45	0.43	0.41	0.39	0.37
BK25	1.10	1.05	1.00	0.96	0.92	0.88	0.82	0.79	0.77	0.72	0.68	0.64	0.59	0.56	0.52	0.50	0.47	0.45	0.43	0.41	0.39
BK26	1.14	1.09	1.04	1.00	0.96	0.92	0.86	0.83	0.80	0.75	0.71	0.67	0.62	0.59	0.55	0.52	0.49	0.47	0.44	0.43	0.41
BK27	1.19	1.14	1.09	1.04	1.00	0.96	0.89	0.86	0.83	0.78	0.74	0.69	0.64	0.61	0.57	0.54	0.51	0.49	0.46	0.45	0.42
BK28	1.24	1.18	1.13	1.08	1.04	1.00	0.93	0.90	0.87	0.81	0.76	0.72	0.67	0.63	0.59	0.57	0.53	0.51	0.48	0.46	0.44
BK30	1.33	1.27	1.22	1.17	1.12	1.08	1.00	0.97	0.93	0.88	0.82	0.78	0.72	0.68	0.64	0.61	0.57	0.55	0.52	0.50	0.47
BK31	1.38	1.32	1.26	1.21	1.16	1.12	1.04	1.00	0.97	0.91	0.85	0.81	0.74	0.71	0.66	0.63	0.59	0.57	0.54	0.52	0.49
BK32	1.43	1.36	1.30	1.25	1.20	1.15	1.07	1.03	1.00	0.94	0.88	0.83	0.77	0.73	0.68	0.65	0.61	0.59	0.56	0.54	0.51
BK34	1.52	1.45	1.39	1.33	1.28	1.23	1.14	1.10	1.07	1.00	0.94	0.89	0.82	0.78	0.73	0.70	0.65	0.63	0.59	0.57	0.54
BK36	1.62	1.55	1.48	1.42	1.36	1.31	1.21	1.17	1.13	1.06	1.00	0.94	0.87	0.83	0.77	0.74	0.69	0.67	0.63	0.61	0.58
BK40	1.71	1.64	1.57	1.50	1.44	1.38	1.29	1.24	1.20	1.13	1.06	1.00	0.92	0.88	0.82	0.78	0.73	0.71	0.67	0.64	0.61
BK45	1.86	1.77	1.70	1.63	1.56	1.50	1.39	1.34	1.30	1.22	1.15	1.08	1.00	0.95	0.89	0.85	0.80	0.76	0.72	0.70	0.66
BK47	1.95	1.86	1.78	1.71	1.64	1.58	1.46	1.41	1.37	1.28	1.21	1.14	1.05	1.00	0.93	0.89	0.84	0.80	0.76	0.73	0.69
BK50	2.10	2.00	1.91	1.83	1.76	1.69	1.57	1.52	1.47	1.38	1.29	1.22	1.13	1.07	1.00	0.96	0.90	0.86	0.81	0.79	0.75
BK52	2.19	2.09	2.00	1.92	1.84	1.77	1.64	1.59	1.53	1.44	1.35	1.28	1.18	1.12	1.05	1.00	0.94	0.90	0.85	0.82	0.78
BK55	2.33	2.23	2.13	2.04	1.96	1.88	1.75	1.69	1.63	1.53	1.44	1.36	1.26	1.20	1.11	1.07	1.00	0.96	0.91	0.88	0.83
BK57	2.43	2.32	2.22	2.12	2.04	1.96	1.82	1.76	1.70	1.59	1.50	1.42	1.31	1.24	1.16	1.11	1.04	1.00	0.94	0.91	0.86
BK60	2.57	2.45	2.35	2.25	2.16	2.08	1.93	1.86	1.80	1.69	1.59	1.50	1.38	1.32	1.23	1.17	1.10	1.06	1.00	0.96	0.92
BK62	2.67	2.55	2.43	2.33	2.24	2.15	2.00	1.93	1.87	1.75	1.65	1.56	1.44	1.37	1.27	1.22	1.14	1.10	1.04	1.00	0.95
BK65	2.81	2.68	2.57	2.46	2.36	2.27	2.11	2.03	1.97	1.84	1.74	1.64	1.51	1.44	1.34	1.28	1.20	1.16	1.09	1.05	1.00
BK67	2.90	2.77	2.65	2.54	2.44	2.35	2.18	2.10	2.03	1.91	1.79	1.69	1.56	1.49	1.39	1.33	1.24	1.20	1.13	1.09	1.03
BK70	3.05	2.91	2.78	2.67	2.56	2.46	2.29	2.21	2.13	2.00	1.88	1.78	1.64	1.56	1.45	1.39	1.31	1.25	1.19	1.14	1.08
BK72	3.14	3.00	2.87	2.75	2.64	2.54	2.36	2.28	2.20	2.06	1.94	1.83	1.69	1.61	1.50	1.43	1.35	1.29	1.22	1.18	1.12
BK75	3.29	3.14	3.00	2.88	2.76	2.65	2.46	2.38	2.30	2.16	2.03	1.92	1.77	1.68	1.57	1.50	1.41	1.35	1.28	1.23	1.17
BK77	3.38	3.23	3.09	2.96	2.84	2.73	2.54	2.45	2.37	2.22	2.09	1.97	1.82	1.73	1.61	1.54	1.45	1.39	1.31	1.27	1.20
BK80	3.52	3.36	3.22	3.08	2.96	2.85	2.64	2.55	2.47	2.31	2.18	2.06	1.90	1.80	1.68	1.61	1.51	1.45	1.37	1.32	1.25
BK85	3.76	3.59	3.43	3.29	3.16	3.04	2.82	2.72	2.63	2.47	2.32	2.19	2.03	1.93	1.80	1.72	1.61	1.55	1.46	1.41	1.34
BK90	4.00	3.82	3.65	3.50	3.36	3.23	3.00	2.90	2.80	2.63	2.47	2.33	2.15	2.05	1.91	1.83	1.71	1.65	1.56	1.50	1.42
BK95	4.24	4.05	3.87	3.71	3.56	3.42	3.18	3.07	2.97	2.78	2.62	2.47	2.28	2.17	2.02	1.93	1.82	1.75	1.65	1.59	1.51
BK100	4.48	4.27	4.09	3.92	3.76	3.62	3.36	3.24	3.13	2.94	2.76	2.61	2.41	2.29	2.14	2.04	1.92	1.84	1.74	1.68	1.59
BK105	4.71	4.50	4.30	4.12	3.96	3.81	3.54	3.41	3.30	3.09	2.91	2.75	2.54	2.41	2.25	2.15	2.02	1.94	1.83	1.77	1.68
BK110	4.95	4.73	4.52	4.33	4.16	4.00	3.71	3.59	3.47	3.25	3.06	2.89	2.67	2.54	2.36	2.26	2.12	2.04	1.93	1.86	1.76
BK115	5.19	4.95	4.74	4.54	4.36	4.19	3.89	3.76	3.63	3.41	3.21	3.03	2.79	2.66	2.48	2.37	2.22	2.14	2.02	1.95	1.85
BK120	5.43	5.18	4.96	4.75	4.56	4.38	4.07	3.93	3.80	3.56	3.35	3.17	2.92	2.78	2.59	2.48	2.33	2.24	2.11	2.04	1.93
BK130	5.90	5.64	5.39	5.17	4.96	4.77	4.43	4.28	4.13	3.88	3.65	3.44	3.18	3.02	2.82	2.70	2.53	2.43	2.30	2.21	2.10
BK140	6.38	6.09	5.83	5.58	5.36	5.15	4.79	4.62	4.47	4.19	3.94	3.72	3.44	3.27	3.05	2.91	2.73	2.63	2.48	2.39	2.27
BK160	7.33	7.00	6.70	6.42	6.16	5.92	5.50	5.31	5.13	4.81	4.53	4.28	3.95	3.76	3.50	3.35	3.14	3.02	2.85	2.75	2.61
BK190	8.76	8.36	8.00	7.67	7.36	7.08	6.57	6.34	6.13	5.75	5.41	5.11	4.72	4.49	4.18	4.00	3.76	3.61	3.41	3.29	3.12

V-Drives

FHP Drives

Drive Component Accessories

DYNA-SYNC

HT200/HTD Synchronous Drives

HT500 Synchronous Drives

Roller Chain Sprockets

FEATURES/BENEFITS PAGE PT8-2	SELECTION/DIMENSIONS PAGE PT8-3	SELECTION PAGE PT8-10	
---------------------------------	------------------------------------	--------------------------	--



SELECTION

Center Distance/Belt Length

This table provides approximate center distance for the majority of V-Drives up to 3:1 ratio.

Data is useful for higher ratios, but if more accurate results are required, use the belt length formula found in the "Special Drives" selection section for S-L Classic drives.

Belt Lgth.	Sum of Both V-Belt Sheave Diameters																				
	4	5	6	7	8	9	10	11	12	13	14	15	16	17	18	19	20	21			
16	4.9	4.1																			
18	5.9	5.1																			
20	6.9	6.1	5.2																		
22	7.9	7.1	6.2																		
24	8.9	8.1	7.2	6.3																	
26	9.9	9.1	8.2	7.3	6.5																
28	10.9	10.1	9.2	8.4	7.6	6.6															
30	11.9	11.1	10.2	9.4	8.6	7.7															
32	12.9	12.1	11.2	10.4	9.6	8.7	8														
34	13.9	13.1	12.2	11.4	10.6	9.7	9														
36	14.9	14.1	13.2	12.4	11.6	10.7	10	9													
38	15.9	15.1	14.2	13.4	12.6	11.8	11	10	9.1												
40	16.9	16.1	15.3	14.4	13.6	12.8	12	11.1	10.1												
42	17.9	17.1	16.3	15.4	14.6	13.8	13.1	12.1	11.2	10.2											
44	18.9	18.1	17.3	16.4	15.6	14.8	14.1	13.1	12.2	11.2											
46	19.9	19.1	18.3	17.4	16.6	15.8	15.1	14.1	13.2	12.3	10.9										
48	20.9	20.1	19.3	18.4	17.7	16.8	16.1	15.1	14.3	13.3	12	11.3									
50	21.9	21.1	20.3	19.4	18.7	17.8	17.1	16.2	15.3	14.4	13.1	12.4	11.7								
52	22.9	22.1	21.3	20.4	19.7	18.8	18.1	17.2	16.3	15.4	14.1	13.5	12.8								
54	23.9	23.1	22.3	21.4	20.7	19.8	19.1	18.2	17.3	16.4	15.2	14.5	13.8	13.2							
56	24.9	24.1	23.3	22.4	21.7	20.8	20.1	19.2	18.3	17.4	16.2	15.6	14.9	14.2							
58	25.9	25.1	24.3	23.4	22.7	21.8	21.1	20.2	19.3	18.5	17.3	16.6	15.9	15.2	13.5						
60	26.9	26.1	25.3	24.5	23.7	22.8	22.1	21.2	20.4	19.5	18.3	17.6	17	16.3	14.6	14					
62	27.9	27.1	26.3	25.5	24.7	23.8	23.1	22.2	21.4	20.5	19.4	18.7	18	17.3	15.7	15.1					
64	28.9	28.1	27.3	26.5	25.7	24.8	24.1	23.2	22.4	21.5	20.4	19.7	19	18.3	16.8	16.1	15.5				
66	29.9	29.1	28.3	27.5	26.7	25.9	25.1	24.2	23.4	22.5	21.4	20.7	20	19.3	17.8	17.2	16.5	14.9			
68	30.9	30.1	29.3	28.5	27.7	26.9	26.1	25.2	24.4	23.5	22.4	21.7	21	20.3	18.9	18.2	17.6	16			
70	31.9	31.1	30.3	29.5	28.7	27.9	27.1	26.2	25.4	24.5	23.5	22.8	22.1	21.4	20	19.3	18.6	17.1			
72	32.9	32.1	31.3	30.5	29.7	28.9	28.1	27.2	26.4	25.5	24.5	23.8	23.1	22.4	21	20.3	19.6	18.2			
74	33.9	33.1	32.3	31.5	30.7	29.9	29.1	28.2	27.4	26.5	25.5	24.8	24.1	23.4	22	21.3	20.6	19.2			
76	34.9	34.1	33.3	32.5	31.7	30.9	30.1	29.2	28.4	27.6	26.5	25.8	25.1	24.4	23.1	22.4	21.7	20.3			
78	35.9	35.1	34.2	33.5	32.7	31.9	31.1	30.2	29.4	28.6	27.5	26.8	26.1	25.4	24.1	23.4	22.7	21.3			
80	36.9	36.1	35.3	34.5	33.7	32.9	32.1	31.3	30.4	29.6	28.6	27.9	27.1	26.4	25.1	24.5	23.8	22.4			
82	37.6	36.7	35.9	35.1	34.3	33.5	32.7	31.9	31	30.2	29.2	28.5	27.8	27	25.8	25.1	24.4	23.1			
84	38.9	38.1	37.3	36.5	35.7	34.9	34.1	33.3	32.4	31.6	30.6	29.9	29.2	28.4	27.2	26.5	25.8	24.5			
86	39.6	38.7	37.9	37.1	36.3	35.5	34.7	33.9	33	32.2	31.2	30.5	29.8	29	27.8	27.1	26.4	25.2			
88	40.9	40.1	39.3	38.5	37.7	36.9	36.1	35.3	34.4	33.6	32.6	31.9	31.2	30.4	29.2	28.5	27.8	26.6			
90	41.9	41.1	40.3	39.5	38.7	37.9	37.1	36.3	35.5	34.6	33.6	32.9	32.2	31.4	30.2	29.5	28.8	27.6			
92	42.9	42.1	41.3	40.5	39.7	38.9	38.1	37.3	36.5	35.6	34.6	33.9	33.2	32.5	31.3	30.6	29.9	28.7			
94	43.9	43.1	42.3	41.5	40.7	39.9	39.1	38.3	37.5	36.6	35.6	34.9	34.2	33.5	32.3	31.6	30.9	29.7			
96	44.9	44.1	43.3	42.5	41.7	40.9	40.1	39.3	38.5	37.6	36.7	35.9	35.2	34.5	33.3	32.6	31.9	30.7			
98	45.9	45.1	44.3	43.5	42.7	41.9	41.1	40.3	39.5	38.6	37.7	36.9	36.2	35.5	34.3	33.6	32.9	31.7			
100	46.9	46.1	45.3	44.5	43.7	42.9	42.1	41.3	40.5	39.6	38.7	37.9	37.2	36.5	35.3	34.6	33.9	32.8			

The centers shown in this shaded area are below the recommended minimum.



SELECTION

Variable Pitch Selection Procedure 1750 RPM Motors, Fractional Thru 30 HP

PROCEDURE

1. Calculate design HP: Motor HP x Service Factor
2. Determine motor shaft size from NEMA B MOTOR chart.
3. Scan Tables 1 & 2 for VP sheave and belt profile combination that will accommodate motor shaft size and design HP.
4. Go to associated VP SHEAVE-BELT table. Trace down the column headed by the selected VP Sheave size until the desired driven speed range is reached. The Driven Sheave size will be listed in the "Driven Sheave" column.

5. Calculate belt length as follows:

If CD/D is greater than 1.5:

FORMULA A: $L=2CD + 1.57(D+d)$

CD = Center Distance

D = Large Sheave diameter

d = small sheave diameter

If CD/D is less than 1.5:

FORMULA B:

$$L = 2 CD + 1.57 (D + d) + \frac{(D - d)^2}{4 CD}$$

NOTE: "L" Belt length is Outside Length for FHP belts, Pitch Length for Classical Belts (A, B, AX, BX)

EXAMPLE

A fan is to be driven at a speed in the range of 1400 to 1200 RPM by a 10 HP, 1750 RPM motor. Center Distance is 26". Desired Service Factor is 1.3.

SOLUTION

1. Calculate Design HP: $10 \times 1.3 = 13$ DHP.
2. Check NEMA B Motor shaft size: 1-3/8", from Table 3.
3. Scan Tables 1 & 2 for VP sheave size that covers 13 DHP and has 1-3/8" shaft capacity. Choose 2VP65 with AX belt (Other larger sizes are also suitable).
4. Check Selection Table for 2-Groove A-Section Belts. Locate column headed by "2VP65". Trace down to the "1425/1175" RPM range, which covers the 1400/1200 requirement. Trace over to the left hand column for the Driven Sheave size: Find Driven Sheave "2AK74".
5. Calculate belt length: Note that CD/D is $26/7.0 = 3.5$. This is greater than 1.5, so "Formula A" can be used. $L=2 \times 26 + 1.57(7.0+5.7)$, $L = 72.0$, Use Belt Size AX71 which has a pitch length of 72.3".

NOTE: Calculated center distance is for maximum driven RPM. Center distance at minimum RPM will be approx. 1" longer.

Variable Pitch Sheave Selection Tables

One Groove VP Sheaves

Table 1.

Size	Max./Min. Pitch Dia.			Max. Bore	O.D.	Basic HP Rating At 1750 RPM *					
	4L/A	5L/B	5V			4L	A	AX	5L	B	BX
1VP25	--	--	--	1/2	2.32
1VP30	--	--	--	3/4	2.87
1VP34	2.9/1.9	3.2/2.4	--	7/8	3.15	0.75	1.50	2.00	0.63	0.34	3.45
1VP40	3.4/2.4	3.7/2.7	--	7/8	3.75	1.00	2.41	2.84	1.12	1.70	3.87
1VP44	3.8/2.9	4.1/3.1	--	1-1/8	4.15	1.30	3.13	3.57	1.48	2.87	4.66
1VP50	4.4/3.4	4.7/3.7	--	1-1/8	4.75	1.50	4.20	4.63	1.95	4.50	6.50
1VP56	5.0/4.0	5.3/4.3	--	1-1/8	5.35	...	5.20	5.67	2.20	5.15	8.10
1VP60	5.2/4.2	5.5/4.3	--	1-1/8	6.00	...	5.53	6.01	2.60	6.68	8.67
1VP62	5.6/4.6	5.9/4.9	6.3/5.3	1-1/4	5.95	...	6.18	6.68	3.00	7.70	9.80
1VP65	5.7/4.7	6.0/4.8	6.4/5.2	1-1/8	6.50	...	6.40	6.85	...	7.97	10.00
1VP68	6.2/5.2	6.5/5.5	6.9/5.9	1-3/8	6.55	...	7.10	7.60	...	9.30	11.30
1VP71	6.3/5.3	6.6/5.4	7.0/5.8	1-1/8	7.10	...	7.30	7.70	...	9.40	11.60
1VP75	6.7/5.7	7.0/5.8	7.4/6.2	1-1/8	7.50	...	8.00	8.50	...	10.40	12.60

(Cont. next page)

* For 3L Belts Only:

1VP25 2.2/1.4 P.D.

1VP30 2.7/1.8 P.D.

Ac Motors

NEMA B

Table 3.

1750RPM HP	Shaft Dia.
1/4, 1/3	...
1/2, 3/4	5/8
1, 1.5, 2	7/8
3, 5	1-1/8
7-1/2, 10	1-3/8
15, 20	1-5/8
25, 30	1-7/8

Selection program available online at ptwizard.com

FEATURES/BENEFITS PAGE PT8-2	SELECTION/DIMENSIONS PAGE PT8-3	SELECTION PAGE PT8-10	
---------------------------------	------------------------------------	--------------------------	--



SELECTION

Variable Pitch Sheave Selection Tables

Two Groove VP Sheaves

Table 2

Size	Max./Min. Pitch Dia.			Max. Bore	O.D.	Two-Belt Basic HP Rating At 1750 RPM *						
	4L/A	5L/B	5V			4L	A	AX	5L	B	BX	5VX
2VP36	3.0/2.0	3.3/2.5	--	1	3.35	1.6	3.34	4.20	1.40	...	4.40	...
2VP42	3.6/2.6	3.9/2.9	--	1-1/8	3.95	2.4	5.54	6.42	2.60	2.98	6.34	...
2VP50	4.4/3.4	4.7/3.7	--	1-1/8	4.75	2.8	6.20	9.26	4.00	7.48	11.06	...
2VP56	5.0/4.0	5.3/4.3	--	1-1/8	5.35	...	10.40	11.34	4.40	9.40	11.76	...
2VP60	5.2/4.2	5.5/4.3	--	1-3/8	6.00	...	11.06	12.02	4.80	11.80	15.60	...
2VP62	5.6/4.6	5.9/4.9	6.3/5.3	1-3/8	5.95	...	12.36	13.36	6.00	13.90	17.82	34.00
2VP65	5.7/4.7	6.0/4.8	6.4/5.2	1-3/8	6.50	...	12.60	13.66	...	14.20	18.20	34.60
2VP68	6.2/5.2	6.5/5.5	6.9/5.9	1-3/8	6.55	...	14.20	15.20	...	17.00	21.00	38.00
2VP71	6.3/5.3	6.5/5.4	7.0/5.8	1-3/8	7.10	...	14.60	15.60	...	17.60	21.60	40.00
2VP75	6.7/5.7	7.0/5.8	7.4/6.2	1-3/8	7.50	...	15.80	17.00	...	19.00	23.80	44.00
2VP60A	5.2/4.2	5.5/4.3	--	1-5/8	6.00	...	11.06	12.02	4.80	11.80	15.60	...
2VP65A	5.7/4.7	6.0/4.8	6.4/5.2	1-5/8	6.50	...	12.60	13.66	...	14.20	18.20	34.60
2VP71A	6.3/5.3	6.5/5.4	7.0/5.8	1-5/8	7.10	...	14.60	15.60	...	17.60	21.60	40.00
2VP75A	6.7/5.7	7.0/5.8	7.4/6.2	1-5/8	7.50	...	15.80	17.00	...	19.00	23.80	44.00
2V56B70	6.7/5.7	7.0/5.8	7.4/6.2	1-7/8	7.50	...	15.80	17.00	...	19.00	23.80	44.00
2V68B80	7.7/6.7	7.7/6.8	8.4/7.2	1-7/8	8.50	...	18.00	18.80	...	23.40	28.20	52.00

* Rating is at Max. Pitch Dia. Apply Arc and Length correction factors for greater accuracy.

1VP Sheave Using A Or Ax Belt Driven RPM For 1750 RPM Motor

Driven SHV.	1VP34		1VP40		1VP44		1VP50		1VP56		1VP60		1VP62		1VP65	
	Size	P.D.	Max.	Min.	Max.	Min.	Max.	Min.	Max.	Min.	Max.	Min.	Max.	Min.	Max.	Min.
AK20	1.80	2819	1847	3306	2333	3694	2722	4278	3306	4861	3889	--	--	--	--	--
AK21	1.90	2671	1750	3132	2211	3500	2579	4053	3132	4605	3684	4789	3868	--	--	--
AK22	2.00	2538	1663	2975	2100	3325	2450	3850	2975	4375	3500	4550	3675	4900	4025	4988
AK23	2.10	2417	1583	2833	2000	3167	2333	3667	2833	4167	3333	4333	3500	4667	3833	4750
AK25	2.30	2207	1446	2587	1826	2891	2130	3348	2587	3804	3043	3957	3196	4261	3500	4337
AK26	2.40	2115	1385	2479	1750	2771	2042	3208	2479	3646	2917	3792	3062	4083	3354	4156
AK27	2.50	2030	1330	2380	1680	2660	1960	3080	2380	3500	2800	3640	2940	3920	3220	3990
AK28	2.60	1952	1279	2288	1615	2558	1885	2962	2288	3365	2692	3500	2827	3769	3096	3837
AK30	2.80	1813	1188	2125	1500	2375	1750	2750	2125	3125	2500	3250	2625	3500	2875	3563
AK32	3.00	1692	1108	1983	1400	2217	1633	2567	1983	2917	2333	3033	2450	3267	2683	3325
AK34	3.20	1586	1039	1859	1313	2078	1531	2406	1859	2734	2188	2844	2297	3063	2516	3117
AK39	3.50	1450	950	1700	1200	1900	1400	2200	1700	2500	2000	2600	2100	2800	2300	2850
AK41	3.70	1372	899	1608	1135	1797	1324	2081	1608	2365	1892	2459	1986	2649	2176	2696
AK44	4.00	1269	831	1488	1050	1663	1225	1925	1488	2188	1750	2275	1838	2450	2013	2494
AK46	4.20	1208	792	1417	1000	1583	1167	1833	1417	2083	1667	2167	1750	2333	1917	2375
AK49	4.50	1128	739	1322	933	1478	1089	1711	1322	1944	1556	2022	1633	2178	1789	2217
AK51	4.70	1080	707	1266	894	1415	1043	1638	1266	1862	1489	1936	1564	2085	1713	2122
AK54	4.90	1036	679	1214	857	1357	1000	1571	1214	1786	1429	1857	1500	2000	1643	2036

(Cont. next page)

Note: For drive selections below the bold line, use HP ratings on TABLE 1 or TABLE 2. For drive selections above the bold line, use BASIC HP RATING TABLES from DODGE engineering catalog for Driven Sheave size.

FEATURES/BENEFITS PAGE PT8-2	SELECTION/DIMENSIONS PAGE PT8-3	SELECTION PAGE PT8-10	
---------------------------------	------------------------------------	--------------------------	--



SELECTION

1 VP Sheave Using A or AX Belt

Driven RPM For 1750 RPM Motor

Driven SHV.		1VP34		1VP40		1VP44		1VP50		1VP56		1VP60		1VP62		1VP65	
Size	P.D.	Max.	Min.	Max.	Min.	Max.	Min.	Max.	Min.	Max.	Min.	Max.	Min.	Max.	Min.	Max.	Min.
AK56	5.20	976	639	1144	808	1279	942	1481	1144	1683	1346	1750	1413	1885	1548	1918	1582
AK59	5.50	923	605	1082	764	1209	891	1400	1082	1591	1273	1655	1336	1782	1464	1814	1495
AK61	5.70	890	583	1044	737	1167	860	1351	1044	1535	1228	1596	1289	1719	1412	1750	1443
AK64	6.00	846	554	992	700	1108	817	1283	992	1458	1167	1517	1225	1633	1342	1663	1371
AK66	6.20	819	536	960	677	1073	790	1242	960	1411	1129	1468	1185	1581	1298	1609	1327
AK69	6.50	781	512	915	646	1023	754	1185	915	1346	1077	1400	1131	1508	1238	1535	1265
AK71	6.70	757	496	888	627	993	731	1149	888	1306	1045	1358	1097	1463	1201	1489	1228
AK74	7.00	725	475	850	600	950	700	1100	850	1250	1000	1300	1050	1400	1150	1425	1175
AK79	7.50	677	443	793	560	887	653	1027	793	1167	933	1213	980	1307	1073	1330	1097
AK84	8.00	634	416	744	525	831	613	963	744	1094	875	1138	919	1225	1006	1247	1028
AK89	8.50	597	391	700	494	782	576	906	700	1029	824	1071	865	1153	947	1174	968
AK94	9.00	564	369	661	467	739	544	856	661	972	778	1011	817	1089	894	1108	914
AK99	9.50	534	350	626	442	700	516	811	626	921	737	958	774	1032	847	1050	866
AK104	10.00	508	333	595	420	665	490	770	595	875	700	910	735	980	805	998	823
AK109	10.60	479	314	561	396	627	462	726	561	825	660	858	693	925	759	941	776
AK114	11.00	461	302	541	382	605	445	700	541	795	636	827	668	891	732	907	748
AK124	12.00	423	277	496	350	554	408	642	496	729	583	758	613	817	671	831	685
AK134	13.00	390	256	458	323	512	377	592	458	673	538	700	565	754	619	767	633
AK144	14.00	363	238	425	300	475	350	550	425	625	500	650	525	700	575	713	588
AK154	15.00	338	222	397	280	443	327	513	397	583	467	607	490	653	537	665	548
AK184	18.00	282	185	331	233	369	272	428	331	486	389	506	408	544	447	554	457

Driven RPM For 1750 RPM Motor

Driven SHV		1VP68		1VP71		1VP75	
Size	P.D.	Max.	Min.	Max.	Min.	Max.	Min.
AK30	2.80	3875	3250	3938	3313	4188	3563
AK32	3.00	3617	3033	3675	3092	3908	3325
AK34	3.20	3391	2844	3445	2898	3664	3117
AK39	3.50	3100	2600	3150	2650	3350	2850
AK41	3.70	2932	2459	2980	2507	3169	2696
AK44	4.00	2713	2275	2756	2319	2931	2494
AK46	4.20	2583	2167	2625	2208	2792	2375
AK49	4.50	2411	2022	2450	2061	2606	2217
AK51	4.70	2309	1936	2346	1973	2495	2122
AK54	4.90	2214	1857	2250	1893	2393	2036
AK56	5.20	2087	1750	2120	1784	2255	1918
AK59	5.50	1973	1655	2005	1686	2132	1814
AK61	5.70	1904	1596	1934	1627	2057	1750
AK64	6.00	1808	1517	1838	1546	1954	1663
AK66	6.20	1750	1468	1778	1496	1891	1609
AK69	6.50	1669	1400	1696	1427	1804	1535
AK71	6.70	1619	1358	1646	1384	1750	1489
AK74	7.00	1550	1300	1575	1325	1675	1425
AK79	7.50	1447	1213	1470	1237	1563	1330
AK84	8.00	1356	1138	1378	1159	1466	1247
AK89	8.50	1276	1071	1297	1091	1379	1174
AK94	9.00	1206	1011	1225	1031	1303	1108
AK99	9.50	1142	958	1161	976	1234	1050
AK104	10.00	1085	910	1103	928	1173	998
AK109	10.60	1024	858	1040	875	1106	941
AK114	11.00	986	827	1002	843	1066	907
AK124	12.00	904	758	919	773	977	831
AK134	13.00	835	700	848	713	902	767
AK144	14.00	775	650	788	663	838	713
AK154	15.00	723	607	735	618	782	665
AK184	18.00	603	506	613	515	651	554

NOTE: For drive selections below the bold line, use HP ratings on TABLE 1 or TABLE 2. For drive selections above the bold line, use BASIC HP RATING TABLES from DODGE engineering catalog for Driven Sheave size.

FEATURES/BENEFITS PAGE PT8-2	SELECTION/DIMENSIONS PAGE PT8-3	SELECTION PAGE PT8-10	
---------------------------------	------------------------------------	--------------------------	--



SELECTION

1 VP Sheave Using B or BX Belt

Driven RPM For 1750 RPM Motor

Driven SHV.		1VP34		1VP40		1VP44		1VP50		1VP56		1VP60		1VP62		1VP65	
Size	P.D.	Max.	Min.	Max.	Min.	Max.	Min.	Max.	Min.	Max.	Min.	Max.	Min.	Max.	Min.	Max.	Min.
BK23	2.10	2667	2000	3083	2250	3417	2583	3917	3083	4417	3583	4583	3583	4917	4083	5000	4000
BK24	2.20	2545	1909	2943	2148	3261	2466	3739	2943	4216	3420	4375	3420	4693	3898	4773	3818
BK25	2.30	2435	1826	2815	2054	3120	2359	3576	2815	4033	3272	4185	3272	4489	3728	4565	3652
BK26	2.40	2333	1750	2698	1969	2990	2260	3427	2698	3865	3135	4010	3135	4302	3573	4375	3500
BK28	2.60	2154	1615	2490	1817	2760	2087	3163	2490	3567	2894	3702	2894	3971	3298	4038	3231
BK30	2.80	2000	1500	2313	1688	2563	1938	2938	2313	3313	2688	3438	2688	3688	3063	3750	3000
BK31	2.90	1931	1448	2233	1629	2474	1871	2836	2233	3198	2595	3319	2595	3560	2957	3621	2897
BK32	3.00	1867	1400	2158	1575	2392	1808	2742	2158	3092	2508	3208	2508	3442	2858	3500	2800
BK34	3.20	1750	1313	2023	1477	2242	1695	2570	2023	2898	2352	3008	2352	3227	2680	3281	2625
BK36	3.40	1647	1235	1904	1390	2110	1596	2419	1904	2728	2213	2831	2213	3037	2522	3088	2471
BK40	3.60	1556	1167	1799	1312	1993	1507	2285	1799	2576	2090	2674	2090	2868	2382	2917	2333
BK45	3.90	1436	1077	1660	1212	1840	1391	2109	1660	2378	1929	2468	1929	2647	2199	2692	2154
BK47	4.10	1366	1024	1579	1152	1750	1323	2006	1579	2262	1835	2348	1835	2518	2091	2561	2049
BK50	4.40	1273	955	1472	1074	1631	1233	1869	1472	2108	1710	2188	1710	2347	1949	2386	1909
BK52	4.60	1217	913	1408	1027	1560	1179	1788	1408	2016	1636	2092	1636	2245	1864	2283	1826
BK55	4.90	1143	857	1321	964	1464	1107	1679	1321	1893	1536	1964	1536	2107	1750	2143	1714
BK57	5.10	1098	824	1270	926	1407	1064	1613	1270	1819	1475	1887	1475	2025	1681	2059	1647
BK60	5.40	1037	778	1199	875	1329	1005	1523	1199	1718	1394	1782	1394	1912	1588	1944	1556
BK62	5.60	1000	750	1156	844	1281	969	1469	1156	1656	1344	1719	1344	1844	1531	1875	1500
BK65	5.90	949	712	1097	801	1216	919	1394	1097	1572	1275	1631	1275	1750	1453	1780	1424
BK67	6.10	918	689	1061	775	1176	889	1348	1061	1520	1234	1578	1234	1693	1406	1721	1377
BK70	6.40	875	656	1012	738	1121	848	1285	1012	1449	1176	1504	1176	1613	1340	1641	1313
BK72	6.60	848	636	981	716	1087	822	1246	981	1405	1140	1458	1140	1564	1299	1591	1273
BK75	6.90	812	609	938	685	1040	786	1192	938	1344	1091	1395	1091	1496	1243	1522	1217
BK77	7.10	789	592	912	665	1011	764	1158	912	1306	1060	1356	1060	1454	1208	1479	1183
BK80	7.40	757	568	875	639	970	733	1111	875	1253	1017	1301	1017	1395	1159	1419	1135
BK85	7.90	709	532	820	598	908	687	1041	820	1174	953	1218	953	1307	1085	1329	1063
BK90	8.40	667	500	771	563	854	646	979	771	1104	896	1146	896	1229	1021	1250	1000
BK95	8.90	629	472	728	531	806	610	924	728	1042	846	1081	846	1160	963	1180	944
BK100	9.40	596	447	689	503	763	577	875	689	987	801	1024	801	1098	912	1117	894
BK105	9.90	566	424	654	477	725	548	831	654	937	760	972	760	1043	866	1061	848
BK110	10.40	538	404	623	454	690	522	791	623	892	724	925	724	993	825	1010	808
BK115	10.90	514	385	594	433	658	498	755	594	851	690	883	690	947	787	963	771
BK120	11.40	491	368	568	414	629	476	721	568	814	660	844	660	906	752	921	737
BK130	12.40	452	339	522	381	579	438	663	522	748	607	776	607	833	692	847	677
BK140	13.40	418	313	483	353	535	405	614	483	692	562	718	562	771	640	784	627
BK160	15.40	364	273	420	307	466	352	534	420	602	489	625	489	670	557	682	545
BK190	18.40	304	228	352	257	390	295	447	352	504	409	523	409	561	466	571	457

(Cont. next page)

NOTE: For drive selections below the bold line, use HP ratings on TABLE 1 or TABLE 2. For drive selections above the bold line, use BASIC HORSEPOWER RATING TABLES from DODGE engineering catalog for Driven Sheave size.

V-Drives

FHP Drives

Drive Component Accessories

DVNA-SYNC

HT200/HTD Synchronous Drives

HT500 Synchronous Drives

Roller Chain Sprockets

FEATURES/BENEFITS PAGE PT8-2	SELECTION/DIMENSIONS PAGE PT8-3	SELECTION PAGE PT8-10	
---------------------------------	------------------------------------	--------------------------	--



SELECTION

1 VP Sheave Using B or BX Belt

Driven RPM For 1750 RPM Motor

Driven SHV.		1VP68		1VP71		1VP75	
Size	P.D.	Max.	Min.	Max.	Min.	Max.	Min.
BK28	2.60	4375	3702	4442	3635	4712	3904
BK30	2.80	4063	3438	4125	3375	4375	3625
BK31	2.90	3922	3319	3983	3259	4224	3500
BK34	3.20	3555	3008	3609	2953	3828	3172
BK36	3.40	3346	2831	3397	2779	3603	2985
BK40	3.60	3160	2674	3208	2625	3403	2819
BK45	3.90	2917	2468	2962	2423	3141	2603
BK47	4.10	2774	2348	2817	2305	2988	2476
BK50	4.40	2585	2188	2625	2148	2784	2307
BK52	4.60	2473	2092	2511	2054	2663	2207
BK55	4.90	2321	1964	2357	1929	2500	2071
BK57	5.10	2230	1887	2265	1853	2402	1990
BK60	5.40	2106	1782	2139	1750	2269	1880
BK62	5.60	2031	1719	2063	1688	2188	1813
BK65	5.90	1928	1631	1958	1602	2076	1720
BK67	6.10	1865	1578	1893	1549	2008	1664
BK70	6.40	1777	1504	1805	1477	1914	1586
BK72	6.60	1723	1458	1750	1432	1856	1538
BK75	6.90	1649	1395	1674	1370	1775	1471
BK77	7.10	1602	1356	1627	1331	1725	1430
BK80	7.40	1537	1301	1561	1277	1655	1372
BK85	7.90	1440	1218	1462	1196	1551	1285
BK90	8.40	1354	1146	1375	1125	1458	1208
BK95	8.90	1278	1081	1298	1062	1376	1140
BK100	9.40	1210	1024	1229	1005	1303	1080
BK105	9.90	1149	972	1167	955	1237	1025
BK110	10.40	1094	925	1111	909	1178	976
BK115	10.90	1044	883	1060	867	1124	931
BK120	11.40	998	844	1013	829	1075	890
BK130	12.40	917	776	931	762	988	819
BK140	13.40	849	718	862	705	914	757
BK160	15.40	739	625	750	614	795	659
BK190	18.40	618	523	628	514	666	552

NOTE: For drive selections below the bold line, use HP ratings on TABLE 1 or TABLE 2. For drive selections above the bold line, refer to the BASIC HORSEPOWER Rating Tables in the DODGE Engineering Catalog for Driven Sheave size.

V-Drives

FHP Drives

Drive Component Accessories

DYNA-SYNC

HT200/HTD Synchronous Drives

HT500 Synchronous Drives

Roller Chain Sprockets



SELECTION

2 VP Sheave Using A or AX Belt

Driven RPM For 1750 RPM Motor

Driven SHV.		2VP36		2VP42		2VP50		2VP56		2VP60		2VP62		2VP65	
Size	P.D.	Max.	Min.	Max.	Min.	Max.	Min.	Max.	Min.	Max.	Min.	Max.	Min.	Max.	Min.
2AK20	1.80	2917	1944	3500	2528	4278	3306	4861	3889	--	--	--	--	--	--
2AK21	1.90	2763	1842	3316	2395	4053	3132	4605	3684	4789	3868	--	--	--	--
2AK22	2.00	2625	1750	3150	2275	3850	2975	4375	3500	4550	3675	4900	4025	4988	4113
2AK23	2.10	2500	1667	3000	2167	3667	2833	4167	3333	4333	3500	4667	3833	4750	3917
2AK25	2.30	2283	1522	2739	1978	3348	2587	3804	3043	3957	3196	4261	3500	4337	3576
2AK26	2.40	2188	1458	2625	1896	3208	2479	3646	2917	3792	3062	4083	3354	4156	3427
2AK27	2.50	2100	1400	2520	1820	3080	2380	3500	2800	3640	2940	3920	3220	3990	3290
2AK28	2.60	2019	1346	2423	1750	2962	2288	3365	2692	3500	2827	3769	3096	3837	3163
2AK30	2.80	1875	1250	2250	1625	2750	2125	3125	2500	3250	2625	3500	2875	3563	2938
2AK32	3.00	1750	1167	2100	1517	2567	1983	2917	2333	3033	2450	3267	2683	3325	2742
2AK34	3.20	1641	1094	1969	1422	2406	1859	2734	2188	2844	2297	3063	2516	3117	2570
2AK39	3.50	1500	1000	1800	1300	2200	1700	2500	2000	2600	2100	2800	2300	2850	2350
2AK41	3.70	1419	946	1703	1230	2081	1608	2365	1892	2459	1986	2649	2176	2696	2223
2AK44	4.00	1313	875	1575	1138	1925	1488	2188	1750	2275	1838	2450	2013	2494	2056
2AK46	4.20	1250	833	1500	1083	1833	1417	2083	1667	2167	1750	2333	1917	2375	1958
2AK49	4.50	1167	778	1400	1011	1711	1322	1944	1556	2022	1633	2178	1789	2217	1828
2AK51	4.70	1117	745	1340	968	1638	1266	1862	1489	1936	1564	2085	1713	2122	1750
2AK54	5.00	1050	700	1260	910	1540	1190	1750	1400	1820	1470	1960	1610	1995	1645
2AK56	5.20	1010	673	1212	875	1481	1144	1683	1346	1750	1413	1885	1548	1918	1582
2AK59	5.50	955	636	1145	827	1400	1082	1591	1273	1655	1336	1782	1464	1814	1495
2AK61	5.70	921	614	1105	798	1351	1044	1535	1228	1596	1289	1719	1412	1750	1443
2AK64	6.00	875	583	1050	758	1283	992	1458	1167	1517	1225	1633	1342	1663	1371
2AK74	7.00	750	500	900	650	1100	850	1250	1000	1300	1050	1400	1150	1425	1175
2AK84	8.00	656	438	788	569	963	744	1094	875	1137	919	1225	1006	1247	1028
2AK94	9.00	583	389	700	506	856	661	972	778	1011	817	1089	894	1108	914
2AK104	10.00	525	350	630	455	770	595	875	700	910	735	980	805	998	823
2AK114	11.00	477	318	573	414	700	541	795	636	827	668	891	732	907	748
2AK124	12.00	438	292	525	379	642	496	729	583	758	613	817	671	831	685
2AK134	13.00	404	269	485	350	592	458	673	538	700	565	754	619	767	633
2AK144	14.00	375	250	450	325	550	425	625	500	650	525	700	575	713	588
2AK154	15.00	350	233	420	303	513	397	583	467	607	490	653	537	665	548
2AK184	18.00	292	194	350	253	428	331	486	389	506	408	544	447	554	457

Driven RPM For 1750 RPM Motor

Driven SHV.		2VP68		2VP71		2VP75	
Size	P.D.	Max.	Min.	Max.	Min.	Max.	Min.
2AK27	2.50	4340	3640	4410	3710	4690	3990
2AK28	2.60	4173	3500	4240	3567	4510	3837
2AK30	2.80	3875	3250	3938	3313	4188	3563
2AK32	3.00	3617	3033	3675	3092	3908	3325
2AK34	3.20	3391	2844	3445	2898	3664	3117
2AK39	3.50	3100	2600	3150	2650	3350	2850
2AK41	3.70	2932	2459	2980	2507	3169	2696
2AK44	4.00	2713	2275	2756	2319	2931	2494
2AK46	4.20	2583	2167	2625	2208	2792	2375
2AK49	4.50	2411	2022	2450	2061	2606	2217
2AK51	4.70	2309	1936	2346	1973	2495	2122
2AK54	5.00	2170	1820	2205	1855	2345	1995
2AK56	5.20	2087	1750	2120	1784	2255	1918
2AK59	5.50	1973	1655	2005	1686	2132	1814
2AK61	5.70	1904	1596	1934	1627	2057	1750

Driven RPM For 1750 RPM Motor

Driven SHV.		2VP68		2VP71		2VP75	
Size	P.D.	Max.	Min.	Max.	Min.	Max.	Min.
2AK64	6.00	1808	1517	1838	1546	1954	1663
2AK74	7.00	1550	1300	1575	1325	1675	1425
2AK84	8.00	1356	1138	1378	1159	1466	1247
2AK94	9.00	1206	1011	1225	1031	1303	1108
2AK104	10.00	1085	910	1103	928	1173	998
2AK114	11.00	986	827	1002	843	1066	907
2AK124	12.00	904	758	919	773	977	831
2AK134	13.00	835	700	848	713	902	767
2AK144	14.00	775	650	788	663	838	713
2AK154	15.00	723	607	735	618	782	665
2AK184	18.00	603	506	613	515	651	554

NOTE: For drive selections below the bold line, use HP ratings on TABLE 1 or TABLE 2. For drive selections above the bold line, refer to the BASIC HORSEPOWER Rating Tables in the DODGE Engineering Catalog for Driven Sheave size.

V-Drives

FHP Drives

Drive Component Accessories

DYNA-SYNC

HT200/HTD Synchronous Drives

HT500 Synchronous Drives

Roller Chain Sprockets



SELECTION

2 VP Sheave Using B or BX Belt

Driven RPM For 1750 RPM Motor

Dia.	Driven Sheave		2VP36		2VP42		2VP50		2VP56		2VP60		2VP62		2VP65	
	O.D.	Size	P.D.	Max.	Min.	Max.	Min.	Max.	Min.	Max.	Min.	Max.	Min.	Max.	Min.	Max.
2.5	2BK25	2.30	2511	1902	2967	2207	3576	2815	4033	3272	--	--	--	--	--	--
2.7	2BK27	2.50	2310	1750	2730	2030	3290	2590	3710	3010	3850	3010	4130	3430	4200	3360
2.95	2BK28	2.60	2221	1683	2625	1952	3163	2490	3567	2894	3702	2894	3971	3298	4038	3231
3.15	2BK30	2.80	2062	1563	2437	1813	2937	2312	3312	2687	3438	2687	3688	3063	3750	3000
3.35	2BK32	3.00	1925	1458	2275	1692	2742	2158	3092	2508	3208	2508	3442	2858	3500	2800
3.55	2BK34	3.20	1805	1367	2133	1586	2570	2023	2898	2352	3008	2352	3227	2680	3281	2625
3.75	2BK36	3.40	1699	1287	2007	1493	2419	1904	2728	2213	2831	2213	3037	2522	3088	2471
3.95	2BK40	3.60	1604	1215	1896	1410	2285	1799	2576	2090	2674	2090	2868	2382	2917	2333
4.25	2BK45	3.90	1481	1122	1750	1301	2109	1660	2378	1929	2468	1929	2647	2199	2692	2154
4.45	2BK47	4.10	1409	1067	1665	1238	2006	1579	2262	1835	2348	1835	2518	2091	2561	2049
4.75	2BK50	4.40	1312	994	1551	1153	1869	1472	2108	1710	2188	1710	2347	1949	2386	1909
4.95	2BK52	4.60	1255	951	1484	1103	1788	1408	2016	1636	2092	1636	2245	1864	2283	1826
5.25	2BK55	4.90	1179	893	1393	1036	1679	1321	1893	1536	1964	1536	2107	1750	2143	1714
5.45	2BK57	5.10	1132	858	1338	995	1613	1270	1819	1475	1887	1475	2025	1681	2059	1647
5.75	2BK60	5.40	1069	810	1264	940	1523	1199	1718	1394	1782	1394	1912	1588	1944	1556
5.95	2BK62	5.60	1031	781	1219	906	1469	1156	1656	1344	1719	1344	1844	1531	1875	1500
6.25	2BK65	5.90	979	742	1157	860	1394	1097	1572	1275	1631	1275	1750	1453	1780	1424
6.45	2BK67	6.10	947	717	1119	832	1348	1061	1520	1234	1578	1234	1693	1406	1721	1377
6.75	2BK70	6.40	902	684	1066	793	1285	1012	1449	1176	1504	1176	1613	1340	1641	1312
7.75	2BK80	7.40	780	591	922	686	1111	875	1253	1017	1301	1017	1395	1159	1419	1135
8.75	2BK90	8.40	688	521	813	604	979	771	1104	896	1146	896	1229	1021	1250	1000
9.75	2BK100	9.40	614	465	726	540	875	689	987	801	1024	801	1098	912	1117	894
11.75	2BK120	11.40	507	384	599	445	721	568	814	660	844	660	906	752	921	737
12.75	2BK130	12.40	466	353	550	409	663	522	748	607	776	607	833	692	847	677
13.75	2BK140	13.40	431	326	509	379	614	483	692	562	718	562	771	640	784	627
15.75	2BK160	15.40	375	284	443	330	534	420	602	489	625	489	670	557	682	545
18.75	2BK190	18.40	314	238	371	276	447	352	504	409	523	409	561	466	571	457

Driven RPM For 1750 RPM Motor

Dia.	Driven Sheave		2VP68		2VP71		2VP75		2V58B70		2V68B80	
	O.D.	Size	P.D.	Max.	Min.	Max.	Min.	Max.	Min.	Max.	Min.	Max.
3.55	2BK34	3.20	3555	3008	3555	2953	3828	3172	3828	3172	--	--
3.75	2BK36	3.40	3346	2831	3346	2779	3603	2985	3603	2985	3963	3500
3.95	2BK40	3.60	3160	2674	3160	2625	3403	2819	3403	2819	3743	3306
4.25	2BK45	3.90	2917	2468	2917	2423	3141	2603	3141	2603	3455	3051
4.45	2BK47	4.10	2774	2348	2774	2305	2988	2476	2988	2476	3287	2902
4.75	2BK50	4.40	2585	2188	2585	2148	2784	2307	2784	2307	3062	2705
4.95	2BK52	4.60	2473	2092	2473	2054	2663	2207	2663	2207	2929	2587
5.25	2BK55	4.90	2321	1964	2321	1929	2500	2071	2500	2071	2750	2429
5.45	2BK57	5.10	2230	1887	2230	1853	2402	1990	2402	1990	2642	2333
5.75	2BK60	5.40	2106	1782	2106	1750	2269	1880	2269	1880	2495	2204
5.95	2BK62	5.60	2031	1719	2031	1687	2188	1813	2188	1813	2406	2125
6.25	2BK65	5.90	1928	1631	1928	1602	2076	1720	2076	1720	2284	2017
6.45	2BK67	6.10	1865	1578	1865	1549	2008	1664	2008	1664	2209	1951
6.75	2BK70	6.40	1777	1504	1777	1477	1914	1586	1914	1586	2105	1859
7.75	2BK80	7.40	1537	1301	1537	1277	1655	1372	1655	1372	1821	1608
8.75	2BK90	8.40	1354	1146	1354	1125	1458	1208	1458	1208	1604	1417
9.75	2BK100	9.40	1210	1024	1210	1005	1303	1080	1303	1080	1434	1266
11.75	2BK120	11.40	998	844	998	829	1075	890	1075	890	1182	1044
12.75	2BK130	12.40	917	776	917	762	988	819	988	819	1087	960
13.75	2BK140	13.40	849	718	849	705	914	757	914	757	1006	888
15.75	2BK160	15.40	739	625	739	614	795	659	795	659	875	773
18.75	2BK190	18.40	618	523	618	514	666	552	666	552	732	647

NOTE: For drive selections below the bold line, use HP ratings on TABLE 1 or TABLE 2. For drive selections above the bold line, refer to the BASIC HORSEPOWER Rating Tables in the DODGE Engineering Catalog for Driven Sheave size.

FEATURES/BENEFITS PAGE PT8-2	SELECTION/DIMENSIONS PAGE PT8-3	SELECTION PAGE PT8-10	
---------------------------------	------------------------------------	--------------------------	--



SELECTION

2VP Sheave Using 5VX Belt

Driven RPM For 1750 RPM Motor

Driven Sheave	2VP62		2VP65		2VP68		2VP71		2VP75		2V58B70		2V68B80	
	Max.	Min.	Max.	Min.	Max.	Min.	Max.	Min.	Max.	Min.	Max.	Min.	Max.	Min.
2/5V4.4	2564	2157	2605	2116	2808	2401	2849	2360	3012	2523	3012	2442	3419	2930
2/5V4.65	2423	2038	2462	2000	2654	2269	2692	2231	2846	2385	2846	2308	3231	2769
2/5V4.9	2297	1932	2333	1896	2516	2151	2552	2115	2698	2260	2698	2188	3063	2625
2/5V5.2	2201	1851	2236	1816	2410	2061	2445	2026	2585	2166	2585	2096	2934	2515
2/5V5.5	2042	1718	2074	1685	2236	1912	2269	1880	2398	2009	2398	1944	2722	2333
2/5V5.9	1901	1599	1931	1569	2082	1780	2112	1750	2233	1871	2233	1810	2534	2172
2/5V6.3	1778	1496	1806	1468	1948	1665	1976	1637	2089	1750	2089	1694	2371	2032
2/5V6.7	1670	1405	1697	1379	1830	1564	1856	1538	1962	1644	1962	1591	2227	1909
2/5V7.1	1575	1325	1600	1300	1725	1475	1750	1450	1850	1550	1850	1500	2100	1800
2/5V7.5	1490	1253	1514	1230	1632	1395	1655	1372	1750	1466	1750	1419	1986	1703
2/5V8.0	1396	1174	1418	1152	1528	1307	1551	1285	1639	1373	1639	1329	1861	1595
2/5V8.5	1313	1104	1333	1083	1438	1229	1458	1208	1542	1292	1542	1250	1750	1500
2/5V9.0	1239	1042	1258	1022	1357	1160	1376	1140	1455	1219	1455	1180	1652	1416
2/5V9.25	1205	1014	1224	995	1320	1128	1339	1109	1415	1186	1415	1148	1607	1377
2/5V9.75	1142	961	1161	943	1251	1070	1269	1052	1342	1124	1342	1088	1523	1306
2/5V10.3	1081	909	1098	892	1184	1012	1201	995	1270	1064	1270	1029	1441	1235
2/5V10.9	1021	859	1037	843	1118	956	1134	940	1199	1005	1199	972	1361	1167
2/5V11.3	984	828	1000	813	1078	922	1094	906	1156	969	1156	938	1313	1125
2/5V11.8	942	793	957	778	1032	882	1047	868	1107	927	1107	897	1256	1077
2/5V12.5	889	748	903	734	974	833	988	819	1044	875	1044	847	1185	1016
2/5V13.2	842	708	855	695	922	788	935	775	989	828	989	802	1122	962
2/5V14.0	793	667	806	655	869	743	881	730	932	781	932	755	1058	906
2/5V15.0	740	622	752	611	810	693	822	681	869	728	869	705	987	846
2/5V16.0	693	583	704	572	759	649	770	638	814	682	814	660	925	792
2/5V18.7	593	499	602	489	649	555	659	546	696	583	696	565	790	677
2/5V21.2	523	440	531	431	572	489	581	481	614	514	614	498	697	597
2/5V23.6	469	395	477	387	514	439	521	432	551	462	551	447	626	536
2/5V28.0	395	332	401	326	433	370	439	364	464	389	464	376	527	452

NOTE: For drive selections below the bold line, use HP ratings on TABLE 1. or TABLE 2.
 For drive selections above the bold line, use BASIC HP RATING TABLES from DODGE ENGINEERING Catalog for driven sheave size.

V-Drives
 FHP Drives
 Drive Component Accessories
 DYNA-SYNC
 HT200/HTD Synchronous Drives
 HT500 Synchronous Drives
 Roller Chain Sprockets

FEATURES/BENEFITS PAGE PT8-2	SELECTION/DIMENSIONS PAGE PT8-3	SELECTION PAGE PT8-10	
---------------------------------	------------------------------------	--------------------------	--



Drive Component Accessories

Wide Range Belts - REEVES	PT9-2
Wide Range Belts	PT9-3
TAPER-LOCK Flat-Face Pulleys	PT9-4
DODGE Motor Bases	PT9-5
Shaft Collars	PT9-7
Adjustable NEMA Motor Bases	PT9-8
Part Number Index	INDEX-1
Keyword Index	INDEX-43

V-Drives

FHP Drives

Drive Component
Accessories

DYNA-SYNC

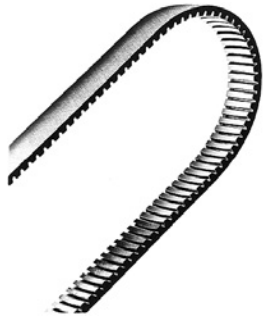
HT200/HTD
Synchronous Drives

HT500
Synchronous Drives

Roller Chain Sprockets



Wide Range Belts - REEVES



Belt Series	For Pulley Numbers
1422	95, 5675, 406
1922	96, 97, 7202, 408
2322	98, 409
2926	98-1/2, 9205, 411
3236	910, 410, 410/8
4430	912, 912-15, 1110, 412
	412/15, 1320, 1330
4830	414, 414/25

WIDE RANGE BELTS FOR REEVES PULLEYS

For Adjustable Speed Drive Applications
 Oil And Heat Resistant
 Static Conducting
 Industry Standard Belt Numbers

1st Two Digits - Belt Width in Sixteenth Inch
 2nd Two Digits - Sheave Groove Angle
 Remaining Digits - Pitch Length in Tenths of an inch.

Belt Size	DODGE P/N	REEVES P/N	Belt Size	DODGE P/N	REEVES P/N	Belt Size	DODGE P/N	REEVES P/N
1422V SERIES			2322V SERIES (CONT)			3226V SERIES (CONT)		
1422V270	109407	8H95450	2322V486	-	8H95155	3226V903	109760	8H95197
1422V300	109409	8H95123	2322V521	109031	8H95156	3226V963	109761	8H95198
1422V330	109411	8H95451	2322V541	109607	8H95157	3226V1023	109762	8H95475
1422V360	109011	8H95124	2322V601	109601	8H95466	3226V1083	109763	8H95476
1422V400	109414	8H95452	2322V661	109033	8H95159	4430V SERIES		
1422V420	109012	8H95125	2322V681	109611	8H95467	4430V548	109848	8H95479
1422V466	109418	8H95453	2322V721	109034	8H95162	4430V555	109849	8H95480
1422V480	109013	8H95126	2322V801	109614	8H95163	4430V578	109852	8H95481
1422V540	109014	8H95127	2322V886	109617	8H95468	4430V610	109705	8H95482
1422V600	109422	8H95128	2322V1001	109619	8H95469	4430V630	109855	8H95483
1422V660	109423	8H95454	2926V SERIES			4430V660	109856	8H95484
1422V720	109424	8H95455	2926V471	109713	8H95477	4430V670	109705	8H95705
1422V780	109425	8H95456	2926V486	109715	8H95170	4430V690	109858	8H95485
1922V SERIES			2926V521	109717	8H95171	4430V700	109050	8H95486
1922V256	109493	8H95457	2926V546	109719	8H95172	4430V730	109862	8H95204
1922V321	109498	8H95133	2926V574	109720	8H95173	4430V740	109863	8H95740
1922V338	109500	8H95458	2926V586	109721	8H95174	4430V790	109837	8H95205
1922V363	109501	8H95134	2926V606	109722	8H95175	4430V850	109052	8H95206
1922V386	109020	8H95135	2926V636	109740	8H95177	4430V910	109053	8H95207
1922V403	109504	8H95459	2926V646	109724	8H95178	4430V970	109845	8H95208
1922V417	109505	8H95460	2926V686	109726	8H95180	4430V1030	109893	8H95209
1922V426	109021	8H95137	2926V726	109728	8H95182	4430V1090	109877	8H95210
1922V443	109507	8H95461	2926V776	109729	8H95183	4430V1150	109879	8H95488
1922V454	109508	8H95139	2926V834	109731	8H95184	4430V1320	109882	8H95489
1922V484	109022	8H95140	2926V856	109732	8H95185	4480V SERIES		
1922V544	109023	8H95142	2926V906	109734	8H95187	4830V614	109907	8H95490
1922V604	109024	8H95143	2926V966	109735	8H95478	4830V653	109908	8H95491
1922V646	109515	8H95462	3226V SERIES			4830V692	109909	8H95492
1922V666	109516	8H95145	3226V433	109749	8H95470	4830V699	109910	8H95493
1922V726	109520	8H95148	3226V465	109750	8H95471	4830V730	109911	8H95494
1922V751	109521	8H95463	3226V505	109751	8H95472	4830V850	109912	8H95495
1922V756	109522	8H95464	3226V545	109753	8H95473	4830V970	109913	8H95496
1922V806	109523	8H95149	3226V585	109754	8H95474	4830V1070	109914	8H95497
2322V SERIES			3226V603	109040	8H95192			
2322V364	109599	8H95465	3226V663	109041	8H95193			
2322V396	109601	8H95466	3226V723	109042	8H95194			
2322V421	109602	8H95153	3226V783	109043	8H95195			
2322V443	-	8H95154	3226V843	109044	8H95196			



Wide Range Belts

Part No.	Descr.	Wt.
1200 SERIES		
109400	1228V255	.26
1400 SERIES		
109407	1422V270	.30
109408	1422V290	.33
109409	1422V300	.30
109411	1422V330	.37
109412	1422V340	.40
109011	1422V360	.50
109414	1422V400	.45
109012	1422V420	.50
109416	1422V440	.50
109417	1422V460	.52
109418	1422V466	.52
109419	1422V470	.53
109013	1422V480	.60
109014	1422V540	.70
109422	1422V600	.68
109423	1422V660	.74
109425	1422V780	.87
109424	1430V215	.31
1600 SERIES		
109459	1626V262	.42
109461	1626V293	.47
109462	1626V304	.40
109463	1626V330	.50
109464	1626V339	.60
109466	1626V384	.70
109469	1626V428	.68
109470	1626V440	.70
109472	1626V513	.81
109473	1626V517	.82
109475	1626V604	.95
109477	1626V700	1.10
109480	1628V315	.51
109479	1628V210	.29
109482	1632V210	.40
1800 SERIES		
109485	1822V328	.57
109487	1828V368	.73
1900 SERIES		
109493	1922V256	.50
109494	1922V277	.51
109495	1922V282	.60
109496	1922V289	.55
109497	1922V302	.56
109498	1922V321	.60
109499	1922V332	.61
109501	1922V363	.60
109502	1922V381	.70
109020	1922V386	.80
109504	1922V403	.70
109505	1922V417	.76
109021	1922V426	.90
109507	1922V443	.81
109508	1922V454	.70
109509	1922V460	.84
109022	1922V484	1.20
109511	1922V526	.96
109023	1922V544	1.20
109024	1922V604	1.40

Part No.	Descr.	Wt.
109514	1922V630	1.10
109515	1922V646	1.20
109516	1922V516	1.20
109517	1922V686	1.20
109517	1922V706	1.30
109520	1922V726	1.30
109522	1922V756	1.40
109523	1922V806	1.50
109524	1922V846	1.50
109525	1922V891	1.60
109533	1926V250	.50
109068	1926V275	.53
109542	1930V366	.80
109543	1930V375	.81
109544	1930V400	.87
109545	1930V425	.90
109546	1930V431	.93
109549	1930V491	1.10
109552	1930V541	1.10
109554	1930V591	1.30
109555	1930V600	1.30
109557	1930V641	1.30
109559	1930V691	1.50
109561	1930V750	1.60
109562	1930V791	1.70
109565	1930V891	1.90
109568	1930V991	2.10
109571	1930V1091	2.30
2100 SERIES		
109585	2126V309	.60
2200 SERIES		
109590	2226V307	.58
109592	2230V266	.49
109594	2230V275	.60
109596	2230V326	.69
2300 SERIES		
109599	2322V364	.90
109601	2322V601	1.10
109602	2322V421	1.00
109604	2322V441	1.20
109030	2322V481	1.50
109031	2322V521	1.60
109607	2322V541	1.40
109032	2322V601	1.80
109609	2322V621	1.60
109033	2322V661	1.90
109611	2322V681	1.80
109612	2322V701	1.80
109034	2322V721	2.30
109614	2322V801	2.10
109615	2322V826	2.30
109617	2322V886	2.30
109618	2322V921	2.40
109620	2322V1061	2.80
109623	2326V310	.74
109242	2326V359	.92
109625	2330V273	.56
2400 SERIES		
109631	2426V343	.82
109637	2430V297	.71
109639	2436V331	.77

Part No.	Descr.	Wt.
2500 SERIES		
109641	2526V314	.92
109644	2530V470	1.80
109647	2530V530	1.90
109648	2530V550	1.90
109650	2530V575	2.20
109100	2530V595	2.50
109652	2530V600	2.30
109653	2530V610	2.50
109101	2530V630	2.70
109109	2530V660	2.60
109102	2530V670	2.60
109658	2530V690	2.60
109104	2530V730	3.00
109662	2530V740	2.80
109664	2530V790	3.00
109107	2530V840	3.30
109672	2530V990	3.70
109675	2530V1090	4.10
2600 SERIES		
109688	2626V369	1.20
109689	2626V388	1.20
109692	2630V345	1.00
109694	2636V332	1.10
2800 SERIES		
109696	2822V778	3.40
109698	2826V412	1.50
109699	2826V452	1.60
109250	2830V337	1.13
109701	2830V363	1.00
109700	2830V366	1.03
109251	2830V367	1.23
109702	2830V393	.99
109703	2830V422	1.50
109706	2836V343	1.20
109708	2836V380	1.30
2900 SERIES		
109710	2926V366	1.40
109711	2926V400	1.50
109712	2926V426	1.60
109713	2926V471	1.80
109714	2926V477	1.60
109715	2926V486	1.80
109716	2926V491	1.80
109717	2926V521	2.00
109719	2926V546	1.90
109720	2926V574	2.10
109721	2926V721	2.20
109722	2926V606	2.10
109723	2926V616	2.30
109740	2926V636	2.30
109724	2926V724	2.40
109725	2926V666	2.40
109726	2926V726	2.40
109727	2926V706	2.60
109728	2926V726	2.80
109729	2926V776	2.80
109730	2926V786	2.90
109731	2926V834	2.90
109732	2926V856	3.10
109733	2926V891	3.52

Part No.	Descr.	Wt.
109734	2926V906	3.30
109735	2926V966	3.50
109736	2926V1006	3.70
109745	3226V392	1.50
109262	3226V439	1.99
109764	3226V450	2.00
109750	3226V465	2.00
109751	3226V505	2.20
3200 SERIES		
109752	3226V514	2.20
109753	3226V545	2.30
109754	3226V585	2.50
109040	3226V603	2.40
109263	3226V650	2.93
109041	3226V663	2.80
109042	3226V723	3.10
109043	3226V783	3.40
109044	3226V843	3.60
109760	3226V903	3.90
109761	3226V963	4.10
109763	3226V1083	4.60
109766	3230V419	2.10
109772	3230V670	3.40
109774	3230V710	3.60
109803	3236V369	1.60
109805	3236V432	1.90
109807	3326V478	2.40
3400 SERIES		
109822	3432V450	2.13
109809	3432V456	2.10
109808	3432V480	2.27
109810	3432V484	2.20
109269	3432V534	2.52
3600 SERIES		
109817	3636V479	2.50
3700 SERIES		
109821	3726V558	3.40
3800 SERIES		
109824	3826V465	2.60
109826	3830V510	3.10
109827	3830V517	3.20
109835	3830V580	6.60
109828	3830V587	3.30
109830	3836V418	2.00
109831	3836V426	2.10
109832	3836V654	3.50
109833	3836V734	3.90
109834	3836V794	4.40
4000 SERIES		
109836	4030V538	3.40
109840	4036V541	3.50
109841	4036V547	3.60
4200 SERIES		
109843	4230V556	3.30
109844	4230V605	3.60
4400 SERIES		
109846	4430V510	3.70
109847	4430V530	3.80
109848	4430V548	3.90
109849	4430V555	4.00
109851	4430V570	4.10

V-Drives

FHP Drives

Drive Component Accessories

DYNA-SYNC

HT200/HTD Synchronous Drives

HT500 Synchronous Drives

Roller Chain Sprockets



Wide Range Belts (cont)

Part No.	Descr.	Wt.
4400 Series (Continued)		
109852	4430V578	4.20
109854	4430V610	4.30
109855	4430V630	4.40
109856	4430V660	4.50
109857	4430V670	4.70
109858	4430V690	4.90
109050	4430V700	4.80
109861	4430V710	5.10
109862	4430V730	5.40
109863	4430V740	5.30
4430 SERIES		
109865	4430V760	5.40
109051	4430V790	6.00
109052	4430V850	6.30
109053	4430V910	6.90
109054	4430V970	6.70
109875	4430V1030	7.50
109877	4430V877	8.40
109879	4430V1150	8.10
109882	4430V1320	9.30
109885	4430V1610	11.40

Part No.	Descr.	Wt.
109886	4436V525	3.70
109887	4436V551	3.90
109889	4436V561	4.00
109890	4436V576	4.10
109892	4436V646	4.70
4600 SERIES		
109894	4626V596	4.90
109896	4630V650	5.90
109897	4630V663	6.00
109901	4630V733	7.39
109904	4636V613	5.60
4800 SERIES		
109906	4830V602	4.70
109908	4830V653	5.10
109910	4830V699	5.50
109916	4836V588	4.60
109918	4836V618	4.90
109920	4836V655	5.20
109057	4836V670	5.99
109927	4836V850	6.70
109066	4836V1180	11.52

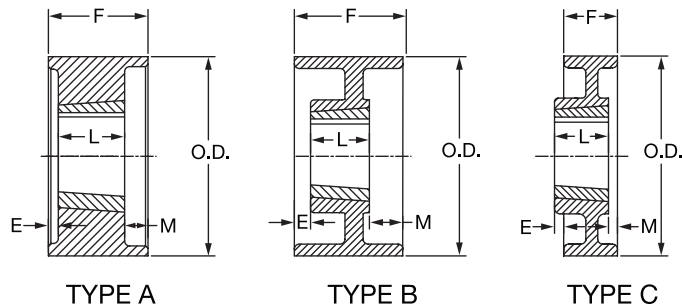
Part No.	Descr.	Wt.
5100 SERIES		
109825	5130V732	8.44
109935	5228V930	9.70
109936	5230V734	7.80
109829	5230V867	10.16
5600 SERIES		
109939	5636V750	8.20
109940	5636V774	8.40
3230HV SERIES		
109789	3230HV528	2.60
109790	3230HV553	2.80
109791	3230HV570	2.90
109792	3230HV585	2.90
109793	3230HV603	3.20
109794	3230HV613	3.10
109795	3230HV620	3.10
109796	3230HV626	3.10
109797	3230HV644	3.20
109802	3230HV656	3.88
109798	3230HV670	3.40
109799	3230HV685	3.50

Part No.	Descr.	Wt.
109800	3230HV702	3.50
109801	3230HV723	3.60
109806	3230HV821	4.85
109814	3230HV856	5.05
109816	3230HV931	5.49

TAPER-LOCK FLAT FACE PULLEYS

The TAPER-LOCK flat face pulley was designed primarily to be used with adjustable speed drives using wide range belts. They are made of quality gray iron and are carefully static balanced.

TAPER-LOCK bushings grip the shaft but can be easily removed. One of the outstanding features is that they go from "shelf-to-shaft" without costly reboring, keyseating or machining.



O.D.	Part No.	Description	Wt.	* Type	DIMENSIONS		
					L	E	M
2.5" FACE WIDTH							
5	330250	5 X 2.5-2012	4.6	A-1	1.25	0.25	1.0
6	330251	6 X 2.5-2012	8.1	A-1	1.25	0.25	1.0
7	330252	7 X 2.5-2012	8.0	B-2	1.25	0.38	0.88
8	330253	8 X 2.5-2012	9.0	B-2	1.25	0.38	0.88
9	330254	9 X 2.5-2012	13.5	B-2	1.25	0.44	0.81
10	330255	10 X 2.5-2012	16.3	B-2	1.25	0.44	0.81
11	330256	11 X 2.5-2012	17.9	B-3	1.25	0.44	0.81
12	330257	12 X 2.5-2012	19.6	B-3	1.25	0.44	0.81
14	330258	14 X 2.5-3020	23.4	C-3	2.0	0.38	0.88
16	330259	16 X 2.5-3020	30.8	C-3	2.0	0.38	0.88
18	330260	18 X 2.5-3020	35.3	C-3	2.0	0.38	0.88
20	330261	20 X 2.5-3020	44.8	C-3	2.0	0.44	0.94
3.25" FACE WIDTH							
10	330262	10 X 3.25-2012	18.2	B-3	1.25	0.81	1.19
11	330263	11 X 3.25-2012	20.5	B-3	1.25	0.81	1.19
12	330264	12 X 3.25-2012	22.4	B-3	1.25	0.81	1.19
14	330265	14 X 3.25-3020	28.4	B-3	2.00	0.06	1.19
16	330266	16 X 3.25-3020	39.4	B-3	2.00	0.06	1.19
18	330267	18 X 3.25-3020	38.5	B-3	2.00	0.13	1.13
20	330268	20 X 3.25-3020	48.8	B-3	2.00	0.13	1.13
22	330269	22 X 3.25-3020	51.8	B-3	2.00	0.06	1.19
24	330270	24 X 3.25-3020	58.3	B-3	2.00	0.13	1.13
4.25" FACE WIDTH							
12	330271	12 x 4.25-3020	26.2	B-3	2.0	0.06	2.19
14	330272	14 x 4.25-3020	26.2	B-3	2.0	0.13	2.13
16	330273	16 x 4.25-3020	36.0	B-3	2.0	0.13	2.13
18	330274	18 x 4.25-3020	41.7	B-3	2.0	0.13	2.13
20	330279	20 x 4.25-3020	44.3	B-3	2.0	0.13	2.13
22	330275	22 x 4.25-3020	55.8	B-3	2.0	0.13	2.13
24	330276	24 x 4.25-3020	59.3	B-3	2.0	0.13	2.13

* Sheave Type: -1 = Block, -2 = Web, -3 = Arm

DRIVE COMPONENT ACCESSORIES

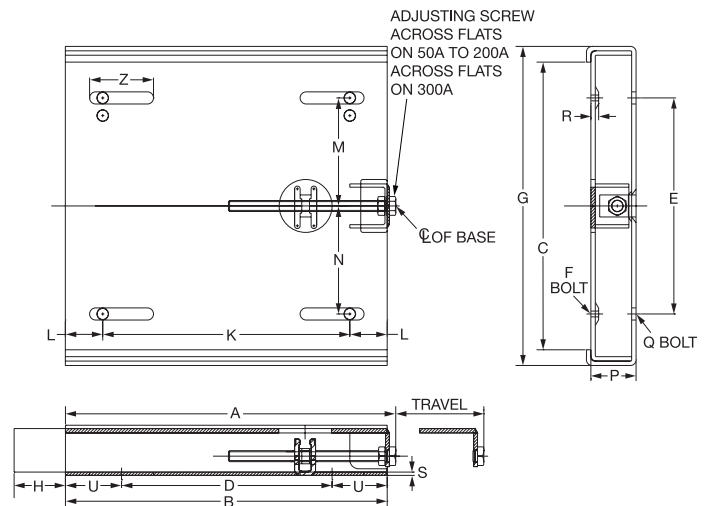


DODGE Motor Bases TYPE A SLIDE MOTOR BASES



Type A Motor Bases are fabricated of steel which offers a base of rugged design, compact and smooth in appearance. These bases, which are designed to provide adequate travel, are fully adjustable by the use of a single adjusting screw and have elongated mounting holes in the base plate.

Order by base number. Bases are tapped to receive popular NEMA frames and can be tapped on order for others by specifying the frame size required. See table below.



Base No. Part No.	NEMA Motor Frame No.		Travel	A	B	C	D	E	F *	G	H	K	L
	1750 RPM	1160 RPM											
50A 122120	213	213, 213T	4.75	11.25	10.75	9.38	7.44	7	3/8	10.25	2.06	8.5	1.13
	215	215							3/8			8.5	1.13
	182T*	182T*							3/8			7.5	1.63
	184T*	184T*							3/8			7.5	1.63
100A 122121	254, 254U	254, 254U, 254T	4.75	13.5	13	12.81	8.25	10	1/2	14.25	2.38	10	1.5
	256U	256U							1/2			10	1.5
	213T*							3/8			8.5	2.25
	215T*	215T*							3/8			5.5	2.25
200A 122122	284, 284U, 284T	284, 284U, 284T	6.88	16.75	16.25	15.81	11.50	12	1/2	17.25	3.38	11	2.63
	286U, 286T	286U, 286T							1/2			11	2.63
	324, 324U	324, 324U							5/8			12.5	1.88
	326, 326U	326, 326U							5/8			12.5	1.88
	254T*							1/2			10	3.13
256T*	256T*	1/2	10	3.13									
300A 122123	364, 364U	364, 364U	6.25	18.88	18.25	16.31	11.88	12.25	5/8	18.13	3.25	14	2.13
	365	365							5/8			14	2.13
	324T*	324T*							5/8			12.5	2.88

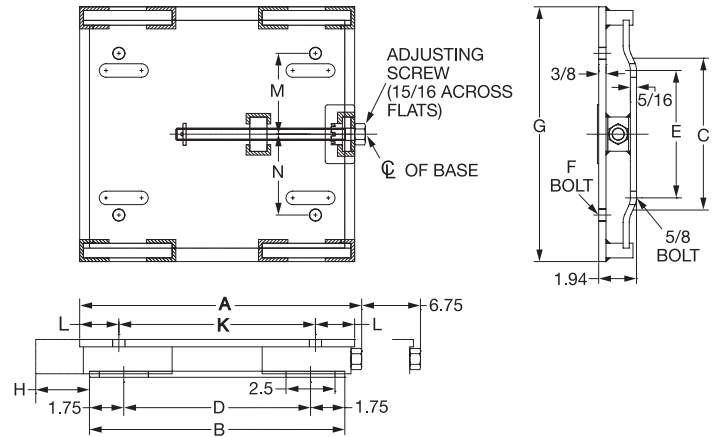
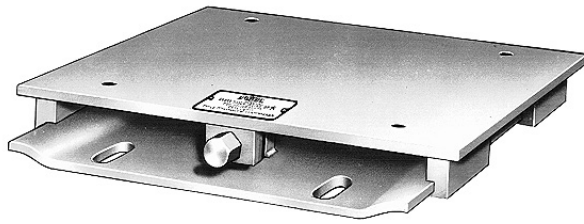
Base No. Part No.	M	N	P	Q	S	U	Z
50A 122120	2.0	3.5	1.75	.38	.13	1.66	1.69
	3.5	3.5					
	2.75	1.75					
	2.75	2.75					
100A 122121	3.25	5.0	2	.68	.19	2.38	2.5
	5.0	5.0					
	2.75	2.75					
	3.5	3.5					
200A 122122	5.25	4.25	2.25	.68	.19	2.38	2.5
	5.25	5.75					
	4.5	6.0					
	6.0	6.0					
	4.75	3.5					
4.75	5.25						
300A 122123	5.13	6.13	2.5	.68	.25	3.19	3.63
	6.13	6.13					
	5.63	4.83					

* Bases are tapped with national coarse threads for those motor frames not marked with an asterisk. Bases for motor frames marked with an asterisk will be drilled and tapped on order at an extra charge and will require "F" diameter bolts and nuts - when ordering specify NEMA motor frame size.

DRIVE COMPONENT ACCESSORIES



DODGE Motor Bases TYPE B SLIDE MOTOR BASES



Type B Motor Bases are made of fabricated steel and include all of the same quality features as the Type A bases. Type B bases were primarily designed to be used where a base of heavier construction is required.

Order by base number. Bases are tapped to receive popular NEMA frames and can be tapped on order for others by specifying the frame size required. See table below.

Base No. Part No.	NEMA Motor Frame No.		Wt.	A	B	C	D	E	F*	G	H	K	L	M	N
	1750 RPM	1160 RPM													
11B 122114	254, 254U	254, 254U	37	14.38	13	9.25	9.5	6.5	1/2	13	3.88	10.0	2.0	4.13	4.13
	215*	215*, 215T*							3/8			8.5	2.75	3.5	3.5
	184T*	184T*							3/8			7.5	3.25	2.75	2.75
	213T*	213T*							3/8			8.5	2.75	2.75	2.75
22B 122115	284, 284U	284, 284U	37	14.38	13	9.25	9.5	6.5	1/2	13	3.88	11.0	1.5	4.75	4.75
	256U*	256U*, 265T*							1/2			10.0	2.0	5.0	5.0
	215T*							3/8			8.5	2.75	3.5	3.5
	254T*	254T*							1/2			10.0	2.0	4.13	4.13
33B 122116	324, 324U	324, 324U	48	16.38	14	11.5	10.5	7.75	5/8	15.75	4.38	12.5	1.75	5.25	5.25
	326, 326U	326, 326U							5/8			12.5	1.75	6.0	6.0
	286U*, 286T*	286U*, 286T*							1/2			11.0	2.5	5.5	5.5
	256T*							1/2			10.0	3.0	5.0	5.0
45B 122118	364, 364U	364, 364U	56	18.38	16	12.25	12.5	8	5/8	16.5	4.38	14.0	2.0	5.13	6.13
	365	365							5/8			14.0	2.0	6.13	6.13
	324T*	324T*							5/8			12.5	2.75	5.75	4.75

* Bases are tapped with national coarse threads for those motor frames not marked with an asterisk.

Bases for motor frames marked with an asterisk will be drilled and tapped on order at an extra charge and will require "F" diameter bolts and nuts – when ordering specify NEMA motor frame size.



Shaft Collars



Solid Steel Shaft Collars						
Shaft Size	Part Number		Dimensions			
	Steel	Stainless	O.D.	Width	Screw	Wt.
1/8	-	456225	3/8	1/4	#6	0.01
3/16	040001	456226	7/16	1/4	#8	0.01
1/4	040002	456227	1/2	5/16	#10	0.01
5/16	040003	456228	5/8	5/16	#10	0.02
3/8	040004	456229	3/4	3/8	1/4	0.03
7/16	040005		7/8	7/16	1/4	0.05
1/2	040006	456230	1	7/16	1/4	0.07
9/16	040007		1	7/16	1/4	0.06
5/8	040008	456231	1-1/8	1/2	5/16	0.09
11/16	040009		1-1/4	9/16	5/16	0.13
3/4	040010	456232	1-1/4	9/16	5/16	0.12
13/16	040011		1-1/4	9/16	5/16	0.11
7/8	040012	456233	1-1/2	9/16	5/16	0.18
15/16	040013		1-1/2	9/16	5/16	0.17
1	040014	456234	1-1/2	5/8	5/16	0.17
1-1/16	040015		1-3/4	5/8	5/16	0.26
1-1/8	040016	456235	1-3/4	5/8	5/16	0.24
1-3/16	040017		2	11/16	3/8	0.38
1-1/4	040018	456236	2	11/16	3/8	0.36
1-5/16	010019		2-1/8	11/16	3/8	0.41
1-3/8	040020		2-1/8	3/4	3/8	0.42
1-7/16	040021		2-1/4	3/4	3/8	0.48
1-1/2	040022	456237	2-1/4	3/4	3/8	0.45
1-9/16	040023		2-1/2	13/16	3/8	0.67
1-5/8	040024		2-1/2	13/16	3/8	0.63
1-11/16	040025		2-1/2	13/16	3/8	0.59
1-3/4	040026	456238	2-5/8	7/8	1/2	0.71
1-7/8	040027		2-3/4	7/8	1/2	0.76
1-15/16	040028		3	7/8	1/2	0.98
2	040029	456239	3	7/8	1/2	0.93
2-3/16	040030		3-1/4	15/16	1/2	1.16
2-1/4	040031		3-1/4	15/16	1/2	1.11
2-7/16	040032		3-1/2	1	1/2	1.36
2-1/2	040033		3-1/2	1	1/2	1.30
2-15/16	040034		4	1-1/8	1/2	1.83

Bore Tolerance	
Bore	Tolerance
1/8 - 1/2	+0.0005/+0.0025
9/16 - 2	+0.0005/+0.0030
>2	+0.0010/+0.0040

Solid Iron Shaft Collars				
Shaft Size	Part Number	Dimensions		
		O.D.	Width	Wt.
1-15/16	010020	3-3/8	1-3/8	1.75
2	010021	3-3/8	1-3/8	1.75
2-3/16	010024	3-3/4	1-3/8	3
2-7/16	010028	4-1/4	1-1/2	3
2-1/2	010029	4-1/4	1-1/2	3
2-11/16	010032	4-3/4	1-1/2	5
2-15/16	010036	5	1-5/8	5
3-3/16	010039	5-1/2	1-5/8	7
3-7/16	010043	5-3/4	1-3/4	8
3-15/16	010048	6-1/2	1-7/8	10.5
4-7/16	010051	7-1/4	2	13.5
4-15/16	010054	8	2-1/8	17
5-7/16	010055	8-3/4	2-1/8	20
5-15/16	010056	9-1/4	2-1/4	22
6	010057	9-1/4	2-1/4	22
6-1/2	010058	10	2-1/4	25
7	010059	10-1/2	2-3/8	30
7-1/2	010060	11-3/8	2-1/2	35
8	010061	12-1/8	2-7/8	45

Bore Tolerance	
Bore	Tolerance
<1-1/2	+0.002/+0.004
1-9/16 - 2-1/2	+0.003/+0.005
2-9/16 - 4	+0.003/+0.006
4-1/16 - 6	+0.003/+0.007
6-1/16 - 8	+0.004/+0.008

Split Iron Shaft Collars				
Shaft Size	Part Number	Dimensions		
		O.D.	Width	Wt.
1-1/8	010075	3-1/8	1-1/4	1.3
1-3/16	010076	3-1/8	1-1/4	1.3
1-1/4	010077	3-1/8	1-1/4	1.3
1-5/16	010078	3-3/8	1-7/16	1.5
1-7/16	010080	3-3/8	1-7/16	1.5
1-1/2	010081	3-3/8	1-7/16	1.5
1-11/16	010084	3-3/4	1-9/16	2.3
1-3/4	010085	3-3/4	1-9/16	2.3
1-15/16	010088	4-1/16	1-3/4	2.8
2	010089	4-1/16	1-3/4	2.8
2-3/16	010092	4-1/2	1-7/8	3.0
2-1/4	010093	4-1/2	1-7/8	3.0
2-7/16	010096	4-7/8	2	4.0
2-1/2	010097	4-7/8	2	4.0
2-11/16	010100	5-5/16	2-1/16	5.0
2-15/16	010104	5-5/8	2-5/16	5.8
3	010105	5-5/8	2-5/16	5.8
3-3/16	010107	6-1/16	2-3/8	8.5
3-7/16	010110	6-7/8	2-9/16	9.8
3-11/16	010112	6-13/16	2-5/8	10.0
3-15/16	010114	7-3/16	2-3/4	11.0
4-7/16	010117	8-1/8	3-5/16	16.5
4-15/16	010120	8-3/4	3-1/2	20.5
5-7/16	010123	9-5/8	3-3/4	28.0
5-15/16	010126	10-1/8	4-1/16	30.0
6	010127	10-1/8	4-1/16	30.0
6-1/2	010128	11	4-1/4	41.0
7	010129	12	4-1/2	46.0
7-1/2	010130	12-15/16	4-11/16	56.0
8	010131	13-5/8	5-1/16	69.0

Bore Tolerance	
Bore	Tolerance
<1-1/2	+0.002/+0.004
1-9/16 - 2-1/2	+0.003/+0.005
2-9/16 - 4	+0.003/+0.006
4-1/16 - 6	+0.003/+0.007
6-1/16 - 8	+0.004/+0.008

V-Drives

FHP Drives

Drive Component Accessories

DYNA-SYNC

HT200/HTD Synchronous Drives

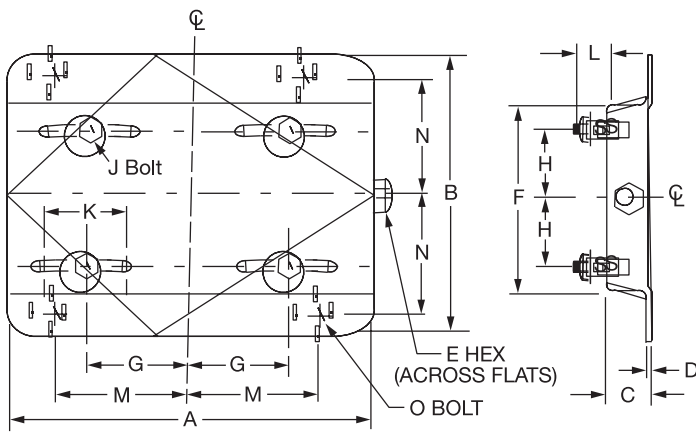
HT500 Synchronous Drives

Roller Chain Sprockets



Adjustable NEMA Motor Bases

DODGE Adjustable motor bases provide a convenient method for mounting standard NEMA-frame motors. Hex- screw "E" is used to adjust the drive center distance over range "K" for tensioning V-Belt and Synchronous belt drives. Once the drive is tensioned, bolts "J" are tightened for a secure, stable mounting of the motor.



Style A



Style B

Base No.	Part No.	Wt.	Style	Dimensions												Bolt Dimensions			
				A	B	C	D	F	G	H	K	L	M	N	Adj.	Hex	J	O	
56	122090	3.0	A	10.63	6.50	1.13	0.08	4.50	2.44	1.50	3.00	0.87	3.81	2.88	3/8	9/16	5/16	3/8	
143	122091	5.0	A	10.50	7.50	1.13	0.12	5.50	2.75	2.00	3.00	0.81	3.75	3.38	3/8	9/16	5/16	3/8	
145	122092	6.0	A	10.50	8.50	1.13	0.12	6.50	2.75	2.50	3.00	0.81	3.75	3.88	3/8	9/16	5/16	3/8	
182	122093	9.0	A	12.75	9.50	1.50	0.13	6.50	3.75	2.25	3.00	1.25	4.50	4.25	1/2	3/4	3/8	1/2	
184	122094	9.5	A	12.75	10.50	1.50	0.13	7.50	3.75	2.75	3.00	1.25	4.50	4.75	1/2	3/4	3/8	1/2	
213	122095	13.5	A	15.00	11.00	1.75	0.16	7.50	4.25	2.75	3.50	1.25	5.25	4.75	1/2	3/4	3/8	1/2	
215	122096	15.5	A	15.00	12.50	1.75	0.16	9.00	4.25	3.50	3.50	1.25	5.25	5.50	1/2	3/4	3/8	1/2	
254	122097	17.5	B	17.75	15.13	2.00	0.19	10.75	5.00	4.13	4.00	1.44	6.25	6.63	5/8	15/16	1/2	5/8	
256	122098	18.5	B	17.75	16.88	2.00	0.19	12.50	5.00	5.00	4.00	1.44	6.25	7.50	5/8	15/16	1/2	5/8	
284	122099	21.0	B	19.75	16.88	2.00	0.19	12.50	5.50	4.75	4.50	1.69	7.00	7.50	5/8	15/16	1/2	5/8	
286	122100	22.0	B	19.75	18.38	2.00	0.19	14.00	5.50	5.50	4.50	1.69	7.00	8.25	5/8	15/16	1/2	5/8	
324	122101	31.0	B	22.75	19.25	2.50	0.19	14.00	6.25	5.25	5.25	2.19	8.00	8.25	3/4	1-1/8	5/8	3/4	
326	122102	32.0	B	22.75	20.75	2.50	0.19	15.50	6.25	6.00	5.25	2.19	8.00	9.25	3/4	1-1/8	5/8	3/4	
364	122103	44.0	B	25.50	20.50	2.50	0.25	15.50	7.00	5.63	6.00	2.06	9.00	9.13	3/4	1-1/8	5/8	3/4	
365	122104	45.0	B	25.50	21.50	2.50	0.25	16.50	7.00	6.13	6.00	2.06	9.00	9.63	3/4	1-1/8	5/8	3/4	



DYNA-SYNC® Drives

Features/Benefits	PT10-2
Specification: Pulleys	
XL Pitch	PT10-3
L Pitch	PT10-4
H Pitch	PT10-6
XH Pitch	PT10-7
Reborable	PT10-9
Specification: Belts	
Dual DYNA-SYNC	PT10-11
XL Pitch	PT10-12
L Pitch	PT10-12
H Pitch	PT10-13
XH Pitch	PT10-13
XXH Pitch	PT10-13
Selection	PT10-14
XL Pitch	PT10-18
L Pitch	PT10-24
H Pitch	PT10-30
XH Pitch	PT10-36
Basic HP Ratings	PT10-43
Engineering/Technical	
Dimensions, Tolerances	PT10-44
Installation	PT10-45
Tensioning	PT10-45
Belt Working Tension	PT10-45
Part Number Index	INDEX-1
Keyword Index	INDEX-43

V-Drives

FHP Drives

Drive Component
Accessories

DYNA-SYNC

HT200/HTD
Synchronous Drives

HT500
Synchronous Drives

Roller Chain Sprockets



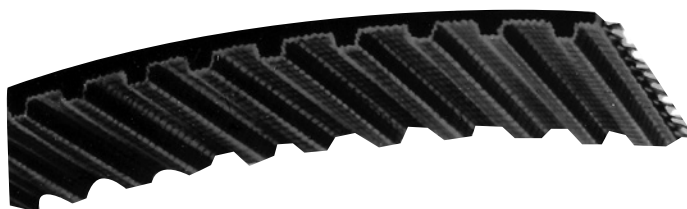
FEATURES/BENEFITS

DYNA-SYNC Drives

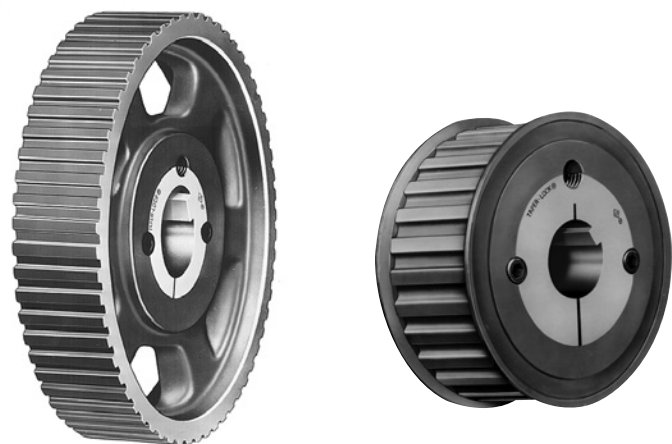


The Original Timing Drive

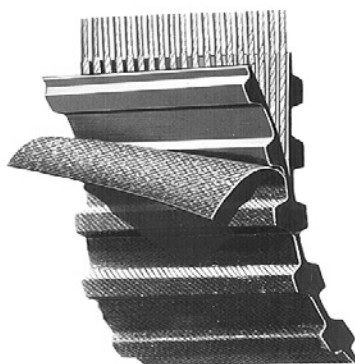
- Synchronized No-Slip Transmission
- No Lubrication Required
- Efficiency: Approximately 98%
- Low Maintenance
- Virtually No Backlash
- Constant Linear Velocity
- Drive Ratios to 8.5:1
- Pitches: XL, L, H, and XH



DYNA-SYNC Pulley

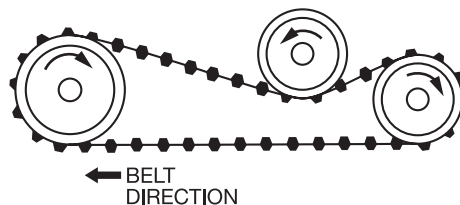


- Tough, Tensile Cords, No-Stretch Fiberglass
- Durable Neoprene Rubber Body
- Long-Wearing Nylon Duck Facing
- Oil, Heat, and Ozone Resistant



- Dual-Sided Teeth Available for Serpentine Drives

- Clean, Compact TAPER-LOCK Design
- Easy-on/Easy-off
- Precision Manufactured in ISO9000 Certified Plant
- Flanged Design Standard on Driver Sizes



V-Drives

FHP Drives

Drive Component Accessories

DYNA-SYNC

HT200/HTD Synchronous Drives

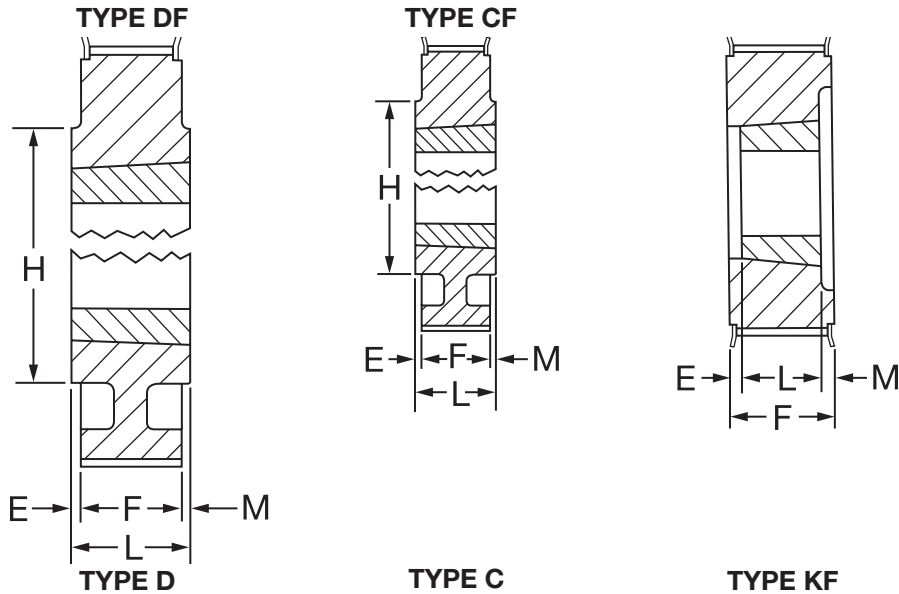
HT500 Synchronous Drives

Roller Chain Sprockets



SPECIFICATIONS

DYNA-SYNC Pulleys - L PITCH



L075 - 3/8" Pitch (.75" Wide Belt)

F=1.00"

No. of Teeth	Description ◇	Part No.	Wt	Pitch Dia. (P.D.)	Max. Fig. O.D.	Type †	Brushed Bore Range		Dimensions			
							Min.	Max.	E	H	L	M
18	TL18L075-1108	113589	.45	2.149	2.39	KF-1	1/2	1-1/8	.0688	.06
20	TL20L075-1108	113594	.68	2.387	2.63	KF-1	1/2	1-1/8	.0688	.06
22	TL22L075-1108	113595	.90	2.626	2.87	KF-1	1/2	1-1/8	.0688	.06
24	TL24L075-1210	113513	1.0	2.865	3.11	KF-1	1/2	1-1/4	0	1.00
26	TL26L075-1210	113515	1.2	3.104	3.34	KF-1	1/2	1-1/4	0	1.00
28	TL28L075-1610	113517	1.2	3.342	3.58	KF-1	1/2	1-11/16	0	1.00
30	TL30L075-1610	113519	1.5	3.581	3.83	KF-1	1/2	1-11/16	0	1.00
32	TL32L075-1610	113521	1.9	3.820	4.06	KF-1	1/2	1-11/16	0	1.00
40	TL40L075-2012	113527	2.4	4.775	5.02	CF-1	1/2	2-1/8	.25	3.94	1.25	0
48	TL48L075-2012	113533	3.2	5.730	6.02	CF-1	1/2	2-1/8	.25	3.94	1.25	0
60	TL60L075-2012	113534	4.9	7.162	None	C-2	1/2	2-1/8	.13	4.38	1.25	.13
72	TL72L075-2012	113535	6.5	8.594		C-1	1/2	2-1/8	.13	4.38	1.25	.13
84	TL84L075-2517	113536	7.8	10.027	C-1	1/2	2-11/16	.25	4.88	1.75	.50	

L100 - 3/8" Pitch (1" Wide Belt)

F=1.25"

No. of Teeth	Description ◇	Part No.	Wt	Pitch Dia. (P.D.)	Max. Fig. O.D.	Type †	Brushed Bore Range		Dimensions			
							Min.	Max.	E	H	L	M
18	TL18L100-1108	113599	.7	2.149	2.39	KF-1	1/2	1-1/8	.0687	.31
20	TL20L100-1108	113641	1.0	2.387	2.63	KF-1	1/2	1-1/8	.0687	.31
22	TL22L100-1108	113669	1.3	2.626	2.87	KF-1	1/2	1-1/8	.0687	.31
24	TL24L100-1210	113562	1.3	2.865	3.11	KF-1	1/2	1-1/4	.06	...	1	.19
26	TL26L100-1210	113564	1.7	3.104	3.34	KF-1	1/2	1-1/4	.06	...	1	.19
28	TL28L100-1610	113566	1.7	3.342	3.58	KF-1	1/2	1-11/16	.11	...	1	.15
30	TL30L100-1610	113568	2.2	3.581	3.83	KF-1	1/2	1-11/16	.11	...	1	.15
32	TL32L100-1610	113570	2.7	3.820	4.06	KF-1	1/2	1-11/16	.25	...	1	0
40	TL40L100-2012	113576	3.6	4.775	5.02	KF-1	1/2	2-1/8	0	...	1.25
48	TL48L100-2012	113582	5.1	5.730	6.02	KF-1	1/2	2-1/8	0	...	1.25
60	TL60L100-2012	113583	6.0	7.162	None	C-2	1/2	2-1/8	0	4.38	1.25
72	TL72L100-2012	113584	8.0	8.594		C-2	1/2	2-1/8	0	4.38	1.25
84	TL84L100-2517	113585	9.2	10.027	C-1	1/2	2-11/16	.55	4.88	1.75	

† Dash 1 = Block, 2 = Web, 3 = Arm.. (See page PT10-3, V-Drives Section) Letter "F" indicates pulley is flanged.

◇ See page PT10-8 - PT10-10 for MPB sizes.

FEATURES/BENEFITS PAGE PT10-2	SPECIFICATIONS PAGE PT10-3	SELECTION PAGE PT10-14	ENGINEERING/TECHNICAL PAGE PT10-44
----------------------------------	-------------------------------	---------------------------	---------------------------------------

SPECIFICATIONS



DYNA-SYNC Pulleys - L, H



† Dash 1 = Block, 2 = Web, 3 = Arm
Letter "F" indicates pulley is flanged

+ Available from stock in Min. Plain Bore (MPB) only
Max. bore is without keyway. (If keyway is used, reduce max bore listed by twice the keyway depth.)

◇ See page PT10-9 for additional MPB sizes

H100 - 1/2" Pitch (1" Wide Belt) (for H075 & H100 Belts)

F=1.32"

No. of Teeth	Description ◇	Part No.	Wt.	Pitch Dia. (P.D.)	Max. Fig. O.D.	Type †	Bore Range		Dimensions			
							Min.	Max.	E	H	L	M
14	TL14H100-1108	113678	.8	2.228	2.48	KF-1	1/2	1-1/8	.0688	.42
16	TL16H100-1108	113684	1.3	2.546	2.80	KF-1	1/2	1-1/8	.0688	.42
18	TL18H100-1210	113605	1.2	2.865	3.11	KF-1	1/2	1-1/4	.06	1	.25
20	TL20H100-1210	113608	1.7	3.183	3.44	KF-1	1/2	1-1/4	.11	1	.25
22	TL22H100-1610	113611	1.8	3.501	3.75	KF-1	1/2	1-11/16	.11	1	.25
24	TL24H100-1610	113642	2.3	3.820	4.02	KF-1	1/2	1-11/16	.11	1	.25
26	TL26H100-2012	113615	2.2	4.138	4.39	KF-1	1/2	2-1/8	.06	1.25	0
28	TL28H100-2012	113617	2.8	4.456	4.70	KF-1	1/2	2-1/8	.06	1.25	0
30	TL30H100-2012	113620	4.2	4.775	5.02	KF-1	1/2	2-1/8	.06	1.25	0
32	TL32H100-2517	113623	4.1	5.093	5.33	CF-1	1/2	2-11/16	.44	4.44	1.75	0
40	TL40H100-2517	113629	7.8	6.366	6.58	CF-1	1/2	2-11/16	.44	4.44	1.75	0
48	TL48H100-2517	113635	12.1	7.639	8.02	CF-1	1/2	2-11/16	.44	4.44	1.75	0
60	TL60H100-3020	113636	10.3	9.549	None	C-2	7/8	3-1/4	.34	6.25	2	.34
72	TL72H100-3020	113637	14	11.459		C-1	7/8	3-1/4	.34	6.25	2	.34
84	TL84H100-3020	113638	20	13.369		C-2	7/8	3-1/4	.34	6.25	2	.34
96	TL96H100-3020	113639	27	15.279		C-2	7/8	3-1/4	.34	6.25	2	.34
120	TL120H100-3020	113640	38	19.099	C-3	7/8	3-1/4	0	6.25	2	.59	

H150 - 1/2" Pitch (1.5" Wide Belt)

F=1.86"

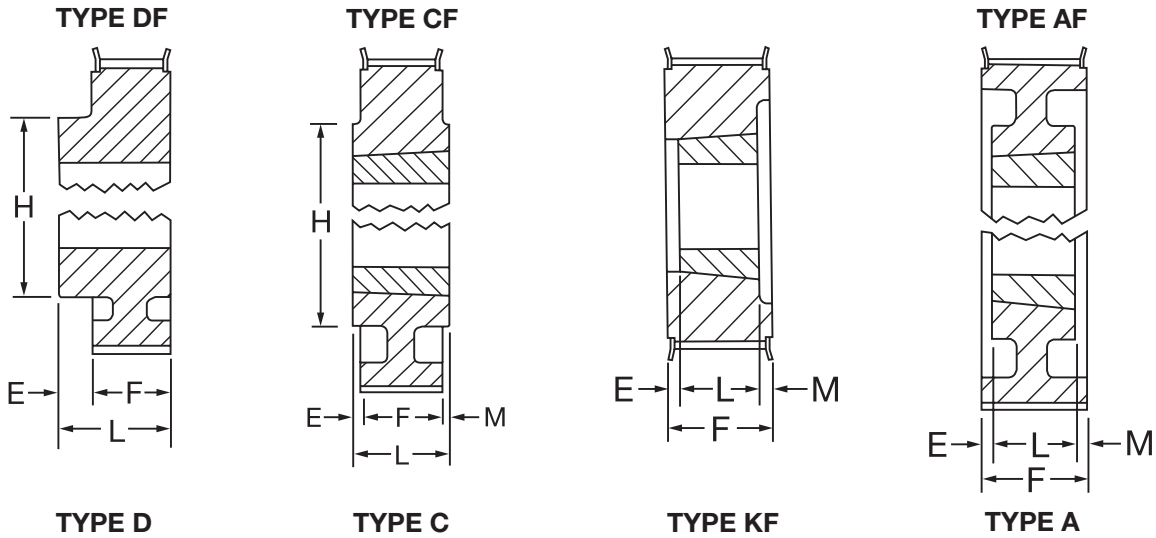
No. of Teeth	Description ◇	Part No.	Wt.	Pitch Dia. (P.D.)	Max. Fig. O.D.	Type †	Bore Range		Dimensions			
							Min.	Max.	E	H	L	M
14	TL14H150-1108	113691	1.0	2.228	2.48	KF-1	1/2	1	.4788	.88
16	TL16H150-1108	113692	1.5	2.546	2.80	KF-1	1/2	1	.4788	.88
18	TL18H150-1210	113693	1.6	2.865	3.11	KF-1	1/2	1-1/4	.11	1	.75
20	TL20H150-1210	113694	2.2	3.183	3.44	KF-1	1/2	1-1/4	.11	1	.75
22	TL22H150-1610	113695	2.5	3.501	3.75	KF-1	1/2	1-11/16	.11	1	.75
24	TL24H150-2012	113663	2.2	3.820	4.06	KF-1	1/2	2-1/8	.56	1.25	0
26	TL26H150-2012	113665	3.2	4.138	4.78	KF-1	1/2	2-1/8	.56	1.25	0
28	TL28H150-2012	113667	4.1	4.456	4.70	KF-1	1/2	2-1/8	.56	1.25	0
30	TL30H150-2012	113670	5.1	4.775	5.02	KF-1	1/2	2-1/8	.56	1.25	0
32	TL32H150-2517	113673	4.6	5.093	5.33	KF-1	1/2	2-11/16	.11	1.75	0
40	TL40H150-2517	113679	8.6	6.366	6.58	KF-1	1/2	2-11/16	.11	1.75	0
48	TL48H150-2517	113685	13.6	7.639	8.02	AF-2	1/2	2-11/16	0	1.75	.06
60	TL60H150-3020	113686	12.3	9.549	None	C-2	7/8	3-1/4	.09	6.25	2	.09
72	TL72H150-3020	113687	17.0	11.459		C-2	7/8	3-1/4	.09	6.25	2	.09
84	TL84H150-3020	113688	21.5	13.369		C-3	7/8	3-1/4	.09	6.25	2	.09
96	TL96H150-3020	113689	31	15.279		C-3	7/8	3-15/16	.09	6.25	2	.09
120	TL120H150-3020	113690	40	19.099	C-3	7/8	3-1/4	.09	6.25	2	.09	

FEATURES/BENEFITS PAGE PT10-2	SPECIFICATIONS PAGE PT10-3	SELECTION PAGE PT10-14	ENGINEERING/TECHNICAL PAGE PT10-44
----------------------------------	-------------------------------	---------------------------	---------------------------------------



SPECIFICATIONS

DYNA-SYNC Pulleys - H



H200 - 1/2" Pitch (2" Wide Belt)

F=2.34"

No. of Teeth	Description	Part No.	Wt.	Pitch Dia. (P.D.)	Max. Flg. O.D.	Type †	Bore Range		Dimensions			
							Min.	Max.	E	H	L	M
16	TL16H200-1108	113072	1.9	2.546	2.80	KF-1	1/2	1-1/8	.75	0	.88	.72
18	TL18H200-1215	113704	1.8	2.865	3.11	KF-1	1/2	1-1/4	.44	0	1.5	.41
20	TL20H200-1215	113707	2.6	3.183	3.44	KF-1	1/2	1-1/4	.42	0	1.5	.42
22	TL22H200-1615	113710	28	3.501	3.75	KF-1	1/2	1-5/8	.42	0	1.5	.42
24	TL24H200-2012	113712	2.6	3.820	4.06	KF-1	1/2	2	.55	0	1.25	.55
26	TL26H200-2012	113714	3.6	4.138	4.78	KF-1	1/2	2	.55	0	1.25	.55
28	TL28H200-2012	113716	5.1	4.456	4.70	KF-1	1/2	2	.55	0	1.25	.55
30	TL30H200-2012	113719	7.0	4.775	5.02	KF-1	1/2	2	1.09	0	1.25	0
32	TL32H200-2517	113722	5.5	5.093	5.33	KF-1	1/2	2-1/2	.59	0	1.75	0
40	TL40H200-2517	113728	9.9	6.366	6.58	KF-1	1/2	2-1/2	.59	0	1.75	0
48	TL48H200-3020	113734	14.3	7.639	8.02	KF-1	7/8	3	.41	0	2	0
60	TL60H200-3020	113735	15.3	9.549		A-2	7/8	3	.17	0	2	.17
72	TL72H200-3020	113736	21	11.459		A-2	7/8	3-1/4	0	0	2	.34
84	TL84H200-3020	113737	23	13.369		A-3	7/8	3-1/4	0	0	2	.34
96	TL96H200-3535	113738	34	15.279		C-3	1-3/16	3-15/16	.40	7.0	3.5	.75
120	TL120H200-3020	113739	42	19.099		A-3	7/8	3-1/4	0	0	2	.34

H300 - 1/2" Pitch (3" Wide Belt)

F=3.38"

No. of Teeth	Description	Part No.	Wt.	Pitch Dia. (P.D.)	Max. Flg. O.D.	Type †	Brushed Bore Range		Dimensions			
							Min.	Max.	E	H	L	M
							16	TL16H300-1108	113073	2.5	2.546	2.80
18	TL18H300-1215	113752	2.6	2.865	3.11	KF-1	1/2	1-1/4	.94	0	1.5	.94
20	TL20H300-1215	113755	3.9	3.183	3.44	KF-1	1/2	1-1/4	.94	0	1.5	.94
22	TL22H300-1615	113758	4.0	3.501	3.75	KF-1	1/2	1-11/16	.94	0	1.5	.94
24	TL24H300-2012	113760	4.3	3.820	4.06	KF-1	1/2	2-1/8	1.06	0	1.25	1.06
26	TL26H300-2012	113762	5.4	4.138	4.78	KF-1	1/2	2-1/8	1.06	0	1.25	1.06
28	TL28H300-2012	113764	6.8	4.456	4.70	KF-1	1/2	2-1/8	1.06	0	1.25	1.06
30	TL30H300-2012	113767	7.5	4.775	5.02	KF-1	1/2	2-1/8	1.06	0	1.25	1.06
32	TL32H300-2517	113770	7.4	5.093	5.33	KF-1	1/2	2-11/16	.81	0	1.75	.81
40	TL40H300-2517	113776	12.1	6.366	6.58	KF-1	1/2	2-11/16	.81	0	1.75	.81
48	TL48H300-3020	113782	16.3	7.639	8.02	KF-1	7/8	3-1/4	.69	0	2	.69
60	TL60H300-3020	113783	17.3	9.549		A-2	7/8	3-1/4	.69	0	2	.69
72	TL72H300-3020	113784	23	11.459		A-2	7/8	3-1/4	.31	0	2	1.06
84	TL84H300-3020	113785	30	13.369		A-3	7/8	3-1/4	.69	0	2	.69
96	TL96H300-3535	113786	38	15.279		C-3	1-3/16	3-15/16	.06	0	3.5	.06
120	TL120H300-3535	113787	51	19.099		C-3	1-3/16	3-15/16	.125	7.0	3.5	0

† Dash 1 = Block, 2 = Web, 3 = Arm. Letter "F" indicates pulley is flanged.

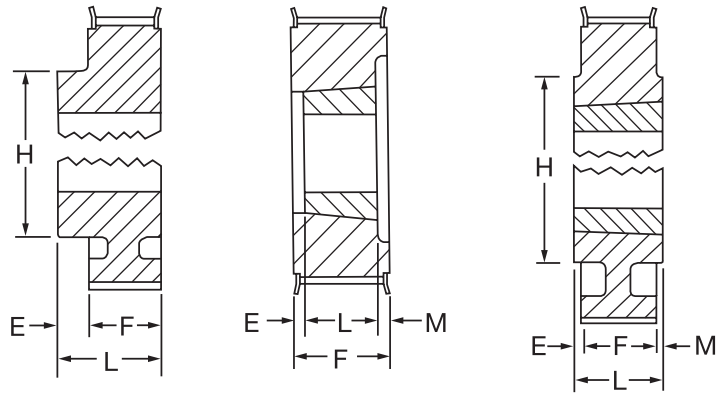
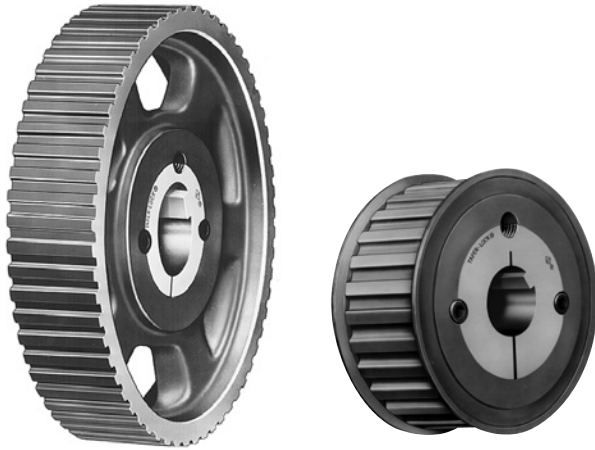
♦ See page PT10-8 - PT10-10 for MPB sizes.

FEATURES/BENEFITS PAGE PT10-2	SPECIFICATIONS PAGE PT10-3	SELECTION PAGE PT10-14	ENGINEERING/TECHNICAL PAGE PT10-44
----------------------------------	-------------------------------	---------------------------	---------------------------------------

SPECIFICATIONS



DYNA-SYNC Pulleys - XH



XH200 - 7/8" Pitch (2" Wide Belt)

F=2.56"

No. of Teeth	Description \diamond	Part No.	Wt.	Pitch Dia. (P.D.)	Max. Flg. O.D.	Type \dagger	Bore Range		Dimensions			
							Min.	Max.	E	H	L	M
18	TL18XH200-2012	113074	12	5.013	5.58	KF-1	1/2	2-1/8	.84	...	1.25	.47
20	TL20XH200-2012	113120	16	5.570	6.11	KF-1	1/2	2-1/8	.84	...	1.25	.47
22	TL22XH200-2517	113804	10.6	6.127	6.59	KF-1	1/2	2-11/16	.81	1.75	0
24	TL24XH200-3020	113807	11.3	6.685	7.28	KF-1	7/8	3-1/4	.56	2.0	0
26	TL26XH200-3020	113810	13.3	7.241	7.78	KF-1	7/8	3-1/4	.56	2.0	0
28	TL28XH200-3535	113813	13.5	7.799	8.27	CF-1	1-3/16	3-15/16	.94	6.50	3.5	0
30	TL30XH200-3535	113816	18.5	8.356	9.31	CF-1	1-3/16	3-15/16	.94	6.50	3.5	0
32	TL32XH200-3535	113819	21.5	8.913	9.52	CF-1	1-3/16	3-15/16	.94	6.50	3.5	0
40	TL40XH200-4040	113822	37.5	11.141	11.80	CF-1	1-7/16	4-7/16	1.44	8.50	4.0	0
48	TL48XH200-4040	113823	44.5	13.369	None	C-2	1-7/16	4-7/16	.72	8.50	4.0	.72
60	TL60XH200-4040	113824	47	16.711		C-3	1-7/16	4-7/16	.72	8.50	4.0	.72

XH300 - 7/8" Pitch (3" Wide Belt)

F=3.63"

No. of Teeth	Description \diamond	Part No.	Wt.	Pitch Dia. (P.D.)	Max. Flg. O.D.	Type \dagger	Bore Range		Dimensions			
							Min.	Max.	E	H	L	M
18	TL18XH300-2012	113121	15	5.013	5.58	KF-1	1/2	2-1/8	1.38	...	1.25	1.0
20	TL20XH300-2012	113122	19	5.570	6.11	KF-1	1/2	2-1/8	1.38	...	1.25	1.0
22	TL22XH300-2517	113854	13.6	6.127	6.59	KF-1	1/2	2-11/16	.94	1.75	.94
24	TL24XH300-3020	113857	15.3	6.685	7.28	KF-1	7/8	3-1/4	.81	2.0	.81
26	TL26XH300-3020	113860	17.3	7.241	7.78	KF-1	7/8	3-1/4	.81	2.0	.81
28	TL28XH300-3535	113863	17.3	7.799	8.27	KF-1	1-3/16	3-15/16	.13	3.5
30	TL30XH300-3535	113866	22.5	8.356	9.31	KF-1	1-3/16	3-15/16	.13	3.5
32	TL32XH300-3535	113869	26.5	8.913	9.52	KF-1	1-3/16	3-15/16	.13	3.5
40	TL40XH300-4040	113872	43.5	11.141	11.80	CF-1	1-7/16	4-7/16	.38	7.50	4.0
48	TL48XH300-4040	113873	51.5	13.369	None	C-1	1-7/16	4-7/16	.19	8.50	4.0	.19
60	TL60XH300-4040	113874	55.5	16.711		C-3	1-7/16	4-7/16	.19	8.50	4.0	.19

\dagger Dash 1 = Block, 2 = Web, 3 = Arm. (See page PT10-3, V-Drives Section) Letter "F" indicates pulley is flanged.

XXH Pulley Note: Discontinued Product. Recommend that drive be redesigned to HT100 or HT150. Refer to HT section of this catalog.

FEATURES/BENEFITS PAGE PT10-2	SPECIFICATIONS PAGE PT10-3	SELECTION PAGE PT10-14	ENGINEERING/TECHNICAL PAGE PT10-44
----------------------------------	-------------------------------	---------------------------	---------------------------------------

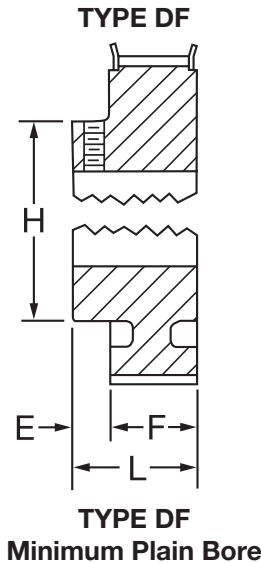


SPECIFICATIONS

DYNA-SYNC Pulleys - XL037



Minimum Plain Bore



XL037 - 1/5" Pitch (.375" Wide Belt) - Minimum Plain Bore

F = 0.56"

No of Teeth	Description	Part Number	Approx. Weight	Pitch Dia (PD)	Fig O.D.	Type	Stock Bore *	Max Bore *	Dimension		
									H	L	E
10	10XL037-MPB	113400	.08	0.637	.88	DF-1	3/16	3/16	.44	.81	.25
11	11XL037-MPB	113401	.09	0.700	.94	DF-1	3/16	3/16	.50	.81	.25
12	12XL037-MPB	113402	.10	0.764	1.00	DF-1	3/16	1/2	.50	.81	.25
14	14XL037-MPB	113403	.13	0.891	1.03	DF-1	1/4	1/4	.56	.81	.25
15	15XL037-MPB	113404	.14	0.955	1.19	DF-1	1/4	5/16	.63	.81	.25
16	16XL037-MPB	113405	.17	1.019	1.25	DF-1	1/4	3/8	.69	.81	.25
18	18XL037-MPB	113406	.20	1.146	1.38	DF-1	1/4	1/2	.81	.81	.25
20	20XL037-MPB	113407	.25	1.273	1.50	DF-1	1/4	9/16	.94	.88	.32
21	21XL037-MPB	113408	.26	1.337	1.56	DF-1	1/4	9/16	1.00	.88	.32
22	22XL037-MPB	113409	.30	1.401	1.63	DF-1	1/4	5/8	1.00	.88	.32
24	24XL037-MPB	113410	.35	1.528	1.75	DF-1	1/4	11/16	1.06	.91	.35
28	28XL037-MPB	113411	.46	1.783	2.00	DF-1	1/4	13/16	1.19	.91	.35
30	30XL037-MPB	113412	.55	1.910	2.13	DF-1	5/16	15/16	1.31	.91	.35
32	32XL037-MPB	• 113413	.71	2.037	---	D-1	5/16	1-3/16	1.50	1.00	.44
36	36XL037-MPB	• 113414	.85	2.292	---	D-1	5/16	1-3/16	1.50	1.00	.44
40	40XL037-MPB	• 113415	.99	2.546	---	D-1	5/16	1-3/16	1.50	1.00	.44
42	42XL037-MPB	• 113416	1.09	2.674	---	D-1	5/16	1-3/16	1.50	1.00	.44
44	44XL037-MPB	• 113417	1.17	2.801	---	D-1	5/16	1-3/16	1.50	1.00	.44
48	48XL037-MPB	• 113418	1.19	3.056	---	D-1	5/16	1-3/16	1.50	1.00	.44
60	60XL037-MPB	• 113419	2.02	3.820	---	D-2	3/8	1-3/16	1.50	1.00	.44
72	72XL037-MPB	• 113420	2.81	4.584	---	D-2	3/8	1-3/16	1.50	1.00	.44

NOTE: Above pulleys are supplied with two (2) set screws at 90 deg.
Max. bore is without keyway. (if keyway is used, reduce max bore by twice the keyway depth.)

* Standard keyways are listed on page PT1-83

• Aluminum

FEATURES/BENEFITS PAGE PT10-2	SPECIFICATIONS PAGE PT10-3	SELECTION PAGE PT10-14	ENGINEERING/TECHNICAL PAGE PT10-44
----------------------------------	-------------------------------	---------------------------	---------------------------------------

SPECIFICATIONS



DYNA-SYNC Pulleys - Reborable Minimum Plain Bore

L050 - 3/8" Pitch (.5" Wide Belt) - Minimum Plain Bore

F = 0.75"

No of Teeth	Description	Part Number	Approx. Weight	Pitch Dia (PD)	Flg O.D.	Type	Stock Bore	Max Bore	Dimension		
									H	L	E
10	10L050-MPB	113450	.26	1.194	1.44	DF-1	3/8	1/2	.81	1.25	.50
12	12L050-MPB	113451	.38	1.432	1.66	DF-1	3/8	3/4	1.00	1.25	.50
13	13L050-MPB	114441	.50	1.552	1.78	DF-1	3/8	3/4	1.13	1.25	.50
14	14L050-MPB	113452	.55	1.671	1.91	DF-1	3/8	3/4	1.13	1.25	.50
15	15L050-MPB	114442	.66	2.030	2.03	DF-1	1/2	7/8	1.34	1.25	.50
16	16L050-MPB	113453	.69	1.790	2.13	DF-1	1/2	1	1.44	1.25	.50
17	17L050-MPB	114301	.84	1.910	2.25	DF-1	1/2	1	1.44	1.25	.50
18	18L050-MPB	114302	.87	2.149	2.38	DF-1	1/2	1	1.56	1.25	.50
19	19L050-MPB	114303	1.11	2.268	2.50	DF-1	1/2	1	1.69	1.25	.50
20	20L050-MPB	114304	1.20	2.378	2.63	DF-1	1/2	1	1.69	1.25	.50
21	21L050-MPB	114305	1.41	2.507	2.75	DF-1	1/2	1-1/4	2.00	1.25	.50
22	22L050-MPB	114306	1.50	2.626	2.88	DF-1	1/2	1-1/4	2.00	1.25	.50
24	24L050-MPB	114307	1.80	2.865	3.09	DF-1	1/2	1-3/8	2.25	1.25	.50
26	26L050-MPB	114308	2.07	3.104	3.33	DF-1	1/2	1-3/8	2.25	1.25	.50
28	28L050-MPB	114309	2.33	3.342	3.57	DF-1	1/2	1-3/8	2.25	1.25	.50
30	30L050-MPB	114310	2.58	3.581	3.80	DF-1	1/2	1-3/8	2.25	1.25	.50
32	32L050-MPB	114311	3.13	3.820	4.04	DF-1	1/2	1-5/8	2.63	1.25	.50
36	36L050-MPB	114443	4.39	4.297	4.52	DF-1	1/2	2-5/16	3.50	1.25	.50
40	40L050-MPB	114444	5.16	4.775	5.00	DF-1	1/2	2-3/8	3.63	1.25	.50

L075 - 3/8" Pitch (.75" Wide Belt) - Minimum Plain Bore

F = 1.00"

12	12L075-MPB	113500	.46	1.432	1.66	DF-1	3/8	1/2	1.00	1.50	.50
13	13L075-MPB	114445	.62	1.552	1.78	DF-1	3/8	3/4	1.13	1.50	.50
14	14L075-MPB	113501	.69	1.671	1.91	DF-1	3/8	3/4	1.13	1.50	.50
15	15L075-MPB	114446	.81	1.790	2.03	DF-1	1/2	7/8	1.34	1.50	.50
16	16L075-MPB	113502	.84	1.910	2.13	DF-1	1/2	1	1.44	1.50	.50
17	17L075-MPB	114312	1.03	2.029	2.25	DF-1	1/2	1	1.44	1.50	.50
18	18L075-MPB	114313	1.17	2.149	2.38	DF-1	1/2	1	1.56	1.50	.50
19	19L075-MPB	114314	1.32	2.268	2.50	DF-1	1/2	1	1.69	1.50	.50
20	20L075-MPB	114315	1.44	2.387	2.63	DF-1	1/2	1-1/4	1.69	1.50	.50
21	21L075-MPB	114316	1.68	2.507	2.75	DF-1	5/8	1-1/4	2.00	1.50	.50
22	22L075-MPB	114317	1.79	2.626	2.88	DF-1	5/8	1-3/8	2.00	1.50	.50
24	24L075-MPB	114318	2.22	2.865	3.09	DF-1	5/8	1-3/8	2.25	1.50	.50
26	26L075-MPB	114319	2.48	3.104	3.33	DF-1	5/8	1-3/8	2.25	1.50	.50
28	28L075-MPB	114320	2.84	3.342	3.57	DF-1	5/8	1-3/8	2.25	1.50	.50
30	30L075-MPB	114321	3.24	3.581	3.80	DF-1	5/8	1-3/8	2.25	1.50	.50
32	32L075-MPB	114322	3.77	3.820	4.04	DF-1	5/8	1-5/8	2.63	1.50	.50
36	36L075-MPB	114447	5.33	4.297	4.52	DF-1	5/8	2-5/16	3.50	1.50	.50
40	40L075-MPB	114448	6.31	4.775	5.00	DF-1	5/8	2-3/8	3.63	1.50	.50

L100 - 3/8" Pitch (1" Wide Belt) - Minimum Plain Bore

F = 1.25"

13	13L100-MPB	114449	.72	1.552	1.78	DF-1	3/8	3/4	1.13	1.75	.50
14	14L100-MPB	113550	.82	1.671	1.91	DF-1	3/8	3/4	1.13	1.75	.50
15	15L100-MPB	114450	.96	1.790	2.03	DF-1	1/2	7/8	1.34	1.75	.50
16	16L100-MPB	113551	.98	1.910	2.13	DF-1	1/2	1	1.44	1.75	.50
17	17L100-MPB	114323	1.23	2.029	2.25	DF-1	1/2	1	1.44	1.75	.50
18	18L100-MPB	114324	1.38	2.149	2.38	DF-1	1/2	1	1.56	1.75	.50
19	19L100-MPB	114325	1.56	2.268	2.50	DF-1	1/2	1	1.69	1.75	.50
20	20L100-MPB	114326	1.71	2.387	2.63	DF-1	1/2	1	1.69	1.75	.50
21	21L100-MPB	114327	1.97	2.507	2.75	DF-1	5/8	1-1/4	2.00	1.75	.50
22	22L100-MPB	114328	2.13	2.626	2.88	DF-1	5/8	1-1/4	2.00	1.75	.50
24	24L100-MPB	114329	2.60	2.865	3.09	DF-1	5/8	1-3/8	2.25	1.75	.50
26	26L100-MPB	114330	3.12	3.104	3.33	DF-1	5/8	1-5/8	2.44	1.75	.50
28	28L100-MPB	114331	3.65	3.342	3.57	DF-1	5/8	1-3/4	2.69	1.75	.50
30	30L100-MPB	114332	4.19	3.581	3.80	DF-1	5/8	1-7/8	2.81	1.75	.50
32	32L100-MPB	114333	4.86	3.820	4.04	DF-1	5/8	2	3.13	1.75	.50
36	36L100-MPB	114451	6.24	4.297	4.52	DF-1	5/8	2-5/16	3.50	1.75	.50
40	40L100-MPB	114452	7.52	4.775	5.00	DF-1	5/8	2-5/16	3.63	1.75	.50

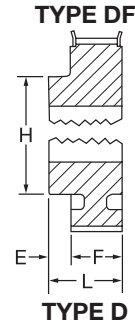
NOTE: Available from stock in Min. Plain Bore (MPB) only.
Max. bore is without keyway. (if keyway is used, reduce max bore by twice the keyway depth.)

FEATURES/BENEFITS PAGE PT10-2	SPECIFICATIONS PAGE PT10-3	SELECTION PAGE PT10-14	ENGINEERING/TECHNICAL PAGE PT10-44
----------------------------------	-------------------------------	---------------------------	---------------------------------------



SPECIFICATIONS

DYNA-SYNC Pulleys - Reborable Minimum Plain Bore



H100 - 1/2" Pitch (1" Wide Belt) - Minimum Plain Bore

F = 1.25"

No of Teeth	Description	Part Number	Approx Weight	Pitch Dia (PD)	Flg O.D.	Type	Stock Bore	Max Bore	Dimension		
									H	L	E
14	14H100-MPB	114334	1.48	2.228	2.46	DF-1	5/8	7/8	1.63	1.88	.63
16	16H100-MPB	114335	2.12	2.546	2.78	DF-1	5/8	1-1/8	1.88	2.00	.75
17	17H100-MPB	114453	2.42	2.706	2.94	DF-1	5/8	1-1/4	2.00	2.00	.75
18	18H100-MPB	114336	2.86	2.865	3.10	DF-1	5/8	1-3/8	2.25	2.00	.75
19	19H100-MPB	114337	3.21	3.024	3.26	DF-1	5/8	1-1/2	2.38	2.00	.75
20	20H100-MPB	114338	3.68	3.183	3.42	DF-1	5/8	1-5/8	2.50	2.13	.88
21	21H100-MPB	114339	4.08	3.342	3.57	DF-1	3/4	1-11/16	2.63	2.13	.88
22	22H100-MPB	114340	4.67	3.501	3.74	DF-1	3/4	1-3/4	2.75	2.25	1.00
24	24H100-MPB	114341	5.60	3.820	4.05	DF-1	3/4	1-7/8	3.00	2.25	1.00
26	26H100-MPB	114342	7.16	4.138	4.37	DF-1	3/4	2-1/4	3.38	2.38	1.13
28	28H100-MPB	114343	8.15	4.456	4.69	DF-1	3/4	2-5/16	3.50	2.38	1.13
30	30H100-MPB	114454	9.15	4.775	5.01	DF-1	3/4	2-3/8	3.63	2.38	1.13

H150 - 1/2" Pitch (1.5" Wide Belt) - Minimum Plain Bore

F = 1.75"

14	14H150-MPB	114344	1.85	2.228	2.46	DF-1	3/4	7/8	1.63	2.38	.63
16	16H150-MPB	114345	2.63	2.546	2.78	DF-1	3/4	1-1/8	1.88	2.50	.75
17	17H150-MPB	114455	3.06	2.706	2.94	DF-1	3/4	1-1/4	2.00	2.50	.75
18	18H150-MPB	114346	3.55	2.865	3.10	DF-1	3/4	1-3/8	2.25	2.50	.75
19	19H150-MPB	114347	4.01	3.024	3.26	DF-1	3/4	1-1/2	2.38	2.50	.75
20	20H150-MPB	114348	4.62	3.183	3.42	DF-1	3/4	1-5/8	2.50	2.63	.88
21	21H150-MPB	114349	5.15	3.342	3.57	DF-1	3/4	1-11/16	2.63	2.63	.88
22	22H150-MPB	114350	5.89	3.501	3.74	DF-1	3/4	1-3/4	2.75	2.75	1.00
24	24H150-MPB	114351	7.09	3.820	4.05	DF-1	3/4	1-7/8	3.00	2.75	1.00
26	26H150-MPB	114352	8.62	4.138	4.37	DF-1	3/4	2-1/4	3.38	2.75	1.00
28	28H150-MPB	114353	10.09	4.456	4.69	DF-1	3/4	2-5/16	3.50	2.88	1.13
30	30H150-MPB	114456	11.52	4.775	5.01	DF-1	3/4	2-3/8	3.63	2.88	1.13

H200 - 1/2" Pitch (2" Wide Belt) - Minimum Plain Bore

F = 2.28"

14	14H200-MPB	114354	2.35	2.228	2.44	DF-1	3/4	7/8	1.63	2.91	.63
16	16H200-MPB	114355	3.29	2.546	2.88	DF-1	3/4	1-1/8	1.88	3.03	.75
17	17H200-MPB	114457	3.77	2.706	3.00	DF-1	3/4	1-1/4	2.00	3.03	.75
18	18H200-MPB	114356	3.90	2.865	3.13	DF-1	3/4	1-3/8	2.25	3.03	.75
19	19H200-MPB	114357	3.90	3.024	3.38	DF-1	3/4	1-1/2	2.38	3.03	.75
20	20H200-MPB	114358	5.34	3.183	3.38	DF-1	3/4	1-5/8	2.50	3.16	.88
21	21H200-MPB	114359	6.10	3.342	3.63	DF-1	1	1-11/16	2.63	3.16	.88
22	22H200-MPB	114360	6.30	3.501	3.81	DF-1	1	1-3/4	2.75	3.28	1.00
24	24H200-MPB	114361	8.35	3.820	4.06	DF-1	1	1-7/8	3.00	3.28	1.00
26	26H200-MPB	114362	10.44	4.138	4.38	DF-1	1	2-1/4	3.38	3.41	1.13
28	28H200-MPB	114363	12.01	4.456	4.69	DF-1	1	2-5/16	3.50	4.44	2.16
30	30H200-MPB	114458	13.80	4.775	5.00	DF-1	1	2-3/8	3.63	4.44	2.16

H300 - 1/2" Pitch (3" Wide Belt) - Minimum Plain Bore

F = 3.31"

16	16H300-MPB	114364	4.54	2.546	2.88	DF-1	3/4	1-1/8	1.88	4.06	.75
17	17H300-MPB	114459	5.23	2.706	3.00	DF-1	3/4	1-1/4	2.00	4.06	.75
18	18H300-MPB	114365	6.00	2.865	3.13	DF-1	3/4	1-3/8	2.25	4.06	.75
19	19H300-MPB	114366	6.80	3.024	3.38	DF-1	3/4	1-1/2	2.35	4.06	.75
20	20H300-MPB	114367	7.69	3.183	3.38	DF-1	3/4	1-5/8	2.50	4.19	.88
21	21H300-MPB	114368	8.59	3.342	3.63	DF-1	1	1-11/16	2.66	4.19	.88
22	22H300-MPB	114369	9.00	3.501	3.81	DF-1	1	1-3/4	2.75	4.31	1.00
24	24H300-MPB	114370	11.01	3.820	4.06	DF-1	1-1/8	1-7/8	3.00	4.31	1.00
26	26H300-MPB	114371	13.60	4.138	4.38	DF-1	1-1/8	2-1/4	3.38	4.44	1.13
28	28H300-MPB	114372	15.60	4.456	4.69	DF-1	1-1/8	2-5/16	3.50	4.44	1.13
30	30H300-MPB	114460	18.11	4.775	5.00	DF-1	1-1/8	2-3/8	3.63	4.44	1.13

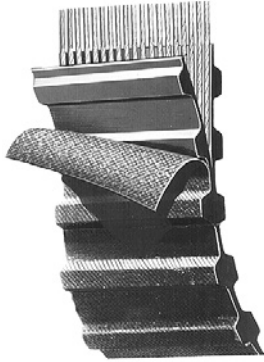
NOTE: Available from stock in Min. Plain Bore (MPB) only.
Max. bore is without keyway. (if keyway is used, reduce max bore by twice the keyway depth.)

FEATURES/BENEFITS PAGE PT10-2	SPECIFICATIONS PAGE PT10-3	SELECTION PAGE PT10-14	ENGINEERING/TECHNICAL PAGE PT10-44
----------------------------------	-------------------------------	---------------------------	---------------------------------------

SPECIFICATIONS

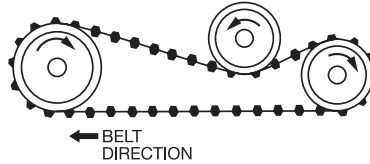


Dual DYNA-SYNC Belts



For Serpentine Drives

DXL Series Dual DYNA-SYNC Belts					DL Series Dual DYNA-SYNC Belts						
Belt Lgth.	1/5" Pitch (XL)				Belt Lgth.	3/8" Pitch (L)					
	XL025 (1/4" Wide)		XL037 (3/8" Wide)			L050 (1/2" Wide)		L075 (3/4" Wide)		L100 (1" Wide)	
	Belt No.	Part No.	Belt No.	Part No.		Belt No.	Part No.	Belt No.	Part No.	Belt No.	Part No.
12.0	D120XL025	110132	D120XL037	110133	15.0	D150L050	110187	D150L075	110158	D150L100	110189
13.0	D130XL025	110134	D130XL037	110135	18.7	D187L050	110190	D187L075	110191	D187L100	110192
14.0	D140XL025	110136	D140XL037	110137	21.0	D210L050	110193	D210L075	110194	D210L100	110195
15.0	D150XL025	110138	D150XL037	110139	22.5	D225L050	110196	D225L075	110197	D255L100	110198
16.0	D160XL025	110140	D160XL037	110141	24.0	D240L050	110199	D240L075	110200	D240L100	110201
17.0	D170XL025	110142	D170XL037	110143	25.5	D255L050	110202	D255L075	110203	D255L100	110204
18.0	D180XL025	110144	D180XL037	110145	27.0	D270L050	110205	D270L075	110206	D270L100	110207
19.0	D190XL025	110146	D190XL037	110147	28.5	D285L050	110208	D285L075	110209	D285L100	110210
20.0	D200XL025	110148	D200XL037	110149	30.0	D300L050	110211	D300L075	110212	D300L100	110213
21.0	D210XL025	110150	D210XL037	110151	32.2	D322L050	110214	D322L075	110215	D322L100	110216
22.0	D220XL025	110152	D220XL037	110153	34.5	D345L050	110217	D345L075	110218	D345L100	110219
23.0	D230XL025	110154	D230XL037	110155	36.7	D367L050	110220	D367L075	110221	D367L100	110222
24.0	D240XL025	110156	D240XL037	110157	39.0	D390L050	110223	D390L075	110224	D390L100	110225
25.0	D250XL025	110158	D250XL037	110159	42.0	D420L050	110226	D420L075	110227	D420L100	110228
26.0	D260XL025	110160	D260XL037	110161	45.0	D450L050	110229	D450L075	110230	D450L100	110231
28.0	D280XL025	110162	D280XL037	110163	48.0	D480L050	110232	D460L075	110233	D480L100	110234
29.0	D290XL025	110164	D290XL037	110165	51.0	D510L050	110235	D510L075	110236	D510L100	110237
30.0	D300XL025	110166	D300XL037	110167	54.0	D540L050	110238	D540L075	110239	D540L100	110240
31.0	D310XL025	110168	D310XL037	110169	60.0	D600L050	110241	D600L075	110242	D600L100	110243
33.0	D330XL025	110170	D330XL037	110171	66.0	D660L050	110244	D660L075	110245	D660L100	110246
		Avg. Wt. .03Lb.		Avg. Wt. 0.5Lb.		Avg. Wt. .14Lb.		Avg. Wt. .21Lb.		Avg. Wt. .26Lb.	



DH Series Dual DYNA-SYNC Belts

Belt Lgth.	1/2" Pitch (H)										
	H075 (3/4" Wide)		H100 (1" Wide)		H150 (1-1/2" Wide)		H200 (2" Wide)		H300 (3" Wide)		
	Belt No.	Part No.	Belt No.	Part No.	Belt No.	Part No.	Belt No.	Part No.	Belt No.	Part No.	
24.0	D240H075	110247	D240H100	110248	D240H150	110249	D240H200	110250	D240H300	110251	
27.0	D270H075	110252	D270H100	110253	D270H150	110254	D270H200	110255	D270H300	110256	
30.0	D300H075	110257	D300H100	110258	D300H150	110259	D300H200	110260	D300H300	110261	
33.0	D330H075	110262	D330H100	110263	D330H150	110264	D330H200	110265	D330H300	110266	
36.0	D360H075	110267	D360H100	110268	D360H150	110269	D360H200	110270	D360H300	110271	
39.0	D390H075	110272	D390H100	110273	D390H150	110274	D390H200	110275	D390H300	110276	
42.0	D420H075	110277	D420H100	110278	D420H150	110279	D420H200	110280	D420H300	110281	
45.0	D450H075	110282	D450H100	110283	D450H150	110284	D450H200	110285	D450H300	110286	
48.0	D480H075	110287	D480H100	110288	D480H150	110289	D480H200	110290	D480H300	110291	
51.0	D510H075	110292	D510H100	110293	D510H150	110294	D510H200	110295	D510H300	110296	
54.0	D540H075	110297	D540H100	110298	D540H150	110299	D540H200	110300	D540H300	110301	
57.0	D570H075	110302	D570H100	110303	D570H150	110304	D570H200	110305	D570H300	110306	
60.0	D600H075	110307	D600H100	110308	D600H150	110309	D600H200	110310	D600H300	110311	
63.0	D630H075	110312	D630H100	110313	D630H150	110314	D630H200	110315	D630H300	110316	
66.0	D660H075	110317	D660H100	110318	D660H150	110319	D660H200	110320	D660H300	110321	
70.0	D700H075	110322	D700H100	110323	D700H150	110324	D700H200	110325	D700H300	110326	
75.0	D750H075	110327	D750H100	110328	D750H150	110329	D750H200	110330	D750H300	110331	
80.0	D800H075	110332	D800H100	110333	D800H150	110334	D800H200	110335	D800H300	110336	
85.0	D850H075	110337	D850H100	110338	D850H150	110339	D850H200	110340	D850H300	110341	
90.0	D900H075	110342	D900H100	110343	D900H150	110344	D900H200	110345	D900H300	110346	
100.0	D1000H075	110347	D1000H100	110348	D1000H150	110349	D1000H200	110350	D1000H300	110351	
110.0	D1100H075	110352	D1100H100	110353	D1100H150	110354	D1100H200	110355	D1100H300	110356	
125.0	D1250H075	110357	D1250H100	110358	D1250H150	110359	D1250H200	110360	D1250H300	110361	
140.0	D1400H075	110362	D1400H100	110363	D1400H150	110364	D1400H200	110365	D1400H300	110366	
170.0	D1700H075	110367	D1700H100	110368	D1700H150	110369	D1700H200	110370	D1700H300	110371	
		Avg. Wt. .35Lb.		Avg. Wt. .47Lb.		Avg. Wt. .70Lb.		Avg. Wt. .94Lb.		Avg. Wt. 1.41Lb.	

FEATURES/BENEFITS PAGE PT10-2	SPECIFICATIONS PAGE PT10-3	SELECTION PAGE PT10-14	ENGINEERING/TECHNICAL PAGE PT10-44
----------------------------------	-------------------------------	---------------------------	---------------------------------------



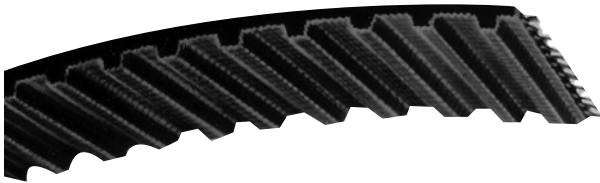
SPECIFICATIONS

DYNA-SYNC - Belts

XL Series DYNA-SYNC Belts

1/5" Pitch (XL)

Belt Length	XL025 (1/4" Wide) Belt No.	Part No.	Wt.	XL037 (3/8" Wide) Belt No.	Part No.	Wt.
6.0	60XL025	465335	...	60XL037	464521	...
7.0	70XL025	464501	...	70XL037	464522	...
8.0	80XL025	464502	...	80XL037	464523	...
9.0	90XL025	464503	...	90XL037	464524	.01
10.0	100XL025	464504	...	100XL037	464525	.01
11.0	110XL025	464505	...	110XL037	464526	.01
12.0	120XL025	464506	...	120XL037	464527	.01
13.0	130XL025	464507	.01	130XL037	464528	.01
14.0	140XL025	464508	.01	140XL037	464529	.01
15.0	150XL025	464509	.01	150XL037	464530	.01
16.0	160XL025	464510	.01	160XL037	464531	.01
17.0	170XL025	464511	.01	170XL037	464532	.01
18.0	180XL025	464512	.01	180XL037	464533	.02
19.0	190XL025	464513	.01	190XL037	464534	.02
20.0	200XL025	464514	.01	200XL037	464535	.02
21.0	210XL025	464515	.01	210XL037	464536	.02
22.0	220XL025	464516	.01	220XL037	464537	.02
23.0	230XL025	464517	.01	230XL037	464538	.02
24.0	240XL025	464518	.01	240XL037	464539	.02
25.0	250XL025	464519	.01	250XL037	464540	.02
26.0	260XL025	464520	.02	260XL037	464541	.02



L Series DYNA-SYNC Belts

3/8" Pitch (L)

Belt Length	L050 (1/2" Wide)			L075 (3/4" Wide)			L100 (1" Wide)		
	Belt No.	Part No.	Wt.	Belt No.	Part No.	Wt.	Belt No.	Part No.	Wt.
12.4	124L050	464542	.03	124L075	464562	.05	124L100	464582	.06
15.0	150L050	464543	.04	150L075	464563	.06	150L100	464583	.08
18.7	187L050	464544	.05	187L075	464564	.07	187L100	464534	.10
21.0	210L050	464545	.05	210L075	464565	.08	210L100	464585	.09
22.5	225L050	464546	.06	225L075	464566	.09	225L100	464586	.11
24.0	240L050	464547	.06	240L075	464567	.09	240L100	464587	.11
25.5	255L050	464548	.06	255L075	464568	.10	255L100	464588	.13
27.0	270L050	464549	.07	270L075	464569	.10	270L100	464589	.14
28.5	285L050	464550	.07	285L075	464570	.11	285L100	464590	.14
30.0	300L050	464551	.08	300L075	464571	.11	300L100	464591	.15
32.2	322L050	464552	.08	322L075	464572	.12	322L100	464592	.16
34.5	345L050	464553	.09	345L075	464573	.13	345L100	464593	.17
36.7	367L050	464554	.09	367L075	464574	.14	367L100	464594	.19
39.0	390L050	464555	.10	390L075	464575	.15	390L100	464595	.20
42.0	420L050	464556	.11	420L075	464576	.16	420L100	464596	.21
45.0	450L050	464557	.11	450L075	464577	.17	450L100	464597	.23
48.0	480L050	464558	.12	480L075	464578	.18	480L100	464598	.24
51.0	510L050	464559	.13	510L075	464579	.19	510L100	464599	.26
54.0	540L050	464560	.14	540L075	464580	.21	540L100	464600	.27
60.0	600L050	464561	.15	600L075	464581	.23	600L100	464601	.30

SPECIFICATIONS



DYNA-SYNC - Belts

H Series DYNA-SYNC Belts

Belt Length	1/2" Pitch (H)														
	H075 (3/4" Wide)			H100 (1" Wide)			H150 (1-1/2" Wide)			H200 (2" Wide)			H300 (3" Wide)		
	Belt No.	Part No.	Wt.	Belt No.	Part No.	Wt.	Belt No.	Part No.	Wt.	Belt No.	Part No.	Wt.	Belt No.	Part No.	Wt.
24.0	240H075	464602	.11	240H100	464621	.14	240H150	464645	.22	240H200	464772	.29	240H300	464778	.43
27.0	270H075	464603	.12	270H100	464622	.16	270H150	464646	.24	270H200	464773	.33	270H300	464779	.49
30.0	300H075	464604	.14	300H100	464623	.18	300H150	464647	.27	300H200	464774	.36	300H300	464780	.54
33.0	330H075	464605	.14	330H100	464624	.20	330H150	464648	.30	330H200	464775	.40	330H300	464781	.60
36.0	360H075	464606	.15	360H100	464625	.22	360H150	464649	.33	360H200	464664	.43	360H300	464736	.65
39.0	390H075	464607	.18	390H100	464626	.24	390H150	464650	.35	390H200	464665	.47	390H300	464737	.71
42.0	420H075	464608	.19	420H100	464627	.25	420H150	464651	.38	420H200	464666	.51	420H300	464738	.76
45.0	450H075	464609	.20	450H100	464628	.27	450H150	464652	.41	450H200	464667	.54	450H300	464739	.81
48.0	480H075	464610	.23	480H100	464629	.31	480H150	464653	.46	480H200	464668	.62	480H300	464740	.92
51.0	510H075	464611	.23	510H100	464630	.31	510H150	464654	.46	510H200	464669	.62	510H300	464741	.92
54.0	540H075	464612	.24	540H100	464631	.33	540H150	464655	.49	540H200	464670	.65	540H300	464683	.98
57.0	570H075	464613	.26	570H100	464632	.34	570H150	464656	.52	570H200	464671	.69	570H300	464684	1.03
60.0	600H075	464614	.27	600H100	464633	.36	600H150	464657	.54	600H200	464672	.72	600H300	464685	1.09
63.0	630H075	464615	.29	630H100	464634	.38	630H150	464658	.57	630H200	464673	.76	630H300	464686	1.14
66.0	660H075	464616	.30	660H100	464635	.40	660H150	464659	.60	660H200	464674	.80	660H300	464687	1.20
70.0	700H075	464617	.32	700H100	464636	.42	700H150	464660	.63	700H200	464675	.85	700H300	464688	1.27
75.0	750H075	464618	.34	750H100	464637	.45	750H150	464661	.68	750H200	464676	.91	750H300	464689	1.36
80.0	800H075	464619	.36	800H100	464638	.48	800H150	464662	.72	800H200	464677	.97	800H300	464742	1.45
85.0	850H075	464620	.38	850H100	464639	.51	850H150	464663	.77	850H200	464678	1.03	850H300	464743	1.54
90.0	900H075	464759	.41	900H100	464640	.54	900H150	464766	.82	900H200	464679	1.09	900H300	464744	1.63
100.0	1000H075	464760	.45	1000H100	464641	.60	1000H150	464767	.91	1000H200	464680	1.21	1000H300	464745	1.81
110.0	1100H075	464761	.50	1100H100	464642	.66	1100H150	464768	1.00	1100H200	464681	1.33	1100H300	464746	1.99
125.0	1250H075	464762	.57	1250H100	464643	.75	1250H150	464769	1.13	1250H200	464682	1.51	1250H300	464747	2.26
140.0	1400H075	464763	.63	1400H100	464644	.85	1400H150	464770	1.27	1400H200	464776	1.69	1400H300	464748	2.54
170.0	1700H075	464764	.77	1700H100	464765	1.03	1700H150	464771	1.54	1700H200	464777	2.05	1700H300	464749	3.08

XH Series DYNA-SYNC Belts

Belt Length	7/8" Pitch (XH)								
	XH200 (2" Wide)			XH300 (3" Wide)			XH400 (4" Wide)		
	Belt No.	Part No.	Wt.	Belt No.	Part No.	Wt.	Belt No.	Part No.	Wt.
50.7	507XH200	464690	1.77	507XH300	464702	2.66	507XH400	464750	3.54
56.0	560XH200	464691	1.95	560XH300	464703	2.93	560XH400	464751	3.91
63.0	630XH200	464692	2.20	630XH300	464704	3.30	630XH400	464752	4.40
70.0	700XH200	464693	2.33	700XH300	464705	3.49	700XH400	464753	4.65
77.0	770XH200	464694	2.69	770XH300	464706	3.49	770XH400	464754	4.65
84.0	840XH200	464695	2.79	840XH300	464707	4.19	840XH400	464755	5.58
98.0	980XH200	464696	3.42	980XH300	464708	5.13	980XH400	464756	6.84
112.0	1120XH200	464697	3.72	1120XH300	464709	5.58	1120XH400	464757	7.45
126.0	1260XH200	464698	4.19	1260XH300	464710	6.28	1260XH400	464758	8.38
140.0	1400XH200	464699	4.65	1400XH300	464711	6.98	1400XH400	464782	9.31
154.0	1540XH200	464700	5.12	1540XH300	464712	7.68	1540XH400	464783	10.2
175.0	1750XH200	464701	5.82	1750XH300	464713	8.73	1750XH400	464784	10.6

XXH Series DYNA-SYNC Belts

Belt Length	1-1/4" Pitch (XXH)											
	XXH200 (2" Wide)			XXH300 (3" Wide)			XXH400 (4" Wide)			XXH500 (5" Wide)		
	Belt No.	Part No.	Wt.	Belt No.	Part No.	Wt.	Belt No.	Part No.	Wt.	Belt No.	Part No.	Wt.
70.0	700XXH200	465301	3.23	700XXH300	465302	4.85	700XXH400	465303	6.47	700XXH500	465304	8.09
80.0	800XXH200	465305	3.70	800XXH300	465306	5.54	800XXH400	465307	7.39	800XXH500	465308	9.24
90.0	900XXH200	465309	4.38	900XXH300	465310	6.58	900XXH400	465311	8.77	900XXH500	465312	11.0
100.0	1000XXH200	465313	4.87	1000XXH300	465314	7.31	1000XXH400	465315	9.74	1000XXH500	465316	12.2
120.0	1200XXH200	465337	5.54	1200XXH300	465317	8.32	1200XXH400	465318	11.1	1200XXH500	465319	13.9
140.0	1400XXH200	465323	6.47	1400XXH300	465320	9.70	1400XXH400	465321	12.9	1400XXH500	465322	16.2
160.0	1600XXH200	465324	7.39	1600XXH300	465325	11.1	1600XXH400	465326	14.8	1600XXH500	465327	18.5
180.0	1800XXH200	465338	8.32	1800XXH300	465329	12.5	1800XXH400	465330	16.6	1800XXH500	465331	20.8

FEATURES/BENEFITS PAGE PT10-2	SPECIFICATIONS PAGE PT10-3	SELECTION PAGE PT10-14	ENGINEERING/TECHNICAL PAGE PT10-44
----------------------------------	-------------------------------	---------------------------	---------------------------------------



SELECTION

DYNA-SYNC Drives

USING STANDARD MOTOR SPEEDS

Step 1—Determine Service Factor from steps on page PT10-16.

Step 2—Compute Design HP. Multiply normal running HP required or nameplate rating by service factor obtained in Step 1.

Step 3—Choose Belt Section. Using Table 1, read up from design HP figure obtained in Step 2 and over from the RPM of faster shaft. This intersection indicates belt section.

Step 4—Select the Drive, a). Using the belt section from Step 3, refer to Selection Tables beginning on page PT10-18. **b).** Under appropriate standard full-load motor RPM, find the driven RPM nearest to the desired speed. Trace right to columns headed “Pulley Combination.” If more than one is listed, the combination with the largest pulleys usually will offer the best belt life. (Note that one pulley must be flanged on all drives. If center distance exceeds 8 times P.D. of small pulley or shafts are vertical

or inclined, both must be flanged.) **c).** On same line trace right to the figure nearest the desired center distance and at top of column note belt number. **d).** Trace back on same line to appropriate column under heading “HP for a 1” Belt...” Divide the design HP obtained in Step 2 by the HP thus found in table. (Divide this value by Teeth in Mesh (T.I.M.) factor when applicable.) The result is the Belt Width Factor. Refer to table below right hand selection table to determine belt width required. If width shown is not stock go to next stock width listed. Add belt code, from table, to belt number found in Step 4c. (If wider stock belt is not shown in table, redesign drive to next larger pitch.) To check drive calculation: HP for a 1” Wide Belt x Belt Width factor x Teeth in Mesh factor = Actual HP rating of the drive. If actual rating is equal to or greater than Design HP, selection is O.K.

NOTE: Good practice dictates that shaft and bushing system (or alternate shaft mounting method) be verified for adequate rating.

V-Drives

FHP Drives

Drive Component Accessories

DYNA-SYNC

HT200/HTD Synchronous Drives

HT500 Synchronous Drives

Roller Chain Sprockets

FEATURES/BENEFITS PAGE PT10-2	SPECIFICATIONS PAGE PT10-3	SELECTION PAGE PT10-14	ENGINEERING/TECHNICAL PAGE PT10-44
----------------------------------	-------------------------------	---------------------------	---------------------------------------



DYNA-SYNC Drives

USING STANDARD MOTOR SPEEDS

EXAMPLE OF SELECTION

Select a drive for a 3 cylinder reciprocating compressor to run 8 hours a day at about 270 RPM and to be driven by a 5 HP, 1160 RPM Design B squirrel cage motor. Centers are about 25”.

Step 1–Service Factor from page PT10-16 is 2.2.

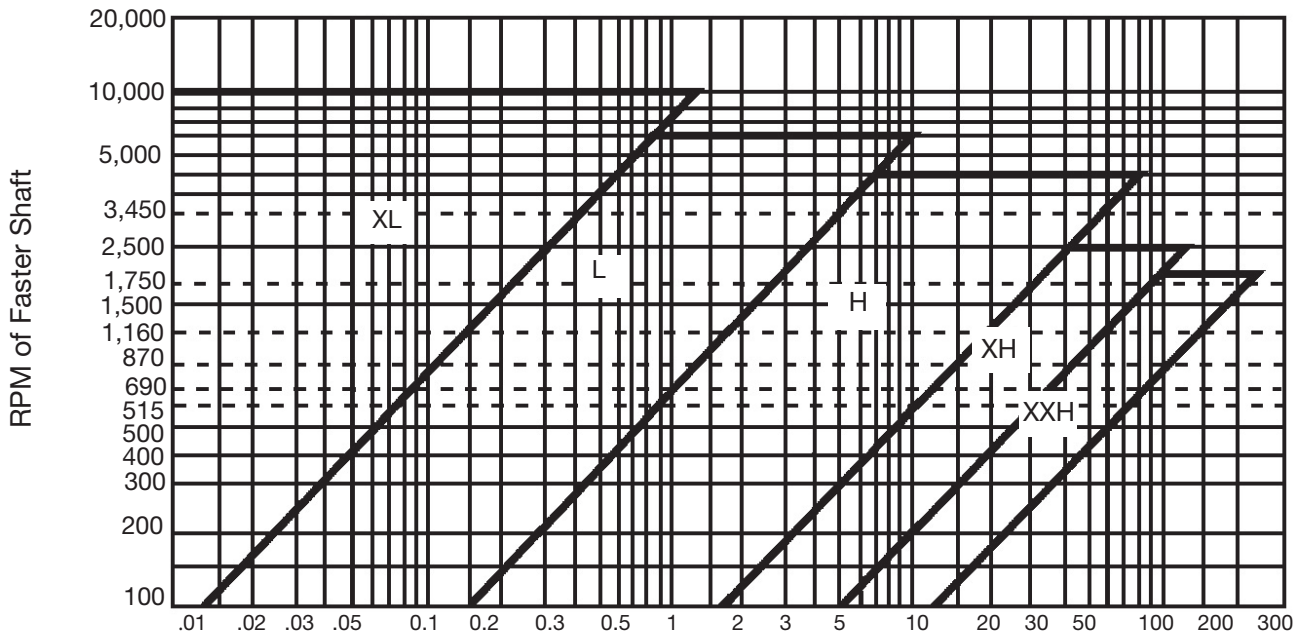
Step 2–Design HP = 5 x 2.2 = 11 HP.

Step 3–An “H” Cross Section is shown in Table 1 when reading to the right of 1160 RPM of faster shaft and up from 11 design HP.

Step 4–The H-Section drive tables begin on page PT10-30. On page PT10-34, the nearest driven speed for

a 1160 RPM motor is 271 RPM. Two possible pulley combinations are listed. The 28H driver/120H driven is preferred. On the same line the nearest center distance to 25” is 25.45”. Note the 900 H belt at top of column. Tracing back on the same line, under 1160 RPM, the “HP for a 1” Belt” is 5.68. 11 design HP 5.68 = 1.937 Belt Width Factor. Belt Width Table indicates a 2” wide belt is required. Add code number 200 to belt and pulley number and order the following: (1) TL28H200 DYNA-SYNC Pulley, (1) 2012 Taper-Lock (1) TL120H200 pulley. (1) TAPER-LOCK 3020 bushing. (1) 900H200 DYNA-SYNC Belt. To facilitate delivery, order by part numbers listed in Pulley, Bushing and Belt sections of this catalog.

Table 1 - Synchronous Cross Section Selection Chart





SELECTION

Service Factor

To determine the service factor for a DYNA-SYNC drive follow the three steps below.

Step 1. Determine the class of Driver from Table 2 below.

Step 2. Use Class of Driver and Type of Application in Table 4 at right to find the tentative service factor.

Step 3. Add the Additional Service Factor, when applicable, from Table 3 at bottom of page to the tentative service factor from Step 2 to determine the service factor for the application.

Table 2 - Class of Driver

Driver	Class I	Class II	Class III
A-C Electric Motors, Single Phase.....	All
Squirrel Cage, NEMA Design A, 3500 RPM.....	40 HP up	30 HP or less
1750 RPM.....	100 HP up	5 to 75 HP	3 HP or less
1160 RPM.....	15 HP up	10 HP or less
870 RPM.....	5 HP up	3 HP or less
NEMA Design B, 3500 RPM.....	5 HP up	3 HP or less
1750 RPM.....	5 HP up	3 HP or less
1160 RPM.....	5 HP up	3 HP or less
870 RPM.....	2 HP up	1-1/2 HP or less
NEMA Design C, 1750 RPM.....	15 HP up	10 HP or less
1160 RPM.....	7-1/2 HP up	5 HP or less
870 RPM.....	All
NEMA Design D.....	All
NEMA Design F.....	All
Wound Rotor, ... 1750 RPM.....	20 HP	15 HP or less
1160 RPM.....	15 HP	10 HP or less
870 RPM.....	7-1/2 HP	5 HP or less
Synchronous.....	Norm. Torque	High Torque
D-C Electric Motors Engines-Int. Comb	Shunt 8 Cyl. up	Compound 6 Cyl.	Series 4 Cyl. or less
Hydraulic Motors	All
Line Shafts.....	All

Table 3 - Additional Service Factors †

Condition	Additional Factor
24 hour continuous operation	0.2
Use of an idler	0.2
Intermittent or seasonal operation	◊
Speed up drive:	
1 to 1.24 ratio	0.0
1.25 to 1.74 ratio	0.1
1.75 to 2.49 ratio	0.2
2.50 to 3.49 ratio	0.3
Over 3.49 ratio	0.4

† Additional service factors other than listed here are required for unusual condition such as torque reversal, heavy shock, when current to motor is reversed to either stop the motor rapidly or to run it in opposite direction, or when a brake is to be used. For such applications consult factory.

◊ Subtract 0.2 from tentative service factor.

Table 4 - Service Factors*

Application	Class		
	I	II	III
AGITATORS, MIXERS (Paddle or Propeller)			
Liquid	1.4	1.6	1.8
Semi-liquid	1.5	1.7	1.9
BAKERY MACHINERY DOUGH MIXERS	1.4	1.6	1.8
BRICK AND CLAY MACHINERY			
Augers, Mixers, Granulators	1.5	1.7	1.9
Pug Mills	1.8	2.0	2.2
CENTRIFUGES	1.8	1.9	...
COMPRESSORS			
Reciprocating	2.0	2.2	2.4
Centrifugal	1.8	1.7	1.8
CONVEYORS			
Light-Package Belt, oven	1.3	1.5	1.7
Belt, Ore, Coal, Sand	1.8	1.7	1.8
Apron, Bucket, Elevator, Pan	1.7	1.8	1.9
Flight, Screw	1.7	1.9	2.0
FANS, BLOWERS			
Centrifugal, Induced Draft Exhausters	1.8	1.8	2.0
Propeller, Mine fans, Positive Blowers	1.8	2.0	2.2
GENERATORS AND EXCITERS	1.6	1.8	2.0
HAMMER MILLS	1.7	1.9	2.1
LAUNDRY MACHINERY			
General	1.5	1.6	1.7
Extractors, Washers	1.6	1.8	2.0
LINE SHAFTS	1.5	1.7	1.9
MACHINE TOOLS			
Drill Presses, Lathes, Screw Machines	1.4	1.6	1.8
Boring Mills, Grinders	1.5	1.7	1.9
Milling Machines, Shapers	1.5	1.7	1.9
MILLS			
Ball, Rod, Pebble, etc.	2.2	2.5
PAPER MACHINERY			
Agitators, Calenders, Dryers	1.4	1.6	1.8
Beaters, Jordans, Nash Pumps, Pulpers	1.7	1.9	2.1
PRINTING MACHINERY			
Presses: Newspaper, Rotary, Embossing, Flat Bed, Magazine; Linotype Machines; Cutters; Folders	1.4	1.6	1.8
PUMPS			
Centrifugal, Gear, Rotary, Pipeline	1.5	1.7	1.9
Reciprocating	2.0	2.2	2.4
RUBBER PLANT MACHINERY	1.6	1.8	2.0
SAW MILL MACHINERY	1.6	1.8	2.0
SCREENS			
Vibrating (Shakers)	1.5	1.7	...
Drum, Conical	1.4	1.5	...
TEXTILE MACHINERY			
Looms, Spinning Frames, Twisters	1.6	1.8	2.0
Wrappers, Reels	1.5	1.7	...
WOODWORKING MACHINERY			
Lathes, Band Saws	1.3	1.4	...
Jointers, Circular Saws, Planers	1.4	1.6	...



DYNA-SYNC Drives

FOR SPEEDS OTHER THAN STANDARD MOTOR SPEEDS AND SPEED-UP DRIVES

For Speeds Other Than Standard Motor Speeds

Step 1 – Calculate Speed Ratio = $\frac{\text{Driver RPM}}{\text{Driven RPM}}$

Step 2 – Determine Service Factor from steps on page PT10-16.

Step 3 – Calculate Design HP. Multiply normal running HP required or nameplate rating by service factor obtained in Step 2.

Step 4 – Using Table 1 on page PT10-15 read up from design HP obtained in Step 3 and over from RPM of faster shaft. This intersection indicates belt section.

Step 5 – Select the Drive. a.) Using the belt section obtained in Step 4, refer to Selection Tables beginning on PT10-18. **b.)** Read down ratio column to the value nearest to one calculated in Step 1. Trace right to columns headed “Pulley Combinations.” If more than one is listed, the combination with the largest pulleys usually will offer the best belt life. (Note that one pulley must be flanged on all drives. If center distance exceeds 8 times P.D. of small pulley or shafts are vertical or inclined, both must be flanged.) **c.)** On the same line trace right to figure nearest the desired center distance and at top of column note belt number. **d.)** Now go to the HP Table for the appropriate belt section. Reading to the right of the speed of the faster pulley and down from the pulley size, the HP figure for a 1” belt will appear. Divide the design HP from Step 3 by the HP thus found in table. (Divide this value by Teeth in Mesh factor, when applicable.) The result is the Belt Width Factor. Refer to table below the HP Table to determine belt width factor required. If width shown is not in stock go to next stock width listed. Add belt code, from table, to belt number found in Step 5c. (If wider stock belt is not shown in table, redesign drive to next larger pitch).

EXAMPLE OF SELECTION

A printing machine embossing roll runs at 426 RPM, powered from an 800 RPM line shaft. The roll required 7 HP. Machine runs 8-10 hrs. a day. Center distance is approx. 20”.

Step 1 – Speed Ratio = = 1.88

Step 2 – Service Factor = 1.8

Step 3 – Design HP = 7 x 1.8 = 12.6

Step 4 – Belt Selection from Table 1 = H

Step 5 – The H Section Drive Tables begin on page

PT10-30. The ratio of 1.88 obtained in Step 1 is found on page PT10-32. Two pulley combinations are listed. The 32H driver /60H driven is preferred. On the same line the nearest center distance to 20” is 19.88. Note the 630H belt at top of column. Refer to H section HP Tables on page PT10-42. Opposite 800 RPM of faster shaft and under 32H pulley, the HP 4.50 = 2.8. This is the belt width factor. Referring to the H belt width table a 3” wide belt is stock. Add the 300 Code Width to the pulley and belt numbers and order the following:

(1) TL32H300 DYNA-SYNC Pulley, (1) 2517 TAPER-LOCK bushing (Check to see if bushing will fit equipment shafts). (1) TL60H300 Pulley.

(1) 3020 bushing

(1) 630H300 DYNA-SYNC Belt.

To facilitate delivery, use part numbers listed in Pulley, Bushing and Belt sections of this catalog.

Example of a Speed-Up Drive

Select a drive for a continuous duty liquid agitator to run at about 2000 RPM and to be driven by a 10 HP, 1750 RPM squirrel cage motor Centers are about 10”.

Step 1 – Speed ratio is $2000 \div 1750 = 1.14$.

Step 2 – Service factor from page PT10-3 is 1.8

Step 3 – Design HP= $10 \times 1.8 = 18$ HP.

Step 4 – An “H” Cross Section is shown in Table 1 when reading to the right of 2000 RPM and up from 18 design HP.

Step 5 – Speed ratio calculated in Step 1 appears in Selection Table on page PT10-30. Two possible pulley combinations are listed. The 28H driver/32H driven is preferred. In a Speed-Up Drive, the 28H becomes the driven, the 32H, the driver. On the same line the nearest center distance to 10” is 10.5. Note the 360H belt at top of column. Referring to HP table on page PT10-42, the rating for a 1” wide belt is shown as 9.60 for a 28H pulley at 2000 RPM. $18 \text{ design HP} \div 9.60 = 1.875$ Belt Width Factor Belt Width Table indicates a 2” wide belt is required. Add code number 200 to belt and pulley number and order the following: (1) TL32H200 DYNA-SYNC Pulley, (1) 2517 TAPER-LOCK Bushing. (Check to see if bushings will fit equipment shafts). (1) TL28H200 Pulley, (1) 2012 bushing (with 2, max. bore). (1) 360H200 DYNA-SYNC belt.

* **Selection program available online at ptwizard.com.**

FEATURES/BENEFITS PAGE PT10-2	SPECIFICATIONS PAGE PT10-3	SELECTION PAGE PT10-14	ENGINEERING/TECHNICAL PAGE PT10-44
----------------------------------	-------------------------------	---------------------------	---------------------------------------



SELECTION

XL Stock Drive Selections

Driven Speeds for Motor Speeds of	Speed Ratio	Pulley Combination				HP for a 1 Wide Belt for Motor Speeds of Δ			Nominal C.D. Using DYNA-SYNC Belts							
		Driver		Driven		3500	1750	1160	60XL	70XL	80XL	90XL	100XL	110XL		
		No. of Teeth	Pitch Diam.	No. of Teeth	Pitch Diam.											
3500	1750	1160	1.00	30XL	1.910	30XL	1.910	2.11	1.07	.71	2.50
3500	1750	1160	1.00	28XL	1.783	28XL	1.783	1.98	1.00	.66	2.20	2.70
3500	1750	1160	1.00	24XL	1.528	24XL	1.528	1.71	.86	.56	2.10	2.60	3.10
3500	1750	1160	1.00	22XL	1.401	22XL	1.401	1.57	.79	.52	1.80	2.30	2.80	3.30
3500	1750	1160	1.00	21XL	1.337	21XL	1.337	1.49	.75	.50	1.90	2.40	2.90	3.40
3500	1750	1160	1.00	20XL	1.273	20XL	1.273	1.42	.72	.46	2.00	2.50	3.00	3.50
3500	1750	1160	1.00	18XL	1.146	18XL	1.146	1.28	.64	.42	1.70	2.20	2.70	3.20	3.70
3500	1750	1160	1.00	16XL	1.019	16XL	1.019	1.15	.58	.38	1.40	1.90	2.40	2.90	3.40	3.90
3500	1750	1160	1.00	15XL	.955	15XL	.955	1.07	.53	.36	1.50	2.00	2.50	3.00	3.50	4.00
3500	1750	1160	1.00	14XL	.891	14XL	.891	1.00	.50	.33	1.60	2.10	2.60	3.10	3.60	4.10
3500	1750	1160	1.00	12XL	.764	12XL	.764	.86	.43	.28	1.80	2.30	2.80	3.30	3.80	4.30
3500	1750	1160	1.00	11XL	.700	11XL	.700	.79 ◊	.39	.26	1.90†	2.40†	2.90†	3.40†	3.90†	4.40†
3341	1675	1107	1.05	21XL	1.337	22XL	1.401	1.49	.75	.50	1.85	2.35	2.85	3.35
3333	1667	1105	1.05	20XL	1.273	21XL	1.337	1.42	.72	.46	1.95	2.45	2.95	3.45
3281	1641	1088	1.07	30XL	1.910	32XL	2.037	2.11	1.07	.71	2.39
3281	1641	1088	1.07	15XL	.955	16XL	1.019	1.07	.53	.36	1.45	1.95	2.45	2.95	3.45	3.95
3267	1634	1083	1.07	28XL	1.783	30XL	1.910	1.98	1.00	.66	2.09	2.59
3267	1634	1083	1.07	14XL	.891	15XL	.955	1.00	.50	.33	1.55	2.05	2.55	3.05	3.55	4.05
3208	1604	1063	1.09	22XL	1.401	24XL	1.528	1.57	.79	.52	2.19	2.69	3.19
3208	1604	1063	1.09	11XL	.700	12XL	.764	.79 ◊	.39	.26	1.85†	2.35†	2.85†	3.35†	3.85†	4.35†
3182	1591	1055	1.10	20XL	1.273	22XL	1.401	1.42	.72	.46	1.89	2.39	2.89	3.39
3150	1575	1044	1.11	18XL	1.146	20XL	1.273	1.28	.64	.42	1.59	2.09	2.59	3.09	3.59
3111	1556	1031	1.13	16XL	1.019	18XL	1.146	1.15	.58	.38	1.79	2.29	2.79	3.29	3.79
3063	1532	1015	1.14	28XL	1.783	32XL	2.037	1.98	1.00	.66	2.49
3063	1532	1015	1.14	21XL	1.337	24XL	1.528	1.49	.75	.50	1.74	2.24	2.74	3.24
3063	1532	1015	1.14	14XL	.891	16XL	1.019	1.00	.50	.33	1.49	1.99	2.49	2.99	3.49	4.00
3000	1500	994	1.17	24XL	1.528	28XL	1.783	1.71	.86	.56	2.39	2.89
3000	1500	994	1.17	18XL	1.146	21XL	1.337	1.28	.64	.42	1.54	2.04	2.54	3.04	3.54
3000	1500	994	1.17	12XL	.764	14XL	.891	.86	.43	.28	1.69†	2.19†	2.69†	3.19†	3.69†	4.20†
2917	1458	967	1.20	30XL	1.910	36XL	2.292	2.11	1.07	.71
2917	1458	967	1.20	20XL	1.273	24XL	1.528	1.42	.72	.46	1.79	2.29	2.79	3.29
2917	1458	967	1.20	15XL	.955	18XL	1.146	1.07	.53	.36	1.34	1.84	2.34	2.84	3.34	3.84
2864	1432	949	1.22	18XL	1.146	22XL	1.401	1.28	.64	.42	1.99	2.49	2.99	3.49
2800	1400	928	1.25	24XL	1.528	30XL	1.910	1.71	.86	.56	2.29	2.79
2800	1400	928	1.25	16XL	1.019	20XL	1.273	1.15	.58	.38	1.69	2.19	2.69	3.19	3.69
2800	1400	928	1.25	12XL	.764	15XL	.955	.86	.43	.28	1.6†	2.14†	2.64†	3.14†	3.64†	4.14†
2750	1375	911	1.27	22XL	1.401	28XL	1.783	1.57	.79	.52	1.99	2.49	2.99
2750	1375	911	1.27	11XL	.700	14XL	.891	.79 ◊	.39	.26	1.7†	2.24†	2.74†	3.24†	3.74†	4.24†
2722	1361	902	1.29	28XL	1.783	36XL	2.292	1.98	1.00	.66	2.28
2722	1361	902	1.29	14XL	.891	18XL	1.146	1.00	.50	.33	1.39	1.89	2.39	2.89	3.39	3.89
2667	1333	884	1.31	16XL	1.019	21XL	1.337	1.15	.58	.38	1.64	2.14	2.64	3.14	3.64
2625	1313	870	1.33	30XL	1.910	40XL	2.546	2.11	1.07	.71
2625	1313	870	1.33	24XL	1.528	32XL	2.037	1.71	.86	.56	1.89	2.18	2.68
2625	1313	870	1.33	21XL	1.337	28XL	1.783	1.49	.75	.50	2.03	2.54	3.04
2625	1313	870	1.33	18XL	1.146	24XL	1.528	1.28	.64	.42	2.39	2.89	3.39
2625	1313	870	1.33	15XL	.955	20XL	1.273	1.07	.53	.36	1.74	2.24	2.74	3.24	3.74
2625	1313	870	1.33	12XL	.764	16XL	1.019	.86	.43	.28	1.59†	2.09†	2.59†	3.09†	3.59†	4.09†
2567	1283	851	1.36	22XL	1.401	30XL	1.910	1.57	.79	.52	2.38	2.88
2567	1283	851	1.36	11XL	.700	15XL	.955	.79 ◊	.38	.26	1.69†	2.19†	2.69†	3.19†	3.69†	4.19†
2545	1273	844	1.38	16XL	1.019	22XL	1.401	1.15	.58	.38	1.58	2.09	2.59	3.09	3.59
2500	1250	829	1.40	30XL	1.910	42XL	2.674	2.11	1.07	.71	1.68
2500	1250	829	1.40	20XL	1.273	28XL	1.783	1.42	.72	.46	2.08	2.58	3.09
2500	1250	829	1.40	15XL	.955	21XL	1.337	1.07	.53	.36	2.19	2.69	3.19	3.69
2450	1225	812	1.43	28XL	1.783	40XL	2.546	1.98	1.00	.66
2450	1225	812	1.43	21XL	1.337	30XL	1.910	1.49	.75	.50	1.92	2.43	2.93
2450	1225	812	1.43	14XL	.891	20XL	1.273	1.00	.50	.33	1.79	2.29	2.79	3.29	3.79
2406	1203	798	1.45	22XL	1.401	32XL	2.037	1.57	.79	.52	2.27	2.78
2406	1203	798	1.45	11XL	.700	16XL	1.019	.79 ◊	.39	.26	1.64†	2.14†	2.64†	3.14†	3.64†	4.14†

Δ HP ratings are for conventional speed-reduction drives.

† See Teeth in Mesh table on opposite page

For Speed-Up Drives refer to page PT10-17.

◊ Pulley Diameter is below recommended minimum. A reduction in belt life should be expected. Suggest alternate drive selection, whenever possible.

FEATURES/BENEFITS PAGE PT10-2	SPECIFICATIONS PAGE PT10-3	SELECTION PAGE PT10-14	ENGINEERING/TECHNICAL PAGE PT10-44
----------------------------------	-------------------------------	---------------------------	---------------------------------------

SELECTION



XL Stock Drive Selections

Nominal Center Distance Using DYNA-SYNC Belts														
120XL	130XL	140XL	150XL	160XL	170XL	180XL	190XL	200XL	210XL	220XL	230XL	240XL	250XL	260XL
3.00	3.50	4.00	4.50	5.00	5.50	6.00	6.50	7.00	7.50	8.00	8.50	9.00	9.50	10.00
3.20	3.70	4.20	4.70	5.20	5.70	6.20	6.70	7.20	7.70	8.20	8.70	9.20	9.70	10.20
3.60	4.10	4.60	5.10	5.60	6.10	6.60	7.10	7.60	8.10	8.60	9.10	9.60	10.10	10.60
3.80	4.30	4.80	5.30	5.80	6.30	6.80	7.30	7.80	8.30	8.80	9.30	9.80	10.30	10.80
3.90	4.40	4.90	5.40	5.90	6.40	6.90	7.40	7.90	8.40	8.90	9.40	9.90	10.40	10.90
4.00	4.50	5.00	5.50	6.00	6.50	7.00	7.50	8.00	8.50	9.00	9.50	10.00	10.50	11.00
4.20	4.70	5.20	5.70	6.20	6.70	7.20	7.70	8.20	8.70	9.20	9.70	10.20	10.70	11.20
4.40	4.90	5.40	5.90	6.40	6.90	7.40	7.90	8.40	8.90	9.40	9.90	10.40	10.90	11.40
4.50	5.00	5.50	6.00	6.50	7.00	7.50	8.00	8.50	9.00	9.50	10.00	10.50	11.00	11.50
4.60	5.10	5.60	6.10	6.60	7.10	7.60	8.10	8.60	9.10	9.60	10.10	10.60	11.10	11.60
4.80	5.30	5.80	6.30	6.80	7.30	7.80	8.30	8.60	9.30	9.80	10.30	10.80	11.30	11.80
4.90†	5.40†	5.90†	6.40†	6.90†	7.40†	7.90†	8.40†	8.90†	9.40†	9.90†	10.40†	10.90†	11.40†	11.90†
3.85	4.35	4.85	5.35	5.85	6.35	6.85	7.35	7.85	8.35	8.85	9.35	9.85	10.35	10.85
3.95	4.45	4.95	5.45	5.95	6.45	6.95	7.45	7.95	8.45	8.95	9.45	9.95	10.45	10.95
2.89	3.39	3.89	4.40	4.90	5.40	5.90	6.40	6.90	7.40	7.90	8.40	8.99	9.40	9.90
4.45	4.95	5.45	5.95	6.45	6.95	7.45	7.95	8.45	8.95	9.45	9.95	10.45	10.95	11.45
3.09	3.59	4.10	4.60	5.10	5.60	6.10	6.60	7.10	7.60	8.10	8.60	9.10	9.80	10.10
4.55	5.05	5.55	6.05	6.55	7.05	7.55	8.05	8.55	9.05	9.55	10.05	10.55	11.05	11.55
3.69	4.20	4.70	5.20	5.70	6.20	6.70	7.20	7.70	8.20	8.70	9.20	9.70	10.20	10.70
4.85†	5.35†	5.85†	6.35†	6.85†	7.35†	7.85†	8.35†	8.85†	9.35†	9.85†	10.35†	10.85†	11.35†	11.85†
3.89	4.40	4.90	5.40	5.90	6.40	6.90	7.40	7.90	8.40	8.90	9.40	9.90	10.40	10.90
4.10	4.60	5.10	5.60	6.10	6.60	7.10	7.60	8.10	8.60	9.10	9.60	10.10	10.60	11.10
4.30	4.80	5.30	5.80	6.30	6.80	7.30	7.80	8.30	8.80	9.30	9.80	10.30	10.80	11.30
2.99	3.49	3.99	4.49	4.99	5.49	5.99	6.49	6.99	7.49	7.99	8.49	8.99	9.49	9.99
3.74	4.24	4.74	5.24	5.74	6.24	6.74	7.24	7.74	8.24	8.74	9.25	9.75	10.25	10.75
4.50	5.00	5.50	6.00	6.50	7.00	7.50	8.00	8.50	9.00	9.50	10.00	10.50	11.00	11.50
3.39	3.89	4.39	4.89	5.39	5.89	6.39	6.89	7.39	7.89	8.39	8.89	9.39	9.89	10.39
4.04	4.54	5.04	5.54	6.04	6.54	7.04	7.54	8.04	8.54	9.05	9.55	10.05	10.55	11.05
4.70†	5.20†	5.70†	6.20†	6.70†	7.20†	7.70†	8.20†	8.70†	9.20†	9.70†	10.20†	10.70†	11.20†	11.70†
2.69	3.19	3.69	4.19	4.69	5.19	5.69	6.19	6.69	7.19	7.69	8.19	8.69	9.19	9.69
3.79	4.29	4.79	5.29	5.79	6.29	6.79	7.29	7.79	8.29	8.79	9.29	9.79	10.29	10.79
4.34	4.84	5.34	5.84	6.34	6.84	7.34	7.84	8.34	8.84	9.35	9.85	10.35	10.85	11.35
3.99	4.49	4.99	5.49	5.99	6.49	6.99	7.49	7.99	8.49	8.99	9.49	9.99	10.49	10.99
3.29	3.79	4.29	4.79	5.29	5.79	6.29	6.79	7.29	7.79	8.29	8.79	9.29	9.79	10.29
4.19	4.69	5.19	5.69	6.19	6.69	7.19	7.69	8.19	8.69	9.19	9.69	10.19	10.89	11.19
4.64†	5.14†	5.64†	6.14†	6.64†	7.14†	7.64†	8.14†	8.64†	9.15†	9.65†	10.15†	10.65†	11.15†	11.65†
3.49	3.99	4.49	4.99	5.49	5.99	6.49	6.99	7.49	7.99	8.49	8.99	9.49	9.99	10.49
4.74†	5.24†	5.74†	6.24†	6.74†	7.24†	7.74†	8.24†	8.74†	9.25†	9.75†	10.25†	10.75†	11.25†	11.75†
2.78	3.29	3.79	4.29	4.79	5.29	5.79	6.29	6.79	7.29	7.79	8.29	8.79	9.29	9.79
4.39	4.89	5.39	5.89	6.39	6.89	7.39	7.89	8.39	8.89	9.39	9.89	10.39	10.69	11.39
4.14	4.64	5.14	5.64	6.14	6.64	7.14	7.64	8.14	8.64	9.14	9.64	10.14	10.64	11.14
2.48	2.98	3.48	3.98	4.48	4.99	5.49	5.99	6.49	6.99	7.49	7.99	8.49	8.99	9.49
3.19	3.69	4.19	4.69	5.19	5.69	6.19	6.69	7.19	7.69	8.19	8.69	9.19	9.69	10.19
3.54	4.04	4.54	5.04	5.54	6.04	6.54	7.04	7.54	8.04	8.54	9.04	9.54	10.04	10.54
3.89	4.39	4.89	5.39	5.89	6.39	6.89	7.39	7.89	8.39	8.89	9.39	9.89	10.39	10.89
4.24	4.74	5.24	5.74	6.24	6.74	7.24	7.74	8.24	8.74	9.24	9.74	10.24	10.74	11.24
4.59†	5.09†	5.59†	6.09†	6.59†	7.09†	7.59†	8.09†	8.59†	9.09†	9.59†	10.09†	10.59†	11.09†	11.59†
3.39	3.89	4.39	4.89	5.39	5.89	6.39	6.89	7.39	7.89	8.39	8.89	9.39	9.89	10.39
4.69†	5.19†	5.69†	6.19†	6.69†	7.19†	7.69†	8.19†	8.69†	9.19†	9.69†	10.19†	10.69†	11.19†	11.69†
4.09	4.59	5.09	5.59	6.09	6.59	7.09	7.59	8.09	8.59	9.09	9.59	10.09	10.59	11.09
....	2.87	3.37	3.88	4.38	4.88	5.38	5.88	6.38	6.88	7.39	7.89	8.39	8.69	9.39
3.59	4.09	4.59	5.09	5.59	6.09	6.59	7.09	7.59	8.09	8.59	9.09	9.59	10.09	10.59
4.19	4.69	5.19	5.69	6.19	6.69	7.19	7.69	8.19	8.69	9.19	9.69	10.19	10.69	11.19
2.57	3.07	3.58	4.08	4.58	5.08	5.58	6.08	6.58	7.09	7.59	8.09	8.59	9.09	9.59
3.43	3.84	4.44	4.94	5.44	5.94	6.44	6.94	7.44	7.94	8.44	8.94	9.44	9.94	10.44
4.29	4.79	5.29	5.79	6.29	6.79	7.29	7.79	8.29	8.79	9.29	9.79	10.29	10.79	11.29
3.28	3.78	4.28	4.78	5.29	5.79	6.29	6.79	7.29	7.79	8.29	8.79	9.29	9.79	10.29
4.64†	5.14†	5.64†	6.14†	6.64†	7.14†	7.64†	8.14†	8.64†	9.14†	9.64†	10.14†	10.64†	11.14†	11.64†

XL Belt Width Table

Belt Width Factor	.15	.28	.35	.42	.57	.71	.86	1.00	1.29	1.56
Belt Width	1/4	3/8	7/16	1/2	5/8	3/4	7/8	1	1-1/4	1-1/2
Belt Width Code	025	037	043	050	062	075	087	100	125	150

Teeth in Mesh Factor (T.I.M.)

Table Symbol	No. of Teeth in Mesh in Small Pulley	Factor
None	6 or More	1.00
†	5	.80

Shaded area indicates stock belt widths

FEATURES/BENEFITS PAGE PT10-2	SPECIFICATIONS PAGE PT10-3	SELECTION PAGE PT10-14	ENGINEERING/TECHNICAL PAGE PT10-44
----------------------------------	-------------------------------	---------------------------	---------------------------------------



SELECTION

XL Stock Drive Selections

	Driven Speeds for Motor Speeds of			Speed Ratio	Pulley Combination				HP for a 1 Wide Belt for Motor Speeds of Δ			Nominal C.D. Using DYNA-SYNC Belts					
	3500	1750	1160		Driver		Driven		3500	1750	1160	60XL	70XL	80XL	90XL	100XL	110XL
					No. of Teeth	Pitch Diam.	No. of Teeth	Pitch Diam.									
2386	1193	791	1.47	15XL	1.901	44XL	2.801	2.11	1.07	.71	
2386	1193	791	1.47	30XL	.955	22XL	1.401	1.07	.53	.36	1.63	2.13	2.64	3.14	3.64	
2334	1167	773	1.50	28XL	1.783	42XL	2.674	1.98	1.00	.66	
2334	1167	773	1.50	24XL	1.528	36XL	2.292	1.71	.86	.56	2.47	
2334	1167	773	1.50	20XL	1.273	30XL	1.910	1.42	.72	.46	1.97	2.48	2.98	
2334	1167	773	1.50	16XL	1.019	24XL	1.528	1.15	.58	.38	1.98	2.48	2.98	3.49	
2334	1167	773	1.50	14XL	.891	21XL	1.337	1.00	.50	.33	1.73	2.23	2.74	3.24	3.74	
2334	1167	773	1.50	12XL	.764	18XL	1.146	.86	.43	.28	1.48†	1.99†	2.49†	2.99†	3.49†	3.99†	
2297	1148	761	1.52	21XL	1.337	32XL	2.037	1.49	.75	.50	2.32	2.82	
2250	1125	746	1.56	18XL	1.146	28XL	1.783	1.28	.64	.42	2.17	2.68	3.18	
2227	1114	738	1.57	28XL	1.783	44XL	2.801	1.98	1.00	.66	
2227	1114	738	1.57	14XL	.891	22XL	1.401	1.00	.50	.33	1.68	2.18	2.68	3.19	3.69	
2188	1094	725	1.60	30XL	1.910	48XL	3.056	2.11	1.07	.71	
2188	1094	725	1.60	20XL	1.273	32XL	2.037	1.42	.72	.46	1.86	2.36	2.87	
2188	1094	725	1.60	15XL	.955	24XL	1.528	1.07	.53	.36	1.52	2.02	2.53	3.03	3.53	
2139	1059	709	1.64	22XL	1.401	36XL	2.292	1.57	.79	.52	2.56	
2139	1069	709	1.64	11XL	.700	18XL	1.146	.79 ◊	.39	.26	1.53†	2.03†	2.54†	3.64†	3.54†	4.04†	
2100	1050	696	1.67	24XL	1.528	40XL	2.546	1.71	.86	.56	
2100	1050	696	1.67	18XL	1.146	30XL	1.910	1.28	.64	.42	2.06	2.57	3.07	
2100	1050	696	1.67	12XL	.764	20XL	1.273	.86	.43	.28	1.37†	1.88†	2.38†	2.88†	3.39†	3.89†	
2042	1021	677	1.71	28XL	1.783	48XL	3.056	1.98	1.00	.66	
2042	1021	677	1.71	21XL	1.337	36XL	2.292	1.49	.75	.50	2.09	2.60	
2042	1021	677	1.71	14XL	.891	24XL	1.528	1.00	.50	.33	1.56	2.07	2.58	3.08	3.58	
2000	1000	663	1.75	24XL	1.528	42XL	2.674	1.71	.86	.56	
2000	1000	683	1.75	16XL	1.019	28XL	1.783	1.15	.58	.38	1.75	2.26	2.77	3.27	
2000	1000	663	1.75	12XL	.764	21XL	1.337	.86	.43	.28	1.31†	1.82†	2.33†	2.83†	3.33†	3.83†	
1969	984	653	1.78	18XL	1.146	32XL	2.037	1.28	.64	.42	1.94	2.46	2.96	
1944	972	644	1.80	20XL	1.273	36XL	2.292	1.42	.72	.46	2.13	2.65	
1925	963	637	1.82	22XL	1.401	40XL	2.546	1.57	.79	.52	2.32	
1925	963	637	1.82	11XL	.700	20XL	1.273	.79 ◊	.39	.26	1.42†	1.92†	2.43†	2.93†	3.43†	3.94†	
1909	955	633	1.83	24XL	1.528	44XL	2.801	1.71	.86	.56	
1909	955	633	1.83	12XL	.764	22XL	1.401	.86	.43	.28	1.77†	2.27†	2.78†	3.28†	3.78†	
1875	937	621	1.87	15XL	.955	28XL	1.783	1.07	.53	.36	1.80	2.31	2.82	3.32	
1867	933	619	1.88	16XL	1.019	30XL	1.910	1.15	.58	.38	2.15	2.66	3.16	
1838	919	609	1.90	21XL	1.337	40XL	2.546	1.49	.75	.50	2.37	
1833	917	607	1.91	22XL	1.401	42XL	2.674	1.57	.79	.52	
1833	917	607	1.91	11XL	.700	21XL	1.337	.79 ◊	.39	.26	1.36†	1.87†	2.37†	2.88†	3.38†	3.88†	
1750	875	580	2.00	30XL	1.910	60XL	3.820	2.11	1.07	.71	
1750	875	580	2.00	24XL	1.528	48XL	3.056	1.71	.86	.56	
1750	875	580	2.00	22XL	1.401	44XL	2.801	1.57	.79	.52	
1750	875	580	2.00	21XL	1.337	42XL	2.674	1.49	.75	.50	2.25	
1750	875	580	2.00	20XL	1.273	40XL	2.546	1.42	.72	.46	2.41	
1750	875	580	2.00	18XL	1.146	36XL	2.292	1.28	.64	.42	2.22	2.74	
1750	875	580	2.00	16XL	1.019	32XL	2.037	1.15	.58	.38	2.03	2.54	3.05	
1750	875	580	2.00	15XL	.955	30XL	1.910	1.07	.53	.36	1.68	2.19	2.70	3.21	
1750	875	580	2.00	14XL	.891	28XL	1.783	1.00	.50	.33	1.84†	2.35	2.86	3.37	
1750	875	580	2.00	12XL	.764	24XL	1.528	.86	.43	.28	1.65†	2.16†	2.67†	3.17†	3.68†	
1750	875	580	2.00	11XL	.700	22XL	1.401	.79 ◊	.39	.26	1.30†	1.81†	2.32†	2.82†	3.33†	3.83†	
1670	835	554	2.10	21XL	1.337	44XL	2.801	1.49	.75	.50	
1666	833	552	2.10	20XL	1.273	42XL	2.674	1.42	.72	.46	2.29	
1641	820	544	2.13	15XL	.955	32XL	2.037	1.07	.53	.36	2.07	2.59	3.10	
1833	817	542	2.14	28XL	1.783	60XL	3.820	1.98	1.00	.66	
1833	817	542	2.14	14XL	.891	30XL	1.910	1.08	.50	.33	1.72†	2.24†	2.75	3.26	
1604	802	532	2.18	22XL	1.401	48XL	3.056	1.57	.79	.52	
1604	802	532	2.18	11XL	.700	24XL	1.528	.79 ◊	.39	.26	1.69†	2.21†	2.71†	3.22†	3.72†	
1591	795	527	2.20	20XL	1.273	44XL	2.801	1.42	.72	.46	
1575	788	523	2.22	18XL	1.146	40XL	2.546	1.28	.64	.42	2.50	
1556	778	516	2.25	16XL	1.019	36XL	2.292	1.15	.58	.38	2.31	2.82	

Δ HP ratings are for conventional speed-reduction drives.

For Speed-Up Drives refer to page PT10-17.

◊ Pulley Diameter is below recommended minimum. A reduction in belt life should be expected. Suggest alternate drive selection, whenever possible.

† † See Teeth in Mesh table on opposite page.

♥ Flanges Required on both pulleys.

FEATURES/BENEFITS PAGE PT10-2	SPECIFICATIONS PAGE PT10-3	SELECTION PAGE PT10-14	ENGINEERING/TECHNICAL PAGE PT10-44
----------------------------------	-------------------------------	---------------------------	---------------------------------------

SELECTION



XL Stock Drive Selections

Nominal Center Distance Using DYNA-SYNC Belts

120XL	130XL	140XL	150XL	160XL	170XL	180XL	190XL	200XL	210XL	220XL	230XL	240XL	250XL	260XL
.....	2.76	3.27	3.77	4.27	4.77	5.28	5.78	6.28	6.78	7.28	7.78	8.28	8.78	9.28
4.14	4.64	5.14	5.64	6.14	6.64	7.14	7.64	8.14	8.64	9.14	9.64	10.14	10.64	11.14
2.46	2.96	3.47	3.97	4.47	4.98	5.48	5.98	6.48	6.98	7.48	7.98	8.48	8.98	9.49
2.97	3.47	3.98	4.48	4.98	5.48	5.98	6.48	6.99	7.49	7.99	8.49	8.99	9.49	9.99
3.48	3.98	4.48	4.99	5.49	5.99	6.49	6.99	7.49	7.99	8.49	8.99	9.49	9.99	10.49
3.99	4.49	4.99	5.49	5.99	6.49	6.99	7.49	7.99	8.49	8.99	9.49	9.99	10.49	10.99
4.24	4.74	5.24	5.74	6.24	6.74	7.24	7.74	8.24	8.74	9.24	9.74	10.24	10.74	11.24
4.49†	4.99†	5.49†	5.99†	6.49†	6.99†	7.49†	7.99†	8.49†	8.99†	9.49†	9.99†	10.49†	10.99†	11.49†
3.33	3.83	4.33	4.83	5.33	5.84	6.34	6.84	7.34	7.84	8.34	8.84	9.34	9.84	10.34
3.68	4.18	4.68	5.19	5.69	6.19	6.69	7.19	7.69	8.19	8.69	9.19	9.69	10.19	10.69
.....	2.85	3.36	3.86	4.37	4.87	5.37	5.87	6.38	6.88	7.38	7.88	8.38	8.88	9.38
4.19	4.69	5.19	5.69	6.19	6.69	7.19	7.69	8.19	8.69	9.19	9.69	10.19	10.69	11.19
.....	3.04	3.55	4.06	4.56	5.06	5.57	6.07	6.57	7.07	7.57	8.08	8.58	9.08
3.37	3.88	4.38	4.88	5.38	5.88	6.38	6.88	7.39	7.89	8.39	8.89	9.39	9.89	10.39♥
4.04	4.54	5.04	5.54	6.04	6.54	7.04	7.54	8.04	8.54	9.04	9.54	10.04	10.54	11.04
3.06	3.57	4.07	4.57	5.08	5.58	6.08	6.58	7.08	7.58	8.08	8.58	9.08	9.59	10.09
4.54†	5.04†	5.54†	6.04†	6.54†	7.04†	7.54†	8.04†	8.54†	9.04†	9.54†	10.04†	10.54†	11.04†	11.54†
2.75	3.26	3.76	4.27	4.77	5.27	5.77	6.27	6.78	7.28	7.78	8.28	8.78	9.28	9.78
3.58	4.08	4.58	5.08	5.58	6.08	6.58	7.09	7.59	8.09	8.59	9.09	9.59	10.09	10.59
4.39†	4.89†	5.39†	5.89†	6.39†	6.89†	7.39†	7.89†	8.39†	8.89†	9.39†	9.89†	10.39†	10.89†	11.39†
.....	3.13	3.64	4.15	4.65	5.16	5.66	6.16	6.67	7.17	7.67	8.17	8.67	9.17
3.11	3.61	4.12	4.62	5.12	5.63	6.13	6.63	7.13	7.63	8.13	8.63	9.13	9.63	10.13
4.08	4.58	5.09	5.59	6.09	6.59	7.09	7.59	8.09	8.59	9.09	9.59	10.09	10.59	11.09
2.63	3.14	3.65	4.16	4.66	5.17	5.67	6.17	6.67	7.17	7.67	8.18	8.68	9.18	9.68
3.78	4.28	4.78	5.28	5.78	6.28	6.78	7.29	7.79	8.29	8.79	9.29	9.79	10.29	10.79
4.34†	4.84†	5.34†	5.84†	6.34†	6.84†	7.34†	7.84†	8.34†	8.84†	9.34†	9.84†	10.34†	10.84†	11.34†
3.47	3.97	4.47	4.98	5.48	5.98	6.48	6.98	7.48	7.98	8.48	8.98	9.49♥	9.99♥	10.49♥
3.15	3.66	4.16	4.67	5.17	5.67	6.18	6.68	7.18	7.68	8.18	8.68	9.18	9.68	10.18
2.84	3.35	3.85	4.36	4.86	5.36	5.87	6.37	6.87	7.37	7.87	8.38	8.88	9.38	9.88
4.44†	4.94†	5.44†	5.94†	6.44†	6.94†	7.44†	7.94†	8.44†	8.94†	9.44†	9.94†	10.44†	10.94†	11.44†
2.51	3.03	3.54	4.05	4.55	5.06	5.56	6.06	6.56	7.07	7.57	8.07	8.57	9.07	9.57
4.28†	4.78†	5.29†	5.79†	6.29†	6.79†	7.29†	7.79†	8.29†	8.79†	9.29†	9.79†	10.29†	10.79†	11.29†
3.82	4.33	4.83	5.33	5.83	6.33	6.83	7.33	7.83	8.34	8.84	9.34	9.84	10.34	10.84
3.67	4.17	4.67	5.18	5.68	6.18	6.68	7.18	7.68	8.18	8.68	9.18	9.69	10.19	10.69
2.88	3.39	3.90	4.40	4.91	5.41	5.91	6.42	6.92	7.42	7.92	8.42	8.93	9.43	9.93
2.72	3.23	3.74	4.25	4.75	5.26	5.76	6.26	6.77	7.27	7.77	8.27	8.77	9.27	9.77
4.38†	4.89†	5.39†	5.89†	6.39†	6.89†	7.39†	7.89†	8.39†	8.89†	9.39†	9.89†	10.39†	10.89†	11.39†
.....	3.36	3.88	4.39	4.90	5.41	5.92	6.42	6.93	7.43	7.94	8.44
.....	2.79	3.31	3.82	4.33	4.84	5.34	5.85	6.35	6.85	7.36	7.86	8.38	8.86	9.36
2.60	3.12	3.63	4.14	4.64	5.15	5.65	6.16	6.66	7.16	7.66	8.17	8.67	9.17	9.67
2.76	3.28	3.79	4.29	4.80	5.30	5.81	6.31	6.81	7.31	7.82	8.32	8.82	9.32	9.82
2.93	3.44	3.94	4.45	4.95	5.46	5.96	6.46	6.97	7.47	7.97	8.47	8.97	9.47	9.98
3.24	3.75	4.26	4.76	5.26	5.77	6.27	6.77	7.27	7.77	8.28	8.78	9.28♥	9.78♥	10.28♥
3.56	4.06	4.57	5.07	5.57	6.07	6.58	7.08	7.58	8.08	8.58♥	9.08♥	9.58♥	10.08♥	10.58♥
3.71	4.22	4.72	5.22	5.73	6.23	6.73	7.23	7.73	8.23	8.73	9.23	9.73	10.23	10.73
3.87	4.37	4.88	5.38	5.88	6.38	6.88	7.38	7.88	8.38	8.88	9.38	9.89	10.39	10.89
4.18†	4.68†	5.18†	5.68†	6.18†	6.68†	7.19†	7.69†	8.19†	8.69†	9.19†	9.69†	10.19†	10.69†	11.19†
4.33†	4.83†	5.33†	5.84†	6.34†	6.84†	7.34†	7.84†	8.34†	8.84†	9.34†	9.84†	10.34†	10.84†	11.34†
2.64	3.16	3.67	4.18	4.69	5.19	5.70	6.20	6.71	7.21	7.71	8.21	8.71	9.22	9.72
2.81	3.32	3.83	4.34	4.84	5.35	5.85	6.36	6.86	7.36	7.86	8.37	8.87	9.37	9.87
3.60	4.11	4.61	5.12	5.62	6.12	6.62	7.12	7.63	8.13♥	8.63♥	9.13♥	9.63♥	10.13♥	10.63♥
.....	3.44	3.96	4.48	4.99	5.50	6.01	6.52	7.02	7.53	8.03	8.53
3.76	4.27	4.77	5.27	5.77	6.27	6.78	7.28	7.78	8.28	8.78	9.28	9.78	10.28	10.78
.....	2.88	3.39	3.91	4.42	4.93	5.43	5.94	6.44	6.95	7.45	7.95	8.45	8.96	9.46
4.23†	4.73†	5.23†	5.73†	6.23†	6.73†	7.23†	7.73†	8.24†	8.74†	9.24†	9.74†	10.24†	10.74†	11.24†
2.69	3.20	3.72	4.23	4.73	5.24	5.74	6.25	6.75	7.26	7.76	8.26	8.76	9.26	9.77
3.01	3.53	4.03	4.54	5.05	5.55	6.05	6.56	7.06	7.56	8.07	8.57	9.07	9.57♥	10.07♥
3.33	3.84	4.35	4.85	5.36	5.86	6.36	6.87	7.37	7.87	8.37♥	8.87♥	9.37♥	9.87♥	10.38♥

XL Belt Width Table

Belt Width Factor	.15	.28	.35	.42	.57	.71	.86	1.00	1.29	1.56
Belt Width	1/4	3/8	7/16	1/2	5/8	3/4	7/8	1	1-1/4	1-1/2
Belt Width Code	025	037	043	050	062	075	087	100	125	150

Teeth in Mesh Factor (T.I.M)

Table Symbol	No. of Teeth in Mesh in Small Pulley	Factor
None	6 or More	1.00
†	5	.80
‡	4	.60

Shaded area indicates stock belt widths

FEATURES/BENEFITS PAGE PT10-2	SPECIFICATIONS PAGE PT10-3	SELECTION PAGE PT10-14	ENGINEERING/TECHNICAL PAGE PT10-44
----------------------------------	-------------------------------	---------------------------	---------------------------------------



SELECTION

XL Stock Drive Selections

V-Drives	Driven Speeds for Motor Speeds of			Speed Ratio	Pulley Combination				HP for a 1 Wide Belt for Motor Speeds of Δ			Nominal C.D. Using DYNA-SYNC Belts					
	3500	1750	1160		Driver		Driven		3500	1750	1160	60XL	70XL	80XL	90XL	100XL	110XL
					No. of Teeth	Pitch Diam.	No. of Teeth	Pitch Diam.									
FHP Drives	1531	766	508	2.29	21XL	1.337	48XL	3.056	1.49	.75	.50	
	1531	766	508	2.29	14XL	.891	32XL	2.037	1.00	.50	.33	2.12†	2.63†	3.14†
	1500	750	498	2.33	18XL	1.146	42XL	2.674	1.28	.64	.42	2.37†
	1500	750	498	2.33	12XL	.764	28XL	1.783	.86	.43	.28	1.93‡	2.44†	2.95†	3.46†
	1458	729	483	2.40	30XL	1.910	72XL	4.584	2.11	1.07	.71
	1458	729	483	2.40	20XL	1.273	48XL	3.056	1.42	.72	.46
	1458	729	483	2.40	15XL	.955	36XL	2.292	1.07	.53	.36	2.35†	2.87†
	1432	716	475	2.44	18XL	1.146	44XL	2.801	1.28	.64	.42	2.24†
	1400	700	464	2.50	24XL	1.528	60XL	3.820	1.71	.86	.56
	1400	700	464	2.50	16XL	1.019	40XL	2.546	1.15	.58	.38	2.05†	2.58†
	1400	700	464	2.50	12XL	.764	30XL	1.910	.86	.43	.28	1.80‡	2.32‡	...	3.35†
	1375	688	456	2.55	11XL	.700	28XL	1.783	.79 ◊	.39	.26	1.97‡	2.49‡	2.84†	3.50†
	1361	681	451	2.57	28XL	1.783	72XL	4.584	1.98	1.00	.66	1.86†	3.00‡	2.91†
	1361	681	451	2.57	14XL	.891	36XL	2.292	1.00	.50	.33	2.39†	2.45†
	1333	666	442	2.63	16XL	1.019	42XL	2.674	1.15	.58	.38
Drive Component Accessories	1312	656	435	2.67	18XL	1.146	48XL	3.056	1.28	.64	.42
	1312	656	435	2.67	15XL	.955	40XL	2.546	1.07	.53	.36	2.09†	2.62†
	1312	656	435	2.67	12XL	.764	32XL	2.037	.86	.43	.28	1.67‡	2.20‡	2.72†	3.23†
	1283	642	425	2.73	22XL	1.401	60XL	3.820	1.57	.79	.52
	1283	642	425	2.73	11XL	.700	30XL	1.910	.79 ◊	.39	.26	1.85‡	2.37‡	2.88‡	3.39‡
	1273	638	422	2.75	16XL	1.019	44XL	2.801	1.15	.58	.38	2.32†
	1250	625	414	2.80	15XL	.955	42XL	2.674	1.07	.53	.36	2.50†
	1225	613	406	2.86	21XL	1.337	60XL	3.820	1.49	.75	.50
	1225	613	406	2.86	14XL	.891	40XL	2.546	1.00	.50	.33	2.13†	2.67†
	1203	601	399	2.91	11XL	.700	32XL	2.037	.79 ◊	.39	.26	1.71§	2.25‡	2.78‡	3.28‡
DYNA-SYNC	1193	597	396	2.93	15XL	.955	44XL	2.801	1.07	.53	.36	2.36†
	1167	583	387	3.00	24XL	1.528	72XL	4.584	1.71	.86	.56
	1167	583	387	3.00	20XL	1.273	60XL	3.820	1.42	.72	.46
	1167	583	387	3.00	16XL	1.019	48XL	3.056	1.15	.58	.38
	1167	583	387	3.00	14XL	.891	42XL	2.874	1.00	.50	.33	1.99‡	2.54†
	1167	583	387	3.00	12XL	.764	36XL	2.292	.86	.43	.28	1.94‡	2.48‡	3.00‡
	1114	557	370	3.14	14XL	.891	44XL	2.801	1.00	.50	.33	2.40‡
	1094	547	363	3.20	15XL	.955	48XL	3.056	1.07	.53	.36
	1089	535	355	3.27	22XL	1.401	72XL	4.584	1.57	.79	.52
	1089	535	355	3.27	11XL	.700	36XL	2.292	.79 ◊	.39	.26	1.98§	2.52‡	3.04‡
HT200/HTD Synchronous Drives	1050	525	348	3.33	18XL	1.146	60XL	3.820	1.28	.64	.42
	1050	525	348	3.33	12XL	.764	40XL	2.546	.86	.43	.28	2.21‡	2.75‡
	1021	510	338	3.43	21XL	1.337	72XL	4.584	1.49	.75	.50
	1021	510	338	3.43	14XL	.891	48XL	3.056	1.00	.50	.33
	1000	500	331	3.50	12XL	.764	42XL	2.874	.86	.43	.28	2.07‡	2.82‡
	972	486	322	3.60	20XL	1.273	72XL	4.584	1.42	.72	.46
	963	481	319	3.64	11XL	.700	40XL	2.546	.79 ◊	.39	.26	2.25§	2.79‡
	955	477	316	3.67	12XL	.784	44XL	2.801	.86	.43	.28	2.48‡
	933	467	309	3.75	16XL	1.019	60XL	3.820	1.15	.58	.38
	917	458	304	3.82	11XL	.700	42XL	2.674	.79	.39	.26	2.11§	2.66‡
Synchronous Drives HT500	875	438	290	4.00	18XL	1.146	72XL	4.584	1.28	.64	.42
	875	438	290	4.00	15XL	.955	60XL	3.820	1.07	.53	.36
	875	438	290	4.00	12XL	.764	48XL	3.056	.86	.43	.28	2.19§
	875	438	290	4.00	11XL	.700	44XL	2.801	.79 ◊	.39	.26	1.96§	2.52§
	817	408	270	4.29	14XL	.891	60XL	3.820	1.00	.50	.33
	802	401	266	4.36	11XL	.700	48XL	3.056	.79 ◊	.39	.26	2.23§
	778	389	258	4.50	16XL	1.019	72XL	4.584	1.15	.58	.38
	730	365	242	4.80	15XL	.955	72XL	4.584	1.07	.53	.36
	700	350	232	5.00	12XL	.764	60XL	3.820	.86	.43	.28
	681	340	226	5.14	14XL	.891	72XL	4.584	1.00	.50	.33
Roller Chain Sprockets	642	321	213	5.45	11XL	.700	60XL	3.820	.79 ◊	.39	.26
	584	292	193	6.00	12XL	.764	72XL	4.584	.86	.43	.28
	535	267	177	6.55	11XL	.700	72XL	4.584	.79 ◊	.39	.26

Δ HP ratings are for conventional speed-reduction drives.
For Speed-Up Drives refer to page PT10-17.

† ‡ § See Teeth in Mesh table on opposite page.
♥ Flanges Required on both pulleys.

◊ Pulley Diameter is below recommended minimum. A reduction in belt life should be expected. Suggest alternate drive selection, whenever possible.

FEATURES/BENEFITS PAGE PT10-2	SPECIFICATIONS PAGE PT10-3	SELECTION PAGE PT10-14	ENGINEERING/TECHNICAL PAGE PT10-44
----------------------------------	-------------------------------	---------------------------	---------------------------------------



SELECTION

L Stock Drive Selections

	Driven Speeds for Motor Speeds of			Speed Ratio	Pulley Combination				HP for a 1 Wide Belt for Motor Speeds of Δ			Nominal C.D. Using DYNA-SYNC Belts					
					Driver		Driven										
	3500	1750	1160		No. of Teeth	Pitch Diam.	No. of Teeth	Pitch Diam.	3500	1750	1160	124L	150L	187L	210L	225L	240L
FHP Drives	3500	1750	1160	1.00	48L	5.730	48L	5.730	6.27	4.06	2.81	
	3500	1750	1160	1.00	40L	4.775	40L	4.775	5.87	3.47	2.36	
	3500	1750	1160	1.00	32L	3.820	32L	3.820	5.10	2.83	1.91	4.51	5.26	6.01
	3500	1750	1160	1.00	30L	3.581	30L	3.581	4.86	2.66	1.79	4.88	5.63	6.38
	3500	1750	1160	1.00	28L	3.342	28L	3.342	4.71	2.49	1.67	4.13	5.26	6.01	6.76
Drive Component Accessories	3500	1750	1160	1.00	26L	3.104	26L	3.104	4.35	2.32	1.56	4.51	5.83	6.38	7.13
	3500	1750	1160	1.00	24L	2.865	24L	2.865	4.06	2.15	1.44	4.88	6.01	6.76	7.51
	3500	1750	1160	1.00	22L	2.626	22L	2.626	3.77	1.98	1.32	3.38	5.26	6.39	7.13	7.89
	3500	1750	1160	1.00	20L	2.387	20L	2.387	3.46	1.80	1.20	3.76	5.63	6.76	7.51	8.26
	3500	1750	1160	1.00	18L	2.149	18L	2.149	3.15	1.62	1.08	2.82	4.13	6.01	7.14	7.89	8.64
DYNA-SYNC	3500	1750	1160	1.00	16L	1.910	16L	1.910	2.83	1.45	.97	3.20	4.51	6.39	7.51	8.26	9.01
	3500	1750	1160	1.00	14L	1.671	14L	1.671	2.49◇	1.27	.85	3.57	4.89	6.76	7.89	8.64	9.39
	1750	1160	1.00	12L	1.432	12L	1.432	1.09◇	.72	3.95	5.26	7.14	8.26	9.01	9.76
	1750	1160	1.00	10L	1.194	10L	1.19491◇	.60◇	4.32†	5.64†	7.51◇	8.64†	9.39†	10.14†
	3281	1641	1087	1.07	30L	3.581	32L	3.820	4.86	2.66	1.79	4.69	5.44	6.19
Synchronous Drives	3267	1633	1083	1.07	28L	3.342	30L	3.581	4.61	2.49	1.67	3.94	5.07	5.82	6.57
	3250	1625	1077	1.08	26L	3.104	28L	3.342	4.35	2.32	1.56	4.32	5.44	6.19	6.95
	3231	1615	1071	1.08	24L	2.865	26L	3.104	4.06	2.15	1.44	4.69	5.82	6.57	7.32
	3208	1604	1063	1.09	22L	2.626	24L	2.865	3.77	1.98	1.32	5.07	6.20	6.95	7.70
	3182	1591	1055	1.10	20L	2.387	22L	2.626	3.46	1.80	1.20	3.57	5.45	6.57	7.32	8.07
HT200/HTD	3150	1575	1044	1.11	18L	2.149	20L	2.387	3.15	1.62	1.08	3.94	5.82	6.95	7.70	8.45
	3111	1556	1031	1.13	16L	1.910	18L	2.149	2.83	1.45	.97	4.32	6.20	7.32	8.07	8.82
	3063	1531	1015	1.14	28L	3.342	32L	3.820	4.61	2.49	1.67	4.88	5.63	6.38
	3036	1531	1015	1.14	14L	1.671	16L	1.910	2.49◇	1.27	.85	3.38	4.70	6.57	7.70	8.45	9.20
	3033	1517	1005	1.15	26L	3.104	30L	3.581	4.35	2.32	1.56	4.12	5.25	6.00	6.75
Synchronous Drives	3000	1500	994	1.17	24L	2.865	28L	3.342	4.06	2.15	1.44	4.50	5.63	6.38	7.13
	1500	994	1.17	12L	1.432	14L	1.671	1.09◇	.72	3.76†	5.07†	6.95†	8.07†	8.83†	9.57◇
	2962	1481	982	1.18	22L	2.626	26L	3.104	3.77	1.62	1.32	4.88	6.00	6.76	7.51
	2917	1458	967	1.20	40L	4.775	48L	5.730	5.87	3.47	2.36
	2917	1458	967	1.20	20L	2.387	24L	2.865	3.46	1.80	1.20	3.37	5.25	6.38	7.13	7.88
HT500	1458	967	1.20	10L	1.194	12L	1.43291◇	.60◇	4.13†	5.45†	7.32†	8.45†	9.20†	9.95†
	2864	1432	949	1.22	18L	2.149	22L	2.626	3.15	1.62	1.08	3.75	5.63	6.76	7.51	8.26
	2844	1422	943	1.23	26L	3.104	32L	3.820	4.35	2.32	1.56	5.06	5.81	6.56
	2800	1400	928	1.25	48L	5.730	60L	7.162	6.27	4.06	2.81
	2800	1400	928	1.25	32L	3.820	40L	4.775	5.10	2.83	1.91	5.29
Roller Chain Sprockets	2800	1400	928	1.25	24L	2.865	30L	3.581	4.06	2.15	1.44	4.31	5.43	6.19	6.94
	2800	1400	928	1.25	16L	1.910	20L	2.387	2.83	1.45	.97	2.81	4.13	6.01	7.13	7.88	8.63
	2750	1375	911	1.27	22L	2.626	28L	3.342	3.77	1.98	1.32	5.81	6.56	7.31
	2722	1361	902	1.29	14L	1.671	18L	2.149	2.49◇	1.27	.85	3.19	4.50	6.38	7.51	8.26	9.01
	2692	1346	892	1.30	20L	2.387	26L	3.104	3.46	1.80	1.20	5.06	6.19	6.94	7.69
Synchronous Drives	2625	1313	870	1.33	30L	3.581	40L	4.775	4.86	2.66	1.79	4.66	5.41
	2625	1313	870	1.33	24L	2.865	32L	3.820	4.06	2.15	1.44	4.10	5.24	5.99	6.74
	2625	1313	870	1.33	18L	2.149	24L	2.865	3.15	1.62	1.08	3.56†	3.55	5.44	6.56	7.31	8.06
	1313	870	1.33	12L	1.432	16L	1.910	1.09◇	.72	4.88†	6.76†	7.88†	8.63†	9.38†
	2567	1283	851	1.36	22L	2.626	30L	3.581	3.77	1.98	1.32	4.48	5.61	6.37	7.12
Roller Chain Sprockets	2545	1273	844	1.38	16L	1.910	22L	2.626	2.83	1.45	.97	2.61	3.93	5.81	6.94	7.69	8.44
	2500	1250	829	1.40	20L	2.387	28L	3.342	3.46	1.80	1.20	4.86	5.99	6.74	7.49
	1250	829	1.40	10L	1.194	14L	1.67191◇	.60◇	3.94†	5.26†	7.13†	8.26†	9.01†	9.76†
	2450	1225	812	1.43	28L	3.342	40L	4.775	4.61	2.49	1.67	4.83	5.59
	2450	1225	812	1.43	14L	1.671	20L	2.387	2.49◇	1.27	.85	2.99	4.31	6.19	7.32	8.07	8.82

Δ HP ratings are for conventional speed-reduction drives.

† ‡ § See Teeth in Mesh table on opposite page.

For Speed-Up Drives refer to page PT10-17.

◇ Pulley Diameter is below recommended minimum. A reduction in belt life should be expected. Suggest alternate drive selection, whenever possible.

FEATURES/BENEFITS PAGE PT10-2	SPECIFICATIONS PAGE PT10-3	SELECTION PAGE PT10-14	ENGINEERING/TECHNICAL PAGE PT10-44
----------------------------------	-------------------------------	---------------------------	---------------------------------------



L Stock Drive Selections

Nominal Center Distance Using DYNA-SYNC Belts

255L	270L	285L	300L	322L	345L	367L	390L	420L	450L	480L	510L	540L	600L
....	7.13	8.26	9.38	10.51	12.01	13.51	15.01	16.51	18.01	21.01
5.26	6.01	6.76	7.51	8.63	9.76	10.88	12.01	13.51	15.01	16.51	18.01	19.51	22.51
6.76	7.51	8.26	9.01	10.14	11.26	12.39	13.51	15.01	16.51	18.01	19.51	21.01	24.01
7.13	7.88	8.63	9.39	10.51	11.64	12.76	13.89	15.39	16.89	18.39	19.89	21.39	24.39
7.51	8.26	9.01	9.76	10.89	12.01	13.14	14.26	15.76	17.26	18.76	20.26	21.76	24.76
7.88	8.63	9.39	10.14	11.26	12.39	13.51	14.64	16.14	17.64	19.14	20.64	22.14	25.14
8.26	9.01	9.76	10.51	11.64	12.76	13.89	15.01	16.51	18.01	19.51	21.01	22.51	25.50
8.64	9.39	10.14	10.89	12.01	13.14	14.26	15.39	16.89	18.39	19.89	21.39	22.89	25.89
9.01	9.76	10.51	11.26	12.39	13.51	14.64	15.76	17.26	18.76	20.26	21.76	23.26	26.26
9.39	10.14	10.89	11.64	12.76	13.89	15.01	16.14	17.64	19.14	20.64	22.14	23.64	26.64
9.76	10.51	11.26	12.01	13.14	14.26	15.39	16.51	18.01	19.51	21.01	22.51	24.01	27.01
10.14	10.89	11.64	12.39	13.51	14.64	15.76	16.89	19.89	19.89	21.39	22.89	24.39	27.39
10.51	11.26	12.01	12.76	13.89	15.01	16.14	17.26	18.40	20.26	21.76	23.26	24.76	27.76
10.89†	11.64†	12.39†	13.14†	14.26†	15.39†	16.51†	17.64†	19.14†	20.64†	22.14†	23.64†	25.14†	28.14†
6.94	7.69	8.45	9.20	10.32	11.47	12.57	13.70	15.20	16.70	18.20	19.70	21.20	24.20
7.32	8.07	8.82	9.57	10.70	11.82	12.95	14.07	15.57	17.07	18.57	20.07	21.57	24.57
7.70	8.45	9.20	9.95	11.07	12.20	13.32	14.45	15.95	17.45	18.95	20.45	21.95	24.95
8.07	8.82	9.57	10.32	11.45	12.57	13.70	14.82	16.33	17.82	19.32	20.82	22.33	25.33
8.45	9.20	9.95	10.70	11.82	12.95	14.07	15.20	16.70	18.20	19.70	21.20	22.70	25.70
8.82	9.57	10.32	11.07	12.20	13.33	14.45	15.58	17.07	18.57	20.08	21.58	23.08	26.08
9.20	9.95	10.70	11.45	12.57	13.70	14.82	15.95	17.45	18.95	20.45	21.95	23.45	26.45
9.57	10.32	11.07	11.83	12.95	14.07	15.20	16.33	17.83	19.32	20.82	22.33	23.83	26.83
7.13	7.88	8.63	9.38	10.51	11.63	12.76	13.88	15.38	16.89	18.39	19.89	21.39	24.39
9.95	10.70	11.45	12.20	13.33	14.45	15.58	16.70	18.20	19.70	21.20	22.70	24.20	27.20
7.51	8.26	9.01	9.76	10.88	12.01	13.14	14.26	15.76	17.26	18.76	20.26	21.76	24.76
7.88	8.63	9.38	10.13	11.26	12.38	13.51	14.64	16.13	17.64	19.13	20.64	22.14	25.14
10.32†	11.07†	11.83†	12.58†	13.70†	14.83†	15.95†	17.08†	18.57†	20.08†	21.58†	23.08†	24.58†	27.58
8.26	9.01	9.76	10.51	11.63	12.76	13.88	15.01	16.51	18.01	19.51	21.01	22.51	25.51
....	5.99	6.74	7.87	9.00	10.12	11.25	12.75	14.25	15.75	17.25	18.76	21.76
8.63	9.38	10.13	10.88	12.01	13.13	14.26	15.38	16.89	18.39	19.89	21.39	22.89	25.89
10.70‡	11.45‡	12.20‡	12.95‡	14.08‡	15.20‡	16.33‡	17.45‡	18.95‡	20.45‡	21.95‡	23.45‡	24.95‡	27.95‡
9.01	9.76	10.51	11.26	12.39	13.51	14.64	15.76	17.26	18.76	20.26	21.76	23.36	26.26
7.31	8.06	8.81	9.57	10.69	11.82	12.94	14.11	15.57	17.07	18.57	20.07	21.57	24.57
....	7.45	8.58	9.36	10.86	12.36	13.87	15.37	16.87	19.87
5.99	6.74	7.49	8.25	9.37	10.50	11.62	12.75	14.25	15.75	17.26	18.76	20.26	23.26
7.69	8.44	9.19	9.04	11.07	12.19	13.32	14.44	15.94	17.45	18.95	20.45	21.95	24.95
9.38	10.13	10.88	11.64	12.76	13.89	15.01	16.13	17.64	19.14	20.64	22.14	23.64	26.64
8.06	8.81	9.57	10.32	11.44	12.57	13.69	14.82	16.32	17.82	19.32	20.82	22.32	25.32
9.76	10.51	11.26	12.01	13.14	14.26	15.39	16.51	18.01	19.51	21.01	22.51	24.01	27.01
8.44	9.19	9.94	10.69	11.82	12.94	14.11	15.20	16.70	18.20	19.70	21.20	22.70	25.70
6.17	6.92	7.67	8.43	9.55	10.68	11.81	12.93	14.44	15.94	17.44	18.94	20.44	23.44
7.49	8.25	9.00	9.75	10.88	12.00	13.13	14.25	15.75	17.26	18.76	20.26	21.76	24.76
8.82	9.57	10.32	11.07	12.19	13.32	14.45	15.57	17.07	18.57	20.07	21.57	23.07	26.07
10.13†	10.88†	11.64†	12.39†	13.51†	14.64†	15.76†	16.89†	18.39†	19.89†	21.39†	22.89†	24.39†	27.39†
7.87	8.62	9.37	10.13	11.25	12.38	13.50	14.63	16.13	17.63	19.13	20.63	22.13	25.13
9.19	9.94	10.69	11.44	12.57	13.70	14.82	15.95	17.45	18.95	20.45	21.95	23.45	26.45
8.25	9.00	9.75	10.50	11.63	12.75	13.88	15.00	16.51	18.01	19.51	21.01	22.51	25.51
10.51‡	11.26‡	12.01‡	12.76‡	13.89‡	15.01‡	16.14‡	17.26‡	18.76‡	20.26‡	21.77‡	23.36‡	24.76‡	27.76‡
6.34	7.10	7.85	8.60	9.73	10.86	11.99	13.12	14.62	16.12	17.62	19.12	20.63	23.63
9.57	10.32	11.07	11.82	12.95	14.11	15.20	16.32	17.82	19.32	20.82	22.32	23.82	26.82

L Belt Width Table

Belt Width Factor	.28	.35	.45	.57	.71	.86	1.00	1.29	1.56	1.84	2.14	2.72	3.36
Belt Width	3/8	7/16	1/2	5/8	3/4	7/8	1	1-1/4	1-1/2	1-3/4	2	2-1/2	3
Belt Width Code	037	043	050	062	075	087	100	125	150	175	200	250	300

Teeth in Mesh Factor (T.I.M)

Table Symbol	No. of Teeth In Mesh In Small Pulley	Factor
None	6 or More	1.00
†	5	.80

Table Symbol	No. of Teeth In Mesh In Small Pulley	Factor
‡	4	.60

FEATURES/BENEFITS PAGE PT10-2	SPECIFICATIONS PAGE PT10-3	SELECTION PAGE PT10-14	ENGINEERING/TECHNICAL PAGE PT10-44
----------------------------------	-------------------------------	---------------------------	---------------------------------------



SELECTION

L Stock Drive Selections

	Driven Speeds for Motor Speeds of			Speed Ratio	Pulley Combination				HP for a 1 Wide Belt for Motor Speeds of Δ			Nominal C.D. Using DYNA-SYNC Belts					
					Driver		Driven										
	3500	1750	1160		No. of Teeth	Pitch Diam.	No. of Teeth	Pitch Diam.	3500	1750	1160	124L	150L	187L	210L	225L	240L
FHP Drives	2423	1212	803	1.44	18L	2.149	26L	3.104	3.15	1.62	1.08	5.24	6.37	7.12	7.87
	2406	1203	798	1.45	22L	2.626	32L	3.820	3.77	1.98	1.32	4.28	5.41	6.17	6.92
	2333	1167	733	1.50	48L	5.730	72L	8.594	6.27	4.06	2.81
	2333	1167	733	1.50	40L	4.775	60L	7.162	5.87	3.47	2.36
	2333	1167	733	1.50	32L	3.820	48L	5.730	5.10	2.83	1.91
Drive Component Accessories	2333	1167	733	1.50	20L	2.387	30L	3.581	3.46	1.80	1.20	4.66	5.79	6.54	7.30
	2333	1167	733	1.50	16L	1.910	24L	2.865	2.83	1.45	.97	3.73	5.61	6.74	7.50	8.25
	1167	733	1.50	12L	1.432	18L	2.149	1.09◇	.72	3.36†	4.68†	6.56†	7.69†	8.44†	9.19†
	2275	1138	754	1.54	26L	3.104	40L	4.775	4.35	2.32	1.56	4.24	5.00	5.76
	2250	1125	746	1.56	18L	2.149	28L	3.342	3.15	1.62	1.08	5.04	6.07	6.92	7.67
DYNA-SYNC	2227	1114	738	1.57	14L	1.671	22L	2.626	2.49◇	1.27	.85	2.78	4.11	5.99	7.12	7.87	8.62
	2188	1094	725	1.60	30L	3.581	48L	5.730	4.86	2.66	1.79
	2188	1094	725	1.60	20L	2.387	32L	3.820	3.46	1.80	1.20	4.45	5.59	6.34	7.10
	1094	725	1.60	10L	1.194	16L	1.91091◇	.60◇	3.74†	5.06†	6.94†	8.07†	8.82†	9.57†
	2154	1077	714	1.63	16L	1.910	26L	3.104	2.83	1.45	.97	3.52	5.41	6.55	7.30	8.05
HT200/HTD Synchronous Drives	2100	1050	696	1.67	24L	2.865	40L	4.775	4.06	2.15	1.44	4.40	5.17	5.93
	2100	1050	696	1.67	18L	2.149	30L	3.581	3.15	1.62	1.08	2.92	4.83	5.97	6.72	7.48
	1050	696	1.67	12L	1.432	20L	2.387	1.09◇	.72	3.16†	4.48†	6.37†	7.50†	8.25†	9.00†
	2042	1021	677	1.71	28L	3.342	48L	5.730	4.61	2.49	1.67	4.73
	2042	1021	677	1.71	14L	1.671	24L	2.865	2.49◇	1.27	.85	3.90	5.79	6.92	7.67	8.43
HT500 Synchronous Drives	2000	1000	663	1.75	48L	5.730	84L	10.027	6.27	4.06	2.81
	2000	1000	663	1.75	16L	1.910	28L	3.342	2.83	1.45	.97	5.21	6.34	7.10	7.85
	1969	985	652	1.78	18L	2.149	32L	3.820	3.15	1.62	1.08	4.62	5.76	6.52	7.27
	1944	972	644	1.80	40L	4.775	72L	8.594	5.87	3.47	2.36
	972	644	1.80	10L	1.194	18L	2.14991◇	.60◇	3.54†	4.86†	6.74†	7.87†	8.62†	9.38†

Δ HP ratings are for conventional speed-reduction drives.

† ‡ See Teeth in Mesh table on opposite page.

For Speed-Up Drives refer to page PT10-17.

◇ Pulley Diameter is below recommended minimum. A reduction in belt life should be expected. Suggest alternate drive selection, whenever possible.

FEATURES/BENEFITS PAGE PT10-2	SPECIFICATIONS PAGE PT10-3	SELECTION PAGE PT10-14	ENGINEERING/TECHNICAL PAGE PT10-44
----------------------------------	-------------------------------	---------------------------	---------------------------------------



L Stock Drive Selections

Nominal Center Distance Using DYNA-SYNC Belts

255L	270L	285L	300L	322L	345L	367L	390L	420L	450L	480L	510L	540L	600L
8.62	9.37	10.13	10.88	12.00	13.13	14.25	15.38	16.88	18.38	19.88	21.38	22.88	25.88
7.67	8.43	9.18	9.93	11.06	12.18	13.31	14.44	15.94	17.44	18.94	20.44	21.94	24.94
....	8.13	9.65	11.17	12.68	14.19	15.69	18.70
....	6.65	7.79	8.93	10.06	11.57	13.08	14.59	16.09	17.60	20.60
5.17	5.93	6.69	7.45	8.58	9.71	10.84	11.97	13.48	14.98	16.48	17.99	19.49	22.49
8.05	8.80	9.55	10.31	11.43	12.56	13.69	14.81	16.31	17.81	19.32	20.82	22.32	25.32
9.00	9.75	10.50	11.24	12.38	13.50	14.63	15.76	17.26	18.76	20.26	21.76	23.26	26.26
9.94†	10.69†	11.44†	12.20†	13.32†	14.45†	15.57†	16.70†	18.20†	19.70†	21.20†	22.70†	24.20†	27.20†
6.52	7.27	8.03	8.78	9.91	11.04	12.17	13.30	14.80	16.30	17.80	19.31	20.81	23.81
8.43	9.18	9.93	10.68	11.81	12.94	14.06	15.19	16.69	18.19	19.69	21.19	22.69	25.69
9.37	10.13	10.88	11.63	12.75	13.88	15.00	16.13	17.63	19.13	20.63	22.13	23.63	26.63
5.34	6.10	6.86	7.62	8.75	9.89	11.02	12.15	13.66	15.16	16.66	18.17	19.67	22.67
7.85	8.60	9.36	10.11	11.24	12.37	13.49	14.62	16.12	17.62	19.12	20.63	22.13	25.13
10.32‡	11.07‡	11.82‡	12.57‡	13.70‡	14.82‡	15.95‡	17.07‡	18.57‡	20.07‡	21.57‡	23.07‡	24.57‡	27.57‡
8.80	9.55	10.31	11.06	12.19	13.31	14.44	15.56	17.06	18.56	20.07	21.57	23.07	26.07
6.69	7.45	8.20	8.96	10.09	11.22	12.35	13.48	14.98	16.48	17.99	19.49	20.99	23.99
8.23	8.98	9.73	10.49	11.61	12.74	13.87	14.99	16.50	18.00	19.50	21.00	22.50	25.50
9.75†	10.50†	11.25†	12.00†	13.13†	14.25†	15.38†	16.51†	18.01†	19.51†	21.01†	22.51†	24.01†	27.01†
5.50	6.27	7.03	7.79	8.93	10.06	11.20	12.33	13.83	15.34	16.84	18.35	19.85	22.86
9.18	9.93	10.68	11.43	12.56	13.69	14.81	15.94	17.44	18.94	20.44	21.94	23.44	26.44
....	8.35	9.90	11.43	12.96	14.47	17.50
8.61	9.36	10.11	10.86	11.99	13.12	14.24	15.37	16.87	18.37	19.88	21.38	22.88	25.88
8.03	8.78	9.53	10.29	11.42	12.55	13.67	14.80	16.30	17.80	19.31	20.81	22.31	25.31
....	7.64	8.80	10.33	11.85	13.37	14.89	16.40	19.42
10.13‡	10.88‡	11.63‡	12.38‡	13.51‡	14.63‡	15.76‡	16.88‡	18.38‡	19.88‡	21.38‡	22.88‡	24.38‡	27.39‡
6.86	7.62	8.38	9.13	10.27	11.40	12.53	13.66	15.16	16.66	18.17	19.67	21.17	24.18
9.56†	10.13†	11.06†	11.81†	12.94†	14.06†	15.19†	16.32†	17.82†	19.32†	20.82†	22.32†	23.82†	26.82†
5.67	6.43	7.20	7.96	9.10	10.24	11.37	12.50	14.01	15.52	17.02	18.53	20.03	23.04
8.98	9.73	10.49	11.24	12.37	13.49	14.62	15.75	17.25	18.75	20.25	21.75	23.25	26.25
....	6.15	7.32	8.47	9.61	10.75	12.27	13.78	15.29	16.80	18.31	21.32
8.41	9.16	9.91	10.67	11.80	12.92	14.05	15.18	16.68	18.18	19.68	21.18	22.68	25.69
....	6.31	7.48	8.63	9.78	10.92	12.44	13.96	15.47	16.98	18.49	21.50
5.83	6.60	7.37	8.13	9.27	10.41	11.55	12.68	14.19	15.70	17.20	18.71	20.21	23.22
7.03	7.79	8.55	9.31	10.44	11.57	12.70	13.83	15.34	16.84	18.35	19.85	21.35	24.36
8.20	8.96	9.71	10.47	11.60	12.73	13.85	14.98	16.48	17.99	19.49	20.99	22.49	25.50
8.78	9.54	10.29	11.04	12.17	13.30	14.43	15.55	17.05	18.56	20.06	21.56	23.06	26.06
9.36†	10.11†	10.86†	11.62†	12.74†	13.87†	15.00†	16.12†	17.62†	19.13†	20.63†	22.13†	23.62†	26.63†
9.93‡	10.68‡	11.43‡	12.19‡	13.31‡	14.44‡	15.56‡	16.69‡	18.19‡	19.69‡	21.19‡	22.69‡	24.19‡	27.20‡
....	9.00	10.55	12.10	13.63	15.16	18.19
....	5.68	6.47	7.64	8.80	9.95	11.69	12.61	14.13	15.64	17.15	18.66	21.68
8.58	9.34	10.09	10.85	11.97	13.10	14.23	15.36	16.86	18.36	19.86	21.37	22.87	25.87
9.16†	9.91†	10.67†	11.42†	12.55†	13.67†	14.80†	15.93†	17.43†	18.93†	20.43†	21.94†	23.44†	26.44†
5.99	6.77	7.54	8.30	9.44	10.58	11.72	12.85	14.36	15.87	17.38	18.89	20.39	23.40
9.74‡	10.49‡	11.24‡	11.99‡	13.12‡	14.24‡	15.37‡	16.50‡	18.00‡	19.50‡	21.00‡	22.50‡	24.00‡	27.01‡
7.20	7.96	8.72	9.48	10.62	11.75	12.88	14.01	15.52	17.02	18.53	20.03	21.53	24.54
....	7.10	8.29	9.45	11.00	12.53	14.06	15.58	17.09	20.12
8.38	9.13	9.89	10.64	11.77	12.90	14.03	15.16	16.67	18.17	19.67	21.17	22.68	25.68
....	5.84	6.63	7.80	8.97	10.12	11.26	12.79	14.30	15.82	17.33	18.84	21.85

L Belt Width Table

Belt Width Factor	.28	.35	.45	.57	.71	.86	1.00	1.29	1.56	1.84	2.14	2.72	3.36
Belt Width	3/8	7/16	1/2	5/8	3/4	7/8	1	1-1/4	1-1/2	1-3/4	2	2-1/2	3
Belt Width Code	037	043	050	062	075	087	100	125	150	175	200	250	300

Teeth in Mesh Factor (T.I.M)

Table Symbol	No. of Teeth In Mesh In Small Pulley	Factor
None	6 or More	1.00
†	5	.80

Table Symbol	No. of Teeth In Mesh In Small Pulley	Factor
‡	4	.60

FEATURES/BENEFITS PAGE PT10-2	SPECIFICATIONS PAGE PT10-3	SELECTION PAGE PT10-14	ENGINEERING/TECHNICAL PAGE PT10-44
----------------------------------	-------------------------------	---------------------------	---------------------------------------



SELECTION

L Stock Drive Selections

Driven Speeds for Motor Speeds of	Speed Ratio	Pulley Combination				HP for a 1 Wide Belt for Motor Speeds of Δ			Nominal C.D. Using DYNA-SYNC Belts							
		Driver		Driven		3500	1750	1160	124L	150L	187L	210L	225L	240L		
		No. of Teeth	Pitch Diam.	No. of Teeth	Pitch Diam.											
3500	1750	1160														
....	750	497	2.33	12L	1.432	28L	3.342	1.09◇	.72	3.63	5.55	6.69	7.45†	8.20†
1458	729	483	2.40	30L	3.581	72L	8.594	4.86	2.66	1.79
1458	729	483	2.40	20L	2.387	48L	5.730	3.46	1.80	1.20	4.57	5.37
....	729	483	2.40	10L	1.194	24L	2.86591◇	.60◇	2.89‡	4.24‡	6.14‡	7.28‡	8.03‡	8.78‡
1400	700	464	2.50	24L	2.865	60L	7.162	4.06	2.15	1.44
1400	700	464	2.50	16L	1.910	40L	4.775	2.83	1.45	.97	5.05	5.83	6.60
....	700	464	2.50	12L	1.432	30L	3.581	1.09◇	.72	3.40‡	5.34‡	6.43‡	7.24‡	8.00‡
1361	681	451	2.57	28L	3.342	72L	8.594	4.61	2.49	1.67
....	673	446	2.60	10L	1.194	26L	3.10491◇	.60◇	2.64§	4.02‡	5.93‡	7.07‡	7.83‡	8.58‡
1333	667	442	2.63	32L	3.820	84L	10.027	5.10	2.83	1.91
1312	656	435	2.67	18L	2.149	48L	5.730	3.15	1.62	1.08	4.73	5.53
....	656	435	2.67	12L	1.432	32L	3.820	1.09◇	.72	3.15†	5.12†	6.27†	7.03†	7.79†
1283	642	425	2.73	22L	2.626	60L	7.162	3.77	1.98	1.32
1264	632	419	2.77	26L	3.104	72L	8.594	4.35	2.32	1.56
1250	625	414	2.80	30L	3.581	84L	10.027	4.86	2.66	1.79
....	625	414	2.80	10L	1.194	28L	3.34291◇	.60◇	3.79‡	5.72‡	6.86‡	7.62‡	8.38‡
1225	613	406	2.86	14L	1.671	40L	4.775	2.49◇	1.27	.85	5.21	5.99	6.77
1167	583	387	3.00	28L	3.342	84L	10.027	4.61	2.49	1.67
1167	583	387	3.00	24L	2.865	72L	8.594	4.06	2.15	1.44
1167	583	387	3.00	20L	2.387	60L	7.162	3.46	1.80	1.20
1167	583	387	3.00	16L	1.910	48L	5.730	2.83	1.45	.97	4.88	5.68
....	583	387	3.00	10L	1.194	30L	3.58191◇	.60◇	3.56§	5.50‡	6.65‡	7.41‡	8.17‡
....	547	363	3.20	10L	1.194	32L	3.82091◇	.60◇	3.30§	5.28‡	6.44‡	7.20‡	7.96‡
1684	542	359	3.23	26L	3.104	84L	10.027	4.35	2.32	1.56
1069	535	354	3.27	22L	2.626	72L	8.594	3.77	1.98	1.32
1050	525	348	3.33	18L	2.149	60L	7.162	3.15	1.62	1.08
....	525	348	3.33	12L	1.432	40L	4.775	1.09◇	.72	4.17‡	5.37‡	6.15‡	6.93‡
1021	510	338	3.43	14L	1.671	48L	5.730	2.49◇	1.27	.85	4.19‡	5.03‡	5.84‡
1000	500	331	3.50	24L	2.865	84L	10.027	4.06	2.15	1.44
972	486	322	3.60	20L	2.387	72L	8.594	3.46	1.80	1.20
933	467	309	3.75	16L	1.910	60L	7.162	2.83	1.45	.97
916	458	304	3.82	22L	2.626	84L	10.027	3.77	1.98	1.32
875	438	290	4.00	18L	2.149	72L	8.594	3.15	1.62	1.08
....	438	290	4.00	12L	1.432	48L	5.730	1.09◇	.72	4.34‡	5.18‡	5.99‡
....	438	290	4.00	10L	1.194	40L	4.77591◇	.60◇	4.33§	5.53§	6.32‡	7.09‡
833	417	276	4.20	20L	2.387	84L	10.027	3.46	1.80	1.20
817	408	271	4.29	14L	1.671	60L	7.162	2.49◇	1.27	.85
778	389	258	4.50	16L	1.910	72L	8.594	2.83	1.45	.97
749	375	248	4.67	18L	2.149	84L	10.027	3.15	1.62	1.08
....	365	242	4.80	10L	1.194	48L	5.73091◇	.60◇	4.48§	5.33§	6.15§
....	350	232	5.00	12L	1.432	60L	7.162	1.09◇	.72
681	340	226	5.14	14L	1.671	72L	8.594	2.49◇	1.27	.85
667	333	221	5.25	16L	1.671	84L	10.027	2.83	1.45	.97
583	292	193	6.00	14L	1.671	84L	10.027	2.49◇	1.27	.85
....	292	193	6.00	12L	1.432	72L	8.594	1.09◇	.72
....	292	193	6.00	10L	1.194	60L	7.16291◇	.60◇	4.38♣
....	250	166	7.00	12L	1.432	84L	10.027	1.09◇	.72
....	243	161	7.20	10L	1.194	72L	8.59491◇	.60◇
....	208	138	8.40	10L	1.194	84L	10.02791◇	.60◇

Δ HP ratings are for conventional speed-reduction drives.

† ‡ § ♣ See Teeth in Mesh table on opposite page.

For Speed-Up Drives refer to page PT10-17.

♥ Flanges Required on both pulleys.

◇ Pulley Diameter is below recommended minimum. A reduction in belt life should be expected. Suggest alternate drive selection, whenever possible.

FEATURES/BENEFITS PAGE PT10-2	SPECIFICATIONS PAGE PT10-3	SELECTION PAGE PT10-14	ENGINEERING/TECHNICAL PAGE PT10-44
----------------------------------	-------------------------------	---------------------------	---------------------------------------



L Stock Drive Selections

Nominal Center Distance Using DYNA-SYNC Belts

255L	270L	285L	300L	322L	345L	367L	390L	420L	450L	480L	510L	540L	600L
8.96†	9.71†	10.47†	11.22†	12.35†	13.48†	14.61†	15.73†	17.24†	18.74†	20.24†	21.74†	23.24†	26.25†
....	7.26	8.44	9.62	11.16	12.70	14.23	15.75	17.27	20.29
6.15	6.93	7.70	8.47	9.61	10.75	11.89	13.03	14.54	16.05	17.56	19.06	20.57	23.58
9.54‡	10.29‡	11.04‡	11.80‡	12.92‡	14.05‡	15.18‡	16.30‡	17.81‡	19.31‡	20.81‡	22.31‡	23.81‡	26.81‡
....	5.99	6.79	7.97	9.13	10.28	11.43	12.96	14.48	15.99	17.50	19.01	22.03
7.37	8.13	8.89	9.65	10.79	11.92	13.06	14.19	15.70	17.20	18.71	20.21	21.72	24.72
8.76†	9.51†	10.27†	11.02†	12.15†	13.28†	14.41†	15.54†	17.04†	18.54†	20.05†	21.55†	23.05†	26.05†
....	6.19	7.41	8.60	9.78	11.33	12.86	14.39	15.92	17.44	20.47
9.34‡	10.09‡	10.85‡	11.60‡	12.73‡	13.85‡	14.98‡	16.11‡	17.61‡	19.11‡	20.62‡	22.12‡	23.62‡	26.62‡
....	8.02	9.63	11.20	12.75	14.30	15.83	18.88
6.31	7.09	7.87	8.64	9.78	10.92	12.06	13.20	14.72	16.23	17.73	19.24	20.75	23.76
8.55†	9.31†	10.07†	10.82†	11.95†	13.08†	14.21†	15.34†	16.85†	18.35†	19.85†	21.36†	22.86†	25.86†
....	5.33	6.15	6.95	8.13	9.29	10.45	11.60	13.18	14.65	16.16	17.68	19.19	22.21♥
....	6.34	7.56	8.76	9.94	11.49	13.03	14.56	16.09	17.61	20.64
....	8.17	9.78	11.36	12.92	14.46	16.00	19.05
9.14‡	9.89‡	10.65‡	11.40‡	12.53‡	13.66‡	14.79‡	15.91‡	17.42‡	18.92‡	20.42‡	21.92‡	23.43‡	26.43‡
7.54	8.30	9.06	9.83	10.96	12.10	13.23	14.36	15.87	17.38	18.89	20.39	21.89	24.90
....	7.08	8.33	9.94	11.52	13.08	14.63	16.16	19.22
....	6.49	7.72	8.92	10.10	11.65	13.20	14.73	16.26	17.78	20.81
....	5.48	6.30	7.10	8.29	9.46	10.61	11.77	13.29	14.82	16.34	17.85	19.36♥	22.38♥
6.47	7.26	8.03	8.80	9.95	11.10	12.24	13.37	14.89	16.40	17.91	19.42	20.93	23.94
8.93‡	9.69‡	10.44‡	11.20‡	12.33‡	13.46‡	14.59‡	15.72‡	17.22‡	18.73‡	20.23‡	21.73‡	23.23‡	26.24‡
8.72‡	9.48‡	10.24‡	11.00‡	12.13‡	13.26‡	14.39‡	15.52‡	17.02‡	18.53‡	20.03‡	21.54‡	23.04‡	26.04‡
....	7.22	8.48	10.10	11.68	13.24	14.79	16.33	19.39
....	6.64	7.87	9.07	10.26	11.82	13.36	14.90	16.43	17.95	20.99
....	5.62	6.45	7.26	8.45	9.62	10.78	11.93	13.46	14.99	16.51	18.02♥	19.54♥	22.56♥
7.70†	8.47†	9.23†	10.00†	11.14†	12.27†	13.40†	14.54†	16.05†	17.56†	19.06†	20.57†	22.08†	25.08†
6.63†	7.42†	8.19†	8.97†	10.12	11.26	12.41	13.55	15.06	16.57	18.08	19.59	21.10	24.11
....	7.37	8.63	10.25	11.84	13.40	14.95	16.49	19.56
....	6.78	8.02	9.23	10.42	11.98	13.53	15.06	16.59	18.12	21.16
4.91	5.77	6.60	7.41	8.60	9.78	10.94	12.10	13.63	15.16	16.68♥	18.20♥	19.71♥	22.73♥
....	7.51	8.78	10.40	12.00	13.56	15.12	16.66	19.18
....	5.61†	6.93	8.18	9.39	10.58	12.14	13.69	15.23	16.76	18.29♥	21.33♥
6.79‡	7.58‡	8.36‡	9.13‡	10.28‡	11.43‡	12.58‡	13.72‡	15.23‡	16.75‡	18.25‡	19.77‡	21.28‡	24.29‡
7.87‡	8.64‡	9.40‡	10.17‡	11.31‡	12.44‡	13.58‡	14.72‡	16.23‡	17.73‡	19.24‡	20.75‡	22.25‡	25.26‡
....	7.66	8.93	10.56	12.15	13.72	15.28	16.82	19.89♥
5.05‡	5.92‡	6.75‡	7.57‡	8.76‡	9.94‡	11.11‡	12.26‡	13.80♥	15.33♥	16.85♥	18.37♥	19.83♥	22.91♥
....	5.75‡	7.08‡	8.33‡	9.54	10.73	12.30	13.85	15.40♥	16.93♥	18.46♥	21.50♥
....	6.45‡	7.80‡	9.08	10.71	12.31	13.88	15.44	16.99	20.06♥
6.95	7.74‡	8.52‡	9.29‡	10.45‡	11.60‡	12.75‡	13.89‡	15.41‡	16.92‡	18.44‡	19.95‡	21.46‡	24.47‡
5.19§	6.07‡	6.90‡	7.72‡	8.92‡	10.10‡	11.274	12.43†♥	13.97†♥	15.49†♥	17.02†♥	18.54†♥	20.06†♥	23.08†♥
....	5.89‡	7.22‡	8.48‡	9.70‡	10.89‡	12.46‡	14.02†♥	15.56†♥	17.10♥	18.63♥	21.67♥
....	6.58‡	7.94‡	9.22‡	10.87	12.47	14.04	15.60♥	17.15♥	20.23♥
....	6.72‡	8.09‡	9.37‡	11.02‡	12.62‡	14.20†♥	15.76†♥	17.32†♥	20.39♥
....	6.03§	7.37	8.63‡	9.85‡	11.05‡	12.62†♥	14.18†♥	15.73†♥	17.26†♥	18.79†♥	21.84†♥
5.33§	6.21§	7.05§	7.87§	9.08§	10.26†♥	11.43†♥	12.59†♥	14.13†♥	15.66†♥	17.19†♥	18.71†♥	20.23†♥	23.26†♥
....	6.86§	8.23§	9.52‡	11.17‡	12.78‡	14.36‡	15.93‡	17.48‡	20.56‡
....	6.17♥	7.51§	8.78§	10.00§	11.20§	12.78‡	14.34‡	15.89‡	17.43‡	18.96‡	22.01‡
....	7.00§	8.37§	9.67§	11.32§	12.93§	14.52‡	16.09‡	17.64‡	20.73‡

L Belt Width Table

Belt Width Factor	.28	.35	.45	.57	.71	.86	1.00	1.29	1.56	1.84	2.14	2.72	3.36
Belt Width	3/8	7/16	1/2	5/8	3/4	7/8	1	1-1/4	1-1/2	1-3/4	2	2-1/2	3
Belt Width Code	037	043	050	062	075	087	100	125	150	175	200	250	300

Teeth in Mesh factor (T.I.M)

Table Symbol	No. of Teeth In Mesh In Small Pulley	Factor
None	6 or More	1.00
†	5	.80
‡	4	.60

Table Symbol	No. of Teeth In Mesh In Small Pulley	Factor
§	3	.40
β	2	.20

FEATURES/BENEFITS PAGE PT10-2	SPECIFICATIONS PAGE PT10-3	SELECTION PAGE PT10-14	ENGINEERING/TECHNICAL PAGE PT10-44
----------------------------------	-------------------------------	---------------------------	---------------------------------------



SELECTION

H Stock Drive Selections

	Driven Speeds for Motor Speeds of			Speed Ratio	Pulley Combination				HP for a 1 Wide Belt for Motor Speeds of Δ			Nominal C.D. Using DYNA-SYNC Belts						
					Driver		Driven											
	3500	1750	1160		No. of Teeth	Pitch Diam.	No. of Teeth	Pitch Diam.	3500	1750	1160	240H	270H	300H	330H	360H	390H	420H
FHP Drives	...	1750	1160	1.00	48H	7.839	48H	7.639	...	13.84	9.55	9.01	
	3500	1750	1160	1.00	40H	6.366	40H	6.366	20.08	11.79	8.03	8.01	9.51	11.01	
	3500	1750	1160	1.00	32H	5.093	32H	5.093	17.40	9.60	6.48	...	5.51	7.01	8.51	10.01	13.01	
	3500	1750	1160	1.00	30H	4.775	30H	4.775	16.59	9.03	6.08	...	6.01	7.51	9.01	10.51	13.51	
	3500	1750	1160	1.00	28H	4.456	28H	4.456	15.74	8.46	5.68	5.01	6.51	8.01	9.51	11.01	14.01	
	3500	1750	1160	1.00	26H	4.138	26H	4.138	14.80	7.88	5.28	5.51	7.01	8.51	10.01	11.51	14.51	
	3500	1750	1160	1.00	24H	3.820	24H	3.820	13.82	7.30	4.89	6.01	7.51	9.01	10.51	12.01	15.01	
	3500	1750	1160	1.00	22H	3.501	22H	3.501	12.84	6.71	4.48	6.51	8.01	9.51	11.01	12.51	15.51	
	3500	1750	1160	1.00	20H	3.183	20H	3.183	11.77	6.11	4.08	7.01	8.51	10.01	11.51	13.01	16.01	
	3500	1750	1160	1.00	18H	2.865	18H	2.865	10.71	5.52	3.68	7.51	9.01	10.51	12.01	13.51	16.51	
Drive Component Accessories	...	1750	1160	1.00	16H	2.546	16H	2.546	...	4.91	3.27	8.01	9.51	11.01	12.51	14.01	17.01	
	1160	1.00	14H	2.228	14H	2.228	2.86	8.51	10.01	11.51	13.01	14.51	17.51	
	3281	1641	1087	1.07	30H	4.775	32H	5.093	16.59	9.03	6.08	...	5.75	7.25	8.76	10.26	11.76	
	3267	1633	1083	1.07	28H	4.456	30H	4.775	15.74	8.46	5.68	...	6.25	7.26	9.26	10.76	12.26	
	3250	1625	1077	1.08	26H	4.138	28H	4.456	14.80	7.88	5.28	5.25	6.75	8.26	9.76	11.26	12.76	
	3231	1615	1071	1.08	24H	3.820	26H	4.138	13.82	7.30	4.89	5.76	7.26	8.76	10.26	11.76	14.76	
	3208	1604	1063	1.09	22H	3.501	24H	3.820	12.84	6.71	4.48	6.26	7.76	9.26	10.76	12.26	15.26	
	3182	1591	1055	1.10	20H	3.183	22H	3.501	11.77	6.11	4.08	6.76	8.26	9.76	11.26	12.76	15.75	
	3150	1575	1044	1.11	18H	2.865	20H	3.183	10.71	5.52	3.68	7.26	8.76	10.26	11.76	13.26	16.26	
	...	1556	1031	1.13	16H	2.546	18H	2.865	...	4.91	3.27	7.76	9.26	10.76	12.26	13.76	16.76	
DYNA-SYNC	3063	1531	1015	1.14	28H	4.456	32H	5.093	15.74	8.46	5.68	...	6.00	7.50	9.00	10.50	12.01	
	1015	1.14	14H	2.228	16H	2.546	2.86	8.26	9.76	11.26	12.76	14.26	15.76	
	3033	1517	1005	1.15	26H	4.138	30H	4.775	14.80	7.88	5.28	5.00	6.50	8.00	9.50	11.00	12.51	
	3000	1500	994	1.17	24H	3.820	28H	4.456	13.82	7.30	4.89	5.50	7.00	8.50	10.00	11.50	13.01	
	2962	1481	982	1.18	22H	3.501	26H	4.138	12.84	6.71	4.48	6.00	7.50	9.00	10.50	12.01	13.50	
	2917	1458	967	1.20	40H	6.366	48H	7.639	20.08	11.79	8.03	8.48	
	2917	1458	967	1.20	20H	3.183	24H	3.820	11.77	6.11	4.08	6.50	8.00	9.50	11.00	12.51	14.01	
	2864	1432	949	1.22	18H	2.865	22H	3.501	10.71	5.52	3.68	7.01	8.50	10.00	11.51	13.01	14.51	
	2844	1422	943	1.23	26H	4.138	32H	5.093	14.80	7.88	5.28	...	6.24	7.74	9.24	10.75	12.25	
	...	1400	928	1.25	48H	7.639	60H	9.549	...	13.84	9.55	
HT200/HTD Synchronous Drives	2800	1400	928	1.25	32H	5.093	40H	6.366	17.40	9.60	6.48	7.43	8.98	10.49	
	2800	1400	928	1.25	24H	3.820	30H	4.775	13.82	7.30	4.89	5.24	6.40	8.24	9.75	11.25	12.75	
	...	1400	928	1.25	16H	2.546	20H	3.183	...	4.91	3.27	7.50	9.00	10.50	12.01	13.51	15.01	
	2750	1375	911	1.27	22H	3.501	28H	4.456	12.84	6.71	4.48	5.74	7.24	8.74	10.25	11.75	13.25	
	902	1.29	14H	2.228	18H	2.865	2.86	8.00	9.50	11.01	12.51	14.01	15.51	
	2692	1346	892	1.30	20H	3.183	26H	4.138	11.77	6.11	4.08	6.24	7.74	9.25	10.75	12.25	13.75	
	2625	1313	870	1.33	30H	4.775	40H	6.366	16.59	9.03	6.08	6.20	7.72	9.22	10.73	
	2625	1313	870	1.33	24H	3.820	32H	5.093	13.82	7.30	4.89	4.97	6.48	7.98	9.49	10.99	12.49	
	2625	1313	870	1.33	18H	2.865	24H	3.820	10.71	5.52	3.68	6.74	8.24	9.75	11.25	12.75	14.25	
	2567	1283	851	1.36	22H	3.501	30H	4.775	12.84	6.71	4.48	5.47	6.98	8.48	9.99	11.49	12.99	
HT500 Synchronous Drives	...	1273	844	1.38	16H	2.546	22H	3.501	...	4.91	3.27	7.24	8.75	10.25	11.75	13.25	14.75	
	2500	1250	829	1.40	20H	3.183	28H	4.456	11.77	6.11	4.08	5.97	7.48	8.99	10.49	11.99	13.49	
	2450	1225	812	1.43	28H	4.456	40H	6.366	15.74	8.46	5.68	6.50	7.95	9.46	10.97	
	812	1.43	14H	2.228	20H	3.183	2.86	7.75	9.25	10.75	12.25	13.75	15.25	
	2423	1212	803	1.44	18H	2.865	26H	4.138	10.71	5.52	3.68	6.48	7.98	9.49	10.99	12.49	14.00	
	2406	1203	798	1.45	22H	3.501	32H	5.093	12.84	6.71	4.48	5.20	6.71	8.22	9.73	11.23	12.73	

Δ HP ratings are for conventional speed-reduction drives.

♥ Flanges Required on both pulleys.

For Speed-Up Drives refer to page PT10-17.

◇ Pulley Diameter is below recommended minimum. A reduction in belt life should be expected. Suggest alternate drive selection, whenever possible.

FEATURES/BENEFITS PAGE PT10-2	SPECIFICATIONS PAGE PT10-3	SELECTION PAGE PT10-14	ENGINEERING/TECHNICAL PAGE PT10-44
----------------------------------	-------------------------------	---------------------------	---------------------------------------



H Stock Drive Selections

Nominal Center Distance Using DYNA-SYNC Belts

450H	480H	510H	540H	570H	600H	630H	660H	700H	750H	800H	850H	900H	1000H	1100H	1250H	1400H	1700H
10.51	12.01	13.51	15.01	16.51	18.01	19.51	21.01	23.01	25.51	28.01	30.51	33.01	38.01	43.01	50.51	58.01	73.01
12.51	14.01	15.51	17.01	18.51	20.01	21.51	23.01	25.01	27.51	30.01	32.51	35.01	40.01	45.01	52.51	60.01	75.01
14.51	16.01	17.51	19.01	20.51	22.01	23.51	25.01	27.01	29.51	32.01	34.51	37.01	42.01	47.01	54.51	62.01	77.01
15.01	16.51	18.01	19.51	21.01	22.51	24.01	25.51	27.51	30.01	32.51	35.01	37.51	42.51	47.51	55.01	62.51	77.51
15.51	17.01	18.51	20.01	21.51	23.01	24.51	26.01	28.01	30.51	33.01	35.51	38.01	43.01	48.01	55.51	63.01	78.01
16.01	17.51	19.01	20.51	22.01	23.51	25.01	26.51	28.51	31.01	33.51	36.01	38.51	43.51	48.51	56.01	63.51	78.51
16.51	18.01	19.51	21.01	22.51	24.01	25.51	27.01	29.01	31.51	34.01	36.51	39.01	44.01	49.01	56.51	64.01	79.01
17.01	18.51	20.01	21.51	23.01	24.51	26.01	27.51	29.51	32.01	34.51	37.01	39.51	44.51	49.51	57.01	64.51	79.51
17.51	19.01	20.51	22.01	23.51	25.01	26.51	28.01	30.01	32.51	35.01	37.51	40.01	45.01	50.01	57.51	65.01	80.01
18.01	19.51	21.01	22.51	24.01	25.51	27.01	28.51	30.51	33.01	35.51	38.01	40.51	45.51	50.51	58.01	65.51	80.51
18.51	20.01	21.51	23.01	24.51	26.01	27.51	29.01	31.01	33.51	36.01	38.51	41.01	46.01	51.01	58.51	66.01	81.01
19.01	20.51	22.01	23.51	25.01	26.51	28.01	29.51	31.51	34.01	36.51	39.01	41.51	46.51	51.51	59.01	66.51	81.51
14.76	16.26	17.76	19.26	20.76	22.26	23.76	25.26	27.26	29.76	32.26	34.76	37.26	42.26	47.26	54.76	62.26	77.26
15.26	16.76	18.26	19.76	21.26	22.76	24.26	25.76	27.76	30.26	32.76	35.26	37.76	42.76	47.76	55.26	62.76	77.76
15.76	17.26	18.76	20.26	21.76	23.26	24.76	26.26	28.26	30.76	33.26	35.76	38.26	43.26	48.26	55.76	63.26	78.26
16.26	17.76	19.26	20.76	22.26	23.76	25.26	26.76	28.76	31.26	33.76	36.26	38.76	43.76	48.76	56.26	63.76	78.76
16.76	18.26	19.76	21.26	22.76	24.26	25.76	27.26	29.26	31.76	34.26	36.76	39.26	44.26	49.26	56.76	64.26	79.26
17.26	18.75	20.36	21.76	23.26	24.76	26.26	27.76	29.76	32.26	34.76	37.26	39.76	44.76	49.76	57.26	64.76	79.76
17.76	19.26	20.76	22.26	23.76	25.26	26.76	28.26	30.26	32.76	35.26	37.76	40.26	45.26	50.26	57.76	62.26	80.26
18.26	19.76	21.26	22.76	24.26	25.76	27.26	28.76	30.76	33.26	35.76	38.26	40.76	45.76	50.76	58.26	65.76	80.76
15.01	16.51	18.01	19.51	21.01	22.51	24.01	25.51	27.51	30.01	32.51	35.01	37.51	42.51	47.51	55.01	62.51	77.51
18.76	20.26	21.76	23.36	24.76	26.26	27.76	29.26	31.26	33.76	36.26	38.76	41.26	46.26	51.26	58.76	66.26	81.26
15.51	17.01	18.51	20.01	21.51	23.01	24.51	26.01	28.01	30.51	33.01	35.51	38.01	43.01	48.01	55.51	63.01	78.01
16.01	17.51	19.01	20.51	22.01	23.51	25.01	26.51	28.51	31.01	33.51	36.01	38.51	43.51	48.51	56.01	63.51	78.51
16.51	18.01	19.51	21.01	22.51	24.01	25.51	27.01	29.01	31.51	34.01	36.51	39.01	44.01	49.01	56.51	64.01	79.01
11.49	12.99	14.49	16.00	17.50	19.00	20.50	22.00	24.00	26.51	29.00	31.50	34.00	39.01	44.00	51.51	59.01	74.01
17.01	18.51	20.01	21.51	23.01	24.51	26.01	27.51	29.51	32.01	34.51	37.01	39.51	44.51	49.51	57.01	64.51	79.51
17.51	19.01	20.51	22.01	23.51	25.01	26.51	28.01	30.01	32.51	35.01	37.50	40.01	45.01	50.01	57.51	65.01	80.01
15.24	16.75	18.25	19.76	21.25	22.76	24.26	25.76	27.76	30.25	32.76	35.26	37.76	42.76	47.76	55.26	62.76	77.76
8.95	10.46	11.97	13.47	14.98	16.48	17.98	19.48	21.49	23.99	26.49	28.99	31.50	36.50	41.50	49.00	56.50	71.50♥
13.49	15.00	16.50	18.00	19.50	21.00	22.50	24.00	26.00	28.50	31.00	33.50	36.01	41.00	46.01	53.51	61.01	76.01
15.75	17.25	18.80	20.25	21.76	23.26	24.76	26.25	28.26	30.76	33.26	35.75	38.26	43.26	48.26	55.76	63.26	78.26
18.01	19.51	21.01	22.51	24.01	25.51	27.01	28.51	30.51	33.01	35.51	38.01	40.51	45.51	50.51	58.01	65.51	80.51
16.25	17.75	19.25	20.76	22.26	23.76	25.26	26.76	28.76	31.26	33.76	36.26	38.76	43.76	48.76	56.26	63.76	78.76
18.51	20.01	21.51	23.01	24.51	26.01	27.51	29.01	31.01	33.51	36.01	38.51	41.01	46.01	51.01	58.51	66.01	81.01
16.75	18.25	19.76	21.26	22.76	24.26	25.76	27.26	29.26	31.29	34.26	36.76	39.25	44.26	49.26	56.76	64.26	79.26
13.74	15.24	16.74	18.24	19.74	21.25	22.75	24.25	26.25	28.75	31.25	33.75	36.25	41.25	46.25	53.75	61.26	76.26
15.50	17.00	18.50	20.00	21.50	23.00	24.50	26.00	28.00	30.50	33.00	35.51	38.01	43.00	48.01	55.51	63.01	78.01
17.25	18.80	20.26	21.76	23.26	24.76	26.25	27.76	29.76	32.25	34.76	37.26	39.76	44.76	49.76	57.26	64.76	79.76
16.00	17.50	19.00	20.50	22.00	23.50	25.00	26.50	28.50	31.00	33.51	36.01	38.50	43.51	48.51	56.01	63.51	78.52
17.76	19.26	20.76	22.26	23.76	25.26	26.76	28.26	30.26	32.76	35.26	37.76	40.26	45.26	50.26	57.76	65.26	80.26
16.50	18.00	19.50	21.00	22.50	24.00	25.50	27.00	29.01	31.50	34.01	36.50	39.01	44.00	49.01	56.51	64.01	79.01
13.98	15.48	16.98	18.48	19.99	21.49	22.99	24.49	26.49	29.00	31.50	34.00	36.50	41.50	46.50	54.00	61.50	76.50
18.26	19.76	21.26	22.76	24.26	25.76	27.26	28.75	30.76	33.26	35.76	38.26	40.77	45.76	50.76	58.26	65.76	80.76
17.00	18.50	20.00	21.50	23.00	24.50	26.01	27.50	29.51	32.01	34.51	37.01	39.51	44.51	49.51	57.01	64.51	79.51
15.74	17.24	18.74	20.24	21.75	23.18	24.75	26.25	28.25	30.75	33.25	35.75	38.25	43.25	48.25	55.76	63.25	78.26

H Belt Width Table

Belt Width Factor	.42	.57	.71	.86	1.00	1.29	1.56	1.84	2.14	2.72	3.36	4.06	4.76	6.15	7.50	8.89	10.32
Belt Width	1/2	5/8	3/4	7/8	1	1-1/4	1-1/2	1-3/4	2	2-1/2	3	3-1/2	4	5	6	7	8
Belt Width Code	050	062	075	087	100	125	150	175	200	250	300	350	400	500	600	700	800

Shaded area indicates stock belt widths.

FEATURES/BENEFITS PAGE PT10-2	SPECIFICATIONS PAGE PT10-3	SELECTION PAGE PT10-14	ENGINEERING/TECHNICAL PAGE PT10-44
----------------------------------	-------------------------------	---------------------------	---------------------------------------



SELECTION

H Stock Drive Selections

	Driven Speeds for Motor Speeds of			Speed Ratio	Pulley Combination				HP for a 1 Wide Belt for Motor Speeds of Δ			Nominal C.D. Using DYNA-SYNC Belts						
					Driver		Driven											
	3500	1750	1160		No. of Teeth	Pitch Diam.	No. of Teeth	Pitch Diam.	3500	1750	1160	240H	270H	300H	330H	360H	390H	420H
FHP Drives	1167	773	1.50	48H	7.639	72H	11.459	13.84	9.55	
	2333	1167	773	1.50	40H	6.366	60H	9.549	20.08	11.79	8.03	8.35	
	2333	1167	773	1.50	32H	5.093	48H	7.639	17.40	9.60	6.48	7.90	9.42	10.93	
	2333	1167	773	1.50	20H	3.183	30H	4.775	11.77◇	6.11	4.08	5.70	7.21	8.72	10.23	11.73	13.24	14.74
	1167	773	1.50	16H	2.546	24H	3.820	4.91◇	3.27◇	6.98	8.48	9.99	11.49	12.99	14.50	16.00
Drive Component Accessories	2275	1138	754	1.54	26H	4.138	40H	6.366	14.80	7.88	5.28	6.66	8.18	9.69	11.20	12.71
	2250	1125	746	1.56	18H	2.865	28H	4.456	10.71◇	5.52◇	3.68	6.21	7.72	9.22	10.73	12.23	13.74	15.24
	738	1.57	14H	2.228	22H	3.501	2.86◇	7.48	8.99	10.49	11.99	13.50	15.00	16.50
	2188	1094	725	1.60	30H	4.775	48H	7.639	16.59	9.03	6.08	6.60	8.13	9.65	11.17
	2188	1094	725	1.60	20H	3.183	32H	5.093	11.77◇	6.11	4.08	5.42	6.94	8.45	9.96	11.47	12.97	14.48
DYNA-SYNC	1077	714	1.63	16H	2.546	26H	4.138	4.91◇	3.27◇	6.71	8.22	9.73	11.23	12.73	14.24	15.74
	2100	1050	696	1.67	24H	3.820	40H	6.366	13.82	7.30	4.89	6.89	8.41	9.93	11.44	12.95
	2100	1050	696	1.67	18H	2.865	30H	4.775	10.71◇	5.52◇	3.68	5.93	7.45	8.96	10.46	11.97	13.48	14.98
	2042	1021	677	1.71	28H	4.456	48H	7.639	15.74	8.46	5.68	6.82	8.35	9.88	11.40
	677	1.71	14H	2.228	24H	3.820	2.86◇	7.22	8.72	10.23	11.74	13.24	14.74	16.24
Synchronous Drives	1000	663	1.75	48H	7.639	84H	13.369	13.84	9.55
	1000	663	1.75	16H	2.546	28H	4.456	4.91◇	3.27◇	6.44	7.95	9.46	10.97	12.47	13.98	15.48
	1969	985	652	1.78	18H	2.865	32H	5.093	10.71◇	5.52◇	3.68	5.65	7.17	8.69	10.20	11.71	13.21	14.72
	1944	972	644	1.80	40H	6.366	72H	11.459	20.08	11.79	8.03
	1925	963	638	1.82	22H	3.501	40H	6.366	12.84	6.71	4.48	5.57	7.11	8.64	10.16	11.67	13.18
HT200/HTD	1896	948	628	1.85	26H	4.138	48H	7.639	14.80	7.88	5.28	7.04	8.58	10.11	11.63
	625	1.86	14H	2.226	26H	4.138	2.86◇	6.94	8.45	9.96	11.47	12.97	14.48	15.98
	1867	933	619	1.88	32H	5.093	60H	9.549	17.40	9.60	6.48	7.68	9.24
	933	619	1.88	16H	2.546	30H	4.775	4.91◇	3.27◇	6.16	7.68	9.19	10.70	12.21	13.71	15.22
	875	580	2.00	48H	7.639	96H	15.279	13.84	9.55
HT500	1750	875	580	2.00	30H	4.775	60H	9.549	16.59	9.03	6.08	7.89	9.45
	1750	875	580	2.00	24H	3.820	48H	7.639	13.82	7.30	4.89	7.25	8.80	10.33	11.85
	1750	875	580	2.00	20H	3.183	40H	6.366	11.77◇	6.11	4.08	7.33	8.86	10.39	11.90	13.41
	875	580	2.00	16H	2.546	32H	5.093	4.91◇	3.27◇	5.87	7.40	8.92	10.43	11.94	13.45	14.96
	580	2.00	14H	2.228	28H	4.456	2.66◇	6.67	8.18	9.69	11.20	12.71	14.22	15.72
Synchronous Drives	1667	833	552	2.10	40H	6.366	84H	13.369	20.08	11.79	8.03
	1633	817	541	2.14	28H	4.456	60H	9.549	15.74	8.46	5.68	8.10	9.67
	541	2.14	14H	2.228	30H	4.775	2.86◇	6.38	7.90	9.42	10.94	12.44	13.95	15.46
	1604	802	532	2.18	22H	3.501	48H	7.639	12.84	6.71	4.48	7.47	9.02	10.55	12.08
	1575	788	522	2.22	18H	2.865	40H	6.366	10.71◇	5.52◇	3.68	6.00	7.55	9.09	10.61	12.13	13.65
Synchronous Drives	1556	778	516	2.25	32H	5.093	72H	11.459	17.40	9.60	6.48
	507	2.29	14H	2.228	32H	5.093	2.86◇	6.09	7.62	9.15	10.66	12.18	13.68	15.19
	1517	758	503	2.31	26H	4.138	60H	9.549	14.80	7.88	5.28	8.31	9.88
	1458	729	483	2.40	40H	6.366	96H	15.279	20.08	11.79	8.03
	1458	729	483	2.40	30H	4.775	72H	11.459	16.59	9.03	6.08
Roller Chain Sprockets	1458	729	483	2.40	20H	3.183	48H	7.639	11.77◇	6.11	4.08	6.09	7.68	9.24	10.78	12.31
	700	464	2.50	48H	7.639	120H	19.099	13.84	9.55
	1400	700	464	2.50	24H	3.820	60H	9.549	13.82	7.30	4.89	8.52	10.10
	700	464	2.50	16H	2.546	40H	6.366	4.91◇	3.27◇	6.21	7.77	9.31	10.84	12.36	13.88
	1361	681	451	2.57	28H	4.456	72H	11.459	15.74	8.46	5.68
1333	667	442	2.63	32H	5.093	84H	13.369	17.40	9.60	6.48	

Δ HP ratings are for conventional speed-reduction drives.

♥ Flanges Required on both pulleys.

For Speed-Up Drives refer to page PT10-17.

◇ Pulley Diameter is below recommended minimum. A reduction in belt life should be expected. Suggest alternate drive selection, whenever possible.

FEATURES/BENEFITS PAGE PT10-2	SPECIFICATIONS PAGE PT10-3	SELECTION PAGE PT10-14	ENGINEERING/TECHNICAL PAGE PT10-44
----------------------------------	-------------------------------	---------------------------	---------------------------------------



H Stock Drive Selections

Nominal Center Distance Using DYNA-SYNC Belts

450H	480H	510H	540H	570H	600H	630H	660H	700H	750H	800H	850H	900H	1000H	1100H	1250H	1400H	1700H
....	10.33	11.85	13.37	14.88	16.40	17.91	19.92	22.43	24.94	27.44	29.95	34.96	39.96	47.47	54.98	69.99♥
9.88	11.40	12.91	14.42	15.93	17.44	18.94	20.45	22.45	24.96	27.46	29.97	32.47	37.48	42.48	49.98	57.49♥	72.49♥
12.44	13.95	15.46	16.97	18.47	19.97	21.47	22.97	24.98	27.48	29.98	32.49	34.99	39.99	44.99	52.50	60.00	74.99
16.24	17.74	19.24	20.75	22.25	23.75	25.25	26.75	28.75	31.25	33.75	36.25	38.75	43.76	48.76	56.27	63.75	78.76
17.50	19.00	20.50	22.00	23.50	25.00	26.50	28.00	30.01	32.51	35.01	37.50	40.01	45.02	50.01	57.51	65.01	80.01
14.21	15.72	17.22	18.73	20.23	21.73	23.23	24.74	26.74	29.24	31.74	34.24	36.75	41.75	46.75	54.25	61.75	76.75
16.74	18.24	19.75	21.25	22.75	24.25	25.75	27.25	29.25	31.75	34.25	36.49	39.25	44.26	49.25	56.75	64.26	79.26
18.00	19.50	21.00	22.50	24.00	25.50	27.01	28.50	30.51	33.01	35.51	38.01	40.51	45.51	50.50	58.02	65.51	80.51
12.68	14.19	15.69	17.20	18.70	20.21	21.71	23.22	25.22	27.72	30.23	32.13	35.23	40.24	45.24	52.74	60.25	75.25
15.98	17.48	18.99	20.49	21.99	23.49	24.99	26.49	28.50	31.00	33.50	36.00	38.50	43.50	48.50	56.00	63.52	78.51
17.24	18.74	20.25	21.75	23.18	24.75	26.25	27.75	29.75	32.25	34.75	37.25	39.76	44.76	49.76	57.25	64.76	79.77
14.45	15.96	17.46	18.97	20.47	21.97	23.48	24.98	26.98	29.48	31.99	34.49	36.99	41.99	47.00	54.50	62.00	77.01
16.48	17.96	19.49	20.99	22.49	23.99	25.49	26.99	29.00	31.50	34.00	36.50	39.00	44.00	49.00	56.51	64.01	79.01
12.91	14.42	15.93	17.44	18.94	20.45	21.95	23.46	25.46	27.97	30.47	32.97	35.48	40.48	45.48	52.99	60.49	75.49
17.74	19.24	20.75	22.25	23.75	25.25	26.75	28.25	30.25	32.75	35.25	37.75	40.25	45.26	50.27	57.76	65.25	80.26
....	11.65	13.19	14.73	16.25	18.28	20.81	23.33	25.85	28.34	33.39	38.40	45.92	53.43	68.45♥
16.98	18.49	19.99	21.49	22.99	24.49	26.00	27.49	29.50	32.00	34.50	37.00	39.50	44.50	49.50	57.01	64.50	79.51
16.22	17.73	19.23	20.73	22.23	23.73	25.24	26.74	28.74	31.24	33.74	36.24	38.75	43.75	48.75	56.25	63.75	78.77
....	9.67	11.22	12.75	14.28	25.81	17.32	18.84	20.85	23.37	25.88	28.40	30.90	35.92	40.93	48.44	55.95♥	70.97♥
14.69	16.20	17.70	19.21	20.71	22.21	23.72	25.22	27.22	29.73	32.23	34.73	37.23	42.24	47.24	54.74	62.25	77.25
13.14	14.65	16.16	17.67	19.18	20.68	22.19	23.69	25.70	28.21	30.71	33.21	35.72	40.72	45.73	53.24	60.74	75.74
17.49	18.99	20.49	21.99	23.49	24.99	26.49	27.99	30.00	32.50	35.00	37.50	40.00	45.00	50.00	57.50	65.00	80.01
10.78	12.31	13.83	15.35	16.86	18.37	19.88	21.39	23.40	25.91	28.42	30.93	33.44	38.45	43.45♥	50.96♥♥	58.47♥	73.48♥
16.72	18.23	19.73	21.23	22.73	24.24	25.74	27.24	29.24	31.74	34.24	36.75	39.25	44.25	49.25	56.15	64.14	79.25
....	12.94	14.50	16.56	19.12	21.67	24.21	26.74	31.78	36.81	44.35	51.87	66.90
11.00	12.53	14.06	15.58	17.09	18.61	20.35	21.63	23.64	26.15	28.66	31.17	33.68	38.69♥	43.70♥	51.21♥	58.71♥	73.73♥
13.37	14.89	16.40	17.91	19.42	20.92	22.43	23.93	25.94	28.45	30.95	33.46	35.96	40.97	45.97	53.48	60.98	75.99
14.92	16.43	17.94	19.45	20.95	22.45	23.96	25.46	27.47	29.97	32.47	34.97	37.48	42.48	47.48	54.99	62.49	77.50
16.46	17.97	19.47	20.87	22.48	23.98	25.48	26.98	28.99	31.48	33.99	36.49	38.99	43.99	49.00	56.50	64.00	79.01
17.22	18.73	20.23	21.73	23.23	24.74	26.24	27.74	29.74	32.24	34.74	37.25	39.75	44.75	49.75	57.25	64.75	79.75
....	10.94	12.51	14.07	15.61	17.15	19.19	21.73	24.26	26.78	29.30	34.33	39.35	46.88	54.40♥	69.42♥
11.21	12.75	14.28	15.80	17.32	16.64	20.35	21.86	23.87	26.39	28.90	31.41	33.91	38.93♥	43.94♥	51.45♥	58.95♥	73.97♥
16.96	18.47	19.97	21.47	22.98	24.46	25.98	27.48	29.48	31.99	34.49	36.99	39.49	44.49	49.50	57.01	64.50	79.50
13.60	15.12	16.66	18.14	19.65	21.16	22.67	24.17	26.18	28.69	31.19	33.70	36.20	41.21	46.22	53.72	61.23	76.24
15.16	16.67	18.18	19.68	21.19	22.69	24.20	25.70	27.71	30.21	32.71	35.22	37.72	42.73	47.73	55.23	62.74	77.74
8.93	10.52	12.08	13.63	15.17	16.70	18.23	19.75	21.78	24.30	26.82	29.34	31.85	36.87	41.89♥	49.41♥	56.92♥	71.94♥
16.70	18.20	19.70	21.21	22.72	24.22	25.72	27.22	29.23	31.73	34.23	36.73	39.24	44.24	49.24	56.75	64.25	79.25
11.44	12.97	14.51	16.03	17.55	19.07	20.58	22.09	24.11	26.62	29.13	31.64	34.15♥	39.17♥	44.18♥	51.69♥	59.20♥	74.21♥
....	12.18	13.78	15.35	17.43	20.01	22.57	25.11	27.65	32.71	37.75	45.29	52.82♥	67.87♥
9.14	10.76	12.30	13.85	15.39	16.93	18.45	19.98	22.01	24.53	27.05	29.57	32.09	37.11	42.13♥	49.65♥	57.16♥	72.19♥
13.83	15.35	16.86	18.37	19.89	21.39	22.90	24.41	26.42	28.92	31.43	33.94	36.44	41.45	46.46	53.97	61.47	76.48
....	15.43	18.09	20.71	23.30	28.43	33.52	41.11	48.67	63.75♥
11.65	13.20	14.73	16.25	17.77	19.30	20.81	22.33	24.34	26.86	29.37	31.88♥	34.39♥	39.41♥	44.42♥	51.93♥	59.44♥	74.46♥
15.39	16.90	18.41	19.92	21.43	22.93	24.44	25.94	27.95	30.45	32.96	35.46	37.97	42.97	47.97	55.48	62.98	77.99
9.34	10.94	12.51	14.07	15.61	17.15	18.68	20.20	22.23	24.76	27.28	29.80	32.32	37.35♥	42.37♥	49.89♥	57.40♥	72.43♥
....	10.15	11.77	13.36	14.93	16.49	18.03	20.08	22.63	25.17	27.70	30.23	35.22	40.30	47.83♥	55.36♥	70.39♥

H Belt Width Table

Belt Width Factor	.42	.57	.71	.86	1.00	1.29	1.56	1.84	2.14	2.72	3.36	4.06	4.76	6.15	7.50	8.89	10.32
Belt Width	1/2	5/8	3/4	7/8	1	1-1/4	1-1/2	1-3/4	2	2-1/2	3	3-1/2	4	5	6	7	8
Belt Width Code	050	062	075	087	100	125	150	175	200	250	300	350	400	500	600	700	800

Shaded area indicates stock belt widths.

FEATURES/BENEFITS PAGE PT10-2	SPECIFICATIONS PAGE PT10-3	SELECTION PAGE PT10-14	ENGINEERING/TECHNICAL PAGE PT10-44
----------------------------------	-------------------------------	---------------------------	---------------------------------------



SELECTION

H Stock Drive Selections

	Driven Speeds for Motor Speeds of			Speed Ratio	Pulley Combination				HP for a 1 Wide Belt for Motor Speeds of Δ			Nominal C.D. Using DYNA-SYNC Belts						
					Driver		Driven											
	3500	1750	1160		No. of Teeth	Pitch Diam.	No. of Teeth	Pitch Diam.	3500	1750	1160	240H	270H	300H	330H	360H	390H	420H
FHP Drives	1312	656	435	2.67	18H	2.865	48H	7.639	10.71◇	5.52◇	3.68	6.30	7.89	9.45	11.00	12.53
	1283	642	425	2.73	22H	3.501	60H	9.549	12.84	6.71	4.48	7.10	8.73	10.31
	1264	632	419	2.77	26H	4.138	72H	11.459	14.80	7.88	5.28
	1250	625	414	2.80	30H	4.775	84H	13.369	16.59	9.03	6.08
	406	2.86	14H	2.228	40H	6.366	2.86◇	4.80†	6.42†	7.99†	9.53	11.06	12.59	14.11
	1167	583	387	3.00	40H	6.366	120H	19.099	20.08	11.79	8.03
	1167	583	387	3.00	32H	5.093	96H	15.279	17.40	9.60	6.48
	1167	583	387	3.00	28H	4.456	84H	13.369	15.74	8.46	5.68
	1167	583	387	3.00	24H	3.820	72H	11.459	13.82	7.30	4.89	8.08
	1167	583	387	3.00	20H	3.183	60H	9.549	11.77◇	6.11	4.08	7.30	8.93	10.52
Drive Component Accessories	...	583	387	3.00	16H	2.546	48H	7.639	...	4.91◇	3.27◇	6.50	8.10	9.67	11.22	12.75
	1094	547	363	3.20	30H	4.775	96H	15.279	16.59	9.03	6.08
	1084	542	359	3.23	26H	4.138	84H	13.369	14.80	7.88	5.28
	1069	535	354	3.27	22H	3.501	72H	11.459	12.84	6.71	4.48	8.28
	1050	525	348	3.33	18H	2.865	60H	9.549	10.71◇	5.52◇	3.68	7.50	9.14	10.77
	1021	510	338	3.43	28H	4.456	96H	15.279	15.74	8.46	5.68
	338	3.43	14H	2.228	48H	7.639	2.86◇	6.70†	8.95†	9.88†	11.44†	12.98
	1000	500	331	3.50	24H	3.820	84H	13.369	13.82	7.30	4.89
	972	486	322	3.60	20H	3.183	72H	11.459	11.77◇	6.11	4.08	8.47
	948	474	314	3.69	26H	4.138	96H	15.279	14.80	7.88	5.28
DYNA-SYNC	933	467	309	3.75	32H	5.093	120H	19.099	17.40	9.60	6.48
	...	467	309	3.75	16H	2.546	60H	9.549	...	4.91◇	3.27◇	7.69†	9.34†	10.94
	916	458	304	3.82	22H	3.501	84H	13.369	12.84	6.71	4.48
	875	438	290	4.00	30H	4.775	120H	19.099	16.59	9.03	6.08
	875	438	290	4.00	24H	3.820	96H	15.279	13.82	7.30	4.89
	875	438	290	4.00	18H	2.865	72H	11.459	10.71◇	5.52◇	3.68	8.67
	833	417	276	4.20	20H	3.183	84H	13.369	11.77◇	6.11	4.08
	817	408	271	4.29	28H	4.456	120H	19.099	15.74	8.46	5.68
	271	4.29	14H	2.228	60H	9.549	2.86◇	6.12†	7.89†	9.55†	11.15†
	802	401	266	4.36	22H	3.501	96H	15.279	12.84	6.71	4.48
	...	389	258	4.50	16H	2.546	72H	11.459	...	4.91◇	3.27◇	8.86†
	758	379	251	4.62	26H	4.138	120H	19.099	14.80	7.88	5.28
	749	375	248	4.67	18H	2.865	84H	13.369	10.71◇	5.52	3.68
	729	365	242	4.80	20H	3.183	96H	15.279	11.77◇	6.11	4.08
	700	350	232	5.00	24H	3.820	120H	19.099	13.82	7.30	4.89
HT200/HTD Synchronous Drives	226	5.14	14H	2.228	72H	11.459	2.86◇	7.22§	9.05†
	...	333	221	5.25	16H	2.546	84H	13.369	...	4.91◇	3.27◇
	656	323	217	5.33	18H	2.865	96H	15.279	10.71◇	5.52◇	3.68
	642	321	213	5.45	22H	3.501	120H	19.099	12.84	6.71	4.48
	583	294	193	6.00	20H	3.183	120H	19.099	11.77◇	6.11	4.08
HT500 Synchronous Drives	...	292	193	6.00	16H	2.546	96H	15.219	...	4.91◇	3.27◇
	193	6.00	14H	2.228	84H	13.369	2.86◇
	525	262	174	6.67	18H	2.865	120H	19.099	10.71◇	5.52◇	3.68◇
	169	6.86	14H	2.228	96H	15.279	3.27◇
	...	233	155	7.50	16H	2.546	120H	19.099	...	4.91◇	2.86◇
	135	8.57	14H	2.228	120H	19.099

Δ HP ratings are for conventional speed-reduction drives.

For Speed-Up Drives refer to page PT10-17.

◇ Pulley Diameter is below recommended minimum. A reduction in belt life should be expected. Suggest alternate drive selection, whenever possible.

† ‡ § See Teeth in Mesh table on opposite page.

♥ Flanges Required on both pulleys.

FEATURES/BENEFITS PAGE PT10-2	SPECIFICATIONS PAGE PT10-3	SELECTION PAGE PT10-14	ENGINEERING/TECHNICAL PAGE PT10-44
----------------------------------	-------------------------------	---------------------------	---------------------------------------



H Stock Drive Selections

Nominal Center Distance Using DYNA-SYNC Belts

450H	480H	510H	540H	570H	600H	630H	660H	700H	750H	800H	850H	900H	1000H	1100H	1250H	1400H	1700H
14.06	15.58	17.09	18.61	20.35	21.63	23.14	24.64	26.65	29.16	31.67	34.18	36.68	41.69	46.70	54.21	61.71	76.73
11.87	13.42	14.95	16.48	18.00	19.52	21.04	22.56	24.58	27.09	29.61♥	32.12♥	34.63♥	39.65♥	44.66♥	52.17♥	56.69♥	74.70♥
9.55	11.15	12.73	14.29	15.83	17.37	18.90	20.43	22.46	24.99	27.52	30.04	32.55	37.58♥	42.60♥	50.13♥	57.64♥	72.67♥
....	10.35	11.98	13.57	15.14	16.70	18.25	20.30	22.85	25.39	27.95	30.46	35.50	40.53♥	48.07♥	55.59♥	70.63♥
15.62	17.13	18.65	20.15	21.66	23.17	23.67	26.18	28.19	30.69	33.20	35.70	38.21	43.21	48.22	55.72	63.23	78.24
....	13.47	16.24	18.92	21.56	24.16	29.31	34.42	42.03	49.60	64.70♥
....	11.34	12.99	14.81	16.20	18.29	20.88	23.45	26.01	28.55	33.62	38.67	46.23♥	53.77♥	68.62♥
....	10.55	12.18	13.78	15.36	16.92	18.47	20.52	23.08	25.62	28.16	30.69	35.73♥	40.77♥	48.31♥	55.83♥	70.87♥
9.75	11.36	12.94	14.50	16.05	17.59	19.13	20.65	22.69	26.22	27.75	30.27	32.79♥	37.82♥	42.84♥	50.37♥	57.88♥	72.91♥
12.09	13.63	15.17	16.70	18.23	19.75	21.27	22.79	24.81	27.32♥	29.84♥	32.35♥	38.87♥	39.88♥	44.90♥	52.42♥	59.93♥	94.95♥
14.28	15.80	17.32	18.84	20.35	21.86	23.37	24.88	26.89	29.40	31.91	34.42	36.92	41.93	46.94	54.45	81.96	76.97
....	11.54	13.20	14.81	16.41	18.51	21.10	23.67	26.23	28.79	33.85	38.90♥	46.46♥	54.00♥	69.06♥
....	9.05	10.75	12.39	13.99	15.57	17.13	18.68	20.74	23.30	25.85	28.38	30.91	35.96♥	41.00♥	48.54♥	56.07♥	71.11♥
9.95	11.56	13.15	14.72	16.27	17.81	19.35	20.88	22.91	25.45	27.98	30.50♥	33.02♥	38.05♥	43.08♥	50.61♥	58.12♥	73.15♥
12.30	13.85	15.39	16.93	18.46	19.98	21.50	23.02♥	25.04♥	27.56♥	30.07♥	32.59♥	35.10♥	40.12♥	45.14♥	52.66♥	60.17♥	75.19♥
....	11.73	13.40	15.02	16.62	18.72	21.32	23.89	26.45	29.00	34.08	39.13♥	46.70♥	54.24♥	69.30♥
14.51	16.03	17.55	19.07	20.58	22.09	23.61	25.11	27.13	29.64	32.15	34.68	37.16	42.17	47.18	54.70	62.20	77.22♥
....	9.24	10.95	12.59	14.20	15.78	17.35	18.90	20.96	23.52	26.07	28.61	31.14♥	36.20♥	41.23♥	48.78♥	56.35♥	71.35♥
10.15	11.77	13.36	14.93	16.49	18.03	19.57	21.10	23.14	25.68♥	28.21♥	30.73♥	33.25♥	38.29♥	43.31♥	50.84♥	58.36♥	73.40♥
....	10.19	11.93	13.60	15.23	16.83	18.93	21.53	24.11	26.67	29.23	34.31♥	39.36♥	46.93♥	54.48♥	69.54♥
....	14.25	17.05	19.75	22.40	25.02	30.19	35.31	42.94♥	50.52♥	65.64♥
12.51	14.07	15.61	17.15	18.66	21.20	21.73♥	23.26♥	25.27♥	27.79♥	30.31♥	32.82♥	35.34♥	40.36♥	45.38♥	52.90♥	60.41♥	75.43♥
....	9.43	11.14	12.79	14.40	15.99	17.56	19.12	21.18	23.74	26.30	28.84♥	31.37♥	36.43♥	41.47♥	49.01♥	56.54♥	71.59♥
....	14.44	17.25	19.96	22.61	25.23	30.41	35.53	43.16♥	50.75♥	65.87♥
....	10.38	12.12	13.80	15.43	17.03	19.14	21.75	24.33	27.00	29.45	34.53♥	39.59♥	47.16♥	54.71♥	69.78♥
10.35	11.98	13.57	15.14	16.70	18.25	19.79	21.32	23.36♥	25.90♥	28.44♥	30.96♥	33.48♥	38.52♥	43.55♥	51.08♥	58.60♥	73.64♥
....	9.62	11.34	12.99	14.61	16.20	17.77	19.33	21.40	23.97	26.52♥	29.06♥	31.60♥	36.66♥	41.70♥	49.25♥	56.78♥	71.83♥
....	14.63	17.45	20.16	22.82	25.45	30.63	35.76	43.39♥	50.98♥	66.11♥
12.73†	14.29†	15.83†	17.37	21.95♥	18.90♥	20.43♥	23.47♥	25.50♥	28.02♥	30.54♥	33.06♥	35.57♥	40.60♥	45.61♥	53.14♥	60.65♥	75.67♥
....	10.57	12.32	14.00	15.63	17.24	19.36	21.96	24.55	27.12	29.67♥	34.76♥	39.82♥	47.39♥	54.94♥	70.01♥
10.55†	12.1†	13.78	15.36	16.92	18.47	20.01	21.55♥	23.59♥	26.13♥	28.66♥	31.19♥	33.72♥	38.75♥	43.78♥	51.32♥	58.84♥	73.88♥
....	12.43	14.82	17.65	20.37	23.03	25.66	30.85	35.98♥	43.62♥	51.21♥	66.34♥
....	9.81†	11.54	13.20	14.82	15.41	17.99	19.55	21.62	24.19♥	26.74♥	29.29♥	31.83♥	36.89♥	41.93♥	49.48♥	57.02♥	72.07♥
....	10.75	12.51	14.20	15.84	17.45	19.57	22.18	24.77	27.34♥	29.90♥	34.99♥	40.05♥	47.63♥	55.18♥	70.25♥
....	15.02	17.84	20.57	23.24	25.87	31.06♥	36.20♥	43.84♥	51.44♥	66.57♥
10.75†	12.39†	13.99†	15.57†	17.13†	18.69†♥	20.23†♥	21.77♥	23.81♥	26.35♥	28.89♥	31.42♥	33.95♥	38.99♥	44.02♥	51.55♥	59.08♥	74.12♥
....	10.00†	11.73†	13.40	15.02	16.62	18.20	19.76	21.84♥	24.39♥	26.96♥	29.51♥	32.08♥	37.12♥	42.16♥	49.72♥	57.25♥	72.31♥
....	10.94†	12.71†	14.40	16.04	17.65	19.78	22.39	24.98♥	27.56♥	30.12♥	35.21♥	40.28♥	47.86♥	55.41♥	70.49♥
....	12.79	15.21	18.04	20.78	23.45	26.08	31.28♥	36.42♥	44.07♥	51.6♥	66.81♥
....	12.98†	15.40	18.24	20.98	23.66	26.29♥	31.50♥	36.64♥	44.29♥	51.90♥	67.04♥
....	9.20§	11.13‡	12.90	14.59†	16.24†	17.86	19.99	22.61♥	25.20♥	27.78♥	30.34♥	35.44♥	40.51♥	48.09♥	55.65♥	70.73♥
8.30§	10.19‡	11.93‡	13.60†	15.23†	16.83†	18.41†♥	19.98†	22.05†♥	24.63†♥	27.19♥	29.74♥	32.28♥	37.34♥	42.39♥	49.95♥	57.49♥	72.55♥
....	9.37§	11.31‡	13.09‡	13.16†	15.59†	18.44	21.18	23.86♥	26.51♥	31.71♥	36.86♥	44.52♥	52.13♥	67.27♥
....	14.79‡	16.44†	18.07†♥	20.19†♥	22.82†♥	25.42†♥	27.99†♥	30.56†♥	35.66♥	40.74♥	48.32♥	55.88♥	70.96♥
....	13.64‡	15.78†	18.64†	21.38†♥	24.07♥	26.72♥	31.93♥	37.08♥	44.74♥	52.35♥	67.50♥
....	11.49§	13.53§	15.97‡	18.83‡♥	21.59†♥	24.28†♥	26.93†♥	32.14†♥	37.30♥	44.97♥	52.58♥	67.74♥

H Belt Width Table

Belt Width Factor	.42	.57	.71	.86	1.00	1.29	1.56	1.84	2.14	2.72	3.36	4.06	4.76	6.15	7.50	8.89	10.32
Belt Width	1/2	5/8	3/4	7/8	1	1-1/4	1-1/2	1-3/4	2	2-1/2	3	3-1/2	4	5	6	7	8
Belt Width Code	050	062	075	087	100	125	150	175	200	250	300	350	400	500	600	700	800

Teeth in Mesh factor (T.I.M)

Table Symbol	No. of Teeth In Mesh In Small Pulley	Factor
None	6 or More	1
†	5	0.8

Shaded area indicates stock belt widths.

Table Symbol	No. of Teeth In Mesh In Small Pulley	Factor
‡	4	0.6
§	3	0.4



SELECTION

XH Stock Drive Selections

	Driven Speeds for Motor Speeds of			Speed Ratio	Pulley Combination				HP for a 1 Wide Belt for Motor Speeds of Δ		
					Driver		Driven				
	1750	1160	870		No. of Teeth	Pitch Diam.	No. of Teeth	Pitch Diam.	1750	1160	870
V-Drives	1750	1160	870	1.00	40XH	11.141	40XH	11.141	22.22	17.44	13.79
	1750	1160	870	1.00	32XH	8.913	32XH	8.913	19.87	14.57	11.29
	1750	1160	870	1.00	30XH	8.356	30XH	8.356	19.06	13.79	10.63
	1750	1160	870	1.00	28XH	7.799	28XH	7.799	18.16	12.97	9.97
	1750	1160	870	1.00	26XH	7.241	26XH	7.241	17.17	12.13	9.29
	1750	1160	870	1.00	24XH	6.685	24XH	6.685	16.14◇	11.29	8.61
	1750	1160	870	1.00	22XH	6.127	22XH	6.127	15.03◇	10.41◇	7.92
	1750	1160	870	1.00	20XH	5.570	20XH	5.570	13.85◇	9.51◇	7.23◇
	1750	1160	870	1.00	18XH	5.013	18XH	5.013	8.61	6.52◇
	1641	1088	816	1.07	30XH	8.356	32XH	8.913	19.06	13.79	10.63
FHP Drives	1633	1083	812	1.07	28XH	7.799	30XH	8.356	18.16	12.97	9.97
	1625	1077	808	1.08	26XH	7.241	28XH	7.799	17.17	12.13	9.29
	1615	1071	803	1.08	24XH	6.685	26XH	7.241	16.14◇	11.29	8.61
	1604	1063	798	1.09	22XH	6.127	24XH	6.685	15.03◇	10.41◇	7.92
	1591	1055	791	1.10	20XH	5.570	22XH	6.127	13.85◇	9.51◇	7.23◇
	1531	1044	783	1.11	18XH	5.013	20XH	5.570	8.61◇	6.52◇
	1517	1015	761	1.14	28XH	7.799	32XH	8.913	18.16	12.97	9.97
	1500	1005	754	1.15	26XH	7.241	30XH	8.356	17.17	12.13	9.29
	1500	994	746	1.17	24XH	6.685	28XH	7.799	16.14◇	11.29	8.61
	1481	982	736	1.18	22XH	6.127	26XH	7.241	15.03◇	10.41◇	7.92
Drive Component Accessories	1458	967	725	1.20	40XH	11.141	48XH	13.369	22.22	17.44	13.79
	1458	967	725	1.20	20XH	5.570	24XH	6.685	13.85	9.51◇	7.23◇
	1422	949	712	1.22	18XH	5.013	22XH	6.127	8.61◇	6.52◇
	1422	943	707	1.23	26XH	7.241	32XH	8.913	17.17	12.13	9.29
	1400	928	696	1.25	32XH	8.913	40XH	11.141	19.87	14.57	11.29
	1400	928	696	1.25	24XH	6.685	30XH	8.356	16.14◇	11.29	8.61
	1375	911	684	1.27	22XH	6.127	28XH	7.799	15.03◇	10.41◇	7.92
	1346	892	669	1.30	20XH	5.570	26XH	7.241	13.85◇	9.51◇	7.23◇
	1313	870	653	1.33	30XH	8.356	40XH	11.141	19.06	13.79	10.63
	1313	870	653	1.33	24XH	6.685	32XH	8.913	16.14◇	11.29	8.61
DYNA-SYNC	1283	870	653	1.33	18XH	5.013	24XH	6.685	8.61◇	6.52◇
	1283	851	638	1.36	22XH	6.127	30XH	8.356	15.03◇	10.41◇	7.92
	1250	829	621	1.40	20XH	5.570	28XH	7.799	13.85◇	9.51◇	7.23◇
	1225	812	609	1.43	28XH	7.799	40XH	11.141	18.16	12.97	9.97
	1225	803	602	1.44	18XH	5.013	26XH	7.241	8.61◇	6.52◇
	1203	798	598	1.45	22XH	6.127	32XH	8.913	15.03◇	10.41◇	7.92
	1167	773	580	1.50	40XH	11.141	60XH	16.711	22.22	17.44	13.79
	1167	773	580	1.50	32XH	8.913	48XH	13.369	19.87	14.57	11.29
	1167	773	580	1.50	20XH	5.570	30XH	8.356	13.85◇	9.51◇	7.23◇
	1138	754	566	1.54	26XH	7.241	40XH	11.141	17.17	12.13	9.29
HT200/HTD Synchronous Drives	1094	746	559	1.56	18XH	5.013	28XH	7.799	8.61◇	6.52◇
	1094	725	544	1.60	30XH	8.356	48XH	13.369	19.06	13.79	10.63◇
	1094	725	544	1.60	20XH	5.570	32XH	8.913	13.85◇	9.51◇	7.23◇
	1050	696	522	1.67	24XH	6.685	40XH	11.141	16.14◇	11.29	8.61
	1050	696	522	1.67	18XH	5.013	30XH	8.356	8.61◇	6.52◇
	1021	677	508	1.71	28XH	7.799	48XH	13.369	18.16	12.97	9.97
	1021	653	489	1.78	18XH	5.013	32XH	8.913	8.61◇	6.52◇
	972	644	483	1.80	40XH	11.141	72XH	20.054	22.22	17.44	13.79
	963	638	479	1.82	22XH	6.127	40XH	11.141	15.03◇	10.41◇	7.92

Δ HP ratings are for conventional speed-reduction drives.

♥ Flanges Required on both pulleys.

For Speed-Up Drives refer to page PT10-17.

◇ Pulley Diameter is below recommended minimum. A reduction in belt life should be expected. Suggest alternate drive selection, whenever possible.

Roller Chain Sprockets

FEATURES/BENEFITS PAGE PT10-2	SPECIFICATIONS PAGE PT10-3	SELECTION PAGE PT10-14	ENGINEERING/TECHNICAL PAGE PT10-44
----------------------------------	-------------------------------	---------------------------	---------------------------------------

SELECTION



XH Stock Drive Selections

Nominal Center Distance Using DYNA-SYNC Belts

507XH	560XH	630XH	700XH	770XH	840XH	980XH	1120XH	1260XH	1400XH	1540XH	1750XH
....	14.00	17.50	21.00	24.50	31.50	38.50	45.50	52.50	59.50	70.00
11.37	14.00	17.50	21.00	24.50	28.00	35.00	42.00	49.00	56.00	63.00	73.50
12.25	14.87	18.37	21.87	25.37	28.87	35.87	42.87	49.87	56.87	63.87	74.37
13.12	15.75	19.25	22.75	26.25	29.75	36.75	43.75	50.75	57.75	64.75	75.25
14.00	16.62	20.12	23.62	27.12	30.62	37.62	44.62	51.62	58.62	65.62	76.12
14.87	17.50	21.00	24.50	28.00	31.50	38.50	45.50	52.50	59.50	66.50	77.00
15.75	18.37	21.87	25.37	28.87	32.37	39.37	46.37	53.37	60.37	67.37	77.87
16.62	19.25	22.75	26.25	29.75	33.25	40.25	47.25	54.25	61.25	68.25	78.75
17.50	20.12	23.62	27.12	30.62	34.12	41.12	48.12	55.12	62.12	69.12	79.62
11.80	14.43	17.93	21.43	24.93	28.43	35.43	42.43	49.43	56.43	63.43	73.93
12.68	15.31	18.81	22.31	25.81	29.31	36.31	43.31	50.31	57.31	64.31	74.81
13.56	16.18	19.68	23.18	26.68	30.18	37.18	44.18	51.18	58.18	65.18	75.68
14.43	17.06	20.56	24.06	27.56	31.06	38.06	45.06	52.06	59.06	66.06	76.56
15.31	17.93	21.43	24.93	28.43	31.93	38.93	45.93	52.93	59.93	66.93	77.43
16.18	18.81	22.31	25.81	29.31	32.81	39.81	46.81	53.81	60.81	67.81	78.31
17.06	19.68	23.18	26.68	30.18	33.68	40.68	47.68	54.68	61.68	68.68	79.18
12.23	14.86	18.36	21.86	25.36	28.87	35.87	42.87	49.87	56.87	63.87	74.37
13.11	15.74	19.24	22.74	26.24	29.74	36.74	43.74	50.74	57.74	64.74	75.24
13.98	16.61	20.11	23.61	27.12	30.62	37.62	44.62	51.62	58.62	65.62	76.12
14.66	17.49	20.99	24.49	27.99	31.49	38.49	45.49	52.49	59.49	66.49	76.99
....	15.71	19.21	22.72	29.72	36.73	43.73	50.73	57.74	68.24
15.74	18.36	21.86	25.36	28.87	32.37	39.37	46.37	53.37	60.37	67.37	77.87
16.61	19.24	22.74	26.24	29.74	33.24	40.24	47.24	54.24	61.24	68.24	78.74
12.66	15.29	18.79	22.29	25.79	29.30	36.30	43.30	50.30	57.30	64.30	74.80
....	12.19	15.71	19.21	22.72	26.22	33.23	40.23	47.23	54.23
13.53	16.16	19.67	23.17	26.67	30.17	37.17	44.18	51.18	58.18	65.18	75.68
14.41	17.04	20.54	24.04	27.55	31.05	38.05	45.05	52.05	59.05	66.05	76.55
15.29	17.91	21.42	24.92	28.42	31.92	38.92	45.93	52.93	59.93	66.93	77.43
....	12.61	16.12	19.63	23.14	26.65	33.65	40.66	47.66	54.67
13.07	15.71	19.21	22.72	26.22	29.72	36.73	43.73	50.73	57.74	64.74	75.24
16.16	18.79	22.29	25.79	29.30	32.80	39.80	46.80	53.80	60.80	67.80	78.30
13.95	16.58	20.09	23.59	27.10	30.60	37.60	44.61	51.61	58.61	65.61	76.11
14.83	17.46	20.97	24.47	27.97	31.48	38.48	45.48	52.48	59.49	66.49	76.99
10.36	13.01	16.54	20.05	23.56	27.07	34.08	41.09	48.09	55.10	62.10	72.60
15.71	18.34	21.84	25.35	28.85	32.35	39.35	46.36	53.36	60.36	67.36	77.86
13.49	16.12	19.63	23.14	26.65	30.15	37.16	44.16	51.16	58.17	65.17	75.67
....	16.38	19.93	26.98	34.01	41.03	48.04	55.05	65.56
....	13.82	17.35	20.88	24.39	31.42	38.43	45.44	52.45	59.45	69.96
14.37	17.00	20.51	24.02	27.52	31.03	38.03	45.04	52.04	59.04	66.04	76.55
10.76	13.42	16.95	20.47	23.98	27.49	34.50	41.50	48.52	55.52	62.53	73.03
15.24	17.88	21.39	24.89	28.40	31.90	38.91	45.91	52.91	59.92	66.92	77.42
....	14.21	17.76	21.29	24.81	31.83	38.85	45.86	52.87	59.88	70.39♥
13.89	16.54	20.05	23.56	27.07	30.58	37.58	44.59	51.59	58.60	65.60	76.10
11.15	13.82	17.35	20.88	24.39	27.91	34.92	41.94	48.94	55.95	62.96	73.46
14.78	17.42	20.93	24.44	27.95	31.45	38.45	45.46	52.47	59.47	66.47	76.98
....	11.02	14.60	18.16	21.69	25.22	32.25	39.27	46.29	53.30	60.31	70.82♥
14.30	16.95	20.47	23.98	27.49	31.00	38.01	45.02	52.02	59.03	66.03	76.53
....	16.90	24.08	31.18	38.24	45.28	52.31	62.84
11.54	14.21	17.76	21.29	24.81	28.32	35.34	42.36	49.37	56.38	63.38	73.89

XH Belt Width Table

Belt Width Factor	1.00	1.29	1.56	1.84	2.14	2.72	3.36	4.06	4.76	6.15	7.50	8.89	10.32	11.70	13.10	14.41	15.84	17.16	18.62
Belt Width	1	1-1/4	1-1/2	1-3/4	2	2-1/2	3	3-1/2	4	5	6	7	8	9	10	11	12	13	14
Belt Width Code	100	125	150	175	200	250	300	350	400	500	600	700	800	900	1000	1100	1200	1300	1400

Shaded area indicates stock belt widths

FEATURES/BENEFITS PAGE PT10-2	SPECIFICATIONS PAGE PT10-3	SELECTION PAGE PT10-14	ENGINEERING/TECHNICAL PAGE PT10-44
----------------------------------	-------------------------------	---------------------------	---------------------------------------

V-Drives

FHP Drives

Drive Component
Accessories

DYNA-SYNC

HT200/HTD
Synchronous Drives

HT500
Synchronous Drives

Roller Chain Sprockets



SELECTION

XH Stock Drive Selections

	Driven Speeds for Motor Speeds of			Speed Ratio	Pulley Combination				HP for a 1 Wide Belt for Motor Speeds of Δ		
					Driver		Driven				
	1750	1160	870		No. of Teeth	Pitch Diam.	No. of Teeth	Pitch Diam.	1750	1160	870
V-Drives	948	628	471	1.85	26XH	7.241	48XH	13.369	17.17	12.13	9.29
	933	618	464	1.88	32XH	8.913	60XH	16.711	19.87	14.57	11.29
	875	580	435	2.00	30XH	8.356	60XH	16.711	19.06	13.79	10.63
	875	580	435	2.00	24XH	6.685	48XH	13.369	16.14◇	11.29	8.61
	875	580	435	2.00	20XH	5.570	40XH	11.141	13.85◇	9.51◇	7.23◇
FHP Drives	833	552	414	2.10	40XH	11.141	84XH	23.396	22.22	17.44	13.79
	817	541	407	2.14	28XH	7.799	60XH	16.711	18.16	12.97	9.97
	802	531	399	2.18	22XH	6.127	48XH	13.369	15.03◇	10.41◇	7.92
	523	392	2.22	18XH	5.013	40XH	11.141	8.61◇	6.52◇
	778	516	387	2.25	32XH	8.913	72XH	20.054	19.87	14.57	11.29
Drive Component Accessories	758	502	377	2.31	26XH	7.241	60XH	16.711	17.17	12.13	9.29
	729	483	363	2.40	40XH	11.141	96XH	26.738	22.22	17.44	13.79
	729	483	363	2.40	30XH	8.356	72XH	20.054	19.06	13.79	10.63
	729	483	363	2.40	20XH	5.570	48XH	13.369	13.85◇	9.51◇	7.23◇
	700	464	348	2.50	24XH	6.685	60XH	16.711	16.14◇	11.29	8.61
DYNA-SYNC	681	451	339	2.57	28XH	7.799	72XH	20.054	18.16	12.97	9.97
	667	442	331	2.63	32XH	8.913	84XH	23.396	19.87	14.57	11.29
	434	326	2.67	18XH	5.013	48XH	13.369	8.61◇	6.52◇
	642	425	319	2.73	22XH	6.127	60XH	16.711	15.03◇	10.41◇	7.92
	632	419	314	2.77	26XH	7.241	72XH	20.054	17.17	12.13	9.29
HT200/HTD Synchronous Drives	625	414	311	2.80	30XH	8.356	84XH	23.396	19.06	13.79	10.63
	583	387	290	3.00	40XH	11.141	120XH	33.423	22.22	17.44	13.79
	583	387	290	3.00	32XH	8.913	96XH	26.738	19.87	14.57	11.29
	583	387	290	3.00	28XH	7.799	84XH	23.396	18.16	12.97	9.97
	583	387	290	3.00	24XH	6.685	72XH	20.054	16.14◇	11.29	8.61
HT500 Synchronous Drives	547	363	272	3.20	20XH	5.570	60XH	16.711	13.85◇	9.51◇	7.23◇
	542	359	269	3.23	30XH	8.356	96XH	26.738	19.06	13.79	10.63
	535	355	266	3.27	26XH	7.241	84XH	23.396	17.17	12.13	9.29
	348	261	3.33	22XH	6.127	72XH	20.054	15.03◇	10.41◇	7.92
	348	261	3.33	18XH	5.013	60XH	16.711	8.61◇	6.52◇
Roller Chain Sprockets	510	338	254	3.43	28XH	7.799	96XH	26.738	18.16	12.97	9.97
	500	331	249	3.50	24XH	6.685	84XH	23.396	16.14◇	11.29	8.61
	486	322	242	3.60	20XH	5.570	72XH	20.054	13.85◇	9.51◇	7.23◇
	474	314	236	3.69	26XH	7.241	96XH	26.738	17.17	12.13	9.29
	467	309	232	3.75	32XH	8.913	120XH	33.423	19.87	14.57	11.29
	458	304	228	3.82	22XH	6.127	84XH	23.396	15.03◇	10.41	7.92
	438	290	218	4.00	30XH	8.356	120XH	33.423	19.06	13.79◇	10.63
	438	290	218	4.00	24XH	6.685	98XH	26.738	16.14◇	11.29	8.61
	290	218	4.00	18XH	5.013	72XH	20.054	8.61◇	6.52◇
	416	276	207	4.20	20XH	5.570	84XH	23.396	13.85◇	9.51◇	7.23◇
	408	270	203	4.29	28XH	7.799	120XH	33.423	18.16	12.97	9.97
	401	266	200	4.36	22XH	6.127	96XH	26.738	15.03◇	10.41◇	7.92
	379	251	188	4.62	26XH	7.241	120XH	33.423	17.17	12.13	9.29
	249	186	4.67	18XH	5.013	84XH	23.396	8.61◇	6.52◇
	365	242	181	4.80	20XH	5.570	96XH	26.738	13.85◇	9.51◇	7.23◇
	350	232	174	5.00	24XH	6.685	120XH	33.423	16.14◇	11.29	8.61
	217	162	5.33	18XH	5.013	96XH	26.738	8.61◇	6.52◇
	321	212	159	5.45	22XH	6.127	120XH	33.423	15.03	10.41◇	7.92
	292	193	145	6.00	20XH	5.570	120XH	33.423	13.85◇	9.51◇	7.23◇
	174	130	6.67	18XH	5.013	120XH	33.423	8.61◇	6.52◇

Δ HP ratings are for conventional speed-reduction drives.

† † See Teeth in Mesh table on opposite page.

For Speed-Up Drives refer to page PT10-17.

♥ Flanges Required on both pulleys.

◇ Pulley Diameter is below recommended minimum. A reduction in belt life should be expected. Suggest alternate drive selection, whenever possible.

FEATURES/BENEFITS PAGE PT10-2	SPECIFICATIONS PAGE PT10-3	SELECTION PAGE PT10-14	ENGINEERING/TECHNICAL PAGE PT10-44
----------------------------------	-------------------------------	---------------------------	---------------------------------------

SELECTION



XH Stock Drive Selections

Nominal Center Distance Using DYNA-SYNC Belts

507XH	560XH	630XH	700XH	770XH	840XH	980XH	1120XH	1260XH	1400XH	1540XH	1750XH
....	11.39	14.99	18.55	22.10	25.63	32.66	39.69	46.71	53.72	60.73	71.24
....	14.34	17.95	21.52	28.60	35.66	42.69	49.72	56.74	67.26
....	14.71	18.33	21.91	29.01	36.07	43.11	50.13	57.15	67.68♥
....	11.77	15.38	18.95	22.50	26.03	33.08	40.11	47.13	54.14♥	61.15♥	71.67♥
11.92	14.60	18.16	21.69	25.22	28.74	35.76	42.78	49.79	56.80	63.81	74.32
....	20.97	28.20	35.34	42.43	49.49	60.06
....	15.08	18.71	22.30	29.41	36.47	43.52	50.55	57.57	68.10♥
....	12.14	15.77	19.34	22.90	26.43	33.49	40.52	47.54	54.56♥	61.58♥	72.09♥
12.30	14.99	18.55	22.10	25.83	29.15	36.18	43.20	50.21	57.23	64.24	74.75
....	18.40	25.64	32.77	39.86	46.91	53.96	64.50
....	15.45	19.09	22.69	29.81	36.88	43.93	50.96	57.99♥	68.52♥
....	25.02	32.30	39.47	46.59	57.21
....	15.03	18.76	26.02	33.17	40.26	47.32	54.37	64.92
....	12.51	16.15	19.73	23.29	26.84	33.90	40.94	47.96♥	54.98♥	62.00♥	72.52♥
....	15.82	19.47	23.07	30.20	37.28	44.34	51.38	58.41♥	68.94♥
....	15.38	19.13	26.41	33.56	40.66	47.73	54.78	65.33♥
....	22.44	29.73	36.91	44.02	51.11	61.70
10.05	12.87	16.53	20.12	23.69	27.24	34.30	41.35♥	48.38♥	55.40♥	62.42♥	72.94♥
....	12.41	16.19	19.85	23.46	30.60	37.69	44.74	51.79♥	58.82♥	69.36♥
....	15.74	19.50	26.79	33.95	41.06	48.13	55.19	65.75♥
....	22.81	30.11	37.30	44.42	51.51	62.10
....	25.52	33.10	40.45	51.28
....	18.85	26.48	33.81	41.02	48.17	58.82
....	23.17	30.49	37.69	44.82	51.91	62.51♥
....	16.09	19.86	27.17	34.34	41.46	48.53	55.59♥	66.16♥
....	12.76	16.55	20.22	23.84	30.99	38.09	45.15♥	52.20♥	59.23♥	69.77♥
....	19.19	26.84	34.19	41.41	48.56	59.22
....	15.82	27.55	34.73	38.07	48.94	52.31	62.91♥
....	16.44	20.22	23.53	30.87	41.85	45.21	56.00♥	66.57♥
....	13.11	16.91	20.60	24.22	31.39	38.49	45.56♥	52.61♥	59.65♥	70.19♥
....	19.53	27.21	34.57	41.79	48.95	59.62
....	16.16	23.89	31.25	38.46	45.60	52.71	63.32♥
....	16.78	20.58	27.93	35.12	42.25	49.34♥	56.41♥	66.98♥
....	19.87	27.57	34.94	42.18	49.34	60.01♥
....	26.90	34.55	41.94	52.82
....	16.49	24.25	31.62	38.84	46.00	53.10♥	63.72♥
....	27.25	34.91	42.31	53.20
....	20.20	27.93	35.31	42.56	49.73	60.41♥
....	13.08†	17.13	20.94	28.30	35.51	42.64♥	49.74♥	56.81♥	67.39♥
....	16.83	24.61	32.00	39.23	46.39♥	53.50♥	64.13♥
....	27.59	35.27	42.68	53.58
....	20.54	28.28	35.69	42.94	50.12♥	60.81♥
....	27.93	35.83	43.05	53.96
....	17.16†	24.97	32.37	39.61	46.78♥	53.90♥	64.53♥
....	20.88	28.64	36.06	43.32	50.51♥	61.20♥
....	28.27	35.98	43.42	54.34♥
....	21.21	29.00	36.43	43.70♥	50.89♥	61.60♥
....	28.61	36.34	43.79	54.72♥
....	20.40†	28.95	36.69	44.16	55.10♥
....	20.71‡	29.29	37.05	44.52♥	55.48♥

XH Belt Width Table

Belt Width Factor	1.00	1.29	1.56	1.84	2.14	2.72	3.36	4.06	4.76	6.15	7.50	8.89	10.32	11.70	13.10	14.41	15.84	17.16	18.62
Belt Width	1	1-1/4	1-1/2	1-3/4	2	2-1/2	3	3-1/2	4	5	6	7	8	9	10	11	12	13	14
Belt Width Code	100	125	150	175	200	250	300	350	400	500	600	700	800	900	1000	1100	1200	1300	1400

Teeth in Mesh factor (T.I.M)

Table Symbol	No. of Teeth in Mesh In Small Pulley	Factor
None	6 or More	1.00
†	5	.80

Shaded area indicates stock belt widths.

Table Symbol	No. of Teeth in Mesh In Small Pulley	Factor
‡	4	.60

FEATURES/BENEFITS PAGE PT10-2	SPECIFICATIONS PAGE PT10-3	SELECTION PAGE PT10-14	ENGINEERING/TECHNICAL PAGE PT10-44
----------------------------------	-------------------------------	---------------------------	---------------------------------------

V-Drives

FHP Drives

Drive Component
Accessories

DYNA-SYNC

HT200/HTD
Synchronous Drives

HT500
Synchronous Drives

Roller Chain Sprockets



SELECTION

XL Stock Drive Selections

RPM of Faster Shaft	HP for a 1" Wide Belt for Various Pulleys													
	10XL .637 P.D.	11XL .700 P.D.	12XL .764 P.D.	14XL .891 P.D.	15XL .955 P.D.	16XL 1.019 P.D.	18XL 1.146 P.D.	20XL 1.273 P.D.	21XL 1.337 P.D.	22XL 1.401 P.D.	24XL 1.528 P.D.	28XL 1.783 P.D.	30XL 1.910 P.D.	
100	.02	.02	.02	.03	.03	.03	.04	.04	.04	.04	.05	.06	.06	
200	.04	.04	.05	.06	.06	.07	.07	.08	.08	.09	.10	.11	.12	
300	.06	.07	.07	.09	.09	.10	.11	.12	.13	.13	.14	.17	.18	
400	.08	.09	.10	.11	.12	.13	.14	.16	.17	.17	.19	.23	.24	
500	.10	.11	.12	.14	.15	.16	.18	.20	.21	.22	.24	.29	.30	
600	.12	.13	.14	.17	.18	.19	.22	.24	.26	.27	.29	.34	.37	
700	.14	.15	.17	.20	.21	.23	.26	.28	.30	.31	.34	.40	.43	
800	.16	.17	.19	.23	.24	.26	.30	.33	.34	.36	.40	.48	.49	
900	.18	.20	.22	.26	.27	.30	.33	.37	.39	.40	.44	.51	.55	
1000	.20	.22	.24	.29	.31	.33	.37	.41	.43	.45	.49	.57	.62	
1100	.22	.25	.26	.31	.34	.36	.40	.45	.47	.49	.54	.63	.68	
1160	.23	.26	.28	.33	.36	.38	.42	.46	.50	.52	.56	.66	.71	
1200	.24	.27	.29	.34	.37	.39	.44	.49	.52	.54	.59	.68	.74	
1300	.26	.29	.31	.37	.40	.42	.48	.53	.56	.58	.64	.74	.80	
1400	.28	.31	.34	.40	.43	.46	.52	.57	.60	.63	.69	.80	.86	
1500	.30	.34	.36	.43	.46	.49	.55	.61	.64	.67	.74	.86	.92	
1600	.33	.36	.40	.46	.49	.53	.59	.65	.69	.72	.79	.91	.98	
1700	.35	.38	.42	.49	.52	.56	.63	.67	.73	.77	.83	.97	1.04	
1750	.36	.39	.43	.50	.53	.58	.64	.72	.75	.79	.86	1.00	1.07	
1800	.37	.40	.44	.51	.55	.59	.66	.74	.77	.81	.88	1.03	1.10	
2000	.41	.45	.49	.57	.62	.65	.74	.82	.86	.90	.98	1.15	1.23	
2200	.45	.49	.54	.63	.68	.72	.81	.90	.94	.99	1.08	1.25	1.34	
2400	.49	.54	.59	.68	.74	.79	.88	.98	1.03	1.07	1.18	1.37	1.46	
2600	.53	.58	.64	.74	.80	.85	.96	1.06	1.12	1.17	1.25	1.48	1.58	
2800	.57	.63	.69	.80	.86	.92	1.03	1.15	1.20	1.26	1.37	1.59	1.71	
3000	.61	.67	.74	.86	.92	.98	1.10	1.23	1.28	1.34	1.46	1.71	1.82	
3200	.65	.72	.79	.91	.98	1.05	1.18	1.30	1.37	1.43	1.56	1.81	1.94	
3400	.69	.77	.83	.97	1.04	1.11	1.25	1.38	1.45	1.52	1.66	1.92	2.05	
3500	.72	.79	.86	1.00	1.07	1.15	1.28	1.42	1.49	1.57	1.71	1.98	2.11	
3600	.74	.81	.88	1.03	1.10	1.18	1.32	1.46	1.54	1.61	1.75	2.03	2.16	
3800	.78	.83	.93	1.09	1.17	1.24	1.39	1.54	1.62	1.70	1.84	2.13	2.27	
4000	.82	.90	.98	1.15	1.23	1.30	1.46	1.63	1.71	1.78	1.94	2.24	2.39	
4200	.86	.94	1.03	1.20	1.28	1.37	1.53	1.71	1.76	1.86	2.03	2.35	2.50	
4400	.90	.99	1.08	1.25	1.34	1.43	1.61	1.78	1.86	1.95	2.12	2.45	2.61	
4600	.94	1.03	1.13	1.31	1.40	1.50	1.68	1.86	1.95	2.04	2.21	2.55	2.71	
4800	.98	1.07	1.18	1.37	1.46	1.56	1.75	1.94	2.03	2.13	2.30	2.65	2.82	
5000	1.02	1.12	1.23	1.42	1.52	1.63	1.82	2.01	2.11	2.20	2.39	2.75	2.92	
5500	1.67	1.78	2.00	2.20	2.30	2.41	2.61	2.99	3.18	
6000	1.82	1.94	2.16	2.39	2.50	2.61	2.82	3.23	3.41	
6500	1.96	2.09	2.34	2.57	2.69	2.80	3.03	3.42	3.64	
7000	2.11	2.24	2.50	2.75	2.87	2.99	3.23	3.65	3.84	
7500	2.25	2.39	2.66	2.92	3.05	3.18	3.41	3.84	4.03	
8000	2.82	3.10	3.23	3.34	3.59	4.02	4.21	
8500	2.97	3.26	3.39	3.52	3.76	4.19	4.37	
9000	3.13	3.41	3.55	3.68	3.92	4.34	4.51	
9500	3.28	3.56	3.70	3.83	4.07	4.47	4.63	
10000	3.41	3.71	3.84	3.97	4.21	4.59	4.72	

XL Belt Width Table

Belt Width Factor	.15	.28	.35	.42	.57	.71	.86	1.00	1.29	1.56
Belt Width	1/4	3/8	7/16	1/2	5/8	3/4	7/8	1	1-1/4	1-1/2
Belt Width Code	025	037	043	050	062	075	087	100	125	150

Shaded area indicates stock belt widths.

◇ Pulley diameter is below recommended minimum.

A reduction in belt life should be expected. Suggest alternate drive, when ever possible.

FEATURES/BENEFITS PAGE PT10-2	SPECIFICATIONS PAGE PT10-3	SELECTION PAGE PT10-14	ENGINEERING/TECHNICAL PAGE PT10-44
----------------------------------	-------------------------------	---------------------------	---------------------------------------



L Stock Drive Selections

RPM of Faster Shaft	HP for a 1" Wide Belt for Various Pulleys																		
	10L 1.194 P.D.	12L 1.432 P.D.	13L Δ 1552 P.D.	14L 1.671 P.D.	15L Δ 1.790 P.D.	16L 1.910 P.D.	17L 2.029 P.D.	18L 2.149 P.D.	19L 2.268 P.D.	20L 2.387 P.D.	21L 2.507 P.D.	22L 2.626 P.D.	24L 2.865 P.D.	26L 3.104 P.D.	28L 3.342 P.D.	30L 3.581 P.D.	32L 3.820 P.D.	40L 4.775 P.D.	48L 5.730 P.D.
100	.05◇	.06	.07	.07	.08	.08	.09	.09	.10	.10	.11	.12	.13	.14	.15	.16	.17	.21	.25
200	.10◇	.13	.14	.15	.16	.17	.18	.19	.20	.21	.22	.23	.25	.27	.29	.31	.33	.42	.50
300	.16◇	.19	.20	.22	.23	.25	.27	.28	.30	.31	.33	.34	.38	.41	.44	.47	.50	.63	.75
400	.21◇	.25	.27	.29	.31	.33	.35	.38	.40	.42	.44	.46	.50	.54	.58	.62	.67	.83	1.00
500	.26◇	.31	.34	.37	.39	.42	.44	.47	.50	.52	.55	.57	.63	.68	.73	.78	.83	1.04	1.24
600	.31◇	.37	.41	.44	.47	.50	.53	.56	.59	.63	.66	.69	.75	.81	.87	.94	1.00	1.24	1.49
700	.37◇	.44	.47	.51	.55	.58	.62	.66	.69	.73	.77	.80	.87	.95	1.02	1.09	1.16	1.45	1.73
800	.42◇	.50	.54	.58	.62	.67	.71	.75	.79	.83	.87	.92	1.00	1.08	1.16	1.24	1.32	1.85	1.97
870	.45◇	.54	.59	.63	.68	.73	.77	.82	.86	.91	.95	1.00	1.08	1.17	1.26	1.35	1.44	1.79	2.14
900	.47◇	.56	.61	.66	.70	.75	.80	.84	.89	.94	.98	1.03	1.12	1.21	1.30	1.40	1.49	1.65	2.21
1000	.52◇	.62	.88	.73	.78	.83	.89	.94	.99	1.04	1.09	1.14	1.24	1.34	1.45	1.55	1.65	2.05	2.44
1100	.57◇	.69	.75	.80	.86	.92	.97	1.03	1.08	1.14	1.20	1.25	1.36	1.48	1.59	1.70	1.81	2.25	2.67
1160	.60◇	.72	.79	.85	.91	.97	1.03	1.08	1.14	1.20	1.26	1.32	1.44	1.56	1.67	1.79	1.91	2.36	2.81
1200	.63◇	.75◇	.81	.88	.94	1.00	1.06	1.12	1.18	1.24	1.30	1.36	1.49	1.61	1.73	1.85	1.97	2.44	2.90
1300	.68◇	.81◇	.68	.95	1.01	1.08	1.15	1.21	1.28	1.34	1.41	1.48	1.61	1.74	1.87	2.00	2.13	2.63	3.12
1400	.73◇	.87◇	.95	1.02	1.09	1.16	1.23	1.30	1.38	1.45	1.52	1.59	1.73	1.87	2.01	2.15	2.29	2.82	3.34
1500	.78◇	.94◇	1.02◇	1.09	1.16	1.24	1.32	1.40	1.47	1.55	1.62	1.70	1.85	2.00	2.15	2.30	2.44	3.01	3.55
1600	.83◇	1.00◇	1.08◇	1.16	1.24	1.32	1.41	1.49	1.57	1.65	1.73	1.81	1.97	2.13	2.28	2.44	2.60	3.20	3.76
1700	.89◇	1.06◇	1.15◇	1.23	1.32	1.41	1.49	1.58	1.66	1.75	1.83	1.92	2.09	2.26	2.42	2.59	2.75	3.38	3.97
1750	.91◇	1.09◇	1.17◇	1.27	1.36	1.45	1.54	1.62	1.71	1.80	1.89	1.98	2.15	2.32	2.49	2.66	2.83	3.47	4.06
1800	1.12◇	1.21◇	1.30◇	1.39	1.49	1.58	1.67	1.76	1.85	1.94	2.03	2.21	2.38	2.56	2.73	2.90	3.55	4.16
1900	1.18◇	1.27◇	1.38◇	1.47	1.57	1.66	1.76	1.85	1.95	2.04	2.14	2.32	2.51	2.69	2.87	3.05	3.73	4.35
2000	1.24◇	1.35◇	1.45◇	1.55	1.65	1.75	1.85	1.95	2.05	2.15	2.25	2.44	2.63	2.82	3.01	3.19	3.89	4.54
2200	1.36◇	1.48◇	1.59◇	1.70	1.81	1.92	2.03	2.14	2.25	2.35	2.46	2.67	2.88	3.08	3.28	3.49	4.23	4.89
2400	1.49◇	1.61◇	1.73◇	1.85	1.97	2.09	2.21	2.32	2.44	2.56	2.67	2.90	3.12	3.34	3.56	3.76	4.54	5.21
2500	1.55◇	1.68◇	1.80◇	1.92◇	2.05	2.17	2.30	2.42	2.54	2.66	2.78	3.01	3.24	3.47	3.68	3.90	4.69	5.35
2600	1.61◇	1.74◇	1.87◇	2.00◇	2.13	2.26	2.38	2.51	2.63	2.76	2.88	3.12	3.36	3.59	3.81	4.03	4.83	5.48
2800	1.73◇	1.87◇	2.01◇	2.14◇	2.29	2.42	2.56	2.69	2.82	2.96	3.09	3.34	3.59	3.83	4.06	4.29	5.10	5.73
3000	1.85◇	2.00◇	2.15◇	2.29◇	2.44	2.59	2.73	2.87	3.01	3.15	3.29	3.55	3.81	4.06	4.30	4.54	5.35	5.94
3200	2.13◇	2.28◇	2.44◇	2.60	2.74	2.90	3.04	3.19	3.34	3.48	3.76	4.03	4.29	4.54	4.77	5.57	6.11
3400	2.26◇	2.42◇	2.58◇	2.75	2.91	3.07	3.22	3.37	3.53	3.67	3.97	4.24	4.50	4.76	4.99	5.78	6.23
3500	2.32◇	2.49◇	2.65◇	2.83	2.99	3.15	3.31	3.46	3.62	3.77	4.06	4.35	4.61	4.86	5.10	5.87	6.27
3600	2.55◇	2.73◇	2.90◇	3.07◇	3.23	3.39	3.55	3.71	3.86	4.16	4.45	4.72	4.97	5.21	5.95	6.31
3800	2.69◇	2.86◇	3.03◇	3.22◇	3.40	3.56	3.73	3.89	4.05	4.35	4.64	4.91	5.16	5.40	6.09	6.33
4000	2.83◇	3.00◇	3.20◇	3.37◇	3.56	3.73	3.89	4.06	4.23	4.54	4.83	5.10	5.34	5.57	6.21	6.31
4200	3.15◇	3.34◇	3.53◇	3.72	3.88	4.06	4.23	4.40	4.72	5.01	5.28	5.52	5.74	6.28	6.23
4400	3.28◇	3.49◇	3.67◇	3.86	4.04	4.22	4.40	4.57	4.89	5.19	5.44	5.68	5.88	6.33	6.09†
4600	3.41◇	3.63◇	3.82◇	4.01	4.20	4.38	4.56	4.73	5.05	5.34	5.59	5.82	6.01	6.35	5.89†
4800	3.54◇	3.77◇	3.96◇	4.17	4.35	4.54	4.72	4.89	5.20	5.48	5.73	5.94	6.12	6.32	5.63†
5000	3.67◇	3.91◇	4.10◇	4.31◇	4.50◇	4.68	4.86	5.04	5.35	5.63	5.86	6.06	6.20	6.26	5.30†
5200	3.81◇	4.03◇	4.23◇	4.45◇	4.63◇	4.82	5.01	5.18	5.48	5.76	5.98	6.15	6.27	6.16†	4.91†
5400	3.93◇	4.17◇	4.37◇	4.59◇	4.77◇	4.96	5.14	5.31	5.61	5.88	6.07	6.23	6.32	6.01†	4.44†
5600	4.05◇	4.29◇	4.50◇	4.72◇	4.91◇	5.09	5.28	5.44	5.73	5.98	6.16	6.28	6.34	5.83†	3.89†
5800	4.17◇	4.42◇	4.62◇	4.84◇	5.04◇	5.22	5.40	5.57	5.84	6.07	6.23	6.32	6.34	5.60†	3.27†
6000	4.29◇	4.5◇	4.75◇	4.97◇	5.15◇	5.34	5.52	5.68	5.93	6.15	6.28	6.35	6.33	5.32†	2.57†

L Belt Width Table

Belt Width Factor	.28	.35	.45	.57	.71	.86	1.00	1.29	1.56	1.84	2.14	2.72	3.36
Belt Width	3/8	7/16	1/2	5/8	3/4	7/8	1	1-1/4	1-1/2	1-3/4	2	2-1/2	3
Belt Width Code	037	043	050	062	075	087	100	125	150	175	200	250	300

Shaded area indicates stock belt widths.

Δ Special non-stock sizes.

† Belt Speed exceeds 6500 FPM – consult Dodge.

◇ Pulley diameter is below recommended minimum.

A reduction in belt life should be expected. Suggest alternate drive, when ever possible.

FEATURES/BENEFITS PAGE PT10-2	SPECIFICATIONS PAGE PT10-3	SELECTION PAGE PT10-14	ENGINEERING/TECHNICAL PAGE PT10-44
----------------------------------	-------------------------------	---------------------------	---------------------------------------



SELECTION

H Stock Drive Selections

RPM of Faster Shaft	HP for a 1" Wide Belt for Various Pulleys																
	14H 2.228 P.D.	16H 2.546 P.D.	17H 2.706 P.D.	18H 2.865 P.D.	19H 3.024 P.D.	20H 3.183 P.D.	21H 3.342 P.D.	22H 3.501 P.D.	24H 3.820 P.D.	26H 4.138 P.D.	28H 4.456 P.D.	30H 4.775 P.D.	32H 5.039 P.D.	36H Δ 5.730 P.D.	40H 6.366 P.D.	44H Δ 7.003 P.D.	48H 7.639 P.D.
100	.25	.28	.30	.32	.34	.35	.37	.39	.42	.46	.50	.53	.57	.64	.71	.78	.85
200	.50	.57	.60	.64	.67	.71	.74	.78	.85	.92	.99	1.06	1.13	1.27	1.41	1.56	1.70
300	.74	.85	.90	.96	1.01	1.06	1.11	1.17	1.27	1.38	1.49	1.59	1.70	1.91	2.12	2.33	2.54
400	.99	1.13	1.20	1.27	1.34	1.41	1.49	1.56	1.70	1.84	1.98	2.12	2.26	2.54	2.82	3.10	3.38
500	1.24	1.41	1.50	1.59	1.68	1.77	1.86	1.94	2.12	2.30	2.47	2.65	2.82	3.17	3.52	3.87	4.22
600	1.49	1.70	1.80	1.91	2.02	2.12	2.23	2.33	2.54	2.75	2.96	3.17	3.38	3.80	4.22	4.64	5.05
700	1.73	1.98	2.10	2.23	2.35	2.47	2.59	2.72	2.96	3.21	3.45	3.70	3.94	4.43	4.91	5.40	5.88
800	1.98	2.26	2.40	2.54	2.68	2.82	2.96	3.10	3.38	3.66	3.94	4.22	4.50	5.05	5.60	6.15	6.69
870	2.15	2.46	2.61	2.76	2.91	3.07	3.22	3.37	3.68	3.98	4.28	4.58	4.89	5.49	6.08	6.67	7.26
900	2.23◇	2.54	2.70	2.86	3.01	3.17	3.33	3.49	3.80	4.11	4.43	4.74	5.05	5.67	6.29	6.89	7.50
1000	2.47◇	2.82	3.00	3.17	3.35	3.52	3.70	3.87	4.22	4.57	4.91	5.26	5.60	6.29	6.96	7.63	8.30
1100	2.72◇	3.10	3.30	3.49	3.68	3.87	4.06	4.26	4.64	5.02	5.40	5.77	6.15	6.90	7.63	8.36	9.08
1160	2.86◇	3.27	3.47	3.68	3.88	4.08	4.28	4.48	4.89	5.28	5.68	6.08	6.48	7.26	8.03	8.80	9.55
1200	3.38◇	3.59	3.80	4.01	4.22	4.43	4.64	5.05	5.46	5.88	6.29	6.69	7.50	8.30	9.08	9.86
1300	3.66◇	3.89	4.12	4.34	4.57	4.79	5.01	5.46	5.91	6.35	6.79	7.23	8.10	8.95	9.79	10.62
1400	3.94◇	4.19	4.43	4.67	4.91	5.15	5.39	5.87	6.35	6.83	7.30	7.77	8.69	9.60	10.49	11.36
1500	4.22◇	4.48◇	4.74	5.00	5.26	5.51	5.77	6.28	6.79	7.30	7.80	8.30	9.28	10.24	11.18	12.09
1600	4.50◇	4.78◇	5.05	5.33	5.60	5.87	6.15	6.69	7.23	7.77	8.30	8.82	9.86	10.87	11.85	12.80
1700	4.77◇	5.07◇	5.36	5.65	5.94	6.23	6.52	7.10	7.67	8.23	8.79	9.34	10.43	11.49	12.51	13.50
1750	4.91◇	5.22◇	5.52	5.81	6.11	6.41	6.71	7.30	7.88	8.46	9.03	9.60	10.71	11.79	12.84	13.84
1800	5.05◇	5.36◇	5.67◇	5.98	6.28	6.59	6.89	7.50	8.10	8.69	9.28	9.86	10.99	12.09	13.15	14.18
1900	5.42◇	5.66◇	5.98◇	6.30	6.62	6.94	7.26	7.90	8.53	9.15	9.76	10.36	11.55	12.69	13.78	14.83
2000	5.60	5.95◇	6.28◇	6.62	6.96	7.30	7.63	8.29	8.95	9.60	10.24	10.87	12.10	13.27	14.40	15.46
2100	6.59◇	6.94	7.29	7.65	8.00	8.69	9.37	10.05	10.71	11.36	12.63	13.84	14.99	16.08
2200	6.89◇	7.26	7.63	8.00	8.36	9.08	9.79	10.49	11.18	11.85	13.16	14.40	15.57	16.66
2300	7.20◇	7.58	7.96	8.34	8.72	9.47	10.21	10.93	11.64	12.33	13.68	14.94	16.13	17.23
2400	7.50◇	7.90	8.29	8.69	9.08	9.85	10.62	11.37	12.09	12.80	14.18	15.46	16.66	17.76
2500	7.80◇	8.21◇	8.62	9.03	9.44	10.23	11.02	11.80	12.54	13.27	14.68	15.98	17.18	18.27
2600	8.10◇	8.52◇	8.95	9.37	9.79	10.61	11.42	12.22	12.98	13.72	15.16	16.47	17.67	18.75
2800	8.69◇	9.14◇	9.59	10.04	10.49	11.35	12.21	13.05	13.84	14.61	16.09	17.41	18.60	19.63
3000	9.28◇	9.75◇	10.23	10.70	11.18	12.08	12.98	13.85	14.67	15.46	16.96	18.27	19.42	20.38
3200	9.85◇	10.36◇	10.85	11.35	11.85	12.79	13.72	14.63	15.46	16.27	17.78	19.06	20.14	20.99
3400	10.43◇	10.95◇	11.47	11.99	12.51	13.48	14.45	15.37	16.22	17.03	18.53	19.76	20.75	21.46†
3500	10.71◇	11.24◇	11.77	12.31	12.84	13.82	14.80	15.74	16.59	17.40	18.89	20.08	21.01	21.63†
3600	12.07◇	12.62	13.16	14.16	15.15	16.09	16.95	17.75	19.22	20.37	21.24†	21.77†
3800	12.67◇	13.23	13.79	14.81	15.82	16.78	17.63	18.42	19.85	20.89	21.60†	21.92†
4000	13.24◇	13.82	14.40	15.44	16.46	17.43	18.27	19.04	20.40	21.31†	21.83†	21.90†
4200	13.81◇	14.41	15.00	16.04	17.08	18.05	18.87	19.61	20.88	21.62†	21.93†	21.70†
4400	14.36◇	14.97	15.57	16.63	17.67	18.62	19.42	20.12	21.27†	21.83†	21.87†	21.32†
4600	14.90◇	15.52◇	16.13	17.18	18.22	19.16	19.90	20.57	21.58†	21.82†	21.67†	20.73†
4800	15.42◇	16.05◇	16.67	17.71	18.74	19.66	20.37	20.96	21.81†	21.89†	21.30†	19.93†
5000	15.93◇	16.56◇	17.19	18.22	19.23	20.12	20.77	21.29†	21.95†	21.73†	20.77†
5200	16.41◇	17.05◇	17.69	18.69	19.68	20.53	21.11†	21.54†	21.99†	21.44†	20.06†
5400	18.89◇	17.53◇	18.16◇	19.13	20.09	20.90	21.39†	21.73†	21.93†	21.02†
5600	17.34◇	17.98◇	18.61◇	19.55	20.47	21.22†	21.62†	21.85†	21.76†	20.45†
5800	17.77◇	18.41◇	19.04◇	19.93	20.80	21.49†	21.78†	21.89†	21.50†	19.75†
6000	18.19◇	18.82◇	19.41◇	20.27	21.10†	21.70†	21.88†	21.85†	21.12†

H Belt Width Table

Belt Width Factor	.42	.57	.71	.86	1.00	1.29	1.56	1.84	2.14	2.72	3.36	4.06	4.76	6.15	7.50	8.89	10.32
Belt Width	1/2	5/8	3/4	7/8	1	1-1/4	1-1/2	1-3/4	2	2-1/2	3	3-1/2	4	5	6	7	8
Belt Width Code	050	062	075	087	100	125	150	175	200	250	300	350	400	500	600	700	800

Shaded area indicates stock belt widths.

Δ Special non-stock sizes.

† Belt Speed exceeds 6500 FPM – consult Dodge.

◇ Pulley diameter is below recommended minimum.

A reduction in belt life should be expected. Suggest alternate drive, when ever possible.

FEATURES/BENEFITS PAGE PT10-2	SPECIFICATIONS PAGE PT10-3	SELECTION PAGE PT10-14	ENGINEERING/TECHNICAL PAGE PT10-44
----------------------------------	-------------------------------	---------------------------	---------------------------------------



XH Basic Horsepower Ratings

XXH Basic Horsepower Ratings

RPM of Faster Shaft	HP for a 1" Wide Belt for Various Pulleys										RPM of Faster Shaft	HP for a 1" Wide Belt for Various Pulleys									
	18 XH	20 XH	22 XH	24 XH	26 XH	28 XH	30 XH	32 XH	40 XH	18 XXH		20 XXH	22 XXH	24 XXH	26 XXH	30 XXH	32 XXH	40 XXH			
	5.013 P.D.	5.570 P.D.	6.127 P.D.	6.685 P.D.	7.241 P.D.	7.799 P.D.	8.356 P.D.	8.913 P.D.	11.141 P.D.	7.162 P.D.		7.958 P.D.	8.753 P.D.	9.549 P.D.	10.345 P.D.	11.937 P.D.	13.528 P.D.	15.915 P.D.			
100	0.76◇	0.84	0.93	1.01	1.11	1.18	1.26	1.34	1.68	100	1.33◇	1.48	1.83	1.77	1.92	2.21	2.51	2.95			
200	1.51◇	1.68	1.85	2.02	2.19	2.36	2.52	2.69	3.37	200	2.66◇	2.95	3.24	3.54	3.84	4.42	5.00	5.87			
300	2.28◇	2.52	2.78	3.03	3.28	3.54	3.78	4.03	5.02	300	3.98◇	4.42	4.85	5.29	5.72	6.58	7.45	8.73			
400	3.03◇	3.37	3.70	4.03	4.37	4.70	5.02	5.36	6.66	400	5.29◇	5.87	6.44	7.02	7.60	8.73	9.85	11.49			
480	3.63◇	4.03	4.43	4.82	5.22	5.62	6.00	6.40	7.95	480	6.33◇	7.02	7.70	8.39	9.06	10.40	11.71	13.61			
500	3.78◇	4.20◇	4.61	5.02	5.44	5.85	6.26	6.71	8.26	500	6.63◇	7.31◇	8.02	8.73	9.43	10.81	12.17	14.13			
510	3.86◇	4.29◇	4.71	5.12	5.54	5.97	6.37	6.80	8.42	510	6.72◇	7.45◇	8.17	8.89	9.61	11.02	12.39	14.39			
570	4.30◇	4.77◇	5.25	5.72	6.17	6.65	7.10	7.56	9.36	570	7.50◇	8.31◇	9.11	9.90	10.68	12.23	13.73	15.89			
600	4.53◇	5.02◇	5.52	6.00	6.50	6.98	7.47	7.95	9.82	600	7.88◇	8.73◇	9.57	10.40	11.22	12.83	14.39	16.62			
680	5.12◇	5.68◇	6.24	6.80	7.34	7.88	8.42	8.96	11.04	680	8.89◇	9.85◇	10.78	11.71	12.62	14.39	16.09	18.49			
700	5.27◇	5.84◇	6.42	6.98	7.54	8.10	8.66	9.21	11.35	700	9.15◇	10.13◇	11.09	12.03	12.96	14.77	16.51	18.93			
800	6.00◇	6.66◇	7.31	7.95	8.59	9.21	9.83	10.44	12.80	800	10.40◇	11.49◇	12.56	13.62	14.64	16.62	18.49	21.02			
870	6.52◇	7.23◇	7.92	8.61	9.29	9.97	10.63	11.29	13.79	870	10.85◇	12.43◇	13.56	14.70	15.79	17.88	19.78	22.34			
900	6.74◇	7.46◇	8.19◇	8.90	9.59	10.29	10.97	11.64	14.18	900	11.69◇	12.83◇	14.00◇	15.15	16.23	18.37	20.31	22.86			
1000	7.47◇	8.26◇	9.05◇	9.82	10.59	11.35	12.08	12.80	15.51	1000	12.83◇	14.14◇	15.40◇	16.62	17.80	20.01	21.98	24.44			
1100	8.19◇	9.05◇	9.91◇	10.75	11.56	12.38	13.15	13.92	16.74	1100	14.00◇	15.40◇	16.94◇	18.00	19.26	21.50	23.45	25.70			
1160	8.61◇	9.51◇	10.41◇	11.29	12.13	12.97	13.79	14.57	17.44	1160	14.70◇	16.14◇	17.52◇	18.84	20.01	22.34	24.23	26.29			
1200	9.83◇	10.75◇	11.64◇	12.51	13.37	14.29	14.99	17.89	1200	16.62◇	18.03◇	19.37◇	20.62	22.88	24.71	26.62			
1300	10.59◇	11.57◇	12.51◇	13.44	14.32	15.18	16.01	18.94	1300	17.80◇	19.26◇	19.88◇	21.88	24.07	26.75	27.18			
1400	11.35◇	12.37◇	13.37◇	14.32	15.25	16.14	16.98	19.87	1400	18.93◇	20.41◇	21.79◇	23.03	26.10	26.54	27.33			
1500	12.08◇	13.15◇	14.19◇	15.18	16.14	17.03	17.89	20.71	1500	19.19◇	21.50◇	22.88◇	24.07	26.95	27.06	27.05			
1600	12.80◇	13.92◇	14.99◇	16.01	16.98	17.14	18.82	21.42	1600	21.02◇	22.52◇	23.84◇	24.98	26.62	27.32	26.33†			
1700	13.50◇	14.66◇	15.76◇	16.80	17.78	18.68	19.51	21.99	1700	21.99◇	23.45◇	24.71◇	25.75	27.07	27.27	25.11†			
1750	13.85◇	15.03◇	16.14◇	17.17	18.16	19.06	19.87	22.22	1750	22.43◇	23.88◇	25.11◇	26.08	27.22	27.12	24.31†			
1800	15.37◇	16.51◇	17.56◇	18.53	19.42	20.22	22.35	1800	22.87◇	24.29◇	26.47◇	26.38◇	27.31	26.89	23.36†			
1900	16.07◇	17.22◇	18.65◇	19.23	20.69	20.86	22.70	1900	23.69◇	25.04◇	26.11◇	26.86◇	27.31	26.18†			
2000	16.74◇	17.89◇	18.94◇	19.87	20.71	21.42	22.84	2000	24.44◇	25.70◇	26.62◇	27.18◇	27.08	26.11†			
2100	17.39◇	18.53◇	19.56◇	20.48	21.25	21.88	22.81	2100	25.11◇	26.24◇	27.00◇	27.33◇	26.56†	23.66†			
2200	18.00◇	19.43◇	20.14◇	21.01	21.72	22.27	22.61	2200	25.70◇	26.69◇	27.24◇	27.31◇	26.79†			
2300	18.58◇	19.70◇	20.67◇	21.47	22.11	22.55	22.30†	2300	26.21◇	27.03◇	27.33◇	27.09◇	24.74†			
2400	19.13◇	20.22◇	21.14◇	21.88	22.42	22.75	21.65†	2400	26.62◇	27.24◇	27.28◇	26.69†	23.36†			
2500	20.71◇	21.57◇	22.22◇	22.64	22.84	20.89†	2500	29.95◇	27.33◇	27.06◇	26.07†			
2600	21.14◇	21.94◇	22.49◇	22.80	22.82	19.92†	2600	27.18◇	27.30◇	26.69†	25.25†			
2800	21.89◇	22.49◇	22.81◇	22.81	22.47†	2800	27.34◇	26.83◇	25.40†	22.95†			
3000	22.42◇	22.80◇	22.81◇	22.44†	21.65†	3000	27.07◇	26.79	23.36†			
3200	22.75◇	22.82◇	22.47†◇	21.65†	20.33†	3200			
3400	22.84◇	22.58◇	21.78†◇	20.42†	18.48†	3400			
3500	22.81◇	22.34†◇	21.29†◇	19.64†	3500			
3600	22.71◇	22.02†◇	20.72†◇	18.73†	3600			
3800	22.31†◇	21.41†◇	19.22†◇	3800			
4000	21.65†◇	19.92†◇	4000			
4200	20.71†◇	18.33†◇	4200			
4400	19.47†◇	4400			

XH, XXH Belt Width Table

Belt Width Factor	1.00	1.29	1.56	1.84	2.14	2.72	3.36	4.06	4.76	6.15	7.50	8.89	10.32	11.70	13.10	14.41	15.84	17.16	18.62
Belt Width	1	1-1/4	1-1/2	1-3/4	2	2-1/2	3	3-1/2	4	5	6	7	8	9	10	11	12	13	14
Belt Width Code	100	125	150	175	200	250	300	350	400	500	600	700	800	900	1000	1100	1200	1300	1400

Shaded area indicates stock belt widths.

† Belt Speed exceeds 6500 FPM – consult Dodge.

◇ Pulley diameter is below recommended minimum.

A reduction in belt life should be expected. Suggest alternate drive, when ever possible.

△ Stock with XXH Series only.

FEATURES/BENEFITS PAGE PT10-2	SPECIFICATIONS PAGE PT10-3	SELECTION PAGE PT10-14	ENGINEERING/TECHNICAL PAGE PT10-44
----------------------------------	-------------------------------	---------------------------	---------------------------------------



Dimensions, Tolerances, etc.

Warning - Do not use DYNA-SYNC Pulleys with belt speed exceeding 6500 fpm. May cause pulleys to fragment resulting in personal injury or property damage.

Concentricity and Face Run-Out Tolerances

Runout (T.I.R. ϕ)	O.D.	Tol.
Radial	8" & under	.005"
	For each add'l. inch of O.D. add .0005"	
Axial	1" & Under	.001"
	For each add'l. inch of O.D. thru 10" add .001"	
	For each add'l. inch of O.D. over 10" add .0005"	

ϕ Total Indicator Reading

Reborable Pulley Bore Tolerances

Bore Size	Tol.
15/16" & Under	.0010" - .0000"
1" to 1-15/16"	.0015" - .0000"
2" to 2-15/16"	.0020" - .0000"
3" & Over	.0025" - .0000"

Rebore Charges—Reborable pulley alteration charges are shown in MLP Price Book. TAPER-LOCK pulleys accommodate all common tolerance variations found in commercial shafting.

Balancing—All DYNA-SYNC Pulleys have been given a careful static balance for operation up to 6500 FPM. When vibration is a problem, dynamic balancing is recommended – Consult price book MLP. (See Warning above)

Special Pulleys—In 1/5 thru 1-1/4" pitches, pulleys can be made to suit customer's specifications and may be furnished in sizes not listed on previous pages. Send us your inquiry.

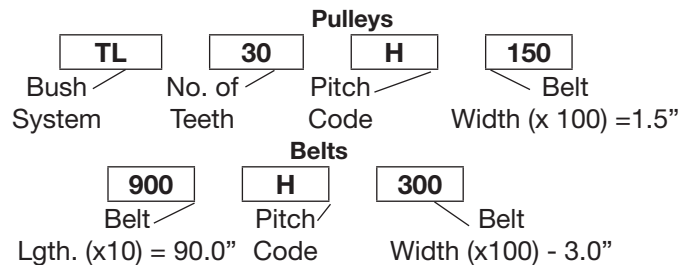
Standard Keyways

Bore Range	Keyway
5/16 - 7/16 Incl.	3/32 x 3/64
Over 7/16 - 9/16 Incl.	1/8 x 1/16
Over 9/16 - 7/8 Incl.	3/16 x 3/32
Over 7/8 - 1-1/4 Inc.	1/4 x 1/8
Over 1-1/4 - 1-3/8 Inc.	5/16 x 5/32
Over 1-3/8 - 1-3/4 Incl.	3/8 x 3/16
Over 1-3/4 - 2-1/4 Inc.	1/2 x 1/4
Over 2-1/4 - 2-3/4 Incl.	5/8 x 5/16
Over 2-3/4 - 3-1/4 Incl.	3/4 x 3/8

Pulley Outside Diameter/Diameter Over Belt

Pitch	Pulley O.D.	Diameter Over Belt
XL	P.D. - 0.02"	P.D. +0.08"
L	P.D. - 0.03"	P.D. +0.11"
H	P.D. - 0.054"	P.D. +0.11"
XH	P.D. - 0.11"	P.D. +0.27"
XXH	P.D. - 0.12"

NOMENCLATURE



1/5" pitch (XL)	3/8" pitch (L)	1/2" pitch (H)	7/8" pitch (XH)	1-1/4" pitch (XXH)
Typical uses are shown below the Tooth Dimensions Sketches				
Business machines, instrumentation, sound equipment	FHP applications such as home appliances, small tools, pumps, blowers.	Machine tools, pumps, fans presses, motor-generator sets.	Medium-torque applications - such as heavy industrial equipment.	High torque abolitions - such as heavy industrial equipment

FEATURES/BENEFITS PAGE PT10-2	SPECIFICATIONS PAGE PT10-3	SELECTION PAGE PT10-14	ENGINEERING/TECHNICAL PAGE PT10-44
----------------------------------	-------------------------------	---------------------------	---------------------------------------



Installing / Tensioning DYNA-SYNC Drives

Alignment

Use straight edge to check parallel and offset alignment. Align pulleys within 1/4° or 1/16" per foot center distance. Supporting framework must be rigid.

Pulley Flanges

At least one pulley must have flanges. If center distance is more than 8 times the diameter of the smallest pulley, both pulleys should be flanged. Vertical shaft drives may require flanges on both pulleys.

Installation

Reduce center distance so that belt can be slipped into place without forcing. Do not pry belt onto pulleys. Increase center distance to tighten belt. Belt should be snug, but not excessively tight. If belt has a tendency to "jump teeth" during operation, increase belt tension.

Idlers

Adjustable center distance is preferred over idlers to tension belt. Idlers should be positioned on the slack side of the drive. Inside idlers are preferred over outside idlers. Idler diameter should be at least as large as the smallest pulley.

TENSIONING THE DRIVE –

Simple Tensioning Procedure:

Step 1 – Calculate the value of the deflection force "f" from the following formula, referring to drawing below.

$$\text{Force of Deflection } f = \frac{T + (S/L) K}{16}$$

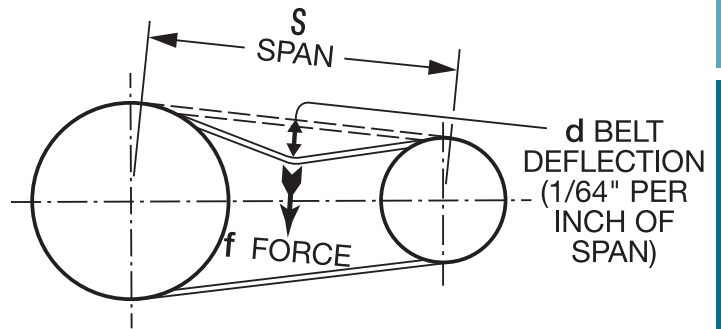
Where S = Span distance in inches

T = Tension in Lbs. from Table below

K = Constant from Table

L = Length of Belt

Step 2 – Using a straight edge as a reference, apply enough force to deflect belt 1/64" for every inch of center span. If this force is less than the calculated "f", increase center distance of pulleys. If more than "f", decrease center distance of pulleys.



Belt Deflection Force T and K Values

Belt Pitch	Values #	Belt Width															
		1/4	3/8	1/2	5/8	3/4	1	1-1/2	2	2-1/2	3	4	5	6	8	10	
XL 1/5"	T	6.7	10	15	20	24.2	34.2	
	K	.85	1.7	2.7	3.6	4.7	6.7	
L 3/8"	T	...	11.4	17.1	22.1	27.9	39.3	61.4	
	K	...	8.5	9.9	14	17	24	37	
H 1/2"	T	39.3	53.3	66	93.3	145.3	200	254	313	444	574	700	
	K	17	22	32	46	71	95	125	152	210	265	320	
XH 7/8"	T	227	288	356	504	652	795	1094	1388	
	K	190	250	305	440	568	700	1080	1330	
XXH 1-1/4"	T	556	707	873	1238	1599	1950	2683	3406	
	K	310	410	500	710	920	1100	1500	...	

#T = Tension in Pounds; K = constant for above formula.

Allowable Working Tension (Ta) Lbs.

Belt Pitch	Belt Width	1/4	3/8	1/2	5/8	3/4	1	1-1/2	2	2-1/2	3	4	5	6	8	10	12	14
		XL 1/5"	8	12	18	24	29	41
L 3/8"	...	16	24	31	39	55	86	118	150	185
H 1/2"	59	80	99	140	218	300	381	470	666	861	1050
XH 7/8"	409	519	641	908	1175	1431	1969	2499	3022	3552	...
XXH 1-1/4"	500	636	786	1114	1439	1755	2415	3065	3706	4357	...

Note: These values have not been corrected for centrifugal force loss.

FEATURES/BENEFITS PAGE PT10-2	SPECIFICATIONS PAGE PT10-3	SELECTION PAGE PT10-14	ENGINEERING/TECHNICAL PAGE PT10-44
----------------------------------	-------------------------------	---------------------------	---------------------------------------



NOTES

V-Drives

FHP Drives

Drive Component
Accessories

DYNA-SYNC

HT200/HTD
Synchronous Drives

HT500
Synchronous Drives

Roller Chain Sprockets



HT200/HTD Synchronous Belt Drives

Features/Benefits	PT11-2
Specification	
HT TAPER-LOCK Sprockets	PT11-4
MPB & BTS Sprockets	PT11-9
Fin-Fan Sprockets	PT11-9
QD HTD Sprockets	PT11-10
HT200 Belts	PT11-17
Selection	
Procedure	PT11-19
HT200 Basic HP Rating	PT11-22
HTD/HT100 Basic HP Ratings	PT11-27
5MM Ratio/Center Distance Tables	PT11-35
8MM Ratio/Center Distance Tables	PT11-38
14MM Ratio/Center Distance Tables	PT11-48
20MM Ratio/Center Distance Tables	PT11-60
Engineering/Technical	
Please see Pages PT13-96 - PT13-101	
Part Number Index	INDEX-1
Keyword Index	INDEX-43

V-Drives

FHP Drives

Drive Component
Accessories

DYNA-SYNC

HT200/HTD
Synchronous Drives

HT500
Synchronous Drives

Roller Chain Sprockets



FEATURES/BENEFITS

DODGE HT200 Drives

High Torque Synchronous Belt Drives

- 200% Rating of HTD
- Quieter Operation
- More Compact
- 8MM & 14MM Pitch

Plus all the benefits of standard HTD Drives:

- Positive, non-slip drive
- No lubrication required
- Non-stretch
- Corrosion resistant
- Abrasion resistant
- Virtually no backlash
- Clean operation
- Long life
- Low maintenance



THE TECHNOLOGY OF HT200 PERFORMANCE

Advanced Tooth Profile Design

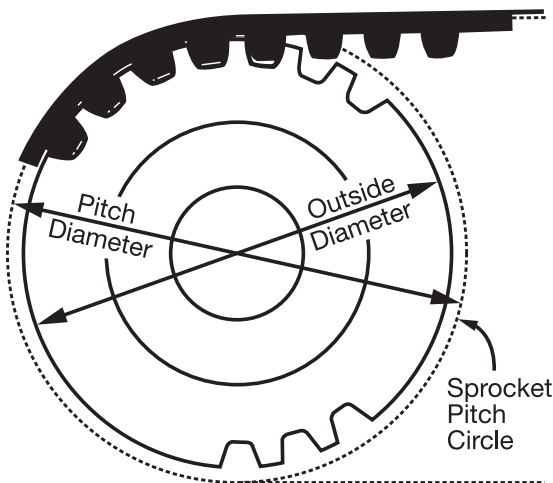
- Optimizes distribution of load forces between belt and sprocket.
- Improves dynamic efficiency between sprocket and belt.
- Increases torque capacity.
- Allows more compact, narrower drive.
- Operates more quietly.

Belt Construction

- Tougher Chloroprene rubber resists tooth shear, increases load capacity.
- Strong, stretch-resistant tensile cords.
- Tough, wear-resistant nylon tooth facing keeps friction low, protects from wear.

HT200

- Compact Design
- Uses HT TAPER-LOCK Sprockets
- Competitively Priced



V-Drives

FHP Drives

Drive Component Accessories

DYNA-SYNC

HT200/HTD Synchronous Drives

HT500 Synchronous Drives

Roller Chain Sprockets



FEATURES/BENEFITS

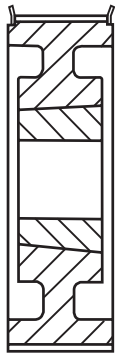
DODGE HT200 Drives



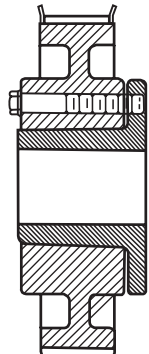
HT TAPER-LOCK Sprockets

- **Torque Rated:** Shaft gripping strength to meet the higher demands of the 200% rating of HT200 Belts.
- **Compatible:** Accepts HT200 or standard HTD belts.
- **Compact:** Save shaft space with compact TAPER-LOCK design.
- **Reduce Overhung Load:** Compact design allows closer mounting to motor or reducer bearings. Improves bearing life, reduces maintenance costs.

TAPER-LOCK THE Compact Synchronous Drive



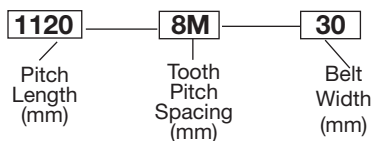
TAPER-LOCK HT



FLANGE-BUSHED SPROCKET

Compact TAPER-LOCK design takes up less shaft space than narrow width belts or products using flanged style bushing. The result is a more compact, economical synchronous drive.

BELT NOMENCLATURE

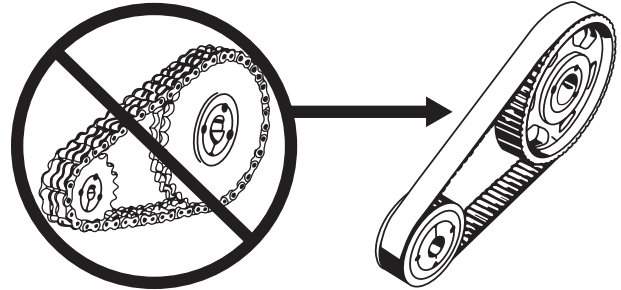


DODGE QD HTD Sprockets

- Rated for capacity of standard HTD belts.
- Compatible for standard HTD belts.
- Can run HT200 belts at HTD rating.
- Use HT200 belts for quieter operation than with HTD belts.

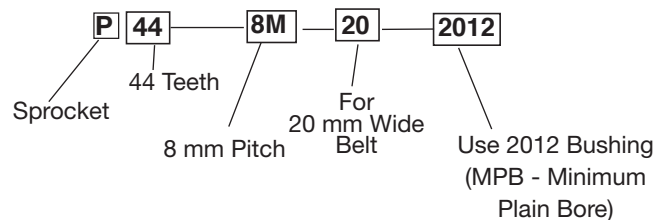
Caution: Standard QD style HTD sprockets manufactured by DODGE or by others may not have the torque capacity for the higher rated HT200 belts. HT TAPER-LOCK sprockets from DODGE are designed to handle the higher loads.

Upgrade Roller Chain Drives to DODGE HT200



- **Clean:** No lubrication required. No messy oil drips or spills.
- **Quiet:** No metal-to-metal contact.
- **Smooth Operation:** No chordal action of chain drive that results in vibration and speed variation.
- **Economical Drive Guard:** Basic enclosed or ventilated guard will suffice. Oil seals, filler and drain plugs not required.

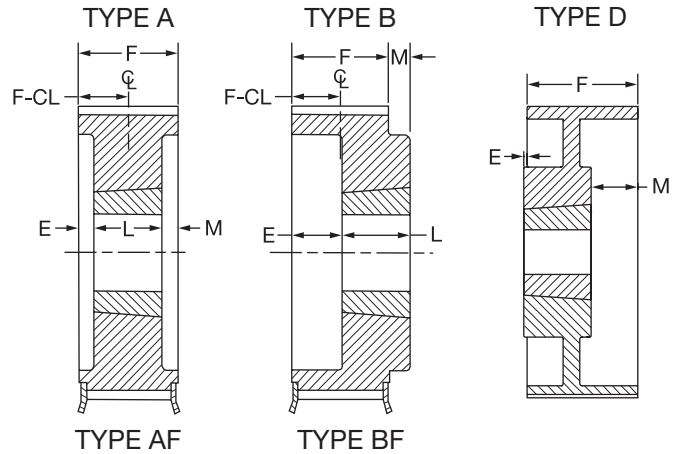
SPROCKET NOMENCLATURE





SPECIFICATION

HT TAPER-LOCK Sprockets



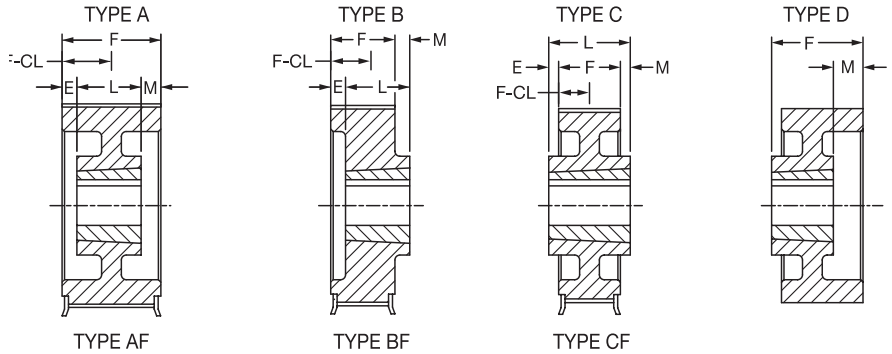
The figure following the sketch reference letter in the "Type" column, indicates the construction of the sprocket (1 = Solid, 2 = Web, and 3 = Arms) and the letter "F" indicates that the sprocket has flanges.

5MM Sprockets

Sprocket Number	Part No.	No. Of Teeth	Diameters			Type	Dimensions (In.)		Bore Sizes		Approx. Weight (Lbs.)	Approx. Wr ² (Lb-Ft ²)
			P.D.	O.D.	Flange		E	M	Min.	Max.		
5M-15			F = 0.89"									
P32-5M-15-MPB	112465	32	2.005	1.960	2.125		0.50	0	1/2	7/8	0.8	0.0016
P34-5M-15-MPB	112466	34	2.130	2.085	2.375		0.50	0	1/2	1	0.9	0.0021
P36-5M-15-MPB	114640	36	2.256	2.211	2.375		0.50	0	1/2	1-1/8	1.1	0.0028
P36-5M-15-1108	112467	36	2.256	2.211	2.375	A1F	0	0	1/2	1-1/8	0.47	0.0028
P38-5M-15-1108	112468	38	2.381	2.336	2.613	A1F	0	0	1/2	1-1/8	0.57	0.0036
P40-5M-15-1108	112469	40	2.506	2.461	2.733	A1F	0	0	1/2	1-1/8	0.68	0.0047
P44-5M-15-1108	112470	44	2.757	2.712	3.090	A1F	0	0	1/2	1-1/8	0.91	0.0072
P48-5M-15-1210	112471	48	3.008	2.963	3.328	B1F	0	0.11	1/2	1-1/4	1.0	0.0105
P52-5M-15-1210	112472	52	3.258	3.213	3.566	B1F	0	0.11	1/2	1-1/4	1.3	0.0153
P56-5M-15-1610	112473	56	3.509	3.464	3.805	B1F	0	0.11	1/2	1-11/16	1.4	0.0192
P60-5M-15-1610	112474	60	3.760	3.715	4.044	B1F	0	0.11	1/2	1-11/16	1.7	0.0267
P64-5M-15-1610	112475	64	4.010	3.965	4.170	B1F	0	0.11	1/2	1-11/16	2.1	0.0353
P68-5M-15-1610	112476	68	4.261	4.216	4.520	B1F	0	0.11	1/2	1-11/16	2.4	0.0458
P72-5M-15-1610	112477	72	4.511	4.466	4.670	B1F	0	0.11	1/2	1-11/16	2.8	0.0583
P80-5M-15-1610	112478	80	5.013	4.968	...	B1	0	0.11	1/2	1-11/16	3.7	0.0906
P90-5M-15-1610	112479	90	5.639	5.594	...	B1	0	0.11	1/2	1-11/16	4.9	0.1474
P112-5M-15-2012	112480	112	7.018	6.973	...	B1	0	0.36	1/2	2-1/8	8.3	0.3750
5M-25			F = 1.28"									
P32-5M-25-MPB	112481	32	2.005	1.960	2.125		0.50	0	1/2	7/8	1.1	0.0024
P34-5M-25-MPB	112482	34	2.130	2.085	2.375		0.50	0	1/2	1	1.2	0.0031
P36-5M-25-1108	112483	36	2.256	2.211	2.375	A1F	0	0.41	1/2	1-1/8	0.65	0.0039
P38-5M-25-1108	112484	38	2.381	2.336	2.613	A1F	0	0.41	1/2	1-1/8	0.73	0.0048
P40-5M-25-1108	112485	40	2.506	2.461	2.733	A1F	0	0.41	1/2	1-1/8	0.85	0.0061
P44-5M-25-1108	112486	44	2.757	2.712	3.090	A1F	0	0.41	1/2	1-1/8	1.1	0.0091
P48-5M-25-1210	112487	48	3.008	2.963	3.328	A1F	0	0.28	1/2	1-1/4	1.2	0.0130
P52-5M-25-1210	112488	52	3.258	3.213	3.566	A1F	0	0.28	1/2	1-1/4	1.6	0.0185
P56-5M-25-1610	112489	56	3.509	3.464	3.805	A1F	0	0.28	1/2	1-11/16	1.6	0.0240
P60-5M-25-1610	112490	60	3.760	3.715	4.044	A1F	0	0.28	1/2	1-11/16	2.1	0.0335
P64-5M-25-1610	112491	64	4.010	3.965	4.170	A1F	0	0.28	1/2	1-11/16	2.4	0.0430
P68-5M-25-2012	112492	68	4.261	4.216	4.520	A1F	0.03	0.00	1/2	2-1/8	2.7	0.0571
P72-5M-25-2012	112493	72	4.511	4.466	4.670	A1F	0.03	0.00	1/2	2-1/8	3.3	0.0751
P80-5M-25-2012	112494	80	5.013	4.968	...	A1	0.03	0.00	1/2	2-1/8	4.5	0.1215
P90-5M-25-2012	112495	90	5.639	5.594	...	A1	0.03	0.00	1/2	2-1/8	6.2	0.2032
P112-5M-25-2012	112496	112	7.018	6.973	...	A1	0.03	0.00	1/2	2-1/8	10.7	0.5102



HT TAPER-LOCK Sprockets



The figure following the sketch reference letter in the "Type" column, indicates the construction of the sprocket (1 = Solid, 2 = Web, and 3 = Arms) and the letter "F" indicates that the sprocket has flanges.

8MM Sprockets

Sprocket Number	Part No.	No. Of Teeth	Diameters			Type	Dimensions (In.)		Bore Sizes		Approx. Weight (Lbs.)	Approx. Wr ² (Lb-Ft ²)
			P.D.	O.D.	Flange		E	M	Min.	Max		
8M-20 F = 1.13"												
P22-8M-20-1108*	112850	22	2.206	2.152	2.559	A1F	0.00	0.26	1/2	1-1/8	0.5	0.0027
P24-8M-20-1108	112851	24	2.406	2.352	2.756	A1F	0.00	0.26	1/2	1-1/8	0.7	0.0044
P26-8M-20-1108	112852	26	2.607	2.553	2.953	A1F	0.00	0.26	1/2	1-1/8	0.9	0.0065
P28-8M-20-1108	112853	28	2.807	2.753	3.150	A1F	0.26	0.00	1/2	1-1/8	1.2	0.0093
P30-8M-20-1210	112854	30	3.008	2.954	3.346	A1F	0.13	0.00	1/2	1-1/4	1.2	0.0116
P32-8M-20-1210	112855	32	3.208	3.154	3.543	A1F	0.00	0.13	1/2	1-1/4	1.4	0.0157
P34-8M-20-1610	112856	34	3.409	3.355	3.819	A1F	0.13	0.00	1/2	1-11/16	1.4	0.0185
P36-8M-20-1610	112857	36	3.609	3.555	3.937	A1F	0.13	0.00	1/2	1-11/16	1.7	0.0246
P38-8M-20-1610	112858	38	3.810	3.756	4.134	A1F	0.13	0.00	1/2	1-11/16	2.0	0.0320
P40-8M-20-1610	112859	40	4.010	3.956	4.331	A1F	0.13	0.00	1/2	1-11/16	2.4	0.0406
P44-8M-20-2012	112860	44	4.411	4.357	4.764	B1F	0.00	0.12	1/2	2-1/8	2.7	0.0585
P48-8M-20-2012	112861	48	4.812	4.758	5.157	B1F	0.00	0.12	1/2	2-1/8	3.7	0.0916
P56-8M-20-2012	112862	56	5.614	5.560	5.945	B1F	0.00	0.12	1/2	2-1/8	5.6	0.1768
P64-8M-20-2012	112863	64	6.416	6.362	6.772	B1F	0.00	0.12	1/2	2-1/8	7.7	0.3075
P72-8M-20-2012	112864	72	7.218	7.164	7.598	B1F	0.00	0.12	1/2	2-1/8	10	0.4991
P80-8M-20-2517	112865	80	8.020	7.966	8.386	B1F	0.00	0.62	1/2	2-11/16	13	0.7725
P90-8M-20-2517	112866	90	9.023	8.969	...	C2	0.31	0.31	1/2	2-11/16	12	0.9037
8M-30 F = 1.5"												
P22-8M-30-1108*	112867	22	2.206	2.152	2.559	A1F	0.00	0.63	1/2	1-1/8	0.64	0.0036
P24-8M-30-1108	112868	24	2.406	2.352	2.756	A1F	0.00	0.63	1/2	1-1/8	0.90	0.0058
P26-8M-30-1108	112869	26	2.607	2.553	2.953	A1F	0.00	0.63	1/2	1-1/8	1.1	0.0082
P28-8M-30-1108	112870	28	2.807	2.753	3.150	A1F	0.00	0.63	1/2	1-1/8	1.5	0.0124
P30-8M-30-1210	112871	30	3.008	2.954	3.346	A1F	0.00	0.50	1/2	1-1/4	1.5	0.0152
P32-8M-30-1210	112872	32	3.208	3.154	3.543	A1F	0.00	0.50	1/2	1-1/4	1.7	0.0199
P34-8M-30-1610	112873	34	3.409	3.355	3.819	A1F	0.00	0.50	1/2	1-11/16	1.8	0.0241
P36-8M-30-1610	112874	36	3.609	3.555	3.937	A1F	0.00	0.50	1/2	1-11/16	2.2	0.0323
P38-8M-30-1610	112875	38	3.810	3.756	4.134	A1F	0.00	0.50	1/2	1-11/16	2.5	0.0409
P40-8M-30-2012	112876	40	4.010	3.956	4.331	A1F	0.00	0.25	1/2	2-1/8	2.3	0.0453
P44-8M-30-2012	112877	44	4.411	4.357	4.764	A1F	0.00	0.25	1/2	2-1/8	3.2	0.0712
P48-8M-30-2012	112878	48	4.812	4.758	5.157	A1F	0.00	0.25	1/2	2-1/8	4.2	0.1069
P56-8M-30-2012	112879	56	5.614	5.560	5.945	A1F	0.00	0.25	1/2	2-1/8	6.3	0.2087
P64-8M-30-2517	112880	64	6.416	6.362	6.772	B1F	0.00	0.25	1/2	2-11/16	9.5	0.4044
P72-8M-30-2517	112881	72	7.218	7.164	7.598	B1F	0.00	0.25	1/2	2-11/16	13	0.6599
P80-8M-30-2517	112882	80	8.020	7.966	8.386	B1F	0.00	0.25	1/2	2-11/16	16	1.019
P90-8M-30-2517	112883	90	9.023	8.969	...	C2	0.13	0.13	1/2	2-11/16	22	1.650
P112-8M-30-2517	112884	112	11.229	11.175	...	C2	0.13	0.13	1/2	2-11/16	24	1.764
P144-8M-30-2517	112849	114	14.437	14.383	...	D3	0.38	0.13	1/2	2-11/16	31	6.014

TAPER-LOCK sprockets limited to torque capacity of bushing.

FEATURES/BENEFITS PAGE PT11-2	SELECTION PAGE PT11-19	ENGINEERING/TECHNICAL PAGE PT11-64	
----------------------------------	---------------------------	---------------------------------------	--



SPECIFICATION

HT TAPER-LOCK Sprockets

8 MM Sprocket

Sprocket Number	Part No.	No. Of Teeth	Diameters			Type	Dimensions (In.)		Bore Sizes		Approx. Weight (Lbs.)	Approx. Wr ² (Lb-Ft ²)
			P.D.	O.D.	Flange		E	M	Min.	Max		
8M-50 F = 2.38"												
P28-8M-50-1108*	112885	28	2.807	2.753	3.150	A1F	0.00	1.50	1/2	1-1/8	2.1	0.0182
P30-8M-50-1210	112886	30	3.008	2.954	3.346	A1F	0.00	1.38	1/2	1-1/4	2.2	0.0231
P32-8M-50-1210	114821	32	3.208	3.154	3.543	A1F	0.00	1.38	1/2	1-1/4	2.3	0.0281
P34-8M-50-1610	114822	34	3.409	3.355	3.819	A1F	0.00	1.38	1/2	1-11/16	4.0	0.0457
P36-8M-50-1610	112889	36	3.609	3.555	3.937	A1F	0.00	1.38	1/2	1-11/16	2.7	0.0431
P38-8M-50-1610	112890	38	3.810	3.756	4.134	A1F	0.00	1.38	1/2	1-11/16	3.1	0.0540
P40-8M-50-2012	112891	40	4.010	3.956	4.331	A1F	0.00	1.13	1/2	2-1/8	3.5	0.0685
P44-8M-50-2012	112892	44	4.411	4.357	4.764	A1F	0.00	1.13	1/2	2-1/8	4.3	0.0999
P48-8M-50-2012	112893	48	4.812	4.758	5.157	A1F	0.00	1.13	1/2	2-1/8	5.5	0.1491
P56-8M-50-2517	112894	56	5.614	5.560	5.945	A1F	0.00	0.63	1/2	2-11/16	8.1	0.2957
P64-8M-50-2517	112895	64	6.416	6.362	6.772	A1F	0.00	0.63	1/2	2-11/16	12	0.5272
P72-8M-50-2517	112896	72	7.218	7.164	7.598	A1F	0.00	0.63	1/2	2-11/16	16	0.8625
P80-8M-50-2517	112897	80	8.020	7.966	8.386	A1F	0.00	0.63	1/2	2-11/16	20	1.343
P90-8M-50-3020	112898	90	9.023	8.969	...	A1	0.00	0.38	7/8	3-1/4	27	2.277
P112-8M-50-3020	112899	112	11.229	11.175	...	A2	0.00	0.38	7/8	3-1/4	30	3.746
P144-8M-50-3020	114833	144	14.437	14.383	...	A3	0.00	0.38	7/8	3-1/4	49	8.988
P192-8M-50-3020	112901	192	19.249	19.195	...	A3	0.00	0.38	7/8	3-1/4	108	32.21
8M-85 F = 3.75"												
P34-8M-85-1615	114823	34	3.409	3.355	3.810	A1F	0.75	1.50	1/2	1-11/16	3.9	0.0547
P36-8M-85-1615	114825	36	3.609	3.555	4.009	A1F	0.75	1.50	1/2	1-11/16	4.4	0.0694
P40-8M-85-2012	114828	40	4.010	3.956	4.410	A1F	1.25	1.25	1/2	2-1/8	4.7	0.0970
P44-8M-85-2012	114504	44	4.411	4.357	4.764	A1F	1.25	1.25	1/2	2-1/8	5.9	0.1447
P48-8M-85-2012	114505	48	4.812	4.758	5.212	A1F	1.25	1.25	1/2	2-1/8	7.6	0.2146
P56-8M-85-2517	114506	56	5.614	5.560	6.014	A1F	0.81	1.19	1/2	2-11/16	11	0.4058
P64-8M-85-2517	114507	64	6.416	6.362	6.716	A1F	0.59	1.41	1/2	2-11/16	15	0.6987
P72-8M-85-3020	114508	72	7.218	7.164	7.500	A1F	0.88	0.88	7/8	3-1/4	18	1.121
P80-8M-85-3020	114509	80	8.020	7.966	8.420	A1F	0.50	1.25	7/8	3-1/4	22	1.642
P90-8M-85-3020	114510	90	9.023	8.969	...	A1	0.50	1.25	7/8	3-1/4	32	2.846
P112-8M-85-3020	114511	112	11.229	11.175	...	A2	0.50	1.25	7/8	3-1/4	33	4.621
P144-8M-85-3535	114834	144	14.437	14.383	...	A3	0.00	0.25	1-3/16	3-15/16	54	11.06
P192-8M-85-3535	114513	192	19.249	19.195	...	A3	0.13	0.13	1-3/16	3-15/16	125	39.63

14 MM Sprockets

Sprocket Number	Part No.	No. Of Teeth	Diameters			Type	Dimensions (In.)		Bore Sizes		Approx. Weight (Lbs.)	Approx. Wr ² (Lb-Ft ²)
			P.D.	O.D.	Flange		E	M	Min.	Max		
14M-40 F = 2.13"												
P28-14M-40-2012*	112902	28	4.912	4.802	5.560	A1F	0.00	0.88	1/2	2-1/8	5.9	0.1531
P29-14M-40-2012	112903	29	5.088	4.978	5.560	A1F	0.00	0.88	1/2	2-1/8	6.6	0.1810
P30-14M-40-2012	112904	30	5.263	5.153	6.125	A1F	0.00	0.88	1/2	2-1/8	6.5	0.1935
P32-14M-40-2012	112905	32	5.614	5.504	6.125	A1F	0.00	0.88	1/2	2-1/8	8.0	0.2651
P34-14M-40-2012	112906	34	5.965	5.855	6.500	A1F	0.00	0.88	1/2	2-1/8	9.4	0.3498
P36-14M-40-2517	112907	36	6.316	6.206	6.875	A1F	0.00	0.38	1/2	2-11/16	11	0.4443
P38-14M-40-2517	112908	38	6.667	6.557	7.219	A1F	0.00	0.38	1/2	2-11/16	12	0.5658
P40-14M-40-2517	112909	40	7.018	6.908	7.500	A1F	0.00	0.38	1/2	2-11/16	14	0.7134
P44-14M-40-2517	112910	44	7.720	7.610	8.343	A1F	0.00	0.38	1/2	2-11/16	18	1.046
P48-14M-40-2517	112911	48	8.421	8.311	8.937	A1F	0.00	0.38	1/2	2-11/16	22	1.527
P52-14M-40-2517	112912	52	9.123	9.013	9.687	A1F	0.00	0.38	1/2	2-11/16	26	2.126
P56-14M-40-2517	112913	56	9.825	9.715	10.375	A1F	0.00	0.38	1/2	2-11/16	31	2.878
P60-14M-40-3020	112914	60	10.527	10.417	11.062	A2F	0.00	0.13	7/8	3-1/4	29	3.177
P64-14M-40-3020	112915	64	11.229	11.119	11.750	A2F	0.00	0.13	7/8	3-1/4	31	3.872
P68-14M-40-3020	112916	68	11.930	11.820	12.500	A2F	0.00	0.13	7/8	3-1/4	31	4.446
P72-14M-40-3020	112917	72	12.632	12.522	13.187	A2F	0.00	0.13	7/8	3-1/4	34	5.410
P80-14M-40-3020	114840	80	14.036	13.926	14.625	A3F	0.00	0.13	7/8	3-1/4	34	7.474
P90-14M-40-3020	114851	90	15.790	15.680	...	A3	0.00	0.13	7/8	3-1/4	40	9.396
P112-14M-40-3020	114470	112	19.650	19.540	...	A3	0.00	0.13	7/8	3-1/4	101	29.66
P144-14M-40-3020	114471	144	25.264	25.154	...	A3	0.00	0.13	7/8	3-1/4	154	75.16
P168-14M-40-3020	114852	168	29.475	29.265	...	A3	0.00	0.13	7/8	3-1/4	133	113.3
P192-14M-40-3020	114853	192	33.686	33.576	...	A3	0.00	0.13	7/8	3-1/4	168	189.8

FEATURES/BENEFITS PAGE PT11-2	SELECTION PAGE PT11-19	ENGINEERING/TECHNICAL PAGE PT11-64
----------------------------------	---------------------------	---------------------------------------

V-Drives

FHP Drives

Drive Component Accessories

DYNA-SYNC

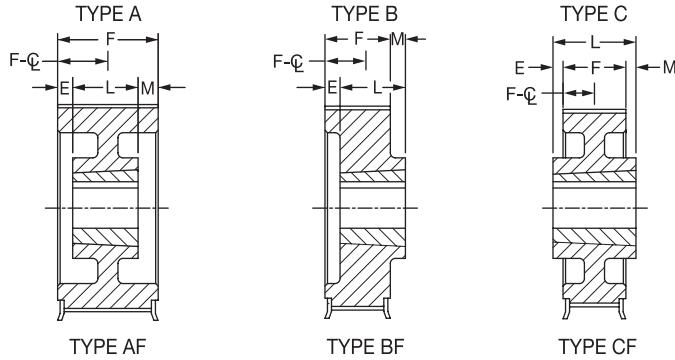
HT200/HTD Synchronous Drives

HT500 Synchronous Drives

Roller Chain Sprockets



HT TAPER-LOCK Sprockets



The figure following the sketch reference letter in the "Type" column indicates the construction of the sprocket (1 = Solid, 2 = Web and 3 = Arms), and the letter "F" indicates that the sprocket has flanges.

14MM Sprockets

Sprocket Number	Part No.	No. Of Teeth	Diameters			Type	Dimensions (In.)		Bore Sizes		Approx. Weight (Lbs.)	Approx. Wr ² (Lb-Ft ²)
			P.D.	O.D.	Flange		E	M	Min.	Max		
14M-55					F = 2.75"							
P28-14M-55-2012	112922	28	4.912	4.802	5.560	A1F	0.00	1.50	1/2	2-1/8	7.4	0.1948
P29-14M-55-2012	112923	29	5.088	4.978	5.560	A1F	0.00	1.50	1/2	2-1/8	8.4	0.2314
P30-14M-55-2517	114836	30	5.263	5.153	6.125	A1F	0.00	1.00	1/2	2-11/16	7.4	0.2371
P32-14M-55-2517	112925	32	5.614	5.504	6.125	A1F	0.00	1.00	1/2	2-11/16	9.3	0.3276
P34-14M-55-2517	112926	34	5.965	5.855	6.500	A1F	0.00	1.00	1/2	2-11/16	11	0.4379
P36-14M-55-2517	112927	36	6.316	6.206	6.875	A1F	0.00	1.00	1/2	2-11/16	12	0.5400
P38-14M-55-2517	112928	38	6.667	6.557	7.219	A1F	0.00	1.00	1/2	2-11/16	14	0.6868
P40-14M-55-2517	112929	40	7.018	6.908	7.500	A1F	0.00	1.00	1/2	2-11/16	17	0.8719
P44-14M-55-2517	112930	44	7.720	7.610	8.343	A1F	0.00	1.00	1/2	2-11/16	20	1.234
P48-14M-55-3020	112931	48	8.421	8.311	8.937	A1F	0.00	0.75	7/8	3-1/4	24	1.840
P52-14M-55-3020	112932	52	9.123	9.013	9.687	A1F	0.00	0.75	7/8	3-1/4	30	2.573
P56-14M-55-3020	112933	56	9.825	9.715	10.375	A1F	0.00	0.75	7/8	3-1/4	35	3.489
P60-14M-55-3020	112934	60	10.527	10.417	11.062	A1F	0.00	0.75	7/8	3-1/4	42	4.647
P64-14M-55-3020	112935	64	11.229	11.119	11.750	A1F	0.00	0.75	7/8	3-1/4	48	6.012
P68-14M-55-3020	112936	68	11.930	11.820	12.500	A2F	0.00	0.75	7/8	3-1/4	40	5.909
P72-14M-55-3020	112937	72	12.632	12.522	13.187	A2F	0.00	0.75	7/8	3-1/4	45	7.387
P80-14M-55-3020	114841	80	14.036	13.926	14.625	A3F	0.00	0.75	7/8	3-1/4	42	9.021
P90-14M-55-3020	114859	90	15.790	15.680	...	A3	0.00	0.75	7/8	3-1/4	45	12.36
P112-14M-55-3020	114472	112	19.650	19.540	...	A3	0.00	0.75	7/8	3-1/4	117	36.86
P144-14M-55-3020	114854	144	25.264	25.154	...	A3	0.00	0.75	7/8	3-1/4	98	65.38
P168-14M-55-3020	114860	168	29.475	29.265	...	A3	0.19	0.56	7/8	3-1/4	146	150.2
P192-14M-55-3535	114755	192	33.686	33.576	...	C3	0.00	0.75	1-3/16	3-15/16	432	404.3
14M-85					F = 4"							
P28-14M-85-2012*	112944	28	4.912	4.802	5.560	A1F	1.31	1.44	1/2	2-1/8	10	0.2787
P29-14M-85-2012*	112945	29	5.088	4.978	5.560	A1F	1.31	1.44	1/2	2-1/8	12	0.3321
P30-14M-85-2517	114837	30	5.263	5.153	6.125	A1F	0.50	1.75	1/2	2-11/16	10	0.3326
P32-14M-85-2517	112947	32	5.614	5.504	6.125	A1F	0.81	1.44	1/2	2-11/16	13	0.4590
P34-14M-85-2517	112948	34	5.965	5.855	6.500	A1F	0.81	1.44	1/2	2-11/16	15	0.6143
P36-14M-85-3020	112949	36	6.316	6.206	6.875	A1F	0.53	1.47	7/8	3-1/4	14	0.6948
P38-14M-85-3020	112950	38	6.667	6.557	7.219	A1F	0.53	1.47	7/8	3-1/4	17	0.8975
P40-14M-85-3020	112951	40	7.018	6.908	7.500	A1F	0.53	1.47	7/8	3-1/4	20	1.161
P44-14M-85-3020	112952	44	7.720	7.610	8.343	A1F	0.53	1.47	7/8	3-1/4	24	1.615
P48-14M-85-3020	112953	48	8.421	8.311	8.937	A1F	0.53	1.47	7/8	3-1/4	31	2.432
P52-14M-85-3535	112954	52	9.123	9.013	9.687	A1F	0.00	0.50	1-3/16	3-15/16	37	3.356
P56-14M-85-3535	112955	56	9.825	9.715	10.375	A1F	0.00	0.50	1-3/16	3-15/16	52	5.300
P60-14M-85-3535	112956	60	10.527	10.417	11.062	A1F	0.00	0.50	1-3/16	3-15/16	63	7.128
P64-14M-85-3535	112957	64	11.229	11.119	11.750	A1F	0.00	0.50	1-3/16	3-15/16	74	9.334
P68-14M-85-3535	112958	68	11.930	11.820	12.500	A2F	0.00	0.50	1-3/16	3-15/16	63	9.169
P72-14M-85-3535	112959	72	12.632	12.522	13.187	A1F	0.00	0.50	1-3/16	3-15/16	97	15.19
P80-14M-85-3535	112960	80	14.036	13.926	14.625	A2F	0.00	0.50	1-3/16	3-15/16	63	13.04
P90-14M-85-3535	114474	90	15.790	15.680	...	A2	0.00	0.50	1-3/16	3-15/16	72	18.14
P112-14M-85-3535	114844	112	19.650	19.540	...	A3	0.00	0.50	1-3/16	3-15/16	131	44.18
P144-14M-85-4040	114855	144	25.264	25.154	...	A3	0.00	0.00	1-7/16	4-7/16	137	92.10
P168-14M-85-4040	114489	168	29.475	29.265	...	A3	0.00	0.00	1-7/16	4-7/16	192	194.5
P192-14M-85-4040	114850	192	33.686	33.576	...	A3	0.00	0.00	1-7/16	4-7/16	448	444.6

TAPER-LOCK Sprockets limited to torque capacity of bushing.

FEATURES/BENEFITS PAGE PT11-2	SELECTION PAGE PT11-19	ENGINEERING/TECHNICAL PAGE PT11-64	
----------------------------------	---------------------------	---------------------------------------	--



SPECIFICATION

HT TAPER-LOCK Sprockets



14MM Sprockets

Sprocket Number	Part No.	No. Of Teeth	Diameters			Type	Dimensions (In.)		Bore Sizes		Approx. Weight (Lbs.)	Approx. Wr ² (Lb-Ft ²)
			P.D.	O.D.	Flange		E	M	Min.	Max		
14M-115 F = 5.25"												
P30-14M-115-2517	114838	30	5.263	5.153	5.763	A1F	1.75	1.75	1/2	2-11/16	13	0.4386
P32-14M-115-2517	114517	32	5.614	5.504	6.114	A1F	1.75	1.75	1/2	2-11/16	16	0.5873
P34-14M-115-2517	114518	34	5.965	5.855	6.465	A1F	1.75	1.75	1/2	2-11/16	19	0.7908
P36-14M-115-3020	114519	36	6.316	6.206	6.816	A1F	1.63	1.63	7/8	3-1/4	18	0.8766
P38-14M-115-3020	114494	38	6.667	6.557	7.167	A1F	1.63	1.63	7/8	3-1/4	20	1.100
P40-14M-115-3020	114475	40	7.018	6.908	7.518	A1F	1.63	1.63	7/8	3-1/4	23	1.357
P44-14M-115-3535	114522	44	7.720	7.610	8.395	A1F	0.88	0.88	1-3/16	3-15/16	30	2.144
P48-14M-115-3535	114523	48	8.421	8.311	8.941	A1F	0.88	0.88	1-3/16	3-15/16	40	3.277
P52-14M-115-4040	114524	52	9.123	9.013	9.687	A1F	0.63	0.63	1-7/16	4-7/16	47	4.545
P56-14M-115-4040	114525	56	9.825	9.715	10.355	A1F	0.63	0.63	1-7/16	4-7/16	58	6.335
P60-14M-115-4040	114526	60	10.527	10.417	11.067	A1F	0.63	0.63	1-7/16	4-7/16	70	8.589
P64-14M-115-4545	114527	64	11.229	11.119	11.750	A1F	0.38	0.38	1-15/16	4-15/16	82	11.47
P68-14M-115-4545	114528	68	11.930	11.820	12.500	A1F	0.38	0.38	1-15/16	4-15/16	97	14.91
P72-14M-115-4545	114529	72	12.632	12.522	13.066	A1F	0.00	0.75	1-15/16	4-15/16	113	19.06
P80-14M-115-4545	114530	80	14.036	13.926	14.620	A2F	0.38	0.38	1-15/16	4-15/16	148	29.66
P90-14M-115-4545	114476	90	15.790	15.680	...	A2	0.38	0.38	1-15/16	4-15/16	117	28.30
P112-14M-115-4545	114477	112	19.650	19.540	...	A2	0.00	0.75	1-15/16	4-15/16	173	64.72
P144-14M-115-4545	114856	144	25.264	25.154	...	A3	0.38	0.38	1-15/16	4-15/16	120	172.2
P168-14M-115-4545	114848	168	29.475	29.265	...	A3	0.38	0.38	1-15/16	4-15/16	223	243.3
P192-14M-115-4545	114482	192	33.686	33.576	...	A3	0.38	0.38	1-15/16	4-15/16	475	496.5
P216-14M-115-6050	114857	216	37.896	37.786	...	A3	0.00	0.25	4-7/16	6	686	378.0
14M-170 F = 7.38"												
P40-14M-170-3535*	114539	40	7.018	6.908	7.518	A1F	1.94	1.94	1-3/16	3-15/16	29	1.780
P44-14M-170-3535	114540	44	7.720	7.610	8.395	A1F	1.94	1.94	1-3/16	3-15/16	39	2.828
P48-14M-170-3535	114541	48	8.421	8.311	8.941	A1F	1.94	1.94	1-3/16	3-15/16	51	4.283
P52-14M-170-4040	114542	52	9.123	9.013	9.687	A1F	1.13	2.25	1-7/16	4-7/16	59	5.877
P56-14M-170-4040	114543	56	9.825	9.715	10.355	A1F	1.13	2.25	1-7/16	4-7/16	71	8.051
P60-14M-170-4545	114544	60	10.527	10.417	11.067	A1F	0.75	2.13	1-15/16	4-15/16	83	10.85
P64-14M-170-4545	114545	64	11.229	11.119	11.750	A1F	0.63	2.25	1-15/16	4-15/16	94	13.71
P68-14M-170-4545	114546	68	11.930	11.820	12.500	A1F	0.63	2.25	1-15/16	4-15/16	113	18.15
P72-14M-170-4545	114547	72	12.632	12.522	13.066	A1F	0.63	2.25	1-15/16	4-15/16	130	23.00
P80-14M-170-4545	114548	80	14.036	13.926	14.625	A1F	1.03	1.84	1-15/16	4-15/16	166	35.12
P90-14M-170-4545	114478	90	15.790	15.680	...	A2	0.63	2.25	1-15/16	4-15/16	159	42.03
P112-14M-170-4545	114479	112	19.650	19.540	...	D2	0.25	3.12	1-15/16	4-15/16	215	81.30
P144-14M-170-6050	114858	144	25.264	25.154	...	A3	1.19	1.19	4-7/16	6	264	207.9
P168-14M-170-6050	114499	168	29.475	29.265	...	A3	1.19	1.19	4-7/16	6	462	384.2
P192-14M-170-6050	117846	192	33.686	33.576	...	A3	1.19	1.19	4-7/16	6	616	655.7
P216-14M-170-6050	117848	216	37.896	37.786	...	A2	1.19	1.19	4-7/16	6	563	851.7

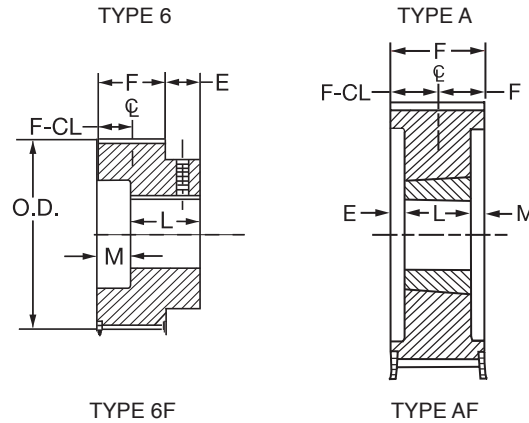
FEATURES/BENEFITS
PAGE PT11-2

SELECTION
PAGE PT11-19

ENGINEERING/TECHNICAL
PAGE PT11-64



HT Sprockets



Plain Bore HT Sprockets

Sprocket Number	Part No.	No. Of Teeth	Diameters			Dimensions (Inches)			Bore Range		Approx. Weight (Lbs.)	Approx. Wr ² (Lb-Ft ²)
			Pitch	O.D.	Flange	E	L	M	Min.	Max		
			8 MM Pitch			Type 6F						
P22-8M-20-MPB	110700	22	2.206	2.152	2.606	0.60	1.80	0.00	1/2	1-3/16	1.3	0.0048
P22-8M-30-MPB	110720	22	2.206	2.152	2.606	0.60	2.10	0.00	1/2	1-3/16	1.6	0.0060
P24-8M-30-MPB	110721	24	2.406	2.352	2.756	0.60	2.10	0.00	1/2	1-1/4	1.9	0.0061
P26-8M-30-MPB	110722	26	2.607	2.553	2.906	0.80	2.30	0.00	1/2	1-1/4	2.4	0.0087
P28-8M-50-MPB	114484	28	2.807	2.753	3.207	0.60	2.50	0.50	1/2	1-1/2	3.7	0.0240
P30-8M-50-MPB	110741	30	3.008	2.954	3.346	0.60	2.50	0.50	1/2	1-1/2	4.3	0.0319
P38-8M-85-MPB	114827	38	3.810	3.756	4.201	0.60	3.30	1.10	1/2	1-7/8	9.7	0.1204
			14 MM Pitch			Type 6F						
P28-14M-85-MPB	110830	28	4.912	4.802	5.562	1.00	4.00	1.00	1-1/4	2-11/16	17	0.3128
P29-14M-85-MPB	110831	29	5.088	4.978	5.562	1.00	4.00	1.00	1-1/4	2-11/16	19	0.3654
P28-14M-115-MPB	110855	28	4.912	4.802	5.562	1.30	5.00	1.50	1-1/4	2-11/16	22	0.4077
P29-14M-115-MPB	110856	29	5.088	4.978	5.562	1.30	5.00	1.50	1-1/4	2-11/16	24	0.4768
P36-14M-170-MPB	110880	36	6.316	6.206	6.816	1.30	6.00	2.60	1-1/2	3-3/8	47	1.593
P38-14M-170-MPB	110881	38	6.667	6.557	7.167	1.30	6.00	2.60	1-1/2	3-3/8	54	1.987
P40-14M-170-MPB	110882	40	7.018	6.908	7.518	1.30	6.00	2.60	1-1/2	3-3/4	60	2.479

Fin-Fan Sprockets

For Cooling Tower Drives

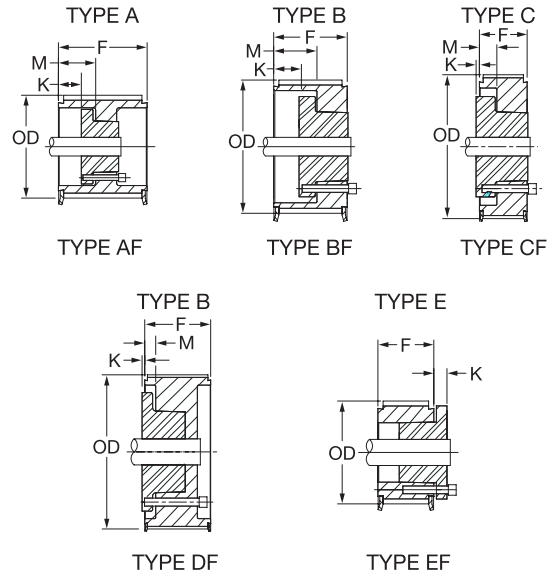
TAPER-LOCK		14 MM Pitch		Type A								
P168-14M-40-3020	114852	168	29.475	29.265	...	0.00	2.00	0.10	7/8	3-1/4	133	113.3
P192-14M-40-3020	114853	192	33.686	33.576	...	0.00	2.00	0.10	7/8	3-1/4	168	189.8
P168-14M-55-3020	114860	168	29.475	29.265	...	0.00	2.00	0.80	7/8	3-1/4	146	150.2
F192-14M-55-3020	114993	192	33.686	33.576	...	0.00	2.00	0.80	7/8	3-1/4	162	170.9
F216-14M-55-3020	114994	216	37.896	37.786	...	0.00	2.00	0.80	7/8	3-1/4	195	254.6
QD		14 MM Pitch		Type A								
F168-14M-55-E	114375	168	29.475	29.265	...	0.60	1.60	0.60	7/8	3-1/2	151.7	102.6
F192-14M-55-E	114376	192	33.686	33.576	...	0.60	1.60	0.60	7/8	3-1/2	127.8	143.5
F144-14M-85-E	114377	144	25.262	25.154	...	0.60	1.60	1.20	7/8	3-1/2	140.3	77.97
F168-14M-85-E	114378	168	29.475	29.265	...	0.00	1.60	1.20	7/8	3-1/2	175.1	129.5
F192-14M-85-E	114379	192	33.686	33.576	...	0.00	1.60	1.20	7/8	3-1/2	183.0	210.5
F216-14M-85-E	114380	216	37.896	37.786	...	0.00	1.60	1.20	7/8	3-1/2	218.1	288.9

FEATURES/BENEFITS PAGE PT11-2	SELECTION PAGE PT11-19	ENGINEERING/TECHNICAL PAGE PT11-64	
----------------------------------	---------------------------	---------------------------------------	--



SPECIFICATION

QD HTD Sprockets



The figure following the sketch reference letter in the "Type" column indicates the construction of the sprocket (1 = Solid, 2 = Web, and 3 = Arms), and the letter "F" indicates that the sprocket has flanges.

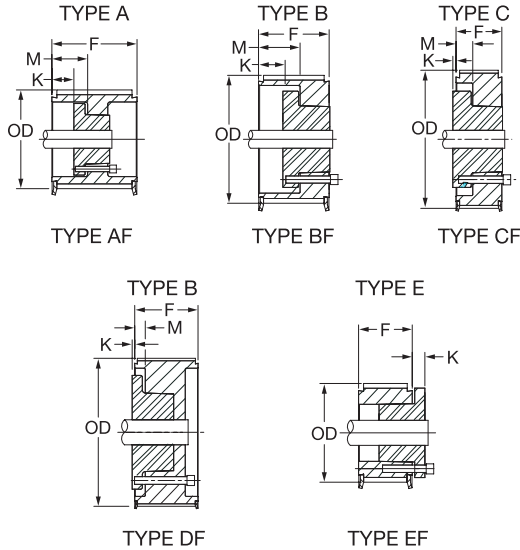
5MM QD HTD Sprockets

Sprocket Number	Part No.	No. Of Teeth	Diameters			Type	Dimensions (In.)		Bore Sizes		Approx. Weight (Lbs.)	Approx. Wr ² (Lb-Ft ²)
			P.D.	O.D.	Flange		M	K	Min.	Max.		
5M-15			F=0.89"									
P38-5M-15-JA	114641	38	2.381	2.336	2.613	E1F	0.00	0.51	1/2	1-1/4	0.6	0.0030
P40-5M-15-JA	114642	40	2.506	2.461	2.733	E1F	0.00	0.51	1/2	1-1/4	0.7	0.0039
P44-5M-15-JA	114643	44	2.757	2.712	3.090	E1F	0.00	0.51	1/2	1-1/4	0.9	0.0061
P48-5M-15-JA	114644	48	3.008	2.963	3.328	D1F	0.31	0.20	1/2	1-1/4	0.9	0.0076
P52-5M-15-JA	114645	52	3.258	3.213	3.566	D1F	0.31	0.20	1/2	1-1/4	1.1	0.0106
P56-5M-15-SH	114646	56	3.509	3.464	3.805	E1F	0.00	0.68	1/2	1-11/16	1.5	0.0169
P60-5M-15-SH	114647	60	3.760	3.715	4.044	E1F	0.00	0.68	1/2	1-11/16	1.8	0.0233
P64-5M-15-SH	114648	64	4.010	3.965	4.170	E1F	0.00	0.68	1/2	1-11/16	2.1	0.0312
P68-5M-15-SDS	114649	68	4.261	4.216	4.520	D1F	0.14	0.56	1/2	2	2.1	0.0369
P72-5M-15-SDS	114650	72	4.511	4.466	4.670	D1F	0.14	0.56	1/2	2	2.4	0.0463
P80-5M-15-SDS	114651	80	5.013	4.968	...	C1	0.14	0.56	1/2	2	3.1	0.0732
P90-5M-15-SDS	114652	90	5.639	5.594	...	C1	0.14	0.56	1/2	2	4.1	0.1204
P112-5M-15-SDS	114653	112	7.018	6.973	...	C1	0.14	0.56	1/2	2	6.9	0.3033
5M-25			F=1.28"									
P38-5M-25-JA	114655	38	2.381	2.336	2.613	E1F	0.00	0.51	1/2	1-1/4	0.9	0.0043
P40-5M-25-JA	114656	40	2.506	2.461	2.733	E1F	0.00	0.51	1/2	1-1/4	1.0	0.0056
P44-5M-25-JA	114657	44	2.757	2.712	3.090	E1F	0.00	0.51	1/2	1-1/4	1.3	0.0088
P48-5M-25-JA	114658	48	3.008	2.963	3.328	B1F	0.72	0.21	1/2	1-1/4	1.1	0.0097
P52-5M-25-JA	114659	52	3.258	3.213	3.566	B1F	0.72	0.21	1/2	1-1/4	1.3	0.0133
P56-5M-25-SH	114660	56	3.509	3.464	3.805	C1F	0.47	0.21	1/2	1-11/16	1.7	0.0206
P60-5M-25-SH	114661	60	3.760	3.715	4.044	C1F	0.47	0.21	1/2	1-11/16	2.1	0.0285
P64-5M-25-SH	114662	64	4.010	3.965	4.170	C1F	0.47	0.21	1/2	1-11/16	2.4	0.0379
P68-5M-25-SDS	114663	68	4.261	4.216	4.520	C1F	0.53	0.17	1/2	2	2.6	0.0479
P72-5M-25-SDS	114664	72	4.511	4.466	4.670	C1F	0.53	0.17	1/2	2	2.8	0.0564
P80-5M-25-SDS	114665	80	5.013	4.968	...	C1	0.53	0.17	1/2	2	3.6	0.0875
P90-5M-25-SDS	114666	90	5.639	5.594	...	C1	0.53	0.17	1/2	2	4.7	0.1414
P112-5M-25-SDS	114667	112	7.018	6.973	...	C1	0.53	0.17	1/2	2	7.7	0.3595

FEATURES/BENEFITS PAGE PT11-2	SELECTION PAGE PT11-19	ENGINEERING/TECHNICAL PAGE PT11-64	
----------------------------------	---------------------------	---------------------------------------	--



QD HTD Sprockets



The figure following the sketch reference letter in the "Type" column indicates the construction of the sprocket (1 = Solid, 2 = Web, and 3 = Arms), and the letter "F" indicates that the sprocket has flanges.

8MM QD HTD Sprockets

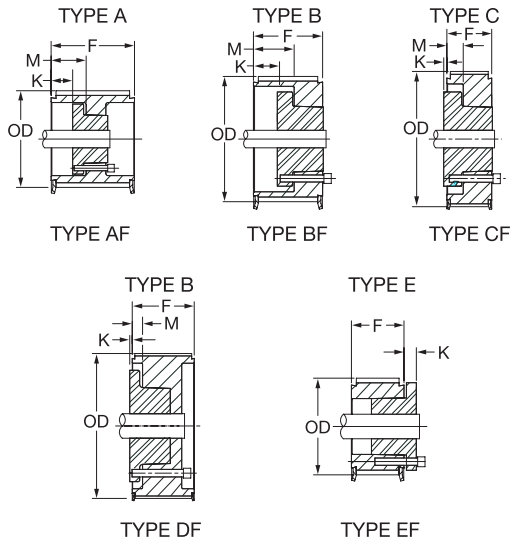
Sprocket Number	Part No.	No. Of Teeth	Diameters			Type	Dimensions (In.)		Bore Sizes		Approx. Weight (Lbs.)	Approx. Wr ² (Lb-Ft ²)
			P.D.	O.D.	Flange		M	K	Min.	Max		
8M-20			F = 1.125"									
P24-8M-20-JA	110701	24	2.406	2.352	2.756	E1F	0.00	0.51	1/2	1-1/4	0.8	0.0039
P26-8M-20-JA	110702	26	2.607	2.553	2.906	E1F	0.00	0.51	1/2	1-1/4	1.0	0.0059
P28-8M-20-QT	110703	28	2.807	2.759	3.207	E1F	0.00	1.42	3/8	1-1/2	1.1	0.0078
P30-8M-20-QT	110704	30	3.008	2.958	3.408	E1F	0.00	1.42	3/8	1-1/2	1.3	0.0110
P32-8M-20-QT	110705	32	3.208	3.156	3.608	E1F	0.00	1.42	3/8	1-1/2	1.6	0.0148
P34-8M-20-SH	110706	34	3.409	3.355	3.810	E1F	0.00	0.68	1/2	1-11/16	1.6	0.0181
P36-8M-20-SH	110707	36	3.609	3.555	4.009	C1F	0.31	0.37	1/2	1-11/16	1.7	0.0213
P38-8M-20-SH	110708	38	3.810	3.756	4.210	C1F	0.31	0.37	1/2	2	2.0	0.0272
P40-8M-20-SH	110709	40	4.010	3.956	4.410	C1F	0.31	0.37	1/2	2	2.3	0.0353
P44-8M-20-SDS	110710	44	4.411	4.357	4.764	C1F	0.38	0.32	1/2	2	2.6	0.0490
P48-8M-20-SDS	110711	48	4.812	4.758	5.212	C1F	0.38	0.32	1/2	2	3.4	0.0771
P56-8M-20-SDS	110712	56	5.614	5.560	6.014	C1F	0.38	0.32	1/2	2	4.6	0.1370
P64-8M-20-SDS	110713	64	6.416	6.362	6.716	C1F	0.38	0.32	1/2	2	6.8	0.2639
P72-8M-20-SDS	110714	72	7.218	7.164	7.500	C1F	0.38	0.32	1/2	2	8.8	0.4298
P80-8M-20-SDS	110715	80	8.020	7.966	8.420	C1F	0.38	0.32	1/2	2	11	0.6433
P90-8M-20-SDS	110716	90	9.023	8.969	...	C2	0.38	0.32	1/2	2	12	0.9369
8M-30			F = 1.5"									
P28-8M-30-QT	110723	28	2.807	2.759	3.207	E1F	0.00	0.37	1/2	1-1/2	1.4	0.0104
P30-8M-30-QT	110724	30	3.008	2.958	3.408	E1F	0.00	0.37	3/8	1-1/2	1.8	0.0146
P32-8M-30-QT	110725	32	3.208	3.156	3.608	E1F	0.00	0.37	3/8	1-1/2	2.1	0.0197
P34-8M-30-SH	110726	34	3.409	3.355	3.810	B1F	0.69	0.01	1/2	1-11/16	1.6	0.0186
P36-8M-30-SH	110727	36	3.609	3.555	4.009	B1F	0.69	0.01	1/2	1-11/16	2.0	0.0259
P38-8M-30-SH	110728	38	3.810	3.756	4.210	B1F	0.69	0.01	1/2	1-11/16	2.3	0.0328
P40-8M-30-SH	110729	40	4.010	3.956	4.410	B1F	0.69	0.01	1/2	1-11/16	2.8	0.0435
P44-8M-30-SDS	110730	44	4.411	4.357	4.764	B1F	0.75	0.05	1/2	2	3.0	0.0595
P48-8M-30-SDS	110731	48	4.812	4.758	5.212	B1F	0.75	0.05	1/2	2	3.8	0.0880
P56-8M-30-SDS	110732	56	5.614	5.560	6.014	B1F	0.75	0.05	1/2	2	5.2	0.1633
P64-8M-30-SK	110733	64	6.416	6.362	6.716	C1F	0.25	0.64	1/2	2-5/8	8.6	0.3421
P72-8M-30-SK	110734	72	7.218	7.164	7.500	C1F	0.25	0.64	1/2	2-5/8	12	0.5710
P80-8M-30-SK	110735	80	8.020	7.966	8.420	C2	0.25	0.64	1/2	2-5/8	11	0.6487
P90-8M-30-SK	110736	90	9.023	8.969	...	C2	0.25	0.64	1/2	2-5/8	16	1.2862
P112-8M-30-SK	110737	112	11.229	11.175	...	C2	0.25	0.64	1/2	2-5/8	22	2.703

FEATURES/BENEFITS PAGE PT11-2	SELECTION PAGE PT11-19	ENGINEERING/TECHNICAL PAGE PT11-64	
----------------------------------	---------------------------	---------------------------------------	--



SPECIFICATION

QD HTD Sprockets



The figure following the sketch reference letter in the "Type" column indicates the construction of the sprocket (1 = Solid, 2 = Web, and 3 = Arms), and the letter "F" indicates that the sprocket has flanges.

8MM QD HTD Sprockets

Sprocket Number	Part No.	No. Of Teeth	Diameters			Type	Dimensions (In.)		Bore Sizes		Approx. Weight (Lbs.)	Approx. Wr ² (Lb-Ft ²)
			P.D.	O.D.	Flange		M	K	Min.	Max.		
8M-50 F = 2.38"												
P28-8M-50-JA	110738	28	2.807	2.759	3.207	A1F	0.81	0.30	1/2	1-1/4	1.7	0.0127
P30-8M-50-JA	110739	30	3.008	2.958	3.408	A1F	0.81	0.30	1/2	1-1/4	1.9	0.0172
P32-8M-50-QT	110742	32	3.208	3.156	3.608	A1F	0.81	0.30	3/8	1-1/2	2.1	0.0214
P34-8M-50-SH	110743	34	3.409	3.355	3.810	D1F	0.50	0.18	1/2	1-11/16	2.2	0.0263
P36-8M-50-SH	110744	36	3.609	3.555	4.009	D1F	0.50	0.18	1/2	1-11/16	2.8	0.0367
P38-8M-50-SH	110745	38	3.810	3.756	4.210	D1F	0.50	0.18	1/2	1-11/16	3.1	0.0462
P40-8M-50-SH	110746	40	4.010	3.956	4.410	D1F	0.50	0.18	1/2	1-11/16	3.9	0.0632
P44-8M-50-SD	110747	44	4.411	4.357	4.764	D1F	0.56	1.74	1/2	2	5.5	0.1068
P48-8M-50-SD	110748	48	4.812	4.758	5.212	D1F	0.56	1.74	1/2	2	7.2	0.1644
P56-8M-50-SK	110749	56	5.614	5.560	6.014	D1F	0.56	0.33	1/2	2-15/16	11	0.3314
P64-8M-50-SK	110750	64	6.416	6.362	6.716	D1F	0.56	0.33	1/2	2-15/16	10	0.4400
P72-8M-50-SK	110751	72	7.218	7.164	7.500	D1F	0.56	0.33	1/2	2-15/16	16	0.8488
P80-8M-50-SF	110752	80	8.020	7.966	8.420	D1F	0.56	0.38	1/2	2-15/16	20	1.335
P90-8M-50-SF	110753	90	9.023	8.969	...	D1	0.56	0.38	1/2	2-15/16	25	2.102c
P112-8M-50-SF	110754	112	11.229	11.175	...	D2	0.75	0.19	1/2	2-15/16	32	4.152
P144-8M-50-E	110755	144	14.437	14.383	...	D3	0.38	0.82	7/8	3-1/2	45	9.391
P192-8M-50-E	110756	192	19.249	19.195	...	D3	0.38	0.82	7/8	3-1/2	65	20.42
8M-85 F = 3.75"												
P34-8M-85-SH	110760	34	3.409	3.355	3.810	A1F	1.50	0.82	1/2	1-11/16	3.1	0.0376
P36-8M-85-SH	110761	36	3.609	3.555	4.009	A1F	1.50	0.82	1/2	1-11/16	3.9	0.0535
P38-8M-85-SH	110762	38	3.810	3.756	4.210	A1F	1.50	0.82	1/2	1-11/16	4.4	0.0671
P40-8M-85-SD	110763	40	4.010	3.956	4.410	A1F	1.25	0.55	1/2	2	4.9	0.0836
P44-8M-85-SD	110764	44	4.411	4.357	4.764	A1F	1.25	0.55	1/2	2	7.8	0.1589
P48-8M-85-SD	110765	48	4.812	4.758	5.212	A1F	1.25	0.55	1/2	2	11	0.2496
P56-8M-85-SK	110766	56	5.614	5.560	6.014	A1F	1.25	0.36	1/2	2-5/8	12	0.4191
P64-8M-85-SK	110767	64	6.42	6.362	6.716	A1F	1.25	0.36	1/2	2-5/8	17	0.7664
P72-8M-85-SF	110768	72	7.218	7.164	7.500	A1F	1.25	0.31	1/2	2-15/16	19	1.114
P80-8M-85-SF	110769	80	8.020	7.966	8.420	A1F	1.25	0.31	1/2	2-15/16	29	1.982
P90-8M-85-SF	110770	90	9.023	8.969	...	A1	1.25	0.31	1/2	2-15/16	26	2.253
P112-8M-85-SF	110771	112	11.229	11.175	...	A2	1.25	0.31	1/2	2-15/16	38	5.286
P144-8M-85-E	110772	144	14.437	14.383	...	D3	1.06	0.14	7/8	3-1/2	61	14.031
P192-8M-85-E	110773	192	19.249	19.195	...	D3	1.06	0.14	7/8	3-1/2	76	26.80

SPECIFICATION



14MM QD HTD Sprockets

Sprocket Number	Part No.	No. Of Teeth	Diameters			Type	Dimensions (In.)		Bore Sizes		Approx. Weight (Lbs.)	Approx. Wr ² (Lb-Ft ²)
			P.D.	O.D.	Flange		M	K	Min.	Max		
14M-40												
F = 2.13"												
P28-14M-40-SK	110780	28	4.912	4.808	5.562	E1F	0.00	0.89	0.5	2-5/8	5.8	0.1301
P29-14M-40-SK	110781	29	5.088	4.983	5.562	E1F	0.00	0.89	0.5	2-5/8	6.5	0.1561
P30-14M-40-SK	110782	30	5.263	5.157	5.763	D1F	0.44	0.45	0.5	2-5/8	6.2	0.1629
P32-14M-40-SK	110783	32	5.614	5.507	6.114	D1F	0.44	0.45	0.5	2-5/8	7.8	0.2310
P34-14M-40-SK	110784	34	5.965	5.858	6.465	D1F	0.44	0.45	0.5	2-5/8	9.4	0.3113
P36-14M-40-SF	110785	36	6.316	6.208	6.816	D1F	0.44	0.50	0.5	2-15/16	9.6	0.3693
P38-14M-40-SF	110786	38	6.667	6.559	7.167	D1F	0.44	0.50	0.5	2-15/16	12	0.5080
P40-14M-40-SF	110787	40	7.018	6.909	7.518	D1F	0.44	0.50	0.5	2-15/16	13	0.6096
P44-14M-40-E	110788	44	7.720	7.610	8.395	D1F	0.38	0.82	0.875	3-1/2	16	0.9305
P48-14M-40-E	110789	48	8.421	8.311	8.941	D1F	0.38	0.82	0.875	3-1/2	20	1.360
P52-14M-40-E	110790	52	9.123	9.013	9.687	D1F	0.25	0.95	0.875	3-1/2	25	1.991
P56-14M-40-E	110791	56	9.825	9.715	10.355	D1F	0.25	0.95	0.875	3-1/2	29	2.583
P60-14M-40-E	110792	60	10.527	10.417	11.067	D1F	0.44	0.76	0.875	3-1/2	34	3.494
P64-14M-40-E	110793	64	11.229	11.119	11.750	D1F	0.44	0.76	0.875	3-1/2	39	4.489
P68-14M-40-E	110794	68	11.930	11.820	12.500	D2F	0.44	0.76	0.875	3-1/2	34	4.368
P72-14M-40-E	110795	72	12.632	12.522	13.066	D2F	0.31	0.89	0.875	3-1/2	40	5.811
P80-14M-40-E	110796	80	14.036	13.926	14.620	D3F	0.44	0.76	0.875	3-1/2	39	7.005
P90-14M-40-E	110797	90	15.790	15.680	...	D3	0.25	0.95	0.875	3-1/2	40	8.633
P112-14M-40-E	110798	112	19.650	19.540	...	D3	0.25	0.95	0.875	3-1/2	67	21.62
P144-14M-40-E	110799	144	25.264	25.154	...	D3	0.25	0.95	0.875	3-1/2	66	38.99
P168-14M-40-F	110759	168	29.475	29.265	...	C3	0.37	1.79	1	4	91	74.83
P192-14M-40-F	110774	192	33.686	33.576	...	C3	0.37	1.79	1	4	108	117.1
14M-55												
F = 2.75"												
P28-14M-55-SK	110805	28	4.912	4.808	5.562	E1F	0.00	0.89	0.5	2-5/8	7.3	0.1657
P29-14M-55-SK	110806	29	5.088	4.983	5.562	E1F	0.00	0.89	0.5	2-5/8	8.2	0.1991
P30-14M-55-SK	110807	30	5.263	5.157	5.763	D1F	0.75	0.14	0.5	2-5/8	7.5	0.1989
P32-14M-55-SK	110808	32	5.614	5.507	6.114	D1F	0.75	0.14	0.5	2-5/8	9.5	0.2868
P34-14M-55-SK	110809	34	5.965	5.858	6.465	D1F	0.75	0.14	0.5	2-5/8	11	0.3851
P36-14M-55-SF	110810	36	6.316	6.208	6.816	D1F	0.75	0.19	0.5	2-15/16	11	0.4515
P38-14M-55-SF	110811	38	6.667	6.559	7.167	D1F	0.75	0.19	0.5	2-15/16	14	0.6139
P40-14M-55-SF	110812	40	7.018	6.909	7.518	D1F	0.75	0.19	0.5	2-15/16	15	0.7440
P44-14M-55-E	110813	44	7.720	7.610	8.395	D1F	0.56	0.64	0.875	3-1/2	19	1.136
P48-14M-55-E	110814	48	8.421	8.311	8.941	D1F	0.56	0.64	0.875	3-1/2	23	1.641
P52-14M-55-E	110815	52	9.123	9.013	9.687	D1F	0.56	0.64	0.875	3-1/2	30	2.454
P56-14M-55-E	110816	56	9.825	9.715	10.355	D1F	0.56	0.64	0.875	3-1/2	32	3.030
P60-14M-55-E	110817	60	10.527	10.417	11.067	D1F	0.56	0.64	0.875	3-1/2	38	4.038
P64-14M-55-F	110818	64	11.229	11.119	11.750	D1F	0.13	1.29	1	4	54	6.267
P68-14M-55-F	110819	68	11.930	11.820	12.500	D1F	0.13	1.29	1	4	62	8.029
P72-14M-55-F	110820	72	12.632	12.522	13.066	D1F	0.13	1.29	1	4	71	10.32
P80-14M-55-F	110821	80	14.036	13.926	14.620	D1F	0.13	1.29	1	4	89	15.76
P90-14M-55-F	110822	90	15.790	15.680	...	D2	0.13	1.29	1	4	61	12.67
P112-14M-55-F	110823	112	19.650	19.540	...	D3	0.13	1.29	1	4	80	25.72
P144-14M-55-F	110824	144	25.264	25.154	...	D3	0.13	1.29	1	4	90	55.45
P168-14M-55-F	110825	168	29.475	29.265	...	D3	0.13	1.29	1	4	111	95.26
P192-14M-55-F	110826	192	33.686	33.576	...	D3	0.13	1.29	1	4	134	149.7
P216-14M-55-F	110827	216	37.896	37.786	...	D3	0.13	1.29	1	4	159	223.9
14M-85												
F = 4"												
P30-14M-85-SK	110832	30	5.263	5.157	5.763	A1F	1.38	0.49	1/2	2-11/16	10	0.2715
P32-14M-85-SK	110833	32	5.614	5.507	6.114	A1F	1.38	0.49	1/2	2-5/8	13	0.3993
P34-14M-85-SK	110834	34	5.965	5.858	6.465	A1F	1.38	0.49	1/2	2-5/8	15	0.5387
P36-14M-85-SF	110835	36	6.316	6.208	6.816	A1F	1.5	0.56	1/2	2-15/16	15	0.6171
P38-14M-85-SF	110836	38	6.667	6.559	7.167	A1F	1.38	0.44	1/2	2-15/16	19	0.8559
P40-14M-85-SF	110837	40	7.018	6.909	7.518	A1F	1.38	0.44	1/2	2-15/16	22	1.097
P44-14M-85-E	110838	44	7.720	7.610	8.395	D1F	1.19	0.01	7/8	3-1/2	23	1.390
P48-14M-85-E	110839	48	8.421	8.311	8.941	D1F	1.19	0.01	7/8	3-1/2	29	2.133
P52-14M-85-E	110840	52	9.123	9.013	9.687	D1F	1.19	0.01	7/8	3-1/2	35	2.972
P56-14M-85-F	110841	56	9.825	9.715	10.355	D1F	0.75	0.67	1	4	46	4.426
P60-14M-85-F	110842	60	10.527	10.417	11.067	D1F	0.75	0.67	1	4	57	6.259
P64-14M-85-F	110843	64	11.229	11.119	11.750	D1F	0.75	0.67	1	4	64	7.866
P68-14M-85-F	110852	68	11.930	11.820	12.500	D1F	0.75	0.67	1	4	75	10.40
P72-14M-85-F	110844	72	12.632	12.522	13.066	D1F	0.75	0.67	1	4	89	13.74
P80-14M-85-F	110845	80	14.036	13.926	14.620	D1F	0.75	0.67	1	4	100	18.65
P90-14M-85-F	110846	90	15.790	15.680	...	D3	0.75	0.67	1	4	57	12.19
P112-14M-85-F	110847	112	19.650	19.540	...	D3	0.75	0.67	1	4	94	32.92
P144-14M-85-F	110848	144	25.264	25.154	...	D3	0.75	0.67	1	4	129	73.66
P168-14M-85-F	110849	168	29.475	29.265	...	D3	0.69	0.73	1	4	144	126.7
P192-14M-85-F	110850	192	33.686	33.576	...	D3	0.69	0.73	1	4	178	203.8
P216-14M-85-F	110851	216	37.896	37.786	...	D3	0.69	0.73	1	4	216	315.6

V-Drives

FHP Drives

Drive Component Accessories

DYNA-SYNC

HT200/HTD Synchronous Drives

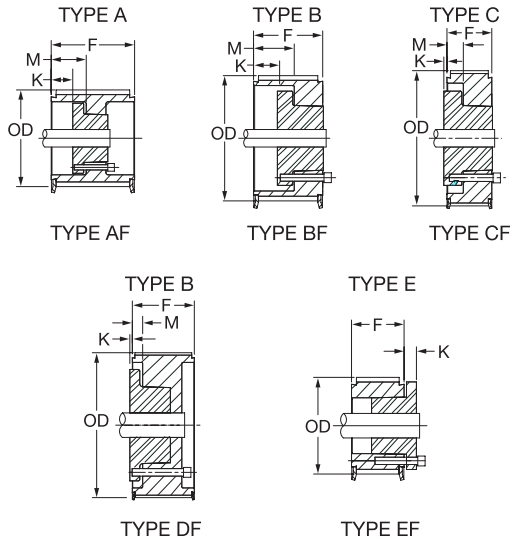
HT500 Synchronous Drives

Roller Chain Sprockets



SPECIFICATION

QD HTD Sprockets



The figure following the sketch reference letter in the "Type" column indicates the construction of the sprocket (1 = Solid, 2 = Web, and 3 = Arms), and the letter "F" indicates that the sprocket has flanges.

14MM QD HTD Sprockets

Sprocket Number	Part No.	No. Of Teeth	Diameters			Type	Dimensions (In.)		Bore Sizes		Approx. Weight (Lbs.)	Approx. Wr ² (Lb-Ft ²)
			P.D.	O.D.	Flange		M	K	Min.	Max.		
14M-115 F = 5.25"												
P30-14M-115-SK	110857	30	5.263	5.157	5.763	A1F	2.00	1.11	1/2	2-5/8	12	0.3441
P32-14M-115-SK	110858	32	5.614	5.507	6.114	A1F	2.00	1.11	1/2	2-5/8	16	0.5084
P34-14M-115-SK	110859	34	5.965	5.858	6.465	A1F	2.00	1.11	1/2	2-5/8	20	0.7035
P36-14M-115-SF	110860	36	6.316	6.208	6.816	A1F	2.00	1.06	1/2	2-15/16	19	0.7834
P38-14M-115-SF	110861	38	6.667	6.559	7.167	A1F	2.00	1.06	1/2	2-15/16	22	1.000
P40-14M-115-SF	110862	40	7.018	6.909	7.518	A1F	2.00	1.06	1/2	2-15/16	26	1.306
P44-14M-115-E	110863	44	7.720	7.610	8.395	A1F	2.00	0.80	7/8	3-1/2	27	1.717
P48-14M-115-E	110864	48	8.421	8.311	8.941	A1F	1.94	0.74	7/8	3-1/2	36	2.657
P52-14M-115-F	110865	52	9.123	9.013	9.687	D1F	1.38	0.05	1	4	48	4.133
P56-14M-115-F	110866	56	9.825	9.715	10.355	D1F	1.38	0.05	1	4	54	5.326
P60-14M-115-F	110867	60	10.527	10.417	11.067	D1F	1.38	0.05	1	4	63	7.105
P64-14M-115-J	110868	64	11.229	11.119	11.750	D1F	1.00	0.20	1-1/2	4-1/2	81	10.377
P68-14M-115-J	110869	68	11.930	11.820	12.500	D1F	1.00	0.20	1-1/2	4-1/2	90	12.89
P72-14M-115-J	110870	72	12.632	12.522	13.066	D1F	1.00	0.20	1-1/2	4-1/2	101	16.06
P80-14M-115-J	110871	80	14.036	13.926	14.620	D2F	1.00	0.20	1-1/2	4-1/2	108	21.04
P90-14M-115-J	110872	90	15.790	15.680	...	D2	1.00	0.20	1-1/2	4-1/2	121	29.10
P112-14M-115-J	110873	112	19.650	19.540	...	D3	1.00	0.20	1-1/2	4-1/2	117	46.65
P144-14M-115-J	110874	144	25.264	25.154	...	D3	1.06	0.14	1-1/2	4-1/2	157	113.9
P168-14M-115-J	110875	168	29.475	29.265	...	D3	1.06	0.14	1-1/2	4-1/2	198	209.1
P192-14M-115-J	110876	192	33.686	33.576	...	D3	1.06	0.14	1-1/2	4-1/2	240	265.8
P216-14M-115-J	110877	216	37.896	37.786	...	D3	1.06	0.14	1-1/2	4-1/2	284	401.7
14M-170 F = 7.38"												
P44-14M-170-E	110883	44	7.720	7.610	8.395	A1F	2.88	1.68	7/8	3-1/2	35	2.273
P48-14M-170-E	110884	48	8.421	8.311	8.941	A1F	2.88	1.68	7/8	3-1/2	46	3.550
P52-14M-170-F	110885	52	9.123	9.013	9.687	A1F	2.44	1.02	1	4	61	5.430
P56-14M-170-F	110886	56	9.825	9.715	10.355	A1F	2.44	1.02	1	4	67	6.860
P60-14M-170-J	110887	60	10.527	10.417	11.067	A1F	2.28	1.08	1-1/2	4-1/2	81	9.546
P64-14M-170-J	110888	64	11.229	11.119	11.750	A1F	2.13	0.93	1-1/2	4-1/2	100	13.31
P68-14M-170-J	110897	68	11.930	11.820	12.500	A1F	2.13	0.93	1-1/2	4-1/2	108	16.08
P72-14M-170-J	110889	72	12.632	12.522	13.066	A1F	2.13	0.93	1-1/2	4-1/2	119	19.72
P80-14M-170-J	110890	80	14.036	13.926	14.620	A2F	2.13	0.93	1-1/2	4-1/2	129	26.66
P90-14M-170-J	110891	90	15.790	15.680	...	A2	2.13	0.93	1-1/2	4-1/2	163	41.42
P112-14M-170-M	110892	112	19.650	19.540	...	D3	1.44	0.30	2	5-1/2	188	63.86
P144-14M-170-M	110893	144	25.264	25.154	...	D3	1.44	0.30	2	5-1/2	240	146.9
P168-14M-170-M	110894	168	29.475	29.265	...	D3	1.44	0.30	2	5-1/2	279	247.5
P192-14M-170-M	110895	192	33.686	33.576	...	D3	1.44	0.30	2	5-1/2	541	746.7
P216-14M-170-M	110896	216	37.896	37.786	...	D3	1.44	0.30	2	5-1/2	443	774.6

SPECIFICATION



QD HTD Sprockets 20MM QD HTD Sprockets

SPROCKET NUMBER	PART NO.	NO. OF TEETH	DIAMETERS			TYPE	DIMENSIONS (IN.)		Bore Sizes		Approx. Weight (LBS.)
			P.D.	O.D.	FLANGE		M	K	Min.	Max	
20M-115					F = 5.38"						
P34-20M-115-F	114668	34	8.522	8.352	9.449	A1F	1.44	0.02	1	4	42
P36-20M-115-F	114669	36	9.023	8.853	9.843	A1F	1.44	0.02	1	4	50
P38-20M-115-F	114670	38	9.524	9.354	10.443	A1F	1.44	0.02	1	4	55
P40-20M-115-F	114671	40	10.026	9.855	10.827	A1F	1.44	0.02	1	4	61
P44-20M-115-F	114672		11.028	10.858	11.811	A1F	1.44	0.02	1	4	74
P48-20M-115-J	114673	48	12.031	11.861	12.795	D1F	1.19	0.01	1-1/2	4-1/2	100
P52-20M-115-J	114674	52	13.033	12.863	13.764	D2F	1.19	0.01	1-1/2	4-1/2	96
P56-20M-115-J	114675	56	14.036	13.856	14.764	D2F	1.19	0.01	1-1/2	4-1/2	103
P60-20M-115-J	114676	60	15.038	14.868	15.927	D2F	1.19	0.01	1-1/2	4-1/2	110
P64-20M-115-J	114677	64	16.041	15.871	16.929	D2F	1.19	0.01	1-1/2	4-1/2	119
P68-20M-115-J	114678	68	17.032	16.873	17.927	D2F	1.19	0.01	1-1/2	4-1/2	125
P72-20M-115-J	114679	72	18.046	17.876	18.898	D2F	1.19	0.01	1-1/2	4-1/2	135
P80-20M-115-M	114680	80	20.051	19.881	20.866	D2F	0.19	1.55	2	5-1/2	216
P90-20M-115-M	114681	90	22.557	22.387	23.425	D2F	0.19	1.55	2	5-1/2	247
P112-20M-115-M	114682	112	28.071	27.901	...	D3	0.19	1.55	2	5-1/2	273
P144-20M-115-N	114683	144	36.092	35.922	...	C3	0.00	2.05	2-7/16	5-7/8	392
P168-20M-115-N	114684	168	42.107	41.937	...	C3	0.00	2.05	2-7/16	5-7/8	469
P192-20M-115-N	114685	192	48.122	47.952	...	C3	0.00	2.05	2-7/16	5-7/8	552
P216-20M-115-N	114686	216	54.136	53.958	...	C3	0.00	2.05	2-7/16	5-7/8	618
20M-170					F = 7.5"						
P34-20M-170-MPB	114687	34	8.522	8.352	9.449	6F	2.25	1.25	2-1/8	4-3/8	81
P36-20M-170-MPB	114688	36	9.023	8.853	9.843	6F	2.25	1.25	2-1/8	4-1/2	93
P38-20M-170-J	114689	38	9.524	9.354	10.443	A1F	2.19	0.99	1-1/2	4-1/2	72
P40-20M-170-J	114690	40	10.026	9.855	10.827	A1F	2.19	0.99	1-1/2	4-1/2	80
P44-20M-170-J	114691	44	11.028	10.858	11.811	A1F	2.19	0.99	1-1/2	4-1/2	97
P48-20M-170-M	114692	48	12.031	11.861	12.795	D1F	1.50	0.24	2	5-1/2	148
P52-20M-170-M	114693	52	13.033	12.863	13.764	D1F	1.50	0.24	2	5-1/2	175
P56-20M-170-M	114694	56	14.036	13.856	14.764	D1F	1.50	0.24	2	5-1/2	204
P60-20M-170-M	114695	60	15.038	14.868	15.927	D1F	1.50	0.24	2	5-1/2	233
P64-20M-170-M	114696	64	16.041	15.871	16.929	D2F	1.50	0.24	2	5-1/2	210
P68-20M-170-M	114697	68	17.032	16.873	17.927	D2F	1.50	0.24	2	5-1/2	222
P72-20M-170-M	114698	72	18.046	17.876	18.898	D2F	1.50	0.24	2	5-1/2	230
P80-20M-170-M	114699	80	20.051	19.881	20.866	D2F	1.50	0.24	2	5-1/2	249
P90-20M-170-M	114700	90	22.557	22.387	23.425	D2F	1.50	0.24	2	5-1/2	285
P112-20M-170-N	114701	112	28.071	27.901	...	D3	1.25	0.80	2-7/16	5-7/8	361
P144-20M-170-N	114702	144	36.092	35.922	...	D3	1.25	0.80	2-7/16	5-7/8	478
P168-20M-170-P	114703	168	42.107	41.937	...	C3	1.06	1.24	2-7/16	7	658
P192-20M-170-P	114704	192	48.122	47.952	...	C3	1.06	1.24	2-7/16	7	739
P216-20M-170-P	114705	216	54.136	53.958	...	C3	1.06	1.24	2-7/16	7	901
20M-230					F = 9.88"						
P38-20M-230-MPB	114706	38	9.524	9.354	10.443	6F	2.63	1.25	2-7/8	5-1/4	120
P40-20M-230-MPB	114707	40	10.026	9.855	10.827	6F	2.63	1.25	2-7/8	5-7/8	147
P44-20M-230-MPB	114708	44	11.028	10.858	11.811	6F	2.63	1.25	2-7/8	6	180
P48-20M-230-M	114709	48	12.031	11.861	12.795	A1F	2.00	0.26	2	5-1/2	164
P52-20M-230-M	114710	52	13.033	12.863	13.764	A1F	2.00	0.26	2	5-1/2	193
P56-20M-230-M	114711		14.036	13.856	14.764	A1F	2.00	0.26	2	5-1/2	224
P60-20M-230-M	114712	60	15.038	14.868	15.927	A1F	2.00	0.26	2	5-1/2	252
P64-20M-230-M	114713	64	16.041	15.871	16.929	A2F	2.00	0.26	2	5-1/2	233
P68-20M-230-N	114714	68	17.032	16.873	17.927	D1F	1.81	0.24	2-7/16	5-7/8	375
P72-20M-230-N	114715	72	18.046	17.876	18.898	D2F	1.81	0.24	2-7/16	5-7/8	339
P80-20M-230-N	114716	80	20.051	19.881	20.866	D2F	1.81	0.24	2-7/16	5-7/8	331
P90-20M-230-N	114717	90	22.557	22.387	23.425	D2F	1.81	0.24	2-7/16	5-7/8	370
P112-20M-230-N	114718	112	28.071	27.901	...	D3	1.81	0.24	2-7/16	5-7/8	409
P144-20M-230-P	114719	144	36.092	35.922	...	D3	1.31	0.99	2-15/16	7	622
P168-20M-230-P	114720	168	42.107	41.937	...	D3	1.31	0.99	2-15/16	7	742
P192-20M-230-W	114721	192	48.122	47.952	...	C3	1.50	1.06	4	8-1/2	1111
P216-20M-230-W	114722	216	54.136	53.958	...	C3	1.50	1.06	4	8-1/2	1238

V-Drives

FHP Drives

Drive Component Accessories

DYNA-SYNC

HT200/HTD Synchronous Drives

HT500 Synchronous Drives

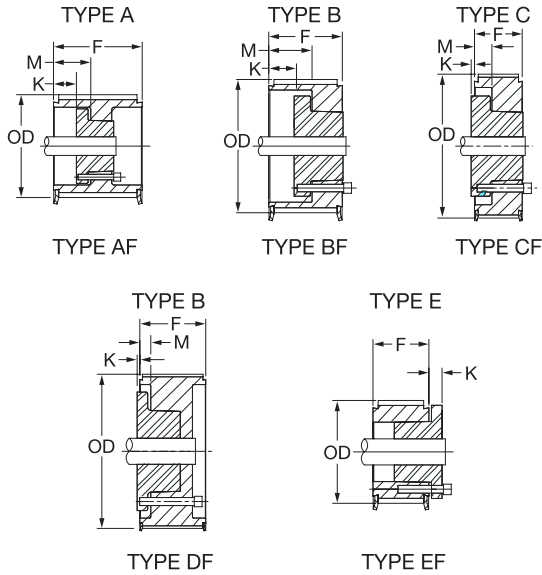
Roller Chain Sprockets

FEATURES/BENEFITS PAGE PT11-2	SELECTION PAGE PT11-19	ENGINEERING/TECHNICAL PAGE PT11-64	
----------------------------------	---------------------------	---------------------------------------	--



SPECIFICATION

QD HTD Sprockets



The figure following the sketch reference letter in the "Type" column indicates the construction of the sprocket (1 = Solid, 2 = Web, and 3 = Arms), and the letter "F" indicates that the sprocket has flanges.

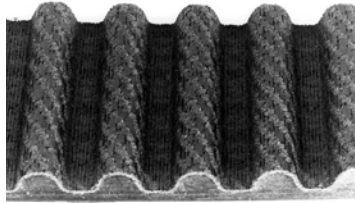
20MM QD HTD Sprockets

Sprocket Number	Part No.	No. Of Teeth	Diameters (Inches)			Type	Dimensions Inches		Bore Sizes		Wt. (Lbs)
			Pitch	O.D.	Flange		M	K	Min.	Max.	
20M-290											
F = 12.25"											
P52-20M-290-N	114723	52	13.033	12.863	13.764	A1F	2.50	0.50	2-7/16	5-7/8	202.7
P56-20M-290-N	114724	56	14.036	13.856	14.764	A1F	2.50	0.50	2-7/16	5-7/8	238.8
P60-20M-290-N	114725	60	15.038	14.868	15.927	A1F	2.50	0.50	2-7/16	5-7/8	276.5
P64-20M-290-N	114726	64	16.041	15.871	16.929	A1F	2.50	0.50	2-7/16	5-7/8	319.8
P68-20M-290-N	114727	68	17.032	16.873	17.927	A1F	2.50	0.50	2-7/16	5-7/8	367.9
P72-20M-290-N	114728	72	18.046	17.876	18.898	A2F	2.50	0.50	2-7/16	5-7/8	364.0
P80-20M-290-N	114729	80	20.051	19.881	20.866	A2F	2.50	0.50	2-7/16	5-7/8	369.6
P90-20M-290-N	114730	90	22.557	22.387	23.425	A2F	2.50	0.50	2-7/16	5-7/8	424.3
P112-20M-290-P	114731	112	28.071	27.901	...	A2	2.50	0.25	2-15/16	7	614.6
P144-20M-290-P	114732	144	36.092	35.922	...	A3	2.50	0.25	2-15/16	7	679.8
P168-20M-290-W	114733	168	42.107	41.937	...	A3	2.69	0.19	4	8-1/2	1117.1
P192-20M-290-W	114734	192	48.122	47.952	...	A3	2.69	0.19	4	8-1/2	1281.0
P216-20M-290-W	114735	216	54.136	53.958	...	A3	2.69	0.19	4	8-1/2	1175.6
20M-340											
F = 14.25"											
P52-20M-340-N	114736	52	13.033	12.863	13.764	A1F	2.50	0.50	2-7/16	5-7/8	221.0
P56-20M-340-N	114737	56	14.036	13.856	14.764	A1F	2.50	0.50	2-7/16	5-7/8	258.0
P60-20M-340-N	114738	60	15.038	14.868	15.927	A1F	2.50	0.50	2-7/16	5-7/8	293.4
P64-20M-340-N	114739	64	16.041	15.871	16.929	A1F	2.50	0.50	2-7/16	5-7/8	337.9
P68-20M-340-N	114740	68	17.032	16.873	17.927	A1F	2.50	0.50	2-7/16	5-7/8	388.1
P72-20M-340-N	114741	72	18.046	17.876	18.898	A2F	2.50	0.50	2-7/16	5-7/8	393.1
P80-20M-340-P	114742	80	20.051	19.881	20.866	A1F	3.50	1.25	2-15/16	7	560.0
P90-20M-340-P	114743	90	22.557	22.387	23.425	A2F	3.50	1.25	2-15/16	7	497.3
P112-20M-340-P	114744	112	28.071	27.901	...	A2	3.50	1.25	2-15/16	7	653.3
P144-20M-340-W	114745	144	36.092	35.922	...	A3	2.63	0.13	4	8-1/2	851.0
P168-20M-340-W	114746	168	42.107	41.937	...	A3	2.63	0.13	4	8-1/2	1177.0
P192-20M-340-S	114747	192	48.122	47.952	...	D3	1.13	2.38	5-1/2	10	1519.4
P216-20M-340-S	114748	216	54.136	53.958	...	D3	1.13	2.38	5-1/2	10	1473.5

SPECIFICATION



DODGE H200 Belts



- 200% Rating of HTD Belts
- For Use on TAPER-LOCK HT Sprockets

Note: Belt length is in millimeters
To convert to inches, divide by 25.4

Example: 2600-8M-30 belt size
 $2600 \div 25.4 = 102.36$ inches belt length

5 MM Pitch HT200 Belts

15MM Wide			15MM Wide			25MM Wide			25MM Wide		
Description	Part No.	Wgt.	Description	Part No.	Wgt.	Description	Part No.	Wgt.	Description	Part No.	Wgt.
300-5M-15	142100	0.04	650-5M-15	142110	0.09	300-5M-25	142122	0.07	650-5M-25	142132	0.15
355-5M-15	142101	0.05	700-5M-15	142111	0.09	355-5M-25	142123	0.08	700-5M-25	142133	0.15
375-5M-15	142102	0.05	750-5M-15	142112	0.10	375-5M-25	142124	0.09	750-5M-25	142134	0.17
400-5M-15	142103	0.05	800-5M-15	142113	0.11	400-5M-25	142125	0.09	800-5M-25	142135	0.18
405-5M-15	142145	0.05	850-5M-15	142148	0.11	405-5M-25	142149	0.09	850-5M-25	142152	0.19
425-5M-15	142104	0.06	900-5M-15	142114	0.12	425-5M-25	142126	0.10	900-5M-25	142136	0.20
450-5M-15	142105	0.06	1000-5M-15	142115	0.14	450-5M-25	142127	0.10	1000-5M-25	142137	0.23
500-5M-15	142106	0.07	1150-5M-15	142116	0.16	500-5M-25	142128	0.11	1150-5M-25	142138	0.26
535-5M-15	142107	0.07	1300-5M-15	142117	0.18	535-5M-25	142129	0.12	1300-5M-25	142139	0.29
565-5M-15	142108	0.08	1450-5M-15	142118	0.20	565-5M-25	142130	0.13	1450-5M-25	142140	0.34
580-5M-15	142146	0.08	1600-5M-15	142119	0.22	580-5M-25	142150	0.13	1600-5M-25	142141	0.36
600-5M-15	142109	0.08	1720-5M-15	142120	0.23	600-5M-25	142131	0.14	1720-5M-25	142142	0.39
625-5M-15	142147	0.09	2100-5M-15	142121	0.29	625-5M-25	142151	0.14	2100-5M-25	142143	0.47

8 MM Pitch HT200 Belts

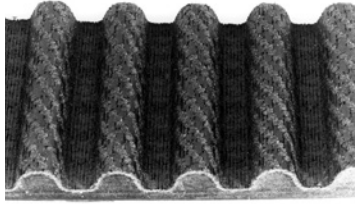
20MM Wide			30MM Wide			50MM Wide			85MM Wide		
Description	Part No.	Wt.	Description	Part No.	Wt.	Description	Part No.	Wt.	Description	Part No.	Wt.
384-8M-20	146400	0.12	384-8M-30	146433	0.19	384-8M-50	146466	0.33	384-8M-85	146499	0.55
480-8M-20	146401	0.13	480-8M-30	146434	0.20	480-8M-50	146467	0.34	480-8M-85	146500	0.57
560-8M-20	146402	0.16	560-8M-30	146435	0.23	560-8M-50	146468	0.39	560-8M-85	146501	0.66
600-8M-20	146403	0.17	600-8M-30	146436	0.25	600-8M-50	146469	0.42	600-8M-85	146502	0.71
640-8M-20	146404	0.18	640-8M-30	146437	0.27	640-8M-50	146470	0.45	640-8M-85	146503	0.76
720-8M-20	146405	0.20	720-8M-30	146438	0.30	720-8M-50	146471	0.50	720-8M-85	146504	0.85
800-8M-20	146406	0.22	800-8M-30	146439	0.33	800-8M-50	146472	0.56	800-8M-85	146505	0.95
840-8M-20	146407	0.23	840-8M-30	146440	0.35	840-8M-50	146473	0.59	840-8M-85	146505	1.00
880-8M-20	146408	0.25	880-8M-30	146441	0.37	880-8M-50	146474	0.61	880-8M-85	146507	1.04
920-8M-20	146409	0.26	920-8M-30	146442	0.39	920-8M-50	146475	0.64	920-8M-85	146508	1.09
960-8M-20	146410	0.27	960-8M-30	146443	0.40	960-8M-50	146476	0.67	960-8M-85	146509	1.14
1040-8M-20	146411	0.29	1040-8M-30	146444	0.43	1040-8M-50	146477	0.74	1040-8M-85	146510	1.23
1064-8M-20	146412	0.30	1064-8M-30	146445	0.45	1064-8M-50	146478	0.76	1064-8M-85	146511	1.27
1120-8M-20	146413	0.31	1120-8M-30	146446	0.47	1120-8M-50	146479	0.78	1120-8M-85	146512	1.33
1160-8M-20	146414	0.32	1160-8M-30	146447	0.48	1160-8M-50	146480	0.8	1160-8M-85	146513	1.28
1200-8M-20	146415	0.34	1200-8M-30	146448	0.50	1200-8M-50	146481	0.84	1200-8M-85	146514	1.42
1224-8M-20	146416	0.35	1224-8M-30	146449	0.51	1224-8M-50	146482	0.87	1224-8M-85	146515	1.47
1280-8M-20	146417	0.36	1280-8M-30	146450	0.53	1280-8M-50	146483	0.89	1280-8M-85	146516	1.52
1440-8M-20	146418	0.40	1440-8M-30	146451	0.60	1440-8M-50	146484	1.01	1440-8M-85	146517	1.71
1512-8M-20	146419	0.42	1512-8M-30	146452	0.62	1512-8M-50	146485	1.05	1512-8M-85	146518	1.79
1584-8M-20	146420	0.43	1584-8M-30	146453	0.65	1584-8M-50	146486	1.09	1584-8M-85	146519	1.82
1600-8M-20	146421	0.45	1600-8M-30	146454	0.67	1600-8M-50	146487	1.11	1600-8M-85	146520	1.90
1760-8M-20	146422	0.49	1760-8M-30	146455	0.73	1760-8M-50	146488	1.23	1760-8M-85	146521	2.08
1800-8M-20	146423	0.50	1800-8M-30	146456	0.75	1800-8M-50	146489	1.25	1800-8M-85	146522	2.13
2000-8M-20	146424	0.56	2000-8M-30	146457	0.83	2000-8M-50	146490	1.39	2000-8M-85	146523	2.37
2200-8M-20	146425	0.60	2200-8M-30	146458	0.90	2200-8M-50	146491	1.50	2200-8M-85	146524	2.55
2400-8M-20	146426	0.67	2400-8M-30	146459	1.00	2400-8M-50	146492	1.67	2400-8M-85	146525	2.84
2600-8M-20	146427	0.79	2600-8M-30	146460	1.09	2600-8M-50	146493	1.81	2600-8M-85	146526	3.09
2800-8M-20	146428	0.80	2800-8M-30	146461	1.17	2800-8M-50	146494	1.95	2800-8M-85	146527	3.32
3048-8M-20	146429	0.85	3048-8M-30	146462	1.27	3048-8M-50	146495	2.00	3048-8M-85	146528	3.62
3280-8M-20	146430	0.92	3280-8M-30	146463	1.37	3280-8M-50	146496	2.29	3280-8M-85	146529	3.89
3600-8M-20	146431	1.01	3600-8M-30	146464	1.51	3600-8M-50	146497	2.51	3600-8M-85	146530	4.27
4400-8M-20	146432	1.23	4400-8M-30	146465	1.84	4400-8M-50	146498	3.07	4400-8M-85	146531	5.22

FEATURES/BENEFITS PAGE PT11-2	SELECTION PAGE PT11-19	ENGINEERING/TECHNICAL PAGE PT11-64	
----------------------------------	---------------------------	---------------------------------------	--



SPECIFICATION

DODGE H200 Belts



- 200% Rating of HTD Belts
- For Use on TAPER-LOCK HT Sprockets

Note: Belt length is in millimeters
To convert to inches, divide by 25.4

Example: 2600-8M-30 belt size
 $2600 \div 25.4 = 102.36$ inches belt length

14 MM Pitch HT200 Belts

40MM Wide			55MM Wide			85MM Wide			115MM Wide			170MM Wide		
Description	Part No.	Wt.	Description	Part No.	Wt.	Description	Part No.	Wt.	Description	Part No.	Wt.	Description	Part No.	Wt.
966-14M-40	146532	0.84	966-14M-55	146554	1.15	966-14M-85	146576	1.78	966-14M-115	146598	2.41	966-14M-170	146620	3.56
1190-14M-40	146533	1.03	1190-14M-55	146555	1.42	1190-14M-85	146577	2.20	1190-14M-115	146599	2.98	1190-14M-170	146621	4.39
1400-14M-40	146534	1.21	1400-14M-55	146556	1.67	1400-14M-85	146578	2.58	1400-14M-115	146600	3.50	1400-14M-170	146622	5.16
1610-14M-40	146535	1.40	1610-14M-55	146557	1.92	1610-14M-85	146579	2.97	1610-14M-115	146601	4.02	1610-14M-170	146623	5.95
1778-14M-40	146536	1.54	1778-14M-55	146558	2.13	1778-14M-85	146580	3.28	1778-14M-115	146602	4.45	1778-14M-170	146624	6.56
1890-14M-40	146537	1.64	1890-14M-55	146559	2.26	1890-14M-85	146581	3.49	1890-14M-115	146603	4.73	1890-14M-170	146625	6.97
2100-14M-40	146538	1.82	2100-14M-55	146560	2.51	2100-14M-85	146582	3.88	2100-14M-115	146604	5.25	2100-14M-170	146626	7.75
2310-14M-40	146539	2.00	2310-14M-55	146561	2.76	2310-14M-85	146583	4.26	2310-14M-115	146605	5.77	2310-14M-170	146627	8.53
2450-14M-40	146540	2.13	2450-14M-55	146562	2.93	2450-14M-85	146584	4.52	2450-14M-115	146606	6.13	2450-14M-170	146628	9.04
2590-14M-40	146541	2.25	2590-14M-55	146563	3.10	2590-14M-85	146585	4.78	2590-14M-115	146607	6.47	2590-14M-170	146629	9.55
2800-14M-40	146542	2.43	2800-14M-55	146564	3.34	2800-14M-85	146586	5.17	2800-14M-115	146608	7.00	2800-14M-170	146630	10.33
3150-14M-40	146543	2.73	3150-14M-55	146565	3.77	3150-14M-85	146587	5.82	3150-14M-115	146609	7.87	3150-14M-170	146631	11.62
3360-14M-40	146544	2.91	3360-14M-55	146566	4.02	3360-14M-85	146588	6.20	3360-14M-115	146610	8.39	3360-14M-170	146631	12.39
3500-14M-40	146545	3.03	3500-14M-55	146567	4.19	3500-14M-85	146589	6.46	3500-14M-115	146611	8.75	3500-14M-170	146633	12.90
3850-14M-40	146546	3.33	3850-14M-55	146568	4.60	3850-14M-85	146590	7.10	3850-14M-115	146612	9.62	3850-14M-170	146634	14.20
4326-14M-40	146547	3.74	4326-14M-55	146569	5.17	4326-14M-85	146591	8.00	4326-14M-115	146613	10.80	4326-14M-170	146635	15.96
4578-14M-40	146548	3.96	4578-14M-55	146570	5.48	4578-14M-85	146592	8.45	4578-14M-115	146614	11.42	4578-14M-170	146636	16.90
4956-14M-40	146549	4.29	4956-14M-55	146571	5.90	4956-14M-85	146593	9.11	4956-14M-115	146615	12.33	4956-14M-170	146637	18.23
5320-14M-40	146550	4.61	5320-14M-55	146572	6.33	5320-14M-85	146594	9.28	5320-14M-115	146616	13.24	5320-14M-170	146638	19.57
5740-14M-40	146551	4.97	5740-14M-55	146573	6.83	5740-14M-85	146595	10.55	5740-14M-115	146617	14.29	5740-14M-170	146639	25.00
6160-14M-40	146552	5.33	6160-14M-55	146574	7.33	6160-14M-85	146596	11.32	6160-14M-115	146618	15.34	6160-14M-170	146640	22.67
6860-14M-40	146553	5.94	6860-14M-55	146575	8.16	6860-14M-85	146597	12.61	6860-14M-115	146619	17.08	6860-14M-170	146641	25.25

20MM Pitch HTD Belts

115MM Wide			170MM Wide			230MM Wide			290MM Wide			340MM Wide		
Size	Part No.	Wt.	Size	Part No.	Wt.	Size	Part No.	Wt.	Size	Part No.	Wt.	Size	Part No.	Wt.
2000-20M-115	142288	6	2000-20M-170	142303	9	2000-20M-230	142318	12	2000-20M-290	142333	16	2000-20M-340	142348	19
2500-20M-115	142289	8	2500-20M-170	142304	11	2500-20M-230	142319	15	2500-20M-290	142334	20	2500-20M-340	142349	24
3400-20M-115	142290	11	3400-20M-170	142305	16	3400-20M-230	142320	22	3400-20M-290	142335	27	3400-20M-340	142350	32
3800-20M-115	142291	12	3800-20M-170	142306	18	3800-20M-230	142321	24.5	3800-20M-290	142336	30.5	3800-20M-340	142351	35.5
4200-20M-115	142292	13	4200-20M-170	142307	20	4200-20M-230	142322	27	4200-20M-290	142337	34	4200-20M-340	142352	39
4600-20M-115	142293	14.5	4600-20M-170	142308	21.5	4600-20M-230	142323	29.5	4600-20M-290	142338	37	4600-20M-340	142353	43
5000-20M-115	142294	16	5000-20M-170	142309	23	5000-20M-230	142324	32	5000-20M-290	142339	40	5000-20M-340	142354	47
5200-20M-115	142295	16.5	5200-20M-170	142310	24	5200-20M-230	142325	33	5200-20M-290	142340	41.5	5200-20M-340	142355	49
5400-20M-115	142296	17	5400-20M-170	142311	25	5400-20M-230	142326	34	5400-20M-290	142341	43	5400-20M-340	142356	51
5600-20M-115	142297	17.5	5600-20M-170	142312	26	5600-20M-230	142327	35.5	5600-20M-290	142342	44.5	5600-20M-340	142357	52.5
5800-20M-115	142298	18.0	5800-20M-170	142313	27	5800-20M-230	142328	37	5800-20M-290	142343	46	5800-20M-340	142358	54
6000-20M-115	142299	19	6000-20M-170	142314	28	6000-20M-230	142329	38	6000-20M-290	142344	48	6000-20M-340	142359	56
6200-20M-115	142300	20.0	6200-20M-170	142315	29	6200-20M-230	142330	39	6200-20M-290	142345	50	6200-20M-340	142360	58
6400-20M-115	142301	21	6400-20M-170	142316	30	6400-20M-230	142331	40.5	6400-20M-290	142346	51.5	6400-20M-340	142361	60.0
6600-20M-115	142302	22.0	6600-20M-170	142317	31	6600-20M-230	142332	42	6600-20M-290	142347	53	6600-20M-340	142362	62



PROCEDURE

1. Obtain required information:

- Motor name plate HP
- Motor or DriveR RPM and Shaft size
- DriveN Machine RPM and Shaft size
- Approximate center distance
- Service factor information

2. Determine Service Factor: (Page PT11-20)

- Determine type of Driven Machine from Table 1
- Choose Basic Service Factor in appropriate column of the following S.F. Table
- Add additional service factor for slow speed drives, idlers or speed up drives were applicable

3. Calculate Design Horsepower:

- Multiply Motor HP or normal running HP times Service Factor from Step 2
- Note: Recommended Min. Sprocket Diameter, if applicable, from NEMA table on page PT11-21.

4. Determine Belt Pitch: (Page PT11-21)

- Choose belt pitch based upon Design HP and RPM of faster shaft

5. Select Smaller Sprocket:

- Look at Basic HP rating tables of belt Pitch selected in Step 4
- Scan HP rating at RPM of faster shaft. (Pg. PT11-22 thru PT11-26)
- Find sprocket size(s) that have HP rating at or above Design HP

6. Calculate Drive Speed Ratio:

- Divide Fast Shaft RPM by Slow Shaft RPM

7. Select Sprockets and Belt:

- Refer to "Ratio/Center Distance" Tables for Belt pitch chosen in Step 4. (Pg. PT11-35 - PT11-65)
- Trace down left hand column to approximate ratio calculated in Step 6
- Choose drive that has small sprocket at or above the number of teeth determined in Step 5
- On this same line, trace to the right until the number closest to the required center distance is reached
- Trace to the top of this column and note the belt size that gives this center distance
- Also note the "Belt Length Correction Factor" at the top or bottom of this same column

8. Finalize Selection:

- Multiply "Belt Length Correction Factor" times indicated rating obtained from HP table
- Verify that Design HP is equal to or less than this corrected HP value
- Note: If Correction Factor is greater than 1.0 corrected HP may allow selection of smaller less expensive drive

9. Specify Drive:

- DriveR Sprocket and Bushing
- DriveN Sprocket and Bushing
- Belt
- Verify that bushing bore has capacity for shaft size

Example

Step 1. Required Information: Select a HTR/HTRC drive to connect a 15HP APG gearmotor to a package conveyor headshaft. Reducer output is 125 RPM, shaft size is 2". Headshaft is 2-3/4" and is to run at 70 RPM. Center distance is 19-23", operation is 14 hrs/day.

Step 2: Service Factor: Package Conveyor requires 1.4 basic Service Factor. Add 0.3 for slow speed drive application (step 2 at left). Net S.F. = 1.7

Step 3. Design HP: $1.7 \times 15 = 25.5$ HP.

Step 4. Belt Pitch: Referring to page PT11-21, most probable belt pitch for 25.5 Des. HP at 125 RPM is 14MM.

Step 5. Select Small Sprocket: Scan 14MM HP Tables. Since there is no 125 RPM line, it will be necessary to interpolate. Start with the 100 RPM line. Observe that a 38 tooth sprocket for a 115MM wide belt gives 23.5 HP. Interpolation for 125 RPM gives 29.2 HP. Other alternatives are also available (see below)

Step 6. Drive Ratio: $125 / 70 \text{ RPM} = 1.79:1$

Step 7. Sprocket Selection: Refer to 14MM Ratio/Center Distance tables. For 1.79 ratio, note that there are 5 drive combinations in the 1.78 to 1.8 range. The 38 tooth DriveR and the 68 tooth DriveN combination appears to be good, however we need to account for the belt length correction factor of .95, which gives us a net design HP of 27.7. (Note 20.2" C.D. requires a 1778 length code belt)

Step 8. Finalize Selection: Select the 38 to 68 tooth combination with a 1778 length code belt for 20.2" C.D. From step 7, rated HP is 27.7

There are many optional drive selections. For drive verification or complete list of choices run ViaSync at www.ptwizard.com.

Step 9. Specify Drive:

Original Selection:

DriveR Sprocket: P38-14M-115-3020, P/N **114520** Bushing. 3020 x 2", P/N **117118**

DriveN Sprocket: P68-14M-115-4545, P/N **114528** Bushing. 4545 x 2-3/4", P/N **117426**

Belt: 1778-14M-115 HT200 Belt, P/N **146602** Shaft capacity is verified by availability of bore sizes.

Selection program available online at ptwizard.com

FEATURES/BENEFITS PAGE PT11-2	SPECIFICATIONS PAGE PT11-4	ENGINEERING/TECHNICAL PAGE PT11-64	
----------------------------------	-------------------------------	---------------------------------------	--



SELECTION

Service Factors

Table 1

DriveN Machine	DriveR					
	Intermittent Service	Normal Service	Continuous Service	Intermittent Service	Normal Service	Continuous Service
The driveN machines listed below are representative samples only. Select a driveN machine whose load characteristics most closely approximate those of the machine being considered.	Up to 8 hours Daily or Seasonal	8 - 16 hours Daily	16 - 24 hours Daily	Up to 8 hours Daily or Seasonal	8 - 16 hours Daily	16 - 24 hours Daily
Display, Dispensing Equipment, Instrumentation, Measuring Equipment, Medical Equipment, Office, Projection Equipment	1.0	1.2	1.4	1.2	1.4	1.6
Appliances, Sweepers, Sewing Machines Screens, Oven Screens, Drum, Conical Woodworking Equipment (Light): Band Saws, Drills, Lathes	1.1	1.3	1.5	1.3	1.5	1.7
Agitators for Liquids, Conveyors: Belt, Light Package, Drill Press, Lathes, Saws, Laundry Machinery, Wood Working Equipment (Heavy): Circular Saws, Jointers, Planers	1.2	1.4	1.6	1.6	1.8	2.0
Agitators for Semi-Liquids, Compressor: Centrifugal, Conveyor Belt: Ore, Coal, Sand Dough Mixers, Line Shafts, Machine Tools: Grinder, Shaper, Boring Mill, Milling Machines, Paper Machinery (except Pulpers): Presses, Punches, Shears, Printing Machinery, Pumps: Centrifugal, Gear, Screens: Revolving, Vibratory	1.3	1.5	1.7	1.6	1.8	2.0
Brick Machinery (except Pug Mills) Conveyor: Apron, Pan, Bucket, Elevator, Extractors, Washers, Fans, Centrifugal Blowers, Generators & Exciters, Hoists, Rubber Calender, Mills, Extruders	1.4	1.6	1.8	1.8	2.0	2.2
Centrifuges, Screw Conveyors Hammer Mill, Paper Pulpers, Textile Machinery	1.5	1.7	1.9	1.9	2.1	2.3
Blowers: Positive Displacement, Mine Fans, Pulverizers	1.6	1.8	2.0	2.0	2.2	2.4
Compressors: Reciprocating, Crushers: Gyratory, Jaw, Roll, Mills: Ball, Rod, Pebble, etc., Pumps: Reciprocating Saw Mill Equipment	1.7	1.9	2.1	2.1	2.3	2.5

These service factors are adequate for most belt drive applications. Note that service factors cannot be substituted for good engineering judgment. Service factors may be adjusted based upon an understanding of the severity of actual drive operation conditions.

Additional Service Factors

Low Speed Drives

8mm, 14,, & 20mm Belts Only	
Smaller Sprocket Speed	
Up to 200 rpm	Add 0.3
201 to 400 rpm	Add 0.2
401 to 600 rpm	Add 0.1
Each Idler	Add 0.2

Speed-up Drives

For speed up drives, add the basic service factor to the additional factor given below.

Speed-up Ratio Range	Additional Factor	Speed-up Ratio Range	Additional Factor
1 to 1.24	none	2.5 to 3.49	0.3
1.25 to 1.74	0.1	3.5 & over	0.4
1.75 to 2.49	0.2		

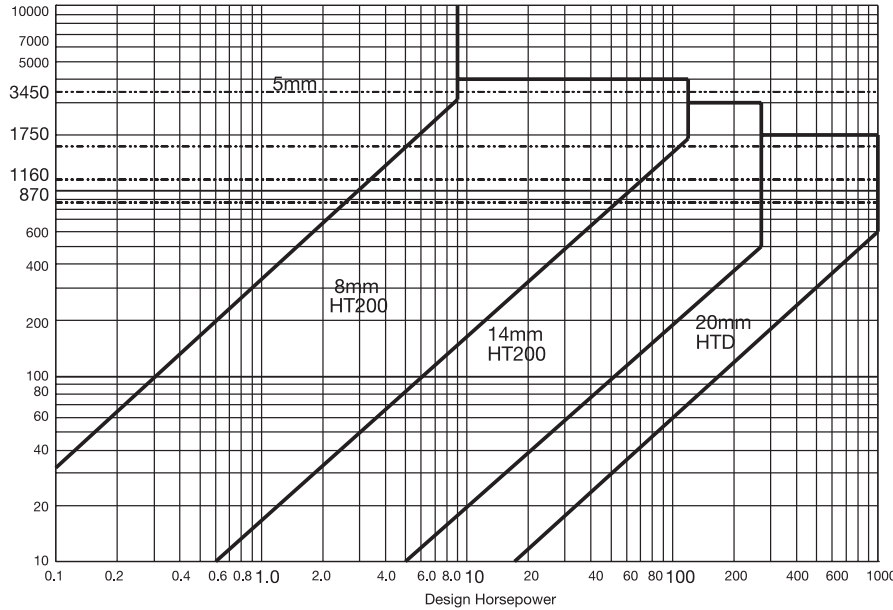
Unusual Conditions

Additional service factors are required for unusual conditions such as a load reversal, heavy shock, plugged motor stop, electric brake. Consult factory or recommendation.

FEATURES/BENEFITS PAGE PT11-2	SPECIFICATIONS PAGE PT11-4	ENGINEERING/TECHNICAL PAGE PT11-64	
----------------------------------	-------------------------------	---------------------------------------	--



Belt Pitch Selection Guide



Synchronous belt drive noise increases as a function of Design Horsepower and operating RPM. This is indicated on the chart at the left. Provisions should be made to design drive guards for sound absorption accordingly.

Recommended Minimum Sprocket Diameters & Face Width Synchronous Belt Drives Used On General Purpose Electric Motors

Motor Horsepower	Min. Sprocket Dia. (in.)				Maximum Face Width			
	870	1160	1750	3450	870	1160	1750	3450
1/2	2.0	-	-	-	2.25	-	-	-
3/4	2.16	2.0	-	-	2.25	2.25	-	-
1	2.16	2.16	2.0	-	2.75	2.25	2.25	-
1-1/2	2.16	2.16	2.16	2.0	2.75	2.75	2.25	2.25
2	2.7	2.16	2.16	2.16	3.38	2.75	2.25	2.25
3	2.7	2.7	2.16	2.16	3.38	3.38	2.75	2.25
5	3.42	2.7	2.7	2.16	4.0	3.38	2.75	2.75
7-1/2	4.0	3.42	2.7	2.7	4.0	4.0	3.38	2.75
10	4.0	4.0	3.42	2.7	4.63	4.0	3.38	3.38
15	4.7	4.0	4.0	3.42	4.63	4.63	4.0	3.38
20	5.4	4.7	4.0	4.0	5.25	4.63	4.0	4.0
25	6.12	5.4	4.0	4.0	5.25	5.25	4.63	4.0
30	6.12	6.12	4.7	-	5.87	5.25	4.63	-
40	7.4	6.12	5.4	-	5.88	5.88	5.25	-
50	7.6	7.4	6.12	-	7.25	5.88	5.25	-
60	9.0	8.1	6.7	-	7.25	7.25	5.88	-
75	8.6	9.0	7.8	-	8.5	7.25	5.88	-
100	10.8	9.0	7.8	-	8.5	8.5	7.25	-
125	11.3	10.8	9.5	-	8.5	8.5	7.25	-
150	11.88	11.88	9.5	-	11.63	8.5	8.5	-
200	11.88	11.88	11.88	-	11.63	11.63	11.63	-
250	13.5	11.88	11.88	-	11.63	11.63	9.38	-
300	-	-	11.88	-	-	11.63	11.63	-
350	-	-	11.88	-	-	11.63	11.63	-
400	-	-	12.69	-	-	-	11.63	-

NOTE: For a given motor horsepower and speed, the total belt pull is related to the motor sprocket size. As this size **decreases**, the total belt pull **increases**. Therefore, to limit the resultant load on motor shaft and bearings, NEMA lists minimum sprocket sizes for the various motors. The sprocket on the motor (DriveR Sprocket) should be at least this large.



SELECTION

HT200 Basic Horsepower Rating

NOTE: Multiply rating by Belt Length Correction Factor from Ratio/Center Distance Tables

8M-20	Rated Horsepower for Small Sprocket (Number of Teeth and Pitch Diameter, Inches)																
	RPM Small Shaft	22 2.21	24 2.41	26 2.61	28 2.81	30 3.01	32 3.21	34 3.41	36 3.61	38 3.81	40 4.01	44 4.44	48 4.81	56 5.61	64 6.42	72 7.22	80 8.02
10	0.1	0.1	0.1	0.1	0.1	0.1	0.1	0.1	0.1	0.14	0.2	0.2	0.2	0.2	0.3	0.3	0.3
20	0.1	0.1	0.2	0.2	0.2	0.2	0.2	0.2	0.3	0.27	0.3	0.3	0.4	0.4	0.5	0.6	0.6
40	0.2	0.3	0.3	0.3	0.4	0.4	0.4	0.5	0.51	0.5	0.6	0.7	0.8	0.9	1.1	1.2	1.2
60	0.4	0.4	0.5	0.5	0.6	0.6	0.7	0.7	0.74	0.8	0.9	1.0	1.0	1.4	1.6	1.8	1.8
100	0.6	0.6	0.7	0.8	0.9	1.0	1.0	1.1	1.2	1.3	1.4	1.6	1.9	2.3	2.5	2.8	2.8
200	1.0	1.2	1.4	1.5	1.7	1.8	2.0	2.1	2.3	2.5	2.8	3.1	3.7	4.3	4.9	5.5	5.5
300	1.5	1.7	2.0	2.2	2.4	2.7	2.9	3.1	3.4	3.6	4.0	4.5	5.4	6.2	7.1	8.0	8.0
400	2.0	2.3	2.6	2.9	3.2	3.5	3.8	4.1	4.37	4.7	5.3	5.9	7.0	8.4	9.3	10.5	10.5
500	2.4	2.8	3.2	3.5	3.9	4.3	4.6	5.0	5.38	5.7	6.5	7.2	8.6	10.1	11.5	12.9	12.9
600	2.8	3.1	3.7	4.2	4.6	5.1	5.5	6.0	6.37	6.8	7.7	8.5	10.2	11.9	13.6	15.3	15.3
700	3.3	3.8	4.3	4.8	5.3	5.8	6.3	6.9	7.35	7.9	8.9	9.9	11.8	13.8	15.7	17.6	17.6
800	3.7	4.3	4.9	5.4	6.0	6.6	7.2	7.8	8.31	8.9	10.0	11.1	13.4	15.6	17.8	20.0	20.0
870	4.0	4.6	5.2	5.9	6.5	7.1	7.7	8.4	8.98	9.6	10.8	12.0	14.5	16.9	19.2	21.6	21.6
1000	4.5	5.2	5.9	6.7	7.4	8.1	8.8	9.5	10.2	10.9	12.3	13.7	16.5	19.2	21.9	24.5	24.5
1160	5.1	6.0	6.8	7.6	8.5	9.3	10.1	10.9	11.7	12.5	14.1	15.7	18.9	22.0	25.1	28.1	28.1
1200	5.3	6.2	7.0	7.9	8.7	9.6	10.4	11.2	12.1	12.9	14.6	16.2	19.5	22.7	25.9	29.0	29.0
1400	6.1	7.1	8.1	9.0	10.0	11.0	12.0	12.9	13.9	14.9	16.8	18.7	22.4	26.1	29.8	33.4	33.4
1600	6.8	8.0	9.1	10.2	11.3	12.4	13.5	14.6	15.7	16.8	19.0	21.1	25.3	29.5	33.6	37.7	37.7
1750	7.4	8.6	9.9	11.1	12.3	13.5	14.7	15.9	17.1	18.2	20.6	22.9	27.5	32.0	36.5	40.8	40.8
2000	8.4	9.7	11.1	12.5	13.9	15.2	16.6	17.9	19.3	20.6	23.2	25.8	31.0	36.1	41.1	45.9	45.9
2400	9.8	11.4	13.1	14.7	16.3	17.9	19.5	21.1	22.7	24.3	27.4	30.5	36.5	42.4	48.2	53.8	53.8
2800	11.2	13.1	15.0	16.9	18.7	20.6	22.4	24.2	26.0	27.8	31.4	34.9	41.8	48.5	54.9	61.2	61.2
3200	12.6	14.8	16.9	19.0	21.1	23.2	25.2	27.3	29.3	31.3	35.3	39.2	46.9	54.2	61.3	68.3	68.3
3450	13.5	15.8	18.0	20.3	22.5	24.8	27.0	29.1	31.3	33.5	37.7	41.9	50.0	57.7	65.1	72.9	72.9
4000	15.3	17.9	20.5	23.1	25.6	28.2	30.7	33.1	35.6	38.0	42.8	47.4	56.4				
4500	16.9	19.8	22.7	25.5	28.4	31.1	33.9	36.6	39.3	42.0	47.2	52.2					
5000	18.5	21.7	24.8	27.9	31.0	34.0	37.0	40.0	42.9	45.7	51.3	56.7					
5500	20.0	23.5	26.9	30.2	33.6	36.8	40.0	43.2	46.3	49.3	55.3						

8M-30	Rated Horsepower for Small Sprocket (Number of Teeth and Pitch Diameter, Inches)																
	RPM Small Shaft	22 2.21	24 2.41	26 2.61	28 2.81	30 3.01	32 3.21	34 3.41	36 3.61	38 3.81	40 4.01	44 4.44	48 4.81	56 5.61	64 6.42	72 7.22	80 8.02
10	0.1	0.1	0.1	0.2	0.2	0.2	0.2	0.2	0.2	0.2	0.2	0.3	0.3	0.3	0.4	0.5	0.5
20	0.2	0.2	0.3	0.3	0.3	0.3	0.4	0.4	0.4	0.4	0.5	0.6	0.7	0.8	0.9	1.0	1.0
40	0.4	0.4	0.5	0.5	0.6	0.6	0.7	0.8	0.8	0.9	1.0	1.1	1.3	1.5	1.7	1.9	1.9
60	0.5	0.6	0.7	0.8	0.9	0.9	1.0	1.1	1.2	1.3	1.4	1.6	1.9	2.2	2.5	2.8	2.8
100	0.9	1.0	1.1	1.3	1.4	1.5	1.6	1.8	1.9	2.0	2.3	2.5	3.0	3.5	4.0	4.5	4.5
200	1.6	1.9	2.1	2.4	2.6	2.9	3.1	3.4	3.6	3.8	4.3	4.8	5.8	6.7	7.6	8.6	8.6
300	2.4	2.7	3.1	3.5	3.8	4.2	4.5	4.9	5.3	5.6	6.3	7.0	8.4	9.8	11.2	12.5	12.5
400	3.1	3.6	4.0	4.5	5.0	5.5	5.9	6.4	6.9	7.3	8.3	9.2	11.0	12.8	14.6	16.4	16.4
500	3.8	4.4	5.0	5.5	6.1	6.7	7.3	7.9	8.5	9.0	10.2	11.3	13.6	15.8	18.0	20.2	20.2
600	4.5	5.2	5.9	6.6	7.3	7.9	8.6	9.3	10.0	10.7	12.0	13.4	16.1	18.7	21.4	24.0	24.0
700	5.1	5.9	6.7	7.5	8.4	9.2	10.0	10.7	11.5	12.3	13.9	15.5	18.6	21.6	24.7	27.7	27.7
800	5.8	6.7	7.6	8.5	9.4	10.3	11.2	12.1	13.0	13.9	15.7	17.5	21.0	24.5	27.9	31.4	31.4
870	6.2	7.2	8.2	9.2	10.2	11.2	12.2	13.1	14.1	15.1	17.0	18.9	22.7	26.5	30.2	33.9	33.9
1000	7.1	8.2	9.3	10.5	11.6	12.7	13.8	14.9	16.0	17.1	19.3	21.5	25.8	30.1	34.3	38.5	38.5
1160	8.1	9.4	10.7	12.0	13.3	14.5	15.8	17.1	18.4	19.6	22.2	24.7	29.6	34.5	39.4	44.2	44.2
1200	8.3	9.7	11.0	12.3	13.7	15.0	16.3	17.6	19.0	20.3	22.9	25.4	30.6	35.6	40.6	45.6	45.6
1400	9.5	11.1	12.7	14.2	15.7	17.3	18.8	20.3	21.8	23.3	26.3	29.3	35.2	41.0	46.8	52.4	52.4
1600	10.8	12.5	14.3	16.0	17.8	19.5	21.2	23.0	24.7	26.4	29.8	33.1	39.8	46.3	52.8	59.1	59.1
1750	11.6	13.6	15.5	17.4	19.3	21.2	23.0	24.9	26.8	28.6	32.3	36.0	43.2	50.3	57.2	64.1	64.1
2000	13.1	15.3	17.5	19.6	21.8	23.9	26.0	28.1	30.2	32.3	36.5	40.6	48.7	56.7	64.5	72.1	72.1
2400	15.4	18.0	20.5	23.1	25.6	28.1	30.7	33.1	35.6	38.1	43.0	47.8	57.3	66.6	75.6	84.4	84.4
2800	17.6	20.6	23.6	26.5	29.4	32.3	35.2	38.0	40.9	43.7	49.3	54.8	65.6	76.1	86.2	96.0	96.0
3200	19.8	23.2	26.5	29.8	33.1	36.4	39.6	42.8	46.0	49.2	55.4	61.6	73.6	85.2	96.2		
3450	21.1	24.7	28.3	31.9	35.4	38.9	42.3	45.8	49.2	52.5	59.2	65.7	78.4	90.6	102.2		
4000	24.0	28.1	32.2	36.2	40.3	44.2	48.1	52.0	55.9	59.7	67.1	74.5	88.5				
4500	26.6	31.1	35.6	40.1	44.5	48.9	53.2	57.5	61.7	65.9	74.0	82.0					
5000	29.0	34.0	39.0	43.8	48.7	53.4	58.1	62.8	67.3	71.8	80.6	89.1					
5500	31.4	36.8	42.2	47.5	52.7	57.8	62.9	67.8	72.7	77.5	86.8						

Operation in shaded area will result in a reduction of belt life.

FEATURES/BENEFITS PAGE PT11-2	SPECIFICATIONS PAGE PT11-4	ENGINEERING/TECHNICAL PAGE PT11-64	
----------------------------------	-------------------------------	---------------------------------------	--

V-Drives

FHP Drives

Drive Component
Accessories

DYNA-SYNC

HT200/HTD
Synchronous Drives

HT500
Synchronous Drives

Roller Chain Sprockets

SELECTION



HT200 Basic Horsepower Rating

NOTE: Multiply rating by Belt Length Correction Factor from Ratio/Center Distance Tables

8M-50	Rated Horsepower for Small Sprocket (Number of Teeth and Pitch Diameter, Inches)															
	22 2.21	24 2.41	26 2.61	28 2.81	30 3.01	32 3.21	34 3.41	36 3.61	38 3.81	40 4.01	44 4.44	48 4.81	56 5.61	64 6.42	72 7.22	80 8.02
10	0.2	0.2	0.2	0.3	0.3	0.3	0.3	0.4	0.4	0.4	0.5	0.5	0.6	0.7	0.8	0.9
20	0.3	0.4	0.4	0.5	0.5	0.6	0.6	0.7	0.7	0.8	0.9	1.0	1.1	1.3	1.5	1.7
40	0.7	0.7	0.8	0.9	1.0	1.1	1.2	1.3	1.4	1.5	1.7	1.9	2.2	2.6	2.9	3.3
60	0.9	1.1	1.2	1.4	1.5	1.6	1.8	1.9	2.0	2.2	2.4	2.7	3.2	3.8	4.3	4.8
100	1.5	1.7	2.0	2.2	2.4	2.6	2.8	3.1	3.3	3.5	3.9	4.4	5.2	6.1	6.9	7.8
200	2.9	3.3	3.7	4.1	4.6	5.0	5.4	5.8	6.3	6.7	7.5	8.4	10.0	11.7	13.3	14.9
300	4.1	4.8	5.4	6.0	6.7	7.23	7.9	8.5	9.2	9.8	11.0	12.2	14.6	17.0	19.4	21.8
400	5.4	6.2	7.0	7.9	8.7	9.5	10.3	11.1	11.9	12.7	14.4	16.0	19.2	22.3	25.5	28.6
500	6.6	7.6	8.6	9.6	10.7	11.7	12.7	13.7	14.7	15.7	17.7	19.7	23.6	27.5	31.4	35.2
600	7.7	9.0	10.2	11.4	12.6	13.8	15.0	16.2	17.4	18.6	20.9	23.3	28.0	32.6	37.2	41.7
700	8.9	10.3	11.7	13.1	14.5	15.9	17.3	18.7	20.1	21.4	24.2	26.9	32.3	37.6	42.9	48.2
800	10.0	11.6	13.2	14.8	16.4	18.0	19.6	21.1	22.7	24.2	27.3	30.4	36.5	42.6	48.6	54.5
870	10.8	12.6	14.3	16.0	17.7	19.4	21.1	22.8	24.5	26.2	29.5	32.9	39.5	46.0	52.5	58.9
1000	12.3	14.2	16.2	18.2	20.1	22.1	24.0	25.9	27.9	29.8	33.6	37.4	44.9	52.4	59.7	67.0
1160	14.0	16.3	18.6	20.8	23.1	25.3	27.5	29.7	32.0	34.1	38.5	42.9	51.5	60.0	68.5	76.8
1200	14.4	16.8	19.1	21.5	23.8	26.1	28.4	30.7	33.0	35.2	39.8	44.2	53.1	61.9	70.6	79.2
1400	16.6	19.3	22.0	24.7	27.4	30.0	32.7	35.3	38.0	40.6	45.8	51.0	61.2	71.3	81.3	91.2
1600	18.7	21.8	24.8	27.9	30.9	33.9	36.9	39.9	42.9	45.9	51.8	57.6	69.2	80.6	91.8	102.9
1750	20.2	23.6	26.9	30.2	33.5	36.8	40.1	43.3	46.6	49.8	56.2	62.5	75.0	87.4	99.5	111.4
2000	22.8	26.6	30.3	34.1	37.8	41.5	45.2	48.9	52.6	56.2	63.4	70.6	84.7	98.5	112.1	125.4
2400	26.8	31.3	35.7	40.2	44.6	48.9	53.3	57.6	62.0	66.2	74.7	83.1	99.7	115.8	131.5	146.8
2800	30.7	35.8	41.0	46.1	51.2	56.2	61.2	66.2	71.1	76.0	85.7	95.3	114.1	132.3	149.9	166.9
3200	34.4	40.3	46.1	51.9	57.6	63.2	68.9	74.5	80.0	85.5	96.4	107.1	128.0	148.1	167.4	
3450	36.8	43.0	49.2	55.4	61.5	67.6	73.6	79.6	85.5	91.3	102.9	114.3	136.4	157.5	177.7	
4000	41.8	48.9	56.0	63.0	70.0	76.9	83.7	90.4	97.1	103.7	116.8	129.5	154.0			
4500	46.2	54.1	62.0	69.7	77.4	85.0	92.6	100.0	107.3	114.5	128.7	142.5				
5000	50.5	59.1	67.8	76.2	84.7	92.9	101.1	109.1	117.1	124.9	140.1	154.9				
5500	54.6	64.0	73.4	82.5	91.6	100.5	109.3	117.9	126.4	134.7	150.9					

8M-85	Rated Horsepower for Small Sprocket (Number of Teeth and Pitch Diameter, Inches)															
	22 2.21	24 2.41	26 2.61	28 2.81	30 3.01	32 3.21	34 3.41	36 3.61	38 3.81	40 4.01	44 4.44	48 4.81	56 5.61	64 6.42	72 7.22	80 8.02
10	0.3	0.4	0.4	0.4	0.5	0.5	0.6	0.6	0.7	0.7	0.8	0.9	1.0	1.2	1.4	1.5
20	0.6	0.7	0.8	0.8	0.9	1.0	1.1	1.2	1.3	1.3	1.5	1.7	2.0	2.3	2.6	3.0
40	1.1	1.3	1.5	1.6	1.8	1.9	2.1	2.3	2.4	2.6	2.9	3.2	3.8	4.5	5.1	5.7
60	1.6	1.9	2.1	2.4	2.6	2.8	3.1	3.3	3.5	3.8	4.2	4.7	5.6	6.5	7.4	8.3
100	2.6	3.0	3.4	3.8	4.2	4.6	4.9	5.3	5.7	6.1	6.8	7.6	9.1	10.6	12.0	13.5
200	5.0	5.7	6.5	7.2	8.0	8.7	9.4	10.2	10.9	11.6	13.1	14.5	17.4	20.3	23.1	25.9
300	7.2	8.3	9.4	10.5	11.6	12.7	13.7	14.8	15.9	17.0	19.1	21.2	25.5	29.7	33.8	38.0
400	9.3	10.8	12.2	13.7	15.1	16.5	17.9	19.4	20.8	22.2	25.0	27.8	33.3	38.8	44.3	49.7
500	11.4	13.2	15.0	16.8	18.5	20.3	22.1	23.8	25.6	27.3	30.8	34.2	41.0	47.8	54.6	61.2
600	13.5	15.6	17.7	19.8	21.9	24.0	26.1	28.2	30.3	32.3	36.4	40.5	48.6	56.7	64.7	72.6
700	15.5	17.9	20.4	22.8	25.3	27.7	30.1	32.5	34.9	37.3	42.0	46.8	56.1	65.4	74.7	83.8
800	17.5	20.2	23.0	25.8	28.6	31.3	34.0	36.8	39.5	42.2	47.6	52.9	63.6	74.1	84.5	94.9
870	18.8	21.8	24.9	27.8	30.8	33.8	36.8	39.7	42.7	45.6	51.4	57.2	68.7	80.1	91.4	102.5
1000	21.3	24.8	28.2	31.6	35.0	38.4	41.8	45.1	48.5	51.8	58.5	65.1	78.2	91.1	103.9	116.6
1160	24.4	28.3	32.3	36.2	40.1	44.0	47.9	51.7	55.6	59.4	67.0	74.6	89.6	104.5	119.1	133.6
1200	25.1	29.2	33.3	37.3	41.4	45.4	49.4	53.4	57.4	61.3	69.2	77.0	92.5	107.8	122.9	137.8
1400	28.9	33.6	38.3	43.0	47.6	52.3	56.9	61.5	66.1	70.6	79.7	88.7	106.5	124.1	141.5	158.6
1600	32.5	37.9	43.2	48.5	53.8	59.0	64.3	69.4	74.6	79.8	90.1	100.2	120.4	140.2	159.7	179.0
1750	35.2	41.0	46.8	52.6	58.3	64.0	69.7	75.4	81.0	86.6	97.7	108.8	130.6	152.0	173.1	193.9
2000	39.6	46.2	52.8	59.3	65.8	72.3	78.7	85.1	91.4	97.8	110.3	122.8	147.3	171.4	195.0	218.2
2400	46.6	54.4	62.2	69.9	77.6	85.2	92.8	100.3	107.8	115.2	130.0	144.6	173.4	201.4	228.8	255.4
2800	53.3	62.3	71.3	80.2	89.0	97.8	106.5	115.1	123.7	132.3	149.2	165.9	198.5	230.2	260.9	290.5
3200	59.9	70.1	80.2	90.2	100.2	110.0	119.9	129.6	139.3	148.8	167.7	186.4	222.7	256.6	291.2	
3450	64.0	74.9	85.7	96.4	107.0	117.6	128.1	138.4	148.7	158.9	179.1	198.8	237.3	274.1	309.1	
4000	72.7	85.1	97.5	109.6	121.8	133.7	145.6	157.4	169.0	180.5	203.1	225.3	267.9			
4500	80.3	94.1	107.8	121.3	134.7	147.9	161.0	173.9	186.7	199.3	224.0	248.0				
5000	87.8	102.9	117.9	132.7	147.3	161.7	175.9	189.9	203.7	217.3	243.8	269.4				
5500	95.0	111.4	127.7	143.6	159.4	174.9	190.2	205.2	220.0	234.4	262.5					

Operation in shaded area will result in a reduction of belt life.

FEATURES/BENEFITS PAGE PT11-2	SPECIFICATIONS PAGE PT11-4	ENGINEERING/TECHNICAL PAGE PT11-64	
----------------------------------	-------------------------------	---------------------------------------	--



SELECTION

HT200 Basic Horsepower Rating

NOTE: Multiply rating by Belt Length Correction Factor from Ratio/Center Distance Tables

RPM	Rated Horsepower for Small Sprocket (Number of Teeth and Pitch Diameter, Inches)																
	28	29	30	32	34	36	38	40	44	48	52	56	60	64	68	72	80
Small Shaft	4.91	5.09	5.26	5.61	5.97	6.32	6.67	7.02	7.72	8.42	9.12	9.83	10.53	11.23	11.93	12.63	14.04
10	0.6	0.6	0.6	0.7	0.7	0.7	0.8	0.8	0.9	1.0	1.1	1.2	1.3	1.4	1.5	1.6	1.7
20	1.1	1.1	1.2	1.2	1.3	1.4	1.5	1.6	1.7	1.9	2.1	2.3	2.4	2.6	2.8	2.9	3.3
40	2.2	2.2	2.3	2.5	2.6	2.8	2.9	3.1	3.4	3.7	4.0	4.3	4.6	5.0	5.3	5.6	6.2
60	3.2	3.4	3.5	3.7	3.9	4.2	4.4	4.6	5.1	5.6	6.0	6.5	7.0	7.4	7.9	8.4	9.3
100	5.4	5.6	5.8	6.2	6.6	7.0	7.4	7.7	8.5	9.3	10.0	10.8	11.6	12.4	13.1	13.9	15.5
200	10.1	10.5	10.9	11.8	12.7	13.5	14.4	15.3	17.0	18.5	20.1	21.6	23.2	24.7	26.3	27.8	30.9
300	13.6	14.2	14.8	15.9	17.2	18.3	19.6	20.8	23.2	25.7	28.3	30.9	33.5	36.1	38.8	41.5	46.3
400	16.9	17.6	18.3	19.8	21.3	22.7	24.2	25.8	28.8	31.9	35.0	38.3	41.5	44.8	48.1	51.4	58.2
500	20.0	20.8	21.7	23.4	25.1	26.9	28.6	30.4	34.01	37.7	41.4	45.2	49.0	52.8	56.7	60.6	68.6
600	22.9	23.9	24.8	26.8	28.8	30.8	32.8	34.8	39.0	43.1	47.4	51.7	56.1	60.4	64.9	69.3	78.4
700	25.7	26.8	27.8	30.0	32.3	34.5	36.8	39.1	43.7	48.3	53.1	57.9	62.8	67.7	72.6	77.6	87.7
800	28.4	29.6	30.7	33.2	35.7	38.1	40.6	43.1	48.2	53.3	58.5	63.9	69.2	74.6	80.0	85.4	96.4
870	30.2	31.5	32.7	35.3	38.0	40.6	43.2	45.9	51.3	56.7	62.2	67.9	73.5	79.2	85.0	90.6	102.3
1000	33.5	34.9	36.3	39.3	42.3	45.3	48.3	51.2	57.1	62.8	68.8	75.0	81.2	87.4	94.0	99.9	112.6
1160	37.7	39.4	41.1	44.6	48.0	51.4	54.8	58.1	64.7	71.2	77.6	84.0	90.2	96.9	103.7	110.6	124.3
1200	38.7	40.6	42.3	45.9	49.4	52.9	56.4	59.8	66.6	73.3	79.9	86.4	92.8	99.2	106.1	113.1	127.1
1400	44.1	46.2	48.2	52.3	56.3	60.3	64.2	68.1	75.8	83.4	90.8	98.1	105.3	112.3	119.2	126.0	139.9
1600	49.3	51.6	53.9	58.4	62.9	67.3	71.7	76.1	84.7	93.1	101.3	109.4	117.2	125.0	132.5	139.8	154.0
1750	53.1	55.5	58.0	62.9	67.7	72.5	77.2	81.9	91.1	100.1	108.9	117.4	125.8	134.0	141.9	149.6	164.3
2000	59.2	61.9	64.7	70.1	75.5	80.8	86.1	91.3	101.4	111.3	120.9	130.2	139.3	148.0	156.5		
2400	68.5	71.7	74.9	81.2	87.3	93.4	99.4	105.3	116.8	127.9	138.6	148.8					
2800	77.3	80.9	84.4	91.5	98.4	105.2	111.8	118.3	130.9	142.9							
3200	85.5	89.5	93.4	101.1	108.6	116.0	123.2	130.1	143.5								
3600	93.2	97.5	101.7	110.0	118.1	125.9	133.5										
4000	100.4	105.0	109.5	118.2	126.7	134.8											

RPM	Rated Horsepower for Small Sprocket (Number of Teeth and Pitch Diameter, Inches)																
	28	29	30	32	34	36	38	40	44	48	52	56	60	64	68	72	80
Small Shaft	4.91	5.09	5.26	5.61	5.97	6.32	6.67	7.02	7.72	8.42	9.12	9.83	10.53	11.23	11.93	12.63	14.04
10	0.8	0.9	0.9	1.0	1.0	1.1	1.2	1.3	1.4	1.5	1.7	1.8	1.9	2.1	2.2	2.3	2.6
20	1.6	1.6	1.7	1.8	2.0	2.1	2.2	2.4	2.6	2.9	3.1	3.4	3.6	3.9	4.1	4.4	4.9
40	3.1	3.2	3.3	3.6	3.8	4.0	4.2	4.5	4.9	5.4	5.9	6.4	6.8	7.3	7.8	8.2	9.2
60	4.7	4.8	5.0	5.3	5.7	6.0	6.4	6.7	7.4	8.0	8.7	9.4	10.0	10.7	11.4	12.0	13.4
100	7.8	8.1	8.3	8.9	9.5	10.0	10.6	11.1	12.3	13.4	14.5	15.6	16.7	17.8	18.9	20.0	22.3
200	14.5	15.1	15.7	17.0	18.2	19.5	20.8	22.1	24.5	26.7	28.9	31.2	33.4	35.6	37.8	40.1	44.5
300	19.6	20.5	21.3	23.0	24.7	26.4	28.2	29.9	33.5	37.1	40.7	44.5	48.2	52.0	55.9	59.7	66.7
400	24.3	25.4	26.4	28.4	30.6	32.8	34.9	37.1	41.5	46.0	50.5	55.4	59.8	64.5	69.2	74.0	83.8
500	28.8	30.0	31.2	33.7	36.2	38.7	41.3	43.8	49.0	54.3	59.6	65.1	70.6	76.1	81.7	87.3	98.9
600	33.0	34.4	35.8	38.6	41.5	44.4	47.3	50.2	56.2	62.2	68.3	74.5	80.8	87.1	93.5	99.9	113.0
700	37.0	38.6	40.1	43.3	46.5	49.8	53.0	56.3	62.9	69.7	76.5	83.5	90.5	97.5	104.6	111.8	126.4
800	41.2	43.1	45.0	48.7	52.4	56.1	59.8	63.5	70.7	77.8	84.8	92.1	99.7	107.5	115.2	123.1	139.0
870	44.2	46.3	48.3	52.4	56.4	60.3	64.3	68.2	76.0	83.6	91.2	98.7	106.0	114.2	122.4	130.7	147.5
1000	49.8	52.1	54.4	59.0	63.5	68.0	72.4	76.9	85.6	94.2	102.7	111.1	119.4	127.6	135.6	144.1	162.5
1160	56.5	59.1	61.7	66.9	72.0	77.1	82.2	87.2	97.1	106.9	116.5	125.9	135.3	144.5	153.5	162.4	179.8
1200	58.1	60.8	63.5	68.8	74.1	79.4	84.6	89.7	99.9	110.0	119.8	129.6	139.1	148.6	157.8	167.0	184.8
1400	66.1	69.2	72.3	78.4	84.4	90.4	96.3	102.2	113.7	125.1	136.2	147.2	158.0	168.5	178.9	189.0	208.7
1600	73.9	77.4	80.8	87.6	94.3	101.0	107.6	114.2	127.0	139.6	152.0	164.0	175.9	187.4	198.7	209.7	231.0
1750	79.6	83.3	87.0	94.3	101.6	108.8	115.9	122.9	136.7	150.1	163.3	176.2	188.7	200.9	212.8	224.4	246.5
2000	88.7	92.9	97.0	105.2	113.3	121.3	129.1	136.9	152.1	166.9	181.3	195.3	208.9				
2400	102.7	107.5	112.3	121.7	131.0	140.2	149.1	158.0	175.2	191.9	207.9	223.3					
2800	115.9	121.3	126.7	137.2	147.6	157.7	167.7	177.5	196.3	214.3							
3200	128.3	134.2	140.1	151.7	163.0	174.0	184.7	195.2	215.3								
3600	139.8	146.3	152.6	165.0	177.1	188.8	200.2										
4000	150.6	157.5	164.2	177.3	190.0	202.2											

Operation in shaded area will result in a reduction of belt life

FEATURES/BENEFITS PAGE PT11-2	SPECIFICATIONS PAGE PT11-4	ENGINEERING/TECHNICAL PAGE PT11-64	
----------------------------------	-------------------------------	---------------------------------------	--

SELECTION



HT200 Basic Horsepower Rating

14M-85	Rated Horsepower for Small Sprocket (Number of Teeth and Pitch Diameter, Inches)																
	RPM Small Shaft	28 4.91	29 5.09	30 5.26	32 5.61	34 5.97	36 6.32	38 6.67	40 7.02	44 7.72	48 8.42	52 9.12	56 9.82	60 10.53	64 11.23	68 11.93	72 12.63
10	1.4	1.5	1.5	1.6	1.7	1.9	2.0	2.1	2.3	2.5	2.8	3.0	3.2	3.4	3.6	3.9	4.3
20	2.6	2.7	2.8	3.1	3.3	3.5	3.7	3.9	4.4	4.8	5.2	5.6	6.1	6.5	6.9	7.3	8.1
40	4.9	5.1	5.3	5.7	6.1	6.6	7.0	7.4	8.2	9.0	9.8	10.6	11.4	12.2	13.0	13.7	15.3
60	7.0	7.3	7.6	8.3	8.9	9.5	10.0	10.6	11.8	13.0	14.1	15.3	16.4	17.6	18.7	19.8	22.1
100	11.1	11.6	12.1	13.0	14.0	15.0	15.9	16.8	18.7	20.6	22.4	24.3	26.1	27.9	29.7	31.5	35.0
200	20.5	21.5	22.4	24.2	26.0	27.8	29.5	31.3	34.8	38.3	41.7	45.2	48.6	51.9	55.3	58.6	65.2
300	29.3	30.7	32.0	34.6	37.2	39.7	42.3	44.8	49.9	54.9	59.9	64.8	69.7	74.5	79.3	84.1	93.6
400	37.7	39.4	41.1	44.5	47.8	51.2	54.5	57.8	64.3	70.8	77.2	83.6	89.9	96.1	102.3	108.5	120.7
500	45.8	47.9	49.9	54.1	58.2	62.2	66.3	70.3	78.3	86.1	93.9	101.7	109.3	116.9	124.5	131.9	146.7
600	53.6	56.1	58.5	63.3	68.2	72.9	77.7	82.4	91.8	101.0	110.2	119.2	128.2	137.1	145.9	154.7	171.9
800	68.6	71.8	74.9	81.2	87.4	93.6	99.7	105.8	117.8	129.6	141.4	153.0	164.5	175.8	187.1	198.2	220.1
870	73.7	77.2	80.5	87.3	93.9	100.6	107.1	113.7	126.6	139.4	152.0	164.4	176.7	188.9	200.9	212.8	236.2
1000	83.0	86.9	90.7	98.3	105.8	113.3	120.7	128.1	142.7	157.0	171.2	185.2	199.0	212.6	226.1	239.3	265.4
1160	94.1	98.5	102.9	111.5	120.1	128.6	137.0	145.3	161.9	178.1	194.1	209.9	225.4	240.8	255.8	270.7	299.7
1200	96.9	101.4	105.8	114.7	123.6	132.3	141.0	149.6	166.6	183.3	199.7	215.9	231.9	247.6	263.1	278.3	308.0
1400	110.2	115.4	120.5	130.6	140.7	150.6	160.5	170.3	189.6	208.5	227.1	245.3	263.3	280.9	298.1	315.1	347.9
1600	123.2	129.0	134.7	146.0	157.2	168.4	179.4	190.3	211.7	232.7	253.3	273.4	293.1	312.4	331.2	349.6	385.0
1750	132.6	138.8	145.0	157.2	169.3	181.3	193.1	204.8	227.8	250.2	272.2	293.6	314.5	334.9	354.7	374.0	410.8
2000	147.9	154.9	161.7	175.3	188.8	202.1	215.2	228.1	253.5	278.2	302.2	325.6	348.2	370.1	391.2		
2400	171.2	179.2	187.2	202.9	218.4	233.6	248.6	263.3	292.1	319.8	346.5	372.1					
2800	193.2	202.2	211.1	228.7	246.0	262.9	279.5	295.8	327.2	357.2							
3200	213.8	223.7	233.5	252.8	271.6	290.0	307.9	325.4	358.8								
3600	233.1	243.8	254.4	275.1	295.2	314.7	333.7										
4000	251.0	262.4	273.6	295.5	316.7	337.1											

14M-115	Rated Horsepower for Small Sprocket (Number of Teeth and Pitch Diameter, Inches)																
	RPM Small Shaft	28 4.91	29 5.09	30 5.26	32 5.61	34 5.97	36 6.32	38 6.67	40 7.02	44 7.72	48 8.42	52 9.12	56 9.82	60 10.53	64 11.23	68 11.93	72 12.63
10	1.9	2.0	2.1	2.3	2.4	2.6	2.8	2.9	3.2	3.6	3.9	4.2	4.5	4.8	5.1	5.4	6.0
20	3.7	3.8	4.0	4.3	4.6	4.9	5.2	5.5	6.1	6.7	7.3	7.9	8.5	9.1	9.6	10.2	11.4
40	6.8	7.1	7.4	8.0	8.6	9.2	9.8	10.3	11.5	12.6	13.7	14.8	15.9	17.0	18.1	19.2	21.4
60	9.9	10.3	10.7	11.5	12.4	13.2	14.1	14.9	16.5	18.2	19.8	21.4	23.0	24.6	26.2	27.8	30.9
100	15.5	16.2	16.9	18.3	19.6	20.9	22.3	23.6	26.2	28.8	31.4	34.0	36.5	39.1	41.6	44.1	49.0
200	28.8	30.0	31.3	33.8	36.4	38.9	41.3	43.8	48.7	53.6	58.4	63.2	68.0	72.7	77.4	82.1	91.3
300	41.1	42.9	44.7	48.4	52.0	55.6	59.2	62.8	69.9	76.9	83.8	90.7	97.5	104.3	111.1	117.8	131.0
400	52.8	55.2	57.6	62.3	67.0	71.7	76.3	80.9	90.1	99.1	108.1	117.0	125.8	134.6	143.2	151.8	168.9
500	64.1	67.0	69.9	75.7	81.4	87.1	92.8	98.4	109.6	120.6	131.5	142.3	153.1	163.7	174.2	184.7	205.4
600	75.1	78.5	81.9	88.7	95.4	102.1	108.8	115.4	128.5	141.4	154.2	166.9	179.5	192.0	204.3	216.5	240.7
800	96.1	100.5	104.9	113.7	122.4	131.0	139.5	148.1	164.9	181.5	197.9	214.2	230.3	246.2	261.9	277.4	308.1
870	103.2	108.0	112.7	122.2	131.5	140.8	150.0	159.1	177.3	195.1	212.8	230.2	247.4	264.5	281.3	298.0	330.7
1000	116.2	121.6	127.0	137.6	148.2	158.6	169.0	179.3	199.7	219.8	239.7	259.2	278.6	297.7	316.5	335.1	371.6
1160	131.8	137.9	144.0	156.1	168.1	180.0	191.8	203.5	226.6	249.3	271.8	293.8	315.6	337.1	358.1	379.0	419.6
1200	135.6	141.9	148.2	160.6	173.0	185.2	197.4	209.4	233.2	256.6	279.6	302.3	324.7	346.7	368.3	389.6	431.2
1400	154.3	161.5	168.7	182.9	197.0	210.9	224.7	238.4	265.4	291.9	317.9	343.5	368.6	393.2	417.4	441.1	487.1
1600	172.5	180.5	188.5	204.4	220.1	235.7	251.1	266.4	296.4	325.8	354.6	382.8	410.4	437.4	463.7	489.4	538.9
1750	185.7	194.4	203.0	220.1	237.0	253.8	270.3	286.7	318.9	350.3	381.0	411.0	440.3	468.8	496.6	523.5	575.1
2000	207.1	216.8	226.4	245.5	264.3	282.9	301.3	319.4	354.9	389.5	423.1	455.8	487.4	518.1	547.7		
2400	239.7	250.9	262.0	284.0	305.7	327.0	348.0	368.7	408.9	447.7	485.1	521.0					
2800	270.4	283.1	295.5	320.2	344.4	368.1	391.3	414.1	458.1	500.1							
3200	299.3	313.2	326.9	353.9	380.2	406.0	431.1	455.5	502.4								
3600	326.3	341.3	356.1	385.1	413.3	440.6	467.1										
4000	351.4	367.4	383.1	413.7	443.3	471.9											

Operation in shaded area will result in a reduction of belt life.

FEATURES/BENEFITS PAGE PT11-2	SPECIFICATIONS PAGE PT11-4	ENGINEERING/TECHNICAL PAGE PT11-64	
----------------------------------	-------------------------------	---------------------------------------	--



SELECTION

HT200 Basic Horsepower Rating

NOTE: Multiply rating by Belt Length Correction Factor from Ratio/Center Distance Tables

14M-170	Rated Horsepower for Small Sprocket (Number of Teeth and Pitch Diameter, Inches)																
	RPM Small Shaft	28 4.91	29 5.09	30 5.26	32 5.61	34 5.97	36 6.32	38 6.67	40 7.02	44 7.72	48 8.42	52 9.12	56 9.82	60 10.53	64 11.23	68 11.93	72 12.63
10	3.0	3.1	3.2	3.5	3.7	3.9	4.2	4.4	4.9	5.4	5.9	6.4	6.8	7.3	7.8	8.2	9.2
20	5.6	5.8	6.0	6.5	7.0	7.4	7.9	8.4	9.3	10.2	11.1	12.0	12.9	13.8	14.6	15.5	17.3
40	10.4	10.8	11.3	12.2	13.1	13.9	14.8	15.7	17.4	19.1	20.8	22.5	24.2	25.9	27.6	29.2	32.5
60	15.0	15.6	16.3	17.6	18.8	20.1	21.4	22.6	25.1	27.6	30.1	32.6	35.0	37.4	39.8	42.2	47.0
100	23.6	24.7	25.7	27.8	29.8	31.8	33.8	35.9	39.8	43.8	47.7	51.6	55.5	59.4	63.2	67.0	74.5
200	43.7	45.6	47.6	51.4	55.3	59.1	62.8	66.6	74.1	81.5	88.8	96.1	103.4	110.5	117.7	124.8	138.8
300	62.4	65.2	68.0	73.6	79.1	84.6	90.0	95.4	106.2	116.8	127.4	137.9	148.3	158.6	168.8	179.0	199.1
400	80.3	83.9	87.5	94.7	101.8	108.9	116.0	123.0	136.9	150.6	164.3	177.8	191.2	204.5	217.7	230.8	256.8
500	97.4	101.9	106.3	115.0	123.8	132.4	141.0	149.6	166.5	183.3	199.9	216.3	232.7	248.8	264.8	280.8	312.2
600	114.1	119.3	124.5	134.8	145.0	155.2	165.3	175.4	195.3	214.9	234.4	253.7	272.8	291.8	310.5	329.1	365.9
800	146.1	152.8	159.5	172.8	186.0	199.1	212.1	225.0	250.6	275.9	300.9	325.6	350.0	374.2	398.0	421.7	468.3
870	156.9	164.2	171.4	185.7	199.9	214.0	228.0	241.9	269.4	296.6	323.4	349.9	376.1	402.0	427.6	452.9	502.7
1000	176.7	184.9	193.0	209.2	225.2	241.1	256.9	272.6	303.6	334.1	364.3	394.1	423.4	452.4	481.0	509.3	564.8
1160	200.3	209.7	218.9	237.3	255.5	273.6	291.5	309.3	344.4	379.0	413.1	446.7	479.7	512.3	544.4	576.0	637.8
1200	206.1	215.7	225.2	244.2	262.9	281.6	300.0	318.3	354.4	390.0	425.0	459.5	493.5	526.9	559.8	592.2	655.5
1400	234.6	245.5	256.4	278.0	299.4	320.6	341.6	362.4	403.4	443.6	483.2	522.1	560.2	597.7	634.4	670.4	740.4
1600	262.1	274.4	286.6	310.7	334.6	358.3	381.7	404.9	450.5	495.2	539.0	581.8	623.8	664.8	704.8	743.9	819.2
1750	282.2	295.5	308.6	334.6	360.3	385.8	410.9	435.8	484.7	532.5	579.2	624.8	669.3	712.6	754.8	795.8	874.2
2000	314.7	329.5	344.1	373.1	401.8	430.0	457.9	485.5	539.5	592.0	643.1	692.8	740.9	787.5	832.4		
2400	364.3	381.4	398.3	431.7	464.7	497.1	529.0	560.3	621.5	680.5	737.3	791.9					
2800	411.0	430.3	449.2	486.7	523.4	559.5	594.8	629.4	696.3	760.1							
3200	454.9	476.1	496.9	537.9	578.0	617.1	655.2	692.4	763.6								
3600	496.0	518.8	541.3	585.3	628.2	669.7	710.0										
4000	534.2	558.5	582.3	628.9	673.9	717.3											

Operation in shaded area will result in a reduction of belt life.

SELECTION



HT100 Basic Horsepower Rating

NOTE: Multiply rating by Belt Length Correction Factor from Ratio/Center Distance Tables

5M-15	Rated Horsepower for Small Sprocket (Number of Grooves and Pitch Diameter, Inches)														
	RPM	32	34	36	38	40	44	45	48	50	52	56	60	64	68
	Small Shaft	2.0	2.1	2.3	2.38	2.5	2.8	2.8	3.0	3.1	3.3	3.5	3.8	4.0	4.2
10	0.03	0.03	0.03	0.04	0.04	0.04	0.04	0.04	0.1	0.1	0.1	0.1	0.1	0.1	0.1
20	0.1	0.1	0.1	0.1	0.1	0.1	0.1	0.1	0.1	0.1	0.1	0.1	0.1	0.1	0.1
40	0.1	0.1	0.1	0.1	0.1	0.1	0.2	0.2	0.2	0.2	0.2	0.2	0.2	0.2	0.3
60	0.2	0.2	0.2	0.2	0.2	0.2	0.2	0.2	0.3	0.3	0.3	0.3	0.3	0.4	0.4
100	0.2	0.3	0.3	0.3	0.3	0.3	0.4	0.4	0.4	0.4	0.4	0.5	0.5	0.6	0.6
200	0.4	0.5	0.5	0.6	0.6	0.7	0.7	0.7	0.8	0.8	0.8	0.6	1.0	1.0	1.1
300	0.6	0.7	0.8	0.8	0.9	1.0	1.0	1.1	1.1	1.2	1.3	1.4	1.5	1.6	1.6
400	0.8	0.9	1.0	1.0	1.1	1.3	1.3	1.4	1.5	1.5	1.7	1.8	1.9	2.1	2.1
500	1.0	1.1	1.2	1.3	1.4	1.5	1.6	1.7	1.8	1.9	2.0	2.2	2.4	2.5	2.5
600	1.2	1.3	1.4	1.5	1.6	1.8	1.8	2.0	2.1	2.2	2.4	2.6	2.8	3.0	3.0
800	1.5	1.6	1.8	1.9	2.1	2.3	2.4	2.6	2.7	2.8	3.1	3.4	3.6	3.9	3.9
1000	1.8	2.0	2.2	2.3	2.5	2.8	2.9	3.1	3.3	3.5	3.8	4.1	4.4	4.7	4.7
1200	2.1	2.3	2.5	2.7	2.9	3.3	3.4	3.7	3.9	4.1	4.4	4.8	5.2	5.6	5.6
1400	2.4	2.7	2.9	3.1	3.3	3.8	3.9	4.2	4.4	4.7	5.1	5.5	5.9	6.3	6.3
1600	2.7	3.0	3.3	3.5	3.8	4.3	4.4	4.7	5.0	5.2	5.7	6.2	6.7	7.1	7.1
1800	3.0	3.3	3.6	3.9	4.2	4.7	4.8	5.3	5.5	5.8	6.3	6.9	7.4	7.9	7.9
2000	3.3	3.6	3.9	4.2	4.6	5.2	5.3	5.8	6.1	6.3	6.9	7.5	8.1	8.6	8.6
2400	3.9	4.2	4.6	5.0	5.3	6.0	6.2	6.7	7.1	7.4	8.1	8.8	9.4	10.1	10.1
2800	4.4	4.8	5.2	5.6	6.0	6.9	7.1	7.6	8.0	8.4	9.2	10.0	10.7	11.4	11.4
3200	4.9	5.4	5.8	6.3	6.6	7.7	7.9	8.5	9.0	9.4	10.2	11.1	11.9	12.7	12.7
3600	5.4	5.9	6.4	6.9	7.4	8.4	8.7	9.4	10.0	10.3	11.3	12.2	13.0	13.9	13.9
4000	5.9	6.4	7.0	7.5	8.1	9.2	9.4	10.2	10.7	11.2	12.2	13.2	14.1	15.0	15.0
5000	7.0	7.7	8.3	9.0	9.6	10.9	11.2	12.1	12.6	13.2	14.3	15.4	16.4	17.4	17.4
6000	8.0	8.8	9.5	10.2	11.0	12.3	12.7	13.7	14.3	14.9	16.1	17.1	18.1		
8000	9.7	10.6	11.5	12.3	13.1	14.6	14.9	15.9	16.6						
10000	10.9	11.8	12.7	13.6	14.4										
12000	11.5														
14000															

5M-25	Rated Horsepower for Small Sprocket (Number of Grooves and Pitch Diameter, Inches)														
	RPM	32	34	36	38	40	44	45	48	50	52	56	60	64	68
	Small Shaft	2.0	2.1	2.3	2.38	2.5	2.8	2.8	3.0	3.1	3.3	3.5	3.8	4.0	4.2
10	0.1	0.1	0.1	0.1	0.1	0.1	0.1	0.1	0.1	0.1	0.1	0.1	0.1	0.1	0.1
20	0.1	0.1	0.1	0.1	0.1	0.1	0.1	0.1	0.2	0.2	0.2	0.2	0.2	0.2	0.22
40	0.2	0.2	0.2	0.2	0.2	0.2	0.3	0.3	0.3	0.3	0.4	0.4	0.4	0.4	0.42
60	0.3	0.3	0.3	0.3	0.3	0.3	0.4	0.4	0.4	0.4	0.5	0.5	0.6	0.6	0.62
100	0.4	0.4	0.5	0.5	0.5	0.5	0.6	0.6	0.7	0.7	0.7	0.8	0.9	0.9	0.98
200	0.7	0.8	0.9	0.9	1.0	1.1	1.2	1.2	1.3	1.4	1.5	1.6	1.7	1.85	1.85
300	1.1	1.2	1.2	1.3	1.4	1.6	1.7	1.8	1.9	2.0	2.2	2.3	2.5	2.67	2.67
400	1.4	1.5	1.6	1.7	1.8	2.1	2.1	2.3	2.4	2.6	2.8	3.0	3.2	3.47	3.47
500	1.7	1.8	2.0	2.1	2.3	2.5	2.6	2.8	3.0	3.1	3.4	3.7	4.0	4.24	4.24
600	2.0	2.1	2.3	2.5	2.6	3.0	3.1	3.3	3.5	3.7	4.0	4.3	4.7	4.99	4.99
800	2.5	2.7	3.0	3.2	3.4	3.9	4.0	4.3	4.5	4.7	5.2	5.6	6.0	6.46	6.46
1000	3.0	3.3	3.6	3.9	4.2	4.7	4.8	5.2	5.5	5.8	6.3	6.8	7.35	7.87	7.87
1200	3.6	3.9	4.2	4.6	4.9	5.5	5.7	6.2	6.5	6.8	7.4	8.0	8.64	9.25	9.25
1400	4.1	4.5	4.8	5.2	5.6	6.3	6.5	7.0	7.4	7.8	8.48	9.2	9.89	10.6	10.6
1600	4.6	5.0	5.4	5.8	6.3	7.1	7.3	7.9	8.3	8.7	9.5	10.3	11.1	11.9	11.9
1800	5.1	5.5	6.0	6.5	6.9	7.8	8.1	8.8	9.2	10.0	10.5	11.4	12.3	13.2	13.2
2000	5.5	6.0	6.6	7.1	7.6	8.6	8.8	9.6	10.0	10.6	11.5	12.5	13.5	14.4	14.4
2400	6.4	7.0	7.7	8.3	8.9	10.0	10.3	11.2	11.8	12.3	13.5	14.6	15.7	16.8	16.8
2800	7.3	8.0	8.7	9.4	10.1	11.4	11.8	12.7	13.4	14.0	15.3	16.6	17.8	19.0	19.0
3200	8.2	9.0	9.7	10.5	11.3	12.8	13.1	14.2	14.9	15.7	17.1	18.5	19.8	21.2	21.2
3600	9.0	10.0	10.7	11.6	12.4	14.0	14.4	15.6	16.4	17.2	18.8	20.3	21.7	23.1	23.1
4000	10.0	10.7	11.7	12.6	13.5	15.3	15.7	17.0	17.9	18.7	20.3	21.9	23.5	25.0	25.0
5000	11.6	12.8	13.9	15.0	16.0	18.1	18.6	20.1	21.1	22.0	23.9	25.7	27.3	28.9	28.9
6000	13.3	14.6	15.9	17.1	18.3	20.6	21.1	22.8	23.8	24.8	26.8	28.6	30.2		
8000	16.1	17.6	19.1	20.5	21.8	24.3	24.9	26.6	27.6						
10000	18.2	19.7	21.2	22.6	23.9										
12000	19.2														
14000															

Shaded area indicates sprocket and RPM which can be used only if a reduction in belt life is allowable.

FEATURES/BENEFITS PAGE PT11-2	SPECIFICATIONS PAGE PT11-4	ENGINEERING/TECHNICAL PAGE PT11-64	
----------------------------------	-------------------------------	---------------------------------------	--



SELECTION

HT100 Basic Horsepower Rating

NOTE: Multiply rating by Belt Length Correction Factor from Ratio/Center Distance Tables

8M-20		HT100 Horsepower Rating—20MM Wide Belt (.79 in.)															
RPM		No. Teeth															
Small Shaft		22	24	26	28	30	32	34	36	38	40	44	48	56	64	72	80
10	0.02	0.03	0.03	0.04	0.04	0.1	0.06	0.07	0.1	0.1	0.2	0.1	0.1	0.1	0.1	0.1	0.2
20	0.04	0.1	0.1	0.1	0.1	0.1	0.1	0.1	0.1	0.1	0.2	0.2	0.2	0.2	0.2	0.3	0.3
40	0.1	0.1	0.1	0.1	0.2	0.2	0.2	0.3	0.3	0.3	0.3	0.4	0.4	0.4	0.5	0.6	0.6
60	0.1	0.2	0.2	0.2	0.3	0.3	0.3	0.4	0.4	0.5	0.5	0.6	0.6	0.6	0.7	0.8	0.9
100	0.2	0.3	0.3	0.4	0.4	0.5	0.6	0.7	0.8	0.8	0.8	0.9	0.9	1.1	1.2	1.4	1.5
200	0.4	0.5	0.6	0.7	0.8	1.0	1.1	1.3	1.4	1.5	1.7	1.8	2.1	2.3	2.6	2.8	
300	0.7	0.7	0.9	1.0	1.2	1.4	1.6	1.8	2.0	2.2	2.4	2.6	3.0	3.4	3.7	4.1	
400	0.9	1.0	1.1	1.3	1.6	1.8	2.1	2.3	2.6	2.8	3.1	3.4	3.8	4.3	4.8	5.3	
500	1.1	1.2	1.4	1.6	1.9	2.2	2.5	2.9	3.2	3.5	3.8	4.1	4.7	5.3	5.9	6.4	
600	1.3	1.4	1.6	1.9	2.3	2.6	3.0	3.4	3.8	4.1	4.5	4.8	5.5	6.2	6.9	7.6	
700	1.5	1.7	1.9	2.2	2.6	3.0	3.4	3.9	4.3	4.7	5.1	5.5	6.3	7.1	7.9	8.6	
800	1.8	1.9	2.1	2.5	2.9	3.4	3.8	4.4	4.9	5.9	5.8	6.2	7.1	8.0	8.9	9.7	
870	1.9	2.8	2.3	2.7	3.1	3.6	4.1	4.7	5.3	5.7	6.2	6.7	7.7	8.6	9.5	10.4	
1000	2.2	2.4	2.6	3.0	3.5	4.1	4.7	5.3	6.0	6.4	7.0	7.6	8.6	9.7	10.7	11.7	
1160	2.5	2.8	3.0	3.5	4.0	4.7	5.3	6.0	6.8	7.3	8.0	8.6	9.8	11.0	12.2	13.3	
1200	2.6	2.9	3.1	3.6	4.2	4.8	5.5	6.2	7.0	7.6	8.2	8.9	10.1	11.3	12.5	13.6	
1400	3.1	3.3	3.6	4.1	4.8	5.5	6.3	7.1	8.6	8.6	9.4	10.1	11.5	12.9	14.2	15.5	
1600	3.5	3.8	4.1	4.6	5.4	6.2	7.1	8.0	9.0	9.7	10.5	11.3	12.9	14.4	15.8	17.2	
1750	3.8	4.2	4.5	5.0	5.8	6.7	7.6	8.6	9.7	10.5	11.4	12.2	13.9	15.5	17.0	18.4	
2000	4.3	4.7	5.1	5.6	6.5	7.5	8.6	9.7	10.9	11.7	12.7	13.6	15.5	17.2	18.8	20.2	
2400	5.2	5.7	6.1	7.0	7.6	8.7	10.0	11.3	12.7	13.6	14.8	15.8	17.8	19.7	21.3	22.8	
2800	6.0	6.6	7.1	7.8	8.6	9.9	11.3	12.8	14.4	15.5	16.7	17.8	19.9	21.8	23.4	24.8	
3200			8.0	8.8	9.6	11.1	12.6	14.2	16.0	17.2	18.5	19.7	21.8	23.7	25.1		
3500					10.4	11.9	13.5	15.3	17.1	18.4	19.7	20.9	23.1	24.8			
4000						13.1	14.9	16.9	18.9	20.2	21.6	22.8	24.8				
4500							16.2	18.3	20.4	21.9	23.2	24.3					
5000								19.6	21.9	23.3	24.6	25.5					
5500									23.05	24.6	25.6						
PD: MM	56.0	61.1	66.2	71.3	76.4	81.5	86.6	91.7	96.8	101.9	112.0	122.2	142.6	163.0	183.3	203.7	
Inches	2.21	2.41	2.61	2.81	3.01	3.21	3.41	3.61	3.81	4.01	4.41	4.81	5.61	6.42	7.22	8.02	

8M-30		HT100 Horsepower Rating—30MM Wide Belt (1.18 in.)															
RPM Small Sprocket		No. Teeth															
		22	24	26	28	30	32	34	36	38	40	44	48	56	64	72	80
10	0.03	0.04	0.1	0.1	0.1	0.1	0.1	0.1	0.1	0.1	0.1	0.1	0.1	0.1	0.2	0.2	0.2
20	0.1	0.1	0.1	0.1	0.1	0.2	0.2	0.2	0.2	0.2	0.3	0.3	0.3	0.3	0.4	0.4	0.5
40	0.1	0.12	0.2	0.2	0.3	0.3	0.4	0.4	0.5	0.5	0.5	0.6	0.6	0.7	0.8	0.9	1.0
60	0.2	0.2	0.3	0.3	0.4	0.5	0.5	0.6	0.7	0.7	0.8	0.9	1.0	1.2	1.3	1.4	
100	0.3	0.4	0.5	0.6	0.7	0.8	0.9	1.0	1.1	1.2	1.3	1.4	1.7	2.0	2.2	2.4	
200	0.7	0.8	0.9	1.1	1.3	1.5	1.7	2.0	2.2	2.4	2.6	2.8	3.3	3.7	4.1	4.5	
300	1.0	1.1	1.4	1.6	1.9	2.2	2.5	2.9	3.2	3.5	3.8	4.1	4.7	5.3	5.9	6.5	
400	1.4	1.5	1.8	2.1	2.5	2.8	3.3	3.7	4.2	4.5	4.9	5.3	6.1	6.8	7.6	8.3	
500	1.7	1.9	2.3	2.6	3.0	3.5	4.0	4.5	5.1	5.5	6.0	6.5	7.4	8.3	9.3	10.2	
600	2.1	2.3	2.6	3.0	3.5	4.1	4.7	5.3	6.0	6.5	7.0	7.6	8.7	9.8	10.9	11.9	
700	2.4	2.6	2.9	3.5	4.1	4.7	5.4	6.1	6.8	7.4	8.1	8.7	10.0	11.2	12.4	13.6	
800	2.8	3.0	3.3	3.9	4.6	5.3	6.1	6.9	7.7	8.3	9.1	9.78	11.2	12.6	14.0	15.3	
870	3.0	3.3	3.6	4.2	4.9	5.7	6.5	7.4	8.3	9.0	9.8	10.5	12.1	13.6	15.0	16.4	
1000	3.4	3.8	4.1	4.8	5.6	6.5	7.4	8.4	9.4	10.2	11.0	11.9	13.6	15.3	16.9	18.5	
1160	4.0	4.4	4.7	5.5	6.4	7.4	8.4	9.5	10.7	11.6	12.6	13.6	15.5	17.4	19.2	21.0	
1200	4.1	4.5	4.9	5.6	6.6	7.6	8.7	9.8	11.0	11.9	12.9	14.0	16.0	17.9	19.7	21.6	
1400	4.8	5.3	5.7	6.4	7.5	8.7	9.9	11.2	12.6	13.6	14.8	16.0	18.2	20.4	22.4	24.4	
1600	5.5	6.0	6.5	7.2	8.5	9.8	11.1	12.6	14.2	15.3	16.6	18.0	20.4	22.7	25.0	27.1	
1750	6.0	6.5	7.1	7.8	9.1	10.5	12.0	13.6	15.3	16.5	17.9	19.3	21.9	24.4	26.8	29.1	
2000	6.9	7.5	8.1	8.9	10.3	11.8	13.5	15.3	17.2	18.5	20.0	21.6	24.4	27.1	29.7	32.0	
2400	8.2	8.9	9.6	10.6	12.0	13.8	15.8	17.8	20.0	21.6	23.3	25.0	28.2	31.1	33.8	36.2	
2800	9.5	10.4	11.2	12.2	13.6	15.7	17.9	20.2	22.7	24.4	26.3	28.12	31.6	34.6	37.2	39.4	
3200			12.7	13.9	15.2	17.5	19.9	22.5	25.2	27.1	29.2	31.1	34.6	37.6	39.9		
3500					16.4	18.8	21.4	24.1	27.0	29.1	31.2	33.1	36.6	39.4			
4000						20.8	23.6	26.7	29.9	32.0	34.2	36.2	39.4				
4500							25.7	29.0	32.4	34.7	36.8	38.7					
5000								31.1	34.7	37.0	39.1	40.7					
5500									36.6	39.1	40.8						
PD: MM	56.0	61.1	66.2	71.3	76.4	81.5	86.6	91.7	96.8	101.9	112.0	122.2	142.6	163.0	183.3	203.7	
Inches	2.21	2.41	2.61	2.81	3.01	3.21	3.41	3.61	3.81	4.01	4.41	4.81	5.61	6.42	7.22	8.02	

Operation in shaded area will result in a reduction of belt life.

FEATURES/BENEFITS PAGE PT11-2	SPECIFICATIONS PAGE PT11-4	ENGINEERING/TECHNICAL PAGE PT11-64	
----------------------------------	-------------------------------	---------------------------------------	--

SELECTION



HT100 Basic Horsepower Rating

NOTE: Multiply rating by Belt Length Correction Factor from Ratio/Center Distance Tables

8M-50 RPM Small Sprocket	HT100 Horsepower Rating—50MM Wide Belt (1.97 in.) No. Teeth												
	28	30	32	34	36	38	40	44	48	56	64	72	80
10	0.1	0.1	0.1	0.16	0.2	0.2	0.2	0.2	0.3	0.3	0.3	0.4	0.4
20	0.2	0.2	0.3	0.3	0.3	0.4	0.4	0.5	0.5	0.6	0.7	0.7	0.8
40	0.4	0.5	0.5	0.6	0.7	0.8	0.8	0.9	1.0	1.2	1.3	1.5	1.7
60	0.6	0.7	0.8	0.9	1.0	1.2	1.2	1.4	1.5	1.7	2.0	2.2	2.5
100	1.0	1.2	1.3	1.5	1.7	2.0	2.1	2.3	2.5	2.9	3.3	3.7	4.1
200	1.9	2.3	2.6	3.0	3.4	3.8	4.1	4.5	4.9	5.6	6.4	7.1	7.8
300	2.8	3.3	3.8	4.4	4.9	5.5	6.0	6.5	7.1	8.1	9.2	10.2	11.2
400	3.6	4.3	4.9	5.6	6.4	7.2	7.8	8.5	9.2	10.5	11.8	13.1	14.4
500	4.5	5.2	6.0	6.9	7.8	8.8	9.5	10.3	11.2	12.8	14.4	16.0	17.6
600	5.3	7.1	7.1	8.1	9.2	10.3	11.2	12.2	13.1	15.1	17.0	18.8	20.6
700	6.0	7.0	8.1	9.3	10.5	11.9	12.8	14.0	15.1	17.3	19.4	21.5	23.6
800	6.8	7.9	9.2	10.5	11.9	13.4	14.4	15.7	17.0	19.4	21.8	24.2	26.5
870	7.3	8.6	10.0	11.3	12.8	14.4	15.5	16.9	18.3	20.9	23.5	26.0	28.5
1000	8.3	9.7	11.2	12.8	14.5	16.3	17.6	19.1	20.6	23.6	26.5	29.3	32.1
1160	9.4	11.0	12.8	14.6	16.5	18.5	20.0	21.8	23.5	26.8	30.1	33.3	36.3
1200	9.7	11.4	13.1	15.0	17.0	19.1	20.6	22.4	24.2	27.6	31.0	34.2	37.4
1400	11.1	13.0	15.0	17.2	19.5	21.9	23.6	25.6	27.6	31.5	35.3	38.9	42.4
1600	12.5	14.6	16.9	19.3	21.9	24.5	26.5	28.8	31.0	35.3	39.4	43.3	47.1
1750	13.5	15.8	18.3	20.9	23.6	26.5	28.6	31.0	33.4	38.0	42.4	46.5	50.4
2000	15.3	17.8	20.5	23.4	26.5	29.7	32.7	34.7	37.4	42.4	47.1	51.5	55.6
2400	18.3	20.7	23.9	27.3	30.9	34.6	37.4	40.4	43.3	48.9	54.0	58.7	62.9
2800	21.2	23.6	27.2	31.0	35.1	39.3	42.4	45.7	48.9	54.8	60.1	64.8	68.7
3200	24.1	26.3	30.3	34.5	39.0	43.8	47.1	50.7	54.0	60.2	65.4	69.7	
3500		28.4	32.5	37.1	41.9	46.9	50.4	54.1	57.6	63.7	68.6		
4000			36.0	41.0	46.3	51.8	55.6	59.4	62.9	68.7			
4500				44.7	50.4	56.3	60.3	64.1	67.4				
5000					54.0	60.3	64.5	68.0	71.0				
5500						63.8	68.0	71.3					
PD: MM	71.3	76.4	81.5	86.6	91.7	96.8	101.9	112	122.2	142.6	163	183.3	203.7
Inches	2.81	3.01	3.21	3.41	3.61	3.81	4.01	4.41	4.81	5.61	6.42	7.22	8.02

8M-85 RPM Small Sprocket	HT100 Horsepower Rating—85MM Wide Belt (3.35 in.) No. Teeth									
	34	36	38	40	44	48	56	64	72	80
10	0.3	0.3	0.3	0.4	0.4	0.4	0.5	0.6	0.7	0.7
20	0.5	0.6	0.7	0.7	0.8	0.9	1.0	1.2	1.3	1.4
40	1.1	1.2	1.4	1.4	1.6	1.7	2.0	2.3	2.6	2.9
60	1.6	1.8	2.1	2.2	2.4	2.6	3.0	3.5	3.9	4.3
100	2.6	3.0	3.4	3.6	4.0	4.3	5.4	5.8	6.5	7.2
200	5.2	5.9	6.7	7.2	7.9	8.5	9.8	11.1	12.3	13.5
300	7.6	8.6	9.6	10.4	11.4	12.3	14.1	15.9	17.7	19.4
400	9.8	11.1	12.5	13.5	14.7	15.9	18.3	20.6	22.9	25.1
500	12.0	13.6	15.3	16.5	18.0	19.4	22.3	25.1	27.9	30.6
600	14.1	16.0	18.0	19.4	21.2	22.9	26.2	29.5	32.7	35.9
700	16.12	18.3	20.6	22.3	24.3	26.2	30.0	33.8	37.5	41.0
800	18.2	20.7	23.2	25.1	27.3	29.5	33.8	38.0	42.1	46.1
870	19.7	22.3	25.0	27.0	29.4	31.8	36.4	40.9	45.3	49.5
1000	22.2	25.2	28.3	30.6	33.3	35.9	41.1	46.1	51.0	55.8
1160	25.3	28.7	32.3	34.8	37.9	40.9	46.7	52.4	57.9	63.2
1200	26.1	29.6	33.2	35.9	39.0	42.1	48.1	53.9	59.5	65.0
1400	29.9	33.8	38.0	41.1	44.6	48.1	54.8	61.4	67.7	73.7
1600	33.6	38.0	42.7	46.1	50.0	53.9	61.4	68.6	75.4	82.0
1750	36.3	41.1	46.1	49.8	54.0	58.1	66.1	73.7	81.0	87.8
2000	40.7	46.1	51.7	55.8	60.5	65.0	73.7	82.0	89.7	96.9
2400	47.5	53.7	60.3	65.0	70.3	75.4	85.1	94.1	102.3	109.7
2800	54.0	61.0	68.5	73.7	79.6	85.1	95.5	104.8	113.0	120.0
3200	60.1	68.0	76.2	82.0	88.2	94.1	104.8	114.1	121.6	
3500	64.6	72.9	81.7	87.8	94.3	100.3	111.1	119.9		
4000	71.5	80.7	90.3	96.9	103.6	109.7	119.9			
4500	77.8	87.8	98.1	105.2	111.8	117.6				
5000		94.2	105.2	112.5	118.8	124.0				
5500			111.3	118.8	124.5					
PD: MM	86.6	91.7	96.8	101.9	112.0	122.2	142.6	163.0	183.3	203.7
Inches	3.41	3.61	3.81	4.01	4.41	4.81	5.61	6.42	7.22	8.02

Operation in shaded area will result in a reduction of belt life.

FEATURES/BENEFITS PAGE PT11-2	SPECIFICATIONS PAGE PT11-4	ENGINEERING/TECHNICAL PAGE PT11-64	
----------------------------------	-------------------------------	---------------------------------------	--



SELECTION

HT100 Basic Horsepower Rating

NOTE: Multiply rating by Belt Length Correction Factor from Ratio/Center Distance Tables

14M-40		HT100 Horsepower Rating-40MM Wide Belt (1.57 in.)																
RPM Small Sprocket		No. Teeth																
		28	29	30	32	34	36	38	40	44	48	52	56	60	64	68	72	80
10		0.2	0.3	0.3	0.3	0.3	0.4	0.4	0.5	0.6	0.6	0.7	0.7	0.8	0.9	0.9	1.0	
20		0.5	0.5	0.5	0.6	0.6	0.7	0.9	1.0	1.1	1.2	1.3	1.4	1.5	1.6	1.7	1.8	2.1
40		1.0	1.0	1.0	1.2		1.4	1.7	2.0	2.2	2.4	2.6	2.8	3.0	3.2	3.4	3.6	4.2
60		1.5	1.5	1.6	1.7	1.8	2.2	2.5	3.0	3.3	3.6	3.9	4.2	4.5	4.8	5.1	5.4	6.3
100		2.4	2.5	2.6	2.8	3.1	3.6	4.2	5.0	5.5	6.0	6.5	7.0	7.5	8.0	8.5	9.0	10.4
200		4.9	5.0	5.2	5.2	6.1	7.2	8.4	9.8	10.8	12.0	13.0	14.0	15.0	16.0	17.0	18.0	20.9
300		6.7	7.0	7.4	7.3	9.2	10.8	12.2	13.2	14.4	17.1	19.5	21.0	22.5	24.0	25.5	27.0	30.5
400		8.2	8.7	9.2	9.3	11.4	14.4	14.0	16.1	17.5	20.6	25.9	25.8	28.6	29.7	31.3	32.9	36.1
500		9.6	10.2	10.9	11.1	13.5	16.9	17.5	18.8	20.4	23.7	29.4	29.5	32.5	33.7	35.3	37.1	40.7
600		10.9	11.7	12.5	12.9	15.5	19.2	19.8	21.3	23.0	26.4	32.5	32.8	35.8	37.0	38.8	40.8	44.6
700		12.1	13.1	14.0	14.5	17.4	21.2	21.9	23.5	25.3	28.9	35.2	35.6	38.7	39.9	41.8	43.8	47.8
800		13.3	14.2	15.4	16.1	19.1	23.2	23.98	25.6	27.5	31.2	37.6	38.2	41.2	42.4	44.4	46.4	50.5
870		14.1	15.2	16.4	17.2	20.3	24.4	25.3	27.0	29.0	32.7	39.1	39.8	42.7	43.9	45.9	48.0	52.1
1000		15.5	16.8	18.1	19.1	22.2	26.6	27.6	29.4	31.4	35.1	41.5	42.4	45.2	46.3	48.3	50.3	54.3
1160		17.1	18.6	20.0	21.4	24.7	29.1	30.2	32.1	34.2	37.8	44.0	45.0	47.6	48.6	50.4	52.3	56.0
1200		17.5	19.0	20.5	21.9	25.3	29.7	31.0	32.7	34.8	38.4	44.5	45.6	48.1	49.0	50.8	52.7	56.3
1400		19.4	21.1	22.7	24.5	27.9	32.5	33.6	35.6	47.7	41.1	46.8	47.9	50.0	50.5	52.0	53.7	56.4
1600		21.2	23.0	24.8	26.8	30.3	34.6	36.0	38.0	40.0	43.2	48.3	49.4	50.8	51.0	52.0	53.2	54.7
1750		22.5	24.4	26.2	28.5	31.9	36.2	37.6	39.6	41.5	44.4	48.9	49.9	50.9	50.6	51.2	51.9	
2000		24.5	26.5	28.4	30.9	34.3	38.3	39.8	41.8	43.4	45.8	49.2	49.8	49.8	48.6	48.3		
2400		27.8	29.5	31.4	34.2	37.2	40.9	42.3	44.0	45.0	46.2	47.6	46.9					
2800			32.2	33.8	36.6	39.2	42.0	43.3	44.7	44.8								
*3200				38.0	40.0	42.0	43.0	43.9										
*3500					40.0	41.3	41.9											
PD: MM		124.8	129.2	133.7	142.6	151.5	160.4	169.3	178.3	196.1	213.9	231.7	249.6	267.4	285.2	303.0	320.9	356.5
Inches		4.91	5.09	5.26	5.61	5.97	6.32	6.67	7.02	7.72	8.42	9.12	9.82	10.53	11.23	11.93	12.63	14.04

14M-55		HT100 Horsepower Rating-55MM Wide Belt (2.17 in.)																
RPM Small Sprocket		No. Teeth																
		28	29	30	32	34	36	38	40	44	48	52	56	60	64	68	72	80
10		0.4	0.4	0.4	0.4	0.4	0.5	0.6	0.7	0.8	0.9	0.9	1.0	1.1	1.2	1.2	1.3	1.5
20		0.7	0.7	0.8	0.8	0.9	1.0	1.2	1.4	1.6	1.7	1.9	2.0	2.2	2.3	2.5	2.6	3.0
40		1.4	1.5	1.5	1.6	1.8	2.1	2.4	2.9	3.2	3.5	3.8	4.0	4.3	4.6	4.9	5.2	6.0
60		2.1	2.2	2.3	2.4	2.6	3.1	3.6	4.3	4.8	5.2	5.6	6.1	6.5	6.9	7.4	7.8	9.0
100		3.5	3.6	3.8	4.0	4.4	5.2	6.1	7.2	7.9	8.7	9.4	10.1	10.8	11.5	12.3	13.0	15.0
200		7.0	7.3	7.5	7.5	8.8	10.4	12.1	14.1	15.5	17.3	18.7	20.2	21.6	23.0	24.5	25.9	30.0
300		9.6	10.1	10.6	10.5	13.2	15.6	17.5	18.9	20.7	24.6	28.1	30.2	32.4	34.5	36.7	38.8	44.0
400		11.8	12.5	13.3	13.3	16.5	20.7	21.5	23.2	25.2	29.6	37.3	37.2	41.2	42.8	45.0	47.3	51.9
500		13.8	14.7	15.7	16.0	19.5	24.3	25.2	27.1	29.3	34.1	42.4	42.5	46.8	48.5	50.9	53.4	58.6
600		15.7	16.8	18.0	18.5	22.3	27.6	28.5	30.6	33.0	38.0	46.8	47.2	51.5	53.3	55.9	58.6	64.1
700		17.5	18.8	20.1	20.9	25.0	30.5	31.6	33.9	36.5	41.6	50.6	51.3	55.7	57.5	60.2	63.1	68.8
800		19.1	20.7	22.2	23.2	27.5	33.3	34.5	36.9	39.6	44.9	54.1	54.9	59.3	61.0	63.8	66.8	72.7
870		20.2	21.9	23.6	24.8	29.2	35.1	36.4	38.9	41.7	47.0	56.2	57.2	61.5	63.2	66.0	69.0	74.9
1000		22.3	24.1	26.0	27.5	32.2	38.3	39.7	42.3	45.2	50.6	59.7	61.0	65.1	66.7	69.5	72.4	78.2
1160		24.6	26.7	28.8	30.8	35.6	41.8	43.5	46.2	49.2	54.4	63.3	64.8	68.5	69.9	72.5	75.4	80.7
1200		25.2	27.4	29.5	31.5	36.4	42.7	44.3	47.1	50.1	55.3	64.1	65.6	69.2	70.5	73.1	75.9	81.0
1400		27.9	30.3	32.7	35.2	40.2	46.5	48.3	51.2	54.2	59.1	67.3	69.0	71.9	72.7	74.9	77.2	81.2
1600		30.5	33.1	35.7	38.6	43.6	49.9	51.8	54.7	57.6	62.1	69.5	71.0	73.2	73.3	74.9	76.5	78.8
1750		32.3	35.1	37.8	41.0	45.9	52.0	54.1	57.0	59.7	63.9	70.4	71.8	73.2	72.8	73.7	74.6	
2000		35.3	38.1	40.9	44.5	49.3	55.1	57.3	60.2	62.5	65.9	70.8	71.6	71.6	70.0	69.6		
2400		34.0	42.4	45.2	49.2	53.6	58.7	60.8	63.4	64.8	66.5	68.4	67.5					
2800			46.3	48.6	52.6	56.3	60.4	62.4	64.4	64.4	63.9							
*3200				54.7	57.6	60.5	61.9	63.1										
*3500					57.5	59.4	60.3											
PD: MM		124.8	129.2	133.7	142.6	151.5	160.4	169.3	178.3	196.1	213.9	231.7	249.6	267.4	285.2	303.0	320.9	356.5
Inches		4.91	5.09	5.26	5.61	5.97	6.32	6.67	7.02	7.72	8.42	9.12	9.82	10.53	11.23	11.93	12.63	14.04

Operation in shaded area will result in a reduction of belt life.

* Operation in this speed range may require sound dampening guard.

FEATURES/BENEFITS PAGE PT11-2	SPECIFICATIONS PAGE PT11-4	ENGINEERING/TECHNICAL PAGE PT11-64	
----------------------------------	-------------------------------	---------------------------------------	--

SELECTION



HT100 Basic Horsepower Rating

NOTE: Multiply rating by Belt Length Correction Factor from Ratio/Center Distance Tables

14M-85 RPM Small Sprocket	HT100 Horsepower Rating—85MM Wide Belt (3.35 in.)																
	No. Teeth																
	28	29	30	32	34	36	38	40	44	48	52	56	60	64	68	72	80
10	0.6	0.6	0.6	0.7	0.7	0.9	1.0	1.2	1.3	1.4	1.5	1.7	1.8	1.9	2.0	2.1	2.5
20	1.2	1.2	1.2	1.3	1.5	1.7	2.0	2.4	2.6	2.8	3.1	3.3	3.6	3.8	4.0	4.3	5.0
40	2.3	2.4	2.5	2.6	2.9	3.4	4.0	4.7	5.2	5.7	6.2	6.6	7.1	7.6	8.1	8.5	9.9
60	3.5	3.6	3.7	4.0	4.3	5.1	6.0	7.1	7.8	8.5	9.2	10.0	10.7	11.4	12.1	12.8	14.8
100	5.8	6.0	6.2	6.6	7.2	8.5	10.0	11.9	13.0	14.2	15.4	16.6	17.8	19.0	20.1	21.3	24.7
200	11.5	11.9	12.3	12.3	14.5	17.1	19.9	23.2	25.4	28.4	30.8	33.2	35.5	37.9	40.2	42.6	49.4
300	15.8	16.6	17.5	17.3	21.7	25.6	28.8	31.2	34.0	40.4	46.2	49.7	53.2	56.8	60.3	63.8	72.3
400	19.4	20.6	21.8	21.9	27.1	34.1	35.4	38.2	41.5	48.7	61.3	61.1	67.8	70.4	74.0	77.8	85.4
500	22.7	24.2	25.8	26.3	32.1	40.0	41.4	44.5	48.2	56.0	69.7	69.9	76.9	79.7	83.7	87.9	96.3
600	25.8	27.7	29.6	30.4	36.7	45.3	46.9	50.3	54.3	62.6	76.9	77.6	84.8	87.7	91.9	96.5	105.5
700	28.7	30.9	33.1	34.4	41.1	50.2	52.0	55.7	60.0	68.5	83.3	84.3	91.6	94.5	99.0	103.7	113.2
800	31.4	34.0	36.5	38.1	45.3	54.8	56.8	60.7	65.1	73.8	88.9	90.3	97.5	100.4	105.0	109.9	119.5
870	33.3	36.0	38.8	40.7	48.0	57.8	59.9	64.0	68.5	77.3	92.4	94.1	101.2	104.0	108.6	113.6	123.2
1000	36.6	39.7	42.8	45.3	52.9	63.0	65.3	70.0	74.4	83.2	98.2	100.	107.0	109.7	114.2	119.1	128.6
1160	40.5	44.0	47.4	50.6	58.5	68.8	71.5	76.0	80.8	89.5	104.1	107.0	112.7	114.9	119.3	123.9	132.6
1200	41.4	45.0	48.5	51.9	59.9	70.2	72.9	77.5	82.3	90.9	105.4	108.0	113.9	116.0	120.2	124.8	133.2
1400	45.9	49.9	53.8	57.9	66.1	76.5	79.5	84.2	89.1	97.2	110.7	113.	118.2	119.6	123.2	127.0	133.5
1600	50.1	54.4	58.7	63.5	71.7	82.0	85.2	90.0	94.7	102.	114.2	117.0	120.3	120.6	123.2	125.8	129.5
1750	53.2	57.7	62.1	67.4	75.6	85.6	89.0	93.8	98.3	105.1	115.8	118.	120.4	119.7	121.2	122.8	
*2000	58.1	62.6	67.3	73.2	81.2	90.7	94.2	98.9	103.0	108.3	116.5	118.0	117.8	115.1	114.4		
*2400	65.7	69.7	74.3	81.0	88.1	96.5	100.0	104.2	107.0	109.3	112.5	111.0					
*2800		76.1	79.9	86.6	92.7	99.4	103.0	105.9	106.0	105.1							
*3200				90.0	94.7	99.4	101.8	103.9									
*3500					94.6	97.7	99.2										
PD: MM	124.8	129.2	133.7	142.6	151.5	160.4	169.3	178.3	196.1	213.9	231.7	249.6	267.4	285.2	303.0	320.9	356.5
Inches	4.91	5.09	5.26	5.61	5.97	6.32	6.67	7.02	7.72	8.42	9.12	9.82	10.53	11.23	11.93	12.63	14.04

14M-115 RPM Small Sprocket	HT100 Horsepower Rating—115MM Wide Belt (4.53 in.)																
	No. Teeth																
	28	29	30	32	34	36	38	40	44	48	52	56	60	64	68	72	80
10	0.8	0.8	0.9	0.9	1.0	1.2	1.4	1.7	1.8	2.0	2.2	2.4	2.5	2.7	2.9	3.0	3.5
20	1.6	1.7	1.7	1.9	2.0	2.4	2.8	3.4	3.7	4.0	4.4	4.7	5.0	5.4	5.7	6.0	7.0
40	3.3	3.4	3.5	3.7	4.1	4.8	5.6	6.7	7.4	8.0	8.7	9.4	10.1	10.7	11.4	12.1	14.0
60	4.9	5.1	5.2	5.6	6.1	7.2	8.4	10.1	11.1	12.1	13.1	14.1	15.1	16.1	17.1	18.1	21.0
100	8.1	8.4	8.7	9.3	10.2	12.1	14.1	16.7	18.4	20.1	21.8	23.4	25.1	26.8	28.5	30.1	34.9
200	16.3	16.9	17.4	17.4	20.4	24.1	28.1	32.8	35.9	40.2	43.5	46.9	50.2	53.5	56.9	60.2	69.8
300	22.3	23.5	24.7	24.4	30.6	36.2	40.7	44.0	48.0	57.1	65.2	70.2	75.2	80.2	85.1	90.1	102.1
400	27.4	29.1	30.8	31.0	38.3	48.2	50.0	53.9	58.6	68.8	86.7	86.4	95.8	99.5	104.5	110.0	120.6
500	32.1	34.2	36.5	37.1	45.3	56.6	58.5	62.9	68.1	79.2	98.4	98.7	108.6	112.6	118.2	124.2	136.1
600	36.4	39.1	41.8	43.0	51.9	64.0	66.3	71.1	76.8	88.4	108.7	109.6	119.7	123.8	129.8	136.3	149.0
700	40.5	43.6	46.8	48.5	58.1	70.9	73.5	78.7	84.7	96.7	117.6	119.1	129.4	133.5	139.8	146.5	159.9
800	44.4	48.0	51.5	53.9	64.0	77.4	80.2	85.8	92.0	104.3	125.6	127.6	137.7	141.8	148.3	155.2	168.8
870	47.0	50.9	54.7	57.5	67.9	81.6	84.6	90.4	96.8	109.2	130.6	133.0	142.9	146.9	153.4	160.4	174.1
1000	51.7	56.1	60.4	64.0	74.8	89.0	92.3	98.4	105.1	117.5	138.8	141.7	151.2	154.9	161.4	168.3	181.7
1160	57.12	62.1	67.0	71.5	82.7	97.2	101.0	107.3	114.2	126.4	147.1	150.6	159.2	162.4	168.5	175.1	187.4
1200	58.5	63.6	68.6	73.3	84.6	99.1	103.0	109.4	116.3	128.4	148.9	152.5	160.8	163.9	169.8	176.3	188.2
*1400	64.8	70.5	76.1	81.8	93.4	108.1	112.3	119.0	125.8	137.3	156.4	160.2	167.0	168.9	174.0	179.4	188.7
*1600	70.8	76.9	82.9	89.7	101.4	115.8	120.4	127.2	133.8	144.4	161.4	165.1	170.0	170.4	174.0	177.8	183.0
*1750	75.2	81.4	87.7	95.2	106.7	120.9	125.7	132.5	138.8	148.4	163.7	166.9	170.1	169.1	171.3	173.4	
*2000	82.1	88.5	95.0	104.0	114.6	128.1	133.1	139.8	145.2	153.0	164.6	166.4	166.4	162.6	161.6		
*2400	92.9	98.5	105.0	114.4	124.5	136.3	141.3	147.3	150.6	154.4	159.0	150.7					
*2800		107.6	113.0	122.3	130.9	140.4	144.9	149.6	149.7	148.5							
*3200				127.1	133.7	140.5	143.9	146.7									
*3500					133.6	138.0	140.1										
PD: MM	124.8	129.2	133.7	142.6	151.5	160.4	169.3	178.3	196.1	213.9	231.7	249.6	267.4	285.2	303.0	320.9	356.5
Inches	4.91	5.09	5.26	5.61	5.97	6.32	6.67	7.02	7.72	8.42	9.12	9.82	10.53	11.23	11.93	12.63	14.04

Operation in shaded area will result in a reduction of belt life.
 * Operation in this speed range may require sound dampening guard.

FEATURES/BENEFITS PAGE PT11-2	SPECIFICATIONS PAGE PT11-4	ENGINEERING/TECHNICAL PAGE PT11-64	
----------------------------------	-------------------------------	---------------------------------------	--



SELECTION

HT100 Basic Horsepower Rating

NOTE: Multiply rating by Belt Length Correction Factor from Ratio/Center Distance Tables

HT100 Horsepower Rating—170MM Wide Belt (6.69 in.)												
RPM Small Sprocket	No. Teeth											
	36	38	40	44	48	52	56	60	64	68	72	80
10	1.9	2.2	2.6	2.9	3.1	3.4	3.7	3.9	4.2	4.5	4.7	5.5
20	3.8	4.4	5.2	5.8	6.3	6.8	7.3	7.9	8.4	8.9	9.4	11.0
40	7.5	8.8	10.5	11.5	12.6	13.6	14.7	15.7	16.8	17.8	18.9	21.8
60	11.3	13.2	15.7	17.3	18.9	20.4	22.0	23.6	25.1	26.7	28.3	32.8
100	18.9	22.0	26.2	28.8	31.4	34.0	36.6	39.3	41.9	44.5	47.1	54.6
200	37.7	43.9	51.2	56.2	62.8	68.0	73.2	78.5	83.7	88.9	94.1	109.1
300	56.5	63.6	68.8	75.1	89.3	101.9	109.7	117.5	125.3	133.1	140.9	159.6
400	75.3	78.2	84.3	91.6	107.6	135.5	135.0	149.7	155.5	163.4	171.8	188.6
500	88.4	91.4	98.3	106.5	123.7	153.9	154.3	169.8	176.0	184.8	194.1	212.7
600	100.1	103.6	111.2	120.0	138.2	169.9	171.3	187.2	193.6	203.0	213.0	232.9
700	110.9	114.9	123.0	132.4	151.2	183.9	186.2	202.2	208.7	218.5	229.1	249.9
800	120.9	125.3	134.0	143.8	163.1	196.3	199.5	215.3	221.7	231.8	242.6	263.9
870	127.6	132.3	141.3	151.4	170.7	204.1	207.9	223.4	229.7	239.9	250.8	272.1
1000	139.1	144.3	153.8	164.3	183.7	216.9	221.5	236.4	242.2	252.3	263.1	284.0
1160	152.0	157.8	167.8	178.5	197.6	229.9	235.4	248.9	253.9	263.4	273.7	292.9
=1200	155.0	161.0	171.0	181.8	200.8	232.8	238.4	251.4	256.1	265.5	275.6	294.2
=1400	168.9	175.5	186.0	196.7	214.7	244.4	250.4	261.1	264.1	272.0	280.4	294.9
=1600	181.1	188.2	198.8	209.2	225.7	252.3	258.0	265.7	266.4	272.0	277.9	286.1
=1750	189.0	196.5	207.1	217.0	232.1	255.8	260.9	265.9	264.4	267.8	271.1	
=2000	200.3	208.1	218.5	227.0	239.2	257.3	260.2	260.1	254.2	252.7		
=2400	213.1	220.8	230.2	235.4	241.4	248.5	245.0					
=2800	219.5	226.5	233.9	234.0	232.1							
=3200	219.6	224.9	229.4									
=3500	215.8	219.0										
PD: MM	160.4	169.3	178.3	196.1	213.9	231.7	249.6	267.4	285.2	303.0	320.9	356.5
Inches	6.32	6.67	7.02	7.72	8.42	9.12	9.82	10.53	11.23	11.93	12.63	14.04

HT100 Horsepower Rating—115MM Wide Belt (4.53 in.)														
RPM Small Sprocket	No. Teeth													
	34	36	38	40	44	48	52	56	60	64	68	72	80	90
*10	2.7	2.9	3.1	3.3	3.6	4.0	4.3	4.6	4.9	5.1	5.4	5.6	6.1	6.7
*20	5.4	5.8	6.1	6.5	7.3	7.9	8.6	9.2	9.8	10.3	10.8	11.3	12.3	13.4
*30	8.1	8.7	9.2	9.8	10.9	11.9	12.9	13.8	14.7	15.4	16.2	16.9	18.4	20.2
*40	10.7	11.5	12.3	13.1	14.5	15.8	17.1	18.5	19.5	20.6	21.6	22.6	24.6	26.9
*50	13.4	14.4	15.3	16.3	18.1	19.8	21.4	23.1	24.4	25.7	27.0	28.2	30.7	33.6
*60	16.1	17.3	18.4	19.6	21.8	23.7	25.7	27.7	29.3	30.8	32.4	33.9	36.8	40.3
*80	21.5	23.1	24.5	26.1	29.0	31.6	34.3	36.9	39.1	41.1	43.1	45.1	49.0	53.7
*100	26.8	28.8	30.7	32.6	36.3	39.6	42.8	46.1	48.8	51.4	53.9	56.4	61.3	67.1
*150	40.3	43.2	46.0	48.9	54.4	59.3	64.2	69.2	73.2	77.0	80.8	84.5	91.8	100.5
*200	53.7	57.6	61.3	65.2	72.4	79.0	85.6	92.1	97.4	102.5	107.5	112.5	122.1	133.6
*300	77.7	83.5	88.7	94.3	105.8	117.7	125.4	132.9	140.3	147.5	154.5	161.4	174.8	190.8
*400	97.9	105.0	111.5	118.5	132.7	147.5	156.8	165.9	174.8	183.4	191.8	200.0	215.8	234.3
*500	116.7	125.0	132.7	140.9	157.6	174.8	185.5	195.9	206.0	215.8	225.2	234.3	251.6	271.5
*600	134.3	143.8	152.5	161.8	180.6	200.0	211.9	223.3	234.3	244.8	254.9	264.5	282.5	302.5
730	155.7	166.5	176.4	186.9	208.2	230.0	242.9	255.2	266.2	277.9	288.2	297.9	315.3	333.2
800	166.6	178.1	188.5	199.5	221.9	244.8	258.2	270.7	282.5	293.5	303.7	313.1	329.4	345.0
870	177.0	189.1	200.0	211.6	235.0	258.8	272.4	285.0	296.6	307.5	317.4	326.2	340.9	353.4
970	191.2	204.0	215.5	227.8	252.4	277.3	272.4	285.0	296.6	307.5	317.4	326.2	340.9	353.4
1170	217.0	231.0	243.4	256.6	282.8	309.0	321.8	332.8	342.0	349.3	354.7	358.0	358.5	
=1200	220.6	234.7	247.3	260.5	286.9	313.1	325.6	336.3	345.0	351.7	356.4	358.9	357.2	
=1460	248.6	263.5	276.4	289.9	316.3	341.8	350.6	356.5	356.2	358.6	354.5			
=1600	261.3	276.3	289.0	302.3	327.8	351.7	357.5	359.3	357.2					
=1750	273.0	287.8	300.0	312.7	336.5	357.9	359.2	355.7						
=2000	288.1	301.8	312.5	323.4	342.3	357.2								
PD: MM	216.45	229.18	241.92	254.65	280.11	305.58	331.04	356.51	381.97	407.44	432.90	458.37	509.30	572.96
Inches	8.522	9.023	9.524	10.026	11.028	12.031	13.033	14.036	15.038	16.041	17.043	18.046	20.051	22.557

Operation in shaded area will result in a reduction of belt life.

* Refer to page PT11-20 for additional Service Factors for speeds of 600 RPM or less.

= Drives within this speed range may generate an objectionable noise level. This can be reduced by using commercially available acoustical damping material in the belt guard.

FEATURES/BENEFITS PAGE PT11-2	SPECIFICATIONS PAGE PT11-4	ENGINEERING/TECHNICAL PAGE PT11-64
----------------------------------	-------------------------------	---------------------------------------

SELECTION



HT100 Basic Horsepower Rating

NOTE: Multiply rating by Belt Length Correction Factor from Ratio/Center Distance Tables

20M-170 RPM Small Sprocket	HT100 Horsepower Rating-170MM Wide Belt (6.69 in.) No. Teeth													
	34	36	38	40	44	48	52	56	60	64	68	72	80	90
*10	4.2	4.5	4.8	5.1	5.6	6.1	6.7	7.2	7.6	8.0	8.4	8.8	9.5	10.4
*20	8.3	9.0	9.5	10.1	11.3	12.3	13.3	14.3	15.2	16.0	16.8	17.5	19.0	20.9
*30	12.5	13.4	14.3	15.2	16.9	18.4	20.0	21.5	22.8	23.9	25.1	26.3	28.6	31.3
*40	16.7	17.9	19.1	20.3	22.5	24.6	26.6	28.7	30.3	31.9	33.5	35.1	38.1	41.8
*50	20.8	22.4	23.8	25.3	28.2	30.7	33.3	35.8	37.9	39.9	41.9	43.8	47.6	52.2
*60	25.0	26.9	28.6	30.4	33.8	36.9	39.9	43.0	45.5	47.9	50.3	52.6	57.1	62.6
*80	33.4	35.8	38.1	40.5	45.1	49.1	53.2	57.3	60.7	63.8	67.0	70.1	76.1	83.5
*100	41.7	44.8	47.6	50.7	56.3	61.4	66.5	71.7	75.8	79.8	83.7	87.6	95.1	104.3
*150	62.5	67.2	71.4	76.0	84.4	92.1	99.7	107.4	113.6	119.6	125.4	131.2	142.5	156.1
*200	83.3	89.5	95.2	101.2	112.5	122.7	132.9	143.1	151.3	159.2	167.0	174.7	189.6	207.6
*300	120.7	129.6	137.8	146.5	164.4	182.4	194.8	206.5	217.9	229.1	240.0	250.7	271.5	296.5
*400	152.1	163.1	173.2	184.0	206.2	229.1	243.6	257.8	271.5	285.0	298.1	310.8	335.4	364.3
*500	181.2	194.3	206.2	218.8	244.8	271.5	288.3	304.5	320.2	335.4	350.1	364.3	391.4	422.6
*600	208.7	223.4	236.9	251.3	280.7	310.8	329.4	347.2	364.3	380.8	396.6	411.7	439.9	471.4
730	242.0	258.8	274.1	290.5	323.6	357.6	377.8	397.1	415.4	432.7	449.0	464.2	491.8	520.5
800	258.9	276.8	293.0	310.2	345.2	380.8	401.7	421.4	439.9	457.2	473.4	488.3	514.4	539.9
870	275.1	293.9	310.9	329.0	365.5	402.7	424.0	443.9	462.4	479.5	495.1	509.3	533.1	554.1
970	297.3	317.2	335.2	354.3	392.8	431.7	453.2	473.0	490.9	507.1	521.4	533.8	552.8	
1170	337.7	359.5	379.0	399.6	440.7	481.7	502.1	519.9	534.9	547.0	556.3	562.6	565.8	
=1200	343.3	365.4	385.0	405.8	447.1	488.3	508.3	525.6	539.9	551.2	559.4	564.4	564.5	
=1460	387.3	410.7	431.0	452.4	494.2	534.5	549.3	559.6	565.2	565.8	561.3			
=1600	407.5	431.1	451.2	472.3	512.9	551.2	561.5	566.0	564.5					
=1750	426.3	449.7	469.1	489.4	527.6	562.3	566.2	562.8						
=2000	450.8	472.8	490.1	507.8	539.1	564.5								
PD: MM	216.45	229.18	241.92	254.65	280.11	305.58	331.04	356.51	381.97	407.44	432.90	458.37	509.30	572.96
Inches	8.522	9.023	9.524	10.026	11.028	12.031	13.033	14.036	15.038	16.041	17.043	18.046	20.051	22.557

20M-230 RPM Small Sprocket	HT100 Horsepower Rating-230MM Wide Belt (9.06 in.) No. Teeth											
	38	40	44	48	52	56	60	64	68	72	80	90
*10	6.6	7.0	7.8	8.5	9.2	10.0	10.5	11.1	11.6	12.2	13.2	14.5
*20	13.2	14.1	15.6	17.1	18.5	19.9	21.1	22.2	23.3	24.3	26.4	29.0
*30	19.8	21.1	23.5	25.6	27.7	29.9	31.6	33.3	34.9	36.5	39.7	43.5
*40	26.5	28.1	31.3	34.1	37.0	39.8	42.1	44.3	46.5	48.7	52.9	58.0
*50	33.1	35.2	39.1	42.7	46.2	49.8	52.6	55.4	58.1	60.8	66.1	72.5
*60	39.7	42.2	46.9	51.2	55.4	59.7	63.2	66.5	69.8	73.0	79.3	87.0
*80	52.9	56.3	62.6	68.2	73.9	79.6	84.2	88.6	93.0	97.3	105.7	115.9
*100	66.1	70.3	78.2	85.3	92.4	99.5	105.2	110.8	116.2	121.6	132.1	144.8
*150	99.2	105.5	117.2	127.9	138.5	149.1	157.7	166.0	174.2	182.2	197.9	216.8
*200	132.1	140.6	156.2	170.4	184.5	198.7	210.1	221.1	231.9	242.5	263.3	288.3
*300	191.3	203.4	228.2	253.9	270.5	286.7	302.6	318.1	333.3	348.2	377.1	411.8
*400	240.5	255.5	286.3	318.1	338.3	358.0	377.1	395.8	414.0	431.8	465.9	506.2
*500	286.3	303.9	340.0	377.1	400.4	422.9	444.8	465.9	486.4	506.2	543.9	587.4
*600	329.1	349.1	389.8	431.8	457.4	482.4	506.2	529.1	551.1	572.2	611.6	655.7
730	380.8	403.5	449.6	496.8	525.0	551.9	577.4	601.5	624.3	645.7	684.4	724.9
800	406.9	430.9	479.5	529.1	558.3	585.8	611.6	635.9	658.5	679.4	716.2	752.5
870	432.0	457.1	508.0	559.7	589.4	617.2	643.1	667.1	689.0	709.0	742.8	773.0
=970	465.8	492.4	546.0	600.2	630.3	657.9	683.2	705.9	726.1	743.8	771.1	
=1170	526.9	555.6	612.9	670.2	698.9	724.0	745.3	762.8	776.3	785.7	791.9	
=1200	535.3	564.2	621.9	679.4	707.7	732.1	752.5	768.8	780.9	788.7	790.6	
=1460	599.8	629.7	688.1	744.8	766.1	781.2	789.9	791.9	787.0			
=1600	628.2	657.8	714.8	768.8	784.0	791.4	790.6					
=1750	653.6	682.2	736.0	785.4	791.9	788.7						
=2000	683.8	709.0	753.7	790.6								
PD: MM	241.92	254.65	280.11	305.58	331.04	356.51	381.97	407.44	432.90	458.37	509.30	572.96
Inches	9.524	10.026	11.028	12.031	13.033	14.036	15.038	16.041	17.043	18.046	20.051	22.557

Operation in shaded area will result in a reduction of belt life.

* Refer to page PT11-20 for additional Service Factors for speeds of 600 RPM or less.

= Drives within this speed range may generate an objectionable noise level. This can be reduced by using commercially available acoustical damping material in the belt guard.

FEATURES/BENEFITS PAGE PT11-2	SPECIFICATIONS PAGE PT11-4	ENGINEERING/TECHNICAL PAGE PT11-64	
----------------------------------	-------------------------------	---------------------------------------	--



SELECTION

HT100 Basic Horsepower Rating

NOTE: Multiply rating by Belt Length Correction Factor from Ratio/Center Distance Tables

20M-290 RPM Small Sprocket	HT100 Horsepower Rating—290MM Wide Belt (11.42 in.) No. Teeth							
	52	56	60	64	68	72	80	90
*10	11.8	12.7	13.5	14.2	14.9	15.6	16.9	18.6
*20	23.7	25.5	27.0	28.4	29.8	31.1	33.8	37.1
*30	35.5	38.2	40.4	42.6	44.7	46.7	50.8	55.7
*40	47.3	50.9	53.9	56.7	59.5	62.3	67.7	74.2
*50	59.1	63.7	67.4	70.9	74.4	77.9	84.6	92.7
*60	71.0	76.4	80.8	85.1	89.3	93.4	101.5	111.1
*80	94.6	101.9	107.8	113.4	119.0	124.5	135.3	148.3
*100	118.2	127.3	134.7	141.8	148.7	155.6	169.0	185.3
*150	177.2	190.8	201.9	212.4	222.9	233.2	253.2	277.4
*200	236.1	254.2	268.9	282.9	296.8	310.4	336.9	368.9
*300	346.2	366.9	387.2	407.1	426.6	445.6	482.7	527.1
*400	433.0	458.2	482.7	506.6	529.9	552.7	596.4	648.1
*500	512.5	541.4	569.4	596.4	622.7	648.1	696.4	752.3
*600	585.7	617.5	648.1	677.5	705.7	732.8	783.4	840.1
730	672.2	706.6	739.3	770.3	799.6	827.1	877.0	929.2
800	714.9	750.1	783.4	814.5	843.6	870.6	918.1	965.1
870	754.8	790.6	823.8	854.6	882.9	908.7	952.4	992.0
=970	807.3	842.9	875.4	904.7	930.9	953.8	989.4	
=1170	895.7	928.1	955.7	978.5	996.3	1008.9	1018.0	
=1200	907.0	938.5	965.1	986.4	1002.4	1012.9	1016.7	
=1460	982.9	1002.9	1014.7	1018.0				
=1600	1006.5	1016.8	1016.7					
=1750	1017.7	1014.6						
=2000								
PD: MM	331.04	356.51	381.97	407.44	432.90	458.37	509.30	572.96
Inches	13.033	14.036	15.038	16.041	17.043	18.046	20.051	22.557

20M-340 RPM Small Sprocket	HT100 Horsepower Rating—340MM Wide Belt (13.39 in.) No. Teeth							
	52	56	60	64	68	72	80	90
*10	14.0	15.1	15.9	16.8	17.6	18.4	20.0	21.9
*20	28.0	30.1	31.9	33.5	35.2	36.8	40.0	43.9
*30	41.9	45.2	47.8	50.3	52.8	55.2	60.0	65.8
*40	55.9	60.2	63.7	67.1	70.4	73.6	80.0	87.7
*50	69.9	75.3	79.6	83.8	88.0	92.0	100.0	109.6
*60	83.9	90.3	95.6	100.6	105.6	110.4	120.0	131.5
*80	111.8	120.4	127.4	134.1	140.7	147.2	159.9	175.3
*100	139.8	150.5	159.2	167.6	175.8	184.0	199.8	219.0
*150	209.5	225.6	238.7	251.2	263.5	275.6	299.3	328.0
*200	279.2	300.5	317.9	334.5	350.8	366.9	398.3	436.2
*300	409.3	433.8	457.8	481.3	504.3	526.9	570.7	623.1
*400	511.9	541.7	570.7	599.0	626.5	653.4	705.2	766.3
*500	605.9	640.1	673.2	705.2	736.3	766.3	823.5	889.7
*=600	692.5	730.1	766.3	801.1	834.5	866.5	926.5	993.7
=730	794.8	835.6	874.3	911.0	945.7	978.3	1037.4	1099.5
=800	845.3	887.1	926.5	963.4	997.8	1029.8	1086.3	1142.2
=870	892.7	935.0	974.4	1010.9	1044.5	1075.1	1127.2	1174.4
=970	954.8	997.0	1035.6	1070.4	1101.5	1128.7	1171.4	
=1170	1059.7	1098.2	1131.1	1158.3	1179.6	1194.8	1206.4	
=1200	1073.1	1110.6	1142.2	1167.7	1187.0	1199.8	1205.2	
=1460	1163.5	1187.5	1202.0	1206.5	1200.6			
=1600	1192.0	1204.6	1205.2					
=1750	1205.8	1202.8						
=2000								
PD: MM	331.04	356.51	381.97	407.44	432.90	458.37	509.30	572.96
Inches	13.033	14.036	15.038	16.041	17.043	18.046	20.051	22.557

Operation in shaded area will result in a reduction of belt life.

* Refer to page PT11-20 for additional Service Factors for speeds of 600 RPM or less.

= Drives within this speed range may generate an objectionable noise level. This can be reduced by using commercially available acoustical damping material in the belt guard.

FEATURES/BENEFITS PAGE PT11-2	SPECIFICATIONS PAGE PT11-4	ENGINEERING/TECHNICAL PAGE PT11-64	
----------------------------------	-------------------------------	---------------------------------------	--

SELECTION



5MM Pitch HT200 Belt Drive Selection Table

Speed Ratio	Sprocket Combinations				Center Distance, Inches																					
	Driver		Driven		300-5M	355-5M	375-5M	400-5M	425-5M	450-5M	550-5M	535-5M	565-5M	600-5M	650-5M	700-5M	750-5M	800-5M	900-5M	1000-5M	1150-5M	1300-5M	1450-5M	1600-5M	1720-5M	2100-5M
	No. of Teeth	Pitch Dia. In.	No. of Teeth	Pitch Dia. In.																						
	Length Factor*				0.77	0.81	0.83	0.84	0.86	0.88	0.90	0.92	0.94	0.95	0.98	1.00	1.01	1.03	1.06	1.09	1.13	1.16	1.19	1.22	1.24	1.29
1.00	32	2.005	32	2.005	2.76	3.84	4.23	4.73	5.22	5.71	6.69	7.38	7.97	8.66	9.65	10.63	11.62	12.60	14.57	16.54	19.49	22.44	25.40	28.35	30.71	38.19
1.00	34	2.130	34	2.130	2.56	3.64	4.03	4.53	5.02	5.51	6.49	7.18	7.77	8.46	9.45	10.43	11.42	12.40	14.37	16.34	19.29	22.24	25.20	28.15	30.51	37.99
1.00	36	2.256	36	2.256	...	3.45	3.84	4.33	4.82	5.32	6.30	6.99	7.58	8.27	9.25	10.24	11.22	12.21	14.17	16.14	19.10	22.05	25.00	27.95	30.32	37.80
1.00	38	2.381	38	2.381	...	3.25	3.64	4.13	4.62	5.12	6.10	6.79	7.38	8.07	9.05	10.04	11.02	12.01	13.97	15.94	18.90	21.85	24.80	27.75	30.12	37.60
1.00	40	2.506	40	2.506	...	3.05	3.44	3.94	4.43	4.92	5.90	6.59	7.18	7.87	8.86	9.84	10.83	11.81	13.78	15.75	18.70	21.65	24.61	27.56	29.92	37.40
1.00	44	2.757	44	2.757	3.54	4.03	4.53	5.51	6.20	6.79	7.48	8.46	9.45	10.43	11.42	13.38	15.35	18.31	21.26	24.21	27.16	29.53	37.01
1.00	48	3.008	48	3.008	3.64	4.14	5.12	5.81	6.40	7.09	8.07	9.06	10.04	11.03	12.99	14.96	17.92	20.87	23.82	26.77	29.14	36.62
1.00	52	3.258	52	3.258	3.74	4.72	5.41	6.00	6.69	7.68	8.66	9.65	10.63	12.60	14.57	17.52	20.47	23.43	26.38	28.74	36.22
1.00	56	3.509	56	3.509	4.33	5.02	5.61	6.30	7.28	8.27	9.25	10.24	12.20	14.17	17.13	20.08	23.03	25.98	28.35	35.83
1.00	60	3.760	60	3.760	4.62	5.21	5.90	6.59	7.58	8.57	9.56	10.54	12.51	14.47	17.43	20.38	23.33	25.69	27.95	35.43
1.00	64	4.010	64	4.010	4.82	5.51	6.20	7.18	8.17	9.16	10.14	12.11	14.07	17.03	19.98	22.93	25.29	27.56	35.04
1.00	68	4.261	68	4.261	5.12	6.10	7.09	8.07	9.06	10.04	12.01	13.97	16.92	19.87	22.82	25.18	27.45	34.93
1.04	50	3.133	52	3.258	3.84	4.82	5.51	6.10	6.79	7.78	8.76	9.75	10.73	12.70	14.67	17.62	20.57	23.53	26.48	28.84	36.32
1.05	38	2.381	40	2.506	...	3.15	3.54	4.04	4.53	5.02	6.00	6.69	7.28	7.97	8.96	9.94	10.93	11.91	13.88	15.85	18.80	21.75	24.71	27.66	30.02	37.50
1.06	36	2.256	38	2.381	...	3.35	3.74	4.23	4.72	5.22	6.20	6.89	7.48	8.17	9.15	10.14	11.12	12.11	14.07	16.04	19.00	21.95	24.90	27.85	30.22	37.70
1.06	34	2.130	36	2.256	...	3.54	3.93	4.43	4.92	5.41	6.39	7.08	7.67	8.37	9.35	10.34	11.32	12.31	14.27	16.24	19.20	22.15	25.10	28.05	30.42	37.90
1.06	68	4.261	72	4.511	4.92	5.90	6.89	7.87	8.86	9.84	11.81	13.78	16.74	19.70	22.65	25.01	27.28	34.76
1.06	32	2.005	34	2.130	2.66	3.74	4.13	4.63	5.12	5.61	6.59	7.28	7.87	8.56	9.55	10.53	11.52	12.50	14.47	16.44	19.39	22.34	25.30	28.25	30.62	38.09
1.06	64	4.010	68	4.261	4.62	5.31	6.30	7.28	8.27	9.25	11.22	13.19	16.14	19.09	22.05	25.00	27.36	34.84	
1.07	60	3.760	64	4.010	4.43	5.02	5.71	6.69	7.68	8.66	9.65	11.61	13.58	16.54	19.49	22.44	25.39	27.76	35.24	
1.07	56	3.509	60	3.760	4.13	4.82	5.41	6.10	7.08	8.07	9.06	10.04	12.01	13.98	16.93	19.88	22.84	25.79	28.15	35.63
1.08	52	3.258	56	3.509	4.52	5.21	5.80	6.49	7.48	8.46	9.45	10.43	12.40	14.37	17.32	20.27	23.23	26.18	28.54	36.02
1.08	48	3.008	52	3.258	3.94	4.92	5.61	6.20	6.89	7.87	8.86	9.84	10.83	12.79	14.76	17.72	20.67	23.62	26.57	28.94	36.42
1.09	44	2.757	48	3.008	3.34	3.84	4.33	5.31	6.00	6.59	7.28	8.27	9.25	10.24	11.22	13.19	15.16	18.11	21.06	24.02	26.97	29.33	36.81
1.10	40	2.506	44	2.757	3.24	3.74	4.23	4.72	5.71	6.40	6.99	7.68	8.66	9.65	10.63	11.62	13.58	15.55	18.51	21.46	24.41	27.36	29.73	37.21
1.11	36	2.256	40	2.506	...	3.25	3.64	4.13	4.62	5.12	6.10	6.79	7.38	8.07	9.05	10.04	11.02	12.01	13.97	15.94	18.90	21.85	24.80	27.75	30.12	37.60
1.12	34	2.130	38	2.381	...	3.44	3.84	4.33	4.82	5.32	6.30	6.99	7.58	8.27	9.25	10.24	11.22	12.21	14.17	16.14	19.10	22.05	25.00	27.95	30.32	37.80
1.13	32	2.005	36	2.256	2.56	3.64	4.03	4.53	5.02	5.51	6.49	7.18	7.77	8.46	9.45	10.43	11.42	12.40	14.37	16.34	19.29	22.24	25.20	28.15	30.51	37.99
1.13	64	4.010	72	4.511	4.42	5.11	6.10	7.08	8.07	9.05	11.02	12.99	15.95	18.90	21.85	24.80	27.75	30.12	37.60
1.13	60	3.760	68	4.261	4.81	5.50	6.49	7.48	8.46	9.45	11.41	13.38	16.34	19.29	22.24	25.19	27.56	35.04	
1.14	56	3.509	64	4.010	4.62	5.21	5.90	6.89	7.87	8.86	9.84	11.81	13.78	16.73	19.68	22.64	25.59	27.95	35.43	
1.15	52	3.258	60	3.760	4.32	5.01	5.60	6.29	7.28	8.26	9.25	11.22	13.19	16.14	19.09	22.05	25.00	27.36	34.84	
1.16	38	2.381	44	2.757	...	2.95	3.34	3.84	4.33	4.82	5.80	6.49	7.08	7.77	8.76	9.74	10.73	11.71	13.68	15.65	18.60	21.55	24.51	27.46	29.82	37.30
1.17	48	3.008	56	3.509	3.73	4.71	5.41	6.00	6.69	7.67	8.66	9.64	11.61	13.58	16.54	19.49	22.44	25.39	27.76	35.24	
1.18	34	2.130	40	2.506	...	3.34	3.73	4.23	4.72	5.22	6.20	6.89	7.48	8.17	9.15	10.14	11.12	12.11	14.07	16.04	19.00	21.95	24.90	27.85	30.22	37.70
1.18	68	4.261	80	5.013	5.50	6.49	7.47	8.46	10.42	12.40	15.35	18.30	21.26	24.21	26.57	34.05	
1.18	44	2.757	52	3.258	3.63	4.13	5.11	5.80	6.39	7.08	8.07	9.05	10.04	11.02	12.99	14.96	17.91	20.86	23.82	26.77	29.13	36.61
1.19	32	2.005	38	2.381	...	3.54	3.93	4.43	4.92	5.41	6.39	7.08	7.67	8.36	9.35	10.33	11.32	12.30	14.27	16.24	19.19	22.14	25.10	28.05	30.41	37.89
1.20	40	2.506	48	3.008	3.54	4.03	4.52	5.50	6.19	6.78	7.48	8.46	9.45	10.43	11.42	13.38	15.35	18.31	21.26	24.21	27.16	29.53	37.01
1.20	60	3.760	72	4.511	4.61	5.30	6.29	7.27	8.26	9.25	11.21	13.18	16.14	19.09	22.05	25.00	27.36	34.84	
1.21	56	3.509	68	4.261	4.41	5.00	5.70	6.68	7.67	8.65	9.64	11.61	13.58	16.53	19.48	22.44	25.39	27.75	35.24	
1.22	36	2.256	44	2.757	...	3.04	3.43	3.93	4.42	4.92	5.90	6.59	7.18	7.87	8.85	9.84	10.82	11.81	13.78	15.75	18.70	21.65	24.61	27.56	29.92	37.40
1.23	52	3.258	64	4.010	4.11	4.81	5.40	6.09	7.08	8.06	9.05	10.03	12.00	13.97	16.93	19.88	22.83	25.78	28.15	35.63
1.25	32	2.005	40	2.506	...	3.44	3.83	4.32	4.82	5.31	6.29	6.98	7.57	8.26	9.25	10.23	11.22	12.20	14.17	16.14	19.10	22.05	25.00	27.95	30.32	37.80
1.25	48	3.008	60	3.760	4.51	5.20	5.79	6.48	7.47	8.46	9.44	11.42	13.39	16.36	19.32	22.27	25.22	28.17	30.54	38.02
1.25	64	4.010	80	5.013	4.70	5.69	6.67	7.66	8.65	10.62	12.59	15.55	18.50	21.45	24.40	26.77	34.25
1.26	38	2.381	48	3.008	3.13	3.63	4.12	4.62	5.60	6.29	6.88	7.57	8.56	9.54	10.53	11.51	13.							



SELECTION

5MM Pitch HT200 Belt Drive Selection Table

Speed Ratio	Sprocket Combinations				Center Distance, Inches																						
	Driver		Driven		300-5M	355-5M	375-5M	400-5M	425-5M	450-5M	550-5M	535-5M	565-5M	600-5M	650-5M	700-5M	750-5M	800-5M	900-5M	1000-5M	1150-5M	1300-5M	1450-5M	1600-5M	1720-5M	2100-5M	
	No. of Teeth	Pitch Dia. In.	No. of Teeth	Pitch Dia. In.																							
Length Factor*					0.77	0.81	0.83	0.84	0.86	0.88	0.90	0.92	0.94	0.95	0.98	1.00	1.01	1.03	1.06	1.09	1.13	1.16	1.19	1.22	1.24	1.29	
1.39	52	3.258	72	4.511	4.38	4.98	5.67	6.66	7.65	8.64	9.63	11.60	13.57	16.53	19.48	22.43	25.39	27.75	35.23		
1.40	40	2.506	56	3.509	3.61	4.11	5.09	5.78	6.38	7.07	8.06	9.04	10.03	11.01	12.98	14.95	17.91	20.86	23.82	26.77	29.13	36.61	
1.41	64	4.010	90	5.639	5.15	6.15	7.14	8.13	10.10	12.08	15.04	17.99	20.95	23.90	26.27	33.75		
1.41	34	2.130	48	3.008	...	2.92	3.32	3.81	4.31	4.80	5.79	6.48	7.07	7.76	8.75	9.73	10.72	11.71	13.67	15.64	18.60	21.55	24.51	27.46	29.82	37.30	
1.42	48	3.008	68	4.261	4.08	4.78	5.37	6.07	7.06	8.05	9.03	10.02	11.99	13.96	16.92	19.87	22.83	25.78	28.14	35.63	
1.43	56	3.509	80	5.013	5.06	6.06	7.05	8.04	9.03	11.00	12.97	15.93	18.88	21.84	24.79	27.16	34.64	
1.44	36	2.256	52	3.258	3.51	4.00	4.50	5.49	6.18	6.77	7.46	8.45	9.44	10.42	11.41	13.37	15.35	18.30	21.25	24.21	27.16	29.53	37.01	
1.46	44	2.757	64	4.010	4.48	5.18	5.77	6.46	7.45	8.44	9.43	10.42	12.38	14.36	17.31	20.27	23.22	26.17	28.54	36.02	
1.47	38	2.381	56	3.509	3.70	4.20	5.18	5.88	6.47	7.16	8.15	9.14	10.12	11.11	13.08	15.05	18.01	20.96	23.91	26.86	29.23	36.71	
1.50	32	2.005	48	3.008	...	3.01	3.41	3.91	4.40	4.90	5.88	6.57	7.17	7.86	8.84	9.83	10.82	11.80	13.77	15.75	18.70	21.65	24.60	27.55	29.92	37.40	
1.50	40	2.506	60	3.760	3.89	4.88	5.57	6.17	6.86	7.85	8.84	9.82	10.81	12.78	14.75	17.71	20.66	23.62	26.57	28.93	36.41	
1.50	48	3.008	72	4.511	4.56	5.16	5.86	6.85	7.84	8.83	9.82	11.79	13.76	16.72	19.67	22.63	25.58	27.94	35.43	
1.50	60	3.760	90	5.639	5.33	6.33	7.32	8.31	10.29	12.27	15.23	18.18	21.14	24.09	26.46	33.95	
1.53	34	2.130	52	3.258	3.10	3.60	4.09	4.59	5.58	6.27	6.87	7.56	8.54	9.53	10.52	11.50	13.47	15.44	18.40	21.35	24.31	27.26	29.62	37.10	
1.54	52	3.258	80	5.013	4.54	5.24	6.24	7.23	8.22	9.21	11.18	13.16	16.12	19.07	22.03	24.98	27.35	34.83		
1.55	44	2.757	68	4.261	4.26	4.96	5.56	6.25	7.24	8.23	9.22	10.21	12.18	14.15	17.11	20.06	23.02	25.97	28.34	35.82	
1.56	36	2.256	56	3.509	3.29	3.79	4.29	5.27	5.97	6.56	7.26	8.24	9.23	10.22	11.20	13.17	15.14	18.10	21.05	24.01	26.96	29.33	36.81	
1.58	38	2.381	60	3.760	3.47	3.98	4.97	5.66	6.26	6.95	7.94	8.93	9.92	10.91	12.87	14.85	17.80	20.76	23.71	26.66	29.03	36.51	
1.60	40	2.506	64	4.010	3.66	4.66	5.36	5.95	6.65	7.64	8.63	9.62	10.61	12.57	14.55	17.51	20.46	23.42	26.37	28.73	36.21	
1.61	56	3.509	90	5.639	5.51	6.51	7.50	8.50	10.48	12.45	15.42	18.37	21.33	24.29	26.65	34.14	
1.63	32	2.005	52	3.258	3.18	3.69	4.18	4.68	5.67	6.37	6.96	7.65	8.64	9.63	10.61	11.60	13.57	15.54	18.50	21.45	24.40	27.35	29.72	37.20	
1.64	44	2.757	72	4.511	4.04	4.74	5.34	6.04	7.03	8.02	9.01	10.00	11.97	13.95	16.91	19.86	22.82	25.77	28.14	35.62	
1.65	34	2.130	56	3.509	3.38	3.87	4.38	5.37	6.06	6.66	7.35	8.34	9.33	10.31	11.30	13.27	15.24	18.20	21.15	24.11	27.06	29.42	36.90	
1.65	68	4.261	112	7.018	6.75	7.75	8.75	10.74	13.71	16.67	19.64	22.59	24.96	29.46	32.45	
1.67	36	2.256	60	3.760	3.56	4.07	5.06	5.76	6.35	7.04	8.03	9.02	10.01	11.00	12.97	14.94	17.90	20.85	23.81	26.76	29.13	36.61	
1.67	48	3.008	80	5.013	4.71	5.42	6.42	7.41	8.41	9.40	11.37	13.35	16.31	19.26	22.22	25.18	27.54	35.03		
1.68	38	2.381	64	4.010	3.75	4.25	4.75	5.45	6.05	6.74	7.73	8.72	9.71	10.70	12.67	14.64	17.60	20.55	23.51	26.46	28.83	36.31	
1.70	40	2.506	68	4.261	4.44	5.14	5.74	6.44	7.43	8.42	9.41	10.40	12.37	14.34	17.30	20.26	23.21	26.17	28.53	36.01	
1.73	52	3.258	90	5.639	4.67	5.68	6.69	7.68	8.68	10.66	12.64	15.61	18.56	21.52	24.48	26.85	34.33	
1.75	32	2.005	56	3.509	3.46	3.96	4.47	5.46	6.15	6.75	7.44	8.43	9.42	10.41	11.39	13.36	15.34	18.29	21.25	24.20	27.15	29.52	37.00	
1.75	64	4.010	112	7.018	5.91	6.92	7.93	9.92	12.90	15.86	18.83	21.78	24.74	27.10	34.58	
1.77	34	2.130	60	3.760	3.65	4.15	5.15	5.85	6.44	7.14	8.13	9.12	10.11	11.09	13.06	15.04	18.00	20.95	23.91	26.86	29.22	36.70	
1.78	36	2.256	64	4.010	3.84	4.84	5.54	6.14	6.83	7.82	8.82	9.80	10.79	12.76	14.74	17.70	20.65	23.61	26.56	28.93	36.41	
1.79	38	2.381	68	4.261	4.53	5.23	5.83	6.53	7.52	8.51	9.50	10.49	12.46	14.44	17.40	20.35	23.31	26.26	28.63	36.11	
1.80	40	2.506	72	4.511	4.21	4.92	5.52	6.22	7.21	8.21	9.20	10.19	12.16	14.14	17.10	20.05	23.01	25.96	28.33	35.81	
1.80	50	3.133	90	5.639	4.75	5.77	6.77	7.77	8.77	10.75	12.73	15.70	18.66	21.62	24.57	26.94	34.43	
1.82	44	2.757	80	5.013	4.28	4.89	5.59	6.60	7.59	8.59	9.58	11.56	13.54	16.50	19.45	22.41	25.37	27.73	35.22	
1.87	60	3.760	112	7.018	6.08	7.10	8.10	10.10	12.10	14.08	17.05	20.01	22.97	25.34	32.83	
1.88	32	2.005	60	3.760	3.23	3.73	4.24	5.24	5.94	6.53	7.23	8.22	9.21	10.20	11.19	13.16	15.13	18.09	21.04	24.00	26.95	29.32	36.80	
1.88	48	3.008	90	5.639	4.84	5.86	6.86	7.86	8.86	10.84	12.83	15.79	18.75	21.71	24.67	27.04	34.52	
1.88	34	2.130	64	4.010	3.41	3.92	4.93	5.63	6.23	6.92	7.92	8.91	9.90	10.89	12.86	14.83	17.79	20.75	23.70	26.66	29.02	36.51	
1.89	36	2.256	68	4.261	3.60	4.61	5.32	5.92	6.62	7.61	8.60	9.59	10.58	12.56	14.53	17.49	20.45	23.41	26.36	28.72	36.21	
1.90	38	2.381	72	4.511	4.29	5.00	5.61	6.31	7.30	8.30	9.29	10.28	12.26	14.23	17.19	20.15	23.11	26.06	28.43	35.91	
2.00	32	2.005	64	4.010	3.50	4.01	5.02	5.72	6.32	7.01	8.01	9.00	9.99	10.98	12.95	14.93	17.89	20.84	23.80	26.75	29.12	36.60	
2.00	34	2.130	68	4.261	3.69	4.70	5.41	6.01	6.71	7.70	8.70	9.69	10.68	12.65	14.63	17.59	20.54	23.50	26.45	28.82	36.30	
2.00	36	2.256	72	4.511	4.38	5.09	5.69	6.40	7.39	8.39	9.38	10.37	12.35	14.33	17.29	20.24	23.20	26.16	28.52	36.01	
2.00	40	2.506	80	5.013	4.45	5.06	5.77	6.77	7.77	8.77	9.76	11.74	13.72	16.69	19.64	22.60	25.56	27.93	35.41	
2.00	56	3.509	112	7.018	6.25	7.27	8.28	10.28	12.26	14.26	17.23	20.20	23.16	25.53	33.03	
2.05	44	2.757	90	5.639	5.01	6.03	7.04	8.04	9.04	11.03	13.01	15.98	18.94	21.90	24.86	27.23	34.72
2.11	38	2.381	80	5.013	4.53	5.14	5.85	6.86	7.8											

SELECTION



5MM Pitch HT200 Belt Drive Selection Table

Speed Ratio	Sprocket Combinations				Center Distance, Inches																					
	Driver		Driven		300-5M	355-5M	375-5M	400-5M	425-5M	450-5M	550-5M	535-5M	565-5M	600-5M	650-5M	700-5M	750-5M	800-5M	900-5M	1000-5M	1150-5M	1300-5M	1450-5M	1600-5M	1720-5M	2100-5M
	No. of Teeth	Pitch Dia. In.	No. of Teeth	Pitch Dia. In.																						
	Length Factor*				0.77	0.81	0.83	0.84	0.86	0.88	0.90	0.92	0.94	0.95	0.98	1.00	1.01	1.03	1.06	1.09	1.13	1.16	1.19	1.22	1.24	1.29
2.50	32	2.005	80	5.013	4.05	4.78	5.40	6.11	7.12	8.13	9.13	10.13	12.11	14.09	17.06	20.02	22.98	25.94	28.31	35.80
2.50	36	2.256	90	5.639	4.60	5.34	6.37	7.38	8.39	9.40	11.39	13.38	16.35	19.32	22.28	25.24	27.61	35.10
2.55	44	2.757	112	7.018	5.70	6.75	7.78	9.81	11.82	14.81	17.78	20.76	23.72	26.10	33.60	
2.65	34	2.130	90	5.639	4.69	5.42	6.45	7.47	8.48	9.49	11.48	13.47	16.44	19.41	22.37	25.33	27.70	35.19
2.80	40	2.506	112	7.018	5.86	6.91	7.95	9.98	11.99	14.99	17.97	20.94	23.91	26.28	33.78	
2.81	32	2.005	90	5.639	4.12	4.77	5.50	6.54	7.56	8.57	9.57	11.57	13.56	16.54	19.50	22.47	25.43	27.80	35.29	
2.95	38	2.381	112	7.018	5.94	7.00	8.03	10.06	12.08	15.08	18.06	21.04	24.00	26.38	33.88	
3.11	36	2.256	112	7.018	4.92	6.02	7.08	8.11	10.15	12.17	15.17	18.15	21.13	24.09	26.47	33.97
3.29	34	2.130	112	7.018	5.00	6.10	7.16	8.20	10.24	12.26	15.26	18.24	21.22	24.19	26.56	34.07
3.50	32	2.005	112	7.018	5.08	6.18	7.24	8.28	10.32	12.34	15.35	18.33	21.31	24.28	26.66	34.16
	Length Factor*				0.77	0.81	0.83	0.84	0.86	0.88	0.90	0.92	0.94	0.95	0.98	1.00	1.01	1.03	1.06	1.09	1.13	1.16	1.19	1.22	1.24	1.29

Center distance is greater than eight times the Small Sprocket and the Large Sprocket is not flanged.
 Large Sprocket should be ordered with flanges as a special.

V-Drives

FHP Drives

Drive Component Accessories

DYNA-SYNC

HT200/HTD Synchronous Drives

HT500 Synchronous Drives

Roller Chain Sprockets

FEATURES/BENEFITS PAGE PT11-2	SPECIFICATIONS PAGE PT11-4	ENGINEERING/TECHNICAL PAGE PT11-64	
----------------------------------	-------------------------------	---------------------------------------	--



SELECTION

8MM Pitch HT200 Belt Drive Selection Table

Speed Ratio	Sprocket Combinations				Center Distance, Inches																
	Driver		Driven		384-8M	480-8M	560-8M	600-8M	640-8M	720-8M	800-8M	840-8M	880-8M	920-8M	960-8M	1040-8M	1064-8M	1120-8M	1160-8M	1200-8M	
	No. of Teeth	Pitch Dia. Inches	No. of Teeth	Pitch Dia. Inches																	
Length Factor*					0.70	0.80	0.80	0.80	0.90	0.90	0.90	0.90	0.90	1.00	1.00	1.00	1.00	1.00	1.00	1.00	1.00
1.00	22	2.206	22	2.206	4.09	5.98	7.56	8.34	9.13	10.71	12.28	13.07	13.86	14.64	15.43	17.00	17.48	18.58	19.37	20.15	
1.00	24	2.406	24	2.406	3.78	5.67	7.25	8.03	8.82	10.40	11.97	12.76	13.55	14.33	15.12	16.69	17.17	18.27	19.06	19.84	
1.00	26	2.607	26	2.607	3.46	5.35	6.93	7.71	8.50	10.08	11.65	12.44	13.23	14.01	14.80	16.37	16.85	17.95	18.74	19.52	
1.00	28	2.807	28	2.807	...	5.04	6.62	7.40	8.19	9.77	11.34	12.13	12.92	13.70	14.49	16.06	16.54	17.64	18.43	19.21	
1.00	30	3.008	30	3.008	...	4.73	6.30	7.09	7.88	9.45	11.03	11.81	12.60	13.39	14.18	15.75	16.22	17.32	18.11	18.90	
1.00	32	3.208	32	3.208	...	4.41	5.99	6.77	7.56	9.14	10.71	11.50	12.29	13.07	13.86	15.43	15.91	17.01	17.80	18.58	
1.00	34	3.409	34	3.409	...	4.10	5.67	6.46	7.25	8.82	10.40	11.18	11.97	12.76	13.55	15.12	15.59	16.69	17.48	18.27	
1.00	36	3.609	36	3.609	5.36	6.14	6.93	8.51	10.08	10.87	11.66	12.44	13.23	14.80	15.28	16.38	17.17	17.95	
1.00	38	3.810	38	3.810	5.04	5.83	6.62	8.19	9.77	10.55	11.34	12.13	12.92	14.49	14.96	16.06	16.85	17.64	
1.00	40	4.010	40	4.010	4.73	5.51	6.30	7.88	9.45	10.24	11.03	11.81	12.60	14.17	14.65	15.75	16.54	17.32	
1.00	44	4.411	44	4.411	5.67	7.25	8.82	9.61	10.40	11.18	11.97	13.54	14.02	15.12	15.91	16.69	
1.00	48	4.812	48	4.812	6.62	8.19	8.98	9.77	10.55	11.34	12.91	13.39	14.49	15.28	16.06	
1.00	56	5.614	56	5.614	6.93	7.72	8.51	9.29	10.08	11.65	11.65	12.13	13.23	14.02	14.80	
1.00	64	6.416	64	6.416	7.25	8.03	8.82	10.39	10.87	11.97	12.76	13.54	
1.00	72	7.218	72	7.218	9.13	9.61	10.71	11.50	12.28	
1.00	80	8.020	80	8.020	9.45	10.24	11.02	
1.05	38	3.810	40	4.010	4.88	5.67	6.46	8.03	9.61	10.39	11.18	11.97	12.76	14.33	14.80	15.90	16.69	17.48	
1.06	36	3.609	38	3.810	5.20	5.98	6.77	8.35	9.92	10.71	11.50	12.28	13.07	14.64	15.12	16.22	17.01	17.79	
1.06	34	3.409	36	3.609	5.51	6.30	7.09	8.66	10.24	11.02	11.81	12.60	13.39	14.96	15.43	16.53	17.32	18.11	
1.06	32	3.208	34	3.409	4.25	5.83	6.61	7.40	8.98	10.55	11.34	12.13	12.91	13.70	15.27	15.75	16.85	17.64	
1.07	30	3.008	32	3.208	4.57	6.14	6.93	7.72	9.29	10.87	11.65	12.44	13.23	14.80	15.28	16.38	17.17	17.95	
1.07	28	2.807	30	3.008	4.88	6.46	7.24	8.03	9.61	11.18	11.97	12.76	13.54	15.11	15.59	16.69	17.48	18.27	
1.08	26	2.607	28	2.807	3.31	5.20	6.77	7.56	8.35	9.92	11.50	12.28	13.07	13.86	14.65	16.22	16.69	17.79	
1.08	24	2.406	26	2.607	3.62	5.51	7.09	7.87	8.66	10.24	11.81	12.60	13.39	14.17	14.96	16.53	17.01	18.11	
1.09	22	2.206	24	2.406	3.94	5.83	7.40	8.19	8.98	10.55	12.13	12.91	13.70	14.49	15.28	16.85	17.32	18.42	
1.09	44	4.411	48	4.812	5.35	6.93	8.50	9.29	10.08	10.86	11.65	13.22	13.70	14.80	15.59	16.38	
1.10	40	4.010	44	4.411	5.19	5.98	7.56	9.13	9.92	10.71	11.49	12.28	13.85	14.33	15.43	16.22	
1.11	36	3.609	40	4.010	5.04	5.82	6.61	8.19	9.76	10.55	11.34	12.12	12.91	14.48	14.96	16.06	16.85	17.63	
1.11	72	7.218	80	8.020	8.49	8.97	10.07	10.86	11.65	
1.12	34	3.409	38	3.810	5.35	6.14	6.93	8.50	10.08	10.86	11.65	12.44	13.23	14.80	15.27	16.37	17.16	
1.13	32	3.208	36	3.609	4.09	5.67	6.45	7.24	8.82	10.39	11.18	11.97	12.75	13.54	15.11	15.59	16.69	17.48	
1.13	64	6.416	72	7.218	7.39	8.18	9.75	10.23	11.33	12.12	
1.13	80	8.020	90	9.023	9.44	10.22	
1.13	30	3.008	34	3.409	4.41	5.98	6.77	7.56	9.13	10.71	11.49	12.28	13.07	13.86	15.43	15.90	17.00	17.79	
1.14	28	2.807	32	3.208	4.72	6.30	7.08	7.87	9.45	11.02	11.81	12.60	13.38	14.17	15.74	16.22	17.32	18.11	
1.14	56	5.614	64	6.416	7.08	7.87	8.65	9.44	11.01	11.49	12.59	13.38	
1.15	26	2.607	30	3.008	5.04	6.61	7.40	8.19	9.76	11.34	12.12	12.91	13.70	14.49	16.06	16.53	17.63	18.42	
1.16	38	3.810	44	4.411	5.34	6.14	7.71	9.29	10.07	10.86	11.65	12.44	14.01	14.49	15.59	16.38	
Length Factor*					0.70	0.80	0.80	0.80	0.90	0.90	0.90	0.90	0.90	0.90	1.00	1.00	1.00	1.00	1.00	1.00	1.00

Center distance is greater than eight times the Small Sprocket and the Large Sprocket is not flanged.
 Large Sprocket should be ordered with flanges as a special.

* This length correction factor must be used to determine the proper belt width.

FEATURES/BENEFITS PAGE PT11-2	SPECIFICATIONS PAGE PT11-4	ENGINEERING/TECHNICAL PAGE PT11-64	
----------------------------------	-------------------------------	---------------------------------------	--

SELECTION



8MM Pitch HT200 Belt Drive Selection Table

Speed Ratio	Sprocket Combinations				Center Distance, Inches																	
	Driver		Driven		1224-8M	1280-8M	1440-8M	1512-8M	1584-8M	1600-8M	1760-8M	1800-8M	2000-8M	2200-8M	2400-8M	2600-8M	2800-8M	3048-8M	3280-8M	3600-8M	4400-8M	
	No. of Teeth	Pitch Dia. Inches	No. of Teeth	Pitch Dia. Inches																		
	Length Factor*				1.00	1.10	1.10	1.10	1.10	1.10	1.10	1.10	1.20	1.20	1.20	1.20	1.20	1.20	1.20	1.20	1.20	1.20
1.00	22	2.206	22	2.206	20.63	21.73	24.88	26.30	27.71	28.03	31.18	31.97	35.90	39.84	43.78	47.71	51.65	56.53	61.10	67.40	83.15	
1.00	24	2.406	24	2.406	20.32	21.42	24.57	25.99	27.40	27.72	30.87	31.66	35.59	39.53	43.47	47.40	51.34	56.22	60.79	67.09	82.84	
1.00	26	2.607	26	2.607	20.00	21.10	24.25	25.67	27.08	27.40	30.55	31.34	35.27	39.21	43.15	47.08	51.02	55.90	60.47	66.77	82.52	
1.00	28	2.807	28	2.807	19.69	20.79	23.94	25.36	26.77	27.09	30.24	31.03	34.96	38.90	42.84	46.77	50.71	55.59	60.16	66.46	82.21	
1.00	30	3.008	30	3.008	19.37	20.47	23.62	25.04	26.46	26.77	29.92	30.71	34.65	38.58	42.52	46.46	50.40	55.28	59.84	66.14	81.89	
1.00	32	3.208	32	3.208	19.06	20.16	23.31	24.73	26.14	26.46	29.61	30.40	34.33	38.27	42.21	46.14	50.08	54.96	59.53	65.83	81.58	
1.00	34	3.409	34	3.409	18.74	19.84	22.99	24.41	25.83	26.14	29.29	30.08	34.02	37.95	41.89	45.83	49.77	54.65	59.21	65.51	81.26	
1.00	36	3.609	36	3.609	18.43	19.53	22.68	24.10	25.51	25.83	28.98	29.77	33.70	37.64	41.58	45.51	49.45	54.33	58.90	65.20	80.95	
1.00	38	3.810	38	3.810	18.11	19.21	22.36	23.78	25.20	25.51	28.66	29.45	33.39	37.32	41.26	45.20	49.14	54.02	58.58	64.88	80.63	
1.00	40	4.010	40	4.010	17.80	18.90	22.05	23.47	24.88	25.20	28.35	29.14	33.07	37.01	40.95	44.88	48.82	53.70	58.27	64.57	80.32	
1.00	44	4.411	44	4.411	17.17	18.27	21.42	22.84	24.25	24.57	27.72	28.51	32.44	36.38	40.32	44.25	48.19	53.07	57.64	63.94	79.69	
1.00	48	4.812	48	4.812	16.54	17.64	20.79	22.21	23.62	23.94	27.09	27.88	31.81	35.75	39.69	43.62	47.56	52.44	57.01	63.31	79.06	
1.00	56	5.614	56	5.614	15.28	16.38	19.53	20.95	22.36	22.68	25.83	26.62	30.55	34.49	38.43	42.36	46.30	51.18	55.75	62.05	77.80	
1.00	64	6.416	64	6.416	14.02	15.12	18.27	19.69	21.10	21.42	24.57	25.36	29.29	33.23	37.17	41.10	45.04	49.92	54.49	60.79	76.54	
1.00	72	7.218	72	7.218	12.76	13.86	17.01	18.43	19.84	20.16	23.31	24.10	28.03	31.97	35.91	39.84	43.78	48.66	53.23	59.53	75.28	
1.00	80	8.020	80	8.020	11.50	12.60	15.75	17.17	18.58	18.90	22.05	22.84	26.77	30.71	34.65	38.58	42.52	47.40	51.97	58.27	74.02	
1.05	38	3.810	40	4.010	17.95	19.05	22.20	23.62	25.04	25.35	28.50	29.29	33.23	37.16	41.10	45.04	48.98	53.86	58.42	64.72	80.47	
1.06	36	3.609	38	3.810	18.27	19.37	22.52	23.94	25.35	25.67	28.82	29.61	33.54	37.48	41.42	45.35	49.29	54.17	58.74	65.04	80.79	
1.06	34	3.409	36	3.609	18.58	19.68	22.83	24.25	25.67	25.98	29.13	29.92	33.86	37.79	41.73	45.67	49.61	54.49	59.05	65.35	81.10	
1.06	32	3.208	34	3.409	18.90	20.00	23.15	24.57	25.98	26.30	29.45	30.24	34.17	38.11	42.05	45.98	49.92	54.80	59.37	65.67	81.42	
1.07	30	3.008	32	3.208	19.21	20.31	23.46	24.88	26.30	26.61	29.76	30.55	34.49	38.42	42.36	46.30	50.24	55.12	59.68	65.98	81.73	
1.07	28	2.807	30	3.008	19.53	20.63	23.78	25.20	26.61	26.93	30.08	30.87	34.80	38.74	42.68	46.61	50.55	55.43	60.00	66.30	82.05	
1.08	26	2.607	28	2.807	19.84	20.94	24.09	25.51	26.93	27.24	30.39	31.18	35.12	39.05	42.99	46.93	50.87	55.75	60.31	66.61	82.36	
1.08	24	2.406	26	2.607	20.16	21.26	24.41	25.83	27.24	27.56	30.71	31.50	35.43	39.37	43.31	47.24	51.18	56.06	60.63	66.93	82.68	
1.09	22	2.206	24	2.406	20.47	21.57	24.72	26.14	27.56	27.87	31.02	31.81	35.75	39.68	43.62	47.56	51.50	56.38	60.94	67.24	82.99	
1.09	44	4.411	48	4.812	16.85	17.95	21.10	22.52	23.94	24.25	27.40	28.19	32.13	36.06	40.00	43.94	47.88	52.76	57.32	63.62	79.37	
1.10	40	4.010	44	4.411	17.48	18.58	21.73	23.15	24.57	24.88	28.03	28.82	32.76	36.69	40.63	44.57	48.51	53.39	57.95	64.25	80.00	
1.11	36	3.609	40	4.010	18.11	19.21	22.36	23.78	25.20	25.51	28.66	29.45	33.39	37.32	41.26	45.20	49.14	54.02	58.58	64.88	80.63	
1.11	72	7.218	80	8.020	12.12	13.22	16.37	17.79	19.21	19.52	22.67	23.46	27.40	31.33	35.27	39.21	43.15	48.03	52.60	58.90	74.65	
1.12	34	3.409	38	3.810	18.42	19.52	22.67	24.09	25.51	25.82	28.97	29.76	33.70	37.63	41.57	45.51	49.45	54.33	58.89	65.19	80.94	
1.13	32	3.208	36	3.609	18.74	19.84	22.99	24.41	25.83	26.14	29.29	30.08	34.02	37.95	41.89	45.83	49.77	54.65	59.21	65.51	81.26	
1.13	64	6.416	72	7.218	13.38	14.48	17.63	19.05	20.47	20.78	23.93	24.72	28.66	32.59	36.53	40.47	44.41	49.29	53.86	60.16	75.91	
1.13	80	8.020	90	9.023	10.70	11.80	14.95	16.37	17.79	18.10	21.25	22.04	25.98	29.92	33.86	37.79	41.73	46.61	51.18	57.48	73.23	
1.13	30	3.008	34	3.409	19.05	20.15	23.30	24.72	26.14	26.45	29.60	30.39	34.33	38.26	42.20	46.14	50.08	54.96	59.52	65.82	81.57	
1.14	28	2.807	32	3.208	19.37	20.47	23.62	25.04	26.46	26.77	29.92	30.71	34.65	38.58	42.52	46.46	50.40	55.28	59.84	66.14	81.89	
1.14	56	5.614	64	6.416	14.64	15.74	18.89	20.31	21.73	22.04	25.19	25.98	29.92	33.85	37.79	41.73	45.67	50.55	55.12	61.42	77.17	
1.15	26	2.607	30	3.008	19.68	20.78	23.93	25.35	26.77	27.08	30.23	31.02	34.96	38.89	42.83	46.77	50.71	55.59	60.15	66.45	82.20	
1.16	38	3.810	44	4.411	17.64	18.74	21.89	23.31	24.72	25.04	28.19	28.98	32.91	36.85	40.79	44.72	48.66	53.54	58.11	64.41	80.16	
	Length Factor*				1.00	1.10	1.10	1.10	1.10	1.10	1.10	1.10	1.20	1.20	1.20	1.20	1.20	1.20	1.20	1.20	1.20	1.20

Center distance is greater than eight times the Small Sprocket and the Large Sprocket is not flanged. Large Sprocket should be ordered with flanges as a special.

* This length correction factor must be used to determine the proper belt width.

FEATURES/BENEFITS PAGE PT11-2	SPECIFICATIONS PAGE PT11-4	ENGINEERING/TECHNICAL PAGE PT11-64	
----------------------------------	-------------------------------	---------------------------------------	--



SELECTION

8MM Pitch HT200 Belt Drive Selection Table

Speed Ratio	Sprocket Combinations				Center Distance, Inches																
	Driver		Driven		384-8M	480-8M	560-8M	600-8M	640-8M	720-8M	800-8M	840-8M	880-8M	920-8M	960-8M	1040-8M	1064-8M	1120-8M	1160-8M	1200-8M	
	No. of Teeth	Pitch Dia. Inches	No. of Teeth	Pitch Dia. Inches																	
Length Factor*					0.70	0.80	0.80	0.80	0.90	0.90	0.90	0.90	0.90	1.00	1.00	1.00	1.00	1.00	1.00	1.00	1.00
1.17	24	2.406	28	2.807	3.46	5.35	6.93	7.71	8.50	10.08	11.65	12.44	13.23	14.01	14.80	16.37	16.85	17.95	18.74	19.52	
1.17	48	4.812	56	5.614	5.97	7.55	8.34	9.13	9.91	10.70	12.27	12.75	13.85	14.64	15.43	
1.18	34	3.409	40	4.010	5.19	5.98	6.77	8.34	9.92	10.70	11.49	12.28	13.07	14.64	15.12	16.22	17.01	17.79	
1.18	22	2.206	26	2.607	3.77	5.67	7.24	8.03	8.82	10.39	11.97	12.75	13.54	14.33	15.12	16.69	17.16	18.26	19.05	19.84	
1.19	32	3.208	38	3.810	5.50	6.29	7.08	8.66	10.23	11.02	11.81	12.59	13.38	14.96	15.43	16.53	17.32	18.11	
1.20	30	3.008	36	3.609	...	4.24	5.82	6.61	7.40	8.97	10.55	11.33	12.12	12.91	13.70	15.27	15.75	16.85	17.64	18.42	
1.20	40	4.010	48	4.812	5.66	7.24	8.81	9.60	10.39	11.17	11.96	13.54	14.01	15.11	15.90	16.69	
1.21	28	2.807	34	3.409	...	4.56	6.14	6.92	7.71	9.29	10.86	11.65	12.44	13.22	14.01	15.59	16.06	17.16	17.95	18.74	
1.22	36	3.609	44	4.411	4.71	5.50	6.29	7.87	9.44	10.23	11.02	11.80	12.59	14.17	14.64	15.74	16.53	17.32	
1.23	26	2.607	32	3.208	...	4.87	6.45	7.24	8.03	9.60	11.18	11.96	12.75	13.54	14.33	15.90	16.38	17.48	18.27	19.05	
1.25	24	2.406	30	3.008	3.29	5.19	6.77	7.55	8.34	9.92	11.49	12.28	13.07	13.85	14.64	16.22	16.69	17.79	18.58	19.37	
1.25	32	3.208	40	4.010	5.34	6.13	6.92	8.50	10.07	10.86	11.65	12.43	13.22	14.80	15.27	16.37	17.16	17.95	
1.25	64	6.416	80	8.020	9.10	9.57	10.68	11.47	12.26	
1.25	72	7.218	90	9.023	9.25	10.04	10.83	
1.26	38	3.810	48	4.812	5.01	5.81	7.39	8.96	9.75	10.54	11.33	12.12	13.69	14.16	15.27	16.06	16.84	
1.27	30	3.008	38	3.810	...	4.08	5.66	6.44	7.23	8.81	10.39	11.17	11.96	12.75	13.54	15.11	15.58	16.69	17.48	18.26	
1.27	22	2.206	28	2.807	3.61	5.50	7.08	7.87	8.66	10.23	11.81	12.59	13.38	14.17	14.96	16.53	17.01	18.11	18.90	19.68	
1.27	44	4.411	56	5.614	6.27	7.85	8.64	9.43	10.22	11.01	12.58	13.06	14.16	14.95	15.73	
1.29	28	2.807	36	3.609	...	4.39	5.97	6.76	7.55	9.13	10.70	11.49	12.28	13.06	13.86	15.43	15.90	17.00	17.79	18.58	
1.29	56	5.614	72	7.218	7.20	7.99	8.79	10.36	10.84	11.94	12.73	13.52	
1.29	34	3.409	44	4.411	4.86	5.65	6.44	8.02	9.60	10.38	11.17	11.96	12.75	14.32	14.79	15.90	16.69	17.47	
1.31	26	2.607	34	3.409	...	4.71	6.29	7.07	7.86	9.44	11.02	11.80	12.59	13.38	14.17	15.74	16.22	17.32	18.11	18.89	
1.33	24	2.406	32	3.208	...	5.02	6.60	7.39	8.18	9.76	11.33	12.12	12.91	13.69	14.49	16.06	16.53	17.63	18.42	19.21	
1.33	30	3.008	40	4.010	5.49	6.28	7.07	8.65	10.23	11.01	11.80	12.59	13.38	14.95	15.42	16.53	17.32	18.10	
1.33	36	3.609	48	4.812	5.16	5.96	7.54	9.12	9.90	10.69	11.48	12.27	13.84	14.32	15.42	16.21	17.00	
1.33	48	4.812	64	6.416	6.88	8.46	9.24	10.03	10.82	11.61	13.18	13.66	14.76	15.55	16.34	
1.36	28	2.807	38	3.810	...	4.22	5.81	6.59	7.39	8.96	10.54	11.33	12.12	12.90	13.69	15.26	15.74	16.84	17.63	18.42	
1.36	22	2.206	30	3.008	3.44	5.34	6.92	7.70	8.50	10.07	11.65	12.43	13.22	14.01	14.80	16.37	16.85	17.95	18.74	19.52	
1.38	32	3.208	44	4.411	5.00	5.79	6.59	8.17	9.75	10.53	11.33	12.11	12.90	14.47	14.95	16.05	16.84	17.63	
1.39	26	2.607	36	3.609	...	4.54	6.12	6.91	7.70	9.28	10.86	11.64	12.43	13.22	14.01	15.58	16.06	17.16	17.95	18.73	
1.40	40	4.010	56	5.614	6.57	8.15	8.94	9.73	10.52	11.31	12.89	13.36	14.46	15.26	16.04	
1.40	80	8.020	112	11.229	
1.41	64	6.416	90	9.023	8.24	8.72	9.83	10.63	11.42	
1.41	34	3.409	48	4.812	5.31	6.10	7.69	9.27	10.05	10.85	11.63	12.42	14.00	14.47	15.57	16.36	17.15	
1.42	24	2.406	34	3.409	...	4.86	6.44	7.23	8.02	9.59	11.17	11.96	12.75	13.53	14.32	15.89	16.37	17.47	18.26	19.05	
1.43	28	2.807	40	4.010	...	4.05	5.64	6.43	7.22	8.80	10.38	11.16	11.96	12.74	13.53	15.10	15.58	16.68	17.47	18.26	
1.43	56	5.614	80	8.020	8.10	9.69	10.17	11.27	12.07	12.86	
1.46	22	2.206	32	3.208	3.27	5.17	6.75	7.54	8.33	9.91	11.49	12.27	13.06	13.85	14.64	16.21	16.69	17.79	18.58	19.36	
Length Factor*					0.70	0.80	0.80	0.80	0.90	0.90	0.90	0.90	0.90	0.90	1.00	1.00	1.00	1.00	1.00	1.00	1.00

Center distance is greater than eight times the Small Sprocket and the Large Sprocket is not flanged.
Large Sprocket should be ordered with flanges as a special.

* This length correction factor must be used to determine the proper belt width.

FEATURES/BENEFITS PAGE PT11-2	SPECIFICATIONS PAGE PT11-4	ENGINEERING/TECHNICAL PAGE PT11-64	
----------------------------------	-------------------------------	---------------------------------------	--

SELECTION



8MM Pitch HT200 Belt Drive Selection Table

Speed Ratio	Sprocket Combinations				Center Distance, Inches																	
	Driver		Driven		1224-8M	1280-8M	1440-8M	1512-8M	1584-8M	1600-8M	1760-8M	1800-8M	2000-8M	2200-8M	2400-8M	2600-8M	2800-8M	3048-8M	3280-8M	3600-8M	4400-8M	
	No. of Teeth	Pitch Dia. Inches	No. of Teeth	Pitch Dia. Inches																		
Length Factor*					1.00	1.10	1.10	1.10	1.10	1.10	1.10	1.10	1.20	1.20	1.20	1.20	1.20	1.20	1.20	1.20	1.20	1.20
1.17	24	2.406	28	2.807	20.00	21.10	24.25	25.67	27.08	27.40	30.55	31.34	35.28	39.21	43.15	47.09	51.03	55.91	60.47	66.77	82.52	
1.17	48	4.812	56	5.614	15.90	17.00	20.15	21.57	22.99	23.30	26.45	27.24	31.18	35.11	39.05	42.99	46.93	51.81	56.38	62.68	78.43	
1.18	34	3.409	40	4.010	18.27	19.37	22.52	23.94	25.35	25.67	28.82	29.61	33.54	37.48	41.42	45.35	49.29	54.17	58.74	65.04	80.79	
1.18	22	2.206	26	2.607	20.31	21.41	24.56	25.98	27.40	27.71	30.86	31.65	35.59	39.52	43.46	47.40	51.34	56.22	60.78	67.08	82.83	
1.19	32	3.208	38	3.810	18.58	19.68	22.83	24.25	25.67	25.98	29.13	29.92	33.86	37.79	41.73	45.67	49.61	54.49	59.05	65.35	81.10	
1.20	30	3.008	36	3.609	18.90	20.00	23.15	24.57	25.98	26.30	29.45	30.24	34.17	38.11	42.05	45.98	49.92	54.80	59.37	65.67	81.42	
1.20	40	4.010	48	4.812	17.16	18.26	21.41	22.83	24.25	24.56	27.71	28.50	32.44	36.37	40.31	44.25	48.19	53.07	57.63	63.93	79.69	
1.21	28	2.807	34	3.409	19.21	20.31	23.46	24.88	26.30	26.61	29.76	30.55	34.49	38.42	42.36	46.30	x50.24	55.12	59.68	65.98	81.73	
1.22	36	3.609	44	4.411	17.79	18.89	22.04	23.46	24.88	25.19	28.34	29.13	33.07	37.00	40.94	44.88	48.82	53.70	58.26	64.56	80.32	
1.23	26	2.607	32	3.208	19.53	20.63	23.78	25.20	26.61	26.93	30.08	30.87	34.80	38.74	42.68	46.61	50.55	55.43	60.00	66.30	82.05	
1.25	24	2.406	30	3.008	19.84	20.94	24.09	25.51	26.93	27.24	30.39	31.18	35.12	39.05	42.99	46.93	50.87	55.75	60.31	66.61	82.36	
1.25	32	3.208	40	4.010	18.42	19.52	22.67	24.09	25.51	25.82	28.97	29.76	33.70	37.63	41.57	45.51	49.45	54.33	58.89	65.19	80.95	
1.25	64	6.416	80	8.020	12.73	13.83	16.99	18.41	19.83	20.14	23.29	24.08	28.02	31.96	35.90	39.83	43.77	48.66	53.22	59.52	75.27	
1.25	72	7.218	90	9.023	11.30	12.41	15.56	16.99	18.40	18.72	21.87	22.66	26.60	30.54	34.48	38.41	42.35	47.24	51.80	58.10	73.85	
1.26	38	3.810	48	4.812	17.32	18.42	21.57	22.99	24.40	24.72	27.87	28.66	32.59	36.53	40.47	44.41	48.35	53.23	57.79	64.09	79.84	
1.27	30	3.008	38	3.810	18.74	19.84	22.99	24.41	25.82	26.14	29.29	30.08	34.01	37.95	41.89	45.82	49.76	54.64	59.21	65.51	81.26	
1.27	22	2.206	28	2.807	20.16	21.26	24.41	25.83	27.24	27.56	30.71	31.50	35.43	39.37	43.31	47.24	51.18	56.06	60.63	66.93	82.68	
1.27	44	4.411	56	5.614	16.21	17.31	20.46	21.88	23.30	23.61	26.76	27.55	31.49	35.43	39.37	43.30	47.24	52.12	56.69	62.99	78.74	
1.29	28	2.807	36	3.609	19.05	20.15	23.30	24.72	26.14	26.45	29.60	30.39	34.33	38.26	42.20	46.14	50.08	54.96	59.52	65.82	81.57	
1.29	56	5.614	72	7.218	13.99	15.10	18.25	19.67	21.09	21.40	24.55	25.34	29.28	33.22	37.16	41.09	45.03	49.92	54.48	60.78	76.53	
1.29	34	3.409	44	4.411	17.95	19.05	22.20	23.62	25.03	25.35	28.50	29.29	33.22	37.16	41.10	45.04	48.98	53.86	58.42	64.72	80.47	
1.31	26	2.607	34	3.409	19.37	20.47	23.62	25.04	26.45	26.77	29.92	30.71	34.64	38.58	42.52	46.45	50.39	55.27	59.84	66.14	81.89	
1.33	24	2.406	32	3.208	19.68	20.78	23.93	25.35	26.77	27.08	30.23	31.02	34.96	38.89	42.83	46.77	50.71	55.59	60.15	66.45	82.20	
1.33	30	3.008	40	4.010	18.58	19.68	22.83	24.25	25.66	25.98	29.13	29.92	33.85	37.79	41.73	45.67	49.61	54.49	59.05	65.35	81.10	
1.33	36	3.609	48	4.812	17.47	18.57	21.72	23.14	24.56	24.87	28.02	28.81	32.75	36.69	40.63	44.56	48.50	53.38	57.95	64.25	80.00	
1.33	48	4.812	64	6.416	15.26	16.36	19.51	20.93	22.35	22.66	25.81	26.60	30.54	34.48	38.42	42.35	46.29	51.18	55.74	62.04	77.79	
1.36	28	2.807	38	3.810	18.89	19.99	23.14	24.56	25.98	26.29	29.44	30.23	34.17	38.10	42.05	45.98	49.92	54.80	59.37	65.67	81.42	
1.36	22	2.206	30	3.008	20.00	21.10	24.25	25.67	27.08	27.40	30.55	31.34	35.27	39.21	43.15	47.08	51.02	55.90	60.47	66.77	82.52	
1.38	32	3.208	44	4.411	18.10	19.20	22.35	23.77	25.19	25.50	28.65	29.44	33.38	37.32	41.26	45.19	49.13	54.01	58.58	64.88	80.63	
1.39	26	2.607	36	3.609	19.21	20.31	23.46	24.88	26.29	26.61	29.76	30.55	34.48	38.42	42.36	46.30	50.24	55.12	59.68	65.98	81.73	
1.40	40	4.010	56	5.614	16.52	17.62	20.77	22.19	23.61	23.92	27.07	27.86	31.80	35.74	39.68	43.61	47.55	52.44	57.00	63.30	79.05	
1.40	80	8.020	112	11.229	...	9.95	13.13	14.56	15.98	16.30	19.46	20.25	24.20	28.14	32.09	36.03	39.97	44.85	49.42	55.72	71.48	
1.41	64	6.416	90	9.023	11.90	13.00	16.17	17.59	19.01	19.33	22.48	23.27	27.21	31.15	35.10	39.03	42.97	47.86	52.42	58.72	74.48	
1.41	34	3.409	48	4.812	17.62	18.73	21.88	23.30	24.71	25.03	28.18	28.97	32.91	36.84	40.78	44.72	48.66	53.54	58.10	64.40	80.16	
1.42	24	2.406	34	3.409	19.52	20.62	23.77	25.19	26.61	26.92	30.07	30.86	34.80	38.73	42.67	46.61	50.55	55.43	60.00	66.30	82.05	
1.43	28	2.807	40	4.010	18.73	19.83	22.98	24.40	25.82	26.13	29.28	30.07	34.01	37.95	41.89	45.82	49.76	54.64	59.21	65.51	81.26	
1.43	56	5.614	80	8.020	13.33	14.44	17.60	19.02	20.44	20.75	23.91	24.70	28.64	32.57	36.52	40.45	44.40	49.28	53.84	60.14	75.90	
1.46	22	2.206	32	3.208	19.84	20.94	24.09	25.51	26.92	27.24	30.39	31.18	35.11	39.05	42.99	46.93	50.87	55.75	60.31	66.61	82.36	
Length Factor*					1.00	1.10	1.10	1.10	1.10	1.10	1.10	1.10	1.20	1.20	1.20	1.20	1.20	1.20	1.20	1.20	1.20	1.20

Center distance is greater than eight times the Small Sprocket and the Large Sprocket is not flanged.
Large Sprocket should be ordered with flanges as a special.

* This length correction factor must be used to determine the proper belt width.

FEATURES/BENEFITS PAGE PT11-2	SPECIFICATIONS PAGE PT11-4	ENGINEERING/TECHNICAL PAGE PT11-64	
----------------------------------	-------------------------------	---------------------------------------	--



SELECTION

8MM Pitch HT200 Belt Drive Selection Table

Speed Ratio	Sprocket Combinations				Center Distance, Inches															
	Driver		Driven		480-8M	560-8M	600-8M	640-8M	720-8M	800-8M	840-8M	880-8M	920-8M	960-8M	1040-8M	1064-8M	1120-8M	1160-8M	1200-8M	
	No. of Teeth	Pitch Dia. Inches	No. of Teeth	Pitch Dia. Inches																
Length Factor*					0.80	0.80	0.80	0.90	0.90	0.90	0.90	0.90	1.00	1.00	1.00	1.00	1.00	1.00	1.00	1.00
1.46	44	4.411	64	6.416	7.18	7.97	8.76	9.55	10.35	11.92	12.40	13.50	14.30	15.08	
1.46	26	2.607	38	3.810	4.37	5.95	6.74	7.54	9.12	10.69	11.48	12.27	13.06	13.85	15.42	15.89	16.99	17.78	18.57	
1.47	30	3.008	44	4.411	...	5.15	5.94	6.74	8.32	9.90	10.69	11.48	12.26	13.05	14.63	15.10	16.20	16.99	17.78	
1.47	38	3.810	56	5.614	6.71	8.30	9.09	9.88	10.67	11.46	13.04	13.51	14.62	15.41	16.19	
1.50	24	2.406	36	3.609	4.69	6.27	7.06	7.85	9.43	11.01	11.80	12.59	13.37	14.16	15.73	16.21	17.31	18.10	18.89	
1.50	32	3.208	48	4.812	...	4.66	5.45	6.25	7.84	9.42	10.20	11.00	11.78	12.58	14.15	14.62	15.73	16.52	17.30	
1.50	48	4.812	72	7.218	6.98	7.78	8.58	9.37	10.96	11.43	12.54	13.33	14.12	
1.54	26	2.607	40	4.010	4.19	5.79	6.58	7.37	8.95	10.53	11.32	12.11	12.89	13.69	15.26	15.73	16.83	17.62	18.41	
1.55	22	2.206	34	3.409	5.00	6.59	7.38	8.17	9.75	11.32	12.11	12.90	13.69	14.48	16.05	16.52	17.62	18.42	19.20	
1.56	36	3.609	56	5.614	5.26	6.86	8.45	9.24	10.03	10.82	11.61	13.19	13.66	14.77	15.56	16.35	
1.56	72	7.218	112	11.229	
1.57	28	2.807	44	4.411	...	5.30	6.09	6.88	8.47	10.05	10.84	11.63	12.42	13.21	14.78	15.25	16.36	17.15	17.93	
1.58	24	2.406	38	3.810	4.51	6.10	6.89	7.69	9.27	10.85	11.63	12.42	13.21	14.00	15.57	16.05	17.15	17.94	18.72	
1.60	30	3.008	48	4.812	...	4.80	5.60	6.39	7.98	9.57	10.35	11.15	11.93	12.73	14.30	14.78	15.88	16.67	17.45	
1.60	40	4.010	64	6.416	5.86	7.46	8.26	9.06	9.85	10.64	12.22	12.70	13.80	14.60	15.38	
1.61	56	5.614	90	9.023	8.81	9.29	10.41	11.21	12.00	
1.64	22	2.206	36	3.609	4.83	6.42	7.21	8.00	9.58	11.16	11.95	12.74	13.52	14.32	15.89	16.36	17.46	18.25	19.04	
1.64	44	4.411	72	7.218	6.46	7.27	8.07	8.87	9.66	11.25	11.73	12.83	13.63	14.42	
1.65	34	3.409	56	5.614	5.40	7.00	8.59	9.38	10.18	10.97	11.76	13.34	13.81	14.92	15.71	16.50	
1.67	24	2.406	40	4.010	4.34	5.93	6.72	7.52	9.10	10.68	11.47	12.26	13.05	13.84	15.41	15.89	16.99	17.78	18.56	
1.67	48	4.812	80	8.020	7.06	7.87	8.67	10.27	10.75	11.86	12.65	13.45	
1.68	38	3.810	64	6.416	6.00	7.61	8.40	9.20	9.99	10.79	12.37	12.85	13.95	14.75	15.53	
1.69	26	2.607	44	4.411	...	5.44	6.23	7.03	8.62	10.20	10.99	11.78	12.57	13.36	14.93	15.41	16.51	17.30	18.09	
1.71	28	2.807	48	4.812	...	4.94	5.74	6.54	8.13	9.71	10.50	11.30	12.08	12.88	14.45	14.93	16.03	16.82	17.61	
1.73	22	2.206	38	3.810	4.66	6.25	7.04	7.83	9.42	11.00	11.78	12.57	13.36	14.15	15.72	16.20	17.30	18.09	18.88	
1.75	32	3.208	56	5.614	5.54	7.14	8.74	9.53	10.33	11.12	11.91	13.49	13.96	15.07	15.86	16.65	
1.75	64	6.416	112	11.229	9.45	
1.78	36	3.609	64	6.416	6.14	7.75	8.55	9.35	10.14	10.94	12.52	13.00	14.10	14.90	15.68	
1.80	40	4.010	72	7.218	6.74	7.55	8.35	9.15	9.95	11.54	12.02	13.13	13.92	14.71	
1.80	80	8.020	144	14.437	
1.82	22	2.206	40	4.010	4.48	6.08	6.87	7.66	9.25	10.83	11.62	12.41	13.20	13.99	15.56	16.04	17.14	17.93	18.72	
1.82	44	4.411	80	8.020	7.34	8.15	8.95	10.55	11.03	12.15	12.95	13.74	
1.83	24	2.406	44	4.411	3.97	5.58	6.38	7.18	8.76	10.35	11.14	11.93	12.72	13.51	15.08	15.56	16.66	17.45	18.24	
1.85	26	2.607	48	4.812	...	5.08	5.88	6.68	8.27	9.86	10.65	11.44	12.23	13.03	14.60	15.08	16.18	16.97	17.76	
1.87	30	3.008	56	5.614	4.86	5.68	7.29	8.88	9.68	10.47	11.26	12.06	13.64	14.11	15.22	16.01	16.80	
1.88	48	4.812	90	9.023	7.75	9.37	9.85	10.98	11.78	12.58	
1.88	34	3.409	64	6.416	6.28	7.89	8.69	9.49	10.28	11.08	12.66	13.14	14.25	15.04	15.83	
1.90	38	3.810	72	7.218	6.88	7.68	8.49	9.29	10.09	11.68	12.16	13.27	14.07	14.86	
Length Factor*					0.80	0.80	0.80	0.90	0.90	0.90	0.90	0.90	1.00	1.00	1.00	1.00	1.00	1.00	1.00	1.00

Center distance is greater than eight times the Small Sprocket and the Large Sprocket is not flanged.
Large Sprocket should be ordered with flanges as a special.

* This length correction factor must be used to determine the proper belt width.

FEATURES/BENEFITS PAGE PT11-2	SPECIFICATIONS PAGE PT11-4	ENGINEERING/TECHNICAL PAGE PT11-64	
----------------------------------	-------------------------------	---------------------------------------	--



8MM Pitch HT200 Belt Drive Selection Table

Speed Ratio	Sprocket Combinations				Center Distance, Inches																	
	Driver		Driven		1224-8M	1280-8M	1440-8M	1512-8M	1584-8M	1600-8M	1760-8M	1800-8M	2000-8M	2200-8M	2400-8M	2600-8M	2800-8M	3048-8M	3280-8M	3600-8M	4400-8M	
	No. of Teeth	Pitch Dia. Inches	No. of Teeth	Pitch Dia. Inches																		
	Length Factor*				1.00	1.10	1.10	1.10	1.10	1.10	1.10	1.20	1.20	1.20	1.20	1.20	1.20	1.20	1.20	1.20	1.20	1.20
1.46	44	4.411	64	6.416	15.56	16.66	19.82	21.24	22.65	22.97	26.12	26.91	30.85	34.79	38.73	42.66	46.61	51.49	56.05	62.35	78.11	
1.46	26	2.607	38	3.810	19.05	20.15	23.30	24.72	26.13	26.45	29.60	30.39	34.32	38.26	42.20	46.14	50.08	54.96	59.52	65.82	81.57	
1.47	30	3.008	44	4.411	18.25	19.36	22.51	23.93	25.34	25.66	28.81	29.60	33.54	37.47	41.41	45.35	49.29	54.17	58.73	65.03	80.79	
1.47	38	3.810	56	5.614	16.67	17.77	20.92	22.35	23.76	24.08	27.23	28.02	31.96	35.89	39.83	43.77	47.71	52.59	57.16	63.46	79.21	
1.50	24	2.406	36	3.609	19.36	20.46	23.61	25.03	26.45	26.76	29.91	30.70	34.64	38.58	42.52	46.45	50.39	55.27	59.84	66.14	81.89	
1.50	32	3.208	48	4.812	17.78	18.88	22.03	23.45	24.87	25.18	28.33	29.13	33.06	37.00	40.94	44.87	48.81	53.70	58.26	64.56	80.31	
1.50	48	4.812	72	7.218	14.60	15.70	18.86	20.28	21.70	22.01	25.17	25.96	29.90	33.84	37.78	41.71	45.66	50.54	55.10	61.40	77.16	
1.54	26	2.607	40	4.010	18.88	19.99	23.14	24.56	25.97	26.29	29.44	30.23	34.17	38.10	42.04	45.98	49.92	54.80	59.36	65.66	81.41	
1.55	22	2.206	34	3.409	19.68	20.78	23.93	25.35	26.76	27.08	30.23	31.02	34.95	38.89	42.83	46.77	50.71	55.59	60.15	66.45	82.20	
1.56	36	3.609	56	5.614	16.82	17.92	21.08	22.50	23.92	24.23	27.38	28.17	32.11	36.05	39.99	43.92	47.87	52.75	57.31	63.61	79.36	
1.56	72	7.218	112	11.229	...	10.51	13.71	15.14	16.57	16.89	20.06	20.85	24.80	28.75	32.70	36.64	40.58	45.47	50.04	56.34	72.10	
1.57	28	2.807	44	4.411	18.41	19.51	22.66	24.08	25.50	25.81	28.96	29.76	33.69	37.63	41.57	45.50	49.44	54.33	58.89	65.19	80.94	
1.58	24	2.406	38	3.810	19.20	20.30	23.45	24.87	26.29	26.60	29.75	30.54	34.48	38.42	42.36	46.29	50.23	55.11	59.68	65.98	81.73	
1.60	30	3.008	48	4.812	17.93	19.03	22.18	23.61	25.02	25.34	28.49	29.28	33.22	37.15	41.09	45.03	48.97	53.85	58.42	64.72	80.47	
1.60	40	4.010	64	6.416	15.86	16.96	20.12	21.54	22.96	23.28	26.43	27.22	31.16	35.10	39.04	42.97	46.92	51.80	56.36	62.66	78.42	
1.61	56	5.614	90	9.023	12.48	13.59	16.76	18.19	19.61	19.93	23.09	23.88	27.82	31.76	35.71	39.65	43.59	48.47	53.04	59.34	75.10	
1.64	22	2.206	36	3.609	19.52	20.62	23.77	25.19	26.60	26.92	30.07	30.86	34.80	38.73	42.67	46.61	50.55	55.43	59.99	66.29	82.04	
1.64	44	4.411	72	7.218	14.90	16.00	19.16	20.58	22.00	22.32	25.47	26.26	30.20	34.14	38.09	42.02	45.97	50.85	55.41	61.72	77.47	
1.65	34	3.409	56	5.614	16.97	18.07	21.23	22.65	24.07	24.38	27.54	28.33	32.26	36.20	40.14	44.08	48.02	52.90	57.47	63.77	79.52	
1.67	24	2.406	40	4.010	19.04	20.14	23.29	24.71	26.13	26.44	29.60	30.39	34.32	38.26	42.20	46.13	50.07	54.96	59.52	65.82	81.57	
1.67	48	4.812	80	8.020	13.92	15.03	18.20	19.62	21.04	21.36	24.51	25.31	29.25	33.19	37.13	41.07	45.01	49.90	54.46	60.77	76.52	
1.68	38	3.810	64	6.416	16.01	17.11	20.27	21.69	23.11	23.43	26.58	27.37	31.31	35.25	39.19	43.13	47.07	51.95	56.52	62.82	78.57	
1.69	26	2.607	44	4.411	18.56	19.66	22.82	24.24	25.65	25.97	29.12	29.91	33.85	37.78	41.72	45.66	49.60	54.48	59.05	65.35	81.10	
1.71	28	2.807	48	4.812	18.08	19.18	22.34	23.76	25.18	25.49	28.64	29.43	33.37	37.31	41.25	45.18	49.13	54.01	58.57	64.87	80.62	
1.73	22	2.206	38	3.810	19.35	20.45	23.61	25.03	26.44	26.76	29.91	30.70	34.64	38.57	42.51	46.45	50.39	55.27	59.83	66.14	81.89	
1.75	32	3.208	56	5.614	17.12	18.23	21.38	22.80	24.22	24.54	27.69	28.48	32.42	36.36	40.30	44.23	48.18	53.06	57.62	63.92	79.68	
1.75	64	6.416	112	11.229	9.94	11.07	14.28	15.72	17.15	17.47	20.65	21.44	25.40	29.35	33.30	37.24	41.19	46.08	50.65	56.96	72.72	
1.78	36	3.609	64	6.416	16.16	17.26	20.42	21.85	23.26	23.58	26.73	27.53	31.47	35.40	39.35	43.28	47.23	52.11	56.67	62.98	78.73	
1.80	40	4.010	72	7.218	15.19	16.30	19.46	20.88	22.30	22.62	25.78	26.57	30.51	34.45	38.39	42.33	46.27	51.16	55.72	62.03	77.78	
1.80	80	8.020	144	14.437	11.68	13.15	13.47	16.70	17.50	21.49	25.46	29.43	33.39	37.34	42.24	46.82	53.13	68.90	
1.82	22	2.206	40	4.010	19.19	20.29	23.45	24.87	26.28	26.60	29.75	30.54	34.48	38.41	42.35	46.29	50.23	55.11	59.68	65.98	81.73	
1.82	44	4.411	80	8.020	14.22	15.33	18.49	19.92	21.34	21.66	24.82	25.61	29.55	33.49	37.44	41.38	45.32	50.20	54.77	61.08	76.83	
1.83	24	2.406	44	4.411	18.71	19.82	22.97	24.39	25.81	26.12	29.27	30.06	34.00	37.94	41.88	45.81	49.76	54.64	59.20	65.50	81.25	
1.85	26	2.607	48	4.812	18.23	19.34	22.49	23.91	25.33	25.64	28.80	29.59	33.53	37.46	41.40	45.34	49.28	54.16	58.73	65.03	80.78	
1.87	30	3.008	56	5.614	17.27	18.38	21.53	22.96	24.37	24.69	27.84	28.63	32.57	36.51	40.45	44.39	48.33	53.21	57.78	64.08	79.83	
1.88	48	4.812	90	9.023	13.06	14.17	17.35	18.78	20.20	20.52	23.69	24.48	28.43	32.37	36.32	40.26	44.20	49.09	53.66	59.96	75.72	
1.88	34	3.409	64	6.416	16.31	17.41	20.57	22.00	23.42	23.73	26.89	27.68	31.62	35.56	39.50	43.44	47.38	52.26	56.83	63.13	78.88	
1.90	38	3.810	72	7.218	15.34	16.45	19.61	21.03	22.45	22.77	25.93	26.72	30.66	34.60	38.55	42.48	46.43	51.31	55.88	62.18	77.94	
	Length Factor*				1.00	1.10	1.10	1.10	1.10	1.10	1.10	1.10	1.20	1.20	1.20	1.20	1.20	1.20	1.20	1.20	1.20	1.20

Center distance is greater than eight times the Small Sprocket and the Large Sprocket is not flanged.
Large Sprocket should be ordered with flanges as a special.

* This length correction factor must be used to determine the proper belt width.



SELECTION

8MM Pitch HT200 Belt Drive Selection Table

Speed Ratio	Sprocket Combinations				Center Distance, Inches														
	Driver		Driven		560-8M	600-8M	640-8M	720-8M	800-8M	840-8M	880-8M	920-8M	960-8M	1040-8M	1064-8M	1120-8M	1160-8M	1200-8M	
	No. of Teeth	Pitch Dia. Inches	No. of Teeth	Pitch Dia. Inches															
Length Factor*					0.80	0.80	0.90	0.90	0.90	0.90	0.90	1.00	1.00	1.00	1.00	1.00	1.00	1.00	1.00
2.00	22	2.206	44	4.411	5.72	6.52	7.32	8.91	10.50	11.28	12.08	12.87	13.66	15.23	15.71	16.81	17.60	18.39	
2.00	24	2.406	48	4.812	5.22	6.02	6.82	8.42	10.01	10.80	11.59	12.38	13.18	14.75	15.23	16.33	17.12	17.91	
2.00	28	2.807	56	5.614	...	5.00	5.82	7.43	9.03	9.82	10.62	11.41	12.21	13.78	14.26	15.37	16.16	16.95	
2.00	32	3.208	64	6.416	6.41	8.03	8.83	9.63	10.43	11.23	12.81	13.29	14.40	15.19	15.98	
2.00	36	3.609	72	7.218	7.01	7.82	8.63	9.43	10.24	11.83	12.31	13.42	14.22	15.01	
2.00	40	4.010	80	8.020	6.79	7.61	8.42	9.23	10.84	11.32	12.43	13.23	14.03	
2.00	56	5.614	112	11.229	9.17	9.99	
2.00	72	7.218	144	14.437	
2.05	44	4.411	90	9.023	7.19	8.01	9.64	10.13	11.26	12.06	12.86	
2.11	38	3.810	80	8.020	6.92	7.75	8.56	9.37	10.98	11.46	12.58	13.38	14.17	
2.12	34	3.409	72	7.218	7.15	7.96	8.77	9.57	10.38	11.97	12.45	13.56	14.36	15.15	
2.13	30	3.008	64	6.416	6.55	8.17	8.97	9.77	10.57	11.37	12.96	13.44	14.54	15.34	16.13	
2.15	26	2.607	56	5.614	...	5.13	5.95	7.57	9.17	9.96	10.76	11.56	12.35	13.93	14.41	15.52	16.31	17.10	
2.18	22	2.206	48	4.812	5.35	6.16	6.97	8.56	10.15	10.95	11.74	12.53	13.32	14.90	15.38	16.48	17.27	18.06	
2.22	36	3.609	80	8.020	7.05	7.88	8.70	9.51	11.12	11.60	12.72	13.52	14.32	
2.25	32	3.208	72	7.218	7.28	8.10	8.91	9.71	10.52	12.12	12.60	13.71	14.51	15.30	
2.25	40	4.010	90	9.023	7.45	8.28	9.92	10.41	11.54	12.34	13.14	
2.25	64	6.416	144	14.437	
2.29	28	2.807	64	6.416	6.69	8.31	9.11	9.92	10.71	11.51	13.10	13.58	14.69	15.49	16.28	
2.33	24	2.406	56	5.614	5.26	6.09	7.71	9.31	10.11	10.91	11.70	12.50	14.08	14.56	15.66	16.46	17.25	
2.33	48	4.812	112	11.229	8.86	9.70	10.53	
2.35	34	3.409	80	8.020	6.35	7.19	8.01	8.83	9.65	11.26	11.74	12.86	13.66	14.46	
2.37	38	3.810	90	9.023	6.74	7.58	8.41	9.23	10.84	11.32	12.43	13.23	14.03	
2.40	30	3.008	72	7.218	5.75	7.42	8.23	9.05	9.85	10.66	12.26	12.74	13.85	14.65	15.44	
2.40	80	8.020	192	19.249	
2.46	26	2.607	64	6.416	5.16	6.82	8.45	9.25	10.06	10.86	11.66	13.25	13.73	14.84	15.63	16.42	
2.50	32	3.208	80	8.020	6.48	7.32	8.15	8.97	9.78	11.40	11.88	13.00	13.81	14.60	
2.50	36	3.609	90	9.023	6.86	7.71	8.55	10.19	10.68	11.81	12.62	13.43	
2.55	22	2.206	56	5.614	4.56	5.40	6.22	7.85	9.45	10.25	11.05	11.85	12.64	14.23	14.70	15.81	16.61	17.39	
2.55	44	4.411	112	11.229	9.12	9.96	10.79	
2.57	28	2.807	72	7.218	5.88	7.55	8.37	9.19	9.99	10.80	12.40	12.88	14.00	14.80	15.59	
2.57	56	5.614	144	14.437	
2.65	34	3.409	90	9.023	6.99	7.84	8.68	10.32	10.81	11.95	12.76	13.56	
2.67	24	2.406	64	6.416	5.29	6.96	8.59	9.39	10.20	11.00	11.80	13.39	13.87	14.98	15.78	16.57	
2.67	30	3.008	80	8.020	6.61	7.45	8.28	9.10	9.92	11.54	12.02	13.14	13.95	14.75	
2.67	72	7.218	192	19.249	
2.77	26	2.607	72	7.218	6.01	7.68	8.50	9.32	10.13	10.94	12.54	13.02	14.14	14.94	15.73	
2.80	40	4.010	112	11.229	8.16	9.37	10.22	11.06	
2.81	32	3.208	90	9.023	7.12	7.97	8.81	10.46	10.95	12.09	12.90	13.70	
2.86	28	2.807	80	8.020	6.74	7.58	8.41	9.24	10.06	11.67	12.16	13.28	14.09	14.89	
Length Factor*					0.80	0.80	0.90	0.90	0.90	0.90	0.90	0.90	1.00	1.00	1.00	1.00	1.00	1.00	1.00

Center distance is greater than eight times the Small Sprocket and the Large Sprocket is not flanged.
Large Sprocket should be ordered with flanges as a special.

* This length correction factor must be used to determine the proper belt width.

FEATURES/BENEFITS PAGE PT11-2	SPECIFICATIONS PAGE PT11-4	ENGINEERING/TECHNICAL PAGE PT11-64	
----------------------------------	-------------------------------	---------------------------------------	--

SELECTION



8MM Pitch HT200 Belt Drive Selection Table

Speed Ratio	Sprocket Combinations				Center Distance, Inches																	
	Driver		Driven		1224-8M	1280-8M	1440-8M	1512-8M	1584-8M	1600-8M	1760-8M	1800-8M	2000-8M	2200-8M	2400-8M	2600-8M	2800-8M	3048-8M	3280-8M	3600-8M	4400-8M	
	No. of Teeth	Pitch Dia. Inches	No. of Teeth	Pitch Dia. Inches																		
Length Factor*					1.00	1.10	1.10	1.10	1.10	1.10	1.10	1.10	1.20	1.20	1.20	1.20	1.20	1.20	1.20	1.20	1.20	1.20
2.00	22	2.206	44	4.411	18.87	19.97	23.12	24.54	25.96	26.27	29.43	30.22	34.16	38.09	42.03	45.97	49.91	54.79	59.36	65.66	81.41	
2.00	24	2.406	48	4.812	18.39	19.49	22.64	24.07	25.48	25.80	28.95	29.74	33.68	37.62	41.56	45.50	49.44	54.32	58.88	65.18	80.94	
2.00	28	2.807	56	5.614	17.42	18.53	21.69	23.11	24.53	24.84	28.00	28.79	32.73	36.66	40.61	44.54	48.49	53.37	57.93	64.24	79.99	
2.00	32	3.208	64	6.416	16.46	17.56	20.72	22.15	23.57	23.88	27.04	27.83	31.77	35.71	39.65	43.59	47.53	52.42	56.98	63.29	79.04	
2.00	36	3.609	72	7.218	15.49	16.59	19.76	21.18	22.60	22.92	26.08	26.87	30.81	34.75	38.70	42.64	46.58	51.46	56.03	62.34	78.09	
2.00	40	4.010	80	8.020	14.51	15.62	18.79	20.22	21.64	21.96	25.12	25.91	29.85	33.80	37.74	41.68	45.63	50.51	55.08	61.38	77.14	
2.00	56	5.614	112	11.229	10.49	11.63	14.85	16.29	17.73	18.05	21.23	22.03	25.99	29.94	33.90	37.85	41.80	46.69	51.26	57.57	73.33	
2.00	72	7.218	144	14.437	12.22	13.69	14.02	17.26	18.07	22.07	26.05	30.02	33.98	37.94	42.84	47.42	53.74	69.51	
2.05	44	4.411	90	9.023	13.34	14.46	17.64	19.07	20.50	20.82	23.98	24.78	28.73	32.67	36.62	40.56	44.51	49.40	53.96	60.27	76.03	
2.11	38	3.810	80	8.020	14.65	15.76	18.94	20.36	21.79	22.10	25.27	26.06	30.00	33.95	37.90	41.84	45.78	50.67	55.23	61.54	77.30	
2.12	34	3.409	72	7.218	15.63	16.74	19.91	21.33	22.75	23.07	26.23	27.02	30.97	34.91	38.85	42.79	46.73	51.62	56.19	62.49	78.25	
2.13	30	3.008	64	6.416	16.61	17.71	20.87	22.30	23.72	24.03	27.19	27.98	31.92	35.86	39.81	43.75	47.69	52.57	57.14	63.44	79.20	
2.15	26	2.607	56	5.614	17.57	18.68	21.84	23.26	24.68	24.99	28.15	28.94	32.88	36.82	40.76	44.70	48.64	53.52	58.09	64.39	80.14	
2.18	22	2.206	48	4.812	18.54	19.64	22.80	24.22	25.63	25.95	29.10	29.89	33.83	37.77	41.71	45.65	49.59	54.47	59.04	65.34	81.09	
2.22	36	3.609	80	8.020	14.80	15.91	19.08	20.51	21.94	22.25	25.42	26.21	30.16	34.10	38.05	41.99	45.93	50.82	55.39	61.69	77.45	
2.25	32	3.208	72	7.218	15.78	16.89	20.06	21.48	22.90	23.22	26.38	27.17	31.12	35.06	39.00	42.94	46.89	51.77	56.34	62.64	78.40	
2.25	40	4.010	90	9.023	13.63	14.75	17.93	19.37	20.79	21.11	24.28	25.07	29.03	32.97	36.92	40.87	44.81	49.70	54.27	60.58	76.34	
2.25	64	6.416	144	14.437	11.24	12.75	14.23	14.56	17.81	18.62	22.64	26.62	30.60	34.57	38.53	43.44	48.02	54.34	70.12	
2.29	28	2.807	64	6.416	16.75	17.86	21.02	22.45	23.87	24.18	27.34	28.13	32.08	36.02	39.96	43.90	47.84	52.73	57.29	63.60	79.35	
2.33	24	2.406	56	5.614	17.72	18.83	21.99	23.41	24.83	25.14	28.30	29.09	33.03	36.97	40.91	44.85	48.79	53.68	58.24	64.55	80.30	
2.33	48	4.812	112	11.229	11.03	12.17	15.41	16.86	18.30	18.62	21.81	22.61	26.58	30.54	34.50	38.45	42.40	47.29	51.87	58.18	73.95	
2.35	34	3.409	80	8.020	14.94	16.05	19.23	20.66	22.08	22.40	25.56	26.36	30.31	34.25	38.20	42.14	46.09	50.97	55.54	61.85	77.60	
2.37	38	3.810	90	9.023	13.77	14.89	18.08	19.51	20.94	21.26	24.43	25.22	29.17	33.12	37.07	41.02	44.97	49.85	54.42	60.73	76.49	
2.40	30	3.008	72	7.218	15.92	17.03	20.20	21.63	23.05	23.37	26.53	27.32	31.27	35.21	39.16	43.10	47.04	51.93	56.49	62.80	78.56	
2.40	80	8.020	192	19.249	17.04	21.16	25.21	29.24	33.24	38.18	42.79	49.14	64.97	
2.46	26	2.607	64	6.416	16.90	18.01	21.17	22.60	24.02	24.33	27.49	28.28	32.23	36.17	40.11	44.05	48.00	52.88	57.45	63.75	79.51	
2.50	32	3.208	80	8.020	15.08	16.20	19.38	20.81	22.23	22.55	25.71	26.51	30.46	34.40	38.35	42.29	46.24	51.12	55.69	62.00	77.76	
2.50	36	3.609	90	9.023	13.91	15.03	18.22	19.66	21.08	21.40	24.57	25.37	29.32	33.27	37.23	41.17	45.12	50.01	54.58	60.88	76.65	
2.55	22	2.206	56	5.614	17.87	18.98	22.14	23.56	24.98	25.30	28.45	29.24	33.18	37.12	41.07	45.01	48.95	53.83	58.40	64.70	80.46	
2.55	44	4.411	112	11.229	11.29	12.44	15.69	17.14	18.58	18.90	22.10	22.90	26.87	30.83	34.79	38.75	42.70	47.59	52.17	58.48	74.25	
2.57	28	2.807	72	7.218	16.07	17.18	20.35	21.78	23.20	23.52	26.68	27.47	31.42	35.36	39.31	43.25	47.19	52.08	56.65	62.95	78.71	
2.57	56	5.614	144	14.437	11.76	13.28	14.77	15.10	18.36	19.18	23.20	27.20	31.18	35.15	39.12	44.03	48.62	54.94	70.73	
2.65	34	3.409	90	9.023	14.05	15.17	18.37	19.80	21.23	21.55	24.72	25.52	29.47	33.42	37.38	41.32	45.27	50.16	54.73	61.04	76.80	
2.67	24	2.406	64	6.416	17.05	18.16	21.32	22.75	24.17	24.48	27.64	28.44	32.38	36.32	40.27	44.21	48.15	53.03	57.60	63.90	79.66	
2.67	30	3.008	80	8.020	15.23	16.34	19.52	20.95	22.38	22.70	25.86	26.66	30.61	34.55	38.50	42.44	46.39	51.28	55.85	62.15	77.91	
2.67	72	7.218	192	19.249	17.56	21.70	25.77	29.80	33.81	38.76	43.37	49.73	65.56	
2.77	26	2.607	72	7.218	16.21	17.32	20.50	21.93	23.35	23.67	26.83	27.62	31.57	35.51	39.46	43.40	47.35	52.23	56.80	63.11	78.86	
2.80	40	4.010	112	11.229	11.56	12.71	15.97	17.42	18.86	19.19	22.38	23.18	27.16	31.13	35.09	39.04	43.00	47.90	52.47	58.79	74.56	
2.81	32	3.208	90	9.023	14.19	15.31	18.51	19.95	21.38	21.69	24.87	25.66	29.62	33.57	37.53	41.47	45.42	50.31	54.88	61.19	76.95	
2.86	28	2.807	80	8.020	15.37	16.49	19.67	21.10	22.53	22.84	26.01	26.80	30.76	34.70	38.65	42.60	46.54	51.43	56.00	62.31	78.07	
Length Factor*					1.00	1.10	1.10	1.10	1.10	1.10	1.10	1.10	1.20	1.20	1.20	1.20	1.20	1.20	1.20	1.20	1.20	1.20

Center distance is greater than eight times the Small Sprocket and the Large Sprocket is not flanged.
Large Sprocket should be ordered with flanges as a special.

* This length correction factor must be used to determine the proper belt width.



SELECTION

8MM Pitch HT200 Belt Drive Selection Table

Speed Ratio	Sprocket Combinations				Center Distance, Inches										
	Driver		Driven		720-8M	800-8M	840-8M	880-8M	920-8M	960-8M	1040-8M	1064-8M	1120-8M	1160-8M	1200-8M
	No. of Teeth	Pitch Dia. Inches	No. of Teeth	Pitch Dia. Inches											
Length Factor*					0.90	0.90	0.90	0.90	1.00	1.00	1.00	1.00	1.00	1.00	1.00
2.91	22	2.206	64	6.416	7.09	8.72	9.53	10.34	11.14	11.94	13.53	14.01	15.13	15.92	16.72
2.95	38	3.810	112	11.229	8.29	9.50	10.35	11.19
3.00	24	2.406	72	7.218	6.14	7.82	8.64	9.46	10.27	11.08	12.68	13.17	14.28	15.08	15.88
3.00	30	3.008	90	9.023	6.36	7.24	8.10	8.94	10.59	11.09	12.22	13.04	13.84
3.00	48	4.812	144	14.437
3.00	64	6.416	192	19.249
3.08	26	2.607	80	8.020	...	6.86	7.71	8.55	9.37	10.19	11.81	12.30	13.42	14.23	15.03
3.11	36	3.609	112	11.229	7.88	8.41	9.63	10.48	11.32
3.21	28	2.807	90	9.023	6.48	7.37	8.22	9.07	10.73	11.22	12.36	13.18	13.98
3.27	22	2.206	72	7.218	6.27	7.95	8.77	9.59	10.41	11.22	12.82	13.31	14.43	15.23	16.02
3.27	44	4.411	144	14.437
3.29	34	3.409	112	11.229	8.00	8.54	9.75	10.61	11.45
3.33	24	2.406	80	8.020	...	6.99	7.84	8.68	9.50	10.33	11.95	12.44	13.56	14.37	15.17
3.43	56	5.614	192	19.249
3.46	26	2.607	90	9.023	6.61	7.49	8.35	9.20	10.86	11.35	12.50	13.31	14.12
3.50	32	3.208	112	11.229	8.12	8.66	9.88	10.74	11.58
3.60	40	4.010	144	14.437
3.64	22	2.206	80	8.020	...	7.12	7.97	8.81	9.64	10.46	12.09	12.58	13.70	14.51	15.31
3.73	30	3.008	112	11.229	8.24	8.78	10.01	10.87	11.71
3.75	24	2.406	90	9.023	6.73	7.62	8.48	9.33	10.99	11.49	12.63	13.45	14.26
3.79	38	3.810	144	14.437
4.00	28	2.807	112	11.229	8.36	8.91	10.13	10.99	11.84
4.00	36	3.609	144	14.437
4.00	48	4.812	192	19.249
4.09	22	2.206	90	9.023	...	5.92	6.85	7.74	8.61	9.46	11.12	11.62	12.77	13.59	14.40
4.24	34	3.409	144	14.437
4.31	26	2.607	112	11.229	8.48	9.03	10.26	11.12	11.97
4.36	44	4.411	192	19.249
4.50	32	3.208	144	14.437
4.67	24	2.406	112	11.229	8.60	9.15	10.38	11.25	12.10
4.80	30	3.008	144	14.437
4.80	40	4.010	192	19.249
5.05	38	3.810	192	19.249
5.09	22	2.206	112	11.229	8.72	9.27	10.51	11.38	12.23
5.14	28	2.807	144	14.437
5.33	36	3.609	192	19.249
5.54	26	2.607	144	14.437
5.65	34	3.409	192	19.249
6.00	24	2.406	144	14.437
6.00	32	3.208	192	19.249
6.40	30	3.008	192	19.249
6.55	22	2.206	144	14.437
6.86	28	2.807	192	19.249
Length Factor*					0.90	0.90	0.90	0.90	1.00	1.00	1.00	1.00	1.00	1.00	1.00

Center distance is greater than eight times the Small Sprocket and the Large Sprocket is not flanged. Large Sprocket should be ordered with flanges as a special.

* This length correction factor must be used to determine the proper belt width.

FEATURES/BENEFITS PAGE PT11-2	SPECIFICATIONS PAGE PT11-4	ENGINEERING/TECHNICAL PAGE PT11-64	
----------------------------------	-------------------------------	---------------------------------------	--

SELECTION



8MM Pitch HT200 Belt Drive Selection Table

Speed Ratio	Sprocket Combinations				Center Distance, Inches																	
	Driver		Driven		1224-8M	1280-8M	1440-8M	1512-8M	1584-8M	1600-8M	1760-8M	1800-8M	2000-8M	2200-8M	2400-8M	2600-8M	2800-8M	3048-8M	3280-8M	3600-8M	4400-8M	
	No. of Teeth	Pitch Dia. Inches	No. of Teeth	Pitch Dia. Inches																		
Length Factor*					1.00	1.10	1.10	1.10	1.10	1.10	1.10	1.10	1.20	1.20	1.20	1.20	1.20	1.20	1.20	1.20	1.20	1.20
2.91	22	2.206	64	6.416	17.19	18.30	21.47	22.90	24.32	24.63	27.79	28.59	32.53	36.47	40.42	44.36	48.30	53.19	57.75	64.06	79.82	
2.95	38	3.810	112	11.229	11.69	12.84	16.10	17.56	19.01	19.33	22.53	23.33	27.31	31.27	35.24	39.19	43.15	48.05	52.62	58.94	74.71	
3.00	24	2.406	72	7.218	16.36	17.47	20.65	22.08	23.50	23.81	26.98	27.77	31.72	35.67	39.61	43.55	47.50	52.39	56.96	63.26	79.02	
3.00	30	3.008	90	9.023	14.33	15.45	18.65	20.09	21.52	21.84	25.01	25.81	29.77	33.72	37.68	41.62	45.57	50.46	55.03	61.34	77.11	
3.00	48	4.812	144	14.437	12.27	13.80	15.30	15.63	18.91	19.73	23.76	27.77	31.76	35.74	39.71	44.62	49.21	55.54	71.33	
3.00	64	6.416	192	19.249	18.08	22.23	26.31	30.36	34.37	39.33	43.95	50.31	66.16	
3.08	26	2.607	80	8.020	15.51	16.63	19.81	21.25	22.67	22.99	26.16	26.95	30.90	34.85	38.80	42.75	46.70	51.58	56.15	62.46	78.22	
3.11	36	3.609	112	11.229	11.82	12.98	16.24	17.70	19.15	19.47	22.67	23.47	27.45	31.42	35.39	39.34	43.30	48.20	52.77	59.09	74.86	
3.21	28	2.807	90	9.023	14.47	15.59	18.80	20.23	21.67	21.98	25.16	25.96	29.92	33.87	37.83	41.77	45.72	50.61	55.19	61.50	77.26	
3.27	22	2.206	72	7.218	16.50	17.61	20.79	22.22	23.65	23.96	27.13	27.92	31.87	35.82	39.76	43.71	47.65	52.54	57.11	63.41	79.17	
3.27	44	4.411	144	14.437	12.52	14.06	15.56	15.89	19.18	20.00	24.04	28.05	32.05	36.03	40.00	44.92	49.51	55.84	71.64	
3.29	34	3.409	112	11.229	11.95	13.11	16.38	17.84	19.29	19.61	22.81	23.61	27.60	31.57	35.53	39.49	43.45	48.35	52.92	59.24	75.02	
3.33	24	2.406	80	8.020	15.65	16.77	19.96	21.39	22.82	23.14	26.31	27.10	31.05	35.00	38.96	42.90	46.85	51.74	56.31	62.61	78.38	
3.43	56	5.614	192	19.249	13.39	14.29	18.60	22.77	26.86	30.91	34.94	39.90	44.53	50.89	66.75	
3.46	26	2.607	90	9.023	14.61	15.73	18.94	20.38	21.81	22.13	25.31	26.10	30.06	34.02	37.98	41.92	45.87	50.76	55.34	61.65	77.41	
3.50	32	3.208	112	11.229	12.08	13.24	16.52	17.98	19.43	19.75	22.95	23.76	27.74	31.71	35.68	39.64	43.60	48.50	53.07	59.39	75.17	
3.60	40	4.010	144	14.437	12.78	14.32	15.82	16.16	19.45	20.27	24.32	28.34	32.34	36.32	40.29	45.21	49.80	56.13	71.94	
3.64	22	2.206	80	8.020	15.80	16.91	20.10	21.54	22.96	23.28	26.45	27.25	31.20	35.15	39.11	43.05	47.00	51.89	56.46	62.77	78.53	
3.73	30	3.008	112	11.229	12.21	13.38	16.65	18.11	19.56	19.89	23.10	23.90	27.88	31.86	35.83	39.79	43.75	48.64	53.22	59.54	75.32	
3.75	24	2.406	90	9.023	14.75	15.87	19.08	20.52	21.95	22.27	25.45	26.25	30.21	34.17	38.13	42.07	46.02	50.92	55.49	61.80	77.57	
3.79	38	3.810	144	14.437	12.90	14.45	15.96	16.29	19.59	20.41	24.46	28.48	32.48	36.46	40.44	45.36	49.95	56.28	72.09	
4.00	28	2.807	112	11.229	12.35	13.51	16.79	18.25	19.70	20.03	23.24	24.04	28.03	32.00	35.97	39.93	43.89	48.79	53.37	59.69	75.47	
4.00	36	3.609	144	14.437	...	9.42	13.03	14.57	16.09	16.42	19.72	20.54	24.60	28.62	32.62	36.61	40.59	45.50	50.10	56.43	72.24	
4.00	48	4.812	192	19.249	13.88	14.78	19.12	23.30	27.41	31.47	35.50	40.47	45.10	51.47	67.34	
4.09	22	2.206	90	9.023	14.88	16.01	19.22	20.66	22.10	22.42	25.60	26.40	30.36	34.32	38.27	42.22	46.17	51.07	55.64	61.95	77.72	
4.24	34	3.409	144	14.437	...	9.53	13.16	14.70	16.22	16.55	19.86	20.68	24.74	28.76	32.76	36.75	40.73	45.65	50.25	56.58	72.39	
4.31	26	2.607	112	11.229	12.48	13.64	16.93	18.39	19.84	20.17	23.38	24.18	28.17	32.15	36.12	40.08	44.04	48.94	53.52	59.84	75.63	
4.36	44	4.411	192	19.249	4.12	15.03	19.38	25.57	27.68	31.74	35.78	40.75	45.39	51.76	67.63	
4.50	32	3.208	144	14.437	...	9.65	13.28	14.83	16.35	16.68	19.99	20.81	24.88	28.90	32.91	36.89	40.88	45.80	50.39	56.73	72.54	
4.67	24	2.406	112	11.229	12.61	13.77	17.06	18.53	19.98	20.30	23.52	24.32	28.32	32.29	36.27	40.23	44.19	49.09	53.67	59.99	75.78	
4.80	30	3.008	144	14.437	...	9.77	13.41	14.96	16.48	16.81	20.13	20.95	25.01	29.04	33.05	37.04	41.02	45.94	50.54	56.88	72.69	
4.80	40	4.010	192	19.249	14.37	15.27	19.63	23.83	27.95	32.02	36.05	41.03	45.67	52.05	67.93	
5.05	38	3.810	192	19.249	14.49	15.40	19.76	23.96	28.08	32.15	36.19	41.18	45.82	52.19	68.08	
5.09	22	2.206	112	11.229	12.74	13.90	17.20	18.67	20.12	20.44	23.66	24.47	28.46	32.44	36.41	40.38	44.34	49.24	53.82	60.14	75.93	
5.14	28	2.807	144	14.437	...	9.89	13.53	15.09	16.61	16.94	20.26	21.08	25.15	29.18	33.19	37.18	41.17	46.09	50.69	57.02	72.84	
5.33	36	3.609	192	19.249	14.61	15.52	19.89	24.09	28.22	32.29	36.33	41.32	45.96	52.34	68.22	
5.54	26	2.607	144	14.437	...	10.00	13.66	15.21	16.74	17.07	20.39	21.22	25.29	29.32	33.33	37.32	41.31	46.23	50.83	57.17	72.99	
5.65	34	3.409	192	19.249	14.73	15.64	20.02	24.23	28.35	32.43	36.47	41.46	46.10	52.48	68.37	
6.00	24	2.406	144	14.437	...	10.12	13.78	15.34	16.87	17.20	20.53	21.35	25.43	29.46	33.47	37.47	41.45	46.38	50.98	57.32	73.14	
6.00	32	3.208	192	19.249	14.85	15.76	20.14	24.36	28.49	32.56	36.61	41.60	46.24	52.63	68.52	
6.40	30	3.008	192	19.249	14.97	15.89	20.27	24.49	28.62	32.70	36.75	41.74	46.38	52.77	68.66	
6.55	22	2.206	144	14.437	8.80	10.24	13.91	15.47	17.00	17.33	20.66	21.49	25.56	29.60	33.62	37.61	41.60	46.53	51.13	57.47	73.29	
6.86	28	2.807	192	19.249	15.09	16.01	20.40	24.62	28.75	32.84	36.89	41.88	46.53	52.91	68.81	
Length Factor*					1.00	1.10	1.10	1.10	1.10	1.10	1.10	1.10	1.20	1.20	1.20	1.20	1.20	1.20	1.20	1.20	1.20	1.20

Center distance is greater than eight times the Small Sprocket and the Large Sprocket is not flanged.
Large Sprocket should be ordered with flanges as a special.

* This length correction factor must be used to determine the proper belt width.

FEATURES/BENEFITS PAGE PT11-2	SPECIFICATIONS PAGE PT11-4	ENGINEERING/TECHNICAL PAGE PT11-64	
----------------------------------	-------------------------------	---------------------------------------	--



SELECTION

14MM Pitch HT200 Belt Drive Selection Table

Speed Ratio	Sprocket Combinations				Center Distance, Inches										
	Driver		Driven		966-14M	1190-14M	1400-14M	1610-14M	1778-14M	1890-14M	2100-14M	2310-14M	2450-14M	2590-14M	2800-14M
	No. of Teeth	Pitch Dia. Inches	No. of Teeth	Pitch Dia. Inches											
Length Factor*					0.80	0.80	0.90	0.90	0.95	0.95	1.00	1.00	1.00	1.05	1.05
1.00	28	4.912	28	4.912	11.30	15.71	19.84	23.98	27.28	29.49	33.62	37.75	40.51	43.27	47.40
1.00	29	5.088	29	5.088	11.02	15.43	19.57	23.70	27.01	29.21	33.35	37.48	40.24	42.99	47.13
1.00	30	5.263	30	5.263	10.75	15.16	19.29	23.43	26.73	28.94	33.07	37.20	39.96	42.72	46.85
1.00	32	5.614	32	5.614	10.20	14.61	18.74	22.88	26.18	28.39	32.52	36.65	39.41	42.17	46.30
1.00	34	5.965	34	5.965	9.65	14.06	18.19	22.33	25.63	27.84	31.97	36.10	38.86	41.62	45.75
1.00	36	6.316	36	6.316	9.09	13.50	17.64	21.77	25.08	27.28	31.42	35.55	38.31	41.06	45.20
1.00	38	6.667	38	6.667	8.54	12.95	17.09	21.22	24.53	26.73	30.87	35.00	37.76	40.51	44.65
1.00	40	7.018	40	7.018	7.99	12.40	16.54	20.67	23.98	26.18	30.32	34.45	37.21	39.96	44.10
1.00	44	7.720	44	7.720	...	11.30	15.43	19.57	22.87	25.08	29.21	33.34	36.10	38.86	42.99
1.00	48	8.421	48	8.421	...	10.20	14.33	18.47	21.77	23.98	28.11	32.24	35.00	37.76	41.89
1.00	52	9.123	52	9.123	13.23	17.36	20.67	22.87	27.01	31.14	33.90	36.65	40.79
1.00	56	9.825	56	9.825	12.13	16.26	19.57	21.77	25.91	30.04	32.80	35.55	39.69
1.00	60	10.527	60	10.527	15.16	18.46	20.67	24.80	28.93	31.69	34.45	38.58
1.00	64	11.229	64	11.229	14.06	17.36	19.57	23.70	27.83	30.59	33.35	37.48
1.00	68	11.930	68	11.930	12.96	16.26	18.47	22.60	26.73	29.49	32.25	36.38
1.00	72	12.632	72	12.632	15.16	17.36	21.50	25.63	28.39	31.14	35.28
1.00	80	14.036	80	14.036	15.16	19.29	23.42	26.18	28.94	33.07
1.03	29	5.088	30	5.263	10.88	15.30	19.43	23.57	26.87	29.08	33.21	37.34	40.10	42.86	46.99
1.04	28	4.912	29	5.088	11.16	15.57	19.71	23.84	27.15	29.35	33.49	37.62	40.38	43.13	47.27
1.05	38	6.667	40	7.018	8.26	12.68	16.81	20.95	24.25	26.46	30.59	34.72	37.48	40.24	44.37
1.06	36	6.316	38	6.667	8.82	13.23	17.36	21.50	24.80	27.01	31.14	35.27	38.03	40.79	44.92
1.06	34	5.965	36	6.316	9.37	13.78	17.91	22.05	25.35	27.56	31.69	35.82	38.58	41.34	45.47
1.06	68	11.930	72	12.632	15.71	17.91	22.05	26.18	28.94	31.69	35.83
1.06	32	5.614	34	5.965	9.92	14.33	18.47	22.60	25.91	28.11	32.25	36.38	39.14	41.89	46.03
1.06	64	11.229	68	11.930	13.50	16.81	19.01	23.15	27.28	30.04	32.79	36.93
1.07	30	5.263	32	5.614	10.47	14.88	19.02	23.15	26.46	28.66	32.80	36.93	39.69	42.44	46.58
1.07	60	10.527	64	11.229	14.60	17.91	20.11	24.25	28.38	31.14	33.90	38.03
1.07	28	4.912	30	5.263	11.02	15.43	19.57	23.70	27.01	29.21	33.35	37.48	40.24	42.99	47.13
1.07	56	9.825	60	10.527	11.57	15.71	19.01	21.22	25.35	29.48	32.24	35.00	39.13
1.08	52	9.123	56	9.825	12.67	16.81	20.12	22.32	26.46	30.59	33.35	36.10	40.24
1.08	48	8.421	52	9.123	...	9.64	13.78	17.91	21.22	23.42	27.56	31.69	34.45	37.20	41.34
1.09	44	7.720	48	8.421	...	10.74	14.88	19.01	22.32	24.53	28.66	32.79	35.55	38.31	42.44
1.10	40	7.018	44	7.720	...	11.84	15.98	20.12	23.42	25.63	29.76	33.89	36.65	39.41	43.54
1.10	29	5.088	32	5.614	10.61	15.02	19.15	23.29	26.59	28.80	32.93	37.06	39.82	42.58	46.71
1.11	36	6.316	40	7.018	8.54	12.95	17.08	21.22	24.52	26.73	30.87	35.00	37.76	40.51	44.65
1.11	72	12.632	80	14.036	14.04	16.24	20.38	24.51	27.28	30.03	34.17
1.12	34	5.965	38	6.667	9.09	13.50	17.64	21.77	25.08	27.28	31.42	35.55	38.31	41.06	45.20
1.13	32	5.614	36	6.316	9.64	14.05	18.19	22.32	25.63	27.83	31.97	36.10	38.86	41.61	45.75
1.13	64	11.229	72	12.632	12.94	16.24	18.45	22.59	26.72	29.48	32.24	36.37
1.13	80	14.036	90	15.790	17.89	22.03	24.79	27.55	31.68
Length Factor*					0.80	0.80	0.90	0.90	0.95	0.95	1.00	1.00	1.00	1.05	1.05

Center distance is greater than eight times the Small Sprocket and the Large Sprocket is not flanged.
Large Sprocket should be ordered with flanges as a special.

* This length correction factor must be used to determine the proper belt width.



14MM Pitch HT200 Belt Drive Selection Table

Speed Ratio	Sprocket Combinations				Center Distance, Inches										
	Driver		Driven		3150-14M	3360-14M	3500-14M	3850-14M	4326-14M	4578-14M	4956-14M	5320-14M	5740-14M	6160-14M	6860-14M
	No. of Teeth	Pitch Dia. Inches	No. of Teeth	Pitch Dia. Inches											
Length Factor*					1.05	1.10	1.10	1.10	1.10	1.10	1.10	1.10	1.10	1.10	1.10
1.00	28	4.912	28	4.912	54.29	58.42	61.18	68.07	77.44	82.40	89.84	97.01	105.27	113.54	127.32
1.00	29	5.088	29	5.088	54.02	58.15	60.91	67.79	77.16	82.13	89.57	96.73	105.00	113.27	127.05
1.00	30	5.263	30	5.263	53.74	57.87	60.63	67.52	76.89	81.85	89.29	96.46	104.72	112.99	126.77
1.00	32	5.614	32	5.614	53.19	57.32	60.08	66.97	76.34	81.30	88.74	95.91	104.17	112.44	126.22
1.00	34	5.965	34	5.965	52.64	56.77	59.53	66.42	75.79	80.75	88.19	95.36	103.62	111.89	125.67
1.00	36	6.316	36	6.316	52.09	56.22	58.98	65.86	75.23	80.20	87.64	94.80	103.07	111.34	125.12
1.00	38	6.667	38	6.667	51.54	55.67	58.43	65.31	74.68	79.65	87.09	94.25	102.52	110.79	124.57
1.00	40	7.018	40	7.018	50.99	55.12	57.88	64.76	74.13	79.10	86.54	93.70	101.97	110.24	124.02
1.00	44	7.720	44	7.720	49.88	54.01	56.77	63.66	73.03	77.99	85.43	92.60	100.86	109.13	122.91
1.00	48	8.421	48	8.421	48.78	52.91	55.67	62.56	71.93	76.89	84.33	91.50	99.76	108.03	121.81
1.00	52	9.123	52	9.123	47.68	51.81	54.57	61.45	70.82	75.79	83.23	90.39	98.66	106.93	120.71
1.00	56	9.825	56	9.825	46.58	50.71	53.47	60.35	69.72	74.69	82.13	89.29	97.56	105.83	119.61
1.00	60	10.527	60	10.527	45.47	49.60	52.36	59.25	68.62	73.58	81.02	88.19	96.45	104.72	118.50
1.00	64	11.229	64	11.229	44.37	48.50	51.26	58.15	67.52	72.48	79.92	87.09	95.35	103.62	117.40
1.00	68	11.930	68	11.930	43.27	47.40	50.16	57.05	66.42	71.38	78.82	85.99	94.25	102.52	116.30
1.00	72	12.632	72	12.632	42.17	46.30	49.06	55.94	65.31	70.28	77.72	84.88	93.15	101.42	115.20
1.00	80	14.036	80	14.036	39.96	44.09	46.85	53.74	63.11	68.07	75.51	82.68	90.94	99.21	112.99
1.03	29	5.088	30	5.263	53.88	58.01	60.77	67.66	77.03	81.99	89.43	96.60	104.86	113.13	126.91
1.04	28	4.912	29	5.088	54.16	58.29	61.05	67.93	77.30	82.27	89.71	96.87	105.14	113.41	127.19
1.05	38	6.667	40	7.018	51.26	55.39	58.15	65.04	74.41	79.37	86.81	93.98	102.24	110.51	124.29
1.06	36	6.316	38	6.667	51.81	55.94	58.70	65.59	74.96	79.92	87.36	94.53	102.79	111.06	124.84
1.06	34	5.965	36	6.316	52.36	56.49	59.25	66.14	75.51	80.47	87.91	95.08	103.34	111.61	125.39
1.06	68	11.930	72	12.632	42.72	46.85	49.61	56.49	65.86	70.83	78.27	85.43	93.70	101.97	115.75
1.06	32	5.614	34	5.965	52.92	57.05	59.81	66.69	76.06	81.03	88.47	95.63	103.90	112.17	125.95
1.06	64	11.229	68	11.930	43.82	47.95	50.71	57.59	66.97	71.93	79.37	86.54	94.80	103.07	116.85
1.07	30	5.263	32	5.614	53.47	57.60	60.36	67.24	76.61	81.58	89.02	96.18	104.45	112.72	126.50
1.07	60	10.527	64	11.229	44.92	49.05	51.81	58.70	68.07	73.03	80.47	87.64	95.90	104.17	117.95
1.07	28	4.912	30	5.263	54.02	58.15	60.91	67.79	77.16	82.13	89.57	96.73	105.00	113.27	127.05
1.07	56	9.825	60	10.527	46.02	50.15	52.91	59.80	69.17	74.13	81.57	88.74	97.00	105.27	119.06
1.08	52	9.123	56	9.825	47.13	51.26	54.02	60.90	70.27	75.24	82.68	89.84	98.11	106.38	120.16
1.08	48	8.421	52	9.123	48.23	52.36	55.12	62.00	71.38	76.34	83.78	90.95	99.21	107.48	121.26
1.09	44	7.720	48	8.421	49.33	53.46	56.22	63.11	72.48	77.44	84.88	92.05	100.31	108.58	122.36
1.10	40	7.018	44	7.720	50.43	54.56	57.32	64.21	73.58	78.54	85.98	93.15	101.41	109.68	123.46
1.10	29	5.088	32	5.614	53.60	57.73	60.49	67.38	76.75	81.71	89.15	96.32	104.58	112.85	126.63
1.11	36	6.316	40	7.018	51.54	55.67	58.43	65.31	74.68	79.65	87.09	94.25	102.52	110.79	124.57
1.11	72	12.632	80	14.036	41.06	45.19	47.95	54.84	64.21	69.17	76.61	83.78	92.04	100.31	114.09
1.12	34	5.965	38	6.667	52.09	56.22	58.98	65.86	75.23	80.20	87.64	94.80	103.07	111.34	125.12
1.13	32	5.614	36	6.316	52.64	56.77	59.53	66.41	75.78	80.75	88.19	95.35	103.62	111.89	125.67
1.13	64	11.229	72	12.632	43.26	47.39	50.15	57.04	66.41	71.38	78.82	85.98	94.25	102.52	116.30
1.13	80	14.036	90	15.790	38.57	42.71	45.47	52.35	61.72	66.69	74.13	81.29	89.56	97.83	111.61
Length Factor*					1.05	1.10	1.10	1.10	1.10	1.10	1.10	1.10	1.10	1.10	1.10

Center distance is greater than eight times the Small Sprocket and the Large Sprocket is not flanged. Large Sprocket should be ordered with flanges as a special.

* This length correction factor must be used to determine the proper belt width.



SELECTION

14MM Pitch HT200 Belt Drive Selection Table

Speed Ratio	Sprocket Combinations				Center Distance, Inches										
	Driver		Driven		966-14M	1190-14M	1400-14M	1610-14M	1778-14M	1890-14M	2100-14M	2310-14M	2450-14M	2590-14M	2800-14M
	No. of Teeth	Pitch Dia. Inches	No. of Teeth	Pitch Dia. Inches											
Length Factor*					0.80	0.80	0.90	0.90	0.95	0.95	1.00	1.00	1.00	1.05	1.05
1.13	30	5.263	34	5.965	10.19	14.60	18.74	22.87	26.18	28.38	32.52	36.65	39.41	42.17	46.30
1.13	60	10.527	68	11.930	14.04	17.35	19.55	23.69	27.82	30.58	33.34	37.48
1.14	28	4.912	32	5.614	10.74	15.15	19.29	23.43	26.73	28.94	33.07	37.20	39.96	42.72	46.85
1.14	56	9.825	64	11.229	15.14	18.45	20.66	24.79	28.93	31.69	34.44	38.58
1.15	52	9.123	60	10.527	12.11	16.25	19.55	21.76	25.90	30.03	32.79	35.54	39.68
1.16	38	6.667	44	7.720	...	12.11	16.25	20.39	23.69	25.90	30.04	34.17	36.93	39.68	43.82
1.17	48	8.421	56	9.825	13.21	17.35	20.66	22.86	27.00	31.13	33.89	36.65	40.78
1.17	29	5.088	34	5.965	10.32	14.74	18.87	23.01	26.32	28.52	32.66	36.79	39.55	42.30	46.44
1.18	34	5.965	40	7.018	8.80	13.22	17.36	21.49	24.80	27.00	31.14	35.27	38.03	40.78	44.92
1.18	68	11.930	80	14.036	14.57	16.78	20.92	25.05	27.82	30.57	34.71
1.18	44	7.720	52	9.123	...	10.17	14.31	18.45	21.76	23.97	28.10	32.23	34.99	37.75	41.89
1.19	32	5.614	38	6.667	9.35	13.77	17.91	22.04	25.35	27.55	31.69	35.82	38.58	41.34	45.47
1.20	30	5.263	36	6.316	9.91	14.32	18.46	22.59	25.90	28.11	32.24	36.37	39.13	41.89	46.02
1.20	40	7.018	48	8.421	...	11.28	15.42	19.56	22.86	25.07	29.21	33.34	36.10	38.85	42.99
1.20	60	10.527	72	12.632	13.46	16.78	18.99	23.13	27.26	30.02	32.78	36.92
1.21	28	4.912	34	5.965	10.46	14.87	19.01	23.15	26.45	28.66	32.79	36.92	39.68	42.44	46.57
1.21	56	9.825	68	11.930	14.57	17.88	20.09	24.23	28.36	31.13	33.88	38.02
1.22	36	6.316	44	7.720	7.96	12.38	16.52	20.66	23.97	26.17	30.31	34.44	37.20	39.95	44.09
1.23	52	9.123	64	11.229	11.53	15.68	18.99	21.19	25.33	29.47	32.23	34.98	39.12
1.24	29	5.088	36	6.316	10.04	14.46	18.59	22.73	26.04	28.24	32.38	36.51	39.27	42.02	46.16
1.25	32	5.614	40	7.018	9.07	13.49	17.62	21.76	25.07	27.27	31.41	35.54	38.30	41.06	45.19
1.25	48	8.421	60	10.527	12.63	16.78	20.09	22.30	26.44	30.57	33.33	36.09	40.22
1.25	64	11.229	80	14.036	15.09	17.30	21.45	25.59	28.35	31.11	35.25
1.25	72	12.632	90	15.790	14.80	18.95	23.09	25.86	28.62	32.76
1.26	38	6.667	48	8.421	...	11.54	15.69	19.83	23.13	25.34	29.48	33.61	36.37	39.13	43.26
1.27	30	5.263	38	6.667	9.62	14.04	18.18	22.31	25.62	27.83	31.96	36.09	38.85	41.61	45.74
1.27	44	7.720	56	9.825	...	9.59	13.74	17.88	21.19	23.40	27.54	31.67	34.43	37.19	41.33
1.29	28	4.912	36	6.316	10.17	14.59	18.73	22.87	26.17	28.38	32.51	36.64	39.41	42.16	46.30
1.29	56	9.825	72	12.632	13.99	17.31	19.52	23.66	27.80	30.56	33.32	37.46
1.29	34	5.965	44	7.720	8.22	12.65	16.79	20.93	24.24	26.44	30.58	34.71	37.47	40.23	44.36
1.30	40	7.018	52	9.123	...	10.70	14.85	18.99	22.30	24.51	28.64	32.78	35.54	38.29	42.43
1.31	52	9.123	68	11.930	15.09	18.41	20.62	24.77	28.90	31.66	34.42	38.56
1.31	29	5.088	38	6.667	9.75	14.17	18.31	22.45	25.76	27.96	32.10	36.23	38.99	41.75	45.88
1.32	68	11.930	90	15.790	15.31	19.47	23.62	26.39	29.15	33.29
1.33	30	5.263	40	7.018	9.33	13.75	17.89	22.03	25.34	27.55	31.68	35.81	38.57	41.33	45.47
1.33	36	6.316	48	8.421	...	11.80	15.95	20.09	23.40	25.61	29.75	33.88	36.64	39.40	43.53
1.33	48	8.421	64	11.229	12.05	16.20	19.52	21.73	25.87	30.00	32.77	35.52	39.66
1.33	60	10.527	80	14.036	15.61	17.83	21.98	26.12	28.88	31.64	35.79
1.36	28	4.912	38	6.667	9.88	14.30	18.45	22.58	25.89	28.10	32.23	36.37	39.13	41.88	46.02
1.36	44	7.720	60	10.527	13.15	17.31	20.62	22.83	26.97	31.11	33.87	36.63	40.76
Length Factor*					0.80	0.80	0.90	0.90	0.95	0.95	1.00	1.00	1.00	1.05	1.05

Center distance is greater than eight times the Small Sprocket and the Large Sprocket is not flanged.
Large Sprocket should be ordered with flanges as a special.

* This length correction factor must be used to determine the proper belt width.



14MM Pitch HT200 Belt Drive Selection Table

Speed Ratio	Sprocket Combinations				Center Distance, Inches										
	Driver		Driven		3150-14M	3360-14M	3500-14M	3850-14M	4326-14M	4578-14M	4956-14M	5320-14M	5740-14M	6160-14M	6860-14M
	No. of Teeth	Pitch Dia. Inches	No. of Teeth	Pitch Dia. Inches											
Length Factor*					1.05	1.10	1.10	1.10	1.10	1.10	1.10	1.10	1.10	1.10	1.10
1.13	30	5.263	34	5.965	53.19	57.32	60.08	66.97	76.34	81.30	88.74	95.91	104.17	112.44	126.22
1.13	60	10.527	68	11.930	44.37	48.50	51.26	58.14	67.51	72.48	79.92	87.08	95.35	103.62	117.40
1.14	28	4.912	32	5.614	53.74	57.87	60.63	67.52	76.89	81.85	89.29	96.46	104.72	112.99	126.77
1.14	56	9.825	64	11.229	45.47	49.60	52.36	59.25	68.62	73.58	81.02	88.19	96.45	104.72	118.50
1.15	52	9.123	60	10.527	46.57	50.70	53.46	60.35	69.72	74.68	82.12	89.29	97.55	105.82	119.60
1.16	38	6.667	44	7.720	50.71	54.84	57.60	64.48	73.85	78.82	86.26	93.42	101.69	109.96	123.74
1.17	48	8.421	56	9.825	47.67	51.80	54.57	61.45	70.82	75.79	83.23	90.39	98.66	106.93	120.71
1.17	29	5.088	34	5.965	53.33	57.46	60.22	67.10	76.47	81.44	88.88	96.04	104.31	112.58	126.36
1.18	34	5.965	40	7.018	51.81	55.94	58.70	65.59	74.96	79.92	87.36	94.53	102.79	111.06	124.84
1.18	68	11.930	80	14.036	41.60	45.73	48.49	55.38	64.75	69.72	77.16	84.32	92.59	100.86	114.64
1.18	44	7.720	52	9.123	48.78	52.91	55.67	62.55	71.92	76.89	84.33	91.49	99.76	108.03	121.81
1.19	32	5.614	38	6.667	52.36	56.49	59.25	66.14	75.51	80.47	87.91	95.08	103.34	111.61	125.39
1.20	30	5.263	36	6.316	52.91	57.04	59.80	66.69	76.06	81.02	88.46	95.63	103.89	112.16	125.94
1.20	40	7.018	48	8.421	49.88	54.01	56.77	63.66	73.03	77.99	85.43	92.60	100.86	109.13	122.91
1.20	60	10.527	72	12.632	43.81	47.94	50.70	57.59	66.96	71.92	79.36	86.53	94.80	103.07	116.85
1.21	28	4.912	34	5.965	53.46	57.59	60.35	67.24	76.61	81.58	89.02	96.18	104.45	112.72	126.50
1.21	56	9.825	68	11.930	44.91	49.04	51.80	58.69	68.06	73.03	80.47	87.63	95.90	104.17	117.95
1.22	36	6.316	44	7.720	50.98	55.11	57.87	64.76	74.13	79.09	86.53	93.70	101.96	110.23	124.01
1.23	52	9.123	64	11.229	46.01	50.14	52.91	59.79	69.16	74.13	81.57	88.73	97.00	105.27	119.05
1.24	29	5.088	36	6.316	53.05	57.18	59.94	66.83	76.20	81.16	88.60	95.77	104.03	112.30	126.08
1.25	32	5.614	40	7.018	52.08	56.21	58.97	65.86	75.23	80.20	87.64	94.80	103.07	111.34	125.12
1.25	48	8.421	60	10.527	47.12	51.25	54.01	60.89	70.27	75.23	82.67	89.84	98.10	106.37	120.15
1.25	64	11.229	80	14.036	42.14	46.28	49.04	55.92	65.30	70.26	77.70	84.87	93.14	101.41	115.19
1.25	72	12.632	90	15.790	39.66	43.79	46.55	53.44	62.81	67.78	75.22	82.39	90.65	98.92	112.71
1.26	38	6.667	48	8.421	50.15	54.28	57.04	63.93	73.30	78.26	85.71	92.87	101.14	109.41	123.19
1.27	30	5.263	38	6.667	52.64	56.77	59.53	66.41	75.78	80.75	88.19	95.35	103.62	111.89	125.67
1.27	44	7.720	56	9.825	48.22	52.35	55.11	62.00	71.37	76.33	83.77	90.94	99.20	107.48	121.26
1.29	28	4.912	36	6.316	53.19	57.32	60.08	66.96	76.33	81.30	88.74	95.90	104.17	112.44	126.22
1.29	56	9.825	72	12.632	44.35	48.48	51.24	58.13	67.50	72.47	79.91	87.08	95.34	103.61	117.39
1.29	34	5.965	44	7.720	51.25	55.38	58.15	65.03	74.40	79.37	86.81	93.97	102.24	110.51	124.29
1.30	40	7.018	52	9.123	49.32	53.45	56.21	63.10	72.47	77.44	84.88	92.04	100.31	108.58	122.36
1.31	52	9.123	68	11.930	45.45	49.59	52.35	59.23	68.61	73.57	81.01	88.18	96.44	104.72	118.50
1.31	29	5.088	38	6.667	52.77	56.90	59.66	66.55	75.92	80.88	88.32	95.49	103.75	112.02	125.81
1.32	68	11.930	90	15.790	40.19	44.33	47.09	53.98	63.35	68.32	75.76	82.93	91.20	99.47	113.25
1.33	30	5.263	40	7.018	52.36	56.49	59.25	66.13	75.50	80.47	87.91	95.08	103.34	111.61	125.39
1.33	36	6.316	48	8.421	50.42	54.56	57.32	64.20	73.57	78.54	85.98	93.14	101.41	109.68	123.46
1.33	48	8.421	64	11.229	46.56	50.69	53.45	60.34	69.71	74.67	82.11	89.28	97.55	105.82	119.60
1.33	60	10.527	80	14.036	42.68	46.82	49.58	56.47	65.84	70.81	78.25	85.42	93.68	101.95	115.73
1.36	28	4.912	38	6.667	52.91	57.04	59.80	66.69	76.06	81.02	88.46	95.63	103.89	112.16	125.94
1.36	44	7.720	60	10.527	47.66	51.79	54.55	61.44	70.81	75.78	83.22	90.38	98.65	106.92	120.70
Length Factor*					1.05	1.10	1.10	1.10	1.10	1.10	1.10	1.10	1.10	1.10	1.10

Center distance is greater than eight times the Small Sprocket and the Large Sprocket is not flanged. Large Sprocket should be ordered with flanges as a special.

* This length correction factor must be used to determine the proper belt width.



SELECTION

14MM Pitch HT200 Belt Drive Selection Table

Speed Ratio	Sprocket Combinations				Center Distance, Inches										
	Driver		Driven		966-14M	1190-14M	1400-14M	1610-14M	1778-14M	1890-14M	2100-14M	2310-14M	2450-14M	2590-14M	2800-14M
	No. of Teeth	Pitch Dia. Inches	No. of Teeth	Pitch Dia. Inches											
Length Factor*					0.80	0.80	0.90	0.90	0.95	0.95	1.00	1.00	1.00	1.05	1.05
1.37	38	6.667	52	9.123	...	10.95	15.11	19.25	22.57	24.77	28.91	33.05	35.81	38.56	42.70
1.38	32	5.614	44	7.720	8.48	12.91	17.05	21.20	24.50	26.71	30.85	34.98	37.74	40.50	44.64
1.38	29	5.088	40	7.018	9.46	13.88	18.03	22.17	25.47	27.68	31.82	35.95	38.71	41.47	45.60
1.39	52	9.123	72	12.632	14.50	17.83	20.04	24.19	28.33	31.09	33.85	37.99
1.40	40	7.018	56	9.825	...	10.10	14.26	18.41	21.73	23.94	28.08	32.21	34.97	37.73	41.87
1.40	80	14.036	112	19.650	18.80	21.59	24.37	28.52	
1.41	64	11.229	90	15.790	15.82	19.99	24.14	26.91	29.68	33.82
1.41	34	5.965	48	8.421	...	12.06	16.21	20.36	23.67	25.88	30.02	34.15	36.91	39.67	43.80
1.42	48	8.421	68	11.930	11.44	15.61	18.94	21.15	25.30	29.43	32.20	34.96	39.10
1.43	28	4.912	40	7.018	9.59	14.02	18.16	22.30	25.61	27.82	31.95	36.08	38.85	41.60	45.74
1.43	56	9.825	80	14.036	12.78	16.12	18.34	22.50	26.65	29.41	32.18	36.32
1.44	36	6.316	52	9.123	...	11.21	15.37	19.52	22.83	25.04	29.18	33.31	36.08	38.83	42.97
1.46	44	7.720	64	11.229	12.55	16.72	20.04	22.25	26.40	30.54	33.30	36.06	40.20
1.47	30	5.263	44	7.720	8.73	13.17	17.32	21.46	24.77	26.98	31.12	35.25	38.01	40.77	44.91
1.47	38	6.667	56	9.825	...	10.35	14.52	18.68	21.99	24.20	28.34	32.48	35.24	38.00	42.14
1.50	32	5.614	48	8.421	7.87	12.32	16.48	20.62	23.94	26.14	30.28	34.42	37.18	39.94	44.07
1.50	40	7.018	60	10.527	...	9.48	13.67	17.83	21.15	23.36	27.50	31.64	34.41	37.16	41.30
1.50	48	8.421	72	12.632	15.01	18.34	20.56	24.72	28.86	31.62	34.39	38.53
1.50	60	10.527	90	15.790	14.08	16.32	20.50	24.66	27.43	30.20	34.35
1.52	29	5.088	44	7.720	8.86	13.30	17.45	21.60	24.91	27.11	31.25	35.39	38.15	40.90	45.04
1.53	34	5.965	52	9.123	...	11.47	15.63	19.78	23.10	25.31	29.45	33.58	36.35	39.10	43.24
1.54	52	9.123	80	14.036	13.28	16.63	18.86	23.02	27.17	29.94	32.70	36.85
1.55	44	7.720	68	11.930	11.94	16.12	19.45	21.67	25.82	29.96	32.73	35.49	39.63
1.56	36	6.316	56	9.825	...	10.60	14.78	18.94	22.25	24.46	28.61	32.75	35.51	38.27	42.41
1.56	72	12.632	112	19.650	19.80	22.60	25.39	29.56	
1.57	28	4.912	44	7.720	8.98	13.43	17.58	21.73	25.04	27.25	31.39	35.52	38.28	41.04	45.18
1.58	38	6.667	60	10.527	...	9.73	13.92	18.09	21.41	23.62	27.77	31.91	34.67	37.43	41.57
1.60	30	5.263	48	8.421	8.11	12.58	16.74	20.89	24.20	26.41	30.55	34.69	37.45	40.21	44.34
1.60	40	7.018	64	11.229	13.06	17.24	20.56	22.78	26.93	31.07	33.83	36.59	40.73
1.61	56	9.825	90	15.790	14.58	16.82	21.01	25.18	27.95	30.72	34.87
1.63	32	5.614	52	9.123	...	11.72	15.89	20.04	23.36	25.57	29.71	33.85	36.61	39.37	43.51
1.64	44	7.720	72	12.632	11.31	15.52	18.86	21.08	25.24	29.38	32.15	34.91	39.06
1.65	34	5.965	56	9.825	...	10.85	15.03	19.20	22.52	24.73	28.87	33.01	35.78	38.54	42.67
1.65	68	11.930	112	19.650	20.30	23.10	25.89	30.07	
1.66	29	5.088	48	8.421	8.24	12.71	16.87	21.02	24.33	26.54	30.68	34.82	37.58	40.34	44.48
1.67	36	6.316	60	10.527	...	9.97	14.17	18.35	21.67	23.88	28.03	32.17	34.94	37.70	41.84
1.67	48	8.421	80	14.036	13.77	17.13	19.36	23.53	27.69	30.46	33.23	37.38
1.68	38	6.667	64	11.229	13.31	17.49	20.82	23.04	27.19	31.33	34.10	36.86	41.00
1.70	40	7.018	68	11.930	12.43	16.63	19.97	22.19	26.34	30.49	33.26	36.02	40.16
1.71	28	4.912	48	8.421	8.36	12.83	17.00	21.15	24.47	26.68	30.82	34.95	37.72	40.48	44.61
Length Factor*					0.80	0.80	0.90	0.90	0.95	0.95	1.00	1.00	1.00	1.05	1.05

Center distance is greater than eight times the Small Sprocket and the Large Sprocket is not flanged.
Large Sprocket should be ordered with flanges as a special.

* This length correction factor must be used to determine the proper belt width.



14MM Pitch HT200 Belt Drive Selection Table

Speed Ratio	Sprocket Combinations				Center Distance, Inches										
	Driver		Driven		3150-14M	3360-14M	3500-14M	3850-14M	4326-14M	4578-14M	4956-14M	5320-14M	5740-14M	6160-14M	6860-14M
	No. of Teeth	Pitch Dia. Inches	No. of Teeth	Pitch Dia. Inches											
Length Factor*					1.05	1.10	1.10	1.10	1.10	1.10	1.10	1.10	1.10	1.10	1.10
1.37	38	6.667	52	9.123	49.59	53.72	56.49	63.37	72.74	77.71	85.15	92.32	100.58	108.85	122.63
1.38	32	5.614	44	7.720	51.53	55.66	58.42	65.30	74.68	79.64	87.08	94.25	102.51	110.78	124.56
1.38	29	5.088	40	7.018	52.49	56.62	59.38	66.27	75.64	80.61	88.05	95.21	103.48	111.75	125.53
1.39	52	9.123	72	12.632	44.89	49.02	51.78	58.67	68.05	73.01	80.45	87.62	95.89	104.16	117.94
1.40	40	7.018	56	9.825	48.76	52.89	55.65	62.54	71.91	76.88	84.32	91.49	99.75	108.02	121.80
1.40	80	14.036	112	19.650	35.44	39.58	42.35	49.25	58.63	63.60	71.05	78.22	86.49	94.76	108.55
1.41	64	11.229	90	15.790	40.73	44.86	47.62	54.52	63.89	68.86	76.31	83.47	91.74	100.01	113.80
1.41	34	5.965	48	8.421	50.70	54.83	57.59	64.47	73.85	78.81	86.25	93.42	101.68	109.95	123.74
1.42	48	8.421	68	11.930	45.99	50.13	52.89	59.78	69.15	74.12	81.56	88.72	96.99	105.26	119.04
1.43	28	4.912	40	7.018	52.63	56.76	59.52	66.41	75.78	80.74	88.18	95.35	103.61	111.89	125.67
1.43	56	9.825	80	14.036	43.22	47.35	50.12	57.01	66.38	71.35	78.79	85.96	94.23	102.50	116.28
1.44	36	6.316	52	9.123	49.86	54.00	56.76	63.64	73.02	77.98	85.42	92.59	100.85	109.13	122.91
1.46	44	7.720	64	11.229	47.09	51.23	53.99	60.88	70.25	75.22	82.66	89.83	98.09	106.36	120.14
1.47	30	5.263	44	7.720	51.80	55.93	58.69	65.58	74.95	79.91	87.35	94.52	102.79	111.06	124.84
1.47	38	6.667	56	9.825	49.03	53.16	55.92	62.81	72.18	77.15	84.59	91.76	100.02	108.30	122.08
1.50	32	5.614	48	8.421	50.97	55.10	57.86	64.75	74.12	79.08	86.53	93.69	101.96	110.23	124.01
1.50	40	7.018	60	10.527	48.20	52.33	55.09	61.98	71.35	76.32	83.76	90.93	99.19	107.47	121.25
1.50	48	8.421	72	12.632	45.43	49.56	52.32	59.21	68.59	73.55	81.00	88.16	96.43	104.70	118.49
1.50	60	10.527	90	15.790	41.26	45.39	48.16	55.05	64.43	69.40	76.85	84.01	92.28	100.56	114.34
1.52	29	5.088	44	7.720	51.93	56.07	58.83	65.71	75.08	80.05	87.49	94.66	102.92	111.19	124.97
1.53	34	5.965	52	9.123	50.14	54.27	57.03	63.92	73.29	78.25	85.70	92.86	101.13	109.40	123.18
1.54	52	9.123	80	14.036	43.75	47.89	50.65	57.54	66.92	71.89	79.33	86.50	94.77	103.04	116.83
1.55	44	7.720	68	11.930	46.53	50.66	53.43	60.32	69.69	74.66	82.10	89.27	97.53	105.81	119.59
1.56	36	6.316	56	9.825	49.30	53.43	56.20	63.08	72.46	77.42	84.86	92.03	100.30	108.57	122.35
1.56	72	12.632	112	19.650	36.49	40.63	43.40	50.31	59.70	64.67	72.12	79.29	87.57	95.84	109.63
1.57	28	4.912	44	7.720	52.07	56.20	58.96	65.85	75.22	80.19	87.63	94.79	103.06	111.33	125.11
1.58	38	6.667	60	10.527	48.47	52.60	55.36	62.25	71.62	76.59	84.03	91.20	99.47	107.74	121.52
1.60	30	5.263	48	8.421	51.24	55.37	58.13	65.02	74.39	79.36	86.80	93.96	102.23	110.50	124.28
1.60	40	7.018	64	11.229	47.63	51.77	54.53	61.42	70.79	75.76	83.20	90.37	98.64	106.91	120.69
1.61	56	9.825	90	15.790	41.79	45.93	48.69	55.59	64.97	69.94	77.38	84.55	92.82	101.10	114.88
1.63	32	5.614	52	9.123	50.41	54.54	57.30	64.19	73.56	78.53	85.97	93.13	101.40	109.67	123.45
1.64	44	7.720	72	12.632	45.96	50.10	52.86	59.75	69.13	74.09	81.54	88.71	96.97	105.25	119.03
1.65	34	5.965	56	9.825	49.57	53.70	56.47	63.35	72.73	77.69	85.14	92.30	100.57	108.84	122.62
1.65	68	11.930	112	19.650	37.01	41.16	43.93	50.84	60.23	65.20	72.65	79.83	88.10	96.38	110.17
1.66	29	5.088	48	8.421	51.37	55.51	58.27	65.15	74.53	79.49	86.93	94.10	102.37	110.64	124.42
1.67	36	6.316	60	10.527	48.74	52.87	55.63	62.52	71.90	76.86	84.31	91.47	99.74	108.01	121.79
1.67	48	8.421	80	14.036	44.28	48.42	51.19	58.08	67.46	72.43	79.87	87.04	95.31	103.58	117.37
1.68	38	6.667	64	11.229	47.90	52.03	54.80	61.69	71.06	76.03	83.47	90.64	98.91	107.18	120.96
1.70	40	7.018	68	11.930	47.06	51.20	53.96	60.85	70.23	75.20	82.64	89.81	98.08	106.35	120.13
1.71	28	4.912	48	8.421	51.51	55.64	58.40	65.29	74.66	79.63	87.07	94.24	102.50	110.77	124.56
Length Factor*					1.05	1.10	1.10	1.10	1.10	1.10	1.10	1.10	1.10	1.10	1.10

Center distance is greater than eight times the Small Sprocket and the Large Sprocket is not flanged.
Large Sprocket should be ordered with flanges as a special.

* This length correction factor must be used to determine the proper belt width.

FEATURES/BENEFITS PAGE PT11-2	SPECIFICATIONS PAGE PT11-4	ENGINEERING/TECHNICAL PAGE PT11-64	
----------------------------------	-------------------------------	---------------------------------------	--



SELECTION

14MM Pitch HT200 Belt Drive Selection Table

Speed Ratio	Sprocket Combinations				Center Distance, Inches										
	Driver		Driven		966-14M	1190-14M	1400-14M	1610-14M	1778-14M	1890-14M	2100-14M	2310-14M	2450-14M	2590-14M	2800-14M
	No. of Teeth	Pitch Dia. Inches	No. of Teeth	Pitch Dia. Inches											
Length Factor*					0.80	0.80	0.90	0.90	0.95	0.95	1.00	1.00	1.00	1.05	1.05
1.73	52	9.123	90	15.790	15.06	17.32	21.51	25.69	28.47	31.24	35.40
1.73	30	5.263	52	9.123	...	11.97	16.15	20.30	23.62	25.83	29.98	34.12	36.88	39.64	43.78
1.75	32	5.614	56	9.825	...	11.10	15.29	19.46	22.78	24.99	29.14	33.28	36.04	38.80	42.94
1.75	64	11.229	112	19.650	16.55	20.79	23.60	26.40	30.58
1.77	34	5.965	60	10.527	...	10.22	14.43	18.60	21.93	24.14	28.30	32.44	35.20	37.96	42.11
1.78	36	6.316	64	11.229	13.56	17.74	21.08	23.30	27.45	31.59	34.36	37.12	41.27
1.79	38	6.667	68	11.930	12.68	16.88	20.22	22.44	26.60	30.75	33.52	36.28	40.43
1.79	29	5.088	52	9.123	...	12.10	16.27	20.43	23.75	25.97	30.11	34.25	37.01	39.77	43.91
1.80	40	7.018	72	12.632	11.79	16.02	19.36	21.59	25.75	29.91	32.68	35.44	39.59
1.80	80	14.036	144	25.264	23.58
1.82	44	7.720	80	14.036	14.26	17.63	19.87	24.05	28.21	30.98	33.75	37.90
1.86	28	4.912	52	9.123	7.70	12.22	16.40	20.56	23.88	26.10	30.24	34.38	37.15	39.91	44.05
1.87	30	5.263	56	9.825	...	11.34	15.54	19.71	23.04	25.25	29.40	33.54	36.31	39.07	43.21
1.87	60	10.527	112	19.650	17.02	21.28	24.10	26.90	31.08
1.88	32	5.614	60	10.527	...	10.46	14.68	18.86	22.19	24.40	28.56	32.70	35.47	38.23	42.37
1.88	48	8.421	90	15.790	15.55	17.81	22.02	26.20	28.98	31.76	35.92
1.88	34	5.965	64	11.229	...	9.56	13.80	18.00	21.33	23.55	27.71	31.86	34.63	37.39	41.53
1.89	36	6.316	68	11.930	12.92	17.13	20.48	22.70	26.86	31.01	33.78	36.55	40.69
1.90	38	6.667	72	12.632	12.03	16.26	19.62	21.84	26.01	30.17	32.94	35.70	39.85
1.93	29	5.088	56	9.825	...	11.47	15.67	19.84	23.17	25.38	29.53	33.67	36.44	39.20	43.34
2.00	28	4.912	56	9.825	...	11.59	15.79	19.97	23.30	25.51	29.66	33.81	36.57	39.33	43.48
2.00	30	5.263	60	10.527	...	10.70	14.93	19.11	22.44	24.66	28.82	32.96	35.73	38.49	42.64
2.00	32	5.614	64	11.229	...	9.79	14.05	18.25	21.59	23.81	27.97	32.12	34.89	37.65	41.80
2.00	34	5.965	68	11.930	13.17	17.38	20.73	22.96	27.12	31.27	34.04	36.81	40.96
2.00	36	6.316	72	12.632	12.27	16.51	19.87	22.10	26.27	30.42	33.20	35.96	40.11
2.00	40	7.018	80	14.036	14.74	18.12	20.37	24.55	28.72	31.50	34.27	38.42
2.00	56	9.825	112	19.650	17.50	21.76	24.59	27.39	31.59
2.00	72	12.632	144	25.264	20.23	24.54
2.05	44	7.720	90	15.790	12.58	16.02	18.29	22.51	26.70	29.49	32.27	36.43
2.07	29	5.088	60	10.527	...	10.82	15.05	19.24	22.57	24.79	28.95	33.09	35.86	38.63	42.77
2.10	80	14.036	168	29.475
2.11	38	6.667	80	14.036	14.98	18.37	20.61	24.81	28.98	31.76	34.53	38.68
2.12	34	5.965	72	12.632	12.51	16.76	20.12	22.35	26.52	30.68	33.46	36.23	40.38
2.12	68	11.930	144	25.264	20.69	25.01
2.13	32	5.614	68	11.930	13.41	17.63	20.98	23.21	27.38	31.53	34.31	37.07	41.22
2.13	30	5.263	64	11.229	...	10.03	14.29	18.50	21.84	24.07	28.23	32.38	35.15	37.91	42.06
2.14	28	4.912	60	10.527	...	10.94	15.17	19.37	22.70	24.92	29.08	33.23	35.99	38.76	42.90
2.15	52	9.123	112	19.650	17.97	22.25	25.08	27.89	32.09
2.21	29	5.088	64	11.229	...	10.14	14.42	18.63	21.97	24.19	28.36	32.51	35.28	38.05	42.19
2.22	36	6.316	80	14.036	10.88	15.22	18.61	20.86	25.06	29.23	32.01	34.79	38.94
Length Factor*					0.80	0.80	0.90	0.90	0.95	0.95	1.00	1.00	1.00	1.05	1.05

Center distance is greater than eight times the Small Sprocket and the Large Sprocket is not flanged.
 Large Sprocket should be ordered with flanges as a special.

* This length correction factor must be used to determine the proper belt width.

V-Drives

FHP Drives

Drive Component Accessories

DVNA-SYNC

HT200/HTD Synchronous Drives

HT500 Synchronous Drives

Roller Chain Sprockets



14MM Pitch HT200 Belt Drive Selection Table

Speed Ratio	Sprocket Combinations				Center Distance, Inches										
	Driver		Driven		3150-14M	3360-14M	3500-14M	3850-14M	4326-14M	4578-14M	4956-14M	5320-14M	5740-14M	6160-14M	6860-14M
	No. of Teeth	Pitch Dia. Inches	No. of Teeth	Pitch Dia. Inches											
Length Factor*					1.05	1.10	1.10	1.10	1.10	1.10	1.10	1.10	1.10	1.10	1.10
1.73	52	9.123	90	15.790	42.31	46.45	49.22	56.12	65.50	70.47	77.92	85.09	93.36	101.64	115.43
1.73	30	5.263	52	9.123	50.67	54.81	57.57	64.46	73.83	78.80	86.24	93.41	101.67	109.94	123.73
1.75	32	5.614	56	9.825	49.84	53.97	56.74	63.62	73.00	77.97	85.41	92.58	100.84	109.11	122.90
1.75	64	11.229	112	19.650	37.52	41.67	44.45	51.36	60.76	65.73	73.19	80.36	88.64	96.92	110.71
1.77	34	5.965	60	10.527	49.00	53.14	55.90	62.79	72.17	77.13	84.58	91.74	100.01	108.28	122.07
1.78	36	6.316	64	11.229	48.17	52.30	55.07	61.96	71.33	76.30	83.74	90.91	99.18	107.45	121.24
1.79	38	6.667	68	11.930	47.33	51.47	54.23	61.12	70.50	75.47	82.91	90.08	98.35	106.62	120.41
1.79	29	5.088	52	9.123	50.81	54.94	57.70	64.59	73.97	78.93	86.38	93.54	101.81	110.08	123.86
1.80	40	7.018	72	12.632	46.49	50.63	53.39	60.29	69.67	74.63	82.08	89.25	97.52	105.79	119.57
1.80	80	14.036	144	25.264	30.63	34.82	37.61	44.56	54.00	58.99	66.46	73.64	81.93	90.22	104.02
1.82	44	7.720	80	14.036	44.81	48.95	51.72	58.61	67.99	72.96	80.41	87.58	95.85	104.12	117.91
1.86	28	4.912	52	9.123	50.94	55.08	57.84	64.73	74.10	79.07	86.51	93.68	101.95	110.22	124.00
1.87	30	5.263	56	9.825	50.11	54.24	57.00	63.89	73.27	78.24	85.68	92.85	101.11	109.39	123.17
1.87	60	10.527	112	19.650	38.04	42.19	44.97	51.88	61.28	66.26	73.72	80.90	89.17	97.45	111.25
1.88	32	5.614	60	10.527	49.27	53.41	56.17	63.06	72.44	77.40	84.85	92.02	100.28	108.56	122.34
1.88	48	8.421	90	15.790	42.84	46.98	49.75	56.65	66.04	71.01	78.46	85.63	93.90	102.18	115.97
1.88	34	5.965	64	11.229	48.43	52.57	55.33	62.23	71.60	76.57	84.01	91.18	99.45	107.72	121.51
1.89	36	6.316	68	11.930	47.60	51.73	54.50	61.39	70.77	75.74	83.18	90.35	98.62	106.89	120.68
1.90	38	6.667	72	12.632	46.76	50.90	53.66	60.55	69.93	74.90	82.35	89.52	97.79	106.06	119.85
1.93	29	5.088	56	9.825	50.24	54.38	57.14	64.03	73.40	78.37	85.81	92.98	101.25	109.52	123.30
2.00	28	4.912	56	9.825	50.38	54.51	57.27	64.16	73.54	78.51	85.95	93.12	101.39	109.66	123.44
2.00	30	5.263	60	10.527	49.54	53.67	56.44	63.33	72.71	77.67	85.12	92.29	100.55	108.83	122.61
2.00	32	5.614	64	11.229	48.70	52.84	55.60	62.49	71.87	76.84	84.28	91.45	99.72	108.00	121.78
2.00	34	5.965	68	11.930	47.86	52.00	54.76	61.66	71.04	76.01	83.45	90.62	98.89	107.16	120.95
2.00	36	6.316	72	12.632	47.02	51.16	53.93	60.82	70.20	75.17	82.62	89.79	98.06	106.33	120.12
2.00	40	7.018	80	14.036	45.34	49.48	52.25	59.15	68.53	73.50	80.95	88.12	96.39	104.67	118.45
2.00	56	9.825	112	19.650	38.55	42.71	45.48	52.40	61.81	66.79	74.25	81.43	89.71	97.99	111.78
2.00	72	12.632	144	25.264	31.61	35.82	38.62	45.58	55.03	60.02	67.50	74.69	82.99	91.28	105.09
2.05	44	7.720	90	15.790	43.36	47.50	50.27	57.18	66.57	71.54	78.99	86.17	94.44	102.72	116.51
2.07	29	5.088	60	10.527	49.6C	53.81	56.57	63.46	72.84	77.81	85.25	92.42	100.69	108.96	122.75
2.10	80	14.036	168	29.475	26.71	31.00	33.84	40.88	50.39	55.41	62.91	70.13	78.44	86.74	100.57
2.11	38	6.667	80	14.036	45.60	49.74	52.51	59.41	68.80	73.77	81.22	88.39	96.66	104.94	118.72
2.12	34	5.965	72	12.632	47.29	51.43	54.19	61.09	70.47	75.44	82.89	90.06	98.33	106.60	120.39
2.12	68	11.930	144	25.264	32.10	36.31	39.12	46.09	55.54	60.54	68.02	75.22	83.51	91.81	105.62
2.13	32	5.614	68	11.930	48.13	52.27	55.03	61.93	71.31	76.28	83.72	90.89	99.16	107.43	121.22
2.13	30	5.263	64	11.229	48.97	53.10	55.87	62.76	72.14	77.11	84.55	91.72	99.99	108.27	122.05
2.14	28	4.912	60	10.527	49.81	53.94	56.70	63.60	72.98	77.94	85.39	92.56	100.83	109.10	122.88
2.15	52	9.123	112	19.650	39.06	43.22	46.00	52.92	62.33	67.32	74.78	81.96	90.24	98.52	112.32
2.21	29	5.088	64	11.229	49.10	53.24	56.00	62.89	72.27	77.24	84.69	91.86	100.13	108.40	122.19
2.22	36	6.316	80	14.036	45.86	50.01	52.77	59.68	69.06	74.03	81.48	88.66	96.93	105.20	118.99
Length Factor*					1.05	1.10	1.10	1.10	1.10	1.10	1.10	1.10	1.10	1.10	1.10

Center distance is greater than eight times the Small Sprocket and the Large Sprocket is not flanged. Large Sprocket should be ordered with flanges as a special.

* This length correction factor must be used to determine the proper belt width.



SELECTION

14MM Pitch HT200 Belt Drive Selection Table

Speed Ratio	Sprocket Combinations				Center Distance, Inches										
	Driver		Driven		966-14M	1190-14M	1400-14M	1610-14M	1778-14M	1890-14M	2100-14M	2310-14M	2450-14M	2590-14M	2800-14M
	No. of Teeth	Pitch Dia. Inches	No. of Teeth	Pitch Dia. Inches											
Length Factor*					0.80	0.80	0.90	0.90	0.95	0.95	1.00	1.00	1.00	1.05	1.05
2.25	32	5.614	72	12.632	12.74	17.00	20.37	22.60	26.78	30.94	33.72	36.49	40.64
2.25	40	7.018	90	15.790	13.04	16.50	18.78	23.01	27.20	30.00	32.78	36.95
2.25	64	11.229	144	25.264	21.15	25.49
2.27	30	5.263	68	11.930	...	9.32	13.65	17.88	21.23	23.46	27.64	31.79	34.57	37.33	41.48
2.29	28	4.912	64	11.229	...	10.26	14.54	18.75	22.10	24.32	28.49	32.64	35.41	38.18	42.32
2.33	48	8.421	112	19.650	18.43	22.73	25.56	28.38	32.59
2.33	72	12.632	168	29.475
2.35	29	5.088	68	11.930	...	9.43	13.77	18.00	21.36	23.59	27.76	31.92	34.70	37.46	41.61
2.35	34	5.965	80	14.036	11.11	15.46	18.86	21.11	25.31	29.48	32.27	35.04	39.20
2.37	38	6.667	90	15.790	13.27	16.74	19.02	23.25	27.45	30.25	33.03	37.20
2.40	30	5.263	72	12.632	12.98	17.25	20.62	22.85	27.03	31.20	33.98	36.75	40.90
2.40	60	10.527	144	25.264	18.64	21.61	25.96
2.40	80	14.036	192	33.686
2.43	28	4.912	68	11.930	...	9.54	13.89	18.13	21.49	23.72	27.89	32.05	34.83	37.59	41.74
2.47	68	11.930	168	29.475
2.48	29	5.088	72	12.632	13.10	17.37	20.74	22.98	27.16	31.33	34.10	36.87	41.03
2.50	32	5.614	80	14.036	11.34	15.69	19.10	21.36	25.56	29.74	32.52	35.30	39.46
2.50	36	6.316	90	15.790	13.49	16.97	19.26	23.50	27.70	30.50	33.29	37.46
2.55	44	7.720	112	19.650	14.46	18.89	23.20	26.05	28.87	33.08
2.57	28	4.912	72	12.632	13.21	17.49	20.86	23.10	27.29	31.45	34.23	37.00	41.16
2.57	56	9.825	144	25.264	19.09	22.06	26.43
2.63	64	11.229	168	29.475	21.15
2.65	34	5.965	90	15.790	13.72	17.21	19.50	23.74	27.95	30.75	33.54	37.71
2.67	30	5.263	80	14.036	11.56	15.93	19.34	21.60	25.81	29.99	32.78	35.56	39.72
2.67	72	12.632	192	33.686
2.70	80	14.036	216	37.896
2.76	29	5.088	80	14.036	11.67	16.05	19.46	21.72	25.93	30.12	32.91	35.68	39.85
2.77	52	9.123	144	25.264	19.53	22.51	26.89
2.80	40	7.018	112	19.650	14.90	19.36	23.68	26.53	29.36	33.58
2.80	60	10.527	168	29.475	21.59
2.81	32	5.614	90	15.790	13.95	17.44	19.73	23.99	28.20	31.00	33.79	37.97
2.82	68	11.930	192	33.686
2.86	28	4.912	80	14.036	11.78	16.17	19.58	21.85	26.06	30.24	33.03	35.81	39.98
2.95	38	6.667	112	19.650	15.12	19.58	23.91	26.77	29.60	33.83
3.00	30	5.263	90	15.790	14.17	17.68	19.97	24.23	28.45	31.25	34.04	38.22
3.00	48	8.421	144	25.264	19.97	22.97	27.36
3.00	56	9.825	168	29.475	22.02
3.00	64	11.229	192	33.686
3.00	72	12.632	216	37.896
3.10	29	5.088	90	15.790	14.28	17.79	20.09	24.35	28.57	31.38	34.17	38.35
3.11	36	6.316	112	19.650	15.34	19.81	24.15	27.01	29.84	34.07
3.20	60	10.527	192	33.686
Length Factor*					0.80	0.80	0.90	0.90	0.95	0.95	1.00	1.00	1.00	1.05	1.05

Center distance is greater than eight times the Small Sprocket and the Large Sprocket is not flanged.
Large Sprocket should be ordered with flanges as a special.

* This length correction factor must be used to determine the proper belt width.

FEATURES/BENEFITS PAGE PT11-2	SPECIFICATIONS PAGE PT11-4	ENGINEERING/TECHNICAL PAGE PT11-64	
----------------------------------	-------------------------------	---------------------------------------	--



14MM Pitch HT200 Belt Drive Selection Table

Speed Ratio	Sprocket Combinations				Center Distance, Inches										
	Driver		Driven		3150-14M	3360-14M	3500-14M	3850-14M	4326-14M	4578-14M	4956-14M	5320-14M	5740-14M	6160-14M	6860-14M
	No. of Teeth	Pitch Dia. Inches	No. of Teeth	Pitch Dia. Inches											
Length Factor*					1.05	1.10	1.10	1.10	1.10	1.10	1.10	1.10	1.10	1.10	1.10
2.25	32	5.614	72	12.632	47.55	51.69	54.46	61.35	70.74	75.71	83.16	90.33	98.60	106.87	120.66
2.25	40	7.018	90	15.790	43.88	48.03	50.80	57.70	67.10	72.07	79.53	86.70	94.98	103.25	117.04
2.25	64	11.229	144	25.264	32.59	36.81	39.62	46.59	56.05	61.05	68.54	75.74	84.04	92.33	106.15
2.27	30	5.263	68	11.930	48.39	52.53	55.30	62.19	71.57	76.54	83.99	91.16	99.43	107.71	121.49
2.29	28	4.912	64	11.229	49.23	53.37	56.13	63.03	72.41	77.38	84.82	91.99	100.26	108.54	122.32
2.33	48	8.421	112	19.650	39.56	43.73	46.51	53.44	62.86	67.84	75.30	82.49	90.77	99.05	112.85
2.33	72	12.632	168	29.475	27.65	31.95	34.81	41.86	51.39	56.42	63.93	71.16	79.47	87.78	101.62
2.35	29	5.088	68	11.930	48.52	52.66	55.43	62.33	71.71	76.68	84.12	91.29	99.57	107.84	121.63
2.35	34	5.965	80	14.036	46.12	50.27	53.04	59.94	69.33	74.30	81.75	88.92	97.20	105.47	119.26
2.37	38	6.667	90	15.790	44.14	48.29	51.06	57.97	67.36	72.34	79.79	86.97	95.24	103.52	117.31
2.40	30	5.263	72	12.632	47.81	51.95	54.72	61.62	71.00	75.98	83.42	90.60	98.87	107.14	120.93
2.40	60	10.527	144	25.264	33.08	37.30	40.11	47.10	56.56	61.57	69.06	76.26	84.56	92.86	106.68
2.40	80	14.036	192	33.686	---	26.89	29.82	37.02	46.66	51.72	59.28	66.54	74.89	83.22	97.08
2.43	28	4.912	68	11.930	48.66	52.80	55.56	62.46	71.84	76.81	84.26	91.43	99.70	107.98	121.76
2.47	68	11.930	168	29.475	28.11	32.43	35.28	42.35	51.89	56.92	64.44	71.67	79.99	88.30	102.14
2.48	29	5.088	72	12.632	47.94	52.09	54.85	61.75	71.14	76.11	83.56	90.73	99.00	107.28	121.06
2.50	32	5.614	80	14.036	46.39	50.53	53.30	60.20	69.59	74.57	82.02	89.19	97.47	105.74	119.53
2.50	36	6.316	90	15.790	44.40	48.55	51.32	58.23	67.63	72.60	80.06	87.23	95.51	103.79	117.58
2.55	44	7.720	112	19.650	40.07	44.24	47.02	53.96	63.38	68.36	75.83	83.01	91.30	99.58	113.39
2.57	28	4.912	72	12.632	48.08	52.22	54.99	61.89	71.27	76.24	83.69	90.86	99.14	107.41	121.20
2.57	56	9.825	144	25.264	33.56	37.79	40.61	47.60	57.07	62.08	69.57	76.78	85.08	93.38	107.20
2.63	64	11.229	168	29.475	28.57	32.90	35.76	42.84	52.39	57.42	64.95	72.18	80.50	88.82	102.67
2.65	34	5.965	90	15.790	44.65	48.81	51.58	58.49	67.89	72.87	80.32	87.50	95.78	104.06	117.85
2.67	30	5.263	80	14.036	46.65	50.79	53.56	60.47	69.86	74.83	82.29	89.46	97.73	106.01	119.80
2.67	72	12.632	192	33.686	---	27.79	30.74	37.97	47.63	52.71	60.28	67.54	75.90	84.24	98.12
2.70	80	14.036	216	37.896	---	22.16	25.32	32.85	42.73	47.86	55.51	62.82	72.23	79.60	93.51
2.76	29	5.088	80	14.036	46.78	50.92	53.69	60.60	69.99	74.97	82.42	89.59	97.87	106.15	119.94
2.77	52	9.123	144	25.264	34.04	38.28	41.10	48.10	57.58	62.59	70.09	77.30	85.60	93.91	107.73
2.80	40	7.018	112	19.650	40.57	44.75	47.53	54.47	63.90	68.89	76.35	83.54	91.83	100.12	113.92
2.80	60	10.527	168	29.475	29.03	33.37	36.24	43.33	52.89	57.93	65.46	72.69	81.02	89.34	103.19
2.81	32	5.614	90	15.790	44.91	49.07	51.84	58.75	68.15	73.13	80.59	87.77	96.04	104.33	118.12
2.82	68	11.930	192	33.686	23.63	28.19	31.15	38.41	48.09	53.18	60.76	68.03	76.39	84.73	98.61
2.86	28	4.912	80	14.036	46.91	51.05	53.82	60.73	70.12	75.10	82.55	89.73	98.00	106.28	120.07
2.95	38	6.667	112	19.650	40.82	45.00	47.79	54.73	64.16	69.15	76.62	83.80	92.09	100.38	114.19
3.00	30	5.263	90	15.790	45.17	49.32	52.10	59.02	68.42	73.40	80.85	88.03	96.31	104.59	118.39
3.00	48	8.421	144	25.264	34.52	38.77	41.59	48.60	58.09	63.10	70.60	77.81	86.12	94.43	108.26
3.00	56	9.825	168	29.475	29.49	33.84	36.71	43.81	53.38	58.43	65.96	73.20	81.53	89.86	103.71
3.00	64	11.229	192	33.686	24.14	28.69	31.65	38.91	48.60	53.69	61.27	68.55	76.91	85.26	99.15
3.00	72	12.632	216	37.896	---	23.01	26.19	33.76	43.67	48.82	56.48	63.81	72.22	80.61	94.53
3.10	29	5.088	90	15.790	45.30	49.45	52.23	59.15	68.55	73.53	80.99	88.17	96.44	104.73	118.52
3.11	36	6.316	112	19.650	41.07	45.25	48.04	54.99	64.42	69.41	76.88	84.07	92.36	100.65	114.45
3.20	60	10.527	192	33.686	24.49	29.08	32.06	39.34	49.06	54.15	61.75	69.03	77.40	85.75	99.64
Length Factor*					1.05	1.10	1.10	1.10	1.10	1.10	1.10	1.10	1.10	1.10	1.10

Center distance is greater than eight times the Small Sprocket and the Large Sprocket is not flanged.
 Large Sprocket should be ordered with flanges as a special.

* This length correction factor must be used to determine the proper belt width.



SELECTION

14MM Pitch HT200 Belt Drive Selection Table

Speed Ratio	Sprocket Combinations				Center Distance, Inches										
	Driver		Driven		966-14M	1190-14M	1400-14M	1610-14M	1778-14M	1890-14M	2100-14M	2310-14M	2450-14M	2590-14M	2800-14M
	No. Of Teeth	Pitch Dia. Inches	No. Of Teeth	Pitch Dia. Inches											
Length Factor*					0.80	0.80	0.90	0.90	0.95	0.95	1.00	1.00	1.00	1.05	1.05
3.21	28	4.912	90	15.790	14.40	17.91	20.21	24.47	28.69	31.50	34.29	38.48
3.23	52	9.123	168	29.475	22.46
3.27	44	7.720	144	25.264	17.29	20.41	23.42	27.82
3.29	34	5.965	112	19.650	15.56	20.04	24.39	27.25	30.09	34.32
3.38	64	11.229	216	37.896
3.43	56	9.825	192	33.686
3.50	32	5.614	112	19.650	13.25	15.77	20.27	24.62	27.49	30.33	34.56
3.50	48	8.421	168	29.475	22.89
3.60	40	7.018	144	25.264	17.71	20.85	23.86	28.28
3.69	52	9.123	192	33.686
3.73	30	5.263	112	19.650	13.46	15.99	20.50	24.85	27.72	30.57	34.81
3.79	38	6.667	144	25.264	17.92	21.06	24.09	28.51
3.82	44	7.720	168	29.475	23.32
3.86	29	5.088	112	19.650	13.57	16.10	20.61	24.97	27.84	30.69	34.93
3.86	56	9.825	216	37.896
4.00	28	4.912	112	19.650	13.67	16.21	20.72	25.09	27.96	30.81	35.05
4.00	36	6.316	144	25.264	18.13	21.28	24.31	28.74
4.00	48	8.421	192	33.686
4.20	40	7.018	168	29.475	18.87	23.75
4.24	34	5.965	144	25.264	18.34	21.50	24.53	28.97
4.36	44	7.720	192	33.686
4.42	38	6.667	168	29.475	19.08	23.97
4.50	32	5.614	144	25.264	18.55	21.72	24.76	29.20
4.50	48	8.421	216	37.896
4.67	36	6.316	168	29.475	19.28	24.18
4.80	30	5.263	144	25.264	18.76	21.93	24.98	29.43
4.80	40	7.018	192	33.686
4.91	44	7.720	216	37.896
4.94	34	5.965	168	29.475	19.48	24.39
4.97	29	5.088	144	25.264	18.86	22.04	25.09	29.54
5.05	38	6.667	192	33.686
5.14	28	4.912	144	25.264	18.97	22.15	25.20	29.66
5.25	32	5.614	168	29.475	19.69	24.61
5.33	36	6.316	192	33.686
5.40	40	7.018	216	37.896
5.60	30	5.263	168	29.475	19.89	24.82
5.65	34	5.965	192	33.686
5.65	38	6.667	216	37.896
5.79	29	5.088	168	29.475	19.99	24.93
6.00	28	4.912	168	29.475	20.09	25.03
6.00	32	5.614	192	33.686
6.00	36	6.316	216	37.896
6.35	34	5.965	216	37.896
6.40	30	5.263	192	33.686
6.62	29	5.088	192	33.686
6.75	32	5.614	216	37.896
6.86	28	4.912	192	33.686
Length Factor*					0.80	0.80	0.90	0.90	0.95	0.95	1.00	1.00	1.00	1.05	1.05

Center distance is greater than eight times the Small Sprocket and the Large Sprocket is not flanged.
Large Sprocket should be ordered with flanges as a special.

* This length correction factor must be used to determine the proper belt width.

FEATURES/BENEFITS PAGE PT11-2	SPECIFICATIONS PAGE PT11-4	ENGINEERING/TECHNICAL PAGE PT11-64	
----------------------------------	-------------------------------	---------------------------------------	--



14MM Pitch HT200 Belt Drive Selection Table

Speed Ratio	Sprocket Combinations				Center Distance, Inches										
	Driver		Driven		3150-14M	3360-14M	3500-14M	3850-14M	4326-14M	4578-14M	4956-14M	5320-14M	5740-14M	6160-14M	6860-14M
	No. of Teeth	Pitch Dia. Inches	No. of Teeth	Pitch Dia. Inches											
Length Factor*					1.05	1.10	1.10	1.10	1.10	1.10	1.10	1.10	1.10	1.10	1.10
3.21	28	4.912	90	15.790	45.42	49.58	52.36	59.28	68.68	73.66	81.12	88.30	96.58	104.86	118.66
3.23	52	9.123	168	29.475	29.95	34.30	37.18	44.30	53.88	58.92	66.46	73.71	82.04	90.37	104.23
3.27	44	7.720	144	25.264	35.00	39.25	42.08	49.09	58.59	63.61	71.11	78.33	86.64	94.95	108.78
3.29	34	5.965	112	19.650	41.32	45.51	48.30	55.24	64.67	69.67	77.14	84.33	92.62	100.91	114.72
3.38	64	11.229	216	37.896	---	23.85	27.05	34.66	44.60	49.77	57.45	64.79	73.21	81.61	95.55
3.43	56	9.825	192	33.686	25.01	29.58	32.56	39.85	49.57	54.66	62.26	69.55	77.92	86.28	100.17
3.50	32	5.614	112	19.650	41.57	45.76	48.55	55.50	64.93	69.93	77.40	84.59	92.88	101.17	114.98
3.50	48	8.421	168	29.475	30.41	34.77	37.66	44.78	54.37	59.42	66.97	74.21	82.55	90.89	104.75
3.60	40	7.018	144	25.264	35.48	39.73	42.56	49.59	59.10	64.12	71.62	78.84	87.16	95.47	109.30
3.69	52	9.123	192	33.686	25.35	29.96	32.96	40.28	50.02	55.12	62.73	70.02	78.40	86.77	100.67
3.73	30	5.263	112	19.650	41.82	46.01	48.80	55.75	65.19	70.18	77.66	84.85	93.15	101.44	115.25
3.79	38	6.667	144	25.264	35.71	39.98	42.81	49.84	59.35	64.37	71.88	79.10	87.42	95.73	109.57
3.82	44	7.720	168	29.475	30.86	35.23	38.12	45.26	54.86	59.92	67.47	74.72	83.06	91.40	105.26
3.86	29	5.088	112	19.650	41.95	46.14	48.93	55.88	65.32	70.31	77.79	84.98	93.28	101.57	115.38
3.86	56	9.825	216	37.896	---	24.69	27.91	35.56	45.53	50.71	58.41	65.77	74.20	82.61	96.56
4.00	28	4.912	112	19.650	42.07	46.26	49.05	56.01	65.45	70.44	77.92	85.11	93.41	101.70	115.51
4.00	36	6.316	144	25.264	35.95	40.22	43.05	50.08	59.60	64.62	72.13	79.36	87.67	95.99	109.83
4.00	48	8.421	192	33.686	25.87	30.47	33.46	40.78	50.52	55.63	63.24	70.54	78.93	87.29	101.20
4.20	40	7.018	168	29.475	31.31	35.70	38.59	45.74	55.35	60.41	67.97	75.22	83.57	91.91	105.78
4.24	34	5.965	144	25.264	36.19	40.46	43.29	50.33	59.85	64.87	72.39	79.61	87.93	96.25	110.09
4.36	44	7.720	192	33.686	26.30	30.91	33.91	41.24	51.00	56.11	63.73	71.03	79.43	87.80	101.71
4.42	38	6.667	168	29.475	31.54	35.93	38.83	45.98	55.60	60.66	68.22	75.48	83.83	92.17	106.04
4.50	32	5.614	144	25.264	36.43	40.70	43.54	50.58	60.10	65.13	72.64	79.87	88.19	96.51	110.35
4.50	48	8.421	216	37.896	---	25.53	28.76	36.45	46.46	51.66	59.37	66.74	75.19	83.60	97.57
4.67	36	6.316	168	29.475	31.76	36.16	39.06	46.22	55.84	60.91	68.47	75.73	84.08	92.42	106.30
4.80	30	5.263	144	25.264	36.66	40.94	43.78	50.82	60.35	65.38	72.90	80.12	88.45	96.77	110.61
4.80	40	7.018	192	33.686	26.73	31.35	34.36	41.70	51.48	56.60	64.22	71.53	79.93	88.30	102.22
4.91	44	7.720	216	37.896	---	25.95	29.19	36.89	46.92	52.13	59.85	67.22	75.68	84.10	98.07
4.94	34	5.965	168	29.475	31.99	36.39	39.29	46.46	56.08	61.15	68.72	75.98	84.33	92.68	106.56
4.97	29	5.088	144	25.264	36.78	41.06	43.90	50.94	60.47	65.50	73.02	80.25	88.58	96.90	110.74
5.05	38	6.667	192	33.686	26.94	31.57	34.58	41.93	51.72	56.84	64.47	71.78	80.18	88.55	102.47
5.14	28	4.912	144	25.264	36.90	41.18	44.02	51.07	60.60	65.63	73.15	80.38	88.71	97.03	110.87
5.25	32	5.614	168	29.475	32.22	36.62	39.53	46.69	56.33	61.40	68.97	76.23	84.59	92.93	106.81
5.33	36	6.316	192	33.686	27.16	31.80	34.81	42.17	51.95	57.08	64.71	72.02	80.43	88.80	102.73
5.40	40	7.018	216	37.896	---	26.36	29.62	37.34	47.38	52.59	60.33	67.71	76.17	84.59	98.57
5.60	30	5.263	168	29.475	32.44	36.85	39.76	46.93	56.57	61.64	69.22	76.48	84.84	93.19	107.07
5.65	34	5.965	192	33.686	27.26	31.94	34.97	42.35	52.16	57.29	64.93	72.25	80.65	89.04	102.96
5.65	38	6.667	216	37.896	---	26.57	29.83	37.56	47.61	52.83	60.56	67.95	76.41	84.84	98.82
5.79	29	5.088	168	29.475	32.55	36.96	39.87	47.05	56.69	61.77	69.34	76.61	84.97	93.32	107.20
6.00	28	4.912	168	29.475	32.67	37.08	39.99	47.17	56.81	61.89	69.46	76.73	85.09	93.44	107.33
6.00	32	5.614	192	33.686	27.59	32.24	35.25	42.63	52.43	57.56	65.20	72.52	80.92	89.31	103.23
6.00	36	6.316	216	37.896	---	26.78	30.04	37.78	47.85	53.06	60.80	68.19	76.66	85.09	99.07
6.35	34	5.965	216	37.896	---	26.99	30.25	38.00	48.08	53.30	61.04	68.43	76.90	85.33	99.32
6.40	30	5.263	192	33.686	27.80	32.46	35.48	42.86	52.67	57.80	65.44	72.76	81.17	89.56	103.49
6.62	29	5.088	192	33.686	27.79	32.49	35.53	42.93	52.75	57.89	65.54	72.86	81.28	89.66	103.60
6.75	32	5.614	216	37.896	---	27.20	30.47	38.22	48.30	53.53	61.28	68.67	77.15	85.58	99.58
6.86	28	4.912	192	33.686	28.01	32.67	35.70	43.09	52.90	58.04	65.68	73.01	81.42	89.81	103.74
Length Factor*					1.05	1.10	1.10	1.10	1.10	1.10	1.10	1.10	1.10	1.10	1.10

Center distance is greater than eight times the Small Sprocket and the Large Sprocket is not flanged.
 Large Sprocket should be ordered with flanges as a special.

* This length correction factor must be used to determine the proper belt width.

FEATURES/BENEFITS PAGE PT11-2	SPECIFICATIONS PAGE PT11-4	ENGINEERING/TECHNICAL PAGE PT11-64	
----------------------------------	-------------------------------	---------------------------------------	--



SELECTION

20MM Ratio/Center Distance Tables

Drive Ratio	Sprocket Combination				Nominal Center Distance										
	Driver		Driven		Belt Length Code Designation										
	No. Of Teeth	Pitch Dia.	No. Of Teeth	Pitch Dia.	2000	2500	3400	3800	4200	4600	5000	5400	5800	6200	6600
	Belt Length Factor →				0.8	0.9	0.95	1.0				1.05		1.1	
1.00	34	8.522	34	8.522	26.0	35.8	53.6	61.4	69.3	77.2	85.0	92.9	100.8	108.7	116.5
1.00	36	9.023	36	9.023	25.2	35.0	52.8	60.6	68.5	76.4	84.3	92.1	100.0	107.9	115.8
1.00	38	9.524	38	9.524	24.4	34.3	52.0	59.9	67.7	75.6	83.5	91.3	99.2	107.1	115.0
1.00	40	10.026	40	10.026	23.6	33.5	51.2	59.1	66.9	74.8	82.7	90.6	98.4	106.3	114.2
1.00	44	11.028	44	11.028	22.1	31.9	49.6	57.5	65.4	73.2	81.1	89.0	96.9	104.7	112.6
1.00	48	12.031	48	12.031	20.5	30.3	48.0	55.9	63.8	71.7	79.5	87.4	95.3	103.2	111.0
1.00	52	13.033	52	13.033	18.9	28.8	46.5	54.3	62.2	70.1	78.0	85.8	93.7	101.6	109.5
1.00	56	14.036	56	14.036	17.3	27.2	44.9	52.8	60.6	68.5	76.4	84.3	92.1	100.0	107.9
1.00	60	15.038	60	15.038	...	25.6	43.3	51.2	59.1	66.9	74.8	82.7	90.6	98.4	106.3
1.00	64	16.041	64	16.041	...	24.0	41.7	49.6	57.5	65.4	73.2	81.1	89.0	96.9	104.7
1.00	68	17.043	68	17.043	...	22.5	40.2	48.0	55.9	63.8	71.7	79.5	87.4	95.3	103.2
1.00	72	18.046	72	18.046	...	20.9	38.6	46.5	54.3	62.2	70.1	78.0	85.8	93.7	101.6
1.00	80	20.051	80	20.051	35.4	43.3	51.2	59.1	66.9	74.8	82.7	90.6	98.4
1.00	90	22.557	90	22.557	31.5	39.4	47.3	55.1	63.0	70.9	78.8	86.6	94.5
1.05	38	9.524	40	10.026	24.0	33.9	51.6	59.5	67.3	75.2	83.1	91.0	98.8	106.7	114.6
1.06	36	9.023	38	9.524	24.8	34.7	52.4	60.2	68.1	76.0	83.9	91.7	99.6	107.5	115.4
1.06	34	8.522	36	9.023	25.6	35.4	53.2	61.0	68.9	76.8	84.7	92.5	100.4	108.3	116.1
1.06	68	17.043	72	18.046	...	21.7	39.4	47.3	55.1	63.0	70.9	78.8	86.6	94.5	102.4
1.06	64	16.041	68	17.043	...	23.2	41.0	48.8	56.7	64.6	72.5	80.3	88.2	96.1	103.9
1.07	60	15.038	64	16.041	...	24.8	42.5	50.4	58.3	66.2	74.0	81.9	89.8	97.6	105.5
1.07	56	14.036	60	15.038	16.5	26.4	44.1	52.0	59.9	67.7	75.6	83.5	91.3	99.2	107.1
1.08	52	13.033	56	14.036	18.1	28.0	45.7	53.6	61.4	69.3	77.2	85.0	92.9	100.8	108.7
1.08	48	12.031	52	13.033	19.7	29.5	47.3	55.1	63.0	70.9	78.7	86.6	94.5	102.4	110.2
1.09	44	11.028	48	12.031	21.3	31.1	48.8	56.7	64.6	72.4	80.3	88.2	96.1	103.9	111.8
1.10	40	10.026	44	11.028	22.8	32.7	50.4	58.3	66.1	74.0	81.9	89.8	97.6	105.5	113.4
1.11	36	9.023	40	10.026	24.4	34.3	52.0	59.8	67.7	75.6	83.5	91.3	99.2	107.1	115.0
1.11	72	18.046	80	20.051	37.0	44.9	52.8	60.6	68.5	76.4	84.3	92.1	100.0
1.12	34	8.522	38	9.524	25.2	35.0	52.8	60.6	68.5	76.4	84.3	92.1	100.0	107.9	115.8
1.13	64	16.041	72	18.046	...	22.4	40.2	48.0	55.9	63.8	71.7	79.5	87.4	95.3	103.2
1.13	80	20.051	90	22.557	33.5	41.3	49.2	57.1	65.0	72.8	80.7	88.6	96.5
1.13	60	15.038	68	17.043	...	24.0	41.7	49.6	57.5	65.4	73.2	81.1	89.0	96.9	104.7
1.14	56	14.036	64	16.041	...	25.6	43.3	51.2	59.1	66.9	74.8	82.7	90.6	98.4	106.3
1.15	52	13.033	60	15.038	17.3	27.2	44.9	52.8	60.6	68.5	76.4	84.3	92.1	100.0	107.9
1.16	38	9.524	44	11.028	23.2	33.1	50.8	58.7	66.5	74.4	82.3	90.2	98.0	105.9	113.8
1.17	48	12.031	56	14.036	18.9	28.7	46.5	54.3	62.2	70.1	78.0	85.8	93.7	101.6	109.5
1.18	34	8.522	40	10.026	24.8	34.6	52.4	60.2	68.1	76.0	83.9	91.7	99.6	107.5	115.4
1.18	68	17.043	80	20.051	37.8	45.7	53.5	61.4	69.3	77.2	85.0	92.9	100.8
1.18	44	11.028	52	13.033	20.5	30.3	48.0	55.9	63.8	71.7	79.5	87.4	95.3	103.2	111.0
1.20	40	10.026	48	12.031	22.0	31.9	49.6	57.5	65.4	73.2	81.1	89.0	96.9	104.7	112.6
1.20	60	15.038	72	18.046	...	23.2	40.9	48.8	56.7	64.6	72.4	80.3	88.2	96.1	103.9
1.21	56	14.036	68	17.043	...	24.8	42.5	50.4	58.3	66.1	74.0	81.9	89.8	97.6	105.5
1.22	36	9.023	44	11.028	23.6	33.5	51.2	59.1	66.9	74.8	82.7	90.6	98.4	106.3	114.2
1.23	52	13.033	64	16.041	...	26.3	44.1	52.0	59.8	67.7	75.6	83.5	91.3	99.2	107.1
1.24	90	22.557	112	28.072	34.9	42.8	50.7	58.6	66.5	74.4	82.3	90.1
1.25	48	12.031	60	15.038	18.1	27.9	45.7	53.5	61.4	69.3	77.2	85.0	92.9	100.8	108.7
1.25	64	16.041	80	20.051	...	20.8	38.5	46.4	54.3	62.2	70.1	77.9	85.8	93.7	101.6
1.25	72	18.046	90	22.557	35.0	42.9	50.7	58.6	66.5	74.4	82.3	90.1	98.0
1.26	38	9.524	48	12.031	22.4	32.3	50.0	57.9	65.7	73.6	81.5	89.4	97.2	105.1	113.0
1.27	44	11.028	56	14.036	19.6	29.5	47.2	55.1	63.0	70.9	78.7	86.6	94.5	102.4	110.2
1.29	56	14.036	72	18.046	...	23.9	41.7	49.6	57.5	65.3	73.2	81.1	89.0	96.8	104.7
Belt Length Factor →					0.8	0.9	0.95	1.0				1.05		1.1	

NOTES: All 20MM HTD Drives operating above 1000 RPM may require a sound dampening guard.
Belt lengths of 5200, 5600, 6000, and 6400 are also available. Interpolate center distance.

FEATURES/BENEFITS PAGE PT11-2	SPECIFICATIONS PAGE PT11-4	ENGINEERING/TECHNICAL PAGE PT11-64	
----------------------------------	-------------------------------	---------------------------------------	--

SELECTION



20MM Ratio/Center Distance Tables

Drive Ratio	Sprocket Combination				Nominal Center Distance										
	Driver		Driven		Belt Length Code Designation										
	No. Of Teeth	Pitch Dia.	No. Of Teeth	Pitch Dia.	2000	2500	3400	3800	4200	4600	5000	5400	5800	6200	6600
	Belt Length Factor →				0.8	0.9	0.95	1.0			1.05		1.1		
1.29	34	8.522	44	11.028	24.0	33.8	51.6	59.4	67.3	75.2	83.1	90.9	98.8	106.7	114.6
1.30	40	10.026	52	13.033	21.2	31.1	48.8	56.7	64.6	72.4	80.3	88.2	96.1	103.9	111.8
1.31	52	13.033	68	17.043	...	25.5	43.3	51.2	59.0	66.9	74.8	82.7	90.5	98.4	106.3
1.32	68	17.043	90	22.557	35.7	43.6	51.5	59.4	67.3	75.2	83.0	90.9	98.8
1.33	36	9.023	48	12.031	22.8	32.6	50.4	58.3	66.1	74.0	81.9	89.8	97.6	105.5	113.4
1.33	48	12.031	64	16.041	17.2	27.1	44.8	52.7	60.6	68.5	76.4	84.2	92.1	100.0	107.9
1.33	60	15.038	80	20.051	...	21.5	39.3	47.2	55.1	63.0	70.8	78.7	86.6	94.5	102.3
1.36	44	11.028	60	15.038	18.8	28.7	46.4	54.3	62.2	70.1	77.9	85.8	93.7	101.6	109.4
1.37	38	9.524	52	13.033	21.6	31.5	49.2	57.1	64.9	72.8	80.7	88.6	96.4	104.3	112.2
1.38	52	13.033	72	18.046	...	24.7	42.5	50.3	58.2	66.1	74.0	81.9	89.7	97.6	105.5
1.40	40	10.026	56	14.036	20.4	30.3	48.0	55.9	63.8	71.6	79.5	87.4	95.3	103.1	111.0
1.40	80	20.051	112	28.072	28.9	36.8	44.7	52.6	60.5	68.4	76.3	84.2	92.1
1.41	64	16.041	90	22.557	36.5	44.4	52.3	60.2	68.0	75.9	83.8	91.7	99.6
1.41	34	8.522	48	12.031	23.2	33.0	50.8	58.6	66.5	74.4	82.3	90.1	98.0	105.9	113.8
1.42	48	12.031	68	17.043	...	26.3	44.0	51.9	59.8	67.7	75.6	83.4	91.3	99.2	107.1
1.43	56	14.036	80	20.051	...	22.2	40.0	47.9	55.8	63.7	71.6	79.5	87.4	95.2	103.1
1.44	36	9.023	52	13.033	22.0	31.8	49.6	57.5	65.3	73.2	81.1	89.0	96.8	104.7	112.6
1.45	44	11.028	64	16.041	17.9	27.8	45.6	53.5	61.4	69.3	77.1	85.0	92.9	100.8	108.6
1.47	38	9.524	56	14.036	20.7	30.6	48.4	56.3	64.1	72.0	79.9	87.8	95.6	103.5	111.4
1.50	40	10.026	60	15.038	19.5	29.4	47.2	55.1	62.9	70.8	78.7	86.6	94.5	102.3	110.2
1.50	48	12.031	72	18.046	...	25.4	43.2	51.1	59.0	66.9	74.7	82.6	90.5	98.4	106.3
1.50	60	15.038	90	22.557	37.2	45.1	53.0	60.9	68.8	76.7	84.6	92.5	100.3
1.53	34	8.522	52	13.033	22.3	32.2	50.0	57.8	65.7	73.6	81.5	89.3	97.2	105.1	113.0
1.54	52	13.033	80	20.051	...	23.0	40.8	48.7	56.6	64.5	72.4	80.2	88.1	96.0	103.9
1.55	44	11.028	68	17.043	17.0	27.0	44.8	52.7	60.6	68.4	76.3	84.2	92.1	100.0	107.8
1.56	36	9.023	56	14.036	21.1	31.0	48.8	56.6	64.5	72.4	80.3	88.2	96.0	103.9	111.8
1.56	72	18.046	112	28.072	30.3	38.2	46.2	54.1	62.0	69.9	77.8	85.7	93.6
1.58	38	9.524	60	15.038	19.9	29.8	47.6	55.4	63.3	71.2	79.1	87.0	94.8	102.7	110.6
1.60	40	10.026	64	16.041	18.6	28.6	46.4	54.3	62.1	70.0	77.9	85.8	93.7	101.5	109.4
1.60	90	22.557	144	36.092	36.0	44.0	51.9	59.8	67.8	75.7	83.6
1.61	56	14.036	90	22.557	37.9	45.9	53.8	61.7	69.6	77.4	85.3	93.2	101.1
1.64	44	11.028	72	18.046	...	26.1	44.0	51.9	59.7	67.6	75.5	83.4	91.3	99.2	107.0
1.65	34	8.522	56	14.036	21.5	31.4	49.1	57.0	64.9	72.8	80.7	88.5	96.4	104.3	112.2
1.65	68	17.043	112	28.072	31.0	39.0	46.9	54.8	62.7	70.7	78.5	86.4	94.3
1.67	36	9.023	60	15.038	20.2	30.2	47.9	55.8	63.7	71.6	79.5	87.4	95.2	103.1	111.0
1.67	48	12.031	80	20.051	...	23.7	41.5	49.4	57.3	65.2	73.1	81.0	88.9	96.8	104.7
1.68	38	9.524	64	16.041	19.0	28.9	46.7	54.6	62.5	70.4	78.3	86.2	94.0	101.9	109.8
1.70	40	10.026	68	17.043	17.8	27.7	45.5	53.4	61.3	69.2	77.1	85.0	92.9	100.7	108.6
1.73	52	13.033	90	22.557	...	20.7	38.7	46.6	54.5	62.4	70.3	78.2	86.1	94.0	101.9
1.75	64	16.041	112	2.072	31.7	39.7	47.6	55.6	63.5	71.4	79.3	87.2	95.1
1.76	34	9.023	60	15.038	20.6	30.5	48.3	56.2	64.1	72.0	79.9	87.7	95.6	103.5	111.4
1.78	36	9.023	64	16.041	19.4	29.3	47.1	55.0	62.9	70.8	78.7	86.5	94.4	102.3	110.2
1.79	38	9.524	68	17.043	18.1	28.1	45.9	53.8	61.7	69.6	77.5	85.4	93.2	101.1	109.0
1.80	40	10.026	72	18.046	16.8	26.9	44.7	52.6	60.5	68.4	76.3	84.2	92.0	99.9	107.8
1.80	80	20.051	144	36.092	37.7	45.7	53.7	61.7	69.6	77.5	85.4
1.82	44	11.028	80	20.051	...	24.4	42.3	50.2	58.1	66.0	73.9	81.8	89.7	97.5	105.4
1.87	60	15.038	112	28.072	32.4	40.4	48.4	56.3	64.2	72.1	80.0	87.9	95.8
1.87	90	22.557	168	42.108	38.5	46.6	54.6	62.6	70.6	78.5
1.88	48	12.031	90	22.557	...	21.4	39.4	47.3	55.3	63.2	71.1	79.0	86.8	94.7	102.6
1.88	34	8.522	64	16.041	19.7	29.7	47.5	55.4	63.3	71.2	79.0	86.9	94.8	102.7	110.6
Belt Length Factor →					0.8	0.9	0.95	1.0			1.05		1.1		

NOTES: All 20MM HTD Drives operating above 1000 RPM may require a sound dampening guard.
Belt lengths of 5200, 5600, 6000, and 6400 are also available. Interpolate center distance.

FEATURES/BENEFITS PAGE PT11-2	SPECIFICATIONS PAGE PT11-4	ENGINEERING/TECHNICAL PAGE PT11-64	
----------------------------------	-------------------------------	---------------------------------------	--



SELECTION

20MM Ratio/Center Distance Tables

Drive Ratio	Sprocket Combination				Nominal Center Distance										
	Driver		Driven		Belt Length Code Designation										
	No. Of Teeth	Pitch Dia.	No. Of Teeth	Pitch Dia.	2000	2500	3400	3800	4200	4600	5000	5400	5800	6200	6600
	Belt Length Factor →				0.8	0.9	0.95	1.0			1.05			1.1	
1.89	36	9.023	68	17.043	18.4	28.4	46.3	54.2	62.1	70.0	77.9	85.7	93.6	101.5	109.4
1.89	38	9.524	72	18.046	17.2	27.2	45.1	53.0	60.9	68.8	76.7	84.5	92.4	100.3	108.2
2.00	34	8.522	68	17.043	18.8	28.8	46.6	54.6	62.5	70.3	78.2	86.1	94.0	101.9	109.8
2.00	36	9.023	72	18.046	17.5	27.6	45.4	53.3	61.2	69.1	77.0	84.9	92.8	100.7	108.6
2.00	40	10.026	80	20.051	...	25.1	43.0	50.9	58.8	66.7	74.6	82.5	90.4	98.3	106.2
2.00	56	14.036	112	28.072	33.1	41.1	49.1	57.0	65.0	72.9	80.8	88.7	96.6
2.00	72	18.046	144	36.092	30.9	39.1	47.1	55.1	63.1	71.1	79.0	86.9
2.05	44	11.028	90	22.557	...	22.1	40.1	48.1	56.0	63.9	71.8	79.7	87.6	95.5	103.4
2.10	80	20.051	168	42.108	40.2	48.3	56.4	64.4	72.3	80.3
2.11	38	9.524	80	20.051	...	25.4	43.4	51.3	59.2	67.1	75.0	82.9	90.8	98.7	106.6
2.12	34	8.522	72	18.046	17.8	27.9	45.8	53.7	61.6	69.5	77.4	85.3	93.2	101.1	109.0
2.12	68	17.043	144	36.092	31.6	39.8	47.8	55.8	63.8	71.8	79.7	87.6
2.13	90	22.557	192	48.123	40.9	49.1	57.2	65.2	73.2	81.1
2.15	52	13.033	112	28.072	33.8	41.8	49.8	57.8	65.7	73.6	81.5	89.4	97.3
2.22	36	9.023	80	20.051	...	25.8	43.7	51.7	59.6	67.5	75.4	83.3	91.2	99.1	107.0
2.25	40	10.026	90	22.557	...	22.7	40.8	48.8	56.7	64.6	72.6	80.5	88.4	96.2	104.1
2.25	64	16.041	144	36.092	32.3	40.4	48.5	56.5	64.5	72.5	80.4	88.4
2.33	48	12.031	112	28.072	34.5	42.5	50.5	58.5	66.4	74.4	82.3	90.2	98.1
2.33	72	18.046	168	42.108	33.2	41.5	49.7	57.7	65.8	73.8	81.7
2.35	34	8.522	80	20.051	...	26.1	44.1	52.0	59.9	67.9	75.8	83.7	91.5	99.4	107.3
2.37	38	9.524	90	22.557	...	23.1	41.2	49.2	57.1	65.0	72.9	80.8	88.7	96.6	104.5
2.40	60	15.038	144	36.092	32.9	41.1	49.2	57.3	65.2	73.2	81.2	89.1
2.40	80	20.051	192	48.123	42.5	50.7	58.9	67.0	75.0
2.40	90	22.557	216	54.139	43.1	51.4	59.6	67.8
2.47	68	17.043	168	42.108	33.9	42.2	50.3	58.4	66.5	74.5	82.5
2.50	36	9.023	90	22.557	...	23.4	41.5	49.5	57.5	65.4	73.3	81.2	89.1	97.0	104.9
2.55	44	11.028	112	28.072	35.1	43.2	51.2	59.2	67.1	75.1	83.0	90.9	98.8
2.57	56	14.036	144	36.092	33.6	41.8	49.9	58.0	66.0	73.9	81.9	89.8
2.63	64	16.041	168	42.108	34.5	42.8	51.0	59.1	67.2	75.2	83.2
2.65	34	8.522	90	22.557	...	23.7	41.9	49.9	57.8	65.7	73.7	81.6	89.5	97.4	105.3
2.67	72	18.046	192	48.123	35.4	43.8	52.1	60.3	68.3	76.4
2.70	80	20.051	216	54.139	44.8	53.1	61.3	69.5
2.77	52	13.033	144	36.092	34.2	42.5	50.6	58.7	66.7	74.7	82.6	90.6
2.80	40	10.026	112	28.072	35.8	43.9	51.9	59.9	67.9	75.8	83.7	91.7	99.6
2.80	60	15.038	168	42.108	35.2	43.5	51.7	59.8	67.9	75.9	83.9
2.82	68	17.043	192	48.123	36.1	44.5	52.8	60.9	69.0	77.1
2.95	38	9.524	112	28.072	36.2	44.3	52.3	60.3	68.2	76.2	84.1	92.0	99.9
3.00	48	12.031	144	36.092	26.4	34.9	43.1	51.3	59.3	67.4	75.4	83.3	91.3
3.00	56	14.036	168	42.108	35.8	44.2	52.4	60.5	68.6	76.6	84.6
3.00	64	16.041	192	48.123	36.7	45.1	53.4	61.6	69.7	77.8
3.00	72	18.046	216	54.139	46.1	54.4	62.7	70.8
3.11	36	9.023	112	28.072	36.5	44.6	52.6	60.6	68.6	76.5	84.5	92.4	100.3
3.18	68	17.043	216	54.139	38.1	46.7	55.1	63.3	71.5
3.20	60	15.038	192	48.123	37.3	45.8	54.1	62.3	70.4	78.5
3.23	52	13.033	168	42.108	36.5	44.8	53.1	61.2	69.3	77.3	85.3
3.27	44	11.028	144	36.092	27.1	35.6	43.8	52.0	60.0	68.1	76.1	84.1	92.0
3.29	34	8.522	112	28.072	36.8	44.9	53.0	61.0	69.0	76.9	84.8	92.8	100.7
3.38	64	16.041	216	54.139	38.8	47.3	55.7	64.0	72.2
3.43	56	14.036	192	48.123	38.0	46.4	54.8	63.0	71.1	79.2
3.50	48	12.031	168	42.108	37.1	45.5	53.7	61.9	70.0	78.0	86.0
Belt Length Factor →					0.8	0.9	0.95	1.0			1.05			1.1	

NOTES: All 20MM HTD Drives operating above 1000 RPM may require a sound dampening guard.
Belt lengths of 5200, 5600, 6000, and 6400 are also available. Interpolate center distance.

FEATURES/BENEFITS PAGE PT11-2	SPECIFICATIONS PAGE PT11-4	ENGINEERING/TECHNICAL PAGE PT11-64	
----------------------------------	-------------------------------	---------------------------------------	--

SELECTION



20MM Ratio/Center Distance Tables

Drive Ratio	Sprocket Combination				Nominal Center Distance											
	Driver		Driven		Belt Length Code Designation											
	No. Of Teeth	Pitch Dia.	No. Of Teeth	Pitch Dia.	2000	2500	3400	3800	4200	4600	5000	5400	5800	6200	6600	
	Belt Length Factor →				0.8	0.9	0.95	1.0			1.05			1.1		
3.60	40	10.026	144	36.092	27.7	36.2	44.5	52.6	60.7	68.8	76.8	84.8	92.7	
3.60	60	15.038	216	54.139	39.4	48.0	56.4	64.7	72.9	
3.69	52	13.033	192	48.123	38.6	47.1	55.4	63.6	71.8	79.9	
3.79	38	9.524	144	36.092	28.0	36.5	44.8	53.0	61.1	69.1	77.1	85.1	93.1	
3.82	44	11.028	168	42.108	29.1	37.8	46.1	54.4	62.6	70.6	78.7	86.7	
3.86	56	14.036	216	54.139	40.0	48.6	57.0	65.3	73.5	
4.00	36	9.023	144	36.092	28.3	36.9	45.1	53.3	61.4	69.5	77.5	85.5	93.4	
4.00	48	12.031	192	48.123	39.2	47.7	56.1	64.3	72.5	80.6	
4.15	52	13.033	216	54.139	40.7	49.3	57.7	66.0	74.2	
4.20	40	10.026	168	42.108	29.7	38.4	46.8	55.1	63.2	71.3	79.4	87.4	
4.24	34	8.522	144	36.092	28.7	37.2	45.5	53.7	61.8	69.8	77.8	85.8	93.8	
4.36	44	11.028	192	48.123	39.9	48.4	56.7	65.0	73.1	81.2	
4.42	38	9.524	168	42.108	30.1	38.7	47.1	55.4	63.6	71.7	79.7	87.8	
4.50	48	12.031	216	54.139	41.3	49.9	58.3	66.7	74.9	
4.67	36	9.023	168	42.108	30.4	39.0	47.5	55.7	63.9	72.0	80.1	88.1	
4.80	40	10.026	192	48.123	31.7	40.5	49.0	57.4	65.6	73.8	81.9	
4.91	44	11.028	216	54.139	41.9	50.6	59.0	67.3	75.6	
4.94	34	8.522	168	4.108	30.7	39.4	47.8	56.1	64.2	72.4	80.4	88.5	
5.05	38	9.524	192	48.123	32.0	40.8	49.4	57.7	66.0	74.2	82.3	
5.33	36	9.023	192	48.123	32.3	41.1	49.7	58.0	66.3	74.5	82.6	
5.40	40	10.026	216	54.139	42.5	51.2	59.6	68.0	76.2	
5.65	34	8.522	192	48.123	32.6	41.4	50.0	58.4	66.6	74.8	83.0	
5.68	38	9.524	216	54.139	33.9	42.9	51.5	60.0	68.3	76.6	
6.00	36	9.023	216	54.139	34.2	43.2	51.8	60.3	68.6	76.9	
6.35	34	8.522	216	54.139	34.5	43.5	52.1	60.6	69.0	77.2	
Belt Length Factor →					0.8	0.9	0.95	1.0			1.05			1.1		

NOTES: All 20MM HTD Drives operating above 1000 RPM may require a sound dampening guard.
 Belt lengths of 5200, 5600, 6000, and 6400 are also available. Interpolate center distance.

V-Drives

FHP Drives

Drive Component Accessories

DYNA-SYNC

HT200/HTD Synchronous Drives

HT500 Synchronous Drives

Roller Chain Sprockets

FEATURES/BENEFITS PAGE PT11-2	SPECIFICATIONS PAGE PT11-4	ENGINEERING/TECHNICAL PAGE PT11-64	
----------------------------------	-------------------------------	---------------------------------------	--



Overhung Load Calculations

Overhung load is an important consideration for drive design. Motor and reducer bearings are rated for specific load capacities to achieve calculated life. If the drive design is such that bearing loads are exceeded, life will be proportionally reduced. Likewise, if the drive exerts a lesser load on the bearings, life will be extended. Needless to say, drive design that keeps bearing loads below ratings can pay big dividends.

BELT PULL: The basis for overhung load calculation is belt pull. Belt pull is the result of torque being transmitted when the belt exerts a pull on the sprocket diameter.

EXAMPLE: 5 horsepower at 200 RPM is 1,575 inch- pounds of torque. If a 6 inch diameter sprocket is used, (3 inch radius), $1,575/3 = 525$ pounds effective belt pull is required. Note that if a larger diameter sprocket is used, belt pull is reduced accordingly.

Belt pull can be calculated using the following formula:

$$\text{Belt Pull (lbs)} = \frac{126,000 \times \text{DHP} \times F}{\text{RPM} \times \text{PD}}$$

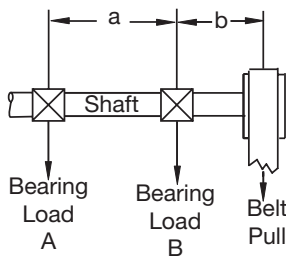
Where: DHP = Design Horsepower

F = Drive Factor (1.3 for sync. belt)

RPM = Shaft RPM

PD = Pitch Diameter of Sprocket

BEARING LOAD: Belt pull translates into bearing load and is greatly affected by the location of the sprocket on the shaft. Fig. 1 shows an example of what happens as the distance between the centerline of belt pull and the adjacent bearing is extended.



Overhung Sheave

$$\text{Load at B, lbs.} = \frac{\text{Belt Pull} \times (a + b)}{a}$$

Fig. 1

a	b	Belt Pull	Bearing Load "B"
10 in.	1 in.	500 lbs.	550 lbs.
10 in.	5 in.	500 lbs.	750 lbs.

Now consider the same situation for a motor or gearbox.

Referring to Fig. 2, it should be obvious that the HT/HTD sprocket should be mounted as close as possible to the face of the gearbox.

As the distance between the gearbox face and HT/HTD sprocket increases, the bearing load is also increased, which leads to a reduction in bearing life.

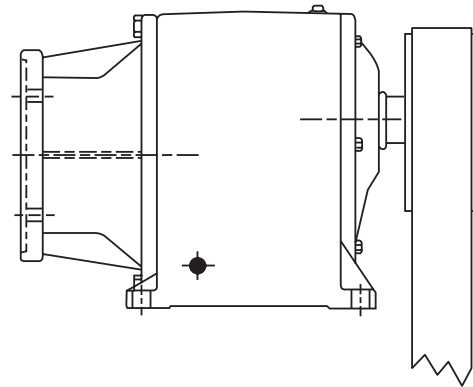


Fig. 2

Another warning from gearbox manufacturers is that the centerline of belt pull should not extend beyond the end of the shaft. Given a choice of a small diameter, wide face-width drive design, or a larger diameter, narrower face-width alternative, the latter would be preferable if bearing life is an important consideration.

DRIVE DESIGN CONSIDERATIONS

For any given application, there are usually several possible drive alternatives. In some cases, the selection with the smallest diameter sprockets might be the least expensive. As can be seen from the previous discussion, this alternative could be a bad choice. Smaller diameter sprockets lead to higher belt pull; their greater width is also more sensitive to misalignment.



HT/HTD Drive Installation

SPROCKET INSTALLATION

1. Thoroughly inspect the bore of the sprocket and the tapered surface of the bushing. Any paint, dirt, oil or grease must be removed.
2. Assemble bushing into sprocket. Loosely insert the screws into assembly. At least one sprocket must have flanges.
3. With key in keyseat of shaft, slide sprocket to its desired position with screw heads to the outside. If it is hard to slide the bushing onto the shaft, check shaft for burrs, etc.
4. Line up assembly so as not to misalign belts and tighten screws evenly and progressively. Apply the recommended torque to screws.

SPROCKET ALIGNMENT

HT/HTD sprocket alignment and parallelism of the shafts are very important. Proper alignment helps to equalize the load across the entire belt width, thereby reducing wear and extending belt life.

Place a straightedge against the outside edge of the sprockets and move sprockets until the straightedge touches the two outside and two inside edges of the sprockets. The straightedge should cross the sprockets as close to the shafts as possible. A string can be used if a straightedge is not available. Remember the string should contact at four points as explained above. (See illustration on page PT11-66.

After aligning the sprockets, check the rigidity of the supporting framework. Shafts should be well supported to prevent distortion and a resulting change in the center distance under load. Do not use spring-loaded or weighted idlers. Idler sprockets or pulleys must be locked into position after adjusting belt tension.

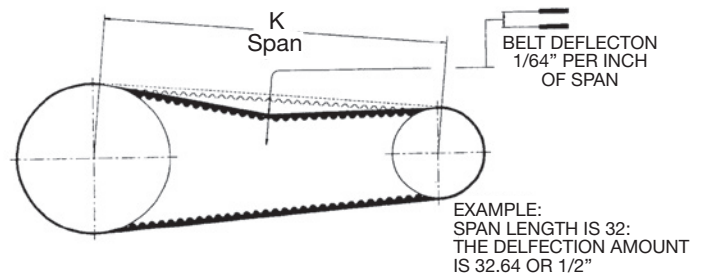
BELT INSTALLATION & TENSIONING

Do not pry or otherwise force the belt onto the sprockets, as this can result in permanent damage to the belt. Reduce the center distance between the pulleys so that the belt can be easily installed.

HT 200 drives must be properly tensioned. If the belt is too loose, it may jump teeth when heavier loads are applied. If the belt is too tight, belt life will suffer, and bearings will be unnecessarily overloaded. Improper tension can result in excessive drive noise.

Tensioning procedure: First, measure the span length and calculate the deflection distance of 1/64, per inch span (see illustration).

Use the formula method on page PT11-66 to calculate recommended deflection forces.

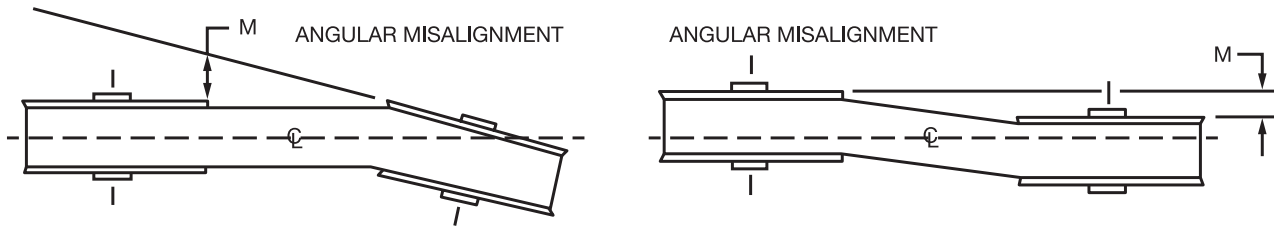


Apply a force (from the table) at the center of the span. Measure the deflection with this force applied. Move the center distance until the proper deflection is obtained.

FEATURES/BENEFITS PAGE PT11-2	SPECIFICATIONS PAGE PT11-4	SELECTION PAGE PT11-19	
----------------------------------	-------------------------------	---------------------------	--



Drive Alignment



Good tracking of synchronous belts on their sprockets depends upon alignment to within 1/4 degree. This translates to a maximum “M” dimension of 0.05” per foot center distance.

Drive Tensioning

Formula Method

The formula method for determining belt tension may be used for greater accuracy, or for applications that fall out of guidelines given for the Simplified Method on page PT11-65.

Step 1. Calculate Min. Installation Tension:

$$\text{Formula 1: } T = \frac{20 \text{ (HP)}}{V} + mV^2$$

Where: HP = Horsepower
 $V = \frac{\text{Belt Velocity (in FPM)}}{1000}$

m = Value in Table 1
 Belt Velocity = PD x RPM x .262
 (PD = Pitch Dia. in inches)

***Important!** If formula calculation for “T” is less than “Min T. Value” (Table 1) use the “Min T. Value” for T. Always use the greater T value: i.e. from T Formula 1 or Table 1.

Step 2. Calculate Deflection Forces:

$$\text{Formula 2: Min Force} = \frac{1.0T + (K/L)Y}{16} \text{ (lbs)}$$

$$\text{Formula 3: Max Force} = \frac{1.1T + (K/L)Y}{16} \text{ (lbs)}$$

Note: For used belt, use 0.7T to 0.8T instead of the 1.0T and 1.1T for new belts.

- T = Static tension, lbs
- K = Span length, inches
- L = Belt length, inches
- Y = Factor from Table 1

Step 3. Adjust tension per Simplified Method Procedure on page PT11-65 using deflection forces from Step 2.

Table 1

Belt		Factors		Min. T
Pitch	Width	m	Y	Value*
5MM	15MM	0.28	24.9	14.1
5MM	25MM	0.47	41.5	23.4
8MM	20MM	0.58	34.2	18.5
8MM	30MM	0.88	51.3	30.0
8MM	50MM	1.46	85.5	52.0
8MM	85MM	2.45	145.3	94.5
14MM	40MM	1.78	93.0	76.5
14MM	55MM	2.44	127.9	120.0
14MM	85MM	3.77	197.7	205.5
14MM	115MM	5.11	267.5	291.0
14MM	170MM	7.55	395.4	447.0
20MM	115MM	7.24	367.0	391.5
20MM	170MM	10.71	542.5	603.0
20MM	230MM	14.49	734.0	834.0
20MM	290MM	18.27	925.4	1065.0
20MM	340MM	21.42	1085.0	1257.5



DODGE Software

Computer Selection of DODGE Synchronous Belt Drives

VIA-SYNC® Synchronous Belt Drive Selection

For any given synchronous drive application, there may be several DODGE HT/HTD* or DODGE DYNA-SYNC® product combinations that could satisfy the requirements. Finding the best drive can be a time-consuming and frustrating task.

The DODGE VIA-SYNC program provides selections for DYNA-SYNC (timing) and HT/HTD drives and includes both TAPER-LOCK® and QD* type sprockets. All relevant data for up to ten alternative drive selections is presented in a format that allows quick and accurate analysis, whether based upon lowest price, minimum bearing load, highest service factor, etc.

VIA-SYNC calculates speed up drives or drives for nonstandard motor speeds. The most appropriate selection can then be specified using the computer printout, which contains sprocket, bushing and belt sizes and part numbers.

VIA-SYNC has the capability of sharing data with DODGE T-A DISCOVERY™ or DODGE SCD DISCOVERY™ programs.

DRIVE TROUBLESHOOTING

Problem	Cause	Remedy
Unusual Noise	Misaligned drive	Re-adjust alignment
	Hi or Low belt tension	Adjust to recommended value
	Backside idler	Use inside idler
	Worn sprocket	Replace sprocket
	Bent sprocket flange	Replace or repair
	Excessive belt speed	Redesign drive
	Incorrect belt profile	Replace with DODGE belt
	Subminimal spkt. dia.	Redesign with larger spkts.
	Excessive load	Use higher capacity drive
	Weak mntg. structure	
Loss of Belt Tension	Weak mntg. structure	Reinforce mounting structure
	Excessive spkt. wear	Use wear-resistant sprockets
	Fixed center drive	Install inside idler
	Excessive debris	Install adequate drive guard.
	Excessive load	Use higher capacity drive
	Subminimal spkt. dia.	Redesign drive
Belt Edge Wear	Drive running hot	Use heat fingers on hot shaft
	Belt degradation	Protect from excessive heat
	Damaged flanges	Repair or replace sprocket
Pre-mature Tooth Wear	Low belt tension	Adjust to recommended value
	Poor tracking	Correct alignment
	Guard interference	Remove obstruction, add idler
	Improper tension	Correct drive tension
Loss of Belt Tension	Poor alignment	Correct drive alignment
	Wrong belt type	Use correct DODGE belt
	Worn sprocket	Replace
	Damaged sprocket	Replace
	Excessive load	Use higher capacity drive
	Dirt or debris	Install adequate drive guard
	Sprocket wobble	Correct bushing installation

Problem	Cause	Remedy
Tooth Shear	Shock loads	Use higher capacity drive
	Few teeth in mesh	Redesign drive
	Worn sprocket	Replace
	Backside idler	Use inside idler
	Wrong belt profile	Use correct DODGE belt
	Low belt tension	Adjust to recommended value
Tensile Break	Shock load	Use higher capacity drive
	Subminimal spkt. dia.	Redesign with larger spkts.
	Debris in drive	Install adequate drive guard
	Improper belt handling, storage	Do not crimp belt or subject it to sharp bends
Belt Cracking	Subminimal spkt. dia.	Redesign with larger spkts.
	Backside idler	Install inside idler
	Start-up temp below 180 degrees F	Preheat drive before start-up
	Extended exposure to harsh chemicals	Protect drive
Bearing Failure	Excessive belt tension	Adjust to recommended value
	Drive misalignment	Re-adjust alignment
	Subminimal spkt. dia.	Redesign with larger spkts.
Vibration	Wrong belt profile	Install correct DODGE belt
	Hi or Low belt tension	Adjust to recommended value
	Loose key or bushing	Install per instructions
	Loose mounting structure	Reinforce or tighten
Belt not Tracking	Misalignment	Re-adjust alignment
	Long center distance	Carefully adjust alignment
	Mtg. structure bending	Reinforce mounting structure

FEATURES/BENEFITS PAGE PT11-2	SPECIFICATIONS PAGE PT11-4	SELECTION PAGE PT11-19	
----------------------------------	-------------------------------	---------------------------	--



NOTES

V-Drives

FHP Drives

Drive Component
Accessories

DYNA-SYNC

HT200/HTD
Synchronous Drives

HT500
Synchronous Drives

Roller Chain Sprockets



CONTENTS

HT500 Synchronous Belt Drives

Features and Benefits	PT12-2
Specification	
HT500 TAPER-LOCK Sprockets	PT12-6
HT500 MPB Sprockets	PT12-12
HT500 ACHE Sprockets	PT12-14
HT500 Idler Sprockets	PT12-16
HT500 Belts	PT12-17
Selection	
HT500 Drive Selection	PT12-19
Basic HP Ratings - 8mm	PT12-38
Basic HP Ratings - 14mm	PT12-42
8M HT500 Selection Table	PT12-47
14M HT500 Selection Table	PT12-63
Engineering/Technical	
Overhung Load Calculation	PT12-77
HT500 Drive Installation	PT12-78
Belt Installation and Tensioning	PT12-79
Drive Alignment	PT12-80
Drive Tensioning	PT12-81
Troubleshooting	PT12-82
Part Number Index	INDEX-1
Keyword Index	INDEX-43

V-Drives

FHP Drives

Drive Component
Accessories

DYNA-SYNC

HT200/HTD
Synchronous Drives

HT500
Synchronous Drives

Roller Chain Sprockets

FEATURES / BENEFITS

HT500 Drives - The TCO Drive Solution: Energy Efficient - Maintenance Free

HT500 high torque synchronous drive system is the latest generation in the Baldor•Dodge synchronous product line. The HT500 belt is manufactured with polyurethane, carbon fiber cords and a black nylon tooth facing, featuring the modified curvilinear tooth profile. This drive system utilizes Baldor•Dodge's Taper-Lock® bushing system to deliver our most power dense synchronous drive in a compact package. Also available from stock: Fin fan sprockets with QD* bushings, and minimum-plain-bore (MPB) sprockets.



*QD is a registered trademark of Emerson Electric

What does the Sprocket bring to the Baldor•Dodge Synchronous Drive System?

Synchronous belt drives run slip-free and are proven to be more efficient and provide better performance than v-belt drives. They also offer significant performance advantages over chain drives related to wear and elongation resistance, they require no lubrication and have broad applicability. It is not necessary to retension synchronous drives – a significant advantage over alternative drive solutions. HT500 synchronous drives can also operate in wet and oily environments.

Baldor•Dodge HT500 synchronous sprockets are manufactured in North America with the highest quality standards.

Our design advantages:

- Positions belt center line closer to motor, reducer, and bearings reducing belt pull while potentially increasing the L10 life of bearings.
- Requires less shaft length than QD style products
- Offers more bore sizes per bushing size than QD style products
- Delivers more torque than QD style products
- Has no protruding flanges or bolt heads

The HT500 synchronous drive system has the potential to improve your overall power transmission package by increasing efficiency, lowering your maintenance cost, downtime, and belt pull to increase the L10 life of bearings.

Our high torque HT500 synchronous drive product is Baldor's commitment to your success by providing you energy savings and overall cost reduction. Another TCO solution for the marketplace!

Value added Features

- Virtually maintenance free
- Requires no oil or grease to run slip free
- No need to re-tension the belts
- Compact maintenance free design
- Modified curvilinear tooth profile
- Positive tooth engagement eliminating slippage and speed variation on high torque application
- Low installation tension reducing loads on other power transmission components (i.e., bearings, gearing, motors, etc.)
- Delivers power up to speeds of 10,000 FPM (Standard hardware is rated for 6,500 FPM). Contact Baldor if speeds greater than 6500 FPM are required.
- Higher power ratings than comparable timing belts, making HT500 suited to replace chain drives
- Wide range of stock parts available

Baldor•Dodge HT500 Belts utilize materials that achieve the highest standard of quality and performance in the industry allowing the superior torque capacity needed for high performance

- Belt backing is polyurethane designed for maximum resistance to environmental conditions, oil, grease, and high temperatures
- The belt's carbon fiber cords provide superior tension and torque transmission preventing belt shrinkage and stretch
- Belt's construction helps reduce the belt installation tension increasing the life of the other mechanical components
- Belt's teeth are enclosed in a black nylon tooth face delivering resistance to abrasion and tooth's shear, increasing drive efficiency, belt and sprocket's life, and reducing noise
- Idlers can be used on the backside and front-side of the belt
- With our TAPER-LOCK® bushing installation an easy on, easy off process is assured

FEATURES / BENEFITS

Energy Efficient, High Torque Belt Drive System

The US Department of Energy encourages the use of synchronous belts in all motor installations to maintain an overall efficiency rating of 98% across a wide load range. The HT500 Synchronous Belt is designed to offer the energy efficiency of a synchronous belt drive in a compact design.



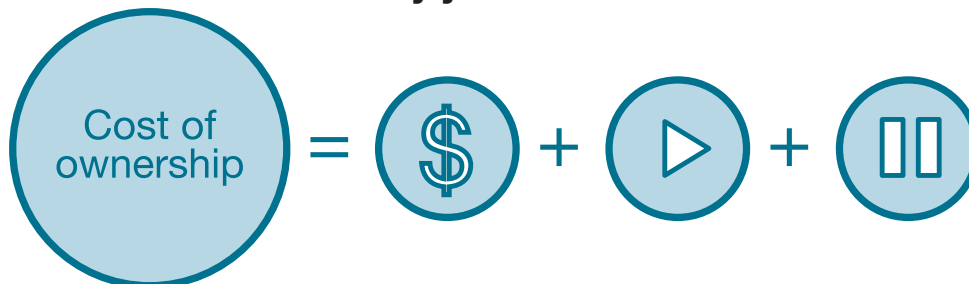
HT500 75HP Drive Example
Energy Savings = Annual Energy Use x (1 – n1/n2)

Mechanical Drive Comparison			
Application Data		V-Belt Drive	HT500 Drive
Motor HP	75	Efficiency 93%	Efficiency 98%
RPM	1800	Status: Current	Status: New
Nameplate Efficiency	95.4	264,920 kWh/yr x .93 = 246,376 kWh/yr 264,920 - 246,376 kWh/yr = 18,544 kWh/yr or 7%	264,920 kWh/yr x .98 = 259,622 kWh/yr 264,920 - 259,622 kWh/yr = 5,298 kWh/yr or 2%
Motor Load	75%		
Estimated kW/hr rate	\$0.10		
Estimated kW/hr use by motor	264,920 kWh/yr		
Duty Cycle	Continuous 6000 hrs x yr (3 shifts)		
Efficiency loss kWh/yr and \$USD		18,544 kWh/yr x \$0.10 = \$1,854.40 USD	5,298 kWh/yr x \$0.10 = \$529.80 USD
Kilowatt hour potential savings when Using HT500 Synchronous Drive System		Energy Savings = 264,920 kWh/yr x (1 – 93/98) = 13,516 kWh/yr 13,516 kWh/yr x \$0.10	
Potential Energy Saving gain from using HT500 Synchronous Drive System		\$1,352.00 USD	

Additional Benefits from HT500

- No Maintenance Cost
- Zero slip
- Constant time, speed
- Positive engagement
- Less downtime

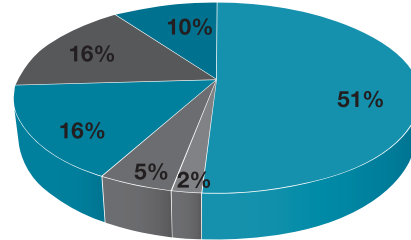
Our Value added solution will not only save you time and money short term, but many years thereafter



FEATURES / BENEFITS

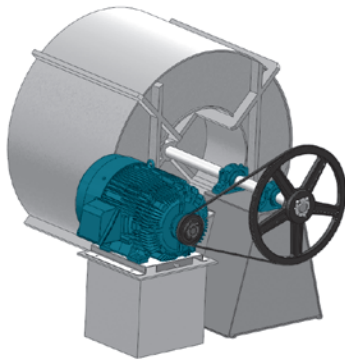
Energy Efficient, High Torque Belt Drive System

The Institute Electrical and Electronics Engineers (IEEE) conducted a survey to identify major causes of motor failures; the chart below is an abstract from their Petro-Chemical paper PCIC-94-01. It concludes that 51% of all motor failure is attributed to bearing problems. By decreasing the belt pull and overall overhung load, a motor bearing will last longer.



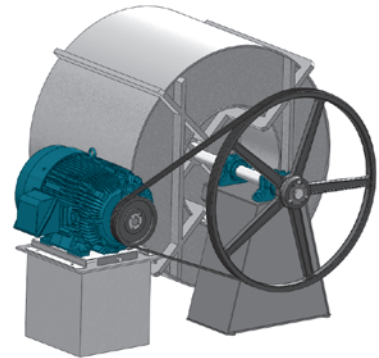
- Bearings
- External - environment, voltage & load. Likely to happen again.
- Shaft Couplings
- Rotor Bar
- Stator Winding
- Unknown - no root failure analysis

HT500 75HP Synchronous Drive vs. V-Belt Drive Comparison



General application specifications

HP: 75
Freq: 60HZ
Enclosure: TEFC
RPM: 1800
Frame: 365T (NEMA)
Ratio: 4:1



Name	Description	Part Number
Driver Sprocket	14MX-45S-20	482031
Driver Bushing	3020 x 2-3/8-KW	117124
Driven Sprocket	14MX-180S-20	482048
Driven Bushing	3525 x 1-15/16-KW	119709
Belt(s) (QTY:1)	HT500 Belt 3500-14MX-20	142766
Motor	75HP/60HZ/4P/365T Frame	ECP4316T-4
Motor Base	45B type B slide base	122118

**HT500
VS
V-BELT**

Name	Description	Part Number
Driver Sheave	3/5V12.5-3020	111103
Driver Bushing	3020 x 2-3/8-KW	117124
Driven Sheave	3/5V50.0-4040	111014
Driven Bushing	4040 x 1-15/16-KW	117316
Belt(s) (QTY:3)	5VX1800 Belt	107186
Motor	75HP/60HZ/4P/365T Frame	ECP4316T-4
Motor Base	45B type B slide base	122118

Our Total Cost of Ownership Solution!

We want to offer you added value solutions so you can achieve your maximum potential cost savings

- Driver sheave diameter reduced by 38%
- Driven sheave diameter reduced by 37%
- Used 1 belt instead of 3
- Cost Reduction
- Reduced overall drive weight by 51%
- Belt pull reduced by 23% which increases the L10 life of the motor bearing by a factor of 2

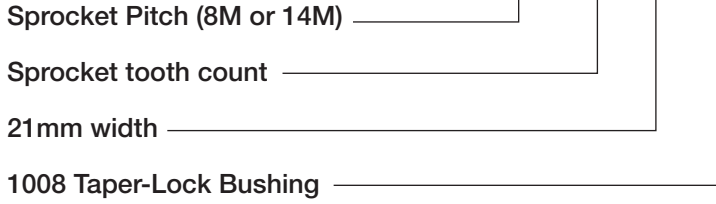


FEATURES / BENEFITS

HT500 Sprocket & Belt Part Nomenclature

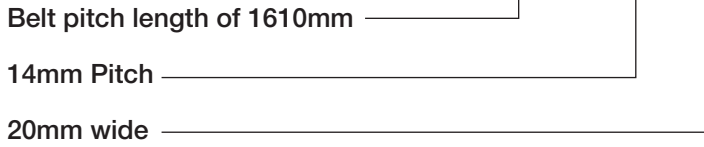
Sprocket Designation

8MX-22S-21 1008



Belt Designation

1610 - 14MX-20



V-Drives

FHP Drives

Drive Component
Accessories

DYNA-SYNC

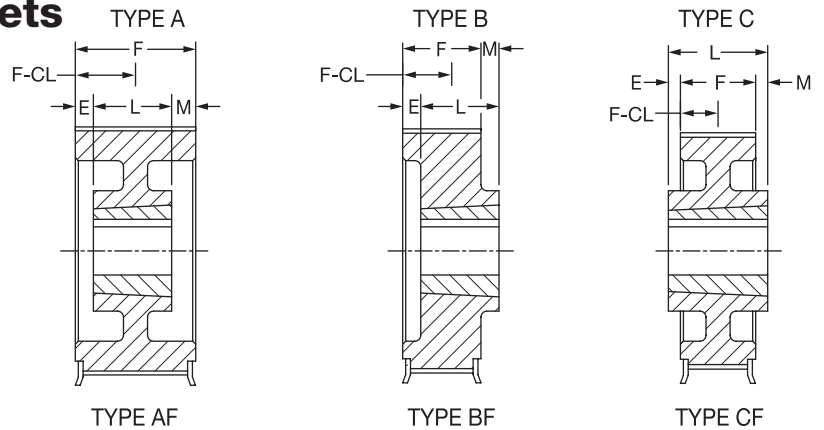
HT200/HTD
Synchronous Drives

HT500
Synchronous Drives

Roller Chain Sprockets

SPECIFICATION

HT500 TAPER-LOCK Sprockets



1 = Block 2 = Web 3 = Arms

The letter "F" in column "Type" indicates that Sprocket has flanges

8M HT500 Sprocket

Sprocket Number	Part No.	No. Of Teeth	Diameters (In.)			Type	Dimensions (In.)			Bore Sizes		Approx. Weight (Lbs.)	Approx. WR ² (Lb-Ft ²)
			P.D.	O.D.	Flange		E	L	M	Min.	Max		
8MX-12			F = .85"										
8MX-22S-12-1008	481875	22	2.206	2.143	2.606	A1F	0	0.88	0	1/2	1	0.4	0.0020
8MX-25S-12-1108	481876	25	2.506	2.443	2.906	A1F	0	0.88	0	1/2	1	0.6	0.0038
8MX-26S-12-1108	481877	26	2.607	2.544	2.906	A1F	0	0.88	0	1/2	1 1/8	0.6	0.0045
8MX-27S-12-1108	481878	27	2.707	2.644	3.207	A1F	0	0.88	0	1/2	1 1/8	0.7	0.0054
8MX-28S-12-1108	481879	28	2.807	2.744	3.207	A1F	0	0.88	0	1/2	1 1/8	0.9	0.0064
8MX-29S-12-1108	481880	29	2.907	2.844	3.090	A1F	0	0.88	0	1/2	1 1/8	0.9	0.0075
8MX-30S-12-1108	481881	30	3.008	2.945	3.408	A1F	0	0.88	0	1/2	1 1/8	1.0	0.0087
8MX-31S-12-1210	481882	31	3.108	3.045	3.328	A1F	0	1.00	0	1/2	1 1/4	1.1	0.0101
8MX-32S-12-1210	481883	32	3.208	3.145	3.608	A1F	0	1.00	0	1/2	1 1/4	1.1	0.0117
8MX-33S-12-1610	481884	33	3.308	3.245	3.566	A1F	0	1.00	0	1/2	1 11/16	1.1	0.0152
8MX-34S-12-1610	481885	34	3.409	3.346	3.810	A1F	0	1.00	0	1/2	1 11/16	1.2	0.0175
8MX-35S-12-1610	481886	35	3.509	3.446	3.805	A1F	0	1.00	0	1/2	1 11/16	1.3	0.0200
8MX-36S-12-1610	481887	36	3.609	3.546	4.009	A1F	0	1.00	0	1/2	1 11/16	1.4	0.0227
8MX-37S-12-1610	481888	37	3.709	3.646	4.044	A1F	0	1.00	0	1/2	1 11/16	1.6	0.0257
8MX-38S-12-1610	481889	38	3.810	3.747	4.210	A1F	0	1.00	0	1/2	1 11/16	1.7	0.0290
8MX-39S-12-1610	481890	39	3.910	3.847	4.410	A1F	0	1.00	0	1/2	1 11/16	1.9	0.0326
8MX-40S-12-2012	481891	40	4.010	3.947	4.410	B1F	0	1.25	0,40	1/2	2 1/8	1.9	0.0413
8MX-41S-12-2012	481892	41	4.110	4.047	4.520	B1F	0	1.25	0,40	1/2	2 1/8	2.1	0.0462
8MX-42S-12-2012	481893	42	4.211	4.148	4.911	B1F	0	1.25	0,40	1/2	2 1/8	2.2	0.0515
8MX-45S-12-2012	481894	45	4.511	4.448	4.911	B1F	0	1.25	0,40	1/2	2 1/8	2.5	0.0702
8MX-48S-12-2012	481895	48	4.812	4.749	5.212	B1F	0	1.25	0,40	1/2	2 1/8	2.7	0.0936
8MX-50S-12-2012	481896	50	5.013	4.950	5.413	B1F	0	1.25	0,40	1/2	2 1/8	3.1	0.1120
8MX-53S-12-2012	481897	53	5.314	5.251	5.500	B1F	0	1.25	0,40	1/2	2 1/8	3.8	0.1447
8MX-56S-12-2012	481898	56	5.614	5.551	6.014	B1F	0	1.25	0,40	1/2	2 1/8	5.4	0.1839
8MX-60S-12-2012	481899	60	6.015	5.952	6.415	B1F	0	1.25	0,40	1/2	2 1/8	5.5	0.2480
8MX-63S-12-2012	481900	63	6.316	6.253	6.716	B2F	0	1.25	0,40	1/2	2 1/8	5.5	0.1409
8MX-67S-12-2012	481901	67	6.717	6.654	6.875	B2F	0	1.25	0,40	1/2	2 1/8	6.0	0.1798
8MX-71S-12-2012	481902	71	7.118	7.055	7.500	B2F	0	1.25	0,40	1/2	2 1/8	6.5	0.2263
8MX-75S-12-2012	481903	75	7.519	7.456	7.919	B2F	0	1.25	0,40	1/2	2 1/8	7.0	0.2814
8MX-80S-12-2012	481904	80	8.020	7.957	8.420	B2F	0	1.25	0,40	1/2	2 1/8	9.6	0.3640
8MX-90S-12-2012	481905	90	9.023	8.960	---	B2	0	1.25	0,40	1/2	2 1/8	9.4	0.5823
8MX-112S-12-2012	481906	112	11.229	11.166	---	B2	0	1.25	0,40	1/2	2 1/8	16.6	1.3980
8MX-140S-12-2012	481907	140	14.036	13.973	---	B3	0	1.25	0,40	1/2	2 1/8	17.3	1.1757
8MX-180S-12-2517	481908	180	18.046	17.983	---	B3	0	1.75	0,90	1/2	2 11/16	30.0	2.8678
8MX-224S-12-2517	481909	224	22.457	22.394	---	B3	0	1.75	0,90	1/2	2 11/16	41.2	6.2533

SPECIFICATION

HT500 TAPER-LOCK Sprockets (Continued)

8M HT500 Sprockets

Sprocket Number	Part No.	No. Of Teeth	Diameters (In.)			Type	Dimensions (In.)			Bore Sizes		Approx. Weight (Lbs.)	Approx. WR ² (Lb-Ft ²)
			P.D.	O.D.	Flange		E	L	M	Min.	Max.		
8MX-21			F = 1.20"										
8MX-22S-21-1008	481915	22	2.206	2.143	2.606	A1F	0	0.88	0.32	1/2	1	0.4	0.0025
8MX-25S-21-1108	481916	25	2.506	2.443	2.906	A1F	0	0.88	0.32	1/2	1 1/8	0.6	0.0046
8MX-26S-21-1108	481917	26	2.607	2.544	2.906	A1F	0	0.88	0.32	1/2	1 1/8	0.6	0.0055
8MX-27S-21-1108	481918	27	2.707	2.644	3.207	A1F	0	0.88	0.32	1/2	1 1/8	0.7	0.0065
8MX-28S-21-1108	481919	28	2.807	2.744	3.207	A1F	0	0.88	0.32	1/2	1 1/8	0.9	0.0076
8MX-29S-21-1108	481920	29	2.907	2.844	3.090	A1F	0	0.88	0.32	1/2	1 1/8	1.0	0.0089
8MX-30S-21-1108	481921	30	3.008	2.945	3.408	A1F	0	0.88	0.32	1/2	1 1/8	1.1	0.0104
8MX-31S-21-1210	481922	31	3.108	3.045	3.328	A1F	0	1.00	0.20	1/2	1 1/4	1.3	0.0120
8MX-32S-21-1210	481923	32	3.208	3.145	3.608	A1F	0	1.00	0.20	1/2	1 1/4	1.4	0.0137
8MX-33S-21-1610	481924	33	3.308	3.245	3.566	A1F	0	1.00	0.20	1/2	1 11/16	1.5	0.0173
8MX-34S-21-1610	481925	34	3.409	3.346	3.810	A1F	0	1.00	0.20	1/2	1 11/16	1.6	0.0198
8MX-35S-21-1610	481926	35	3.509	3.446	3.805	A1F	0	1.00	0.20	1/2	1 11/16	1.6	0.0226
8MX-36S-21-1610	481927	36	3.609	3.546	4.009	A1F	0	1.00	0.20	1/2	1 11/16	1.8	0.0256
8MX-37S-21-1610	481928	37	3.709	3.646	4.044	A1F	0	1.00	0.20	1/2	1 11/16	1.8	0.0289
8MX-38S-21-1610	481929	38	3.810	3.747	4.210	A1F	0	1.00	0.20	1/2	1 11/16	1.9	0.0325
8MX-39S-21-1610	481930	39	3.910	3.847	4.410	A1F	0	1.00	0.20	1/2	1 11/16	1.9	0.0364
8MX-40S-21-2012	481931	40	4.010	3.947	4.410	A1F	0	1.25	0	1/2	2 1/8	2.3	0.0450
8MX-41S-21-2012	481932	41	4.110	4.047	4.520	A1F	0	1.25	0	1/2	2 1/8	2.3	0.0502
8MX-42S-21-2012	481933	42	4.211	4.148	4.911	A1F	0	1.25	0	1/2	2 1/8	2.5	0.0559
8MX-45S-21-2012	481934	45	4.511	4.448	4.911	A1F	0	1.25	0	1/2	2 1/8	2.9	0.0758
8MX-48S-21-2012	481935	48	4.812	4.749	5.212	A1F	0	1.25	0	1/2	2 1/8	3.4	0.1006
8MX-50S-21-2012	481936	50	5.013	4.950	5.413	A1F	0	1.25	0	1/2	2 1/8	4.0	0.1201
8MX-53S-21-2012	481937	53	5.314	5.251	5.500	A1F	0	1.25	0	1/2	2 1/8	4.5	0.1545
8MX-56S-21-2012	481938	56	5.614	5.551	6.014	A1F	0	1.25	0	1/2	2 1/8	4.9	0.1958
8MX-60S-21-2012	481939	60	6.015	5.952	6.415	A1F	0	1.25	0	1/2	2 1/8	6.4	0.2631
8MX-63S-21-2012	481940	63	6.316	6.253	6.716	B2F	0	1.25	0.05	1/2	2 1/8	7.7	0.1706
8MX-67S-21-2517	481941	67	6.717	6.654	6.875	B2F	0	1.75	0.55	1/2	2 11/16	8.3	0.2195
8MX-71S-21-2517	481942	71	7.118	7.055	7.500	B2F	0	1.75	0.55	1/2	2 11/16	8.7	0.2735
8MX-75S-21-2517	481943	75	7.519	7.456	7.919	B2F	0	1.75	0.55	1/2	2 11/16	9.2	0.3372
8MX-80S-21-2517	481944	80	8.020	7.957	8.420	B2F	0	1.75	0.55	1/2	2 11/16	9.8	0.4319
8MX-90S-21-2517	481945	90	9.023	8.960	---	B2	0	1.75	0.55	1/2	2 11/16	12.8	0.6794
8MX-112S-21-2517	481946	112	11.229	11.166	---	B2	0	1.75	0.55	1/2	2 11/16	19.4	1.5916
8MX-140S-21-2517	481947	140	14.036	13.973	---	B3	0	1.75	0.55	1/2	2 11/16	26.8	1.8107
8MX-180S-21-3020	481948	180	18.046	17.983	---	B3	0	2.00	0.80	7/8	3 1/4	36.6	4.4030
8MX-224S-21-3020	481949	224	22.457	22.394	---	B3	0	2.00	0.80	7/8	3 1/4	50.1	9.5391
8MX-36			F = 1.86"										
8MX-32S-36-1210	481958	32	3.208	3.145	3.608	A1F	0	1.00	0.86	1/2	1 1/4	1.7	0.0188
8MX-33S-36-1610	481959	33	3.308	3.245	3.566	A1F	0	1.00	0.86	1/2	1 11/16	1.7	0.0223
8MX-34S-36-1610	481960	34	3.409	3.346	3.810	A1F	0	1.00	0.86	1/2	1 11/16	1.8	0.0254
8MX-35S-36-1610	481961	35	3.509	3.446	3.805	A1F	0	1.00	0.86	1/2	1 11/16	1.8	0.0288
8MX-36S-36-1610	481962	36	3.609	3.546	4.009	A1F	0	1.00	0.86	1/2	1 11/16	2.1	0.0324
8MX-37S-36-1610	481963	37	3.709	3.646	4.044	A1F	0	1.00	0.86	1/2	1 11/16	2.1	0.0364
8MX-38S-36-1610	481964	38	3.810	3.747	4.210	A1F	0	1.00	0.86	1/2	1 11/16	2.4	0.0408
8MX-39S-36-1610	481965	39	3.910	3.847	4.410	A1F	0	1.00	0.86	1/2	1 11/16	2.4	0.0455
8MX-40S-36-2012	481966	40	4.010	3.947	4.410	A1F	0	1.25	0.61	1/2	2 1/8	2.5	0.0547
8MX-41S-36-2012	481967	41	4.110	4.047	4.520	A1F	0	1.25	0.61	1/2	2 1/8	2.8	0.0608
8MX-42S-36-2012	481968	42	4.211	4.148	4.911	A1F	0	1.25	0.61	1/2	2 1/8	3.3	0.0675
8MX-45S-36-2012	481969	45	4.511	4.448	4.911	A1F	0	1.25	0.61	1/2	2 1/8	3.4	0.0905
8MX-48S-36-2012	481970	48	4.812	4.749	5.212	A1F	0	1.25	0.61	1/2	2 1/8	5.1	0.1190

SPECIFICATION

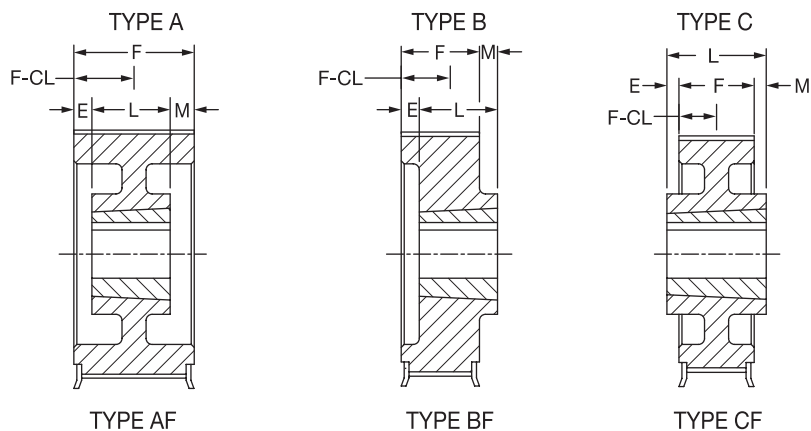
HT500 TAPER-LOCK Sprockets (Continued)

8M HT500 Sprockets

Sprocket Number	Part No.	No. Of Teeth	Diameters (In.)			Type	Dimensions (In.)			Bore Sizes		Approx. Weight (Lbs.)	Approx. WR ² (Lb-Ft ²)
			P.D.	O.D.	Flange		E	L	M	Min.	Max.		
8MX-36 F = 1.86"													
8MX-50S-36-2012	481971	50	5.013	4.950	5.413	A1F	0	1.25	0.61	1/2	2 1/8	5.1	0.1413
8MX-53S-36-2012	481972	53	5.314	5.251	5.500	A1F	0	1.25	0.61	1/2	2 1/8	6.0	0.1804
8MX-56S-36-2012	481973	56	5.614	5.551	6.014	A1F	0	1.25	0.61	1/2	2 1/8	6.6	0.2271
8MX-60S-36-2517	481974	60	6.015	5.952	6.415	A1F	0	1.75	0.11	1/2	2 11/16	8.0	0.3018
8MX-63S-36-2517	481975	63	6.316	6.253	6.716	A1F	0	1.75	0.11	1/2	2 11/16	9.3	0.3698
8MX-67S-36-2517	481976	67	6.717	6.654	6.875	A2F	0	1.75	0.11	1/2	2 11/16	10.0	0.2896
8MX-71S-36-2517	481977	71	7.118	7.055	7.500	A2F	0	1.75	0.11	1/2	2 11/16	12.0	0.3579
8MX-75S-36-2517	481978	75	7.519	7.456	7.919	A2F	0	1.75	0.11	1/2	2 11/16	13.3	0.4378
8MX-80S-36-3020	481979	80	8.020	7.957	8.420	B2F	0	2.00	0.14	7/8	3 1/4	15.3	0.5851
8MX-90S-36-3020	481980	90	9.023	8.960	---	B2	0	2.00	0.14	7/8	3 1/4	20.9	0.8894
8MX-112S-36-3020	481981	112	11.229	11.166	---	B2	0	2.00	0.14	7/8	3 1/4	29.7	1.9883
8MX-140S-36-3020	481982	140	14.036	13.973	---	B3	0	2.00	0.14	7/8	3 1/4	39.3	2.8686
8MX-180S-36-3020	481983	180	18.046	17.983	---	B3	0	2.00	0.14	7/8	3 1/4	48.9	6.9025
8MX-224S-36-3525	481984	224	22.457	22.394	---	B3	0	2.25	0.64	1 3/16	3 15/16	92.2	14.9010
8MX-62 F = 2.91"													
8MX-34S-62-1610	481996	34	3.409	3.346	3.810	A1F	0	1.00	1.91	1/2	1 11/16	5.0	0.0380
8MX-36S-62-1610	481997	36	3.609	3.546	4.009	A1F	0	1.00	1.91	1/2	1 11/16	5.3	0.0484
8MX-38S-62-1610	481998	38	3.812	3.747	4.210	A1F	0	1.00	1.91	1/2	1 11/16	5.6	0.0607
8MX-40S-62-2012	481999	40	4.010	3.947	4.410	A1F	0	1.25	1.66	1/2	2 1/8	5.9	0.0749
8MX-42S-62-2012	482000	42	4.211	4.148	4.911	A1F	0	1.25	1.66	1/2	2 1/8	6.1	0.0919
8MX-45S-62-2012	482001	45	4.511	4.448	4.911	A1F	0	1.25	1.66	1/2	2 1/8	6.5	0.1226
8MX-48S-62-2517	482002	48	4.812	4.749	5.212	A1F	0	1.75	1.16	1/2	2 11/16	6.6	0.1594
8MX-50S-62-2517	482003	50	5.013	4.950	5.413	A1F	0	1.75	1.16	1/2	2 11/16	6.7	0.1891
8MX-53S-62-2517	482004	53	5.314	5.251	5.500	A1F	0	1.75	1.16	1/2	2 11/16	6.9	0.2412
8MX-56S-62-2517	482005	56	5.614	5.551	6.014	A1F	0	1.75	1.16	1/2	2 11/16	7.2	0.3034
8MX-60S-62-3020	482006	60	6.015	5.952	6.415	A1F	0	2.00	0.91	7/8	3 1/4	8.9	0.4298
8MX-63S-62-3020	482007	63	6.316	6.253	6.716	A1F	0	2.00	0.91	7/8	3 1/4	10.3	0.5261
8MX-67S-62-3020	482008	67	6.717	6.654	6.875	A1F	0	2.00	0.91	7/8	3 1/4	11.0	0.6781
8MX-71S-62-3020	482009	71	7.118	7.055	7.500	A1F	0	2.00	0.91	7/8	3 1/4	13.5	0.8605
8MX-75S-62-3020	482010	75	7.519	7.456	7.919	A1F	0	2.00	0.91	7/8	3 1/4	15.4	1.0770
8MX-80S-62-3020	482011	80	8.020	7.957	8.420	A1F	0	2.00	0.91	7/8	3 1/4	23.0	1.4016
8MX-90S-62-3020	482012	90	9.023	8.960	---	A2	0	2.00	0.91	7/8	3 1/4	32.7	1.2239
8MX-112S-62-3020	482013	112	11.229	11.166	---	A2	0	2.00	0.91	7/8	3 1/4	38.9	2.6610
8MX-140S-62-3525	482014	140	14.036	13.973	---	A2	0	2.25	0.66	1 3/16	3 15/16	54.5	6.0574
8MX-180S-62-3525	482015	180	18.046	17.983	---	A3	0	2.25	0.66	1 3/16	3 15/16	68.2	10.995
8MX-224S-62-3525	482016	224	22.457	22.394	---	A3	0	2.25	0.66	1 3/16	3 15/16	92.3	23.619

SPECIFICATION

HT500 TAPER-LOCK Sprockets



1 = Block 2 = Web 3 = Arms

14M HT500 Sprockets

The letter "F" in column "Type" indicates that Sprocket has flanges

Sprocket Number	Part No.	No. Of Teeth	Diameters (In.)			Type	Dimensions (In.)			Bore Sizes		Approx. Weight (Lbs.)	Approx. WR ² (Lb-Ft ²)
			P.D.	O.D.	Flange		E	L	M	Min.	Max.		
14MX-20			F = 1.36"										
14MX-28S-20-2012	482017	28	4.912	4.802	5.402	A1F	0	1.25	0.11	1/2	2 1/8	3.9	0.0922
14MX-29S-20-2012	482018	29	5.088	4.978	5.763	A1F	0	1.25	0.11	1/2	2 1/8	4.5	0.1082
14MX-30S-20-2012	482019	30	5.263	5.153	5.763	A1F	0	1.25	0.11	1/2	2 1/8	4.8	0.1261
14MX-31S-20-2012	482020	31	5.439	5.329	6.114	A1F	0	1.25	0.11	1/2	2 1/8	5.5	0.1462
14MX-32S-20-2012	482021	32	5.614	5.504	6.114	A1F	0	1.25	0.11	1/2	2 1/8	5.9	0.1686
14MX-33S-20-2012	482022	33	5.790	5.680	6.465	A1F	0	1.25	0.11	1/2	2 1/8	6.3	0.1934
14MX-34S-20-2012	482023	34	5.965	5.855	6.465	A1F	0	1.25	0.11	1/2	2 1/8	6.9	0.2209
14MX-35S-20-2012	482024	35	6.141	6.031	6.816	A1F	0	1.25	0.11	1/2	2 1/8	7.3	0.2512
14MX-36S-20-2517	482025	36	6.316	6.206	6.816	B1F	0	1.75	0.39	1/2	2 11/16	7.6	0.2836
14MX-37S-20-2517	482026	37	6.492	6.382	7.167	B1F	0	1.75	0.39	1/2	2 11/16	8.2	0.3200
14MX-38S-20-2517	482027	38	6.667	6.557	7.167	B1F	0	1.75	0.39	1/2	2 11/16	8.8	0.3599
14MX-39S-20-2517	482028	39	6.842	6.732	7.518	B1F	0	1.75	0.39	1/2	2 11/16	9.8	0.4033
14MX-40S-20-2517	482029	40	7.018	6.908	7.518	B1F	0	1.75	0.39	1/2	2 11/16	10.1	0.4505
14MX-43S-20-2517	482030	43	7.544	7.434	8.044	B1F	0	1.75	0.39	1/2	2 11/16	11.7	0.6172
14MX-45S-20-3020	482031	45	7.895	7.785	8.395	B1F	0	2.00	0.64	7/8	3 1/4	13.5	0.9146
14MX-48S-20-3020	482032	48	8.421	8.311	8.941	B1F	0	2.00	0.64	7/8	3 1/4	16.4	1.2146
14MX-50S-20-3020	482033	50	8.772	8.662	9.292	B1F	0	2.00	0.64	7/8	3 1/4	18.2	1.4519
14MX-53S-20-3020	482034	53	9.299	9.189	9.688	B1F	0	2.00	0.64	7/8	3 1/4	20.5	1.8705
14MX-56S-20-3525	482035	56	9.825	9.715	10.355	B1F	0	2.50	1.14	1 3/16	3 15/16	23.1	2.3648
14MX-60S-20-3525	482036	60	10.527	10.417	11.067	B1F	0	2.50	1.14	1 3/16	3 15/16	27.4	3.1852
14MX-63S-20-3525	482037	63	11.053	10.943	11.593	B1F	0	2.50	1.14	1 3/16	3 15/16	30.2	3.9274
14MX-67S-20-3525	482038	67	11.755	11.645	12.500	B1F	0	2.50	1.14	1 3/16	3 15/16	31.2	5.1094
14MX-71S-20-3525	482039	71	12.457	12.347	13.066	B2F	0	2.50	1.14	1 3/16	3 15/16	32.5	2.6422
14MX-75S-20-3525	482040	75	13.158	13.048	13.731	B2F	0	2.50	1.14	1 3/16	3 15/16	36.1	3.2558
14MX-80S-20-3525	482041	80	14.036	13.926	14.620	B2F	0	2.50	1.14	1 3/16	3 15/16	38.7	4.1694
14MX-90S-20-3525	482042	90	15.790	15.680	---	B2	0	2.50	1.14	1 3/16	3 15/16	41.3	6.5536
14MX-112S-20-3525	482043	112	19.650	19.540	---	B3	0	2.50	1.14	1 3/16	3 15/16	59.6	8.7315
14MX-126S-20-3525	482044	126	22.106	21.996	---	B3	0	2.50	1.14	1 3/16	3 15/16	58.1	13.253
14MX-140S-20-3525	482045	140	24.562	24.452	---	B3	0	2.50	1.00	1 3/16	3 15/16	94.8	19.265
14MX-154S-20-3525	482046	154	27.019	26.909	---	B3	0	2.50	1.14	1 3/16	3 15/16	73.4	27.038
14MX-168S-20-3525	482047	168	29.475	29.365	---	B3	0	2.50	1.00	1 3/16	3 15/16	99.5	36.864
14MX-180S-20-3525	482048	180	31.580	31.470	---	B3	0	2.50	1.00	1 3/16	3 15/16	107.3	47.142
14MX-200S-20-3525	482049	200	35.089	34.979	---	B3	0	2.50	1.00	1 3/16	3 15/16	119.0	68.655
14MX-224S-20-4030	482050	224	39.300	39.190	---	B3	0	3.00	1.50	1 7/16	4 7/16	150.2	102.931
14MX-37			F = 2.06"										
14MX-28S-37-2012	482052	28	4.912	4.802	5.402	A1F	0	1.25	0.81	1/2	2 1/8	4.2	0.1180
14MX-29S-37-2517	482053	29	5.088	4.978	5.763	A1F	0	1.75	0.31	1/2	2 11/16	4.7	0.1367
14MX-30S-37-2517	482054	30	5.263	5.153	5.763	A1F	0	1.75	0.31	1/2	2 11/16	5.0	0.1587
14MX-31S-37-2517	482055	31	5.439	5.329	6.114	A1F	0	1.75	0.31	1/2	2 11/16	6.0	0.1831
14MX-32S-37-2517	482056	32	5.614	5.504	6.114	A1F	0	1.75	0.31	1/2	2 11/16	7.2	0.2102
14MX-33S-37-2517	482057	33	5.790	5.680	6.465	A1F	0	1.75	0.31	1/2	2 11/16	7.5	0.2401

SPECIFICATION

HT500 TAPER-LOCK Sprockets (Continued)

14M HT500 Sprockets

Sprocket Number	Part No.	No. Of Teeth	Diameters (In.)			Type	Dimensions (In.)			Bore Sizes		Approx. Weight (Lbs.)	Approx. WR ² (Lb-Ft ²)
			P.D.	O.D.	Flange		E	L	M	Min.	Max.		
14MX-37 F = 2.06"													
14MX-34S-37-2517	482058	34	5.965	5.855	6.465	A1F	0	1.75	0.31	1/2	2 11/16	7.8	0.2730
14MX-35S-37-2517	482059	35	6.141	6.031	6.816	A1F	0	1.75	0.31	1/2	2 11/16	8.3	0.3091
14MX-36S-37-2517	482060	36	6.316	6.206	6.816	A1F	0	1.75	0.31	1/2	2 11/16	8.8	0.3487
14MX-37S-37-2517	482061	37	6.492	6.382	7.167	A1F	0	1.75	0.31	1/2	2 11/16	9.3	0.3919
14MX-38S-37-3020	482062	38	6.667	6.557	7.167	A1F	0	2.00	0.06	7/8	3 1/4	10.8	0.5016
14MX-39S-37-3020	482063	39	6.842	6.732	7.518	A1F	0	2.00	0.06	7/8	3 1/4	11.9	0.5620
14MX-40S-37-3020	482064	40	7.018	6.908	7.518	A1F	0	2.00	0.06	7/8	3 1/4	12.2	0.6277
14MX-43S-37-3020	482065	43	7.544	7.434	8.044	A1F	0	2.00	0.06	7/8	3 1/4	12.5	0.8589
14MX-45S-37-3020	482066	45	7.895	7.785	8.395	A1F	0	2.00	0.06	7/8	3 1/4	15.8	1.0447
14MX-48S-37-3020	482067	48	8.421	8.311	8.941	A1F	0	2.00	0.06	7/8	3 1/4	18.7	1.3774
14MX-50S-37-3020	482068	50	8.772	8.662	9.292	A1F	0	2.00	0.06	7/8	3 1/4	21.1	1.6394
14MX-53S-37-3020	482069	53	9.299	9.189	9.688	A1F	0	2.00	0.06	7/8	3 1/4	24.7	2.0997
14MX-56S-37-3525	482070	56	9.825	9.715	10.355	B1F	0	2.50	0.44	1 3/16	3 15/16	28.2	2.6416
14MX-60S-37-3525	482071	60	10.527	10.417	11.067	B1F	0	2.50	0.44	1 3/16	3 15/16	32.2	3.5355
14MX-63S-37-3525	482072	63	11.053	10.943	11.593	B1F	0	2.50	0.44	1 3/16	3 15/16	42.8	4.3411
14MX-67S-37-3525	482073	67	11.755	11.645	12.500	B1F	0	2.50	0.44	1 3/16	3 15/16	43.5	5.6192
14MX-71S-37-3525	482074	71	12.457	12.347	13.066	B2F	0	2.50	0.44	1 3/16	3 15/16	44.1	3.5191
14MX-75S-37-3525	482075	75	13.158	13.048	13.731	B2F	0	2.50	0.44	1 3/16	3 15/16	45.5	4.3017
14MX-80S-37-3525	482076	80	14.036	13.926	14.620	B2F	0	2.50	0.44	1 3/16	3 15/16	48.7	5.4564
14MX-90S-37-3525	482077	90	15.790	15.680	---	B2	0	2.50	0.44	1 3/16	3 15/16	53.3	8.4295
14MX-112S-37-3525	482078	112	19.650	19.540	---	B3	0	2.50	0.44	1 3/16	3 15/16	87.0	14.200
14MX-126S-37-3525	482079	126	22.106	21.996	---	B3	0	2.50	0.44	1 3/16	3 15/16	76.3	21.539
14MX-140S-37-3525	482080	140	24.562	24.452	---	B3	0	2.50	0.44	1 3/16	3 15/16	100.2	31.267
14MX-154S-37-3525	482081	154	27.019	26.909	---	B3	0	2.50	0.44	1 3/16	3 15/16	100.2	43.807
14MX-168S-37-4030	482082	168	29.475	29.365	---	B3	0	3.00	0.94	1 7/16	4 7/16	179.0	59.582
14MX-180S-37-4030	482083	180	31.580	31.470	---	B3	0	3.00	0.94	1 7/16	4 7/16	182.3	76.076
14MX-200S-37-4030	482084	200	35.089	34.979	---	B3	0	3.00	0.94	1 7/16	4 7/16	185.4	100.527
14MX-224S-37-4030	482085	224	39.300	39.190	---	B3	0	3.00	0.94	1 7/16	4 7/16	229.1	165.266
14MX-68 F = 3.33"													
14MX-28S-68-2517	482096	28	4.912	4.802	5.402	A1F	0	1.75	1.58	1/2	2 11/16	13.5	0.1804
14MX-29S-68-2517	482097	29	5.088	4.978	5.763	A1F	0	1.75	1.58	1/2	2 11/16	13.8	0.2101
14MX-30S-68-2517	482098	30	5.263	5.153	5.763	A1F	0	1.75	1.58	1/2	2 11/16	14.0	0.2433
14MX-31S-68-2517	482099	31	5.439	5.329	6.114	A1F	0	1.75	1.58	1/2	2 11/16	14.3	0.2802
14MX-32S-68-2517	482100	32	5.614	5.504	6.114	A1F	0	1.75	1.58	1/2	2 11/16	14.6	0.3211
14MX-33S-68-2517	482101	33	5.790	5.680	6.465	A1F	0	1.75	1.58	1/2	2 11/16	14.9	0.3663
14MX-34S-68-2517	482102	34	5.965	5.855	6.465	A1F	0	1.75	1.58	1/2	2 11/16	15.2	0.4160
14MX-35S-68-3020	482103	35	6.141	6.031	6.816	A1F	0	2.00	1.33	7/8	3 1/4	15.5	0.4692
14MX-36S-68-3020	482104	36	6.316	6.206	6.816	A1F	0	2.00	1.33	7/8	3 1/4	15.8	0.5285
14MX-37S-68-3020	482105	37	6.492	6.382	7.167	A1F	0	2.00	1.33	7/8	3 1/4	16.1	0.5932
14MX-38S-68-3020	482106	38	6.667	6.557	7.167	A1F	0	2.00	1.33	7/8	3 1/4	16.4	0.6635
14MX-39S-68-3020	482107	39	6.842	6.732	7.518	A1F	0	2.00	1.33	7/8	3 1/4	16.7	0.7400
14MX-40S-68-3020	482108	40	7.018	6.908	7.518	A1F	0	2.00	1.33	7/8	3 1/4	17.0	0.8239
14MX-43S-68-3020	482109	43	7.544	7.434	8.044	A1F	0	2.00	1.33	7/8	3 1/4	17.2	1.1187
14MX-45S-68-3020	482110	45	7.895	7.785	8.395	A1F	0	2.00	1.33	7/8	3 1/4	20.4	1.3552
14MX-48S-68-3525	482111	48	8.421	8.311	8.941	A1F	0	2.50	0.83	1 3/16	3 15/16	24.6	1.7697
14MX-50S-68-3525	482112	50	8.772	8.662	9.292	A1F	0	2.50	0.83	1 3/16	3 15/16	29.4	2.1032
14MX-53S-68-3525	482113	53	9.299	9.189	9.688	A1F	0	2.50	0.83	1 3/16	3 15/16	35.7	2.6902
14MX-56S-68-3525	482114	56	9.825	9.715	10.355	A1F	0	2.50	0.83	1 3/16	3 15/16	39.9	3.3944
14MX-60S-68-3525	482115	60	10.527	10.417	11.067	A1F	0	2.50	0.83	1 3/16	3 15/16	50.6	4.5427
14MX-63S-68-3525	482116	63	11.053	10.943	11.593	A1F	0	2.50	0.83	1 3/16	3 15/16	58.0	5.5830
14MX-67S-68-3525	482117	67	11.755	11.645	12.500	A2F	0	2.50	0.83	1 3/16	3 15/16	60.0	4.4150
14MX-71S-68-3525	482118	71	12.457	12.347	13.066	A2F	0	2.50	0.83	1 3/16	3 15/16	63.3	5.4244
14MX-75S-68-3525	482119	75	13.158	13.048	13.731	A2F	0	2.50	0.83	1 3/16	3 15/16	68.6	6.5958

SPECIFICATION



V-Drives

FHP Drives

Drive Component Accessories

DYNA-SYNC

HT200/HTD Synchronous Drives

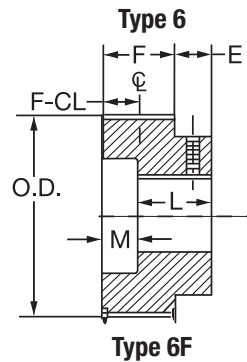
HT500 Synchronous Drives

Roller Chain Sprockets

Sprocket Number	Part No.	No. Of Teeth	Diameters (In.)			Type	Dimensions (In.)			Bore Sizes		Approx. Weight (Lbs.)	Approx. WR ² (Lb-Ft ²)
			P.D.	O.D.	Flange		E	L	M	Min.	Max		
14MX-68 F = 3.33"													
14MX-80S-68-3525	482120	80	14.036	13.926	14.620	A2F	0	2.50	0.83	1 3/16	3 15/16	76.3	8.3123
14MX-90S-68-4030	482121	90	15.790	15.680	---	A2	0	3.00	0.33	1 7/16	4 7/16	82.6	12.782
14MX-112S-68-4030	482122	112	19.650	19.540	---	A3	0	3.00	0.33	1 7/16	4 7/16	100.4	23.778
14MX-140S-68-4030	482123	140	24.562	24.452	---	A3	0	3.00	0.33	1 7/16	4 7/16	190.0	52.002
14MX-168S-68-4535	482124	168	29.475	29.365	---	B3	0	3.50	0.17	1 15/16	4 15/16	239.1	98.636
14MX-180S-68-4535	482125	180	31.580	31.470	---	B3	0	3.50	0.17	1 15/16	4 15/16	250.6	125.733
14MX-200S-68-4535	482126	200	35.089	34.979	---	B3	0	3.50	0.17	1 15/16	4 15/16	262.5	182.222
14MX-224S-68-5040	482127	224	39.300	39.190	---	B3	0	4.00	0.67	2 7/16	5	350.0	271.707
14MX-90 F = 4.20"													
14MX-35S-90-3020	482141	35	6.141	6.031	6.816	A1F	0	2.00	2.20	7/8	3 1/4	22.9	0.5884
14MX-36S-90-3020	482142	36	6.316	6.206	6.816	A1F	0	2.00	2.20	7/8	3 1/4	23.1	0.6633
14MX-37S-90-3020	482143	37	6.492	6.382	7.167	A1F	0	2.00	2.20	7/8	3 1/4	23.4	0.7449
14MX-38S-90-3020	482144	38	6.667	6.557	7.167	A1F	0	2.00	2.20	7/8	3 1/4	23.7	0.8338
14MX-39S-90-3020	482145	39	6.842	6.732	7.518	A1F	0	2.00	2.20	7/8	3 1/4	24.0	0.9303
14MX-40S-90-3020	482146	40	7.018	6.908	7.518	A1F	0	2.00	2.20	7/8	3 1/4	24.3	1.0349
14MX-43S-90-3525	482147	43	7.544	7.434	8.044	A1F	0	2.50	1.70	1 3/16	3 15/16	24.7	1.3910
14MX-45S-90-3525	482148	45	7.895	7.785	8.395	A1F	0	2.50	1.70	1 3/16	3 15/16	27.3	1.6846
14MX-48S-90-3525	482149	48	8.421	8.311	8.941	A1F	0	2.50	1.70	1 3/16	3 15/16	29.3	2.2089
14MX-50S-90-3525	482150	50	8.772	8.662	9.292	A1F	0	2.50	1.70	1 3/16	3 15/16	33.4	2.6208
14MX-53S-90-3525	482151	53	9.299	9.189	9.688	A1F	0	2.50	1.70	1 3/16	3 15/16	42.1	3.3442
14MX-56S-90-4030	482152	56	9.825	9.715	10.355	A1F	0	3.00	1.20	1 7/16	4 7/16	46.8	4.1952
14MX-60S-90-4030	482153	60	10.527	10.417	11.067	A1F	0	3.00	1.20	1 7/16	4 7/16	50.4	5.6011
14MX-63S-90-4030	482154	63	11.053	10.943	11.593	A1F	0	3.00	1.20	1 7/16	4 7/16	64.6	6.8708
14MX-67S-90-4030	482155	67	11.755	11.645	12.500	A1F	0	3.00	1.20	1 7/16	4 7/16	70.0	8.8919
14MX-71S-90-4030	482156	71	12.457	12.347	13.066	A1F	0	3.00	1.20	1 7/16	4 7/16	85.0	11.339
14MX-75S-90-4030	482157	75	13.158	13.048	13.731	A2F	0	3.00	1.20	1 7/16	4 7/16	86.7	14.669
14MX-80S-90-4030	482158	80	14.036	13.926	14.620	A2F	0	3.00	1.20	1 7/16	4 7/16	88.0	13.800
14MX-90S-90-4030	482159	90	15.790	15.680	---	A2	0	3.00	1.20	1 7/16	4 7/16	124.2	16.521
14MX-112S-90-4535	482160	112	19.650	19.540	---	A3	0	3.50	0.70	1 15/16	4 15/16	197.9	30.460
14MX-140S-90-5040	482161	140	24.562	24.452	---	A3	0	4.00	0.20	2 7/16	5	240.0	66.242
14MX-168S-90-6050	482162	168	29.475	29.365	---	B3	0	5.00	0.80	4 7/16	6	327.3	125.362
14MX-180S-90-6050	482163	180	31.580	31.470	---	B3	0	5.00	0.80	4 7/16	6	335.9	159.541
14MX-200S-90-6050	482164	200	35.089	34.979	---	B3	0	5.00	0.80	4 7/16	6	344.5	230.792
14MX-224S-90-6050	482165	224	39.300	39.190	---	B3	0	5.00	0.80	4 7/16	6	589.0	343.707
14MX-125 F = 5.61"													
14MX-50S-125-4535	482182	50	8.772	8.662	9.292	A1F	0	3.50	2.11	1 15/16	4 15/16	39.4	3.4090
14MX-52S-125-4535	482183	52	9.123	9.013	9.687	A1F	0	3.50	2.11	1 15/16	4 15/16	48.2	4.0199
14MX-53S-125-4535	482184	53	9.299	9.189	9.688	A1F	0	3.50	2.11	1 15/16	4 15/16	50.1	4.3540
14MX-56S-125-4535	482185	56	9.825	9.715	10.355	A1F	0	3.50	2.11	1 15/16	4 15/16	52.6	5.4811
14MX-60S-125-4535	482186	60	10.527	10.417	11.067	A1F	0	3.50	2.11	1 15/16	4 15/16	63.3	5.8084
14MX-63S-125-4535	482187	63	11.053	10.943	11.593	A1F	0	3.50	2.11	1 15/16	4 15/16	77.2	8.9504
14MX-67S-125-4535	482188	67	11.755	11.645	12.500	A1F	0	3.50	2.11	1 15/16	4 15/16	93.8	11.555
14MX-71S-125-5040	482189	71	12.457	12.347	13.066	A1F	0	4.00	1.61	2 7/16	5	113.2	14.674
14MX-75S-125-5040	482190	75	13.158	13.048	13.731	A1F	0	4.00	1.61	2 7/16	5	132.8	18.431
14MX-80S-125-5040	482191	80	14.036	13.926	14.620	A1F	0	4.00	1.61	2 7/16	5	137.0	24.109
14MX-90S-125-5040	482192	90	15.790	15.680	---	A2	0	4.00	1.61	2 7/16	5	141.8	23.571
14MX-112S-125-6050	482193	112	19.650	19.540	---	A2	0	5.00	0.61	4 7/16	6	210.6	51.582
14MX-140S-125-6050	482194	140	24.562	24.452	---	A2	0	5.00	0.61	4 7/16	6	270.3	114.827
14MX-168S-125-7060	482195	168	29.475	29.365	---	B3	0	6.00	0.39	4 15/16	7	345.2	168.072
14MX-180S-125-7060	482196	180	31.580	31.470	---	B3	0	6.00	0.39	4 15/16	7	365.2	213.396
14MX-200S-125-7060	482197	200	35.089	34.979	---	B3	0	6.00	0.39	4 15/16	7	373.5	307.825
14MX-224S-125-7060	482198	224	39.300	39.190	---	B3	0	6.00	0.39	4 15/16	7	482.3	457.347

SPECIFICATION

HT500 MPB Sprockets



The letter "F" shown with type 6F indicates that Sprocket has flanges

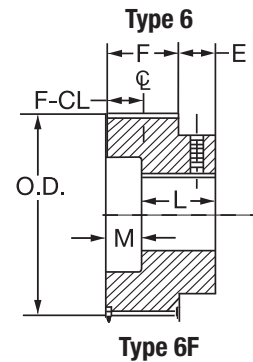
8MX Sprockets

Sprocket Number	Part No.	No. Of Teeth	Diameters (In.)			Dimensions (In.)			Bore Sizes		Approx. Weight (Lbs.)	Approx. WR ² (Lb-Ft ²)
			P.D.	O.D.	Flange	E	L	M	Min.	Max		
8MX-12			F = .85"			Type 6F						
8MX-22S-12-MPB	481870	22	2.206	2.143	2.606	0	1.31	0.46	0.50	1.00	0.9	0.0020
8MX-25S-12-MPB	481871	25	2.506	2.443	2.906	0	1.31	0.46	0.50	1.50	1.0	0.0041
8MX-28S-12-MPB	481872	28	2.807	2.744	3.207	0	1.31	0.46	0.50	1.75	1.4	0.0070
8MX-30S-12-MPB	481873	30	3.008	2.945	3.408	0	1.42	0.57	0.27	1.13	1.6	0.0088
8MX-32S-12-MPB	481874	32	3.208	3.145	3.608	0	1.42	0.57	0.50	2.00	1.7	0.0130
8MX-21			F = 1.20"			Type 6F						
8MX-22S-21-MPB	481910	22	2.206	2.143	2.606	0	1.65	0.45	0.50	1.19	1.1	0.0025
8MX-25S-21-MPB	481911	25	2.506	2.443	2.906	0	1.65	0.45	0.50	1.50	1.4	0.0048
8MX-28S-21-MPB	481912	28	2.807	2.744	3.207	0	1.65	0.45	0.50	1.75	1.8	0.0081
8MX-30S-21-MPB	481913	30	3.008	2.945	3.408	0	1.77	0.57	0.50	1.81	2.2	0.0112
8MX-32S-21-MPB	481914	32	3.208	3.145	3.608	0	1.77	0.57	0.50	2.00	2.5	0.0149
8MX-36			F = 1.86"			Type 6F						
8MX-22S-36-MPB	481950	22	2.206	2.143	2.606	0	2.44	0.58	0.50	1.19	1.0	0.0036
8MX-25S-36-MPB	481951	25	2.506	2.443	2.906	0	2.44	0.58	0.50	1.50	1.3	0.0066
8MX-28S-36-MPB	481952	28	2.807	2.744	3.207	0	2.44	0.58	0.50	1.75	1.5	0.0108
8MX-30S-36-MPB	481953	30	3.008	2.945	3.408	0	2.44	0.58	0.50	1.81	1.7	0.0147
8MX-32S-36-MPB	481954	32	3.208	3.145	3.608	0	2.44	0.58	0.50	2.00	3.9	0.0193
8MX-34S-36-MPB	481955	34	3.409	3.346	3.81	0	2.45	0.59	0.50	2.13	4.3	0.0269
8MX-36S-36-MPB	481956	36	3.609	3.546	4.009	0	2.51	0.65	0.50	2.31	4.3	0.0344
8MX-38S-36-MPB	481957	38	3.810	3.747	4.210	0	2.51	0.65	0.50	2.44	4.4	0.0434
8MX-62			F = 2.91"			Type 6F						
8MX-22S-62-MPB	481985	22	2.206	2.143	2.606	0	3.56	0.65	1.00	1.19	3.2	0.0059
8MX-25S-62-MPB	481986	25	2.506	2.443	2.906	0	3.56	0.65	1.00	1.50	3.3	0.0103
8MX-28S-62-MPB	481987	28	2.807	2.744	3.207	0	3.56	0.65	1.00	1.75	3.5	0.0168
8MX-30S-62-MPB	481988	30	3.008	2.945	3.408	0	3.50	0.59	1.00	1.81	4.0	0.0226
8MX-32S-62-MPB	481989	32	3.208	3.145	3.608	0	3.50	0.59	1.00	2.00	5.0	0.0297
8MX-34S-62-MPB	481990	34	3.409	3.346	3.81	0	3.50	0.59	1.00	2.13	5.7	0.0384
8MX-36S-62-MPB	481991	36	3.609	3.546	4.009	0	3.56	0.65	1.00	2.31	6.6	0.0488
8MX-38S-62-MPB	481992	38	3.812	3.747	4.210	0	3.56	0.65	1.00	2.44	7.4	0.0611
8MX-40S-62-MPB	481993	40	4.010	3.947	4.410	0	3.63	0.72	1.00	2.56	8.4	0.0757
8MX-42S-62-MPB	481994	42	4.211	4.148	4.911	0	3.63	0.72	1.00	2.75	9.6	0.0927
8MX-45S-62-MPB	481995	45	4.511	4.448	4.911	0	3.63	0.72	1.00	2.75	10.8	0.1235

SPECIFICATION



HT500 MPB Sprockets



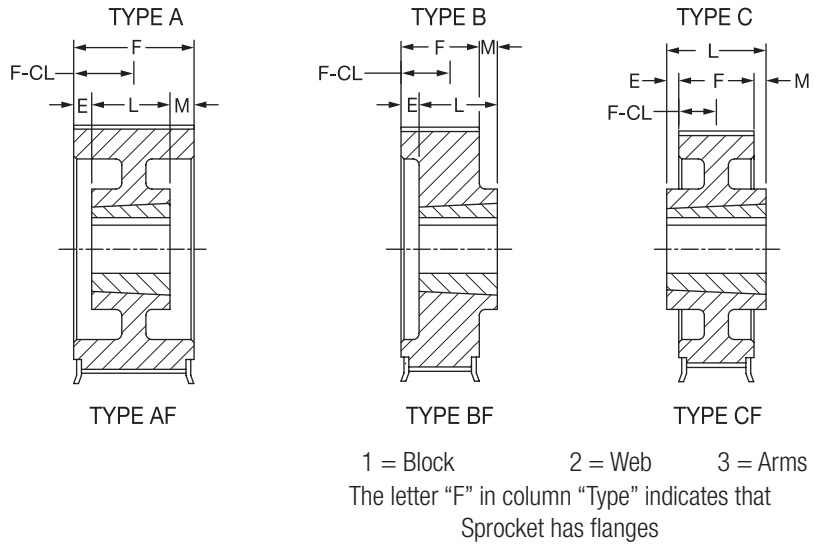
The letter "F" shown with type 6F indicates that Sprocket has flanges

14MX Sprockets

Sprocket Number	Part No.	No. Of Teeth	Diameters (In.)			Dimensions (In.)			Bore Sizes		Approx. Weight (Lbs.)	Approx. WR ² (Lb-Ft ²)
			P.D.	O.D.	Flange	E	L	M	Min.	Max		
14MX-37			F = 2.06"			Type 6F						
14MX-28S-37-MPB	482051	28	4.912	4.802		0	2.86	0.80	1.00	2.94	11.70	0.1272
14MX-68			F = 3.33"			Type 6F						
14MX-28S-68-MPB	482089	28	4.912	4.802	5.402	0	4.13	0.80	1.00	2.94	13.4	0.1796
14MX-29S-68-MPB	482090	29	5.088	4.978	5.763	0	4.13	0.80	1.00	3.19	14.5	0.2081
14MX-30S-68-MPB	482091	30	5.263	5.153	5.763	0	4.13	0.80	1.00	3.19	15.7	0.2415
14MX-31S-68-MPB	482092	31	5.439	5.329	6.114	0	4.13	0.80	1.00	3.44	16.8	0.2768
14MX-32S-68-MPB	482093	32	5.614	5.504	6.114	0	4.13	0.80	1.00	3.44	18.0	0.3178
14MX-33S-68-MPB	482094	33	5.790	5.680	6.465	0	4.33	1.00	1.00	3.50	19.5	0.3626
14MX-34S-68-MPB	482095	34	5.965	5.855	6.465	0	4.33	1.00	1.00	3.50	21.1	0.4122
14MX-90			F = 4.20"			Type 6F						
14MX-28S-90-MPB	482128	28	4.912	4.802	5.402	0	5.14	0.94	1.50	2.94	17.4	0.2309
14MX-29S-90-MPB	482129	29	5.088	4.978	5.763	0	5.00	0.80	1.50	3.19	18.9	0.2684
14MX-30S-90-MPB	482130	30	5.263	5.153	5.763	0	5.00	0.80	1.50	3.19	20.3	0.3102
14MX-31S-90-MPB	482131	31	5.439	5.329	6.114	0	5.00	0.80	1.50	3.44	21.8	0.3566
14MX-32S-90-MPB	482132	32	5.614	5.504	6.114	0	5.00	0.80	1.50	3.44	23.2	0.4080
14MX-33S-90-MPB	482133	33	5.790	5.680	6.465	0	5.20	1.00	1.50	3.50	25.2	0.4648
14MX-34S-90-MPB	482134	34	5.965	5.855	6.465	0	5.20	1.00	1.50	3.50	27.2	0.5272
14MX-35S-90-MPB	482135	35	6.141	6.031	6.816	0	5.20	1.00	1.50	3.81	28.7	0.5956
14MX-36S-90-MPB	482136	36	6.316	6.206	6.816	0	5.20	1.00	1.50	3.81	30.3	0.6704
14MX-37S-90-MPB	482137	37	6.492	6.382	7.167	0	5.20	1.00	1.50	4.13	32.1	0.7521
14MX-38S-90-MPB	482138	38	6.667	6.557	7.167	0	5.20	1.00	1.50	4.13	33.9	0.8410
14MX-39S-90-MPB	482139	39	6.842	6.732	7.518	0	5.20	1.00	1.50	4.38	35.8	0.9375
14MX-40S-90-MPB	482140	40	7.018	6.908	6.518	0	5.20	1.00	1.50	4.38	37.7	1.0421
14MX-125			F = 5.61"			Type 6F						
14MX-28S-125-MPB	482166	28	4.912	4.802	5.402	0	6.50	0.89	1.50	2.94	22.0	0.3098
14MX-29S-125-MPB	482167	29	5.088	4.978	5.763	0	6.50	0.89	1.50	3.19	23.7	0.3599
14MX-30S-125-MPB	482168	30	5.263	5.153	5.763	0	6.50	0.89	1.50	3.19	25.4	0.4156
14MX-31S-125-MPB	482169	31	5.439	5.329	6.114	0	6.50	0.89	1.50	3.44	27.3	0.4697
14MX-32S-125-MPB	482170	32	5.614	5.504	6.114	0	6.50	0.89	1.50	3.44	39.2	0.5382
14MX-33S-125-MPB	482171	33	5.790	5.680	6.465	0	6.69	1.08	1.50	3.50	31.8	0.6138
14MX-34S-125-MPB	482172	34	5.965	5.855	6.465	0	6.69	1.08	1.50	3.50	34.3	0.6967
14MX-35S-125-MPB	482173	35	6.141	6.031	6.816	0	6.69	1.08	1.50	3.81	36.2	0.7877
14MX-36S-125-MPB	482174	36	6.316	6.206	6.816	0	6.69	1.08	1.50	3.81	38.0	0.8870
14MX-37S-125-MPB	482175	37	6.492	6.382	7.167	0	6.69	1.08	1.50	4.13	40.3	0.9953
14MX-38S-125-MPB	482176	38	6.667	6.557	7.167	0	6.69	1.08	1.50	4.13	42.5	1.1131
14MX-39S-125-MPB	482177	39	6.842	6.732	7.518	0	6.69	1.08	1.50	4.38	44.9	1.2283
14MX-40S-125-MPB	482178	40	7.018	6.908	7.518	0	6.69	1.08	1.50	4.38	47.2	1.3666
14MX-43S-125-MPB	482179	43	7.544	7.434	8.044	0	6.81	1.20	1.50	4.81	55.5	1.8507
14MX-45S-125-MPB	482180	45	7.895	7.785	8.395	0	6.81	1.20	1.50	5.00	61.3	2.2373
14MX-48S-125-MPB	482181	48	8.421	8.311	8.941	0	6.81	1.20	1.50	5.63	68.7	2.9260

SPECIFICATION

HT500 Sprockets For ACHE Application TAPER LOCK



FIN-FAN HT500 Sprockets For Cooling Tower Drives

Sprocket Number	Part No.	No. Of Teeth	Diameters (In.)			Type	Bore Sizes		Approx. Weight (Lbs.)	Approx. WR ² (Lb-Ft ²)		
			P.D.	O.D.	Flange		L	M			Min.	Max.
14MX-37			F = 2.06"									
F14MX-180S-37-3020	482086	180	31.580	31.470	---	B3	2.00	0.06	7/8	3 1/4	120.0	76.1453
F14MX-200S-37-3020	482087	200	35.086	34.979	---	B3	2.00	0.06	7/8	3 1/4	130.0	110.593
F14MX-224S-37-3020	482088	224	39.296	39.190	---	B3	2.00	0.06	7/8	3 1/4	177.0	165.315

V-Drives

FHP Drives

Drive Component
Accessories

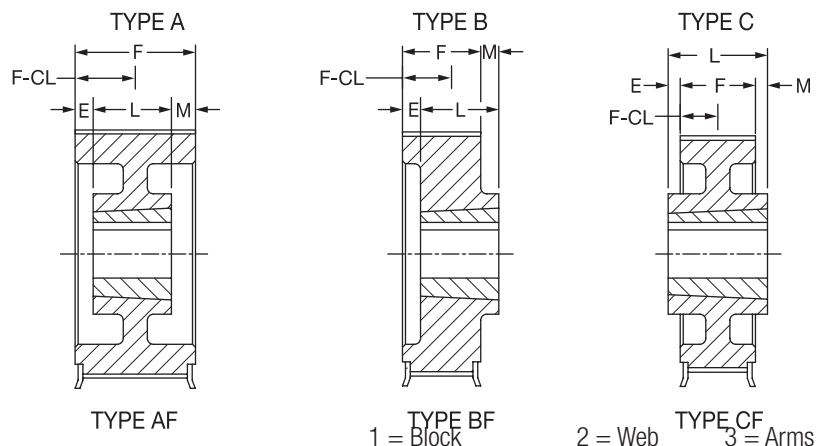
DYNA-SYNC

HT200/HTD
Synchronous DrivesHT500
Synchronous Drives

Roller Chain Sprockets

SPECIFICATION

HT500 Sprockets For ACHE Application QD



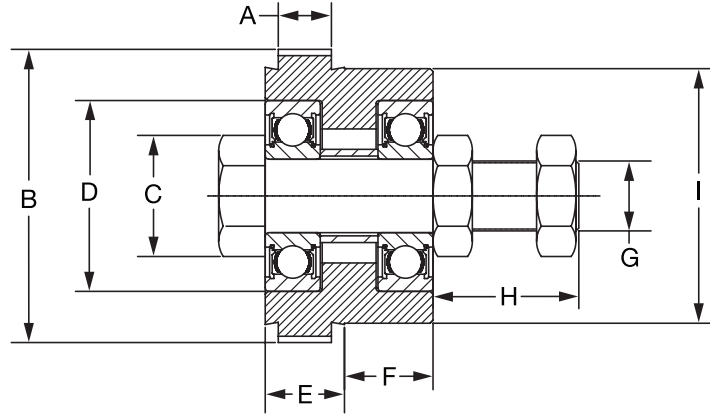
The letter "F" in column "Type" indicates that Sprocket has flanges

FIN-FAN HT500 Sprockets For Cooling Tower Drives

Sprocket Number	Part No.	No. Of Teeth	Diameters (In.)			Type	Dimensions (In.)			Bore Sizes		Approx. Weight (Lbs.)
			P.D.	O.D.	Flange		E	L	M	Min.	Max.	
8MX-21 F = 1.20"												
F8MX-36S-21-SH	482199	36	3.609	3.546	4.009	A1F	0	0.81	0.39	1/2	1 5/8	2.1
F8MX-38S-21-SH	482200	38	3.810	3.747	4.210	A1F	0	0.81	0.39	1/2	1 5/8	2.1
F8MX-40S-21-SH	482201	40	4.010	3.947	4.410	A1F	0	0.81	0.39	1/2	1 5/8	2.3
F8MX-42S-21-SH	482202	42	4.211	4.148	4.911	A1F	0	0.81	0.39	1/2	1 5/8	2.5
F8MX-140S-21-SF	482203	140	14.036	13.973	---	B2	0	1.25	0.05	1/2	2 13/16	25.0
F8MX-168S-21-SF	482204	168	16.843	16.780	---	B3	0	1.25	0.05	1/2	2 13/16	33.8
F8MX-180S-21-SF	482205	180	18.046	17.983	---	B3	0	1.25	0.05	1/2	2 13/16	36.6
F8MX-224S-21-E	482206	224	22.457	22.394	---	B3	0	1.63	0.43	7/8	3 1/2	50.1
14MX-20 F = 1.36"												
F14MX-28S-20-SK	482207	28	4.912	4.802	5.402	A1F	0	1.25	0.11	1/2	2 1/2	3.9
F14MX-29S-20-SK	482208	29	5.088	4.978	5.763	A1F	0	1.25	0.11	1/2	2 1/2	4.5
F14MX-30S-20-SK	482209	30	5.263	5.153	5.763	A1F	0	1.25	0.11	1/2	2 1/2	4.8
F14MX-31S-20-SK	482210	31	5.439	5.329	6.114	A1F	0	1.25	0.11	1/2	2 1/2	5.5
F14MX-32S-20-SK	482211	32	5.614	5.504	6.114	A1F	0	1.25	0.11	1/2	2 1/2	5.9
F14MX-33S-20-SK	482212	33	5.790	5.680	6.465	A1F	0	1.25	0.11	1/2	2 1/2	6.3
F14MX-34S-20-SK	482213	34	5.965	5.855	6.465	A1F	0	1.25	0.11	1/2	2 1/2	6.9
F14MX-35S-20-SK	482214	35	6.141	6.031	6.816	A1F	0	1.25	0.11	1/2	2 1/2	7.3
F14MX-36S-20-SF	482215	36	6.315	6.206	6.816	A1F	0	1.25	0.11	1/2	2 15/16	7.9
F14MX-140S-20-E	482216	140	24.560	24.452	---	B3	0	1.63	0.27	7/8	3 1/2	66.1
F14MX-168S-20-F	482217	168	29.472	29.365	---	C3	0.56	2.50	0.58	1	3 15/16	90.0
F14MX-180S-20-F	482218	180	31.580	31.470	---	B3	0	2.50	1.14	1	3 15/16	107.3
F14MX-200S-20-F	482219	200	35.086	34.979	---	C3	0.88	2.50	0.26	1	3 15/16	119.0
F14MX-224S-20-F	482220	224	39.300	39.190	---	B3	0	2.50	1.14	1	3 15/16	125.0
14MX-37 F = 2.06"												
F14MX-28S-37-SK	482221	28	4.912	4.802	5.402	A1F	0.81	1.25	0	1/2	2 1/2	4.2
F14MX-29S-37-SK	482222	29	5.088	4.978	5.763	A1F	0.81	1.25	0	1/2	2 1/2	4.7
F14MX-30S-37-SK	482223	30	5.263	5.153	5.763	A1F	0.81	1.25	0	1/2	2 1/2	5.0
F14MX-31S-37-SK	482224	31	5.439	5.329	6.114	A1F	0	1.25	0.81	1/2	2 1/2	6.0
F14MX-32S-37-SK	482225	32	5.614	5.504	6.114	A1F	0	1.25	0.81	1/2	2 1/2	7.1
F14MX-33S-37-SK	482226	33	5.790	5.680	6.465	A1F	0	1.25	0.81	1/2	2 1/2	7.5
F14MX-34S-37-SK	482227	34	5.965	5.855	6.465	A1F	0	1.25	0.81	1/2	2 1/2	7.8
F14MX-35S-37-SK	482228	35	6.141	6.031	6.816	A1F	0	1.25	0.81	1/2	2 1/2	8.3
F14MX-36S-37-SF	482229	36	6.315	6.206	6.816	A1F	0.25	1.25	0.56	1/2	2 15/16	8.8
F14MX-180S-37-E	482230	180	31.580	31.470	---	A3	0.19	1.63	0.21	7/8	3 1/2	120.0
F14MX-200S-37-E	482231	200	35.089	34.979	---	A3	0.19	1.63	0.21	7/8	3 1/2	130.0
F14MX-224S-37-E	482232	224	39.300	39.190	---	A3	0.19	1.63	0.21	7/8	3 1/2	177.0

SPECIFICATION

HT500 IDLER Sprockets



Idler Number	Part No.	No. Of Teeth	Belt Width mm	A (Ref) In	B In	C (Ref) In	D In	E (Ref) In	F In	G (Threads) In	H (Ref) In	I In	Approx. Weight (Lbs.)
8MX-32-12-IDL	482233	32	12	0.56	3.15	1.13	2.05	0.85	0.96	3/4-16UNF	1.58	2.73	3.8
8MX-32-21-IDL	482234	32	21	0.97	3.15	1.25	2.05	1.24	0.57	3/4-16UNF	1.58	2.73	3.9
8MX-36-36-IDL	482235	36	36	1.59	3.55	1.75	2.83	1.86	0.00	3/4-16UNF	1.77	0.00	5.1
8MX-36-62-IDL	482236	36	62	2.63	3.55	1.75	2.83	2.91	0.65	3/4-16UNF	1.83	0.65	9.7
14MX-30-20-IDL	482237	30	20	1.05	5.15	2.38	3.54	1.36	0.97	1-14NS-1B	2.38	4.35	12.5
14MX-30-37-IDL	482238	30	37	1.73	5.15	2.38	3.54	2.06	0.25	1-14NS-1B	2.38	4.35	13.5
14MX-34-68-IDL	482239	34	68	3.02	5.86	2.75	4.38	3.33	0.98	1-14NS-1B	2.38	4.89	26.0
14MX-34-90-IDL	482240	34	90	3.88	5.86	2.75	4.38	4.20	0.99	1-14NS-1B	2.25	4.89	32.2
14MX-34-125-IDL	482241	34	125	5.28	5.86	2.75	4.38	5.61	1.08	1-14NS-1B	2.38	4.89	36.4

V-Drives

FHP Drives

Drive Component
Accessories

DYNA-SYNC

HT200/HTD
Synchronous DrivesHT500
Synchronous Drives

Roller Chain Sprockets

SPECIFICATION



HT500 Belts

HT500 Belts are for use on Taper-Lock HT500 Sprockets
 Belt length is in millimeters
 To convert to inches, divide by 25.4

8MM Pitch HT500 Belts

12MM Wide			21MM Wide			36MM Wide			62MM Wide		
Description	P/N	Wt.	Description	P/N	Wt.	Description	P/N	Wt.	Description	P/N	Wt.
248-8MX-12	142600	0.04	248-8MX-21	142638	0.05	248-8MX-36	142676	0.09	640-8MX-62	142714	0.80
288-8MX-12	142601	0.04	288-8MX-21	142639	0.06	288-8MX-36	142677	0.11	720-8MX-62	142715	1.00
352-8MX-12	142602	0.05	352-8MX-21	142640	0.07	352-8MX-36	142678	0.13	800-8MX-62	142716	1.08
416-8MX-12	142603	0.05	416-8MX-21	142641	0.09	416-8MX-36	142679	0.15	896-8MX-62	142717	1.20
456-8MX-12	142604	0.06	456-8MX-21	142642	0.10	456-8MX-36	142680	0.17	960-8MX-62	142718	1.25
480-8MX-12	142605	0.06	480-8MX-21	142643	0.10	480-8MX-36	142681	0.18	1000-8MX-62	142719	1.30
544-8MX-12	142606	0.07	544-8MX-21	142644	0.12	544-8MX-36	142682	0.20	1040-8MX-62	142720	1.35
608-8MX-12	142607	0.07	608-8MX-21	142645	0.13	608-8MX-36	142683	0.22	1120-8MX-62	142721	1.40
640-8MX-12	142608	0.40	640-8MX-21	142646	0.40	640-8MX-36	142684	0.70	1200-8MX-62	142722	1.75
720-8MX-12	142609	0.47	720-8MX-21	142647	0.45	720-8MX-36	142685	0.75	1224-8MX-62	142723	1.65
800-8MX-12	142610	0.50	800-8MX-21	142648	0.50	800-8MX-36	142686	0.80	1280-8MX-62	142724	1.70
896-8MX-12	142611	0.55	896-8MX-21	142649	0.53	896-8MX-36	142687	0.90	1440-8MX-62	142725	1.85
960-8MX-12	142612	0.58	960-8MX-21	142650	0.58	960-8MX-36	142688	0.97	1600-8MX-62	142726	2.00
1000-8MX-12	142613	0.60	1000-8MX-21	142651	0.60	1000-8MX-36	142689	1.00	1760-8MX-62	142727	2.10
1040-8MX-12	142614	0.65	1040-8MX-21	142652	0.65	1040-8MX-36	142690	1.02	1792-8MX-62	142728	2.10
1120-8MX-12	142615	0.68	1120-8MX-21	142653	0.70	1120-8MX-36	142691	1.10	2000-8MX-62	142729	2.30
1200-8MX-12	142616	0.70	1200-8MX-21	142654	0.75	1200-8MX-36	142692	1.12	2200-8MX-62	142730	2.50
1224-8MX-12	142617	0.72	1224-8MX-21	142655	0.75	1224-8MX-36	142693	1.20	2240-8MX-62	142731	2.55
1280-8MX-12	142618	0.75	1280-8MX-21	142656	0.80	1280-8MX-36	142694	1.25	2400-8MX-62	142732	2.80
1440-8MX-12	142619	0.80	1440-8MX-21	142657	0.90	1440-8MX-36	142695	1.35	2520-8MX-62	142733	2.90
1600-8MX-12	142620	0.90	1600-8MX-21	142658	1.00	1600-8MX-36	142696	1.45	2600-8MX-62	142734	2.95
1760-8MX-12	142621	0.95	1760-8MX-21	142659	1.15	1760-8MX-36	142697	1.60	2800-8MX-62	142735	3.10
1792-8MX-12	142622	1.00	1792-8MX-21	142660	1.15	1792-8MX-36	142698	1.65	2840-8MX-62	142736	3.15
2000-8MX-12	142623	1.10	2000-8MX-21	142661	1.25	2000-8MX-36	142699	1.70	3048-8MX-62	142737	3.40
2200-8MX-12	142624	1.15	2200-8MX-21	142662	1.38	2200-8MX-36	142700	1.88	3200-8MX-62	142738	3.60
2240-8MX-12	142625	1.20	2240-8MX-21	142663	1.40	2240-8MX-36	142701	1.90	3280-8MX-62	142739	3.70
2400-8MX-12	142626	1.30	2400-8MX-21	142664	1.50	2400-8MX-36	142702	2.00	3600-8MX-62	142740	4.05
2520-8MX-12	142627	1.35	2520-8MX-21	142665	1.60	2520-8MX-36	142703	2.15	4000-8MX-62	142741	4.40
2600-8MX-12	142628	1.40	2600-8MX-21	142666	1.65	2600-8MX-36	142704	2.30	4400-8MX-62	142742	4.80
2800-8MX-12	142629	1.50	2800-8MX-21	142667	1.75	2800-8MX-36	142705	2.40	4480-8MX-62	142743	4.90
2840-8MX-12	142630	1.52	2840-8MX-21	142668	1.80	2840-8MX-36	142706	2.50			
3048-8MX-12	142631	1.65	3048-8MX-21	142669	1.90	3048-8MX-36	142707	2.62			
3200-8MX-12	142632	1.70	3200-8MX-21	142670	2.05	3200-8MX-36	142708	2.70			
3280-8MX-12	142633	1.75	3280-8MX-21	142671	2.10	3280-8MX-36	142709	2.72			
3600-8MX-12	142634	1.85	3600-8MX-21	142672	2.25	3600-8MX-36	142710	2.95			
4000-8MX-12	142635	2.10	4000-8MX-21	142673	2.55	4000-8MX-36	142711	3.25			
4400-8MX-12	142636	2.25	4400-8MX-21	142674	2.75	4400-8MX-36	142712	3.55			
4480-8MX-12	142637	2.33	4480-8MX-21	142675	2.80	4480-8MX-36	142713	3.60			

V-Drives

FHP Drives

Drive Component Accessories

DYNA-SYNC

HT200/HTD Synchronous Drives

HT500 Synchronous Drives

Roller Chain Sprockets



SPECIFICATION

HT500 Belts

HT500 Belts are for use on Taper-Lock HT500 Sprockets
 Belt length is in millimeters
 To convert to inches, divide by 25.4

14MM Pitch HT500 Belts

20MM Wide			37MM Wide			68MM Wide			90MM Wide			125MM Wide		
Description	P/N	Wt.	Description	P/N	Wt.	Description	P/N	Wt.	Description	P/N	Wt.	Description	P/N	Wt.
994-14MX-20	142744	1.30	994-14MX-37	142771	1.60	994-14MX-68	142798	2.40	994-14MX-90	142825	3.00	994-14MX-125	142852	3.60
1120-14MX-20	142745	1.35	1120-14MX-37	142772	1.70	1120-14MX-68	142799	2.60	1120-14MX-90	142826	3.30	1120-14MX-125	142853	3.90
1190-14MX-20	142746	1.40	1190-14MX-37	142773	1.75	1190-14MX-68	142800	2.70	1190-14MX-90	142827	3.35	1190-14MX-125	142854	4.00
1260-14MX-20	142747	1.45	1260-14MX-37	142774	1.80	1260-14MX-68	142801	2.80	1260-14MX-90	142828	3.60	1260-14MX-125	142855	4.20
1400-14MX-20	142748	1.55	1400-14MX-37	142775	2.05	1400-14MX-68	142802	3.00	1400-14MX-90	142829	3.35	1400-14MX-125	142856	4.60
1568-14MX-20	142749	1.65	1568-14MX-37	142776	2.20	1568-14MX-68	142803	3.25	1568-14MX-90	142830	4.10	1568-14MX-125	142857	5.00
1610-14MX-20	142750	1.70	1610-14MX-37	142777	2.30	1610-14MX-68	142804	3.40	1610-14MX-90	142831	4.25	1610-14MX-125	142858	5.20
1750-14MX-20	142751	1.75	1750-14MX-37	142778	2.45	1750-14MX-68	142805	3.60	1750-14MX-90	142832	4.50	1750-14MX-125	142859	5.40
1890-14MX-20	142752	1.75	1890-14MX-37	142779	2.55	1890-14MX-68	142806	3.95	1890-14MX-90	142833	4.85	1890-14MX-125	142860	5.80
1960-14MX-20	142753	1.80	1960-14MX-37	142780	2.60	1960-14MX-68	142807	4.00	1960-14MX-90	142834	4.95	1960-14MX-125	142861	6.00
2100-14MX-20	142754	1.90	2100-14MX-37	142781	2.70	2100-14MX-68	142808	4.20	2100-14MX-90	142835	5.20	2100-14MX-125	142862	6.50
2240-14MX-20	142755	1.98	2240-14MX-37	142782	2.85	2240-14MX-68	142809	4.50	2240-14MX-90	142836	5.45	2240-14MX-125	142863	6.80
2310-14MX-20	142756	2.05	2310-14MX-37	142783	2.90	2310-14MX-68	142810	4.70	2310-14MX-90	142837	5.50	2310-14MX-125	142864	7.00
2380-14MX-20	142757	2.10	2380-14MX-37	142784	3.00	2380-14MX-68	142811	4.70	2380-14MX-90	142838	5.70	2380-14MX-125	142865	7.10
2450-14MX-20	142758	2.15	2450-14MX-37	142785	3.10	2450-14MX-68	142812	4.85	2450-14MX-90	142839	5.85	2450-14MX-125	142866	7.20
2520-14MX-20	142759	2.20	2520-14MX-37	142786	3.20	2520-14MX-68	142813	4.90	2520-14MX-90	142840	5.90	2520-14MX-125	142867	7.40
2590-14MX-20	142760	2.20	2590-14MX-37	142787	3.25	2590-14MX-68	142814	5.00	2590-14MX-90	142841	5.95	2590-14MX-125	142868	7.60
2660-14MX-20	142761	2.25	2660-14MX-37	142788	3.35	2660-14MX-68	142815	5.15	2660-14MX-90	142842	6.10	2660-14MX-125	142869	7.75
2800-14MX-20	142762	2.30	2800-14MX-37	142789	3.40	2800-14MX-68	142816	5.20	2800-14MX-90	142843	6.40	2800-14MX-125	142870	8.30
3136-14MX-20	142763	2.50	3136-14MX-37	142790	3.65	3136-14MX-68	142817	5.80	3136-14MX-90	142844	7.00	3136-14MX-125	142871	9.10
3304-14MX-20	142764	2.55	3304-14MX-37	142791	3.85	3304-14MX-68	142818	6.05	3304-14MX-90	142845	7.35	3304-14MX-125	142872	9.50
3360-14MX-20	142765	2.60	3360-14MX-37	142792	3.85	3360-14MX-68	142819	6.10	3360-14MX-90	142846	7.50	3360-14MX-125	142873	9.65
3500-14MX-20	142766	2.70	3500-14MX-37	142793	3.95	3500-14MX-68	142820	6.30	3500-14MX-90	142847	7.70	3500-14MX-125	142874	10.00
3850-14MX-20	142767	2.85	3850-14MX-37	142794	4.25	3850-14MX-68	142821	6.80	3850-14MX-90	142848	8.30	3850-14MX-125	142875	10.75
3920-14MX-20	142768	2.95	3920-14MX-37	142795	4.35	3920-14MX-68	142822	7.00	3920-14MX-90	142849	8.50	3920-14MX-125	142876	11.00
4326-14MX-20	142769	3.15	4326-14MX-37	142796	4.70	4326-14MX-68	142823	7.70	4326-14MX-90	142850	9.20	4326-14MX-125	142877	12.00
4410-14MX-20	142770	3.20	4410-14MX-37	142770	4.75	4410-14MX-68	142824	7.85	4410-14MX-90	142851	9.30	4410-14MX-125	142878	12.20

V-Drives

FHP Drives

Drive Component Accessories

DYNA-SYNC

HT200/HTD Synchronous Drives

HT500 Synchronous Drives

Roller Chain Sprockets



HT500 Low-Speed Design Load Calculations

For use when designing HT500 belt drives with low speeds

I. Actual Operating Loads Known

In such cases where the actual operating load is known, design the belt drive for the actual operating load rather than for a load based upon the motor name plate. Use Equation 1 to calculate the proper drive design load based upon motor load (name plate or measured) when the belt drive will be installed on the reducer output shaft.

Design Load

Equation 1
 $DesignLoad = (MotorLoad) \times ServiceFactor \times (\% Reducer Efficiency/100) \times Motor Load$
 Motor Load: From user/OEM
 Service Factor: From Table 1
 % Efficiency: From reducer manufacturer

Table 1—Service Factors for Low-Speed Drives
 For Drive Selections With Shaft Speeds Less Than 500 rpm

DriveN Machine Select a driven load category whose characteristics most closely represent those of the actual equipment	Typical drivers are electric motors, hydraulic motors, or internal combustion engines with hydraulic couplings/torque converters.		
	Intermittent Service	Normal Service	Continuous Service
	3-5 Hours Daily	8-10 Hours Daily	16-24 Hours Daily
Uniform Load: Agitators & Mixers: liquid and semi-liquid Conveyors: light package, oven, ore, sand, salt Food Equipment: bottling machinery, kettles, cookers, food handling machinery Line shafts: light or normal service Paper Industry: agitators, bleachers, calendars, dryer machinery Printing Machinery: cutters, rotary, embossing & flatbed presses, linotype, folders	1.0	1.2	1.3
Moderate Shock Load: Agitator Mixers: dough, heavy syrups Brick & Clay Machinery: auger, brick machines Conveyors: apron, bucket, pan, elevator Cranes & Hoists: hoists, elevators Line Shafts: moderate, heavy service Paper Industry: yankee dryer, winder drums Printing Machinery: magazine & newspaper printing presses Rubber & Plastics Machinery: calendars, rolls, tubers, extruders	1.3	1.4	1.5
Heavy Shock Loads: Brick & Clay Machinery: mixers, pug mills, rolls Conveyors: screw, flight Crushing Machinery: ball mills, jaw crushers, roll crushers Mills: rotary, ball, pebble, rod, tube Mixers: concrete Rubber & Plastics Machinery: mixers, sheeters	1.5	1.6	1.7

Additional Guidelines

There are many driven machines using, or potentially designed to use, roller chain drive systems.

When converting these to HT500 drives, consider the following additional guidelines.

- Do not overlook the torque multiplying effect of belt drives and speed reducers when calculating with torque loads.
- Engineering judgment should be used in determining a design load for non-standard motors with high starting loads (NEMA C, NEMA D, Direct Current, etc.).
- For guidance in calculating speed reducer efficiency, refer to Speed Reducer Efficiency on Page PT12-24.



Low-Speed HT500 Belt Drive Selection Procedure

For drive selections with shaft speeds less than 500 rpm

Selection of a Stock HT500 belt drive system involves these eight steps:

1. Calculate the Design Horsepower
2. Select the Belt Pitch
3. Select the Sprockets and Belt Length
4. Select the Proper Belt Width
5. Check and Specify Stock Drive Components
6. Installation and Take-up
7. Calculate Belt Tensioning Requirements
8. Verify Speed Reducer Overhung Load

Sample Drive Selection Problem

A blank Low-Speed Drive Design Information Sheet can be found on page PT12-25. This form provides a convenient method for collecting data to properly design or convert to a HT500 belt drive.

In this example, an ore conveyor is powered by an electric motor directly connected to a speed reducer. A HT500 belt drive is needed to transmit power from the speed reducer output shaft to the conveyor shaft. The motor is a 5 horsepower, 1750 rpm normal torque AC motor.

The speed reducer is a worm gear type unit with a 50 to 1 speed ratio. The ore conveyor is to be driven at $17.5 \pm 5\%$ rpm and operates 24 hours per day 7 days a week. The center distance between shafts is 50.0 inches, but can be altered ± 3.0 inches, if necessary. The speed reducer output shaft has a 1.500 inch diameter and the conveyor shaft has a 2.000 inch diameter.

Step 1 Calculate The Design Horsepower

The Design Horsepower should be calculated as follows:

$$\text{Design Horsepower} = (\text{Motor Load}) \times (\text{Low-Speed Service Factor}) \times (\text{Reducer Efficiency})$$

Procedure

A. The motor load can be determined by several methods as explained in the Low-Speed Drive Load Calculations section on pages PT12-22 - PT12-24. The method used for determining motor load will depend on how much information is available on the application. A worksheet is provided on page PT12-25 to help choose which method is most appropriate given the information known.

Example

This example demonstrates the Proportioned Amperage Rating approach described in Formula 5 below.

$$\text{Horsepower} = \frac{(\text{nameplate HP}) (\text{measured Amps})}{(\text{nameplate Amps})}$$

Motor = 5.00 hp (nameplate rating)
 Nameplate Amps = 70.
 Measured Amps: Phase 1 = 4.1
 Phase 2 = 4.4
 Phase 3 = 4.2

$$\begin{aligned} \text{Average Measured Amps} &= \frac{\text{Phase 1} + \text{Phase 2} + \text{Phase 3}}{3} \\ &= \frac{4.1 \text{ amps} + 4.4 \text{ amps} + 4.2 \text{ amps}}{3} \end{aligned}$$

Average Measured Amps = 4.2 amps

$$\begin{aligned} \text{Motor Load} &= \frac{(\text{Nameplate hp}) (\text{Average Measured Amps})}{(\text{Nameplate Amps})} \\ &= \frac{5 \text{ hp} \times 4.2 \text{ amps}}{7.0 \text{ amps}} \end{aligned}$$

Motor Load = 3.00 hp Procedure

B. The proper Low-Speed Service Factor is selected from Table 1 - Service Factors For Low-Speed Roller Chain Drive Conversions. The selection is based on the category of machinery being driven and the number of service hours per day.

Example

An Ore Conveyor is found in the Uniform Load drive group. Reading across to the right, the column heading for 16-24 hours daily service shows that a **1.3 Service Factor** is recommended.

Procedure

C. The Reducer Efficiency is available from the speed reducer name plate or manufacturers' catalogs. Often the speed reducer efficiency is not provided directly in manufacturer's catalog. In such cases the reducer efficiency must be calculated as described on page PT12-24.

Example - Speed Reducer Efficiency Calculation

Speed Reducer Rated Input Load hp = .65
 Speed Reducer Rated Output Torque = lb-in. 6210
 Speed Reducer Rated Output Speed rpm = 35
 Rated Output hp

$$\begin{aligned} &= \frac{(\text{Rated Output Torque}) \times (\text{Output Speed})}{63025} \\ &= \frac{(6210 \text{ lb-in}) \times (35 \text{ rpm})}{63025} \end{aligned}$$

Rated Output hp = 3.4

$$\begin{aligned} \text{Reducer Efficiency} &= \frac{\text{Rated Output Power}}{\text{Rated Input Power}} \\ &= \frac{3.4 \text{ hp}}{6.5 \text{ hp}} \end{aligned}$$

Reducer Efficiency = 0.53 or 53%

Procedure

D. The Design Horsepower can now be determined by multiplying these three values together.

Example - Design Horsepower Calculation

Motor Load = **3.00 hp**
 Low-Speed Service Factor = **1.3**
 Reducer Efficiency = 53%
 Horsepower = (Motorload)(Reducer Eff)
 Horsepower = (3.00)(0.53) = 1.59

Design Horsepower = (HP)(Low Speed Service Factor)
Design Horsepower = (1.59)(1.3)
Design Horsepower = 2.07



Low-Speed HT500 Belt Drive Selection Procedure

Step 2 Select The Belt Pitch

Procedure

Using the Design Horsepower and the output speed of the speed reducer, select the belt pitch from the Belt Pitch Selection Guide Chart on page PT12-31.

Example

Design Horsepower = **2.07 hp**
 Reducer Output Speed = **35 rpm**

Locate 35 rpm on the "RPM of Faster Shaft" scale on the left side of the chart and move over to where the 2.07 Design Horsepower line intersects. The intersection falls within the **8mm** pitch section, but a 14mm pitch belt could also be used.

Step 3 Select The Sprockets and Belt Length

Procedure

A. Determine the belt drive speed ratio: The speed ratio can be calculated by dividing the speed (rpm) of the faster shaft by the speed (rpm) of the slower shaft.

Example

Reducer Output Speed = 35 rpm

Ore Conveyor Speed = 17.5 rpm

$$\text{Speed Ratio} = \frac{\text{rpm of faster shaft}}{\text{rpm of slower shaft}} = \frac{35}{17.5} = 2.00$$

B. Select the sprocket combination and belt length: Referring to the Stock Drive Selection Tables, find the proper set of tables for the belt pitch (8mm or 14mm) found in Step 2. Looking down the speed ratio column, find the value which most closely matches the belt drive speed ratio required. Reading across the selected speed ratio line, find the stock DriveR and DriveN sprocket combination available. Reading further across, locate the belt drive center distance which most closely matches the target center distance specified. The belt sizes are listed across the top of the table for each corresponding center distance.

Multiple sprocket combinations will often be available for a given speed ratio. In such cases, selection of the proper drive combination will depend on the center distance required, minimum or maximum required sprocket diameters and speed reducer overhung load requirements. After selecting possible sprocket combinations and center distances, record the belt length (top of column) and the length factor (bottom of column).

Example

Belt pitch = 14mm

Belt Drive Speed Ratio = 2.000

Center Distance = 50.00 ± 3.00 in. (from the problem statement)

Refer to the 14mm Pitch Stock Drive Selection Tables on pages PT12-63 - PT12-76. Reading down the Speed Ratio Column locate 2.000. In this case, there are five different drive combinations available for a 2.000 Speed Ratio. Checking the center distance values for each combination, the 50.10 inch value is the closest to the 50.00 inch target. So, the 28 teeth DriveR sprocket, 56 teeth DriveN sprocket, and 3136-14MX (224 teeth) belt combination is selected. Also note that the Belt Length Correction Factor is 1.12 with a center distance of 50.10 inches.

Step 4 Select The Proper Belt Width Procedure

Horsepower Rating Tables are located on pages PT12-38 - PT12-46 for standard belt pitches and stock belt widths. The base horsepower rating is given in the upper table as a function of the speed (rpm) of the faster shaft and diameter of the small sprocket. The speed of the faster shaft is located in the left hand column. Across the top are various stock sprocket sizes. The base horsepower rating of a given sprocket, at a specific speed, is the point at which the "rpm" row and the "sprocket size" column intersect.

This basic horsepower rating must be corrected for speed down speed ratios, and for the belt length selected. The following formula should be used to calculate the total drive horsepower rating:

$$\text{Rated Drive Horsepower} = [\text{Rated Base Horsepower} + \text{Additional Horsepower for Speed Ratio}] \times (\text{Belt Length Correction Factor})$$

Referring to the Speed Ratio Add-On Factor Table, select a value based upon the drive operating speed and the speed ratio. This value should be added to the basic horsepower rating. Multiply the corrected rating by the applicable Belt Length Correction Factor determined in Step 3B or from the Belt Length Correction Factor Table. The corrected horsepower rating must equal or exceed design horsepower.

Where there are several choices, space limitations may control the selection. In addition, the following guidelines should be considered:

1. Larger sprockets result in reduced belt width.
2. Larger sprockets yield longer drive service life.
3. Avoid drives where the belt width exceeds the smaller sprocket diameter.
4. Avoid drives where center distance is greater than 8 times the diameter of the smaller sprocket.

Example

Referring to the 14mm pitch Horsepower Rating Table for 20mm Wide belts on page PT12-42. Read down the left hand column for "RPM of Faster Shaft" and locate 35 rpm. Read the sprocket sizes listed across the top of the table and locate the 28 teeth, 4.912 inch P.D. column. Read across the "RPM" row and down the sprocket size column until the two intersect at a **Rated Base Horsepower of 2.53 HP.**

Next, referencing the Speed Ratio Add-On Correction Table (page PT12-42), find the listing for a 2.000 speed ratio. An add-on factor of 0.11 hp is listed. Then, referencing the Belt Length Correction Factor Table (page PT12-72), find the listing for a 3136-14MX belt. A correction factor of 1.12 is listed.

Low-Speed HT500 Belt Drive Selection Procedure

Calculate the Corrected Horsepower Rating:

Rated Drive Horsepower =

[Rated Base Horsepower + Added HP for Speed Ratio] x (Belt Length Correction Factor) = [2.53 hp + 0.11 hp] x (1.12)

Rated Drive Horsepower 2.96 hp

The Corrected Horsepower Rating of 2.96 hp exceeds the Design Horsepower target of 2.07 hp. So, a **belt width of 20mm** is acceptable.

Step 5 Check and Specify Stock Drive Components

Procedure

A. Check the sprockets selected against any special design requirements using the dimensions provided in the Sprocket Specifications Tables on pages PT12-6 - PT12-13. Use flange diameters when checking against maximum diameter requirements.

B. Determine the bushing size required for each sprocket and check bore sizes by using the Sprocket Specification Tables. From the Stock Bushing tables in the bushing section, check the bore range and keyway dimensions against the design requirements.

Example

Also from the sprocket data on page PT12-9 we note that the **14MX-28S-20 sprocket** requires a 2012 bushing and the **14MX-56S-20 sprocket** requires a 3525 bushing. On page PT12-81 in the bushing data table, a **2012 bushing has a bore range of 1/2 to 2-1/8 inches**, which includes the 1-1/2 inch bore required for the driveR shaft. The **3525 bushing has a bore range from 1-3/16 to 3-15/16 inches** page PT12-83, which includes the 2 inch bore required for the driveN shaft.

C. Specify stock drive components using proper designations.

Example

Stock drive components are as follows:

- 1 ea. - 3136-14MX-20 HT500 belt
- 1 ea. - 14MX-28S-20 driveR sprocket
- 1 ea. - 2012 Bushing with a 1-1/2 in. bore
- 1 ea. - 14MX-56S-20 driveN sprocket
- 1 ea. - 3525 Bushing with a 2 in. bore

Step 6 Installation and Take-up

Procedure

Because of its high resistance to elongation (stretch), there is no need to re-tension and take-up a HT500 belt drive. However, some adjustment must be provided when installing synchronous belt drives, as with nearly all power transmission systems, due to manufacturing and assembly tolerances and initial tensioning requirements. Table 11 on page PT12-36 lists the standard installation and take-up requirements for a given belt length. Additional center distance adjustment is needed when installing the belt over flanged sprockets (see Table 11 on page PT12-36.)

Example

As can be seen in the Sprocket Specifications Table on page PT12-9, both of the sprockets are flanged. Therefore, an additional allowance will be needed for installation over flanged sprockets. The total installation and tensioning allowances, are shown below.

Installation Allowance = 0.16 in. + 1.97 in. = 2.13 in.

Tensioning Allowance = 0.05 in.

Subtracting this from the nominal center distance value gives a minimum center distance necessary for belt installation of (50.10 inch - 2.13 inch) = 47.97 inches. From the problem statement, the center distance can be reduced down to 47.0 in. if needed. So, there is sufficient center distance adjustment to easily install the belt.

Step 7 Calculate Belt Tensioning Requirements

Procedure

A. Calculate base static tension using Formula 14 on page PT12-35. The m value is listed in Table 10 on page PT12-34.

Example

Belt Pitch = 14mm
 Belt Size = 3136-14MX, 224 teeth (123.46 in. P.L.)
 Belt Width = 20mm
 DriveR Sprocket = 28 teeth (4.912 in. P.D.)
 DriveR Shaft Speed = 35 rpm
 DriveN Sprocket = 56 teeth (9.825 in. P.D.)
 Actual Center Distance = 50.10 in.
 Design Horsepower = 2.07 hp
 Horsepower = 1.59 hp

$$T_{st} = \frac{20 \text{ DHP}}{S} + mS^2, \text{ pounds}$$

where:

DHP = Design Horsepower = 1.59 hp

m = 0.92, constant for 14mm pitch, 20mm wide belt from Table 10 on page PT12-34.

S = (Sprocket Diameter) x (Shaft Speed) / 3820
 = (4.912 in.) x (35 rpm) / 3820

S = 0.05

$$T_{st} = \frac{20 (1.59)}{0.05} + (0.92)(0.05)^2$$

Tst = 636.00 + 0.002 lb.

Tst = 636.00 lb.



Low-Speed HT500 Belt Drive Selection Procedure

Step 7 Calculate Belt Tensioning Requirements

Procedure — continued

B. Calculate minimum and maximum deflection forces using Formulas 15 and 16 on page PT12-35. The Y value is listed in Table 10 on page PT12-34.

Example

a. Calculate the belt span length

$$t = \sqrt{C^2 - \left(\frac{D-d}{2}\right)^2}$$

where:

t = Span Length, inches

C = Center Distance = **50.10 in.**

D = diameter of larger sprocket = **9.825 in. P.D.**

d = diameter of smaller sprocket = **4.912 in. P.D.**

$$t = \sqrt{50.10^2 - \left(\frac{9.825 - 4.912}{2}\right)^2}$$

t = 50.04 in.

b. Calculate Minimum and Maximum belt deflection forces referring to Formulas 15 and 16 on page PT12-35:

$$\text{Min Deflection Force} = \frac{1.1st + \left(\frac{t}{L}\right)Y}{16} \text{ pounds}$$

where:

$T_{ST} = 636.0$ pounds static tension as calculated above

t = **50.04** inches span length as calculated above

L = **123.46** inches belt length

Y = **230** (constant for Y, Table 10 on page PT12-34)

$$\text{Min Deflection Force} = \frac{1.1(636.0) + \left(\frac{50.04}{123.46}\right)(230)}{16}$$

Min. Deflection Force = 49.5 lb.

$$\text{Max Deflection Force} = \frac{1.2T_{st} + \left(\frac{t}{L}\right)Y}{16}$$

$$\text{Max Deflection Force} = \frac{1.2(636.0) + \left(\frac{50.04}{123.46}\right)(230)}{16}$$

Min. Deflection Force = 53.5 lb.

C. Determine the deflection distance using 1/64" per inch of span length.

NOTE: Deflection forces must be applied evenly across the entire belt width.

Example

$$\text{Deflection Distance} = \frac{t}{64}, \text{ inches}$$

$$\text{Deflection Distance} = \frac{50.04}{64}$$

Deflection Distance = 0.78

D. Applying The Tension:

At the center of span (t), apply a force perpendicular to the belt span large enough to deflect the belt 0.78 inch from its normal free position. Be sure that the force is applied evenly across the entire belt width. Note that one sprocket should be free to rotate during the belt tensioning process.

Compare the measured deflection force with the range of minimum to maximum deflection forces calculated previously.

1. If the measured deflection force is less than the minimum recommended deflection force, the belt should be tightened.
2. If the measured deflection force is greater than the maximum recommended deflection force, the belt should be loosened.

Example

When the Ore Conveyor belt drive is properly tensioned, a belt span deflection of 0.78 in. should require a deflection force within the range of 49.5 to 53.5 lb.

Step 8 Verify Speed Reducer Overhung Load

Procedure

An Overhung Load calculation verifies that the belt drive system will not overload the speed reducer shaft and bearings. The Overhung Load calculation for speed reducers varies from manufacturer to manufacturer. Please refer to speed reducer catalogs or contact the speed reducer manufacturer for further assistance.



SELECTION

Low-Speed HT500 Belt Drive Selection Procedure Advantages of the Low-Speed Drive Design Procedure

Having read through the Low-Speed Drive Design Procedure and example, some may wonder if the extra steps required are really worth the effort. Absolutely! Using the low-speed drive design techniques for drives operating at speeds less than 500 rpm can result in a much smaller drive package at a lower cost. Outlined below is a comparison of the Low-Speed Drive Design Procedure with the traditional drive design procedure. The benefits of designing with a Low Speed Service Factor, Actual Horsepower Load, and Speed Reducer Efficiency are demonstrated. Combining these techniques can result in a substantially narrower belt drive width which saves space and reduces cost.

Comparison 1 — Traditional Drive Design Procedure

The traditional drive design procedure is outlined on pages PT12-28 - PT12-31 and should still be used for belt drives operating at speeds greater than 500 rpm. In the past this procedure was used to select all HT500 belt drives. The new “Low-Speed Drive Design Procedure” results in belt drive systems better sized for low speed power transmission system that typically utilize speed reducers and roller chain.

Using the traditional design procedure to select the belt drive system for the Ore Conveyor example would result in a much wider belt. The traditional design procedure does not account for a low-speed service factor, the actual operating load of the motor, or speed reducer efficiency. Rather, the belt selection is based purely on the name plate horsepower rating of the motor with a standard service factor. For the Ore Conveyor example this would mean a 5 hp name plate rating and a 1.7 service factor resulting in a Design Horsepower for the belt drive of $(5.00 \text{ hp}) \times (1.7) = 8.50 \text{ hp}$. This is over 4 times the Design Horsepower of 2.07 hp determined using the Low-Speed Drive Design Procedure. Referring to the Horsepower Rating Tables on pages PT12-38 - PT12-46, **a belt width of 68mm is required for this higher 8.50 Design Horsepower Load using the Traditional Design Method compared to a belt width of only 20mm for the 2.07 Design Horsepower Load using the Low-Speed Design Method.**

Comparison 2 — Benefit of Low-Speed Service Factor

Using a low-speed service factor can reduce the required belt width compared to a standard service factor value. The reason for this is directly related to belt drive operating speeds. Detrimental effects such as belt tensile cord fatigue and belt wear both occur during belt drive operation, but accumulate in direct proportion to the operating speed. Lower operating speeds result in less belt damage over time allowing the use of less severe service factors in the belt drive selection process. Service factors especially for belt drives operating at low speeds (500 rpm and less; includes many roller chain applications) are provided in Table 1—Service Factors For Low-Speed Roller Chain Drive Conversions on page PT12-19.

Referring to the Ore Conveyor Example, a low-speed service factor of 1.3 is recommended for this application. Substituting the reduced 1.3 low-speed service factor: Design Horsepower = $(5.00 \text{ hp}) \times (1.3) = 6.50 \text{ hp}$. Referring to the Horsepower Rating Tables on pages PT12-38 - PT12-46, **the belt width required for 6.50 Design Horsepower is 68mm.**

Comparison 3—Benefit of Designing with Actual Motor Load

Typical belt drive selections are based upon motor nameplate horsepower ratings. However, industry surveys estimate that half of all U.S. motors operate at less than 60 percent of their rated load, and one third operate at below 50 percent of their rated load. So, sizing belt drives based on true operating loads can result in a more compact sized belt drive system.

Continuing with the Ore Conveyor Example, the Proportioned Amperage Rating approach was used to calculate a Motor Load of 3.00 hp. Substituting the reduced 3.00 hp motor load: Design Horsepower = $(3.00 \text{ hp}) \times (1.3) = 3.90 \text{ hp}$. Referring to the Horsepower Rating Tables on pages PT12-38 - PT12-46, **the belt width required for 3.90 Design Horsepower is only 37mm compared to the 68mm belt width required in Comparison 2.**

V-Drives

FHP Drives

Drive Component Accessories

DYNA-SYNC

HT200/HTD Synchronous Drives

HT500 Synchronous Drives

Roller Chain Sprockets



SELECTION

High-Speed Drive Survey and Energy Savings Worksheet

Customer Information

Company: _____ Distributor: _____
 Address: _____ Phone: _____ Fax: _____
 _____ E-mail: _____

Drive Information

I.D. of Drive (location, number, etc.) _____
 Description of DriveN Equipment _____
 Manufacturer of DriveN Equipment _____

Horsepower rating of Motor _____ DriveN HP Load (Peak) _____
 (Normal) _____
 Motor Frame Size _____ Motor Shaft Dia. _____ DriveN Shaft Dia _____

Speed:

DriveR RPM _____ RPM Measured with Contact or Strobe Tachometer Yes No
 DriveN RPM _____ RPM Measured with Contact or Strobe Tachometer Yes No
 Speed Ratio _____ Speed Up _____ or Speed Down _____

Center Distance: Minimum _____ Normal _____ Maximum _____
 Existing Drive Components: DriveR _____ DriveN _____
 Belts _____ Belt Manufacturer _____

Ambient Conditions:

Temperature _____ Moisture _____ Oil, etc. _____
 Abrasives _____ Shock Load _____
 Static Conductivity Required? Yes No

Maximum Sprocket Diameter (OD) and Width Limitations (for guard clearance):

DriveR: Max. OD _____ Max. Width _____ DriveN: Max. OD _____ Max Width _____
 Guard Description _____

Motor Mount:

Double Screw Base? Yes No Motor Mounted on Sheet Metal? Yes No
 Adequate Structure? Yes No Floating/Pivot Motor Base? Yes No

Start Up Load:

% Motor Rating at Start Up _____ AC Inverter Yes No Soft Start? Yes No

Duty Cycle:

Number of Starts/Stops _____ times per _____ (hour, day, week, etc.)

Energy Savings Information

Energy Cost per KW-Hour _____
 Hours of Operation _____ Hours per Day _____ Days per Week _____ Weeks per Year _____

V-Drives

FHP Drives

Drive Component Accessories

DYNA-SYNC

HT200/HTD Synchronous Drives

HT500 Synchronous Drives

Roller Chain Sprockets



SELECTION

HT500 Design Data Worksheet

Customer Information

Company: _____ Distributor: _____
 Address: _____ Phone: _____ Fax: _____
 _____ E-mail: _____

Application Summary


General Description: _____
 Product Type: _____ Production Volume: _____

Design Parameters

DriveR: _____
 Motor Type & Description: _____ (Servo, Stepper, DC, AC, etc.) Reversing: _____ (Y/N)
 Nominal Motor Torque/Power Output: _____ RPM: _____
 Max/Peak Motor Torque/Power Output: _____ RPM: _____
 Motor Stall Torque (If applicable): _____ Driver Rotation: _____ (CW / CCW / Rev)
 DriveN's/Idlers: _____ (Specify appropriate units for each field; in, mm / hp, kw / lb-ft, lb-in, N-m, etc.)

Description	X	Y	Pulley Diameter	Pitch	Sprocket Teeth	Inside/Outside	rpm	Load (driveN)	Units	Conditions		Shaft Diameter
										#	% Time	
DriveR												

Note: For complex drive layouts use additional pages as needed

Drive Sketch 	Idler Details					
	Slot Movement:		Min Position		Max Position	
			X	Y		
	Spring <input type="checkbox"/>					
Pivoting Movement:		Pivot point		Mouvement Angle		
		X	Y			
Spring <input type="checkbox"/>						
Pivot Arm Radius:		(in/mm):				

Special Requirements

Product Design Life: _____ Belt Life: _____ Hours/Day: _____ Hours/Year: _____
 Pulley Materials: _____
 Prototype _____ Production _____
 Ambient Conditions:
 Temperature: _____ Moisture: _____ Oil: _____ Static Dissipation: _____ Abrasives: _____
 Special Requirements: _____

Note: This worksheet may be used to survey multipoint drives. For more information on specifying shaft locations in multipoint drive layouts, see Engineering Section I-13 on page PT12-82



HT500 Drive Selection Procedure (Continued)

1. Calculate the Design Horsepower
2. Select the Belt Pitch
3. Select the Sprockets And Belt Length
4. Select the Proper Belt Width
5. Check and Specify Stock Drive Component
6. Installation and Take-up
7. Calculate Belt Tensioning Requirements

Sample Drive Selection Problem

A gear pump is to be driven by a 30 hp normal torque electric motor with an output speed of 1160 rpm. The gear pump is to be driven at 580 rpm \pm 5%. The center distance is to be approximately 30 inches, but can be altered \pm 3 inches, if necessary. The motor shaft has a 2 1/8 inch O.D. and the pump shaft has a 3 inch O.D. The pump will operate 16 hours a day, five days a week. The pump sprocket is limited to a maximum of 18 inches O.D. There are no unusual drive conditions. Design using HT500.

Step 1 Calculate The Design Horsepower

Procedure

To calculate the design horsepower, first determine the relative severity, then select a service factor for the drive. Average hours per day of service also should be considered. Locate the power source and the driveN unit in the Service Factor Table on page PT12-33. The design hp then is determined by multiplying the rated hp (usually the nameplate rating) by the service factor determined above.

Example

Using the Service Factor Table, the driveR can be found in the first group. Since the pump will run 16 hours per day, follow the continuous service column down to the driveN machines group for gear pumps. The recommended Service Factor is 1.7.

$$\begin{aligned} \text{Design Horsepower} &= (\text{Motor Load}) \times (\text{Service Factor}) \\ &= (30) \times (1.7) \end{aligned}$$

$$\text{Design Horsepower} = 51 \text{ hp}$$

Step 2 Select The Belt Pitch

Procedure

Using the design hp and the rpm of the smaller sprocket, select the belt pitch from the Belt Pitch Selection Guide on page PT12-31.

Example

$$\begin{aligned} \text{Design Horsepower} &= 51 \text{ hp} \\ \text{Motor Speed} &= 1160 \text{ rpm} \end{aligned}$$

Locate 1160 rpm on the "RPM of Faster Shaft" scale on the left side of the chart and move over to where the 51 Design Horsepower line intersects. The intersection falls within the 8mm pitch range, but near the 14mm pitch area. Both 8mm and 14mm pitch drives should be considered.

Step 3 Select The Sprockets and Belt Length Procedure

A. Determine the speed ratio: The speed ratio can be calculated by dividing the rpm of the faster shaft by the rpm of the slower shaft.

Example

$$\begin{aligned} \text{Motor Speed} &= 1160 \text{ rpm} \\ \text{Gear Pump Speed} &= 580 \text{ rpm} \end{aligned}$$

$$\text{Speed Ratio} = \frac{\text{rpm of faster shaft}}{\text{rpm of slower shaft}} = \frac{1160}{580} = 2.00$$

B. Select the sprocket combination and belt length: Referring to the Stock Drive Selection Tables on pages PT12-47 - PT12-76, find the proper set of tables for the belt pitch (8mm or 14mm) found in Step 2. Looking down the speed ratio column, find the value which most closely matches the belt drive speed ratio required. Reading across the selected speed ratio line, find the stock DriveR and DriveN sprocket combination available. Reading further across, locate the belt drive center distance which most closely matches the target center distance specified. The belt sizes are listed across the top of the table for each corresponding center distance.

Multiple sprocket combinations will often be available for a given speed ratio. In such cases, selection of the proper drive combination will depend on the center distance required, minimum or maximum required sprocket diameters and the recommended minimum sprocket diameter for electric motors (see Table 4 on page PT12-32).

After selecting possible sprocket combinations and center distances, record the belt length (top of column) and the length factor (bottom of column).

Example

$$\text{Belt pitch} = 8\text{mm and } 14\text{mm}$$

$$\text{Belt Drive Speed Ratio} = 2.00$$

$$\text{Center Distance} = 30.00 \pm 3.00 \text{ in.}$$

First, refer to the 8mm Pitch Stock Drive Selection Tables on pages PT12-47 - PT12-76. Reading down the Speed Ratio column locate 2.00 on page PT12-57. There are six various sprocket combinations within the allowable center distance range. Of these, two are closest to the desired 30 inches. These are 25 to 50 teeth, and 40 to 80 teeth sprocket combinations. The minimum sprocket diameter of 6.1 inches for a 30 hp motor at 1160 rpm (See Table 4 on page PT12-32) eliminates the 25 to 50 and 40 to 80 teeth sprocket combinations. Therefore, an 8mm pitch drive will not be utilized for this drive system.

Now refer to the 14mm Pitch Stock Drive Selection Tables on pages PT12-63 - PT12-76. Reading down the Speed Ratio Column locate 2.00 on page PT12-71. Several combinations are shown which will meet the 30 \pm 3 inch center distance requirement. The maximum O.D. limit of 18 inches on the driveN sprocket eliminates the 56 to 112 teeth combination. The preference for a center distance close to 30 inches would favor the 40 to 80 and 28 to 56 teeth combinations. However, the 4.912 inch pitch diameter of the 28 teeth sprocket is less than the recommended minimum diameter of 6.1 inches for the electric motor. So the 40 teeth DriveR sprocket, 80 teeth DriveN sprocket, and 2380-14MX (170 teeth) belt combination is selected. Also note that the Belt Length Correction Factor is 1.01 with a center distance of 30.11 inches.



HT500 Drive Selection Procedure (Continued)

C. Check the belt speed. Do not exceed 6500 fpm (feet per minute) with stock sprockets. Belt Speed can be calculated using the following formula:

$$V \text{ (fpm)} = PD \text{ (inches)} \times \frac{\text{Speed (rpm)}}{3.82}$$

Example

14mm Pitch Drive with 40 groove driveR:

$$V = \frac{7.018 \times 1160}{3.82} = 2131.1 \text{ fpm}$$

Calculating the belt speed for the drive system being considered shows that the belt speed does not exceed 6500 fpm and can be considered further.

Step 4 Select The Proper Belt Width

Procedure

Horsepower Rating Tables are located on Pages PT12-38 - PT12-46 for standard belt pitches and stock belt widths. The base horsepower rating is given in the upper table as a function of the speed (rpm) of the faster shaft and diameter of the small sprocket. The speed of the faster shaft is located in the left hand column. Across the top are various stock sprocket sizes. The base horsepower rating of a given sprocket, at a specific speed, is the point at which the “rpm” row and the “sprocket size” column intersect.

This base horsepower rating must be corrected for speed down speed ratios, and for the belt length selected. The following formula should be used to calculate the total drive horsepower rating:

$$\text{Rated Drive Horsepower} = [\text{Rated Base Horsepower} + \text{Additional Horsepower for Speed Ratio}] \times (\text{Belt Length Correction Factor})$$

Referring to the Additional Horsepower for Speed Ratio Factor Table, select a value based upon the drive operating speed and the speed ratio. This value should be added to the base horsepower rating. Multiply the corrected rating by the applicable Belt Length Correction Factor determined in Step 3B or from the Belt Length Correction Factor Table. The drive horsepower rating must equal or exceed design horsepower.

Where there are several choices, space limitations may control the selection. In addition, the following guidelines should be considered:

1. Larger sprockets result in reduced belt width.
2. Larger sprockets yield longer drive service life.
3. Avoid drives where the belt width exceeds the smaller sprocket diameter.
4. Avoid drives where center distance is greater than 8 times the diameter of the smaller sprocket.

Example

Refer to the 14mm pitch Horsepower Rating Table for 20mm Wide belts on page PT12-42. Read down the left hand column for “RPM of Faster Shaft” and locate 1160 rpm. Read the sprocket sizes listed across the top of the table and locate the 40 teeth, 5.614 inch P.D. column. Read across the “RPM” row and down the sprocket size column until the two intersect at a **Rated Base Horsepower of 60.0 hp.**

Next, referencing the Additional Horsepower for Speed Ratio Factor Table, find the listing for a 2.00 speed ratio. An **add-on factor of 3.53 hp** is listed. Then, referencing the Belt Length Correction Factor Table, find the listing for a 2380-14MX belt. A **correction factor of 1.01** is listed.

$$\begin{aligned} \text{Calculate the Corrected Horsepower Rating:} \\ \text{Rated Drive Horsepower} = \\ [\text{Rated Base Horsepower} + \text{Added HP for Speed Ratio}] \times \\ (\text{Belt Length Correction Factor}) = [60.0 \text{ hp} + 3.53 \text{ hp}] \times (1.01) \end{aligned}$$

$$\text{Rated Drive Horsepower} = 64.17 \text{ hp}$$

The Drive Horsepower Rating of 64.17 hp exceeds the Design Horsepower target of 51 hp. So, a belt width of 20mm is acceptable.

Step 5 Check and Specify Stock Drive Components

Procedure

A. Check the sprockets selected in Steps 3 and 4 against the design requirements using the dimensions provided in the Sprocket Specification Tables on pages PT12-6 - PT12-13. Use flange diameters when checking against maximum diameter requirements.

Example

From the table on page PT12-9, we find the 14MX-80S-20 driveN Sprocket has an overall flange diameter of 14.620 inches, which is less than the 18 inch maximum diameter specified.

B. Determine the bushing size required for each sprocket and check bore sizes by using the Sprocket Specification Tables. From the Stock Bushing tables on pages PT12-80 - PT12-85, check the bore range and keyway dimensions against the design requirements.

Example

Also from the sprocket data on page PT12-9 we note that the 14MX-40S-20 sprocket requires a 2517 bushing and the 14MX-80S-20 sprocket requires a 3525 bushing. In the bushing table on pages PT12-81 - PT12-83, a 2517 bushing has a bore range of 1/2 to 2-11/16 inches, which includes the 2-1/8 inch bore required for the driveR shaft. The 3525 bushing has a bore range from 1-3/16 to 3-15/16 inches, which includes the 3 inch bore required for the driveN shaft.

C. Specify stock drive components using proper designations.

Example

- Stock drive components are as follows:
- 1 ea. 2380-14MX-20 HT500 belt
 - 1 ea. 14MX-40S-20 driveR sprocket
 - 1 ea. 2517 Bushing with a 2-1/8 in. bore
 - 1 ea. 14MX-80S-20 driveN sprocket
 - 1 ea. 3525 Bushing with a 3 in. bore

HT500 Drive Selection Procedure (Continued)

Step 6 Installation and Takeup

Procedure

Because of its high resistance to elongation (stretch), there is no need to re-tension and take up a HT500 belt drive. However, some adjustment must be provided when installing synchronous belt drives, as with nearly all power transmission systems, to account for manufacturing and assembly tolerances and initial tensioning requirements. Table 11 on page PT12-36 lists the standard installation and take-up requirements for a given belt length. Additional center distance adjustment is needed when installing the belt over flanged sprockets (see Table 11 on page PT12-36.)

Example

As can be seen in the Sprocket Specifications Table on page PT12-9, both of the sprockets are flanged. Therefore, an additional allowance will be needed for installation over flanged sprockets. The total installation and tensioning allowances, are shown below.

Installation Allowance = 0.13 in. + 1.97 in. = 2.10 in

Tensioning Allowance = 0.04 in.

Subtracting this from the nominal center distance value gives a minimum center distance necessary for belt installation of (30.11 inch - 2.10 inch) = 28.10 inches. From the problem statement, the center distance can be reduced down to 27.0 in. if necessary. So, there is sufficient center distance adjustment to easily install the belt.

Step 7 Calculate Belt Tensioning Requirements

Procedure

A. Calculate base static tension using appropriate Formula 14 on page PT12-34. The m value is listed in Table 10 on page PT12-34.

Example

Belt Pitch = 14mm
 Belt Size = 2380-14MX, 170 teeth (93.70 in. P.L.)
 Belt Width = 20mm
 DriveR Sprocket = 40 teeth (7.018 in. P.D.)
 DriveR Shaft Speed = 1160 rpm
 DriveN Sprocket = 80 teeth (14.036 in. P.D.)
 Actual Center Distance = 30.11 in.
 Design Horsepower = 51 hp

$$TST = \frac{20 \text{ HP}}{S} + mS2, \text{ pounds}$$

Where:

HP = Horsepower = 30 hp
 m = 0.92, constant for 14mm pitch, 20mm wide belt from Table 10 on page PT12-34
 $S = (\text{Sprocket Diameter}) \times (\text{Shaft Speed}) / 3822.76$
 $= (7.018 \text{ in.}) \times (1160 \text{ rpm}) / 3822.76$
 $S = 2.13$

$$TST = \frac{20(30)}{2.13} + (0.92)(2.13)^2$$

$$TST = 281.69 + 4.17 \text{ lb.}$$

$$TST = 285.86 \text{ lb.}$$

B. Calculate minimum and maximum deflection forces using Formulas 15 and 16 on page PT12-35. The Y value is listed in Table 10.

Example

a. Calculate the belt span length

$$t = \sqrt{C^2 - \left(\frac{D-d}{2}\right)^2}$$

where:

t = Span Length, inches

C = Center Distance = 30.11 in.

D = diameter of larger sprocket = 14.036 in. P.D.

d = diameter of smaller sprocket = 7.018 in. P.D.

$$t = \sqrt{30.11^2 - \left(\frac{14.036 - 7.018}{2}\right)^2}$$

b. Calculate Minimum and Maximum belt deflection forces referring to Formulas 15 and 16 on page PT12-35:

$$\text{Min Deflection Force} = \frac{1.1st + \left(\frac{t}{L}\right)Y}{16}$$

16

where:

TST = 285.86 pounds static tension as calculated before

t = 29.90 inches span length as calculated before

L = 93.70 inches belt length

Y = 230 (constant for Table 10 on page PT12-34)

$$\text{Min Deflection Force} = \frac{1.1(285.86) + \left(\frac{29.90}{93.70}\right)(230)}{16}$$

Min. Deflection Force = 24.24 lb.

$$\text{Max Deflection Force} = \frac{1.2Tst + \left(\frac{t}{L}\right)Y}{16}$$

$$\text{Max Deflection Force} = \frac{1.2(685.86) + \left(\frac{29.90}{93.70}\right)(230)}{16}$$

Max. Deflection Force = 26.03 lb.



HT500 Drive Selection Procedure (Continued)

Step 7 Calculate Belt Tensioning Requirements

Procedure - continued

C. Determine the deflection distance using 1/64" per inch of span length.

NOTE: Deflection forces must be applied evenly across the entire belt width.

Example

$$\text{Deflection Distance} = \frac{t}{64}, \text{ inches}$$

$$\text{Deflection Distance} = \frac{29.9}{64}$$

D. Applying The Tension:

At the center of span (t), apply a measured force perpendicular to the belt span large enough to deflect the belt 0.47 inch from its normal free position. Be sure that the force is applied evenly across the entire belt width. Note that one sprocket should be free to rotate during the belt tensioning process.

Compare the measured deflection force with the range of minimum to maximum deflection forces calculated before.

1. If the measured deflection force is less than the minimum recommended deflection force, the belt should be tightened.
2. If the measured deflection force is greater than the maximum recommended deflection force, the belt should be loosened.

Example

When the Gear Pump belt drive is properly tensioned, a belt span deflection of 0.47 in. should require a deflection force within the range of 22.34 to 24.12 lb.

Belt Pitch Selection Guide

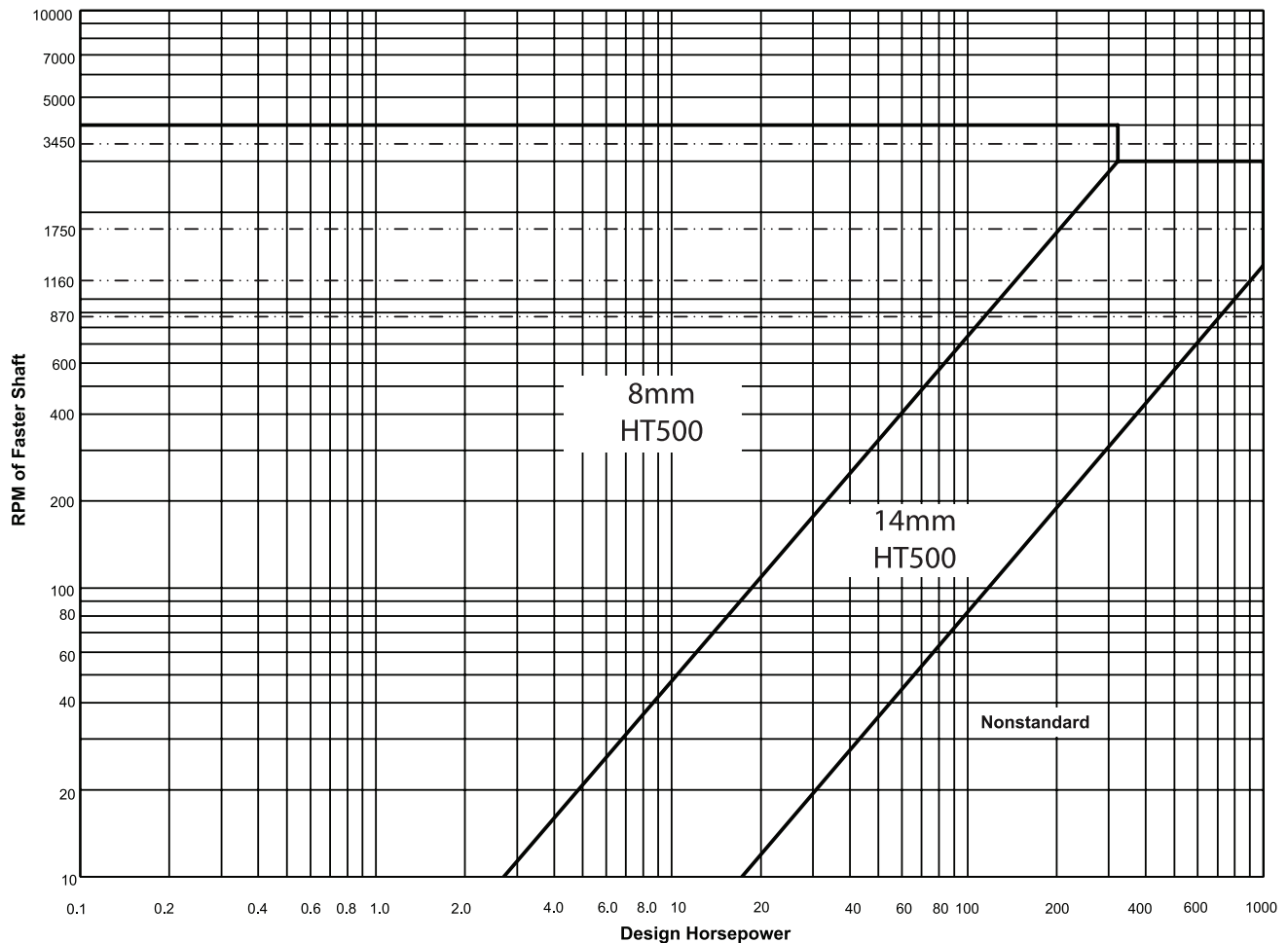


Table 4 Minimum Recommended Sprocket Pitch Diameters for General Purpose Electric Motors Synchronous Belt Drives

For a given motor horsepower and speed, the total belt pull is related to the motor sprocket size. As this size decreases, the total belt pull increases. Therefore, to limit the resultant load on motor shaft and bearings, NEMA lists minimum sprocket sizes for the various motors. The sprocket on the motor (DriveR sheave) should be at least as large as the diameter specified in Table No. 4.

Motor Horsepower	Motor RPM (60 Cycle and 50 Cycle Electric Motors)						Motor Horsepower
	575 485*	690 575*	870 725*	1160 950*	1750 1425*	3450 2850*	
1/2	—	—	2.0	—	—	—	1/2
3/4	—	—	2.2	2.0	—	—	3/4
1	2.7	2.3	2.2	2.2	2.0	—	1
1-1/2	2.7	2.7	2.2	2.2	2.2	2.0	1-1/2
2	3.4	2.7	2.7	2.2	2.2	2.2	2
3	4.1	3.4	2.7	2.7	2.2	2.2	3
5	4.1	4.1	3.4	2.7	2.7	2.2	5
7-1/2	4.7	4.1	4.0	3.4	2.7	2.7	7-1/2
10	5.4	4.7	4.0	4.0	3.4	2.7	10
15	6.1	5.4	4.7	4.0	4.0	4.0	15
20	7.4	6.1	5.4	4.7	4.0	2.2	20
25	8.1	7.4	6.1	5.4	4.0	4.0	25
30	9.0	8.1	6.1	6.1	4.7	—	30
40	9.0	9.0	7.4	6.1	5.4	—	40
50	9.9	9.0	7.6	7.4	6.1	—	50
60	10.8	9.9	9.0	7.2	6.7	—	60
75	12.6	11.7	8.6	9.0	7.7	—	75
100	16.2	13.5	10.8	9.0	7.7	—	100
125	18.0	16.2	13.5	10.8	9.5#	—	125
150	19.8	18.0	16.2	11.7	9.5	—	150
200	19.8	19.8	19.8	—	11.9	—	200
250	19.8	19.8	—	—	—	—	250
300	24.3	24.3	—	—	—	—	300

* These RPM are for 50 cycle electric motors.

Use 8.6 for Frame Number 444 T only.

Data in the white area of Table No. 4 are from NEMA Standard MG-1-14-42, June, 1972. Data in the gray area are from MG-1-14-43, January, 1968. The blue area is a composite of electric motor manufacturers data. They are generally conservative, and specific motors and bearings may permit the use of a smaller motor sprocket. Consult the motor manufacturer.

SELECTION



DriveN Machine	DriveR					
<p>The driveN machines listed below are representative samples only. Select a driveN machine whose load characteristics most closely approximate those of the machine being considered.</p>	AC Motors: Normal Torque, Squirrel Cage, Synchronous, Split Phase, Inverter Controlled			AC Motors: High Torque, High Slip, Repulsion-Induction, Single Phase, Series, Wound, Slip Ring.		
	DC Motors: Shunt Wound, Stepper Motors			DC Motors: Series Wound, Compound, Wound, Servo Motors.		
	Engines: Multiple Cylinder Internal Combustion.			Engines: Single Cylinder Internal, Combustion. Line shafts Clutches		
	Intermittent Service	Normal Service	Continuous Service	Intermittent Service	Normal Service	Continuous Service
Up to 8 Hours Daily or Seasonal	8-16 Hours Daily	16-24 Hours Daily	Up to 8 Hours Daily or Seasonal	8-16 Hours Daily	16-24 Hours Daily	
Display, Dispensing Equipment Instrumentation Measuring Equipment Medical Equipment Office, Projection Equipment	1.0	1.2	1.4	1.2	1.4	1.6
Appliances, Sweepers, Sewing Machines Screens, Oven Screens, Drum, Conical Woodworking Equipment: (Light) Band Saws, Drills, Lathes	1.1	1.3	1.5	1.3	1.5	1.7
Agitators for Liquids Conveyors: Belt, Light Package Drill Press, Lathes, Saws Laundry Machinery Woodworking Equipment: (Heavy) Circular Saws, Joiners, Planers	1.2	1.4	1.6	1.6	1.8	2.0
Agitators: Semi-liquid Compressors: Centrifugal Conveyor Belt: Coal, Ore, Sand Dough Mixers Line Shafts Machine Tools: Grinder, Shaper Boring Mill, Milling Machines Paper Machinery (except Pulpers) Presses, Punches, Shears Printing Machinery Pumps: Centrifugal, Gear Screens: Revolving, Vibratory	1.3	1.5	1.7	1.6	1.8	2.0
Brick Machinery (except Pug Mills) Conveyor: Apron, Pan, Bucket, Elevator Extractors, Washers Fans, Centrifugal Blowers Generators & Exciters Hoists Rubber Calendar, Mills, Extruders	1.4	1.6	1.8	1.8	2.0	2.2
Centrifuges Screw Conveyors Hammer Mills Paper Pulpers Textile Machinery	1.5	1.7	1.9	1.9	2.1	2.3
Blowers: Positive Displacement Mine Fans Pulverizers	1.6	1.8	2.0	2.0	2.2	2.4
Compressors, Reciprocating Crushers: Gyratory, Jaw, Roll Mills: Ball, Rod, Pebble, etc. Pumps, Reciprocating Saw Mill Equipment	1.7	1.9	2.1	2.1	2.3	2.5

V-Drives

FHP Drives

Drive Component Accessories

DYNA-SYNC

HT200/HTD Synchronous Drives

HT500 Synchronous Drives

Roller Chain Sprockets

SELECTION

These tolerances are for reference only. For fixed center drive applications and special tolerances, contact Baldor•Dodge Power Transmission Product Application.

Stock Belt Center Distance Tolerances

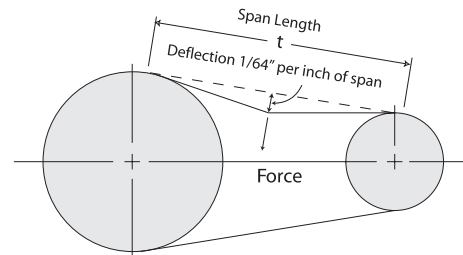
Belt Length	(mm) (In)	Center Distance Tolerance	(mm) (In)
over 127 5	to 254 10	± 0.20 .008	
over 254 10	to 381 15	± 0.23 .009	
over 381 15	to 508 20	± 0.25 .010	
over 508 20	to 762 30	± 0.30 .012	
over 762 30	to 1016 40	± 0.33 .013	
over 1016 40	to 1270 50	± 0.38 .015	
over 1270 50	to 1524 60	± 0.41 .016	
over 1524 60	to 1778 70	± 0.43 .017	
over 1778 70	to 2032 80	± 0.46 .018	
over 2032 80	to 2286 90	± 0.49 .019	
over 2286 90	to 2540 100	± 0.52 .020	
over 2540 100	to 2794 110	± 0.54 .021	
over 2794 110	to 3048 120	± 0.56 .022	
over 3048 120	to 3302 130	± 0.58 .023	
over 3302 130	to 3556 140	± 0.60 .024	
over 3556 140	to 3810 150	± 0.63 .025	
over 3810 150	to 4064 160	± 0.66 .026	
over 4064 160	to 4318 170	± 0.69 .027	
over 4318 170	to 4572 180	± 0.72 .028	
over 4572 180		add ± .03 every .254 .10	for increment

Standard Belt Tensioning Procedure

When installing a belt:

- Be sure it is tensioned adequately to prevent tooth jumping (ratcheting) under the most severe load conditions which the drive will encounter during operation.
- Avoid extremely high tension which can reduce belt life and possibly damage bearings, shafts and other drive components.

The proper way to check belt tension is to use a tension tester. Baldor has a variety of tension testers, ranging from the simple spring scale type tester to the sophisticated Sonic Tension Meter. The spring scale type tester is used by measuring how much force is required to deflect the belt at the center of his span by a specified distance (force deflection method), as shown in the sketch below.



The Sonic Tension Meter measures the vibration of the belt span and instantly converts the vibration frequency into belt static tension (span vibration method).

When you wish to use a numerical method for calculating recommended belt installation tension values, the following procedure may be used.

STEP 1: Calculate the required base static installation tension.

Use Formula 14 to calculate the required base static installation tension.

Formula 14

$$T_{SI} = \frac{20HP}{S} + mS^2$$

Where T_{SI} = base static installation tension, pounds
 HP = Horsepower
 $S = \frac{PD \times RPM}{3820}$
 m = Value from table 10
 PD = Sprocket Pitch Diameter, inches
 RPM = Revolutions per minute of same sprocket

Table 10

Pitch	Belt Width	m	Y	minimum T_{SI} (lb) per span
8mm	12mm	0.33	65	28
	21mm	0.57	113	49
	36mm	0.97	194	84
	62mm	1.68	335	145
14mm	20mm	0.92	230	119
	37mm	1.69	426	220
	68mm	3.11	782	405
	90mm	4.12	1035	536
	125mm	5.72	1438	744

SELECTION



Because of the high performance capabilities of HT500 belts, it is possible to design drives that have significantly greater load than are necessary to carry the actual design load. Consequently, Formula 14 can provide T_{st} values less than are necessary for the belt to operate properly, resulting in poor belt performance and reduced service life. If a more appropriately sized drive cannot be designed, minimum recommended T_{st} values are provided in Table 10 to assure that the belts function properly when lightly loaded.

Always use the greater T_{st} value; i.e., from T_{st} Formula 14 or Table 10.

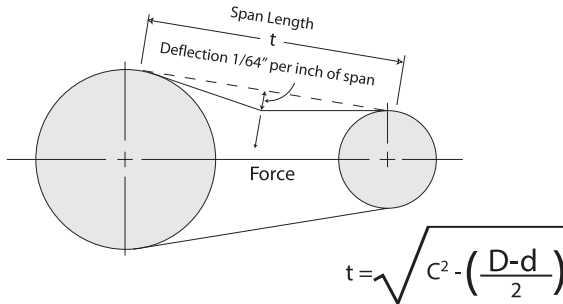
NOTE: When applying static belt tension values directly, multiply the required base static installation tension (T_{st}) calculated in Formula 14 by the following factors:

For New Belts:

$$\begin{aligned} \text{Minimum Static Tension} &= \text{Base Static Tension} \times 1.1 \\ \text{Maximum Static Tension} &= \text{Base Static Tension} \times 1.2 \end{aligned}$$

For Used Belts:

$$\begin{aligned} \text{Minimum Static Tension} &= \text{Base Static Tension} \times 0.8 \\ \text{Maximum Static Tension} &= \text{Base Static Tension} \times 0.9 \end{aligned}$$



STEP 2: Calculate the minimum and maximum recommended deflection forces.

- Measure the span length of your drive (see sketch).
- New belt minimum recommended force:

Formula 15

$$\text{deflection force, Min} = \frac{1.1 T_{st} + \left(\frac{t}{L}\right) Y}{16}, \text{lb}$$

Formula 16

$$\text{deflection force, Max} = \frac{1.2 T_{st} + \left(\frac{t}{L}\right) Y}{16}, \text{lb}$$

Where:

- T_{st} = Base Static tension, lbf
- t = span length, inches
- L = belt pitch length, inches
- Y = constant from Table 10

USED BELT NOTE: For re-installation of a used belt, a recommended tension of 0.8 T_{st} to 0.9 T_{st} value should be used in calculating the deflection forces, instead of the 1.1 T_{st} to 1.2 T_{st} shown for new belts.

STEP 3: Applying the tension

Force deflection tension method

A. At the center of the span (t) apply a force perpendicular to the span large enough to deflect the belt on the drive 1/64 inch per inch of span length from its normal position. One sprocket should be free to rotate. Be sure the force is applied evenly across the entire belt width. If the belt is a wide synchronous belt, place a piece of steel or angle iron across the belt width and deflect the entire width of the belt evenly.

B. Compare this deflection force with the range of forces calculated in Step 2.

- If it is less than the minimum recommended deflection force, the belt should be tightened.
- If it is greater than the maximum recommended deflection force, the belt should be loosened.

Span vibration tension method

The Sonic Tension Meter detects the vibration frequency in the belt span, and converts that measurement into the actual static tension in the belt.

To use the Sonic Tension Meter, begin by entering the belt unit weight, belt width, and the span length. To measure the span vibration, press the "Measure" button on the meter, tap the belt span, and hold the microphone approximately 1/4" away from the back of the belt. The Sonic Tension Meter will display the static tension, and can also display the span vibration frequency.

The belt unit weights for use with the Sonic Tension Meter are shown in the following table.

Belt Product Family	Belt Cross section	Adjusted Belt Weight (grams/meter)
HT500 Belt	8mm	4.7
	14mm	7.9

Rim Speed Limits per MPTA Standard

Product Material	Maximum allowable RIM speed in FPM	
	Web / Arm Style	Block Style
Class 30 Gray Iron	6500	7500
Ductile Iron 65	8000	10000
Ductile Iron 80	10000	13000
Steel (1018)	9000	11000

$$(\text{FPM} = .626 \times \text{Dia. (inches)} \times \text{RPM})$$

NOTE: Above rim speed values are maximum for normal considerations. In some cases these values may be exceeded. Consult factory and include complete details of proposed application.

$$\text{Dynamic balance RPM} = \frac{15600}{\sqrt{\text{Dia} \times \text{Face Width}}}$$

for Sheave/Sprocket \diamond

\diamond Note: MPTA recommends Dynamic balance when application RPM exceeds this value

Center Distance Allowances for Installation and Tensioning

Since fixed center drives are not recommended, center distance allowances for a HT500 belt drive are necessary to assure that the belt can be installed without damage and then tensioned correctly. The standard installation allowance is the minimum decrease in center distance required to install a belt when flanged sprockets are removed from their shafts for belt installation. This is shown in the first column of Table 11. This table also lists the minimum increase in center distance required to assure that the belt can be properly tensioned over its normal life time. If a belt is to be installed over flanged sprockets without removing them, the additional center distance allowance for installation shown in the second table below must be added to the first table data.

Table 11

Center Distance Allowance For Installation and Tensioning

Belt Length (mm) (In)	Standard Installation Allowance (Flanged Sprocket removed for installation) (mm) (In)	Tension Allowance (mm) (In)
up to 125 5	0.5 0.02	0.5 0.02
over 125 to 250 5 to 10	0.8 0.03	0.8 0.03
over 250 to 500 10 to 20	1.0 0.04	0.8 0.03
over 500 to 1000 20 to 40	1.8 0.07	0.8 0.03
over 1000 to 1780 40 to 70	2.8 0.10	0.8 0.04
over 1780 to 2540 70 to 100	3.3 0.13	1.0 0.04
over 2540 to 3300 100 to 130	4.1 0.16	1.3 0.05
over 3300 to 4600 130 to 180	4.8 0.19	1.3 0.05
over 4600 to 6900 60 to 70	5.6 0.22	1.3 0.05

Additional Center Distance Allowance For Installation Over Flanged Sprockets*
(Add to Installation Allowance in table No 11)

Pitch	One Sprocket Flanged (mm) (In)	Both Sprockets Flanged (mm) (In)
8mm	21.8 0.86	33.3 1.31
14mm	31.2 1.23	50.0 1.97

*For drives that require installation of the belt over one sprocket at a time, use the value for "Both Sprockets Flanged"

Drive alignment

Provision should be made for center distance adjustment, according to the two tables on this page, or to change the idler position so the belt can be slipped easily onto the drive. When installing a belt, never force it over the flange. This will cause internal damage to the belt tensile member.

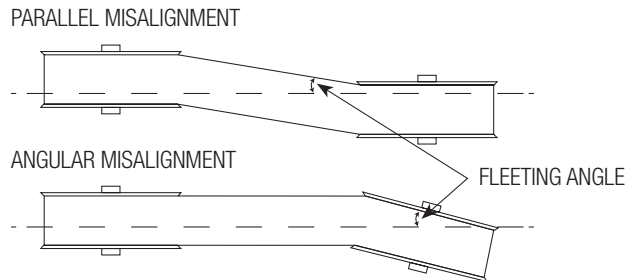
Synchronous belts typically are made with high modulus tensile members which provide length stability over the belt life. Consequently, misalignment does not allow equal load distribution across the entire belt top width. In a misaligned drive, the load is being carried by only a small portion of the belt top width, resulting in uneven belt wear and premature tensile failure.

There are two types of misalignment: parallel and angular (See Fig.7). Parallel misalignment is where the driveR and driveN shafts are parallel, but the two sprockets lie in different planes. When the two shafts are not parallel, the drive is angularly misaligned.

A fleeting angle is the angle at which the belt enters and exits the sprocket, and equals the sum of the parallel and angular misalignments.

Any degree of sprocket misalignment will result in some reduction of belt life, which is not accounted for in the normal drive design procedure. Misalignment of all synchronous belt drives should not exceed 1/4" or 1/16" per foot of linear distance. Misalignment should be checked with a good straight edge or by using a laser alignment tool. The straight edge tool should be applied from driveR to driveN, and then from driveN to driveR so that the total effect of parallel and angular misalignment is made visible.

Figure 7



Drive misalignment can also cause belt tracking problems. However, light flange contact by the belt is normal and won't affect performance.

For those drives in which the center distance is greater than eight times the small sprocket diameter, belt tracking can be a problem. In these cases, the parallel position of the two sprockets may need to be adjusted until only one flange guides the belt in the system and the belt tracks fully on all sprockets. Regardless of the drive center distance, the optimum drive performance will occur with the belt lightly contacting one flange in the system. The worst case is for the belt to contact flanges on opposite sides of the system. This traps the belt between opposite flanges and can force the belt into undesirable parallel misalignment.



V-Drives

FHP Drives

Drive Component
Accessories

DYNA-SYNC

HT200/HTD
Synchronous Drives

HT500
Synchronous Drives

Roller Chain Sprockets



SELECTION

HT500 Basic HP Ratings - 8mm

8M-12	Rated Horsepower for Small Sprocket (Number of Teeth and Pitch Diameter, Inches)																							
	RPM	22	24	25	26	27	28	29	30	31	32	33	34	35	36	37	38	39	40	41	42	44	45	48
Small Shaft	2.210	2.410	2.506	2.610	2.707	2.810	2.907	3.010	3.108	3.210	3.308	3.410	3.509	3.610	3.709	3.810	3.910	4.010	4.110	4.211	4.410	4.511	4.810	5.013
10	0.15	0.17	0.18	0.19	0.20	0.21	0.22	0.22	0.23	0.24	0.25	0.26	0.27	0.28	0.29	0.29	0.30	0.31	0.32	0.33	0.35	0.36	0.38	0.40
20	0.23	0.26	0.27	0.29	0.30	0.32	0.33	0.35	0.36	0.38	0.39	0.41	0.42	0.44	0.45	0.47	0.48	0.50	0.51	0.53	0.55	0.57	0.61	0.64
40	0.39	0.44	0.47	0.49	0.52	0.54	0.57	0.59	0.62	0.64	0.67	0.69	0.72	0.74	0.77	0.79	0.82	0.84	0.87	0.89	0.94	0.97	1.04	1.09
50	0.46	0.52	0.55	0.58	0.61	0.64	0.67	0.70	0.73	0.76	0.79	0.82	0.85	0.88	0.91	0.94	0.97	1.00	1.03	1.06	1.12	1.15	1.24	1.30
60	0.53	0.60	0.64	0.67	0.71	0.74	0.78	0.81	0.85	0.88	0.92	0.96	1.00	1.03	1.07	1.10	1.14	1.17	1.21	1.24	1.31	1.34	1.44	1.51
100	0.80	0.91	0.96	1.02	1.07	1.13	1.18	1.24	1.29	1.35	1.40	1.46	1.51	1.57	1.62	1.68	1.73	1.79	1.85	1.90	2.01	2.07	2.23	2.34
200	1.42	1.63	1.74	1.84	1.95	2.05	2.16	2.26	2.36	2.46	2.57	2.67	2.77	2.87	2.97	3.07	3.18	3.28	3.38	3.48	3.68	3.78	4.08	4.28
300	2.02	2.32	2.46	2.62	2.77	2.92	3.07	3.22	3.36	3.51	3.66	3.81	3.96	4.11	4.25	4.40	4.54	4.69	4.84	4.99	5.28	5.43	5.86	6.15
400	2.58	2.98	3.18	3.37	3.57	3.76	3.96	4.15	4.34	4.53	4.73	4.92	5.11	5.30	5.50	5.69	5.88	6.07	6.26	6.45	6.83	7.02	7.59	7.97
500	3.13	3.62	3.85	4.10	4.33	4.58	4.81	5.06	5.29	5.53	5.76	6.00	6.24	6.48	6.71	6.95	7.18	7.41	7.65	7.88	8.35	8.58	9.27	9.74
600	3.67	4.24	4.53	4.81	5.10	5.38	5.66	5.94	6.23	6.51	6.79	7.07	7.35	7.62	7.90	8.18	8.46	8.73	9.01	9.29	9.84	10.11	10.93	11.48
700	4.20	4.86	5.17	5.51	5.83	6.17	6.49	6.82	7.14	7.47	7.78	8.11	8.43	8.75	9.07	9.39	9.71	10.03	10.35	10.67	11.30	11.62	12.57	13.20
800	4.71	5.46	5.83	6.20	6.57	6.94	7.31	7.68	8.05	8.41	8.78	9.14	9.51	9.87	10.23	10.59	10.95	11.31	11.67	12.03	12.75	13.11	14.18	14.89
870	5.07	5.88	6.27	6.68	7.07	7.48	7.86	8.27	8.66	9.07	9.45	9.85	10.24	10.64	11.03	11.42	11.81	12.20	12.59	12.98	13.75	14.14	15.30	16.08
1000	5.72	6.64	7.10	7.55	8.01	8.46	8.92	9.37	9.82	10.27	10.72	11.16	11.61	12.06	12.51	12.95	13.39	13.83	14.27	14.72	15.60	16.04	17.35	18.22
1160	6.51	7.56	8.07	8.61	9.11	9.65	10.16	10.69	11.19	11.72	12.23	12.75	13.26	13.78	14.29	14.80	15.30	15.81	16.32	16.82	17.83	18.34	19.84	20.85
1200	6.70	7.79	8.33	8.87	9.41	9.95	10.49	11.02	11.55	12.08	12.61	13.14	13.67	14.20	14.73	15.25	15.78	16.30	16.82	17.35	18.39	18.91	20.46	21.49
1400	7.66	8.92	9.52	10.16	10.76	11.40	12.00	12.64	13.24	13.87	14.47	15.09	15.69	16.31	16.91	17.52	18.12	18.73	19.33	19.93	21.13	21.73	23.51	24.71
1600	8.60	10.02	10.73	11.43	12.14	12.84	13.54	14.23	14.93	15.62	16.31	17.00	17.69	18.38	19.07	19.75	20.43	21.11	21.79	22.47	23.83	24.50	26.52	27.86
1750	9.30	10.84	11.58	12.37	13.11	13.89	14.63	15.41	16.15	16.92	17.66	18.42	19.16	19.91	20.65	21.40	22.14	22.88	23.62	24.36	25.83	26.57	28.75	30.21
2000	10.44	12.18	13.05	13.91	14.77	15.63	16.49	17.35	18.20	19.05	19.90	20.75	21.60	22.44	23.28	24.12	24.96	25.79	26.62	27.45	29.11	29.94	32.41	34.04
2400	12.21	14.27	15.26	16.32	17.31	18.36	19.34	20.38	21.37	22.40	23.38	24.40	25.38	26.39	27.37	28.37	29.36	30.35	31.33	32.32	34.27	35.25	38.15	40.09
2800	13.94	16.32	17.50	18.67	19.85	21.02	22.19	23.35	24.51	25.66	26.82	27.97	29.12	30.26	31.40	32.53	33.67	34.80	35.93	37.05	39.30	40.41	43.74	45.93
3200	15.63	18.31	19.59	20.97	22.25	23.62	24.90	26.25	27.53	28.86	30.14	31.46	32.74	34.04	35.31	36.60	37.87	39.15	40.42	41.69	44.21	45.48	49.20	51.69
3500	16.87	19.78	21.23	22.67	24.11	25.54	26.97	28.39	29.81	31.22	32.63	34.03	35.43	36.82	38.21	39.60	40.98	42.36	43.73	45.09	47.82	49.17	53.21	55.85
4000	18.89	22.17	23.74	25.43	27.00	28.67	30.23	31.88	33.44	35.06	36.62	38.23	39.78	41.37	42.92	44.48	46.03	47.58	49.12	50.65	53.70	55.23	59.72	62.71
4500	20.85	24.51	26.32	28.13	29.93	31.72	33.50	35.28	37.05	38.82	40.57	42.32	44.06	45.79	47.52	49.24	50.95	52.65	54.34	56.03	59.40	61.06	66.03	69.52
5000	22.77	26.79	28.70	30.76	32.67	34.70	36.60	38.61	40.50	42.47	44.36	46.31	48.18	50.10	51.97	53.86	55.72	57.59	59.43	61.27	64.92	66.74	72.11	
5500	24.65	29.01	31.17	33.33	35.47	37.61	39.73	41.85	43.95	46.04	48.12	50.19	52.24	54.29	56.32	58.35	60.36	62.37	64.35	66.32	70.27	72.70		

8M-12	Rated Horsepower for Small Sprocket (Number of Teeth and Pitch Diameter, Inches)										Additional HP required per belt for speed ratio of speed down drive										
	RPM	53	56	60	63	64	67	71	72	75	80	1.00 to	1.03 to	1.06 to	1.11 to	1.16 to	1.22 to	1.31 to	1.44 to	1.65 to	2.16 and over
Small Shaft	5.314	5.610	6.015	6.316	6.420	6.717	7.118	7.220	7.519	8.020	1.02	1.05	1.10	1.15	1.21	1.30	1.43	1.64	2.15		
10	0.42	0.45	0.49	0.51	0.52	0.55	0.58	0.59	0.62	0.66											
20	0.68	0.72	0.78	0.82	0.84	0.88	0.94	0.95	0.99	1.06											
40	1.16	1.23	1.33	1.41	1.43	1.50	1.60	1.62	1.70	1.82											
50	1.39	1.48	1.60	1.69	1.72	1.81	1.92	1.95	2.04	2.18											
60	1.62	1.72	1.86	1.97	2.00	2.10	2.24	2.27	2.37	2.54											
100	2.50	2.66	2.88	3.03	3.09	3.25	3.46	3.51	3.67	3.93											
200	4.58	4.88	5.28	5.58	5.68	5.98	6.37	6.47	6.76	7.25	0.00	0.01	0.01	0.02	0.03	0.04	0.04	0.05	0.06	0.06	0.06
300	6.58	7.01	7.59	8.02	8.17	8.59	9.16	9.31	9.73	10.43	0.00	0.01	0.02	0.02	0.03	0.04	0.05	0.06	0.07	0.07	0.08
400	8.53	9.09	9.84	10.40	10.59	11.15	11.89	12.07	12.62	13.53	0.00	0.01	0.02	0.03	0.04	0.05	0.06	0.07	0.08	0.09	0.10
500	10.43	11.11	12.04	12.72	12.96	13.63	14.54	14.77	15.44	16.56	0.00	0.01	0.03	0.04	0.06	0.07	0.08	0.1	0.11	0.11	0.13
600	12.29	13.11	14.20	15.02	15.29	16.09	17.16	17.43	18.23	19.55	0.00	0.02	0.03	0.05	0.06	0.08	0.1	0.11	0.13	0.13	0.14
700	14.14	15.07	16.33	17.26	17.58	18.49	19.73	20.04	20.95	22.48	0.00	0.02	0.04	0.06	0.07	0.09	0.11	0.13	0.15	0.15	0.17
800	15.95	17.01	18.43	19.50	19.85	20.89	22.28	22.63	23.66	25.38	0.00	0.02	0.05	0.07	0.1	0.12	0.14	0.17	0.19	0.19	0.21
870	17.23	18.36	19.89	21.03	21.42	22.53	24.04	24.42	25.53	27.39	0.00	0.03	0.05	0.08	0.11	0.14	0.17	0.19	0.22	0.22	0.25
1000	19.53	20.83	22.57	23.88	24.31	25.59	27.29	27.71	28.97	31.08	0.00	0.03	0.06	0.1	0.13	0.16	0.19	0.22	0.25	0.25	0.29
1160	22.35	23.82	25.82	27.30	27.81	29.25	31.20	31.70	33.14	35.56	0.00	0.04	0.08	0.12	0.16	0.2	0.24	0.28	0.32	0.32	0.36
1200	23.02	24.56	26.62	28.16	28.67	30.18	32.19	32.69	34.18	36.67	0.00	0.05	0.09	0.14	0.18	0.23	0.27	0.32	0.37	0.37	0.41
1400	26.49	28.24	30.60	32.35	32.96	34.68	36.99	37.58	39.29	42.14	0.00	0.05	0.1	0.14	0.19	0.24	0.29	0.33	0.38	0.38	0.43
1600	29.86	31.86	34.52	36.52	37.18	39.13	41.73	42.38	44.31	47.52	0.00	0.06	0.11	0.16	0.22	0.27	0.33	0.38	0.44	0.44	0.49
1750	32.39	34.53	37.42	39.57	40.31	42.40	45.21	45.93	48.01	51.49	0.00	0.06	0.11	0.17	0.22	0.28	0.33	0.39	0.45	0.45	0.5
2000	36.49	38.93	42.18	44.62	45.43	47.80	50.96	51.75	54.09	57.99	0.00	0.06	0.13	0.19	0.25	0.32	0.38	0.45	0.51	0.51	0.57
2400	42.97	45.81	49.62	52.45	53.43	56.17	59.88	60.													

SELECTION



HT500 Basic HP Ratings - 8mm

8M-21 RPM Small Shaft	Rated Horsepower for Small Sprocket (Number of Teeth and Pitch Diameter, Inches)																							
	22	24	25	26	27	28	29	30	31	32	33	34	35	36	37	38	39	40	41	42	44	45	48	50
	2.210	2.410	2.506	2.610	2.707	2.810	2.907	3.010	3.108	3.210	3.308	3.410	3.509	3.610	3.709	3.810	3.910	4.010	4.110	4.211	4.410	4.511	4.810	5.013
10	0.26	0.30	0.32	0.33	0.35	0.37	0.38	0.39	0.40	0.42	0.44	0.46	0.47	0.49	0.50	0.51	0.53	0.54	0.56	0.58	0.61	0.63	0.67	0.70
20	0.40	0.46	0.48	0.51	0.53	0.56	0.59	0.61	0.64	0.67	0.69	0.72	0.74	0.77	0.80	0.82	0.85	0.88	0.90	0.92	0.96	0.99	1.07	1.12
40	0.68	0.77	0.81	0.86	0.90	0.95	0.99	1.03	1.08	1.12	1.16	1.21	1.25	1.30	1.34	1.38	1.43	1.47	1.51	1.56	1.65	1.69	1.82	1.90
50	0.81	0.91	0.96	1.02	1.07	1.12	1.17	1.23	1.28	1.33	1.38	1.44	1.49	1.54	1.59	1.65	1.70	1.75	1.80	1.86	1.96	2.01	2.17	2.28
60	0.93	1.05	1.11	1.17	1.23	1.30	1.36	1.42	1.48	1.54	1.61	1.68	1.74	1.80	1.86	1.93	1.99	2.05	2.11	2.17	2.29	2.35	2.52	2.64
100	1.40	1.59	1.69	1.79	1.88	1.98	2.07	2.17	2.26	2.36	2.46	2.56	2.65	2.75	2.84	2.94	3.04	3.13	3.23	3.33	3.52	3.62	3.90	4.09
200	2.49	2.85	3.04	3.22	3.40	3.59	3.77	3.96	4.13	4.31	4.49	4.67	4.85	5.02	5.20	5.37	5.56	5.74	5.92	6.09	6.44	6.62	7.14	7.49
300	3.54	4.06	4.31	4.59	4.84	5.11	5.37	5.64	5.88	6.14	6.40	6.67	6.93	7.19	7.44	7.70	7.95	8.21	8.47	8.73	9.24	9.50	10.26	10.77
400	4.52	5.22	5.56	5.90	6.24	6.58	6.92	7.26	7.60	7.93	8.27	8.61	8.94	9.28	9.62	9.96	10.29	10.62	10.96	11.29	11.95	12.29	13.28	13.94
500	5.48	6.34	6.74	7.18	7.58	8.02	8.42	8.86	9.26	9.68	10.08	10.50	10.92	11.34	11.75	12.16	12.56	12.97	13.38	13.79	14.61	15.02	16.22	17.04
600	6.42	7.42	7.92	8.42	8.92	9.42	9.91	10.40	10.89	11.39	11.88	12.37	12.85	13.34	13.83	14.32	14.80	15.28	15.76	16.25	17.22	17.70	19.13	20.08
700	7.35	8.51	9.05	9.64	10.20	10.80	11.35	11.94	12.49	13.07	13.62	14.19	14.75	15.31	15.87	16.43	16.99	17.55	18.11	18.67	19.78	20.34	22.00	23.11
800	8.24	9.56	10.20	10.85	11.50	12.15	12.79	13.44	14.08	14.72	15.36	16.00	16.63	17.27	17.90	18.53	19.16	19.79	20.42	21.05	22.31	22.94	24.82	26.05
870	8.87	10.29	10.96	11.69	12.37	13.09	13.76	14.47	15.16	15.87	16.54	17.24	17.92	18.62	19.30	19.99	20.67	21.35	22.03	22.71	24.06	24.75	26.78	28.13
1000	10.01	11.62	12.42	13.21	14.01	14.81	15.60	16.40	17.19	17.97	18.75	19.53	20.32	21.11	21.88	22.66	23.43	24.20	24.98	25.75	27.30	28.07	30.36	31.89
1160	11.39	13.23	14.12	15.07	15.95	16.89	17.77	18.71	19.59	20.51	21.40	22.31	23.20	24.12	25.00	25.90	26.78	27.67	28.56	29.44	31.20	32.09	34.72	36.49
1200	11.73	13.63	14.58	15.52	16.47	17.41	18.35	19.29	20.21	21.14	22.07	23.00	23.92	24.85	25.77	26.69	27.61	28.53	29.44	30.35	32.18	33.09	35.81	37.60
1400	13.41	15.61	16.66	17.78	18.83	19.95	21.01	22.12	23.17	24.27	25.32	26.41	27.46	28.54	29.60	30.66	31.72	32.78	33.83	34.88	36.98	38.03	41.14	43.24
1600	15.05	17.54	18.77	20.00	21.24	22.47	23.69	24.90	26.12	27.34	28.54	29.75	30.96	32.17	33.36	34.56	35.75	36.94	38.13	39.32	41.70	42.88	46.41	48.75
1750	16.28	18.97	20.26	21.65	22.94	24.31	25.60	26.97	28.26	29.61	30.90	32.24	33.52	34.84	36.14	37.45	38.74	40.04	41.34	42.63	45.20	46.50	50.31	52.88
2000	18.27	21.32	22.83	24.34	25.85	27.35	28.86	30.36	31.85	33.34	34.83	36.31	37.79	39.27	40.74	42.21	43.67	45.13	46.59	48.04	50.94	52.39	56.72	59.57
2400	21.37	24.97	26.70	28.56	30.29	32.13	33.85	35.67	37.40	39.20	40.92	42.70	44.42	46.18	47.91	49.65	51.38	53.11	54.84	56.55	59.97	61.70	66.76	70.16
2800	24.40	28.56	30.62	32.67	34.73	36.79	38.82	40.86	42.88	44.91	46.93	48.95	50.95	52.96	54.94	56.93	58.91	60.90	62.87	64.84	68.78	70.72	76.55	80.38
3200	27.35	32.04	34.29	36.70	38.94	41.34	43.58	45.94	48.17	50.51	52.74	55.06	57.29	59.57	61.80	64.05	66.28	68.51	70.74	72.96	77.37	79.58	86.10	90.46
3500	29.52	34.62	37.14	39.67	42.18	44.70	47.19	49.68	52.16	54.64	57.09	59.55	61.99	64.44	66.87	69.30	71.72	74.13	76.52	78.91	83.69	86.04	93.12	97.74
4000	33.06	38.80	41.55	44.50	47.25	50.17	52.91	55.79	58.51	61.36	64.08	66.90	69.62	72.40	75.10	77.84	80.55	83.27	85.95	88.64	93.98	96.65	104.51	109.73
4500	36.49	42.89	46.06	49.23	52.37	55.51	58.63	61.74	64.84	67.94	71.00	74.06	77.10	80.13	83.15	86.17	89.15	92.14	95.09	98.04	103.95	106.85	115.55	86.66
5000	39.85	46.88	50.23	53.83	57.17	60.73	64.06	67.57	70.87	74.32	77.63	81.04	84.32	87.68	90.95	94.26	97.52	100.78	104.00	107.22	113.61	116.80	126.19	94.21
5500	43.14	50.77	54.55	58.33	62.07	65.82	69.53	73.24	76.90	80.57	84.20	87.83	91.42	95.01	98.56	102.11	105.63	109.15	112.60	116.06	122.97	92.23		

8M-21 RPM Small Shaft	Rated Horsepower for Small Sprocket (Number of Teeth and Pitch Diameter, Inches)										Additional HP required per belt for speed ratio of speed down drive												
	53	56	60	63	64	67	71	72	75	80	1.00 to	1.03 to	1.06 to	1.11 to	1.16 to	1.22 to	1.31 to	1.44 to	1.65 to	2.16			
	5.314	5.610	6.015	6.316	6.420	6.717	7.118	7.220	7.519	8.020	1.02	1.05	1.10	1.15	1.21	1.30	1.43	1.64	2.15	and over			
10	0.74	0.79	0.85	0.89	0.91	0.96	1.02	1.03	1.08	1.16													
20	1.19	1.26	1.37	1.44	1.47	1.54	1.64	1.66	1.73	1.86													
40	2.03	2.15	2.33	2.46	2.50	2.63	2.79	2.84	2.97	3.19													
50	2.43	2.59	2.80	2.96	3.01	3.16	3.36	3.41	3.56	3.82													
60	2.83	3.01	3.26	3.44	3.50	3.68	3.91	3.97	4.15	4.45													
100	4.38	4.66	5.03	5.31	5.41	5.68	6.05	6.14	6.42	6.88													
200	8.02	8.54	9.24	9.77	9.94	10.46	11.15	11.32	11.83	12.69	0.00	0.01	0.02	0.04	0.05	0.06	0.07	0.09	0.1	0.11	0.13	0.15	
300	11.52	12.27	13.28	14.04	14.30	15.04	16.04	16.29	17.03	18.25	0.00	0.01	0.03	0.04	0.06	0.07	0.08	0.1	0.11	0.13	0.15	0.15	
400	14.92	15.91	17.22	18.20	18.53	19.50	20.80	21.12	22.08	23.68	0.00	0.02	0.03	0.05	0.07	0.08	0.1	0.11	0.13	0.15	0.15	0.15	
500	18.25	19.44	21.06	22.26	22.68	23.86	25.44	25.85	27.02	28.98	0.00	0.02	0.05	0.07	0.1	0.12	0.15	0.17	0.19	0.19	0.22	0.22	
600	21.51	22.94	24.85	26.28	26.76	28.16	30.03	30.50	31.89	34.21	0.00	0.03	0.06	0.08	0.11	0.14	0.17	0.19	0.22	0.22	0.25	0.25	
700	24.75	26.37	28.57	30.20	30.77	32.36	34.52	35.07	36.67	39.34	0.00	0.03	0.06	0.1	0.13	0.16	0.19	0.23	0.26	0.26	0.29	0.29	
800	27.91	29.77	32.25	34.12	34.74	36.56	38.99	39.60	41.41	44.42	0.00	0.04	0.08	0.13	0.17	0.21	0.25	0.29	0.33	0.33	0.38	0.38	
870	30.15	32.13	34.81	36.80	37.49	39.43	42.07	42.74	44.68	47.93	0.00	0.05	0.1	0.15	0.19	0.24	0.29	0.34	0.39	0.39	0.44	0.44	
1000	34.17	36.45	39.50	41.78	42.54	44.77	47.75	48.49	50.70	54.39	0.00	0.06	0.11	0.17	0.22	0.28	0.33	0.39	0.45	0.5	0.5	0.5	
1160	39.10	41.69	45.18	47.77	48.67	51.20	54.61	55.48	58.00	62.23	0.00	0.07	0.14	0.21	0.28	0.35	0.42	0.49	0.56	0.63	0.63	0.63	
1200	40.29	42.98	46.58	49.27	50.17	52.81	56.33	57.21	59.82	64.17	0.00	0.08	0.16	0.24	0.32	0.4	0.48	0.56	0.64	0.72	0.72	0.72	
1400	46.35	49.42	53.55	56.62	57.68	60.68	64.74	65.77	68.75	73.75	0.00	0.08	0.17	0.25	0.33	0.42	0.5	0.58	0.67	0.75	0.75	0.75	
1600	52.25	55.76	60.41	63.90	65.07	68.48	73.03	74.17	77.54	83.16	0.00	0.1	0.19	0.29	0.38	0.48	0.58	0.67	0.77	0.86	0.86	0.86	
1750	56.68	60.43	65.49	69.24	70.54	74.19	79.12	80.38	84.02	90.11	0.00	0.1	0.19	0.29	0.39	0.49	0.58	0.68	0.78	0.88	0.88	0.88	
2000	63.85	68.13	73.82	78.																			



SELECTION

HT500 Basic HP Ratings - 8mm

8M-36 RPM Small Shaft	Rated Horsepower for Small Sprocket (Number of Teeth and Pitch Diameter, Inches)																							
	22	24	25	26	27	28	29	30	31	32	33	34	35	36	37	38	39	40	41	42	44	45	48	50
	2.210	2.410	2.506	2.610	2.707	2.810	2.907	3.010	3.108	3.210	3.308	3.410	3.509	3.610	3.709	3.810	3.910	4.010	4.110	4.211	4.410	4.511	4.810	5.013
10	0.45	0.51	0.54	0.57	0.60	0.63	0.65	0.66	0.69	0.72	0.75	0.78	0.81	0.84	0.86	0.87	0.90	0.93	0.96	0.99	1.05	1.07	1.14	1.19
20	0.69	0.78	0.82	0.87	0.91	0.96	1.00	1.05	1.09	1.14	1.18	1.23	1.27	1.32	1.36	1.41	1.45	1.50	1.54	1.58	1.65	1.70	1.83	1.91
40	1.17	1.32	1.40	1.47	1.55	1.62	1.70	1.77	1.85	1.92	2.00	2.07	2.15	2.22	2.30	2.37	2.45	2.52	2.60	2.67	2.82	2.90	3.12	3.26
50	1.38	1.56	1.65	1.74	1.83	1.92	2.01	2.10	2.19	2.28	2.37	2.46	2.55	2.64	2.73	2.82	2.91	3.00	3.09	3.18	3.36	3.45	3.72	3.90
60	1.59	1.80	1.91	2.01	2.12	2.22	2.33	2.43	2.54	2.64	2.76	2.88	2.99	3.09	3.20	3.30	3.41	3.51	3.62	3.72	3.93	4.03	4.32	4.53
100	2.40	2.73	2.89	3.06	3.22	3.39	3.55	3.72	3.88	4.05	4.21	4.38	4.54	4.71	4.87	5.04	5.20	5.37	5.54	5.70	6.03	6.20	6.69	7.02
200	4.26	4.89	5.21	5.52	5.84	6.15	6.47	6.78	7.08	7.38	7.70	8.01	8.31	8.61	8.91	9.21	9.53	9.84	10.14	10.44	11.04	11.34	12.24	12.84
300	6.06	6.96	7.39	7.86	8.30	8.76	9.20	9.66	10.09	10.53	10.97	11.43	11.88	12.33	12.76	13.20	13.63	14.07	14.51	14.96	15.84	16.28	17.58	18.45
400	7.74	8.94	9.53	10.11	10.70	11.28	11.87	12.45	13.02	13.59	14.18	14.76	15.33	15.90	16.49	17.07	17.64	18.21	18.78	19.35	20.49	21.06	22.77	23.90
500	9.39	10.86	11.55	12.30	13.00	13.74	14.44	15.18	15.87	16.59	17.28	18.00	18.71	19.44	20.14	20.85	21.54	22.23	22.94	23.65	25.05	25.75	27.81	29.21
600	11.01	12.72	13.58	14.43	15.29	16.14	16.98	17.82	18.68	19.53	20.37	21.21	22.04	22.86	23.70	24.54	25.37	26.19	27.02	27.86	29.52	30.34	32.79	34.43
700	12.60	14.58	15.52	16.53	17.49	18.51	19.46	20.46	21.41	22.41	23.35	24.33	25.28	26.25	27.20	28.17	29.13	30.09	31.05	32.00	33.90	34.87	37.71	39.61
800	14.13	16.38	17.49	18.60	19.71	20.82	21.93	23.04	24.14	25.23	26.33	27.42	28.52	29.61	30.69	31.77	32.85	33.93	35.01	36.09	38.25	39.32	42.54	44.66
870	15.21	17.64	18.80	20.04	21.20	22.44	23.59	24.81	25.98	27.21	28.36	29.55	30.72	31.92	33.08	34.26	35.43	36.60	37.77	38.93	41.25	42.43	45.90	48.23
1000	17.16	19.92	21.29	22.65	24.02	25.38	26.75	28.11	29.46	30.81	32.15	33.48	34.83	36.18	37.52	38.85	40.17	41.49	42.82	44.15	46.80	48.11	52.05	54.66
1160	19.53	22.68	24.20	25.83	27.34	28.95	30.47	32.07	33.58	35.16	36.68	38.25	39.78	41.34	42.86	44.40	45.91	47.43	48.95	50.47	53.49	55.02	59.52	62.55
1200	20.10	23.37	24.99	26.61	28.23	29.85	31.46	33.06	34.65	36.24	37.83	39.42	41.01	42.60	44.18	45.75	47.33	48.90	50.47	52.04	55.17	56.72	61.38	64.46
1400	22.98	26.76	28.55	30.48	32.28	34.20	36.01	37.92	39.73	41.61	43.41	45.27	47.08	48.93	50.73	52.56	54.37	56.19	58.00	59.80	63.39	65.20	70.53	74.13
1600	25.80	30.06	32.18	34.29	36.41	38.52	40.61	42.69	44.78	46.86	48.93	51.00	53.07	55.14	57.20	59.25	61.29	63.33	65.37	67.41	71.49	73.51	79.56	83.57
1750	27.90	32.52	34.73	37.11	39.32	41.67	43.89	46.23	48.45	50.76	52.97	55.26	57.47	59.73	61.95	64.20	66.42	68.64	70.86	73.08	77.49	79.71	86.25	90.64
2000	31.32	36.54	39.14	41.73	44.31	46.89	49.47	52.05	54.60	57.15	59.70	62.25	64.79	67.32	69.84	72.36	74.87	77.37	79.86	82.35	87.33	89.81	97.23	102.12
2400	36.63	42.81	45.77	48.96	51.92	55.08	58.03	61.14	64.11	67.20	70.15	73.20	76.15	79.17	82.12	85.11	88.08	91.05	94.00	96.95	102.81	105.76	114.45	120.27
2800	41.82	48.96	52.49	56.01	59.54	63.06	66.56	70.05	73.52	76.98	80.45	83.91	87.35	90.78	94.19	97.59	101.00	104.40	107.78	111.15	117.90	121.23	131.22	137.79
3200	46.89	54.93	58.78	62.91	66.76	70.86	74.70	78.75	82.58	86.58	90.42	94.38	98.21	102.12	105.94	109.80	113.62	117.45	121.26	125.07	132.63	136.43	147.60	155.07
3500	50.61	59.34	63.68	68.01	72.32	76.62	80.90	85.17	89.42	93.66	97.88	102.09	106.28	110.46	114.63	118.80	122.94	127.08	131.18	135.27	143.46	147.50	159.63	167.56
4000	56.67	66.51	71.22	76.29	81.00	86.01	90.70	95.64	100.31	105.18	109.86	114.69	119.35	124.11	128.75	133.44	138.09	142.74	147.35	151.95	161.10	165.68	179.16	188.12
4500	62.55	73.53	78.96	84.39	89.78	95.16	100.50	105.84	111.15	116.46	121.71	126.96	132.17	137.37	142.55	147.72	152.84	157.95	163.01	168.08	178.20	183.17	198.09	148.57
5000	68.31	80.37	86.11	92.28	98.01	104.10	109.81	115.83	121.50	127.41	133.08	138.93	144.55	150.30	155.91	161.58	167.17	172.77	178.29	183.80	194.76	200.23	216.33	
5500	73.95	87.03	93.51	99.99	106.41	112.83	119.19	125.55	131.84	138.12	144.35	150.57	156.72	162.87	168.96	175.05	181.08	187.11	193.04	198.96	210.81	158.11		

8M-36 RPM Small Shaft	Rated Horsepower for Small Sprocket (Number of Teeth and Pitch Diameter, Inches)										Additional HP required per belt for speed ratio of speed down drive									
	53	56	60	63	64	67	71	72	75	80	1.00 to	1.03 to	1.06 to	1.11 to	1.16 to	1.22 to	1.31 to	1.44 to	1.65 to	2.16
	5.314	5.610	6.015	6.316	6.420	6.717	7.118	7.220	7.519	8.020	1.02	1.05	1.10	1.15	1.21	1.30	1.43	1.64	2.15	and over
10	1.27	1.35	1.46	1.53	1.56	1.64	1.74	1.77	1.85	1.98										
20	2.04	2.16	2.34	2.47	2.52	2.64	2.81	2.85	2.97	3.18										
40	3.48	3.69	3.99	4.22	4.29	4.50	4.79	4.86	5.09	5.46										
50	4.17	4.44	4.80	5.07	5.16	5.42	5.76	5.85	6.11	6.54										
60	4.85	5.16	5.58	5.90	6.00	6.30	6.71	6.81	7.11	7.62										
100	7.50	7.98	8.63	9.10	9.27	9.74	10.37	10.53	11.00	11.79										
200	13.74	14.64	15.84	16.74	17.04	17.93	19.11	19.41	20.29	21.75	0.00	0.02	0.04	0.06	0.08	0.11	0.13	0.15	0.17	0.19
300	19.75	21.03	22.77	24.06	24.51	25.78	27.49	27.93	29.19	31.29	0.00	0.02	0.05	0.07	0.1	0.12	0.14	0.17	0.19	0.21
400	25.58	27.27	29.52	31.21	31.77	33.44	35.66	36.21	37.85	40.59	0.00	0.03	0.06	0.08	0.11	0.14	0.17	0.2	0.22	0.25
500	31.28	33.33	36.11	38.17	38.88	40.90	43.62	44.31	46.32	49.68	0.00	0.04	0.08	0.13	0.17	0.21	0.25	0.29	0.33	0.38
600	36.88	39.33	42.60	45.05	45.87	48.28	51.49	52.29	54.68	58.65	0.00	0.05	0.1	0.14	0.19	0.24	0.29	0.33	0.38	0.43
700	42.43	45.21	48.98	51.77	52.74	55.48	59.18	60.12	62.86	67.44	0.00	0.06	0.11	0.17	0.22	0.28	0.33	0.39	0.45	0.5
800	47.85	51.03	55.29	58.49	59.55	62.68	66.85	67.89	70.98	76.14	0.00	0.07	0.14	0.22	0.29	0.36	0.43	0.5	0.57	0.64
870	51.68	55.08	59.67	63.08	64.26	67.60	72.11	73.26	76.59	82.17	0.00	0.08	0.17	0.25	0.33	0.42	0.5	0.58	0.67	0.75
1000	58.58	62.49	67.71	71.63	72.93	76.76	81.86	83.13	86.92	93.24	0.00	0.1	0.19	0.29	0.38	0.48	0.57	0.67	0.76	0.86
1160	67.04	71.46	77.45	81.89	83.43	87.76	93.61	95.10	99.43	106.68	0.00	0.12	0.24	0.36	0.48	0.6	0.72	0.84	0.96	1.07
1200	69.07	73.68	79.85	84.47	86.01	90.53	96.56	98.07	102.55	110.01	0.00	0.14	0.27	0.41	0.55	0.69	0.82	0.96	1.1	1.24
1400	79.46	84.72	91.81	97.06	98.88	104.03	110.97	112.74	117.86	126.42	0.00	0.14	0.29	0.43	0.57	0.72	0.86	1	1.15	1.29
1600	89.57	95.58	103.56	109.55	111.54	117.39	125.19	127.14	132.92	142.56	0.00	0.17	0.33	0.49	0.66	0.82	0.99	1.15	1.32	1.48
1750	97.16	103.59	112.27	118.71	120.93	127.19	135.64	137.79	144.03	154.47	0.00	0.17	0.33	0.5	0.67	0.84	1	1.17	1.34	1.5
2000	109.46	116.79	126.54	133.85	136.29	143.40	152.88	155.25	162.27	173.97	0.00	0.19	0.38	0.57	0.76	0.95	1.15	1.34	1.53	1.72
2400	128.91</																			

SELECTION



HT500 Basic HP Ratings - 8mm

8M-62 RPM Small Shaft	Rated Horsepower for Small Sprocket (Number of Teeth and Pitch Diameter, Inches)																							
	22	24	25	26	27	28	29	30	31	32	33	34	35	36	37	38	39	40	41	42	44	45	48	50
	2.210	2.410	2.506	2.610	2.707	2.810	2.907	3.010	3.108	3.210	3.308	3.410	3.509	3.610	3.709	3.810	3.910	4.010	4.110	4.211	4.410	4.511	4.810	5.013
10	0.78	0.88	0.93	0.98	1.03	1.09	1.11	1.14	1.19	1.24	1.29	1.34	1.40	1.45	1.47	1.50	1.55	1.60	1.65	1.71	1.81	1.85	1.96	2.05
20	1.19	1.34	1.42	1.50	1.57	1.65	1.73	1.81	1.88	1.96	2.04	2.12	2.20	2.27	2.35	2.43	2.51	2.58	2.65	2.71	2.84	2.92	3.15	3.30
40	2.02	2.27	2.40	2.53	2.66	2.79	2.92	3.05	3.18	3.31	3.44	3.57	3.69	3.82	3.95	4.08	4.21	4.34	4.47	4.60	4.86	4.99	5.37	5.62
50	2.38	2.69	2.84	3.00	3.15	3.31	3.46	3.62	3.77	3.93	4.08	4.24	4.39	4.55	4.70	4.86	5.01	5.17	5.32	5.48	5.79	5.94	6.41	6.72
60	2.74	3.10	3.28	3.46	3.64	3.82	4.00	4.19	4.37	4.55	4.75	4.96	5.14	5.32	5.50	5.68	5.86	6.05	6.23	6.41	6.77	6.94	7.44	7.80
100	4.13	4.70	4.98	5.27	5.55	5.84	6.12	6.41	6.68	6.98	7.25	7.54	7.82	8.11	8.39	8.68	8.96	9.25	9.53	9.82	10.39	10.67	11.52	12.08
200	7.34	8.42	8.96	9.51	10.05	10.59	11.13	11.68	12.19	12.71	13.25	13.80	14.31	14.83	15.35	15.86	16.40	16.95	17.46	17.98	19.01	19.53	21.08	22.11
300	10.44	11.99	12.73	13.54	14.29	15.09	15.84	16.64	17.37	18.14	18.90	19.69	20.45	21.24	21.98	22.73	23.48	24.23	25.00	25.76	27.28	28.04	30.28	31.78
400	13.33	15.40	16.40	17.41	18.42	19.43	20.43	21.44	22.42	23.41	24.41	25.42	26.40	27.38	28.39	29.40	30.38	31.36	32.34	33.33	35.29	36.27	39.22	41.15
500	16.17	18.70	19.90	21.18	22.38	23.66	24.87	26.14	27.33	28.57	29.77	31.00	32.23	33.48	34.69	35.91	37.10	38.29	39.50	40.72	43.14	44.35	47.90	50.30
600	18.96	21.91	23.38	24.85	26.32	27.80	29.24	30.69	32.16	33.64	35.08	36.53	37.95	39.37	40.82	42.26	43.68	45.11	46.54	47.97	50.84	52.25	56.47	59.29
700	21.70	25.11	26.73	28.47	30.12	31.88	33.51	35.24	36.88	38.60	40.22	41.90	43.54	45.21	46.85	48.52	50.17	51.82	53.47	55.11	58.38	60.05	64.95	68.22
800	24.34	28.21	30.12	32.03	33.95	35.86	37.77	39.68	41.57	43.45	45.34	47.22	49.11	51.00	52.86	54.72	56.58	58.44	60.30	62.16	65.88	67.72	73.26	76.92
870	26.20	30.38	32.37	34.51	36.52	38.65	40.63	42.73	44.75	46.86	48.84	50.89	52.91	54.97	56.98	59.00	61.02	63.03	65.04	67.05	71.04	73.07	79.05	83.06
1000	29.55	34.31	36.66	39.01	41.36	43.71	46.06	48.41	50.74	53.06	55.36	57.66	59.99	62.31	64.61	66.91	69.18	71.46	73.74	76.03	80.60	82.86	89.64	94.14
1160	33.64	39.06	41.67	44.49	47.09	49.86	52.48	55.23	57.84	60.55	63.17	65.88	68.51	71.20	73.82	76.47	79.07	81.69	84.31	86.92	92.12	94.76	102.51	107.72
1200	34.62	40.25	43.04	45.83	48.62	51.41	54.17	56.94	59.68	62.41	65.15	67.89	70.63	73.37	76.08	78.79	81.50	84.22	86.92	89.62	95.02	97.69	105.71	111.01
1400	39.58	46.09	49.17	52.49	55.60	58.90	62.02	65.31	68.42	71.66	74.76	77.97	81.08	84.27	87.38	90.52	93.64	96.77	99.89	102.99	109.17	112.29	121.47	127.66
1600	44.43	51.77	55.41	59.06	62.70	66.34	69.93	73.52	77.11	80.70	84.27	87.83	91.40	94.96	98.50	102.04	105.56	109.07	112.58	116.10	123.12	126.60	137.02	143.92
1750	48.05	56.01	59.82	63.91	67.72	71.77	75.59	79.62	83.44	87.42	91.23	95.17	98.98	102.87	106.70	110.57	114.39	118.21	122.04	125.86	133.46	137.28	148.54	156.11
2000	53.94	62.93	67.40	71.87	76.31	80.76	85.20	89.64	94.03	98.43	102.82	107.21	111.57	115.94	120.28	124.62	128.93	133.25	137.54	141.83	150.40	154.66	167.45	175.87
2400	63.09	73.73	78.83	84.32	89.43	94.86	99.94	105.30	110.41	115.73	120.82	126.07	131.15	136.35	141.43	146.58	151.69	156.81	161.89	166.97	177.06	182.15	197.11	207.14
2800	72.02	84.32	90.39	96.46	102.53	108.60	114.62	120.64	126.61	132.58	138.54	144.51	150.43	156.34	162.21	168.07	173.94	179.80	185.61	191.43	203.05	208.79	225.99	237.31
3200	80.76	94.60	101.22	108.35	114.98	122.04	128.65	135.63	142.23	149.11	155.72	162.54	169.14	175.87	182.45	189.10	195.68	202.28	208.84	215.39	228.42	234.96	254.20	267.06
3500	87.16	102.20	109.66	117.13	124.54	131.96	139.32	146.68	153.99	161.30	168.56	175.82	183.03	190.24	197.42	204.60	211.73	218.86	225.91	232.97	247.07	254.03	274.92	288.57
4000	97.60	114.55	122.66	131.39	139.50	148.13	156.21	164.71	172.76	181.14	189.20	197.52	205.55	213.75	221.73	229.81	237.82	245.83	253.77	261.70	277.45	285.34	308.55	323.98
4500	107.73	126.64	135.99	145.34	154.61	163.89	173.08	182.28	191.43	200.57	209.61	218.65	227.62	236.58	245.49	254.41	263.22	272.03	280.74	289.46	306.90	315.46	341.16	255.87
5000	117.65	138.42	148.30	158.93	168.79	179.28	189.12	199.49	209.25	219.43	229.19	239.27	248.95	258.85	268.51	278.28	287.91	297.55	307.06	316.55	335.42	344.84	372.57	278.14
5500	127.36	149.89	161.05	172.21	183.26	194.32	205.27	216.23	227.05	237.87	248.59	259.32	269.91	280.50	290.99	301.48	311.86	322.25	332.45	342.65	363.06	272.30		

8M-62 RPM Small Shaft	Rated Horsepower for Small Sprocket (Number of Teeth and Pitch Diameter, Inches)										Additional HP required per belt for speed ratio of speed down drive												
	53	56	60	63	64	67	71	72	75	80	1.00 to	1.03 to	1.06 to	1.11 to	1.16 to	1.22 to	1.31 to	1.44 to	1.65 to	2.16			
	5.314	5.610	6.015	6.316	6.420	6.717	7.118	7.220	7.519	8.020	1.02	1.05	1.10	1.15	1.21	1.30	1.43	1.64	2.15	and over			
10	2.19	2.33	2.51	2.64	2.69	2.82	3.00	3.05	3.18	3.41													
20	3.51	3.72	4.03	4.26	4.34	4.55	4.84	4.91	5.12	5.48													
40	5.99	6.36	6.87	7.26	7.39	7.76	8.25	8.37	8.76	9.40													
50	7.19	7.65	8.27	8.73	8.89	9.33	9.92	10.08	10.52	11.26													
60	8.34	8.89	9.61	10.15	10.33	10.86	11.55	11.73	12.25	13.12													
100	12.92	13.74	14.86	15.68	15.97	16.77	17.86	18.14	18.95	20.31													
200	23.66	25.21	27.28	28.83	29.35	30.88	32.92	33.43	34.94	37.46	0.00	0.04	0.07	0.11	0.14	0.18	0.22	0.25	0.29	0.33	0.37		
300	34.02	36.22	39.22	41.44	42.21	44.40	47.35	48.10	50.27	53.89	0.00	0.04	0.08	0.12	0.16	0.21	0.25	0.29	0.34	0.38	0.43		
400	44.06	46.97	50.84	53.75	54.72	57.58	61.41	62.36	65.19	69.91	0.00	0.05	0.1	0.14	0.19	0.24	0.29	0.34	0.38	0.43			
500	53.88	57.40	62.18	65.73	66.96	70.43	75.12	76.31	79.77	85.56	0.00	0.07	0.14	0.22	0.29	0.36	0.43	0.5	0.58	0.65			
600	63.51	67.74	73.37	77.59	79.00	83.14	88.67	90.06	94.16	101.01	0.00	0.08	0.16	0.25	0.33	0.41	0.49	0.58	0.66	0.74			
700	73.07	77.86	84.35	89.17	90.83	95.55	101.92	103.54	108.25	116.15	0.00	0.1	0.19	0.29	0.38	0.48	0.57	0.67	0.77	0.86			
800	82.40	87.89	95.22	100.72	102.56	107.94	115.13	116.92	122.25	131.13	0.00	0.12	0.25	0.37	0.49	0.62	0.74	0.86	0.99	1.11			
870	89.00	94.86	102.77	108.64	110.67	116.43	124.20	126.17	131.91	141.52	0.00	0.14	0.29	0.43	0.58	0.72	0.86	1.01	1.15	1.29			
1000	100.88	107.62	116.61	123.35	125.60	132.19	140.97	143.17	149.70	160.58	0.00	0.16	0.33	0.49	0.66	0.82	0.99	1.15	1.32	1.48			
1160	115.45	123.07	133.39	141.04	143.69	151.15	161.22	163.78	171.24	183.73	0.00	0.21	0.41	0.62	0.82	1.03	1.23	1.44	1.64	1.85			
1200	118.95	126.89	137.51	145.47	148.13	155.92	166.30	168.90	176.61	189.46	0.00	0.24	0.47	0.71	0.95	1.18	1.42	1.65	1.89	2.13			
1400	136.85	145.91	158.11	167.16	170.29	179.16	191.12	194.16	202.97	217.72	0.00	0.25	0.49	0.74	0.99	1.23	1.48	1.73	1.97	2.22			
1600	154.26	164.61	178.35	188.66	192.10	202.17	215.61	218.96	228.92	245.52	0.00	0.28	0.57	0.85	1.13	1.42	1.7	1.99	2.27	2.55			



SELECTION

HT500 Basic HP Ratings - 14mm

14M-20	Rated Horsepower for Small Sprocket (Number of Teeth and Pitch Diameter, Inches)																		
	RPM Small Shaft	28	29	30	31	32	33	34	35	36	37	38	39	40	41	42	44	45	48
	4.912	5.088	5.263	5.439	5.614	5.790	5.965	6.141	6.316	6.492	6.667	6.842	7.018	7.193	7.369	7.720	7.895	8.421	8.772
10	1.17	1.22	1.27	1.32	1.36	1.41	1.45	1.50	1.54	1.59	1.63	1.68	1.72	1.77	1.82	1.91	1.96	2.09	2.18
20	1.84	1.92	1.99	2.07	2.14	2.21	2.28	2.36	2.43	2.51	2.58	2.65	2.72	2.79	2.86	3.01	3.08	3.30	3.45
40	3.06	3.18	3.31	3.44	3.56	3.69	3.81	3.94	4.06	4.19	4.31	4.43	4.55	4.67	4.80	5.04	5.16	5.53	5.78
60	4.20	4.37	4.55	4.72	4.89	5.07	5.24	5.42	5.59	5.76	5.93	6.10	6.27	6.44	6.61	6.95	7.12	7.63	7.97
100	6.35	6.62	6.88	7.15	7.42	7.69	7.95	8.22	8.48	8.75	9.01	9.27	9.53	9.79	10.05	10.57	10.83	11.61	12.13
200	11.33	11.82	12.31	12.80	13.28	13.76	14.24	14.72	15.20	15.68	16.16	16.63	17.11	17.58	18.05	19.00	19.47	20.88	21.81
300	15.99	16.69	17.39	18.08	18.77	19.46	20.15	20.84	21.52	22.20	22.88	23.56	24.23	24.91	25.58	26.93	27.60	29.59	30.92
400	20.46	21.36	22.25	23.14	24.03	24.92	25.80	26.68	27.56	28.44	29.32	30.19	31.06	31.93	32.79	34.53	35.39	37.96	39.66
500	24.76	25.86	26.95	28.04	29.12	30.20	31.27	32.35	33.42	34.49	35.55	36.61	37.67	38.73	39.78	41.89	42.93	46.06	48.13
600	28.95	30.24	31.52	32.80	34.07	35.34	36.60	37.86	39.12	40.37	41.62	42.86	44.11	45.34	46.58	49.05	50.27	53.94	56.37
700	33.04	34.52	35.98	37.44	38.90	40.35	41.80	43.25	44.69	46.12	47.55	48.98	50.40	51.82	53.23	56.06	57.46	61.65	64.43
800	37.05	38.71	40.35	42.00	43.64	45.27	46.90	48.52	50.14	51.75	53.36	54.96	56.57	58.16	59.74	62.92	64.49	69.20	72.32
870	39.81	41.59	43.37	45.14	46.90	48.66	50.41	52.16	53.90	55.64	57.37	59.10	60.82	62.53	64.24	67.65	69.34	74.41	77.76
1000	44.84	46.86	48.86	50.86	52.85	54.84	56.82	58.79	60.76	62.72	64.68	66.62	68.57	70.50	72.42	76.28	78.18	83.90	87.67
1160	50.89	53.19	55.47	57.75	60.02	62.28	64.53	66.78	69.02	71.25	73.47	75.68	77.89	80.08	82.28	86.66	88.82	95.30	99.58
1200	52.38	54.75	57.10	59.44	61.78	64.11	66.43	68.74	71.05	73.34	75.63	77.91	80.19	82.44	84.70	89.21	91.43	98.11	102.52
1400	59.70	62.42	65.10	67.78	70.46	73.12	75.77	78.41	81.05	83.67	86.28	88.88	91.48	94.05	96.62	101.76	104.29	111.89	116.90
1600	66.84	69.89	72.91	75.92	78.91	81.89	84.87	87.83	90.78	93.72	96.65	99.55	102.46	105.33	108.21	113.97	116.79	125.28	130.87
1750	72.09	75.38	78.63	81.88	85.12	88.34	91.55	94.74	97.93	101.09	104.25	107.39	110.52	113.62	116.72	122.91	125.95	135.08	141.08
2000	80.63	84.32	87.96	91.60	95.23	98.83	102.43	105.99	109.55	113.08	116.61	120.11	123.61	127.06	130.51	137.41	140.79	150.94	157.60
2400	93.82	98.12	102.37	106.60	110.82	115.00	119.18	123.32	127.45	131.54	135.63	139.68	143.72	147.70	151.67	159.62	163.50	175.15	182.75
2800	106.48	111.36	116.18	120.97	125.75	130.48	135.20	139.87	144.53	149.14	153.74	158.28	162.83	167.27	171.72	180.63	184.95	197.93	
3000	112.61	117.77	122.86	127.92	132.97	137.96	142.94	147.86	152.77	157.62	162.46	167.24	172.01	176.68	181.35	190.68			
3500	127.41	133.22	138.96	144.65	150.32	155.91	161.49	166.98	172.47	177.87	183.26	188.56	193.86						
4000	141.44	147.86	154.18	160.43	166.68	172.80	178.92	184.91	190.90										

14M-20	Rated Horsepower for Small Sprocket (Number of Teeth and Pitch Diameter, Inches)											Additional HP required per belt for speed ratio of speed down drive										
	RPM Small Shaft	52	53	56	60	63	64	67	71	72	75	80	1.00 to 1.03	1.04 to 1.10	1.11 to 1.19	1.20 to 1.30	1.31 to 1.45	1.46 to 1.67	1.68 to 2.02	2.03 to 2.69	2.70 to 4.64	4.65 and over
10	2.27	2.31	2.44	2.62	2.76	2.80	2.94	3.12	3.16	3.29	3.51											
20	3.59	3.66	3.88	4.16	4.38	4.45	4.66	4.94	5.01	5.22	5.57											
40	6.02	6.14	6.50	6.98	7.34	7.46	7.82	8.29	8.41	8.77	9.36											
60	8.30	8.47	8.97	9.63	10.13	10.30	10.79	11.45	11.61	12.10	12.92											
100	12.64	12.90	13.66	14.68	15.44	15.69	16.44	17.44	17.69	18.44	19.68											
200	22.74	23.20	24.59	26.42	27.79	28.25	29.61	31.43	31.88	33.22	35.46	0.00	0.04	0.09	0.13	0.18	0.22	0.27	0.31	0.36	0.4	
300	32.24	32.90	34.87	37.48	39.43	40.08	42.01	44.58	45.22	47.13	50.31	0.00	0.05	0.1	0.15	0.2	0.25	0.3	0.36	0.41	0.46	
400	41.36	42.21	44.74	48.08	50.59	51.43	53.90	57.21	58.03	60.47	64.55	0.00	0.06	0.12	0.18	0.24	0.3	0.36	0.42	0.47	0.53	
500	50.19	51.22	54.30	58.36	61.41	62.42	65.42	69.42	70.42	73.39	78.33	0.00	0.06	0.12	0.18	0.24	0.3	0.36	0.42	0.47	0.53	
600	58.80	60.00	63.61	68.36	71.93	73.12	76.63	81.31	82.48	85.94	91.72	0.00	0.09	0.18	0.27	0.36	0.44	0.53	0.62	0.71	0.8	
700	67.20	68.58	72.70	78.13	82.20	83.56	87.57	92.91	94.25	98.20	104.78	0.00	0.1	0.2	0.3	0.41	0.51	0.61	0.71	0.81	0.91	
800	75.43	76.97	81.60	87.69	92.25	93.78	98.27	104.25	105.75	110.17	117.54	0.00	0.12	0.24	0.35	0.47	0.59	0.71	0.83	0.95	1.06	
870	81.10	82.76	87.73	94.27	99.18	100.81	105.63	112.05	113.66	118.40	126.30	0.00	0.15	0.3	0.46	0.61	0.76	0.91	1.07	1.22	1.37	
1000	91.44	93.31	98.91	106.26	111.78	113.62	119.03	126.25	128.05	133.36	142.21	0.00	0.18	0.36	0.53	0.71	0.89	1.07	1.24	1.42	1.6	
1160	103.86	105.98	112.32	120.65	126.89	128.97	135.08	143.22	145.25	151.23	161.20	0.00	0.2	0.41	0.61	0.81	1.02	1.22	1.42	1.62	1.83	
1200	106.92	109.10	115.62	124.18	130.60	132.74	139.01	147.38	149.47	155.61	165.85	0.00	0.25	0.51	0.76	1.02	1.27	1.52	1.78	2.03	2.28	
1400	121.91	124.38	131.79	141.49	148.76	151.18	158.26	167.70	170.06	176.97	188.48	0.00	0.29	0.58	0.88	1.17	1.46	1.75	2.04	2.33	2.63	
1600	136.45	139.20	147.45	158.21	166.28	168.98	176.80	187.24	189.85	197.44	210.10	0.00	0.3	0.61	0.91	1.22	1.52	1.83	2.13	2.44	2.74	
1750	147.07	150.02	158.87	170.39	179.02	181.90	190.25	201.38	204.16	212.22	225.66	0.00	0.35	0.7	1.05	1.4	1.75	2.1	2.45	2.8	3.15	
2000	164.24	167.51	177.29	189.97	199.47	202.65						0.00	0.36	0.71	1.07	1.42	1.78	2.13	2.49	2.84	3.2	
2400	190.34	194.05	205.17									0.00	0.41	0.81	1.22	1.62	2.03	2.44	2.84	3.25	3.65	
2800												0.00	0.44	0.88	1.32	1.77	2.21	2.65	3.09	3.53	3.97	
3000												0.00	0.46	0.91	1.37	1.83	2.28	2.74	3.2	3.65	4.11	
3500												0.00	0.51	1.01	1.52	2.03	2.54	3.04	3.55	4.06	4.57	
4000												0.00	0.59	1.18	1.77	2.35	2.94	3.53	4.12	4.71	5.3	
												0.00	0.89	1.78	2.66	3.55	4.44	5.33	6.22	7.1	7.99	
												0.00	1.02	2.03	3.04	4.06	5.08	6.09	7.1	8.12	9.13	
												0.00	1.52	3.04	4.57	6.09	7.61	9.13	10.7	12.2	13.7	
												0.00	1.75	3.5	5.25	7	8.75	10.5	12.3	14	15.8	
												0.00	2.03	4.06	6.09	8.12	10.2	12.2	14.2	16.2	18.3	

Selection program available online at ptwizard.com

SELECTION



HT500 Basic HP Ratings - 14mm

14M-37 RPM Small Shaft	Rated Horsepower for Small Sprocket (Number of Teeth and Pitch Diameter, Inches)																		
	28	29	30	31	32	33	34	35	36	37	38	39	40	41	42	44	45	48	50
	4.912	5.088	5.263	5.439	5.614	5.790	5.965	6.141	6.316	6.492	6.667	6.842	7.018	7.193	7.369	7.720	7.895	8.421	8.772
10	2.16	2.26	2.35	2.43	2.52	2.60	2.68	2.77	2.85	2.93	3.02	3.10	3.18	3.27	3.36	3.53	3.62	3.87	4.03
20	3.40	3.55	3.68	3.82	3.96	4.09	4.22	4.36	4.50	4.63	4.77	4.90	5.03	5.17	5.30	5.57	5.70	6.11	6.37
40	5.66	5.88	6.12	6.35	6.59	6.82	7.05	7.28	7.51	7.74	7.97	8.20	8.42	8.64	8.87	9.32	9.55	10.23	10.68
60	7.77	8.08	8.42	8.73	9.05	9.37	9.69	10.02	10.34	10.66	10.97	11.28	11.60	11.91	12.23	12.86	13.17	14.12	14.74
100	11.75	12.25	12.73	13.23	13.73	14.22	14.71	15.20	15.69	16.18	16.67	17.15	17.63	18.11	18.59	19.55	20.04	21.48	22.43
200	20.96	21.87	22.77	23.67	24.57	25.46	26.34	27.23	28.12	29.01	29.90	30.77	31.65	32.53	33.40	35.15	36.02	38.63	40.35
300	29.58	30.88	32.17	33.45	34.72	36.00	37.28	38.54	39.81	41.07	42.33	43.58	44.83	46.07	47.32	49.82	51.05	54.74	57.19
400	37.85	39.52	41.16	42.81	44.46	46.09	47.73	49.36	50.99	52.61	54.24	55.85	57.46	59.06	60.67	63.88	65.47	70.23	73.37
500	45.81	47.84	49.86	51.86	53.87	55.86	57.85	59.84	61.83	63.80	65.77	67.73	69.69	71.64	73.59	77.50	79.43	85.21	89.03
600	53.56	55.94	58.31	60.68	63.03	65.37	67.71	70.04	72.37	74.68	77.00	79.30	81.60	83.89	86.17	90.74	93.00	99.79	104.29
700	61.12	63.86	66.56	69.26	71.97	74.65	77.33	80.00	82.68	85.32	87.97	90.60	93.24	95.86	98.48	103.71	106.30	114.05	119.19
800	68.54	71.61	74.65	77.70	80.73	83.75	86.77	89.76	92.76	95.74	98.72	101.68	104.65	107.59	110.52	116.40	119.30	128.02	133.79
870	73.65	76.94	80.23	83.50	86.77	90.01	93.26	96.49	99.72	102.92	106.13	109.33	112.52	115.68	118.83	125.15	128.28	137.66	143.85
1000	82.95	86.69	90.39	94.09	97.77	101.45	105.12	108.76	112.41	116.03	119.66	123.25	126.85	130.42	133.98	141.12	144.64	155.22	162.20
1160	94.15	98.40	102.62	106.83	111.04	115.21	119.38	123.53	127.69	131.80	135.92	140.01	144.10	148.15	152.21	160.32	164.32	176.31	184.22
1200	96.90	101.29	105.64	109.97	114.29	118.60	122.90	127.17	131.44	135.68	139.92	144.13	148.35	152.52	156.69	165.04	169.15	181.50	189.66
1400	110.45	115.48	120.44	125.39	130.35	135.26	140.17	145.06	149.94	154.78	159.62	164.43	169.24	173.99	178.75	188.26	192.94	207.00	216.27
1600	123.65	129.30	134.88	140.44	145.98	151.50	157.01	162.48	167.94	173.37	178.80	184.17	189.55	194.87	200.19	210.84	216.07	231.77	242.11
1750	133.37	139.45	145.47	151.47	157.47	163.42	169.37	175.27	181.17	187.02	192.86	198.66	204.46	210.19	215.92	227.38	233.01	249.90	260.99
2000	149.17	155.99	162.73	169.46	176.18	182.84	189.50	196.09	202.67	209.20	215.73	222.20	228.68	235.05	241.43	254.21	260.46	279.24	291.55
2400	173.57	181.52	189.38	197.20	205.02	212.75	220.48	228.13	235.78	243.35	250.92	258.40	265.88	273.24	280.59	295.30	302.48	324.03	338.08
2800	196.99	206.02	214.93	223.80	232.64	241.39	250.12	258.76	267.38	275.90	284.42	292.82	301.24	309.46	317.69	334.17	342.16	366.17	
3000	208.33	217.87	227.29	236.64	245.99	255.22	264.44	273.53	282.62	291.59	300.55	309.38	318.22	326.85	335.49	352.76			
3500	235.71	246.46	257.08	267.60	278.09	288.44	298.76	308.92	319.07	329.05	339.03	348.83	358.64						
4000	261.66	273.54	285.23	296.80	308.36	319.68	331.00	342.08	353.17										

14M-37 RPM Small Shaft	Rated Horsepower for Small Sprocket (Number of Teeth and Pitch Diameter, Inches)											Additional HP required per belt for speed ratio of speed down drive									
	52	53	56	60	63	64	67	71	72	75	80	1.00 to	1.04 to	1.11 to	1.20 to	1.31 to	1.46 to	1.68 to	2.03 to	2.70 to	4.65 and over
	9.123	9.299	9.825	10.527	11.053	11.229	11.755	12.457	12.632	13.158	14.036	1.03	1.10	1.19	1.30	1.45	1.67	2.02	2.69	4.64	
10	4.20	4.28	4.51	4.85	5.10	5.18	5.43	5.76	5.85	6.09	6.49										
20	6.64	6.78	7.18	7.71	8.10	8.23	8.62	9.14	9.27	9.66	10.30										
40	11.14	11.36	12.03	12.91	13.58	13.80	14.46	15.34	15.56	16.22	17.32										
60	15.36	15.67	16.59	17.82	18.75	19.06	19.96	21.18	21.48	22.39	23.90										
100	23.38	23.86	25.27	27.15	28.56	29.03	30.41	32.26	32.73	34.11	36.41										
200	42.07	42.93	45.49	48.88	51.41	52.26	54.78	58.14	58.98	61.46	65.60										
300	59.64	60.86	64.51	69.33	72.94	74.15	77.71	82.47	83.66	87.19	93.07	0.00	0.08	0.17	0.25	0.33	0.41	0.5	0.58	0.66	0.74
400	76.52	78.08	82.77	88.96	93.60	95.15	99.72	105.83	107.36	111.88	119.42	0.00	0.09	0.19	0.28	0.38	0.47	0.56	0.66	0.75	0.84
500	92.85	94.75	100.46	107.97	113.60	115.48	121.03	128.43	130.28	135.76	144.91	0.00	0.11	0.22	0.33	0.44	0.55	0.66	0.77	0.88	0.99
600	108.78	111.01	117.68	126.47	133.07	135.27	141.76	150.42	152.59	159.00	169.68	0.00	0.16	0.33	0.49	0.66	0.82	0.99	1.15	1.31	1.48
700	124.32	126.86	134.50	144.54	152.07	154.59	162.00	171.89	174.36	181.67	193.84	0.00	0.19	0.38	0.56	0.75	0.94	1.13	1.31	1.5	1.69
800	139.55	142.40	150.96	162.22	170.67	173.49	181.79	192.87	195.64	203.82	217.45	0.00	0.22	0.44	0.66	0.88	1.09	1.31	1.53	1.75	1.97
870	150.04	153.10	162.30	174.40	183.47	186.50	195.41	207.30	210.27	219.04	233.66	0.00	0.28	0.56	0.84	1.13	1.41	1.69	1.97	2.25	2.53
1000	169.16	172.62	182.98	196.59	206.79	210.20	220.20	233.56	236.89	246.72	263.09	0.00	0.33	0.66	0.99	1.31	1.64	1.97	2.3	2.63	2.96
1160	192.14	196.05	207.79	223.19	234.74	238.59	249.89	264.95	268.71	279.78	298.22	0.00	0.38	0.75	1.13	1.5	1.88	2.25	2.63	3	3.38
1200	197.80	201.83	213.90	229.73	241.60	245.57	257.17	272.65	276.52	287.88	306.82	0.00	0.47	0.94	1.41	1.88	2.35	2.82	3.29	3.75	4.22
1400	225.53	230.10	243.81	261.75	275.20	279.68	292.78	310.25	314.61	327.39	348.69	0.00	0.54	1.08	1.62	2.16	2.7	3.24	3.78	4.32	4.86
1600	252.43	257.52	272.78	292.69	307.62	312.61	327.09	346.40	351.22	365.27	388.69	0.00	0.56	1.13	1.69	2.25	2.82	3.38	3.94	4.51	5.07
1750	272.08	277.54	293.91	315.21	331.19	336.52	351.96	372.55	377.70	392.61	417.47	0.00	0.65	1.3	1.94	2.59	3.24	3.89	4.53	5.18	5.83
2000	303.84	309.89	327.99	351.44	369.03	374.90						0.00	0.66	1.31	1.97	2.63	3.29	3.94	4.6	5.26	5.91
2400	352.13	358.99	379.56									0.00	0.75	1.5	2.25	3	3.76	4.51	5.26	6.01	6.76
2800												0.00	0.82	1.63	2.45	3.27	4.08	4.9	5.72	6.53	7.35
3200												0.00	0.85	1.69	2.53	3.38	4.23	5.07	5.91	6.76	7.6
3600												0.00	0.94	1.88	2.82	3.76	4.69	5.63	6.57	7.51	8.45
4000												0.00	1.09	2.18	3.27	4.36	5.45	6.53	7.62	8.71	9.8
												0.00	1.64	3.29	4.93	6.57	8.22	9.85	11.5	13.1	14.8
												0.00	1.88	3.76	5.63	7.51	9.39	11.3	13.1	15	16.9
												0.00	2.82	5.63	8.45	11.3	14.1	16.9	19.7	22.5	25.3
												0.00	3.24	6.48	9.71	13	16.2	19.4	22.7	25.9	29.1
												0.00	3.76	7.51	11.3	15	18.8	22.5	26.3	30	33.8



SELECTION

HT500 Basic HP Ratings - 14mm

14M-68 RPM Small Shaft	Rated Horsepower for Small Sprocket (Number of Teeth and Pitch Diameter, Inches)																		
	28	29	30	31	32	33	34	35	36	37	38	39	40	41	42	44	45	48	50
	4.912	5.088	5.263	5.439	5.614	5.790	5.965	6.141	6.316	6.492	6.667	6.842	7.018	7.193	7.369	7.720	7.895	8.421	8.772
10	3.98	4.15	4.32	4.47	4.62	4.78	4.93	5.08	5.24	5.39	5.54	5.70	5.85	6.01	6.17	6.49	6.65	7.11	7.41
20	6.26	6.53	6.77	7.02	7.28	7.51	7.75	8.01	8.26	8.52	8.77	9.01	9.25	9.49	9.74	10.23	10.48	11.22	11.71
40	10.40	10.81	11.25	11.68	12.10	12.53	12.95	13.38	13.80	14.23	14.65	15.06	15.47	15.89	16.30	17.14	17.55	18.80	19.64
60	14.28	14.86	15.47	16.05	16.63	17.22	17.82	18.41	19.01	19.58	20.16	20.74	21.32	21.90	22.47	23.63	24.21	25.94	27.08
100	21.59	22.51	23.39	24.31	25.23	26.13	27.03	27.93	28.83	29.73	30.63	31.52	32.40	33.29	34.17	35.94	36.82	39.47	41.23
200	38.52	40.19	41.85	43.51	45.15	46.79	48.42	50.05	51.68	53.31	54.94	56.56	58.17	59.78	61.38	64.60	66.20	70.99	74.16
300	54.37	56.75	59.13	61.47	63.82	66.16	68.51	70.84	73.17	75.48	77.79	80.09	82.38	84.68	86.97	91.56	93.82	100.61	105.11
400	69.56	72.62	75.65	78.68	81.70	84.71	87.72	90.71	93.70	96.70	99.69	102.64	105.60	108.55	111.50	117.40	120.31	129.06	134.85
500	84.18	87.92	91.63	95.32	99.01	102.66	106.32	109.97	113.63	117.25	120.87	124.47	128.08	131.67	135.25	142.43	145.97	156.60	163.63
600	98.43	102.82	107.17	111.51	115.84	120.14	124.44	128.73	133.01	137.26	141.51	145.74	149.97	154.17	158.37	166.77	170.92	183.40	191.67
700	112.34	117.37	122.33	127.30	132.26	137.19	142.12	147.03	151.95	156.81	161.67	166.52	171.36	176.17	180.98	190.60	195.36	209.61	219.05
800	125.97	131.61	137.19	142.79	148.38	153.93	159.46	164.97	170.48	175.95	181.42	186.88	192.34	197.73	203.13	213.93	219.26	235.28	245.88
870	135.35	141.41	147.46	153.46	159.46	165.43	171.39	177.33	183.26	189.16	195.06	200.92	206.79	212.59	218.40	230.01	235.76	252.99	264.37
1000	152.46	159.32	166.12	172.92	179.69	186.45	193.19	199.89	206.58	213.25	219.91	226.52	233.14	239.68	246.24	259.35	265.82	285.26	298.09
1160	173.03	180.85	188.60	196.33	204.07	211.74	219.40	227.04	234.67	242.23	249.80	257.31	264.83	272.28	279.74	294.64	301.99	324.02	338.57
1200	178.09	186.15	194.14	202.11	210.05	217.97	225.86	233.72	241.57	249.36	257.14	264.89	272.65	280.30	287.97	303.31	310.87	333.57	348.56
1400	202.98	212.23	221.34	230.45	239.56	248.59	257.62	266.59	275.57	284.46	293.35	302.19	311.03	319.77	328.51	345.98	354.59	380.43	397.46
1600	227.26	237.63	247.89	258.11	268.29	278.44	288.56	298.61	308.65	318.63	328.61	338.48	348.36	358.14	367.92	387.50	397.10	425.95	444.96
1750	245.11	256.29	267.34	278.38	289.41	300.34	311.27	322.12	332.96	343.71	354.45	365.11	375.77	386.30	396.83	417.89	428.24	459.27	479.66
2000	274.14	286.69	299.06	311.45	323.78	336.04	348.26	360.37	372.47	384.47	396.47	408.37	420.27	431.99	443.72	467.19	478.68	513.20	535.83
2400	318.99	333.61	348.06	362.42	376.79	391.00	405.21	419.27	433.33	447.24	461.14	474.90	488.65	502.16	515.68	542.71	555.91	595.51	621.33
2800	362.03	378.62	395.01	411.31	427.55	443.64	459.68	475.55	491.40	507.06	522.72	538.16	553.62	568.73	583.86	614.14	628.83	672.96	
3000	382.87	400.42	417.72	434.91	452.10	469.05	486.00	502.71	519.42	535.89	552.36	568.60	584.83	600.70	616.57	648.31			
3500	433.19	452.95	472.46	491.81	511.09	530.10	549.07	567.75	586.40	604.74	623.08	641.09	659.12	677.15	695.18				
4000	480.90	502.72	524.21	545.46	566.71	587.52	608.33	628.69	649.06	669.53									

14M-68 RPM Small Shaft	Rated Horsepower for Small Sprocket (Number of Teeth and Pitch Diameter, Inches)												Additional HP required per belt for speed ratio of speed down drive								
	52	53	56	60	63	64	67	71	72	75	80	1.00 to	1.04 to	1.11 to	1.20 to	1.31 to	1.46 to	1.68 to	2.03 to	2.70 to	4.65 and over
	9.123	9.299	9.825	10.527	11.053	11.229	11.755	12.457	12.632	13.158	14.036	1.03	1.10	1.19	1.30	1.45	1.67	2.02	2.69	4.64	
10	7.72	7.86	8.30	8.91	9.37	9.52	9.98	10.59	10.74	11.19	11.93										
20	12.21	12.45	13.19	14.16	14.89	15.13	15.84	16.80	17.03	17.75	18.94										
40	20.47	20.88	22.10	23.73	24.96	25.36	26.58	28.19	28.59	29.81	31.82										
60	28.22	28.79	30.50	32.76	34.45	35.02	36.69	38.92	39.47	41.14	43.93										
100	42.98	43.84	46.44	49.90	52.48	53.35	55.90	59.30	60.15	62.68	66.91										
200	77.32	78.89	83.61	89.83	94.49	96.05	100.68	106.85	108.39	112.96	120.56	0.00	0.15	0.3	0.46	0.61	0.76	0.91	1.06	1.21	1.37
300	109.62	111.85	118.56	127.42	134.06	136.27	142.83	151.56	153.75	160.24	171.05	0.00	0.17	0.35	0.52	0.69	0.86	1.03	1.21	1.38	1.55
400	140.62	143.50	152.12	163.49	172.01	174.86	183.27	194.50	197.30	205.61	219.47	0.00	0.2	0.4	0.61	0.81	1.01	1.21	1.41	1.61	1.82
500	170.65	174.14	184.62	198.42	208.78	212.23	222.43	236.03	239.43	249.51	266.32	0.00	0.3	0.6	0.91	1.21	1.51	1.81	2.11	2.42	2.72
600	199.92	204.01	216.27	232.44	244.56	248.61	260.54	276.46	280.43	292.21	311.85	0.00	0.3	0.6	0.91	1.21	1.51	1.81	2.11	2.42	2.72
700	228.48	233.16	247.18	265.64	279.49	284.10	297.73	315.91	320.45	333.88	356.25	0.00	0.35	0.69	1.03	1.38	1.73	2.07	2.42	2.76	3.11
800	256.46	261.71	277.44	298.14	313.66	318.85	334.11	354.46	359.55	374.58	399.64	0.00	0.4	0.8	1.21	1.61	2.01	2.41	2.81	3.22	3.62
870	275.74	281.38	298.28	320.52	337.20	342.75	359.14	380.98	386.44	402.56	429.42	0.00	0.52	1.04	1.55	2.07	2.59	3.1	3.62	4.14	4.66
1000	310.90	317.25	336.29	361.29	380.04	386.31	404.70	429.24	435.37	453.42	483.51	0.00	0.6	1.21	1.81	2.42	3.02	3.62	4.23	4.83	5.43
1160	353.12	360.32	381.89	410.19	431.42	438.50	459.26	486.93	493.85	514.19	548.08	0.00	0.69	1.38	2.07	2.76	3.45	4.14	4.83	5.52	6.21
1200	363.53	370.93	393.11	422.20	444.02	451.32	472.64	501.09	508.20	529.08	563.89	0.00	0.86	1.73	2.59	3.45	4.31	5.17	6.04	6.9	7.76
1400	414.49	422.89	448.09	481.05	505.77	514.01	538.08	570.18	578.20	601.69	640.83	0.00	0.99	1.98	2.98	3.97	4.96	5.95	6.94	7.94	8.93
1600	463.93	473.29	501.33	537.92	565.36	574.53	601.13	636.62	645.49	671.31	714.34	0.00	1.04	2.07	3.1	4.14	5.18	6.21	7.25	8.28	9.32
1750	500.04	510.07	540.16	579.31	608.67	618.46	646.84	684.68	694.14	721.56	767.24	0.00	1.19	2.38	3.57	4.76	5.95	7.14	8.33	9.52	10.7
2000	558.42	569.52	602.79	645.88	678.21	689.01						0.00	1.21	2.42	3.62	4.83	6.04	7.24	8.45	9.66	10.9
2400	647.16	659.76	697.58									0.00	1.38	2.76	4.14	5.52	6.9	8.28	9.66	11	12.4
2800												0.00	1.5	3	4.5	6	7.51	9	10.5	12	13.5
3000												0.00	1.55	3.11	4.66	6.21	7.76	9.31	10.9	12.4	14
3500												0.00	1.73	3.45	5.17	6.9	8.63	10.3	12.1	13.8	15.5
4000												0.00	2	4	6	8.01	10	12	14	16	18
												0.00	3.02	6.04	9.05	12.1	15.1	18.1	21.1	24.2	27.2
												0.00	3.45	6.9	10.3	13.8	17.3	20.7	24.2	27.6	31.1
												0.00	5.18	10.4	15.5	20.7	25.9	31	36.2	41.4	46.6
												0.00	5.96	11.9	17.9	23.8	29.8	35.7	41.7	47.6	53.6
												0.00	6.91	13.8	20.7	27.6	34.5	41.4	48.3	55.2	62.1

SELECTION



HT500 Basic HP Ratings - 14mm

14M-90		Rated Horsepower for Small Sprocket (Number of Teeth and Pitch Diameter, Inches)																		
		28	29	30	31	32	33	34	35	36	37	38	39	40	41	42	44	45	48	50
RPM	Small Shaft	4.912	5.088	5.263	5.439	5.614	5.790	5.965	6.141	6.316	6.492	6.667	6.842	7.018	7.193	7.369	7.720	7.895	8.421	8.772
10		5.27	5.49	5.72	5.92	6.12	6.32	6.53	6.73	6.93	7.13	7.34	7.54	7.74	7.95	8.17	8.60	8.80	9.41	9.81
20		8.28	8.64	8.96	9.29	9.63	9.95	10.26	10.60	10.94	11.27	11.61	11.92	12.24	12.57	12.89	13.55	13.87	14.85	15.50
40		13.77	14.31	14.90	15.46	16.02	16.58	17.15	17.71	18.27	18.83	19.40	19.94	20.48	21.03	21.58	22.68	23.23	24.89	25.99
60		18.90	19.67	20.48	21.24	22.01	22.79	23.58	24.37	25.16	25.92	26.69	27.45	28.22	28.98	29.74	31.28	32.04	34.34	35.84
100		28.58	29.79	30.96	32.18	33.39	34.58	35.78	36.97	38.16	39.35	40.55	41.72	42.89	44.06	45.23	47.57	48.74	52.25	54.56
200		50.99	53.19	55.40	57.58	59.76	61.92	64.08	66.24	68.40	70.56	72.72	74.86	77.00	79.12	81.24	85.50	87.61	93.96	98.15
300		71.96	75.11	78.26	81.36	84.47	87.57	90.68	93.76	96.84	99.90	102.96	106.00	109.04	112.07	115.11	121.19	124.18	133.16	139.12
400		92.07	96.12	100.13	104.14	108.14	112.12	116.10	120.06	124.02	127.98	131.94	135.85	139.77	143.67	147.57	155.39	159.24	170.82	178.48
500		111.42	116.37	121.28	126.16	131.04	135.88	140.72	145.55	150.39	155.18	159.98	164.75	169.52	174.26	179.01	188.51	193.20	207.27	216.56
600		130.28	136.08	141.84	147.59	153.32	159.01	164.70	170.37	176.04	181.67	187.29	192.89	198.50	204.05	209.60	220.73	226.22	242.73	253.67
700		148.68	155.34	161.91	168.48	175.05	181.58	188.10	194.60	201.11	207.54	213.98	220.39	226.80	233.17	239.54	252.27	258.56	277.43	289.91
800		166.73	174.20	181.58	188.99	196.38	203.72	211.05	218.35	225.63	232.88	240.12	247.34	254.57	261.70	268.84	283.14	290.20	311.40	325.43
870		179.15	187.16	195.17	203.11	211.05	218.95	226.85	234.70	242.55	250.36	258.17	265.93	273.69	281.37	289.06	304.43	312.03	334.85	349.90
1000		201.78	210.87	219.87	228.86	237.83	246.77	255.69	264.56	273.42	282.24	291.06	299.81	308.57	317.23	325.90	343.26	351.82	377.55	394.53
1160		229.01	239.36	249.62	259.85	270.09	280.24	290.39	300.49	310.59	320.60	330.62	340.56	350.51	360.37	370.24	389.97	399.69	428.85	448.11
1200		235.71	246.38	256.95	267.50	278.01	288.49	298.94	309.34	319.73	330.03	340.34	350.59	360.86	370.99	381.14	401.45	411.45	441.50	461.34
1400		268.65	280.89	292.95	305.01	317.07	329.02	340.97	352.85	364.73	376.49	388.26	399.96	411.66	423.23	434.79	457.92	469.32	503.51	526.05
1600		300.78	314.51	328.10	341.62	355.10	368.52	381.92	395.22	408.51	421.72	434.93	447.99	461.07	474.00	486.95	512.87	525.58	563.76	588.92
1750		324.41	339.21	353.84	368.44	383.04	397.51	411.98	426.33	440.69	454.91	469.13	483.23	497.34	511.28	525.22	553.10	566.79	607.86	634.84
2000		362.84	379.44	395.82	412.21	428.54	444.76	460.94	476.97	492.98	508.86	524.75	540.49	556.25	571.75	587.27	618.35	633.55	679.23	709.18
2400		422.19	441.54	460.67	479.68	498.69	517.50	536.31	554.92	573.53	591.93	610.34	628.54	646.74	664.63	682.52	718.29	735.76	788.18	822.35
2800		479.16	501.12	522.81	544.38	565.88	587.17	608.40	629.41	650.39	671.11	691.83	712.27	732.74	752.74	772.76	812.84	832.28	890.69	
3000		506.75	529.97	552.87	575.62	598.37	620.80	643.23	665.35	687.47	709.27	731.07	752.56	774.05	795.05	816.05	858.06			
3500		573.35	599.49	625.32	650.93	676.44	701.61	726.71	751.43	776.12	800.39	824.67	848.51	872.37						
4000		636.48	665.37	693.81	721.94	750.06	777.60	805.14	832.10	859.05										

14M-90		Rated Horsepower for Small Sprocket (Number of Teeth and Pitch Diameter, Inches)										Additional HP required per belt for speed ratio of speed down drive										
		52	53	56	60	63	64	67	71	72	75	80	1.00 to 1.03	1.04 to 1.10	1.11 to 1.19	1.20 to 1.30	1.31 to 1.45	1.46 to 1.67	1.68 to 2.02	2.03 to 2.69	2.70 to 4.64	4.65 and over
RPM	Small Shaft	9.123	9.299	9.825	10.527	11.053	11.229	11.755	12.457	12.632	13.158	14.036	1.03	1.10	1.19	1.30	1.45	1.67	2.02	2.69	4.64	
10		10.22	10.41	10.98	11.79	12.40	12.60	13.21	14.02	14.22	14.81	15.80										
20		16.16	16.48	17.46	18.74	19.70	20.03	20.97	22.23	22.55	23.49	25.07										
40		27.09	27.63	29.25	31.41	33.03	33.57	35.17	37.31	37.85	39.45	42.12										
60		37.35	38.10	40.37	43.36	45.60	46.35	48.56	51.51	52.25	54.46	58.14										
100		56.88	58.03	61.47	66.04	69.46	70.61	73.98	78.48	79.61	82.96	88.56										
200		102.33	104.41	110.66	118.89	125.06	127.13	133.25	141.42	143.46	149.50	159.57										
300		145.08	148.04	156.92	168.64	177.43	180.36	189.03	200.60	203.49	212.08	226.40	0.00	0.2	0.4	0.6	0.8	1	1.21	1.41	1.61	1.81
400		186.12	189.93	201.33	216.38	227.66	231.44	242.57	257.42	261.14	272.14	290.48	0.00	0.23	0.46	0.68	0.91	1.14	1.37	1.6	1.83	2.05
500		225.86	230.48	244.35	262.62	276.32	280.89	294.39	312.39	316.89	330.24	352.49	0.00	0.27	0.53	0.8	1.07	1.34	1.6	1.87	2.14	2.4
600		264.60	270.02	286.25	307.64	323.68	329.04	344.83	365.90	371.16	386.75	412.74	0.00	0.4	0.8	1.2	1.6	2	2.4	2.8	3.2	3.6
700		302.40	308.59	327.15	351.59	369.91	376.02	394.06	418.11	424.13	441.89	471.51	0.00	0.46	0.91	1.37	1.83	2.28	2.74	3.2	3.65	4.11
800		339.44	346.38	367.20	394.60	415.14	422.01	442.20	469.14	475.88	495.77	528.93	0.00	0.53	1.06	1.6	2.13	2.66	3.19	3.72	4.26	4.79
870		364.95	372.41	394.79	424.22	446.29	453.65	475.33	504.24	511.47	532.80	568.35	0.00	0.69	1.37	2.05	2.74	3.43	4.11	4.79	5.48	6.16
1000		411.48	419.89	445.10	478.18	503.00	511.29	535.63	568.11	576.23	600.12	639.95	0.00	0.8	1.6	2.4	3.2	4	4.79	5.59	6.39	7.19
1160		467.37	476.89	505.44	542.90	571.00	580.37	607.84	644.47	653.63	680.54	725.40	0.00	0.91	1.83	2.74	3.65	4.57	5.48	6.39	7.31	8.22
1200		481.14	490.94	520.29	558.80	587.68	597.33	625.55	663.21	672.62	700.26	746.33	0.00	1.14	2.28	3.42	4.57	5.71	6.85	7.99	9.13	10.3
1400		548.60	559.71	593.06	636.68	669.40	680.31	712.17	754.65	765.27	796.35	848.16	0.00	1.31	2.63	3.94	5.25	6.57	7.88	9.19	10.5	11.8
1600		614.03	626.41	663.53	711.95	748.27	760.41	795.61	842.59	854.33	888.50	945.45	0.00	1.37	2.74	4.11	5.48	6.85	8.22	9.59	11	12.3
1750		661.82	675.09	714.92	766.73	805.60	818.55	856.11	906.20	918.72	955.00	1015.47	0.00	1.58	3.15	4.73	6.3	7.88	9.45	11	12.6	14.2
2000		739.08	753.77	797.81	854.85	897.63	911.93						0.00	1.6	3.2	4.79	6.39	7.99	9.59	11.2	12.8	14.4
2400		856.53	873.21	923.27									0.00	1.83	3.65	5.48	7.31	9.14	11	12.8	14.6	16.4
2800													0.00	1.99	3.97	5.96	7.95	9.93	11.9	13.9	15.9	17.9
3000													0.00	2.06	4.11	6.16	8.22	10.3	12.3	14.4	16.4	18.5
3500													0.00	2.29	4.57	6.85	9.13	11.4	13.7	16	18.3	20.5
4000													0.00	2.65	5.3	7.94	10.6	13.2	15.9	18.5	21.2	23.8
													0.00	4	7.99	12	16	20	24	28	32	36
													0.00	4.57	9.13	13.7	18.3	22.8	27.4	32	36.5	41.1
													0.00	6.86	13.7	20.5	27.4	34.3	41.1	47.9	54.8	61.6
													0.00	7.88	15.8	23.6	31.5	39.4	47.3	55.1	63	70.9
													0.00	9.14	18.3	27.4	36.5	45.7	54.8	63.9	73.1	82.2



SELECTION

HT500 Basic HP Ratings - 14mm

RPM Small Shaft	Rated Horsepower for Small Sprocket (Number of Teeth and Pitch Diameter, Inches)																		
	28 4.912	29 5.088	30 5.263	31 5.439	32 5.614	33 5.790	34 5.965	35 6.141	36 6.316	37 6.492	38 6.667	39 6.842	40 7.018	41 7.193	42 7.369	44 7.720	45 7.895	48 8.421	50 8.772
10	7.31	7.63	7.94	8.22	8.50	8.78	9.06	9.34	9.63	9.91	10.19	10.47	10.75	11.05	11.34	11.94	12.22	13.06	13.63
20	11.50	12.00	12.44	12.91	13.38	13.81	14.25	14.72	15.19	15.66	16.13	16.56	17.00	17.45	17.91	18.81	19.27	20.63	21.53
40	19.13	19.88	20.69	21.47	22.25	23.03	23.81	24.59	25.38	26.16	26.94	27.69	28.44	29.20	29.97	31.50	32.27	34.56	36.09
60	26.25	27.31	28.44	29.50	30.56	31.66	32.75	33.84	34.94	36.00	37.06	38.12	39.19	40.25	41.31	43.44	44.50	47.69	49.78
100	39.69	41.38	43.00	44.69	46.38	48.03	49.69	51.34	53.00	54.66	56.31	57.94	59.56	61.19	62.81	66.06	67.69	72.56	75.78
200	70.81	73.88	76.94	79.97	83.00	86.00	89.00	92.00	95.00	98.00	101.00	103.97	106.94	109.89	112.84	118.75	121.68	130.50	136.32
300	99.94	104.31	108.69	113.00	117.31	121.63	125.94	130.22	134.50	138.75	143.00	147.22	151.44	155.66	159.88	168.31	172.47	184.94	193.22
400	127.88	133.50	139.06	144.64	150.19	155.73	161.25	166.75	172.25	177.75	183.25	188.68	194.13	199.54	204.96	215.81	221.17	237.25	247.88
500	154.75	161.63	168.44	175.22	182.00	188.72	195.44	202.16	208.88	215.53	222.19	228.81	235.44	242.03	248.63	261.81	268.33	287.88	300.78
600	180.94	189.00	197.00	204.98	212.94	220.85	228.75	236.63	244.50	252.31	260.13	267.90	275.69	283.40	291.11	306.56	314.20	337.13	352.33
700	206.50	215.75	224.88	234.00	243.13	252.19	261.25	270.28	279.31	288.25	297.19	306.09	315.00	323.84	332.69	350.38	359.11	385.31	402.66
800	231.56	241.94	252.19	262.49	272.75	282.95	293.13	303.26	313.38	323.44	333.50	343.53	353.56	363.47	373.39	393.25	403.05	432.50	451.99
870	248.81	259.94	271.06	282.09	293.13	304.09	315.06	325.97	336.88	347.72	358.56	369.34	380.13	390.80	401.47	422.81	433.38	465.06	485.97
1000	280.25	292.88	305.38	317.87	330.31	342.74	355.13	367.45	379.75	392.00	404.25	416.40	428.56	440.60	452.64	476.75	488.65	524.38	547.96
1160	318.06	332.44	346.69	360.91	375.13	389.22	403.31	417.34	431.38	445.28	459.19	473.00	486.81	500.52	514.22	541.63	555.13	595.63	622.38
1200	327.38	342.19	356.88	371.53	386.13	400.68	415.19	429.64	444.06	458.38	472.69	486.93	501.19	515.27	529.35	557.56	571.46	613.19	640.74
1400	373.13	390.13	406.88	423.63	440.38	456.97	473.56	490.06	506.56	522.91	539.25	555.50	571.75	587.81	603.88	636.00	651.83	699.31	730.63
1600	417.75	436.81	455.69	474.47	493.19	511.84	530.44	548.92	567.38	585.72	604.06	622.21	640.38	658.34	676.32	712.31	729.97	783.00	817.94
1750	450.56	471.13	491.44	511.72	532.00	552.09	572.19	592.13	612.06	631.81	651.56	671.16	690.75	710.11	729.47	768.19	787.20	844.25	881.72
2000	503.94	527.00	549.75	572.51	595.19	617.72	640.19	662.45	684.69	706.75	728.81	750.68	772.56	794.10	815.66	858.81	879.93	943.38	984.98
2400	586.38	613.25	639.81	666.22	692.63	718.75	744.88	770.72	796.56	822.13	847.69	872.97	898.25	923.09	947.94	997.63	1021.89	1094.69	1142.16
2800	665.50	696.00	726.13	756.09	785.94	815.51	845.00	874.18	903.31	932.10	960.88	989.27	1017.69	1045.47	1073.27	1128.94	1155.94	1237.06	
3000	703.81	736.06	767.88	799.47	831.06	862.22	893.38	924.09	954.81	985.09	1015.38	1045.22	1075.06	1104.23	1133.41	1191.75			
3500	796.31	832.63	868.50	904.07	939.50	974.45	1009.31	1043.65	1077.94	1111.66	1145.38	1178.48	1211.63						
4000	884.00	924.13	963.63	1002.69	1041.75	1080.00	1118.25	1155.69	1193.13	596.56									

RPM Small Shaft	Rated Horsepower for Small Sprocket (Number of Teeth and Pitch Diameter, Inches)										Additional HP required per belt for speed ratio of speed down drive										
	52 9.123	53 9.299	56 9.825	60 10.527	63 11.053	64 11.229	67 11.755	71 12.457	72 12.632	75 13.158	80 14.036	1.00 to 1.03	1.04 to 1.10	1.11 to 1.19	1.20 to 1.30	1.31 to 1.45	1.46 to 1.67	1.68 to 2.02	2.03 to 2.69	2.70 to 4.64	4.65 and over
10	14.19	14.45	15.25	16.38	17.22	17.50	18.34	19.47	19.75	20.57	21.94										
20	22.44	22.89	24.25	26.03	27.37	27.81	29.12	30.88	31.31	32.62	34.81										
40	37.63	38.38	40.63	43.63	45.88	46.63	48.85	51.82	52.56	54.79	58.50										
60	51.88	52.92	56.06	60.22	63.33	64.38	67.44	71.54	72.56	75.63	80.75										
100	79.00	80.59	85.38	91.72	96.48	98.06	102.75	109.00	110.56	115.23	123.00										
200	142.13	145.02	153.69	165.12	173.70	176.56	185.07	196.42	199.25	207.64	221.63										
300	201.50	205.61	217.94	234.22	246.43	250.50	262.55	278.61	282.63	294.55	314.44	0.00	0.28	0.56	0.84	1.12	1.4	1.67	1.95	2.23	2.51
400	258.50	263.79	279.63	300.52	316.20	321.44	336.90	357.53	362.69	377.97	403.44	0.00	0.32	0.63	0.95	1.27	1.59	1.9	2.22	2.54	2.85
500	313.69	320.11	339.38	364.75	383.78	390.13	408.88	433.88	440.13	458.66	489.56	0.00	0.37	0.74	1.11	1.48	1.86	2.23	2.6	2.97	3.34
600	367.50	375.02	397.56	427.27	449.55	457.00	478.93	508.19	515.50	537.16	573.25	0.00	0.56	1.11	1.66	2.22	2.78	3.33	3.88	4.44	4.99
700	420.00	428.59	454.38	488.31	513.77	522.25	547.30	580.71	589.06	613.74	654.88	0.00	0.63	1.27	1.9	2.54	3.17	3.81	4.44	5.07	5.71
800	471.44	481.09	510.00	548.05	576.59	586.13	614.17	651.59	660.94	688.57	734.63	0.00	0.74	1.48	2.22	2.96	3.7	4.43	5.17	5.91	6.65
870	506.88	517.23	548.31	589.19	619.84	630.06	660.18	700.34	710.38	740.00	789.38	0.00	0.95	1.9	2.85	3.81	4.76	5.71	6.66	7.61	8.56
1000	571.50	583.18	618.19	664.14	698.61	710.13	743.93	789.04	800.31	833.50	888.81	0.00	1.11	2.22	3.33	4.44	5.55	6.66	7.77	8.88	9.99
1160	649.13	662.34	702.00	754.03	793.05	806.06	844.22	895.09	907.81	945.20	1007.50	0.00	1.27	2.54	3.8	5.08	6.34	7.61	8.88	10.1	11.4
1200	668.25	681.86	722.63	776.11	816.22	829.63	868.82	921.12	934.19	972.58	1036.56	0.00	1.59	3.17	4.76	6.34	7.93	9.51	11.1	12.7	14.3
1400	761.94	777.38	823.69	884.28	929.73	944.88	989.13	1048.13	1062.88	1106.05	1178.00	0.00	1.82	3.65	5.47	7.3	9.12	10.9	12.8	14.6	16.4
1600	852.81	870.02	921.56	988.82	1039.27	1056.13	1105.02	1170.26	1186.56	1234.02	1313.13	0.00	1.9	3.81	5.71	7.61	9.52	11.4	13.3	15.2	17.1
1750	919.19	937.63	992.94	1064.91	1118.88	1136.88	1189.05	1258.61	1276.00	1326.39	1410.38	0.00	2.19	4.38	6.56	8.75	10.9	13.1	15.3	17.5	19.7
2000	1026.50	1046.91	1108.06	1187.29	1246.71	1266.56						0.00	2.22	4.44	6.66	8.88	11.1	13.3	15.5	17.8	20
2400	1189.63	1212.80	1282.31									0.00	2.54	5.07	7.61	10.2	12.7	15.2	17.8	20.3	22.8
2800												0.00	2.76	5.52	8.28	11	13.8	16.6	19.3	22.1	24.8
3000												0.00	2.86	5.71	8.56	11.4	14.3	17.1	20	22.8	25.7
3500												0.00	3.17	6.34	9.51	12.7	15.9	19	22.2	25.4	28.5
4000												0.00	3.68	7.36	11	14.7	18.4	22.1	25.8	29.4	33.1
												0.00	5.55	11.1	16.6	22.2	27.8	33.3	38.8	44.4	49.9
												0.00	6.35	12.7	19	25.4	31.7	38.1	44.4	50.7	57.1
												0.00	9.52	19	28.5	38.1	47.6	57.1	66.6	76.1	85.6
												0.00	10.9	21.9	32.8	43.8	54.7	65.6	76.6	87.5	98.5
												0.00	12.7	25.4	38	50.8	63.4	76.1	88.8	101.5	114.2

SELECTION



8M HT500 Selection Table

Speed Ratio	Sprocket Combinations				Center Distance, Inches													
	Driver		Driven		640-8MX	720-8MX	800-8MX	896-8MX	960-8MX	1000-8MX	1040-8MX	1120-8MX	1200-8MX	1224-8MX	1280-8MX	1440-8MX	1600-8MX	1760-8MX
	No. of Teeth	Pitch Dia. Inches	No. of Teeth	Pitch Dia. Inches														
	Length Factor*				0.79	0.83	0.87	0.91	0.94	0.96	0.97	1.00	1.03	1.03	1.05	1.10	1.14	1.17
1.000	22	2.206	22	2.206	9.13	10.71	12.28	14.17	15.43	16.22	17.00	18.58	20.15	20.63	21.73	24.88	28.03	31.18
1.000	25	2.506	25	2.506	8.66	10.24	11.81	13.70	14.96	15.75	16.53	18.11	19.68	20.16	21.26	24.41	27.56	30.71
1.000	26	2.607	26	2.607	8.50	10.08	11.65	13.54	14.80	15.59	16.37	17.95	19.52	20.00	21.10	24.25	27.40	30.55
1.000	27	2.707	27	2.707	8.35	9.92	11.50	13.39	14.65	15.43	16.22	17.79	19.37	19.84	20.94	24.09	27.24	30.39
1.000	28	2.807	28	2.807	8.19	9.77	11.34	13.23	14.49	15.28	16.06	17.64	19.21	19.69	20.79	23.94	27.09	30.24
1.000	29	2.907	29	2.907	8.03	9.61	11.18	13.07	14.33	15.12	15.90	17.48	19.05	19.53	20.63	23.78	26.93	30.08
1.000	30	3.008	30	3.008	7.88	9.45	11.03	12.92	14.18	14.96	15.75	17.32	18.90	19.37	20.47	23.62	26.77	29.92
1.000	31	3.108	31	3.108	7.72	9.29	10.87	12.76	14.02	14.80	15.59	17.16	18.74	19.21	20.31	23.46	26.61	29.76
1.000	32	3.208	32	3.208	7.56	9.14	10.71	12.60	13.86	14.65	15.43	17.01	18.58	19.06	20.16	23.31	26.46	29.61
1.000	33	3.308	33	3.308	7.40	8.98	10.55	12.44	13.70	14.49	15.27	16.85	18.42	18.90	20.00	23.15	26.30	29.45
1.000	34	3.409	34	3.409	7.25	8.82	10.40	12.29	13.55	14.33	15.12	16.69	18.27	18.74	19.84	22.99	26.14	29.29
1.000	35	3.509	35	3.509	7.09	8.66	10.24	12.13	13.39	14.17	14.96	16.53	18.11	18.58	19.68	22.83	25.98	29.13
1.000	36	3.609	36	3.609	6.93	8.51	10.08	11.97	13.23	14.02	14.80	16.38	17.95	18.43	19.53	22.68	25.83	28.98
1.000	37	3.709	37	3.709	6.77	8.35	9.92	11.81	13.07	13.86	14.64	16.22	17.79	18.27	19.37	22.52	25.67	28.82
1.000	38	3.810	38	3.810	6.62	8.19	9.77	11.66	12.92	13.70	14.49	16.06	17.64	18.11	19.21	22.36	25.51	28.66
1.000	39	3.910	39	3.910	6.46	8.03	9.61	11.50	12.76	13.54	14.33	15.90	17.48	17.95	19.05	22.20	25.35	28.50
1.000	40	4.010	40	4.010	6.30	7.88	9.45	11.34	12.60	13.39	14.17	15.75	17.32	17.80	18.90	22.05	25.20	28.35
1.000	41	4.110	41	4.110	6.14	7.72	9.29	11.18	12.44	13.23	14.01	15.59	17.16	17.64	18.74	21.89	25.04	28.19
1.000	42	4.211	42	4.211	5.99	7.56	9.14	11.03	12.29	13.07	13.86	15.43	17.01	17.48	18.58	21.73	24.88	28.03
1.000	45	4.511	45	4.511	5.51	7.09	8.66	10.55	11.81	12.60	13.38	14.96	16.53	17.01	18.11	21.26	24.41	27.56
1.000	48	4.812	48	4.812		6.62	8.19	10.08	11.34	12.13	12.91	14.49	16.06	16.54	17.64	20.79	23.94	27.09
1.000	50	5.013	50	5.013		6.30	7.88	9.77	11.03	11.81	12.60	14.17	15.75	16.22	17.32	20.47	23.62	26.77
1.000	53	5.314	53	5.314		5.83	7.40	9.29	10.55	11.34	12.12	13.70	15.27	15.75	16.85	20.00	23.15	26.30
1.000	56	5.614	56	5.614			6.93	8.82	10.08	10.87	11.65	13.23	14.80	15.28	16.38	19.53	22.68	25.83
1.000	60	6.015	60	6.015				8.19	9.45	10.24	11.02	12.60	14.17	14.65	15.75	18.90	22.05	25.20
1.000	63	6.316	63	6.316				7.72	8.98	9.76	10.55	12.12	13.70	14.17	15.27	18.42	21.57	24.72
1.000	67	6.717	67	6.717					8.35	9.13	9.92	11.49	13.07	13.54	14.64	17.79	20.94	24.09
1.000	71	7.118	71	7.118					7.72	8.50	9.29	10.86	12.44	12.91	14.01	17.16	20.31	23.46
1.000	75	7.519	75	7.519							8.66	10.23	11.81	12.28	13.38	16.53	19.68	22.83
1.000	80	8.020	80	8.020								9.45	11.02	11.50	12.60	15.75	18.90	22.05
1.024	41	4.110	42	4.211	6.06	7.64	9.21	11.10	12.36	13.15	13.93	15.51	17.08	17.56	18.66	21.81	24.96	28.11
1.025	40	4.010	41	4.110	6.22	7.80	9.37	11.26	12.52	13.31	14.09	15.67	17.24	17.72	18.82	21.97	25.12	28.27
1.026	38	3.810	39	3.910	6.54	8.11	9.69	11.58	12.84	13.62	14.41	15.98	17.56	18.03	19.13	22.28	25.43	28.58
1.026	39	3.910	40	4.010	6.38	7.95	9.53	11.42	12.68	13.46	14.25	15.82	17.40	17.87	18.97	22.12	25.27	28.42
1.027	37	3.709	38	3.810	6.69	8.27	9.84	11.73	12.99	13.78	14.56	16.14	17.71	18.19	19.29	22.44	25.59	28.74
1.028	36	3.609	37	3.709	6.85	8.43	10.00	11.89	13.15	13.94	14.72	16.30	17.87	18.35	19.45	22.60	25.75	28.90
1.029	34	3.409	35	3.509	7.17	8.74	10.32	12.21	13.47	14.25	15.04	16.61	18.19	18.66	19.76	22.91	26.06	29.21
1.029	35	3.509	36	3.609	7.01	8.58	10.16	12.05	13.31	14.09	14.88	16.45	18.03	18.50	19.60	22.75	25.90	29.05
1.030	33	3.308	34	3.409	7.32	8.90	10.47	12.36	13.62	14.41	15.19	16.77	18.34	18.82	19.92	23.07	26.22	29.37
1.031	32	3.208	33	3.308	7.48	9.06	10.63	12.52	13.78	14.57	15.35	16.93	18.50	18.98	20.08	23.23	26.38	29.53
1.032	31	3.108	32	3.208	7.64	9.21	10.79	12.68	13.94	14.72	15.51	17.08	18.66	19.13	20.23	23.38	26.53	29.68
1.033	30	3.008	31	3.108	7.80	9.37	10.95	12.84	14.10	14.88	15.67	17.24	18.82	19.29	20.39	23.54	26.69	29.84
1.034	29	2.907	30	3.008	7.95	9.53	11.10	12.99	14.25	15.04	15.82	17.40	18.97	19.45	20.55	23.70	26.85	30.00
1.036	28	2.807	29	2.907	8.11	9.69	11.26	13.15	14.41	15.20	15.98	17.56	19.13	19.61	20.71	23.86	27.01	30.16
1.037	27	2.707	28	2.807	8.27	9.84	11.42	13.31	14.57	15.35	16.14	17.71	19.29	19.76	20.86	24.01	27.16	30.31
1.038	26	2.607	27	2.707	8.43	10.00	11.58	13.47	14.73	15.51	16.30	17.87	19.45	19.92	21.02	24.17	27.32	30.47
1.040	25	2.506	26	2.607	8.58	10.16	11.73	13.62	14.88	15.67	16.45	18.03	19.60	20.08	21.18	24.33	27.48	30.63
1.042	48	4.812	50	5.013	6.46	8.03	9.92	11.18	11.97	12.75	14.33	15.90	17.48	17.95	19.05	22.60	25.75	28.90
1.050	40	4.010	42	4.211	6.14	7.72	9.29	11.18	12.44	13.23	14.01	15.59	17.16	17.64	18.74	21.89	25.04	28.19
1.050	60	6.015	63	6.316				7.95	9.21	10.00	10.78	12.36	13.93	14.41	15.51	18.66	21.81	24.96
1.051	39	3.910	41	4.110	6.30	7.88	9.45	11.34	12.60	13.39	14.17	15.75	17.32	17.80	18.90	22.05	25.20	28.35
1.053	38	3.810	40	4.010	6.46	8.03	9.61	11.50	12.76	13.54	14.33	15.90	17.48	17.95	19.05	22.20	25.35	28.50
1.054	37	3.709	39	3.910	6.62	8.19	9.77	11.66	12.92	13.70	14.49	16.06	17.64	18.11	19.21	22.36	25.51	28.66
1.056	36	3.609	38	3.810	6.77	8.35	9.92	11.81	13.07	13.86	14.64	16.22	17.79	18.27	19.37	22.52	25.67	28.82
1.056	71	7.118	75	7.519					8.19	8.97	9.76	11.34	12.91	13.38	14.48	17.63	20.78	23.93
1.057	35	3.509	37	3.709	6.93	8.51	10.08	11.97	13.23	14.02	14.80	16.38	17.95	18.43	19.53	22.68	25.83	28.98
1.057	53	5.314	56	5.614				7.17	9.06	10.32	11.10	11.89	13.46	15.04	15.51	16.61	19.76	22.91
1.059	34	3.409	36	3.609	7.09	8.66	10.24	12.13	13.39	14.17	14.96	16.53	18.11	18.58	19.68	22.83	25.98	29.13
1.060	50	5.013	53	5.314				6.06	7.64	9.53	10.79	11.57	12.36	13.93	15.51	15.98	17.08	20.23
1.060	67	6.717	71	7.118					8.03	8.82	9.60	11.18	12.75	13.23	14.33	17.48	20.63	23.78
1.061	33	3.308	35	3.509	7.25	8.82	10.40	12.29	13.55	14.33	15.12	16.69	18.27	18.74	19.84	22.99	26.14	29.29
1.063	32	3.208	34	3.409	7.40	8.98	10.55	12.44	13.70	14.49	15.27	16.85	18.42	18.90	20.00	23.15	26.30	29.45
1.063	63	6.316	67	6.717					7.40	8.66	9.45	10.23	11.81	13.38	14.86	18.01	21.16	24.31
1.065	31	3.108	33	3.308	7.56	9.14	10.71	12.60	13.86	14.65	15.43	17.01	18.58	19.06	20.16	23.31	26.46	29.61
1.067	30	3.008	32	3.208	7.72	9.29	10.87	12.76										



SELECTION

8M HT500 Selection Table (Continued)

Speed Ratio	Sprocket Combinations				Center Distance, Inches															
	Driver		Driven		1792-8MX	2000-8MX	2200-8MX	2240-8MX	2400-8MX	2520-8MX	2600-8MX	2800-8MX	2840-8MX	3048-8MX	3200-8MX	3280-8MX	3600-8MX	4000-8MX	4400-8MX	4480-8MX
	No. of Teeth	Pitch Dia. Inches	No. of Teeth	Pitch Dia. Inches																
Length Factor*					1.18	1.22	1.26	1.26	1.29	1.31	1.32	1.35	1.36	1.38	1.40	1.41	1.45	1.49	1.52	1.53
1.000	22	2.206	22	2.206	31.81	35.90	39.84	40.63	43.78	46.14	47.71	51.65	52.44	56.53	59.52	61.10	67.40	75.27	83.15	84.72
1.000	25	2.506	25	2.506	31.34	35.43	39.37	40.16	43.31	45.67	47.24	51.18	51.97	56.06	59.05	60.63	66.93	74.80	82.68	84.25
1.000	26	2.607	26	2.607	31.18	35.27	39.21	40.00	43.15	45.51	47.08	51.02	51.81	55.90	58.89	60.47	66.77	74.64	82.52	84.09
1.000	27	2.707	27	2.707	31.02	35.12	39.05	39.84	42.99	45.35	46.93	50.87	51.65	55.75	58.74	60.31	66.61	74.49	82.36	83.94
1.000	28	2.807	28	2.807	30.87	34.96	38.90	39.69	42.84	45.20	46.77	50.71	51.50	55.59	58.58	60.16	66.46	74.33	82.21	83.78
1.000	29	2.907	29	2.907	30.71	34.80	38.74	39.53	42.68	45.04	46.61	50.55	51.34	55.43	58.42	60.00	66.30	74.17	82.05	83.62
1.000	30	3.008	30	3.008	30.55	34.65	38.58	39.37	42.52	44.88	46.46	50.40	51.18	55.28	58.27	59.84	66.14	74.02	81.89	83.47
1.000	31	3.108	31	3.108	30.39	34.49	38.42	39.21	42.36	44.72	46.30	50.24	51.02	55.12	58.11	59.68	65.98	73.86	81.73	83.31
1.000	32	3.208	32	3.208	30.24	34.33	38.27	39.06	42.21	44.57	46.14	50.08	50.87	54.96	57.95	59.53	65.83	73.70	81.58	83.15
1.000	33	3.308	33	3.308	30.08	34.17	38.11	38.90	42.05	44.41	45.98	49.92	50.71	54.80	57.79	59.37	65.67	73.54	81.42	82.99
1.000	34	3.409	34	3.409	29.92	34.02	37.95	38.74	41.89	44.25	45.83	49.77	50.55	54.65	57.64	59.21	65.51	73.39	81.26	82.84
1.000	35	3.509	35	3.509	29.76	33.86	37.79	38.58	41.73	44.09	45.67	49.61	50.39	54.49	57.48	59.05	65.35	73.23	81.10	82.68
1.000	36	3.609	36	3.609	29.61	33.70	37.64	38.43	41.58	43.94	45.51	49.45	50.24	54.33	57.32	58.90	65.20	73.07	80.95	82.52
1.000	37	3.709	37	3.709	29.45	33.54	37.48	38.27	41.42	43.78	45.35	49.29	50.08	54.17	57.16	58.74	65.04	72.91	80.79	82.36
1.000	38	3.810	38	3.810	29.29	33.39	37.32	38.11	41.26	43.62	45.20	49.14	49.92	54.02	57.01	58.58	64.88	72.76	80.63	82.21
1.000	39	3.910	39	3.910	29.13	33.23	37.16	37.95	41.10	43.46	45.04	48.98	49.76	53.86	56.85	58.42	64.72	72.60	80.47	82.05
1.000	40	4.010	40	4.010	28.98	33.07	37.01	37.80	40.95	43.31	44.88	48.82	49.61	53.70	56.69	58.27	64.57	72.44	80.32	81.89
1.000	41	4.110	41	4.110	28.82	32.91	36.85	37.64	40.79	43.15	44.72	48.66	49.45	53.54	56.53	58.11	64.41	72.28	80.16	81.73
1.000	42	4.211	42	4.211	28.66	32.76	36.69	37.48	40.63	42.99	44.57	48.51	49.29	53.39	56.38	57.95	64.25	72.13	80.00	81.58
1.000	45	4.511	45	4.511	28.19	32.28	36.22	37.01	40.16	42.52	44.09	48.03	48.82	52.91	55.90	57.48	63.78	71.65	79.53	81.10
1.000	48	4.812	48	4.812	27.72	31.81	35.75	36.54	39.69	42.05	43.62	47.56	48.35	52.44	55.43	57.01	63.31	71.18	79.06	80.63
1.000	50	5.013	50	5.013	27.40	31.50	35.43	36.22	39.37	41.73	43.31	47.25	48.03	52.13	55.12	56.69	62.99	70.87	78.74	80.32
1.000	53	5.314	53	5.314	26.93	31.02	34.96	35.75	38.90	41.26	42.83	46.77	47.56	51.65	54.64	56.22	62.52	70.39	78.27	79.84
1.000	56	5.614	56	5.614	26.46	30.55	34.49	35.28	38.43	40.79	42.36	46.30	47.09	51.18	54.17	55.75	62.05	69.92	77.80	79.37
1.000	60	6.015	60	6.015	25.83	29.92	33.86	34.65	37.80	40.16	41.73	45.67	46.46	50.55	53.54	55.12	61.42	69.29	77.17	78.74
1.000	63	6.316	63	6.316	25.35	29.45	33.38	34.17	37.32	39.68	41.26	45.20	45.98	50.08	53.07	54.64	60.94	68.82	76.69	78.27
1.000	67	6.717	67	6.717	24.72	28.82	32.75	33.54	36.69	39.05	40.63	44.57	45.35	49.45	52.44	54.01	60.31	68.19	76.06	77.64
1.000	71	7.118	71	7.118	24.09	28.19	32.12	32.91	36.06	38.42	40.00	43.94	44.72	48.82	51.81	53.38	59.68	67.56	75.43	77.01
1.000	75	7.519	75	7.519	23.46	27.56	31.49	32.28	35.43	37.79	39.37	43.31	44.09	48.19	51.18	52.75	59.05	66.93	74.80	76.38
1.000	80	8.020	80	8.020	22.68	26.77	30.71	31.50	34.65	37.01	38.58	42.52	43.31	47.40	50.39	51.97	58.27	66.14	74.02	75.59
1.024	41	4.110	42	4.211	28.74	32.83	36.77	37.56	40.71	43.07	44.64	48.58	49.37	53.46	56.45	58.03	64.33	72.20	80.08	81.65
1.025	40	4.010	41	4.110	28.90	32.99	36.93	37.72	40.87	43.23	44.80	48.74	49.53	53.62	56.61	58.19	64.49	72.36	80.24	81.81
1.026	38	3.810	39	3.910	29.21	33.31	37.24	38.03	41.18	43.54	45.12	49.06	49.84	53.94	56.93	58.50	64.80	72.68	80.55	82.13
1.026	39	3.910	40	4.010	29.05	33.15	37.08	37.87	41.02	43.38	44.96	48.90	49.68	53.78	56.77	58.34	64.64	72.52	80.39	81.97
1.027	37	3.709	38	3.810	29.37	33.46	37.40	38.19	41.34	43.70	45.27	49.21	50.00	54.09	57.08	58.66	64.96	72.83	80.71	82.28
1.028	36	3.609	37	3.709	29.53	33.62	37.56	38.35	41.50	43.86	45.43	49.37	50.16	54.25	57.24	58.82	65.12	72.99	80.87	82.44
1.029	34	3.409	35	3.509	29.84	33.94	37.87	38.66	41.81	44.17	45.75	49.69	50.47	54.57	57.56	59.13	65.43	73.31	81.18	82.76
1.029	35	3.509	36	3.609	29.68	33.78	37.71	38.50	41.65	44.01	45.59	49.53	50.31	54.41	57.40	58.97	65.27	73.15	81.02	82.60
1.030	33	3.308	34	3.409	30.00	34.09	38.03	38.82	41.97	44.33	45.90	49.84	50.63	54.72	57.71	59.29	65.59	73.46	81.34	82.91
1.031	32	3.208	33	3.308	30.16	34.25	38.19	38.98	42.13	44.49	46.06	50.00	50.79	54.88	57.87	59.45	65.75	73.62	81.50	83.07
1.032	31	3.108	32	3.208	30.31	34.41	38.34	39.13	42.28	44.64	46.22	50.16	50.94	55.04	58.03	59.60	65.90	73.78	81.65	83.23
1.033	30	3.008	31	3.108	30.47	34.57	38.50	39.29	42.44	44.80	46.38	50.32	51.10	55.20	58.19	59.76	66.06	73.94	81.81	83.39
1.034	29	2.907	30	3.008	30.63	34.72	38.66	39.45	42.60	44.96	46.53	50.47	51.26	55.35	58.34	59.92	66.22	74.09	81.97	83.54
1.036	28	2.807	29	2.907	30.79	34.88	38.82	39.61	42.76	45.12	46.69	50.63	51.42	55.51	58.50	60.08	66.38	74.25	82.13	83.70
1.037	27	2.707	28	2.807	30.94	35.04	38.97	39.76	42.91	45.27	46.85	50.79	51.57	55.67	58.66	60.23	66.53	74.41	82.28	83.86
1.038	26	2.607	27	2.707	31.10	35.20	39.13	39.92	43.07	45.43	47.01	50.95	51.73	55.83	58.82	60.39	66.69	74.57	82.44	84.02
1.040	25	2.506	26	2.607	31.26	35.35	39.29	40.08	43.23	45.59	47.16	51.10	51.89	55.98	58.97	60.55	66.85	74.72	82.60	84.17
1.042	48	4.812	50	5.013	27.56	31.65	35.59	36.38	39.53	41.89	43.46	47.40	48.19	52.28	55.27	56.85	63.15	71.02	78.90	80.47
1.050	40	4.010	42	4.211	28.82	32.91	36.85	37.64	40.79	43.15	44.72	48.66	49.45	53.54	56.53	58.11	64.41	72.28	80.16	81.73
1.050	60	6.015	63	6.316	25.59	29.68	33.62	34.41	37.56	39.92	41.49	45.44	46.22	50.32	53.31	54.88	61.18	69.06	76.93	78.51
1.051	39	3.910	41	4.110	28.98	33.07	37.01	37.80	40.95	43.31	44.88	48.82	49.61	53.70	56.69	58.27	64.57	72.44	80.32	81.89
1.053	38	3.810	40	4.010	29.13	33.23	37.16	37.95	41.10	43.46	45.04	48.98	49.76	53.86	56.85	58.42	64.72	72.60	80.47	82.05
1.054	37	3.709	39	3.910	29.29	33.39	37.32	38.11	41.26	43.62	45.20	49.14	49.92	54.02	57.01	58.58	64.88	72.76	80.63	82.21
1.056	36	3.609	38	3.810	29.45	33.54	37.48	38.27	41.42	43.78	45.35	49.29	50.08	54.17	57.16	58.74	65.04	72.91	80.79	82.36
1.056	71	7.118	75	7.519	23.78	27.87	31.81	32.60	35.75	38.11	39.68	43.62	44.41	48.50	51.49	53.07	59.37	67.24	75.12	76.69
1.057	35	3.509	37	3.709	29.61	33.70	37.64	38.43	41.58	43.94	45.51	4								

SELECTION



8M HT500 Selection Table

Speed Ratio	Sprocket Combinations				Center Distance, Inches													
	Driver		Driven		640-8MX	720-8MX	800-8MX	896-8MX	960-8MX	1000-8MX	1040-8MX	1120-8MX	1200-8MX	1224-8MX	1280-8MX	1440-8MX	1600-8MX	1760-8MX
	No. of Teeth	Pitch Dia. Inches	No. of Teeth	Pitch Dia. Inches														
	Length Factor*				0.79	0.83	0.87	0.91	0.94	0.96	0.97	1.00	1.03	1.03	1.05	1.10	1.14	1.17
1.083	36	3.609	39	3.910	6.69	8.27	9.84	11.73	12.99	13.78	14.56	16.14	17.71	18.19	19.29	22.44	25.59	28.74
1.086	35	3.509	38	3.810	6.85	8.43	10.00	11.89	13.15	13.94	14.72	16.30	17.87	18.35	19.45	22.60	25.75	28.90
1.088	34	3.409	37	3.709	7.01	8.58	10.16	12.05	13.31	14.09	14.88	16.45	18.03	18.50	19.60	22.75	25.90	29.05
1.091	33	3.308	36	3.609	7.17	8.74	10.32	12.21	13.47	14.25	15.04	16.61	18.19	18.66	19.76	22.91	26.06	29.21
1.094	32	3.208	35	3.509	7.32	8.90	10.47	12.36	13.62	14.41	15.19	16.77	18.34	18.82	19.92	23.07	26.22	29.37
1.097	31	3.108	34	3.409	7.48	9.06	10.63	12.52	13.78	14.57	15.35	16.93	18.50	18.98	20.08	23.23	26.38	29.53
1.098	41	4.110	45	4.511	5.83	7.40	8.98	10.87	12.13	12.91	13.70	15.27	16.85	17.32	18.42	21.57	24.72	27.87
1.100	30	3.008	33	3.308	7.64	9.21	10.79	12.68	13.94	14.72	15.51	17.08	18.66	19.13	20.23	23.38	26.53	29.68
1.103	29	2.907	32	3.208	7.80	9.37	10.95	12.84	14.10	14.88	15.67	17.24	18.82	19.29	20.39	23.54	26.69	29.84
1.104	48	4.812	53	5.314	6.22	7.79	9.68	10.94	11.73	12.51	14.09	15.67	16.14	17.24	20.39	23.54	26.69	29.84
1.105	38	3.810	42	4.211	6.30	7.87	9.45	11.34	12.60	13.38	14.17	15.74	17.32	17.79	18.89	22.04	25.19	28.34
1.107	28	2.807	31	3.108	7.95	9.53	11.10	12.99	14.25	15.04	15.82	17.40	18.97	19.45	20.55	23.70	26.85	30.00
1.108	37	3.709	41	4.110	6.46	8.03	9.61	11.50	12.76	13.54	14.33	15.90	17.48	17.95	19.05	22.20	25.35	28.50
1.111	27	2.707	30	3.008	8.11	9.69	11.26	13.15	14.41	15.20	15.98	17.56	19.13	19.61	20.71	23.86	27.01	30.16
1.111	36	3.609	40	4.010	6.61	8.19	9.76	11.65	12.91	13.70	14.48	16.06	17.63	18.11	19.21	22.36	25.51	28.66
1.111	45	4.511	50	5.013	6.69	8.27	9.84	11.73	13.15	13.94	14.72	16.30	17.87	18.35	19.45	22.60	25.75	28.90
1.114	35	3.509	39	3.910	6.77	8.35	9.92	11.81	13.07	13.86	14.64	16.22	17.79	18.27	19.37	22.52	25.67	28.82
1.115	26	2.607	29	2.907	8.27	9.84	11.42	13.31	14.57	15.35	16.14	17.71	19.29	19.76	20.86	24.01	27.16	30.31
1.117	60	6.015	67	6.717	6.61	8.19	9.76	11.65	12.91	13.70	14.48	16.06	17.63	18.11	19.21	22.36	25.51	28.66
1.118	34	3.409	38	3.810	6.93	8.50	10.08	11.97	13.23	14.01	14.80	16.37	17.95	18.42	19.52	22.67	25.82	28.97
1.119	67	6.717	75	7.519	6.69	8.27	9.84	11.73	13.15	13.94	14.72	16.30	17.87	18.35	19.45	22.60	25.75	28.90
1.120	25	2.506	28	2.807	8.43	10.00	11.58	13.47	14.73	15.51	16.30	17.87	19.45	19.92	21.02	24.17	27.32	30.47
1.120	50	5.013	56	5.614	5.82	7.40	9.29	10.55	11.33	12.12	13.70	15.27	16.85	17.32	18.42	21.57	24.72	27.87
1.121	33	3.308	37	3.709	7.09	8.66	10.24	12.13	13.39	14.17	14.96	16.53	18.11	18.58	19.68	22.83	25.98	29.13
1.125	32	3.208	36	3.609	7.24	8.82	10.39	12.28	13.54	14.33	15.11	16.69	18.26	18.74	19.84	22.99	26.14	29.29
1.125	40	4.010	45	4.511	5.90	7.48	9.05	10.94	12.21	12.99	13.78	15.35	16.93	17.40	18.50	21.65	24.80	27.95
1.125	56	5.614	63	6.316	6.69	8.27	9.84	11.73	13.15	13.94	14.72	16.30	17.87	18.35	19.45	22.60	25.75	28.90
1.125	80	8.020	90	9.023	6.69	8.27	9.84	11.73	13.15	13.94	14.72	16.30	17.87	18.35	19.45	22.60	25.75	28.90
1.127	63	6.316	71	7.118	6.69	8.27	9.84	11.73	13.15	13.94	14.72	16.30	17.87	18.35	19.45	22.60	25.75	28.90
1.127	71	7.118	80	8.020	6.69	8.27	9.84	11.73	13.15	13.94	14.72	16.30	17.87	18.35	19.45	22.60	25.75	28.90
1.129	31	3.108	35	3.509	7.40	8.98	10.55	12.44	13.70	14.49	15.27	16.85	18.42	18.90	20.00	23.15	26.30	29.45
1.132	53	5.314	60	6.015	6.69	8.27	9.84	11.73	13.15	13.94	14.72	16.30	17.87	18.35	19.45	22.60	25.75	28.90
1.133	30	3.008	34	3.409	7.56	9.13	10.71	12.60	13.86	14.64	15.43	17.00	18.58	19.05	20.15	23.30	26.45	29.60
1.135	37	3.709	42	4.211	6.37	7.95	9.53	11.42	12.68	13.46	14.25	15.82	17.40	17.87	18.97	22.12	25.27	28.42
1.136	22	2.206	25	2.506	8.90	10.47	12.05	13.94	15.20	15.98	16.77	18.34	19.92	20.39	21.49	24.64	27.79	30.94
1.138	29	2.907	33	3.308	7.72	9.29	10.87	12.76	14.02	14.80	15.59	17.16	18.74	19.21	20.31	23.46	26.61	29.76
1.139	36	3.609	41	4.110	6.53	8.11	9.68	11.57	12.84	13.62	14.41	15.98	17.56	18.03	19.13	22.28	25.43	28.58
1.143	28	2.807	32	3.208	7.87	9.45	11.02	12.91	14.17	14.96	15.74	17.32	18.89	19.37	20.47	23.62	26.77	29.92
1.143	35	3.509	40	4.010	6.69	8.27	9.84	11.73	13.15	13.94	14.72	16.30	17.87	18.35	19.45	22.60	25.75	28.90
1.143	42	4.211	48	4.812	5.51	7.08	8.66	10.55	11.81	12.59	13.38	14.96	16.53	17.01	18.11	21.26	24.41	27.56
1.147	34	3.409	39	3.910	6.85	8.42	10.00	11.89	13.15	13.93	14.72	16.29	17.87	18.34	19.45	22.60	25.75	28.90
1.148	27	2.707	31	3.108	8.03	9.61	11.18	13.07	14.33	15.12	15.90	17.48	19.05	19.53	20.63	23.78	26.93	30.08
1.152	33	3.308	38	3.810	7.01	8.58	10.16	12.05	13.31	14.09	14.88	16.45	18.03	18.50	19.60	22.75	25.90	29.05
1.154	26	2.607	30	3.008	8.19	9.76	11.34	13.23	14.49	15.27	16.06	17.63	19.21	19.68	20.78	23.93	27.08	30.23
1.154	39	3.910	45	4.511	5.98	7.56	9.13	11.02	12.28	13.07	13.85	15.43	17.00	17.48	18.58	21.73	24.88	28.03
1.156	32	3.208	37	3.709	7.16	8.74	10.31	12.20	13.47	14.25	15.04	16.61	18.19	18.66	19.76	22.91	26.06	29.21
1.160	25	2.506	29	2.907	8.35	9.92	11.50	13.39	14.65	15.43	16.22	17.79	19.37	19.84	20.94	24.09	27.24	30.39
1.161	31	3.108	36	3.609	7.32	8.90	10.47	12.36	13.62	14.41	15.19	16.77	18.34	18.82	19.92	23.07	26.22	29.37
1.167	30	3.008	35	3.509	7.48	9.05	10.63	12.52	13.78	14.56	15.35	16.92	18.50	18.97	20.07	23.22	26.37	29.52
1.167	36	3.609	42	4.211	6.45	8.03	9.60	11.49	12.75	13.54	14.33	15.90	17.48	17.95	19.05	22.20	25.35	28.50
1.167	48	4.812	56	5.614	6.69	8.27	9.84	11.73	13.15	13.94	14.72	16.30	17.87	18.35	19.45	22.60	25.75	28.90
1.171	35	3.509	41	4.110	6.61	8.19	9.76	11.65	12.91	13.70	14.48	16.06	17.63	18.11	19.21	22.36	25.51	28.66
1.171	41	4.110	48	4.812	5.58	7.16	8.74	10.63	11.89	12.67	13.46	15.03	16.61	17.08	18.18	21.33	24.48	27.63
1.172	29	2.907	34	3.409	7.64	9.21	10.79	12.68	13.94	14.72	15.51	17.08	18.66	19.13	20.23	23.38	26.53	29.68
1.176	34	3.409	40	4.010	6.77	8.34	9.92	11.81	13.07	13.85	14.64	16.22	17.79	18.27	19.37	22.52	25.67	28.82
1.178	45	4.511	53	5.314	6.69	8.27	9.84	11.73	13.15	13.94	14.72	16.30	17.87	18.35	19.45	22.60	25.75	28.90
1.179	28	2.807	33	3.308	7.79	9.37	10.94	12.83	14.10	14.88	15.67	17.24	18.82	19.29	20.39	23.54	26.69	29.84
1.182	22	2.206	26	2.607	8.82	10.39	11.97	13.86	15.12	15.90	16.69	18.26	19.84	20.31	21.41	24.56	27.71	30.86
1.182	33	3.308	39	3.910	6.92	8.50	10.08	11.97	13.23	14.01	14.80	16.37	17.95	18.42	19.52	22.67	25.82	28.97
1.183	60	6.015	71	7.118	6.69	8.27	9.84	11.73	13.15	13.94	14.72	16.30	17.87	18.35	19.45	22.60	25.75	28.90
1.184	38	3.810	45	4.511	6.05	7.63	9.21	11.10	12.36	13.15	13.93	15.51	17.08	17.56	18.66	21.81	24.96	28.11
1.185	27	2.707	32	3.208	7.95	9.53	11.10	12.99	14.25	15.04	15.82	17.40	18.97	19.45	20.55	23.70	26.85	30.00
1.188	32	3.208	38	3.810	7.08	8.66	10.23	12.12										



SELECTION

8M HT500 Selection Table (Continued)

Speed Ratio	Sprocket Combinations				Center Distance, Inches															
	Driver		Driven		1792-8MX	2000-8MX	2200-8MX	2240-8MX	2400-8MX	2520-8MX	2600-8MX	2800-8MX	2840-8MX	3048-8MX	3200-8MX	3280-8MX	3600-8MX	4000-8MX	4400-8MX	4480-8MX
	No. of Teeth	Pitch Dia. Inches	No. of Teeth	Pitch Dia. Inches																
	Length Factor*				1.18	1.22	1.26	1.26	1.29	1.31	1.32	1.35	1.36	1.38	1.40	1.41	1.45	1.49	1.52	1.53
1.000	22	2.206	22	2.206	29.37	33.46	37.40	38.19	41.34	43.70	45.27	49.21	50.00	54.09	57.08	58.66	64.96	72.83	80.71	82.28
1.000	25	2.506	25	2.506	29.53	33.62	37.56	38.35	41.50	43.86	45.43	49.37	50.16	54.25	57.24	58.82	65.12	72.99	80.87	82.44
1.000	26	2.607	26	2.607	29.68	33.78	37.71	38.50	41.65	44.01	45.59	49.53	50.31	54.41	57.40	58.97	65.27	73.15	81.02	82.60
1.000	27	2.707	27	2.707	29.84	33.94	37.87	38.66	41.81	44.17	45.75	49.69	50.47	54.57	57.56	59.13	65.43	73.31	81.18	82.76
1.000	28	2.807	28	2.807	30.00	34.09	38.03	38.82	41.97	44.33	45.90	49.84	50.63	54.72	57.71	59.29	65.59	73.46	81.34	82.91
1.000	29	2.907	29	2.907	30.16	34.25	38.19	38.98	42.13	44.49	46.06	50.00	50.79	54.88	57.87	59.45	65.75	73.62	81.50	83.07
1.000	30	3.008	30	3.008	28.50	32.60	36.53	37.32	40.47	42.83	44.41	48.35	49.13	53.23	56.22	57.79	64.09	71.97	79.84	81.42
1.000	31	3.108	31	3.108	30.31	34.41	38.34	39.13	42.28	44.64	46.22	50.16	50.94	55.04	58.03	59.60	65.90	73.78	81.65	83.23
1.000	32	3.208	32	3.208	30.47	34.57	38.50	39.29	42.44	44.80	46.38	50.32	51.10	55.20	58.19	59.76	66.06	73.94	81.81	83.39
1.000	33	3.308	33	3.308	27.32	31.42	35.35	36.14	39.29	41.65	43.23	47.17	47.95	52.05	55.04	56.61	62.91	70.79	78.66	80.24
1.000	34	3.409	34	3.409	28.97	33.07	37.00	37.79	40.94	43.30	44.88	48.82	49.60	53.70	56.69	58.26	64.57	72.44	80.32	81.89
1.000	35	3.509	35	3.509	30.63	34.72	38.66	39.45	42.60	44.96	46.53	50.47	51.26	55.35	58.34	59.92	66.22	74.09	81.97	83.54
1.000	36	3.609	36	3.609	29.13	33.23	37.16	37.95	41.10	43.46	45.04	48.98	49.76	53.86	56.85	58.42	64.72	72.60	80.47	82.05
1.000	37	3.709	37	3.709	30.79	34.88	38.82	39.61	42.76	45.12	46.69	50.63	51.42	55.51	58.50	60.08	66.38	74.25	82.13	83.70
1.000	38	3.810	38	3.810	29.29	33.39	37.32	38.11	41.26	43.62	45.20	49.14	49.92	54.02	57.01	58.58	64.88	72.76	80.63	82.21
1.000	39	3.910	39	3.910	27.79	31.89	35.82	36.61	39.76	42.12	43.70	47.64	48.42	52.52	55.51	57.08	63.38	71.26	79.13	80.71
1.000	40	4.010	40	4.010	29.45	33.54	37.48	38.27	41.42	43.78	45.35	49.29	50.08	54.17	57.16	58.74	65.04	72.91	80.79	82.36
1.000	41	4.110	41	4.110	30.94	35.04	38.97	39.76	42.91	45.27	46.85	50.79	51.57	55.67	58.66	60.23	66.53	74.41	82.28	83.86
1.000	42	4.211	42	4.211	25.27	29.37	33.30	34.09	37.24	39.60	41.18	45.12	45.90	50.00	52.99	54.56	60.86	68.74	76.61	78.19
1.000	45	4.511	45	4.511	29.60	33.70	37.63	38.42	41.57	43.93	45.51	49.45	50.23	54.33	57.32	58.89	65.19	73.07	80.94	82.52
1.000	48	4.812	48	4.812	24.09	28.19	32.12	32.91	36.06	38.42	40.00	43.94	44.72	48.82	51.81	53.38	59.68	67.56	75.43	77.01
1.000	50	5.013	50	5.013	31.10	35.20	39.13	39.92	43.07	45.43	47.01	50.95	51.73	55.83	58.82	60.39	66.69	74.57	82.44	84.02
1.000	53	5.314	53	5.314	26.93	31.02	34.96	35.75	38.90	41.26	42.83	46.77	47.56	51.65	54.64	56.22	62.52	70.39	78.27	79.84
1.000	56	5.614	56	5.614	29.76	33.86	37.79	38.58	41.73	44.09	45.67	49.61	50.39	54.49	57.48	59.05	65.35	73.23	81.10	82.68
1.000	60	6.015	60	6.015	29.92	34.02	37.95	38.74	41.89	44.25	45.83	49.77	50.55	54.65	57.64	59.21	65.51	73.39	81.26	82.84
1.000	63	6.316	63	6.316	28.58	32.68	36.61	37.40	40.55	42.91	44.49	48.43	49.21	53.31	56.30	57.87	64.17	72.05	79.92	81.50
1.000	67	6.717	67	6.717	25.90	30.00	33.93	34.72	37.87	40.23	41.81	45.75	46.53	50.63	53.62	55.19	61.49	69.37	77.24	78.82
1.000	71	7.118	71	7.118	21.88	25.98	29.92	30.71	33.86	36.22	37.79	41.73	42.52	46.61	49.60	51.18	57.48	65.35	73.23	74.80
1.000	75	7.519	75	7.519	24.72	28.82	32.75	33.54	36.69	39.05	40.63	44.57	45.35	49.45	52.44	54.01	60.31	68.19	76.06	77.64
1.000	80	8.020	80	8.020	23.38	27.48	31.41	32.20	35.35	37.71	39.29	43.23	44.01	48.11	51.10	52.67	58.97	66.85	74.72	76.30
1.024	41	4.110	42	4.211	30.08	34.17	38.11	38.90	42.05	44.41	45.98	49.92	50.71	54.80	57.79	59.37	65.67	73.54	81.42	82.99
1.025	40	4.010	41	4.110	26.37	30.47	34.41	35.20	38.35	40.71	42.28	46.22	47.01	51.10	54.09	55.67	61.97	69.84	77.72	79.29
1.026	38	3.810	39	3.910	30.23	34.33	38.26	39.05	42.20	44.56	46.14	50.08	50.86	54.96	57.95	59.52	65.82	73.70	81.57	83.15
1.026	39	3.910	40	4.010	29.05	33.15	37.08	37.87	41.02	43.38	44.96	48.90	49.68	53.78	56.77	58.34	64.64	72.52	80.39	81.97
1.027	37	3.709	38	3.810	31.57	35.67	39.60	40.39	43.54	45.90	47.48	51.42	52.20	56.30	59.29	60.86	67.16	75.04	82.91	84.49
1.028	36	3.609	37	3.709	30.39	34.49	38.42	39.21	42.36	44.72	46.30	50.24	51.02	55.12	58.11	59.68	65.98	73.86	81.73	83.31
1.029	34	3.409	35	3.509	29.21	33.31	37.24	38.03	41.18	43.54	45.12	49.06	49.84	53.94	56.93	58.50	64.80	72.68	80.55	82.13
1.029	35	3.509	36	3.609	30.55	34.65	38.58	39.37	42.52	44.88	46.46	50.40	51.18	55.28	58.27	59.84	66.14	74.02	81.89	83.47
1.030	33	3.308	34	3.409	29.37	33.46	37.40	38.19	41.34	43.70	45.27	49.21	50.00	54.09	57.08	58.66	64.96	72.83	80.71	82.28
1.031	32	3.208	33	3.308	28.19	32.28	36.22	37.01	40.16	42.52	44.09	48.03	48.82	52.91	55.90	57.48	63.78	71.65	79.53	81.10
1.032	31	3.108	32	3.208	29.53	33.62	37.56	38.35	41.50	43.86	45.43	49.37	50.16	54.25	57.24	58.82	65.12	72.99	80.87	82.44
1.033	30	3.008	31	3.108	30.71	34.80	38.74	39.53	42.68	45.04	46.61	50.55	51.34	55.43	58.42	60.00	66.30	74.17	82.05	83.62
1.034	29	2.907	30	3.008	29.68	33.78	37.71	38.50	41.65	44.01	45.59	49.53	50.31	54.41	57.40	58.97	65.27	73.15	81.02	82.60
1.036	28	2.807	29	2.907	30.86	34.96	38.89	39.68	42.83	45.19	46.77	50.71	51.49	55.59	58.58	60.15	66.45	74.33	82.20	83.78
1.037	27	2.707	28	2.807	28.66	32.75	36.69	37.48	40.63	42.99	44.57	48.51	49.29	53.39	56.38	57.95	64.25	72.13	80.00	81.58
1.038	26	2.607	27	2.707	29.84	33.94	37.87	38.66	41.81	44.17	45.75	49.69	50.47	54.57	57.56	59.13	65.43	73.31	81.18	82.76
1.040	25	2.506	26	2.607	31.02	35.12	39.05	39.84	42.99	45.35	46.93	50.87	51.65	55.75	58.74	60.31	66.61	74.49	82.36	83.94
1.042	48	4.812	50	5.013	30.00	34.09	38.03	38.82	41.97	44.33	45.90	49.84	50.63	54.72	57.71	59.29	65.59	73.46	81.34	82.91
1.050	40	4.010	42	4.211	30.16	34.25	38.19	38.98	42.13	44.49	46.06	50.00	50.79	54.88	57.87	59.45	65.75	73.62	81.50	83.07
1.050	60	6.015	63	6.316	29.13	33.23	37.16	37.95	41.10	43.46	45.04	48.98	49.76	53.86	56.85	58.42	64.72	72.60	80.47	82.05
1.051	39	3.910	41	4.110	27.08	31.18	35.11	35.90	39.05	41.41	42.99	46.93	47.71	51.81	54.80	56.38	62.68	70.55	78.43	80.00
1.053	38	3.810	40	4.010	29.29	33.38	37.32	38.11	41.26	43.62	45.20	49.14	49.92	54.02	57.01	58.58	64.88	72.76	80.63	82.21
1.054	37	3.709	39	3.910	28.27	32.36	36.30	37.09	40.24	42.60	44.17	48.11	48.90	52.99	55.98	57.56	63.86	71.73	79.61	81.18
1.056	36	3.609	38	3.810	30.31	34.41	38.34	39.13	42.28	44.64	46.22	50.16	50.94	55.04	58.03	59.60	65.90	73.78	81.65	83.23
1.056	71	7.118	75	7.519	29.45	33.54	37.48	38.27	41.42	43.78	45.35	49.29	50.08	54.17	57.16	58.74	65.04	72.91	80.79	82.36
1.057	35	3.509	37	3.709	27.56	31.65	35.59	36.38	39.53	41.89	43.46	47.40	48.19	52.28	55.27	56.85				

SELECTION



8M HT500 Selection Table

Speed Ratio	Sprocket Combinations				Center Distance, Inches													
	Driver		Driven		640-8MX	720-8MX	800-8MX	896-8MX	960-8MX	1000-8MX	1040-8MX	1120-8MX	1200-8MX	1224-8MX	1280-8MX	1440-8MX	1600-8MX	1760-8MX
	No. of Teeth	Pitch Dia. Inches	No. of Teeth	Pitch Dia. Inches														
Length Factor*					0.79	0.83	0.87	0.91	0.94	0.96	0.97	1.00	1.03	1.03	1.05	1.10	1.14	1.17
1.207	29	2.907	35	3.509	7.55	9.13	10.71	12.60	13.86	14.64	15.43	17.00	18.58	19.05	20.15	23.30	26.45	29.60
1.212	33	3.308	40	4.010	6.84	8.42	10.00	11.89	13.15	13.93	14.72	16.29	17.87	18.34	19.44	22.59	25.75	28.90
1.214	28	2.807	34	3.409	7.71	9.29	10.86	12.75	14.01	14.80	15.59	17.16	18.74	19.21	20.31	23.46	26.61	29.76
1.216	37	3.709	45	4.511	6.13	7.71	9.29	11.18	12.44	13.22	14.01	15.58	17.16	17.63	18.73	21.89	25.04	28.19
1.219	32	3.208	39	3.910	7.00	8.58	10.15	12.04	13.30	14.09	14.88	16.45	18.03	18.50	19.60	22.75	25.90	29.05
1.220	41	4.110	50	5.013	5.42	7.00	8.57	10.47	11.73	12.51	13.30	14.87	16.45	16.92	18.02	21.17	24.33	27.48
1.222	27	2.707	33	3.308	7.87	9.45	11.02	12.91	14.17	14.96	15.74	17.32	18.89	19.37	20.47	23.62	26.77	29.92
1.226	31	3.108	38	3.810	7.16	8.73	10.31	12.20	13.46	14.25	15.03	16.61	18.18	18.66	19.76	22.91	26.06	29.21
1.227	22	2.206	27	2.707	8.74	10.31	11.89	13.78	15.04	15.82	16.61	18.18	19.76	20.23	21.33	24.49	27.64	30.79
1.231	26	2.607	32	3.208	8.03	9.60	11.18	13.07	14.33	15.11	15.90	17.48	19.05	19.53	20.63	23.78	26.93	30.08
1.231	39	3.910	48	4.812	5.73	7.31	8.89	10.78	12.04	12.83	13.61	15.19	16.76	17.24	18.34	21.49	24.64	27.79
1.233	30	3.008	37	3.709	7.32	8.89	10.47	12.36	13.62	14.41	15.19	16.77	18.34	18.82	19.92	23.07	26.22	29.37
1.235	34	3.409	42	4.211	6.60	8.18	9.76	11.65	12.91	13.69	14.48	16.06	17.63	18.11	19.21	22.36	25.51	28.66
1.240	25	2.506	31	3.108	8.19	9.76	11.34	13.23	14.49	15.27	16.06	17.63	19.21	19.68	20.78	23.93	27.08	30.23
1.241	29	2.907	36	3.609	7.47	9.05	10.63	12.52	13.78	14.56	15.35	16.92	18.50	18.97	20.07	23.22	26.38	29.53
1.242	33	3.308	41	4.110	6.76	8.34	9.92	11.81	13.07	13.85	14.64	16.21	17.79	18.26	19.36	22.52	25.67	28.82
1.244	45	4.511	56	5.614	6.20	7.78	9.67	11.56	13.09	13.87	14.64	16.21	17.79	18.26	19.36	22.52	25.67	28.82
1.250	28	2.807	35	3.509	7.63	9.21	10.78	12.67	13.94	14.72	15.51	17.08	18.66	19.13	20.23	23.38	26.53	29.68
1.250	32	3.208	40	4.010	6.92	8.50	10.07	11.96	13.22	14.01	14.80	16.37	17.95	18.42	19.52	22.67	25.82	28.97
1.250	36	3.609	45	4.511	6.21	7.78	9.36	11.25	12.51	13.30	14.09	15.66	17.24	17.71	18.81	21.96	25.11	28.26
1.250	40	4.010	50	5.013	5.49	7.07	8.65	10.54	11.80	12.59	13.37	14.95	16.53	17.00	18.10	21.25	24.40	27.55
1.250	48	4.812	60	6.015	6.015	7.22	8.92	10.81	12.38	13.17	13.95	15.53	17.11	17.58	18.68	21.83	24.98	28.13
1.250	60	6.015	75	7.519	7.519	8.77	10.66	12.55	14.13	14.92	15.70	17.28	18.86	19.33	20.43	23.58	26.73	29.88
1.258	31	3.108	39	3.910	7.08	8.65	10.23	12.12	13.38	14.17	14.95	16.53	18.11	18.58	19.68	22.83	25.98	29.13
1.259	27	2.707	34	3.409	7.79	9.36	10.94	12.83	14.09	14.88	15.66	17.24	18.81	19.29	20.39	23.54	26.69	29.84
1.260	50	5.013	63	6.316	6.316	7.56	9.45	11.34	12.92	13.71	14.49	16.07	17.65	18.12	19.22	22.37	25.52	28.67
1.262	42	4.211	53	5.314	6.67	8.25	10.14	11.41	12.19	12.98	13.76	15.34	16.92	17.39	18.49	21.64	24.79	27.94
1.263	38	3.810	48	4.812	5.81	7.39	8.96	10.86	12.12	12.90	13.69	15.27	16.84	17.32	18.42	21.57	24.72	27.87
1.264	53	5.314	67	6.717	6.717	8.16	9.42	11.31	12.89	13.68	14.46	16.04	17.62	18.09	19.19	22.34	25.49	28.64
1.267	30	3.008	38	3.810	7.23	8.81	10.39	12.28	13.54	14.32	15.11	16.69	18.26	18.74	19.84	22.99	26.14	29.29
1.268	56	5.614	71	7.118	7.118	8.57	10.46	12.35	13.93	14.72	15.50	17.08	18.66	19.13	20.23	23.38	26.53	29.68
1.268	71	7.118	90	9.023	9.023	10.42	12.31	14.20	15.78	16.57	17.35	18.93	20.51	20.98	22.08	25.23	28.38	31.53
1.269	26	2.607	33	3.308	7.95	9.52	11.10	12.99	14.25	15.04	15.82	17.40	18.97	19.45	20.55	23.70	26.85	30.00
1.270	63	6.316	80	8.020	8.020	9.48	11.37	13.26	14.84	15.63	16.41	18.00	19.58	20.05	21.15	24.30	27.45	30.60
1.273	22	2.206	28	2.807	8.66	10.23	11.81	13.70	14.96	15.74	16.53	18.11	19.68	20.16	21.26	24.41	27.56	30.71
1.273	33	3.308	42	4.211	6.68	8.26	9.83	11.73	12.99	13.77	14.56	16.13	17.71	18.18	19.28	22.44	25.59	28.74
1.276	29	2.907	37	3.709	7.39	8.97	10.55	12.44	13.70	14.48	15.27	16.84	18.42	18.89	19.99	23.15	26.30	29.45
1.280	25	2.506	32	3.208	8.10	9.68	11.26	13.15	14.41	15.19	15.98	17.55	19.13	19.60	20.70	23.85	27.00	30.16
1.281	32	3.208	41	4.110	6.84	8.42	9.99	11.88	13.14	13.93	14.72	16.29	17.87	18.34	19.44	22.59	25.74	28.89
1.282	39	3.910	50	5.013	5.56	7.15	8.72	10.62	11.88	12.66	13.45	15.03	16.60	17.08	18.18	21.33	24.48	27.63
1.286	28	2.807	36	3.609	7.55	9.13	10.70	12.59	13.86	14.64	15.43	17.00	18.58	19.05	20.15	23.30	26.45	29.60
1.286	35	3.509	45	4.511	6.28	7.86	9.44	11.33	12.59	13.38	14.16	15.74	17.31	17.79	18.89	22.04	25.19	28.34
1.290	31	3.108	40	4.010	6.99	8.57	10.15	12.04	13.30	14.09	14.87	16.45	18.02	18.50	19.60	22.75	25.90	29.05
1.293	41	4.110	53	5.314	6.75	8.33	10.22	11.48	12.27	13.05	13.84	15.42	17.00	17.47	18.57	21.72	24.87	28.02
1.296	27	2.707	35	3.509	7.71	9.28	10.86	12.75	14.01	14.80	15.58	17.16	18.73	19.21	20.31	23.46	26.61	29.76
1.297	37	3.709	48	4.812	5.88	7.46	9.04	10.93	12.20	12.98	13.77	15.34	16.92	17.39	18.49	21.65	24.80	27.95
1.300	30	3.008	39	3.910	7.15	8.73	10.31	12.20	13.46	14.24	15.03	16.61	18.18	18.66	19.76	22.91	26.06	29.21
1.308	26	2.607	34	3.409	7.86	9.44	11.02	12.91	14.17	14.95	15.74	17.32	18.89	19.37	20.47	23.62	26.77	29.92
1.310	29	2.907	38	3.810	7.31	8.89	10.46	12.36	13.62	14.40	15.19	16.76	18.34	18.81	19.91	23.07	26.22	29.37
1.313	32	3.208	42	4.211	6.75	8.33	9.91	11.80	13.06	13.85	14.63	16.21	17.79	18.26	19.36	22.51	25.66	28.81
1.313	48	4.812	63	6.316	6.316	7.56	9.45	11.34	12.92	13.71	14.49	16.07	17.65	18.12	19.22	22.37	25.52	28.67
1.316	38	3.810	50	5.013	5.64	7.22	8.80	10.69	11.96	12.74	13.53	15.10	16.68	17.15	18.26	21.41	24.56	27.71
1.318	22	2.206	29	2.907	8.58	10.15	11.73	13.62	14.88	15.67	16.45	18.03	19.60	20.08	21.18	24.33	27.48	30.63
1.320	25	2.506	33	3.308	8.02	9.60	11.18	13.07	14.33	15.11	15.90	17.47	19.05	19.52	20.62	23.78	26.93	30.08
1.321	28	2.807	37	3.709	7.47	9.05	10.62	12.51	13.77	14.56	15.35	16.92	18.50	18.97	20.07	23.22	26.37	29.52
1.323	31	3.108	41	4.110	6.91	8.49	10.07	11.96	13.22	14.01	14.79	16.37	17.94	18.42	19.52	22.67	25.82	28.97
1.324	34	3.409	45	4.511	6.36	7.94	9.51	11.41	12.67	13.45	14.24	15.82	17.39	17.87	18.97	22.12	25.27	28.42
1.325	40	4.010	53	5.314	5.24	6.82	8.40	10.30	11.56	12.34	13.13	14.71	16.28	16.76	17.86	21.01	24.16	27.31
1.333	27	2.707	36	3.609	7.63	9.20	10.78	12.67	13.93	14.72	15.50	17.08	18.65	19.13	20.23	23.38	26.53	29.68
1.333	30	3.008	40	4.010	7.07	8.65	10.23	12.12	13.38	14.16	14.95	16.53	18.10	18.58	19.68	22.83	25.98	29.13
1.333	36	3.609	48	4.812	5.96	7.54	9.12	11.01	12.27	13.06	13.84	15.42	17.00	17.47	18.57	21.72	24.87	28.02
1.333	42	4.211	56	5.614	6.42	8.00	9.90	11.16	11.95	12.73	13.51	15.09	16.66	17.14	18.24	21.39	24.54	27.69
1.333	45	4.511	60	6.015														



SELECTION

8M HT500 Selection Table (Continued)

Speed Ratio	Sprocket Combinations				Center Distance, Inches															
	Driver		Driven		1792-8MX	2000-8MX	2200-8MX	2240-8MX	2400-8MX	2520-8MX	2600-8MX	2800-8MX	2840-8MX	3048-8MX	3200-8MX	3280-8MX	3600-8MX	4000-8MX	4400-8MX	4480-8MX
	No. of Teeth	Pitch Dia. Inches	No. of Teeth	Pitch Dia. Inches																
Length Factor*					1.18	1.22	1.26	1.26	1.29	1.31	1.32	1.35	1.36	1.38	1.40	1.41	1.45	1.49	1.52	1.53
1.207	29	2.907	35	3.509	30.23	34.33	38.26	39.05	42.20	44.56	46.14	50.08	50.86	54.96	57.95	59.53	65.83	73.70	81.58	83.15
1.212	33	3.308	40	4.010	29.53	33.62	37.56	38.35	41.50	43.86	45.43	49.37	50.16	54.25	57.24	58.82	65.12	72.99	80.87	82.44
1.214	28	2.807	34	3.409	30.39	34.49	38.42	39.21	42.36	44.72	46.30	50.24	51.02	55.12	58.11	59.68	65.98	73.86	81.73	83.31
1.216	37	3.709	45	4.511	28.82	32.91	36.85	37.64	40.79	43.15	44.72	48.66	49.45	53.54	56.53	58.11	64.41	72.28	80.16	81.73
1.219	32	3.208	39	3.910	29.68	33.78	37.71	38.50	41.65	44.01	45.59	49.53	50.31	54.41	57.40	58.97	65.27	73.15	81.02	82.60
1.220	41	4.110	50	5.013	28.11	32.20	36.14	36.93	40.08	42.44	44.01	47.95	48.74	52.83	55.82	57.40	63.70	71.57	79.45	81.02
1.222	27	2.707	33	3.308	30.55	34.64	38.58	39.37	42.52	44.88	46.45	50.39	51.18	55.28	58.27	59.84	66.14	74.02	81.89	83.47
1.226	31	3.108	38	3.810	29.84	33.93	37.87	38.66	41.81	44.17	45.75	49.69	50.47	54.57	57.56	59.13	65.43	73.31	81.18	82.76
1.227	22	2.206	27	2.707	31.42	35.51	39.45	40.24	43.39	45.75	47.32	51.26	52.05	56.14	59.13	60.71	67.01	74.88	82.76	84.33
1.231	26	2.607	32	3.208	30.71	34.80	38.74	39.53	42.68	45.04	46.61	50.55	51.34	55.43	58.42	60.00	66.30	74.17	82.05	83.62
1.231	39	3.910	48	4.812	28.42	32.52	36.45	37.24	40.39	42.75	44.33	48.27	49.05	53.15	56.14	57.71	64.01	71.89	79.76	81.34
1.233	30	3.008	37	3.709	30.00	34.09	38.03	38.82	41.97	44.33	45.90	49.84	50.63	54.72	57.71	59.29	65.59	73.46	81.34	82.91
1.235	34	3.409	42	4.211	29.29	33.38	37.32	38.11	41.26	43.62	45.19	49.13	49.92	54.01	57.00	58.58	64.88	72.75	80.63	82.20
1.240	25	2.506	31	3.108	30.86	34.96	38.89	39.68	42.83	45.19	46.77	50.71	51.49	55.59	58.58	60.16	66.46	74.33	82.21	83.78
1.241	29	2.907	36	3.609	30.16	34.25	38.19	38.98	42.13	44.49	46.06	50.00	50.79	54.88	57.87	59.45	65.75	73.62	81.50	83.07
1.242	33	3.308	41	4.110	29.45	33.54	37.48	38.27	41.42	43.78	45.35	49.29	50.08	54.17	57.16	58.74	65.04	72.91	80.79	82.36
1.244	45	4.511	56	5.614	27.32	31.41	35.35	36.14	39.29	41.65	43.22	47.16	47.95	52.04	55.04	56.61	62.91	70.79	78.66	80.24
1.250	28	2.807	35	3.509	30.31	34.41	38.34	39.13	42.28	44.64	46.22	50.16	50.94	55.04	58.03	59.60	65.90	73.78	81.65	83.23
1.250	32	3.208	40	4.010	29.60	33.70	37.63	38.42	41.57	43.93	45.51	49.45	50.23	54.33	57.32	58.89	65.19	73.07	80.95	82.52
1.250	36	3.609	45	4.511	28.89	32.99	36.92	37.71	40.87	43.23	44.80	48.74	49.53	53.62	56.61	58.19	64.49	72.36	80.24	81.81
1.250	40	4.010	50	5.013	28.18	32.28	36.21	37.00	40.16	42.52	44.09	48.03	48.82	52.91	55.90	57.48	63.78	71.65	79.53	81.10
1.250	48	4.812	60	6.015	26.76	30.86	34.80	35.59	38.74	41.10	42.67	46.61	47.40	51.49	54.48	56.06	62.36	70.23	78.11	79.68
1.250	60	6.015	75	7.519	24.63	28.73	32.67	33.46	36.61	38.97	40.54	44.48	45.27	49.36	52.36	53.93	60.23	68.11	75.98	77.56
1.258	31	3.108	39	3.910	29.76	33.86	37.79	38.58	41.73	44.09	45.67	49.61	50.39	54.49	57.48	59.05	65.35	73.23	81.10	82.68
1.259	27	2.707	34	3.409	30.47	34.56	38.50	39.29	42.44	44.80	46.38	50.32	51.10	55.20	58.19	59.76	66.06	73.94	81.81	83.39
1.260	50	5.013	63	6.316	26.37	30.47	34.40	35.19	38.34	40.70	42.28	46.22	47.00	51.10	54.09	55.66	61.96	69.84	77.71	79.29
1.262	42	4.211	53	5.314	27.79	31.88	35.82	36.61	39.76	42.12	43.70	47.64	48.42	52.52	55.51	57.08	63.38	71.26	79.13	80.71
1.263	38	3.810	48	4.812	28.50	32.59	36.53	37.32	40.47	42.83	44.41	48.35	49.13	53.23	56.22	57.79	64.09	71.97	79.84	81.42
1.264	53	5.314	67	6.717	25.82	29.91	33.85	34.64	37.79	40.15	41.72	45.67	46.45	50.55	53.54	55.11	61.41	69.29	77.16	78.74
1.267	30	3.008	38	3.810	29.92	34.01	37.95	38.74	41.89	44.25	45.82	49.76	50.55	54.64	57.63	59.21	65.51	73.38	81.26	82.83
1.268	56	5.614	71	7.118	25.26	29.36	33.30	34.09	37.24	39.60	41.17	45.11	45.90	49.99	52.98	54.56	60.86	68.74	76.61	78.19
1.268	71	7.118	90	9.023	22.58	26.68	30.61	31.40	34.55	36.92	38.49	42.43	43.22	47.31	50.30	51.88	58.18	66.06	73.93	75.51
1.269	26	2.607	33	3.308	30.63	34.72	38.66	39.45	42.60	44.96	46.53	50.47	51.26	55.35	58.34	59.92	66.22	74.09	81.97	83.54
1.270	63	6.316	80	8.020	24.00	28.10	32.03	32.82	35.98	38.34	39.91	43.85	44.64	48.73	51.72	53.30	59.60	67.48	75.35	76.93
1.273	22	2.206	28	2.807	31.34	35.43	39.37	40.16	43.31	45.67	47.24	51.18	51.97	56.06	59.05	60.63	66.93	74.80	82.68	84.25
1.273	33	3.308	42	4.211	29.37	33.46	37.40	38.19	41.34	43.70	45.27	49.21	50.00	54.09	57.08	58.66	64.96	72.83	80.71	82.28
1.276	29	2.907	37	3.709	30.08	34.17	38.11	38.90	42.05	44.41	45.98	49.92	50.71	54.80	57.79	59.37	65.67	73.54	81.42	82.99
1.280	25	2.506	32	3.208	30.79	34.88	38.82	39.61	42.76	45.12	46.69	50.63	51.42	55.51	58.50	60.08	66.38	74.25	82.13	83.70
1.281	32	3.208	41	4.110	29.52	33.62	37.55	38.34	41.50	43.86	45.43	49.37	50.16	54.25	57.24	58.82	65.12	72.99	80.87	82.44
1.282	39	3.910	50	5.013	28.26	32.36	36.29	37.08	40.23	42.59	44.17	48.11	48.89	52.99	55.98	57.55	63.85	71.73	79.60	81.18
1.286	28	2.807	36	3.609	30.23	34.33	38.26	39.05	42.20	44.56	46.14	50.08	50.86	54.96	57.95	59.53	65.83	73.70	81.57	83.15
1.286	35	3.509	45	4.511	28.97	33.07	37.00	37.79	40.94	43.30	44.88	48.82	49.60	53.70	56.69	58.26	64.56	72.44	80.31	81.89
1.290	31	3.108	40	4.010	29.68	33.78	37.71	38.50	41.65	44.01	45.59	49.53	50.31	54.41	57.40	58.97	65.27	73.15	81.02	82.60
1.293	41	4.110	53	5.314	27.87	31.96	35.90	36.69	39.84	42.20	43.77	47.71	48.50	52.59	55.59	57.16	63.46	71.34	79.21	80.79
1.296	27	2.707	35	3.509	30.39	34.49	38.42	39.21	42.36	44.72	46.30	50.24	51.02	55.12	58.11	59.68	65.98	73.86	81.73	83.31
1.297	37	3.709	48	4.812	28.58	32.67	36.61	37.40	40.55	42.91	44.48	48.42	49.21	53.30	56.29	57.87	64.17	72.05	79.92	81.50
1.300	30	3.008	39	3.910	29.84	33.93	37.87	38.66	41.81	44.17	45.74	49.68	50.47	54.56	57.55	59.13	65.43	73.31	81.18	82.76
1.308	26	2.607	34	3.409	30.55	34.64	38.58	39.37	42.52	44.88	46.45	50.39	51.18	55.27	58.26	59.84	66.14	74.01	81.89	83.46
1.310	29	2.907	38	3.810	30.00	34.09	38.03	38.82	41.97	44.33	45.90	49.84	50.63	54.72	57.71	59.29	65.59	73.46	81.34	82.91
1.313	32	3.208	42	4.211	29.44	33.54	37.47	38.26	41.42	43.78	45.35	49.29	50.08	54.17	57.16	58.74	65.04	72.91	80.79	82.

SELECTION



8M HT500 Selection Table

Speed Ratio	Sprocket Combinations				Center Distance, Inches													
	Driver		Driven		640-8MX	720-8MX	800-8MX	896-8MX	960-8MX	1000-8MX	1040-8MX	1120-8MX	1200-8MX	1224-8MX	1280-8MX	1440-8MX	1600-8MX	1760-8MX
	No. of Teeth	Pitch Dia. Inches	No. of Teeth	Pitch Dia. Inches														
Length Factor*					0.79	0.83	0.87	0.91	0.94	0.96	0.97	1.00	1.03	1.03	1.05	1.10	1.14	1.17
1.366	41	4.110	56	5.614														
1.367	30	3.008	41	4.110	6.99	8.57	10.14	12.04	13.30	14.08	14.87	16.45	18.02	18.50	19.60	22.75	25.90	29.05
1.370	27	2.707	37	3.709	7.54	9.12	10.70	12.59	13.85	14.64	15.42	17.00	18.57	19.05	20.15	23.30	26.45	29.60
1.371	35	3.509	48	4.812	6.03	7.61	9.19	11.09	12.35	13.13	13.92	15.50	17.07	17.55	18.65	21.80	24.95	28.10
1.379	29	2.907	40	4.010	7.15	8.72	10.30	12.19	13.46	14.24	15.03	16.60	18.18	18.65	19.75	22.91	26.06	29.21
1.385	26	2.607	36	3.609	7.70	9.28	10.86	12.75	14.01	14.79	15.58	17.16	18.73	19.21	20.31	23.46	26.61	29.76
1.389	36	3.609	50	5.013	5.79	7.37	8.95	10.85	12.11	12.89	13.68	15.26	16.83	17.31	18.41	21.56	24.71	27.86
1.393	28	2.807	39	3.910	7.30	8.88	10.46	12.35	13.61	14.40	15.18	16.76	18.34	18.81	19.91	23.06	26.21	29.36
1.395	38	3.810	53	5.314	5.38	6.97	8.55	10.45	11.71	12.50	13.28	14.86	16.44	16.91	18.01	21.17	24.32	27.47
1.396	48	4.812	67	6.717			6.63	8.53	9.80	10.59	11.38	12.96	14.53	15.01	16.11	19.27	22.42	25.57
1.400	25	2.506	35	3.509	7.86	9.44	11.01	12.91	14.17	14.95	15.74	17.31	18.89	19.36	20.46	23.62	26.77	29.92
1.400	30	3.008	42	4.211	6.90	8.48	10.06	11.96	13.22	14.00	14.79	16.36	17.94	18.42	19.52	22.67	25.82	28.97
1.400	40	4.010	56	5.614			8.15	10.05	11.31	12.10	12.89	14.46	16.04	16.52	17.62	20.77	23.92	27.07
1.400	45	4.511	63	6.316			7.19	9.09	10.36	11.14	11.93	13.51	15.09	15.57	16.67	19.82	22.97	26.13
1.400	80	8.020	112	11.229											9.95	13.13	16.30	19.46
1.406	32	3.208	45	4.511	6.50	8.09	9.67	11.56	12.82	13.61	14.39	15.97	17.55	18.02	19.12	22.27	25.42	28.58
1.407	27	2.707	38	3.810	7.46	9.04	10.62	12.51	13.77	14.56	15.34	16.92	18.49	18.97	20.07	23.22	26.37	29.52
1.409	22	2.206	31	3.108	8.41	9.99	11.57	13.46	14.72	15.50	16.29	17.87	19.44	19.92	21.02	24.17	27.32	30.47
1.412	34	3.409	48	4.812	6.10	7.69	9.27	11.16	12.42	13.21	14.00	15.57	17.15	17.62	18.73	21.88	25.03	28.18
1.414	29	2.907	41	4.110	7.06	8.64	10.22	12.11	13.38	14.16	14.95	16.52	18.10	18.57	19.67	22.83	25.98	29.13
1.415	53	5.314	75	7.519				7.48	8.75	9.54	10.33	11.91	13.50	13.97	15.08	18.23	21.39	24.54
1.420	50	5.013	71	7.118				8.04	9.31	10.10	10.89	12.47	14.05	14.53	15.63	18.79	21.94	25.10
1.423	26	2.607	37	3.709	7.62	9.20	10.78	12.67	13.93	14.71	15.50	17.08	18.65	19.13	20.23	23.38	26.53	29.68
1.429	28	2.807	40	4.010	7.22	8.80	10.38	12.27	13.53	14.32	15.10	16.68	18.26	18.73	19.83	22.98	26.13	29.28
1.429	35	3.509	50	5.013	5.86	7.44	9.03	10.92	12.18	12.97	13.76	15.33	16.91	17.39	18.49	21.64	24.79	27.94
1.429	42	4.211	60	6.015		6.08	7.67	9.57	10.83	11.62	12.41	13.98	15.56	16.04	17.14	20.29	23.45	26.60
1.429	56	5.614	80	8.020					8.10	8.90	9.69	11.27	12.86	13.33	14.44	17.60	20.75	23.91
1.429	63	6.316	90	9.023							8.31	9.91	11.49	11.97	13.08	16.24	19.40	22.56
1.432	37	3.709	53	5.314	5.45	7.04	8.63	10.52	11.79	12.57	13.36	14.94	16.51	16.99	18.09	21.24	24.40	27.55
1.436	39	3.910	56	5.614			6.64	8.23	10.12	11.39	12.18	13.76	15.34	15.82	16.92	20.08	23.23	26.38
1.440	25	2.506	36	3.609	7.78	9.36	10.93	12.83	14.09	14.87	15.66	17.23	18.81	19.28	20.38	23.54	26.69	29.84
1.444	27	2.707	39	3.910	7.38	8.96	10.54	12.43	13.69	14.48	15.26	16.84	18.41	18.89	19.99	23.14	26.29	29.44
1.448	29	2.907	42	4.211	6.98	8.56	10.14	12.03	13.29	14.08	14.87	16.44	18.02	18.49	19.59	22.75	25.90	29.05
1.452	31	3.108	45	4.511	6.58	8.16	9.74	11.63	12.90	13.68	14.47	16.05	17.62	18.10	19.20	22.35	25.50	28.65
1.455	22	2.206	32	3.208	8.33	9.91	11.49	13.38	14.64	15.42	16.21	17.79	19.36	19.84	20.94	24.09	27.24	30.39
1.455	33	3.308	48	4.812	6.18	7.76	9.34	11.24	12.50	13.29	14.07	15.65	17.23	17.70	18.80	21.95	25.11	28.26
1.462	26	2.607	38	3.810	7.54	9.12	10.69	12.59	13.85	14.63	15.42	16.99	18.57	19.05	20.15	23.30	26.45	29.60
1.463	41	4.110	60	6.015			6.15	7.74	9.64	10.91	11.69	13.28	14.86	15.34	16.44	19.59	22.75	25.90
1.464	28	2.807	41	4.110	7.14	8.72	10.30	12.19	13.45	14.24	15.02	16.60	18.18	18.65	19.75	22.90	26.05	29.21
1.471	34	3.409	50	5.013	5.93	7.52	9.10	11.00	12.26	13.05	13.83	15.41	16.99	17.46	18.56	21.72	24.87	28.02
1.472	36	3.609	53	5.314	5.53	7.12	8.70	10.60	11.86	12.65	13.43	15.01	16.59	17.07	18.17	21.32	24.47	27.62
1.474	38	3.810	56	5.614		6.71	8.30	10.20	11.46	12.25	13.04	14.62	16.19	16.67	17.77	20.92	24.08	27.23
1.479	48	4.812	71	7.118				8.19	9.46	10.25	11.04	12.62	14.20	14.68	15.78	18.94	22.10	25.25
1.480	25	2.506	37	3.709	7.70	9.27	10.85	12.74	14.01	14.79	15.58	17.15	18.73	19.20	20.30	23.46	26.61	29.76
1.481	27	2.707	40	4.010	7.30	8.88	10.45	12.35	13.61	14.39	15.18	16.76	18.33	18.81	19.91	23.06	26.21	29.36
1.489	45	4.511	67	6.717			6.84	8.75	10.02	10.81	11.60	13.18	14.76	15.24	16.34	19.50	22.65	25.80
1.493	75	7.519	112	11.229											10.30	13.49	16.67	19.83
1.500	22	2.206	33	3.308	8.25	9.83	11.41	13.30	14.56	15.34	16.13	17.71	19.28	19.76	20.86	24.01	27.16	30.31
1.500	26	2.607	39	3.910	7.45	9.03	10.61	12.50	13.77	14.55	15.34	16.91	18.49	18.97	20.07	23.22	26.37	29.52
1.500	28	2.807	42	4.211	7.05	8.63	10.21	12.11	13.37	14.16	14.94	16.52	18.09	18.57	19.67	22.82	25.97	29.12
1.500	30	3.008	45	4.511	6.65	8.24	9.82	11.71	12.97	13.76	14.55	16.12	17.70	18.17	19.27	22.43	25.58	28.73
1.500	32	3.208	48	4.812	6.25	7.84	9.42	11.31	12.58	13.36	14.15	15.73	17.30	17.78	18.88	22.03	25.18	28.33
1.500	40	4.010	60	6.015			6.22	7.81	9.71	11.08	11.77	13.35	14.93	15.41	16.51	19.66	22.81	25.96
1.500	42	4.211	63	6.316			5.81	7.41	9.31	10.58	11.37	12.95	14.53	15.01	16.11	19.26	22.41	25.56
1.500	50	5.013	75	7.519				7.70	8.97	9.76	10.55	12.14	13.72	14.20	15.30	18.46	21.62	24.77
1.500	60	6.015	90	9.023							8.53	10.12	11.71	12.19	13.30	16.47	19.63	22.78
1.509	53	5.314	80	8.020					8.32	9.11	9.90	11.49	13.08	13.55	14.66	17.82	20.98	24.13
1.514	35	3.509	53	5.314	5.60	7.19	8.77	10.67	11.94	12.72	13.51	15.09	16.67	17.14	18.24	21.40	24.55	27.70
1.514	37	3.709	56	5.614	5.19	6.79	8.37	10.27	11.54	12.33	13.11	14.69	16.27	16.75	17.85	21.00	24.15	27.31
1.515	33	3.308	50	5.013	6.00	7.59	9.18	11.07	12.34	13.12	13.91	15.49	17.06	17.54	18.64	21.79	24.95	28.10
1.519	27	2.707	41	4.110	7.21	8.79	10.37	12.27	13.53	14.31	15.10	16.68	18.25	18.73	19.83	22.98	26.13	29.28
1.520	25	2.506	38	3.810	7.61	9.19	10.77	12.66	13.92	14.71	15.50	17.07	18.65	19.12	20.22	23.38	26.53	29.68
1.537	41	4.110	63	6.316			5.88	7.48	9.39	10.65	11.44	13.02	14.60	15.08	16.18	19.33	22.48	25.63
1.538	26	2.607	40	4.010	7.37	8.95	10.53	12.42	13.69	14.47	15.26	16.83	18.41	18.88	19.99	23.14	26.29	29.44
1.538	39	3.910	60	6.015			6.29	7.88	9.79	11.05	11.84	13.42	15.00	15.47	16.57	19.72	22.87	26.03
1.545	22	2.206	34	3.409														



SELECTION

8M HT500 Selection Table (Continued)

Speed Ratio	Sprocket Combinations				Center Distance, Inches															
	Driver		Driven		1792-8MX	2000-8MX	2200-8MX	2240-8MX	2400-8MX	2520-8MX	2600-8MX	2800-8MX	2840-8MX	3048-8MX	3200-8MX	3280-8MX	3600-8MX	4000-8MX	4400-8MX	4480-8MX
	No. of Teeth	Pitch Dia. Inches	No. of Teeth	Pitch Dia. Inches																
Length Factor*					1.18	1.22	1.26	1.26	1.29	1.31	1.32	1.35	1.36	1.38	1.40	1.41	1.45	1.49	1.52	1.53
1.366	41	4.110	56	5.614	27.63	31.72	35.66	36.45	39.60	41.96	43.54	47.48	48.26	52.20	55.35	56.92	63.22	71.10	78.97	80.55
1.367	30	3.008	41	4.110	29.68	33.78	37.71	38.50	41.65	44.01	45.59	49.53	50.31	54.25	57.40	58.97	65.27	73.15	81.02	82.60
1.370	27	2.707	37	3.709	30.23	34.33	38.26	39.05	42.20	44.56	46.14	50.08	50.86	54.80	57.95	59.52	65.82	73.70	81.57	83.15
1.371	35	3.509	48	4.812	28.73	32.83	36.76	37.55	40.70	43.06	44.64	48.58	49.37	53.30	56.45	58.03	64.33	72.20	80.08	81.65
1.379	29	2.907	40	4.010	29.84	33.93	37.87	38.66	41.81	44.17	45.74	49.68	50.47	54.40	57.55	59.13	65.43	73.31	81.18	82.76
1.385	26	2.607	36	3.609	30.39	34.48	38.42	39.21	42.36	44.72	46.30	50.24	51.02	54.96	58.11	59.68	65.98	73.86	81.73	83.31
1.389	36	3.609	50	5.013	28.49	32.59	36.53	37.32	40.47	42.83	44.40	48.34	49.13	53.06	56.21	57.79	64.09	71.96	79.84	81.42
1.393	28	2.807	39	3.910	29.99	34.09	38.03	38.82	41.97	44.33	45.90	49.84	50.63	54.56	57.71	59.29	65.59	73.46	81.34	82.91
1.395	38	3.810	53	5.314	28.10	32.20	36.13	36.92	40.07	42.43	44.01	47.95	48.73	52.67	55.82	57.39	63.69	71.57	79.45	81.02
1.396	48	4.812	67	6.717	26.20	30.30	34.24	35.03	38.18	40.54	42.11	46.06	46.84	50.78	53.93	55.50	61.80	69.68	77.55	79.13
1.400	25	2.506	35	3.509	30.55	34.64	38.58	39.37	42.52	44.88	46.45	50.39	51.18	55.11	58.26	59.84	66.14	74.01	81.89	83.46
1.400	30	3.008	42	4.211	29.60	33.69	37.63	38.42	41.57	43.93	45.51	49.45	50.23	54.17	57.32	58.89	65.19	73.07	80.94	82.52
1.400	40	4.010	56	5.614	27.70	31.80	35.74	36.53	39.68	42.04	43.61	47.55	48.34	52.28	55.43	57.00	63.30	71.18	79.05	80.63
1.400	45	4.511	63	6.316	26.76	30.85	34.79	35.58	38.73	41.09	42.67	46.61	47.39	51.33	54.48	56.05	62.35	70.23	78.11	79.69
1.400	80	8.020	112	11.229	20.09	24.20	28.14	28.93	32.09	34.45	36.03	39.97	40.76	44.69	47.84	49.42	55.72	63.60	71.48	73.05
1.406	32	3.208	45	4.511	29.21	33.30	37.24	38.03	41.18	43.54	45.11	49.05	49.84	53.77	56.92	58.50	64.80	72.67	80.55	82.12
1.407	27	2.707	38	3.810	30.15	34.25	38.18	38.97	42.12	44.48	46.06	50.00	50.78	54.72	57.87	59.44	65.74	73.62	81.49	83.07
1.409	22	2.206	31	3.108	31.10	35.19	39.13	39.92	43.07	45.43	47.00	50.94	51.73	55.66	58.81	60.39	66.69	74.57	82.44	84.02
1.412	34	3.409	48	4.812	28.81	32.91	36.84	37.63	40.78	43.14	44.72	48.66	49.44	53.38	56.53	58.10	64.40	72.28	80.16	81.73
1.414	29	2.907	41	4.110	29.76	33.85	37.79	38.58	41.73	44.09	45.66	49.61	50.39	54.33	57.48	59.05	65.35	73.23	81.10	82.68
1.415	53	5.314	75	7.519	25.17	29.27	33.21	34.00	37.15	39.51	41.09	45.03	45.81	49.75	52.90	54.47	60.77	68.65	76.53	78.10
1.420	50	5.013	71	7.118	25.73	29.82	33.76	34.55	37.70	40.06	41.64	45.58	46.37	50.30	53.45	55.03	61.33	69.20	77.08	78.66
1.423	26	2.607	37	3.709	30.31	34.41	38.34	39.13	42.28	44.64	46.22	50.16	50.94	54.88	58.03	59.60	65.90	73.78	81.65	83.23
1.429	28	2.807	40	4.010	29.91	34.01	37.95	38.74	41.89	44.25	45.82	49.76	50.55	54.48	57.63	59.21	65.51	73.38	81.26	82.83
1.429	35	3.509	50	5.013	28.57	32.67	36.60	37.39	40.54	42.91	44.48	48.42	49.21	53.14	56.29	57.87	64.17	72.04	79.92	81.49
1.429	42	4.211	60	6.015	27.23	31.33	35.26	36.05	39.20	41.56	43.14	47.08	47.87	51.80	54.95	56.53	62.83	70.70	78.58	80.15
1.429	56	5.614	80	8.020	24.54	28.64	32.57	33.37	36.52	38.88	40.45	44.40	45.18	49.12	52.27	53.84	60.14	68.02	75.90	77.47
1.429	63	6.316	90	9.023	23.19	27.29	31.23	32.02	35.17	37.53	39.11	43.05	43.84	47.77	50.92	52.50	58.80	66.68	74.56	76.13
1.432	37	3.709	53	5.314	28.18	32.27	36.21	37.00	40.15	42.51	44.09	48.03	48.81	52.75	55.90	57.47	63.77	71.65	79.52	81.10
1.436	39	3.910	56	5.614	27.78	31.88	35.81	36.60	39.76	42.12	43.69	47.63	48.42	52.35	55.50	57.08	63.38	71.25	79.13	80.71
1.440	25	2.506	36	3.609	30.47	34.56	38.50	39.29	42.44	44.80	46.37	50.31	51.10	55.03	58.18	59.76	66.06	73.94	81.81	83.39
1.444	27	2.707	39	3.910	30.07	34.17	38.10	38.89	42.04	44.40	45.98	49.92	50.70	54.64	57.79	59.36	65.67	73.54	81.42	82.99
1.448	29	2.907	42	4.211	29.68	33.77	37.71	38.50	41.65	44.01	45.58	49.53	50.31	54.25	57.40	58.97	65.27	73.15	81.02	82.60
1.452	31	3.108	45	4.511	29.28	33.38	37.31	38.10	41.26	43.62	45.19	49.13	49.92	53.85	57.00	58.58	64.88	72.75	80.63	82.20
1.455	22	2.206	32	3.208	31.02	35.11	39.05	39.84	42.99	45.35	46.93	50.87	51.65	55.59	58.74	60.31	66.61	74.49	82.36	83.94
1.455	33	3.308	48	4.812	28.89	32.98	36.92	37.71	40.86	43.22	44.80	48.74	49.52	53.46	56.61	58.18	64.48	72.36	80.23	81.81
1.462	26	2.607	38	3.810	30.23	34.32	38.26	39.05	42.20	44.56	46.14	50.08	50.86	54.80	57.95	59.52	65.82	73.70	81.57	83.15
1.463	41	4.110	60	6.015	27.31	31.40	35.34	36.13	39.28	41.64	43.22	47.16	47.94	51.88	55.03	56.60	62.91	70.78	78.66	80.23
1.464	28	2.807	41	4.110	29.84	33.93	37.87	38.66	41.81	44.17	45.74	49.68	50.47	54.40	57.55	59.13	65.43	73.31	81.18	82.76
1.471	34	3.409	50	5.013	28.65	32.75	36.68	37.47	40.62	42.98	44.56	48.50	49.28	53.22	56.37	57.94	64.25	72.12	80.00	81.57
1.472	36	3.609	53	5.314	28.25	32.35	36.29	37.08	40.23	42.59	44.16	48.10	48.89	52.83	55.98	57.55	63.85	71.73	79.60	81.18
1.474	38	3.810	56	5.614	27.86	31.96	35.89	36.68	39.83	42.19	43.77	47.71	48.50	52.43	55.58	57.16	63.46	71.33	79.21	80.78
1.479	48	4.812	71	7.118	25.88	29.98	33.92	34.71	37.86	40.22	41.79	45.74	46.52	50.46	53.61	55.18	61.48	69.36	77.24	78.81
1.480	25	2.506	37	3.709	30.39	34.48	38.42	39.21	42.36	44.72	46.29	50.24	51.02	54.96	58.11	59.68	65.98	73.86	81.73	83.31
1.481	27	2.707	40	4.010	29.99	34.09	38.02	38.81	41.96	44.32	45.90	49.84	50.63	54.56	57.71	59.29	65.59	73.46	81.34	82.91
1.489	45	4.511	67	6.717	26.43	30.53	34.47	35.26	38.41	40.77	42.35	46.29	47.07	51.01	54.16	55.74	62.04	69.91	77.79	79.36
1.493	75	7.519	112	11.229	20.47	24.58	28.52	29.31	32.47	34.83	36.41	40.35	41.14	45.08	48.23	49.81	56.11	63.99	71.87	73.44
1.500	22	2.206	33	3.308	30.94	35.03	38.97	39.76	42.91	45.27	46.85	50.79	51.57	55.51	58.66	60.23	66.53	74.41	82.28	83.86
1.500	26	2.607	39	3.910	30.15	34.25	38.18	38.97	42.12	44.48	46.06	50.00	50.78	54.72	57.87	59.44	65.74	73.62	81.49	83.07
1.500	28	2.807	42	4.211	29.75	33.85	37.79	38.58	41.73	44.09	45.66	49.60	50.39	54.32	57.47	59.05	65.35	73.23	81.10	82.68
1.500	30	3.008	45	4.511	29.36	33.46	37.39	38.18	41.33	43.69	45.27	49.21	49.99	53.93	57.08	58.65	64.95	72.83	80.71	82.28
1.500	32	3.208	48	4.812	28.97	33.06	37.00	37.79	40.94	43.30	44.87	48.81	49.60	53.54	56.69	58.26	64.56	72.44	80.31	81.89
1.500	40	4.010	60	6.015	27.38	31.48	35.42	36.21	39.36	41.72	43.29	47.24	48.02	51.96	55.11	56.68	62.98	70.86	78.74	80.31
1.500	42	4.211	63	6.316	26.99	31.08	35.02	35.81	38.96	41.32	42.90	46.84	47.63	51.56	54.71	56.29	62.59	70.46	78.34	79.92
1.500	50	5.013	75	7.519	25.40	29.50	33.44	34.23	37.38	39.74	41.32	45.26	46.05	49.98	53.13	54.71	61.01	68.89	76.76	78.34
1.500	60	6.015	90	9.023	23.42	27.52	31.46	32.25	35.40	37.76	39.34									

SELECTION



8M HT500 Selection Table

Speed Ratio	Sprocket Combinations				Center Distance, Inches														
	Driver		Driven		640-8MX	720-8MX	800-8MX	896-8MX	960-8MX	1000-8MX	1040-8MX	1120-8MX	1200-8MX	1224-8MX	1280-8MX	1440-8MX	1600-8MX	1760-8MX	
	No. of Teeth	Pitch Dia. Inches	No. of Teeth	Pitch Dia. Inches															
Length Factor*					0.79	0.83	0.87	0.91	0.94	0.96	0.97	1.00	1.03	1.03	1.05	1.10	1.14	1.17	
1.578	45	4.511	71	7.118			6.49	8.41	9.68	10.47	11.26	12.85	14.43	14.90	16.01	19.17	22.32	25.48	
1.579	38	3.810	60	6.015		6.36	7.96	9.86	11.13	11.92	12.71	14.29	15.87	16.34	17.44	20.60	23.75	26.91	
1.591	22	2.206	35	3.509	8.09	9.66	11.24	13.14	14.40	15.18	15.97	17.54	19.12	19.60	20.70	23.85	27.00	30.15	
1.595	42	4.211	67	6.717			7.06	8.97	10.24	11.03	11.82	13.40	14.98	15.46	16.56	19.72	22.88	26.03	
1.600	25	2.506	40	4.010	7.44	9.03	10.61	12.50	13.76	14.55	15.33	16.91	18.49	18.96	20.06	23.22	26.37	29.52	
1.600	30	3.008	48	4.812	6.39	7.98	9.57	11.46	12.73	13.51	14.30	15.88	17.45	17.93	19.03	22.18	25.34	28.49	
1.600	35	3.509	56	5.614	5.33	6.93	8.52	10.42	11.69	12.48	13.26	14.84	16.42	16.90	18.00	21.15	24.31	27.46	
1.600	50	5.013	80	8.020			7.25	8.53	9.33	10.12	11.71	13.30	13.78	14.88	18.05	21.21	24.36		
1.606	33	3.308	53	5.314	5.74	7.33	8.92	10.82	12.09	12.87	13.66	15.24	16.82	17.29	18.40	21.55	24.70	27.86	
1.607	28	2.807	45	4.511	6.80	8.38	9.97	11.86	13.12	13.91	14.70	16.28	17.85	18.33	19.43	22.58	25.73	28.88	
1.607	56	5.614	90	9.023					8.01	8.81	10.41	12.00	12.48	13.59	16.76	19.93	23.09		
1.613	31	3.108	50	5.013	6.15	7.74	9.32	11.22	12.49	13.27	14.06	15.64	17.22	17.69	18.79	21.95	25.10	28.25	
1.615	26	2.607	42	4.211	7.20	8.78	10.36	12.26	13.52	14.31	15.09	16.67	18.25	18.72	19.82	22.98	26.13	29.28	
1.615	39	3.910	63	6.316			7.62	9.53	10.80	11.59	12.38	13.96	15.54	16.02	17.12	20.28	23.43	26.59	
1.622	37	3.709	60	6.015		6.43	8.03	9.94	11.20	11.99	12.78	14.36	15.94	16.42	17.52	20.68	23.83	26.98	
1.634	41	4.110	67	6.717			7.13	9.04	10.31	11.10	11.90	13.48	15.06	15.54	16.64	19.80	22.95	26.11	
1.636	22	2.206	36	3.609	8.00	9.58	11.16	13.05	14.32	15.10	15.89	17.46	19.04	19.52	20.62	23.77	26.92	30.07	
1.640	25	2.506	41	4.110	7.36	8.94	10.52	12.42	13.68	14.47	15.25	16.83	18.41	18.88	19.98	23.13	26.29	29.44	
1.647	34	3.409	56	5.614	5.40	7.00	8.59	10.50	11.76	12.55	13.34	14.92	16.50	16.97	18.07	21.23	24.38	27.54	
1.655	29	2.907	48	4.812	6.47	8.06	9.64	11.54	12.80	13.59	14.38	15.95	17.53	18.01	19.11	22.26	25.41	28.57	
1.656	32	3.208	53	5.314	5.81	7.41	9.00	10.90	12.16	12.95	13.74	15.32	16.89	17.37	18.47	21.63	24.78	27.93	
1.658	38	3.810	63	6.316		6.09	7.69	9.61	10.87	11.66	12.45	14.04	15.62	16.09	17.20	20.35	23.51	26.66	
1.667	27	2.707	45	4.511	6.87	8.46	10.04	11.94	13.20	13.99	14.77	16.35	17.93	18.40	19.51	22.66	25.81	28.96	
1.667	30	3.008	50	5.013	6.22	7.81	9.40	11.30	12.56	13.35	14.13	15.71	17.29	17.77	18.87	22.02	25.18	28.33	
1.667	36	3.609	60	6.015		6.50	8.10	10.01	11.28	12.07	12.85	14.44	16.02	16.49	17.60	20.75	23.91	27.06	
1.667	45	4.511	75	7.519				8.05	9.33	10.12	10.92	12.51	14.09	14.57	15.67	18.84	22.00	25.15	
1.667	48	4.812	80	8.020				7.39	8.67	9.47	10.27	11.86	13.45	13.92	15.03	18.20	21.36	24.51	
1.672	67	6.717	112	11.229										9.74	10.87	14.07	17.25	20.43	
1.675	40	4.010	67	6.717										15.61	16.72	19.87	23.03	26.19	
1.680	25	2.506	42	4.211	7.27	8.86	10.44	12.34	13.60	14.38	15.17	16.75	18.32	18.80	19.90	23.05	26.21	29.36	
1.682	22	2.206	37	3.709	7.92	9.50	11.08	12.97	14.23	15.02	15.81	17.38	18.96	19.43	20.54	23.69	26.84	29.99	
1.690	42	4.211	71	7.118			6.69	8.62	9.90	10.69	11.48	13.07	14.65	15.13	16.23	19.39	22.55	25.71	
1.697	33	3.308	56	5.614	5.47	7.07	8.67	10.57	11.84	12.62	13.41	14.99	16.57	17.05	18.15	21.31	24.46	27.61	
1.698	53	5.314	90	9.023					7.41	8.21	9.02	10.62	12.22	12.70	13.81	16.98	20.15	23.31	
1.703	37	3.709	63	6.316		6.16	7.77	9.68	10.95	11.74	12.53	14.11	15.69	16.17	17.27	20.43	23.59	26.74	
1.710	31	3.108	53	5.314	5.88	7.48	9.07	10.97	12.24	13.02	13.81	15.39	16.97	17.45	18.55	21.70	24.86	28.01	
1.714	28	2.807	48	4.812	6.54	8.13	9.71	11.61	12.88	13.66	14.45	16.03	17.61	18.08	19.18	22.34	25.49	28.64	
1.714	35	3.509	60	6.015		6.58	8.17	10.08	11.35	12.14	12.93	14.51	16.09	16.57	17.67	20.83	23.98	27.14	
1.718	39	3.910	67	6.717			7.27	9.19	10.46	11.25	12.04	13.63	15.21	15.69	16.79	19.95	23.11	26.26	
1.724	29	2.907	50	5.013	6.29	7.88	9.47	11.37	12.64	13.42	14.21	15.79	17.37	17.84	18.95	22.10	25.25	28.41	
1.727	22	2.206	38	3.810	7.83	9.42	11.00	12.89	14.15	14.94	15.72	17.30	18.88	19.35	20.45	23.61	26.76	29.91	
1.731	26	2.607	45	4.511	6.94	8.53	10.11	12.01	13.28	14.06	14.85	16.43	18.00	18.48	19.58	22.73	25.89	29.04	
1.732	41	4.110	71	7.118			6.76	8.69	9.97	10.76	11.55	13.14	14.72	15.20	16.31	19.47	22.63	25.78	
1.750	32	3.208	56	5.614	5.54	7.14	8.74	10.64	11.91	12.70	13.49	15.07	16.65	17.12	18.23	21.38	24.54	27.69	
1.750	36	3.609	63	6.316		6.23	7.84	9.75	11.02	11.81	12.60	14.19	15.77	16.24	17.35	20.51	23.66	26.82	
1.750	80	8.020	140	14.036													13.84	17.06	
1.763	38	3.810	67	6.717				7.34	9.26	10.53	11.32	12.11	13.70	15.28	15.76	16.86	20.02	23.18	26.34
1.765	34	3.409	60	6.015		6.65	8.25	10.15	11.42	12.21	13.00	14.59	16.17	16.64	17.75	20.90	24.06	27.21	
1.767	30	3.008	53	5.314	5.95	7.55	9.14	11.04	12.31	13.10	13.89	15.47	17.04	17.52	18.62	21.78	24.93	28.09	
1.773	22	2.206	39	3.910	7.75	9.33	10.91	12.81	14.07	14.86	15.64	17.22	18.80	19.27	20.37	23.53	26.68	29.83	
1.775	40	4.010	71	7.118			6.83	8.76	10.04	10.83	11.63	13.21	14.80	15.28	16.38	19.54	22.70	25.86	
1.778	27	2.707	48	4.812	6.61	8.20	9.79	11.69	12.95	13.74	14.53	16.11	17.68	18.16	19.26	22.41	25.57	28.72	
1.778	45	4.511	80	8.020				7.59	8.88	9.68	10.48	12.08	13.67	14.14	15.25	18.42	21.58	24.74	
1.778	63	6.316	112	11.229										9.52	10.01	11.14	14.35	17.54	20.72
1.786	28	2.807	50	5.013	6.36	7.96	9.54	11.44	12.71	13.50	14.29	15.86	17.44	17.92	19.02	22.18	25.33	28.48	
1.786	42	4.211	75	7.519				8.26	9.54	10.34	11.13	12.72	14.31	14.79	15.90	19.06	22.22	25.38	
1.800	25	2.506	45	4.511	7.02	8.61	10.19	12.09	13.35	14.14	14.93	16.50	18.08	18.56	19.66	22.81	25.96	29.12	
1.800	35	3.509	63	6.316		6.30	7.91	9.82	11.09	11.89	12.68	14.26	15.84	16.32	17.42	20.58	23.74	26.89	
1.800	50	5.013	90	9.023					7.09	7.89	8.68	10.26	11.84	12.32	13.43	16.59	19.75	22.91	
1.806	31	3.108	56	5.614	5.61	7.22	8.81	10.72	11.98	12.77	13.56	15.14	16.72	17.20	18.30	21.46	24.61	27.77	
1.811	37	3.709	67	6.717			5.79	7.41	8.33	9.10	11.40	12.19	13.77	15.36	15.83	16.94	20.10	23.26	26.41
1.818	22	2.206	40	4.010	7.66	9.25	10.83	12.73	13.99	14.78	15.56	17.14	18.72	19.19	20.29	23.45	26.60	29.75	
1.818	33	3.308	60	6.015		6.72	8.32	10.23	11.50	12.29	13.08	14.66	16.24	16.72	17.82	20.98	24.13	27.29	
1.821	39	3.910	71	7.118			6.90	8.83	10.11	10.91	11.70	13.29	14.87	15.35	16.46	19.62	22.78	25.93	
1.828	29	2.907	53	5.314	6.02	7.62	9.21	11.12	12.38	13.17	13.96	15.54	17.12	17.60	18.70	21.86	25.01	28.16	
1.829	41	4.110	75	7.519			6												



SELECTION

8M HT500 Selection Table (Continued)

Speed Ratio	Sprocket Combinations				Center Distance, Inches															
	Driver		Driven		1792-8MX	2000-8MX	2200-8MX	2240-8MX	2400-8MX	2520-8MX	2600-8MX	2800-8MX	2840-8MX	3048-8MX	3200-8MX	3280-8MX	3600-8MX	4000-8MX	4400-8MX	4480-8MX
	No. of Teeth	Pitch Dia. Inches	No. of Teeth	Pitch Dia. Inches																
	Length Factor*				1.18	1.22	1.26	1.26	1.29	1.31	1.32	1.35	1.36	1.38	1.40	1.41	1.45	1.49	1.52	1.53
1.578	45	4.511	71	7.118	26.11	30.21	34.15	34.94	38.09	40.45	42.03	45.97	46.75	50.85	53.84	55.42	61.72	69.59	77.47	79.05
1.579	38	3.810	60	6.015	27.54	31.63	35.57	36.36	39.51	41.87	43.45	47.39	48.18	52.27	55.26	56.84	63.14	71.01	78.89	80.47
1.591	22	2.206	35	3.509	30.78	34.88	38.81	39.60	42.75	45.11	46.69	50.63	51.41	55.51	58.50	60.07	66.37	74.25	82.12	83.70
1.595	42	4.211	67	6.717	26.66	30.76	34.70	35.49	38.64	41.00	42.58	46.52	47.31	51.40	54.39	55.97	62.27	70.15	78.02	79.60
1.600	25	2.506	40	4.010	30.15	34.24	38.18	38.97	42.12	44.48	46.06	50.00	50.78	54.88	57.87	59.44	65.74	73.62	81.49	83.07
1.600	30	3.008	48	4.812	29.12	33.22	37.15	37.94	41.09	43.45	45.03	48.97	49.76	53.85	56.84	58.42	64.72	72.59	80.47	82.04
1.600	35	3.509	56	5.614	28.09	32.19	36.12	36.91	40.07	42.43	44.00	47.94	48.73	52.82	55.81	57.39	63.69	71.57	79.44	81.02
1.600	50	5.013	80	8.020	24.99	29.10	33.03	33.83	36.98	39.34	40.92	44.86	45.64	49.74	52.73	54.31	60.61	68.49	76.36	77.94
1.606	33	3.308	53	5.314	28.49	32.58	36.52	37.31	40.46	42.82	44.40	48.34	49.12	53.22	56.21	57.78	64.09	71.96	79.84	81.41
1.607	28	2.807	45	4.511	29.52	33.61	37.55	38.34	41.49	43.85	45.42	49.37	50.15	54.25	57.24	58.81	65.11	72.99	80.86	82.44
1.607	56	5.614	90	9.023	23.72	27.82	31.76	32.55	35.71	38.07	39.65	43.59	44.38	48.47	51.47	53.04	59.34	67.22	75.10	76.68
1.613	31	3.108	50	5.013	28.88	32.98	36.91	37.70	40.86	43.22	44.79	48.73	49.52	53.61	56.60	58.18	64.48	72.36	80.23	81.81
1.615	26	2.607	42	4.211	29.91	34.01	37.94	38.73	41.88	44.24	45.82	49.76	50.54	54.64	57.63	59.20	65.51	73.38	81.26	82.83
1.615	39	3.910	63	6.316	27.22	31.32	35.25	36.04	39.20	41.56	43.13	47.07	47.86	51.95	54.94	56.52	62.82	70.70	78.57	80.15
1.622	37	3.709	60	6.015	27.61	31.71	35.65	36.44	39.59	41.95	43.53	47.47	48.25	52.35	55.34	56.92	63.22	71.09	78.97	80.54
1.634	41	4.110	67	6.717	26.74	30.84	34.78	35.57	38.72	41.08	42.66	46.60	47.38	51.48	54.47	56.05	62.35	70.22	78.10	79.68
1.636	22	2.206	36	3.609	30.70	34.80	38.73	39.52	42.67	45.03	46.61	50.55	51.33	55.43	58.42	59.99	66.29	74.17	82.04	83.62
1.640	25	2.506	41	4.110	30.07	34.16	38.10	38.89	42.04	44.40	45.98	49.92	50.70	54.80	57.79	59.36	65.66	73.54	81.41	82.99
1.647	34	3.409	56	5.614	28.17	32.26	36.20	36.99	40.14	42.50	44.08	48.02	48.81	52.90	55.89	57.47	63.77	71.64	79.52	81.10
1.655	29	2.907	48	4.812	29.20	33.29	37.23	38.02	41.17	43.53	45.11	49.05	49.83	53.93	56.92	58.49	64.80	72.67	80.55	82.12
1.656	32	3.208	53	5.314	28.56	32.66	36.60	37.39	40.54	42.90	44.47	48.42	49.20	53.30	56.29	57.86	64.16	72.04	79.91	81.49
1.658	38	3.810	63	6.316	27.29	31.39	35.33	36.12	39.27	41.63	43.21	47.15	47.94	52.03	55.02	56.60	62.90	70.78	78.65	80.23
1.667	27	2.707	45	4.511	29.59	33.69	37.63	38.42	41.57	43.93	45.50	49.44	50.23	54.32	57.31	58.89	65.19	73.07	80.94	82.52
1.667	30	3.008	50	5.013	28.96	33.06	36.99	37.78	40.93	43.29	44.87	48.81	49.60	53.69	56.68	58.26	64.56	72.43	80.31	81.88
1.667	36	3.609	60	6.015	27.69	31.79	35.73	36.52	39.67	42.03	43.60	47.55	48.33	52.43	55.42	56.99	63.29	71.17	79.05	80.62
1.667	45	4.511	75	7.519	25.78	29.88	33.82	34.61	37.77	40.13	41.70	45.65	46.43	50.53	53.52	55.10	61.40	69.28	77.15	78.73
1.667	48	4.812	80	8.020	25.15	29.25	33.19	33.98	37.13	39.49	41.07	45.01	45.80	49.90	52.89	54.46	60.77	68.64	76.52	78.10
1.672	67	6.717	112	11.229	21.06	25.17	29.12	29.92	33.07	35.44	37.02	40.96	41.75	45.85	48.84	50.42	56.73	64.61	72.49	74.06
1.675	40	4.010	67	6.717	26.82	30.92	34.85	35.64	38.80	41.16	42.73	46.68	47.46	51.56	54.55	56.12	62.43	70.30	78.18	79.75
1.680	25	2.506	42	4.211	29.99	34.08	38.02	38.81	41.96	44.32	45.90	49.84	50.62	54.72	57.71	59.28	65.58	73.46	81.34	82.91
1.682	22	2.206	37	3.709	30.62	34.72	38.65	39.44	42.59	44.95	46.53	50.47	51.25	55.35	58.34	59.91	66.22	74.09	81.97	83.54
1.690	42	4.211	71	7.118	26.34	30.44	34.38	35.17	38.32	40.68	42.26	46.20	46.98	51.08	54.07	55.65	61.95	69.83	77.70	79.28
1.697	33	3.308	56	5.614	28.24	32.34	36.28	37.07	40.22	42.58	44.16	48.10	48.88	52.98	55.97	57.55	63.85	71.72	79.60	81.17
1.698	53	5.314	90	9.023	23.94	28.05	31.99	32.78	35.94	38.30	39.88	43.82	44.61	48.70	51.70	53.27	59.58	67.45	75.33	76.91
1.703	37	3.709	63	6.316	27.37	31.47	35.41	36.20	39.35	41.71	43.29	47.23	48.01	52.11	55.10	56.68	62.98	70.85	78.73	80.31
1.710	31	3.108	53	5.314	28.64	32.74	36.67	37.46	40.62	42.98	44.55	48.49	49.28	53.37	56.36	57.94	64.24	72.12	79.99	81.57
1.714	28	2.807	48	4.812	29.27	33.37	37.31	38.10	41.25	43.61	45.18	49.13	49.91	54.01	57.00	58.57	64.87	72.75	80.62	82.20
1.714	35	3.509	60	6.015	27.77	31.87	35.80	36.59	39.75	42.11	43.68	47.62	48.41	52.50	55.50	57.07	63.37	71.25	79.12	80.70
1.718	39	3.910	67	6.717	26.89	30.99	34.93	35.72	38.87	41.23	42.81	46.75	47.54	51.63	54.63	56.20	62.50	70.38	78.26	79.83
1.724	29	2.907	50	5.013	29.04	33.13	37.07	37.86	41.01	43.37	44.95	48.89	49.67	53.77	56.76	58.34	64.64	72.51	80.39	81.96
1.727	22	2.206	38	3.810	30.54	34.64	38.57	39.36	42.51	44.87	46.45	50.39	51.17	55.27	58.26	59.83	66.14	74.01	81.89	83.46
1.731	26	2.607	45	4.511	29.67	33.77	37.70	38.49	41.64	44.00	45.58	49.52	50.31	54.40	57.39	58.97	65.27	73.14	81.02	82.59
1.732	41	4.110	71	7.118	26.41	30.51	34.45	35.24	38.40	40.76	42.33	46.28	47.06	51.16	54.15	55.73	62.03	69.91	77.78	79.36
1.750	32	3.208	56	5.614	28.32	32.42	36.36	37.15	40.30	42.66	44.23	48.18	48.96	53.06	56.05	57.62	63.92	71.80	79.68	81.25
1.750	36	3.609	63	6.316	27.45	31.55	35.48	36.27	39.43	41.79	43.36	47.31	48.09	52.19	55.18	56.75	63.06	70.93	78.81	80.38
1.750	80	8.020	140	14.036	17.70	21.84	25.81	26.60	29.77	32.14	33.72	37.68	38.46	42.57	45.57	47.15	53.46	61.34	69.23	70.80
1.763	38	3.810	67	6.717	26.97	31.07	35.01	35.80	38.95	41.31	42.89	46.83	47.61	51.71	54.70	56.28	62.58	70.46	78.33	79.91
1.765	34	3.409	60	6.015	27.84	31.94	35.88	36.67	39.82	42.18	43.76	47.70	48.49	52.58	55.57	57.15	63.45	71.33	79.20	80.78
1.767	30	3.008	53	5.314	28.72	32.81	36.75	37.54	40.69	43.05	44.63	48.57	49.36	53.45	56.44	58.02	64.32	72.19	80.07	81.65
1.773	22	2.206	39	3.910	30.46	34.56	38.49	39.28	42.43	44.79	46.37	50.31	51.09	55.19	58.18	59.76	66.06	73.93	81.81	83.38
1.775	40	4.010	71	7.118	26.49	30.59	34.53	35.32	38.47	40.84	42.41	46.35	47.14	51.24	54.23	55.80	62.11	69.98	77.86	79.43
1.778	27	2.707	48	4.812	29.35	33.45	37.38	38.18	41.33	43.69	45.26	49.20	49.99	54.08	57.07	58.65	64.95	72.83	80.70	82.28
1.778	45	4.511	80	8.020	25.37	29.48	33.42	34.21	37.36	39.72	41.30	45.24	46.03	50.13	53.12	54.70	61.00	68.88	76.75	78.33
1.778	63	6.316	112	11.229	21.35	25.47	29.42	30.22	33.37	35.74	37.32	41.27	42.05	46.15	49.15	50.73	57.03	64.91	72.79	74.37
1.786	28	2.807	50	5.013	29.11	33.21	37.15	37.94	41.09	43.45	45.02	48.97	49.75	53.85	56.84	58.41	64.71	72.59	80.47	82.04
1.786	42	4.211	75	7.519	26.01	30.11	34.05	34.84	38.00	40.36	41.93	45.88	46.66	50.76	53.75	55.33				

SELECTION



8M HT500 Selection Table

Speed Ratio	Sprocket Combinations				Center Distance, Inches													
	Driver		Driven		640-8MX	720-8MX	800-8MX	896-8MX	960-8MX	1000-8MX	1040-8MX	1120-8MX	1200-8MX	1224-8MX	1280-8MX	1440-8MX	1600-8MX	1760-8MX
	No. of Teeth	Pitch Dia. Inches	No. of Teeth	Pitch Dia. Inches														
	Length Factor*				0.79	0.83	0.87	0.91	0.94	0.96	0.97	1.00	1.03	1.03	1.05	1.10	1.14	1.17
1.893	28	2.807	53	5.314	6.09	7.69	9.29	11.19	12.46	13.25	14.04	15.62	17.20	17.67	18.77	21.93	25.09	28.24
1.905	42	4.211	80	8.020				7.80	9.09	9.89	10.69	12.29	13.88	14.36	15.47	18.64	21.81	24.97
1.909	22	2.206	42	4.211	7.49	9.08	10.66	12.56	13.82	14.61	15.40	16.98	18.55	19.03	20.13	23.28	26.44	29.59
1.909	33	3.308	63	6.316		6.44	8.05	9.97	11.24	12.03	12.82	14.41	15.99	16.47	17.57	20.73	23.89	27.04
1.914	35	3.509	67	6.717		5.93	7.55	9.47	10.75	11.54	12.33	13.92	15.51	15.98	17.09	20.25	23.41	26.57
1.919	37	3.709	71	7.118			7.04	8.97	10.25	11.05	11.84	13.43	15.02	15.50	16.60	19.77	22.93	26.09
1.920	25	2.506	48	4.812	6.75	8.35	9.94	11.84	13.10	13.89	14.68	16.26	17.84	18.31	19.41	22.57	25.72	28.87
1.923	26	2.607	50	5.013	6.50	8.10	9.69	11.59	12.86	13.65	14.44	16.02	17.59	18.07	19.17	22.33	25.48	28.63
1.923	39	3.910	75	7.519			6.52	8.47	9.76	10.55	11.35	12.94	14.53	15.01	16.12	19.28	22.45	25.61
1.931	29	2.907	56	5.614	5.75	7.36	8.96	10.86	12.13	12.92	13.71	15.29	16.87	17.35	18.45	21.61	24.77	27.92
1.935	31	3.108	60	6.015	5.23	6.86	8.46	10.37	11.64	12.43	13.22	14.81	16.39	16.87	17.97	21.13	24.29	27.44
1.951	41	4.110	80	8.020			7.87	9.16	9.97	10.77	11.56	13.15	14.73	15.21	16.31	19.47	22.63	25.78
1.963	27	2.707	53	5.314	6.16	7.77	9.36	11.26	12.53	13.32	14.11	15.69	17.27	17.75	18.85	22.01	25.16	28.32
1.969	32	3.208	63	6.316		6.51	8.12	10.04	11.31	12.10	12.90	14.48	16.06	16.54	17.65	20.81	23.96	27.12
1.971	34	3.409	67	6.717		5.99	7.62	9.54	10.82	11.61	12.41	13.99	15.58	16.06	17.16	20.32	23.48	26.64
1.972	36	3.609	71	7.118			7.11	9.04	10.33	11.12	11.92	13.51	15.09	15.57	16.68	19.84	23.00	26.16
1.972	71	7.118	140	14.036												11.19	14.47	17.69
1.974	38	3.810	75	7.519			6.59	8.54	9.83	10.62	11.42	13.01	14.60	15.08	16.19	19.36	22.52	25.68
2.000	25	2.506	50	5.013	6.57	8.17	9.76	11.67	12.93	13.72	14.51	16.09	17.67	18.15	19.25	22.40	25.56	28.71
2.000	28	2.807	56	5.614	5.82	7.43	9.03	10.94	12.21	13.00	13.78	15.37	16.95	17.42	18.53	21.69	24.84	28.00
2.000	30	3.008	60	6.015	5.30	6.92	8.53	10.44	11.72	12.51	13.30	14.88	16.46	16.94	18.05	21.21	24.36	27.52
2.000	40	4.010	80	8.020			7.94	9.23	10.04	10.84	11.63	13.22	14.80	15.28	16.38	19.54	22.70	25.86
2.000	45	4.511	90	9.023			7.95	9.24	10.05	10.85	11.64	13.23	14.81	15.29	16.39	19.55	22.71	25.87
2.000	56	5.614	112	11.229														
2.000	56	5.614	112	11.229														
2.027	37	3.709	75	7.519			6.66	8.61	9.90	10.70	11.49	13.09	14.68	15.16	16.26	19.43	22.60	25.76
2.029	35	3.509	71	7.118			7.18	9.11	10.40	11.19	11.99	13.58	15.17	15.64	16.75	19.92	23.08	26.24
2.030	33	3.308	67	6.717		6.06	7.69	9.61	10.89	11.69	12.48	14.07	15.65	16.13	17.24	20.40	23.56	26.72
2.032	31	3.108	63	6.316		6.58	8.19	10.11	11.39	12.18	12.97	14.55	16.14	16.62	17.72	20.88	24.04	27.20
2.038	26	2.607	53	5.314	6.23	7.84	9.43	11.34	12.61	13.40	14.18	15.77	17.35	17.82	18.93	22.08	25.24	28.39
2.045	22	2.206	45	4.511	7.23	8.82	10.41	12.31	13.58	14.36	15.15	16.73	18.31	18.78	19.89	23.04	26.19	29.35
2.051	39	3.910	80	8.020			8.00	9.30	10.11	10.91	11.71	13.30	14.88	15.36	16.46	19.62	22.78	25.94
2.069	29	2.907	60	6.015	5.37	6.99	8.60	10.52	11.79	12.58	13.37	14.96	16.54	17.02	18.12	21.28	24.44	27.59
2.074	27	2.707	56	5.614	5.88	7.50	9.10	11.01	12.28	13.07	13.86	15.44	17.02	17.50	18.60	21.76	24.92	28.07
2.083	36	3.609	75	7.519			6.72	8.68	9.97	10.77	11.56	13.16	14.75	15.23	16.34	19.51	22.67	25.83
2.088	34	3.409	71	7.118			7.24	9.18	10.47	11.26	12.06	13.65	15.24	15.72	16.82	19.99	23.15	26.31
2.090	67	6.717	140	14.036												11.46	14.74	17.97
2.094	32	3.208	67	6.717		6.13	7.76	9.69	10.96	11.76	12.55	14.14	15.73	16.20	17.31	20.47	23.63	26.79
2.100	30	3.008	63	6.316		6.65	8.26	10.18	11.46	12.25	13.04	14.63	16.21	16.69	17.80	20.96	24.12	27.27
2.105	38	3.810	80	8.020			8.07	9.37	10.18	10.98	11.78	13.37	14.95	15.43	16.54	19.70	22.86	26.01
2.113	53	5.314	112	11.229												11.83	15.06	18.26
2.120	25	2.506	53	5.314	6.30	7.91	9.50	11.41	12.68	13.47	14.26	15.84	17.42	17.90	19.00	22.16	25.31	28.47
2.143	28	2.807	60	6.015	5.43	7.06	8.67	10.59	11.86	12.65	13.45	15.03	16.61	17.09	18.20	21.36	24.51	27.67
2.143	35	3.509	75	7.519			6.79	8.75	10.04	10.84	11.64	13.23	14.82	15.30	16.41	19.58	22.75	25.91
2.143	42	4.211	90	9.023					8.15	8.97	9.78	11.40	13.00	13.49	14.60	17.79	20.96	24.13
2.152	33	3.308	71	7.118			7.31	9.25	10.54	11.34	12.13	13.72	15.31	15.79	16.90	20.07	23.23	26.39
2.154	26	2.607	56	5.614	5.95	7.57	9.17	11.08	12.35	13.14	13.93	15.52	17.10	17.57	18.68	21.84	24.99	28.15
2.161	31	3.108	67	6.717		6.19	7.82	9.76	11.04	11.83	12.62	14.21	15.80	16.28	17.38	20.55	23.71	26.87
2.162	37	3.709	80	8.020			8.14	9.44	10.25	11.05	11.85	13.44	15.03	15.51	16.61	19.77	22.93	26.09
2.172	29	2.907	63	6.316		6.71	8.33	10.25	11.53	12.32	13.12	14.70	16.29	16.76	17.87	21.03	24.19	27.35
2.182	22	2.206	48	4.812	6.97	8.56	10.15	12.06	13.32	14.11	14.90	16.48	18.06	18.54	19.64	22.80	25.95	29.10
2.195	41	4.110	90	9.023				6.88	8.22	9.03	9.85	11.47	13.07	13.56	14.67	17.86	21.04	24.21
2.206	34	3.409	75	7.519			6.86	8.82	10.11	10.91	11.71	13.30	14.90	15.37	16.48	19.65	22.82	25.98
2.219	32	3.208	71	7.118		5.73	7.38	9.32	10.61	11.41	12.20	13.80	15.39	15.86	16.97	20.14	23.30	26.46
2.222	27	2.707	60	6.015	5.50	7.13	8.74	10.66	11.93	12.73	13.52	15.10	16.69	17.17	18.27	21.43	24.59	27.75
2.222	36	3.609	80	8.020			8.21	9.51	10.31	11.12	11.92	13.51	15.10	15.58	16.68	19.84	23.00	26.16
2.222	63	6.316	140	14.036												11.72	15.01	18.25
2.233	30	3.008	67	6.717		6.26	7.89	9.83	11.11	11.90	12.70	14.29	15.87	16.35	17.46	20.62	23.78	26.94
2.240	25	2.506	56	5.614	6.02	7.64	9.24	11.15	12.43	13.22	14.01	15.59	17.17	17.65	18.75	21.91	25.07	28.22
2.240	50	5.013	112	11.229												12.03	15.27	18.48
2.250	28	2.807	63	6.316	5.13	6.78	8.40	10.33	11.60	12.40	13.19	14.78	16.36	16.84	17.94	21.11	24.27	27.42
2.250	40	4.010	90	9.023			6.95	8.28	9.10	9.92	10.71	12.30	13.89	14.37	15.47	18.63	21.79	24.95
2.250	80	8.020	180	18.046														
2.273	22	2.206	50	5.013	6.78	8.39	9.98	11.89	13.16	13.94	14.73	16.31	17.90	18.37	19.47	22.63	25.79	28.94
2.273	33	3.308	75	7.519			6.92	8.89	10.18	10.98	11.78	13.38	14.97	15.45	16.56	19.73	22.89	26.06
2.286	35	3.509	80	8.020			6.29	8.28	9.58	10.38	11.19	12.79	14.39	14.87	15.98	19.16	22.33	25.49
2.290	31	3.108	71	7.118		5.79	7.45	9.39	10.68	11.48	12.27	13.87	15.46	15.94	17.05	20.21	23.38	26.54
2.308	26	2.607	60	6.015	5.57	7.20	8.81	10.73	12.01	12.80	13.59	15.18						



SELECTION

8M HT500 Selection Table (Continued)

Speed Ratio	Sprocket Combinations				Center Distance, Inches															
	Driver		Driven		1792-8MX	2000-8MX	2200-8MX	2240-8MX	2400-8MX	2520-8MX	2600-8MX	2800-8MX	2840-8MX	3048-8MX	3200-8MX	3280-8MX	3600-8MX	4000-8MX	4400-8MX	4480-8MX
	No. of Teeth	Pitch Dia. Inches	No. of Teeth	Pitch Dia. Inches																
	Length Factor*				1.18	1.22	1.26	1.26	1.29	1.31	1.32	1.35	1.36	1.38	1.40	1.41	1.45	1.49	1.52	1.53
1.893	28	2.807	53	5.314	28.87	32.97	36.91	37.70	40.85	43.21	44.78	48.73	49.51	53.61	56.60	58.17	64.47	72.35	80.23	81.80
1.905	42	4.211	80	8.020	25.60	29.70	33.64	34.44	37.59	39.95	41.53	45.47	46.26	50.36	53.35	54.93	61.23	69.11	76.99	78.56
1.909	22	2.206	42	4.211	30.22	34.32	38.25	39.04	42.19	44.55	46.13	50.07	50.86	54.95	57.94	59.52	65.82	73.69	81.57	83.14
1.909	33	3.308	63	6.316	27.68	31.78	35.71	36.51	39.66	42.02	43.60	47.54	48.32	52.42	55.41	56.99	63.29	71.17	79.04	80.62
1.914	35	3.509	67	6.717	27.20	31.30	35.24	36.03	39.18	41.54	43.12	47.06	47.85	51.94	54.94	56.51	62.81	70.69	78.57	80.14
1.919	37	3.709	71	7.118	26.72	30.82	34.76	35.55	38.70	41.07	42.64	46.59	47.37	51.47	54.46	56.04	62.34	70.22	78.09	79.67
1.920	25	2.506	48	4.812	29.50	33.60	37.54	38.33	41.48	43.84	45.42	49.36	50.14	54.24	57.23	58.81	65.11	72.98	80.86	82.43
1.923	26	2.607	50	5.013	29.27	33.36	37.30	38.09	41.24	43.60	45.18	49.12	49.91	54.00	56.99	58.57	64.87	72.75	80.62	82.20
1.923	39	3.910	75	7.519	26.24	30.34	34.28	35.07	38.23	40.59	42.17	46.11	46.89	50.99	53.98	55.56	61.86	69.74	77.62	79.19
1.931	29	2.907	56	5.614	28.55	32.65	36.59	37.38	40.53	42.89	44.47	48.41	49.19	53.29	56.28	57.86	64.16	72.03	79.91	81.49
1.935	31	3.108	60	6.015	28.07	32.17	36.11	36.90	40.05	42.41	43.99	47.93	48.72	52.81	55.81	57.38	63.68	71.56	79.44	81.01
1.951	41	4.110	80	8.020	25.67	29.78	33.72	34.51	37.67	40.03	41.61	45.55	46.34	50.44	53.43	55.00	61.31	69.19	77.06	78.64
1.963	27	2.707	53	5.314	28.95	33.04	36.98	37.77	40.92	43.29	44.86	48.80	49.59	53.68	56.68	58.25	64.55	72.43	80.30	81.88
1.969	32	3.208	63	6.316	27.75	31.85	35.79	36.58	39.73	42.10	43.67	47.61	48.40	52.50	55.49	57.06	63.37	71.24	79.12	80.69
1.971	34	3.409	67	6.717	27.27	31.37	35.31	36.10	39.26	41.62	43.20	47.14	47.92	52.02	55.01	56.59	62.89	70.77	78.64	80.22
1.972	36	3.609	71	7.118	26.79	30.90	34.84	35.63	38.78	41.14	42.72	46.66	47.45	51.55	54.54	56.11	62.42	70.29	78.17	79.75
1.972	71	7.118	140	14.036	18.33	22.49	26.46	27.26	30.43	32.81	34.39	38.35	39.14	43.25	46.25	47.83	54.14	62.03	69.92	71.49
1.974	38	3.810	75	7.519	26.31	30.42	34.36	35.15	38.30	40.66	42.24	46.18	46.97	51.07	54.06	55.64	61.94	69.82	77.70	79.27
2.000	25	2.506	50	5.013	29.34	33.44	37.38	38.17	41.32	43.68	45.26	49.20	49.98	54.08	57.07	58.65	64.95	72.82	80.70	82.28
2.000	28	2.807	56	5.614	28.63	32.73	36.66	37.45	40.61	42.97	44.54	48.49	49.27	53.37	56.36	57.93	64.24	72.11	79.99	81.56
2.000	30	3.008	60	6.015	28.15	32.25	36.19	36.98	40.13	42.49	44.07	48.01	48.80	52.89	55.88	57.46	63.76	71.64	79.51	81.09
2.000	40	4.010	80	8.020	25.75	29.85	33.80	34.59	37.74	40.11	41.68	45.63	46.41	50.51	53.50	55.08	61.38	69.26	77.14	78.72
2.000	45	4.511	90	9.023	24.54	28.65	32.60	33.39	36.55	38.91	40.49	44.43	45.22	49.32	52.31	53.89	60.19	68.07	75.95	77.53
2.000	56	5.614	112	11.229	21.87	25.99	29.94	30.74	33.90	36.27	37.85	41.80	42.58	46.69	49.68	51.26	57.57	65.45	73.33	74.91
2.027	37	3.709	75	7.519	26.39	30.49	34.43	35.23	38.38	40.74	42.32	46.26	47.05	51.15	54.14	55.71	62.02	69.90	77.77	79.35
2.029	35	3.509	71	7.118	26.87	30.97	34.91	35.70	38.86	41.22	42.80	46.74	47.52	51.62	54.61	56.19	62.49	70.37	78.25	79.82
2.030	33	3.308	67	6.717	27.35	31.45	35.39	36.18	39.33	41.70	43.27	47.22	48.00	52.10	55.09	56.67	62.97	70.85	78.72	80.30
2.032	31	3.108	63	6.316	27.83	31.93	35.87	36.66	39.81	42.17	43.75	47.69	48.48	52.57	55.57	57.14	63.44	71.32	79.20	80.77
2.038	26	2.607	53	5.314	29.02	33.12	37.06	37.85	41.00	43.36	44.94	48.88	49.67	53.76	56.75	58.33	64.63	72.51	80.38	81.96
2.045	22	2.206	45	4.511	29.98	34.07	38.01	38.80	41.95	44.31	45.89	49.83	50.62	54.71	57.70	59.28	65.58	73.46	81.33	82.91
2.051	39	3.910	80	8.020	25.82	29.93	33.87	34.66	37.82	40.18	41.76	45.70	46.49	50.59	53.58	55.16	61.46	69.34	77.22	78.79
2.069	29	2.907	60	6.015	28.22	32.33	36.26	37.06	40.21	42.57	44.15	48.09	48.87	52.97	55.96	57.54	63.84	71.72	79.59	81.17
2.074	27	2.707	56	5.614	28.70	32.80	36.74	37.53	40.68	43.05	44.62	48.56	49.35	53.44	56.44	58.01	64.31	72.19	80.07	81.64
2.083	36	3.609	75	7.519	26.46	30.57	34.51	35.30	38.46	40.82	42.40	46.34	47.12	51.22	54.21	55.79	62.09	69.97	77.85	79.43
2.088	34	3.409	71	7.118	26.94	31.05	34.99	35.78	38.93	41.30	42.87	46.82	47.60	51.70	54.69	56.27	62.57	70.45	78.33	79.90
2.090	67	6.717	140	14.036	18.61	22.78	26.75	27.55	30.73	33.10	34.69	38.65	39.44	43.55	46.55	48.13	54.44	62.33	70.22	71.80
2.094	32	3.208	67	6.717	27.42	31.53	35.47	36.26	39.41	41.77	43.35	47.29	48.08	52.18	55.17	56.74	63.05	70.92	78.80	80.38
2.100	30	3.008	63	6.316	27.90	32.00	35.94	36.73	39.89	42.25	43.83	47.77	48.55	52.65	55.64	57.22	63.52	71.40	79.27	80.85
2.105	38	3.810	80	8.020	25.90	30.00	33.95	34.74	37.90	40.26	41.84	45.78	46.57	50.67	53.66	55.23	61.54	69.42	77.30	78.87
2.113	53	5.314	112	11.229	22.08	26.21	30.17	30.96	34.12	36.49	38.07	42.02	42.81	46.91	49.91	51.49	57.80	65.68	73.56	75.14
2.120	25	2.506	53	5.314	29.10	33.20	37.14	37.93	41.08	43.44	45.02	48.96	49.74	53.84	56.83	58.41	64.71	72.58	80.46	82.04
2.143	28	2.807	60	6.015	28.30	32.40	36.34	37.13	40.28	42.65	44.22	48.16	48.95	53.05	56.04	57.61	63.92	71.79	79.67	81.25
2.143	35	3.509	75	7.519	26.54	30.64	34.59	35.38	38.53	40.89	42.47	46.42	47.20	51.30	54.29	55.87	62.17	70.05	77.93	79.50
2.143	42	4.211	90	9.023	24.76	28.88	32.82	33.61	36.77	39.14	40.71	44.66	45.45	49.55	52.54	54.12	60.42	68.30	76.18	77.76
2.152	33	3.308	71	7.118	27.02	31.12	35.06	35.86	39.01	41.37	42.95	46.89	47.68	51.78	54.77	56.34	62.65	70.53	78.40	79.98
2.154	26	2.607	56	5.614	28.78	32.88	36.82	37.61	40.76	43.12	44.70	48.64	49.43	53.52	56.51	58.09	64.39	72.27	80.14	81.72
2.161	31	3.108	67	6.717	27.50	31.60	35.54	36.33	39.49	41.85	43.43	47.37	48.15	52.25	55.24	56.82	63.12	71.00	78.88	80.45
2.162	37	3.709	80	8.020	25.97	30.08	34.02	34.82	37.97	40.34	41.91	45.86	46.64	50.74	53.73	55.31	61.62	69.49	77.37	78.95
2.172	29	2.907	63	6.316	27.98	32.08	36.02	36.81	39.96	42.33	43.90	47.85	48.63	52.73	55.72	57.30	63.60	71.48	79.35	80.93
2.182	22	2.206	48	4.812	29.73	33.83	37.77	38.56	41.71	44.07	45.65	49.59	50.38	54.47	57.46	59.04	65.34	73.22	81.09	82.67
2.195	41	4.110	90	9.023	24.84	28.95	32.90	33.69	36.85	39.21	40.79	44.74	45.52	49.62	52.62	54.19	60.50	68.38	76.26	77.84
2.206	34	3.409	75	7.519	26.61	30.72	34.66	35.45	38.61	40.97	42.55	46.49	47.28	51.38	54.37	55.94	62.25	70.13	78.01	79.58
2.219	32	3.208	71	7.118	27.09	31.20	35.14	35.93	39.09	41.45	43.03	46.97	47.75	51.85	54.85	56.42	62.72	70.60	78.48	80.06
2.222	27	2.707	60	6.015	28.38	32.48	36.42	37.21	40.36	42.72	44.30	48.24	49.03	53.12	56.12	57.69	63.99	71.87	79.75	81.32
2.222	36	3.609	80	8.020	26.05	30.16	34.10	34.89	38.05	40.41	41.99	45.93	46.72	50.82	53.81	55.39	61.69	69.57	77.45	79.03
2.222	63	6.316	140	14.036	18.89	23.06	27.04	27.84	31.02	33.40	34.98	38.94	39.73	43.85	46.85	48.4				

SELECTION



8M HT500 Selection Table

Speed Ratio	Sprocket Combinations				Center Distance, Inches													
	Driver		Driven		640-8MX	720-8MX	800-8MX	896-8MX	960-8MX	1000-8MX	1040-8MX	1120-8MX	1200-8MX	1224-8MX	1280-8MX	1440-8MX	1600-8MX	1760-8MX
	No. of Teeth	Pitch Dia. Inches	No. of Teeth	Pitch Dia. Inches														
Length Factor*					0.79	0.83	0.87	0.91	0.94	0.96	0.97	1.00	1.03	1.03	1.05	1.10	1.14	1.17
2.400	25	2.506	60	6.015	5.63	7.27	8.88	10.80	12.08	12.87	13.66	15.25	16.84	17.31	18.42	21.58	24.74	27.90
2.400	75	7.519	180	18.046														13.53
2.409	22	2.206	53	5.314	6.51	8.12	9.72	11.63	12.90	13.69	14.48	16.06	17.65	18.12	19.23	22.38	25.54	28.70
2.419	31	3.108	75	7.519			7.06	9.02	10.32	11.12	11.92	13.52	15.11	15.59	16.70	19.88	23.04	26.21
2.423	26	2.607	63	6.316	5.26	6.92	8.54	10.47	11.75	12.54	13.33	14.92	16.51	16.99	18.09	21.26	24.42	27.57
2.424	33	3.308	80	8.020			6.42	8.41	9.72	10.52	11.33	12.93	14.53	15.01	16.13	19.30	22.47	25.64
2.432	37	3.709	90	9.023				7.14	8.48	9.30	10.12	11.74	13.36	13.84	14.96	18.15	21.33	24.50
2.448	29	2.907	71	7.118		5.92	7.58	9.53	10.82	11.62	12.42	14.01	15.60	16.08	17.19	20.36	23.53	26.69
2.481	27	2.707	67	6.717		6.46	8.10	10.04	11.32	12.12	12.91	14.50	16.09	16.57	17.68	20.85	24.01	27.17
2.489	45	4.511	112	11.229								9.05	10.73	11.23	12.37	15.62	18.83	22.03
2.500	30	3.008	75	7.519			7.12	9.09	10.39	11.19	11.99	13.59	15.18	15.66	16.78	19.95	23.12	26.28
2.500	32	3.208	80	8.020			6.48	8.48	9.78	10.59	11.40	13.00	14.60	15.08	16.20	19.38	22.55	25.71
2.500	36	3.609	90	9.023				7.20	8.55	9.37	10.19	11.81	13.43	13.91	15.03	18.22	21.40	24.57
2.500	56	5.614	140	14.036												12.18	15.49	18.74
2.520	25	2.506	63	6.316	5.33	6.98	8.61	10.54	11.82	12.61	13.41	15.00	16.58	17.06	18.17	21.33	24.49	27.65
2.535	71	7.118	180	18.046														13.78
2.536	28	2.807	71	7.118		5.99	7.65	9.60	10.89	11.69	12.49	14.08	15.68	16.16	17.27	20.44	23.60	26.76
2.545	22	2.206	56	5.614	6.22	7.85	9.45	11.37	12.64	13.43	14.23	15.81	17.39	17.87	18.98	22.14	25.30	28.45
2.571	35	3.509	90	9.023				7.27	8.61	9.44	10.25	11.88	13.49	13.98	15.10	18.29	21.48	24.65
2.577	26	2.607	67	6.717		6.53	8.17	10.11	11.39	12.19	12.98	14.58	16.17	16.64	17.75	20.92	24.08	27.24
2.581	31	3.108	80	8.020			6.54	8.54	9.85	10.66	11.47	13.07	14.67	15.16	16.27	19.45	22.62	25.79
2.586	29	2.907	75	7.519			7.19	9.16	10.46	11.26	12.06	13.66	15.26	15.74	16.85	20.02	23.19	26.36
2.630	27	2.707	71	7.118		6.05	7.72	9.67	10.96	11.76	12.56	14.16	15.75	16.23	17.34	20.51	23.68	26.84
2.642	53	5.314	140	14.036												12.37	15.69	18.94
2.647	34	3.409	90	9.023				7.33	8.68	9.50	10.32	11.95	13.56	14.05	15.17	18.37	21.55	24.72
2.667	30	3.008	80	8.020			6.61	8.61	9.92	10.73	11.54	13.14	14.75	15.23	16.34	19.52	22.70	25.86
2.667	42	4.211	112	11.229								9.24	10.92	11.43	12.58	15.83	19.04	22.24
2.679	28	2.807	75	7.519			7.25	9.23	10.53	11.33	12.13	13.73	15.33	15.81	16.92	20.10	23.27	26.43
2.680	25	2.506	67	6.717		6.59	8.24	10.18	11.46	12.26	13.06	14.65	16.24	16.72	17.83	21.00	24.16	27.32
2.687	67	6.717	180	18.046														14.04
2.727	22	2.206	60	6.015	5.83	7.47	9.09	11.02	12.30	13.09	13.88	15.47	17.06	17.53	18.64	21.81	24.97	28.12
2.727	33	3.308	90	9.023				7.40	8.74	9.57	10.39	12.02	13.63	14.12	15.24	18.44	21.62	24.80
2.731	26	2.607	71	7.118		6.12	7.78	9.74	11.03	11.83	12.63	14.23	15.82	16.30	17.41	20.58	23.75	26.91
2.732	41	4.110	112	11.229								9.31	10.99	11.49	12.64	15.90	19.12	22.31
2.759	29	2.907	80	8.020			6.67	8.68	9.99	10.80	11.61	13.21	14.82	15.30	16.41	19.60	22.77	25.94
2.778	27	2.707	75	7.519		5.62	7.32	9.30	10.59	11.40	12.20	13.80	15.40	15.88	16.99	20.17	23.34	26.50
2.800	40	4.010	112	11.229								9.37	11.06	11.56	12.71	15.97	19.19	22.38
2.800	50	5.013	140	14.036												12.56	15.89	19.15
2.800	80	8.020	224	22.457														
2.813	32	3.208	90	9.023				7.46	8.81	9.64	10.46	12.09	13.70	14.19	15.31	18.51	21.69	24.87
2.840	25	2.506	71	7.118		6.18	7.85	9.81	11.10	11.90	12.70	14.30	15.89	16.37	17.48	20.66	23.82	26.99
2.857	28	2.807	80	8.020			6.74	8.75	10.06	10.87	11.67	13.28	14.89	15.37	16.49	19.67	22.84	26.01
2.857	63	6.316	180	18.046														14.29
2.864	22	2.206	63	6.316	5.52	7.19	8.82	10.75	12.03	12.83	13.62	15.21	16.80	17.28	18.39	21.55	24.72	27.88
2.872	39	3.910	112	11.229								9.44	11.12	11.62	12.78	16.04	19.26	22.46
2.885	26	2.607	75	7.519		5.68	7.38	9.36	10.66	11.47	12.27	13.87	15.47	15.95	17.07	20.24	23.41	26.58
2.903	31	3.108	90	9.023				7.52	8.87	9.70	10.52	12.16	13.77	14.26	15.38	18.58	21.77	24.94
2.917	48	4.812	140	14.036												12.69	16.02	19.29
2.947	38	3.810	112	11.229								9.50	11.19	11.69	12.84	16.10	19.33	22.53
2.963	27	2.707	80	8.020			6.80	8.81	10.12	10.94	11.74	13.35	14.96	15.44	16.56	19.74	22.92	26.08
2.987	75	7.519	224	22.457														
3.000	25	2.506	75	7.519		5.75	7.45	9.43	10.73	11.54	12.34	13.95	15.54	16.02	17.14	20.32	23.49	26.65
3.000	30	3.008	90	9.023				7.59	8.94	9.77	10.59	12.22	13.84	14.33	15.45	18.65	21.84	25.01
3.000	60	6.015	180	18.046														14.48
3.027	37	3.709	112	11.229								7.81	9.56	10.05	11.17	14.36	17.54	20.71
3.045	22	2.206	67	6.717	5.08	6.79	8.44	10.39	11.67	12.47	13.27	14.87	16.46	16.94	18.05	21.22	24.38	27.54
3.077	26	2.607	80	8.020			6.86	8.88	10.19	11.00	11.81	13.42	15.03	15.51	16.63	19.81	22.99	26.16
3.103	29	2.907	90	9.023				7.65	9.01	9.84	10.66	12.29	13.91	14.40	15.52	18.72	21.91	25.09
3.111	36	3.609	112	11.229								7.88	9.63	10.12	11.24	14.43	17.61	20.79
3.111	45	4.511	140	14.036												12.89	16.22	19.49
3.155	71	7.118	224	22.457														
3.200	25	2.506	80	8.020			6.93	8.94	10.26	11.07	11.88	13.50	15.10	15.58	16.70	19.89	23.06	26.23
3.200	35	3.509	112	11.229								7.94	9.69	10.18	11.30	14.49	17.67	20.84
3.214	28	2.807	90	9.023				7.71	9.07	9.90	10.73	12.36	13.98	14.47	15.59	18.80	21.98	25.16
3.214	56	5.614	180	18.046														14.73
3.227	22	2.206	71	7.118		6.37	8.05	10.01	11.31	12.11	12.91	14.51	16.11	16.59	17.70	20.88	24.05	27.21
3.294	34	3.409	112	11.229								8.00	9.75	10.24	11.36	14.55	17.73	20.89
3.333	27	2.707	90	9.023				7.78	9.14	9.97	10.79	12.43	14.05	14.54	15.66	18.87	22.06	25.23
3.333	42	4.211	140	14.036											9.57	13.08	16.42	19.70
3.343	67	6.717	224	22.457														
3.394	33	3.308	112	11.229								8.06	9.82	10.31	11.43	14.62	17.80	20.97
3.396	53	5.314	180	18.046														14.92
3.409	22	2.206	75	7.519		5.93	7.65	9.63	10.94	11.75	12.55	14.16	15.76	16.24	17.35	20.53	23.71	26.88
3.415	41	4.110	140	14.036											9.63	13.14	16.49	19.77
3.462	2																	



SELECTION

8M HT500 Selection Table (Continued)

Speed Ratio	Sprocket Combinations				Center Distance, Inches															
	Driver		Driven		1792-8MX	2000-8MX	2200-8MX	2240-8MX	2400-8MX	2520-8MX	2600-8MX	2800-8MX	2840-8MX	3048-8MX	3200-8MX	3280-8MX	3600-8MX	4000-8MX	4400-8MX	4480-8MX
	No. of Teeth	Pitch Dia. Inches	No. of Teeth	Pitch Dia. Inches																
	Length Factor*				1.18	1.22	1.26	1.26	1.29	1.31	1.32	1.35	1.36	1.38	1.40	1.41	1.45	1.49	1.52	1.53
2.400	25	2.506	60	6.015	28.53	32.63	36.57	37.36	40.51	42.88	44.45	48.40	49.18	53.28	56.27	57.85	64.15	72.03	79.90	81.48
2.400	75	7.519	180	18.046	14.21	18.54	22.61	23.42	26.64	29.05	30.65	34.64	35.43	39.57	42.59	44.17	50.51	58.42	66.33	67.91
2.409	22	2.206	53	5.314	29.33	33.43	37.37	38.16	41.31	43.67	45.25	49.19	49.97	54.07	57.06	58.64	64.94	72.82	80.69	82.27
2.419	31	3.108	75	7.519	26.84	30.94	34.89	35.68	38.84	41.20	42.78	46.72	47.51	51.61	54.60	56.18	62.48	70.36	78.24	79.81
2.423	26	2.607	63	6.316	28.21	32.31	36.25	37.04	40.19	42.56	44.13	48.08	48.86	52.96	55.95	57.53	63.83	71.71	79.59	81.16
2.424	33	3.308	80	8.020	26.27	30.38	34.33	35.12	38.28	40.64	42.22	46.16	46.95	51.05	54.04	55.62	61.92	69.80	77.68	79.26
2.432	37	3.709	90	9.023	25.13	29.25	33.20	33.99	37.15	39.52	41.09	45.04	45.83	49.93	52.92	54.50	60.81	68.69	76.57	78.15
2.448	29	2.907	71	7.118	27.32	31.43	35.37	36.16	39.32	41.68	43.26	47.20	47.99	52.08	55.08	56.66	62.96	70.84	78.71	80.29
2.481	27	2.707	67	6.717	27.80	31.91	35.85	36.64	39.79	42.16	43.73	47.68	48.46	52.56	55.55	57.13	63.43	71.31	79.19	80.76
2.489	45	4.511	112	11.229	22.66	26.80	30.76	31.55	34.72	37.09	38.67	42.63	43.41	47.52	50.52	52.09	58.41	66.29	74.18	75.75
2.500	30	3.008	75	7.519	26.91	31.02	34.96	35.75	38.91	41.28	42.85	46.80	47.58	51.68	54.68	56.25	62.56	70.44	78.31	79.89
2.500	32	3.208	80	8.020	26.35	30.46	34.40	35.19	38.35	40.72	42.29	46.24	47.02	51.12	54.12	55.69	62.00	69.88	77.76	79.34
2.500	36	3.609	90	9.023	25.21	29.32	33.27	34.07	37.23	39.59	41.17	45.12	45.90	50.01	53.00	54.58	60.88	68.77	76.65	78.22
2.500	56	5.614	140	14.036	19.38	23.56	27.55	28.35	31.53	33.91	35.50	39.46	40.25	44.37	47.37	48.95	55.27	63.17	71.06	72.63
2.520	25	2.506	63	6.316	28.28	32.39	36.33	37.12	40.27	42.63	44.21	48.15	48.94	53.04	56.03	57.60	63.91	71.79	79.66	81.24
2.535	71	7.118	180	18.046	14.47	18.81	22.89	23.70	26.92	29.33	30.93	34.93	35.72	39.86	42.88	44.47	50.81	58.72	66.63	68.21
2.536	28	2.807	71	7.118	27.40	31.50	35.44	36.24	39.39	41.75	43.33	47.28	48.06	52.16	55.15	56.73	63.03	70.91	78.79	80.37
2.545	22	2.206	56	5.614	29.08	33.18	37.12	37.91	41.07	43.43	45.01	48.95	49.73	53.83	56.82	58.40	64.70	72.58	80.46	82.03
2.571	35	3.509	90	9.023	25.28	29.40	33.35	34.14	37.30	39.67	41.25	45.19	45.98	50.08	53.08	54.65	60.96	68.84	76.72	78.30
2.577	26	2.607	67	6.717	27.88	31.98	35.92	36.71	39.87	42.23	43.81	47.75	48.54	52.64	55.63	57.21	63.51	71.39	79.27	80.84
2.581	31	3.108	80	8.020	26.42	30.53	34.48	35.27	38.43	40.79	42.37	46.31	47.10	51.20	54.19	55.77	62.08	69.96	77.84	79.41
2.586	29	2.907	75	7.519	26.99	31.10	35.04	35.83	38.99	41.35	42.93	46.87	47.66	51.76	54.75	56.33	62.63	70.51	78.39	79.97
2.630	27	2.707	71	7.118	27.47	31.58	35.52	36.31	39.47	41.83	43.41	47.35	48.14	52.24	55.23	56.81	63.11	70.99	78.87	80.44
2.642	53	5.314	140	14.036	19.59	23.77	27.76	28.56	31.75	34.13	35.72	39.68	40.47	44.59	47.59	49.17	55.50	63.39	71.28	72.86
2.647	34	3.409	90	9.023	25.36	29.47	33.42	34.22	37.38	39.74	41.32	45.27	46.06	50.16	53.15	54.73	61.04	68.92	76.80	78.38
2.667	30	3.008	80	8.020	26.50	30.61	34.55	35.34	38.50	40.87	42.44	46.39	47.18	51.28	54.27	55.85	62.15	70.03	77.91	79.49
2.667	42	4.211	112	11.229	22.88	27.02	30.98	31.77	34.94	37.31	38.90	42.85	43.64	47.74	50.74	52.32	58.63	66.52	74.41	75.98
2.679	28	2.807	75	7.519	27.06	31.17	35.12	35.91	39.06	41.43	43.01	46.95	47.74	51.84	54.83	56.41	62.71	70.59	78.47	80.05
2.680	25	2.506	67	6.717	27.95	32.06	36.00	36.79	39.95	42.31	43.89	47.83	48.62	52.71	55.71	57.28	63.59	71.47	79.34	80.92
2.687	67	6.717	180	18.046	14.72	19.07	23.16	23.97	27.20	29.61	31.22	35.21	36.01	40.15	43.17	44.76	51.10	59.02	66.93	68.51
2.727	22	2.206	60	6.015	28.76	32.86	36.80	37.59	40.74	43.11	44.68	48.63	49.41	53.51	56.50	58.08	64.38	72.26	80.14	81.71
2.727	33	3.308	90	9.023	25.43	29.55	33.50	34.29	37.45	39.82	41.40	45.35	46.13	50.23	53.23	54.81	61.11	69.00	76.88	78.45
2.731	26	2.607	71	7.118	27.54	31.65	35.60	36.39	39.54	41.91	43.48	47.43	48.21	52.31	55.31	56.88	63.19	71.07	78.94	80.52
2.732	41	4.110	112	11.229	22.95	27.09	31.05	31.85	35.02	37.39	38.97	42.93	43.71	47.82	50.82	52.40	58.71	66.60	74.48	76.06
2.759	29	2.907	80	8.020	26.57	30.68	34.63	35.42	38.58	40.94	42.52	46.47	47.25	51.35	54.35	55.92	62.23	70.11	77.99	79.57
2.778	27	2.707	75	7.519	27.14	31.25	35.19	35.98	39.14	41.50	43.08	47.03	47.81	51.91	54.91	56.48	62.79	70.67	78.55	80.12
2.800	40	4.010	112	11.229	23.02	27.16	31.13	31.92	35.09	37.46	39.04	43.00	43.79	47.90	50.89	52.47	58.79	66.67	74.56	76.14
2.800	50	5.013	140	14.036	19.80	23.98	27.98	28.78	31.97	34.35	35.94	39.90	40.69	44.81	47.82	49.40	55.72	63.62	71.51	73.09
2.800	80	8.020	224	22.457	15.17	19.54	23.64	24.45	27.69	30.10	31.71	35.71	36.51	40.66	43.68	45.27	51.62	59.54	67.45	69.03
2.813	32	3.208	90	9.023	25.50	29.62	33.57	34.37	37.53	39.89	41.47	45.42	46.21	50.31	53.30	54.88	61.19	69.07	76.95	78.53
2.840	25	2.506	71	7.118	27.62	31.73	35.67	36.46	39.62	41.98	43.56	47.51	48.29	52.39	55.38	56.96	63.26	71.14	79.02	80.60
2.857	28	2.807	80	8.020	26.64	30.76	34.70	35.50	38.65	41.02	42.60	46.54	47.33	51.43	54.42	56.00	62.31	70.19	78.07	79.64
2.857	63	6.316	180	18.046	14.98	19.34	23.43	24.25	27.48	29.89	31.50	35.50	36.30	40.44	43.46	45.05	51.40	59.32	67.23	68.81
2.864	22	2.206	63	6.316	28.51	32.61	36.55	37.35	40.50	42.86	44.44	48.38	49.17	53.27	56.26	57.84	64.14	72.02	79.90	81.47
2.872	39	3.910	112	11.229	23.09	27.23	31.20	32.00	35.16	37.54	39.12	43.07	43.86	47.97	50.97	52.55	58.86	66.75	74.64	76.21
2.885	26	2.607	75	7.519	27.21	31.32	35.27	36.06	39.22	41.58	43.16	47.10	47.89	51.99	54.98	56.56	62.86	70.74	78.62	80.20
2.903	31	3.108	90	9.023	25.58	29.69	33.65	34.44	37.60	39.97	41.55	45.50	46.28	50.39	53.38	54.96	61.27	69.15	77.03	78.61
2.917	48	4.812	140	14.036	19.94	24.12	28.12	28.92	32.11	34.49	36.08	40.05	40.84	44.96	47.96	49.55	55.87	63.77	71.66	73.24
2.947	38	3.810	112	11.229	23.17	27.31	31.27	32.07	35.24	37.61	39.19	43.15	43.94	48.05	51.04	52.62	58.94	66.83	74.71	76.29
2.963	27	2.707	80	8.020	26.72	30.83	34.78	35.57	38.73	41.09	42.67	46.62	47.41	51.51	54.50	56.08	62.38	70.26	78.14	79.72
2.987	75	7.519	224	22.457	15.17	19.54	23.64	24.45	27.69	30.10	31.71	35.71	36.51	40.66	43.68	45.27	51.62	59.54	67.45	69.03
3.000	25	2.506	75	7.519	27.29	31.40	35.34	36.13	39.29	41.66	43.23	47.18	47.97	52.07	55.06	56.64	62.94	70.82	78.70	80.28
3.000	30	3.008	90	9.023	25.65	29.77	33.72	34.51	37.68	40.04	41.62	45.57	46.36	50.46	53.46	55.03	61.34	69.23	77.11	78.68
3.000	60	6.015	180	18.046	15.17	19.54	23.64	24.45	27.69	30.10	31.71	35.71	36.51	40.66	43.68	45.27	51.62	59.54	67.45	69.03
3.027	37	3.709	112	11.229	23.24	27.38	31.35	32.14	35.31	37.68	39.27	43.22	44.01	48.12	51.12	52.70	59.01	66.90	74.7	

SELECTION

8M HT500 Selection Table

Speed Ratio	Sprocket Combinations				Center Distance, Inches														
	Driver		Driven		640-8MX	720-8MX	800-8MX	896-8MX	960-8MX	1000-8MX	1040-8MX	1120-8MX	1200-8MX	1224-8MX	1280-8MX	1440-8MX	1600-8MX	1760-8MX	
	No. of Teeth	Pitch Dia. Inches	No. of Teeth	Pitch Dia. Inches															
Length Factor*					0.79	0.83	0.87	0.91	0.94	0.96	0.97	1.00	1.03	1.03	1.05	1.10	1.14	1.17	
3.556	63	6.316	224	22.457															
3.590	39	3.910	140	14.036															
3.600	25	2.506	90	9.023				7.90	9.27	10.10	10.93	12.57	14.19	14.68	9.75	13.27	16.62	19.90	
3.600	50	5.013	180	18.046											15.80	19.01	22.20	25.38	
3.613	31	3.108	112	11.229														15.11	
3.636	22	2.206	80	8.020			7.12	9.14	10.46	11.28	12.09	13.70	15.31	15.80	16.91	20.10	23.28	26.45	
3.684	38	3.810	140	14.036											9.81	13.34	16.69	19.97	
3.733	30	3.008	112	11.229							8.24	10.01	11.71	12.21	13.38	16.65	19.89	23.10	
3.733	60	6.015	224	22.457															
3.750	48	4.812	180	18.046														15.23	
3.784	37	3.709	140	14.036											9.87	13.40	16.76	20.04	
3.862	29	2.907	112	11.229						7.37	8.30	10.07	11.77	12.28	13.44	16.72	19.96	23.17	
3.889	36	3.609	140	14.036											9.93	13.46	16.82	20.11	
4.000	28	2.807	112	11.229						7.43	8.36	10.13	11.84	12.35	13.51	16.79	20.03	23.24	
4.000	35	3.509	140	14.036											9.99	13.53	16.89	20.17	
4.000	45	4.511	180	18.046													11.77	15.42	
4.000	56	5.614	224	22.457															
4.091	22	2.206	90	9.023			5.92	8.09	9.46	10.30	11.12	12.77	14.40	14.88	16.01	19.22	22.42	25.60	
4.118	34	3.409	140	14.036											10.05	13.59	16.95	20.24	
4.148	27	2.707	112	11.229						7.49	8.42	10.20	11.90	12.41	13.58	16.86	20.10	23.31	
4.226	53	5.314	224	22.457															
4.242	33	3.308	140	14.036											10.11	13.66	17.02	20.31	
4.286	42	4.211	180	18.046													11.95	15.60	
4.308	26	2.607	112	11.229						7.55	8.48	10.26	11.97	12.48	13.64	16.93	20.17	23.38	
4.375	32	3.208	140	14.036											10.17	13.72	17.09	20.38	
4.390	41	4.110	180	18.046													12.01	15.67	
4.480	25	2.506	112	11.229						7.61	8.54	10.32	12.03	12.54	13.71	16.99	20.24	23.45	
4.480	50	5.013	224	22.457															
4.500	40	4.010	180	18.046															
4.516	31	3.108	140	14.036										8.89	10.23	13.78	17.15	20.45	
4.615	39	3.910	180	18.046													12.13	15.79	
4.667	30	3.008	140	14.036										8.95	10.29	13.85	17.22	20.51	
4.667	48	4.812	224	22.457															
4.737	38	3.810	180	18.046													12.18	15.85	
4.828	29	2.907	140	14.036										9.01	10.35	13.91	17.28	20.58	
4.865	37	3.709	180	18.046													12.24	15.92	
4.978	45	4.511	224	22.457															
5.000	28	2.807	140	14.036										9.06	10.41	13.97	17.35	20.65	
5.000	36	3.609	180	18.046													12.30	15.98	
5.091	22	2.206	112	11.229						7.78	8.72	10.51	12.23	12.74	13.90	17.20	20.44	23.66	
5.143	35	3.509	180	18.046													12.36	16.04	
5.185	27	2.707	140	14.036										9.12	10.47	14.04	17.42	20.72	
5.294	34	3.409	180	18.046													12.42	16.10	
5.333	42	4.211	224	22.457															
5.385	26	2.607	140	14.036										9.18	10.53	14.10	17.48	20.78	
5.455	33	3.308	180	18.046													12.48	16.16	
5.463	41	4.110	224	22.457															
5.600	25	2.506	140	14.036									8.61	9.24	10.59	14.16	17.55	20.85	
5.600	40	4.010	224	22.457															
5.625	32	3.208	180	18.046													12.53	16.22	
5.744	39	3.910	224	22.457															
5.806	31	3.108	180	18.046													12.59	16.29	
5.895	38	3.810	224	22.457															
6.000	30	3.008	180	18.046													12.65	16.35	
6.054	37	3.709	224	22.457															
6.207	29	2.907	180	18.046													12.71	16.41	
6.222	36	3.609	224	22.457															
6.364	22	2.206	140	14.036										8.78	9.41	10.77	14.35	17.74	21.05
6.400	35	3.509	224	22.457															
6.429	28	2.807	180	18.046													12.77	16.47	
6.588	34	3.409	224	22.457															
6.667	27	2.707	180	18.046													12.83	16.53	
6.788	33	3.308	224	22.457															
6.923	26	2.607	180	18.046													12.88	16.59	
7.000	32	3.208	224	22.457															
7.200	25	2.506	180	18.046													12.94	16.66	
7.226	31	3.108	224	22.457															
7.467	30	3.008	224	22.457															
7.724	29	2.907	224	22.457															
8.000	28	2.807	224	22.457															
8.182	22	2.206	180	18.046													13.12	16.84	
8.296	27	2.707	224	22.457															
8.615	26	2.607	224	22.457															
8.960	25	2.506	224	22.457															
10.182	22	2.206	224	22.457															
Length Factor*					0.79	0.83	0.87	0.91	0.94	0.96	0.97	1.00	1.03	1.03	1.05	1.10	1.14	1.17	

Center distance is greater than eight times the small sprocket and the large sprocket is not flanged. See Engineering Section for details.
* The length correction factor must be used to determine the proper belt width.



SELECTION

8M HT500 Selection Table (Continued)

Speed Ratio	Sprocket Combinations				Center Distance, Inches															
	Driver		Driven		1792-8MX	2000-8MX	2200-8MX	2240-8MX	2400-8MX	2520-8MX	2600-8MX	2800-8MX	2840-8MX	3048-8MX	3200-8MX	3280-8MX	3600-8MX	4000-8MX	4400-8MX	4480-8MX
	No. of Teeth	Pitch Dia. Inches	No. of Teeth	Pitch Dia. Inches																
Length Factor*					1.18	1.22	1.26	1.26	1.29	1.31	1.32	1.35	1.36	1.38	1.40	1.41	1.45	1.49	1.52	1.53
3.556	63	6.316	224	22.457	20.55	24.76	28.76	29.57	32.76	35.14	36.74	40.71	41.50	45.62	48.63	50.21	56.54	64.45	72.34	73.92
3.590	39	3.910	140	14.036	26.02	30.14	34.09	34.89	38.05	40.42	42.00	45.95	46.74	50.84	53.84	55.41	61.72	69.61	77.49	79.07
3.600	25	2.506	90	9.023	18.046	20.20	24.32	25.13	28.38	30.80	32.41	36.43	37.22	41.38	44.40	45.99	52.35	60.28	68.19	69.77
3.600	50	5.013	180	18.046	23.67	27.81	31.79	32.58	35.75	38.13	39.71	43.67	44.46	48.57	51.57	53.15	59.47	67.36	75.25	76.82
3.613	31	3.108	112	11.229	23.67	27.81	31.79	32.58	35.75	38.13	39.71	43.67	44.46	48.57	51.57	53.15	59.47	67.36	75.25	76.82
3.636	22	2.206	80	8.020	27.09	31.20	35.15	35.95	39.11	41.47	43.05	47.00	47.79	51.89	54.88	56.46	62.77	70.65	78.53	80.11
3.684	38	3.810	140	14.036	20.62	24.83	28.83	29.64	32.83	35.22	36.81	40.78	41.57	45.70	48.71	50.29	56.62	64.52	72.42	74.00
3.733	30	3.008	112	11.229	23.74	27.88	31.86	32.65	35.83	38.20	39.79	43.75	44.53	48.64	51.64	53.22	59.54	67.43	75.32	76.90
3.733	60	6.015	224	22.457	14.63	19.15	20.02	23.23	25.63	27.58	29.57	31.69	32.50	36.71	39.78	41.38	47.79	55.77	63.72	65.31
3.750	48	4.812	180	18.046	15.93	20.33	24.45	25.27	28.52	30.94	32.55	36.57	37.36	41.52	44.55	46.14	52.49	60.42	68.34	69.92
3.784	37	3.709	140	14.036	20.69	24.90	28.91	29.71	32.90	35.29	36.88	40.86	41.65	45.77	48.78	50.36	56.69	64.60	72.49	74.07
3.862	29	2.907	112	11.229	23.81	27.96	31.93	32.73	35.90	38.28	39.86	43.82	44.61	48.72	51.72	53.30	59.62	67.51	75.40	76.98
3.889	36	3.609	140	14.036	20.76	24.97	28.98	29.78	32.97	35.36	36.95	40.93	41.72	45.84	48.85	50.44	56.77	64.67	72.57	74.15
4.000	28	2.807	112	11.229	23.88	28.03	32.00	32.80	35.97	38.35	39.93	43.89	44.68	48.79	51.79	53.37	59.69	67.58	75.47	77.05
4.000	35	3.509	140	14.036	20.83	25.03	29.05	29.85	33.05	35.43	37.03	41.00	41.79	45.92	48.93	50.51	56.84	64.75	72.64	74.22
4.000	45	4.511	180	18.046	16.12	20.53	24.65	25.47	28.73	31.15	32.76	36.78	37.58	41.73	44.76	46.35	52.71	60.65	68.56	70.15
4.000	56	5.614	224	22.457	14.87	19.40	20.27	23.48	25.88	27.85	29.44	33.46	34.25	38.40	41.43	43.02	49.38	57.33	65.24	66.83
4.091	22	2.206	90	9.023	26.23	30.36	34.32	35.11	38.27	40.64	42.22	46.17	46.96	51.07	54.06	55.64	61.95	69.84	77.72	79.30
4.118	34	3.409	140	14.036	20.89	25.10	29.12	29.92	33.12	35.51	37.10	41.07	41.87	45.99	49.00	50.58	56.92	64.82	72.72	74.30
4.148	27	2.707	112	11.229	23.95	28.10	32.08	32.87	36.05	38.42	40.01	43.97	44.76	48.87	51.87	53.45	59.77	67.66	75.55	77.13
4.226	53	5.314	224	22.457	15.04	19.59	20.46	23.68	26.09	28.05	29.64	33.66	34.45	38.57	41.56	43.14	49.49	57.40	65.30	66.88
4.242	33	3.308	140	14.036	20.96	25.17	29.19	29.99	33.19	35.58	37.17	41.15	41.94	46.07	49.07	50.66	56.99	64.90	72.80	74.37
4.286	42	4.211	180	18.046	16.30	20.72	24.86	25.68	28.93	31.36	32.97	36.99	37.79	41.95	44.98	46.57	52.93	60.87	68.79	70.37
4.308	26	2.607	112	11.229	24.02	28.17	32.15	32.95	36.12	38.50	40.08	44.04	44.83	48.94	51.94	53.52	59.84	67.74	75.63	77.20
4.375	32	3.208	140	14.036	21.03	25.24	29.26	30.06	33.26	35.65	37.24	41.22	42.01	46.14	49.15	50.73	57.06	64.97	72.87	74.45
4.390	41	4.110	180	18.046	16.37	20.79	24.92	25.74	29.00	31.43	33.04	37.06	37.86	42.02	45.05	46.64	53.01	60.94	68.86	70.44
4.480	25	2.506	112	11.229	24.09	28.25	32.22	33.02	36.19	38.57	40.16	44.12	44.91	49.02	52.02	53.60	59.92	67.81	75.70	77.28
4.480	50	5.013	224	22.457	15.22	19.77	20.65	24.07	26.59	28.25	29.86	33.88	34.67	38.79	41.79	43.38	49.71	57.61	65.51	67.09
4.500	40	4.010	180	18.046	16.43	20.85	24.99	25.81	29.07	31.50	33.11	37.13	37.93	42.09	45.12	46.71	53.08	61.01	68.93	70.52
4.516	31	3.108	140	14.036	21.10	25.31	29.33	30.13	33.33	35.72	37.31	41.29	42.08	46.21	49.22	50.81	57.14	65.05	72.95	74.52
4.615	39	3.910	180	18.046	16.49	20.92	25.06	25.88	29.14	31.57	33.18	37.20	38.00	42.16	45.19	46.79	53.15	61.09	69.01	70.59
4.667	30	3.008	140	14.036	21.17	25.38	29.40	30.20	33.40	35.79	37.39	41.37	42.16	46.28	49.29	50.88	57.21	65.12	73.02	74.60
4.667	48	4.812	224	22.457	15.34	19.90	20.77	24.20	26.72	28.38	29.99	33.99	34.78	38.89	41.89	43.48	49.84	57.74	65.64	67.22
4.737	38	3.810	180	18.046	16.55	20.99	25.12	25.95	29.21	31.64	33.25	37.27	38.07	42.19	45.26	46.86	53.22	61.16	69.08	70.67
4.828	29	2.907	140	14.036	21.23	25.45	29.47	30.28	33.47	35.87	37.46	41.44	42.23	46.36	49.37	50.95	57.29	65.20	73.10	74.68
4.865	37	3.709	180	18.046	16.62	21.05	25.19	26.01	29.28	31.70	33.32	37.34	38.14	42.30	45.34	46.93	53.30	61.23	69.16	70.74
4.978	45	4.511	224	22.457	15.51	20.08	20.96	24.39	26.91	28.58	30.17	34.19	34.98	39.10	42.14	43.73	49.99	57.92	65.84	67.42
5.000	28	2.807	140	14.036	21.30	25.52	29.54	30.35	33.55	35.94	37.53	41.51	42.30	46.43	49.44	51.03	57.36	65.27	73.17	74.75
5.000	36	3.609	180	18.046	16.68	21.12	25.26	26.08	29.34	31.77	33.39	37.41	38.21	42.38	45.41	47.00	53.37	61.31	69.23	70.81
5.091	22	2.206	112	11.229	24.30	28.46	32.44	33.24	36.41	38.79	40.38	44.34	45.13	49.24	52.24	53.82	60.14	68.04	75.93	77.51
5.143	35	3.509	180	18.046	16.74	21.18	25.33	26.15	29.41	31.84	33.46	37.48	38.28	42.45	45.48	47.07	53.44	61.38	69.30	70.89
5.185	27	2.707	140	14.036	21.37	25.59	29.61	30.42	33.62	36.00	37.60	41.58	42.38	46.50	49.52	51.10	57.44	65.34	73.25	74.83
5.294	34	3.409	180	18.046	16.80	21.25	25.39	26.22	29.48	31.91	33.53	37.55	38.35	42.52	45.55	47.15	53.51	61.45	69.38	70.96
5.333	42	4.211	224	22.457	15.69	20.27	21.15	24.59	27.11	28.78	30.37	34.39	35.18	39.30	42.32	43.91	49.97	57.86	65.76	67.34
5.385	26	2.607	140	14.036	21.44	25.66	29.68	30.49	33.69	36.08	37.67	41.66	42.45	46.58	49.59	51.17	57.51	65.42	73.32	74.90
5.455	33	3.308	180	18.046	16.87	21.31	25.46	26.28	29.55	31.98	33.60	37.62	38.42	42.59	45.62	47.22	53.59	61.53	69.45	71.04
5.463	41	4.110	224	22.457	15.75	20.33	21.21	24.65	27.18	28.84	30.43	34.45	35.24	39.37	42.39	43.98	49.99	57.92	65.84	67.42
5.600	25	2.506	140	14.036	21.51	25.73	29.75	30.56	33.76	36.15	37.75	41.73	42.52	46.65	49.66	51.25	57.58	65.49	73.40	74.98
5.600	40	4.010	224	22.457	15.81	20.39	21.28	24.72	27.24	28.91	30.50	34.52	35.31	39.44	42.46	44.05	49.99	57.92	65.84	67.42
5.625	32	3.208	180	18.046	16.93	21.38	25.53	26.35	29.62	32.05	33.67	37.69	38.49	42.66	45.69	47.29	53.66	61.60	69.53	71.11
5.744	39	3.910	224	22.457	15.86	20.46	21.34	24.78	27.31	28.97	30.56	34.58	35.37	39.50	42.52	44.11	49.99	57.92	65.84	67.42
5.806	31	3.108	180	18.046	16.99	21.44	25.59	26.42	29.69	32.12	33.74	37.76	38.57	42.73	45.76	47.35	53.73	61.67	69.60	71.18
5.895	38	3.810	224	22.457	15.92	20.52	21.40	24.84	27.37	29.04	30.63	34.65	35.44	39.57	42.59	44.18	49.99	57.92	65.84	67.42
6.000	30	3.008	180	18.046	17.05	21.51	25.66	26.48	29.75	32.19	33.80	37.83	38.64	42.80	45.84	47.43	53.85	61.75	69.67	71.26
6.054	37	3.709	224	22.457	15.															

SELECTION



14M HT500 Selection Table

Speed Ratio	Sprocket Combinations				Center Distance, Inches												
	Driver		Driven		994-14MX	1120-14MX	1190-14MX	1260-14MX	1400-14MX	1568-14MX	1610-14MX	1750-14MX	1890-14MX	1960-14MX	2100-14MX	2240-14MX	2310-14MX
	No. of Teeth	Pitch Dia. Inches	No. of Teeth	Pitch Dia. Inches													
Length Factor*					0.68	0.73	0.75	0.77	0.81	0.85	0.86	0.89	0.92	0.94	0.96	0.99	1.00
1.000	28	4.912	28	4.912	11.85	14.33	15.71	17.09	19.84	23.15	23.98	26.73	29.49	30.87	33.62	36.38	37.75
1.000	29	5.088	29	5.088	11.57	14.05	15.43	16.81	19.57	22.87	23.70	26.46	29.21	30.59	33.35	36.10	37.48
1.000	30	5.263	30	5.263	11.30	13.78	15.16	16.54	19.29	22.60	23.43	26.18	28.94	30.32	33.07	35.83	37.20
1.000	31	5.439	31	5.439	11.02	13.50	14.88	16.26	19.02	22.32	23.15	25.91	28.66	30.04	32.80	35.55	36.93
1.000	32	5.614	32	5.614	10.75	13.23	14.61	15.99	18.74	22.05	22.88	25.63	28.39	29.77	32.52	35.28	36.65
1.000	33	5.790	33	5.790	10.47	12.95	14.33	15.71	18.47	21.77	22.60	25.36	28.11	29.49	32.25	35.00	36.38
1.000	34	5.965	34	5.965	10.20	12.68	14.06	15.44	18.19	21.50	22.33	25.08	27.84	29.22	31.97	34.73	36.10
1.000	35	6.141	35	6.141	9.92	12.40	13.78	15.16	17.91	21.22	22.05	24.80	27.56	28.94	31.69	34.45	35.82
1.000	36	6.316	36	6.316	9.64	12.12	13.50	14.88	17.64	20.94	21.77	24.53	27.28	28.66	31.42	34.17	35.55
1.000	37	6.492	37	6.492	9.37	11.85	13.23	14.61	17.36	20.67	21.50	24.25	27.01	28.39	31.14	33.90	35.27
1.000	38	6.667	38	6.667	9.09	11.57	12.95	14.33	17.09	20.39	21.22	23.98	26.73	28.11	30.87	33.62	35.00
1.000	39	6.842	39	6.842	8.82	11.30	12.68	14.06	16.81	20.12	20.95	23.70	26.46	27.84	30.59	33.35	34.72
1.000	40	7.018	40	7.018	8.54	11.02	12.40	13.78	16.54	19.84	20.67	23.43	26.18	27.56	30.32	33.07	34.45
1.000	43	7.544	43	7.544	10.19	11.57	12.95	15.71	19.01	19.84	22.60	25.35	26.73	29.49	32.24	33.62	35.00
1.000	45	7.895	45	7.895	9.64	11.02	12.40	15.16	18.46	19.29	22.05	24.80	26.18	28.94	31.69	33.07	34.45
1.000	48	8.421	48	8.421			10.20	11.58	14.33	17.64	18.47	21.22	23.98	25.36	28.11	30.87	32.24
1.000	50	8.772	50	8.772			9.65	11.03	13.78	17.09	17.92	20.67	23.43	24.81	27.56	30.32	31.69
1.000	53	9.299	53	9.299				10.20	12.95	16.26	17.09	19.84	22.60	23.98	26.73	29.49	30.86
1.000	56	9.825	56	9.825					12.13	15.43	16.26	19.02	21.77	23.15	25.91	28.66	30.04
1.000	60	10.527	60	10.527						14.33	15.16	17.91	20.67	22.05	24.80	27.56	28.93
1.000	63	11.053	63	11.053						13.50	14.33	17.09	19.84	21.22	23.98	26.73	28.11
1.000	67	11.755	67	11.755							13.23	15.99	18.74	20.12	22.88	25.63	27.01
1.000	71	12.457	71	12.457								14.88	17.64	19.02	21.77	24.53	25.90
1.000	75	13.158	75	13.158									16.54	17.92	20.67	23.43	24.80
1.000	80	14.036	80	14.036									15.16	16.54	19.29	22.05	23.42
1.026	38	6.667	39	6.842	8.95	11.43	12.81	14.19	16.95	20.25	21.08	23.84	26.59	27.97	30.73	33.48	34.86
1.026	39	6.842	40	7.018	8.68	11.16	12.54	13.92	16.67	19.98	20.81	23.56	26.32	27.70	30.45	33.21	34.58
1.027	37	6.492	38	6.667	9.23	11.71	13.09	14.47	17.22	20.53	21.36	24.11	26.87	28.25	31.00	33.76	35.13
1.028	36	6.316	37	6.492	9.51	11.99	13.37	14.75	17.50	20.81	21.64	24.39	27.15	28.53	31.28	34.04	35.41
1.029	34	5.965	35	6.141	10.06	12.54	13.92	15.30	18.05	21.36	22.19	24.94	27.70	29.08	31.83	34.59	35.96
1.029	35	6.141	36	6.316	9.78	12.26	13.64	15.02	17.78	21.08	21.91	24.67	27.42	28.80	31.56	34.31	35.69
1.030	33	5.790	34	5.965	10.33	12.81	14.19	15.57	18.33	21.63	22.46	25.22	27.97	29.35	32.11	34.86	36.24
1.031	32	5.614	33	5.790	10.61	13.09	14.47	15.85	18.60	21.91	22.74	25.49	28.25	29.63	32.38	35.14	36.51
1.032	31	5.439	32	5.614	10.88	13.36	14.74	16.12	18.88	22.18	23.01	25.77	28.52	29.90	32.66	35.41	36.79
1.033	30	5.263	31	5.439	11.16	13.64	15.02	16.40	19.15	22.46	23.29	26.04	28.80	30.18	32.93	35.69	37.06
1.034	29	5.088	30	5.263	11.44	13.92	15.30	16.68	19.43	22.74	23.57	26.32	29.08	30.46	33.21	35.97	37.34
1.036	28	4.912	29	5.088	11.71	14.19	15.57	16.95	19.71	23.01	23.84	26.60	29.35	30.73	33.49	36.24	37.62
1.042	48	8.421	50	8.772			9.92	11.30	14.06	17.36	18.19	20.95	23.70	25.08	27.84	30.59	31.97
1.047	43	7.544	45	7.895		9.92	11.30	12.68	15.43	18.74	19.57	22.32	25.08	26.46	29.21	31.97	33.34
1.050	60	10.527	63	11.053						13.91	14.74	17.50	20.25	21.63	24.39	27.14	28.52
1.053	38	6.667	40	7.018	8.82	11.30	12.68	14.06	16.81	20.12	20.95	23.70	26.46	27.84	30.59	33.35	34.72
1.054	37	6.492	39	6.842	9.09	11.57	12.95	14.33	17.09	20.39	21.22	23.98	26.73	28.11	30.87	33.62	35.00
1.056	36	6.316	38	6.667	9.37	11.85	13.23	14.61	17.36	20.67	21.50	24.25	27.01	28.39	31.14	33.90	35.27
1.056	71	12.457	75	13.158								14.33	17.08	18.46	21.22	23.97	25.35
1.057	35	6.141	37	6.492	9.64	12.12	13.50	14.88	17.64	20.94	21.77	24.53	27.28	28.66	31.42	34.17	35.55
1.057	53	9.299	56	9.825					12.54	15.84	16.67	19.43	22.18	23.56	26.32	29.07	30.45
1.059	34	5.965	36	6.316	9.92	12.40	13.78	15.16	17.91	21.22	22.05	24.80	27.56	28.94	31.69	34.45	35.82
1.060	50	8.772	53	9.299				10.61	13.36	16.67	17.50	20.26	23.01	24.39	27.15	29.90	31.28
1.060	67	11.755	71	12.457								15.43	18.19	19.57	22.32	25.08	26.45
1.061	33	5.790	35	6.141	10.19	12.67	14.05	15.43	18.19	21.49	22.32	25.08	27.83	29.21	31.97	34.72	36.10
1.063	32	5.614	34	5.965	10.47	12.95	14.33	15.71	18.47	21.77	22.60	25.36	28.11	29.49	32.25	35.00	36.38
1.063	63	11.053	67	11.755						12.95	13.78	16.53	19.29	20.67	23.42	26.18	27.55
1.065	31	5.439	33	5.790	10.74	13.22	14.60	15.98	18.74	22.05	22.88	25.63	28.39	29.77	32.52	35.28	36.65
1.067	30	5.263	32	5.614	11.02	13.50	14.88	16.26	19.02	22.32	23.15	25.91	28.66	30.04	32.80	35.55	36.93
1.067	45	7.895	48	8.421		9.23	10.61	11.99	14.74	18.05	18.88	21.63	24.39	25.77	28.52	31.28	32.65
1.067	75	13.158	80	14.036									15.84	17.22	19.98	22.73	24.11
1.069	29	5.088	31	5.439	11.30	13.78	15.16	16.54	19.29	22.60	23.43	26.18	28.94	30.32	33.07	35.83	37.20
1.071	28	4.912	30	5.263	11.57	14.05	15.43	16.81	19.57	22.87	23.70	26.46	29.21	30.59	33.35	36.10	37.48
1.071	56	9.825	60	10.527					11.57	14.88	15.71	18.46	21.22	22.60	25.35	28.11	29.48
1.075	40	7.018	43	7.544	8.12	10.60	11.99	13.37	16.12	19.43	20.26	23.01	25.77	27.15	29.90	32.66	34.03
1.081	37	6.492	40	7.018	8.95	11.43	12.81	14.19	16.95	20.25	21.08	23.84	26.59	27.97	30.73	33.48	34.86
1.083	36	6.316	39	6.842	9.23	11.71	13.09	14.47	17.22	20.53	21.36	24.11	26.87	28.25	31.00	33.76	35.13
1.086	35	6.141	38	6.667	9.50	11.98	13.36	14.74	17.50	20.80	21.63	24.39	27.14	28.52	31.28	34.03	35.41
1.088	34	5.965	37	6.492	9.78	12.26	13.64	15.02	17.77	21.08	21.91	24.66	27.42	28.80	31.56	34.31	35.69
1.091	33	5.790	36	6.316	10.05	12.53	13.91	15.29	18.05	21.36	22.19	24.94	27.70	29.08	31.83	34.59	35.96
1.094	32	5.614	35	6.141	10.33	12.81	14.19	15.57	18.33	21.63	22.46	25.22	27.97	29.35	32.11	34.86	36.24
1.097	31	5.439	34	5.965	10.61	13.09	14.47	15.85	18.60	21.91	22.74	25.49	28.25	29.63	32.38	35.14	36.51
1.100	30	5.263	33	5.790	10.88	13.36	14.74	16.12	18.88	22.18	23.01	25.77	28.52	29.90	32.66	35.41	36.79
1.103	29	5.088	32	5.614	11.16	13.64	15.02	16.40									



SELECTION

14M HT500 Selection Table (Continued)

Speed Ratio	Sprocket Combinations				Center Distance, Inches													
	Driver		Driven		2380-14MX	2450-14MX	2520-14MX	2590-14MX	2660-14MX	2800-14MX	3136-14MX	3304-14MX	3360-14MX	3500-14MX	3850-14MX	3920-14MX	4326-14MX	4410-14MX
	No. of Teeth	Pitch Dia. Inches	No. of Teeth	Pitch Dia. Inches														
Length Factor*					1.01	1.02	1.03	1.04	1.05	1.07	1.12	1.14	1.14	1.16	1.19	1.20	1.24	1.25
1.000	28	4.912	28	4.912	39.13	40.51	41.89	43.27	44.64	47.40	54.01	57.32	58.42	61.18	68.07	69.45	77.44	79.09
1.000	29	5.088	29	5.088	38.86	40.24	41.61	42.99	44.37	47.13	53.74	57.05	58.15	60.90	67.79	69.17	77.16	78.82
1.000	30	5.263	30	5.263	38.58	39.96	41.34	42.72	44.09	46.85	53.46	56.77	57.87	60.63	67.52	68.90	76.89	78.54
1.000	31	5.439	31	5.439	38.31	39.69	41.06	42.44	43.82	46.58	53.19	56.50	57.60	60.35	67.24	68.62	76.61	78.27
1.000	32	5.614	32	5.614	38.03	39.41	40.79	42.17	43.54	46.30	52.91	56.22	57.32	60.08	66.97	68.35	76.34	77.99
1.000	33	5.790	33	5.790	37.76	39.14	40.51	41.89	43.27	46.03	52.64	55.95	57.05	59.80	66.69	68.07	76.06	77.72
1.000	34	5.965	34	5.965	37.48	38.86	40.24	41.62	42.99	45.75	52.36	55.67	56.77	59.53	66.42	67.80	75.79	77.44
1.000	35	6.141	35	6.141	37.20	38.58	39.96	41.34	42.71	45.47	52.08	55.39	56.49	59.25	66.14	67.52	75.51	77.16
1.000	36	6.316	36	6.316	36.93	38.31	39.68	41.06	42.44	45.20	51.81	55.12	56.22	58.97	65.86	67.24	75.23	76.89
1.000	37	6.492	37	6.492	36.65	38.03	39.41	40.79	42.16	44.92	51.53	54.84	55.94	58.70	65.59	66.97	74.96	76.61
1.000	38	6.667	38	6.667	36.38	37.76	39.13	40.51	41.89	44.65	51.26	54.57	55.67	58.42	65.31	66.69	74.68	76.34
1.000	39	6.842	39	6.842	36.10	37.48	38.86	40.24	41.61	44.37	50.98	54.29	55.39	58.15	65.04	66.42	74.41	76.06
1.000	40	7.018	40	7.018	35.83	37.21	38.58	39.96	41.34	44.10	50.71	54.02	55.12	57.87	64.76	66.14	74.13	75.79
1.000	43	7.544	43	7.544	35.00	36.38	37.75	39.13	40.51	43.27	49.88	53.19	54.29	57.04	63.93	65.31	73.30	74.96
1.000	45	7.895	45	7.895	34.45	35.83	37.20	38.58	39.96	42.72	49.33	52.64	53.74	56.49	63.38	64.76	72.75	74.41
1.000	48	8.421	48	8.421	33.62	35.00	36.38	37.76	39.13	41.89	48.50	51.81	52.91	55.67	62.56	63.94	71.93	73.58
1.000	50	8.772	50	8.772	33.07	34.45	35.83	37.21	38.58	41.34	47.95	51.26	52.36	55.12	62.01	63.39	71.38	73.03
1.000	53	9.299	53	9.299	32.24	33.62	35.00	36.38	37.75	40.51	47.12	50.43	51.53	54.29	61.18	62.56	70.55	72.20
1.000	56	9.825	56	9.825	31.42	32.80	34.17	35.55	36.93	39.69	46.30	49.61	50.71	53.46	60.35	61.73	69.72	71.38
1.000	60	10.527	60	10.527	30.31	31.69	33.07	34.45	35.82	38.58	45.19	48.50	49.60	52.36	59.25	60.63	68.62	70.27
1.000	63	11.053	63	11.053	29.49	30.87	32.24	33.62	35.00	37.76	44.37	47.68	48.78	51.53	58.42	59.80	67.79	69.45
1.000	67	11.755	67	11.755	28.39	29.77	31.14	32.52	33.90	36.66	43.27	46.58	47.68	50.43	57.32	58.70	66.69	68.35
1.000	71	12.457	71	12.457	27.28	28.66	30.04	31.42	32.79	35.55	42.16	45.47	46.57	49.33	56.22	57.60	65.59	67.24
1.000	75	13.158	75	13.158	26.18	27.56	28.94	30.32	31.69	34.45	41.06	44.37	45.47	48.23	55.12	56.50	64.49	66.14
1.000	80	14.036	80	14.036	24.80	26.18	27.56	28.94	30.31	33.07	39.68	42.99	44.09	46.85	53.74	55.12	63.11	64.76
1.026	38	6.667	39	6.842	36.24	37.62	38.99	40.37	41.75	44.51	51.12	54.43	55.53	58.28	65.17	66.55	74.55	76.20
1.026	39	6.842	40	7.018	35.96	37.34	38.72	40.10	41.47	44.23	50.84	54.15	55.25	58.01	64.90	66.28	74.27	75.92
1.027	37	6.492	38	6.667	36.51	37.89	39.27	40.65	42.02	44.78	51.39	54.70	55.80	58.56	65.45	66.83	74.82	76.47
1.028	36	6.316	37	6.492	36.79	38.17	39.55	40.93	42.30	45.06	51.67	54.98	56.08	58.84	65.73	67.11	75.10	76.75
1.029	34	5.965	35	6.141	37.34	38.72	40.10	41.48	42.85	45.61	52.22	55.53	56.63	59.39	66.28	67.66	75.65	77.30
1.029	35	6.141	36	6.316	37.07	38.45	39.82	41.20	42.58	45.34	51.95	55.26	56.36	59.11	66.00	67.38	75.37	77.03
1.030	33	5.790	34	5.965	37.62	39.00	40.37	41.75	43.13	45.89	52.50	55.81	56.91	59.66	66.55	67.93	75.92	77.58
1.031	32	5.614	33	5.790	37.89	39.27	40.65	42.03	43.40	46.16	52.77	56.08	57.18	59.94	66.83	68.21	76.20	77.85
1.032	31	5.439	32	5.614	38.17	39.55	40.92	42.30	43.68	46.44	53.05	56.36	57.46	60.21	67.10	68.48	76.47	78.13
1.033	30	5.263	31	5.439	38.44	39.82	41.20	42.58	43.95	46.71	53.32	56.63	57.73	60.49	67.38	68.76	76.75	78.40
1.034	29	5.088	30	5.263	38.72	40.10	41.48	42.86	44.23	46.99	53.60	56.91	58.01	60.77	67.66	69.04	77.03	78.68
1.036	28	4.912	29	5.088	39.00	40.38	41.75	43.13	44.51	47.27	53.88	57.19	58.29	61.04	67.93	69.31	77.30	78.96
1.042	48	8.421	50	8.772	33.35	34.73	36.10	37.48	38.86	41.62	48.23	51.54	52.64	55.39	62.28	63.66	71.65	73.31
1.047	43	7.544	45	7.895	34.72	36.10	37.48	38.86	40.23	42.99	49.60	52.91	54.01	56.77	63.66	65.04	73.03	74.68
1.050	60	10.527	63	11.053	29.90	31.28	32.66	34.04	35.41	38.17	44.78	48.09	49.19	51.95	58.84	60.22	68.21	69.86
1.053	38	6.667	40	7.018	36.10	37.48	38.86	40.24	41.61	44.37	50.98	54.29	55.39	58.15	65.04	66.42	74.41	76.06
1.054	37	6.492	39	6.842	36.38	37.76	39.13	40.51	41.89	44.65	51.26	54.57	55.67	58.42	65.31	66.69	74.68	76.34
1.056	36	6.316	38	6.667	36.65	38.03	39.41	40.79	42.16	44.92	51.53	54.84	55.94	58.70	65.59	66.97	74.96	76.61
1.056	71	12.457	75	13.158	26.73	28.11	29.48	30.87	32.24	35.00	41.61	44.92	46.02	48.78	55.67	57.05	65.04	66.69
1.057	35	6.141	37	6.492	36.93	38.31	39.68	41.06	42.44	45.20	51.81	55.12	56.22	58.97	65.86	67.24	75.23	76.89
1.057	53	9.299	56	9.825	31.83	33.21	34.58	35.96	37.34	40.10	46.71	50.02	51.12	53.87	60.76	62.14	70.13	71.79
1.059	34	5.965	36	6.316	37.20	38.58	39.96	41.34	42.71	45.47	52.08	55.39	56.49	59.25	66.14	67.52	75.51	77.16
1.060	50	8.772	53	9.299	32.66	34.04	35.41	36.79	38.17	40.93	47.54	50.85	51.95	54.70	61.59	62.97	70.96	72.62
1.060	67	11.755	71	12.457	27.83	29.21	30.59	31.97	33.34	36.10	42.71	46.02	47.12	49.88	56.77	58.15	66.14	67.79
1.061	33	5.790	35	6.141	37.48	38.86	40.23	41.61	42.99	45.75	52.36	55.67	56.77	59.52	66.41	67.79	75.78	77.44
1.063	32	5.614	34	5.965	37.76	39.14	40.51	41.89	43.27	46.03	52.64	55.95	57.05	59.80	66.69	68.07	76.06	77.72
1.063	63	11.053	67	11.755	28.93	30.31	31.69	33.07	34.44	37.20	43.82	47.13	48.23	50.98	57.87	59.25	67.24	68.90
1.065	31	5.439	33	5.790	38.03	39.41	40.79	42.17	43.54	46.30	52.91	56.22	57.32	60.08	66.97	68.35	76.34	77.99
1.067	30	5.263	32	5.614	38.31	39.69	41.06	42.44	43.82	46.58	53.19	56.50	57.60	60.35	67.24	68.62	76.61	78.27
1.067	45	7.895	48	8.421	34.03	35.41	36.79	38.17	39.54	42.30	48.91	52.22	53.32	56.08	62.97	64.35	72.34	73.99
1.067	75	13.158	80	14.036	25.49													

14M HT500 Selection Table

Speed Ratio	Sprocket Combinations				Center Distance, Inches												
	Driver		Driven		994-14MX	1120-14MX	1190-14MX	1260-14MX	1400-14MX	1568-14MX	1610-14MX	1750-14MX	1890-14MX	1960-14MX	2100-14MX	2240-14MX	2310-14MX
	No. of Teeth	Pitch Dia. Inches	No. of Teeth	Pitch Dia. Inches													
Length Factor*					0.68	0.73	0.75	0.77	0.81	0.85	0.86	0.89	0.92	0.94	0.96	0.99	1.00
1.107	28	4.912	31	5.439	11.43	13.91	15.29	16.67	19.43	22.73	23.56	26.32	29.07	30.45	33.21	35.96	37.34
1.111	36	6.316	40	7.018	9.09	11.57	12.95	14.33	17.08	20.39	21.22	23.97	26.73	28.11	30.87	33.62	35.00
1.111	45	7.895	50	8.772			10.33	11.71	14.46	17.77	18.60	21.36	24.11	25.49	28.25	31.00	32.38
1.114	35	6.141	39	6.842	9.36	11.84	13.22	14.60	17.36	20.67	21.50	24.25	27.01	28.39	31.14	33.90	35.27
1.116	43	7.544	48	8.421		9.50	10.88	12.26	15.01	18.32	19.15	21.91	24.66	26.04	28.80	31.55	32.93
1.117	60	10.527	67	11.755						13.35	14.18	16.94	19.70	21.08	23.83	26.59	27.96
1.118	34	5.965	38	6.667	9.64	12.12	13.50	14.88	17.64	20.94	21.77	24.53	27.28	28.66	31.42	34.17	35.55
1.119	67	11.755	75	13.158								14.87	17.62	19.01	21.76	24.52	25.89
1.120	50	8.772	56	9.825				10.19	12.94	16.25	17.08	19.84	22.59	23.97	26.73	29.48	30.86
1.121	33	5.790	37	6.492	9.91	12.39	13.77	15.15	17.91	21.22	22.05	24.80	27.56	28.94	31.69	34.45	35.82
1.125	32	5.614	36	6.316	10.19	12.67	14.05	15.43	18.19	21.49	22.32	25.08	27.83	29.21	31.97	34.72	36.10
1.125	40	7.018	45	7.895		10.32	11.70	13.09	15.84	19.15	19.98	22.73	25.49	26.87	29.62	32.38	33.75
1.125	56	9.825	63	11.053					11.15	14.45	15.29	18.04	20.80	22.18	24.93	27.69	29.07
1.125	80	14.036	90	15.790											17.89	20.65	22.03
1.127	63	11.053	71	12.457							13.21	15.97	18.73	20.11	22.86	25.62	27.00
1.127	71	12.457	80	14.036									16.38	17.76	20.52	23.27	24.65
1.129	31	5.439	35	6.141	10.46	12.95	14.33	15.71	18.46	21.77	22.60	25.35	28.11	29.49	32.24	35.00	36.37
1.132	38	6.667	43	7.544	8.39	10.87	12.26	13.64	16.39	19.70	20.53	23.28	26.04	27.42	30.18	32.93	34.31
1.132	53	9.299	60	10.527					11.97	15.28	16.11	18.87	21.62	23.01	25.76	28.52	29.89
1.133	30	5.263	34	5.965	10.74	13.22	14.60	15.98	18.74	22.04	22.87	25.63	28.38	29.76	32.52	35.27	36.65
1.138	29	5.088	33	5.790	11.02	13.50	14.88	16.26	19.01	22.32	23.15	25.90	28.66	30.04	32.79	35.55	36.92
1.143	28	4.912	32	5.614	11.29	13.77	15.15	16.53	19.29	22.60	23.43	26.18	28.94	30.32	33.07	35.83	37.20
1.143	35	6.141	40	7.018	9.22	11.70	13.08	14.46	17.22	20.53	21.36	24.11	26.87	28.25	31.00	33.76	35.13
1.147	34	5.965	39	6.842	9.50	11.98	13.36	14.74	17.50	20.80	21.63	24.39	27.14	28.52	31.28	34.03	35.41
1.152	33	5.790	38	6.667	9.77	12.25	13.63	15.01	17.77	21.08	21.91	24.66	27.42	28.80	31.55	34.31	35.68
1.154	39	6.842	45	7.895	10.46	12.95	14.33	15.71	18.46	21.77	22.60	25.35	28.11	29.49	32.24	35.00	36.37
1.156	32	5.614	37	6.492	10.05	12.53	13.91	15.29	18.05	21.35	22.18	24.94	27.69	29.07	31.83	34.58	35.96
1.161	31	5.439	36	6.316	10.32	12.81	14.19	15.57	18.32	21.63	22.46	25.21	27.97	29.35	32.10	34.86	36.23
1.162	37	6.492	43	7.544	8.52	11.01	12.39	13.77	16.53	19.83	20.66	23.42	26.18	27.56	30.31	33.07	34.44
1.163	43	7.544	50	8.772		9.21	10.59	11.97	14.73	18.04	18.87	21.63	24.38	25.76	28.52	31.27	32.65
1.167	30	5.263	35	6.141	10.60	13.08	14.46	15.84	18.60	21.90	22.73	25.49	28.24	29.63	32.38	35.14	36.51
1.167	48	8.421	56	9.825				10.45	13.21	16.52	17.35	20.11	22.86	24.24	27.00	29.76	31.13
1.172	29	5.088	34	5.965	10.88	13.36	14.74	16.12	18.87	22.18	23.01	25.77	28.52	29.90	32.66	35.41	36.79
1.176	34	5.965	40	7.018	9.35	11.84	13.22	14.60	17.36	20.66	21.49	24.25	27.00	28.38	31.14	33.89	35.27
1.178	45	7.895	53	9.299			9.90	11.28	14.04	17.35	18.18	20.93	23.69	25.07	27.83	30.58	31.96
1.179	28	4.912	33	5.790	11.15	13.63	15.01	16.39	19.15	22.46	23.29	26.04	28.80	30.18	32.93	35.69	37.06
1.182	33	5.790	39	6.842	9.63	12.11	13.49	14.87	17.63	20.94	21.77	24.52	27.28	28.66	31.41	34.17	35.54
1.183	60	10.527	71	12.457						12.78	13.61	16.37	19.13	20.51	23.27	26.03	27.40
1.184	38	6.667	45	7.895	8.10	10.59	11.97	13.35	16.11	19.42	20.25	23.00	25.76	27.14	29.90	32.65	34.03
1.188	32	5.614	38	6.667	9.91	12.39	13.77	15.15	17.91	21.21	22.04	24.80	27.55	28.93	31.69	34.45	35.82
1.189	53	9.299	63	11.053					11.54	14.85	15.69	18.44	21.20	22.58	25.34	28.10	29.47
1.190	63	11.053	75	13.158								15.40	18.16	19.54	22.30	25.06	26.43
1.194	31	5.439	37	6.492	10.18	12.66	14.04	15.43	18.18	21.49	22.32	25.07	27.83	29.21	31.97	34.72	36.10
1.194	36	6.316	43	7.544	8.66	11.14	12.52	13.91	16.66	19.97	20.80	23.56	26.31	27.69	30.45	33.20	34.58
1.194	67	11.755	80	14.036								14.15	16.91	18.29	21.05	23.81	25.19
1.196	56	9.825	67	11.755						13.88	14.71	17.47	20.23	21.61	24.37	27.13	28.50
1.200	30	5.263	36	6.316	10.46	12.94	14.32	15.70	18.46	21.76	22.59	25.35	28.11	29.49	32.24	35.00	36.37
1.200	40	7.018	48	8.421		9.89	11.28	12.66	15.42	18.73	19.56	22.31	25.07	26.45	29.21	31.96	33.34
1.200	50	8.772	60	10.527					12.37	15.68	16.51	19.27	22.03	23.41	26.17	28.92	30.30
1.200	75	13.158	90	15.790										15.79	18.56	21.32	22.70
1.207	29	5.088	35	6.141	10.73	13.22	14.60	15.98	18.73	22.04	22.87	25.63	28.38	29.76	32.52	35.27	36.65
1.212	33	5.790	40	7.018	9.49	11.97	13.35	14.73	17.49	20.80	21.63	24.38	27.14	28.52	31.27	34.03	35.41
1.214	28	4.912	34	5.965	11.01	13.49	14.87	16.25	19.01	22.32	23.15	25.90	28.66	30.04	32.79	35.55	36.92
1.216	37	6.492	45	7.895	8.24	10.72	12.11	13.49	16.25	19.55	20.38	23.14	25.90	27.28	30.03	32.79	34.16
1.219	32	5.614	39	6.842	9.76	12.25	13.63	15.01	17.77	21.07	21.90	24.66	27.42	28.80	31.55	34.31	35.68
1.226	31	5.439	38	6.667	10.04	12.52	13.90	15.28	18.04	21.35	22.18	24.93	27.69	29.07	31.83	34.58	35.96
1.229	35	6.141	43	7.544	8.79	11.28	12.66	14.04	16.80	20.10	20.94	23.69	26.45	27.83	30.58	33.34	34.71
1.231	39	6.842	48	8.421		10.03	11.41	12.79	15.55	18.86	19.69	22.45	25.21	26.59	29.34	32.10	33.47
1.233	30	5.263	37	6.492	10.31	12.80	14.18	15.56	18.32	21.62	22.45	25.21	27.97	29.35	32.10	34.86	36.23
1.233	43	7.544	53	9.299			10.16	11.54	14.30	17.61	18.45	21.20	23.96	25.34	28.10	30.85	32.23
1.241	29	5.088	36	6.316	10.59	13.07	14.46	15.84	18.59	21.90	22.73	25.49	28.24	29.62	32.38	35.13	36.51
1.244	45	7.895	56	9.825				10.84	13.61	16.92	17.75	20.51	23.27	24.65	27.41	30.16	31.54
1.250	28	4.912	35	6.141	10.87	13.35	14.73	16.11	18.87	22.18	23.01	25.76	28.52	29.90	32.65	35.41	36.78
1.250	32	5.614	40	7.018	9.62	12.10	13.49	14.87	17.62	20.93	21.76	24.52	27.27	28.66	31.41	34.17	35.54
1.250	36	6.316	45	7.895	8.37	10.85	12.24	13.62	16.38	19.69	20.52	23.28	26.03	27.41	30.17	32.92	34.30
1.250	40	7.018	50	8.772		9.60	10.99	12.37	15.13	18.44	19.27	22.03	24.79	26.17	28.93	31.68	33.06
1.250	48	8.421	60	10.527				12.63	15.95	19.27	20.10	22.86	25.62	26.00	28.76	31.51	32.88
1.250	60	10.527	75	13.158						13.03	13.86	16.62	19.38	20.76	23.52	26.28	27.65
1.258	31	5.439	39	6.842	9.89	12.38	13.76	15.14	17.90	21.21	22.04	24.79	27.55	28.93	31.69	34.44	35.82



SELECTION

14M HT500 Selection Table (Continued)

Speed Ratio	Sprocket Combinations				Center Distance, Inches													
	Driver		Driven		2380-14MX	2450-14MX	2520-14MX	2590-14MX	2660-14MX	2800-14MX	3136-14MX	3304-14MX	3360-14MX	3500-14MX	3850-14MX	3920-14MX	4326-14MX	4410-14MX
	No. of Teeth	Pitch Dia. Inches	No. of Teeth	Pitch Dia. Inches														
Length Factor*					1.01	1.02	1.03	1.04	1.05	1.07	1.12	1.14	1.14	1.16	1.19	1.20	1.24	1.25
1.107	28	4.912	31	5.439	38.72	40.10	41.47	42.85	44.23	46.99	53.60	56.91	58.01	60.76	67.65	69.03	77.02	78.68
1.111	36	6.316	40	7.018	36.38	37.76	39.13	40.51	41.89	44.65	51.26	54.57	55.67	58.42	65.31	66.69	74.68	76.34
1.111	45	7.895	50	8.772	33.76	35.14	36.51	37.89	39.27	42.03	48.64	51.95	53.05	55.80	62.69	64.07	72.06	73.72
1.114	35	6.141	39	6.842	36.65	38.03	39.41	40.79	42.16	44.92	51.53	54.84	55.94	58.70	65.59	66.97	74.96	76.61
1.116	43	7.544	48	8.421	34.31	35.69	37.06	38.44	39.82	42.58	49.19	52.50	53.60	56.35	63.24	64.62	72.61	74.27
1.117	60	10.527	67	11.755	29.34	30.72	32.10	33.48	34.85	37.61	44.23	47.54	48.64	51.39	58.28	59.66	67.65	69.31
1.118	34	5.965	38	6.667	36.93	38.31	39.68	41.06	42.44	45.20	51.81	55.12	56.22	58.97	65.86	67.24	75.23	76.89
1.119	67	11.755	75	13.158	27.27	28.65	30.03	31.41	32.79	35.55	42.16	45.47	46.57	49.32	56.21	57.59	65.58	67.24
1.120	50	8.772	56	9.825	32.24	33.62	34.99	36.38	37.75	40.51	47.12	50.43	51.53	54.29	61.18	62.56	70.55	72.20
1.121	33	5.790	37	6.492	37.20	38.58	39.96	41.34	42.71	45.47	52.08	55.39	56.49	59.25	66.14	67.52	75.51	77.16
1.125	32	5.614	36	6.316	37.48	38.86	40.23	41.61	42.99	45.75	52.36	55.67	56.77	59.52	66.41	67.79	75.78	77.44
1.125	40	7.018	45	7.895	35.13	36.51	37.89	39.27	40.64	43.41	50.02	53.33	54.43	57.18	64.07	65.45	73.44	75.10
1.125	56	9.825	63	11.053	30.45	31.83	33.20	34.58	35.96	38.72	45.33	48.64	49.74	52.49	59.38	60.76	68.75	70.41
1.125	80	14.036	90	15.790	23.41	24.79	26.17	27.55	28.92	31.68	38.29	41.61	42.71	45.46	52.35	53.73	61.72	63.38
1.127	63	11.053	71	12.457	28.38	29.76	31.13	32.51	33.89	36.65	43.26	46.57	47.67	50.43	57.32	58.70	66.69	68.34
1.127	71	12.457	80	14.036	26.03	27.41	28.79	30.17	31.54	34.30	40.91	44.23	45.33	48.08	54.97	56.35	64.34	66.00
1.129	31	5.439	35	6.141	37.75	39.13	40.51	41.89	43.26	46.02	52.63	55.94	57.04	59.80	66.69	68.07	76.06	77.71
1.132	38	6.667	43	7.544	35.69	37.07	38.44	39.82	41.20	43.96	50.57	53.88	54.98	57.73	64.62	66.00	73.99	75.65
1.132	53	9.299	60	10.527	31.27	32.65	34.03	35.41	36.78	39.54	46.15	49.46	50.56	53.32	60.21	61.59	69.58	71.24
1.133	30	5.263	34	5.965	38.03	39.41	40.79	42.17	43.54	46.30	52.91	56.22	57.32	60.08	66.97	68.35	76.34	77.99
1.138	29	5.088	33	5.790	38.30	39.68	41.06	42.44	43.82	46.58	53.19	56.50	57.60	60.35	67.24	68.62	76.61	78.27
1.143	28	4.912	32	5.614	38.58	39.96	41.34	42.72	44.09	46.85	53.46	56.77	57.87	60.63	67.52	68.90	76.89	78.54
1.143	35	6.141	40	7.018	36.51	37.89	39.27	40.65	42.02	44.78	51.39	54.70	55.80	58.56	65.45	66.83	74.82	76.47
1.147	34	5.965	39	6.842	36.79	38.17	39.54	40.92	42.30	45.06	51.67	54.98	56.08	58.83	65.72	67.10	75.10	76.75
1.152	33	5.790	38	6.667	37.06	38.44	39.82	41.20	42.57	45.33	51.94	55.25	56.35	59.11	66.00	67.38	75.37	77.03
1.154	39	6.842	45	7.895	35.27	36.65	38.03	39.41	40.78	43.54	50.15	53.46	54.56	57.32	64.21	65.59	73.58	75.23
1.156	32	5.614	37	6.492	37.34	38.72	40.09	41.47	42.85	45.61	52.22	55.53	56.63	59.39	66.28	67.66	75.65	77.30
1.161	31	5.439	36	6.316	37.62	39.00	40.37	41.75	43.13	45.89	52.50	55.81	56.91	59.66	66.55	67.93	75.92	77.58
1.162	37	6.492	43	7.544	35.82	37.20	38.58	39.96	41.33	44.09	50.70	54.01	55.11	57.87	64.76	66.14	74.13	75.78
1.163	43	7.544	50	8.772	34.03	35.41	36.79	38.17	39.54	42.30	48.91	52.22	53.32	56.08	62.97	64.35	72.34	73.99
1.167	30	5.263	35	6.141	37.89	39.27	40.65	42.03	43.40	46.16	52.77	56.08	57.18	59.94	66.83	68.21	76.20	77.85
1.167	48	8.421	56	9.825	32.51	33.89	35.27	36.65	38.02	40.78	47.39	50.70	51.80	54.56	61.45	62.83	70.82	72.48
1.172	29	5.088	34	5.965	38.17	39.55	40.92	42.30	43.68	46.44	53.05	56.36	57.46	60.21	67.10	68.48	76.47	78.13
1.176	34	5.965	40	7.018	36.65	38.03	39.40	40.78	42.16	44.92	51.53	54.84	55.94	58.70	65.59	66.97	74.96	76.61
1.178	45	7.895	53	9.299	33.34	34.72	36.09	37.47	38.85	41.61	48.22	51.53	52.63	55.39	62.28	63.66	71.65	73.30
1.179	28	4.912	33	5.790	38.44	39.82	41.20	42.58	43.95	46.71	53.32	56.63	57.73	60.49	67.38	68.76	76.75	78.40
1.182	33	5.790	39	6.842	36.93	38.31	39.68	41.06	42.44	45.20	51.81	55.12	56.22	58.97	65.86	67.24	75.23	76.89
1.183	60	10.527	71	12.457	28.78	30.16	31.54	32.92	34.29	37.06	43.67	46.98	48.08	50.83	57.73	59.11	67.10	68.75
1.184	38	6.667	45	7.895	35.41	36.79	38.16	39.54	40.92	43.68	50.29	53.60	54.70	57.45	64.35	65.73	73.72	75.37
1.188	32	5.614	38	6.667	37.20	38.58	39.96	41.34	42.71	45.47	52.08	55.39	56.49	59.25	66.14	67.52	75.51	77.16
1.189	53	9.299	63	11.053	30.85	32.23	33.61	34.99	36.37	39.13	45.74	49.05	50.15	52.90	59.79	61.17	69.17	70.82
1.190	63	11.053	75	13.158	27.81	29.20	30.57	31.95	33.33	36.09	42.70	46.01	47.11	49.87	56.76	58.14	66.13	67.79
1.194	31	5.439	37	6.492	37.48	38.86	40.23	41.61	42.99	45.75	52.36	55.67	56.77	59.52	66.41	67.79	75.78	77.44
1.194	36	6.316	43	7.544	35.96	37.34	38.71	40.09	41.47	44.23	50.84	54.15	55.25	58.01	64.90	66.28	74.27	75.92
1.194	67	11.755	80	14.036	26.57	27.95	29.33	30.71	32.08	34.85	41.46	44.77	45.87	48.63	55.52	56.90	64.89	66.54
1.196	56	9.825	67	11.755	29.89	31.27	32.64	34.02	35.40	38.16	44.77	48.08	49.18	51.94	58.83	60.21	68.20	69.85
1.200	30	5.263	36	6.316	37.75	39.13	40.51	41.89	43.26	46.02	52.63	55.94	57.04	59.80	66.69	68.07	76.06	77.71
1.200	40	7.018	48	8.421	34.72	36.10	37.47	38.85	40.23	42.99	49.60	52.91	54.01	56.76	63.66	65.04	73.03	74.68
1.200	50	8.772	60	10.527	31.68	33.06	34.44	35.82	37.19	39.95	46.56	49.87	50.98	53.73	60.62	62.00	69.99	71.65
1.200	75	13.158	90	15.790	24.08	25.46	26.84	28.22	29.60	32.36	38.97	42.28	43.38	46.14	53.03	54.41	62.41	64.06
1.207	29	5.088	35	6.141	38.03	39.41	40.78	42.16	43.54	46.30	52.91	56.22	57.32	60.07	66.96	68.34	76.33	77.99
1.212	33	5.790	40	7.018	36.79	38.17	39.54	40.92	42.30	45.06	51.67	54.98	56.08	58.83	65.72	67.10	75.09	76.75
1.214	28	4.912	34	5.965	38.30	39.68	41.06	42.44	43.81	46.57	53.18	56.49	57.59	60.35	67.24	68.62	76.61	78.27
1.216	37	6.492	45	7.895	35.54	36.92	38.30	39.68	41.05	43.81	50.43	53.74	54.84	57.59	64.48	65.86	73.85	75.51
1.219	32	5.614	39	6.842	37.06	38.44	39.82	41.20	42.57	45.33	51.94	55.25	56.35	59.11	66.00	67.38	75.37	77.02
1.226	31	5.439	38	6.667	37.34	38.72	40.09	41.47	42.85	45.61	52.22	55.53	56.63	59.39	66.28	67.66	75.65	77.30
1.229	35	6.141	43	7.544	36.10	37.48	38.85	40.23	41.61	44.37	50.98	54.29	55.39	58.14	65.03	66.41	74.40	76.06
1.231	39	6.842	48	8.421	34.85	36.23	37.61	38.99	40.36	43.13	49.74	53.05	54.15	56.90	63.79	65.17	73.16	74.82
1.233	30	5.263	37	6.492	37.61	38.99	40.37	41.75	43.12	45.88	52.49	55.80	56.90	59.66	66.55	67.93	75.92	77.58
1.233	43	7.544	53	9.299	33.61	34.99	36.37	37.75	39.12	41.88	48.49	51.80	52.90	55.66	62.55	63.93	71.92	73.58
1.241	29	5.088	36	6.316	37.89	39.27	40.64	42.02	43.40	46.16	52.77	56.08	57.18	59.94	66.83	68.21	76.20	77.85
1.244	45	7.895	56	9.825	32.92	34.30	35.67	37.06	38.43									

SELECTION



14M HT500 Selection Table

Speed Ratio	Sprocket Combinations				Center Distance, Inches												
	Driver		Driven		994-14MX	1120-14MX	1190-14MX	1260-14MX	1400-14MX	1568-14MX	1610-14MX	1750-14MX	1890-14MX	1960-14MX	2100-14MX	2240-14MX	2310-14MX
	No. of Teeth	Pitch Dia. Inches	No. of Teeth	Pitch Dia. Inches													
Length Factor*					0.68	0.73	0.75	0.77	0.81	0.85	0.86	0.89	0.92	0.94	0.96	0.99	1.00
1.264	53	9.299	67	11.755						14.28	15.11	17.87	20.63	22.01	24.77	27.53	28.91
1.265	34	5.965	43	7.544	8.92	11.41	12.79	14.17	16.93	20.24	21.07	23.83	26.58	27.96	30.72	33.48	34.85
1.267	30	5.263	38	6.667	10.17	12.66	14.04	15.42	18.18	21.48	22.31	25.07	27.83	29.21	31.96	34.72	36.09
1.268	56	9.825	71	12.457						13.30	14.13	16.90	19.66	21.04	23.80	26.56	27.94
1.268	71	12.457	90	15.790								14.93	16.31	19.08	21.85	23.23	
1.270	63	11.053	80	14.036								14.67	17.44	18.82	21.58	24.34	25.72
1.276	29	5.088	37	6.492	10.45	12.93	14.31	15.69	18.45	21.76	22.59	25.35	28.10	29.48	32.24	34.99	36.37
1.282	39	6.842	50	8.772		9.73	11.12	12.50	15.27	18.58	19.41	22.17	24.92	26.30	29.06	31.82	33.19
1.286	28	4.912	36	6.316	10.72	13.21	14.59	15.97	18.73	22.04	22.87	25.62	28.38	29.76	32.51	35.27	36.64
1.286	35	6.141	45	7.895	8.50	10.99	12.37	13.75	16.51	19.82	20.65	23.41	26.17	27.55	30.30	33.06	34.43
1.290	31	5.439	40	7.018	9.75	12.24	13.62	15.00	17.76	21.07	21.90	24.65	27.41	28.79	31.55	34.30	35.68
1.297	37	6.492	48	8.421		10.29	11.67	13.06	15.82	19.13	19.96	22.72	25.47	26.86	29.61	32.37	33.74
1.300	30	5.263	39	6.842	10.03	12.51	13.90	15.28	18.04	21.34	22.17	24.93	27.69	29.07	31.82	34.58	35.95
1.302	43	7.544	56	9.825		9.72	11.10	13.87	17.19	18.02	20.78	23.54	24.92	27.67	30.43	31.81	
1.303	33	5.790	43	7.544	9.05	11.54	12.92	14.31	17.06	20.37	21.20	23.96	26.72	28.10	30.86	33.61	34.99
1.310	29	5.088	38	6.667	10.30	12.79	14.17	15.55	18.31	21.62	22.45	25.21	27.96	29.34	32.10	34.85	36.23
1.313	48	8.421	63	11.053					12.19	15.51	16.35	19.11	21.87	23.25	26.01	28.77	30.15
1.316	38	6.667	50	8.772		9.86	11.25	12.64	15.40	18.71	19.54	22.30	25.06	26.44	29.20	31.95	33.33
1.321	28	4.912	37	6.492	10.58	13.06	14.45	15.83	18.59	21.89	22.72	25.48	28.24	29.62	32.37	35.13	36.50
1.324	34	5.965	45	7.895	8.63	11.12	12.50	13.89	16.65	19.96	20.79	23.54	26.30	27.68	30.44	33.20	34.57
1.325	40	7.018	53	9.299		9.16	10.55	11.94	14.70	18.01	18.85	21.60	24.36	25.74	28.50	31.26	32.63
1.333	30	5.263	40	7.018	9.88	12.37	13.75	15.13	17.89	21.20	22.03	24.79	27.55	28.93	31.68	34.44	35.81
1.333	36	6.316	48	8.421		10.42	11.80	13.19	15.95	19.26	20.09	22.85	25.61	26.99	29.75	32.50	33.88
1.333	45	7.895	60	10.527				10.25	13.02	16.34	17.18	19.94	22.70	24.08	26.84	29.60	30.97
1.333	60	10.527	80	14.036								15.06	17.83	19.21	21.98	24.74	26.12
1.339	56	9.825	75	13.158						12.70	13.54	16.31	19.08	20.47	23.23	25.99	27.37
1.340	50	8.772	67	11.755					11.34	14.67	15.50	18.27	21.03	22.41	25.17	27.93	29.31
1.340	53	9.299	71	12.457						13.69	14.52	17.29	20.06	21.44	24.20	26.96	28.34
1.343	67	11.755	90	15.790									15.44	16.83	19.60	22.37	23.75
1.344	32	5.614	43	7.544	9.18	11.67	13.06	14.44	17.20	20.51	21.34	24.10	26.85	28.23	30.99	33.75	35.12
1.345	29	5.088	39	6.842	10.16	12.64	14.03	15.41	18.17	21.48	22.31	25.06	27.82	29.20	31.96	34.71	36.09
1.351	37	6.492	50	8.772		9.99	11.38	12.77	15.53	18.84	19.67	22.43	25.19	26.57	29.33	32.09	33.46
1.357	28	4.912	38	6.667	10.43	12.92	14.30	15.69	18.45	21.75	22.58	25.34	28.10	29.48	32.23	34.99	36.37
1.359	39	6.842	53	9.299		9.29	10.68	12.07	14.83	18.15	18.98	21.74	24.50	25.88	28.64	31.39	32.77
1.364	33	5.790	45	7.895	8.75	11.25	12.63	14.02	16.78	20.09	20.92	23.68	26.44	27.82	30.57	33.33	34.71
1.371	35	6.141	48	8.421	8.05	10.55	11.93	13.32	16.08	19.39	20.23	22.98	25.74	27.12	29.88	32.64	34.01
1.379	29	5.088	40	7.018	10.01	12.50	13.88	15.27	18.03	21.34	22.17	24.92	27.68	29.06	31.82	34.57	35.95
1.387	31	5.439	43	7.544	9.31	11.80	13.19	14.57	17.33	20.64	21.47	24.23	26.99	28.37	31.13	33.88	35.26
1.389	36	6.316	50	8.772		10.12	11.51	12.90	15.66	18.98	19.81	22.57	25.33	26.71	29.46	32.22	33.60
1.393	28	4.912	39	6.842	10.29	12.78	14.16	15.54	18.30	21.61	22.44	25.20	27.96	29.34	32.09	34.85	36.23
1.395	38	6.667	53	9.299		9.41	10.81	12.19	14.96	18.28	19.11	21.87	24.63	26.01	28.77	31.53	32.90
1.395	43	7.544	60	10.527				10.51	13.28	16.61	17.44	20.20	22.96	24.35	27.11	29.86	31.24
1.396	48	8.421	67	11.755					11.59	14.93	15.76	18.53	21.29	22.68	25.44	28.20	29.58
1.400	40	7.018	56	9.825			10.10	11.49	14.26	17.58	18.41	21.18	23.94	25.32	28.08	30.83	32.21
1.400	45	7.895	63	11.053					12.58	15.90	16.74	19.50	22.27	23.65	26.41	29.17	30.55
1.400	80	14.036	112	19.650												17.41	18.80
1.406	32	5.614	45	7.895	8.88	11.38	12.76	14.15	16.91	20.22	21.05	23.81	26.57	27.95	30.71	33.47	34.84
1.412	34	5.965	48	8.421	8.17	10.68	12.06	13.45	16.21	19.53	20.36	23.12	25.88	27.26	30.02	32.77	34.15
1.415	53	9.299	75	13.158						13.08	13.92	16.70	19.47	20.86	23.62	26.39	27.77
1.420	50	8.772	71	12.457						14.07	14.91	17.68	20.45	21.83	24.60	27.36	28.74
1.429	28	4.912	40	7.018	10.14	12.63	14.02	15.40	18.16	21.47	22.30	25.06	27.82	29.20	31.95	34.71	36.08
1.429	35	6.141	50	8.772		10.25	11.64	13.03	15.79	19.11	19.94	22.70	25.46	26.84	29.60	32.36	33.73
1.429	56	9.825	80	14.036						12.78	13.61	16.37	19.13	20.51	23.27	26.03	27.41
1.429	63	11.053	90	15.790								15.57	18.34	19.73	22.50	25.27	26.65
1.432	37	6.492	53	9.299		9.54	10.93	12.32	15.09	18.41	19.24	22.00	24.76	26.15	28.90	31.66	33.04
1.433	30	5.263	43	7.544	9.44	11.93	13.32	14.70	17.46	20.78	21.61	24.36	27.12	28.50	31.26	34.02	35.39
1.436	39	6.842	56	9.825		10.23	11.62	13.01	14.39	17.71	18.54	21.31	24.07	25.45	28.21	30.97	32.35
1.452	31	5.439	45	7.895	9.01	11.51	12.89	14.28	17.04	20.36	21.19	23.95	26.70	28.09	30.84	33.60	34.98
1.455	33	5.790	48	8.421	8.30	10.80	12.19	13.58	16.35	19.66	20.49	23.25	26.01	27.39	30.15	32.91	34.28
1.465	43	7.544	63	11.053				10.05	12.83	16.16	17.00	19.77	22.53	23.91	26.68	29.44	30.81
1.471	34	5.965	50	8.772		10.38	11.77	13.16	15.92	19.24	20.07	22.83	25.59	26.97	29.73	32.49	33.87
1.472	36	6.316	53	9.299		9.67	11.06	12.45	15.22	18.54	19.37	22.14	24.90	26.28	29.04	31.80	33.17
1.474	38	6.667	56	9.825		8.95	10.35	11.75	14.52	17.84	18.68	21.44	24.20	25.58	28.34	31.10	32.48
1.479	48	8.421	71	12.457					14.33	15.16	17.94	20.71	23.47	24.85	27.62	30.38	31.76
1.483	29	5.088	43	7.544	9.56	12.06	13.45	14.83	17.60	20.91	21.74	24.50	27.26	28.64	31.39	34.15	35.53
1.489	45	7.895	67	11.755					11.97	15.31	16.15	18.92	21.69	23.07	25.83	28.60	29.97
1.493	75	13.158	112	19.650												18.03	19.43
1.500	30	5.263	45	7.895	9.14	11.64	13.02	14.41	17.18	20.49	21.32	24.08	26.84	28.22	30.98	33.74	35.11
1.500	32	5.614	48	8.421	8.42	10.93	12.32	13.71	16.48	19.79	20.62	23.38	26.14	27.53	30.28	33.04	34.42
1.500	40	7.018	60	10.527			9.48	10.88	13.67	16.99	17.83	20.60	23.36	24.74	27.50	30.26	31.64
1.500	50	8.7															



SELECTION

14M HT500 Selection Table (Continued)

Speed Ratio	Sprocket Combinations				Center Distance, Inches													
	Driver		Driven		2380-14MX	2450-14MX	2520-14MX	2590-14MX	2660-14MX	2800-14MX	3136-14MX	3304-14MX	3360-14MX	3500-14MX	3850-14MX	3920-14MX	4326-14MX	4410-14MX
	No. of Teeth	Pitch Dia. Inches	No. of Teeth	Pitch Dia. Inches														
Length Factor*					1.01	1.02	1.03	1.04	1.05	1.07	1.12	1.14	1.14	1.16	1.19	1.20	1.24	1.25
1.264	53	9.299	67	11.755	30.29	31.67	33.05	34.43	35.80	38.56	45.18	48.49	49.59	52.34	59.24	60.62	68.61	70.26
1.265	34	5.965	43	7.544	36.23	37.61	38.99	40.37	41.74	44.50	51.11	54.42	55.52	58.28	65.17	66.55	74.54	76.20
1.267	30	5.263	38	6.667	37.47	38.85	40.23	41.61	42.98	45.74	52.36	55.67	56.77	59.52	66.41	67.79	75.78	77.44
1.268	56	9.825	71	12.457	29.32	30.70	32.08	33.46	34.83	37.60	44.21	47.52	48.62	51.38	58.27	59.65	67.64	69.30
1.268	71	12.457	90	15.790	24.61	25.99	27.37	28.75	30.13	32.89	39.51	42.82	43.92	46.68	53.57	54.95	62.94	64.60
1.270	63	11.053	80	14.036	27.10	28.49	29.86	31.24	32.62	35.38	42.00	45.31	46.41	49.17	56.06	57.44	65.43	67.09
1.276	29	5.088	37	6.492	37.75	39.13	40.50	41.88	43.26	46.02	52.63	55.94	57.04	59.80	66.69	68.07	76.06	77.71
1.282	39	6.842	50	8.772	34.57	35.95	37.33	38.71	40.09	42.85	49.46	52.77	53.87	56.62	63.51	64.89	72.88	74.54
1.286	28	4.912	36	6.316	38.03	39.41	40.78	42.16	43.54	46.30	52.91	56.22	57.32	60.07	66.96	68.34	76.33	77.99
1.286	35	6.141	45	7.895	35.82	37.20	38.57	39.95	41.33	44.09	50.70	54.01	55.11	57.86	64.76	66.14	74.13	75.78
1.290	31	5.439	40	7.018	37.06	38.44	39.81	41.19	42.57	45.33	51.94	55.25	56.35	59.11	66.00	67.38	75.37	77.02
1.297	37	6.492	48	8.421	35.12	36.50	37.88	39.26	40.64	43.40	50.01	53.32	54.42	57.17	64.07	65.45	73.44	75.09
1.300	30	5.263	39	6.842	37.33	38.71	40.09	41.47	42.85	45.61	52.22	55.53	56.63	59.38	66.27	67.65	75.64	77.30
1.302	43	7.544	56	9.825	33.19	34.57	35.95	37.33	38.70	41.46	48.07	51.39	52.49	55.24	62.13	63.51	71.50	73.16
1.303	33	5.790	43	7.544	36.37	37.75	39.12	40.50	41.88	44.64	51.25	54.56	55.66	58.42	65.31	66.69	74.68	76.33
1.310	29	5.088	38	6.667	37.61	38.99	40.36	41.75	43.12	45.88	52.49	55.80	56.90	59.66	66.55	67.93	75.92	77.57
1.313	48	8.421	63	11.053	31.53	32.91	34.28	35.67	37.04	39.80	46.42	49.73	50.83	53.58	60.48	61.86	69.85	71.50
1.316	38	6.667	50	8.772	34.71	36.09	37.46	38.84	40.22	42.98	49.59	52.90	54.00	56.76	63.65	65.03	73.02	74.68
1.321	28	4.912	37	6.492	37.89	39.27	40.64	42.02	43.40	46.16	52.77	56.08	57.18	59.93	66.82	68.20	76.19	77.85
1.324	34	5.965	45	7.895	35.95	37.33	38.71	40.09	41.46	44.22	50.84	54.15	55.25	58.00	64.89	66.27	74.26	75.92
1.325	40	7.018	53	9.299	34.02	35.40	36.77	38.15	39.53	42.29	48.90	52.21	53.31	56.07	62.96	64.34	72.33	73.99
1.333	30	5.263	40	7.018	37.19	38.57	39.95	41.33	42.71	45.47	52.08	55.39	56.49	59.24	66.13	67.51	75.50	77.16
1.333	36	6.316	48	8.421	35.26	36.64	38.02	39.40	40.77	43.53	50.14	53.46	54.56	57.31	64.20	65.58	73.57	75.23
1.333	45	7.895	60	10.527	32.35	33.74	35.11	36.49	37.87	40.63	47.24	50.55	51.65	54.41	61.30	62.68	70.67	72.33
1.333	60	10.527	80	14.036	27.50	28.88	30.26	31.64	33.02	35.79	42.40	45.71	46.82	49.57	56.47	57.85	65.84	67.50
1.339	56	9.825	75	13.158	28.75	30.13	31.51	32.89	34.27	37.03	43.65	46.96	48.06	50.82	57.71	59.09	67.08	68.74
1.340	50	8.772	67	11.755	30.69	32.07	33.45	34.83	36.21	38.97	45.58	48.90	50.00	52.75	59.64	61.02	69.02	70.67
1.340	53	9.299	71	12.457	29.72	31.10	32.48	33.86	35.24	38.00	44.61	47.93	49.03	51.78	58.68	60.06	68.05	69.70
1.343	67	11.755	90	15.790	25.14	26.52	27.90	29.28	30.66	33.43	40.05	43.36	44.46	47.22	54.11	55.49	63.49	65.14
1.344	32	5.614	43	7.544	36.50	37.88	39.26	40.64	42.01	44.78	51.39	54.70	55.80	58.55	65.44	66.82	74.81	76.47
1.345	29	5.088	39	6.842	37.47	38.85	40.23	41.61	42.98	45.74	52.36	55.67	56.77	59.52	66.41	67.79	75.78	77.44
1.351	37	6.492	50	8.772	34.84	36.22	37.60	38.98	40.36	43.12	49.73	53.04	54.14	56.90	63.79	65.17	73.16	74.81
1.357	28	4.912	38	6.667	37.75	39.13	40.50	41.88	43.26	46.02	52.63	55.94	57.04	59.79	66.69	68.07	76.06	77.71
1.359	39	6.842	53	9.299	34.15	35.53	36.91	38.29	39.66	42.43	49.04	52.35	53.45	56.20	63.10	64.48	72.47	74.12
1.364	33	5.790	45	7.895	36.09	37.47	38.84	40.22	41.60	44.36	50.97	54.28	55.38	58.14	65.03	66.41	74.40	76.05
1.371	35	6.141	48	8.421	35.39	36.78	38.15	39.53	40.91	43.67	50.28	53.59	54.69	57.45	64.34	65.72	73.71	75.36
1.379	29	5.088	40	7.018	37.33	38.71	40.09	41.47	42.84	45.60	52.21	55.52	56.62	59.38	66.27	67.65	75.64	77.30
1.387	31	5.439	43	7.544	36.64	38.02	39.39	40.77	42.15	44.91	51.52	54.83	55.93	58.69	65.58	66.96	74.95	76.61
1.389	36	6.316	50	8.772	34.98	36.36	37.73	39.12	40.49	43.25	49.86	53.18	54.28	57.03	63.92	65.30	73.29	74.95
1.393	28	4.912	39	6.842	37.61	38.99	40.36	41.74	43.12	45.88	52.49	55.80	56.90	59.66	66.55	67.93	75.92	77.57
1.395	38	6.667	53	9.299	34.29	35.67	37.04	38.42	39.80	42.56	49.17	52.48	53.58	56.34	63.23	64.61	72.60	74.26
1.395	43	7.544	60	10.527	32.62	34.00	35.38	36.76	38.14	40.90	47.51	50.83	51.93	54.68	61.57	62.95	70.95	72.60
1.396	48	8.421	67	11.755	30.96	32.34	33.72	35.10	36.48	39.24	45.85	49.17	50.27	53.02	59.92	61.30	69.29	70.94
1.400	40	7.018	56	9.825	33.59	34.97	36.35	37.73	39.11	41.87	48.48	51.79	52.89	55.65	62.54	63.92	71.91	73.57
1.400	45	7.895	63	11.053	31.93	33.31	34.69	36.07	37.44	40.21	46.82	50.13	51.23	53.99	60.88	62.26	70.26	71.91
1.400	80	14.036	112	19.650	20.20	21.59	22.98	24.37	25.75	28.52	35.16	38.48	39.58	42.35	49.25	50.63	58.63	60.29
1.406	32	5.614	45	7.895	36.22	37.60	38.98	40.36	41.73	44.50	51.11	54.42	55.52	58.27	65.17	66.55	74.54	76.19
1.412	34	5.965	48	8.421	35.53	36.91	38.29	39.67	41.04	43.80	50.42	53.73	54.83	57.58	64.47	65.85	73.85	75.50
1.415	53	9.299	75	13.158	29.15	30.53	31.91	33.29	34.67	37.43	44.05	47.36	48.46	51.22	58.12	59.50	67.49	69.15
1.420	50	8.772	71	12.457	30.12	31.50	32.88	34.26	35.64	38.40	45.02	48.33	49.43	52.19	59.08	60.46	68.46	70.11
1.429	28	4.912	40	7.018	37.47	38.85	40.22	41.60	42.98	45.74	52.35	55.66	56.76	59.52	66.41	67.79	75.78	77.43
1.429	35	6.141	50	8.772	35.11	36.49	37.87	39.25	40.63	43.39	50.00	53.31	54.41	57.17	64.06	65.44	73.43	75.09
1.429	56	9.825	80	14.036	28.03	29.41	30.79	32.18	33.55	36.32	42.94	46.25	47.35	50.11	57.01	58.39	66.38	68.04
1.429	63	11.053	90	15.790	25.66	27.04	28.42	29.81	31.19	33.95	40.58	43.89	45.00	47.75	54.65	56.03	64.03	65.68
1.432	37	6.492	53	9.299	34.42	35.80	37.18	38.56	39.93	42.69	49.31	52.62	53.72	56.48	63.37	64.75	72.74	74.39
1.433	30	5.263	43	7.544	36.77													

SELECTION



14M HT500 Selection Table

Speed Ratio	Sprocket Combinations				Center Distance, Inches												
	Driver		Driven		994-14MX	1120-14MX	1190-14MX	1260-14MX	1400-14MX	1568-14MX	1610-14MX	1750-14MX	1890-14MX	1960-14MX	2100-14MX	2240-14MX	2310-14MX
	No. of Teeth	Pitch Dia. Inches	No. of Teeth	Pitch Dia. Inches													
Length Factor*					0.68	0.73	0.75	0.77	0.81	0.85	0.86	0.89	0.92	0.94	0.96	0.99	1.00
1.509	53	9.299	80	14.036							13.15	15.95	18.73	20.12	22.89	25.66	27.04
1.514	35	6.141	53	9.299		9.79	11.19	12.58	15.35	18.67	19.50	22.27	25.03	26.41	29.17	31.93	33.31
1.514	37	6.492	56	9.825		9.08	10.48	11.87	14.65	17.97	18.81	21.57	24.33	25.72	28.48	31.24	32.61
1.515	33	5.790	50	8.772	7.99	10.50	11.89	13.28	16.05	19.37	20.20	22.96	25.72	27.11	29.87	32.62	34.00
1.536	28	4.912	43	7.544	9.69	12.19	13.58	14.96	17.73	21.04	21.87	24.63	27.39	28.77	31.53	34.29	35.66
1.538	39	6.842	60	10.527			9.61	11.01	13.80	17.12	17.96	20.73	23.49	24.88	27.64	30.40	31.78
1.548	31	5.439	48	8.421	8.55	11.06	12.45	13.84	16.61	19.92	20.76	23.52	26.28	27.66	30.42	33.18	34.55
1.552	29	5.088	45	7.895	9.26	11.76	13.15	14.54	17.31	20.62	21.45	24.21	26.97	28.35	31.11	33.87	35.25
1.556	36	6.316	56	9.825		9.20	10.60	12.00	14.78	18.10	18.94	21.70	24.46	25.85	28.61	31.37	32.75
1.558	43	7.544	67	11.755					12.22	15.56	16.40	19.18	21.95	23.33	26.10	28.86	30.24
1.559	34	5.965	53	9.299		9.92	11.31	12.71	15.48	18.80	19.64	22.40	25.16	26.54	29.30	32.06	33.44
1.563	32	5.614	50	8.772	8.11	10.63	12.02	13.41	16.18	19.50	20.33	23.10	25.86	27.24	30.00	32.76	34.13
1.563	48	8.421	75	13.158					13.41	16.18	17.12	19.88	22.64	24.02	26.78	29.54	30.92
1.575	40	7.018	63	11.053				10.42	13.21	16.55	17.38	20.16	22.92	24.31	27.07	29.83	31.21
1.577	71	12.457	112	19.650												18.53	19.93
1.578	45	7.895	71	12.457					11.35	14.70	15.54	18.32	21.10	22.48	25.25	28.02	29.40
1.579	38	6.667	60	10.527			9.73	11.13	13.92	17.25	18.09	20.86	23.62	25.01	27.77	30.53	31.91
1.600	30	5.263	48	8.421	8.67	11.19	12.58	13.97	16.74	20.06	20.89	23.65	26.41	27.79	30.55	33.31	34.69
1.600	35	6.141	56	9.825		9.32	10.73	12.13	14.91	18.23	19.07	21.83	24.60	25.98	28.74	31.50	32.88
1.600	50	8.772	80	14.036					12.68	16.03	16.87	19.63	22.39	23.77	26.53	29.29	30.67
1.606	33	5.790	53	9.299		10.04	11.44	12.83	15.61	18.93	19.77	22.53	25.29	26.68	29.44	32.20	33.57
1.607	28	4.912	45	7.895	9.39	11.89	13.28	14.67	17.44	20.75	21.58	24.35	27.11	28.49	31.25	34.00	35.38
1.607	56	9.825	90	15.790								14.01	16.82	18.22	21.01	23.79	25.18
1.613	31	5.439	50	8.772	8.23	10.75	12.15	13.54	16.31	19.63	20.47	23.23	25.99	27.37	30.13	32.89	34.27
1.615	39	6.842	63	11.053				10.54	13.34	16.68	17.51	20.29	23.05	24.44	27.20	29.97	31.34
1.622	37	6.492	60	10.527			9.85	11.26	14.05	17.38	18.22	20.99	23.75	25.14	27.90	30.66	32.04
1.647	34	5.965	56	9.825		9.45	10.85	12.25	15.03	18.36	19.20	21.96	24.73	26.11	28.87	31.63	33.01
1.651	43	7.544	71	12.457					11.59	14.95	15.79	18.58	21.35	22.74	25.51	28.28	29.66
1.655	29	5.088	48	8.421	8.80	11.31	12.71	14.10	16.87	20.19	21.02	23.78	26.54	27.93	30.68	33.44	34.82
1.656	32	5.614	53	9.299		10.16	11.57	12.96	15.74	19.06	19.90	22.66	25.43	26.81	29.57	32.33	33.71
1.658	38	6.667	63	11.053				10.66	13.46	16.80	17.64	20.41	23.18	24.57	27.33	30.10	31.48
1.667	30	5.263	50	8.772	8.36	10.88	12.28	13.67	16.44	19.76	20.60	23.36	26.12	27.51	30.27	33.03	34.40
1.667	36	6.316	60	10.527			9.97	11.38	14.17	17.51	18.35	21.12	23.88	25.27	28.03	30.79	32.17
1.667	45	7.895	75	13.158						14.08	14.93	17.72	20.50	21.89	24.66	27.43	28.81
1.667	48	8.421	80	14.036						12.92	13.77	16.57	19.36	20.76	23.53	26.31	27.69
1.672	67	11.755	112	19.650											16.19	19.02	20.42
1.675	40	7.018	67	11.755					12.59	15.94	16.78	19.56	22.34	23.72	26.49	29.25	30.63
1.697	33	5.790	56	9.825		9.57	10.98	12.38	15.16	18.49	19.33	22.09	24.86	26.24	29.01	31.77	33.14
1.698	53	9.299	90	15.790								14.38	17.19	18.60	21.39	24.17	25.56
1.703	37	6.492	63	11.053				10.78	13.59	16.93	17.77	20.54	23.31	24.70	27.47	30.23	31.61
1.710	31	5.439	53	9.299		10.29	11.69	13.09	15.87	19.19	20.03	22.79	25.56	26.94	29.70	32.46	33.84
1.714	28	4.912	48	8.421	8.92	11.44	12.83	14.22	17.00	20.32	21.15	23.91	26.68	28.06	30.82	33.58	34.95
1.714	35	6.141	60	10.527			10.09	11.50	14.30	17.64	18.47	21.25	24.01	25.40	28.16	30.93	32.30
1.718	39	6.842	67	11.755					12.72	16.07	16.91	19.69	22.46	23.85	26.62	29.39	30.77
1.724	29	5.088	50	8.772	8.48	11.00	12.40	13.80	16.57	19.89	20.73	23.49	26.25	27.64	30.40	33.16	34.54
1.744	43	7.544	75	13.158						14.33	15.18	17.97	20.76	22.15	24.92	27.69	29.08
1.750	32	5.614	56	9.825		9.69	11.10	12.50	15.29	18.62	19.46	22.22	24.99	26.38	29.14	31.90	33.28
1.750	36	6.316	63	11.053			9.49	10.91	13.71	17.06	17.90	20.67	23.44	24.83	27.60	30.36	31.74
1.750	80	14.036	140	24.562													
1.763	38	6.667	67	11.755				10.01	12.84	16.20	17.04	19.82	22.59	23.98	26.75	29.52	30.90
1.765	34	5.965	60	10.527			10.22	11.63	14.43	17.77	18.60	21.38	24.14	25.53	28.30	31.06	32.44
1.767	30	5.263	53	9.299		10.41	11.82	13.21	16.00	19.32	20.16	22.92	25.69	27.07	29.83	32.60	33.97
1.775	40	7.018	71	12.457					11.95	15.33	16.17	18.96	21.74	23.13	25.90	28.67	30.05
1.778	45	7.895	80	14.036						13.28	14.14	16.95	19.74	21.14	23.92	26.69	28.08
1.778	63	11.053	112	19.650											16.67	19.51	20.91
1.786	28	4.912	50	8.772	8.60	11.13	12.53	13.92	16.70	20.02	20.86	23.62	26.39	27.77	30.53	33.29	34.67
1.800	35	6.141	63	11.053			9.61	11.03	13.84	17.19	18.02	20.80	23.57	24.96	27.73	30.49	31.87
1.800	50	8.772	90	15.790								14.74	17.56	18.97	21.77	24.55	25.94
1.806	31	5.439	56	9.825		9.81	11.22	12.63	15.42	18.75	19.58	22.35	25.12	26.51	29.27	32.03	33.41
1.811	37	6.492	67	11.755				10.13	12.96	16.32	17.16	19.94	22.72	24.11	26.88	29.65	31.03
1.818	33	5.790	60	10.527		8.91	10.34	11.75	14.55	17.89	18.73	21.50	24.27	25.66	28.43	31.19	32.57
1.821	39	6.842	71	12.457					12.07	15.45	16.30	19.09	21.87	23.26	26.03	28.80	30.18
1.828	29	5.088	53	9.299	7.99	10.53	11.94	13.34	16.12	19.45	20.29	23.05	25.82	27.20	29.97	32.73	34.11
1.853	34	5.965	63	11.053			9.72	11.15	13.96	17.31	18.15	20.93	23.70	25.09	27.86	30.62	32.00
1.860	43	7.544	80	14.036						13.52	14.38	17.19	19.99	21.39	24.17	26.95	28.33
1.861	36	6.316	67	11.755				10.25	13.08	16.45	17.29	20.07	22.85	24.24	27.01	29.78	31.16
1.867	30	5.263	56	9.825		9.93	11.34	12.75	15.54	18.88	19.71	22.48	25.25	26.64	29.40	32.16	33.54
1.867	60	10.527	112	19.650											17.02	19.87	21.28
1.867	75	13.158	140	24.562													
1.868	38	6.667	71	12.457					12.19	15.58	16.42	19.21	21.99	23.39	26.16	28.93	30.31
Length Factor*					0.68	0.73	0.75	0.77	0.81	0.85	0.86	0.89	0.92	0.94	0.96	0.99	1.00

* The length correction factor must be used to determine the proper belt width.



SELECTION

14M HT500 Selection Table (Continued)

Speed Ratio	Sprocket Combinations				Center Distance, Inches													
	Driver		Driven		2380-14MX	2450-14MX	2520-14MX	2590-14MX	2660-14MX	2800-14MX	3136-14MX	3304-14MX	3360-14MX	3500-14MX	3850-14MX	3920-14MX	4326-14MX	4410-14MX
	No. of Teeth	Pitch Dia. Inches	No. of Teeth	Pitch Dia. Inches														
Length Factor*					1.01	1.02	1.03	1.04	1.05	1.07	1.12	1.14	1.14	1.16	1.19	1.20	1.24	1.25
1.509	53	9.299	80	14.036	28.42	29.81	31.19	32.57	33.95	36.72	43.34	46.65	47.75	50.51	57.41	58.79	66.79	68.44
1.514	35	6.141	53	9.299	34.69	36.07	37.45	38.83	40.20	42.96	49.58	52.89	53.99	56.75	63.64	65.02	73.01	74.67
1.514	37	6.492	56	9.825	33.99	35.38	36.75	38.13	39.51	42.27	48.89	52.20	53.30	56.05	62.95	64.33	72.32	73.98
1.515	33	5.790	50	8.772	35.38	36.76	38.14	39.52	40.90	43.66	50.27	53.58	54.68	57.44	64.33	65.71	73.70	75.36
1.536	28	4.912	43	7.544	37.04	38.42	39.80	41.18	42.56	45.32	51.93	55.24	56.34	59.10	65.99	67.37	75.36	77.02
1.538	39	6.842	60	10.527	33.16	34.54	35.92	37.30	38.67	41.44	48.05	51.37	52.47	55.22	62.12	63.50	71.49	73.15
1.548	31	5.439	48	8.421	35.93	37.31	38.69	40.07	41.45	44.21	50.82	54.13	55.23	57.99	64.88	66.26	74.25	75.91
1.552	29	5.088	45	7.895	36.63	38.01	39.38	40.76	42.14	44.90	51.51	54.83	55.93	58.68	65.57	66.95	74.95	76.60
1.556	36	6.316	56	9.825	34.13	35.51	36.89	38.27	39.64	42.41	49.02	52.33	53.43	56.19	63.08	64.46	72.46	74.11
1.558	43	7.544	67	11.755	31.62	33.01	34.38	35.77	37.14	39.91	46.52	49.84	50.94	53.70	60.59	61.97	69.97	71.62
1.559	34	5.965	53	9.299	34.82	36.20	37.58	38.96	40.34	43.10	49.71	53.03	54.13	56.88	63.77	65.15	73.15	74.80
1.563	32	5.614	50	8.772	35.52	36.90	38.27	39.65	41.03	43.79	50.41	53.72	54.82	57.57	64.47	65.85	73.84	75.49
1.563	48	8.421	75	13.158	29.81	31.19	32.57	33.95	35.33	38.10	44.72	48.03	49.13	51.89	58.79	60.17	68.17	69.82
1.575	40	7.018	63	11.053	32.59	33.97	35.35	36.74	38.11	40.88	47.49	50.81	51.91	54.66	61.56	62.94	70.93	72.59
1.577	71	12.457	112	19.650	21.33	22.73	24.12	25.51	26.90	29.69	36.34	39.66	40.76	43.53	50.44	51.82	59.83	61.49
1.578	45	7.895	71	12.457	30.78	32.16	33.54	34.93	36.30	39.07	45.69	49.00	50.10	52.86	59.76	61.14	69.13	70.79
1.579	38	6.667	60	10.527	33.29	34.67	36.05	37.43	38.81	41.57	48.19	51.50	52.60	55.36	62.25	63.63	71.62	73.28
1.600	30	5.263	48	8.421	36.07	37.45	38.83	40.21	41.58	44.34	50.96	54.27	55.37	58.13	65.02	66.40	74.39	76.05
1.600	35	6.141	56	9.825	34.26	35.64	37.02	38.40	39.78	42.54	49.16	52.47	53.57	56.33	63.22	64.60	72.59	74.25
1.600	50	8.772	80	14.036	28.82	30.20	31.58	32.97	34.35	37.11	43.74	47.05	48.15	50.91	57.81	59.19	67.19	68.85
1.606	33	5.790	53	9.299	34.96	36.34	37.71	39.09	40.47	43.23	49.85	53.16	54.26	57.02	63.91	65.29	73.28	74.94
1.607	28	4.912	45	7.895	36.76	38.14	39.52	40.90	42.28	45.04	51.65	54.96	56.06	58.82	65.71	67.09	75.08	76.74
1.607	56	9.825	90	15.790	26.56	27.95	29.34	30.72	32.10	34.87	41.50	44.82	45.93	48.69	55.59	56.97	64.97	66.63
1.613	31	5.439	50	8.772	35.65	37.03	38.41	39.79	41.16	43.93	50.54	53.85	54.95	57.71	64.60	65.98	73.97	75.63
1.615	39	6.842	63	11.053	32.73	34.11	35.49	36.87	38.25	41.01	47.63	50.94	52.04	54.80	61.69	63.07	71.07	72.72
1.622	37	6.492	60	10.527	33.42	34.80	36.18	37.56	38.94	41.70	48.32	51.63	52.73	55.49	62.39	63.77	71.76	73.42
1.647	34	5.965	56	9.825	34.39	35.78	37.15	38.54	39.91	42.67	49.29	52.60	53.70	56.46	63.35	64.73	72.73	74.38
1.651	43	7.544	71	12.457	31.04	32.43	33.81	35.19	36.57	39.33	45.95	49.27	50.37	53.13	60.03	61.41	69.40	71.06
1.655	29	5.088	48	8.421	36.20	37.58	38.96	40.34	41.72	44.48	51.09	54.40	55.51	58.26	65.15	66.53	74.53	76.18
1.656	32	5.614	53	9.299	35.09	36.47	37.85	39.23	40.61	43.37	49.98	53.30	54.40	57.15	64.05	65.43	73.42	75.07
1.658	38	6.667	63	11.053	32.86	34.24	35.62	37.00	38.38	41.14	47.76	51.08	52.18	54.93	61.83	63.21	71.20	72.86
1.667	30	5.263	50	8.772	35.78	37.17	38.54	39.92	41.30	44.06	50.68	53.99	55.09	57.85	64.74	66.12	74.11	75.77
1.667	36	6.316	60	10.527	33.56	34.94	36.32	37.70	39.07	41.84	48.46	51.77	52.87	55.63	62.52	63.90	71.90	73.55
1.667	45	7.895	75	13.158	30.20	31.59	32.96	34.35	35.73	38.50	45.12	48.43	49.54	52.29	59.19	60.57	68.57	70.23
1.667	48	8.421	80	14.036	29.08	30.46	31.84	33.23	34.61	37.38	44.00	47.32	48.42	51.18	58.08	59.46	67.46	69.12
1.672	67	11.755	112	19.650	21.83	23.23	24.62	26.02	27.41	30.20	36.85	40.18	41.29	44.05	50.97	52.35	60.36	62.02
1.675	40	7.018	67	11.755	32.02	33.40	34.78	36.16	37.54	40.31	46.93	50.24	51.34	54.10	60.99	62.38	70.37	72.03
1.697	33	5.790	56	9.825	34.53	35.91	37.29	38.67	40.05	42.81	49.42	52.74	53.84	56.60	63.49	64.87	72.86	74.52
1.698	53	9.299	90	15.790	26.95	28.34	29.72	31.11	32.49	35.27	41.90	45.22	46.32	49.08	55.99	57.37	65.37	67.03
1.703	37	6.492	63	11.053	32.99	34.37	35.75	37.14	38.51	41.28	47.90	51.21	52.31	55.07	61.96	63.34	71.34	72.99
1.710	31	5.439	53	9.299	35.22	36.60	37.98	39.36	40.74	43.50	50.12	53.43	54.53	57.29	64.18	65.56	73.55	75.21
1.714	28	4.912	48	8.421	36.34	37.72	39.09	40.48	41.85	44.61	51.23	54.54	55.64	58.40	65.29	66.67	74.66	76.32
1.714	35	6.141	60	10.527	33.69	35.07	36.45	37.83	39.21	41.97	48.59	51.90	53.00	55.76	62.66	64.04	72.03	73.69
1.718	39	6.842	67	11.755	32.15	33.53	34.91	36.30	37.67	40.44	47.06	50.37	51.48	54.23	61.13	62.51	70.51	72.16
1.724	29	5.088	50	8.772	35.92	37.30	38.68	40.06	41.43	44.20	50.81	54.12	55.22	57.98	64.87	66.25	74.25	75.90
1.744	43	7.544	75	13.158	30.46	31.85	33.23	34.61	35.99	38.76	45.38	48.70	49.80	52.56	59.46	60.84	68.84	70.49
1.750	32	5.614	56	9.825	34.66	36.04	37.42	38.80	40.18	42.94	49.56	52.87	53.97	56.73	63.62	65.01	73.00	74.65
1.750	36	6.316	63	11.053	33.12	34.51	35.89	37.27	38.65	41.41	48.03	51.34	52.44	55.20	62.10	63.48	71.47	73.13
1.750	80	14.036	140	24.562	21.33	22.73	24.12	25.51	26.90	29.69	36.34	39.66	40.76	43.53	50.44	51.82	59.83	61.49
1.763	38	6.667	67	11.755	32.28	33.67	35.04	36.43	37.81	40.57	47.19	50.51	51.61	54.37	61.26	62.64	70.64	72.30
1.765	34	5.965	60	10.527	33.82	35.20	36.58	37.96	39.34	42.11	48.72	52.04	53.14	55.90	62.79	64.17	72.17	73.82
1.767	30	5.263	53	9.299	35.36	36.74	38.11	39.50	40.87	43.64	50.25	53.57	54.67	57.42	64.32	65.70	73.69	75.35
1.775	40	7.018	71	12.457	31.44	32.82	34.20	35.59	36.96	39.73	46.35	49.67	50.77	53.53	60.43	61.81	69.81	71.46
1.778	45	7.895	80	14.036	29.47	30.85	32.23	33.62	35.00	37.77	44.40	47.72	48.82	51.58	58.48	59.86	67.86	69.52
1.778	63	11.053	112	19.650	22.32	23.73	25.12	26.52	27.91	30.70	37.37	40.70	41.80	44.57	51.49	52.88	60.89	62.55
1.786	28	4.912	50	8.7														

SELECTION



14M HT500 Selection Table

Speed Ratio	Sprocket Combinations				Center Distance, Inches												
	Driver		Driven		994-14MX	1120-14MX	1190-14MX	1260-14MX	1400-14MX	1568-14MX	1610-14MX	1750-14MX	1890-14MX	1960-14MX	2100-14MX	2240-14MX	2310-14MX
	No. of Teeth	Pitch Dia. Inches	No. of Teeth	Pitch Dia. Inches													
Length Factor*					0.68	0.73	0.75	0.77	0.81	0.85	0.86	0.89	0.92	0.94	0.96	0.99	1.00
1.875	32	5.614	60	10.527													
1.875	40	7.018	75	13.158		9.03	10.46	11.87	14.68	18.02	18.86	21.63	24.40	25.79	28.56	31.32	32.70
1.875	48	8.421	90	15.790					11.29	14.70	15.54	18.35	21.14	22.53	25.31	28.08	29.46
1.893	28	4.912	53	9.299	8.11	10.66	12.06	13.46	16.25	19.58	20.42	23.18	25.95	27.34	30.10	32.86	34.24
1.909	33	5.790	63	11.053			9.84	11.27	14.09	17.44	18.28	21.06	23.83	25.22	27.99	30.75	32.13
1.914	35	6.141	67	11.755				10.37	13.21	16.57	17.41	20.20	22.98	24.37	27.14	29.91	31.29
1.919	37	6.492	71	12.457					12.31	15.70	16.54	19.34	22.12	23.51	26.29	29.06	30.44
1.923	39	6.842	75	13.158					11.41	14.82	15.67	18.47	21.26	22.66	25.44	28.21	29.59
1.931	29	5.088	56	9.825		10.05	11.47	12.87	15.67	19.02	19.84	22.61	25.38	26.77	29.53	32.30	33.67
1.935	31	5.439	60	10.527			9.15	10.58	11.99	14.80	18.15	18.98	21.76	24.53	25.92	28.69	31.45
1.969	32	5.614	63	11.053				9.96	11.39	14.21	17.56	18.40	21.18	23.96	25.35	28.12	30.88
1.971	34	5.965	67	11.755					10.49	13.33	16.70	17.54	20.33	23.11	24.50	27.27	30.04
1.972	36	6.316	71	12.457					12.43	15.82	16.67	19.46	22.25	23.64	26.42	29.19	30.57
1.972	71	12.457	140	24.562													
1.974	38	6.667	75	13.158					11.53	14.94	15.79	18.60	21.39	22.78	25.56	28.34	29.72
2.000	28	4.912	56	9.825		10.17	11.59	13.00	15.79	19.13	19.97	22.74	25.51	26.90	29.66	32.43	33.81
2.000	30	5.263	60	10.527		9.27	10.70	12.12	14.93	18.27	19.11	21.89	24.66	26.05	28.82	31.58	32.96
2.000	40	7.018	80	14.036						13.88	14.74	17.56	20.37	21.77	24.55	27.33	28.72
2.000	45	7.895	90	15.790							12.46	15.34	18.17	19.58	22.39	25.18	26.57
2.000	56	9.825	112	19.650											17.50	20.35	21.76
2.027	37	6.492	75	13.158					11.65	15.06	15.91	18.72	21.51	22.91	25.69	28.47	29.85
2.029	35	6.141	71	12.457					12.55	15.94	16.79	19.59	22.37	23.77	26.55	29.32	30.70
2.030	33	5.790	67	11.755				10.60	13.45	16.82	17.66	20.45	23.23	24.62	27.40	30.17	31.55
2.032	31	5.439	63	11.053			10.08	11.51	14.33	17.69	18.53	21.31	24.09	25.48	28.25	31.02	32.40
2.051	39	6.842	80	14.036						14.00	14.86	17.69	20.49	21.89	24.68	27.46	28.85
2.069	29	5.088	60	10.527		9.38	10.82	12.24	15.05	18.40	19.24	22.02	24.79	26.18	28.95	31.71	33.09
2.083	36	6.316	75	13.158					11.76	15.18	16.03	18.84	21.64	23.04	25.82	28.60	29.98
2.088	34	5.965	71	12.457					12.67	16.07	16.91	19.71	22.50	23.90	26.67	29.45	30.83
2.090	67	11.755	140	24.562													
2.093	43	7.544	90	15.790								12.69	15.57	18.42	19.83	22.64	25.43
2.094	32	5.614	67	11.755					10.72	13.57	16.94	17.79	20.58	23.36	24.75	27.53	30.30
2.100	30	5.263	63	11.053			10.20	11.63	14.45	17.81	18.66	21.44	24.22	25.61	28.38	31.15	32.53
2.100	80	14.036	168	29.475													
2.105	38	6.667	80	14.036						14.12	14.98	17.81	20.61	22.02	24.81	27.59	28.98
2.113	53	9.299	112	19.650										14.94	17.85	20.71	22.13
2.143	28	4.912	60	10.527		9.50	10.94	12.36	15.17	18.53	19.37	22.15	24.92	26.31	29.08	31.85	33.23
2.143	35	6.141	75	13.158					11.88	15.30	16.16	18.97	21.76	23.16	25.95	28.72	30.11
2.152	33	5.790	71	12.457				9.91	12.79	16.19	17.04	19.84	22.63	24.02	26.80	29.58	30.96
2.161	31	5.439	67	11.755			9.38	10.84	13.69	17.07	17.91	20.70	23.49	24.88	27.66	30.43	31.81
2.162	37	6.492	80	14.036						14.24	15.10	17.93	20.74	22.14	24.93	27.72	29.10
2.172	29	5.088	63	11.053		8.86	10.31	11.75	14.58	17.94	18.78	21.57	24.34	25.73	28.51	31.28	32.66
2.206	34	5.965	75	13.158					12.00	15.42	16.28	19.09	21.89	23.29	26.07	28.85	30.24
2.219	32	5.614	71	12.457				10.02	12.91	16.31	17.16	19.96	22.75	24.15	26.93	29.70	31.09
2.222	36	6.316	80	14.036					10.88	14.36	15.22	18.05	20.86	22.27	25.06	27.84	29.23
2.222	63	11.053	140	24.562													
2.233	30	5.263	67	11.755			9.50	10.95	13.81	17.19	18.04	20.83	23.62	25.01	27.78	30.56	31.94
2.240	50	8.772	112	19.650										15.28	18.20	21.07	22.49
2.240	75	13.158	168	29.475													
2.250	28	4.912	63	11.053		8.98	10.43	11.87	14.70	18.06	18.91	21.69	24.47	25.86	28.64	31.41	32.79
2.250	40	7.018	90	15.790						12.15	13.04	15.93	18.78	20.19	23.01	25.81	27.20
2.250	80	14.036	180	31.580													
2.273	33	5.790	75	13.158					12.11	15.54	16.40	19.21	22.01	23.41	26.20	28.98	30.36
2.286	35	6.141	80	14.036					11.00	14.48	15.34	18.17	20.99	22.39	25.18	27.97	29.36
2.290	31	5.439	71	12.457				10.14	13.03	16.43	17.28	20.09	22.88	24.28	27.06	29.83	31.22
2.308	39	6.842	90	15.790						12.26	13.15	16.05	18.90	20.32	23.13	25.93	27.33
2.310	29	5.088	67	11.755			9.61	11.07	13.93	17.31	18.16	20.96	23.74	25.14	27.91	30.69	32.07
2.333	48	8.421	112	19.650										15.51	18.43	21.30	22.73
2.333	60	10.527	140	24.562													
2.344	32	5.614	75	13.158					12.23	15.67	16.52	19.34	22.14	23.54	26.33	29.11	30.49
2.353	34	5.965	80	14.036					11.11	14.59	15.46	18.29	21.11	22.51	25.31	28.10	29.48
2.366	71	12.457	168	29.475													
2.367	30	5.263	71	12.457				10.25	13.15	16.56	17.40	20.21	23.01	24.40	27.18	29.96	31.35
2.368	38	6.667	90	15.790						12.38	13.27	16.16	19.02	20.44	23.25	26.06	27.45
2.393	28	4.912	67	11.755			9.73	11.19	14.05	17.44	18.28	21.08	23.87	25.26	28.04	30.81	32.20
2.400	75	13.158	180	31.580													
2.419	31	5.439	75	13.158					12.35	15.78	16.64	19.46	22.26	23.66	26.45	29.23	30.62
2.424	33	5.790	80	14.036					11.22	14.71	15.57	18.42	21.23	22.64	25.43	28.22	29.61
2.432	37	6.492	90	15.790						12.49	13.38	16.28	19.14	20.56	23.38	26.18	27.58
2.448	29	5.088	71	12.457				10.36	13.27	16.68	17.53	20.34	23.13	24.53	27.31	30.09	31.47
2.489	45	7.895	112	19.650									14.35	15.85	18.78	21.66	23.08
2.500	30	5.263	75	13.158					12.46	15.90	16.76	19.58	22.39	23.79	26.58	29.36	30.75
2.500	32	5.614	80	14.036					11.34	14.83	15.69	18.54	21.36	22.76	25.56	28.35	29.74
2.500	36	6.316	90	15.790						12.60	13.49	16.40	19.26	20.68	23.50	26.31	27.70
2.500	56	9.825	140	24.562													
2.500	80	14.036	200	35.089													
Length Factor*					0.68	0.73	0.75	0.77	0.81	0.85	0.86	0.89	0.92	0.94	0.96	0.99	1.00

* The length correction factor must be used to determine the proper belt width.



SELECTION

14M HT500 Selection Table (Continued)

Speed Ratio	Sprocket Combinations				Center Distance, Inches													
	Driver		Driven		2380-14MX	2450-14MX	2520-14MX	2590-14MX	2660-14MX	2800-14MX	3136-14MX	3304-14MX	3360-14MX	3500-14MX	3850-14MX	3920-14MX	4326-14MX	4410-14MX
	No. of Teeth	Pitch Dia. Inches	No. of Teeth	Pitch Dia. Inches														
Length Factor*					1.01	1.02	1.03	1.04	1.05	1.07	1.12	1.14	1.14	1.16	1.19	1.20	1.24	1.25
1.875	32	5.614	60	10.527	34.08	35.47	36.85	38.23	39.61	42.37	48.99	52.31	53.41	56.16	63.06	64.44	72.44	74.09
1.875	40	7.018	75	13.158	30.85	32.24	33.62	35.00	36.38	39.15	45.78	49.10	50.20	52.96	59.86	61.24	69.24	70.90
1.875	48	8.421	90	15.790	27.59	28.98	30.37	31.76	33.14	35.92	42.56	45.88	46.98	49.74	56.65	58.03	66.04	67.69
1.893	28	4.912	53	9.299	35.62	37.00	38.38	39.76	41.14	43.90	50.52	53.83	54.93	57.69	64.59	65.97	73.96	75.62
1.909	33	5.790	63	11.053	33.52	34.90	36.28	37.66	39.04	41.81	48.43	51.74	52.85	55.60	62.50	63.88	71.88	73.53
1.914	35	6.141	67	11.755	32.67	34.06	35.44	36.82	38.20	40.97	47.59	50.91	52.01	54.77	61.67	63.05	71.04	72.70
1.919	37	6.492	71	12.457	31.83	33.21	34.59	35.98	37.36	40.13	46.75	50.07	51.17	53.93	60.83	62.21	70.21	71.87
1.923	39	6.842	75	13.158	30.98	32.37	33.75	35.14	36.52	39.29	45.91	49.23	50.33	53.09	59.99	61.38	69.38	71.03
1.931	29	5.088	56	9.825	35.06	36.44	37.82	39.20	40.58	43.34	49.96	53.27	54.38	57.13	64.03	65.41	73.40	75.06
1.935	31	5.439	60	10.527	34.22	35.60	36.98	38.36	39.74	42.50	49.12	52.44	53.54	56.30	63.19	64.58	72.57	74.23
1.969	32	5.614	63	11.053	33.65	35.03	36.41	37.80	39.18	41.94	48.56	51.88	52.98	55.74	62.64	64.02	72.01	73.67
1.971	34	5.965	67	11.755	32.80	34.19	35.57	36.95	38.33	41.10	47.72	51.04	52.14	54.90	61.80	63.18	71.18	72.84
1.972	36	6.316	71	12.457	31.96	33.34	34.72	36.11	37.49	40.26	46.88	50.20	51.30	54.06	60.96	62.35	70.34	72.00
1.972	71	12.457	140	24.562	19.59	21.03	22.46	23.89	25.32	32.08	35.45	36.56	39.35	46.31	47.71	55.75	57.42	
1.974	38	6.667	75	13.158	31.11	32.50	33.88	35.27	36.65	39.42	46.05	49.36	50.47	53.23	60.13	61.51	69.51	71.17
2.000	28	4.912	56	9.825	35.19	36.57	37.95	39.33	40.71	43.48	50.10	53.41	54.51	57.27	64.16	65.54	73.54	75.20
2.000	30	5.263	60	10.527	34.35	35.73	37.11	38.49	39.87	42.64	49.26	52.57	53.67	56.43	63.33	64.71	72.71	74.36
2.000	40	7.018	80	14.036	30.11	31.50	32.88	34.27	35.65	38.42	45.06	48.38	49.48	52.24	59.15	60.53	68.53	70.19
2.000	45	7.895	90	15.790	27.97	29.36	30.75	32.14	33.53	36.30	42.95	46.27	47.37	50.14	57.05	58.43	66.44	68.09
2.000	56	9.825	112	19.650	23.18	24.59	25.99	27.39	28.79	31.59	38.26	41.60	42.71	45.48	52.40	53.79	61.81	63.47
2.027	37	6.492	75	13.158	31.24	32.63	34.01	35.39	36.78	39.55	46.18	49.49	50.60	53.36	60.26	61.64	69.64	71.30
2.029	35	6.141	71	12.457	32.09	33.47	34.86	36.24	37.62	40.39	47.02	50.33	51.44	54.20	61.10	62.48	70.48	72.13
2.030	33	5.790	67	11.755	32.94	34.32	35.70	37.09	38.46	41.23	47.86	51.17	52.28	55.03	61.93	63.31	71.31	72.97
2.032	31	5.439	63	11.053	33.78	35.17	36.54	37.93	39.31	42.07	48.70	52.01	53.11	55.87	62.77	64.15	72.15	73.80
2.051	39	6.842	80	14.036	30.24	31.63	33.01	34.40	35.78	38.55	45.19	48.51	49.61	52.37	59.28	60.66	68.66	70.32
2.069	29	5.088	60	10.527	34.48	35.86	37.24	38.63	40.00	42.77	49.39	52.71	53.81	56.57	63.46	64.84	72.84	74.50
2.083	36	6.316	75	13.158	31.37	32.76	34.14	35.53	36.91	39.68	46.31	49.63	50.73	53.49	60.39	61.78	69.78	71.43
2.088	34	5.965	71	12.457	32.22	33.60	34.99	36.37	37.75	40.52	47.15	50.47	51.57	54.33	61.23	62.61	70.61	72.27
2.090	67	11.755	140	24.562	18.59	20.05	21.50	22.94	24.38	31.18	34.55	35.66	38.45	45.41	46.82	54.82	56.27	57.93
2.093	43	7.544	90	15.790	28.22	29.62	31.00	32.40	33.78	36.56	43.21	46.53	47.63	50.40	57.31	58.69	66.70	68.36
2.094	32	5.614	67	11.755	33.07	34.45	35.83	37.22	38.60	41.36	47.99	51.31	52.41	55.17	62.07	63.45	71.45	73.10
2.100	30	5.263	63	11.053	33.91	35.30	36.68	38.06	39.44	42.21	48.83	52.15	53.25	56.01	62.90	64.29	72.28	73.94
2.100	80	14.036	168	29.475	23.54	24.95	26.36	27.76	29.16	31.96	38.65	41.98	43.09	45.87	52.79	54.18	62.20	63.86
2.105	38	6.667	80	14.036	30.37	31.76	33.14	34.53	35.91	38.68	45.32	48.64	49.74	52.51	59.41	60.79	68.80	70.45
2.113	53	9.299	112	19.650	23.54	24.95	26.36	27.76	29.16	31.96	38.65	41.98	43.09	45.87	52.79	54.18	62.20	63.86
2.143	28	4.912	60	10.527	34.61	35.99	37.37	38.76	40.14	42.90	49.52	52.84	53.94	56.70	63.60	64.98	72.98	74.63
2.143	35	6.141	75	13.158	31.50	32.89	34.27	35.65	37.04	39.81	46.44	49.76	50.86	53.62	60.53	61.91	69.91	71.57
2.152	33	5.790	71	12.457	32.35	33.73	35.12	36.50	37.88	40.65	47.28	50.60	51.70	54.46	61.36	62.75	70.75	72.40
2.161	31	5.439	67	11.755	33.20	34.58	35.96	37.35	38.73	41.50	48.12	51.44	52.54	55.30	62.20	63.58	71.58	73.24
2.162	37	6.492	80	14.036	30.49	31.88	33.27	34.66	36.04	38.81	45.45	48.77	49.87	52.64	59.54	60.93	68.93	70.59
2.172	29	5.088	63	11.053	34.04	35.43	36.81	38.19	39.57	42.34	48.96	52.28	53.38	56.14	63.04	64.42	72.42	74.07
2.206	34	5.965	75	13.158	31.63	33.01	34.40	35.78	37.17	39.94	46.57	49.89	50.99	53.76	60.66	62.04	70.04	71.70
2.219	32	5.614	71	12.457	32.48	33.86	35.25	36.63	38.01	40.78	47.41	50.73	51.83	54.59	61.50	62.88	70.88	72.54
2.222	36	6.316	80	14.036	30.62	32.01	33.40	34.79	36.17	38.94	45.58	48.90	50.01	52.77	59.68	61.06	69.06	70.72
2.222	63	11.053	140	24.562	19.05	20.51	21.97	23.41	24.82	27.62	34.25	37.56	38.66	41.43	48.33	49.72	57.72	59.38
2.233	30	5.263	67	11.755	33.33	34.71	36.09	37.48	38.86	41.63	48.25	51.57	52.67	55.43	62.33	63.72	71.72	73.37
2.240	50	8.772	112	19.650	23.91	25.32	26.73	28.14	29.54	32.34	39.03	42.37	43.48	46.25	53.15	54.57	62.60	64.26
2.240	75	13.158	168	29.475	23.91	25.32	26.73	28.14	29.54	32.34	39.03	42.37	43.48	46.25	53.15	54.57	62.60	64.26
2.250	28	4.912	63	11.053	34.17	35.56	36.94	38.32	39.70	42.47	49.10	52.41	53.51	56.27	63.17	64.55	72.55	74.21
2.250	40	7.018	90	15.790	28.60	30.00	31.38	32.78	34.16	36.95	43.60	46.92	48.03	50.79	57.70	59.09	67.10	68.76
2.250	80	14.036	180	31.580	23.91	25.32	26.73	28.14	29.54	32.34	39.03	42.37	43.48	46.25	53.15	54.57	62.60	64.26
2.273	33	5.790	75	13.158	31.75	33.14	34.53	35.91	37.30	40.07	46.70	50.02	51.13	53.89	60.79	62.17	70.18	71.83
2.286	35	6.141	80	14.036	30.75	32.14	33.53	34.91	36.30	39.07	45.71	49.03	50.14	52.90	59.81	61.19	69.20	70.85
2.290	31	5.439	71	12.457	32.61	33.99	35.38	36.76	38.14	40.91	47.54	50.86	51.97	54.73	61.63	63.01	71.01	72.67
2.308	39	6.842	90	15.790	28.73	30.12	31.51	32.91	34.29	37.07	43.73	47.05	48.16	50.92	57.84	59.22	67.23	68.89
2.310	29																	



14M HT500 Selection Table

Speed Ratio	Sprocket Combinations				Center Distance, Inches												
	Driver		Driven		994-14MX	1120-14MX	1190-14MX	1260-14MX	1400-14MX	1568-14MX	1610-14MX	1750-14MX	1890-14MX	1960-14MX	2100-14MX	2240-14MX	2310-14MX
	No. of Teeth	Pitch Dia. Inches	No. of Teeth	Pitch Dia. Inches													
Length Factor*					0.68	0.73	0.75	0.77	0.81	0.85	0.86	0.89	0.92	0.94	0.96	0.99	1.00
2.507	67	11.755	168	29.475													
2.535	71	12.457	180	31.580													
2.536	28	4.912	71	12.457				10.48	13.38	16.80	17.65	20.46	23.26	24.65	27.44	30.22	31.60
2.571	35	6.141	90	15.790						12.71	13.61	16.52	19.38	20.80	23.62	26.43	27.83
2.581	31	5.439	80	14.036						11.45	14.95	15.81	18.66	21.48	22.88	25.68	28.47
2.586	29	5.088	75	13.158						12.58	16.02	16.88	19.71	22.51	23.91	26.70	29.49
2.605	43	7.544	112	19.650									14.57	16.07	19.01	21.89	30.88
2.642	53	9.299	140	24.562													
2.647	34	5.965	90	15.790							12.83	13.72	16.63	19.50	20.92	23.74	27.95
2.667	30	5.263	80	14.036						11.56	15.06	15.93	18.78	21.60	23.01	25.81	29.99
2.667	63	11.053	168	29.475													
2.667	75	13.158	200	35.089													
2.679	28	4.912	75	13.158						12.69	16.14	17.00	19.83	22.64	24.04	26.83	31.00
2.687	67	11.755	180	31.580													
2.727	33	5.790	90	15.790													
2.759	29	5.088	80	14.036						11.67	15.18	16.05	18.90	21.72	23.13	25.93	30.12
2.800	40	7.018	112	19.650									14.90	16.41	19.36	22.25	23.68
2.800	50	8.772	140	24.562													17.47
2.800	60	10.527	168	29.475													
2.800	80	14.036	224	39.300													
2.813	32	5.614	90	15.790							13.05	13.95	16.87	19.73	21.16	23.99	28.20
2.817	71	12.457	200	35.089													
2.857	28	4.912	80	14.036						11.78	15.30	16.17	19.02	21.85	23.25	26.06	30.24
2.857	63	11.053	180	31.580													
2.872	39	6.842	112	19.650									15.01	16.52	19.47	22.36	23.80
2.903	31	5.439	90	15.790							13.16	14.06	16.98	19.85	21.28	24.11	28.32
2.917	48	8.421	140	24.562													17.69
2.947	38	6.667	112	19.650									15.12	16.63	19.58	22.48	23.91
2.985	67	11.755	200	35.089													
2.987	75	13.158	224	39.300													
3.000	30	5.263	90	15.790							13.27	14.17	17.10	19.97	21.40	24.23	28.45
3.000	56	9.825	168	29.475													
3.000	60	10.527	180	31.580													
3.027	37	6.492	112	19.650									15.23	16.74	19.70	22.60	24.03
3.103	29	5.088	90	15.790							13.38	14.28	17.21	20.09	21.52	24.35	28.57
3.111	36	6.316	112	19.650										15.34	16.85	19.81	22.72
3.111	45	7.895	140	24.562													18.01
3.155	71	12.457	224	39.300													
3.170	53	9.299	168	29.475													
3.175	63	11.053	200	35.089													
3.200	35	6.141	112	19.650										15.45	16.97	19.93	22.83
3.214	28	4.912	90	15.790							13.49	14.40	17.33	20.21	21.64	24.47	27.29
3.214	56	9.825	180	31.580													
3.256	43	7.544	140	24.562												16.65	18.23
3.294	34	5.965	112	19.650									15.56	17.08	20.04	22.95	24.39
3.333	60	10.527	200	35.089													
3.343	67	11.755	224	39.300													
3.360	50	8.772	168	29.475													
3.394	33	5.790	112	19.650									15.66	17.19	20.16	23.07	24.50
3.396	53	9.299	180	31.580													
3.500	32	5.614	112	19.650									15.77	17.30	20.27	23.18	24.62
3.500	40	7.018	140	24.562												16.97	18.55
3.500	48	8.421	168	29.475													
3.556	63	11.053	224	39.300													
3.571	56	9.825	200	35.089													
3.590	39	6.842	140	24.562												17.08	18.66
3.600	50	8.772	180	31.580													
3.613	31	5.439	112	19.650									15.88	17.41	20.38	23.30	24.74
3.684	38	6.667	140	24.562												17.18	18.77
3.733	30	5.263	112	19.650									15.99	17.52	20.50	23.41	24.85
3.733	45	7.895	168	29.475													
3.733	60	10.527	224	39.300													
3.750	48	8.421	180	31.580													
3.774	53	9.299	200	35.089													
3.784	37	6.492	140	24.562												17.29	18.87
3.862	29	5.088	112	19.650								12.91	16.10	17.63	20.61	23.53	24.97
3.889	36	6.316	140	24.562												17.39	18.98
3.907	43	7.544	168	29.475													
4.000	28	4.912	112	19.650									13.01	16.21	17.74	20.72	23.65
4.000	35	6.141	140	24.562												17.50	19.09
4.000	45	7.895	180	31.580													
4.000	50	8.772	200	35.089													
4.000	56	9.825	224	39.300													
Length Factor*					0.68	0.73	0.75	0.77	0.81	0.85	0.86	0.89	0.92	0.94	0.96	0.99	1.00

* The length correction factor must be used to determine the proper belt width.



SELECTION

14M HT500 Selection Table (Continued)

Speed Ratio	Sprocket Combinations				Center Distance, Inches														
	Driver		Driven		2380-14MX	2450-14MX	2520-14MX	2590-14MX	2660-14MX	2800-14MX	3136-14MX	3304-14MX	3360-14MX	3500-14MX	3850-14MX	3920-14MX	4326-14MX	4410-14MX	
	No. of Teeth	Pitch Dia. Inches	No. of Teeth	Pitch Dia. Inches															
Length Factor*					1.01	1.02	1.03	1.04	1.05	1.07	1.12	1.14	1.14	1.16	1.19	1.20	1.24	1.25	
2.507	67	11.755	168	29.475							27.93	31.40	32.54	35.40	42.48	43.89	52.02	53.70	
2.535	71	12.457	180	31.580							25.32	28.85	30.02	32.91	40.05	41.47	49.64	51.33	
2.536	28	4.912	71	12.457	32.99	34.38	35.76	37.15	38.53	41.31	47.94	51.26	52.36	55.12	62.03	63.41	71.41	73.07	
2.571	35	6.141	90	15.790	29.23	30.62	32.02	33.41	34.80	37.59	44.24	47.57	48.68	51.44	58.36	59.75	67.76	69.42	
2.581	31	5.439	80	14.036	31.26	32.65	34.04	35.43	36.81	39.59	46.23	49.56	50.66	53.43	60.34	61.72	69.73	71.38	
2.586	29	5.088	75	13.158	32.27	33.66	35.04	36.43	37.81	40.59	47.23	50.55	51.65	54.41	61.32	62.70	70.71	72.37	
2.605	43	7.544	112	19.650	24.75	26.17	27.58	28.99	30.40	33.21	39.91	43.26	44.37	47.15	54.09	55.48	63.51	65.17	
2.642	53	9.299	140	24.562	18.67	20.17	21.65	23.12	24.57	27.46	34.28	37.67	38.79	41.60	48.59	49.99	58.06	59.73	
2.647	34	5.965	90	15.790	29.35	30.75	32.14	33.54	34.93	37.71	44.37	47.70	48.81	51.57	58.49	59.88	67.89	69.55	
2.667	30	5.263	80	14.036	31.39	32.78	34.17	35.56	36.94	39.72	46.36	49.69	50.79	53.56	60.47	61.85	69.86	71.52	
2.667	63	11.053	168	29.475						21.26	28.39	31.87	33.02	35.88	42.96	44.37	52.51	54.19	
2.667	75	13.158	200	35.089							24.67	25.89	28.90	36.22	37.66	45.95	47.65		
2.679	28	4.912	75	13.158	32.40	33.79	35.17	36.56	37.94	40.72	47.36	50.68	51.78	54.55	61.45	62.84	70.84	72.50	
2.687	67	11.755	180	31.580							25.76	29.31	30.48	33.38	40.53	41.95	50.14	51.82	
2.727	33	5.790	90	15.790	29.48	30.88	32.27	33.66	35.05	37.84	44.50	47.83	48.94	51.70	58.62	60.01	68.02	69.68	
2.759	29	5.088	80	14.036	31.51	32.91	34.29	35.68	37.07	39.85	46.49	49.82	50.92	53.69	60.60	61.98	69.99	71.65	
2.800	40	7.018	112	19.650	25.11	26.53	27.94	29.36	30.76	33.58	40.29	43.64	44.75	47.53	54.47	55.86	63.90	65.56	
2.800	50	8.772	140	24.562	19.00	20.51	21.99	23.46	24.92	27.81	34.65	38.04	39.16	41.97	48.97	50.36	58.44	60.11	
2.800	60	10.527	168	29.475						21.59	28.74	32.22	33.37	36.23	43.33	44.74	52.89	54.57	
2.800	80	14.036	224	39.300											31.31	32.81	41.32	43.05	
2.813	32	5.614	90	15.790	29.60	31.00	32.39	33.79	35.18	37.97	44.63	47.96	49.07	51.83	58.75	60.14	68.15	69.81	
2.817	71	12.457	200	35.089								25.10	26.33	29.34	36.68	38.13	46.43	48.13	
2.857	28	4.912	80	14.036	31.64	33.03	34.42	35.81	37.20	39.98	46.62	49.95	51.05	53.82	60.73	62.12	70.12	71.78	
2.857	63	11.053	180	31.580							26.21	29.77	30.94	33.84	41.01	42.43	50.63	52.32	
2.872	39	6.842	112	19.650	25.23	26.65	28.06	29.48	30.89	33.70	40.41	43.76	44.88	47.66	54.60	55.99	64.03	65.69	
2.903	31	5.439	90	15.790	29.73	31.13	32.52	33.92	35.31	38.09	44.76	48.09	49.19	51.96	58.88	60.27	68.29	69.95	
2.917	48	8.421	140	24.562	19.22	20.73	22.22	23.69	25.15	28.05	34.89	38.28	39.41	42.22	49.22	50.62	58.69	60.36	
2.947	38	6.667	112	19.650	25.34	26.77	28.18	29.60	31.01	33.83	40.54	43.89	45.00	47.78	54.73	56.12	64.16	65.82	
2.985	67	11.755	200	35.089								25.53	26.76	29.79	37.15	38.60	46.91	48.61	
2.987	75	13.158	224	39.300											31.86	33.37	41.90	43.64	
3.000	30	5.263	90	15.790	29.85	31.25	32.64	34.04	35.43	38.22	44.89	48.22	49.32	52.09	59.02	60.40	68.42	70.08	
3.000	56	9.825	168	29.475						22.02	29.19	32.69	33.84	36.71	43.81	45.23	53.38	55.06	
3.000	60	10.527	180	31.580							26.54	30.11	31.28	34.19	41.37	42.79	50.99	52.68	
3.027	37	6.492	112	19.650	25.46	26.89	28.31	29.72	31.13	33.95	40.66	44.02	45.13	47.91	54.86	56.25	64.29	65.95	
3.103	29	5.088	90	15.790	29.97	31.38	32.77	34.17	35.56	38.35	45.01	48.35	49.45	52.22	59.15	60.53	68.55	70.21	
3.111	36	6.316	112	19.650	25.58	27.01	28.43	29.84	31.25	34.07	40.79	44.14	45.25	48.04	54.99	56.38	64.42	66.08	
3.111	45	7.895	140	24.562	19.55	21.07	22.56	24.03	25.49	28.40	35.25	38.65	39.77	42.59	49.59	50.99	59.07	60.75	
3.155	71	12.457	224	39.300											32.30	33.81	42.36	44.10	
3.170	53	9.299	168	29.475							22.35	29.54	33.03	34.19	37.06	44.18	45.59	53.75	55.44
3.175	63	11.053	200	35.089								25.97	27.20	30.23	37.61	39.06	47.38	49.09	
3.200	35	6.141	112	19.650	25.70	27.13	28.55	29.96	31.37	34.19	40.91	44.27	45.38	48.16	55.11	56.50	64.55	66.21	
3.214	28	4.912	90	15.790	30.10	31.50	32.90	34.29	35.69	38.48	45.14	48.48	49.58	52.35	59.28	60.66	68.68	70.34	
3.214	56	9.825	180	31.580							26.99	30.56	31.74	34.65	41.84	43.27	51.48	53.17	
3.256	43	7.544	140	24.562	19.77	21.29	22.78	24.26	25.72	28.63	35.49	38.89	40.02	42.83	49.84	51.24	59.33	61.00	
3.294	34	5.965	112	19.650	25.82	27.25	28.67	30.09	31.50	34.32	41.04	44.39	45.51	48.29	55.24	56.63	64.67	66.34	
3.333	60	10.527	200	35.089							26.29	27.53	30.57	37.95	39.41	47.74	49.45		
3.343	67	11.755	224	39.300											32.74	34.26	42.82	44.57	
3.360	50	8.772	168	29.475							22.67	29.88	33.38	34.54	44.54	45.96	54.12	55.81	
3.394	33	5.790	112	19.650	25.94	27.37	28.79	30.21	31.62	34.44	41.16	44.52	45.63	48.42	55.37	56.76	64.80	66.47	
3.396	53	9.299	180	31.580							27.32	30.90	32.08	35.00	42.20	43.63	51.85	53.54	
3.500	32	5.614	112	19.650	26.06	27.49	28.91	30.33	31.74	34.56	41.29	44.64	45.76	48.54	55.50	56.89	64.93	66.60	
3.500	40	7.018	140	24.562	20.10	21.62	23.12	24.60	26.07	28.98	35.85	39.25	40.38	43.20	50.21	51.61	59.71	61.38	
3.500	48	8.421	168	29.475						19.71	22.89	30.11	33.61	34.77	37.65	44.78	46.20	54.37	56.06
3.556	63	11.053	224	39.300											33.18	34.70	43.28	45.03	
3.571	56	9.825	200	35.089							22.87	26.72	27.96	31.01	38.41	39.87	48.22	49.93	
3.590	39	6.842	140	24.562	20.21	21.73	23.23	24.71	26.18	29.10	35.97	39.37	40.50	43.32	50.34	51.74	59.83	61.51	
3.600	50	8.772	180	31.580							27.65	31.24	32.42	35.35	42.56	43.99	52.21	53.91	
3.613	31	5.439	112	19.650	26.17	27.61	29.03	30.45	31.86	34.68	41.41	44.77	45.88	48.67	55.63	57.02	65.06	66.73	
3.684	38	6.667	140	24.562	20.32	21.84	23.34	24.83	26.30	29.21	36.09	39.49	40.62	43.44	50.46	51.86	59.96	61.63	
3.733	30	5.263	112	19.650	26.29	27.72	29.15	30.57	31.98	34.81	41.54	44.90	46.01	48.80	55.75	57.15	65.19	66.86	
3.733	45	7.895	168	29.475						20.03	23.21	30.45	33.96	35.12	38.00	45.14	46.56	54.74	56.42
3.733	60	10.527	224	39.300											33.51	35.03	43.63	45.38	
3.750	48	8.421	180	31.580							27.87	31.47	32.65	35.58	42.79	44.22	52.45	54.15	
3.774	53	9.299	200	35.089							23.18	27.04	28.28	31.34	38.76	40.22	48.57	50.29	
3.784	37	6.492	140	24.562	20.43	21.95	23.45	24.94	26.41	29.33	36.21	39.62	40.74	43.56	50.59	51.99	60.08	61.76	
3.862	29	5.088	112	19.650	26.41	27.84	29.27	30.69	32.10	34.93	41.66	45.02	46.14	48.92	55.88	57.27	65.32	66.98	
3.889	36	6.316	140	24.562	20.54	22.06	23.56	25.05	26.52	29.44	36.33	39.74	40.87	43.69	50.71	52.11	60.21	61.88	
3.907	43	7.544	168	29.475					</										

SELECTION



14M HT500 Selection Table

Speed Ratio	Sprocket Combinations				Center Distance, Inches												
	Driver		Driven		994-14MX	1120-14MX	1190-14MX	1260-14MX	1400-14MX	1568-14MX	1610-14MX	1750-14MX	1890-14MX	1960-14MX	2100-14MX	2240-14MX	2310-14MX
	No. of Teeth	Pitch Dia. Inches	No. of Teeth	Pitch Dia. Inches													
Length Factor*					0.68	0.73	0.75	0.77	0.81	0.85	0.86	0.89	0.92	0.94	0.96	0.99	1.00
4.118	34	5.965	140	24.562												17.60	19.19
4.167	48	8.421	200	35.089													
4.186	43	7.544	180	31.580													
4.200	40	7.018	168	29.475													
4.226	53	9.299	224	39.300													
4.242	33	5.790	140	24.562												17.70	19.30
4.308	39	6.842	168	29.475													
4.375	32	5.614	140	24.562												17.81	19.41
4.421	38	6.667	168	29.475													
4.444	45	7.895	200	35.089													
4.480	50	8.772	224	39.300													
4.500	40	7.018	180	31.580													
4.516	31	5.439	140	24.562												17.91	19.51
4.541	37	6.492	168	29.475													
4.615	39	6.842	180	31.580													
4.651	43	7.544	200	35.089													
4.667	30	5.263	140	24.562												18.02	19.62
4.667	36	6.316	168	29.475													
4.667	48	8.421	224	39.300													
4.737	38	6.667	180	31.580													
4.800	35	6.141	168	29.475													
4.828	29	5.088	140	24.562												18.12	19.73
4.865	37	6.492	180	31.580													
4.941	34	5.965	168	29.475													
4.978	45	7.895	224	39.300													
5.000	28	4.912	140	24.562												18.23	19.83
5.000	36	6.316	180	31.580													
5.000	40	7.018	200	35.089													
5.091	33	5.790	168	29.475													
5.128	39	6.842	200	35.089													
5.143	35	6.141	180	31.580													
5.209	43	7.544	224	39.300													
5.250	32	5.614	168	29.475													
5.263	38	6.667	200	35.089													
5.294	34	5.965	180	31.580													
5.405	37	6.492	200	35.089													
5.419	31	5.439	168	29.475													
5.455	33	5.790	180	31.580													
5.556	36	6.316	200	35.089													
5.600	30	5.263	168	29.475													
5.600	40	7.018	224	39.300													
5.625	32	5.614	180	31.580													
5.714	35	6.141	200	35.089													
5.744	39	6.842	224	39.300													
5.793	29	5.088	168	29.475													
5.806	31	5.439	180	31.580													
5.882	34	5.965	200	35.089													
5.895	38	6.667	224	39.300													
6.000	28	4.912	168	29.475													
6.000	30	5.263	180	31.580													
6.054	37	6.492	224	39.300													
6.061	33	5.790	200	35.089													
6.207	29	5.088	180	31.580													
6.222	36	6.316	224	39.300													
6.250	32	5.614	200	35.089													
6.400	35	6.141	224	39.300													
6.429	28	4.912	180	31.580													
6.452	31	5.439	200	35.089													
6.588	34	5.965	224	39.300													
6.667	30	5.263	200	35.089													
6.788	33	5.790	224	39.300													
6.897	29	5.088	200	35.089													
7.000	32	5.614	224	39.300													
7.143	28	4.912	200	35.089													
7.226	31	5.439	224	39.300													
7.467	30	5.263	224	39.300													
7.724	29	5.088	224	39.300													
8.000	28	4.912	224	39.300													
Length Factor*					0.68	0.73	0.75	0.77	0.81	0.85	0.86	0.89	0.92	0.94	0.96	0.99	1.00

* The length correction factor must be used to determine the proper belt width.

V-Drives

FHP Drives

Drive Component Accessories

DYNA-SYNC

HT200/HTD Synchronous Drives

HT500 Synchronous Drives

Roller Chain Sprockets

Overhung Load Calculations

Overhung load is an important consideration for drive design. Motor and reducer bearings are rated for specific load capacities to achieve calculated life. If the drive design is such that bearing loads are exceeded, life will be proportionally reduced. Likewise, if the drive exerts a lesser load on the bearings, life will be extended. Needless to say, drive design that keeps bearing loads below ratings can pay big dividends.

BELT PULL: The basis for overhung load calculation is belt pull. Belt pull is the result of torque being transmitted when the belt exerts a pull on the sprocket diameter.

EXAMPLE: 5 hp at 200 RPM is 1,575 inch-pounds of torque. If a 6" diameter sprocket is used, (3 inch radius), $1,575/3 = 525$ pounds effective belt pull is required. Note that if a larger diameter sprocket is used, belt pull is reduced accordingly.

Belt pull can be calculated using the following formula:

$$\text{Belt Pull (lbs)} = \frac{126,000 \times \text{HP} \times F}{\text{RPM} \times \text{PD}}$$

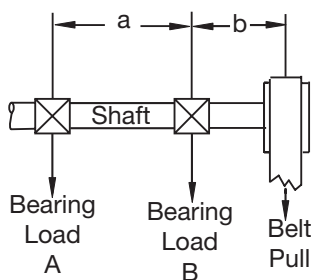
Where: HP = Name plate horsepower of the motor or driver

F = Drive Factor (1.3 for synchronous belt)

RPM = Shaft RPM

PD = Pitch Diameter of Sprocket

BEARING LOAD: Belt pull translates into bearing load and is greatly affected by the location of the sprocket on the shaft. Fig. 1 shows an example of what happens as the distance between the centerline of belt pull and the adjacent bearing is extended.



Overhung Sheave

$$\text{Load at B, lbs.} = \frac{\text{Belt Pull} \times (a + b)}{a}$$

Fig. 1

a	b	Belt Pull	Bearing Load "B"
10 in	1 in	500 lbs	550 lbs
10 in	5 in	500 lbs	750 lbs

Now consider the same situation for a motor or gearbox. Referring to Fig. 2, it should be obvious that the sprocket should be mounted as close as possible to the face of the gearbox.

As the distance between the gearbox face and sprocket increases, the bearing load is also increased, which leads to a reduction in bearing life.

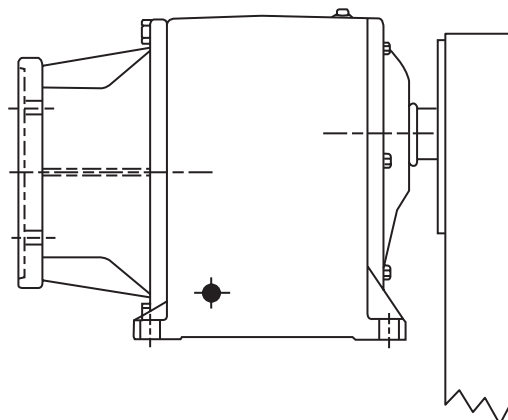


Fig. 2

Another warning from gearbox manufacturers is that the centerline of belt pull should not extend beyond the end of the shaft. Given a choice of a small diameter, wide face-width drive design, or a larger diameter, narrower face-width alternative, the latter would be preferable if bearing life is an important consideration.

DRIVE DESIGN CONSIDERATIONS

For any given application, there are usually several possible drive alternatives. In some cases, the selection with the smallest diameter sprockets might be the least expensive. As can be seen from the previous discussion, this alternative could be a bad choice. Smaller diameter sprockets lead to higher belt pull; their greater width is also more sensitive to misalignment.



HT500 Drive Installation

Sprocket Installation

1. Thoroughly inspect the bore of the sprocket and the tapered surface of the bushing. Any paint, dirt, oil or grease must be removed.
2. Assemble bushing into sprocket. Loosely insert the screws into assembly. At least one sprocket must have flanges.
3. With key in keyseat of shaft, slide sprocket to its desired position with screw heads to the outside. If it is hard to slide the bushing onto the shaft, check shaft for burrs, etc.
4. Line up assembly so as not to misalign belts and tighten screws evenly and progressively. Apply the recommended torque to screws.

Sprocket Alignment

HT500 sprocket alignment and parallelism of the shafts is very important. Proper alignment helps to equalize the load across the entire belt width, thereby reducing wear and extending belt life.

Place a straightedge against the outside edge of the sprockets and move sprockets until the straightedge touches the two outside and two inside edges of the sprockets. The straightedge should cross the sprockets as close to the shafts as possible. A string can be used if a straightedge is not available. Remember the string should contact at four points as explained above. Note that the precision laser alignment tool (pn **109993**) is an accurate and practical alternative to the straightedge method.

After aligning the sprockets, check the rigidity of the supporting framework. Shafts should be well supported to prevent distortion and a resulting change in the center distance under load. Do not use spring-loaded or weighted idlers. Idler sprockets or pulleys must be locked into position after adjusting belt tension.

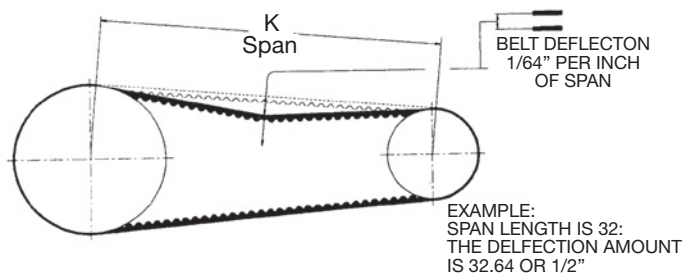
Belt Installation and Tensioning

Do not pry or otherwise force the belt onto the sprockets, as this can result in permanent damage to the belt. Reduce the center distance between the pulleys so that the belt can be easily installed.

HT500 drives must be properly tensioned. If the belt is too loose, it may jump teeth when heavier loads are applied. If the belt is too tight, belt life will suffer, and bearings will be unnecessarily overloaded. Improper tension can result in excessive drive noise.

Force/Deflection Tensioning Procedure:

First, measure the span length and calculate the deflection distance of 1/64, per inch span (see illustration).



Apply the calculated deflection force at the center of the span. Measure the deflection with this force applied. Move the center distance until the proper deflection is obtained.

Sonic Tension Meter Method:

The Sonic Tension Meter (pn **109994**) measures frequency in the belt upon an applied stimulus. The meter will then provide an output of both frequency and calculated static tension. The

static tension is calculated based upon three user inputs: belt width, span (as measured in the above illustration) and the belt's mass constant. Variables for belt mass constants are provided in the following table.

Belt		Adjusted Belt Weight (g/m)
HT200	5M	4.1
HT200	8M	5.5
HT200	14M	9.6
HT250	8M	5.8
HT250	14M	9.7
HTD	8M	6.2
HTD	14M	9.9
HTD	20M	12.8
HT500	14M	7.9
HT500	8M	4.7

To measure the belt's span vibration:

Input parameters of span length, belt width and the belt mass constant into the meter.

Press the MEASURE button on the meter.

Thumb the belt at center span as if strumming a guitar string.

Hold the microphone 1/4" away from the back of the belt.

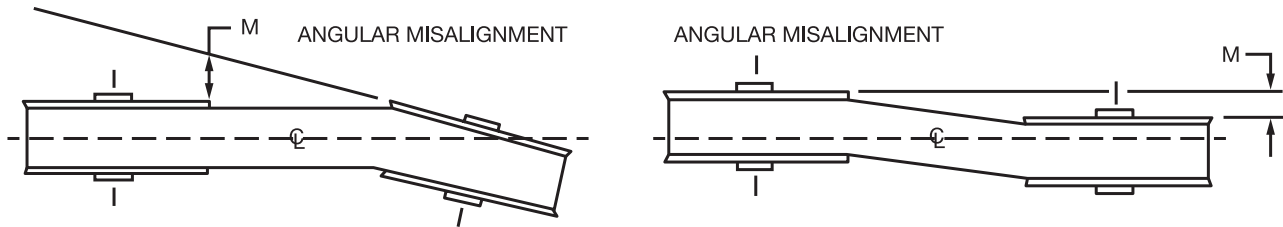
The tension meter will display static tension and frequency. Compare the frequency output to the formula below. Note that drive outputs of static tension and frequency are also provided on-line from the ViaSync selection program at www.ptwizard.com.

$$T = 4 * M * W * S^2 * f^2 * 10^{-9}$$

- Where:
- T = Belt span tension (Newtons)
 - M = Belt mass constant (g/m)
 - W = Belt width (mm)
 - S = Span length (mm)
 - f = Natural frequency of the belt at applied tension (Hz)

Drive Alignment

Good tracking of synchronous belts on their sprockets depends upon alignment to within $\frac{1}{4}^\circ$. This translates to a maximum "M" dimension of 0.05" per foot center distance.



Drive Tensioning

Formula Method

The formula method for determining belt tension may be used for greater accuracy.

Step 1. Calculate Min. Installation Tension:

Formula 1:

$$T = \frac{20 \text{ (HP)}}{V} + mV^2$$

Where: HP = Horsepower
 V = Belt Velocity/1000 (in FPM)
 m = Value in Table 1.
 Belt Velocity = PD x RPM x 0.262
 (PD = Pitch Dia. in inches)

Note: For used belt, use $0.7 * T$ to $0.8 * T$ instead of the $1.0 * T$ and $1.1 * T$ for new belts.

T = Static tension, lbs
 L = Belt length, inches
 Y = Factor from Table 2.
 K = Span length, inches
 CD = Center distance, inches
 D = Large pulley diameter, inches
 d = Small pulley diameter, inches

$$k = \sqrt{CD^2 - \frac{(D-d)^2}{4}}$$

***Important!** If formula calculation for "T" is less than "Min T. Value" (Table 2) use the "Min T. Value" for T. Always use the greater T value; i.e. from T Formula 1 or Table 2.

Step 2. Calculate Deflection Forces:

Formula 2:

$$\text{MinForce} = \frac{1.0 * T + \left(\frac{K}{L}\right) Y}{16}$$

Formula 3:

$$\text{MaxForce} = \frac{1.1 * T + \left(\frac{K}{L}\right) Y}{16}$$

Drive Tensioning

Table 1

	Pitch	Width	m	Y	Min Ts
HT200	5 mm	15 mm	0.28	24.9	14
HT200	5 mm	25 mm	0.47	41.5	23
HT200	8 mm	20 mm	0.58	34.2	19
HT200	8 mm	30 mm	0.88	51.3	30
HT200	8 mm	50 mm	1.46	85.5	52
HT200	8 mm	85 mm	2.45	145.3	95
HT200	14 mm	40 mm	1.78	93.0	77
HT200	14 mm	55 mm	2.44	127.9	120
HT200	14 mm	85 mm	3.77	197.7	206
HT200	14 mm	115 mm	5.11	267.5	291
HT200	14 mm	170 mm	7.55	395.4	447
HTD	20 mm	115 mm	7.24	367.0	392
HTD	20 mm	170 mm	10.71	542.5	603
HTD	20 mm	230 mm	14.49	734.0	834
HTD	20 mm	290 mm	18.27	925.4	1065
HTD	20 mm	340 mm	21.42	1085.0	1258
HT250	8 mm	20	0.54	42.29	19
HT250	8 mm	30	0.81	63.44	30
HT250	8 mm	50	1.35	105.7	52
HT250	8 mm	85	2.29	179.7	95
HT250	14 mm	40	1.80	93.04	77
HT250	14 mm	55	2.48	127.9	120
HT250	14 mm	85	3.83	197.7	206
HT250	14 mm	115	2.18	267.5	291
HT250	14 mm	170	7.66	395.4	448
HT500	8 mm	12 mm	0.33	65	28
HT500	8 mm	21 mm	0.57	113	49
HT500	8 mm	36 mm	0.97	194	84
HT500	8 mm	62 mm	1.68	335	145
HT500	14 mm	20 mm	0.92	230	119
HT500	14 mm	37 mm	1.69	4.26	220
HT500	14 mm	68 mm	3.11	782	405
HT500	14 mm	90 mm	4.12	1035	536
HT500	14 mm	125 mm	5.72	1438	744

V-Drives

FHP Drives

Drive Component Accessories

DYNA-SYNC

HT200/HTD Synchronous Drives

HT500 Synchronous Drives

Roller Chain Sprockets

Software: Via - SYNC

For any given synchronous drive application, there may be several DODGE HT500, HT200, HTD or DODGE DYNA-SYNC® product combinations that could satisfy the requirements. Finding the best drive can be a time-consuming and frustrating task.

The DODGE VIA-SYNC program provides selections for all of these product offerings for both TAPER-LOCK® and QD* type sprockets. All relevant data for limited and unlimited drive selections is presented in a format that allows quick and accurate analysis and sorting, whether based upon lowest price, minimum bearing load, highest service factor, etc.

VIA-SYNC calculates speed up drives or drives for nonstandard motor speeds. The most appropriate selection can then be specified, which contains sprocket, bushing and belt sizes and part numbers.

VIA-SYNC has the capability of sharing data with DODGE T-A DISCOVERY™ or DODGE SCD DISCOVERY™ programs.

Dodge VIA-SYNC can be accessed from www.ptwizard.com. Additional troubleshooting and selection assistance is available at 864-284-5700.

Troubleshooting

Problem	Cause	Remedy
Unusual Noise	Misaligned drive	Re-adjust alignment
	Hi or Low belt tension	Adjust to recommended value
	Backside idler	Use inside idler
	Worn sprocket	Replace sprocket
	Bent sprocket flange	Replace or repair
	Excessive belt speed	Redesign drive
	Incorrect belt profile	Replace with DODGE belt
	Subminimal spkt. dia.	Redesign with larger spkts.
	Excessive load	Use higher capacity drive
	Weak mntg. structure	
Loss of Belt Tension	Weak mntg. structure	Reinforce mounting structure
	Excessive spkt. wear	Use wear-resistant sprockets
	Fixed center drive	Install inside idler
	Excessive debris	Install adequate drive guard.
	Excessive load	Use higher capacity drive
	Subminimal spkt. dia.	Redesign drive
	Drive running hot	Use heat fingers on hot shaft
Belt degradation	Protect from excessive heat	
Belt Edge Wear	Damaged flanges	Repair or replace sprocket
	Low belt tension	Adjust to recommended value
	Poor tracking	Correct alignment
	Guard interference	Remove obstruction, add idler
Pre-mature Tooth Wear	Improper tension	Correct drive tension
	Poor alignment	Correct drive alignment
	Wrong belt type	Use correct DODGE belt
	Worn sprocket	Replace
	Damaged sprocket	Replace
	Excessive load	Use higher capacity drive
	Dirt or debris	Install adequate drive guard
Sprocket wobble	Correct bushing installation	
Tooth Shear	Shock loads	Use higher capacity drive
	Few teeth in mesh	Redesign drive
	Worn sprocket	Replace
	Backside idler	Use inside idler
	Wrong belt profile	Use correct DODGE belt
Low belt tension	Adjust to recommended value	
Tensile Break	Shock load	Use higher capacity drive
	Subminimal spkt. dia.	Redesign with larger spkts.
	Debris in drive	Install adequate drive guard
	Improper belt handling, storage	Do not crimp belt or subject it to sharp bends

Problem	Cause	Remedy
Belt Cracking	Subminimal spkt. dia.	Redesign with larger spkts.
	Backside idler	Install inside idler
	Start-up temp below 180 degrees F	Preheat drive before start-up
	Extended exposure to harsh chemicals	Protect drive
Bearing Failure	Excessive belt tension	Adjust to recommended value
	Drive misalignment	Re-adjust alignment
	Subminimal spkt. dia.	Redesign with larger spkts.
Vibration	Wrong belt profile	Install correct DODGE belt
	Hi or Low belt tension	Adjust to recommended value
	Loose key or bushing	Install per instructions
Belt not Tracking	Loose mounting structure	Reinforce or tighten
	Misalignment	Re-adjust alignment
	Long center distance	Carefully adjust alignment
	Mtg. structure bending	Reinforce mounting structure



Sprockets for Roller Chain

Features/Benefits	PT13-2
Specification: TAPER-LOCK, A, B	
#35 Pitch	PT13-3
#41 Pitch	PT13-4
#40 Pitch	PT13-5
#50 Pitch	PT13-7
#60 Pitch	PT13-9
#80 Pitch	PT13-11
#100 Pitch	PT13-12
#120 Pitch	PT13-13
#140 Pitch	PT13-14
#160 Pitch	PT13-14
Double-Single Sprockets	PT13-15
Selection	
Procedure, Example	PT13-16
Basic Horsepower Ratings	PT13-20
Related Products	
Tensioner Frame	PT13-28
Idler Sprockets	PT13-28
Chain Tools	PT13-29
Engineering/Technical	
Custom TAPER-LOCK Sprocket Data	PT13-30
Sprocket Pitch Diameters	PT13-31
Sprocket and Chain Dimensions	PT13-32
Installation & Maintenance	PT13-33
Part Number Index	INDEX-1
Keyword Index	INDEX-43

V-Drives

FHP Drives

Drive Component
Accessories

DYNA-SYNC

HT200/HTD
Synchronous Drives

HT500
Synchronous Drives

Roller Chain Sprockets



FEATURES/BENEFITS

Sprockets for Roller Chain

FEATURING TAPER-LOCK SPROCKETS

Shaft Ready

For low-speed roller chain drives, DODGE TAPER-LOCK sprockets are the perfect solution for extra muscle.

Advantages

- Features Compact design
- Installs easily
- Fits shaft securely
- Comes in wide range of stock sizes
- Allows exact ratio/rating required for your operation
- Installation-ready, right from the box
- Meets ANSI standards
- B-reborable and A-plate sprockets available
Contact Dodge at www.dodge-pt.com

Hardened Teeth at No Extra Cost

- Through 25 teeth
- #40 through #160
- No price premium

Advantages

- Offers twice the wear life
- Saves downtime and replacement costs
- Equalizes wear between large and small sprocket
- Offers greater resistance against abrasive wear
- Extends chain life



DoubleStrand
TAPER-LOCK Sprocket



Single
TAPER-LOCK Sprocket



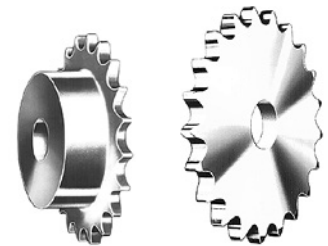
Double-Single
TAPER-LOCK Sprocket

HARDENED TOOTH SPROCKETS LIKE THIS



With Hardened Tooth Sprockets

Other Sprocket Types From Dodge



B-Reborable
Sprockets

A-Plate
Sprockets

AVOID SPROCKET WEAR LIKE THIS



Without Hardened Tooth Sprockets

Simple Mounting



Easy On

- Insert busing into sprocket.
- Match holes (not threads)
- Put screws into holes that are farthest apart.
- Slip unit onto shaft.
- Set drive alignment and tighten screws



Easy On

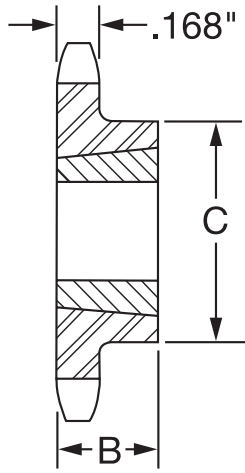
- Take both screws out entirely.
- Insert one screw into hole that is threaded in the busing only.
- Use as jackscrew to disengage busing.



SPECIFICATION



No. 35 for 3/8" Pitch Single Strand Chain



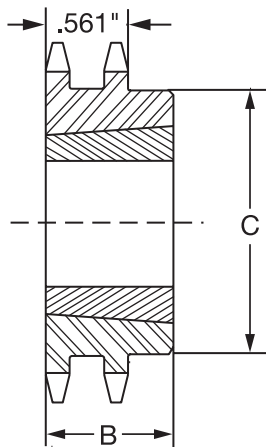
TYPE BTL

TAPER-LOCK Sprockets

No. of Teeth	Spkt. O.D.	Description	Part No.	Wt. w/o Bush.	C Hub Dia.	Bore Range		B
						Min.	Max.	
18	2.352	35BTL18-1008	100350	0.5	1.88 ◊	1/2	1	.88
19	2.472	35BTL19-1008	100351	0.6	1.81			
20	2.593	35BTL20-1008	100352	0.7	1.94			
21	2.713	35BTL21-1008	100353	0.8	2.06			
22	2.833	35BTL22-1210	100354	0.9	2.38 ◊	1/2	1-1/4	1.0
23	2.954	35BTL23-1210	100343	1.0	2.88 ◊			
24	3.074	35BTL24-1210	100355	1.0	2.88			
25	3.194	35BTL25-1210	100344	1.3	2.88			
26	3.314	35BTL26-1610	100356	1.3	2.88 ◊	1/2	1-5/8	1.0
28	3.553	35BTL28-1610	100345	1.3	2.88			
30	3.793	35BTL30-1610	100357	1.4	3.13			
32	4.032	35BTL32-1610	100358	1.5	3.25			
35	4.392	35BTL35-1610	100359	1.6	3.25			
36	4.511	35BTL36-1610	100346	1.6	3.25			
40	4.990	35BTL40-1610	100360	2.1	3.25			
42	5.229	35BTL42-1610	100347	2.2	3.25			
45	5.588	35BTL45-1610	100361	2.3	3.25			
48	5.946	35BTL48-1610	100362	2.5	3.25			
54	6.663	35BTL54-1610	100363	2.8	3.25	1/2	1-5/8	1.0
60	7.380	35BTL60-1610	100364	3.2	3.25			
70	8.575	35BTL70-1610	100365	3.3	3.25			
72	8.814	35BTL72-1610	100348	4.1	3.25			
80	9.770	35BTL80-1610	100366	4.2	3.25			
84	10.247	35BTL84-1610	100349	5.1	3.25			
96	11.680	35BTL96-1610	100367	6.2	3.25			
112	13.590	35BTL112-1610	100368	8.0	3.25			

◊ Hub grooved for chain clearance.

No. 35-2 for 3/8" Pitch Double Strand Chain



TYPE BTL

TAPER-LOCK-Double

No. of Teeth	Spkt. O.D.	Description +	Part No.	Wt. w/o Bush.	Bore Range		B	C Hub Dia.
					Min.	Max.		
19	2.472	D35BTL19H-1008	101150	.6	1/2	1	0.88	1.810
20	2.593	D35BTL20H-1008	101151	.8	1/2	1	0.88	1.880
21	2.713	D35BTL21H-1008	101152	1.4	1/2	1	0.88	1.810
22	2.833	D35BTL22H-1008	101153	1.7	1/2	1	0.88	1.810
24	3.074	D35BTL24H-1210	101154	1.8	1/2	1-1/4	1.00	2.470
26	3.314	D35BTL26-1210	101155	2.0	1/2	1-1/4	1.00	2.625
30	3.793	D35BTL30-1610	101156	1.8	1/2	1-5/8	1.00	3.125
32	4.032	D35BTL32-1610	101157	2.0	1/2	1-5/8	1.00	3.250
35	4.392	D35BTL35-1610	101158	2.3	1/2	1-5/8	1.00	3.250
40	4.990	D35BTL40-1610	101159	2.9	1/2	1-5/8	1.00	3.250
45	5.588	D35BTL45-1610	101160	3.2	1/2	1-5/8	1.00	3.250
48	5.946	D35BTL48-1610	101161	3.5	1/2	1-5/8	1.00	3.625
54	6.663	D35BTL54-1610	101162	3.9	1/2	1-5/8	1.00	3.625
70	8.575	D35BTL70-1610	101164	6.3	1/2	1-5/8	1.00	3.625
80	9.770	D35BTL80-1610	101165	7.9	1/2	1-5/8	1.00	3.625
96	11.680	D35BTL96-1610	101166	9.9	1/2	1-5/8	1.00	3.625
112	13.590	D35BTL112-1610	101167	10.9	1/2	1-5/8	1.00	3.625

+ "H" suffix indicates Hardened Teeth.

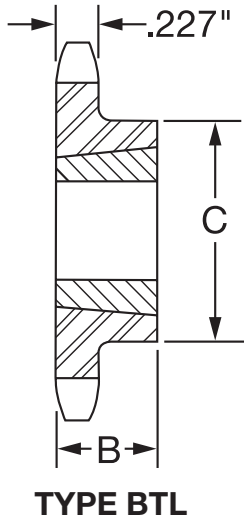
FEATURES/BENEFITS PAGE PT14-2	SELECTIONS PAGE PT14-16	RELATED PRODUCTS PAGE PT14-28	ENGINEERING/TECHNICAL PAGE PT14-30
----------------------------------	----------------------------	----------------------------------	---------------------------------------



SPECIFICATION

No. 41 for 1/2" Pitch Single Strand Chain

TAPER-LOCK Sprockets



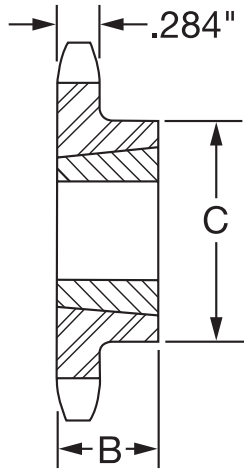
No. of Teeth	Spkt. O.D.	Description	Part No.	Wt. w/o Bush.	C Hub Dia.	Bore Range		B
						Min.	Max.	
14	2.490	41BTL14-1008	100369	.5	1.87 \diamond	1/2	1	0.88
15	2.652	41BTL15-1008	100370	.6	1.87			
16	2.814	41BTL16-1008	100371	.7	2.00			
17	2.974	41BTL17-1210	100372	.8	2.38 \diamond	1/2	1-1/4	1.00
18	3.136	41BTL18-1210	100373	1.0	2.38 \diamond			
19	3.292	41BTL19-1210	100374	1.2	2.50			
20	3.457	41BTL20-1610	100375	1.3	2.88 \diamond	1/2	1-5/8	1.00
21	3.618	41BTL21-1610	100376	1.4	3.00 \diamond			
22	3.778	41BTL22-1610	100377	1.5	3.00			
23	3.938	41BTL23-1610	100392	1.6	3.00			
24	4.098	41BTL24-1610	100378	1.6	3.00			
25	4.258	41BTL25-1610	100393	1.7	3.00			
26	4.418	41BTL26-1610	100379	1.7	3.00			
28	4.738	41BTL28-1610	100380	1.9	3.00	1/2	1-5/8	1.00
30	5.057	41BTL30-1610	100381	2.0	3.00			
32	5.376	41BTL32-1610	100382	2.1	3.00			
35	5.856	41BTL35-1610	100383	2.5	3.00			
36	6.015	41BTL36-1610	100394	2.6	3.00			
40	6.653	41BTL40-1610	100384	2.9	3.00	1/2	1-5/8	1.00
45	7.450	41BTL45-1610	100385	3.7	3.00			
48	7.928	41BTL48-1610	100386	4.3	3.00			
54	8.725	41BTL54-1610	100387	5.1	3.00	1/2	1-5/8	1.00
60	9.840	41BTL60-1610	100388	5.9	3.00			
70	11.433	41BTL70-1610	100389	7.6	3.00			
72	11.752	41BTL72-1610	100395	8.4	3.00	1/2	1-5/8	1.00
80	13.026	41BTL80-1610	100390	9.8	3.00			
96	15.573	41BTL96-1610	100391	11.3	3.00			

\diamond Hub grooved for chain clearance.

SPECIFICATION



No. 40 for 1/2" Pitch Single Strand Chain



TYPE BTL

TAPER-LOCK Sprockets

No. Teeth	Spkt. O.D.	Description +	Part No.	Wt. w/o Bush.	C Hub Dia.	Bore Range		B
						Min.	Max.	
14	2.490	40BTL14H-1008	100500	0.4	1.81 \diamond	1/2	1	0.88
15	2.652	40BTL15H-1008	100501	0.4	1.81			
16	2.814	40BTL16H-1008	100502	0.5	1.94			
17	2.974	40BTL17H-1210	100503	0.5	2.38 \diamond	1/2	1-1/4	1.00
18	3.136	40BTL18H-1210	100504	0.7	2.47 \diamond			
19	3.292	40BTL19H-1210	100505	0.8	2.47			
20	3.457	40BTL20H-1610	100506	0.8	2.78 \diamond	1/2	1-11/16	1.00
21	3.618	40BTL21H-1610	100507	0.8	2.78 \diamond			
22	3.778	40BTL22H-1610	100508	.8	2.78			
23	3.938	40BTL23H-1610	100509	1.2	3.00	1/2	1-11/16	1.00
24	4.098	40BTL24H-1610	100510	1.5	3.25			
25	4.258	40BTL25H-1610	100511	1.6	3.25			
26	4.418	40BTL26-1610	100512	1.5	3.25	1/2	1-11/16	1.00
27	4.578	40BTL27-1610	104700	1.5	3.25			
28	4.738	40BTL28-1610	100513	1.5	3.00			
29	4.898	40BTL29-1610	104701	1.6	3.00	1/2	1-11/16	1.00
30	5.057	40BTL30-1610	100514	1.7	3.00			
32	5.376	40BTL32-1610	100515	2.0	3.00			
33	5.536	40BTL33-1610	104702	2.1	3.00	1/2	1-11/16	1.00
34	5.696	40BTL34-1610	104703	2.3	3.00			
35	5.856	40BTL35-1610	100516	2.4	3.00			
36	6.015	40BTL36-1610	100517	2.4	3.00	1/2	1-11/16	1.00
40	6.653	40BTL40-1610	100518	2.8	3.00			
42	6.972	40BTL42-1610	100519	3.0	3.00			
44	7.291	40BTL44-1610	104707	3.2	3.00	1/2	1-11/16	1.00
45	7.450	40BTL45-1610	100520	3.8	3.00			
48	7.928	40BTL48-1610	100521	3.9	3.00			
50	8.248	40BTL50-1610	104709	4.5	3.00	1/2	1-11/16	1.00
54	8.725	40BTL54-1610	100522	5.0	3.00			
60	9.840	40BTL60-1610	100523	6.1	3.00			
70	11.433	40BTL70-2012	100524	8.6	3.56	1/2	2	1.25
72	11.752	40BTL72-2012	100525	8.7	3.56			
80	13.026	40BTL80-2012	100526	10.9	3.56			
84	13.663	40BTL84-2012	100527	11.8	3.56	1/2	2-1/2	1.75
96	15.573	40BTL96-2012	100528	13.7	3.56			
112	18.121	40BTL112-2517	100529	21.3	4.25			

\diamond Hub grooved for chain clearance.

+ "H" suffix indicates Hardened Teeth.

V-Drives

FHP Drives

Drive Component Accessories

DYNA-SYNC

HT200/HTD Synchronous Drives

HT500 Synchronous Drives

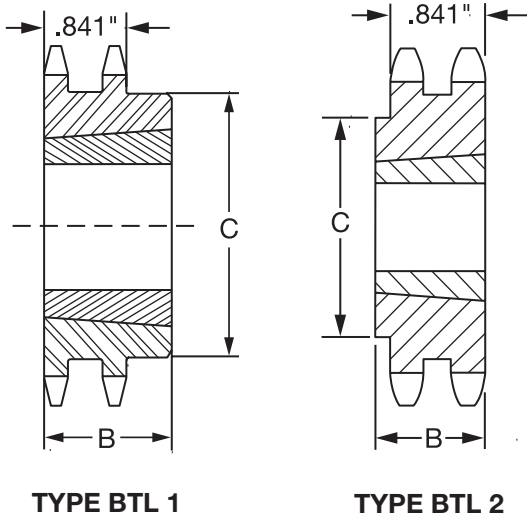
Roller Chain Sprockets

FEATURES/BENEFITS PAGE PT14-2	SELECTIONS PAGE PT14-16	RELATED PRODUCTS PAGE PT14-28	ENGINEERING/TECHNICAL PAGE PT14-30
----------------------------------	----------------------------	----------------------------------	---------------------------------------



SPECIFICATION

No. 40-2 for 1/2" Pitch Double Strand Chain



TAPER-LOCK Sprockets

No. of Teeth	Spkt. O.D.	Description +	Part No.	Wt. w/o Bush.	C Hub Dia.	Bore Range		B
						Min.	Max.	
15	2.652	D40BTL15H-1008•	101001	0.5	1.81			
16	2.814	D40BTL16H-1008	101002	0.7	1.27	1/2	1	0.88
17	2.974	D40BTL17H-1008	101003	0.8	1.27			
18	3.136	D40BTL18H-1210	101004	0.7	2.29	1/2	1-1/4	1.00
19	3.292	D40BTL19H-1210	101005	0.9	2.47			
20	3.457	D40BTL20H-1610	101006	1.1	3.25			
21	3.618	D40BTL21H-1610	101007	1.1	2.69	1/2	1-11/16	1.00
23	3.938	D40BTL23H-1610•	101008	1.4	3.00			
24	4.098	D40BTL24H-1610•	104822	1.6	3.25			
25	4.258	D40BTL25H-2012	101009	1.8	3.42			
26	4.418	D40BTL26-2012•	104823	2.3	3.56	1/2	2-1/8	1.25
30	5.057	D40BTL30-2012•	101010	3.6	3.56			
36	6.015	D40BTL36-2012•	101011	5.9	3.56			
42	6.972	D40CTL42-2517	101012	7.4				
45	7.450	D40BTL45-2517•	104828	8.5				
48	7.928	D40BTL48-2517•	101013	9.4				
52	8.566	D40BTL52-2517	101014	11.5				
60	9.840	D40BTL60-2517•	101015	15.5		1/2	2-11/16	1.75
68	11.115	D40BTL68-2517•	101016	20.5	4.25			
76	12.389	D40BTL76-2517•	101017	26.5				
84	13.663	D40BTL84-2517•	101018	32.0				
95	15.414	D40BTL95-2517•	101019	36.0				
102	16.528	D40BTL102-2517•	101020	44.0				

+ "H" suffix indicates Hardened Teeth.

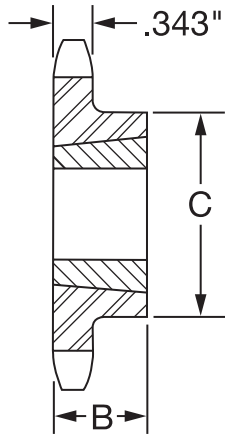
• BTL2

SPECIFICATION



No. 50 for 5/8" Pitch Single Strand Chain

TAPER-LOCK Sprockets



TYPE BTL

No. of Teeth	Spkt. O.D.	Description	Part No.	Wt. w/o Bush.	C Hub Dia.	Bore Range		B			
						Min.	Max.				
12	2.708	50BTL12H-1008	100530	0.5	1.81 \diamond	1/2	1	0.88			
13	2.991	50BTL13H-1008	100531	0.5	1.81						
14	3.113	50BTL14H-1008	100532	0.6	1.81						
15	3.315	50BTL15H-1210	100533	0.6	2.47 \diamond	1/2	1-1/4	1.00			
16	3.517	50BTL16H-1610	100534	0.8	2.78 \diamond	1/2	1-11/16	1.00			
17	3.713	50BTL17H-1610	100535	1.1	2.78 \diamond						
18	3.919	50BTL18H-1610	100536	1.2	2.84						
19	4.121	50BTL19H-1610	100537	1.3	3.03						
20	4.321	50BTL20H-1610	100538	1.4	3.25						
21	4.522	50BTL21H-1610	100539	1.5	3.25	1/2	2-1/8	1.25			
22	4.722	50BTL22H-1610	100540	1.6	3.25						
23	4.923	50BTL23H-2012	100541	2.2	3.56						
24	5.123	50BTL24H-2012	100542	2.4							
25	5.323	50BTL25H-2012	100543	2.4							
26	5.523	50BTL26-2012	100544	2.5	4.00				1/2	2-3/8	1.25
27	5.723	50BTL27-2012	100675	2.8	4.00				1/2	2-1/8	1.25
28	5.922	50BTL28-2012	100545	3.0							
30	6.321	50BTL30-2012	100546	3.2	3.56	1/2	2-1/8	1.25			
32	6.721	50BTL32-2012	100547	3.5							
35	7.319	50BTL35-2012	100548	4.2							
36	7.519	50BTL36-2012	100549	4.7							
40	8.316	50BTL40-2012	100550	5.5							
42	8.715	50BTL42-2012	100551	6.0	3.56	1/2	2-1/8	1.25			
45	9.313	50BTL45-2012	100552	6.5							
48	9.911	50BTL48-2012	100553	7.4							
54	11.106	50BTL54-2012	100554	8.7	3.56	1/2	2-1/8	1.25			
60	12.301	50BTL60-2012	100555	10.5							
70	14.292	50BTL70-2517	100556	15.5	4.25	1/2	2-11/16	1.75			
72	14.690	50BTL72-2517	100557	16.5							
80	16.283	50BTL80-2517	100558	19.0							
84	17.079	50BTL84-2517	100559	23.1							
96	19.467	50BTL96-2517	100560	32.5							
112	22.651	50BTL112-2517	100561	42.2	4.25	1/2	2-11/16	1.75			

\diamond Hub grooved for chain clearance.

TAPER-LOCK SPROCKETS—LARGE BORE SERIES

No. of Teeth	Spkt. O.D.	Description	Part No.	Wt.	C Hub Dia.	Bore Range		B
						Min.	Max.	
35	7.319	50BTL35L-2517	100454	4.7	4.25	1/2	2-11/16	1.75
45	9.313	50BTL45L-2517	100699	7.0	4.25	1/2	2-11/16	1.75

V-Drives

FHP Drives

Drive Component Accessories

DYNA-SYNC

HT200/HTD Synchronous Drives

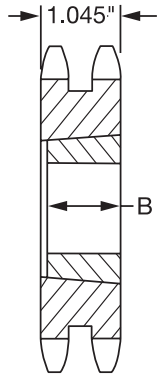
HT500 Synchronous Drives

Roller Chain Sprockets

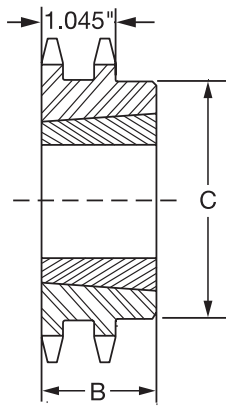


SPECIFICATION

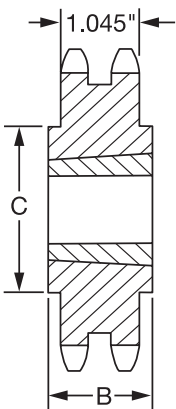
No. 50-2 for 5/8" Pitch Double Strand Chain



TYPE ATL



TYPE BTL



TYPE CTL

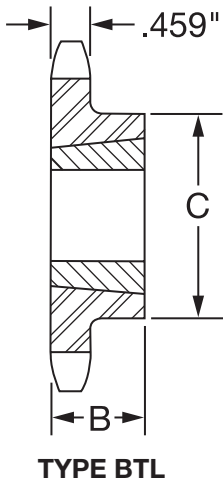
No. of Teeth	Spkt. O.D.	Description +	Part No.	Wt. w/o Bush.	Hub Dia. C	Bore Range		B
						Min.	Max.	
14	3.113	D50ATL14H-1008	101031	0.9	1/2	1.0	0.88
15	3.315	D50ATL15H-1210	101032	1.0	1/2	1-1/4	1.0
16	3.517	D50ATL16H-1210	101033	1.1			
17	3.718	D50ATL17H-1610	101034	1.1	1/2	1-11/16	1.0
18	3.919	D50ATL18H-1610	101035	1.4			
19	4.121	D50ATL19H-1610	101036	1.7			
20	4.321	D50BTL20H-2012	101037	1.9	3.56	1/2	1-11/16	1.25
21	4.522	D50BTL21H-2012	101038	2.0				
22	4.722	D50BTL22H-2012	104834	2.5				
24	5.123	D50BTL24H-2012	104836	3.5				
25	5.323	D50BTL25H-2012	101039	4.0				
26	5.523	D50BTL26-2012	104837	4.7				
28	5.922	D50BTL28-2012	104838	6.3	4.25	1/2	2-11/16	1.75
30	6.321	D50BTL30-2517	101040	7.8				
32	6.721	D50BTL32-2517	104839	8.4				
35	7.319	D50BTL35-2517	104840	9.2				
36	7.519	D50CTL36-2517	101041	10.0				
42	8.715	D50CTL42-2517	101042	14.2				
48	9.911	D50CTL48-2517	101043	18.7				
52	10.708	D50CTL52-2517	101044	22.5				
60	12.301	D50CTL60-2517	101045	36.5				
68	13.894	D50CTL68-2517	101046	39.5				
76	15.486	D50CTL76-2517	101047	49.5				
84	17.079	D50CTL84-2517	101048	52.0				
95	19.268	D50CTL95-2517	101049	70.0				
102	20.661	D50CTL102-2517	101050	75.0				

+ "H" suffix indicates Hardened Teeth.

SPECIFICATION



No. 60 for 3/4" Pitch Single Strand Chain



No. of Teeth	Spkt. O.D.	Description +	Part No.	Spkt. Wt. w/o Bush.	C Spkt. Hub Dia.	Bore Range		B Lgth. Thru Bore			
						Min.	Max.				
11	3.005	60BTL11H-1008	100562	0.6	1.81	1/2	1	0.88			
12	3.249	60BTL12H-1008	100563	0.7	1.94						
13	3.493	60BTL13H-1210	100564 ◊	1.1	2.47	1/2	1-1/4	1.00			
14	3.736	60BTL14H-1210	100565	1.2	2.59						
15	3.978	60BTL15H-1610	100566 ◊	1.4	2.78	1/2	1-11/16	1.00			
16	4.220	60BTL16H-1610	100567	1.9	3.00						
17	4.462	60BTL17H-1610	100568	2.0	3.25						
18	4.703	60BTL18H-1610	100569	2.2	3.50						
19	4.945	60BTL19H-1610	100570	2.4	3.50						
20	5.186	60BTL20H-2012	100571	2.5	3.625				1/2	2-1/8	1.25
21	5.426	60BTL21H-2012	100572	2.9							
22	5.666	60BTL22H-2012	100573	3.0							
23	5.907	60BTL23H-2012	100574	3.2							
24	6.147	60BTL24H-2012	100575	3.2							
25	6.387	60BTL25H-2012	100576	3.8							
26	6.627	60BTL26-2012	100577	4.1							
27	6.867	60BTL27H-2012	100676	4.2							
28	7.106	60BTL28-2012	100578	4.2	4.25	1/2	2-11/16	1.75			
30	7.586	60BTL30-2012	100579	5.5							
32	8.065	60BTL32H-2012	100580	6.0							
35	8.783	60BTL35-2012	100581	7.0							
36	9.023	60BTL36H-2012	100582	7.0							
40	9.980	60BTL40H-2012	100583	8.7							
42	10.458	60BTL42-2012	100584	9.7							
45	11.176	60BTL45-2012	100585	10.7							
48	11.893	60BTL48-2012	100586	13.5							
54	13.327	60BTL54-2517	100587	17.8	4.25	1/2	2-11/16	1.75			
60	14.761	60BTL60-2517	100588	20.7							
70	17.150	60BTL70-2517	100589	30.0							
72	17.628	60BTL72-2517	100590	31.6							
80	19.539	60BTL80-2517	100591	34.7							
84	20.495	60BTL84-2517	100592	44.7							

◊ Hub grooved for chain clearance.

+ "H" suffix indicates Hardened Teeth.

TAPER-LOCK SPROCKETS-Large Bore Series

No. of Teeth	Spkt. O.D.	Description L	Part No.	Wt.	Hub Dia. C	Bore Range		B Dim.
						Min.	Max.	
28	7.106	60BTL28L-2517	100459	4.8	4.25	1/2	2-11/16	1.75
35	8.783	60BTL35L-2517	100461	7.5	4.25	1/2	2-11/16	1.75
40	9.980	60BTL40L-2517	100463	9.2	4.25	1/2	2-11/16	1.75

+ "H" suffix indicates Hardened Teeth.

FEATURES/BENEFITS PAGE PT14-2	SELECTIONS PAGE PT14-16	RELATED PRODUCTS PAGE PT14-28	ENGINEERING/TECHNICAL PAGE PT14-30
----------------------------------	----------------------------	----------------------------------	---------------------------------------



SPECIFICATION

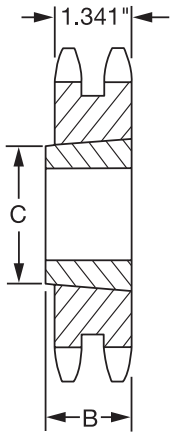
No. 60-2 for 3/4" Pitch Double Strand Chain

TAPER-LOCK - Double Strand

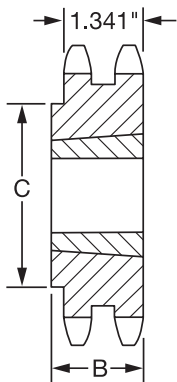
No. of Teeth	Spkt. O.D.	Description +	Part No.	Wt. w/o Bush.	C Hub Dia.	Bore Range		B
						Min.	Max.	
13	3.493	D60BTL13H-1215•	101061	1.40	2.46		1-1/4	1.50
14	3.736	D60BTL14H-1215•	101062	1.70	2.49	1/2	1-1/4	
14T	3.736	D60BTL14H-1615•	101086	1.70	2.74		1-11/16	
15	3.978	D60BTL15H-1615•	101063	1.80	2.47			1.50
16	4.220	D60BTL16H-1615•	101064	2.40	2.97	1/2	1-11/16	
17	4.462	D60BTL17H-1615	101065	2.60	3.25			
18	4.703	D60ATL18H-2012	101066	2.80	...	1/2	2-1/8	1.25
19	4.945	D60ATL19H-2012	101067	3.10	...			
20	5.186	D60BTL20H-2517•	101068	3.30	3.95	1/2	2-11/16	1.75
21	5.426	D60BTL21H-2517•	101069	4.30	4.06			
24	6.147	D60BTL24H-2517	104850	7.20	4.25			1.75
25	6.387	D60BTL25H-2517	101070	8.00				
30	7.586	D60BTL30-2517	101071	13.40	6.34			
36	9.023	D60BTL36-2517	101072	18.00				
42	10.458	D60BTL42-2517	101073	26.00		1/2	2-11/16	
45	11.176	D60BTL45-2517	101074	30.00	4.25			
52	12.849	D60CTL52-2517	101075	41.00				
60	14.761	D60BTL60-2517	101076	33.00				2.00
68	16.673	D60CTL68-2517	101077	37.00				
76	18.584	D60BTL76-3020	101078	42.00	5.25	7/8	3-1/4	

+ "H" suffix indicates Hardened Teeth.

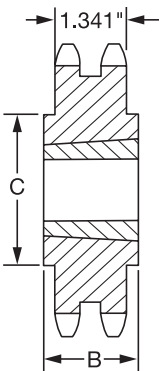
• BTL1



TYPE ATL



TYPE BTL1

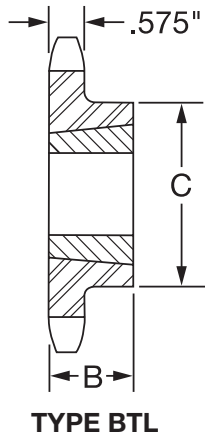


TYPE CTL

SPECIFICATION



No. 80 for 1" Pitch Single Strand Chain



TAPER-LOCK

No. of Teeth	Spkt. O.D.	Description +	Part No.	Spkt. Wt. w/o Bush.	C Hub Dia.	Bore Range		B
						Min.	Max.	
10	3.678	80BTL10H-1215	100593	1.2	2.38◇	1/2	1-1/4	1.50
11	4.006	80BTL11H-1215	100594	1.5	2.38◇			
12	4.332	80BTL12H-1615	100595	1.5	2.94◇	1/2	1-11/16	1.50
13	4.657	80BTL13H-1615	100596	2.5	2.94			
14	4.981	80BTL14H-1615	100597	2.9	3.25			
15	5.304	80BTL15H-1615	100598	3.0	3.25			
16	5.627	80BTL16H-2012	100599	3.0	3.56	1/2	2-1/8	1.25
17	5.949	80BTL17H-2012	100600	3.5				
18	6.271	80BTL18H-2012	100601	4.0				
19	6.593	80BTL19H-2012	100602	4.5				
20	6.914	80BTL20H-2517	100603	5.5	4.25	1/2	2-11/16	1.75
21	7.235	80BTL21H-2517	100604	6.1				
22	7.555	80BTL22H-2517	100605	6.7				
23	7.876	80BTL23H-2517	100606	7.2				
24	8.196	80BTL24H-2517	100607	7.5				
25	8.516	80BTL25H-2517	100608	8.5				
26	8.836	80BTL26H-2517	100609	8.5				
27	9.156	80BTL27-2517	100678	9.8				
28	9.475	80BTL28-2517	100679	10.7				
30	10.114	80BTL30-2517	100610	12.3				
32	10.753	80BTL32-2517	100611	13.4				
35	11.711	80BTL35-2517	100612	15.6				
36	12.030	80BTL36-2517	100613	16.3	5.25	7/8	3-1/4	2.00
40	13.306	80BTL40-2517	100614	20.5				
42	13.944	80BTL42-2517	104746	25.1				
45	14.901	80BTL45-2517	100615	29.3				
48	15.857	80BTL48-2517	100616	34.6				
54	17.769	80BTL54-2517	100617	39.0				
60	19.681	80BTL60-2517	100618	51.3				
70	22.867	80BTL70-3020	100619	65.8				
80	26.052	80BTL80-3020	100620	77.3				

◇ Hub grooved for chain clearance.
 + "H" suffix indicates Hardened Teeth.

V-Drives

FHP Drives

Drive Component Accessories

DYNA-SYNC

HT200/HTD Synchronous Drives

HT500 Synchronous Drives

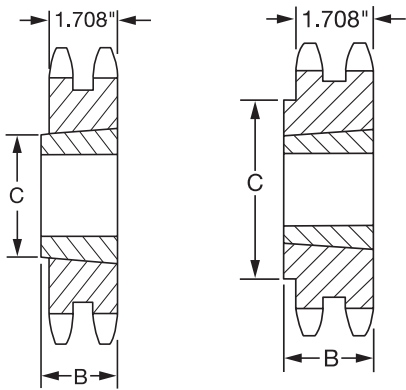
Roller Chain Sprockets

FEATURES/BENEFITS PAGE PT14-2	SELECTIONS PAGE PT14-16	RELATED PRODUCTS PAGE PT14-28	ENGINEERING/TECHNICAL PAGE PT14-30
----------------------------------	----------------------------	----------------------------------	---------------------------------------



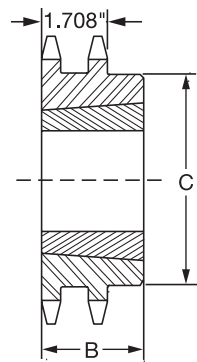
SPECIFICATION

No. 80-2 for 1" Pitch Double Strand Chain

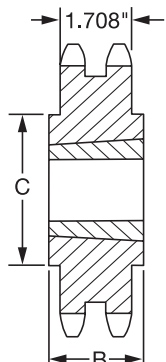


TYPE ATL

TYPE BTL 1



TYPE BTL 2

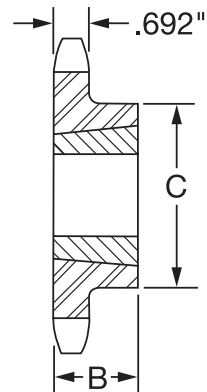


TYPE CTL

TAPER-LOCK - Double Strand

No. of Teeth	Spkt. O.D.	Description +	Part No.	Spkt. Wt. w/o Bush.	C Hub Dia.	Bore Range		B
						Min.	Max.	
13	4.657	D80ATL13H-1615	101090	3.3	1/2	1-11/16	1.50
14	4.981	D80ATL14H-2012	101091	3.5	1/2	2-1/8	1.25
15	5.304	D80ATL15H-2012	101092	4.4			
16	5.627	D80ATL16H-2517	101093	4.6			
17	5.949	D80ATL17H-2517	101094	5.5	1/2	2-11/16	1.75
18	6.271	D80ATL18H-2517	101095	6.6			
19	6.593	D80BTL19H-3020	101096	7.1			
20	6.914	D80BTL20H-3020	101097	8.2	5.25			
21	7.235	D80BTL21H-3020	101098	10.4	5.46			
23	7.876	D80BTL23H-3020	104863	12.0				
25	8.516	D80BTL25H-3020	101099	16.7				
30	10.114	D80BTL30-3020	101100	23.0		7/8	3-1/4	2.00
36	12.030	D80BTL36-3020	101101	40				
42	13.944	D80BTL42-3020	101102	56	5.25			
60	19.681	D80CTL60-3020	101105	62				
68	22.230	D80CTL68-3020	101106	75				
76	24.778	D80CTL76-3020	101107	83				
95	30.828	D80CTL95-3020	101108	100				

No. 100 for 1-1/4" Pitch Single Strand Chain



TYPE BTL 1

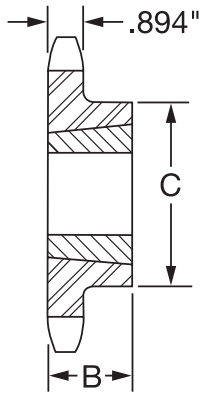
TAPER-LOCK

No. of Teeth	Spkt. O.D.	Description +	Part No.	Wt. w/o Bush.	C. Hub Dia.	Bore Range		B
						Min.	Max.	
11	5.008	100BTL11H-1615	100621	2.7	3.00			
12	5.415	100BTL12H-1615	100622	3.1	3.25	1/2	1-11/16	1.50
13	5.821	100BTL13H-2012	100623	3.0	3.56	1/2	2-1/8	1.25
14	6.226	100BTL14H-2012	100624	4.0				
15	6.630	100BTL15H-2517	100625	5.5				
16	7.034	100BTL16H-2517	100626	6.0	4.25	1/2	2-11/16	1.75
17	7.436	100BTL17H-2517	100627	7.0				
18	7.839	100BTL18H-2517	100628	7.5				
19	8.241	100BTL19H-2517	100629	9.7	4.25	1/2	2-11/16	1.75
20	8.643	100BTL20H-2517	100630	9.8				
22	9.444	100BTL22H-2517	100632	11.4				
24	10.245	100BTL24H-2517	100633	14.3				
25	10.645	100BTL25H-2517	104754	17.0	4.50	1/2	2-11/16	1.75
26	11.045	100BTL26-2517	100634	16.0				
28	11.844	100BTL28-3020	100685	20.2				
30	12.643	100BTL30-3020	100635	21.5				
32	13.441	100BTL32-3020	100636	25.0				
35	14.639	100BTL35-3020	100637	30.2				
36	15.038	100BTL36-3020	100638	31.4				
40	16.633	100BTL40-3020	100639	36.6				
45	18.626	100BTL45-3020	100640	47	5.25	7/8	3-1/4	2.00
48	19.821	100BTL48-3020	100641	60				
54	22.211	100BTL54-3020	100642	77				
60	24.601	100BTL60-3020	100643	94				

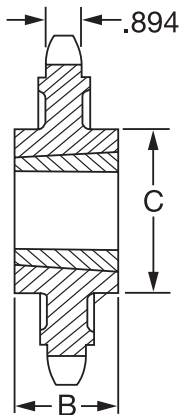
SPECIFICATION



No. 120 for 1-1/2" Pitch Single Strand Chain



TYPE BTL



TYPE CTL

TAPER-LOCK

No. of Teeth	Spkt. O.D.	Description +	Part No.	Spkt. Wt. w/o Bush.	C Hub Dia.	Bore Range		B
						Min.	Max.	
12	6.498	120BTL12H-2012	100396	8.0	3.56	1/2	2-1/8	1.25
13	6.989	120BTL13H-2517	100644	6.4	4.25	1/2	2-11/16	1.75
14	7.472	120BTL14H-2517	100645	7.8				
15	7.956	120BTL15H-2517	100646	9.6				
16	8.441	120BTL16H-3020	100647	10.2				
17	8.924	120BTL17H-3020	100648	11.6	5.25	7/8	3-1/4	2.00
18	9.407	120BTL18H-3020	100649	13.2				
19	9.890	120BTL19H-3020	100650	11.2				
20	10.371	120BTL20H-3020	100397	16.0				
21	10.853	120BTL21H-3020	100651	18.0				
24	12.294	120BTL24H-3020	100398	24.0				
26	13.254	120BTL26-3020	100652	30.0	6.50	1-3/16	3-15/16	3.50
30	15.171	120BTL30-3020	100399	39.7				
35	17.567	120BTL35-3020	100232	46.0				
45	22.352	120CTL45-3030	104765	110				
60	29.522	120CTL60-3535	100236	120	6.50	1-3/16	3-15/16	3.50
70	34.301	120CTL70-3535	100238	144				
80	39.078	120CTL80-3535	100240	164				

+ "H" suffix indicates Hardened Teeth.

V-Drives

FHP Drives

Drive Component Accessories

DYNA-SYNC

HT200/HTD Synchronous Drives

HT500 Synchronous Drives

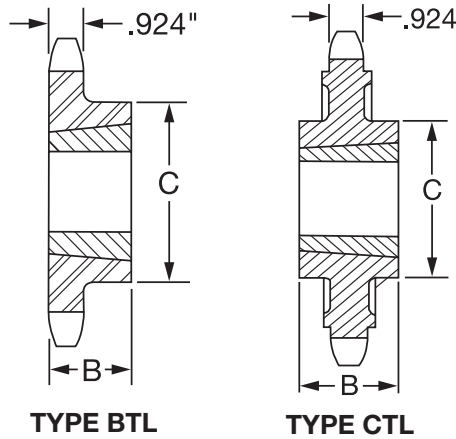
Roller Chain Sprockets

FEATURES/BENEFITS PAGE PT14-2	SELECTIONS PAGE PT14-16	RELATED PRODUCTS PAGE PT14-28	ENGINEERING/TECHNICAL PAGE PT14-30
----------------------------------	----------------------------	----------------------------------	---------------------------------------



SPECIFICATION

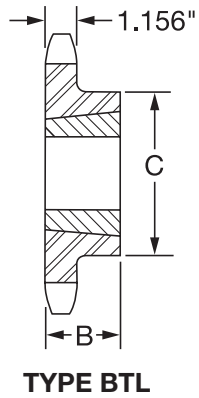
No. 140 for 1-3/4" Pitch Single Strand Chain



TAPER-LOCK

No. of Teeth	Spkt. O.D.	Description +	Part No.	Wt. w/o Bush.	C Hub Dia.	Bore Range		B
						Min.	Max.	
12	7.581	140BTL12H-2517	100653	7.6	4.25	1/2	2-11/16	1.75
13	8.150	140BTL13H-3020	100654	9.6	5.25	7/8	3	2.00
14	8.717	140BTL14H-3020	100655	11.3				
15	9.282	140BTL15H-3020	100656	12.7				
16	9.847	140BTL16H-3020	100657	14.6				
17	10.411	140BTL17H-3020	100658	17.5				
18	10.974	140BTL18H-3020	100659	19.3				
19	11.538	140BTL19H-3020	100660	21.2	6.50	1-3/16	3-1/2	3.50
21	12.661	140BTL21H-3020	100661	28.0				
26	15.463	140BTL26-3020	100662	45.0				
35	20.494	140CTL35-3535	100264	80.3				
45	26.077	140CTL45-4040	100266	120.0	7.75	1-7/16	4	4.00
60	34.442	140CTL60-4040	100268	200.0				

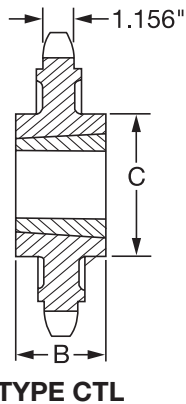
No. 160 for 2" Pitch Single Strand Chain



TAPER-LOCK

No. of Teeth	Spkt. O.D.	Description +	Part No.	Wt. w/o Bush.	C Hub Dia.	Bore Range		B
						Min.	Max.	
11	8.012	160BTL11H-2517	100663	7.7	4.25	1/2	2-11/16	1.75
12	8.664	160BTL12H-3020	100664	11.5	5.25	7/8	3-1/4	3.00
13	9.314	160BTL13H-3020	100665	14.2				
14	9.962	160BTL14H-3020	100666	17.1				
15	10.608	160BTL15H-3535	100667	27.4	6.50	1-3/16	3-15/16	3.50
17	11.898	160BTL17H-3535	100669	33.9				
18	12.542	160BTL18H-3535	100670	38.4				
19	13.186	160BTL19H-3535	100671	41.7				
21	14.470	160BTL21H-3535	100672	50				
26	17.672	160BTL26-3535	100673	88				
35	23.422	160CTL35-4040	100294	106	7.75	1-7/16	4-7/16	4.00
60	39.362	160CTL60-4545	100298	253	8.75	1-15/16	4-15/16	4.50

+ "H" suffix indicates Hardened Teeth.

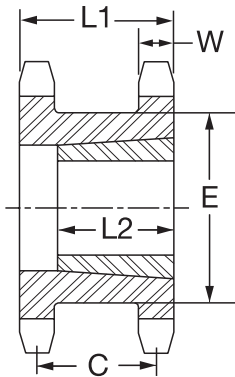


TYPE CTL

SPECIFICATION



Double Single Sprockets



TYPE ATL
TAPER-LOCK

No. 40		C=1.13 W=.284	TAPER-LOCK*					
No Teeth	Spkt. O.D.	E Dim.	Spkt. No.	Part No.	Bushing:		L Dim.	Wt. w/o Bush.
					No.	Max. Bore		
18	3.136	2.31
19	3.300	2.50	DS40ATL19H	101450	1215	1-1/4	1.41	1.1
20	3.460	2.63	DS40ATL20H	101451	1215	1-1/4	1.41	1.3
21	3.620	2.78	DS40ATL21H	101452	1615	1-11/16	1.41	1.3
22	3.780	2.94
23	3.940	3.09	DS40ATL23H	101453	1615	1-11/16	1.41	1.5
24	4.100	3.27	DS40ATL24H	101454	1615	1-11/16	1.41	1.7

No. 50		C=1.31 W=.343	TAPER-LOCK*					
No Teeth	Spkt. O.D.	E Dim.	Spkt. No.	Part No.	Bushing:		L Dim.	Wt. w/o Bush.
					No.	Max. Bore		
17	3.200	2.69	DS50ATL17H	101455	1615	1-11/16	1.64	1.8
18	3.920	2.89	DS50ATL18H	101456	1615	1-11/16	1.64	2.2
19	4.120	3.08	DS50ATL19H	101457	1615	1-11/16	1.64	2.7
20	4.320	3.28
21	4.520	3.48	DS50ATL21H	101458	2012	2-1/8	1.64	3.3
22	4.720	3.69
23	4.920	3.89	DS50ATL23H	101459	2012	2-1/8	1.64	3.7
24	5.120	4.08	DS50ATL24H	101460	2012	2-1/8	1.64	4.1

No. 60		C=1.48 W=.459	TAPER-LOCK*					
No Teeth	Spkt. O.D.	E Dim.	Spkt. No.	Part No.	Bushing:		L Dim.	Wt. w/o Bush.
					No.	Max. Bore		
17	4.460	3.22	DS60ATL17H	101461	1615	1-11/16	1.94	4.5
18	4.700	3.47	DS60ATL18H	101462	2012	2-1/8	1.94	5.0
19	4.950	3.70	DS60ATL19H	101463	2012	2-1/8	1.94	5.8
20	5.190	3.95	DS60ATL20H	101464	2517	2-11/16	1.94	5.6
21	5.430	4.19	DS60ATL21H	101465	2517	2-11/16	1.94	6.4
22	5.910	4.67	DS60ATL23H	101466	2517	2-11/16	1.94	7.3
23	6.150	4.91	DS60ATL24H	101467	2517	2-11/16	1.94	8.2

No. 80		C=1.63 W=.575	TAPER-LOCK*					
No Teeth	Spkt. O.D.	E Dim.	Spkt. No.	Part No.	Bushing:		L Dim.	Wt. w/o Bush.
					No.	Max. Bore		
17	5.950	4.31	DS80ATL17H	101468	2517	2-11/16	2.19	7.6
18	6.270	4.75	DS80ATL18H	101469	2517	2-11/16	2.19	8.7
19	6.590	4.95	DS80ATL19H	101470	3020	3-1/4	2.19	9.7
20	6.910	5.28	DS80ATL20H	101471	3020	3-1/4	2.19	10
21	7.240	5.59	DS80ATL21H	101472	3020	3-1/4	2.19	12
22	7.560
23	7.880	6.23	DS80ATL23H	101473	3020	3-1/4	2.19	14.5

No. 100		C=2 W=.692	TAPER-LOCK*					
No Teeth	Spkt. O.D.	E Dim.	Spkt. No.	Part No.	Bushing:		L Dim.	Wt. w/o Bush.
					No.	Max. Bore		
16	7.030	5.00	DS100ATL16H	101474	2517	2-11/16	2.69	13
17	7.440	5.41	DS100ATL17H	101475	3020	3-1/4	2.69	14
18	7.840	5.80	DS100ATL18H	101476	3020	3-1/4	2.69	16
19	8.240	6.20	DS100ATL19H	101477	3020	3-1/4	2.69	20
20	8.640	6.61
21	9.040	7.00	DS100ATL21H	101478	3020	3-1/4	2.69	27.5

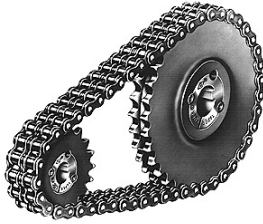
* TAPER-LOCK double single sprockets have hardened teeth.

FEATURES/BENEFITS PAGE PT14-2	SELECTIONS PAGE PT14-16	RELATED PRODUCTS PAGE PT14-28	ENGINEERING/TECHNICAL PAGE PT14-30
----------------------------------	----------------------------	----------------------------------	---------------------------------------



SELECTION

Roller Chain Drive Selection



EASY SELECTION METHOD

1. Determine Class of Service: Refer to tabulation below, or select from the following:

Class A: Fairly uniform running load. Start-up and peak loads occur infrequently.

Class B: Variable running load. Higher starting and peak loads, occurring more frequently.

Class C: Heavy starting loads. Peak loads and overloads occurring frequently.

2. Select Service Factor:

Class of Service	Type of Input Power		
	Internal Combustion Engine with Hydraulic Drive	Electric or Turbine	Internal Combustion Engine with Mechanical Drive
A	1.0	1.0	1.2
B	1.2	1.3	1.4
C	1.4	1.5	1.7

3. Calculate Design Horsepower: Motor HP x Service Factor, or normal running HP x Service Factor.

4. Determine Chain Size and Smaller (Usually the Driver) sprocket number of teeth: Refer to "Recommended Small Sprocket" table on page PT13-18 and PT13-19. Start at column that is at or above the calculated design HP. Trace down to the row that includes the RPM of the faster (Usually the Driver) shaft. The chain pitch and sprocket No. of Teeth are listed at this intersection.

5. Calculate Drive Ratio: Faster shaft Rpm divided by Slower shaft RPM.

6. Determine Size of Large Sprocket: Multiply smaller sprocket No. of teeth by ratio. Select Closest stock available sprocket.

7. Calculate Chain Length "L":

$$L = 2c + 1.57 (D + d) + \frac{(D-d)^2}{4c}$$

Where: D = Pitch dia. large sprocket, (see page PT13-31)

d = Pitch dia. small sprocket, (see page PT13-31)

c = Proposed center distance

(Accuracy is within .15% chain length)

Divide chain length (inches) by chain pitch to determine number of pitches in the chain. Good practice is to use an even number of pitches, including connecting link.

Class of Service for Driven Machine			
Driven Machine	Class	Driven Machine	Class
Agitators, liquid or semi-liquid stock, paddle or propeller	A	Line Shafts:	
Bakery Machinery	B	Light or normal service	A
Beaters	B	Unevenly loaded	B
Blowers, Centrifugal	A	Machines, Non-Reversing:	
Boat Paddle Wheels or Propellers	C	Even load	A
Centrifuges	C	Pulsating load	C
Clay Working Machinery:		Impact load	C
Extruders, Granulators, Mixers, Pug Mills, Rolls	B	Mills:	
Briquette Machine, Presses	C	Ball, Pebble, Rod, Tube	B
Compressors:		Blooming, Hammer, Hardinge, Rolling	C
Centrifugal, Rotary	B	Paper Machinery:	
Reciprocating	C	Agitators, Calenders, Dryers, Jordan Engines, Paper	
Conveyors:		Machines, Pulp Grinders	B
Uniformly or loaded	A	Beaters, Chippers, Nash Pumps, Washers, Winder	
Irregularly fed or loaded	B	Drums, Yankee Dryers	C
Reciprocating	C	Presses	C
Cookers, Cereal	A	Printing Machinery	B
Cranes	B	Pumps:	
Crushers	C	Centrifugal, Gear, Rotary	A
Elevators:		Dredge	C
Uniformly fed or loaded	A	Reciprocating, 1 or 2 cylinder	C
Irregularly fed or loaded	B	Reciprocating, 3 or more cylinder	B
Fans:		Rubber Plant Machinery:	
Centrifugal	A	Banbury Mills, Calenders, Mixers	C
Mine, Positive Blowers, Propeller	C	Screens:	
Feeders, Reciprocating	C	Air Washing, Water	A
Flour, Feed or Cereal Mill Machinery	B	Rotary (Stone or Gravel), Vibrating	B
Generators	A	Textile Machinery:	
Hogs for Refuse	C	Batcher, Calender, Dry Can, Dyeing Machinery	
Kettles, Brew	A	Loom, Mangel, Napper, Soaper, Spinner, Tenter	
Kilns and Dryers, rotary	B	Frame	B
Laundry Machinery	B	Card Machine	C
		Woodworking Machinery	B



SELECTION EXAMPLE

A chain drive is required for a tumbling barrel for metal stampings. The barrel is to run at 24 RPM from a speed reducer output of 77 RPM. Center distance is 50". Input power is from a 5 HP electric motor. Starting loads are heavy, peak loads and overloads are frequent.

1. Service Factor: Class of service is not listed in table, so refer to Class Description. Class C is appropriate. Service Factor Table shows 1.5 Class C driven by an electric motor.

2. Design HP: Motor HP x S.F. 5 x 1.5 = 7.5 Design HP.

3. Chain and Small Sprocket Size: Refer to the 7-1/2 HP column of the Easy Selection Table. Trace down to the row that includes 77 RPM, "71-80 RPM". No. 100 chain and sprocket with 15 teeth is shown: select 100BTL15.

4. Drive Ratio: 77/24 = 3.21:1.

5. Large Sprocket: 15 x 3.21 = 48.15. Select a 48 tooth driven sprocket, 100BTL48, which is a stock size.

6. Chain Length:

$$L = 2(50) + 1.57(19.113 + 6.013) + \frac{(19.113 - 6.012)^2}{4 \times 50}$$

L = 140.31" (No.100 Chain has 1-1/4 or 1.25" Pitch)

Length in pitches = 140.31/1.25 = 112.48 pitches.

Choose 112 or 114 Pitches of chain, including Conn Link.

7. Verify that sprockets will fit shaft sizes.

DESIGN NOTES

Small Sprocket Size: The higher RPM and the fewer the number of teeth on the small sprocket, the greater the wear.

This leads to some general guidelines:

- Use at least 17 teeth sprocket for 100+ RPM.
- Avoid high ratios that require very small sprockets

Lubrication: Chain drives must be lubricated and kept clean. The most effective method to accomplish this is to use an oil-tight chain guard with an oil sump. Manual lubrication is effective on slower speed drives, but exposure to dirt and contamination will be a problem for the drive.

Design Refinement: The "Easy Selection Method" is a good starting point for further design refinement, if desired. Refer to the Chain HP Rating Tables on the following pages for more precise ratings. Also refer to "Slow Speed Drives" which follows this section.

SLOW SPEED DRIVES

Where linear speed of the chain is under 100 fpm and loading is uniform, roller chain drives may be selected on the basis of chain pull rather than horsepower rating. This often results in significant savings.

When chain length is more than 50 pitches, the maximum applied load may be as great as 1/7 of the ultimate tensile strength of the chain for speeds below 50 fpm to 100 fpm.

Unusual load variations of peak loads require other methods of determining the maximum applied load.

Chain pull may be calculated by the following formula:

$$\text{Chain Pull (lbs.)} = \frac{\text{Design HP} \times 126,000}{\text{rpm} \times \text{Pitch diam.}}$$

Table below offers a simplified method of determining allowable chain pull for slow speed drives. The table also shows revolutions per minute for a given pitch diameter at 50 and 100 feet per minute. Average tensile strength for all popular roller chains is given on page PT13-32.

Information for Slow Speed Drives

Chain No.	Allowable Chain Pull for STD. Chain		RPM for a Given Pitch Diam. at Various Speeds		
	Max. Chain Pull		P.D. in inches	@ 50 fpm RPM	@ 100 fpm RPM
	@ 50 fpm or less	@ 50-100 fpm			
40	528	462	2	95.0	191.0
50	871	762	3	63.6	127.2
60	1214	1062	4	47.7	95.5
80	2071	1812	5	38.2	76.4
100	3428	3000	6	31.8	63.7
120	4857	4250	7	27.3	54.6
140	6571	5750	8	23.9	47.8
160	8285	7250	9	21.2	42.4
180	11,428	10,000	10	19.1	38.2
200	13,571	11,875	11	17.3	34.7
240	18,571	16,250	12	15.9	31.8

Note: Smaller sprockets can be used on slow speed drives as the effects of chordal action are not pronounced. However, small sprockets of fewer than 9 teeth should be avoided.

MULTIPLE STRAND CHAIN DRIVES

Single Strand drives offer cost and availability advantages, and are more easily assembled. Multiple strand drives can be used to solve design problems of greater HP capacity or space constraints. For multiple strand drives, divide the calculated Design HP by the factors below, and select from the ratings for single strand drives:

Multiple Strand Factors	
Single:	1.0
Double	1.9
Triple:	2.8



SELECTION

Easy Selection Table RECOMMENDED SMALL SPROCKET

RPM of small Sprocket	Chain Size and No. of Teeth for Design HP											
	1/4	1/3	1/2	3/4	1	1 -1/2	2	3	4	5	6	7 -1/2
951-1000	35 17	35 17	35 17	35 17	35 17	35 17	35 17	35 23	40 17	40 17	40 20	40 24
901-950	35 17	35 17	35 17	35 17	35 17	35 17	35 17	35 24	40 17	40 18	40 21	40 25
851-900	35 17	35 17	35 17	35 17	35 17	35 17	35 17	35 24	40 17	40 18	40 22	50 17
801-850	35 17	35 17	35 17	35 17	35 17	35 17	35 18	40 17	40 17	40 19	40 23	50 17
751-800	35 17	35 17	35 17	35 17	35 17	35 17	35 19	40 17	40 17	40 20	40 24	50 17
701-750	35 17	35 17	35 17	35 17	35 17	35 17	35 20	40 17	40 18	40 22	40 25	50 17
651-700	35 17	35 17	35 17	35 17	35 17	35 17	35 22	40 17	40 19	40 23	50 17	50 18
601-650	35 17	35 17	35 17	35 17	35 17	35 18	35 23	40 17	40 20	40 24	50 17	50 19
551-600	35 17	35 17	35 17	35 17	35 17	35 19	40 17	40 17	40 21	50 17	50 17	50 21
501-550	35 17	35 17	35 17	35 17	35 17	35 21	40 17	40 17	40 23	50 17	50 18	50 22
471-500	35 17	35 17	35 17	35 17	35 17	35 22	40 17	40 17	40 24	50 17	50 19	50 24
441-470	35 17	35 17	35 17	35 17	35 17	35 23	40 17	40 17	50 17	50 17	50 20	50 25
411-440	35 17	35 17	35 17	35 17	35 17	40 17	40 17	40 21	50 17	50 18	50 22	60 17
381-410	35 17	35 17	35 17	35 17	35 17	40 17	40 17	40 22	50 17	50 19	50 23	60 17
351-380	35 17	35 17	35 17	35 17	35 17	40 17	40 17	40 24	50 17	50 21	50 24	60 18
321-350	35 17	35 17	35 17	35 17	35 17	40 17	40 18	50 17	50 18	50 22	60 17	60 20
301-320	35 17	35 17	35 17	35 17	35 17	40 17	40 19	50 17	50 19	50 23	60 17	60 21
281-300	35 17	35 17	35 17	35 17	35 17	40 17	40 19	50 17	50 20	50 25	60 18	60 22
261-280	35 17	35 17	35 17	35 17	35 17	40 17	40 19	50 17	50 22	60 17	60 19	60 23
241-260	35 17	35 17	35 17	35 17	35 17	40 17	40 19	50 18	50 23	60 17	60 20	80 17
221-240	35 17	35 17	35 17	35 17	35 17	40 19	40 24	50 19	50 25	60 19	60 22	80 17
201-220	35 17	35 17	35 17	35 17	35 17	40 20	50 17	50 21	60 17	60 20	60 24	80 17
181-200	35 17	35 17	35 18	35 17	35 17	40 22	50 17	50 23	60 18	60 22	60 26	80 17
161-180	35 17	35 17	35 20	40 18	35 17	40 24	50 17	50 25	60 20	60 24	80 17	80 17
151-160	35 17	35 17	35 21	40 18	35 17	50 17	50 18	60 17	60 21	60 25	80 17	80 17
141-150	35 15	35 15	35 22	40 18	40 15	50 17	50 19	60 17	60 22	80 17	80 17	80 18
131-140	35 15	35 15	35 23	40 18	40 15	50 17	50 20	60 18	60 23	80 17	80 17	80 19
121-130	35 15	35 15	40 13	40 18	40 15	50 17	50 22	60 19	60 25	80 17	80 17	80 20
111-120	35 15	35 15	40 13	40 18	40 15	50 18	50 22	60 20	80 15	80 17	80 18	80 22
101-110	35 15	35 15	40 15	40 18	50 15	50 19	60 15	80 15	80 15	80 16	80 19	100 15
91-100	35 15	35 15	40 15	40 15	40 17	50 15	50 18	60 17	80 15	80 18	100 15	100 15
81-90	35 15	35 15	40 15	40 15	50 15	50 15	50 18	60 18	80 15	80 15	80 16	100 15
71-80	35 15	35 17	40 15	40 16	50 15	50 18	60 14	80 15	80 15	80 16	100 15	100 15
61-70	35 15	35 19	40 15	40 19	50 15	60 15	60 16	80 15	80 15	80 18	100 15	100 15
51-60	35 17	40 13	40 15	50 13	50 15	60 15	60 19	80 15	80 17	100 15	100 15	100 16
46-50	40 13	40 13	40 16	50 13	50 16	60 14	80 13	80 13	100 13	100 13	100 14	100 17
41-45	40 13	40 13	40 18	50 16	60 13	60 16	80 13	80 14	100 13	100 13	100 16	120 13
35-40	40 13	40 14	50 13	50 16	60 13	60 19	80 13	80 17	100 13	100 14	100 18	120 14
30-35	40 13	40 16	50 13	50 18	60 15	80 13	80 13	80 19	100 13	100 16	120 13	120 14
23-29	40 14	50 13	50 16	60 14	60 19	80 13	80 17	100 13	100 16	120 14	120 15	120 18
17-22	50 13	50 14	60 13	60 19	80 13	80 17	100 13	100 17	120 13	120 16	140 13	140 16
12-16	50 15	60 13	60 18	80 13	80 16	100 13	100 16	120 14	120 18	140 15	140 17	160 15
8-11	60 14	60 18	80 13	80 18	100 13	100 17	120 14	140 13	140 17	160 15	160 18	180 18
5-7	80 13	80 13	100 13	100 13	100 18	120 17	140 14	180 15	180 14	200 13	200 15	240 13

Notes:

- Apply Service Factor to obtain Design Horsepower. Select small sprocket based upon Design Horsepower and RPM on this chart.
- Sprocket selections are recommended minimum. Larger sizes may be selected if required to obtain desired ratio, etc.
- To use this chart for double or triple strand chain, divide the design horsepower by the following factors:
Double strand: 1.9, Triple strand: 2.9

FEATURES/BENEFITS PAGE PT14-2	SPECIFICATIONS PAGE PT14-3	RELATED PRODUCTS PAGE PT14-28	ENGINEERING/TECHNICAL PAGE PT14-30
----------------------------------	-------------------------------	----------------------------------	---------------------------------------



Easy Selection Table RECOMMENDED SMALL SPROCKET

RPM of small Sprocket	Chain Size and No. of Teeth for Design HP													
	9	10	12	15	20	25	30	40	50	60	70	80	90	100
951-1000	50 17	50 17	50 20	60 17	60 20	60 24	80 17	80 18						
901-950	50 17	50 18	50 21	60 17	60 21	60 24	80 17	80 18						
851-900	50 17	50 19	50 22	60 17	60 22	80 17	80 17	80 19						
801-850	50 18	50 20	50 23	60 17	60 23	80 17	80 17	80 20						
751-800	50 19	50 21	60 16	60 18	60 24	80 17	80 17	80 21						
701-750	50 20	50 22	60 17	60 19	60 25	80 17	80 17	80 22	100 17					
651-700	50 21	50 24	60 17	60 21	80 17	80 17	80 18	80 23	100 17					
601-650	50 23	60 16	60 18	60 22	80 17	80 17	80 19	100 17	100 17					
551-600	50 24	60 17	60 19	60 24	80 17	80 18	80 21	100 17	100 18					
501-550	60 17	60 18	60 21	80 17	80 17	80 19	80 22	100 17	100 20					
471-500	60 17	60 19	60 22	80 17	80 17	80 20	80 23	100 17	100 21	100 24	120 17			
441-470	60 18	60 20	60 23	80 17	80 17	80 21	100 17	100 18	100 22	120 17	120 18			
411-440	60 19	60 21	80 16	80 17	80 18	80 22	100 17	100 19	120 17	120 17	120 21			
381-410	60 20	60 22	80 17	80 17	80 19	80 24	100 17	100 20	120 17	120 18	120 21			
351-380	60 22	60 24	80 17	80 17	80 21	100 17	100 17	100 21	120 18	120 19	140 17			
321-350	60 23	80 17	80 17	80 17	80 22	100 17	100 18	100 24	120 19	120 21	140 17	140 18	140 21	
301-320	80 17	80 17	80 17	80 18	80 23	100 17	100 19	100 24	120 21	140 17	140 17	140 19	140 21	
281-300	80 17	80 17	80 17	80 19	100 17	100 17	100 20	120 17	120 21	140 17	140 18	140 21	160 17	
261-280	80 17	80 17	80 17	80 20	100 17	100 18	100 21	120 17	120 21	140 17	140 19	160 17	160 17	
241-260	80 17	80 17	80 18	80 22	100 17	100 19	100 22	120 18	140 17	140 17	140 21	160 18	160 18	160 20
221-240	80 17	80 17	80 19	80 23	100 17	100 20	100 24	120 21	140 17	140 19	160 17	160 18	160 20	160 22
201-220	80 17	80 17	80 20	100 17	100 18	100 22	120 17	120 21	140 17	160 17	160 17	160 19	180 17	160 23
181-200	80 17	80 19	80 22	100 17	100 20	100 24	120 18	140 17	140 19	160 18	160 18	160 20	180 18	180 18
161-180	80 19	80 21	80 25	100 17	100 22	120 17	120 21	140 17	140 21	160 19	160 21	180 17	180 19	180 21
151-160	80 20	80 22	100 17	100 18	100 24	120 17	120 21	140 18	160 19	160 19	160 21	180 18	180 20	200 17
141-150	80 21	100 15	100 17	100 19	100 24	120 18	140 16	140 19	160 19	160 21	180 17	180 19	200 16	200 17
131-140	80 22	100 15	100 17	100 20	120 17	120 21	140 17	140 21	160 19	160 21	180 18	180 19	200 18	200 19
121-130	80 24	100 16	100 17	100 21	120 18	120 21	140 17	140 21	160 19	180 17	180 19	200 17	200 19	200 21
111-120	100 15	100 17	100 18	100 24	120 19	120 21	140 18	160 17	160 21	180 18	180 21	200 18	200 20	200 23
101-110	100 15	100 17	120 15	120 15	140 15	140 16	140 19	160 17	180 16	180 19	200 17	200 19	200 21	240 18
91-100	100 17	100 20	120 15	120 18	140 16	140 19	160 16	160 19	180 19	200 16	200 18	200 21	240 15	240 18
81-90	100 18	100 15	120 16	120 18	140 17	140 19	160 17	160 21	200 15	200 18	200 21	200 23	240 18	240 18
71-80	100 15	120 15	120 18	120 18	140 18	160 15	160 18	180 17	200 17	200 19	240 15	240 16	240 19	240 20
61-70	100 16	120 18	120 19	140 15	160 15	160 19	180 15	200 15	200 19	240 15	240 17	240 19	240 21	240 23
51-60	100 19	120 15	120 15	140 18	160 16	180 15	180 18	200 18	240 15	240 17	240 19	240 22	240 25	240 26
46-50	120 13	120 14	120 16	140 13	160 13	180 16	200 15	200 19	240 15	240 18	240 20	240 24
41-45	120 14	120 15	120 18	140 15	160 14	180 14	200 16	200 21	240 17	240 20	240 23	240 26
35-40	120 16	120 18	140 14	140 17	160 16	180 13	180 15	240 15	240 19	240 23	240 26
30-35	120 19	140 13	140 16	160 14	160 18	180 15	180 18	240 13	240 21	240 25
23-29	140 14	140 15	160 13	160 18	180 16	200 15	200 17	240 14	240 18	240 27
17-22	160 13	160 15	180 13	180 16	200 16	240 13	240 13	240 15	240 24
12-16	160 18	180 13	180 16	200 15	240 13	240 15	240 21	240 27
8-11	200 13	200 15	200 18	240 14	240 18	240 23
5-7	240 13	240 15	240 17	240 22	240 29

4. Sprocket selections above the bold line are based upon ANSI horsepower ratings. Selections below the bold line are based upon the chain pull formula for slow speed drives.

5. To achieve design life keep chain free of dirt and contaminants, and apply appropriate lubrication.

FEATURES/BENEFITS PAGE PT14-2	SPECIFICATIONS PAGE PT14-3	RELATED PRODUCTS PAGE PT14-28	ENGINEERING/TECHNICAL PAGE PT14-30
----------------------------------	-------------------------------	----------------------------------	---------------------------------------



SELECTION

Basic Horsepower Ratings

35 3/8" Pitch Single Strand Roller Chain

HORSEPOWER RATINGS

No. Teeth	Small Sprocket RPM																					
	50	75	100	150	200	250	300	400	500	600	700	800	900	1000	1200	1500	1800	2100	2500	3000	3500	4000
9	0.08	0.12	0.15	0.21	0.27	0.33	0.39	0.50	0.62	0.73	0.84	0.95	1.06	1.21	1.37	1.68	1.98	2.27	2.65	2.17	1.73	1.41
10	0.09	0.13	0.16	0.23	0.30	0.37	0.44	0.57	0.70	0.82	0.95	0.98	1.02	1.28	1.54	1.88	2.21	2.54	2.97	2.55	2.02	1.65
11	0.10	0.14	0.18	0.26	0.34	0.41	0.49	0.63	0.77	0.91	1.05	1.18	1.31	1.51	1.70	2.08	2.45	2.82	3.30	2.94	2.33	1.91
12	0.11	0.16	0.20	0.28	0.37	0.46	0.54	0.70	0.85	1.00	1.15	1.30	1.44	1.66	1.87	2.29	2.70	3.10	3.62	3.35	2.66	2.17
13	0.01	0.12	0.22	0.31	0.41	0.50	0.59	0.76	0.93	1.10	1.26	1.42	1.57	1.81	2.04	2.49	2.94	3.38	3.95	3.77	3.00	2.45
14	0.13	0.19	0.24	0.34	0.44	0.53	0.63	0.82	1.01	1.19	1.36	1.54	1.71	1.96	2.21	2.70	3.18	3.66	4.28	4.22	3.35	2.74
15	0.14	0.20	0.25	0.36	0.47	0.57	0.68	0.88	1.08	1.28	1.47	1.66	1.84	2.11	2.38	2.91	3.43	3.94	4.61	4.68	3.71	3.04
16	0.15	0.21	0.27	0.39	0.50	0.62	0.73	0.95	1.16	1.37	1.57	1.77	1.97	2.26	2.55	3.12	3.68	4.22	4.94	5.15	4.09	3.35
17	0.16	0.23	0.29	0.41	0.54	0.66	0.78	1.01	1.24	1.46	1.68	1.89	2.10	2.42	2.73	3.33	3.93	4.51	5.28	5.64	4.48	3.67
18	0.17	0.24	0.31	0.44	0.57	0.70	0.83	1.08	1.32	1.55	1.78	2.01	2.24	2.57	2.90	3.45	4.18	4.80	5.61	6.15	4.88	3.99
19	0.18	0.26	0.33	0.47	0.61	0.74	0.88	1.14	1.40	1.65	1.89	2.13	2.37	2.70	3.02	3.76	4.43	5.09	5.95	6.67	5.29	4.33
20	0.19	0.27	0.35	0.50	0.64	0.78	0.93	1.21	1.48	1.74	2.00	2.26	2.51	2.88	3.25	3.97	4.68	5.38	6.29	7.20	5.72	4.68
21	0.20	0.29	0.37	0.52	0.68	0.83	0.98	1.27	1.56	1.84	2.11	2.38	2.64	3.03	3.42	4.19	4.93	5.67	6.63	7.75	6.15	5.03
22	0.21	0.30	0.38	0.54	0.71	0.87	1.03	1.34	1.64	1.93	2.22	2.50	2.78	3.19	3.60	4.40	5.19	5.96	6.97	8.21	6.59	5.40
23	0.22	0.31	0.40	0.57	0.74	0.91	1.08	1.40	1.72	2.03	2.33	2.63	2.92	3.35	3.78	4.62	5.44	6.25	7.31	8.62	7.05	5.77
24	0.23	0.33	0.42	0.60	0.78	0.96	1.14	1.47	1.80	2.12	2.44	2.75	3.05	3.51	3.96	4.84	5.70	6.55	7.66	9.02	7.51	6.15
25	0.24	0.34	0.44	0.63	0.82	1.00	1.19	1.54	1.88	2.21	2.55	2.87	3.19	3.66	4.13	5.05	5.95	6.84	8.00	9.43	7.99	6.54
26	0.25	0.36	0.46	0.66	0.85	1.05	1.24	1.60	1.96	2.31	2.66	3.00	3.33	3.82	4.31	5.27	6.21	7.13	8.35	9.84	8.47	6.93
28	0.27	0.39	0.50	0.71	0.92	1.13	1.34	1.73	2.12	2.50	2.88	3.25	3.61	4.14	4.67	5.71	6.73	7.73	9.05	10.7	9.47	7.75
30	0.29	0.42	0.54	0.77	1.00	1.22	1.45	1.87	2.29	2.70	3.10	3.50	3.89	4.46	5.03	6.15	7.25	8.33	9.74	11.5	10.5	8.59
32	0.31	0.45	0.58	0.83	1.07	1.31	1.56	2.01	2.45	2.88	3.32	3.75	4.17	4.79	5.40	6.60	7.77	8.93	10.0	12.3	11.6	9.47
35	0.33	0.49	0.64	0.91	1.18	1.44	1.71	2.21	2.70	3.18	3.66	4.08	4.50	5.23	5.96	7.27	8.56	9.84	11.5	13.6	13.2	10.8
40	0.39	0.56	0.73	1.04	1.35	1.66	1.97	2.55	3.12	3.68	4.23	4.77	5.30	6.09	6.87	8.40	9.89	11.4	13.3	15.7	16.2	13.2
45	0.45	0.64	0.83	1.18	1.54	1.89	2.24	2.90	3.55	4.18	4.80	5.41	6.02	6.91	7.80	9.53	11.2	12.9	15.1	17.8	19.3	15.8
	TYPE A					TYPE B										TYPE C						

41 1/2" Pitch Single Strand Roller Chain

HORSEPOWER RATINGS

No. Teeth	Small Sprocket RPM																					
	10	25	50	75	100	150	200	250	300	350	400	450	500	600	700	800	900	1000	1200	1400	1600	1800
9	0.02	0.05	0.10	0.14	0.19	0.28	0.36	0.44	0.51	0.59	0.66	0.74	0.81	0.96	1.10	1.24	1.38	1.52	1.27	1.01	0.82	0.69
10	0.03	0.06	0.11	0.16	0.21	0.31	0.40	0.49	0.57	0.66	0.74	0.83	0.91	1.07	1.23	1.39	1.54	1.70	1.49	1.18	0.96	0.81
11	0.03	0.07	0.13	0.19	0.24	0.34	0.44	0.54	0.64	0.73	0.82	0.92	1.01	1.19	1.37	1.54	1.71	1.88	1.71	1.36	1.11	0.93
12	0.03	0.07	0.14	0.20	0.26	0.38	0.49	0.60	0.70	0.81	0.91	1.01	1.11	1.31	1.50	1.69	1.88	2.07	1.95	1.55	1.27	1.06
13	0.03	0.08	0.15	0.22	0.28	0.40	0.53	0.64	0.76	0.88	0.99	1.10	1.21	1.42	1.63	1.84	2.05	2.25	2.20	1.75	1.43	1.20
14	0.03	0.09	0.16	0.24	0.31	0.44	0.57	0.70	0.83	0.95	1.07	1.19	1.31	1.54	1.77	2.00	2.22	2.44	2.46	1.95	1.60	1.34
15	0.04	0.09	0.18	0.26	0.33	0.48	0.62	0.76	0.89	1.02	1.15	1.28	1.41	1.66	1.91	2.15	2.39	2.63	2.73	2.17	1.77	1.49
16	0.04	0.10	0.19	0.28	0.36	0.51	0.66	0.81	0.95	1.10	1.24	1.38	1.51	1.78	2.05	2.31	2.57	2.82	3.01	2.39	1.95	1.64
17	0.05	0.11	0.20	0.29	0.38	0.55	0.71	0.87	1.02	1.17	1.32	1.47	1.61	1.89	2.18	2.46	2.74	3.01	3.29	2.61	2.14	1.79
18	0.05	0.12	0.22	0.31	0.40	0.58	0.75	0.92	1.08	1.24	1.40	1.56	1.72	2.02	2.32	2.62	2.91	3.20	3.59	2.85	2.33	1.95
19	0.05	0.12	0.23	0.33	0.43	0.62	0.80	0.98	1.15	1.32	1.49	1.65	1.82	2.14	2.46	2.78	3.09	3.40	3.89	3.09	2.53	2.12
20	0.06	0.13	0.24	0.35	0.45	0.65	0.84	1.03	1.21	1.39	1.57	1.75	1.92	2.26	2.60	2.93	3.26	3.59	4.20	3.33	2.73	2.29
21	0.06	0.14	0.26	0.37	0.48	0.69	0.89	1.09	1.28	1.47	1.66	1.85	2.03	2.39	2.74	3.09	3.44	3.78	4.46	3.59	2.94	2.46
22	0.06	0.14	0.27	0.39	0.50	0.72	0.93	1.14	1.35	1.55	1.74	1.94	2.13	2.51	2.89	3.26	3.62	3.98	4.69	3.85	3.15	2.64
23	0.06	0.15	0.28	0.41	0.53	0.76	0.98	1.20	1.41	1.62	1.83	2.04	2.24	2.64	3.03	3.42	3.80	4.17	4.92	4.11	3.37	2.82
24	0.07	0.16	0.29	0.42	0.55	0.79	1.03	1.26	1.48	1.70	1.92	2.13	2.34	2.76	3.17	3.57	3.97	4.37	5.15	4.38	3.59	3.01
25	0.07	0.17	0.31	0.44	0.57	0.82	1.07	1.31	1.55	1.77	2.00	2.23	2.45	2.88	3.31	3.73	4.15	4.57	5.38	4.66	3.81	3.20
26	0.07	0.17	0.32	0.46	0.60	0.86	1.12	1.37	1.61	1.85	2.09	2.32	2.55	3.01	3.46	3.90	4.33	4.76	5.61	4.94	4.05	3.39
28	0.08	0.19	0.35	0.50	0.65	0.93	1.21	1.48	1.75	2.01	2.26	2.52	2.77	3.26	3.74	4.22	4.69	5.16	6.08	5.52	4.52	3.79
30	0.08	0.20	0.38	0.54	0.70	1.00	1.31	1.60	1.88	2.16	2.44	2.71	2.98	3.51	4.03	4.55	5.06	5.56	6.55	6.13	5.01	4.20
32	0.09	0.22	0.40	0.58	0.75	1.08	1.40	1.71	2.02	2.32	2.61	2.91	3.20	3.77	4.33	4.88	5.42	5.96	7.03	6.75	5.52	4.63
35	0.10	0.24	0.44	0.64	0.83	1.19	1.54	1.88	2.22	2.55	2.88	3.20	3.52	4.14	4.76	5.37	5.97	6.57	7.74	7.72	6.32	5.29
40	0.12	0.27	0.51	0.74	0.96	1.37	1.78	2.18	2.57	2.95	3.33	3.70	4.07	4.79	5.50	6.20	6.90	7.59	8.94	9.43	7.72	6.47
45	0.14	0.31	0.58	0.83	1.08	1.55	2.02	2.47	2.92	3.35	3.78	4.20	4.62	5.44	6.25	7.05	7.84	8.62	10.2	11.3	9.21	7.72
	TYPE A					TYPE B										TYPE C						

Lubrication Note

TYPE A: Manual or Drip
 TYPE B: Bath or Disc
 TYPE C: Oil Stream

Multiple Strand Chain HP Factors:

Single Strand	1.0
Double Strand	1.9
Triple Strand	2.8

FEATURES/BENEFITS PAGE PT14-2	SPECIFICATIONS PAGE PT14-3	RELATED PRODUCTS PAGE PT14-28	ENGINEERING/TECHNICAL PAGE PT14-30
----------------------------------	-------------------------------	----------------------------------	---------------------------------------

SELECTION



Basic Horsepower Ratings

40 1/2" Pitch Single Strand Roller Chain

HORSEPOWER RATINGS

No. Teeth	Small Sprocket RPM																					
	10	25	50	75	100	150	200	250	300	350	400	450	500	600	700	800	900	1000	1200	1400	1600	1800
9	0.04	0.10	0.19	0.27	0.35	0.50	0.65	0.79	0.93	1.07	1.21	1.35	1.48	1.74	2.00	2.26	2.51	2.75	3.25	3.73	4.12	3.45
10	0.05	0.11	0.21	0.30	0.38	0.56	0.73	0.89	1.04	1.20	1.35	1.50	1.65	1.95	2.24	2.53	2.81	3.09	3.64	4.18	4.71	4.04
11	0.05	0.12	0.23	0.33	0.43	0.62	0.80	0.98	1.16	1.33	1.50	1.67	1.83	2.16	2.48	2.80	3.11	3.42	4.03	4.63	5.22	4.66
12	0.06	0.14	0.25	0.36	0.47	0.68	0.88	1.08	1.27	1.46	1.65	1.83	2.01	2.37	2.73	3.08	3.42	3.76	4.43	5.09	5.74	5.31
13	0.06	0.15	0.28	0.40	0.52	0.74	0.96	1.17	1.39	1.60	1.80	2.00	2.20	2.59	2.97	3.35	3.73	4.10	4.83	5.55	6.26	5.99
14	0.07	0.16	0.30	0.43	0.56	0.80	1.04	1.27	1.50	1.73	1.95	2.16	2.38	2.80	3.22	3.63	4.04	4.44	5.23	6.01	6.78	6.70
15	0.07	0.17	0.32	0.46	0.60	0.86	1.12	1.37	1.62	1.86	2.10	2.33	2.56	3.02	3.47	3.91	4.35	4.78	5.64	6.47	7.30	7.43
16	0.08	0.19	0.35	0.50	0.65	0.93	1.20	1.47	1.74	2.00	2.25	2.50	2.75	3.24	3.72	4.19	4.66	5.13	6.04	6.94	7.83	8.18
17	0.09	0.20	0.37	0.53	0.69	0.99	1.29	1.57	1.85	2.13	2.40	2.67	2.93	3.45	3.97	4.48	4.98	5.48	6.45	7.41	8.36	8.96
18	0.09	0.21	0.39	0.56	0.73	1.05	1.37	1.66	1.95	2.25	2.55	2.84	3.12	3.67	4.22	4.76	5.30	5.82	6.86	7.88	8.89	9.76
19	0.10	0.22	0.42	0.60	0.78	1.12	1.45	1.77	2.09	2.40	2.71	3.01	3.31	3.90	4.48	5.05	5.62	6.17	7.27	8.4	9.4	10.5
20	0.11	0.24	0.44	0.63	0.82	1.17	1.53	1.87	2.21	2.54	2.86	3.18	3.50	4.12	4.73	5.34	5.94	6.53	7.69	8.8	10.0	11.1
21	0.11	0.25	0.46	0.67	0.87	1.25	1.62	1.98	2.33	2.68	3.02	3.36	3.69	4.34	4.99	5.63	6.26	6.88	8.11	9.3	10.5	11.7
22	0.12	0.26	0.49	0.70	0.91	1.31	1.70	2.08	2.45	2.81	3.17	3.53	3.88	4.57	5.25	5.92	6.58	7.23	8.52	9.8	11.0	12.3
23	0.13	0.27	0.51	0.74	0.96	1.37	1.78	2.18	2.57	2.95	3.33	3.70	4.07	4.79	5.51	6.21	6.90	7.59	8.94	10.3	11.6	12.9
24	0.13	0.29	0.54	0.77	1.00	1.43	1.87	2.28	2.69	3.09	3.48	3.87	4.26	5.01	5.8	6.5	7.2	8.0	9.4	10.8	12.1	13.5
25	0.14	0.30	0.56	0.80	1.05	1.50	1.95	2.38	2.81	3.22	3.64	4.05	4.45	5.24	6.0	6.8	7.6	8.3	9.8	11.2	12.7	14.1
26	0.15	0.31	0.58	0.84	1.09	1.57	2.04	2.49	2.93	3.37	3.80	4.22	4.64	5.46	6.3	7.1	7.9	8.7	10.2	11.7	13.2	14.7
28	0.16	0.34	0.63	0.91	1.18	1.69	2.20	2.69	3.18	3.64	4.11	4.57	5.03	5.92	6.8	7.7	8.5	9.4	11.1	12.7	14.3	15.9
30	0.16	0.37	0.68	0.98	1.27	1.83	2.38	2.90	3.42	3.93	4.43	4.93	5.42	6.38	7.3	8.3	9.2	10.1	11.9	13.7	15.4	17.2
32	0.17	0.39	0.73	1.05	1.36	1.96	2.55	3.11	3.67	4.21	4.75	5.28	5.81	6.84	7.9	8.9	9.9	10.8	12.8	14.7	16.5	18.4
35	0.19	0.43	0.81	1.16	1.50	2.16	2.81	3.43	4.04	4.64	5.24	5.82	6.40	7.53	8.7	9.8	10.9	11.9	14.1	16.2	18.2	20.3
40	0.22	0.50	0.93	1.34	1.74	2.49	3.24	3.95	4.67	5.36	6.05	6.72	7.39	8.70	10.0	11.3	12.5	13.8	16.3	18.7	21.1	23.4
45	0.25	0.57	1.06	1.52	1.97	2.83	3.68	4.49	5.30	6.09	6.87	7.64	8.40	9.90	11.4	12.8	14.2	15.7	18.5	21.2	23.9	26.6
	TYPE A									TYPE B									TYPE C			

50 5/8" Pitch Single Strand Roller Chain

HORSEPOWER RATINGS

No. Teeth	Small Sprocket RPM																					
	10	25	50	75	100	150	200	250	300	350	400	450	500	600	700	800	900	1000	1200	1400	1600	1800
9	0.09	0.19	0.36	0.52	0.67	0.97	1.26	1.53	1.81	2.08	2.35	2.61	2.87	3.38	3.89	4.39	4.88	5.36	6.32	6.02	4.92	4.13
10	0.10	0.22	0.41	0.58	0.76	1.09	1.41	1.72	2.03	2.33	2.63	2.93	3.22	3.79	4.36	4.91	5.46	6.01	7.08	7.05	5.77	4.83
11	0.11	0.24	0.45	0.65	0.84	1.20	1.56	1.91	2.25	2.59	2.92	3.25	3.57	4.20	4.83	5.45	6.06	6.66	7.85	8.13	6.65	5.58
12	0.12	0.26	0.49	0.71	0.92	1.32	1.72	2.10	2.47	2.84	3.21	3.57	3.92	4.62	5.31	5.98	6.65	7.31	8.62	9.26	7.58	6.35
13	0.13	0.29	0.54	0.77	1.00	1.44	1.87	2.29	2.70	3.10	3.50	3.89	4.27	5.03	5.78	6.52	7.25	8.0	9.4	10.4	8.6	7.2
14	0.14	0.31	0.58	0.84	1.09	1.56	2.03	2.48	2.92	3.36	3.79	4.21	4.63	5.45	6.27	7.07	7.86	8.6	10.2	11.7	9.6	8.0
15	0.15	0.34	0.63	0.90	1.17	1.68	2.19	2.67	3.15	3.62	4.08	4.54	4.99	5.87	6.75	7.61	8.47	9.3	11.0	12.6	10.6	8.9
16	0.16	0.36	0.67	0.97	1.26	1.80	2.34	2.86	3.38	3.88	4.37	4.86	5.35	6.30	7.24	8.16	9.08	10.0	11.8	13.5	11.7	9.8
17	0.17	0.39	0.72	1.03	1.34	1.92	2.50	3.06	3.61	4.14	4.67	5.19	5.71	6.72	7.73	8.71	9.69	10.7	12.6	14.4	12.8	10.7
18	0.18	0.41	0.76	1.10	1.43	2.05	2.66	3.25	3.83	4.40	4.97	5.52	6.07	7.15	8.22	9.3	10.3	11.3	13.4	15.3	13.9	11.7
19	0.19	0.43	0.81	1.16	1.51	2.15	2.82	3.45	4.07	4.67	5.27	5.86	6.44	7.58	8.72	9.8	10.9	12.0	14.2	16.3	15.1	12.7
20	0.20	0.46	0.86	1.23	1.60	2.29	2.98	3.64	4.30	4.94	5.57	6.19	6.80	8.01	9.21	10.4	11.5	12.7	15.0	17.2	16.3	13.7
21	0.21	0.48	0.90	1.30	1.69	2.42	3.14	3.84	4.53	5.20	5.87	6.52	7.17	8.44	9.71	11.0	12.2	13.4	15.8	18.1	17.6	14.7
22	0.22	0.51	0.95	1.36	1.77	2.54	3.31	4.03	4.76	5.47	6.17	6.86	7.54	8.9	10.2	11.5	12.8	14.1	16.6	19.1	18.8	15.8
23	0.23	0.53	1.00	1.43	1.86	2.67	3.47	4.24	5.00	5.74	6.47	7.19	7.91	9.3	10.7	12.0	13.4	14.8	17.4	20.0	20.1	16.9
24	0.25	0.56	1.04	1.50	1.95	2.79	3.63	4.43	5.23	6.01	6.78	7.54	8.29	9.7	11.2	12.7	14.1	15.5	18.2	20.9	21.4	18.0
25	0.26	0.58	1.09	1.56	2.03	2.92	3.80	4.64	5.47	6.28	7.08	7.87	8.66	10.2	11.7	13.2	14.7	16.2	19.0	21.9	22.8	19.1
26	0.27	0.61	1.14	1.63	2.12	3.04	3.96	4.83	5.70	6.55	7.39	8.21	9.03	10.6	12.2	13.8	15.3	16.9	19.9	22.8	24.2	20.3
28	0.29	0.66	1.23	1.77	2.30	3.30	4.29	5.24	6.18	7.10	8.01	8.90	9.79	11.5	13.2	14.9	16.6	18.3	21.5	24.7	27.0	22.6
30	0.31	0.71	1.33	1.90	2.48	3.55	4.62	5.64	6.66	7.65	8.6	9.6	10.5	12.4	14.3	16.1	17.9	19.7	23.2	26.6	30.0	25.1
32	0.33	0.76	1.42	2.04	2.66	3.81	4.96	6.05	7.14	8.20	9.3	10.3	11.3	13.3	15.3	17.3	19.2	21.1	24.9	28.6	32.2	27.7
35	0.37	0.84	1.57	2.25	2.93	4.20	5.46	6.66	7.86	9.03	10.2	11.4	12.5	14.7	16.9	19.0	21.1	23.2	27.4	31.5	35.5	31.6
40	0.43	0.97	1.81	2.60	3.38	4.85	6.31	7.70	9.1	10.4	11.8	13.1	14.4	17.0	19.5	22.0	24.4	26.8	31.6	36.3	41.0	38.7
45	0.48	1.10	2.06	2.95	3.84	5.50	7.16	8.73	10.3	11.9	13.4	14.9	16.3	19.2	22.1	24.9	27.7	30.5	35.9	41.3	46.5	46.1
	TYPE A									TYPE B									TYPE C			

Lubrication Note

- TYPE A: Manual or Drip
- TYPE B: Bath or Disc
- TYPE C: Oil Stream

Multiple Strand Chain HP Factors:

Single Strand	1.0
Double Strand	1.9
Triple Strand	2.8

FEATURES/BENEFITS PAGE PT14-2	SPECIFICATIONS PAGE PT14-3	RELATED PRODUCTS PAGE PT14-28	ENGINEERING/TECHNICAL PAGE PT14-30
----------------------------------	-------------------------------	----------------------------------	---------------------------------------



SELECTION

Basic Horsepower Ratings

60 3/4" Pitch Single Strand Roller Chain

HORSEPOWER RATINGS

No. Teeth	Small Sprocket RPM																					
	10	25	50	75	100	125	150	175	200	250	300	350	400	500	600	700	800	900	1000	1200	1400	1600
9	0.15	0.33	0.62	0.89	1.16	1.42	1.67	1.91	2.16	2.64	3.12	3.58	4.04	4.94	5.82	6.68	7.54	8.38	9.21	8.77	6.96	5.70
10	0.16	0.37	0.70	1.00	1.30	1.59	1.87	2.15	2.43	2.96	3.49	4.01	4.53	5.53	6.52	7.49	8.44	9.39	10.3	10.3	8.15	6.67
11	0.18	0.41	0.77	1.11	1.44	1.76	2.07	2.38	2.69	3.28	3.87	4.44	5.02	6.13	7.23	8.30	9.36	10.4	11.4	11.9	9.4	7.70
12	0.20	0.45	0.85	1.22	1.58	1.93	2.28	2.62	2.95	3.60	4.25	4.88	5.51	6.74	7.94	9.12	10.3	11.4	12.6	13.5	10.7	8.77
13	0.22	0.50	0.92	1.33	1.73	2.11	2.49	2.86	3.22	3.93	4.64	5.33	6.01	7.34	8.65	9.94	11.2	12.5	13.7	15.2	12.1	9.89
14	0.24	0.54	1.00	1.44	1.87	2.28	2.69	3.09	3.49	4.26	5.02	5.77	6.51	7.96	9.37	10.8	12.1	13.5	14.8	17.0	13.5	11.1
15	0.25	0.58	1.08	1.55	2.01	2.46	2.90	3.33	3.76	4.59	5.41	6.21	7.01	8.57	10.1	11.6	13.1	14.5	16.0	18.8	15.0	12.3
16	0.27	0.62	1.16	1.66	2.16	2.64	3.11	3.57	4.03	4.92	5.80	6.66	7.52	9.19	10.8	12.4	14.0	15.6	17.1	20.2	16.5	13.5
17	0.29	0.66	1.24	1.78	2.31	2.82	3.32	3.81	4.30	5.25	6.20	7.12	8.03	9.81	11.6	13.3	15.0	16.7	18.3	21.6	18.1	14.8
18	0.31	0.70	1.31	1.88	2.45	2.99	3.53	4.05	4.58	5.59	6.59	7.57	8.54	10.4	12.3	14.1	15.9	17.7	19.5	22.9	19.7	16.1
19	0.33	0.75	1.39	2.00	2.60	3.17	3.74	4.30	4.85	5.92	6.99	8.02	9.05	11.1	13.0	15.0	16.9	18.8	20.6	24.3	21.4	17.5
20	0.35	0.79	1.47	2.11	2.75	3.36	3.96	4.55	5.13	6.26	7.38	8.48	9.57	11.7	13.8	15.8	17.9	19.8	21.8	25.7	23.1	18.9
21	0.36	0.83	1.55	2.23	2.90	3.54	4.17	4.79	5.40	6.59	7.78	8.94	10.1	12.3	14.5	16.7	18.8	20.9	23.0	27.1	24.8	20.3
22	0.38	0.87	1.63	2.34	3.05	3.72	4.39	5.04	5.68	6.94	8.19	9.40	10.6	13.0	15.3	17.5	19.8	22.0	24.2	28.5	26.6	21.8
23	0.40	0.92	1.71	2.45	3.19	3.90	4.60	5.28	5.96	7.28	8.59	9.85	11.1	13.6	16.0	18.4	20.8	23.1	25.4	29.9	28.4	23.3
24	0.42	0.96	1.79	2.57	3.35	4.09	4.82	5.53	6.24	7.62	8.99	10.3	11.6	14.2	16.8	19.3	21.7	24.2	26.6	31.3	30.3	24.8
25	0.44	1.00	1.87	2.68	3.50	4.27	5.04	5.78	6.52	7.96	9.40	10.8	12.2	14.9	17.5	20.1	22.7	25.3	27.8	32.7	32.2	26.4
26	0.46	1.05	1.95	2.80	3.65	4.45	5.25	6.03	6.81	8.31	9.80	11.3	12.7	15.5	18.3	21.0	23.7	26.4	29.0	34.1	34.2	28.0
28	0.50	1.13	2.12	3.04	3.95	4.82	5.69	6.53	7.37	8.99	10.6	12.2	13.8	16.8	19.8	22.8	25.7	28.5	31.4	37.0	38.2	31.3
30	0.54	1.22	2.28	3.27	4.26	5.20	6.13	7.04	7.94	9.67	11.4	13.1	14.8	18.1	21.4	24.5	27.7	30.8	33.8	39.8	42.4	34.7
32	0.57	1.31	2.45	3.51	4.56	5.57	6.57	7.55	8.52	10.4	12.3	14.1	15.9	19.4	22.9	26.3	29.7	33.0	36.3	42.7	46.7	38.2
35	0.63	1.44	2.69	3.86	5.03	6.14	7.24	8.31	9.38	11.4	13.5	15.5	17.5	21.4	25.2	29.0	32.7	36.3	39.9	47.1	53.4	43.7
40	0.73	1.67	3.11	4.46	5.81	7.09	8.37	9.59	10.8	13.2	15.6	17.9	20.2	24.7	29.1	33.5	37.7	42.0	46.1	54.4	62.5	53.4
45	0.83	1.89	3.53	5.07	6.60	8.05	9.50	10.9	12.3	15.0	17.7	20.4	23.0	28.1	33.1	38.0	42.9	47.7	52.4	61.7	70.9	63.7
	TYPE A					TYPE B								TYPE C								

80 1" Pitch Single Strand Roller Chain

HORSEPOWER RATINGS

No. Teeth	Small Sprocket RPM																					
	10	25	50	75	100	125	150	175	200	250	300	350	400	500	600	700	800	900	1000	1200	1400	1600
9	0.34	0.78	1.45	2.08	2.71	3.31	3.90	4.48	5.05	6.17	7.28	8.36	9.43	11.5	13.6	15.6	17.6	19.0	14.5	11.0	8.76	7.17
10	0.38	0.87	1.63	2.33	3.03	3.70	4.37	5.02	5.66	6.91	8.16	9.38	10.6	12.9	15.2	17.5	19.7	19.9	17.0	12.9	10.3	8.40
11	0.42	0.97	1.80	2.58	3.36	4.10	4.84	5.56	6.28	7.66	9.04	10.4	11.7	14.3	16.9	19.4	21.9	23.0	19.6	14.9	11.8	9.69
12	0.47	1.06	1.98	2.84	3.69	4.51	5.32	6.11	6.89	8.41	9.93	11.4	12.9	15.7	18.5	21.3	24.0	26.2	22.3	17.0	13.5	11.0
13	0.51	1.16	2.16	3.10	4.03	4.91	5.80	6.66	7.52	9.16	10.8	12.4	14.0	17.1	20.2	23.2	26.2	29.1	25.2	19.2	15.2	12.5
14	0.55	1.25	2.34	3.35	4.36	5.33	6.29	7.22	8.14	9.92	11.7	13.4	15.2	18.6	21.9	25.1	28.4	31.5	28.2	21.4	17.0	13.9
15	0.59	1.35	2.52	3.61	4.70	5.74	6.77	7.77	8.77	10.7	12.6	14.5	16.4	20.0	23.6	27.1	30.6	34.0	31.2	23.8	18.9	15.4
16	0.63	1.45	2.70	3.87	5.04	6.15	7.26	8.34	9.41	11.5	13.5	15.6	17.6	21.5	25.3	29.0	32.8	36.4	34.4	26.2	20.8	17.0
17	0.68	1.55	2.88	4.13	5.38	6.57	7.75	8.88	10.0	12.3	14.5	16.6	18.7	22.9	27.0	31.0	35.0	38.9	37.7	28.7	22.7	18.6
18	0.72	1.64	3.07	4.40	5.72	6.99	8.25	9.48	10.7	13.1	15.4	17.6	19.9	24.4	28.7	33.0	37.2	41.4	41.1	31.2	24.8	20.3
19	0.76	1.74	3.25	4.66	6.07	7.41	8.74	10.0	11.3	13.8	16.3	18.7	21.1	25.8	30.4	35.0	39.4	43.8	44.5	33.9	26.9	22.0
20	0.81	1.84	3.44	4.93	6.41	7.83	9.24	10.6	12.0	14.6	17.2	19.7	22.3	27.3	32.2	37.0	41.7	46.3	48.1	36.6	29.0	23.8
21	0.85	1.94	3.62	5.19	6.76	8.25	9.74	11.2	12.6	15.4	18.2	20.9	23.5	28.8	33.9	39.0	43.9	48.9	51.7	39.4	31.2	25.6
22	0.90	2.04	3.81	5.46	7.11	8.66	10.2	11.8	13.3	16.2	19.1	22.0	24.8	30.3	35.7	41.0	46.2	51.4	55.5	42.2	33.5	27.4
23	0.94	2.14	4.00	5.73	7.46	9.08	10.7	12.3	13.9	17.0	20.1	23.1	26.0	31.8	37.4	43.0	48.5	53.9	59.3	45.1	35.8	29.3
24	0.98	2.24	4.19	6.00	7.81	9.56	11.3	13.0	14.6	17.8	21.0	24.1	27.2	33.2	39.2	45.0	50.8	56.4	62.0	48.1	38.2	31.2
25	1.03	2.34	4.37	6.27	8.16	9.98	11.8	13.5	15.2	18.6	21.9	25.2	28.4	34.7	40.9	47.0	53.0	59.0	64.8	51.1	40.6	33.2
26	1.07	2.45	4.56	6.54	8.52	10.4	12.3	14.1	15.9	19.4	22.9	26.3	29.7	36.2	42.7	49.1	55.3	61.5	67.6	54.2	43.0	35.2
28	1.16	2.65	4.94	7.09	9.23	11.3	13.3	15.3	17.2	21.0	24.8	28.5	32.1	39.3	46.3	53.2	59.9	66.7	73.7	60.6	48.1	39.4
30	1.25	2.85	5.33	7.64	9.94	12.1	14.3	16.4	18.5	22.6	26.7	30.7	34.6	42.3	49.9	57.3	64.6	71.8	78.9	67.2	53.3	43.6
32	1.34	3.06	5.71	8.21	10.7	13.0	15.3	17.6	19.9	24.3	28.6	32.9	37.1	45.4	53.5	61.4	69.2	77.0	84.6	74.0	58.7	48.1
35	1.48	3.37	6.29	9.00	11.7	14.3	16.9	19.4	21.9	26.8	31.6	36.3	40.9	50.0	58.9	67.6	76.3	84.8	93.3	84.7	67.2	55.0
40	1.71	3.89	7.27	10.4	13.6	16.5	19.5	22.4	25.3	30.9	36.4	41.8	47.2	57.7	68.0	78.1	88.1	99.0	108	103	82.1	67.2
45	1.94	4.42	8.25	11.8	15.4	18.8	22.2	25.5	28.7	35.1	41.4	47.5	53.6	65.6	77.2	88.7	100	111	122	123	98.0	80.2
	TYPE A					TYPE B								TYPE C								

Lubrication Note

TYPE A: Manual or Drip
 TYPE B: Bath or Disc
 TYPE C: Oil Stream

Multiple Strand Chain HP Factors:

Single Strand	1.0
Double Strand	1.9
Triple Strand	2.8

FEATURES/BENEFITS PAGE PT14-2	SPECIFICATIONS PAGE PT14-3	RELATED PRODUCTS PAGE PT14-28	ENGINEERING/TECHNICAL PAGE PT14-30
----------------------------------	-------------------------------	----------------------------------	---------------------------------------



V-Drives

FHP Drives

Drive Component Accessories

DYNA-SYNC

HT200/HTD Synchronous Drives

HT500 Synchronous Drives

Roller Chain Sprockets

Basic Horsepower Ratings

100

1-1/4" Pitch Single Strand Roller Chain

HORSEPOWER RATINGS

No. Teeth	Small Sprocket RPM																							
	10	25	50	75	100	125	150	175	200	250	300	350	400	450	500	600	700	800	900	1000	1100	1200		
9	0.65	1.49	2.78	3.985	5.19	6.33	7.47	8.575	9.68	11.8	13.9	16.0	18.1	20.1	22.1	26.0	29.6	34.2	38.8	43.4	48.0	52.6		
10	0.73	1.67	3.11	4.46	5.81	7.09	8.37	9.585	10.8	13.2	15.6	17.9	20.2	22.5	24.7	29.2	33.5	38.4	43.2	48.0	52.8	57.6		
11	0.81	1.85	3.45	4.945	6.44	7.86	9.28	10.6	12.0	14.6	17.3	19.8	22.4	24.9	27.4	32.3	37.1	42.0	46.8	51.6	56.4	61.2		
12	0.89	2.03	3.79	5.435	7.08	8.64	10.2	11.7	13.2	16.1	19.0	21.8	24.6	27.4	30.1	35.5	40.8	46.2	51.6	57.0	62.4	67.8		
13	0.97	2.22	4.13	5.925	7.72	9.41	11.1	12.8	14.4	17.5	20.7	23.8	26.9	29.8	32.8	38.7	44.5	50.4	56.4	62.4	68.4	74.4		
14	1.05	2.40	4.48	6.42	8.36	10.18	12.0	13.8	15.6	19.0	22.5	25.8	29.1	32.3	35.6	41.9	48.2	54.6	61.0	67.4	73.8	80.2		
15	1.13	2.59	4.83	6.92	9.01	11.0	13.0	14.9	16.8	20.5	24.2	27.8	31.4	34.8	38.3	45.2	51.9	58.8	65.6	72.4	79.2	86.0		
16	1.22	2.77	5.17	7.415	9.66	11.8	13.9	15.9	18.0	22.0	26.0	29.8	33.6	37.3	41.1	48.4	55.6	62.8	70.0	77.2	84.4	91.6		
17	1.30	2.96	5.52	7.91	10.3	12.6	14.8	17.0	19.2	23.5	27.7	31.8	35.9	39.9	43.9	51.7	59.4	67.0	74.6	82.2	89.8	97.4		
18	1.38	3.15	5.88	8.44	11.0	13.4	15.8	18.1	20.5	25.0	29.5	33.8	38.2	42.5	46.7	55.0	63.2	71.4	79.6	87.8	96.0	104.2		
19	1.46	3.34	6.23	8.915	11.6	14.2	16.7	19.2	21.7	26.5	31.2	35.8	40.5	45.0	49.5	58.3	67.0	75.8	84.6	93.4	102.2	111.0		
20	1.55	3.53	6.58	9.44	12.3	15.0	17.7	20.3	22.9	28.0	33.0	37.9	42.8	47.5	52.3	61.6	70.8	79.8	88.8	97.8	106.8	115.8		
21	1.63	3.72	6.94	9.97	13.0	15.9	18.7	21.5	24.2	29.5	34.8	39.9	45.1	50.1	55.1	65.0	74.6	84.2	93.8	103.4	113.0	122.6		
22	1.71	3.91	7.30	10.45	13.6	16.6	19.6	22.5	25.4	31.0	36.6	42.0	47.4	52.7	58.0	68.3	78.5	88.5	98.5	108.5	118.5	128.5		
23	1.80	4.10	7.66	11.0	14.3	17.5	20.6	23.7	26.7	32.6	38.4	44.1	49.8	55.3	60.8	71.7	82.3	92.8	103.3	113.8	124.3	134.8		
24	1.88	4.30	8.02	11.5	15.0	18.3	21.5	24.7	27.9	34.0	40.2	46.2	52.1	57.9	63.7	75.0	86.2	97.2	108.2	119.2	130.2	141.2		
25	1.97	4.49	8.38	12.0	15.6	19.0	22.5	25.9	29.2	35.6	42.0	48.2	54.4	60.5	66.6	78.4	90.1	102	113.8	125.6	137.4	149.2		
26	2.05	4.68	8.74	12.5	16.3	19.9	23.5	27.0	30.4	37.1	43.8	50.3	56.8	63.1	69.4	81.8	94.0	106	118.2	130.4	142.6	154.8		
28	2.22	5.07	9.47	13.6	17.7	21.6	25.5	29.3	33.0	40.3	47.5	54.5	61.5	68.3	75.2	88.6	102	115	128	141	154	167		
30	2.40	5.47	10.2	14.6	19.0	23.2	27.4	31.5	35.5	43.3	51.2	58.8	66.3	73.7	81.0	95.5	110	124	138	152	166	180		
32	2.57	5.86	10.9	15.6	20.4	24.9	29.4	33.8	38.1	46.5	54.9	63.0	71.1	79.0	86.9	102	118	133	148	163	178	193		
35	2.83	6.46	12.0	17.3	22.5	27.5	32.4	37.2	42.0	51.2	60.4	69.4	78.3	87.0	95.7	113	130	146	162	178	194	210		
40	3.27	7.46	13.9	20.0	26.0	31.7	37.4	43.0	48.5	59.2	69.8	80.1	90.4	101	111	130	150	169	188	207	226	245		
45	3.71	8.47	15.8	22.6	29.5	36.0	42.5	48.8	55.0	67.2	79.3	91.2	103	114	126	148	170	192	213	234	255	276		
	TYPE A				TYPE B						TYPE C													

120

1-1/2" Pitch Single Strand Roller Chain

HORSEPOWER RATINGS

No. Teeth	Small Sprocket RPM																							
	10	25	50	75	100	125	150	175	200	250	300	350	400	450	500	600	700	800	900	1000	1100	1200		
9	1.10	2.52	4.69	6.73	8.76	10.7	12.6	14.4	16.3	19.9	23.5	27.0	30.5	33.9	37.3	43.2	34.3	28.1	23.5	20.1	17.4	15.3		
10	1.24	2.82	5.26	7.54	9.81	12.0	14.1	16.2	18.3	22.3	26.4	30.3	34.2	38.0	41.8	49.2	40.1	32.9	27.5	23.5	20.4	17.9		
11	1.37	3.12	5.83	8.36	10.9	13.3	15.7	18.0	20.3	24.8	29.2	33.6	37.9	42.1	46.3	54.6	46.3	37.9	31.8	27.1	23.5	20.6		
12	1.50	3.43	6.40	9.15	11.9	14.6	17.2	19.7	22.3	27.2	32.1	36.8	41.6	46.3	50.9	59.9	52.8	43.2	36.2	30.9	26.8	23.5		
13	1.64	3.74	6.98	10.0	13.0	15.9	18.8	21.5	24.3	29.6	35.0	40.2	45.4	50.5	55.5	65.3	59.5	48.7	40.8	34.9	30.2	26.5		
14	1.78	4.05	7.56	10.8	14.1	17.2	20.3	23.3	26.3	32.1	37.9	43.5	49.1	54.6	60.1	70.8	66.5	54.4	45.6	39.0	33.8	29.6		
15	1.91	4.37	8.15	11.7	15.2	18.5	21.9	25.1	28.4	34.7	40.9	47.0	53.0	58.8	64.7	76.3	73.8	60.4	50.6	43.2	37.4	32.9		
16	2.05	4.68	8.74	12.5	16.3	19.9	23.5	27.0	30.4	37.1	43.8	50.3	56.8	63.1	69.4	81.8	81.3	66.5	55.7	47.6	41.2	36.2		
17	2.19	5.00	9.33	13.4	17.4	21.3	25.1	28.8	32.5	39.7	46.8	53.7	60.6	67.3	74.1	87.3	89.0	72.8	61.0	52.1	45.2	39.6		
18	2.33	5.32	9.92	14.2	18.5	22.6	26.7	30.6	34.6	42.2	49.8	57.2	64.5	71.7	78.8	92.9	97.0	79.4	66.5	56.8	49.2	43.2		
19	2.47	5.64	10.5	15.1	19.6	24.0	28.3	32.4	36.6	44.7	52.8	60.6	68.4	76.0	83.6	98.5	105	86.1	72.1	61.6	53.4	46.8		
20	2.61	5.96	11.1	15.9	20.7	25.3	29.9	34.3	38.7	47.3	55.8	64.0	72.2	80.3	88.3	104	114	92.9	77.9	66.5	57.6	50.6		
21	2.75	6.28	11.7	16.8	21.9	26.7	31.5	36.2	40.8	49.8	58.8	67.5	76.2	84.6	93.1	110	122	100	83.8	71.6	62.0	54.4		
22	2.90	6.60	12.3	17.6	23.0	28.0	33.1	38.0	42.9	52.3	61.8	70.9	80.1	89.0	97.9	115	131	107	89.9	76.7	66.5	58.4		
23	3.04	6.93	12.9	18.5	24.1	29.5	34.8	39.9	45.0	55.0	64.9	74.4	84.0	93.5	103	121	139	115	96.1	82.0	71.1	62.4		
24	3.18	7.25	13.5	19.4	25.3	30.9	36.4	41.8	47.1	57.5	67.9	77.9	88.0	98.0	108	127	146	122	102	87.4	75.8	66.5		
25	3.32	7.58	14.1	20.3	26.4	32.2	38.0	43.7	49.3	60.2	71.0	81.4	91.9	102	112	132	152	130	109	92.9	80.6	70.7		
26	3.47	7.91	14.8	21.1	27.5	33.6	39.7	45.6	51.4	62.7	74.0	84.9	95.9	106	117	138	159	138	115	98.6	85.4	75.0		
28	3.76	8.57	16.0	22.9	29.8	36.4	43.0	49.3	55.7	67.9	80.2	92.1	104	115.5	127	150	172	154	129	110	95.5	83.8		
30	4.05	9.23	17.2	24.6	32.1	39.2	46.3	53.2	60.0	73.2	86.4	99.2	112	124.5	137	161	185	171	143	122	106	92.9		
32	4.34	9.90	18.5	26.5	34.5	42.0	49.6	57.0	64.3	78.4	92.6	106.3	120	133.5	147	173	199	188	158	135	117	102		
35	4.78	10.9	20.3	29.1	38.0	46.3	54.7	62.8	70.9	86.4	102	117	132	147	162	190	219	215	180	154	133	117		
40	5.52	12.6	23.5	33.7	43.9	53.6	63.2	72.5	81.8	99.9	118	135.5	153	170	187	220	253	263	220	188	163	143		
45	6.27	14.3	26.7	38.3	49.8	60.8	71.7	82.3	92.9	113	134	153.5	173	192.5	212	250	287	314	263	224	195	171		
	TYPE A				TYPE B						TYPE C													

Lubrication Note

- TYPE A: Manual or Drip
- TYPE B: Bath or Disc
- TYPE C: Oil Stream

Multiple Strand Chain HP Factors:

Single Strand	1.0
Double Strand	1.9
Triple Strand	2.8

FEATURES/BENEFITS PAGE PT14-2	SPECIFICATIONS PAGE PT14-3	RELATED PRODUCTS PAGE PT14-28	ENGINEERING/TECHNICAL PAGE PT14-30
----------------------------------	-------------------------------	----------------------------------	---------------------------------------



SELECTION

Basic Horsepower Ratings

140 1-3/4" Pitch Single Strand Roller Chain

HORSEPOWER RATINGS

No. Teeth	Small Sprocket RPM																					
	10	25	50	75	100	125	150	175	200	225	250	275	300	325	350	400	450	500	550	600	700	800
9	1.71	3.89	7.26	10.4	13.6	16.5	19.5	22.4	25.3	28.1	30.9	33.7	36.4	39.1	41.8	47.2	52.5	57.7	55.7	48.9	38.8	31.7
10	1.91	4.36	8.14	11.7	15.2	18.5	21.9	25.1	28.3	31.4	34.6	37.7	40.8	43.8	46.9	52.9	58.8	64.6	65.2	57.2	45.4	37.2
11	2.12	4.83	9.02	12.9	16.8	20.5	24.2	27.8	31.4	34.9	38.4	41.8	45.2	48.6	52.0	58.6	65.2	71.6	75.2	66.0	52.4	42.9
12	2.33	5.31	9.91	14.2	18.5	22.5	26.6	30.5	34.5	38.3	42.2	46.0	49.7	53.4	57.1	64.4	71.6	78.7	85.7	75.2	59.7	48.9
13	2.54	5.79	10.8	15.5	20.2	24.6	29.0	33.3	37.6	41.8	46.0	50.1	54.2	58.2	62.2	70.2	78.0	85.8	93.5	84.8	67.3	55.1
14	2.75	6.27	11.7	16.8	21.8	26.6	31.5	36.2	40.8	45.3	49.8	54.3	58.7	63.1	67.4	76.0	84.5	93.0	101	94.8	75.2	61.6
15	2.96	6.76	12.6	18.0	23.5	28.7	33.9	38.9	43.9	48.8	53.7	58.5	63.2	67.9	72.7	81.9	91.1	100	109	105	83.4	68.3
16	3.18	7.24	13.5	19.4	25.2	30.8	36.3	41.7	47.1	52.3	57.5	62.7	67.8	72.9	77.9	87.8	97.7	107	117	116	91.9	75.2
17	3.39	7.73	14.4	20.6	26.9	32.8	38.8	44.5	50.3	55.8	61.4	66.9	72.4	77.8	83.2	93.8	104	115	125	127	101	82.4
18	3.61	8.23	15.4	22.0	28.6	35.0	41.3	47.4	53.5	59.4	65.3	71.2	77.0	82.8	88.5	99.8	111	122	133	138	110	89.8
19	3.82	8.72	16.3	23.3	30.4	37.0	43.7	50.2	56.7	63.0	69.3	75.4	81.6	87.7	93.8	106	118	129	141	150	119	97.4
20	4.04	9.22	17.2	24.6	32.1	39.2	46.2	53.1	59.9	66.6	73.2	79.8	86.3	92.7	99.1	112	124	137	149	161	128	105
21	4.26	9.72	18.1	26.0	33.8	41.3	48.7	55.9	63.1	70.1	77.2	84.1	91.0	97.5	104	118	131	144	157	170	138	113
22	4.48	10.2	19.1	27.3	35.6	43.4	51.3	58.8	66.4	73.8	81.2	88.4	95.6	103	110	124	138	151	165	178	148	121
23	4.70	10.7	20.0	28.6	37.3	45.5	53.8	61.8	69.7	77.4	85.2	92.6	100	107	115	130	145	159	173	187	158	130
24	4.92	11.2	20.9	30.0	39.1	47.7	56.3	64.6	72.9	81.1	89.2	97.1	105	113	121	136	151	166	181	196	169	138
25	5.14	11.7	21.9	31.3	40.8	49.8	58.8	67.5	76.2	84.7	93.2	102	110	118	126	142	158	174	189	205	180	147
26	5.37	12.2	22.8	32.7	42.6	52.0	61.4	70.4	79.5	88.3	97.2	106	115	124	132	148	165	181	198	214	190	156
28	5.81	13.3	24.7	35.5	46.2	56.3	66.5	76.3	86.2	95.6	105	114	124	134	143	161	179	197	214	232	213	174
30	6.26	14.3	26.7	38.2	49.7	60.7	71.6	82.2	92.8	102.9	113	124	134	144	154	173	193	212	231	249	236	193
32	6.71	15.3	28.6	41.0	53.3	65.1	76.8	88.2	99.5	111	122	132	143	154	165	186	206	227	247	267	260	213
35	7.40	16.9	31.5	45.1	58.7	71.7	84.6	97.3	110	122	134	146	158	169	181	205	227	250	272	295	297	243
40	8.54	19.5	36.4	52.2	67.9	82.8	97.7	112	127	141	155	168	182	196	210	236	263	289	315	340	363	297
45	9.70	22.1	41.3	59.2	77.1	94.1	111	127.5	144	160	176	192	207	222	238	268	298	328	357	387	434	355
TYPE A				TYPE B								TYPE C										

160 2" Pitch Single Strand Roller Chain

HORSEPOWER RATINGS

No. Teeth	Small Sprocket RPM																					
	10	25	50	75	100	125	150	175	200	225	250	275	300	325	350	375	400	450	500	550	600	700
9	2.48	5.65	10.5	15.1	19.7	24.0	28.3	32.5	36.7	40.8	44.8	48.8	52.8	56.8	60.7	64.6	68.5	76.1	71.5	62.0	54.4	43.2
10	2.77	6.33	11.8	16.9	22.0	26.9	31.7	36.4	41.1	45.7	50.3	54.8	59.2	63.6	68.0	72.3	76.7	85.3	83.7	72.6	63.7	50.5
11	3.07	7.01	13.1	18.8	24.4	29.8	35.2	40.4	45.6	50.7	55.7	60.7	65.6	70.5	75.4	80.2	85.0	94.5	96.6	83.7	73.5	58.3
12	3.38	7.70	14.4	20.6	26.8	32.7	38.6	44.3	50.1	55.7	61.2	66.7	72.1	77.4	82.8	88.1	93.4	104	110	95.4	83.7	66.4
13	3.68	8.40	15.7	22.5	29.2	35.7	42.1	48.3	54.6	60.6	66.7	72.6	78.6	84.4	90.3	96.2	102	113	124	108	94.4	74.9
14	3.99	9.10	17.0	24.4	31.7	38.7	45.6	52.3	59.1	65.7	72.3	78.8	85.2	91.5	97.8	104	110	123	135	120	105	83.7
15	4.30	9.80	18.3	26.2	34.1	41.7	49.2	56.5	63.7	70.8	77.9	84.8	91.7	98.3	105	112	119	132	145	133	117	92.8
16	4.61	10.5	19.6	28.1	36.6	44.7	52.7	60.5	68.3	75.9	83.5	90.9	98.4	106	113	120	127	142	156	147	129	102
17	4.92	11.2	20.9	30.0	39.1	47.7	56.3	64.6	72.9	81.0	89.1	97.1	105	113	121	128	136	151	166	161	141	112
18	5.23	11.9	22.3	31.9	41.6	50.8	59.9	68.8	77.6	86.2	94.8	103	112	120	128	136	145	161	177	175	154	122
19	5.55	12.7	23.6	33.8	44.1	53.8	63.5	72.8	82.2	91.6	101	109	118	127	136	145	153	171	188	190	167	132
20	5.86	13.4	25.0	35.8	46.6	56.8	67.1	77.0	86.9	96.4	106	115	125	135	144	153	162	180	198	205	180	143
21	6.18	14.1	26.3	37.7	49.1	59.9	70.7	81.1	91.6	102	112	122	132	142	152	162	171	190	209	221	194	154
22	6.50	14.8	27.7	39.7	51.6	63.0	74.4	85.4	96.3	107	118	128	139	149	159	169	180	200	220	237	208	165
23	6.82	15.6	29.0	41.6	54.2	66.1	78.0	89.5	101	112	124	135	146	156	167	178	189	210	231	251	222	176
24	7.14	16.3	30.4	43.5	56.7	69.2	81.7	93.8	106	117	129	141	152	163	175	186	197	220	241	263	237	188
25	7.46	17.0	31.1	45.2	59.3	72.3	84.8	98.2	111	123	135	147	159	171	183	195	206	229	252	275	252	200
26	7.78	17.8	31.8	46.8	61.8	75.4	89.1	102	115	128	141	153	166	179	191	203	215	239	263	287	267	212
28	8.43	19.2	35.9	51.5	67.0	81.8	96.5	111	125	139	153	166	180	193	207	220	233	259	285	311	298	237
30	9.08	20.7	38.7	55.4	72.2	88.1	104	119	135	150	165	179	194	209	223	237	251	279	307	336	331	263
32	9.74	22.2	41.5	59.5	77.4	94.2	111	128	144	160	176	192	208	223	239	254	269	300	329	359	365	289
35	10.7	24.5	45.7	65.4	85.2	104	123	141	159	176	194	212	229	246	263	280	297	330	363	395	417	331
40	12.4	28.3	52.8	75.7	98.5	120	142	163	184	205	225	245	265	284	304	324	343	381	419	457	494	404
45	14.1	32.1	59.9	85.9	112	136	161	185	209	232	255	278	301	323	345	367	389	433	476	519	561	482
TYPE A				TYPE B								TYPE C										

Lubrication Note

TYPE A: Manual or Drip
 TYPE B: Bath or Disc
 TYPE C: Oil Stream

Multiple Strand Chain HP Factors:

Single Strand	1.0
Double Strand	1.9
Triple Strand	2.8

FEATURES/BENEFITS PAGE PT14-2	SPECIFICATIONS PAGE PT14-3	RELATED PRODUCTS PAGE PT14-28	ENGINEERING/TECHNICAL PAGE PT14-30
----------------------------------	-------------------------------	----------------------------------	---------------------------------------

SELECTION



Basic Horsepower Ratings

180

2-1/4" Pitch Single Strand Roller Chain

HORSEPOWER RATINGS

No. Teeth	Small Sprocket RPM																		
	10	20	30	40	50	75	100	125	150	175	200	225	250	275	300	325	350	375	400
11	4.24	7.87	11.4	14.7	18.1	25.9	33.7	41.2	48.6	55.7	62.9	69.9	76.9	83.8	90.6	97.3	104	110	117
12	4.66	8.62	12.4	16.1	19.8	28.4	37.0	45.2	53.4	61.3	69.1	76.8	84.5	92.1	99.6	107	114	121	129
13	5.08	9.43	13.6	17.6	21.6	31.0	40.4	49.3	58.2	66.8	75.4	83.8	92.1	101	109	117	125	133	141
14	5.51	10.2	14.8	19.1	23.4	33.5	43.7	53.3	63.0	72.3	81.6	90.7	99.8	109	118	126	135	143	152
15	5.93	11.0	15.9	20.6	25.3	36.2	47.1	57.5	67.9	77.9	88.0	98.0	108	117	127	136	146	155	164
16	6.36	11.8	17.0	22.1	27.1	38.8	50.5	61.7	72.8	83.6	94.3	105	115	125	136	146	156	166	176
17	6.79	12.6	18.2	23.5	28.9	41.5	54.0	65.8	77.7	89.3	101	112	123	134	145	156	167	178	188
18	7.22	13.4	19.4	25.1	30.8	44.1	57.4	70.1	82.7	94.8	107	119	131	142	154	165	177	189	200
19	7.66	14.2	20.5	26.6	32.6	46.7	60.8	74.2	87.6	101	114	126	139	152	164	176	188	200	212
20	8.10	15.0	21.7	28.1	34.5	49.4	64.3	78.4	92.6	106	120	134	147	160	173	186	199	212	224
21	8.53	15.8	22.9	29.6	36.3	52.1	67.8	82.7	97.6	112	126	141	155	168	182	195	209	222	236
22	8.97	16.7	24.0	31.1	38.2	54.8	71.3	87.2	103	118	133	148	163	178	192	206	220	234	248
23	9.41	17.5	25.2	32.7	40.1	57.5	74.8	91.4	108	124	140	155	171	186	201	216	231	246	260
24	9.86	18.3	26.4	34.2	42.0	60.2	78.3	95.7	113	129	146	162	179	195	210	226	242	258	273
25	10.3	19.1	27.6	35.7	43.9	62.9	81.8	99.9	118	135	153	170	187	203	220	236	253	269	285
26	10.7	19.9	28.7	37.2	45.7	65.6	85.4	104	123	141	159	177	195	212	229	246	264	281	297
28	11.6	21.6	31.2	40.4	49.6	71.1	92.5	113	133	153	173	192	211	230	249	267	286	304	322
30	12.5	23.2	33.6	43.5	53.4	76.5	99.6	122	144	165	186	206	227	247	268	288	308	327	347
32	13.4	24.9	36.0	46.6	57.2	82.1	107	131	154	176	199	222	244	265	287	308	330	351	372
35	14.8	27.5	39.7	51.4	63.1	90.6	118	144	170	195	220	244	268	292	316	339	363	386	410
TYPE A			TYPE B						TYPE C										

200

2-1/2" Pitch Single Strand Roller Chain

HORSEPOWER RATINGS

No. Teeth	Small Sprocket RPM																		
	10	15	20	30	40	50	60	70	80	90	100	125	150	175	200	225	250	275	300
11	5.64	8.12	10.5	15.1	19.6	24.0	28.3	32.5	36.6	40.7	44.8	54.7	64.5	74.0	83.5	92.8	102	111	120
12	6.19	8.92	11.6	16.6	21.6	26.4	31.0	35.7	40.2	44.7	49.2	60.0	70.8	81.3	91.8	102	112	122	132
13	6.75	9.72	12.6	18.1	23.5	28.7	33.8	38.9	43.8	48.7	53.6	65.4	77.2	88.6	100	111	122	133	144
14	7.31	10.5	13.6	19.7	25.5	31.1	36.6	42.1	47.4	52.8	58.1	70.9	83.7	95.8	108	120	132	144	156
15	7.88	11.3	14.7	21.2	27.4	33.5	39.5	45.4	51.1	56.9	62.6	76.3	90.1	104	117	130	143	155	168
16	8.45	12.2	15.8	22.7	29.4	36.0	42.3	48.7	54.8	61.0	67.1	81.8	96.6	111	125	139	153	166	180
17	9.02	13.0	16.8	24.2	31.4	38.4	45.2	52.0	58.5	65.1	71.6	87.3	103	119	134	148	163	178	193
18	9.59	13.8	17.9	25.8	33.4	40.8	48.0	55.3	62.3	69.2	76.2	93.1	110	126	142	158	174	189	205
19	10.2	14.6	19.0	27.3	35.4	43.3	50.9	58.6	66.0	73.4	80.8	98.4	116	134	151	168	184	200	217
20	10.7	15.5	20.1	28.9	37.4	45.8	53.8	61.9	69.7	77.6	85.4	104	123	141	159	177	195	212	229
21	11.3	16.3	21.1	30.5	39.5	48.2	56.8	65.3	73.5	81.8	90.0	110	130	149	168	186	205	223	242
22	11.9	17.2	22.2	32.0	41.5	50.7	59.7	68.7	77.3	86.0	94.6	115	136	156	177	196	216	235	254
23	12.5	18.0	23.3	33.6	43.5	53.2	62.6	72.0	81.1	90.2	99.3	121	143	164	185	205	226	246	267
24	13.1	18.9	24.4	35.2	45.6	55.7	65.6	75.4	84.9	94.5	104	127	150	172	194	216	237	258	279
25	13.7	19.7	25.5	36.8	47.6	58.2	68.5	78.8	88.9	98.9	109	132	156	179	203	226	248	270	292
26	14.3	20.6	26.6	38.4	49.7	60.7	71.4	82.2	92.5	103	113	138	163	188	212	236	259	282	305
TYPE A			TYPE B						TYPE C										

240

3" Pitch Single Strand Roller Chain

HORSEPOWER RATINGS

No. Teeth	Small Sprocket RPM																		
	5	10	15	20	25	30	40	50	60	70	80	90	100	125	150	175	200	250	300
11	4.86	9.08	13.1	16.9	20.7	24.4	31.6	38.6	45.5	52.3	59.0	65.6	72.1	88.1	104	119	135	164	194
12	5.34	9.97	14.4	18.6	22.7	26.8	34.7	42.4	50.0	57.4	64.8	72.0	79.2	96.8	114	131	148	181	213
13	5.83	10.9	15.7	20.3	24.8	29.2	37.9	46.3	54.5	62.5	70.6	78.5	86.4	106	124	143	161	197	232
14	6.31	11.8	17.0	22.0	26.9	31.7	41.0	50.1	59.1	67.8	76.5	85.1	93.6	114	135	155	175	213	251
15	6.80	12.7	18.3	23.7	28.9	34.1	44.2	54.0	63.6	73.0	82.4	91.7	101	123	145	167	188	230	271
16	7.29	13.6	19.6	25.4	31.0	36.6	47.4	57.9	68.2	78.3	88.4	98.2	108	132	156	179	202	247	290
17	7.78	14.5	20.9	27.1	33.1	39.0	50.6	61.8	72.9	83.7	94.4	105	115	141	166	191	215	263	310
18	8.28	15.4	22.3	28.8	35.2	41.5	53.8	65.8	77.5	88.8	100	112	123	150	177	203	229	280	330
19	8.78	16.4	23.6	30.6	37.4	44.0	57.0	69.7	82.2	94.1	106	118	130	159	187	215	243	297	350
20	9.28	17.3	24.9	32.3	39.5	46.5	60.3	73.7	86.8	99.4	112	125	138	168	198	228	257	314	370
21	9.78	18.2	26.3	34.1	41.6	49.0	63.5	77.7	91.5	105	119	132	145	177	209	240	270	331	390
22	10.3	19.2	27.6	35.8	43.8	51.6	66.8	81.7	96.2	111	125	138	152	186	220	252	284	348	410
23	10.8	20.1	29.0	37.6	45.9	54.1	70.1	85.7	101	116	131	145	160	195	230	265	298	365	430
24	11.3	21.1	30.4	39.3	48.1	56.7	73.4	89.7	106	121	137	152	167	205	241	277	312	382	450
25	11.8	22.0	31.7	41.1	50.3	59.2	76.7	93.8	110	126	143	159	175	214	252	290	327	399	470
26	12.3	23.0	33.1	42.9	52.4	61.8	80.0	97.8	115	132	149	166	183	223	263	302	341	416	491
TYPE A			TYPE B						TYPE C										

Lubrication Note

- TYPE A: Manual or Drip
- TYPE B: Bath or Disc
- TYPE C: Oil Stream

Multiple Strand Chain HP Factors:

Single Strand	1.0
Double Strand	1.9
Triple Strand	2.8

Shaded Area: Operation is in the galling range - consult factory

FEATURES/BENEFITS PAGE PT14-2	SPECIFICATIONS PAGE PT14-3	RELATED PRODUCTS PAGE PT14-28	ENGINEERING/TECHNICAL PAGE PT14-30
----------------------------------	-------------------------------	----------------------------------	---------------------------------------

V-Drives

FHP Drives

Drive Component Accessories

DYNA-SYNC

HT200/HTD Synchronous Drives

HT500 Synchronous Drives

Roller Chain Sprockets



SELECTION

Basic Horsepower Ratings

2040 — HP Ratings for 2040 Double Pitch Drive Chain

No. of Effective Teeth, Small Spkt.	HP Ratings @ Various RPM, Small Sprocket																			
	25	50	100	150	200	250	300	350	400	450	500	550	600	700	800	900	1000	1100	1200	1300
6	.10	.17
7	.12	.21	.35	.46	.54
8	.14	.25	.64	.72	.82	.90
9	.16	.30	.53	.72	.88	1.02	1.14	1.3	1.3
10	.18	.34	.61	.82	1.04	1.21	1.37	1.5	1.6	1.7	1.8	1.9
11	.20	.38	.69	.96	1.20	1.41	1.59	1.8	1.9	2.0	2.1	2.2	2.3
12	.22	.42	.77	1.07	1.34	1.58	1.80	2.0	2.2	2.3	2.5	2.6	2.7	2.9
13	.24	.46	.84	1.18	1.48	1.76	2.01	2.2	2.4	2.6	2.8	2.9	3.1	3.3	3.5
14	.26	.50	.92	1.29	1.62	1.93	2.21	2.5	2.7	2.9	3.1	3.3	3.4	3.7	3.9	4.1
15	.28	.54	.99	1.39	1.76	2.09	2.40	2.7	2.9	3.2	3.4	3.6	3.8	4.1	4.3	4.5	4.7
16	.30	.57	1.06	1.50	1.89	2.25	2.59	2.9	3.2	3.4	3.7	3.9	4.1	4.4	4.7	5.0	5.1
17	.32	.61	1.13	1.60	2.02	2.41	2.77	3.1	3.4	3.7	4.0	4.2	4.4	4.8	5.1	5.4	5.6	5.7
18	.34	.65	1.20	1.70	2.15	2.57	2.95	3.3	3.6	3.9	4.2	4.5	4.7	5.1	5.5	5.8	6.0	6.2
19	.36	.69	1.27	1.80	2.28	2.73	3.13	3.5	3.9	4.2	4.5	4.8	5.0	5.5	5.9	6.2	6.4	6.6	6.7	...
20	.38	.72	1.34	1.89	2.40	2.87	3.30	3.7	4.1	4.4	4.7	5.0	5.3	5.8	6.2	6.5	6.8	7.0	7.1	...
21	.40	.76	1.41	1.99	2.53	3.01	3.47	3.9	4.3	4.6	5.0	5.3	5.6	6.1	6.5	6.9	7.1	7.4	7.5	...
22	.42	.79	1.48	2.09	2.64	3.16	3.63	4.1	4.5	4.9	5.2	5.5	5.8	6.4	6.8	7.2	7.5	7.7	7.9	...
23	.44	.83	1.54	2.18	2.76	3.30	3.80	4.3	4.7	5.1	5.4	5.8	6.1	6.6	7.1	7.5	7.8	8.0	8.2	8.3
24	.46	.87	1.61	2.27	2.88	3.44	3.95	4.4	4.9	5.3	5.7	6.0	6.4	6.9	7.4	7.8	8.1	8.4	8.5	8.6
25	.48	.90	1.67	2.36	3.00	3.58	4.11	4.6	5.1	5.5	5.9	6.3	6.6	7.2	7.7	8.1	8.4	8.7	8.8	8.9
30	.57	1.08	1.99	2.81	3.56	4.24	4.87	5.4	6.0	6.5	6.9	7.4	7.8	8.4	8.9	9.4	9.7	10.0	10.1	10.1
	TYPE I					TYPE II								TYPE III						

2050 — HP Ratings for 2050 Double Pitch Drive Chain

No. of Effective Teeth, Small Spkt.	HP Ratings @ Various RPM, Small Sprocket																			
	25	50	100	150	200	250	300	350	400	450	500	550	600	650	700	750	800	850	900	950
6	.18	.31
7	.22	.40	.65
8	.26	.48	.82	1.08	1.28
9	.31	.56	.98	1.32	1.59	1.82	1.99
10	.35	.64	1.14	1.55	1.89	2.19	2.42	2.62	2.80
11	.39	.72	1.30	1.77	2.19	2.55	2.85	3.11	3.35	3.55
12	.43	.80	1.45	1.99	2.47	2.90	3.26	3.58	3.88	4.12	4.31
13	.47	.88	1.59	2.20	2.74	3.23	3.65	4.03	4.38	4.66	4.90	5.11	5.30
14	.51	.95	1.73	2.41	3.01	3.55	4.02	4.45	4.85	5.17	5.47	5.73	5.95	6.09
15	.55	1.02	1.87	2.62	3.27	3.87	4.37	4.86	5.30	5.67	6.01	6.31	6.57	6.75	6.94
16	.58	1.09	2.01	2.82	3.52	4.17	4.72	5.25	5.73	6.15	6.53	6.87	7.17	7.39	7.61	7.79
17	.62	1.17	2.14	3.01	3.77	4.46	5.07	5.67	6.15	6.61	7.05	7.42	7.74	7.99	8.24	8.46	8.62
18	.66	1.24	2.27	3.20	4.01	4.75	5.41	6.04	6.56	7.07	7.54	7.95	8.29	8.56	8.84	9.08	9.28
19	.70	1.31	2.40	3.39	4.25	5.04	5.75	6.40	6.96	7.51	8.01	8.46	8.82	9.12	9.42	9.68	9.90	10.08
20	.74	1.38	2.53	3.57	4.48	5.32	6.07	6.75	7.35	7.94	8.46	8.94	9.33	9.65	9.97	10.25	10.49	10.69
21	.77	1.45	2.66	3.75	4.71	5.59	6.38	7.10	7.74	8.36	8.90	9.40	9.82	10.16	10.50	10.80	11.06	11.28	11.44	...
22	.81	1.52	2.79	3.92	4.93	5.85	6.69	7.44	8.12	8.77	9.33	9.84	10.29	10.65	11.01	11.32	11.59	11.83	12.00	...
23	.84	1.59	2.92	4.10	5.15	6.11	6.99	7.77	8.49	9.16	9.75	10.27	10.74	11.12	11.50	11.82	12.10	12.35	12.53	...
24	.88	1.66	3.05	4.27	5.37	6.37	7.29	8.10	8.85	9.54	10.16	10.70	11.18	11.57	11.97	12.30	12.59	12.85	13.03	...
25	.91	1.72	3.17	4.45	5.59	6.62	7.57	8.42	9.20	9.91	10.56	11.12	11.61	12.01	12.42	12.75	13.05	13.33	13.50	13.57
30	1.09	2.05	3.77	5.29	6.62	7.82	8.92	9.92	10.80	11.65	12.32	12.99	13.55	13.96	14.39	14.76	15.06	15.30	15.48	...
	TYPE I					TYPE II								TYPE III						

FEATURES/BENEFITS PAGE PT14-2	SPECIFICATIONS PAGE PT14-3	RELATED PRODUCTS PAGE PT14-28	ENGINEERING/TECHNICAL PAGE PT14-30
----------------------------------	-------------------------------	----------------------------------	---------------------------------------

V-Drives

FHP Drives

Drive Component Accessories

DVNA-SYNC

HT200/HTD Synchronous Drives

HT500 Synchronous Drives

Roller Chain Sprockets



Basic Horsepower Ratings

2060 — HP Ratings for 2060 Double Pitch Drive Chain

No. of Effective Teeth, Small Spkt.	HP Ratings @ Various RPM, Small Sprocket																			
	25	50	75	100	125	150	175	200	225	250	275	300	350	400	450	500	550	600	650	700
6	.30
7	.37	.66	.88	1.06
8	.44	.80	1.09	1.34	1.56	1.74	1.89
9	.52	.94	1.30	1.62	1.90	2.15	2.36	2.55	2.72
10	.59	1.08	1.51	1.89	2.23	2.54	2.82	3.07	3.29	3.50	3.68	3.83
11	.66	1.21	1.71	2.15	2.54	2.92	3.25	3.58	3.84	4.12	4.34	4.56	4.93
12	.73	1.34	1.90	2.41	2.85	3.29	3.67	4.06	4.37	4.71	4.97	5.24	5.71	6.06
13	.79	1.47	2.09	2.66	3.15	3.65	4.08	4.52	4.88	5.27	5.59	5.91	6.46	6.92	7.25
14	.86	1.60	2.27	2.90	3.45	4.00	4.48	4.96	5.37	5.80	6.17	6.54	7.17	7.72	8.10	8.51
15	.92	1.72	2.45	3.14	3.74	4.34	4.86	5.39	5.85	6.32	6.73	7.14	7.86	8.48	8.92	9.40
16	.99	1.85	2.64	3.37	4.02	4.67	5.24	5.81	6.32	6.82	7.27	7.72	8.52	9.21	9.71	10.25	10.70
17	1.05	1.97	2.82	3.59	4.29	4.99	5.61	6.22	6.78	7.32	7.80	8.29	9.16	9.91	10.47	11.06	11.59	11.99
18	1.12	2.10	3.00	3.82	4.56	5.31	5.97	6.63	7.23	7.81	8.32	8.84	9.78	10.58	11.21	11.84	12.42	12.88
19	1.18	2.22	3.17	4.04	4.83	5.62	6.32	7.03	7.67	8.29	8.83	9.38	10.38	11.23	11.93	12.60	13.22	13.73	14.14	...
20	1.25	2.34	3.34	4.25	5.09	5.93	6.67	7.42	8.09	8.74	9.33	9.91	10.95	11.86	12.62	13.34	13.99	14.54	14.99	...
21	1.31	2.46	3.51	4.48	5.36	6.24	7.02	7.80	8.50	9.19	9.81	10.43	11.53	12.47	13.28	14.05	14.73	15.31	15.80	...
22	1.37	2.58	3.67	4.70	5.62	6.54	7.35	8.17	8.90	9.63	10.28	10.93	12.08	13.06	13.92	14.73	15.44	16.05	16.57	...
23	1.44	2.69	3.84	4.91	5.87	6.83	7.68	8.54	9.30	10.06	10.74	11.42	12.62	13.63	14.54	15.39	16.12	16.76	17.30	17.78
24	1.50	2.80	4.00	5.12	6.12	7.12	8.01	8.91	9.69	10.48	11.19	11.90	13.15	14.18	15.15	16.03	16.77	17.44	18.00	18.40
25	1.56	2.92	4.17	5.32	6.36	7.41	8.34	9.27	10.08	10.89	11.62	12.37	13.58	14.72	15.75	16.65	17.40	18.09	18.67	19.09
30	1.86	3.48	4.96	6.32	7.58	8.78	9.86	10.94	11.85	12.76	13.71	14.55	15.98	17.28	18.40	19.40	20.22	20.92	21.32	22.00
	TYPE I							TYPE II							TYPE III					

2080 — HP Ratings for 2080 Double Pitch Drive Chain

No. of Effective Teeth, Small Spkt.	HP Ratings @ Various RPM, Small Sprocket																			
	10	20	30	40	50	60	70	80	90	100	125	150	175	200	225	250	300	350	400	450
6	.32	.55	.76
7	.38	.70	.98	1.22	1.44	1.63	1.80
8	.46	.84	1.18	1.50	1.78	2.04	2.28	2.50	2.70	2.88
9	.52	.98	1.39	1.76	2.11	2.43	2.74	3.02	3.29	3.53	4.08	4.54
10	.59	1.11	1.58	2.02	2.43	2.82	3.18	3.53	3.85	4.16	4.85	5.45	5.98
11	.66	1.24	1.77	2.27	2.76	3.20	3.60	4.02	4.38	4.77	5.60	6.33	6.98	7.56	8.07
12	.72	1.37	1.96	2.52	3.08	3.56	4.02	4.50	4.92	5.36	6.33	7.19	7.95	8.66	9.27	9.82
13	.79	1.49	2.15	2.77	3.38	3.81	4.44	4.97	5.45	5.93	7.02	8.02	8.89	9.72	10.42	11.08
14	.85	1.62	2.33	3.01	3.67	4.26	4.85	5.42	5.96	6.49	7.69	8.82	9.80	10.74	11.53	12.29	13.60
15	.91	1.74	2.52	3.25	3.96	4.60	5.25	5.86	6.45	7.03	8.34	9.60	10.68	11.73	12.60	13.46	14.94
16	.98	1.87	2.70	3.48	4.24	4.94	5.64	6.29	6.93	7.56	8.98	10.36	11.53	12.69	13.63	14.59	16.24	17.65
17	1.04	1.99	2.88	3.71	4.52	5.28	6.02	6.72	7.40	8.09	9.61	11.10	12.36	13.62	14.63	15.69	17.50	19.04
18	1.11	2.11	3.05	3.94	4.80	5.61	6.40	7.14	7.87	8.60	10.23	11.82	13.18	14.52	15.60	16.76	18.72	20.38	21.77	...
19	1.17	2.23	3.23	4.17	5.08	5.94	6.77	7.56	8.33	9.10	10.84	12.52	13.98	15.39	16.55	17.80	19.90	21.67	23.18	...
20	1.23	2.35	3.40	4.40	5.35	6.26	7.13	7.98	8.78	9.60	11.44	13.20	14.76	16.24	17.48	18.81	21.04	22.91	24.52	...
21	1.29	2.47	3.57	4.62	5.62	6.58	7.49	8.39	9.23	10.09	12.03	13.87	15.52	17.07	18.39	19.79	22.14	24.11	25.80	...
22	1.36	2.58	3.74	4.84	5.89	6.89	7.84	8.79	9.67	10.57	12.62	14.53	16.27	17.89	19.28	20.74	23.20	25.27	27.03	...
23	1.42	2.70	3.90	5.06	6.16	7.20	8.19	9.18	10.10	11.05	13.20	15.18	17.01	18.70	20.15	21.66	24.23	26.40	28.22	...
24	1.48	2.82	4.05	5.27	6.43	7.51	8.54	9.56	10.53	11.52	13.77	15.82	17.74	19.50	21.01	22.55	25.23	27.50	29.38	30.98
25	1.54	2.93	4.20	5.48	6.70	7.81	8.89	9.94	10.95	11.98	14.33	16.45	18.46	20.29	21.86	23.42	26.20	28.57	30.52	32.16
30	1.84	3.50	5.02	6.54	7.96	9.29	10.59	11.74	12.97	14.23	16.98	19.46	21.79	23.91	25.73	27.52	30.70	33.56	35.52	37.26
	TYPE I							TYPE II							TYPE III					

Explanation of Lubrication:

TYPE I: Steady Drip (4-10 drops/minute) shallow bath or manual w/oil applied by brush or spout can to link plate edges when in lower span of chain.

TYPE II: Rapid Drip (20 drops/minute, min.) or continuous w/ shallow bath, disc or slinger.

TYPE III: Continuous w/disc, slinger or circulating pump.

Additional Information—ANSI Roller Chain Standard B29.3, Section A1.3.

FEATURES/BENEFITS PAGE PT14-2	SPECIFICATIONS PAGE PT14-3	RELATED PRODUCTS PAGE PT14-28	ENGINEERING/TECHNICAL PAGE PT14-30
----------------------------------	-------------------------------	----------------------------------	---------------------------------------

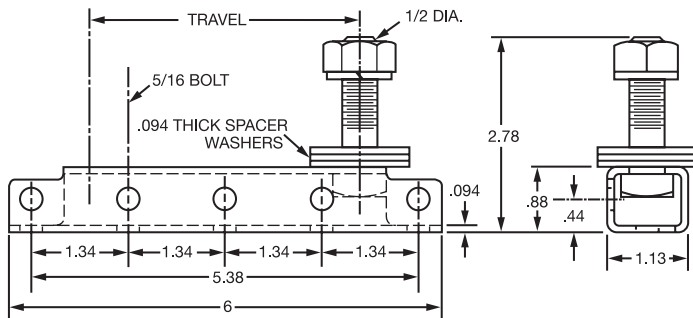
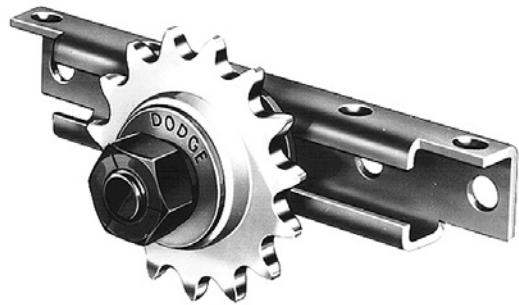


RELATED PRODUCTS

Tensioner Frame, Idler Sprockets

Proper chain tension is necessary for normal life expectancy. It's also a prime consideration for the efficient, quiet operation of the drive.

The tensioner frame shown below provides an economical means of locating an idler sprocket on a 1/2, diameter machine bolt or a 5/8, diameter spacer. Frame can be mounted in several positions on surfaces either parallel or perpendicular to the chain, suitable for either conventional or cantilever mounting.



Chain Tensioner Frame, P/N 102050

This formed steel frame has mounting holes in the bottom and one side so it can be mounted in several positions on surfaces parallel or perpendicular to the chain. Included is a 5/8" O.D. sleeve and a 1/2" diameter machine bolt to use with 1/2" and 5/8" bore idler sprockets.

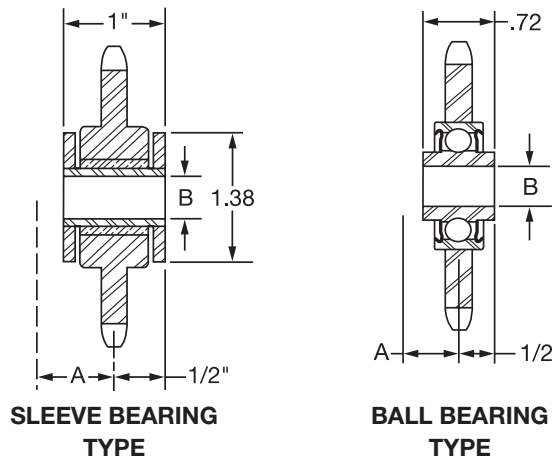
Spacer washers may be used to obtain the chain clearance required. Idler sprocket table below shows minimum space required for chain clearance.

Part Number **102050**

Weight .73 lbs

Idler Sprockets

Although these idler sprockets are designed to be used with the frames shown above, they can be mounted on standard machine bolts as shown in table below. Idler sprockets will operate at the same speeds permitted for driver sprockets of the same number of teeth. They are machined all over with teeth hardened to assure smooth-running drives. They are available with either bronze sleeve or ball bearings in the sprocket bore. The sleeve bearing runs on a hardened and ground steel journal. The ball bearings are double-sealed and prelubricated.



For Chain:		Description +	Part No.	No. of Spkt. Teeth	Spkt. O.D.	Brg. Type	Wt.	A *	B †	Ref. Old No.
No.	Pitch									
35	3/8"	31E20	102052	20	2.593	Brz.	.53	.59	1/2	CT320
		35BB20H	102060			Ball	.30	.44	5/8	320H
41-40	1/2"	41E15	102053	15	2.652	Brz.	.58	.59	1/2	CT415
		40BB17H	102061	17	2.974	Ball	.50	.44	5/8	417H
50	5/8"	40BB18H	102070	18	3.14	Ball	.53	.44	5/8	...
		51E15	102054	15	3.315	Brz.	.83	.72	1/2	CT515
		50BB15H	102062			Ball	.60	.56	5/8	515H
60, 60H	3/4"	50BB17H	102073	17	.372	Ball	.78	.56	5/8	...
		61E14	102055	14	3.736	Brz.	1.09	.81	1/2	CT614
		60BB13H	102063	13	3.493	Ball	.90	.66	5/8	613H
		60BB15H	Δ	15	3.98	Ball	1.06	.66	5/8	...
80, 80H	1"	80BB12H	102064	12	4.332	Ball	1.5	.69	5/8	812H

* Minimum space required for chain clearance.

† Size of standard machine bolt on which sprocket can be mounted.

Δ Non-Stock. Allow 2-4 weeks delivery.

+ "H" suffix indicates hardened teeth

FEATURES/BENEFITS PAGE PT14-2	SPECIFICATIONS PAGE PT14-3	SELECTION PAGE PT14-16	ENGINEERING/TECHNICAL PAGE PT14-30
----------------------------------	-------------------------------	---------------------------	---------------------------------------



RELATED PRODUCTS

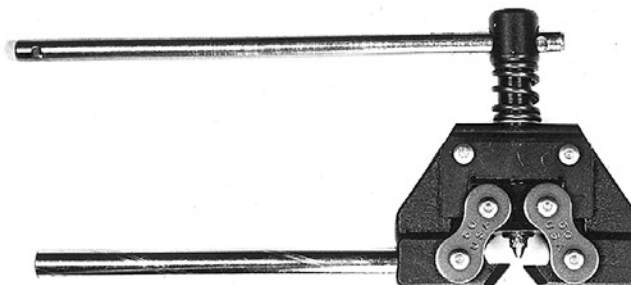
Chain Tools



Chain Assembly Tools

This unique tool was designed to make sizes 35 thru 240 chain installation easy. By hooking the two jaws into each end of the chain and turning the screw (handle) until the two ends almost meet, the connecting link can be inserted and fastened in place. The photo shows the Model 35 tool. The Model 80 uses a T-handle instead of a knob.

For Chain Nos.	Jaw Spread of Tool	Part No.	Wt. (Lbs.)
35 thru 60	2"	098190	.4
80 thru 240	5"	098191	2.2



Chain Pin Extractors (Chain Breaker)

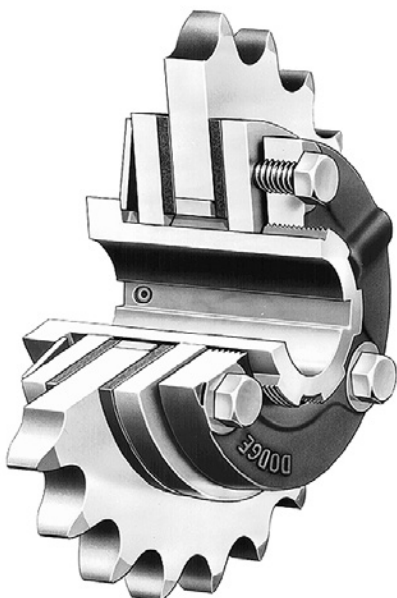
This fast working tool is practical for removing chain pins when roller chain needs to be disconnected or when various lengths of chain need to be made up.

Three sizes of pin extractors are available to use on riveted and cottered chain, sizes 25 thru 160. This tool, if properly used, will not damage chain, and pins can be reused.

For Chain Nos.	Part No.	Ref. Model No.	Wt. (Lbs.)	Replacement Parts	
				Screw & Tip	Tip Only
25 thru 50	098175	101-1	1.0	391301*	098180
60 thru 80	098176	101-2	1.9	391304	098181
100 thru 160	098177	101-3	8.5	391308	098182

* Includes handle

TORQUE-TAMER torque overload clutch offers thrifty overload protection that's a cinch to adjust.



See TORQUE TAMER Section for complete specifications and ordering information.

V-Drives

FHP Drives

Drive Component Accessories

DYNA-SYNC

HT200/HTD Synchronous Drives

HT500 Synchronous Drives

Roller Chain Sprockets

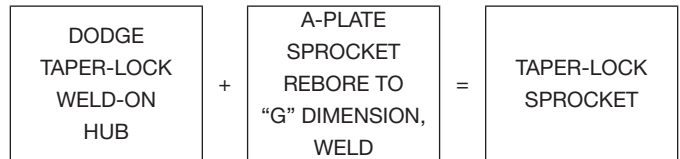
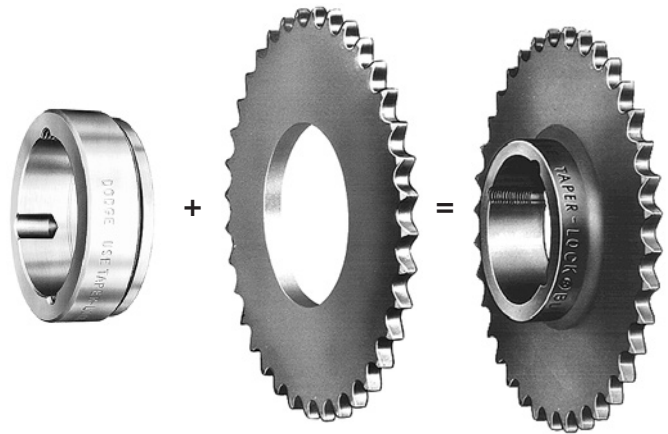
FEATURES/BENEFITS PAGE PT14-2	SPECIFICATIONS PAGE PT14-3	SELECTION PAGE PT14-16	ENGINEERING/TECHNICAL PAGE PT14-30
----------------------------------	-------------------------------	---------------------------	---------------------------------------



ENGINEERING/TECHNICAL

Custom TAPER-LOCK Sprockets

Non-stock or special TAPER-LOCK sprockets may be fabricated from stock TAPER-LOCK hubs and A-Plate sprockets rebored to fit the hubs. This provides the capability for fabricating sprockets with larger bore capacity, or number of teeth that are stocked as A-Plate but not TAPER-LOCK. This operation can be done on location, or supplied by DODGE, price on application. DODGE TAPER-LOCK hubs are available in three types: S, K and W/WA. All are of quality steel bar stock or forgings, easily welded, and ready to accept TAPER-LOCK Bushings. For more detailed information and dimensions, refer to Bushings/Hubs section of this catalog.



Chain Pitch	No. Teeth	TAPER-LOCK Hub	A-Plate Sprocket	Fabricated Sprocket
50	50	S30-6	50A50	50BTL50
60	34	S20-6	60A34	60BTL34
60	96	S35	60A96	60BTL96
100	42	835	100A42	100BTL42
140	80	WA60	140A80	140CTL80
240	54	WA70	240A54	240CTL54

Hub No. ◇	Part No.	For Use With Bush. +	Bushing Bore Range	A-Plate Rebore Dia.	Minimum Number Teeth for Chain Pitch No.											
					35	40/41	50	60	80	100	120	140	160	180	200	240
S16-4	097023	1610	1/2 - 11/16	2.875Δ	31	24	-	-	-	-	-	-	-	-	-	-
S16-6	097024	1610	1/2 - 11/16	2.875Δ	-	-	21	19	-	-	-	-	-	-	-	-
S20-6	097025	2012	1/2 - 2-1/8	3.4375Δ	36	28	24	21	-	-	-	-	-	-	-	-
S20-8	097015	2012	1/2 - 2-1/8	3.4375Δ	-	-	-	-	17	-	-	-	-	-	-	-
S25-6	097016	2517	1/2 - 2-11/16	4.125Δ	42	33	27	24	-	-	-	-	-	-	-	-
S25-8	097017	2517	1/2 - 2-11/16	4.125Δ	-	-	-	-	19	-	-	-	-	-	-	-
S25-10	097018	2517	1/2 - 2-11/16	4.125Δ	-	-	-	-	-	16	-	-	-	-	-	-
S25-16	097019	2517	1/2 - 2-11/16	4.125Δ	-	-	-	-	-	-	15	13	12	-	-	-
S30-10	097020	3020	7/8 - 3-1/4	5.125Δ	49	39	32	28	22	19	-	-	-	-	-	-
S30-16	097021	3020	7/8 - 3-1/4	5.125Δ	-	-	-	-	-	-	-	17	15	14	-	-
S35	097022	3535	1-3/16 - 3-15/16	6.375Δ	-	44	38	33	26	22	20	17	16	-	-	-
WA40	228089	4040	1-7/16 - 4-7/16	7.250Δ	-	-	45	38	30	25	22	20	18	17	15	-
WA45	228090	4545	1-15/16 - 4-15/16	8.000+	-	-	50	43	33	28	24	21	20	18	17	15
WA50	228091	5050	2-7/16 - 5	8.750+	-	-	52	46	35	29	26	23	21	19	18	15
WA60	228092	6050	3-7/16 - 6	12.250+	-	-	-	-	47	39	34	29	26	24	22	19
WA70	228093	7060	3-15/16 - 7	13.500+	-	-	-	-	51	42	36	32	28	26	24	21
WA80	228094	8065	4-7/16 - 8	14.250+	-	-	-	-	-	44	38	33	30	27	25	21
WA100	228095	10085	7 - 10	18.750+	-	-	-	-	-	-	47	41	36	33	30	26

◇ Refer to D1-12 & 13 for hub dimensions

REBORE TOLERANCES
 Δ +.004 + .001
 + +.010 + .004

FEATURES/BENEFITS PAGE PT14-2	SPECIFICATIONS PAGE PT14-3	SELECTION PAGE PT14-16	RELATED PRODUCTS PAGE PT14-28
----------------------------------	-------------------------------	---------------------------	----------------------------------



Sprocket Pitch Diameters

No. Teeth	Chain Number													
	25	35	41	40	50	60	80	100	120	140	160	180	200	240
9	.731	1.097	1.462	1.462	1.828	2.193	2.924	3.655	4.356	5.117	5.848	6.579	7.310	8.771
10	.809	1.214	1.618	1.618	2.023	2.427	3.236	4.045	4.854	5.663	6.472	7.281	8.090	9.708
11	.887	1.331	1.775	1.775	2.219	2.663	3.550	4.438	5.325	6.213	7.100	7.986	8.875	10.649
12	.996	1.449	1.932	1.932	2.415	2.898	3.864	4.830	5.796	6.762	7.728	8.693	9.660	11.591
13	1.045	1.567	2.089	2.089	2.612	3.134	4.179	5.224	6.269	7.313	8.358	9.402	10.447	12.536
14	1.124	1.685	2.247	2.247	2.809	3.371	4.494	5.618	6.741	7.865	8.988	10.112	11.235	13.482
15	1.203	1.804	2.405	2.405	3.006	3.608	4.810	6.013	7.215	8.418	9.620	10.822	12.025	14.429
16	1.282	1.922	2.563	2.563	3.204	3.845	5.126	6.408	7.698	8.971	10.252	11.533	12.815	15.377
17	1.361	2.041	2.721	2.721	3.401	4.082	5.442	6.803	8.163	9.524	10.844	12.245	13.605	16.327
18	1.440	2.160	2.879	2.879	3.599	4.319	5.759	7.199	8.639	10.078	11.518	12.957	14.397	17.276
19	1.519	2.279	3.038	3.038	3.798	4.557	6.076	7.595	9.114	10.633	12.152	13.670	15.190	18.227
20	1.598	2.397	3.196	3.196	3.995	4.794	6.392	7.990	9.588	11.186	12.784	14.383	15.980	19.177
21	1.678	2.516	3.355	3.355	4.194	5.033	6.710	8.388	10.065	11.743	13.420	15.096	16.775	20.129
22	1.757	2.635	3.513	3.513	4.392	5.270	7.027	8.784	10.541	12.297	14.054	15.810	17.567	21.080
23	1.836	2.754	3.673	3.672	4.590	5.508	7.344	9.180	11.016	12.852	14.688	16.524	18.360	22.032
24	1.915	2.873	3.831	3.831	4.788	5.746	7.661	9.576	11.492	13.407	15.322	17.238	19.153	22.984
25	1.995	2.992	3.989	3.989	4.987	5.984	7.979	9.974	11.969	13.963	15.958	17.952	19.947	23.936
26	2.074	3.111	4.148	4.148	5.185	6.222	8.296	10.370	12.444	14.518	16.592	18.666	20.740	24.889
27	3.230	4.307	4.307	5.384	6.461	8.614	10.768	12.921	15.075	17.228	19.381	21.535	25.841
28	2.233	3.349	4.465	4.465	5.582	6.698	8.931	11.164	13.397	15.629	17.862	20.096	22.327	26.794
29	3.468	4.625	4.625	5.781	6.937	9.249	11.561	13.874	16.186	18.498	20.810	23.123	27.747
30	2.392	3.588	4.783	4.783	5.979	7.175	9.567	11.959	14.351	16.742	19.134	21.525	23.917	28.700
31	3.707	4.942	4.942	6.178	7.413	9.884	12.355	14.826	17.297	19.768	22.240	24.710	29.654
32	2.551	3.826	5.101	5.101	6.376	7.652	10.202	12.753	15.303	17.854	20.404	22.955	25.505	30.607
33	3.945	5.260	5.260	6.575	7.890	10.520	13.150	15.780	18.410	21.040	23.670	26.300	31.560
34	4.064	5.419	5.419	6.774	8.129	10.838	13.548	16.257	18.967	21.676	24.385	27.095	32.514
35	4.184	5.578	5.578	6.973	8.367	11.156	13.945	16.734	19.523	22.312	25.101	27.890	33.467
36	2.869	4.303	5.737	5.737	7.171	8.606	11.474	14.343	17.211	20.080	22.948	25.815	28.685	34.421
37	4.422	5.896	5.896	7.370	8.841	11.792	14.740	17.688	20.636	23.584	26.531	29.480	35.375
38	4.541	6.055	6.055	7.569	9.083	12.110	15.138	18.165	21.193	24.220	27.246	30.275	36.329
39	...	4.661	6.214	6.214	7.768	9.321	12.428	15.535	18.642	21.749	24.856	27.962	31.070	37.283
40	3.187	4.780	6.373	6.373	7.966	9.560	12.745	15.933	19.119	22.306	25.492	28.677	31.865	38.237
41	4.599	6.532	6.532	8.165	9.798	13.064	16.330	19.596	22.862	26.128	29.393	32.660	39.191
42	5.018	6.691	6.691	8.364	10.037	13.382	16.728	20.073	23.419	26.764	30.108	33.455	40.145
43	5.138	6.850	6.850	8.563	10.275	13.700	17.125	20.550	23.975	27.400	30.824	34.250	41.099
44	5.257	7.009	7.009	8.761	10.514	14.018	17.523	21.027	24.532	28.036	31.539	35.045	42.053
45	3.584	5.376	7.168	7.168	8.960	10.752	14.336	17.920	21.504	25.088	28.672	32.255	35.840	43.007
46	5.495	7.327	7.327	9.159	10.991	14.654	18.318	21.981	25.645	29.308	32.971	36.635	43.961
47	5.615	7.486	7.486	9.358	11.229	14.972	18.715	22.458	26.201	29.944	33.686	37.430	44.915
48	3.823	5.734	7.645	7.645	9.556	11.468	15.290	19.113	22.935	26.758	30.580	34.402	38.225	45.869
49	5.853	7.804	7.804	9.755	11.706	15.608	19.510	23.412	27.314	31.216	35.118	39.020	46.824
50	5.972	7.963	7.963	9.954	11.945	15.926	19.908	23.889	27.871	31.852	35.834	39.815	47.778
51	6.092	8.122	8.122	10.153	12.183	16.244	20.305	24.366	28.427	32.488	36.549	40.610	48.732
52	6.211	8.281	8.281	10.351	12.422	16.562	20.703	24.843	28.984	33.124	37.265	41.405	49.687
53	6.330	8.440	8.440	10.550	12.660	16.850	21.100	25.320	29.540	33.760	37.981	42.200	50.641
54	4.300	6.449	8.599	8.599	10.749	12.599	17.198	21.498	25.797	30.097	34.396	38.696	42.995	51.595
55	6.569	8.758	8.758	10.948	13.137	17.516	21.895	26.274	30.653	35.032	39.412	43.790	52.550
56	6.688	8.917	8.917	11.147	13.376	17.835	22.294	26.753	31.211	35.670	40.128	44.587	53.504
57	6.807	9.077	9.077	11.346	13.615	18.153	22.691	27.230	31.765	36.306	40.844	45.383	54.458
58	6.927	9.235	9.235	11.544	13.853	18.479	23.089	27.707	32.324	36.942	41.560	46.177	55.413
59	7.046	9.395	9.395	11.743	14.092	18.789	23.486	28.184	32.881	37.578	42.276	46.973	56.368
60	4.777	7.165	9.554	9.554	11.942	14.330	19.107	23.584	28.661	33.437	38.214	42.991	47.768	57.322
68	8.120	10.826	10.826	13.533	16.240	21.653	27.066	32.480	37.893	43.306	48.719	54.132	64.958
72	5.732	5.597	11.463	11.463	14.329	17.195	22.926	28.658	34.359	40.121	45.852	51.583	57.315	68.777
76	9.074	12.099	12.099	15.124	18.149	24.198	30.248	36.297	42.347	48.396	54.446	60.495	72.595
80	9.552	12.736	12.736	15.919	19.103	25.471	31.839	38.207	44.574	50.942	57.310	63.678	76.414
84	10.029	13.372	13.372	16.715	20.058	26.744	33.430	40.116	46.802	53.488	60.175	66.860	80.233
95	11.342	15.122	15.122	18.903	22.684	30.245	37.806	45.368	52.929	60.490	68.051	75.612	90.735
96	11.461	15.282	15.252	19.102	22.922	30.563	38.204	45.845	53.485	61.126	68.767	76.408	91.690
102	12.177	16.236	16.236	20.296	24.355	32.473	40.591	48.710	56.828	64.946	73.064	81.182	97.418
112	13.371	17.827	17.527	22.284	26.741	35.655	44.569	53.483	62.396	71.310	80.225	59.137	106.966

V-Drives

FHP Drives

Drive Component Accessories

DYNA-SYNC

HT200/HTD Synchronous Drives

HT500 Synchronous Drives

Roller Chain Sprockets

FEATURES/BENEFITS PAGE PT14-2	SPECIFICATIONS PAGE PT14-3	SELECTION PAGE PT14-16	RELATED PRODUCTS PAGE PT14-28
----------------------------------	-------------------------------	---------------------------	----------------------------------



ENGINEERING/TECHNICAL

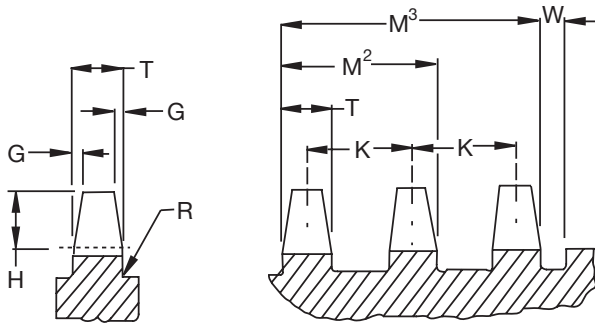
Sprocket Dimensions, Chain Data

Ref. For Single & Multiple Chain				G	H	K	M ²	M ³	R Max.	Nominal Tooth Thickness (T)		Tolerance on "T"		
Chain No.	Pitch	Roller Dia.	Roller Width							Using Single Strand Chain	Using 2 and 3 Strand Chain	For Machined Sprocket *	For Sprocket Which Is Not Machined †	W Side Clearance
35	3/8	.200	3/16	3/64	3/16	.399	.561	.960	.015	.168	.162	+0.00-.008	+0.00-.027	3/16
41	1/2	.306	1/4	1/16	1/4020	.227	+0.00-.009	+0.00-.032	7/32
40	1/2	.312	5/16	1/16	1/4	.566	.841	1.407	.020	.284	.275	+0.00-.009	+0.00-.035	1/4
50	5/8	.400	3/8	5/64	5/16	.713	1.045	1.758	.025	.343	.332	+0.00-.010	+0.00-.036	9/32
60	3/4	.469	1/2	3/32	3/8	.897	1.341	2.238	.030	.459	.444	+0.00-.011	+0.00-.036	11/32
80	1	.625	5/8	1/8	1/2	1.153	1.710	2.863	.040	.575	.557	+0.00-.012	+0.00-.040	7/16
100	1-1/4	.750	3/4	5/32	5/8	1.408	2.077	3.485	.050	.692	.669	+0.00-.014	+0.00-.046	17/32
120	1-1/2	.875	1	3/16	3/4	1.789	2.683	4.472	.060	.924	.894	+0.00-.016	+0.00-.057	21/32
140	1-3/4	1.000	1	7/32	7/8	1.924	2.818	4.742	.070	.924	.894	+0.00-.016	+0.00-.057	3/4
160	2	1.125	1-1/4	1/4	1	2.305	3.424	5.729	.080	1.156	1.119	+0.00-.019	+0.00-.062	7/8

* Represents Type B or C hub type sprocket.

† Represents an "A" plate sprocket or a welded sprocket using an "A" plate.

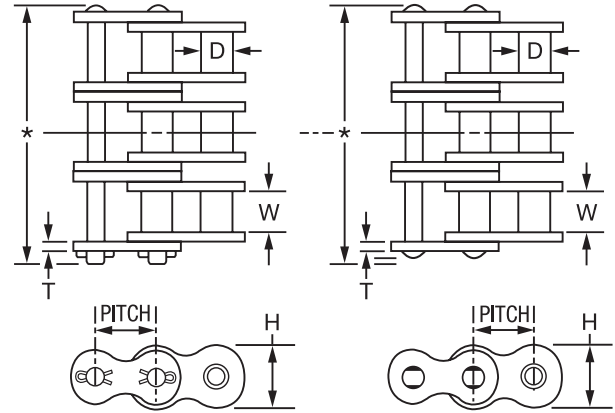
Sprockets



Single Stand

2 and 3 Strand

Roller Chain



COTTERED TYPE

RIVETED TYPE

ANSI Standard Roller Chain Dimensions

ANSI No.	Roller W	Roller D	Inside Link Plate Height	Cottered Chain Width*	Riveted Chain Width*	Average Tensile Strength
25-2	1/8	.130	.237	.37	.34	875
25-2	1/8	.130	.237	.63	.59	1750
25-3	1/8	.130	.237	.88	.84	2626
35	3/16	.200	.356	.56	.50	2100
35-2	3/16	.200	.356	.96	.90	4200
35-3	3/16	.200	.356	1.36	1.31	6300
41	1/4	.306	.383	.65	.57	2000
40	5/16	.312	.475	.72	.67	3700
40-2	5/16	.312	.475	1.29	1.24	7400
40-3	5/16	.312	.475	1.85	1.80	11100
50	3/8	.400	.594	.89	.83	6600
50-2	3/8	.400	.594	1.60	1.55	13200
50-3	3/8	.400	.594	2.31	2.26	19800
60	1/2	.469	.712	1.11	1.04	8500
60-2	1/2	.469	.712	2.01	1.94	17000
60-3	1/2	.469	.712	2.91	2.84	25500
80	5/8	.625	.950	1.44	1.32	14500
80-2	5/8	.625	.950	2.59	2.47	29000
80-3	5/8	.625	.950	3.74	3.62	43500

* Dimensions are across pins.

ANSI No.	Roller W	Roller D	Inside Link Plate Height	Cottered Chain Width*	Riveted Chain Width*	Average Tensile Strength
100	3/4	.750	1.187	1.73	1.61	24000
100-2	3/4	.750	1.187	3.14	3.02	48000
100-3	3/4	.750	1.187	4.56	4.43	72000
120	1	.875	1.425	2.14	2.00	34000
120-2	1	.875	1.425	3.93	3.79	68000
120-3	1	.875	1.425	5.72	5.58	102000
140	1	1.000	1.662	2.31	2.14	46000
140-2	1	1.000	1.662	4.24	4.07	92000
140-3	1	1.000	1.662	6.16	6.00	138000
160	1-1/4	1.125	1.900	2.73	2.54	58000
160-2	1-1/4	1.125	1.900	5.04	4.85	116000
160-3	1-1/4	1.125	1.900	7.35	7.16	174000
180	1-13/32	1.406	2.137	3.15	2.88	76000
180-2	1-13/32	1.406	2.137	5.75	5.48	152000
180-3	1-13/32	1.406	2.137	8.34	8.07	228000
200	1-1/2	1.562	2.375	3.44	3.12	95000
200-2	1-1/2	1.562	2.375	6.26	5.94	190000
200-3	1-1/2	1.562	2.375	9.08	8.76	285000
240	1-7/8	1.875	2.812	4.06	3.72	130000
240-2	1-7/8	1.875	2.812	7.52	7.18	260000

FEATURES/BENEFITS PAGE PT14-2	SPECIFICATIONS PAGE PT14-3	SELECTION PAGE PT14-16	RELATED PRODUCTS PAGE PT14-28
----------------------------------	-------------------------------	---------------------------	----------------------------------



Installation, Maintenance

Installation of Roller Chain Drives

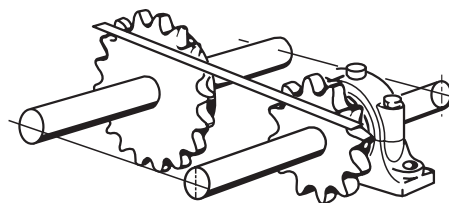
Shaft Alignment – Shafts must be parallel. The use of a spirit level is recommended to make sure shafts are horizontal; then, if the distance between the shafts are equal on both sides of the drive, the shafts are parallel. Shafts, bearings and supporting structure should be suitable to maintain this alignment.

Sprocket Location – Locate each sprocket as close as possible to a bearing.

Sprocket Alignment – Sprockets must be aligned accurately. This can best be accomplished by checking with a straight edge along the finished sides of the sprockets as shown in the drawing.

Chain Tension – Chains should be installed fairly tight with only a small amount of slack. In the case of vertical drives the chain should be kept snug. New chains will loosen up slightly as the joints seat themselves, causing initial elongation which is many times greater than the elongation during the balance of the chain life. After the first several weeks of operation it is advisable to adjust the centers, particularly on long center drives. After this initial elongation, with proper care and lubrication, roller chains will give long service without undue elongation or wear.

Center Distance – It is desirable to provide some means of adjusting the center distance between sprockets.



This is particularly true with drives of long center distance. When the centers are fixed it is advisable to use an idler sprocket to provide the proper chain tension originally, and also to compensate for natural chain wear.

Hardened Teeth – The advantages gained by hardening the teeth of the small sprocket easily offset the hardening cost. Longer life, increased strength, equalized wear between small and large sprockets—all result in lower overall cost to the chain drive user. Hardened steel sprockets are recommended for use under the following conditions: 1. Slow speed, heavily loaded drives where chains and sprockets are selected on the basis of chain tensile strengths; 2. Moderate speed drives where sprockets have 17 teeth or less; 3. High speed drives where sprockets have 25 teeth or less; 4. When speed ratios exceed 4 to 1; 5. When drives are operating exposed to dirty or dusty surroundings.

Lubrication of Roller Chain Drives

Lubrication of roller chains is essential for effectively minimizing metal-to-metal bearing contact of pin-bushing joints of the chain. Oil should be applied to outside plate and inside plate edges, since access to pin-bushing areas is possible only through clearances between the outside plates and the inside plates. Oil applied on the center line of rollers cannot reach pin-bushing joints.

Chain drives should be protected against dirt and moisture and the oil supply kept free of contamination. Periodic oil change is desirable. A good grade of non-detergent petroleum base oil is recommended. Heavy oils and greases are generally too stiff to enter and fill the chain joints. The following table indicates the proper lubricant viscosity for various surrounding temperatures. For higher temperatures—consult factory.

Temperature Degrees F.	Recommended Lubricant
20 to 40	SAE 20
40 to 100	SAE 30
100 to 120	SAE 40
120 to 140	SAE 50

The method of lubrication, which is governed by the speed of the chain and the amount of power transmitted, is indicated in the HP Rating Tables. Note that these are minimum lubrication requirements and the use of a better type (for example, Type 4 instead of Type 3) is acceptable and may be beneficial. The four basic types of lubrication indicated are described below.

Type A—Manual Lubrication – Oil is applied periodically with a brush or spout can, preferably once every 8 hours of operation. Volume and frequency should be sufficient to prevent discoloration of lubricant in the chain joints.

Type A – Drip Lubrication – Oil drops are directed between the link plate edges from a drip lubricator. Volume and frequency should be sufficient to prevent discoloration of lubricant in the chain joints. Precaution must be taken against misdirection of the drops by windage.

Type B – Bath or Disc Lubrication – With bath lubrication the lower strand of chain runs through a sump of oil in the drive housing. The oil level should reach the pitch line of the chain at its lowest point while operating. With disc lubrication, the chain operates above the oil level. The disc picks up oil from the sump and deposits it onto the chain, usually by means of a trough. The diameter of the disc should be such as to produce rim speeds between 600 fpm minimum and 8000 fpm maximum.

Type C – Oil Stream Lubrication – The lubricant is usually supplied by a circulating pump capable of supplying each chain drive with a continuous stream of oil. The oil should be applied inside the chain loop evenly across the chain width, and directed at the lower strand.

FEATURES/BENEFITS PAGE PT14-2	SPECIFICATIONS PAGE PT14-3	SELECTION PAGE PT14-16	RELATED PRODUCTS PAGE PT14-28
----------------------------------	-------------------------------	---------------------------	----------------------------------



NOTES

V-Drives

FHP Drives

Drive Component
Accessories

DYNA-SYNC

HT200/HTD
Synchronous Drives

HT500
Synchronous Drives

Roller Chain Sprockets



Conveyor Components

Features/Benefits	PT14-2
Specifications	PT14-4
How To Order	PT14-6
Nomenclature	PT14-7
Selection	PT14-9
Selection/Dimensions	
Drum and Wing Pulleys	PT14-10
HE Heavy Duty Drum Pulleys	PT14-15
TAPER-LOCK Heavy Duty Drum Pulleys	PT14-22
QD Heavy Duty Drum Pulleys	PT14-26
Heavy Duty Drum Pulley Weights	PT14-30
HE Heavy Duty Wing Pulleys	PT14-34
TAPER-LOCK Heavy Duty Wing Pulleys	PT14-38
QD Heavy Duty Wing Pulleys	PT14-41
Heavy Duty Wing Pulley Weights	PT14-46
Mine Duty Extra Drum Pulleys	PT14-49
Mine Duty Extra Wing Pulleys	PT14-53
Engineered Class Pulleys	PT14-56
Turbine Pulleys	PT14-57
Elevator Pulleys	PT14-58
Dead Shaft Pulleys	PT14-60
Spiral Drum and Spiral Wing Pulleys	PT14-61
Magnetic Pulleys	PT14-61
Stainless Steel Pulleys	PT14-61
Steel Split Pulleys	PT14-62
Shafting	PT14-64
Lagging	PT14-65
HE Bushings	PT14-70
Keyless Locking Assemblies	PT14-73
XT Bushings	PT14-74
Engineering/Technical	PT14-78
Part Number Index	INDEX-1
Keyword Index	INDEX-43



FEATURES/BENEFITS

Today, the industrial marketplace demands quality products and services. Dodge has the experience and expertise to meet those demands from engineering support to on-time delivery. Dodge offers the broadest range of conveyor pulleys with a combination of the best resources for pulley manufacturing. The Dodge Conveyor Components Team is ready to provide you the best customer service in the industry.



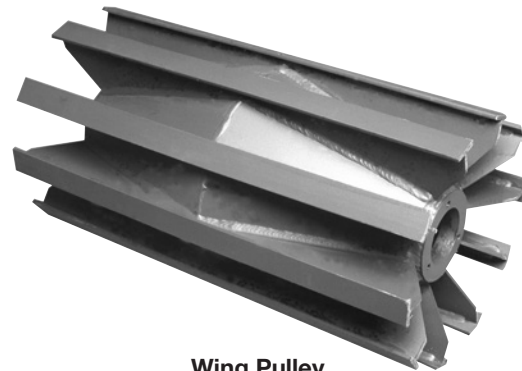
Lagged Drum Pulley



T-Section Pulley



Mine Duty Extra Drum Pulley



Wing Pulley



Conveyor Pulley Locking Devices

HE Bushing/Hub



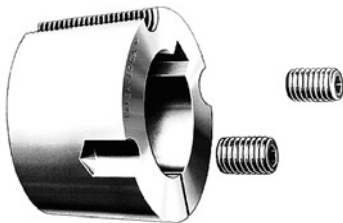
- Most dependable mounting system for conveyor pulleys
- Specifically designed for drum and wing pulleys
- Flange mount design
- Easy installation/removal
- Shaft diameters up to 12"
- Taper angle of 14° reduces axial movement along the shaft to tighten the bushing
- Disc deflection and pre-stressing are greatly reduced
- Full length hub engagement

Keyless Locking Devices



- High torque capability
- No axial movement during assembly
- Shrink fit design assures a tight mechanical fit
- Easy installation/removal
- No keyway stress - no keys required
- Recommended for shafts over 12" and up to 30" in diameter

Taper-Lock Bushings



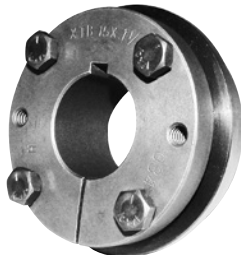
- Industry standard for over 40 years
- Easy-on, Easy-off
- 8° taper grips tight, holds tight, runs true, no wobble
- World-wide acceptance and availability
- Flush mounting - no protruding parts

QD Bushings



- Flanged design
- 4° taper
- Easy-on, Easy-off
- Manufactured precisely to industry standards
- Reverse mounting

XT Bushings/Hub



- Designed for conveyor pulley applications
- 9-1/2° taper
- 2" per foot taper for easy on, easy off
- Full length hub engagement



SPECIFICATIONS

Belt Conveyor Pulleys

Dodge offers two standard designs that are stocked for quick delivery, CEMA duty (Conveyor Equipment Manufacturers Association), HE (High Endurance) welded hub and Mine Duty Extra HE integral hub construction. These are available with a plain surface and rubber lagged. HE bushings with 14 degree taper and 3/8 inch 60 Durometer SBR rubber, with herringbone groove lagging, are standard, stocked features.

Dodge recommends pulley designs within the four classes of service detailed below. All of our designs strive for balance between cost and reliability. When possible, welds are avoided or eliminated to maintain the full strength of the base metal. Our welded designs rely upon the chemistry of the base metal, the type of weld and the geometry of the structure to achieve optimum post-weld performance as explained below.

WARRANTY

- Class IV and III pulleys are conditionally warranted against defects in material and workmanship for one year of operation. A two-year warranty is available when loading information is provided.

Note: Special Construction features listed at the bottom of page PT14-6 can be added to both Class IV and III pulleys to extend service life. Because these pulleys are made-to-order, they will require longer leadtime for shipment. The Special Construction modifications must be quoted at the time of inquiry and before order entry.

- Class II and I pulleys are conditionally warranted against defects in material and workmanship for two years of operation, because loading information must be provided.

CLASS IV

Dodge Heavy Duty CEMA Standard drum pulleys use 14 degree taper welded hubs and bushings with special consideration for post weld strength with submerged arc welds. These pulleys meet or exceed all requirements for steel drum pulleys established by CEMA, and as detailed in

ANSI standard number B105.1. The standard establishes load ratings and dimensions for use with fabric belts rated to 800 PIW (Pounds per Inch of belt Width).

CLASS III

Dodge Mine Duty Extra pulleys use a proprietary 14 degree (taper) one piece integral hub to accept HE bushings. This eliminates the two welds of the hub into the end disc and delivers 100% of the capacity of the end disc steel. There is not a universal standard published for this class of service. The Dodge MDX design gives much higher safety factors than pulleys designed to meet the CEMA load ratings, while fitting into the CEMA dimensions.

CLASS II

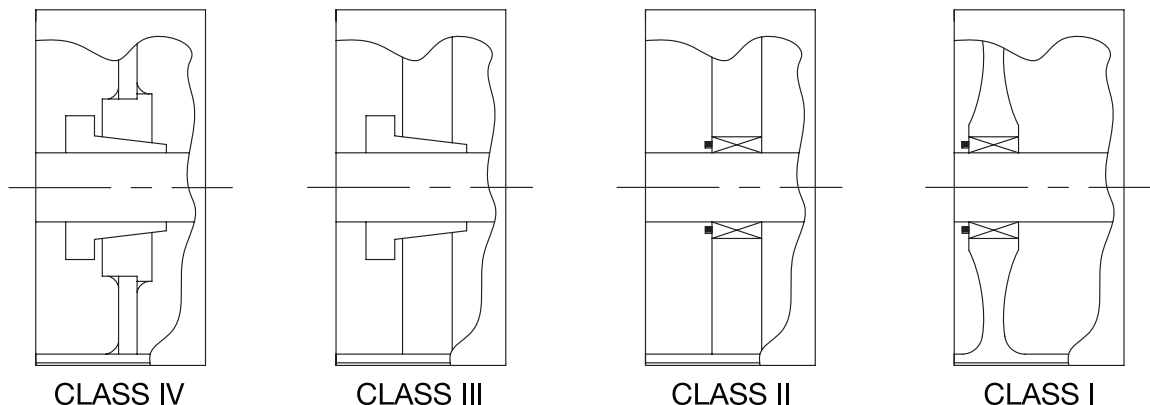
Dodge Engineered pulleys utilize one-piece integral hub-and-end-discs and either HE 14 degree taper compression bushings or keyless locking devices. They are designed specifically to meet customer supplied load and tension ratings. This class is for fabric or steel cable conveyor belts rated to 2,499 PIW. These pulleys incorporate machined rims and lagging, static balance, stress relieving, magnetic particle and/or ultrasonic weld testing.

CLASS I

Dodge Engineered pulleys with one piece "T" section machined end discs are continuously butt welded to the pulley rim for fabric or steel cable belts rated over 2,500 PIW up to the maximum available from belt manufacturers, currently in excess of 10,000 PIW. These pulleys use keyless locking devices for shafts up to 30" in diameter. These pulleys incorporate machined rims and lagging, static balance, stress relieving, magnetic particle and/or ultrasonic weld testing. All Class I pulleys are manufactured within a 60 step documented Quality Assurance Process.

Important Note: To Ensure You Get The Right Class Of Pulley For Your Application, Please Fill Out And Send the Engineered Pulley Data Sheet, Shown On Page PT14-9.

Bushing and End Disc Constructions



FEATURES/BENEFITS PAGE PT15-2	HOW TO ORDER PAGE PT15-6	SELECTION PAGE PT15-9	SELECTION/DIMENSIONS PAGE PT15-10
----------------------------------	-----------------------------	--------------------------	--------------------------------------



Belt Conveyor Design Program - Available on www.ptwizard.com

The Dodge Computerized Conveyor Design Program selects Baldor/Dodge drive products for simple horizontal or uphill conveyors up to 3500 feet long, 800 feet lift, and 3500 tons per hour. The program operates with a minimum of input information and provides detailed design and product information as output. Input variables and output data are:

INPUT

- Conveyor Capacity (tons per hour)
- Length of Conveyor
- Lift of Conveyor
- Basic Conveyor Profile (7 profiles)
- Material to be Moved
- Belt Speed (not required, can be selected by program)
- Belt Width (not required, can be selected by program)
- Idler Angle (not required, can be selected by program)

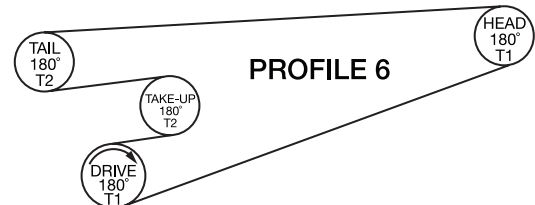
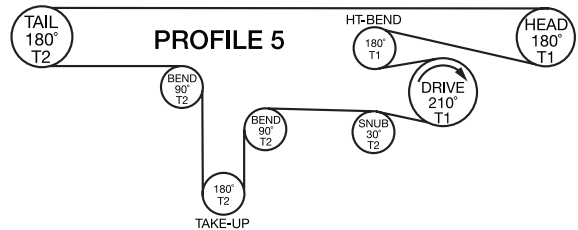
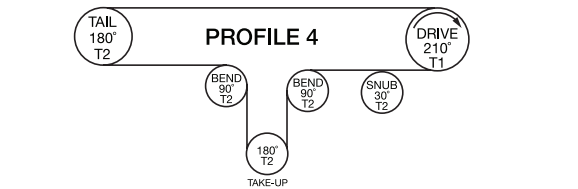
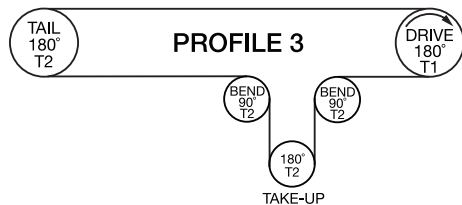
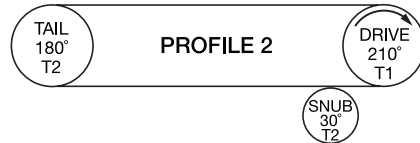
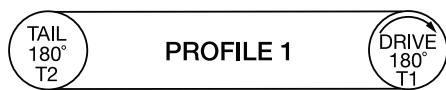
OUTPUT

- Motor Horsepower
- Belt Width (if not input)
- Idler Angle (if not input)
- Belt Speed (if not input)
- Drive Pulley RPM
- Belt Tensions (& take-up weight)
- Pulley Diameters, Face Width & Shaft Diameter
- Bearing Centers
- Lagging
- Shaft Lengths
- Bearing Diameter with L10 Life
- Maximum Running Belt Tension (PIW)
- Backstop Requirement
- Dodge Torque-Arm Reducers Selected

Baldor/Dodge has a conveyor design program, available at www.ptwizard.com, for selecting CEMA drum pulleys for conveyor profiles shown. For other types of pulleys, please contact Baldor/Dodge Conveyors. For more information call 864-297-4800.

Conveyor Profiles

Only the seven types of profiles shown are available for design program analysis.



FEATURES/BENEFITS PAGE PT15-2	HOW TO ORDER PAGE PT15-6	SELECTION PAGE PT15-9	SELECTION/DIMENSIONS PAGE PT15-10
----------------------------------	-----------------------------	--------------------------	--------------------------------------



HOW TO ORDER

Standard, Stocked CEMA and Mine Duty Extra Pulleys

Dodge Conveyor Drum and Wing Pulleys are available from stock in either CEMA, Mine Duty Extra Drum or Mine Duty Extra Wing pulley designs. Many part numbers are already available for various sizes of drum and wing pulleys in either crown or straight face. We can provide pulleys bare faced, or with a number of different lagging patterns and thicknesses. You can use the Nomenclature page to help provide a complete pulley description, for which you can find part numbers in the catalog that have already been assigned, or that our Conveyor Team can quote for you.

If you know the belt width you are using, you can use the CEMA standards to get the face width needed for the pulley. CEMA standards for pulley face width are belt width + 2 inches for belt widths up to 42 inches and belt width + 3 inches for belt widths for 48 inches to 60 inches. Drum and wing pulley diameters are dependent upon belting and the shaft diameter required for the application.

Special Construction Pulleys

There are Special Construction specifications that can be stipulated by the customer to extend the service life of CEMA and Mine Duty Extra pulleys, for demanding applications, or to meet special job requirements. If these modifications are required, the products will become made-to-order and identified by product description. These nonstandard modifications must be documented and quoted at the time of inquiry and before order entry.

These features include but are not limited to:

1. Rim and rubber lagging thickness
2. Rubber lagging material and durometer
3. Machining of rims and/or rubber lagging to a specified total indicated run-out (TIR)
4. End disc steel thickness
5. Shaft material surface finish (RMS) and turndown radii
6. Keyless locking devices with dust covers vs standard HE 14-degree compression bushings

The selection process recommended by Baldor•Dodge for Dodge conveyor pulleys is covered beginning on page PT14-10.

PULLEY ASSEMBLIES

One of the most popular services we offer is to package and assemble pulleys, shaft, bearings and coupling halves for shipment, ready to install on the customer's conveyor truss. However, to do this we must have accurate shaft dimensions and tolerances at the time of order entry. These determine the hub size of the pulley and the bearing size. Bearings are shipped to Clio from another Dodge plant. The pulley assembly process can be shortened by providing the shaft details outlined on page PT14-8. Please note – all pulley assemblies are considered non-standard because of the variability of size and weight.

7. Post weld thermal stress relieving before machining
8. Magnetic particle and/or ultra-sonic weld inspections
9. Static or dynamic balancing
10. Identification tags
11. Export or other special packaging

ENGINEERED, MADE-TO-ORDER PULLEYS

All Dodge heavy duty CEMA or Mine Duty Extra pulleys are designed to meet or exceed the CEMA steel pulley ANSI standard B105.1. However, for pulleys engineered to the customer's application loads and tensions, we require completion of the Engineered Pulley Data Sheet, on page PT14-9.

Installation and Maintenance instructions for Dodge products are available at www.dodge-pt.com

FEATURES/BENEFITS PAGE PT15-2	SPECIFICATION PAGE PT15-4	SELECTION PAGE PT15-9	SELECTION/DIMENSIONS PAGE PT15-10
----------------------------------	------------------------------	--------------------------	--------------------------------------



NOMENCLATURE

Pulleys

(QTY) Diameter X Face Width • Face Type • Pulley Type • Hub Type & Size • Class

(QTY) Lagging Thickness and Material • Pattern

(QTY) Bushing Size & Bore

Diameter:	6"-60" (Other diameters available upon request)
Face Width:	8"-100" (Other face widths available upon request)
Face Type:	CR – Crown Face ST – Straight Face
Pulley Type:	DR – Drum WI – Wing
Hub Type & Size:	HE – (High Endurance) and Size (HE25) TL – (TAPER-LOCK) and Size (K25, F30, K35) QD – (Quick Disconnect) and Size (SF, E, F) Keyless Locking Device and Size (200mm)
Class:	CEMA (Heavy Duty) MD (Mine Duty) MDX (Mine Duty Extra) ENG (Engineered)
Lagging Thickness:	1/4", 3/8", 1/2", 3/4", 1" (Standard) Other Thicknesses Available on Request
Lagging Material & (Durometer):	SBR (60/45/70), D-LAG (60), Neoprene (60/45/70), Ceramic, Holz, Holz SOF
Lagging Pattern:	Plain, Herringbone, Chevron, Diamond, Concentric, Parallel
Bushing Size:	HE25 (Max. Bore 2-1/2") F30 (Max. Bore 3") E (Max. Bore 3-1/2")
Examples:	1-12 x 26 CR DR HE25 MDX 3/8" Herringbone Lagging 2-HE25 x 2-7/16" Bushings 1-14 x 42 CR WI W25 2-2517 x 2-7/16" TAPER-LOCK Bushings 1-16 x 44 ST DR QD F 2-F x 3-7/16" QD Bushings

Shafting

Diameter x Length • # of Keyseats • # of Turndowns x Turndown Diameters

Examples:	2-7/16" x 63"
	3-7/16" x 84" x 3KS
	3-15/16" x 76", 3KS, 2TD x 3-7/16"

NOTE: All shafts require a drawing which indicates the location of keyseats, length of turndowns, bearing centers, turn down radii and location of the pulley on the shaft.

FEATURES/BENEFITS PAGE PT15-2	SPECIFICATION PAGE PT15-4	SELECTION PAGE PT15-9	SELECTION/DIMENSIONS PAGE PT15-10
----------------------------------	------------------------------	--------------------------	--------------------------------------

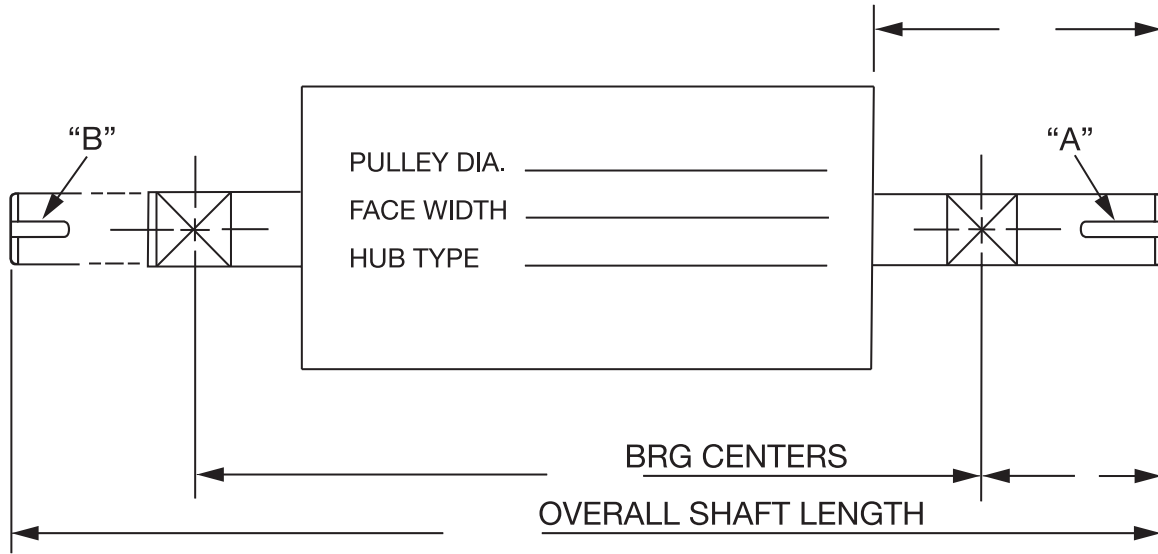


HOW TO ORDER

Pulley Assemblies

To order shafting, please copy and complete the sketches shown below

DRIVE PULLEY & SHAFT DIMENSIONS

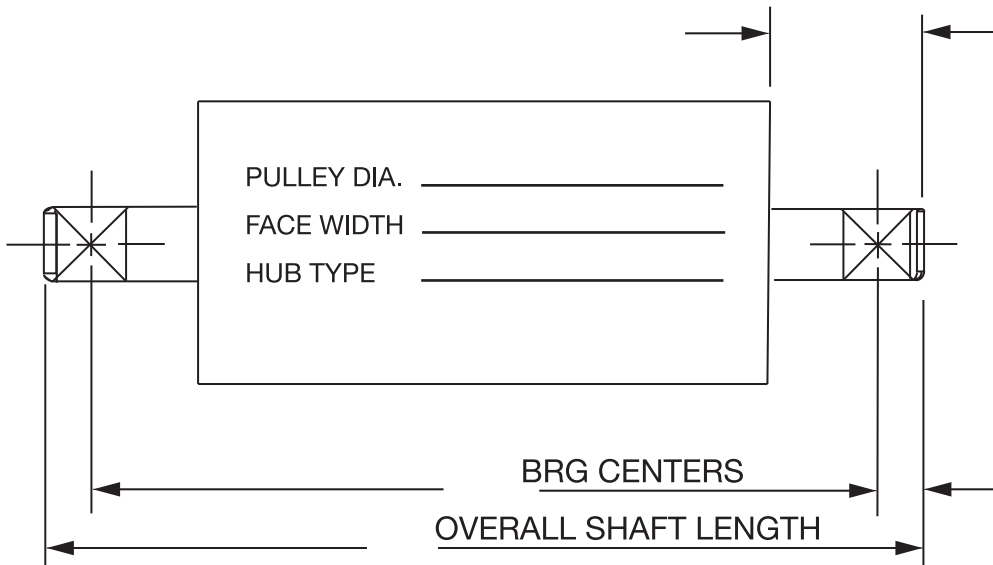


SHAFT DIA. AT HUB - _____	KEYSEAT "A" - _____ X _____ X _____ LONG
SHAFT DIA. AT BRG. - _____	KEYSEAT "B" - _____ X _____ X _____ LONG
SHAFT DIA. AT "A" - _____	DIRECTION OF ROTATION _____
SHAFT DIA. AT "B" - _____	(LOOKING AT DRIVEN END) _____
NUMBER OF KEYSEATS - _____	LAGGING - THICKNESS - _____
	TYPE - _____

NON-DRIVE PULLEY & SHAFT DIMENSIONS

DRUM -

WING -



SHAFT DIA. AT HUB - _____	KEYSEAT - 0 _____ , 1 _____ , 2 _____
SHAFT DIA. AT BRG. - _____	

SELECTION



Engineered Pulley Data Sheet

LIMITED WARRANTY: Baldor/Dodge offers a 2-year limited warranty and a serialized nameplate for all engineered pulleys designed to customer supplied loading information.

Selection of Dodge Conveyor Pulleys can be simplified by supplying the information in the Application Data Sheet provided below. Dodge can then engineer the correct pulleys or pulley assemblies for your specific application.

Company Name _____ Date _____ By _____

Address _____ Est. No. _____

Project _____

Conveyor Information - _____

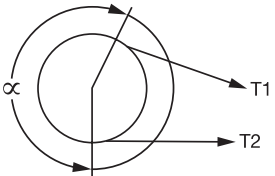
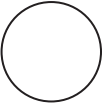
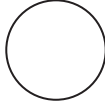
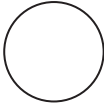
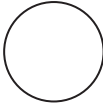
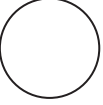
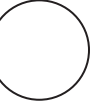
Belt: [] Fabric: [] Steel: [] Other _____ Belt Width _____ in

Take-Up: [] Screw [] Gravity [] Hyd. [] Other _____

Drive Motor: HP _____ Belt Speed _____ FPM Capacity _____ TPH

Center to Center Distance _____ Lift in Feet _____

Pulley Data:

Conveyor Identification						
Pulley Location (Drive, Tail, etc.)						
Pulley Quantity						
Pulley Type (Drum or Wing)						
Diameter x Face Width						
Crown or Straight Face						
Lagging Thickness - Type of Grooves						
Shaft Diameter Through Pulley						
Shaft Diameter Through Bearing						
Shaft Diameter at Drive						
Shaft Length						
Number of Keyseats						
Drive Type (Sprocket, Coupling, Shaft Mount Reducer, etc.)						
Bearing Centers						
Arc of Contact (α)						
T ₁ _____ Lbs. T ₂ _____ Lbs. 						

Special Requirements:

FEATURES/BENEFITS PAGE PT15-2	SPECIFICATION PAGE PT15-4	NOMENCLATURE PAGE PT15-7	SELECTION/DIMENSIONS PAGE PT15-10
----------------------------------	------------------------------	-----------------------------	--------------------------------------

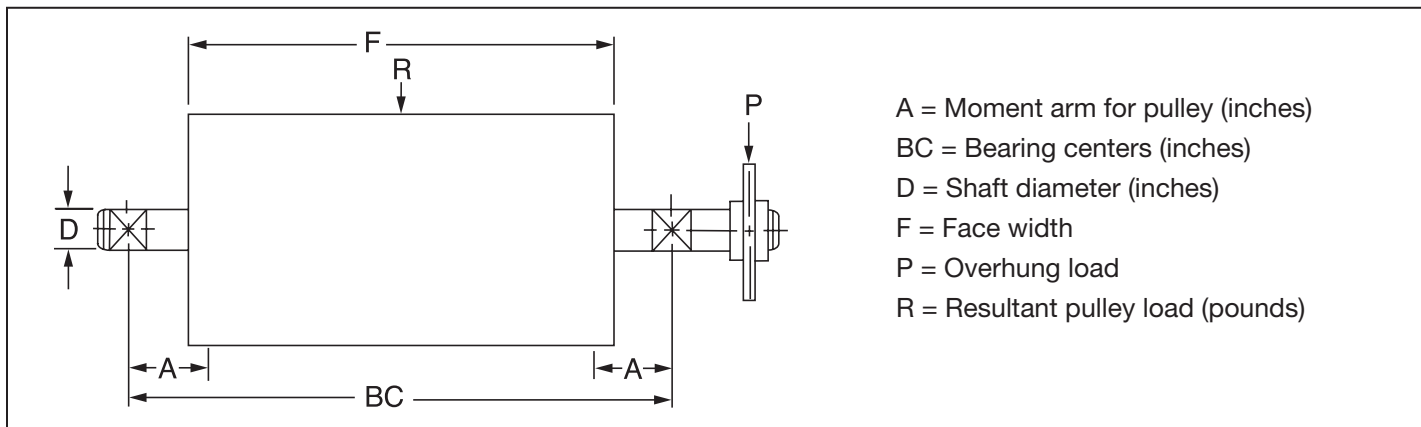


SELECTION

Drum and Wing Pulleys - CEMA, MDX, Mine Duty

Proper selection of pulley diameter, face width and shaft diameter can easily be determined if the following information is known:

- Belt Width (BW)
- Bearing Centers (BC)
- Arc of Belt Contact (α)
- Tight Side Belt Tension (T_1) (for drive pulleys only)*
- Slack Side Belt Tension (T_2)*



STEP 1

Determine Required Pulley Face Width

From: $F = BW + 2''$ (for BW 42" and under)
 $F = BW + 3''$ (for BW over 42")

Where: F = Pulley face width
 BW = Belt width

Note: For replacement pulleys use face width of existing pulleys.

STEP 2

Determine Bearing Center Minus Face Dimension

From: $BCMF = BC - F$
 Where: BCMF = Bearing center minus face dimension
 F = Face width
 BC = Bearing centerline to centerline dimension

Note: This selection guide is for conveyors with fabric belting. For other conveyor systems, consult factory for pulley selection.

***Note:** If belt tensions T_1 and T_2 are not known, please contact Dodge at (864) 297-8287.

STEP 3

Determine Pulley Pounds Per Inch of Belt Width

From: $PIW = T_1 \div BW$ (for drive pulleys)
 $PIW = T_2 \div BW$ (for non-drive pulleys)*

Where: PIW = Pounds per inch of width value
 T_1 = Tight side tension
 T_2 = Slack side tension*
 BW = Belt Width

***Note:** If non-drive pulley is on tight side of belt, substitute T_1 for T_2 . Wing pulleys should not be used as drive pulleys.

STEP 4

Determine Minimum Pulley Diameter

(Drum pulleys only) Determine minimum pulley diameter using PIW, arc of belt contact (α) and Table 1. Reading across the table from proper arc of contact select pulley diameter with PIW rating greater than actual PIW. Final pulley diameter may be greater than the diameter selected from Table 1 and must be greater than the belt manufacturer's recommended minimum diameter.

(Wing pulleys only) Determine minimum pulley diameter using PIW and Table 2. Select pulley diameter with PIW rating greater than actual PIW. Final pulley diameter may be greater than the diameter selected from Table 2 and must be greater than the belt manufacturer's recommended minimum diameter.

FEATURES/BENEFITS PAGE PT15-2	SPECIFICATION PAGE PT15-4	NOMENCLATURE PAGE PT15-7	SELECTION/DIMENSIONS PAGE PT15-10
----------------------------------	------------------------------	-----------------------------	--------------------------------------



Drum and Wing Pulleys

Table 1

Use in STEP 4 to determine minimum pulley diameter for Drum Pulleys Only Maximum Belt Tension (Pounds Per Inch Of Belt Width)

Arc of Contact (Deg.)	Pulley Diameter (Inches)													
	8	10	12	14	16	18	20	24	30	36	42	48	54	60
10	65	80	95	120	145	175	205	260	345	430	520	605	690	775
20	50	60	75	95	115	135	160	200	265	335	400	465	535	600
30	45	55	65	80	100	115	140	175	230	290	345	405	460	520
40	35	45	55	70	85	100	120	150	200	245	295	345	395	445
50	30	40	45	60	70	85	100	130	170	215	255	300	340	385
60	30	40	45	60	70	85	100	125	165	205	250	290	330	375
70	30	40	50	60	75	85	105	130	175	220	260	305	350	395
80	35	45	50	65	80	95	115	140	190	235	285	330	375	425
90	35	45	55	70	85	100	120	150	200	255	305	355	405	455
100	40	50	60	75	90	110	130	160	215	270	325	380	430	485
110	45	55	65	80	100	115	140	175	230	290	345	405	460	520
120	45	55	65	85	105	120	145	185	245	305	365	425	490	550
130	50	60	75	95	115	135	160	200	265	335	400	465	535	600
140	55	70	80	105	125	150	180	225	300	375	450	525	600	675
150	60	75	90	115	140	170	200	250	335	420	505	590	670	755
160	70	85	100	130	160	185	225	280	375	465	560	650	745	800
170	75	95	115	145	175	205	250	310	415	520	620	725	800	800
180	85	105	125	160	195	230	275	345	460	575	690	800	800	800
190	75	95	115	145	175	205	250	310	415	520	620	725	800	800
200	70	85	100	130	160	185	225	280	375	465	560	650	745	800
210	60	75	90	115	140	170	200	250	335	420	505	590	670	755
220	55	70	80	105	125	150	180	225	300	375	450	525	600	675
230	50	60	75	95	115	130	160	200	265	335	400	465	535	600
240	45	55	65	85	105	120	145	185	245	305	365	425	490	550

STEP 5

Determine Pulley Resultant Load

Determine pulley resultant load from belt tensions and arc of contact.

Resultant load is calculated by:

$$R = 2 \times T_2 \times \sin(\alpha/2) \text{ (non-drive)*}$$

$$R = (T_1 + T_2) \times \sin(\alpha/2) \text{ (drive)*}$$

Where: R = Pulley resultant load

T₁ = Tight side tension

T₂ = Slack side tension

α = Arc of contact

***Note:** If non-drive pulley is on tight side of belt, substitute T₁ for T₂. Wing pulleys should not be used as drive pulleys.

listed, interpolate or use the next higher value) until a load rating greater than the resultant load calculated in Step 5 is found. The proper shaft diameter is then read from the vertical shaft diameter column.

STEP 6

Determine Shaft Diameter

Determine shaft diameter from Table 3. Go down the proper pulley face width column and across from the bearing center minus face value (if the correct value is not

Table 2

Use in STEP 4 to determine minimum pulley diameter for Wing Pulleys only MAXIMUM BELT TENSION (Pounds Per Inch of Belt Width)

Dia.	Pounds Per Inch	Dia.	Pounds Per Inch
8"	80#	18"	180#
10"	100#	20"	200#
12"	120#	24"	240#
14"	140#	30"	280#
16"	160#	36"	350#

SELECTION



Drum and Wing Pulleys

Table 3 - Use In Step 6 To Determine Shaft Diameter Load Ratings (Pounds) For Pulley And Shaft Combinations

Shaft Diameter (Inches)	(L) Bearing Centers Minus Face	Pulley Face Width (Inches)														
		12	14	16	18	20	22	26	32	38	44	51	57	63	66	
1-3/16	2	1000	920	780	670	590	530	440	350	290	240	210	180	170	160	
	6	570	520	440	380	340	300	250	700	160	140	170	100	94	90	
	10	400	370	310	270	230	210	170	140	110	96	82	73	66	63	
	14	300	280	240	200	180	160	130	110	87	74	63	56	51	48	
1-7/16	3	1500	1500	1400	1200	1100	950	790	620	510	440	370	330	300	290	
	6	1000	1000	950	820	720	640	530	420	350	300	250	220	200	190	
	10	700	700	660	570	500	450	370	290	240	210	180	160	140	130	
	14	540	540	510	440	390	350	290	230	190	160	140	120	110	100	
1-11/16	3	2400	2400	2400	2300	2000	1800	1500	1200	980	830	710	630	570	540	
	6	1600	1600	1600	1600	1400	1200	1000	800	660	560	480	430	380	370	
	10	1100	1100	1100	1100	960	850	700	560	460	390	340	300	270	260	
	16	780	780	780	750	660	590	490	380	320	270	230	210	180	180	
1-15/16	3	3700	3700	3700	3700	3500	3100	2600	2100	1700	1400	1200	1100	990	940	
	6	2500	2500	2500	2500	2400	2100	1800	1400	1100	980	840	740	670	640	
	10	1700	1700	1700	1700	1700	1500	1200	970	800	680	580	520	470	420	
	16	1200	1200	1200	1200	1100	1000	840	670	550	470	400	360	320	310	
2-3/16	3	5300	5300	5300	5300	5300	5100	4200	3300	2800	2400	2000	1800	1600	1500	
	8	2900	2900	2900	2900	2900	2800	2300	1900	1500	1300	1100	990	890	850	
	12	2200	2200	2200	2200	2200	2100	1700	1400	1100	970	820	730	660	630	
	18	1500	1500	1500	1500	1500	1500	1200	980	810	690	590	530	470	450	
2-7/16	4	6300	6300	6300	6300	6300	6300	5600	4400	3700	3100	2700	2400	2100	2000	
	8	4000	4000	4000	4000	4000	4000	3600	2900	2400	2000	1700	1500	1400	1300	
	12	3000	3000	3000	3000	3000	3000	2700	2100	1700	1500	1300	1100	1000	910	
	18	2100	2100	2100	2100	2100	2100	1900	1500	1300	1100	910	810	130	690	
2-11/16	4	8100	8100	8100	8100	8100	8100	8100	6400	5300	4500	3800	3400	3100	2900	
	8	5300	5300	5300	5300	5300	5300	5300	4200	3400	2900	2500	2200	2000	1900	
	12	3900	3900	3900	3900	3900	3900	3900	3100	2600	2200	1900	1600	1500	1400	
	18	2800	2800	2800	2800	2800	2800	2800	2200	1800	1600	1300	1200	1100	1000	
2-15/16	4	10600	10600	10600	10600	10600	10600	10600	9100	7500	6400	5500	4900	4400	4200	
	8	6900	6900	6900	6900	6900	6900	6900	6000	4900	4200	3600	3200	2900	4700	
	14	4600	4600	4600	4600	4600	4600	4600	3900	3200	2800	2300	2100	1900	1800	
	20	3400	3400	3400	3400	3400	3400	3400	2900	2400	2000	1700	1600	1400	1300	
3-7/16	6	11600	11600	11600	11600	11600	11600	11600	11600	10100	8500	7200	6400	5700	5500	
	10	8500	8500	8500	8500	8500	8500	8500	8500	7400	6300	5300	4700	4200	4000	
	14	6700	6700	6700	6700	6700	6700	6700	6700	5800	4900	4200	3700	3300	3200	
	20	5100	5100	5100	5100	5100	5100	5100	5100	4400	3800	3200	2800	2500	2400	
3-15/16	6	16700	16700	16700	16700	16700	16700	16700	16700	16700	14200	12000	10600	9500	9000	
	10	12400	12400	12400	12400	12400	12400	12400	12400	12400	10600	8900	7900	7100	6700	
	14	9800	9800	9800	9800	9800	9800	9800	9800	9800	8400	7100	6300	5600	5300	
	20	7500	7500	7500	7500	7500	7500	7500	7500	7500	6400	5400	4800	4300	4100	
4-7/16	8	19600	19600	19600	19600	19600	19600	19600	19600	19600	19100	16100	14200	12700	12100	
	12	15300	15300	15300	15300	15300	15300	15300	15300	15300	14800	12500	11100	9900	9400	
	16	12500	12500	12500	12500	12500	12500	12500	12500	12500	12500	12100	10300	9100	8100	7700
	22	9800	9800	9800	9800	9800	9800	9800	9800	9800	9800	9500	8100	7100	6400	6000
4-15/16	8		25200	25200	25200	25200	25200	25200	25200	25200	25200	23600	20800	18500	17600	
	12		19900	19900	19900	19900	19900	19900	19900	19900	19900	19900	18600	16400	14600	13900
	16		16400	16400	16400	16400	16400	16400	16400	16400	16400	16400	15400	13500	12100	11500
	22		13000	13000	13000	13000	13000	13000	13000	13000	13000	13000	12200	10700	9600	9100
5-7/16	10			26600	26600	26600	26600	26600	26600	26600	26600	26600	26600	25100	22300	21100
	14			22000	22000	22000	20000	22000	22000	22000	22000	22000	22000	20700	18400	17500
	18			18700	18700	18700	18700	18700	18700	18700	18700	18700	18700	17700	15700	14900
	24			15300	15300	15300	15300	15300	15300	15300	15300	15300	15300	14500	12800	12200

FEATURES/BENEFITS PAGE PT15-2	SPECIFICATION PAGE PT15-4	NOMENCLATURE PAGE PT15-7	SELECTION/DIMENSIONS PAGE PT15-10
----------------------------------	------------------------------	-----------------------------	--------------------------------------

SELECTION



Drum and Wing Pulleys

Table 3 (Continued) - Use In Step 6 To Determine Shaft Diameter Load Ratings (Pounds) For Pulley And Shaft Combinations

Shaft Diameter (Inches)	(L) Bearing Centers Minus Face	Pulley Face Width (Inches)													
		12	14	16	18	20	22	26	32	38	44	51	57	63	66
6	10			35700	35700	35700	35700	35700	35700	35700	35700	35700	35700	33100	31300
	14			29500	29500	29500	29500	29500	29500	29500	29500	29500	29500	27300	25900
	18			25100	25100	25100	25100	25100	25100	25100	25100	25100	25100	23300	22100
	24			20600	20600	20600	20600	20600	20600	20600	20600	20600	20600	19000	19000
6-1/2	12				39200	39200	39200	39200	39200	39200	39200	39200	39200	39200	38000
	16				33200	33200	33200	33200	33200	33200	33200	33200	33200	33200	32100
	20				28800	28800	28800	28800	28800	28800	28800	28800	28800	28800	27800
	26				24000	24000	24000	24000	24000	24000	24000	24000	24000	24000	23200
7	12				49000	49000	49000	49000	49000	49000	49000	49000	49000	49000	49000
	16				41400	41400	41400	41400	41400	41400	41400	41400	41400	41400	41400
	20				35900	35900	35900	35900	35900	35900	35900	35900	35900	35900	35900
	26				29900	29900	20000	29900	29900	29900	29900	29900	29900	29900	29900
7-1/2	14				54100	54100	54100	54100	54100	54100	54100	54100	54100	54100	54100
	18				46500	46500	46500	48500	48500	46500	46500	46500	46500	46500	46500
	22				40800	40800	40800	40800	40800	40800	40800	40800	40800	40800	40800
	28				34400	34400	34400	34400	34400	34400	34400	34400	34400	34400	34400
8	14				65700	65700	65700	65700	65700	65700	65700	65700	65700	65700	65700
	18				56400	56400	56400	56400	56400	56400	56400	56400	56400	56400	56400
	22				49500	49500	49500	49500	49500	49500	49500	49500	49500	49500	49500
	28				41800	41800	41800	41800	41800	41800	41800	41800	41800	41800	41800
8-1/2	16						67700	67700	67700	67700	67700	67700	67700	67700	67700
	20						59400	59400	59400	59400	59400	59400	59400	59400	59400
	24						52900	52900	52900	52900	52900	52900	52900	52900	52900
	30						45400	45400	45400	45400	45400	45400	45400	45400	45400
9	16						80400	80400	80400	80400	80400	80400	80400	80400	80400
	20						70500	70500	70500	70500	70500	70500	70500	70500	70500
	26						59500	59500	59500	59500	59500	59500	59500	59500	59500
	32						51500	51500	51500	51500	51500	51500	51500	51500	51500
9-1/2	16						94500	94500	94500	94500	94500	94500	94500	94500	94500
	22						78100	78100	78100	78100	78100	78100	78100	78100	78100
	28						66500	66500	66500	66500	66500	66500	66500	66500	66500
	34						57900	57900	57900	57900	57900	57900	57900	57900	57900
10	16						110000	110000	110000	110000	110000	110000	110000	110000	110000
	22						91100	91100	91100	91100	91100	91100	91100	91100	91100
	28						77600	77600	77600	77600	77600	77600	77600	77600	77600
	34						64800	64800	64800	64800	64800	64800	64800	64800	64800

FEATURES/BENEFITS PAGE PT15-2	SPECIFICATION PAGE PT15-4	NOMENCLATURE PAGE PT15-7	SELECTION/DIMENSIONS PAGE PT15-10
----------------------------------	------------------------------	-----------------------------	--------------------------------------



SELECTION

Drum and Wing Pulleys

STEP 7

Determine Drive Pulley Shaft Diameter

(For drive pulleys only) The shaft diameter determined in Step 6 must be checked for torque capacity. The shaft diameter required for torque is determined from:

$$D_T = 3 \sqrt{\frac{16}{\pi \times S} \times \sqrt{(K_B \times A \times R \div 2)^2 + [(T_1 - T_2) \times D \div 2]^2}}$$

- Where:
- D_T = Required shaft diameter from torque
 - $p = 3.1416$
 - $S = 8000$ psi for 1042 -1045 shafting
(10,000 for 4140)
 - $K_B = 1.5^*$
 - A = Moment arm (from Table 4)
 - R = Resultant load from Step 5
 - T_1 = Tight side tension
 - T_2 = Slack side tension
 - D = Pulley Diameter

*Note: Use $K_B = 2.5$ for overhung load drive (chain, torque arm, etc.)
If D_T is greater than the shaft diameter from Step 6, round D_T up to the next standard shaft diameter and use that value. If D_T is less than the shaft diameter from Step 6, use the diameter selected from Step 6.

Table 4 - A-Values

Shaft Dia. (inches)	A	Shaft Dia. (inches)	A
1 to 2-7/16	N+1-5/8	4-15/16	N+3-1/4
2-11/16 to 2-15/16	N+1-3/4	5-7/16 to 6	N+4-1/2
3-7/16	N+2-1/2	6-1/2 to 7	N+5
3-15/16	N+2-3/4	7-1/2 to 8	N+5-1/4
4-7/16	N+3	8-1/2 to 10	N+6-1/4

N = BCMF ÷ 2

STEP 8

Compare Pulley Diameter

Compare the pulley diameter, face width combination selected with the standard drum pulley listing on pages PT14-15 - PT14-33 or the standard wing pulley listing on pages PT14-34 - PT14-48 to insure the selected combination is available. If the selected combination is not available increase shaft diameter or pulley diameter until a standard pulley is listed.

Example 1 (Drive Pulley)

Given: 36" belt width 3600 lb. T_1
52" bearing centers 1600 lb. T_2
210° arc of contact

Step 1

Determine required face width from:
 $F = BW + 2"$ $F = 36 + 2 = 38$

Step 2

Determine bearing center minus face dimension from:
BCMF = BC - F BCMF = 52 - 38 = 14"

Step 3

Determine pounds per inch of face width from:
 $PIW = T_1 \div BW$ $PIW = 3600 \div 36 = 100$ PIW

Step 4

Determine minimum pulley diameter using Table 1. Since $PIW = 100$ and arc of contact is 210°, the minimum pulley diameter is 14".

Step 5

Determine resultant load from:
 $R = (T_1 + T_2) \times \sin(\alpha/2)$
 $R = (3600 + 1600) \times \sin(210/2) = 5023$ lb.

Step 6

Determine shaft diameter using Table 3. Using a face width of 38" bearing center minus face dimension of 14" and a pulley resultant load of 5023 lbs., read down the 38" face width column until the load rating at BCMF = 14" exceeds 5023 lb. The first value to exceed 5023 lbs. is 5800 lbs. at a shaft diameter of 3-7/16.

Step 7

Check torque capacity of selected shaft using:

$$D_T = 3 \sqrt{\frac{16}{\pi \times S} \times \sqrt{(K_B \times A \times R \div 2)^2 + [(T_1 - T_2) \times D \div 2]^2}}$$

$$D_T = 3 \sqrt{\frac{16}{3.1416 \times 8000} \times \sqrt{(1.5 \times 9.5 \times 5023 \div 2)^2 + [(3600 - 1600) \times D \div 2]^2}}$$

$D_T = 2.86"$

The 3-7/16 shaft diameter selected in Step 6 is greater than 2.86: therefore 3-7/16 is the final shaft diameter selection.

Step 8

Checking the standard pulley listing on page PT14-30, a 14 x 38 pulley with 3-7/16 shaft (HE35 Hub) is a standard pulley.

Example 2 (Non-drive wing pulley).

Given: 54" belt width 180° arc of contact
71 bearing centers 8600 lb. T_2

Step 1

Determine required face width from:
 $F = BW + 3,$ $F = 54 + 3 = 57,$

Step 2

Determine bearing center minus face dimension from: BCMF = BC - F
BCMF = 71 - 57 = 14,

Step 3

Determine pounds per inch of face width from:
 $PIW = T_2 \div BW$ $PIW = 8600 \div 54 = 159$ PIW

Step 4

Determine minimum pulley diameter using Table 2. Since $PIW = 159$ the minimum pulley diameter is 16".

Step 5

Determine resultant load from:
 $R = 2 \times T_2 \times \sin(\alpha/2)$
 $R = 2 \times 8600 \times \sin(180/2) = 17,200$ lbs.

Step 6

Determine shaft diameter using Table 3. Using a face width of 57", bearing center minus face dimension of 14" and a pulley resultant load of 17,200 lbs., read down the 57" face width column until the load rating at BCMF = 14" exceeds 17,200 lbs. The first value to exceed 17,200 lbs. is 20,700 lbs. at a shaft diameter of 5-7/16.

Step 7

Checking the standard wing pulley listing on page PT14-46, a 16 x 57 wing pulley with 5-7/16 shaft (HE60 hub) is not a standard pulley. For a 5-7/16 shaft you must select a 24" diameter pulley.

FEATURES/BENEFITS PAGE PT15-2	SPECIFICATION PAGE PT15-4	NOMENCLATURE PAGE PT15-7	SELECTION/DIMENSIONS PAGE PT15-10
----------------------------------	------------------------------	-----------------------------	--------------------------------------

SELECTION/DIMENSIONS



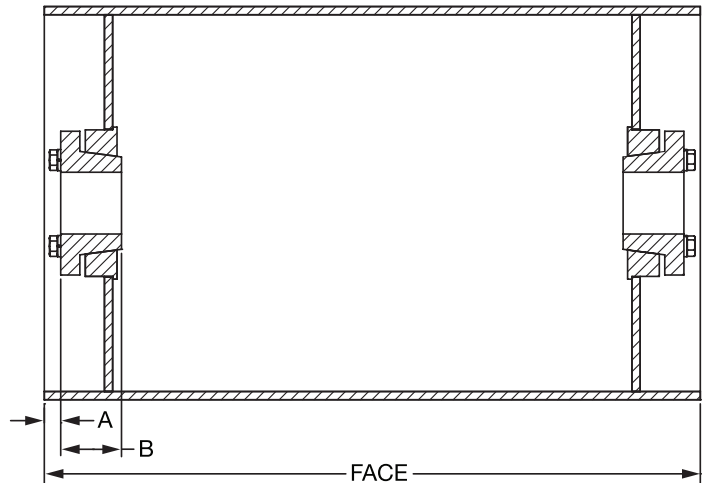
HE Heavy Duty Drum Pulleys



- Designed to CEMA specifications
- Standard crown face or straight face available
- 6" - 60" diameter and face widths exceeding 100", others available upon request
- HE bushing system designed specifically for Dodge Conveyor pulleys
- Most dependable mounting system for conveyor pulleys
- One piece die formed rim through 18"
- Rolled rim over 18"
- Available from stock

HE Dimensions

Hub	A	B	Bushing	Max. Bore	Screw Torque (in.-lb.)
HE25	3/4	1.80	HE25	2-1/2	360
HE30	3/4	2.20	HE30	3	710
HE35	3/4	2.78	HE35	3-1/2	1080
HE40	3/4	2.93	HE40	4	1680
HE45	3/4	3.20	HE45	4-1/2	1680
HE50	3/4	3.70	HE50	5	2400
HE60	1	3.95	HE60	6	4200
HE70	1	4.45	HE70	7	6000
HE80	1-1/4	5.20	HE80	8	6000
HE100	1-1/4	6.45	HE100	10	7200
HE120	1-1/4	7.45	HE120	12	7200





HE Heavy Duty Crown Drum Pulley Part Numbers

Dia	Hub	Face Width																								
		10	12	14	16	18	20	22	24	26	28	30	32	34												
6	HE25		206001	206003	209942	203500	203501	206009	203502	206012		203503	203504													
8	HE25		206020	206022		206024	203516		209945	206029		203519	206031													
10	HE25	203268	206035	206036	206037	206039	206041	206042	203530	206044	223058	209710	206046													
	209948				203910	203526	203531		203533	203538																
					203527	203529	203534		203539																	
12	HE25		209716	206056	206057	206058	206060	209718	203561	206063	203272	209720	206066	209721												
	HE30														223061	203271	209717	203558	203562	206064	203568	206067				
	HE35																203559	203563	203565	203566	203571	203572				
	HE40																203560	203566	203566	203566	203571	203572				
14	HE25		203594	209726	203596	203597	206080	209951	203607	206081	209729	209730	206083													
	HE30																209727	203603	203608	206082	203616	203620				
	HE35																		203609	209728	203617	203621				
	HE40														209725			203600		203613	203618	203622				
	HE45																	203606	203611		203623					
	HE60																									
16	HE25	203207	203651	203652	206090	206091	206092	209736	209952	206095	223074	209739	206097	209740												
	HE30														202002	209734	202005	203283	209735	203657	209737	206096	209738	203670	206098	
	HE35																		203654	203658	203666	223075	203671	203674	203675	
	HE40																		203655	203659	203664	203667	203672	203675	203676	
	HE45																					203668	203672	203675	203676	
	HE50																					223073	223076	223076	223076	
18	HE25	202006	203703	203704	209743	209744	206110	203712	209746	206111	223096	209749	206114	203732												
	HE30														203208	202009	202010	202015	203707	209745	203713	203718	206112	209748	203725	206115
	HE35														202007	224523	202011	202016	202017	203709	209953	203719	206113	223097	203726	203729
	HE40																		203710	203715		209747	223098	203727	203730	203734
	HE45																					203723	223098	203728	203731	203731
	HE50																					223095	223099	203728	203731	223099
20	HE25	203309	209756	203765	203766	203767	206125	203773	203778	206126	223124	209955	206089	223130												
	HE30														202018	224524	202024	202029	202031	209757	203774	209758	206127	223125	203786	206129
	HE35														202019	202023	202025	202030	203768	203770	203775	203780	206128	223126	203787	206130
	HE40																			203771	203776	203781	209759	223127	203788	203790
	HE45																						203784	203789	203791	203311
	HE50																						223123	223128	203789	203791
24	HE25	224528	202035	202038	202041	202043	202046	202047	202049	223160	223161	209955	206089	223130												
	HE30														203814	209957	203816	203817	203818	203819	209958	203827	206140	223162	203832	206142
	HE35														202032	202036	209767	202042	202044	203820	203824	203828	206141		203833	206143
	HE40														224529	202037	203339	224533	202045	203821	202048	203829	203908	209769	209770	206144
	HE45																			203822	203826		203831		209771	203836
	HE50																						203340	223163	209772	203836
HE60										223164	209773	209772														
30	HE30	202050	224534	203857	203858	209959	203860	202070	202073	223160	223161	209955	206089	223130												
	HE35														202051	224535	202062	203210	202067	203861	203864	203868	203871		203874	203878
	HE40														202052	224536	224537	209780		203862	203865	203869	203872		203875	203879
	HE45														202053	202060	202063	202151	202068	203863	202071	203870	203873			203880
	HE50														202054	202061	202064	202066		202069	202072	202074				209781
	HE60																									223192
36	HE30	202075	202085	202090	203906	202096	202098	202103	202107	223160	223161	209955	206089	223130												
	HE35														202076	202086		202096	202099	202104	202108					
	HE40														202077	202087		202096	202099	202104	202108					
	HE45														202078	202088	202091	202095	202099	202104	202108					
	HE50														202079	202089	202092		202097	202102	202106					
	HE60																									
	HE70																									



HE Heavy Duty Crown Drum Pulley Part Numbers (continued)

Dia	Hub	Face Width											
		36	38	40	44	46	50	51	54	56	57	60	63
6	HE25	203505	206014	209700	209701		203510	203511	203512			209703	209704
8	HE25		209707		206033			206034	203524				
10	HE25	209949	206048		206049			206052	209712		223059		223060
	HE30		203543		206051			206050				209713	209714
	HE35		203544		209711		203203	203551		203204			209715
12	HE25	209950	206069	203274	206072	203583		206074	203590		203275		203276
	HE30	203574	206070	209722	206073	203584		203587	203591		223063		209724
	HE35	203575	203577	206071	203581	203585		203588	203592		209723		203277
	HE40		203578	203579	203582	203586		203589	203593				223065
14	HE25	203624	206084		203633	203637		203642	209731				223070
	HE30	203625	206085		203907	203638		206087	203647		223067		223071
	HE35		203629	206086	203634	203639		203643	203648		223068		209733
	HE40	203627	203097		203635			203644	203649		223069		223072
	HE45		203631		203636	203641		203645			209732		
	HE60						203205				203206		
16	HE25	203677	206099	223080	203685	203689		203695	203698				223091
	HE30	203678	206100	223081	206102	203690		203696			223086	223090	209742
	HE35	203679	203682	206101	203686	223084		206103	203700		223087		223092
	HE40	203680	203683	223082	203687	203691		206104	203701		223088		203293
	HE45		203684	209741	203688	203692		203697			203292		223093
	HE50		223079	223083				223085			223089		223094
18	HE25	203735	206116	223101	203744	203748		203755	203759		223111		223118
	HE30	203098	206117	203742	203745	203749		203756	203760		223112		223119
	HE35	203737	206118	209751	206121	203750		203757	203761		223113		209755
	HE40	203738	203740	206119	203746	203751	203754	206120	203762		223114		223120
	HE45	203739	203741	223102	209752	209753		203758	203763		223115		203307
	HE50	223100	203303	223104	203305	203753		209754	223110		223116		203308
20	HE25	209956	206131	223133	203799	203802		223142			223148		223155
	HE30	203793	206132	223134	206134	203803		203807	203810		203320		223156
	HE35	203794	206133	223135	206135	223139		203808	203811		203322		209766
	HE40	203795	203797	203314	206136	203804		203809	203812		223149		203326
	HE45	203796	209761	203315	209762	209763		206137	203813		223150		203327
	HE50		223132	223136	203801	203317		209764	209765		203323	223154	203328
24	HE25		203342	223168	223174			223179	223181		223183		223186
	HE30	203837	206145		206148	203845		203848	209777		223184		
	HE35	203838	206146	203842	206149	203846		203849	203853		203361		223187
	HE40	203839	206147	203843	203844	203349		203850	203854		203856		209778
	HE45	203840	203841	223170	206150	203350		206151	203855		203362		203371
	HE50		203343	223171	209774	209775		209776	223182		203363		209779
	HE60	223166	203344	223172	203346	203352		203355	203359		203364		203373
30	HE30		203886		203891	203895		223200					223208
	HE35	203883	209960		203892	203896		203900					
	HE40	203884	203888	203890	209784	203897		203901			223206		
	HE45	203885	209782		203894	203898		209786	203905		203408		223209
	HE50		203393	209783	209785	223198		203402	223204		203409	223207	223210
	HE60	223193	203394	223195	203398	203401		203403	203406		203410		203414
36	HE30												
	HE35												
	HE40		203474		223213			223219				223224	223225
	HE45				203475			223220					
	HE50				223214	223217		223221					223226
	HE60				203437	223218		203438			203441		223227
HE70				223215			203439			223223		223228	

Conveyor Components

Engineering

Part Number Index

Keyword Index



HE Heavy Duty Straight Drum Pulley Part Numbers

Dia	Hub	Face Width										
		10	12	14	16	18	20	24	26	28	30	32
6	HE25		223230	209800		209801	209802		209803			223231
8	HE25	223233	223234	223235	223236	223237	223238		223239		223240	209810
	HE30											
	HE35											
10	HE25						209814		209815			209816
	HE30											223245
	HE35											
12	HE25					209818	209819	223250	209820	223252		223253
	HE30								223251			209821
	HE35											223254
	HE40											
	HE45											
14	HE25								209826			209827
	HE30								223262			223263
	HE35											
	HE40											
	HE45											
	HE50											
16	HE25						223275		223277	223280		209832
	HE30						223276		209831	223281		223283
	HE35								223278	223282		223284
	HE40								223279			209833
	HE45											223285
	HE50											
	HE60											
18	HE25								223307	223308		223311
	HE30								209843	223309	209845	223312
	HE35								209844	223310		209846
	HE40											223313
	HE45											223314
	HE50											
	HE60											
HE70												
20	HE25								223361			223366
	HE30								223362			223367
	HE35								209852	223363		223368
	HE40									223364		223369
	HE45											223370
	HE50											223371
	HE60									223365		
	HE70											



HE Heavy Duty Straight Drum Pulley Part Numbers (continued)

Dia	Hub	Face Width										
		34	36	38	40	44	46	51	54	57	60	63
6	HE25			209804	223232	209805				209806	209807	209808
8	HE25			209811		223242		209812		223244		209813
	HE30							223243				
	HE35			223241								
10	HE25			209817		223246						223248
	HE30						223247					223249
	HE35											
12	HE25					209823		223258				209825
	HE30			209822			223257	209824	223259	223260		
	HE35			223255								
	HE40											
	HE45					223256						
14	HE25			209828								
	HE30			223265		209829			223271			209830
	HE35		223264	223266		223268						223272
	HE40			223267		223269						
	HE45											223273
	HE50											223274
16	HE25			209835				209839				
	HE30	209834		209836	223290	223293	223294	223301			209841	
	HE35			223287	223291	209837	223295	209840				209842
	HE40	223286			223292	209838	223296	223302		223305		223306
	HE45			223289			223297	223303				
	HE50						223298	223304				
	HE60						223299					
18	HE25			223319	223324		223334	223340	223345			223355
	HE30			223320	223325	223330	223335					
	HE35		223315	209847	223326	209848	223336	223341	223346	223351		209851
	HE40		223316	223321	223327	223331	223337	223342	223347	223352		223356
	HE45		223317	223322	223328	209849		223343	223348			223357
	HE50		223318	223323	223329	223332		209850	223349	223353		223358
	HE60					223333		223344	223350	223354		223359
	HE70											223360
20	HE25				223380	223386		223398				
	HE30			223375	223381	223387	223391	223399	223405			
	HE35	223372		223376	223382	223388	223392	223400		223407		223409
	HE40			223377	209853	223389	223393	223401	209855			223410
	HE45			223378	223383	223390	223394	223402				223411
	HE50	223373	223374	223379	223384	209854	223395	223403	223406			223412
	HE60				223385		223396	223404				
	HE70											

Conveyor Components

Engineering

Part Number Index

Keyword Index



SELECTION

HE Heavy Duty Straight Drum Pulley Part Numbers (continued)

Dia	Hub	Face Width										
		10	12	14	16	18	20	24	26	28	30	32
24	HE25											
	HE30											
	HE35									223414		223415
	HE40											223416
	HE45											223417
	HE50											223418
	HE60											223419
	HE70											
HE80												
30	HE25											
	HE30											
	HE35											
	HE40											
	HE45											
	HE50											
	HE60											
	HE70											
HE80												
36	HE35											
	HE40											
	HE45											
	HE50											
	HE60											
	HE70											
HE80												

Dia	Hub	Face Width										
		34	36	38	40	44	46	51	54	57	60	63
24	HE25				223426		223437	223443				
	HE30				223427				223449			
	HE35			223420	223428	223433	223438	223444	223450	223454		223460
	HE40			223421	223429	223434	223439	223445	223451	223455		
	HE45			223422	223430	223435	223440	223446	223452	223456		223461
	HE50			223423	223431	209856		209857		223457	223459	223462
	HE60			223424	223432	223436		223447	223453	223458		223463
	HE70			223425			223441	223448				223464
HE80											223465	
30	HE25											
	HE30											
	HE35									223484		
	HE40					223472						
	HE45			223467								223487
	HE50			223468		223473			223481			223488
	HE60			223469		223474		223479	223482	223485		223489
	HE70		223466		223470	223475	223477	223480				223490
HE80				223471	223476			223483	223486		223491	
36	HE35											
	HE40											
	HE45									223497		
	HE50											
	HE60						223493	223494	223496	223498		223499
	HE70					223492		223495				223500
HE80											223501	

SELECTION



HE Heavy Duty Crown Drum Pulleys with Lagging Part Numbers

Dia	Hub	Lagging	Face Width											
			12	14	18	20	26	32	38	44	51	63		
6	HE25	3/8 HBG				209896								
8	HE25	3/8 HBG					209897							
10	HE25	3/8 HBG					209898	209899	203911	209900	209902			
	HE30	3/8 HBG						207971	207973	209901				
12	HE25	3/8 HBG				209903	209904	209905	209906	224508		203473		
	HE30	3/8 HBG					206105	206106	209907	209909	209910			
	HE35	3/8 HBG							209908		209911	207578		
14	HE25	3/8 HBG				209912	207954	207950	207951	207205	207952	207953		
	HE30	3/8 HBG					209913	209914	209915	209916	209918			
	HE35	3/8 HBG					205669		205670	209917	209919			
16	HE25	3/8 HBG				209920	207206	205671	207209	205673				
	HE30	3/8 HBG					207207	207208	207210	209922	209923			
	HE35	3/8 HBG					206054	206075	206076	208923	205675			
	HE40	3/8 HBG						205672	209921	205674	205676			
18	HE25	3/8 HBG						209924						
	HE30	3/8 HBG					207211	207212	207213		205520			
	HE35	3/8 HBG					206107	206077	206108	209927	205521	205523		
	HE40	3/8 HBG						209925	209926	209928	205522	205524		
20	HE25	3/8 HBG					209929	209932						
	HE30	3/8 HBG					209930	207214	209934					
	HE35	3/8 HBG					209931	209933	209935		205527	205528		
	HE40	3/8 HBG					206078	206079	206088	205985	209936			
	HE45	3/8 HBG							209983					
24	HE25	3/8 HBG	203912											
	HE30	3/8 HBG		203913				209937						
	HE35	3/8 HBG			203914		207977	209938	209939		205530			
	HE40	3/8 HBG					207978	207215	207216	209940	209941	205532		
	HE45	3/8 HBG					206017	206018	206019	206053	205531	205533		

Conveyor Components

Engineering

Part Number Index

Keyword Index



SELECTION/DIMENSIONS

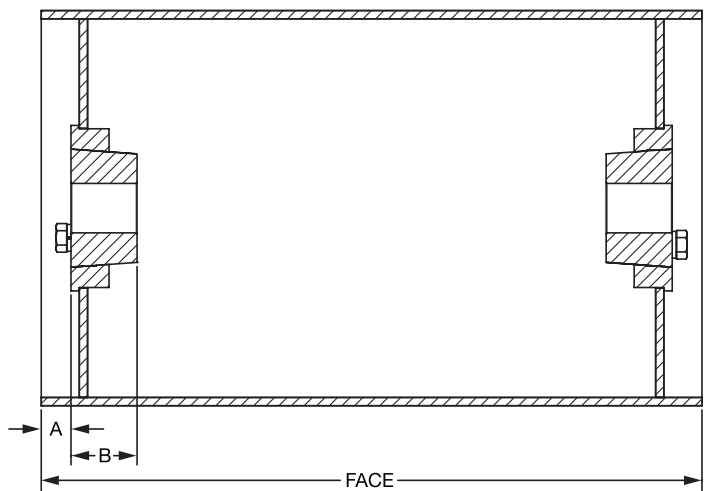
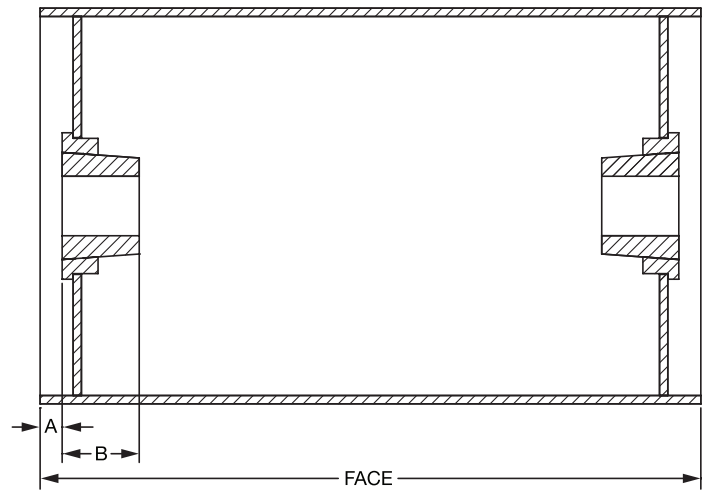
TAPER-LOCK Heavy Duty Drum Pulleys



- Designed to CEMA specifications
- Standard crown face or straight face available
- 6" - 60" diameter and face widths exceeding 100". Others available upon request.
- Flush mount, compact design mounting system
- One piece die formed rim through 18"
- Rolled rim over 18"
- Available from stock

TAPER-LOCK Dimensions

Hub	A	B	Bushing	Max. Bore	Screw Torque (in.-lb.)
K25	1	1-3/4	2517	2-1/2	430
F25	1	1-3/4	2517	2-1/2	430
F30	1	2	3020	3	800
K35	1	3-1/2	3535	3-1/2	1000
K40	1	4	4040	4	1700
K45	1	4-1/2	4545	4-1/2	2450
K50	1	5	5050	5	3100
K60	2-1/4	5	6050	6	7820
K70	2-1/4	6	7060	7	7820
K80	2-1/4	6-1/2	8065	8	7820
K100	2-1/4	8-1/2	10085	10	13700
K120	2-1/4	10	120100	12	13700





Taper-Lock Heavy Duty Crown Drum Pulley Part Numbers

Dia	Hub	Face Width										
		10	12	14	16	18	20	22	24	26	30	32
6	F25		204505	204506	204507	204508	204509	204510	204511	204512	204514	204515
8	F25	204417	204524	204525			204528			204531		204534
	F30											
	K35											
10	K25		204549	204550	204551	204552	204553	204554	204555	204556	204558	204559
	F30											
	K35											
12	K25		204574	204575	204576	204577	204578	204579	204580	204581	204582	204584
	F30											
	K35											
	K40											
	K45											
14	K25		204599	204600	204601	204602	204603	204604	204605	204606	204608	204609
	F30											
	K35											
	K40											
	K45											
16	K25		204623	204624	204625	204626	204627	204628	204629	204630	204632	204633
	F30											
	K35											
	K40											
	K45											
	K50											
18	K25		204649	204650	204651	204652	204653	204654	204655	204656	204658	204659
	F30											
	K35											
	K40											
	K45											
	K50											
	K60											
20	K25		204672	204673		204675	204676	204677	204679	204681	204682	
	F30											
	K35											
	K40											
	K45											
	K50											
	K60											
	K70											



Taper-Lock Heavy Duty Crown Drum Pulley Part Numbers (cont)

Dia	Hub	Face Width										
		34	36	38	40	44	46	48	51	54	57	63
6	F25		204517	204518			204520	204339		204522		204342
8	F25			204537		204538	204539					204346
	F30											
	K35											
10	K25		204561	204562		204565	204566		204568	204571		
	F30		205057	205058		205059	205060		205061			
	K35			205127		205128	205129					
12	K25		204586	204587		204590	204591		204593			
	F30		205066	204702		204703	205067		205068			
	K35		205138	205139		205140	205141		205142			
	K40			205227	204349	205228	204275		205229	205230		
	K45											
14	K25		204611	204612		204615			204618			
	F30		205075	205076		204761			205078			
	K35		205150	205151		205152	205153		205154			
	K40				204265	205240	204276		205241			
	K45			205312								
16	K25		204635	204636		204639	204640		204642			
	F30		205083	204709		204710		204267	205085			
	K35		205162	204268		205163		204269				
	K40			204277		204278		205250	205251			
	K45					205325		205327	205328			
	K50											
18	K60											
	K70											
	K25		204661	204662		204665	204666		204668	204669		
	F30	204354	205090	204715	204357	204716	205091		205092	205093		
	K35	204355	205171	204270	204358	204271	205172		203099		223504	
	K40	204356	205258	204280		204281	205261		205262	205263		
	K45			205336		205337	205338		205339	205340		
20	K50			223503			204359					
	K60											
	K70											
	K25		204684	204685		204687						
	F30		205097	204722		204723	205098		204724			
	K35	204754	205179	204426		204427	204769		205180	205181		
	K40		205270	204282		204283	205273		204284	205275		
K45		205347	205348		205349	203096		205350	205351			
K50					204362	204770						
K60												
K70												



Taper-Lock Heavy Duty Crown Drum Pulley Part Numbers (cont)

Dia	Hub	Face Width										
		10	12	14	16	18	20	22	24	26	30	32
24	K25	204365	204727	204728	204729	204730	204731	204732	204733	204734	204735	204736
	F30						204428			204429		204430
	K35						205276			204772		204285
	K40						205352			205355		204290
	K45											
	K50											
	K60											
	K70											
K80												
30	K25			204744	204745	204746	204747	204748	205102	204749	205290	204750
	F30			205188	204435	204436						
	K35			205286	205289	205291						
	K40			205363	205365	205368						
	K45											
	K50											
	K60											
	K70											
K80												
36	K35				204780							
	K40											
	K45											
	K50											
	K60											
	K70											
K80												

Dia	Hub	Face Width															
		34	36	38	40	44	46	48	51	54	57	63					
24	K25		204738	204739	204366	204740	205100	204774	204741	205101	204368						
	F30			204431		204432	205186		204272	205187							
	K35			204286		204287	204773		204288	205285							
	K40			204291		204292			204293	205362							
	K45			204295					204779								
	K50			204946					204329								
	K60																
	K70																
K80																	
30	K25			204751	204369	205105	205192	204381	205193	205374							
	F30			204437		204438			205295			205296					
	K35			205293		205294			205295			205373					
	K40			205370		205371			205372								
	K45																
	K50																
	K60																
	K70																
K80																	
36	K35																
	K40																
	K45																
	K50																
	K60																
	K70																
K80																	



SELECTION/DIMENSIONS

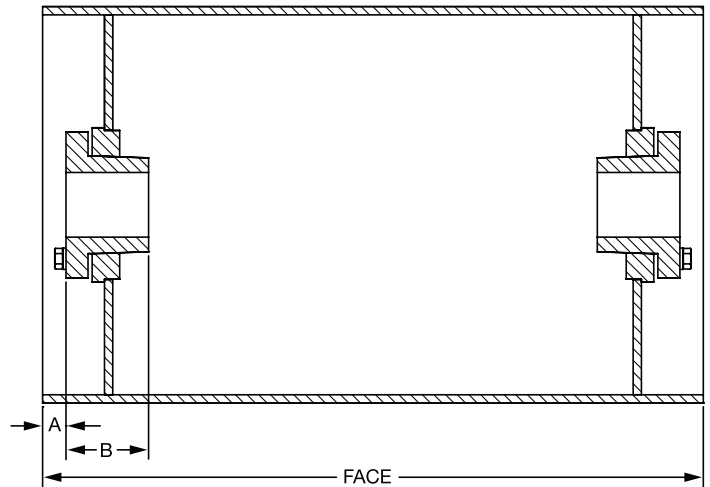
QD Heavy Duty Drum Pulleys



- Designed to CEMA specifications
- Standard crown face or straight face available
- 6" - 60" diameter and face widths exceeding 100". Others available upon request.
- Flange mount bushing system
- One piece die formed rim through 18"
- Rolled rim over 18"
- Available from stock

QD Hub	A	B	Bushing	Max. Bore*	Screw Torque (in.-lb.)
SF	7/8	2-1/16	SF	2-1/2	360
E	1	2-3/4	E	3	720
F	1-1/16	3-3/4	F	3-1/2	900
JS	1-1/8	3-3/8	J	4	1620
MS	1-1/4	4-13/16	M	4-1/2	2700
NS	1-5/16	6	N	5	3600
PS	1-3/8	6-1/2	P	6	5400
WS	1-9/16	7-1/4	W	8	7200
SS	1-5/8	8-3/4	S	10	9000
ZS	1-9/16	8-3/4	Z	12	7200

* Maximum recommended for conveyor pulley applications





QD Heavy Duty Crown Drum Pulley Part Numbers

Dia	Hub	Face Width										
		10	12	14	16	18	20	22	24	26	30	32
6	SF		208301	208302	208303	208304	208305	208306	208307	208308	208309	208310
8	SF E F											
10	SF E F		208337	208338	208339	208340	208341 208342	208344 208345	208347 208348	207500 208350	208352	207501 208355 208356
12	SF E F J M		208375	208377	208378	208379	207503 208380	208383 208384 208385	208387 208388 208389	207504 207514 208391	208393 208394 208395	207505 207515 208397 208398
14	SF E F J M N		208422	208423	208424	208425	208426 208428	208431 208433	208436 208437	207507 208441 208442 208443	208445	207508 208450
16	SF E F J M N P		208474			208476	208477 208478 208479	208482 208484	208487 208488 208489	207510 207517 208492 208493	208495 208496	207511 208500 208501 208502
18	SF E F J M N P		208531	208532		208534	208536 208537 208538	208541 208543	208546 208547 208548	207513 207519 208551 208552	208554 208555	208559 207520 207527 208561 208562
20	SF E F J M N P		208597	208598 223528		208600	208602 208603 208604 208606	208607 208608	208612 208613	208617 207522 207529 208618 208619	208621 208622 208623	208625 207523 207530 208626 208627



QD Heavy Duty Crown Drum Pulley Part Numbers (Continued)

Dia	Hub	Face Width										
		34	36	38	40	44	46	48	51	54	57	63
6	SF		208311	208312		208313	208314	208315	208316			208319
8	SF		208330	208331			208333		208334	208335		208336
	E											
	F											
10	SF		208357	207502		208363			208369	208372	223518	223519
	E		208358	208360		208364			208370	208373		
	F			208361					208371			
12	SF		208399	207506		208406			208414			
	E		208400	207516		208407			208415			223520
	F		208401	208403		208408			208416			223521
	J					208409			208417			
14	M											
	SF		208454	207509		208464	208469					
	E			208459		208465	208470		208794			223523
	F			208460		208466			223522			
	J			208461		208467						
16	M											
	N											
	SF		208504	207512		208512	208517		208521			
	E		208505	207518		208513		208522	208527			208800
	F		208506	207526		208514		208523				
	J		208507	208510		208515		208524	208529	223524		
18	M											
	N											
	P											
	SF		208566	208571		208577			208587			
	E	208563	208567	207521	208575	208578			208588	208593		223526
	F	208564	208568	207528	208576	208579	208584		208589			208806
	J		208569	208573		208580			208590			223527
20	M											
	N											
	P											
	SF		208628	208633		208636						
	E		208629	207524		208637	208643		208646			
	F			207531		208638			208647			
	J		208631	208634		208639	208644		208648			
	M			208635		208640			208649			
N			223529							223530		

SELECTION



QD Heavy Duty Crown Drum Pulley Part Numbers (Continued)

Dia	Hub	Face Width									
		10	12	14	16	18	20	22	24	26	30
24	SF	208654	208655	208656	208657		208659	208664	208667	208671	208673
	E						208660		207532		
	F						208661		208672		
	J						208662				
	M										
N											
P											
30	SF			208703	208704	208705	208706			208717	208723
	E			208758			208707			208718	
	F						208708			208719	
	J						208709				
	M										
N											
P											
36	SF										
	E										
	F										
	J										
	M										
N											
P											

Dia	Hub	Face Width										
		34	36	38	40	44	46	48	51	54	57	63
24	SF		208679 208680	208683	208686 208687	208688	208693		208694	208699 208700		
	E			207534		208689			208695			
	F			208684		208690			208696			
	J			208685		208691			208697			
	M			223531		223533			223535			
N	223532	223534	223536									
P												
30	SF			208731	208734	208735	208740 208742		208743	208746 208747		
	E			207536		208736			208744			
	F			208732		208737			208745			
	J			208733		208738						
	M											
N												
P												
36	SF											
	E											
	F											
	J											
	M											
N												
P												

FEATURES/BENEFITS PAGE PT15-2	SPECIFICATION PAGE PT15-4	NOMENCLATURE PAGE PT15-7	SELECTION/DIMENSIONS PAGE PT15-10
----------------------------------	------------------------------	-----------------------------	--------------------------------------



SELECTION

Heavy Duty Drum Pulley Average Weights - HE, TAPER-LOCK, QD

Dia.	Max. Bore	Face Width										
		12	14	16	18	20	22	24	26	30	32	36
6	2.5	27	29	31	33	35	37	39	41	45	47	52
8	2.5	34	37	40	42	45	48	51	53	59	62	69
10	2.5	43	46	50	53	56	60	63	67	74	77	88
	3	49	53	56	60	63	67	70	74	80	84	94
12	2.5	52	56	60	64	69	73	77	81	89	93	107
	3	60	64	68	72	77	81	85	89	97	102	115
	3.5	75	79	83	87	92	96	100	104	112	116	129
14	2.5	62	67	72	77	82	87	91	96	106	111	128
	3	62	67	72	77	82	86	91	96	106	111	128
	3.5	85	90	95	100	105	110	114	119	129	134	150
	4	95	100	105	110	114	119	124	129	139	144	160
16	2.5	67	72	78	83	89	94	100	105	117	122	144
	3	72	77	83	88	94	99	105	111	122	127	148
	3.5	90	96	101	107	112	118	124	129	140	146	166
	4	106	112	117	123	129	134	140	145	156	162	182
	4.5	...	126	131	137	142	148	153	159	170	176	195
18	2.5	77	83	89	96	102	108	114	121	133	139	165
	3	90	97	103	109	115	122	128	134	147	153	178
	3.5	100	107	113	119	125	132	138	144	157	163	188
	4	123	131	139	148	156	164	173	181	198	206	235
	4.5	...	145	154	162	170	179	187	193	212	220	248
	5	192	201	209	217	226	234	251	259	286
20	2.5	101	111	120	129	138	148	157	166	185	194	229
	3	117	127	136	145	154	164	173	182	201	210	245
	3.5	125	134	144	153	162	171	181	190	208	218	252
	4	135	144	154	163	172	181	191	200	218	228	261
	4.5	...	159	168	177	186	196	205	214	233	242	275
	5	207	216	225	234	244	253	271	281	313
24	3	149	160	171	183	194	205	216	227	249	260	307
	3.5	167	179	190	201	212	223	234	245	268	279	325
	4	177	188	199	211	222	233	244	255	277	288	334
	4.5	...	202	213	224	235	247	258	269	291	302	347
	5	274	287	301	315	329	343	371	385	434
	6	386	403	419	436	453	486	502	561
30	3	204	218	232	246	260	274	288	301	329	343	409
	3.5	222	236	250	264	278	292	306	320	348	362	427
	4	253	270	287	305	344	340	357	374	409	426	498
	4.5	...	284	301	319	336	353	371	388	423	440	512
	5	340	357	374	392	409	427	461	479	550
	6	462	483	504	524	545	587	608	693
	7	536	557	578	598	619	703	724	765
	8	613	634	655	676	758	779	820

- Crown face pulleys will be provided unless straight face is specified
- These pulleys are designed to meet the CEMA Pulley Specification B105.1-1993. They are not to be used with steel cable belts or other high modulus belts.

FEATURES/BENEFITS PAGE PT15-2	SPECIFICATION PAGE PT15-4	NOMENCLATURE PAGE PT15-7	SELECTION/DIMENSIONS PAGE PT15-10
----------------------------------	------------------------------	-----------------------------	--------------------------------------

SELECTION



Heavy Duty Drum Pulley Average Weights - HE, TAPER-LOCK, QD

Face Width												
38	40	44	46	51	54	57	60	63	66	72	75	78
54	56	60	62	67	71	74	77	80	83	90	93	96
72	75	80	83	90	96	100	104	108	112	122	127	131
91	94	101	105	113	122	127	132	138	143	157	162	167
97	101	108	111	120	128	133	138	143	149	162	167	172
111	116	124	128	138	150	156	163	169	175	193	199	205
119	123	135	139	149	160	167	173	179	185	203	209	215
134	138	146	150	161	171	178	184	190	196	213	220	226
133	138	148	153	165	180	187	194	202	209	231	239	246
133	137	162	166	179	193	200	208	215	222	244	251	259
155	160	170	175	187	201	208	216	223	230	252	259	266
164	169	179	184	196	210	217	224	231	239	260	267	274
149	155	166	171	185	204	212	221	229	237	264	273	281
154	159	190	196	210	228	236	245	253	261	288	296	305
172	177	189	194	214	232	241	249	257	266	292	300	308
187	193	204	210	224	241	249	257	266	274	300	308	316
201	206	217	223	237	254	262	270	279	287	312	320	329
172	178	190	197	212	235	244	254	263	273	305	314	323
185	191	212	218	234	256	266	275	284	294	325	335	334
194	200	213	219	243	265	275	284	293	303	334	343	353
243	251	268	276	297	321	334	346	359	371	408	421	433
256	265	281	290	311	334	347	359	372	384	421	433	446
295	303	320	350	371	394	406	419	431	444	480	492	504
238	248	266	275	299	329	343	357	371	385	429	443	457
254	263	282	291	314	344	358	372	386	400	444	457	471
261	270	289	298	321	351	365	379	393	406	450	464	478
271	280	298	308	331	360	374	388	402	415	458	472	486
284	294	312	321	344	373	387	401	415	429	471	485	499
323	332	350	360	383	411	425	439	452	466	508	522	536
318	329	351	362	390	431	447	464	481	497	555	571	588
336	347	369	380	408	448	465	482	498	515	572	589	605
345	356	378	389	417	457	473	490	507	524	580	597	613
358	369	391	403	430	470	486	503	520	536	592	609	626
448	462	490	504	538	581	602	623	643	664	728	749	769
577	594	627	644	685	735	760	785	810	834	909	934	959
423	437	465	479	514	573	594	615	636	657	737	757	778
441	455	483	497	532	590	611	632	653	674	754	775	796
516	533	568	585	629	692	718	744	770	796	886	912	938
529	547	581	599	642	705	731	757	783	809	898	924	950
567	584	619	637	680	742	768	794	820	847	935	961	987
714	735	777	797	849	925	956	987	1018	1049	1156	1187	1218
786	807	849	869	921	995	1026	1057	1088	1120	1182	1213	1287
841	862	904	925	977	1049	1080	1111	1142	1174	1236	1267	1339

Conveyor Components

Engineering

Part Number Index

Keyword Index

FEATURES/BENEFITS PAGE PT15-2	SPECIFICATION PAGE PT15-4	NOMENCLATURE PAGE PT15-7	SELECTION/DIMENSIONS PAGE PT15-10
----------------------------------	------------------------------	-----------------------------	--------------------------------------



SELECTION

Heavy Duty Drum Pulley Average Weights - HE, TAPER-LOCK, QD

Dia.	Max. Bore	Face Width											
		12	14	16	18	20	22	24	26	30	32	36	38
36	3	292	313	334	355	376	397	417	438	480	501	617	638
	.5	310	331	352	373	394	415	436	457	498	519	635	656
	4	320	341	362	383	404	425	445	466	508	529	644	665
	4.5	...	355	376	397	417	438	459	480	522	543	657	678
	5	447	472	497	522	547	572	622	647	769	794
	6	546	571	596	621	646	697	722	839	864
	7	620	645	670	695	720	836	861	911	936
	8	702	727	752	777	891	916	966	991
42	10	1221	1254	1321	1423	1490	1523
	3.5	386	411	435	459	484	508	533	557	606	630	780	805
	4	475	504	534	563	592	621	651	680	738	768	926	956
	4.5	...	468	497	527	556	585	614	644	702	731	889	919
	5	536	565	594	623	653	682	740	770	927	956
	6	686	716	745	774	803	862	891	1044	1073
	7	846	885	924	963	1002	1195	1234	1312	1351
	8	941	980	1018	1057	1249	1288	1366	1405
48	10	1398	1437	1515	1657	1735	1773
	4	579	613	646	680	713	747	780	814	881	914	1113	1146
	4.5	...	626	660	693	727	760	794	827	894	928	1126	1159
	5	698	731	765	798	832	865	932	966	1163	1196
	6	803	837	870	904	937	1004	1038	1231	1264
	7	976	1020	1065	1109	1154	1398	1442	1531	1576
	8	1076	1120	1165	1209	1452	1497	1586	1630
	10	1592	1636	1725	1913	2002	2046
54	4.5	...	745	783	821	859	896	934	972	1047	1085	1327	1365
	5	821	859	897	934	972	1010	1085	1123	1364	1402
	6	1124	1174	1124	1274	1324	1425	1475	1777	1827
	7	1246	1296	1346	1396	1697	1747	1847	1897
	8	1301	1351	1401	1451	1750	1800	1901	1951
	10	1803	1853	1953	2191	2291	2341
60	4.5	...	1283	1338	1394	1450	1506	1561	1617	1729	1784	2155	2210
	5	1375	1431	1487	1543	1598	1654	1765	1821	2191	2246
	6	1497	1552	1608	1664	1720	1831	1887	2251	2306
	7	1567	1622	1678	1734	1790	2151	2207	2319	2374
	8	1676	1732	1788	1844	2204	2259	2371	2427
	10	2030	2086	2198	2491	2602	2658

- Crown face pulleys will be provided unless straight face is specified
- These pulleys are designed to meet the CEMA Pulley Specification B105.1–1993. They are not to be used with steel cable belts or other high modulus belts.

SELECTION



Heavy Duty Drum Pulley Average Weights - HE, TAPER-LOCK, QD

Dia.	Max. Bore	Face Width											
		40	44	46	51	54	57	60	63	66	72	75	78
36	3	659	701	721	774	879	910	942	973	1004	1141	1173	1204
	3.5	676	718	739	791	896	928	959	990	1022	1158	1189	1221
	4	685	727	748	800	905	936	967	999	1030	1165	1197	1228
	4.5	699	740	797	850	953	984	1016	1047	1078	1213	1245	1276
	5	819	869	894	957	1066	1103	1141	1178	1216	1362	1400	1437
	6	889	939	964	1206	1131	1169	1206	1244	1281	1423	1461	1499
	7	961	1011	1036	1099	1201	1239	1276	1314	1351	1427	1464	1567
	8	1016	1066	1091	1154	1255	1293	1330	1368	1405	1480	1518	1620
	10	1556	1623	1656	1739	1858	1908	1958	2008	2058	2157	2207	2326
42	3.5	829	878	902	1014	1151	1188	1225	1261	1298	1472	1509	1545
	4	985	1043	1073	1046	1290	1334	1377	1421	1465	1653	1697	1741
	4.5	946	1006	1085	1158	1302	1346	1390	1433	1477	1665	1708	1752
	5	985	1044	1073	1146	1289	1333	1377	1421	1464	1651	1696	1739
	6	1103	1161	1190	1263	1402	1446	1490	1533	1577	1760	1803	1847
	7	1389	1467	1506	1603	1777	1836	1894	1952	2011	2127	2186	2360
	8	1444	1521	1560	1658	1830	1888	1947	2005	2063	2180	2238	2411
	10	1812	1890	1929	2026	2188	2246	2304	2362	2421	2538	2596	2758
48	4	1180	1247	1280	1364	1546	1596	1646	1696	1747	1979	2029	2079
	4.5	1193	1259	1293	1377	1558	1608	1658	1709	1759	1990	2040	2091
	5	1230	1297	1330	1414	1595	1645	1695	1745	1795	2026	2076	2126
	6	1298	1364	1398	1462	1658	1708	1758	1808	1859	2085	2135	2186
	7	1620	1709	1754	1865	2087	2154	2221	2287	2354	2468	2554	2777
	8	1675	1764	1808	1919	2140	2207	2273	2340	2407	2540	2607	2828
	10	2091	2180	2224	2335	2545	2612	2679	2745	2812	2946	3012	3222
	54	4.5	1402	1478	1515	1610	1833	1890	1946	2003	2059	2339	2396
5		1440	1515	1553	1647	1870	1926	1983	2039	2096	2375	2431	2488
6		1878	1978	2028	2153	2431	2506	2581	2656	2732	3084	3160	3235
7		1947	2048	2098	2223	2498	2573	2649	2724	2799	2949	3024	3350
8		2001	2101	2151	2277	2550	2625	2701	2776	2851	3001	3077	3550
10		2391	2492	2542	2667	2930	3005	3080	3155	3231	3381	3456	3719
60	4.5	2266	2378	2433	2573	2915	2999	3082	3166	3249	3675	3759	3843
	5	2302	2414	2469	2609	2950	3034	3117	3201	3285	3710	3793	3877
	6	2362	2474	2529	2669	3005	3089	3172	3256	3339	3759	3843	3926
	7	2430	2541	2597	2737	3070	3154	3238	3321	3405	3572	3656	3989
	8	2482	2594	2650	2789	3121	3205	3288	3372	3456	3623	3707	4039
	10	2714	2825	2881	3021	3342	3426	3509	3593	3676	3844	3927	4249

Conveyor Components

Engineering

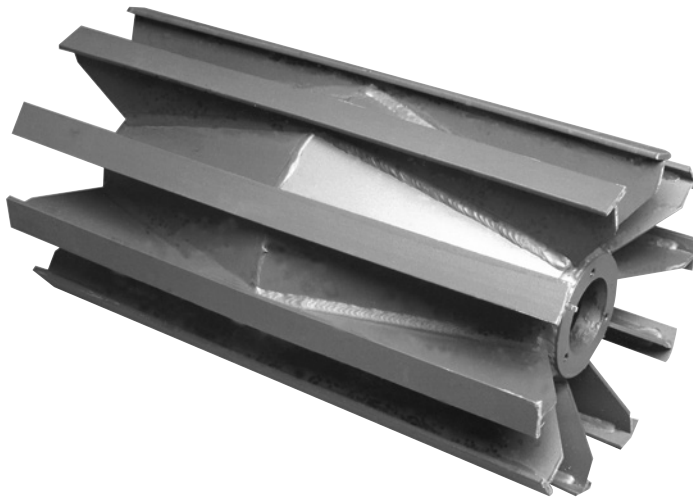
Part Number Index

Keyword Index



SELECTION/DIMENSIONS

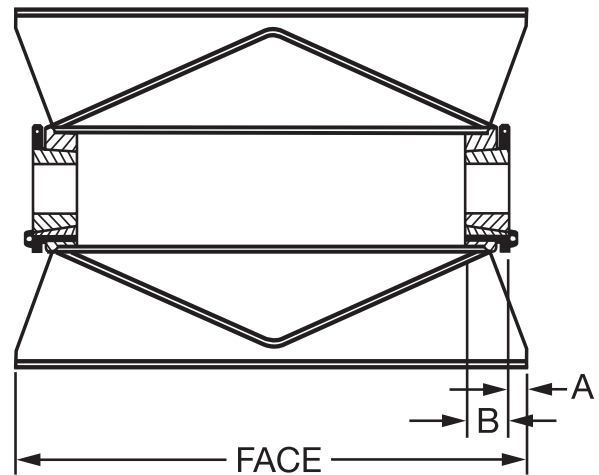
HE Heavy Duty Wing Pulleys



- Designed to CEMA specifications
- Standard crown face or straight face available
- 6" - 60" diameter and face widths exceeding 100". Others available upon request.
- HE bushing system designed specifically for Dodge conveyor pulleys
- Most dependable mounting system for conveyor pulleys
- Available with replaceable WING-LAG, vulcanized lagging, or replaceable weld-on strip lagging
- Available from stock

HE Dimensions

Hub	A	B	Bushing	Max. Bore	Screw Torque (in.-lb.)
HE25	1	1.80	HE25	2-1/2	360
HE30	3/4	2.20	HE30	3	720
HE35	3/4	2.78	HE35	3-1/2	1080
HE40	3/4	2.93	HE40	4	1680
HE45	3/4	3.20	HE45	4-1/2	1680
HE50	3/4	3.70	HE50	5	2400
HE60	1	3.95	HE60	6	4200
HE70	1	4.45	HE70	7	6000
HE80	1-1/4	5.20	HE80	8	6000





HE Heavy Duty Crown Wing Pulley Part Numbers

DIA	Hub	FACE WIDTH											
		8	10	12	14	16	18	20	22	24	26	28	30
8	HE25	206190	209652	209653	206193	209655	209656	206196	206197	206198	206199	223565	206204
10	HE25			206228	206229	206237	209657	206200	206239	206244	206201	206332	206248
	HE30										203455		
	HE35												
12	HE25			209659	206255	206256	206257	206205	206258	206259	206206	223574	206260
	HE30					206367	206368	209660	206370	206371	206212		206373
	HE35										223573		
	HE40												
14	HE25		206265	206266		206268	206269	209664	206270	206271	206216		206272
	HE30		206379	206380	206381	206382	206383	206384	206385	206386	206387		206388
	HE35										223581		
	HE40												
	HE45												
	HE50												
16	HE25		206279	209669	206286	206287	206288	206220	206289	206295	206221	223596	
	HE30		206396	206397	206398	206399	206400	209670	206402		206222	223597	206404
	HE35										209671	223598	
	HE40										209672		
	HE45												
	HE50												
18	HE25			209675	206308	206309	206312	209676	206313	206314	206231		206316
	HE30			206412	206413	206414	206415	206416	206417	206418	206232	223614	206419
	HE35										209677	223615	
	HE40										223613		223616
	HE45												
	HE50												
20	HE25			209681	209682	209683	206328	209685	206330	206331	206240		
	HE30			206428	206429	206430	209684	206432	206433	206434	206241	223630	
	HE35										206492	223631	
	HE40										223629		223632
	HE45												
	HE50												
24	HE25				209691	206342	206343	206344	206345		206346		
	HE30				206442	206443	206444	206445	206446		206447	223646	
	HE35										206502		
	HE40										206524		
	HE45												
	HE50											223647	
30	HE25				206355	206356	206357	206358			206359		
	HE30				206455	206456	206457	206458			206459		
	HE35												
	HE40												
	HE45												
	HE50												
36	HE30					206471	206472						
	HE35					206515							
	HE40					206539							
	HE45												
	HE50												

Conveyor Components

Engineering

Part Number Index

Keyword Index



HE Heavy Duty Crown Wing Pulley Part Numbers

DIA	Hub	FACE WIDTH											
		32	34	36	38	40	42	44	46	51	54	57	63
8	HE25	206213		206158	206214			206219	207573	223566			205577
10	HE25	206202	206249	206250	206203	206251		206253	207575	207418			223571
	HE30	207972			207566			206252	207574	207567		223569	205580
	HE35				223567							223570	205580
12	HE25	206207	206261	206595	206208	206262		206210	206263	206264		209662	209663
	HE30	206374	206375		206209	206376		206211	206377	206378			206599
	HE35	209661			223575			223577		223579		223580	203094
	HE40				223576			223578					
14	HE25	206217	206273	206274	206218	206276		206277		206278			223593
	HE30	206389	206390	206391	206392	206393		206394	223586	206395	223589	223590	208974
	HE35	203482			209665			209666		209668		223591	223594
	HE40				223582			223585		223587		223592	223595
	HE45				223583					223588			
	HE50				223584								
16	HE25	206223	206297	206298	206225	206299		206303		206305		206306	223608
	HE30	206224	206405	206406	206226	206407		206408	206409	206410		206411	223609
	HE35	209673		206478	206227	206547		206480	206481	206482		206483	223610
	HE40	203483			209674	223600		223602		223604		223606	207400
	HE45				223599	223601		223603		223605		223607	223611
	HE50												223612
18	HE25	206233	206317	206318	206235	206319		206320	206321	206322		206323	206324
	HE30	206234	206420	206421	206236	206422		206423	206424	206425		206426	209680
	HE35	207402		206484	206485	206486		206487		209679		206490	206491
	HE40	209678			207569	223619		207570		207571			207406
	HE45				223617	223620		223621	223623	207404		223625	223626
	HE50				223618			223622		223624			223627
	HE60												223628
20	HE25	206242			206334	206335		206336	206337	206338			209690
	HE30	207407		206435	206243	206436		206437	206438	206439		206440	206501
	HE35	209686		206494	206495	206496		206497	206498	206499		206500	207411
	HE40	209687			207572	223635		207408		207410		223642	207411
	HE45				223633	223636		209688	223639	209689		223643	223645
	HE50				223634			223637		223640		223644	207412
	HE60							223638		223641			
24	HE25	206347		206348	206349			206350		206352			
	HE30	206448		206449	206245			206450		206452		206453	206454
	HE35	209692		206504	206246			206247	206505	206506		206507	206508
	HE40	206525		206526	206527	223651		206528	206529	206530		206531	206532
	HE45				223649	223652		209693	223655	223656		223659	223661
	HE50				223650			223653		223657		223660	223662
	HE60			223648						223658			223663
30	HE25	206360								206363			
	HE30	206460			206461			206462		206463		206464	
	HE35	206510			206511			206512		206513			
	HE40	206534			206535			206536		206537		206538	
	HE45				207416			203484		223665			
	HE50							223664		223666		223667	
	HE60									203485		223668	207417
HE70											223669		
36	HE30									206476			
	HE35									206522		206523	
	HE40				206543			206544		206545		206546	
	HE45												
	HE60									203486			

SELECTION



HE Heavy Duty Straight Wing Pulley Part Numbers

Dia	Hub	Face Width												
		22	26	28	32	36	38	40	44	46	51	54	57	63
6	HE25													
8	HE25	223670	223671		223672									
	HE30													
	HE35													
10	HE25													
	HE30													
	HE35													
12	HE25				223674				223676					
	HE30										223677			
	HE35		223673				223675							
	HE40													
	HE45													
14	HE25				223678		223680							
	HE30				223679			223681						
	HE35													
	HE40													
	HE45													
16	HE25						223685							
	HE30		223682		223684									
	HE35		223683				223686		223687					
	HE40											223690		
	HE45											223691		
	HE50													
18	HE25													
	HE30		223692				223697							
	HE35			223693	223694		223698			223700				
	HE40				223695									223703
	HE45					223696								
	HE50						223699							
	HE60													
HE70												223702	223704	
20	HE25													
	HE30													
	HE35													
	HE40				223705									
	HE45						223706		223708					
	HE50							223707						
	HE60													
	HE70												223712	
HE80										223709	223710	223711	223713	
24	HE25													
	HE30													
	HE35													
	HE40				223714	223715				223717				
	HE45										223719			
	HE50													
	HE60													
	HE70													
HE80														
30	HE25													
	HE30													
	HE35													
	HE40													
	HE45													
	HE50													
	HE60													
	HE70													
HE80									223720					
										223721				

Conveyor Components

Engineering

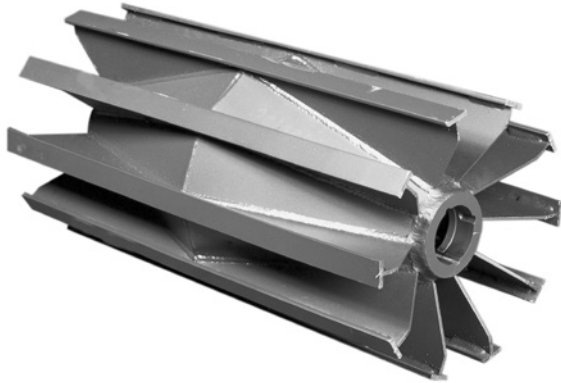
Part Number Index

Keyword Index



SELECTION/DIMENSIONS

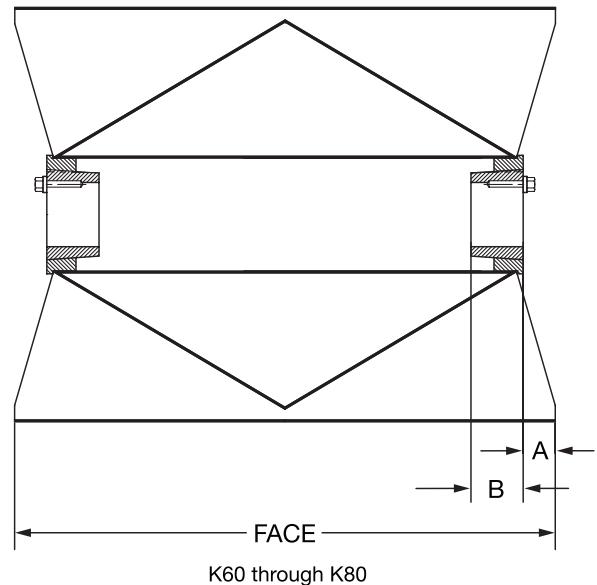
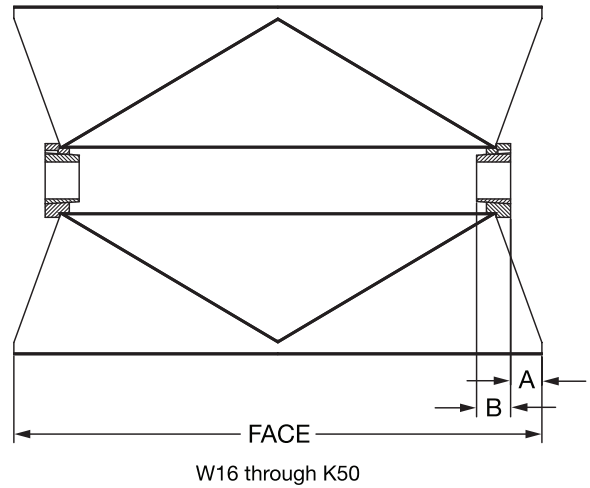
TAPER-LOCK Heavy Duty Wing Pulleys



- Designed to CEMA specifications
- Standard crown face or straight face available
- 6" - 60" diameter and face widths exceeding 100". Others available upon request.
- Flush mount, compact design mounting system
- Available with replaceable WING-LAG, vulcanized lagging, or replaceable weld-on strip lagging
- Available from stock

TAPER-LOCK Dimensions

Hub	A	B	Bushing	Max. Bore	Screw Torque (in.-lb.)
W16	1-5/8	1-1/2	1615	1-5/8	175
W25	1-1/2	1-3/4	2517	2-1/2	430
K30	1-3/4	2	3020	3	1800
K35	2-3/4	3-1/2	3535	3-1/2	1000
K40	2-3/4	4	4040	4	1750
K45	2-5/8	4-1/2	4545	4-1/2	2450
K50	3-3/8	5	5050	5	3100
K60	3-3/8	5	6050	6	7820
K70	3-1/4	6	7060	7	7820
K80	3-1/4	6-1/2	8065	8	7820



SELECTION



TAPER-LOCK Heavy Duty Crown Wing Pulley Part Numbers

Dia	Hub	Face Width										
		8	10	12	14	16	18	20	22	24	26	28
8	W25		207644	207645	207646	207647	207648	207649	207650	207651	207652	
10	W25			207657	207658	207659	207660	201000	207661	207662	201001	
	K30 K35										223722	
12	W25			207669	207670	207671	207672	201004	207673	207674	201005	
	K30 K35 K40			206876	206876			206879	206880	206881	206882	
14	W25		207681	207682	207683	207684	207685	201012	207686	207687	201013	207433
	K30 K35 K40 K45 K50										206897	
16	W25		207694	207695	207696	207697	207698	201018	207699	207700	201019	
	K30 K35 K40 K45 K50					206923			206926	206927	201020 207435	
18	W25			207709	207710	207711	206939	206940	207713	207714	201031	
	K30 K35 K40 K45 K50 K60								206968		201032 207441	
20	W25	207446	207447	207724	207725	207726	207727	207728	207729	207730	206562	
	K30 K35 K40 K45 K50 K60			206979	206980	206981						
24	W25				207738	207739	207740	207741			207743	
	K30 K35 K40 K45 K50 K60 K70				207600	207601	207602	207603	207604		201043 206852	
30	W25					207753	207754				207615	
	K30 K35 K40 K45 K50 K60 K70					207612						
36	K30					207621	207622					
	K35 K40 K45 K50 K60						206588 206868					

Conveyor Components

Engineering

Part Number Index

Keyword Index

SELECTION



TAPER-LOCK Heavy Duty Crown Wing Pulley Part Numbers (continued)

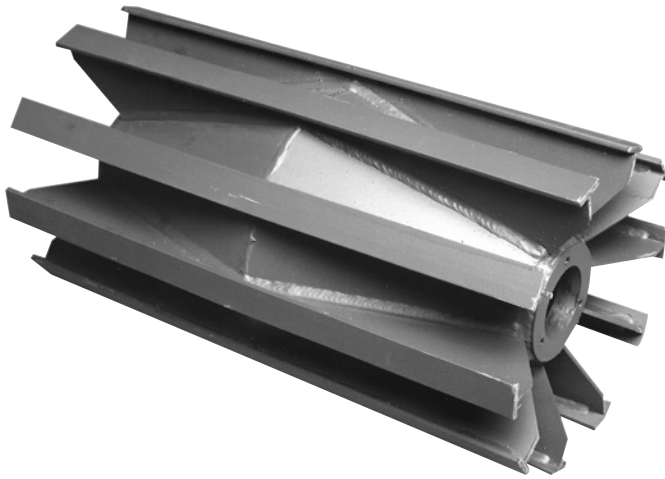
Dia	Hub	Face Width										
		30	32	34	36	38	40	44	46	51	57	63
8	W25	207653	207654			207655		207656				
10	W25	207663	201002	207664	207665	201003	207666	207668				
	K30											
	K35											
12	W25	207675	201006	207676		201008		207678	207679	207680		
	K30	206883	201007			201009	206885	206886	206887	206888		
	K35		207430					207432				
	K40											
14	W25	207688	201014		207690	201016	207691	207692		206919		
	K30		201015			206916	206917	206918				
	K35					223723						
	K40											
	K45											
16	W25	207701	201021	207702	207703	201023		207705		207707	207708	
	K30	206928	201022	206929	206930	201024	206931	206932		206934	206935	
	K35		223724		206548	207436	206549	206550		206552	206553	
	K40					207437		207438				
	K45											
18	W25	207715	201033	207716	207717	201035		207719		207721		
	K30	206970	201034		206972	201036		206974	206975	206976	206977	223727
	K35		207442			206555	206556	206557	206558	206559	206560	206561
	K40					207443		223726				
	K45											
	K50					223725						
20	W25				207731							
	K30		201040			201042				206990		
	K35		206563			206565	206566	206988			206570	206571
	K40		207448			207449		206567				
	K45							207450				
	K50							207451				
24	W25		207744			207746						
	K30				207605	201045		207606		207608		207610
	K35		206573		206574	206575		206576		206578	206579	206580
	K40		206853		206854	206855		206856		206858		206860
	K45					207456					207457	
	K50											
30	W25										207761	
	K30		207616			207617						
	K35		206582							206585		
	K40							206864				
	K45											
	K50											
36	W25											
	K30											
	K35											
	K40											
	K45											
	K50											
K60												

FEATURES/BENEFITS PAGE PT15-2	SPECIFICATION PAGE PT15-4	NOMENCLATURE PAGE PT15-7	SELECTION/DIMENSIONS PAGE PT15-10
----------------------------------	------------------------------	-----------------------------	--------------------------------------



SELECTION/DIMENSIONS

QD Heavy Duty Wing Pulleys

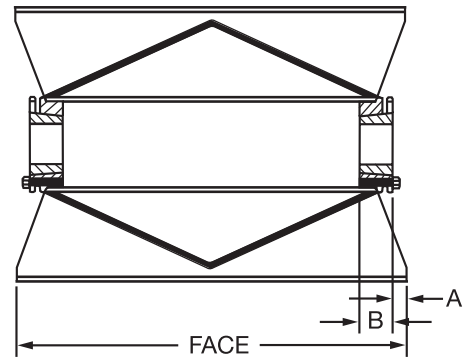


- Designed to CEMA specifications
- Standard crown face or straight face available
- 6" to 60" diameter and face widths exceeding 100". Others available upon request.
- Flange mount bushing system
- Available with replaceable WING-LAG, vulcanized lagging, or replaceable weld-on strip lagging
- Available from stock

QD Dimensions

QD Hub	A	B	Bushing	Max. Bore*	Screw Torque (in.-lb.)
SF	3/4	2-1/16	SF	2-1/2	360
E	7/8	2-3/4	E	3	720
F	15/16	3-3/4	F	3-1/2	900
JS	1-1/16	3-3/8	J	4	1620
MS	1-9/16	4-13/16	M	4-1/2	2700
NS	1-1/4	6	N	6	3600
PS	1	6-1/2	P	7	5400

* Maximum recommended for Conveyor Pulley applications





QD Heavy Duty Crown Wing Pulley Part Numbers

Dia	Hub	Face Width										
		10	12	14	16	18	20	22	24	26	30	32
6	SF											
8	SF	208001	208002	208003	208004	208005	208006	208007	208008	208009	208010	208011
	E F											
10	SF		208014	208015	208016	208017	208018	208019	208020	207350	208021	207351
	E F											
12	SF		208027	208029	208031	208033	207353	208036	208038	207354	208040	207356
	E F J M			208030		208034	208035	208037	208039	207355	208041	207357
14	SF	208052	208054	208056	208058		207359	208063	208065	207360	208067	207362
	E F J M N									207361	208068	207363
16	SF	208079	208081	208083	208085	208087	208089	208091	208093	207366	208095	207368
	E F J M N P			208084	208086		208090			207367 223738 223739	208096	207369 208766 223740
18	SF		208117	208119	208121	208769	208124	208126	208128	207371	208130	207376
	E F J M N P			208120	208122		208125	208127		207372 223745 223746	208131	207373 223747 223748

SELECTION



QD Heavy Duty Crown Wing Pulley Part Numbers

Dia	Hub	Face Width									
		34	36	38	40	42	44	46	51	57	63
6	SF										
8	SF			208012			208013				
	E										
	F										
10	SF		208023	207352		208025	208026		208762	223732	223734
	E						208761		223731		223733
	F										
12	SF	208042		207378	208044		208046		208050		
	E			207358	208045		208047		208051		
	F			223735					223737		
	J			223736							
	M										
14	SF			207364	208073		208075		208077		208765
	E			207365	208074		208076		208078		
	F			208764							
	J										
	M										
16	SF	208097	208099	208767	208102		208105		208111	208114	208768
	E		208100	207370	208103		208106		208112	208115	
	F		208101	223741	208104		208107	208110	208113		
	J			223742			223743				
	M										
	N										
18	SF	208132	208134	207377	208137		208140		208146	208149	208153
	E		208135	207374	208138		208141	208144	208147	208150	
	F			207375			208142	208145	208148	208151	
	J			223749			223750		208770		
	M								223751		
	N										
P											

Conveyor Components

Engineering

Part Number Index

Keyword Index



QD Heavy Duty Crown Wing Pulley Part Numbers

Dia	Hub	Face Width										
		10	12	14	16	18	20	22	24	26	30	32
20	SF		208155	208157	208159	208161	208163	208165	208167	208169		208172
	E			208158	208160	208162	208164			208170		208173
	F					208771				208171		208174
	J											
	M											
	N P											
24	SF			208199	208201	208203	208205	208207		208209		208213
	E			208200	208202		208206			208210		208214
	F									208211		208215
	J											208216
	M											
	N P											
30	SF			208245	208247		208251			208253		208259 208260
	E			208246	208248		208252			208254		
	F											
	J											
	M											
	N P											
36	SF				208277	208280						
	E					208281						
	F											
	J				208279							
	M											
	N P											



QD Heavy Duty Crown Wing Pulley Part Numbers

Dia	Hub	Face Width									
		34	36	38	40	42	44	46	51	57	63
20	SF			208178			208184		208190		
	E		208176	208179	208182		208185		208191		208197
	F			208180	208183		208186		208192	208195	208198
	J			223752			208772		208775		
	M						208773				
	N P										
24	SF			208221							
	E		208218	208222			208226		208234		208242
	F			208223			208227	208231	208235	208239	208243
	J		208220	208224			208228		208236	208240	208244
	M						223753		223754		
	N P						208776		208777	208778	
30	SF			208261					208269		
	E			208262			208266		208270		
	F			208263			208267		208271		
	J			208264			208268		208272		
	M										
	N P										
36	SF			208289					208295		
	E						208293		208296	208299	
	F								208297	208300	
	J			208291							
	M										
	N P										

Conveyor Components

Engineering

Part Number Index

Keyword Index



QD Heavy Duty Crown Wing Pulley Part Numbers

Dia	Hub	Face Width										
		10	12	14	16	18	20	22	24	26	30	32
20	SF		208155	208157	208159	208161	208163	208165	208167	208169		208172
	E			208158	208160	208162	208164			208170		208173
	F					208771				208171		208174
	J											
	M											
	N P											
24	SF			208199	208201	208203	208205	208207		208209		208213
	E			208200	208202		208206			208210		208214
	F									208211		208215
	J											208216
	M											
	N P											
30	SF			208245	208247		208251			208253		
	E			208246	208248		208252			208254		
	F											208259
	J											208260
	M											
	N P											
36	SF				208277	208280						
	E					208281						
	F											
	J				208279							
	M											
	N P											



QD Heavy Duty Crown Wing Pulley Part Numbers

Dia	Hub	Face Width									
		34	36	38	40	42	44	46	51	57	63
20	SF			208178			208184		208190		
	E		208176	208179	208182		208185		208191		208197
	F			208180	208183		208186		208192	208195	208198
	J			223752			208772		208775		
	M						208773				
	N P										
24	SF			208221							
	E		208218	208222			208226		208234		208242
	F			208223			208227	208231	208235	208239	208243
	J		208220	208224			208228		208236	208240	208244
	M						223753		223754		
	N P						208776		208777	208778	
30	SF			208261					208269		
	E			208262			208266		208270		
	F			208263			208267		208271		
	J			208264			208268		208272		
	M										
	N P										
36	SF			208289					208295		
	E						208293		208296	208299	
	F								208297	208300	
	J			208291							
	M										
	N P										

Conveyor Components

Engineering

Part Number Index

Keyword Index

SELECTION



Heavy Duty Wing Pulley Average Weights - HE, TAPER-LOCK and QD

Dia.	Max. Bore	Face Width									
		12	14	16	18	20	22	24	26	30	32
24	2.5	175	198	220	243	267	290	314	337	385	409
	3	186	208	230	253	275	298	321	344	391	414
	3.5	192	213	234	256	278	300	322	345	390	412
	4	198	220	242	265	288	311	334	358	405	429
	4.5	...	232	254	277	300	324	347	371	419	443
	5	285	307	330	353	376	399	446	470
30	6	375	397	419	442	464	510	533
	2.5	281	318	354	391	429	466	504	542	618	656
	3	291	326	362	398	434	471	508	545	619	657
	3.5	295	329	363	398	434	469	505	541	614	650
	4	298	333	368	404	440	476	513	549	623	660
	4.5	...	343	378	414	450	486	523	559	633	670
	5	406	441	476	511	548	582	654	691
	6	503	537	571	605	640	709	744
36	7	559	592	625	658	691	758	792
	8	630	663	697	731	800	834
	3	452	510	568	627	686	745	804	864	984	1044
	3.5	453	509	566	623	680	738	795	854	970	1029
	4	453	509	566	623	680	738	796	854	971	1029
	4.5	...	517	547	630	686	744	801	859	975	1033
	5	596	651	706	762	817	874	987	1044
	6	705	758	812	866	920	1028	1083
36	7	754	805	856	908	959	1064	1117
	8	830	881	932	983	1086	1138

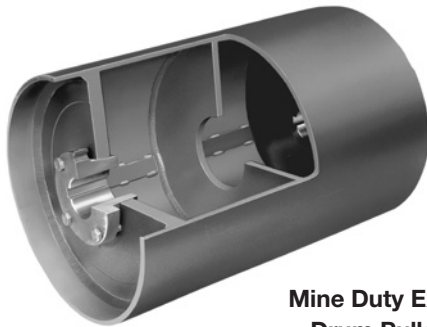
Heavy Duty Wing Pulley Average Weights - HE, TAPER-LOCK and QD

Dia.	Max. Bore	Face Width										
		36	38	40	44	46	51	54	57	60	63	66
24	2.5	457	482	506	555	579	640	676	713	750	787	823
	3	461	485	508	556	579	639	674	710	746	782	818
	3.5	458	481	504	550	573	630	665	700	734	769	804
	4	477	501	525	573	597	657	694	730	766	803	839
	4.5	491	515	539	588	612	673	710	746	783	819	856
	5	517	541	564	612	636	695	731	767	803	839	875
30	6	579	602	625	671	694	752	787	821	856	891	926
	2.5	733	772	811	889	928	1025	1084	1142	1201	1260	1319
	3	732	770	808	884	922	1017	1074	1132	1189	1247	1304
	3.5	723	760	797	871	908	1001	1056	1112	1168	1224	1280
	4	735	773	810	886	923	1018	1075	1132	1189	1246	1303
	4.5	745	782	820	895	933	1028	1084	1141	1198	1255	1312
	5	764	800	837	911	948	1040	1095	1151	1207	1262	1318
	6	815	850	886	957	993	1082	1136	1190	1243	1297	1351
36	7	860	895	929	998	1032	1119	1170	1222	1274	1326	1378
	8	904	939	974	1044	1079	1167	1220	1272	1325	1378	1431
	3	1165	1225	1286	1408	1469	1621	1713	1805	1897	1989	2082
	3.5	1147	1206	1265	1384	1443	1592	1682	1772	1861	1951	2041
	4	1147	1207	1266	1385	1445	1594	1684	1774	1864	1954	2044
	4.5	1150	1209	1268	1386	1446	1594	1683	1772	1862	1951	2041
	5	1158	1215	1273	1388	1446	1590	1677	1764	1852	1939	2026
	6	1193	1249	1304	1415	1471	1610	1694	1778	1862	1946	2031
36	7	1223	1276	1329	1436	1490	1624	1705	1786	1867	1948	2029
	8	1243	1296	1349	1454	1508	1640	1720	1800	1880	1961	2041

FEATURES/BENEFITS PAGE PT15-2	SPECIFICATION PAGE PT15-4	NOMENCLATURE PAGE PT15-7	SELECTION/DIMENSIONS PAGE PT15-10
----------------------------------	------------------------------	-----------------------------	--------------------------------------



Mine Duty Extra Drum Pulleys



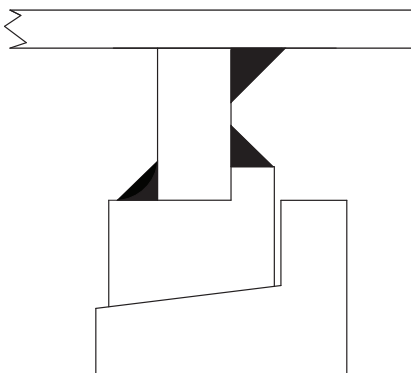
Mine Duty Extra Drum Pulley



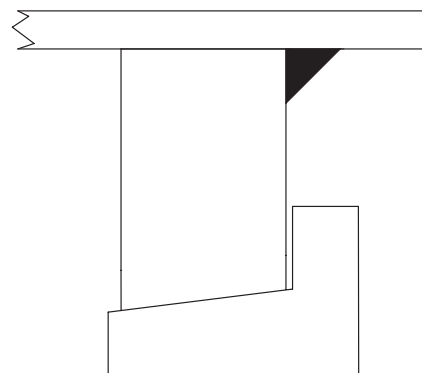
Mine Duty Extra Drum Pulley

- Integral one-piece end discs are machined, drilled and tapped to accept bushing and bushing bolts, serving as the hub and end disc in one piece, eliminating the hub to end disc weld - the most common failure point on a conveyor pulley
- Standard crown face or straight face available
- 6" - 60" diameter and face widths exceeding 100". Others available upon request.
- HE bushing system - 14° taper - designed specifically for Dodge conveyor pulleys
- Greater capacity than standard competitors' mine duty pulleys
- Available in spiral drum construction
- Increased rim thickness over CEMA construction

Mine Duty Pulley Types



Welded Hub Design



Integral Hub Design

FEATURES/BENEFITS PAGE PT15-2	SPECIFICATION PAGE PT15-4	NOMENCLATURE PAGE PT15-7	SELECTION/DIMENSIONS PAGE PT15-10
----------------------------------	------------------------------	-----------------------------	--------------------------------------



Mine Duty Extra Crown Drum Pulley Part Numbers

Dia	Hub	Face Width						
		20	24	26	30	32	36	38
6	HE25							
8	HE25 HE30 HE35							
10	HE30 HE35			209864		223984		
12	HE30 HE35 HE40 HE45			205917 205918 223991		208831 205919 223993		208844 208845 209866
14	HE30 HE35 HE40 HE45 HE50			205924 224003		208833 224004 224005		208847 205925 205926
16	HE30 HE35 HE40 HE45 HE50 HE60	224013		205934 205935 205705		208835 205936 205937		208849 205938 205939 224015 224016
18	HE30 HE35 HE40 HE45 HE50 HE60 HE70			205945 205946 209874 224027 224028	224031	208837 205947 205948 224032	224033 224034	208850 208851 208852 224035 209875
20	HE30 HE35 HE40 HE45 HE50 HE60 HE70 HE80		224056 224057 224058	205955 205956 224059		208838 208839 205958 209878		208853 208854 208855 224060 209879 224061
24	HE30 HE35 HE40 HE45 HE50 HE60 HE70 HE80			205965 205967 205968 205575		208840 208841 208842 224091 224092 224093	224095 224096 224097	205969 208856 208857 208858 209884 224099
30	HE30 HE35 HE40 HE45 HE50 HE60 HE70 HE80					224129 205976 205977 209889	224130	205978 209890 224131 224132 224133
36	HE30 HE35 HE40 HE45 HE50 HE60 HE70 HE80							224152



Mine Duty Extra Crown Drum Pulley Part Numbers (continued)

Dia	Hub	Face Width						
		40	44	46	51	54	57	63
6	HE25							
8	HE25 HE30 HE35							
10	HE30 HE35		223986		223987			
12	HE30 HE35 HE40 HE45	205900	208860 205920	223994	205922 209867 223995		223996 223997 223998	224000 224001
14	HE30 HE35 HE40 HE45 HE50	224006	205928 205929 224007	205901	205931 205932 224008 224009			224010 224011
16	HE30 HE35 HE40 HE45 HE50 HE60	224017 209870 205902 205903	208862 208863 208864 209871 224018	205904 205905	205941 205942 205943 209872 224019	224020	224021 224022 224023	209873 224024 224025 224026
18	HE30 HE35 HE40 HE45 HE50 HE60 HE70	224036 205906 205907 205908	208865 208866 205950 224038 224039 224040	224041 224042 205909 224043 205910	205951 205952 205953 224045 209876 224046		224047 224048 224049 209877 224050	224051 224052 224053 224054
20	HE30 HE35 HE40 HE45 HE50 HE60 HE70 HE80	224062 224063 224064 205911 205912 224065	205960 208867 208868 209880 224067 224068	224069 224070 224071 209881 224072	205961 205962 205963 209882 224073 224074 224075	224076 224077 224078 224079	224080 224081 224082 224083	205897 224084 224085 209883 224086 224087
24	HE30 HE35 HE40 HE45 HE50 HE60 HE70 HE80	224100 209885 224101 205913	205970 205971 208869 208870 224102 224103 224104	224105 224106 224107 205914 205915	205972 205973 205974 205975 209886 224109 224110	224112 224113 224114 224115 224116	224117 209887 209888 224118 224119 224120 224121	224122 224123 224124 224125 224126 224127 224128
30	HE30 HE35 HE40 HE45 HE50 HE60 HE70 HE80	209891	224134 209892 209893 224135 224136	224137 224138	224139 209894 209895 224140 224141 224142	224143	224144 224145 224146	224147 224148 224149 224150 224151
36	HE30 HE35 HE40 HE45 HE50 HE60 HE70 HE80		224153 224154 224155 224156 224157	224158	224159 224160 224161 224162	224163	224164	224165 224166 224167

FEATURES/BENEFITS PAGE PT15-2	SPECIFICATION PAGE PT15-4	NOMENCLATURE PAGE PT15-7	SELECTION/DIMENSIONS PAGE PT15-10
----------------------------------	------------------------------	-----------------------------	--------------------------------------



Mine Duty Extra Crown Drum Pulleys With Lagging Part Numbers

Dia	Hub	Lagging	Face Width						
			26	32	38	40	44	46	51
10	HE30	3/8 HBG							
	HE35	3/8 HBG							
12	HE30	3/8 HBG		208871	209519		208888		
	HE35	3/8 HBG	205629	205630	208877				
	HE40	3/8 HBG				208883			
	HE45	3/8 HBG							
14	HE30	3/8 HBG		208872	208878				
	HE35	3/8 HBG	205631	205632	205633				
	HE40	3/8 HBG							
	HE45	3/8 HBG							
	HE50	3/8 HBG							
16	HE30	3/8 HBG		208873	208879				
	HE35	3/8 HBG	205634	205635	205637		205639		
	HE40	3/8 HBG		205636	205638		208889		
	HE45	3/8 HBG							
	HE50	3/8 HBG				208884		208893	
	HE60	3/8 HBG							
18	HE30	3/8 HBG		208874					
	HE35	3/8 HBG	205640	205643	205646		208890		205651
	HE40	3/8 HBG	205641	205644	208880		205648		205652
	HE45	3/8 HBG	205642	205645	205647	208885	205649		205653
	HE50	3/8 HBG					205650	208894	205654
	HE60	3/8 HBG							
	HE70	3/8 HBG							
20	HE30	3/8 HBG							
	HE35	3/8 HBG	205655	208875					
	HE40	3/8 HBG		205656	208881		208891		
	HE45	3/8 HBG		205657	205658		205659		205661
	HE50	3/8 HBG					205660	208886	205662
	HE60	3/8 HBG							
	HE70	3/8 HBG							
	HE80	3/8 HBG							
24	HE30	3/8 HBG							
	HE35	3/8 HBG							
	HE40	3/8 HBG	205663	208876	208882				205667
	HE45	3/8 HBG		205664	205665		208892		205668
	HE50	3/8 HBG				208887	205666		
	HE60	3/8 HBG						208895	
	HE70	3/8 HBG							
	HE80	3/8 HBG							



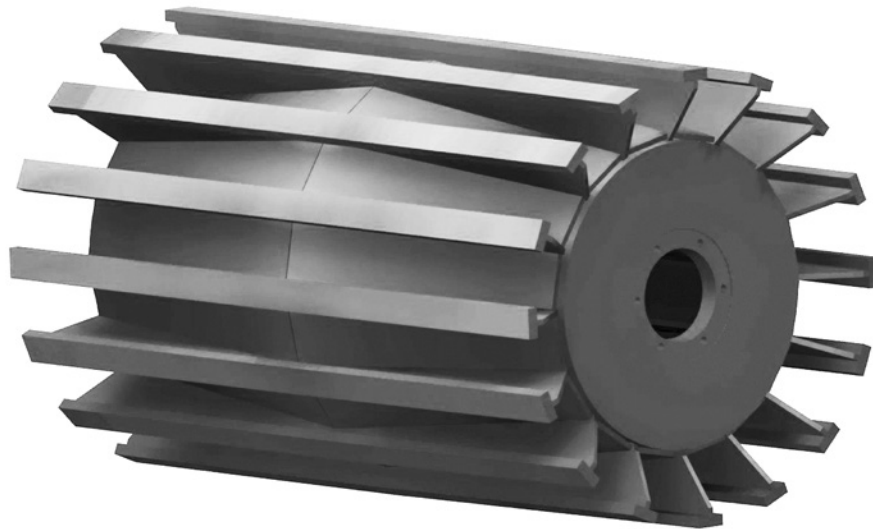
Mine Duty Extra Wing Pulleys

Mine Duty Extra Wing Pulleys were developed to support the most rugged wing pulley applications in the quarry and mining industries. These pulleys are designed with a rigid end disc design that incorporates our proven HE bushing system. They are designed to reduce wing folding by minimizing the wing height. The Mine Duty Extra Wing pulleys far exceed the product life expectancy of other wing pulleys.

- 3/4" x 2" contact bars
- 3/8" wing thickness
- Up to 25% more belt contact area
- 5" maximum wing height (through 42" OD)

Options

- AR400 contact bars available upon request
- Weld-on strip lagging is also available upon request



FEATURES/BENEFITS PAGE PT15-2	SPECIFICATION PAGE PT15-4	NOMENCLATURE PAGE PT15-7	SELECTION/DIMENSIONS PAGE PT15-10
----------------------------------	------------------------------	-----------------------------	--------------------------------------

SELECTION



MDX Crown Wing Pulley Part Numbers

Dia	Hub	Face Width								
		20	22	24	26	30	32	36	38	40
10	HE25		205518	205283	205811		205812	203100	205813	
	HE30				205817		205818	203101	205819	
12	HE25	205845			205823		205824	203106	205825	
	HE30				205829		205830	203107	205831	
	HE35				205835		205836	203108	205837	
14	HE25				205377		205378	203115	205379	
	HE30				205592		205593	203116	205594	
	HE35				205598		205599	203117	205600	
	HE40 HE45									
16	HE25				205382		205383	203125	205384	
	HE30				205387		205388	203126	205389	
	HE35				205195		205196	203127	205197	
	HE40				205604		205605	203128	205606	205841
	HE45 HE50				205610		205611	203129	205612	
18	HE25			205690	205394		205395	203142	205396	205510 205691
	HE30				205400		205401	203143	205402	
	HE35				205198		205199	203144	205200	
	HE40				205495		205496	203145	205497	
	HE45				205616		205617	203146	205618	
	HE50 HE60									
20	HE30				205408		205409	203158	205410	205700 205698
	HE35				205202		205414	203159	205415	
	HE40				205419		205203	203160	205204	
	HE45				205421		205422	203161	205423	
	HE50				203157		205622	203162	205623	
	HE60									
24	HE30				203202		205427	203170	205428	205516
	HE35						205432	203171	205433	
	HE40						205437	203172	205438	
	HE45						205442	203173	205443	
	HE50						205445	203174	205446	
	HE60						205450		205451	
	HE70									
30	HE35					205485			205455	
	HE40								205459	
	HE45								205463	
	HE50								205467	
	HE60 HE70								205471	
36	HE35									
	HE40									
	HE45									
	HE50									
	HE60 HE70									



MDX Crown Wing Pulley Part Numbers

Dia	Hub	Face Width								
		44	46	50	51	52	54	57	60	63
10	HE25	205814			205815		203102	203104		205816
	HE30	205820			205821		203103	203105		205822
12	HE25	205826			205827		203109	203112		205828
	HE30	205832			205833		203110	203113		205834
	HE35	205838	203200		205839	203201	203111	203114		205840
14	HE25	205380		203196	205381		203118	203121		203124
	HE30	205595			205596		203119	203122		205597
	HE35	205601			205602		203120	203123		205603
	HE40									205695
	HE45	205677								
16	HE25	205385			205386		203130	203135		203140
	HE30	205390			205391		203131	203136		203141
	HE35	205392			205393		203132	203137		205627
	HE40	205607			205608		203133	203138		205609
	HE45	205613	205842		205614	205843	203134	203139		205615
	HE50	205696								
18	HE25	205397			205398		203147	203152		205399
	HE30	205403			205404		203148	203153	205694	205405
	HE35	205201			205406		203149	203154		205407
	HE40	205498			205499		203150	203155		205500
	HE45	205619	205692		205620	205511	203151	203156		205621
	HE50	205693	205844		203197					
HE60										
20	HE30	205411			205412		203163			205413
	HE35	205416			205417		205512	203167		205418
	HE40	205205	203199		205206	205272	203164	205628		205420
	HE45	205424			205425		203165	203168		205426
	HE50	205624			205271		203166	203169		205626
	HE60					205282		205699		
24	HE30	205429			205430		203175	203181		205431
	HE35	205434			205435		203176	203182		205436
	HE40	205439			205440	205514	203177	203183		205441
	HE45	205207			205208		203178	203184		205444
	HE50	205447			205448		203179	203185		205449
	HE60	205452			205453		203180	205508		205454
	HE70							205509		
30	HE35	205456			205457		203186			205458
	HE40	205460			205461		203187			205462
	HE45	205464			205465		203188			205466
	HE50	205468			205469		203189			205470
	HE60	205472			205473		203190			205474
	HE70									
36	HE35	205475			205476		203191			205477
	HE40	205478			205479		203192			205480
	HE45	205481			205482		203193			205483
	HE50	205484			205490		203194			205491
	HE60	205492			205493		203195			205494
	HE70	205492			203198					

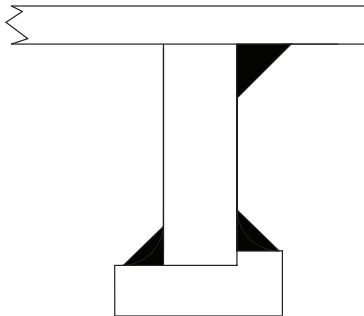


SELECTION

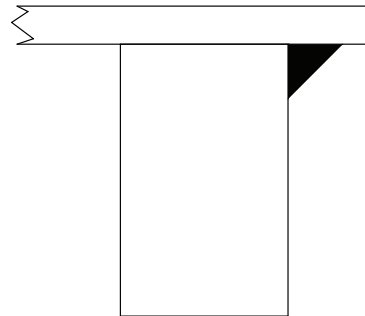
Engineered Class Pulleys

A proven leader in its design and manufacturing - Dodge engineered class pulleys are custom-designed to the conveyor load, tensions, bearing centers and wrap angles of your application. They are supplied for belt ranges up to and exceeding 8000 pounds per inch of belt width. Finite element design, material certification, certified welding and technologically advanced lagging material assure you the exact pulley for your application.

- 14° HE bushings and hubs assure lowest bellows installation stress
- Integral hub and T-section pulleys minimize effects of welding in heat affected zones (HAZ)
- Keyless locking devices are offered for shafts up to 30" in diameter
- Full fillet welding of the internal center discs assure rugged reliability



Welded Hub Design



Integral Hub Design

FEATURES/BENEFITS PAGE PT15-2	SPECIFICATION PAGE PT15-4	NOMENCLATURE PAGE PT15-7	SELECTION/DIMENSIONS PAGE PT15-10
----------------------------------	------------------------------	-----------------------------	--------------------------------------



SELECTION

Turbine Pulleys

Turbine End Discs

Proprietary Software designs the rim, end disc, hub and shaft, and selects the locking assembly and bearings.

- All of the components designed as part of a dynamic system
- 3D Parametric Modeling and FEA are used in the design process
- Submerged Arc Welds
- No hub to end disc welds. This eliminates the most common failure point.
- Welds are Nondestructive Tested

Machining of the end disc increases the flexibility and reduces the bending moment carried by the locking assembly, hub, end disc, welds and rim.

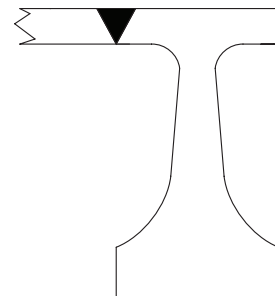
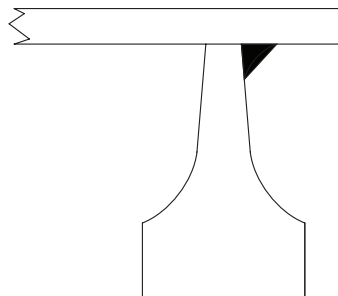
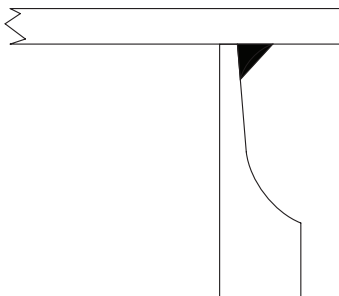


Single and Double Profile:

- Hub and end disc machined from 1 piece of steel
- Welds are on the inside of the rim at the end disc

T-Section

- Hub, end disc, and part of rim all machined from 1 piece of steel
- Circumferential butt weld joins the center section of the rim to the rim that is part of the end disc
- Welds are in the rim in a lower stress area away from the rim to end disc connection



Single Profile Design

Double Profile Design

T-Section Design

FEATURES/BENEFITS PAGE PT15-2	SPECIFICATION PAGE PT15-4	NOMENCLATURE PAGE PT15-7	SELECTION/DIMENSIONS PAGE PT15-10
----------------------------------	------------------------------	-----------------------------	--------------------------------------

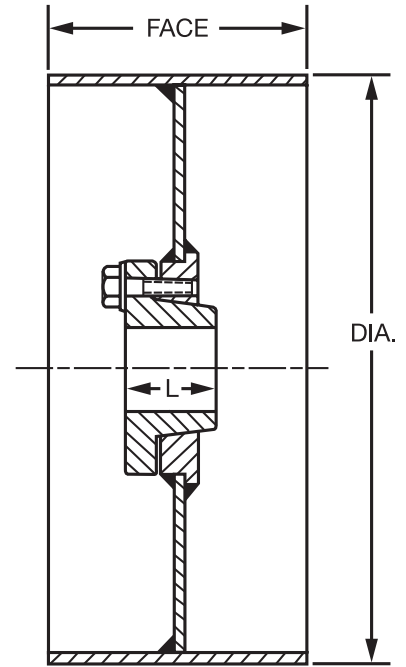
SELECTION/DIMENSIONS



Elevator Pulleys



- Single or dual end disc design
- Heavy, all steel construction
- Economical alternative in narrow belt applications
- Standard crown face or available straight face
- HE compression hubs
- Various diameters and face widths available
- QD and TAPER-LOCK hubs and bushings also available
- CEMA or Mine Duty Construction
- Engineered also available



Double Disc Elevator Pulley Part Numbers

DIA	HUB	Face Width									
		10	11	12	14	15	16	18	20	22	24
16	HE25	203207	202000	203651	203652	202003	206090	206091	206092	209736	209952
	HE30		202001	202002	209734	202004	202005	203283	209735	203657	209737
18	HE25	202006	224521	203703	203704	202012	209743	209744	206110	203712	209746
	HE30	203208	224522	202009	202010	202013	202015	203707	209745	203713	203718
	HE35	202007	202008	224523	202011	202014	202016	202017	203709	209953	203719
20	HE25	203309	202020	209756	203765	202026	203766	203767	206125	203773	203778
	HE30	202018	202021	224524	202024	202027	202029	202031	209757	203774	209758
	HE35	202019	202022	202023	202025	202028	202030	203768	203770	203775	203780
24	HE25	224528	202033	202035	202038	202039	202041	202043	202046	202047	202049
	HE30	203814	224530	209957	203816	224532	203817	203818	203819	209958	203827
	HE35	202032	224531	202036	209767	203392	202042	202044	203820	203824	203828
	HE40	224529	202034	202037	203339	202040	224533	202045	203821	202048	203829
30	HE30	202050	202055	224534	203857	224538	203858	209959	203860	202070	202073
	HE35	202051	202056	224535	202062	203392	203210	202067	203861	203864	203868
	HE40	202052	202057	224536	224537	224539	209780	224541	203862	203865	203869
	HE45	202053	202058	202060	202063	224540	202151	202068	203863	202071	203870
	HE50	202054	202059	202061	202064	202065	202066	224542	202069	202072	202074
36	HE30	202075	202080	202085	202090	202093	224548	202096	202098	202103	202107
	HE35	202076	202081	202086	224543	224545	203906	203430	202099	202104	202108
	HE40	202077	202082	202087	224544	224546	224549	203431	202100	224552	202109
	HE45	202078	202083	202088	202091	224547	202095	224551	202101	202105	202110
	HE50	202079	202084	202089	202092	202094	224550	202097	202102	202106	202111
42	HE35	202112	202114	202116	202118	202120	202122	224554	224556	203214	203215
	HE40	202113	202115	202117	202119	202121	224553	224555	224557	202123	202124
48	HE30	202125	202128	202131	202134	202137	202139	202142	202145	202148	202150
	HE35	202126	202129	202132	202135	224559	202140	202143	202146	203217	203218
	HE40	202127	202130	202133	202136	202138	202141	202144	202147	202149	224560

Part numbers above are for standard drum pulley units with two end-disc design. Single disc pulleys available on request.

- Heavy duty standard construction
- Holz SOF slide lagging available upon request
- Engineered upon request

FEATURES/BENEFITS PAGE PT15-2	HOW TO ORDER PAGE PT15-6	SELECTION PAGE PT15-9	MODIFICATION/ACCESSORIES PAGE PT15-65
----------------------------------	-----------------------------	--------------------------	--



Elevator Pulleys



Double Disc Elevator Pulley Part Numbers - With HOLZ SOF SLIDE LAG

DIA	HUB	10	11	12	14	15	16	18	20	22	24
16	HE25 HE30	203918		224572	224618		224619		224620		
18	HE25 HE30 HE35			224621	224622		224623	224624	224625		224626
20	HE25 HE30 HE35			224627	224628		224629	224630	224631		224632
24	HE25 HE30 HE35 HE40			224633	224634 224574 224575		224635	224636	224637		224638
30	HE30 HE35 HE40 HE45 HE50	224576			203935	203936 203937	203938 224577 224578				
36	HE30 HE35 HE40 HE45 HE50			224579	203942 203941 203940		224580 224581 224582 224583		224639	224584	224640
42	HE35 HE40				224585			224586	224588	203948	
48	HE30 HE35 HE40							224641	224642	203955	203958 224592

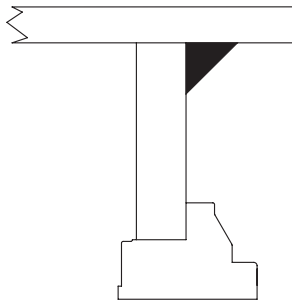
FEATURES/BENEFITS PAGE PT15-2	SPECIFICATION PAGE PT15-4	NOMENCLATURE PAGE PT15-7	SELECTION/DIMENSIONS PAGE PT15-10
----------------------------------	------------------------------	-----------------------------	--------------------------------------



SELECTION

Dead Shaft Pulleys

Our design incorporates two spherical roller piloted flange bearings within the end disc, instead of using our standard bushings. This allows the pulley to rotate, while keeping the support shaft stationary. The self-aligning bearings handle the shaft misalignment instead of transmitting it to the end discs. This design may be used where space is limited, and our traditional design may not fit. Dead shaft pulleys are more compact and may allow for smaller shaft diameters through the pulley.



Piloted Flange Bearing End Disc

FEATURES/BENEFITS PAGE PT15-2	SPECIFICATION PAGE PT15-4	NOMENCLATURE PAGE PT15-7	SELECTION/DIMENSIONS PAGE PT15-10
----------------------------------	------------------------------	-----------------------------	--------------------------------------

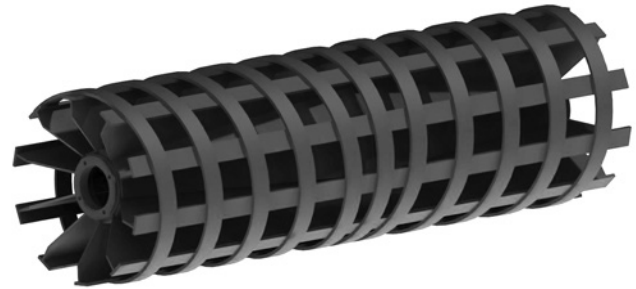


SELECTION

Spiral Wing Pulleys

The Dodge Spiral Wing Pulley is available from 6" to 60" diameters and face widths exceeding 100". Our Spiral Wing Pulleys are formed using a flat bar that is helically wound around the pulley, with set intervals that helps to move excess material off the pulley. The spiral design allows constant contact with the belt, eliminating excessive noise and vibration, while still cleaning the belt. Our Spiral Wing pulley is available in numerous hub and bushing designs.

- Self Cleaning, maximizes belt life



Spiral Drum Pulleys

The Dodge Spiral Drum Pulley is available from 12" to 60" diameters and face widths exceeding 100". It is formed using a vertical steel bar that is continuously wound around the pulley, with set intervals that helps to move excess material off the pulley. The spiral design allows constant contact with the belt, promoting the cleaning of the belt. Our Spiral Drum pulley is available in various hub and bushing designs.

Magnetic Pulleys

Dodge Magnetic Drum Pulleys are available from 8-5/8" to 36" diameters. These Magnetic Drum Pulleys are supplied with straight face stainless steel rims and HE hubs and bushings. Magnetic Drum Pulleys continuously remove iron and ferrous particles from the conveyed material. All standard lagging options are available. For specific magnetic pulley requirements, please call the Dodge Conveyor Group.



Stainless Steel Pulleys

Dodge Stainless Steel Pulleys are available from 6" to 60" diameters with face widths exceeding 100", in either crown or straight face. These pulleys can be supplied made completely from stainless steel for corrosive environments. Or it can be supplied with stainless steel rim and end discs and carbon steel hubs for use with magnetic separator. Stainless steel bushings and shafting can also be quoted. All standard lagging options are available.

FEATURES/BENEFITS PAGE PT15-2	SPECIFICATION PAGE PT15-4	NOMENCLATURE PAGE PT15-7	SELECTION/DIMENSIONS PAGE PT15-10
----------------------------------	------------------------------	-----------------------------	--------------------------------------



SELECTION

Steel Split Pulleys



- Applied in narrow belt applications
- Die formed, riveted construction
- Provides the best possible weight to strength ratio
- Interchangeable bushings for bores from 3/4" to 3-1/2"
- Available from stock
- Max speed = 500 ft/min
- Pulleys can be lagged with any standard lagging

Bore Size	L Bushing			
	P/N	Bushing Keyway	Shaft Keyway	Key Required
3/4	051009	3/16 x 3/32	3/16 x 3/32	3/16 x 3/16
1	051020	1/4 x 1/8	1/4 x 1/8	1/4 x 1/4
1-3/16	051016	*	*	*
N Bushing				
3/4	051029	3/16 x 3/32	3/16 x 3/32	3/16 x 3/16
1	051033	1/4 x 1/8	1/4 x 1/8	1/4 x 1/4
1-3/16	051036	1/4 x 1/8	1/4 x 1/8	1/4 x 1/4
1-1/4	051037	1/4 x 1/8	1/4 x 1/8	1/4 x 1/4
1-7/16	051040	3/8 x 1/8	3/8 x 1/16	3/8 x 5/8
1-1/2	051048	3/8 x 1/8	3/8 x 1/16	3/8 x 5/16
1-11/16	051044	*	*	*
SF Bushing				
3/4	051059	3/16 x 3/32	3/16 x 3/32	3/16 x 3/16
1	051063	1/4 x 1/8	1/4 x 1/8	1/4 x 1/4
1-3/16	051066	1/4 x 1/8	1/4 x 1/8	1/4 x 1/4
1-1/4	051067	1/4 x 1/8	1/4 x 1/8	1/4 x 1/4
1-7/16	051070	3/8 x 1/8	3/8 x 1/16	3/8 x 5/16
1-1/2	051071	3/8 x 1/8	3/8 x 1/16	3/8 x 5/16
1-15/16	051078	1/2 x 1/8	1/2 x 1/8	1/2 x 3/8
2-3/16	051082	*	*	*

Bore Size	G Bushing			
	P/N	Bushing Keyway	Shaft Keyway	Key Required
1-3/16	051211	1/4 x 1/8	1/4 x 1/8	1/4 x 1/4
1-1/4	051212	1/4 x 1/8	1/4 x 1/8	1/4 x 1/8
1-7/16	051215	3/8 x 1/8	3/8 x 3/16	3/8 x 5/16
1-1/2	051216	3/8 x 1/8	3/8 x 3/16	3/8 x 5/16
1-11/16	051219	3/8 x 1/8	3/8 x 3/16	3/8 x 5/16
1-15/16	051223	1/2 x 1/8	1/2 x 1/4	1/2 x 1/8
2	051224	1/2 x 1/8	1/2 x 1/4	1/2 x 1/8
2-3/16	051227	1/2 x 1/8	1/2 x 1/4	1/2 x 1/8
2-7/16	051231	5/8 x 3/16	5/8 x 5/16	5/8 x 1/2
2-15/16	051250	3/4 x 3/16	3/4 x 3/8	3/4 x 9/16
3-7/16	051247	*	*	*

* Keyways are not available in these sizes.

Max bore does not use a bushing. Bushing cannot be re-bored

FEATURES/BENEFITS PAGE PT15-2	SPECIFICATION PAGE PT15-4	NOMENCLATURE PAGE PT15-7	SELECTION/DIMENSIONS PAGE PT15-10
----------------------------------	------------------------------	-----------------------------	--------------------------------------

SELECTION



Steel Split Pulleys

Face Width *	Part No.	Wt. Δ	Max. Bore	Overall Hub Length	Bushing Symbol ◇	Face Width *	Part No.	Wt. Δ	Max. Bore	Overall Hub Length	Bushing Symbol ◇	Face Width *	Part No.	Wt. Δ	Max. Bore	Overall Hub Length	Bushing Symbol ◇
3" Diameter						8" Diameter						12" Diameter					
3	203005	1.3	1-7/16	3	L	2	200017	5.6	2-7/16	2-3/8	SF	3	200050	13	3-1/2	3-5/8	G
4	203006	1.4	1-7/16	3	L	3	200018	7.7	3-1/2	3-5/8	G	4	200051	14	3-1/2	3-5/8	G
5	203007	1.6	1-7/16	3	L	4	200019	8.5	3-1/2	3-5/8	G	5	200052	15	3-1/2	3-5/8	G
6	203008	1.7	1-7/16	3	L	5	200020	9.3	3-1/2	3-5/8	G	6	200053	17	3-1/2	3-5/8	G
4" Diameter						6	200021	9.9	3-1/2	3-5/8	G	8	200054	26	3-1/2	7-1/2	2-G
3	203015	1.7	1-15/16	3	N	8	200022	16	3-1/2	7-1/2	2-G	10	200055	29	3-1/2	9-1/2	2-G
4	203016	2.4	1-15/16	3	N	10	200023	17	3-1/2	9-1/2	2-G	12	200056	31	3-1/2	11-1/2	2-G
5	203017	3.2	1-15/16	3	N	12	200024	19	3-1/2	11-1/2	2-G	14" Diameter					
6	203018	5.6	1-15/16	3	N	9" Diameter						3	200070	14	3-1/2	3-5/8	G
5" Diameter						3	200026	8.9	3-1/2	3-5/8	G	4	200071	16	3-1/2	3-5/8	G
3	203025	2.8	1-15/16		N	4	200027	9.5	3-1/2	3-5/8	G	5	200072	18	3-1/2	3-5/8	G
4	203026	3.0	1-15/16	3	N	5	200028	11	3-1/2	3-5/8	G	6	200073	19	3-1/2	3-5/8	G
5	203027	3.5	1-15/16	3	N	6	200029	12	3-1/2	3-5/8	G	7	200074	30	3-1/2	7-1/2	2-G
6	203028	6.3	1-15/16	3	N	8	200030	18	3-1/2	7-1/2	2-G	10	200075	32	3-1/2	9-1/2	2-G
6" Diameter						10	200031	20	3-1/2	9-1/2	2-G	12	200076	36	3-1/2	11-1/2	2-G
2	200001	4.3	2-7/16	2-3/8	SF	10" Diameter						16" Diameter					
3	200002	4.5	2-7/16	2-3/8	SF	3	200034	9.7	3-1/2	3-5/8	G	3	200088	17	3-1/2	3-5/8	G
4	200003	5.3	2-7/16	2-3/8	SF	4	200035	9.5	3-1/2	3-5/8	G	4	200089	18	3-1/2	3-5/8	G
5	200004	6.0	2-7/16	2-3/8	SF	5	200036	11	3-1/2	3-5/8	G	5	200090	19	3-1/2	3-5/8	G
6	200005	6.8	2-7/16	2-3/8	SF	6	200037	12	3-1/2	3-5/8	G	6	200091	21	3-1/2	3-5/8	G
8	200006	10	2-7/16	6-3/4	2-SF	8	200038	18	3-1/2	7-1/2	2-G	8	200092	34	3-1/2	7-1/2	2-G
10	200007	12	2-7/16	8-3/4	2-SF	10	200039	20	3-1/2	9-1/2	2-G	10	200093	37	3-1/2	9-1/2	2-G
12	200008	14	2-7/16	10-3/4	2-SF	12	200040	22	3-1/2	11-1/2	2-G	12	200094	40	3-1/2	11-1/2	2-G
7" Diameter						11" Diameter						18" Diameter					
3	200010	5.1	2-7/16	2-3/8	SF	3	200042	11	3-1/2	3-5/8	G	3	200106	18	3-1/2	3-5/8	G
4	200011	6.0	2-7/16	2-3/8	SF	4	200043	9.5	3-1/2	3-5/8	G	4	200107	20	3-1/2	3-5/8	G
5	200012	7.0	2-7/16	2-3/8	SF	6	200045	12	3-1/2	3-5/8	G	6	200109	26	3-1/2	3-5/8	G
6	200013	7.9	2-7/16	2-3/8	SF							20" Diameter					
8	200014	11	2-7/16	6-3/4	2-SF							4	200125	22	3-1/2	3-5/8	G
12	200016	15	2-7/16	10-3/4	2-SF							5	200126	24	3-1/2	3-5/8	G
												6	200127	25	3-1/2	3-5/8	G

* Crown face pulleys will be furnished

Δ Weight does not include weight of bushing.

◇ One bushing required per pulley except two required where figure 2 precedes bushing symbol.

Keywords – Pulleys are designed to transmit power by gripping the shaft, and the keys are not ordinarily required.

Bushings						
Bushing Symbol	Avg. Wt.	Max. Bore		Min. Bore	Out-side Diam.	Lgth.
		No Keyway	With Key-way			
L	.4	1-3/16	1	3/4	1-7/16	3
N	1.0	1-11/16	1-1/2	3/4	1-15/16	3
SF	1.3	2-3/16	1-15/16	3/4	2-7/16	2-3/8
G	2.7	3-7/16	2-15/16	1-3/16	3-1/2	3/5/8

• Keys not included in the price

Overall Pulley Face Widths									
Pulley Diam.	Overall Face Width for Various Nominal Face Widths Pulley								
	2	3	4	5	6	8	10	12	14
3	3-11/16	4-11/16	5-11/16	6-11/16
4	3-9/16	4-7/16	5-7/16	6-5/16
5	3-9/16	4-5/16	5-5/16	6-5/16
6-7	2-3/16	3-5/8	4-11/16	5-11/16	6-11/16	8-11/16	10-11/16	12-11/16
8-11	2-3/16	4	4-11/16	5-11/16	6-11/16	8-11/16	10-11/16	12-11/16
12-11	4	4-11/16	5-11/16	6-11/16	8-11/16	10-11/16	12-11/16
18-20	4	4-11/16	5-11/16	6-11/16

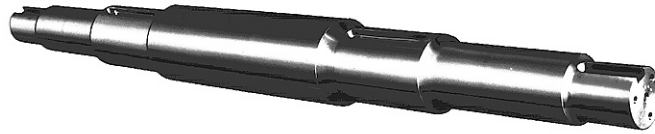
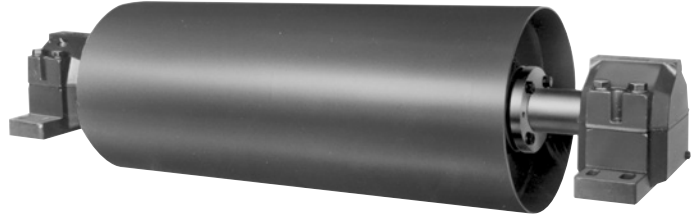
FEATURES/BENEFITS PAGE PT15-2	SPECIFICATION PAGE PT15-4	NOMENCLATURE PAGE PT15-7	SELECTION/DIMENSIONS PAGE PT15-10
----------------------------------	------------------------------	-----------------------------	--------------------------------------



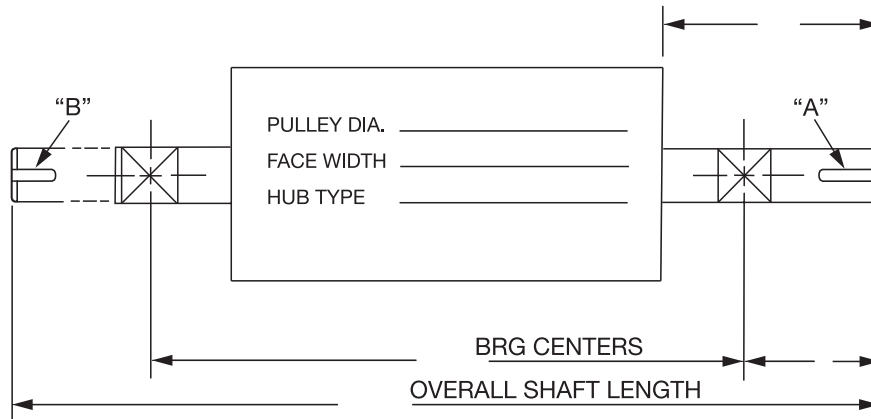
SELECTION

Shafting

- Shafting up to 30" diameter, 22' in length
- Precision machined, custom designed
- C1045 turned and polished. Stocked through 5-15/16
- C1045 hot rolled 6" and above - to order
- 4140, 4340 and stainless steel available upon request
- Shafting can be keyed or journaled to meet any specification



DRIVE PULLEY & SHAFT DIMENSIONS

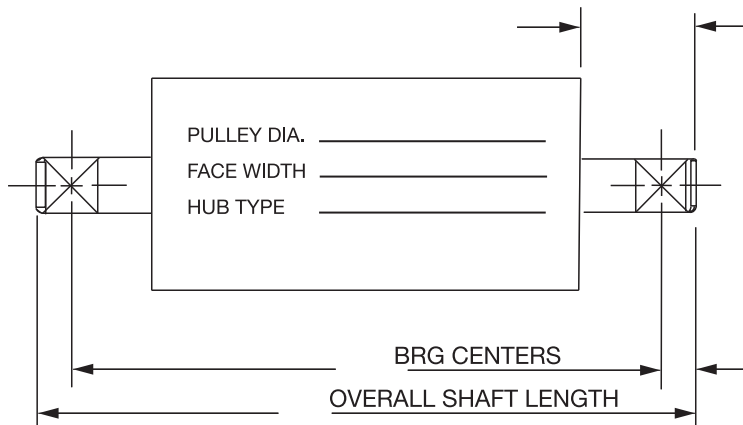


SHAFT DIA. AT HUB - _____	KEYSEAT "A" - _____ X _____ X _____ LONG
SHAFT DIA. AT BRG. - _____	KEYSEAT "B" - _____ X _____ X _____ LONG
SHAFT DIA. AT "A" - _____	DIRECTION OF ROTATION _____
SHAFT DIA. AT "B" - _____	(LOOKING AT DRIVEN END)
NUMBER OF KEYSEATS - _____	LAGGING - THICKNESS - _____
	TYPE - _____

NON-DRIVE PULLEY & SHAFT DIMENSIONS

DRUM -

WING -



SHAFT DIA. AT HUB - _____	KEYSEAT - 0 _____ , 1 _____ , 2 _____
SHAFT DIA. AT BRG. - _____	



Conveyor Pulley Lagging



Diamond Grooved

Lagging pulley surfaces increases belt traction and eliminates rim wear due to abrasive conditions. In addition, it reduces buildup on the belt to help extend the service life.

Dodge offers lagging in 60 Durometer as standard, 70 and 45 are also available. Others available upon request.

A variety of different lagging styles are available.

- Plain
- Diamond grooved
- Chevron
- Herringbone
- Holz - replaceable slide on lagging can be installed or replaced with pulley installed. See page PT14-67 for more information
- Ceramic lagging
- Available in a wide variety of thicknesses

Superior Lagging Materials

Standard material for Dodge lagging is Styrene-Butadiene Rubber (SBR). It provides excellent abrasion resistance, as well as resistance to heat, cutting, gouging and tearing.

D-Lag

For maximum abrasion resistance, Dodge also offers D-Lag - a premium rubber polymer with 73% greater life than standard SBR. It offers improved resistance to cuts and gouges, as well as an improved coefficient of friction and low temperature flexibility.

Neoprene

Dodge also offers MSHA-approved neoprene material, which is fire retardant and oil resistant.

Wing-Lag

A replaceable urethane slide-on lagging for CEMA wing pulleys. See page PT14-68 for more information



D-LAG

FEATURES/BENEFITS PAGE PT15-2	HOW TO ORDER PAGE PT15-6	SELECTION PAGE PT15-9	SELECTION/DIMENSIONS PAGE PT15-10
----------------------------------	-----------------------------	--------------------------	--------------------------------------



Lagging Weights

1/4" Plain Vulcanized Rubber Lagging Weights

Pulley Dia.	Weights for Various Face Widths																			
	12	14	16	18	20	22	24	26	30	32	36	38	44	46	51	54	57	60	63	66
6	3	4	4	5	5	6	6	6	7	8	9	10	11	12	13	14	15	16	17	17
8	4	5	6	6	6	7	8	9	10	11	12	13	15	16	17	18	19	20	21	23
10	6	6	6	7	8	9	10	11	13	14	16	17	18	19	22	23	24	26	27	28
12	6	7	8	9	10	11	12	13	15	16	18	19	22	23	26	27	29	30	32	33
14	7	8	9	11	12	13	15	16	17	19	21	23	26	28	30	32	34	36	38	40
16	8	9	11	12	14	15	17	17	20	22	25	26	30	31	35	37	39	41	43	45
18	9	10	12	14	15	16	18	19	22	25	28	29	34	35	39	41	43	45	48	51
20	10	12	14	16	17	18	20	22	26	28	30	32	41	40	43	46	49	51	53	56
24	12	14	16	18	20	22	24	26	30	32	36	38	44	46	51	54	57	60	64	66
30	16	17	20	23	26	28	30	33	39	40	45	49	56	59	65	69	73	76	80	84
36	18	20	24	27	30	33	36	39	45	49	55	58	67	71	78	83	87	92	97	101
42	29	32	36	40	43	46	53	57	64	68	78	82	92	97	102	107	112	118
48	32	36	40	44	48	52	60	63	72	75	87	92	104	111	116	122	129	135
54	36	40	45	50	64	60	64	74	82	87	101	106	117	124	131	137	144	152
60	40	46	51	56	61	66	76	82	92	97	102	118	130	138	145	153	161	168

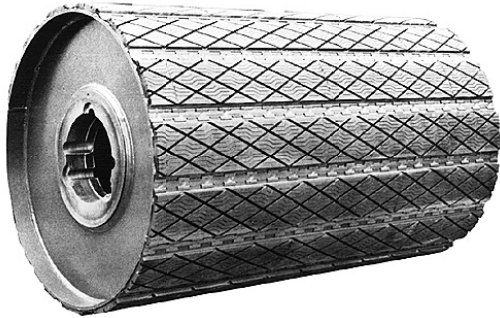
NOTE: For weights of other lagging, multiply weight given above by factors listed below.

3/8", 1/2" Vulcanized Rubber Lagging Weight Factors

Type	Weight Factor	Type	Weight Factor
3/8" Plain	1.49	3/8" Grooved	1.40
1/2" Plain	1.99	1/2" Grooved	1.89



SLIDE LAG®



Exclusive elastomer compounding provides a lagging pad with exceptional drive-pulley traction, abrasion resistance and extra long service life.

Factory hot-vulcanization under pressure assures the best possible bond of rubber to backing plate. No lagging failures from loss of adhesion and separation-the most common problems associated with conventional lagging.

Steel backing plates and metal retainers are precision formed at the factory to fit the curved surface provided by each individual pulley diameter. Insures proper pad stability and long life.

Replaceable pads are designed to fit under the lips of the retainers, allowing the pads to slide in and out during installation. SLIDE LAG can be installed on conveyor systems without removing the pulleys from their operating positions

Different styles and materials of slide lag also available.

Part Number for Style #5 SLIDE LAG

Part Number	Description
207349	6" Diameter Style 5
207325	8" Diameter Style 5
207326	10" Diameter Style 5
207327	12" Diameter Style 5
207328	14" Diameter Style 5
207329	16" Diameter Style 5
207330	18" Diameter Style 5
207331	20" Diameter Style 5
207332	24" Diameter Style 5
207333	30" Diameter Style 5
207334	36" Diameter Style 5
207335	42" Diameter Style 5

Other styles of SLIDE LAG are available upon request, such as Belt saver, Edge crown and SOF. Dodge conveyor pulleys can be readily obtained with SLIDE LAG pre-installed from the factory.

Part Numbers for Holz Style # 5 SOF Slide Lagging

Part Number	Description
207336	8" Diameter Style 5 SOF
207337	10" Diameter Style 5 SOF
207338	12" Diameter Style 5 SOF
207339	14" Diameter Style 5 SOF
207340	16" Diameter Style 5 SOF
207341	18" Diameter Style 5 SOF
207342	20" Diameter Style 5 SOF
207343	24" Diameter Style 5 SOF
207344	30" Diameter Style 5 SOF
207345	36" Diameter Style 5 SOF
207346	42" Diameter Style 5 SOF
207249	48" Diameter Style 5 SOF

Ordering SLIDE LAG with Retainers

For the most common pulley sizes, select the number of 72" pads needed from the Table below

		Pulley Face Width																		
		12"	14"	16"	18"	20"	22"	24"	26"	30"	32"	36"	38"	40"	44"	46"	51"	54"	60"	66"
PULLEY	6"	1	1	1	1	1	1	1	2	2	2	2	2	2	2	3	3	3	3	3
	8"	1	1	1	1	2	2	2	2	2	2	3	3	3	3	3	3	4	4	4
	10"	1	1	2	2	2	2	2	2	3	3	3	3	4	4	4	4	5	5	5
	12"	1	2	2	2	2	2	2	3	3	3	3	4	4	4	4	5	5	6	6
EYE	14"	2	2	2	2	2	3	3	3	3	4	4	4	4	5	5	6	6	7	7
	16"	2	2	2	2	3	3	3	3	4	4	4	5	5	5	6	6	7	8	8
	18"	2	2	2	3	3	3	3	4	4	4	5	5	5	6	6	7	7	8	9
DIA	20"	2	2	3	3	3	4	4	4	5	5	5	6	6	7	7	8	8	9	10
	24"	2	3	3	3	4	4	4	5	5	6	6	7	7	8	8	9	9	10	11
AM	30"	3	3	4	4	5	5	5	6	7	7	8	8	9	10	10	11	12	13	14
	36"	3	4	4	5	5	6	6	7	8	8	9	10	10	11	12	13	14	15	17
TE	42"	4	5	5	6	6	7	7	8	9	10	11	12	12	13	14	15	16	18	20
	48"	4	5	6	6	7	8	8	9	10	11	12	13	14	15	16	17	18	20	22
ER	54"	5	6	6	7	8	9	9	10	12	12	14	15	15	17	18	20	21	23	25
	60"	5	6	7	8	9	10	10	11	13	14	15	16	17	19	20	22	23	25	28
	72"	6	7	8	9	10	11	12	13	15	16	18	19	20	22	23	26	27	30	33

* Registered trademark of Holz Rubber Company

FEATURES/BENEFITS PAGE PT15-2	HOW TO ORDER PAGE PT15-6	SELECTION PAGE PT15-9	SELECTION/DIMENSIONS PAGE PT15-10
----------------------------------	-----------------------------	--------------------------	--------------------------------------

MODIFICATIONS/ ACCESSORIES



WING-LAG™

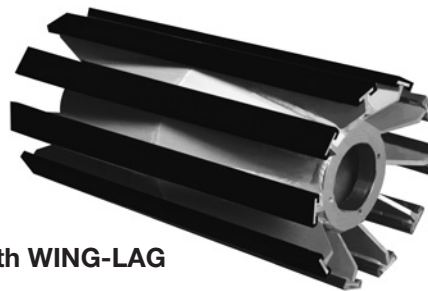
A poly-elastomer material that improves the performance of conventional wing pulleys. Designed to beat the heat or cold...oil, chemicals or abrasives...for any tough conveyor operation where the job calls for lagged wing pulleys... WING-LAG will do the job better and last longer.

Tougher than rubber. WING-LAG will outlast rubber lagging 2-5 times.

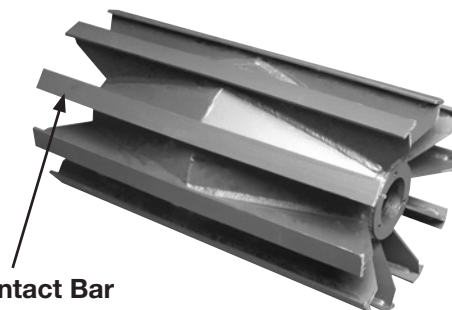
Resists chemicals and abrasives. WING-LAG is not affected by most oils, hydraulic fluids, fuels, chemicals and abrasives.

Excellent temperature range. WING-LAG has an effective operating temperature range of -60 degrees F to +212 degrees F.

WING-LAG grips the wing pulley and stays in place as if it were glued. However, it requires no special metal channeling, retaining grooves or other designed-in retaining feature, therefore it goes on easily and removes easily.



Pulley with WING-LAG



Contact Bar

Greater protection from foreign objects. Because of its tough composition, rocks, coal chunks and other debris trapped between the conveyor belt and the wing will simply be thrown out when the pulley has completed its turn.

Ordering WING-LAG

For the most common pulley sizes, select the number of the wings from the Table below. To calculate the number of 72" pieces needed, multiple the number of wings by the face width and divide by 72. Round the number of pieces up to the next largest number.

Diameter	Heavy Duty No. of Wings	Part Number
8	7	207300
10	8	207300
12	8	207300
14	10	207300
16	10	207300
18	10	207300
20	10	207301
24	12	207301
30	16	207301
36	18	207301
42	22	207301
48	24	207301
54	28	207301
60	30	207301

WING-LAG is available on CEMA heavy duty wing pulleys with standard contact bars pre-installed at the factory or it can be retrofit in the field. Either way a WING-LAG wing pulley will extend the life of conveyor belts and conventional wing pulleys under the most severe operating conditions.

Only available on CEMA wings with standard contact bars.

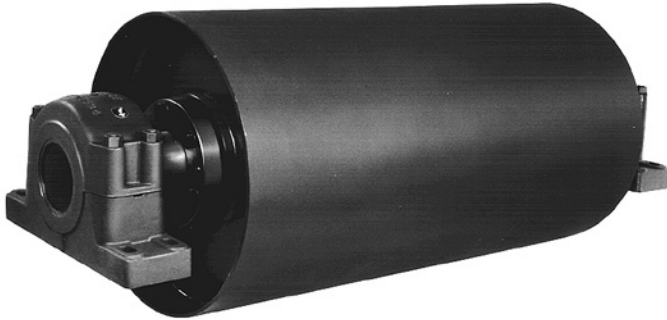
Installation and maintenance instructions are available at www.dodge-pt.com

FEATURES/BENEFITS PAGE PT15-2	HOW TO ORDER PAGE PT15-6	SELECTION PAGE PT15-9	SELECTION/DIMENSIONS PAGE PT15-10
----------------------------------	-----------------------------	--------------------------	--------------------------------------

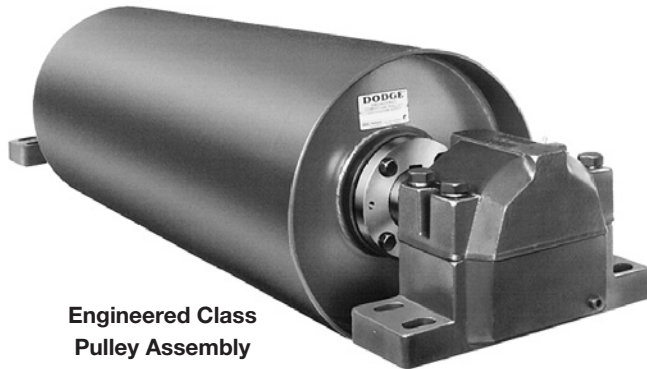


Conveyor Pulley Assemblies

- Single source supplier, single source warranty
- Computer aided product selection
- Maximize return on investment
- No on-site component assembly
- Complete package of all Dodge bearing and power transmission components, including pulleys, lagging, shafting and bearings, such as USAF, ISAF, IP-E, etc
- Coupling mounting is also available



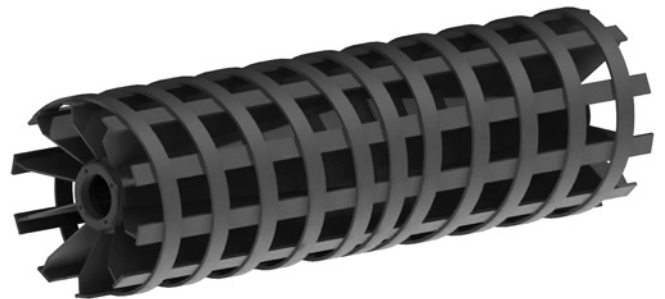
Drum Pulley Assembly



Engineered Class
Pulley Assembly



Wing Pulley Assembly



Spiral Wing Pulley Assembly

FEATURES/BENEFITS PAGE PT15-2	HOW TO ORDER PAGE PT15-6	SELECTION PAGE PT15-9	SELECTION/DIMENSIONS PAGE PT15-10
----------------------------------	-----------------------------	--------------------------	--------------------------------------



RELATED PRODUCTS

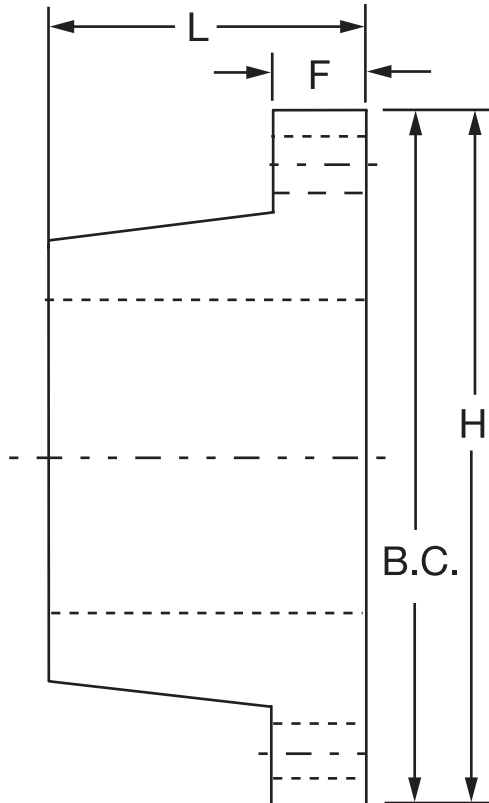
HE Bushings

The Dodge exclusive HE bushing system was specifically designed for drum and wing pulley applications.

- 14° taper angle to minimize end disc stress
- Thicker flange
- More mounting bolts on larger sizes
- Shaft diameters to 12"
- Even bolt spacing

HE Bushing Dimensions

Bushing	Maximum Bore (in.)	L (in.)	B.C. (in.)	F (in.)	H (in.)	Number of Bolts	Size of Bolts (in.)
HE-25	2-1/2	1.80	3.94	.75	4.63	4	3/8-16 x 1-3/4
HE-30	3	2.20	4.69	.88	5.63	4	1/2-13 x 2-1/4
HE-35	3-1/2	2.78	5.56	.88	6.63	4	9/16-12 x 2-1/4
HE-40	4	2.93	6.31	1.00	7.50	4	5/8-11 x 2-1/2
HE-45	4-1/2	3.20	7.31	1.25	8.75	6	5/8-11 x 2-1/2
HE-50	5	3.70	8.00	1.50	9.63	6	3/4-10 x 3
HE-60	6	3.95	9.25	1.75	11.13	6	7/8-9 x 3-1/2
HE-70	7	4.45	10.56	2.00	12.75	6	1-8 x 4
HE-80	8	5.20	12.13	2.25	14.50	6	1-1/8-7 x 4-1/2
HE-100	10	6.45	14.50	3.00	17.00	6	1-1/4-7 x 5-1/2
HE-120	12	7.45	17.50	3.00	20.00	8	1-1/4-7 x 5-1/2



Wrench Torque

Bushing	Wrench Torque (ft.-lbs.)
HE-25	30
HE-30	60
HE-35	90
HE-40	140
HE-45	140
HE-50	200
HE-60	350
HE-70	500
HE-80	500
HE-100	600
HE-120	600

Details for TAPER-LOCK Bushings - See page PT6-2 - PT6-12

Details for QD Bushings - See page PT6-16 - PT6-25

Installation and maintenance instructions are available at www.dodge-pt.com

FEATURES/BENEFITS PAGE PT15-2	HOW TO ORDER PAGE PT15-6	SELECTION PAGE PT15-9	SELECTION/DIMENSIONS PAGE PT15-10
----------------------------------	-----------------------------	--------------------------	--------------------------------------

RELATED PRODUCTS



HE Bushings

Bush. No.	Bore	Part No.	Wt.	Bushing Keyway	Shaft Keyway
HE-25	1	206623 *	5.4	1/4 x 1/8	1/4 x 1/8
	1-1/8	206744	5.4		
	1-3/16	206615 *	5.4		
	1-1/4	206745 *	5.4		
	1-5/16	206747	5.4	5/16 x 5/32	5/16 x 5/32
	1-3/8	206748	5.4		
	1-7/16	206617 *	5.4	3/8 x 3/16	3/8 x 3/16
	1-1/2	206750 *	5.4		
	1-11/16	206752 *	5.4		
	1-3/4	206754 *	5.4		
	1-13/16	206756	5.4	1/2 x 1/4	1/2 x 1/4
	1-7/8	206758	5.4		
	1-15/16	206619 *	5.4		
	2	206760 *	5.4		
	2-1/8	205997	5.4		
	2-3/16	206763 *	5.4		
	2-1/4	206765 *	3.1		
	2-5/16	206767	3.1		
	2-3/8	206768	3.1		
	2-7/16	206621 *	3.1		
2-1/2	206770	3.1	5/8 x 3/16▲	5/8 x 5/16	
HE-30	1-3/8	206635	8.5	5/16 x 5/32	5/16 x 5/32
	1-7/16	206625	8.5	3/8 x 3/16	3/8 x 3/16
	1-1/2	206637 *	8.5		
	1-11/16	206639	8.5		
	1-3/4	206772	8.5		
	1-15/16	206627 *	8.5	1/2 x 1/4	1/2 x 1/4
	2	206774	8.5		
	2-3/16	206775 *	8.5		
	2-7/16	206629 *	8.5	5/8 x 5/16	5/8 x 5/16
	2-1/2	206777 *	8.5		
	2-9/16	206838	8.5		
	2-5/8	205881	8.5		
	2-11/16	206631 *	8.5		
	2-3/4	206778 *	5.3		
	2-13/16	206779	5.3	3/4 x 1/8▲	3/4 x 3/8
2-7/8	206780	5.3			
2-15/16	206633 *	5.3			
3	206781 *	5.3			
HE-35	1-3/16	206648	15	1/4 x 1/8	1/4 x 1/8
	1-7/16	206649	15	3/8 x 3/16	3/8 x 3/16
	1-1/2	206784	15		
	1-11/16	206786	15		
	1-3/4	206839	15		
	1-15/16	206640	15	1/2 x 1/4	1/2 x 1/4
	2	206788	15		
	2-3/16	206790 *	15		
2-1/4	206792	15			

▲ Keys Furnished For These Sizes Only
 * Standard Stock Sizes

Bush. No.	Bore	Part No.	Wt.	Bushing Keyway	Shaft Keyway	
HE-35 (cont)	2-3/8	206794	15	5/8 x 5/16	5/8 x 5/16	
	2-7/16	206642 *	15			
	2-1/2	206795	15			
	2-11/16	206796	15			
	2-3/4	206798	15			
	2-7/8	206800	15	3/4 x 3/8	3/4 x 3/8	
	2-15/16	206644 *	15			
	3	206801 *	15			
	3-3/16	206803 *	15			
	3-3/8	206840	9	7/8 x 3/16▲	7/8 x 7/16	
	3-7/16	206646 *	9			
	3-1/2	206807 *	9			
	HE-40	1-15/16	206658	20	1/2 x 1/4	1/2 x 1/4
		2-3/16	206659	20		
		2-7/16	206810 *	20	5/8 x 5/16	5/8 x 5/16
2-1/2		206811	20			
2-11/16		206650	20			
2-15/16		206652 *	20	3/4 x 3/8	3/4 x 3/8	
3-3/16		206812	20			
3-11/16		206813 *	12.3	7/8 x 7/16	7/8 x 7/16	
3-7/16		206654 *	12.3			
3-7/8		206841	12.3	1 x 1/4▲	1 x 1/2	
3-15/16	206656 *	12.3				
4	206815 *	12.3				
HE-45	1-15/16	206670	30	1/2 x 1/4	1/2 x 1/4	
	2-7/16	206660 *	30	5/8 x 5/16	5/8 x 5/16	
	2-15/16	206662 *	30	3/4 x 3/8	3/4 x 3/8	
	3-7/16	206664 *	30	7/8 x 7/16	7/8 x 7/16	
	3-1/2	206671	30			
	3-15/16	206666 *	19.4	1 x 1/2	1 x 1/2	
	4-3/16	206672	19.4	1 x 1/4▲	1 x 1/2	
	4-3/8	205883	19.4			
	4-7/16	206668 *	19.4			
	4-1/2	206673 *	19.4			
HE-50	2-15/16	207998	39	7/8 x 7/16	7/8 x 7/16	
	3-5/16	205884	39			
	3-7/16	206817 *	39			
	3-15/16	206818 *	39	1 x 1/2	1 x 1/2	
	4-7/16	206675 *	39			
	4-11/16	205885	27	1-1/4 x 1/4▲	1-1/4 x 5/8	
	4-15/16	206677 *	27			
	5	206821	27			
HE-60	3-15/16	206686 *	55	1 x 1/2	1 x 1/2	
	4-1/4	206687	55			
	4-7/16	206688 *	55			
	4-15/16	206680 *	55	1-1/4 x 5/8	1-1/4 x 5/8	
	5-1/4	206689	55			
	5-7/16	206682 *	55			
	5-1/2	206823 *	39			
	5-15/16	206684 *	39	1-1/2 x 1/4▲	1-1/2 x 3/4	
	6	206825 *	39			

FEATURES/BENEFITS PAGE PT15-2	HOW TO ORDER PAGE PT15-6	SELECTION PAGE PT15-9	SELECTION/DIMENSIONS PAGE PT15-10
----------------------------------	-----------------------------	--------------------------	--------------------------------------



RELATED PRODUCTS

HE Bushings

Bush. No.	Bore	Part No.	Wt.	Bushing Keyway	Shaft Keyway
HE70	4-7/16	205886	74	1 x 1/2	1 x 1/2
	4-15/16	205880	74	1-1/4 x 5/8	1-1/4 x 5/8
	5-7/16	205887	74		
	5-15/16	206690 *	74	1-1/2 x 3/4	1-1/2 x 3/4
	6	207396 *	74		
	6-7/16	206692 *	74		
	6-1/2	206845 *	57		
6-15/16	206694 *	57	1-3/4 x 1/4▲	1-3/4 x 3/4	
7	206847 *	57			
HE80	5-15/16	207399	114.09	1-1/2 x 3/4	1-1/2 x 3/4
	6-7/16	206700	114.09		
	6-3/4	205888	114.09	1-3/4 x 3/4	1-3/4 x 3/4
	6-15/16	206702	114.09		
	7	205889	114.09		
	7-3/16	205890	114.09		
	7-1/2	206849 *	114.09		
	7-7/16	206704	114.09		
	7-3/4	205891	114.09	2 x 3/4	2 x 3/4
	7-15/16	206706	114.09		
	8	206708 *	83		
	7-1/2	206710	202		
7-15/16	206712	202			
HE-100	8	206718 *	202	2 x 3/4	2 x 3/4
	8-7/16	205892	202		
	8-1/2	206720 *	202		
	8-15/16	206714	202		
	9	206722 *	202		
	9-1/2	206724 *	202		
10	206716 *	144			
HE-120	8	207398	348	2 x 3/4	2 x 3/4
	8-1/2	207380	348		
	9	207382	348		
	9-1/2	207384	348	2-1/2 x 7/8	2-1/2 x 7/8
	10	207386	348		
	10-1/2	207388	348		
	11	207390 *	348		
	11-1/2	207392	348		
12	207394	225	3 x 1	3 x 1	

Reborable HE Bushings						
Bushing	Part Number	Minimum Bore	Inch		Metric	
			Maximum Bore (in.) Sq. Key	Maximum Bore (in.) Shallow Key	Minimum Bore (mm)	Maximum Bore (mm)
HE25	207960 *	15/16	2-1/4	2-1/2	24	60
HE30	207961 *	15/16	2-3/4	3	24	75
HE35	207962 *	1-3/16	3-1/4	3-1/2	32	85
HE40	207963 *	1-15/16	3-3/4	4	50	100
HE45	207964 *	1-15/16	3-15/16	4-1/2	50	110
HE50	207965 *	2-15/16	4-1/2	5	75	125
HE60	207966 *	3-7/16	5-1/2	6	90	150
HE70	207967 *	4-7/16	6-1/2	7	120	170
HE80	207968 *	5-7/16	8	-	140	200
HE100	207969	6-15/16	10	-	180	250
HE120	207970	7-15/16	12	-	220	300

▲ Keys Furnished For These Sizes Only
 * Standard Stock Sizes



RELATED PRODUCTS

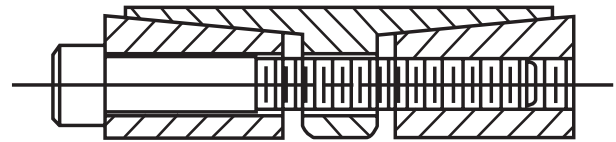
Keyless Locking Assemblies



The Dodge Pulley Pros have been designing and fabricating special pulleys with Keyless Locking Assemblies for over 30 years. Hubs are computer designed for use with single or dual locking assemblies.

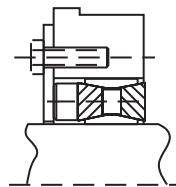
Keyless locking assemblies are available in two basic configurations – short series and long series. Long series locking assemblies feature a longer length through bore with a corresponding increase in contact area between the locking assembly and the shaft and hub.

Most conveyor pulley applications require only one short series locking assembly in each pulley hub to transmit the bending and torsional moments. Heavier loaded pulleys require long series locking assemblies to transmit increased loads. The Dodge Pulley Pros have the experience and expertise to determine the best keyless locking assembly configuration for any application.

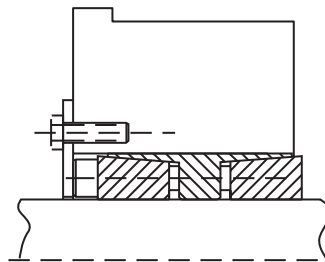


Long Series Locking Assembly

Dodge Keyless Locking Assemblies are self-contained, high torque capacity, shaft-hub locking devices. They provide many features and benefits to conveyor pulley assemblies, including no keyway stress concentration, no axial movement during assembly, high torque capacity, and easy assembly and disassembly. The locking assembly design includes concentric, tapered rings. As the locking screws are torqued, the locking assembly clamps down on the shaft and expands into the hub bore, establishing a tight mechanical shrink fit.



Short Series



Long Series Locking Assembly

Available in Weld On Hub, Integral Hub or T-Section. See Pages PT14-56 and PT14-57.

FEATURES/BENEFITS PAGE PT15-2	HOW TO ORDER PAGE PT15-6	SELECTION PAGE PT15-9	SELECTION/DIMENSIONS PAGE PT15-10
----------------------------------	-----------------------------	--------------------------	--------------------------------------

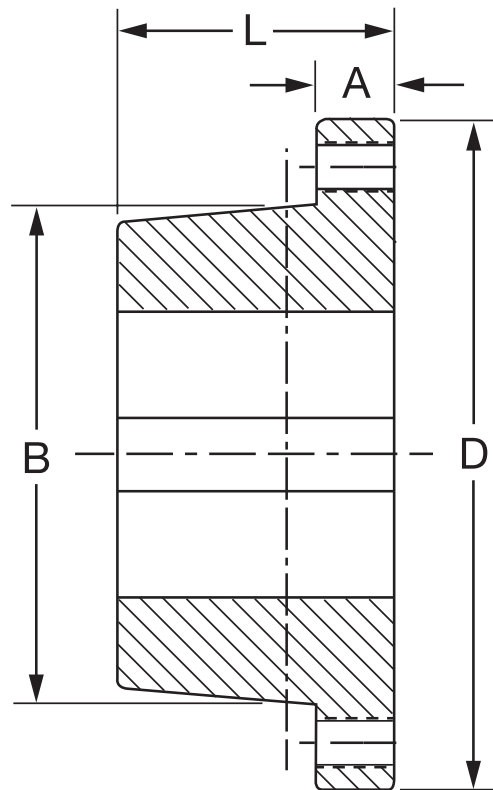


RELATED PRODUCTS

XT Bushings

Usage: This product is specially designed for conveyor pulley applications.

- 2"/ft taper for easy on, easy off
- In steel and gray cast iron



Dimensions

Bushing Size	Dimensions - Inches						No.	Size	Recommended Wrench Torque (ft-lbs)	Approx. Weight
	A	B	D	L	BC					
XTB15	3/8	2.000	2-7/8	1-1/8	2-7/16	4	1/4-20NC x 1"	7.9	0.7	
XTB20	15/32	2.688	3-3/4	1-13/32	3-3/16	4	5/16-18NC x 1-1/4"	16.7	1.5	
XTB25	5/8	3.188	4-7/16	1-7/8	3-3/4	4	3/8-16NC x 1-3/4"	29.2	2.6	
XTB30	11/16	3.875	5-5/16	2-1/16	4-9/16	4	7/16-14NC x 1-1/2"	45.8	4.2	
XTB35	25/32	4.688	6-5/16	2-15/32	5-7/16	4	1/2-13NC x 1-3/4"	70	7.4	
XTB40	7/8	5.313	7-1/8	2-13/16	6-1/8	4	9/16-12NC x 2"	100	10.5	
XTB45	15/16	5.938	8	3-5/16	6-7/8	4	5/8-11NC x 2-1/4"	140	14.8	
XTB50	1	7.250	10-1/8	3-3/4	8-5/16	4	3/4-10NC x 2-1/2"	250	27.8	
XTB60	1-1/8	8.625	11-15/16	4-1/8	9-7/8	4	7/8-9NC x 2-1/2"	400	42.8	
XTB70	1-5/16	10.000	13-15/16	4-11/16	11-9/16	4	1-8NC x 3"	600	66.3	
XTB80	1-3/8	11.125	15-5/8	5-1/8	12-7/8	4	1-1/8-7NC x 3/12"	750	85.7	
XTB100	1-9/16	13.688	17-15/16	6-3/16	15-9/16	6	1-1/8-7NC x 3-1/2"	750	146	
XTB120	1-3/4	16.188	20-5/8	7-1/16	18-3/16	8	1-1/8-7NC x 3-1/2"	750	216	

FEATURES/BENEFITS PAGE PT15-2	HOW TO ORDER PAGE PT15-6	SELECTION PAGE PT15-9	SELECTION/DIMENSIONS PAGE PT15-10
----------------------------------	-----------------------------	--------------------------	--------------------------------------

RELATED PRODUCTS



XT Bushings

Bushing No.	Bore	Part No.	Wt.	Keyseat
XTB15	5/8	226830	.7	3/16 x 3/32
	3/4	226831	.7	3/16 x 3/32
	7/8	226832	.7	3/16 x 3/32
	1	226833	.7	1/4 x 1/8
	1-1/8	226834	.7	1/4 x 1/8
	1-3/16	226835	.7	1/4 x 1/8
	1-1/4	226836	.7	1/4 x 1/8
	1-7/16	226837	.7	3/8 x 1/8 ◆
XTB20	1-1/2	226838	.7	3/8 x 1/8 ◆
	3/4	226839	1.5	3/16 x 3/32
	1	226840	1.5	1/4 x 1/8
	1-3/16	226841	1.5	1/4 x 1/8
	1-1/4	226842	1.5	1/4 x 1/8
	1-7/16	226843	1.5	3/8 x 3/16
	1-1/2	226844	1.5	3/8 x 3/16
	1-11/16	226845	1.5	3/8 x 3/16
XTB25	1-15/16	226846	1.5	1/2 x 3/16 ◆
	2	226847	1.5	1/2 x 3/16 ◆
	1	226848	2.6	1/4 x 1/8
	1-3/16	226849	2.6	1/4 x 1/8
	1-1/4	226850	2.6	1/4 x 1/8
	1-7/16	226851	2.6	3/8 x 3/16
	1-1/2	226852	2.6	3/8 x 3/16
	1-11/16	226853	2.6	3/8 x 3/16
XTB30	1-15/16	226854	2.6	1/2 x 1/4
	2	226855	2.6	1/2 x 1/4
	2-3/16	226856	2.6	1/2 x 1/4
	2-7/16	226857	2.6	5/8 x 1/8 ◆
	1-7/16	226858	4.2	3/8 x 3/16
	1-1/2	226859	4.2	3/8 x 3/16
	1-11/16	226860	4.2	3/8 x 3/16
	1-15/16	226861	4.2	1/2 x 1/4
XTB35	2-3/16	226862	4.2	1/2 x 1/4
	2-7/16	226863	4.2	5/8 x 5/16
	2-11/16	226864	4.2	5/8 x 5/16
	2-15/16	226865	4.2	3/4 x 3/16 ◆
	1-15/16	226866	7.4	1/2 x 1/4
	2-3/16	226867	7.4	1/2 x 1/4
	2-7/16	226868	7.4	5/8 x 5/16
	2-11/16	226869	7.4	5/8 x 5/16
XTB40	2-15/16	226870	7.4	5/8 x 5/16
	2-15/16	226871	7.4	3/4 x 3/8
	3-7/16	226872	7.4	7/8 x 5/16

Bushing No.	Bore	Part No.	Wt.	Keyseat
XTB40	2-7/16	226873	10.5	5/8 x 5/16
	2-15/16	226874	10.5	3/4 x 3/8
	3-7/16	226875	10.5	7/8 x 7/16
	3-15/16	226876	10.5	1 x 3/8 ◆
XTB45	3-7/16	226877	14.8	7/8 x 7/16
	3-15/16	226878	14.8	1 x 1/2
	4-7/16	226879	14.8	1 x 3/8 ◆
XTB50	3-15/16	226880	27.8	1 x 1/2
	4-7/16	226881	27.8	1 x 1/2
XTB60	4-15/16	226882	27.8	1-1/4 x 5/8
	5-7/16	226883	42.8	1-1/4 x 5/8
	5-1/2	226884	42.8	1-1/4 x 5/8
XTB70	5-15/16	226885	42.8	1-1/2 x 3/4
	6	226886	42.8	1-1/2 x 3/4
	6-7/16	226887	66.3	1-1/2 x 3/4
	6-1/2	226888	66.3	1-1/2 x 3/4
XTB80	6-15/16	226889	66.3	1-3/4 x 3/4
	7	226890	66.3	1-3/4 x 3/4
	7-1/2	226891	85.7	1-3/4 x 3/4
XTB100	7-15/16	226892	85.7	2 x 3/4
	8	226893	85.7	2 x 3/4
	8-1/2	226894	146	2 x 3/4
	9	226895	146	2 x 3/4
	9-7/16	226896	146	2-1/2 x 7/8
XTB120	9-1/2	226897	146	2-1/2 x 7/8
	10	226898	146	2-1/2 x 7/8
	10-1/2	226899	216	2-1/2 x 7/8
	11	226900	216	2-1/2 x 7/8
	11-1/2	226901	216	3 x 1
	12	226902	216	3 x 1

◆ Key provided with these sizes only
XTB50-XTB120 made from gray cast iron

Reborable XT Bushings

Bushing	Part Number	Minimum Bore	Inch Max Bore
XTB15	226903	5/8	1.5
XTB20	226904	3/4	2.0
XTB25	226905	1	2.5
XTB30	226906	1-7/16	3.0
XTB35	226907	1-15/16	3.5
XTB40	226908	2-7/16	4.0
XTB45	226909	3-7/16	4.5
XTB50	226910	3-15/16	5.0
XTB60	226911	5-7/16	6.0
XTB70	226912	6-7/16	7.0
XTB80	226913	7-1/2	8.0
XTB100	226914	8-1/2	10.0
XTB120	226915	10-1/2	12.0

FEATURES/BENEFITS PAGE PT15-2	HOW TO ORDER PAGE PT15-6	SELECTION PAGE PT15-9	SELECTION/DIMENSIONS PAGE PT15-10
----------------------------------	-----------------------------	--------------------------	--------------------------------------



RELATED PRODUCTS

XT Hubs

Usage: XT hubs are for use with the XT Bushing

- 2" /ft taper for easy on, easy off
- Made of low carbon steel for its excellent welding properties



FEATURES/BENEFITS PAGE PT15-2	HOW TO ORDER PAGE PT15-6	SELECTION PAGE PT15-9	SELECTION/DIMENSIONS PAGE PT15-10
----------------------------------	-----------------------------	--------------------------	--------------------------------------

RELATED PRODUCTS

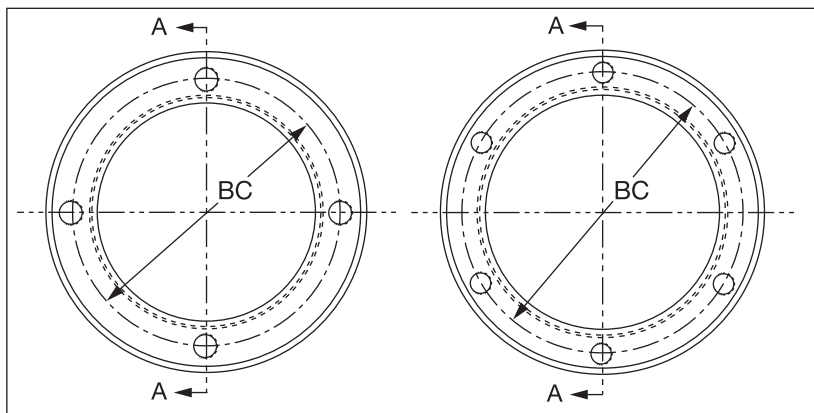


XT Hubs

Dimensions

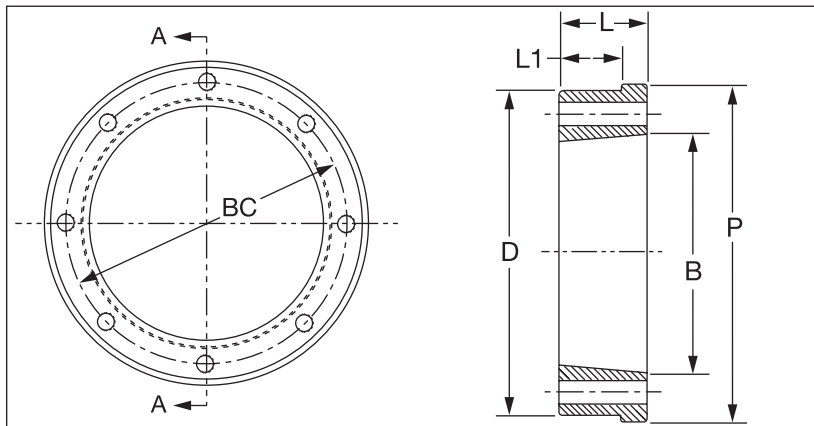
Hub No.	Fits Bushing	Part Number	Dimensions - Inches						Tapped Holes		Approx. Weight
			D *	L	B	P	L1	BC	No.	Size	
XTH15	XTB15	226916	2.875	5/8	2.000	3.190	7/16	2-7/16	4	14-20NC	0.7
XTH20	XTB20	226917	3.813	13/16	2.688	4.065	9/16	3-3/16	4	5/16-18NC	1.5
XTH25	XTB25	226918	4.375	1-1/8	3.188	4.690	13/16	3-3/4	4	3/8-16NC	2.6
XTH30	XTB30	226919	5.750	1-1/4	3.875	5.940	7/8	4-9/16	4	7/16-14NC	4.1
XTH35	XTB35	226920	6.345	1-1/2	4.688	6.565	1-1/16	5-7/16	4	1/2-13NC	6.6
XTH40	XTB40	226921	7.250	1-3/4	5.313	7.563	1-1/4	6-1/8	4	9/16-12NC	10.7
XTH45	XTB45	226922	8.000	2-1/8	5.938	8.315	1-1/2	6-7/8	4	5/8-11NC	15.4
XTH50	XTB50	226923	9.563	2-1/2	7.250	9.940	1-3/4	8-5/16	4	3/4-10NC	24.9
XTH60	XTB60	226924	11.250	2-3/4	8.625	11.690	1-15/16	9-7/8	4	7/8-9NC	36.4
XTH70	XTB70	226925	13.188	3-1/8	10.000	13.628	2-3/16	11-9/16	4	1-8NC	57.7
XTH80	XTB80	226926	14.625	3-7/16	11.125	14.940	2-7/16	12-7/8	4	1-1/8-7NC	75.6
XTH100	XTB100	226927	17.500	4-1/8	13.688	17.940	3	15-9/16	6	1-1/8-7NC	122
XTH120	XTB120	226928	20.500	4-13/16	16.188	20.940	3-1/2	18-3/16	8	1-1/8-7NC	189

* TOLERANCE: (+0.000" / -0.005")



XTH15 to XTH80
Inclusive

XTH100



XTH120

Section A-A
Taper 2" per ft.
on Diameter -B-

FEATURES/BENEFITS PAGE PT15-2	HOW TO ORDER PAGE PT15-6	SELECTION PAGE PT15-9	SELECTION/DIMENSIONS PAGE PT15-10
----------------------------------	-----------------------------	--------------------------	--------------------------------------



ENGINEERING/TECHNICAL

Horsepower and Belt Tension for Simple Conveyors *

Horsepower

The horsepower required to operate a belt conveyor depends on the following:

1. Maximum tonnage to be handled
2. Length of the conveyor
3. Vertical lift of the conveyor

To determine horsepower required for a horizontal conveyor, use Table 1 only.

To determine horsepower required for an inclined conveyor, use Table 1 and Table 2. Figure each table separately and sum the results to determine total horsepower required.

Note: Other factors, such as conveyor plows, scrapers, and skirt boards over 12 feet, will require additional factors for horsepower.

See conveyor design program or call conveyor component engineering for assistance.

* These calculations are limited to level or uphill conveyors with single drive pulley and a maximum length of 500 ft. For other systems, consult Dodge.

NOTE: Online selection program is available at www.ptwizard.com

Table 1 – HP Required to Operate Loaded Conveyor on the Level

Length of Conveyor in feet	Short Tons Per Hour (2000 lbs.)												
	100	150	200	250	300	350	400	500	600	700	800	900	1000
25	2.0	2.3	2.5	2.7	3.0	3.3	3.5	4.0	4.5	5.0	5.5	6.0	6.5
50	2.4	2.7	3.0	3.3	3.6	3.9	4.2	4.8	5.4	6.0	6.6	7.2	7.8
75	2.8	3.1	3.5	3.8	4.1	4.5	4.8	5.5	6.2	6.9	7.6	8.3	9.0
100	3.0	3.4	3.8	4.2	4.5	4.9	5.3	6.0	6.8	7.5	8.3	9.0	9.8
125	3.4	3.8	4.2	4.6	5.0	5.4	5.8	6.6	7.4	8.2	9.0	9.8	10.6
150	3.7	4.1	4.6	5.0	5.5	5.9	6.3	7.2	8.1	9.0	9.9	10.8	11.5
175	4.0	4.5	5.0	5.5	6.0	6.5	7.0	8.0	9.0	10.0	11.0	12.0	13.0
200	4.3	4.8	5.3	5.8	6.4	7.0	7.5	8.6	9.7	10.8	11.9	13.0	14.1
225	4.6	5.1	5.7	6.2	6.8	7.3	8.0	9.2	10.4	11.6	12.8	14.0	15.2
250	4.9	5.5	6.2	6.8	7.5	8.0	8.8	10.1	11.4	12.7	14.0	15.3	16.6
300	5.6	6.2	7.0	7.6	8.4	9.0	9.8	11.2	12.6	14.0	15.4	16.8	18.2
350	6.2	6.9	7.7	8.4	9.2	10.0	10.7	12.2	13.7	15.2	16.7	18.2	19.7
400	6.8	7.6	8.5	9.2	10.2	11.0	11.9	13.6	15.3	17.0	18.7	20.4	22.1
450	7.3	8.3	9.2	10.2	11.1	12.0	13.0	14.9	16.8	18.7	20.6	22.5	24.4
500	8.0	9.0	10.1	11.1	12.2	13.2	14.3	16.4	18.5	20.6	22.7	24.8	26.9

Table 2 – HP Required to Lift Load on Belt Conveyor

Lift in Feet	Short Tons Per Hour (2000 lbs.)												
	100	150	200	250	300	350	400	500	600	700	800	900	1000
10	1.0	1.5	2.0	2.5	3.0	3.5	4.0	5.0	6.0	7.0	8.0	9.0	10.0
20	2.0	3.0	4.0	5.0	6.0	7.0	8.0	10.0	12.0	14.0	16.0	18.0	20.0
30	3.0	4.5	6.0	7.5	9.0	10.5	12.0	15.0	18.0	21.0	24.0	27.0	30.0
40	4.0	6.0	8.0	10.0	12.0	14.0	16.0	20.0	24.0	28.0	32.0	36.0	40.0
50	5.0	7.5	10.0	12.5	15.0	17.5	20.0	25.0	30.0	35.0	40.0	45.0	50.0
60	6.0	9.0	12.0	15.0	18.0	21.0	24.0	30.0	36.0	42.0	48.0	54.0	60.0
70	7.0	10.5	14.0	17.5	21.0	24.5	28.0	35.0	42.0	49.0	56.0	63.0	70.0
80	8.0	12.0	16.0	20.0	24.0	28.0	32.0	40.0	48.0	56.0	64.0	72.0	80.0
90	9.0	13.5	18.0	22.5	27.0	31.5	36.0	45.0	54.0	63.0	72.0	81.0	90.0
100	10.0	15.0	20.0	25.0	30.0	35.0	40.0	50.0	60.0	70.0	80.0	90.0	100.0

Belt Tension:

The belt tensions developed in a belt conveyor depend on the following:

1. Motor horsepower
2. Belt speed in feet per minute
3. Drive configuration

To determine tight side (T1) and slack side (T2) operating tensions, first determine the effective tension (difference between T1 and T2) from: $T_e = 33,000 \times \text{HP}/\text{FPM}$

Where: T_e = Effective tension
 HP = Motor horsepower
 FPM = Belt speed

The slack side belt tension is calculated from T_e and the drive factor C_w (from Table 7) by: $T_2 = T_e \times C_w$

Where: T_2 = Slack side tension
 T_e = Effective tension
 C_w = Drive factor from Table 3

The tight side tension is calculated from T_e and T_2 by: $T_1 = T_e + T_2$

Where: T_1 = Tight side tension
 T_e = Effective tension
 T_2 = Slack side tension

Example: Horsepower and Tension calculation

Calculate horsepower and belt tensions for a conveyor given:

1. Capacity of 300 tons per hour
2. 300 ft. conveyor length
3. 20 ft. conveyor lift
4. Belt speed of 450 feet per minute
5. Screw take-up system
6. 180° arc of contact on drive pulley
7. Lagged drive pulley

Horsepower:

From Table 1 the horsepower required to operate the belt on the level is 8.4. From Table 2 the horsepower required for lift is 6.0. The total horsepower required is $8.4 + 6.0 = 14.4$. (A 15 HP motor would be selected.)

Tension:

First calculate effective tension from:

$$T_e = \frac{33000 \times \text{HP}}{\text{FPM}} \qquad T_e = \frac{33000 \times 15}{450} = 1100 \text{ lbs.}$$

Calculate T_2 from T_e and drive factor C_w (From Table 3 $C_w = .8$)

$$T_2 = C_w \times T_e \qquad T_2 = .8 \times 1100 = 880 \text{ lbs.}$$

Finally calculate T_1 from T_2 and T_e

$$T_1 = T_2 + T_e \qquad T_1 = 880 + 1100 = 1980 \text{ lbs.}$$

Table 3 - Drive Factor

Type of Pulley Drive	Wrap	Automatic Take-Up		Manual Take-Up	
		Bare Pulley	Lagged Pulley	Bare Pulley	Lagged Pulley
Single no snub	180°	0.84	0.50	1.2	0.8
Single with snub	200°	0.72	0.42	1.0	0.7
	210°	0.66	0.38	1.0	0.7
	220°	0.62	0.35	0.9	0.6
	240°	0.54	0.30	0.8	0.6

CONTENT

ENGINEERING/TECHNICAL

Bearing Engineering Section

Vibration Frequencies of Anti-Friction Mounted Bearings	PT15-2
Bearing Life Adjustment Factors	PT15-9
(Rolling Element Bearings)	

PT Component Engineering Section

V-Belt Sheave Groove Dimensions	PT15-11
Conveyor Belt FPM to RPM	PT15-12
Material Characteristics	PT15-13

General Engineering Section

Shafting	PT15-15
Expansion of Shafting	PT15-20
Weights/Properties of Steel Shafting	PT15-21
Oil Viscosity Classification	PT15-23
English Standard Measurement	PT15-24
Metric Standard Measurement & Conversion	PT15-26
Common Conversion Factors	PT15-27
Flywheel Formulas	PT15-34
Centrifugal Force	PT15-34
Formulas and Constants	PT15-33
Torque and Horsepower Equivalentents	PT15-35
Overhung Loads	PT15-35
Mathematical Equations	PT15-35
Strength and Physical Properties of Various Metals	PT15-36
Properties of Sections	PT15-37
Coefficients of Friction (f)	PT15-38
Hardness Comparison	PT15-38
U.S. Standard Sheet Metal Gages	PT15-38
Trigonometric Formula	PT15-39
Part Number Index	INDEX-1
Keyword Index	INDEX-43



ENGINEERING

Vibration Frequencies of DODGE Anti-Friction Mounted Bearings

More and more manufacturing facilities are getting involved with plant-wide preventive maintenance programs. By monitoring vibration levels of motors, pumps, fans and compressors, maintenance supervisors can predict imminent failures. Knowing that a piece of equipment is showing signs of potential failure permits scheduling of maintenance at an appropriate time and avoids the consequences of catastrophic failures. Shown in Tables 1 - 10 are vibration frequencies generated by bearing components defects. All frequencies are based on unity inner ring or cone rotation.

How to Use the Tables

If a 2-7/16 Type E pillow block is rotating at 1000 RPM, the vibration due to a failed component will show up at the following frequencies: (Table 3, Line 6)

Frequency

Cup Nick or Spall	= 1000 x 9.251	= 9251 RPM
Cone Nick or Spall	= 1000 x 11.749	= 11749 PM
*Roller Nick or Spall	= 1000 x 4.011 x 2	= 8022 RPM
Cage (Train) Frequency (Inner Ring Rotation)	= 1000 x 0.441	= 441 RPM

Since all the values in Tables 1 - 10 are based on unity inner ring or cone rotation, the vibration due to flaws will show up at the frequencies obtained by multiplying the RPM times the factors found on the appropriate table. The resulting product will have units of RPM.

Table 1: All Setscrew, Eccentric, D-LOK & GT Ball Bearing Parameters For Vibration Analysis (1-RPS)

Series	SC Bore	SCM Bore	# Balls	Diameter of Balls	Pitch Diameter	Outer Ring Frequency Hz	Inner Ring Frequency Hz	* Ball Spin Frequency Hz	Cage Frequency Hz
203	1/2 - 5/8		8	17/64	1.151	3.078	4.923	2.050	0.385
204	1/2 - 3/4		8	5/16	1.325	3.057	4.943	2.002	0.382
205	7/8 - 1		9	5/16	1.533	3.582	5.418	2.350	0.398
206	1-1/6 - 1-1/4	1	9	3/8	1.823	3.575	5.426	2.328	0.397
207	1-1/4 - 1-7/16	1-3/16	9	7/16	2.136	3.579	5.422	2.339	0.398
208	1-1/2 - 1-5/8	1-7/16 - 1-1/2	9	1/2	2.387	3.558	5.443	2.283	0.395
209	1-11/16 - 1-3/4	1-1/2	9	13/25	2.559	3.586	5.414	2.360	0.398
210	1-15/16 - 2	1-11/16 - 1-3/4	10	1/2	2.765	4.056	5.904	2.674	0.410
211	2-2-1/4	1-15/16 - 2	10	9/16	3.092	4.090	5.910	2.657	0.410
212	2-1/4 - 2-7/16	2-3/16 - 2-1/4	10	5/8	3.385	4.077	5.923	2.616	0.408
214	2-11/16	2-7/16 - 2-1/2	10	11/16	3.775	4.089	5.911	2.654	0.409
215	2-15/16	2-11/16	11	11/16	4.085	4.574	6.456	2.887	0.416
216		2-15/16 - 3	11	3/4	4.330	4.547	6.453	2.800	0.413
218		3-7/16 - 3-1/2	11	27/32	4.920	4.557	6.443	2.830	0.414

Table 2: Type E, K, DI, and TAF Tapered Roller Bearing Parameters For Vibration Analysis (1-RPS)

Bore Size	# Rollers Per Row	Mean Diameter of Rollers	Pitch Diameter	Contact Angle	Cup Frequency Hz	Cone Frequency Hz	* Roller Spin Frequency Hz	Cage Frequency Hz
1-3/16 - 1-1/4	19	0.23	1.774	17.533	8.326	10.675	3.798	0.438
1-3/8 - 1-7/16	20	0.29	2.084	16.5	8.666	11.334	3.529	0.433
1-1/2 - 1-11/16	18	0.35	2.411	16	7.744	10.256	3.377	0.430
1-3/4 - 2	17	0.41	2.709	12.033	7.241	9.758	3.231	0.426
2-3/16	19	0.41	3.014	13.283	8.242	10.758	3.611	0.434
2-1/4 - 2-1/2	21	0.41	3.337	14.5	9.251	11.7489	4.012	0.441
2-11/16 - 3	24	0.41	3.9	16.733	10.792	13.208	4.708	0.450
3-3/16 - 3-1/2	26	0.46	4.78	18.167	11.811	14.189	5.152	0.454
3-15/16 - 4	26	0.51	5.12	17.567	11.766	14.235	4.974	0.453
4-7/16 - 4-1/2	25	0.59	5.727	18.983	11.282	13.718	4.807	0.451
4-15/16 - 5	25	0.68	6.568	17	11.262	13.738	4.782	0.455
5-7/16 - 6	32	0.67	8.444	17.75	14.791	17.209	6.266	0.462
6-7/16 - 7	27	0.93	9.791	19.167	12.289	14.711	5.222	0.455

$$\text{Cup Frequency} = N * \text{RPM} * (1 - (\text{Bd} * \cos a / \text{Pd})) / 120$$

Pd = Pitch Diameter

$$\text{Cone Frequency} = N * \text{RPM} * (1 + (\text{Bd} * \cos a / \text{Pd})) / 120$$

N = Number of rollers

$$\text{Roller Spin Frequency} = \text{Pd} * \text{RPM} * (1 - (\text{Bd} * \cos a / \text{Pd})^2) / (120 * \text{Bd})$$

Bd = Roller Diameter

$$\text{Cage Frequency} = \text{RPM} * (1 - (\text{Bd} * \cos a / \text{Pd})) / 120$$

a = Cup Angle (contact angle)

Table 3: Type C Tapered Roller Bearing Parameters For Vibration Analysis (1-RPS)

Bore Size	# Rollers Per Row	Mean Diameter of Rollers	Pitch Diameter	Contact Angle	Cup Frequency Hz	Cone Frequency Hz	* Roller Spin Frequency Hz	Cage Frequency Hz
1-3/16 - 1-7/16	19	0.31	2.251	14.92	8.236	10.764	3.566	0.433
1-1/2 - 1-3/4	21	0.32	2.604	11.50	9.236	11.764	4.010	0.440
1-15/16	22	0.33	2.848	15.00	9.769	12.231	4.261	0.444
2 - 2-1/4	21	0.40	3.335	16.83	9.295	11.705	4.114	0.443
2-3/16 - 2-7/16	25	0.35	3.533	18.00	11.322	13.678	5.002	0.453
2-1/2 - 2-11/16	23	0.43	3.827	16.50	10.261	12.739	4.399	0.446
2-7/16 - 2-15/16	26	0.42	4.22	16.50	11.759	14.241	4.978	0.452
3 - 3-3/16	22	0.55	4.612	16.50	9.742	12.258	4.138	0.443
3-1/4 - 3-7/16	24	0.51	4.761	16.42	10.767	13.233	4.618	0.449
3-1/2 - 4	25	0.59	5.727	18.98	11.282	13.718	4.807	0.4513
4-7/16 - 4-1/2	33	0.46	3.109	11.50	14.108	18.892	3.308	0.428
4-15/16 - 5	26	0.68	6.983	18.00	11.796	14.204	5.091	0.4537

$$\text{Cup Frequency} = N * \text{RPM} * (1 - (\text{Bd} * \cos a / \text{Pd})) / 120$$

Pd = Pitch Diameter

$$\text{Cone Frequency} = N * \text{RPM} * (1 + (\text{Bd} * \cos a / \text{Pd})) / 120$$

N = Number of rollers

$$\text{Roller Spin Frequency} = \text{Pd} * \text{RPM} * (1 - (\text{Bd} * \cos a / \text{Pd})^2) / (120 * \text{Bd})$$

Bd = Roller Diameter

$$\text{Cage Frequency} = \text{RPM} * (1 - (\text{Bd} * \cos a / \text{Pd})) / 120$$

a = Cup Angle (contact angle)

*** Note:** Ball and Roller Spin Frequencies are listed at one (1X) roller spin frequency. For thorough analysis it is important to check frequency level at two (2X) rotational speed of balls or rollers as this is the frequency that a single ball/roller defect will contact the raceways of the bearing. In other words, a ball/roller defect will strike both inner and outer ring in one revolution of the roller.

Type 4: Special Duty Tapered Roller Bearing Parameters For Vibration Analysis (1-RPS)

Bore Size	# Rollers Per Row	Mean Diameter of Rollers	Pitch Diameter	Contact Angle	Cup Frequency Hz	Cone Frequency Hz	Roller Spin Frequency Hz	Cage Frequency Hz
1-3/8 - 1-1/2	21	0.32	2.603	11.50	9.238	11.762	4.019	0.440
1-9/16 - 1-3/4	26	0.32	3.061	16.00	11.693	14.307	4.732	0.450
1-7/8 - 2	27	0.32	3.267	17.00	12.235	14.765	5.058	0.453
2-1/8 - 2-1/4	25	0.35	3.533	18.00	11.317	13.683	4.981	0.453
2-3/8 - 2-1/2	29	0.35	3.828	18.77	13.245	15.755	5.430	0.457
2-5/8 - 3	26	0.48	4.572	10.17	11.650	14.350	4.687	0.448
3-3/16 - 3-1/2	27	0.56	5.541	16.00	12.184	14.816	4.884	0.451
3-11/16 - 4	23	0.68	6.103	15.88	10.263	12.737	4.418	0.446
4-7/16 - 4-1/2	26	0.68	6.983	18.00	11.791	14.209	5.069	0.454
4-15/16 - 5	30	0.75	7.896	17.00	13.637	16.363	5.218	0.455
5-7/16 - 6	24	0.93	9.123	17.33	10.832	13.168	4.858	0.451
6-1/2 - 7	29	0.93	10.190	19.23	13.251	15.750	5.438	0.457
7-15/16 - 8	27	1.12	11.471	12.42	12.213	14.787	5.074	0.452
8-1/2 - 10	41	0.87	13.979	16.40	19.276	21.724	8.005	0.470
11 - 12	37	1.20	16.061	12.50	17.151	19.850	6.657	0.464

$$\text{Cup Frequency} = N * \text{RPM} * (1 - (\text{Bd} * \cos a / \text{Pd})) / 2$$

$$\text{Cone Frequency} = N * \text{RPM} * (1 + (\text{Bd} * \cos a / \text{Pd})) / 2$$

$$\text{Roller Spin Frequency} = \text{Pd} * \text{RPM} * (1 - (\text{Bd} * \cos a / \text{Pd})^2) / (2 * \text{Bd})$$

$$\text{Cage Frequency} = \text{RPM} * (1 - (\text{Bd} * \cos a / \text{Pd})) / 2$$

Pd = Pitch Diameter

N = Number of rollers

Bd = Roller Diameter

a = Cup Angle (contact angle)

Table 5: All Steel Tapered Roller Bearing Parameters For Vibration Analysis (1-RPS)

Bore Size	# Rollers Per Row	Mean Diameter of Rollers	Pitch Diameter	Contact Angle	Cup Frequency Hz	Cone Frequency Hz	* Roller Spin Frequency Hz	Cage Frequency Hz
2-11/16 - 3	27	0.36	4.114	15.50	12.362	14.638	5.673	0.458
3-1/4 - 3-1/2	26	0.51	5.120	17.57	11.766	14.235	4.974	0.453
3-15/16 - 4	33	0.48	5.814	12.50	15.170	17.830	6.017	0.460
4-7/16 - 4-1/2	29	0.60	6.503	12.92	13.196	15.804	5.375	0.455
4-15/16 - 5	32	0.61	7.355	12.50	14.705	17.296	5.989	0.460
5-7/16	27	0.84	8.272	12.00	12.159	14.841	4.875	0.450
5-15/16 - 6	26	0.85	8.323	12.00	11.701	14.300	4.847	0.450
6-7/16 - 7	32	0.81	9.748	12.50	14.702	17.300	5.978	0.459
7-1/2 - 8	27	1.12	11.471	12.42	12.213	14.787	5.074	0.452
9 - 10	32	1.28	14.026	12.03	14.572	17.428	5.435	0.455

$$\text{Cup Frequency} = N * \text{RPM} * (1 - (\text{Bd} * \cos a / \text{Pd})) / 120$$

$$\text{Cone Frequency} = N * \text{RPM} * (1 + (\text{Bd} * \cos a / \text{Pd})) / 120$$

$$\text{Roller Spin Frequency} = \text{Pd} * \text{RPM} * (1 - (\text{Bd} * \cos a / \text{Pd})^2) / (120 * \text{Bd})$$

$$\text{Cage Frequency} = \text{RPM} * (1 - (\text{Bd} * \cos a / \text{Pd})) / 120$$

Pd = Pitch Diameter

N = Number of rollers

Bd = Roller Diameter

a = Cup Angle (contact angle)

*** Note:** Ball and Roller Spin Frequencies are listed at one (1X) roller spin frequency. For thorough analysis it is important to check frequency level at two (2X) rotational speed of balls or rollers as this is the frequency that a single ball/roller defect will contact the raceways of the bearing. In other words, a ball/roller defect will strike both inner and outer ring in one revolution of the roller.

Table 6: S-2000, Unisphere II and Imperial Spherical Roller Bearing Parameters for Vibration Analysis (1-RPS)

Basic Bearing Series	S-2000 Bore Size (in)	Unisphere II Bore Size (in)	Imperial Bore Size (in)	No. of Rollers	Mean Dia. Of Rollers	Pitch Dia.	Contact Angle	Outer Ring Frequency Hz	Inner Ring Frequency Hz	* Roller Spin Frequency Hz	Cage Frequency Hz
22208	1-3/8 - 1-1/2	1-7/16 - 1-1/2	1-1/8 - 1-1/2	15	0.449	2.449	10.583	6.149	8.851	2.640	0.410
22209	1-11/16 - 1-3/4	1-11/16 - 1-3/4	1-5/8 - 1-3/4	17	0.429	2.665	9.750	7.151	9.849	3.027	0.421
22210	1-15/16 - 2	1-15/16 - 2	1-7/8 - 2	18	0.433	2.858	9.083	7.653	10.347	3.226	0.425
22211	2-3/16	2-3/16	2-3/16 - 2-1/4	19	0.465	3.189	8.750	8.132	10.868	3.361	0.428
22213	2-7/16	2-7/16 - 2-1/2	2-3/8 - 2-1/2	18	0.583	3.795	9.083	7.635	10.365	3.182	0.424
22215	2-11/16 - 3	2-11/16 - 3	2-11/16 - 3	20	0.575	4.197	8.250	8.645	11.355	3.584	0.432
22218	3-7/16	3-7/16 - 3-1/2	3-3/16 - 3-1/2	18	0.780	5.079	8.833	7.635	10.365	3.183	0.424
22220	3-15/16 - 4	3-15/16 - 4	3-11/16 - 4	18	0.878	5.705	9.000	7.632	10.368	3.174	0.424
22222	4-7/16		4-7/16 - 4-1/2	17	1.020	6.287	9.417	7.140	9.860	3.004	0.420
22226	4-15/16		4-15/16 - 5	18	1.118	7.307	9.750	7.643	10.357	3.193	0.425
22228			5-7/16 - 5-1/2	18	1.217	7.933	9.583	7.639	10.361	3.186	0.424
22232			5-15/16 - 6	18	1.409	9.189	9.667	7.639	10.361	3.185	0.424
22236			6-7/16 - 7	18	1.559	10.157	9.417	7.637	10.363	3.183	0.424

Table 7: USAF and SAF-XT Spherical Roller Bearing Parameters for Vibration Analysis (1-RPS)

Basic Bearing Series	USAF/SAF-XT Bore Sizes (in)	No. of Rollers	Mean Dia. Of Rollers	Pitch Dia.	Contact Angle	Outer Ring Frequency Hz	Inner Ring Frequency Hz	* Roller Spin Frequency Hz	Cage Frequency Hz
22209	1-7/16	18	0.408	2.626	9.633	7.623	10.377	3.147	0.424
22210	1-11/16	19	0.415	2.819	8.917	8.120	10.880	3.328	0.427
22211	1-15/16	19	0.465	3.097	8.833	8.092	10.908	3.260	0.426
22213	2-3/16	20	0.534	3.761	9.117	8.599	11.401	3.456	0.430
22215	2-7/16 - 2-1/2	20	0.587	4.093	8.433	8.582	11.418	3.419	0.429
22216	2-11/16 - 2-3/4	20	0.622	4.410	8.333	8.604	11.396	3.475	0.430
22217	2-15/16 - 3	20	0.679	4.723	8.367	8.578	11.422	3.409	0.429
22218	3-3/16	20	0.702	5.024	8.917	8.620	11.380	3.510	0.431
22220	3-7/16 - 3-1/2	19	0.823	5.609	8.917	8.123	10.877	3.336	0.428
22222	3-15/16 - 4	18	0.979	6.185	9.583	7.595	10.405	3.082	0.422
22224	4-3/16	19	0.999	6.700	9.633	8.103	10.897	3.280	0.426
22226	4-7/16 - 4-1/2	19	1.071	7.205	9.950	8.109	10.891	3.292	0.427
22228	4-15/16 - 5	18	1.217	7.933	9.583	7.639	10.361	3.186	0.424
22230	5-3/16	18	1.315	8.559	9.500	7.636	10.364	3.180	0.424
22232	5-7/16 - 5-1/2	18	1.409	9.189	9.667	7.639	10.361	3.185	0.424
22234	5-15/16 - 6	17	1.583	9.740	9.833	7.139	9.861	2.998	0.420
22236	6-7/16 - 6-1/2	18	1.559	10.157	9.417	7.637	10.363	3.183	0.424
22238	6-15/16 - 7	20	1.496	10.669	10.667	8.622	11.378	3.498	0.431
22240	7-3/16	19	1.614	11.021	10.833	8.133	10.867	3.343	0.428
22244	7-1/2 - 8	19	1.850	12.480	10.833	8.117	10.883	3.301	0.427
23048	8-7/16 - 9	29	1.142	12.008	9.333	13.140	15.860	5.213	0.453
23052	9-7/16 - 9-1/2	27	1.378	13.228	9.667	12.114	14.886	4.749	0.449
23056	9-15/16 - 10-1/2	28	1.378	13.976	9.333	12.638	15.362	5.023	0.451

* **Note:** Ball and Roller Spin Frequencies are listed at one (1X) roller spin frequency. For thorough analysis it is important to check frequency level at two (2X) rotational speed of balls or rollers as this is the frequency that a single ball/roller defect will contact the raceways of the bearing. In other words, a ball/roller defect will strike both inner and outer ring in one revolution of the roller.

Table 8: DODGE USAF Air Handling Spherical Roller Bearing Parameters For Vibration Analysis (1-RPS)

Bore Size	Basic Bearing Series	# Rollers Per Row	Diameter of Rollers	Pitch Diameter	Contact Angle	Outer Ring Frequency Hz	Inner Ring Frequency Hz	*Roller Spin Frequency Hz	Cage Frequency Hz
1-7/16	22209E1K	17	0.3937	2.5976	10.0000	7.231	9.769	3.226	0.425
1-11/16	22210E1K	19	0.3937	2.7976	9.2500	8.180	10.820	3.484	0.431
1-15/16	22211E1K	18	0.4528	3.0921	8.9200	7.698	10.302	3.343	0.428
2-3/16	22213E1K	19	0.5315	3.7110	9.2500	8.157	10.843	3.421	0.429
2-7/16 - 2-1/2	22215E1K	21	0.5315	4.1098	8.3300	9.156	11.846	3.803	0.436
2-11/16 - 2-3/4	22216E1K	20	0.5709	4.3638	8.2500	8.705	11.295	3.758	0.435
2-15/16 - 3	22217E1K	20	0.6299	4.6811	8.5000	8.669	11.331	3.650	0.434
3-3/16	22218E1K	20	0.6693	4.9602	8.8300	8.667	11.333	3.640	0.433
3-7/16 - 3-1/2	22220E1K	19	0.7677	5.5606	9.0000	8.205	10.795	3.554	0.432
3-15/16 - 4	22222E1K	19	0.8661	6.1559	9.4200	8.181	10.819	3.485	0.431
4-3/16	22224E1K	19	0.9252	6.6382	9.5800	8.194	10.806	3.520	0.431
4-7/16 - 4-1/2	22226E1K	19	0.9843	7.1358	9.9200	8.209	10.791	3.558	0.432
4-15/16 - 5	22228E1K	19	1.0630	7.7232	9.6700	8.211	10.789	3.566	0.432

$$\text{Outer Ring Frequency} = N * \text{RPM} * (1 - (\text{Bd} * \cos a / \text{Pd})) / 120$$

$$\text{Inner Ring Frequency} = N * \text{RPM} * (1 + (\text{Bd} * \cos a / \text{Pd})) / 120$$

$$\text{Roller Spin Frequency} = \text{Pd} * \text{RPM} * (1 - (\text{Bd} * \cos a / \text{Pd})^2) / (120 * \text{Bd})$$

$$\text{Cage Frequency} = \text{RPM} * (1 - (\text{Bd} * \cos a / \text{Pd})) / 120$$

Pd = Pitch Diameter

N = Number of rollers

Bd = Roller Diameter

a = Contact Angle

Table 9: Split-Spherical Roller Bearing Parameters For Vibration Analysis

Bore Size	Basic Bearing Series	# Rollers Per Row	Diameter of Rollers	Pitch Diameter	Contact Angle	Outer Ring Frequency Hz	Inner Ring Frequency Hz	*Roller Spin Frequency Hz	Cage Frequency Hz
2-3/16	22213SS	17	0.559	3.414	9.000	7.125	9.875	2.973	0.419
2-7/16	22215SS	18	0.551	3.748	9.083	7.693	10.307	3.328	0.427
2-11/16	22216SS	19	0.579	3.950	8.667	8.124	10.876	3.341	0.428
2-15/16	22217SS	20	0.575	4.153	8.250	8.630	11.370	3.545	0.431
3-3/16	22218SS	19	0.654	4.435	8.167	8.114	10.886	3.321	0.427
3-7/16	22220SS	18	0.780	5.079	8.833	7.635	10.365	3.183	0.424
3-15/16 - 4	22222SS	18	0.878	5.634	9.000	7.615	10.385	3.132	0.423
4-3/16	22224SS	17	1.110	6.203	9.417	7.000	10.000	2.708	0.412
4-7/16 - 4-1/2	22226SS	18	1.047	6.727	9.417	7.618	10.382	3.136	0.423
4-15/16	22228SS	18	1.118	7.202	9.750	7.623	10.377	3.145	0.424
5-3/16	22230SS	18	1.217	7.822	9.583	7.620	10.380	3.139	0.423
5-7/16	22232SS	18	1.315	8.442	9.500	7.617	10.383	3.134	0.423
5-15/16 - 6	22234SS	18	1.409	9.059	9.667	7.620	10.380	3.138	0.423
6-7/16 - 6-1/2	22236SS	18	1.409	9.059	9.667	7.620	10.380	3.138	0.423
6-15/16 - 7	22238SS	18	1.559	10.021	9.417	7.619	10.381	3.138	0.423
7-3/16	22240SS	16	1.579	10.716	9.417	6.837	9.163	3.322	0.427
7-1/2 - 8	22244SS	16	1.752	11.257	9.500	6.772	9.228	3.137	0.423
8-1/2 - 9	23048SS	20	1.307	11.189	8.083	8.843	11.157	4.223	0.442
9-1/2	23052SS	22	1.339	11.949	8.417	9.781	12.219	4.408	0.445
10	23056SS	20	1.539	13.175	8.667	8.845	11.155	4.222	0.442

$$\text{Outer Ring Frequency} = N * \text{RPM} * (1 - (\text{Bd} * \cos a / \text{Pd})) / 120$$

$$\text{Inner Ring Frequency} = N * \text{RPM} * (1 + (\text{Bd} * \cos a / \text{Pd})) / 120$$

$$\text{Roller Spin Frequency} = \text{Pd} * \text{RPM} * (1 - (\text{Bd} * \cos a / \text{Pd})^2) / (120 * \text{Bd})$$

$$\text{Cage Frequency} = \text{RPM} * (1 - (\text{Bd} * \cos a / \text{Pd})) / 120$$

Pd = Pitch Diameter

N = Number of rollers

Bd = Roller Diameter

a = Contact Angle

*** Note:** Ball and Roller Spin Frequencies are listed at one (1X) roller spin frequency. For thorough analysis it is important to check frequency level at two (2X) rotational speed of balls or rollers as this is the frequency that a single ball/roller defect will contact the raceways of the bearing. In other words, a ball/roller defect will strike both inner and outer ring in one revolution of the roller.

Table 10: USDAF Spherical Roller Bearing Parameters For Vibration Analysis (1-RPS)

Bore Size	Basic Bearing Series	# Rollers Per Row	Diameter of Rollers	Pitch Diameter	Contact Angle	Outer Ring Frequency Hz	Inner Ring Frequency Hz	* Roller Spin Frequency Hz	Cage Frequency Hz
10-15/16 - 11	23060K	27	1.575	15.066	9.500	12.108	14.892	4.732	0.448
11-7/16 - 12	23064K	28	1.575	15.850	9.333	12.627	15.373	4.983	0.451
12-7/16 - 12-1/2	23068K	27	1.732	17.007	9.500	12.144	14.856	4.860	0.450
12-15/16 - 13-1/2	23072K	28	1.732	17.793	9.333	12.655	15.345	5.089	0.452
13-15/16 - 14	23076K	30	1.732	18.587	9.000	13.620	16.381	5.320	0.454
15	23080K	29	1.929	19.822	9.167	13.107	15.893	5.091	0.452
15-3/4	23084K	30	1.929	20.609	9.000	13.613	16.387	5.296	0.454
9-7/16 - 9-1/2	23152K	23	1.693	13.914	12.500	10.134	12.866	4.051	0.441
10-7/16 - 10-1/2	23156K	24	1.732	14.711	12.000	10.618	13.382	4.191	0.442
10-15/16 - 11	23160K	23	1.89	15.923	12.333	10.167	12.834	4.156	0.442
11-15/16 - 12	23164K	23	2.087	17.044	12.833	10.127	12.873	4.025	0.440
12-7/16 - 12-1/2	23168K	23	2.244	18.272	12.833	10.123	12.877	4.013	0.440
13-7/16 - 13-1/2	23172K	24	2.244	19.077	12.333	10.621	13.379	4.195	0.443
13-15/16 - 14	23176K	25	2.323	19.833	12.000	11.068	13.932	4.213	0.443
8-15/16 - 9	23248K	20	1.929	13.523	14.000	8.616	11.384	3.438	0.431
9-7/16 - 9-1/2	23252K	19	2.126	14.745	14.000	8.171	10.829	3.400	0.430
10-7/16 - 10-1/2	23256K	20	2.126	15.537	13.583	8.670	11.330	3.590	0.434
10-15/16 - 11	23260K	20	2.323	16.706	13.833	8.650	11.350	3.530	0.433
11-15/16 - 12	23264K	20	2.441	17.878	14.000	8.675	11.325	3.598	0.434
12-7/16 - 12-1/2	23268K	20	2.638	19.048	14.167	8.657	11.343	3.545	0.433

Outer Ring Frequency = $N * RPM * (1 - (Bd * \cos a / Pd)) / 120$

Inner Ring Frequency = $N * RPM * (1 + (Bd * \cos a / Pd)) / 120$

Roller Spin Frequency = $Pd * RPM * (1 - (Bd * \cos a / Pd)^2) / (120 * Bd)$

Cage Frequency = $RPM * (1 - (Bd * \cos a / Pd)) / 120$

Pd = Pitch Diameter

N = Number of rollers

Bd = Roller Diameter

a = Contact Angle

*** Note:** Ball and Roller Spin Frequencies are listed at one (1X) roller spin frequency. For thorough analysis it is important to check frequency level at two (2X) rotational speed of balls or rollers as this is the frequency that a single ball/roller defect will contact the raceways of the bearing. In other words, a ball/roller defect will strike both inner and outer ring in one revolution of the roller.

Mounted Bearings Life Adjustment Factor

1.1 GENERAL. For certain applications, it is desirable to specify life for reliability other than 90%. In such cases a life adjustment factor for reliability may be applied to the RATING LIFE. Section 1.2 discusses life adjustment factors for reliability.

Some bearing steels; e.g., vacuum-melted steels, and improved processing techniques, permit manufacture of bearings which offer endurance greater than that calculated by the RATING LIFE formula. Section 1.3 recommends methods to incorporate life adjustment factors for bearing materials into the life formula.

Bearing life calculated according to the RATING LIFE formula assumes proper application conditions. If lubrication is not adequate, loading unusual, or temperatures extreme, the ability of the bearing to attain or exceed the RATING LIFE is seriously impaired. Section 1.4 contains some basic recommendations concerning the effect of unusual application conditions on bearing life.

1.2 LIFE ADJUSTMENT FACTOR FOR RELIABILITY. Bearing life estimated in accordance with this standard is RATING LIFE; i.e., the life associated With 90% reliability or the life which 90% of a group of apparently identical bearings in a given application under similar conditions of load and speed will complete or exceed. While RATING LIFE has proven useful over a period of years as a criterion of performance, some applications require definition of life at reliabilities greater than 90%.

To determine bearing life with reliabilities other than 90% (as previously calculated in the Selection Procedure) the L_{10} must be adjusted by factor a_1 , such that $L_n = a_1 \times L_{10}$.

The life adjustment factors for reliability from Table 11 are recommended.

Table 11: Life Adjustment Factors For Reliability

Reliability %	L_n	Life Adjustment Factor for Reliability a_1
90	L_{10}	1
95	L_5	0.62
96	L_4	0.53
97	L_3	0.44
98	L_2	0.33
99	L_1	0.21

1.3 LIFE ADJUSTMENT FACTOR FOR MATERIAL. For bearings, which incorporate improved materials and processing, the L_{10} (as previously calculated in the Selection Procedure) must be adjusted by factor a_2 . Factor a_2 depends upon steel analysis, metallurgical processing, forming methods, heat treatment and manufacturing methods in general.

Bearings fabricated from consumable vacuum remelted steels and certain other special analysis steels have demonstrated extraordinarily long endurance. These steels are of exceptionally high quality, and bearings fabricated from these are usually considered special manufacture. As such, a_2 values will not be specified for such steels in this discussion. Generally, a_2 values for such steels can be obtained from the bearing manufacturer.

Mounted Bearings Life Adjustment Factor

1.4 LIFE ADJUSTMENT FACTOR FOR APPLICATION

CONDITIONS. Application conditions which affect bearing life include:

1. Lubrication.
2. Load distribution (including effects of clearance, misalignment, housing, and shaft stiffness, type of loading and thermal gradients).
3. Temperature.

Consideration of (1.2) and (1.3) above requires analytical and experimental techniques beyond the scope of this discussion, therefore, the user should consult the bearing manufacturer for evaluations and recommendations.

In most bearing applications, lubrication serves to separate the rolling surfaces; i.e., rolling elements and raceways; to reduce retainer-rolling elements and retainer-land friction and sometimes to act as a coolant to remove frictional heat generated by the bearing.

If all limitations and qualifications specified by this discussion are observed, then the life adjustment application factor for bearings which are adequately lubricated is 1; i.e., $a_3=1$.

Operating conditions where a_3 might be less than 1 include:

- a) exceptionally low values of N_{dm} (rpm times bore diameter in mm); e.g., N_{dm} 1000.
 - b) Lubricant viscosity less than 20.4 centistokes (100 SUS) at operating temperature.
 - c) Excessively high operating temperatures.
- When a_3 is less than 1, it may not be assumed that the deficiency in lubrication can be overcome by using an improved steel.

1.5 FACTOR COMBINATIONS. A fatigue life formula including the life adjustment factors is:

Ball Bearings:

$$L_n = a_1 \times a_2 \times a_3 \left(\frac{C^*}{P} \right)^3 \times \frac{(16.667)}{\text{RPM}}$$

Tapered Roller Bearings:

$$L_n = a_1 \times a_2 \times a_3 \left(\frac{C_{90}^*}{P} \right) \times \frac{(1,500,000)}{\text{RPM}}$$

Spherical Roller Bearings:

$$L_n = a_1 \times a_2 \times a_3 \left(\frac{C^*}{P} \right)^{10/3} \times \frac{(16.667)}{\text{RPM}}$$

Indiscriminate application of the life adjustment factors in this formula may lead to serious over-estimation of bearing endurance, since fatigue life is only one criterion for bearing selection.

Care must be exercised to select bearings which are of sufficient size for the application. Undersizing of shaft and housing structures by using bearings which appear adequate from a life standpoint could lead to misalignment and fitting problems which could invalidate the formulas in this discussion.

* C = Basic Load Rating computed in accordance with ABMA-ANSI Standards. $C_{90} = C \times .259$

ENGINEERING

V-Belt Drive Formulas

V-belt tensioning In cases where tensioning of a drive effects belt pull and bearing loads, the following formulas may be used.

$$T_1 - T_2 = 33,000 \left(\frac{HP}{V} \right)$$

where: T_1 = tight side tension, pounds
 T_2 = slack side tension, pounds
 HP = design horsepower
 V = belt speed, feet per minute

$$T_1 + T_2 = 33,000 (2.5-G) \left(\frac{HP}{GV} \right)$$

where: T_1 = tight side tension, pounds
 T_2 = slack side tension, pounds
 HP = design horsepower
 V = belt speed, feet per minute
 G = arc of contact correction factor*

$$T_1/T_2 = \frac{1}{1-0.8G} \quad (\text{Also } T_1/T_2 = e^{K\theta})$$

where: T_1 = tight side tension, pounds
 T_2 = slack side tension, pounds
 G = arc of contact correction factor*
 e = base of natural logarithms
 K = .51230, a constant for V-belt drive design
 θ = arc of contact in radians

$$T_1 = 41,250 (HP/GV)$$

where: T_1 = tight side tension, pounds
 HP = design horsepower
 V = belt speed, feet per minute
 G = arc of contact correction factor

$$T_2 = 33,000 (1.25-G) (HP/GV)$$

where: T_2 = slack side tension, pounds
 HP = design horsepower
 V = belt speed, feet per minute
 G = arc of contact correction factor

Belt Speed

$$V = \frac{(PD) (RPM)}{3.82} = (PD) (rpm) (.262)$$

where: V = belt speed, feet per minute
 PD = pitch diameter of sheave or pulley
 rpm = revolutions per minute of the same sheave or pulley

* See Table 12 at left

Table 12: Arc of Contact Correction Factor G

D-d C	Small Sheave Arc of Contact	Factor G	D-d C	Small Sheave Arc of Contact	Factor G
.00	180°	1.00	.80	133°	.87
.10	174°	.99	.90	127°	.85
.20	169°	.97	1.00	120°	.82
.30	163°	.96	1.10	130°	.80
.40	157°	.94	1.20	106°	.77
.50	151°	.93	1.30	99°	.73
.60	145°	.91	1.40	91°	.70
.70	139°	.89	1.50	83°	.65

D = Diam. of large sheave. d = Diam. of small sheave
 C = Center distance

Table 13: Allowable Sheave Rim Speed

Sheave Material	Rim Speed in Feet per Minute
Cast Iron	6,500
Ductile Iron	8,000
Steel	10,000

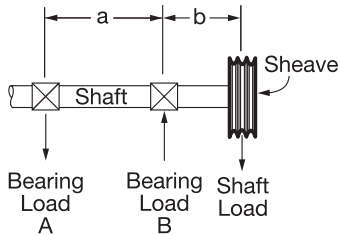
NOTE: Above rim speed values are maximum for normal considerations. In some cases these values may be exceeded. Consult factory and include complete details of proposed application.

$$\text{Dynamic balance RPM for Sheave/Sprocket } \diamond = \frac{15600}{\sqrt{\text{Dia} \times \text{Face Width}}}$$

◇ **Note:** MPTA recommends Dynamic balance when application RPM exceeds this value.

Bearing Load Calculations

To find actual bearing loads, it is necessary to know machine component weights and values of all other forces contributing to the load. Sometimes it becomes desirable to know the bearing load imposed by the V-belt drive



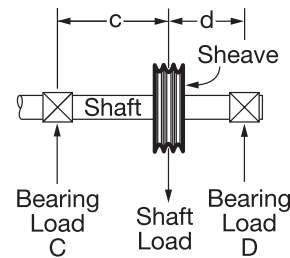
Overhung Sheave

$$\text{Load at B, lbs.} = \frac{\text{Shaft Load} \times (a + b)}{a}$$

$$\text{Load at A, lbs.} = \text{Shaft Load} \times \frac{b}{a}$$

Where: a and b = Spacing, inches

alone. This can be done if you know bearing spacing with respect to the sheave center and shaft load and apply it to the following formulas:



Sheave Between Bearings

$$\text{Load at D, lbs.} = \frac{\text{Shaft Load} \times c}{c + d}$$

$$\text{Load at C, lbs.} = \frac{\text{Shaft Load} \times d}{c + d}$$

Where: c and d = Spacing, inches

Nominal V-Belt Cross Sections

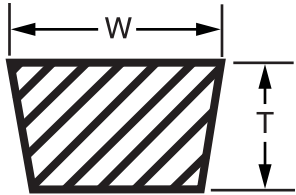


Table 14: Nominal V-Belt Cross Sections

Belt Section	Industry Standard Description	Width W, in Inches	Thickness T, in Inches
3L	FHP, Single	3/8	7/32
4L		1/2	5/16
5L		21/32	3/8
3V	Narrow	3/8	5/16
5V		5/8	17/32
8V		1	29/32
A	Classical Multiple	1/2	5/16
B		21/32	13/32
C		7/8	17/32
D		1-1/4	3/4

Table 15: Maximum Pulley RPM*

Pulley Dia. Inches	FPM												
	100	150	200	250	300	350	400	500	600	700	800	900	1000
6	64	95	127	159	191	223	254	318	382	445	509	573	636
8	48	72	95	119	143	167	191	239	286	334	382	429	477
10	38	57	76	95	115	134	153	191	229	267	305	344	382
12	32	48	64	80	95	111	127	159	191	223	254	286	318
14	27	41	55	68	82	95	109	136	164	191	218	245	273
16	24	36	48	60	72	83	95	119	143	167	191	215	239
18	21	32	42	53	64	74	85	106	127	148	170	191	212
20	19	29	38	48	57	67	76	95	115	134	153	172	191
24	16	24	32	40	48	56	64	80	95	111	127	143	159
30	13	19	25	32	38	45	51	64	76	89	102	115	127
36	11	16	21	27	32	37	42	53	64	74	85	95	106
42	9	14	18	23	27	32	36	45	55	64	73	82	91
48	8	12	16	20	24	28	32	40	48	56	64	72	80
54	7	11	14	18	21	25	28	35	42	49	57	64	71
60	6	10	13	16	19	22	25	32	38	45	51	57	64

* Maximum RPM values shown are based on 6,500 feet per minute for standard cast iron products. For higher rim speeds, contact Dodge Technical Support at 1-864-284-5700
For values not shown use formula below:

$$\text{Max RPM} = \frac{6,500}{2618 \times D}$$

D = Pulley Diameter, Inches



ENGINEERING

Table 16: Material Characteristics

MATERIAL	DENSITY (LB/FT ³)	ANGLE OF REPOSE (DEG)	RECOMMENDED MAXIMUM INCLINATION	MATERIAL	DENSITY (LB/FT ³)	ANGLE OF REPOSE (DEG)	RECOMMENDED MAXIMUM INCLINATION
Alfalfa, Ground	16	45°		Corn, Shelled	45	25°	10
Alum, Lumpy	50 - 60	35°		Corn Sugar	30	35°	
Alum, Pulverized	45 - 50	35°		Corn Grits	40 - 45	35°	
Alumina	60	30°	10-12	Cornmeal	32- 40	35°	22
Aluminum Oxide	70 - 120	30°		Cottonseed, Dry, De-Linted	35	35°	16
Ammonium Sulphate	45 - 60	45°		Cottonseed, Dry, Not De-Linted	18- 25	45°	19
Asbestos, Shredded	20 - 25	45°		Cottonseed, Cake, Lumpy	40- 45	35°	
Ashes, Dry	35 - 40	45°		Cottonseed, Hulls	12	45°	
Ashes, Wet	45 - 50	45°		Cottonseed, Meal	35- 40	35°	22
Ashes, Soft Coal	35 - 45	40°		Cottonseed, Meats	40	35°	
Asphalt, Crushed	45	35°		Cryolite	90-110	35°	
Bagasse	7.50	45°		Cullet	80-120	35°	20
Bakelite, Powder	30 - 40	45°		Diatomaceous Earth	11- 14	35°	
Baking Powder	40 - 50	35°		Dolomite, Lumpy	90-100	35°	22
Bark, Wood Refuse	10 - 20	45°	27	Dolomite, Pulverized	46	40°	
Barley	38	25°	10-15	Earth, Dry"	70- 80	35°	20
Basalt	80 - 120	25°		Earth, Moist	75-110	40°	23
Bauxite, Crushed	75 - 85	35°	20	Earth, Fullers Dry	30- 35	23°	20
Beans, Castor, Whole	30 - 45	25°	8-10	Emery	225	25°	
Beans, Cocoa	30 - 45	35°		Epsom Salt	40- 50	35°	
Beans, Navy	50	25°		Feldspar, Lumps	70-100	35°	17
Beans, Whole	45	45°		Feldspar, Dust	80-100	40°	
Bentonite, Crude	35 - 40	45°		Fish, Meal	35- 40	40°	
Bentonite, Fine	50 - 60	45°		Fish, Scrap	40- 50	0°	
Bones, Pulverized	50 - 60	45°		Flaxseed, Whole	45	25°	12
Borax, Fine	50 - 55	35°		Flaxseed, Meal	25	35°	
Borax Coarse	60 - 70	35°		Flour, Wheat	35- 40	45°	21
Bran	16	35°		Flue Dust, Dry	30- 40	20°	
Brewers Grain, Dry	25 - 35	45°		Fluorspar, Dust	85- 95	45°	
Brewers Grain, Wet	55 - 60	45°		Fluorspar, Lumps	80-110	45°	
Buck Wheat	40	25°	11-13	Foundry, Refuse	60- 80	35°	
Calcium, Carbide	70 - 80	35°		Foundry Sand, Loose	80- 90	35°	
Carbon Black, Pellets	25	25°		Foundry Sand, Rammed	100-110	0°	
Carbon Black, Powder	5	35°		Galena	250	35°	
Cast Iron Chips	100 -120	45°		Garbage, Average	30	25°	
Cement, Clinker	75 - 90	35°		Glass, Batch Fiber	45 - 55	10°	
Cement, Portland	80 -100	35°	20-23	Glass, Batch Wool	80-100	35°	20-22
Chalk, Fine	65 - 75	45°		Glass, Broken	80-100	10°	
Chalk, Lumpy	80 - 95	45°		Glue, Animal, Flaked	35	25°	
Charcoal, Wood	15 - 30	35°	20-25	Glue, Vegetable, Powdered	40	35°	
Chromium Ore	125 - 140	35°		Gluten, Meal	39	35°	
Cinders, Coal	40	35°	20	Granite, Lumps	150 -170	25°	
Clay, Dry, Fine	100 - 120	35°	20-22	Graphite, Flakes	40	35°	
Clay, Dry, Lumpy	60 - 75	35°	18-20	Graphite, Powder	30	25°	
Coal, Anthracite, Coarse	60 - 70	35°	18	Graphite, Ore	65 - 75	35°	
Coal, Anthracite, Loose	50 - 60	30°	16	Grass Seed	10	35°	
Coal, Bituminous, Coarse	50 - 60	35°	18	Gravel, Dry	90-100	35°	15-17
Coal, Bituminous, Loose	45 - 50	35°	16	Gravel, Wet	100-120	35°	
Cocoa Nibs	35 - 40	35°		Gypsum, Lumps	90-100	35°	15
Coconut, Shredded	20 - 25	45°		Gypsum, Ground	75- 80	35°	21
Coffee, Fresh Beans	30 - 40	35°	10-15	Hay, Loose	5	0°	
Coffee, Roasted Beans	22 - 30	25°		Hay, Pressed	25	0°	
Coke, Loose	23 - 32	35°	18	Hominy	35- 50	35°	
Coke Pulverized	25 - 35	45°	20-22	Hops, Spent, Dry	25- 35	45°	
Coke, Petroleum Calcinated	35 - 45	35°	20	Hops, Spent, Wet	55- 60	45°	
Concrete, Cinder	112	0°	12-30	Ice, Crushed	35- 40	20-	
Concrete, Gravel & Sand	150	0°		Ilmenite Ore	140-160	35°	
Copper Ore	120 - 150	35°	20	Iron Ore	120-180	35°	18-20
Copper Sulfate	75 - 85	30°	17	Iron Ore, Pellets	120-140	35°	13-15
Cork, Ground	5 - 15	45°		Iron Sulphate	50- 75	35°	
Corn, On Cob	45	0°		Iron Sulfide	120-140	35°	

Table 16: Material Characteristics (Continued)

MATERIAL	DENSITY (LB/FT3)	ANGLE OF REPOSE (DEG)	RECOMMENDED MAXIMUM INCLINATION	MATERIAL	DENSITY (LB/FT3)	ANGLE OF REPOSE (DEG)	RECOMMENDED MAXIMUM INCLINATION
Kaolin, Clay	60	35°	19	Rubber, Pellets	50 - 55	35°	22
Lactose	30	35°		Rubber, Ground Scrap	25 - 35	45°	18
Lead Ore, Crushed	180 - 270	30°		Rye	42 - 45	25°	8
Lead Oxides	60 - 150	40°		Rye Meal	35 - 40	20°	
Lead Sulfate	170 - 190	45°		Salt Cake	80 - 95	30°	21
Lead Sulfide	240 - 260	35°		Salt, Coarse"	45 - 55	35°	18-22
Lignite, Air Dried	45 - 55	35°		Salt, Fine"	70 - 80	35°	11
Lime, Ground	60 - 65	40°	23	Sand, Wet	110 - 130	45°	20-22
Lime, Hydrated	40	40°	21	Sand, Dry	90 - 110	35°	16-18
Lime, Pebble	30 - 40	40°	17	Sand, Loose, Foundry	80 - 100	35°	22
Limestone, Loose	80 - 100	35°	20	Sand, Foundry, Rammed	100 - 110	0°	24
Limestone, Pulverized	85 - 90	45°	18	Sandstone	80 - 90	35°	
Linseed, Whole	45 - 50	25°		Sawdust	10 - 25	30°	22
Linseed, Meal	30 - 40	35°	20	Scale, Rolling Mill	125 - 160	45°	
Magnesium Chloride	30 - 35	40°		Sewage Sludge, Dry	45 - 55	35°	
Magnesium Sulfate	40 - 60	35°		Sewage Sludge, Wet	50 - 60	35°	
Malt, Dry	25 - 30	30°		Shale, Broken	90 - 100	25°	
Malt, Wet	60 - 65	45°		Shale, Crushed	85 - 90	40°	22
Malt, Meal	35 - 40	35°		Silica Gel, Dry	45	35°	
Manganese Ore	125 - 140	40°		Slag, Blast Furnace	80 - 90	25°	10
Manganese Oxide	120	35°		Slag, Granular, Dry	60 - 65	25°	13-16
Manganese Sulfate	70	35°		Slag, Granular, Wet	90 - 100	45°	20-22
Manure	25	0°		Slate, Ground	80 - 90	30°	15
Marble, Crushed	80 - 95	35°		Slate, Lumps	85 - 95	0°	
Marl	80	35°		Snow, Compacted	15 - 50	0°	
Mica, Flakes	20	20°		Soap	10 - 25	35°	
Mica, Ground	15	35°	23	Soda Ash, Briquettes	50	20°	7
Milk, Dried, Flaked	5	35°		Soda Ash, Heavy	55 - 65	30°	19
Milk, Malted	25 - 35	45°		Soda Ash, Light	20 - 35	35°	22
Milk, Powdered	20 - 30	40°		Sodium Aluminum, Ground	72	35°	
Milo Maize	55 - 60	35°		Sodium Nitrate, Ground	70 - 80	24°	11
Molybdenum Ore	100 - 110	40°		Sodium Phosphate	50 - 65	35°	
Mortar, Wet	150	0°		Soybeans, Cracked	30 - 40	35°	15-18
Niacin	35	35°		Soybeans, Whole"	45 - 50	25°	12-16
Nickel-Cobalt Sulfate Ore	80 - 150	35°		Starch, Powdered	25 - 45	25°	12
Oats	25 - 35	25°	10	Steel, Chips	100 - 150	35°	18
Oats, Rolled	20	35°		Steel, Turnings	60 - 120	45°	
Oil Cake	50	45°		Sugar, Cane, Raw	55 - 65	45°	
Oxalic Acid Crystals	60	35°		Sugar, Granulated, Dry	50 - 55	35°	
Oyster Shells, Ground	50 - 60	35°		Sugar, Granulated, Wet	55 - 65	40°	
Oyster Shells, Whole	80	35°		Sugar Cane, Knifed	15 - 18	45°	
Paper Pulp Stock	40 - 60	20°		Sulphur, Lumps	80 - 85	35°	
Peanuts, Shelled	35 - 45	35°		Sulphur, Dust	50 - 70	35°	
Peanuts, Not Shelled	15 - 20	35°		Saonite, Pellets	120 - 140	35°	13-15
Peas, Dried	45 - 50	0°		Salc, Granulated	50 - 70	20°	
Phosphate, Fertilizer	50 - 60	35°	30	Titanium Dioxide	140	35°	
Phosphate, Rock, Crushed	60 - 100	35°	25	Titanium Sponge	60 - 70	45°	
Potash	70 - 80	30°		Tobacco, Leaves	14	45°	
Potassium Chloride	120 - 130	35°		Tobacco, Scraps	15 - 25	45°	
Potassium Nitrate	75 - 80	25°		Tobacco, Stems	15	45°	
Potassium Sulfate	45	45°		Traprock, Crushed	95 - 110	35°	
Potatoes, White"	48	0°		Traprock, Lumps	100 - 110	35°	
Pumice, Ground	40 - 45	45°		Turf	20 - 30	0°	
Pyrites, Lumps	135 - 145	25°		Walnut, Shells	35 - 45	35°	
Pyrites, Pellets	120 - 130	35°		Wheat	48	25°	12
Quartz, Lumps	95 - 100	25°		Wheat, Cracked	40 - 45	35°	
Quartz, Sand	70 - 80	25°		Wheat Germ, Dry	20 - 30	25°	27
Rice, Hulled	45 - 50	20°	8	Wood Chips	10 - 30	45°	22
Rice, Rough	35	35°		Zinc Ore, Granular	160	35°	
Rice, Grits	40 - 45	35°		Zinc Oxide	10 - 35	45°	
Rock, Crushed	100 - 150	30°					

ENGINEERING

Shafting

Table 17: Typical Commercial Shaft Tolerances

Shaft Size	Plus	Minus
Up to 1-1/2"	.000	.002
Over 1-1/2 to 2-1/2"	.000	.003
Over 2-1/2 to 4"	.000	.004
Over 4 to 6"	.000	.005
Over 6 to 8"	.000	.006
Over 8 to 9"	.000	.007
Over 9"	.000	.008

Table 18: Shaft Tolerances

Shaft Size	Tolerance, Inches
Up to 1-1/2"	+.0000 -.0005"
1-5/8 to 4"	+.000 -.001"
4-7/16 to 6"	+.000 -.0015"
6-7/16 to 8"	+.000 -.002"

Table 18 lists the recommended tolerances for all setscrew locking, eccentric locking and D-LOK locking ball and roller bearings

Table 19: Shaft Tolerances

Shaft Size	Tolerance, Inches
Up to 1-1/2"	+.000 -.002"
1-9/16 to 2-1/2"	+.000 -.003"
2-5/8 to 4"	+.000 -.004"
4-3/16 to 6"	+.000 -.005"
6-7/16" and above	+.000 -.006"

Table 19 list the recommended tolerances for all tapered adapter sleeve ball and roller bearings

Standard Shafting – Table 17 indicates standard shafting is cold drawn in the smaller sizes and turned and polished in the larger diameters. It has a smooth surface, is commercially straight and is readily machinable; suitable and recommended for general power transmission and material handling service.

Special Shafting – While standard shafting is suitable for most installations, special shafting is sometimes required for certain chemical, temperature or physical requirements. Such materials as high carbon steel, alloy steel, stainless steel, brass, Monel metal, etc., can be furnished plain or heat treated. Stepped, flanged, hollow or other special forms are available.

Special shafting should be avoided in favor of standard shafting wherever possible because special shafting is usually considerably more expensive and requires a greater length of time to obtain, which is an especially important consideration should quick replacement ever become necessary.

Ordering Shafting – Standard shafting can be obtained from most supply houses and dealers who handle power transmission material.

Turning Down Shaft Ends – When necessary to turn down shaft ends, use as large a fillet as possible to keep the stress concentration to a minimum. The radius of this fillet should preferably be not less than the difference in the two diameters joined by the fillet. The fillet should be finished and polished as smoothly as possible to avoid scratches which might start cracks and lead to failure of the shaft by fatigue.

Selection of Shaft Diameters

Tables 21 - 24 inclusive can be used to find approximate shaft diameter for various service conditions For greater accuracy use chart under heading "Combined Torsion and Bending of Standard Shafts" (PT15-18).

Tables and chart are based upon a safe shear stress of 6,000 pounds per square inch for standard keyseated shafting. Be generous in the selection of shaft diameters as liberal diameters not only reduce deflection and vibration but also generally increase bearing life.

When necessary to use other than standard shafting, find the required diameter for standard shafting as outlined above and multiply by proper factor shown in Table 25, under heading "Factors for Shafting Other than Standard Shafting," on page PT15-17.

Table 20: No Bending Moment (Shafts without pulleys, sprockets or gears - Torsion only)

Shaft Size	Horse Power at Various Revolutions per Minute																		
	25	50	75	100	125	150	175	200	225	250	275	300	350	400	500	600	700	800	900
15/16	0.30	0.70	1.10	1.50	1.90	2.30	2.60	3	3.40	3.80	4.20	4.60	5.30	6.10	7.70	9.20	10.70	12.30	13.80
1-3/16	0.70	1.50	2.30	3.10	3.90	4.60	5.40	6.20	7	7.80	8.60	9.30	10.90	12.50	15.60	18.70	21.90	25	28.10
1-7/16	1.30	2.70	4.10	5.50	6.90	8.30	9.70	11.10	12.40	13.80	15.20	16.60	19.40	22.20	27.70	33.30	38.80	44.40	49.90
1-11/16	2.20	4.40	6.60	8.90	11.20	13.40	15.70	17.90	20.20	22.40	24.70	26.90	31.40	35.90	44.90	53.80	62.80	71.80	80.80
1-15/16	3.30	6.70	10.10	13.50	16.90	20.30	23.70	27.10	30.50	33.90	37.30	40.70	47.50	54.30	67.90	81.50	95.10	108	122
2-3/16	4.90	9.80	14.60	19.50	24.40	29.30	34.20	39.10	44	48.90	53.80	58.60	68.40	78.20	97.80	117	136	156	176
2-7/16	6.70	13.50	20.20	27	33.80	40.60	47.30	54.10	60.90	67.60	74.40	81.20	94.70	108	135	162	189	216	243
2-11/16	9	18.10	27.10	36.20	45.30	54.40	63.40	72.50	81.60	90.70	99.70	108	126	145	181	217	253	290	326
2-15/16	11.80	23.60	35.40	47.30	59.20	71	82.90	94.70	106	118	130	142	165	189	236	284	331	379	426
3-7/16	19	37.90	57	75.90	94.90	113	132	151	170	189	208	227	265	303	379	455	531	607	683
3-15/16	28.50	57	85.50	114	142	171	199	228	256	285	313	342	399	456	570	684	798	912	1026
4-7/16	40.80	81.60	122	163	204	245	286	327	367	408	449	490	572	653	816	980	1143	1306	1470

Table 21: Limited Bending Moment (Pulleys, sprockets or gears near bearings. Ordinary line shafts.)

Shaft Size	Horse Power at Various Revolutions per Minute																		
	25	50	75	100	125	150	175	200	225	250	275	300	350	400	500	600	700	800	900
15/16	0.20	0.50	0.70	1	1.20	1.50	1.70	2	2.30	2.50	2.80	3	3.50	4.10	5.10	6.10	7.10	8.20	9.20
1-3/16	0.50	1	1.50	2	2.60	3.10	3.60	4.10	4.70	5.20	5.70	6.20	7.30	8.30	10.40	12.50	14.60	16.70	18.80
1-7/16	0.90	1.80	2.70	3.70	4.60	5.50	6.40	7.40	8.30	9.20	10.10	11.10	12.90	14.80	18.50	22.20	25.90	29.60	33.30
1-11/16	1.40	2.90	4.30	5.90	7.40	8.90	10.40	11.90	13.40	14.90	16.40	17.90	20.90	23.90	29.90	35.90	41.90	47.90	53.90
1-15/16	2.20	4.50	6.70	9	11.30	13.60	15.80	18.10	20.40	22.60	24.90	27.20	31.70	36.20	45.30	54.40	63.40	72.50	81.60
2-3/16	3.20	6.50	9.70	13	16.30	19.50	22.80	26.10	29.30	32.60	35.80	39.10	45.60	52.20	65.20	78.30	91.30	104	117
2-7/16	4.50	9	13.50	18	22.50	27	31.60	36.10	40.60	45.10	49.60	54.10	63.20	72.20	90.20	108	126	144	162
2-11/16	6	12.10	18.10	24.20	30.20	36.30	42.30	48.40	54.40	60.50	66.50	72.60	84.70	96.80	121	145	169	193	217
2-15/16	7.90	15.80	23.70	31.60	39.50	47.40	55.30	63.20	71.10	79	86.90	94.80	110	126	158	189	221	252	284
3-7/16	12.60	25.30	37.90	50.60	63.30	75.90	88.60	101	113	126	139	151	177	202	253	303	354	405	455
3-15/16	19	38	57	76.10	94.10	114	133	152	171	190	209	228	266	304	380	456	532	608	685
4-7/16	27	54	81	108	136	163	190	217	245	272	299	326	381	435	544	653	762	871	980
4-15/16	37	75	112	150	187	225	262	300	337	375	412	450	525	600	750	900	1050	1200	1350
5-7/16	50	100	150	200	250	300	350	400	451	501	551	601	701	801	1002	1202	1403	1603	1804
5-15/16	65	130	195	261	326	391	456	522	587	652	717	783	913	1044	1305	1566	1827	2088	2349
6-1/2	85	171	256	342	427	513	598	684	769	855	940	1026	1197	1368	1710	2052	2394	2736	3078

Selection of Shaft Diameters (Cont'd)

Table 22: Heavy Bending Moment. (Use for main or important shafts.)

Shaft Size	Horse Power at Various Revolutions per Minute																		
	25	50	75	100	125	150	175	200	225	250	275	300	350	400	500	600	700	800	900
1-11/16	0.80	1.70	2.50	3.50	4.40	5.30	6.20	7.10	8	8.90	9.80	10.70	12.50	14.30	17.90	21.50	25.10	28.70	32.30
1-15/16	1.30	2.70	4	5.40	6.70	8.10	9.50	10.80	12.20	13.50	14.90	16.30	19	21.70	27.10	32.60	38	43.50	48.90
2-3/16	1.90	3.90	5.80	7.80	9.70	11.70	13.70	15.60	17.60	19.50	21.50	23.40	27.40	31.30	39.10	46.90	54.80	62.60	70.40
2-7/16	2.70	5.40	8.10	10.80	13.50	16.20	18.90	21.60	24.30	27	29.70	32.40	37.90	43.30	54.10	64.90	75.80	86.60	97.40
2-11/16	3.60	7.20	10.80	14.50	18.10	21.70	25.40	29	32.60	36.20	39.90	43.50	50.80	58	72.50	87.10	101	116	130
2-15/16	4.70	9.40	14.10	18.90	23.60	28.40	33.10	37.90	42.60	47.30	52.10	56.80	66.30	75.80	94.70	113	132	151	170
3-7/16	7.50	15.10	22.60	30.30	37.90	45.50	53.10	60.70	68.30	75.90	83.50	91.10	106	121	151	182	212	243	273
3-15/16	11.40	22.80	34.20	45.60	57	68.40	79.90	91.30	102	114	125	136	159	182	228	273	319	365	410
4-7/16	16.30	32.60	48.90	65.30	81.60	98	114	130	147	163	179	196	228	261	326	392	457	522	588
4-15/16	22.50	45	67.50	90	112	135	157	180	202	225	247	270	315	360	450	540	630	720	810
5-7/16	30	60	90	120	150	180	210	240	270	300	330	360	420	480	601	721	841	961	1082
5-15/16	39	78	117	156	195	234	273	313	352	391	430	469	547	626	782	939	1095	1252	1409
6-1/2	51	102	153	205	256	308	359	410	462	513	564	616	718	821	1027	1232	1437	1643	1848
7	64	128	192	256	320	384	448	513	577	641	705	769	897	1026	1282	1539	1795	2052	2308
7-1/2	78.50	157	235	315	394	473	552	631	709	788	867	946	1104	1262	1577	1893	2208	2524	2839
8	95.50	191	286	382	478	574	670	765	861	957	1053	1148	1340	1531	1914	2297	2680	3063	3446
8-1/2	114	229	343	459	574	688	803	918	1033	1148	1263	1377	1607	1837	2296	2755	3215	3674	4133
9	136	272	408	545	681	817	954	1090	1226	1363	1499	1635	1908	2181	2726	3271	3816	4362	4907
9-1/2	160	320	480	641	801	961	1122	1282	1442	1603	1763	1923	2244	2565	3206	3847	4488	5130	5771
10	186	373	559	747	934	1121	1308	1495	1682	1869	2056	2243	2617	2991	3739	4487	5235	5983	6731

Table 23: Severe Conditions (Heavy shock loads. Excessively tight belts, long clutch sleeves.)

Shaft Size	Horse Power at Various Revolutions per Minute																		
	25	50	75	100	125	150	175	200	225	250	275	300	350	400	500	600	700	800	900
1-11/16	0.4	0.8	1.2	1.7	2.2	2.6	3.1	3.5	4	4.4	4.9	5.3	6.2	7.1	8.9	10.7	12.5	14.3	16.10
1-15/16	0.6	1.3	2	2.7	3.3	4	4.7	5.4	6.1	6.7	7.4	8.1	9.5	10.8	13.5	16.3	19	21.7	24.40
2-3/16	0.90	1.90	2.90	3.90	4.80	5.80	6.80	7.80	8.80	9.70	10.70	11.70	13.70	15.60	19.50	23.40	27.40	31.30	35.20
2-7/16	1.30	2.70	4	5.40	6.70	8.10	9.40	10.80	12.10	13.50	14.80	16.20	18.90	21.60	27	32.40	37.90	43.30	48.70
2-11/16	1.80	3.60	5.40	7.20	9	10.80	12.70	14.50	16.30	18.10	19.90	21.70	25.40	29	36.20	43.50	50.50	58	65
2-15/16	2.30	4.70	7	9.40	11.80	14.20	16.50	18.90	21.30	23.60	26	28.40	33.10	37.90	47.30	56.50	66	75.50	85
3-7/16	3.70	7.50	11.30	15.1	18.90	22.70	26.50	30.30	34.10	37.90	41.70	45.50	53	60.50	75.50	91	106	121	136
3-15/16	5.70	11.40	17.10	22.8	28.50	34.20	39.90	45.60	51	57	62.50	68	79.50	91	114	136	159	182	205
4-7/16	8.10	16.30	24.40	32.6	40.80	49	57	65	73.50	81.50	89.50	98	114	130	163	196	228	261	294
4-15/16	11.20	22.50	33.70	45	56	67.50	78.50	90	101	112	123	135	157	180	225	270	315	360	405
5-7/16	15	30	45	60	75	90	105	120	135	150	165	180	210	240	300	360	420	480	541
5-15/16	19.50	39	58.50	78	97.10	117	136	156	171	195	215	234	273	313	391	469	547	626	704
6-1/2	25.50	51	76.50	102.5	128	154	179	205	231	256	282	308	359	410	513	616	718	821	924
7	32	64.90	96	128	160	192	224	256	288	320	352	384	448	513	641	769	897	1026	1154
7-1/2	39.20	78.50	117	157	197	236	276	315	354	394	433	473	552	631	788	946	1104	1262	1419
8	47.70	95.50	143	191	239	287	335	382	430	478	526	574	670	765	957	1148	1340	1531	1723
8-1/2	57	114	171	229	287	344	401	459	516	574	631	688	803	918	1148	1377	1607	1837	2066
9	68	136	204	272	340	408	477	545	613	681	749	817	954	1090	1363	1635	1908	2181	2453
9-1/2	80	160	240	320	400	480	561	641	721	801	881	961	1122	1282	1603	1923	2244	2565	2885
10	93	186	279	373	467	560	654	747	841	934	1028	1121	1308	1495	1869	2243	2617	2991	3365

Caution: Be generous in the selection of shaft diameters as liberal diameters not only reduce deflection and vibration but also generally increase bearing life. See notes on next page.

Selection of Shaft Diameters (Cont'd)

Shaft Stiffness, Shaft Deflection – Standard shafting of adequate strength usually has a sufficiently large diameter to prevent excessive deflection in ordinary installations. It is wise to select shafting of generous diameter, as the greater the diameter, the greater the stiffness. A high tensile strength alloy shaft, although stronger, is no stiffer than a standard shaft of the same diameter.

While it is sometimes possible to use an alloy shaft of less diameter than a standard shaft of equal strength, this practice is usually inadvisable, as the deflection is increased.

Shafts carrying medium or long clutch sleeves should be especially generous.

High Speed Shafts – High speed sometimes causes shaft whipping or vibration. This can be prevented by making the shaft diameter generous and the distance between bearing centers short.

Location of the bearings close to wheels and couplings is advisable whether the shaft is transmitting heavy or light loads.

The use of high tensile strength alloy shafting instead of standard shafting is of no help in preventing vibration as this will not improve the stiffness nor deflection characteristics of the shaft.

Stepped Shafts – For a heavily loaded wheel, a shaft with a boss or enlarged section under the wheel and turned to a smaller diameter at the bearings often provides the most economical installation. The two different diameters should be joined by a very generous fillet, otherwise a dangerous concentration of stress will occur at the fillet. See heading – “Turning Down Shaft Ends.” on page PT15-14.

Shaft Keyseats – Plain keyseats are preferable to round end keyseats in respect to causing the least concentration of stress. However, round end keyseats are often used because of design and assembly requirements. Ends left by the milling cutter should not project into babbitted or bronze bushed bearing, but may project under the sleeve of any DODGE anti-friction bearing.

Shaft diameters obtained from the tables or chart allow for the use of keyseats.

Shaft Bearings – On ordinary line shafting, bearings are commonly spaced about eight feet centers. On large diameter shafts, the spacing may be somewhat greater.

Wheels and clutches should be located near bearings to avoid dangerous bending, deflection and vibration.

Bearings should be mounted on adequate supports so that accurate alignment may be maintained. Shaft misalignment may cause shaft or bearing failure.

Shaft Couplings – Where a rigid coupling is used, it is preferable to have a bearing fairly close. Where a cutoff coupling or a flexible coupling is used, locate bearings close to each end of the coupling.

Expansion of Shafting – Where changes in the length of the shaft due to changes in temperature are to be expected and the bearings are mounted on supporting structures other than steel, consideration must be given to expansion. For more detailed information see page PT15-19, headed “Expansion of Shafting.”

Factors for Shafting Other Than Standard Shafting

When it is necessary to use other than standard shafting, multiply required diameter for standard shafting as found in the tables or chart by proper factor from Table 24 below.

Standard keyseated shafting, using a safe shear stress of 6,000 PSI is the basis of shafting tables and chart. For safe shear stress of other materials, use 1/10 of nominal ultimate tensile strength. For example, use 8,000 for C1045 and 10,000 for 4140 keyseated shafting. When definite physical specifications are known the least of 13.5% of minimum ultimate tensile strength and 22.5% of minimum elastic limit in tension may be used for keyseated shafting; 18% and 30% respectively if not keyseated.

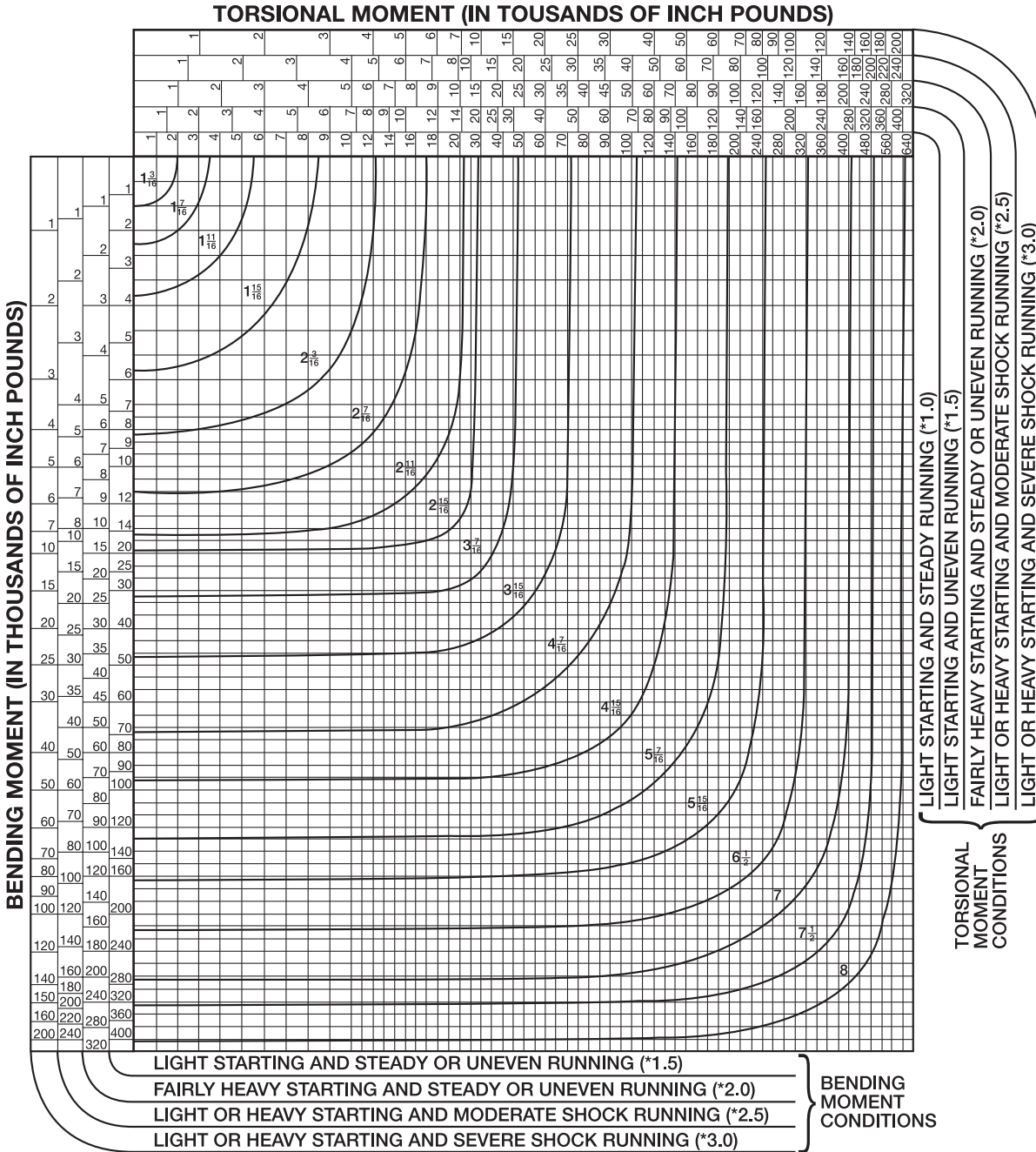
Caution – As the deflection of steel shafting depends upon the diameter and not upon the analysis of the steel, care should be exercised in the use of alloy shafting not to reduce the diameter unduly. Deflection should not be excessive and bearing capacities should be adequate. It is usually best to use standard shafting instead of a smaller diameter alloy shaft. The smaller alloy shaft may safely transmit the torque but often is undesirable in respect to deflection, vibration and bearing life

Table 24: Shear Stress Factors

Safe Shear Stress	Factor	Safe Shear Stress	Factor	Safe Shear Stress	Factor	Safe Shear Stress	Factor	Safe Shear Stress	Factor
500	2.289	3,000	1.260	5,500	1.029	9,000	.874	14,000	.754
1,000	1.817	3,500	1.197	6,000	1.000	10,000	.843	15,000	.737
1,500	1.587	4,000	1.145	6,500	.974	11,000	.817	16,000	.721
2,000	1.442	4,500	1.101	7,000	.950	12,000	.794	17,000	.707
2,500	1.339	5,000	1.063	8,000	.909	13,000	.773	18,000	.693

ENGINEERING

Combined Torsion and Bending of Standard Shaft (Based on a Safe Shear Stress of 6,000 PS for Keyseated Shafting)



Example: Engine extension shaft driving single cylinder compressor, 15,000 pound-inches torsional moment, 14,000 pound- inches bending moment. Because of the heavy shock running load conditions use scales designated “Light or Heavy Starting and Severe Shock Running”. Project a line down from 15,000 torsional moment. Project a line to the right from 14,000 bending moment. The two lines intersect between 3-7/16 and 3-15/16 curves. Use 3-15/16 standard shafting.

Note: The above chart is based on ASME approved standard ASA-B17C-1927 withdrawn in 1954. If the latest shaft selection analysis is required refer to ANSI/ASME B106.1M-1985.

Note: If considering use of other shafting material refer to “Selection of Shaft Diameters” on page B15-15.

Expansion of Shafting

Provision should be made to permit the free movement of shafting endwise due to temperature changes. One bearing should serve as an anchor bearing to locate the shaft endwise. All other bearings should permit the shaft to move freely endwise.

The anchor bearing is often located near an important wheel. On long shafts it should preferably be located near the center of the shaft to keep the expansion of the two ends to a minimum. If the anchor bearing is babbitted it should be fitted with collars. If it is an anti-friction bearing it should be of the non-expansion type, which is the designation of DODGE roller and ball bearings for use as anchor bearings.

All bearings on the shafting other than the anchor bearing should permit the shaft to move freely endwise. If babbitted there should be no thrust collars. If anti-friction these bearings should be of the expansion type.

Several shafts firmly fastened together expand as if one continuous shaft. An example of this is line shafting with flange couplings. If the expansion is considered excessive a long line shaft may be split into two or more sections, the sections being connected with expansion couplings.

Amount of Expansion to be provided for –

The amount of shaft expansion is given in Table 25 below. For example, with a 100°F temperature rise on a 150 ft. line shaft with the anchor bearing located 70 ft. from one end and 80 ft. from the other end the ends will move .529” and .605” respectively away from the anchor bearing. The structure supporting the bearings may also expand but usually not as rapidly and as much as the shafting. Several cases follow:

Case 1 – Bearings supported on steel structures, where the shaft and structure are exposed to the same temperatures, will expand at the same rate. Expansion allowance is usually not required. If the shaft is exposed to a higher temperature than the support, allowances should be made. For example, if the shaft temperature is expected to change 80°, and the temperature of the structure 60°, the resulting movement between shafting and support ends will be equivalent to a 20° change.

Case 2 – For bearings supported on wood, brick, or concrete walls, or on piers with foundations in the ground, the amount of expansion is usually considered negligible. Therefore, the full amount of shafting expansion as calculated in Table 25 below, may be accommodated.

Case 3 – Certain structural designs have built-in flexibility. Where this is the case, expansion type bearings are not necessary.

Case 4 – Short shafts with only two bearings are usually designed without compensation for expansion, if temperature variations are not excessive.

Advice on Expansion Problems –

DODGE power transmission engineers will gladly make recommendations concerning shaft expansion problems and the use of suitable bearings.

Table 25: Linear Expansion of Steel Shafting

Base on Expansion In Inches = 0.000063 x 12 x Length in Feet x Temp. Increase in Degrees Fahrenheit

Length (Feet)	Temperature Increase-Degrees F.					Length (Feet)	Temperature Increase-Degrees F.				
	20°	40°	60°	80°	100°		20°	40°	60°	80°	100°
1	.0015	.0030	.0045	.0060	.0075	40	.060	.121	.181	.242	.302
2	.0030	.0060	.0091	.0121	.0151	45	.068	.136	.204	.272	.340
3	.0045	.0091	.0136	.0181	.0227	50	.076	.151	.227	.302	.378
4	.0060	.0121	.0181	.0242	.0302	55	.083	.166	.249	.333	.416
5	.0076	.0151	.0227	.0302	.0378	60	.091	.181	.272	.363	.454
6	.0091	.0181	.0272	.0363	.0454	65	.098	.197	.295	.393	.491
7	.0106	.0212	.0318	.0423	.0529	70	.106	.212	.317	.423	.529
8	.0121	.0242	.0363	.0484	.0605	75	.113	.227	.340	.454	.567
9	.0136	.0272	.0408	.0544	.0680	80	.121	.242	.363	.484	.605
10	.0151	.0302	.0454	.0605	.0756	85	.129	.257	.386	.514	.643
12	.0181	.0363	.0544	.0726	.0907	90	.136	.272	.408	.544	.680
14	.0212	.0423	.0635	.0847	.1058	95	.144	.287	.431	.575	.718
16	.024	.048	.073	.097	.121	100	.151	.302	.454	.605	.756
18	.027	.054	.082	.109	.136	110	.166	.333	.499	.665	.832
20	.030	.060	.091	.121	.151	120	.181	.363	.544	.726	.907
25	.038	.076	.113	.151	.189	130	.197	.393	.590	.786	.983
30	.045	.091	.136	.181	.227	140	.212	.423	.635	.847	1.058
35	.053	.106	.158	.212	.265	150	.227	.454	.680	.907	1.134

Weights and Properties of Steel Shafting

Table 26: Weight of Round Steel Shafting

Shaft Size	Weight of Shafting for Various Lengths in feet																	Weight Per Inc.
	1	2	3	4	5	6	7	8	9	10	12	14	16	18	20	22	24	
3/4	1.5	3.0	4.5	6.0	7.5	9.0	10.5	12.0	13.5	15	18	21	24	27	30	33	36	.125
7/8	2.0	4.0	6.1	8.1	10.2	12.2	14.3	16.3	18.4	20	25	29	33	37	41	45	49	.170
*15/16	2.3	4.7	7.0	9.4	11.7	14.1	16.5	18.8	21.2	23	28	33	38	42	47	52	56	.195
1	2.7	5.3	8.0	10.6	13.3	16.0	18.6	21.3	24.0	27	32	37	43	48	53	59	64	.223
1-1/8	3.4	6.8	10.0	13.4	16.7	20.1	23.4	26.7	30.1	34	41	47	54	61	68	74	81	.281
*1-3/16	3.8	7.6	11.3	15.1	18.9	22.6	26.4	30.1	34.0	38	45	53	60	68	75	83	90	.314
1-1/4	4.2	8.3	12.5	16.7	20.8	25.0	29.2	33.3	37.5	42	50	58	67	75	83	92	100	.348
1-3/8	5.0	10.1	15.3	20.2	25.3	30.3	35.4	40.4	45.4	50	60	71	81	91	101	111	121	.420
*1-7/16	5.5	11	17	22	28	33	39	44	50	55	66	77	88	99	110	121	133	.460
1-1/2	6.0	12	18	24	30	36	42	48	54	60	72	84	96	108	120	132	144	.500
*1-11/16	7.6	15	23	30	38	46	53	61	68	76	91	107	122	137	152	167	183	.634
*1-15/16	10.0	20	30	40	50	60	70	80	90	100	120	140	161	181	201	221	241	.835
2	10.7	21	32	43	53	64	75	85	96	107	128	150	171	192	214	235	256	.890
*2-3/16	12.8	26	38	51	64	77	90	102	115	128	153	179	205	230	256	281	307	1.06
*2-7/16	15.9	32	48	63	79	95	111	127	143	159	190	222	254	286	317	349	381	1.32
2-1/2	16.7	34	50	67	83	100	117	134	150	167	200	234	267	301	334	367	401	1.39
*2-11/16	19.3	39	58	77	97	116	135	154	174	193	232	270	309	348	386	425	463	1.61
*2-15/16	23.0	46	69	92	115	138	161	184	208	231	277	323	369	415	461	507	553	1.92
*3-7/16	31.6	63	95	126	158	189	221	253	284	316	379	442	505	568	631	695	758	2.63
*3-15/16	41.4	83	124	166	207	248	290	331	373	414	497	580	662	745	828	911	994	3.45
*4-7/16	52.6	105	158	210	263	315	368	421	473	526	631	736	841	946	1052	1157	1262	4.38
*4-15/16	65.1	130	195	260	326	391	456	521	586	651	781	911	1041	1172	1302	1432	1562	5.42
*5-7/16	79.0	158	237	316	395	474	553	632	711	790	947	1105	1263	1421	1579	1737	1894	6.58
*6	96	192	288	384	481	577	673	769	865	961	1154	1346	1538	1730	1923	2115	2307	8.01

* **Recommended Diameters** These shaft diameters are recommended for use whenever possible as various transmission items such as couplings, collars, clutches, pulleys, etc., are carried in stock in these sizes, at least up to 3-15/16", in the principal cities throughout the United States.

Table 27: Weight and Properties of Round Steel Shafting

Shaft Size	Weight per Inch	Section Modulus		Moment of Inertia		Shaft Size	Weight per Inch	Section Modulus		Moment of Inertia	
		Bending	Torsion	Bending	Torsion			Bending	Torsion	Bending	Torsion
1/16	.00087	.000024	.000048	.000001	.000002	2-7/16	1.32	1.422	2.844	1.733	3.466
1/8	.0035	.000192	.000383	.000012	.000024	2-1/2	1.39	1.534	3.068	1.918	3.835
3/16	.0078	.000647	.001294	.000061	.000121	2-9/16	1.46	1.652	3.304	2.117	4.233
1/4	.0139	.001534	.003068	.000192	.000383	2-5/8	1.53	1.776	3.552	2.331	4.661
5/16	.0217	.002996	.005992	.000468	.000936	2-11/16	1.61	1.906	3.811	2.561	5.122
3/8	.0313	.005177	.010354	.000971	.001941	2-3/4	1.68	2.042	4.084	2.807	5.615
7/16	.0425	.008221	.016442	.001798	.003597	2-13/16	1.76	2.184	4.368	3.071	6.143
1/2	.0556	.0123	.0245	.0031	.0061	2-7/8	1.84	2.333	4.666	3.354	6.707
9/16	.0703	.0175	.0349	.0049	.0098	2-15/16	1.92	2.489	4.977	3.655	7.310
5/8	.0868	.0240	.0479	.0075	.0150	3	2.00	2.651	5.301	3.976	7.952
11/16	.1051	.0319	.0638	.0110	.0219	3-1/16	2.08	2.820	5.640	4.318	8.636
3/4	.125	.0414	.0828	.0155	.0311	3-1/8	2.17	2.996	5.992	4.681	9.363
13/16	.1467	.0527	.1053	.0214	.0428	3-3/16	2.26	3.179	6.359	5.067	10.13
7/8	.1701	.0658	.1315	.0288	.0575	3-1/4	2.35	3.370	6.740	5.477	10.95
15/16	.1954	.0809	.1618	.0379	.0758	3-5/16	2.44	3.568	7.137	5.910	11.82
1	.22	.0982	.1963	.0491	.0982	3-3/8	2.53	3.774	7.548	6.369	12.74
1-1/16	.25	.1178	.2355	.0626	.1251	3-7/16	2.63	3.988	7.976	6.854	13.71
1-1/8	.28	.1398	.2796	.0786	.1573	3-1/2	2.72	4.209	8.419	7.366	14.73
1-3/16	.31	.1644	.3288	.0976	.1952	3-9/16	2.82	4.439	8.878	7.907	15.81
1-1/4	.35	.1917	.3835	.1198	.2397	3-5/8	2.92	4.677	9.353	8.476	16.95
1-5/16	.38	.2220	.4439	.1457	.2913	3-11/16	3.02	4.923	9.845	9.076	18.15
1-3/8	.42	.2552	.5104	.1755	.3509	3-3/4	3.13	5.177	10.35	9.707	19.41
1-7/16	.46	.2916	.5832	.2096	.4192	3-13/16	3.23	5.440	10.88	10.37	20.74
1-1/2	.50	.3313	.6627	.2485	.4970	3-7/8	3.34	5.712	11.42	11.07	22.14
1-9/16	.54	.3745	.7490	.2926	.5852	3-15/16	3.45	5.993	11.99	11.80	23.60
1-5/8	.59	.4213	.8425	.3423	.6846	4	3.56	6.283	12.57	12.57	25.13
1-11/16	.63	.4718	.9435	.3981	.7961	4-1/16	3.67	6.582	13.16	13.37	26.74
1-3/4	.68	.5262	1.052	.4604	.9208	4-1/8	3.78	6.891	13.78	14.21	28.42
1-13/16	.73	.5846	1.169	.5298	1.060	4-3/16	3.90	7.209	14.42	15.09	30.19
1-7/8	.78	.6471	1.294	.6067	1.213	4-1/4	4.01	7.536	15.07	16.01	32.03
1-15/16	.83	.7140	1.428	.6917	1.384	4-5/16	4.13	7.874	15.75	16.98	33.96
2	.89	.7854	1.571	.7854	1.571	4-3/8	4.25	8.221	16.44	17.98	35.97
2-1/16	.94	.8614	1.723	.8883	1.777	4-7/16	4.38	8.579	17.16	19.03	38.07
2-1/8	1.00	.9421	1.884	1.001	2.002	4-1/2	4.50	8.946	17.89	20.13	40.26
2-3/16	1.06	1.028	2.055	1.124	2.248	4-9/16	4.63	9.324	18.65	21.27	42.54
2-1/4	1.13	1.118	2.237	1.258	2.516	4-5/8	4.75	9.713	19.43	22.46	44.92
2-5/16	1.19	1.214	2.428	1.404	2.808	4-11/16	4.88	10.11	20.22	23.70	47.40
2-3/8	1.25	1.315	2.630	1.562	3.124	4-3/4	5.01	10.52	21.04	24.99	49.98

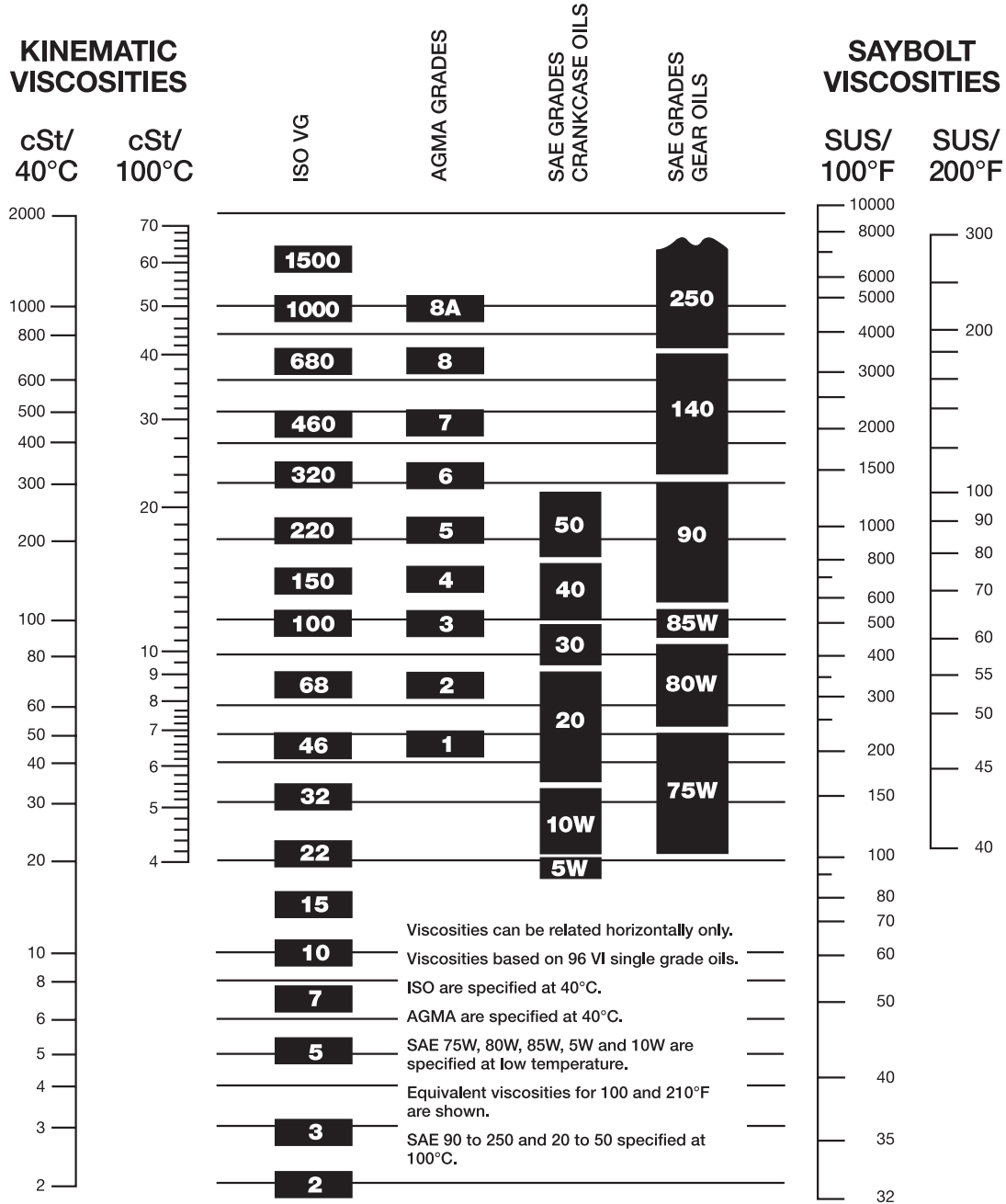
Weights and Properties of Steel Shafting (Continued)

Table 28: Weight and Properties of Round Steel Shafting

Shaft Size	Weight per Inch	Section Modulus		Moment of Inertia		Shaft Size	Weight per Inch	Section Modulus		Moment of Inertia	
		Bending	Torsion	Bending	Torsion			Bending	Torsion	Bending	Torsion
4-13/16	5.15	10.94	21.88	26.33	52.66	13-1/2	40.50	241.50	483.10	1630	3261
4-7/8	5.28	11.37	22.75	27.72	55.45	13-3/4	42.00	255.20	510.40	1755	3509
4-15/16	5.42	11.82	23.63	29.17	58.35	14	43.60	269.40	538.80	1886	3771
5	5.56	12.27	24.54	30.68	61.36	14-1/4	45.10	284.10	568.20	2024	4048
5-1/16	5.70	12.74	25.48	32.24	64.49	14-1/2	46.70	299.30	598.60	2170	4340
5-1/8	5.84	13.22	26.43	33.86	67.73	14-3/4	48.40	315.00	630.10	2324	4647
5-3/16	5.98	13.70	27.41	35.55	71.09	15	50.00	331.30	662.70	2485	4970
5-1/4	6.13	14.21	28.41	37.29	74.58	15-1/4	51.70	348.20	696.40	2655	5310
5-5/16	6.27	14.72	29.44	39.10	78.20	15-1/2	53.40	365.60	731.20	2833	5667
5-3/8	6.42	15.25	30.49	40.97	81.94	15-3/4	55.10	383.60	767.10	3021	6041
5-7/16	6.58	15.78	31.57	42.91	85.82	16	56.90	402.10	804.20	3217	6434
5-1/2	6.72	16.33	32.67	44.92	89.84	16-1/4	58.70	421.30	842.50	3422	6846
5-9/16	6.88	16.90	33.79	46.99	93.99	16-1/2	60.50	441.00	882.00	3638	7277
5-5/8	7.03	17.47	34.95	49.14	98.29	16-3/4	62.40	461.40	922.70	3864	7728
5-11/16	7.19	18.06	36.12	51.36	102.70	17	64.20	482.30	964.70	4100	8200
5-3/4	7.35	18.66	37.33	53.66	107.30	17-1/4	66.10	503.90	1008	4346	8693
5-13/16	7.51	19.28	38.56	56.03	112.10	17-1/2	68.10	526.20	1052	4604	9208
5-7/8	7.67	19.91	39.82	58.48	117.00	17-3/4	70.00	549.10	1098	4873	9745
5-15/16	7.84	20.55	41.10	61.01	122.00	18	72.00	572.60	1145	5153	10306
6	8.00	21.21	42.41	63.62	127.20	18-1/4	74.00	596.70	1193	5445	10891
6-1/16	8.17	21.88	43.75	66.31	132.60	18-1/2	76.10	621.60	1243	5750	11500
6-1/8	8.34	22.56	45.12	69.09	138.20	18-3/4	78.10	647.10	1294	6067	12134
6-3/16	8.51	23.26	46.51	71.95	143.90	19	80.20	673.40	1347	6397	12794
6-1/4	8.68	23.97	47.94	74.90	149.80	19-1/4	82.40	700.30	1401	6741	13481
6-5/16	8.86	24.69	49.39	77.94	155.90	19-1/2	84.50	728.00	1456	7098	14195
6-3/8	9.03	25.44	50.87	81.08	162.20	19-3/4	86.70	756.30	1513	7469	14937
6-7/16	9.21	26.19	52.38	84.30	168.60	20	88.90	785.40	1571	7854	15708
6-1/2	9.39	26.96	53.92	87.62	175.20	20-1/4	91.10	815.20	1630	8254	16508
6-5/8	9.56	28.55	57.09	94.56	189.10	20-1/2	93.40	845.80	1692	8669	17339
6-3/4	10.10	30.19	60.39	101.90	203.80	20-3/4	95.70	877.10	1754	9100	18200
6-7/8	10.50	31.90	63.80	109.70	219.30	21	98.00	909.20	1818	9547	19093
7	10.90	33.67	67.35	117.90	235.70	21-1/4	100.40	942.10	1884	10009	20019
7-1/8	11.30	35.51	71.02	126.50	253.00	21-1/2	102.70	975.70	1951	10489	20978
7-1/4	11.70	37.41	74.82	135.60	271.20	21-3/4	105.10	1010	2020	10985	21970
7-3/8	12.10	39.38	78.76	145.20	290.40	22	107.60	1045	2091	11499	22998
7-1/2	12.50	41.42	82.84	155.30	310.60	22-1/4	110.00	1081	2163	12031	24061
7-5/8	12.90	43.52	87.05	165.90	331.90	22-1/2	112.50	1118	2237	12581	25161
7-3/4	13.30	45.70	91.40	177.10	354.20	22-3/4	115.00	1156	2312	13149	26298
7-7/8	13.80	47.95	95.89	188.80	377.60	23	117.60	1194	2389	13737	27473
8	14.30	50.27	100.50	201.10	402.10	23-1/4	120.10	1234	2468	14344	28687
8-1/8	14.70	52.66	105.30	213.90	427.90	23-1/2	122.70	1274	2548	14971	29941
8-1/4	15.10	55.13	110.30	227.40	454.80	23-3/4	125.40	1315	2630	15618	31236
8-3/8	15.60	57.67	115.30	241.50	483.00	24	128.00	1357	2714	16286	32572
8-1/2	16.10	60.29	120.60	256.20	512.50	24-1/4	130.70	1400	2800	16975	33951
8-5/8	16.50	62.99	126.00	271.60	543.30	24-1/2	133.40	1444	2888	17686	35372
8-3/4	17.00	65.77	131.60	287.70	575.50	24-1/4	136.20	1488	2977	18419	36838
8-7/8	17.50	68.63	137.30	304.50	609.10	25	138.90	1534	3068	19175	38350
9	18.00	71.57	143.10	322.10	644.10	25-1/4	141.70	1580	3161	19954	39907
9-1/8	18.50	74.59	149.20	340.30	680.70	25-1/2	144.50	1628	3256	20755	41511
9-1/4	19.00	77.70	155.40	359.40	718.70	25-3/4	147.40	1676	3352	21581	43163
9-3/8	19.50	80.89	161.80	379.20	758.40	26	150.30	1726	3451	22432	44864
9-1/2	20.10	84.17	168.30	399.80	799.60	26-1/4	153.20	1776	3552	23307	46614
9-5/8	20.60	87.54	175.10	421.30	842.60	26-1/2	156.10	1827	3654	24208	48415
9-3/4	21.10	90.99	182.00	443.60	887.20	26-3/4	159.00	1879	3758	25134	50268
9-7/8	21.70	94.54	189.10	466.80	933.60	27	162.00	1932	3865	26087	52174
10	22.20	98.17	196.30	490.90	981.70	27-1/2	168.10	2042	4083	28074	56148
10-1/4	23.40	105.72	211.40	541.80	1084	28	174.30	2155	4310	30172	60344
10-1/2	24.50	113.65	227.30	596.70	1193	28-1/2	180.50	2273	4545	32385	64771
10-3/4	25.70	121.96	243.90	655.50	1311	29	186.90	2394	4789	34719	69437
11	26.90	130.67	261.30	718.70	1437	29-1/2	193.40	2520	5041	37176	74351
11-1/4	28.10	139.78	279.60	786.30	1573	30	200.00	2651	5301	39761	79522
11-1/2	29.40	149.31	298.60	858.50	1717	30-1/2	206.80	2785	5571	42479	84957
11-3/4	30.70	159.26	318.50	935.70	1871	31	213.60	2925	5849	45333	90666
12	32.00	169.65	339.30	1018	2036	31-1/2	220.50	3069	6137	48329	96659
12-1/4	33.40	180.47	360.90	1105	2211	32	227.60	3217	6434	51472	102944
12-1/2	34.70	191.75	383.50	1198	2397	32-1/2	234.80	3370	6740	54765	109530
12-3/4	36.10	203.48	407.00	1297	2594	33	242.10	3528	7056	58214	116428
13	37.60	215.69	431.40	1402	2804	34	256.90	3859	7717	65597	131194
13-1/4	39.00	228.37	456.70	1513	3026	35	272.30	4209	8418	73662	147324

Viscosity Classification Equivalents

OIL VISCOSITY EQUIVALENCY CHART



ISO VISCOSITY CLASSIFICATION SYSTEM

All industrial oils are graded according to the ISO Viscosity Classification System, approved by the International Standards Organizations (ISO). Each ISO viscosity grade number corresponds to the mid-point of viscosity range expressed in centistokes (cSt) at 40°C. For example, a lubricant with an ISO grade of 32 has a viscosity within the range of 28.80-35.2, the midpoint of which is 32.

Rule-of-Thumb: The comparable ISO grade of a competitive product whose viscosity in SUS at 100°F is known can be determined by using the following conversion formula:

$$\text{SUS @ 100° F} \div 5 = \text{cSt @ 40°C}$$

English Standard Measures

Long Measure

1 mile = 1760 yards = 5280 feet.
 1 yard = 3 feet = 36 inches.
 1 foot = 12 inches.

Surveyor's Measure

1 mile = 8 furlongs = 80 chains.
 1 furlong = 10 chains = 220 yards.
 1 chain = 4 rods = 22 yards = 66 feet = 100 links.
 1 link = 7.92 inches.

Square Measure

1 square mile = 640 acres = 6400 square chains.
 1 acre = 10 square chains = 4840 square yards = 43,560 square feet.
 1 square chain = 16 square rods = 484 square yards = 4356 square feet.
 1 square rod = 30.25 square yards = 272.25 square feet = 625 square links.
 1 square yard = 9 square feet.
 1 square foot = 144 square inches.
 An acre is equal to a square, the side of which is 208.7 feet.

Dry Measure

1 bushel (U.S. or Winchester struck bushel) = 1.2445 cubic foot = 2150.42 cubic inches.
 1 bushel = 4 pecks = 32 quarts = 64 pints.
 1 peck = 8 quarts = 16 pints.
 1 quart = 2 pints.
 1 heaped bushel = 1 1/4 struck bushel.
 1 cubic foot = 0.8036 struck bushel.
 1 British Imperial bushel = 8 Imperial gallons = 1.2837 cubic foot = 2218.19 cubic inches.

Liquid Measure

1 U.S. gallon = 0.1337 cubic foot = 231 cubic inches = 4 quarts = 8 pints.
 1 quart = 2 pints = 8 gills.
 1 pint = 4 gills.
 1 British Imperial gallon = 1.2003 U.S. gallon = 277.27 cubic inches.
 1 cubic foot = 7.48 U.S. gallons.

Circular and Angular Measure

60 seconds (") = 1 minute (')
 60 minutes = 1 degree (-)
 360 degrees = 1 circumference (C)
 57.3 degrees = 1 radian
 2 π radians = 1 circumference (C)

Specific Gravity

The specific gravity of a substance is its weight as compared with the weight of an equal bulk of pure water.

For making specific gravity determinations the temperature of the water is usually taken at 62° F. when 1 cubic foot of water weighs 62.355 lbs. Water is at its greatest density at 39.20° F. or 4° Centigrade.

Temperature

The following equation will be found convenient for transforming temperature from one system to another:

Let F = degrees Fahrenheit; C = degrees Centigrade; R = degrees Reamur.

$$F - 32 = \frac{C}{9} = \frac{R}{8}$$

$$180 \quad 100 \quad 80$$

Avoirdupois or Commercial Weight

1 gross or long ton = 2240 pounds.
 1 net or short ton = 2000 pounds.
 1 pound = 16 ounces = 7000 grains.
 1 ounce = 16 drams = 437.5 grains.

Measures of Pressure

1 pound per square inch = 144 pounds per square foot = 0.068 atmosphere = 2.042 inches of mercury at 62 degrees F. = 27.7 inches of water at 62 degrees F. = 2.31 feet of water at 62 degrees F.
 1 atmosphere = 30 inches of mercury at 62 degrees F. = 14.7 pounds per square inch = 2116.3 pounds per square foot = 33.95 feet of water at 62 degrees F.
 1 foot of water at 62 degrees F. = 62.355 pounds per square foot = 0.433 pound per square inch.
 1 inch of mercury at 62 degrees F. = 1.132 foot of water = 13.58 inches of water = 0.491 pound per square inch.
 Column of water 12 in. high, 1 in. dia. = .341 lbs.

Cubic Measure

1 cubic yard = 27 cubic feet.
 1 cubic foot = 1728 cubic inches.
 The following measures are also used for wood and masonry:
 1 cord of wood = 4 X 4 X 8 feet = 128 cubic feet.
 1 perch of masonry = 16-1/2 X 1-1/2 X 1 foot = 24-3/4 cubic feet.

Shipping Measure

For measuring entire internal capacity of a vessel: 1 register ton = 100 cubic feet.
 For measurement of cargo:
 1 U.S. shipping ton = 40 cubic feet = 32.143 U.S. bushels = 31.16 Imperial bushels.
 British shipping ton = 42 cubic feet = 33.75 U.S. bushels = 32.72 Imperial bushels.

Troy Weight, Used for Weighing Gold and Silver

1 pound = 12 ounces = 5760 grains.
 1 ounce = 20 pennyweights = 480 grains.
 1 pennyweight = 24 grains.
 1 carat (used in weighing diamonds) = 3.086 grains.
 1 grain Troy = 1 grain avoirdupois = 1 grain apothecaries' weight.

Measure Used for Diameters and Areas of Electric Wires

1 circular inch = area of circle 1 inch in diameter = 0.7854 square inch.
 1 circular inch = 1,000,000 circular mils.
 1 square inch = 1.2732 circular inch = 1,273,239 circular mils.
 A circular mil is the area of a circle 0.001 inch in diameter.

Board Measure

One foot board measure is a piece of wood 12 inches square by 1 inch thick, or 144 cubic inches. 1 cubic foot therefore equals 12 feet board measure

TABLE 29: Decimal and Millimeter Equivalents of Fractions

Inches			Milli- meters	Inches			Milli- meters	Inches			Milli- meters
Fractions		Decimals		Fractions		Decimals		Fractions		Decimals	
1/64		.015625	.397		11/32	.34375	8.7319		11/16	.6875	17.463
	1/32	.03125	.794	23/64		.359375	9.128	45/64	23/32	.703125	17.859
3/64		.046875	1.191		3/8	.375	9.525			.71875	18.256
	1/16	.0625	1.588	25/64		.390625	9.922	47/64	23/32	.734375	18.653
5/64		.078125	1.984		13/32	.40625	10.319		3/4	.750	19.050
	3/32	.09375	2.381	27/64		4.21875	10.716	49/64		.765625	19.447
7/64		.109375	2.778		7/16	4.375	11.113		25/32	.78125	19.844
	1/8	.125	3.175	29/64		4.53125	11.509	51/64		.796875	20.241
9/64		.140625	3.582		15/32	4.6875	11.906		13/16	.8125	20.638
	5/32	.15625	3.969	31/64		4.8376	12.303	53/64		.828125	21.034
11/64		.171875	4.366		1/2	.500	12.700		27/32	.84375	21.431
	3/16	.1875	4.763	33/64		.515625	13.097	55/64		.859375	21.828
13/64		.203125	5.159		17/32	.53125	13.494		7/8	.875	22.225
	7/32	.21875	5.556	35/64		.546875	13.891	57/64		.890625	22.622
15/64		.234375	5.953		9/16	.5625	14.288		29/32	.90524	23.019
	1/41	.250	6.350	37/64		.578125	14.684	59/64		.921875	23.416
7/64		.265625	6.747		19/32	.59375	14.081		15/16	.9375	23.813
	9/32	.28125	7.144	39/64		.609375	15.478	61/64		.953125	24.209
19/64		.296875	7.541		5/8	.625	15.875		31/32	.96875	24.606
	5/16	.3125	7.938	41/64		.60625	16.272	63/64		.984375	25.003
21/64		.328125	8.334		21/32	.65625	16.669		1	1.000	25.400
				43/64		.671875	17.066				

Table 30: Millimeter-Inch Equivalents: 1" = 25.4mm (.03937" = 1mm)

Millimeter	Decimal	Millimeter	Decimal	Millimeter	Decimal	Millimeter	Decimal	Millimeter	Decimal
1	.03937	52	2.04724	103	4.05511	154	6.06299	205	8.07086
2	.07874	53	2.08661	104	4.09448	155	6.10236	206	8.11023
3	.11811	54	2.12598	105	4.13385	156	6.14173	207	8.14960
4	.15748	55	2.16535	106	4.17322	157	6.18110	208	8.18897
5	.19685	56	2.20472	107	4.21259	158	6.22047	209	8.22834
6	.23622	57	2.24409	108	4.25196	159	6.25984	210	8.26771
7	.27559	58	2.28346	109	4.29133	160	6.29921	211	8.30708
8	.31496	59	2.32283	110	4.33070	161	6.33858	212	8.34645
9	.35433	60	2.36220	111	4.37007	162	6.37795	213	8.38582
10	.39370	61	2.40157	112	4.40944	163	6.41732	214	8.42519
11	.43307	62	2.44094	113	4.44881	164	6.45669	215	8.46456
12	.47244	63	2.48031	114	4.48818	165	6.49606	216	8.50393
13	.51181	64	2.51968	115	4.52755	166	6.53543	217	8.54330
14	.55118	65	2.55905	116	4.56692	167	6.57480	218	8.58267
15	.59055	66	2.59842	117	4.60629	168	6.61417	219	8.62204
16	.62992	67	2.63779	118	4.64566	169	6.65354	220	8.66141
17	.66929	68	2.67716	119	4.68503	170	6.69291	221	8.70078
18	.70866	69	2.71653	120	4.72440	171	6.73228	222	8.74015
19	.74803	70	2.75590	121	4.76378	172	6.77165	223	8.77952
20	.78740	71	2.79527	122	4.80315	173	6.81102	224	8.81889
21	.82677	72	2.83464	123	4.84252	174	6.85039	225	8.85826
22	.86614	73	2.87401	124	4.88189	175	6.88976	226	8.89763
23	.90551	74	2.91338	125	4.92126	176	6.92913	227	8.93700
24	.94488	75	2.95275	126	4.96063	177	6.96850	228	8.97637
25	.98425	76	2.99212	127	5.00000	178	7.00787	229	9.01574
26	1.02362	77	3.03149	128	5.03937	179	7.04724	230	9.05511
27	1.06299	78	3.07086	129	5.07875	180	7.08661	231	9.09448
28	1.10236	79	3.11023	130	5.11811	181	7.12598	232	9.13385
29	1.14173	80	3.14960	131	5.15748	182	7.16535	233	9.17322
30	1.18110	81	3.18897	132	5.19685	183	7.20472	234	9.21259
31	1.22047	82	3.22834	133	5.23622	184	7.24409	235	9.25196
32	1.25984	83	3.26771	134	5.27559	185	7.28346	236	9.29133
33	1.29921	84	.303708	135	5.31496	186	7.32283	237	9.33070
34	1.33858	85	3.34645	136	5.35433	187	7.36220	238	9.37007
35	1.37795	86	3.38582	137	5.39370	188	7.40157	239	9.40944
36	1.41732	87	.342519	138	.543307	189	7.44094	240	9.44881
37	1.45669	88	3.46456	139	.547244	190	7.48031	241	9.48818
38	1.49606	89	3.50393	140	5.51181	191	7.51968	242	9.52755
39	1.53543	90	3.54330	141	5.55118	192	7.55905	243	9.56692
40	1.57480	91	.358267	142	5.59055	193	7.59842	244	9.60629
41	1.61417	92	3.62204	143	5.62992	194	7.63779	245	9.64566
42	1.65354	93	3.66141	144	5.66929	195	7.67716	246	9.68503
43	1.69291	94	3.70078	145	5.70866	196	7.71653	247	9.72440
44	1.73228	95	3.74015	146	5.74804	197	7.75590	248	9.76378
45	1.77165	96	3.77952	147	5.78740	198	7.79527	249	9.80315
46	1.81102	97	3.81899	148	5.82677	199	7.83464	250	9.84252
47	1.85039	98	3.85826	149	5.86614	200	7.87401	251	9.88189
48	1.88976	99	3.89763	150	5.90551	201	7.91338	252	9.92126
49	1.92913	100	3.93710	151	5.94488	202	7.95275	253	9.96063
50	1.96850	101	3.97637	152	5.98425	203	7.99212	254	10.00000
51	2.00787	102	4.01574	153	6.02362	204	8.03149	-	-

Metric System of Measurements

Measures of Length

10	millimeters (mm.)	=	1 centimeter (cm.)
10	centimeters	=	1 decimeter (dm.)
10	decimeters	=	1 meter (m.)
1000	meter	=	1 kilometer (km.)

Measure of Weight

10	milligrams (mg.)	=	1 centigram (cg.)
10	centigrams	=	1 decigram (dg.)
10	decigrams	=	1 gram (g.)
10	grams	=	1 decagram (Dg.)
10	decagrams	=	1 hectogram (Hg.)
10	hectograms	=	1 Kilogram (Kg.)
1000	kilograms	=	1 (metric) ton (T.)

Surveyor's Square Measure

100	square meters (m.2)	=	1 are (ar.)
100	acres	=	1 hectare (har.)
100	hectares	=	1 sq. kilometer (Km.2)

Square Measure

100	sq. millimeters (mm.2)	=	1 sq. centimeter (cm.2)
100	sq. centimeters	=	1 sq. decimeter (dm.2)
100	sq. decimeters	=	1 sq. meter (m.2)

Cubic Measure

1000	cu. millimeters (mm.3)	=	1 cu. centimeter (cm.3)
1000	cu. centimeters	=	1 cu. decimeter (dm.3)
1000	cu. decimeters	=	1 cu. meter (m.3)

Dry and Liquid Measure

10	milliliters (ml.)	=	1 centiliter (cl.)
10	centiliters	=	1 deciliter (dl.)
10	deciliters	=	1 liter (l.)
100	liters	=	1 hectoliter (Hl.)

1 liter = 1 cubic decimeter = the volume of 1 kilogram of pure water at a temperature of 39.2 degrees F.

Length Conversion Constants for Metric and U.S. Units

Millimeters X.039370 = inches.
Meters x 39.370 = inches.
Meters X 3.2808 = feet.
Meters X 1.09361 = yards.
Kilometers X 3,280.8 = feet.
Kilometers X.62137 = Statute Miles.
Kilometers x.53959 = Nautical Miles.

Inches X 25.4001 = millimeters.
Inches X.0254 = meters.
Feet x.30480 = meters.
Yards X.91440 = meters.
Feet x.0003048 = kilometers.
Statute Miles X 1.60935 = kilometers.
Nautical Miles x 1.85325 = kilometers.

Weight Conversion Constants for Metric and U.S. Units

Grams X 981 = dynes.
Grams X 15.432 = grains.
Grams X.03527 = ounces (Avd.).
Grams x.033818 = fluid ounces (water).
Kilograms X 35.27 = ounces (Avd.).
Kilograms X 2.20462 = pounds (Avd.).
Metric Tons (1000 Kg.) X 1.10231 = Net Ton (2000 lbs.).
Metric Tons (1000 Kg.) X.98421 = Gross Ton (2240 lbs.).

Dynes X.0010193 = grams.
Grains X.0648 = grams.
Ounces (Avd.) X 28.35 = grams.
Fluid Ounces (Water) X 29.57 = grams.
Ounces (Avd.) X.02835 = kilograms.
Pounds (Avd.) X.45359 = kilograms.
Net Ton (2000 lbs.) X.90719 = Metric Tons (1000 Kg.).
Gross Ton (2240 lbs.) X 1.01605 = Metric Tons (1000 Kg.).

Area Conversion Constants for Metric and U.S. Units

Square Millimeters X.00155 = square inches.
Square centimeters X.155 = square inches.
Square Meters X 10.76387 = square feet.
Square Meters X 1.19599 = square yards.
Hectares X 2.47104 = acres.
Square Kilometers X 247.104 = acres.
Square Kilometers X.3861 = square miles.

Square Inches X 645.163 = square millimeters.
Square Inches x 6.45163 = square centimeters.
Square Feet x.0929 = square meters.
Square Yards X.83613 = square meters.
Acres X.40469 = hectares.
Acres X.0040469 = square kilometers.
Square Miles X 2.5899 = square kilometers.

Volume Conversion Constants for Metric and U.S. Units

Cubic centimeters X.033818 = fluid ounces.
Cubic centimeters X.061023 = cubic inches.
Cubic centimeters X.271 = fluid drams.
Liters X 61.023 = cubic inches.
Liters X 1.05668 = quarts.
Liters X .26417 = gallons.
Liters X.035317 = cubic feet.
Hectoliters X 26.417 = gallons.
Hectoliters X 3.5317 = cubic feet.
Hectoliters X 2.83794 = bushel (2150.42 cu. in.).
Hectoliters X.1308 = cubic yards.
Cubic Meters x 264.17 = gallons.
Cubic Meters x 35.317 = cubic feet.
Cubic Meters X 1.308 = cubic yards.

Fluid Ounces X 29.57 = cubic centimeters.
Cubic Inches X 16.387 = cubic centimeters.
Fluid Drams x 3.69 = cubic centimeters.
Cubic Inches X.016387 = liters.
Quarts x.94636 = liters.
Gallons x 3.78543 = liters.
Cubic Feet x 28.316 = liters.
Gallons x.0378543 = hectoliters.
Cubic Feet x.28316 = hectoliters.
Bushels (2150.42 cu. in.) X.352379 = hectoliters.
Cubic Yards x 7.645 = hectoliters.
Gallons x.00378543 = cubic meters.
Cubic Feet x.028316 = cubic meters.
Cubic Yards x.7645 = cubic meters.

Power and Heat Conversion Constants for Metric and U.S. Units

Calorie x 0.003968 = B.T.U.
Joules X.7373 = pound-feet.
Newton-Meters X 8.851 = pound-inches
Cheval Vapeur X.9863 = Horsepower.
Kilowatts X 1.34 = Horsepower.
Kilowatt Hours X 3415 = B.T.U.
(Degrees Cent. X 1.8) +32 = degrees Fahr.
(Degrees Reamur X 2.25) + 32 = degrees Fahr.

B.T.U. X 252 = calories.
Pound-Feet X 1.3563 = joules.
Pound-inches X.11298 = Newton-meters.
Horsepower X 1.014 = Cheval Vapeur.
Horsepower X.746 = kilowatts.
B.T.U. X.00029282 = kilowatt hours.
(Degrees Fahr. - 32) x.555 = degrees Cent.
(Degrees Fahr. - 32) x.444 = degrees Reamur.

COMMON CONVERSION FACTORS USEFUL IN MECHANICAL POWER TRANSMISSION

Symbols and Abbreviations Used in Conversion Factors

Symbols and abbreviations found in this section are those currently used in many texts and product publications. Considerable effort is underway to standardize on abbreviations for metric and English units of measurement. Recently, ASTM (American Society for Testing and Materials) and IEEE (Institute of Electrical and Electronic Engineers) published a standard practice on the metric system. † This publication consolidates a great deal of the current thinking and provides a system of abbreviations and symbols that differ somewhat from those used here.

This Handbook has retained use of familiar abbreviations consistent with existing product and trade literature rather than the abbreviations found in current publications of technical and scientific societies.

Prefixes Used in the Metric System

Common prefixes and symbols used in the metric system are listed below. An example of use is 1000 meters is equivalent to 1 kilometer, and 1/1000 of one meter is equivalent to 1 millimeter.

Prefix	Symbol	Multiplication Factor-Decimal and Power of 10
exa	E	1,000,000,000,000,000,000 or 10^{18} or one quintillion
peta	P	1,000,000,000,000,000 or 10^{15} or one quadrillion
tera	T	1,000,000,000,000 or 10^{12} or one trillion
giga	G	1,000,000,000 or 10^9 or one billion
mega	M	1,000,000 or 10^6 or one million
kilo	k	1,000 or 10^3 or one thousand
*hecto	h	100 or 10^2 or one hundred
*deka	da	10 or 10^1 or ten
**deci	d	0.1 or 10^{-1} or one tenth
**centi	c	0.01 or 10^{-2} or one hundredth
mill	m	0.001 or 10^{-3} or one thousandth
micro	μ	0.000,001 or 10^{-6} or one millionth
nano	n	0.000,000,001 or 10^{-9} or one billionth
pico	p	0.000,000,000,001 or 10^{-12} or one trillionth
femto	f	0.000,000,000,000,001 or 10^{-15} or one quadrillionth
atto	a	0.000,000,000,000,000,001 or 10^{-18} or one quintillionth

- * Not commonly used.
- ** Not commonly used except for special situations.
The centimeter as a unit of length is in common use.
The decibel is a unit in both electrical and acoustical work.

† ASTM/IEEE Standard Metric Practice, ASTM E 380-75, IEEE Std. 268-1976.
"Reprinted with Permission of the Power Transmission Distributors Association"

Symbol or Abbreviation	Term
atm	atmosphere
avdp	avoirdupois
bbl	barrels
bu	bushels
C	degrees Centigrade or Celsius
cc	cubic centimeters
cfm	cubic feet per minute
cfs	cubic feet per second
cm	centimeter
cu	cubic
deg	degrees
F	degrees Fahrenheit
fps	feet per second
ft	feet
ft-lb	foot-pounds (work or energy)
ft per sec	feet per second (alternate)
ft per sec ²	feet per second per second
g	acceleration due to gravity
g	grams
gal	gallons
gpm	gallons per minute
hp	horsepower
hr	hour
in	inches
in-lb	inch-pounds (work or energy)
K	degrees Kelvin
kg	kilograms
km	kilometers
kn	knots
kW	kilowatts

Symbol or Abbreviation	Term
l	liters
lb	pounds
lb-ft	pound-feet (torque)
m	meters
m per sec ²	meters per second per second
mi	miles
mm	millimeters
mph	miles per hour
MGD	millions of gallons per day
N	Newtons
oz	ounces
oz-in	ounce-inches (torque)
Pa	Pascals
psi	pounds per square inch
psia or psig	pounds per square inch "absolute" or gauge
pt	pint
qt	quart
R	degrees Rankine (Fahrenheit, absolute)
rad	radians
rev	revolutions
rpm	revolutions per minute
sec	seconds
sq	square
std	standard
temp	temperature
wt	weight
yd	yard
yr	year

Rounding of Numbers

A minimum of four significant figures are used in conversion factors presented here. Where the conversion factor is exact (for example, 1 foot contains 12 inches), decimal fractions are not necessary. Also, where large whole numbers are used (for example, 1 square kilometer contains 1195990 square yards), decimal fractions are not used unless justified by the accuracy of ordinary computations.

1195990	(sq yd in a sq km)
4389.12	(cc in a cu ft)
448.86	(gpm in a liter per sec)
14.70	(psi in an atmosphere)
0.4331	(psi in a ft of water)
0.0625	(lb-in in an oz-in)

ENGINEERING

VELOCITY

centimeters per second (cm per sec)	feet per second (fps or ft per sec)	0.3281
feet per second (fps)	centimeters per second (cm per sec)	30.48
	meters per second (m per sec)	0.3048
	kilometers per hour (km per hr)	1.097
	miles per hour (mph)	0.6818
kilometers per hour (km per hr)	knots (kn)	0.5396
	feet per second (fps)	1.467
	kilometers per hour (km per hr)	1.609
	feet per minute (ft per min.)	88
knots (kn)	miles per hour (mph)	1.152
	kilometers per hour (km per hr)	1.853
radians per second (rad per sec)	revolutions per minute (rpm)	9.55
	degrees per minute (deg per min.)	3437.7
revolutions per minute (rpm)	radians per second (rad per sec)	0.1047
	degrees per minute (deg per min.)	360

ACCELERATION

COLUMN A

To Convert From...	To...	Multiply Col. A by
feet per second per second (ft per sec ²)	meters per second per second (m per sec ²)	0.3048
m per sec ²	ft per sec ²	3.281
revolutions per minute per second (rpm per sec)	radians per second per second (rad per sec ²)	0.1047
rad per sec ²	rpm per sec	9.55

ENGINEERING

VOLUMETRIC FLOW RATES

gallons per minute, US (gpm)	liters per second (l per sec)	0.008434
	cubic feet per minute (cfm)	0.1337
	cubic feet per hour (cu ft per hr)	8.022
gallons per minute, UK or Canadian (gpm)	liters per second (l per sec)	0.0101
	cubic feet per minute (cfm)	0.1606
	cubic feet per hour (cu ft per hr)	9.634
cubic feet per second (cfs)	gpm (UK or Canadian)	373.77
	gpm (US)	448.86
	liters per second (l per sec)	1699.2
liters per second (l per sec)	cubic feet per minute (cfm)	2.119
	gpm (UK or Canadian)	13.20
	gpm (US)	15.85
millions of gallons per day, US (MGD)	liters per second (l per sec)	43.81
	cubic feet per minute (cfm)	92.85
	gallons per minute, US (gpm)	694.44

PRESSURE

pascals (Pa)	pounds per square inch (psi)	0.0001450
	pounds per square foot (lb per ft ²)	0.02089
	newtons per square meter	1
pounds per square inch (psi)	atmospheres, std. (atm)	0.0680
	pounds per square foot (lb per ft ²)	144
	pascals (Pa)	6894.8
	foot of water (ft of H ₂ O) 60F	2.301
atmospheres (atm), standard	psi	14.70
	lb per ft ²	2116.8
	Pa	101325
inch of water, 60F (in of H ₂ O)	psi	0.03609
	lb per ft ²	5.197
	Pa	248.84
foot of water, 60F (ft of H ₂ O)	psi	0.4331
	lb per ft ²	62.36
	Pa	2985.9

WEIGHT, MASS, INERTIA

pounds (lb)*	kilograms (kg)	0.4536
	ounces (oz)	16
kilograms (kg)	pounds (lb)	2.205
	ounces (oz)	35.27

Continued...



ENGINEERING

WEIGHT, MASS, INERTIA, (Continued)

COLUMN A

Convert From	To	Multiply Col A By This Factor
tons (short)	metric tons	0.9072
	kilograms (kg)	907.2
	pounds (lb)	2000
metric tons	tons (short)	1.102
	kilograms	1000
	pounds	2205
pounds, weight (lb)	slugs, mass (lb-sec ² per ft)	0.03106
pound-foot ² (lb-ft ²)	kilogram-meters ² (kg-m ²)	0.04214

*pounds and ounces are avoirdupois

FORCE AND TORQUE

pounds (lb)	newtons (N)	4.448
newtons (N)	pounds (lb)	0.2248
newton-meters (N-m)	pound-feet (lb-ft)	0.7376
	pound-inches (lb-in)	8.851
	ounce-inches (oz-in)	141.60
ounce-inches (oz-in)	lb-ft	0.005208
	N-m	0.007062
	lb-in	0.0625
pound-inches (lb-in)	lb-ft	0.0833
	N-m	0.1298
	oz-in	16
pound-feet (lb-ft)	N-m	1.356
	lb-in	12
	oz-in	192

POWER

horsepower (hp)	kilowatts (kW)	0.7457
	foot-pounds per second (ft-lb per sec)	550
	foot-pounds per minute (ft-lb per min.)	33000
kilowatts (kW)	horsepower (hp)	1.341

TEMPERATURE

		Use This Relationship
degrees Fahrenheit (F)	degrees Celsius (C)	$C = 5/9 (F - 32)$
degrees Celsius (C)	degrees Fahrenheit (F)	$F = 9/5C + 32$
degrees Fahrenheit (F)	degrees Rankine (R)	$R = F + 459.69$
degrees Celsius (C)	degrees Kelvin (K)	$K = C + 273.16$

Examples:

- Convert 12F to C. $C = 5/9 (F - 32) = 5/9 (12 - 32) = 5/9 (-20)$
Answer = -11.1C
- Convert 40C to F. $F = 9/5C + 32 = 9/5 (40) + 32 = 72 + 32$
Answer = 104F

GRAVITATIONAL CONSTANT

g = 32.174 feet per second per second (ft per sec²)
 = 9.8067 meters per second per second (m per sec²)

APPROXIMATE DENSITIES OF COMMON MATERIALS

	REPRESENTATIVE DENSITIES	
	Grams per cc	lb per cu ft
GASES @ 68F, std atm		
Air	1.30 grams per liter	0.07528
Oxygen	1.45 grams per liter	0.08305
Hydrogen	0.09 grams per liter	0.005234
Nitrogen	1.25 grams per liter	0.07274
	All Other Materials	
	grams per cc	
LIQUIDS		
Water @ 4C	1.000 grams per cc	62.43
20C	0.998	62.32
40C	0.992	61.94
SeaWater	1.02-1.03	64.00
Ethyl alcohol 100%	0.789	49.2
Kerosene	0.78-0.82	50
Gasoline	0.70-0.75	45
METALS		
Aluminum (95% Al)	2.70	169
Bronze (90% Cu, 10% Zn)	8.80	549
Copper (Annealed, ACS)	8.89	555
Gold	19.32	1206
Iron, gray cast	7.10	443
Lead	11.36	709
Magnesium	1.74	109
Steel (0.4-0.5% Carbon)	7.80	487
Steel, 410 stainless	7.70	480
ENGINEERING PLASTICS		
ABS, general purpose	1.01-1.05	64
Acrylics, cast sheet	1.19	74
Nylon 6/6	1.13-1.15	71
Phenolic, general purpose	1.35-1.46	87
Polycarbonates, general purpose	1.2	75
Polyesters, thermoplastic, unreinforced	1.31 - 1.43	86
Polyethylene, medium density	0.926-0.940	58
Polyvinyl Chloride	1.30-1.58	89



ENGINEERING

APPROXIMATE DENSITIES OF COMMON MATERIALS

REPRESENTATIVE DENSITIES

OTHER MATERIALS	REPRESENTATIVE DENSITIES	
	Grams per cc	lb per cu ft
Concrete (stone and sand)	2.2-2.4	144
Limestone	1.5	94
Anthracite coal, not piled	1.4-1.8	100
Bituminous coal, not piled	1.2-1.5	83
Lignite coal, not piled	1.1-1.4	78
Wood, air dried:		
Douglas fir	0.48-0.55	32
White oak	0.77	48
White maple	0.53	33
Oregon pine	0.51	32
Hickory	0.74-0.80	48
Mahogany	0.56-0.85	44
African teak	0.99	62
Indian teak	0.66-0.88	48

Formulas and Constants

1 HP = 33,000 Foot-pounds of work per minute.

1 HP = .746 K.W. = K.W.P 1.341.

1 HP = 2547 B.T.U. per hour.

1 B.T.U. = Heat required to raise 1 lb. water 1-F.

1 B.T.U. = 777.6 Foot-pounds work.

1 Kilowatt Hour = 3415 B.T.U.

Heat Value of Carbon = 14,600 B.T.U. per pound.

Latent Heat of Fusion of Ice = 143.15 B.T.U. per pound.

Latent Heat of Evaporation of Water at 212° F. = 970.4 B.T.U. per pound.

Total Heat of Saturated Steam at atmospheric pressure = 1,150.4 B.T.U. per pound.

1 Ton of Refrigeration = 288,000 B.T.U. per 24 hours.

g = Acceleration of Gravity (commonly taken as 32.16 feet per second per second).

1 Radian = 57.296 degrees.

1 Meter = 100 cm. = 39.37 inches.

1 Kilometer = .62137 miles.

1 Gallon = 231 cubic inches.

1 Barrel = 31.5 gallons.

Atmospheric Pressure = 14.7 pounds per sq. in.

= 29.92 inches mercury at 32° F.

1 Lb. per Sq. In. Pressure = 2.3095 feet fresh water at 62° F.

= 2.0355 inches mercury at 32° F.

= 2.0416 inches mercury at 62° F.

Water Pressure (pounds per sq. in.) = .433 X height of water in feet (Fresh water at 62°F).

Weight of 1 cu. ft. fresh Water = 62.355 lbs. at 62°F.

= 59.76 lbs. at 212° F.

Weight of 1 cu. ft. Air at 14.7 lbs. per sq. in. Pressure = .07608 lbs. at 62° F.

= .08073 lbs. at 32° F.

† Also look in the General Index under Weights, Measures, or the subject material required.

Flywheel Formulas

Flywheels are used on some machines, for example air compressors, to even out load pulsations. The following formulas are useful in designing entire flywheels and flywheel rims. A V-belt sheave may also be used as a flywheel eliminating the need for a separate flywheel in the system.

Formulas for Entire Flywheel

Kinetic energy of rotation of a flywheel (foot pounds)
 $= .0001705 N^2(WR^2)^*$.

Torque to uniformly accelerate or decelerate a flywheel

$$= \frac{.03908 (N_2 - N_1) (WR^2), * \text{ pound-inches}}{t}$$

where N_2 = final R.P.M. and N_1 = initial R.P.M.
 Velocity at outside diameter (feet per minute) = $0.2618 ND$.

W = weight (pounds).

R = radius of gyration (feet).

N = speed (R.P.M.)

t = time to change from N_1 to N_2 (seconds).

F = face of rim (inches).

D = outside diameter of rim (inches).

d = inside diameter of rim (inches).

K = weight per cubic inch of material (pounds).

* WR^2 = flywheel effect (pounds X feet²). See table to the right for WR^2 of rims. Ordinarily the WR^2 of the rim only is considered.

In unusual instances the relatively small WR^2 values of the hub and arms or web can be added directly to the WR^2 of the rim if desired. To find the WR^2 of a hub or web use the WR^2 formula for rims, substituting the hub or web outside diameter, inside diameter, and width for D , d and F respectively. When arms are used instead of a web an approximate WR^2 value of the arms is the total weight of the arms in pounds times the square of the radius in feet from the shaft center line to the mid point of the arms between hub and rim.

Table 31: Formulas for Flywheel Rims

Property	Cast Iron Rim (Based on .26 lbs. per cu. in.)	Steel Rim (Based on .283 lbs. per cu. in.)	Rim of any material weighing K pounds per cubic inch
Volume (Cubic Inches)	$.7854F(D^2-d^2)$	$.7854F(D^2-d^2)$	$.7854F(D^2-d^2)$
W Weight (Pounds)	$.2042F(D^2-d^2)$	$.2223F(D^2-d^2)$	$.7854FK(D^2-d^2)$
R Radius of Gyration (Feet)	$\sqrt{\frac{.8681 (D^2-d^2)}{1000}}$	$\sqrt{\frac{.8681 (D^2-d^2)}{1000}}$	$\sqrt{\frac{.8681 (D^2-d^2)}{1000}}$
WR^2 Wt X Sq. of Radius of Gyration (Lbs. X Ft. ²)	$\frac{.1773F(D^4-d^4)}{1000}$	$\frac{.1929F(D^4-d^4)}{1000}$	$\frac{.6818FK(D^4-d^4)}{1000}$
T ▲ Tensile Load in rim (Lbs.)	$\frac{.3078FN2(D^3-d^3)}{1000000}$	$\frac{.3350FN2(D^3-d^3)}{1000000}$	$\frac{1.184FKN2(D^3-d^3)}{1000000}$

▲ Centrifugal force causes this tensile load at each and every section of the rim. Hence, on rims split into two or more sections the fastening at each joint should be designed to take the full load as calculated from the formula here given.

Centrifugal Force

R = Distance from the axis of rotation to the center of gravity of the body (feet).

N = Revolutions per minute.

v = Velocity of the center of gravity of the body (feet per second).

g = Acceleration due to gravity (32.16 commonly).

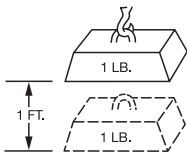
$$F = \frac{Wv^2}{gR} = \frac{WRN^2}{2933} = .000341 WRN^2$$

F = Centrifugal force tending to move the body outward from the axis of rotation (pounds).

W = Weight of body (pounds).

ENGINEERING

Torque and Horsepower Equivalents



A foot-pound is the amount of energy expended in lifting a one-pound mass a distance of one foot against the pull of gravity

FOOT-POUNDS INDICATE ENERGY

$$\begin{aligned} \text{Torque (in Pound-Inches)} &= \frac{63025 \times \text{HP}}{\text{RPM}} \\ &= \text{Force} \times \text{Lever Arm (In Inches)} \end{aligned}$$

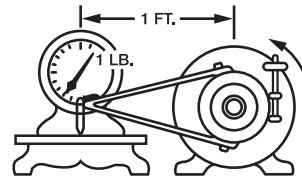
$$\begin{aligned} \text{Torque (in Pound-Feet)} &= \frac{5252 \times \text{HP}}{\text{RPM}} \\ &= \text{Force} \times \text{Lever Arm (In Feet)} \end{aligned}$$

- Force = Working Load in Pounds.
- FPM = Feet Per Minute.
- RPM = Revolutions Per Minute.
- Lever Arm = Distance from the Force to the center of rotation in Inches or Feet.

TORQUE

It is: a turning moment or twisting effort.
Is it expressed in foot-pounds? or pound-feet?

↔



A pound-foot is the moment created by a force of one pound applied to the end of a lever arm one

POUND-FEET INDICATE TORQUE

Example:

$$\begin{aligned} 25 \text{ HP at } 150 \text{ RPM} &= 10504 \text{ Pound-Inches Torque} \\ 2.5 \text{ HP at } 150 \text{ RPM} &= 1050.4 \text{ Pound-Inches Torque} \end{aligned}$$

For other values of RPM move decimal point in RPM values to the left or right as desired, and in Torque values move to the right or left (opposite way) the same number of places.

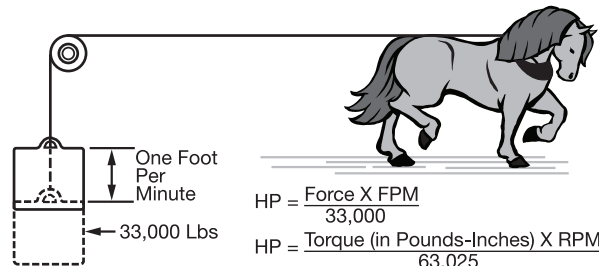
Example:

$$\begin{aligned} 25 \text{ HP at } 150 \text{ RPM} &= 10504 \text{ Pound-Inches Torque} \\ 25 \text{ HP at } 1.50 \text{ RPM} &= 1050400 \text{ Pound-Inches Torque} \\ 2.5 \text{ HP at } 1.50 \text{ RPM} &= 105040 \text{ Pound-Inches Torque} \end{aligned}$$

HORSEPOWER

Common Unit of Mechanical power - (HP)

One HP is the rate of work required to raise 33,000 pounds one foot in one minute



$$\begin{aligned} \text{HP} &= \frac{\text{Force} \times \text{FPM}}{33,000} \\ \text{HP} &= \frac{\text{Torque (in Pounds-Inches)} \times \text{RPM}}{63,025} \\ \text{HP} &= \frac{\text{Torque (in Pounds-Feet)} \times \text{RPM}}{5,252} \end{aligned}$$

Overhung Loads

An overhung load is a bending force imposed on a shaft due to the torque transmitted by V-drives, chain drives and other power transmission devices, other than flexible couplings.

Most motor and reducer manufacturers list the maximum values allowable for overhung loads. It is desirable that these figures be compared with the load actually imposed by the connected drive.

Overhung loads may be calculated as follows:

$$\text{O.H.L.} = \frac{63,000 \times \text{HP} \times \text{F}}{\text{N} \times \text{R}}$$

- Where HP = Transmitted hp X service factor
- N = RPM of shaft
- R = Radius of sprocket, pulley, etc. (inches)
- F = Factor (See chart to right)

Weights of the drive components are usually negligible. The formula is based on the assumption that the load is applied at a point equal to one shaft diameter from the bearing face. Factor F depends on the type of drive used:

$$F = \begin{cases} 1.00 & \text{for single chain drives.} \\ 1.3 & \text{for TIMING Belt Drives and Sync belt Drives.} \\ 1.25 & \text{for spur or helical gear or double chain drives.} \\ 1.50 & \text{for V-belt drives.} \\ 2.50 & \text{for flat belt drives.} \end{cases}$$

Example: Find the overhung load imposed on a reducer by a double chain drive transmitting 7 hp @ 30 RPM. The pitch diameter of the sprocket is 10"; service factor is 1.3.

Solution:
$$\text{O.H.L.} = \frac{(63,000) (7 \times 1.3) (1.25)}{(30) (5)} = 4,780 \text{ lbs.}$$

Mathematical Equations

- To find circumference of a circle, multiply diameter by 3.1416.
- To find diameter of a circle, multiply circumference by .31831.
- To find area of a circle, multiply square of diameter by .7854.
- To find area of a rectangle, multiply length by breadth.
- To find area of a triangle, multiply base by 1/2 perpendicular height.
- To find area of ellipse, multiply product of both diameters by .7854.
- To find area of parallelogram, multiply base by altitude.
- To find side of an inscribed square, multiply diameter by 0.7071 or multiply circumference by 0.2251 or divide circumference by 4.4428.

- To find side of inscribed cube, multiply radius of sphere by 1.1547.
- To find side of an equal square, multiply diameter by .8862.
- To find the surface of a sphere, square the diameter and multiply by 3.1416.
- To find the volume of a sphere, cube the diameter and multiply by .5236.
- A side of a square multiplied by 1.4142 equals diameter of its circumscribing circle.
- A side of a square multiplied by 4.443 equals circumference of its circumscribing circle.

Table 32: Strength and Physical Properties of Various Metals

Metals and Alloys	Stress in Thousands of Pounds per Sq. Inch				Modulus of Elasticity Millions	Elongation%
	Tension Ultimate	Tension Yield Point	Compression Ultimate	Shear Ultimate		
Aluminum, Type 1100.0, Annealed	13	5	9	10	45
Aluminum, Type 1100-H18, Hard	24	22	13	10	15
Aluminum, Type 3003-0, Annealed	16	6	11	10	40
Aluminum, Type 3003-H18, Hard	29	27	16	10	10
Aluminum, Type 5052-0, Annealed	28	13	18	10.20	30
Aluminum, Type 5052-H38, Hard	42	37	24	10.20	8
Aluminum, Type 5056-0, Annealed	42	22	26	10.30	35
Aluminum, Type 2014-0, Annealed	27	14	18	10.60	18
Aluminum, Type 2014-T4, Heat Treated	62	42	38	10.60	20
Aluminum, Type C4A, Casting. Solution Heat Treat	32	16	16▲	24	8.50
Aluminum, Type S5C, As Die Cast	30	16	16▲	19	9
Brass, Admiralty, Annealed	53	22	16	65
Brass, Aluminum, Annealed	60	27	16	55
Brass, Cartridge, 30% Zn, Annealed	44	11	32	16	66
Brass, Cartridge, 30% Zn, Hard	76	63	44	16	8
Brass, Naval, Annealed	57†	25†	40 †	15	47†
Brass, Naval, Leaded, Annealed	57†	25†	36 †	15	40†
Brass, Red, 15% Zn, Annealed	39	10	31	17	48
Brass, Red, 15% Zn, Hard	70	57	42	17	5
Brass, Red, Leaded, Cast, Grade 4A	33-46	17-24	10-12▲	9.1-14.8	20-35
Brass, Red, Leaded, Cast, Grade 4B	30-38	12-17	11-12▲	15-27
Brass, Semi-Red, Leaded, Cast, Grade 5A	29-39	13-17	7.7-14.3	18-30
Brass, Semi-Red, Leaded, Cast, Grade 5B	30-40	12-16	8-10▲	10-14	20-35
Brass, Yellow, 35% Zn, Annealed	46	14	32	15	65
Brass, Yellow, 35% Zn, Hard	74	60	43	15	8
Bronze, Aluminum, As Cast	67-95	27-45	15-18	5-35
Bronze, Commercial, 10% Zn, Annealed	37†	10†	28 †	17	45=
Bronze, Manganese, Annealed	65†	30†	42 v	15	33=
Bronze, Phosphor, Annealed	40-66	14-24	16-17	48-70
Bronze, Tin, High Leaded, Cast	23-38	11-22	12-16▲	8.5-13	7-20
Bronze, Tin, Leaded, Cast	33-48	16-26	9-15▲	10.6-16	15-40
Copper, Beryllium, Annealed	60-80	25-35v	50-60 †	19	35-50†
Copper, Electrolytic, Tough Pitch, Annealed	32†	10†	22 †	17	45†
Inconel, Cast	65-90	23	10-20
Inconel, S, Cast	90-120	80-100	25	1-3
Inconel, Shapes, Plate, Etc., Annealed	80-100†	30-45†	31	35-55†
Inconel, X, Shapes, Plate, Etc., Annealed	110-130†	45-65†	31	40-55†
Iron, Cast, Class 30	30-34	115	44	15
Iron, Cast, Class 35	35-40	125	43	16
Iron, Ingot, Hot Rolled	44	23	29.80	47
Iron, Malleable, Class 32510	50	33	90	46	25	10-18
Iron, Malleable, Class 35018	55	37	90	51	25	18-25
Iron, Nodular (Ductile) Class 60-45-10	60	45	120	22-25	10-25
Iron, Nodular (Ductile) Class 80-60-3	80	60	160	22-25	3-10
Iron, Pearlitic, Malleable	60-90	40-70	28	3-12
Iron, Wrought, Hot Rolled	34-47	23-24	29	7-35
Lead, Hard, Rolled	4.0-4.6	31-48
Magnesium Alloy, Extruded, ASTM M1A	26-28	23-28	10-13	16	6.50	8-11
Magnesium Alloy, Extruded, ASTM AZ61A-F	40-45	22-32	15-21	21	6.50	15-16
Magnesium Alloy, Cast, ASTM M1B	14	4.50	11	6.50	5
Magnesium Alloy, Cast, ASTM AZ92A	24	14	19	6.50	2
Magnesium Alloy, Cast, ASTM AZ91A	36	23	20	6.50	4

Table 32: Strength and Physical Properties of Various Metals

Metals and Alloys	Stress in Thousands of Pounds per Sq. Inch				Modulus of Elasticity Millions	Elongation%
	Tension Ultimate	Tension Yield Point	Compression Ultimate	Shear Ultimate		
Monel, Cast	65-90	32-45	23	20-50
Monel, S, Cast	120-145	80-130	24.20	1-4
Monel, Shapes, Plate, Etc., Annealed	70-85†	25-45†	26	35-50†
Monel, K, Shapes, Plate, Etc., Annealed	90-105†	40-65†	26	25-45	35-55†
Muntz Metal, Cu 59.63%, Zn balance	54	21	40	15	45
Nickel, Cast	50-65	15-30	21.50	15-30
Nickel, Silver, Annealed	49-63†	18-30†	17-18	35-60†
Steel, Cast Carbon, Class 70,000 Normalized	70	38	30	28
Steel, Cast Low Alloy, Class 100,000, Normalized and Tempered	100	68	29-30	20
Steel, Cast Low Alloy, Class 120,000, Quenched and Tempered	120	95	29-30	16
Steel, Cast Low Alloy, Class 200,000, Quenched and Tempered	200	170	29-30	5
Steel, Sheets	48	25	29-30	18-27
Steel, Stainless, Austenitic, Types 304, 316	85	35	28	55-60
Steel, Stainless, Martensitic, Type 416	75	40	29	30
Steel, Structural, Bridge and Building, ASTM A7	60-72	33	33▲	45-54	29-30	21
Steel, Structural, High Strength, Low Alloy, ASTM A242	63-70	42-50	42-50▲	47-53	29-30	18-24
Zinc, Die Cast Alloy XXIII	41	60▲	31	10

† When hardened, strength values are higher, elongation less

▲ Compression yield point

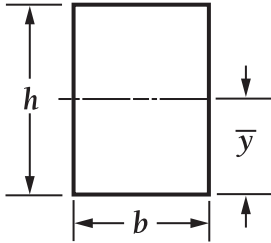
ENGINEERING

Table 33: Properties of Sections

A = area
 I = moment of inertia
 J = polar moment of inertia

Z = section modulus π
 k = radius of gyration
 y = centroidal distance

Rectangle



$$A = bh$$

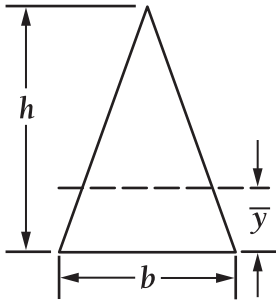
$$k = 0.289h$$

$$I = \frac{bh^3}{12}$$

$$\bar{y} = \frac{h}{2}$$

$$Z = \frac{bh^2}{6}$$

Triangle



$$A = \frac{bh}{2}$$

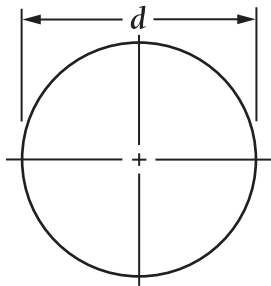
$$k = 0.236h$$

$$I = \frac{bh^3}{36}$$

$$\bar{y} = \frac{h}{3}$$

$$Z = \frac{bh^2}{24}$$

Circle



$$A = \frac{\pi d^2}{4}$$

$$J = \frac{\pi d^4}{32}$$

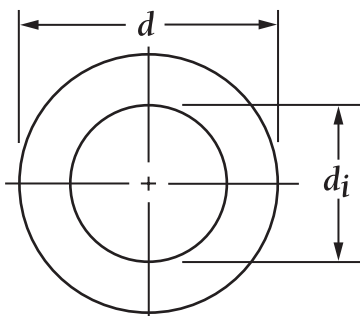
$$I = \frac{\pi d^4}{64}$$

$$k = \frac{d}{4}$$

$$Z = \frac{\pi d^3}{32}$$

$$\bar{y} = \frac{d}{2}$$

Hollow Circle



$$A = \frac{\pi}{4} (d^2 - d_i^2)$$

$$J = \frac{\pi}{32} (d^4 - d_i^4)$$

$$I = \frac{\pi}{64} (d^4 - d_i^4)$$

$$k = \sqrt{\frac{d^2 - d_i^2}{16}}$$

$$Z = \frac{\pi}{32d} (d^4 - d_i^4)$$

$$\bar{y} = \frac{d}{2}$$

ENGINEERING

Table 34: Coefficients of Friction "f"

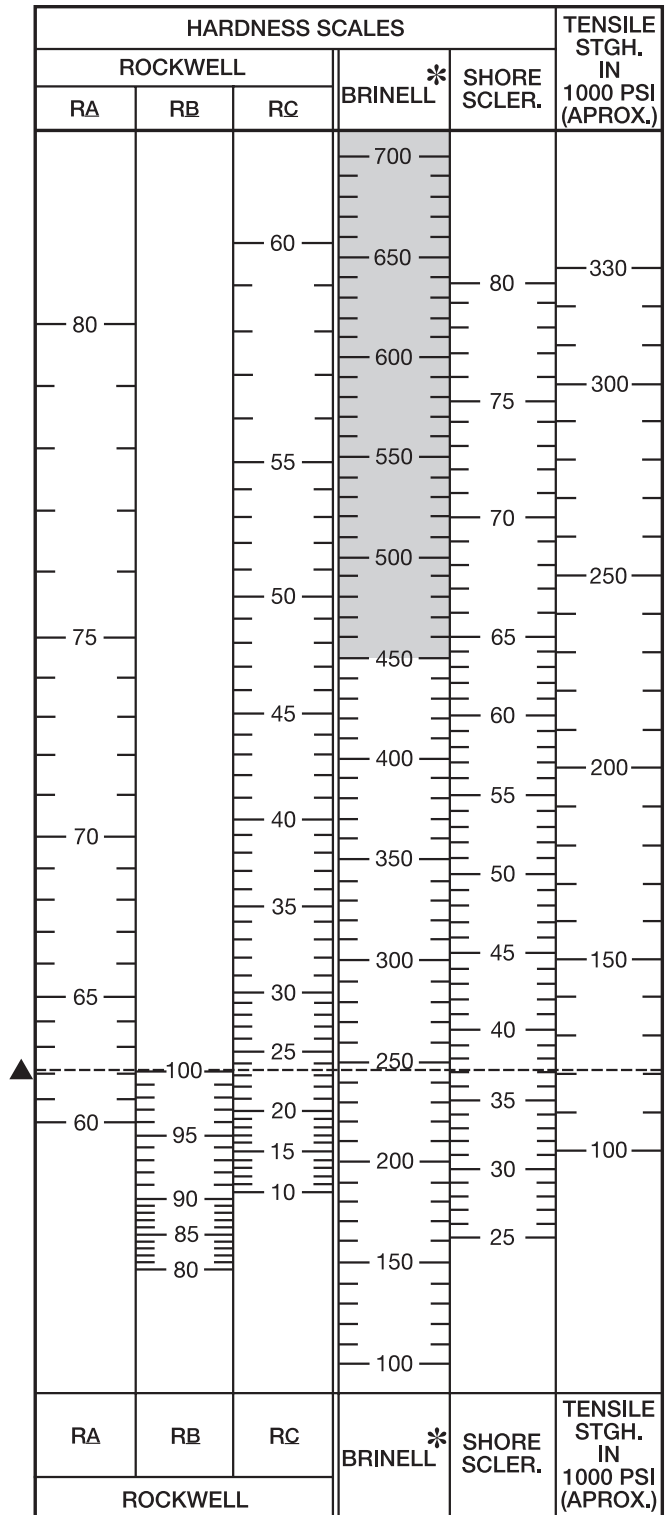
Material	Static		Sliding	
	Dry	Lubricated	Dry	Lubricated
Aluminum on aluminum	1.35
Canvas belt on rubber lagging	0.30
Canvas belt, stitched, on steel	0.20	0.10
Canvas belt, woven, on steel	0.22	0.10
Cast iron on asbestos, fabric
brake material	0.35-0.40
Cast iron on brass	0.30
Cast iron on bronze	0.22	0.07-0.08
Cast iron on cast iron	1.10	0.15	0.06-0.10
Cast iron on copper	1.05	0.29
Cast iron on lead	0.43
Cast iron on leather	0.60	0.13-0.36
Cast iron on oak (parallel)	0.30-0.50	0.07-0.20
Cast iron on magnesium	0.25
Cast iron on steel, mild	0.18	0.23	1/0/00 3:11
Cast iron on tin	0.32
Cast iron on zinc	0.85	0.21
Earth on earth	0.25-1.0
Glass on glass	0.94	0.40
Hemp rope on wood	0.50-0.80	0.40-0.70
Nickel on nickel	1.10	0.53	0.12
Oak on leather (parallel)	0.50-0.60	0.30-0.50
Oak on oak (parallel)	0.62	0.48	0.16
Oak on oak (perpendicular)	0.54	0.32	0.07
Rubber tire on pavement	0.8-0.9	0.6-0.7 *	0.75-0.85	0.5-0.7*
Steel on ice	0.03	0.01
Steel, hard, on babbitt	0.42-0.70	0.08-0.25	0.33-0.35	0.05-0.16
Steel, hard, on steel, hard	0.78	0.11-0.23	0.42	0.03-0.12
Steel, mild, on aluminum	0.61	0.47
Steel, mild, on brass	0.51	0.44
Steel, mild, on bronze	0.34	0.17
Steel, mild, on copper	0.53	0.36	0.18
Steel, mild, on steel, mild	0.74	0.57	0.09-0.19
Stone masonry on concrete	0.76
Stone masonry on ground	0.65
Wrought iron on bronze	0.19	0.07-0.08	0.18
Wrought iron on wrought iron	0.11	0.44	0.08-0.10

* Wet pavement

Table 35: U.S. Standard Sheet Metal Gages

Gage No.	Thickness in Decimal Parts of an Inch	Gage No.	Thickness in Decimal Parts of an Inch
1	.2813	20	.0359
2	.2656	21	.0329
3	.2391	22	.0299
4	.2242	23	.0269
5	.2092	24	.0239
6	.1943	25	.0209
7	.1793	26	.0179
8	.1644	27	.0164
9	.1495	28	.0149
10	.1345	29	.0135
11	.1196	30	.0120
12	.1046	31	.0109
13	.0897	32	.0102
14	.0747	33	.0094
15	.0673	34	.0086
16	.0598	35	.0078
17	.0538	36	.0070
18	.0478	37	.0066
19	.0418	38	.0063

Hardness Comparison Chart



* Shaded area indicates values may vary depending on type of ball used.

▲ Example: A Brinell number of 245 is equal to 62 Rockwell "A", 100 Rockwell "B", 23 Rockwell "C", 37 Shore with a tensile of approximately 120,000 psi.

Trigonometric Formula

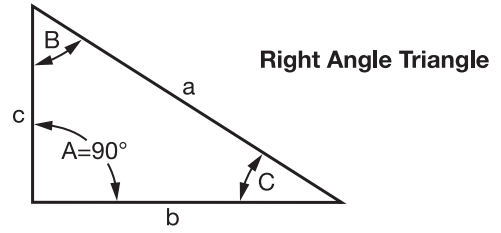
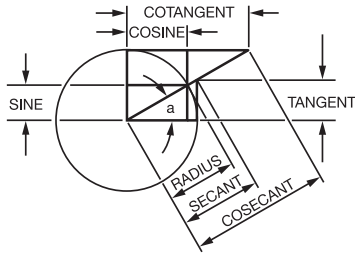


Table 36: Formulas for Finding Functions of Angles

Side opposite Hypotenuse	= SINE
Side adjacent Hypotenuse	= COSINE
Side opposite Side adjacent	= TANGENT
Side adjacent Side opposite	= COTANGENT
Hypotenuse Side adjacent	= SECANT
Hypotenuse Side opposite	= COSECANT

Table 37: Formulas for Finding Sides of Right Angle Triangles with an Angle and Side Known

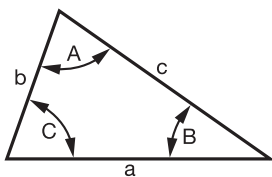
To find: Length of side opposite	$\left\{ \begin{array}{l} \text{Hypotenuse} \times \text{Sine} \\ \text{Hypotenuse} \div \text{Cosecant} \\ \text{Side adjacent} \times \text{Tangent} \\ \text{Side adjacent} \div \text{Cotangent} \end{array} \right.$
To find: Length of side adjacent	$\left\{ \begin{array}{l} \text{Hypotenuse} \times \text{Cosine} \\ \text{Hypotenuse} \div \text{Secant} \\ \text{Side opposite} \times \text{Cotangent} \\ \text{Side opposite} \div \text{Tangent} \end{array} \right.$
To find: Length of Hypotenuse	$\left\{ \begin{array}{l} \text{Side opposite} \times \text{Cosecant} \\ \text{Side opposite} \div \text{Sine} \\ \text{Side adjacent} \times \text{Secant} \\ \text{Side adjacent} \div \text{Cosine} \end{array} \right.$

Table 38: To Find Angles and Sides of Right Angle Triangles

To Find Angles			To Find Angles		
To Find:	Formulas		To Find:	Formulas	
C	$\frac{c}{a}$	= Sine C	a	$\sqrt{b^2 + c^2}$	---
C	$\frac{b}{a}$	= Cosine C	a	$c \times \text{Cosec. C}$	$\frac{c}{\text{Sine C}}$
C	$\frac{c}{b}$	= Tan. C	a	$c \times \text{Secant B}$	$\frac{c}{\text{Cosine B}}$
C	$\frac{b}{c}$	= Cotan C	a	$b \times \text{Cosec. B}$	$\frac{b}{\text{Sine B}}$
C	$\frac{a}{b}$	= Secant C	a	$b \times \text{Secant C}$	$\frac{b}{\text{Cosine C}}$
C	$\frac{a}{c}$	= Cosec. C	b	$\sqrt{a^2 + c^2}$	---
B	$\frac{c}{a}$	= Sine B	b	$a \times \text{Sine B}$	$\frac{a}{\text{Cosecant B}}$
B	$\frac{c}{a}$	= Cosine B	b	$a \times \text{Cos. C}$	$\frac{a}{\text{Secant C}}$
B	$\frac{b}{c}$	= Tan. B	b	$c \times \text{Tan. B}$	$\frac{c}{\text{Cotangent B}}$
B	$\frac{c}{d}$	= Cotan. B	b	$c \times \text{Cot. C}$	$\frac{c}{\text{Tangent C}}$
B	$\frac{a}{c}$	= Secant B	c	$\sqrt{a^2 + b^2}$	---
B	$\frac{a}{b}$	= Cosec. B	c	$a \times \text{Cos. B}$	$\frac{a}{\text{Secant B}}$
			c	$a \times \text{Sine C}$	$\frac{a}{\text{Cosecant C}}$
			c	$b \times \text{Cot. B}$	$\frac{b}{\text{Tangent B}}$
			c	$b \times \text{Tan. C}$	$\frac{b}{\text{Cotangent C}}$

Table 39: To Find Angles and Sides of Oblique Angle Triangle

Oblique Angle Triangle



To Find Angles and Sides of Oblique Angle Triangle					
To find:	Known	Formulas	To Find:	Known	Formulas
C	A, B	$180^\circ - (A + B)$	A	B, C	$180^\circ - (B + C)$
b	a, B, A	$\frac{a \times \text{Sin. B}}{\text{Sin. A}}$	Cos. A	a, b, c	$\frac{b^2 + c^2 - a^2}{2bc}$
c	a, A, C	$\frac{a \times \text{Sin. C}}{\text{Sin. A}}$	Sin. C	c, A, a	$\frac{c \times \text{Sin. A}}{a}$
Tan. A	a, C, b	$\frac{a \times \text{Sin. C}}{b - (a \times \text{Cos. C})}$	Cot. B	a, C, b	$\frac{a \times \text{Cosec. C}}{b}$
B	A, C	$180^\circ - (A + C)$	c	b, C, B	$b \times \text{Sin. C} \times \text{Cosec. B}$
Sin. B	b, A, a	$\frac{b \times \text{Sin. A}}{a}$	---	---	-----



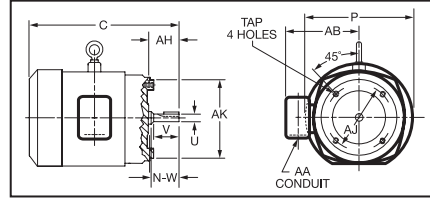
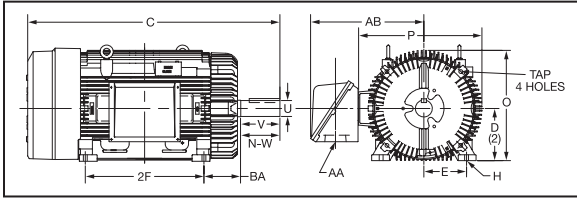
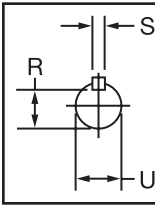
ENGINEERING

NEMA QUICK REFERENCE CHART

- Dimensions are for reference only
- Drawings represent standard TEFC general purpose motors

Contact DODGE at 1-864-297-4800 for "C" dimensions.

	FRAME		NEMA SHAFT		KEYSEAT DIMENSIONS		FRAME		NEMA SHAFT		KEYSEAT DIMENSIONS	
	U	R	U	R	R	S	U	R	U	R	S	
	48	48	1/2	29/64	FLAT		284T	286T	1-7/8	1-19/32	1/2	
	56	56	5/8	33/64	3/16		324T	326T	2-1/8	1-27/32	1/2	
	143T	145T	7/8	49/64	3/16		364T	365T	2-3/8	2-1/64	5/8	
	182T	184T	1-1/8	63/64	1/4		404T	405T	2-7/8	2-29/64	3/4	
	213T	215T	1-3/8	1-13/64	5/16		444T	445T	3-3/8	2-7/8	7/8	
	254T	256T	1-5/8	1-13/32	3/8		447T	449T	3-3/8	2-7/8	7/8	



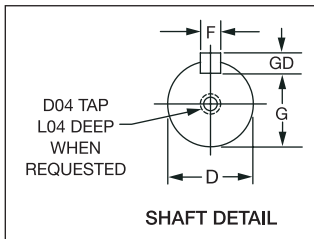
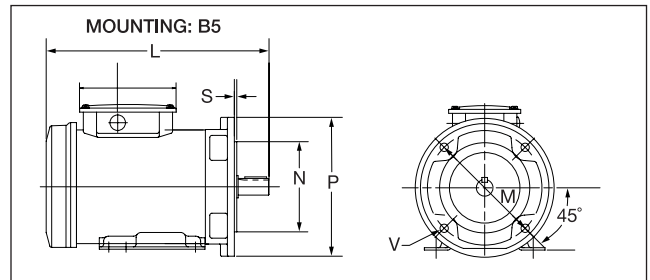
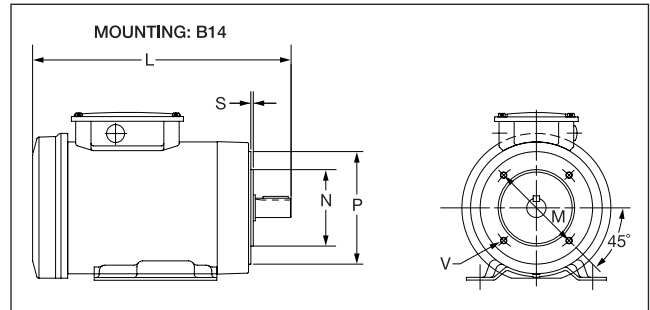
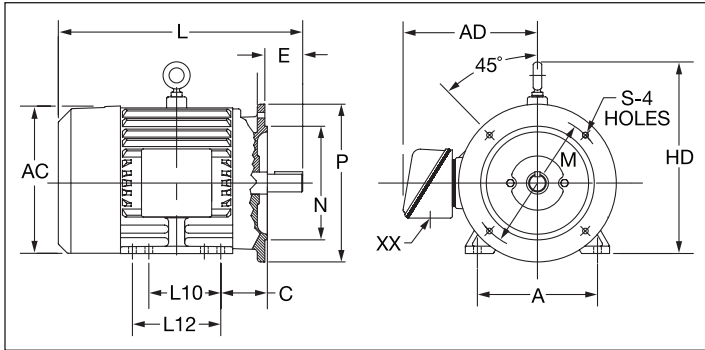
NEMA C-FACE	BA Dimensions
143TC - 145TC	2-3/4
182TC - 184 TC	3-1/2
213TC - 215TC	4-1/4
254TC - 256TC	4-3/4

NEMA Frame	D	E	2F	H	N-W	O	P	U	Keyway	V	AA	AB	AH	AJ	AK	BA	Tap Size
48	3	2-1/8	2-3/4	11/32 SLOT	1-1/2	5-13/16	5-5/8	1/2		1-1/2	1/2	-	1-11/16	3-3/4	3	2-1/2	1/4-20
56	3-1/2	2-7/16	3	11/32	1-7/8	8-9/16	7-9/32	5/8	3/16x3/32	1-7/8	1/2	-	2-1/16	5-7/8	4-1/4	2-3/4	3/8-16
56H	3-1/2	2-7/16	5	SLOT	1-7/8	8-9/16	7-9/32	5/8	3/16x3/32	1-7/8	1/2	-	2-1/16	5-7/8	4-1/2	2-3/4	3/8-16
143T	3-1/2	2-7/16	4	11/32	2-1/4	8-9/16	7-9/32	7/8	3/16x3/32	2-1/4	3/4	-	2-1/8	5-7/8	4-1/2	2-1/4	3/8-16
145T	3-1/2	2-3/4	5	11/32	2-1/4	8-9/16	7-9/32	7/8	3/16x3/32	2-1/4	3/4	-	2-1/8	5-7/8	4-1/2	2-1/4	3/8-16
182	4-1/2	3-3/4	4-1/2	13/32	2-1/4	9-7/8	9-1/4	7/8	3/16x3/32	2-1/4	3/4	8-7/16	2-1/8	5-7/8	4-1/2	2-3/4	3/8-16
184	4-1/2	3-3/4	5-1/2	13/32	2-1/4	9-7/8	9-1/4	7/8	3/16x3/32	2-1/4	3/4	8-7/16	2-1/8	5-7/8	4-1/2	2-3/4	3/8-16
182T	4-1/2	3-3/4	4-1/2	13/32	2-3/4	9-7/8	9-1/4	1-1/8	1/4x1/8	2-3/4	3/4	7-13/16	2-5/8	7-1/4	8-1/2	2-3/4	1/2-13
184T	4-1/2	3-3/4	5-1/2	13/32	2-3/4	9-7/8	9-1/4	1-1/8	1/4x1/8	2-3/4	3/4	7-13/16	2-5/8	7-1/4	8-1/2	2-3/4	1/2-13
213	5-1/4	4-1/4	5-1/2	13/32	3	11-1/4	10-1/2	1-1/8	1/4x1/8	3	1	9-5/16	2-3/4	7-1/4	8-1/2	3-1/2	1/2-13
215	5-1/4	4-1/4	7	13/32	3	11-1/4	10-1/2	1-1/8	1/4x1/8	3	1	9-5/16	2-3/4	7-1/4	8-1/2	3-1/2	1/2-13
213T	5-1/4	4-1/4	5-1/2	13/32	3-3/8	11-1/4	10-1/2	1-3/8	5/16x5/32	3-3/8	1	8-11/16	3-1/8	7-1/4	8-1/2	3-1/2	1/2-13
215T	5-1/4	4-1/4	7	13/32	3-3/8	11-1/4	10-1/2	1-3/8	5/16x5/32	3-3/8	1	8-11/16	3-1/8	7-1/4	8-1/2	3-1/2	1/2-13
254U	6-1/4	5	8-1/4	17/32	3-3/4	13-1/4	13-1/4	1-3/8	5/16x5/32	3-3/4	1-1/4	10-13/16	3-1/2	7-1/4	8-1/2	4-1/4	1/2-13
256U	6-1/4	5	10	17/32	3-3/4	13-1/4	13-1/4	1-3/8	5/16x5/32	3-3/4	1-1/4	10-13/16	3-1/2	7-1/4	8-1/2	4-1/4	1/2-13
254T	6-1/4	5	8-1/4	17/32	4	13-1/4	13-1/4	1-5/8	3/8x3/16	4	1-1/4	10-3/4	3-3/4	7-1/4	8-1/2	4-1/4	1/2-13
256T	6-1/4	5	10	17/32	4	13-1/4	13-1/4	1-5/8	3/8x3/16	4	1-1/4	10-3/4	3-3/4	7-1/4	8-1/2	4-1/4	1/2-13
284U	7	5-1/2	9-1/2	17/32	4-7/8	14-3/4	14-7/8	1-5/8	3/8x3/16	4-7/8	1-1/2	12-5/8	4-5/8	9	10-1/2	4-3/4	1/2-13
286U	7	5-1/2	11	17/32	4-7/8	14-3/4	14-7/8	1-5/8	3/8x3/16	4-7/8	1-1/2	12-5/8	4-5/8	9	10-1/2	4-3/4	1/2-13
284T	7	5-1/2	9-1/2	17/32	4-5/8	14-3/4	14-7/8	1-7/8	1/2x1/4	4-5/8	1-1/2	12-3/4	4-3/8	9	10-1/2	4-3/4	1/2-13
286T	7	5-1/2	11	17/32	4-5/8	14-3/4	14-7/8	1-7/8	1/2x1/4	4-5/8	1-1/2	12-3/4	4-3/8	9	10-1/2	4-3/4	1/2-13
284TS	7	5-1/2	9-1/2	17/32	3-1/4	14-3/4	14-7/8	1-5/8	3/8x3/16	3-1/4	1-1/2	12-3/4	3	9	10-1/2	4-3/4	1/2-13
286TS	7	5-1/2	11	17/32	3-1/4	14-3/4	14-7/8	1-5/8	3/8x3/16	3-1/4	1-1/2	12-3/4	3	9	10-1/2	4-3/4	1/2-13
324U	8	6-1/4	10-1/2	21/32	5-5/8	16-11/16	17	1-7/8	1/2x1/4	5-5/8	2	15-7/16	5-3/8	11	12-1/2	5-1/4	5/8-11
326U	8	6-1/4	12	21/32	5-5/8	16-11/16	17	1-7/8	1/2x1/4	5-5/8	2	15-7/16	5-3/8	11	12-1/2	5-1/4	5/8-11
324T	8	6-1/4	10-1/2	21/32	5-1/4	16-11/16	17	2-1/8	1/2x1/4	5-1/4	2	15-3/16	5	11	12-1/2	5-1/4	5/8-11
326T	8	6-1/4	12	21/32	5-1/4	16-11/16	17	2-1/8	1/2x1/4	5-1/4	2	15-3/16	5	11	12-1/2	5-1/4	5/8-11
324TS	8	6-1/4	10-1/2	21/32	3-3/4	16-11/16	17	1-7/8	1/2x1/4	3-3/4	2	15-3/16	3-1/2	11	12-1/2	5-1/4	5/8-11
326TS	8	6-1/4	12	21/32	3-3/4	16-11/16	17	1-7/8	1/2x1/4	3-3/4	2	15-3/16	3-1/2	11	12-1/2	5-1/4	5/8-11
364U	9	7	11-1/4	21/32	6-3/8	18-1/2	19-1/2	2-1/8	1/2x1/4	6-3/8	2-1/2	18	6-1/8	11	12-1/2	5-7/8	5/8-11
365U	9	7	12-1/4	21/32	6-3/8	18-1/2	19-1/2	2-1/8	1/2x1/4	6-3/8	2-1/2	18	6-1/8	11	12-1/2	5-7/8	5/8-11
364T	9	7	11-1/4	21/32	5-7/8	18-1/2	19-1/2	2-3/8	5/8x5/16	5-7/8	2-1/2	18-1/16	5-5/8	11	12-1/2	5-7/8	5/8-11
365T	9	7	12-1/4	21/32	5-7/8	18-1/2	19-1/2	2-3/8	5/8x5/16	5-7/8	2-1/2	18-1/16	5-5/8	11	12-1/2	5-7/8	5/8-11
364TS	9	7	11-1/4	21/32	3-3/4	18-1/2	19-1/2	1-7/8	1/2x1/4	3-3/4	2-1/2	18-1/16	3-1/2	11	12-1/2	5-7/8	5/8-11
365TS	9	7	12-1/4	21/32	3-3/4	18-1/2	19-1/2	1-7/8	1/2x1/4	3-3/4	2-1/2	18-1/16	3-1/2	11	12-1/2	5-7/8	5/8-11
404U	10	8	12-1/4	13/16	7-1/8	21-5/16	22-1/2	2-3/8	5/8x5/16	7-1/8	3	19-1/4	6-7/8	11	12-1/2	6-5/8	5/8-11
405U	10	8	13-3/4	13/16	7-1/8	21-5/16	22-1/2	2-3/8	5/8x5/16	7-1/8	3	19-1/4	6-7/8	11	12-1/2	6-5/8	5/8-11
404T	10	8	12-1/4	13/16	7-1/4	21-5/16	22-1/2	2-7/8	3/4x3/8	7-1/4	3	19-5/16	7	11	12-1/2	6-5/8	5/8-11
405T	10	8	13-3/4	13/16	7-1/4	21-5/16	22-1/2	2-7/8	3/4x3/8	7-1/4	3	19-5/16	7	11	12-1/2	6-5/8	5/8-11
404TS	10	8	12-1/4	13/16	4-1/4	21-5/16	22-1/2	2-1/8	1/2x1/4	4-1/4	3	19-5/16	4	11	12-1/2	6-5/8	5/8-11
405TS	10	8	13-3/4	13/16	4-1/4	21-5/16	22-1/2	2-1/8	1/2x1/4	4-1/4	3	19-5/16	4	11	12-1/2	6-5/8	5/8-11
444U	11	9	14-1/2	13/16	8-5/8	23-3/8	25-1/4	2-7/8	3/4x3/8	8-5/8	3	22-3/16	8-3/8	14	16	7-1/2	5/8-11
445U	11	9	16-1/2	13/16	8-5/8	23-3/8	25-1/4	2-7/8	3/4x3/8	8-5/8	3	22-3/16	8-3/8	14	16	7-1/2	5/8-11
444T	11	9	14-1/2	13/16	8-1/2	23-3/8	25-1/4	3-3/8	7/8x7/16	8-1/2	3	23-3/8	8-1/4	14	16	7-1/2	5/8-11
445T	11	9	16-1/2	13/16	8-1/2	23-3/8	25-1/4	3-3/8	7/8x7/16	8-1/2	3	23-3/8	8-1/4	14	16	7-1/2	5/8-11
447T	11	9	20	13/16	8-1/2	23-5/8	26	3-3/8	7/8x7/16	8-1/2	3	23-7/8	8-1/4	14	16	7-1/2	5/8-11
449T	11	9	25	13/16	8-1/2	23-5/8	26	3-3/8	7/8x7/16	8-1/2	3	23-7/8	8-1/4	14	16	7-1/2	5/8-11
444TS	11	9	14-1/2	13/16	4-3/4	23-3/8	25-1/4	2-3/8	5/8x5/16	4-3/4	3	23-3/8	4-1/2	14	16	7-1/2	5/8-11
445TS	11	9	16-1/2	13/16	4-3/4	23-3/8	25-1/4	2-3/8	5/8x5/16	4-3/4	3	23-3/8	4-1/2	14	16	7-1/2	5/8-11
447TS	11	9	20	13/16	4-3/4	23-5/8	26	2-3/8	5/8x5/16	4-3/4	4 NPT	23-7/8	4-1/2	14	16	7-1/2	5/8-11
449TS	11	9	25	13/16	4-3/4	23-5/8	26	2-3/8	5/8x5/16	4-3/4	4 NPT	23-7/8	4-1/2	14	16	7-1/2	5/8-11

IEC QUICK REFERENCE CHART

- Dimensions are for reference only
- Drawings represent standard TEFC general purpose motors

Contact DODGE at 1-864-297-4800 for "C" dimensions.



KEY AND KEYSEAT DIMENSIONS									
FRAME	D	G	F	GD	FRAME	D	G	F	GD
71	14	11	5	5	160	37	42	12	8
80	19	15.5	6	6	180	48	42.5	14	9
90	24	20	8	7	200	55	49	16	10
100	28	24	8	7	225	60	53	18	11
112	28	24	8	7	250	70	67.5	20	12
132	38	33	10	8	280	80	71	22	14

Frame	B3 RIGID BASE				SHAFT		B5 FLANGE					B14 FACE					GENERAL			
	A	L10	L12	HD	C	E	D	N	M	P	S	V	N	M	P	S	V	AC	AD	XX
71	-	-	-	-	-	-	-	110	130	160	"3,5"	"9,5"	70	85	105	2.5	M6	143	-	13
80	125	100	-	188	50	40	19	130	165	200	"3,5"	"11,5"	80	100	120	3	M6	143	-	13
90	140	100	125	208	56	50	24	130	165	200	"3,5"	"11,5"	95	115	140	3	M8	163	-	13
100	160	112	140	229	63	60	28	180	215	250	4	14	110	130	160	3.5	M8	175	-	19
112S	190	114	-	301.8	71.4	60	28	180	215	250	4	14	110	130	160	3.5	M8	243	210	32
112M	190	-	140	301.8	71.4	60	28	180	215	250	4	14	110	130	160	3.5	M8	243	210	32
132S	216	140	-	336.6	88.9	80	38	230	265	300	4	14	130	165	200	3.5	M8	286	243	32
132M	216	-	178	336.6	88.9	80	38	230	265	300	4	14	130	165	200	3.5	M8	286	243	32
160M	254	210	-	399	108	110	42	250	300	350	5	18	180	215	250	4	M12	324	320	40
160L	254	-	254	399	108	110	42	250	300	350	5	18	180	215	250	4	M12	324	320	40
180M	279	241	-	436	121	110	48	250	300	350	5	18	398	355	40			398	355	40
180L	279	-	279	436	121	110	48	250	300	350	5	18	398	355	40			398	355	40
200M	318	267	-	486	133	110	55	300	350	400	5	18	442	445	50			442	445	50
200L	318	-	305	486	133	110	55	300	350	400	5	18	442	445	50			442	445	50
225S	356	286	-	545	149	140	60	350	400	450	5	18	490	470	50			490	470	50
225M	356	-	311	545	149	140	60	350	400	450	5	18	490	470	50			490	470	50
250S	406	311	-	616	168	140	65											600	510	63
250M	406	-	349	616	168	140	65											600	535	63
280S	457	368	-	677	190	140	75											650	535	63
280M	457	-	419	677	190	140	75											650	535	63
280K	457	500	-	677	190	140	75											650	535	63
280H	457	630	-	677	190	140	75											650	535	63
L280H	457	635	-	677	202	205	75											650	535	63

NOTES

Conveyor Components

Engineering

Part Number Index

Keyword Index



PART NUMBER INDEX

Part Number	Page	Part Number	Page	Part Number	Page	Part Number	Page	Part Number	Page
1U12933	PT11-7	8H95480	PT9-2	000373	PT1-7	000585	PT1-13	000669	PT1-13
8H95123	PT9-2	8H95481	PT9-2	000374	PT1-7	000586	PT1-13	000670	PT1-13
8H95124	PT9-2	8H95482	PT9-2	000375	PT1-7	000587	PT1-13	000671	PT1-13
8H95125	PT9-2	8H95483	PT9-2	000376	PT1-7	000588	PT1-13	000672	PT1-13
8H95126	PT9-2	8H95484	PT9-2	000377	PT1-9	000589	PT1-13	000673	PT1-13
8H95127	PT9-2	8H95485	PT9-2	000378	PT1-9	000590	PT1-13	000674	PT1-13
8H95128	PT9-2	8H95486	PT9-2	000379	PT1-9	000591	PT1-13	000675	PT1-13
8H95133	PT9-2	8H95488	PT9-2	000380	PT1-7	000592	PT1-13	000676	PT1-13
8H95134	PT9-2	8H95489	PT9-2	000381	PT1-7	000593	PT1-13	000677	PT1-13
8H95135	PT9-2	8H95490	PT9-2	000423	PT4-9	000594	PT1-13	000678	PT1-13
8H95137	PT9-2	8H95491	PT9-2	000424	PT4-9	000595	PT1-13	000679	PT1-13
8H95139	PT9-2	8H95492	PT9-2	000426	PT4-9	000596	PT1-13	000680	PT1-13
8H95140	PT9-2	8H95493	PT9-2	000427	PT4-9	000597	PT1-13	000681	PT1-13
8H95142	PT9-2	8H95494	PT9-2	000429	PT4-9	000598	PT1-13	000682	PT1-13
8H95143	PT9-2	8H95495	PT9-2	000430	PT4-9	000599	PT1-13	000683	PT1-13
8H95145	PT9-2	8H95496	PT9-2	000431	PT4-9	000600	PT1-13	000684	PT1-13
8H95148	PT9-2	8H95497	PT9-2	000432	PT4-9	000601	PT1-13	000685	PT1-13
8H95149	PT9-2	8H95705	PT9-2	000433	PT4-9	000602	PT1-13	000686	PT1-13
8H95153	PT9-2	8H95740	PT9-2	000434	PT4-9	000603	PT1-13	000687	PT1-13
8H95154	PT9-2	000251	PT1-7	000435	PT4-9	000604	PT1-13	000688	PT1-13
8H95155	PT9-2	000252	PT1-7	000436	PT4-9	000605	PT1-13	000689	PT1-13
8H95156	PT9-2	000253	PT1-7	000437	PT4-9	000606	PT1-13	000690	PT1-13
8H95157	PT9-2	000254	PT1-7	000438	PT4-9	000607	PT1-13	000691	PT1-13
8H95159	PT9-2	000255	PT1-7	000439	PT4-9	000608	PT1-13	000692	PT1-13
8H95162	PT9-2	000256	PT1-7	000440	PT4-9	000609	PT1-13	000693	PT1-13
8H95163	PT9-2	000257	PT1-7	000441	PT4-9	000610	PT1-13	000694	PT1-13
8H95170	PT9-2	000258	PT1-7	000442	PT4-9	000611	PT1-13	000695	PT1-13
8H95171	PT9-2	000259	PT1-7	000443	PT4-9	000612	PT1-13	000696	PT1-13
8H95172	PT9-2	000260	PT1-7	000444	PT4-9	000613	PT1-13	000697	PT1-13
8H95173	PT9-2	000261	PT1-7	000445	PT4-9	000614	PT1-13	000698	PT1-13
8H95174	PT9-2	000262	PT1-7	000445	PT4-9	000615	PT1-13	000699	PT1-13
8H95175	PT9-2	000263	PT1-7	000455	PT4-9	000616	PT1-13	000700	PT1-13
8H95177	PT9-2	000264	PT1-7	000457	PT4-9	000617	PT1-13	000701	PT1-13
8H95178	PT9-2	000265	PT1-7	000458	PT4-9	000618	PT1-13	000702	PT1-13
8H95180	PT9-2	000266	PT1-7	000460	PT4-9	000619	PT1-13	000703	PT1-13
8H95182	PT9-2	000267	PT1-7	000461	PT4-9	000620	PT1-13	000704	PT1-19
8H95183	PT9-2	000268	PT1-7	000462	PT4-9	000621	PT1-13	000705	PT1-19
8H95184	PT9-2	000269	PT1-7	000463	PT4-9	000622	PT1-13	000706	PT1-19
8H95185	PT9-2	000270	PT1-7	000464	PT4-9	000623	PT1-13	000707	PT1-19
8H95187	PT9-2	000271	PT1-7	000465	PT4-9	000624	PT1-13	000708	PT1-19
8H95192	PT9-2	000272	PT1-7	000466	PT4-9	000625	PT1-13	000709	PT1-19
8H95193	PT9-2	000273	PT1-7	000467	PT4-9	000626	PT1-13	000710	PT1-19
8H95194	PT9-2	000274	PT1-7	000468	PT4-9	000627	PT1-13	000711	PT1-19
8H95195	PT9-2	000275	PT1-7	000469	PT4-9	000628	PT1-13	000712	PT1-19
8H95196	PT9-2	000276	PT1-9	000470	PT4-9	000629	PT1-13	000713	PT1-19
8H95197	PT9-2	000277	PT1-9	000471	PT4-9	000630	PT1-13	000714	PT1-19
8H95198	PT9-2	000302	PT1-7	000472	PT4-9	000631	PT1-13	000715	PT1-19
8H95204	PT9-2	000303	PT1-7	000473	PT4-9	000632	PT1-13	000716	PT1-19
8H95205	PT9-2	000304	PT1-7	000474	PT4-9	000633	PT1-13	000717	PT1-19
8H95206	PT9-2	000305	PT1-7	000475	PT4-9	000634	PT1-13	000718	PT1-19
8H95207	PT9-2	000306	PT1-7	000476	PT4-9	000635	PT1-13	000719	PT1-19
8H95208	PT9-2	000307	PT1-7	000478	PT1-13	000636	PT1-13	000720	PT1-19
8H95209	PT9-2	000308	PT1-7	000479	PT1-19	000637	PT1-13	000721	PT1-19
8H95210	PT9-2	000309	PT1-7	000480	PT1-13	000638	PT1-13	000722	PT1-19
8H95450	PT9-2	000310	PT1-7	000481	PT1-13	000639	PT1-13	000723	PT1-19
8H95451	PT9-2	000311	PT1-7	000482	PT1-13	000640	PT1-13	000724	PT1-19
8H95452	PT9-2	000312	PT1-7	000483	PT1-13	000641	PT1-13	000725	PT1-19
8H95453	PT9-2	000313	PT1-7	000484	PT1-13	000642	PT1-13	000726	PT1-19
8H95454	PT9-2	000314	PT1-7	000485	PT1-13	000643	PT1-13	000727	PT1-19
8H95455	PT9-2	000315	PT1-7	000486	PT1-13	000644	PT1-13	000728	PT1-19
8H95456	PT9-2	000316	PT1-7	000487	PT1-13	000645	PT1-13	000729	PT1-19
8H95457	PT9-2	000317	PT1-9	000490	PT1-19	000646	PT1-13	000730	PT1-19
8H95458	PT9-2	000318	PT1-7	000491	PT1-19	000647	PT1-13	000731	PT1-19
8H95459	PT9-2	000319	PT1-7	000492	PT1-19	000648	PT1-13	000732	PT1-19
8H95460	PT9-2	000332	PT1-9	000493	PT1-19	000649	PT1-13	000733	PT1-19
8H95461	PT9-2	000333	PT1-9	000494	PT1-19	000650	PT1-13	000734	PT1-19
8H95462	PT9-2	000334	PT1-9	000495	PT1-19	000651	PT1-13	000735	PT1-19
8H95463	PT9-2	000335	PT1-9	000496	PT1-19	000652	PT1-13	000736	PT1-19
8H95464	PT9-2	000336	PT1-9	000497	PT1-19	000653	PT1-13	000737	PT1-19
8H95465	PT9-2	000337	PT1-9	000498	PT1-19	000654	PT1-13	000738	PT1-19
8H95466	PT9-2	000359	PT1-7	000499	PT1-19	000655	PT1-13	000739	PT1-19
8H95467	PT9-2	000360	PT1-7	000500	PT1-19	000656	PT1-13	000740	PT1-19
8H95468	PT9-2	000361	PT1-7	000573	PT1-13	000657	PT1-13	000741	PT1-19
8H95469	PT9-2	000362	PT1-7	000574	PT1-19	000658	PT1-13	000742	PT1-19
8H95470	PT9-2	000363	PT1-7	000575	PT1-13	000659	PT1-13	000743	PT1-19
8H95471	PT9-2	000364	PT1-7	000576	PT1-13	000660	PT1-13	000744	PT1-19
8H95472	PT9-2	000365	PT1-7	000577	PT1-13	000661	PT1-13	000745	PT1-19
8H95473	PT9-2	000366	PT1-7	000578	PT1-13	000662	PT1-13	000746	PT1-19
8H95474	PT9-2	000367	PT1-7	000579	PT1-13	000663	PT1-13	000747	PT1-19
8H95475	PT9-2	000368	PT1-7	000580	PT1-13	000664	PT1-13	000748	PT1-19
8H95476	PT9-2	000369	PT1-7	000581	PT1-13	000665	PT1-13	000749	PT1-19
8H95477	PT9-2	000370	PT1-7	000582	PT1-13	000666	PT1-13	000750	PT1-19
8H95478	PT9-2	000371	PT1-7	000583	PT1-13	000667	PT1-13	000751	PT1-19
8H95479	PT9-2	000372	PT1-7	000584	PT1-13	000668	PT1-13	000752	PT1-19



PART NUMBER INDEX

Conveyor Components

Engineering

Part Number Index

Keyword Index

Part Number	Page	Part Number	Page	Part Number	Page	Part Number	Page	Part Number	Page
022187	PT1-39	022387	PT1-47	022507	PT1-41	024703	PT2-30	026505	PT2-34
022188	PT1-39	022388	PT1-47	022508	PT1-41	024800	PT2-30	026600	PT2-34
022189	PT1-39	022389	PT1-47	022509	PT1-41	024801	PT2-30	026601	PT2-34
022190	PT1-39	022391	PT1-47	022510	PT1-41	024802	PT2-30	026602	PT2-34
022191	PT1-39	022392	PT1-47	022700	PT1-40	024803	PT2-30	026603	PT2-34
022192	PT1-39	022393	PT1-47	022701	PT1-40	024804	PT2-30	026604	PT2-34
022193	PT1-39	022394	PT1-47	022702	PT1-40	024805	PT2-30	026605	PT2-34
022194	PT1-39	022395	PT1-47	022703	PT1-40	024900	PT2-31	026800	PT2-34
022195	PT1-39	022396	PT1-47	022704	PT1-40	024901	PT2-31	026801	PT2-34
022196	PT1-39	022397	PT1-47	022708	PT1-40	024902	PT2-31	026802	PT2-34
022197	PT1-39	022398	PT1-47	022709	PT1-40	024903	PT2-31	026803	PT2-34
022198	PT1-39	022399	PT1-47	022710	PT1-40	025100	PT2-31	026804	PT2-34
022211	PT1-39	022400	PT1-47	022711	PT1-40	025101	PT2-31	026805	PT2-34
022212	PT1-39	022402	PT1-47	022712	PT1-40	025102	PT2-31	026900	PT2-35
022213	PT1-39	022404	PT1-47	022713	PT1-40	025103	PT2-31	026901	PT2-35
022214	PT1-39	022405	PT1-47	022714	PT1-40	025200	PT2-33	026902	PT2-35
022215	PT1-39	022406	PT1-47	022715	PT1-40	025201	PT2-33	026903	PT2-35
022216	PT1-39	022408	PT1-47	022716	PT1-40	025202	PT2-33	026904	PT2-35
022217	PT1-39	022409	PT1-47	022717	PT1-40	025203	PT2-33	026905	PT2-35
022218	PT1-39	022410	PT1-47	022718	PT1-40	025300	PT2-33	027000	PT2-35
022219	PT1-39	022411	PT1-47	022719	PT1-40	025301	PT2-33	027001	PT2-35
022220	PT1-47	022412	PT1-47	022720	PT1-40	025302	PT2-33	027002	PT2-35
022221	PT1-47	022413	PT1-47	022721	PT1-40	025303	PT2-33	027003	PT2-35
022222	PT1-47	022414	PT1-47	022722	PT1-40	025400	PT2-33	027004	PT2-35
022223	PT1-47	022415	PT1-47	022723	PT1-40	025401	PT2-33	027005	PT2-35
022224	PT1-47	022416	PT1-47	022724	PT1-40	025402	PT2-33	027023	PT2-7
022225	PT1-47	022417	PT1-47	022725	PT1-40	025403	PT2-33	027024	PT2-7
022226	PT1-47	022418	PT1-47	022726	PT1-40	025500	PT2-33	027025	PT2-7
022227	PT1-47	022420	PT1-47	022727	PT1-40	025501	PT2-33	027026	PT2-7
022228	PT1-47	022428	PT1-47	022728	PT1-40	025502	PT2-33	027027	PT2-7
022232	PT1-39	022429	PT1-47	022729	PT1-40	025503	PT2-33	027028	PT2-7
022233	PT1-39	022430	PT1-47	022775	PT1-47	025600	PT2-33	027029	PT2-7
022234	PT1-39	022432	PT1-47	022776	PT1-47	025601	PT2-33	027030	PT2-7
022235	PT1-39	022433	PT1-47	022777	PT1-47	025602	PT2-33	027031	PT2-7
022236	PT1-39	022434	PT1-47	022778	PT1-47	025603	PT2-33	027032	PT2-7
022237	PT1-39	022435	PT1-47	022779	PT1-47	025700	PT2-33	027033	PT2-7
022238	PT1-39	022436	PT1-47	022780	PT1-47	025701	PT2-33	027034	PT2-7
022329	PT1-47	022452	PT1-47	022781	PT1-47	025702	PT2-33	027035	PT2-7
022331	PT1-47	022453	PT1-47	022782	PT1-47	025703	PT2-33	027036	PT2-7
022332	PT1-47	022454	PT1-47	022783	PT1-47	025800	PT2-33	027037	PT2-7
022333	PT1-47	022455	PT1-47	022784	PT1-47	025801	PT2-33	027038	PT2-7
022335	PT1-47	022456	PT1-47	022785	PT1-47	025802	PT2-33	027039	PT2-7
022336	PT1-47	022457	PT1-47	022786	PT1-47	025803	PT2-33	027040	PT2-7
022337	PT1-47	022458	PT1-47	022787	PT1-47	025900	PT2-33	027041	PT2-7
022339	PT1-47	022459	PT1-47	022788	PT1-47	025901	PT2-33	027042	PT2-7
022340	PT1-47	022460	PT1-47	022810	PT1-47	025902	PT2-33	027043	PT2-7
022341	PT1-47	022461	PT1-47	022811	PT1-47	025903	PT2-33	027044	PT2-7
022342	PT1-47	022462	PT1-47	022812	PT1-47	026000	PT2-33	027045	PT2-7
022344	PT1-47	022464	PT1-47	022813	PT1-47	026001	PT2-33	027046	PT2-7
022345	PT1-47	022466	PT1-47	022814	PT1-47	026002	PT2-33	027047	PT2-7
022346	PT1-47	022467	PT1-47	022815	PT1-47	026003	PT2-33	027048	PT2-7
022348	PT1-47	022468	PT1-47	022816	PT1-47	026004	PT2-33	027049	PT2-7
022349	PT1-47	022470	PT1-47	022817	PT1-47	026005	PT2-33	027050	PT2-7
022350	PT1-47	022471	PT1-47	022818	PT1-47	026006	PT2-33	027051	PT2-7
022351	PT1-47	022472	PT1-47	024000	PT2-30	026007	PT2-33	027052	PT2-7
022352	PT1-47	022473	PT1-47	024001	PT2-30	026100	PT2-34	027053	PT2-7
022353	PT1-47	022474	PT1-47	024002	PT2-30	026101	PT2-34	027054	PT2-7
022354	PT1-47	022475	PT1-47	024003	PT2-30	026102	PT2-34	027055	PT2-7
022355	PT1-47	022476	PT1-47	024018	PT2-10	026103	PT2-34	027056	PT2-7
022357	PT1-47	022478	PT1-47	024100	PT2-30	026104	PT2-34	027057	PT2-7
022358	PT1-47	022479	PT1-47	024101	PT2-30	026105	PT2-34	027058	PT2-7
022359	PT1-47	022480	PT1-47	024102	PT2-30	026200	PT2-34	027059	PT2-7
022361	PT1-47	022482	PT1-47	024103	PT2-30	026201	PT2-34	027060	PT2-7
022362	PT1-47	022483	PT1-47	024200	PT2-30	026202	PT2-34	027061	PT2-7
022363	PT1-47	022484	PT1-47	024201	PT2-30	026203	PT2-34	027062	PT2-7
022364	PT1-47	022485	PT1-47	024202	PT2-30	026204	PT2-34	027063	PT2-7
022365	PT1-47	022487	PT1-47	024203	PT2-30	026205	PT2-34	027064	PT2-7
022366	PT1-47	022488	PT1-47	024300	PT2-30	026300	PT2-34	027065	PT2-7
022367	PT1-47	022489	PT1-47	024301	PT2-30	026301	PT2-34	027066	PT2-7
022368	PT1-47	022490	PT1-47	024302	PT2-30	026302	PT2-34	027067	PT2-7
022370	PT1-47	022491	PT1-47	024303	PT2-30	026303	PT2-34	027068	PT2-7
022371	PT1-47	022492	PT1-47	024400	PT2-30	026304	PT2-34	027069	PT2-7
022372	PT1-47	022493	PT1-47	024401	PT2-30	026305	PT2-34	027070	PT2-7
022374	PT1-47	022494	PT1-47	024402	PT2-30	026400	PT2-34	027071	PT2-7
022375	PT1-47	022496	PT1-47	024403	PT2-30	026401	PT2-34	027072	PT2-7
022376	PT1-47	022497	PT1-47	024500	PT2-30	026402	PT2-34	027073	PT2-7
022377	PT1-47	022498	PT1-47	024501	PT2-30	026403	PT2-34	027074	PT2-7
022378	PT1-47	022500	PT1-47	024502	PT2-30	026404	PT2-34	027075	PT2-7
022379	PT1-47	022501	PT1-41	024503	PT2-30	026405	PT2-34	027076	PT2-7
022380	PT1-47	022502	PT1-41	024600	PT2-30	026500	PT2-34	027077	PT2-7
022381	PT1-47	022503	PT1-41	024602	PT2-30	026501	PT2-34	027078	PT2-7
022382	PT1-47	022504	PT1-41	024700	PT2-30	026502	PT2-34	027079	PT2-7
022384	PT1-47	022505	PT1-41	024701	PT2-30	026503	PT2-34	027080	PT2-7
022386	PT1-47	022506	PT1-41	024702	PT2-30	026504	PT2-34	027081	PT2-7



PART NUMBER INDEX

Conveyor Components

Engineering

Part Number Index

Keyword Index

Part Number	Page	Part Number	Page	Part Number	Page	Part Number	Page	Part Number	Page
031149.....	PT2-5	031922.....	PT2-8	096020.....	PT5-5	098190.....	PT13-29	099198.....	PT1-70
031150.....	PT2-5	031923.....	PT2-8	096021.....	PT5-5	098191.....	PT13-29	099199.....	PT1-70
031151.....	PT2-5	031924.....	PT2-8	096022.....	PT5-5	099024.....	PT1-71, PT1-82	099200.....	PT1-70
031152.....	PT2-5	031925.....	PT2-8	096023.....	PT5-5	099025.....	PT1-71, PT1-82	099201.....	PT1-70
031153.....	PT2-5	031926.....	PT2-8	096027.....	PT5-5	099026.....	PT1-71, PT1-82	099202.....	PT1-70
031154.....	PT2-5	032400.....	PT2-36	096028.....	PT5-5	099027.....	PT1-71, PT1-82	099203.....	PT1-70
031155.....	PT2-5	032401.....	PT2-36	096029.....	PT5-5	099028.....	PT1-71, PT1-82	099204.....	PT1-70
031156.....	PT2-5	032402.....	PT2-37	096030.....	PT5-5	099029.....	PT1-71, PT1-82	099205.....	PT1-70
031157.....	PT2-5	032408.....	PT2-36	096031.....	PT5-5	099048.....	PT1-70	099206.....	PT1-70
031158.....	PT2-5	032525.....	PT2-10	096032.....	PT5-5	099049.....	PT1-70	099207.....	PT1-70
031159.....	PT2-5	032531.....	PT2-10	096033.....	PT5-5	099052.....	PT1-70	099208.....	PT1-70
031160.....	PT2-6	032552.....	PT2-10	096034.....	PT5-5	099053.....	PT1-70	099209.....	PT1-70
031161.....	PT2-6	040001.....	PT9-7	096035.....	PT5-5	099054.....	PT1-70	099210.....	PT1-70
031342.....	PT2-5	040002.....	PT9-7	096036.....	PT5-5	099055.....	PT1-70	099211.....	PT1-70
031343.....	PT2-5	040003.....	PT9-7	096037.....	PT5-5	099056.....	PT1-70	099212.....	PT1-70
031344.....	PT2-5	040004.....	PT9-7	096038.....	PT5-5	099057.....	PT1-70	099213.....	PT1-70
031345.....	PT2-5	040005.....	PT9-7	096039.....	PT5-6	099060.....	PT1-70	099214.....	PT1-70
031346.....	PT2-5	040006.....	PT9-7	096041.....	PT5-6	099061.....	PT1-70	099215.....	PT1-70
031347.....	PT2-5	040007.....	PT9-7	096042.....	PT5-6	099062.....	PT1-70	099216.....	PT1-70
031348.....	PT2-5	040008.....	PT9-7	096043.....	PT5-6	099063.....	PT1-70	099217.....	PT1-70
031349.....	PT2-5	040009.....	PT9-7	096050.....	PT5-6	099100.....	PT1-70	099218.....	PT1-70
031350.....	PT2-5	040010.....	PT9-7	096051.....	PT5-6	099101.....	PT1-70	099219.....	PT1-70
031351.....	PT2-6	040011.....	PT9-7	096055.....	PT5-6	099102.....	PT1-70	099220.....	PT1-70
031353.....	PT2-6	040012.....	PT9-7	096056.....	PT5-6	099103.....	PT1-70	099221.....	PT1-70
031355.....	PT2-6	040013.....	PT9-7	096057.....	PT5-6	099104.....	PT1-70	099222.....	PT1-70
031369.....	PT2-5	040014.....	PT9-7	096062.....	PT5-6	099105.....	PT1-70	099223.....	PT1-70
031371.....	PT2-5	040015.....	PT9-7	096063.....	PT5-6	099106.....	PT1-70	099224.....	PT1-70
031373.....	PT2-5	040016.....	PT9-7	096064.....	PT5-6	099107.....	PT1-70	099225.....	PT1-70
031375.....	PT2-5	040017.....	PT9-7	096065.....	PT5-6	099108.....	PT1-70	099226.....	PT1-70
031377.....	PT2-5	040018.....	PT9-7	096066.....	PT5-6	099109.....	PT1-70	100232.....	PT13-13
031379.....	PT2-5	040020.....	PT9-7	096067.....	PT5-6	099110.....	PT1-70	100236.....	PT13-13
031386.....	PT2-10	040021.....	PT9-7	096068.....	PT5-6	099111.....	PT1-70	100238.....	PT13-13
031389.....	PT2-10	040022.....	PT9-7	096070.....	PT5-6	099112.....	PT1-70	100240.....	PT13-13
031393.....	PT2-6	040023.....	PT9-7	096071.....	PT5-6	099113.....	PT1-70	100264.....	PT13-14
031395.....	PT2-6	040024.....	PT9-7	096072.....	PT5-6	099114.....	PT1-70	100266.....	PT13-14
031397.....	PT2-6	040025.....	PT9-7	096135.....	PT5-6	099115.....	PT1-70	100268.....	PT13-14
031411.....	PT2-5	040026.....	PT9-7	096136.....	PT5-6	099116.....	PT1-70	100294.....	PT13-14
031413.....	PT2-5	040027.....	PT9-7	096137.....	PT5-6	099117.....	PT1-70	100298.....	PT13-14
031415.....	PT2-5	040028.....	PT9-7	096138.....	PT5-6	099118.....	PT1-70	100343.....	PT13-3
031417.....	PT2-5	040029.....	PT9-7	096139.....	PT5-6	099119.....	PT1-70	100344.....	PT13-3
031419.....	PT2-5	040030.....	PT9-7	096140.....	PT5-6	099120.....	PT1-70	100345.....	PT13-3
031421.....	PT2-5	040031.....	PT9-7	096141.....	PT5-6	099121.....	PT1-70	100346.....	PT13-3
031424.....	PT2-10	040032.....	PT9-7	096142.....	PT5-6	099122.....	PT1-70	100347.....	PT13-3
031425.....	PT2-10	040033.....	PT9-7	096143.....	PT5-6	099123.....	PT1-70	100348.....	PT13-3
031435.....	PT2-6	040034.....	PT9-7	096144.....	PT5-6	099124.....	PT1-70	100349.....	PT13-3
031437.....	PT2-6	051009.....	PT14-62	096150.....	PT5-6	099125.....	PT1-70	100350.....	PT13-3
031439.....	PT2-6	051016.....	PT14-62	096151.....	PT5-6	099126.....	PT1-70	100351.....	PT13-3
031453.....	PT2-5	051020.....	PT14-62	096152.....	PT5-6	099127.....	PT1-70	100352.....	PT13-3
031455.....	PT2-5	051029.....	PT14-62	096153.....	PT5-6	099128.....	PT1-70	100353.....	PT13-3
031457.....	PT2-5	051033.....	PT14-62	096154.....	PT5-6	099129.....	PT1-70	100354.....	PT13-3
031459.....	PT2-5	051036.....	PT14-62	096155.....	PT5-6	099130.....	PT1-70	100355.....	PT13-3
031461.....	PT2-5	051037.....	PT14-62	096156.....	PT5-6	099131.....	PT1-70	100356.....	PT13-3
031463.....	PT2-5	051040.....	PT14-62	096157.....	PT5-6	099132.....	PT1-70	100357.....	PT13-3
031477.....	PT2-6	051044.....	PT14-62	096158.....	PT5-6	099133.....	PT1-70	100358.....	PT13-3
031479.....	PT2-6	051048.....	PT14-62	096159.....	PT5-6	099134.....	PT1-70	100359.....	PT13-3
031481.....	PT2-6	051059.....	PT14-62	096165.....	PT5-6	099135.....	PT1-70	100360.....	PT13-3
031495.....	PT2-5	051063.....	PT14-62	096166.....	PT5-6	099136.....	PT1-70	100361.....	PT13-3
031497.....	PT2-5	051066.....	PT14-62	096167.....	PT5-6	099138.....	PT1-70	100362.....	PT13-3
031499.....	PT2-5	051067.....	PT14-62	096168.....	PT5-6	099139.....	PT1-70	100363.....	PT13-3
031507.....	PT2-6	051070.....	PT14-62	096169.....	PT5-6	099140.....	PT1-70	100364.....	PT13-3
031509.....	PT2-6	051071.....	PT14-62	096170.....	PT5-6	099141.....	PT1-70	100365.....	PT13-3
031511.....	PT2-6	051078.....	PT14-62	096171.....	PT5-6	099142.....	PT1-70	100366.....	PT13-3
031525.....	PT2-5	051082.....	PT14-62	096175.....	PT5-6	099143.....	PT1-70	100367.....	PT13-3
031527.....	PT2-5	051211.....	PT14-62	096176.....	PT5-6	099144.....	PT1-70	100368.....	PT13-3
031529.....	PT2-5	051212.....	PT14-62	096177.....	PT5-6	099145.....	PT1-70	100369.....	PT13-4
031537.....	PT2-6	051215.....	PT14-62	096178.....	PT5-6	099146.....	PT1-70	100370.....	PT13-4
031539.....	PT2-6	051216.....	PT14-62	096179.....	PT5-6	099147.....	PT1-70	100371.....	PT13-4
031541.....	PT2-6	051219.....	PT14-62	097015.....	PT6-14, PT13-30	099150.....	PT1-70	100372.....	PT13-4
031555.....	PT2-5	051223.....	PT14-62	097016.....	PT6-14, PT13-30	099151.....	PT1-70	100373.....	PT13-4
031557.....	PT2-5	051224.....	PT14-62	097017.....	PT6-14, PT13-30	099152.....	PT1-70	100374.....	PT13-4
031559.....	PT2-5	051227.....	PT14-62	097018.....	PT6-14, PT13-30	099153.....	PT1-70	100375.....	PT13-4
031716.....	PT2-8	051231.....	PT14-62	097019.....	PT6-14, PT13-30	099154.....	PT1-70	100376.....	PT13-4
031718.....	PT2-8	051247.....	PT14-62	097020.....	PT6-14, PT13-30	099161.....	PT1-70	100377.....	PT13-4
031910.....	PT2-8	051250.....	PT14-62	097021.....	PT6-14, PT13-30	099162.....	PT1-70	100378.....	PT13-4
031911.....	PT2-8	096008.....	PT5-5	097022.....	PT6-14, PT13-30	099163.....	PT1-70	100379.....	PT13-4
031913.....	PT2-8	096009.....	PT5-5	097023.....	PT6-14, PT13-30	099164.....	PT1-70	100380.....	PT13-4
031914.....	PT2-8	096010.....	PT5-5	097024.....	PT6-14, PT13-30	099190.....	PT1-70	100381.....	PT13-4
031915.....	PT2-8	096011.....	PT5-5	097025.....	PT6-14, PT13-30	099191.....	PT1-70	100382.....	PT13-4
031916.....	PT2-8	096014.....	PT5-5	098175.....	PT13-29	099192.....	PT1-70	100383.....	PT13-4
031917.....	PT2-8	096015.....	PT5-5	098176.....	PT13-29	099193.....	PT1-70	100384.....	PT13-4
031918.....	PT2-8	096016.....	PT5-5	098177.....	PT13-29	099194.....	PT1-70	100385.....	PT13-4
031919.....	PT2-8	096017.....	PT5-5	098180.....	PT13-29	099195.....	PT1-70	100386.....	PT13-4
031920.....	PT2-8	096018.....	PT5-5	098181.....	PT13-29	099196.....	PT1-70	100387.....	PT13-4
031921.....	PT2-8	096019.....	PT5-5	098182.....	PT13-29	099197.....	PT1-70	100388.....	PT13-4



PART NUMBER INDEX

Conveyor Components

Engineering

Part Number Index

Keyword Index

Part Number	Page	Part Number	Page	Part Number	Page	Part Number	Page	Part Number	Page
109521	PT9-2	109723	PT9-3	109857	PT9-4	110061	PT7-10	110215	PT10-11
109522	PT9-2, PT9-3	109724	PT9-2, PT9-3	109858	PT9-2, PT9-4	110062	PT7-10	110216	PT10-11
109523	PT9-2, PT9-3	109725	PT9-3	109861	PT9-4	110064	PT7-9	110217	PT10-11
109524	PT9-3	109726	PT9-2, PT9-3	109862	PT9-2, PT9-4	110065	PT7-10	110218	PT10-11
109525	PT9-3	109727	PT9-3	109863	PT9-2, PT9-4	110066	PT7-10	110219	PT10-11
109533	PT9-3	109728	PT9-2, PT9-3	109865	PT9-4	110068	PT7-10	110220	PT10-11
109542	PT9-3	109729	PT9-2, PT9-3	109875	PT9-4	110071	PT7-10	110221	PT10-11
109543	PT9-3	109730	PT9-3	109877	PT9-2, PT9-4	110072	PT7-10	110222	PT10-11
109544	PT9-3	109731	PT9-2, PT9-3	109879	PT9-2, PT9-4	110073	PT7-10	110223	PT10-11
109545	PT9-3	109732	PT9-2, PT9-3	109882	PT9-2, PT9-4	110074	PT7-10	110224	PT10-11
109546	PT9-3	109733	PT9-3	109885	PT9-4	110075	PT7-10	110225	PT10-11
109549	PT9-3	109734	PT9-2, PT9-3	109886	PT9-4	110076	PT7-10	110226	PT10-11
109552	PT9-3	109735	PT9-2, PT9-3	109887	PT9-4	110077	PT7-10	110227	PT10-11
109554	PT9-3	109736	PT9-3	109889	PT9-4	110078	PT7-10	110228	PT10-11
109555	PT9-3	109740	PT9-2, PT9-3	109890	PT9-4	110079	PT7-10	110229	PT10-11
109557	PT9-3	109745	PT9-3	109892	PT9-4	110080	PT7-10	110230	PT10-11
109559	PT9-3	109749	PT9-2	109893	PT9-2	110081	PT7-10	110231	PT10-11
109561	PT9-3	109750	PT9-2, PT9-3	109894	PT9-4	110132	PT10-11	110232	PT10-11
109562	PT9-3	109751	PT9-2, PT9-3	109896	PT9-4	110133	PT10-11	110233	PT10-11
109565	PT9-3	109752	PT9-3	109897	PT9-4	110134	PT10-11	110234	PT10-11
109568	PT9-3	109753	PT9-2, PT9-3	109901	PT9-4	110135	PT10-11	110235	PT10-11
109571	PT9-3	109754	PT9-2, PT9-3	109904	PT9-4	110136	PT10-11	110236	PT10-11
109585	PT9-3	109760	PT9-2, PT9-3	109906	PT9-4	110137	PT10-11	110237	PT10-11
109590	PT9-3	109761	PT9-2, PT9-3	109907	PT9-2	110138	PT10-11	110238	PT10-11
109592	PT9-3	109762	PT9-2	109908	PT9-2, PT9-4	110139	PT10-11	110239	PT10-11
109594	PT9-3	109763	PT9-2, PT9-3	109909	PT9-2	110140	PT10-11	110240	PT10-11
109596	PT9-3	109764	PT9-3	109910	PT9-2, PT9-4	110141	PT10-11	110241	PT10-11
109599	PT9-2, PT9-3	109766	PT9-3	109911	PT9-2	110142	PT10-11	110242	PT10-11
109601	PT9-2, PT9-3	109772	PT9-3	109912	PT9-2	110143	PT10-11	110243	PT10-11
109602	PT9-2, PT9-3	109774	PT9-3	109913	PT9-2	110144	PT10-11	110244	PT10-11
109604	PT9-3	109789	PT9-4	109914	PT9-2	110145	PT10-11	110245	PT10-11
109607	PT9-2, PT9-3	109790	PT9-4	109916	PT9-4	110146	PT10-11	110246	PT10-11
109609	PT9-3	109791	PT9-4	109918	PT9-4	110147	PT10-11	110247	PT10-11
109611	PT9-2, PT9-3	109792	PT9-4	109920	PT9-4	110148	PT10-11	110248	PT10-11
109612	PT9-3	109793	PT9-4	109927	PT9-4	110149	PT10-11	110249	PT10-11
109614	PT9-2, PT9-3	109794	PT9-4	109935	PT9-4	110150	PT10-11	110250	PT10-11
109615	PT9-3	109795	PT9-4	109936	PT9-4	110151	PT10-11	110251	PT10-11
109617	PT9-2, PT9-3	109796	PT9-4	109939	PT9-4	110152	PT10-11	110252	PT10-11
109618	PT9-3	109797	PT9-4	109940	PT9-4	110153	PT10-11	110253	PT10-11
109619	PT9-2	109798	PT9-4	109991	PT7-142	110154	PT10-11	110254	PT10-11
109620	PT9-3	109799	PT9-4	109992	PT7-142	110155	PT10-11	110255	PT10-11
109623	PT9-3	109800	PT9-4	109993	PT7-142, PT12-78	110156	PT10-11	110256	PT10-11
109625	PT9-3	109801	PT9-4	109994	PT7-142, PT12-79	110157	PT10-11	110257	PT10-11
109631	PT9-3	109802	PT9-4	109995	PT7-142	110158	PT10-11	110258	PT10-11
109637	PT9-3	109803	PT9-3	109996	PT7-142	110159	PT10-11	110259	PT10-11
109639	PT9-3	109805	PT9-3	109997	PT7-142	110160	PT10-11	110260	PT10-11
109641	PT9-3	109806	PT9-4	110002	PT7-9	110161	PT10-11	110261	PT10-11
109644	PT9-3	109807	PT9-3	110003	PT7-9	110162	PT10-11	110262	PT10-11
109647	PT9-3	109808	PT9-3	110004	PT7-9	110163	PT10-11	110263	PT10-11
109648	PT9-3	109809	PT9-3	110006	PT7-9	110164	PT10-11	110264	PT10-11
109650	PT9-3	109810	PT9-3	110007	PT7-9	110165	PT10-11	110266	PT10-11
109652	PT9-3	109814	PT9-4	110008	PT7-9	110166	PT10-11	110267	PT10-11
109653	PT9-3	109816	PT9-4	110015	PT7-9	110167	PT10-11	110268	PT10-11
109658	PT9-3	109817	PT9-3	110016	PT7-9	110168	PT10-11	110269	PT10-11
109662	PT9-3	109821	PT9-3	110017	PT7-9	110169	PT10-11	110270	PT10-11
109664	PT9-3	109822	PT9-3	110018	PT7-9	110170	PT10-11	110271	PT10-11
109672	PT9-3	109824	PT9-3	110023	PT7-9	110171	PT10-11	110272	PT10-11
109675	PT9-3	109825	PT9-4	110024	PT7-9	110187	PT10-11	110273	PT10-11
109688	PT9-3	109826	PT9-3	110025	PT7-9	110189	PT10-11	110274	PT10-11
109689	PT9-3	109827	PT9-3	110026	PT7-9	110190	PT10-11	110275	PT10-11
109692	PT9-3	109828	PT9-3	110027	PT7-9	110191	PT10-11	110276	PT10-11
109694	PT9-3	109829	PT9-4	110028	PT7-9	110192	PT10-11	110277	PT10-11
109696	PT9-3	109830	PT9-3	110029	PT7-9	110193	PT10-11	110278	PT10-11
109698	PT9-3	109831	PT9-3	110033	PT7-9	110194	PT10-11	110279	PT10-11
109699	PT9-3	109832	PT9-3	110034	PT7-9	110195	PT10-11	110280	PT10-11
109700	PT9-3	109833	PT9-3	110035	PT7-9	110196	PT10-11	110281	PT10-11
109701	PT9-3	109834	PT9-3	110036	PT7-9	110197	PT10-11	110282	PT10-11
109702	PT9-3	109835	PT9-3	110037	PT7-9	110198	PT10-11	110283	PT10-11
109703	PT9-3	109836	PT9-3	110041	PT7-9	110199	PT10-11	110284	PT10-11
109705	PT9-2	109837	PT9-2	110042	PT7-9	110200	PT10-11	110285	PT10-11
109706	PT9-3	109840	PT9-3	110043	PT7-9	110201	PT10-11	110287	PT10-11
109708	PT9-3	109841	PT9-3	110046	PT7-9	110202	PT10-11	110288	PT10-11
109710	PT9-3	109843	PT9-3	110047	PT7-9	110203	PT10-11	110289	PT10-11
109711	PT9-3	109844	PT9-3	110049	PT7-9	110204	PT10-11	110290	PT10-11
109712	PT9-3	109845	PT9-2	110050	PT7-10	110205	PT10-11	110291	PT10-11
109713	PT9-2, PT9-3	109846	PT9-3	110051	PT7-10	110206	PT10-11	110292	PT10-11
109714	PT9-3	109847	PT9-3	110052	PT7-10	110207	PT10-11	110293	PT10-11
109715	PT9-2, PT9-3	109848	PT9-2, PT9-3	110053	PT7-10	110208	PT10-11	110294	PT10-11
109716	PT9-3	109849	PT9-2, PT9-3	110054	PT7-10	110209	PT10-11	110295	PT10-11
109717	PT9-2, PT9-3	109851	PT9-3	110056	PT7-10	110210	PT10-11	110296	PT10-11
109719	PT9-2, PT9-3	109852	PT9-2, PT9-4	110057	PT7-10	110211	PT10-11	110297	PT10-11
109720	PT9-2, PT9-3	109854	PT9-4	110058	PT7-10	110212	PT10-11	110298	PT10-11
109721	PT9-2, PT9-3	109855	PT9-2, PT9-4	110059	PT7-10	110213	PT10-11	110299	PT10-11
109722	PT9-2, PT9-3	109856	PT9-2, PT9-4	110060	PT7-10	110214	PT10-11	110300	PT10-11



PART NUMBER INDEX

Conveyor Components

Engineering

Part Number Index

Keyword Index

Part Number	Page	Part Number	Page	Part Number	Page	Part Number	Page	Part Number	Page
111200	PT7-6	112044	PT7-4	112189	PT7-4	112850	PT11-5	112950	PT11-7
111201	PT7-6	112053	PT7-4	112190	PT7-4	112851	PT11-5	112951	PT11-7
111202	PT7-6	112054	PT7-4	112191	PT7-4	112852	PT11-5	112952	PT11-7
111203	PT7-6	112055	PT7-4	112192	PT7-4	112853	PT11-5	112953	PT11-7
111204	PT7-6	112056	PT7-4	112193	PT7-4	112854	PT11-5	112954	PT11-7
111205	PT7-6	112059	PT7-4	112194	PT7-4	112855	PT11-5	112955	PT11-7
111206	PT7-6	112061	PT7-5	112195	PT7-4	112856	PT11-5	112956	PT11-7
111207	PT7-6	112062	PT7-5	112196	PT7-4	112857	PT11-5	112957	PT11-7
111208	PT7-6	112063	PT7-5	112197	PT7-4	112858	PT11-5	112958	PT11-7
111209	PT7-6	112064	PT7-5	112198	PT7-4	112859	PT11-5	112959	PT11-7
111210	PT7-6	112065	PT7-5	112199	PT7-4	112860	PT11-5	112960	PT11-7
111211	PT7-6	112066	PT7-5	112200	PT7-4	112861	PT11-5	113021	PT10-3
111212	PT7-6	112067	PT7-5	112201	PT7-4	112862	PT11-5	113022	PT10-3
111213	PT7-6	112069	PT7-5	112202	PT7-4	112863	PT11-5	113023	PT10-3
111214	PT7-6	112070	PT7-5	112203	PT7-4	112864	PT11-5	113024	PT10-3
111215	PT7-6	112071	PT7-5	112204	PT7-4	112865	PT11-5	113046	PT10-3
111216	PT7-6	112072	PT7-5	112205	PT7-4	112866	PT11-5	113047	PT10-3
111217	PT7-6	112073	PT7-5	112206	PT7-4	112867	PT11-5	113048	PT10-3
111218	PT7-6	112074	PT7-5	112207	PT7-4	112868	PT11-5	113049	PT10-3
111219	PT7-6	112075	PT7-5	112208	PT7-4	112869	PT11-5	113072	PT10-6
111220	PT7-6	112076	PT7-5	112209	PT7-4	112870	PT11-5	113073	PT10-6
111221	PT7-7	112077	PT7-5	112210	PT7-4	112871	PT11-5	113074	PT10-7
111222	PT7-7	112078	PT7-5	112211	PT7-4	112872	PT11-5	113120	PT10-7
111223	PT7-7	112080	PT7-5	112212	PT7-4	112873	PT11-5	113121	PT10-7
111224	PT7-7	112081	PT7-5	112213	PT7-4	112874	PT11-5	113122	PT10-7
111225	PT7-7	112082	PT7-5	112214	PT7-4	112875	PT11-5	113399	PT10-3
111226	PT7-7	112083	PT7-5	112215	PT7-4	112876	PT11-5	113401	PT10-8
111227	PT7-7	112084	PT7-5	112216	PT7-4	112877	PT11-5	113402	PT10-8
111228	PT7-7	112085	PT7-5	112217	PT7-4	112878	PT11-5	113403	PT10-8
111229	PT7-7	112086	PT7-5	112218	PT7-4	112879	PT11-5	113404	PT10-8
111230	PT7-7	112087	PT7-5	112250	PT3-16	112880	PT11-5	113405	PT10-8
111231	PT7-7	112088	PT7-5	112251	PT3-16	112881	PT11-5	113406	PT10-8
111232	PT7-7	112090	PT7-5	112252	PT3-16	112882	PT11-5	113407	PT10-8
111233	PT7-7	112091	PT7-5	112253	PT3-16	112883	PT11-5	113408	PT10-8
111234	PT7-7	112092	PT7-5	112254	PT3-16	112884	PT11-5	113409	PT10-8
111235	PT7-7	112093	PT7-5	112255	PT3-16	112885	PT11-6	113410	PT10-8
111236	PT7-7	112094	PT7-5	112256	PT3-16	112886	PT11-6	113411	PT10-8
111237	PT7-7	112095	PT7-5	112265	PT3-17	112889	PT11-6	113412	PT10-8
111238	PT7-7	112096	PT7-5	112266	PT3-17	112890	PT11-6	113413	PT10-8
111239	PT7-7	112097	PT7-5	112267	PT3-17	112891	PT11-6	113414	PT10-8
111240	PT7-8	112098	PT7-5	112268	PT3-17	112892	PT11-6	113415	PT10-8
111241	PT7-8	112099	PT7-5	112269	PT3-17	112893	PT11-6	113416	PT10-8
111242	PT7-8	112100	PT7-5	112270	PT3-17	112894	PT11-6	113417	PT10-8
111243	PT7-8	112101	PT7-5	112271	PT3-17	112895	PT11-6	113418	PT10-8
111244	PT7-8	112102	PT7-5	112275	PT7-4	112896	PT11-6	113419	PT10-8
111245	PT7-8	112103	PT7-5	112276	PT7-4	112897	PT11-6	113420	PT10-8
111246	PT7-8	112124	PT7-4	112277	PT7-5	112898	PT11-6	113450	PT10-9
111247	PT7-8	112125	PT7-4	112278	PT7-5	112899	PT11-6	113451	PT10-9
111248	PT7-8	112126	PT7-4	112279	PT7-5	112901	PT11-6	113452	PT10-9
111249	PT7-8	112127	PT7-4	112280	PT7-7	112902	PT11-6	113453	PT10-9
111250	PT7-8	112128	PT7-4	112281	PT7-7	112903	PT11-6	113464	PT10-3
111251	PT7-8	112129	PT7-4	112465	PT11-4	112904	PT11-6	113466	PT10-3
111252	PT7-8	112130	PT7-4	112466	PT11-4	112905	PT11-6	113468	PT10-3
111253	PT7-8	112131	PT7-4	112467	PT11-4	112906	PT11-6	113470	PT10-3
111254	PT7-8	112132	PT7-4	112468	PT11-4	112907	PT11-6	113472	PT10-3
111255	PT7-6	112133	PT7-4	112469	PT11-4	112908	PT11-6	113478	PT10-3
111256	PT7-6	112144	PT7-4	112470	PT11-4	112909	PT11-6	113484	PT10-3
111709	PT11-11	112145	PT7-4	112471	PT11-4	112910	PT11-6	113485	PT10-3
111940	PT6-29	112150	PT7-4	112472	PT11-4	112911	PT11-6	113486	PT10-3
111941	PT6-29	112151	PT7-4	112473	PT11-4	112912	PT11-6	113487	PT10-3
111942	PT6-29	112152	PT7-5	112474	PT11-4	112913	PT11-6	113500	PT10-9
111943	PT6-29	112153	PT7-5	112475	PT11-4	112914	PT11-6	113501	PT10-9
111944	PT6-29	112154	PT7-5	112476	PT11-4	112915	PT11-6	113502	PT10-9
111945	PT6-29	112155	PT7-5	112477	PT11-4	112916	PT11-6	113513	PT10-4
111946	PT6-29	112156	PT7-5	112478	PT11-4	112917	PT11-6	113515	PT10-4
111947	PT6-29	112157	PT7-5	112479	PT11-4	112922	PT11-7	113517	PT10-4
111948	PT6-29	112158	PT7-5	112480	PT11-4	112923	PT11-7	113519	PT10-4
111949	PT6-29	112159	PT7-5	112481	PT11-4	112925	PT11-7	113521	PT10-4
111950	PT6-29	112160	PT7-5	112482	PT11-4	112926	PT11-7	113527	PT10-4
112008	PT7-4	112161	PT7-5	112483	PT11-4	112927	PT11-7	113533	PT10-4
112009	PT7-4	112175	PT3-16, PT7-4	112484	PT11-4	112928	PT11-7	113534	PT10-4
112010	PT7-4	112176	PT3-16, PT7-4	112485	PT11-4	112929	PT11-7	113535	PT10-4
112011	PT7-4	112177	PT3-16, PT7-4	112486	PT11-4	112930	PT11-7	113536	PT10-4
112023	PT7-4	112178	PT3-16, PT7-4	112487	PT11-4	112931	PT11-7	113550	PT10-9
112024	PT7-4	112179	PT7-4	112488	PT11-4	112932	PT11-7	113551	PT10-9
112025	PT7-4	112180	PT3-16, PT7-4	112489	PT11-4	112934	PT11-7	113562	PT10-4
112026	PT7-4	112181	PT3-16, PT7-4	112490	PT11-4	112935	PT11-7	113564	PT10-4
112027	PT7-4	112182	PT3-16, PT7-4	112491	PT11-4	112936	PT11-7	113566	PT10-4
112038	PT7-4	112183	PT3-16, PT7-4	112492	PT11-4	112937	PT11-7	113568	PT10-4
112039	PT7-4	112184	PT3-16, PT7-4	112493	PT11-4	112944	PT11-7	113570	PT10-4
112040	PT7-4	112185	PT3-16, PT7-4	112494	PT11-4	112945	PT11-7	113575	PT10-3
112041	PT7-4	112186	PT7-4	112495	PT11-4	112947	PT11-7	113576	PT10-4
112042	PT7-4	112187	PT7-4	112496	PT11-4	112948	PT11-7	113581	PT10-3
112043	PT7-4	112188	PT7-4	112849	PT11-5	112949	PT11-7	113582	PT10-4

PART NUMBER INDEX



Part Number	Page	Part Number	Page	Part Number	Page	Part Number	Page	Part Number	Page
113583	PT10-4	113857	PT10-7	114331	PT10-9	114506	PT11-6	114695	PT11-15
113584	PT10-4	113860	PT10-7	114332	PT10-9	114507	PT11-6	114696	PT11-15
113585	PT10-4	113863	PT10-7	114333	PT10-9	114508	PT11-6	114697	PT11-15
113588	PT10-3	113866	PT10-7	114334	PT10-10	114509	PT11-6	114698	PT11-15
113589	PT10-4	113869	PT10-7	114335	PT10-10	114510	PT11-6	114699	PT11-15
113594	PT10-4	113872	PT10-7	114336	PT10-10	114511	PT11-6	114700	PT11-15
113595	PT10-4	113873	PT10-7	114337	PT10-10	114513	PT11-6	114701	PT11-15
113599	PT10-4	113874	PT10-7	114338	PT10-10	114517	PT11-8	114702	PT11-15
113605	PT10-5	114033	PT7-12	114339	PT10-10	114518	PT11-8	114703	PT11-15
113608	PT10-5	114041	PT7-12	114340	PT10-10	114519	PT11-8	114704	PT11-15
113611	PT10-5	114042	PT7-12	114341	PT10-10	114520	PT11-19	114705	PT11-15
113615	PT10-5	114043	PT7-12	114342	PT10-10	114522	PT11-8	114706	PT11-15
113617	PT10-5	114050	PT7-13	114343	PT10-10	114523	PT11-8	114707	PT11-15
113620	PT10-5	114051	PT7-13	114344	PT10-10	114524	PT11-8	114708	PT11-15
113623	PT10-5	114052	PT7-13	114345	PT10-10	114525	PT11-8	114709	PT11-15
113629	PT10-5	114053	PT7-13	114346	PT10-10	114526	PT11-8	114710	PT11-15
113635	PT10-5	114060	PT7-13	114347	PT10-10	114527	PT11-8	114711	PT11-15
113636	PT10-5	114061	PT7-13	114348	PT10-10	114528	PT11-8, PT11-19	114712	PT11-15
113637	PT10-5	114062	PT7-13	114349	PT10-10	114529	PT11-8	114713	PT11-15
113638	PT10-5	114063	PT7-13	114350	PT10-10	114530	PT11-8	114714	PT11-15
113639	PT10-5	114068	PT7-11	114351	PT10-10	114539	PT11-8	114715	PT11-15
113640	PT10-5	114069	PT7-11	114352	PT10-10	114540	PT11-8	114716	PT11-15
113641	PT10-4	114070	PT7-11	114353	PT10-10	114541	PT11-8	114717	PT11-15
113642	PT10-5	114071	PT7-11	114354	PT10-10	114542	PT11-8	114718	PT11-15
113663	PT10-5	114072	PT7-12	114355	PT10-10	114543	PT11-8	114719	PT11-15
113665	PT10-5	114073	PT7-12	114356	PT10-10	114544	PT11-8	114720	PT11-15
113667	PT10-5	114074	PT7-12	114357	PT10-10	114545	PT11-8	114721	PT11-15
113669	PT10-4	114075	PT7-12	114358	PT10-10	114546	PT11-8	114722	PT11-15
113670	PT10-5	114114	PT7-14	114359	PT10-10	114547	PT11-8	114723	PT11-16
113673	PT10-5	114115	PT7-14	114360	PT10-10	114548	PT11-8	114724	PT11-16
113678	PT10-5	114116	PT7-14	114361	PT10-10	114640	PT11-4	114725	PT11-16
113679	PT10-5	114117	PT7-14	114362	PT10-10	114641	PT11-10	114726	PT11-16
113684	PT10-5	114118	PT7-14	114363	PT10-10	114642	PT11-10	114727	PT11-16
113685	PT10-5	114119	PT7-14	114364	PT10-10	114643	PT11-10	114728	PT11-16
113686	PT10-5	114130	PT7-14	114365	PT10-10	114644	PT11-10	114729	PT11-16
113687	PT10-5	114131	PT7-14	114366	PT10-10	114645	PT11-10	114730	PT11-16
113688	PT10-5	114132	PT7-14	114367	PT10-10	114646	PT11-10	114731	PT11-16
113689	PT10-5	114133	PT7-14	114368	PT10-10	114647	PT11-10	114732	PT11-16
113690	PT10-5	114134	PT7-14	114369	PT10-10	114648	PT11-10	114733	PT11-16
113691	PT10-5	114135	PT7-14	114370	PT10-10	114649	PT11-10	114734	PT11-16
113692	PT10-5	114136	PT7-14	114371	PT10-10	114650	PT11-10	114735	PT11-16
113693	PT10-5	114137	PT7-14	114372	PT10-10	114651	PT11-10	114736	PT11-16
113694	PT10-5	114138	PT7-14	114373	PT11-9	114652	PT11-10	114737	PT11-16
113695	PT10-5	114139	PT7-14	114374	PT11-9	114653	PT11-10	114738	PT11-16
113704	PT10-6	114150	PT7-14	114377	PT11-9	114655	PT11-10	114739	PT11-16
113707	PT10-6	114151	PT7-14	114378	PT11-9	114656	PT11-10	114740	PT11-16
113710	PT10-6	114152	PT7-14	114379	PT11-9	114657	PT11-10	114741	PT11-16
113712	PT10-6	114153	PT7-14	114380	PT11-9	114658	PT11-10	114742	PT11-16
113714	PT10-6	114154	PT7-14	114441	PT10-9	114659	PT11-10	114743	PT11-16
113716	PT10-6	114155	PT7-14	114442	PT10-9	114660	PT11-10	114744	PT11-16
113719	PT10-6	114170	PT7-14	114443	PT10-9	114661	PT11-10	114745	PT11-16
113722	PT10-6	114171	PT7-14	114444	PT10-9	114662	PT11-10	114746	PT11-16
113728	PT10-6	114172	PT7-14	114445	PT10-9	114663	PT11-10	114747	PT11-16
113734	PT10-6	114300	PT10-8	114446	PT10-9	114664	PT11-10	114748	PT11-16
113735	PT10-6	114301	PT10-9	114447	PT10-9	114665	PT11-10	114755	PT11-7
113736	PT10-6	114302	PT10-9	114448	PT10-9	114666	PT11-10	114765	PT6-9
113737	PT10-6	114303	PT10-9	114449	PT10-9	114667	PT11-10	114766	PT6-9
113738	PT10-6	114304	PT10-9	114450	PT10-9	114668	PT11-15	114767	PT6-9
113739	PT10-6	114305	PT10-9	114451	PT10-9	114669	PT11-15	114768	PT6-9
113752	PT10-6	114306	PT10-9	114452	PT10-9	114670	PT11-15	114769	PT6-9
113755	PT10-6	114307	PT10-9	114453	PT10-10	114671	PT11-15	114770	PT6-9
113758	PT10-6	114308	PT10-9	114454	PT10-10	114672	PT11-15	114771	PT6-9
113760	PT10-6	114309	PT10-9	114455	PT10-10	114673	PT11-15	114772	PT6-9
113762	PT10-6	114310	PT10-9	114456	PT10-10	114674	PT11-15	114773	PT6-9
113764	PT10-6	114311	PT10-9	114457	PT10-10	114675	PT11-15	114774	PT6-9
113767	PT10-6	114312	PT10-9	114458	PT10-10	114676	PT11-15	114775	PT6-9
113770	PT10-6	114313	PT10-9	114459	PT10-10	114677	PT11-15	114776	PT6-9
113776	PT10-6	114314	PT10-9	114460	PT10-10	114678	PT11-15	114777	PT6-9
113782	PT10-6	114315	PT10-9	114470	PT11-6	114679	PT11-15	114778	PT6-9
113783	PT10-6	114316	PT10-9	114471	PT11-6	114680	PT11-15	114779	PT6-9
113784	PT10-6	114317	PT10-9	114472	PT11-7	114681	PT11-15	114780	PT6-9
113785	PT10-6	114318	PT10-9	114473	PT11-7	114682	PT11-15	114781	PT6-9
113786	PT10-6	114319	PT10-9	114474	PT11-8	114683	PT11-15	114782	PT6-9
113787	PT10-6	114320	PT10-9	114475	PT11-8	114684	PT11-15	114783	PT6-9
113804	PT10-7	114321	PT10-9	114476	PT11-8	114685	PT11-15	114784	PT6-9
113807	PT10-7	114322	PT10-9	114477	PT11-8	114686	PT11-15	114785	PT6-9
113810	PT10-7	114323	PT10-9	114478	PT11-8	114687	PT11-15	114786	PT6-9
113813	PT10-7	114324	PT10-9	114479	PT11-8	114688	PT11-15	114787	PT6-9
113816	PT10-7	114325	PT10-9	114480	PT11-8	114689	PT11-15	114788	PT6-9
113819	PT10-7	114326	PT10-9	114481	PT11-8	114690	PT11-15	114789	PT6-9
113822	PT10-7	114327	PT10-9	114482	PT11-8	114691	PT11-15	114790	PT6-9
113823	PT10-7	114328	PT10-9	114483	PT11-8	114692	PT11-15	114791	PT6-9
113824	PT10-7	114329	PT10-9	114484	PT11-8	114693	PT11-15	114792	PT6-9
113854	PT10-7	114330	PT10-9	114485	PT11-8	114694	PT11-15	114793	PT6-9



PART NUMBER INDEX

Conveyor Components

Engineering

Part Number Index

Keyword Index

Part Number	Page	Part Number	Page	Part Number	Page	Part Number	Page	Part Number	Page
114794	PT6-9	115012	PT7-14	115163	PT7-14	117037	PT6-7	117165	PT6-6
114795	PT6-9	115014	PT7-14	115164	PT7-14	117043	PT6-18	117166	PT6-6
114796	PT6-9	115016	PT7-14	115165	PT7-14	117045	PT6-11	117167	PT6-6
114797	PT6-9	115017	PT7-15	115166	PT7-14	117049	PT6-18	117168	PT6-6
114798	PT6-9	115022	PT7-15	115171	PT7-14	117071	PT3-18, PT6-5	117169	PT6-6
114799	PT6-9	115023	PT7-15	115174	PT7-14	117073	PT6-5	117170	PT6-6
114800	PT6-9	115024	PT7-15	115175	PT7-14	117074	PT6-5	117173	PT6-6
114801	PT6-9	115025	PT7-15	115176	PT7-14	117075	PT6-5	117174	PT6-6
114802	PT6-9	115026	PT7-15	115177	PT7-14	117076	PT6-5	117175	PT6-6
114803	PT6-9	115027	PT7-15	115178	PT7-14	117077	PT6-5	117176	PT6-6
114804	PT6-9	115028	PT7-15	115185	PT7-15	117078	PT6-5	117177	PT6-6
114805	PT6-9	115029	PT7-15	115186	PT7-14	117079	PT6-5	117178	PT6-7
114806	PT6-9	115030	PT7-15	115187	PT7-14	117080	PT6-5	117179	PT6-7
114807	PT6-9	115032	PT7-15	115188	PT7-14	117081	PT6-5	117180	PT6-7
114821	PT11-6	115033	PT7-15	115189	PT7-14	117082	PT6-5	117181	PT6-7
114822	PT11-6	115036	PT7-15	115190	PT7-15	117083	PT6-5	117182	PT6-7
114823	PT11-6	115038	PT7-15	115191	PT7-15	117084	PT6-5	117183	PT6-7
114825	PT11-6	115039	PT7-15	115192	PT7-15	117085	PT6-5	117205	PT6-11
114827	PT11-9	115040	PT7-15	115193	PT7-15	117086	PT6-5	117207	PT6-8
114828	PT11-6	115041	PT7-15	115194	PT7-15	117087	PT6-6	117208	PT6-8
114833	PT11-6	115042	PT7-15	115195	PT7-15	117088	PT6-6	117209	PT6-8
114834	PT11-6	115043	PT7-15	115196	PT7-15	117089	PT6-6	117210	PT6-8
114836	PT11-7	115044	PT7-15	115197	PT7-15	117090	PT6-6	117211	PT6-8
114837	PT11-7	115045	PT7-15	115325	PT7-14	117091	PT6-6	117212	PT6-8
114838	PT11-8	115048	PT7-15	115326	PT7-14	117092	PT6-6	117213	PT6-8
114840	PT11-6	115049	PT7-15	115327	PT7-14	117093	PT6-6	117214	PT6-8
114841	PT11-7	115054	PT7-15	115328	PT7-14	117094	PT6-6	117215	PT6-8
114844	PT11-7	115055	PT7-15	115329	PT7-14	117095	PT6-6	117216	PT6-8
114848	PT11-8	115056	PT7-15	115330	PT7-14	117096	PT6-6	117217	PT6-8
114850	PT11-7	115057	PT7-15	115331	PT7-14	117097	PT6-6	117218	PT6-8
114851	PT11-6	115058	PT7-15	115349	PT7-15	117098	PT6-6	117219	PT6-8
114852	PT11-6, PT11-9	115059	PT7-15	115351	PT7-15	117099	PT6-6	117220	PT6-8
114853	PT11-9	115060	PT7-15	115352	PT7-15	117101	PT6-7	117221	PT6-8
114854	PT11-7	115061	PT7-15	115353	PT7-15	117102	PT6-7	117222	PT6-8
114855	PT11-7	115062	PT7-15	115354	PT7-15	117103	PT6-7	117223	PT6-8
114856	PT11-8	115064	PT7-15	115355	PT7-15	117104	PT6-7	117224	PT6-8
114857	PT11-8	115065	PT7-15	115356	PT7-15	117105	PT6-7	117225	PT6-8
114858	PT11-8	115066	PT7-15	115357	PT7-15	117106	PT6-7	117226	PT6-8
114859	PT11-7	115067	PT7-15	115358	PT7-15	117107	PT6-7	117227	PT6-8
114860	PT11-7, PT11-9	115068	PT7-15	115359	PT7-15	117108	PT6-7	117228	PT6-8
114865	PT6-10	115069	PT7-15	115360	PT7-15	117109	PT6-7	117229	PT6-8
114866	PT6-10	115070	PT7-15	115361	PT7-15	117110	PT6-7	117230	PT6-8
114867	PT6-10	115071	PT7-15	115978	PT6-30	117111	PT6-6	117231	PT6-8
114868	PT6-10	115072	PT7-15	115979	PT6-30	117112	PT6-7	117232	PT6-8
114869	PT6-10	115081	PT7-15	115980	PT6-30	117113	PT6-7	117233	PT6-8
114870	PT6-10	115086	PT7-15	115982	PT6-30	117114	PT6-7	117234	PT6-8
114871	PT6-10	115087	PT7-15	115983	PT6-30	117115	PT6-6	117235	PT6-8
114872	PT6-10	115088	PT7-15	115984	PT6-30	117116	PT6-7	117236	PT6-8
114873	PT6-10	115089	PT7-15	115985	PT6-30	117117	PT6-7	117237	PT6-8
114874	PT6-10	115090	PT7-15	115986	PT6-30	117118	PT6-7, PT11-19	117250	PT6-11
114875	PT6-10	115091	PT7-15	115987	PT6-30	117119	PT6-7	117267	PT6-9
114876	PT6-10	115092	PT7-15	115988	PT6-30	117120	PT6-7	117297	PT6-8
114877	PT6-10	115093	PT7-15	115989	PT6-30	117121	PT6-7	117307	PT6-11
114878	PT6-10	115096	PT7-15	115990	PT6-30	117122	PT6-7	117310	PT6-9
114879	PT6-10	115097	PT7-15	117004	PT6-7	117124	PT6-7	117311	PT6-9
114880	PT6-10	115098	PT7-15	117005	PT6-7	117125	PT6-7	117312	PT6-9
114881	PT6-10	115123	PT7-15	117007	PT6-7	117126	PT6-7	117313	PT6-9
114882	PT6-10	115124	PT7-15	117008	PT6-7	117128	PT6-7	117314	PT6-9
114883	PT6-10	115125	PT7-15	117009	PT6-7	117129	PT6-7	117315	PT6-9
114884	PT6-10	115130	PT7-14	117010	PT6-7	117130	PT6-7	117316	PT6-9
114885	PT6-10	115131	PT7-14	117011	PT6-7	117132	PT6-7	117317	PT6-9
114886	PT6-10	115132	PT7-14	117012	PT6-7	117133	PT6-7	117318	PT6-9
114887	PT6-10	115133	PT7-14	117013	PT6-7	117134	PT6-7	117319	PT6-9
114888	PT6-10	115135	PT7-15	117014	PT6-7	117135	PT6-7	117320	PT6-9
114889	PT6-10	115136	PT7-15	117015	PT6-7	117136	PT6-7	117321	PT6-9
114890	PT6-10	115137	PT7-15	117016	PT6-7	117137	PT6-7	117322	PT6-9
114891	PT6-10	115138	PT7-15	117017	PT6-7	117139	PT6-7	117323	PT6-9
114892	PT6-10	115140	PT7-15	117018	PT6-7	117147	PT6-11	117324	PT6-9
114893	PT6-10	115141	PT7-15	117019	PT6-7	117149	PT6-11	117325	PT6-9
114894	PT6-10	115142	PT7-15	117020	PT6-7	117150	PT6-5	117326	PT6-9
114895	PT6-10	115143	PT7-15	117021	PT6-7	117151	PT6-5	117327	PT6-9
114896	PT6-10	115145	PT7-15	117022	PT6-7	117152	PT6-5	117328	PT6-9
114897	PT6-10	115146	PT7-15	117023	PT6-7	117153	PT6-5	117329	PT6-9
114898	PT6-10	115147	PT7-15	117024	PT6-7	117154	PT6-5	117330	PT6-9
114899	PT6-10	115148	PT7-15	117025	PT6-7	117155	PT6-5	117331	PT6-9
114900	PT6-10	115151	PT7-15	117026	PT6-7	117156	PT6-5	117332	PT6-9
114993	PT11-9	115152	PT7-15	117027	PT6-7	117157	PT6-5	117333	PT6-9
114994	PT11-9	115153	PT7-15	117028	PT6-7	117158	PT6-5	117334	PT6-9
115000	PT7-14	115155	PT7-15	117029	PT6-7	117159	PT6-5	117335	PT6-9
115001	PT7-14	115156	PT7-15	117031	PT6-7	117160	PT6-5	117336	PT6-9
115006	PT7-14	115157	PT7-15	117032	PT6-7	117161	PT6-5	117337	PT6-9
115009	PT7-14	115160	PT7-15	117033	PT6-7	117162	PT6-5	117338	PT6-9
115010	PT7-14	115161	PT7-15	117035	PT6-7	117163	PT6-5	117340	PT6-9
115011	PT7-14	115162	PT7-14	117036	PT6-7	117164	PT6-6	117341	PT6-9



PART NUMBER INDEX

Conveyor Components

Engineering

Part Number Index

Keyword Index

Part Number	Page	Part Number	Page	Part Number	Page	Part Number	Page	Part Number	Page
118747	PT4-5	119109	PT6-6	119324	PT6-7	119596	PT6-5	119706	PT6-8
118749	PT4-5	119110	PT6-6	119326	PT6-7	119598	PT6-6	119707	PT6-8
118750	PT4-5	119111	PT6-6	119327	PT6-7	119599	PT6-6	119708	PT6-8
118755	PT4-5	119112	PT6-6	119328	PT6-7	119600	PT6-6	119709	PT6-8
118757	PT4-5	119113	PT6-6	119329	PT6-7	119601	PT6-6	119710	PT6-8
118758	PT4-5	119114	PT6-6	119330	PT6-7	119602	PT6-6	119711	PT6-8
118759	PT4-5	119115	PT6-6	119331	PT6-7	119603	PT6-6	119712	PT6-8
118762	PT4-5	119116	PT6-6	119332	PT6-7	119604	PT6-6	119713	PT6-8
118763	PT4-5	119117	PT6-6	119336	PT6-11	119605	PT6-6	119714	PT6-8
118764	PT4-5	119118	PT6-6	119365	PT6-5	119606	PT6-6	119715	PT6-8
118765	PT4-5	119119	PT6-6	119366	PT6-5	119607	PT6-6	119716	PT6-8
118769	PT4-5	119120	PT6-6	119368	PT6-5	119608	PT6-6	119717	PT6-8
118770	PT4-5	119121	PT6-6	119370	PT6-5	119609	PT6-6	119718	PT6-8
118771	PT4-5	119122	PT6-6	119372	PT6-5	119610	PT6-6	119719	PT6-8
118772	PT4-5	119123	PT6-6	119374	PT6-5	119611	PT6-6	119720	PT6-8
118774	PT4-5	119124	PT6-6	119386	PT6-11	119612	PT6-6	119721	PT6-8
118775	PT4-5	119125	PT6-6	119390	PT6-5	119613	PT6-6	119722	PT6-8
118776	PT4-5	119129	PT6-6	119391	PT6-5	119614	PT6-6	119723	PT6-8
118777	PT4-5	119141	PT6-11	119392	PT6-5	119615	PT6-6	119724	PT6-8
118778	PT4-5	119144	PT6-6	119393	PT6-5	119616	PT6-6	119725	PT6-8
118779	PT4-5	119176	PT6-5	119394	PT6-5	119617	PT6-6	119726	PT6-8
118780	PT4-5	119177	PT6-5	119395	PT6-5	119618	PT6-6	119727	PT6-8
118781	PT4-5	119179	PT6-5	119396	PT6-5	119619	PT6-6	119728	PT6-8
118782	PT4-5	119181	PT6-5	119397	PT6-5	119620	PT6-6	119729	PT6-8
118783	PT4-5	119183	PT6-5	119398	PT6-5	119621	PT6-6	119730	PT6-8
118784	PT4-5	119187	PT6-11	119399	PT6-5	119622	PT6-6	119731	PT6-8
118785	PT4-5	119191	PT6-5	119400	PT6-5	119623	PT6-6	119732	PT6-8
118786	PT4-5	119192	PT6-5	119401	PT6-5	119624	PT6-7	119733	PT6-8
118787	PT4-5	119194	PT6-5	119402	PT6-5	119625	PT6-7	119734	PT6-8
118788	PT4-5	119196	PT6-5	119403	PT6-5	119626	PT6-7	119735	PT6-8
118789	PT4-5	119198	PT6-5	119404	PT6-5	119627	PT6-7	119736	PT6-8
118790	PT4-5	119200	PT6-5	119410	PT6-11	119628	PT6-7	119737	PT6-8
118792	PT4-5	119206	PT6-11	119411	PT6-11	119629	PT6-7	119738	PT6-8
118793	PT4-5	119209	PT6-11	119412	PT6-11	119630	PT6-7	119739	PT6-8
118794	PT4-5	119211	PT6-5	119413	PT6-11	119640	PT6-7	119740	PT6-8
118795	PT4-5	119212	PT6-5	119414	PT6-11	119641	PT6-7	119741	PT6-8
118796	PT4-5	119213	PT6-5	119415	PT6-11	119642	PT6-7	119742	PT6-8
118797	PT4-5	119214	PT6-5	119416	PT6-11	119643	PT6-7	119743	PT6-8
118798	PT4-5	119215	PT6-5	119417	PT6-11	119644	PT6-7	119744	PT6-8
119001	PT6-5	119216	PT6-5	119418	PT6-11	119645	PT6-7	119745	PT6-8
119002	PT6-5	119217	PT6-5	119419	PT6-11	119646	PT6-7	119746	PT6-8
119003	PT6-5	119219	PT6-5	119421	PT6-11	119647	PT6-7	119747	PT6-8
119004	PT6-5	119220	PT6-5	119422	PT6-11	119648	PT6-7	119748	PT6-8
119005	PT6-5	119221	PT6-5	119423	PT6-11	119649	PT6-7	119749	PT6-8
119006	PT6-5	119222	PT6-5	119429	PT6-11	119650	PT6-7	119750	PT6-8
119007	PT6-5	119223	PT6-5	119430	PT6-11	119651	PT6-5	119751	PT6-8
119008	PT6-5	119224	PT6-5	119431	PT6-11	119652	PT6-5	119752	PT6-8
119009	PT6-5	119225	PT6-5	119432	PT6-11	119653	PT6-5	119753	PT6-8
119010	PT6-5	119226	PT6-5	119433	PT6-11	119654	PT6-5	119754	PT6-9
119011	PT6-5	119227	PT6-5	119434	PT6-11	119655	PT6-5	119755	PT6-9
119012	PT6-5	119228	PT6-5	119435	PT6-11	119656	PT6-5	119756	PT6-9
119013	PT6-5	119229	PT6-5	119436	PT6-11	119657	PT6-5	119757	PT6-9
119023	PT6-11	119236	PT6-6	119437	PT6-11	119658	PT6-5	119758	PT6-9
119038	PT6-6	119241	PT6-6	119438	PT6-5	119659	PT6-5	119759	PT6-9
119039	PT6-6	119242	PT6-6	119565	PT6-5	119660	PT6-5	119760	PT6-9
119040	PT6-6	119244	PT6-6	119566	PT6-5	119661	PT6-5	119761	PT6-9
119041	PT6-6	119246	PT6-6	119567	PT6-5	119662	PT6-5	119762	PT6-9
119042	PT6-6	119248	PT6-6	119568	PT6-5	119663	PT6-6	119763	PT6-9
119043	PT6-6	119249	PT6-6	119569	PT6-5	119664	PT6-6	119764	PT6-9
119044	PT6-6	119250	PT6-6	119570	PT6-5	119665	PT6-6	119765	PT6-9
119045	PT6-6	119252	PT6-6	119571	PT6-5	119666	PT6-6	119766	PT6-11
119046	PT6-6	119253	PT6-6	119572	PT6-5	119667	PT6-6	119767	PT6-11
119047	PT6-6	119254	PT6-6	119573	PT6-6	119668	PT6-6	119768	PT6-11
119048	PT6-6	119256	PT6-6	119574	PT6-6	119669	PT6-6	119769	PT6-11
119049	PT6-6	119257	PT6-6	119575	PT6-5	119670	PT6-6	119770	PT6-8
119050	PT6-6	119258	PT6-6	119576	PT6-5	119671	PT6-6	119771	PT6-8
119051	PT6-6	119262	PT6-6	119577	PT6-5	119672	PT6-6	119772	PT6-8
119052	PT6-6	119272	PT6-11	119579	PT6-5	119673	PT6-7	119773	PT6-8
119053	PT6-6	119304	PT6-7	119580	PT6-5	119674	PT6-7	119774	PT6-8
119054	PT6-6	119306	PT6-7	119581	PT6-5	119675	PT6-7	119775	PT6-8
119055	PT6-6	119307	PT6-7	119582	PT6-5	119676	PT6-7	119776	PT6-8
119056	PT6-6	119308	PT6-7	119583	PT6-5	119677	PT6-7	119777	PT6-8
119057	PT6-6	119310	PT6-7	119584	PT6-5	119678	PT6-7	119778	PT6-8
119058	PT6-6	119311	PT6-7	119585	PT6-5	119679	PT6-7	119779	PT6-8
119067	PT6-11	119312	PT6-7	119586	PT6-5	119680	PT6-7	119780	PT6-8
119068	PT6-6	119314	PT6-7	119587	PT6-5	119681	PT6-7	119781	PT6-8
119100	PT6-6	119315	PT6-7	119588	PT6-5	119682	PT6-7	119782	PT6-8
119102	PT6-6	119316	PT6-7	119589	PT6-5	119683	PT6-8	119783	PT6-8
119103	PT6-6	119318	PT6-7	119590	PT6-5	119700	PT6-11	119784	PT6-9
119104	PT6-6	119319	PT6-7	119591	PT6-5	119701	PT6-11	119785	PT6-9
119105	PT6-6	119320	PT6-7	119592	PT6-5	119702	PT6-8	119786	PT6-9
119106	PT6-6	119321	PT6-7	119593	PT6-5	119703	PT6-8	119787	PT6-9
119107	PT6-6	119322	PT6-7	119594	PT6-5	119704	PT6-8	119788	PT6-9
119108	PT6-6	119323	PT6-7	119595	PT6-5	119705	PT6-8	119789	PT6-11



PART NUMBER INDEX

Conveyor Components

Engineering

Part Number Index

Keyword Index

Part Number	Page	Part Number	Page	Part Number	Page	Part Number	Page	Part Number	Page
120502	PT6-20	120612	PT6-21	120927	PT8-5	121045	PT8-7	121134	PT6-18, PT8-7
120503	PT6-20	120613	PT6-21	120929	PT8-5	121046	PT8-7	121136	PT6-18, PT8-7
120504	PT6-20	120614	PT6-21	120930	PT8-5	121048	PT8-7	121138	PT6-18, PT8-7
120505	PT6-20	120615	PT6-21	120932	PT8-5	121049	PT8-7	121140	PT6-18, PT8-7
120506	PT6-20	120617	PT6-21	120933	PT8-5	121050	PT8-7	121144	PT6-18, PT8-7
120507	PT6-20	120618	PT6-21	120942	PT8-5	121051	PT8-7	121145	PT6-18, PT8-7
120508	PT6-20	120619	PT6-21	120943	PT8-5	121052	PT8-7	121146	PT6-18, PT8-7
120509	PT6-20	120620	PT6-21	120945	PT8-5	121053	PT8-7	121147	PT6-18, PT8-7
120510	PT6-20	120621	PT6-21	120946	PT8-5	121054	PT8-7	121148	PT6-18, PT8-7
120511	PT6-20	120622	PT6-21	120947	PT8-5	121055	PT8-7	121149	PT6-18, PT8-7
120512	PT6-20	120623	PT6-21	120949	PT8-5	121056	PT8-7	121150	PT8-7
120513	PT6-20	120624	PT6-21	120950	PT8-5	121057	PT8-7	121151	PT6-18, PT8-7
120514	PT6-20	120625	PT6-21	120951	PT8-5	121058	PT8-7	121152	PT8-7
120516	PT6-20	120626	PT6-21	120952	PT8-5	121059	PT8-7	121153	PT6-18, PT8-7
120517	PT6-20	120627	PT6-21	120953	PT8-5	121060	PT8-7	121154	PT6-18, PT8-7
120518	PT6-20	120628	PT6-21	120954	PT8-5	121061	PT8-7	121162	PT6-18, PT8-7
120519	PT6-20	120629	PT6-21	120955	PT8-5	121062	PT8-7	121163	PT6-18, PT8-7
120520	PT6-20	120630	PT6-21	120956	PT8-5	121063	PT8-7	121164	PT6-18, PT8-7
120521	PT6-20	120631	PT6-21	120957	PT8-5	121064	PT8-7	121186	PT6-18, PT8-7
120522	PT6-20	120632	PT6-21	120958	PT8-5	121065	PT8-7	121187	PT6-18, PT8-7
120524	PT6-20	120633	PT6-21	120959	PT8-5	121066	PT8-7	121203	PT8-9
120525	PT6-20	120634	PT6-21	120960	PT8-5	121067	PT8-7	121207	PT8-9
120526	PT6-20	120635	PT6-21	120961	PT8-5	121068	PT8-7	121208	PT8-9
120527	PT6-20	120636	PT6-21	120962	PT8-5	121069	PT8-7	121209	PT8-9
120528	PT6-20	120637	PT6-21	120963	PT8-5	121070	PT8-7	121210	PT8-9
120529	PT6-20	120847	PT8-5	120972	PT8-5	121072	PT8-8	121211	PT8-9
120530	PT6-20	120848	PT8-5	120973	PT8-5	121073	PT8-8	121212	PT8-9
120531	PT6-20	120850	PT8-5	120974	PT8-5	121074	PT8-8	121213	PT8-9
120533	PT6-20	120851	PT8-5	120975	PT8-5	121075	PT8-8	121214	PT8-9
120534	PT6-20	120852	PT8-5	120976	PT8-5	121076	PT8-8	121215	PT8-9
120535	PT6-20	120853	PT8-5	120977	PT8-5	121077	PT8-8	121216	PT8-9
120537	PT6-20	120854	PT8-5	120978	PT8-5	121078	PT8-8	121217	PT8-9
120538	PT6-20	120855	PT8-5	120980	PT8-5	121079	PT8-8	121218	PT8-9
120539	PT6-20	120856	PT8-5	120981	PT8-5	121080	PT8-8	121219	PT8-9
120540	PT6-20	120857	PT8-5	120982	PT8-5	121081	PT8-8	121220	PT8-9
120541	PT6-20	120858	PT8-5	120985	PT8-5	121082	PT8-8	121221	PT8-9
120542	PT6-20	120859	PT8-5	120989	PT8-5	121083	PT8-8	121222	PT8-9
120543	PT6-20	120860	PT8-5	120990	PT8-5	121084	PT8-8	121223	PT8-9
120544	PT6-20	120861	PT8-5	120991	PT8-5	121085	PT8-8	121224	PT8-9
120545	PT6-20	120862	PT8-5	120992	PT8-5	121086	PT8-8	121225	PT8-9
120546	PT6-20	120863	PT8-5	120994	PT8-5	121087	PT8-8	121226	PT8-9
120547	PT6-20	120864	PT8-5	120995	PT8-5	121088	PT8-8	121227	PT8-9
120548	PT6-20	120865	PT8-5	120996	PT8-5	121089	PT8-8	121228	PT8-9
120549	PT6-20	120866	PT8-5	120997	PT8-5	121090	PT8-8	121229	PT8-9
120550	PT6-20	120867	PT8-5	120998	PT8-5	121091	PT8-8	121230	PT8-9
120551	PT6-20	120874	PT8-5	121000	PT8-5	121092	PT8-8	121231	PT8-9
120552	PT6-21	120875	PT8-5	121001	PT8-5	121093	PT8-8	121232	PT8-9
120553	PT6-21	120876	PT8-5	121008	PT8-7	121094	PT8-8	121233	PT8-9
120554	PT6-21	120877	PT8-5	121009	PT8-8	121095	PT8-8	121234	PT8-9
120555	PT6-21	120878	PT8-5	121010	PT8-5	121096	PT8-8	121235	PT8-9
120557	PT6-21	120885	PT8-5	121011	PT8-5	121097	PT8-8	121236	PT8-9
120558	PT6-21	120886	PT8-5	121012	PT8-5	121098	PT8-8	121237	PT8-9
120559	PT6-21	120887	PT8-5	121013	PT8-5	121099	PT8-8	121239	PT8-9
120560	PT6-21	120888	PT8-5	121014	PT8-5	121100	PT8-8	121240	PT8-9
120561	PT6-21	120889	PT8-5	121015	PT8-5	121101	PT8-8	121241	PT8-9
120562	PT6-21	120890	PT8-5	121016	PT8-8	121102	PT8-8	121242	PT8-9
120563	PT6-21	120892	PT8-5	121017	PT8-7	121103	PT8-8	121243	PT8-9
120565	PT6-21	120893	PT8-5	121018	PT8-7	121105	PT8-8	121244	PT8-9
120566	PT6-21	120894	PT8-5	121019	PT8-7	121106	PT8-8	121246	PT8-9
120567	PT6-21	120895	PT8-5	121020	PT8-7	121107	PT8-8	121247	PT8-9
120569	PT6-21	120896	PT8-5	121021	PT8-7	121108	PT8-8	121248	PT8-9
120570	PT6-21	120897	PT8-5	121022	PT8-7	121109	PT8-8	121249	PT8-9
120571	PT6-21	120899	PT8-5	121023	PT8-7	121110	PT8-8	121251	PT8-9
120573	PT6-21	120900	PT8-5	121024	PT8-7	121111	PT8-8	121266	PT8-9
120574	PT6-21	120901	PT8-5	121025	PT8-7	121112	PT8-8	121267	PT8-9
120575	PT6-21	120902	PT8-5	121026	PT8-7	121113	PT8-8	121268	PT8-9
120577	PT6-21	120903	PT8-5	121027	PT8-7	121114	PT8-8	121269	PT8-9
120578	PT6-21	120910	PT8-5	121028	PT8-7	121115	PT8-8	121270	PT8-9
120579	PT6-21	120911	PT8-5	121029	PT8-7	121116	PT8-8	121271	PT8-9
120580	PT3-18, PT6-18	120912	PT8-5	121030	PT8-7	121117	PT8-8	121272	PT8-9
120581	PT6-19	120913	PT8-5	121031	PT8-7	121118	PT8-8	121273	PT8-9
120592	PT6-20	120914	PT8-5	121032	PT8-7	121119	PT8-8	121274	PT8-9
120595	PT6-23, PT8-7	120915	PT8-5	121033	PT8-7	121120	PT8-8	121275	PT8-9
120600	PT6-21	120916	PT8-5	121034	PT8-7	121121	PT8-8	121276	PT8-9
120601	PT6-21	120917	PT8-5	121035	PT8-7	121122	PT8-8	121277	PT8-9
120603	PT6-21	120918	PT8-5	121036	PT8-7	121123	PT8-8	121278	PT8-9
120604	PT6-21	120919	PT8-5	121037	PT8-7	121124	PT8-8	121279	PT8-9
120605	PT6-21	120920	PT8-5	121038	PT8-7	121125	PT8-8	121281	PT8-9
120606	PT6-21	120921	PT8-5	121039	PT8-7	121126	PT8-8	121282	PT8-9
120607	PT6-21	120922	PT8-5	121040	PT8-7	121127	PT8-8	121283	PT8-9
120608	PT6-21	120923	PT8-5	121041	PT8-7	121129	PT6-18, PT8-7	121285	PT8-9
120609	PT6-21	120924	PT8-5	121042	PT8-7	121130	PT6-18, PT8-7	121286	PT8-9
120610	PT6-21	120925	PT8-5	121043	PT8-7	121131	PT6-18, PT8-7	121287	PT8-9
120611	PT6-21	120926	PT8-5	121044	PT8-7	121133	PT6-18, PT8-7	121288	PT8-9



PART NUMBER INDEX

Conveyor Components

Engineering

Part Number Index

Keyword Index

Part Number	Page	Part Number	Page	Part Number	Page	Part Number	Page	Part Number	Page
122115	PT9-6	127180	PT8-5	127285	PT8-6	129987	PT1-10	142147	PT11-17
122116	PT9-6	127181	PT8-5	127286	PT8-6	136432	PT1-10	142148	PT11-17
122118	PT9-6	127182	PT8-5	127287	PT8-6	136433	PT1-10	142149	PT11-17
122120	PT9-5	127183	PT8-5	127288	PT8-6	136434	PT1-10	142150	PT11-17
122121	PT9-5	127184	PT8-5	127289	PT8-6	136435	PT1-10	142151	PT11-17
122122	PT9-5	127185	PT8-5	127290	PT8-6	136436	PT1-10	142152	PT11-17
122123	PT9-5	127186	PT8-5	127291	PT8-6	136437	PT1-10	142288	PT11-18
127100	PT8-3	127187	PT8-5	127292	PT8-6	136438	PT1-10	142289	PT11-18
127101	PT8-3	127201	PT8-5	127293	PT8-6	136439	PT1-10	142290	PT11-18
127102	PT8-3	127206	PT8-5	127294	PT8-6	136440	PT1-10	142291	PT11-18
127103	PT8-3	127209	PT8-3	127295	PT8-6	136441	PT1-10	142292	PT11-18
127104	PT8-3	127210	PT8-3	127296	PT8-6	136442	PT1-10	142293	PT11-18
127105	PT8-3	127211	PT8-3	127297	PT8-6	136443	PT1-10	142294	PT11-18
127106	PT8-3	127212	PT8-3	127298	PT8-6	136444	PT1-10	142295	PT11-18
127107	PT8-3	127213	PT8-3	127299	PT8-6	136445	PT1-10	142296	PT11-18
127108	PT8-3	127214	PT8-3	127300	PT8-6	136446	PT1-10	142297	PT11-18
127109	PT8-3	127215	PT8-3	127301	PT8-5	136447	PT1-10	142298	PT11-18
127110	PT8-3	127216	PT8-3	127302	PT8-5	136448	PT1-10	142299	PT11-18
127111	PT8-3	127217	PT8-3	127303	PT8-5	136449	PT1-10	142300	PT11-18
127112	PT8-3	127218	PT8-3	127304	PT8-5	136450	PT1-10	142301	PT11-18
127113	PT8-3	127219	PT8-3	127305	PT8-5	136451	PT1-10	142302	PT11-18
127114	PT8-3	127220	PT8-3	127400	PT8-9	136453	PT1-10	142303	PT11-18
127115	PT8-3	127221	PT8-5	127401	PT8-9	136454	PT1-10	142304	PT11-18
127116	PT8-3	127222	PT8-3	127402	PT8-9	136455	PT1-10	142305	PT11-18
127117	PT8-3	127223	PT8-3	127403	PT8-9	136456	PT1-10	142306	PT11-18
127118	PT8-3	127224	PT8-3	127404	PT8-9	136457	PT1-10	142307	PT11-18
127119	PT8-3	127225	PT8-5	127405	PT8-9	136458	PT1-10	142308	PT11-18
127120	PT8-3	127226	PT8-3	127406	PT8-9	136459	PT1-10	142309	PT11-18
127121	PT8-3	127227	PT8-3	127407	PT8-9	136460	PT1-10	142310	PT11-18
127122	PT8-3	127228	PT8-3	127408	PT8-9	136461	PT1-10	142311	PT11-18
127123	PT8-3	127229	PT8-4	127409	PT8-9	136462	PT1-10	142312	PT11-18
127124	PT8-3	127230	PT8-4	127410	PT8-9	136463	PT1-10	142313	PT11-18
127125	PT8-3	127231	PT8-4	127411	PT8-9	136464	PT1-10	142314	PT11-18
127126	PT8-3	127232	PT8-4	127412	PT8-9	136465	PT1-10	142315	PT11-18
127128	PT8-3	127233	PT8-4	127413	PT8-9	136466	PT1-10	142316	PT11-18
127129	PT8-3	127234	PT8-4	127414	PT8-9	136467	PT1-10	142317	PT11-18
127130	PT8-3	127235	PT8-4	127415	PT8-9	136468	PT1-10	142318	PT11-18
127131	PT8-3	127236	PT8-4	127416	PT8-9	136469	PT1-10	142319	PT11-18
127132	PT8-3	127237	PT8-4	127417	PT8-9	142100	PT11-17	142320	PT11-18
127133	PT8-3	127238	PT8-4	127418	PT8-9	142101	PT11-17	142321	PT11-18
127134	PT8-3	127239	PT8-5	127419	PT8-9	142102	PT11-17	142322	PT11-18
127135	PT8-3	127240	PT8-4	127420	PT8-9	142103	PT11-17	142323	PT11-18
127136	PT8-3	127241	PT8-4	127421	PT8-9	142104	PT11-17	142324	PT11-18
127137	PT8-3	127242	PT8-4	127422	PT8-9	142105	PT11-17	142325	PT11-18
127138	PT8-3	127243	PT8-4	127423	PT8-9	142106	PT11-17	142326	PT11-18
127139	PT8-3	127244	PT8-4	127424	PT8-9	142107	PT11-17	142327	PT11-18
127140	PT8-3	127245	PT8-4	127425	PT8-9	142108	PT11-17	142328	PT11-18
127141	PT8-3	127246	PT8-4	127426	PT8-9	142109	PT11-17	142329	PT11-18
127142	PT8-3	127247	PT8-5	127427	PT8-9	142110	PT11-17	142330	PT11-18
127143	PT8-3	127248	PT8-4	127428	PT8-9	142111	PT11-17	142331	PT11-18
127144	PT8-3	127249	PT8-4	127429	PT8-9	142112	PT11-17	142332	PT11-18
127145	PT8-3	127250	PT8-4	127430	PT8-9	142113	PT11-17	142333	PT11-18
127146	PT8-3	127252	PT8-5	127431	PT8-9	142114	PT11-17	142334	PT11-18
127147	PT8-3	127254	PT8-5	127432	PT8-9	142115	PT11-17	142335	PT11-18
127148	PT8-3	127255	PT8-5	127434	PT8-9	142116	PT11-17	142336	PT11-18
127149	PT8-3	127256	PT8-5	127435	PT8-9	142117	PT11-17	142337	PT11-18
127150	PT8-3	127257	PT8-5	127436	PT8-3	142118	PT11-17	142338	PT11-18
127151	PT8-3	127258	PT8-5	127437	PT8-3	142119	PT11-17	142339	PT11-18
127152	PT8-3	127259	PT8-5	127438	PT8-3	142120	PT11-17	142340	PT11-18
127153	PT8-3	127260	PT8-5	127439	PT8-4	142121	PT11-17	142341	PT11-18
127154	PT8-3	127261	PT8-5	127440	PT8-4	142122	PT11-17	142342	PT11-18
127155	PT8-3	127262	PT8-5	127441	PT8-9	142123	PT11-17	142343	PT11-18
127156	PT8-3	127263	PT8-5	127442	PT8-5	142124	PT11-17	142344	PT11-18
127157	PT8-5	127264	PT8-5	127443	PT8-5	142125	PT11-17	142345	PT11-18
127158	PT8-4	127265	PT8-5	127444	PT8-9	142126	PT11-17	142346	PT11-18
127159	PT8-4	127266	PT8-5	127445	PT8-9	142127	PT11-17	142347	PT11-18
127160	PT8-4	127267	PT8-5	127446	PT8-9	142128	PT11-17	142348	PT11-18
127161	PT8-4	127268	PT8-5	127447	PT8-9	142129	PT11-17	142349	PT11-18
127162	PT8-4	127269	PT8-5	129911	PT1-10	142130	PT11-17	142350	PT11-18
127163	PT8-4	127270	PT8-5	129912	PT1-10	142131	PT11-17	142351	PT11-18
127164	PT8-4	127271	PT8-5	129913	PT1-10	142132	PT11-17	142352	PT11-18
127165	PT8-4	127272	PT8-5	129920	PT1-10	142133	PT11-17	142353	PT11-18
127166	PT8-4	127273	PT8-5	129923	PT1-10	142134	PT11-17	142354	PT11-18
127169	PT8-4	127274	PT8-5	129926	PT1-10	142135	PT11-17	142355	PT11-18
127170	PT8-4	127275	PT8-5	129931	PT1-10	142136	PT11-17	142356	PT11-18
127171	PT8-4	127276	PT8-5	129932	PT1-10	142137	PT11-17	142357	PT11-18
127172	PT8-4	127277	PT8-5	129937	PT1-10	142138	PT11-17	142358	PT11-18
127173	PT8-5	127278	PT8-5	129946	PT1-10	142139	PT11-17	142359	PT11-18
127174	PT8-5	127279	PT8-5	129950	PT1-10	142140	PT11-17	142360	PT11-18
127175	PT8-5	127280	PT8-5	129953	PT1-10	142141	PT11-17	142361	PT11-18
127176	PT8-5	127281	PT8-6	129954	PT1-10	142142	PT11-17	142362	PT11-18
127177	PT8-5	127282	PT8-6	129956	PT1-10	142143	PT11-17	142600	PT12-17
127178	PT8-5	127283	PT8-6	129961	PT1-10	142145	PT11-17	142601	PT12-17
127179	PT8-5	127284	PT8-6	129964	PT1-10	142146	PT11-17	142602	PT12-17



PART NUMBER INDEX

Conveyor Components

Engineering

Part Number Index

Keyword Index

Part Number	Page	Part Number	Page	Part Number	Page	Part Number	Page	Part Number	Page
146545	PT11-18	146629	PT11-18	201006	PT14-40	202058	PT14-58	202142	PT14-58
146546	PT11-18	146630	PT11-18	201007	PT14-40	202059	PT14-58	202143	PT14-58
146547	PT11-18	146631	PT11-18	201008	PT14-40	202060	PT14-16, PT14-58	202144	PT14-58
146548	PT11-18	146633	PT11-18	201009	PT14-40	202061	PT14-16, PT14-58	202145	PT14-58
146549	PT11-18	146634	PT11-18	201012	PT14-39	202062	PT14-16, PT14-58	202146	PT14-58
146550	PT11-18	146635	PT11-18	201013	PT14-39	202063	PT14-16, PT14-58	202147	PT14-58
146551	PT11-18	146636	PT11-18	201014	PT14-40	202064	PT14-16, PT14-58	202148	PT14-58
146552	PT11-18	146637	PT11-18	201015	PT14-40	202065	PT14-58	202149	PT14-58
146553	PT11-18	146638	PT11-18	201016	PT14-40	202066	PT14-16, PT14-58	202150	PT14-58
146554	PT11-18	146639	PT11-18	201018	PT14-39	202067	PT14-16, PT14-58	202151	PT14-16, PT14-58
146555	PT11-18	146640	PT11-18	201019	PT14-39	202068	PT14-16, PT14-58	203005	PT14-63
146556	PT11-18	146641	PT11-18	201020	PT14-39	202069	PT14-16, PT14-58	203006	PT14-63
146557	PT11-18	151152	PT6-18	201021	PT14-40	202070	PT14-16, PT14-58	203007	PT14-63
146558	PT11-18	200001	PT14-63	201022	PT14-40	202071	PT14-16, PT14-58	203008	PT14-63
146559	PT11-18	200002	PT14-63	201023	PT14-40	202072	PT14-16, PT14-58	203015	PT14-63
146560	PT11-18	200003	PT14-63	201024	PT14-40	202073	PT14-16, PT14-58	203016	PT14-63
146561	PT11-18	200004	PT14-63	201031	PT14-39	202074	PT14-16, PT14-58	203017	PT14-63
146562	PT11-18	200005	PT14-63	201032	PT14-39	202075	PT14-16, PT14-58	203018	PT14-63
146563	PT11-18	200006	PT14-63	201033	PT14-40	202076	PT14-16, PT14-58	203025	PT14-63
146564	PT11-18	200007	PT14-63	201034	PT14-40	202077	PT14-16, PT14-58	203026	PT14-63
146565	PT11-18	200008	PT14-63	201035	PT14-40	202078	PT14-16, PT14-58	203027	PT14-63
146566	PT11-18	200010	PT14-63	201036	PT14-40	202079	PT14-16, PT14-58	203028	PT14-63
146567	PT11-18	200011	PT14-63	201040	PT14-40	202080	PT14-58	203094	PT14-36
146568	PT11-18	200012	PT14-63	201042	PT14-40	202081	PT14-58	203096	PT14-24
146569	PT11-18	200013	PT14-63	201043	PT14-39	202082	PT14-58	203097	PT14-17
146570	PT11-18	200014	PT14-63	201045	PT14-40	202083	PT14-58	203098	PT14-17
146571	PT11-18	200016	PT14-63	202000	PT14-58	202084	PT14-58	203099	PT14-24
146572	PT11-18	200017	PT14-63	202001	PT14-58	202085	PT14-16, PT14-58	203100	PT14-54
146573	PT11-18	200018	PT14-63	202002	PT14-16, PT14-58	202086	PT14-16, PT14-58	203101	PT14-54
146574	PT11-18	200019	PT14-63	202003	PT14-58	202087	PT14-16, PT14-58	203102	PT14-55
146575	PT11-18	200020	PT14-63	202004	PT14-58	202088	PT14-16, PT14-58	203103	PT14-55
146576	PT11-18	200021	PT14-63	202005	PT14-16, PT14-58	202089	PT14-16, PT14-58	203104	PT14-55
146577	PT11-18	200022	PT14-63	202006	PT14-16, PT14-58	202090	PT14-16, PT14-58	203105	PT14-55
146578	PT11-18	200023	PT14-63	202007	PT14-16, PT14-58	202091	PT14-16, PT14-58	203106	PT14-54
146579	PT11-18	200024	PT14-63	202008	PT14-58	202092	PT14-16, PT14-58	203107	PT14-54
146580	PT11-18	200026	PT14-63	202009	PT14-16, PT14-58	202093	PT14-58	203108	PT14-54
146581	PT11-18	200027	PT14-63	202010	PT14-16, PT14-58	202094	PT14-58	203109	PT14-55
146582	PT11-18	200028	PT14-63	202011	PT14-16, PT14-58	202095	PT14-16, PT14-58	203110	PT14-55
146583	PT11-18	200029	PT14-63	202012	PT14-58	202096	PT14-16, PT14-58	203111	PT14-55
146584	PT11-18	200030	PT14-63	202013	PT14-58	202097	PT14-16, PT14-58	203112	PT14-55
146585	PT11-18	200031	PT14-63	202014	PT14-58	202098	PT14-16, PT14-58	203113	PT14-55
146586	PT11-18	200034	PT14-63	202015	PT14-16, PT14-58	202099	PT14-16, PT14-58	203114	PT14-55
146587	PT11-18	200035	PT14-63	202016	PT14-16, PT14-58	202100	PT14-16, PT14-58	203115	PT14-54
146588	PT11-18	200036	PT14-63	202017	PT14-16, PT14-58	202101	PT14-16, PT14-58	203116	PT14-54
146589	PT11-18	200037	PT14-63	202018	PT14-16, PT14-58	202102	PT14-16, PT14-58	203117	PT14-54
146590	PT11-18	200038	PT14-63	202019	PT14-16, PT14-58	202103	PT14-16, PT14-58	203118	PT14-55
146591	PT11-18	200039	PT14-63	202020	PT14-58	202104	PT14-16, PT14-58	203119	PT14-55
146592	PT11-18	200040	PT14-63	202021	PT14-58	202105	PT14-16, PT14-58	203120	PT14-55
146593	PT11-18	200042	PT14-63	202022	PT14-58	202106	PT14-16, PT14-58	203121	PT14-55
146594	PT11-18	200043	PT14-63	202023	PT14-16, PT14-58	202107	PT14-16, PT14-58	203122	PT14-55
146595	PT11-18	200045	PT14-63	202024	PT14-16, PT14-58	202108	PT14-16, PT14-58	203123	PT14-55
146596	PT11-18	200050	PT14-63	202025	PT14-16, PT14-58	202109	PT14-16, PT14-58	203124	PT14-55
146597	PT11-18	200051	PT14-63	202026	PT14-58	202110	PT14-16, PT14-58	203125	PT14-54
146598	PT11-18	200052	PT14-63	202027	PT14-58	202111	PT14-16, PT14-58	203126	PT14-54
146599	PT11-18	200053	PT14-63	202028	PT14-58	202112	PT14-58	203127	PT14-54
146600	PT11-18	200054	PT14-63	202029	PT14-16, PT14-58	202113	PT14-58	203128	PT14-54
146601	PT11-18	200055	PT14-63	202030	PT14-16, PT14-58	202114	PT14-58	203129	PT14-54
146602	PT11-18, PT11-19	200056	PT14-63	202031	PT14-16, PT14-58	202115	PT14-58	203130	PT14-55
146603	PT11-18	200070	PT14-63	202032	PT14-16, PT14-58	202116	PT14-58	203131	PT14-55
146604	PT11-18	200071	PT14-63	202033	PT14-58	202117	PT14-58	203132	PT14-55
146605	PT11-18	200072	PT14-63	202034	PT14-58	202118	PT14-58	203133	PT14-55
146606	PT11-18	200073	PT14-63	202035	PT14-16, PT14-58	202119	PT14-58	203134	PT14-55
146607	PT11-18	200074	PT14-63	202036	PT14-16, PT14-58	202120	PT14-58	203135	PT14-55
146608	PT11-18	200075	PT14-63	202037	PT14-16, PT14-58	202121	PT14-58	203136	PT14-55
146609	PT11-18	200076	PT14-63	202038	PT14-16, PT14-58	202122	PT14-58	203137	PT14-55
146610	PT11-18	200088	PT14-63	202039	PT14-58	202123	PT14-58	203138	PT14-55
146611	PT11-18	200089	PT14-63	202040	PT14-58	202124	PT14-58	203139	PT14-55
146612	PT11-18	200090	PT14-63	202041	PT14-16, PT14-58	202125	PT14-58	203140	PT14-55
146613	PT11-18	200091	PT14-63	202042	PT14-16, PT14-58	202126	PT14-58	203141	PT14-55
146614	PT11-18	200092	PT14-63	202043	PT14-16, PT14-58	202127	PT14-58	203142	PT14-54
146615	PT11-18	200093	PT14-63	202044	PT14-16, PT14-58	202128	PT14-58	203143	PT14-54
146616	PT11-18	200094	PT14-63	202045	PT14-16, PT14-58	202129	PT14-58	203144	PT14-54
146617	PT11-18	201006	PT14-63	202046	PT14-16, PT14-58	202130	PT14-58	203145	PT14-54
146618	PT11-18	201007	PT14-63	202047	PT14-16, PT14-58	202131	PT14-58	203146	PT14-54
146619	PT11-18	201009	PT14-63	202048	PT14-16, PT14-58	202132	PT14-58	203147	PT14-55
146620	PT11-18	201025	PT14-63	202049	PT14-16, PT14-58	202133	PT14-58	203148	PT14-55
146621	PT11-18	201026	PT14-63	202050	PT14-16, PT14-58	202134	PT14-58	203149	PT14-55
146622	PT11-18	201027	PT14-63	202051	PT14-16, PT14-58	202135	PT14-58	203150	PT14-55
146623	PT11-18	201000	PT14-39	202052	PT14-16, PT14-58	202136	PT14-58	203151	PT14-55
146624	PT11-18	201001	PT14-39	202053	PT14-16, PT14-58	202137	PT14-58	203152	PT14-55
146625	PT11-18	201002	PT14-40	202054	PT14-16, PT14-58	202138	PT14-58	203153	PT14-55
146626	PT11-18	201003	PT14-40	202055	PT14-58	202139	PT14-58	203154	PT14-55
146627	PT11-18	201004	PT14-39	202056	PT14-58	202140	PT14-58	203155	PT14-55
146628	PT11-18	201005	PT14-39	202057	PT14-58	202141	PT14-58	203156	PT14-55

PART NUMBER INDEX



Part Number	Page	Part Number	Page	Part Number	Page	Part Number	Page	Part Number	Page
203157	PT14-54	203340	PT14-16	203577	PT14-17	203691	PT14-17	203808	PT14-17
203158	PT14-54	203341	PT14-16	203578	PT14-17	203692	PT14-17	203809	PT14-17
203159	PT14-54	203342	PT14-17	203579	PT14-17	203695	PT14-17	203810	PT14-17
203160	PT14-54	203343	PT14-17	203581	PT14-17	203696	PT14-17	203811	PT14-17
203161	PT14-54	203344	PT14-17	203582	PT14-17	203697	PT14-17	203812	PT14-17
203162	PT14-54	203346	PT14-17	203583	PT14-17	203698	PT14-17	203813	PT14-17
203163	PT14-55	203349	PT14-17	203584	PT14-17	203700	PT14-17	203814	PT14-16, PT14-58
203164	PT14-55	203350	PT14-17	203585	PT14-17	203701	PT14-17	203816	PT14-16, PT14-58
203165	PT14-55	203352	PT14-17	203586	PT14-17	203703	PT14-16, PT14-58	203817	PT14-16, PT14-58
203166	PT14-55	203355	PT14-17	203587	PT14-17	203704	PT14-16, PT14-58	203818	PT14-16, PT14-58
203167	PT14-55	203359	PT14-17	203588	PT14-17	203707	PT14-16, PT14-58	203819	PT14-16, PT14-58
203168	PT14-55	203361	PT14-17	203589	PT14-17	203709	PT14-16, PT14-58	203820	PT14-16, PT14-58
203169	PT14-55	203362	PT14-17	203590	PT14-17	203710	PT14-16	203821	PT14-16, PT14-58
203170	PT14-54	203363	PT14-17	203591	PT14-17	203712	PT14-16, PT14-58	203822	PT14-16
203171	PT14-54	203364	PT14-17	203592	PT14-17	203713	PT14-16, PT14-58	203824	PT14-16, PT14-58
203172	PT14-54	203371	PT14-17	203593	PT14-17	203715	PT14-16	203826	PT14-16
203173	PT14-54	203373	PT14-17	203594	PT14-16	203718	PT14-16, PT14-58	203827	PT14-16, PT14-58
203174	PT14-54	203392	PT14-58	203596	PT14-16	203719	PT14-16, PT14-58	203828	PT14-16, PT14-58
203175	PT14-55	203393	PT14-17	203597	PT14-16	203723	PT14-16	203829	PT14-16, PT14-58
203176	PT14-55	203394	PT14-17	203600	PT14-16	203725	PT14-16	203831	PT14-16
203177	PT14-55	203398	PT14-17	203603	PT14-16	203726	PT14-16	203832	PT14-16
203178	PT14-55	203401	PT14-17	203606	PT14-16	203727	PT14-16	203833	PT14-16
203179	PT14-55	203402	PT14-17	203607	PT14-16	203728	PT14-16	203836	PT14-16
203180	PT14-55	203403	PT14-17	203608	PT14-16	203729	PT14-16	203837	PT14-17
203181	PT14-55	203406	PT14-17	203609	PT14-16	203730	PT14-16	203838	PT14-17
203182	PT14-55	203408	PT14-17	203610	PT14-16	203731	PT14-16	203839	PT14-17
203183	PT14-55	203409	PT14-17	203613	PT14-16	203732	PT14-16	203840	PT14-17
203184	PT14-55	203410	PT14-17	203616	PT14-16	203734	PT14-16	203841	PT14-17
203185	PT14-55	203414	PT14-17	203617	PT14-16	203735	PT14-17	203842	PT14-17
203186	PT14-55	203430	PT14-58	203618	PT14-16	203737	PT14-17	203843	PT14-17
203187	PT14-55	203431	PT14-58	203620	PT14-16	203738	PT14-17	203844	PT14-17
203188	PT14-55	203437	PT14-17	203621	PT14-16	203739	PT14-17	203845	PT14-17
203189	PT14-55	203438	PT14-17	203622	PT14-16	203740	PT14-17	203846	PT14-17
203190	PT14-55	203439	PT14-17	203623	PT14-16	203741	PT14-17	203848	PT14-17
203191	PT14-55	203441	PT14-17	203624	PT14-17	203742	PT14-17	203849	PT14-17
203192	PT14-55	203455	PT14-35	203625	PT14-17	203744	PT14-17	203850	PT14-17
203193	PT14-55	203473	PT14-21	203627	PT14-17	203745	PT14-17	203853	PT14-17
203194	PT14-55	203474	PT14-17	203629	PT14-17	203746	PT14-17	203854	PT14-17
203195	PT14-55	203475	PT14-17	203631	PT14-17	203748	PT14-17	203855	PT14-17
203196	PT14-55	203477	PT14-16	203633	PT14-16	203749	PT14-17	203856	PT14-17
203197	PT14-55	203479	PT14-16	203634	PT14-17	203750	PT14-17	203857	PT14-16, PT14-58
203198	PT14-55	203482	PT14-36	203635	PT14-17	203751	PT14-17	203858	PT14-16, PT14-58
203199	PT14-55	203483	PT14-36	203636	PT14-17	203753	PT14-17	203860	PT14-16, PT14-58
203200	PT14-55	203484	PT14-36	203637	PT14-17	203754	PT14-17	203861	PT14-16, PT14-58
203201	PT14-55	203485	PT14-36	203638	PT14-17	203755	PT14-17	203862	PT14-16, PT14-58
203202	PT14-54	203486	PT14-36	203639	PT14-17	203756	PT14-17	203863	PT14-16, PT14-58
203203	PT14-17	203500	PT14-16	203641	PT14-17	203757	PT14-17	203864	PT14-16, PT14-58
203204	PT14-17	203501	PT14-16	203642	PT14-17	203758	PT14-17	203865	PT14-16, PT14-58
203205	PT14-17	203502	PT14-16	203643	PT14-17	203759	PT14-17	203868	PT14-16, PT14-58
203206	PT14-17	203503	PT14-16	203644	PT14-17	203760	PT14-17	203869	PT14-16, PT14-58
203207	PT14-16, PT14-58	203504	PT14-16	203645	PT14-17	203761	PT14-17	203870	PT14-16, PT14-58
203208	PT14-16, PT14-58	203505	PT14-17	203647	PT14-17	203762	PT14-17	203871	PT14-16
203210	PT14-16, PT14-58	203510	PT14-17	203648	PT14-17	203763	PT14-17	203872	PT14-16
203214	PT14-58	203511	PT14-17	203649	PT14-17	203765	PT14-16, PT14-58	203873	PT14-16
203215	PT14-58	203512	PT14-17	203651	PT14-16, PT14-58	203766	PT14-16, PT14-58	203874	PT14-16
203217	PT14-58	203516	PT14-16	203652	PT14-16, PT14-58	203767	PT14-16, PT14-58	203875	PT14-16
203218	PT14-58	203519	PT14-16	203654	PT14-16	203768	PT14-16, PT14-58	203878	PT14-16
203268	PT14-16	203524	PT14-17	203655	PT14-16	203770	PT14-16, PT14-58	203879	PT14-16
203271	PT14-16	203526	PT14-16	203657	PT14-16, PT14-58	203771	PT14-16	203880	PT14-16
203272	PT14-16	203527	PT14-16	203658	PT14-16	203773	PT14-16, PT14-58	203883	PT14-17
203274	PT14-17	203529	PT14-16	203659	PT14-16	203774	PT14-16, PT14-58	203884	PT14-17
203275	PT14-17	203530	PT14-16	203664	PT14-16	203775	PT14-16, PT14-58	203885	PT14-17
203276	PT14-17	203531	PT14-16	203666	PT14-16	203776	PT14-16	203886	PT14-17
203277	PT14-17	203533	PT14-16	203667	PT14-16	203778	PT14-16, PT14-58	203888	PT14-17
203283	PT14-16, PT14-58	203534	PT14-16	203668	PT14-16	203780	PT14-16, PT14-58	203890	PT14-17
203292	PT14-17	203538	PT14-16	203670	PT14-16	203781	PT14-16	203891	PT14-17
203293	PT14-17	203539	PT14-16	203671	PT14-16	203784	PT14-16	203892	PT14-17
203303	PT14-17	203543	PT14-17	203672	PT14-16	203786	PT14-16	203894	PT14-17
203305	PT14-17	203544	PT14-17	203674	PT14-16	203787	PT14-16	203895	PT14-17
203307	PT14-17	203551	PT14-17	203675	PT14-16	203788	PT14-16	203896	PT14-17
203308	PT14-17	203556	PT14-16	203676	PT14-16	203789	PT14-16	203897	PT14-17
203309	PT14-16, PT14-58	203558	PT14-16	203677	PT14-17	203790	PT14-16	203898	PT14-17
203310	PT14-16	203559	PT14-16	203678	PT14-17	203791	PT14-16	203900	PT14-17
203311	PT14-16	203560	PT14-16	203679	PT14-17	203793	PT14-17	203901	PT14-17
203314	PT14-17	203561	PT14-16	203680	PT14-17	203794	PT14-17	203905	PT14-17
203315	PT14-17	203562	PT14-16	203682	PT14-17	203795	PT14-17	203906	PT14-16, PT14-58
203317	PT14-17	203563	PT14-16	203683	PT14-17	203796	PT14-17	203907	PT14-17
203320	PT14-17	203565	PT14-16	203684	PT14-17	203797	PT14-17	203908	PT14-16
203322	PT14-17	203566	PT14-16	203685	PT14-17	203799	PT14-17	203910	PT14-16
203323	PT14-17	203568	PT14-16	203686	PT14-17	203801	PT14-17	203911	PT14-21
203326	PT14-17	203571	PT14-16	203687	PT14-17	203802	PT14-17	203912	PT14-21
203327	PT14-17	203572	PT14-16	203688	PT14-17	203803	PT14-17	203913	PT14-21
203328	PT14-17	203574	PT14-17	203689	PT14-17	203804	PT14-17	203914	PT14-21
203339	PT14-16, PT14-58	203575	PT14-17	203690	PT14-17	203807	PT14-17	203918	PT14-59



PART NUMBER INDEX

Conveyor Components

Engineering

Part Number Index

Keyword Index

Part Number	Page	Part Number	Page	Part Number	Page	Part Number	Page	Part Number	Page
203935	PT14-59	204525	PT14-23	204673	PT14-23	205076	PT14-24	205205	PT14-55
203936	PT14-59	204528	PT14-23	204675	PT14-23	205078	PT14-24	205206	PT14-55
203937	PT14-59	204531	PT14-23	204676	PT14-23	205080	PT14-23	205207	PT14-55
203938	PT14-59	204534	PT14-23	204677	PT14-23	205082	PT14-23	205208	PT14-55
203940	PT14-59	204537	PT14-24	204679	PT14-23	205083	PT14-24	205225	PT14-23
203941	PT14-59	204538	PT14-24	204681	PT14-23	205085	PT14-24	205227	PT14-24
203942	PT14-59	204539	PT14-24	204682	PT14-23	205086	PT14-23	205228	PT14-24
203948	PT14-59	204549	PT14-23	204684	PT14-24	205087	PT14-23	205229	PT14-24
203955	PT14-59	204550	PT14-23	204685	PT14-24	205088	PT14-23	205230	PT14-24
203958	PT14-59	204551	PT14-23	204687	PT14-24	205089	PT14-23	205234	PT14-23
204265	PT14-24	204552	PT14-23	204700	PT14-23	205090	PT14-24	205240	PT14-24
204266	PT14-23	204553	PT14-23	204701	PT14-23	205091	PT14-24	205241	PT14-24
204267	PT14-24	204554	PT14-23	204702	PT14-24	205092	PT14-24	205246	PT14-23
204268	PT14-24	204555	PT14-23	204703	PT14-24	205093	PT14-24	205248	PT14-23
204269	PT14-24	204556	PT14-23	204706	PT14-23	205094	PT14-23	205250	PT14-24
204270	PT14-24	204558	PT14-23	204707	PT14-23	205095	PT14-23	205251	PT14-24
204271	PT14-24	204559	PT14-23	204708	PT14-23	205096	PT14-23	205252	PT14-23
204272	PT14-25	204561	PT14-24	204709	PT14-24	205097	PT14-24	205255	PT14-23
204275	PT14-24	204562	PT14-24	204710	PT14-24	205098	PT14-24	205256	PT14-23
204276	PT14-24	204565	PT14-24	204713	PT14-23	205100	PT14-25	205257	PT14-23
204277	PT14-24	204566	PT14-24	204714	PT14-23	205101	PT14-25	205258	PT14-24
204278	PT14-24	204568	PT14-24	204715	PT14-24	205102	PT14-25	205261	PT14-24
204280	PT14-24	204571	PT14-24	204716	PT14-24	205105	PT14-25	205262	PT14-24
204281	PT14-24	204574	PT14-23	204719	PT14-23	205123	PT14-23	205263	PT14-24
204282	PT14-24	204575	PT14-23	204720	PT14-23	205124	PT14-23	205264	PT14-23
204283	PT14-24	204576	PT14-23	204721	PT14-23	205125	PT14-23	205265	PT14-23
204284	PT14-24	204577	PT14-23	204722	PT14-24	205127	PT14-24	205267	PT14-23
204285	PT14-25	204578	PT14-23	204723	PT14-24	205128	PT14-24	205268	PT14-23
204286	PT14-25	204579	PT14-23	204724	PT14-24	205129	PT14-24	205269	PT14-23
204287	PT14-25	204580	PT14-23	204727	PT14-25	205132	PT14-23	205270	PT14-24
204288	PT14-25	204581	PT14-23	204728	PT14-25	205133	PT14-23	205271	PT14-55
204290	PT14-25	204582	PT14-23	204729	PT14-25	205134	PT14-23	205272	PT14-55
204291	PT14-25	204584	PT14-23	204730	PT14-25	205135	PT14-23	205273	PT14-24
204292	PT14-25	204586	PT14-24	204731	PT14-25	205136	PT14-23	205275	PT14-24
204293	PT14-25	204587	PT14-24	204732	PT14-25	205137	PT14-23	205276	PT14-25
204295	PT14-25	204590	PT14-24	204733	PT14-25	205138	PT14-24	205281	PT14-25
204329	PT14-25	204591	PT14-24	204734	PT14-25	205139	PT14-24	205282	PT14-55
204339	PT14-24	204593	PT14-24	204735	PT14-25	205140	PT14-24	205283	PT14-54
204342	PT14-24	204599	PT14-23	204736	PT14-25	205141	PT14-24	205285	PT14-25
204346	PT14-24	204600	PT14-23	204738	PT14-25	205142	PT14-24	205286	PT14-25
204349	PT14-24	204601	PT14-23	204739	PT14-25	205145	PT14-23	205289	PT14-25
204353	PT14-23	204602	PT14-23	204740	PT14-25	205147	PT14-23	205290	PT14-25
204354	PT14-24	204603	PT14-23	204741	PT14-25	205148	PT14-23	205291	PT14-25
204355	PT14-24	204604	PT14-23	204744	PT14-25	205149	PT14-23	205293	PT14-25
204356	PT14-24	204605	PT14-23	204745	PT14-25	205150	PT14-24	205294	PT14-25
204357	PT14-24	204606	PT14-23	204746	PT14-25	205151	PT14-24	205295	PT14-25
204358	PT14-24	204608	PT14-23	204747	PT14-25	205152	PT14-24	205296	PT14-25
204359	PT14-24	204609	PT14-23	204748	PT14-25	205153	PT14-24	205312	PT14-24
204362	PT14-24	204611	PT14-24	204749	PT14-25	205154	PT14-24	205325	PT14-24
204365	PT14-25	204612	PT14-24	204750	PT14-25	205156	PT14-23	205327	PT14-24
204366	PT14-25	204615	PT14-24	204751	PT14-25	205159	PT14-23	205328	PT14-24
204367	PT14-25	204618	PT14-24	204754	PT14-24	205161	PT14-23	205332	PT14-23
204368	PT14-25	204623	PT14-23	204760	PT14-23	205162	PT14-24	205334	PT14-23
204369	PT14-25	204624	PT14-23	204761	PT14-24	205163	PT14-24	205336	PT14-24
204381	PT14-25	204625	PT14-23	204769	PT14-24	205165	PT14-23	205337	PT14-24
204417	PT14-23	204626	PT14-23	204770	PT14-24	205168	PT14-23	205338	PT14-24
204424	PT14-23	204627	PT14-23	204772	PT14-25	205169	PT14-23	205339	PT14-24
204425	PT14-23	204628	PT14-23	204773	PT14-25	205170	PT14-23	205340	PT14-24
204426	PT14-24	204629	PT14-23	204774	PT14-25	205171	PT14-24	205341	PT14-23
204427	PT14-24	204630	PT14-23	204779	PT14-25	205172	PT14-24	205343	PT14-23
204428	PT14-25	204632	PT14-23	204780	PT14-25	205175	PT14-23	205344	PT14-23
204429	PT14-25	204633	PT14-23	204946	PT14-25	205176	PT14-23	205345	PT14-23
204430	PT14-25	204635	PT14-24	205050	PT14-23	205177	PT14-23	205346	PT14-23
204431	PT14-25	204636	PT14-24	205051	PT14-23	205178	PT14-23	205347	PT14-24
204432	PT14-25	204639	PT14-24	205052	PT14-23	205179	PT14-24	205348	PT14-24
204435	PT14-25	204640	PT14-24	205053	PT14-23	205180	PT14-24	205349	PT14-24
204436	PT14-25	204642	PT14-24	205054	PT14-23	205181	PT14-24	205350	PT14-24
204437	PT14-25	204649	PT14-23	205056	PT14-23	205184	PT14-25	205351	PT14-24
204438	PT14-25	204650	PT14-23	205057	PT14-24	205185	PT14-25	205352	PT14-25
204505	PT14-23	204651	PT14-23	205058	PT14-24	205186	PT14-25	205355	PT14-25
204506	PT14-23	204652	PT14-23	205059	PT14-24	205187	PT14-25	205358	PT14-25
204507	PT14-23	204653	PT14-23	205060	PT14-24	205188	PT14-25	205362	PT14-25
204508	PT14-23	204654	PT14-23	205061	PT14-24	205192	PT14-25	205363	PT14-25
204509	PT14-23	204655	PT14-23	205063	PT14-23	205193	PT14-25	205365	PT14-25
204510	PT14-23	204656	PT14-23	205064	PT14-23	205195	PT14-54	205368	PT14-25
204511	PT14-23	204658	PT14-23	205065	PT14-23	205196	PT14-54	205370	PT14-25
204512	PT14-23	204659	PT14-23	205066	PT14-24	205197	PT14-54	205371	PT14-25
204514	PT14-23	204661	PT14-24	205067	PT14-24	205198	PT14-54	205372	PT14-25
204515	PT14-23	204662	PT14-24	205068	PT14-24	205199	PT14-54	205373	PT14-25
204517	PT14-24	204665	PT14-24	205070	PT14-23	205200	PT14-54	205374	PT14-25
204518	PT14-24	204666	PT14-24	205071	PT14-23	205201	PT14-55	205377	PT14-54
204520	PT14-24	204668	PT14-24	205072	PT14-23	205202	PT14-54	205378	PT14-54
204522	PT14-24	204669	PT14-24	205073	PT14-23	205203	PT14-54	205379	PT14-54
204524	PT14-23	204672	PT14-23	205075	PT14-24	205204	PT14-54	205380	PT14-55



PART NUMBER INDEX

Conveyor Components

Engineering

Part Number Index

Keyword Index

Part Number	Page	Part Number	Page	Part Number	Page	Part Number	Page	Part Number	Page
206104	PT14-17	206237	PT14-35	206356	PT14-35	206453	PT14-36	206571	PT14-40
206105	PT14-21	206239	PT14-35	206357	PT14-35	206454	PT14-36	206573	PT14-40
206106	PT14-21	206240	PT14-35	206358	PT14-35	206455	PT14-35	206574	PT14-40
206107	PT14-21	206241	PT14-35	206359	PT14-35	206456	PT14-35	206575	PT14-40
206108	PT14-21	206242	PT14-36	206360	PT14-36	206457	PT14-35	206576	PT14-40
206110	PT14-16, PT14-58	206243	PT14-36	206363	PT14-36	206458	PT14-35	206578	PT14-40
206111	PT14-16	206244	PT14-35	206367	PT14-35	206459	PT14-35	206579	PT14-40
206112	PT14-16	206245	PT14-36	206368	PT14-35	206460	PT14-36	206580	PT14-40
206113	PT14-16	206246	PT14-36	206370	PT14-35	206461	PT14-36	206582	PT14-40
206114	PT14-16	206247	PT14-36	206371	PT14-35	206462	PT14-36	206585	PT14-40
206115	PT14-16	206248	PT14-35	206373	PT14-35	206463	PT14-36	206588	PT14-39
206116	PT14-17	206249	PT14-36	206374	PT14-36	206464	PT14-36	206595	PT14-36
206117	PT14-17	206250	PT14-36	206375	PT14-36	206471	PT14-35	206599	PT14-36
206118	PT14-17	206251	PT14-36	206376	PT14-36	206472	PT14-35	206615	PT14-71
206119	PT14-17	206252	PT14-36	206377	PT14-36	206476	PT14-36	206617	PT14-71
206120	PT14-17	206253	PT14-36	206378	PT14-36	206478	PT14-36	206619	PT14-71
206121	PT14-17	206255	PT14-35	206379	PT14-35	206480	PT14-36	206621	PT14-71
206125	PT14-16, PT14-58	206256	PT14-35	206380	PT14-35	206481	PT14-36	206623	PT14-71
206126	PT14-16	206257	PT14-35	206381	PT14-35	206482	PT14-36	206625	PT14-71
206127	PT14-16	206258	PT14-35	206382	PT14-35	206483	PT14-36	206627	PT14-71
206128	PT14-16	206259	PT14-35	206383	PT14-35	206484	PT14-36	206629	PT14-71
206129	PT14-16	206260	PT14-35	206384	PT14-35	206485	PT14-36	206631	PT14-71
206130	PT14-16	206261	PT14-36	206385	PT14-35	206486	PT14-36	206633	PT14-71
206131	PT14-17	206262	PT14-36	206386	PT14-35	206487	PT14-36	206635	PT14-71
206132	PT14-17	206263	PT14-36	206387	PT14-35	206490	PT14-36	206637	PT14-71
206133	PT14-17	206264	PT14-36	206388	PT14-35	206491	PT14-36	206639	PT14-71
206134	PT14-17	206265	PT14-35	206389	PT14-36	206492	PT14-35	206640	PT14-71
206135	PT14-17	206266	PT14-35	206390	PT14-36	206494	PT14-36	206642	PT14-71
206136	PT14-17	206268	PT14-35	206391	PT14-36	206495	PT14-36	206644	PT14-71
206137	PT14-17	206269	PT14-35	206392	PT14-36	206496	PT14-36	206646	PT14-71
206140	PT14-16	206270	PT14-35	206393	PT14-36	206497	PT14-36	206648	PT14-71
206141	PT14-16	206271	PT14-35	206394	PT14-36	206498	PT14-36	206649	PT14-71
206142	PT14-16	206272	PT14-35	206395	PT14-36	206499	PT14-36	206650	PT14-71
206143	PT14-16	206273	PT14-36	206396	PT14-35	206500	PT14-36	206652	PT14-71
206144	PT14-16	206274	PT14-36	206397	PT14-35	206501	PT14-36	206654	PT14-71
206145	PT14-17	206276	PT14-36	206398	PT14-35	206502	PT14-35	206656	PT14-71
206146	PT14-17	206277	PT14-36	206399	PT14-35	206504	PT14-36	206658	PT14-71
206147	PT14-17	206278	PT14-36	206400	PT14-35	206506	PT14-36	206659	PT14-71
206148	PT14-17	206279	PT14-35	206402	PT14-35	206507	PT14-36	206660	PT14-71
206149	PT14-17	206286	PT14-35	206404	PT14-35	206508	PT14-36	206662	PT14-71
206150	PT14-17	206287	PT14-35	206405	PT14-36	206510	PT14-36	206664	PT14-71
206151	PT14-17	206288	PT14-35	206406	PT14-36	206511	PT14-36	206666	PT14-71
206158	PT14-36	206289	PT14-35	206407	PT14-36	206512	PT14-36	206668	PT14-71
206190	PT14-35	206295	PT14-35	206408	PT14-36	206513	PT14-36	206670	PT14-71
206193	PT14-35	206297	PT14-36	206409	PT14-36	206515	PT14-35	206671	PT14-71
206196	PT14-35	206298	PT14-36	206410	PT14-36	206522	PT14-36	206672	PT14-71
206197	PT14-35	206299	PT14-36	206411	PT14-36	206523	PT14-36	206673	PT14-71
206198	PT14-35	206303	PT14-36	206412	PT14-35	206524	PT14-35	206675	PT14-71
206199	PT14-35	206305	PT14-36	206413	PT14-35	206525	PT14-36	206677	PT14-71
206200	PT14-35	206306	PT14-36	206414	PT14-35	206526	PT14-36	206680	PT14-71
206201	PT14-35	206308	PT14-35	206415	PT14-35	206527	PT14-36	206682	PT14-71
206202	PT14-36	206309	PT14-35	206416	PT14-35	206528	PT14-36	206684	PT14-71
206203	PT14-36	206312	PT14-35	206417	PT14-35	206530	PT14-36	206686	PT14-71
206204	PT14-35	206313	PT14-35	206418	PT14-35	206531	PT14-36	206687	PT14-71
206205	PT14-35	206314	PT14-35	206419	PT14-35	206532	PT14-36	206688	PT14-71
206206	PT14-35	206316	PT14-35	206420	PT14-36	206534	PT14-36	206689	PT14-71
206207	PT14-36	206317	PT14-36	206421	PT14-36	206535	PT14-36	206690	PT14-72
206208	PT14-36	206318	PT14-36	206422	PT14-36	206536	PT14-36	206692	PT14-72
206209	PT14-36	206319	PT14-36	206423	PT14-36	206537	PT14-36	206694	PT14-72
206210	PT14-36	206320	PT14-36	206424	PT14-36	206538	PT14-36	206700	PT14-72
206211	PT14-36	206321	PT14-36	206425	PT14-36	206539	PT14-35	206702	PT14-72
206212	PT14-35	206322	PT14-36	206426	PT14-36	206543	PT14-36	206704	PT14-72
206213	PT14-36	206323	PT14-36	206428	PT14-35	206544	PT14-36	206706	PT14-72
206214	PT14-36	206324	PT14-36	206429	PT14-35	206545	PT14-36	206708	PT14-72
206216	PT14-35	206328	PT14-35	206430	PT14-35	206546	PT14-36	206710	PT14-72
206217	PT14-36	206330	PT14-35	206432	PT14-35	206547	PT14-36	206712	PT14-72
206218	PT14-36	206331	PT14-35	206433	PT14-35	206548	PT14-40	206714	PT14-72
206219	PT14-36	206332	PT14-35	206434	PT14-35	206549	PT14-40	206716	PT14-72
206220	PT14-35	206334	PT14-36	206435	PT14-36	206550	PT14-40	206718	PT14-72
206221	PT14-35	206335	PT14-36	206436	PT14-36	206552	PT14-40	206720	PT14-72
206222	PT14-35	206336	PT14-36	206437	PT14-36	206553	PT14-40	206722	PT14-72
206223	PT14-36	206337	PT14-36	206438	PT14-36	206555	PT14-40	206724	PT14-72
206224	PT14-36	206338	PT14-36	206439	PT14-36	206556	PT14-40	206744	PT14-71
206225	PT14-36	206342	PT14-35	206440	PT14-36	206557	PT14-40	206745	PT14-71
206226	PT14-36	206343	PT14-35	206442	PT14-35	206558	PT14-40	206747	PT14-71
206227	PT14-36	206344	PT14-35	206443	PT14-35	206559	PT14-40	206748	PT14-71
206228	PT14-35	206345	PT14-35	206444	PT14-35	206560	PT14-40	206750	PT14-71
206229	PT14-35	206346	PT14-35	206445	PT14-35	206561	PT14-40	206752	PT14-71
206231	PT14-35	206347	PT14-36	206446	PT14-35	206562	PT14-39	206754	PT14-71
206232	PT14-35	206348	PT14-36	206447	PT14-35	206563	PT14-40	206756	PT14-71
206233	PT14-36	206349	PT14-36	206448	PT14-36	206565	PT14-40	206758	PT14-71
206234	PT14-36	206350	PT14-36	206449	PT14-36	206566	PT14-40	206760	PT14-71
206235	PT14-36	206352	PT14-36	206450	PT14-36	206567	PT14-40	206763	PT14-71
206236	PT14-36	206355	PT14-35	206452	PT14-36	206570	PT14-40	206765	PT14-71

PART NUMBER INDEX



Part Number	Page	Part Number	Page	Part Number	Page	Part Number	Page	Part Number	Page
206767	PT14-71	206979	PT14-39	207399	PT14-72	207610	PT14-40	207738	PT14-39
206768	PT14-71	206980	PT14-39	207400	PT14-36	207612	PT14-39	207739	PT14-39
206770	PT14-71	206981	PT14-39	207402	PT14-36	207615	PT14-39	207740	PT14-39
206772	PT14-71	206988	PT14-40	207404	PT14-36	207616	PT14-40	207741	PT14-39
206774	PT14-71	206990	PT14-40	207406	PT14-36	207617	PT14-40	207743	PT14-39
206775	PT14-71	207156	PT6-13	207407	PT14-36	207621	PT14-39	207744	PT14-40
206777	PT14-71	207157	PT6-13	207408	PT14-36	207622	PT14-39	207746	PT14-40
206778	PT14-71	207205	PT14-21	207410	PT14-36	207644	PT14-39	207753	PT14-39
206779	PT14-71	207206	PT14-21	207411	PT14-36	207645	PT14-39	207754	PT14-39
206780	PT14-71	207207	PT14-21	207412	PT14-36	207646	PT14-39	207761	PT14-40
206781	PT14-71	207208	PT14-21	207416	PT14-36	207647	PT14-39	207950	PT14-21
206784	PT14-71	207209	PT14-21	207417	PT14-36	207648	PT14-39	207951	PT14-21
206786	PT14-71	207210	PT14-21	207418	PT14-36	207649	PT14-39	207952	PT14-21
206788	PT14-71	207211	PT14-21	207430	PT14-40	207650	PT14-39	207953	PT14-21
206790	PT14-71	207212	PT14-21	207432	PT14-40	207651	PT14-39	207954	PT14-21
206792	PT14-71	207213	PT14-21	207433	PT14-39	207652	PT14-39	207960	PT14-72
206794	PT14-71	207214	PT14-21	207435	PT14-39	207653	PT14-40	207961	PT14-72
206795	PT14-71	207215	PT14-21	207436	PT14-40	207654	PT14-40	207962	PT14-72
206796	PT14-71	207216	PT14-21	207437	PT14-40	207655	PT14-40	207963	PT14-72
206798	PT14-71	207249	PT14-67	207438	PT14-40	207656	PT14-40	207964	PT14-72
206800	PT14-71	207300	PT14-68	207441	PT14-39	207657	PT14-39	207965	PT14-72
206801	PT14-71	207301	PT14-68	207442	PT14-40	207658	PT14-39	207966	PT14-72
206803	PT14-71	207325	PT14-67	207443	PT14-40	207659	PT14-39	207967	PT14-72
206807	PT14-71	207326	PT14-67	207446	PT14-39	207660	PT14-39	207968	PT14-72
206810	PT14-71	207327	PT14-67	207447	PT14-39	207661	PT14-39	207969	PT14-72
206811	PT14-71	207328	PT14-67	207448	PT14-40	207662	PT14-39	207970	PT14-72
206812	PT14-71	207329	PT14-67	207449	PT14-40	207663	PT14-40	207971	PT14-21
206813	PT14-71	207330	PT14-67	207450	PT14-40	207664	PT14-40	207972	PT14-36
206815	PT14-71	207331	PT14-67	207451	PT14-40	207665	PT14-40	207973	PT14-21
206817	PT14-71	207332	PT14-67	207456	PT14-40	207666	PT14-40	207977	PT14-21
206818	PT14-71	207333	PT14-67	207457	PT14-40	207668	PT14-40	207978	PT14-21
206821	PT14-71	207334	PT14-67	207500	PT14-27	207669	PT14-39	207998	PT14-71
206823	PT14-71	207335	PT14-67	207501	PT14-27	207670	PT14-39	208001	PT14-42
206825	PT14-71	207336	PT14-67	207502	PT14-28	207671	PT14-39	208002	PT14-42
206838	PT14-71	207337	PT14-67	207503	PT14-27	207672	PT14-39	208003	PT14-42
206839	PT14-71	207338	PT14-67	207504	PT14-27	207673	PT14-39	208004	PT14-42
206840	PT14-71	207339	PT14-67	207505	PT14-27	207674	PT14-39	208005	PT14-42
206841	PT14-71	207340	PT14-67	207506	PT14-28	207675	PT14-40	208006	PT14-42
206845	PT14-72	207341	PT14-67	207507	PT14-27	207676	PT14-40	208007	PT14-42
206847	PT14-72	207342	PT14-67	207508	PT14-27	207678	PT14-40	208008	PT14-42
206849	PT14-72	207343	PT14-67	207509	PT14-28	207679	PT14-40	208009	PT14-42
206852	PT14-39	207344	PT14-67	207510	PT14-27	207680	PT14-40	208010	PT14-42
206853	PT14-40	207345	PT14-67	207511	PT14-27	207681	PT14-39	208011	PT14-42
206854	PT14-40	207346	PT14-67	207512	PT14-28	207682	PT14-39	208012	PT14-43
206855	PT14-40	207349	PT14-67	207513	PT14-27	207683	PT14-39	208013	PT14-43
206856	PT14-40	207350	PT14-42	207514	PT14-27	207684	PT14-39	208014	PT14-42
206858	PT14-40	207351	PT14-42	207515	PT14-27	207685	PT14-39	208015	PT14-42
206860	PT14-40	207352	PT14-43	207516	PT14-28	207686	PT14-39	208016	PT14-42
206864	PT14-40	207353	PT14-42	207517	PT14-27	207687	PT14-39	208017	PT14-42
206868	PT14-39	207354	PT14-42	207518	PT14-28	207688	PT14-40	208018	PT14-42
206876	PT14-39	207355	PT14-42	207519	PT14-27	207690	PT14-40	208019	PT14-42
206879	PT14-39	207356	PT14-42	207520	PT14-27	207691	PT14-40	208020	PT14-42
206880	PT14-39	207357	PT14-42	207521	PT14-28	207692	PT14-40	208021	PT14-42
206881	PT14-39	207358	PT14-43	207522	PT14-27	207694	PT14-39	208023	PT14-43
206882	PT14-39	207359	PT14-42	207523	PT14-27	207695	PT14-39	208025	PT14-43
206883	PT14-40	207360	PT14-42	207524	PT14-28	207696	PT14-39	208026	PT14-43
206885	PT14-40	207361	PT14-42	207526	PT14-28	207697	PT14-39	208027	PT14-42
206886	PT14-40	207362	PT14-42	207527	PT14-27	207698	PT14-39	208029	PT14-42
206887	PT14-40	207363	PT14-42	207528	PT14-28	207699	PT14-39	208030	PT14-42
206888	PT14-40	207364	PT14-43	207529	PT14-27	207700	PT14-39	208031	PT14-42
206897	PT14-39	207365	PT14-43	207530	PT14-27	207701	PT14-40	208033	PT14-42
206916	PT14-40	207366	PT14-42	207531	PT14-28	207702	PT14-40	208034	PT14-42
206917	PT14-40	207367	PT14-42	207532	PT14-29	207703	PT14-40	208035	PT14-42
206918	PT14-40	207368	PT14-42	207534	PT14-29	207705	PT14-40	208036	PT14-42
206919	PT14-40	207369	PT14-42	207536	PT14-29	207707	PT14-40	208037	PT14-42
206923	PT14-39	207370	PT14-43	207566	PT14-36	207708	PT14-40	208038	PT14-42
206926	PT14-39	207371	PT14-42	207567	PT14-36	207709	PT14-39	208039	PT14-42
206927	PT14-39	207372	PT14-42	207568	PT14-36	207710	PT14-39	208040	PT14-42
206928	PT14-40	207373	PT14-42	207569	PT14-36	207711	PT14-39	208041	PT14-42
206929	PT14-40	207374	PT14-43	207570	PT14-36	207713	PT14-39	208042	PT14-43
206930	PT14-40	207375	PT14-43	207571	PT14-36	207714	PT14-39	208044	PT14-43
206931	PT14-40	207376	PT14-42	207572	PT14-36	207715	PT14-40	208045	PT14-43
206932	PT14-40	207377	PT14-43	207573	PT14-36	207716	PT14-40	208046	PT14-43
206934	PT14-40	207378	PT14-43	207574	PT14-36	207717	PT14-40	208047	PT14-43
206935	PT14-40	207380	PT14-72	207575	PT14-36	207719	PT14-40	208050	PT14-43
206939	PT14-39	207382	PT14-72	207578	PT14-21	207721	PT14-40	208051	PT14-43
206940	PT14-39	207384	PT14-72	207600	PT14-39	207724	PT14-39	208052	PT14-42
206968	PT14-39	207386	PT14-72	207601	PT14-39	207725	PT14-39	208054	PT14-42
206970	PT14-40	207388	PT14-72	207602	PT14-39	207726	PT14-39	208056	PT14-42
206972	PT14-40	207390	PT14-72	207603	PT14-39	207727	PT14-39	208058	PT14-42
206974	PT14-40	207392	PT14-72	207604	PT14-39	207728	PT14-39	208063	PT14-42
206975	PT14-40	207394	PT14-72	207605	PT14-40	207729	PT14-39	208065	PT14-42
206976	PT14-40	207396	PT14-72	207606	PT14-40	207730	PT14-39	208067	PT14-42
206977	PT14-40	207398	PT14-72	207608	PT14-40	207731	PT14-40	208068	PT14-42

PART NUMBER INDEX



Part Number	Page	Part Number	Page	Part Number	Page	Part Number	Page	Part Number	Page
208718	PT14-29	208885	PT14-52	209736	PT14-16, PT14-58	209835	PT14-19	209928	PT14-21
208719	PT14-29	208886	PT14-52	209737	PT14-16, PT14-58	209836	PT14-19	209929	PT14-21
208723	PT14-29	208887	PT14-52	209738	PT14-16	209837	PT14-19	209930	PT14-21
208731	PT14-29	208888	PT14-52	209739	PT14-16	209838	PT14-19	209931	PT14-21
208732	PT14-29	208889	PT14-52	209740	PT14-16	209839	PT14-19	209932	PT14-21
208733	PT14-29	208890	PT14-52	209741	PT14-17	209840	PT14-19	209933	PT14-21
208734	PT14-29	208891	PT14-52	209742	PT14-17	209841	PT14-19	209934	PT14-21
208735	PT14-29	208892	PT14-52	209743	PT14-16, PT14-58	209842	PT14-19	209935	PT14-21
208736	PT14-29	208893	PT14-52	209744	PT14-16, PT14-58	209843	PT14-18	209936	PT14-21
208737	PT14-29	208894	PT14-52	209745	PT14-16, PT14-58	209844	PT14-18	209937	PT14-21
208738	PT14-29	208895	PT14-52	209746	PT14-16, PT14-58	209845	PT14-18	209938	PT14-21
208740	PT14-29	208923	PT14-21	209747	PT14-16	209846	PT14-18	209939	PT14-21
208742	PT14-29	208974	PT14-36	209748	PT14-16	209847	PT14-19	209940	PT14-21
208743	PT14-29	209519	PT14-52	209749	PT14-16	209848	PT14-19	209941	PT14-21
208744	PT14-29	209652	PT14-35	209750	PT14-16	209849	PT14-19	209942	PT14-16
208745	PT14-29	209653	PT14-35	209751	PT14-17	209850	PT14-19	209945	PT14-16
208746	PT14-29	209655	PT14-35	209752	PT14-17	209851	PT14-19	209948	PT14-16
208747	PT14-29	209656	PT14-35	209753	PT14-17	209852	PT14-18	209949	PT14-17
208758	PT14-29	209657	PT14-35	209754	PT14-17	209853	PT14-19	209950	PT14-17
208761	PT14-43	209659	PT14-35	209755	PT14-17	209854	PT14-19	209951	PT14-16
208762	PT14-43	209660	PT14-35	209756	PT14-16, PT14-58	209855	PT14-19	209952	PT14-16, PT14-58
208764	PT14-43	209661	PT14-36	209757	PT14-16, PT14-58	209856	PT14-20	209953	PT14-16, PT14-58
208765	PT14-43	209662	PT14-36	209758	PT14-16, PT14-58	209857	PT14-20	209955	PT14-16
208766	PT14-42	209663	PT14-36	209759	PT14-16	209864	PT14-50	209956	PT14-17
208767	PT14-43	209664	PT14-35	209760	PT14-16	209866	PT14-50	209957	PT14-16, PT14-58
208768	PT14-43	209665	PT14-36	209761	PT14-17	209867	PT14-51	209958	PT14-16, PT14-58
208769	PT14-42	209666	PT14-36	209762	PT14-17	209870	PT14-51	209959	PT14-16, PT14-58
208770	PT14-43	209668	PT14-36	209763	PT14-17	209871	PT14-51	209960	PT14-17
208771	PT14-44, PT14-46	209669	PT14-35	209764	PT14-17	209872	PT14-51	209963	PT14-21
208772	PT14-45, PT14-47	209670	PT14-35	209765	PT14-17	209873	PT14-51	223058	PT14-16
208773	PT14-45, PT14-47	209671	PT14-35	209766	PT14-17	209874	PT14-50	223059	PT14-17
208775	PT14-45, PT14-47	209672	PT14-35	209767	PT14-16, PT14-58	209875	PT14-50	223060	PT14-17
208776	PT14-45, PT14-47	209673	PT14-36	209769	PT14-16	209876	PT14-51	223061	PT14-16
208777	PT14-45, PT14-47	209674	PT14-36	209770	PT14-16	209877	PT14-51	223063	PT14-17
208778	PT14-45, PT14-47	209675	PT14-35	209771	PT14-16	209878	PT14-50	223065	PT14-17
208794	PT14-28	209676	PT14-35	209772	PT14-16	209879	PT14-50	223066	PT14-16
208800	PT14-28	209677	PT14-35	209773	PT14-16	209880	PT14-51	223067	PT14-17
208806	PT14-28	209678	PT14-36	209774	PT14-17	209881	PT14-51	223068	PT14-17
208831	PT14-50	209679	PT14-36	209775	PT14-17	209882	PT14-51	223069	PT14-17
208833	PT14-50	209680	PT14-36	209776	PT14-17	209883	PT14-51	223070	PT14-17
208835	PT14-50	209681	PT14-35	209777	PT14-17	209884	PT14-50	223071	PT14-17
208837	PT14-50	209682	PT14-35	209778	PT14-17	209885	PT14-51	223072	PT14-17
208838	PT14-50	209683	PT14-35	209779	PT14-17	209886	PT14-51	223073	PT14-16
208839	PT14-50	209684	PT14-35	209780	PT14-16, PT14-58	209887	PT14-51	223074	PT14-16
208840	PT14-50	209685	PT14-35	209781	PT14-16	209888	PT14-51	223075	PT14-16
208841	PT14-50	209686	PT14-36	209782	PT14-17	209889	PT14-50	223076	PT14-16
208842	PT14-50	209687	PT14-36	209783	PT14-17	209890	PT14-50	223078	PT14-16
208844	PT14-50	209688	PT14-36	209784	PT14-17	209891	PT14-51	223079	PT14-17
208845	PT14-50	209689	PT14-36	209785	PT14-17	209892	PT14-51	223080	PT14-17
208847	PT14-50	209690	PT14-36	209786	PT14-17	209893	PT14-51	223081	PT14-17
208849	PT14-50	209691	PT14-35	209800	PT14-18	209894	PT14-51	223082	PT14-17
208850	PT14-50	209692	PT14-36	209801	PT14-18	209895	PT14-51	223083	PT14-17
208851	PT14-50	209693	PT14-36	209802	PT14-18	209896	PT14-21	223084	PT14-17
208852	PT14-50	209700	PT14-17	209803	PT14-18	209897	PT14-21	223085	PT14-17
208853	PT14-50	209701	PT14-17	209804	PT14-19	209898	PT14-21	223086	PT14-17
208854	PT14-50	209703	PT14-17	209805	PT14-19	209899	PT14-21	223087	PT14-17
208855	PT14-50	209704	PT14-17	209806	PT14-19	209900	PT14-21	223088	PT14-17
208856	PT14-50	209707	PT14-17	209807	PT14-19	209901	PT14-21	223089	PT14-17
208857	PT14-50	209710	PT14-16	209808	PT14-19	209902	PT14-21	223090	PT14-17
208858	PT14-50	209711	PT14-17	209810	PT14-18	209903	PT14-21	223091	PT14-17
208860	PT14-51	209712	PT14-17	209811	PT14-19	209904	PT14-21	223092	PT14-17
208862	PT14-51	209713	PT14-17	209812	PT14-19	209905	PT14-21	223093	PT14-17
208863	PT14-51	209714	PT14-17	209813	PT14-19	209906	PT14-21	223094	PT14-17
208864	PT14-51	209715	PT14-17	209814	PT14-18	209907	PT14-21	223095	PT14-16
208865	PT14-51	209716	PT14-16	209815	PT14-18	209908	PT14-21	223096	PT14-16
208866	PT14-51	209717	PT14-16	209816	PT14-18	209909	PT14-21	223097	PT14-16
208867	PT14-51	209718	PT14-16	209817	PT14-19	209910	PT14-21	223098	PT14-16
208868	PT14-51	209719	PT14-16	209818	PT14-18	209911	PT14-21	223099	PT14-16
208869	PT14-51	209720	PT14-16	209819	PT14-18	209912	PT14-21	223100	PT14-17
208870	PT14-51	209721	PT14-16	209820	PT14-18	209913	PT14-21	223101	PT14-17
208871	PT14-52	209722	PT14-17	209821	PT14-18	209914	PT14-21	223102	PT14-17
208872	PT14-52	209723	PT14-17	209822	PT14-19	209915	PT14-21	223103	PT14-17
208873	PT14-52	209724	PT14-17	209823	PT14-19	209916	PT14-21	223104	PT14-17
208874	PT14-52	209725	PT14-16	209824	PT14-19	209917	PT14-21	223111	PT14-17
208875	PT14-52	209726	PT14-16	209825	PT14-19	209918	PT14-21	223112	PT14-17
208876	PT14-52	209727	PT14-16	209826	PT14-18	209919	PT14-21	223113	PT14-17
208877	PT14-52	209728	PT14-16	209827	PT14-18	209920	PT14-21	223114	PT14-17
208878	PT14-52	209729	PT14-16	209828	PT14-19	209921	PT14-21	223115	PT14-17
208879	PT14-52	209730	PT14-16	209829	PT14-19	209922	PT14-21	223116	PT14-17
208880	PT14-52	209731	PT14-17	209830	PT14-19	209923	PT14-21	223118	PT14-17
208881	PT14-52	209732	PT14-17	209831	PT14-18	209924	PT14-21	223119	PT14-17
208882	PT14-52	209733	PT14-17	209832	PT14-18	209925	PT14-21	223120	PT14-17
208883	PT14-52	209734	PT14-16, PT14-58	209833	PT14-18	209926	PT14-21	223123	PT14-16
208884	PT14-52	209735	PT14-16, PT14-58	209834	PT14-19	209927	PT14-21	223124	PT14-16



PART NUMBER INDEX

Conveyor Components

Engineering

Part Number Index

Keyword Index

Part Number	Page	Part Number	Page	Part Number	Page	Part Number	Page	Part Number	Page
226893	PT14-75	305022	PT3-9	330255	PT9-4	455118	PT7-16	455202	PT7-17
226894	PT14-75	305025	PT3-11, PT3-14	330256	PT9-4	455119	PT7-16	455203	PT7-17
226895	PT14-75	305026	PT3-14	330257	PT9-4	455120	PT7-16	455204	PT7-17
226896	PT14-75	305027	PT3-14	330258	PT9-4	455121	PT7-16	455205	PT7-17
226897	PT14-75	305028	PT3-14	330259	PT9-4	455122	PT7-16	455206	PT7-17
226898	PT14-75	305029	PT3-14	330260	PT9-4	455123	PT7-16	455207	PT7-17
226899	PT14-75	305037	PT3-10, PT3-14	330261	PT9-4	455124	PT7-16	455208	PT7-17
226900	PT14-75	305056	PT3-9	330262	PT9-4	455125	PT7-16	455209	PT7-17
226901	PT14-75	305057	PT3-9	330263	PT9-4	455126	PT7-16	455210	PT7-17
226902	PT14-75	305058	PT3-11, PT3-14	330264	PT9-4	455127	PT7-16	455211	PT7-17
226903	PT14-75	305085	PT3-9	330265	PT9-4	455128	PT7-16	455212	PT7-17
226904	PT14-75	305101	PT3-8	330266	PT9-4	455129	PT7-16	455213	PT7-17
226905	PT14-75	305102	PT3-8	330267	PT9-4	455130	PT7-16	455214	PT7-17
226906	PT14-75	305103	PT3-8	330268	PT9-4	455131	PT7-16	455215	PT7-17
226907	PT14-75	305106	PT3-8	330269	PT9-4	455132	PT7-16	455216	PT7-17
226908	PT14-75	305115	PT3-10	330270	PT9-4	455133	PT7-16	455217	PT7-17
226909	PT14-75	305117	PT3-14	330271	PT9-4	455134	PT7-16	455218	PT7-17
226910	PT14-75	305118	PT3-10	330272	PT9-4	455135	PT7-16	455219	PT7-17
226911	PT14-75	305120	PT3-10	330273	PT9-4	455136	PT7-16	455220	PT7-17
226912	PT14-75	305121	PT3-10	330274	PT9-4	455137	PT7-16	455221	PT7-17
226913	PT14-75	305122	PT3-10	330275	PT9-4	455138	PT7-16	455222	PT7-17
226914	PT14-75	305123	PT3-10	330276	PT9-4	455139	PT7-16	455223	PT7-17
226915	PT14-75	309070	PT3-9	330279	PT9-4	455140	PT7-16	455224	PT7-17
226916	PT14-77	309071	PT3-9	391301	PT13-29	455141	PT7-16	455225	PT7-17
226917	PT14-77	309072	PT3-9	391304	PT13-29	455142	PT7-16	455226	PT7-17
226918	PT14-77	309073	PT3-9	391308	PT13-29	455143	PT7-16	455227	PT7-17
226919	PT14-77	309074	PT3-11	391371	PT5-6	455144	PT7-16	455228	PT7-17
226920	PT14-77	309077	PT3-12	391372	PT5-6	455145	PT7-16	455229	PT7-17
226921	PT14-77	309111	PT3-15	391373	PT5-6	455146	PT7-16	455230	PT7-17
226922	PT14-77	310060	PT3-17	391375	PT5-6	455147	PT7-16	455231	PT7-17
226923	PT14-77	310061	PT3-17	391376	PT5-6	455148	PT7-16	455232	PT7-17
226924	PT14-77	310062	PT3-17	391377	PT5-6	455149	PT7-16	455233	PT7-17
226925	PT14-77	310063	PT3-17	391379	PT5-6	455150	PT7-16	455234	PT7-17
226926	PT14-77	310064	PT3-17	391380	PT5-6	455151	PT7-16	455235	PT7-17
226927	PT14-77	310065	PT3-17	391381	PT5-6	455152	PT7-16	455236	PT7-17
226928	PT14-77	310066	PT3-17	391383	PT5-6	455153	PT7-16	455237	PT7-17
228010	PT6-13	310067	PT3-17	391384	PT5-6	455154	PT7-16	455238	PT7-17
228011	PT6-13	310068	PT3-17	391385	PT5-6	455155	PT7-16	455239	PT7-17
228012	PT6-13	310069	PT3-17	393002	PT6-6	455156	PT7-16	455240	PT7-18
228058	PT6-13	310070	PT3-17	393170	PT6-8	455157	PT7-16	455241	PT7-18
228079	PT6-13	310071	PT3-17	393257	PT1-55	455158	PT7-16	455242	PT7-18
228080	PT6-13	310077	PT3-17	394059	PT6-23	455159	PT7-16	455243	PT7-18
228081	PT6-13	310078	PT3-17	394171	PT1-64	455160	PT7-16	455244	PT7-18
228082	PT6-13	310079	PT3-17	394172	PT1-64	455161	PT7-16	455245	PT7-18
228083	PT6-13	310080	PT3-17	394173	PT1-64	455162	PT7-16	455246	PT7-18
228084	PT6-13	310081	PT3-17	394174	PT1-64	455163	PT7-16	455247	PT7-18
228085	PT6-13	310082	PT3-17	394175	PT1-64	455164	PT7-16	455248	PT7-18
228086	PT6-13	310083	PT3-17	394176	PT1-64	455165	PT7-16	455249	PT7-18
228087	PT6-13	310084	PT3-17	394177	PT1-64	455166	PT7-16	455250	PT7-18
228088	PT6-13	310085	PT3-17	394178	PT1-64	455167	PT7-16	455251	PT7-18
228089	PT6-13, PT13-30	311070	PT3-9	394179	PT1-64	455168	PT7-16	455252	PT7-18
228090	PT6-13, PT13-30	311071	PT3-9	394180	PT1-64	455169	PT7-16	455253	PT7-18
228091	PT6-13, PT13-30	311072	PT3-9	411767	PT1-82	455170	PT7-16	455254	PT7-18
228092	PT6-13, PT13-30	311073	PT3-9	411768	PT1-82	455171	PT7-16	455255	PT7-18
228093	PT6-13, PT13-30	311074	PT3-11	411770	PT1-82	455172	PT7-16	455256	PT7-18
228094	PT6-13, PT13-30	311077	PT3-12	411771	PT1-82	455173	PT7-16	455257	PT7-18
228095	PT6-13, PT13-30	311111	PT3-15	423589	PT1-55	455174	PT7-16	455258	PT7-18
228110	PT6-27	311112	PT3-15	423677	PT1-55	455175	PT7-16	455259	PT7-18
228111	PT6-27	311113	PT3-15	424063	PT6-30	455176	PT7-16	455260	PT7-18
228112	PT6-27	311116	PT3-15	425514	PT1-55	455177	PT7-16	455261	PT7-18
228113	PT6-27	311118	PT3-15	426013	PT6-8	455178	PT7-16	455262	PT7-18
228114	PT6-27	311119	PT3-15	426672	PT1-55, PT1-82	455179	PT7-16	455263	PT7-18
228115	PT6-27	311120	PT3-15	426673	PT1-55, PT1-82	455180	PT7-16	455264	PT7-18
228116	PT6-27	311121	PT3-15	426674	PT1-55, PT1-82	455181	PT7-16	455265	PT7-18
228117	PT6-27	311122	PT3-15	426916	PT1-55	455182	PT7-16	455266	PT7-18
228118	PT6-27	311123	PT3-15	450966	PT7-141	455183	PT7-16	455267	PT7-18
228119	PT6-27	311124	PT3-15	455100	PT7-16	455184	PT7-16	455268	PT7-18
228465	PT6-26	311125	PT3-15	455101	PT7-16	455185	PT7-16	455269	PT7-18
228466	PT6-26	315070	PT3-9	455102	PT7-16	455186	PT7-16	455270	PT7-18
228467	PT6-26	315071	PT3-9	455103	PT7-16	455187	PT7-16	455271	PT7-18
228468	PT6-26	315072	PT3-9	455104	PT7-16	455188	PT7-17	455272	PT7-18
228469	PT6-26	315073	PT3-12	455105	PT7-16	455189	PT7-17	455273	PT7-18
228470	PT6-26	315074	PT3-12	455106	PT7-16	455190	PT7-17	455274	PT7-18
228471	PT6-26	315075	PT3-12	455107	PT7-16	455191	PT7-17	455275	PT7-18
228472	PT6-26	315111	PT3-15	455108	PT3-16, PT7-16	455192	PT7-17	455276	PT7-18
228473	PT6-26	318060	PT3-9	455109	PT7-16	455193	PT7-17	455277	PT7-18
228474	PT6-26	318065	PT3-9	455110	PT7-16	455194	PT7-17	455278	PT7-18
228475	PT6-26	318110	PT3-12	455111	PT7-16	455195	PT7-17	455279	PT7-18
228476	PT6-26	318400	PT3-12	455112	PT3-16, PT7-16	455196	PT7-17	455280	PT7-18
228477	PT6-26	330250	PT9-4	455113	PT3-16, PT7-16	455197	PT7-17	455281	PT7-18
305015	PT3-9	330251	PT9-4	455114	PT3-16, PT7-16	455198	PT7-17	455282	PT7-18
305016	PT3-9	330252	PT9-4	455115	PT3-16, PT7-16	455199	PT7-17	455284	PT7-18
305019	PT3-11	330253	PT9-4	455116	PT3-16, PT7-16	455200	PT7-17	455285	PT7-18
305021	PT3-9	330254	PT9-4	455117	PT3-16, PT7-16	455201	PT7-17	455287	PT7-18



PART NUMBER INDEX

Conveyor Components

Engineering

Part Number Index

Keyword Index

Part Number	Page	Part Number	Page	Part Number	Page	Part Number	Page	Part Number	Page
482066	PT12-10	482150	PT12-11	482234	PT12-16	D1-3V140	PT7-29	D2-5V59	PT7-31
482067	PT12-10	482151	PT12-11	482235	PT12-16	D1-3V190	PT7-29	D2-5V63	PT7-31
482068	PT12-10	482152	PT12-11	482236	PT12-16	D1-3V235	PT7-29	D2-5V67	PT7-31
482069	PT12-10	482153	PT12-11	482237	PT12-16	D1-3V265	PT7-29	D2-5V71	PT7-31
482070	PT12-10	482154	PT12-11	482238	PT12-16	D1-3V315	PT7-29	D2-5V75	PT7-31
482071	PT12-10	482155	PT12-11	482239	PT12-16	D1-3V335	PT7-29	D2-5V80	PT7-31
482072	PT12-10	482156	PT12-11	482240	PT12-16	D1-3V365	PT7-29	D2-5V85	PT7-31
482073	PT12-10	482157	PT12-11	482241	PT12-16	D1-3V412	PT7-29	D2-5V90	PT7-31
482074	PT12-10	482158	PT12-11	708079	PT1-80	D1-3V475	PT7-29	D2-5V103	PT7-31
482075	PT12-10	482159	PT12-11	708083	PT1-80	D1B34	PT7-36	D2-5V109	PT7-31
482076	PT12-10	482160	PT12-11	708084	PT1-80	D1B36	PT7-36	D2-5V113	PT7-31
482077	PT12-10	482161	PT12-11	708086	PT1-80	D1B38	PT7-36	D2-5V118	PT7-31
482078	PT12-10	482162	PT12-11	708110	PT1-80	D1B40	PT7-36	D2-5V125	PT7-31
482079	PT12-10	482163	PT12-11	708118	PT1-80	D1B42	PT7-36	D2-5V132	PT7-31
482080	PT12-10	482164	PT12-11	708151	PT1-80	D1B44	PT7-36	D2-5V140	PT7-31
482081	PT12-10	482165	PT12-11	708155	PT1-80	D1B46	PT7-36	D2-5V150	PT7-31
482082	PT12-10	482166	PT12-13	708158	PT1-80	D1B48	PT7-36	D2-5V160	PT7-31
482083	PT12-10	482167	PT12-13	708188	PT1-80	D1B50	PT7-36	D2-5V187	PT7-31
482084	PT12-10	482168	PT12-13	708192	PT1-80	D1B52	PT7-36	D2-5V212	PT7-31
482085	PT12-10	482169	PT12-13	708195	PT1-80	D1B54	PT7-36	D2-5V236	PT7-31
482086	PT12-14	482170	PT12-13	708223	PT1-80	D1B56	PT7-36	D2-5V280	PT7-31
482087	PT12-14	482171	PT12-13	708227	PT1-80	D1B58	PT7-36	D2-5V465	PT7-31
482088	PT12-14	482172	PT12-13	708230	PT1-80	D1B60	PT7-36	D2-5V925	PT7-31
482089	PT12-13	482173	PT12-13	708252	PT1-80	D1B62	PT7-36	D2-5V975	PT7-31
482090	PT12-13	482174	PT12-13	708256	PT1-80	D1B64	PT7-36	D2B34	PT7-36
482091	PT12-13	482175	PT12-13	708260	PT1-80	D1B66	PT7-36	D2B36	PT7-36
482092	PT12-13	482176	PT12-13	708280	PT1-80	D1B68	PT7-36	D2B38	PT7-36
482093	PT12-13	482177	PT12-13	708284	PT1-80	D1B70	PT7-36	D2B40	PT7-36
482094	PT12-13	482178	PT12-13	708289	PT1-80	D1B74	PT7-36	D2B42	PT7-36
482095	PT12-13	482179	PT12-13	708300	PT1-80	D1B80	PT7-36	D2B44	PT7-36
482096	PT12-10	482180	PT12-13	708304	PT1-80	D1B86	PT7-36	D2B46	PT7-36
482097	PT12-10	482181	PT12-13	708308	PT1-80	D1B90	PT7-36	D2B48	PT7-36
482098	PT12-10	482182	PT12-11	708322	PT1-80	D1B94	PT7-36	D2B50	PT7-36
482099	PT12-10	482183	PT12-11	708326	PT1-80	D1B110	PT7-36	D2B52	PT7-36
482100	PT12-10	482184	PT12-11	708331	PT1-80	D1B124	PT7-36	D2B54	PT7-36
482101	PT12-10	482185	PT12-11	708337	PT1-80	D1B136	PT7-36	D2B56	PT7-36
482102	PT12-10	482186	PT12-11	708341	PT1-80	D1B154	PT7-36	D2B58	PT7-36
482103	PT12-10	482187	PT12-11	708347	PT1-80	D1B160	PT7-36	D2B60	PT7-36
482104	PT12-10	482188	PT12-11	708351	PT1-80	D1B184	PT7-36	D2B62	PT7-36
482105	PT12-10	482189	PT12-11	708357	PT1-80	D1B200	PT7-36	D2B64	PT7-36
482106	PT12-10	482190	PT12-11	708361	PT1-80	D1B250	PT7-36	D2B66	PT7-36
482107	PT12-10	482191	PT12-11	708367	PT1-80	D1C70	PT7-40	D2B68	PT7-36
482108	PT12-10	482192	PT12-11	708370	PT1-80	D1C75	PT7-40	D2B70	PT7-36
482109	PT12-10	482193	PT12-11	708375	PT1-80	D1C80	PT7-40	D2B74	PT7-36
482110	PT12-10	482194	PT12-11	708378	PT1-80	D1C85	PT7-40	D2B80	PT7-36
482111	PT12-10	482195	PT12-11	708383	PT1-80	D1C90	PT7-40	D2B86	PT7-36
482112	PT12-10	482196	PT12-11	708385	PT1-80	D1C95	PT7-40	D2B90	PT7-36
482113	PT12-10	482197	PT12-11	708389	PT1-80	D1C100	PT7-40	D2B94	PT7-36
482114	PT12-10	482198	PT12-11	708391	PT1-80	D1C105	PT7-40	D2B110	PT7-36
482115	PT12-10	482199	PT12-15	708399	PT1-80	D1C110	PT7-40	D2B124	PT7-36
482116	PT12-10	482200	PT12-15	708403	PT1-80	D1C120	PT7-40	D2B136	PT7-36
482117	PT12-10	482201	PT12-15	708420	PT1-80	D1C130	PT7-40	D2B154	PT7-36
482118	PT12-10	482202	PT12-15	708425	PT1-80	D1C140	PT7-40	D2B160	PT7-36
482119	PT12-10	482203	PT12-15	719349	PT1-80	D1C160	PT7-40	D2B184	PT7-36
482120	PT12-11	482204	PT12-15	719350	PT1-80	D1C180	PT7-40	D2B200	PT7-36
482121	PT12-11	482205	PT12-15	719351	PT1-80	D1C200	PT7-40	D2B250	PT7-36
482122	PT12-11	482206	PT12-15	719352	PT1-80	D1C240	PT7-40	D2B300	PT7-36
482123	PT12-11	482207	PT12-15	719353	PT1-80	D2-3V22	PT7-29	D2B380	PT7-36
482124	PT12-11	482208	PT12-15	719354	PT1-80	D2-3V25	PT7-29	D2C70	PT7-40
482125	PT12-11	482209	PT12-15	719355	PT1-80	D2-3V28	PT7-29	D2C75	PT7-40
482126	PT12-11	482210	PT12-15	719356	PT1-80	D2-3V30	PT7-29	D2C80	PT7-40
482127	PT12-11	482211	PT12-15	719357	PT1-80	D2-3V45	PT7-29	D2C85	PT7-40
482128	PT12-13	482212	PT12-15	719358	PT1-80	D2-3V50	PT7-29	D2C90	PT7-40
482129	PT12-13	482213	PT12-15	719359	PT1-80	D2-3V53	PT7-29	D2C95	PT7-40
482130	PT12-13	482214	PT12-15	719360	PT1-80	D2-3V56	PT7-29	D2C100	PT7-40
482131	PT12-13	482215	PT12-15	719361	PT1-80	D2-3V60	PT7-29	D2C105	PT7-40
482132	PT12-13	482216	PT12-15	719362	PT1-80	D2-3V65	PT7-29	D2C110	PT7-40
482133	PT12-13	482217	PT12-15	719363	PT1-80	D2-3V69	PT7-29	D2C120	PT7-40
482134	PT12-13	482218	PT12-15	719364	PT1-80	D2-3V80	PT7-29	D2C130	PT7-40
482135	PT12-13	482219	PT12-15	719365	PT1-80	D2-3V106	PT7-29	D2C140	PT7-40
482136	PT12-13	482220	PT12-15	719366	PT1-80	D2-3V140	PT7-29	D2C160	PT7-40
482137	PT12-13	482221	PT12-15	D1-3V22	PT7-29	D2-3V190	PT7-29	D2C180	PT7-40
482138	PT12-13	482222	PT12-15	D1-3V25	PT7-29	D2-3V235	PT7-29	D2C200	PT7-40
482139	PT12-13	482223	PT12-15	D1-3V28	PT7-29	D2-3V250	PT7-29	D2C240	PT7-40
482140	PT12-13	482224	PT12-15	D1-3V30	PT7-29	D2-3V265	PT7-29	D2C270	PT7-40
482141	PT12-11	482225	PT12-15	D1-3V45	PT7-29	D2-3V315	PT7-29	D2C300	PT7-40
482142	PT12-11	482226	PT12-15	D1-3V50	PT7-29	D2-3V335	PT7-29	D3-3V3.35	PT7-29
482143	PT12-11	482227	PT12-15	D1-3V53	PT7-29	D2-3V365	PT7-29	D3-3V28	PT7-29
482144	PT12-11	482228	PT12-15	D1-3V56	PT7-29	D2-3V412	PT7-29	D3-3V30	PT7-29
482145	PT12-11	482229	PT12-15	D1-3V60	PT7-29	D2-3V475	PT7-29	D3-3V50	PT7-29
482146	PT12-11	482230	PT12-15	D1-3V65	PT7-29	D2-5V44	PT7-31	D3-3V53	PT7-29
482147	PT12-11	482231	PT12-15	D1-3V69	PT7-29	D2-5V49	PT7-31	D3-3V56	PT7-29
482148	PT12-11	482232	PT12-15	D1-3V80	PT7-29	D2-5V52	PT7-31	D3-3V60	PT7-29
482149	PT12-11	482233	PT12-16	D1-3V106	PT7-29	D2-5V55	PT7-31	D3-3V65	PT7-29

PART NUMBER INDEX



Part Number	Page	Part Number	Page	Part Number	Page	Part Number	Page	Part Number	Page
D3-3V69	PT7-29	D3C85	PT7-40	D4-8V140	PT7-34	D4D220	PT7-42	D5B80	PT7-38
D3-3V80	PT7-29	D3C90	PT7-40	D4-8V150	PT7-34	D4D270	PT7-42	D5B86	PT7-38
D3-3V106	PT7-29	D3C95	PT7-40	D4-8V160	PT7-34	D4D330	PT7-42	D5B90	PT7-38
D3-3V140	PT7-29	D3C100	PT7-40	D4-8V170	PT7-34	D4D400	PT7-42	D5B94	PT7-38
D3-3V190	PT7-29	D3C105	PT7-40	D4-8V180	PT7-34	D5-3V50	PT7-30	D5B110	PT7-38
D3-3V250	PT7-29	D3C110	PT7-40	D4-8V190	PT7-34	D5-3V53	PT7-30	D5B124	PT7-38
D3-3V265	PT7-29	D3C120	PT7-40	D4-8V200	PT7-34	D5-3V56	PT7-30	D5B136	PT7-38
D3-3V315	PT7-29	D3C130	PT7-40	D4-8V212	PT7-34	D5-3V60	PT7-30	D5B154	PT7-38
D3-3V335	PT7-29	D3C140	PT7-40	D4-8V224	PT7-34	D5-3V65	PT7-30	D5B160	PT7-38
D3-3V365	PT7-29	D3C160	PT7-40	D4-8V248	PT7-34	D5-3V69	PT7-30	D5B184	PT7-38
D3-3V412	PT7-29	D3C180	PT7-40	D4-8V300	PT7-34	D5-3V80	PT7-30	D5B200	PT7-38
D3-3V450	PT7-29	D3C200	PT7-40	D4-8V355	PT7-34	D5-3V106	PT7-30	D5B250	PT7-38
D3-3V475	PT7-29	D3C240	PT7-40	D4-8V400	PT7-34	D5-3V140	PT7-30	D5B300	PT7-38
D3-5V44	PT7-31	D3C270	PT7-40	D4-8V445	PT7-34	D5-3V190	PT7-30	D5B380	PT7-38
D3-5V49	PT7-31	D3C300	PT7-40	D4-8V530	PT7-34	D5-3V250	PT7-30	D5C60	PT7-41
D3-5V52	PT7-31	D3C360	PT7-40	D4B34	PT7-37	D5-3V335	PT7-30	D5C70	PT7-41
D3-5V55	PT7-31	D3C440	PT7-40	D4B36	PT7-37	D5-3V475	PT7-30	D5C75	PT7-41
D3-5V59	PT7-31	D3C500	PT7-40	D4B38	PT7-37	D5-5V44	PT7-32	D5C80	PT7-41
D3-5V63	PT7-31	D3D120	PT7-42	D4B40	PT7-37	D5-5V49	PT7-32	D5C85	PT7-41
D3-5V67	PT7-31	D3D130	PT7-42	D4B42	PT7-37	D5-5V52	PT7-32	D5C90	PT7-41
D3-5V71	PT7-31	D3D135	PT7-42	D4B44	PT7-37	D5-5V55	PT7-32	D5C95	PT7-41
D3-5V75	PT7-31	D3D140	PT7-42	D4B46	PT7-37	D5-5V59	PT7-32	D5C100	PT7-41
D3-5V80	PT7-31	D3D145	PT7-42	D4B48	PT7-37	D5-5V63	PT7-32	D5C105	PT7-41
D3-5V85	PT7-31	D3D150	PT7-42	D4B50	PT7-37	D5-5V67	PT7-32	D5C110	PT7-41
D3-5V90	PT7-31	D3D155	PT7-42	D4B52	PT7-37	D5-5V71	PT7-32	D5C120	PT7-41
D3-5V103	PT7-31	D3D160	PT7-42	D4B54	PT7-37	D5-5V75	PT7-32	D5C130	PT7-41
D3-5V109	PT7-31	D3D180	PT7-42	D4B56	PT7-37	D5-5V80	PT7-32	D5C140	PT7-41
D3-5V113	PT7-31	D3D220	PT7-42	D4B58	PT7-37	D5-5V85	PT7-32	D5C160	PT7-41
D3-5V118	PT7-31	D3D270	PT7-42	D4B60	PT7-37	D5-5V90	PT7-32	D5C180	PT7-41
D3-5V125	PT7-31	D3D300	PT7-42	D4B62	PT7-37	D5-5V103	PT7-32	D5C200	PT7-41
D3-5V132	PT7-31	D3D400	PT7-42	D4B64	PT7-37	D5-5V109	PT7-32	D5C240	PT7-41
D3-5V140	PT7-31	D4-3V2.65	PT7-29	D4B66	PT7-37	D5-5V113	PT7-32	D5C270	PT7-41
D3-5V150	PT7-31	D4-3V3.35	PT7-29	D4B68	PT7-37	D5-5V118	PT7-32	D5C300	PT7-41
D3-5V160	PT7-31	D4-3V28	PT7-29	D4B70	PT7-37	D5-5V125	PT7-32	D5C360	PT7-41
D3-5V187	PT7-31	D4-3V30	PT7-29	D4B74	PT7-37	D5-5V132	PT7-32	D5C440	PT7-41
D3-5V212	PT7-31	D4-3V45	PT7-29	D4B80	PT7-37	D5-5V140	PT7-32	D5C500	PT7-41
D3-5V236	PT7-31	D4-3V50	PT7-29	D4B86	PT7-37	D5-5V150	PT7-32	D5D120	PT7-42
D3-5V280	PT7-31	D4-3V53	PT7-29	D4B90	PT7-37	D5-5V160	PT7-32	D5D130	PT7-42
D3-5V315	PT7-31	D4-3V56	PT7-29	D4B94	PT7-37	D5-5V187	PT7-32	D5D135	PT7-42
D3-5V375	PT7-31	D4-3V60	PT7-29	D4B110	PT7-37	D5-5V212	PT7-32	D5D140	PT7-42
D3-5V465	PT7-31	D4-3V65	PT7-29	D4B124	PT7-37	D5-5V236	PT7-32	D5D145	PT7-42
D3-5V500	PT7-31	D4-3V69	PT7-29	D4B136	PT7-37	D5-5V280	PT7-32	D5D150	PT7-42
D3-5V925	PT7-31	D4-3V80	PT7-29	D4B154	PT7-37	D5-5V315	PT7-32	D5D155	PT7-42
D3-5V975	PT7-31	D4-3V106	PT7-29	D4B160	PT7-37	D5-5V375	PT7-32	D5D160	PT7-42
D3B34	PT7-37	D4-3V140	PT7-29	D4B184	PT7-37	D5-5V465	PT7-32	D5D170	PT7-42
D3B36	PT7-37	D4-3V190	PT7-29	D4B200	PT7-37	D5-5V500	PT7-32	D5D180	PT7-42
D3B38	PT7-37	D4-3V250	PT7-29	D4B250	PT7-37	D5-5V925	PT7-32	D5D200	PT7-42
D3B40	PT7-37	D4-3V315	PT7-29	D4B300	PT7-37	D5-5V975	PT7-32	D5D220	PT7-42
D3B42	PT7-37	D4-3V335	PT7-29	D4B380	PT7-37	D5-8V125	PT7-34	D5D270	PT7-42
D3B44	PT7-37	D4-3V365	PT7-29	D4C50	PT7-40	D5-8V132	PT7-34	D5D330	PT7-42
D3B46	PT7-37	D4-3V412	PT7-29	D4C50SK	PT7-40	D5-8V140	PT7-34	D5D400	PT7-42
D3B48	PT7-37	D4-3V475	PT7-29	D4C56	PT7-40	D5-8V150	PT7-34	D5D480	PT7-42
D3B50	PT7-37	D4-5V44	PT7-32	D4C60	PT7-40	D5-8V160	PT7-34	D5D580	PT7-42
D3B52	PT7-37	D4-5V49	PT7-32	D4C70	PT7-40	D5-8V170	PT7-34	D6-3V50	PT7-30
D3B54	PT7-37	D4-5V52	PT7-32	D4C75	PT7-40	D5-8V180	PT7-34	D6-3V53	PT7-30
D3B56	PT7-37	D4-5V55	PT7-32	D4C80	PT7-40	D5-8V190	PT7-34	D6-3V56	PT7-30
D3B58	PT7-37	D4-5V59	PT7-32	D4C85	PT7-40	D5-8V200	PT7-34	D6-3V60	PT7-30
D3B60	PT7-37	D4-5V63	PT7-32	D4C90	PT7-40	D5-8V212	PT7-34	D6-3V65	PT7-30
D3B62	PT7-37	D4-5V67	PT7-32	D4C95	PT7-40	D5-8V224	PT7-34	D6-3V69	PT7-30
D3B64	PT7-37	D4-5V71	PT7-32	D4C100	PT7-40	D5-8V248	PT7-34	D6-3V80	PT7-30
D3B66	PT7-37	D4-5V75	PT7-32	D4C105	PT7-40	D5-8V300	PT7-34	D6-3V106	PT7-30
D3B68	PT7-37	D4-5V80	PT7-32	D4C110	PT7-40	D5-8V355	PT7-34	D6-3V140	PT7-30
D3B70	PT7-37	D4-5V85	PT7-32	D4C120	PT7-40	D5-8V400	PT7-34	D6-3V190	PT7-30
D3B74	PT7-37	D4-5V90	PT7-32	D4C130	PT7-40	D5-8V445	PT7-34	D6-3V250	PT7-30
D3B80	PT7-37	D4-5V103	PT7-32	D4C140	PT7-40	D5-8V530	PT7-34	D6-3V335	PT7-30
D3B86	PT7-37	D4-5V109	PT7-32	D4C160	PT7-40	D5B34	PT7-38	D6-3V475	PT7-30
D3B90	PT7-37	D4-5V113	PT7-32	D4C180	PT7-40	D5B36	PT7-38	D6-5V44	PT7-33
D3B94	PT7-37	D4-5V118	PT7-32	D4C200	PT7-40	D5B38	PT7-38	D6-5V49	PT7-33
D3B110	PT7-37	D4-5V125	PT7-32	D4C240	PT7-40	D5B40	PT7-38	D6-5V52	PT7-33
D3B124	PT7-37	D4-5V132	PT7-32	D4C270	PT7-40	D5B42	PT7-38	D6-5V55	PT7-33
D3B136	PT7-37	D4-5V140	PT7-32	D4C300	PT7-40	D5B44	PT7-38	D6-5V59	PT7-33
D3B154	PT7-37	D4-5V150	PT7-32	D4C360	PT7-40	D5B46	PT7-38	D6-5V63	PT7-33
D3B160	PT7-37	D4-5V160	PT7-32	D4C440	PT7-40	D5B48	PT7-38	D6-5V67	PT7-33
D3B184	PT7-37	D4-5V187	PT7-32	D4C500	PT7-40	D5B50	PT7-38	D6-5V71	PT7-33
D3B200	PT7-37	D4-5V212	PT7-32	D4D120	PT7-42	D5B52	PT7-38	D6-5V75	PT7-33
D3B250	PT7-37	D4-5V236	PT7-32	D4D130	PT7-42	D5B54	PT7-38	D6-5V80	PT7-33
D3B300	PT7-37	D4-5V280	PT7-32	D4D135	PT7-42	D5B56	PT7-38	D6-5V85	PT7-33
D3B380	PT7-37	D4-5V315	PT7-32	D4D140	PT7-42	D5B58	PT7-38	D6-5V90	PT7-33
D3C50	PT7-40	D4-5V375	PT7-32	D4D145	PT7-42	D5B60	PT7-38	D6-5V103	PT7-33
D3C50SK	PT7-40	D4-5V465	PT7-32	D4D150	PT7-42	D5B62	PT7-38	D6-5V109	PT7-33
D3C56	PT7-40	D4-5V500	PT7-32	D4D155	PT7-42	D5B64	PT7-38	D6-5V113	PT7-33
D3C60	PT7-40	D4-5V925	PT7-32	D4D160	PT7-42	D5B66	PT7-38	D6-5V118	PT7-33
D3C70	PT7-40	D4-5V975	PT7-32	D4D170	PT7-42	D5B68	PT7-38	D6-5V125	PT7-33
D3C75	PT7-40	D4-8V125	PT7-34	D4D180	PT7-42	D5B70	PT7-38	D6-5V132	PT7-33
D3C80	PT7-40	D4-8V132	PT7-34	D4D200	PT7-42	D5B74	PT7-38	D6-5V140	PT7-33



PART NUMBER INDEX

Conveyor Components

Engineering

Part Number Index

Keyword Index

Part Number	Page	Part Number	Page	Part Number	Page	Part Number	Page	Part Number	Page
D6-5V150	PT7-33	D6C500	PT7-41	D8B94	PT7-39	D10-8V160	PT7-35	D12-8V355	PT7-35
D6-5V160	PT7-33	D6D120	PT7-42	D8B110	PT7-39	D10-8V170	PT7-35	D12-8V400	PT7-35
D6-5V187	PT7-33	D6D130	PT7-42	D8B124	PT7-39	D10-8V180	PT7-35	D12-8V445	PT7-35
D6-5V212	PT7-33	D6D135	PT7-42	D8B136	PT7-39	D10-8V190	PT7-35	D12-8V530	PT7-35
D6-5V236	PT7-33	D6D140	PT7-42	D8B154	PT7-39	D10-8V200	PT7-35	D12-8V580	PT7-35
D6-5V280	PT7-33	D6D145	PT7-42	D8B160	PT7-39	D10-8V212	PT7-35	D12-8V630	PT7-35
D6-5V315	PT7-33	D6D150	PT7-42	D8B184	PT7-39	D10-8V224	PT7-35	D12-8V710	PT7-35
D6-5V375	PT7-33	D6D155	PT7-42	D8B200	PT7-39	D10-8V248	PT7-35	D12C90	PT7-41
D6-5V465	PT7-33	D6D160	PT7-42	D8B250	PT7-39	D10-8V300	PT7-35	D12C95	PT7-41
D6-5V500	PT7-33	D6D170	PT7-42	D8B300	PT7-39	D10-8V355	PT7-35	D12C100	PT7-41
D6-5V925	PT7-33	D6D180	PT7-42	D8B380	PT7-39	D10-8V400	PT7-35	D12C105	PT7-41
D6-5V975	PT7-33	D6D200	PT7-42	D8C70	PT7-41	D10-8V445	PT7-35	D12C110	PT7-41
D6-8V125	PT7-34	D6D220	PT7-42	D8C80	PT7-41	D10-8V530	PT7-35	D12C120	PT7-41
D6-8V132	PT7-34	D6D270	PT7-42	D8C85	PT7-41	D10-8V580	PT7-35	D12C130	PT7-41
D6-8V140	PT7-34	D6D330	PT7-42	D8C90	PT7-41	D10-8V630	PT7-35	D12C140	PT7-41
D6-8V150	PT7-34	D6D400	PT7-42	D8C95	PT7-41	D10-8V710	PT7-35	D12C160	PT7-41
D6-8V160	PT7-34	D6D480	PT7-42	D8C100	PT7-41	D10B54	PT7-39	D12C180	PT7-41
D6-8V170	PT7-34	D6D580	PT7-42	D8C105	PT7-41	D10B56	PT7-39	D12C200	PT7-41
D6-8V180	PT7-34	D8-3V50	PT7-30	D8C110	PT7-41	D10B58	PT7-39	D12C240	PT7-41
D6-8V190	PT7-34	D8-3V53	PT7-30	D8C120	PT7-41	D10B60	PT7-39	D12C300	PT7-41
D6-8V200	PT7-34	D8-3V56	PT7-30	D8C130	PT7-41	D10B62	PT7-39	D12C360	PT7-41
D6-8V212	PT7-34	D8-3V60	PT7-30	D8C140	PT7-41	D10B64	PT7-39	D12C440	PT7-41
D6-8V224	PT7-34	D8-3V65	PT7-30	D8C160	PT7-41	D10B66	PT7-39	D12C500	PT7-41
D6-8V248	PT7-34	D8-3V69	PT7-30	D8C180	PT7-41	D10B68	PT7-39	D12D120	PT7-43
D6-8V300	PT7-34	D8-3V80	PT7-30	D8C200	PT7-41	D10B70	PT7-39	D12D130	PT7-43
D6-8V355	PT7-34	D8-3V106	PT7-30	D8C240	PT7-41	D10B74	PT7-39	D12D135	PT7-43
D6-8V400	PT7-34	D8-3V140	PT7-30	D8C300	PT7-41	D10B86	PT7-39	D12D140	PT7-43
D6-8V445	PT7-34	D8-3V190	PT7-30	D8C360	PT7-41	D10B89	PT7-39	D12D145	PT7-43
D6-8V530	PT7-34	D8-3V250	PT7-30	D8C400	PT7-41	D10B110	PT7-39	D12D150	PT7-43
D6-8V630	PT7-34	D8-3V335	PT7-30	D8C460	PT7-41	D10B124	PT7-39	D12D155	PT7-43
D6-8V710	PT7-34	D8-3V475	PT7-30	D8D120	PT7-43	D10B136	PT7-39	D12D160	PT7-43
D6B34	PT7-38	D8-5V71	PT7-33	D8D130	PT7-43	D10B154	PT7-39	D12D170	PT7-43
D6B36	PT7-38	D8-5V75	PT7-33	D8D135	PT7-43	D10B160	PT7-39	D12D180	PT7-43
D6B38	PT7-38	D8-5V80	PT7-33	D8D140	PT7-43	D10B184	PT7-39	D12D200	PT7-43
D6B40	PT7-38	D8-5V85	PT7-33	D8D145	PT7-43	D10B200	PT7-39	D12D220	PT7-43
D6B42	PT7-38	D8-5V90	PT7-33	D8D150	PT7-43	D10B250	PT7-39	D12D270	PT7-43
D6B44	PT7-38	D8-5V103	PT7-33	D8D155	PT7-43	D10B300	PT7-39	D12D330	PT7-43
D6B46	PT7-38	D8-5V109	PT7-33	D8D160	PT7-43	D10B380	PT7-39	D12D400	PT7-43
D6B48	PT7-38	D8-5V113	PT7-33	D8D170	PT7-43	D10C85	PT7-41	D12D480	PT7-43
D6B50	PT7-38	D8-5V118	PT7-33	D8D180	PT7-43	D10C90	PT7-41	D12D580	PT7-43
D6B52	PT7-38	D8-5V125	PT7-33	D8D200	PT7-43	D10C95	PT7-41		
D6B54	PT7-38	D8-5V132	PT7-33	D8D220	PT7-43	D10C100	PT7-41		
D6B56	PT7-38	D8-5V140	PT7-33	D8D270	PT7-43	D10C105	PT7-41		
D6B58	PT7-38	D8-5V150	PT7-33	D8D300	PT7-43	D10C110	PT7-41		
D6B60	PT7-38	D8-5V160	PT7-33	D8D400	PT7-43	D10C120	PT7-41		
D6B62	PT7-38	D8-5V187	PT7-33	D8D480	PT7-43	D10C130	PT7-41		
D6B64	PT7-38	D8-5V212	PT7-33	D8D580	PT7-43	D10C140	PT7-41		
D6B66	PT7-38	D8-5V236	PT7-33	D10-3V50	PT7-30	D10C160	PT7-41		
D6B68	PT7-38	D8-5V280	PT7-33	D10-3V53	PT7-30	D10C180	PT7-41		
D6B70	PT7-38	D8-5V315	PT7-33	D10-3V56	PT7-30	D10C200	PT7-41		
D6B74	PT7-38	D8-5V375	PT7-33	D10-3V60	PT7-30	D10C240	PT7-41		
D6B80	PT7-38	D8-5V500	PT7-33	D10-3V65	PT7-30	D10C300	PT7-41		
D6B86	PT7-38	D8-5V925	PT7-33	D10-3V69	PT7-30	D10C360	PT7-41		
D6B94	PT7-38	D8-5V975	PT7-33	D10-3V80	PT7-30	D10C440	PT7-41		
D6B110	PT7-38	D8-8V125	PT7-34	D10-3V106	PT7-30	D10C500	PT7-41		
D6B124	PT7-38	D8-8V132	PT7-34	D10-3V140	PT7-30	D10D120	PT7-43		
D6B136	PT7-38	D8-8V140	PT7-34	D10-3V190	PT7-30	D10D130	PT7-43		
D6B154	PT7-38	D8-8V150	PT7-34	D10-3V250	PT7-30	D10D135	PT7-43		
D6B160	PT7-38	D8-8V160	PT7-34	D10-3V335	PT7-30	D10D140	PT7-43		
D6B184	PT7-38	D8-8V170	PT7-34	D10-3V475	PT7-30	D10D145	PT7-43		
D6B200	PT7-38	D8-8V180	PT7-34	D10-5V80	PT7-33	D10D150	PT7-43		
D6B250	PT7-38	D8-8V190	PT7-34	D10-5V85	PT7-33	D10D155	PT7-43		
D6B300	PT7-38	D8-8V200	PT7-34	D10-5V90	PT7-33	D10D160	PT7-43		
D6B380	PT7-38	D8-8V212	PT7-34	D10-5V103	PT7-33	D10D170	PT7-43		
D6C60	PT7-41	D8-8V224	PT7-34	D10-5V109	PT7-33	D10D180	PT7-43		
D6C70	PT7-41	D8-8V248	PT7-34	D10-5V113	PT7-33	D10D200	PT7-43		
D6C75	PT7-41	D8-8V300	PT7-34	D10-5V118	PT7-33	D10D220	PT7-43		
D6C80	PT7-41	D8-8V355	PT7-34	D10-5V125	PT7-33	D10D270	PT7-43		
D6C85	PT7-41	D8-8V400	PT7-34	D10-5V132	PT7-33	D10D330	PT7-43		
D6C90	PT7-41	D8-8V445	PT7-34	D10-5V140	PT7-33	D10D400	PT7-43		
D6C95	PT7-41	D8-8V530	PT7-34	D10-5V150	PT7-33	D10D480	PT7-43		
D6C100	PT7-41	D8-8V630	PT7-34	D10-5V160	PT7-33	D10D580	PT7-43		
D6C105	PT7-41	D8-8V710	PT7-34	D10-5V187	PT7-33	D12-8V125	PT7-35		
D6C110	PT7-41	D8B54	PT7-39	D10-5V212	PT7-33	D12-8V132	PT7-35		
D6C120	PT7-41	D8B56	PT7-39	D10-5V236	PT7-33	D12-8V140	PT7-35		
D6C130	PT7-41	D8B58	PT7-39	D10-5V280	PT7-33	D12-8V150	PT7-35		
D6C140	PT7-41	D8B60	PT7-39	D10-5V315	PT7-33	D12-8V160	PT7-35		
D6C160	PT7-41	D8B62	PT7-39	D10-5V375	PT7-33	D12-8V170	PT7-35		
D6C180	PT7-41	D8B64	PT7-39	D10-5V500	PT7-33	D12-8V180	PT7-35		
D6C200	PT7-41	D8B66	PT7-39	D10-5V925	PT7-33	D12-8V190	PT7-35		
D6C240	PT7-41	D8B68	PT7-39	D10-5V975	PT7-33	D12-8V200	PT7-35		
D6C270	PT7-41	D8B70	PT7-39	D10-8V125	PT7-35	D12-8V212	PT7-35		
D6C300	PT7-41	D8B74	PT7-39	D10-8V132	PT7-35	D12-8V224	PT7-35		
D6C360	PT7-41	D8B80	PT7-39	D10-8V140	PT7-35	D12-8V248	PT7-35		
D6C440	PT7-41	D8B86	PT7-39	D10-8V150	PT7-35	D12-8V300	PT7-35		

Numbers	
2AK Two Groove FHP Sheaves, FHP Drives	PT8-4
2AKH H-Bushed Sheaves, FHP Drives	PT8-7
2BK Two Groove FHP Sheaves, FHP Drives,	PT8-6
2BKH H-Bushed Sheaves, FHP Drives	PT8-8
8 degree Taper, TAPER-LOCK Bushings	PT6-2
A	
Abrasion resistant HT200/HTD Synchronous	PT11-2
Acceleration	PT15-28
Adapters, TAPER-LOCK Bushings	PT6-15
Adjustable Motor Bases	
5614	PT9-15
90 Series	PT9-16
Electric Remote Control	PT9-16
REEVES VARI-SPEED Drives	PT9-15
TEL-1	PT9-15
AK One Groove FHP Sheaves, FHP Drives	PT8-3
AKH H-Bushed Sheaves, FHP Drives	PT8-7
Alignment	
DYNA-SYNC Drives	PT10-45
Sprockets	PT13-46
V-Drives	PT7-124
Anti-seize	
QD Bushings	PT6-16
TAPER-LOCK Bushings	PT6-2
Arc Correction, S-L Classic Drives	PT7-87
Arc Correction Factors, Stock D-V Wedge Drives	PT7-45
B	
Backlash	
DYNA-SYNC Drives	PT10-2
HT200/HTD Synchronous	PT11-2
Balance, Made-to-Order Sheave	
Special, Two-Plane (Dynamic)	PT7-27
Standard, Single Plane (Static)	PT7-27
Balancing, DYNA-SYNC Drives	PT10-44
Basic Horsepower Ratings	
Armide Cord Belt	PT7-83
D-V Wedge Drives	PT7-78 thru PT7-83
DYNA-SYNC Drives	PT10-40 thru PT10-43
S-L Classic Drives,	PT7-116 thru PT7-122
Sprockets	PT13-32 thru PT13-39
Bearing Load Calculations	PT13-21
Belt Correction Factors, S-L Classic Drives	PT7-87
Belt Deflection, DYNA-SYNC Drives	PT10-45
Belt Length, FHP Drives	PT8-10
Belt Pitch Selection Guide, HT200/HTD Synchronous Drives	PT11-22
BK One Groove FHP Sheaves, FHP Drives	PT8-5
BKH H-Bushed Sheaves, FHP Drives	PT8-8
Bore Size, Made-to-Order Sheave	PT7-27
Bushings and Hubs	PT6-1
C	
C-FLEX Module, FLEXIDYNE	PT3-14
Calculate Design Horsepower, FHP Drives	PT8-10
Calculate Drive Ratio, FHP Drives	PT8-10
Class of Service, Sprockets	PT13-28
Center Distance	
Compound Pulley	PT9-11
Junior Pulleys	PT9-6-PT9-8
Senior Pulleys	PT9-9-PT9-10
Sprockets	PT13-46
Center Distance Allowance, V-Drives	PT7-125
Center Distance Tables, HT200/HTD Synchronous	PT11-41 thru PT11-58
Center Distance/Belt Length, FHP Drives	PT8-14
Centrifugal Force	PT13-19
Chain Assembly, Sprockets	PT13-42
Chain Length, Sprockets	PT13-28
Chain Pull, Sprockets	PT13-29
Chain Tension, Sprockets	PT13-46
Chordal action, HT200/HTD Synchronous	PT11-3
Clamp Collar Mounting, REEVES VARI-SPEED Drives	PT9-3
Classic Cog, FHP Drives	PT8-2
Classic Cog V-Belts	PT7-38
Clean operation, HT200/HTD Synchronous	PT11-3
Clutches and Brakes	PT2-1
Coefficients of Friction "f"	PT15-38
Combined Torsion and Bending of Standard Shaft	PT15-18
Common Conversion Factors	PT15-26
Compact, HT200/HTD Synchronous	PT11-3
Compound Drives, Selection/Dimensions	PT9-5
Compound Pulley, REEVES VARI-SPEED Drives	PT9-3
Computer Drive Selection, V-Drives	PT7-123
Concentricity Tolerance, DYNA-SYNC Drives	PT10-44
Conventional Mounting, QD Bushings	PT6-13
CONVEYOR COMPONENTS	PT14-1 thru PT14-80
Conveyor Belt FPM to RPM	PT13-24
Correction Factor, FHP Drives	PT8-10
Corrosion resistant, HT200/HTD Synchronous	PT11-2
Countershaft	
Compound Pulley	PT9-11
REEVES VARI-SPEED Drives	PT9-3
Couplings	PT1-1
Custom Construction, Custom Made Sheaves & Sprockets	PT7-26
D	
Dead Shaft Pulleys	PT14-39
Densities of Common Materials, Approximate	PT15-31
Design Horsepower, Sprockets	PT13-28
Design HP	
S-L Classic Drives	PT7-84
Stock D-V Wedge Drives	PT7-42
Dimensions	
HT500 Sprockets	PT12-14
Conveyor Components	PT14-16 thru PT14-43
FHP Drives	PT8-3 thru PT8-9
FLEXIDYNE	PT3-8 thru PT3-14
Fluid Couplings	PT4-4
GRIP-TIGHT Bushings	PT6-29
Motor Brakes	PT2-2
QD Bushings	PT6-17
QD SHEAVES	PT7-13 thru PT7-25
REEVES VARI-SPEED Drives	PT9-4 thru PT9-11
TAPER-LOCK Bushing	PT6-3
TORQUE-TAMER	PT5-4-6
DODGE Motor Bases	PT9-17 thru PT9-18
Type A Slide	PT9-17
100A	PT9-17
200A	PT9-17
300A	PT9-17
50A	PT9-17
Type B Slide	PT9-18
11B	PT9-18
22B	PT9-18
33B	PT9-18
45B	PT9-18
DODGE Software, HT200/HTD Synchronous	PT11-73
Double-V, V-Belts	PT7-28
Drive Alignment, HT200/HTD Synchronous	PT11-72
DRIVE COMPONENT ACCESSORIES	PT9-1
Drive Selection, Sprockets	PT13-16
Drive Ratio, Sprockets	PT13-28
Drive Tensioning, HT200/HTD Synchronous	PT11-72
Drum and Wing Pulleys	PT14-11 thru PT14-15
Ductile Iron Discs, REEVES VARI-SPEED Drives	PT9-3
DYNA-SYNC DRIVES	PT10-1 thru PT10-43
E	
Easy Selection	
Chain Coupling	PT1-68
Sprockets	PT13-37
Easy Selection Table, Sprockets	PT13-30 thru PT13-31
Efficiency, HT200/HTD Synchronous	PT11-2
Elastomer Compatibility, Couplings	PT1-67
Elastomeric Bushing, REEVES VARI-SPEED Drives	PT9-3
Electrical	PT13-32
Elevator Pulleys	PT14-39
Engineered Class Pulleys	PT14-37
Engineering Technical, Geometrical Relationships	PT13-15
ENGINEERING/TECHNICAL	PT15-1
Engineering/Technical	
Clutches and Brakes	PT2-38
Conveyor Components	PT14-78
Couplings	PT1-83 thru PT1-89
DYNA-SYNC Drives	PT10-44
FLEXIDYNE	PT3-26

E (continued)

HT200 Synchronous Drives	PT11-64
HT500 Synchronous Drives	PT12-77
Sprockets	PT13-30
V-Drives	PT7-143
English Standard Measures	PT15-23
Expansion of Shafting	PT15-19
Extra-Value Features, REEVES VARI-SPEED Drives	PT9-3

F

Factors for Shafting Other than Standard Shafting	PT15-17
Features/Benefits	
Chain Coupling	PT1-65
Clutch/Brake Modules	PT2-11
Conveyor Components	PT14-2
D-FLEX Coupling	PT1-35 thru PT1-36
DYNA-SYNC Belts	PT10-2
DYNA-SYNC Pulleys	PT10-2
FHP Drives	PT8-2
FLEXIDYNE	PT3-2
Fluid Couplings	PT4-2
Fractional HP Clutches & Brakes	PT2-24
Gear Coupling	PT1-48 thru PT1-52,
GRID-LIGN Coupling	PT1-48 thru PT1-49
GRIP-TIGHT Bushings	PT6-28
HT200 Synchronous Drive	PT11-2
HT500 Drives	PT12-2
Motor Brakes	PT2-2
PARA-FLEX Coupling	PT1-2 thru PT1-3
QD Bushings	PT6-16
QD Hubs	PT6-26
REEVES VARI-SPEED Drives	PT9-2 thru PT9-4
Shaft Mounted Clutches & Brakes	PT2-18
Sheaves	PT7-2
Sprockets	PT13-2
TAPER-LOCK Bushings	PT6-2
TORQUE-TAMER	PT5-2
V-Belts	PT7-45
V-Drives	PT7-2

FHP Belts	PT7-41
FHP Drives	PT8-1-PT8-22, PT8-2
Fiberglass, DYNA-SYNC Belts	PT10-2
Finish Bore Sheaves	PT8-2
Fixed Pitch, FHP Drives	PT8-2
Flanged, DYNA-SYNC Pulleys	PT10-2
Flat Face Pulleys	
REEVES VARI-SPEED Drives	PT9-14
TAPER-LOCK	PT9-14
Flat-Face Pulley, REEVES VARI-SPEED Drives,	PT9-3
FLEXIDYNE	PT3-1
FLUID COUPLING	PT4-1
FLEXIDYNE Couplings, FLEXIDYNE	PT3-10
FLEXIDYNE Drives, FLEXIDYNE	PT3-8
FLEXIDYNE Flow Charge	PT3-15
Flexlink Belting	PT7-40
Flush Mounting, TAPER-LOCK Bushings	PT6-2
Flywheel Formulas	PT15-33
Flywheel Sheave, Made-to-Order Sheave	PT7-27
Formulas & Constants	PT13-17
Fuse Plugs, Replacement, Fluid Couplings	PT4-10

G

Gravitational Constant	PT15-31
Groove and Belt Gage, V-Drives	PT7-123

H

H-Bushed Sheaves	
Cast Iron	PT8-2
Clamp Fit	PT8-2
H-Style Bushing	PT8-2
Integral Key	PT8-2
Metric Bores	PT8-2
QT and D Bushing	PT8-2
Static Balance	PT8-2
Hardened Teeth, Sprockets	PT13-46
Hardness Comparison	PT15-38
HE Heavy Duty Drum Pulleys	PT14-16 thru PT14-17
HE Heavy Duty Wing Pulleys	PT14-24 thru PT14-25
Heavy Duty Drum Pulley Weights	PT14-20 thru PT14-24

Heavy Duty Wing Pulley Weights	PT14-28 thru PT14-32
---------------------------------------	----------------------

Horsepower Rating	
HT100	PT11-34 thru PT11-38
HT200/HTD Synchronous Drives	PT11-23 thru PT11-32
HTD,	PT11-33,PT11-39, PT11-40
Horsepower Ratings, FHP Drives	PT8-10 thru PT8-11
Horsepower Required for Belt Conveyors	PT13-23

How To Order	
Chain Coupling	PT1-72
Clutch/Brake Modules	PT2-12
Conveyor Components	PT14-6
D-FLEX Coupling	PT1-37
FLEXIDYNE	PT3-3
Fluid Couplings	PT4-5
Fractional HP Clutches & Brakes	PT2-25
GRID-LIGN Coupling	PT1-50
Made-to-Order Sheave	PT7-27
Motor Brakes	PT2-3
PARA-FLEX Coupling	PT1-4
POLY-DISC Coupling	PT1-63
Pulley Assemblies	PT14-8
RIGID Coupling	PT1-63
Shaft Mounted Clutches & Brakes	PT2-19
TORQUE-TAMER	PT5-3

HT200/HTD Synchronous Belts	PT11-1 thru PT11-61
------------------------------------	---------------------

HT500 Synchronous Belt Drives	
HT500 TAPER-LOCK Sprockets	PT12-6
HT500 MPB Sprockets	PT12-12
HT500 ACHE Sprockets	PT12-14
HT500 Idler Sprockets	PT12-16
HT500 Belts	PT12-17

HT Specification, QD HTD Sprockets	PT11-10 thru PT11-16
---	----------------------

HT TAPER-LOCK Sprockets	PT11-4 thru PT11-8
--------------------------------	--------------------

Hub Diameter, TAPER-LOCK Bushings	PT6-26
--	--------

Hub Location, Made-to-Order Sheave	PT7-27
---	--------

Hub Locations, Custom Made Sheaves & Sprockets	PT7-26
---	--------

Hubs, QD Bushings	PT6-26
--------------------------	--------

I

Idler Brackets, Sprockets	PT13-40
Idler Bushings, Sprockets	PT13-40
Idler Sprockets, Sprockets	PT13-41
Idlers, DYNA-SYNC Drives	PT10-45
IEC Quick Reference Chart	PT15-41

Installation	
HT/HTD Drives	PT11-71
Sprockets	PT13-33
Installing, DYNA-SYNC Drives	PT10-45
Installing/Tensioning, V-Drives	PT7-124 thru PT7-126

Integral Key, TAPER-LOCK Bushings	PT6-2
--	-------

ISO	
QD Bushings	PT6-23
TAPER-LOCK Bushings	PT6-12
ISO9000, DYNA-SYNC Pulleys	PT10-2

J

Jackscrews, TAPER-LOCK Bushings	PT6-2
--	-------

Junior Pulley, REEVES VARI-SPEED Drives	PT9-2
--	-------

Junior Pulleys	
FHP or Dual-Duty	PT9-6-PT9-8
Ratings	PT9-4
S-L Classic	PT9-6-PT9-8
Selection/Dimensions	PT9-4

K

Keywords, DYNA-SYNC Drives	PT10-44
-----------------------------------	---------

L

Length Correction Factors, Stock D-V Wedge Drives	PT7-45
--	--------

Light Duty V-Drives, FHP Drives	PT8-2
--	-------

Lockwashers, QD Bushings	PT6-16
---------------------------------	--------

Long life, HT200/HTD Synchronous	PT11-2
---	--------

Low maintenance, HT200/HTD Synchronous	PT11-2
---	--------

Lubricants	
QD Bushings	PT6-16
TAPER-LOCK Bushings	PT6-2

Lubrication	
Bath, Sprockets	PT13-46
Drip, Sprockets	PT13-46

L (continued)

DYNA-SYNC Drives	PT10-2
HT200/HTD Synchronous	PT11-2
Manual, Sprockets	PT13-46
Sprockets	PT13-46
M	
Made To Order Sheaves, FLEXIDYNE	PT3-18
Material, Made-to-Order Sheave	
Class 65 Ductile Iron	PT7-27
Class 80 Ductile Iron	PT7-27
Gray Iron	PT7-27
Material Characteristics	PT15-12
Materials, Custom Made Sheaves & Sprockets,	PT7-26
Dynamic (two-plane) Balance	PT7-26
Gray Iron, Ductile Iron, Steel	PT7-26
Measuring Gage, V-Drives	PT7-123
Metric, QD Bushings	PT6-18
Mathematical Equations	PT15-34
Metric Bore, QD Bushings	PT6-24
Metric Bore, TAPER-LOCK Bushings	PT6-12
Metric Standard Measurement & Conversion,	PT13-12
Metric System of Measurements	PT15-25
Mine Duty Wing & Spiral Wing Pulleys	PT14-36
Mine Duty X-TRA Drum Pulleys	PT14-32 thru PT14-36
Modifications/Accessories	
Conveyor Components	PT14-65
Couplings	PT1-81 thru PT1-82
FLEXIDYNE	PT3-15
Molded Cog, D-V Wedge Narrow Belts	PT7-29
Motor Brakes	PT2-10
Power Supplies, Clutches and Brakes	PT2-36
Mounting	
Custom Made Sheaves & Sprockets	PT7-26
Bored-To-Size	PT7-26
Taper Bore	PT7-26
Taper Bushed	PT7-26
Made-to-Order Sheave	PT7-27
Sprockets	PT13-2
TAPER-LOCK Bushings	PT6-2
Mounted Bearings Life Adjustment Factor	PT15-8
MPTA/RMA	
Classic Cog V-Belts	PT7-38
D-V Wedge Narrow Belts	PT7-29
S-L Classic Belts	PT7-33
Multiple Strand, Sprockets	PT13-29
N	
NEMA	
S-L Classic Drives	PT7-85
Stock D-V Wedge Drives	PT7-43
NEMA Quick Reference Chart	PT15-40
Neoprene, DYNA-SYNC Belts	PT10-2
Nomenclature	
Chain Coupling	PT1-72
Clutch/Brake Modules	PT2-12
Conveyor Components	PT14-8
D-FLEX Coupling	PT1-37
DYNA-SYNC Pulleys	PT10-44
FLEXIDYNE	PT3-3
Fluid Couplings	PT4-3
Fractional HP Clutches & Brakes	PT2-25
GRID-LIGN Coupling	PT1-51
Motor Brakes	PT2-3
PARA-FLEX Coupling	PT1-5
POLY-DISC Coupling	PT1-63
Pulleys	PT14-7
RIGID Coupling	PT1-63
Shaft Mounted Clutches & Brakes	PT2-19
TORQUE-TAMER	PT5-3
Nominal V-Belt Cross Sections	PT15-11
O	
Oil Viscosity Classification	PT13-31
Overhung Load	
Engineering	PT15-34
HT200/HTD Synchronous	PT11-70

P

PH FLEXIDYNE Couplings	PT3-12
Pin Extractors (Chain Breaker), Sprockets	PT13-42
Plain Bore, DYNA-SYNC Pulleys	PT10-8
POLYBAND, V-Belts	PT7-28
Positive, non-slip drive, HT200/HTD Synchronous	PT11-2
Pressure, Engineering	PT15-29
Properties of Sections	PT15-37

Q

QD Bushings	PT6-16
QD Combination Duty, Variable Pitch Sheaves,	PT8-2
QD HTD Sprocket	PT11-10 thru PT11-16
QD Heavy Duty Drum Pulleys	PT14-19 thru PT14-20
QD Heavy Duty Wing Pulleys	PT14-27 thru PT14-28
Quieter Operation, HT200/HTD Synchronous	PT11-2

R

Ratio, FHP Drives	PT8-12 thru PT8-13
Reborable	
QD Bushings	PT6-23
TAPER-LOCK Bushings	PT6-11
Rebore, DYNA-SYNC Drives	PT10-44
Recommended Maximum Conveyor Belt Speeds,	PT13-24
REEVES VARI-SPEED DRIVES	PT9-1-PT9-18
Related Products	
Conveyor Components	PT14-70
Sprockets	PT13-28
V-Drives	PT7-141
Reverse Mounting, QD Bushings	PT6-16
RMA/MPTA	PT7-2
ROLLER CHAIN SPROCKETS	PT13-1 thru PT13-46
Run-Out Tolerance, DYNA-SYNC Drives	PT10-44

S

S-L Classic, FHP Drives	PT8-2
Sawsplit, TAPER-LOCK Bushings	PT6-11
Sawsplit, QD Bushings	PT6-24
Selection	
Conveyor Components	PT14-9
Custom Made Sheaves & Sprockets	PT7-44
DYNA-SYNC Drives	PT10-14
FHP Fixed Speed Drives	PT8-10
FLEXIDYNE	PT3-4
Fluid Couplings	PT4-3
Fractional HP Clutches & Brakes	PT2-26
HE Pulleys, Conveyor Components	PT14-16
HT100 Belts	PT11-27
HT200/HTD Synchronous Drives	PT11-19
HT200 Belt Drive Selection Tables	PT11-35
HT500 Synchronous Belt Drives	PT12-19
QD SHEAVES	PT7-13 thru PT7-25
REEVES VARI-SPEED Drives	PT9-4 thru PT9-11
S-L Classic Drives	PT7-106
Sprockets	PT13-16
Stock Classical Drives	PT7-102
Stock Drives	PT10-18
Stock D-V Wedge Drives	PT7-60
V-Belts	PT7-46
Selection Methods, Couplings	PT1-83
Selection/Dimensions	
Chain Coupling	PT1-69 thru PT1-71
Clutch/Brake Modules	PT2-13
Clutches and Brakes	PT2-30
Conveyor Components	PT14-15
D-FLEX Coupling	PT1-38 thru PT1-47
FHP Sheaves	PT8-3
FLEXIDYNE	PT3-8
Fluid Couplings	PT4-4
GRID-LIGN Coupling	PT1-52 thru PT1-59
Motor Brakes	PT2-4
PARA-FLEX Coupling	PT1-6 thru PT1-9
POLY-DISC Coupling	PT1-73
QT-Bushed Sheaves	PT8-7
RIGID Coupling	PT1-74 thru PT1-75
Senior Pulley, REEVES VARI-SPEED Drives	PT9-3
Sheaves	PT7-4
TAPER-LOCK Pulleys, Conveyor Components	PT14-22
TORQUE-TAMER	PT5-4
Variable Pitch Sheaves	PT8-9

KEYWORD INDEX

S (continued)

Selection of Shaft Diameters	PT15-15
Senior Pulleys	
Ratings	PT9-4
Selection/Dimensions	PT9-4
Series Wide Range	PT9-9 thru PT9-10
Wide Flat-Face	PT9-9 thru PT9-10
Serpentine Drives, DYNA-SYNC Belts	PT10-11
Service Factor	
Couplings	PT1-68 thru PT1-69
DYNA-SYNC Drives	PT10-16
HT200/HTD Synchronous Drives	PT11-21
S-L Classic Drives	PT7-85
Sprockets	PT13-28
Stock D-V Wedge Drives	PT7-43
TAPER-LOCK Bushings	PT6-4
Shaft Keyseats/Hub Keyways	PT13-7
Shafting/Shaft Diameters	PT15-14
Sheaves	
Balance	PT7-2
Construction	PT7-2
Arm	PT7-2
Block	PT7-2
Web	PT7-2
Shock Loads, V-Belts	PT7-28
Specialty Pulleys	PT14-39
Specification	
Chain Coupling	PT1-50 thru PT1-55
Clutch/Brake Modules	PT2-12
Conveyor Components	PT14-4
D-FLEX Coupling	PT1-4
DYNA-SYNC Belts	PT10-11
DYNA-SYNC Drives	PT10-3
DYNA-SYNC Pulleys	PT10-3
FLEXIDYNE	PT3-3
Fractional HP Clutches & Brakes	PT2-25
GRID-LIGN Coupling	PT1-40
GRIP-TIGHT Bushings	PT6-39
HT Sprockets	PT11-9
HT TAPER-LOCK Sprockets	PT11-4
HT100 Belts	PT11-19
HT200 Belts	PT11-17
HT500 Belts	PT12-17
HT200/HTD Synchronous Belts	PT11-17 thru PT11-18
HT500 Sprockets	PT12-6
Idler Brackets and Bushings	PT6-30
Motor Brakes	PT2-3
PARA-FLEX Coupling	PT1-16
POLY-DISC Coupling	PT1-60
QD Bushings	PT6-17
QD HTD Sprockets	PT11-10
Metric Series	PT6-24
RIGID Coupling	PT1-60
Shaft Mounted Clutches & Brakes	PT2-19
Sprockets	PT13-3
TAPER-LOCK Bushings	PT6-3
TORQUE-TAMER	PT5-3
Speed Drop Cutout, FLEXIDYNE	PT3-18
Speed-Up Drives, DYNA-SYNC Drives	PT10-17
Speed-up Drives	
S-L Classic Drives	PT7-86
Stock D-V Wedge Drives	PT7-44
Sprocket Dimension, Chain Data	PT13-32
Steel, TAPER-LOCK Bushings	PT6-5
Steel Split Pulleys	PT14-40
Stock Sheaves, FLEXIDYNE	PT3-16
Stock Sizes	
QD Bushings	PT6-18
TAPER-LOCK Bushings	PT6-5
Strength & Physical Properties of Metals	PT15-35
Super Pulleys	PT14-38

T

Take-up Allowances, V-Drives	PT7-124
TAPER-LOCK Bushings	PT6-2
TAPER-LOCK Heavy Duty Drum Pulleys	PT14-18 thru PT14-19
TAPER-LOCK Heavy Duty Wing Pulleys	PT14-26 thru PT14-27
TAPER-LOCK HT Sprockets	PT13-4 thru PT13-8
Tensile Cords, V-Belts	PT7-28

Tensile cords, HT200/HTD Synchronous	PT11-2
Tension Tester, V-Drives	PT7-123
Tensioner, Sprockets	PT13-41
Tensioning, DYNA-SYNC Drives	PT10-45
Tensioning a Drive, V-Drives	PT7-125
Thermal Capacities, FLEXIDYNE	PT3-26
Thru-Bore Driven Pulleys, REEVES VARI-SPEED Drives	PT9-5
Timing, DYNA-SYNC Drives	PT10-2
Torque & Horsepower Equivalents	PT15-34
TORQUE TAMER	PT5-1-6
Trigonometric Formula	PT15-39
Troubleshooting, V-Drives	PT7-128
Belt Noise	PT7-128
Belt Stretch	PT7-128
Belt Turn Over	PT7-128
Hot Bearings	PT7-128
Short Belt Life	PT7-128

U

U.S. Standard Sheet Metal Gages	PT13-29
--	---------

V

V-Belts Drives for 11D, 11DL FLEXIDYNE Drives, FLEXIDYNE	PT3-17
V-Belts Drives for 15D FLEXIDYNE Drives, FLEXIDYNE	PT3-17
V-Belts Drives for 55D FLEXIDYNE Drives, FLEXIDYNE	PT3-16
V-Belts Drives for 5D FLEXIDYNE Drives, FLEXIDYNE	PT3-16
V-Belts Drives for 70D FLEXIDYNE Drives, FLEXIDYNE	PT3-16
V-Belts Drives for 75D FLEXIDYNE Drives, FLEXIDYNE	PT3-17
V-Belts Drives for 9D FLEXIDYNE Drives, FLEXIDYNE	PT3-17
V-Belt Drive Formulas	PT15-10
V-Belts Sheave Groove Dimensions	PT13-22
V-Drives	PT7-127
V-Belts	
Classic Cog/AX, BX, CX, DX	PT7-28
D-V Wedge/3VX, 5VX, 8V	PT7-28
S-L Classic/A, B, C, D, E	PT7-28
V-Drives	
Selection	PT7-1 thru PT7-126
Belt Correction Factors, Length Correction	PT7-87
Idler/Bracket and Bushings	PT7-122
Variable Pitch, FHP Drives	PT8-2
Variable Pitch Selection Procedure, FHP Drives	PT8-15
Variable Pitch Selection Table, FHP Drives	PT8-16
Variable Pitch Sheaves	PT8-2
Taper-Lock Dual Duty	PT8-2
Velocity, DYNA-SYNC Drives	PT10-2
Velocity	PT15-28
VIA-VISA Software, V-Drives	PT7-123
Via-Visa Software	PT7-2
Vibration Frequencies of Dodge Anti-Friction Mounted Bearings	PT15-2
Viscosity Classification Equivalents	PT15-22
Volumetric Flow Rates	PT15-29
VP Sheaves, FHP Drives	PT8-9

W

Weight, Mass, Inertia	PT15-29
Weights and Properties of Steel Shafting	PT15-20
Weld-on Hubs, TAPER-LOCK Bushings	PT6-13
Weld-On Hubs for Conveyor Pulleys, QD Bushings	PT6-23
Welding, TAPER-LOCK Bushings	PT6-10
Wide Range Belts, REEVES VARI-SPEED Drives	PT9-3, PT9-12 thru PT9-14
REEVES-Lewellen Belts	PT9-12
Working Tension, DYNA-SYNC Drives	PT10-45

For Additional information and DODGE Product Manuals on
DODGE Bearing Products, DODGE Gearing Products or DODGE
PT Components:

- > contact your local authorized DODGE Distributor
- > contact us at **864.297.4800**
- > visit us on the web at www.baldor.com





Baldor Electric Company

P.O. Box 2400, Fort Smith, AR 72902-2400 U.S.A., Ph: (1) 479.646.4711, Fax (1) 479.648.5792, International Fax (1) 479.648.5895

Baldor - Dodge

6040 Ponders Court, Greenville, SC 29615-4617 U.S.A., Ph: (1) 864.297.4800, Fax: (1) 864.281.2433

www.baldor.com