

# BSS

## Ball Bearings in Stainless Steel (magnetic)



6000 SERIE

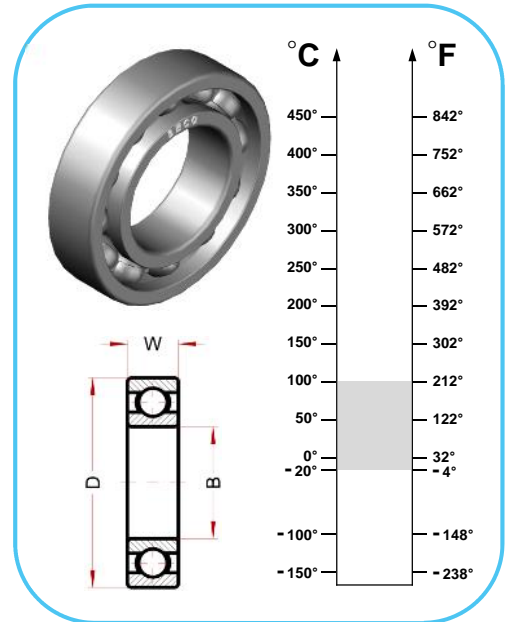
Designation	Bore (B)	Diam (D)	Width (W)	Speed, RPM	Static Load, kN at 100°C	Static Load, kN at 20°C
6000 BSS	10	26	8	19720	1,57	1,57
6001 BSS	12	28	8	16640	1,89	1,89
6002 BSS	15	32	9	15360	2,28	2,28
6003 BSS	17	35	10	14080	2,60	2,60
6004 BSS	20	42	12	12800	4,00	4,00
6005 BSS	25	47	12	10880	4,68	4,68
6006 BSS	30	55	13	8320	6,40	6,40
6007 BSS	35	62	14	7040	8,32	8,32
6008 BSS	40	68	15	6400	9,44	9,44
6009 BSS	45	75	16	5760	11,44	11,44
6010 BSS	50	80	16	5440	12,48	12,48
6011 BSS	55	90	18	4800	16,96	16,96
6012 BSS	60	95	18	4480	18,50	18,50
6013 BSS	65	100	18	4032	20,00	20,00
6014 BSS	70	110	20	3840	25,20	25,20
6015 BSS	75	115	20	3584	27,20	27,20

6200 SERIE

Designation	Bore (B)	Diam (D)	Width (W)	Speed, RPM	Static Load, kN at 100°C	Static Load, kN at 20°C
6200 BSS	10	30	9	16640	2,08	2,08
6201 BSS	12	32	10	15360	2,48	2,48
6202 BSS	15	35	11	12800	3,00	3,00
6203 BSS	17	40	12	11520	3,80	3,80
6204 BSS	20	47	14	10240	5,24	5,24
6205 BSS	25	52	15	8960	6,40	6,40
6206 BSS	30	62	16	7040	8,96	8,96
6207 BSS	35	72	17	6080	12,24	12,24
6208 BSS	40	80	18	5440	14,40	14,40
6209 BSS	45	85	19	5120	16,32	16,32
6210 BSS	50	90	20	4800	19,20	19,20
6211 BSS	55	100	21	4288	23,20	23,20
6212 BSS	60	110	22	3840	28,80	28,80
6213 BSS	65	120	23	3392	33,20	33,20
6214 BSS	70	125	24	3200	35,20	35,20
6215 BSS	75	130	25	3072	39,20	39,20

6300 SERIE

Designation	Bore (B)	Diam (D)	Width (W)	Speed, RPM	Static Load, kN at 100°C	Static Load, kN at 20°C
6300 BSS	10	35	11	14080	2,76	2,76
6301 BSS	12	37	12	12800	3,32	3,32
6302 BSS	15	42	13	11520	4,32	4,32
6303 BSS	17	47	14	10240	5,54	5,54
6304 BSS	20	52	15	8960	6,80	6,80
6305 BSS	25	62	17	7040	9,12	9,12
6306 BSS	30	72	19	6080	13,04	13,04
6307 BSS	35	80	21	5440	15,20	15,20
6308 BSS	40	90	23	4800	20,00	20,00
6309 BSS	45	100	25	4288	25,60	25,60
6310 BSS	50	110	27	3840	30,40	30,40
6311 BSS	55	120	29	3392	38,00	38,00
6312 BSS	60	130	31	3200	41,60	41,60
6313 BSS	65	140	33	2880	48,00	48,00
6314 BSS	70	150	35	2752	56,20	56,20
6315 BSS	75	160	37	2560	61,20	61,20



### Technical characteristics:

- Bearing material: tempered stainless steel
- Standard Radial Clearance
- Bearing running open
- Greasing: The bearings are supplied not greased
- Lubrication according customer specification
- 51100, 51200 & 51300 Series bearings also available

### Fields of application:

- Air conveyors for food processing plants
- Construction industry, windows, sliding windows, etc.



12100 Cuneo - Italy

phone: 0039 0171 66883

fax: 0039 0171 648913

[www.becoitalia.it](http://www.becoitalia.it)